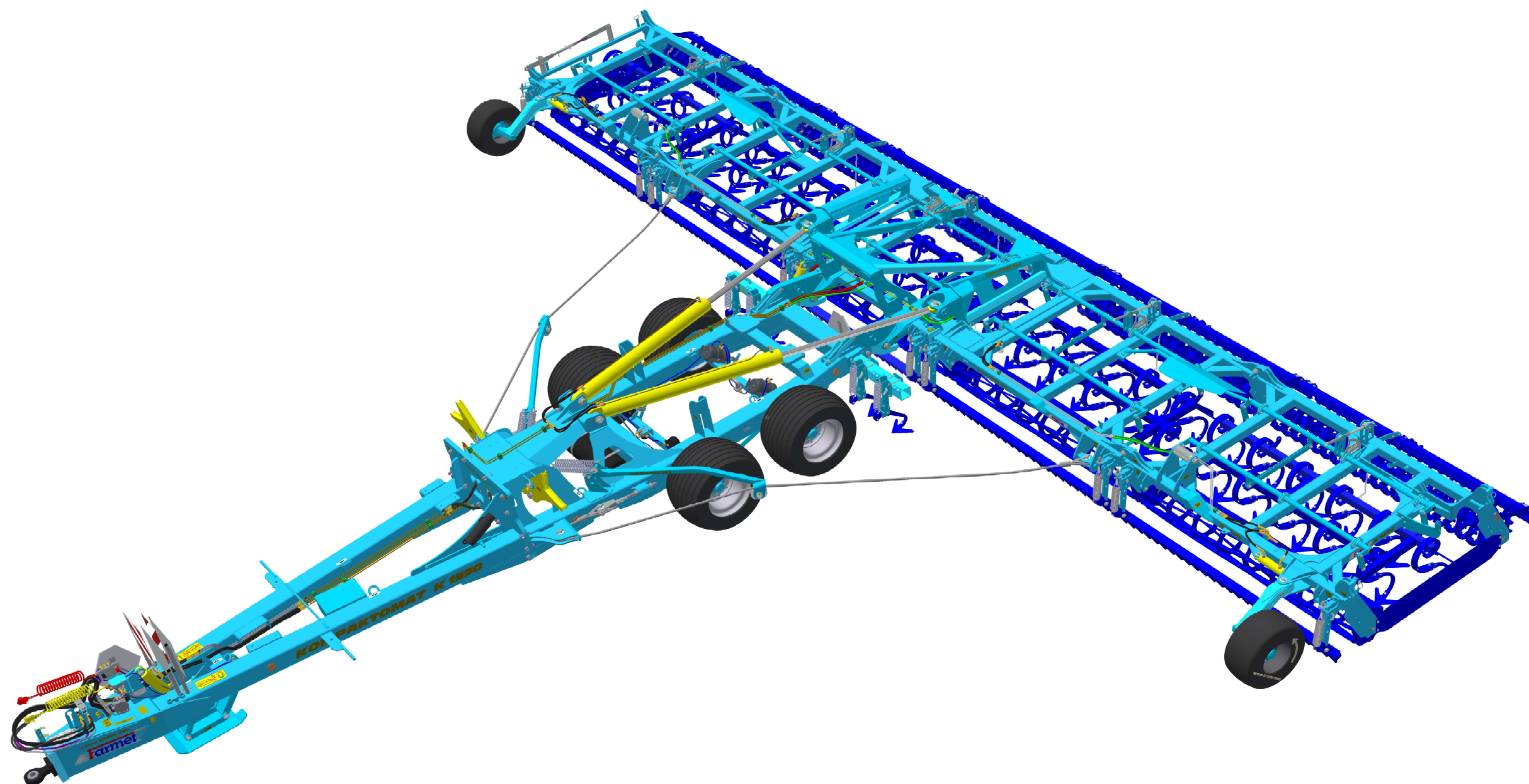


The effective technology

**Farmet**

ⒸZ KATALOG NÁHRADNÍCH DÍLŮ ⒸB CATALOGUE OF SPARE PARTS ⒸD ERSATZTEILLISTE  
ⒸRU КАТАЛОГ ЗАПАСНЫХ ЧАСТЕЙ ⒸF CATALOGUE DES PIÈCES DE RECHANGE ⒸPL KATALOG CZĘŚCI ZAMIENNYCH

# KOMPAKTOMAT K1250PS



ⒸZ Platnost pro vrcholové | výrobní číslo stroje ⒸB Validity for the top | serial number of the machine  
ⒸD Gültigkeit für die Haupt- | Herstellungsnummer der Maschine ⒸRU Действительно для главного | заводского номера машины  
ⒸF Validité du numéro de référence | de série de la machine ⒸPL Obowiązuje dla numeru głównego | seryjnego maszyny

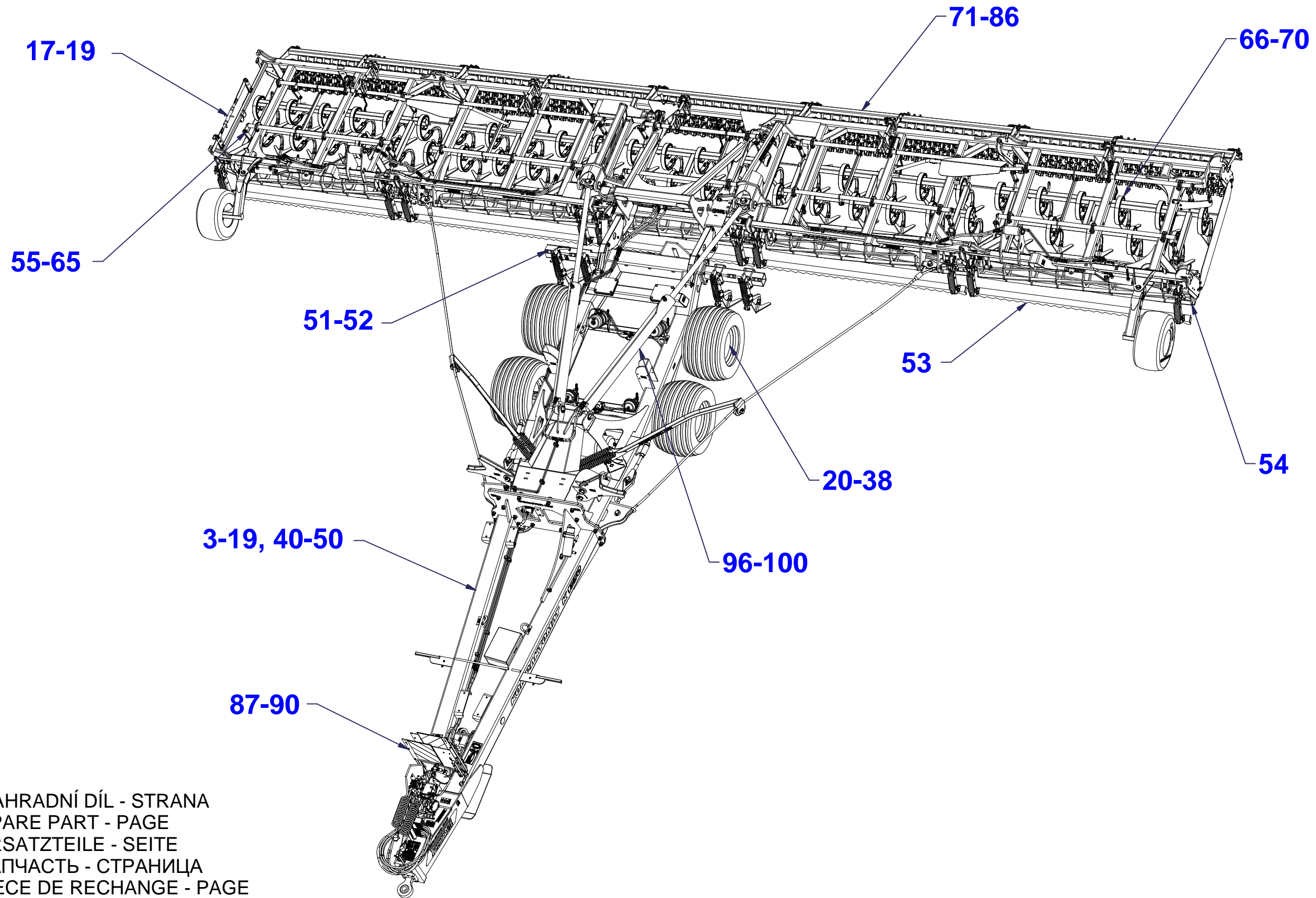
**9303985 | 2016/0949**

Farmet a. s.  
Jiřinková 276  
552 03 Česká Skalice, CZ

telefon: +420 491 450 111  
fax: +420 491 450 136  
GSM: +420 774 715 738

IČ: 46504931  
DIČ: CZ46504931

web: [www.farmet.cz](http://www.farmet.cz)  
e-mail: [farmet@farmet.cz](mailto:farmet@farmet.cz)





Ⓒ POLOTOVAR STROJE

Ⓓ MASCHINEN-HALBFABRIKAT

Ⓕ MACHINE - SEMI-PRODUIT

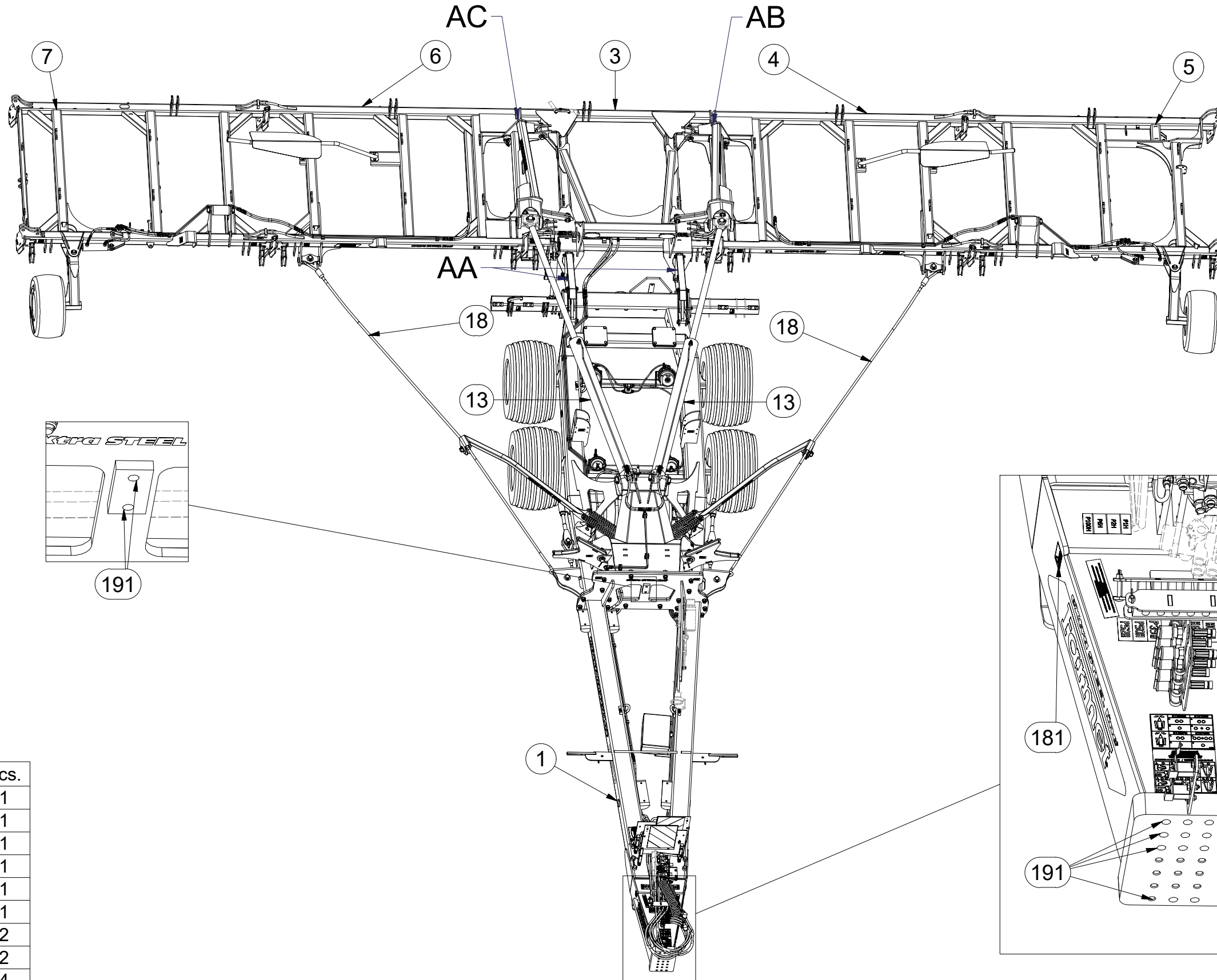
Ⓖ SEMIFINISHED MACHINE

Ⓡ ПОЛУФАБРИКАТ МАШИНЫ

Ⓟ PÓLFABRYKAT MASZYNY



**3007973**



Pos.	Part Number	Pcs.
1	3007987	1
3	3006955	1
4	3006956	1
5	3007988	1
6	3006958	1
7	3007989	1
13	4004817	2
18	m09595	2
181	m10180	4
191	m12433	26

Ⓒ POLOTOVAR STROJE

Ⓓ MASCHINEN-HALBFABRIKAT

Ⓕ MACHINE - SEMI-PRODUIT

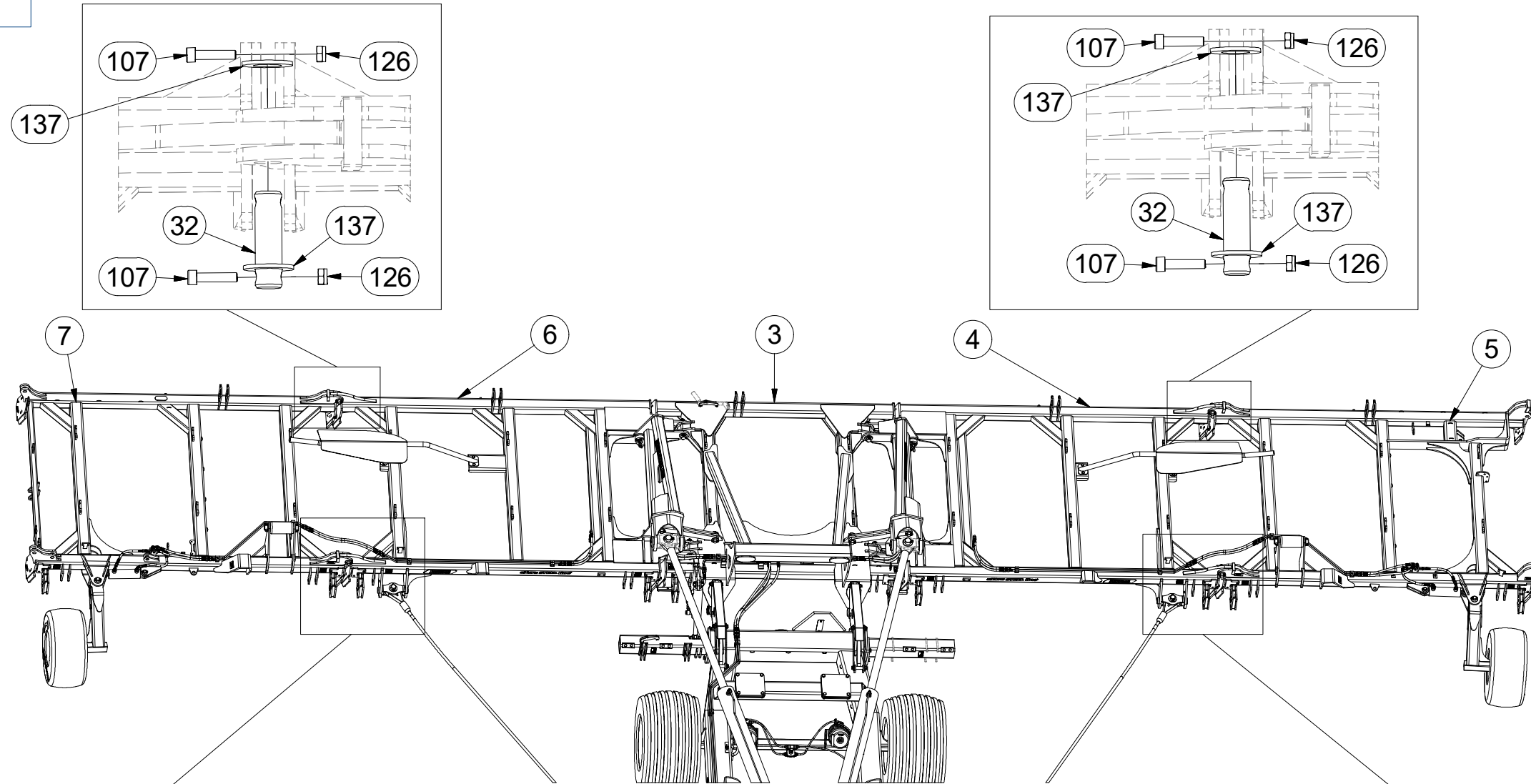
Ⓖ SEMIFINISHED MACHINE

Ⓡ ПОЛУФАБРИКАТ МАШИНЫ

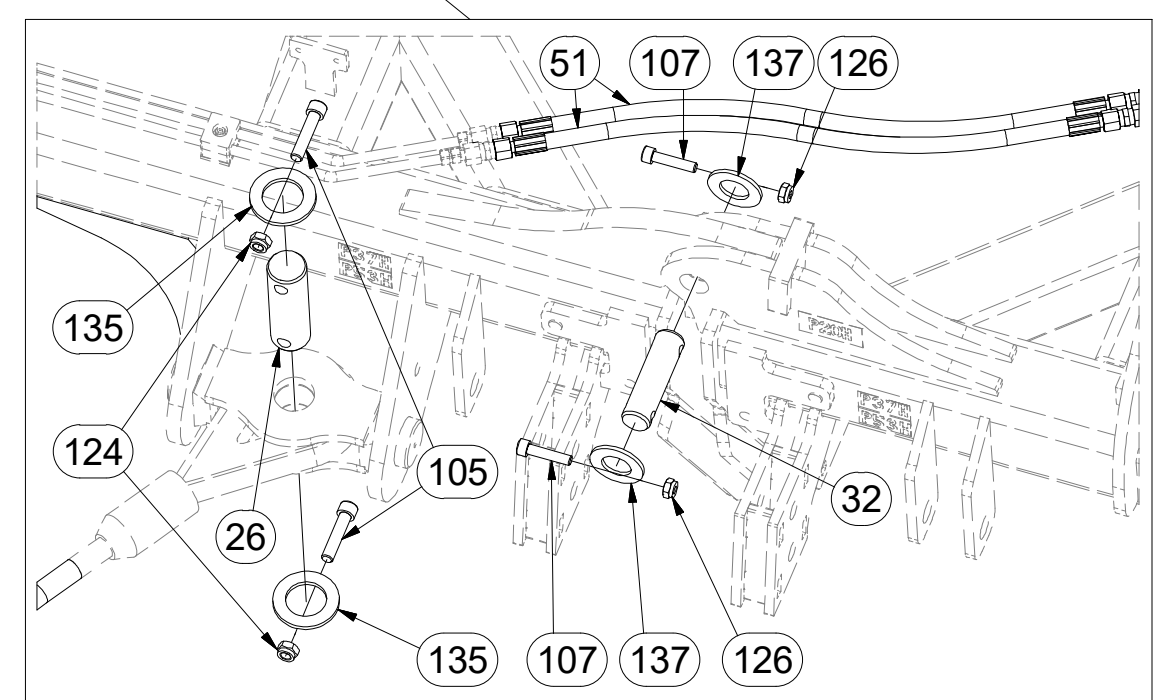
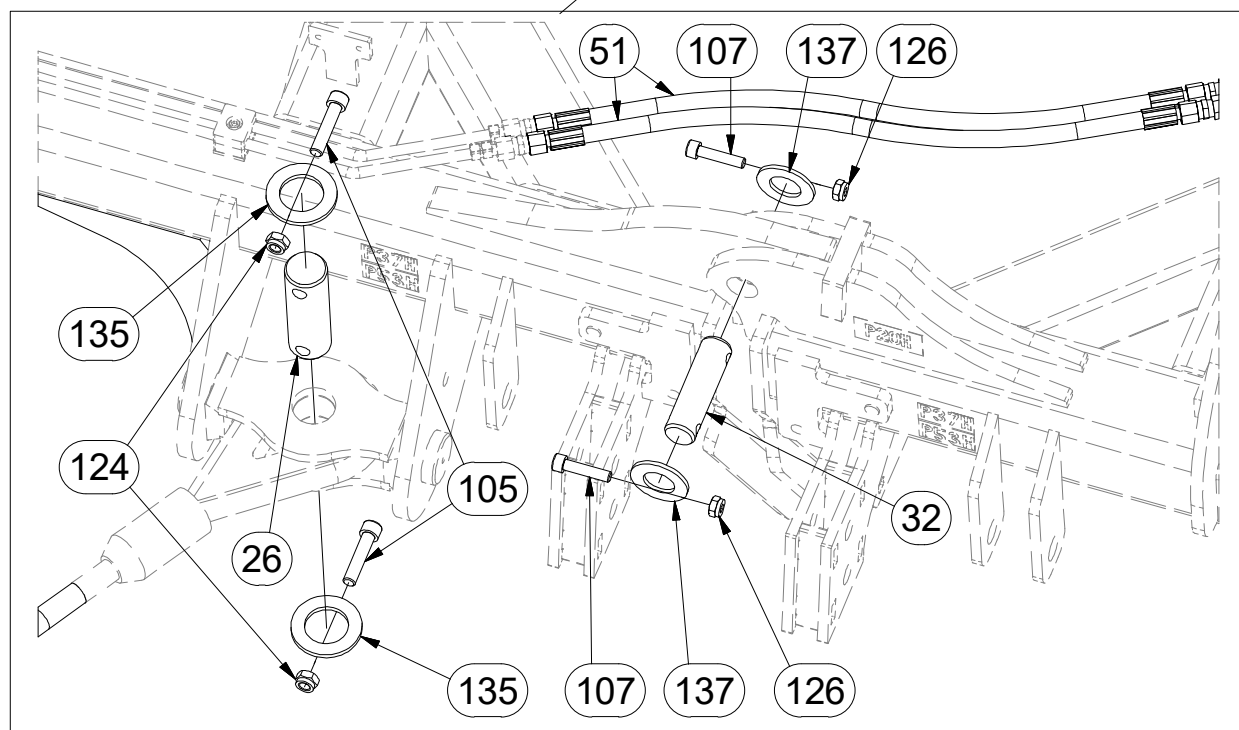
Ⓟ РОЉФАБРИКАТ МАСЗЫНЫ



**3007973**



Pos.	Part Number	Pcs.
3	3006955	1
4	3006956	1
5	3007988	1
6	3006958	1
7	3007989	1
26	4015686	6
32	4007584	4
51	m03713	6
105	m14008	24
107	m14143	16
124	m04301	24
126	m03775	16
135	4013139	24
137	m14029	16
181	m10180	4
191	m12433	26





Ⓒ POLOTOVAR STROJE

Ⓓ MASCHINEN-HALBFABRIKAT

Ⓕ MACHINE - SEMI-PRODUIT

Ⓖ SEMIFINISHED MACHINE

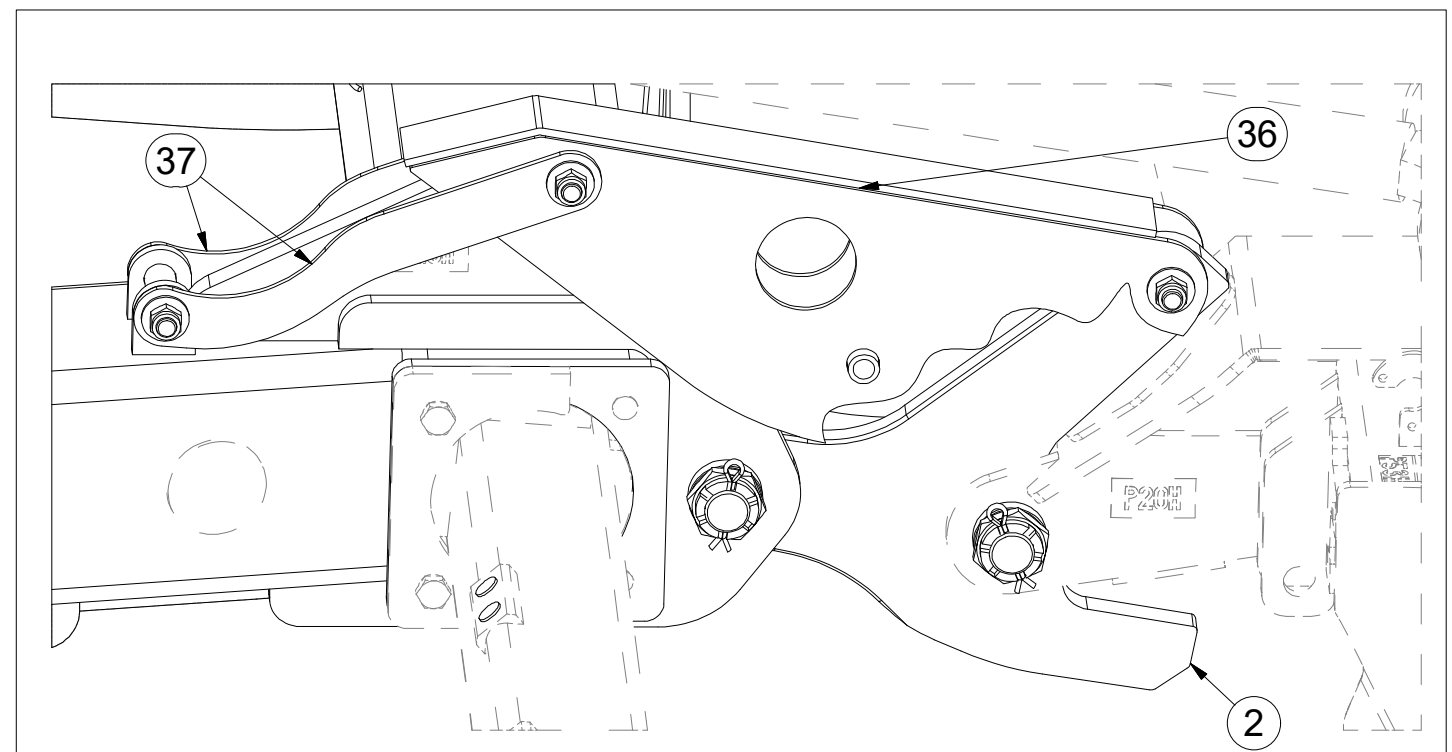
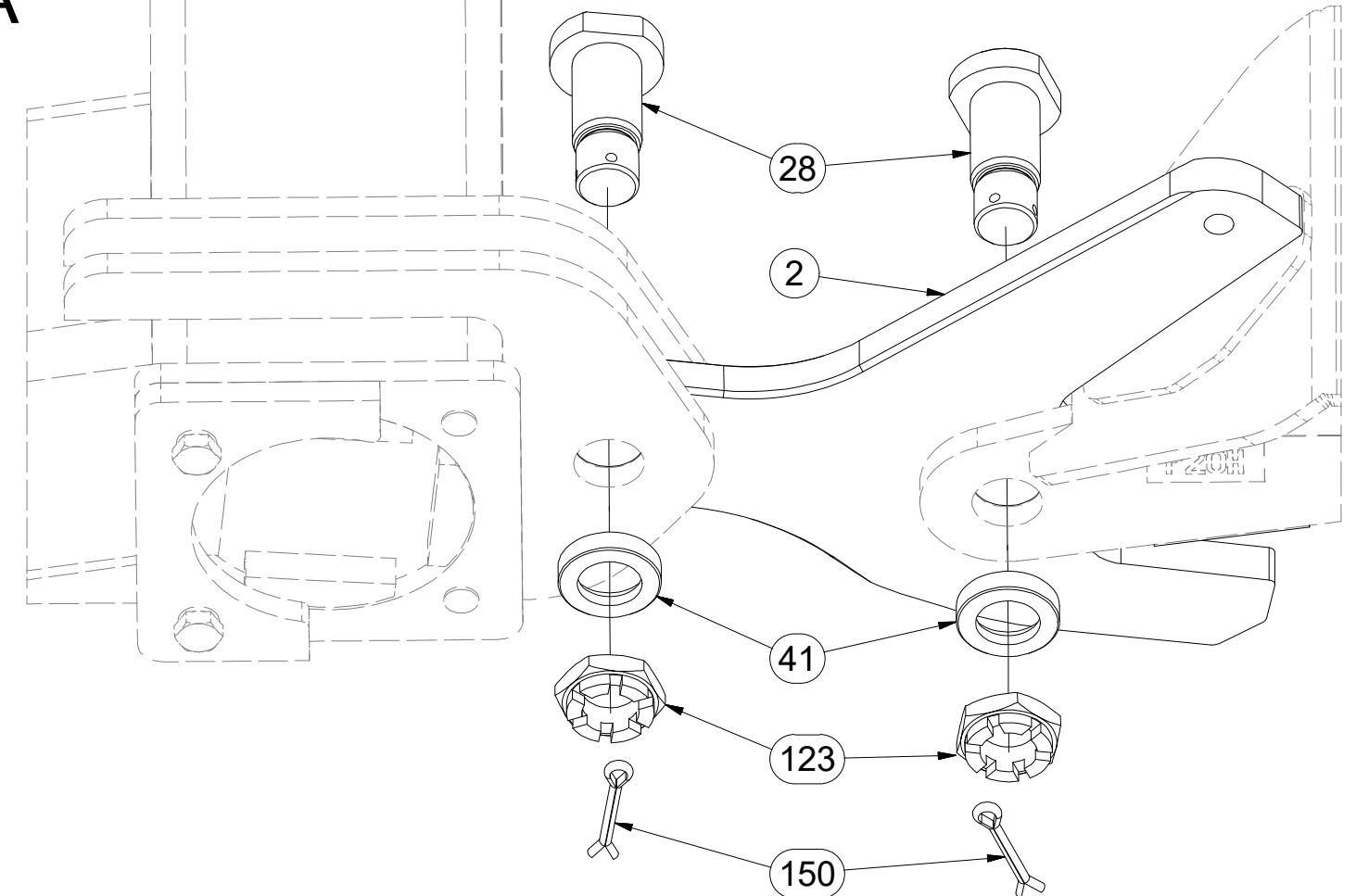
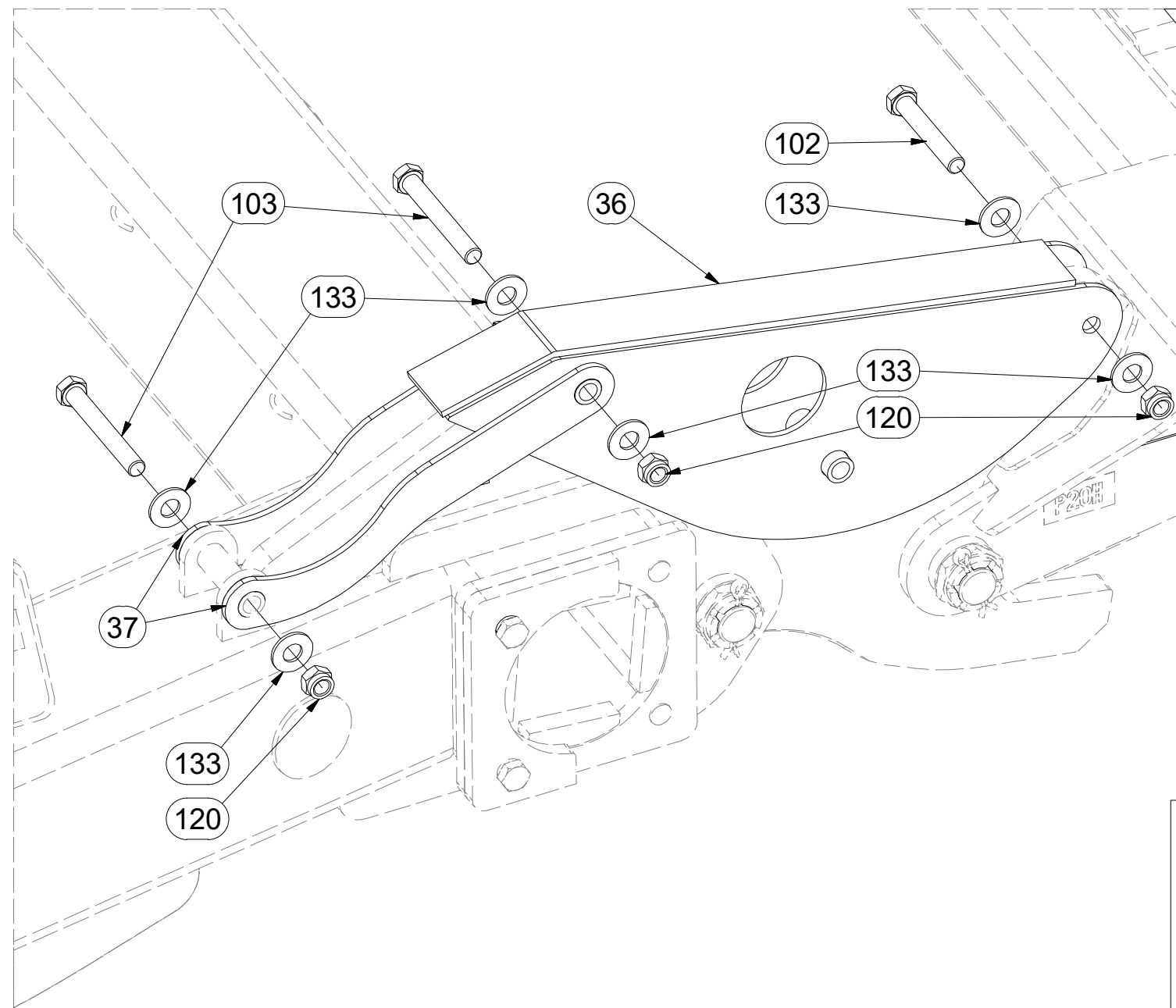
Ⓡ ПОЛУФАБРИКАТ МАШИНЫ

Ⓢ РОЉФАБРИКАТ МАСЗЫНЫ

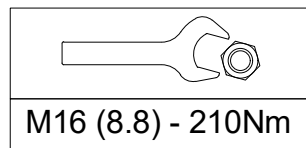


**3007973**

AA



Pos.	Part Number	Pcs.
2	3006061	2
28	4007363	4
36	3002987	2
37	4005544	4
41	4007364	4
102	m05304	2
103	m00144	4
120	m03683	8
123	m02533	4
133	m05651	12
150	m03959	4



Ⓒ POLOTOVAR STROJE

Ⓓ MASCHINEN-HALBFABRIKAT

Ⓕ MACHINE - SEMI-PRODUIT

Ⓖ SEMIFINISHED MACHINE

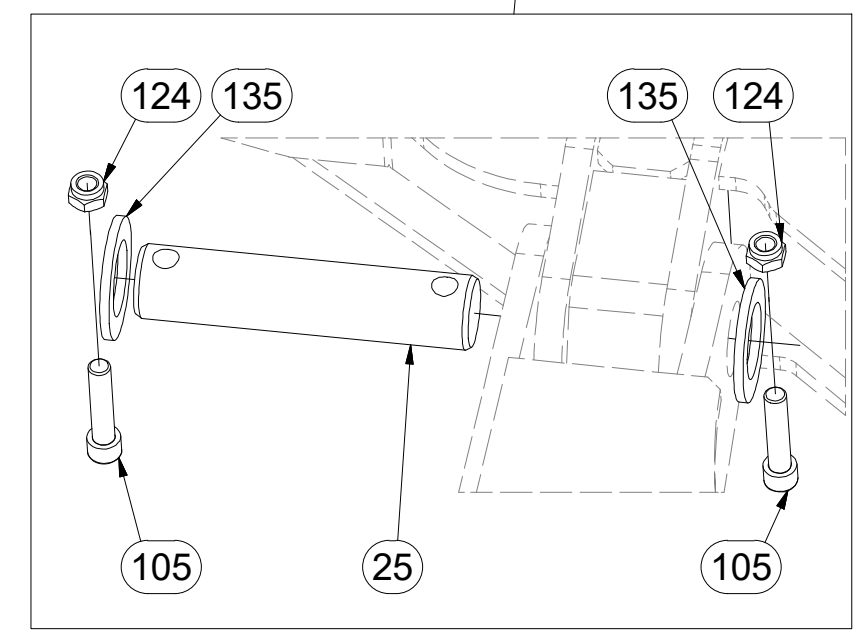
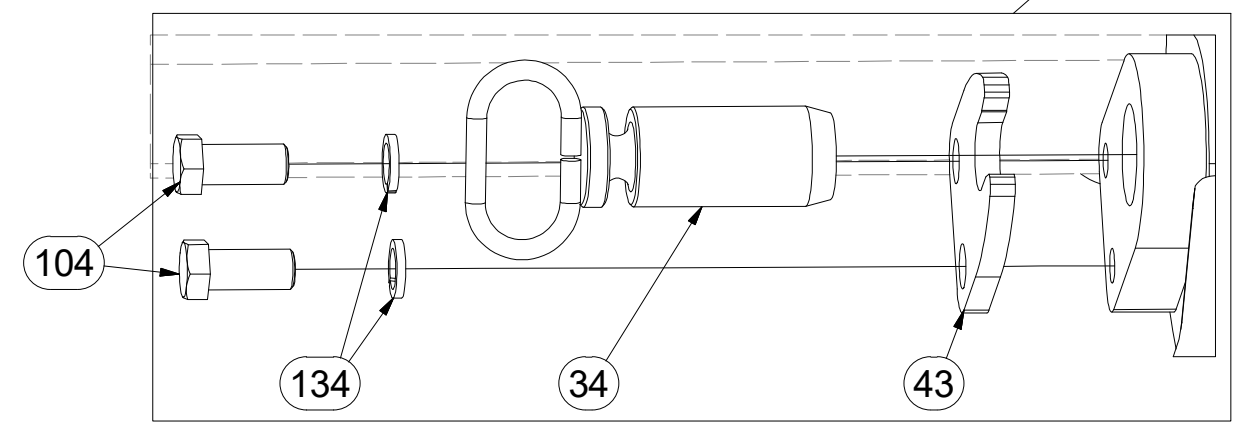
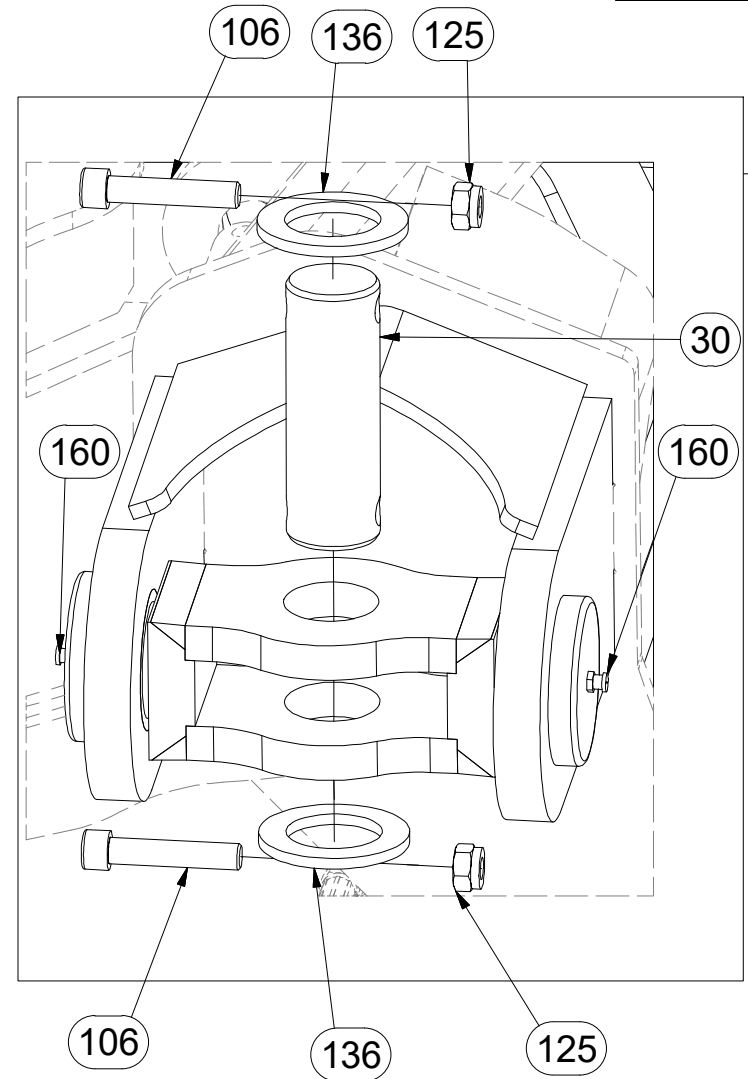
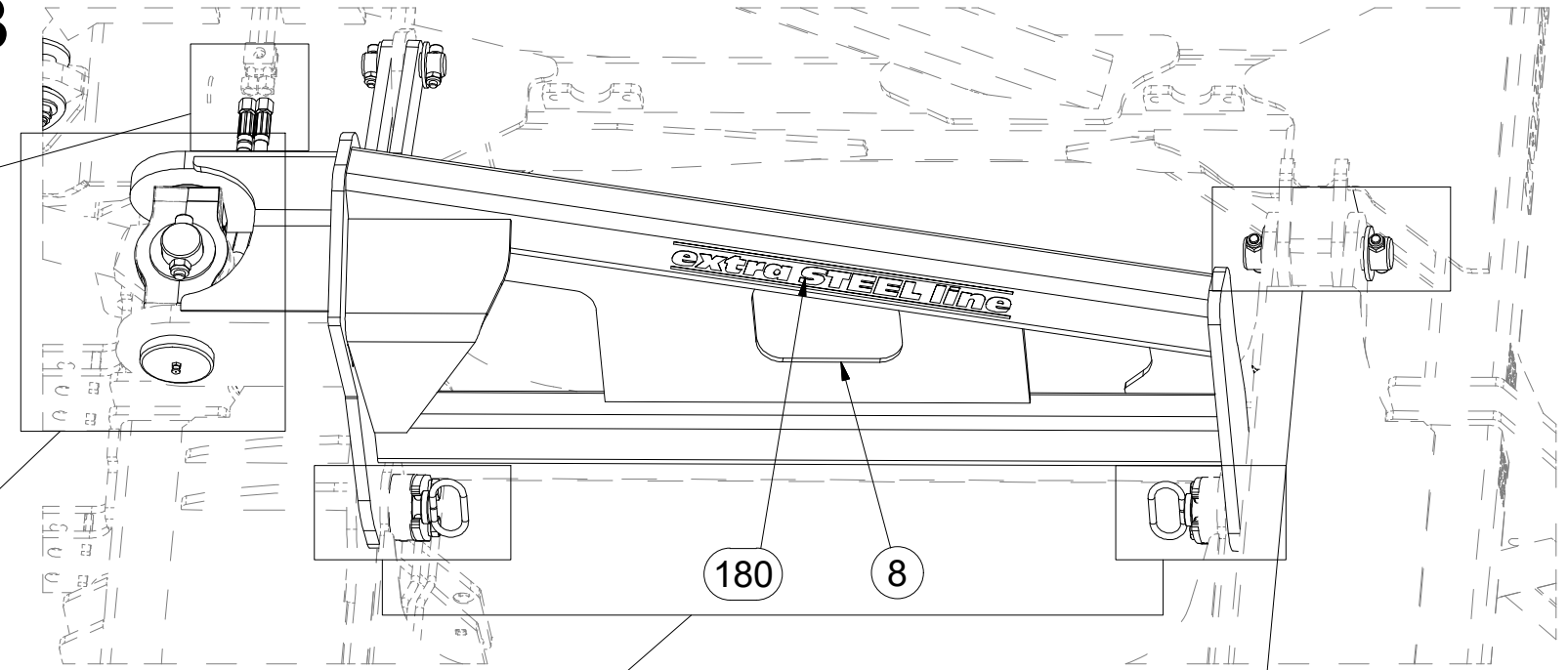
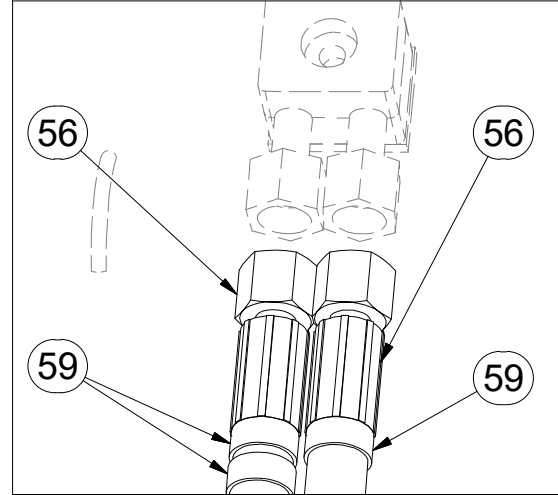
Ⓡ ПОЛУФАБРИКАТ МАШИНЫ

Ⓟ PÓLFABRYKAT MASZYNY



**3007973**

AB



KM6 - 8Nm
M10 (8.8) - 50Nm
M12 (8.8) - 87Nm
M16 (8.8) - 210Nm
HYDRAULIC COMPONENTS:
M16 x 1,5 - 60Nm
M22 x 1,5 - 140Nm
G 3/8 - 95 Nm

Pos.	Part Number	Pcs.	Pos.	Part Number	Pcs.
8	3002593	1	106	m13957	8
25	4011501	4	124	m04301	24
30	4015689	2	125	m04990	8
43	4010036	4	134	m02157	12
56	m09628	4	135	4013139	24
59	m11691	9	136	4015687	8
104	m04240	8	160	m10451	4
105	m14008	24	180	m10353	4



Ⓒ POLOTOVAR STROJE

Ⓓ MASCHINEN-HALBFABRIKAT

Ⓕ MACHINE - SEMI-PRODUIT

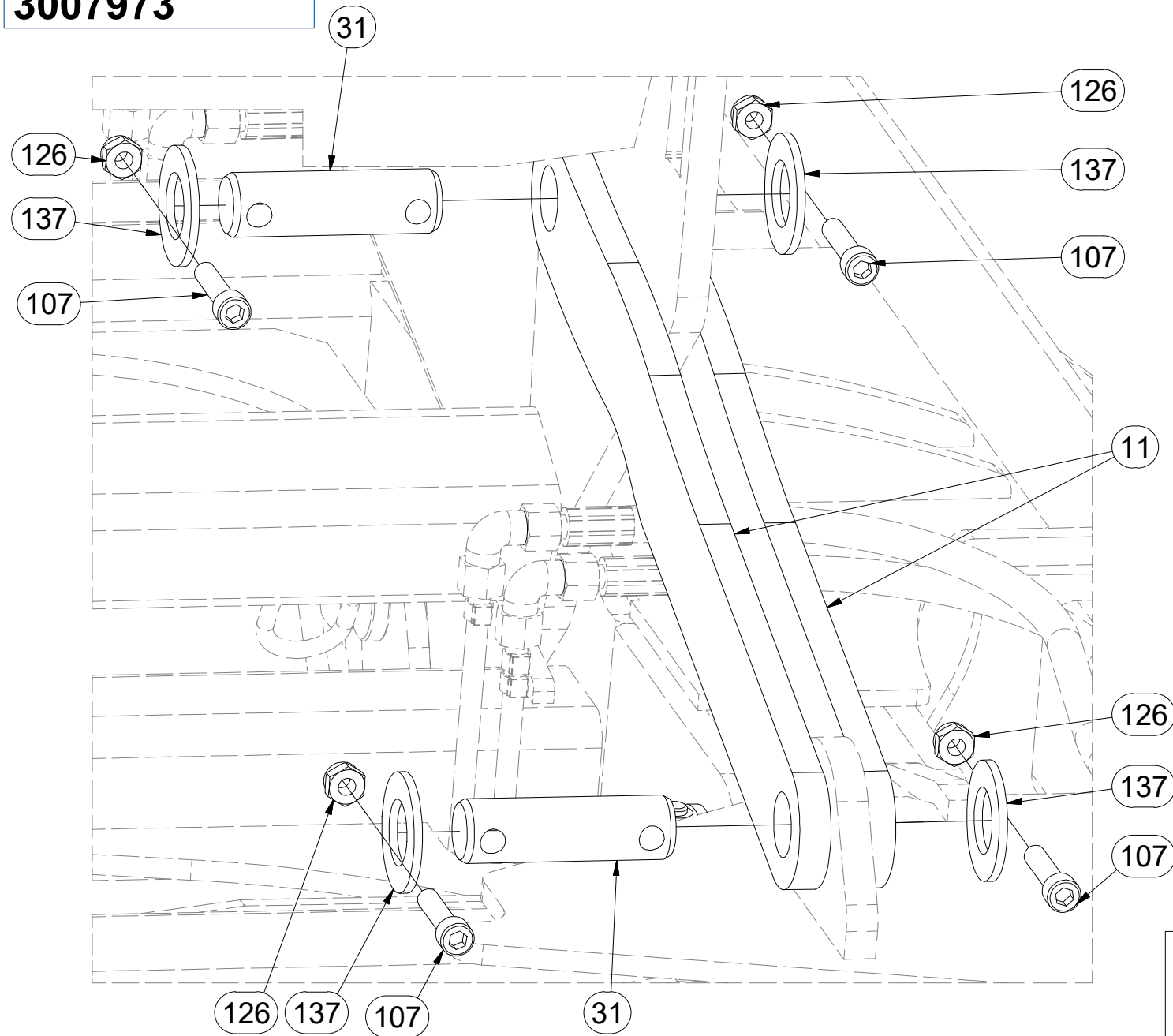
Ⓖ SEMIFINISHED MACHINE

Ⓡ ПОЛУФАБРИКАТ МАШИНЫ

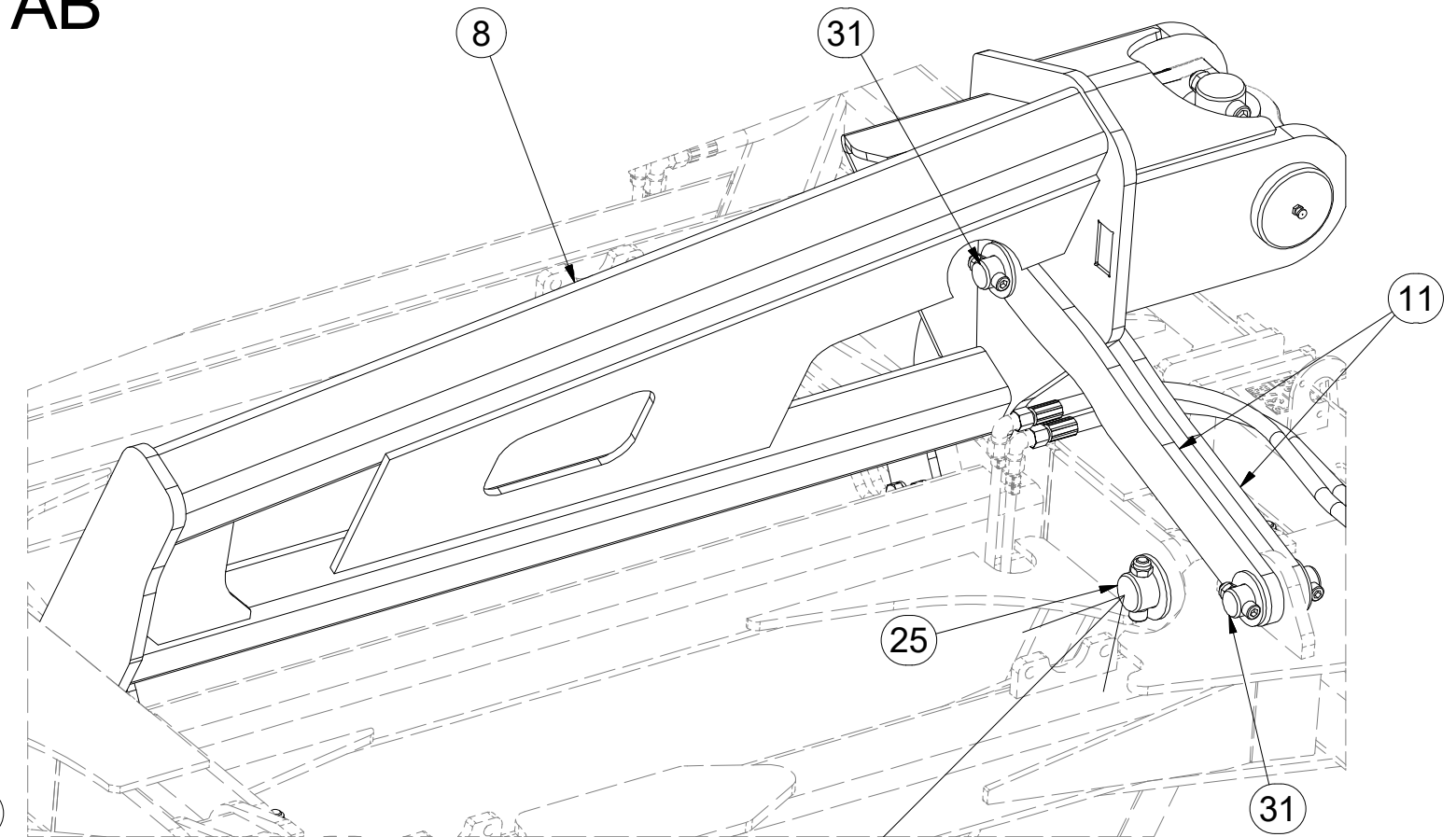
Ⓟ PÓLFABRYKAT MASZYN




**3007973**

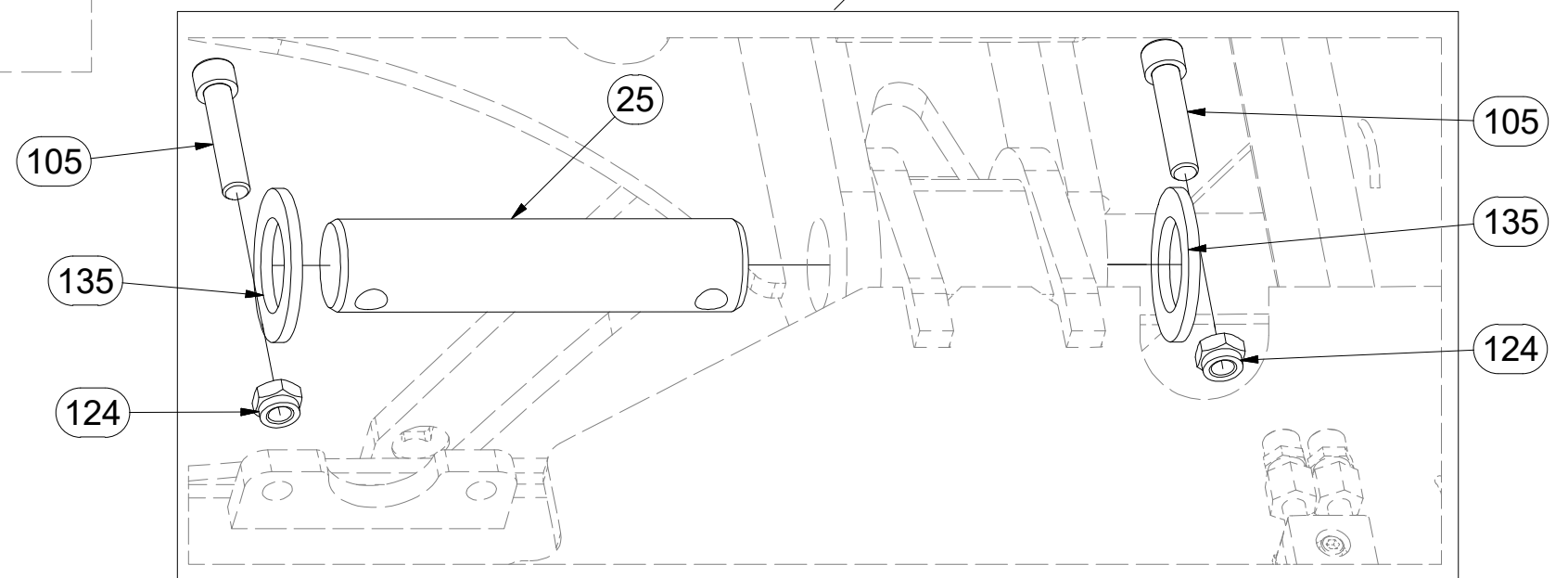


**AB**



Pos.	Part Number	Pcs.
8	3002593	1
11	4008205	4
25	4011501	4
31	4008234	4
105	m14008	24
107	m14143	16
124	m04301	24
126	m03775	16
135	4013139	24
137	m14029	16


M10 (8.8) - 50Nm
M12 (8.8) - 87Nm



Ⓒ POLOTOVAR STROJE

Ⓓ MASCHINEN-HALBFABRIKAT

Ⓕ MACHINE - SEMI-PRODUIT

Ⓖ SEMIFINISHED MACHINE

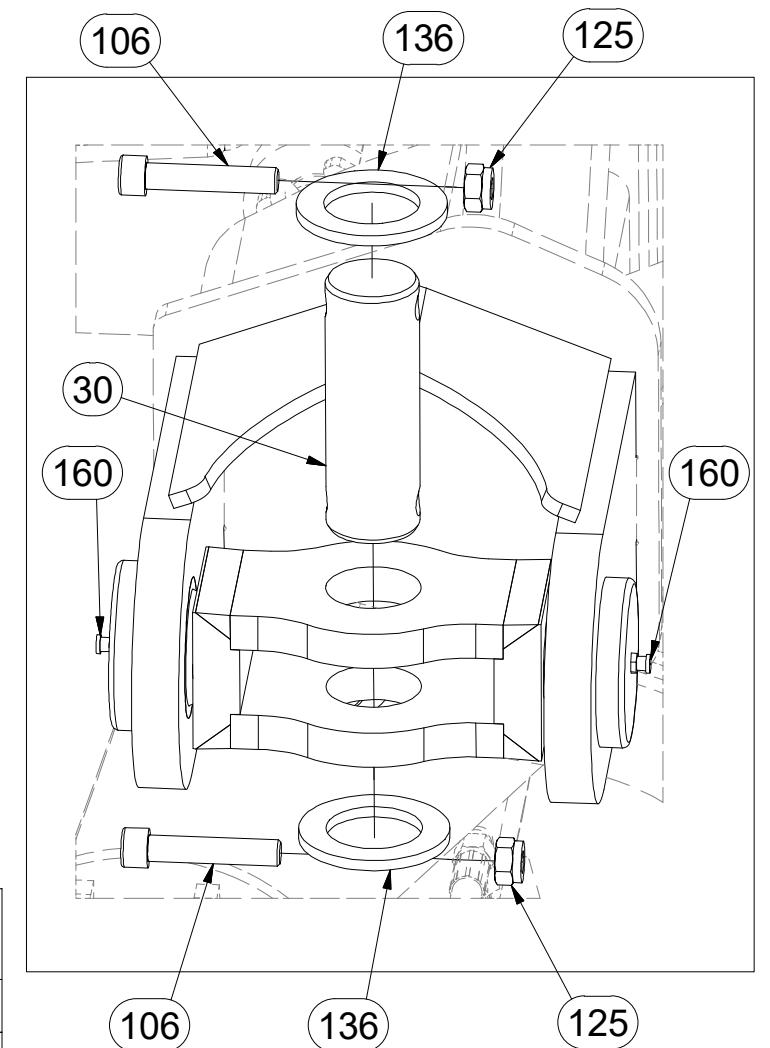
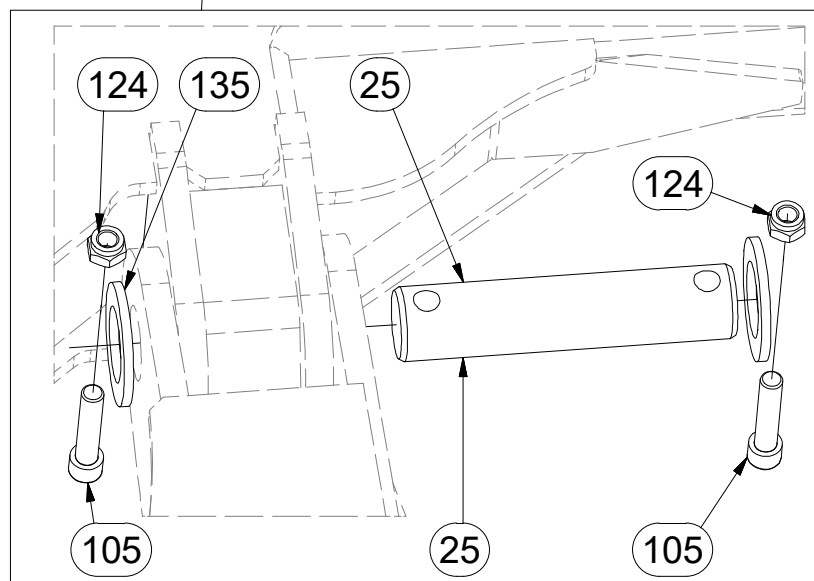
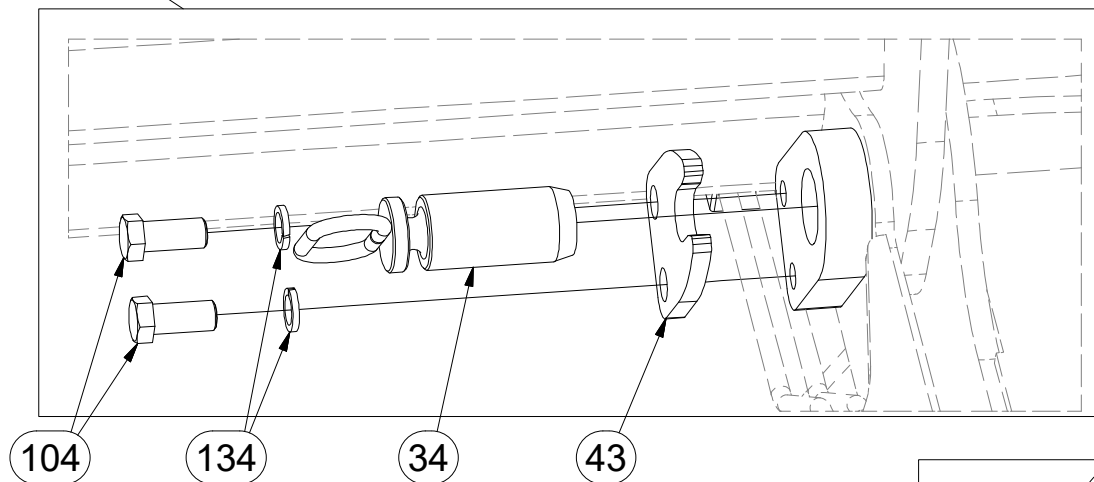
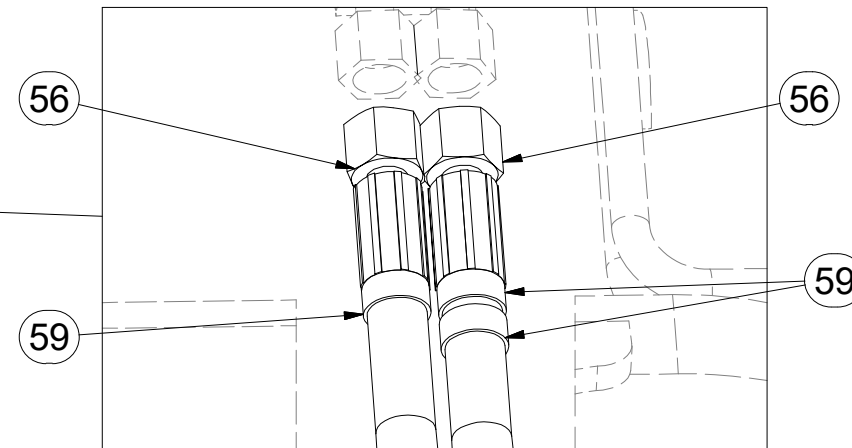
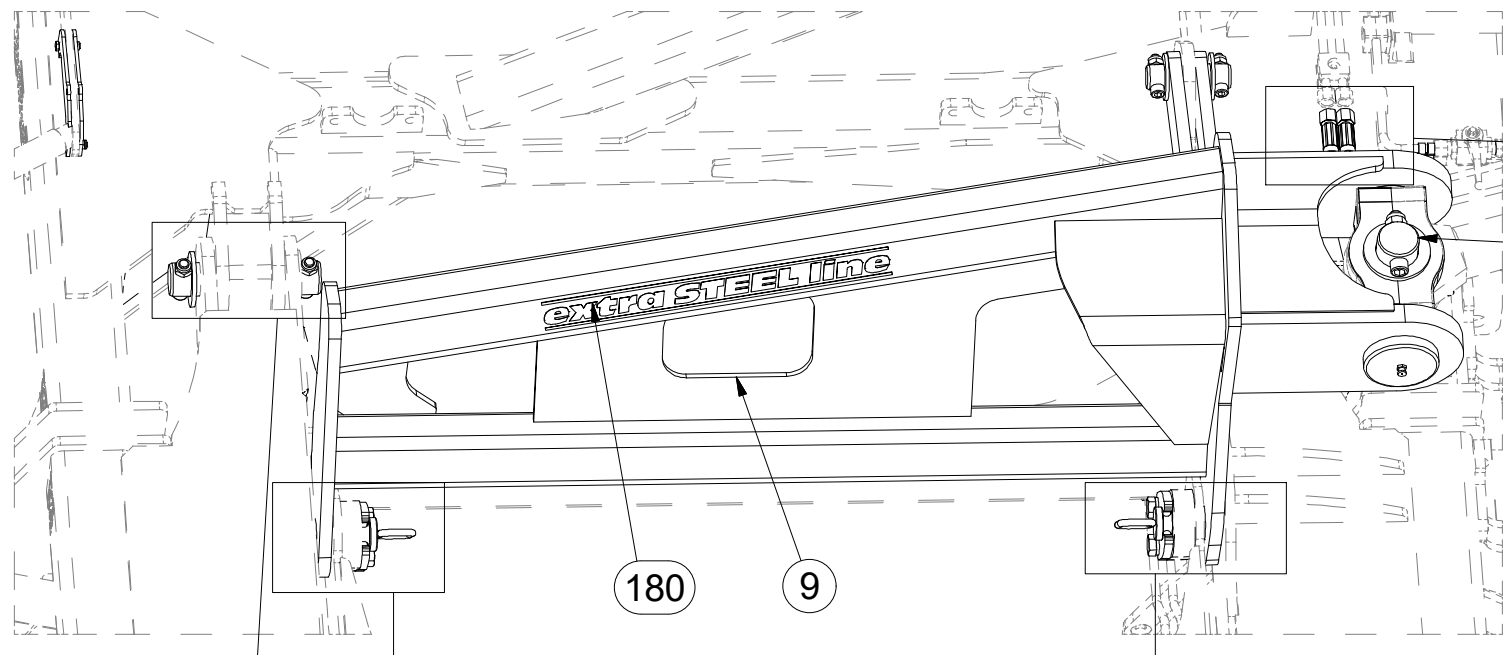
Ⓡ ПОЛУФАБРИКАТ МАШИНЫ

Ⓟ PÓLFABRYKAT MASZYN



3007973

AC



Pos.	Part Number	Pcs.	Pos.	Part Number	Pcs.
9	3002592	1	106	m13957	8
25	4011501	4	124	m04301	24
30	4015689	2	125	m04990	8
34	4010038	4	134	m02157	12
43	4010036	4	135	4013139	24
56	m09628	4	136	4015687	8
59	m11691	9	160	m10451	4
104	m04240	8	180	m10353	4
105	m14008	24			

Symbol	Specification
	M16 (8.8) - 210Nm
	M12 (8.8) - 87Nm
	M10 (8.8) - 50Nm
	HYDRAULIC COMPONENTS:
	M16 x 1,5 - 60Nm
	M22 x 1,5 - 140Nm
	G 3/8 - 95 Nm
	KM6 - 8Nm



☉ POLOTOVAR STROJE

☉ MASCHINEN-HALBFABRIKAT

☉ MACHINE - SEMI-PRODUIT

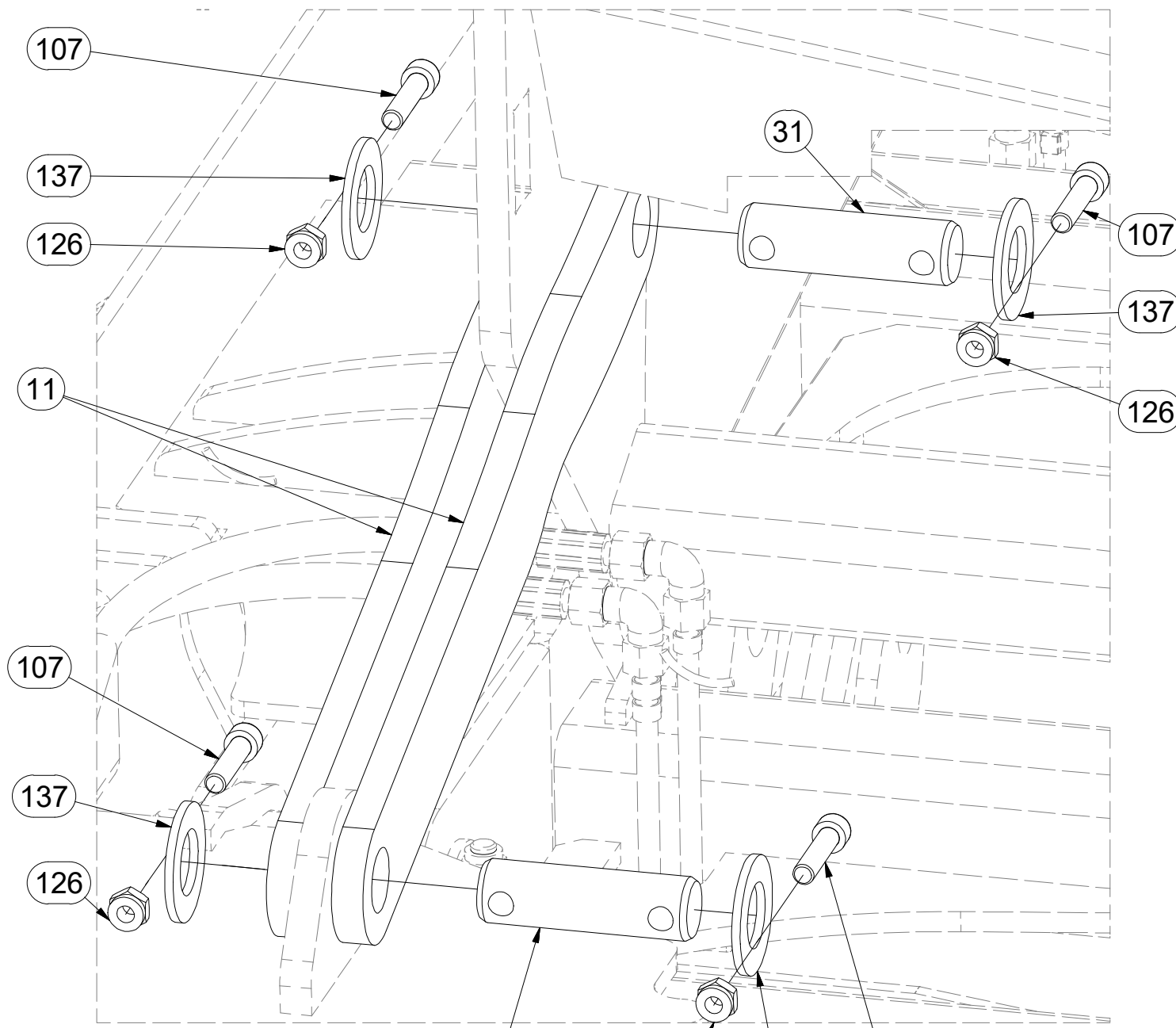
☉ SEMIFINISHED MACHINE

☉ ПОЛУФАБРИКАТ МАШИНЫ

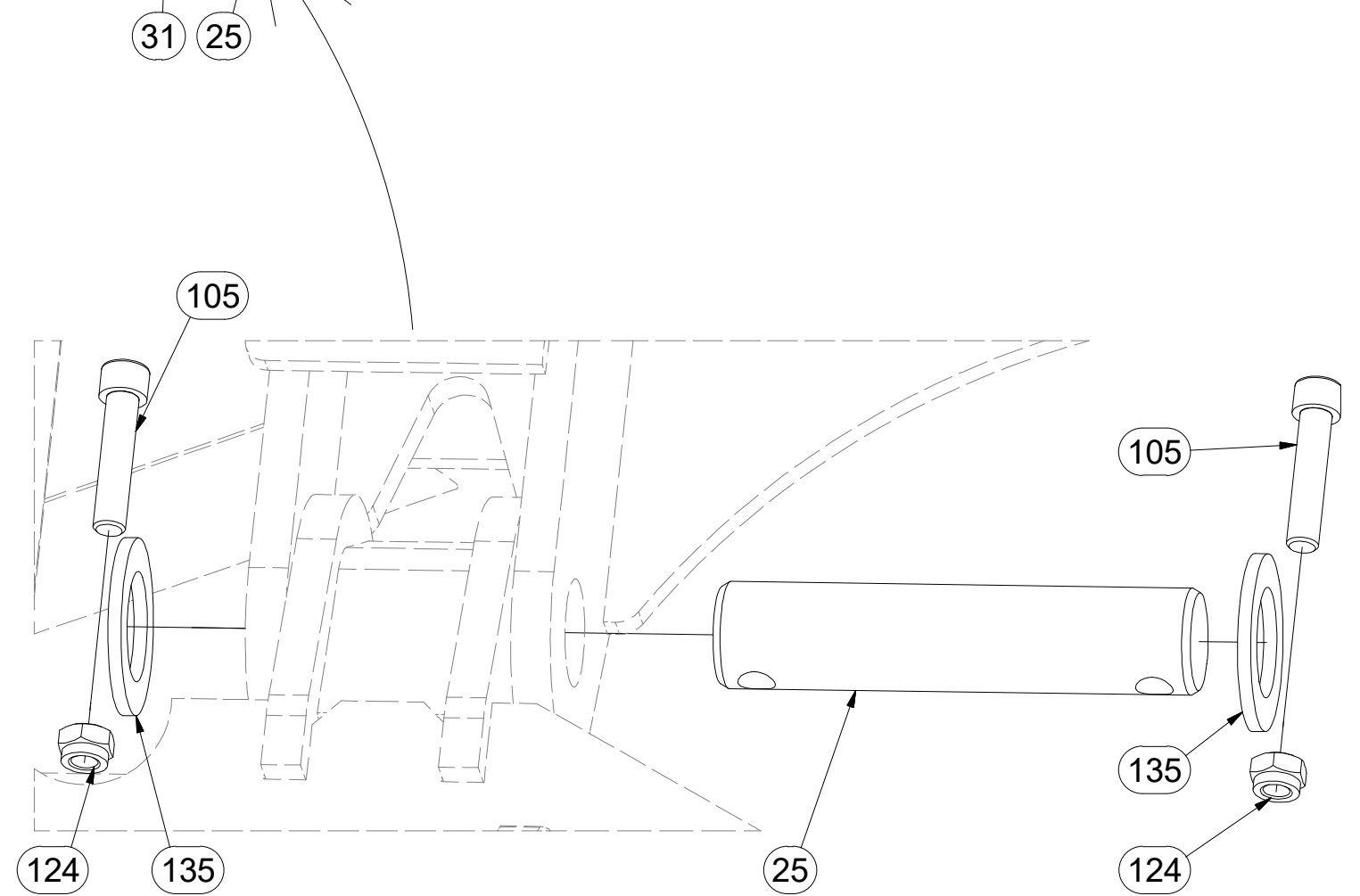
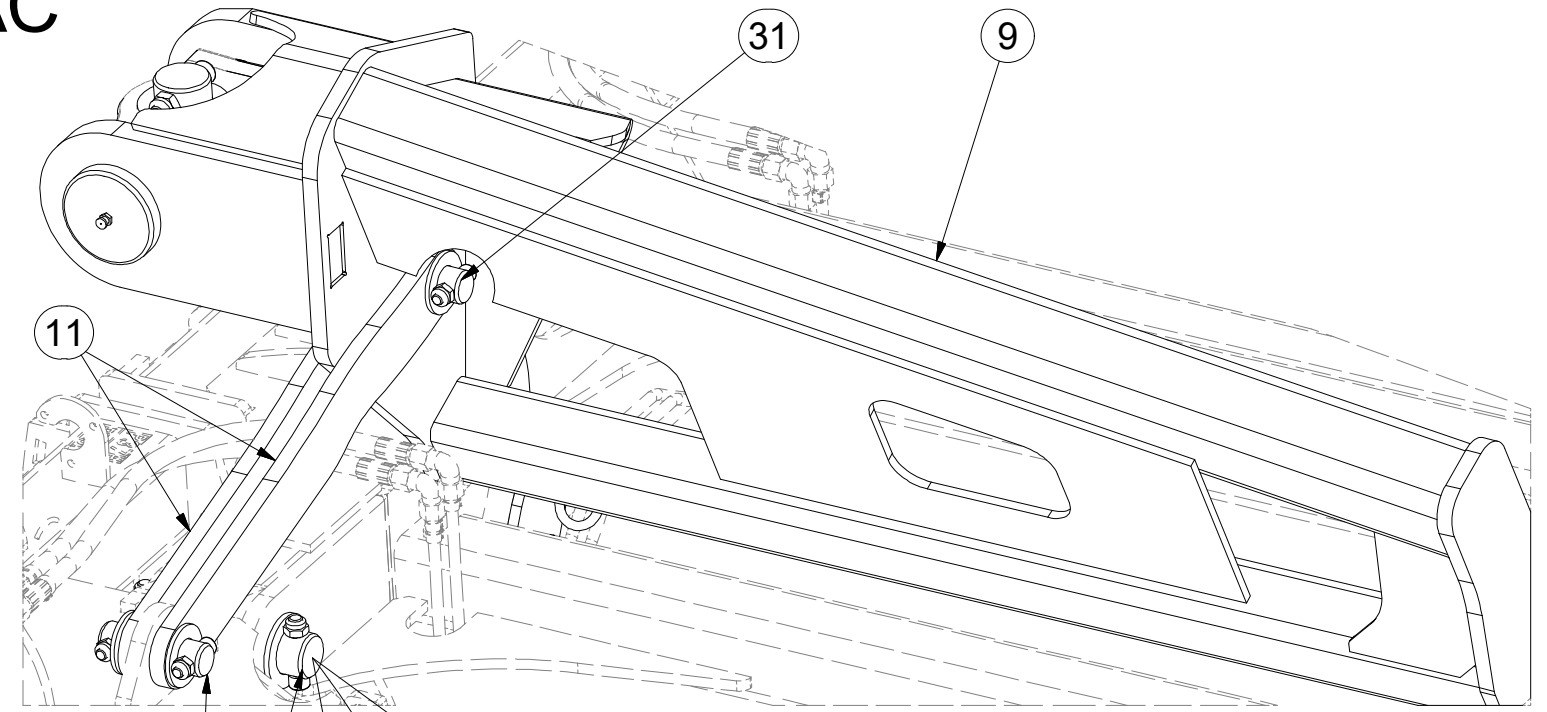
☉ PÓLFABRYKAT MASZYNY



**3007973**



AC



Pos.	Part Number	Pcs.
9	3002592	1
11	4008205	4
25	4011501	4
31	4008234	4
105	m14008	24
107	m14143	16
124	m04301	24
126	m03775	16
135	4013139	24
137	m14029	16

	M10 (8.8) - 50Nm
	M12 (8.8) - 87Nm

☉ POLOTOVAR STROJE

☉ MASCHINEN-HALBFABRIKAT

☉ MACHINE - SEMI-PRODUIT

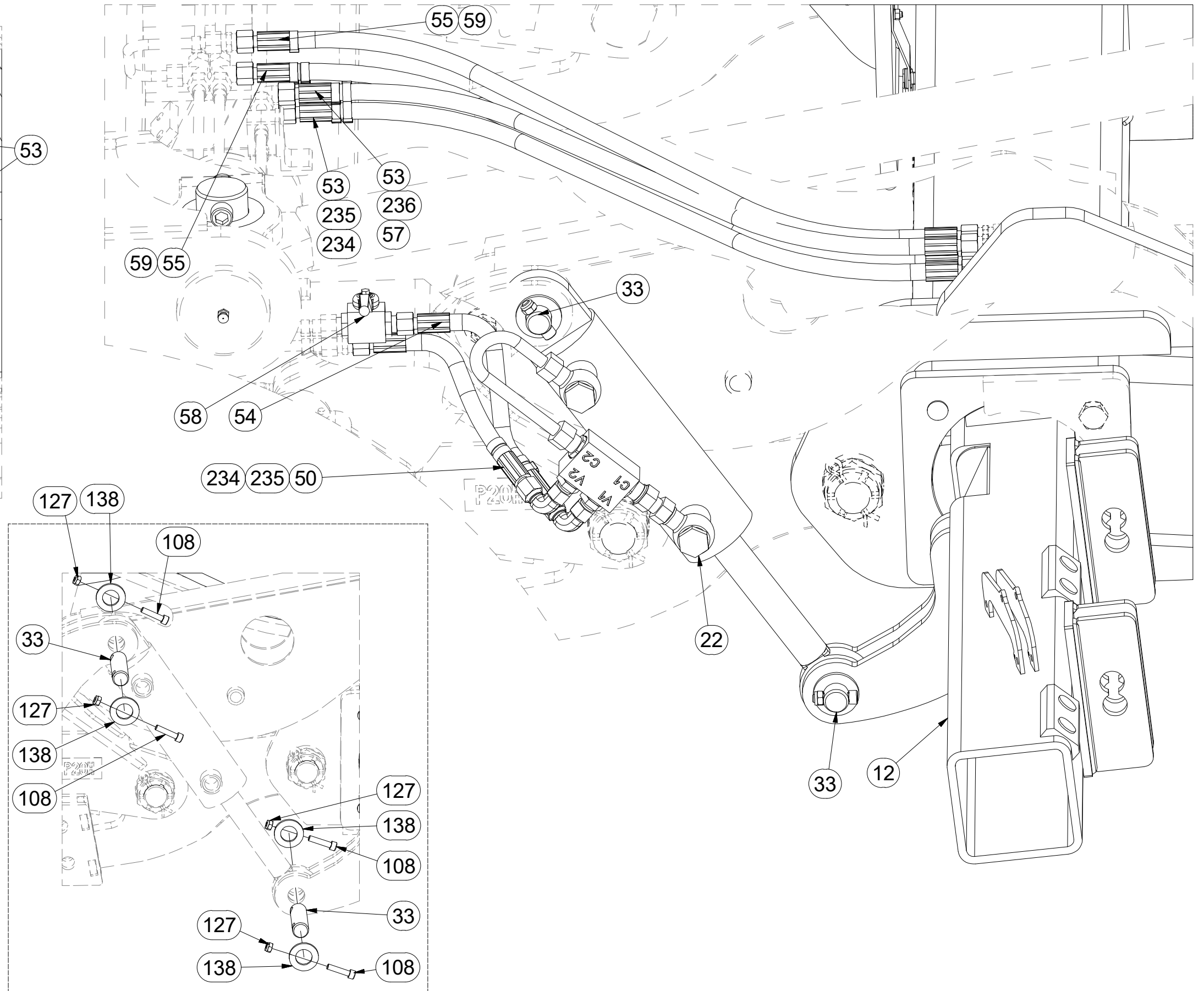
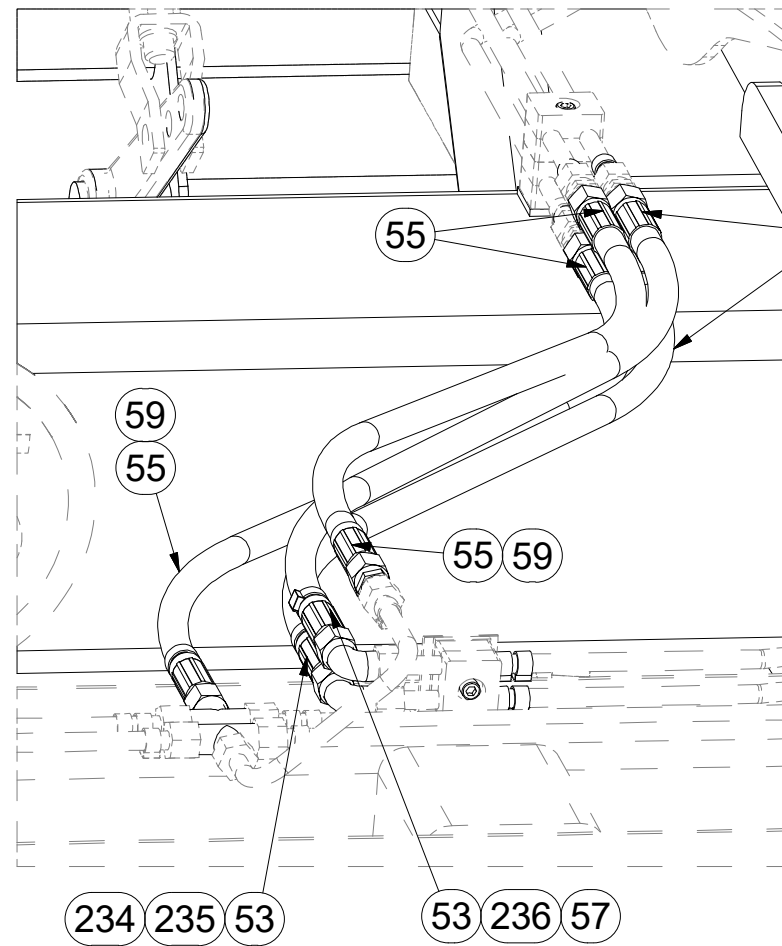
☉ SEMIFINISHED MACHINE

☉ ПОЛУФАБРИКАТ МАШИНЫ


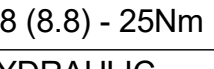
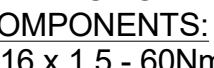
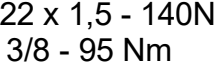
☉ PÓLFABRYKAT MASZYNY



**3007973**



Pos.	Part Number	Pcs.
12	3003002	1
22	4004815	1
33	4010390	2
50	m04026	1
53	m04033	2
54	m07363	1
55	m07646	2
57	m11294	8
58	m04623	1
59	m11691	9
108	m09464	4
127	m04503	8
138	m14028	4
234	m11289	2
235	m11282	2
236	m11253	2

	M8 (8.8) - 25Nm
<b>HYDRAULIC COMPONENTS:</b>	
	M16 x 1,5 - 60Nm
	M22 x 1,5 - 140Nm
	G 3/8 - 95 Nm



Ⓒ POLOTOVAR STROJE

Ⓓ MASCHINEN-HALBFABRIKAT

Ⓕ MACHINE - SEMI-PRODUIT

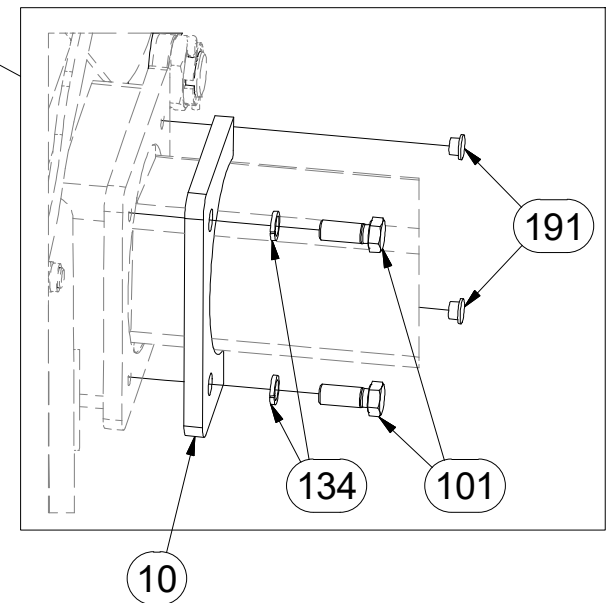
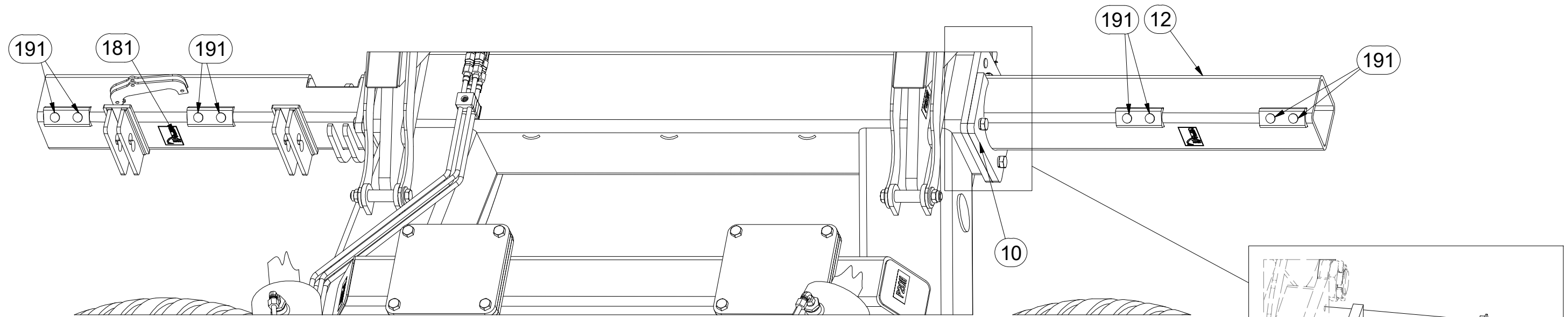
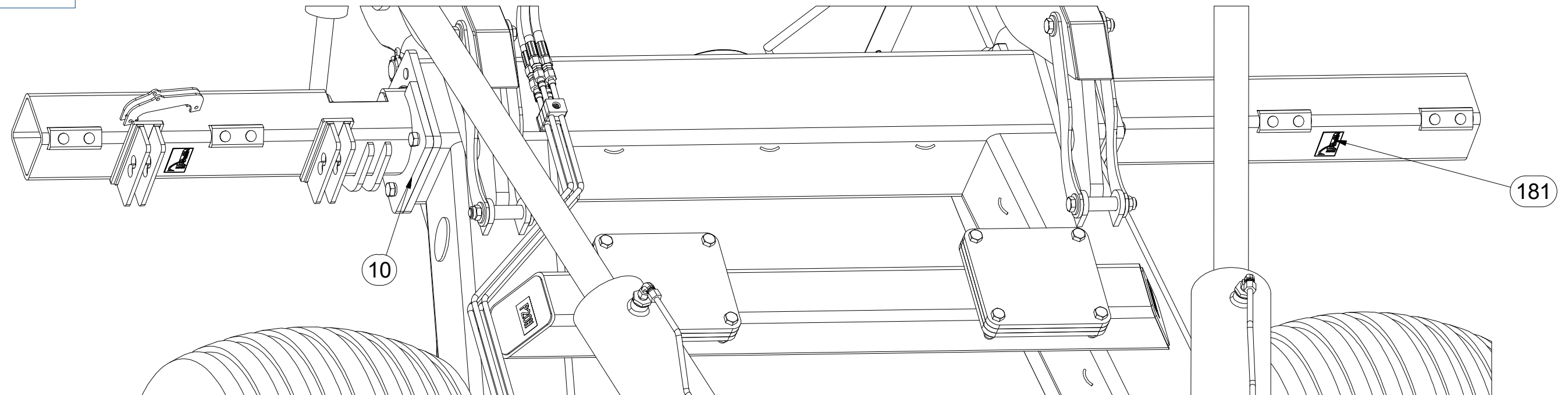
Ⓖ SEMIFINISHED MACHINE

Ⓡ ПОЛУФАБРИКАТ МАШИНЫ

Ⓟ PÓŁFABRYKAT MASZYN



**3007973**



Pos.	Part Number	Pcs.
10	4004697	2
12	3003002	1
101	m01129	4
134	m02157	12
181	m10180	4
191	m12433	26

Ⓒ POLOTOVAR STROJE

Ⓓ MASCHINEN-HALBFABRIKAT

Ⓕ MACHINE - SEMI-PRODUIT

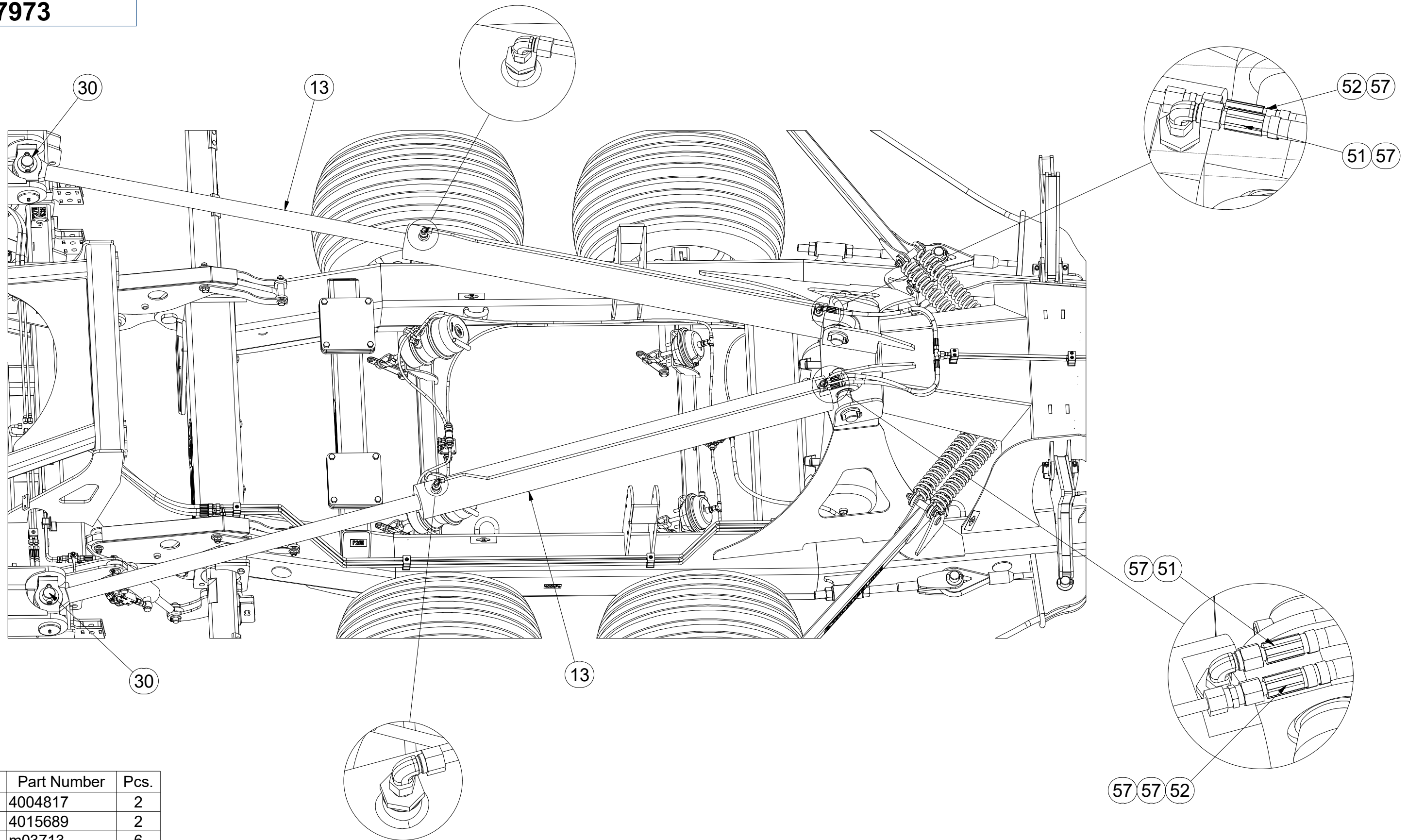
Ⓒ SEMIFINISHED MACHINE

Ⓓ ПОЛУФАБРИКАТ МАШИНЫ

Ⓕ PÓLFABRYKAT MASZYN



**3007973**



Pos.	Part Number	Pcs.
13	4004817	2
30	4015689	2
51	m03713	6
52	m09432	2
57	m11294	8

Ⓒ POLOTOVAR STROJE

Ⓓ MASCHINEN-HALBFABRIKAT

Ⓕ MACHINE - SEMI-PRODUIT

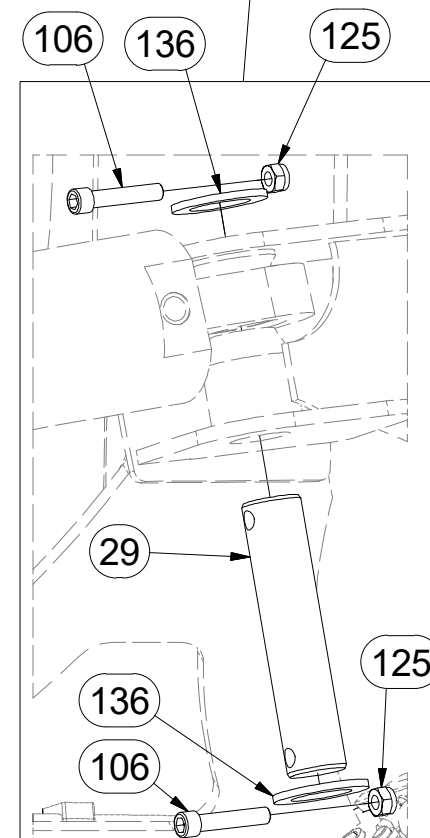
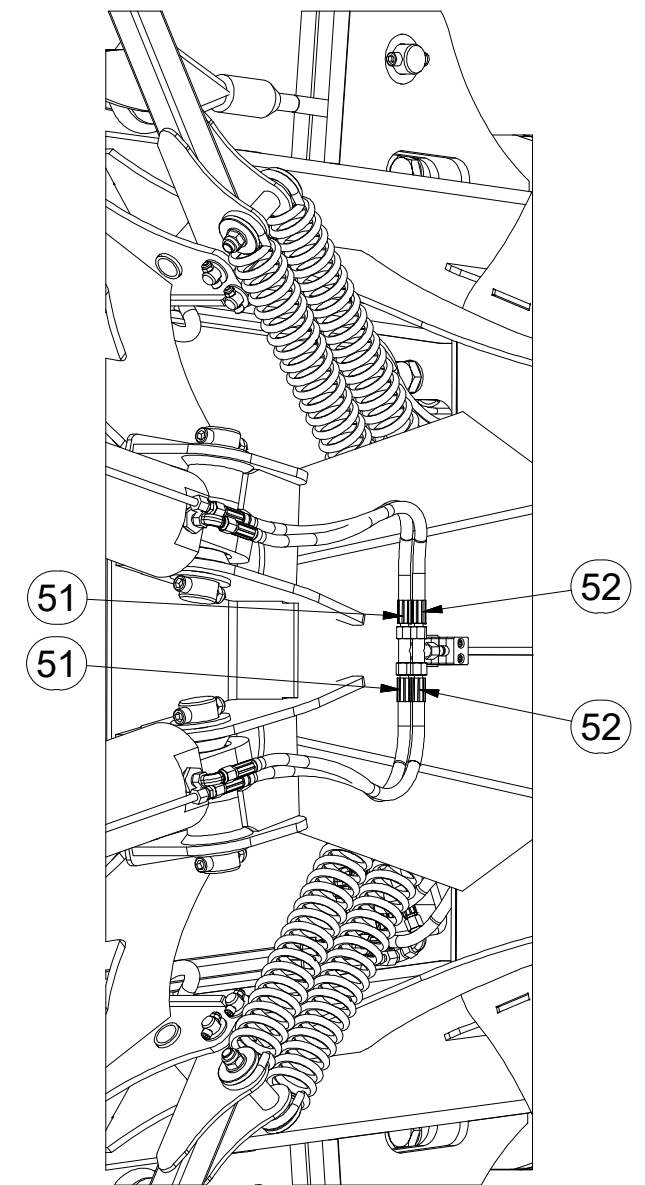
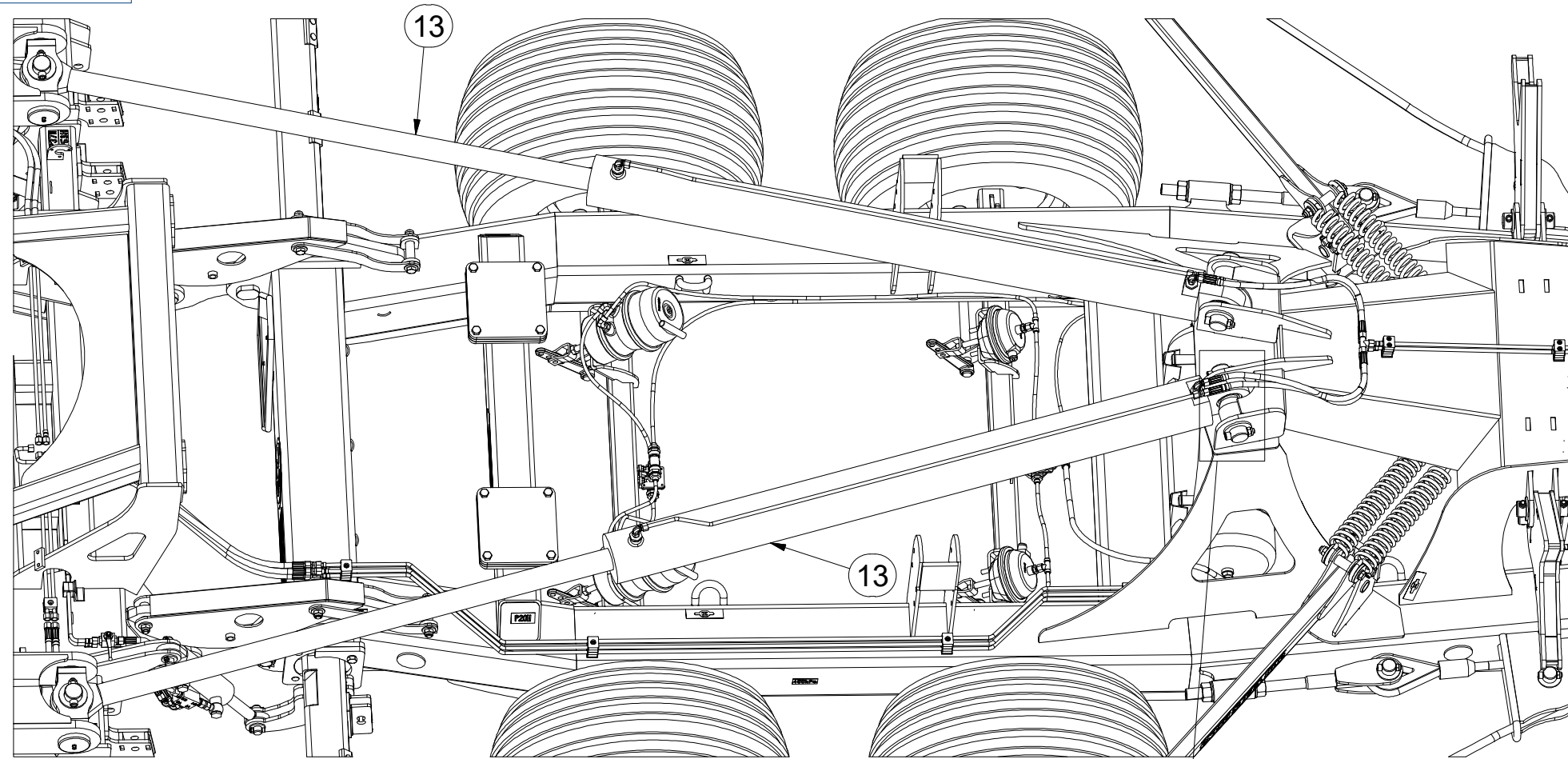
Ⓖ SEMIFINISHED MACHINE

Ⓡ ПОЛУФАБРИКАТ МАШИНЫ

Ⓟ PÓŁFABRYKAT MASZYN



**3007973**



Pos.	Part Number	Pcs.
13	4004817	2
29	4015688	2
51	m03713	6
52	m09432	2
106	m13957	8
125	m04990	8
136	4015687	8



Ⓒ POLOTOVAR STROJE

Ⓓ MASCHINEN-HALBFABRIKAT

Ⓕ MACHINE - SEMI-PRODUIT

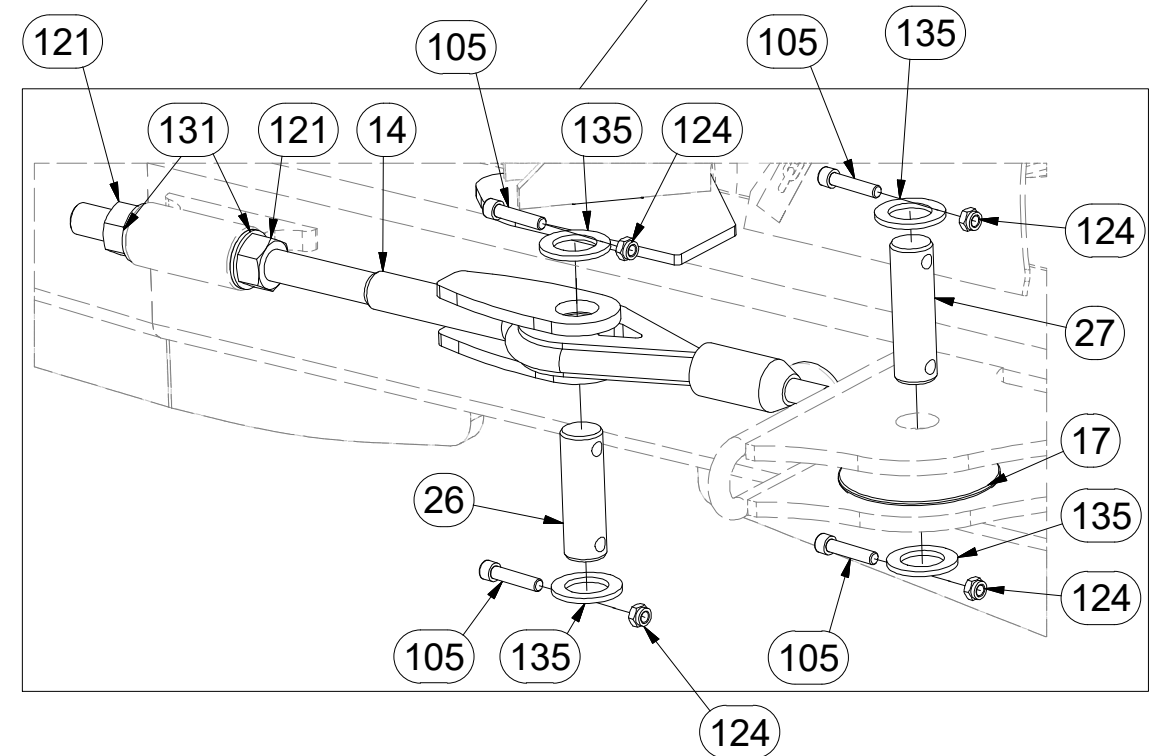
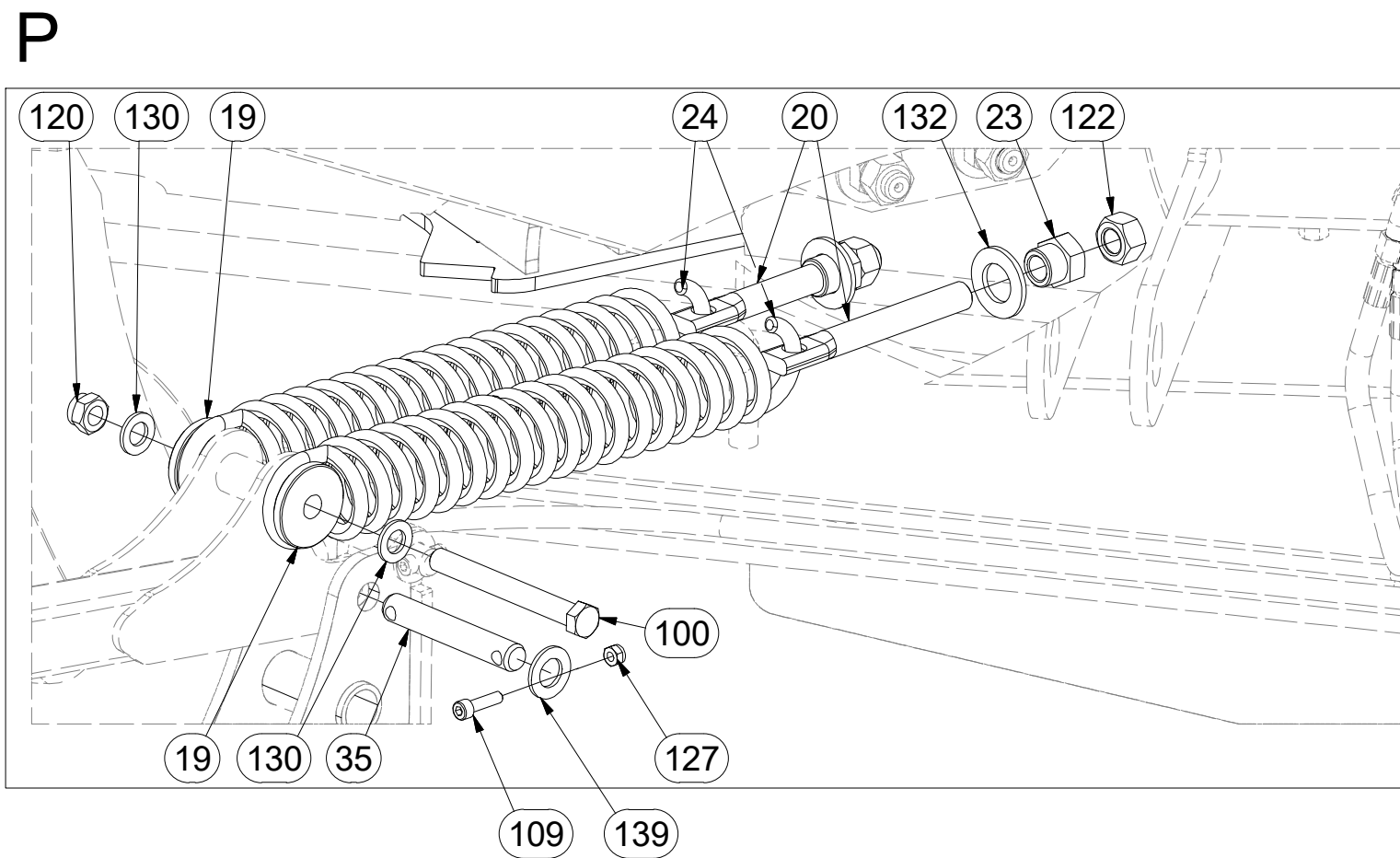
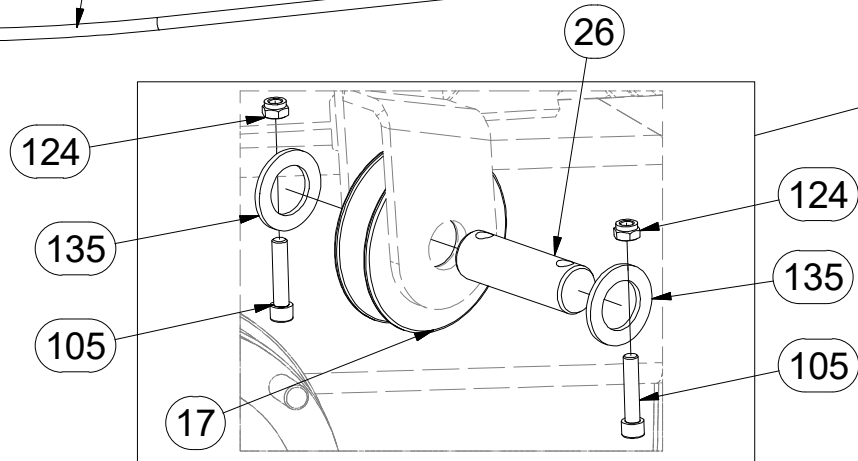
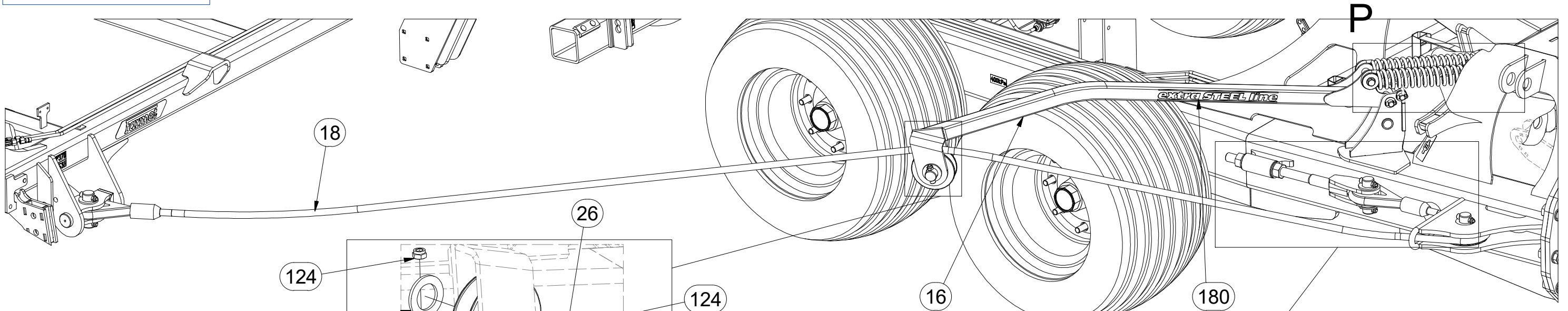
Ⓖ SEMIFINISHED MACHINE

Ⓡ ПОЛУФАБРИКАТ МАШИНЫ

Ⓢ РОЉФАБРИКАТ МАСЗЫНЫ



3007973



Pos.	Part Number	Pcs.	Pos.	Part Number	Pcs.	Pos.	Part Number	Pcs.
14	3002642	2	26	4015686	6	122	m01307	4
16	3002970	1	27	4007646	2	124	m04301	24
17	4004704	4	35	4015696	2	127	m04503	8
18	m09595	2	100	m06046	2	130	m01219	4
19	4004910	4	105	m14008	24	131	m02866	4
20	4003401	4	109	m09870	4	132	m01225	4
23	4000189	4	120	m03683	8	135	4013139	24
24	m02597	4	121	m01309	4	139	m14944	4
			180	m10353	4			

Ⓒ POLOTOVAR STROJE

Ⓓ MASCHINEN-HALBFABRIKAT

Ⓕ MACHINE - SEMI-PRODUIT

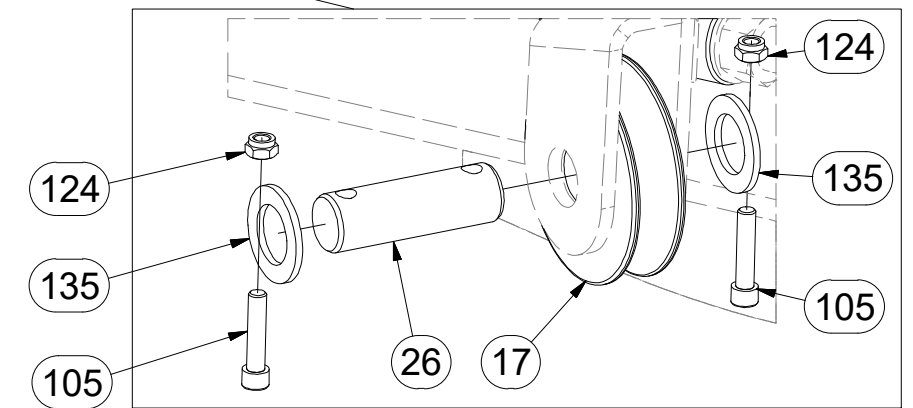
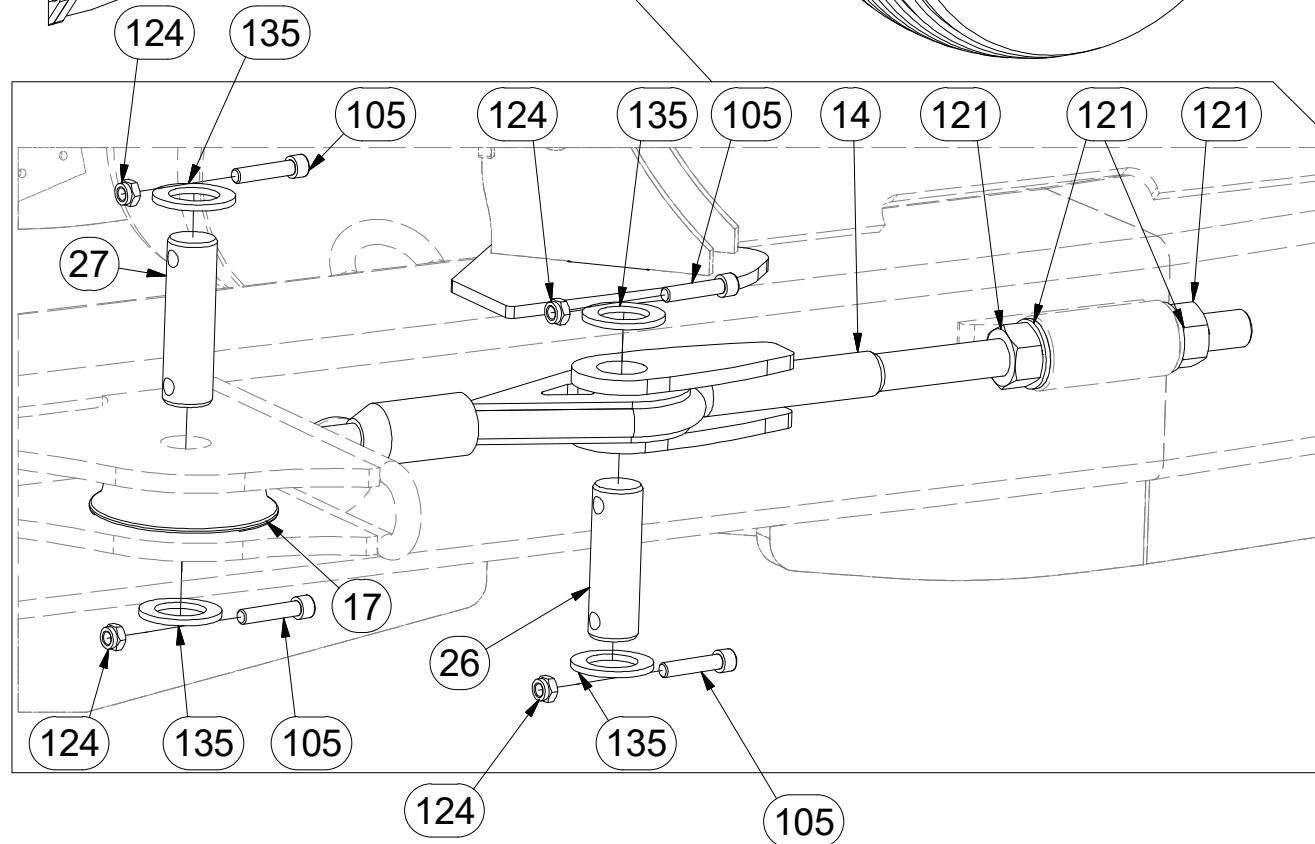
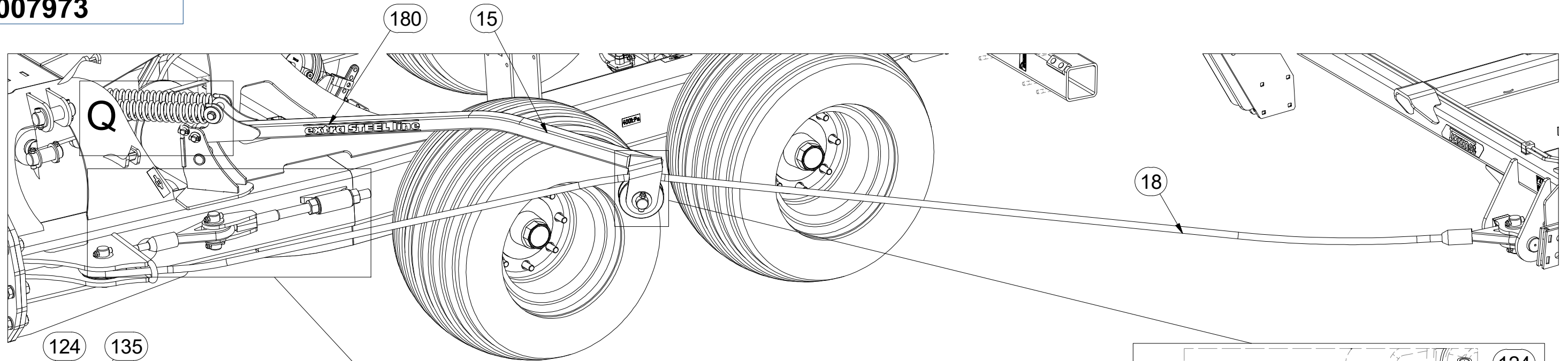
Ⓖ SEMIFINISHED MACHINE

Ⓡ ПОЛУФАБРИКАТ МАШИНЫ

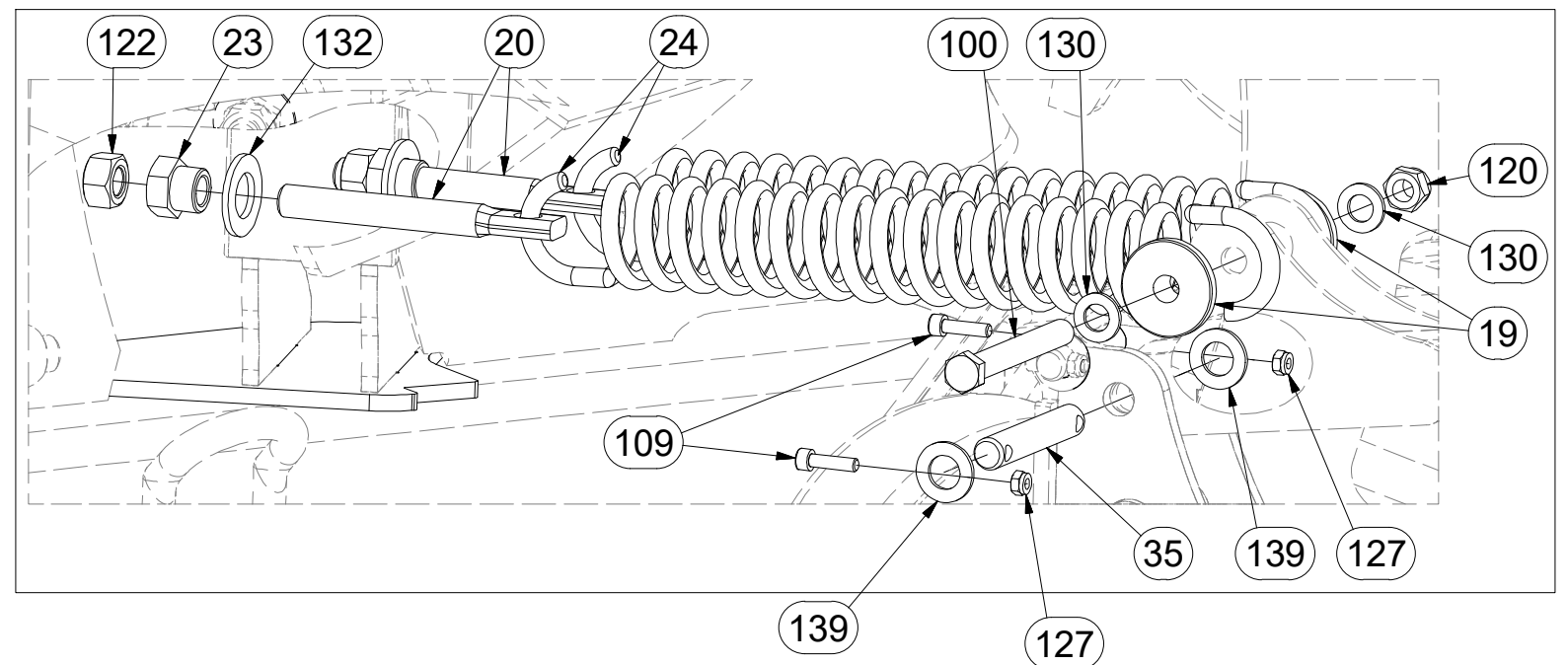
Ⓢ PÓLFABRYKAT MASZYN



3007973



Q



Pos.	Part Number	Pcs.	Pos.	Part Number	Pcs.	Pos.	Part Number	Pcs.
14	3002642	2	26	4015686	6	124	m04301	24
15	3002969	1	35	4015696	2	127	m04503	8
17	4004704	4	100	m06046	2	130	m01219	4
18	m09595	2	105	m14008	24	132	m01225	4
19	4004910	4	109	m09870	4	135	4013139	24
20	4003401	4	120	m03683	8	139	m14944	4
23	4000189	4	121	m01309	4	180	m10353	4
24	m02597	4	122	m01307	4			



☉ POLOTOVAR STROJE

☉ MASCHINEN-HALBFABRIKAT

☉ MACHINE - SEMI-PRODUIT

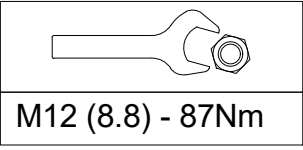
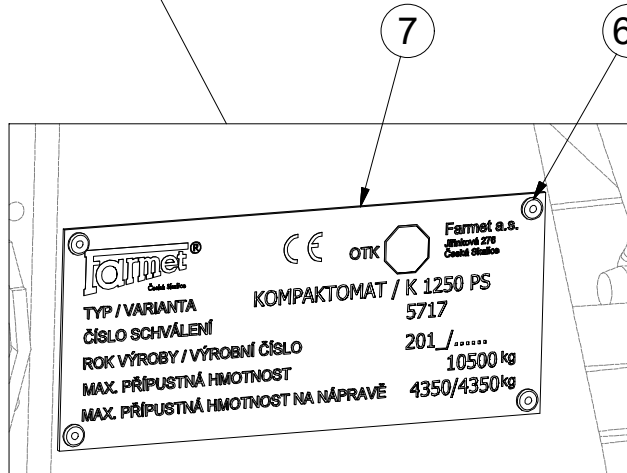
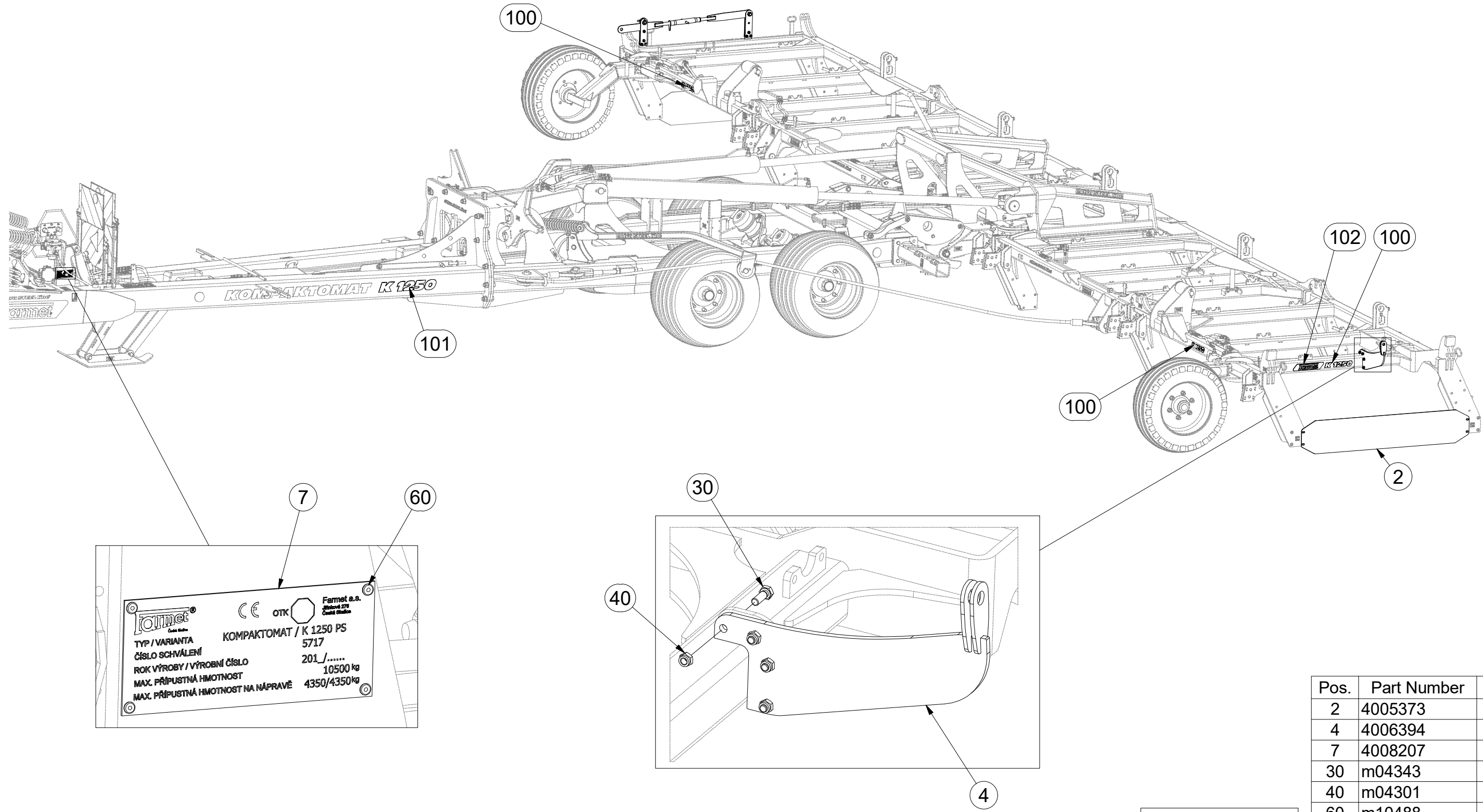
☉ SEMIFINISHED MACHINE

☉ ПОЛУФАБРИКАТ МАШИНЫ

☉ PÓLFABRYKAT MASZYNY



**3007304**



Pos.	Part Number	Pcs.
2	4005373	2
4	4006394	1
7	4008207	1
30	m04343	11
40	m04301	11
60	m10488	4
100	m09895	6
101	m09897	2
102	m13116	1



Ⓒ POLOTOVAR STROJE

Ⓓ MASCHINEN-HALBFABRIKAT

Ⓕ MACHINE - SEMI-PRODUIT

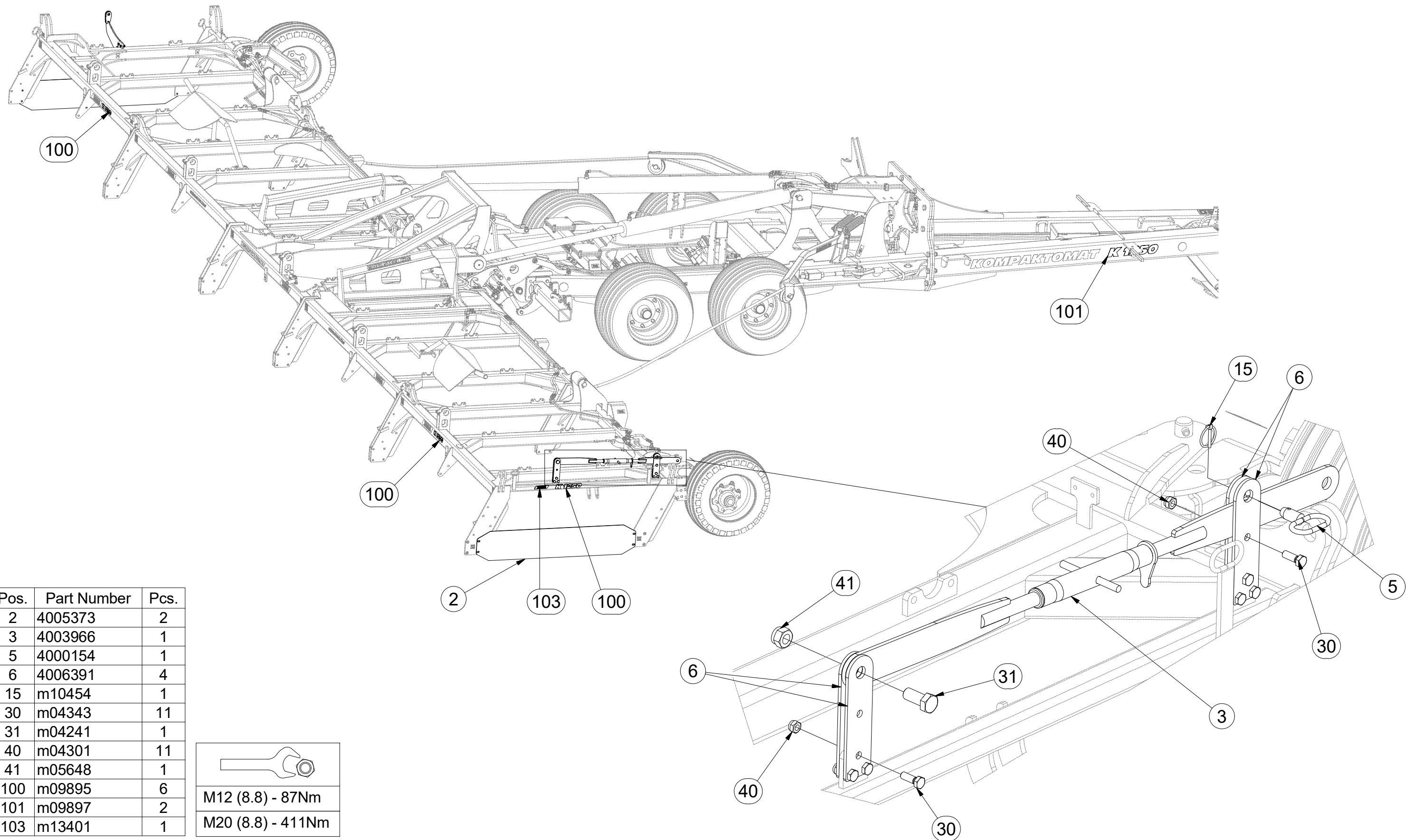
Ⓖ SEMIFINISHED MACHINE

Ⓡ ПОЛУФАБРИКАТ МАШИНЫ


Ⓟ РОЉФАБРИКАТ МАСЗЫНЫ



**3007304**



Pos.	Part Number	Pcs.
2	4005373	2
3	4003966	1
5	4000154	1
6	4006391	4
15	m10454	1
30	m04343	11
31	m04241	1
40	m04301	11
41	m05648	1
100	m09895	6
101	m09897	2
103	m13401	1

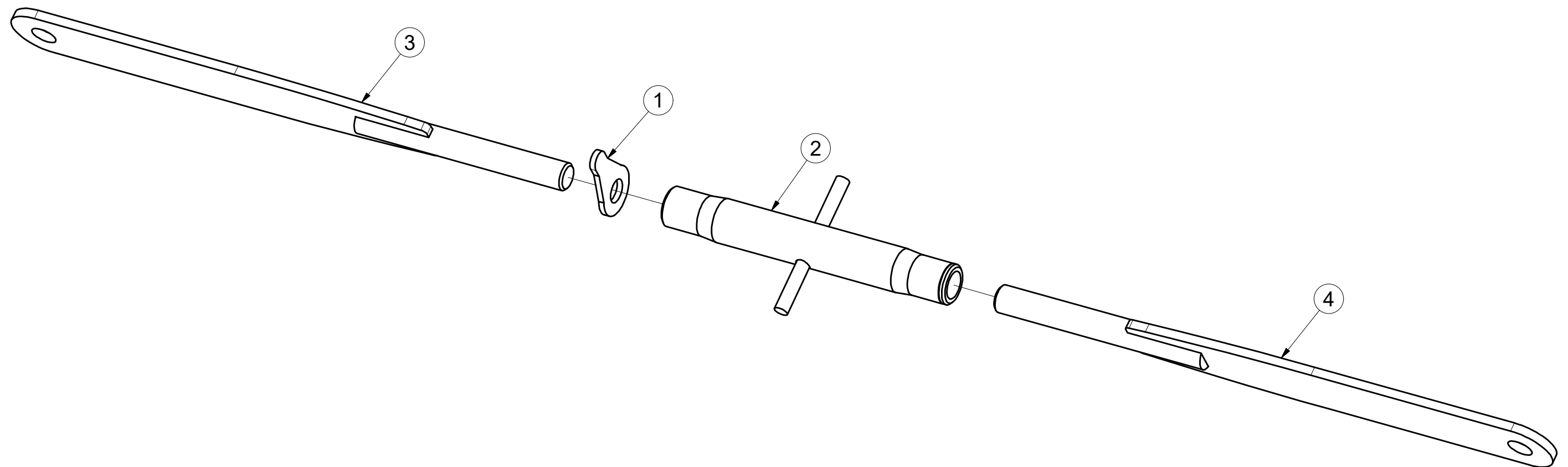
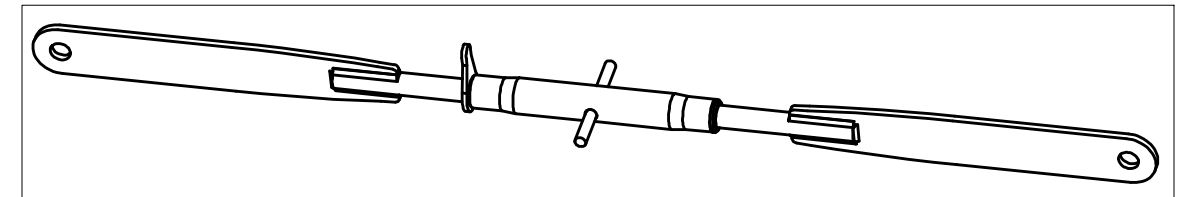

M12 (8.8) - 87Nm
M20 (8.8) - 411Nm

☉ SPOJOVACÍ TÁHLO  
☉ VERBINDUNGSSTANGE  
☉ TIGE DE RACCORDEMENT

**4003966**

☉ CONNECTING ROD  
☉ СОЕДИНИТЕЛЬНАЯ ТЯГА  
☉ KORBOWÓD

**Farmet**



Pos.	Part Number	Pcs.
1	m08881	1
2	m08880	1
3	4003961	1
4	4003962	1

Ⓒ PODVOZEK

Ⓓ CHASSIS

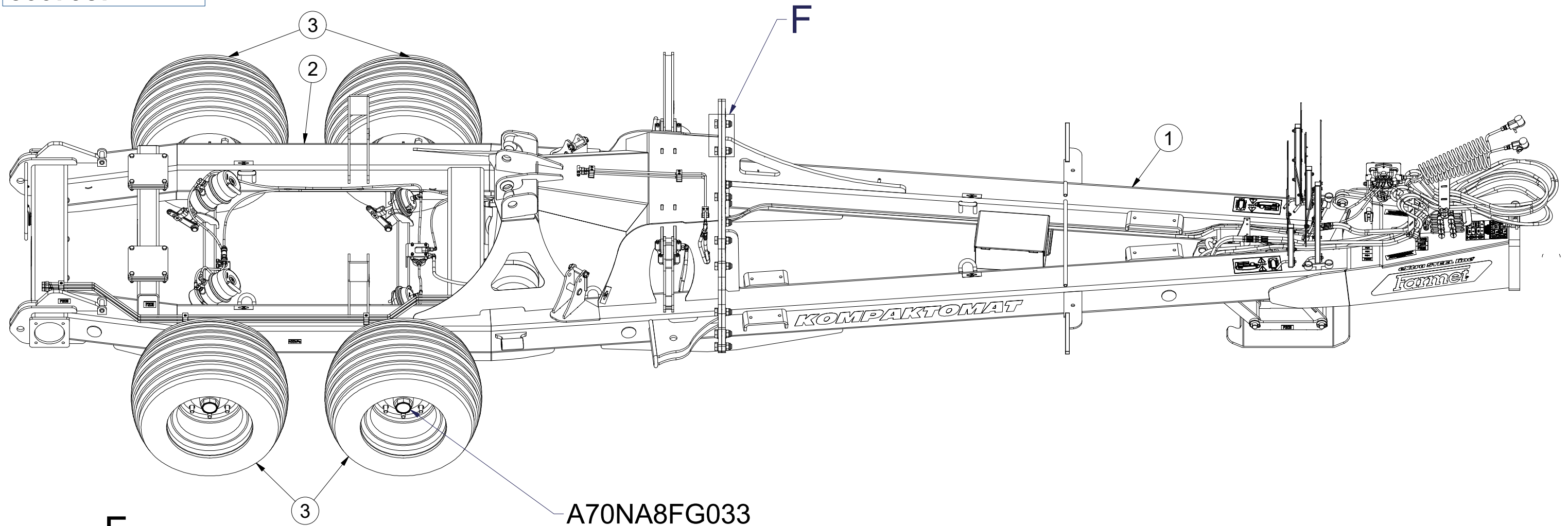
Ⓕ CHÂSSIS

**3007987**

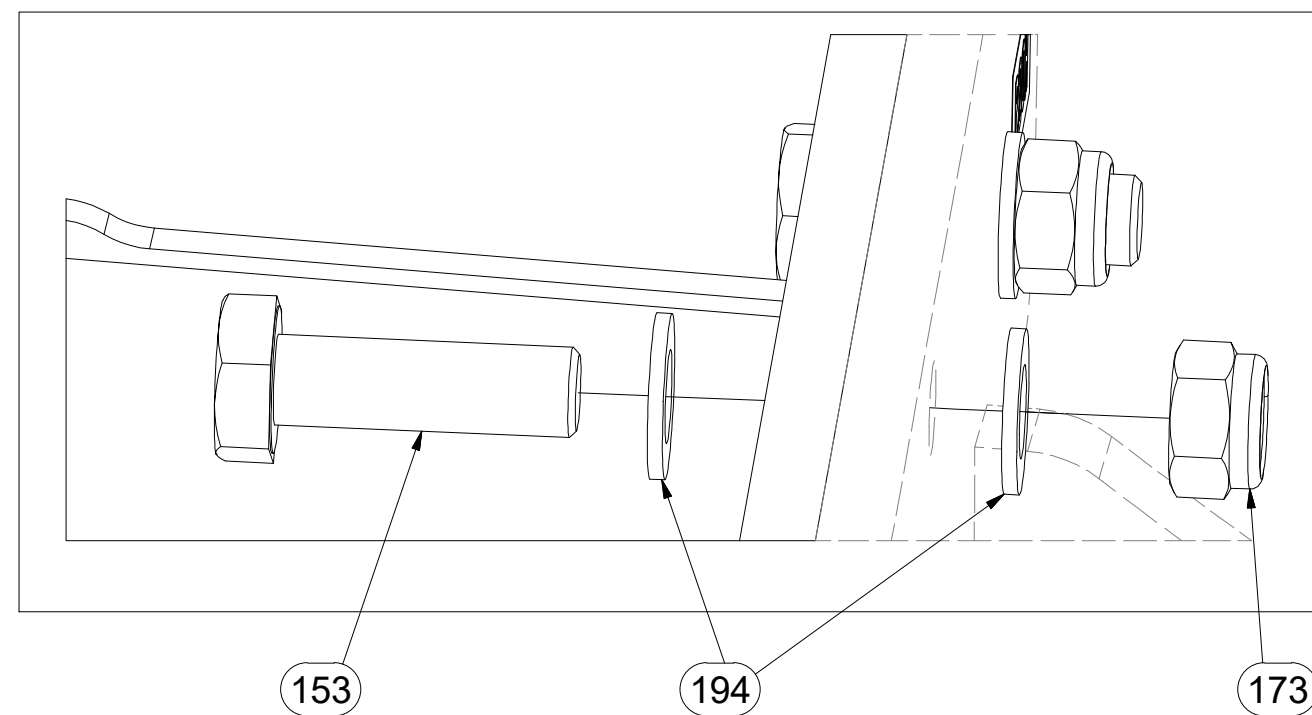
Ⓒ FAHRGESTELL

Ⓔ ШАССИ

Ⓗ PODWOZIE



A70NA8FG033



	M20x1,5-343Nm
	400 kPa
	M24 (8.8) - 710Nm

Pos.	Part Number	Pcs.
1	2000867	1
2	2000866	1
3	m06366	4
153	m03401	22
173	m07147	22
194	m03718	44



Ⓒ PODVOZEK

Ⓓ CHASSIS

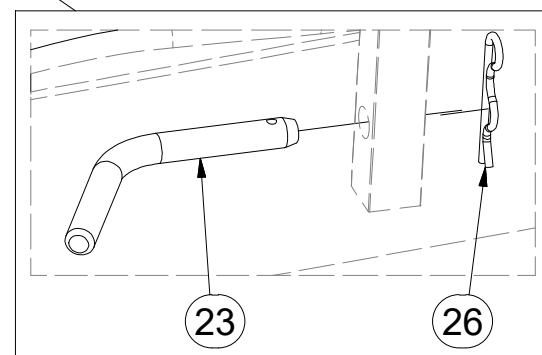
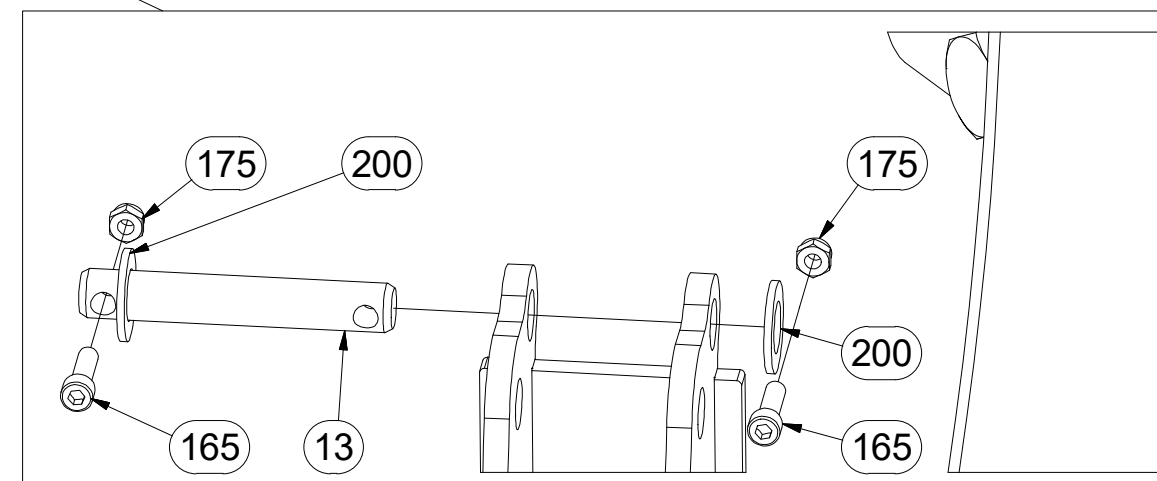
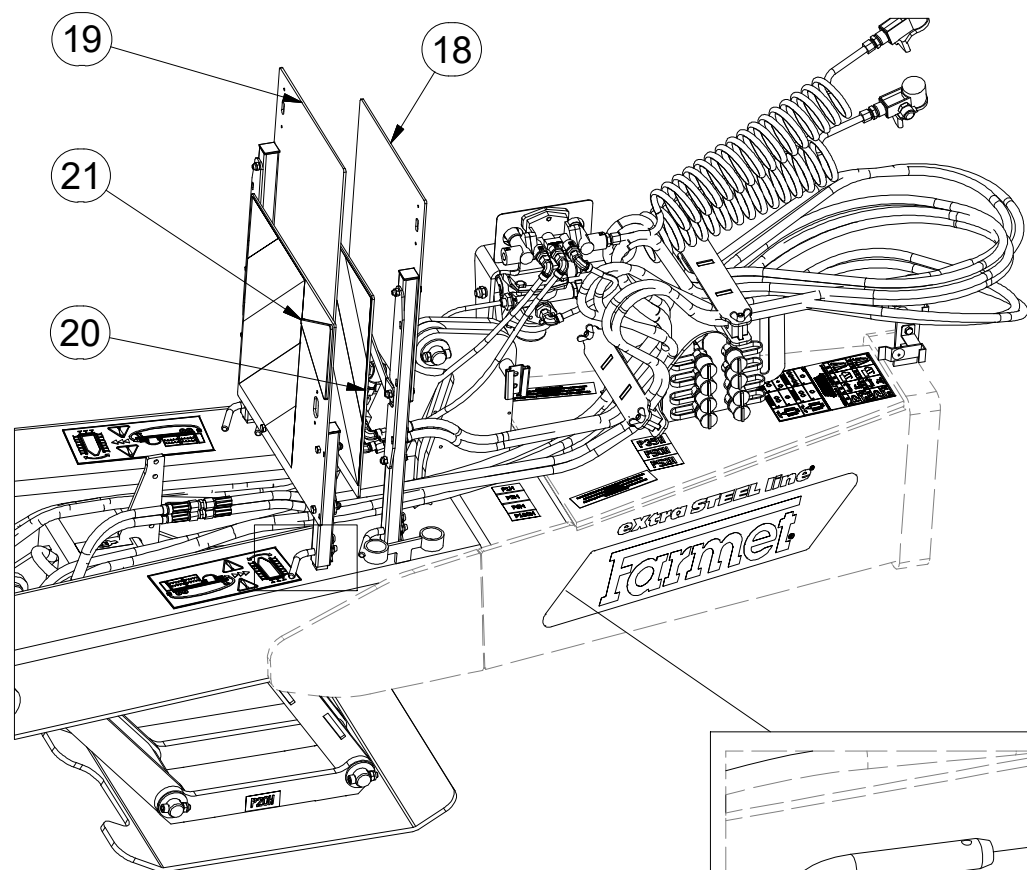
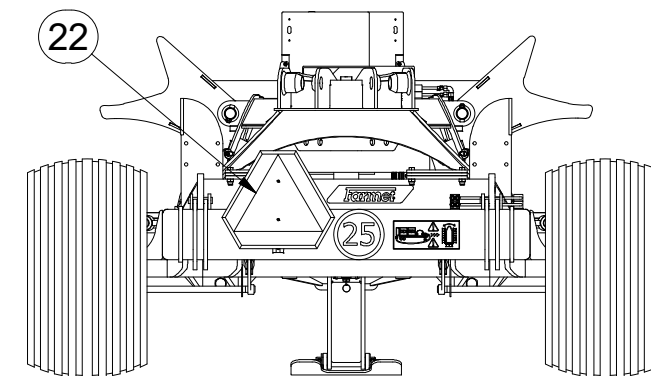
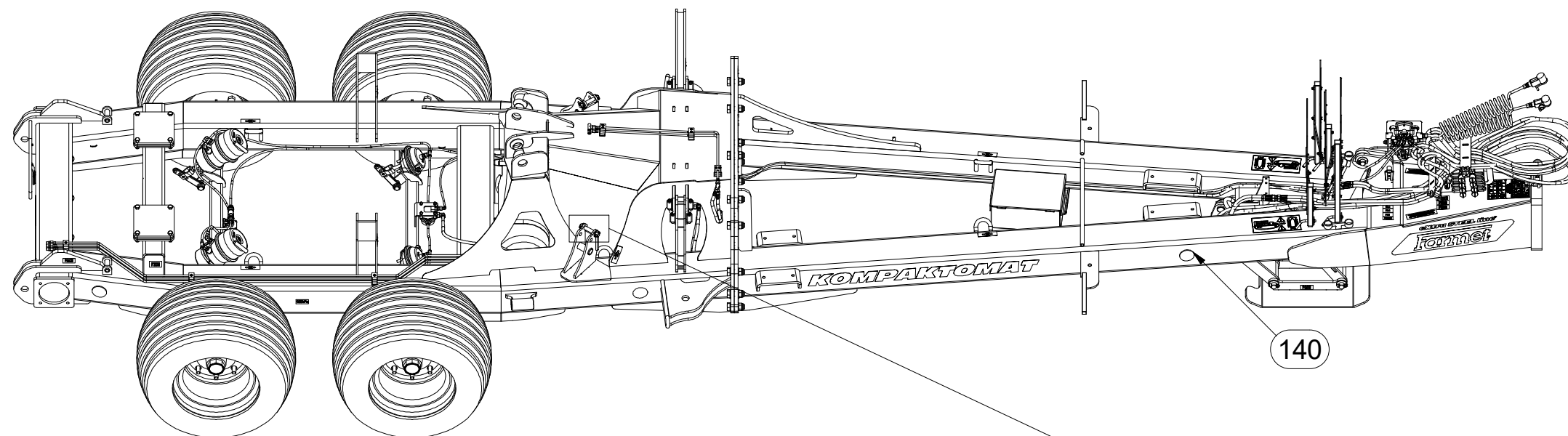
Ⓕ CHÂSSIS

**3007987**

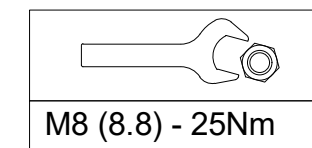
Ⓒ FAHRGESTELL

Ⓒ ШАССИ

Ⓒ PODWOZIE



Pos.	Part Number	Pcs.
13	4015696	2
18	4017863	1
19	4017864	1
20	4017881	1
21	4017882	1
22	m05371	1
23	m08886	4
26	m08049	4
140	m02579	6
165	m09870	4
175	m04503	13
200	m14944	4



Ⓒ PODVOZEK

Ⓓ CHASSIS

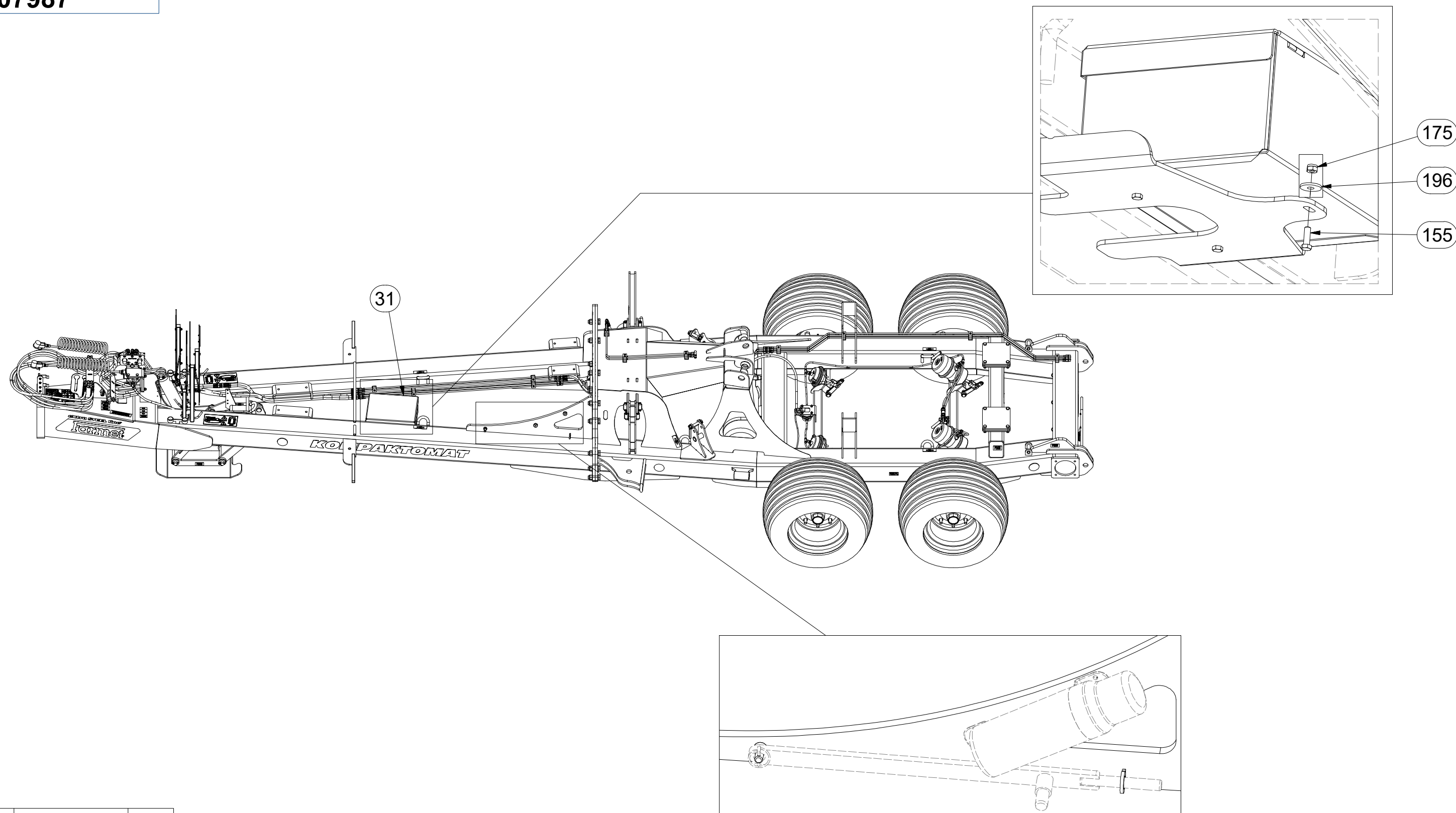
Ⓕ CHÂSSIS

**3007987**

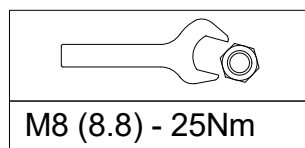
Ⓖ FAHRGESTELL

Ⓡ ШАССИ

Ⓟ PODWOZIE



Pos.	Part Number	Pcs.
31	m12296	1
155	m01092	4
175	m04503	13
196	m07936	3



Ⓒ PODVOZEK

Ⓓ CHASSIS

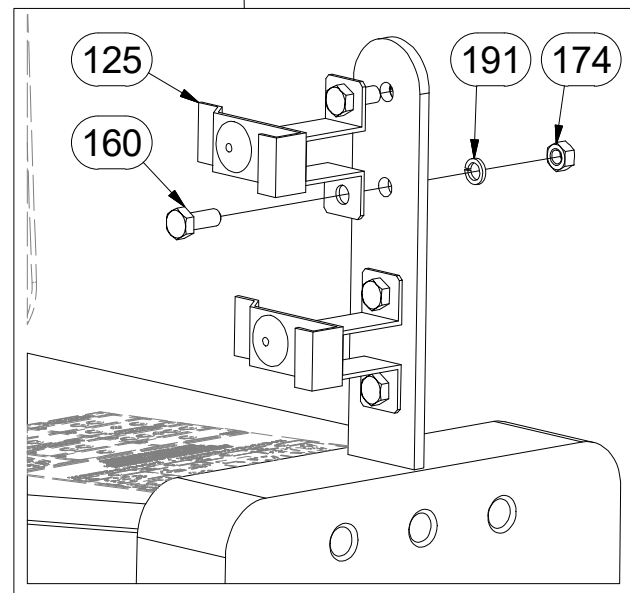
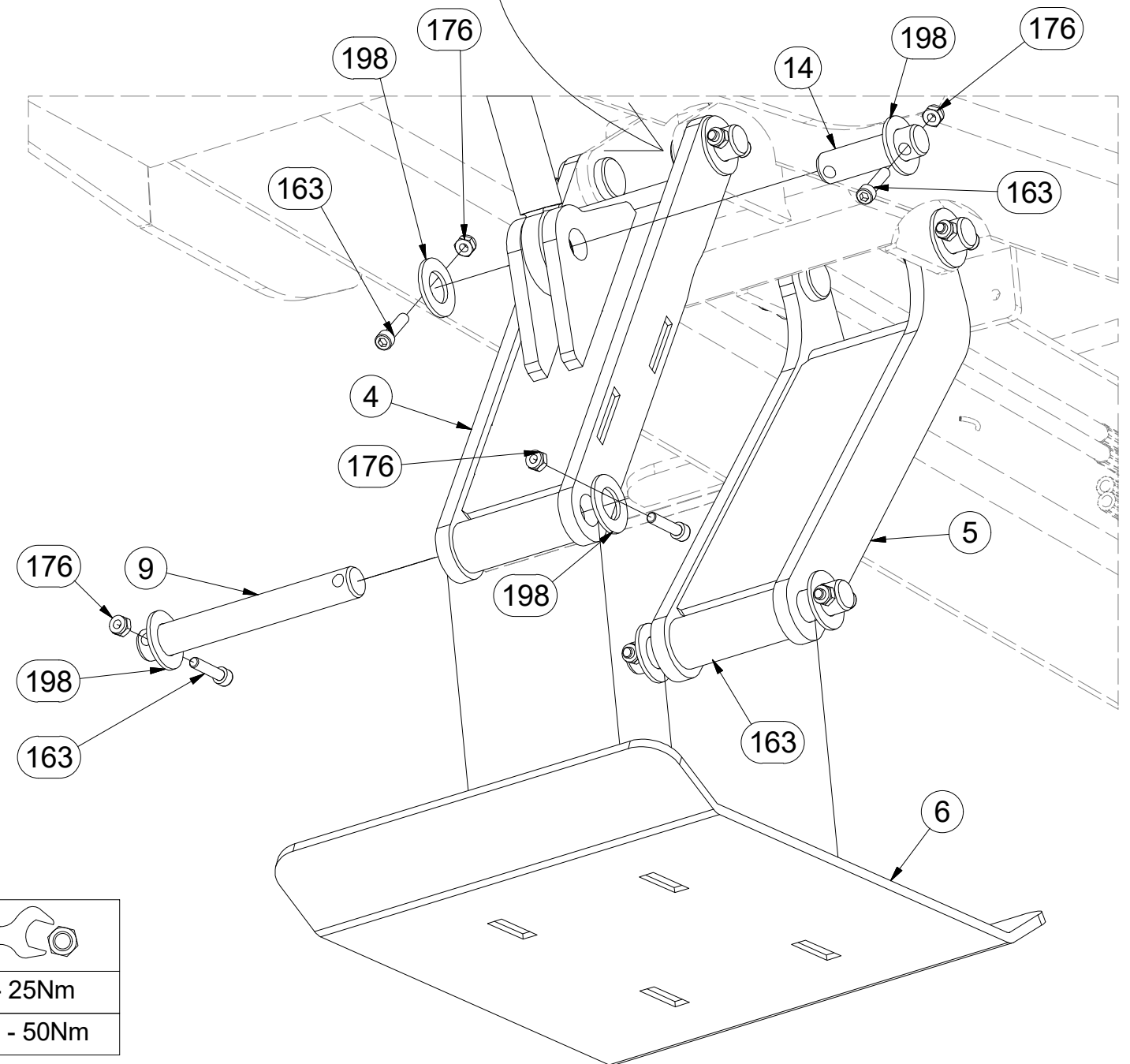
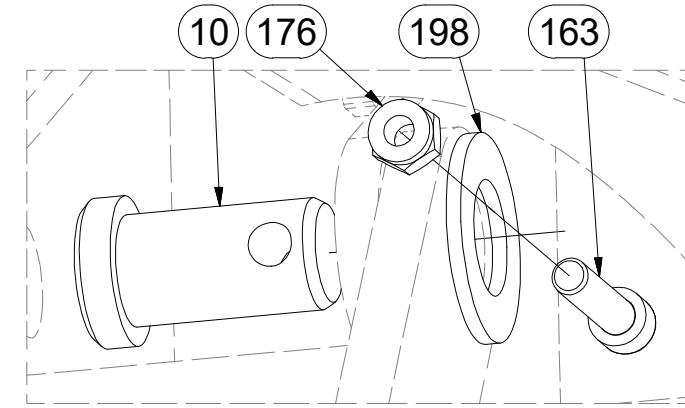
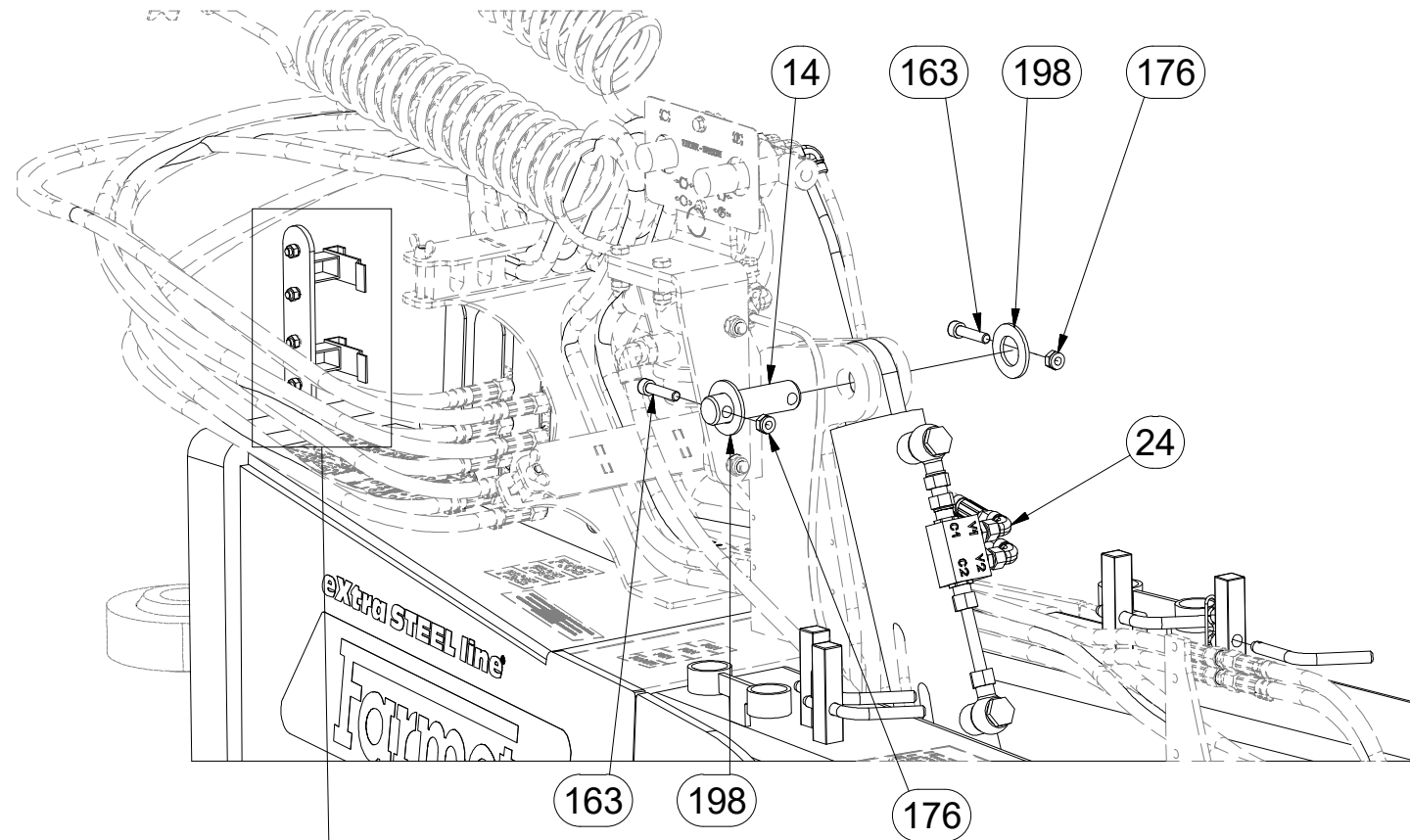
Ⓕ CHÂSSIS

**3007987**

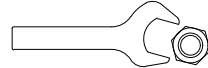
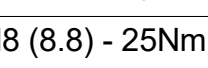
Ⓖ FAHRGESTELL

Ⓡ ШАССИ

Ⓢ PODWOZIE



Pos.	Part Number	Pcs.
4	3002929	1
5	3002928	1
6	3002927	1
9	4015690	2
10	4015692	4
14	4007584	2
24	4004809	1
125	m09789	2
160	m01089	4
163	m14143	12
174	m01296	4
176	m03775	14
191	m01202	4
198	m14029	12

	M8 (8.8) - 25Nm
	M10 (8.8) - 50Nm



Ⓒ PODVOZEK

Ⓓ CHASSIS

Ⓕ CHÂSSIS

**3007987**

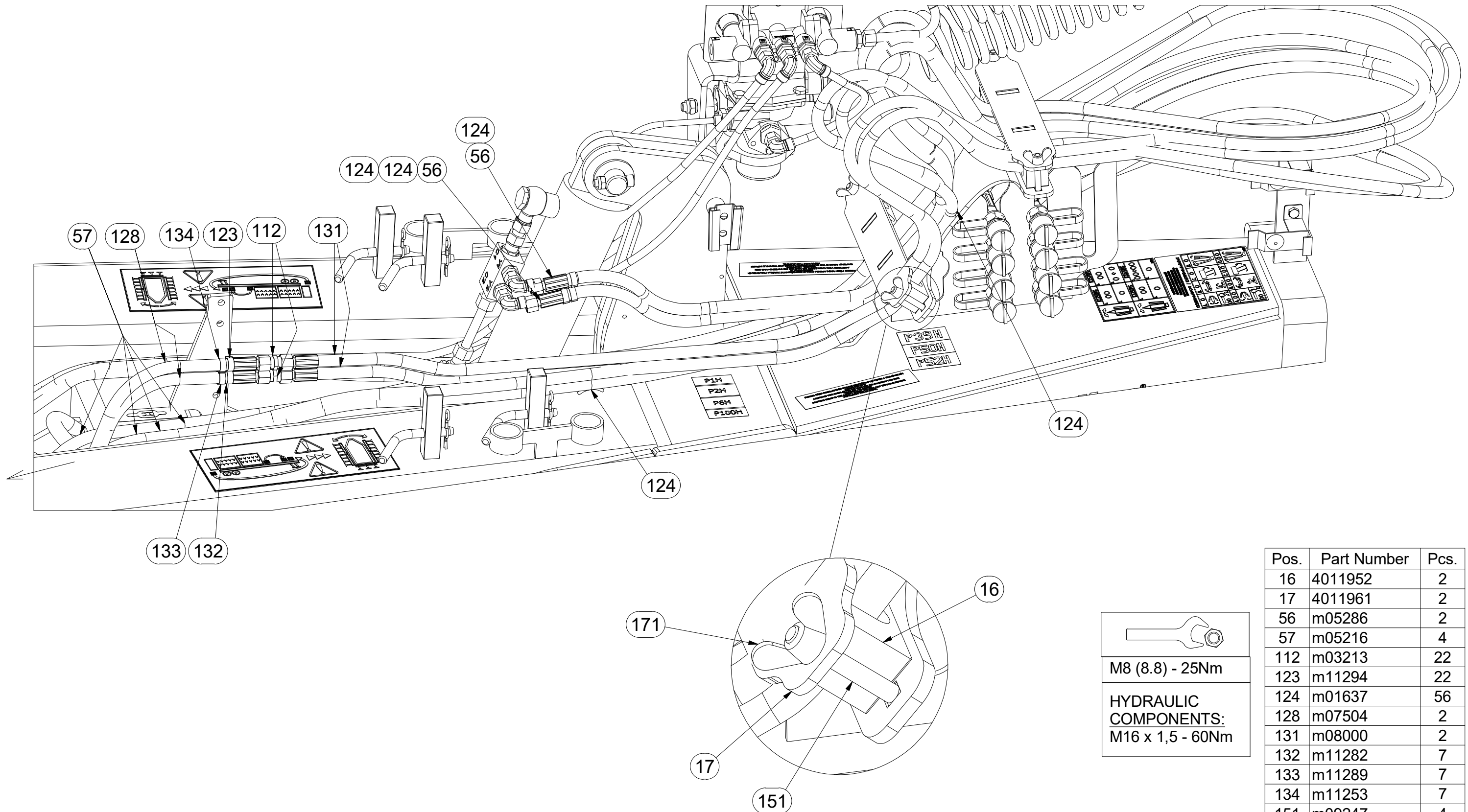
Ⓖ FAHRGESTELL

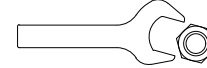
Ⓡ ШАССИ

Ⓟ PODWOZIE



V



  
 M8 (8.8) - 25Nm  
 HYDRAULIC  
 COMPONENTS:  
 M16 x 1,5 - 60Nm

Pos.	Part Number	Pcs.
16	4011952	2
17	4011961	2
56	m05286	2
57	m05216	4
112	m03213	22
123	m11294	22
124	m01637	56
128	m07504	2
131	m08000	2
132	m11282	7
133	m11289	7
134	m11253	7
151	m09247	4
171	m01316	4



Ⓒ PODVOZEK

Ⓓ CHASSIS

Ⓕ CHÂSSIS

**3007987**

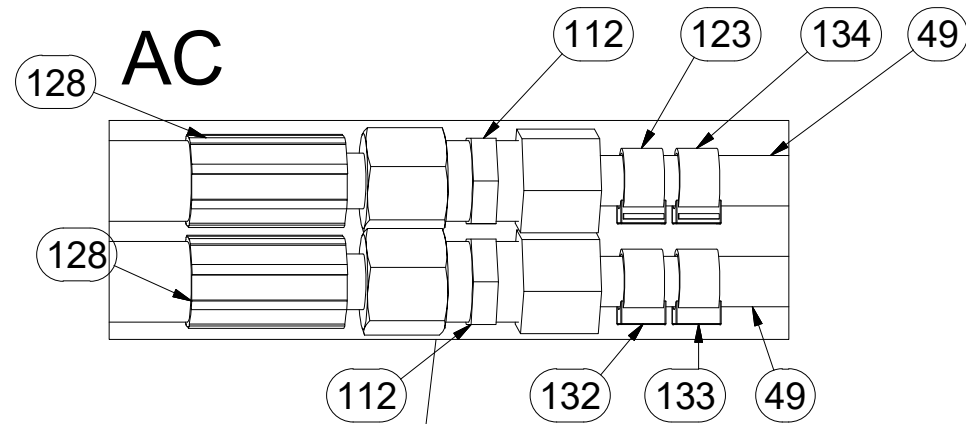
Ⓖ FAHRGESTELL

Ⓔ ШАССИ

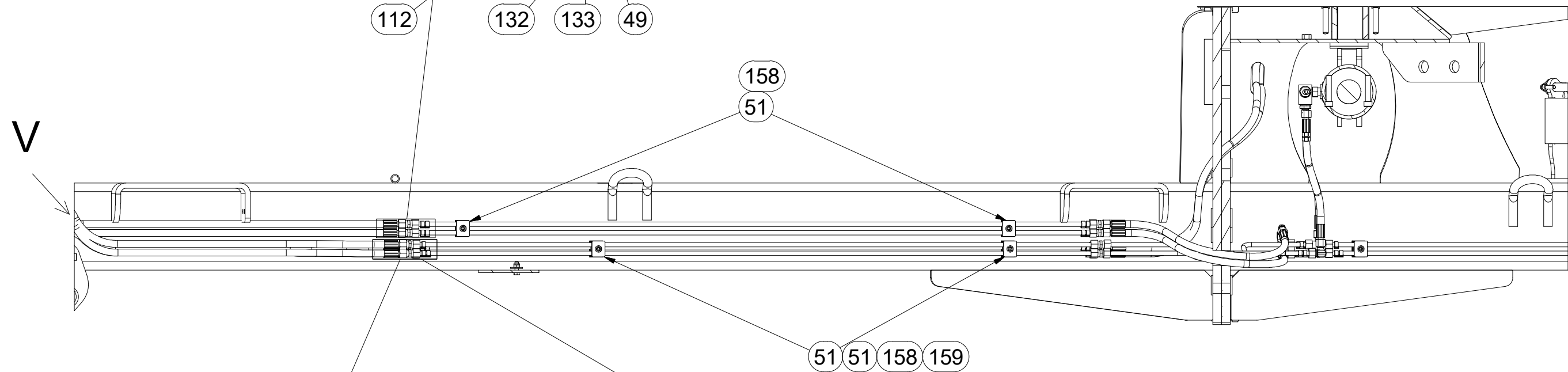
Ⓗ PODWOZIE



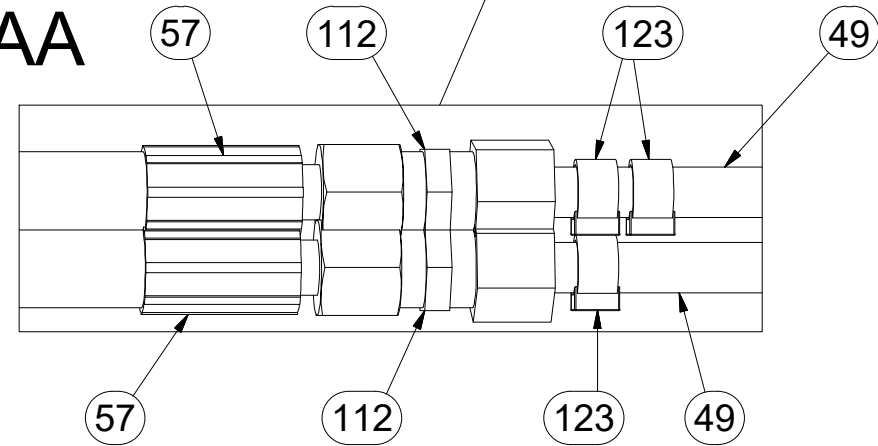
W



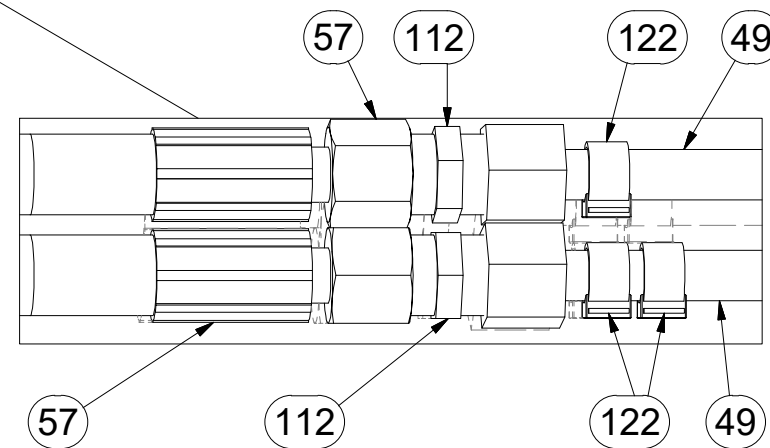
V



AA



AB



M6 (8.8) - 10Nm  
 HYDRAULIC COMPONENTS:  
 M16 x 1,5 - 60Nm

Pos.	Part Number	Pcs.
49	m09662	6
51	m05488	18
57	m05216	4
112	m03213	22
122	m11691	21
123	m11294	22
128	m07504	2
132	m11282	7
133	m11289	7
134	m11253	7
158	m04346	10
159	m09956	8



Ⓒ PODVOZEK

Ⓓ CHASSIS

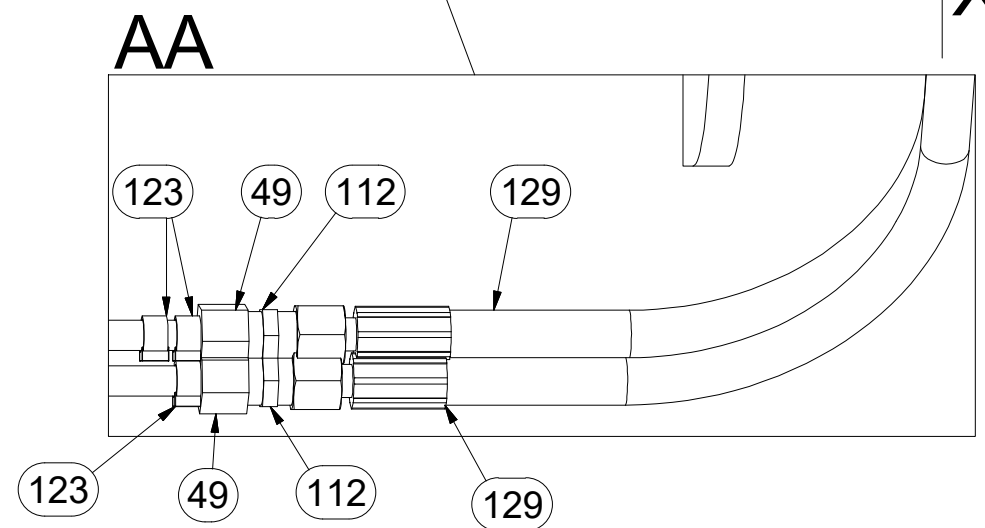
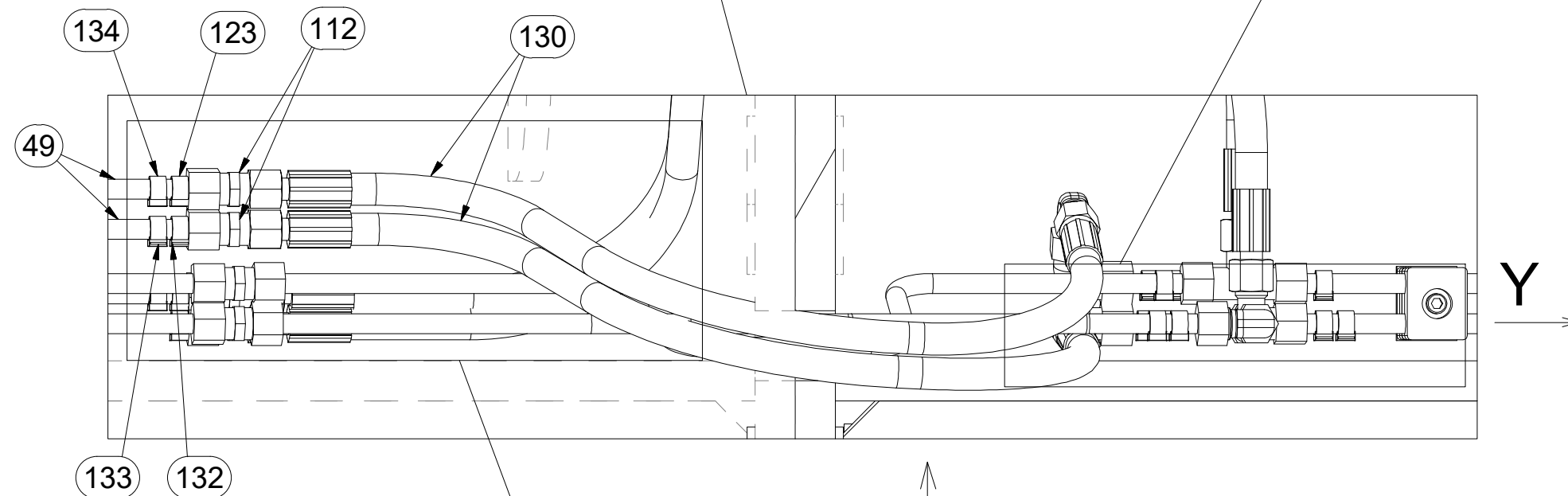
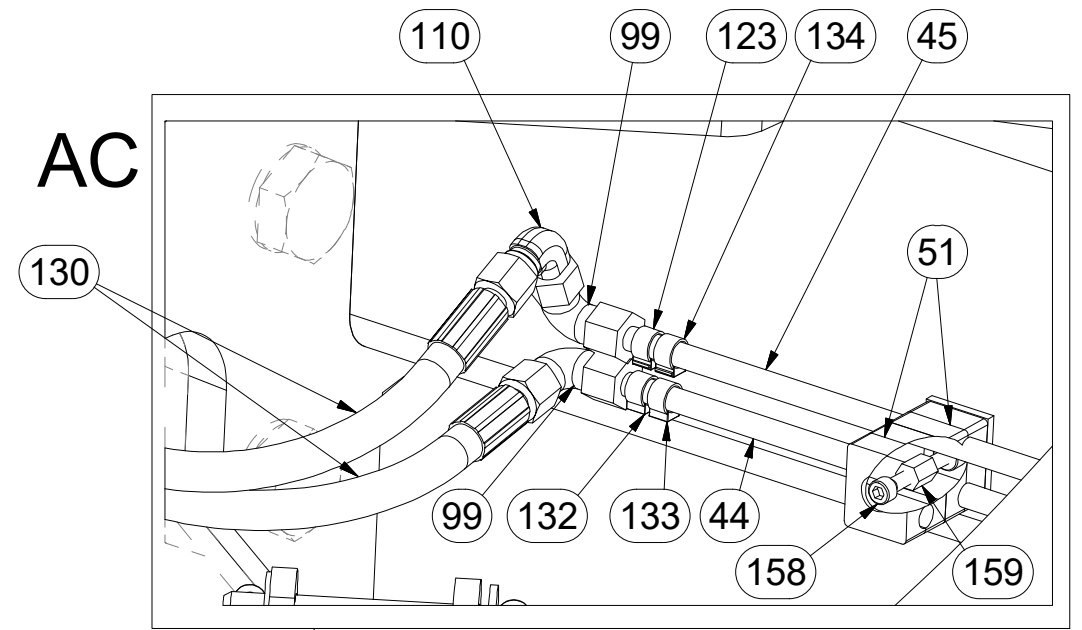
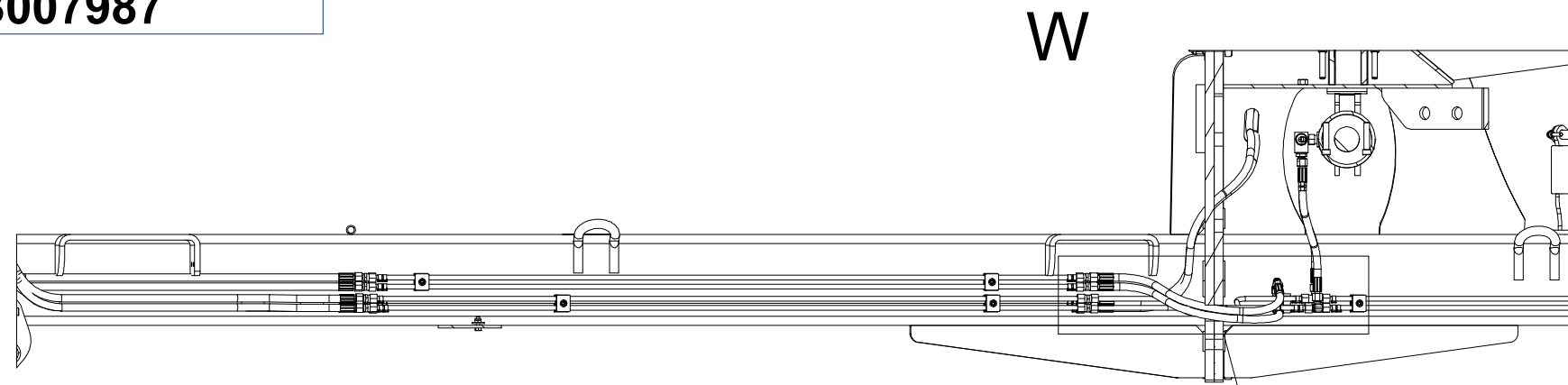
Ⓕ CHÂSSIS

**3007987**

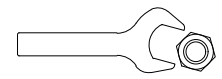
Ⓖ FAHRGESTELL

Ⓡ ШАССИ

Ⓢ PODWOZIE



Pos.	Part Number	Pcs.
44	m09943	1
45	m09944	1
49	m09662	6
51	m05488	18
99	m06661	5
110	m06803	6
112	m03213	22
123	m11294	22
129	m06532	2
130	m03713	2
132	m11282	7
133	m11289	7
134	m11253	7
158	m04346	10
159	m09956	8



M6 (8.8) - 10Nm

HYDRAULIC COMPONENTS:  
M16 x 1,5 - 60Nm

Ⓒ PODVOZEK

Ⓓ CHASSIS

Ⓕ CHÂSSIS

**3007987**

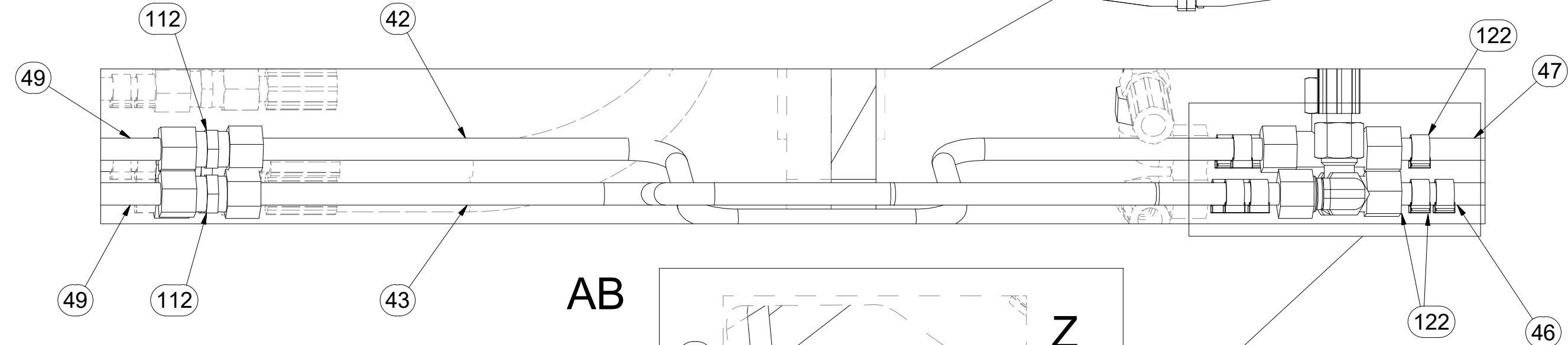
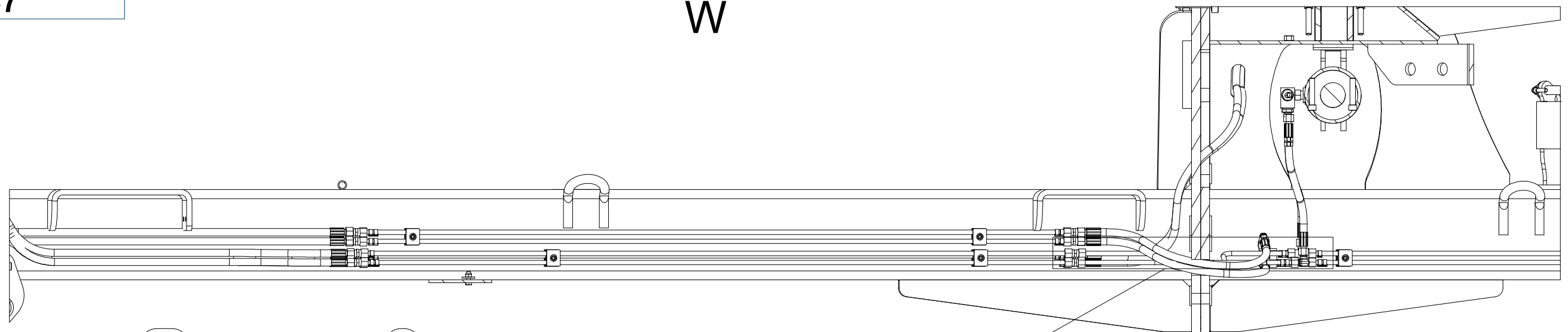
Ⓒ FAHRGESTELL

Ⓒ ШАССИ

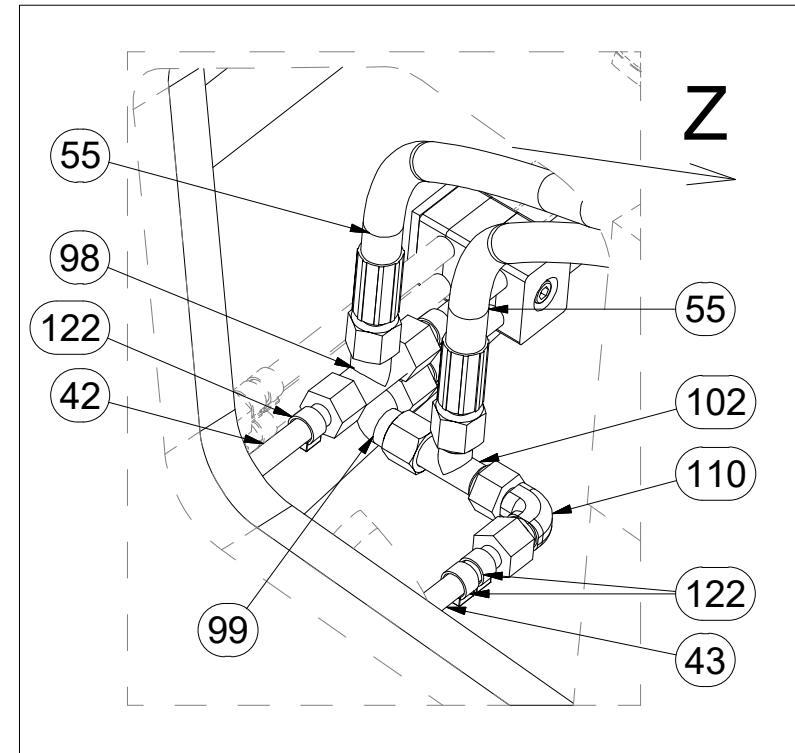
Ⓒ PODWOZIE




W



AB



  
M6 (8.8) - 10Nm  
**HYDRAULIC COMPONENTS:**  
M16 x 1,5 - 60Nm

Pos.	Part Number	Pcs.
42	m09941	1
43	m09942	1
49	m09662	6
55	m09627	2
98	m03889	3
99	m06661	5
102	m07568	1
110	m06803	6
112	m03213	22
122	m11691	21

Ⓒ CZ PODVOZEK

Ⓓ D CHASSIS

Ⓕ F CHÂSSIS

**3007987**

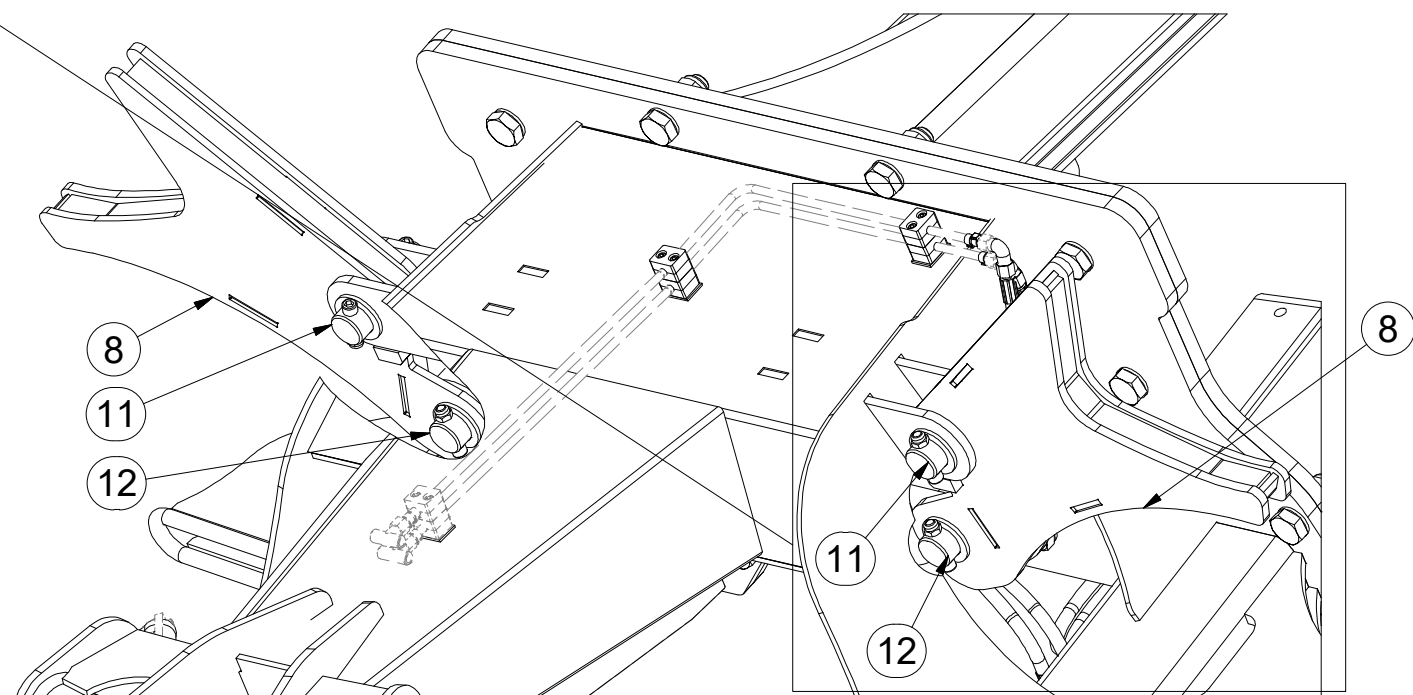
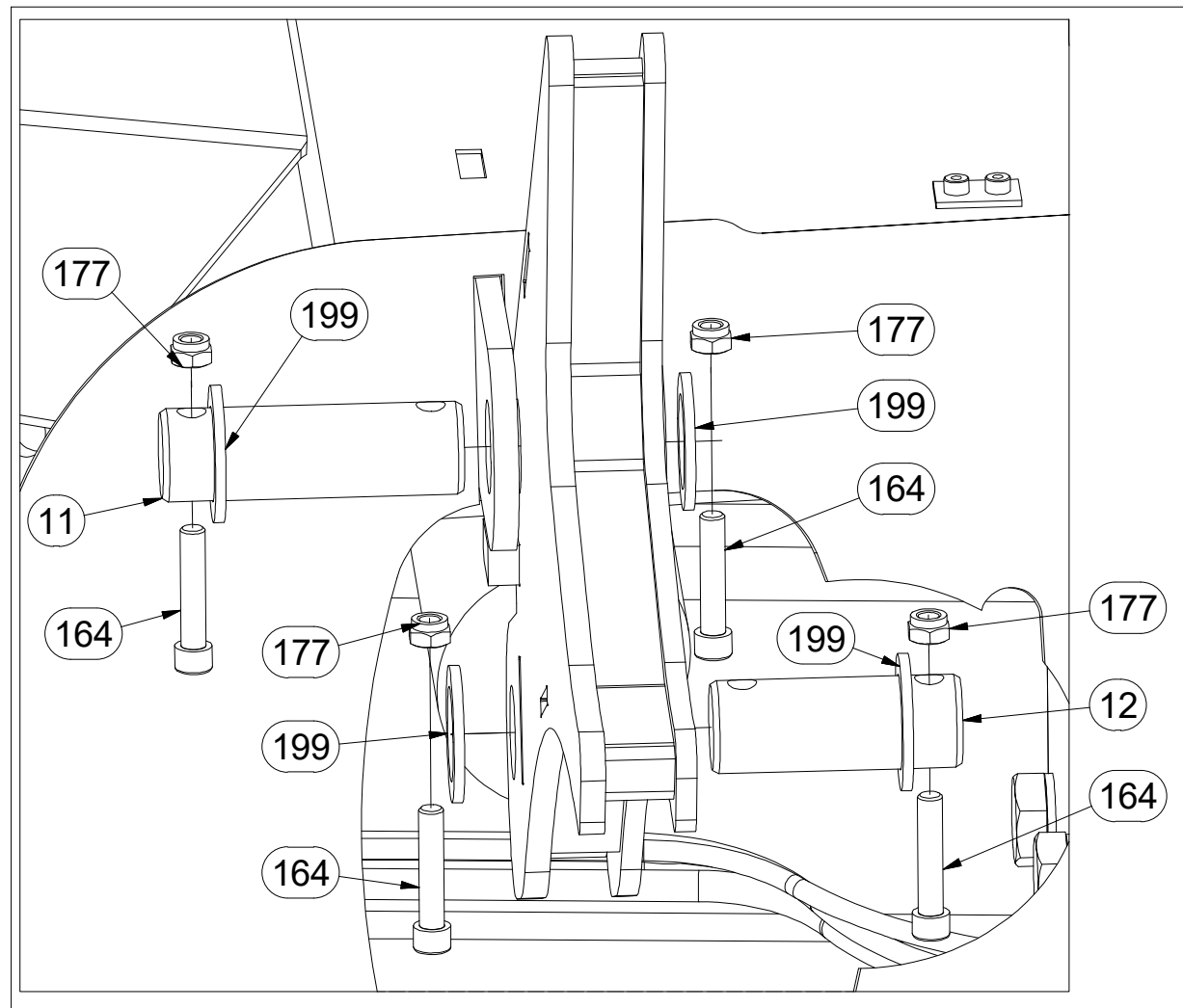
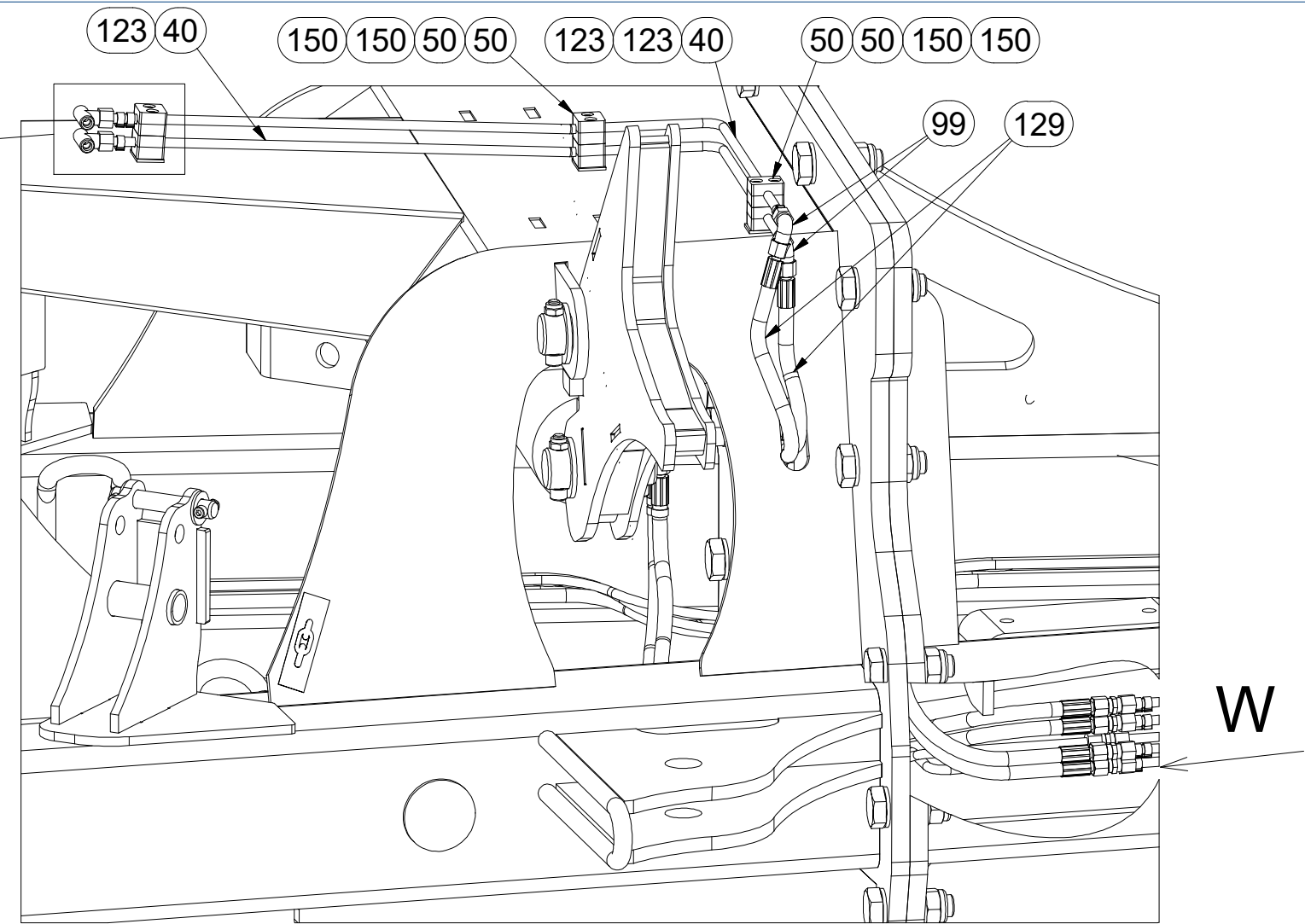
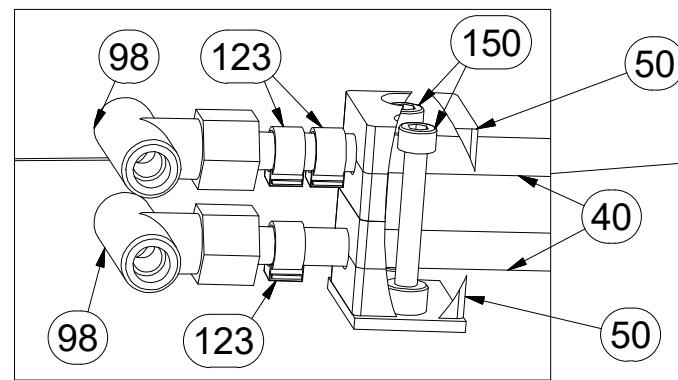
Ⓖ GB FAHRGESTELL

Ⓡ RU ШАССИ

Ⓟ PL PODWOZIE



AA, X



Pos.	Part Number	Pcs.	Pos.	Part Number	Pcs.
8	3002925	2	123	m11294	22
11	4015693	2	129	m06532	2
12	4015695	2	150	m09935	6
40	m09660	2	164	m04293	8
50	m04009	6	177	m04301	10
98	m03889	3	199	4013561	8
99	m06661	5			

	M6 (8.8) - 10Nm
	M12 (8.8) - 87Nm
	HYDRAULIC COMPONENTS: M16 x 1,5 - 60Nm



Ⓒ PODVOZEK

Ⓓ CHASSIS

Ⓕ CHÂSSIS

**3007987**

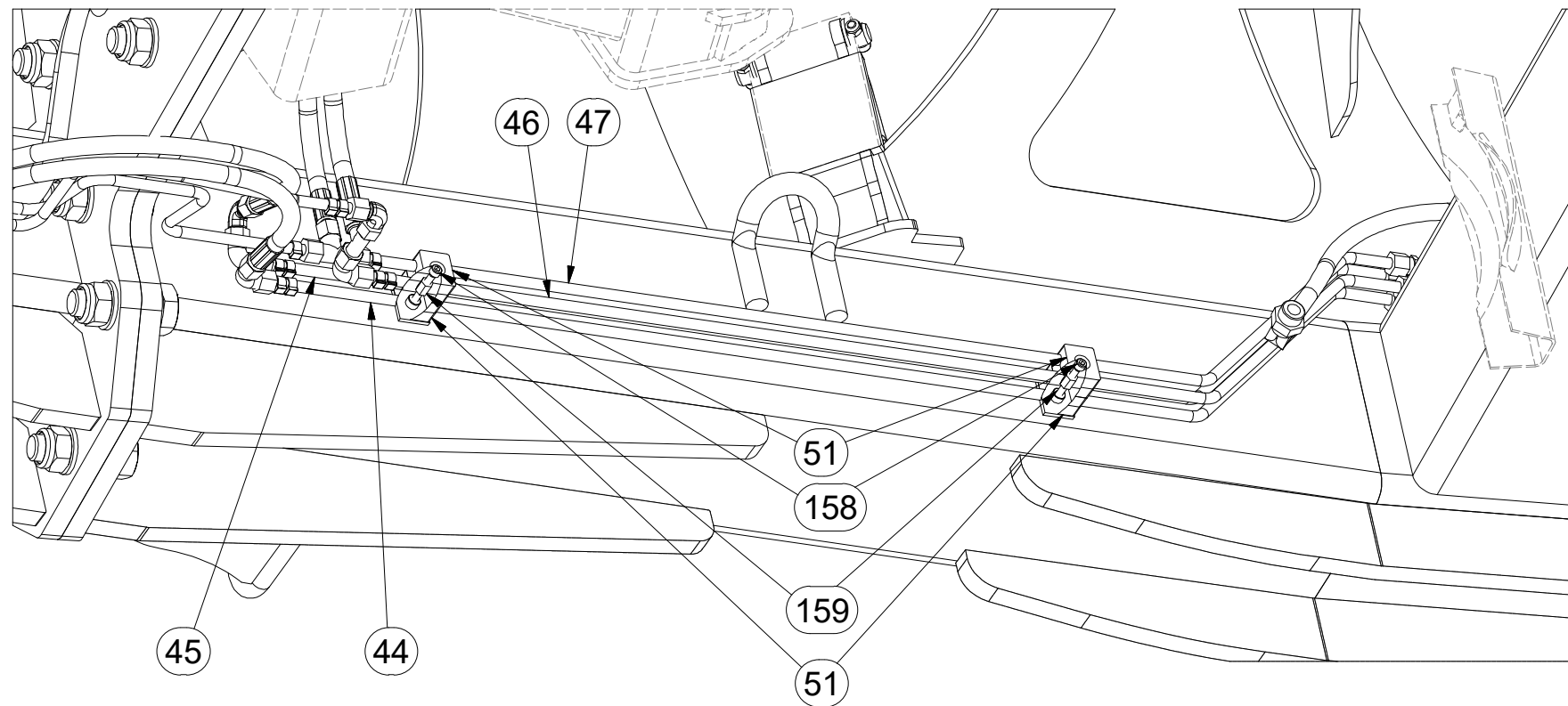
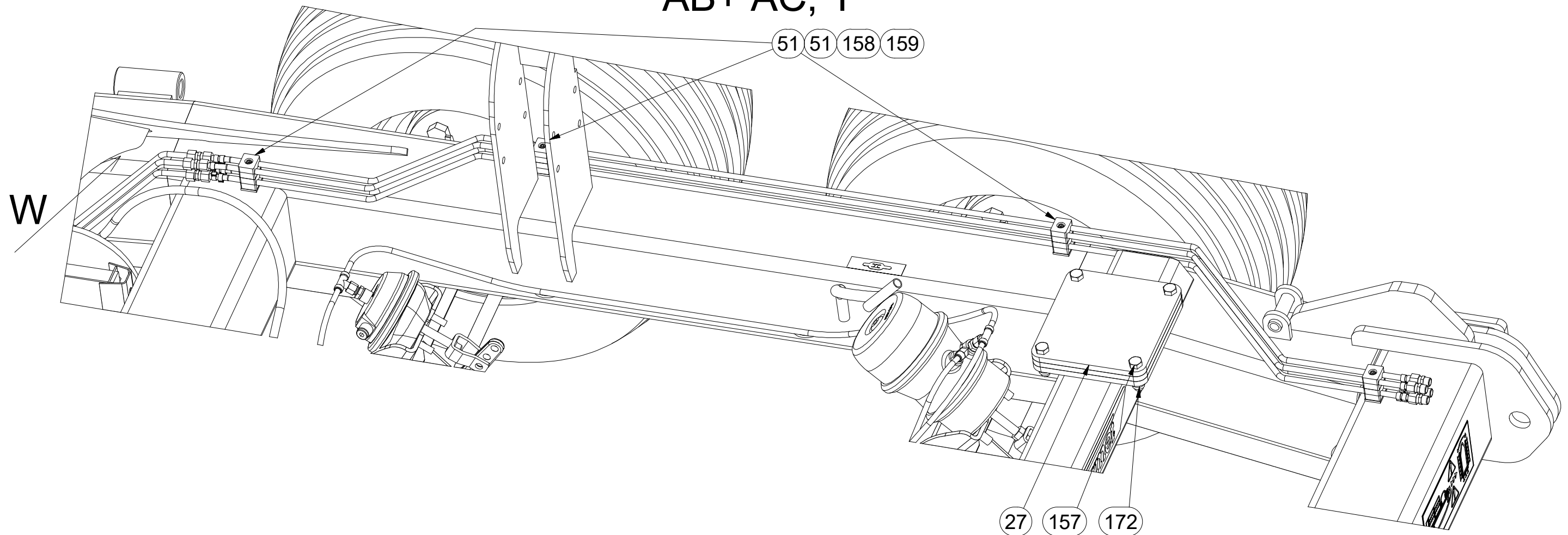
Ⓖ FAHRGESTELL

Ⓡ ШАССИ

Ⓢ PODWOZIE




# AB+ AC, Y



Pos.	Part Number	Pcs.
27	9002016	4
44	m09943	1
45	m09944	1
46	m09945	1
47	m09946	1
51	m05488	18
157	m00619	8
158	m04346	10
159	m09956	8
172	m03683	8

	
M6 (8.8) - 10Nm	
M16 (8.8) - 210Nm	
<b>HYDRAULIC COMPONENTS:</b>	
M16 x 1,5 - 60Nm	

Ⓒ PODVOZEK

Ⓓ CHASSIS

Ⓕ CHÂSSIS

**3007987**

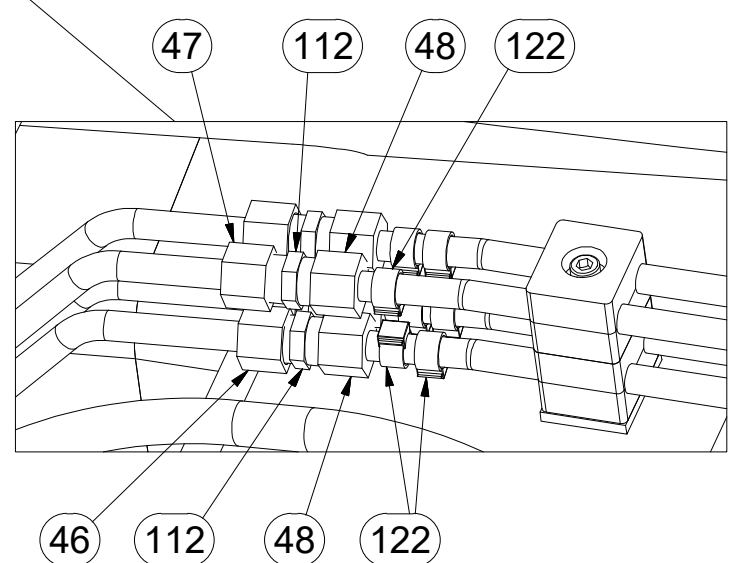
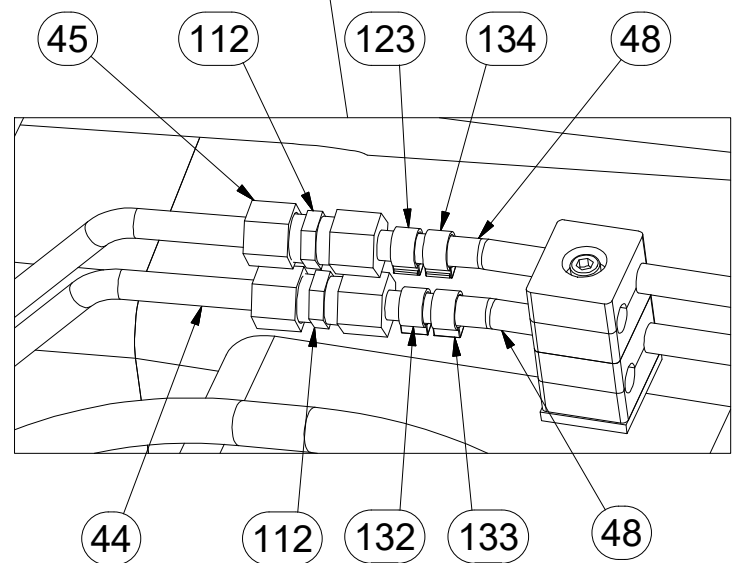
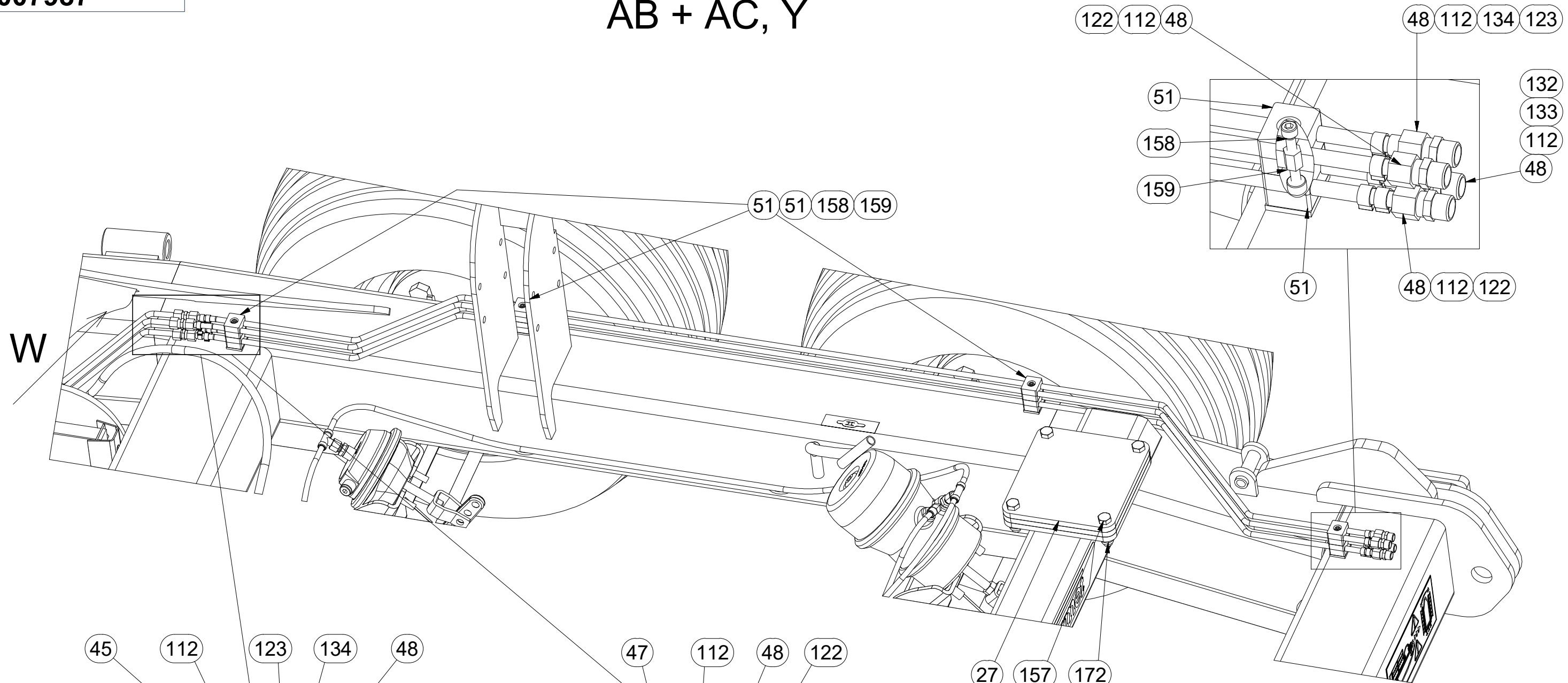
Ⓒ FAHRGESTELL


Ⓒ ШАССИ

Ⓒ PODWOZIE



# AB + AC, Y





M6 (8.8) - 10Nm

M16 (8.8) - 210Nm

**HYDRAULIC COMPONENTS:**  
M16 x 1,5 - 60Nm

Pos.	Part Number	Pcs.	Pos.	Part Number	Pcs.
27	9002016	4	123	m11294	22
44	m09943	1	132	m11282	7
45	m09944	1	133	m11289	7
46	m09945	1	134	m11253	7
47	m09946	1	157	m00619	8
48	m09947	4	158	m04346	10
51	m05488	18	159	m09956	8
112	m03213	22	172	m03683	8
122	m11691	21			

Ⓒ PODVOZEK

Ⓓ CHASSIS

Ⓕ CHÂSSIS

**3007987**

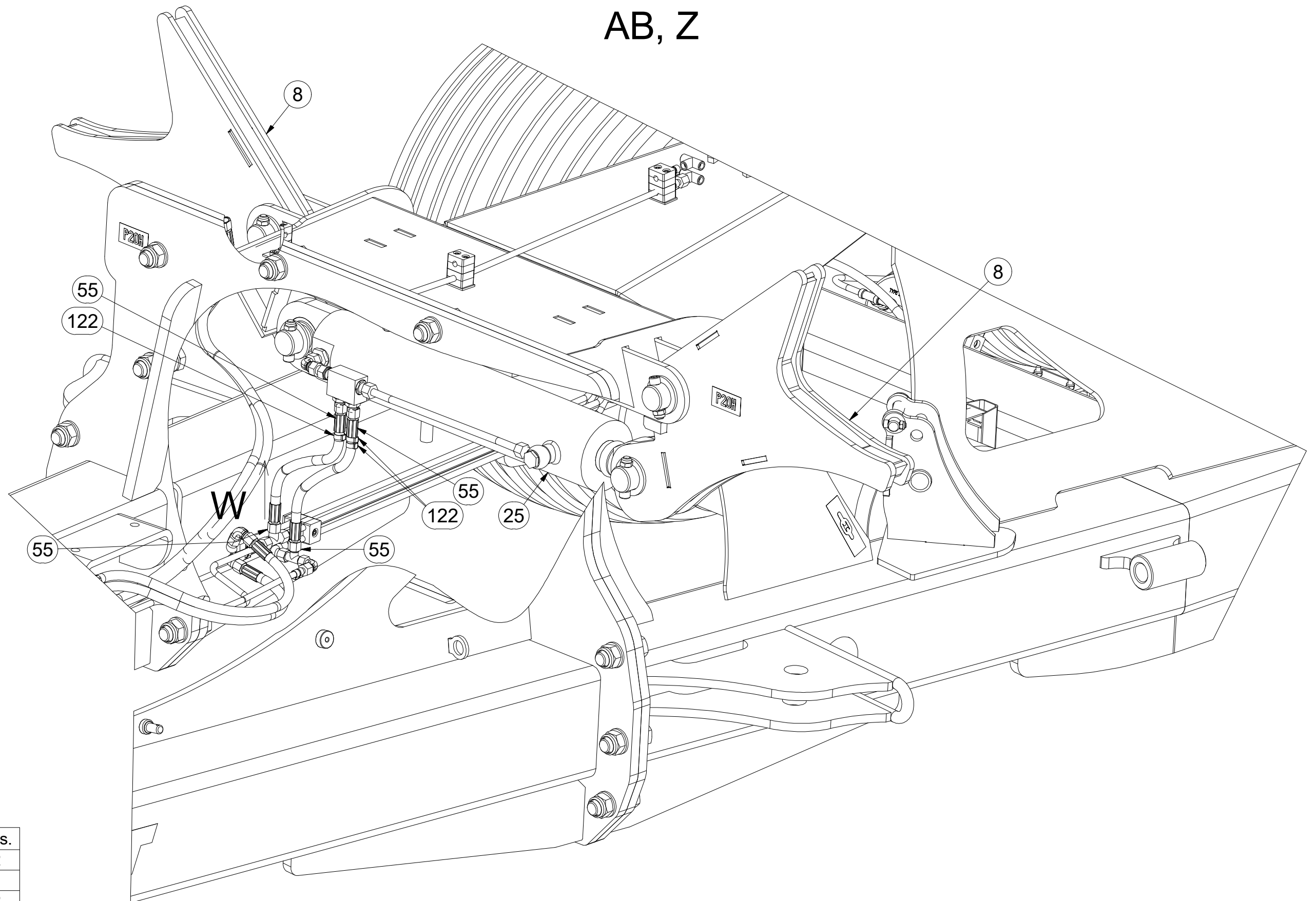
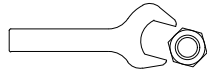
Ⓖ FAHRGESTELL

Ⓡ ШАССИ

Ⓢ PODWOZIE



**AB, Z**

**HYDRAULIC COMPONENTS:**  
M16 x 1,5 - 60Nm

Pos.	Part Number	Pcs.
8	3002925	2
25	4004810	1
55	m09627	2
122	m11691	21



Ⓒ PODVOZEK

Ⓓ CHASSIS

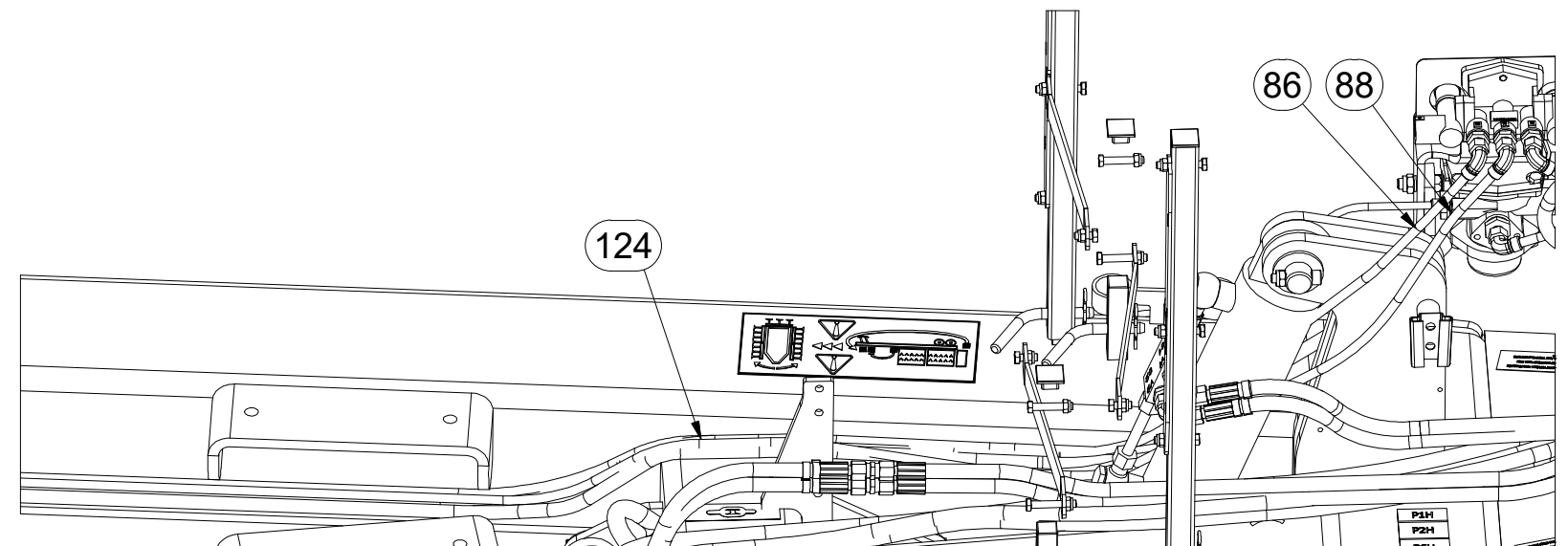
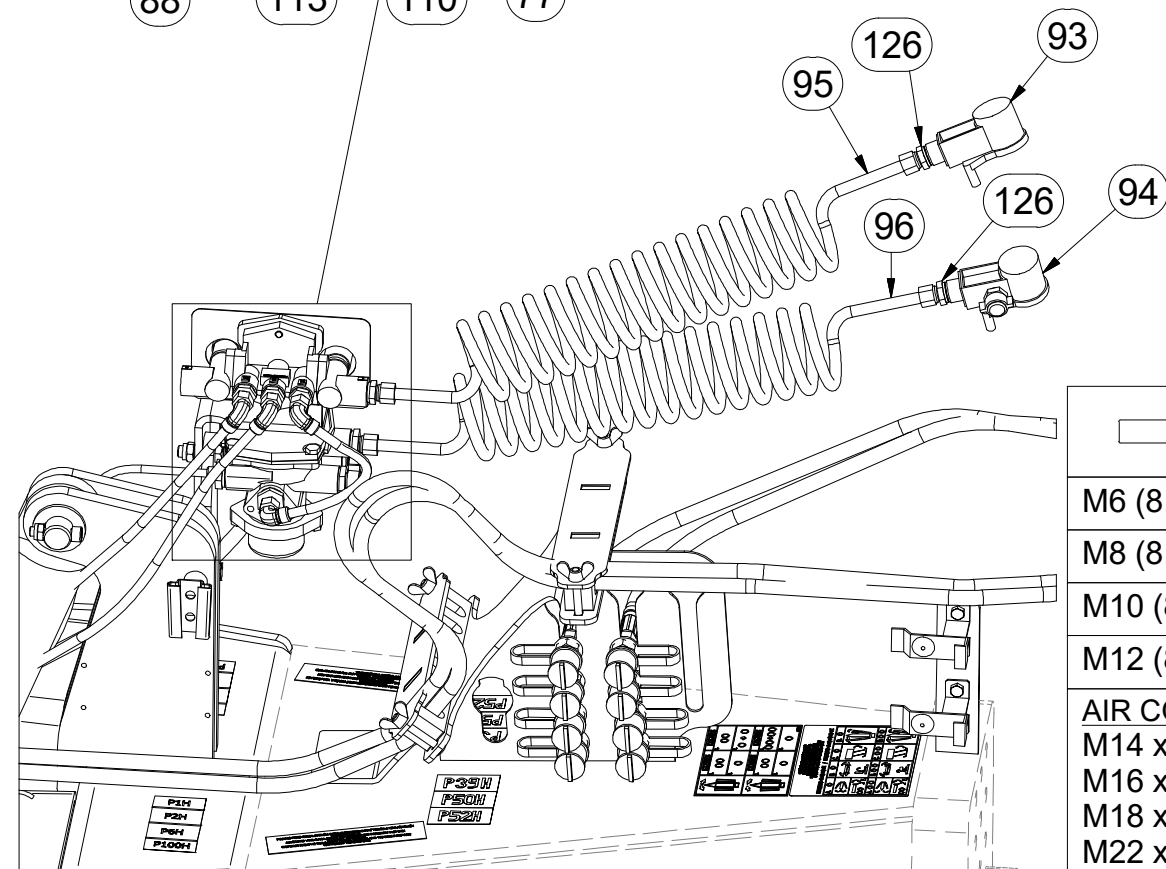
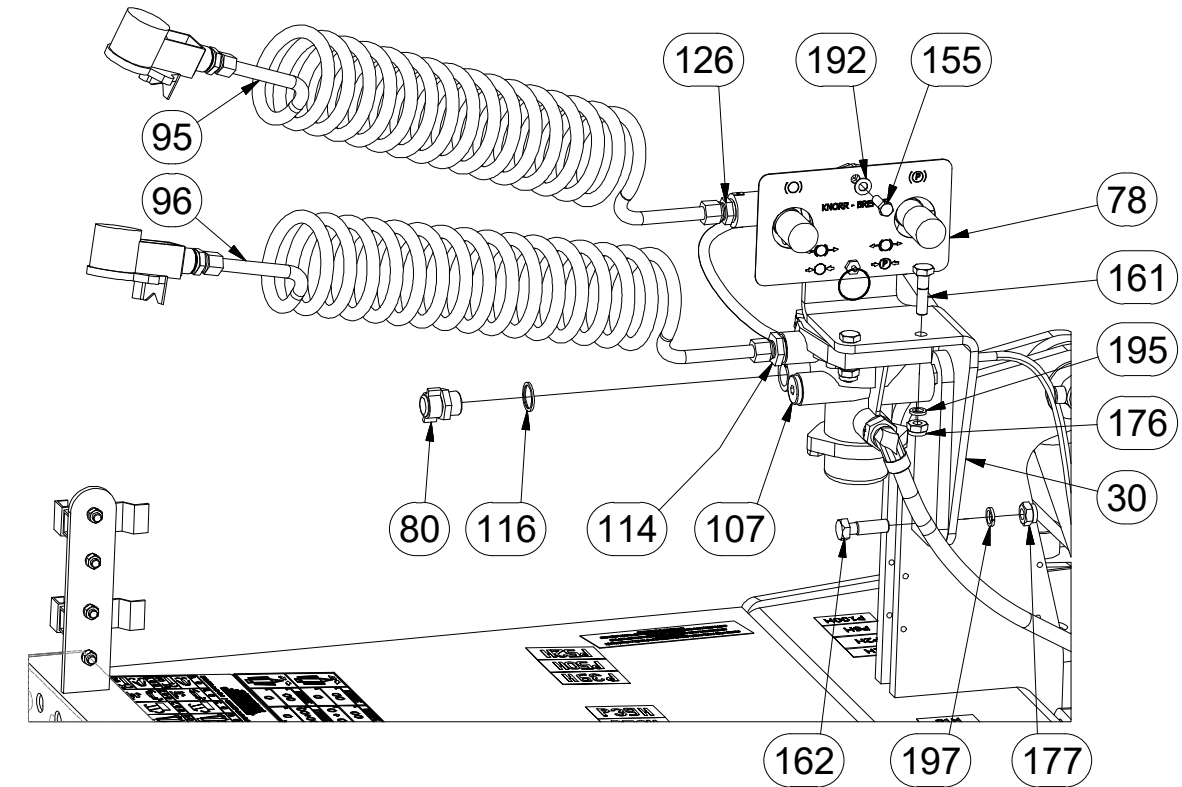
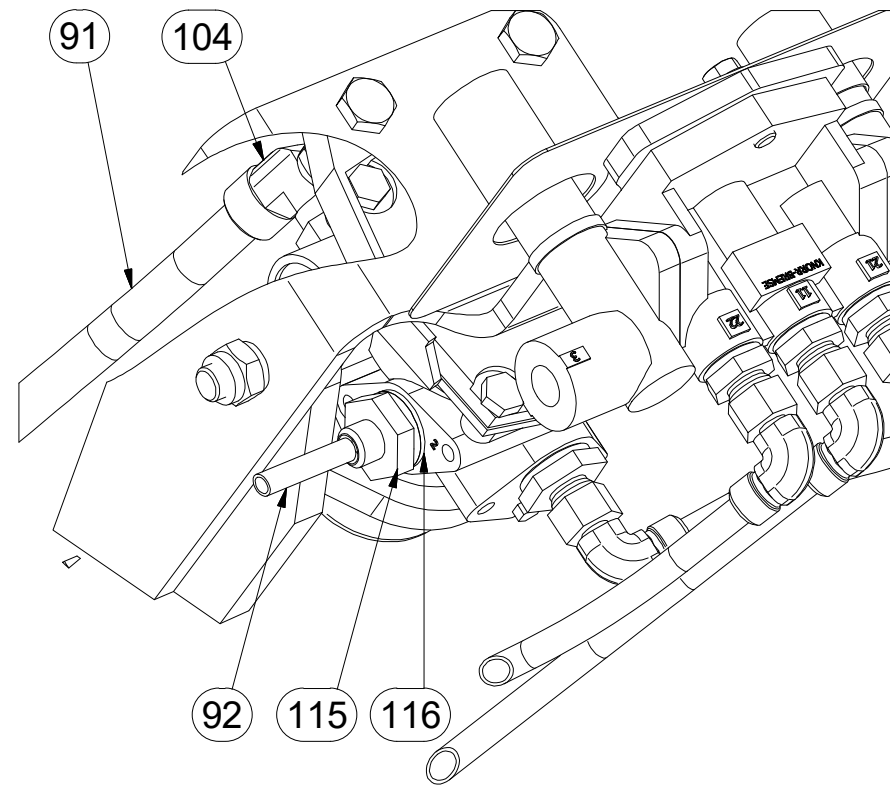
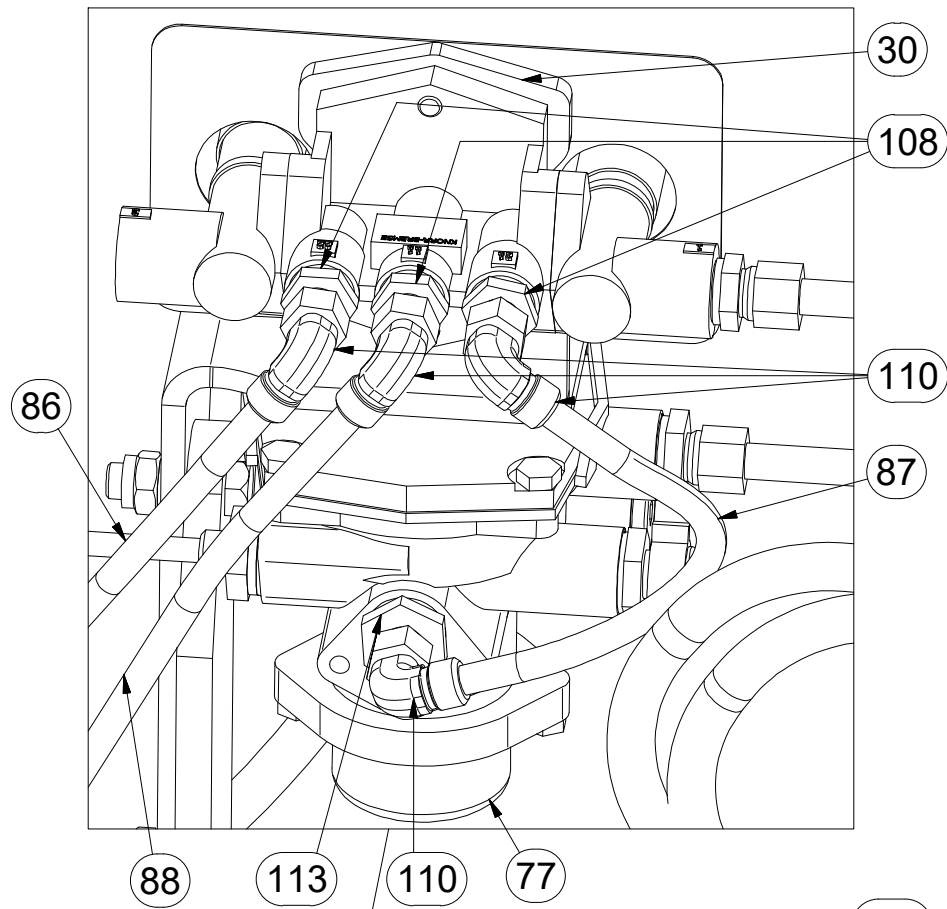
Ⓕ CHÂSSIS

**3007987**

Ⓒ FAHRGESTELL

Ⓓ ШАССИ

Ⓕ PODWOZIE



M6 (8.8) - 10Nm
M8 (8.8) - 25Nm
M10 (8.8) - 50Nm
M12 (8.8) - 87Nm
<b>AIR COMPONENTS:</b>
M14 x 1,5 - 50Nm
M16 x 1,5 - 60Nm
M18 x 1,5 - 70Nm
M22 x 1,5 - 140Nm

Pos.	Part Number	Pcs.	Pos.	Part Number	Pcs.	Pos.	Part Number	Pcs.	Pos.	Part Number	Pcs.
30	4011962	1	92	4005166	1	110	m06803	6	161	m01111	2
77	m09784	1	93	m09787	1	113	m09934	5	162	m03926	2
78	9786_štítek	1	94	m09788	1	114	m08261	1	176	m03775	14
80	m09816	1	95	m09949	1	115	m07477	1	177	m04301	10
86	4005162	1	96	m09948	1	116	m09818	7	192	m01203	1
87	4005163	1	104	m03896	4	124	m01637	56	195	m01208	2
88	4005164	1	107	m04855	1	126	m10097	3	197	m03988	2
91	4005168	1	108	m07906	6	155	m01092	4			

Ⓒ PODVOZEK

Ⓓ CHASSIS

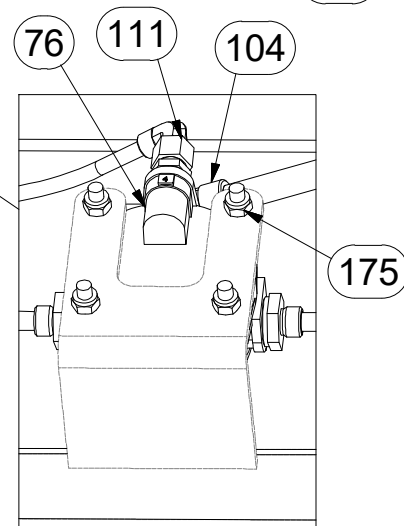
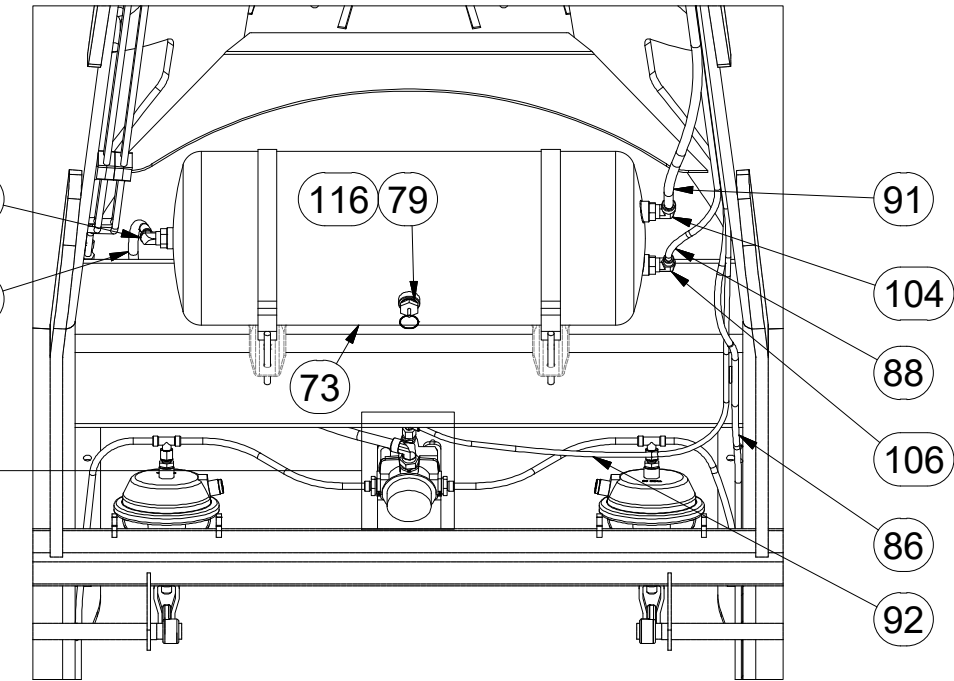
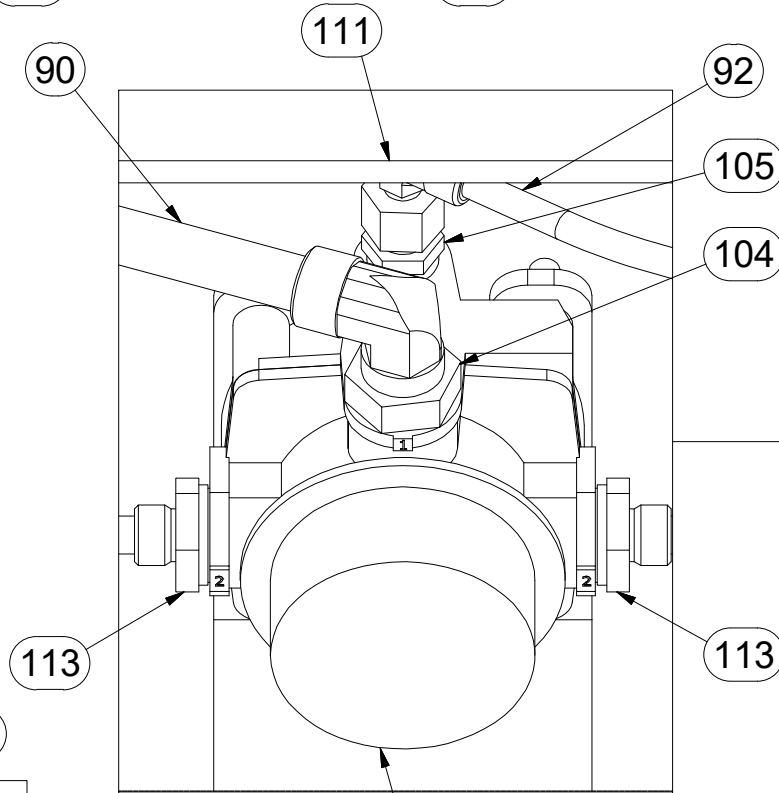
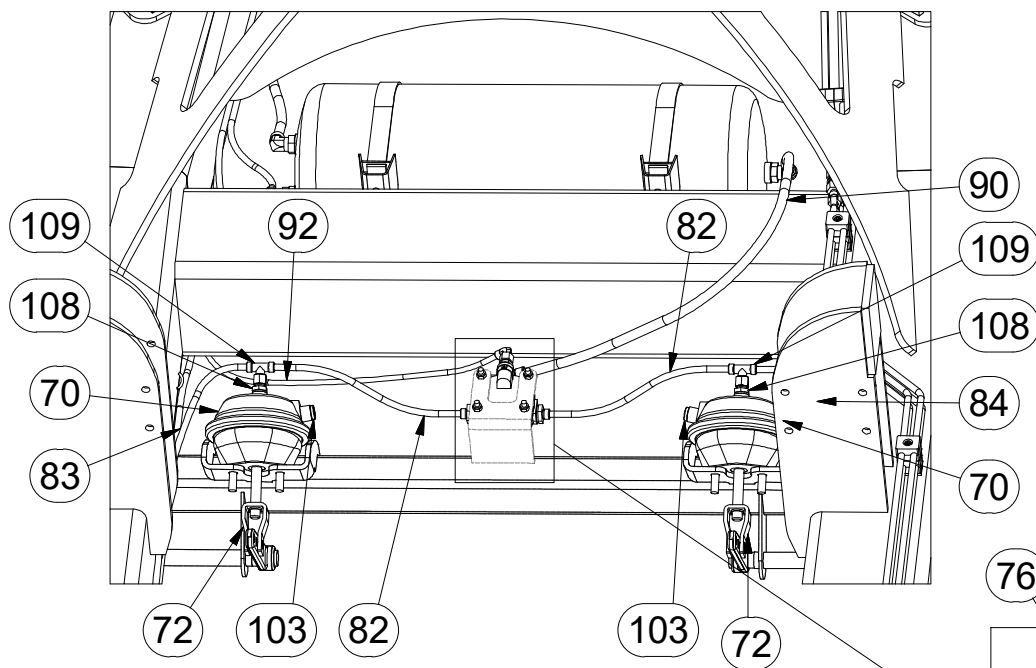
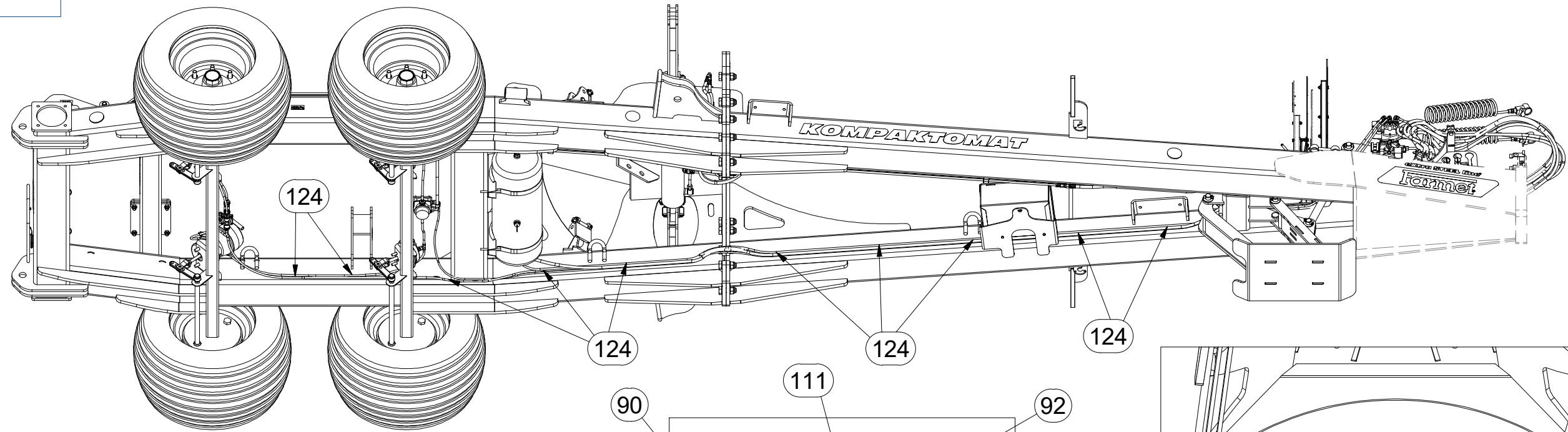
Ⓕ CHÂSSIS


**3007987**

Ⓖ FAHRGESTELL

Ⓡ ШАССИ

Ⓢ PODWOZIE



  
 M8 (8.8) - 25Nm  
 AIR COMPONENTS:  
 M14 x 1,5 - 50Nm  
 M16 x 1,5 - 60Nm  
 M18 x 1,5 - 70Nm  
 M22 x 1,5 - 140Nm

Pos.	Part Number	Pcs.	Pos.	Part Number	Pcs.
70	4005624	2	92	4005166	1
72	m09793	2	103	m04518	2
73	m09795	1	104	m03896	4
76	m09790	1	105	m07478	1
79	m09797	1	106	m03890	1
82	4005158	2	108	m07906	6
83	4005159	1	109	m07567	3
84	4005160	1	111	m07479	1
86	4005162	1	113	m09934	5
88	4005164	1	116	m09818	7
90	4005167	1	124	m01637	56
91	4005168	1	175	m04503	13



Ⓒ PODVOZEK

Ⓓ CHASSIS

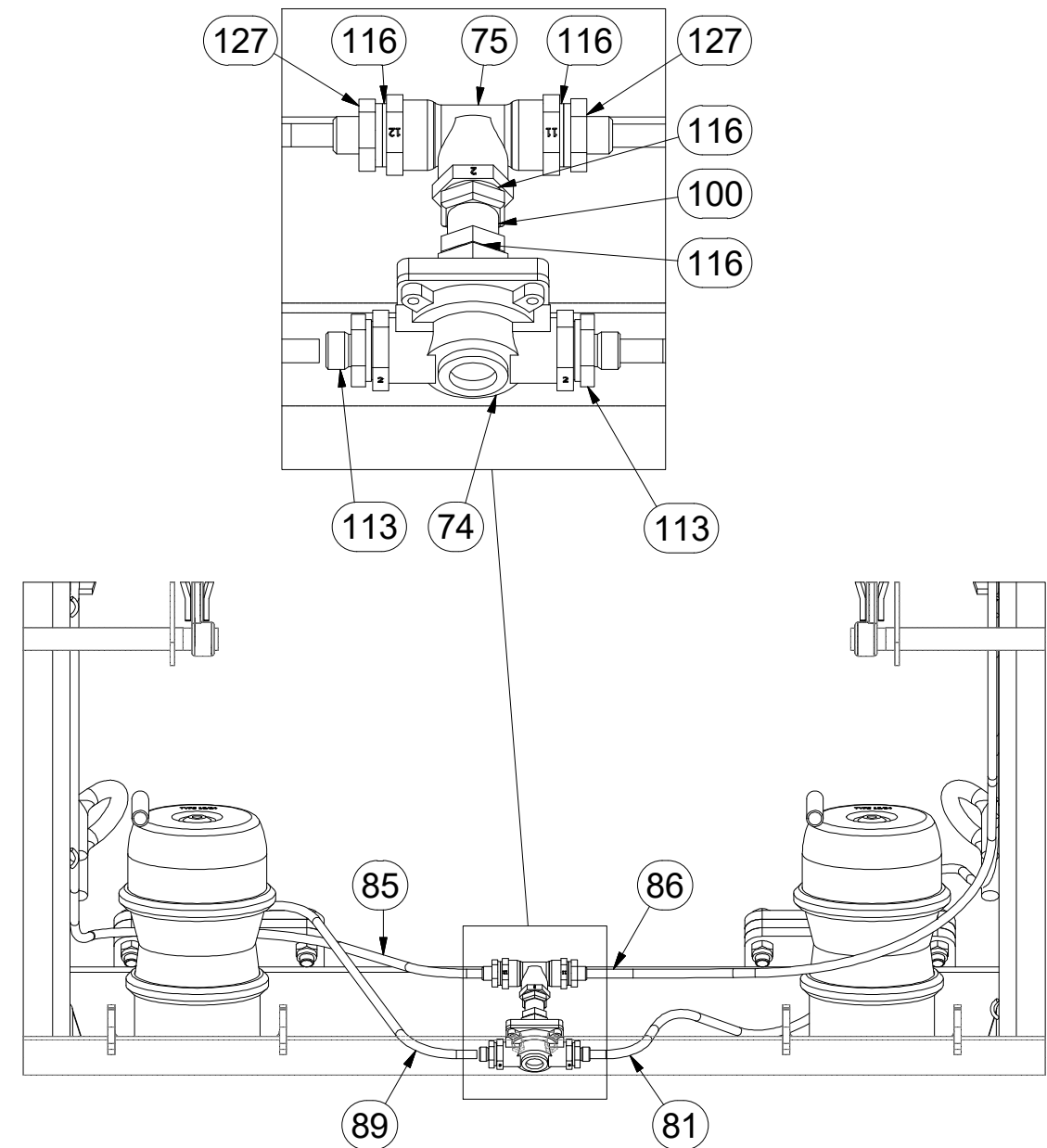
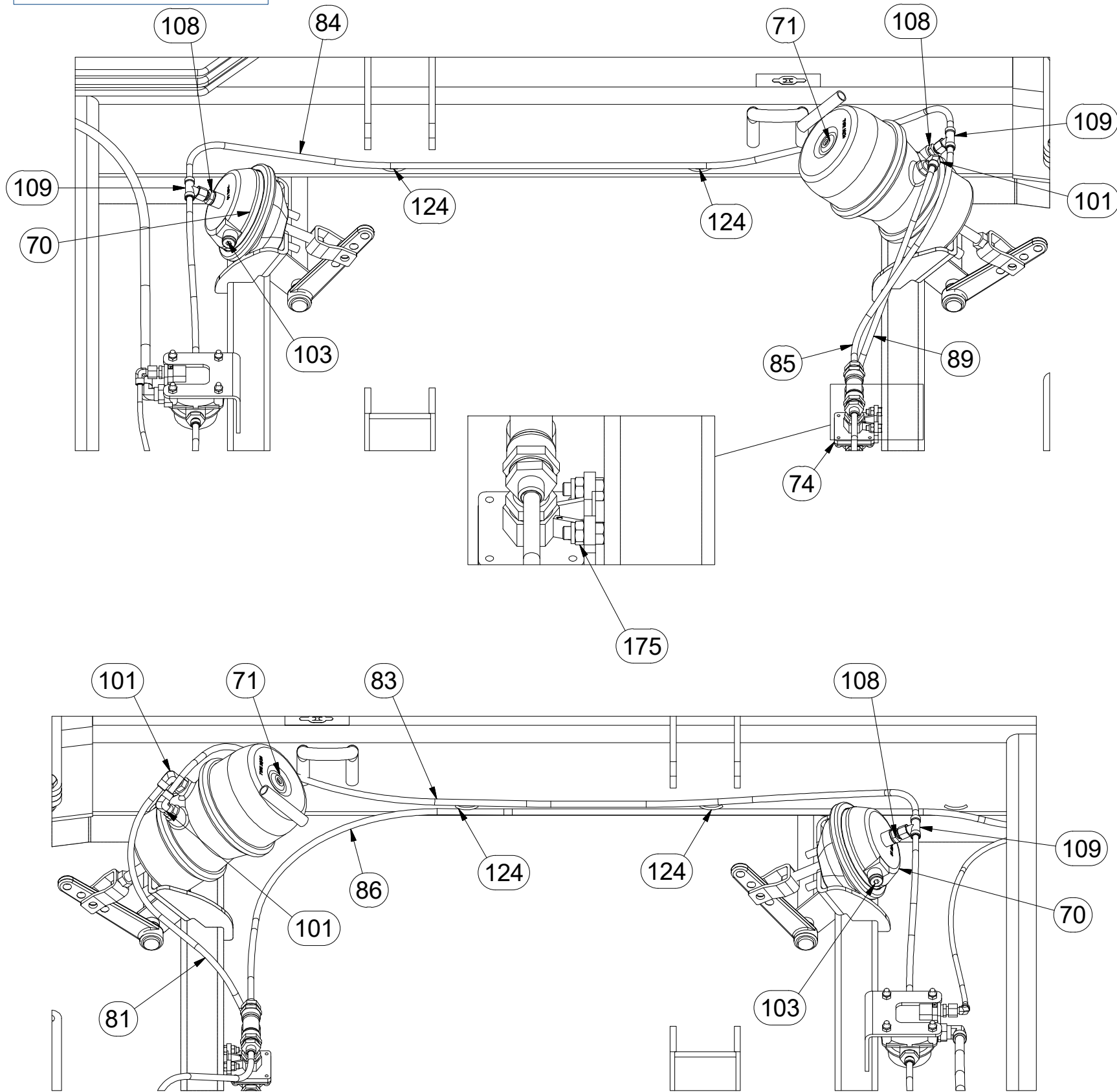
Ⓕ CHÂSSIS

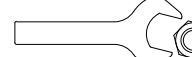
**3007987**

Ⓖ FAHRGESTELL

Ⓡ ШАССИ

Ⓢ PODWOZIE



  
 M8 (8.8) - 25Nm  
 AIR COMPONENTS:  
 M14 x 1,5 - 50Nm  
 M16 x 1,5 - 60Nm  
 M18 x 1,5 - 70Nm  
 M22 x 1,5 - 140Nm

Pos.	Part Number	Pcs.	Pos.	Part Number	Pcs.
70	4005624	2	101	m07483	3
71	4006714	2	103	m04518	2
74	m09791	1	108	m07906	6
75	m09785	1	109	m07567	3
81	4005157	1	113	m09934	5
83	4005159	1	116	m09818	7
85	4006381	1	124	m01637	56
86	4005162	1	127	m03925	2
89	4005165	1	175	m04503	13
100	m09810	1			

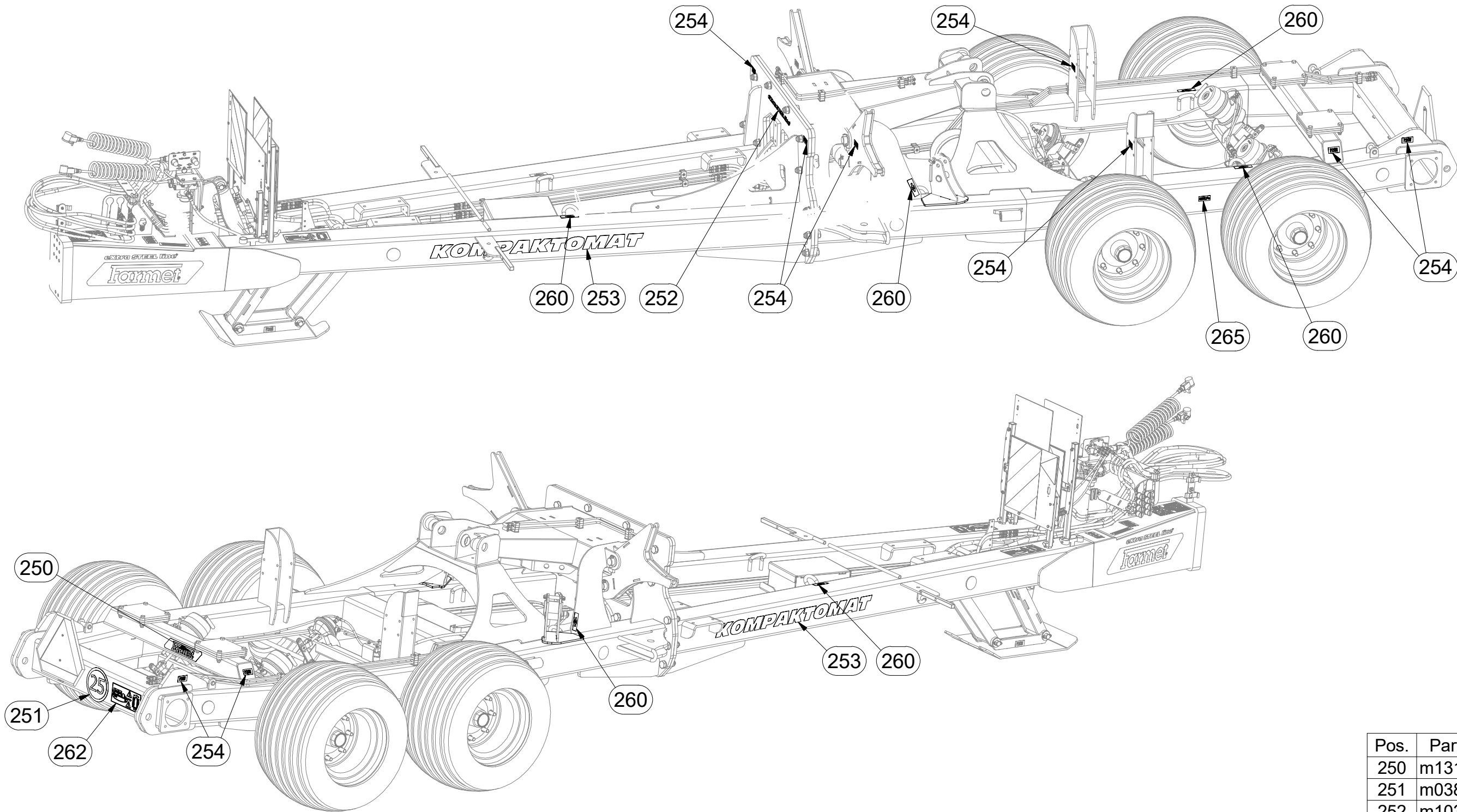


- ⒸZ SAMOLEPKY STROJE
- Ⓓ AUFKLEBER MASCHINEN
- Ⓕ VOITURE MACHINES

- ⒼB STICKERS MACHINES
- Ⓔ RU СТИКЕРЫ МАШИНЫ
- ⒼL NAKLEJKI MASZYNY



**3007987**



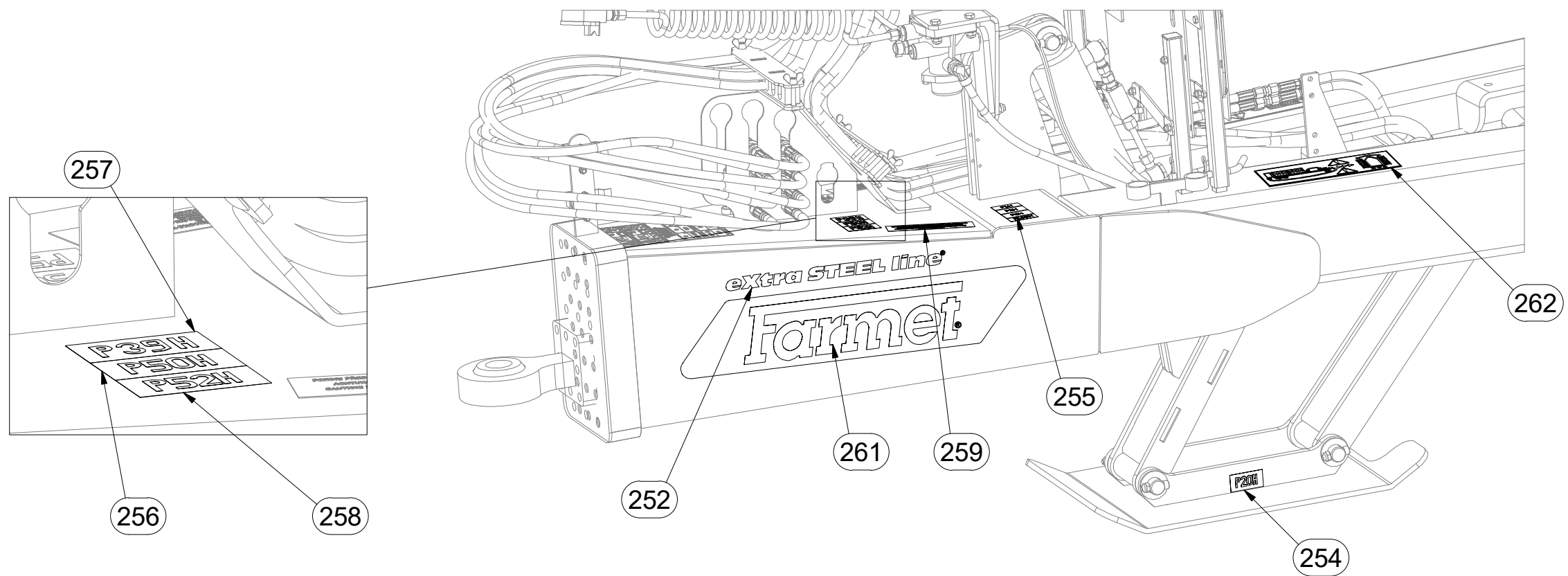
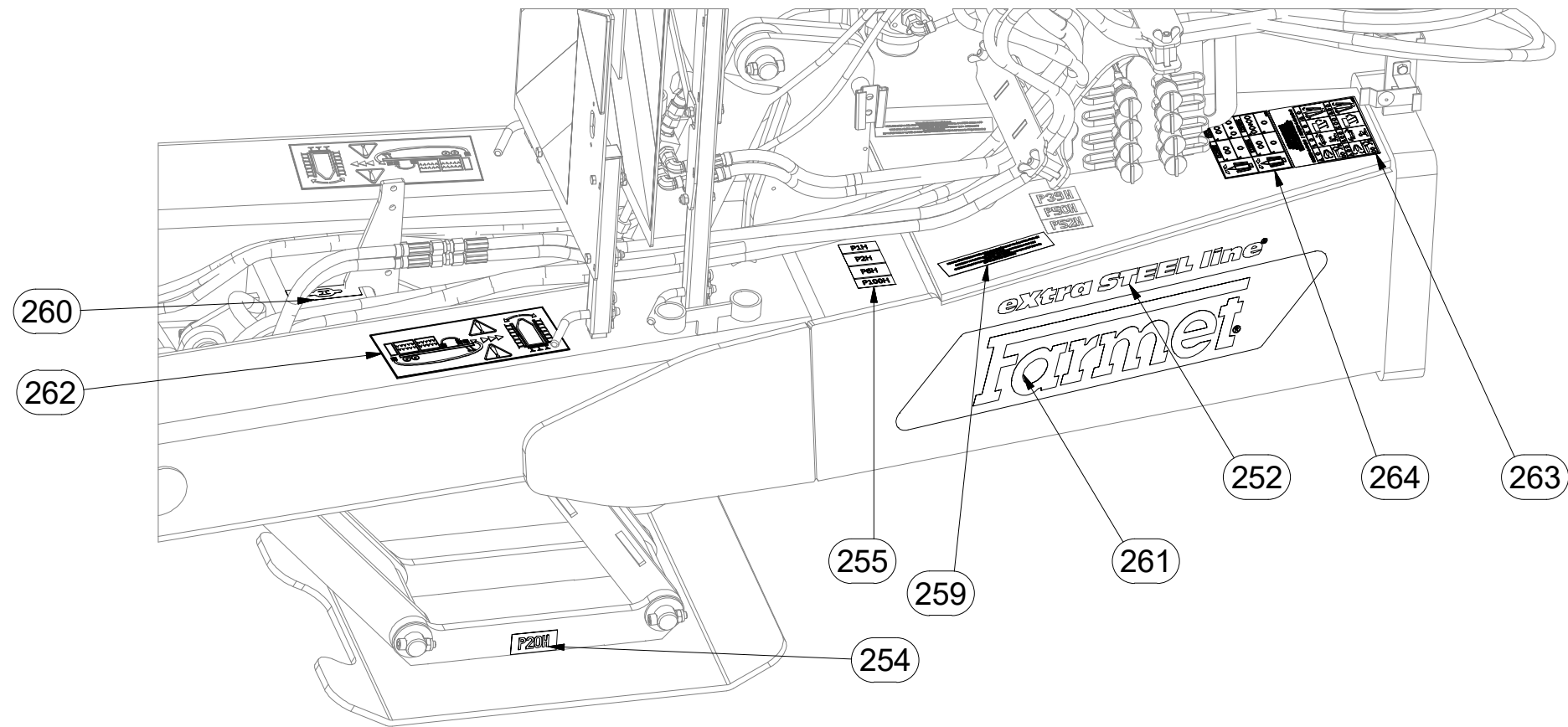
Pos.	Part Number	Pcs.
250	m13117	1
251	m03820	1
252	m10353	3
253	m09892	2
254	m04368	12
260	m03316	7
262	m09950	3
265	m04887	2

- Ⓒ SAMOLEPKY STROJE
- Ⓓ AUFKLEBER MASCHINEN
- Ⓕ VOITURE MACHINES

- Ⓖ STICKERS MACHINES
- Ⓔ СТИКЕРЫ МАШИНЫ
- Ⓗ NAKLEJKI MASZYNY



**3007987**



Pos.	Part Number	Pcs.
252	m10353	3
254	m04368	12
255	m11295	2
256	m04367	2
257	m04362	2
258	m04364	2
259	m05691	2
260	m03316	7
261	m13118	2
262	m09950	3
263	m11689	1
264	m11690	1



Ⓒ SADA NÁPRAVY

Ⓓ SATZ AUFHÄNGUNG

Ⓕ KIT DE L'ESSIEU

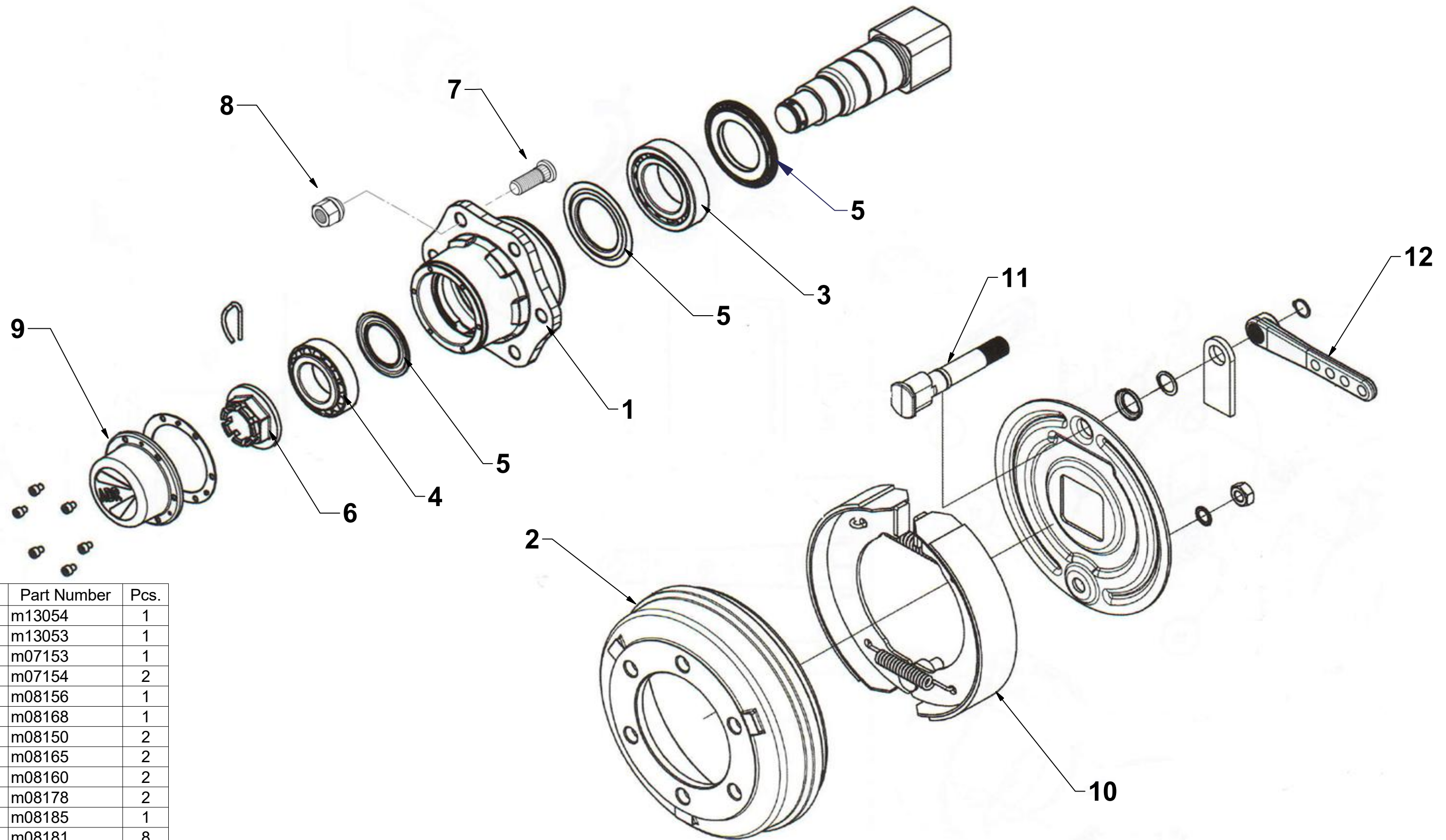
Ⓖ AXLE SET

Ⓡ КОМПЛЕКТ ОСИ КОЛЁС

Ⓟ ZESTAW OSI



**A70NA8FG033**



Pos.	Part Number	Pcs.
1	m13054	1
2	m13053	1
3	m07153	1
4	m07154	2
5	m08156	1
6	m08168	1
7	m08150	2
8	m08165	2
9	m08160	2
10	m08178	2
11	m08185	1
12	m08181	8

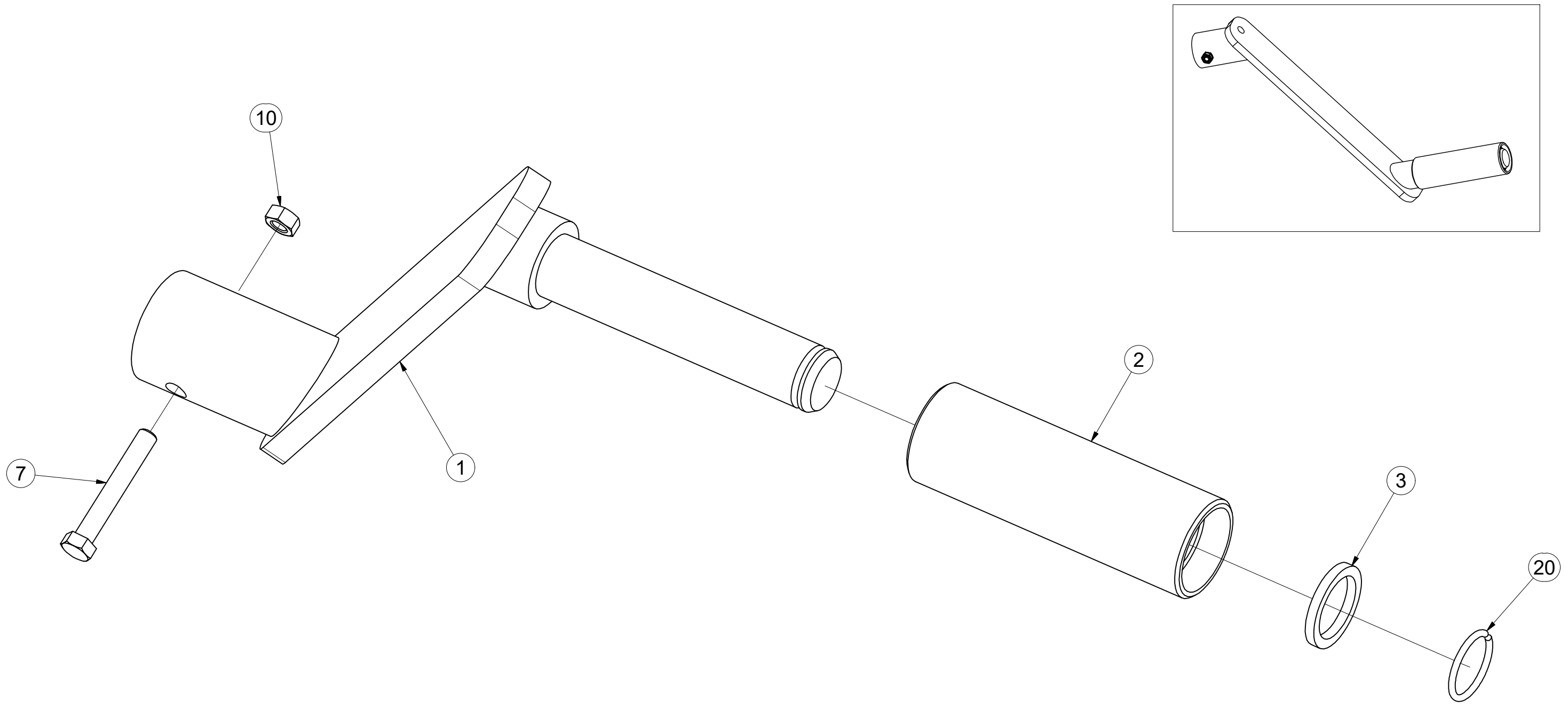


CZ NASAZOVACÍ KLIKA  
 D EINSTELLKURBEL  
 F MANIVELLE AMOVIBILE

GB PRESS-ON HANDLE  
 RU НАСАЖИВАЕМАЯ РУКОЯТКА  
 PL KLAMKA MOCOWANA



**4003087**



Pos.	Part Number	Pcs.
1	4003092	1
2	4001533	1
3	4004828	1
7	m04641	1
10	m01295	1
20	m06561	1

Ⓒ SADA TAŽNÉHO OKA

Ⓓ ZUGÖSESATZ

Ⓕ KIT DE L'ŒILLET DE TRACTION

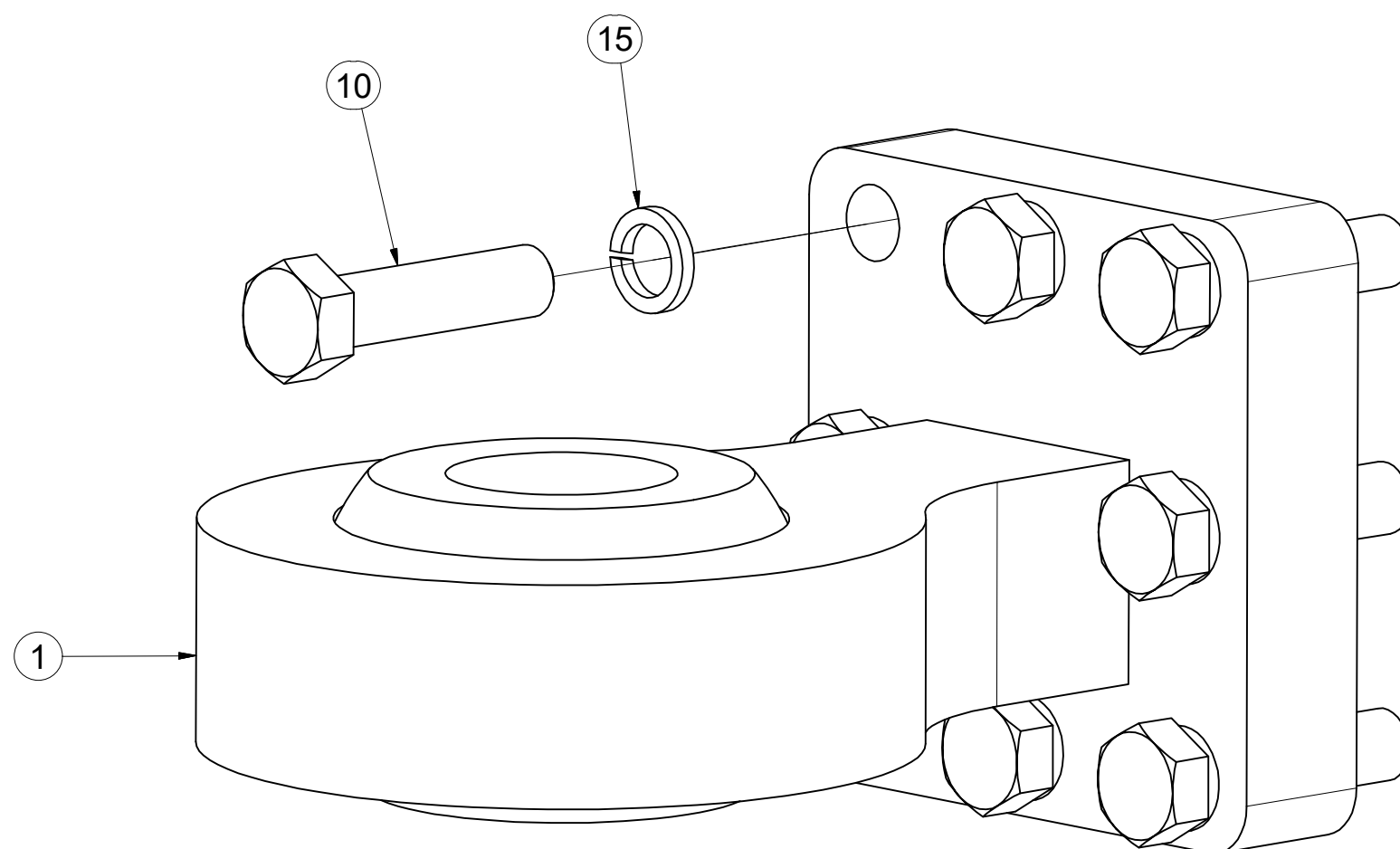
Ⓖ TOWING LUG SET

Ⓡ КОМПЛЕКТ ТЯГОВОГО ДЫШЛА

Ⓟ ZESTAW UCHA HOLOWNICZEGO



**4013529**



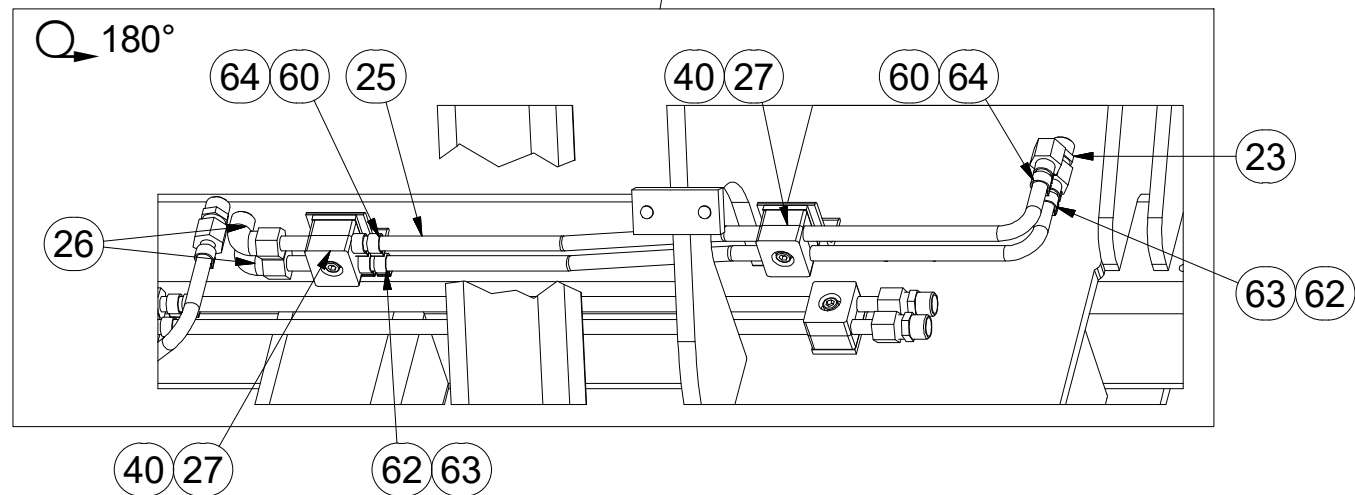
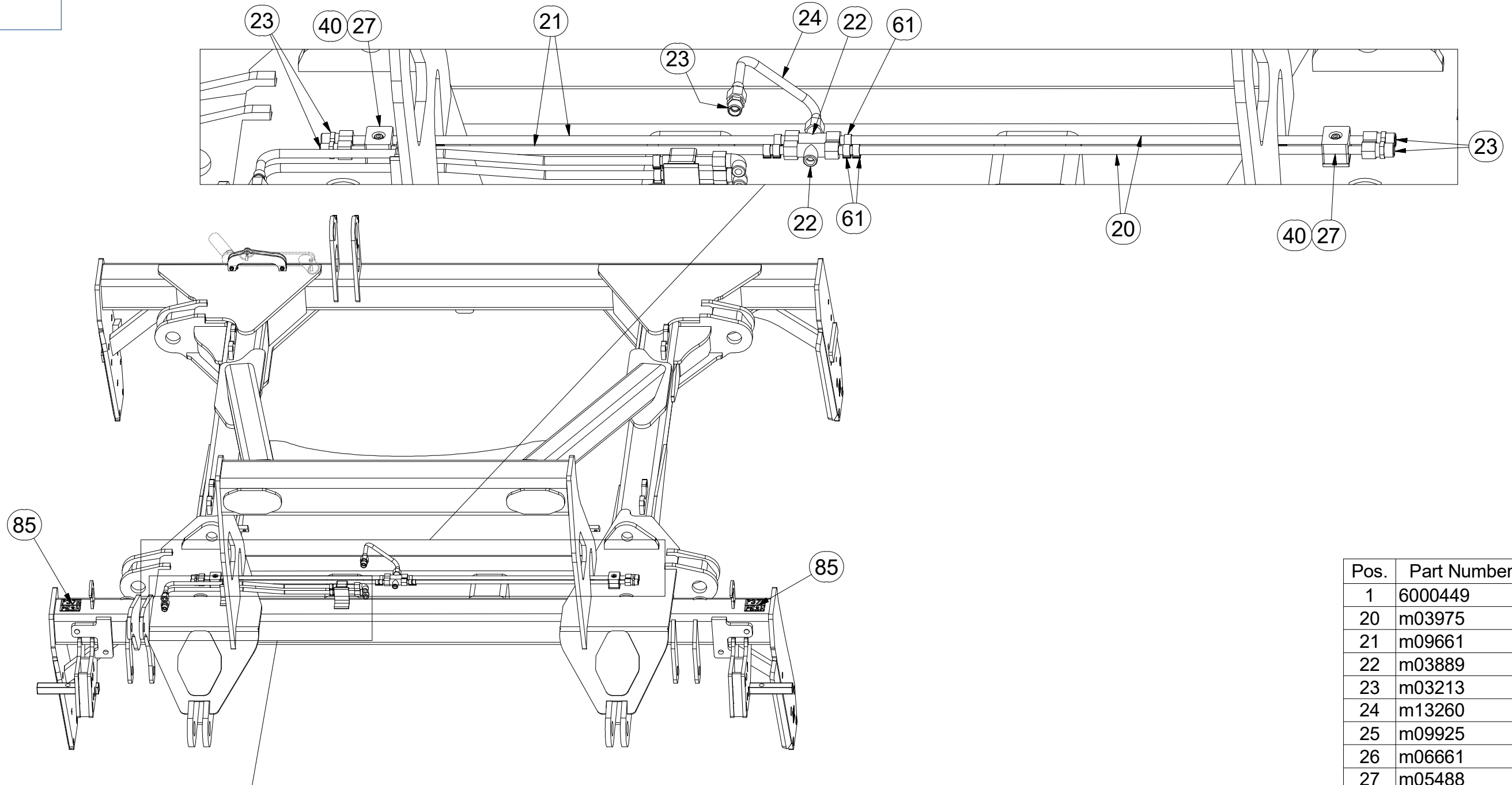
Pos.	Part Number	Pcs.
1	m13263	1
10	m12371	8
15	m02157	8

(CZ) RÁM  
 (D) RAHMEN  
 (F) CHASSIS

(GB) FRAME  
 (RU) ПАМА  
 (PL) RAMA



**3006955**



Pos.	Part Number	Pcs.
1	6000449	1
20	m03975	2
21	m09661	2
22	m03889	2
23	m03213	6
24	m13260	1
25	m09925	2
26	m06661	2
27	m05488	4
40	m04346	4
41	m01075	2
50	m05560	2
60	m11294	2
61	m11691	7
62	m11282	2
63	m11289	2
64	m11253	2
81	m13116	1
85	m11297	4



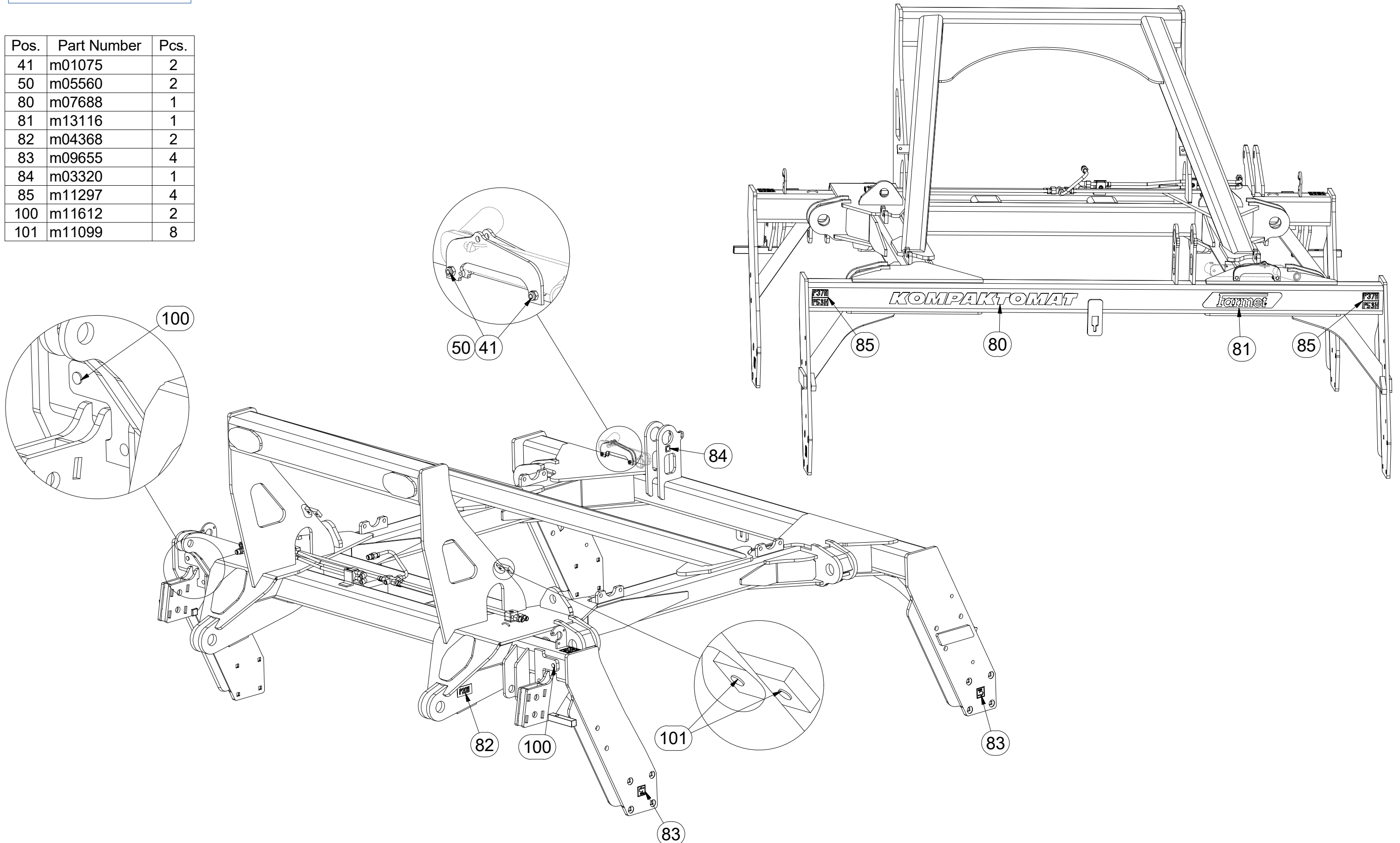
- Ⓒ RÁM
- Ⓓ RAHMEN
- Ⓕ CHASSIS

- Ⓖ FRAME
- Ⓔ PAMA
- Ⓗ RAMA



**3006955**

Pos.	Part Number	Pcs.
41	m01075	2
50	m05560	2
80	m07688	1
81	m13116	1
82	m04368	2
83	m09655	4
84	m03320	1
85	m11297	4
100	m11612	2
101	m11099	8

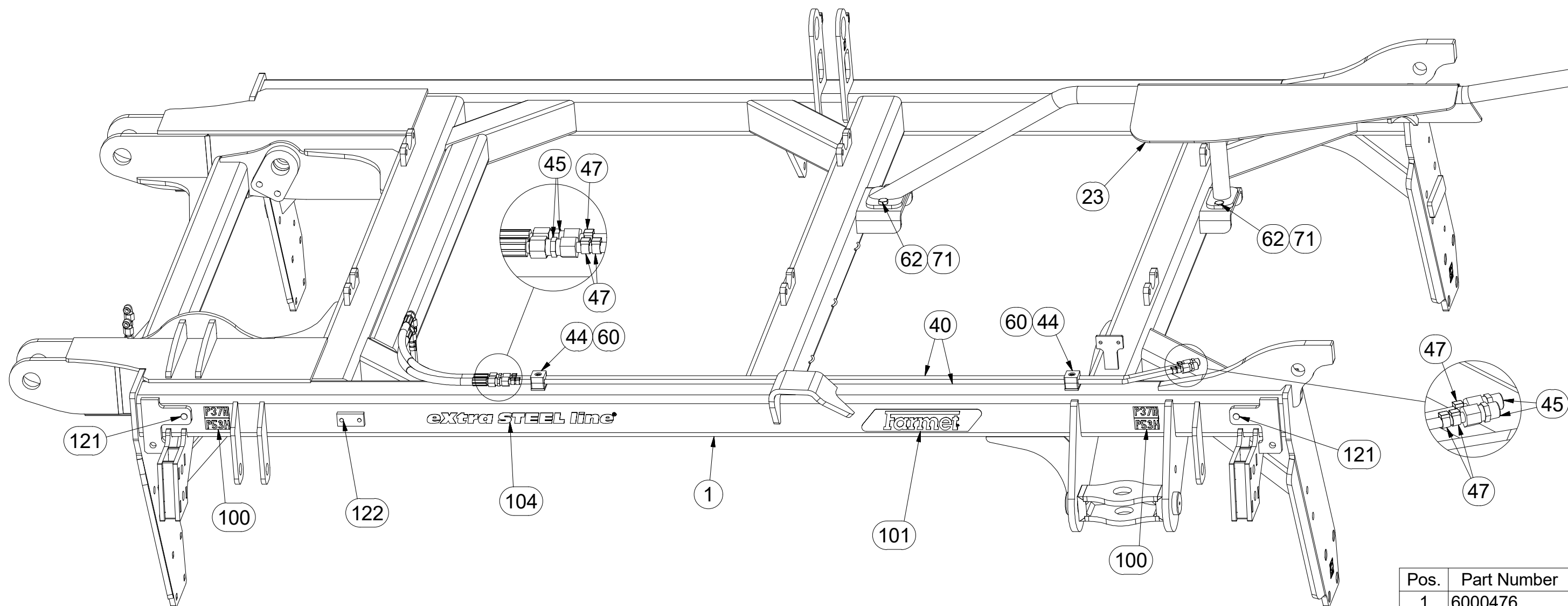


- Ⓒ RÁM
- Ⓓ RAHMEN
- Ⓕ CHASSIS

- Ⓖ FRAME
- Ⓡ PAMA
- Ⓟ RAMA



**3006956**



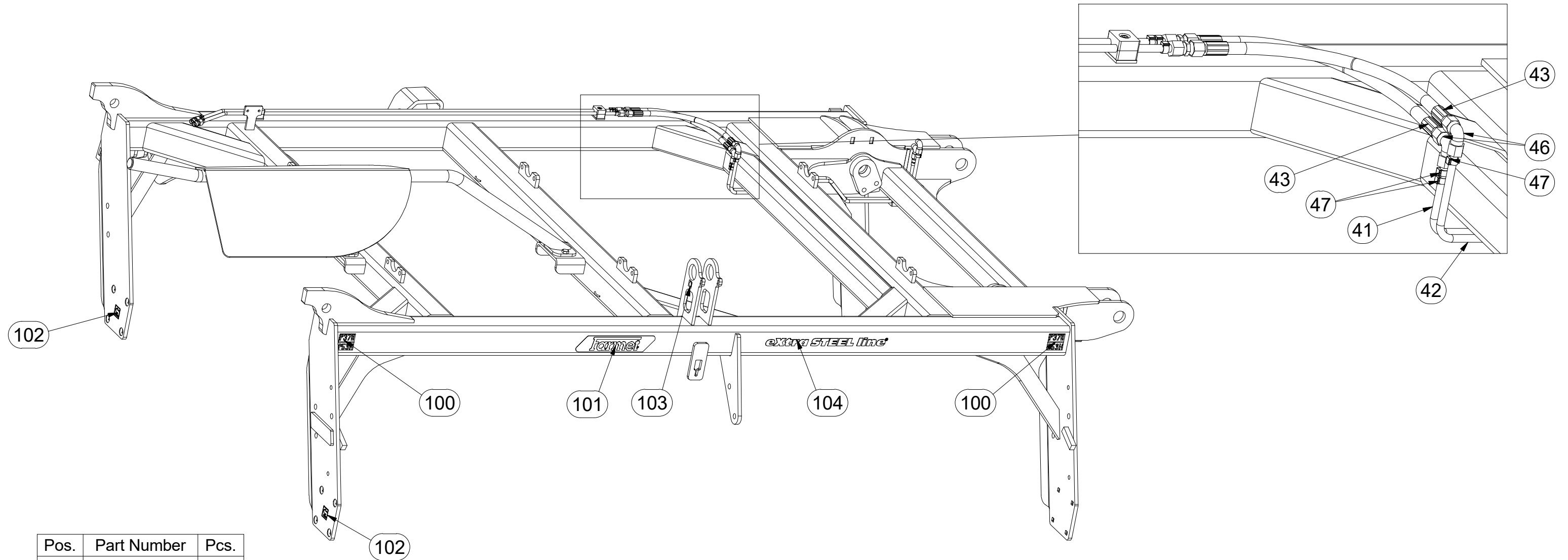
Pos.	Part Number	Pcs.
1	6000476	1
23	4005531	1
40	m10042	2
44	m05488	4
45	m03213	4
47	m11691	12
60	m04346	4
62	m04039	4
71	m04301	4
100	m11297	4
101	m13116	2
104	m10353	2
121	m11612	2
122	m11099	2

- ⒸZ RÁM
- Ⓓ RAHMEN
- Ⓕ CHASSIS

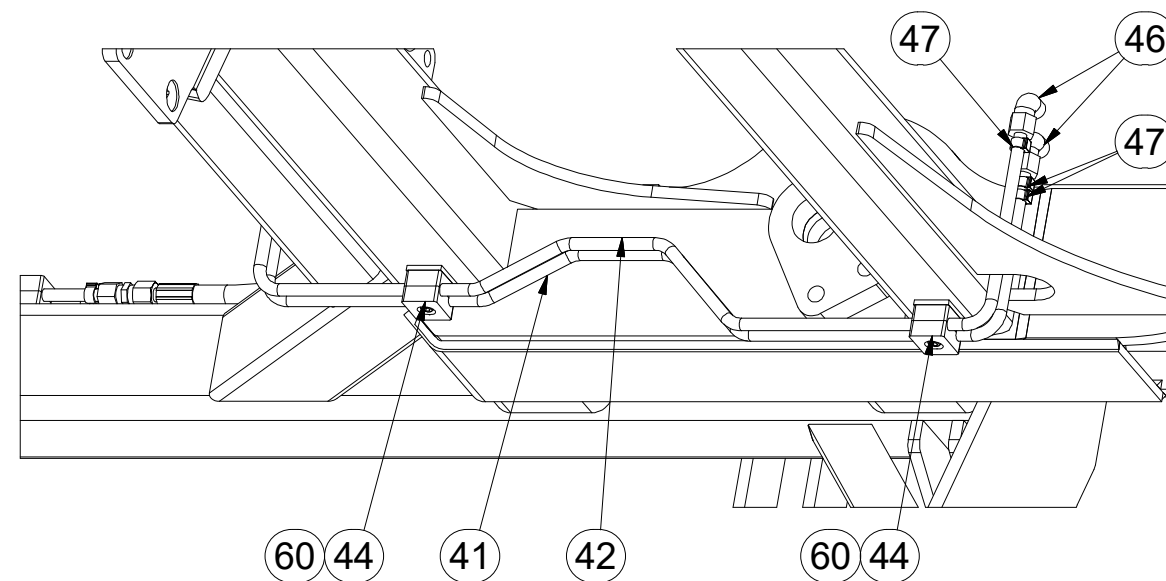
- ⒼB FRAME
- ⒺP PAMA
- ⒼL RAMA



**3006956**



Pos.	Part Number	Pcs.
1	6000476	1
40	m10042	2
41	m10043	1
42	m10041	1
43	m04827	2
44	m05488	4
45	m03213	4
46	m06661	4
47	m11691	12
60	m04346	4
100	m11297	4
101	m13116	2
102	m09655	4
103	m03320	1
104	m10353	2



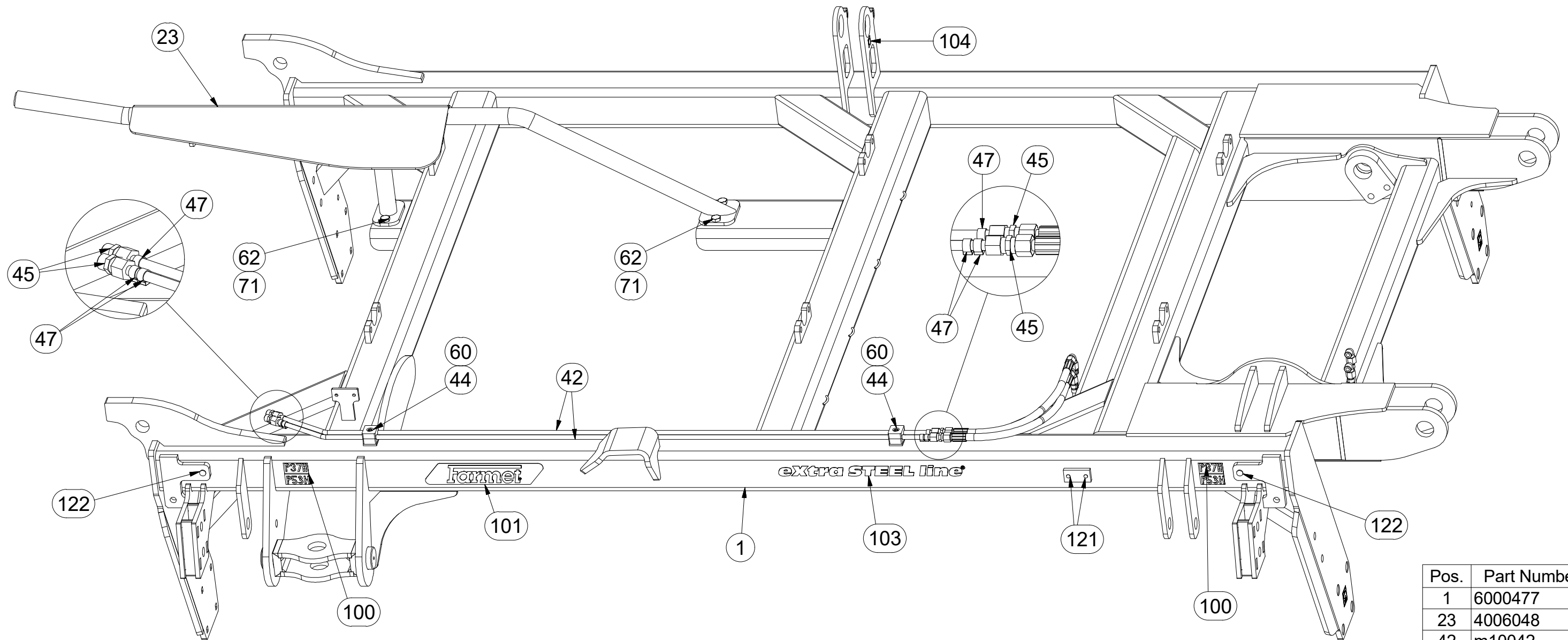


CZ RÁM  
 D RAHMEN  
 F CHASSIS

GB FRAME  
 RU ПАМА  
 PL RAMA



**3006958**



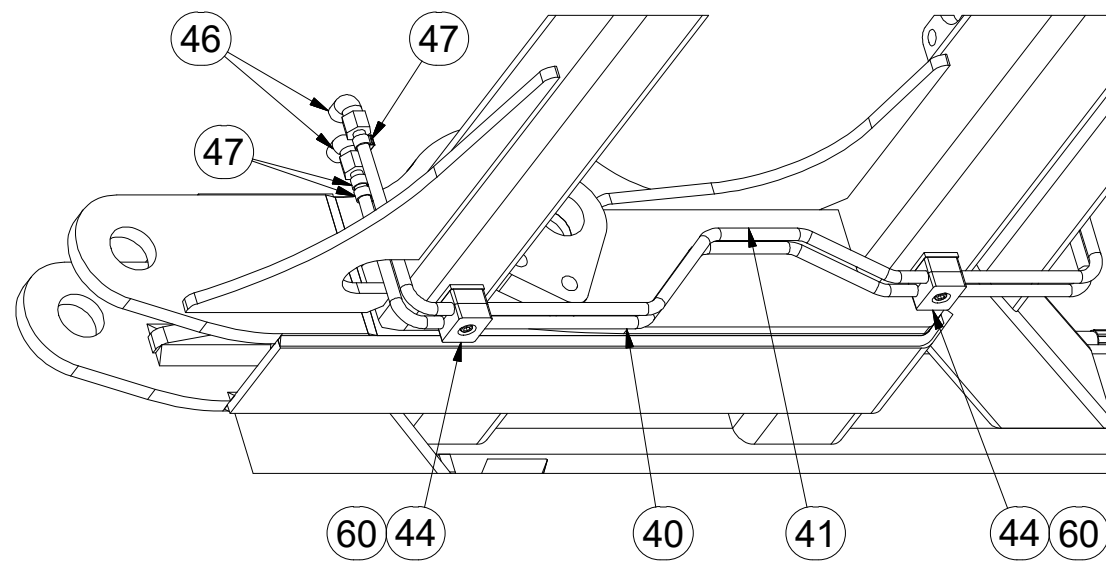
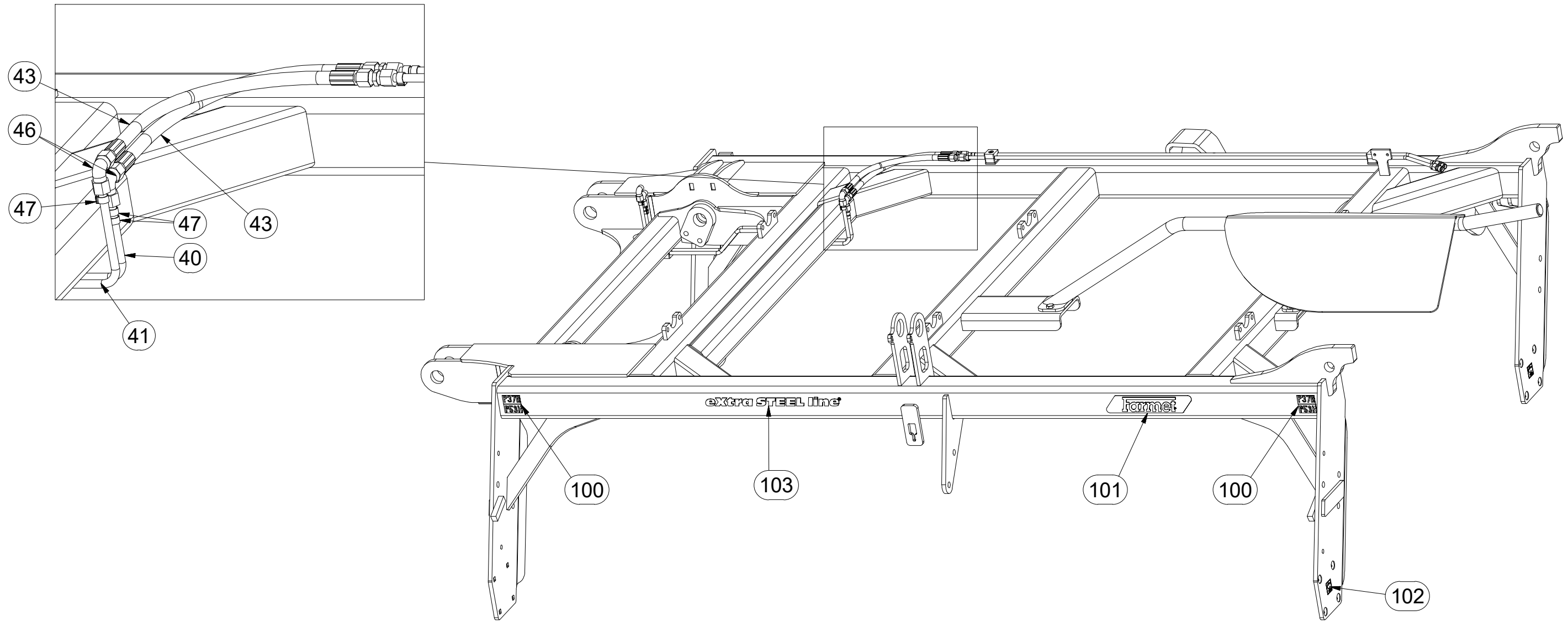
Pos.	Part Number	Pcs.
1	6000477	1
23	4006048	1
42	m10042	2
44	m05488	4
45	m03213	4
47	m11691	12
60	m04346	4
62	m04039	4
71	m04301	4
100	m11297	4
101	m13116	2
103	m10353	2
104	m03320	1
121	m11099	2
122	m11612	2

- Ⓒ RÁM
- Ⓓ RAHMEN
- Ⓕ CHASSIS

- Ⓖ FRAME
- Ⓔ PAMA
- Ⓗ RAMA



**3006958**



Pos.	Part Number	Pcs.
1	6000477	1
40	m10043	1
41	m10041	1
43	m04827	2
44	m05488	4
45	m03213	4
46	m06661	4
47	m11691	12
60	m04346	4
100	m11297	4
101	m13116	2
102	m09655	4
103	m10353	2

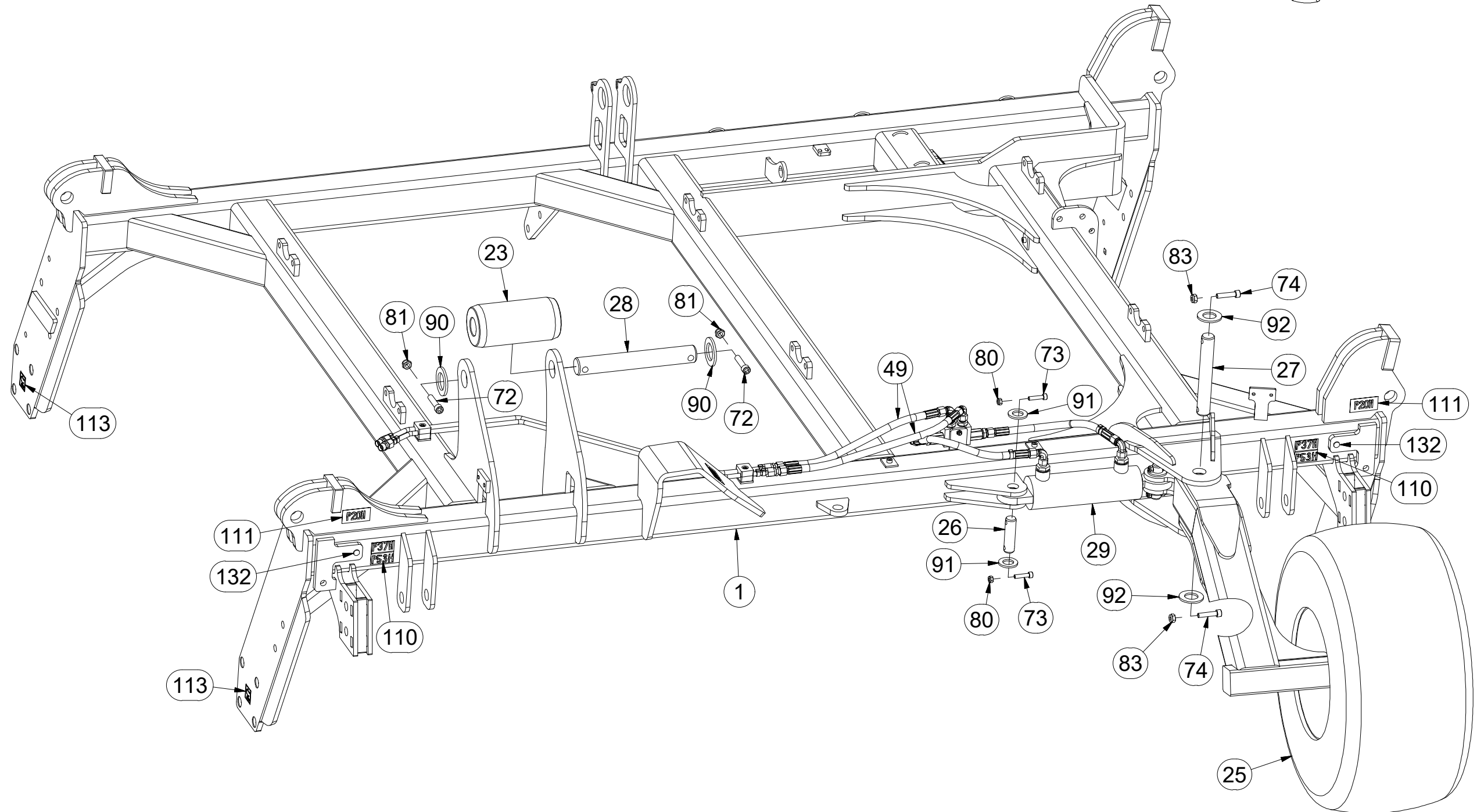
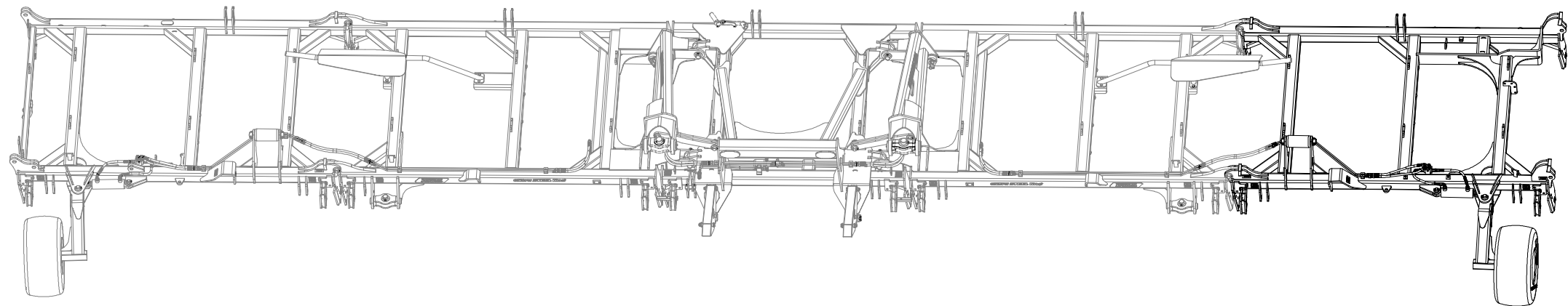
- Ⓒ RÁM
- Ⓓ RAHMEN
- Ⓕ CHASSIS

- Ⓖ FRAME
- Ⓡ PAMA
- Ⓟ RAMA



**3007988**

Pos.	Part Number	Pcs.
1	6000419	1
23	4004886	1
24	3008108	1
25	m14983	1
26	4010390	2
27	4015702	1
28	4015701	1
29	9002062	1
49	m04827	2
72	m14008	2
73	m09464	4
74	m14143	2
80	m04503	4
81	m04301	2
83	m03775	2
90	4013139	2
91	m14028	4
92	m14029	2
110	m11297	4
111	m04368	6
113	m09655	4
131	m11099	2
132	m11612	2





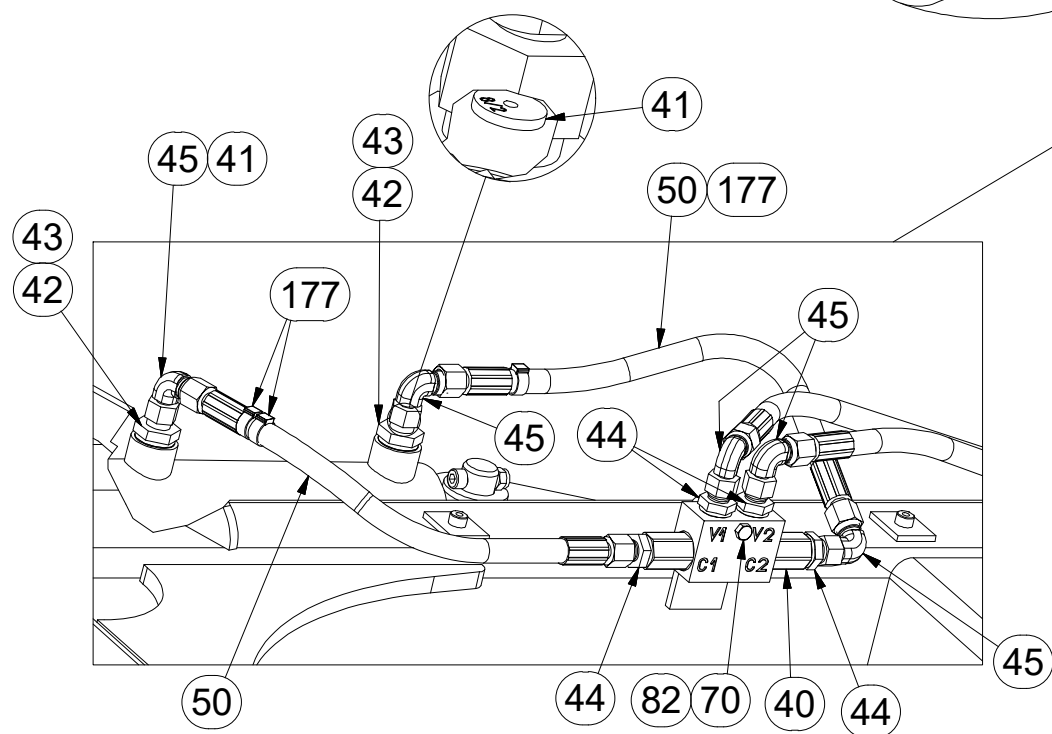
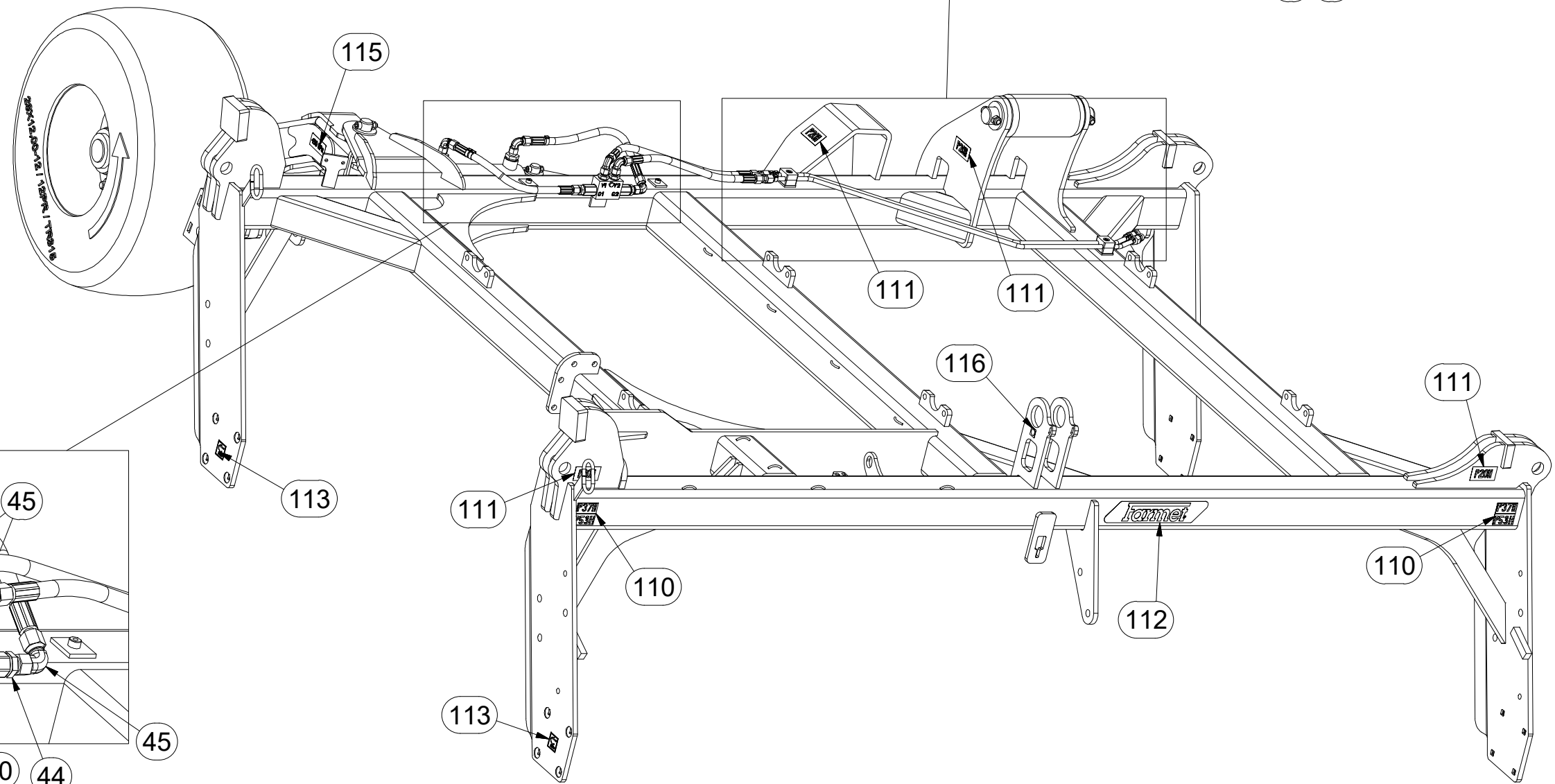
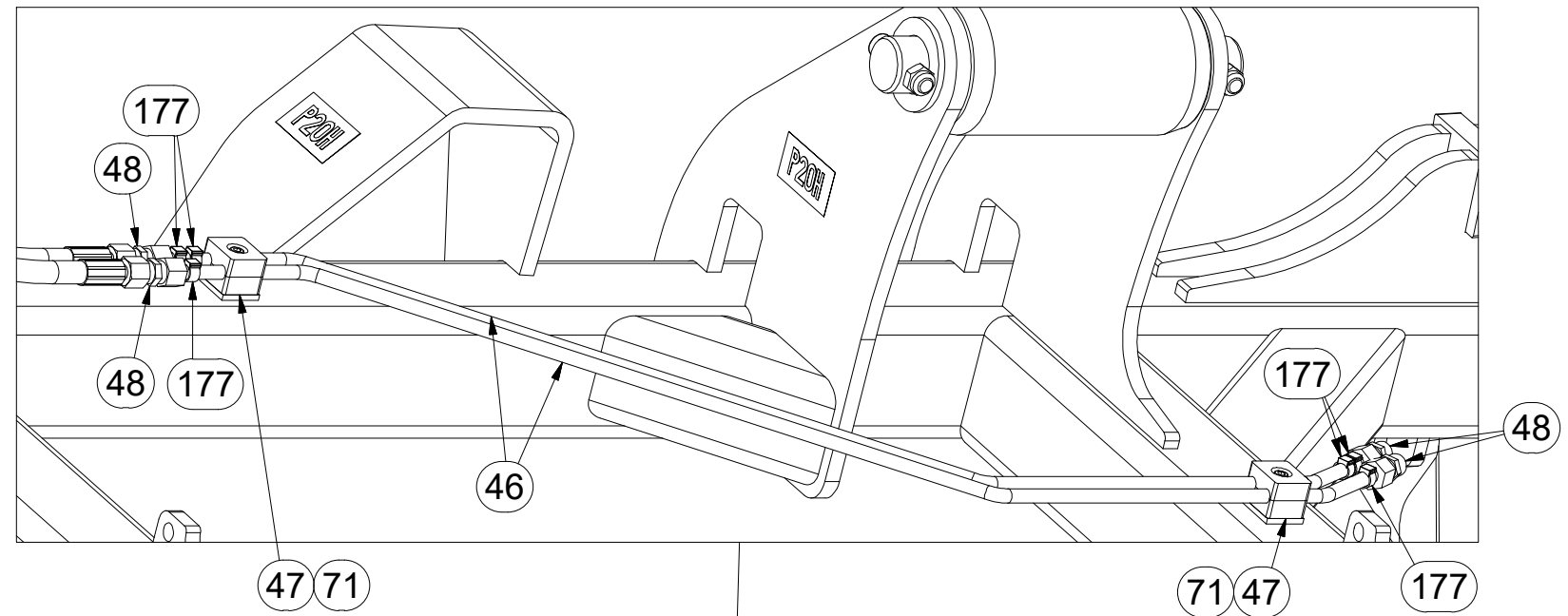
- Ⓒ RÁM
- Ⓓ RAHMEN
- Ⓕ CHASSIS

- Ⓖ FRAME
- Ⓔ PAMA
- Ⓗ RAMA



**3007988**

Pos.	Part Number	Pcs.	Pos.	Part Number	Pcs.
40	m06673	1	70	m05561	1
41	m10777	2	71	m04346	2
42	m03925	2	82	m05560	1
43	m04223	2	110	m11297	4
44	m06528	4	111	m04368	6
45	m06803	5	112	m13116	1
46	m10040	2	113	m09655	4
47	m05488	2	115	m15020	1
48	m03213	4	116	m03320	1
50	m09627	2	177	m11691	9

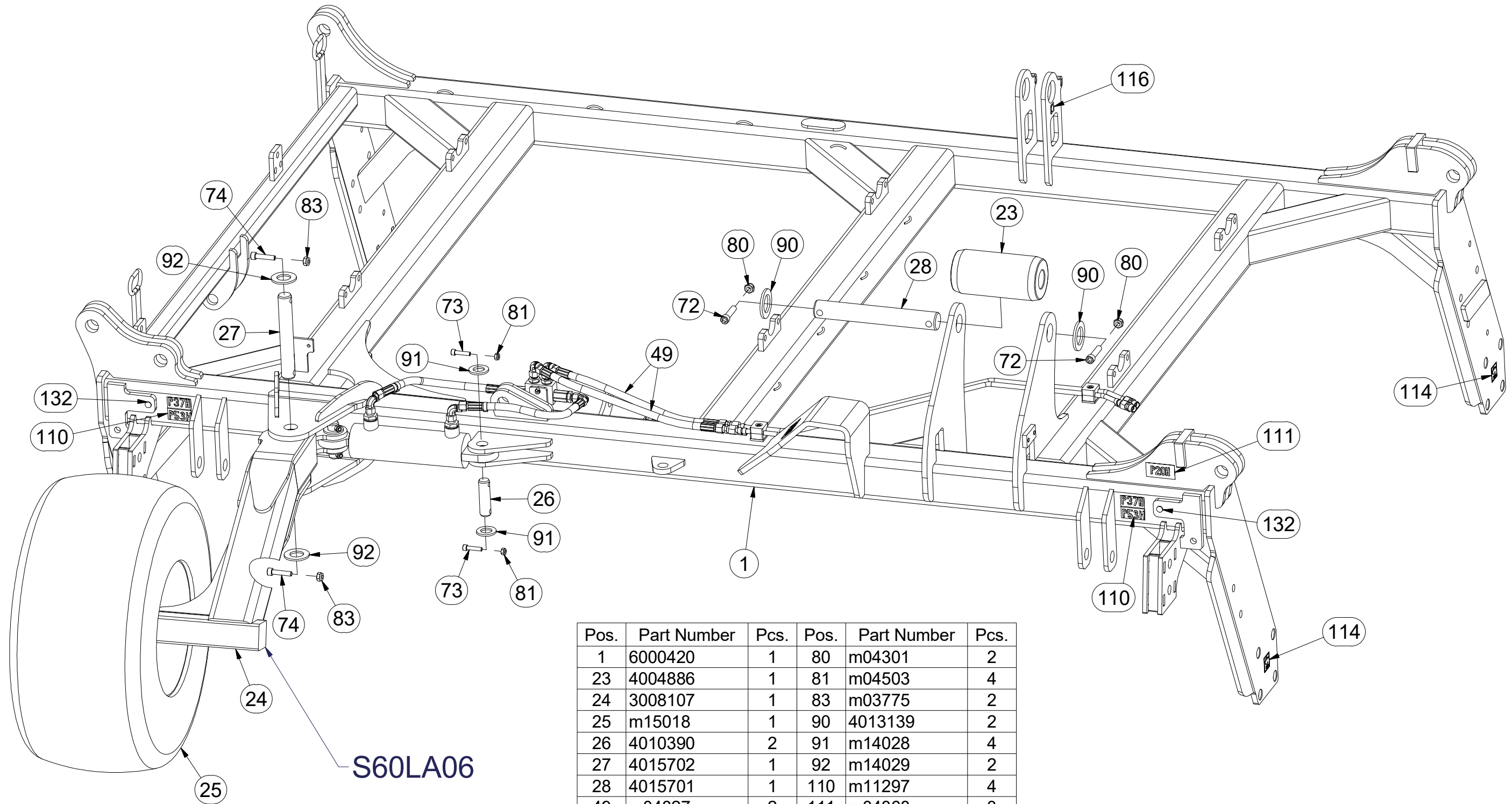


- ⒸZ RÁM
- Ⓓ RAHMEN
- Ⓕ CHASSIS

- ⒼB FRAME
- Ⓔ PAMA
- ⒽL RAMA



**3007989**



Pos.	Part Number	Pcs.	Pos.	Part Number	Pcs.
1	6000420	1	80	m04301	2
23	4004886	1	81	m04503	4
24	3008107	1	83	m03775	2
25	m15018	1	90	4013139	2
26	4010390	2	91	m14028	4
27	4015702	1	92	m14029	2
28	4015701	1	110	m11297	4
49	m04827	2	111	m04368	3
72	m14008	2	114	m09655	4
73	m09464	4	116	m03320	1
74	m14143	2	132	m11612	2

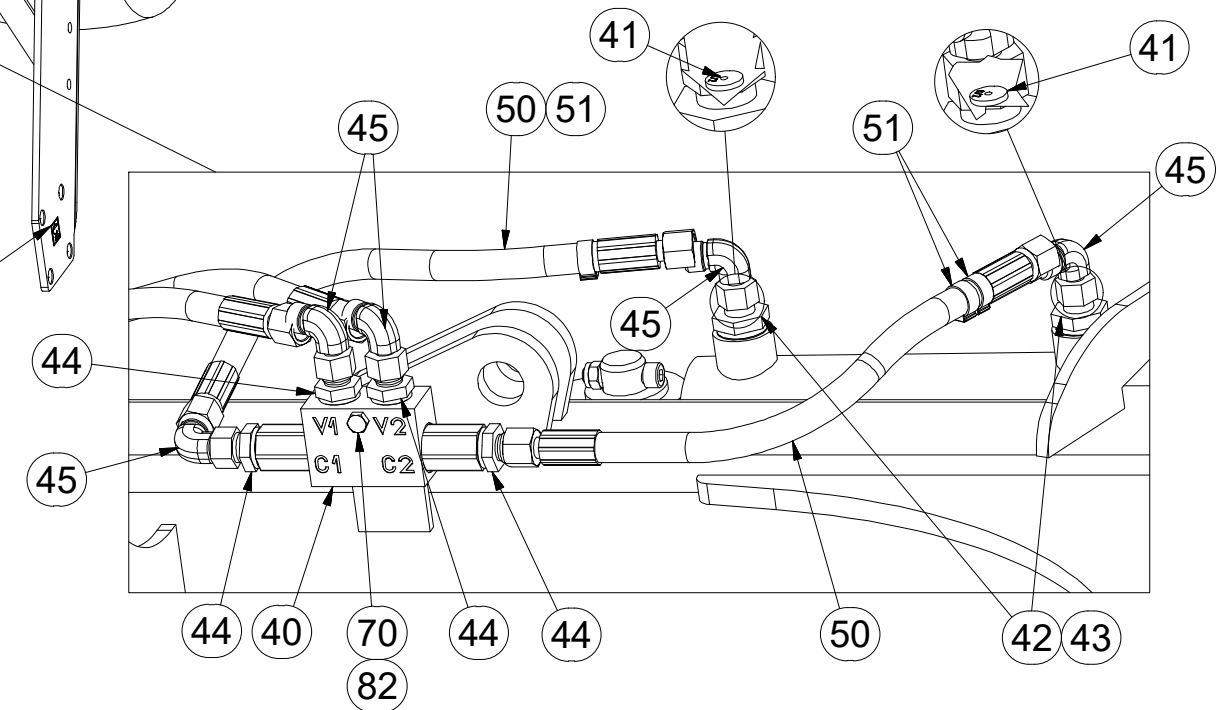
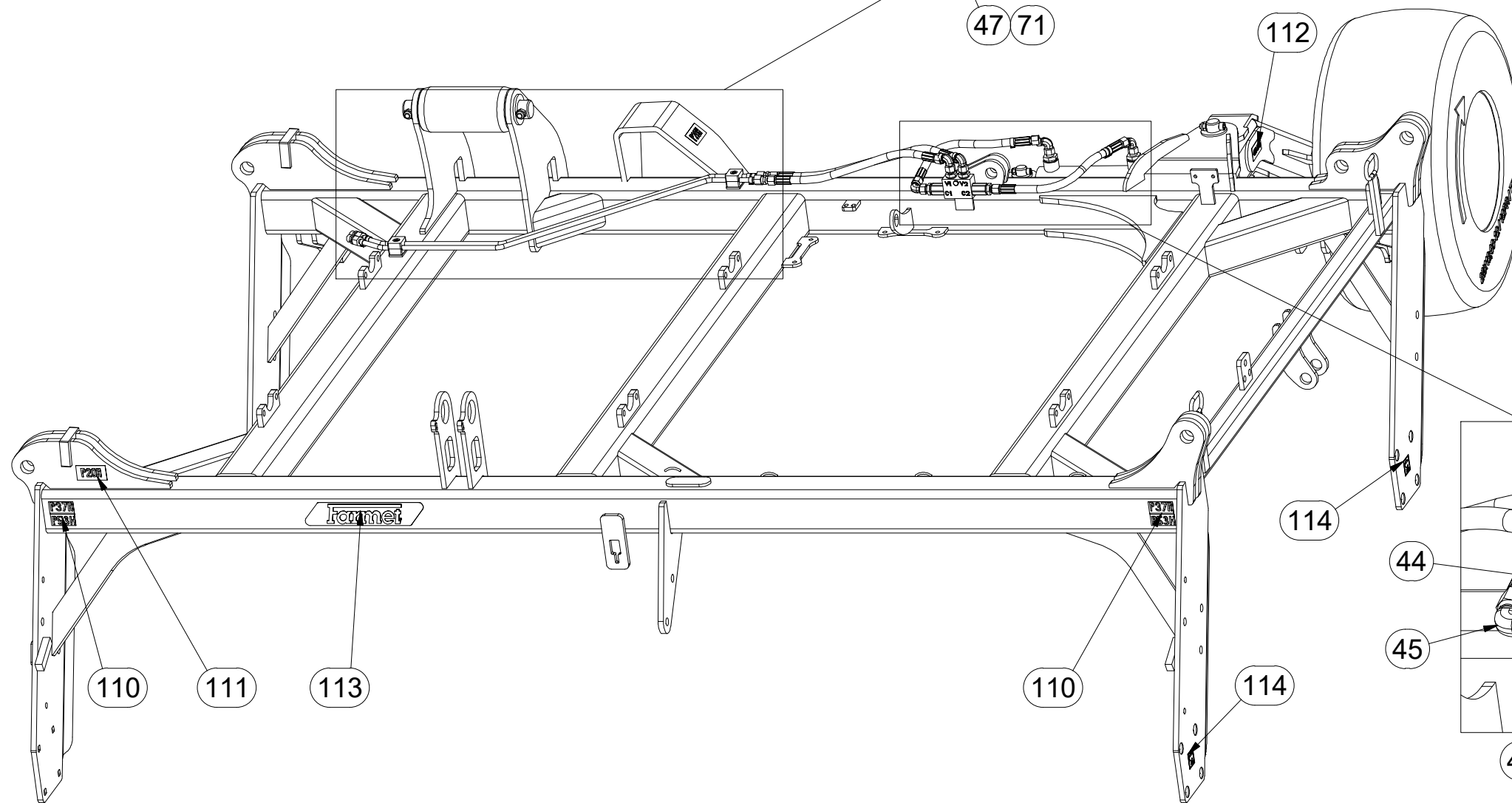
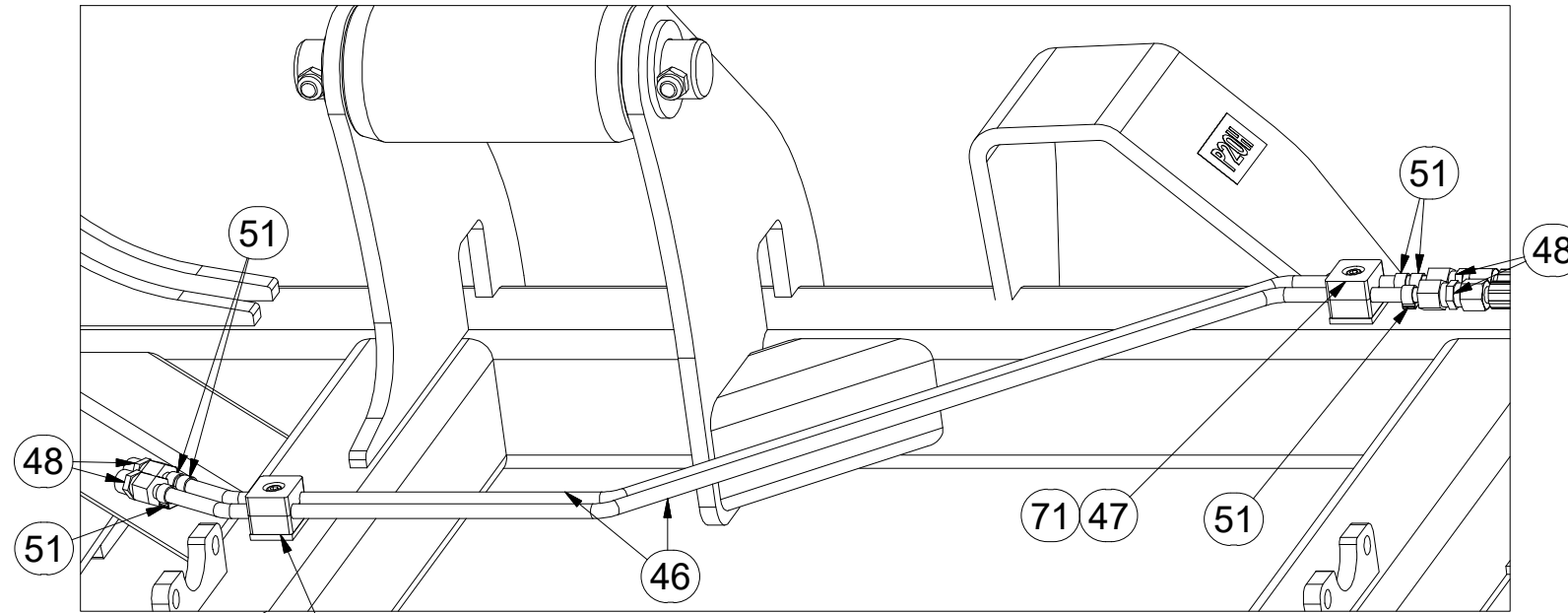
- Ⓒ RÁM
- Ⓓ RAHMEN
- Ⓕ CHASSIS

- Ⓖ FRAME
- Ⓡ PAMA
- Ⓟ RAMA



**3007989**

Pos.	Part Number	Pcs.	Pos.	Part Number	Pcs.
40	m06673	1	51	m11691	9
41	m10777	2	70	m05561	1
42	m03925	2	71	m04346	2
43	m04223	2	82	m05560	1
44	m06528	4	110	m11297	4
45	m06803	5	111	m04368	3
46	m10040	2	112	m15020	1
47	m05488	2	113	m13116	1
48	m03213	4	114	m09655	4
50	m09627	2			





Ⓒ NÁPRAVA

Ⓓ ACHSE

Ⓕ ESSIEU

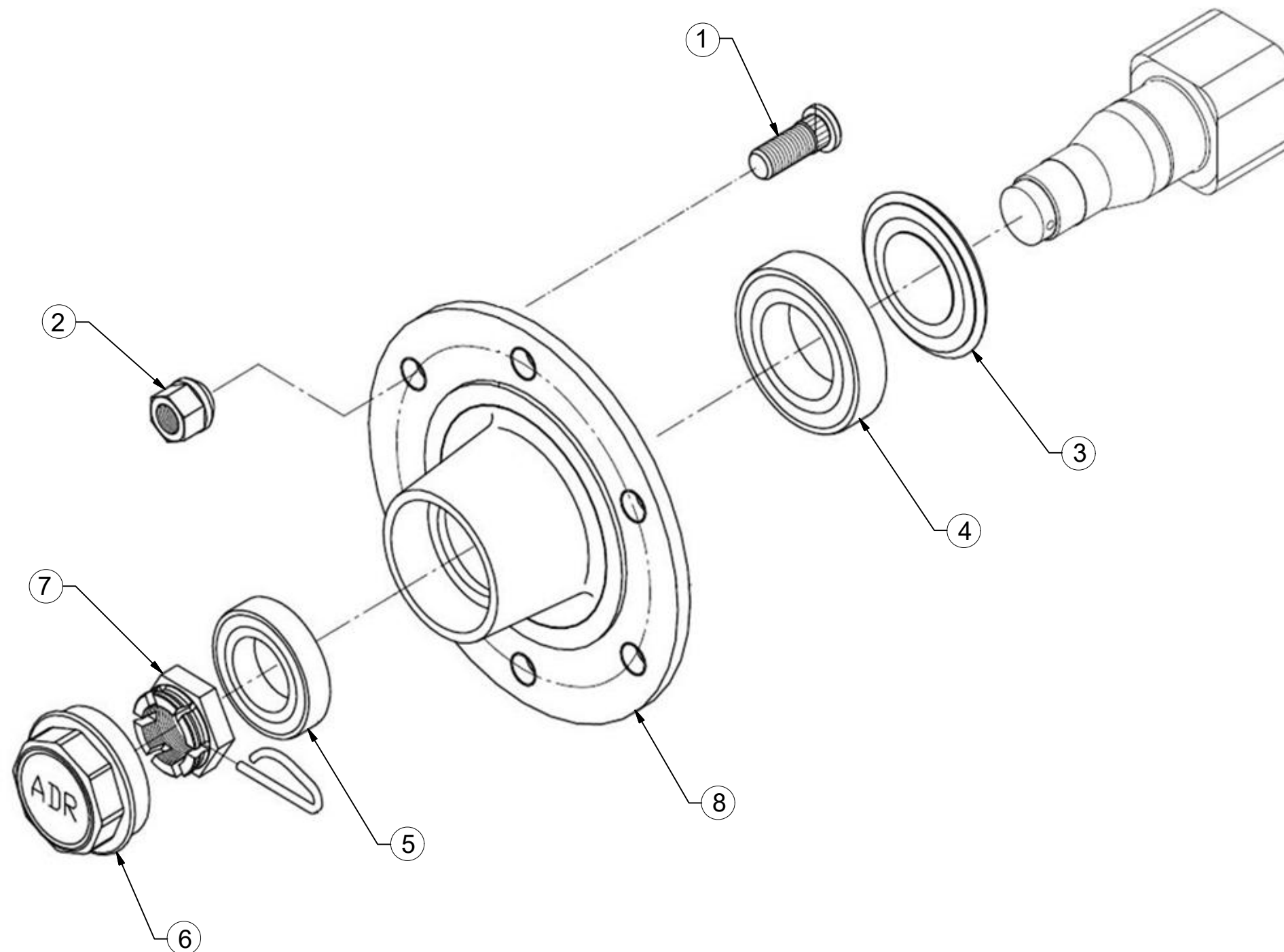
Ⓒ GB AXLE

Ⓒ RU OCB

Ⓒ PL OS



**S60LA06**



Pos.	Part Number	Pcs.
1	m08148	6
2	m08163	6
3	m08153	1
4	m07151	1
5	m07152	1
6	m08162	1
7	m08169	1
8	m08177	1

Ⓒ SADA KYPŘIČŮ STOP

Ⓓ SPURENLOCKERERSATZ

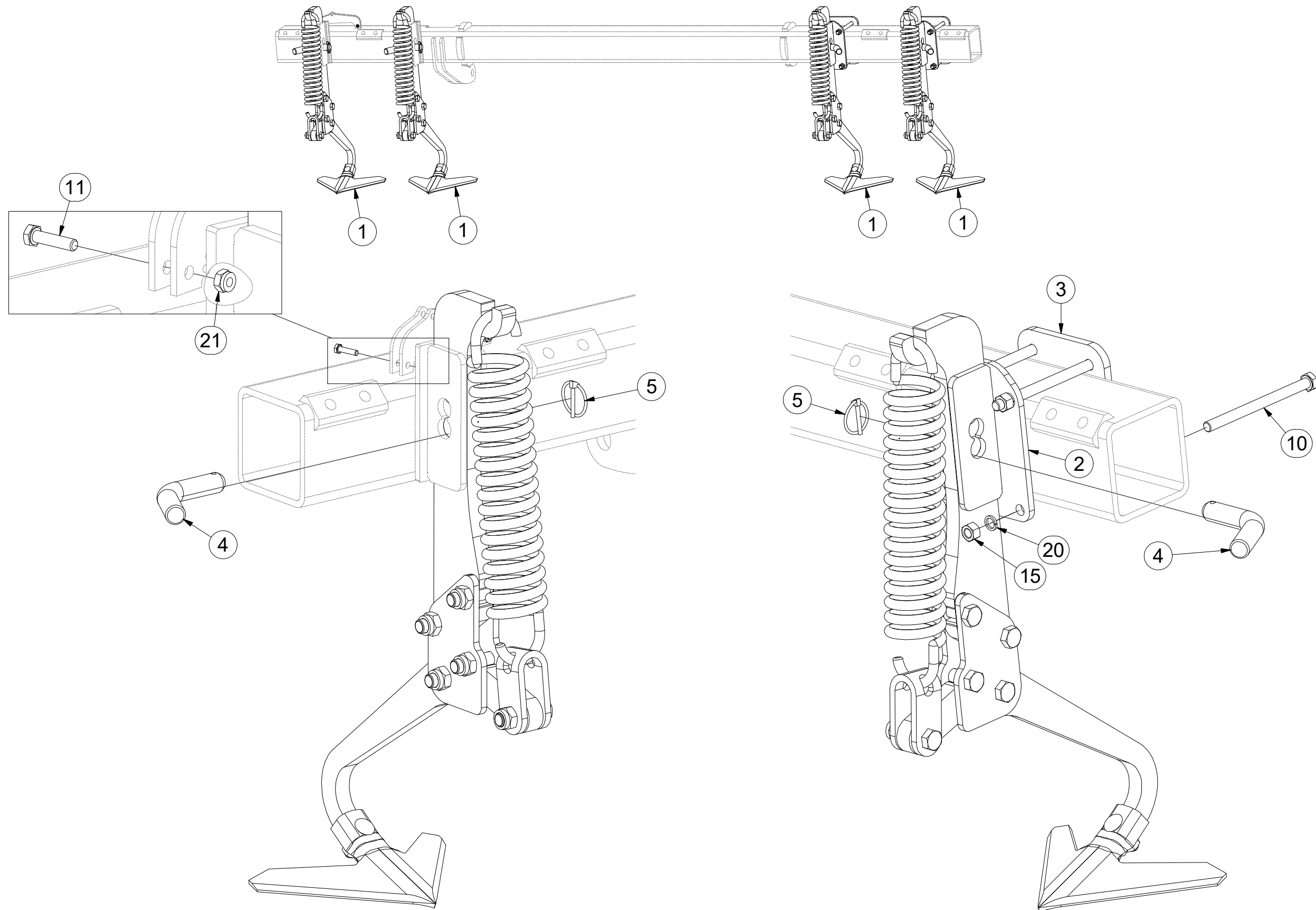
Ⓕ KIT DE CULTIVATEURS DE TRACES

**3006964**

Ⓖ SET OF TRACK CULTIVATORS

Ⓔ КОМПЛЕКТ РЫХЛИТЕЛЕЙ КОЛЕИ

Ⓗ ZESTAW SPULCHNIACZY ŚLADÓW



Pos.	Part Number	Pcs.
1	4005797	4
2	4005617	2
3	4009610	2
4	m08885	4
5	m10454	4
10	m12396	8
11	m01075	2
15	m01305	8
20	m03988	8
21	m05560	2

Ⓒ KYPŘIČ STOP

Ⓓ SPURENLOCKERER

Ⓕ CULTIVATEUR DES TRACES

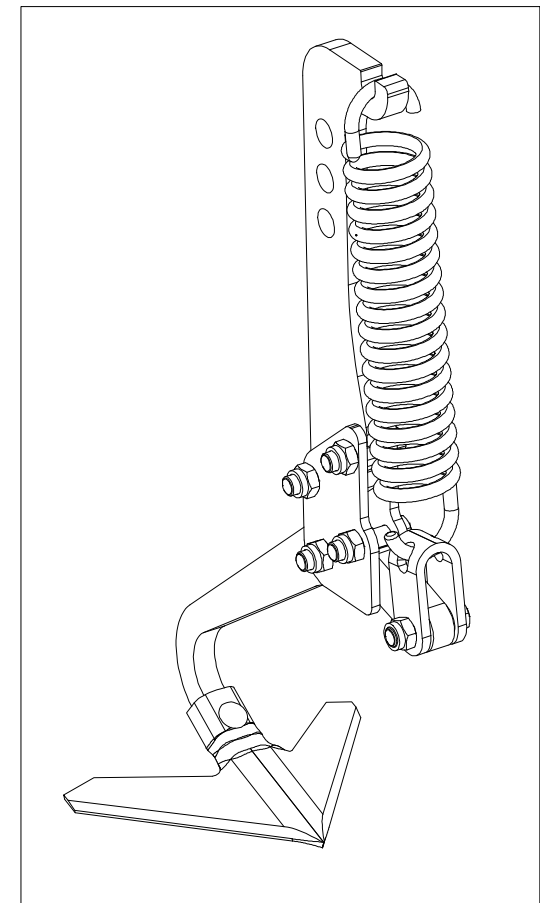
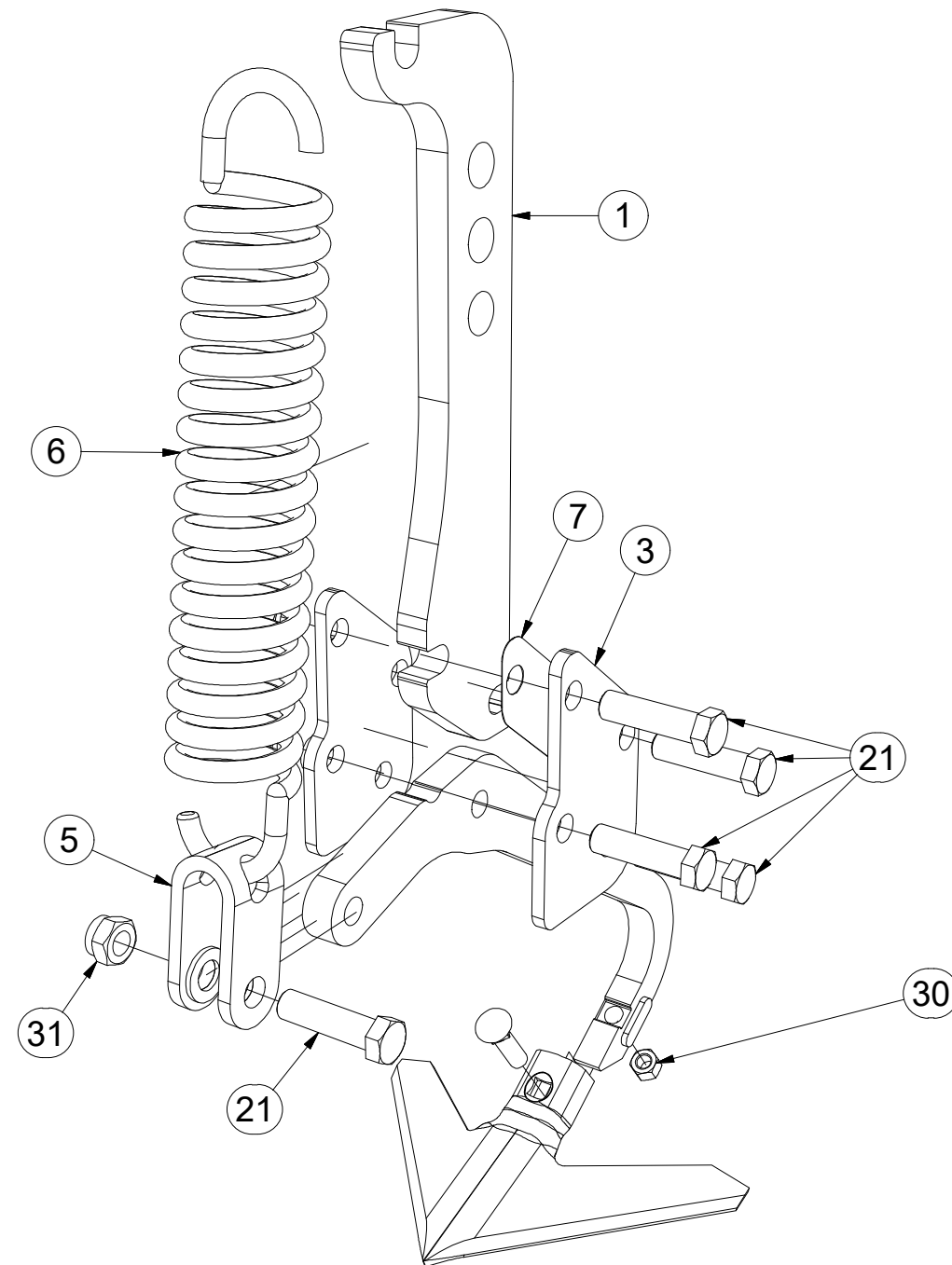
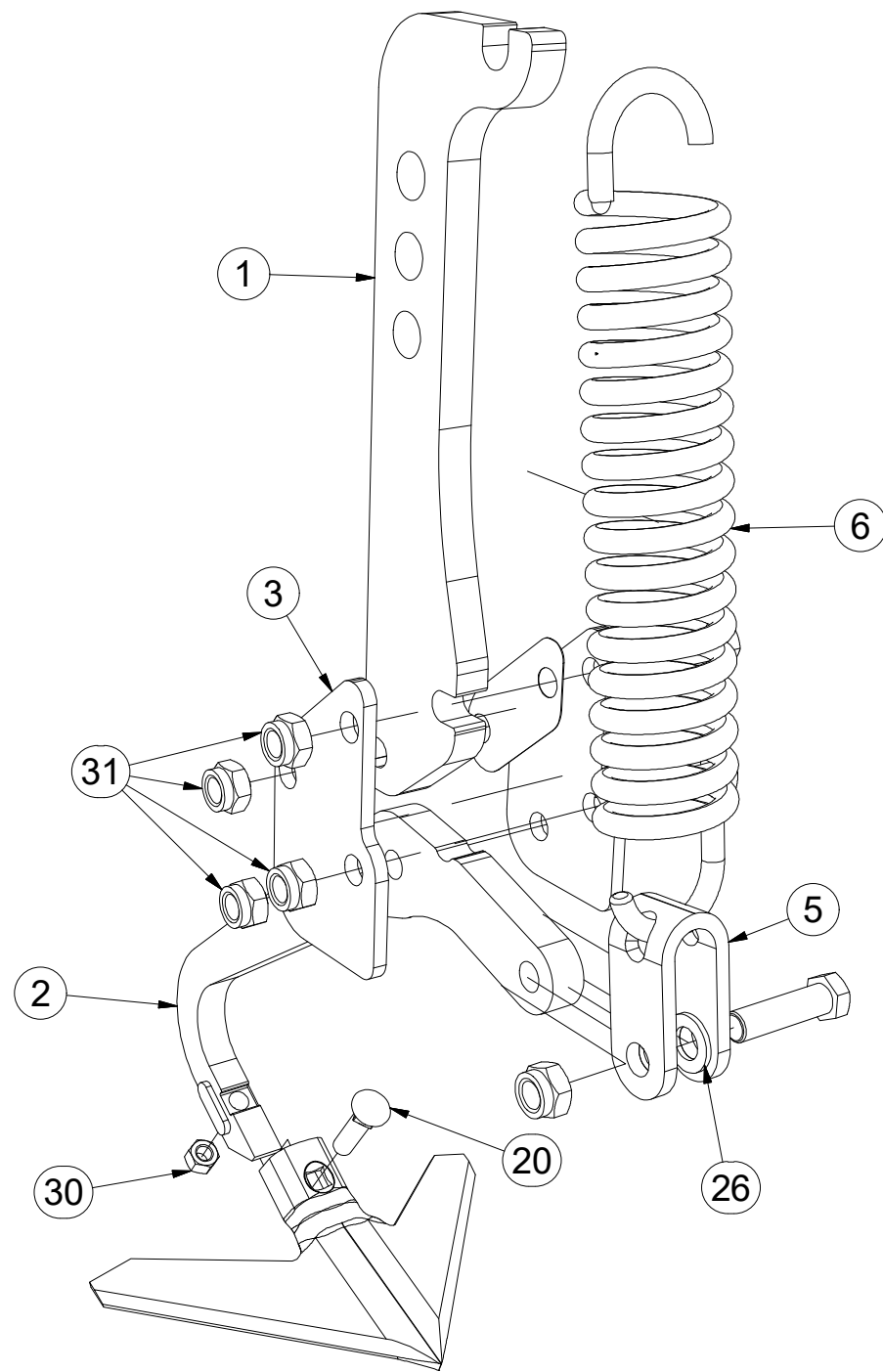
Ⓖ TRACK CULTIVATOR

Ⓡ РЫХЛИТЕЛЬ КОЛЕИ

Ⓟ SPULCHNIARKA STÓP



4005797



Pos.	Part Number	Pcs.
1	4005799	1
2	4008214	1
3	4005582	2
4	3000236-KOO	1
5	4005445	1
6	m02597	1
7	4005591	1
20	m10440	1
21	m00619	5
26	m01219	2
30	m10439	1
31	m03683	5



ⒸZ SADA PŘEDNÍCH SMYKŮ

Ⓓ SATZ VORDERE ACKERSCHLEPPEN

Ⓕ KIT DE NIVELEURS AVANT

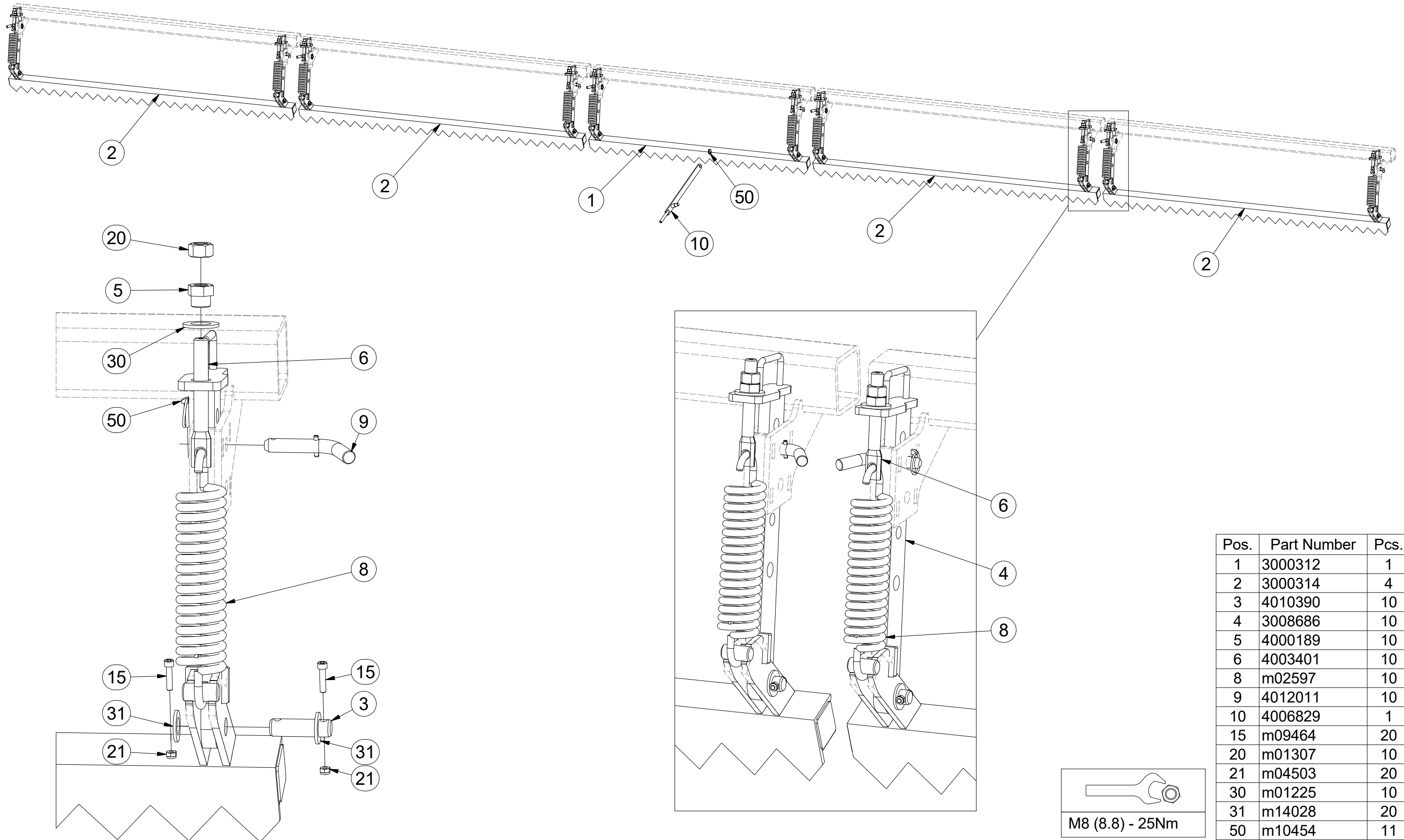
ⒼB SET OF FRONT LEVELLING BARS

ⒶR КОМПЛЕКТ ПЕРЕДНИХ БОРОН

ⒶL ZESTAW PRZEDNICH WŁÓK



3006992



Pos.	Part Number	Pcs.
1	3000312	1
2	3000314	4
3	4010390	10
4	3008686	10
5	4000189	10
6	4003401	10
8	m02597	10
9	4012011	10
10	4006829	1
15	m09464	20
20	m01307	10
21	m04503	20
30	m01225	10
31	m14028	20
50	m10454	11

Ⓒ SADA PŘEDNÍCH VÁLCŮ

Ⓓ SATZ VORDERE WALZEN

Ⓕ KIT DE ROULEAUX AVANT

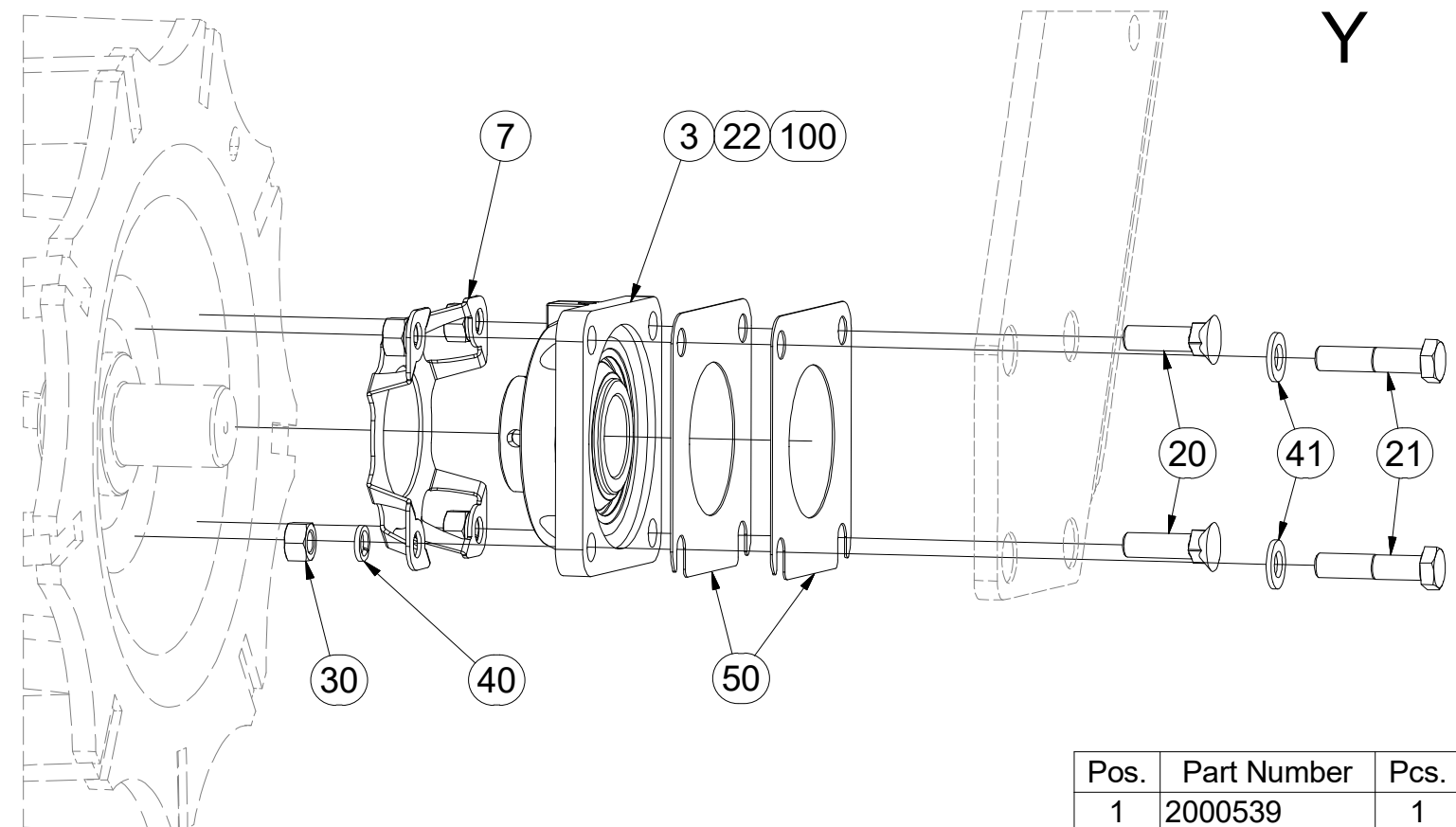
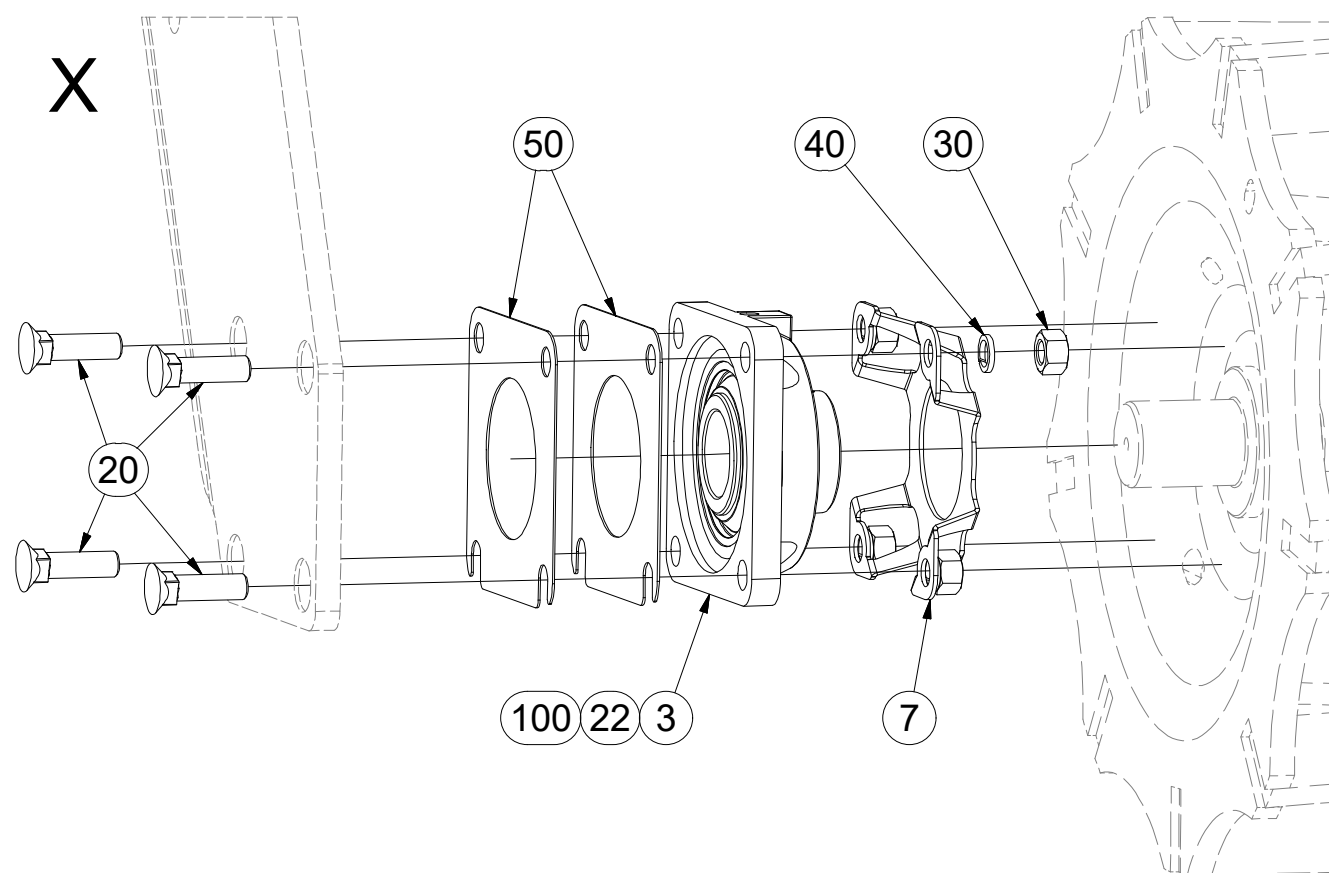
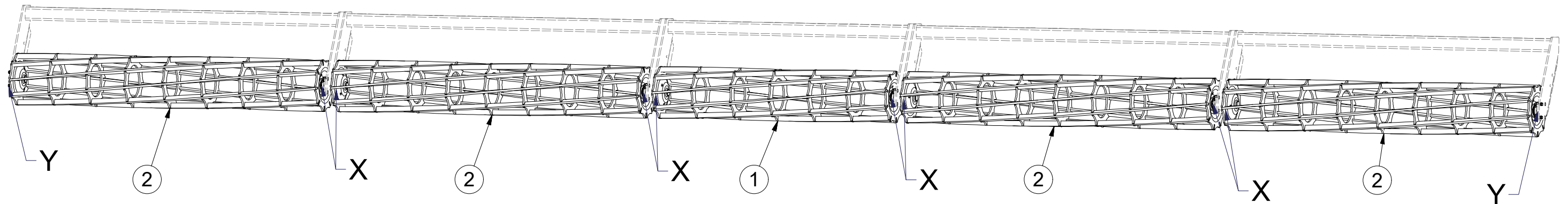

Ⓖ SET OF FRONT ROLLERS

Ⓡ КОМПЛЕКТ ПЕРЕДНИХ КАТКОВ

Ⓟ ZESTAW PRZEDNICH WAŁÓW



**3008675**

M10 (8.8) - 50Nm  
M12 (8.8) - 87Nm

Pos.	Part Number	Pcs.
1	2000539	1
2	2000526	4
3	m15625	10
7	4014034	10
20	m03519	36
21	m04412	4
30	m01305	40
40	m03988	40
41	m01214	4
50	4016809	20

ⒸZ SADA OVLÁDÁNÍ RADLIC

Ⓓ STEUERSATZ PFLUGSCHAREN

Ⓕ KIT DE COMMANDE DES SOCS

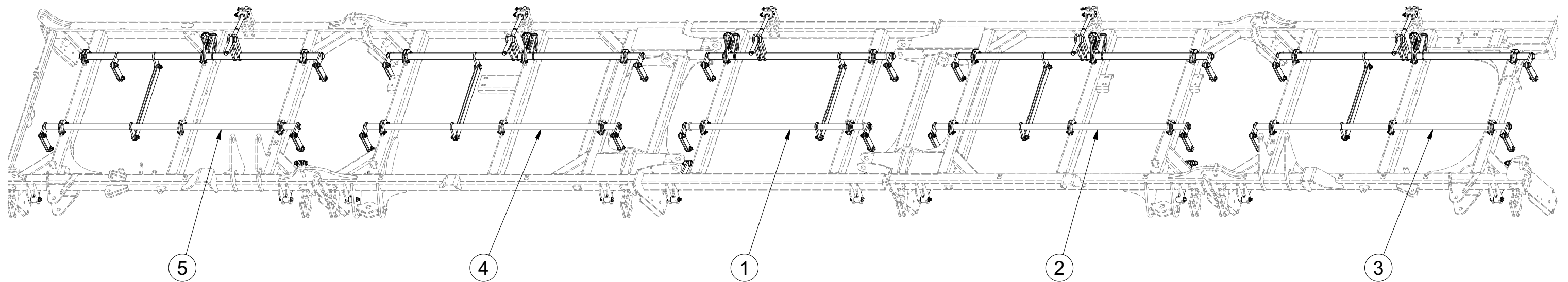
ⒸGB SET OF PLOUGHSHARE CONTROL

ⒸRU КОМПЛЕКТ УПРАВЛЕНИЯ ЛАП

ⒸPL ZESTAW STEROWANIA RADLICAMI



**3006994**



Pos.	Part Number	Pcs.
1	3004209	1
2	3007001	1
3	3007002	1
4	3007003	1
5	3007004	1

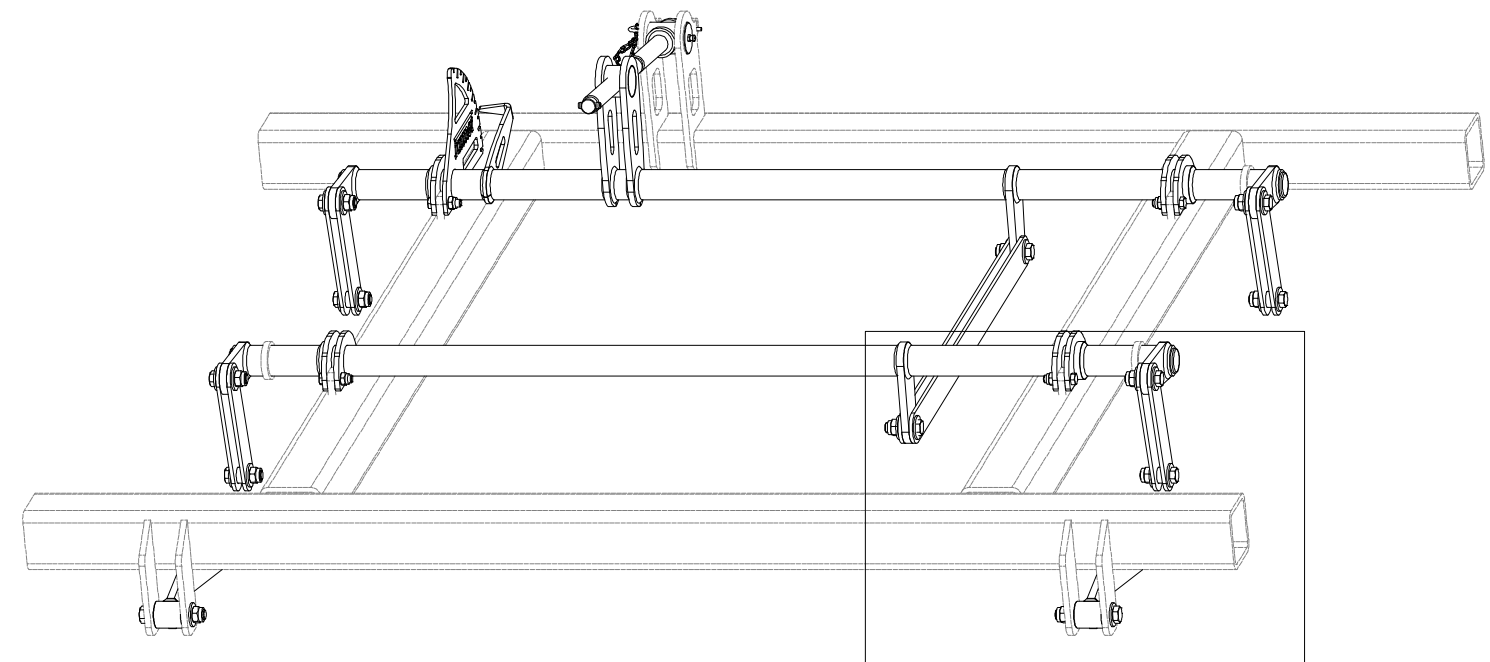
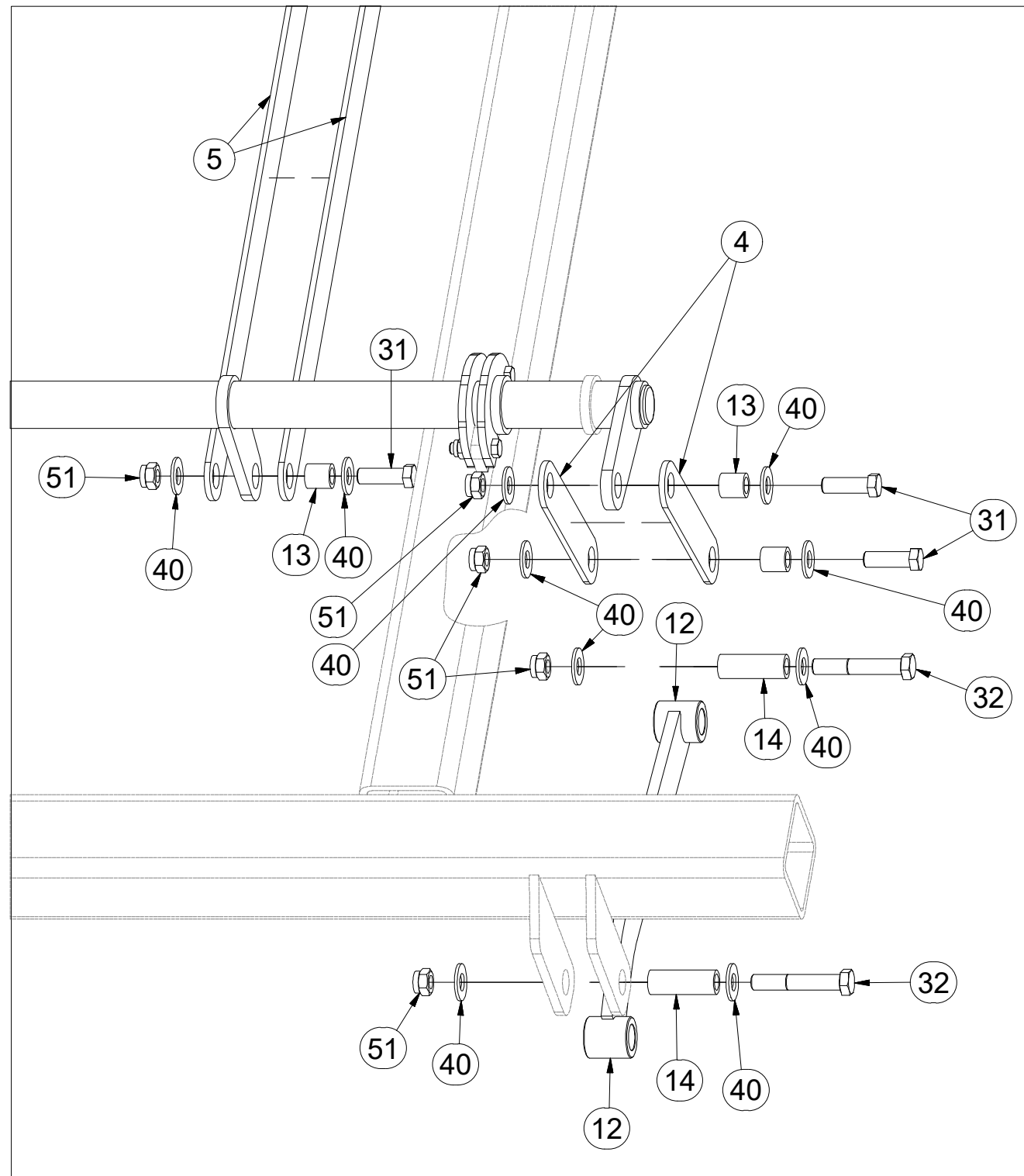


CZ SADA OVLÁDÁNÍ RADLIC  
 D STEUERSATZ PFLUGSCHAREN  
 F KIT DE COMMANDE DES SOCS

GB SET OF PLOUGHSHARE CONTROL  
 RU КОМПЛЕКТ УПРАВЛЕНИЯ ЛАП  
 PL ZESTAW STEROWANIA RADLICAMI



**3004209**



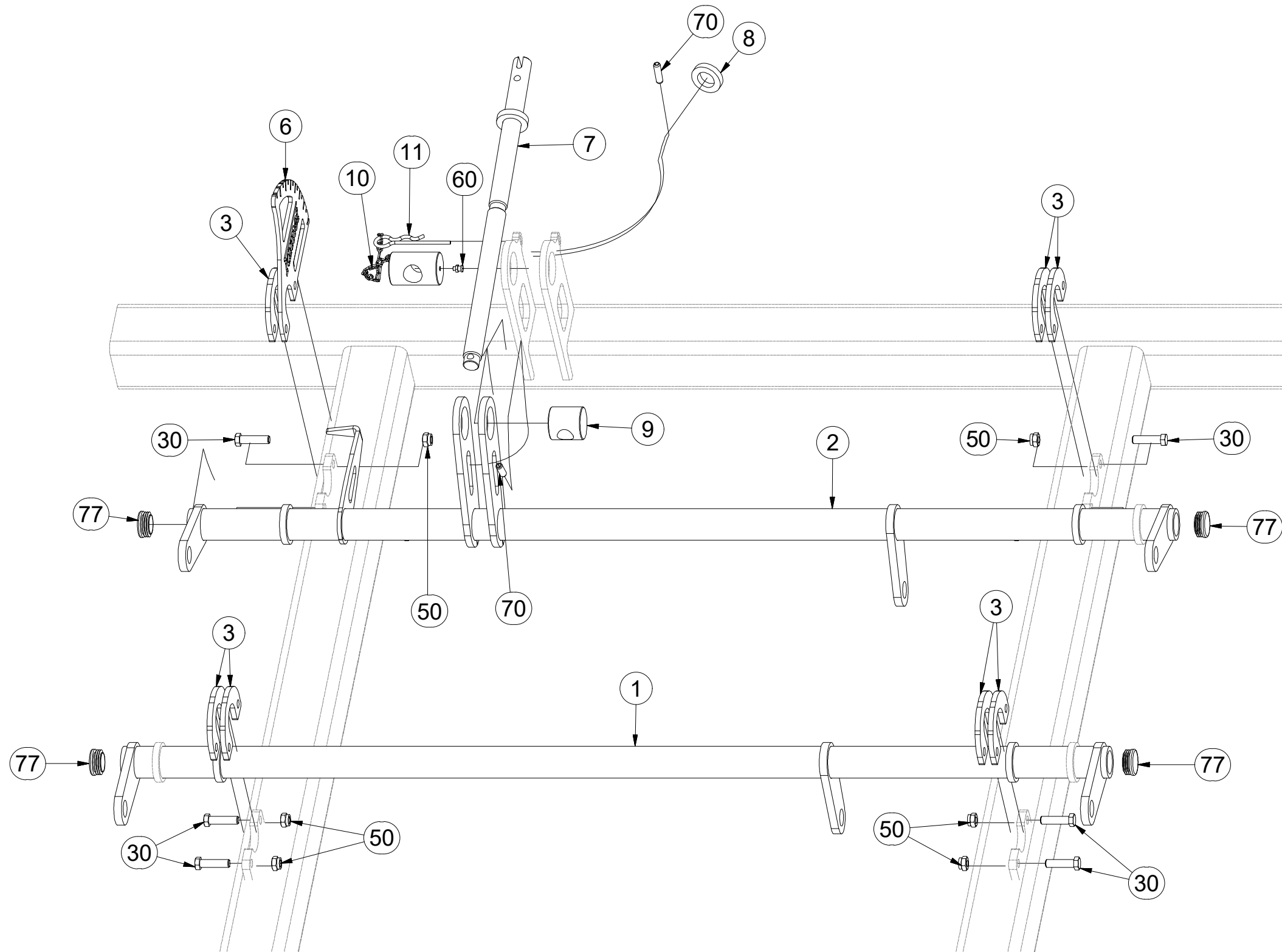
Pos.	Part Number	Pcs.
4	4005333	8
5	4005334	2
12	8000990-30007	2
13	4002265	10
14	9001426	4
31	m04355	10
32	m07673	4
40	m05651	28
51	m03683	14

(CZ) SADA OVLÁDÁNÍ RADLIC  
 (D) STEUERSATZ PFLUGSCHAREN  
 (F) KIT DE COMMANDE DES SOCS

(GB) SET OF PLOUGHSHARE CONTROL  
 (RU) КОМПЛЕКТ УПРАВЛЕНИЯ ЛАП  
 (PL) ZESTAW STEROWANIA RADLICAMI



**3004209**



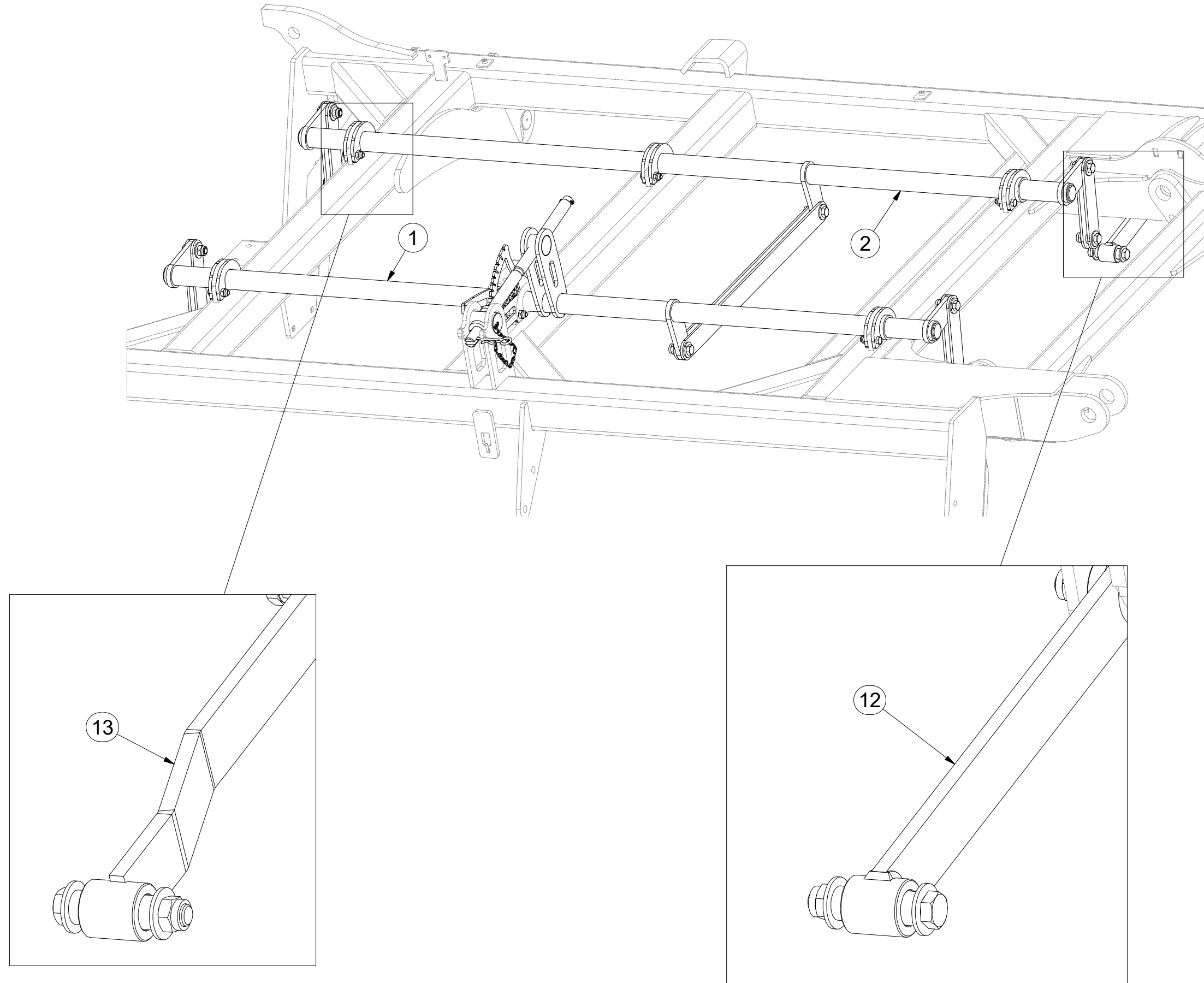
Pos.	Part Number	Pcs.
1	3002830	1
2	3002831	1
3	4005332	7
6	4005335	1
7	4007654	1
8	9002560	1
9	4005340	1
10	4005355	1
11	m09988	1
30	m06077	8
50	m04301	8
60	m10451	1
70	m10736	2
77	m10130	4

- Ⓒ SADA OVLÁDÁNÍ RADLIC
- Ⓓ STEUERSATZ PFLUGSCHAREN
- Ⓕ KIT DE COMMANDE DES SOCS

- Ⓖ SET OF PLOUGHSHARE CONTROL
- Ⓡ КОМПЛЕКТ УПРАВЛЕНИЯ ЛАП
- Ⓟ ZESTAW STEROWANIA RADLICAMI



**3007001**



Pos.	Part Number	Pcs.
1	3002984	1
2	3002985	1
12	4003971	1
13	4011976	1



ⒸZ SADA OVLÁDÁNÍ RADLIC

Ⓓ STEUERSATZ PFLUGSCHAREN

Ⓕ KIT DE COMMANDE DES SOCS

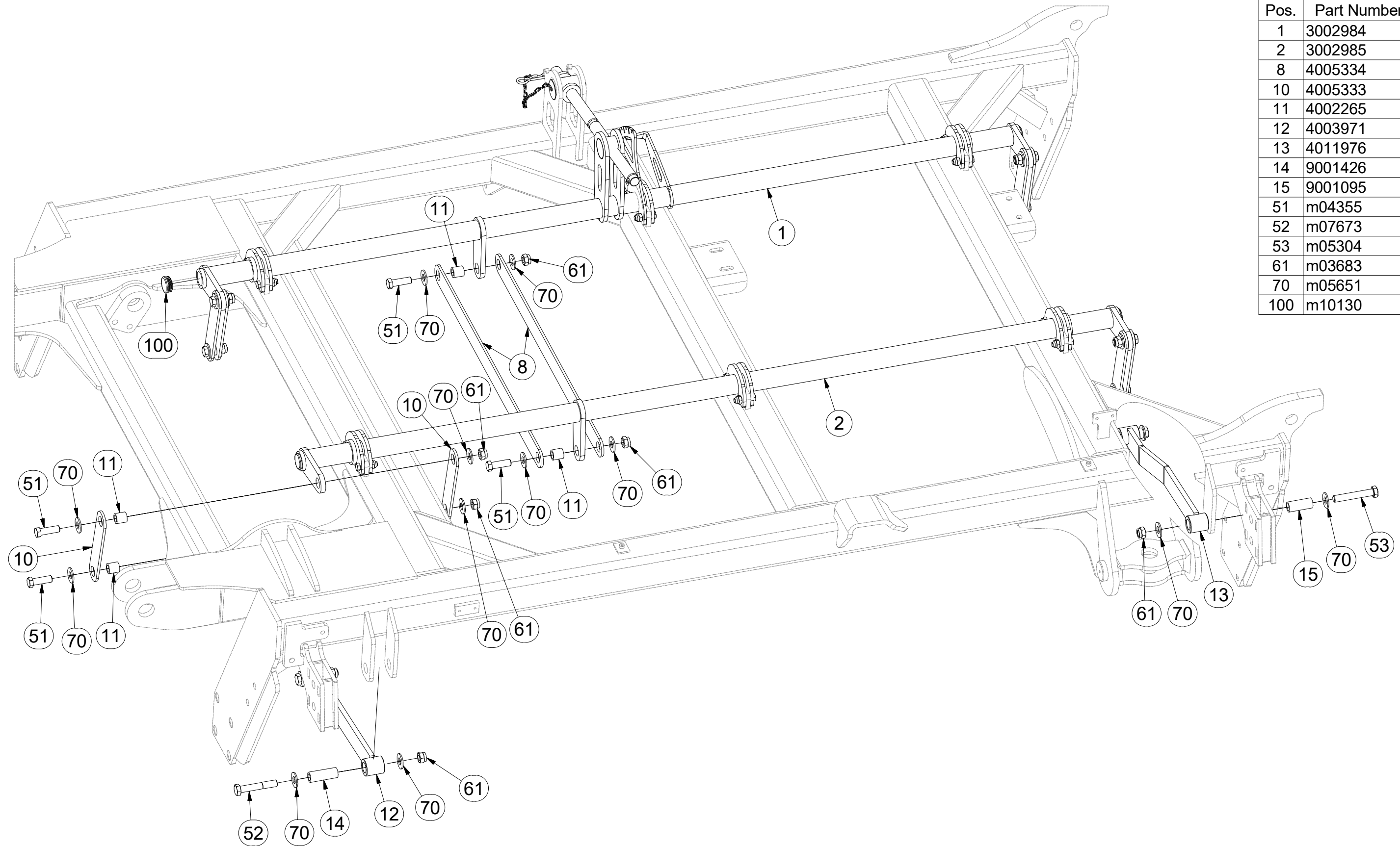
ⒸB SET OF PLOUGHSHARE CONTROL

ⒸU КОМПЛЕКТ УПРАВЛЕНИЯ ЛАП

ⒸL ZESTAW STEROWANIA RADLICAMI



**3007001**



Pos.	Part Number	Pcs.
1	3002984	1
2	3002985	1
8	4005334	2
10	4005333	8
11	4002265	10
12	4003971	1
13	4011976	1
14	9001426	3
15	9001095	1
51	m04355	10
52	m07673	3
53	m05304	1
61	m03683	14
70	m05651	28
100	m10130	4

Ⓒ SADA OVLÁDÁNÍ RADLIC

Ⓓ STEUERSATZ PFLUGSCHAREN

Ⓕ KIT DE COMMANDE DES SOCS

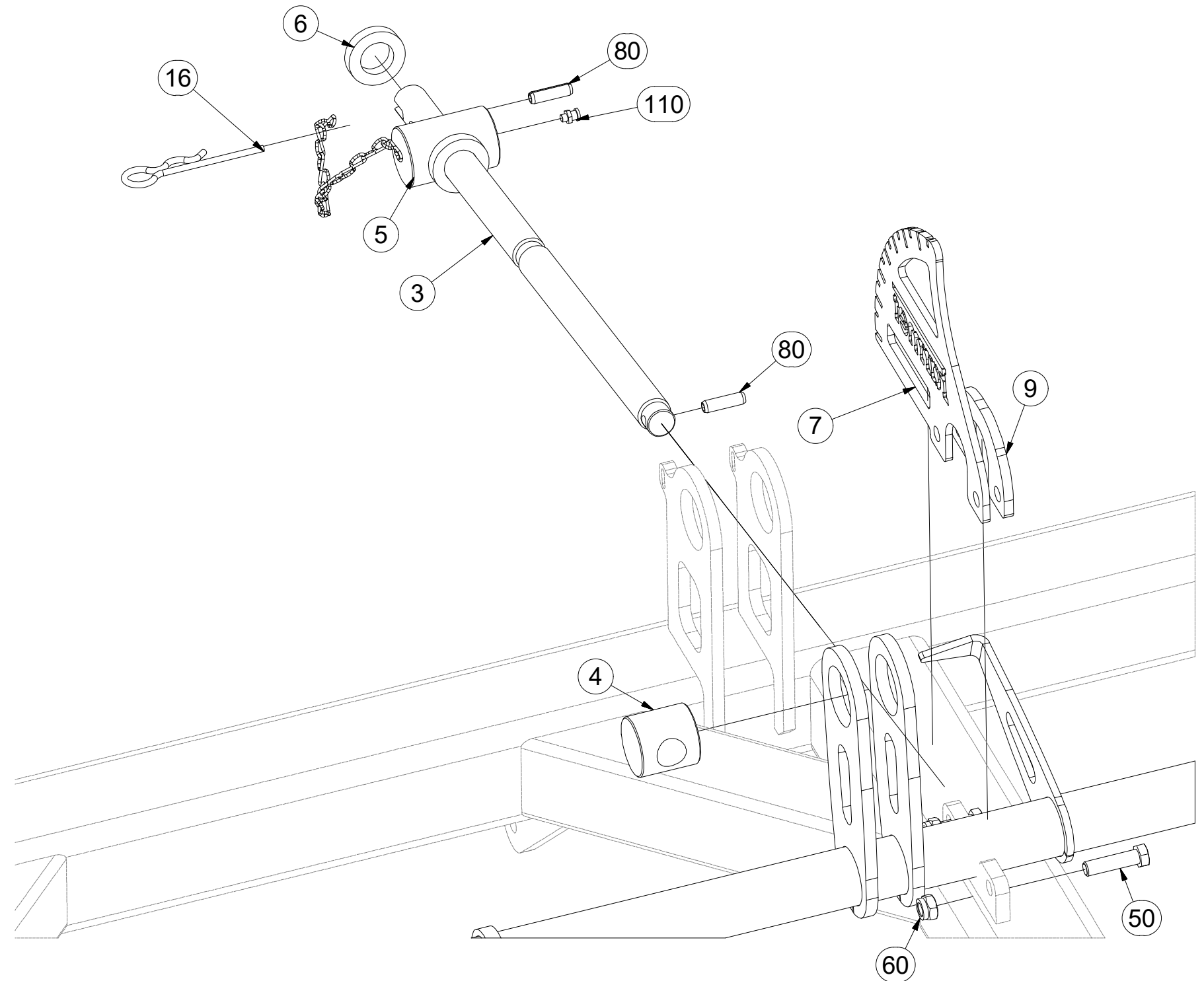
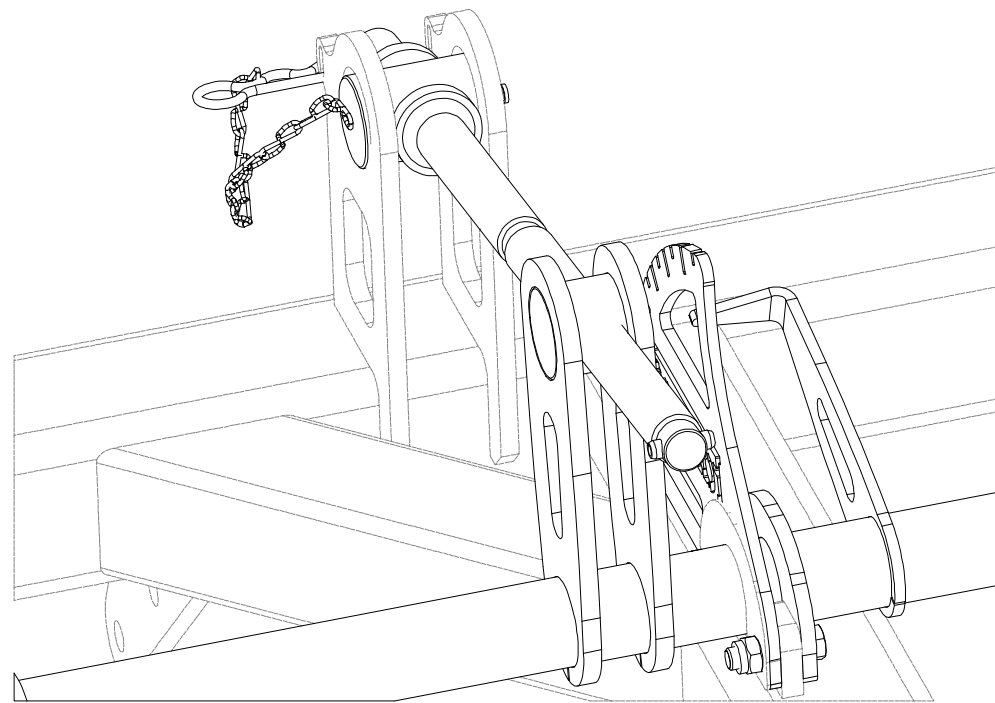
Ⓖ SET OF PLOUGHSHARE CONTROL

Ⓡ КОМПЛЕКТ УПРАВЛЕНИЯ ЛАП

Ⓟ ZESTAW STEROWANIA RADLICAMI



**3007001**



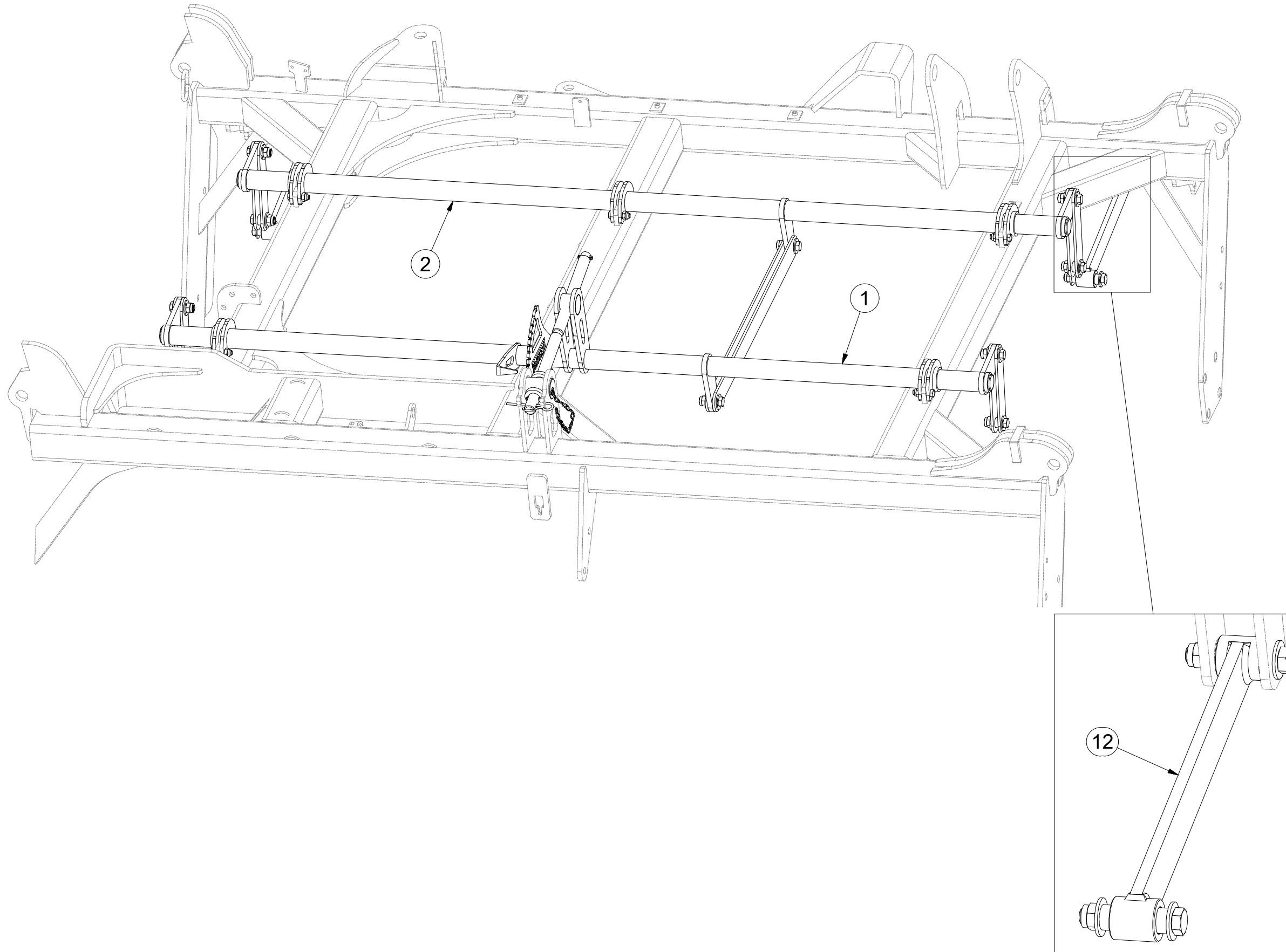
Pos.	Part Number	Pcs.
3	4007654	1
4	4005340	1
5	4005355	1
6	9002560	1
7	4005335	1
9	4005332	11
16	m09988	1
50	m06077	12
60	m04301	12
80	m10736	2
110	m10451	1

- Ⓒ SADA OVLÁDÁNÍ RADLIC
- Ⓓ STEUERSATZ PFLUGSCHAREN
- Ⓕ KIT DE COMMANDE DES SOCS

- Ⓖ SET OF PLOUGHSHARE CONTROL
- Ⓡ КОМПЛЕКТ УПРАВЛЕНИЯ ЛАП
- Ⓟ ZESTAW STEROWANIA RADLICAMI



**3007002**



Pos.	Part Number	Pcs.
1	3002984	1
2	3002985	1
12	4003971	2



ⒸZ SADA OVLÁDÁNÍ RADLIC

Ⓓ STEUERSATZ PFLUGSCHAREN

Ⓕ KIT DE COMMANDE DES SOCS

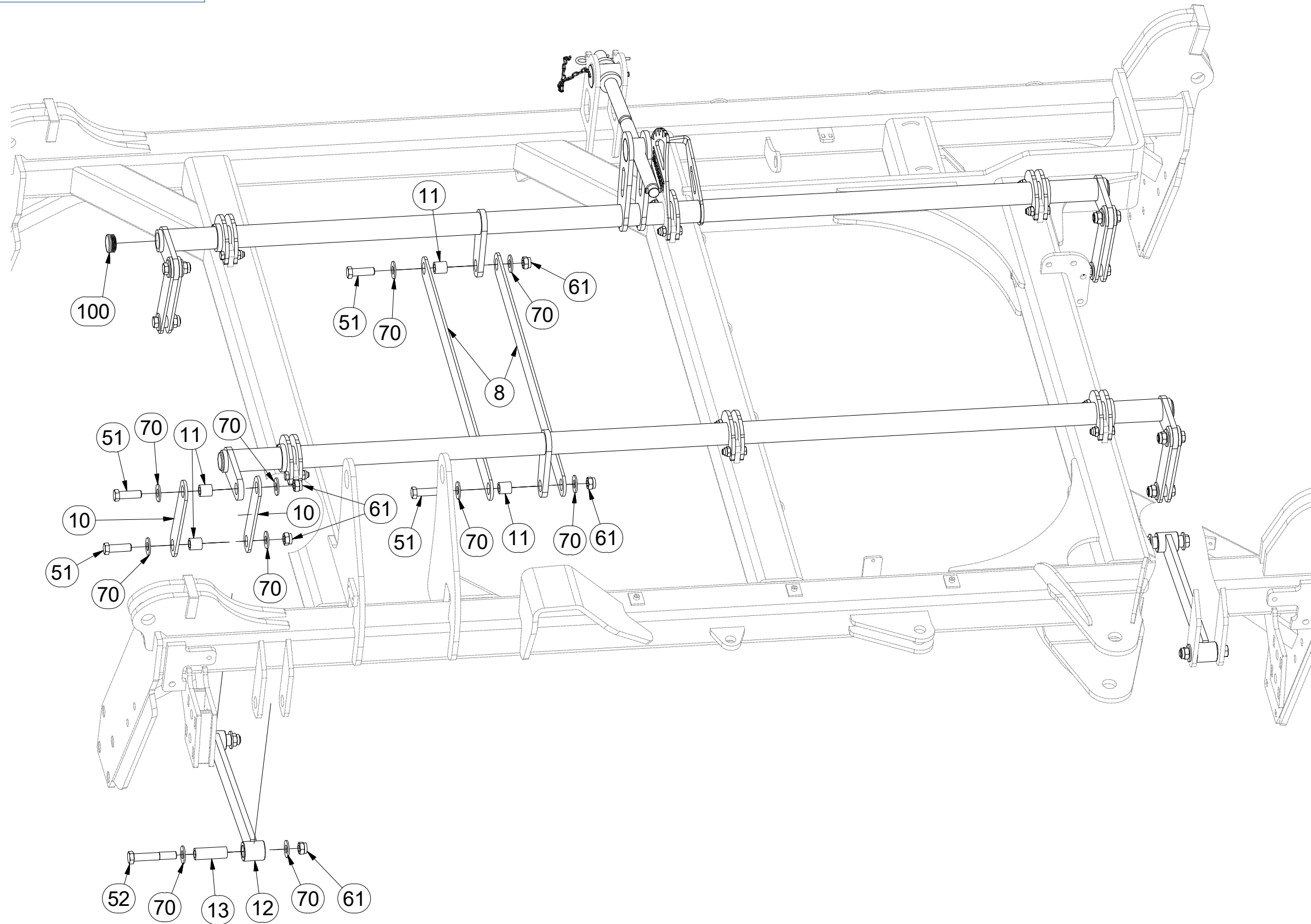
ⒸB SET OF PLOUGHSHARE CONTROL

ⒸU КОМПЛЕКТ УПРАВЛЕНИЯ ЛАП

ⒸL ZESTAW STEROWANIA RADLICAMI



**3007002**



Pos.	Part Number	Pcs.
8	4005334	2
10	4005333	8
11	4002265	10
12	4003971	2
13	9001426	4
51	m04355	10
52	m07673	4
61	m03683	14
70	m05651	28
100	m10130	4

Ⓒ SADA OVLÁDÁNÍ RADLIC

Ⓓ STEUERSATZ PFLUGSCHAREN

Ⓕ KIT DE COMMANDE DES SOCS

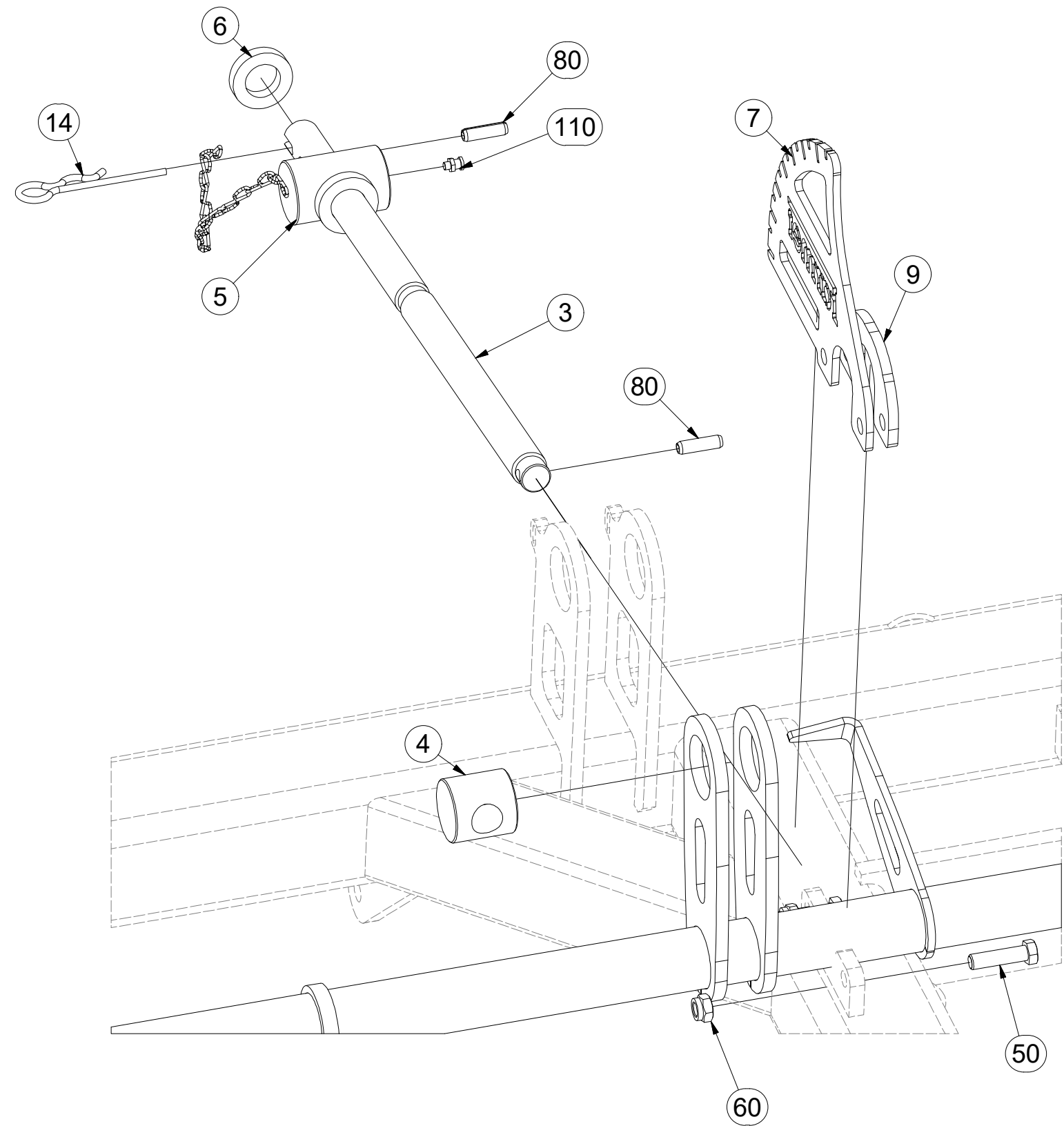
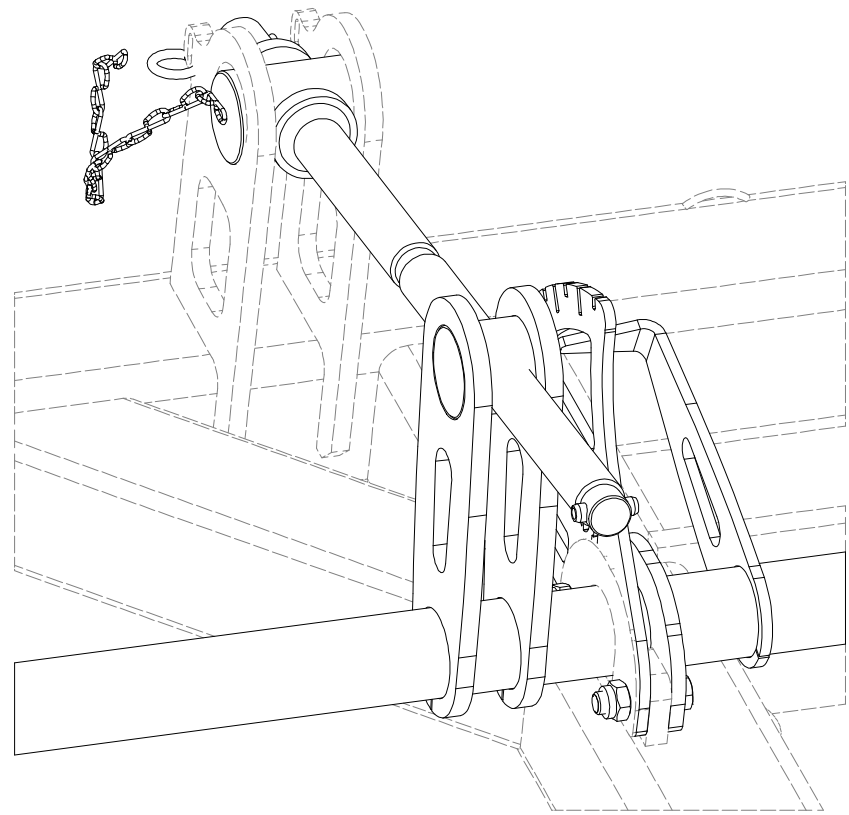
Ⓖ SET OF PLOUGHSHARE CONTROL

Ⓡ КОМПЛЕКТ УПРАВЛЕНИЯ ЛАП

Ⓟ ZESTAW STEROWANIA RADLICAMI

**Farmet**

**3007002**



Pos.	Part Number	Pcs.
3	4007654	1
4	4005340	1
5	4005355	1
6	9002560	1
7	4005335	1
9	4005332	11
14	m09988	1
50	m06077	12
60	m04301	12
80	m10736	2
110	m10451	1

ⒸZ SADA OVLÁDÁNÍ RADLIC

Ⓓ STEUERSATZ PFLUGSCHAREN

Ⓕ KIT DE COMMANDE DES SOCS

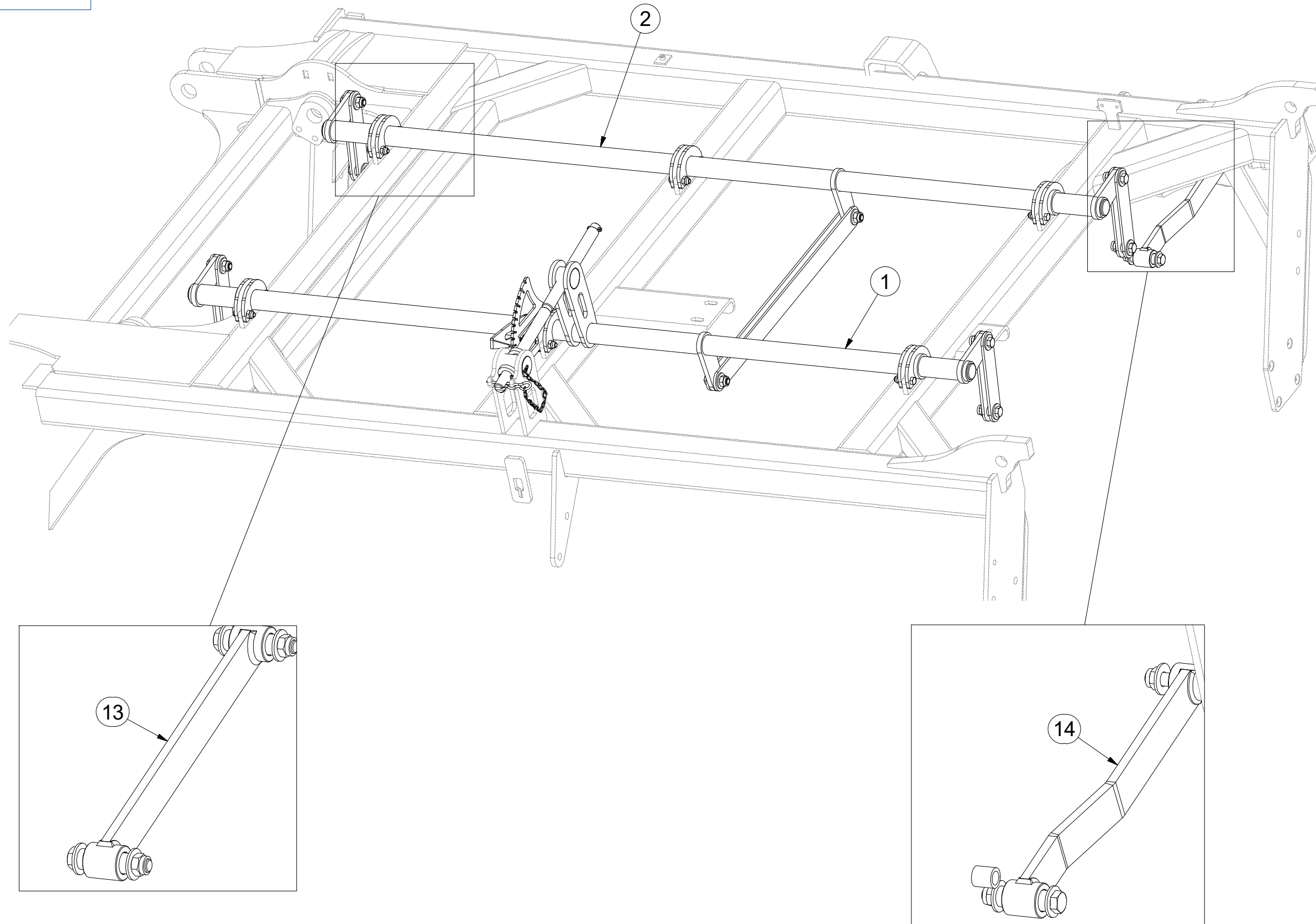
ⒼB SET OF PLOUGHSHARE CONTROL

ⒺU КОМПЛЕКТ УПРАВЛЕНИЯ ЛАП

ⒽL ZESTAW STEROWANIA RADLICAMI



**3007003**



Pos.	Part Number	Pcs.
1	3002984	1
2	3002985	1
13	4003971	1
14	4011976	1



Ⓒ SADA OVLÁDÁNÍ RADLIC

Ⓓ STEUERSATZ PFLUGSCHAREN

Ⓕ KIT DE COMMANDE DES SOCS

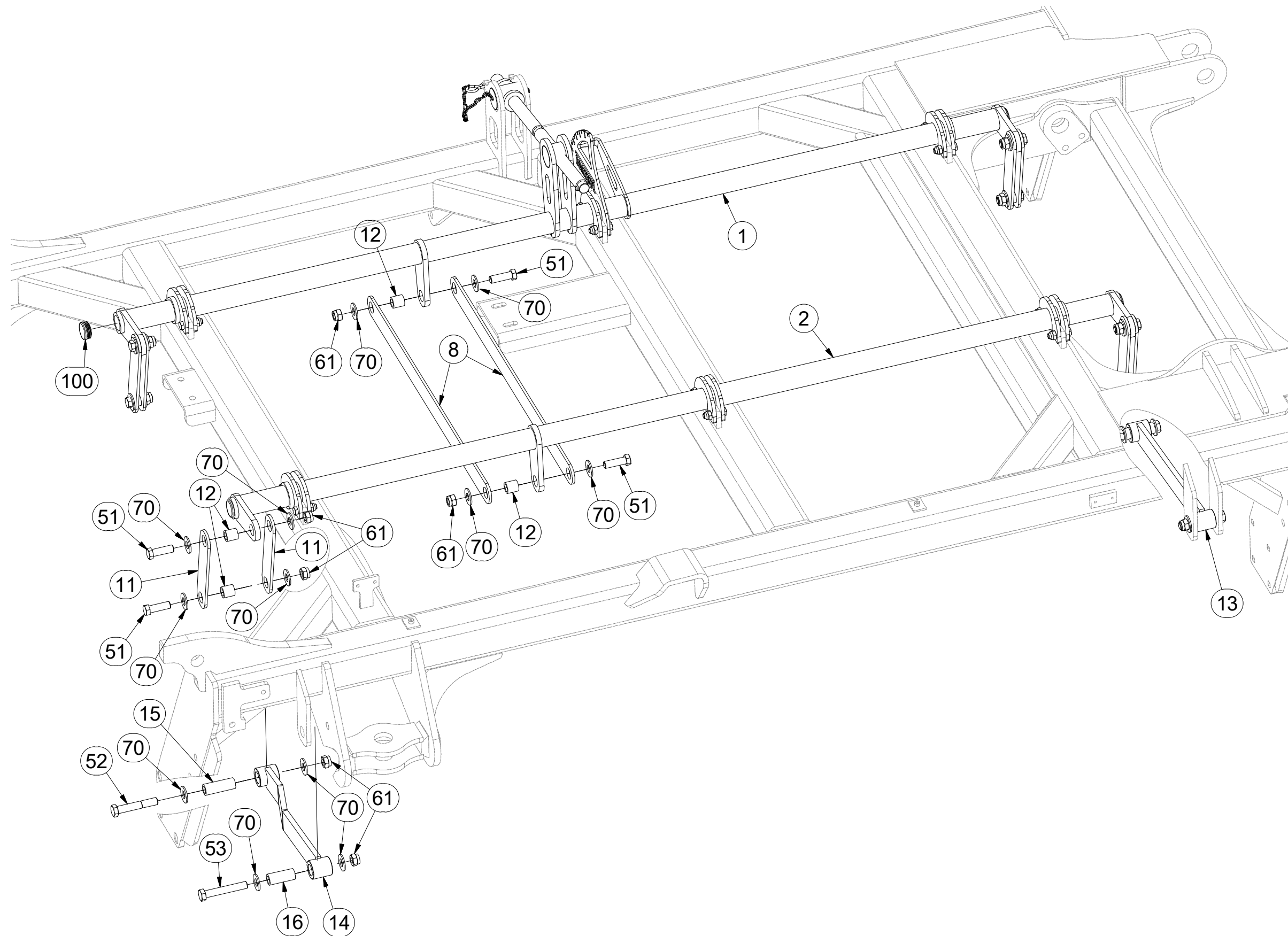
Ⓖ SET OF PLOUGHSHARE CONTROL

Ⓡ КОМПЛЕКТ УПРАВЛЕНИЯ ЛАП

Ⓢ ZESTAW STEROWANIA RADLICAMI



**3007003**



Pos.	Part Number	Pcs.
1	3002984	1
2	3002985	1
8	4005334	2
11	4005333	8
12	4002265	10
13	4003971	1
14	4011976	1
15	9001426	3
16	9001095	1
51	m04355	10
52	m07673	3
53	m05304	1
61	m03683	14
70	m05651	28
100	m10130	4

Ⓒ CZ SADA OVLÁDÁNÍ RADLIC

Ⓓ STEUERSATZ PFLUGSCHAREN

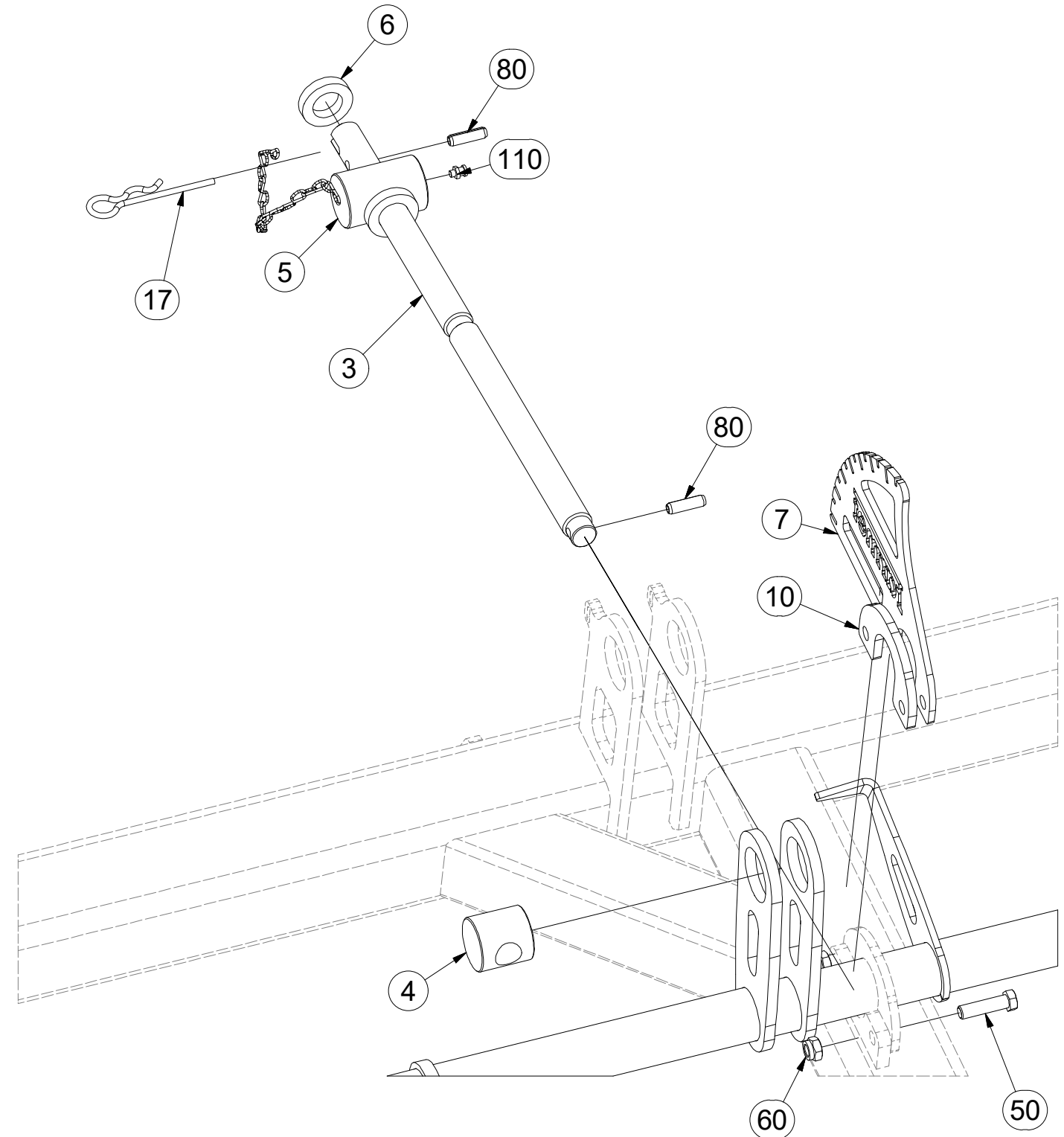
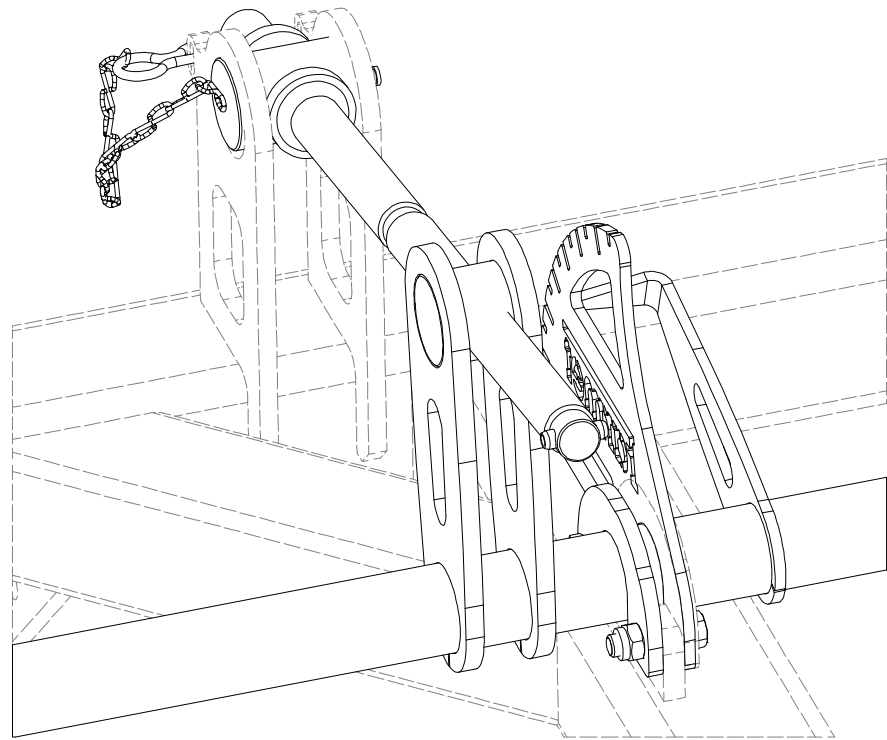
Ⓕ KIT DE COMMANDE DES SOCS

**3007003**

Ⓒ GB SET OF PLOUGHSHARE CONTROL

Ⓓ RU КОМПЛЕКТ УПРАВЛЕНИЯ ЛАП

Ⓕ PL ZESTAW STEROWANIA RADLICAMI



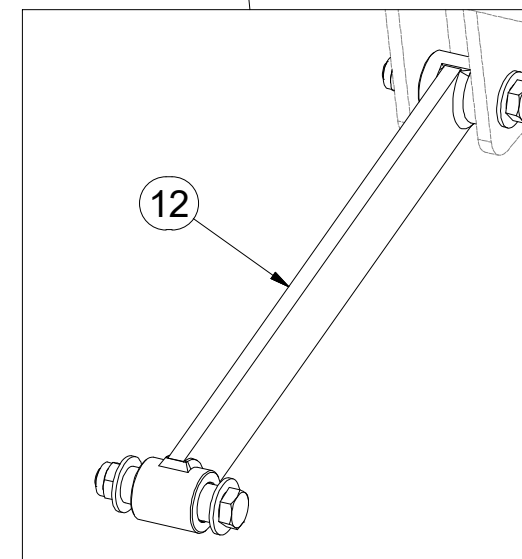
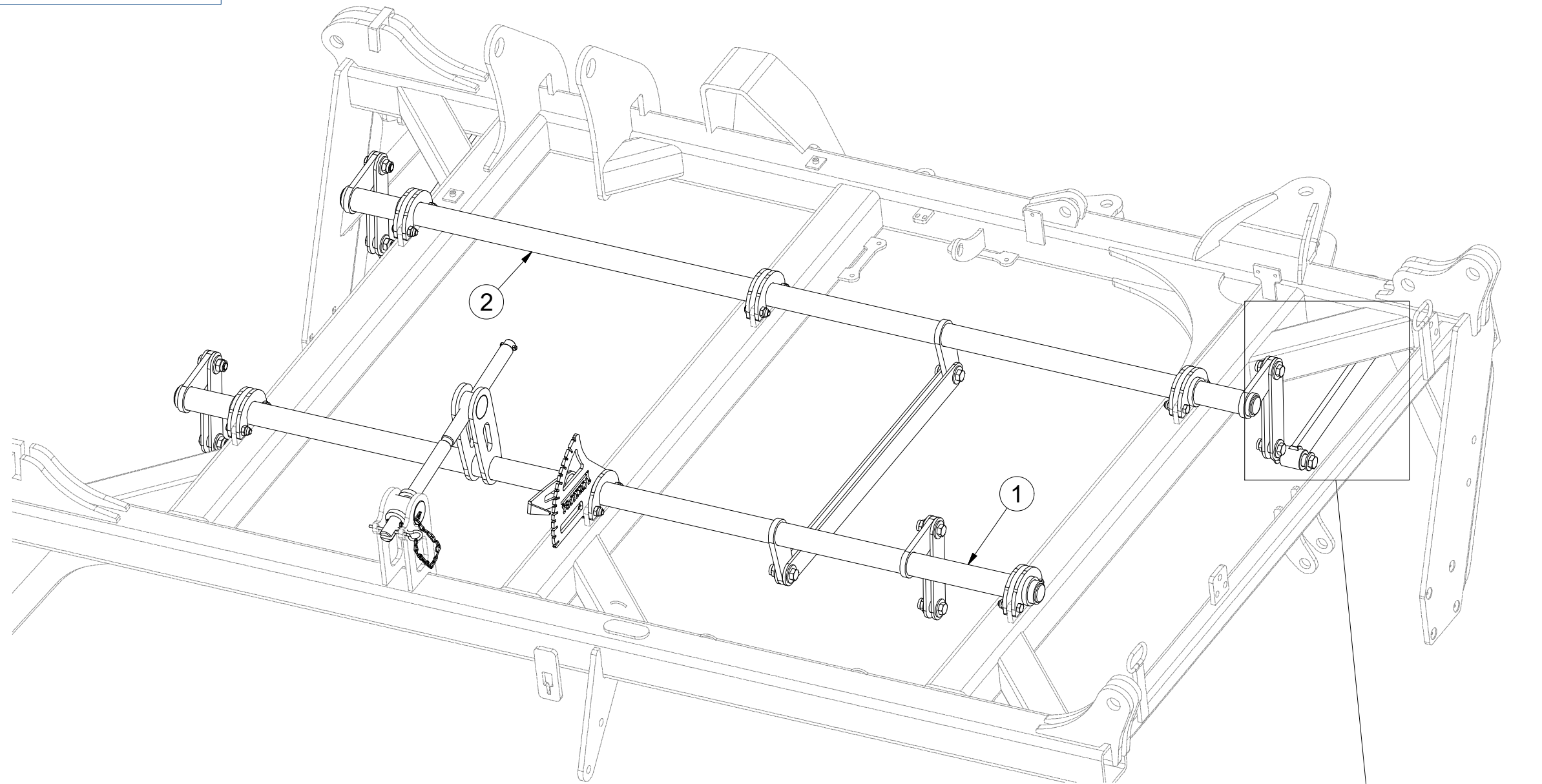
Pos.	Part Number	Pcs.
3	4007654	1
4	4005340	1
5	4005355	1
6	9002560	1
7	4005335	1
10	4005332	11
17	m09988	1
50	m06077	12
60	m04301	12
80	m10736	2
110	m10451	1

- Ⓒ SADA OVLÁDÁNÍ RADLIC
- Ⓓ STEUERSATZ PFLUGSCHAREN
- Ⓕ KIT DE COMMANDE DES SOCS

- Ⓖ SET OF PLOUGHSHARE CONTROL
- Ⓡ КОМПЛЕКТ УПРАВЛЕНИЯ ЛАП
- Ⓟ ZESTAW STEROWANIA RADLICAMI



**3007004**



Pos.	Part Number	Pcs.
1	3003100	1
2	3002985	1
12	4003971	2



Ⓒ SADA OVLÁDÁNÍ RADLIC

Ⓓ STEUERSATZ PFLUGSCHAREN

Ⓕ KIT DE COMMANDE DES SOCS

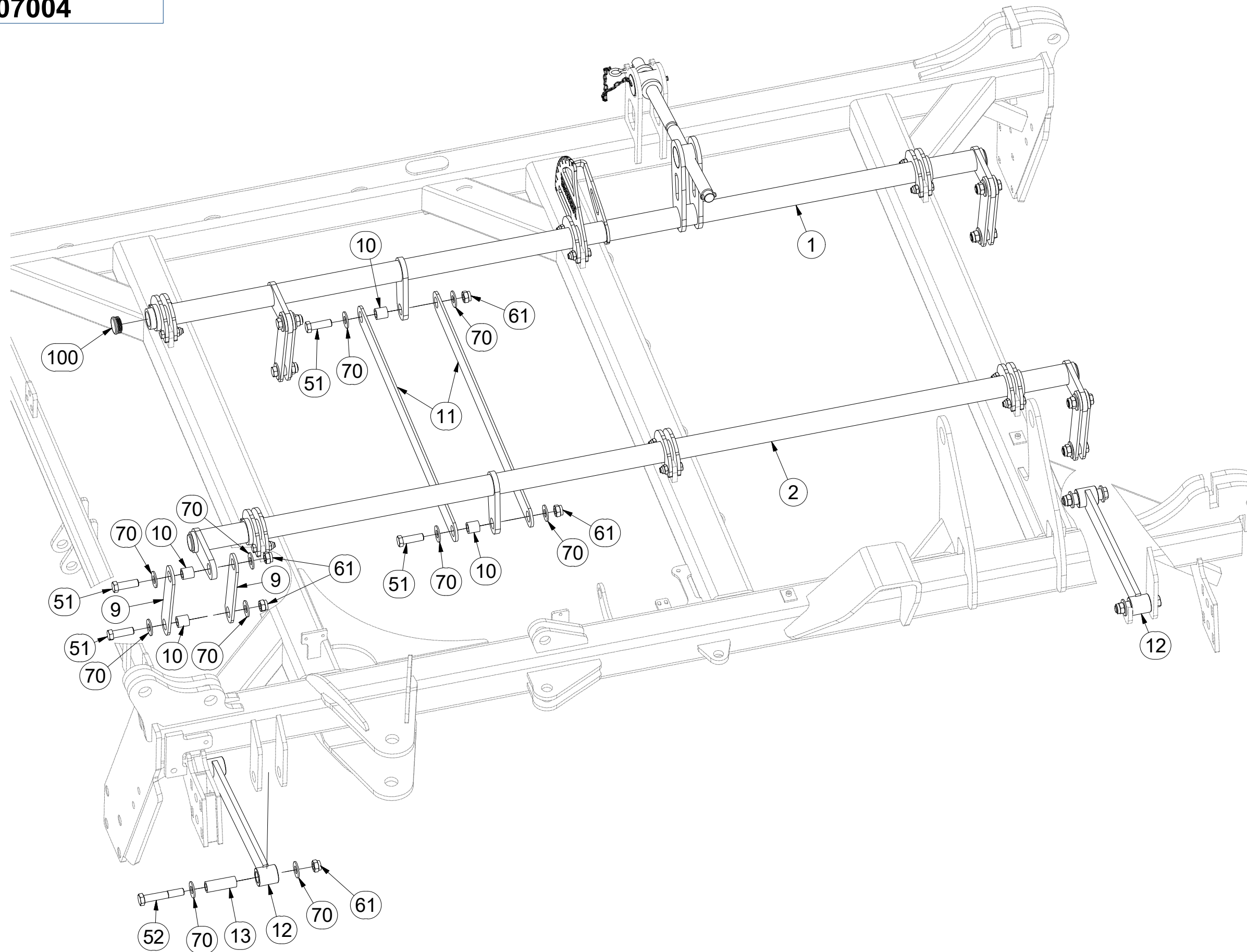
Ⓖ SET OF PLOUGHSHARE CONTROL

Ⓡ КОМПЛЕКТ УПРАВЛЕНИЯ ЛАП

Ⓟ ZESTAW STEROWANIA RADLICAMI



**3007004**



Pos.	Part Number	Pcs.
1	3003100	1
2	3002985	1
9	4005333	8
10	4002265	10
11	4005334	2
12	4003971	2
13	9001426	4
51	m04355	10
52	m07673	4
61	m03683	14
70	m05651	28
100	m10130	4

Ⓒ SADA OVLÁDÁNÍ RADLIC

Ⓓ STEUERSATZ PFLUGSCHAREN

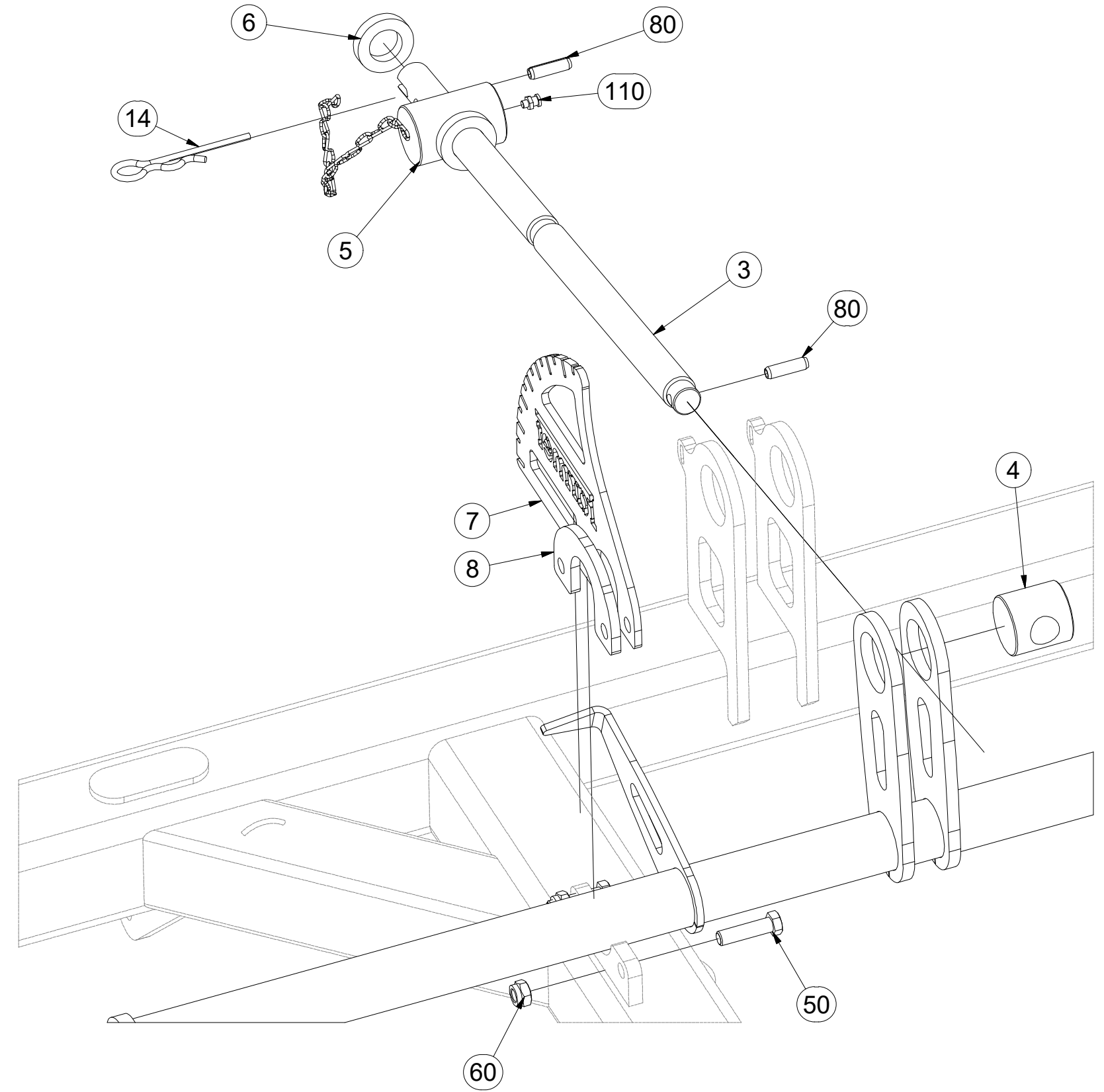
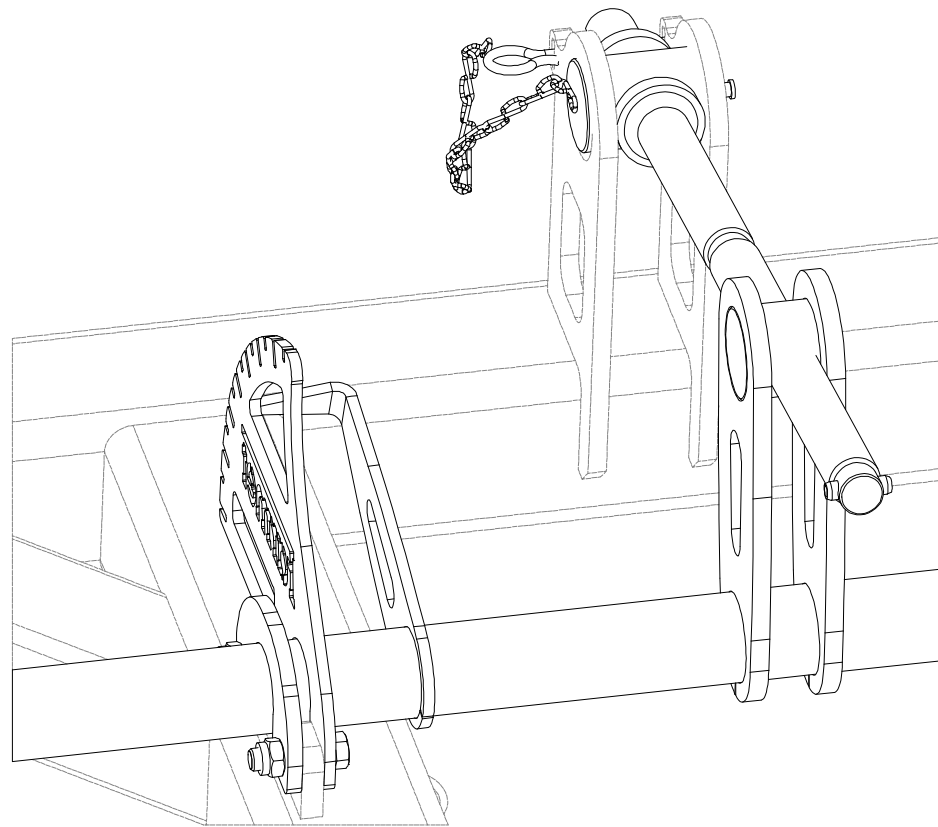
Ⓕ KIT DE COMMANDE DES SOCS

**3007004**

Ⓖ SET OF PLOUGHSHARE CONTROL

Ⓔ КОМПЛЕКТ УПРАВЛЕНИЯ ЛАП

Ⓗ ZESTAW STEROWANIA RADLICAMI



Pos.	Part Number	Pcs.
3	4007654	1
4	4005340	1
5	4005355	1
6	9002560	1
7	4005335	1
8	4005332	11
14	m09988	1
50	m06077	12
60	m04301	12
80	m10736	2
110	m10451	1

ⒸZ SADA RADLIC

Ⓓ SATZ PFLUGSCHAREN

Ⓕ KIT DE SOCS

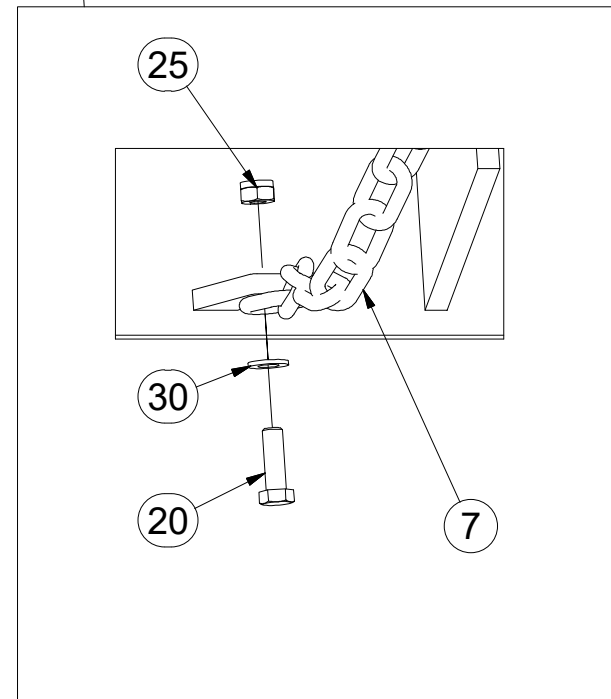
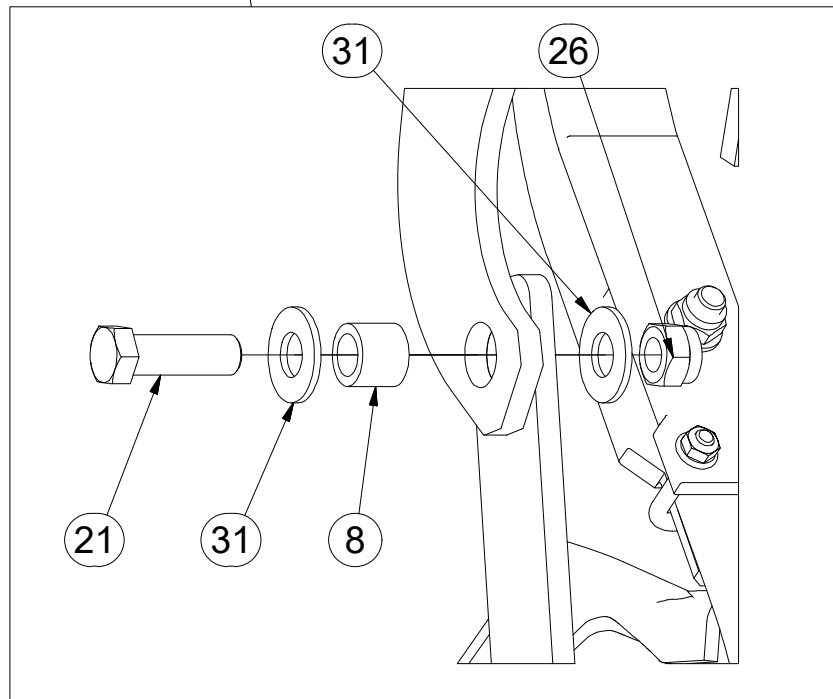
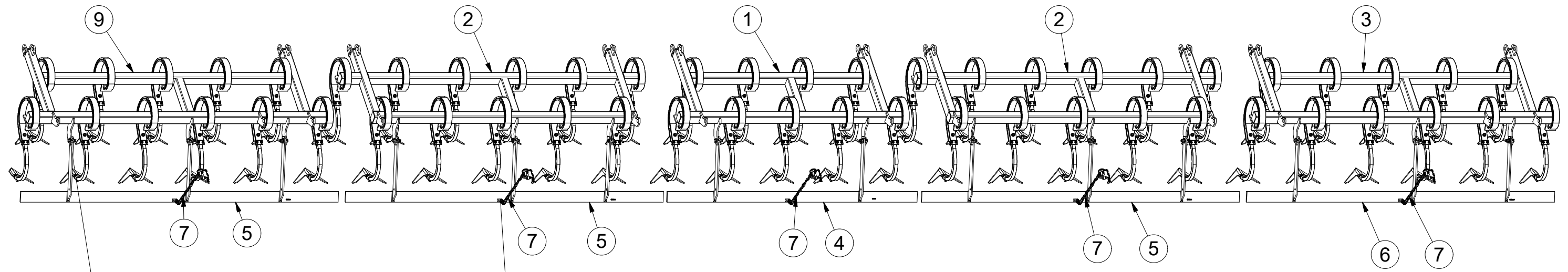
ⒸB SET OF PLOUGHSHARES


ⒸU КОМПЛЕКТ ЛАП

ⒸL ZESTAW REDLIC



**2000379**




M8 (8.8) - 25Nm
M16 (8.8) - 210Nm

Pos.	Part Number	Pcs.
1	3002834	1
2	3002992	2
3	3008020	1
4	3002557	1
5	3002561	3
6	3002560	1
7	4001641	5
8	4004451	14
9	3008019	1
20	m01092	5
21	m04355	14
25	m04503	5
26	m03683	14
30	m01203	5
31	m05651	28



Ⓒ SADA RADLIC

Ⓓ SATZ PFLUGSCHAREN

Ⓕ KIT DE SOCS

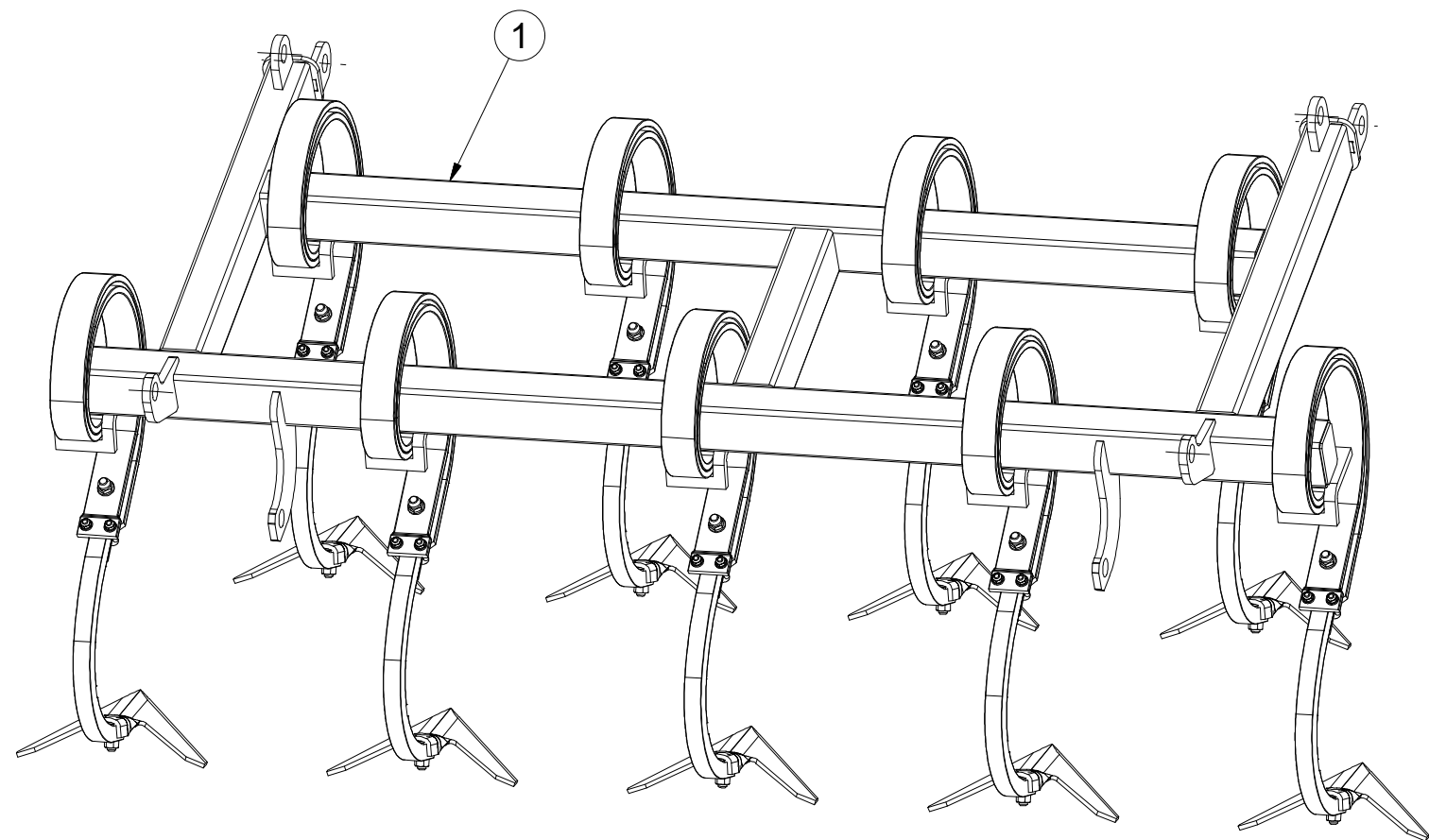
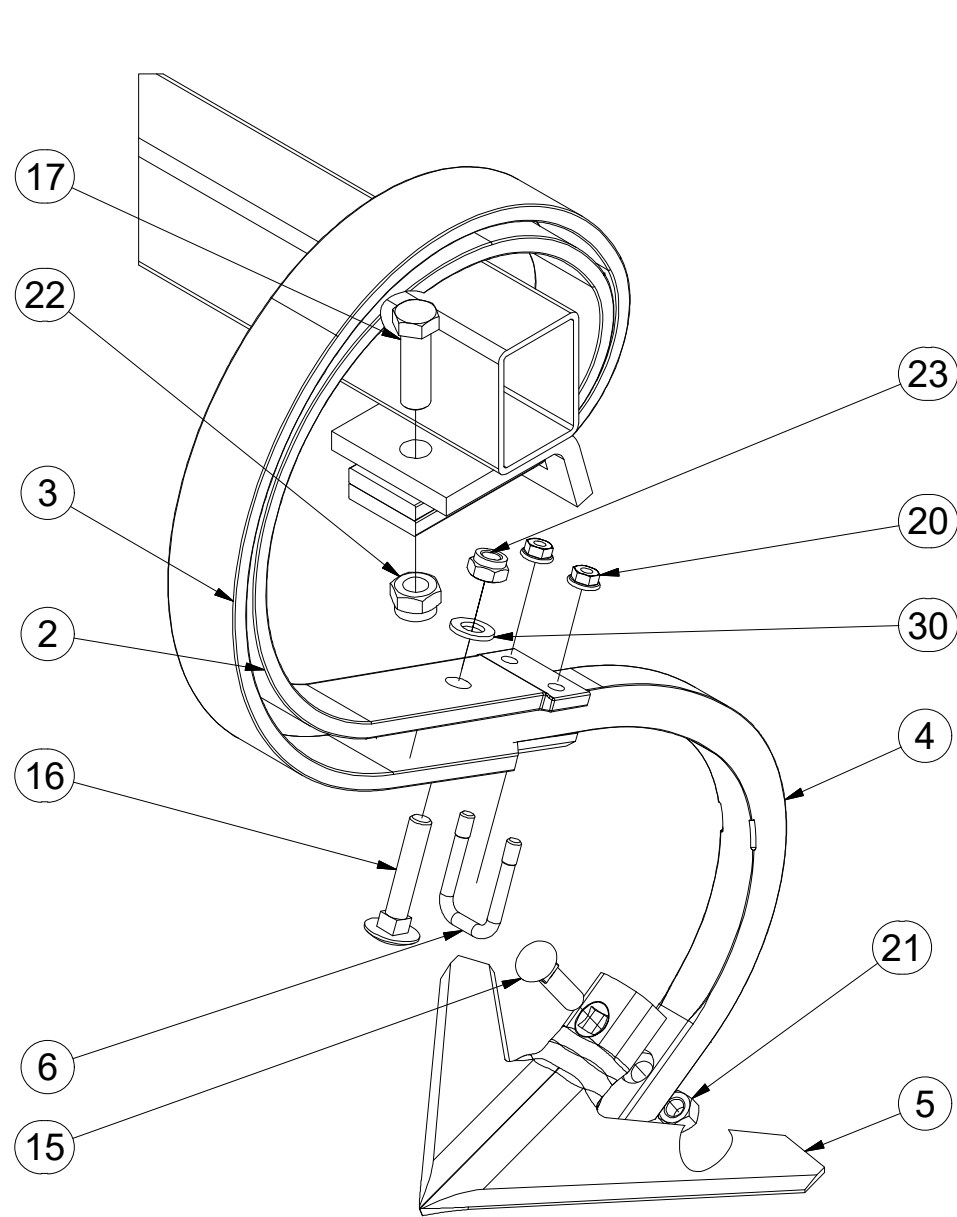
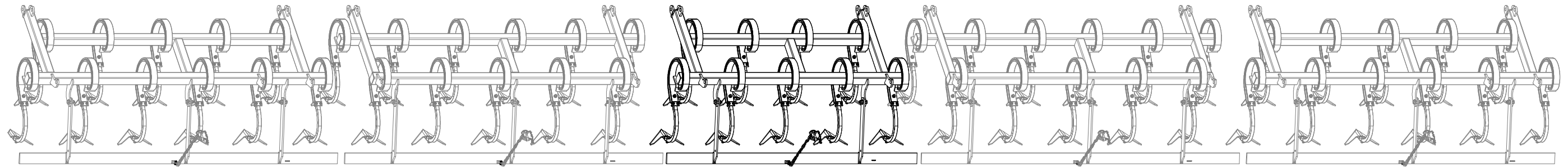
Ⓖ SET OF PLOUGHSHARES

Ⓡ КОМПЛЕКТ ЛАП

Ⓟ ZESTAW REDLIC



**3002834**



Pos.	Part Number	Pcs.	Pos.	Part Number	Pcs.
1	2000363	1	16	m11600	9
2	3000300	9	17	m04355	9
3	3000301	9	20	m06156	18
4	3002818	9	21	m10439	9
5	3000236-KOO	9	22	m03683	9
6	m09995	9	23	m04301	9
15	m10440	9	30	m01214	9

ⒸZ SADA RADLIC

Ⓓ SATZ PFLUGSCHAREN

Ⓕ KIT DE SOCS

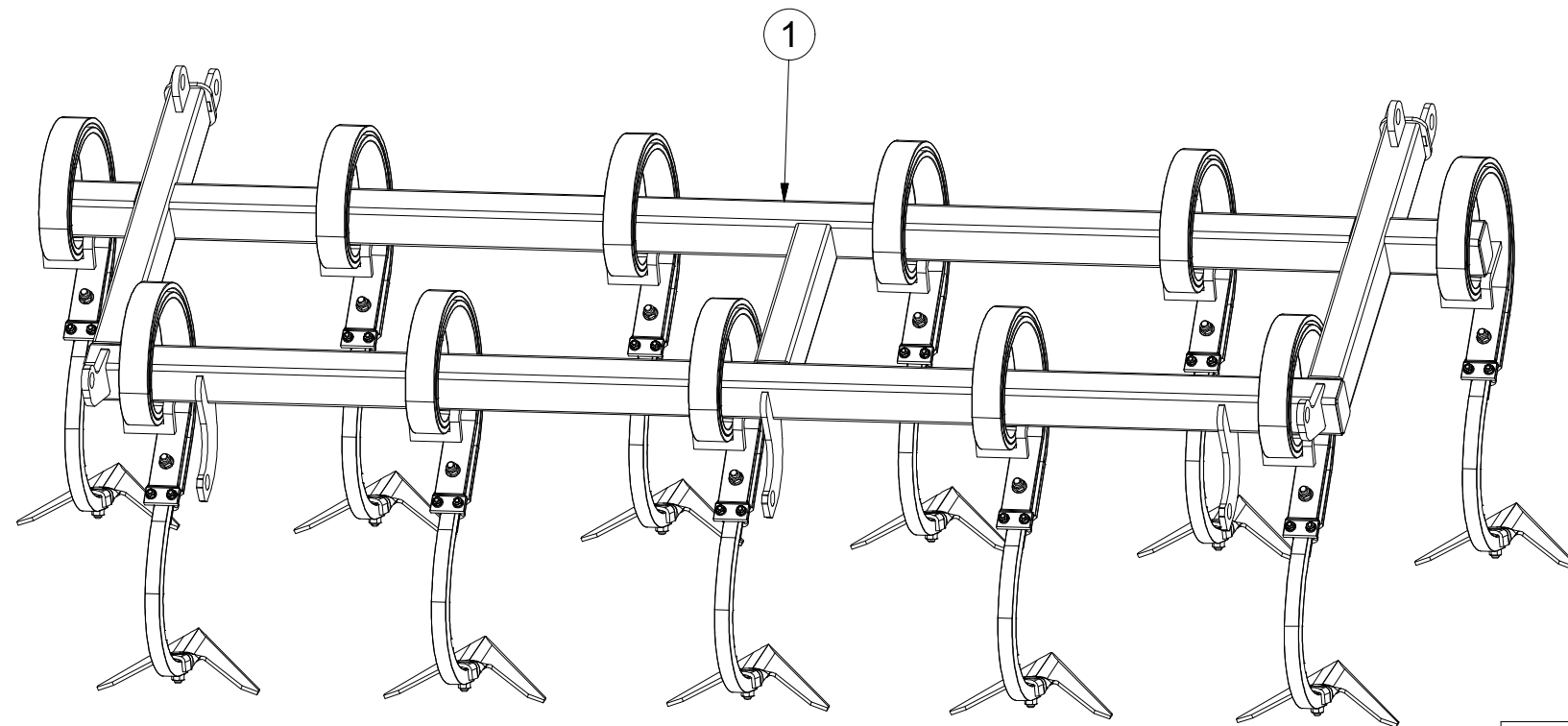
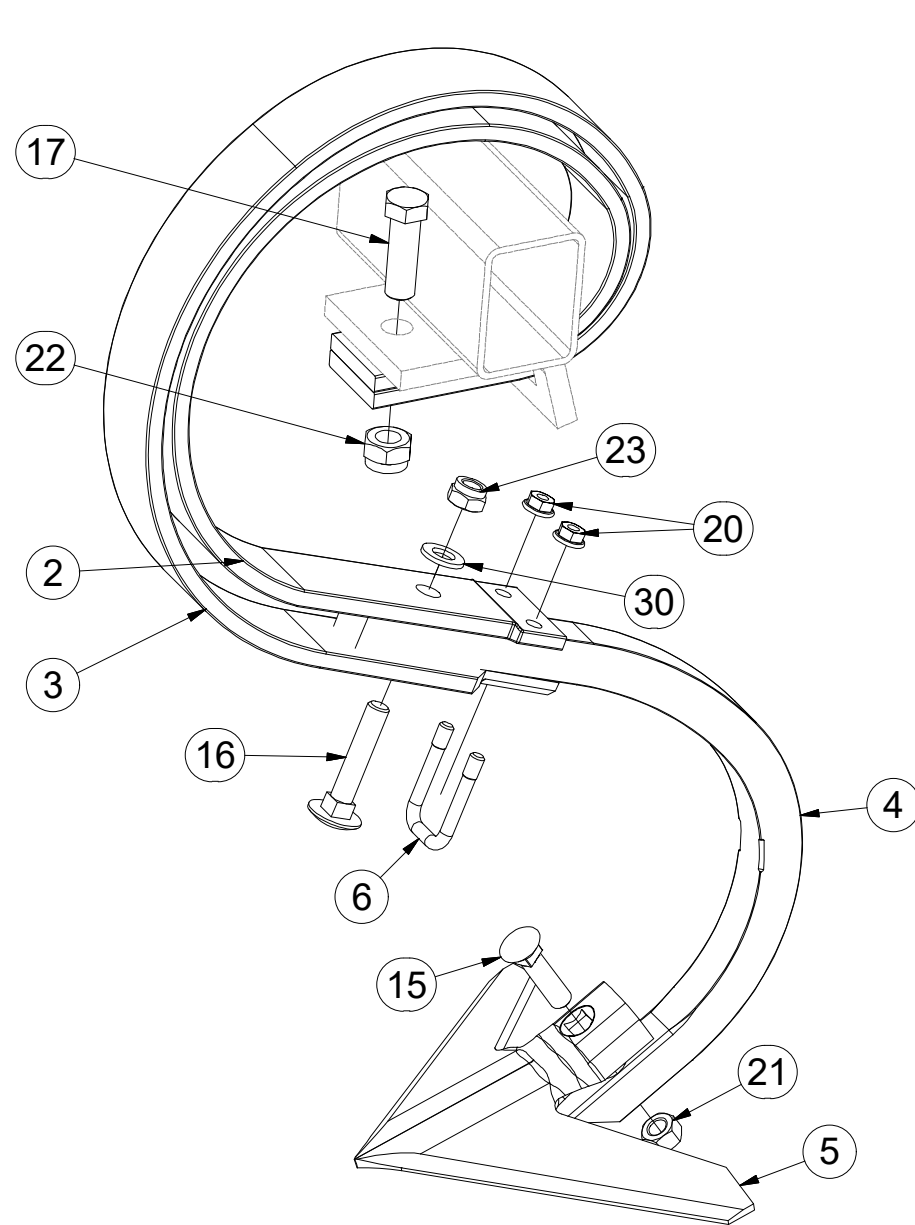
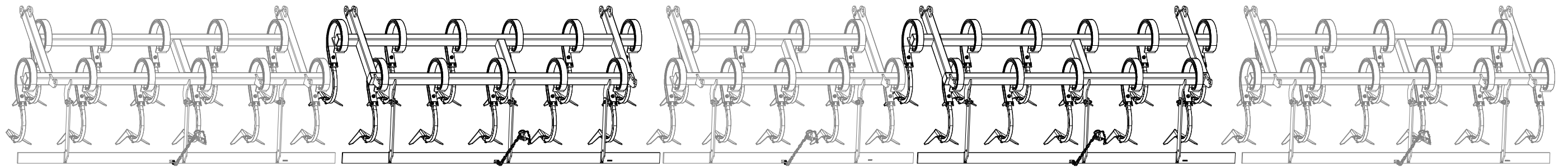
ⒸB SET OF PLOUGHSHARES

ⒸU КОМПЛЕКТ ЛАП

ⒸL ZESTAW REDLIC



**3002992**



Pos.	Part Number	Pcs.
1	2000371	1
2	3000300	11
3	3000301	11
4	3002818	11
5	3000236-KOO	11
6	m09995	11
15	m10440	11
16	m11600	11
17	m04355	11
20	m06156	22
21	m10439	11
22	m03683	11
23	m04301	11
30	m01214	11

ⒸZ SADA RADLIC

Ⓓ SATZ PFLUGSCHAREN

Ⓕ KIT DE SOCS

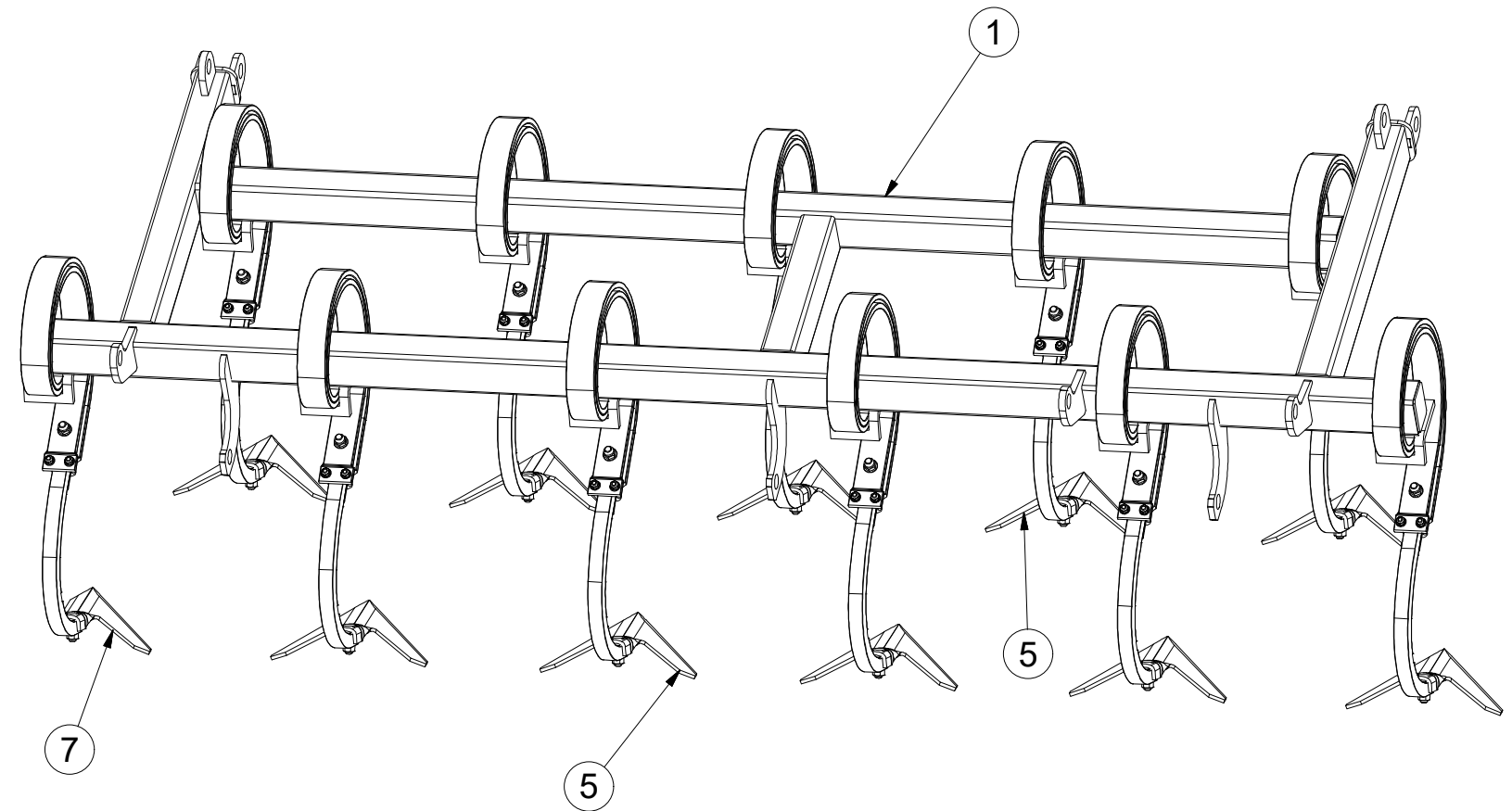
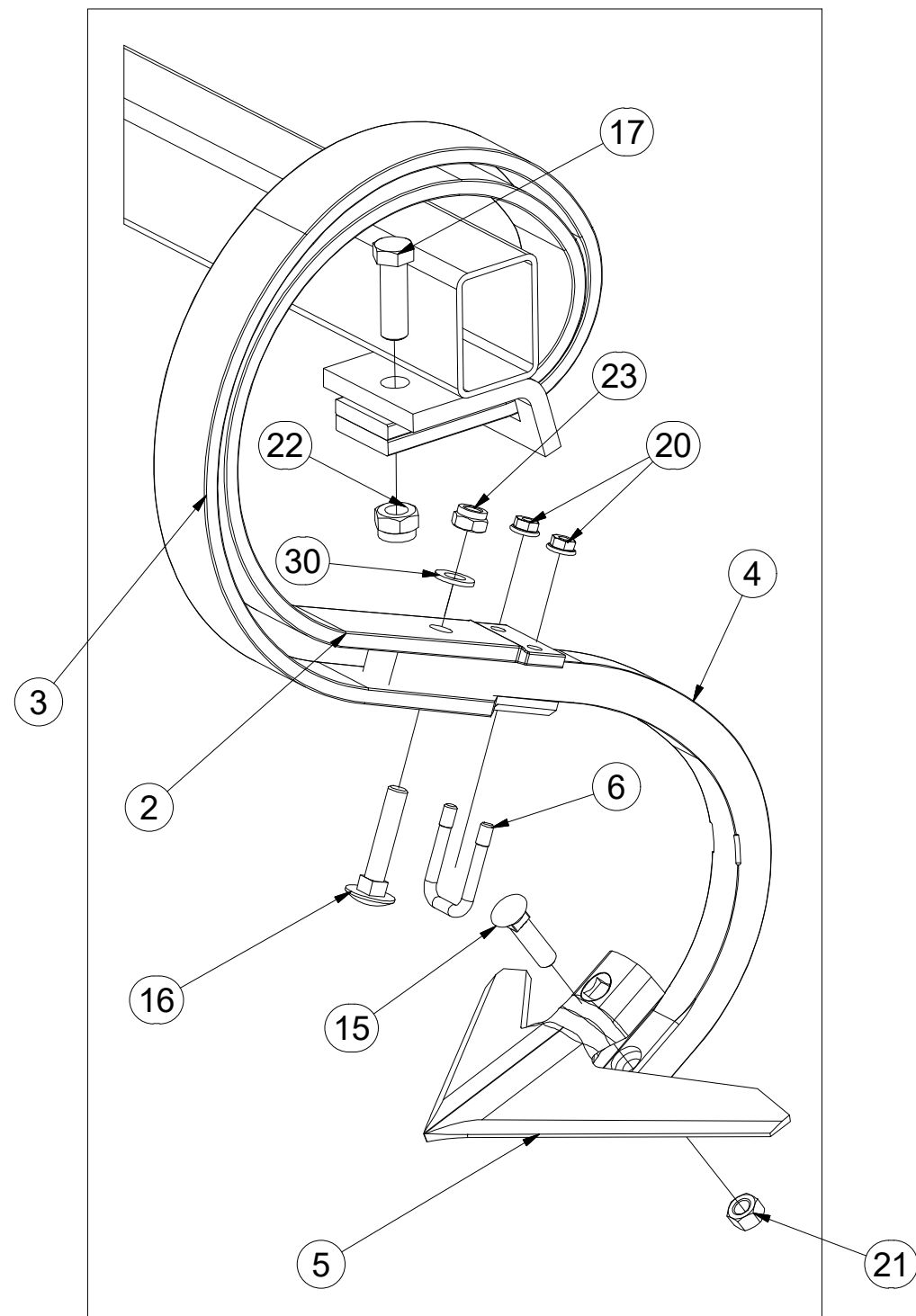
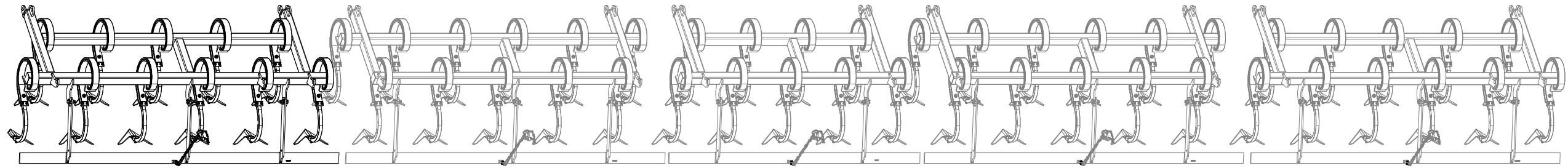
ⒼB SET OF PLOUGHSHARES


ⒺU КОМПЛЕКТ ЛАП

ⒽL ZESTAW REDLIC



**3008019**




M8 (8.8) - 25Nm
M12 (8.8) - 87Nm
M16 (8.8) - 210Nm
M12 (12.9) - 147Nm

Pos.	Part Number	Pcs.	Pos.	Part Number	Pcs.
1	2000380	1	16	m11600	11
2	3000300	11	17	m04355	11
3	3000301	11	20	m06156	22
4	3002818	11	21	m10439	11
5	3000236-KOO	10	22	m03683	11
6	m09995	11	23	m04301	11
7	4007280	1	30	m01214	11
15	m10440	11			



Ⓒ SADA RADLIC

Ⓓ SATZ PFLUGSCHAREN

Ⓕ KIT DE SOCS

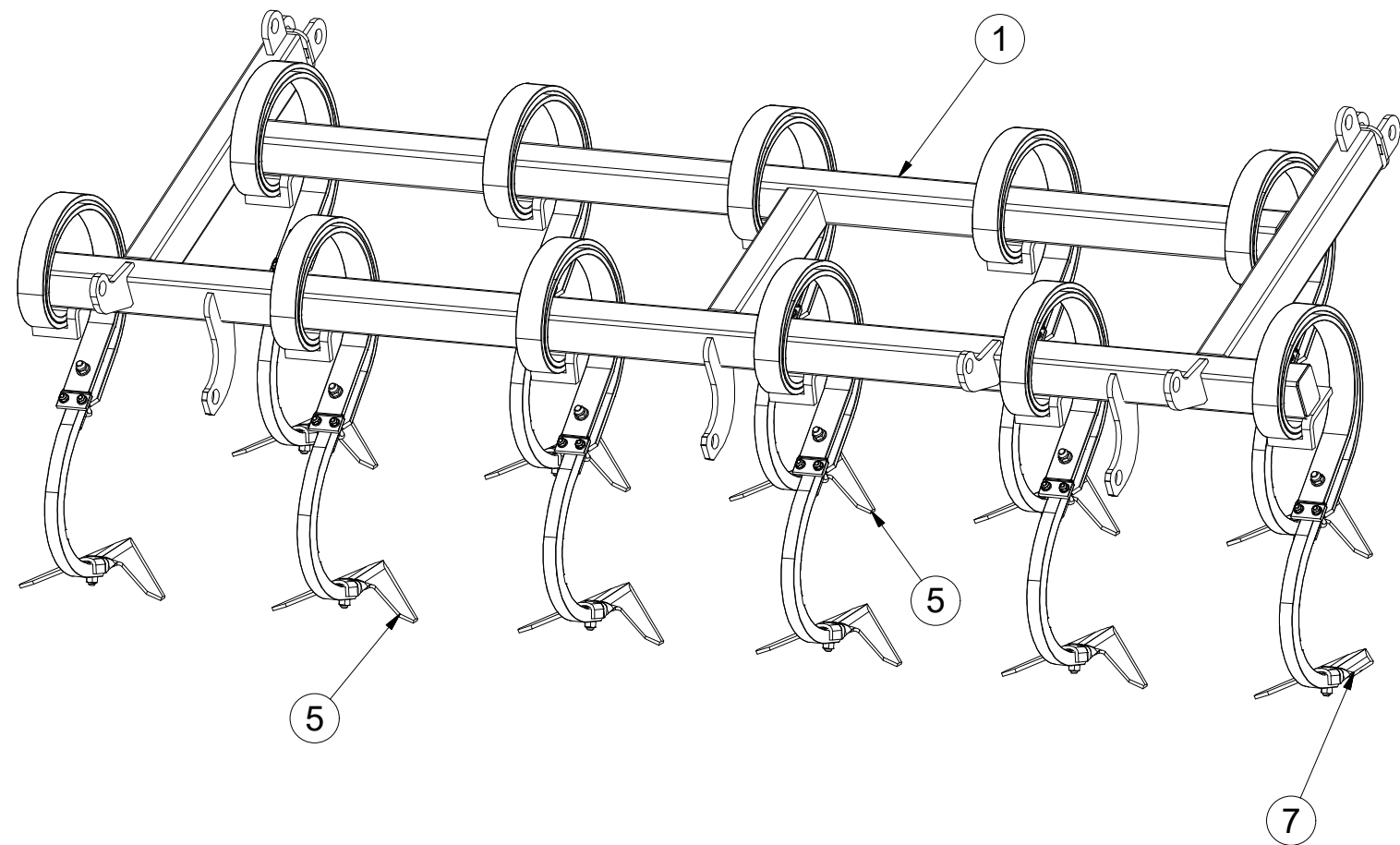
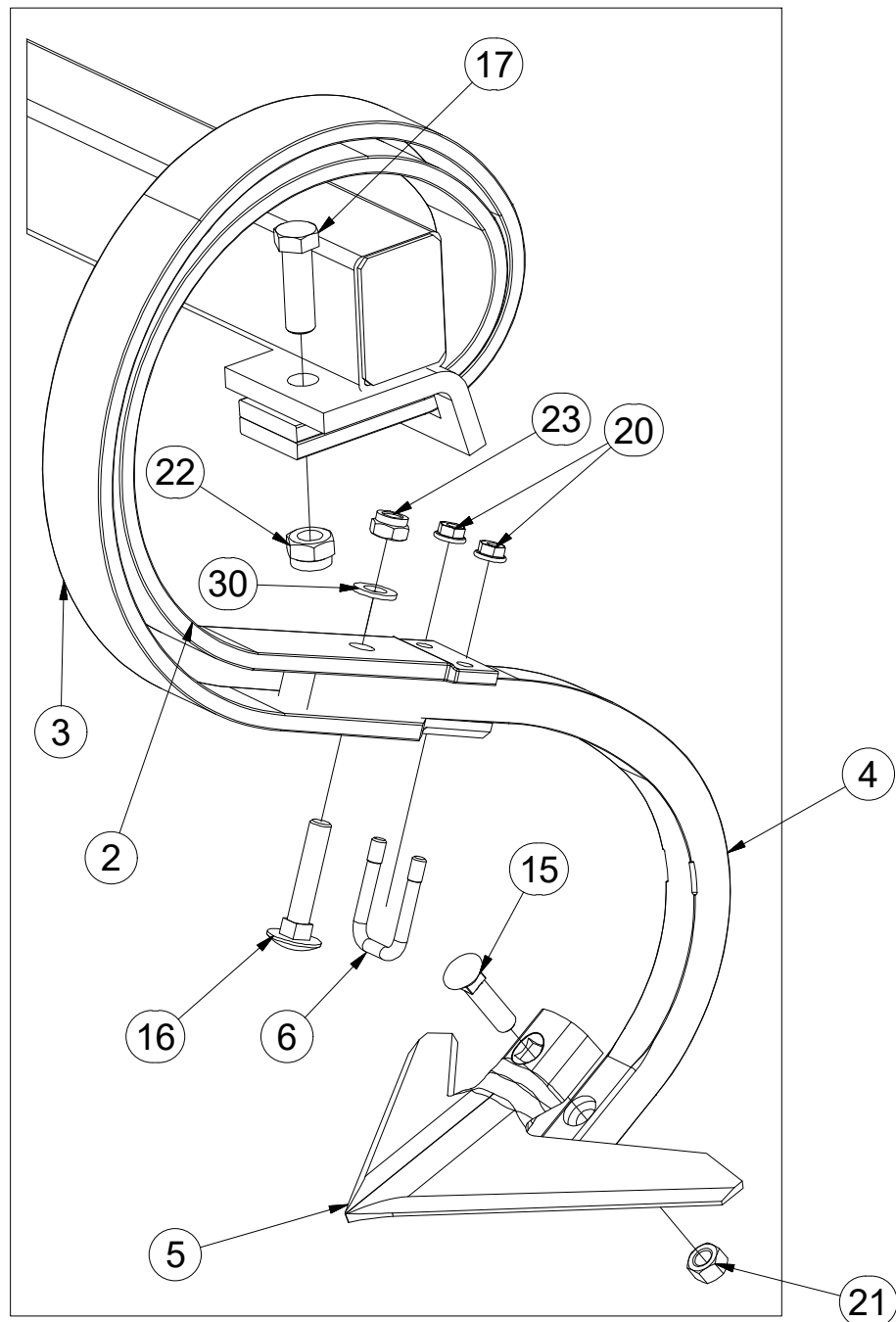
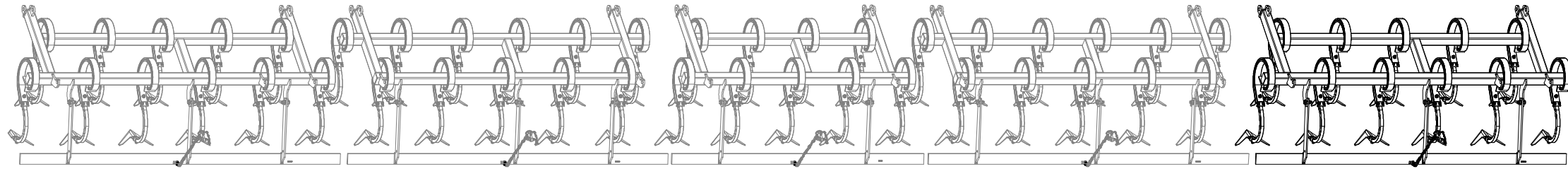
Ⓖ SET OF PLOUGHSHARES

Ⓡ КОМПЛЕКТ ЛАП

Ⓟ ZESTAW REDLIC



**3008020**



M8 (8.8) - 25Nm
M12 (8.8) - 87Nm
M16 (8.8) - 210Nm
M12 (12.9) - 147Nm

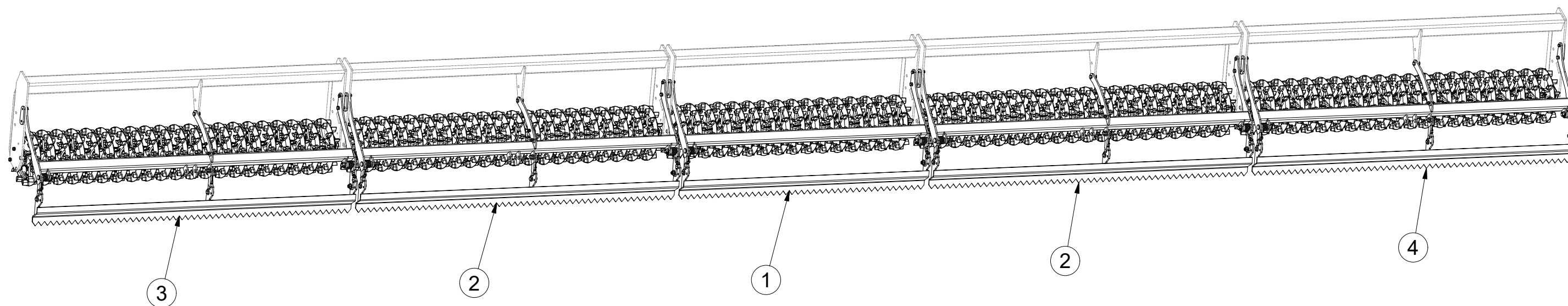
Pos.	Part Number	Pcs.	Pos.	Part Number	Pcs.
1	2000380	1	16	m11600	11
2	3000300	11	17	m04355	11
3	3000301	11	20	m06156	22
4	3002818	11	21	m10439	11
5	3000236-KOO	10	22	m03683	11
6	m09995	11	23	m04301	11
7	4007281	1	30	m01214	11
15	m10440	11			

Ⓒ SADA ZADNÍCH VÁLCŮ  
Ⓓ SATZ HINTERE WALZEN  
Ⓕ KIT DE ROULEAUX ARRIÈRE

Ⓖ SET OF REAR ROLLERS  
Ⓡ КОМПЛЕКТ ЗАДНИХ КАТКОВ  
Ⓟ ZESTAW TYLNYCH WAŁÓW



**3008676**



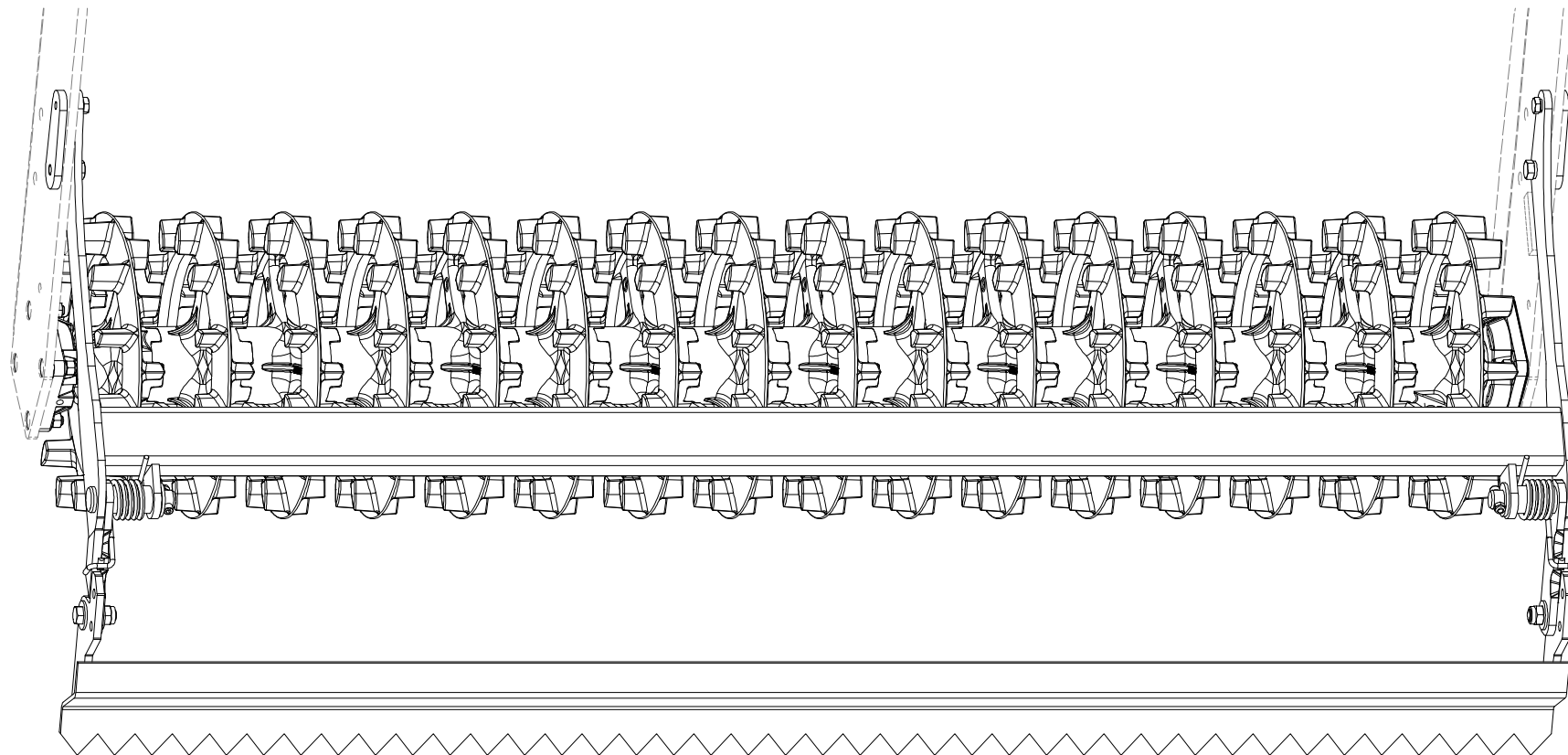
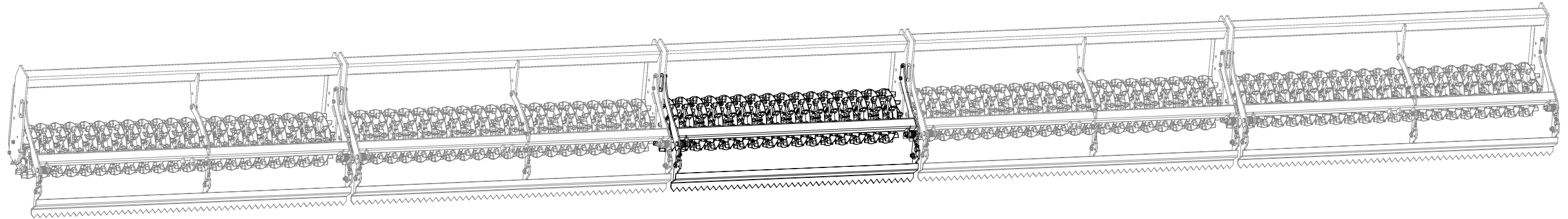
Pos.	Part Number	Pcs.
1	3008740	1
2	3008741	2
3	3008742	1
4	3008743	1

- Ⓒ SADA ZADNÍCH VÁLCŮ
- Ⓓ SATZ HINTERE WALZEN
- Ⓕ KIT DE ROULEAUX ARRIÈRE

**3008740**

- Ⓖ SET OF REAR ROLLERS
- Ⓡ КОМПЛЕКТ ЗАДНИХ КАТКОВ
- Ⓟ ZESTAW TYLNYCH WAŁÓW

**Farmet**



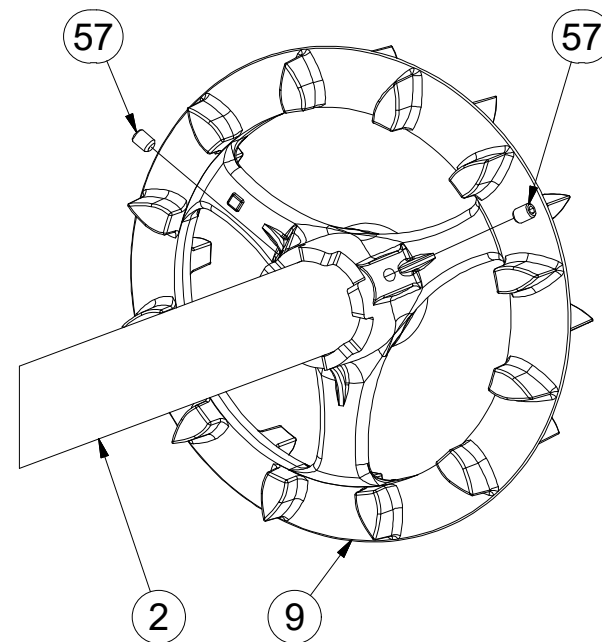
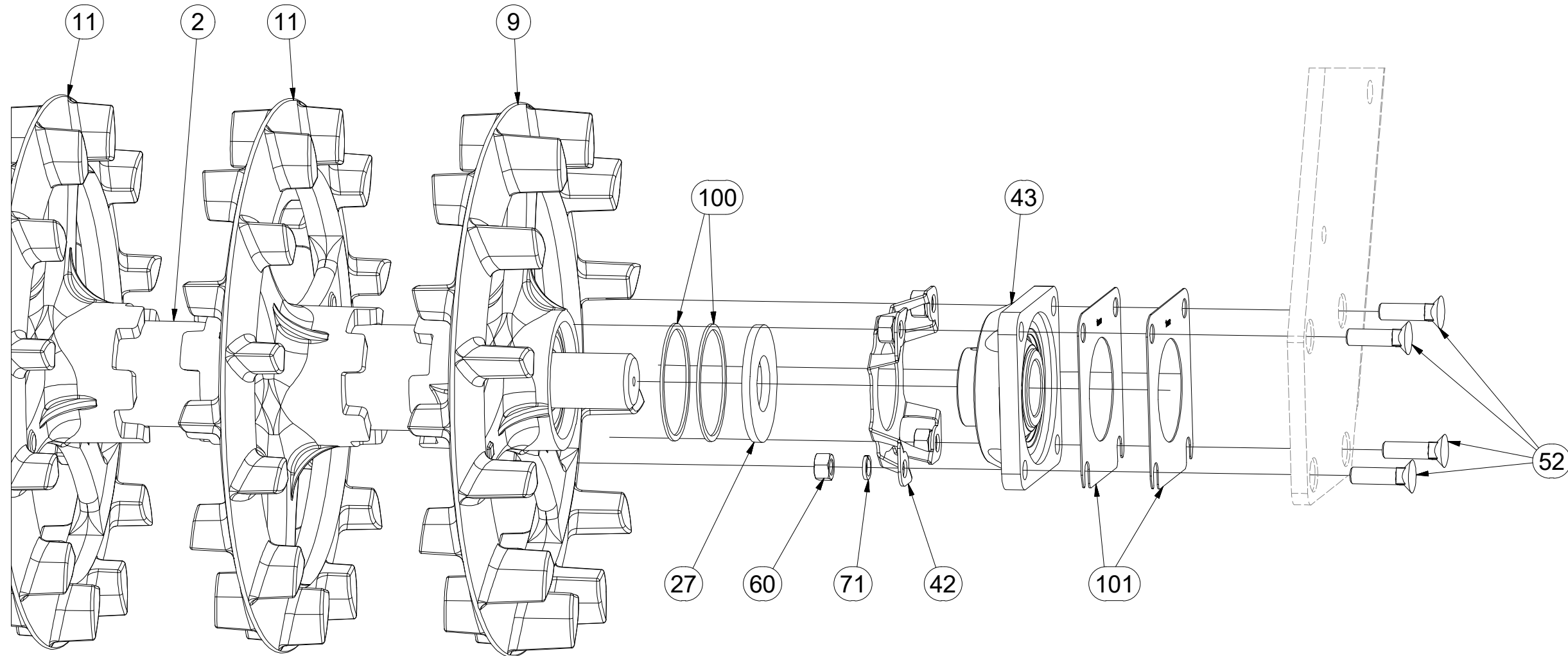


CZ SADA ZADNÍCH VÁLCŮ  
 D SATZ HINTERE WALZEN  
 F KIT DE ROULEAUX ARRIÈRE

GB SET OF REAR ROLLERS  
 RU КОМПЛЕКТ ЗАДНИХ КАТКОВ  
 PL ZESTAW TYLNYCH WAŁÓW



**3008740**



M10 (8.8) - 50Nm
M12 (8.8) - 87Nm

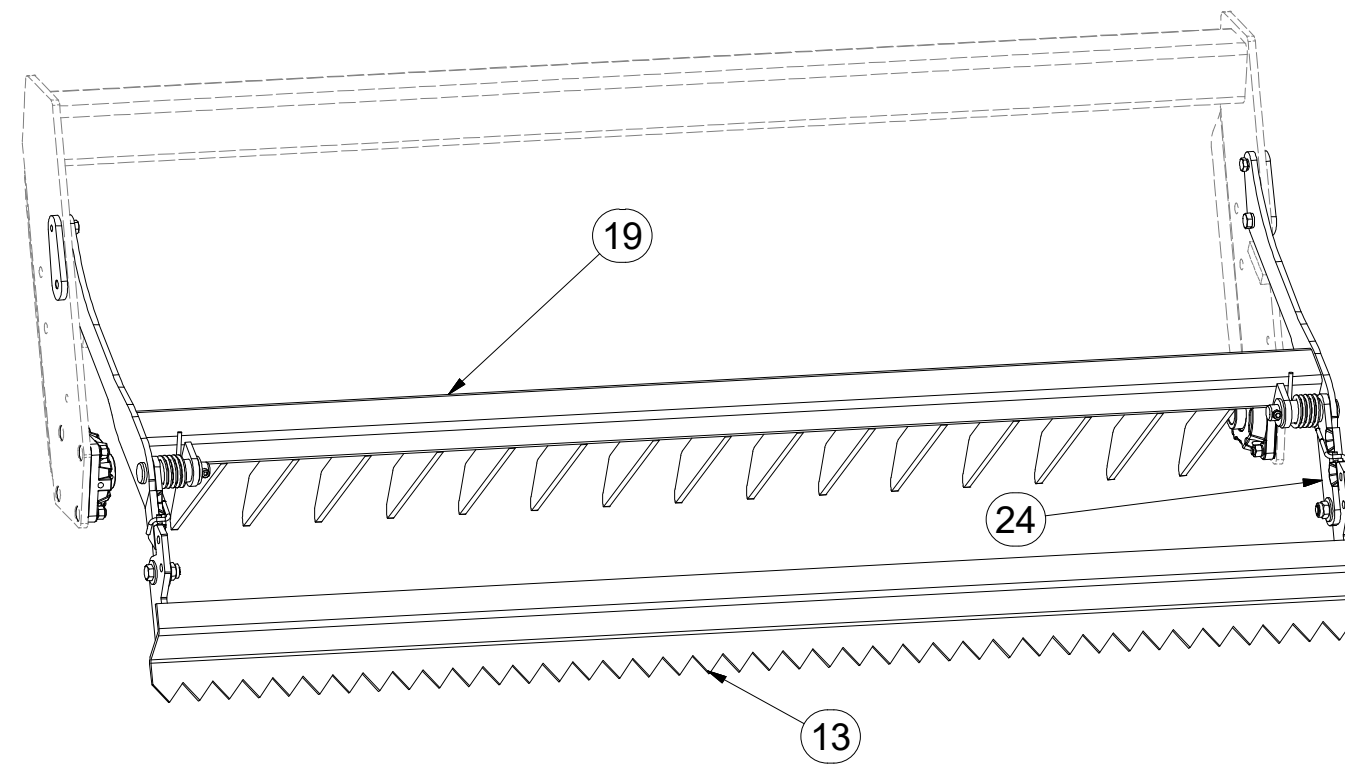
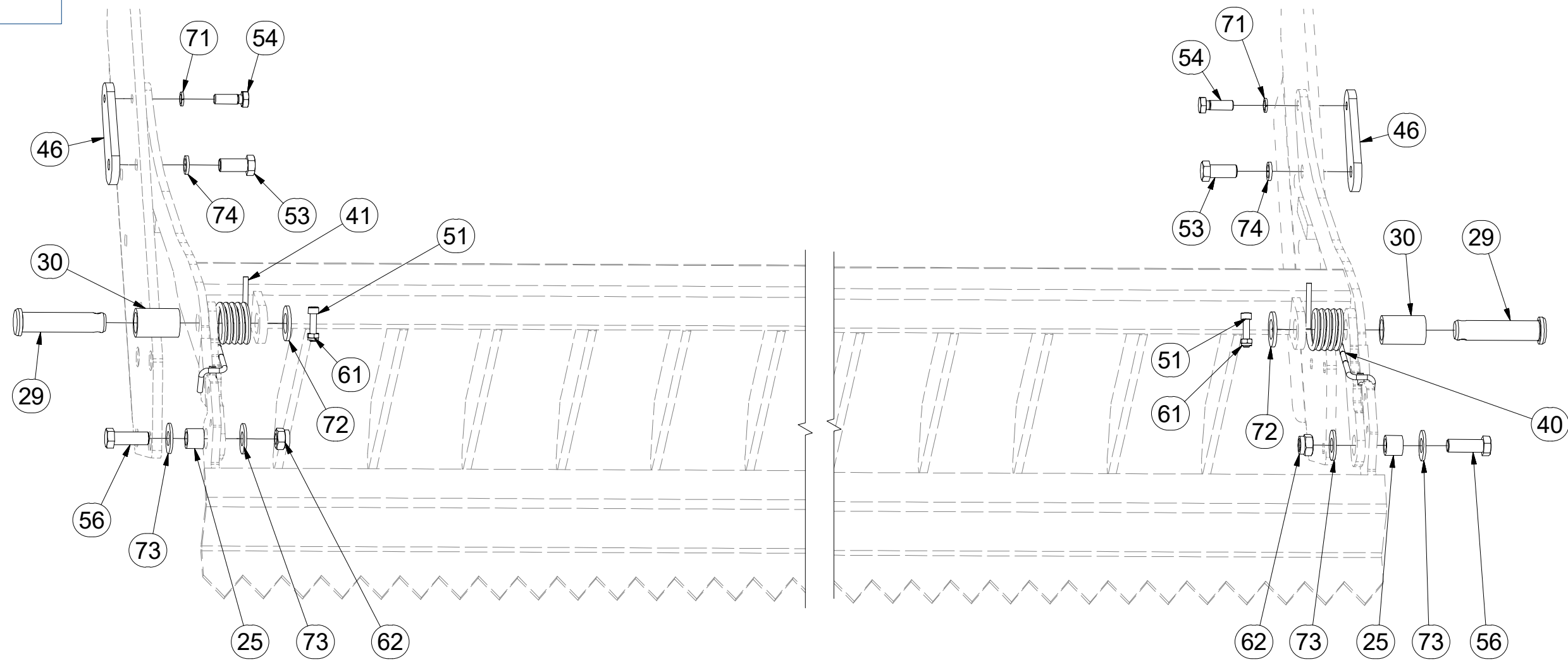
Pos.	Part Number	Pcs.
2	3001805	1
9	4009333	2
11	9002944	14
27	4016995	2
42	4014034	2
43	m15625	2
52	m03519	8
57	m13958	4
60	m01305	8
71	m03988	10
100	4010015	4
101	4016809	4

CZ SADA ZADNÍCH VÁLČŮ  
 D SATZ HINTERE WALZEN  
 F KIT DE ROULEAUX ARRIÈRE

GB SET OF REAR ROLLERS  
 RU КОМПЛЕКТ ЗАДНИХ КАТКОВ  
 PL ZESTAW TYLNYCH WAŁÓW



3008740



M8 (8.8) - 25Nm
M12 (8.8) - 87Nm
M16 (8.8) - 210Nm

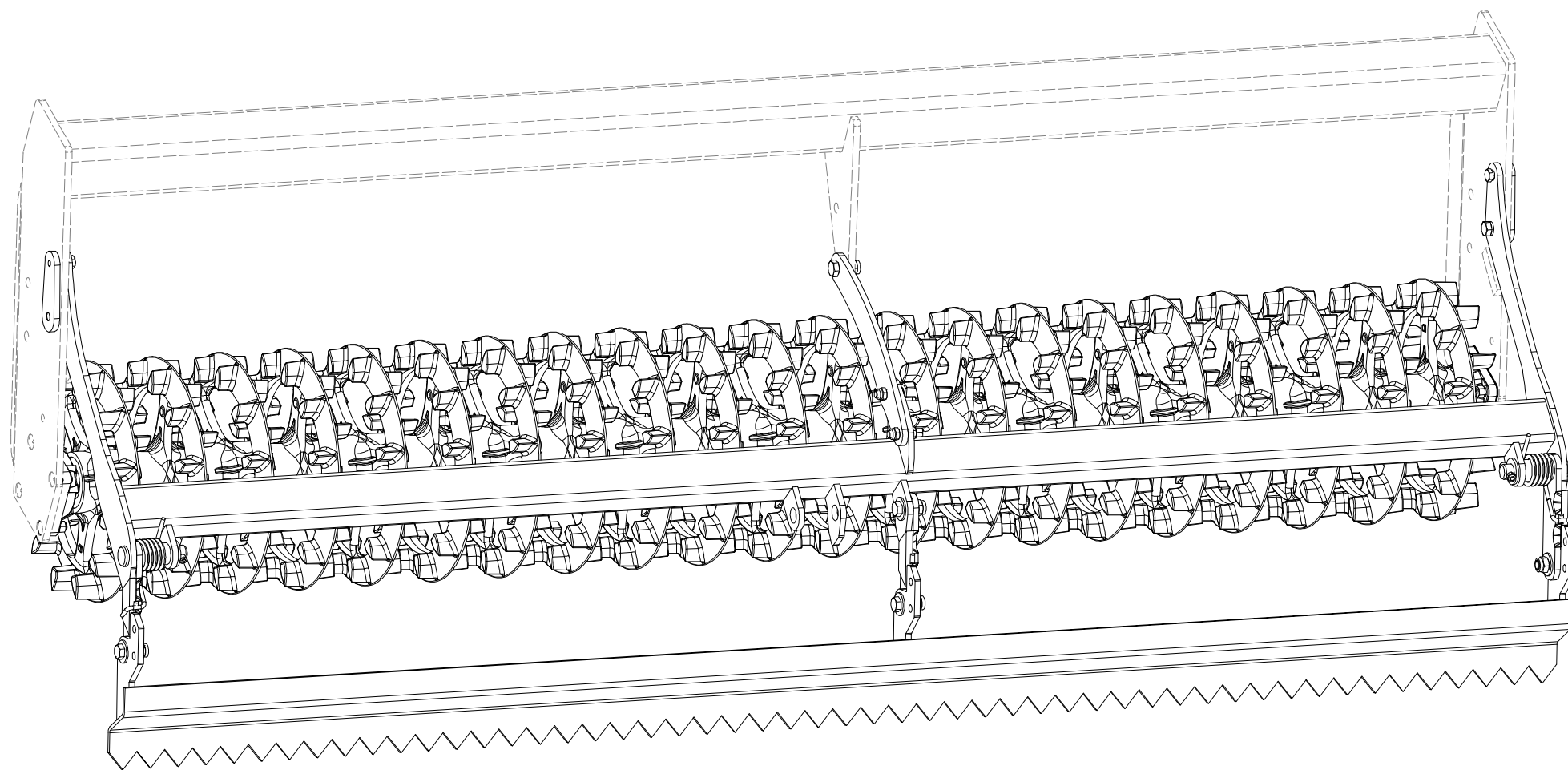
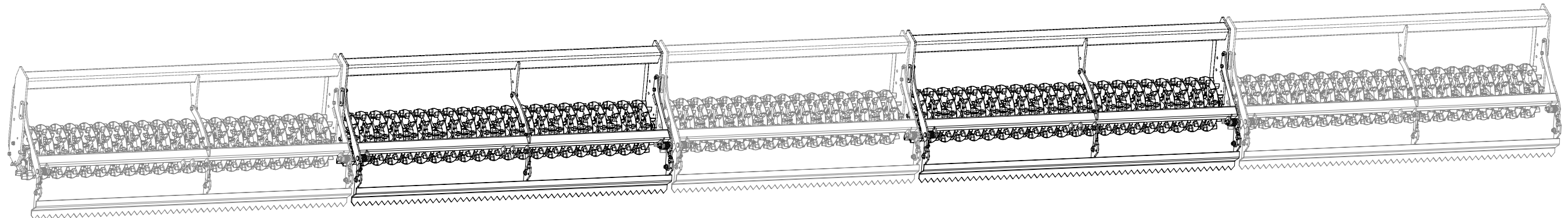
Pos.	Part Number	Pcs.	Pos.	Part Number	Pcs.
13	3001672	1	53	m04240	2
19	3004896	1	54	m04343	2
24	4002269	2	56	m02254	2
25	4004451	2	61	m04503	2
29	4015778	2	62	m03683	2
30	9002979	2	71	m03988	10
40	m12303	1	72	m14028	2
41	m12304	1	73	m05651	4
46	4012019	2	74	m02157	2
51	m09464	2			

ⒸZ SADA ZADNÍCH VÁLCŮ  
Ⓓ SATZ HINTERE WALZEN  
Ⓕ KIT DE ROULEAUX ARRIÈRE

**3008741**

ⒸB SET OF REAR ROLLERS  
Ⓔ КОМПЛЕКТ ЗАДНИХ КАТКОВ  
Ⓖ ZESTAW TYLNYCH WAŁÓW

**Farmet**





ⒸZ SADA ZADNÍCH VÁLCŮ

Ⓓ SATZ HINTERE WALZEN

Ⓕ KIT DE ROULEAUX ARRIÈRE

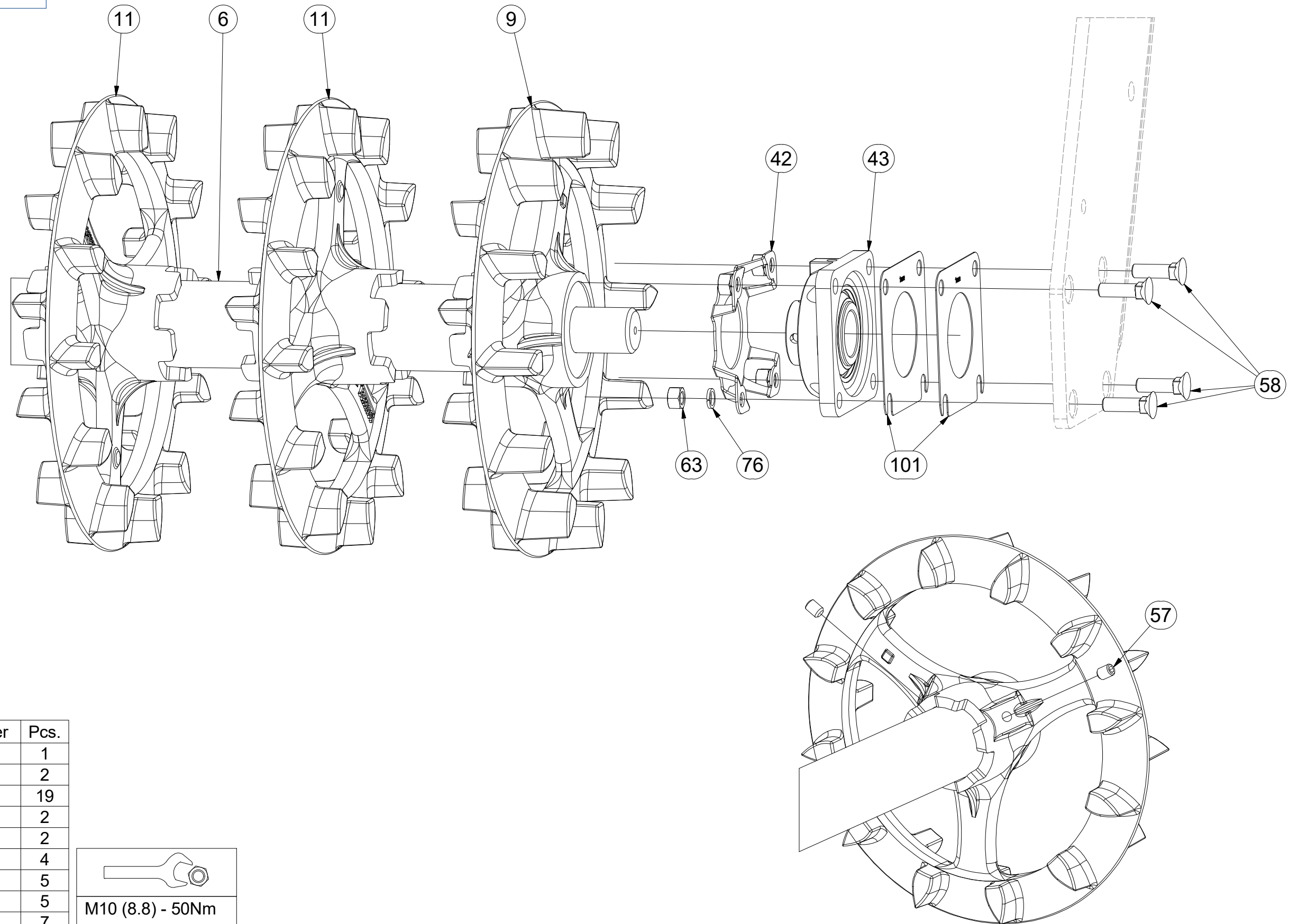
ⒼB SET OF REAR ROLLERS

ⒺU КОМПЛЕКТ ЗАДНИХ КАТКОВ

ⒽL ZESTAW TYLNYCH WAŁÓW



**3008741**



Pos.	Part Number	Pcs.
6	3000130	1
9	4009333	2
11	9002944	19
42	4014034	2
43	m15625	2
57	m13958	4
58	m03519	5
63	m01305	5
76	m03988	7
101	4016809	4

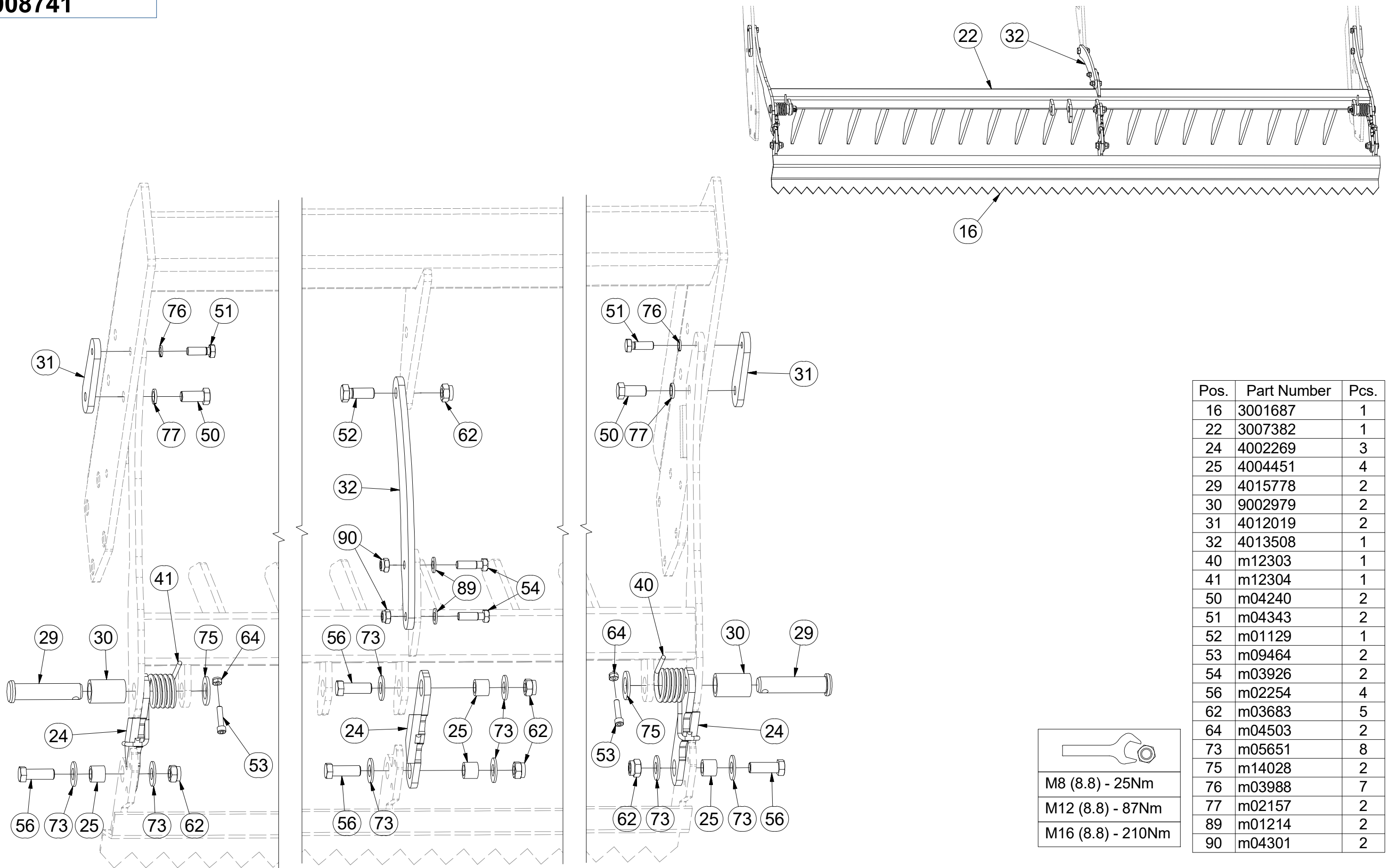
	M10 (8.8) - 50Nm
	M12 (8.8) - 87Nm

CZ SADA ZADNÍCH VÁLČŮ  
 D SATZ HINTERE WALZEN  
 F KIT DE ROULEAUX ARRIÈRE

GB SET OF REAR ROLLERS  
 RU КОМПЛЕКТ ЗАДНИХ КАТКОВ  
 PL ZESTAW TYLNYCH WAŁÓW



**3008741**



Pos.	Part Number	Pcs.
16	3001687	1
22	3007382	1
24	4002269	3
25	4004451	4
29	4015778	2
30	9002979	2
31	4012019	2
32	4013508	1
40	m12303	1
41	m12304	1
50	m04240	2
51	m04343	2
52	m01129	1
53	m09464	2
54	m03926	2
56	m02254	4
62	m03683	5
64	m04503	2
73	m05651	8
75	m14028	2
76	m03988	7
77	m02157	2
89	m01214	2
90	m04301	2

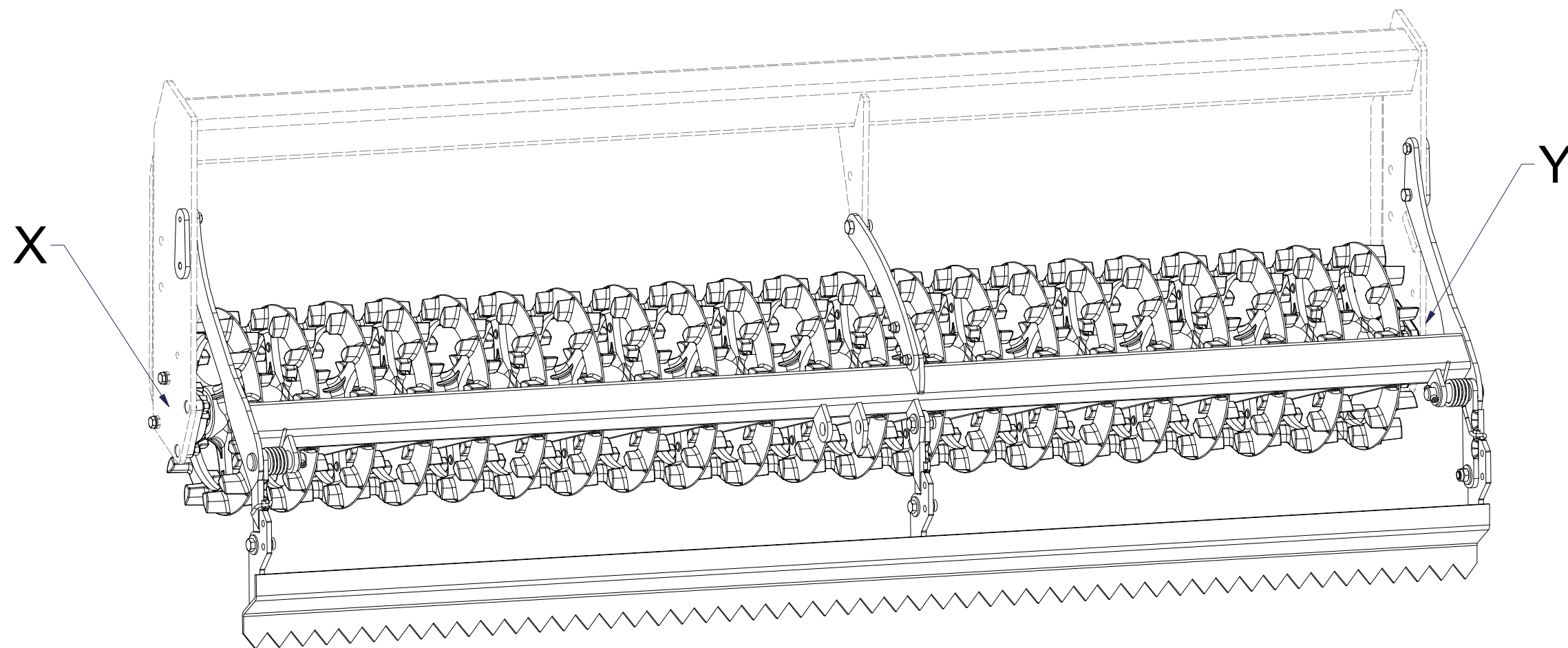
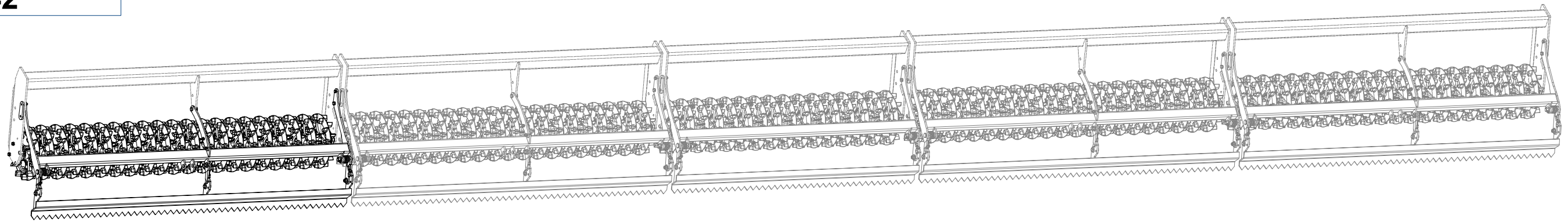
M8 (8.8) - 25Nm  
 M12 (8.8) - 87Nm  
 M16 (8.8) - 210Nm

- Ⓒ SADA ZADNÍCH VÁLCŮ
- Ⓓ SATZ HINTERE WALZEN
- Ⓕ KIT DE ROULEAUX ARRIÈRE

**3008742**

- Ⓖ SET OF REAR ROLLERS
- Ⓡ КОМПЛЕКТ ЗАДНИХ КАТКОВ
- Ⓟ ZESTAW TYLNYCH WAŁÓW

**Farmet**





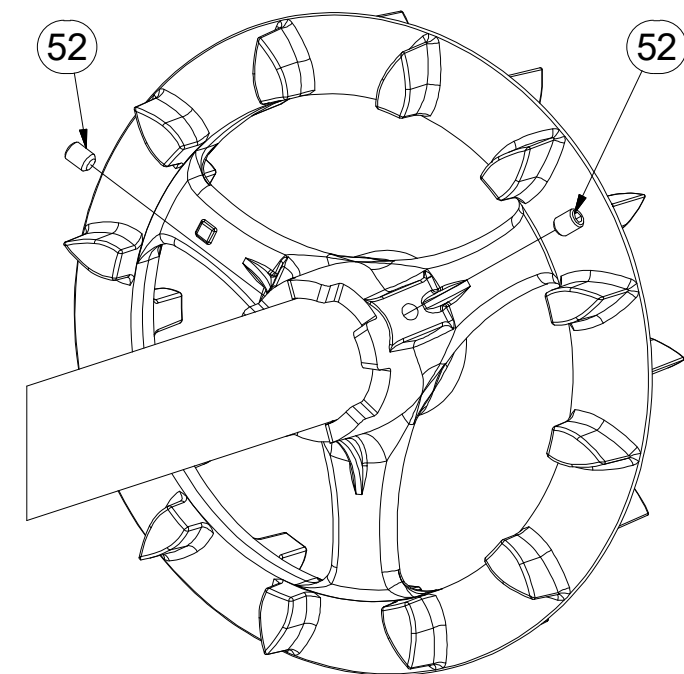
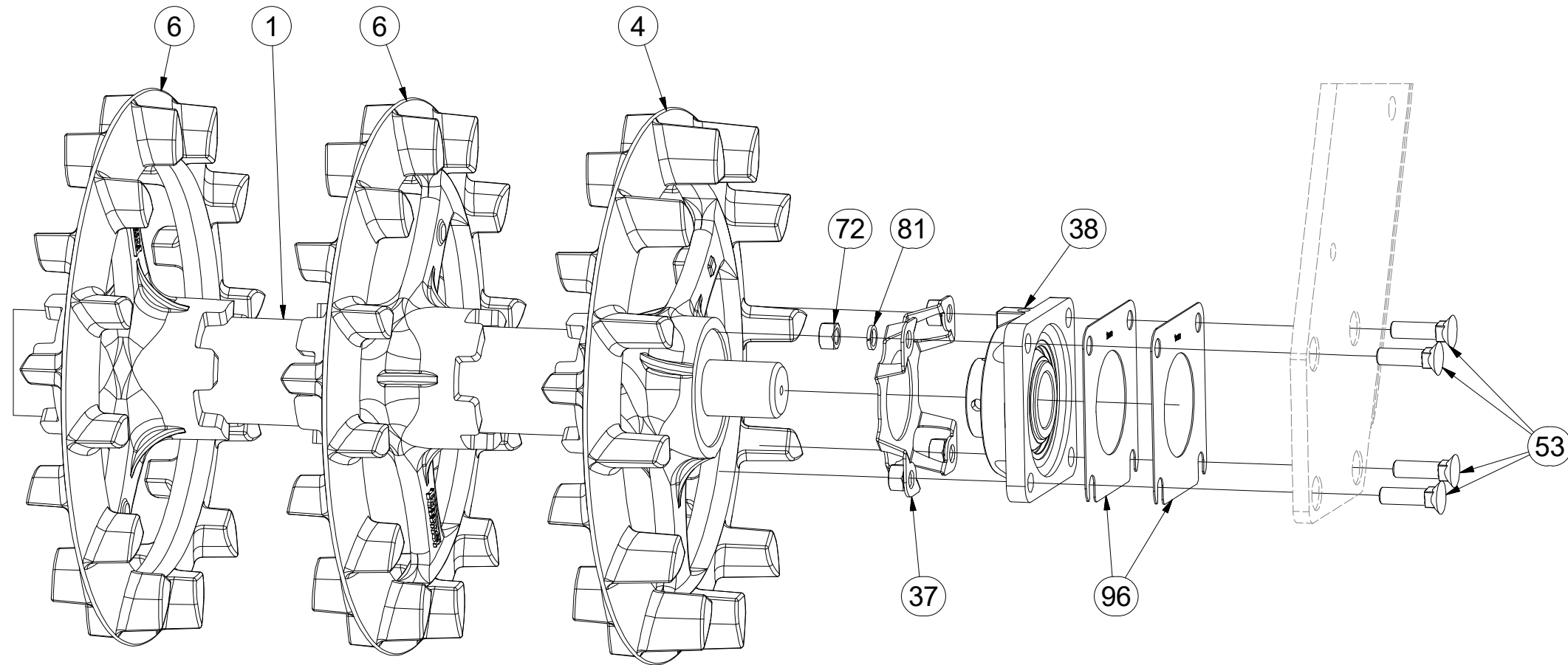
CZ SADA ZADNÍCH VÁLCŮ  
 D SATZ HINTERE WALZEN  
 F KIT DE ROULEAUX ARRIÈRE

GB SET OF REAR ROLLERS  
 RU КОМПЛЕКТ ЗАДНИХ КАТКОВ  
 PL ZESTAW TYLNYCH WAŁÓW

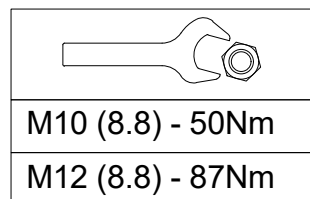


**3008742**

Y



Pos.	Part Number	Pcs.
1	3000130	1
4	4009333	2
6	9002944	19
37	4014034	2
38	m15625	2
52	m13958	4
53	m03519	6
72	m01305	8
81	m03988	10
96	4016809	4

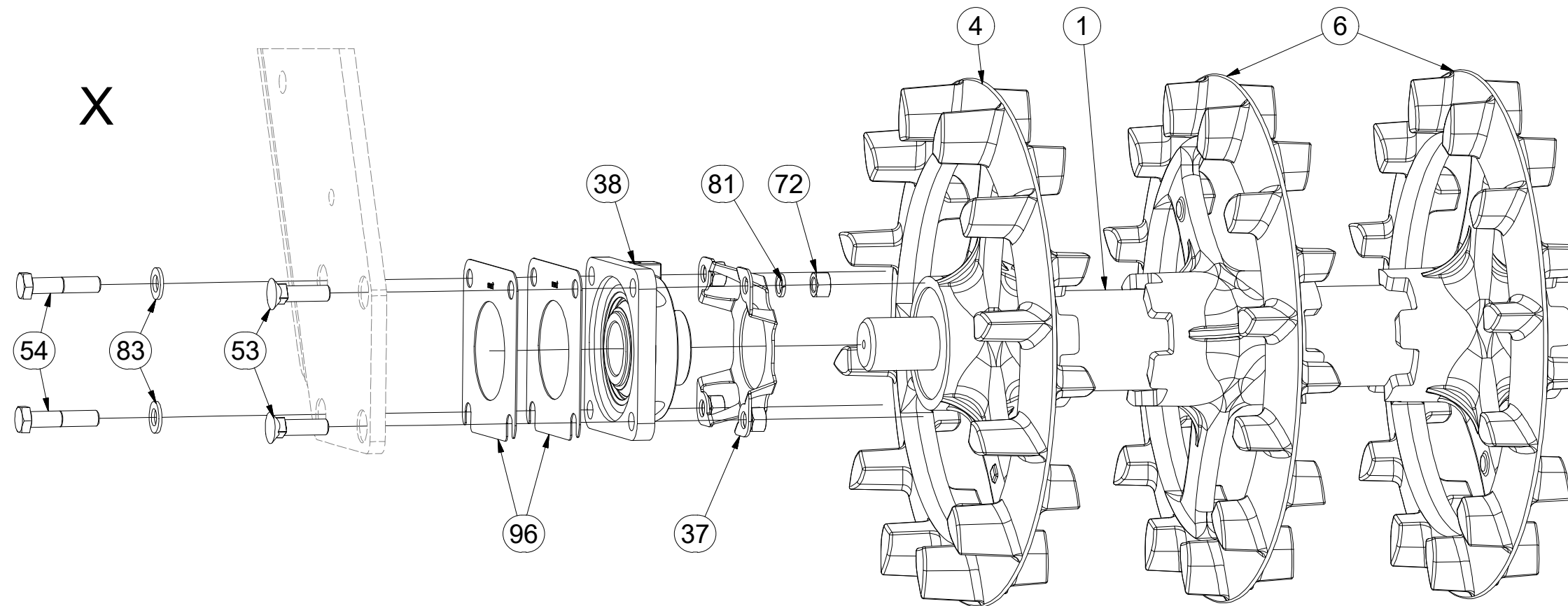


CZ SADA ZADNÍCH VÁLCŮ  
 D SATZ HINTERE WALZEN  
 F KIT DE ROULEAUX ARRIÈRE

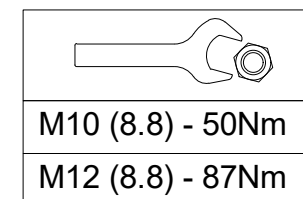
GB SET OF REAR ROLLERS  
 RU КОМПЛЕКТ ЗАДНИХ КАТКОВ  
 PL ZESTAW TYLNYCH WAŁÓW



**3008742**



Pos.	Part Number	Pcs.
1	3000130	1
4	4009333	2
6	9002944	19
37	4014034	2
38	m15625	2
53	m03519	6
54	m04412	2
72	m01305	8
81	m03988	10
83	m01214	4
96	4016809	4

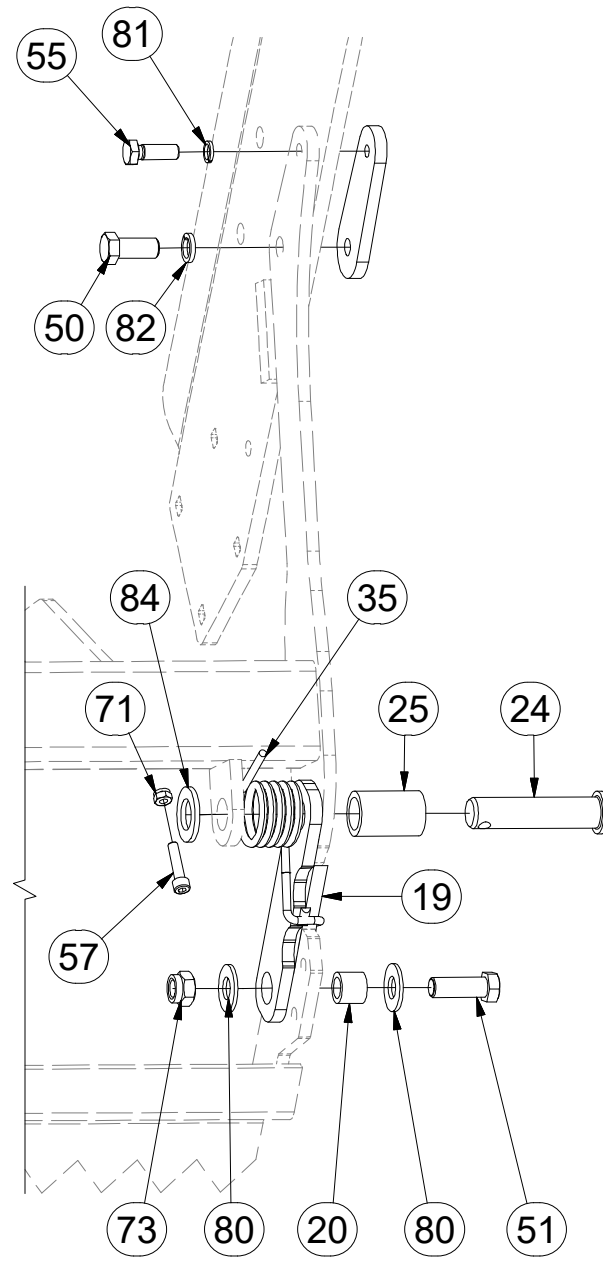
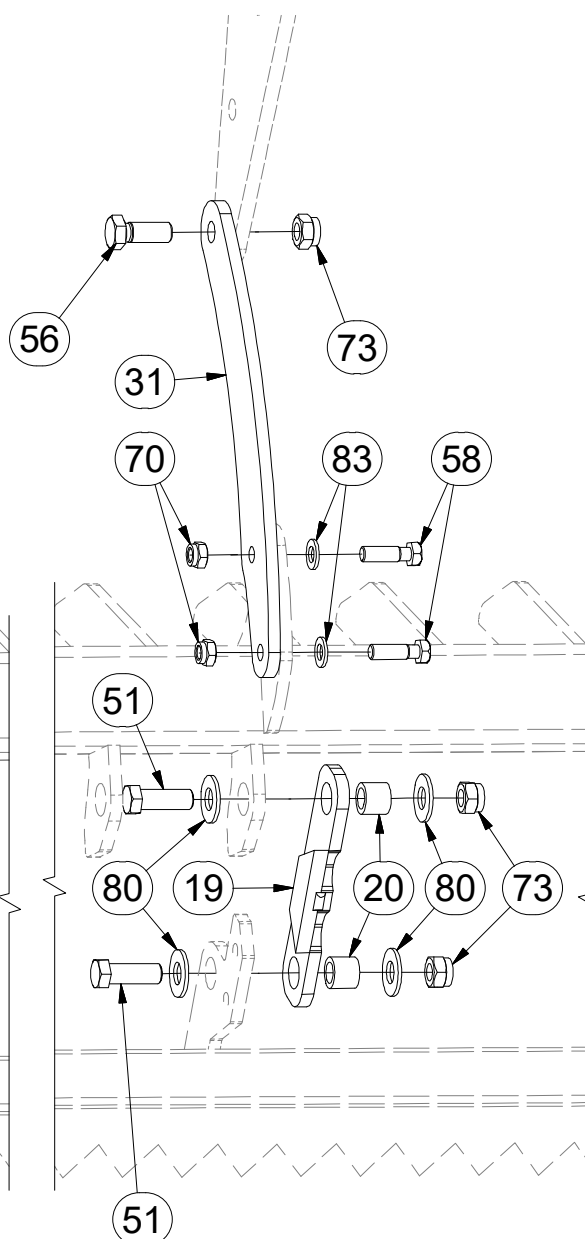
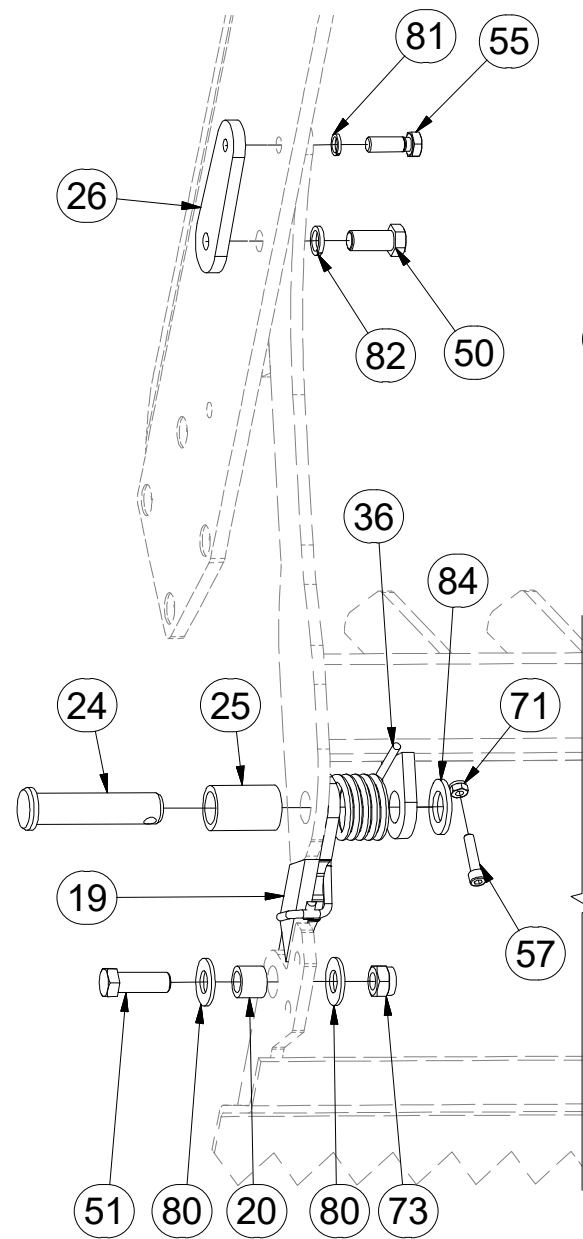
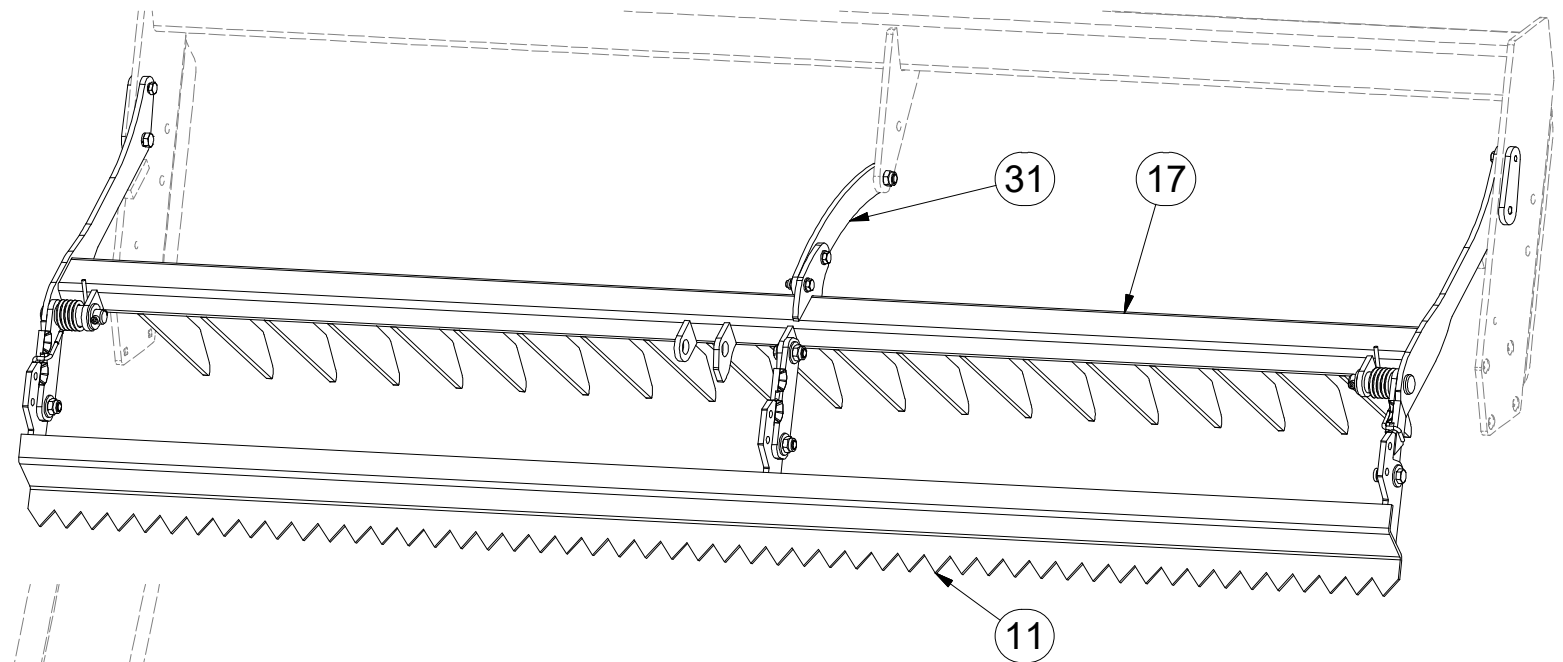


CZ SADA ZADNÍCH VÁLCŮ  
 D SATZ HINTERE WALZEN  
 F KIT DE ROULEAUX ARRIÈRE

GB SET OF REAR ROLLERS  
 RU КОМПЛЕКТ ЗАДНИХ КАТКОВ  
 PL ZESTAW TYLNYCH WAŁÓW



**3008742**



Pos.	Part Number	Pcs.
11	3001687	1
17	3007382	1
19	4002269	3
20	4004451	4
24	4015778	2
25	9002979	2
26	4012019	2
31	4013508	1
35	m12303	1
36	m12304	1
50	m04240	2
51	m02254	4
55	m04343	2
56	m01129	1
57	m09464	2
58	m03926	2
70	m04301	2
71	m04503	2
73	m03683	5
80	m05651	8
81	m03988	10
82	m02157	2
84	m14028	2

M8 (8.8) - 25Nm
M12 (8.8) - 87Nm
M16 (8.8) - 210Nm

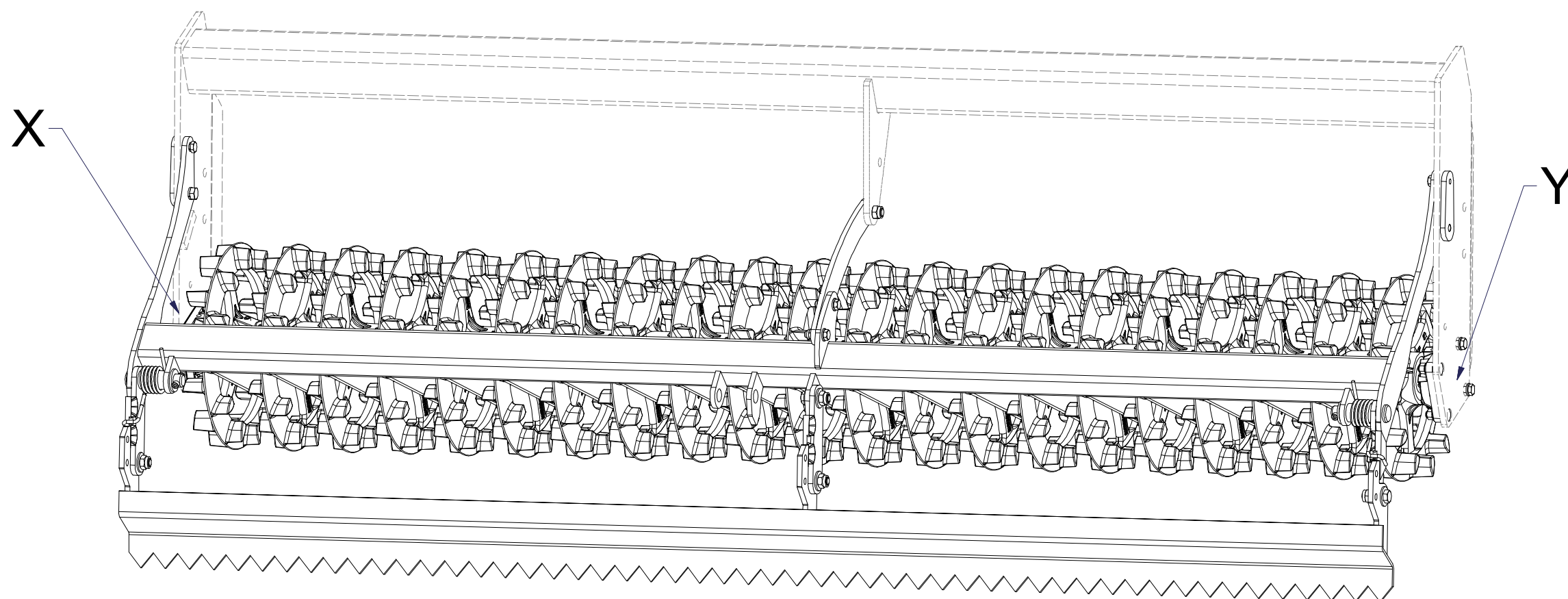
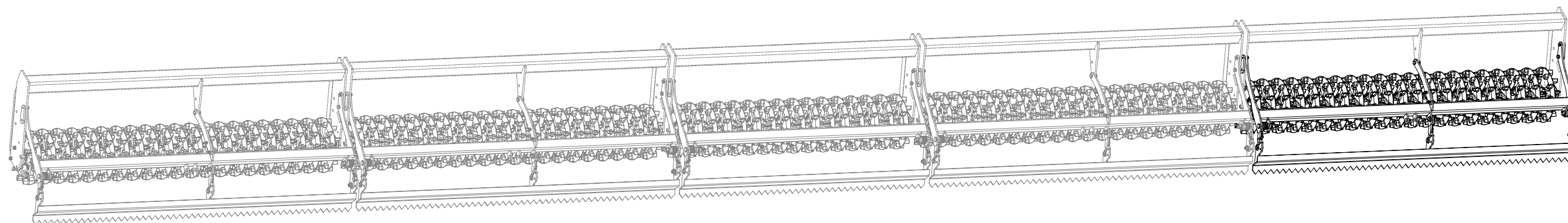


- Ⓒ SADA ZADNÍCH VÁLCŮ
- Ⓓ SATZ HINTERE WALZEN
- Ⓕ KIT DE ROULEAUX ARRIÈRE

- Ⓖ SET OF REAR ROLLERS
- Ⓡ КОМПЛЕКТ ЗАДНИХ КАТКОВ
- Ⓟ ZESTAW TYLNYCH WAŁÓW



**3008743**

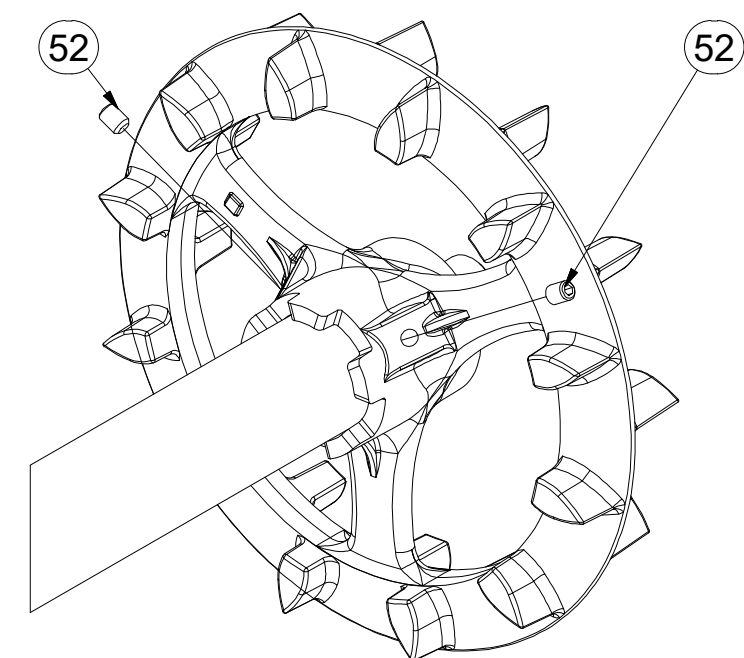
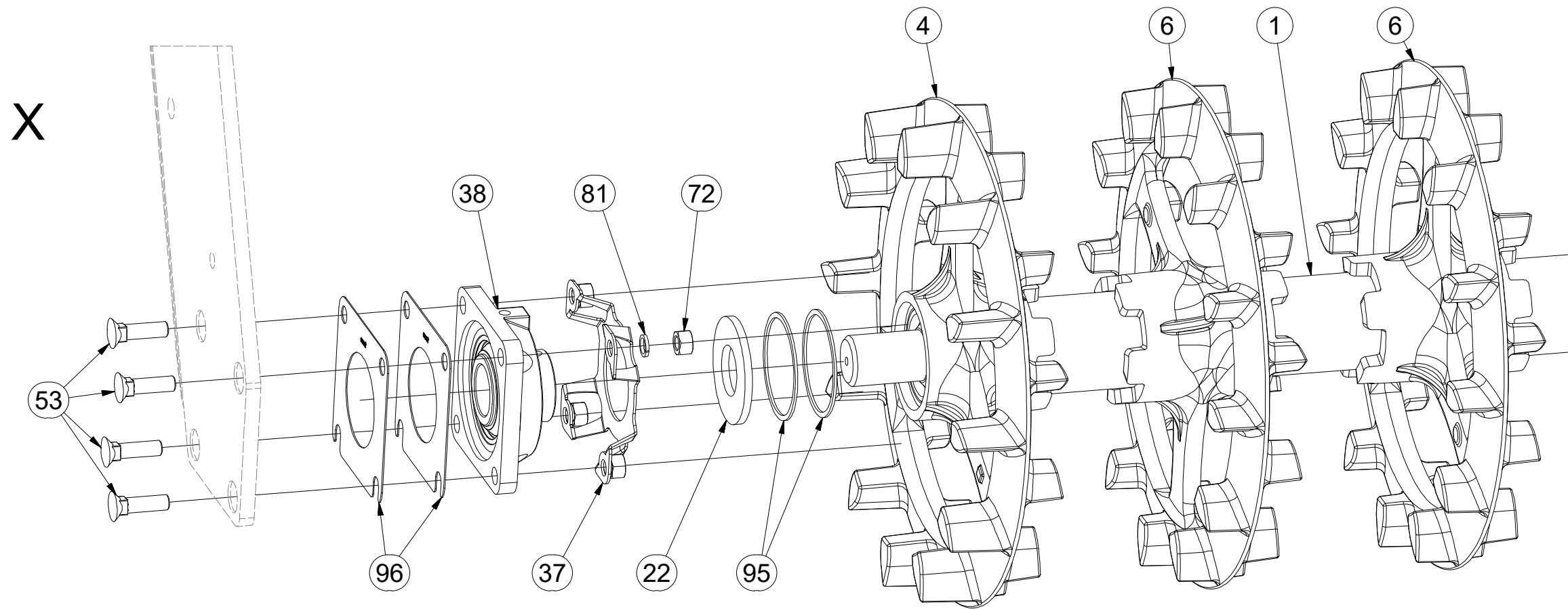


CZ SADA ZADNÍCH VÁLCŮ  
 D SATZ HINTERE WALZEN  
 F KIT DE ROULEAUX ARRIÈRE

GB SET OF REAR ROLLERS  
 RU КОМПЛЕКТ ЗАДНИХ КАТКОВ  
 PL ZESTAW TYLNYCH WAŁÓW



**3008743**



Pos.	Part Number	Pcs.
1	3000130	1
4	4009333	2
6	9002944	19
22	4016995	2
37	4014034	2
38	m15625	2
52	m13958	4
53	m03519	6
72	m01305	8
81	m03988	10
95	4010015	4
96	4016809	4

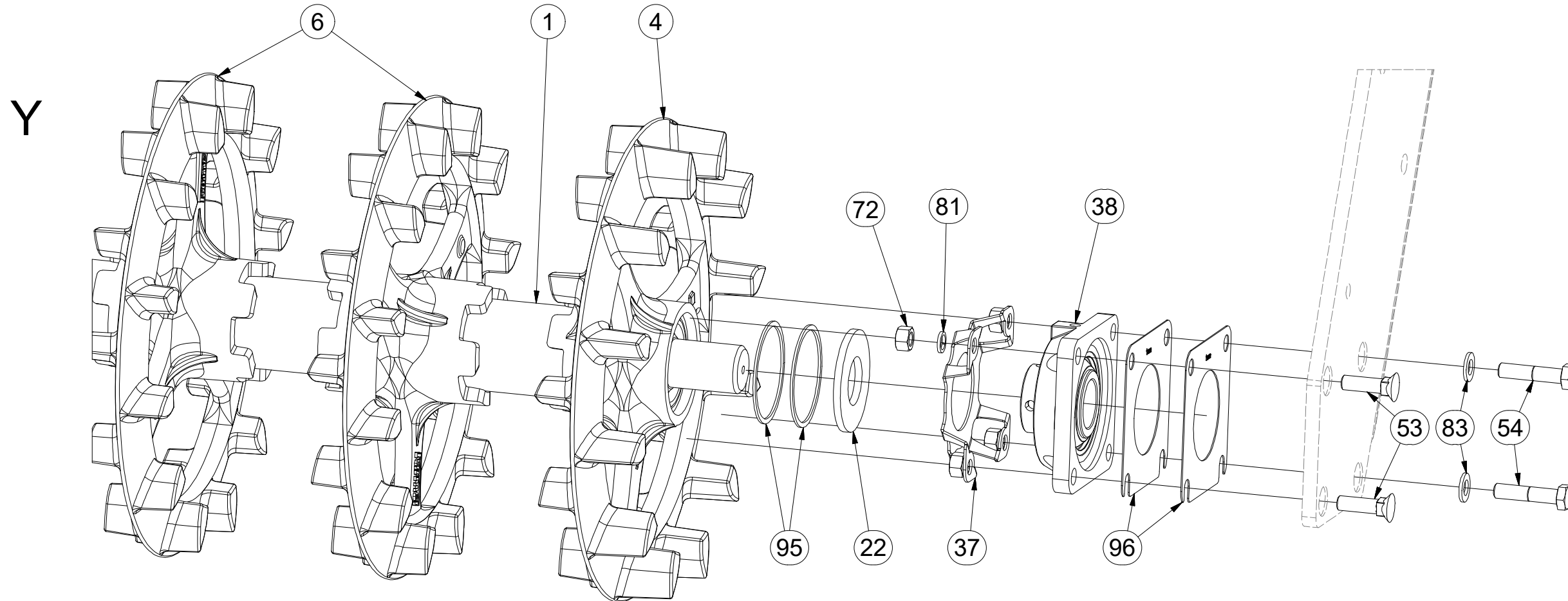
	M10 (8.8) - 50Nm
	M12 (8.8) - 87Nm

(CZ) SADA ZADNÍCH VÁLCŮ  
 (D) SATZ HINTERE WALZEN  
 (F) KIT DE ROULEAUX ARRIÈRE

(GB) SET OF REAR ROLLERS  
 (RU) КОМПЛЕКТ ЗАДНИХ КАТКОВ  
 (PL) ZESTAW TYLNYCH WAŁÓW



**3008743**



Pos.	Part Number	Pcs.
1	3000130	1
4	4009333	2
6	9002944	19
22	4016995	2
37	4014034	2
38	m15625	2
53	m03519	6
54	m04412	2
72	m01305	8
81	m03988	10
83	m01214	4
95	4010015	4
96	4016809	4

M10 (8.8) - 50Nm
M12 (8.8) - 87Nm

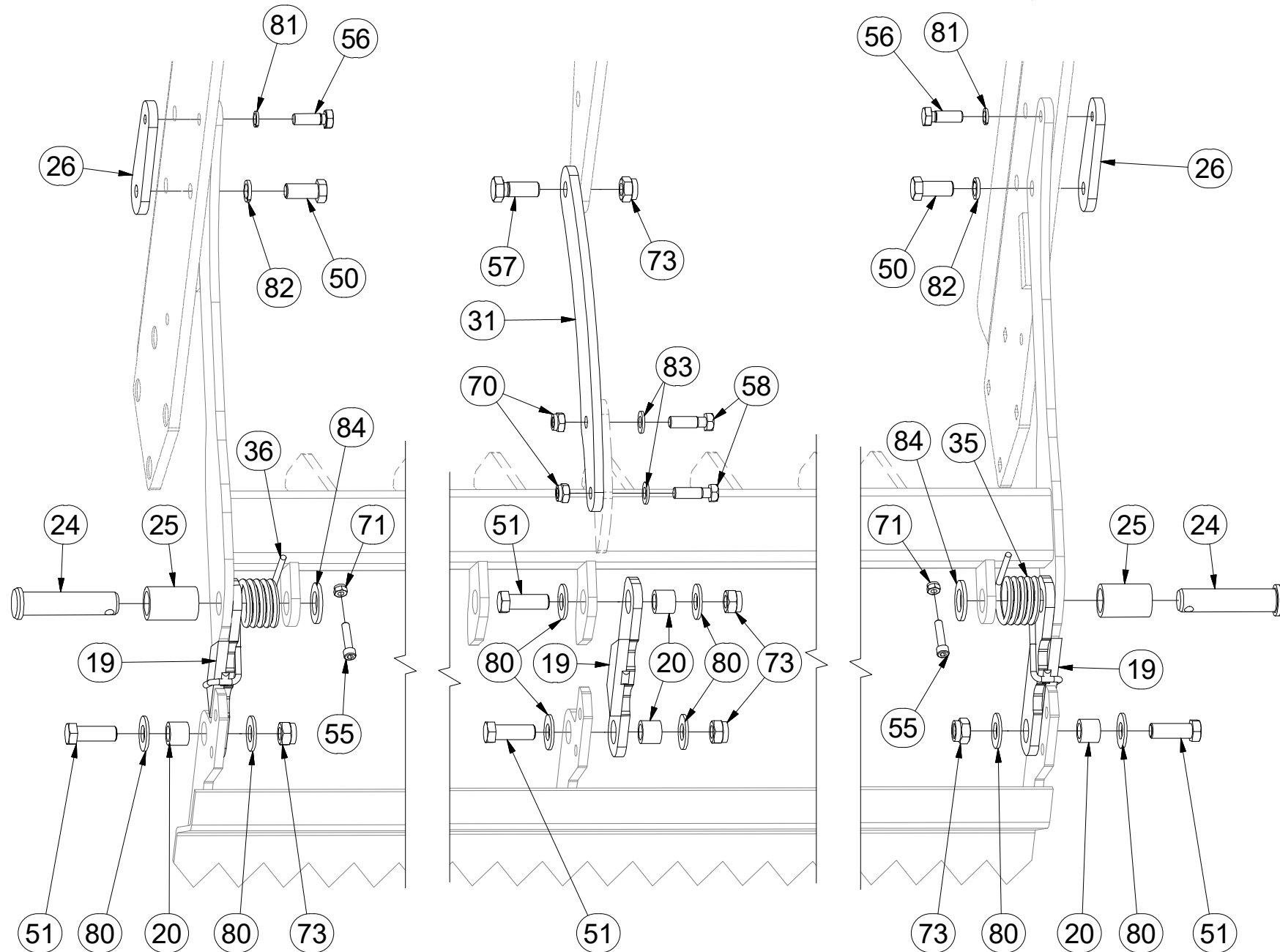
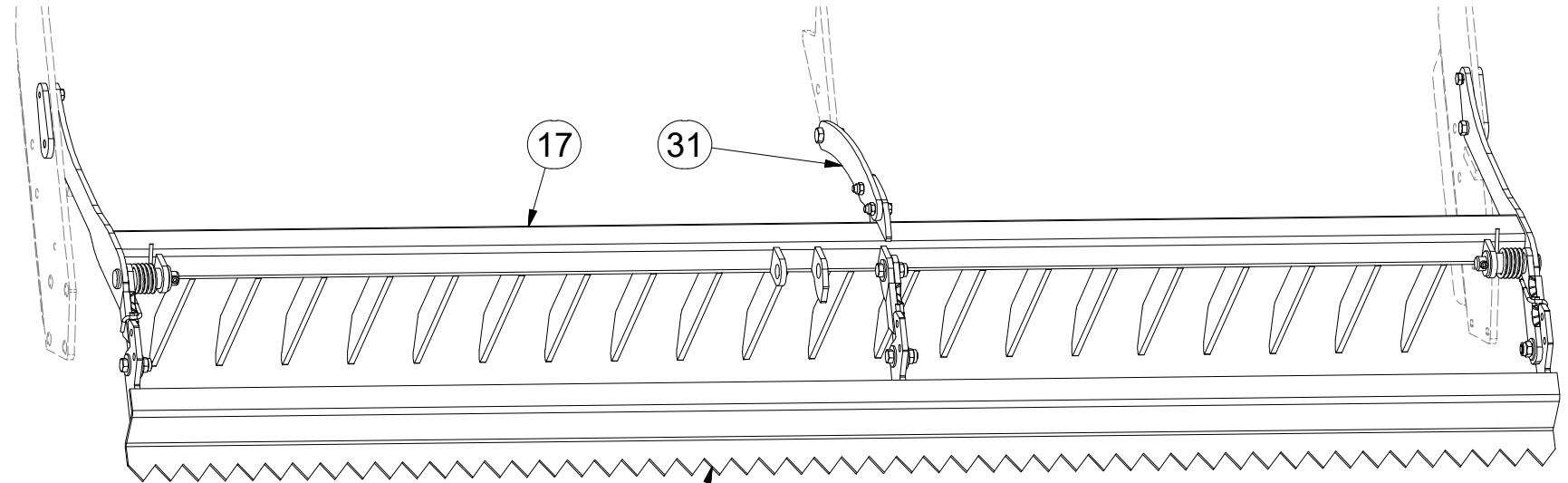


CZ SADA ZADNÍCH VÁLČŮ  
 D SATZ HINTERE WALZEN  
 F KIT DE ROULEAUX ARRIÈRE

GB SET OF REAR ROLLERS  
 RU КОМПЛЕКТ ЗАДНИХ КАТКОВ  
 PL ZESTAW TYLNYCH WAŁÓW



**3008743**



Pos.	Part Number	Pcs.
11	3001687	1
17	3007382	1
19	4002269	3
20	4004451	4
24	4015778	2
25	9002979	2
26	4012019	2
31	4013508	1
35	m12303	1
36	m12304	1
50	m04240	2
51	m02254	4
55	m09464	2
56	m04343	2
57	m01129	1
58	m03926	2
70	m04301	2
71	m04503	2
73	m03683	5
80	m05651	8
81	m03988	10
82	m02157	2
83	m01214	4
84	m14028	2

M8 (8.8) - 25Nm
M12 (8.8) - 87Nm
M16 (8.8) - 210Nm

ⒸZ SADA DORAZŮ ZADNÍCH SMYKŮ

Ⓓ ANSCHLAGSATZ FÜR HINTERE ACKERSCHLEPPEN

Ⓕ KIT DE BUTÉES DES NIVELEURS ARRIÈRE

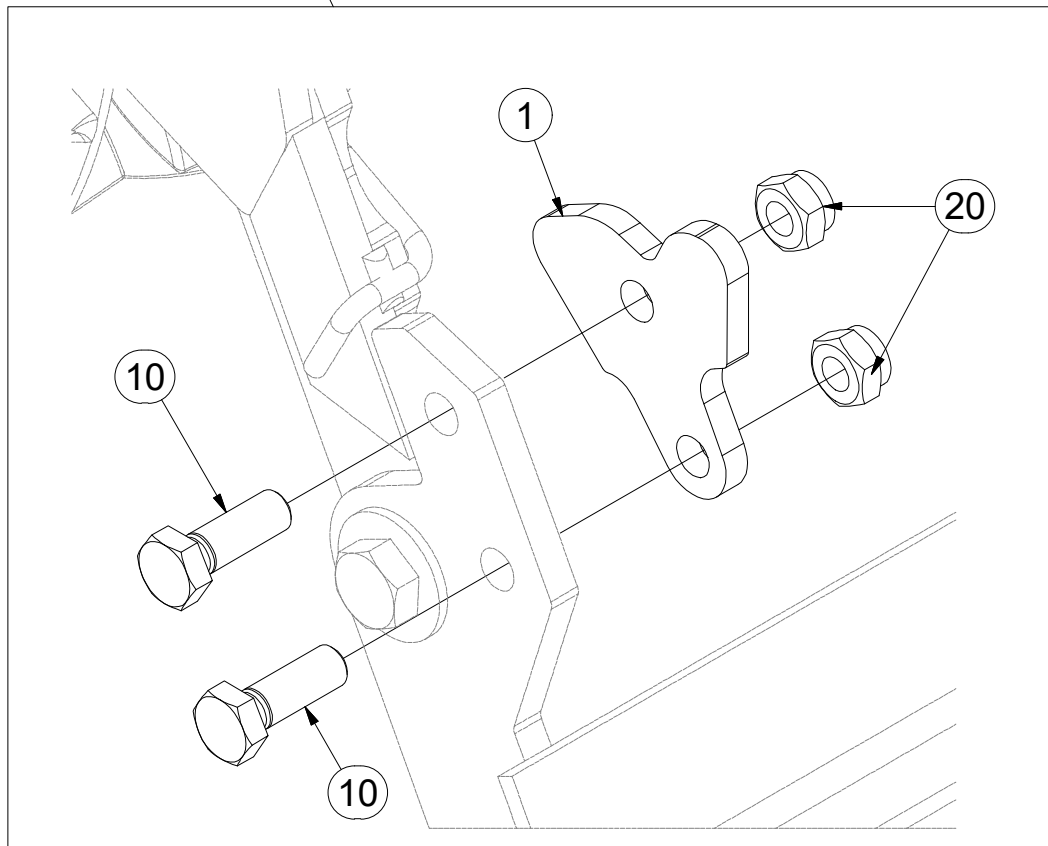
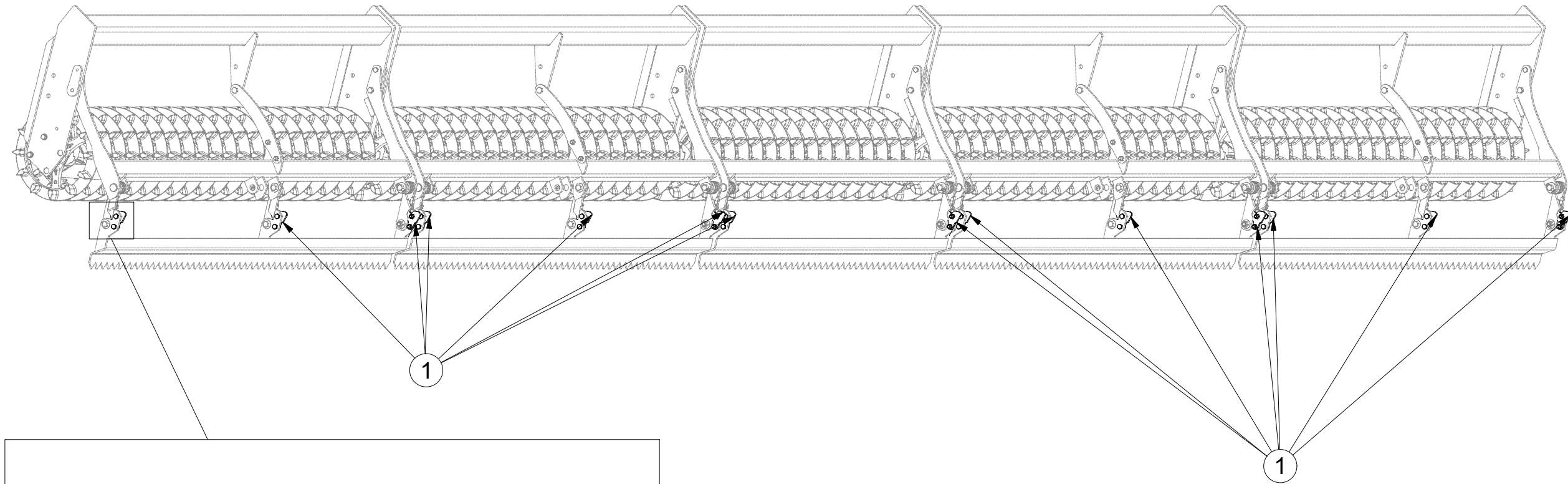
ⒼB SET OF REAR LEVELLING BAR STOPS

ⒺU КОМПЛЕКТ УПОРОВ ЗАДНИХ БОРОН

ⒼL ZESTAW DOCISKÓW TYLNYCH WŁÓK



**3007525**



Pos.	Part Number	Pcs.
1	4013331	14
10	m04343	28
20	m04301	28

Ⓒ CZ TERČ PŘEDNÍ PRAVÝ

Ⓓ D SCHILD, VORDERES, RECHTES

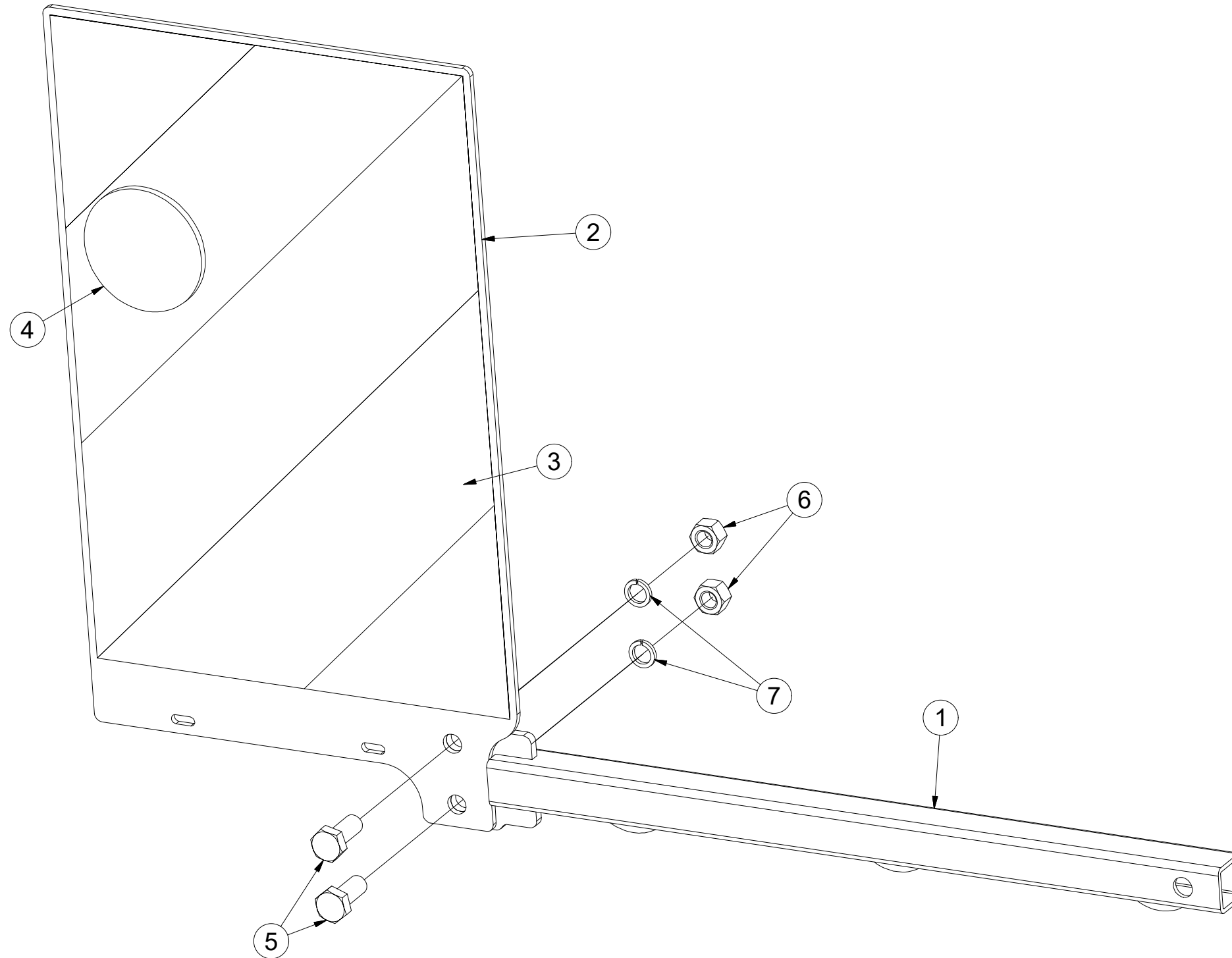
Ⓕ F CIBLE AVANT DROITE

**4008193**

Ⓖ GB RIGHT FRONT DISC

Ⓡ RU ЩИТОК ПЕРЕДНИЙ ПРАВЫЙ

Ⓟ PL TARCZA PRZEDNIA PRAWA



Pos.	Part Number	Pcs.
1	4008182	1
2	4011118	1
3	m12619	1
4	m02498	1
5	m04039	2
6	m01305	2
7	m03988	2



Ⓒ CZ TERČ PŘEDNÍ LEVÝ

Ⓓ D SCHILD, VORDERES, LINKES

Ⓕ F CIBLE AVANT GAUCHE

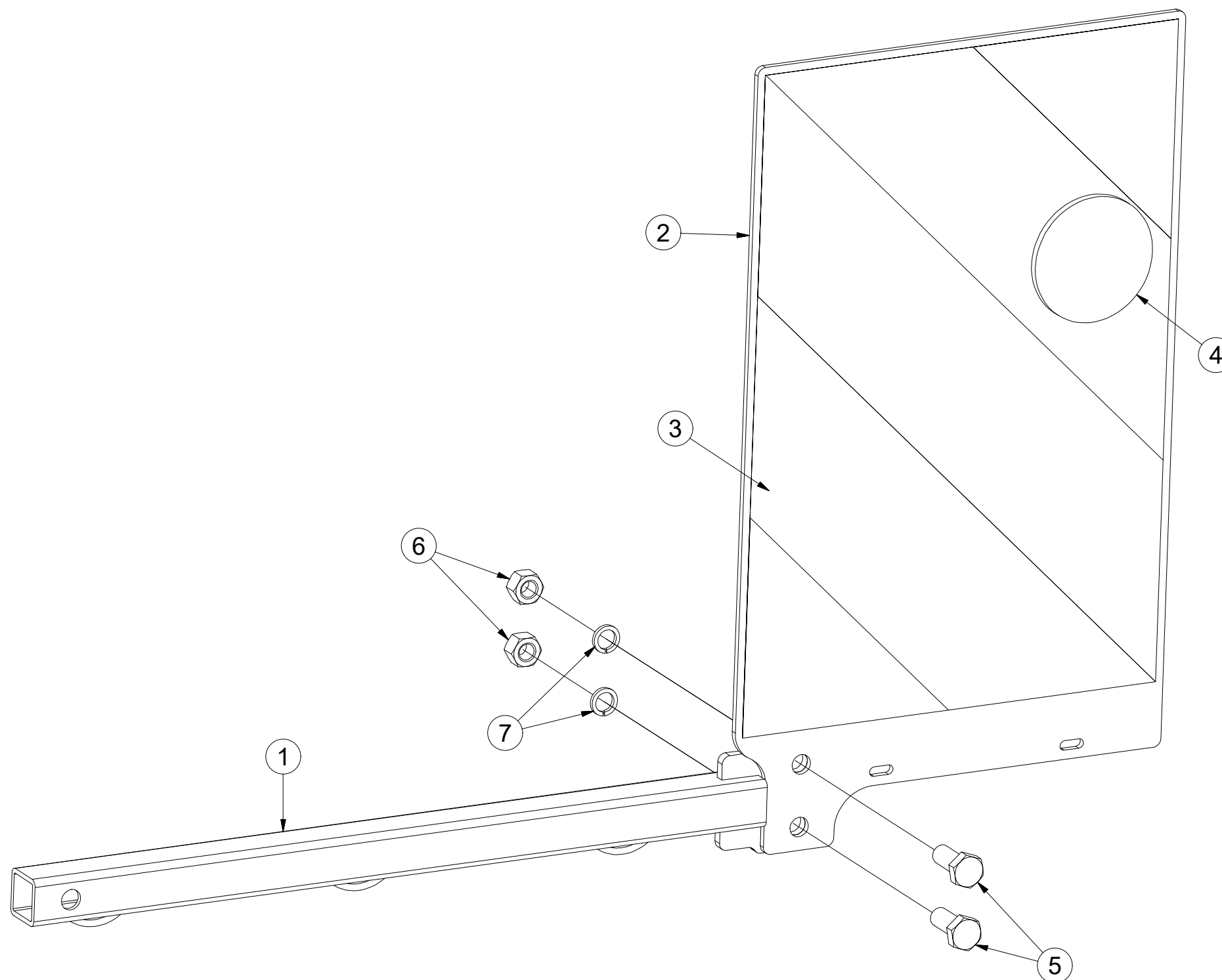
Ⓖ GB LEFT FRONT DISC

Ⓡ RU ЩИТОК ПЕРЕДНИЙ ЛЕВЫЙ

Ⓟ PL TARCZA PRZEDNIA LEWA



**4008194**



Pos.	Part Number	Pcs.
1	4008182	1
2	4011118	1
3	m12620	1
4	m02498	1
5	m04039	2
6	m01305	2
7	m03988	2

Ⓒ TERČ ZADNÍ LEVÝ

Ⓓ SCHILD, HINTERES, LINKES

Ⓕ CIBLE ARRIÈRE GAUCHE

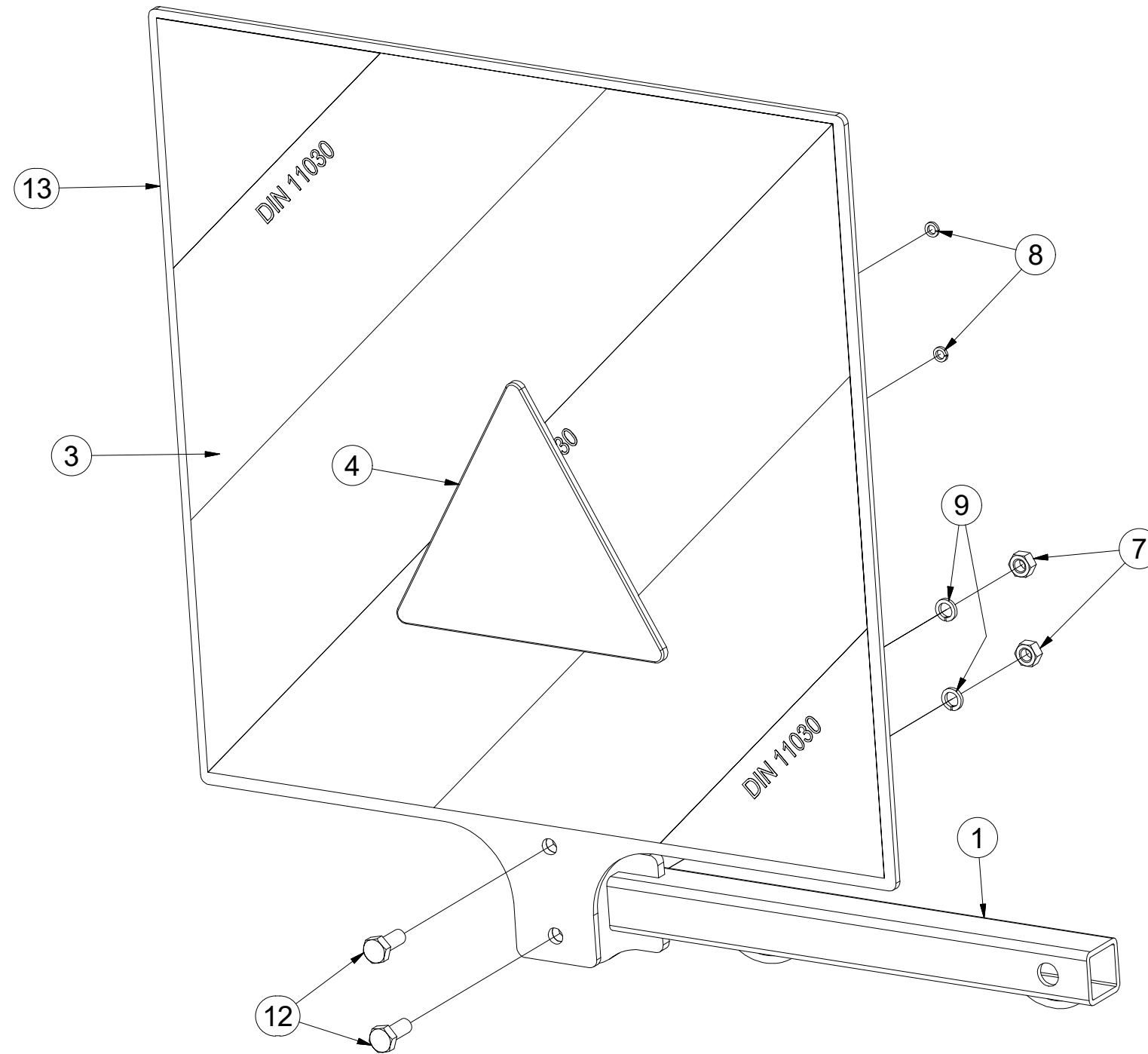
**4008195**

Ⓖ LEFT REAR DISC

Ⓡ ЩИТОК ЗАДНИЙ ЛЕВЫЙ

Ⓢ TARCZA TYLNA LEWA

**Farmet**



Pos.	Part Number	Pcs.
1	4008185	1
3	m12401	1
4	m02497	1
7	m01296	2
8	m01197	2
9	m01202	2
12	m01089	2
13	4010321	1

Ⓒ TERČ ZADNÍ PRAVÝ

Ⓓ SCHILD, HINTERES, RECHTES

Ⓕ CIBLE ARRIÈRE DROITE

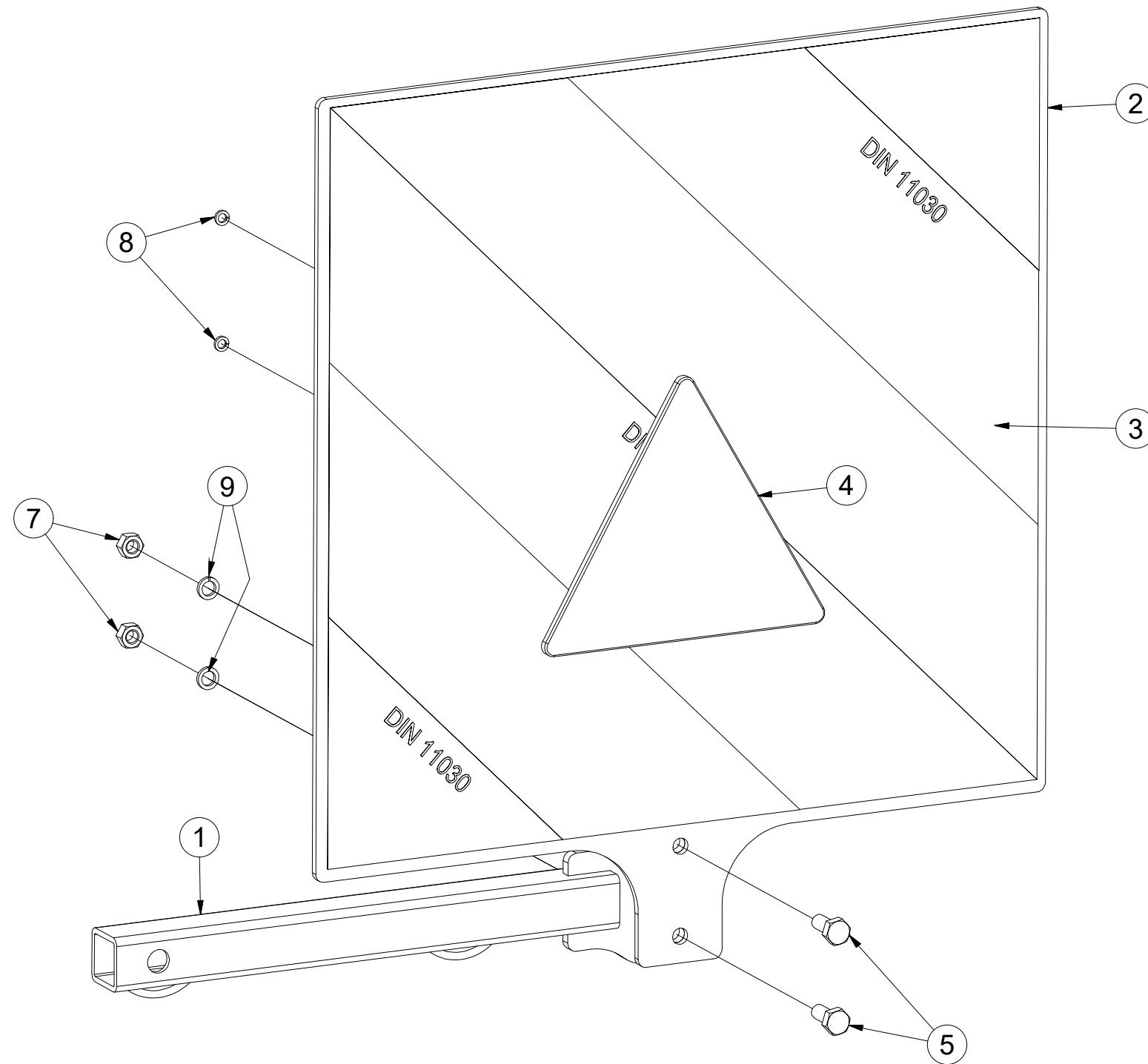
**4008196**

Ⓖ RIGHT REAR DISC

Ⓡ ЩИТОК ЗАДНИЙ ПРАВЫЙ

Ⓣ TARCZA TYLNA PRAWA

**Farmet**



Pos.	Part Number	Pcs.
1	4008185	1
5	m01089	2
8	m01197	2
3	m12401	1
7	m01296	2
9	m01202	2
4	m02497	1
2	4010321	1

Ⓒ SVĚTELNÁ SADA

Ⓓ LEUCHTENSATZ

Ⓕ KIT LUMINEUX

Ⓖ LIGHTING SET

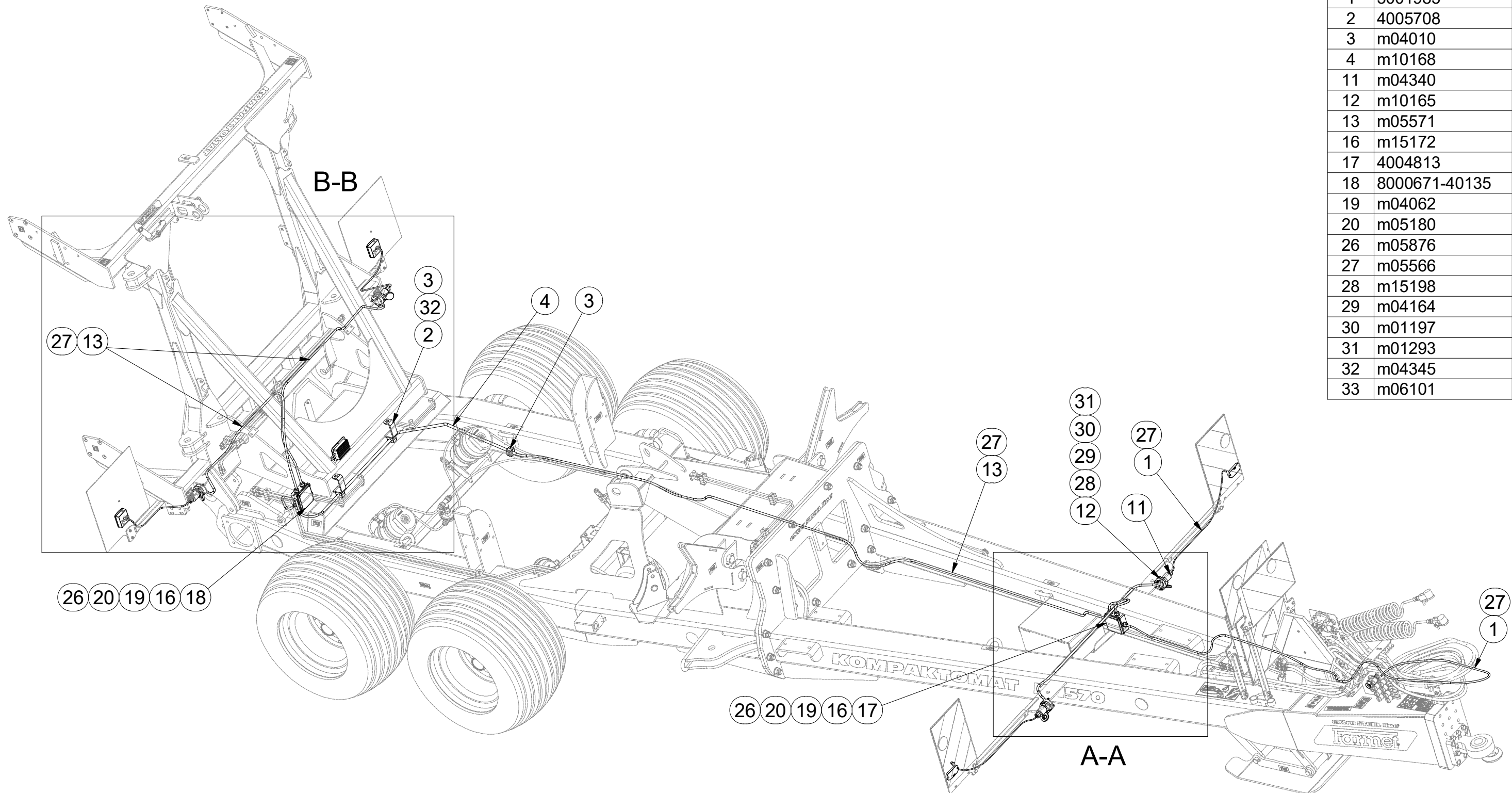
Ⓡ ОСВЕТИТЕЛЬНЫЙ КОМПЛЕКТ

Ⓟ ZESTAW OŚWIETLENIA



**3008072**

Pos.	Part Number	Pcs.
1	3001985	1
2	4005708	2
3	m04010	3
4	m10168	1
11	m04340	4
12	m10165	4
13	m05571	14
16	m15172	2
17	4004813	1
18	8000671-40135	1
19	m04062	10
20	m05180	9
26	m05876	8
27	m05566	30
28	m15198	12
29	m04164	12
30	m01197	12
31	m01293	12
32	m04345	4
33	m06101	2





Ⓒ SVĚTELNÁ SADA

Ⓓ LEUCHTENSATZ

Ⓕ KIT LUMINEUX

**3008072**

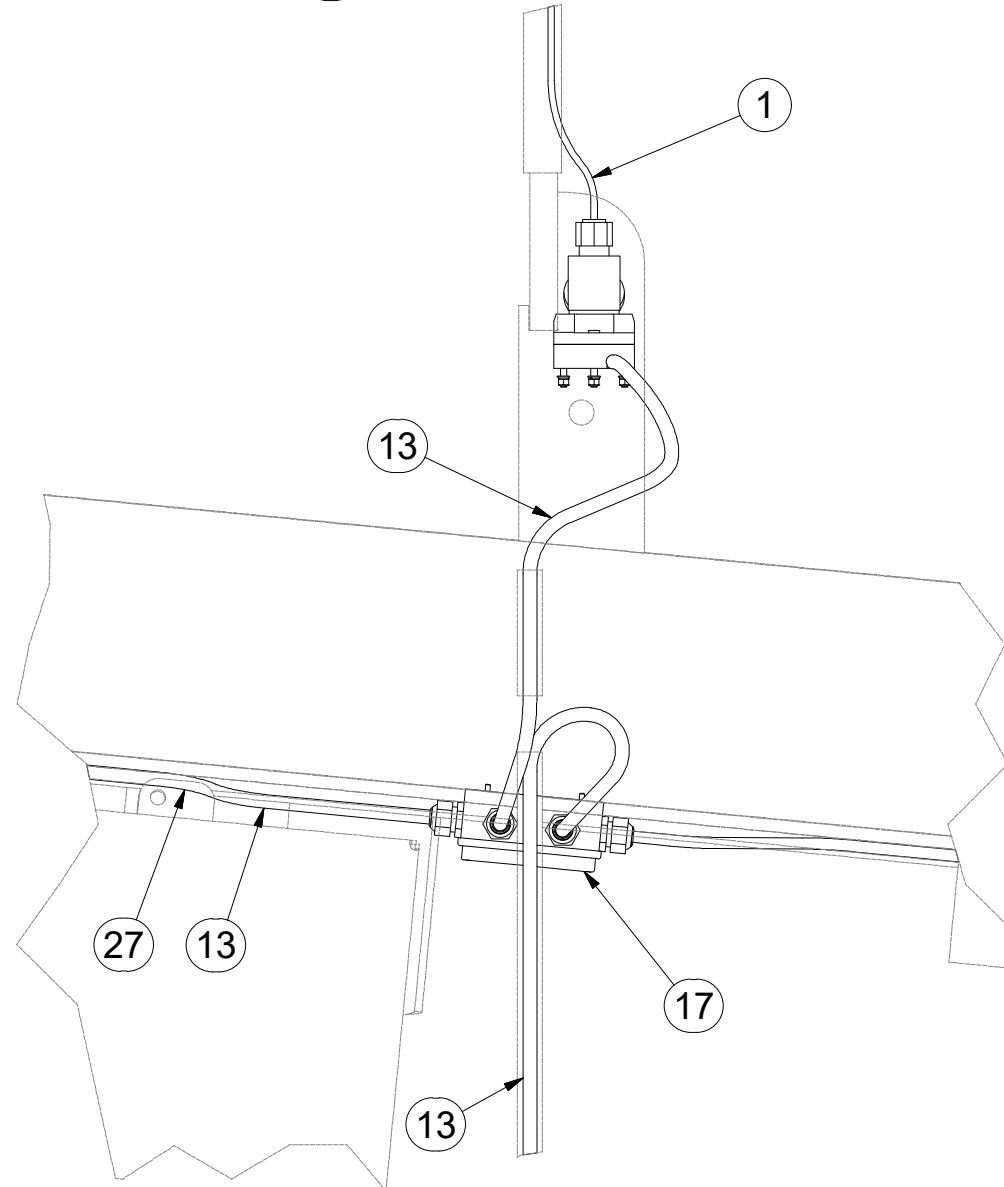
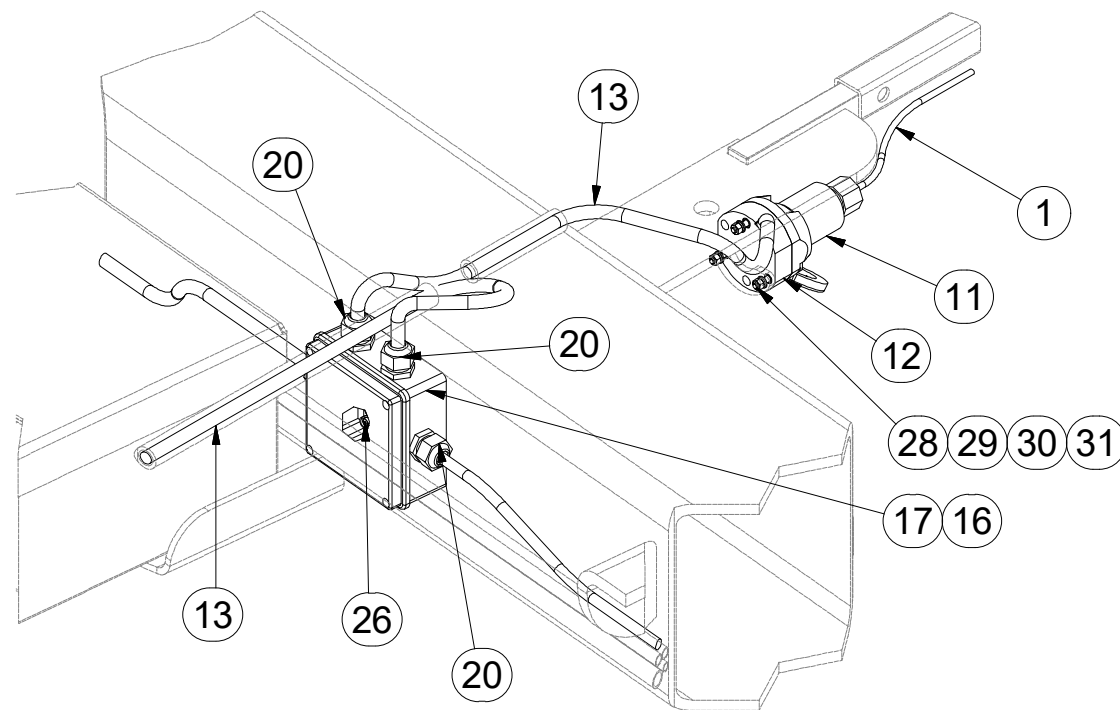
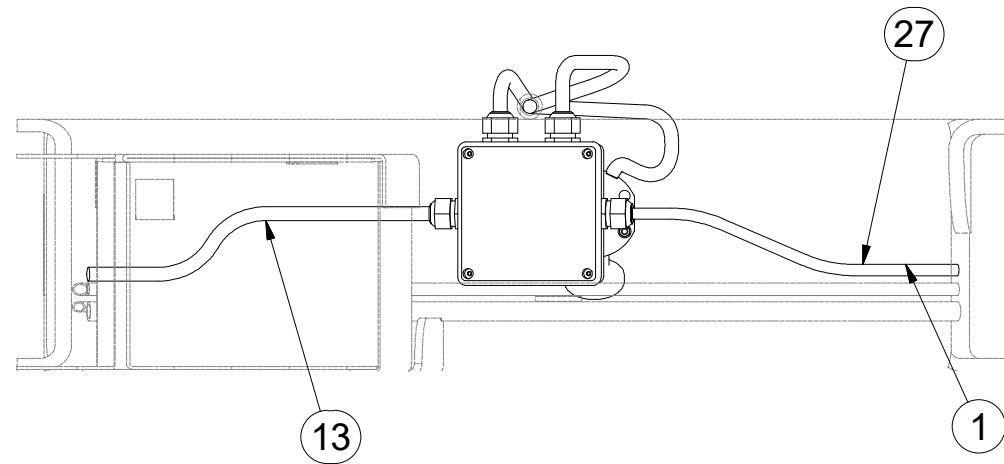
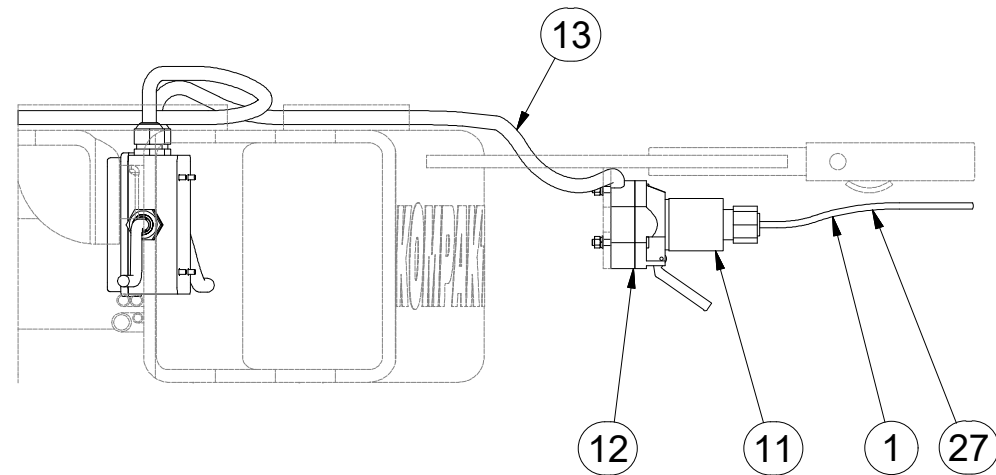
Ⓖ LIGHTING SET

Ⓡ ОСВЕТИТЕЛЬНЫЙ КОМПЛЕКТ

Ⓢ ZESTAW OŚWIETLENIA



A-A



Pos.	Part Number	Pcs.
1	3001985	1
11	m04340	4
12	m10165	4
13	m05571	14
16	m15172	2
17	4004813	1
19	m04062	10
20	m05180	9
26	m05876	8
27	m05566	30
28	m15198	12
29	m04164	12
30	m01197	12
31	m01293	12

Ⓒ SVĚTELNÁ SADA

Ⓓ LEUCHTENSATZ

Ⓕ KIT LUMINEUX

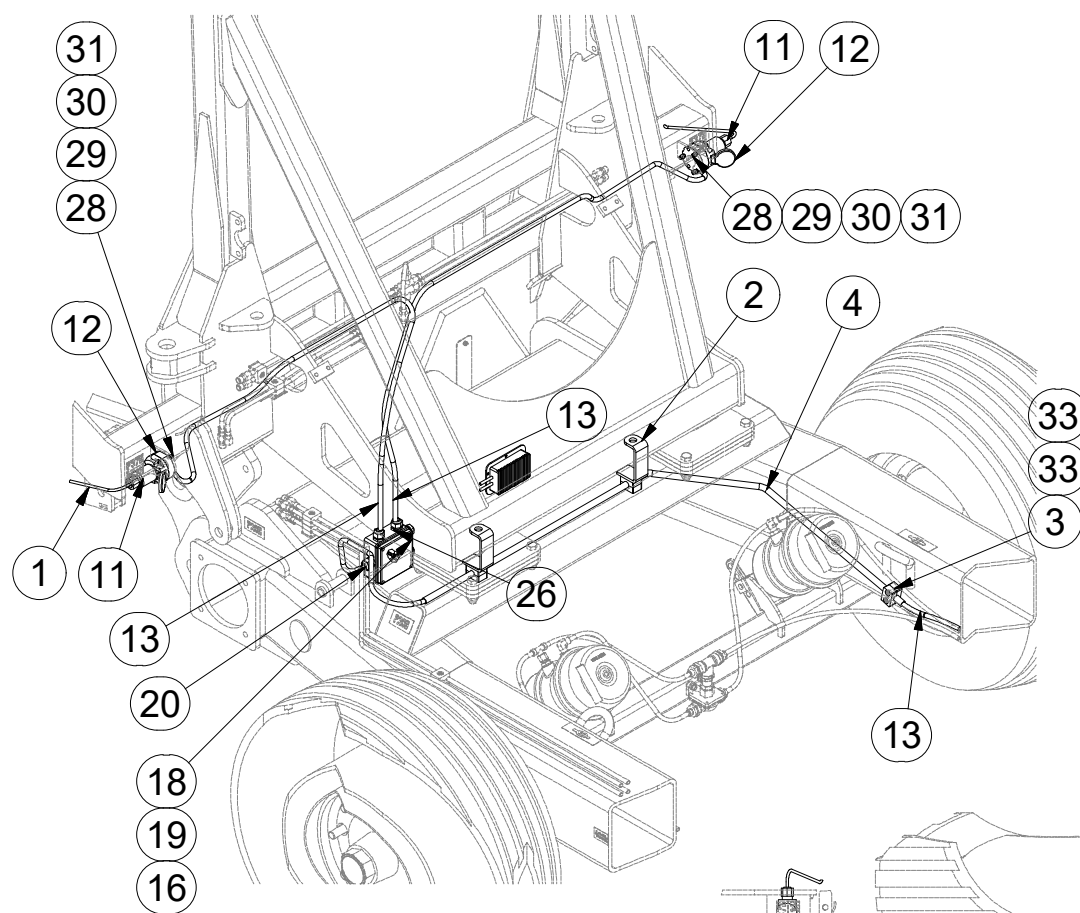
Ⓖ LIGHTING SET

Ⓡ ОСВЕТИТЕЛЬНЫЙ КОМПЛЕКТ

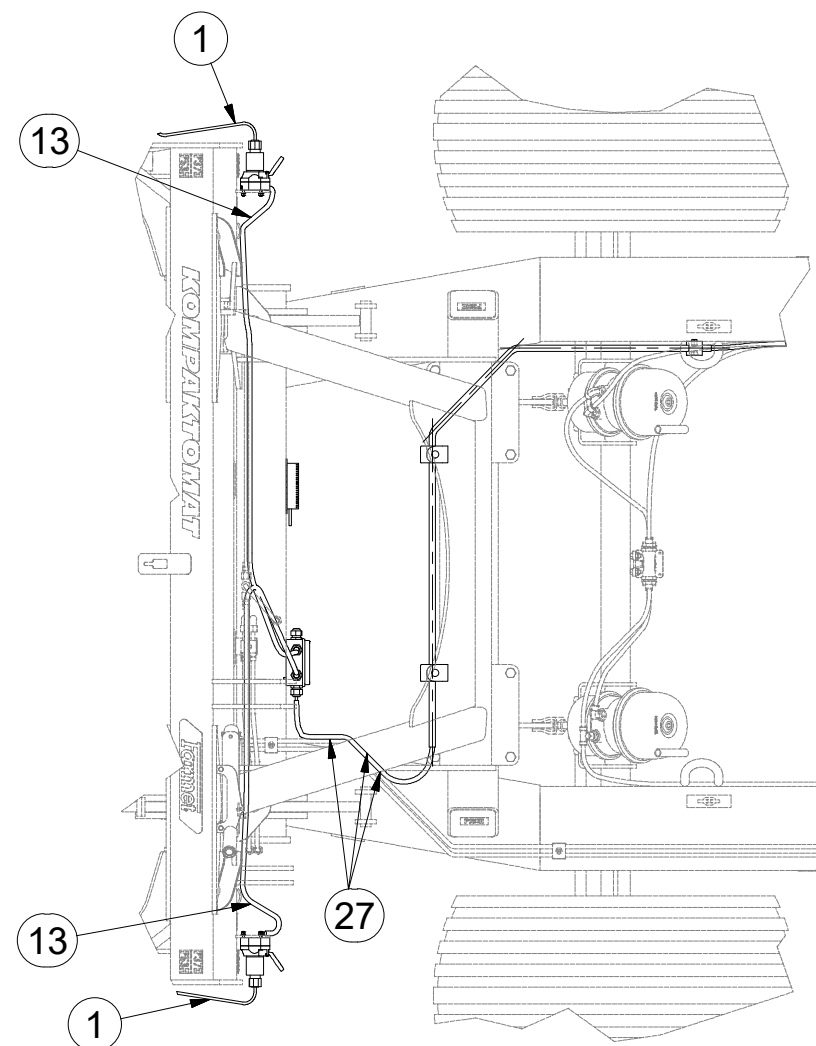
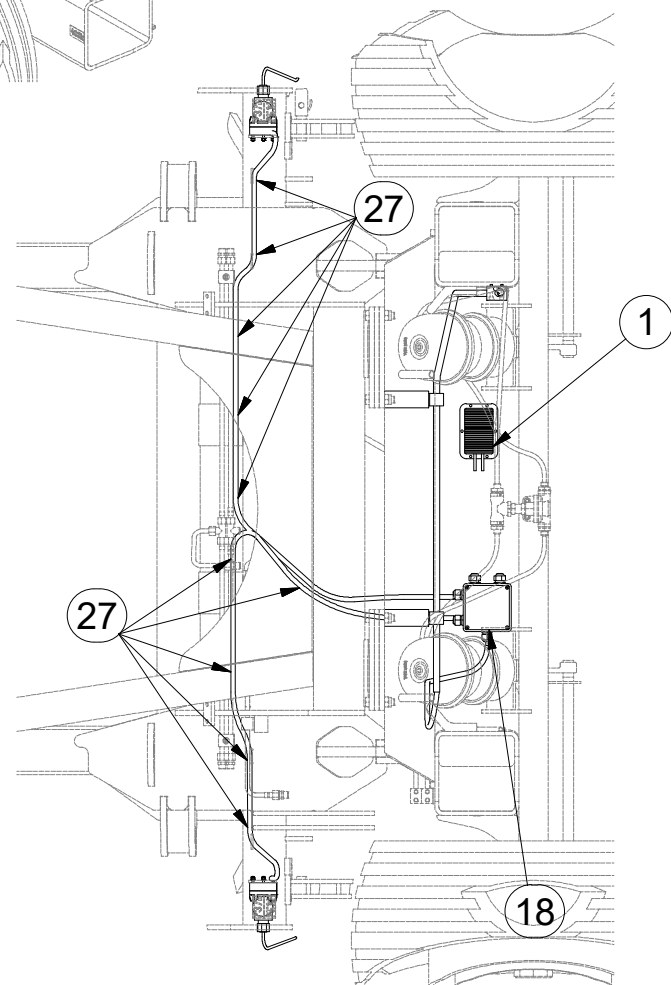
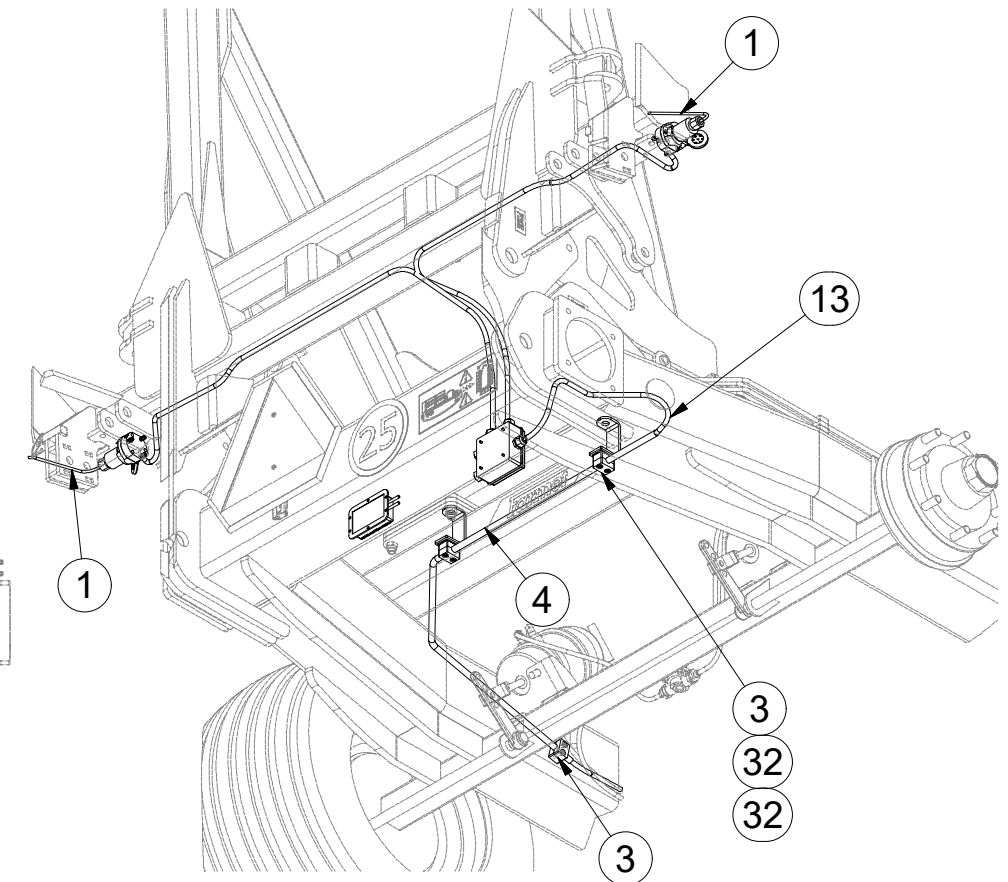
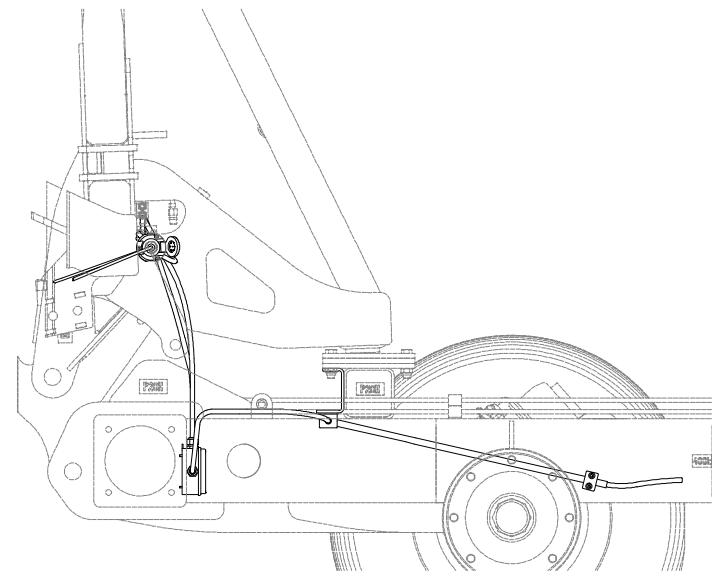
Ⓟ ZESTAW OŚWIETLENIA



3008072



B-B



Pos.	Part Number	Pcs.
1	3001985	1
2	4005708	2
3	m04010	3
4	m10168	1
11	m04340	4
12	m10165	4
13	m05571	14
16	m15172	2
17	4004813	1
18	8000671-40135	1
19	m04062	10
20	m05180	9
26	m05876	8
27	m05566	30
28	m15198	12
29	m04164	12
30	m01197	12
31	m01293	12
32	m04345	4
33	m06101	2

Ⓒ SVĚTELNÁ SADA

Ⓓ LEUCHTENSATZ

Ⓕ KIT LUMINEUX

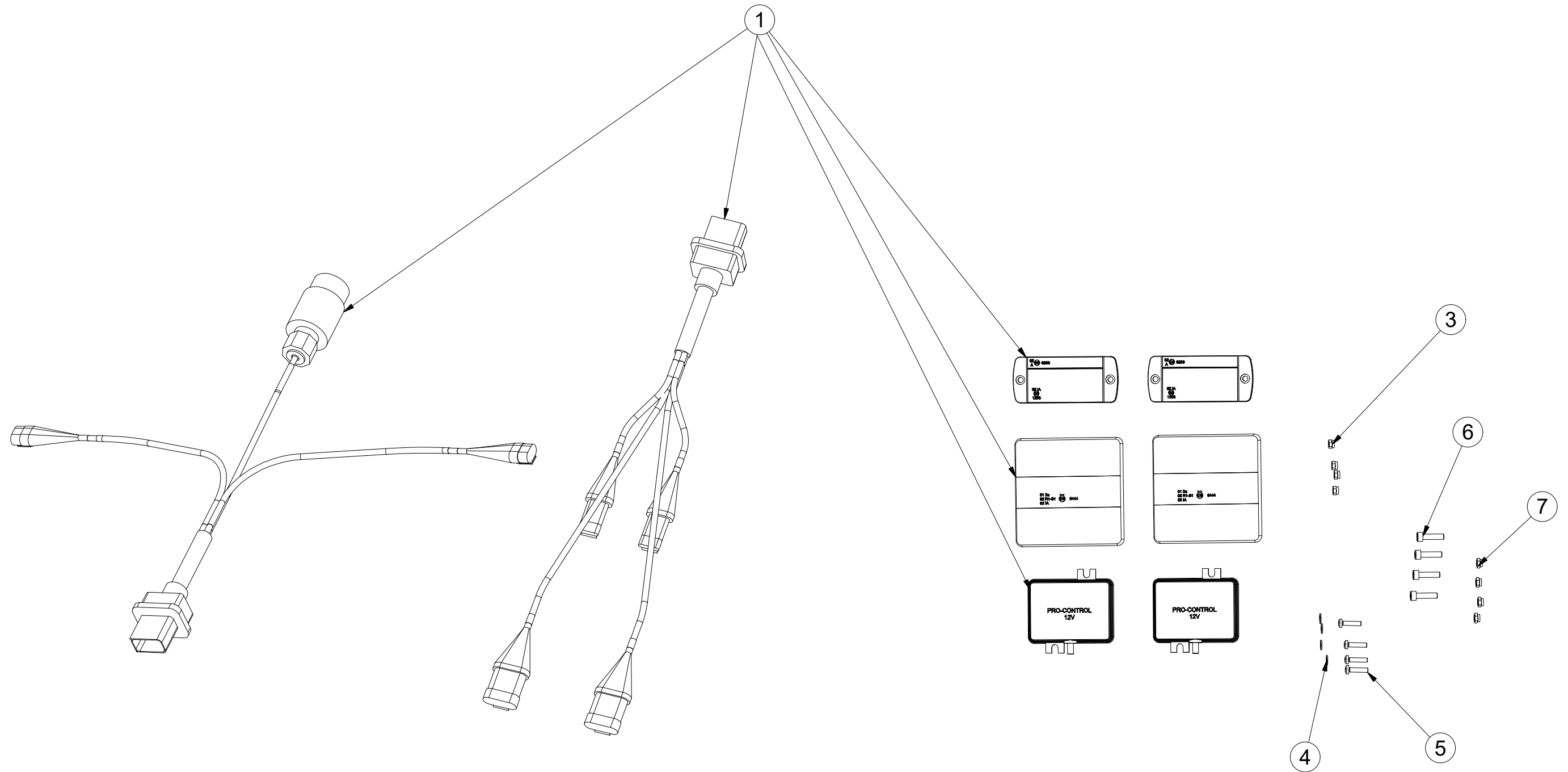
Ⓖ LIGHTING SET

Ⓡ ОСВЕТИТЕЛЬНЫЙ КОМПЛЕКТ

Ⓟ ZESTAW OŚWIETLENIA



**3008454**



Pos.	Part Number	Pcs.
1	m15240	1
3	m05562	4
4	m05597	4
5	m15790	4
6	m10591	4
7	m06236	4
30	m05566	50

Ⓒ SVĚTELNÁ SADA

Ⓓ LEUCHTENSATZ

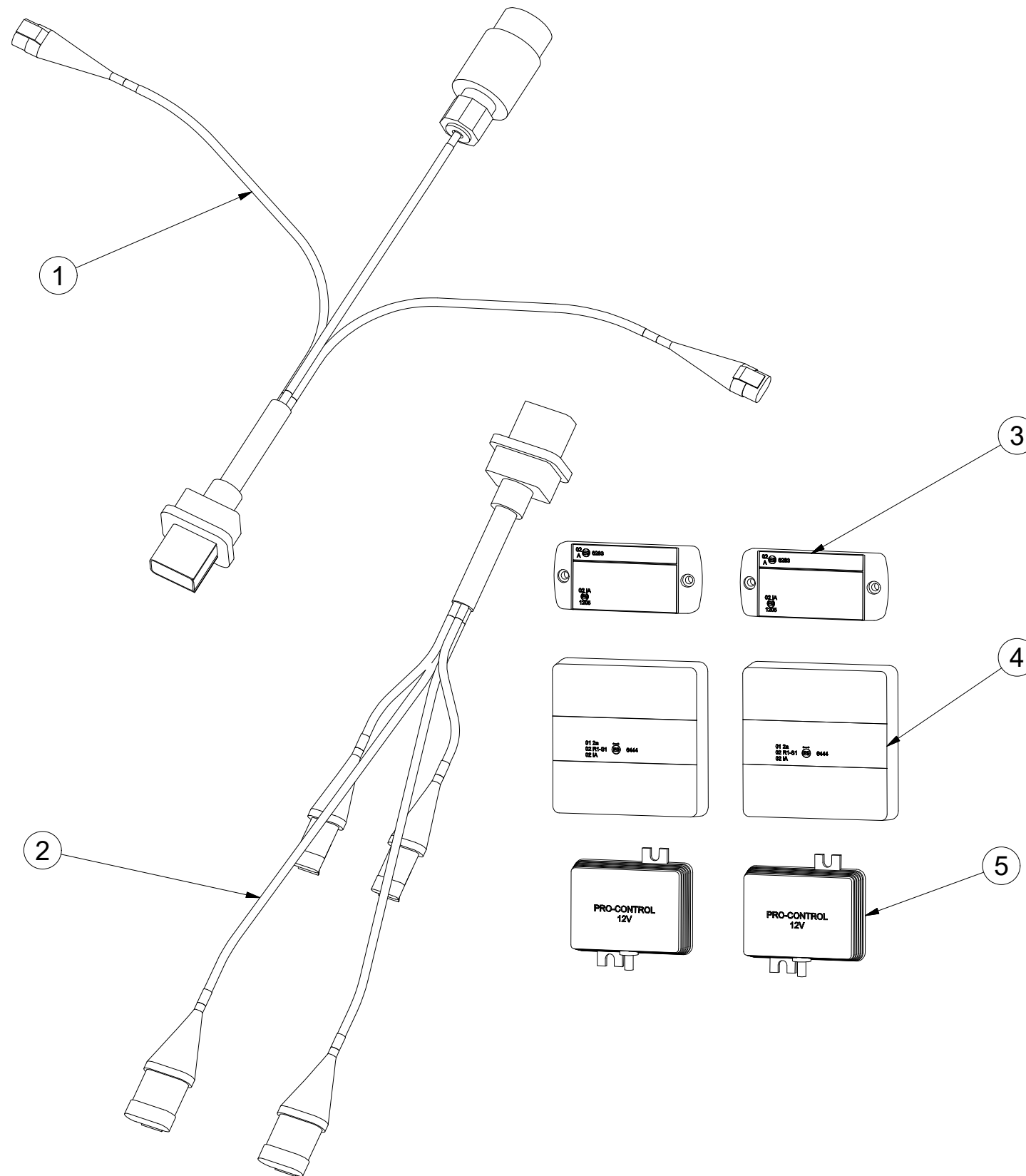
Ⓕ KIT LUMINEUX

**m15240**

Ⓖ LIGHTING SET

Ⓡ ОСВЕТИТЕЛЬНЫЙ КОМПЛЕКТ

Ⓟ ZESTAW OŚWIETLENIA



Pos.	Part Number	Pcs.
1	m14779	1
2	m14778	1
3	m14776	2
4	m14865	2
5	m14777	2



Ⓒ PÍSTNICE 80/40-250

Ⓓ KOLBENSTANGE 80/40-250

Ⓕ TIGE DE PISTON 80/40-250

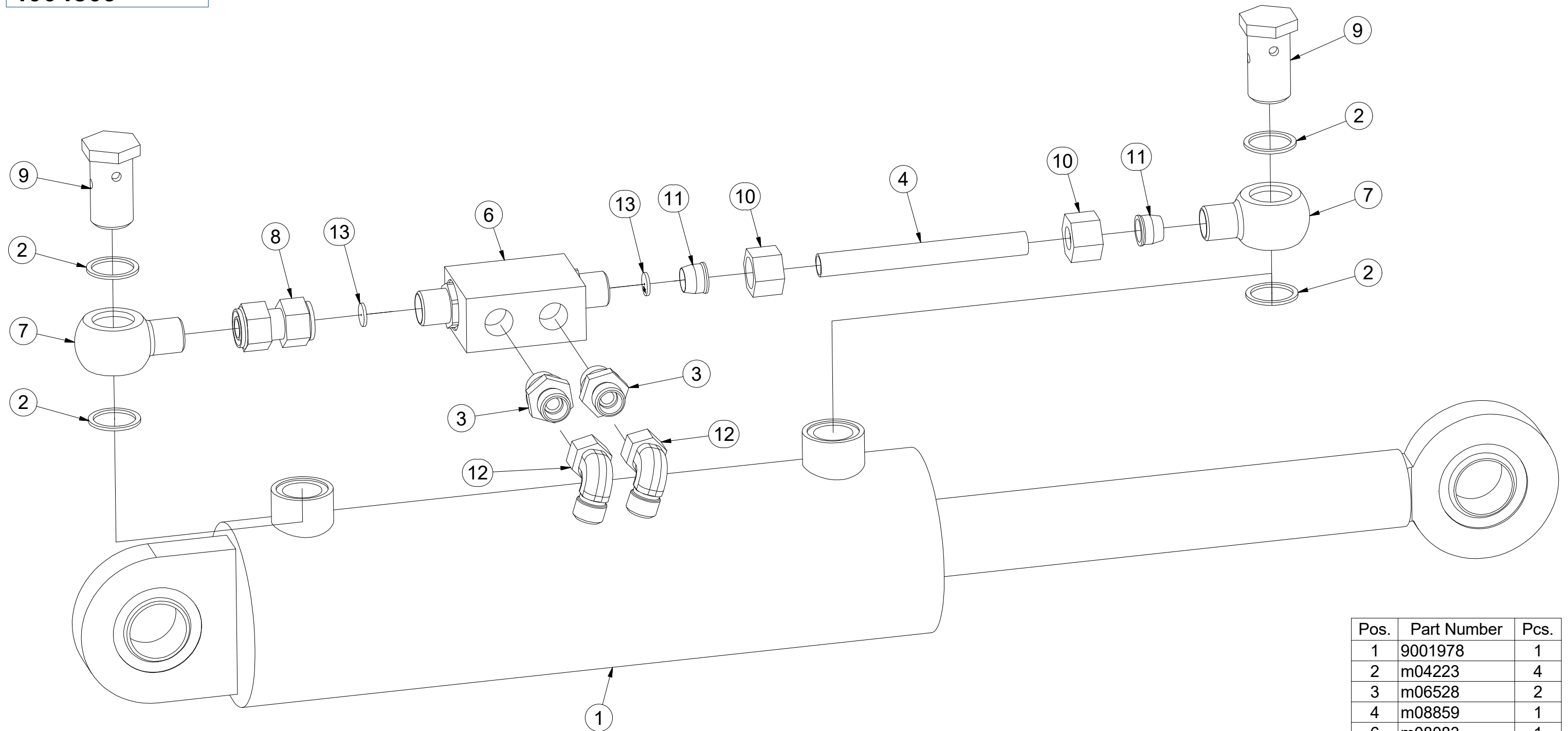
Ⓖ PISTON ROD 80/40-250

Ⓔ ЦИЛИНДР 80/40-250

Ⓟ TRZPIEŃ TŁOKA 80/40-250



**4004809**



Pos.	Part Number	Pcs.
1	9001978	1
2	m04223	4
3	m06528	2
4	m08859	1
6	m08083	1
7	m08860	2
8	m05144	1
9	m02609	2
10	m08861	2
11	m08862	2
12	m06803	2
13	m10774	2

Ⓒ PÍSTNICE 110/55-400

Ⓓ KOLBENSTANGE 110/55-400

Ⓕ TIGE DE PISTON 110/55-400

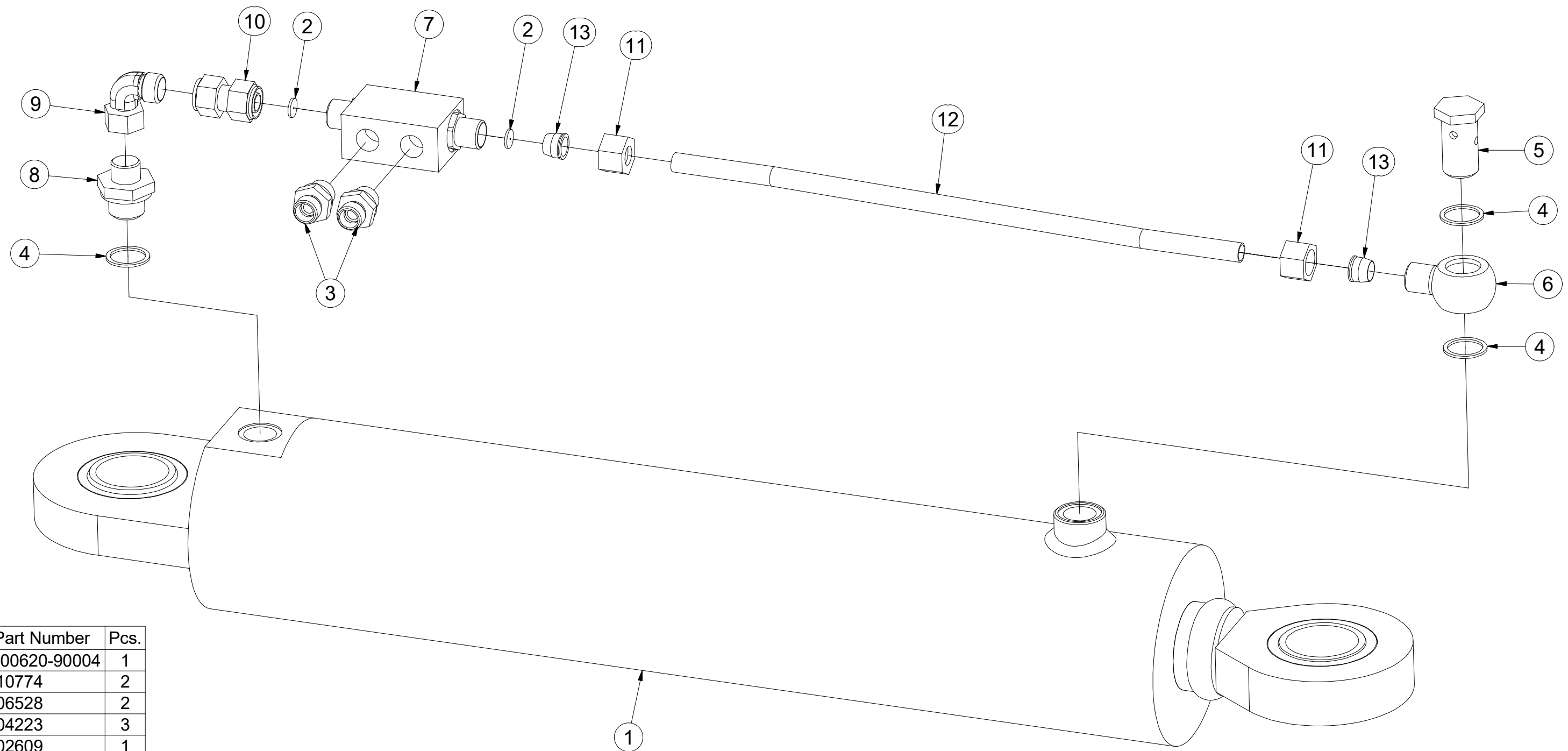
Ⓖ PISTON ROD 110/55-400

Ⓔ ЦИЛИНДР 110/55-400

Ⓟ TRZPIEŃ TŁOKA 110/55-400

**Farmet**

**4004810**



Pos.	Part Number	Pcs.
1	8000620-90004	1
2	m10774	2
3	m06528	2
4	m04223	3
5	m02609	1
6	m08860	1
7	m08083	1
8	m07865	1
9	m07654	1
10	m05144	1
11	m08861	2
12	m09654	1
13	m08862	2

Ⓒ PÍSTNICE 63/32-160

Ⓓ KOLBENSTANGE 63/32-160

Ⓕ TIGE DE PISTON 63/32-160

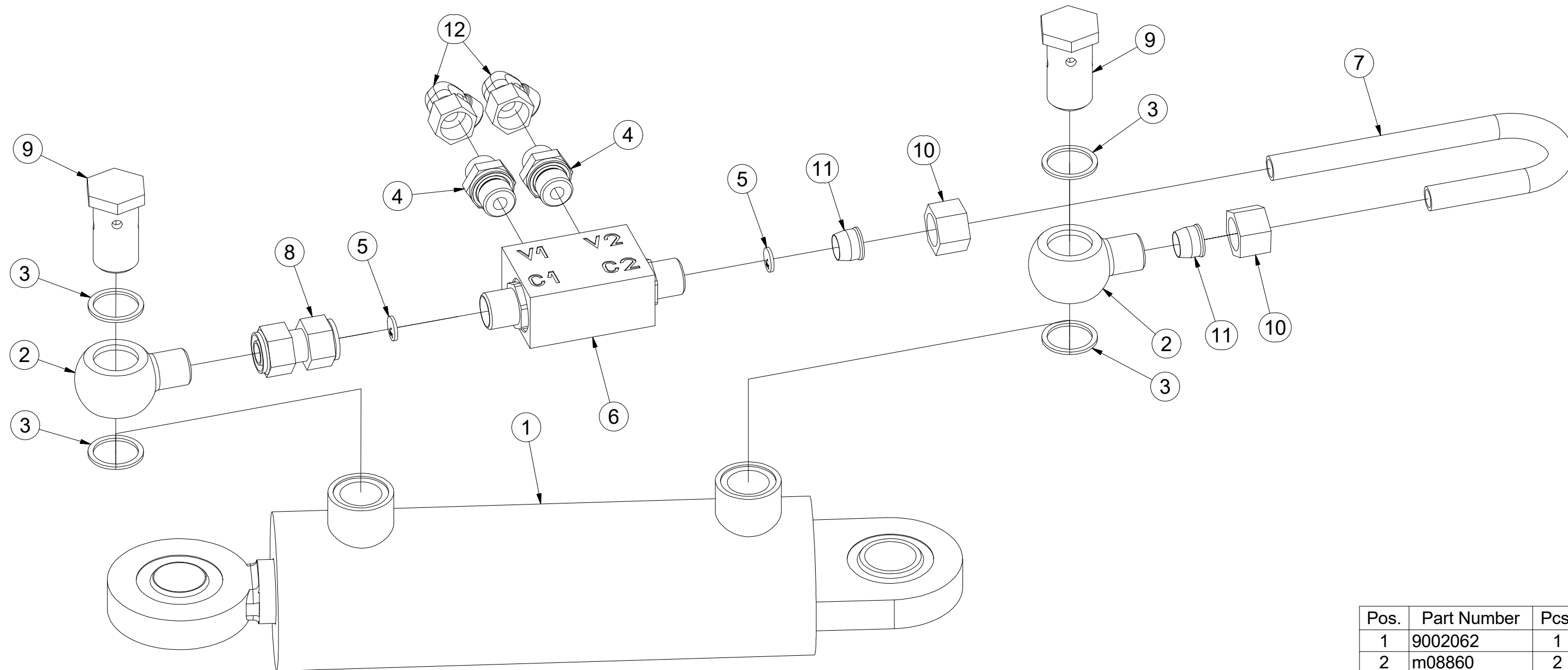
Ⓒ PISTON ROD 63/32-160

Ⓓ ЦИЛИНДР 63/32-160

Ⓒ TRZPIEŃ TŁOKA 63/32-160



**4004815**



Pos.	Part Number	Pcs.
1	9002062	1
2	m08860	2
3	m04223	4
4	m06528	2
5	m10774	2
6	m08083	1
7	m09658	1
8	m05144	1
9	m02609	2
10	m08861	2
11	m08862	2
12	m06803	2

Ⓒ PÍSTNICE 125/63-1500

Ⓓ KOLBENSTANGE 125/63-1500

Ⓕ TIGE DE PISTON 125/63-1500

Ⓖ PISTON ROD 125/63-1500

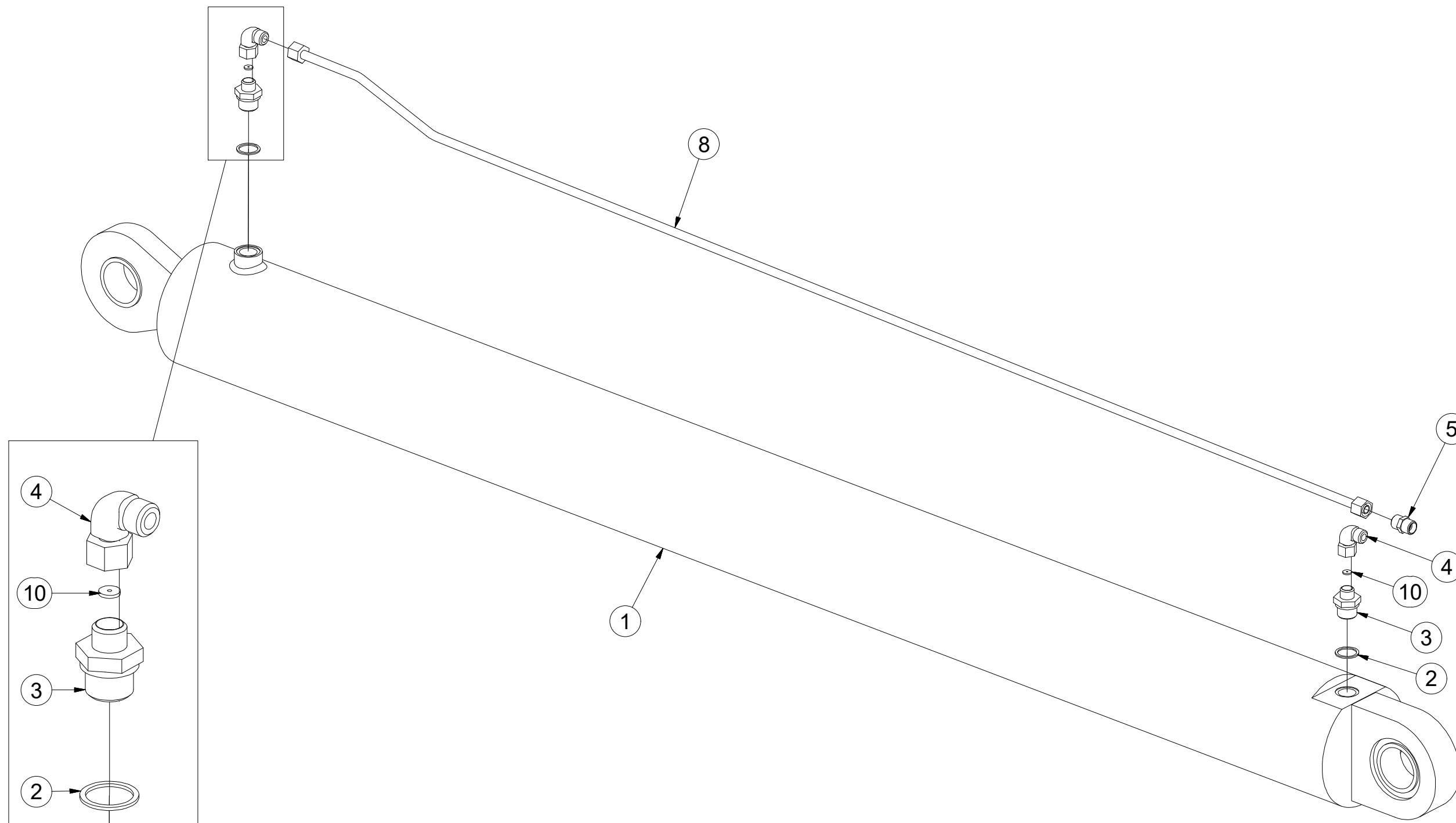
Ⓡ ЦИЛИНДР 125/63-1500

Ⓟ TRZPIEŃ TŁOKA 125/63-1500



**4004817**

Pos.	Part Number	Pcs.
1	9001977	1
2	m04223	2
4	m06803	2
3	m03925	2
8	m09659	1
5	m03213	1
10	4003787	2





Ⓒ SOUPRAVA TĚSNIVA PÍSTNIC

Ⓓ KOLBENSTANGENDICHTUNGSMITTELSATZ

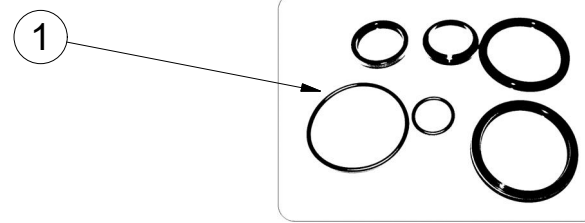
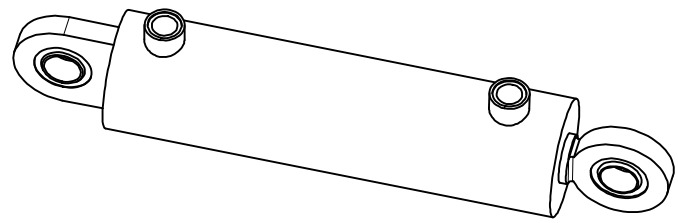
Ⓕ SET DE GARNITURE DES TIGES DE PISTON

Ⓖ SEALING SET FOR PISTON RODS

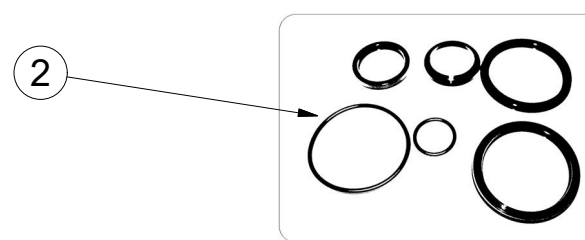
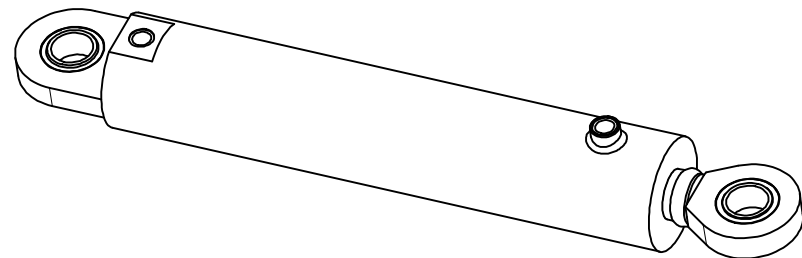
Ⓡ КОМПЛЕКТ ПРОКЛАДОК ЦИЛИНДРОВ

Ⓟ ZESTAW USZCZELEK TRZPIENIA TŁOKA

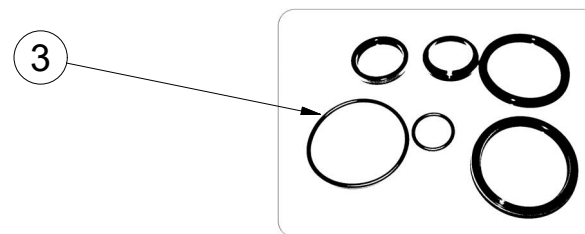
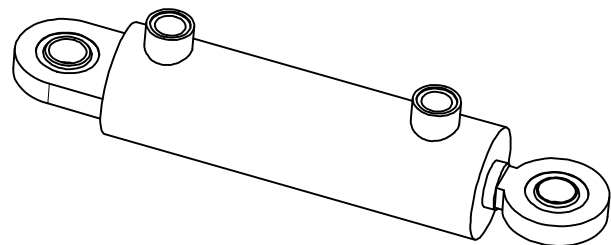
**Farmet**



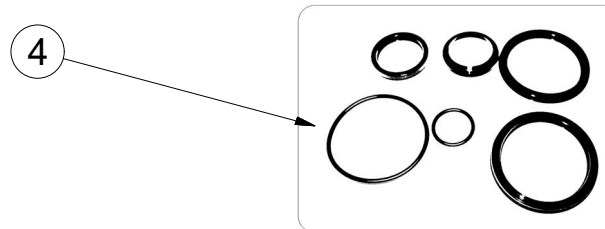
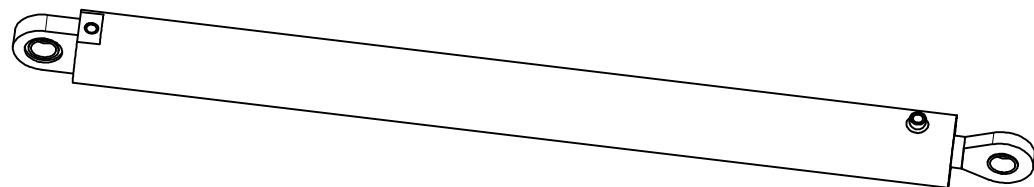
9001978 - $\varnothing 80/\varnothing 40-250$		
Pos	Part number	Pcs
1	m03528	1



8000620-90004- $\varnothing 110/\varnothing 55-400$		
Pos	Part number	Pcs
2	m09157	1



9002062 - $\varnothing 63/\varnothing 32-160$		
Pos	Part number	Pcs
3	m05442	3



9001977 - $\varnothing 125/\varnothing 63-1500$		
Pos	Part number	Pcs
5	m09158	2