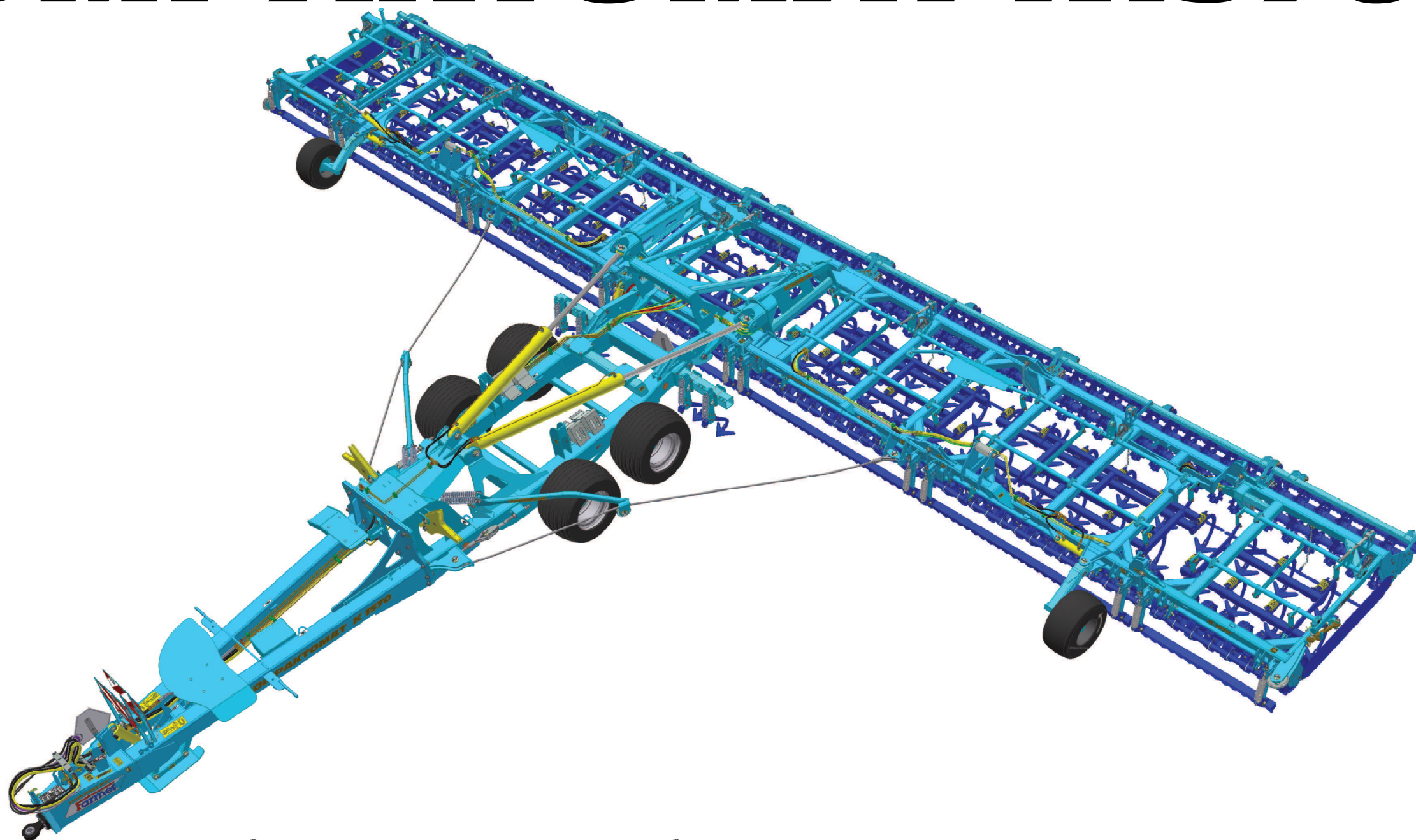


The effective technology

Farmet®

ⒸZ KATALOG NÁHRADNÍCH DÍLŮ ⒸB CATALOGUE OF SPARE PARTS ⒸD ERSATZTEILLISTE
ⒸRU КАТАЛОГ ЗАПАСНЫХ ЧАСТЕЙ ⒸF CATALOGUE DES PIÈCES DE RECHANGE ⒸPL KATALOG CZĘŚCI ZAMIENNYCH

КОМПАКТОМАТ K1570PS



ⒸZ Platnost pro vrcholové | výrobní číslo stroje ⒸB Validity for the top | serial number of the machine
ⒸD Gültigkeit für die Haupt- | Herstellungsnummer der Maschine ⒸRU Действительно для главного | заводского номера машины
ⒸF Validité du numéro de référence | de série de la machine ⒸPL Obowiązuje dla numeru głównego | seryjnego maszyny

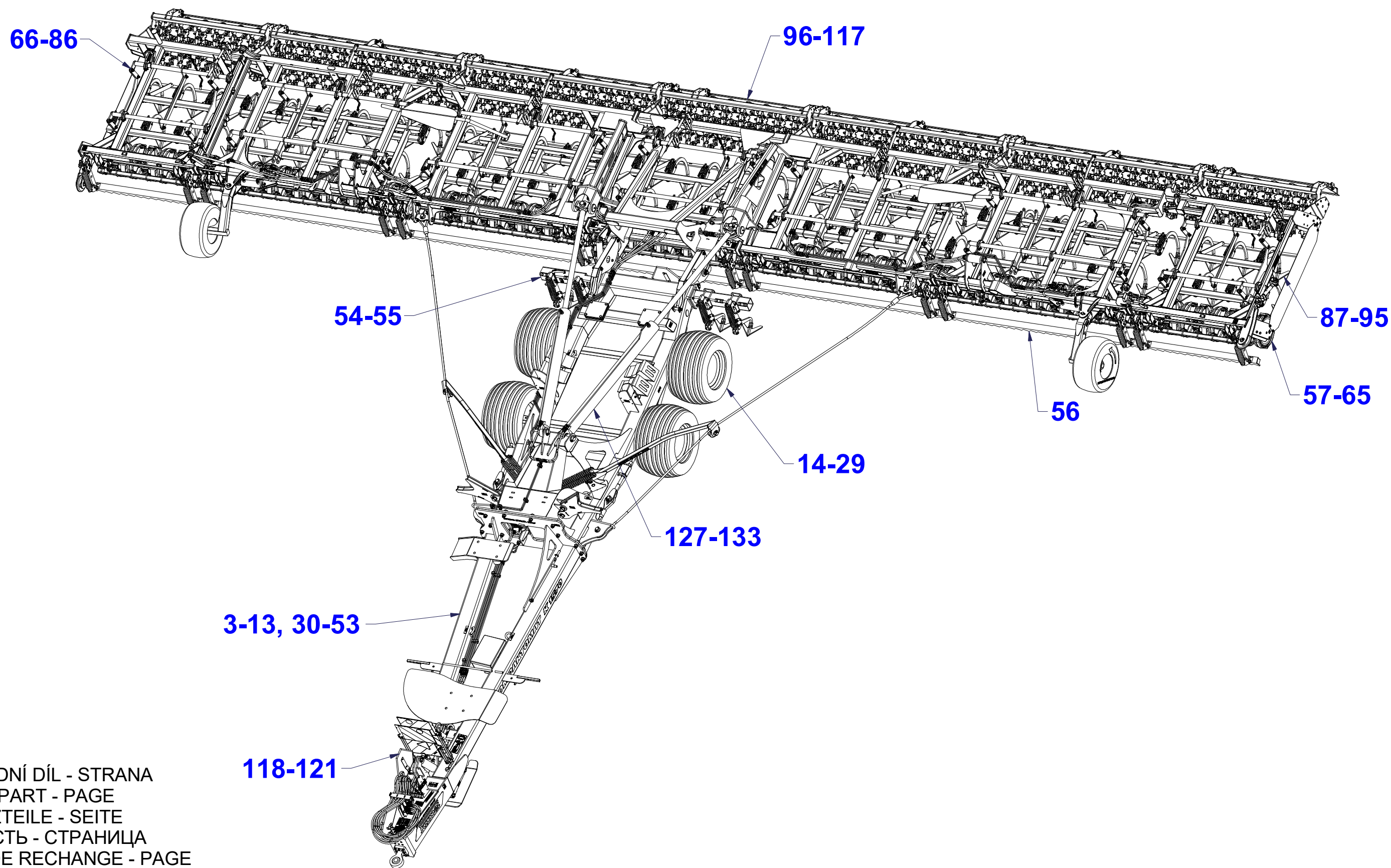
9303993 | 2016/0865

Farmet a. s.
Jiřinková 276
552 03 Česká Skalice, CZ

telefon: +420 491 450 111
fax: +420 491 450 136
GSM: +420 774 715 738

IČ: 46504931
DIČ: CZ46504931

web: www.farmet.cz
e-mail: farmet@farmet.cz



☉ POLOTOVAR STROJE

☐ MASCHINEN-HALBFABRIKAT

☉ MACHINE - SEMI-PRODUIT

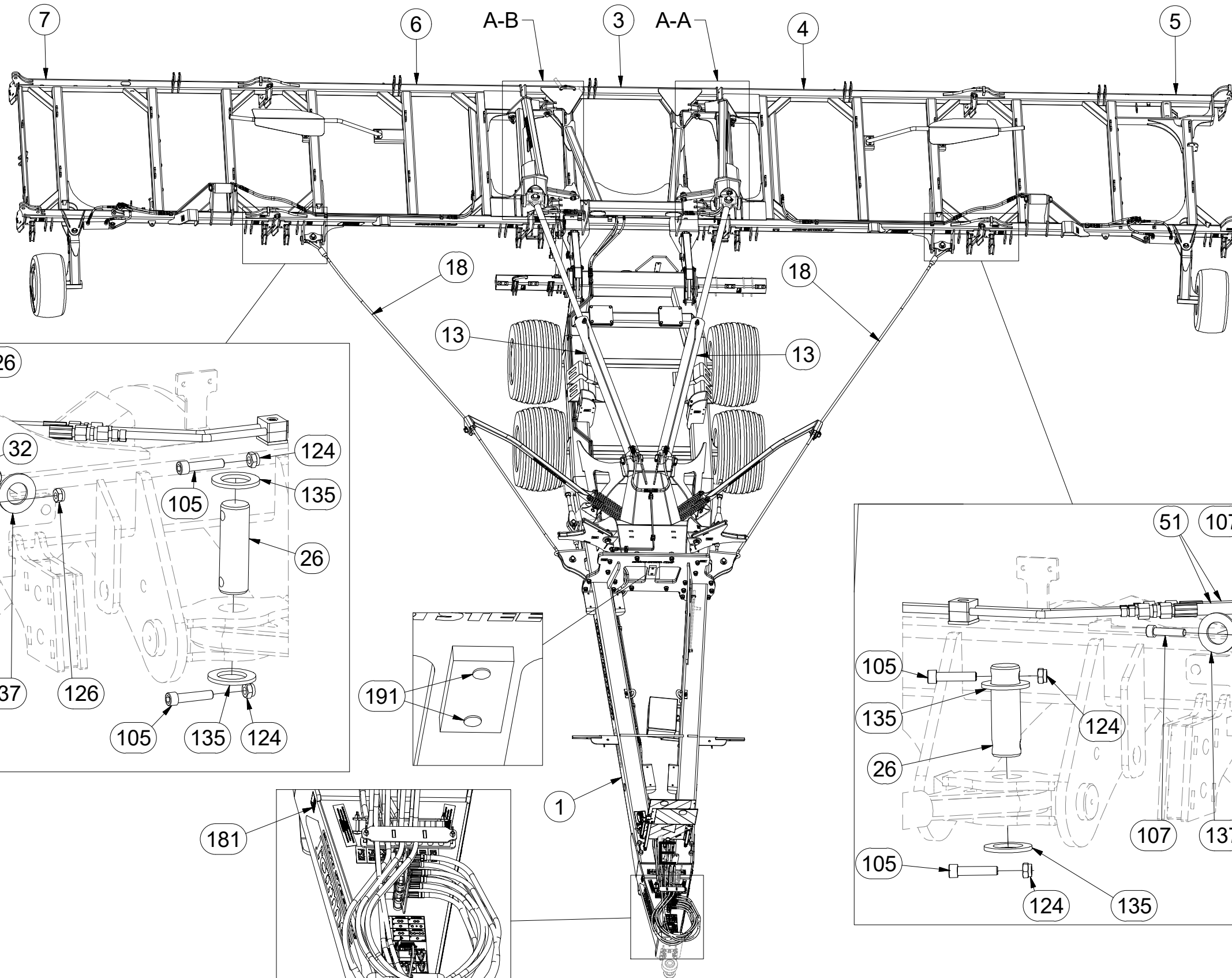
☉ SEMIFINISHED MACHINE

☉ ПОЛУФАБРИКАТ МАШИНЫ

☉ PÓLFABRYKAT MASZYNY



3007931



| Pos. | Part Number | Pcs. |
|------|-------------|------|
| 1 | 3007930 | 1 |
| 3 | 3006955 | 1 |
| 4 | 3006956 | 1 |
| 5 | 3007988 | 1 |
| 6 | 3006958 | 1 |
| 7 | 3007989 | 1 |
| 13 | 4004817 | 2 |
| 18 | m09595 | 2 |
| 26 | 4015686 | 6 |
| 32 | 4007584 | 4 |
| 51 | m03713 | 6 |
| 105 | m14008 | 24 |
| 107 | m14143 | 16 |
| 124 | m04301 | 24 |
| 126 | m03775 | 16 |
| 135 | 4013139 | 24 |
| 137 | m14029 | 16 |
| 191 | m12433 | 26 |

☉ POLOTOVAR STROJE

☐ MASCHINEN-HALBFABRIKAT

☉ MACHINE - SEMI-PRODUIT

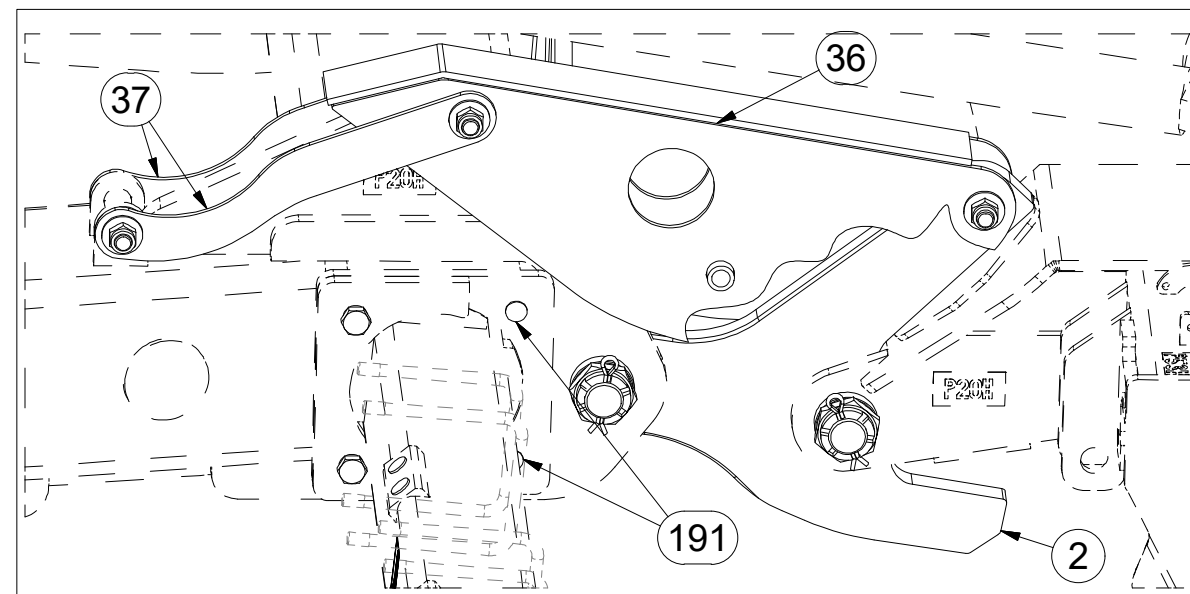
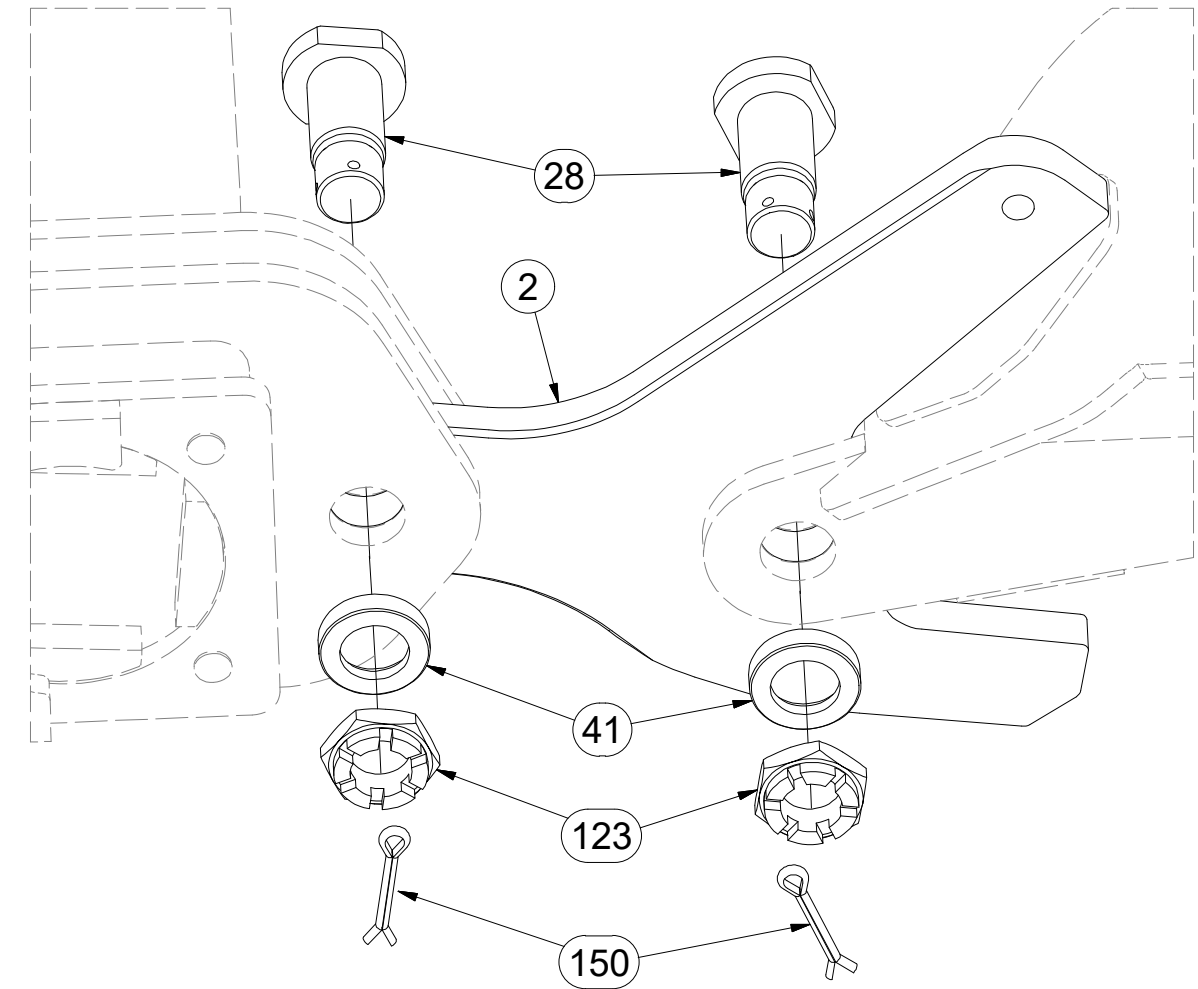
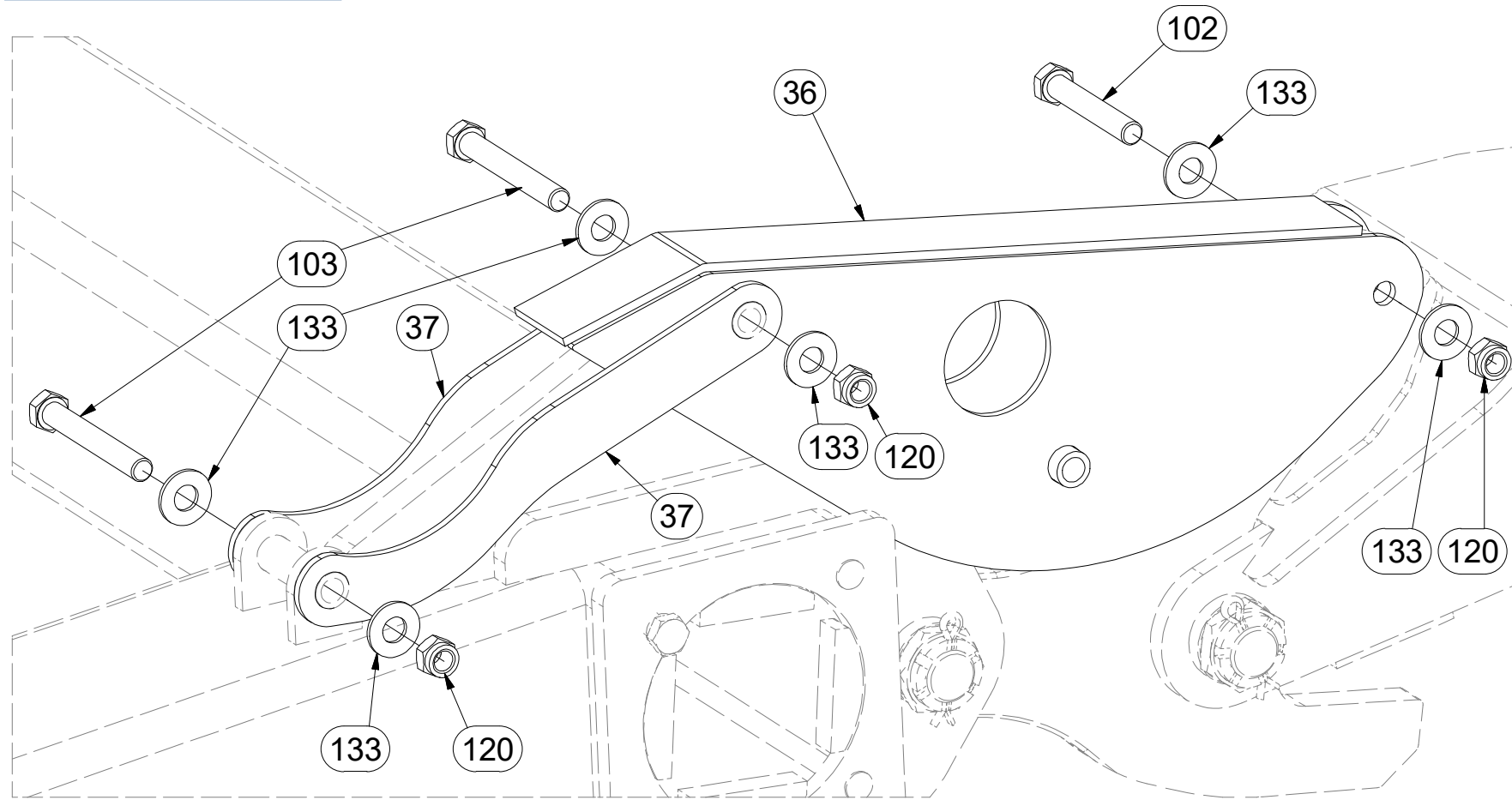
☉ SEMIFINISHED MACHINE

☉ ПОЛУФАБРИКАТ МАШИНЫ

☉ PÓLFABRYKAT MASZYNY



3007931



| Pos. | Part Number | Pcs. |
|------|-------------|------|
| 2 | 3006061 | 2 |
| 28 | 4007363 | 4 |
| 36 | 3002987 | 2 |
| 37 | 4005544 | 4 |
| 41 | 4007364 | 4 |
| 102 | m05304 | 2 |
| 103 | m00144 | 4 |
| 120 | m03683 | 8 |
| 123 | m02533 | 4 |
| 133 | m05651 | 12 |
| 150 | m03959 | 4 |
| 191 | m12433 | 26 |

☉ POLOTOVAR STROJE

☎ MASCHINEN-HALBFABRIKAT

☐ MACHINE - SEMI-PRODUIT

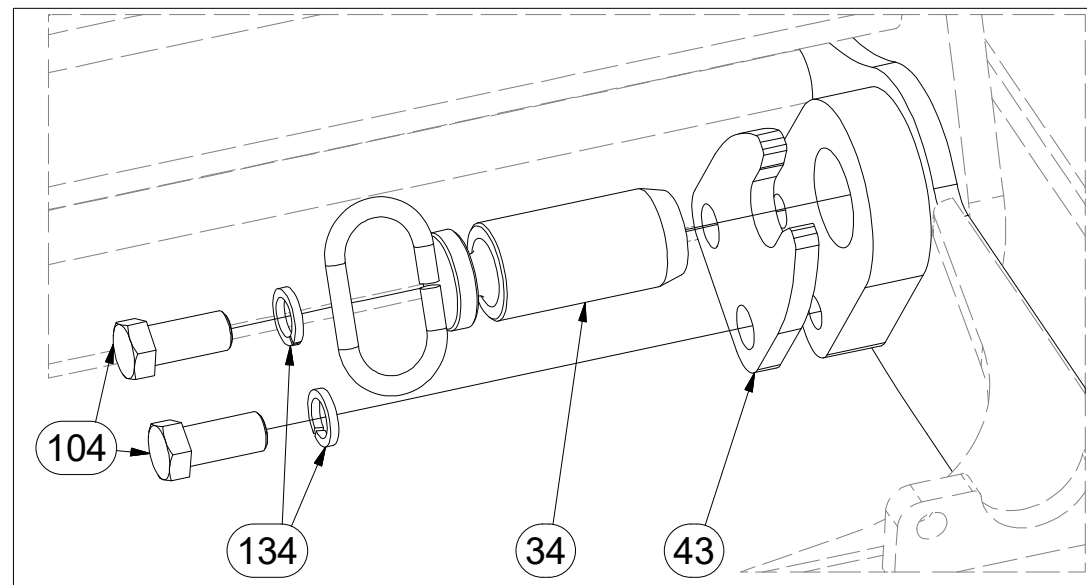
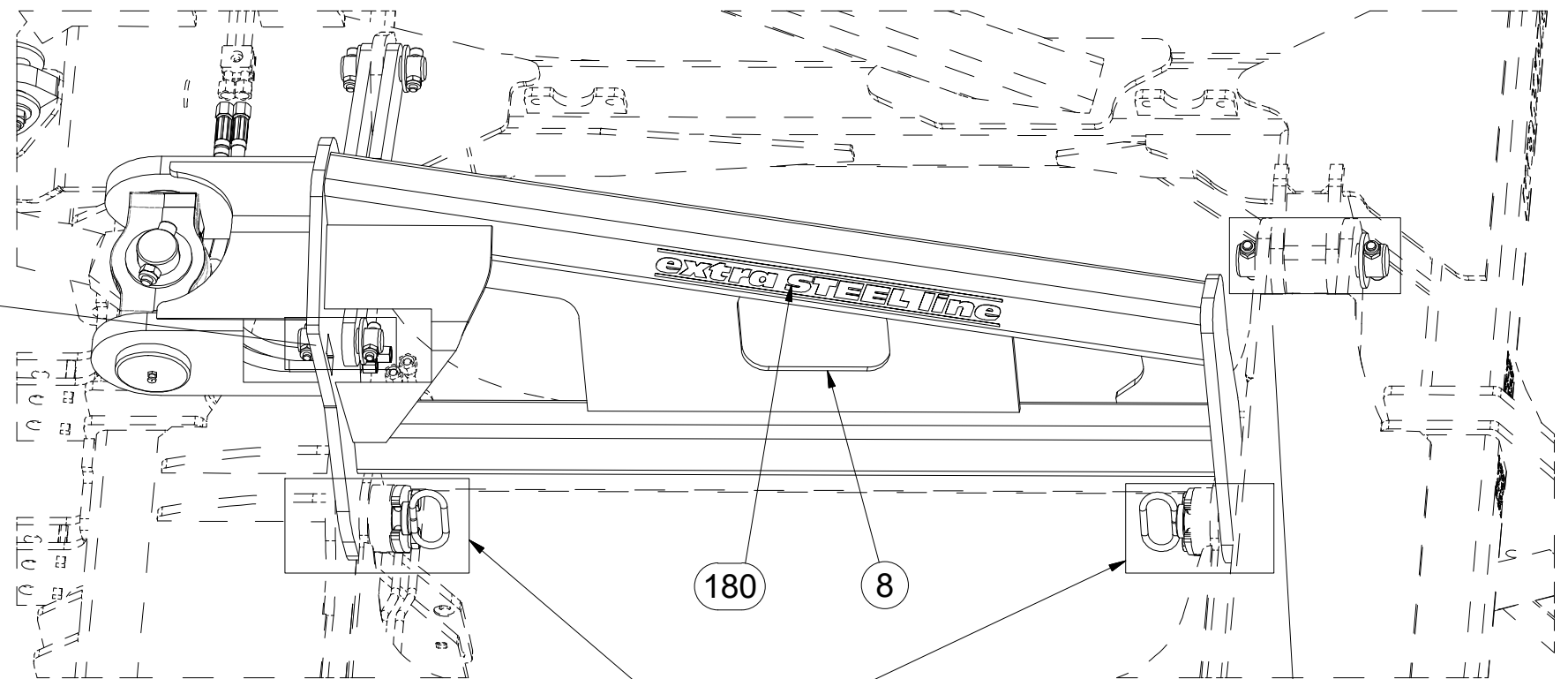
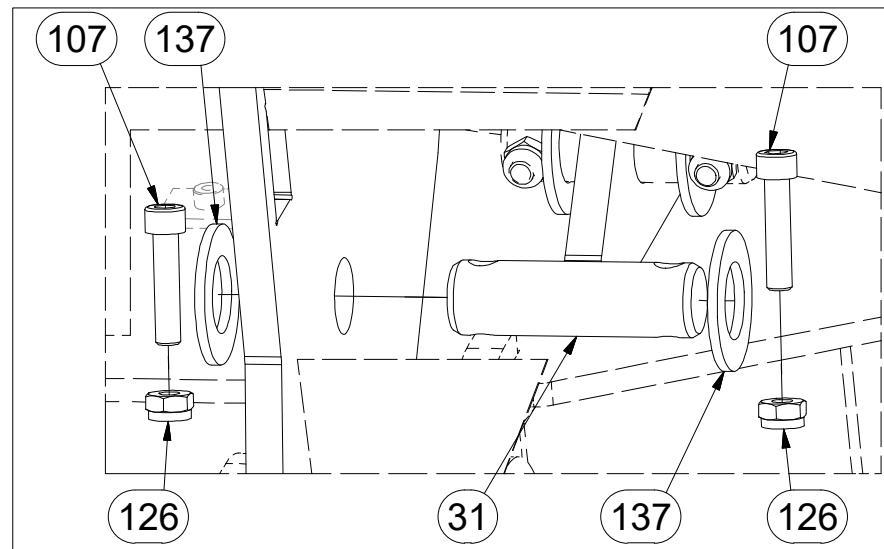
☉ SEMIFINISHED MACHINE

☎ ПОЛУФАБРИКАТ МАШИНЫ

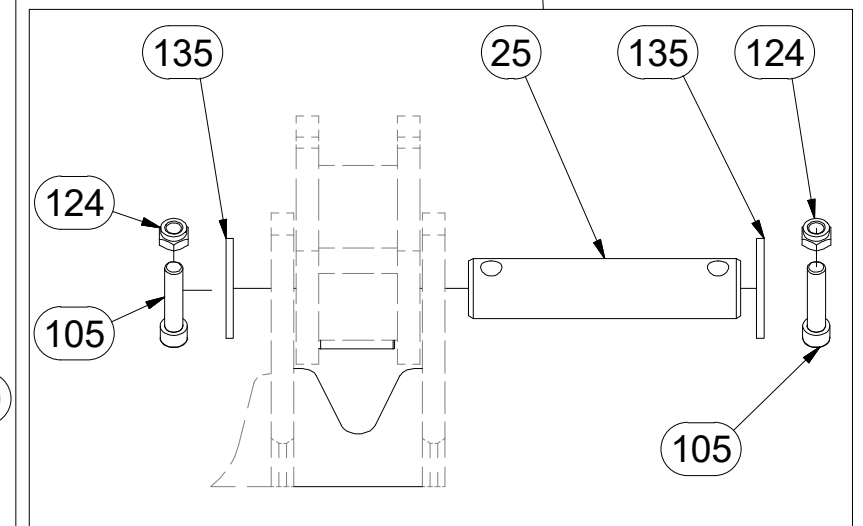
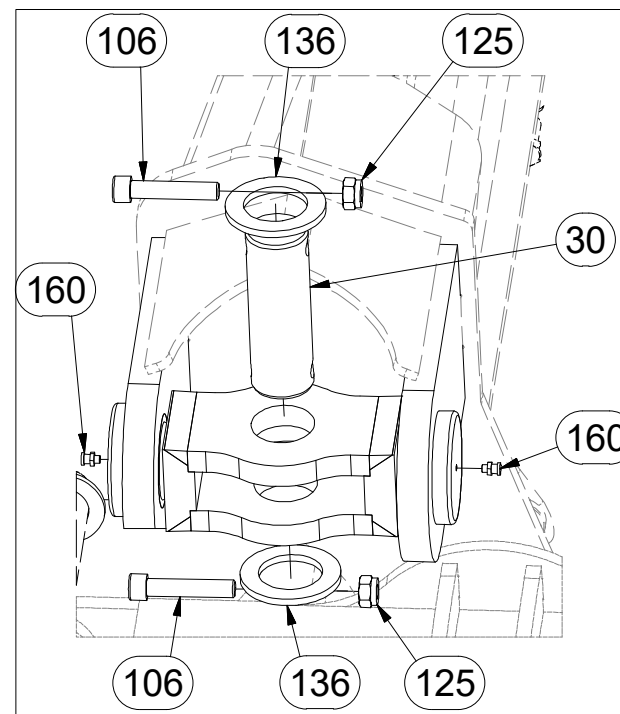
☐ PÓLFABRYKAT MASZYNY



3007931



A-A



| Pos. | Part Number | Pcs. | Pos. | Part Number | Pcs. |
|------|-------------|------|------|-------------|------|
| 8 | 3002593 | 1 | 124 | m04301 | 24 |
| 25 | 4011501 | 4 | 125 | m04990 | 8 |
| 30 | 4015689 | 2 | 126 | m03775 | 16 |
| 31 | 4008234 | 4 | 134 | m02157 | 12 |
| 34 | 4010038 | 4 | 135 | 4013139 | 24 |
| 43 | 4010036 | 4 | 136 | 4015687 | 8 |
| 104 | m04240 | 8 | 137 | m14029 | 16 |
| 105 | m14008 | 24 | 160 | m10451 | 4 |
| 106 | m13957 | 8 | 180 | m10353 | 4 |
| 107 | m14143 | 16 | | | |

☉ POLOTOVAR STROJE

☎ MASCHINEN-HALBFABRIKAT

☐ MACHINE - SEMI-PRODUIT

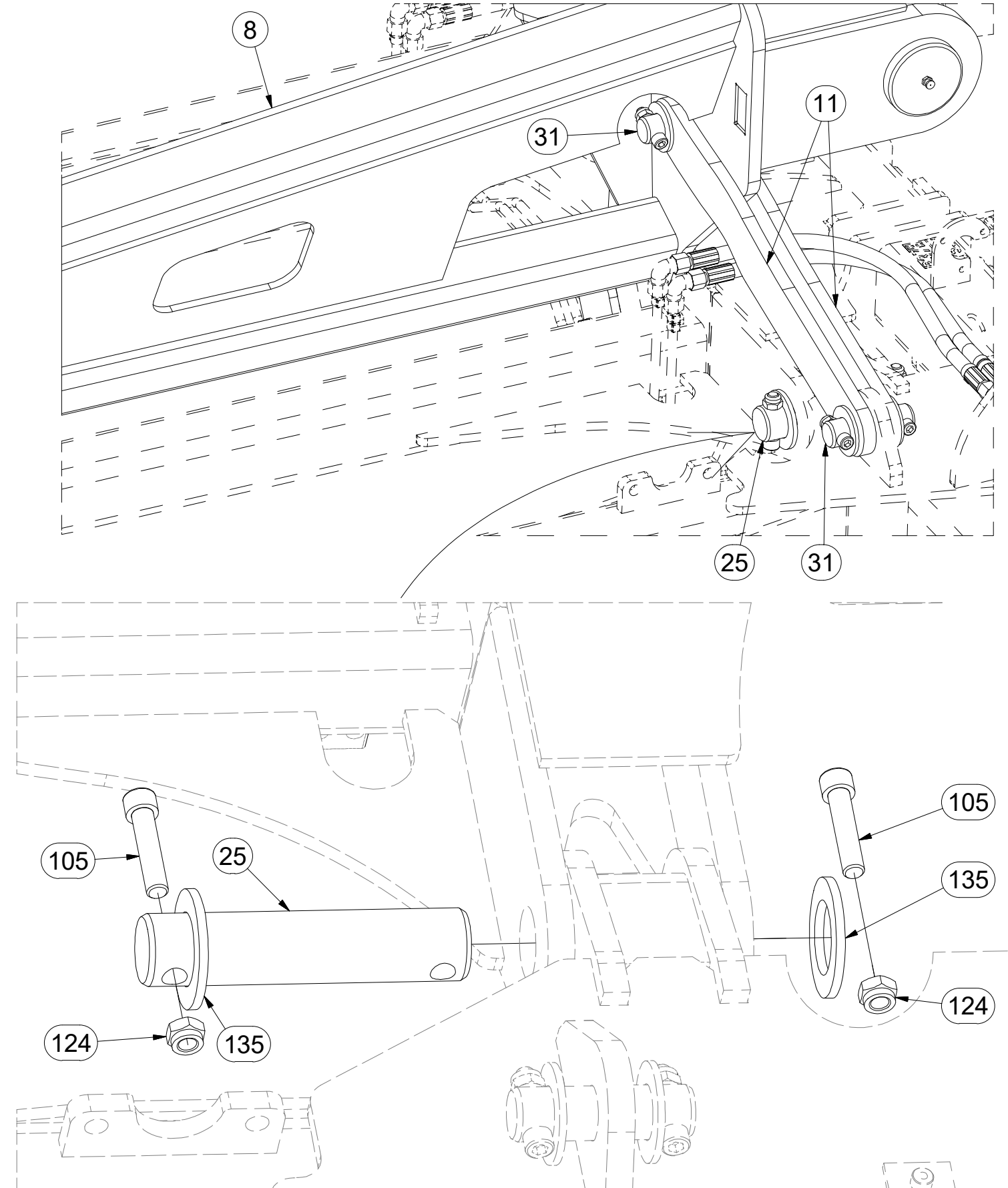
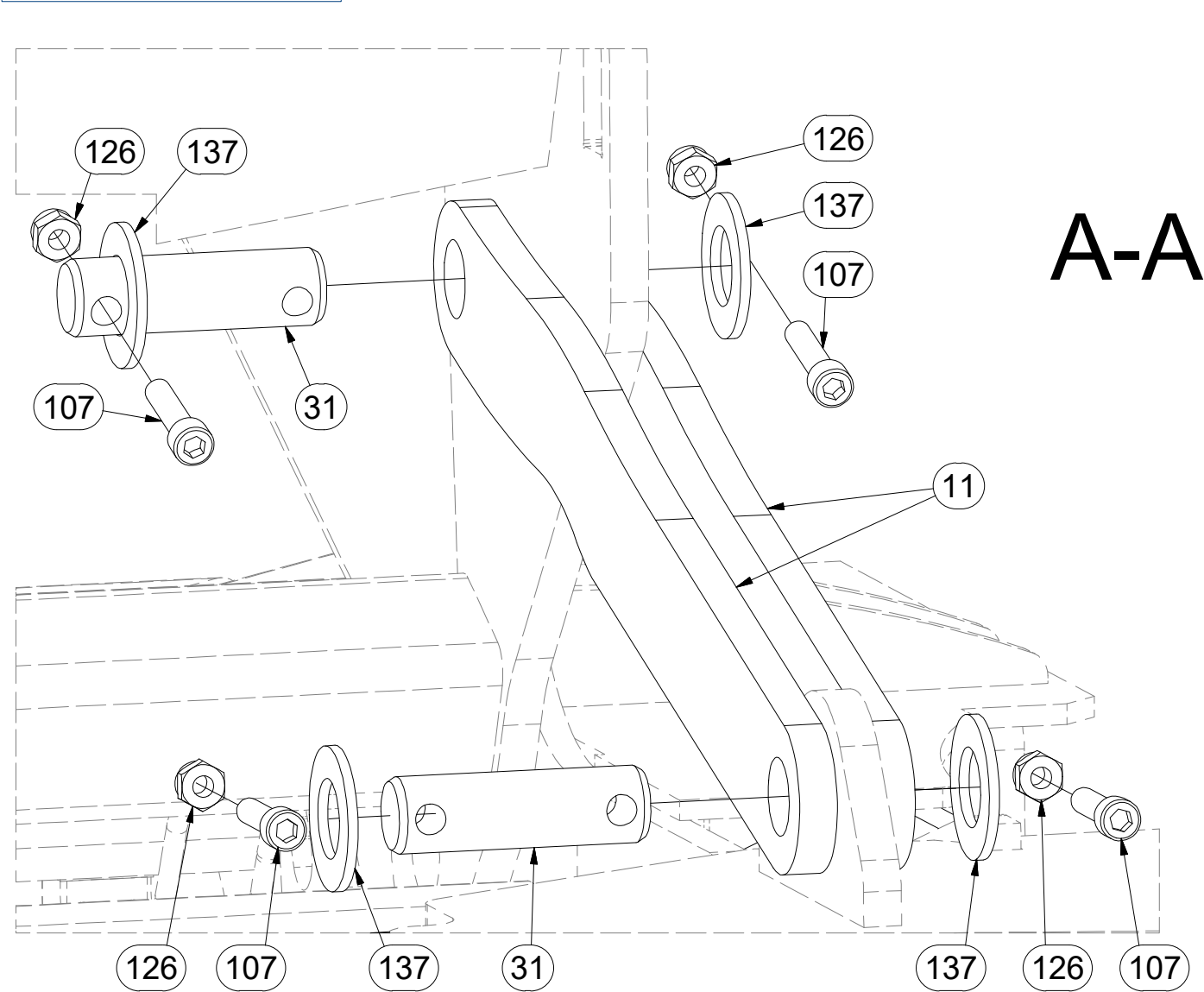
☉ SEMIFINISHED MACHINE

☎ ПОЛУФАБРИКАТ МАШИНЫ

☐ PÓLFABRYKAT MASZYNY



3007931



| Pos. | Part Number | Pcs. |
|------|-------------|------|
| 8 | 3002593 | 1 |
| 11 | 4008205 | 4 |
| 25 | 4011501 | 4 |
| 31 | 4008234 | 4 |
| 105 | m14008 | 24 |
| 107 | m14143 | 16 |
| 124 | m04301 | 24 |
| 126 | m03775 | 16 |
| 135 | 4013139 | 24 |
| 137 | m14029 | 16 |

☉ POLOTOVAR STROJE

☉ MASCHINEN-HALBFABRIKAT

☉ MACHINE - SEMI-PRODUIT

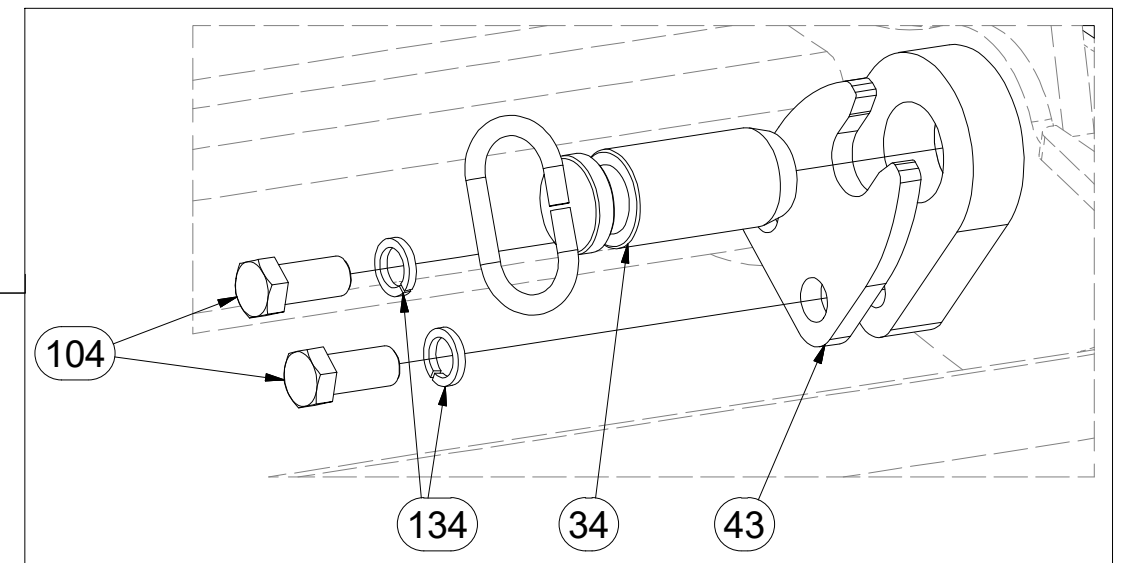
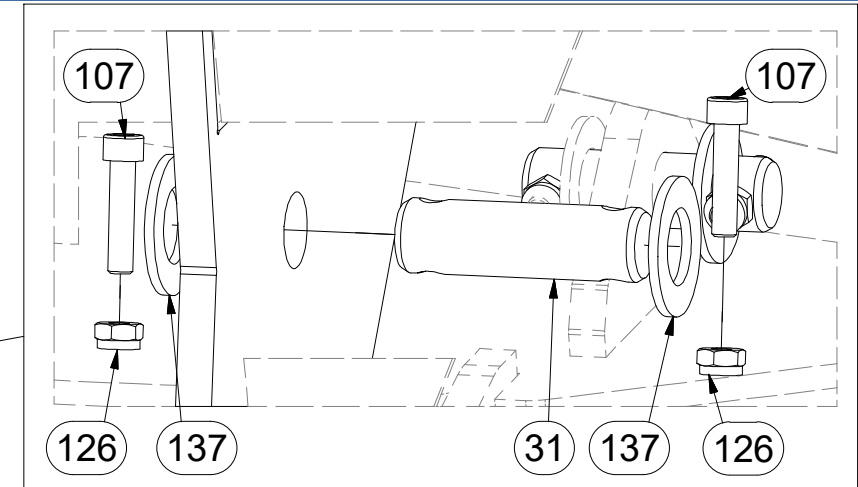
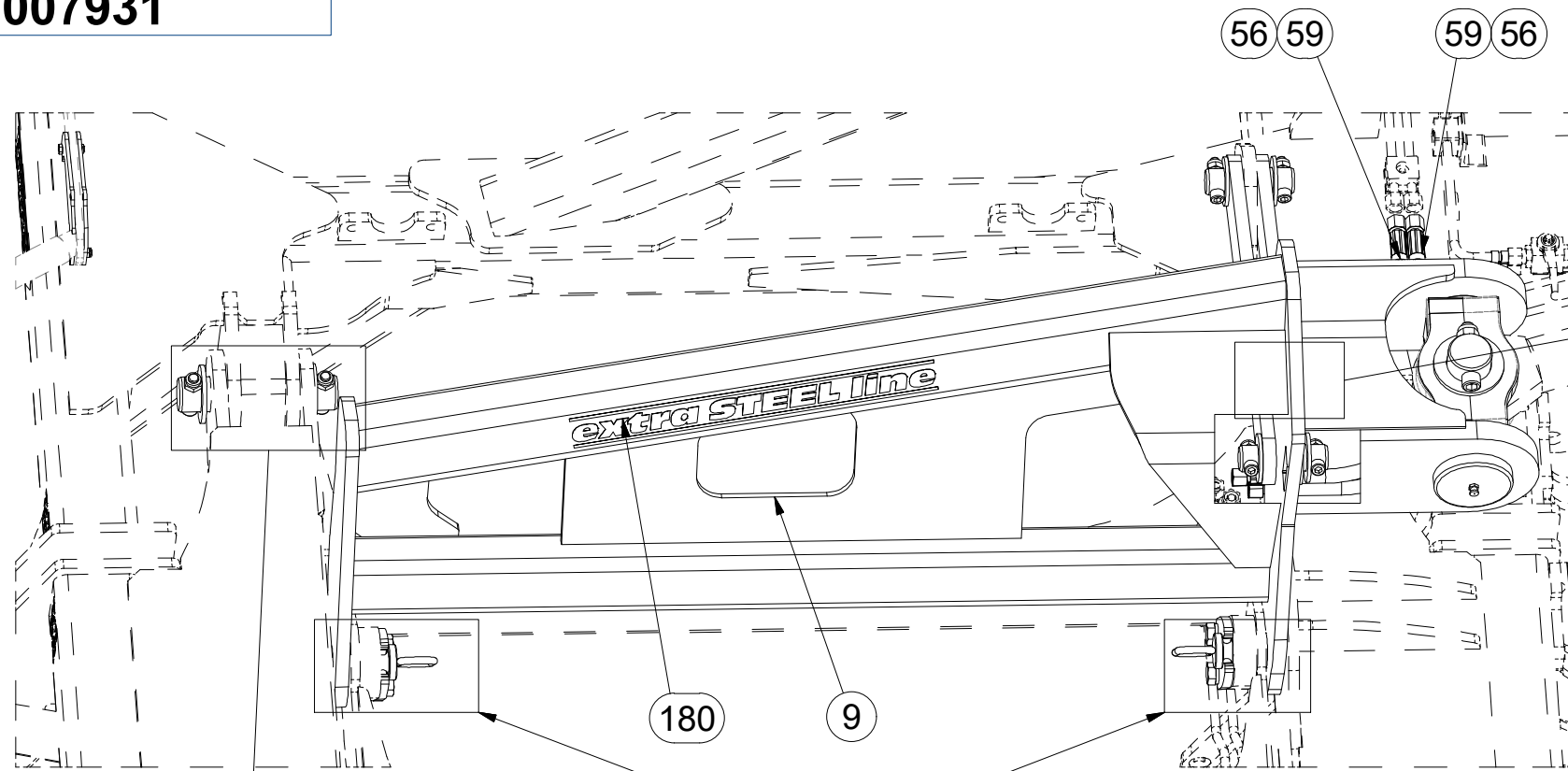
☉ SEMIFINISHED MACHINE

☉ ПОЛУФАБРИКАТ МАШИНЫ

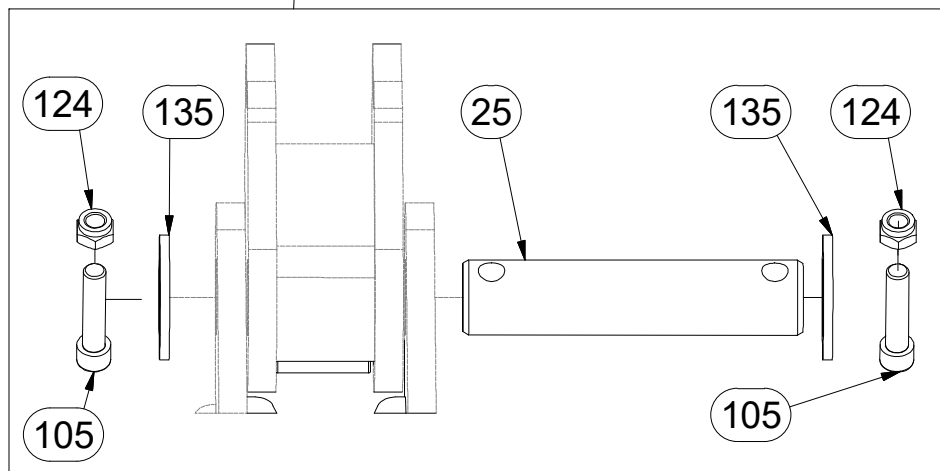
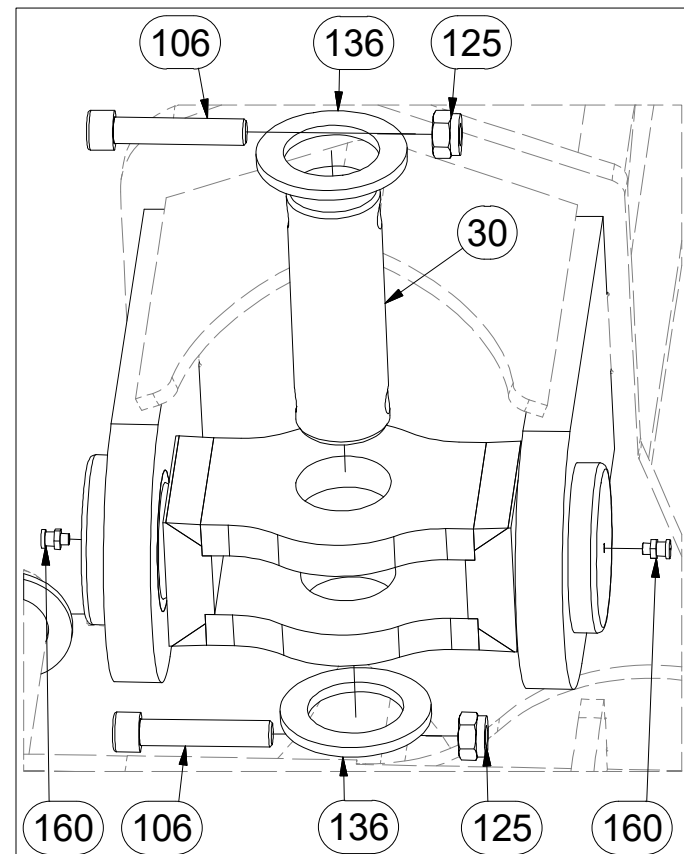
☉ PÓLFABRYKAT MASZYN



3007931



A-B



| Pos. | Part Number | Pcs. | Pos. | Part Number | Pcs. |
|------|-------------|------|------|-------------|------|
| 9 | 3002592 | 1 | 106 | m13957 | 8 |
| 25 | 4011501 | 4 | 107 | m14143 | 16 |
| 30 | 4015689 | 2 | 124 | m04301 | 24 |
| 31 | 4008234 | 4 | 125 | m04990 | 8 |
| 34 | 4010038 | 4 | 126 | m03775 | 16 |
| 43 | 4010036 | 4 | 134 | m02157 | 12 |
| 56 | m09628 | 4 | 135 | 4013139 | 24 |
| 59 | m11691 | 9 | 136 | 4015687 | 8 |
| 104 | m04240 | 8 | 137 | m14029 | 16 |
| 105 | m14008 | 24 | 160 | m10451 | 4 |
| | | | 180 | m10353 | 4 |

Ⓒ POLOTOVAR STROJE

Ⓓ MASCHINEN-HALBFABRIKAT

Ⓕ MACHINE - SEMI-PRODUIT

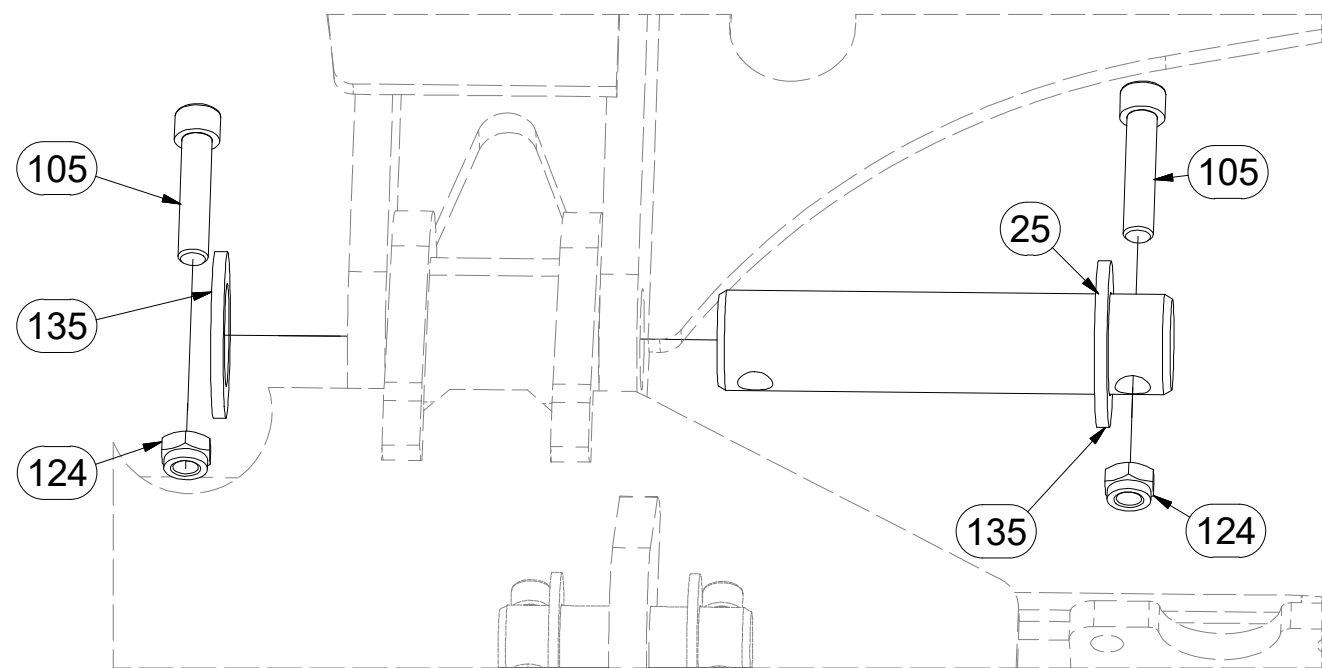
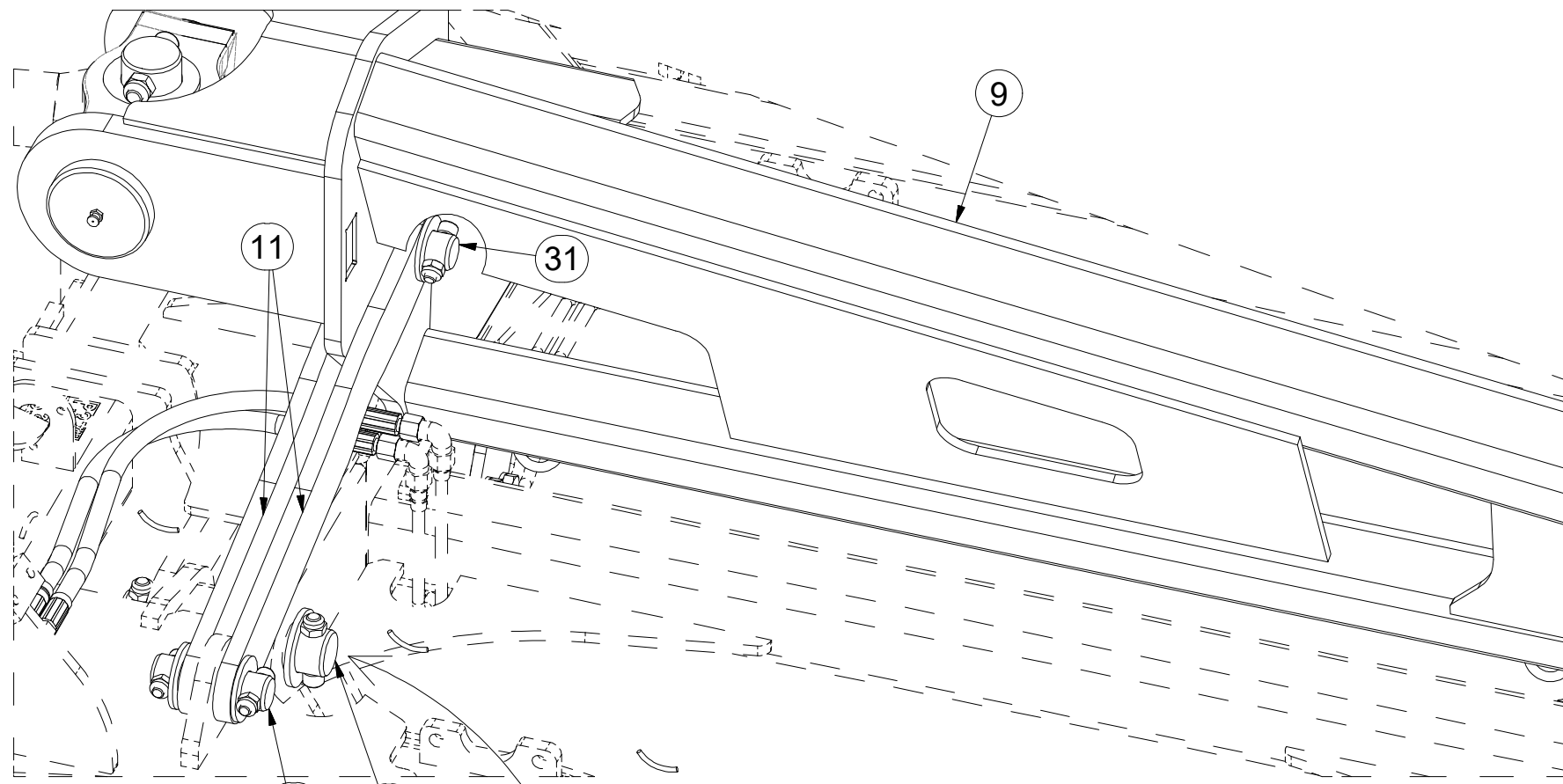
Ⓖ SEMIFINISHED MACHINE

Ⓡ ПОЛУФАБРИКАТ МАШИНЫ

Ⓟ PÓŁFABRYKAT MASZYN

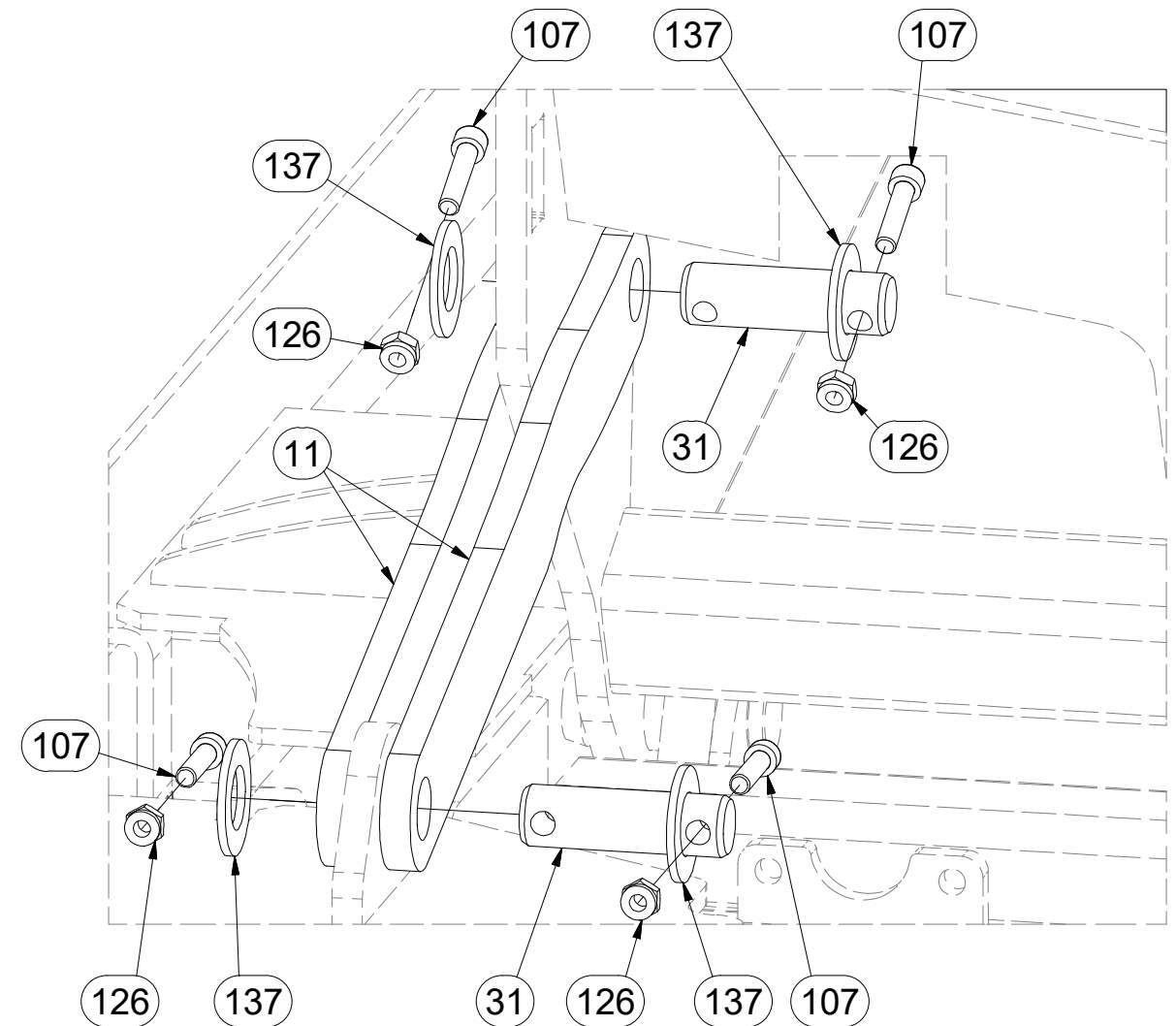


3007931



| Pos. | Part Number | Pcs. |
|------|-------------|------|
| 9 | 3002592 | 1 |
| 11 | 4008205 | 4 |
| 25 | 4011501 | 4 |
| 31 | 4008234 | 4 |
| 105 | m14008 | 24 |
| 107 | m14143 | 16 |
| 124 | m04301 | 24 |
| 126 | m03775 | 16 |
| 135 | 4013139 | 24 |
| 137 | m14029 | 16 |

A-B



☉ POLOTOVAR STROJE

☎ MASCHINEN-HALBFABRIKAT

☐ MACHINE - SEMI-PRODUIT

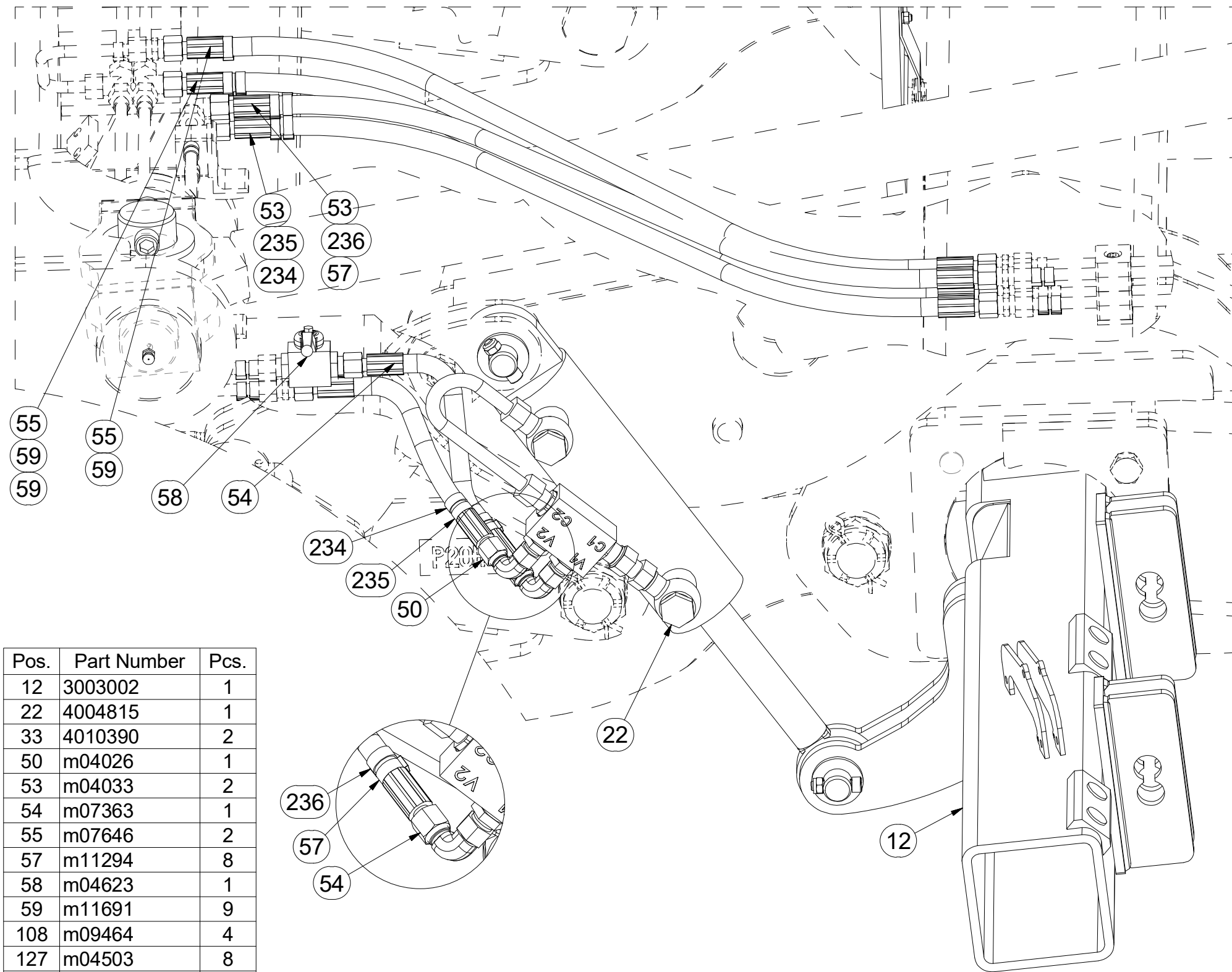
☉ SEMIFINISHED MACHINE

☎ ПОЛУФАБРИКАТ МАШИНЫ

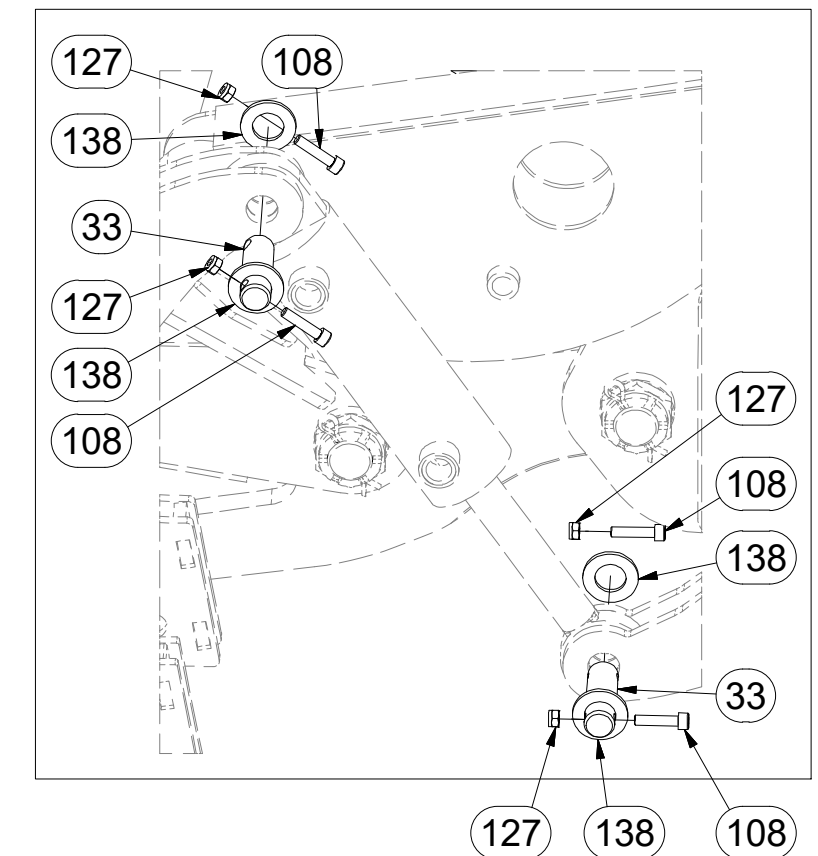
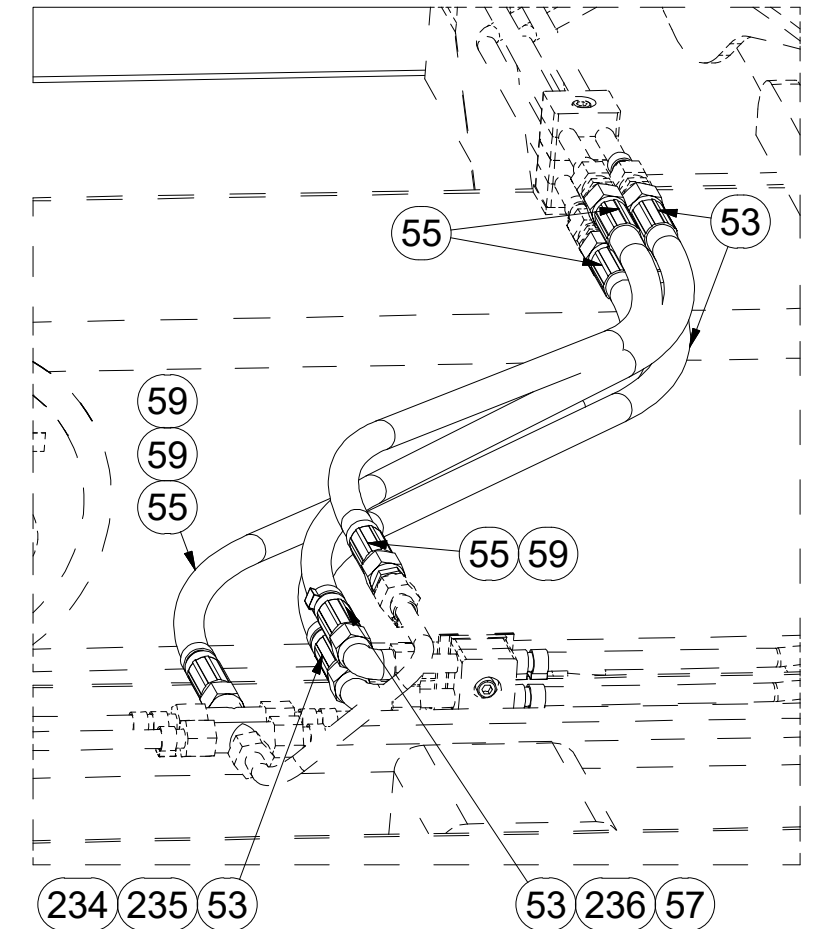
☐ PÓLFABRYKAT MASZYNY



3007931



| Pos. | Part Number | Pcs. |
|------|-------------|------|
| 12 | 3003002 | 1 |
| 22 | 4004815 | 1 |
| 33 | 4010390 | 2 |
| 50 | m04026 | 1 |
| 53 | m04033 | 2 |
| 54 | m07363 | 1 |
| 55 | m07646 | 2 |
| 57 | m11294 | 8 |
| 58 | m04623 | 1 |
| 59 | m11691 | 9 |
| 108 | m09464 | 4 |
| 127 | m04503 | 8 |
| 138 | m14028 | 4 |
| 234 | m11289 | 2 |
| 235 | m11282 | 2 |
| 236 | m11253 | 2 |



☉ POLOTOVAR STROJE

☉ MASCHINEN-HALBFABRIKAT

☉ MACHINE - SEMI-PRODUIT

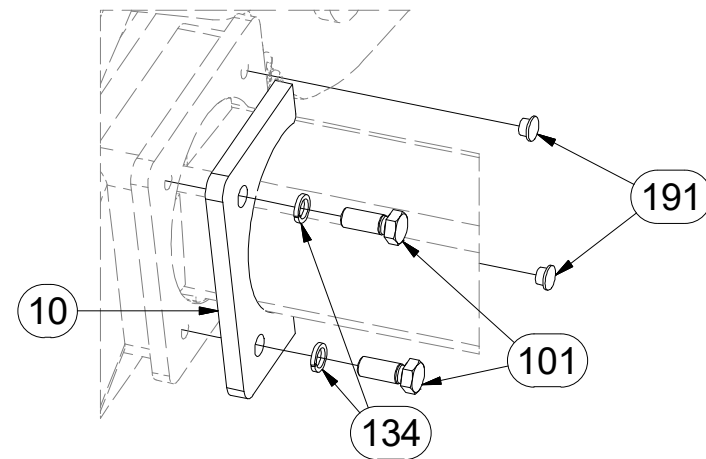
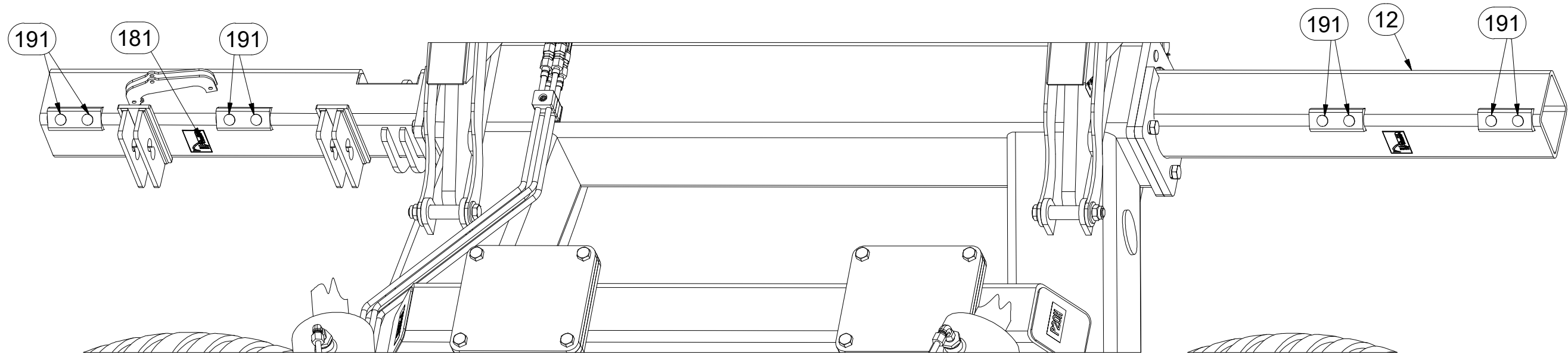
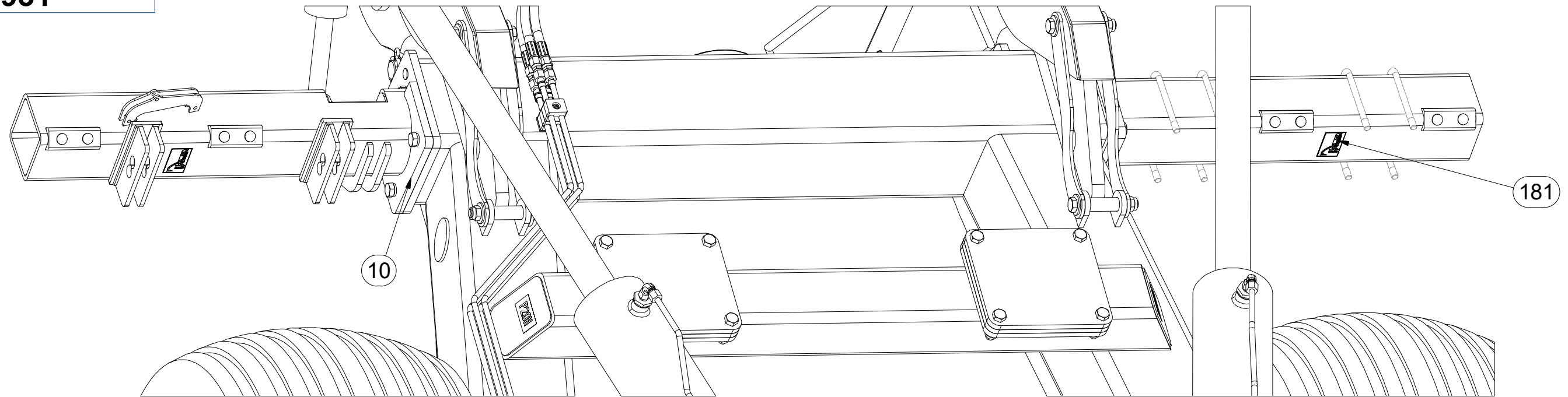
☉ SEMIFINISHED MACHINE

☉ ПОЛУФАБРИКАТ МАШИНЫ

☉ PÓŁFABRYKAT MASZYNY



3007931



| Pos. | Part Number | Pcs. |
|------|-------------|------|
| 10 | 4004697 | 2 |
| 12 | 3003002 | 1 |
| 101 | m01129 | 4 |
| 134 | m02157 | 12 |
| 181 | m10180 | 4 |
| 191 | m12433 | 26 |

☉ POLOTOVAR STROJE

☉ MASCHINEN-HALBFABRIKAT

☉ MACHINE - SEMI-PRODUIT

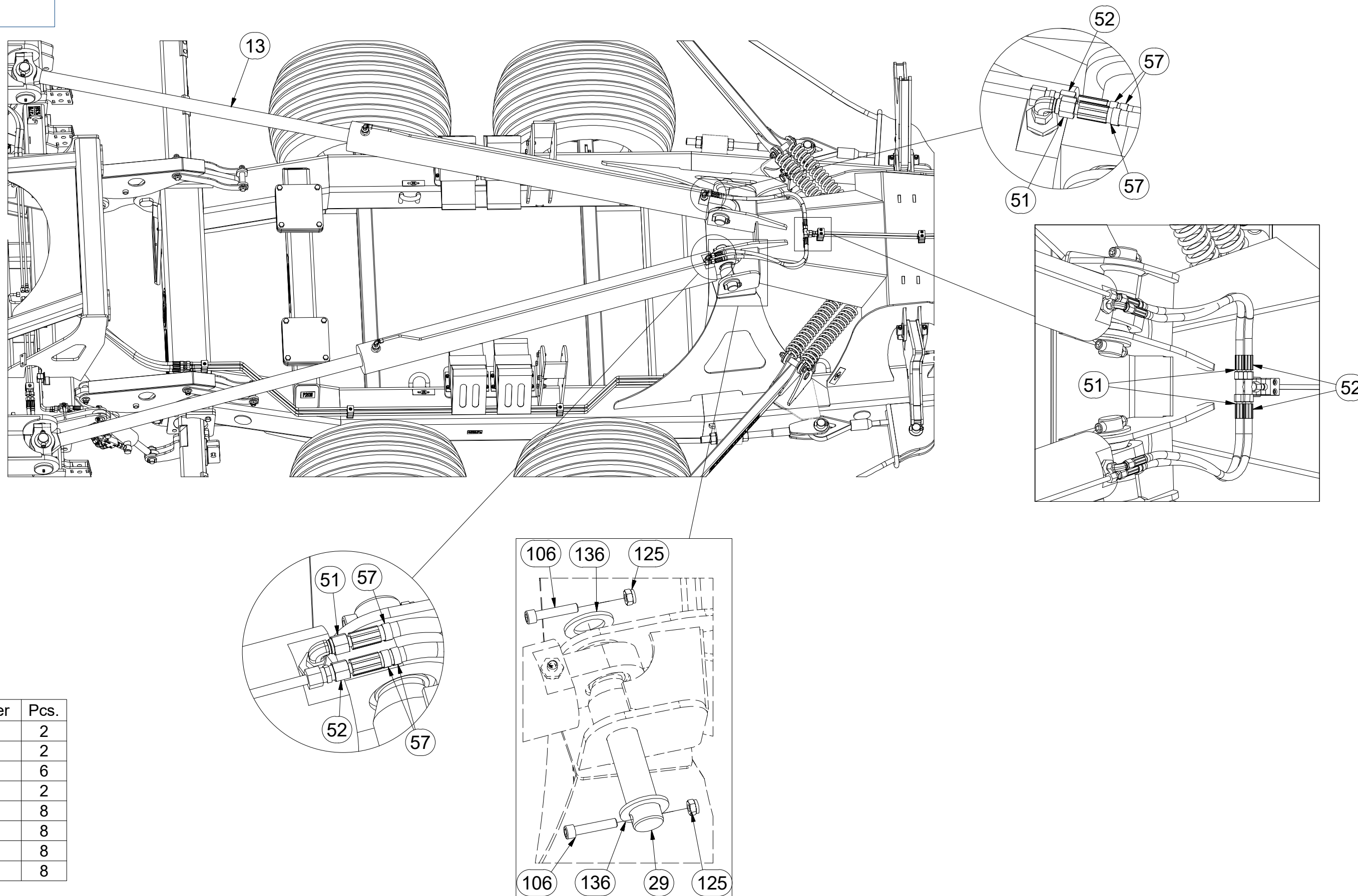
☉ SEMIFINISHED MACHINE

☉ ПОЛУФАБРИКАТ МАШИНЫ

☉ PÓLFABRYKAT MASZYNY



3007931



| Pos. | Part Number | Pcs. |
|------|-------------|------|
| 13 | 4004817 | 2 |
| 29 | 4015688 | 2 |
| 51 | m03713 | 6 |
| 52 | m09432 | 2 |
| 57 | m11294 | 8 |
| 106 | m13957 | 8 |
| 125 | m04990 | 8 |
| 136 | 4015687 | 8 |

Ⓒ POLOTOVAR STROJE

Ⓓ MASCHINEN-HALBFABRIKAT

Ⓕ MACHINE - SEMI-PRODUIT

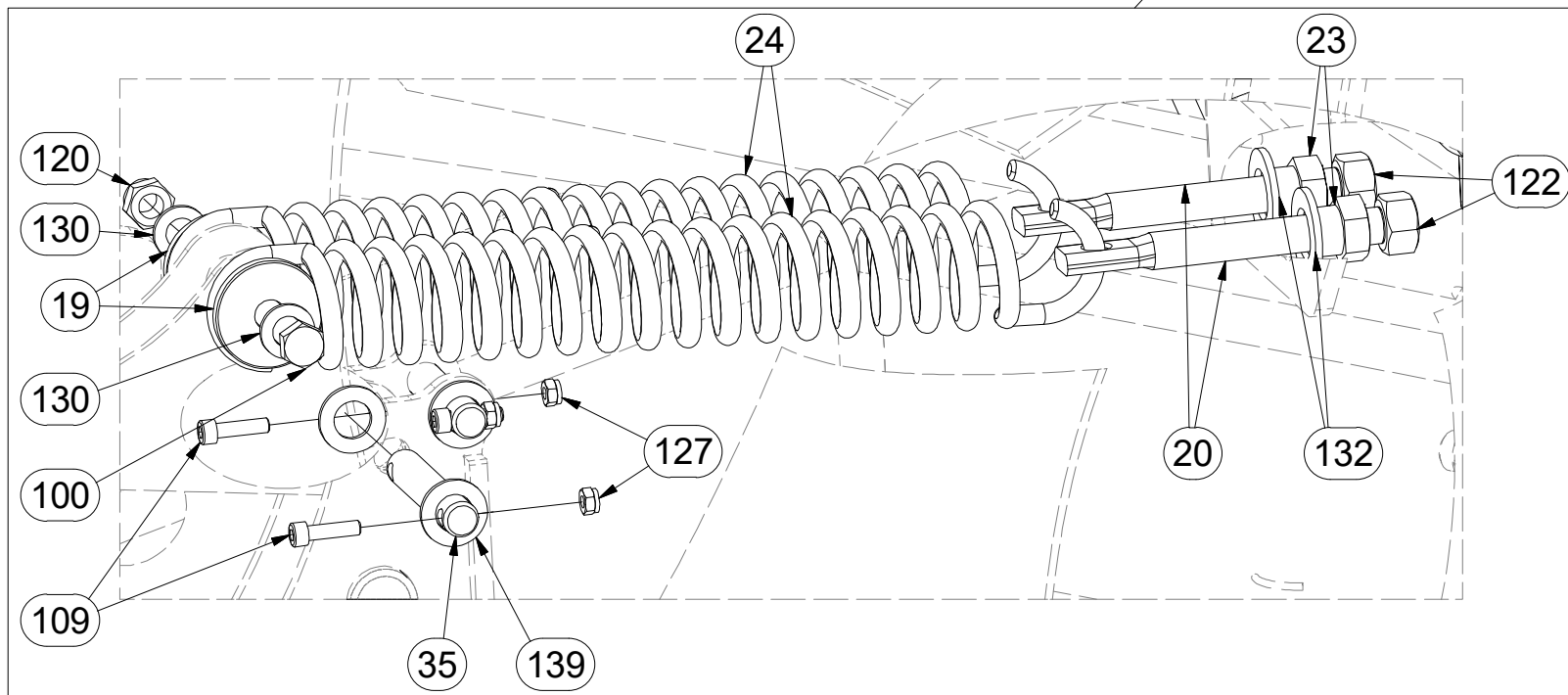
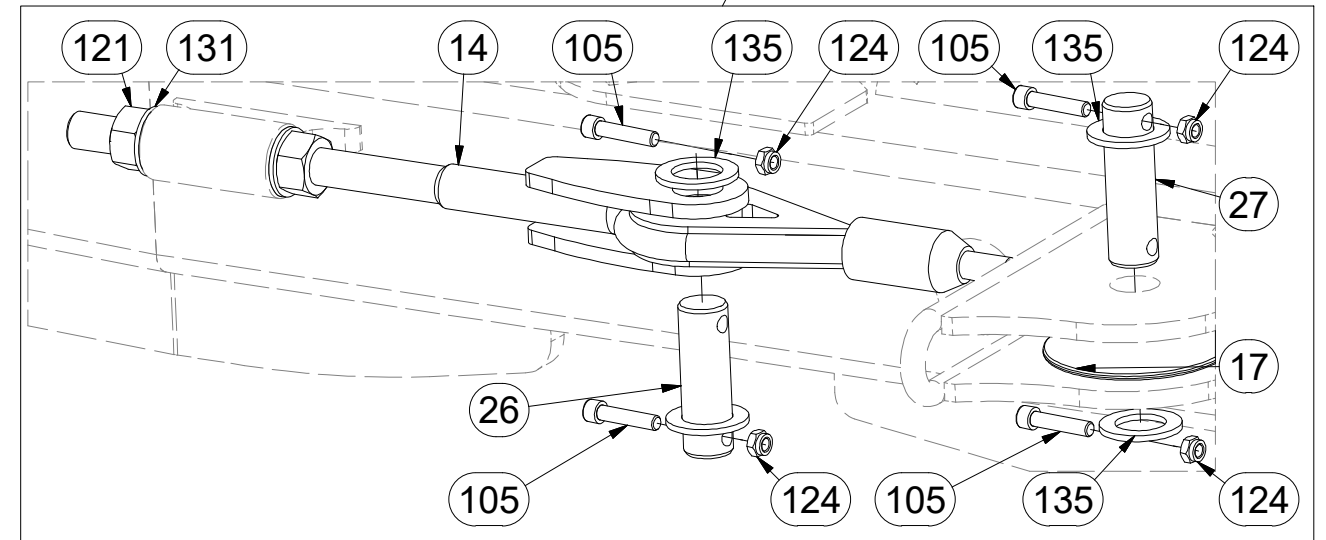
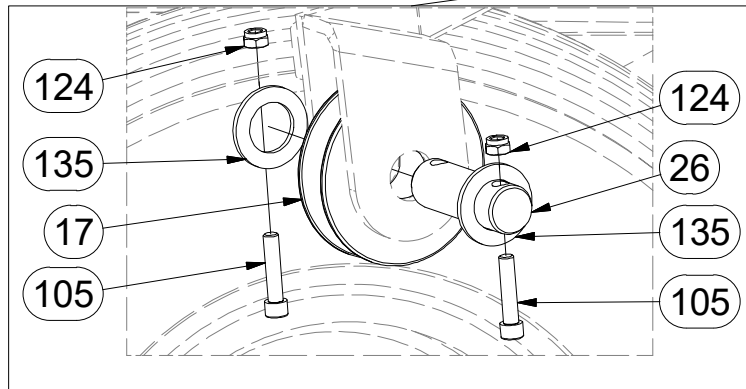
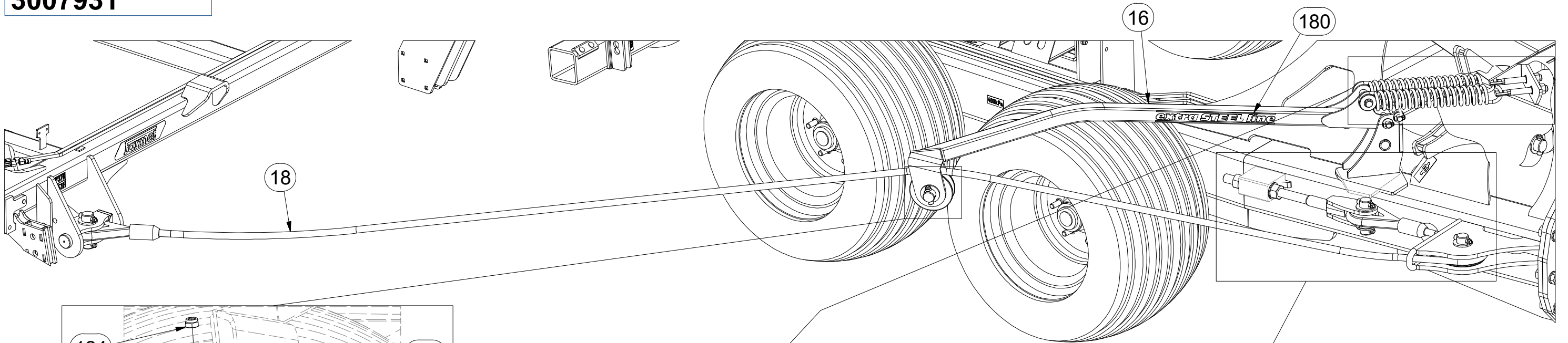
Ⓖ SEMIFINISHED MACHINE

Ⓡ ПОЛУФАБРИКАТ МАШИНЫ

Ⓢ РОЉФАБРИКАТ МАСЗЫНЫ



3007931



| Pos. | Part Number | Pcs. | Pos. | Part Number | Pcs. |
|------|-------------|------|------|-------------|------|
| 14 | 3002642 | 2 | 105 | m14008 | 24 |
| 16 | 3002970 | 1 | 109 | m09870 | 4 |
| 17 | 4004704 | 4 | 120 | m03683 | 8 |
| 18 | m09595 | 2 | 121 | m01309 | 4 |
| 19 | 4004910 | 4 | 122 | m01307 | 4 |
| 20 | 4003401 | 4 | 124 | m04301 | 24 |
| 23 | 4000189 | 4 | 127 | m04503 | 8 |
| 24 | m02597 | 4 | 130 | m01219 | 4 |
| 26 | 4015686 | 6 | 131 | m02866 | 4 |
| 27 | 4007646 | 2 | 132 | m01225 | 4 |
| 35 | 4015696 | 2 | 135 | 4013139 | 24 |
| 100 | m06046 | 2 | 139 | m14944 | 4 |
| | | | 180 | m10353 | 4 |

☉ POLOTOVAR STROJE

☉ MASCHINEN-HALBFABRIKAT

☉ MACHINE - SEMI-PRODUIT

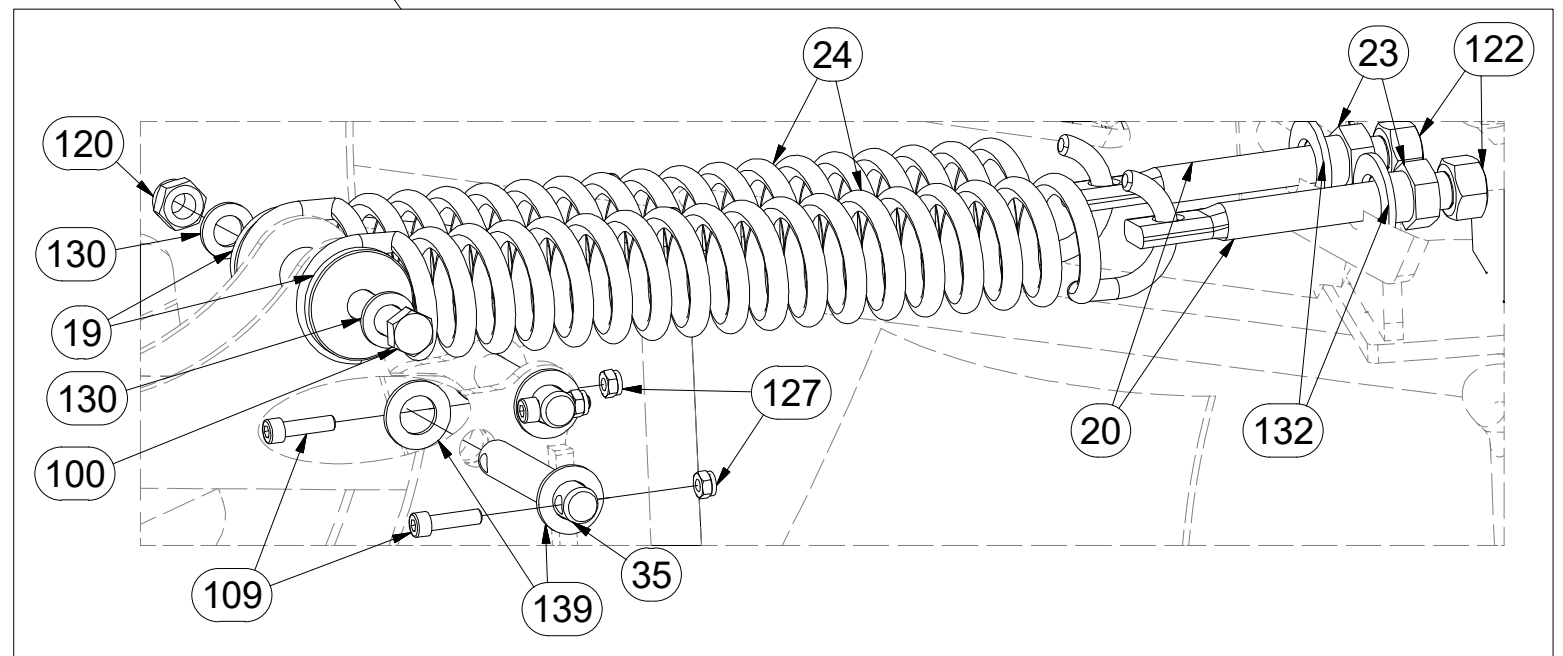
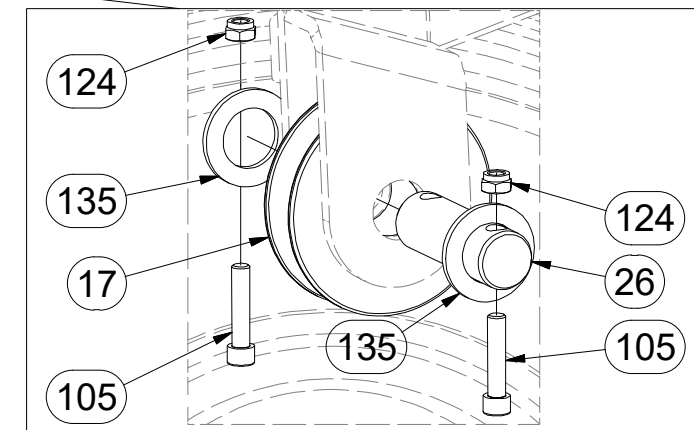
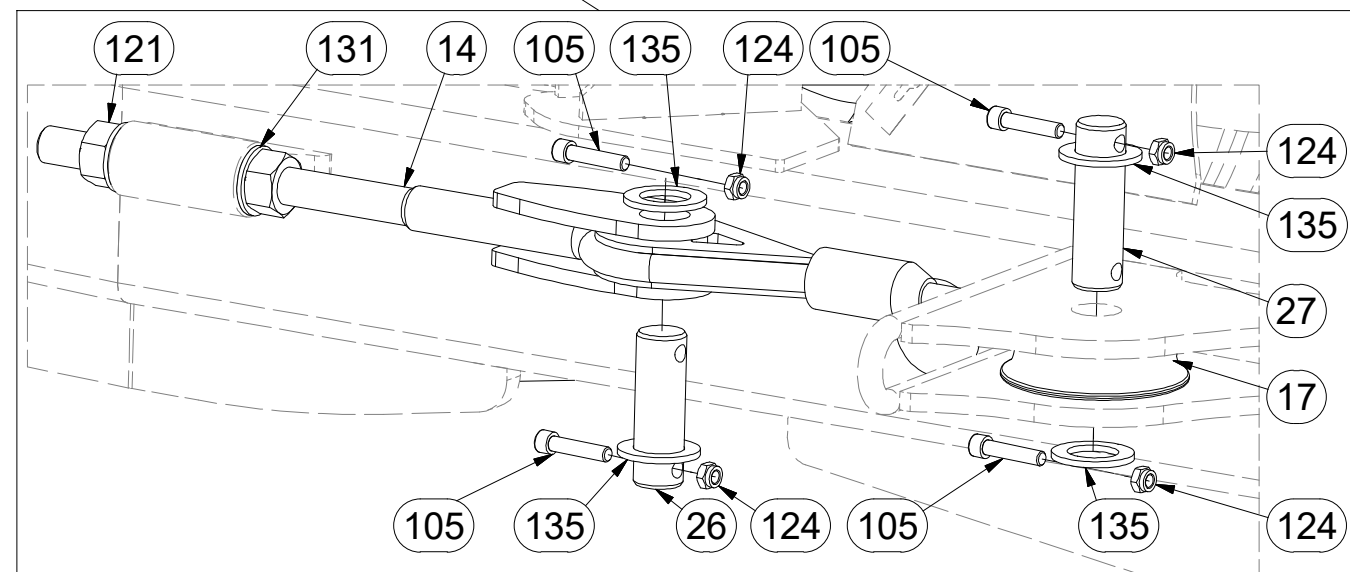
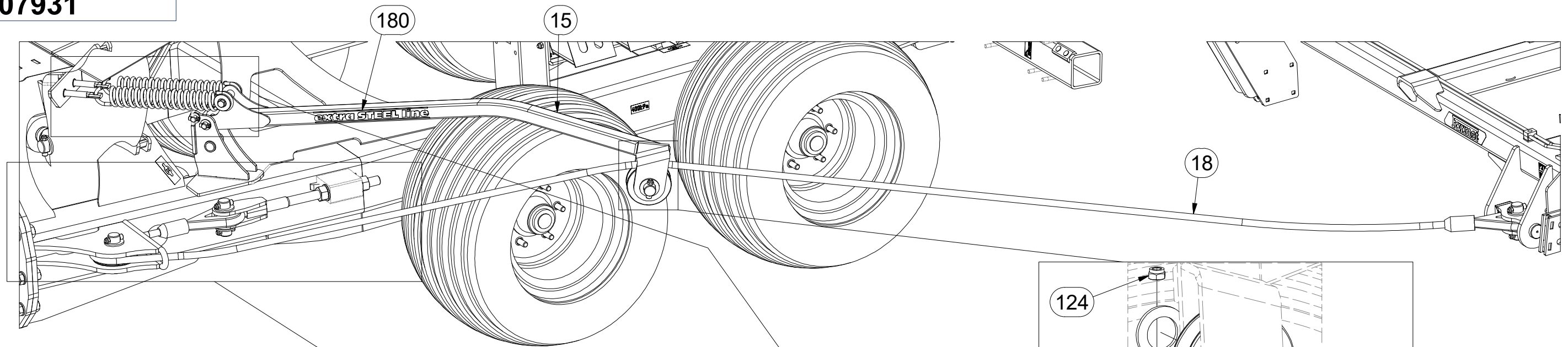
☉ SEMIFINISHED MACHINE

☉ ПОЛУФАБРИКАТ МАШИНЫ

☉ PÓLFABRYKAT MASZYNY



3007931



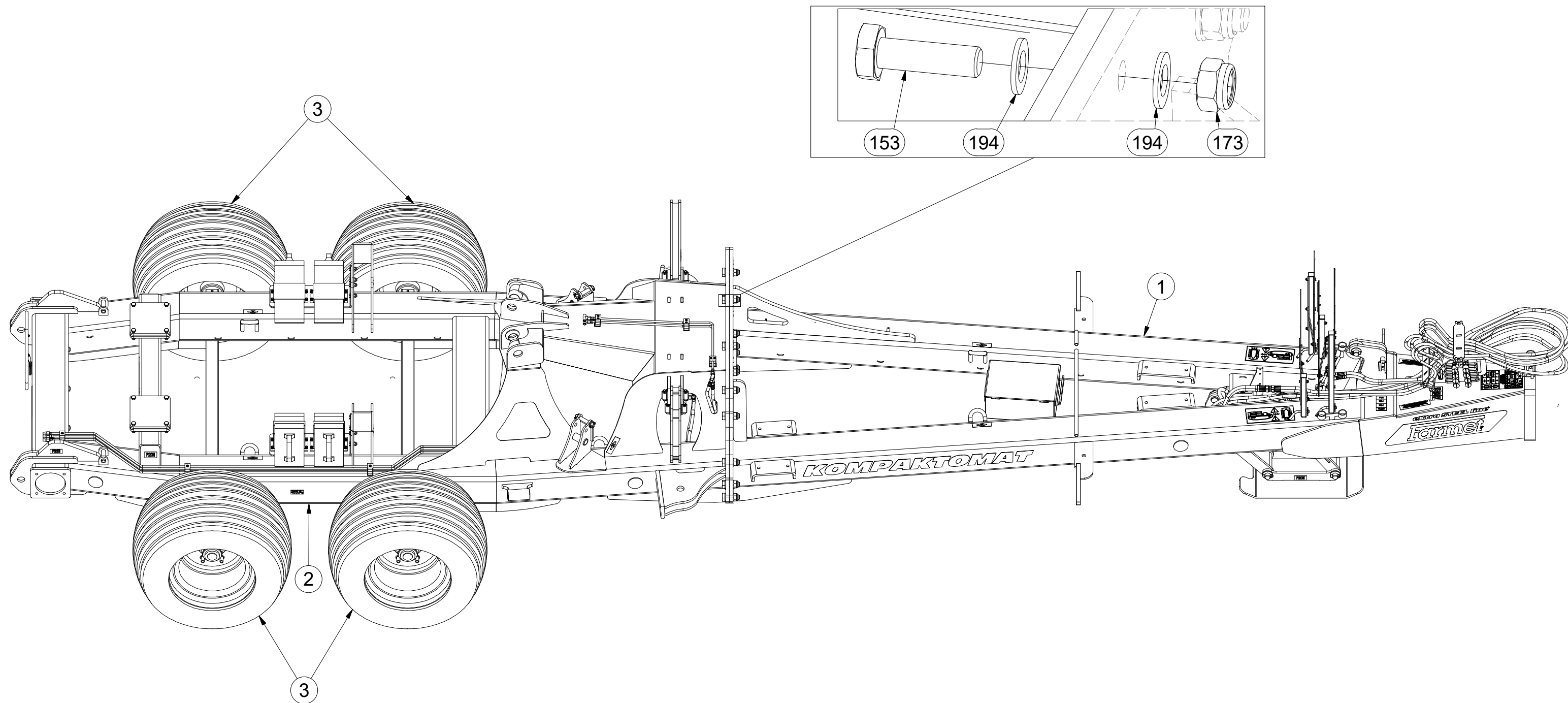
| Pos. | Part Number | Pcs. | Pos. | Part Number | Pcs. |
|------|-------------|------|------|-------------|------|
| 14 | 3002642 | 2 | 105 | m14008 | 24 |
| 15 | 3002969 | 1 | 109 | m09870 | 4 |
| 17 | 4004704 | 4 | 120 | m03683 | 8 |
| 18 | m09595 | 2 | 121 | m01309 | 4 |
| 19 | 4004910 | 4 | 122 | m01307 | 4 |
| 20 | 4003401 | 4 | 124 | m04301 | 24 |
| 23 | 4000189 | 4 | 127 | m04503 | 8 |
| 24 | m02597 | 4 | 130 | m01219 | 4 |
| 26 | 4015686 | 6 | 131 | m02866 | 4 |
| 27 | 4007646 | 2 | 132 | m01225 | 4 |
| 35 | 4015696 | 2 | 135 | 4013139 | 24 |
| 100 | m06046 | 2 | 139 | m14944 | 4 |
| | | | 180 | m10353 | 4 |

CZ PODVOZEK
 D FAHRGESTELL
 F CHÂSSIS

GB CHASSIS
 RU ШАССИ
 PL PODWOZIE



3007930



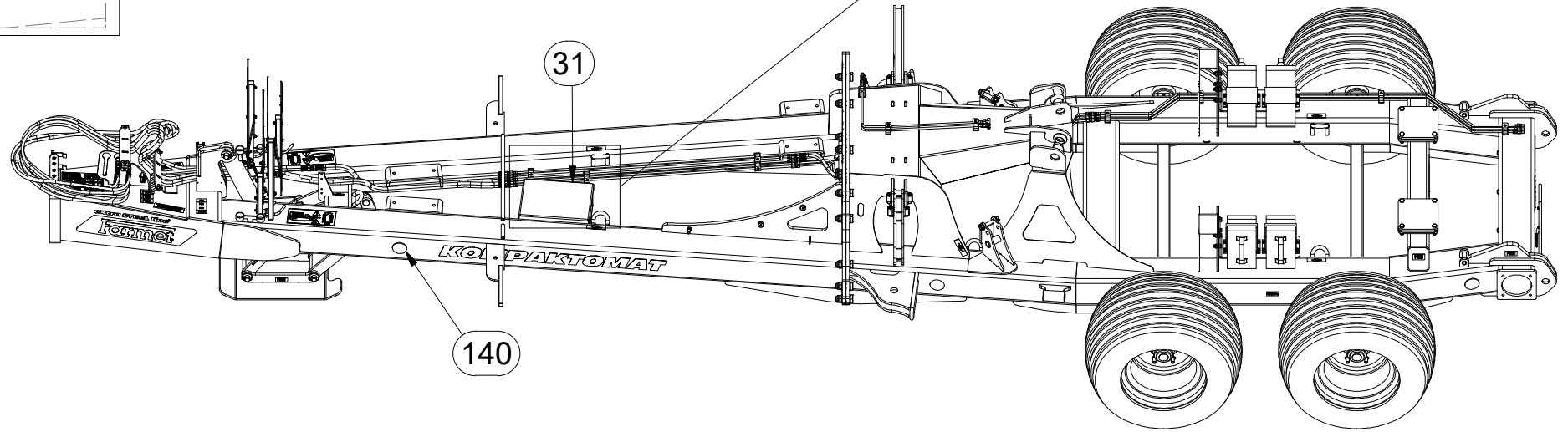
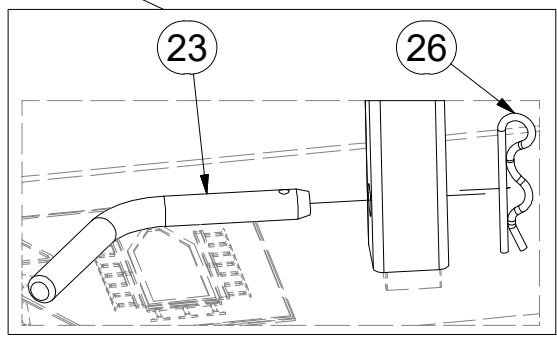
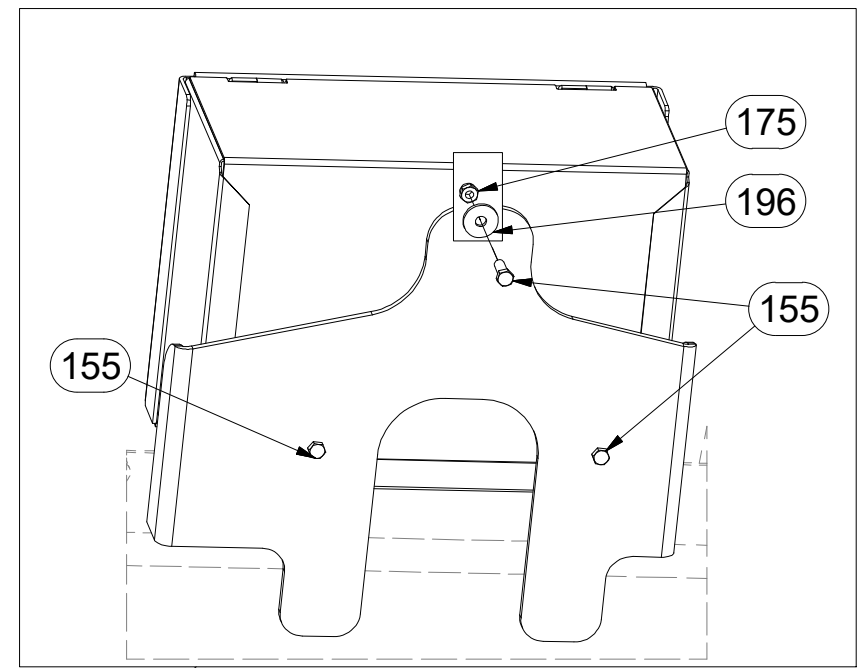
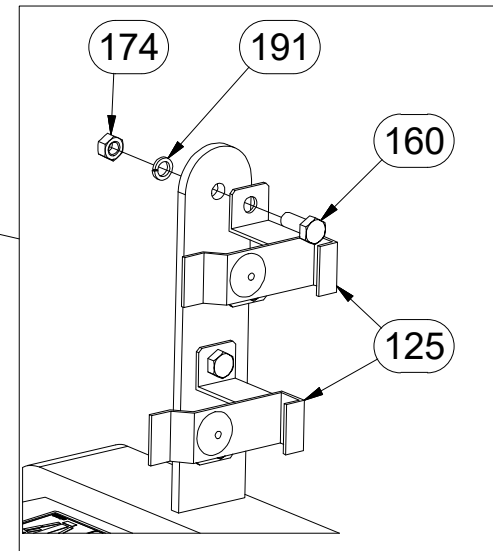
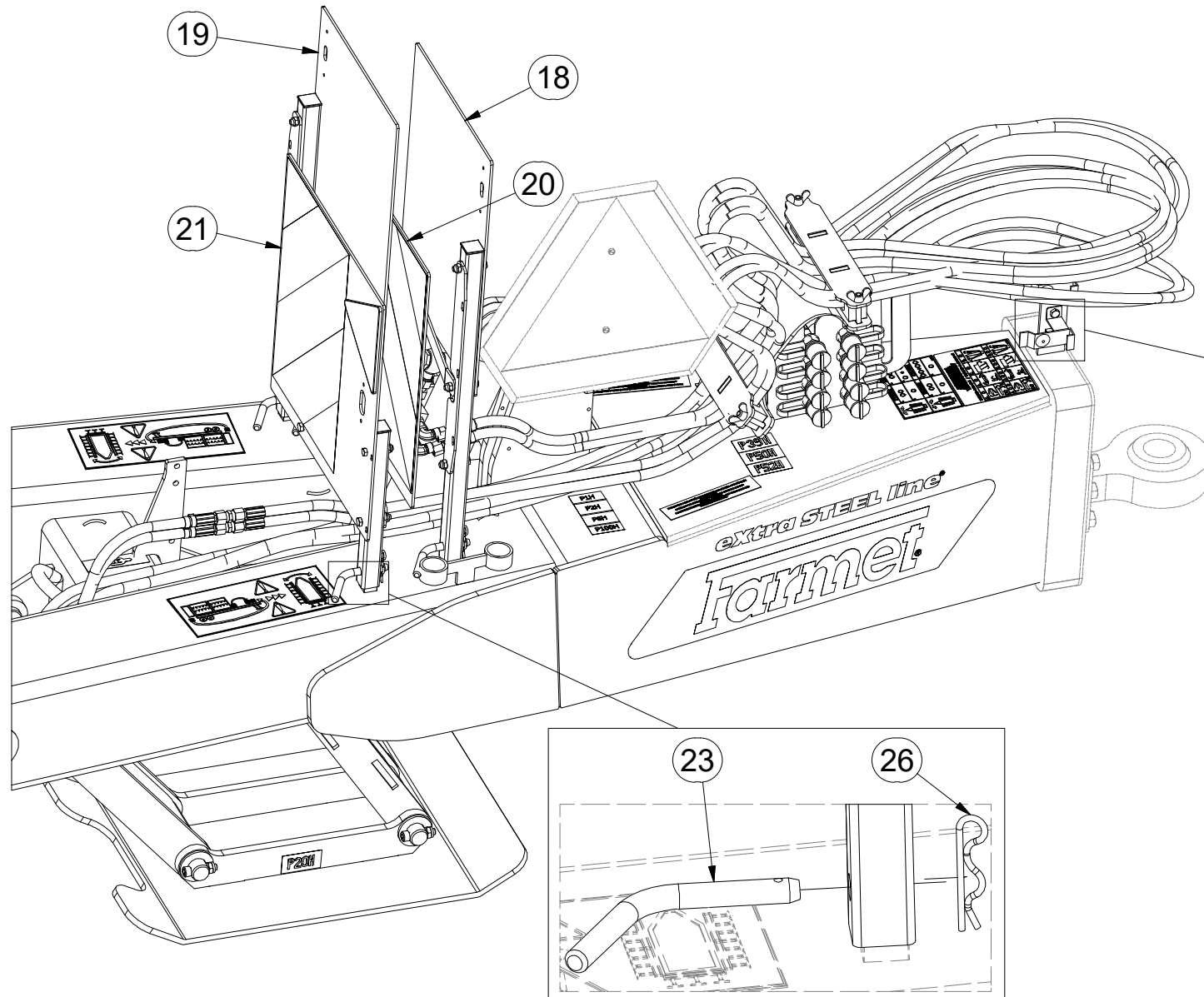
| Pos. | Part Number | Pcs. |
|------|-------------|------|
| 1 | 2000867 | 1 |
| 2 | 2000673 | 1 |
| 3 | m11625 | 4 |
| 153 | m03401 | 22 |
| 173 | m07147 | 22 |
| 194 | m03718 | 44 |

- Ⓒ PODVOZEK
- Ⓓ FAHRGESTELL
- Ⓕ CHÂSSIS

- Ⓖ CHASSIS
- Ⓔ ШАССИ
- Ⓗ PODWOZIE



3007930



| Pos. | Part Number | Pcs. | Pos. | Part Number | Pcs. |
|------|-------------|------|------|-------------|------|
| 18 | 4017863 | 1 | 125 | m09789 | 2 |
| 19 | 4017864 | 1 | 140 | m02579 | 6 |
| 20 | 4017881 | 1 | 155 | m01092 | 3 |
| 21 | 4017882 | 1 | 160 | m01089 | 20 |
| 23 | m08886 | 4 | 174 | m01296 | 4 |
| 26 | m08049 | 4 | 175 | m04503 | 23 |
| 31 | m12296 | 1 | 196 | m07936 | 3 |

Ⓒ PODVOZEK

Ⓓ FAHRGESTELL

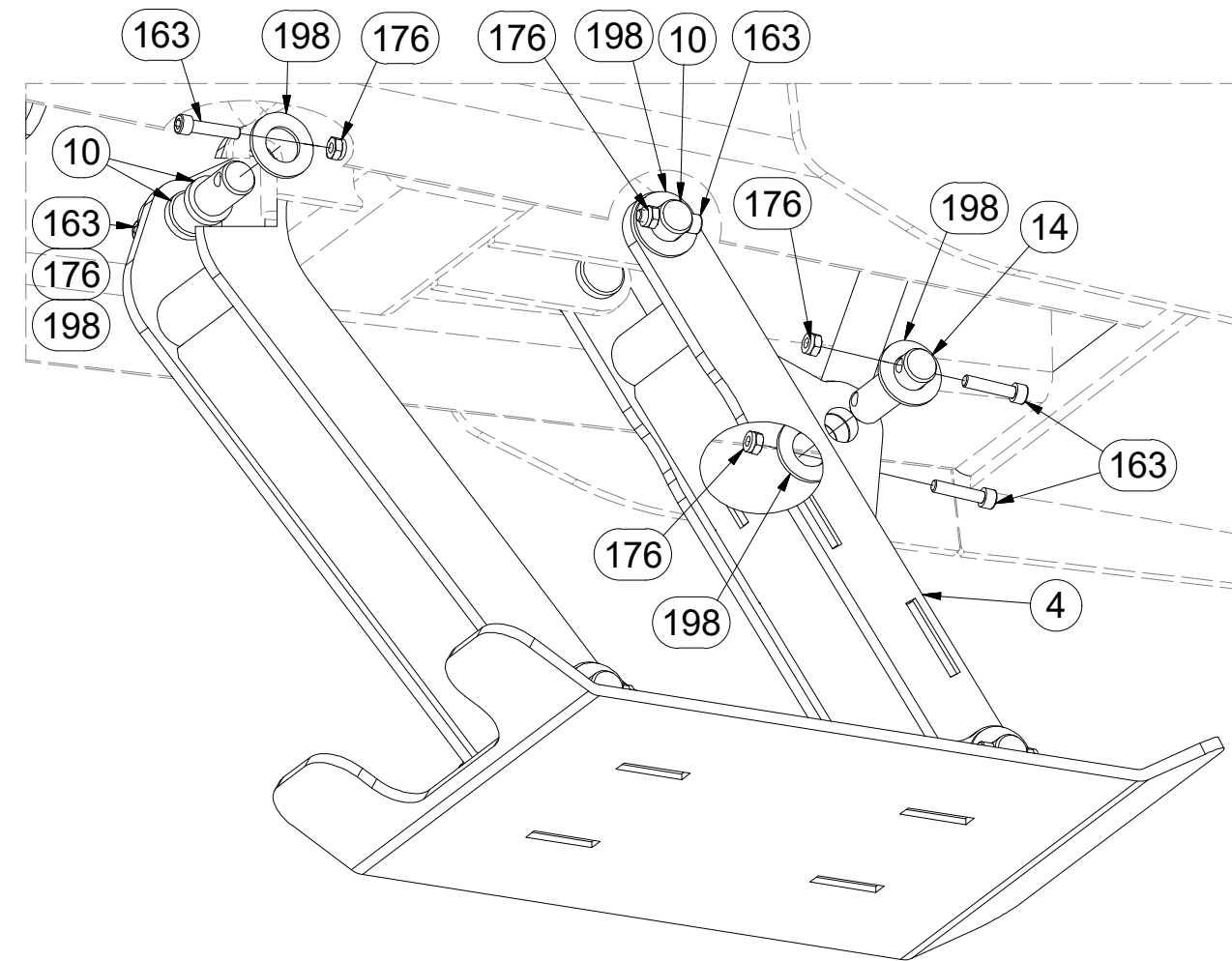
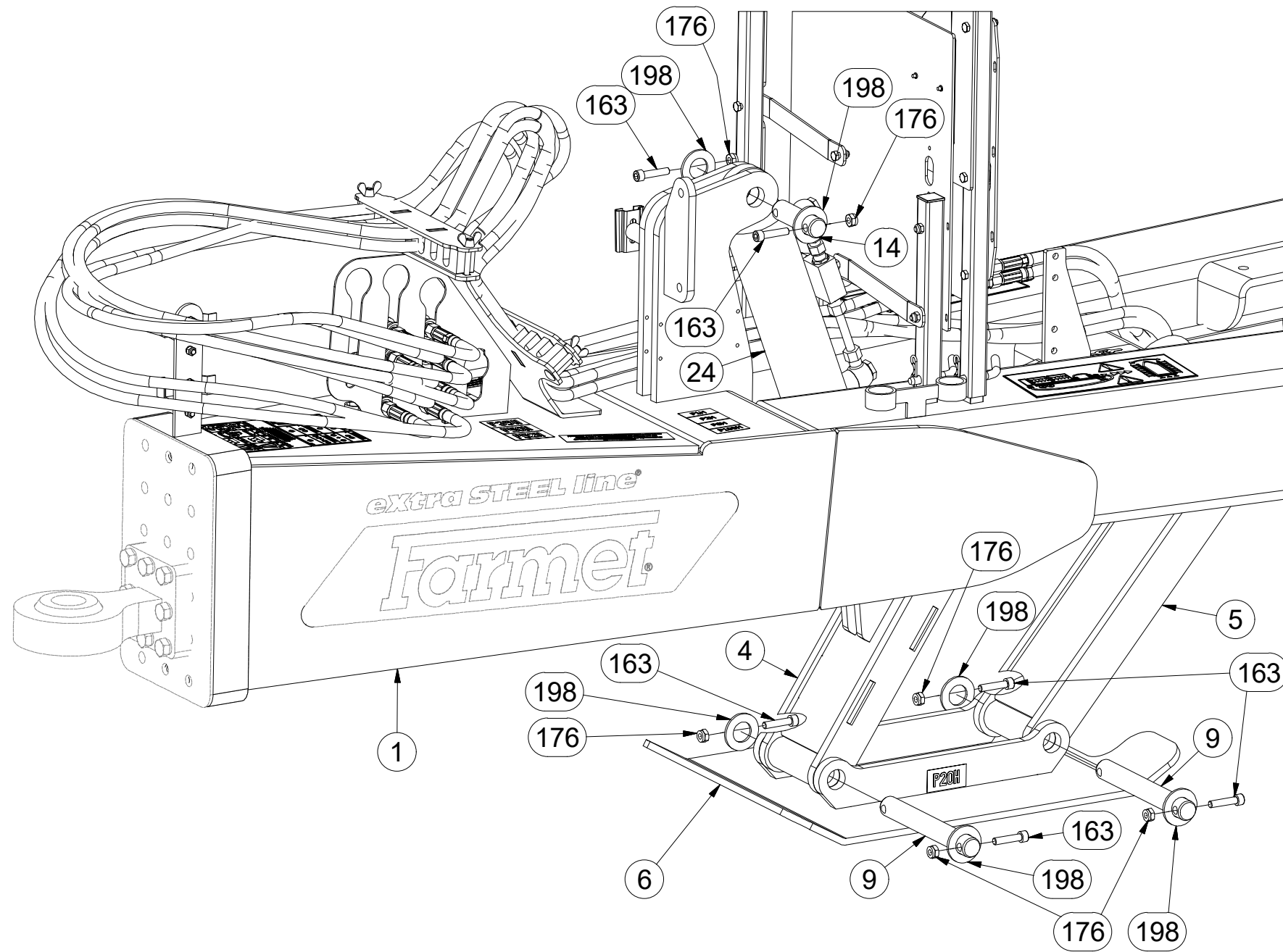
Ⓕ CHÂSSIS

3007930

Ⓒ CHASSIS

Ⓒ ШАССИ

Ⓒ PODWOZIE



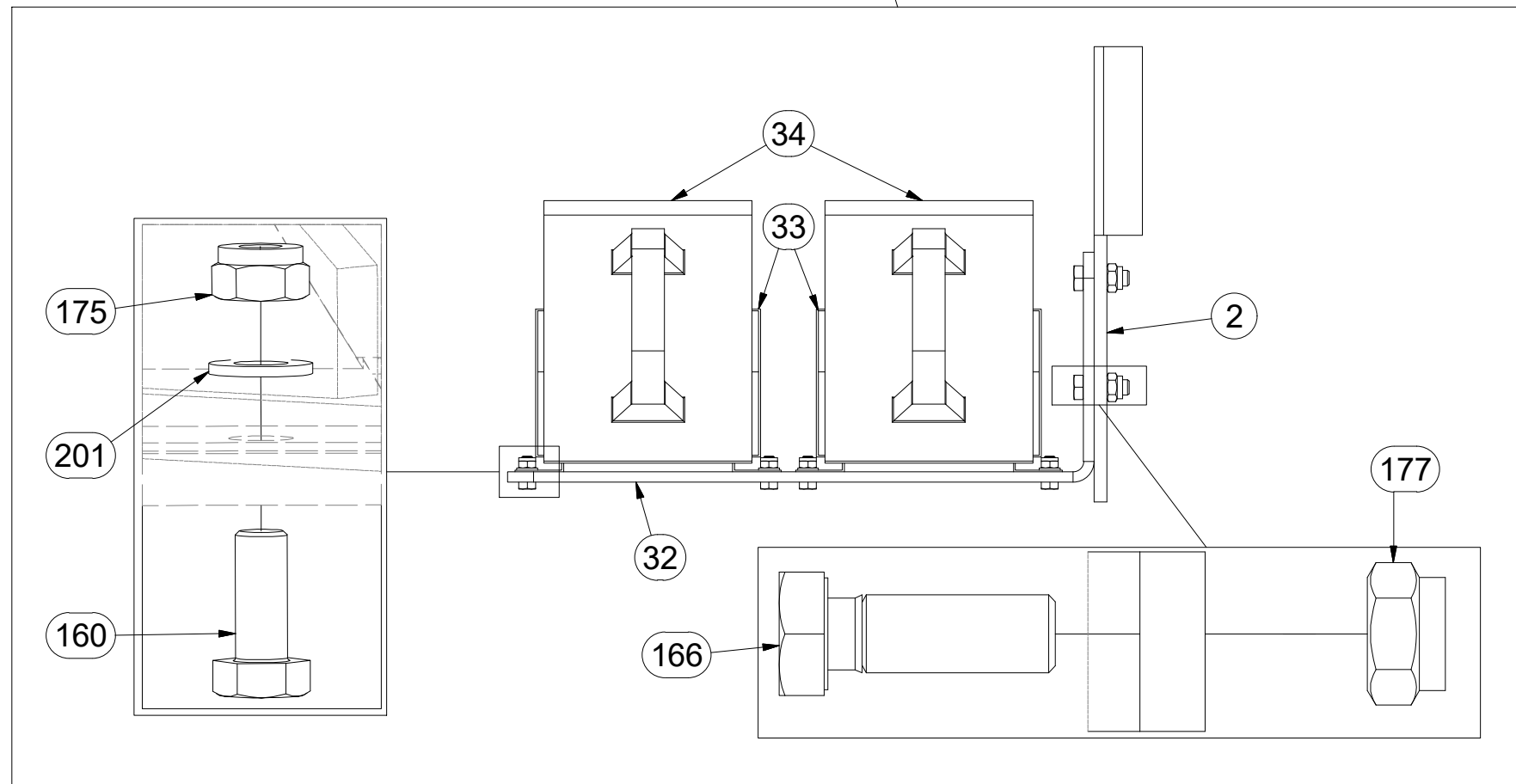
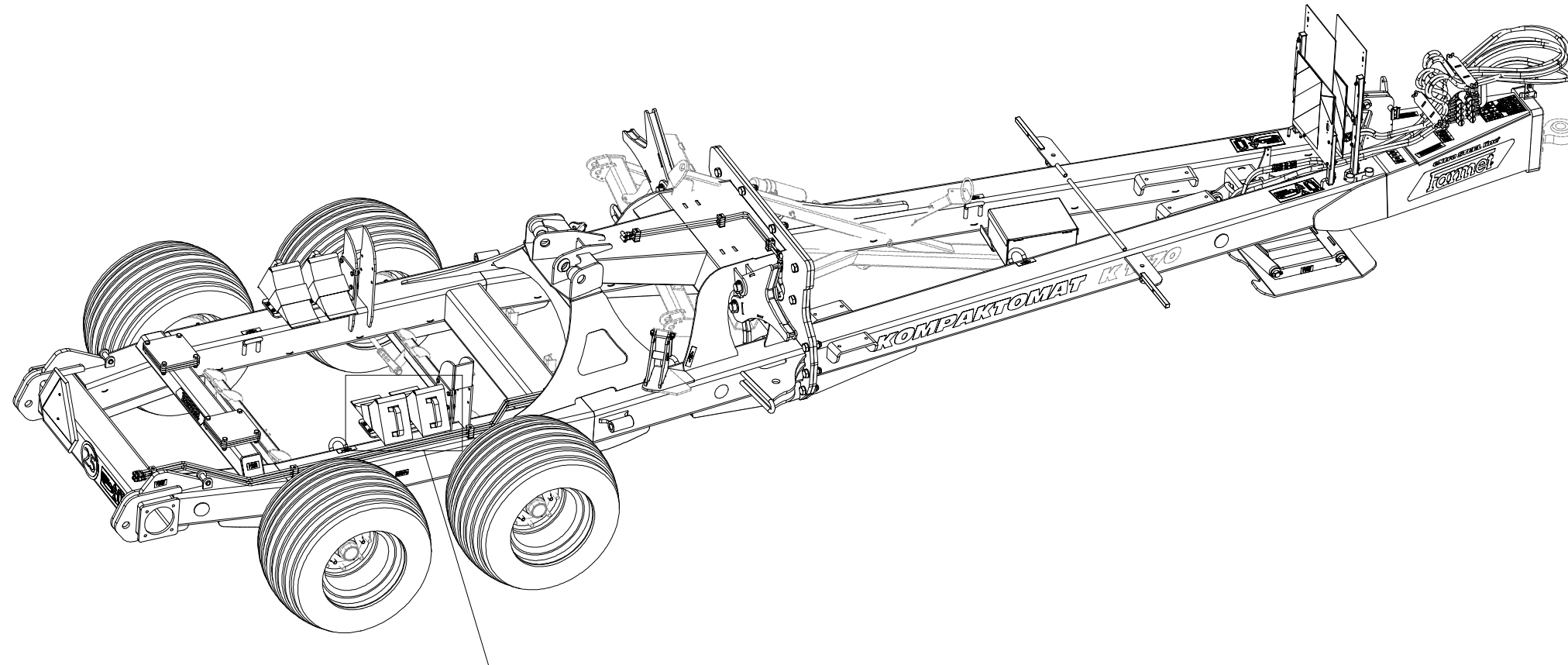
| Pos. | Part Number | Pcs. |
|------|-------------|------|
| 1 | 2000867 | 1 |
| 4 | 3002929 | 1 |
| 5 | 3002928 | 1 |
| 6 | 3002927 | 1 |
| 9 | 4015690 | 2 |
| 10 | 4015692 | 4 |
| 14 | 4007584 | 2 |
| 24 | 4004809 | 1 |
| 163 | m14143 | 12 |
| 176 | m03775 | 12 |
| 198 | m14029 | 12 |

- Ⓒ PODVOZEK
- Ⓓ FAHRGESTELL
- Ⓕ CHÂSSIS

- Ⓖ CHASSIS
- Ⓡ ШАССИ
- Ⓟ PODWOZIE



3007930



| Pos. | Part Number | Pcs. |
|------|-------------|------|
| 2 | 2000673 | 1 |
| 32 | 4016351 | 2 |
| 33 | 9004563 | 4 |
| 34 | m16186 | 4 |
| 160 | m01089 | 20 |
| 166 | m04343 | 8 |
| 175 | m04503 | 23 |
| 177 | m04301 | 16 |
| 201 | m01203 | 16 |

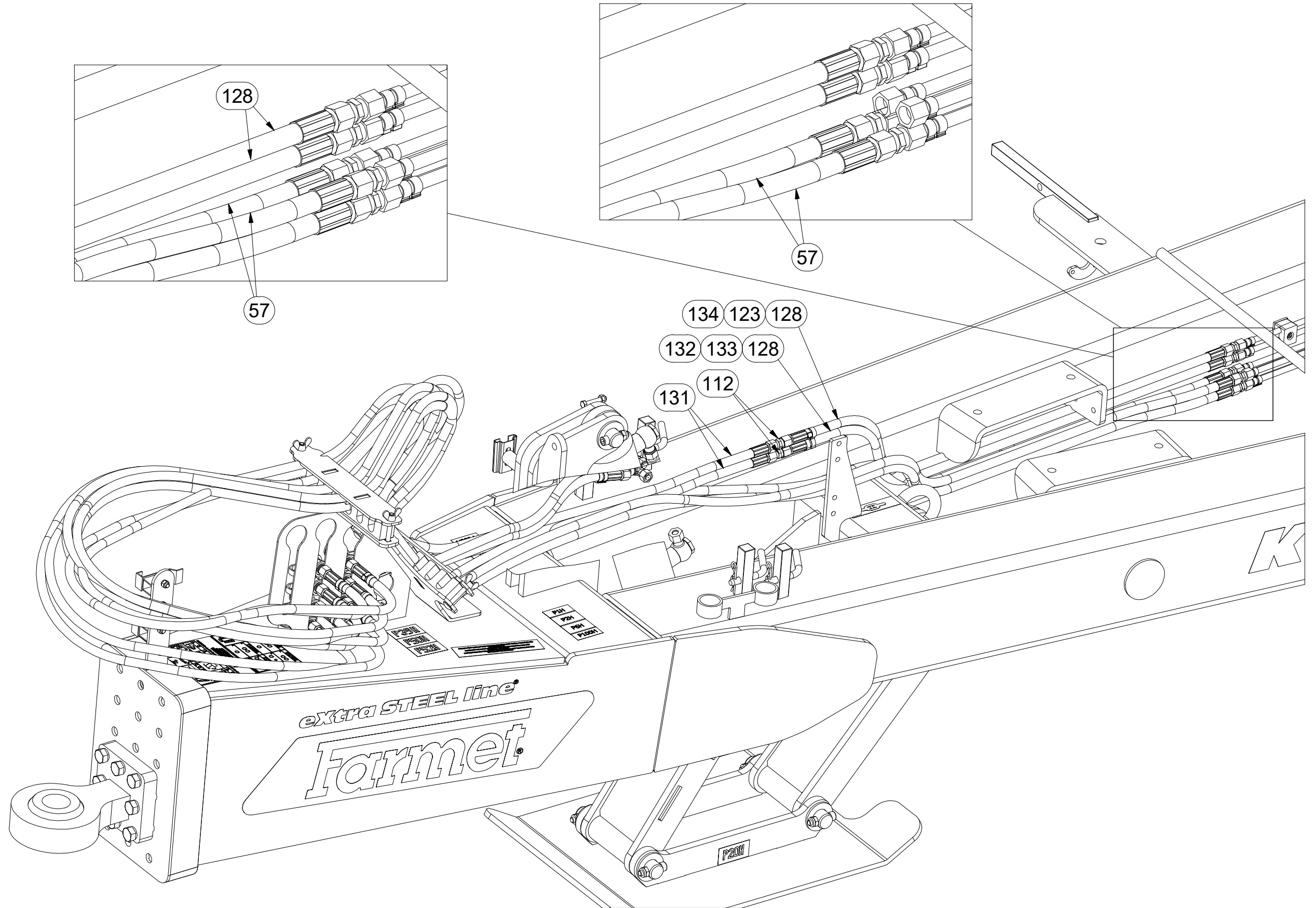
- Ⓒ PODVOZEK
- Ⓓ FAHRGESTELL
- Ⓕ CHÂSSIS

- Ⓖ CHASSIS
- Ⓡ ШАССИ
- Ⓟ PODWOZIE



3007930

| Pos. | Part Number | Pcs. |
|------|-------------|------|
| 57 | m05216 | 4 |
| 112 | m03213 | 22 |
| 123 | m11294 | 22 |
| 128 | m07504 | 2 |
| 131 | m08000 | 2 |
| 132 | m11282 | 7 |
| 133 | m11289 | 7 |
| 134 | m11253 | 7 |
| 2 | 2000673 | 1 |
| 18 | 4017863 | 1 |
| 19 | 4017864 | 1 |
| 20 | 4017881 | 1 |
| 21 | 4017882 | 1 |



Ⓒ PODVOZEK

Ⓓ FAHRGESTELL

Ⓕ CHÂSSIS

Ⓖ CHASSIS

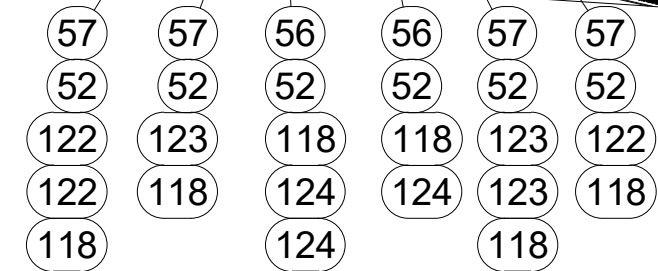
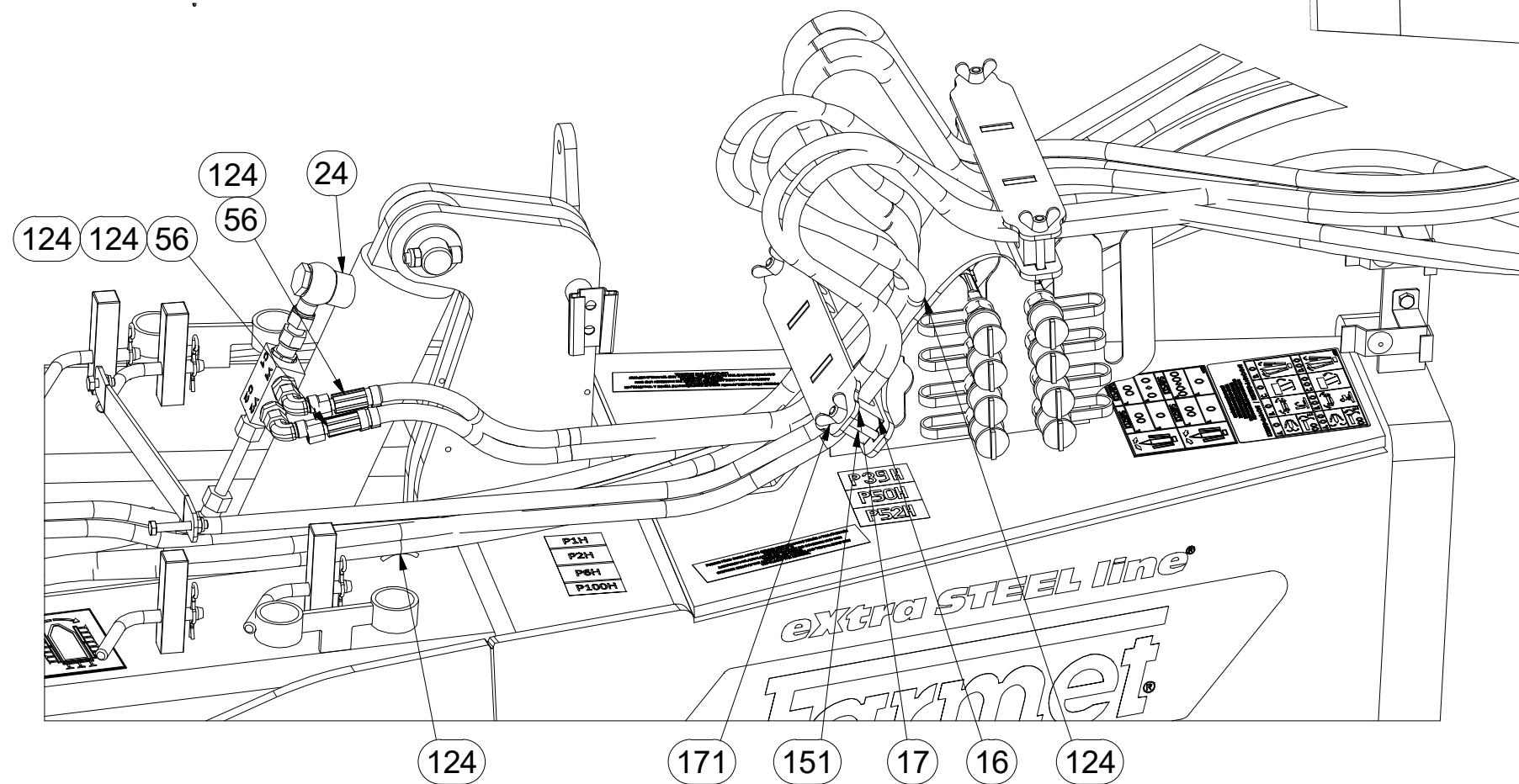
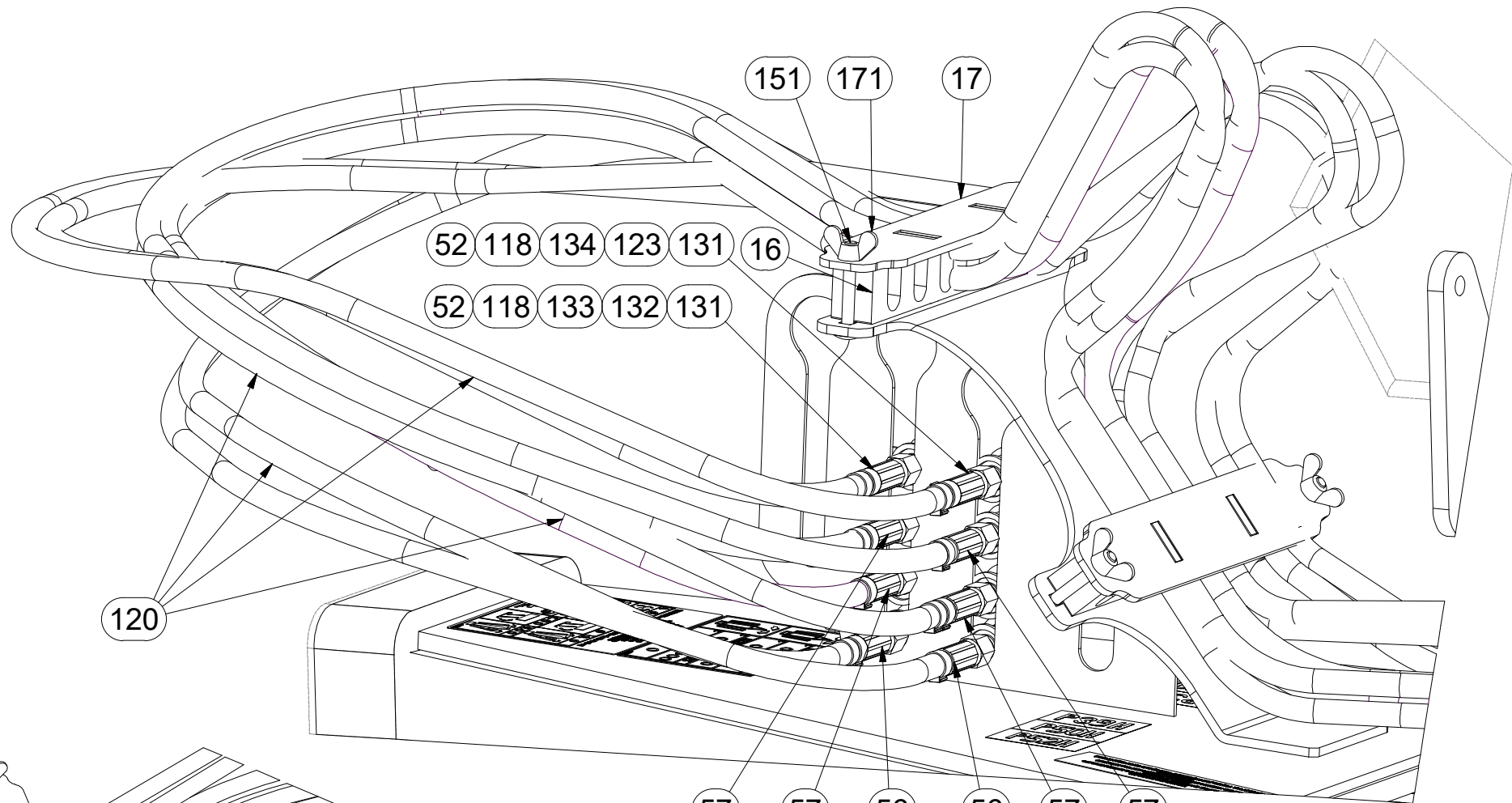
Ⓔ ШАССИ

Ⓗ PODWOZIE



3007930

| Pos. | Part Number | Pcs. |
|------|-------------|------|
| 16 | 4011952 | 2 |
| 17 | 4011961 | 2 |
| 52 | m03849 | 8 |
| 56 | m05286 | 2 |
| 57 | m05216 | 4 |
| 118 | m04622 | 8 |
| 120 | m11183 | 4 |
| 122 | m11691 | 21 |
| 123 | m11294 | 22 |
| 124 | m01637 | 56 |
| 131 | m08000 | 2 |
| 132 | m11282 | 7 |
| 133 | m11289 | 7 |
| 134 | m11253 | 7 |
| 151 | m09247 | 4 |
| 171 | m01316 | 4 |



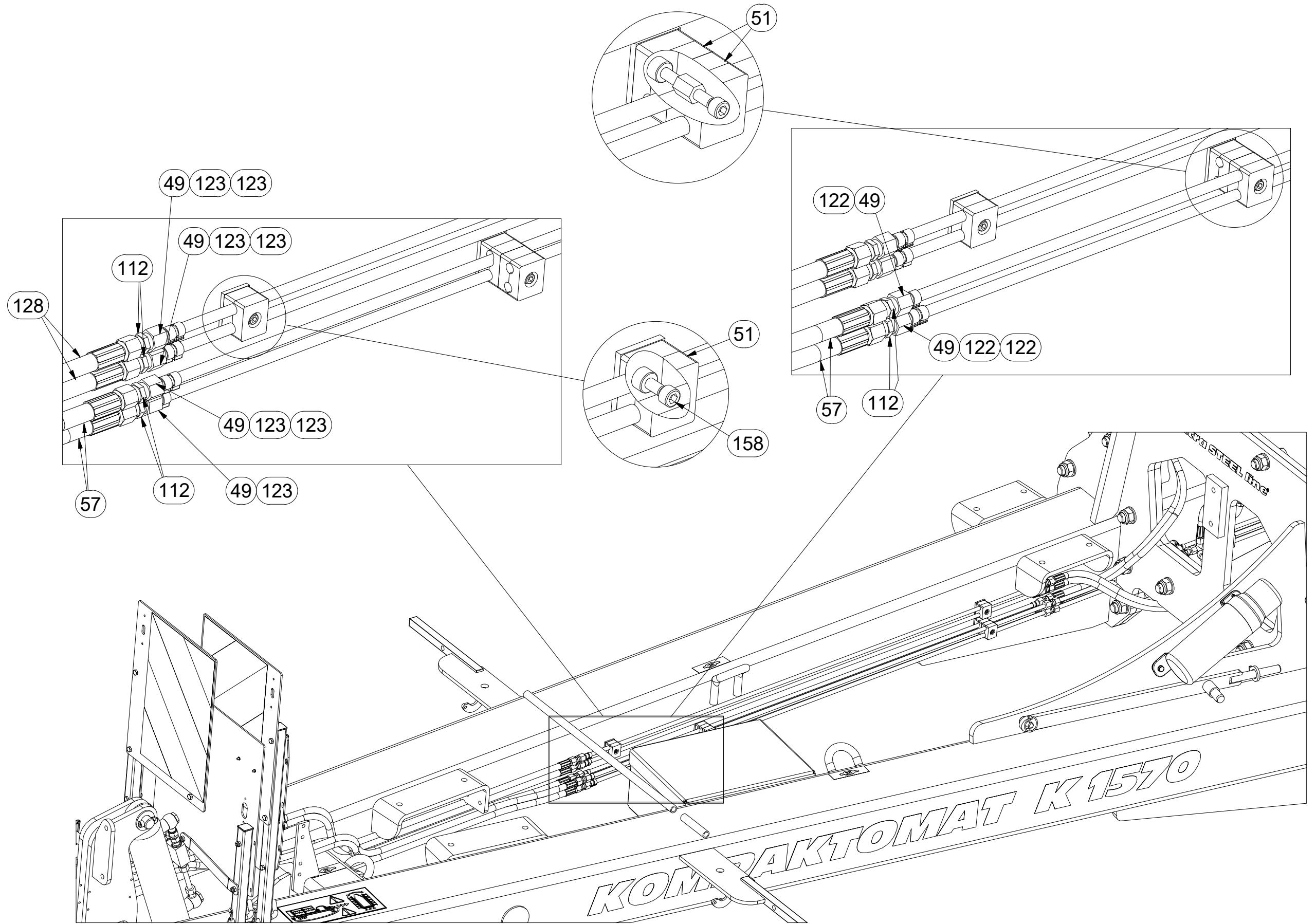
- Ⓒ PODVOZEK
- Ⓓ FAHRGESTELL
- Ⓕ CHÂSSIS

- Ⓖ CHASSIS
- Ⓡ ШАССИ
- Ⓟ PODWOZIE



3007930

| Pos. | Part Number | Pcs. |
|------|-------------|------|
| 49 | m09662 | 6 |
| 51 | m05488 | 18 |
| 57 | m05216 | 4 |
| 112 | m03213 | 22 |
| 122 | m11691 | 21 |
| 123 | m11294 | 22 |
| 128 | m07504 | 2 |
| 132 | m11282 | 7 |
| 133 | m11289 | 7 |
| 134 | m11253 | 7 |
| 158 | m04346 | 10 |
| 159 | m09956 | 8 |



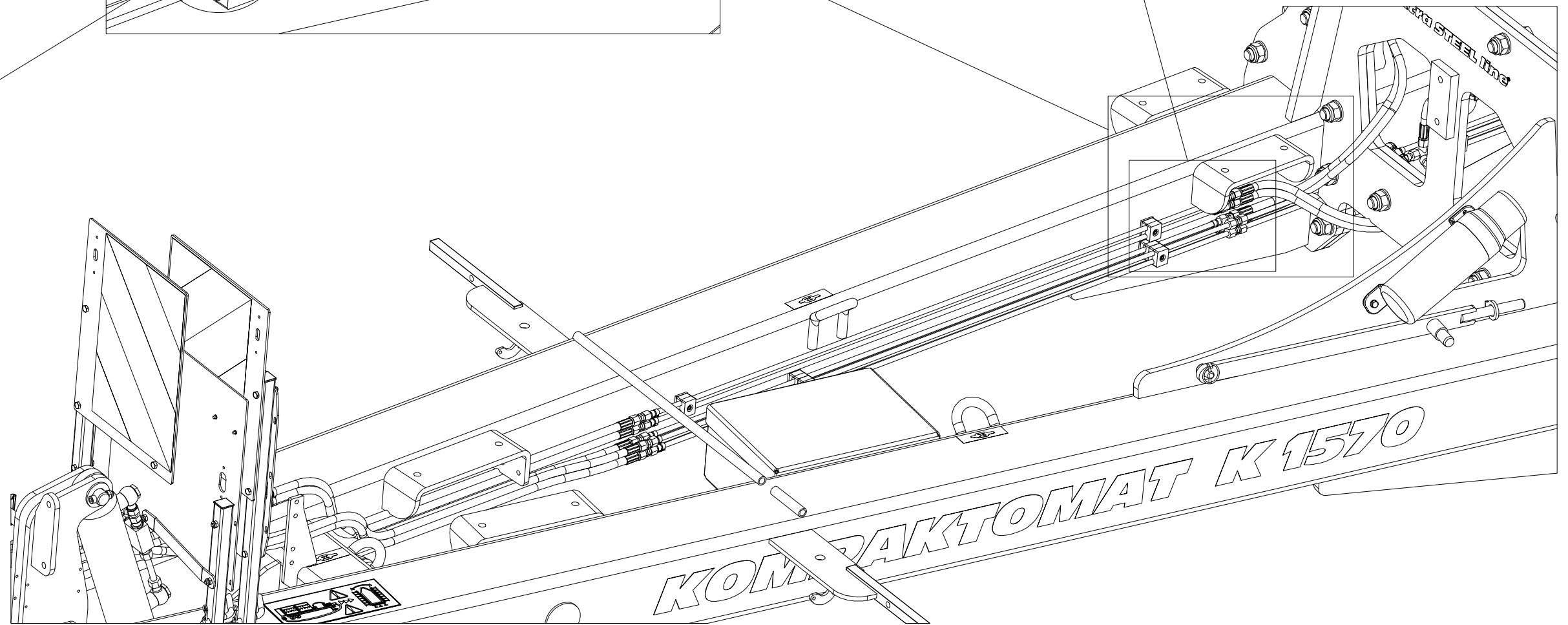
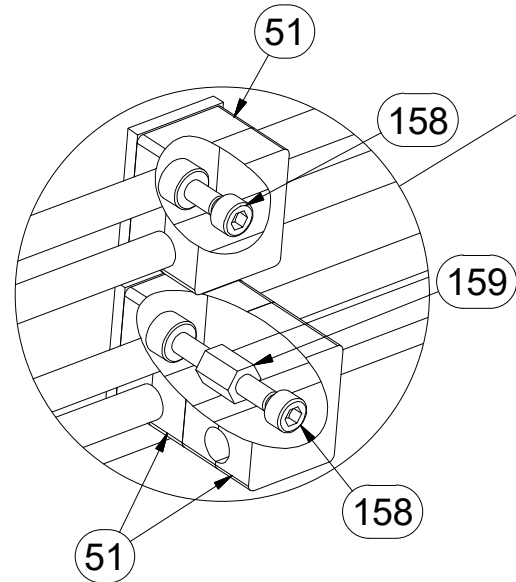
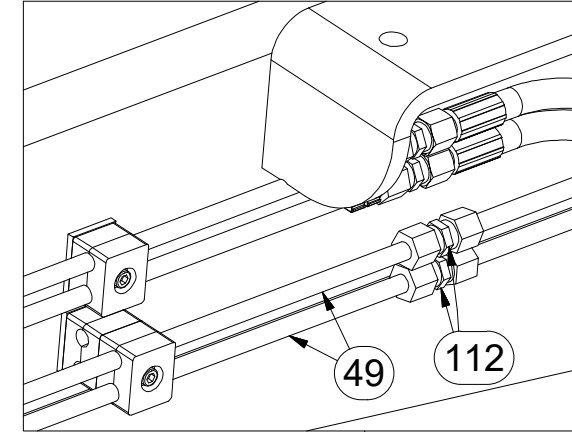
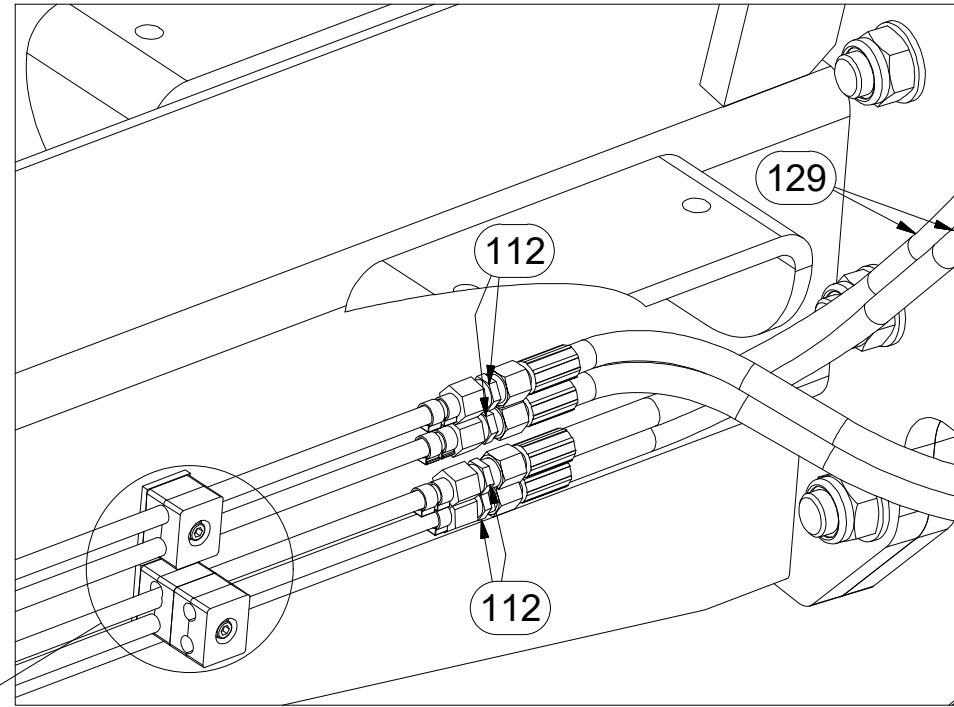
- Ⓒ PODVOZEK
- Ⓓ FAHRGESTELL
- Ⓕ CHÂSSIS

- Ⓖ CHASSIS
- Ⓡ ШАССИ
- Ⓟ PODWOZIE



3007930

| Pos. | Part Number | Pcs. |
|------|-------------|------|
| 43 | m09942 | 1 |
| 49 | m09662 | 6 |
| 51 | m05488 | 18 |
| 112 | m03213 | 22 |
| 123 | m11294 | 22 |
| 129 | m06532 | 2 |
| 132 | m11282 | 7 |
| 133 | m11289 | 7 |
| 134 | m11253 | 7 |
| 158 | m04346 | 10 |
| 159 | m09956 | 8 |
| 2 | 2000673 | 1 |
| 18 | 4017863 | 1 |
| 19 | 4017864 | 1 |
| 20 | 4017881 | 1 |
| 21 | 4017882 | 1 |



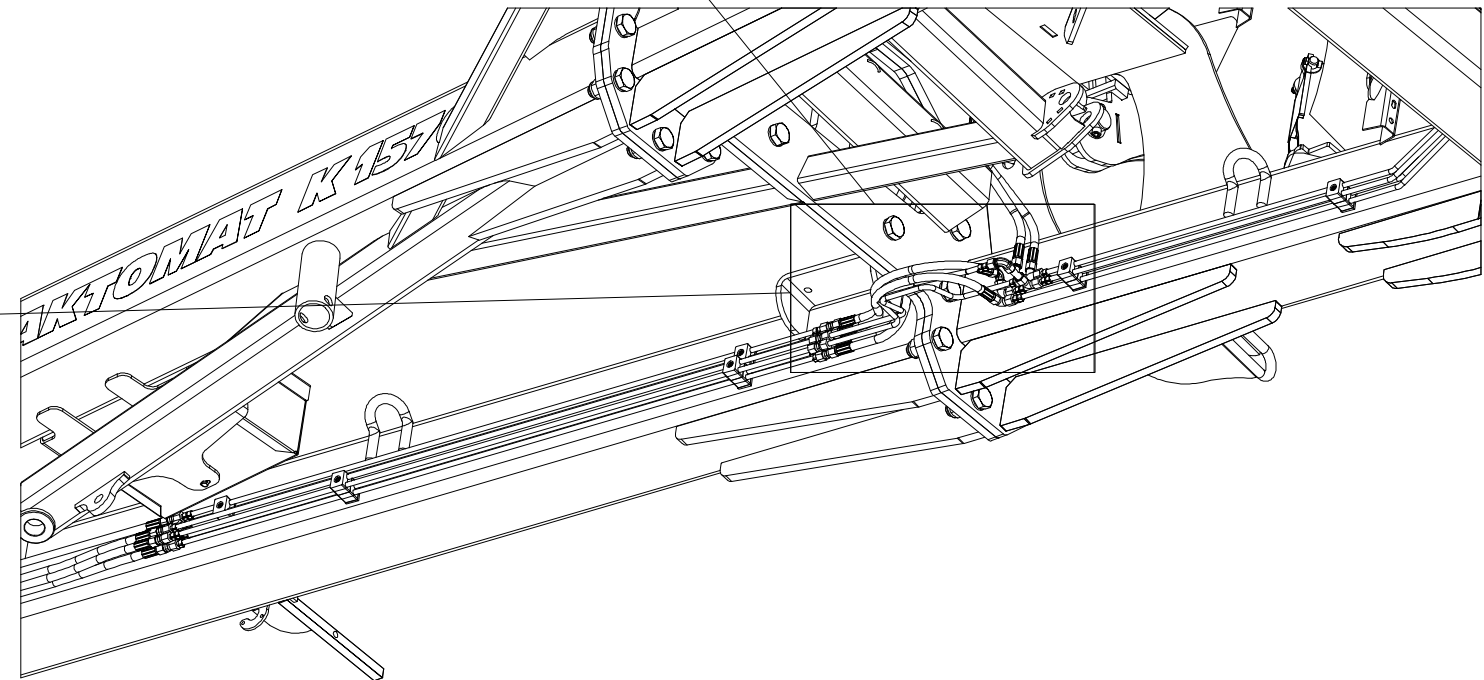
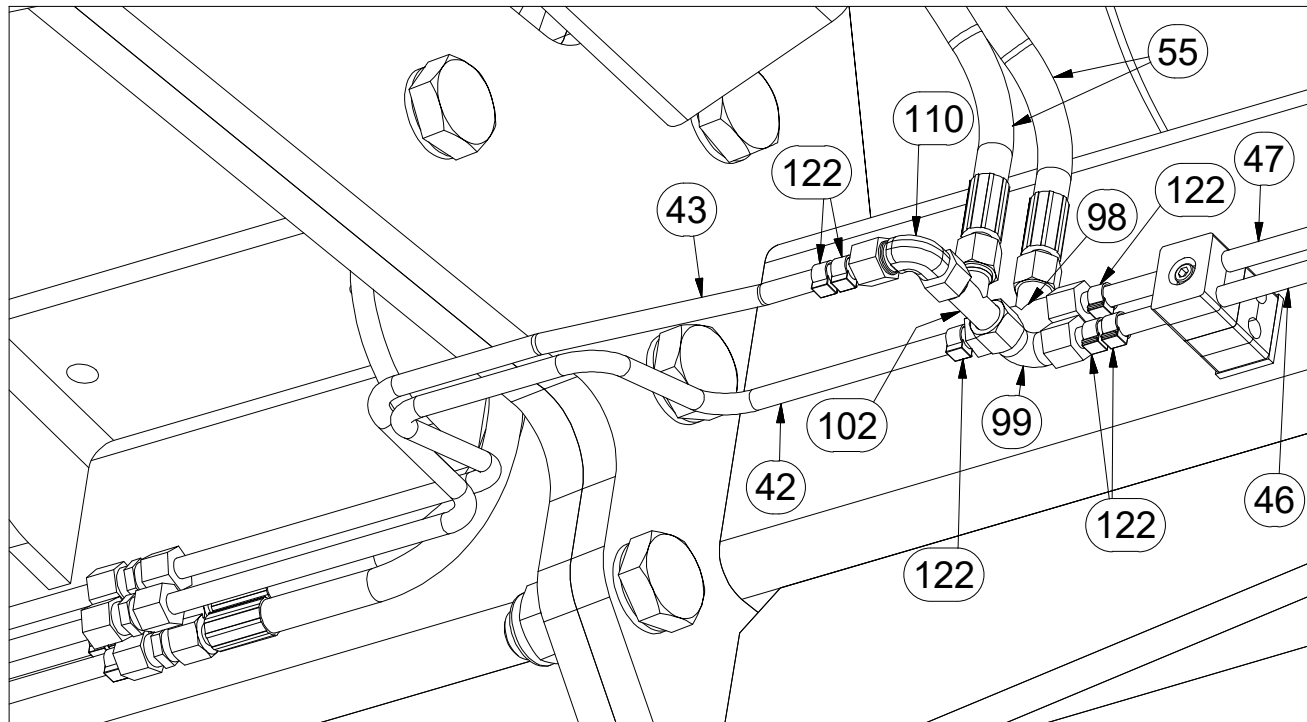
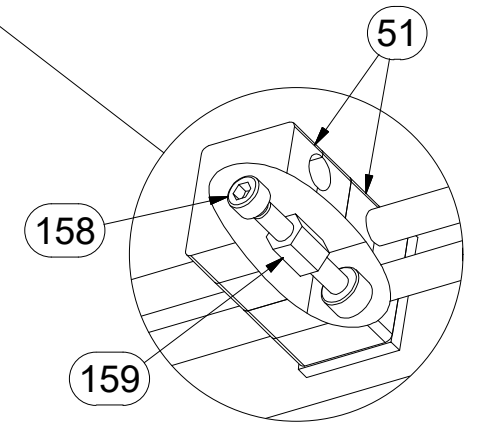
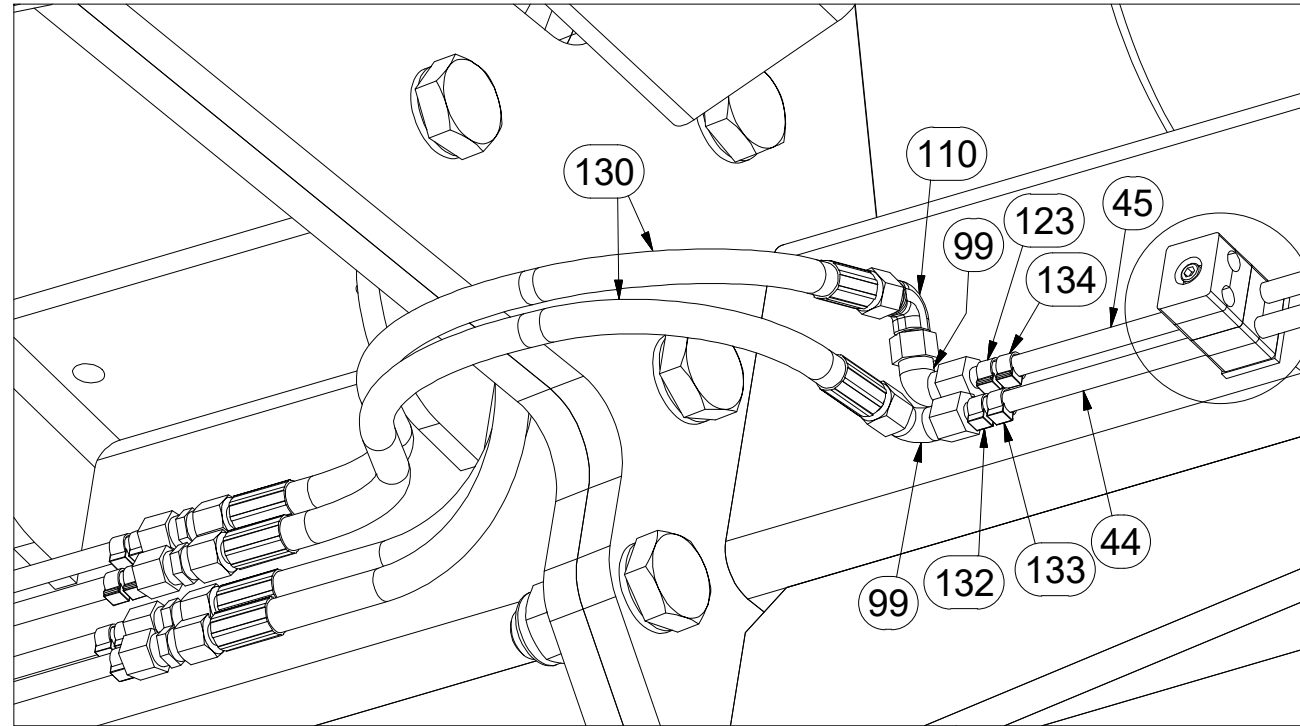
(CZ) PODVOZEK
 (D) FAHRGESTELL
 (F) CHÂSSIS

(GB) CHASSIS
 (RU) ШАССИ
 (PL) PODWOZIE



3007930

| Pos. | Part Number | Pcs. |
|------|-------------|------|
| 42 | m09941 | 1 |
| 43 | m09942 | 1 |
| 44 | m09943 | 1 |
| 45 | m09944 | 1 |
| 46 | m09945 | 1 |
| 47 | m09946 | 1 |
| 51 | m05488 | 18 |
| 55 | m09627 | 2 |
| 98 | m03889 | 3 |
| 99 | m06661 | 5 |
| 102 | m07568 | 1 |
| 110 | m06803 | 2 |
| 122 | m11691 | 21 |
| 123 | m11294 | 22 |
| 130 | m03713 | 2 |
| 132 | m11282 | 7 |
| 133 | m11289 | 7 |
| 134 | m11253 | 7 |
| 158 | m04346 | 10 |
| 159 | m09956 | 8 |



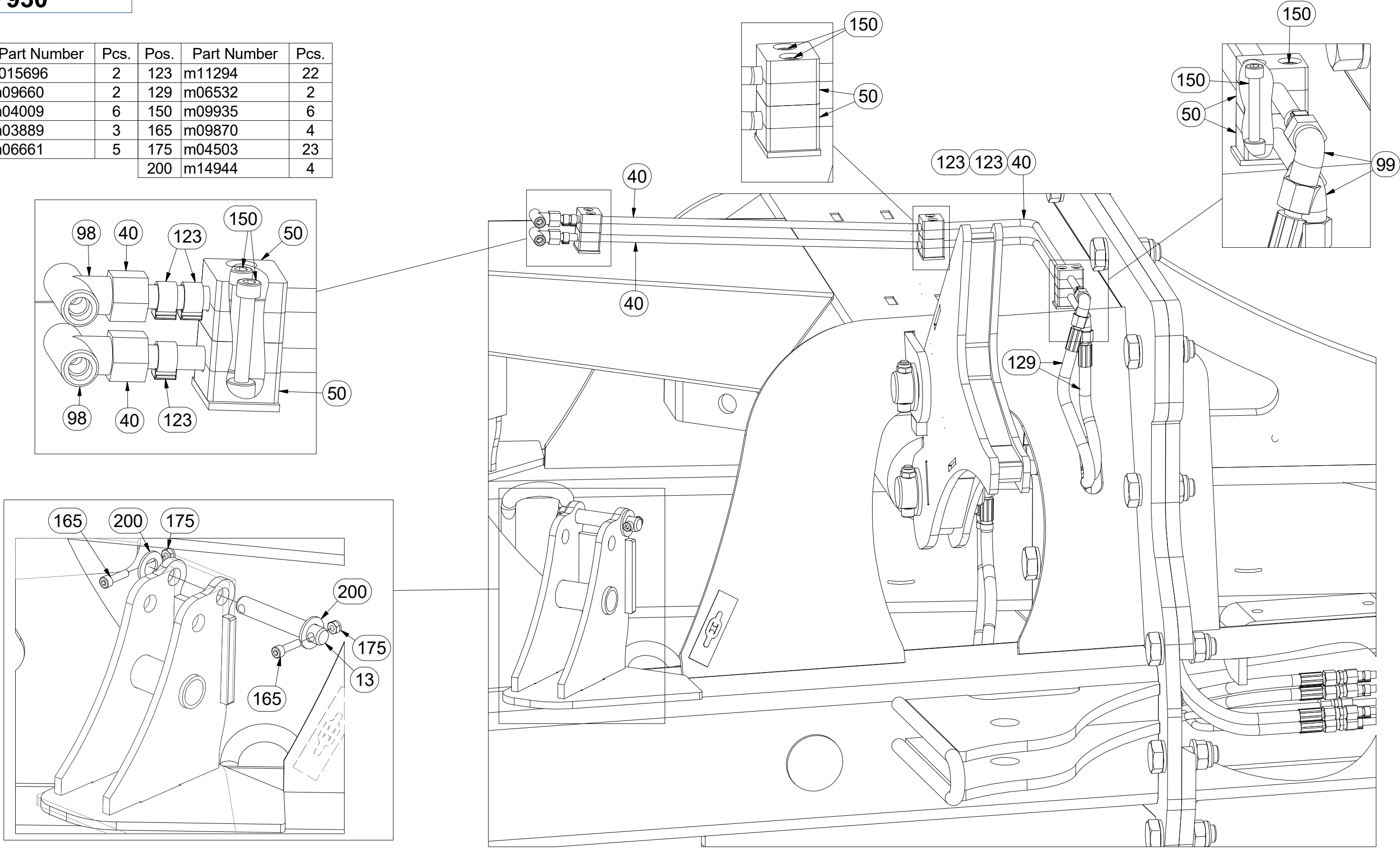
CZ PODVOZEK
 D FAHRGESTELL
 F CHÂSSIS

GB CHASSIS
 RU ШАССИ
 PL PODWOZIE



3007930

| Pos. | Part Number | Pcs. | Pos. | Part Number | Pcs. |
|------|-------------|------|------|-------------|------|
| 13 | 4015696 | 2 | 123 | m11294 | 22 |
| 40 | m09660 | 2 | 129 | m06532 | 2 |
| 50 | m04009 | 6 | 150 | m09935 | 6 |
| 98 | m03889 | 3 | 165 | m09870 | 4 |
| 99 | m06661 | 5 | 175 | m04503 | 23 |
| | | | 200 | m14944 | 4 |



Ⓒ PODVOZEK

Ⓓ FAHRGESTELL

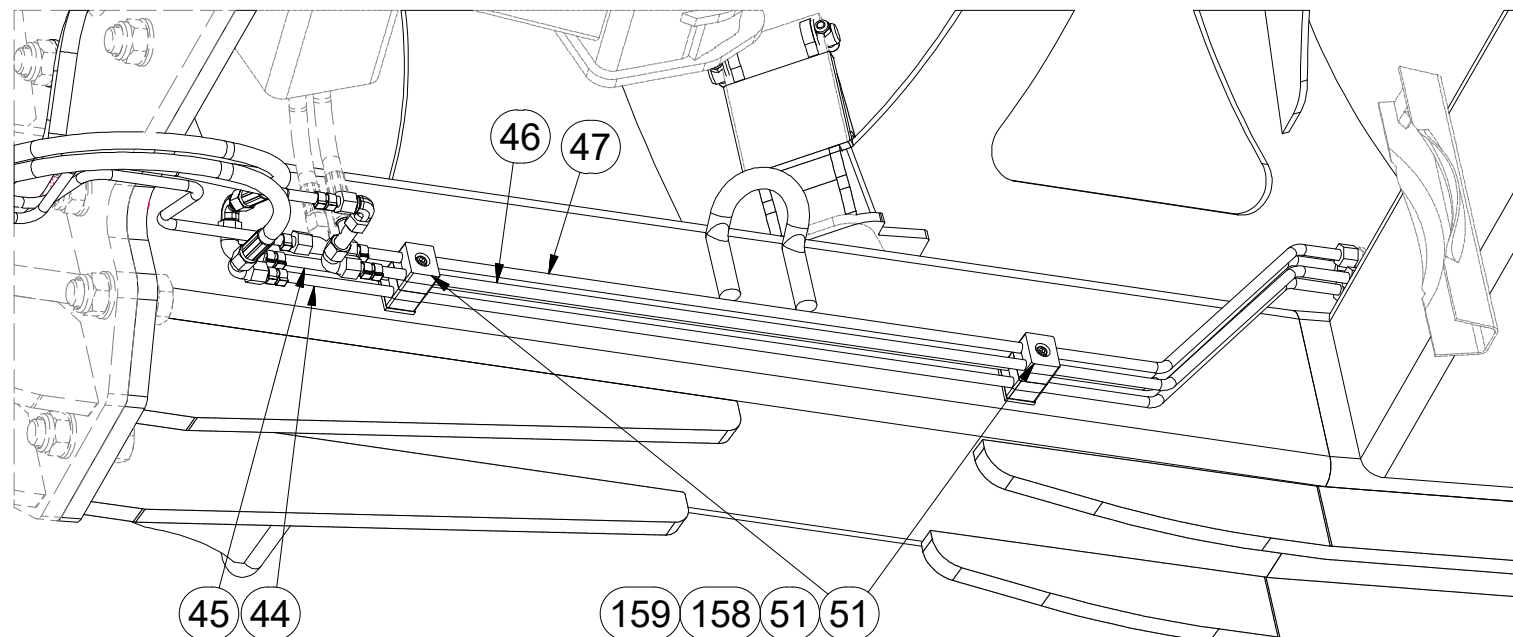
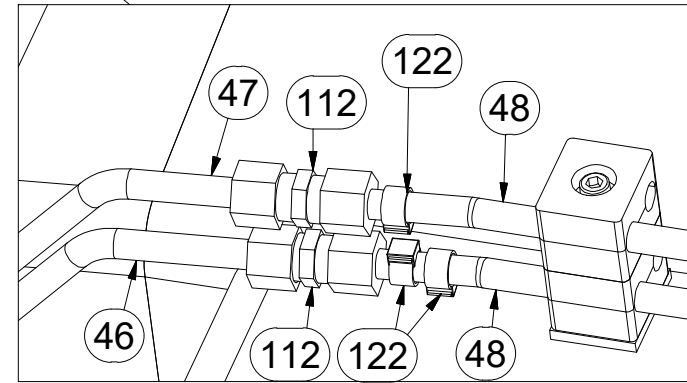
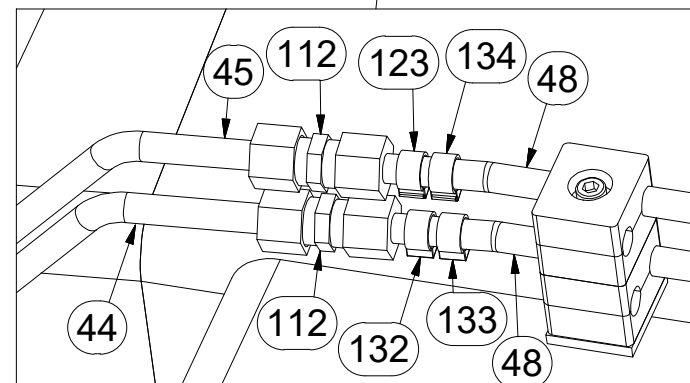
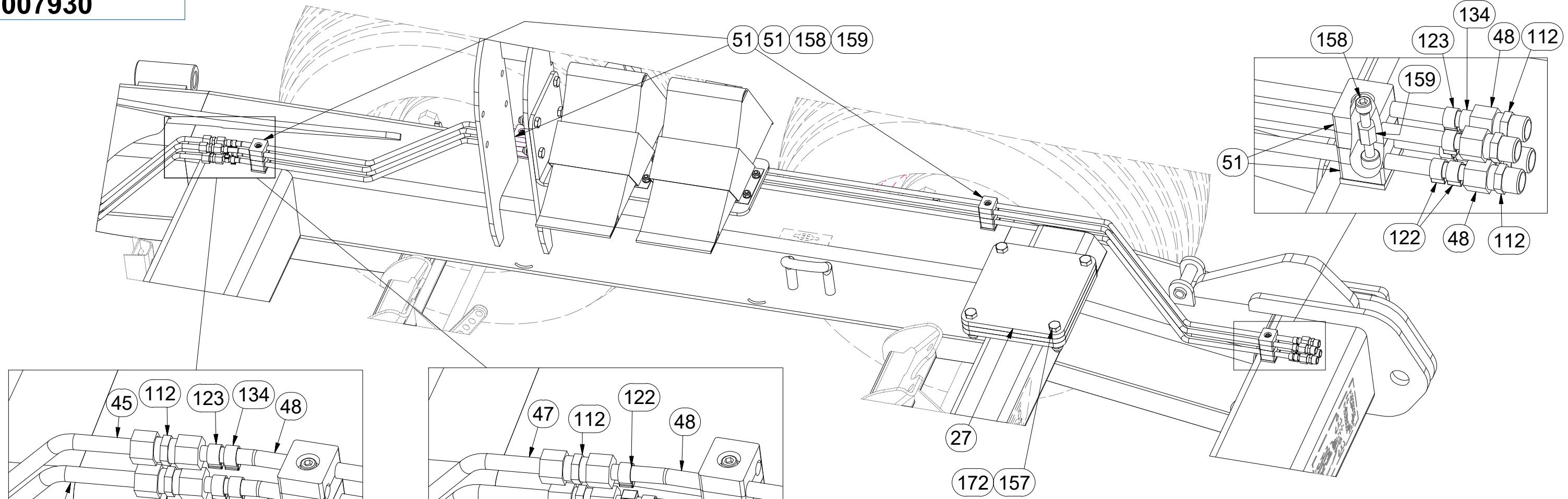
Ⓕ CHÂSSIS

3007930

Ⓖ CHASSIS

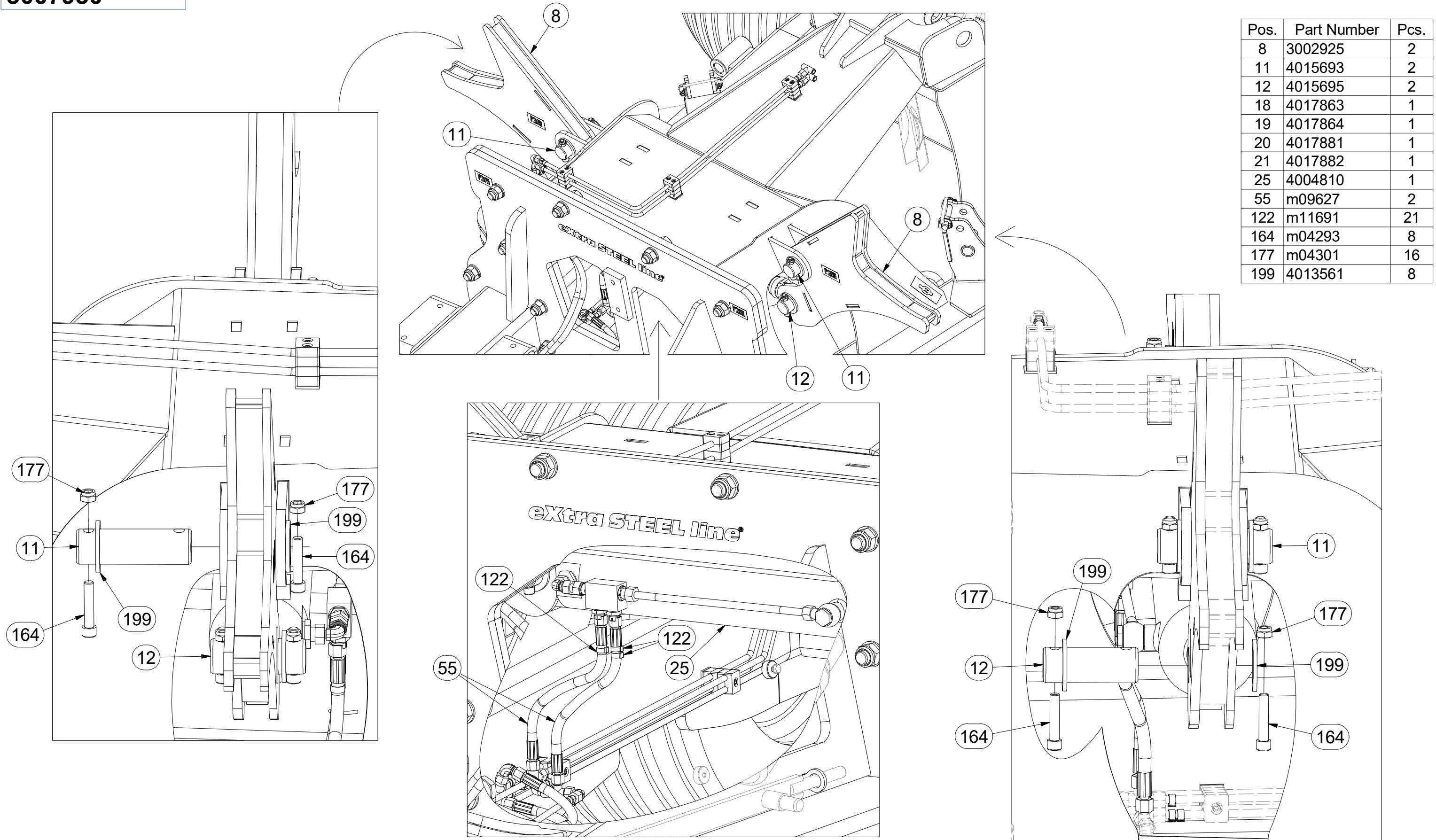
Ⓡ ШАССИ

Ⓢ PODWOZIE



| Pos. | Part Number | Pcs. |
|------|-------------|------|
| 27 | 9002016 | 4 |
| 44 | m09943 | 1 |
| 45 | m09944 | 1 |
| 46 | m09945 | 1 |
| 47 | m09946 | 1 |
| 48 | m09947 | 4 |
| 51 | m05488 | 18 |
| 112 | m03213 | 22 |
| 122 | m11691 | 21 |
| 123 | m11294 | 22 |
| 132 | m11282 | 7 |
| 133 | m11289 | 7 |
| 134 | m11253 | 7 |
| 157 | m00619 | 8 |
| 158 | m04346 | 10 |
| 159 | m09956 | 8 |
| 172 | m03683 | 8 |

3007930

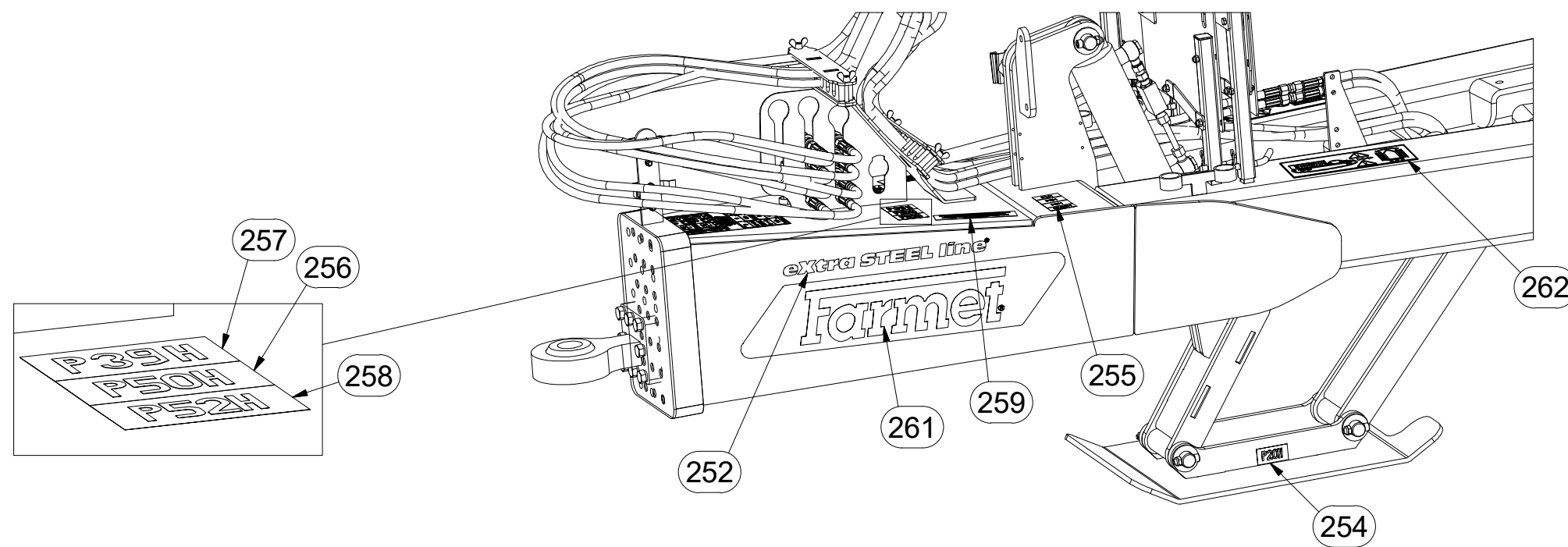
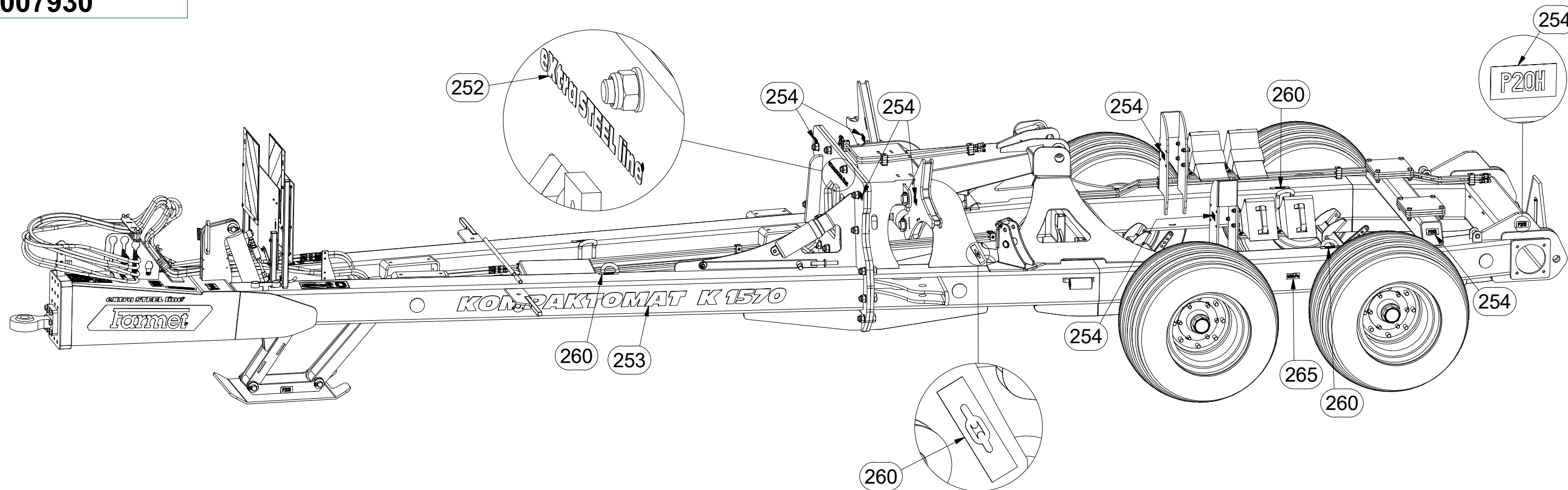


- Ⓒ PODVOZEK
- Ⓓ FAHRGESTELL
- Ⓕ CHÂSSIS

- Ⓖ CHASSIS
- Ⓡ ШАССИ
- Ⓟ PODWOZIE



3007930



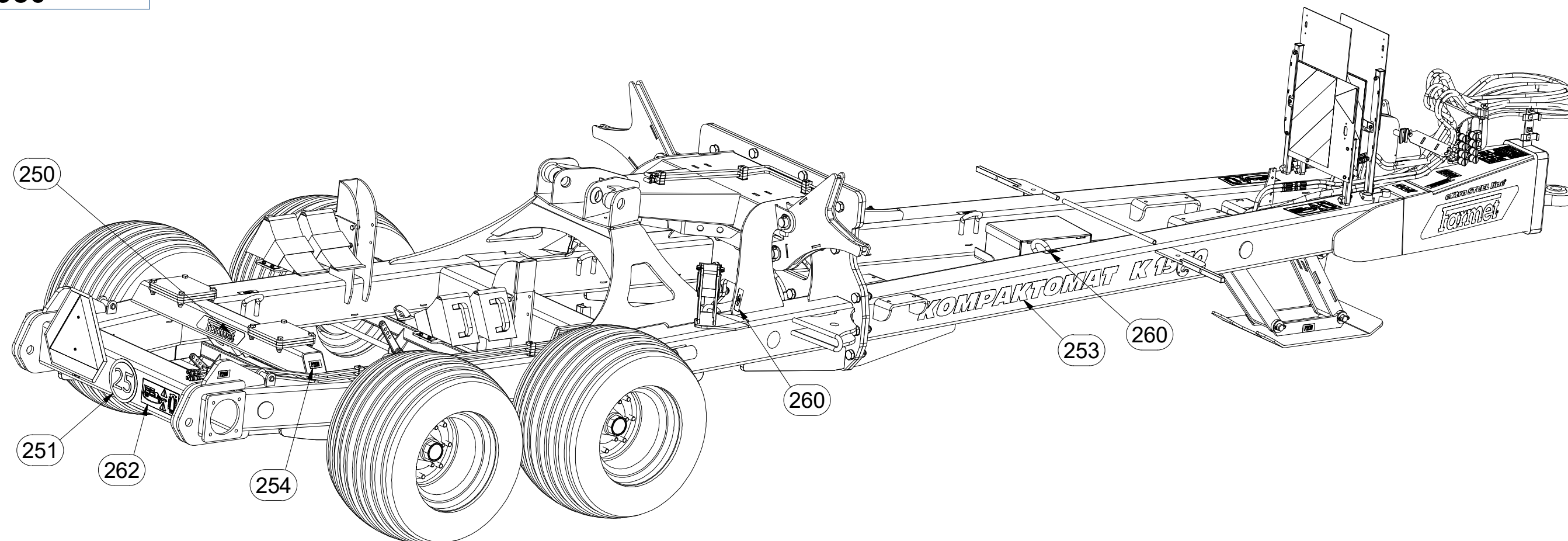
| Pos. | Part Number | Pcs. |
|------|-------------|------|
| 250 | m13117 | 1 |
| 251 | m03820 | 1 |
| 252 | m10353 | 3 |
| 253 | m09892 | 2 |
| 254 | m04368 | 12 |
| 255 | m11295 | 2 |
| 256 | m04367 | 2 |
| 257 | m04362 | 2 |
| 258 | m04364 | 2 |
| 259 | m05691 | 2 |
| 260 | m03316 | 7 |
| 261 | m13118 | 2 |
| 262 | m09950 | 3 |
| 263 | m11689 | 1 |
| 264 | m11690 | 1 |
| 265 | m04887 | 2 |

- Ⓒ PODVOZEK
- Ⓓ FAHRGESTELL
- Ⓕ CHÂSSIS

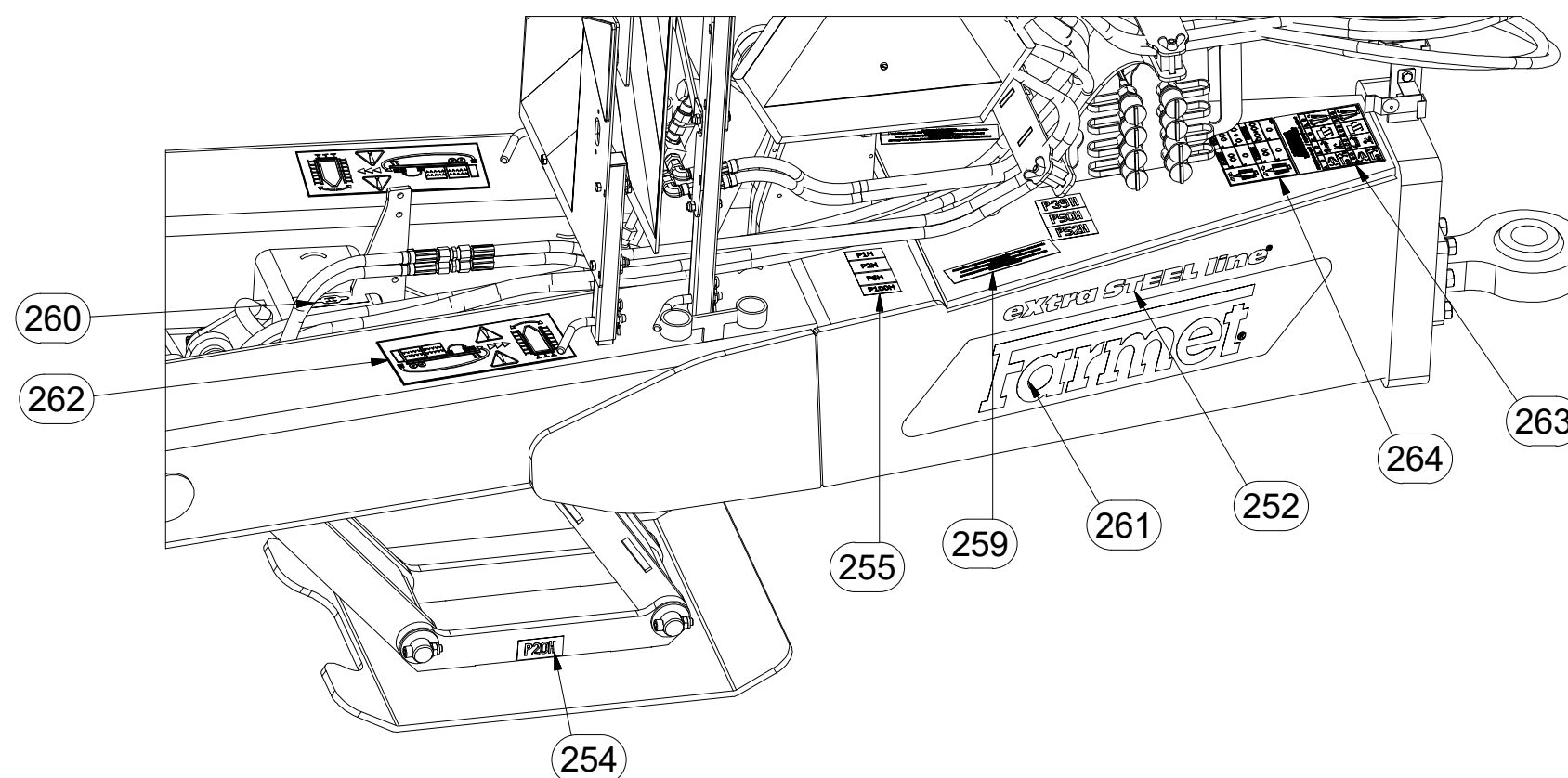
- Ⓖ CHASSIS
- Ⓡ ШАССИ
- Ⓟ PODWOZIE



3007930



| Pos. | Part Number | Pcs. |
|------|-------------|------|
| 250 | m13117 | 1 |
| 251 | m03820 | 1 |
| 252 | m10353 | 3 |
| 253 | m09892 | 2 |
| 254 | m04368 | 12 |
| 255 | m11295 | 2 |
| 256 | m04367 | 2 |
| 257 | m04362 | 2 |
| 258 | m04364 | 2 |
| 259 | m05691 | 2 |
| 260 | m03316 | 7 |
| 261 | m13118 | 2 |
| 262 | m09950 | 3 |
| 263 | m11689 | 1 |
| 264 | m11690 | 1 |
| 265 | m04887 | 2 |

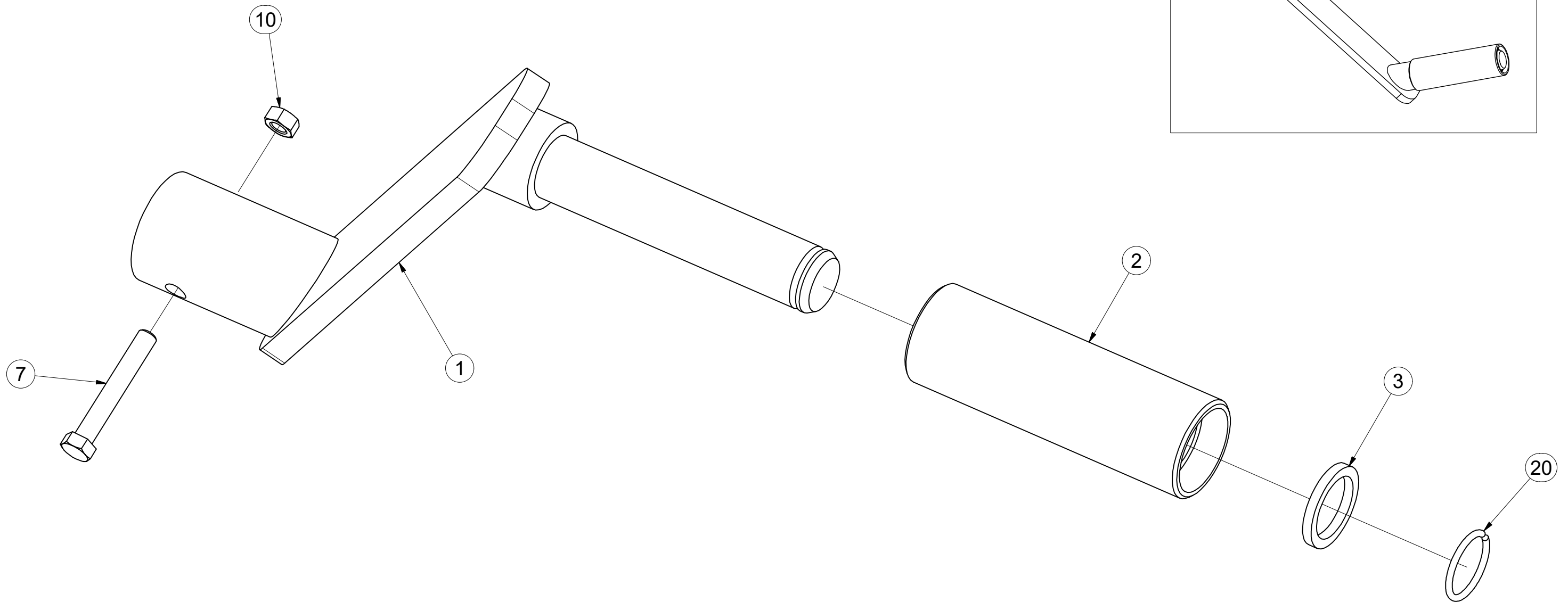


CZ NASAZOVACÍ KLIKA
 D EINSTELLKURBEL
 F MANIVELLE AMOVIBILE

GB PRESS-ON HANDLE
 RU НАСАЖИВАЕМАЯ РУКОЯТКА
 PL KLAMKA MOCOWANA



4003087



| Pos. | Part Number | Pcs. |
|------|-------------|------|
| 1 | 4003092 | 1 |
| 2 | 4001533 | 1 |
| 3 | 4004828 | 1 |
| 7 | m04641 | 1 |
| 10 | m01295 | 1 |
| 20 | m06561 | 1 |

Ⓒ SADA TAŽNÉHO OKA

Ⓓ ZUGÖSESATZ

Ⓕ KIT DE L'ŒILLET DE TRACTION

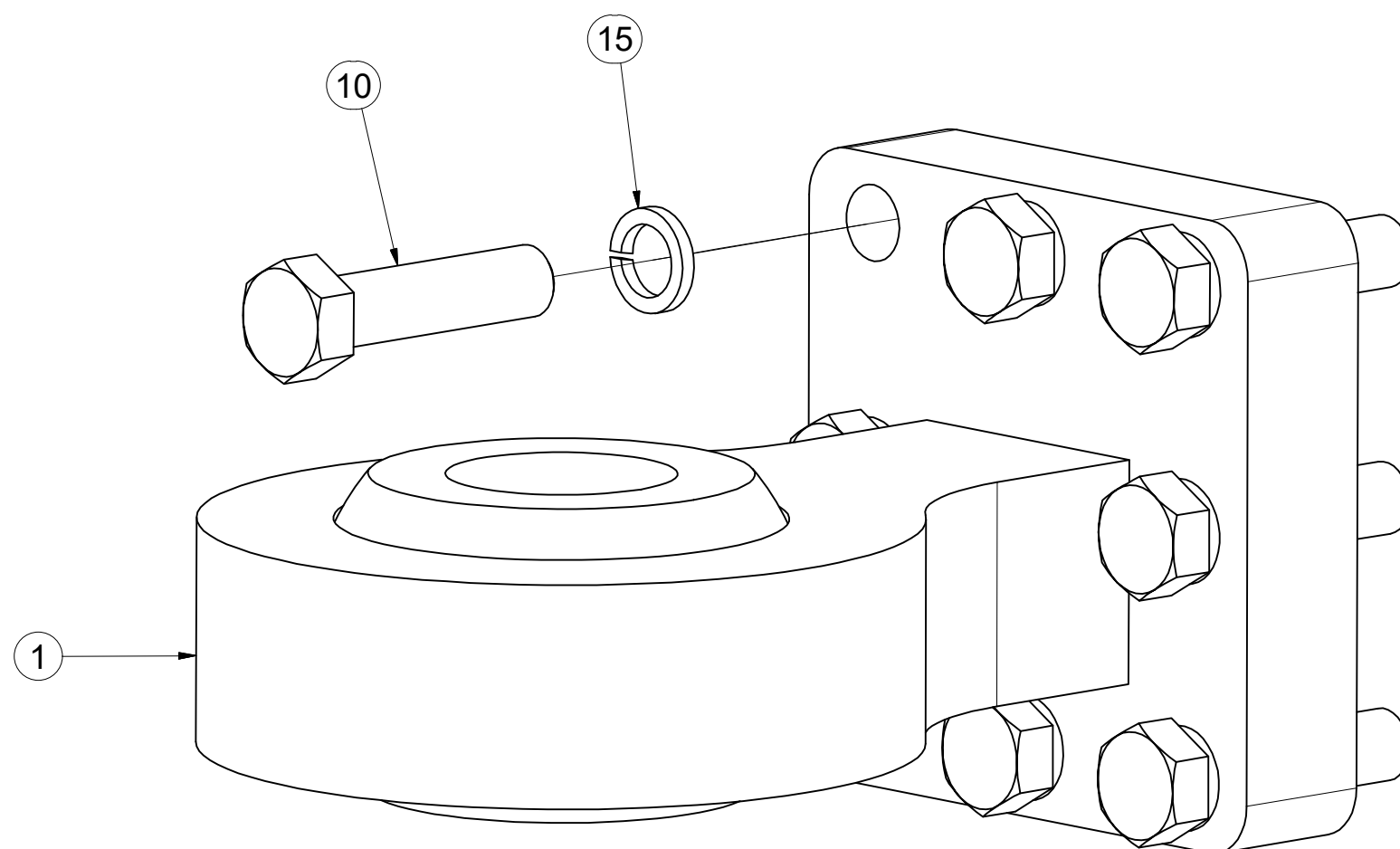
Ⓖ TOWING LUG SET

Ⓡ КОМПЛЕКТ ТЯГОВОГО ДЫШЛА

Ⓟ ZESTAW UCHA HOLOWNICZEGO



4013529



| Pos. | Part Number | Pcs. |
|------|-------------|------|
| 1 | m13263 | 1 |
| 10 | m12371 | 8 |
| 15 | m02157 | 8 |

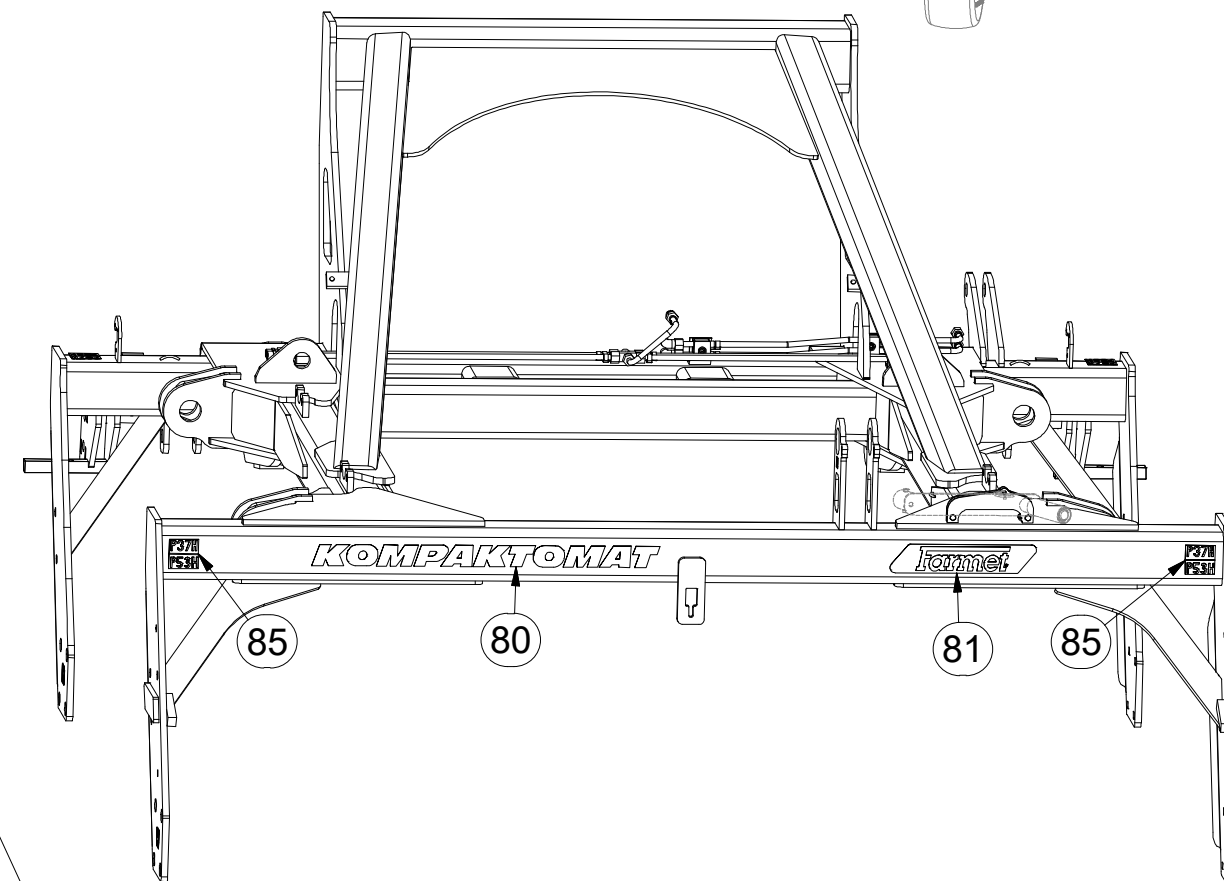
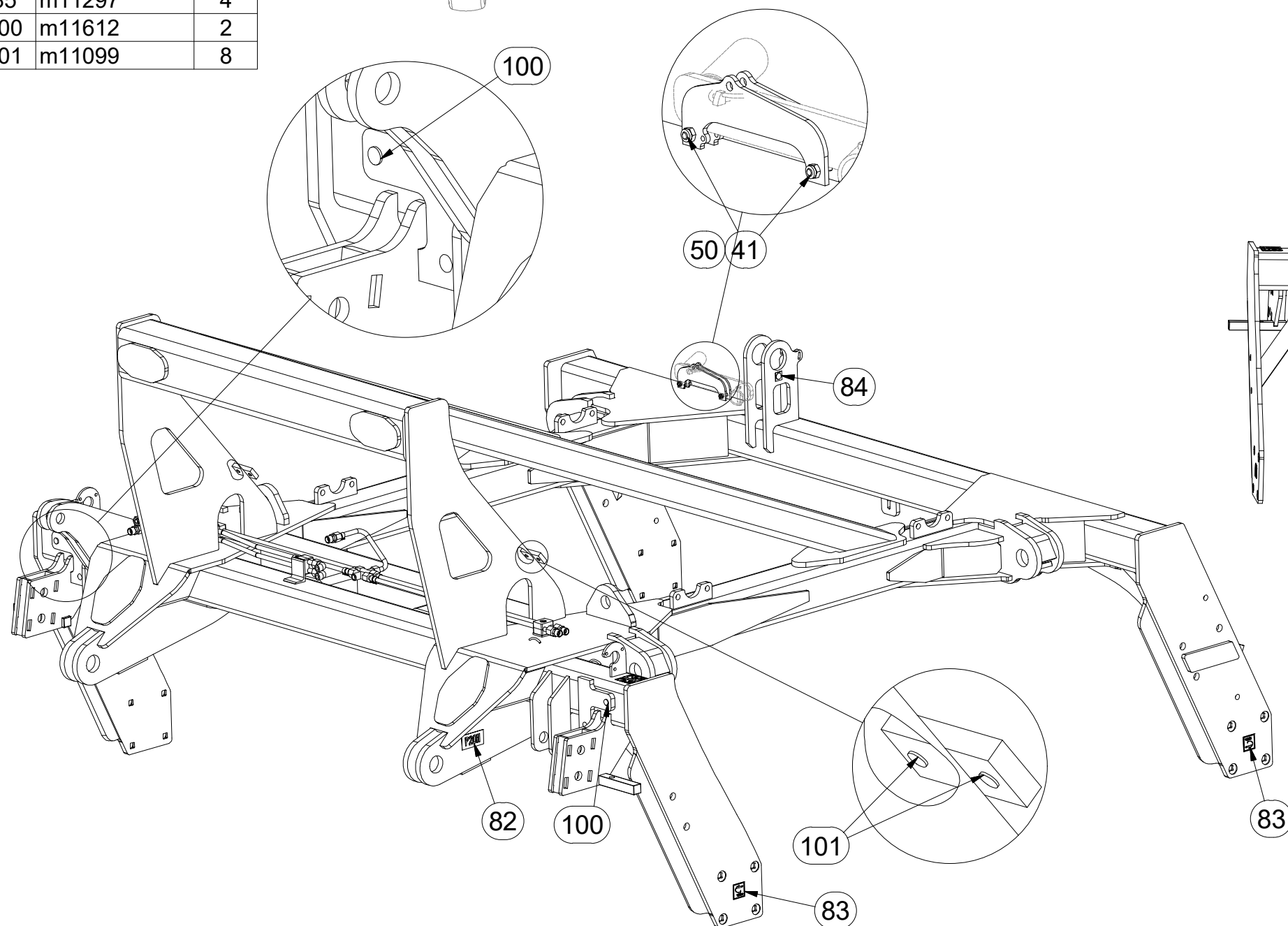
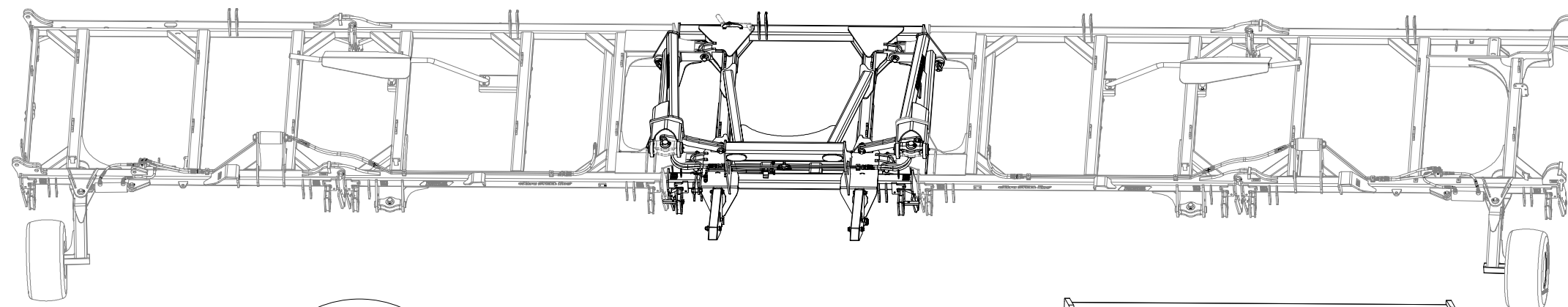
- Ⓒ RÁM
- Ⓓ RAHMEN
- Ⓕ CHASSIS

- Ⓖ FRAME
- Ⓡ PAMA
- Ⓟ RAMA



3006955

| Pos. | Part Number | Pcs. |
|------|-------------|------|
| 41 | m01075 | 2 |
| 50 | m05560 | 2 |
| 80 | m07688 | 1 |
| 81 | m13116 | 1 |
| 82 | m04368 | 2 |
| 83 | m09655 | 4 |
| 84 | m03320 | 1 |
| 85 | m11297 | 4 |
| 100 | m11612 | 2 |
| 101 | m11099 | 8 |

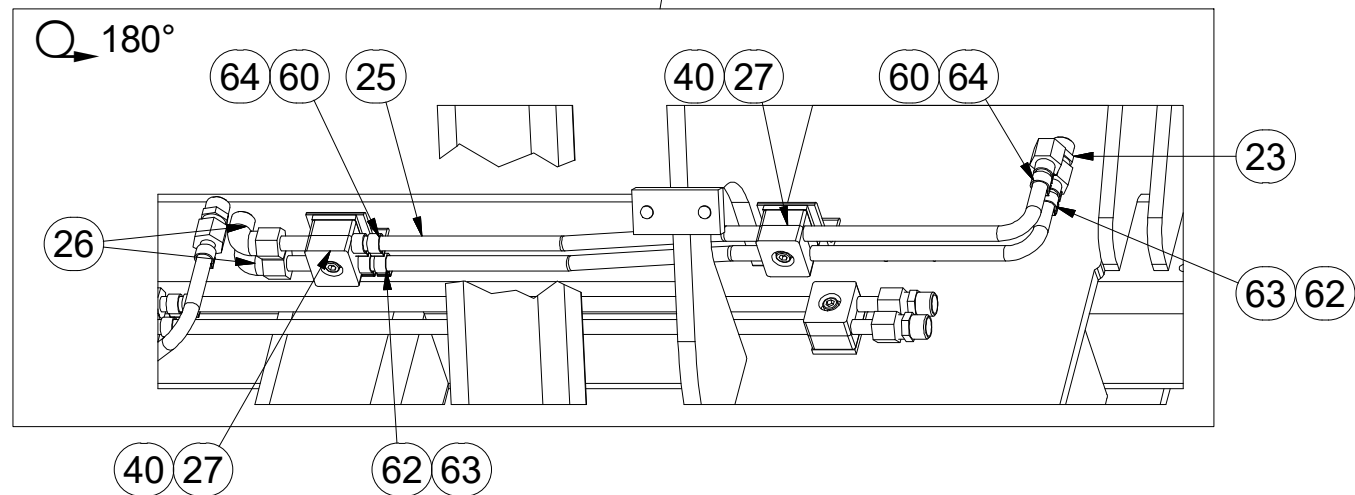
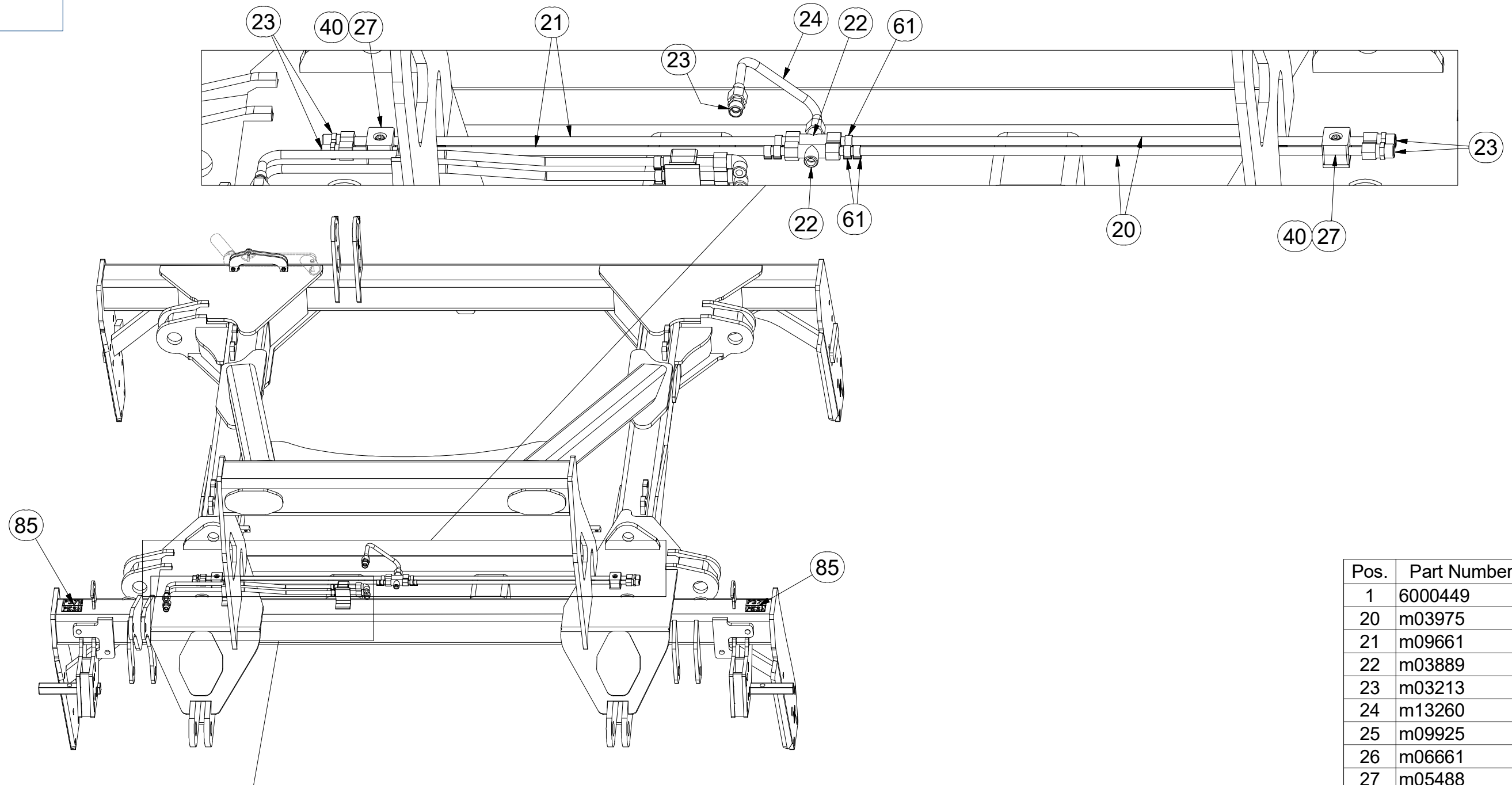


- ⒸZ RÁM
- Ⓓ RAHMEN
- Ⓕ CHASSIS

- ⒼB FRAME
- ⒺPAMA
- ⒽL RAMA



3006955



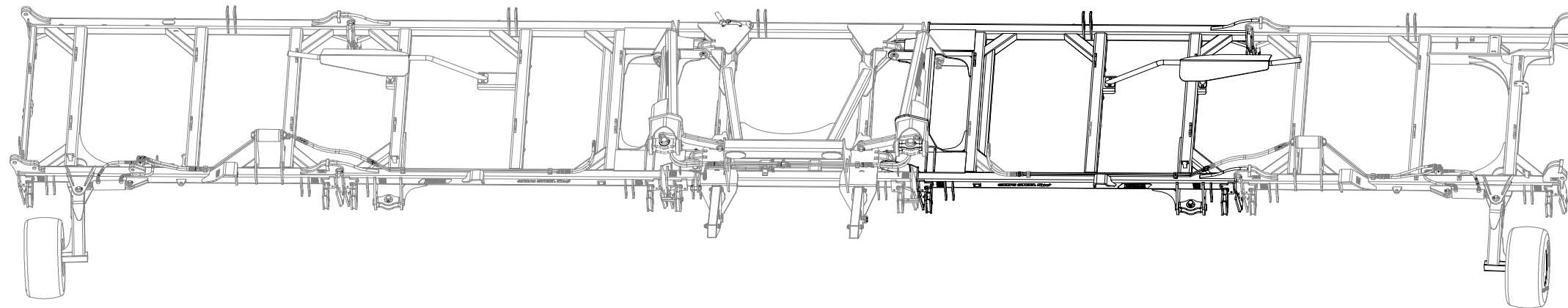
| Pos. | Part Number | Pcs. |
|------|-------------|------|
| 1 | 6000449 | 1 |
| 20 | m03975 | 2 |
| 21 | m09661 | 2 |
| 22 | m03889 | 2 |
| 23 | m03213 | 6 |
| 24 | m13260 | 1 |
| 25 | m09925 | 2 |
| 26 | m06661 | 2 |
| 27 | m05488 | 4 |
| 40 | m04346 | 4 |
| 41 | m01075 | 2 |
| 50 | m05560 | 2 |
| 60 | m11294 | 2 |
| 61 | m11691 | 7 |
| 62 | m11282 | 2 |
| 63 | m11289 | 2 |
| 64 | m11253 | 2 |
| 81 | m13116 | 1 |
| 85 | m11297 | 4 |

- Ⓒ RÁM
- Ⓓ RAHMEN
- Ⓕ CHASSIS

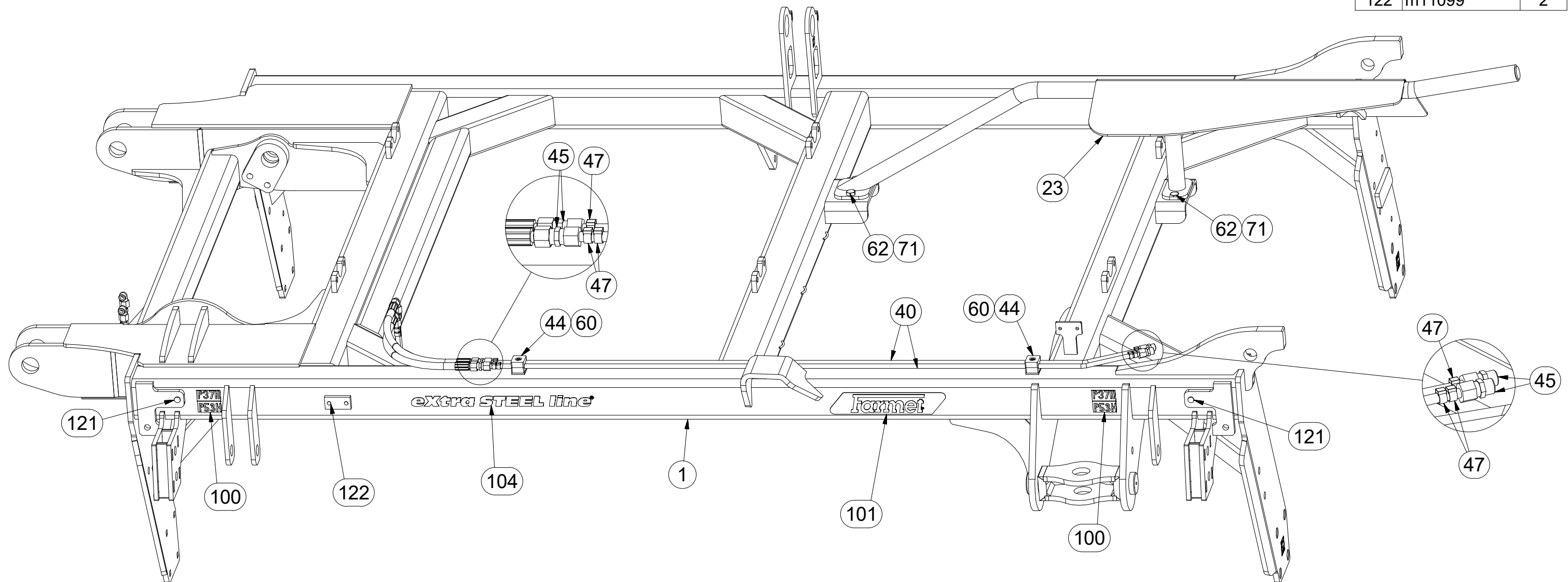
- Ⓖ FRAME
- Ⓡ PAMA
- Ⓟ RAMA



3006956



| Pos. | Part Number | Pcs. |
|------|-------------|------|
| 1 | 6000476 | 1 |
| 23 | 4005531 | 1 |
| 40 | m10042 | 2 |
| 44 | m05488 | 4 |
| 45 | m03213 | 4 |
| 47 | m11691 | 12 |
| 60 | m04346 | 4 |
| 62 | m04039 | 4 |
| 71 | m04301 | 4 |
| 100 | m11297 | 4 |
| 101 | m13116 | 2 |
| 104 | m10353 | 2 |
| 121 | m11612 | 2 |
| 122 | m11099 | 2 |

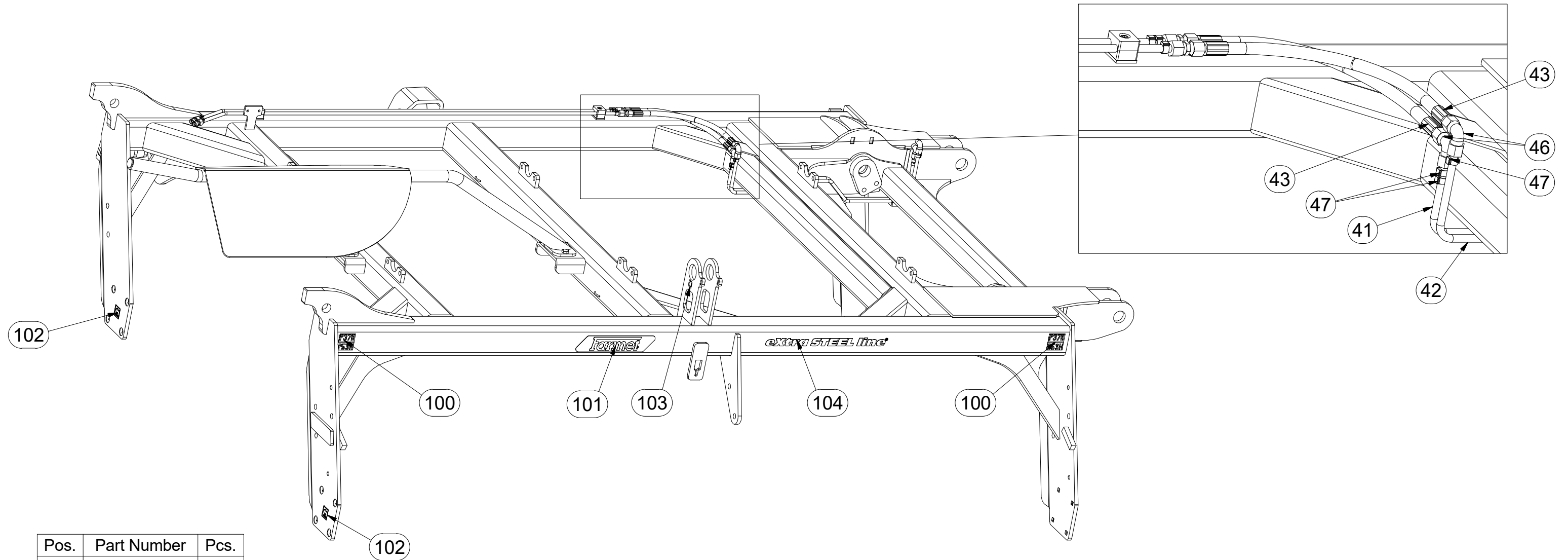


- ⒸZ RÁM
- Ⓓ RAHMEN
- Ⓕ CHASSIS

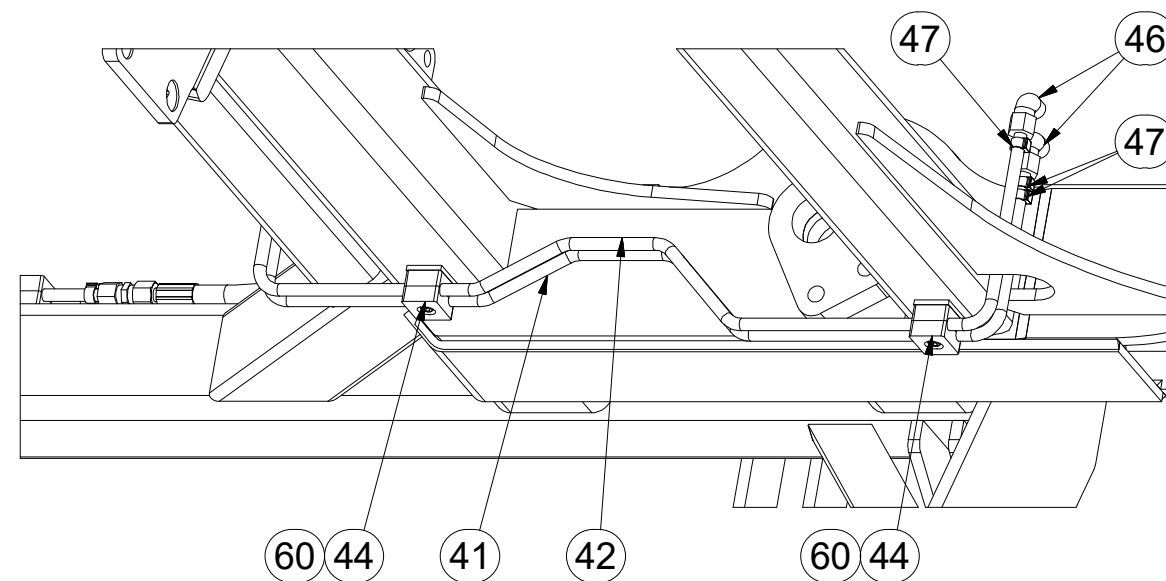
- ⒼB FRAME
- ⒺP PAMA
- ⒼL RAMA



3006956



| Pos. | Part Number | Pcs. |
|------|-------------|------|
| 1 | 6000476 | 1 |
| 40 | m10042 | 2 |
| 41 | m10043 | 1 |
| 42 | m10041 | 1 |
| 43 | m04827 | 2 |
| 44 | m05488 | 4 |
| 45 | m03213 | 4 |
| 46 | m06661 | 4 |
| 47 | m11691 | 12 |
| 60 | m04346 | 4 |
| 100 | m11297 | 4 |
| 101 | m13116 | 2 |
| 102 | m09655 | 4 |
| 103 | m03320 | 1 |
| 104 | m10353 | 2 |



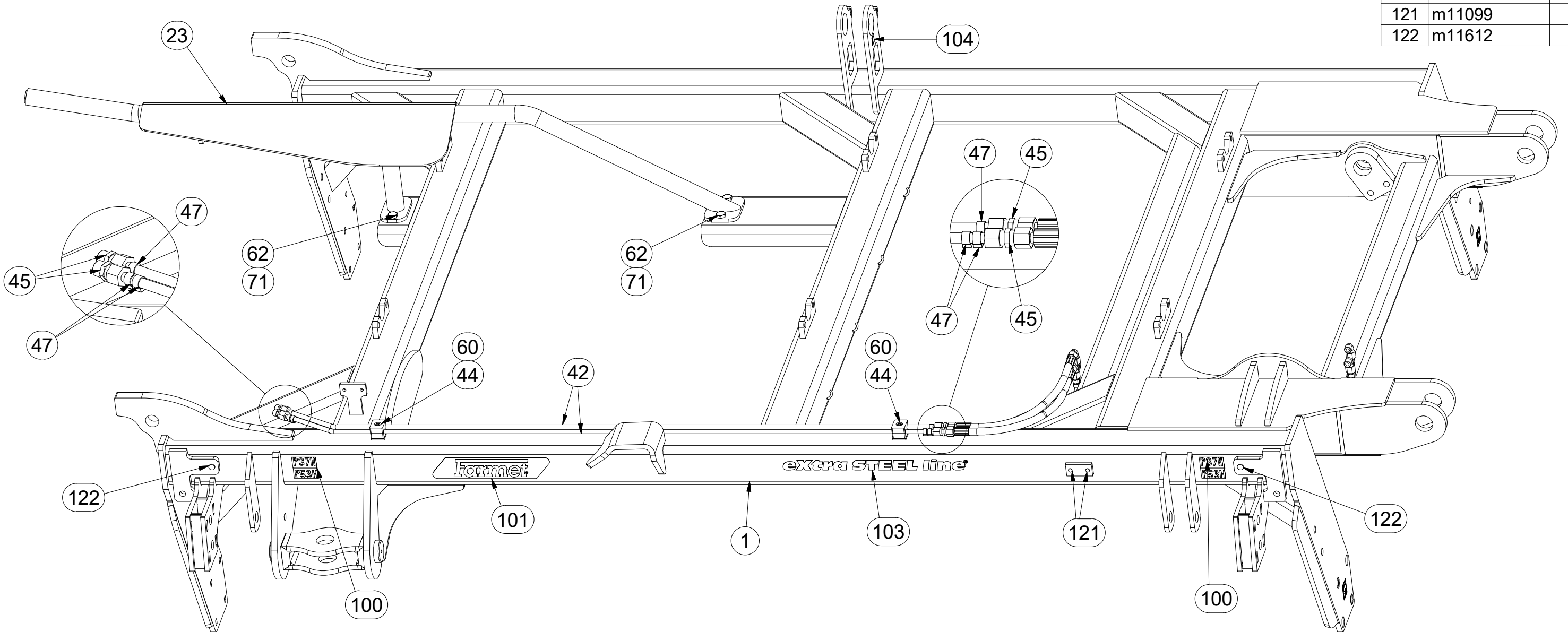
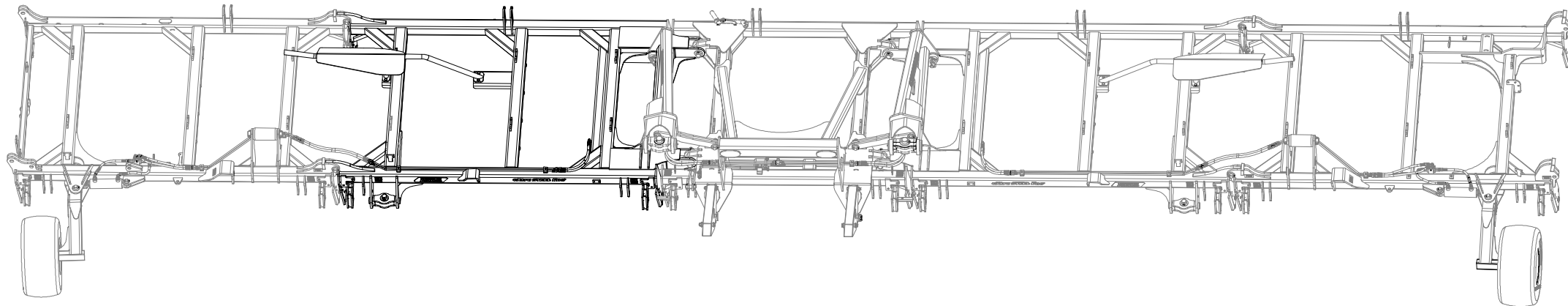
- Ⓒ RÁM
- Ⓓ RAHMEN
- Ⓕ CHASSIS

- Ⓖ FRAME
- Ⓡ PAMA
- Ⓟ RAMA



3006958

| Pos. | Part Number | Pcs. |
|------|-------------|------|
| 1 | 6000477 | 1 |
| 23 | 4006048 | 1 |
| 42 | m10042 | 2 |
| 44 | m05488 | 4 |
| 45 | m03213 | 4 |
| 47 | m11691 | 12 |
| 60 | m04346 | 4 |
| 62 | m04039 | 4 |
| 71 | m04301 | 4 |
| 100 | m11297 | 4 |
| 101 | m13116 | 2 |
| 103 | m10353 | 2 |
| 104 | m03320 | 1 |
| 121 | m11099 | 2 |
| 122 | m11612 | 2 |

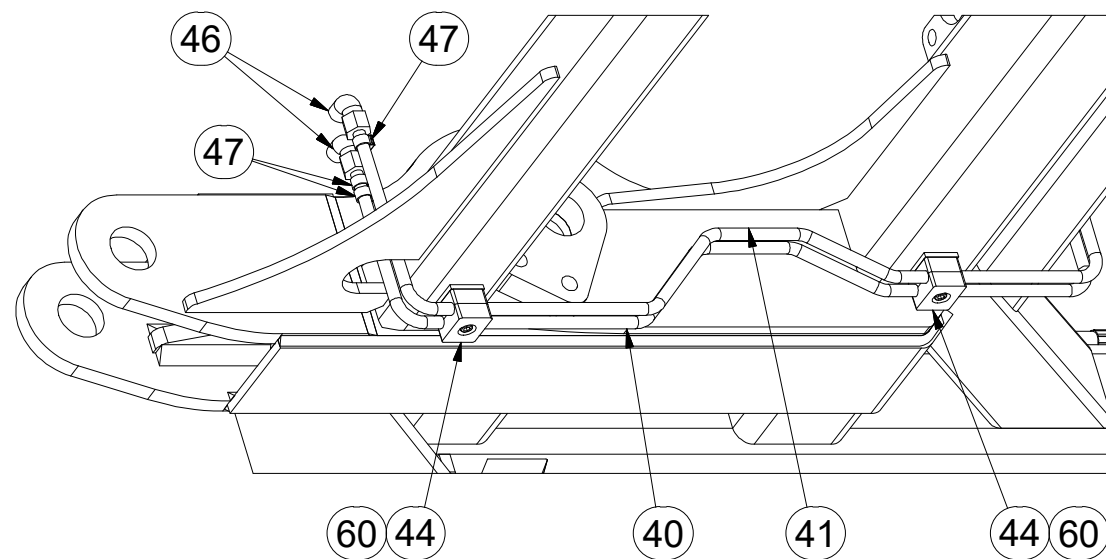
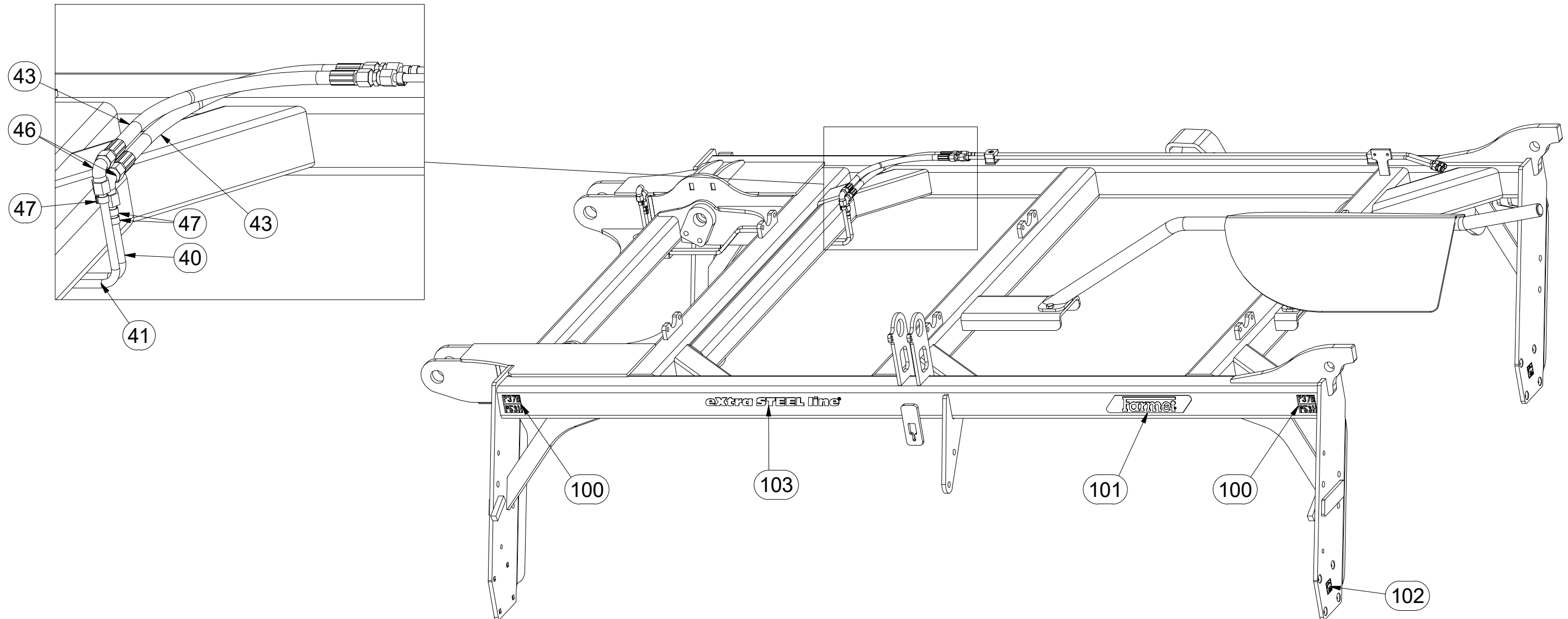


- Ⓒ RÁM
- Ⓓ RAHMEN
- Ⓕ CHASSIS

- Ⓖ FRAME
- Ⓡ PAMA
- Ⓟ RAMA



3006958



| Pos. | Part Number | Pcs. |
|------|-------------|------|
| 1 | 6000477 | 1 |
| 40 | m10043 | 1 |
| 41 | m10041 | 1 |
| 43 | m04827 | 2 |
| 44 | m05488 | 4 |
| 45 | m03213 | 4 |
| 46 | m06661 | 4 |
| 47 | m11691 | 12 |
| 60 | m04346 | 4 |
| 100 | m11297 | 4 |
| 101 | m13116 | 2 |
| 102 | m09655 | 4 |
| 103 | m10353 | 2 |

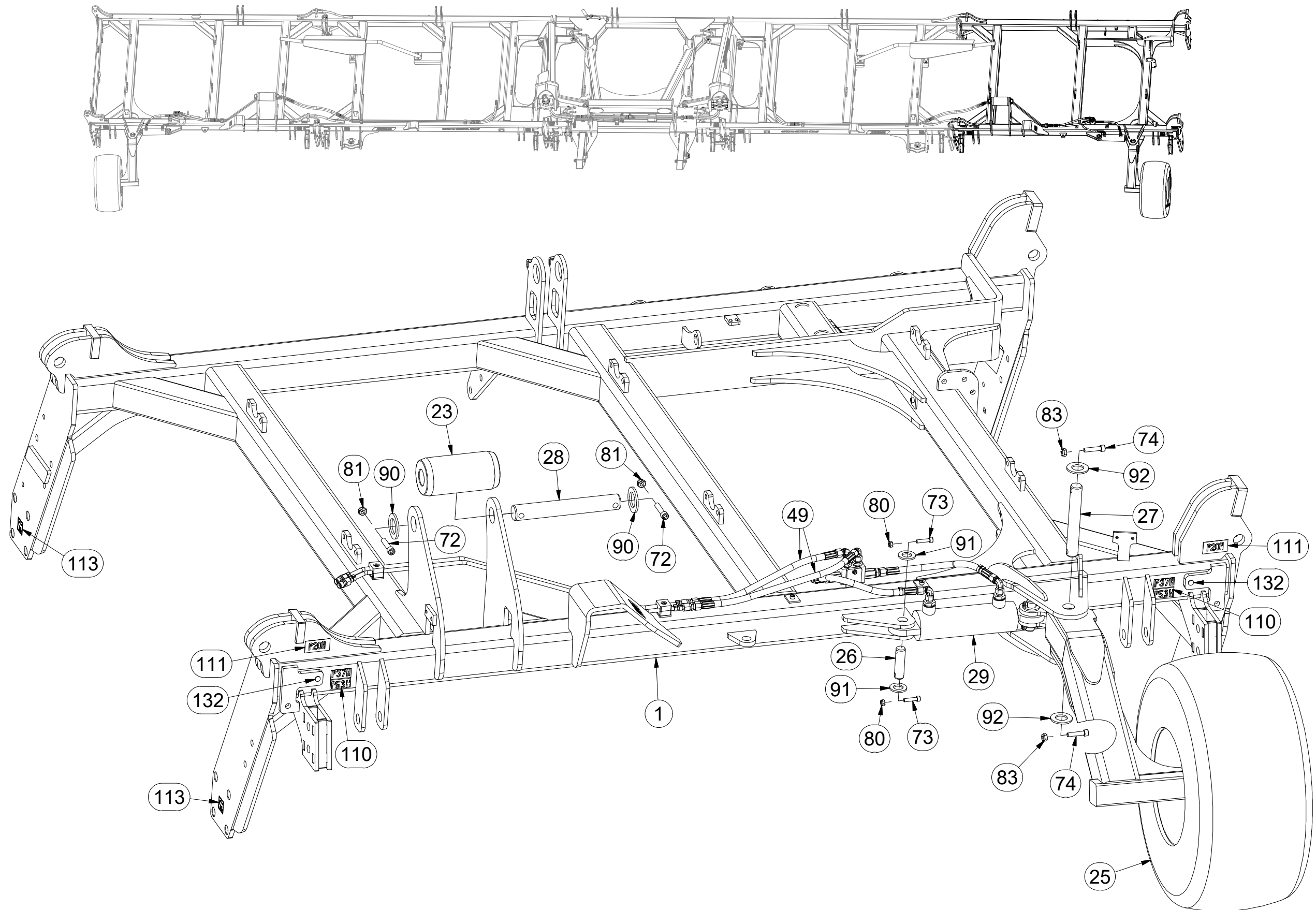
- Ⓒ RÁM
- Ⓓ RAHMEN
- Ⓕ CHASSIS

- Ⓖ FRAME
- Ⓡ PAMA
- Ⓟ RAMA



3007988

| Pos. | Part Number | Pcs. |
|------|-------------|------|
| 1 | 6000419 | 1 |
| 23 | 4004886 | 1 |
| 24 | 3008108 | 1 |
| 25 | m14983 | 1 |
| 26 | 4010390 | 2 |
| 27 | 4015702 | 1 |
| 28 | 4015701 | 1 |
| 29 | 9002062 | 1 |
| 49 | m04827 | 2 |
| 72 | m14008 | 2 |
| 73 | m09464 | 4 |
| 74 | m14143 | 2 |
| 80 | m04503 | 4 |
| 81 | m04301 | 2 |
| 83 | m03775 | 2 |
| 90 | 4013139 | 2 |
| 91 | m14028 | 4 |
| 92 | m14029 | 2 |
| 110 | m11297 | 4 |
| 111 | m04368 | 6 |
| 113 | m09655 | 4 |
| 131 | m11099 | 2 |
| 132 | m11612 | 2 |



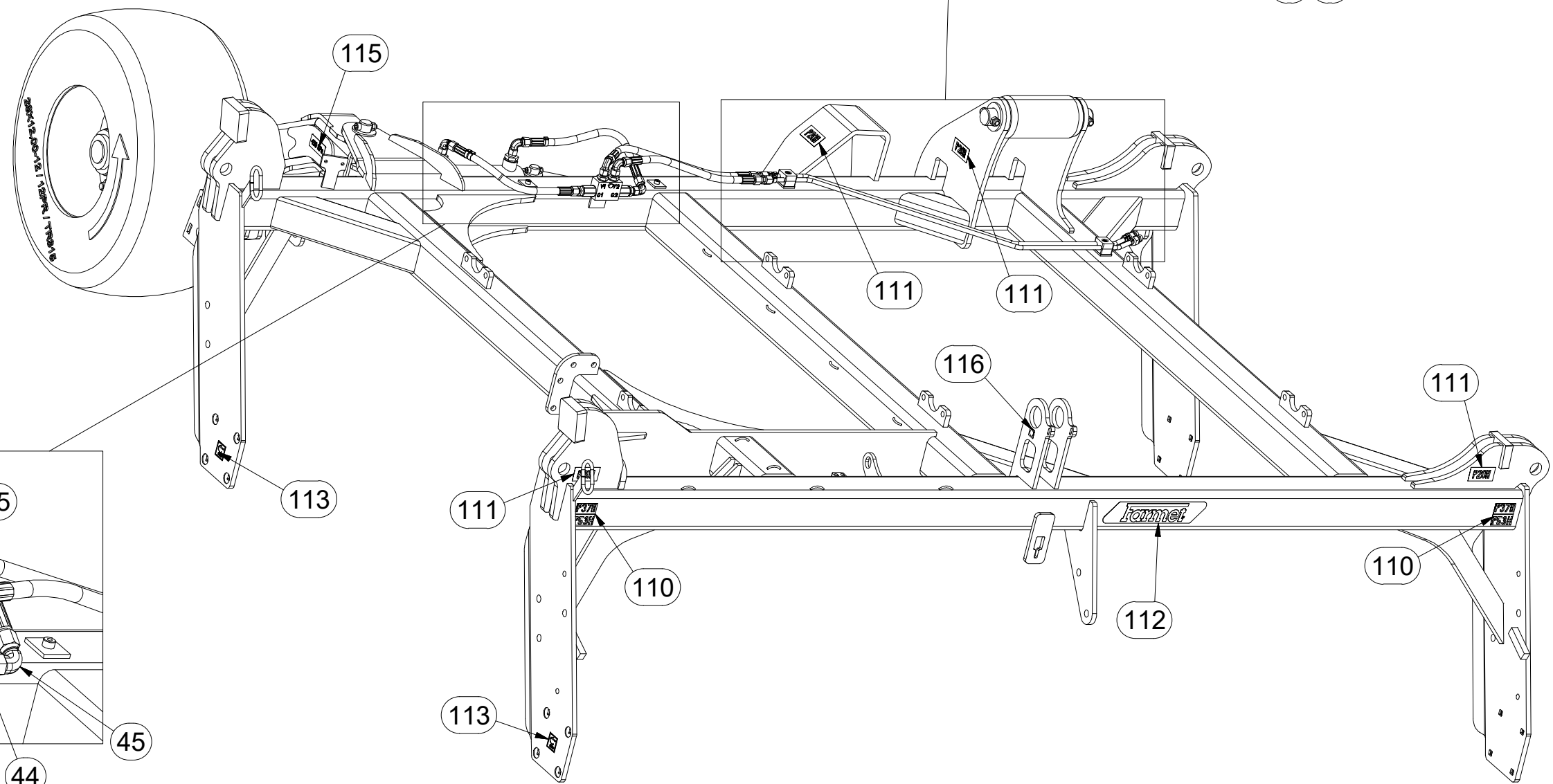
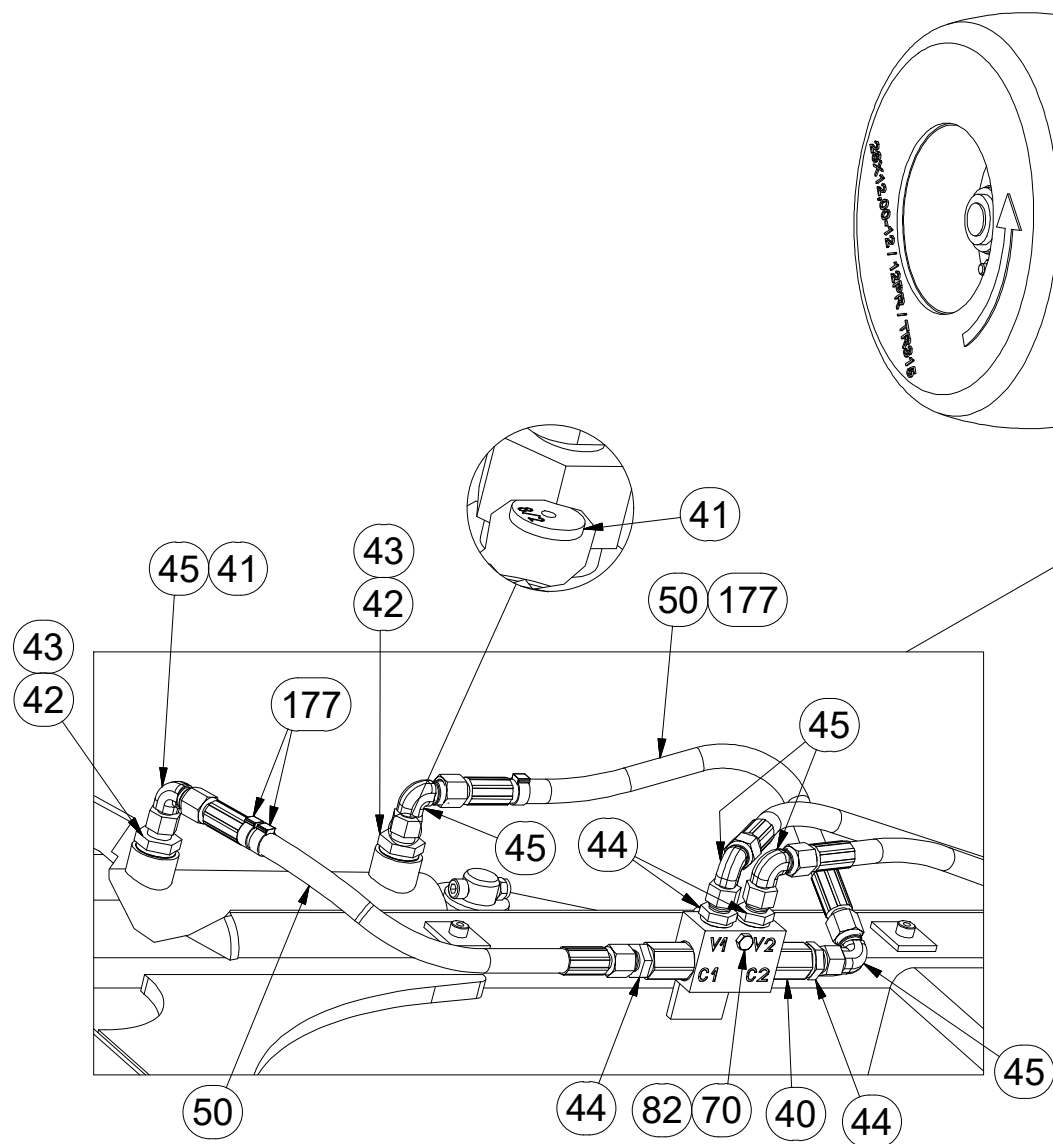
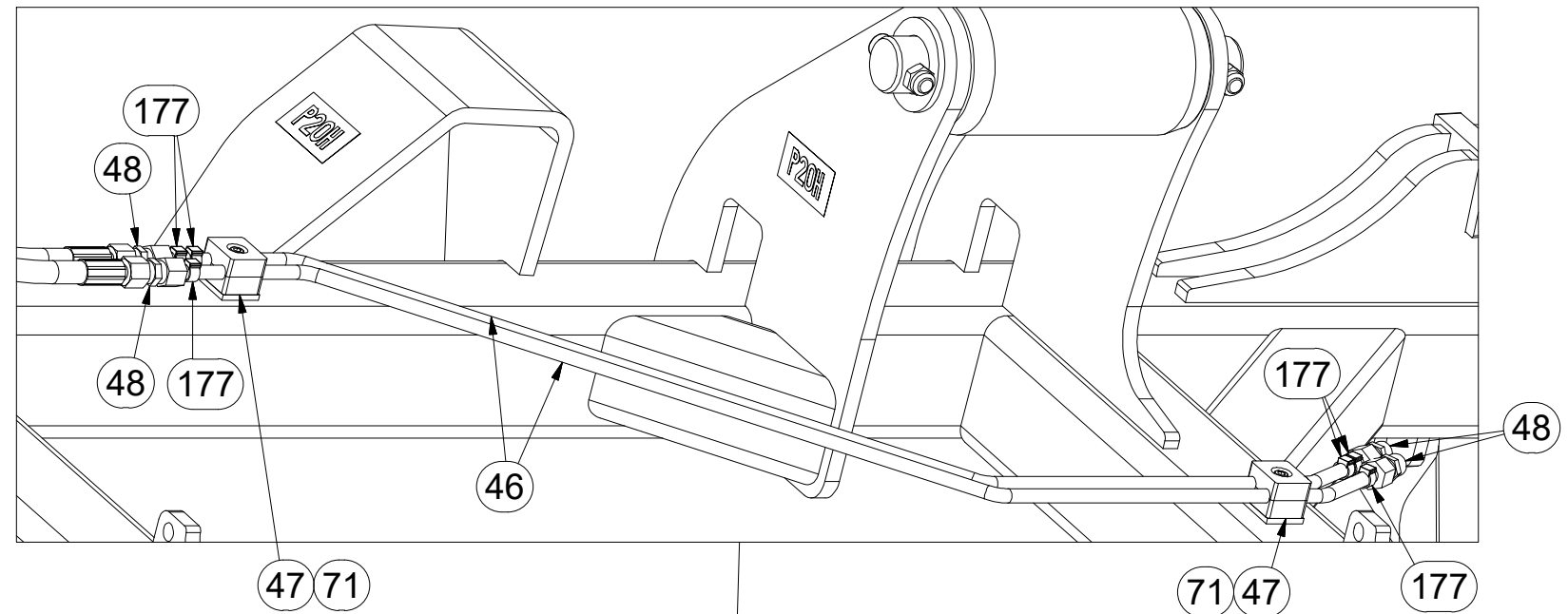
- Ⓒ RÁM
- Ⓓ RAHMEN
- Ⓕ CHASSIS

- Ⓖ FRAME
- Ⓔ PAMA
- Ⓗ RAMA



3007988

| Pos. | Part Number | Pcs. | Pos. | Part Number | Pcs. |
|------|-------------|------|------|-------------|------|
| 40 | m06673 | 1 | 70 | m05561 | 1 |
| 41 | m10777 | 2 | 71 | m04346 | 2 |
| 42 | m03925 | 2 | 82 | m05560 | 1 |
| 43 | m04223 | 2 | 110 | m11297 | 4 |
| 44 | m06528 | 4 | 111 | m04368 | 6 |
| 45 | m06803 | 5 | 112 | m13116 | 1 |
| 46 | m10040 | 2 | 113 | m09655 | 4 |
| 47 | m05488 | 2 | 115 | m15020 | 1 |
| 48 | m03213 | 4 | 116 | m03320 | 1 |
| 50 | m09627 | 2 | 177 | m11691 | 9 |

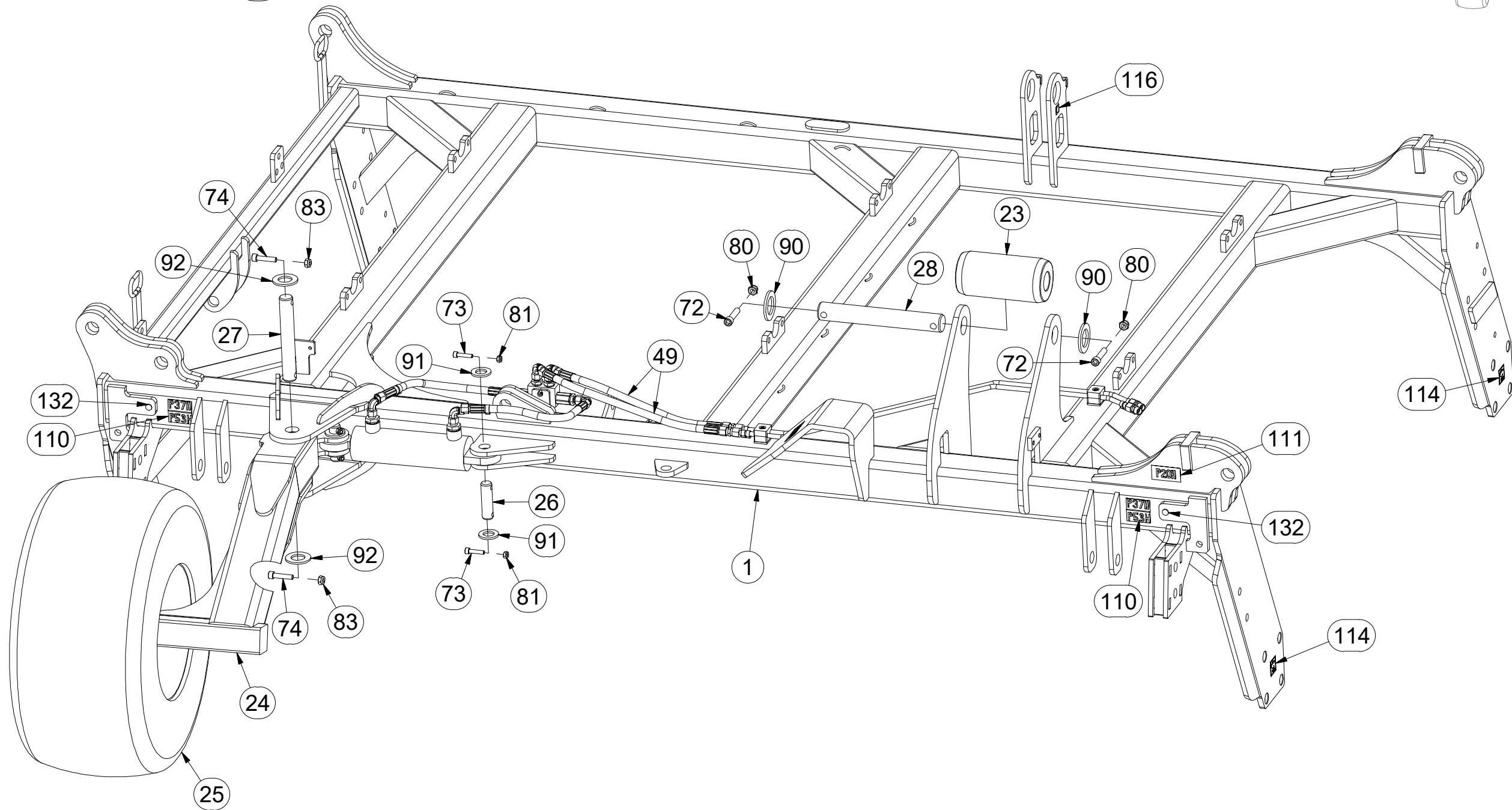
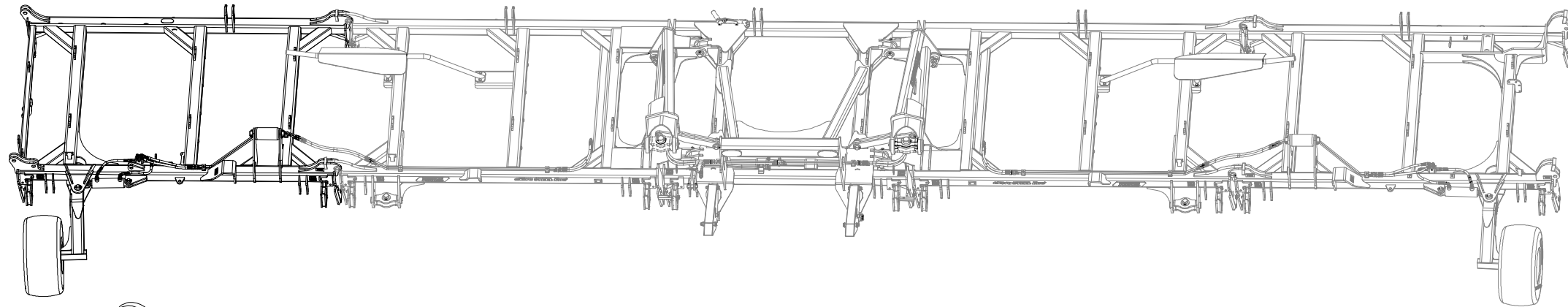


(CZ) RÁM
 (D) RAHMEN
 (F) CHASSIS

(GB) FRAME
 (RU) ПАМА
 (PL) RAMA



3007989



| Pos. | Part Number | Pcs. |
|------|-------------|------|
| 1 | 6000420 | 1 |
| 23 | 4004886 | 1 |
| 24 | 3008107 | 1 |
| 25 | m15018 | 1 |
| 26 | 4010390 | 2 |
| 27 | 4015702 | 1 |
| 28 | 4015701 | 1 |
| 49 | m04827 | 2 |
| 72 | m14008 | 2 |
| 73 | m09464 | 4 |
| 74 | m14143 | 2 |
| 80 | m04301 | 2 |
| 81 | m04503 | 4 |
| 83 | m03775 | 2 |
| 90 | 4013139 | 2 |
| 91 | m14028 | 4 |
| 92 | m14029 | 2 |
| 110 | m11297 | 4 |
| 111 | m04368 | 3 |
| 114 | m09655 | 4 |
| 116 | m03320 | 1 |
| 132 | m11612 | 2 |

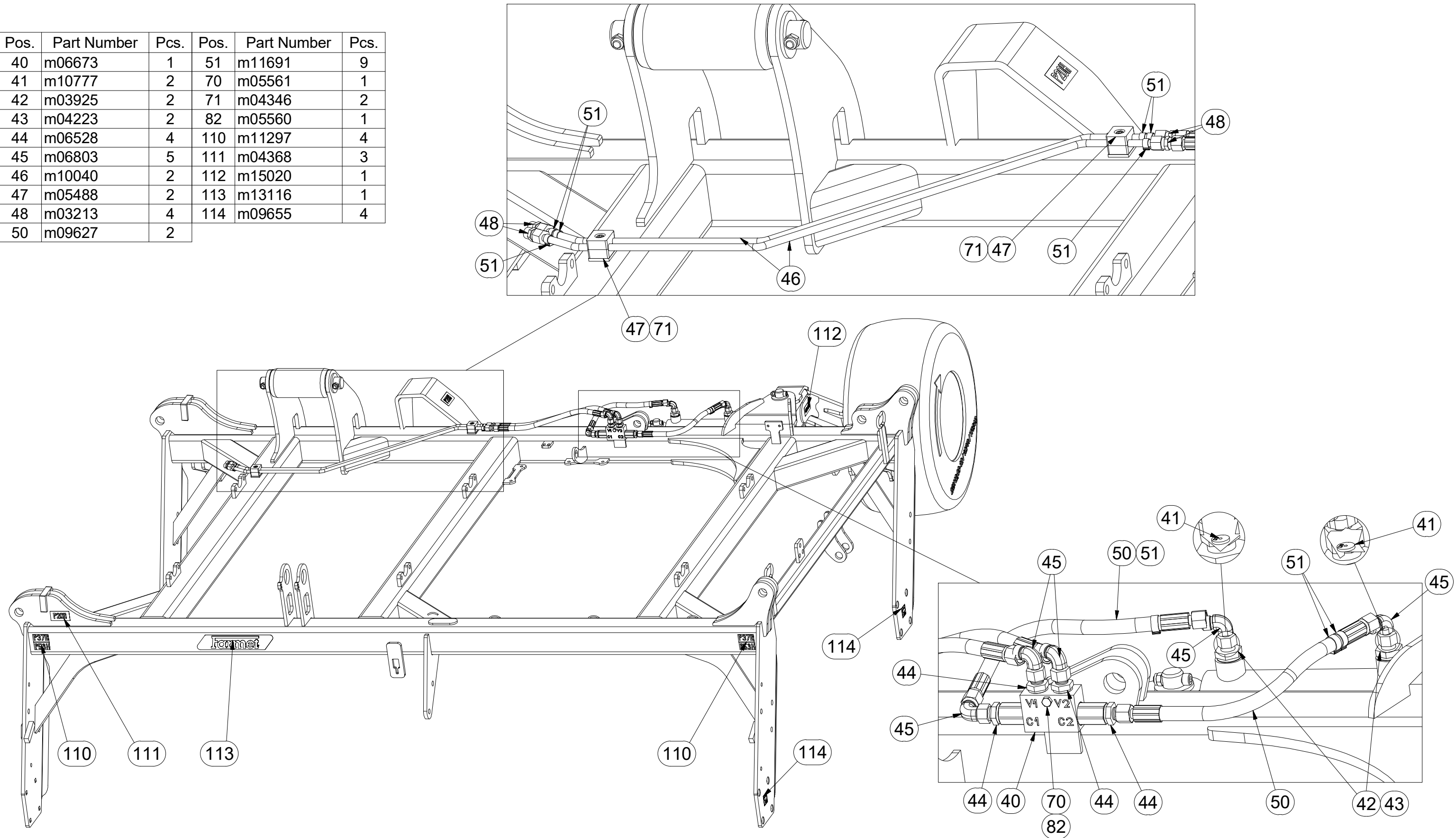
- Ⓒ RÁM
- Ⓓ RAHMEN
- Ⓕ CHASSIS

- Ⓖ FRAME
- Ⓔ PAMA
- Ⓗ RAMA



3007989

| Pos. | Part Number | Pcs. | Pos. | Part Number | Pcs. |
|------|-------------|------|------|-------------|------|
| 40 | m06673 | 1 | 51 | m11691 | 9 |
| 41 | m10777 | 2 | 70 | m05561 | 1 |
| 42 | m03925 | 2 | 71 | m04346 | 2 |
| 43 | m04223 | 2 | 82 | m05560 | 1 |
| 44 | m06528 | 4 | 110 | m11297 | 4 |
| 45 | m06803 | 5 | 111 | m04368 | 3 |
| 46 | m10040 | 2 | 112 | m15020 | 1 |
| 47 | m05488 | 2 | 113 | m13116 | 1 |
| 48 | m03213 | 4 | 114 | m09655 | 4 |
| 50 | m09627 | 2 | | | |



Ⓒ POLOTOVAR STROJE

Ⓓ MASCHINEN-HALBFABRIKAT

Ⓕ MACHINE - SEMI-PRODUIT

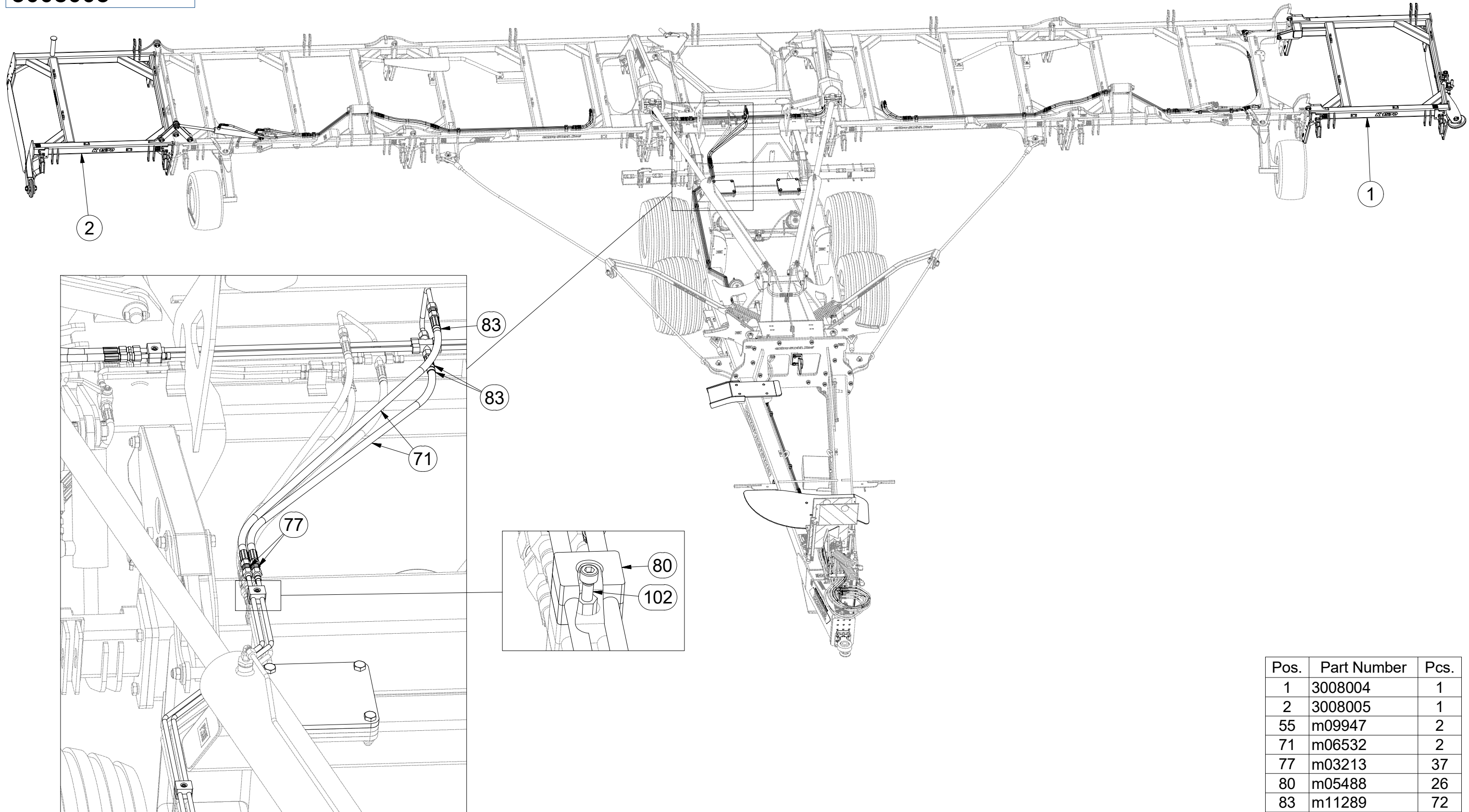
Ⓖ SEMIFINISHED MACHINE

Ⓡ ПОЛУФАБРИКАТ МАШИНЫ

Ⓟ PÓLFABRYKAT MASZYN



3008003



| Pos. | Part Number | Pcs. |
|------|-------------|------|
| 1 | 3008004 | 1 |
| 2 | 3008005 | 1 |
| 55 | m09947 | 2 |
| 71 | m06532 | 2 |
| 77 | m03213 | 37 |
| 80 | m05488 | 26 |
| 83 | m11289 | 72 |
| 102 | m09956 | 22 |

☉ POLOTOVAR STROJE

☉ MASCHINEN-HALBFABRIKAT

☉ MACHINE - SEMI-PRODUIT

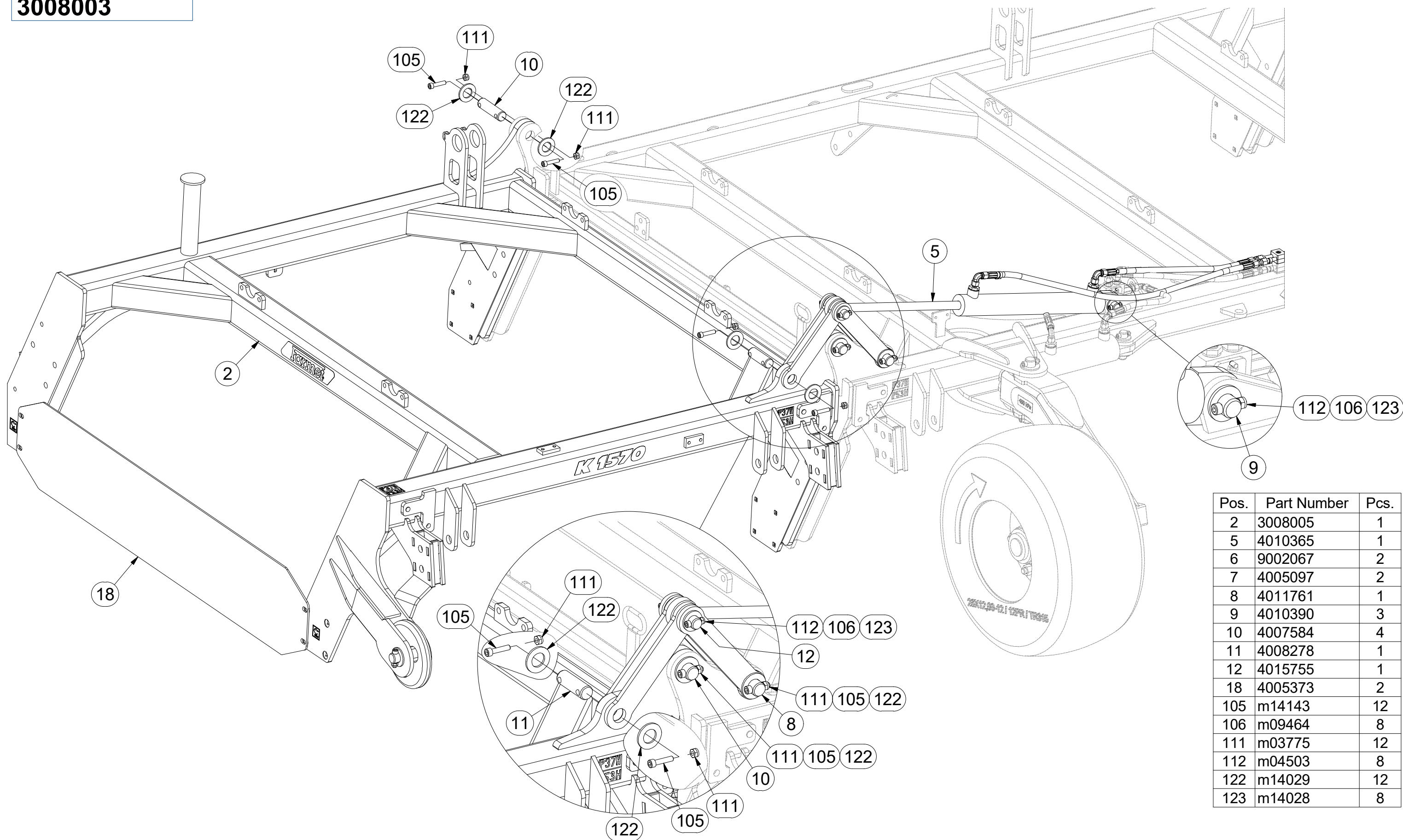
☉ SEMIFINISHED MACHINE

☉ ПОЛУФАБРИКАТ МАШИНЫ

☉ PÓLFABRYKAT MASZYNY



3008003



| Pos. | Part Number | Pcs. |
|------|-------------|------|
| 2 | 3008005 | 1 |
| 5 | 4010365 | 1 |
| 6 | 9002067 | 2 |
| 7 | 4005097 | 2 |
| 8 | 4011761 | 1 |
| 9 | 4010390 | 3 |
| 10 | 4007584 | 4 |
| 11 | 4008278 | 1 |
| 12 | 4015755 | 1 |
| 18 | 4005373 | 2 |
| 105 | m14143 | 12 |
| 106 | m09464 | 8 |
| 111 | m03775 | 12 |
| 112 | m04503 | 8 |
| 122 | m14029 | 12 |
| 123 | m14028 | 8 |

Ⓒ POLOTOVAR STROJE

Ⓓ MASCHINEN-HALBFABRIKAT

Ⓕ MACHINE - SEMI-PRODUIT

Ⓖ SEMIFINISHED MACHINE

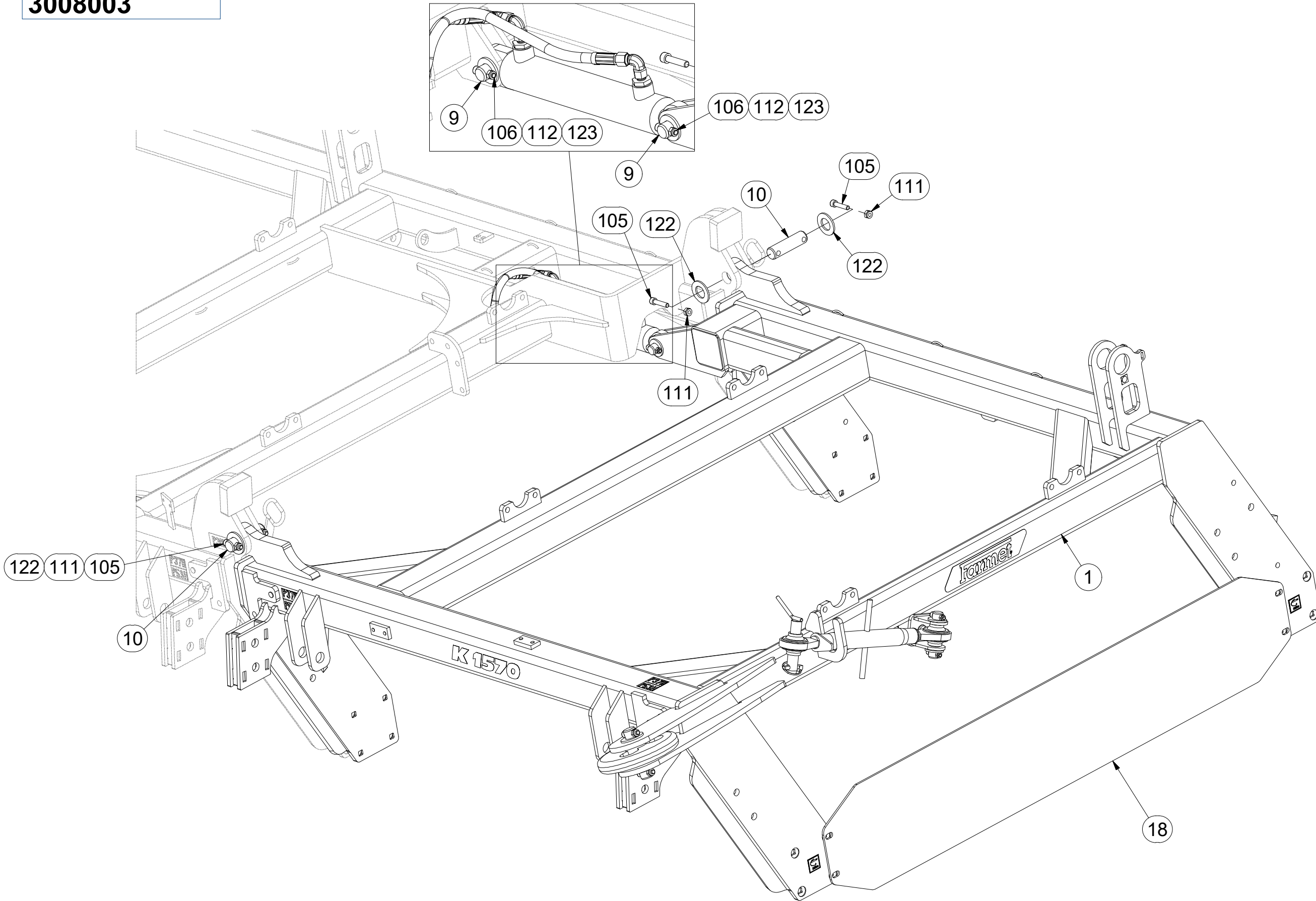
Ⓡ ПОЛУФАБРИКАТ МАШИНЫ

Ⓟ PÓŁFABRYKAT MASZYN



3008003

| Pos. | Part Number | Pcs. |
|------|-------------|------|
| 1 | 3008004 | 1 |
| 4 | 4010366 | 1 |
| 9 | 4010390 | 3 |
| 10 | 4007584 | 4 |
| 18 | 4005373 | 2 |
| 53 | m10087 | 2 |
| 66 | m04761 | 2 |
| 80 | m05488 | 26 |
| 83 | m11289 | 72 |
| 85 | m09627 | 1 |
| 100 | m04346 | 4 |
| 105 | m14143 | 12 |
| 106 | m09464 | 8 |
| 111 | m03775 | 12 |
| 112 | m04503 | 8 |
| 122 | m14029 | 12 |
| 123 | m14028 | 8 |



☉ POLOTOVAR STROJE

☉ MASCHINEN-HALBFABRIKAT

☉ MACHINE - SEMI-PRODUIT

☉ SEMIFINISHED MACHINE

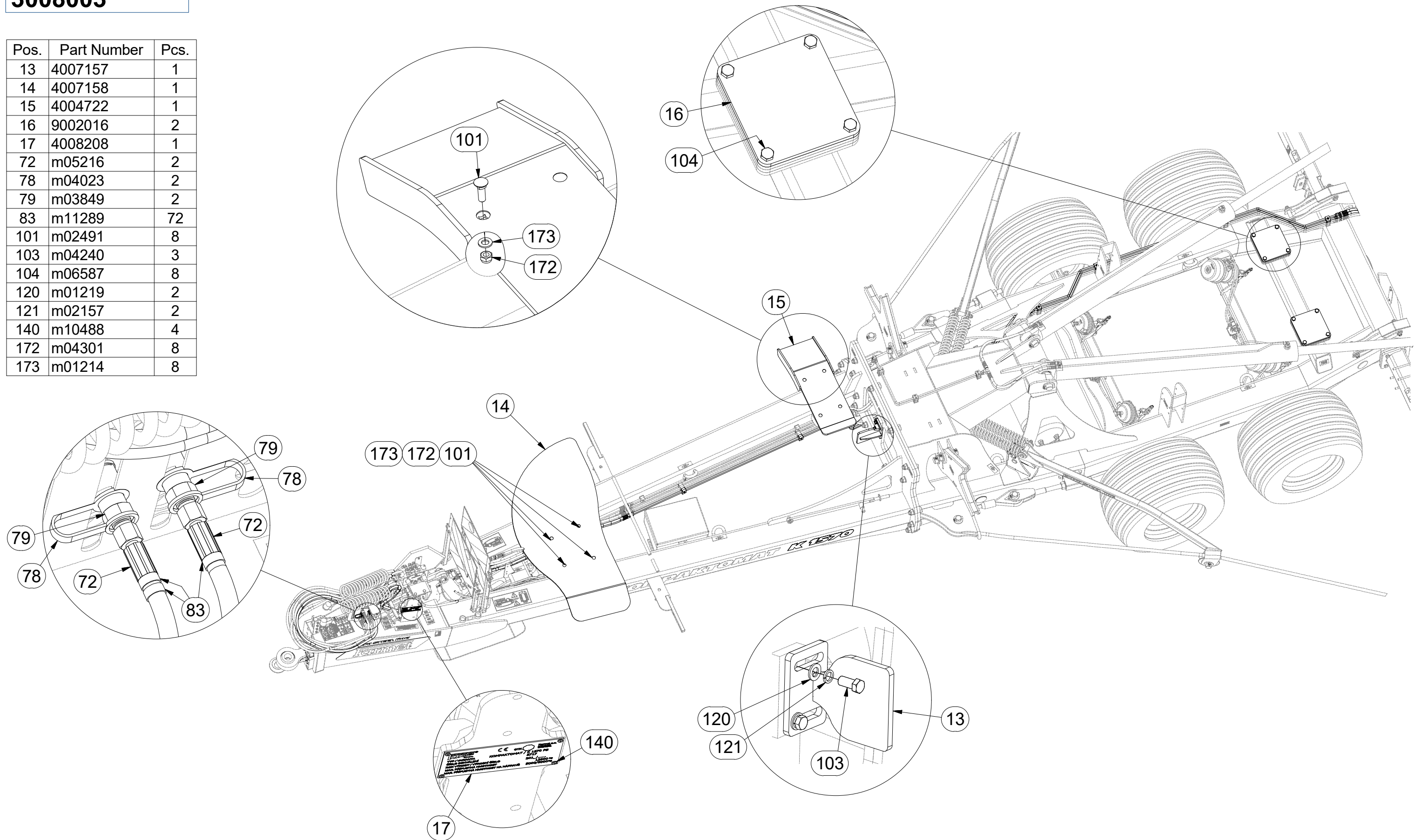
☉ ПОЛУФАБРИКАТ МАШИНЫ

☉ PÓLFABRYKAT MASZYNY



3008003

| Pos. | Part Number | Pcs. |
|------|-------------|------|
| 13 | 4007157 | 1 |
| 14 | 4007158 | 1 |
| 15 | 4004722 | 1 |
| 16 | 9002016 | 2 |
| 17 | 4008208 | 1 |
| 72 | m05216 | 2 |
| 78 | m04023 | 2 |
| 79 | m03849 | 2 |
| 83 | m11289 | 72 |
| 101 | m02491 | 8 |
| 103 | m04240 | 3 |
| 104 | m06587 | 8 |
| 120 | m01219 | 2 |
| 121 | m02157 | 2 |
| 140 | m10488 | 4 |
| 172 | m04301 | 8 |
| 173 | m01214 | 8 |



Ⓒ POLOTOVAR STROJE

Ⓓ MASCHINEN-HALBFABRIKAT

Ⓕ MACHINE - SEMI-PRODUIT

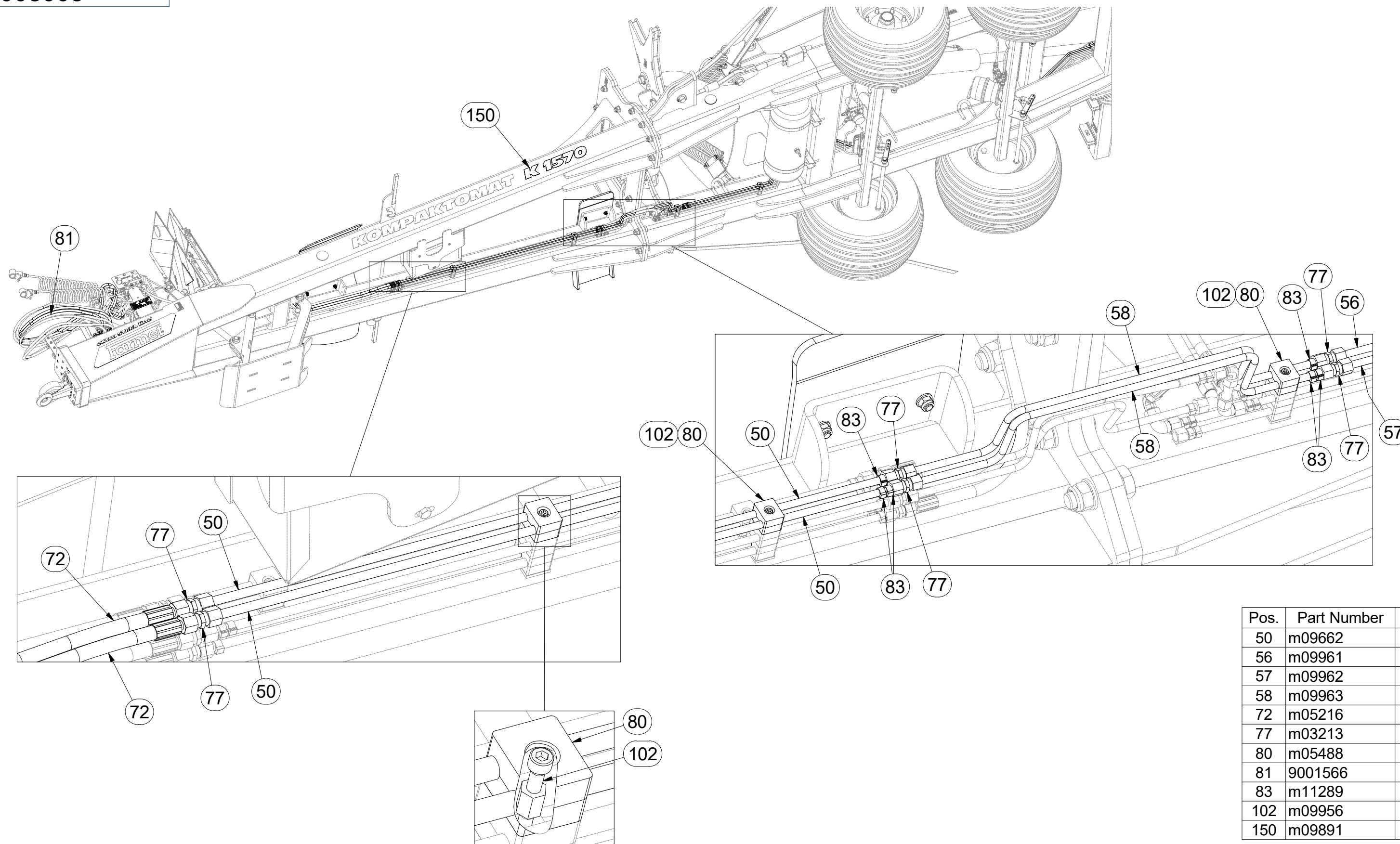
Ⓖ SEMIFINISHED MACHINE

Ⓡ ПОЛУФАБРИКАТ МАШИНЫ

Ⓟ PÓLFABRYKAT MASZYN



3008003



| Pos. | Part Number | Pcs. |
|------|-------------|------|
| 50 | m09662 | 2 |
| 56 | m09961 | 1 |
| 57 | m09962 | 1 |
| 58 | m09963 | 2 |
| 72 | m05216 | 2 |
| 77 | m03213 | 37 |
| 80 | m05488 | 26 |
| 81 | 9001566 | 1 |
| 83 | m11289 | 72 |
| 102 | m09956 | 22 |
| 150 | m09891 | 2 |

☉ POLOTOVAR STROJE

☉ MASCHINEN-HALBFABRIKAT

☉ MACHINE - SEMI-PRODUIT

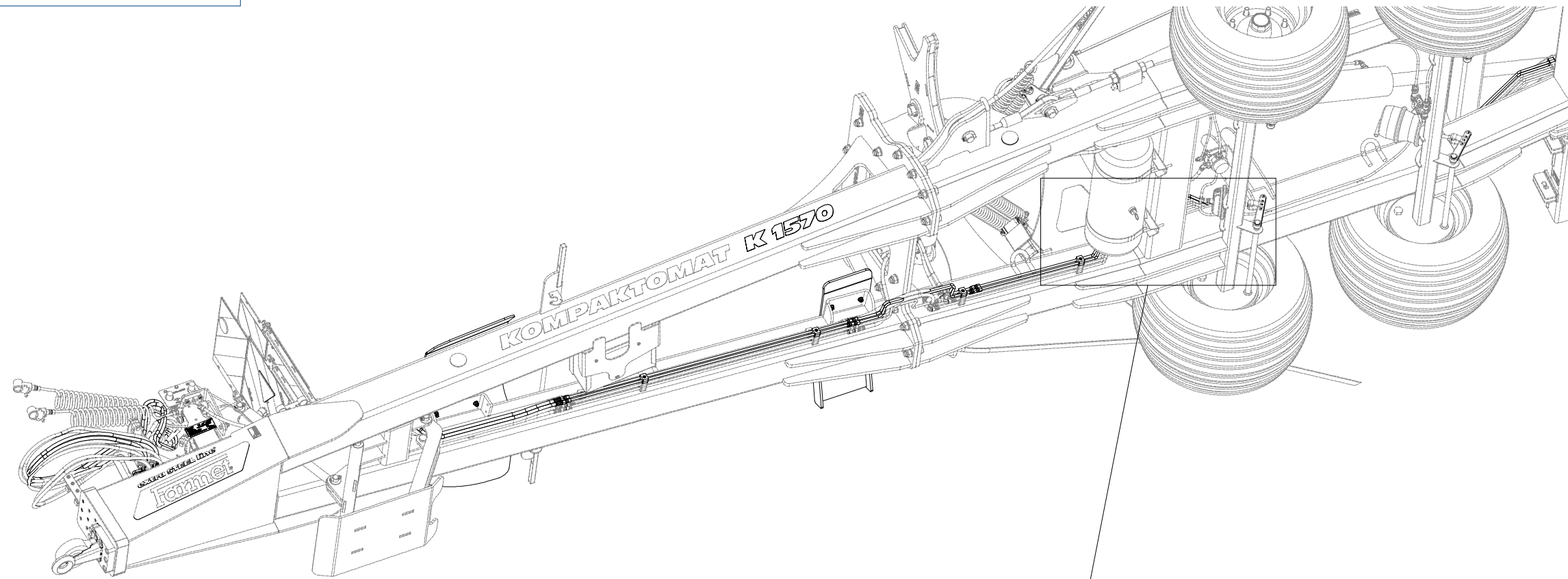
☉ SEMIFINISHED MACHINE

☉ ПОЛУФАБРИКАТ МАШИНЫ

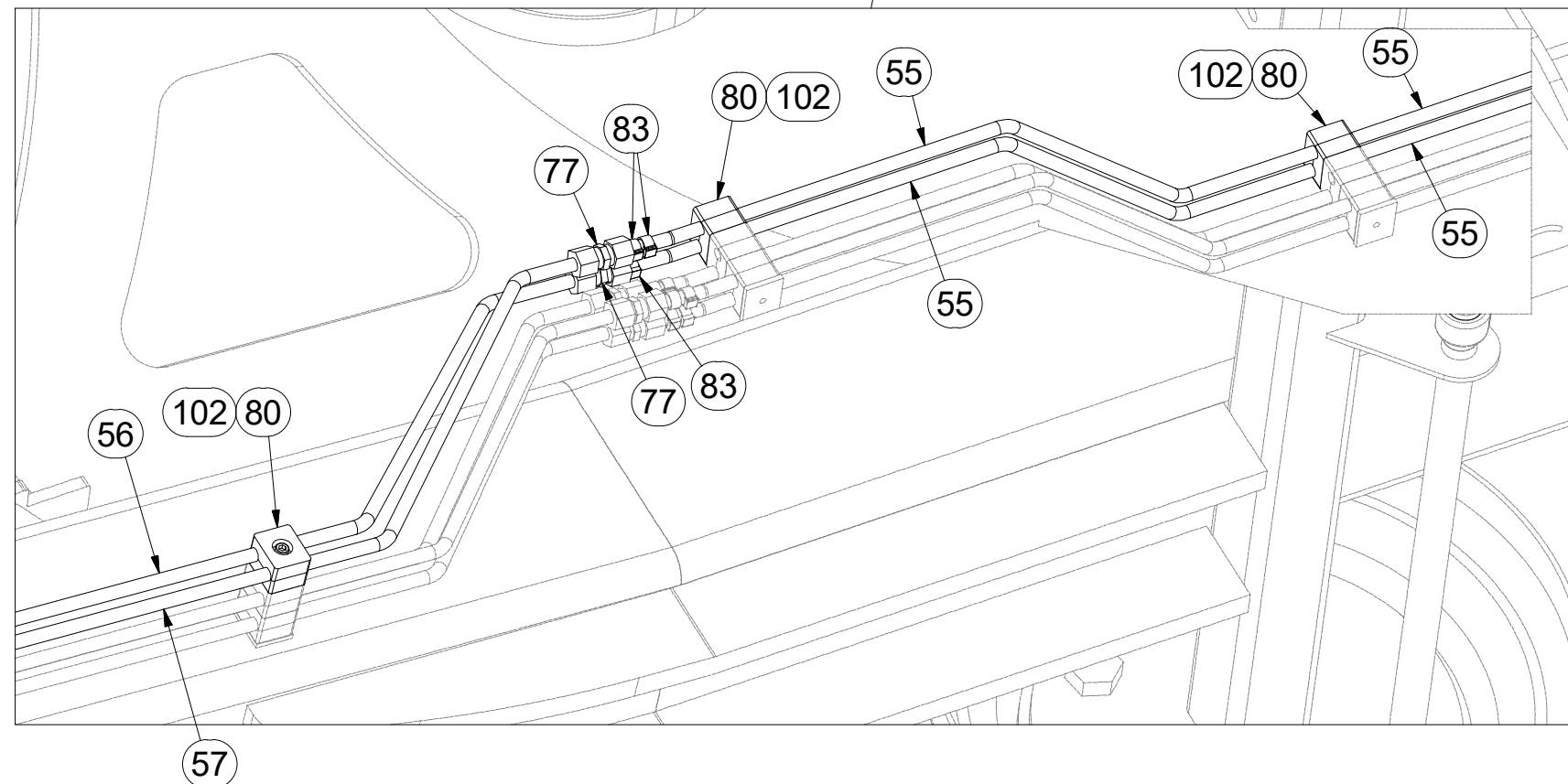
☉ PÓLFABRYKAT MASZYNY



3008003



| Pos. | Part Number | Pcs. |
|------|-------------|------|
| 55 | m09947 | 2 |
| 56 | m09961 | 1 |
| 57 | m09962 | 1 |
| 77 | m03213 | 37 |
| 80 | m05488 | 26 |
| 83 | m11289 | 72 |
| 102 | m09956 | 22 |



☉ POLOTOVAR STROJE

☉ MASCHINEN-HALBFABRIKAT

☉ MACHINE - SEMI-PRODUIT

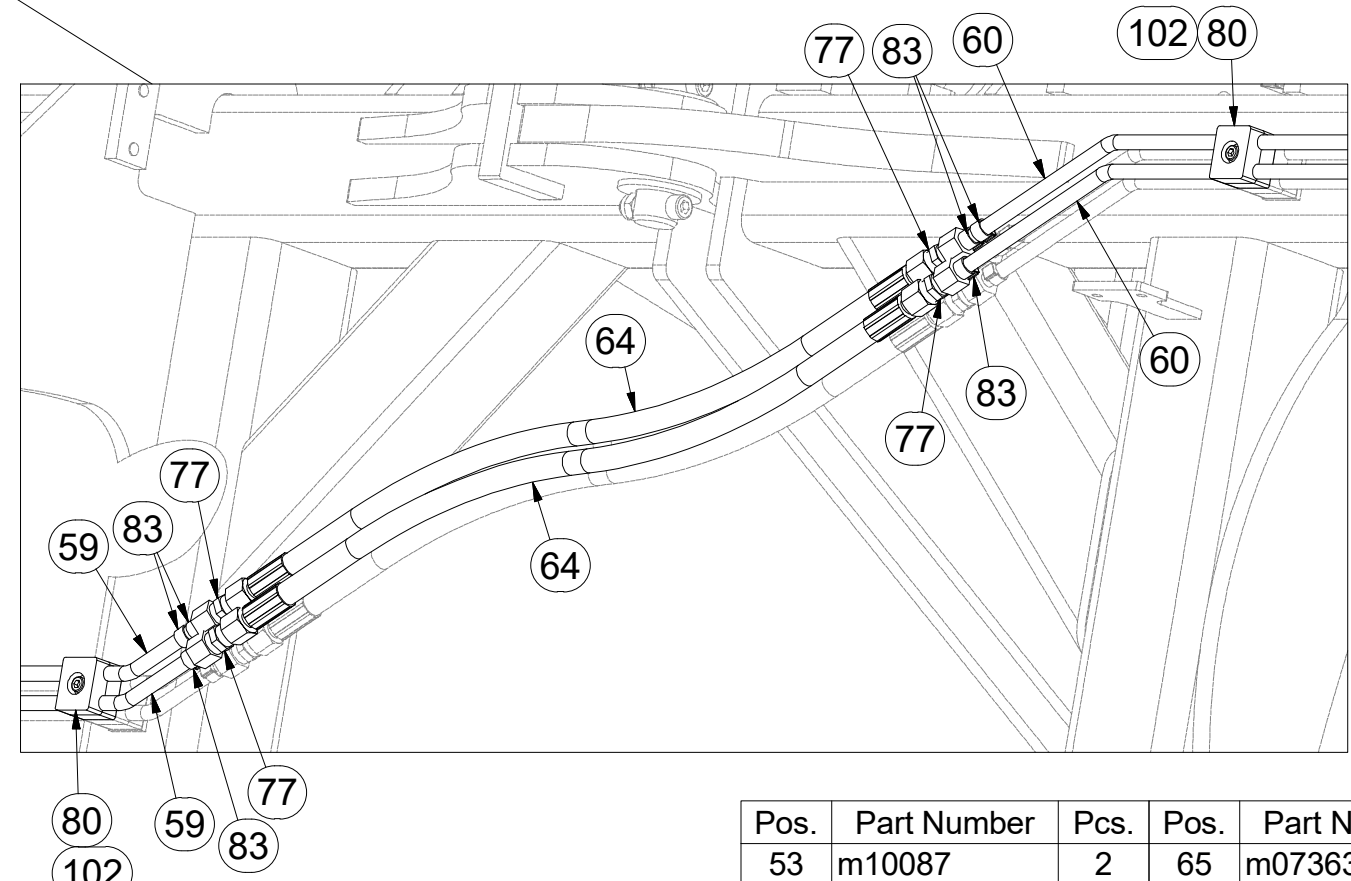
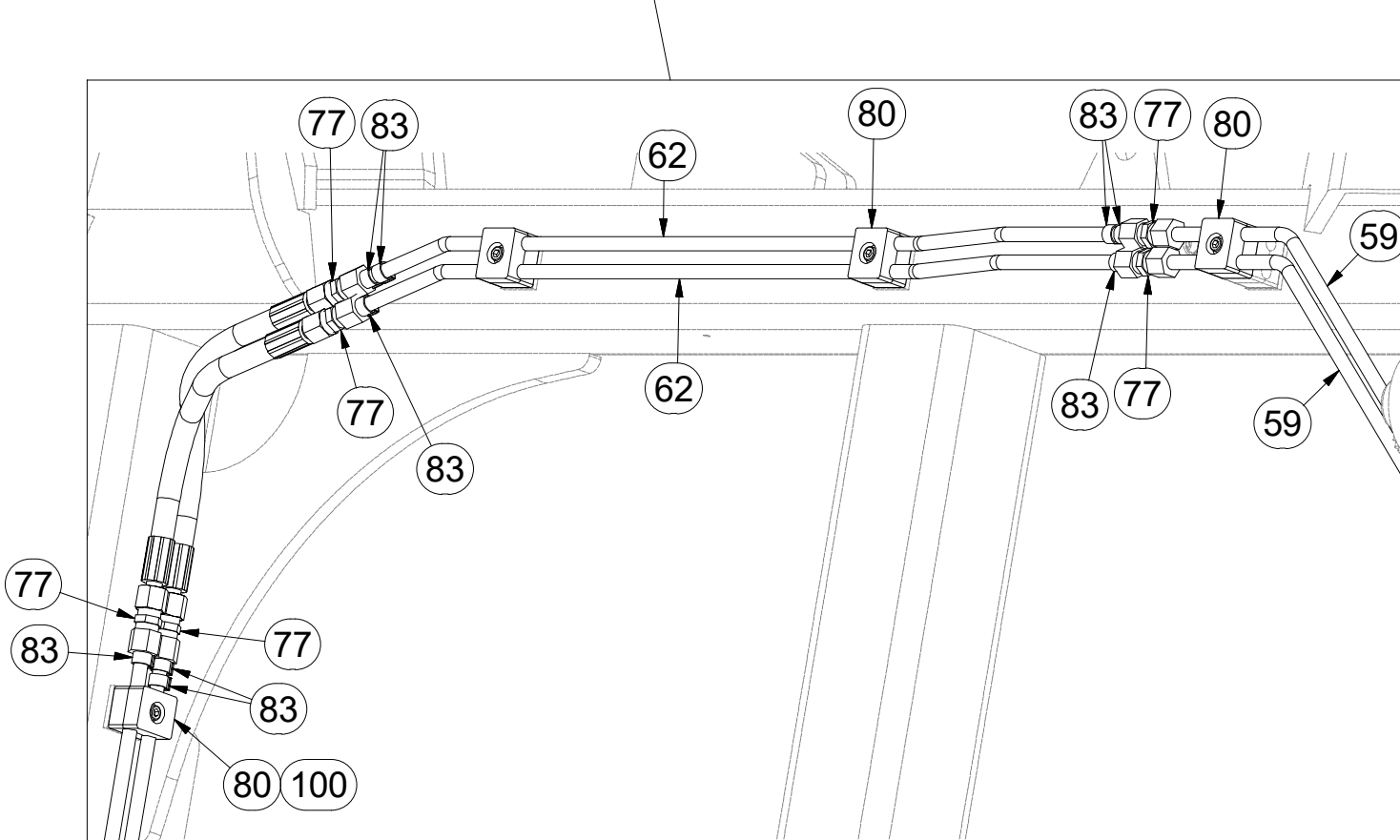
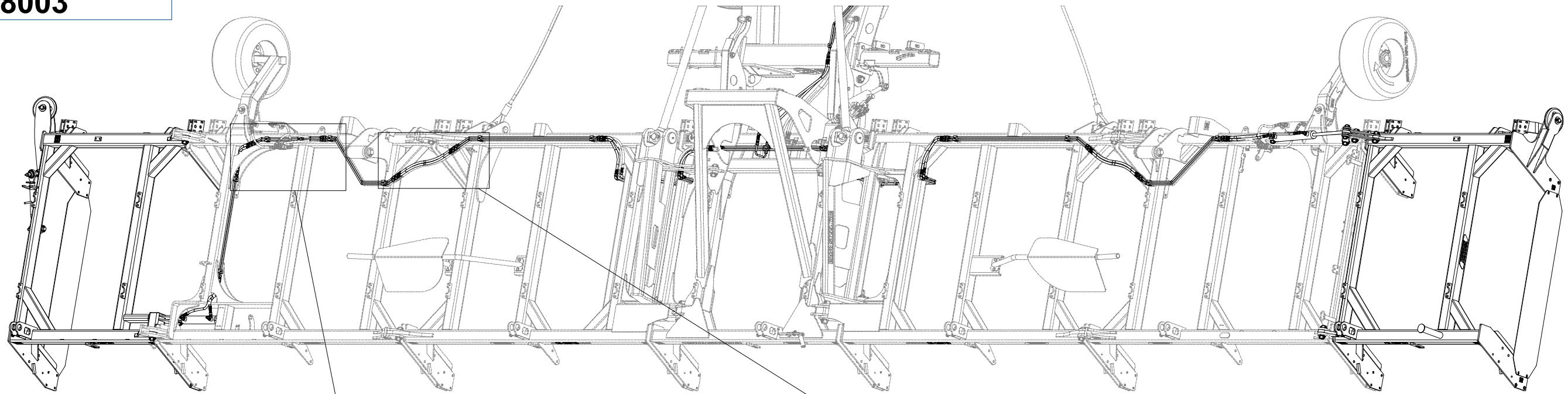
☉ SEMIFINISHED MACHINE

☉ ПОЛУФАБРИКАТ МАШИНЫ

☉ PÓŁFABRYKAT MASZYN



3008003



| Pos. | Part Number | Pcs. | Pos. | Part Number | Pcs. |
|------|-------------|------|------|-------------|------|
| 53 | m10087 | 2 | 65 | m07363 | 2 |
| 59 | m10040 | 4 | 77 | m03213 | 37 |
| 60 | m10042 | 4 | 80 | m05488 | 26 |
| 62 | m10086 | 2 | 83 | m11289 | 72 |
| 64 | m03713 | 4 | 100 | m04346 | 4 |
| | | | 102 | m09956 | 22 |

Ⓒ POLOTOVAR STROJE

Ⓓ MASCHINEN-HALBFABRIKAT

Ⓕ MACHINE - SEMI-PRODUIT

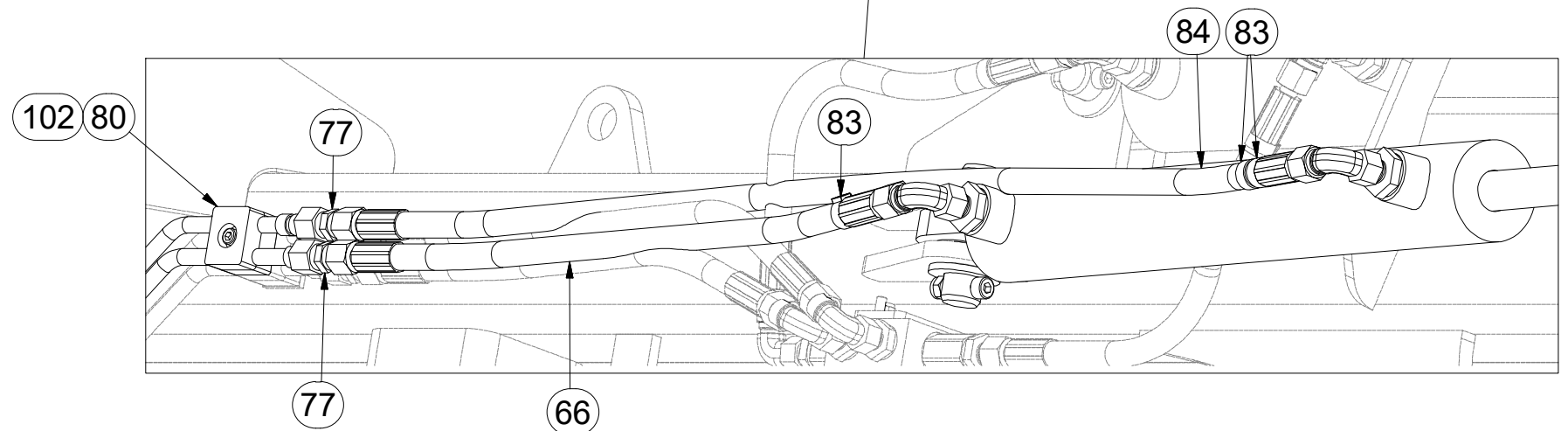
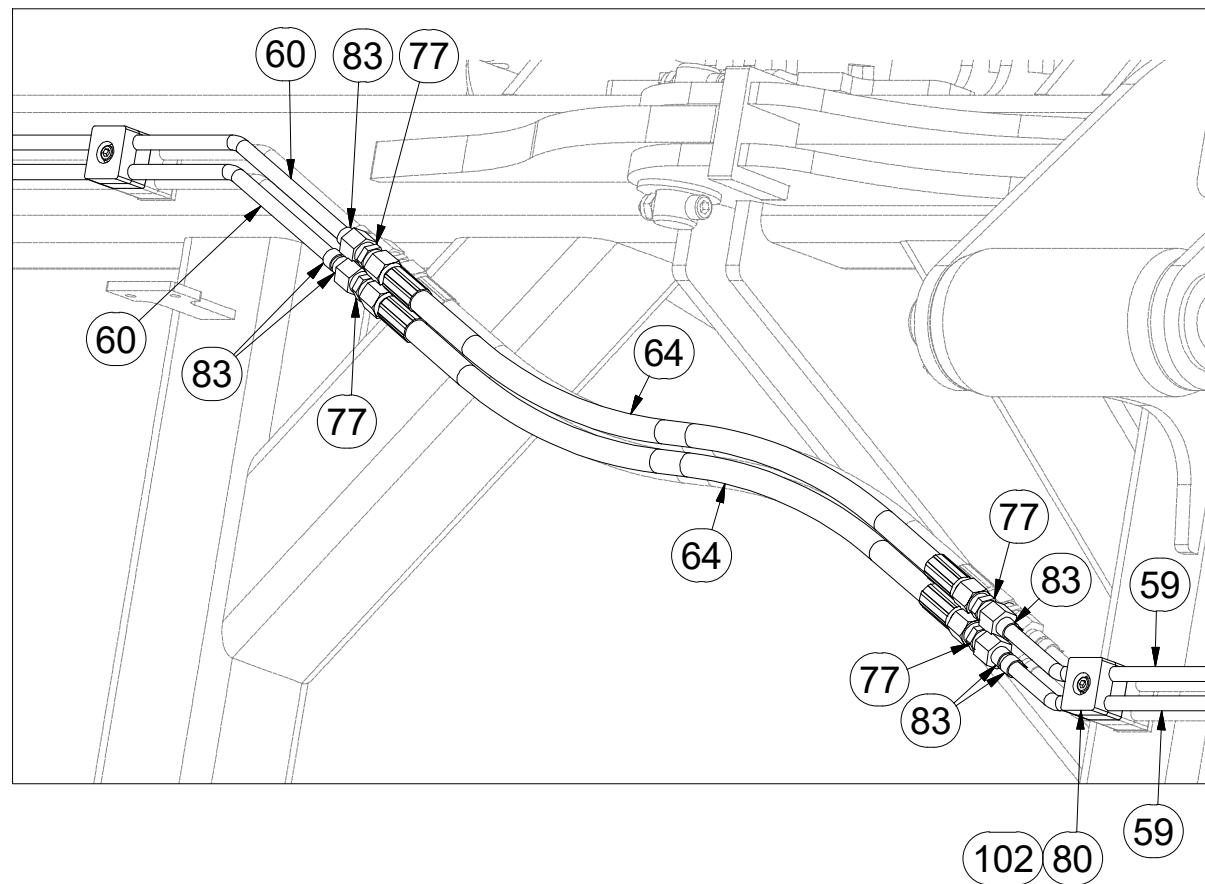
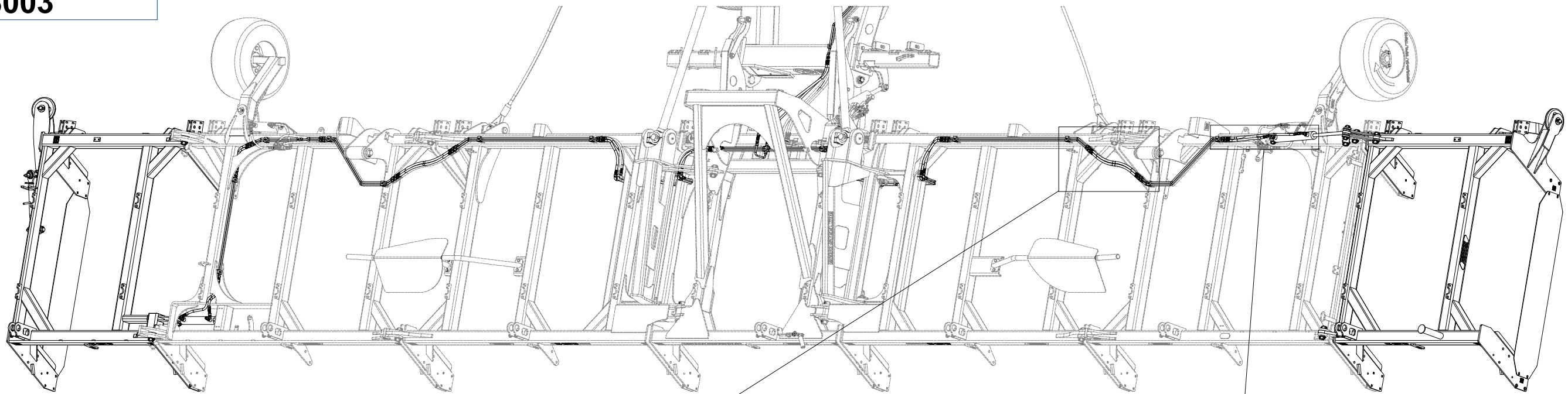
Ⓖ SEMIFINISHED MACHINE

Ⓡ ПОЛУФАБРИКАТ МАШИНЫ

Ⓟ PÓŁFABRYKAT MASZYN



3008003



| Pos. | Part Number | Pcs. |
|------|-------------|------|
| 59 | m10040 | 4 |
| 60 | m10042 | 4 |
| 64 | m03713 | 4 |
| 66 | m04761 | 2 |
| 77 | m03213 | 37 |
| 80 | m05488 | 26 |
| 83 | m11289 | 72 |
| 84 | m03951 | 1 |
| 102 | m09956 | 22 |

☉ POLOTOVAR STROJE

☉ MASCHINEN-HALBFABRIKAT

☉ MACHINE - SEMI-PRODUIT

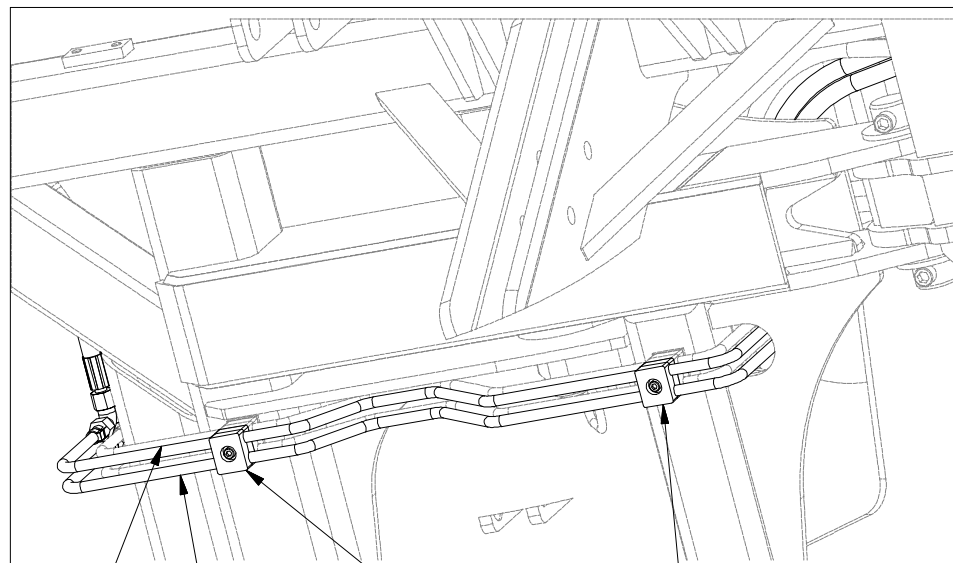
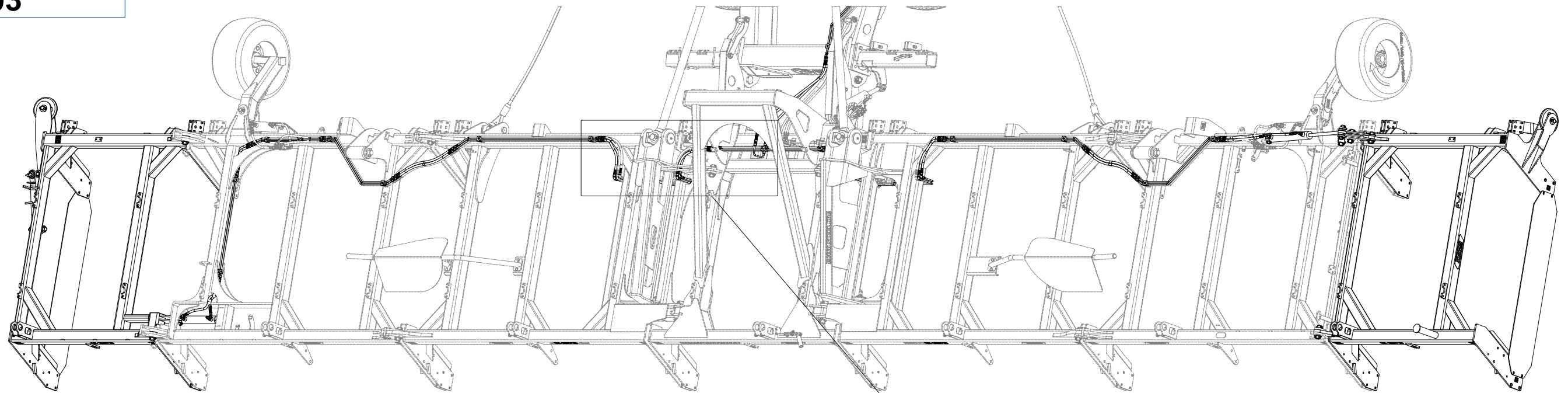
☉ SEMIFINISHED MACHINE

☉ ПОЛУФАБРИКАТ МАШИНЫ

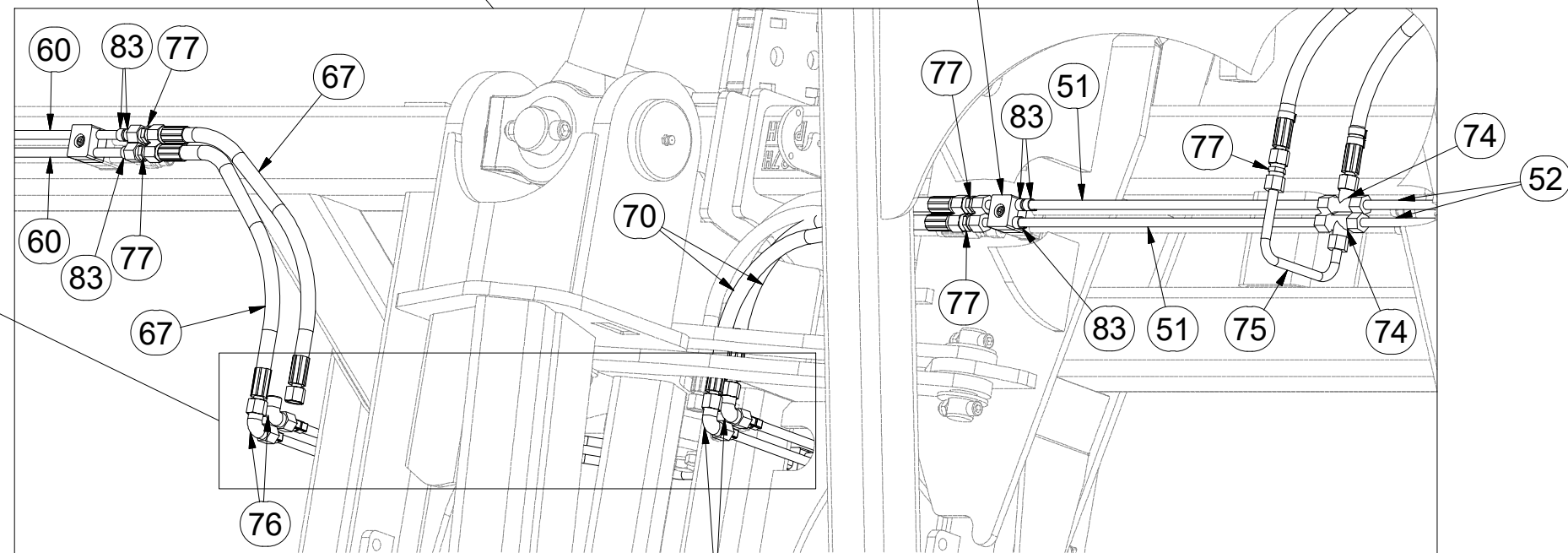
☉ PÓLFABRYKAT MASZYNY



3008003



83 83 61 63 83 80 102 80 102



| Pos. | Part Number | Pcs. | Pos. | Part Number | Pcs. |
|------|-------------|------|------|-------------|------|
| 51 | m09661 | 2 | 74 | m03889 | 2 |
| 52 | m03975 | 2 | 75 | m13260 | 1 |
| 60 | m10042 | 4 | 76 | m06661 | 8 |
| 61 | m10085 | 2 | 77 | m03213 | 37 |
| 63 | m10084 | 2 | 80 | m05488 | 26 |
| 67 | m04827 | 4 | 83 | m11289 | 72 |
| 70 | m09628 | 4 | 102 | m09956 | 22 |

Ⓒ POLOTOVAR STROJE

Ⓓ MASCHINEN-HALBFABRIKAT

Ⓕ MACHINE - SEMI-PRODUIT

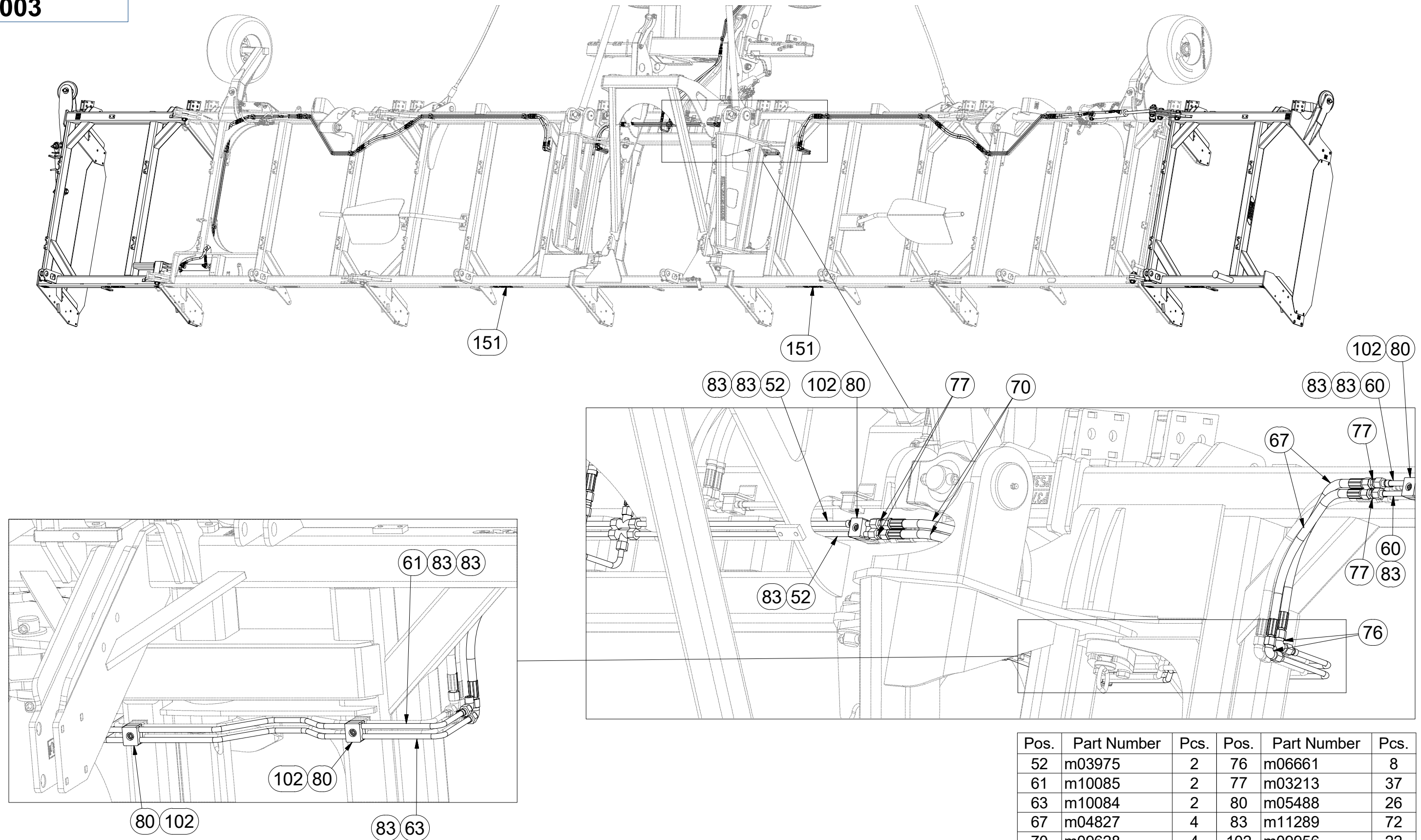
Ⓖ SEMIFINISHED MACHINE

Ⓡ ПОЛУФАБРИКАТ МАШИНЫ

Ⓟ PÓLFABRYKAT MASZYN



3008003



| Pos. | Part Number | Pcs. | Pos. | Part Number | Pcs. |
|------|-------------|------|------|-------------|------|
| 52 | m03975 | 2 | 76 | m06661 | 8 |
| 61 | m10085 | 2 | 77 | m03213 | 37 |
| 63 | m10084 | 2 | 80 | m05488 | 26 |
| 67 | m04827 | 4 | 83 | m11289 | 72 |
| 70 | m09628 | 4 | 102 | m09956 | 22 |
| | | | 151 | m09896 | 2 |

Ⓒ RÁM

Ⓓ RAHMEN

Ⓕ CHASSIS

Ⓖ FRAME

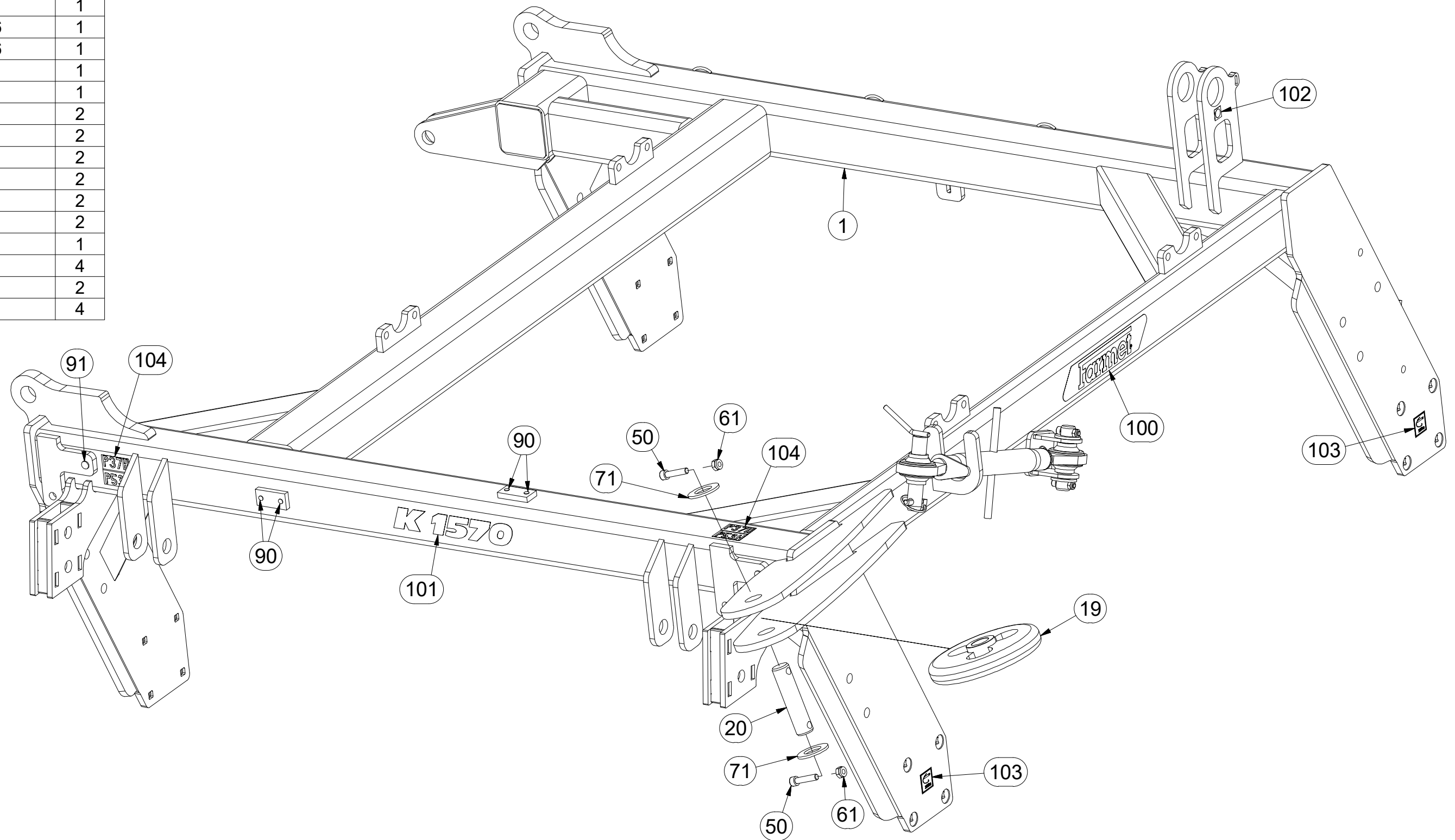
Ⓡ PAMA

Ⓢ RAMA



3008004

| Pos. | Part Number | Pcs. |
|------|-------------|------|
| 1 | 1000306 | 1 |
| 19 | 4008245 | 1 |
| 20 | 4011761 | 1 |
| 21 | 4015756 | 1 |
| 22 | 4000156 | 1 |
| 24 | m08879 | 1 |
| 26 | m02505 | 1 |
| 50 | m14143 | 2 |
| 51 | m09464 | 2 |
| 60 | m04503 | 2 |
| 61 | m03775 | 2 |
| 70 | m14028 | 2 |
| 71 | m14029 | 2 |
| 80 | m11550 | 1 |
| 90 | m11099 | 4 |
| 91 | m11612 | 2 |
| 104 | m11297 | 4 |

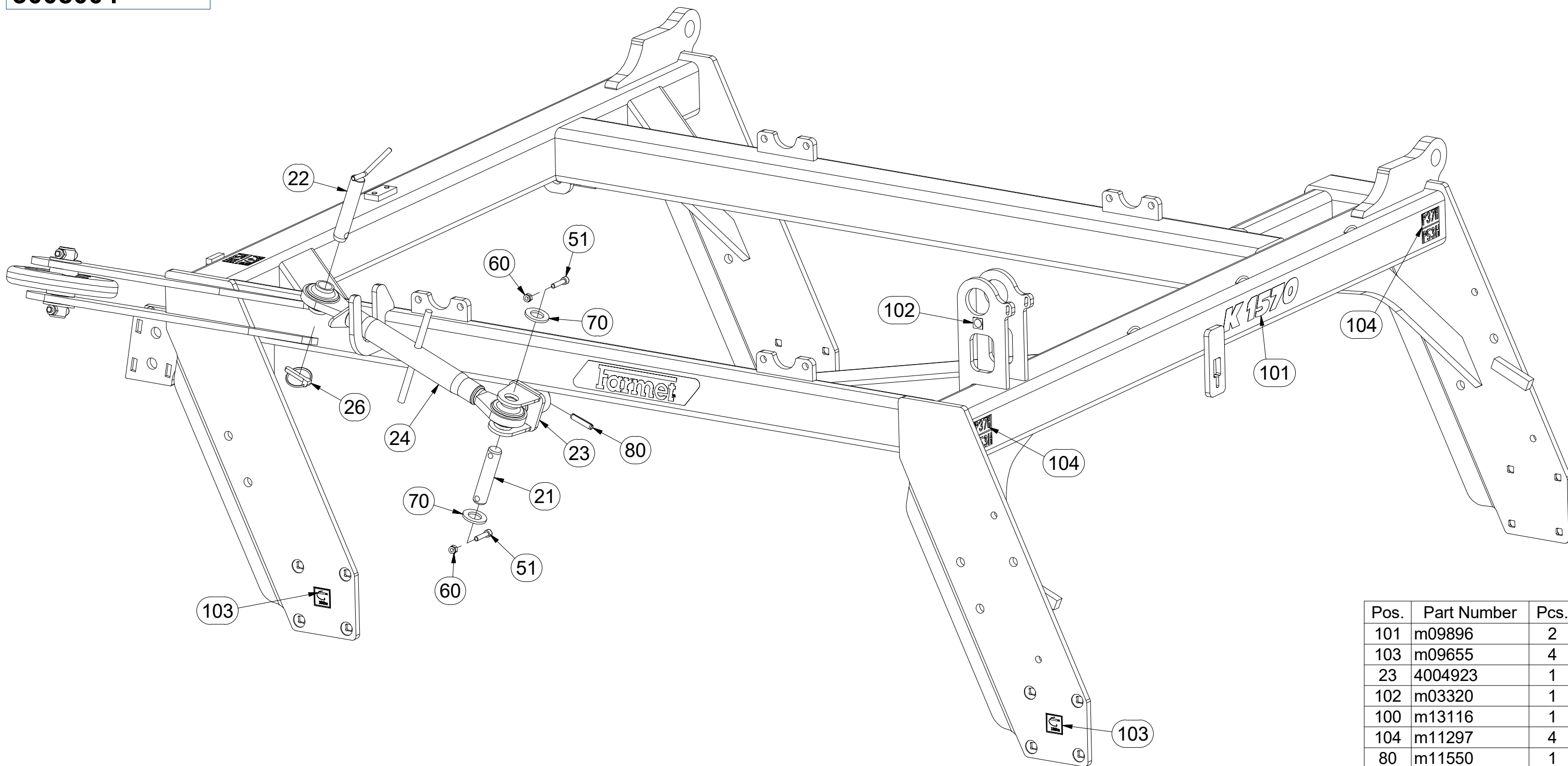


- ⒸZ RÁM
- Ⓓ RAHMEN
- Ⓕ CHASSIS

- ⒼB FRAME
- ⒺPAMA
- ⒼL RAMA



3008004



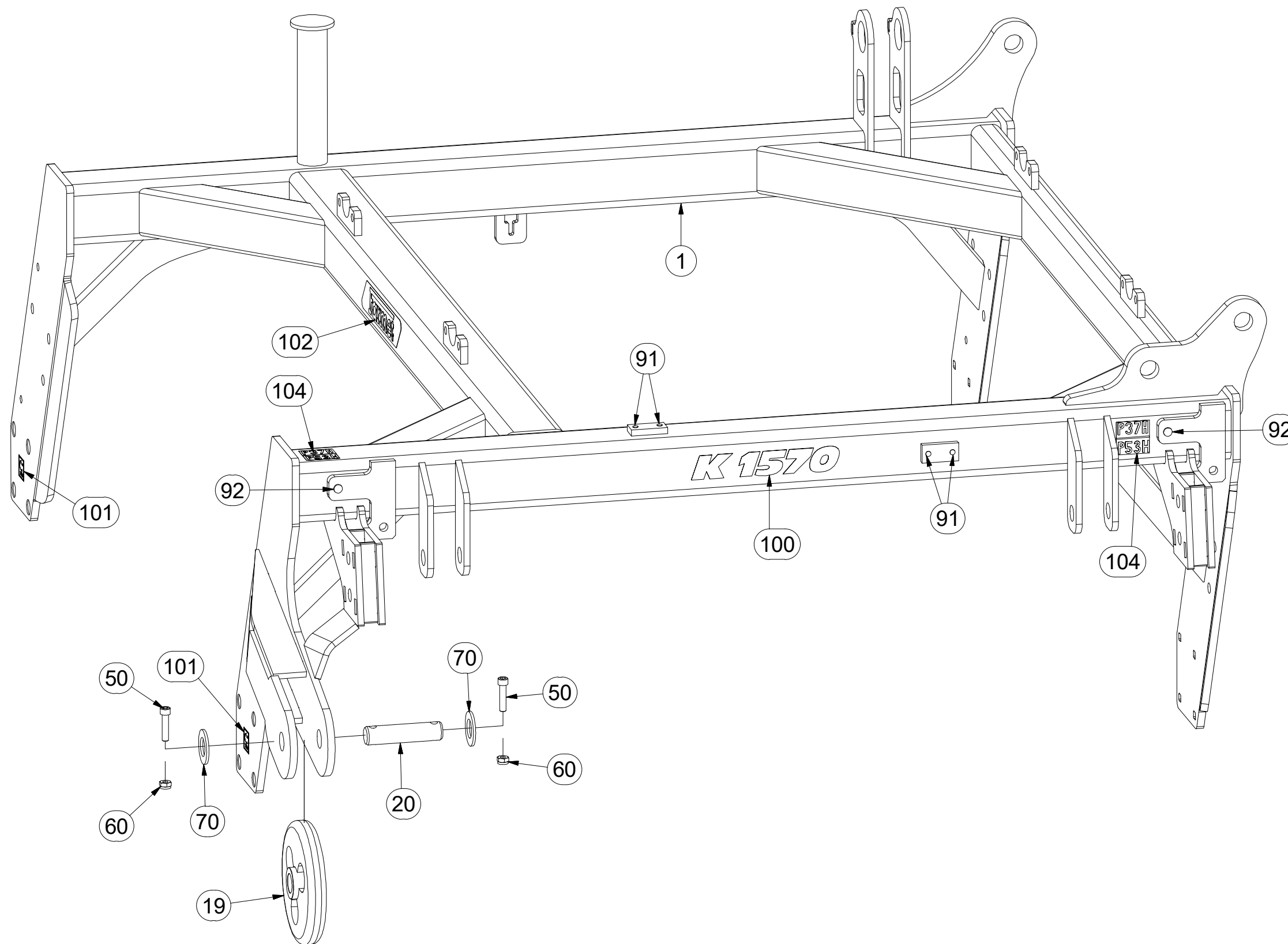
| Pos. | Part Number | Pcs. |
|------|-------------|------|
| 101 | m09896 | 2 |
| 103 | m09655 | 4 |
| 23 | 4004923 | 1 |
| 102 | m03320 | 1 |
| 100 | m13116 | 1 |
| 104 | m11297 | 4 |
| 80 | m11550 | 1 |
| 26 | m02505 | 1 |
| 91 | m11612 | 2 |
| 24 | m08879 | 1 |
| 22 | 4000156 | 1 |
| 90 | m11099 | 4 |
| 50 | m14143 | 2 |

- Ⓒ RÁM
- Ⓓ RAHMEN
- Ⓕ CHASSIS

- Ⓖ FRAME
- Ⓡ PAMA
- Ⓟ RAMA



3008005



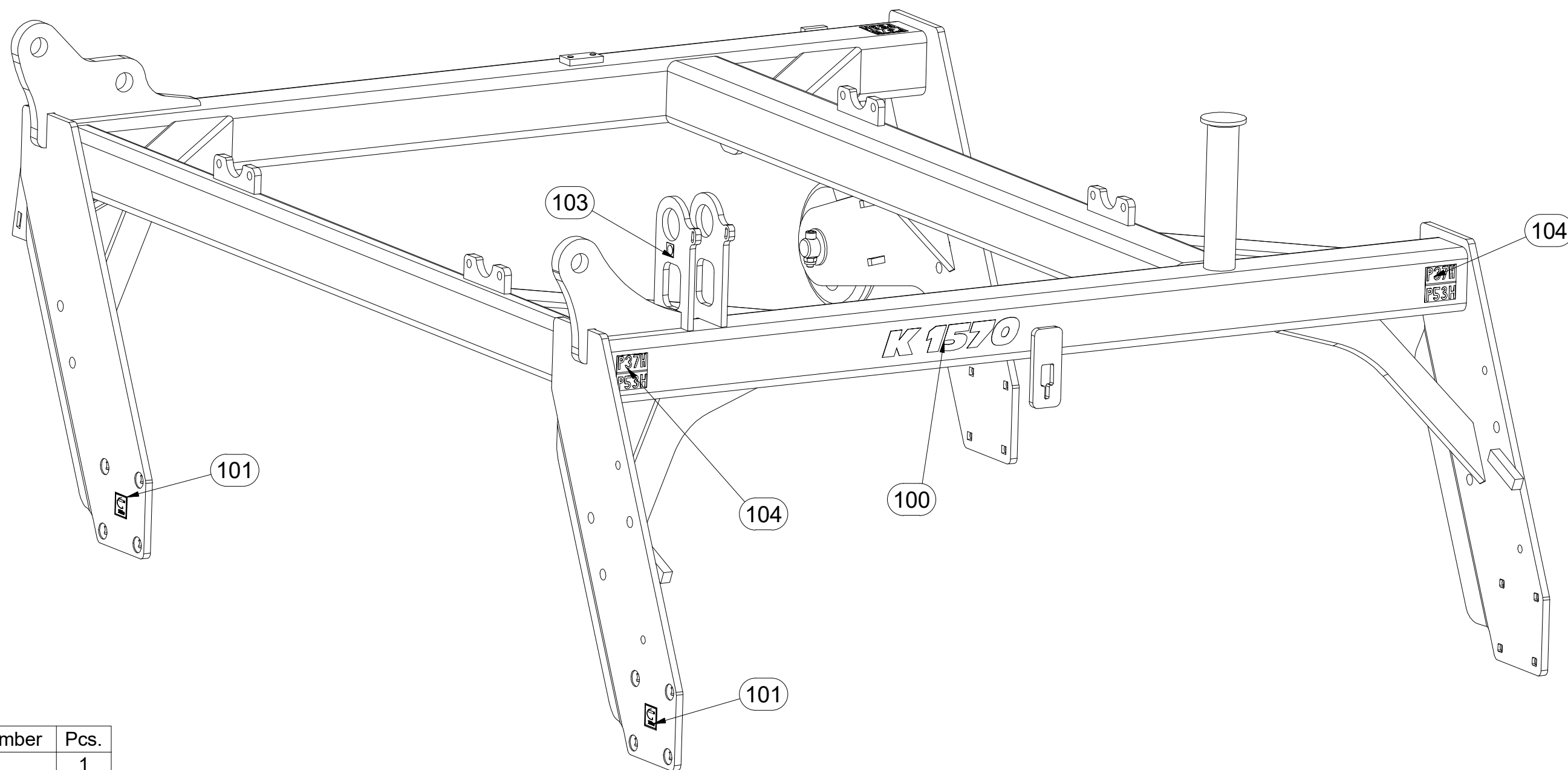
| Pos. | Part Number | Pcs. |
|------|-------------|------|
| 1 | 1000304 | 1 |
| 19 | 4008245 | 1 |
| 20 | 4011761 | 1 |
| 102 | m13116 | 1 |
| 70 | m14029 | 2 |
| 103 | m03320 | 1 |
| 101 | m09655 | 4 |
| 50 | m14143 | 2 |
| 92 | m11612 | 2 |
| 100 | m09896 | 2 |
| 91 | m11099 | 4 |
| 60 | m03775 | 2 |

- Ⓒ RÁM
- Ⓓ RAHMEN
- Ⓕ CHASSIS

- Ⓖ FRAME
- Ⓡ PAMA
- Ⓟ RAMA



3008005



| Pos. | Part Number | Pcs. |
|------|-------------|------|
| 103 | m03320 | 1 |
| 101 | m09655 | 4 |
| 104 | m11297 | 4 |
| 92 | m11612 | 2 |
| 100 | m09896 | 2 |
| 91 | m11099 | 4 |
| 60 | m03775 | 2 |

Ⓒ SADA KYPŘIČŮ STOP

Ⓓ SPURENLOCKERERSATZ

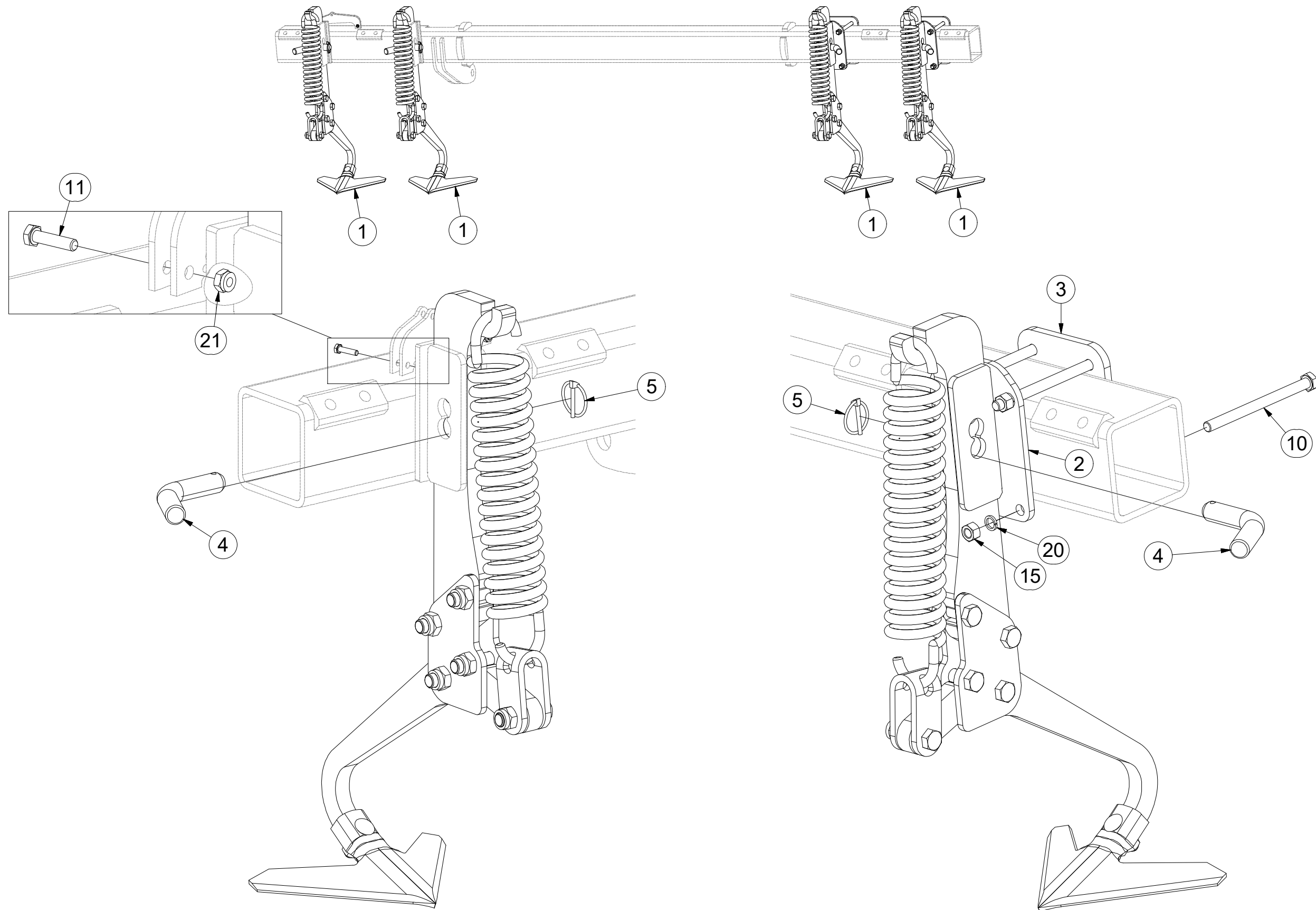
Ⓕ KIT DE CULTIVATEURS DE TRACES

3006964

Ⓖ SET OF TRACK CULTIVATORS

Ⓡ КОМПЛЕКТ РЫХЛИТЕЛЕЙ КОЛЕИ

Ⓢ ZESTAW SPULCHNIACZY ŚLADÓW



| Pos. | Part Number | Pcs. |
|------|-------------|------|
| 1 | 4005797 | 4 |
| 2 | 4005617 | 2 |
| 3 | 4009610 | 2 |
| 4 | m08885 | 4 |
| 5 | m10454 | 4 |
| 10 | m12396 | 8 |
| 11 | m01075 | 2 |
| 15 | m01305 | 8 |
| 20 | m03988 | 8 |
| 21 | m05560 | 2 |

Ⓒ KYPŘIČ STOP

Ⓓ SPURENLOCKERER

Ⓕ CULTIVATEUR DES TRACES

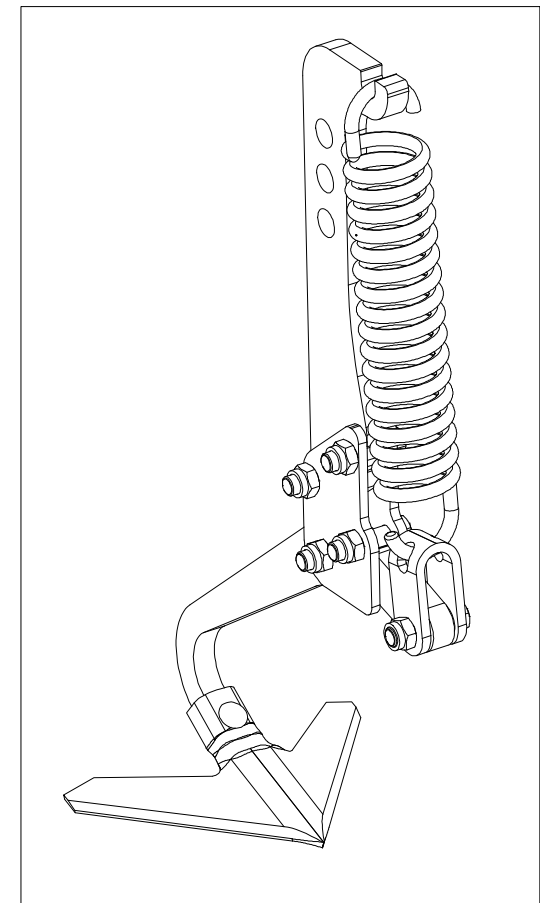
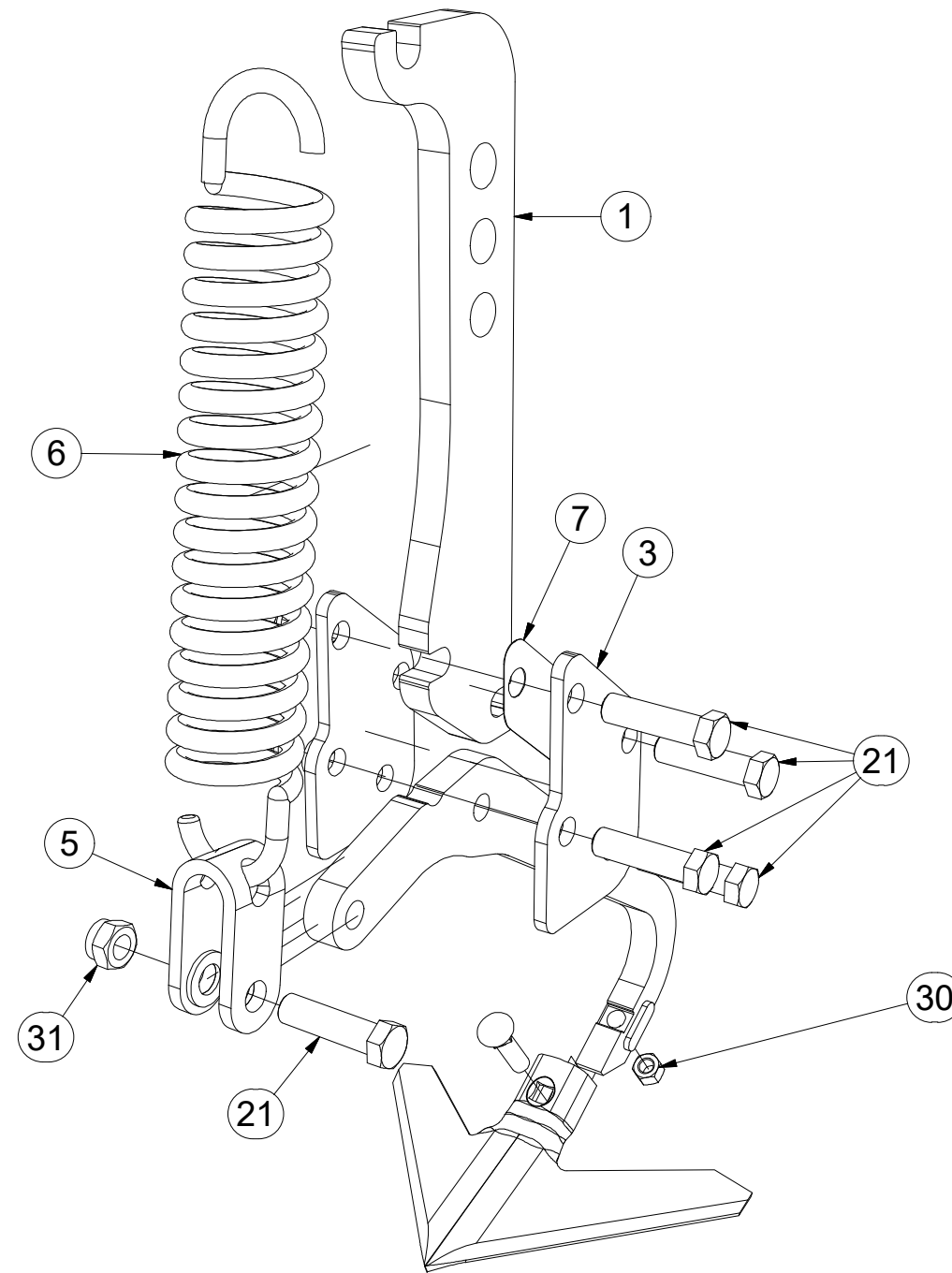
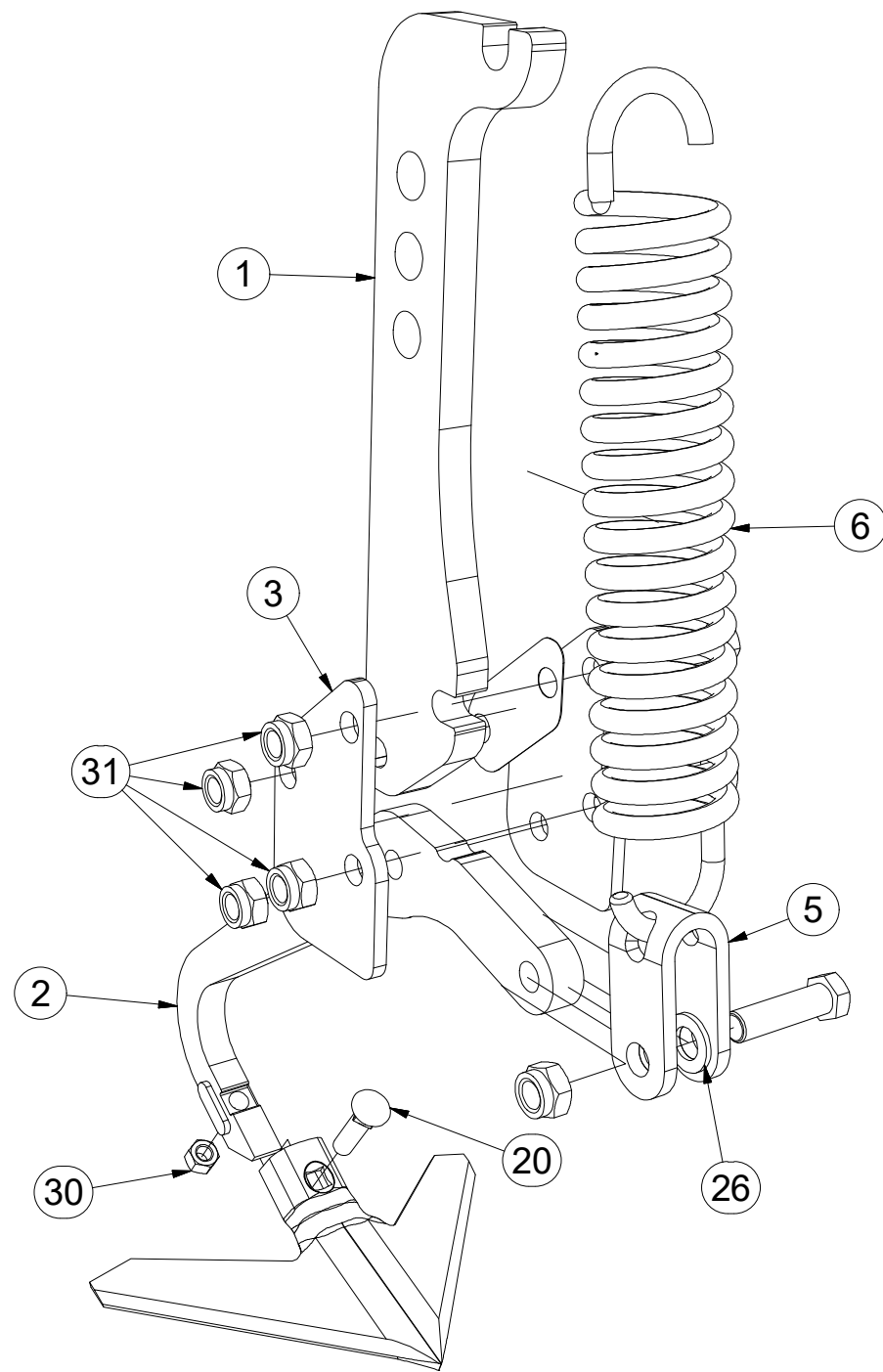
Ⓖ TRACK CULTIVATOR

Ⓡ РЫХЛИТЕЛЬ КОЛЕИ

Ⓟ SPULCHNIARKA STÓP



4005797



| Pos. | Part Number | Pcs. |
|------|-------------|------|
| 1 | 4005799 | 1 |
| 2 | 4008214 | 1 |
| 3 | 4005582 | 2 |
| 4 | 3000236-KOO | 1 |
| 5 | 4005445 | 1 |
| 6 | m02597 | 1 |
| 7 | 4005591 | 1 |
| 20 | m10440 | 1 |
| 21 | m00619 | 5 |
| 26 | m01219 | 2 |
| 30 | m10439 | 1 |
| 31 | m03683 | 5 |

ⒸZ SADA PŘEDNÍCH SMYKŮ

Ⓓ SATZ VORDERE ACKERSCHLEPPEN

Ⓕ KIT DE NIVELEURS AVANT

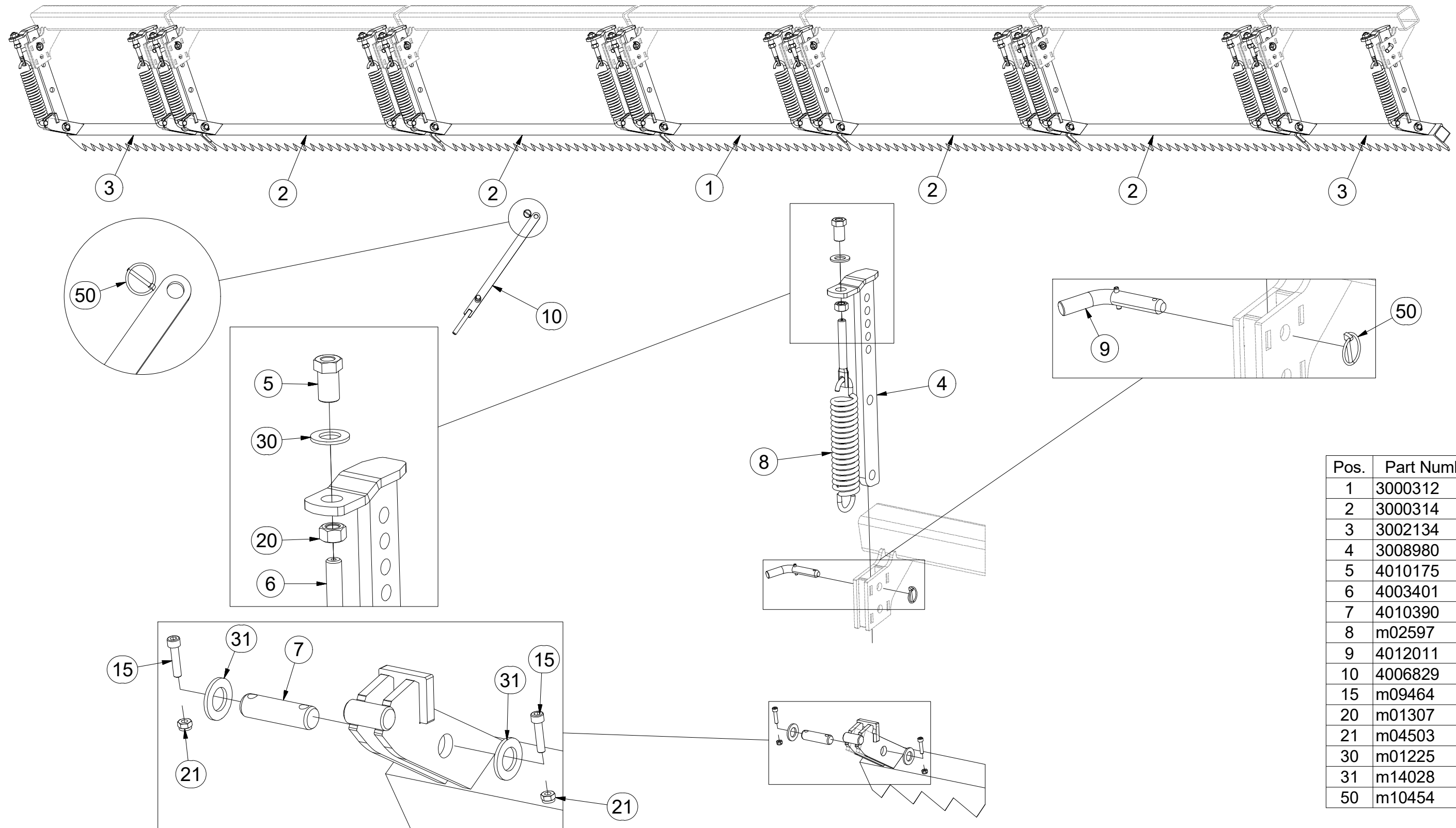
ⒼB SET OF FRONT LEVELLING BARS

ⒺU КОМПЛЕКТ ПЕРЕДНИХ БОРОН

ⒼL ZESTAW PRZEDNICH WŁÓK



3006971



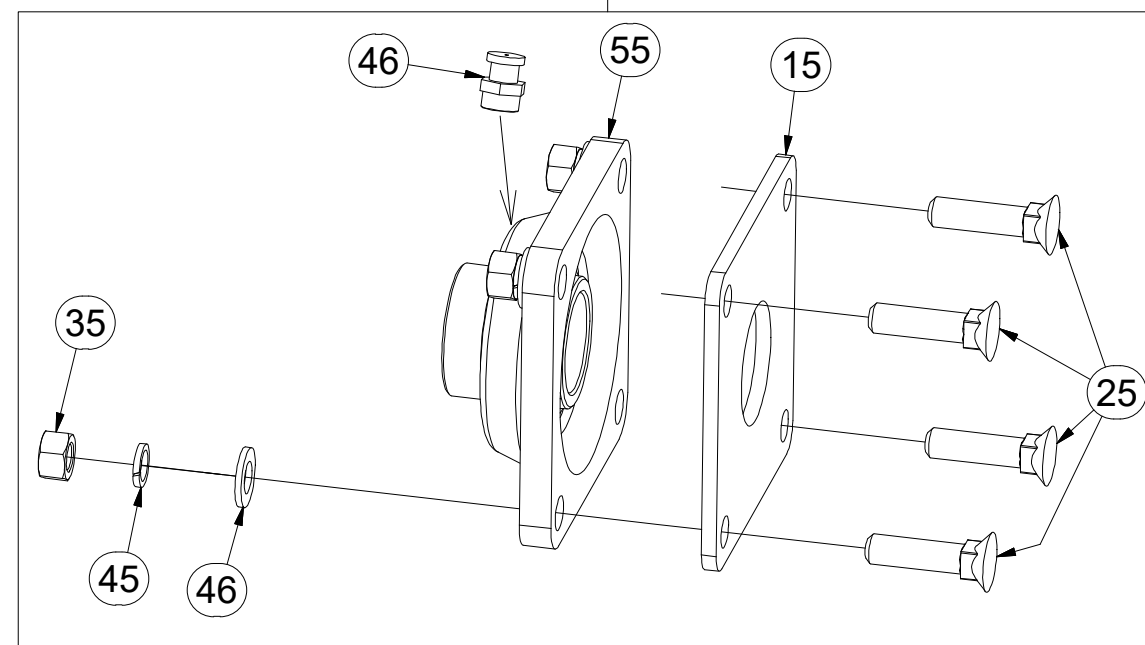
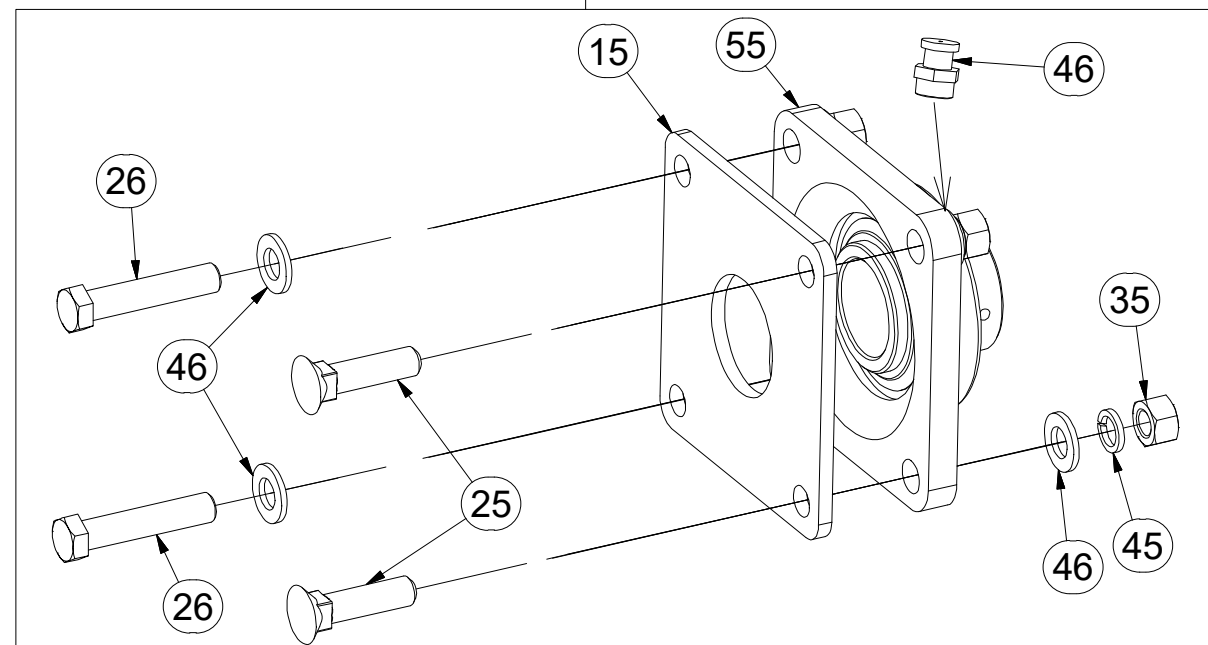
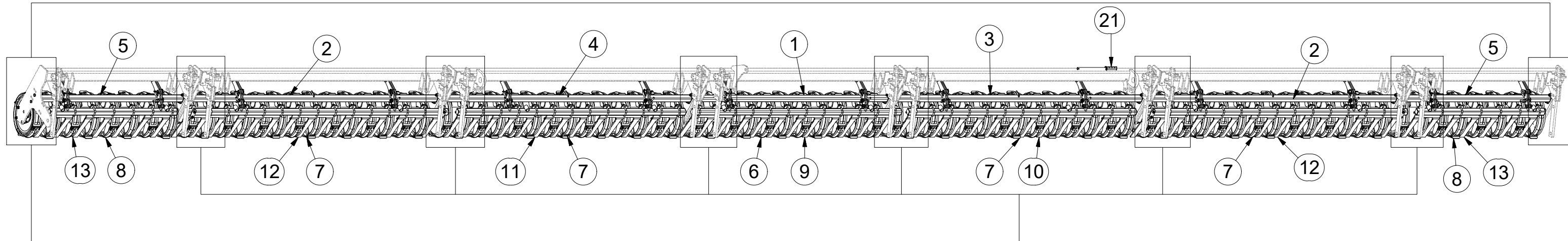
| Pos. | Part Number | Pcs. |
|------|-------------|------|
| 1 | 3000312 | 1 |
| 2 | 3000314 | 4 |
| 3 | 3002134 | 2 |
| 4 | 3008980 | 14 |
| 5 | 4010175 | 14 |
| 6 | 4003401 | 14 |
| 7 | 4010390 | 14 |
| 8 | m02597 | 14 |
| 9 | 4012011 | 14 |
| 10 | 4006829 | 1 |
| 15 | m09464 | 28 |
| 20 | m01307 | 14 |
| 21 | m04503 | 28 |
| 30 | m01225 | 14 |
| 31 | m14028 | 28 |
| 50 | m10454 | 15 |

CZ SADA PŘEDNÍCH VÁLCŮ
 D SATZ VORDERE WALZEN
 F KIT DE ROULEAUX AVANT

GB SET OF FRONT ROLLERS
 RU КОМПЛЕКТ ПЕРЕДНИХ КАТКОВ
 PL ZESTAW PRZEDNICH WAŁÓW



8000990-30058



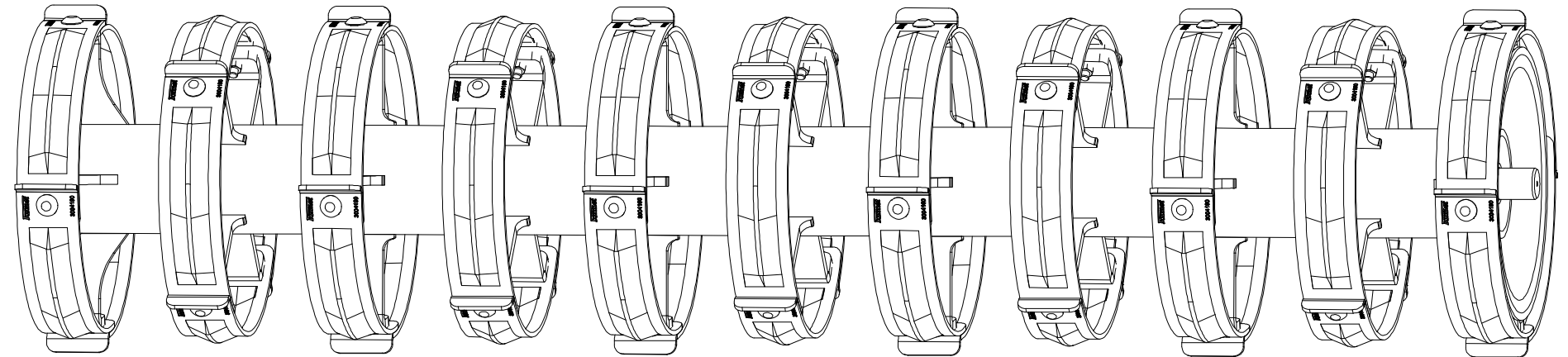
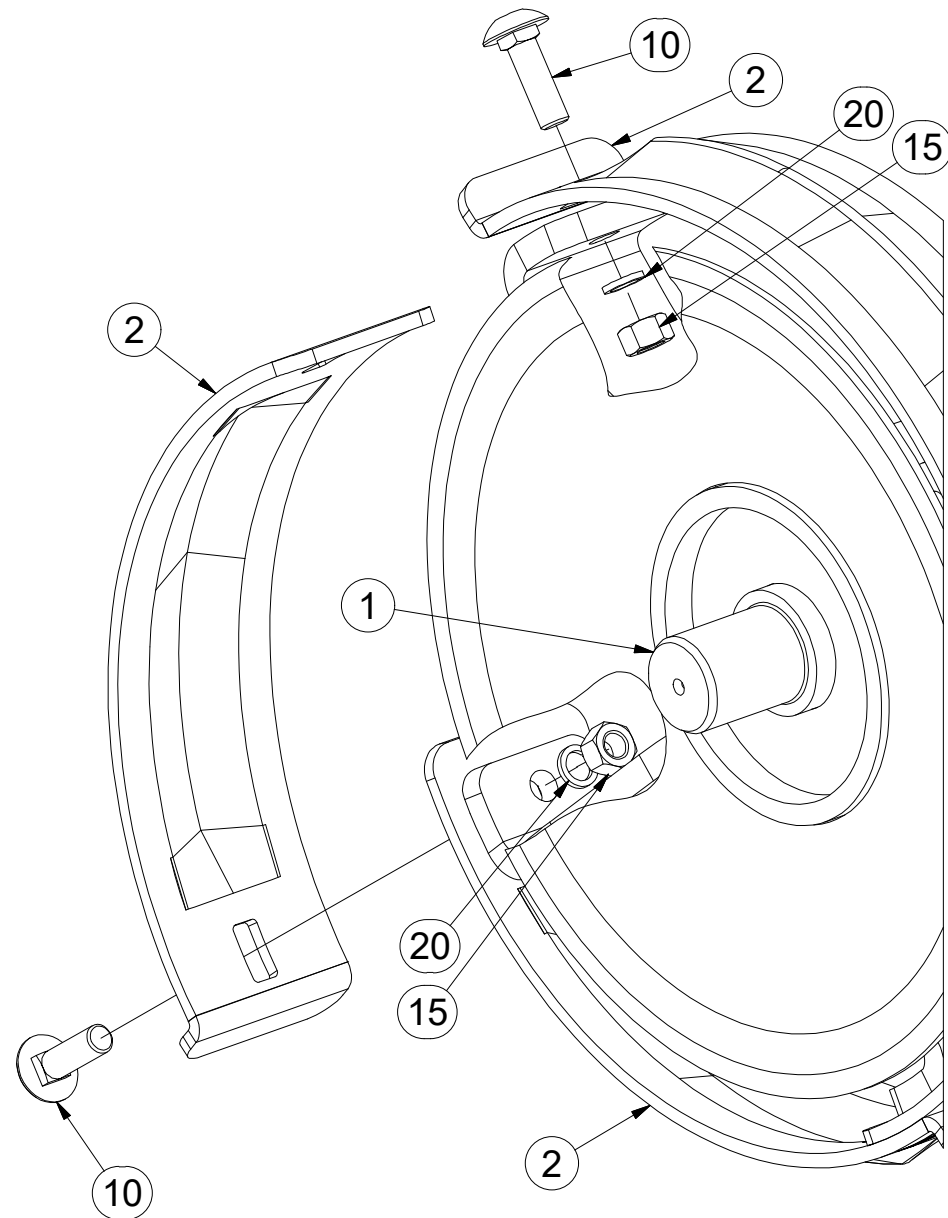
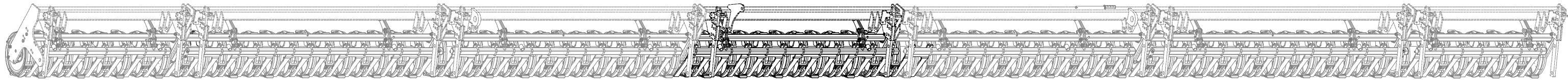
| Pos. | Part Number | Pcs. |
|------|---------------|------|
| 1 | 8000990-30001 | 1 |
| 2 | 8000990-30040 | 2 |
| 3 | 8000990-30070 | 1 |
| 4 | 8000990-30071 | 1 |
| 5 | 8000990-30030 | 2 |
| 6 | 8000990-30067 | 1 |
| 7 | 8000990-30102 | 4 |
| 8 | 8000990-30099 | 2 |
| 9 | 8000990-30076 | 1 |
| 10 | 8000990-30072 | 1 |
| 11 | 8000990-30073 | 1 |
| 12 | 8000990-30056 | 2 |
| 13 | 8000990-30080 | 2 |
| 15 | 4007766 | 14 |
| 21 | 8000990-40006 | 1 |
| 25 | m02490 | 52 |
| 26 | m01131 | 4 |
| 35 | m01305 | 56 |
| 45 | m03988 | 56 |
| 46 | m01214 | 60 |
| 55 | m09687 | 14 |
| 56 | m10448 | 14 |

(CZ) SADA PŘEDNÍCH VÁLCŮ
 (D) SATZ VORDERE WALZEN
 (F) KIT DE ROULEAUX AVANT

(GB) SET OF FRONT ROLLERS
 (RU) КОМПЛЕКТ ПЕРЕДНИХ КАТКОВ
 (PL) ZESTAW PRZEDNICH WAŁÓW



8000990-30067



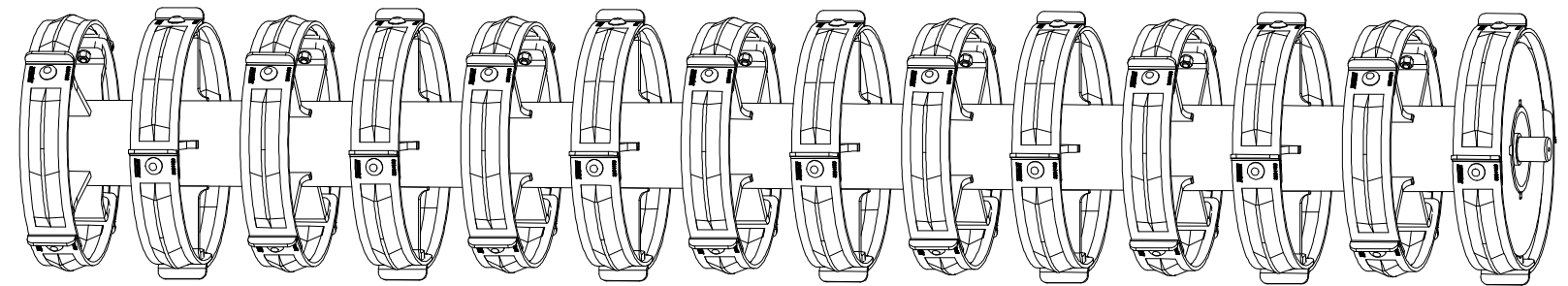
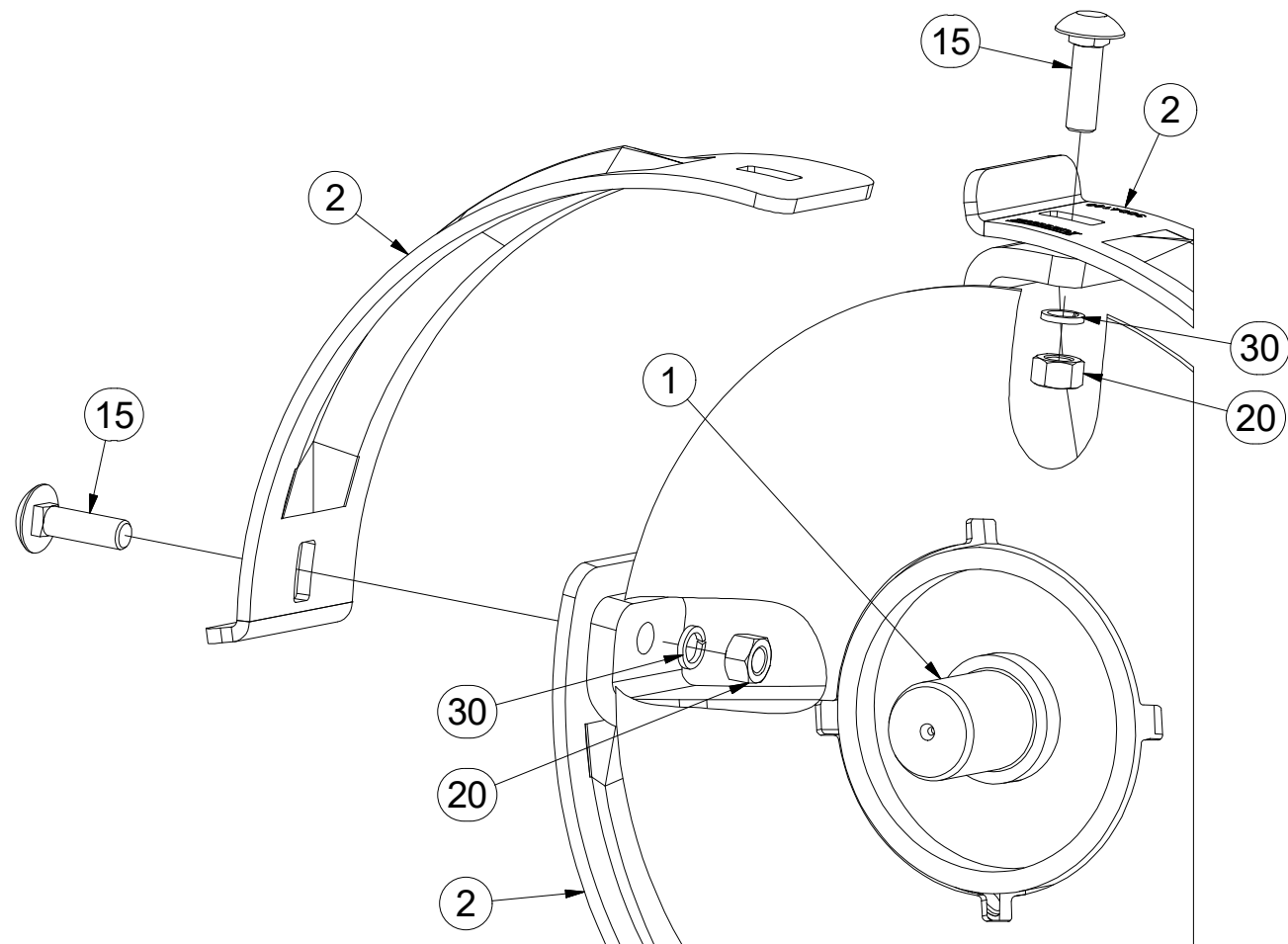
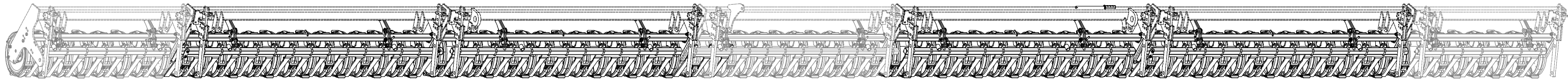
| Pos. | Part Number | Pcs. |
|------|---------------|------|
| 1 | 8000990-20001 | 1 |
| 2 | 3004190 | 44 |
| 10 | m12574 | 44 |
| 15 | m01305 | 44 |
| 20 | m03988 | 44 |

CZ SADA PŘEDNÍCH VÁLCŮ
 D SATZ VORDERE WALZEN
 F KIT DE ROULEAUX AVANT

GB SET OF FRONT ROLLERS
 RU КОМПЛЕКТ ПЕРЕДНИХ КАТКОВ
 PL ZESTAW PRZEDNICH WAŁÓW

Farmet

8000990-30102



| Pos. | Part Number | Pcs. |
|------|---------------|------|
| 1 | 8000990-30097 | 1 |
| 2 | 3004190 | 56 |
| 15 | m12574 | 56 |
| 20 | m01305 | 56 |
| 30 | m03988 | 56 |

Ⓒ SADA PŘEDNÍCH VÁLCŮ

Ⓓ SATZ VORDERE WALZEN

Ⓕ KIT DE ROULEAUX AVANT

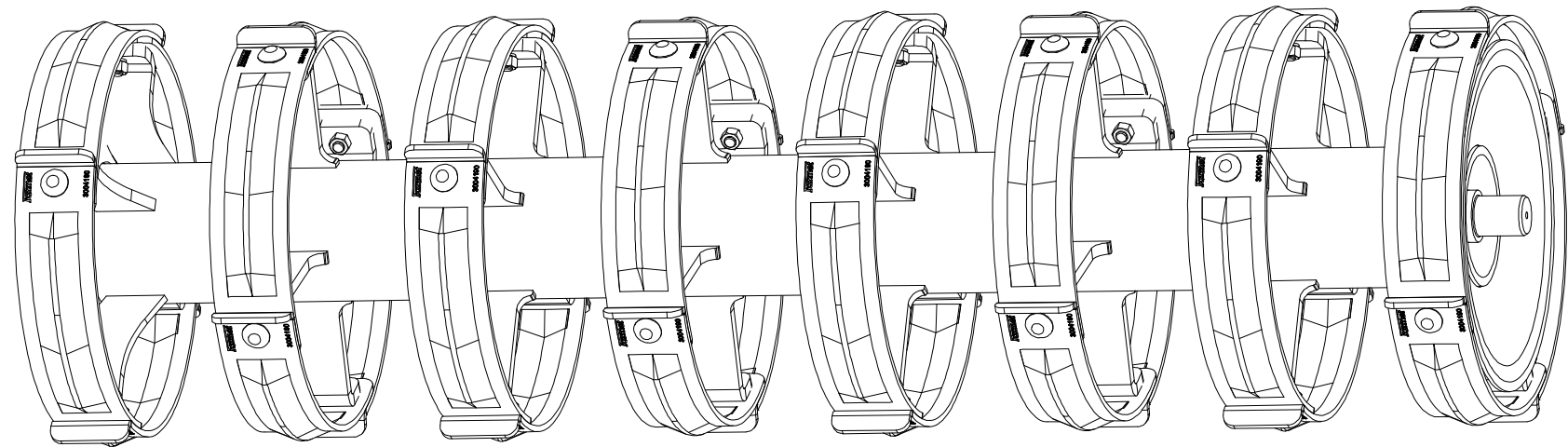
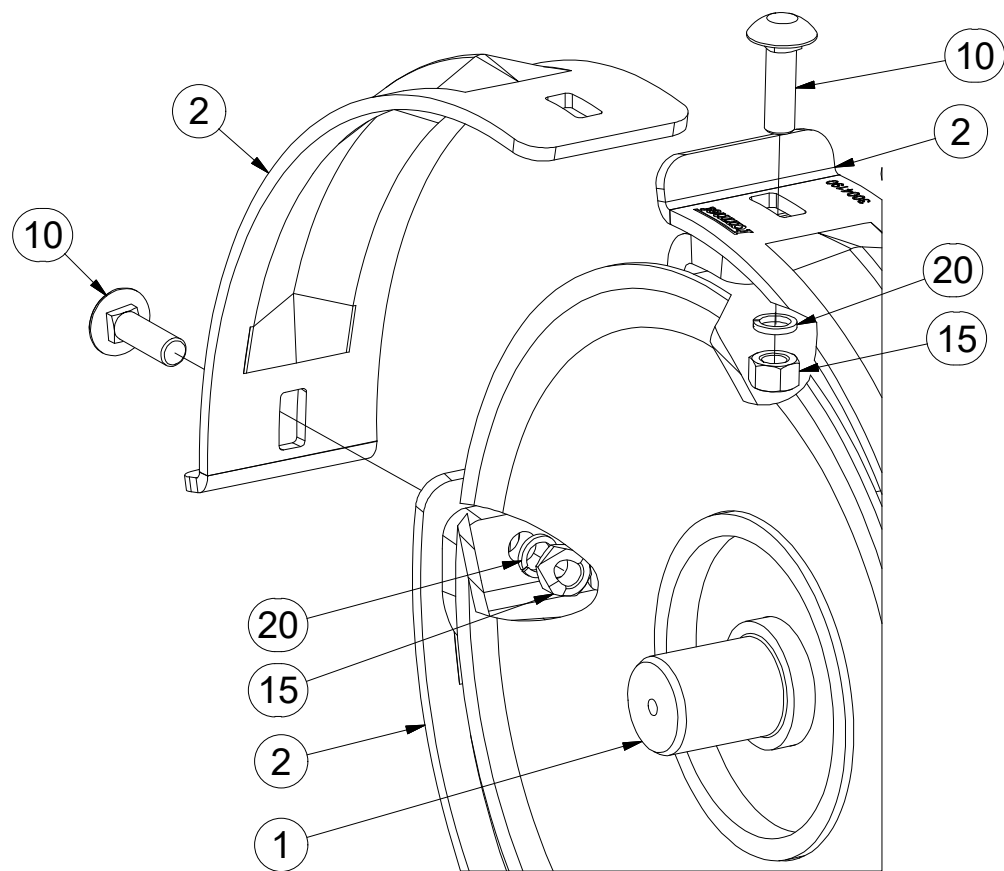
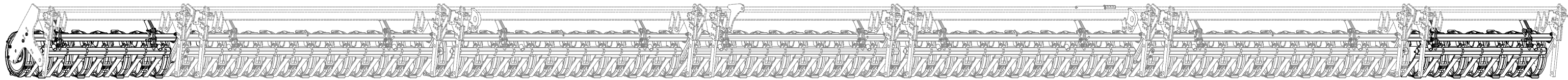
Ⓖ SET OF FRONT ROLLERS

Ⓡ КОМПЛЕКТ ПЕРЕДНИХ КАТКОВ

Ⓟ ZESTAW PRZEDNICH WAŁÓW



8000990-30099



| Pos. | Part Number | Pcs. |
|------|---------------|------|
| 1 | 8000990-30094 | 1 |
| 2 | 3004190 | 32 |
| 10 | m12574 | 32 |
| 15 | m01305 | 32 |
| 20 | m03988 | 32 |

Ⓒ SADA PŘEDNÍCH VÁLCŮ

Ⓓ SATZ VORDERE WALZEN

Ⓕ KIT DE ROULEAUX AVANT

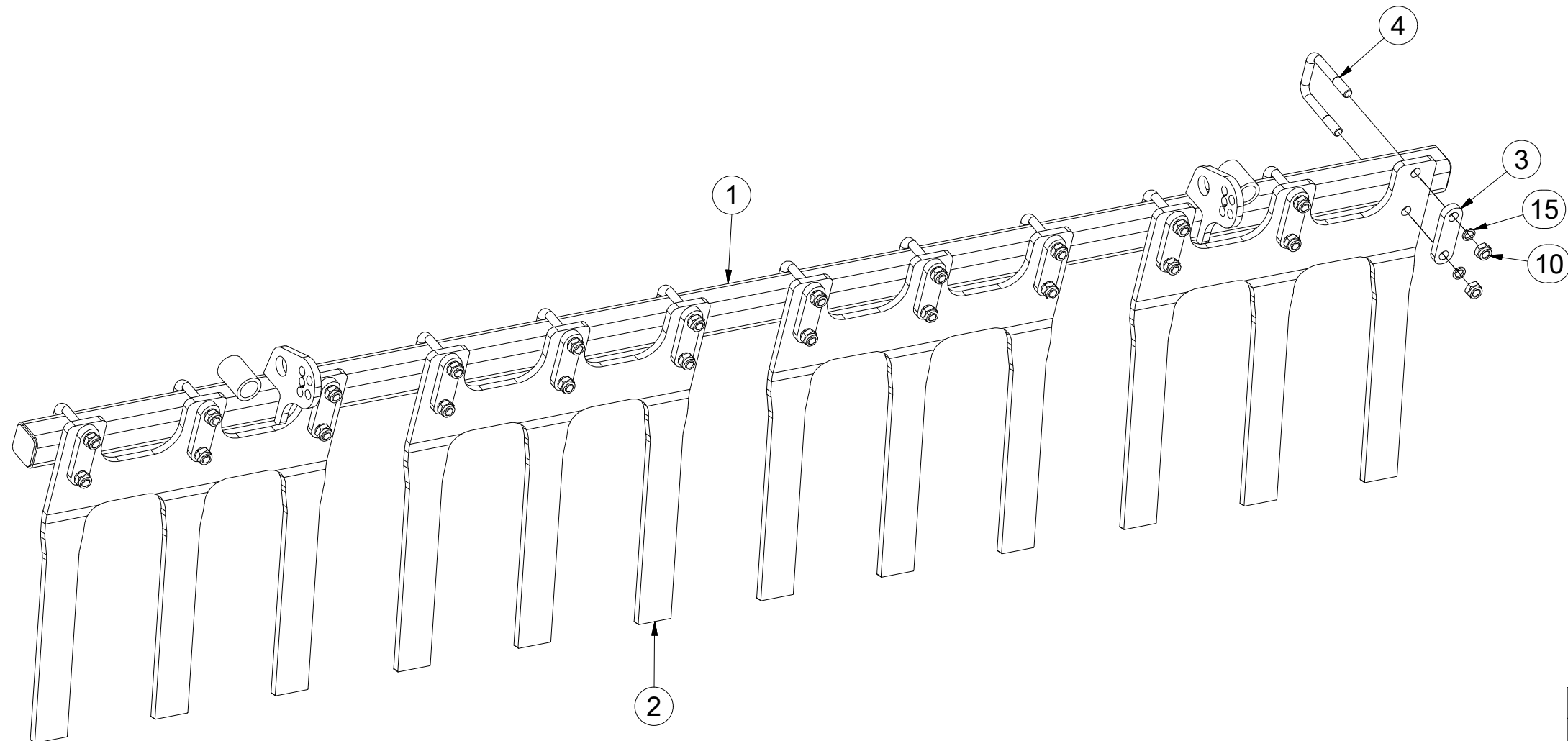
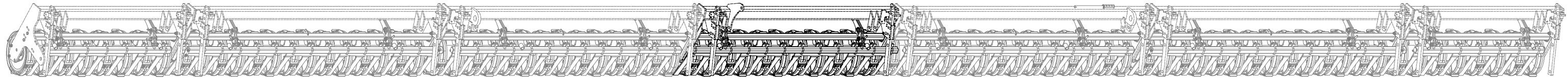
8000990-30076

Ⓖ SET OF FRONT ROLLERS

Ⓡ КОМПЛЕКТ ПЕРЕДНИХ КАТКОВ

Ⓟ ZESTAW PRZEDNICH WAŁÓW

Farmet



| Pos. | Part Number | Pcs. |
|------|---------------|------|
| 1 | 8000990-30002 | 1 |
| 2 | 8000990-40028 | 4 |
| 3 | 4006793 | 12 |
| 4 | m10295 | 12 |
| 10 | m04301 | 24 |
| 15 | m03988 | 24 |

ⒸZ SADA PŘEDNÍCH VÁLCŮ

Ⓓ SATZ VORDERE WALZEN

Ⓕ KIT DE ROULEAUX AVANT

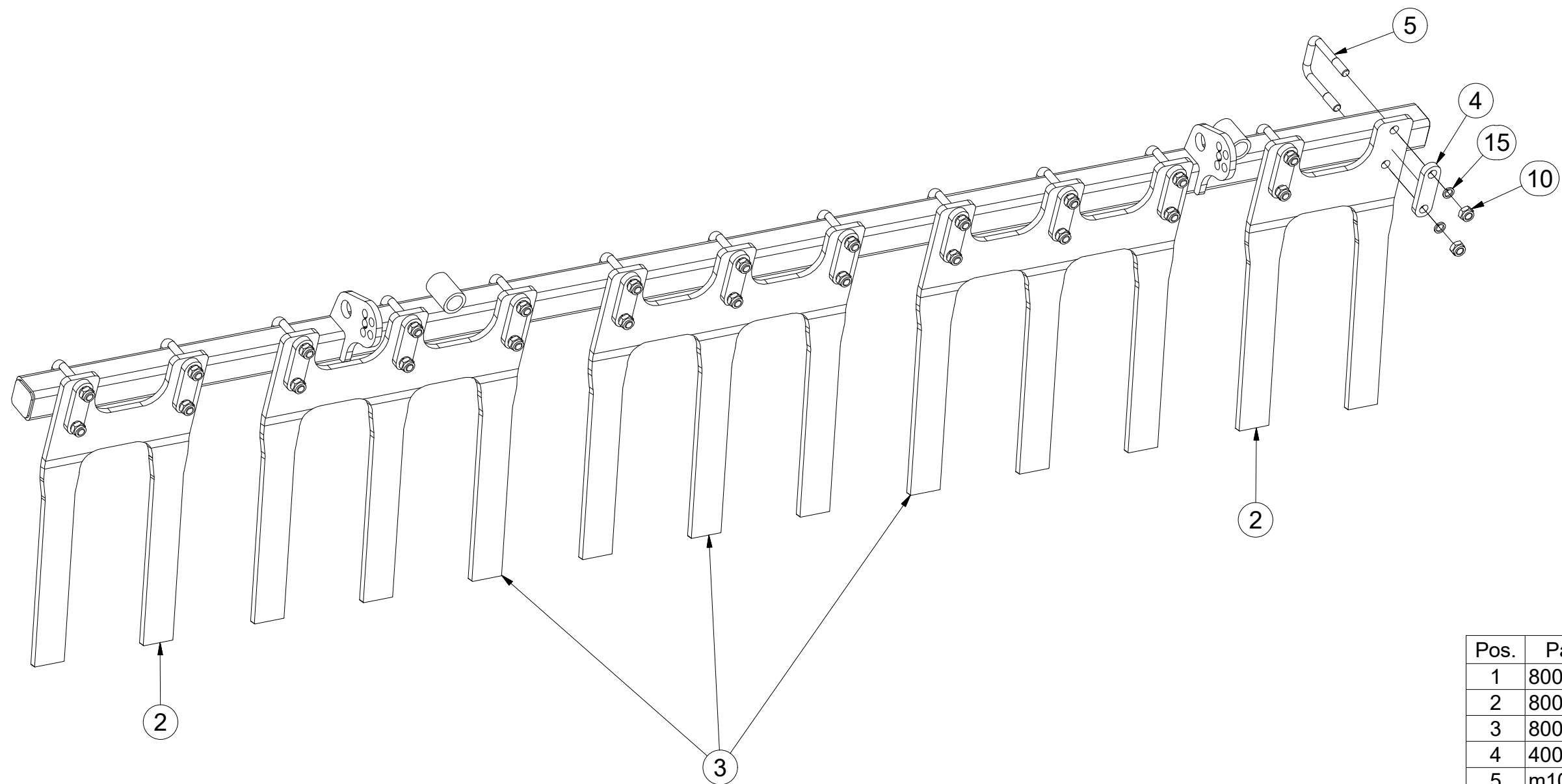
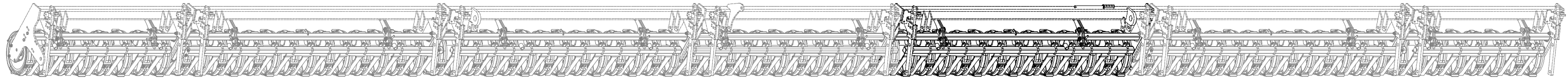
ⒸB SET OF FRONT ROLLERS

Ⓔ КОМПЛЕКТ ПЕРЕДНИХ КАТКОВ

Ⓐ ZESTAW PRZEDNICH WAŁÓW

Farmet

8000990-30072



| Pos. | Part Number | Pcs. |
|------|---------------|------|
| 1 | 8000990-30074 | 1 |
| 2 | 8000990-40027 | 2 |
| 3 | 8000990-40028 | 3 |
| 4 | 4006793 | 13 |
| 5 | m10295 | 13 |
| 10 | m04301 | 26 |
| 15 | m03988 | 26 |

Ⓒ SADA PŘEDNÍCH VÁLCŮ

Ⓓ SATZ VORDERE WALZEN

Ⓕ KIT DE ROULEAUX AVANT

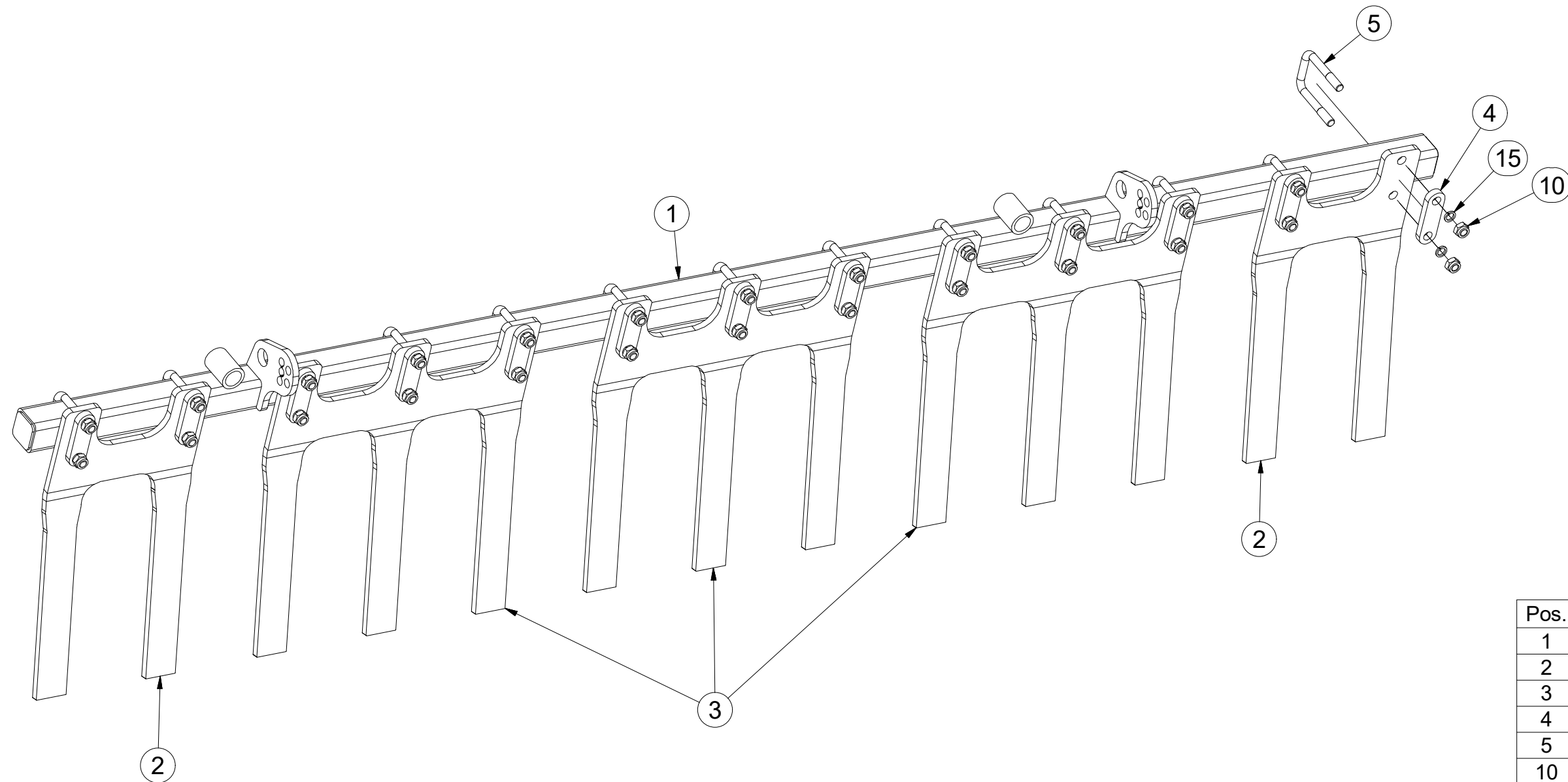
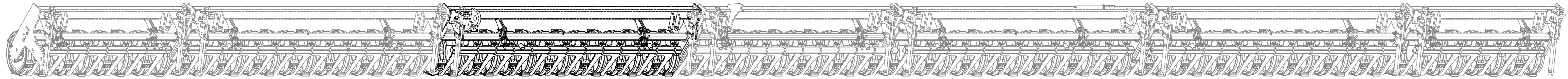
Ⓖ SET OF FRONT ROLLERS

Ⓡ КОМПЛЕКТ ПЕРЕДНИХ КАТКОВ

Ⓟ ZESTAW PRZEDNICH WAŁÓW

Farmet

8000990-30073



| Pos. | Part Number | Pcs. |
|------|---------------|------|
| 1 | 8000990-30075 | 1 |
| 2 | 8000990-40027 | 2 |
| 3 | 8000990-40028 | 3 |
| 4 | 4006793 | 13 |
| 5 | m10295 | 13 |
| 10 | m04301 | 26 |
| 15 | m03988 | 26 |

ⒸZ SADA PŘEDNÍCH VÁLCŮ

Ⓓ SATZ VORDERE WALZEN

Ⓕ KIT DE ROULEAUX AVANT

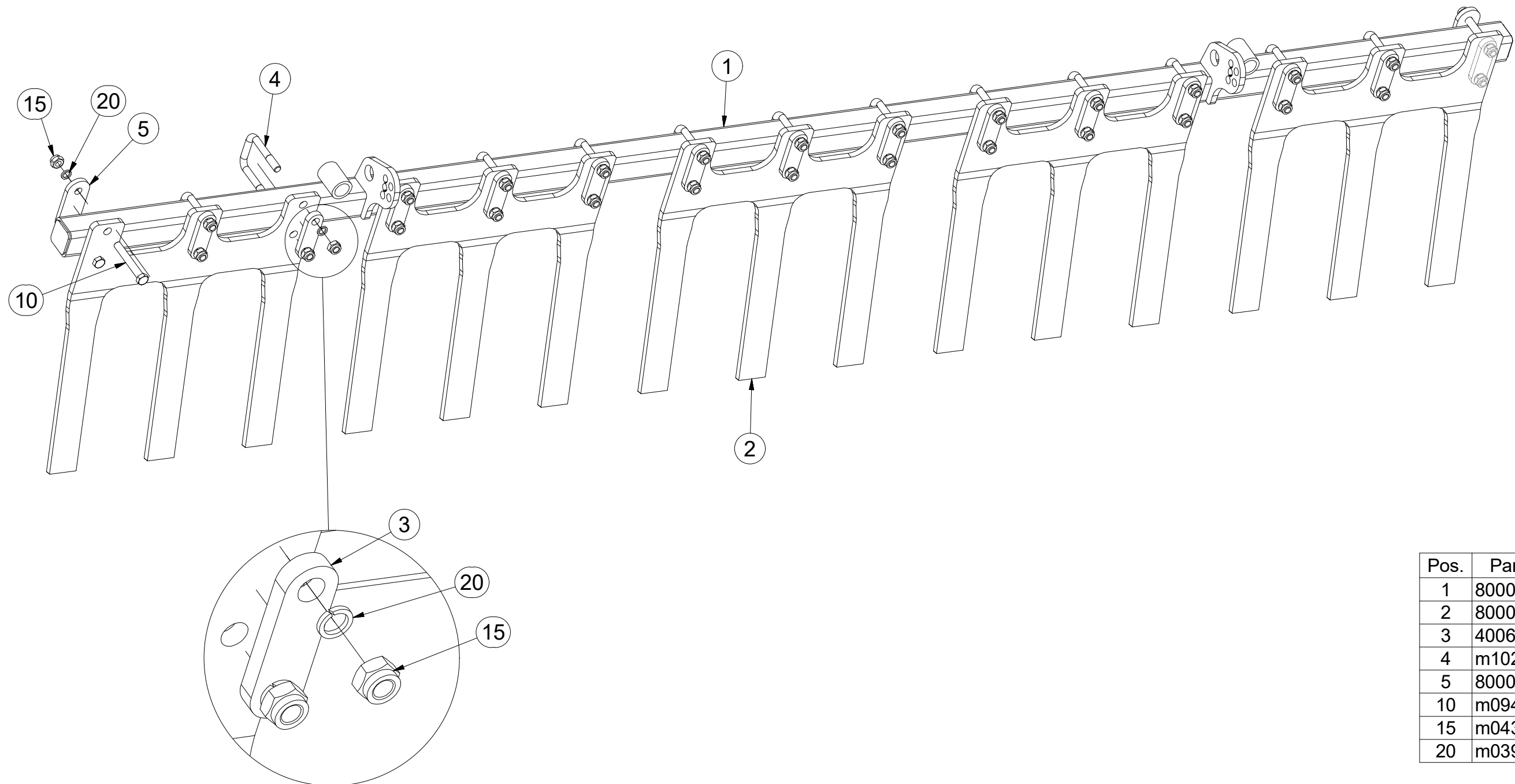
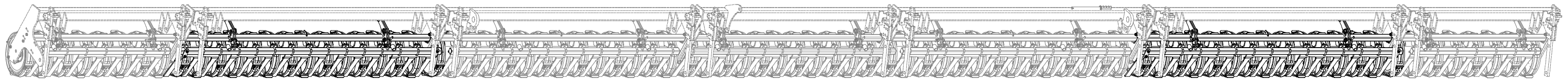
8000990-30056

ⒸB SET OF FRONT ROLLERS

Ⓔ КОМПЛЕКТ ПЕРЕДНИХ КАТКОВ

Ⓖ ZESTAW PRZEDNICH WAŁÓW

Farmet



| Pos. | Part Number | Pcs. |
|------|---------------|------|
| 1 | 8000990-30057 | 1 |
| 2 | 8000990-40028 | 5 |
| 3 | 4006793 | 13 |
| 4 | m10295 | 13 |
| 5 | 8000990-40043 | 2 |
| 10 | m09437 | 4 |
| 15 | m04301 | 30 |
| 20 | m03988 | 30 |

ⒸZ SADA PŘEDNÍCH VÁLCŮ

Ⓓ SATZ VORDERE WALZEN

Ⓕ KIT DE ROULEAUX AVANT

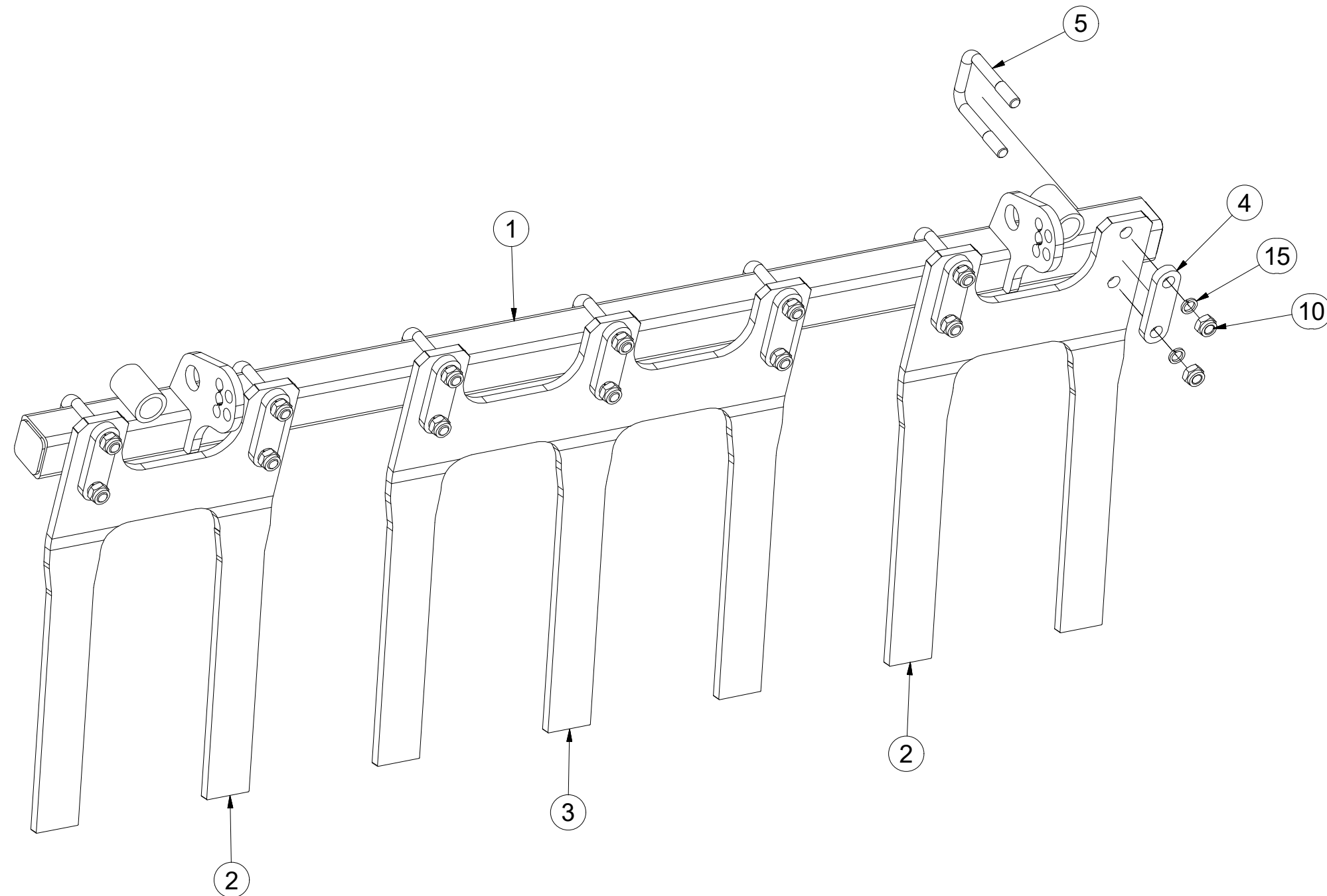
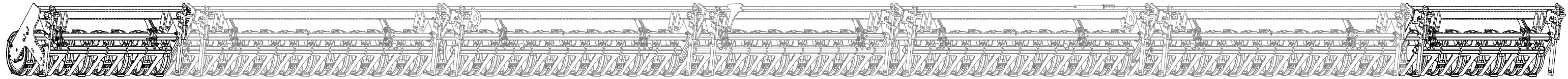
ⒸB SET OF FRONT ROLLERS

ⒸR КОМПЛЕКТ ПЕРЕДНИХ КАТКОВ

ⒸL ZESTAW PRZEDNICH WAŁÓW

Farmet

8000990-30080



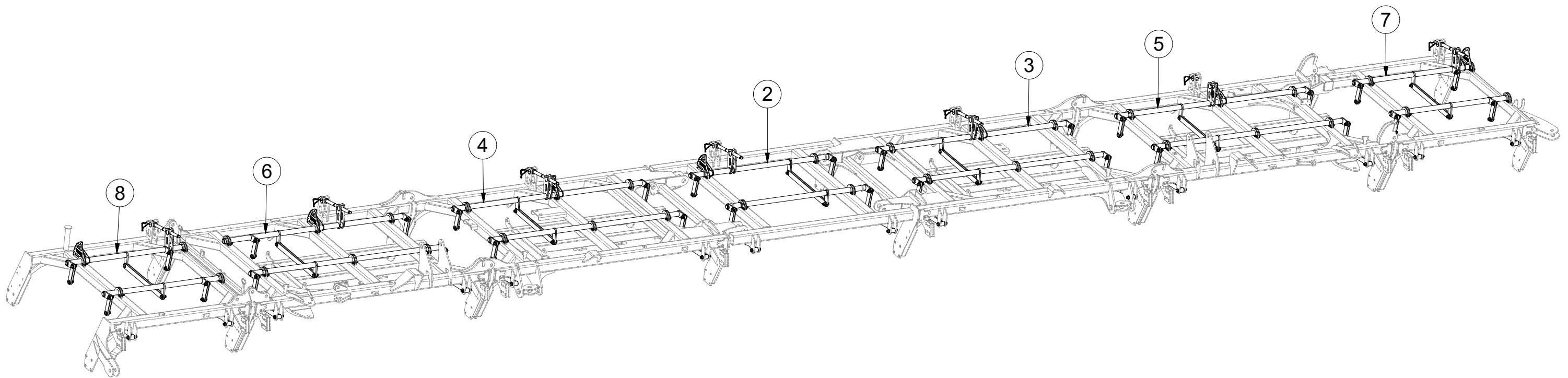
| Pos. | Part Number | Pcs. |
|------|---------------|------|
| 1 | 8000990-30033 | 1 |
| 2 | 8000990-40037 | 2 |
| 3 | 8000990-40036 | 1 |
| 4 | 4006793 | 7 |
| 5 | m10295 | 7 |
| 10 | m04301 | 14 |
| 15 | m03988 | 14 |

(CZ) SADA OVLÁDÁNÍ RADLIC
 (D) STEUERSATZ PFLUGSCHAREN
 (F) KIT DE COMMANDE DES SOCS

(GB) SET OF PLOUGHSHARE CONTROL
 (RU) КОМПЛЕКТ УПРАВЛЕНИЯ ЛАП
 (PL) ZESTAW STEROWANIA RADLICAMI



3006976



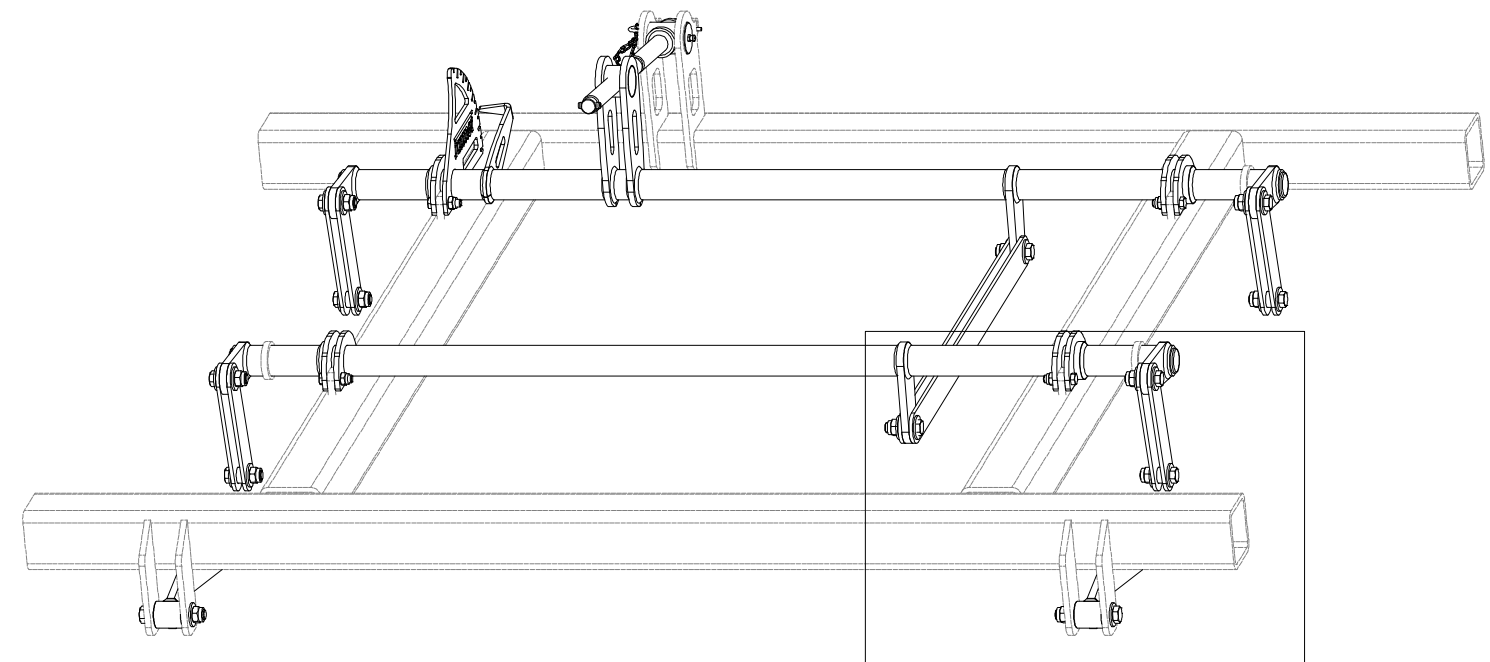
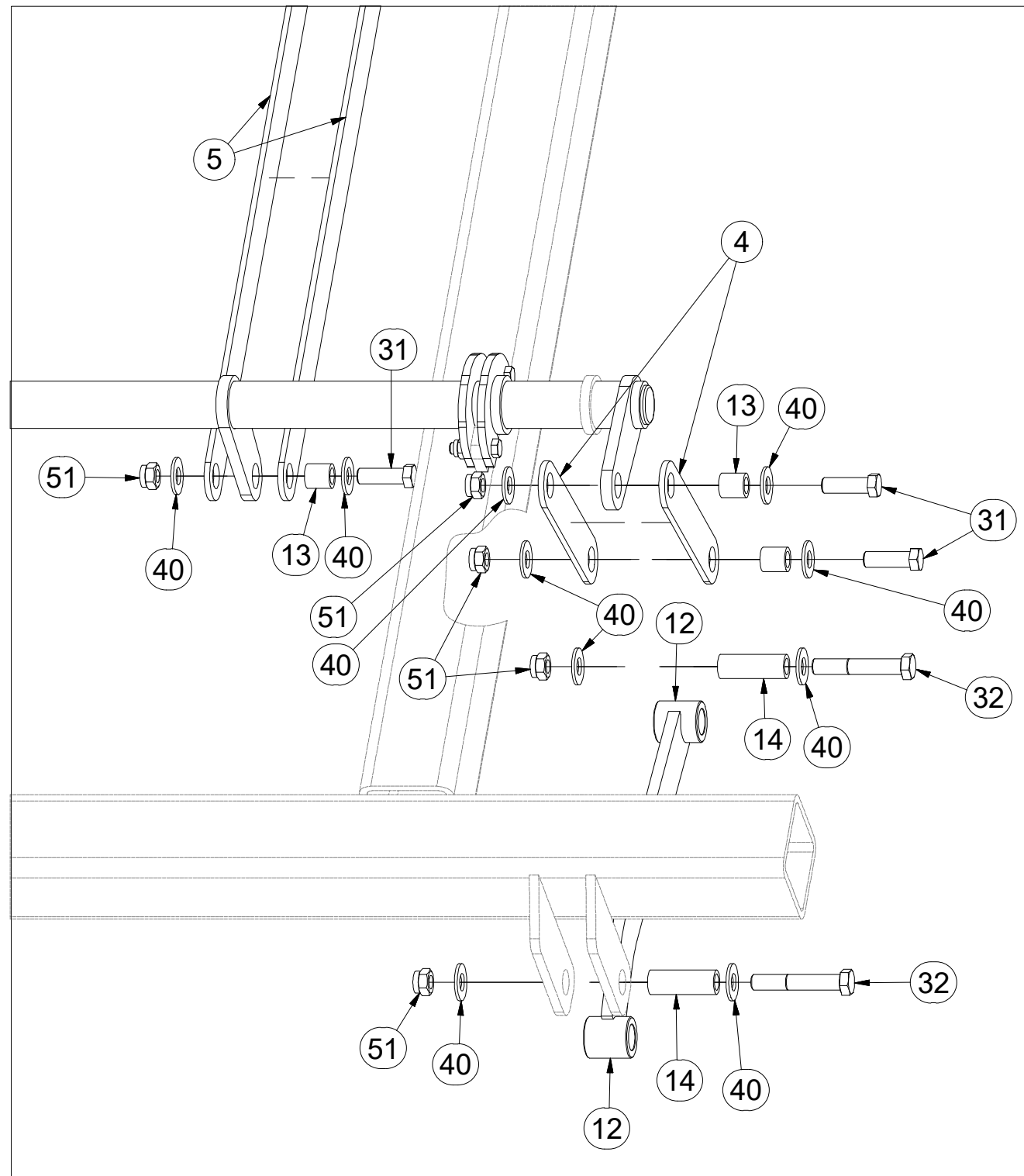
| Pos. | Part Number | Pcs. |
|------|-------------|------|
| 2 | 3004209 | 1 |
| 3 | 3007001 | 1 |
| 4 | 3007003 | 1 |
| 5 | 3007002 | 1 |
| 6 | 3007004 | 1 |
| 7 | 3007135 | 1 |
| 8 | 3007136 | 1 |

- ⒸZ SADA OVLÁDÁNÍ RADLIC
- Ⓓ STEUERSATZ PFLUGSCHAREN
- Ⓕ KIT DE COMMANDE DES SOCS

- ⒸB SET OF PLOUGHSHARE CONTROL
- ⒸU КОМПЛЕКТ УПРАВЛЕНИЯ ЛАП
- ⒸL ZESTAW STEROWANIA RADLICAMI



3004209



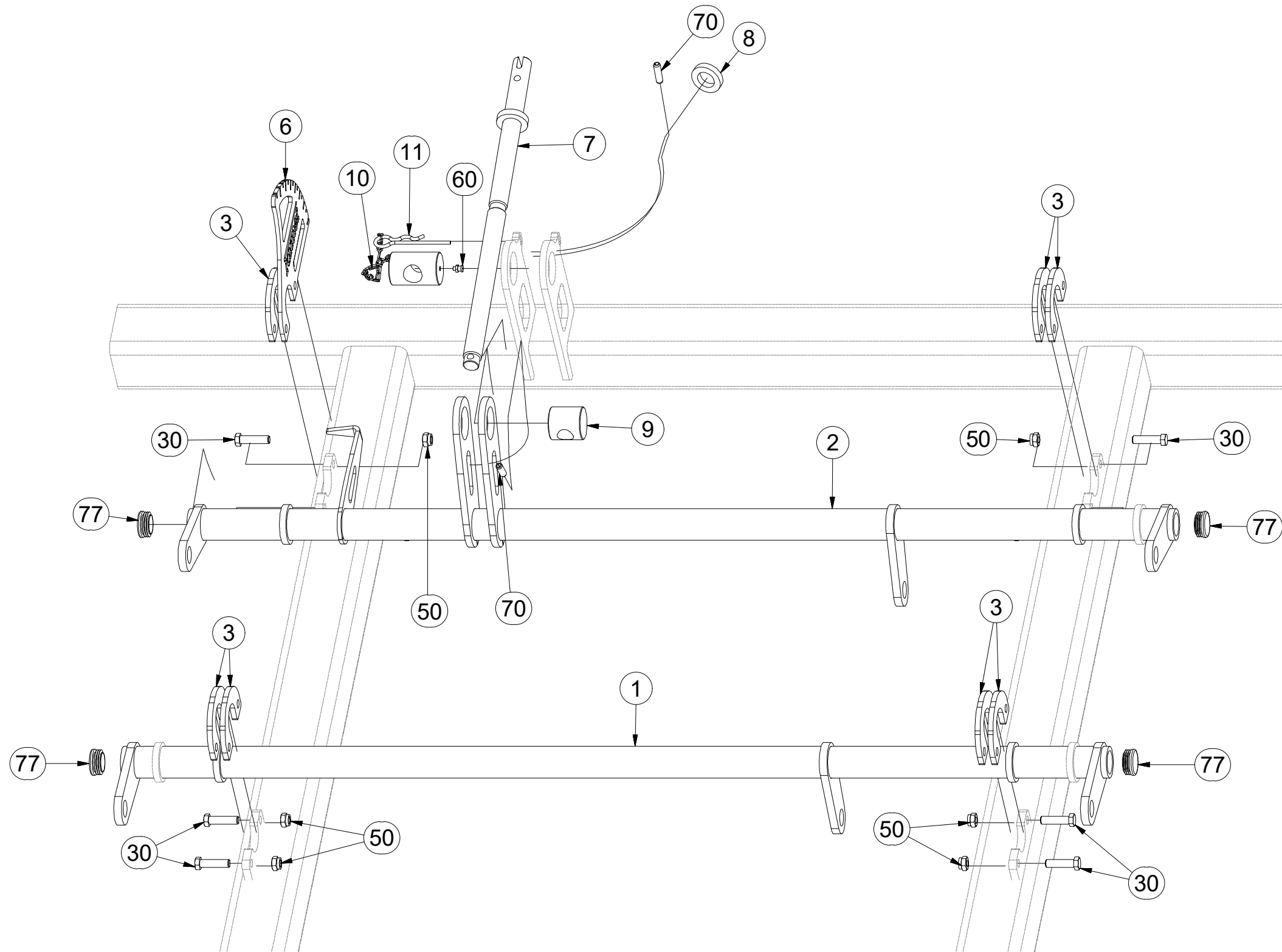
| Pos. | Part Number | Pcs. |
|------|---------------|------|
| 4 | 4005333 | 8 |
| 5 | 4005334 | 2 |
| 12 | 8000990-30007 | 2 |
| 13 | 4002265 | 10 |
| 14 | 9001426 | 4 |
| 31 | m04355 | 10 |
| 32 | m07673 | 4 |
| 40 | m05651 | 28 |
| 51 | m03683 | 14 |

CZ SADA OVLÁDÁNÍ RADLIC
 D STEUERSATZ PFLUGSCHAREN
 F KIT DE COMMANDE DES SOCS

GB SET OF PLOUGHSHARE CONTROL
 RU КОМПЛЕКТ УПРАВЛЕНИЯ ЛАП
 PL ZESTAW STEROWANIA RADLICAMI



3004209



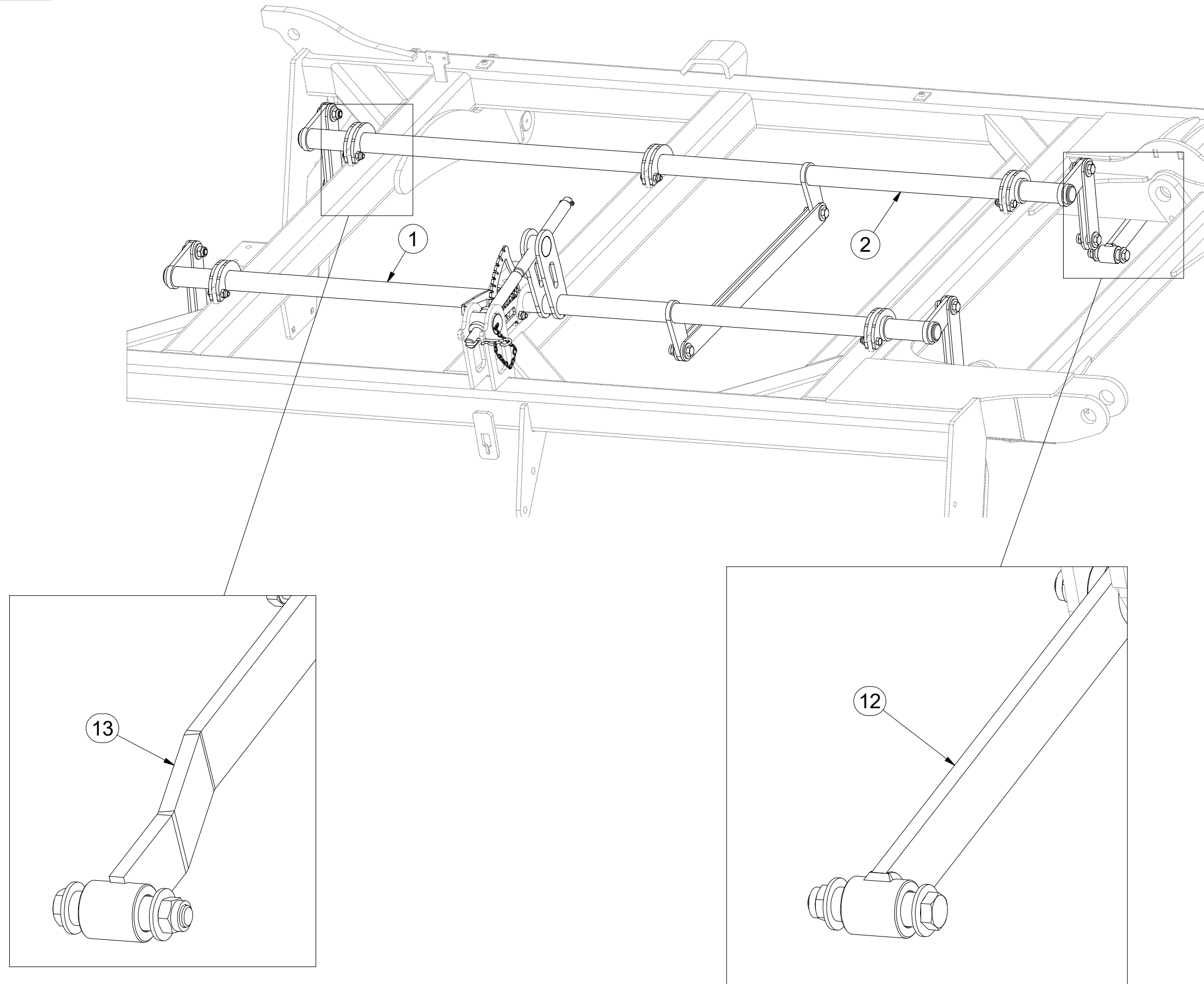
| Pos. | Part Number | Pcs. |
|------|-------------|------|
| 1 | 3002830 | 1 |
| 2 | 3002831 | 1 |
| 3 | 4005332 | 7 |
| 6 | 4005335 | 1 |
| 7 | 4007654 | 1 |
| 8 | 9002560 | 1 |
| 9 | 4005340 | 1 |
| 10 | 4005355 | 1 |
| 11 | m09988 | 1 |
| 30 | m06077 | 8 |
| 50 | m04301 | 8 |
| 60 | m10451 | 1 |
| 70 | m10736 | 2 |
| 77 | m10130 | 4 |

(CZ) SADA OVLÁDÁNÍ RADLIC
 (D) STEUERSATZ PFLUGSCHAREN
 (F) KIT DE COMMANDE DES SOCS

(GB) SET OF PLOUGHSHARE CONTROL
 (RU) КОМПЛЕКТ УПРАВЛЕНИЯ ЛАП
 (PL) ZESTAW STEROWANIA RADLICAMI



3007001



| Pos. | Part Number | Pcs. |
|------|-------------|------|
| 1 | 3002984 | 1 |
| 2 | 3002985 | 1 |
| 12 | 4003971 | 1 |
| 13 | 4011976 | 1 |

Ⓒ SADA OVLÁDÁNÍ RADLIC

Ⓓ STEUERSATZ PFLUGSCHAREN

Ⓕ KIT DE COMMANDE DES SOCS

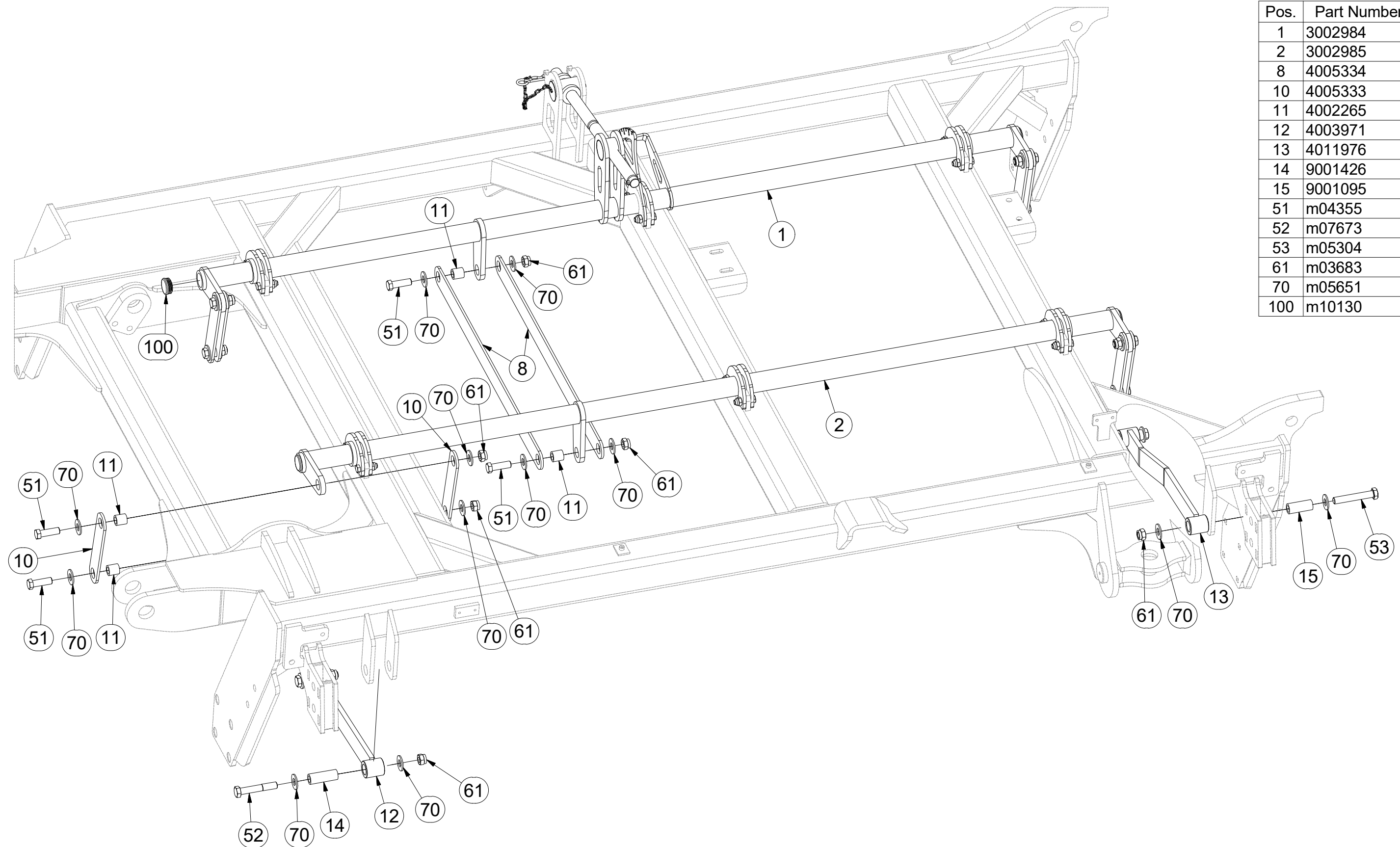
Ⓖ SET OF PLOUGHSHARE CONTROL

Ⓡ КОМПЛЕКТ УПРАВЛЕНИЯ ЛАП

Ⓟ ZESTAW STEROWANIA RADLICAMI



3007001



| Pos. | Part Number | Pcs. |
|------|-------------|------|
| 1 | 3002984 | 1 |
| 2 | 3002985 | 1 |
| 8 | 4005334 | 2 |
| 10 | 4005333 | 8 |
| 11 | 4002265 | 10 |
| 12 | 4003971 | 1 |
| 13 | 4011976 | 1 |
| 14 | 9001426 | 3 |
| 15 | 9001095 | 1 |
| 51 | m04355 | 10 |
| 52 | m07673 | 3 |
| 53 | m05304 | 1 |
| 61 | m03683 | 14 |
| 70 | m05651 | 28 |
| 100 | m10130 | 4 |

Ⓒ SADA OVLÁDÁNÍ RADLIC

Ⓓ STEUERSATZ PFLUGSCHAREN

Ⓕ KIT DE COMMANDE DES SOCS

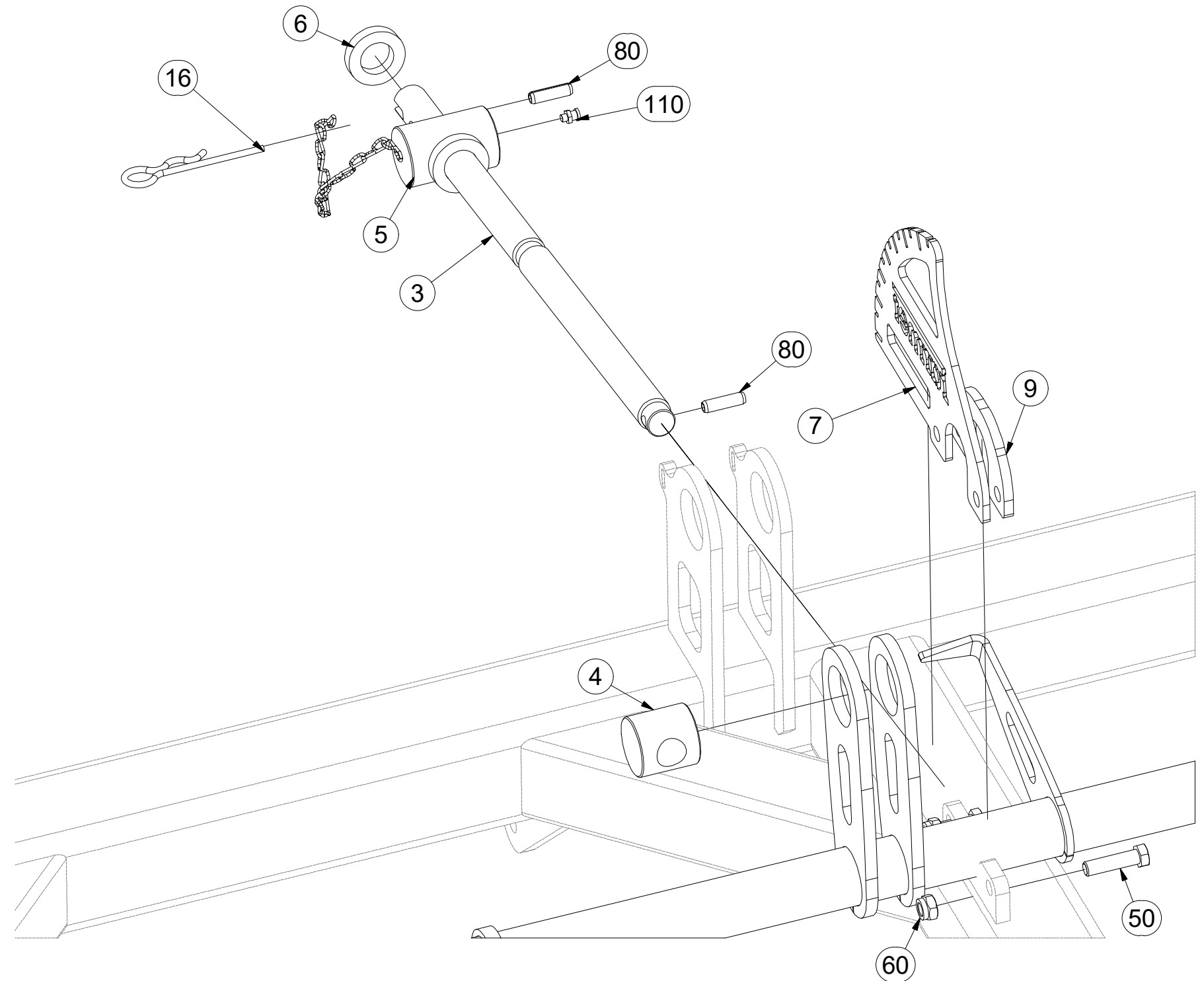
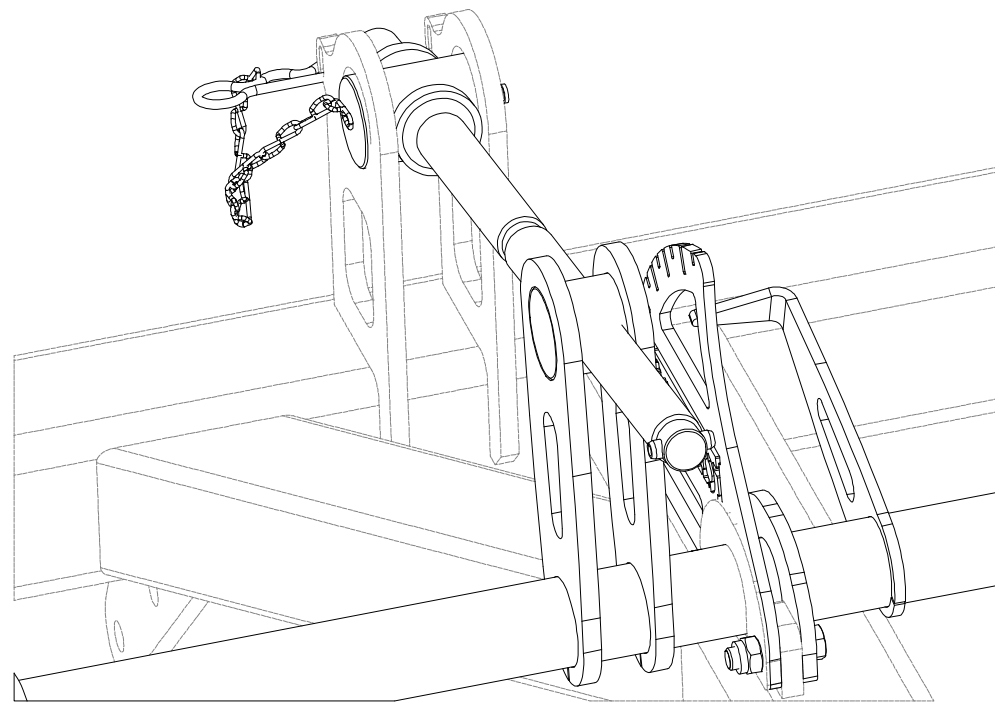
Ⓖ SET OF PLOUGHSHARE CONTROL

Ⓡ КОМПЛЕКТ УПРАВЛЕНИЯ ЛАП

Ⓟ ZESTAW STEROWANIA RADLICAMI



3007001



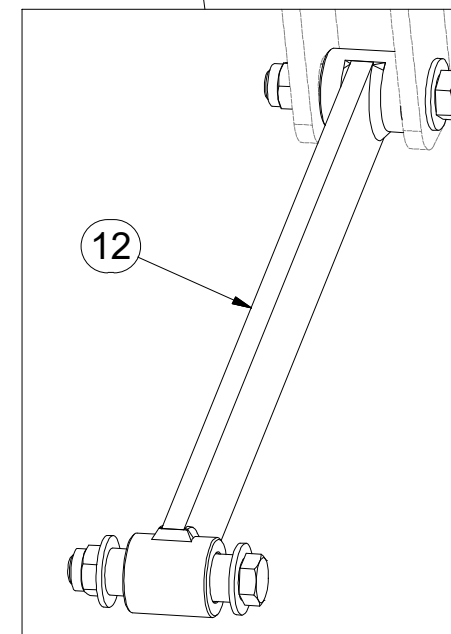
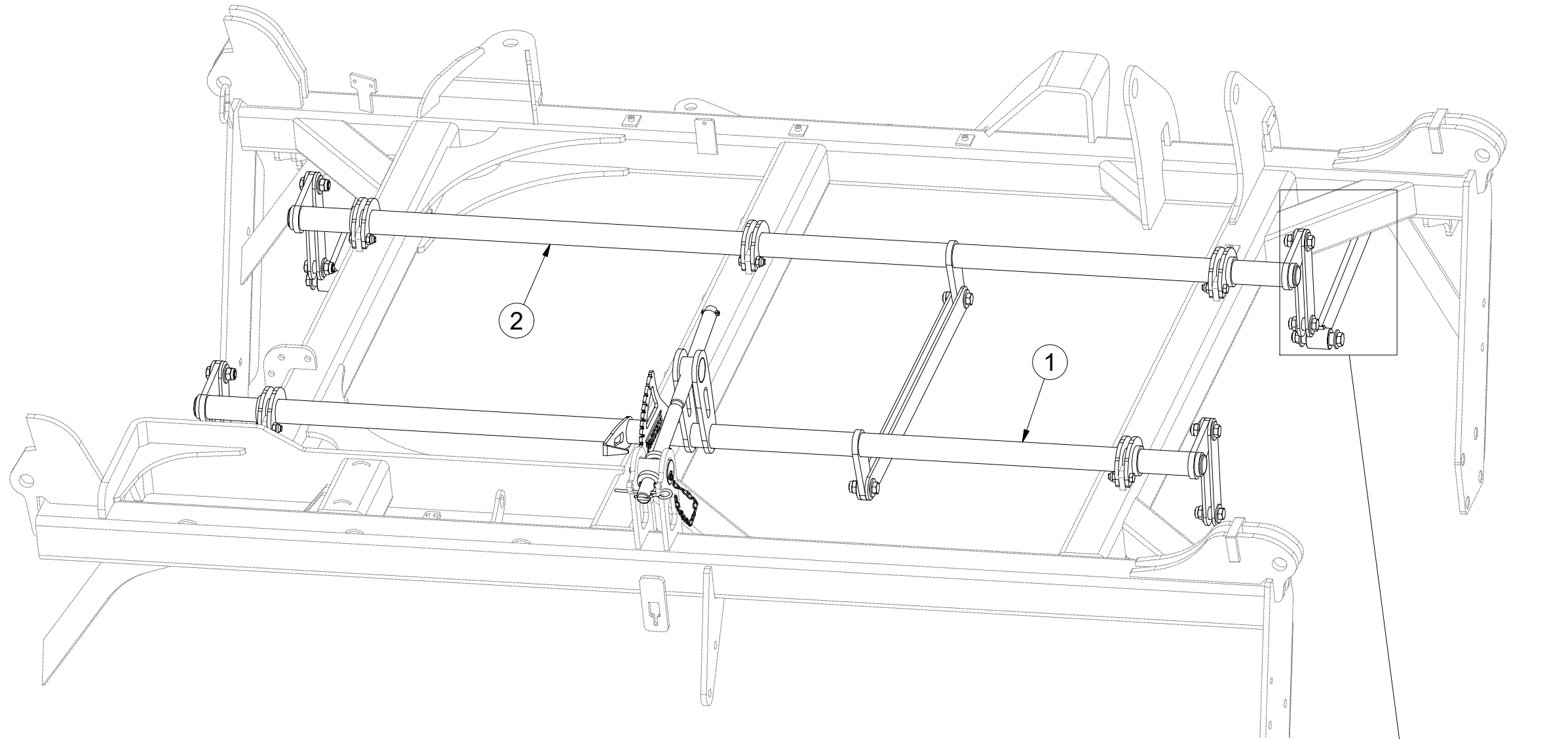
| Pos. | Part Number | Pcs. |
|------|-------------|------|
| 3 | 4007654 | 1 |
| 4 | 4005340 | 1 |
| 5 | 4005355 | 1 |
| 6 | 9002560 | 1 |
| 7 | 4005335 | 1 |
| 9 | 4005332 | 11 |
| 16 | m09988 | 1 |
| 50 | m06077 | 12 |
| 60 | m04301 | 12 |
| 80 | m10736 | 2 |
| 110 | m10451 | 1 |

- Ⓒ SADA OVLÁDÁNÍ RADLIC
- Ⓓ STEUERSATZ PFLUGSCHAREN
- Ⓕ KIT DE COMMANDE DES SOCS

- Ⓖ SET OF PLOUGHSHARE CONTROL
- Ⓡ КОМПЛЕКТ УПРАВЛЕНИЯ ЛАП
- Ⓟ ZESTAW STEROWANIA RADLICAMI



3007002



| Pos. | Part Number | Pcs. |
|------|-------------|------|
| 1 | 3002984 | 1 |
| 2 | 3002985 | 1 |
| 12 | 4003971 | 2 |

Ⓒ SADA OVLÁDÁNÍ RADLIC

Ⓓ STEUERSATZ PFLUGSCHAREN

Ⓕ KIT DE COMMANDE DES SOCS

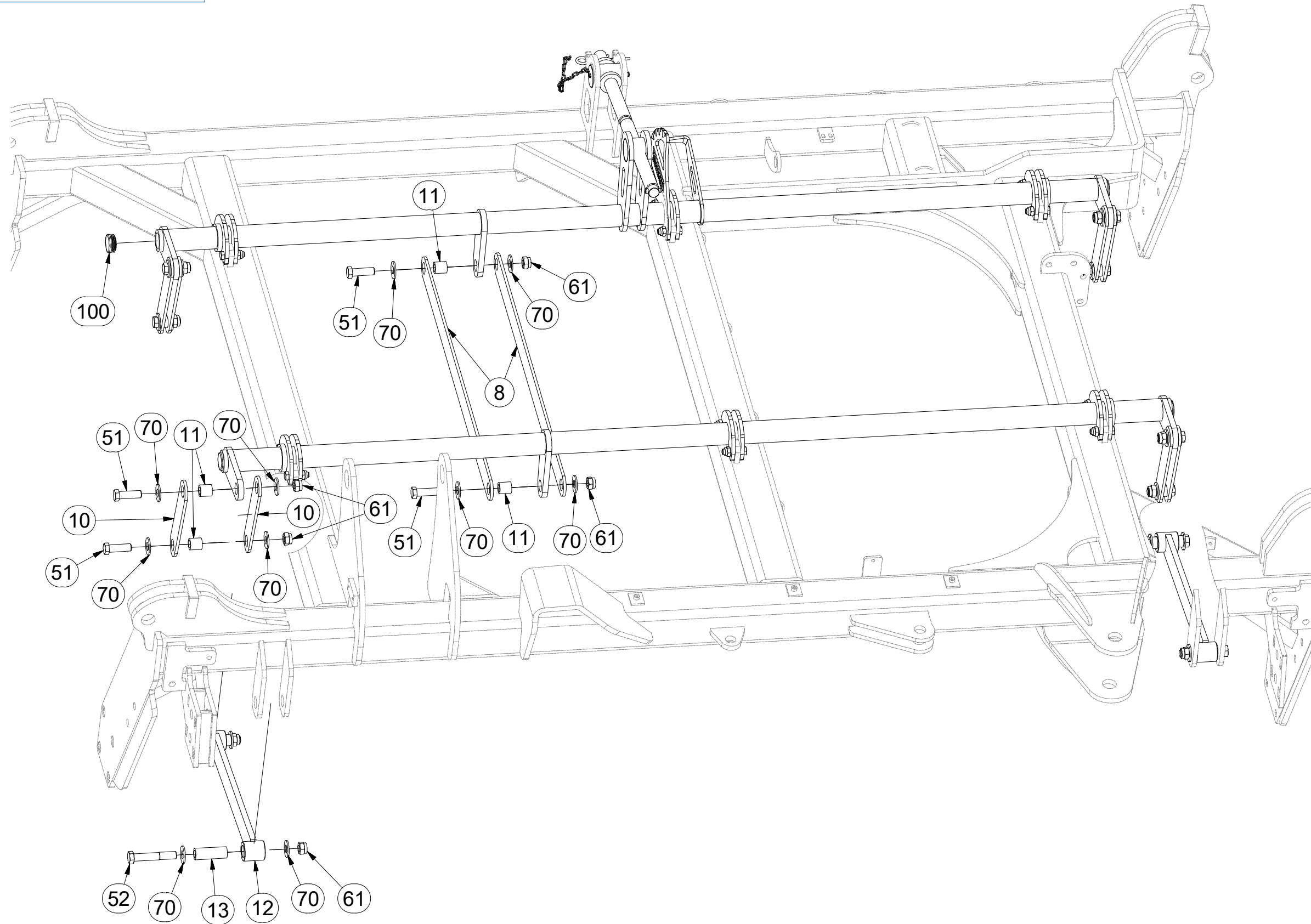
Ⓖ SET OF PLOUGHSHARE CONTROL

Ⓡ КОМПЛЕКТ УПРАВЛЕНИЯ ЛАП

Ⓟ ZESTAW STEROWANIA RADLICAMI



3007002



| Pos. | Part Number | Pcs. |
|------|-------------|------|
| 8 | 4005334 | 2 |
| 10 | 4005333 | 8 |
| 11 | 4002265 | 10 |
| 12 | 4003971 | 2 |
| 13 | 9001426 | 4 |
| 51 | m04355 | 10 |
| 52 | m07673 | 4 |
| 61 | m03683 | 14 |
| 70 | m05651 | 28 |
| 100 | m10130 | 4 |

Ⓒ SADA OVLÁDÁNÍ RADLIC

Ⓓ STEUERSATZ PFLUGSCHAREN

Ⓕ KIT DE COMMANDE DES SOCS

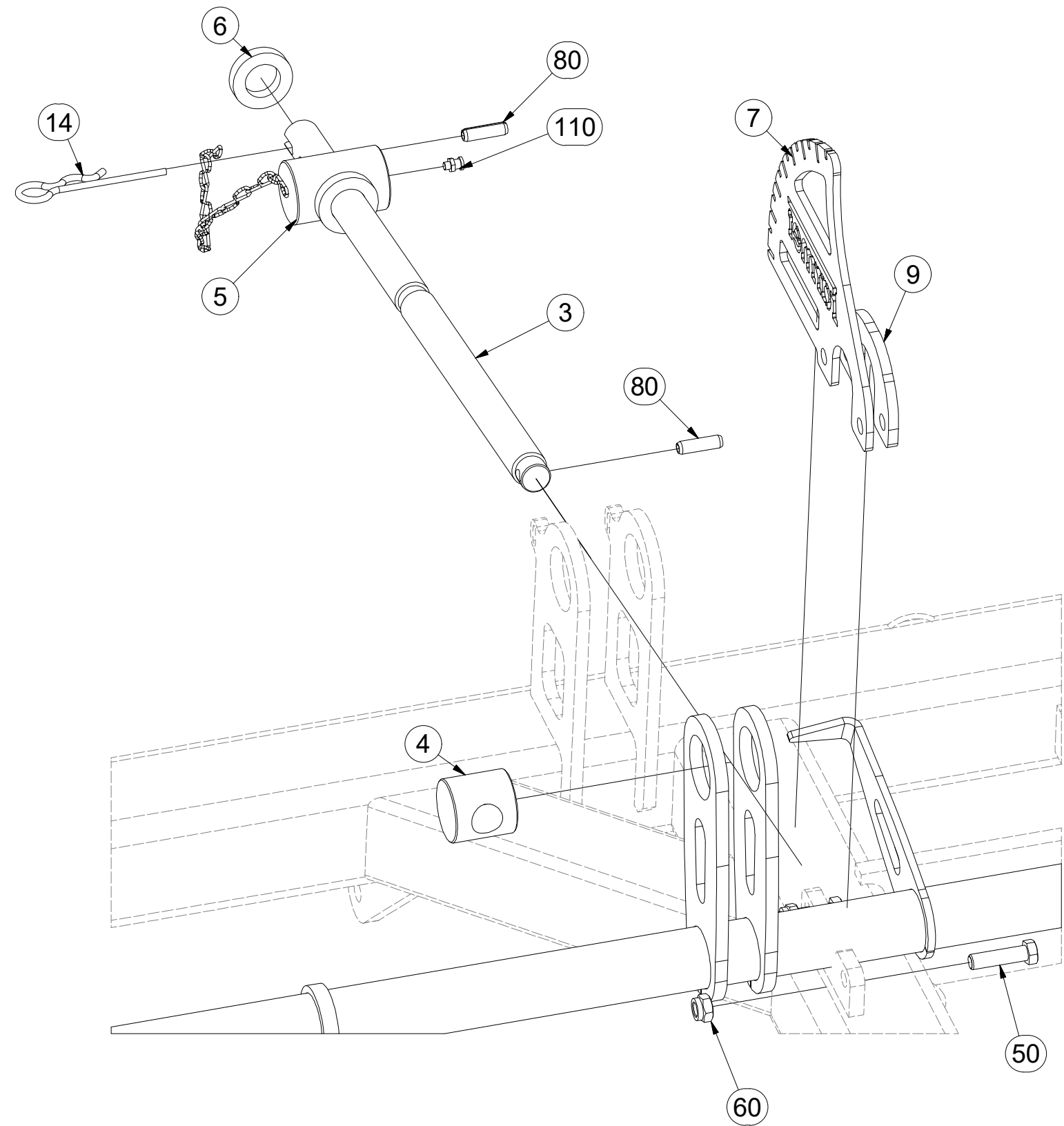
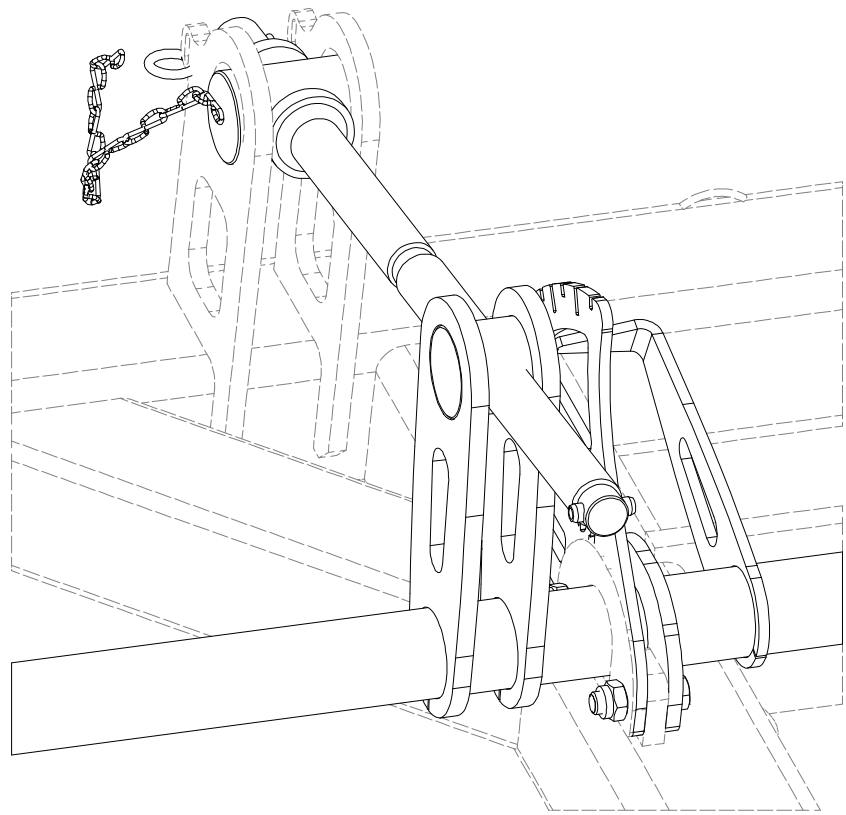
Ⓖ SET OF PLOUGHSHARE CONTROL

Ⓡ КОМПЛЕКТ УПРАВЛЕНИЯ ЛАП

Ⓢ ZESTAW STEROWANIA RADLICAMI

Farmet

3007002



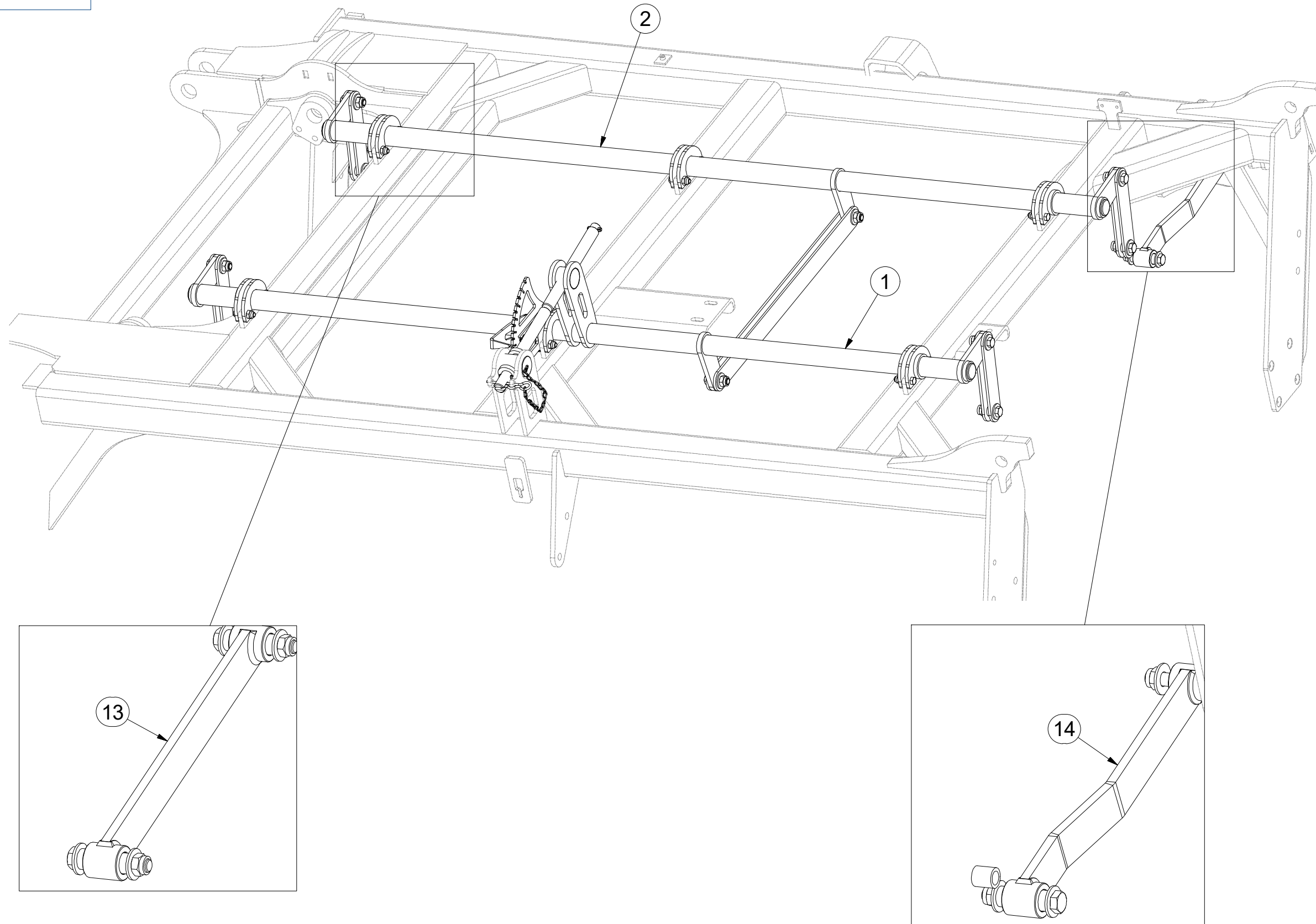
| Pos. | Part Number | Pcs. |
|------|-------------|------|
| 3 | 4007654 | 1 |
| 4 | 4005340 | 1 |
| 5 | 4005355 | 1 |
| 6 | 9002560 | 1 |
| 7 | 4005335 | 1 |
| 9 | 4005332 | 11 |
| 14 | m09988 | 1 |
| 50 | m06077 | 12 |
| 60 | m04301 | 12 |
| 80 | m10736 | 2 |
| 110 | m10451 | 1 |

CZ SADA OVLÁDÁNÍ RADLIC
 D STEUERSATZ PFLUGSCHAREN
 F KIT DE COMMANDE DES SOCS

GB SET OF PLOUGHSHARE CONTROL
 RU КОМПЛЕКТ УПРАВЛЕНИЯ ЛАП
 PL ZESTAW STEROWANIA RADLICAMI



3007003



| Pos. | Part Number | Pcs. |
|------|-------------|------|
| 1 | 3002984 | 1 |
| 2 | 3002985 | 1 |
| 13 | 4003971 | 1 |
| 14 | 4011976 | 1 |

Ⓒ SADA OVLÁDÁNÍ RADLIC

Ⓓ STEUERSATZ PFLUGSCHAREN

Ⓕ KIT DE COMMANDE DES SOCS

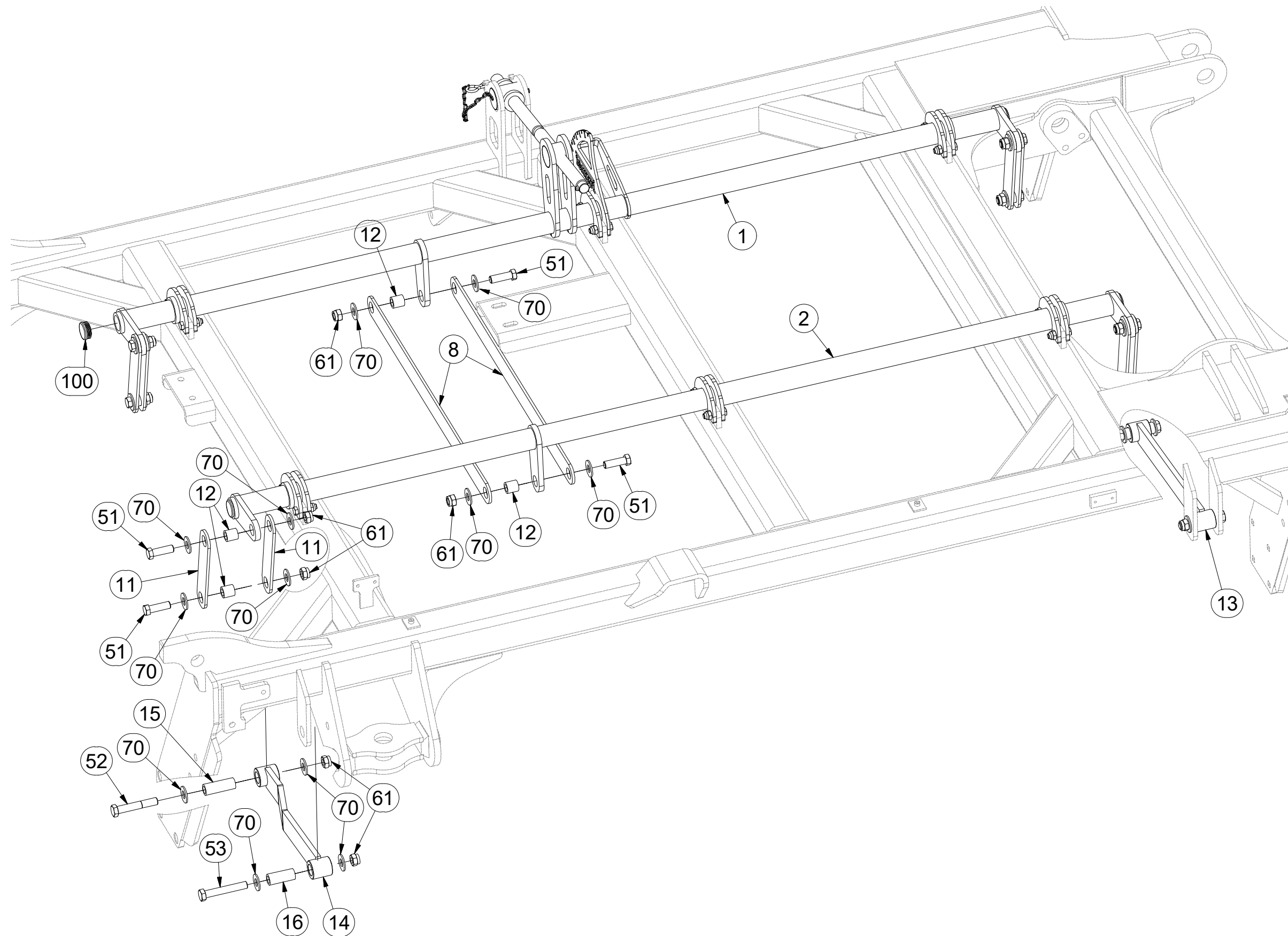
Ⓒ SET OF PLOUGHSHARE CONTROL

Ⓓ КОМПЛЕКТ УПРАВЛЕНИЯ ЛАП

Ⓕ ZESTAW STEROWANIA RADLICAMI

Farmet

3007003



| Pos. | Part Number | Pcs. |
|------|-------------|------|
| 1 | 3002984 | 1 |
| 2 | 3002985 | 1 |
| 8 | 4005334 | 2 |
| 11 | 4005333 | 8 |
| 12 | 4002265 | 10 |
| 13 | 4003971 | 1 |
| 14 | 4011976 | 1 |
| 15 | 9001426 | 3 |
| 16 | 9001095 | 1 |
| 51 | m04355 | 10 |
| 52 | m07673 | 3 |
| 53 | m05304 | 1 |
| 61 | m03683 | 14 |
| 70 | m05651 | 28 |
| 100 | m10130 | 4 |

Ⓒ CZ SADA OVLÁDÁNÍ RADLIC

Ⓓ STEUERSATZ PFLUGSCHAREN

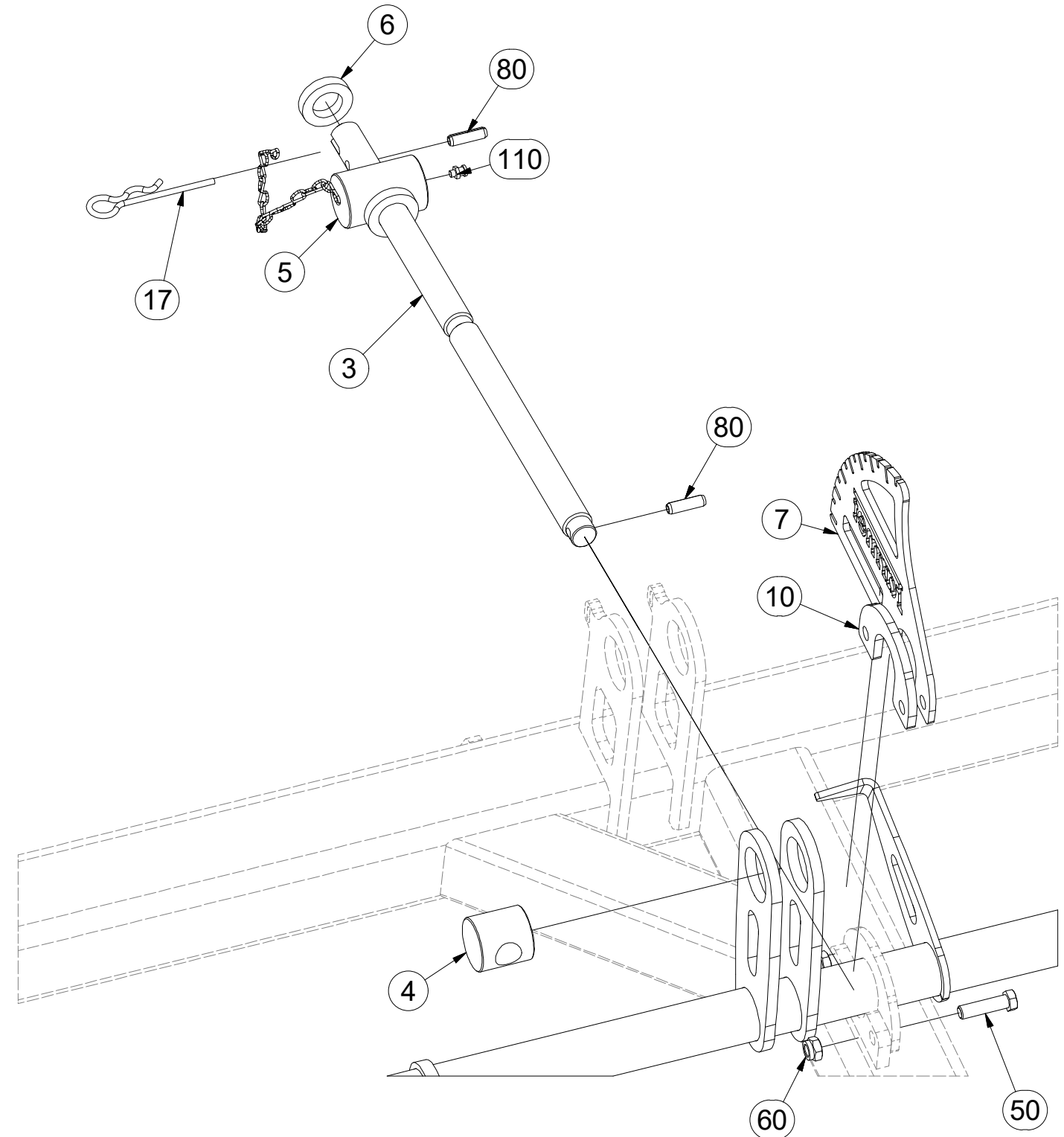
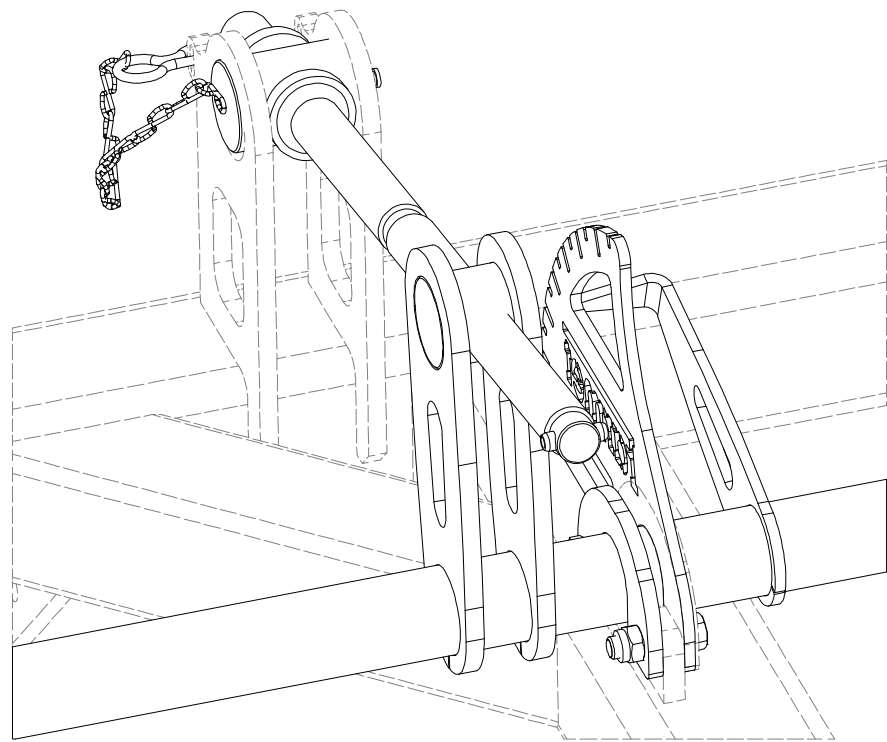
Ⓕ KIT DE COMMANDE DES SOCS

3007003

Ⓒ GB SET OF PLOUGHSHARE CONTROL

Ⓓ RU КОМПЛЕКТ УПРАВЛЕНИЯ ЛАП

Ⓕ PL ZESTAW STEROWANIA RADLICAMI



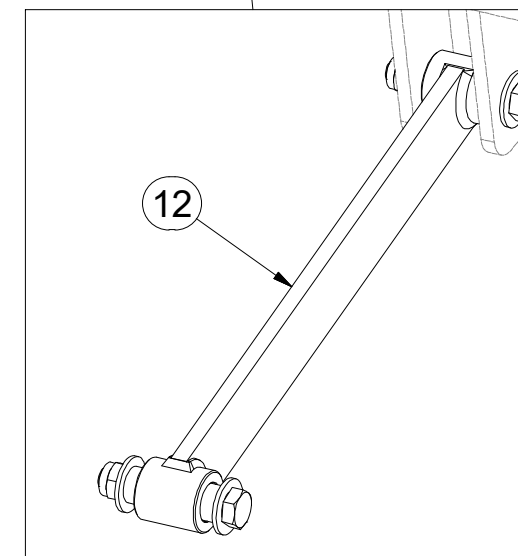
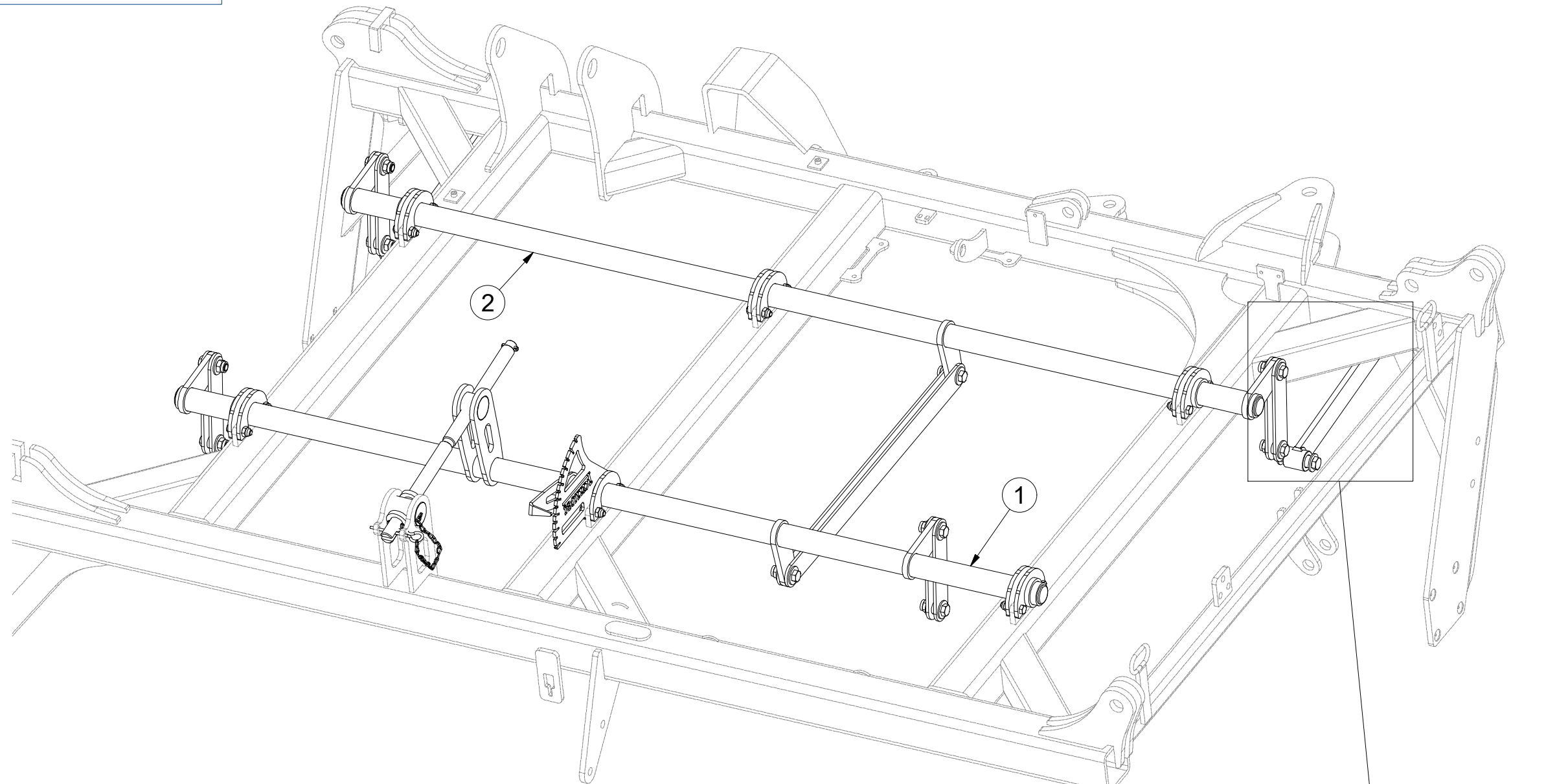
| Pos. | Part Number | Pcs. |
|------|-------------|------|
| 3 | 4007654 | 1 |
| 4 | 4005340 | 1 |
| 5 | 4005355 | 1 |
| 6 | 9002560 | 1 |
| 7 | 4005335 | 1 |
| 10 | 4005332 | 11 |
| 17 | m09988 | 1 |
| 50 | m06077 | 12 |
| 60 | m04301 | 12 |
| 80 | m10736 | 2 |
| 110 | m10451 | 1 |

- Ⓒ SADA OVLÁDÁNÍ RADLIC
- Ⓓ STEUERSATZ PFLUGSCHAREN
- Ⓕ KIT DE COMMANDE DES SOCS

- Ⓖ SET OF PLOUGHSHARE CONTROL
- Ⓡ КОМПЛЕКТ УПРАВЛЕНИЯ ЛАП
- Ⓟ ZESTAW STEROWANIA RADLICAMI



3007004



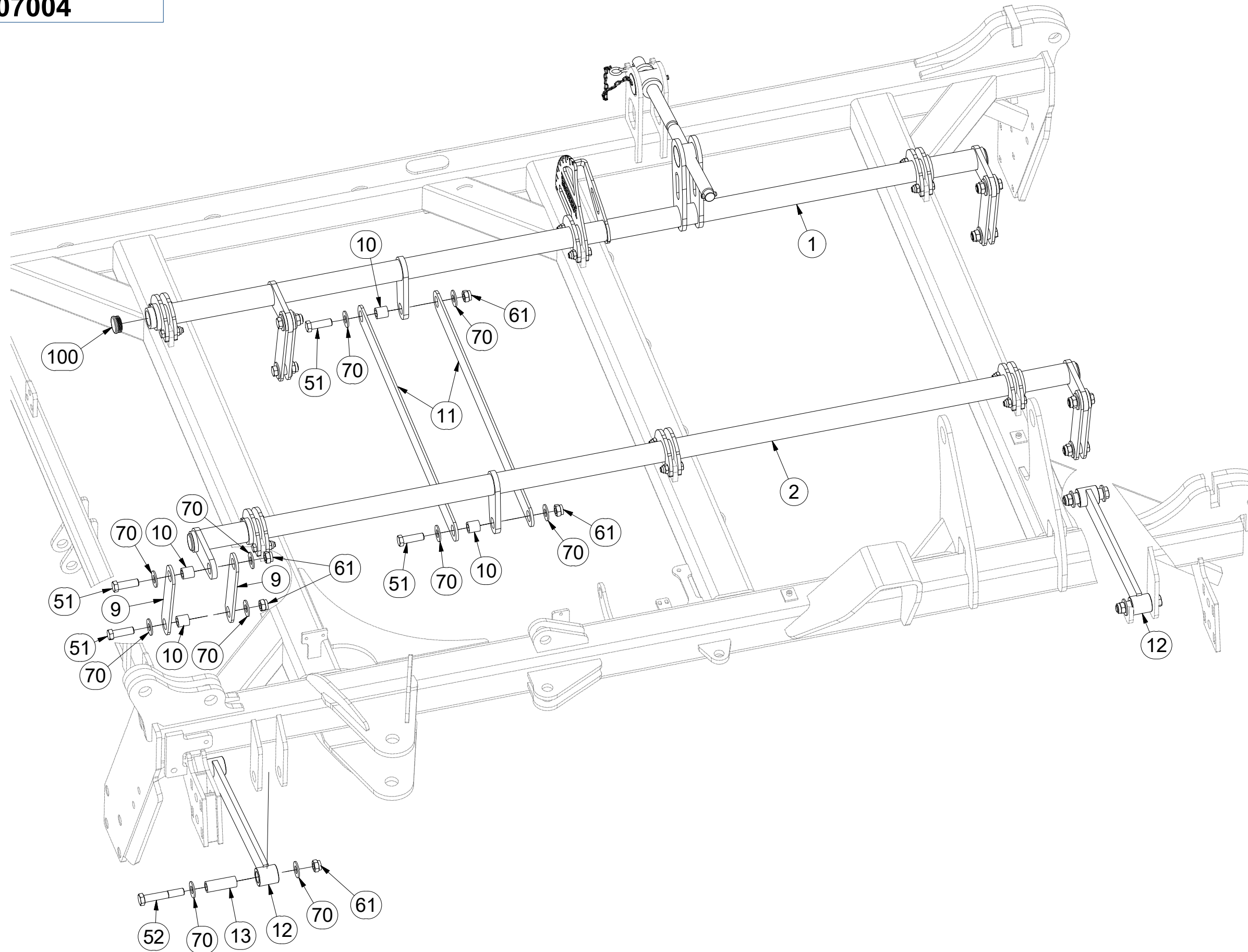
| Pos. | Part Number | Pcs. |
|------|-------------|------|
| 1 | 3003100 | 1 |
| 2 | 3002985 | 1 |
| 12 | 4003971 | 2 |

CZ SADA OVLÁDÁNÍ RADLIC
 D STEUERSATZ PFLUGSCHAREN
 F KIT DE COMMANDE DES SOCS

GB SET OF PLOUGHSHARE CONTROL
 RU КОМПЛЕКТ УПРАВЛЕНИЯ ЛАП
 PL ZESTAW STEROWANIA RADLICAMI



3007004



| Pos. | Part Number | Pcs. |
|------|-------------|------|
| 1 | 3003100 | 1 |
| 2 | 3002985 | 1 |
| 9 | 4005333 | 8 |
| 10 | 4002265 | 10 |
| 11 | 4005334 | 2 |
| 12 | 4003971 | 2 |
| 13 | 9001426 | 4 |
| 51 | m04355 | 10 |
| 52 | m07673 | 4 |
| 61 | m03683 | 14 |
| 70 | m05651 | 28 |
| 100 | m10130 | 4 |

Ⓒ SADA OVLÁDÁNÍ RADLIC

Ⓓ STEUERSATZ PFLUGSCHAREN

Ⓕ KIT DE COMMANDE DES SOCS

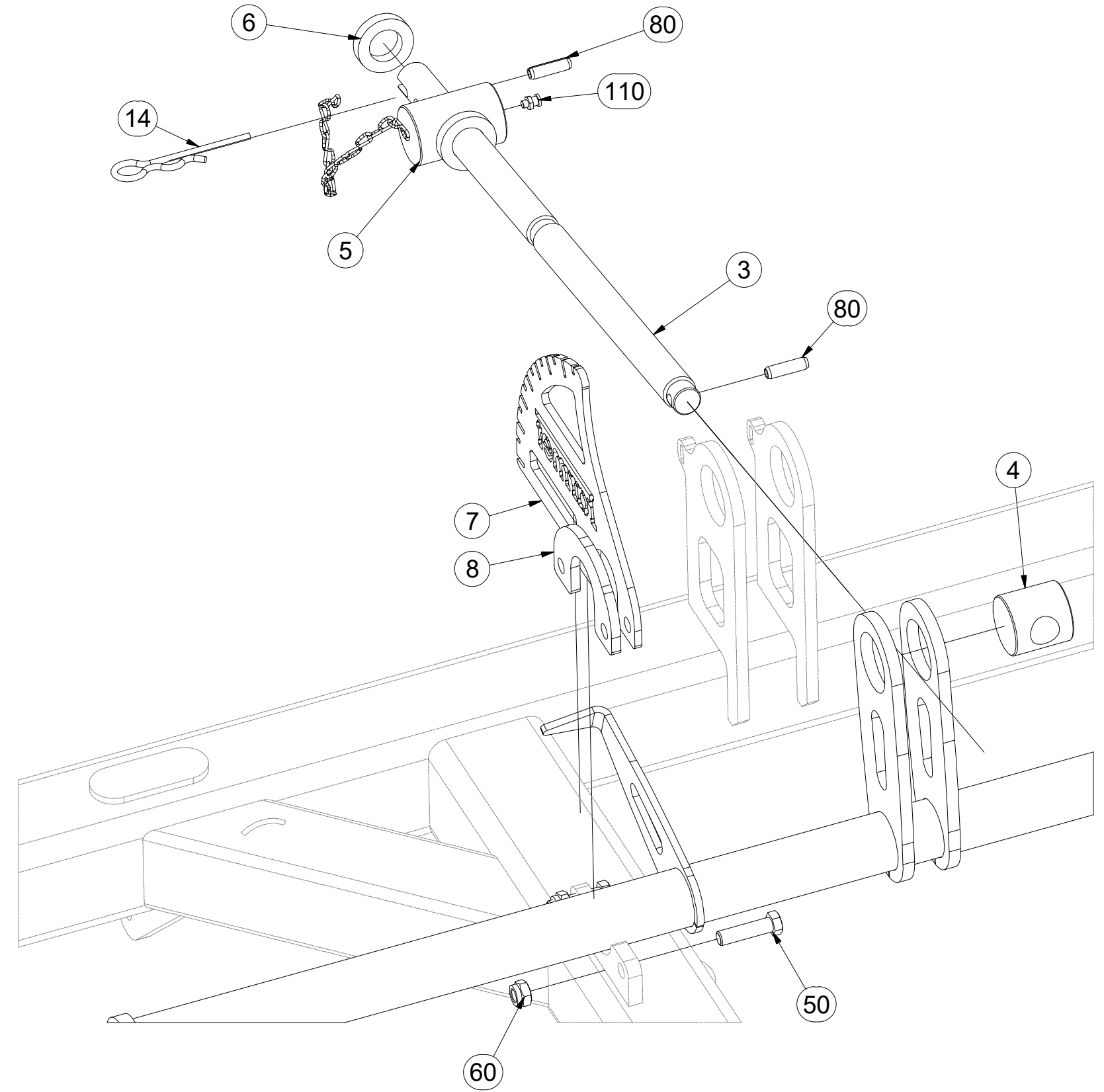
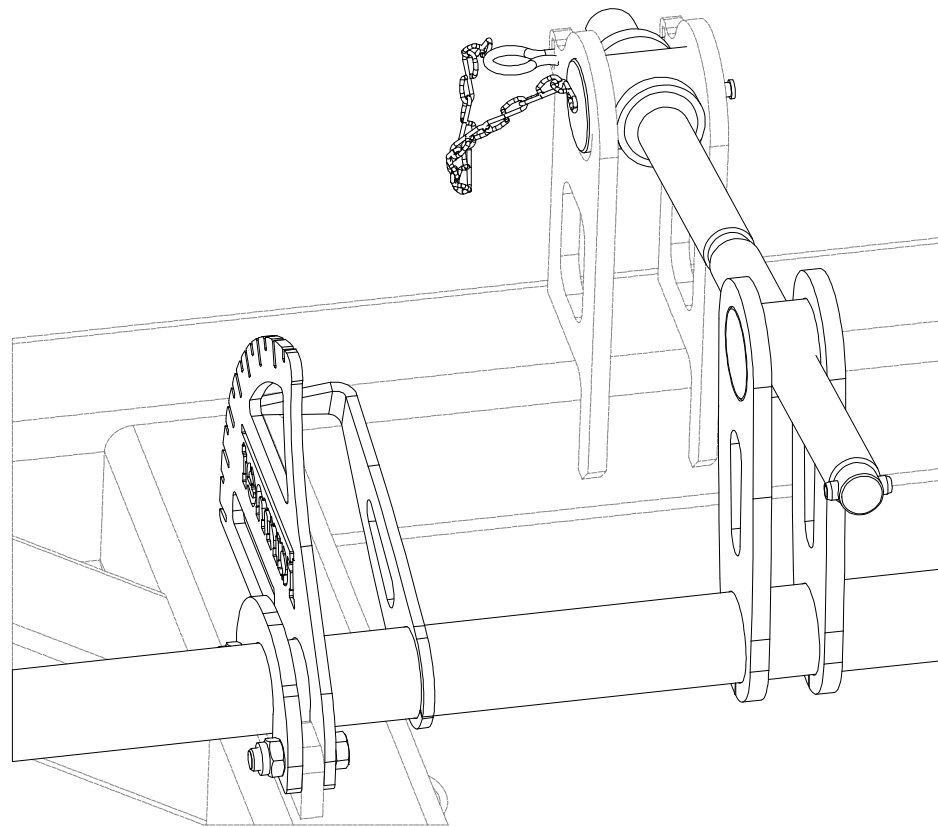
3007004

Ⓖ SET OF PLOUGHSHARE CONTROL

Ⓔ КОМПЛЕКТ УПРАВЛЕНИЯ ЛАП

Ⓗ ZESTAW STEROWANIA RADLICAMI

Farmet



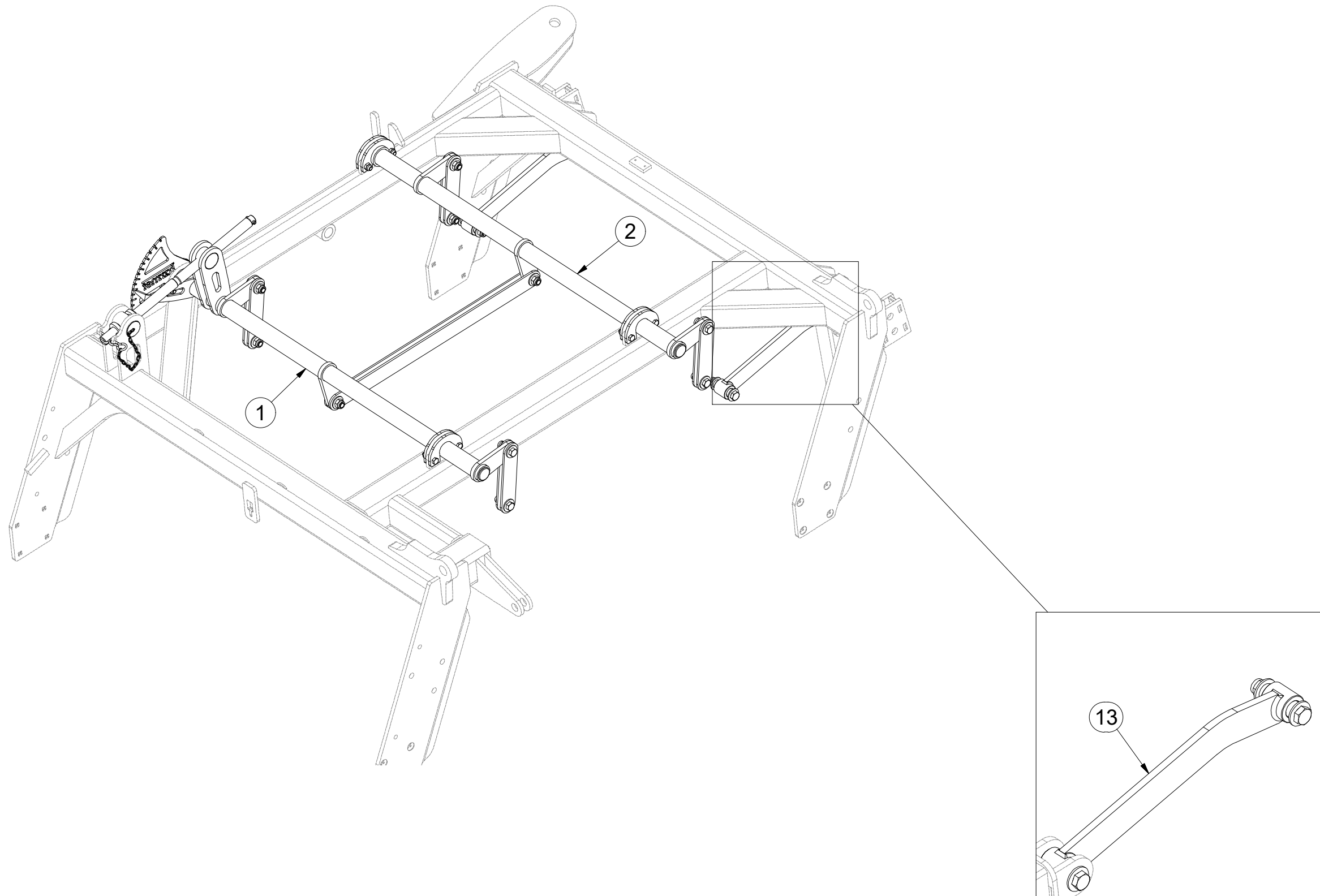
| Pos. | Part Number | Pcs. |
|------|-------------|------|
| 3 | 4007654 | 1 |
| 4 | 4005340 | 1 |
| 5 | 4005355 | 1 |
| 6 | 9002560 | 1 |
| 7 | 4005335 | 1 |
| 8 | 4005332 | 11 |
| 14 | m09988 | 1 |
| 50 | m06077 | 12 |
| 60 | m04301 | 12 |
| 80 | m10736 | 2 |
| 110 | m10451 | 1 |

CZ SADA OVLÁDÁNÍ RADLIC
 D STEUERSATZ PFLUGSCHAREN
 F KIT DE COMMANDE DES SOCS

GB SET OF PLOUGHSHARE CONTROL
 RU КОМПЛЕКТ УПРАВЛЕНИЯ ЛАП
 PL ZESTAW STEROWANIA RADLICAMI



3007135



| Pos. | Part Number | Pcs. |
|------|---------------|------|
| 1 | 3002981 | 1 |
| 2 | 3002977 | 1 |
| 13 | 8000990-30007 | 2 |

Ⓒ SADA OVLÁDÁNÍ RADLIC

Ⓓ STEUERSATZ PFLUGSCHAREN

Ⓕ KIT DE COMMANDE DES SOCS

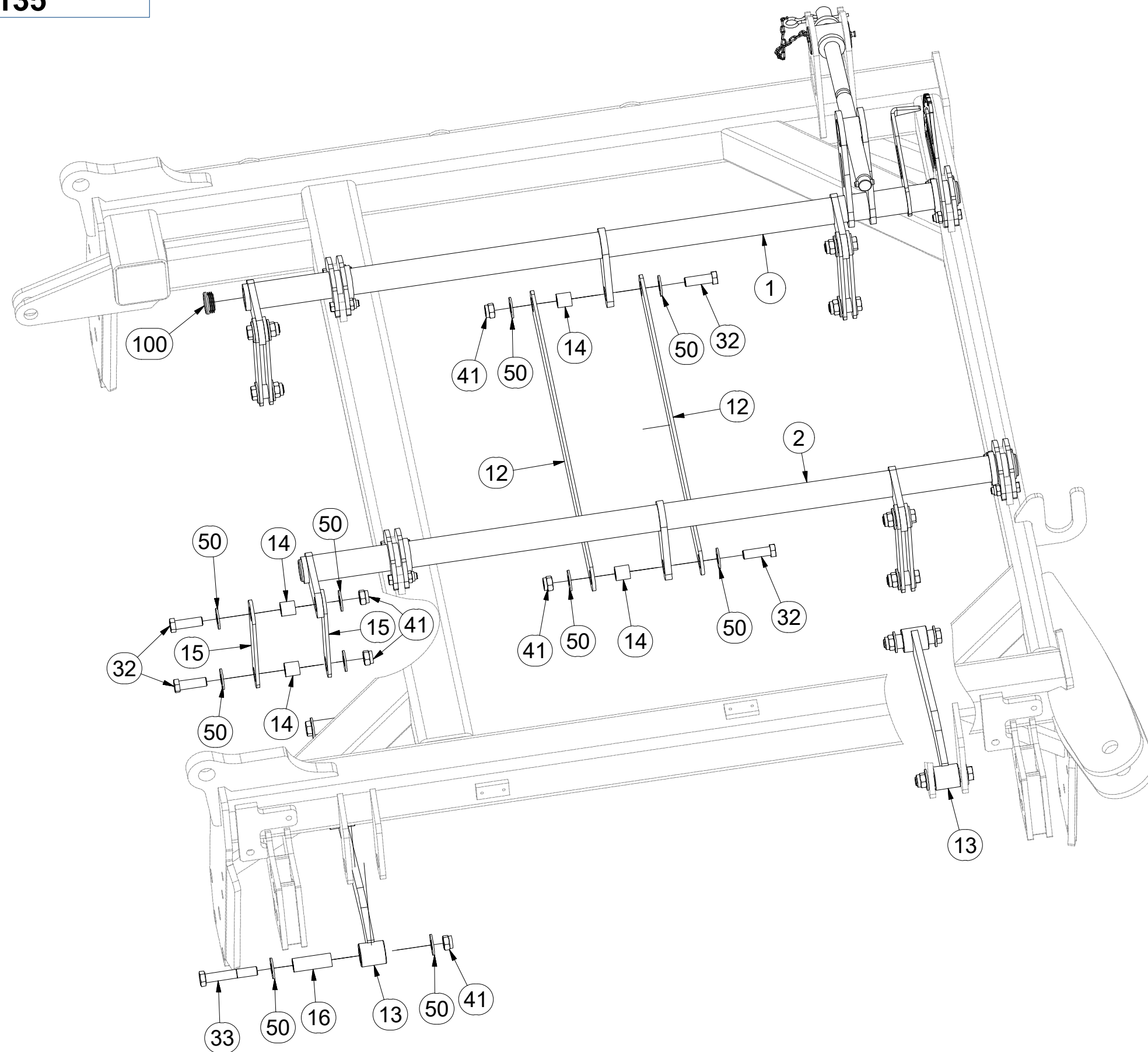
Ⓖ SET OF PLOUGHSHARE CONTROL

Ⓡ КОМПЛЕКТ УПРАВЛЕНИЯ ЛАП

Ⓢ ZESTAW STEROWANIA RADLICAMI



3007135



| Pos. | Part Number | Pcs. |
|------|---------------|------|
| 1 | 3002981 | 1 |
| 2 | 3002977 | 1 |
| 12 | 4005334 | 2 |
| 13 | 8000990-30007 | 2 |
| 14 | 4002265 | 10 |
| 15 | 4005333 | 8 |
| 16 | 9001426 | 4 |
| 32 | m04355 | 10 |
| 33 | m07673 | 4 |
| 41 | m03683 | 14 |
| 50 | m05651 | 28 |
| 100 | m10130 | 4 |

Ⓒ SADA OVLÁDÁNÍ RADLIC

Ⓓ STEUERSATZ PFLUGSCHAREN

Ⓕ KIT DE COMMANDE DES SOCS

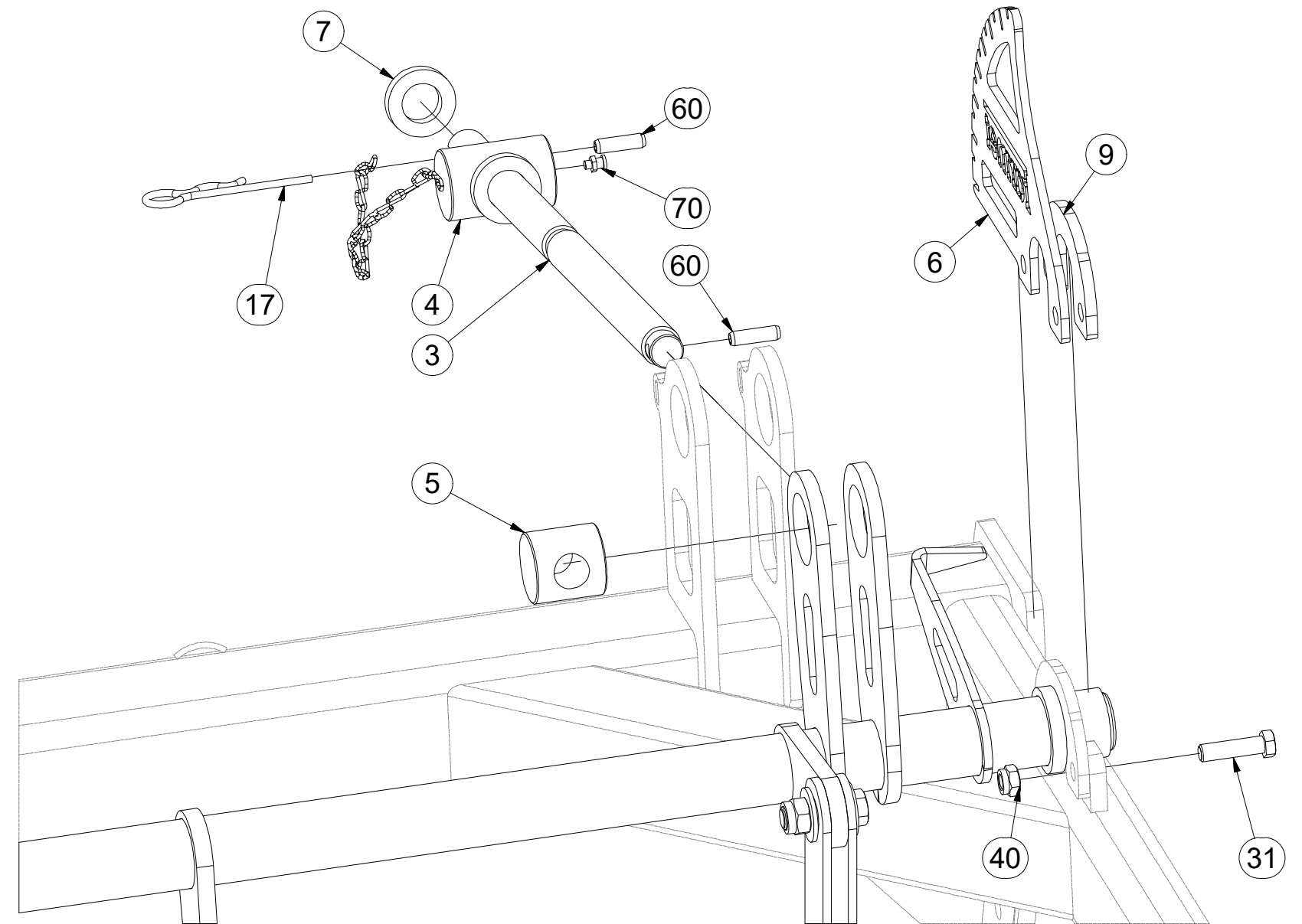
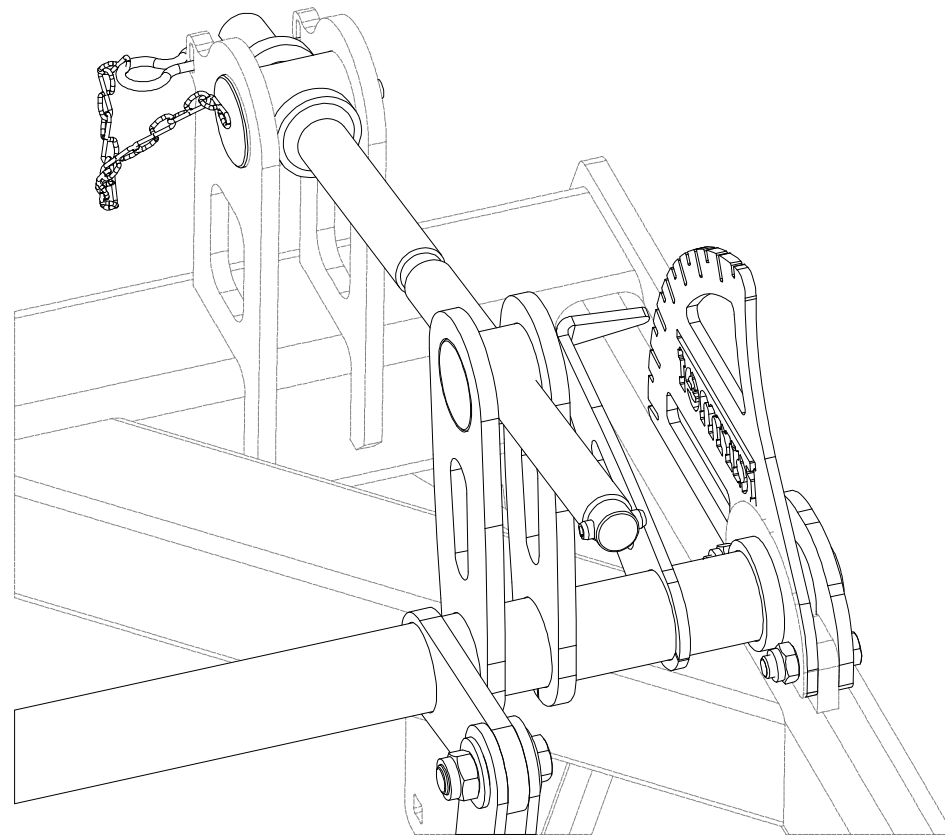
3007135

Ⓖ SET OF PLOUGHSHARE CONTROL

Ⓡ КОМПЛЕКТ УПРАВЛЕНИЯ ЛАП

Ⓢ ZESTAW STEROWANIA RADLICAMI

Farmet



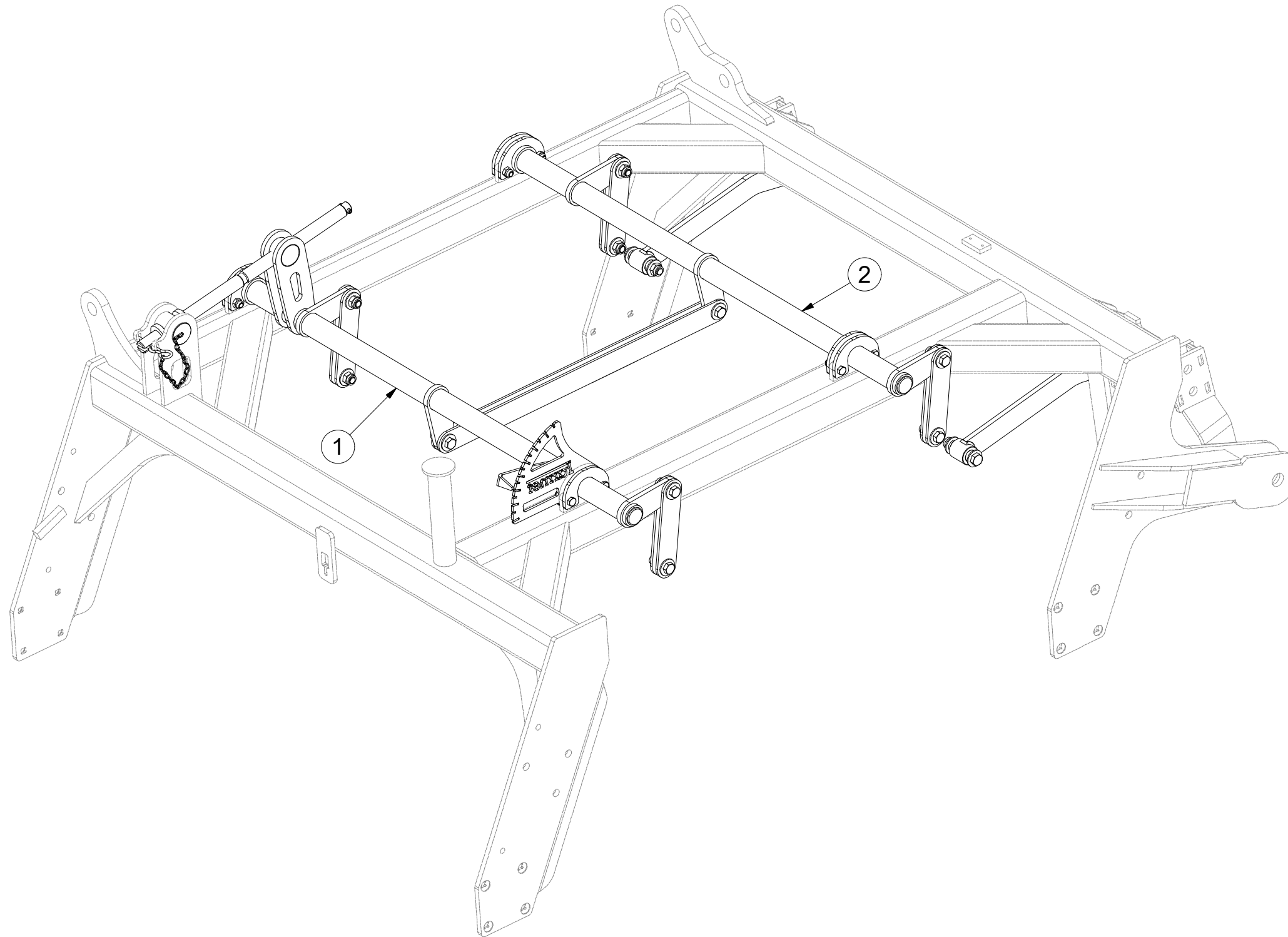
| Pos. | Part Number | Pcs. |
|------|-------------|------|
| 3 | 4007654 | 1 |
| 4 | 4005355 | 1 |
| 5 | 4005340 | 1 |
| 6 | 4005335 | 1 |
| 7 | 9002560 | 1 |
| 9 | 4005332 | 7 |
| 17 | m09988 | 1 |
| 31 | m06077 | 8 |
| 40 | m04301 | 8 |
| 60 | m10736 | 2 |
| 70 | m10451 | 1 |

- Ⓒ SADA OVLÁDÁNÍ RADLIC
- Ⓓ STEUERSATZ PFLUGSCHAREN
- Ⓕ KIT DE COMMANDE DES SOCS

- Ⓖ SET OF PLOUGHSHARE CONTROL
- Ⓡ КОМПЛЕКТ УПРАВЛЕНИЯ ЛАП
- Ⓟ ZESTAW STEROWANIA RADLICAMI



3007136



| Pos. | Part Number | Pcs. |
|------|-------------|------|
| 1 | 3002976 | 1 |
| 2 | 3002977 | 1 |

ⒸZ SADA OVLÁDÁNÍ RADLIC

Ⓓ STEUERSATZ PFLUGSCHAREN

Ⓕ KIT DE COMMANDE DES SOCS

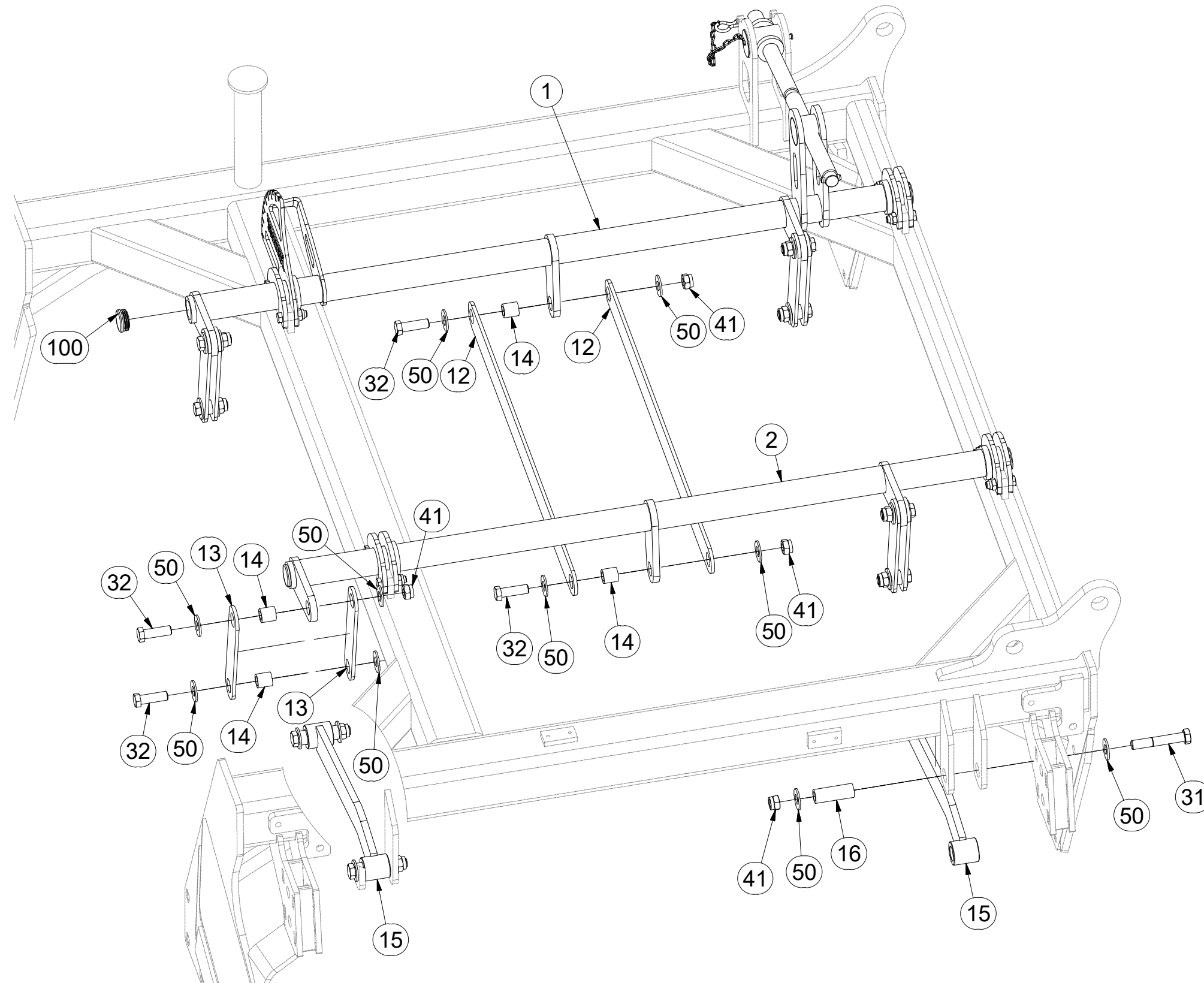
ⒸB SET OF PLOUGHSHARE CONTROL

ⒸU КОМПЛЕКТ УПРАВЛЕНИЯ ЛАП

ⒸL ZESTAW STEROWANIA RADLICAMI



3007136



| Pos. | Part Number | Pcs. |
|------|---------------|------|
| 1 | 3002976 | 1 |
| 2 | 3002977 | 1 |
| 12 | 4005334 | 2 |
| 13 | 4005333 | 8 |
| 14 | 4002265 | 10 |
| 15 | 8000990-30007 | 2 |
| 16 | 9001426 | 4 |
| 31 | m07673 | 4 |
| 32 | m04355 | 10 |
| 41 | m03683 | 14 |
| 50 | m05651 | 28 |
| 100 | m10130 | 4 |

Ⓒ SADA OVLÁDÁNÍ RADLIC

Ⓓ STEUERSATZ PFLUGSCHAREN

Ⓕ KIT DE COMMANDE DES SOCS

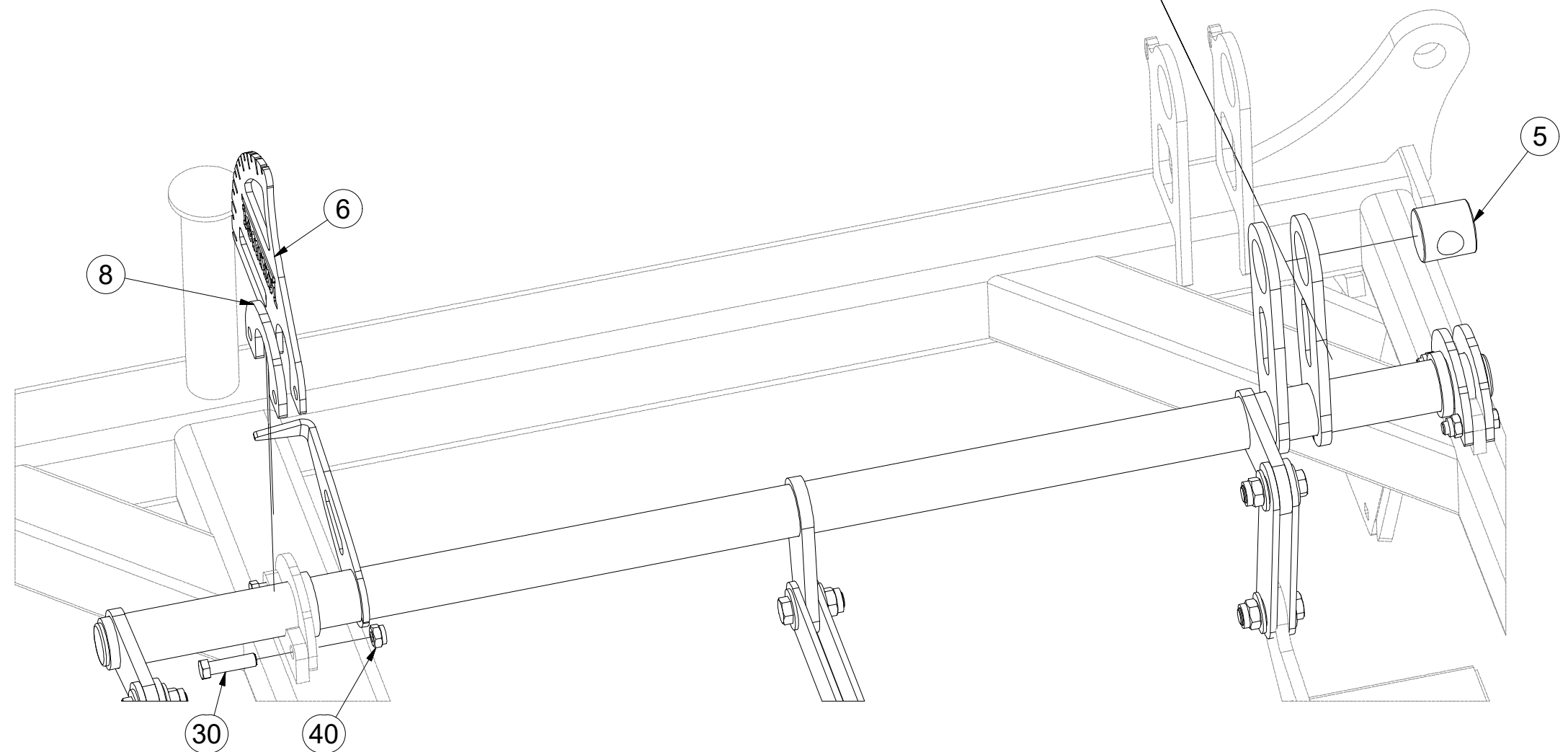
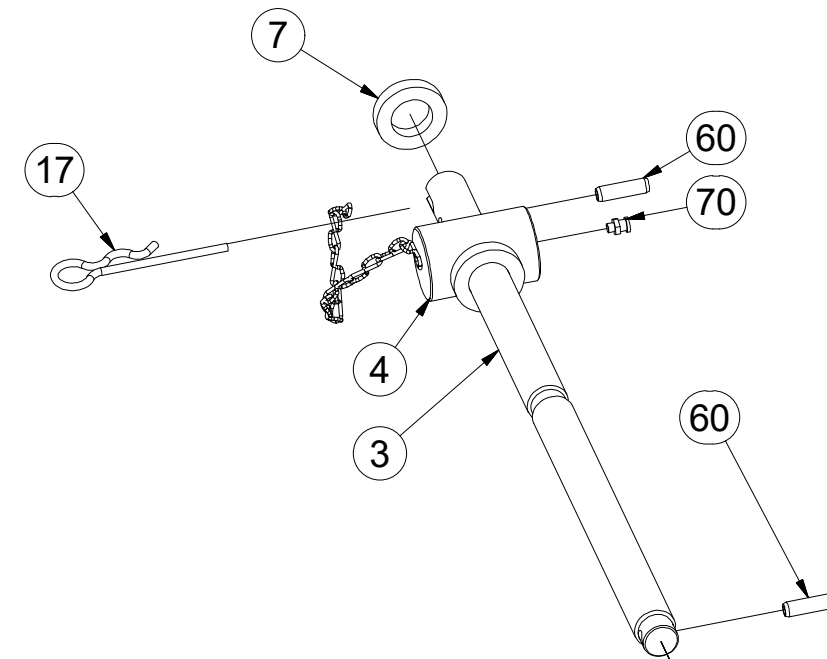
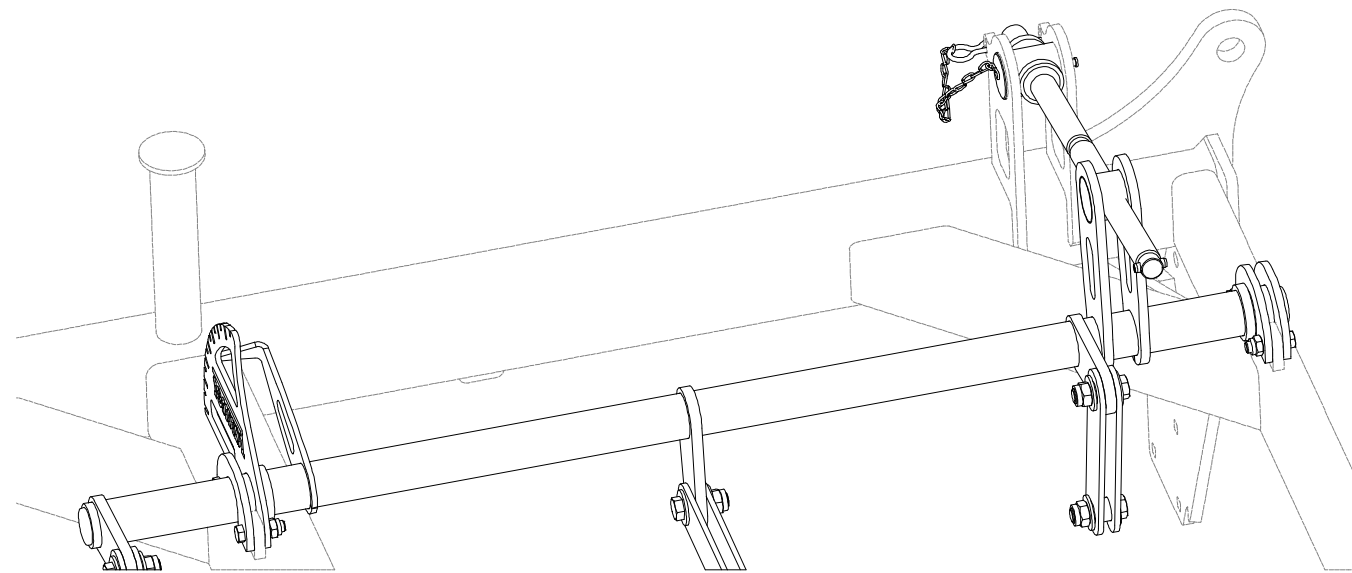
3007136

Ⓖ SET OF PLOUGHSHARE CONTROL

Ⓔ КОМПЛЕКТ УПРАВЛЕНИЯ ЛАП

Ⓗ ZESTAW STEROWANIA RADLICAMI

Farmet



| Pos. | Part Number | Pcs. |
|------|-------------|------|
| 3 | 4007654 | 1 |
| 4 | 4005355 | 1 |
| 5 | 4005340 | 1 |
| 6 | 4005335 | 1 |
| 7 | 9002560 | 1 |
| 8 | 4005332 | 7 |
| 17 | m09988 | 1 |
| 30 | m06077 | 8 |
| 40 | m04301 | 8 |
| 60 | m10736 | 2 |
| 70 | m10451 | 1 |

ⒸZ SADA RADLIC

Ⓓ SCHARSATZ

Ⓕ KIT DE SOCS

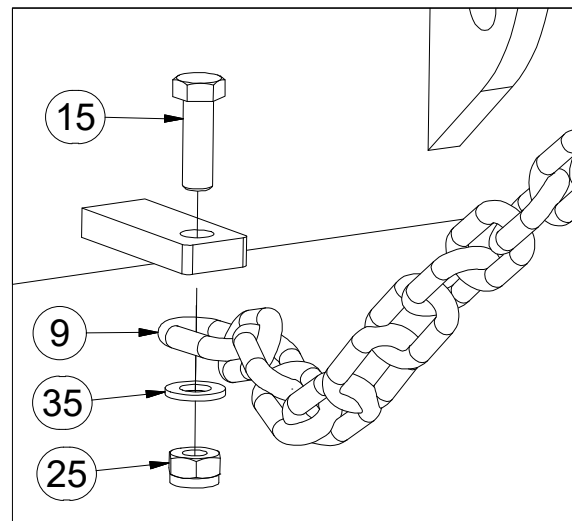
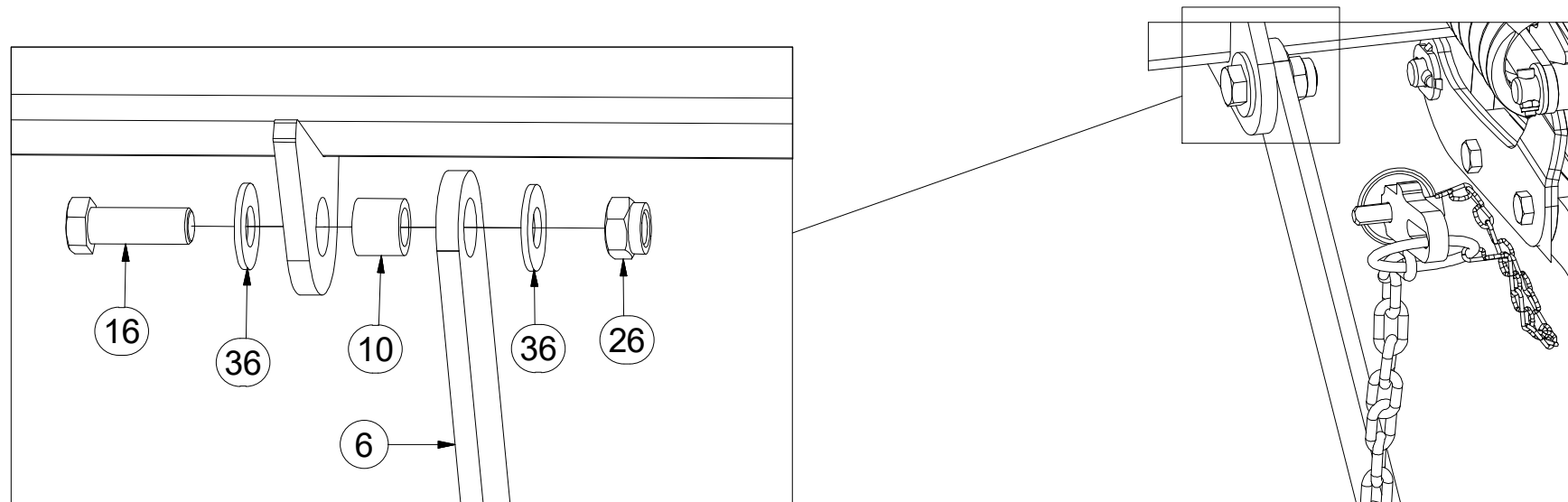
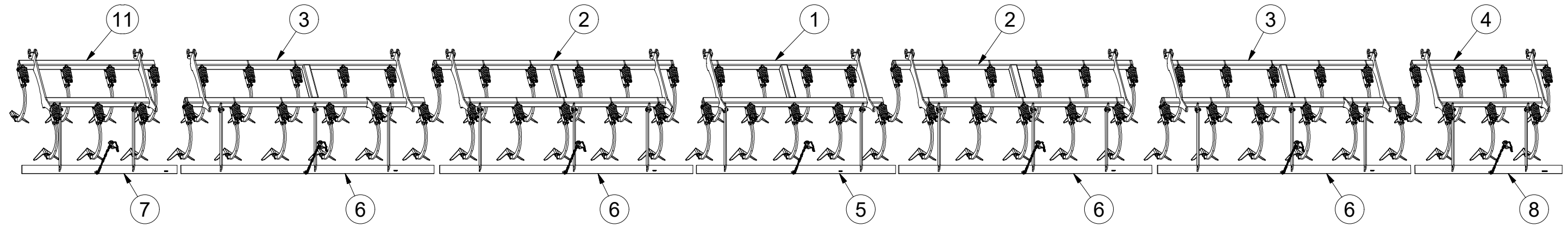
ⒼB SET OF PLOUGHSHARES

ⒺU КОМПЛЕКТ ЛАП

ⒻL ZESTAW REDLIC



3005053



| Pos. | Part Number | Pcs. |
|------|-------------|------|
| 1 | 3005253 | 1 |
| 2 | 3005256 | 2 |
| 3 | 3005061 | 2 |
| 4 | 3007750 | 1 |
| 5 | 3005068 | 1 |
| 6 | 3005258 | 4 |
| 7 | 3005523 | 1 |
| 8 | 3005524 | 1 |
| 9 | 4001641 | 7 |
| 10 | 4004451 | 18 |
| 11 | 3007749 | 1 |
| 15 | m01092 | 7 |
| 16 | m02254 | 18 |
| 25 | m04503 | 7 |
| 26 | m03683 | 18 |
| 35 | m01203 | 7 |
| 36 | m05651 | 36 |

ⒸZ SADA RADLIC

Ⓓ SCHARSATZ

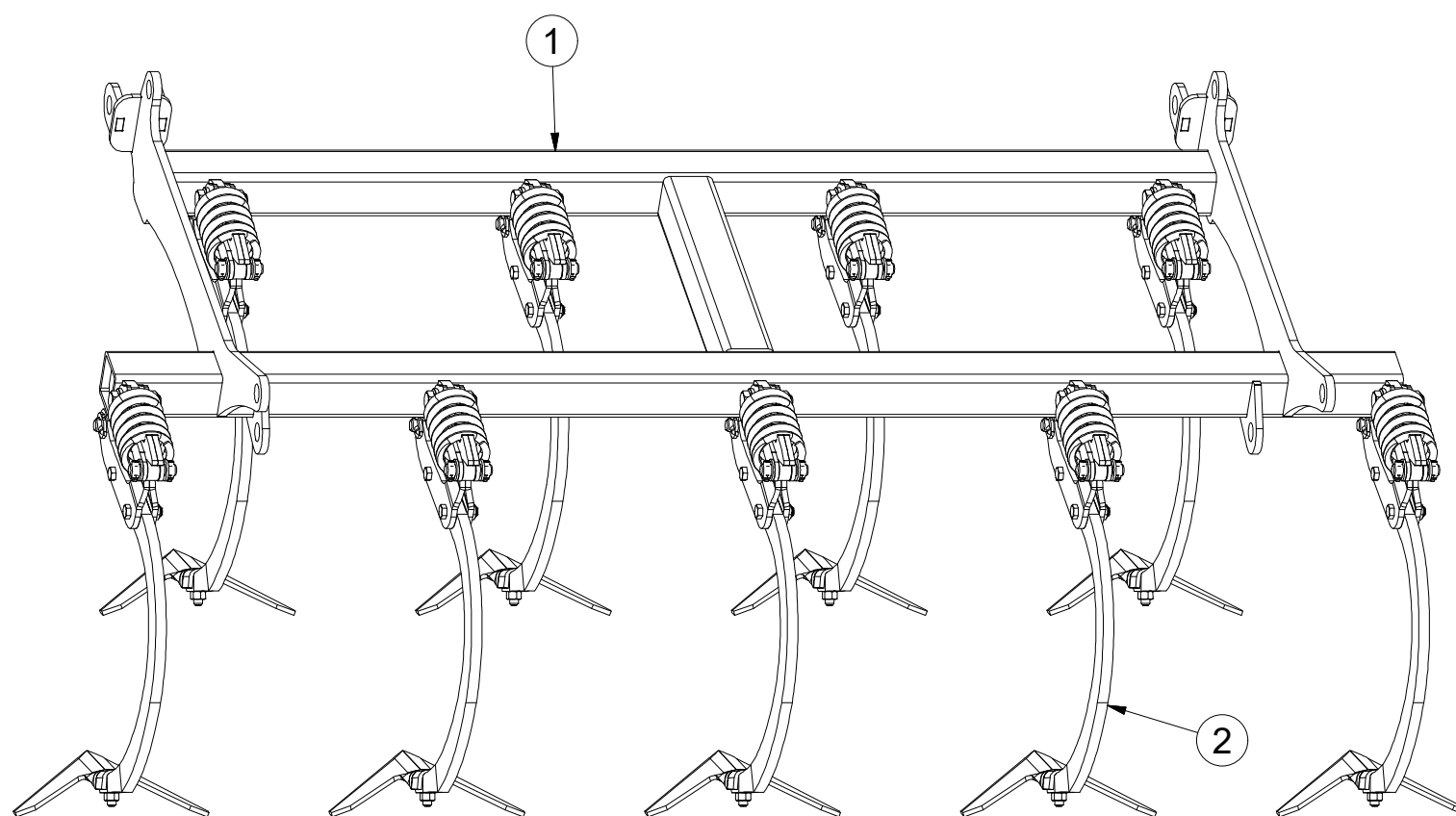
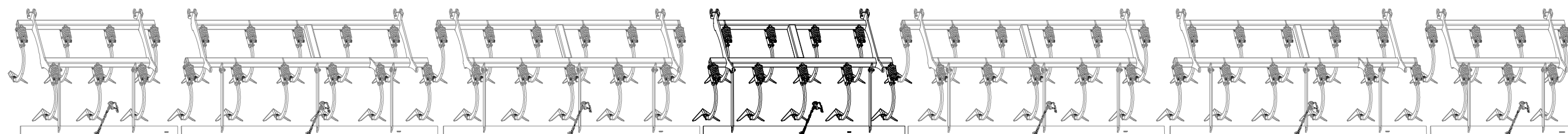
Ⓕ KIT DE SOCS

3005253

ⒼB SET OF PLOUGHSHARES

ⒺU КОМПЛЕКТ ЛАП

ⒼL ZESTAW REDLIC



| Pos. | Part Number | Pcs. |
|------|-------------|------|
| 1 | 3005254 | 1 |
| 2 | 4009708_2 | 9 |

Ⓒ SADA RADLIC

Ⓓ SCHARSATZ

Ⓕ KIT DE SOCS

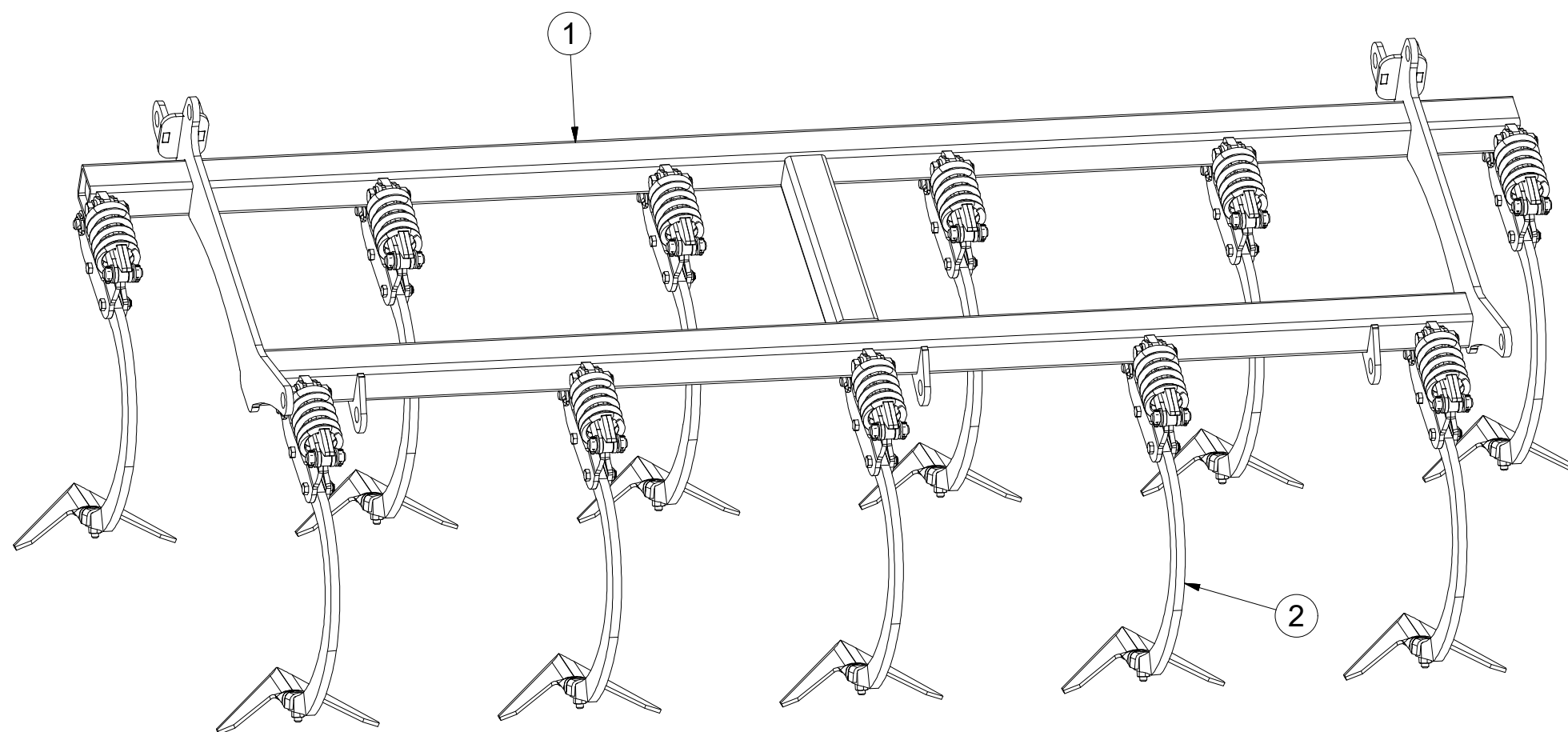
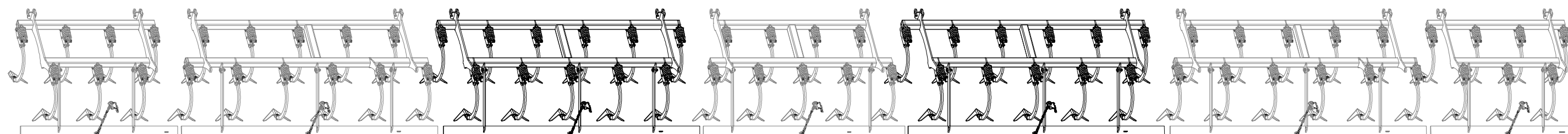
Ⓖ SET OF PLOUGHSHARES

Ⓡ КОМПЛЕКТ ЛАП

Ⓟ ZESTAW REDLIC



3005256



| Pos. | Part Number | Pcs. |
|------|-------------|------|
| 1 | 3005257 | 1 |
| 2 | 4009708_2 | 11 |

ⒸZ SADA RADLIC

Ⓓ SCHARSATZ

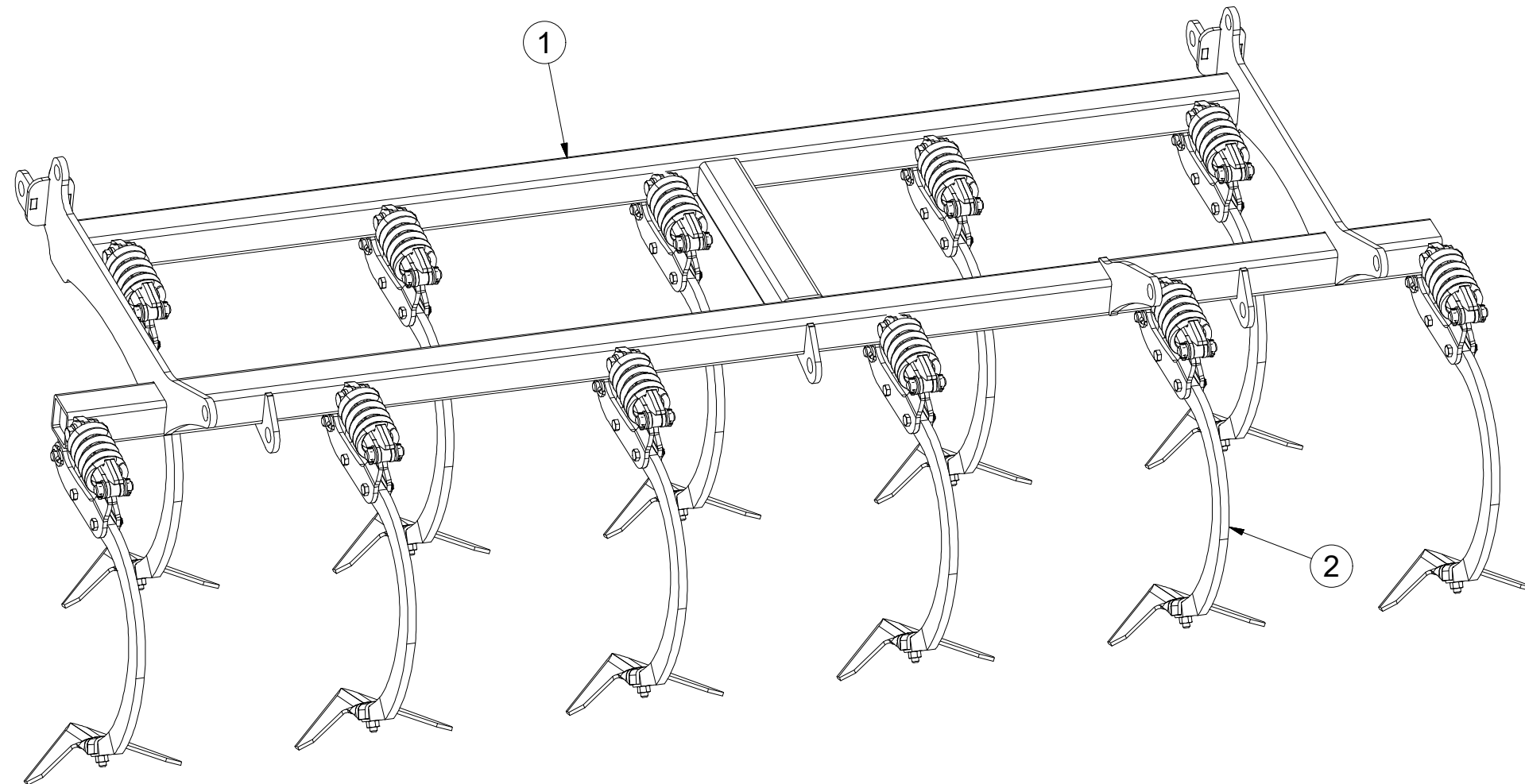
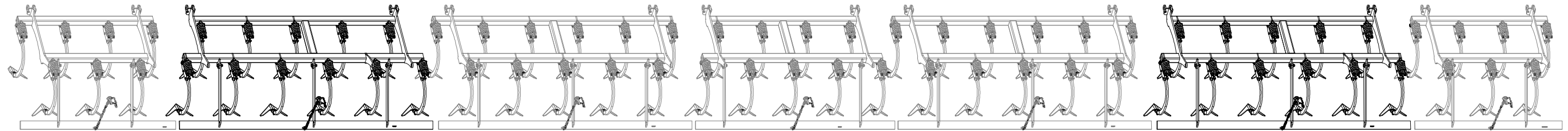
Ⓕ KIT DE SOCS

3005061

ⒸB SET OF PLOUGHSHARES

Ⓔ КОМПЛЕКТ ЛАП

Ⓖ ZESTAW REDLIC



| Pos. | Part Number | Pcs. |
|------|-------------|------|
| 1 | 3005062 | 1 |
| 2 | 4009708_2 | 11 |

Ⓒ SADA RADLIC

Ⓓ SCHARSATZ

Ⓕ KIT DE SOCS

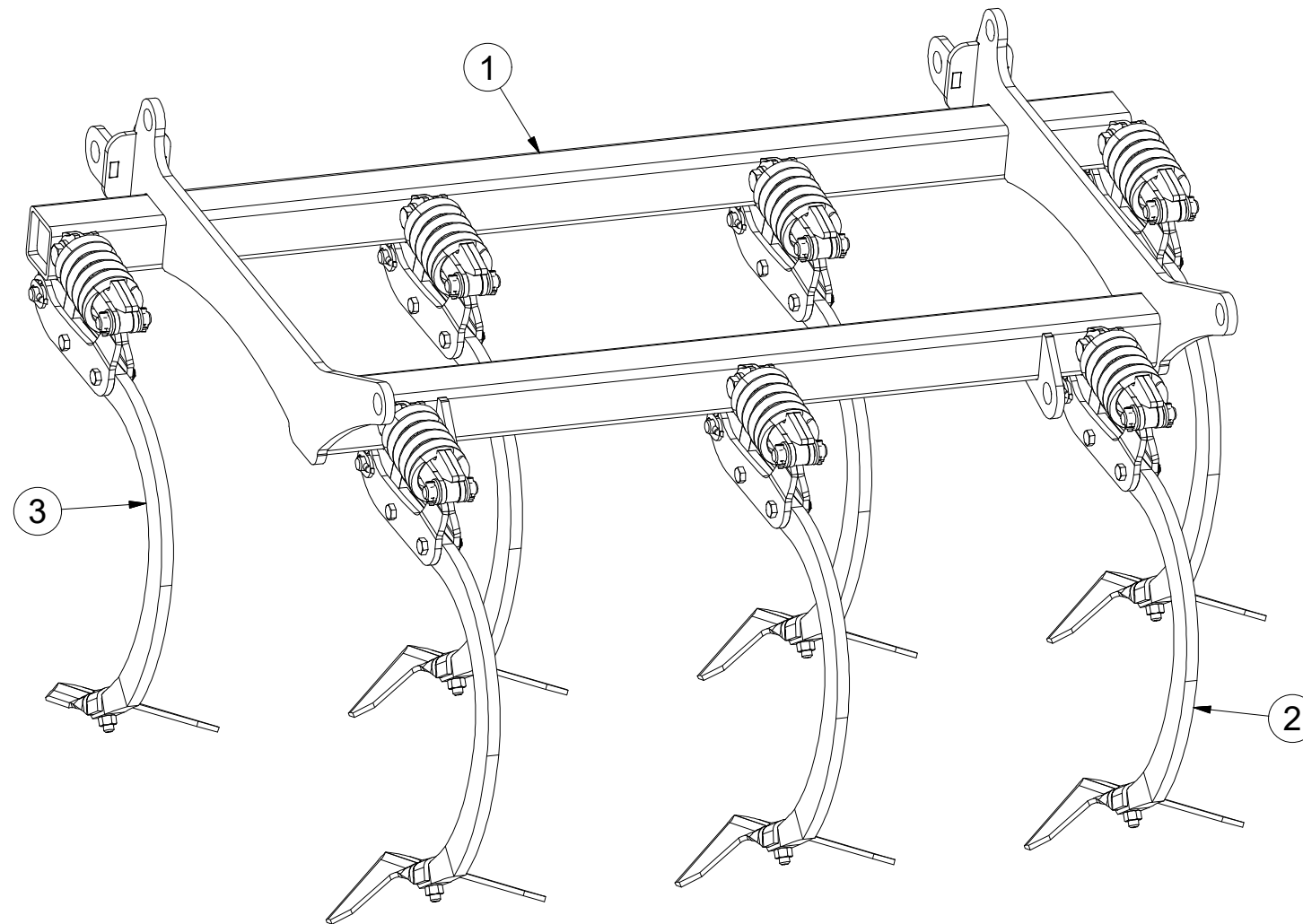
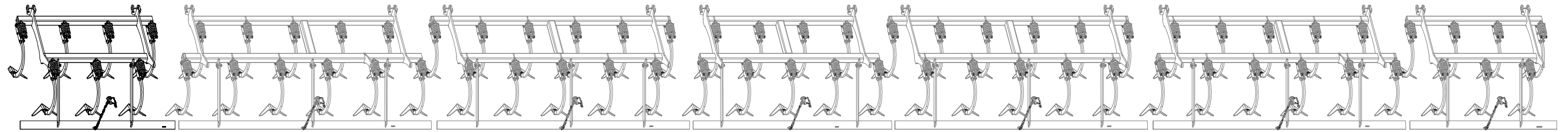
Ⓖ SET OF PLOUGHSHARES

Ⓡ КОМПЛЕКТ ЛАП

Ⓟ ZESTAW REDLIC



3005053



| Pos. | Part Number | Pcs. |
|------|-------------|------|
| 1 | 300521 | 1 |
| 2 | 4009708_2 | 6 |
| 3 | 4014549 | 1 |

Ⓒ SADA RADLIC

Ⓓ SCHARSATZ

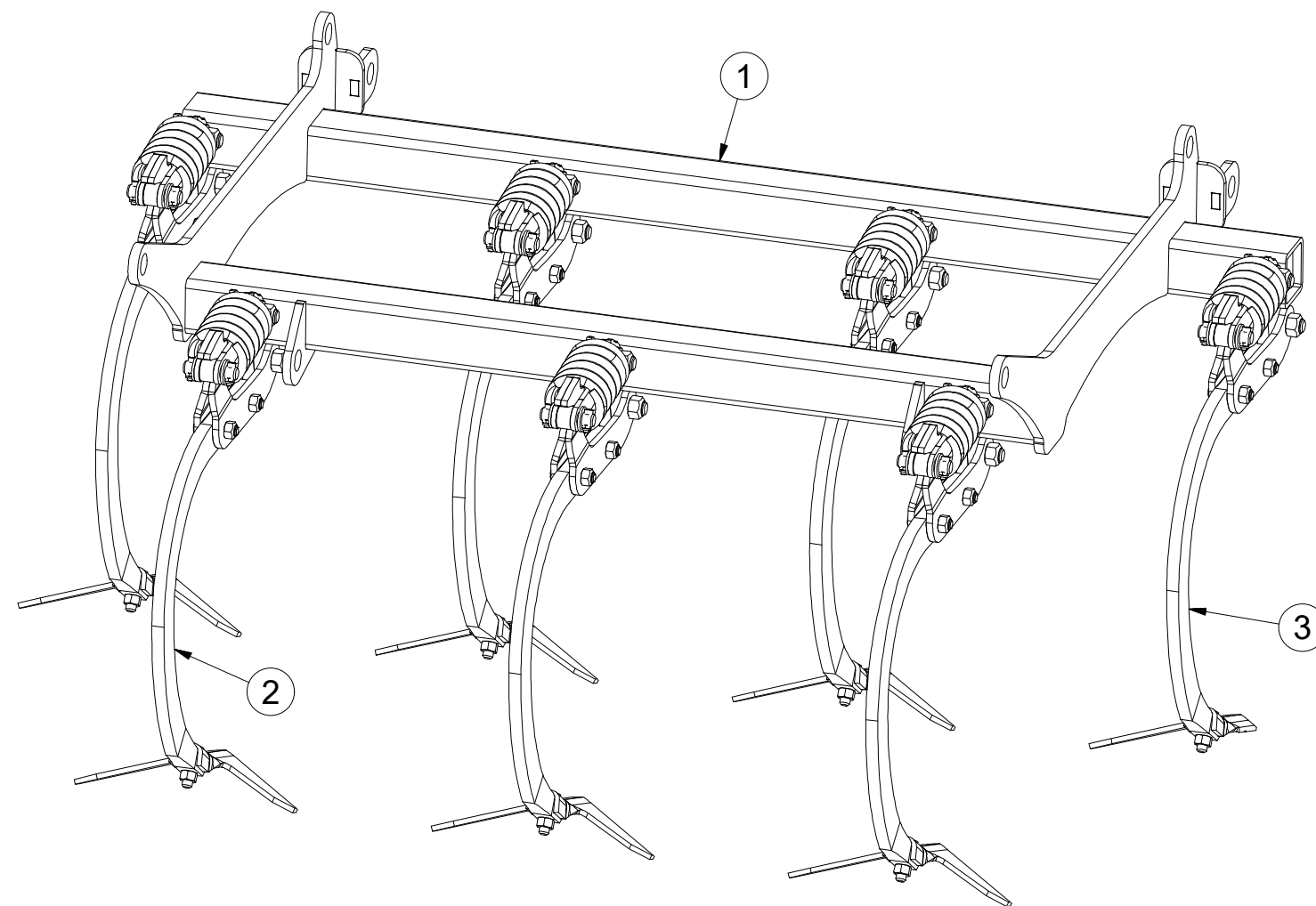
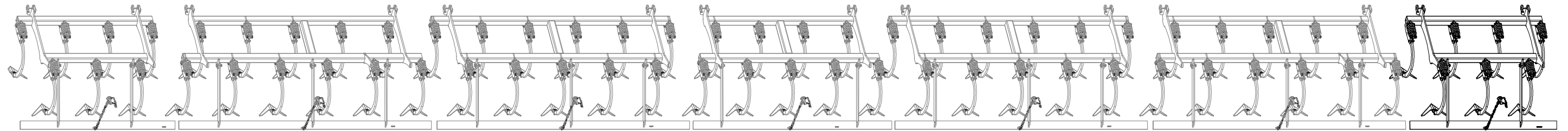
Ⓕ KIT DE SOCS

3007750

Ⓖ SET OF PLOUGHSHARES

Ⓡ КОМПЛЕКТ ЛАП

Ⓟ ZESTAW REDLIC



| Pos. | Part Number | Pcs. |
|------|-------------|------|
| 1 | 3005521 | 1 |
| 2 | 4009708_2 | 6 |
| 3 | 4014550 | 1 |

Ⓒ RADLICE KRAJOVÁ / LEVÁ

Ⓓ RANDPFLUGSCHAR / LINKS

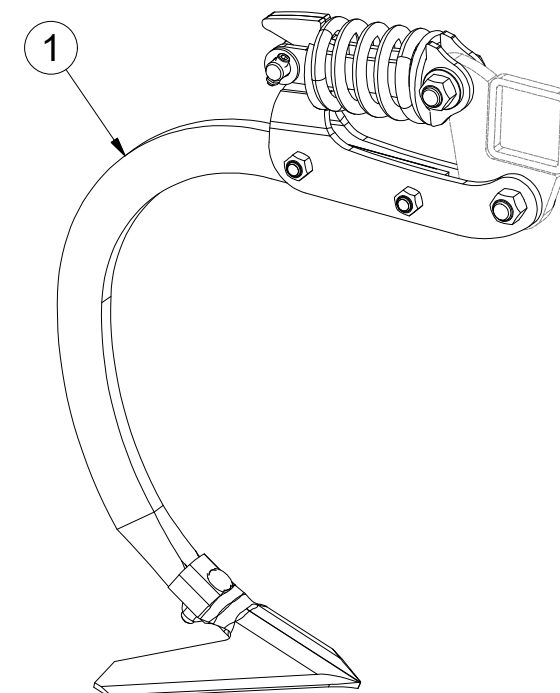
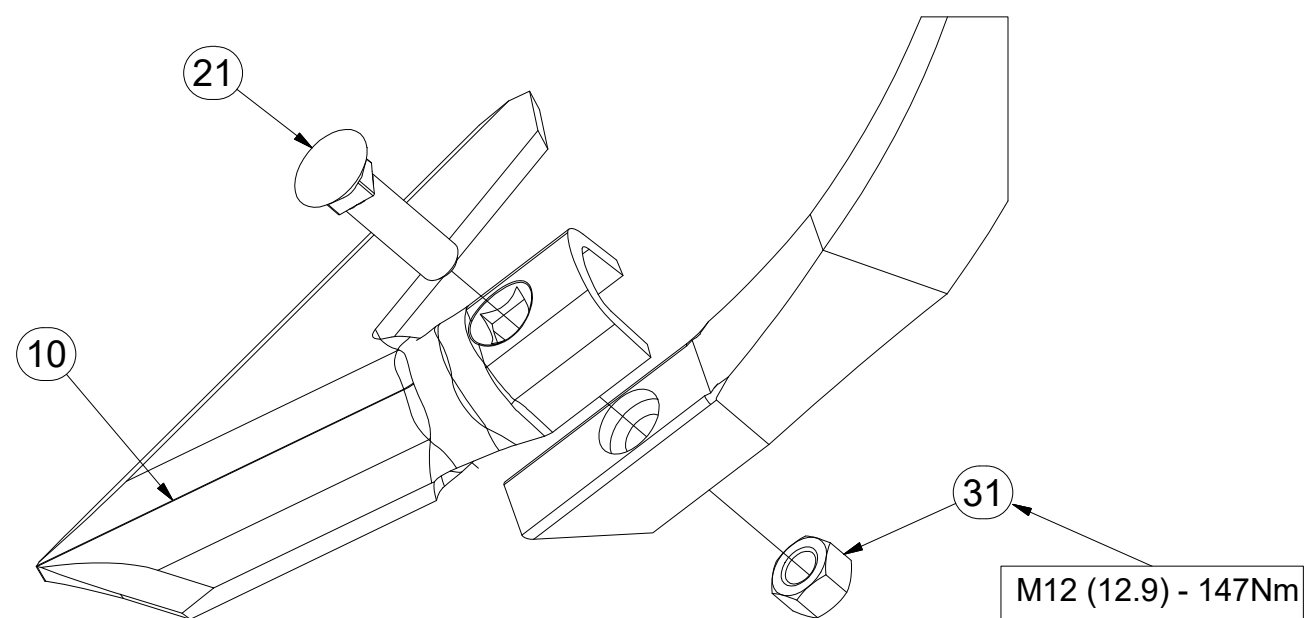
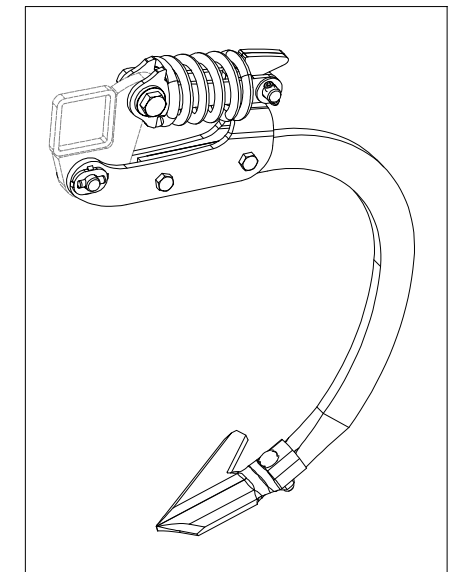
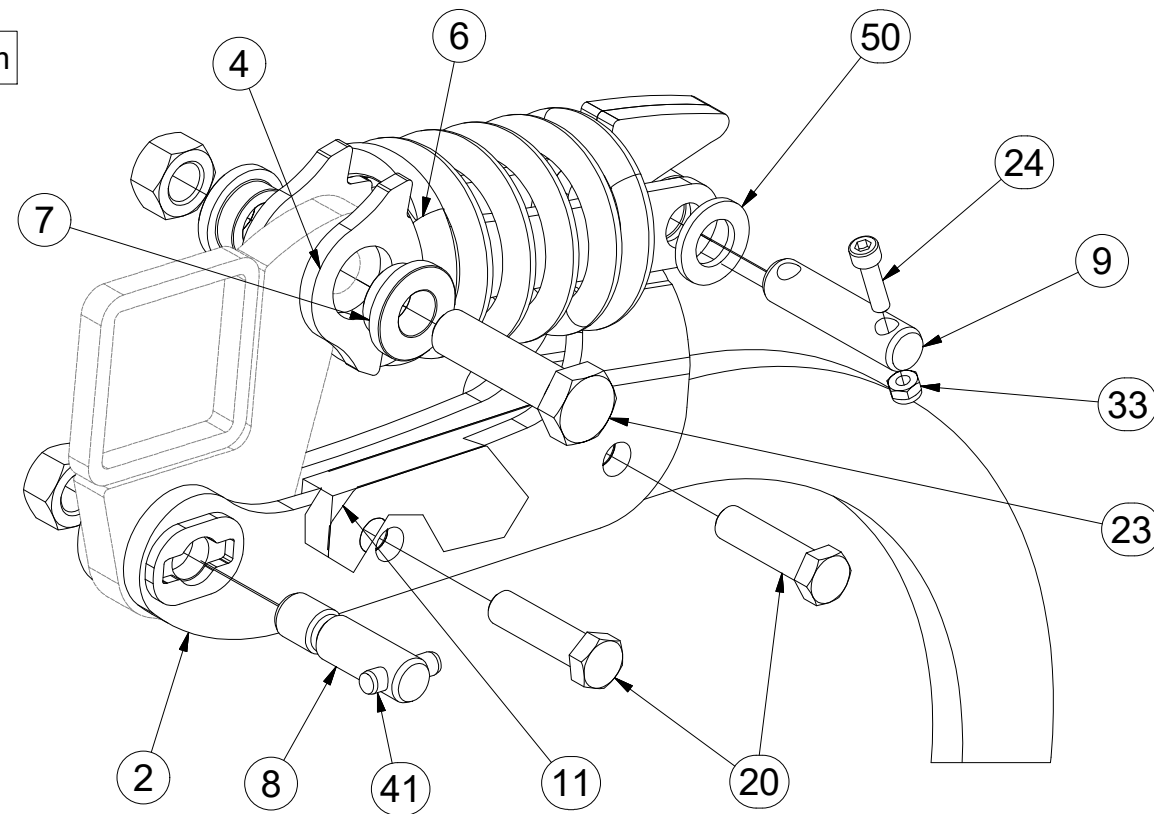
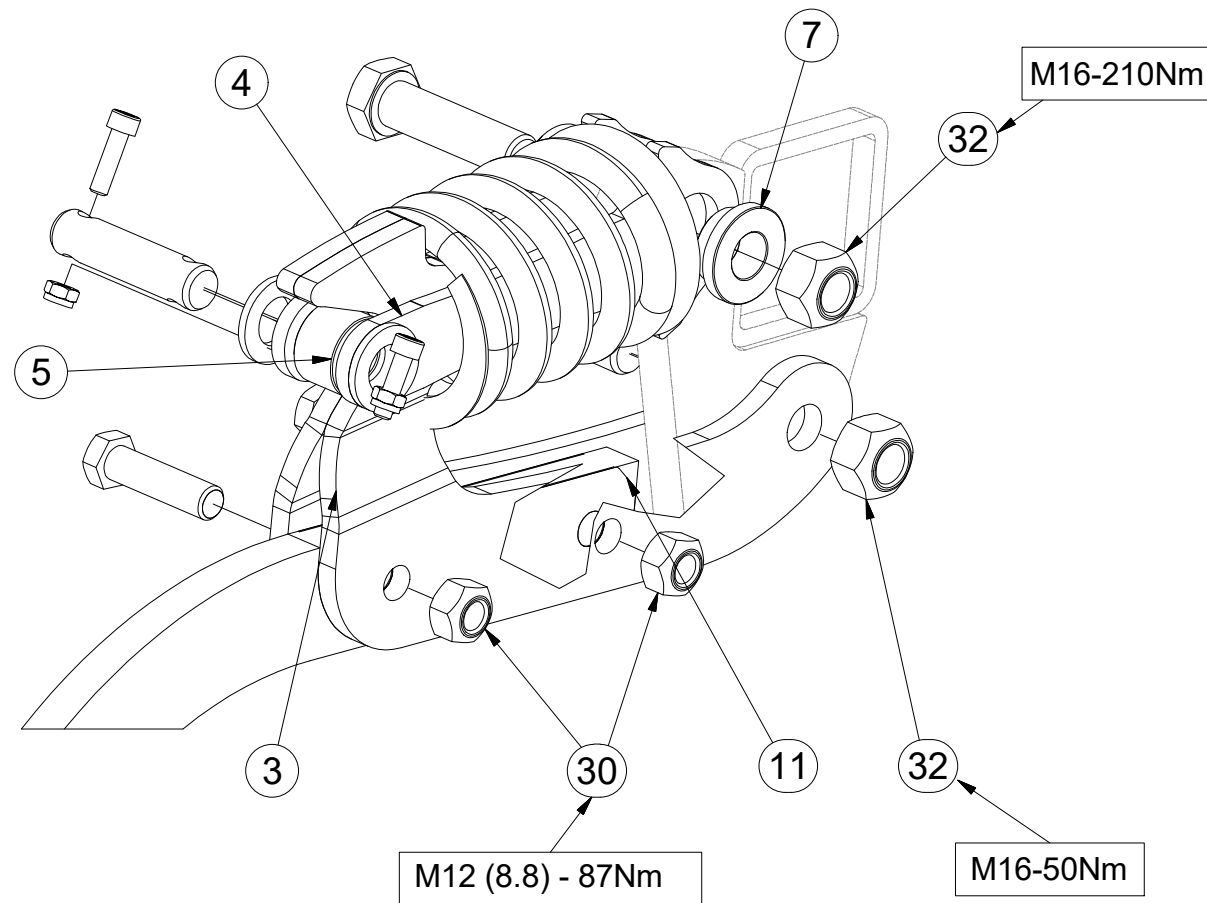
Ⓕ SOC D'EXTRÉMITÉ DE LA /GAUCHE

4014549

Ⓖ PLOUGHSHARE EDGE / LEFT

Ⓡ БОКОВАЯ ЛАПА / ЛЕВАЯ

Ⓟ REDLICA SKRAJNA / LEWA



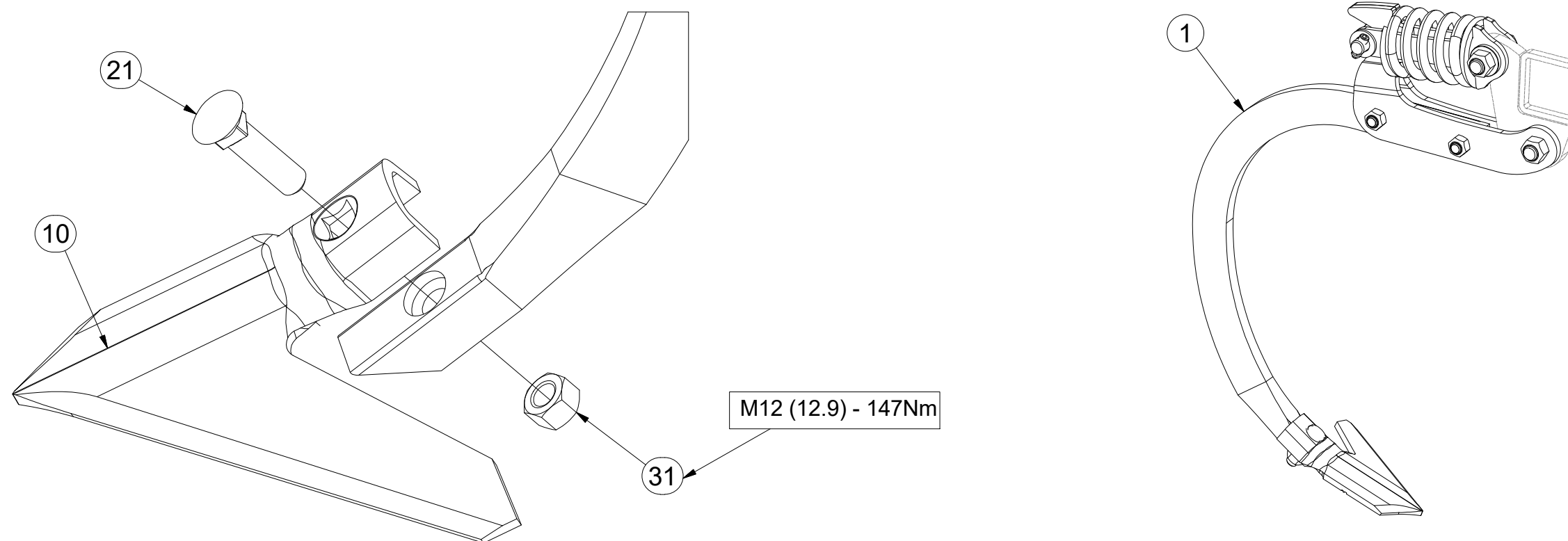
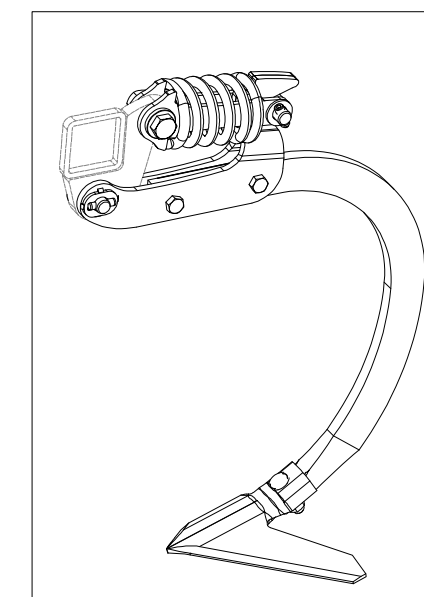
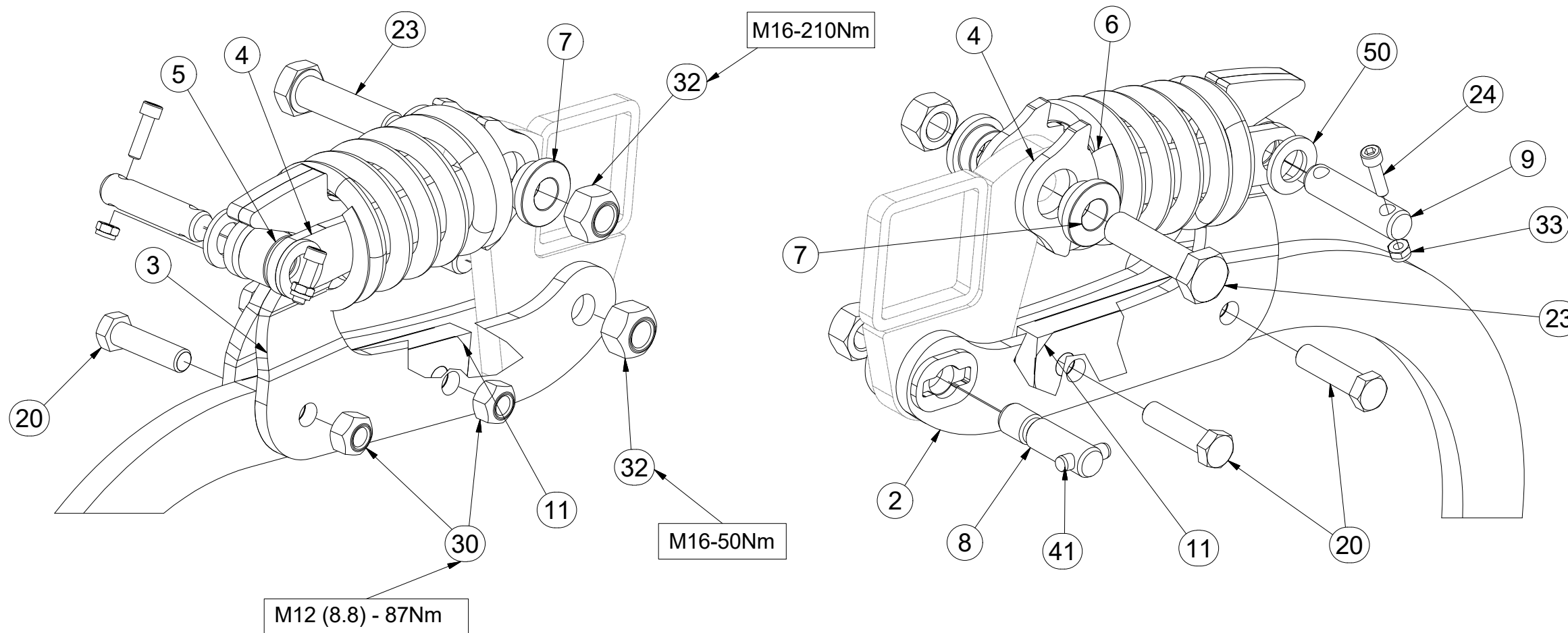
| Pos. | Part Number | Pcs. |
|------|-------------|------|
| 1 | 9003266 | 1 |
| 2 | 4009710 | 1 |
| 3 | 3005057 | 1 |
| 4 | 4014253 | 2 |
| 5 | 4009624 | 1 |
| 6 | m12950 | 1 |
| 7 | 4014252 | 2 |
| 8 | 4009647 | 1 |
| 9 | 4015783 | 1 |
| 10 | 4007280 | 1 |
| 11 | 4014863 | 2 |
| 20 | m06077 | 2 |
| 21 | m10440 | 1 |
| 23 | m14482 | 1 |
| 24 | m15215 | 2 |
| 30 | m06233 | 2 |
| 31 | m10439 | 1 |
| 32 | m12150 | 2 |
| 33 | m05560 | 2 |
| 41 | m12464 | 1 |
| 50 | m14971 | 2 |

CZ RADLICE KRAJOVÁ / PRAVÁ
 D RANDPFLUGSCHAR / RECHTS
 F SOC D'EXTRÉMITÉ DE LA / DROITE

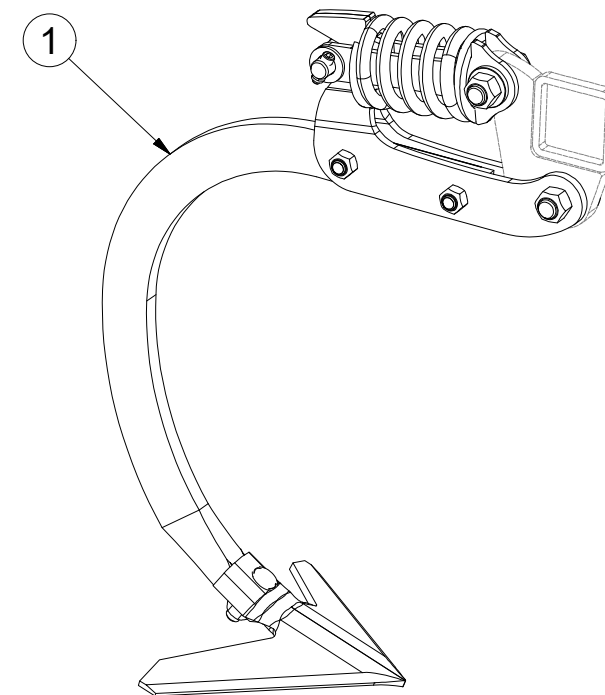
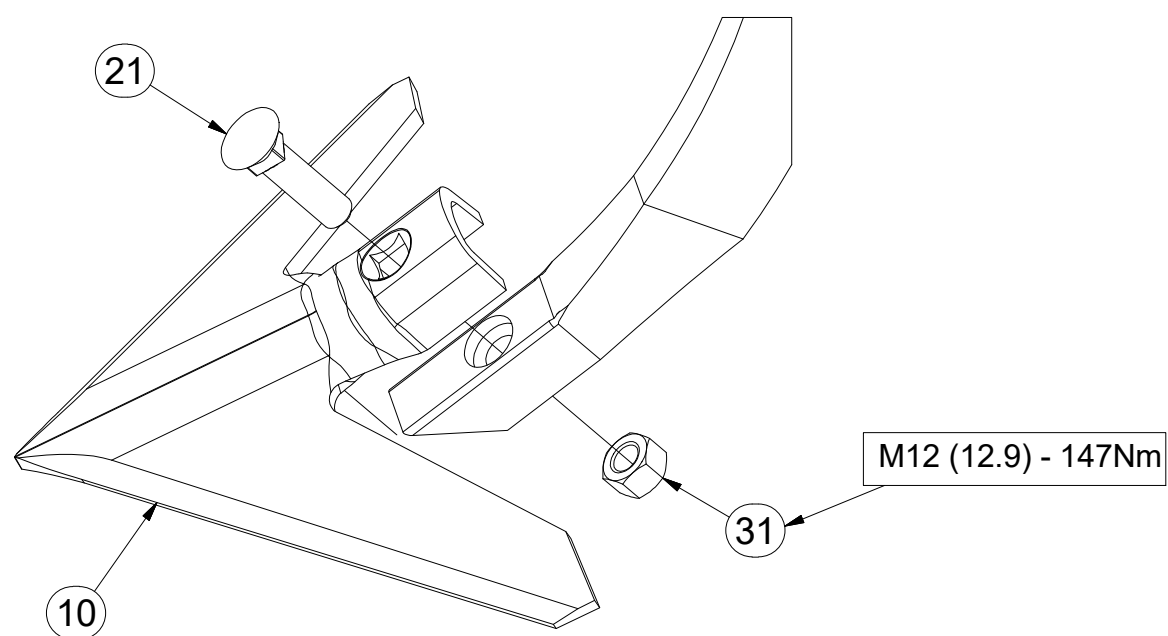
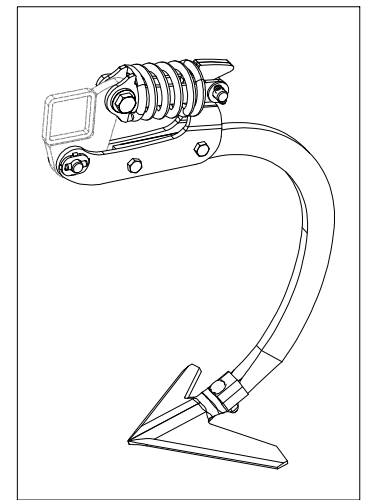
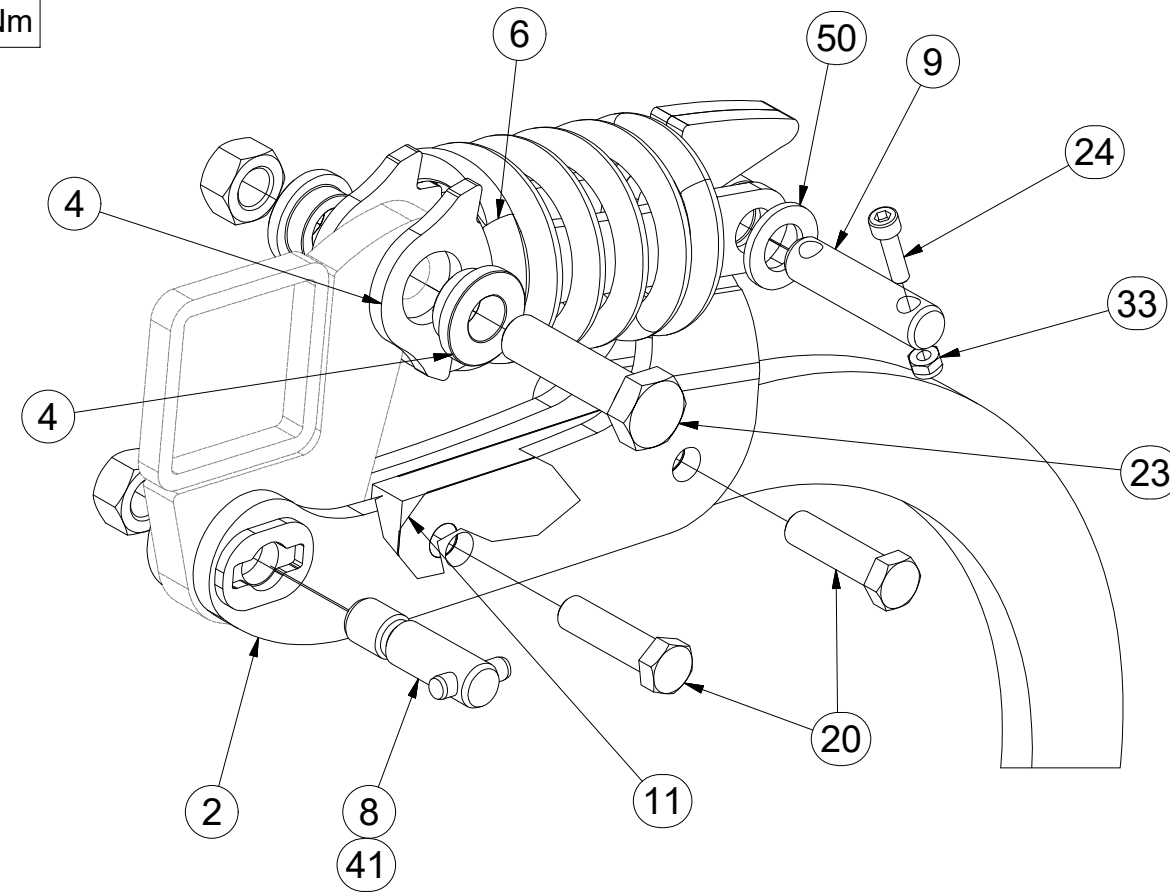
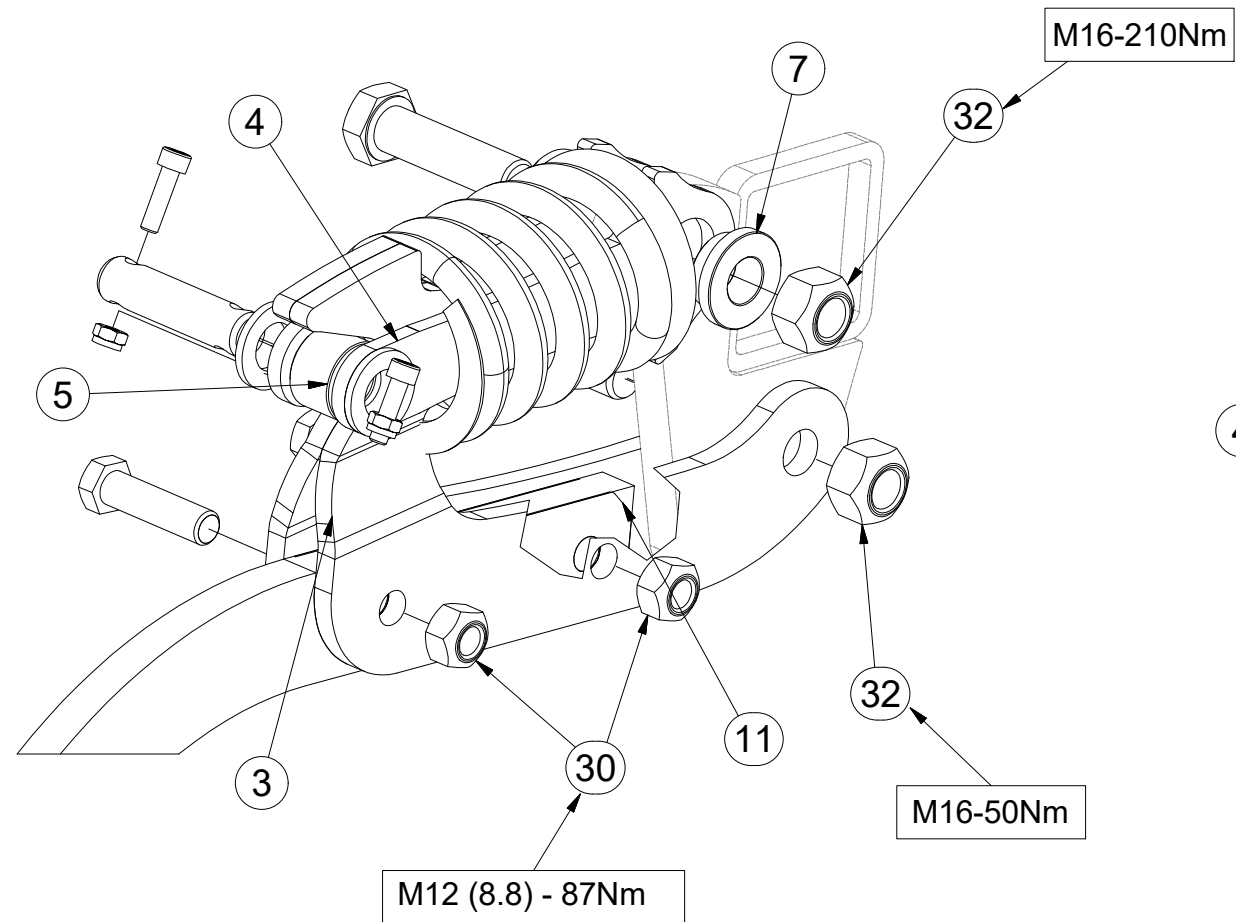
GB PLOUGHSHARE EDGE / RIGHT
 RU БОКОВАЯ ЛАПА / ПРАВАЯ
 PL REDLICA SKRAJNA / PRAWA



4014550



| Pos. | Part Number | Pcs. |
|------|-------------|------|
| 1 | 9003266 | 1 |
| 2 | 4009710 | 1 |
| 3 | 3005057 | 1 |
| 4 | 4014253 | 2 |
| 5 | 4009624 | 1 |
| 6 | m12950 | 1 |
| 7 | 4014252 | 2 |
| 8 | 4009647 | 1 |
| 9 | 4015783 | 1 |
| 10 | 4007281 | 1 |
| 11 | 4014863 | 2 |
| 20 | m06077 | 2 |
| 21 | m10440 | 1 |
| 23 | m14482 | 1 |
| 24 | m15215 | 2 |
| 30 | m06233 | 2 |
| 31 | m10439 | 1 |
| 32 | m12150 | 2 |
| 33 | m05560 | 2 |
| 41 | m12464 | 1 |
| 50 | m14971 | 2 |



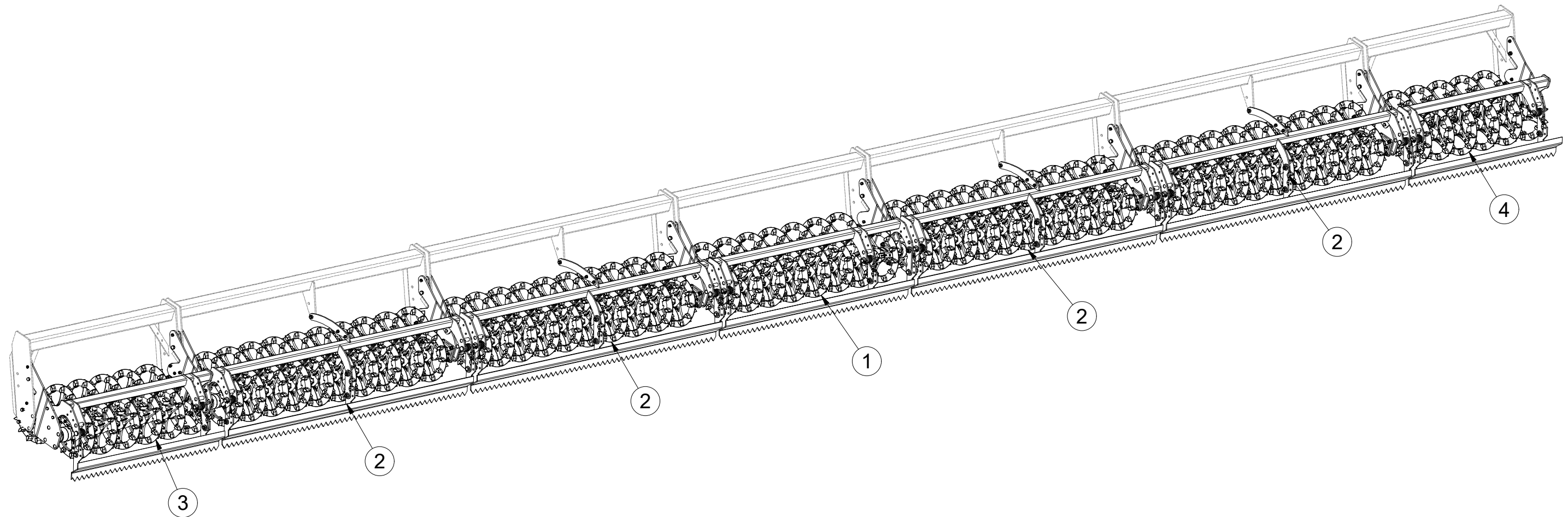
| Pos. | Part Number | Pcs. |
|------|-------------|------|
| 1 | 9003266 | 1 |
| 2 | 4009710 | 1 |
| 3 | 3005057 | 1 |
| 4 | 4014253 | 2 |
| 5 | 4009624 | 1 |
| 6 | m12950 | 1 |
| 7 | 4014252 | 2 |
| 8 | 4009647 | 1 |
| 9 | 4015783 | 1 |
| 10 | 3000236-KOO | 1 |
| 11 | 4014863 | 2 |
| 20 | m06077 | 2 |
| 21 | m10440 | 1 |
| 23 | m14482 | 1 |
| 24 | m15215 | 2 |
| 30 | m06233 | 2 |
| 31 | m10439 | 1 |
| 32 | m12150 | 2 |
| 33 | m05560 | 2 |
| 41 | m12464 | 1 |
| 50 | m14971 | 2 |

Ⓒ SADA ZADNÍCH VÁLCŮ
Ⓓ SATZ HINTERE WALZEN
Ⓕ KIT DE ROULEAUX ARRIÈRE

3008008

Ⓒ SET OF REAR ROLLERS
Ⓓ КОМПЛЕКТ ЗАДНИХ КАТКОВ
Ⓕ ZESTAW TYLNYCH WAŁÓW

Farmet



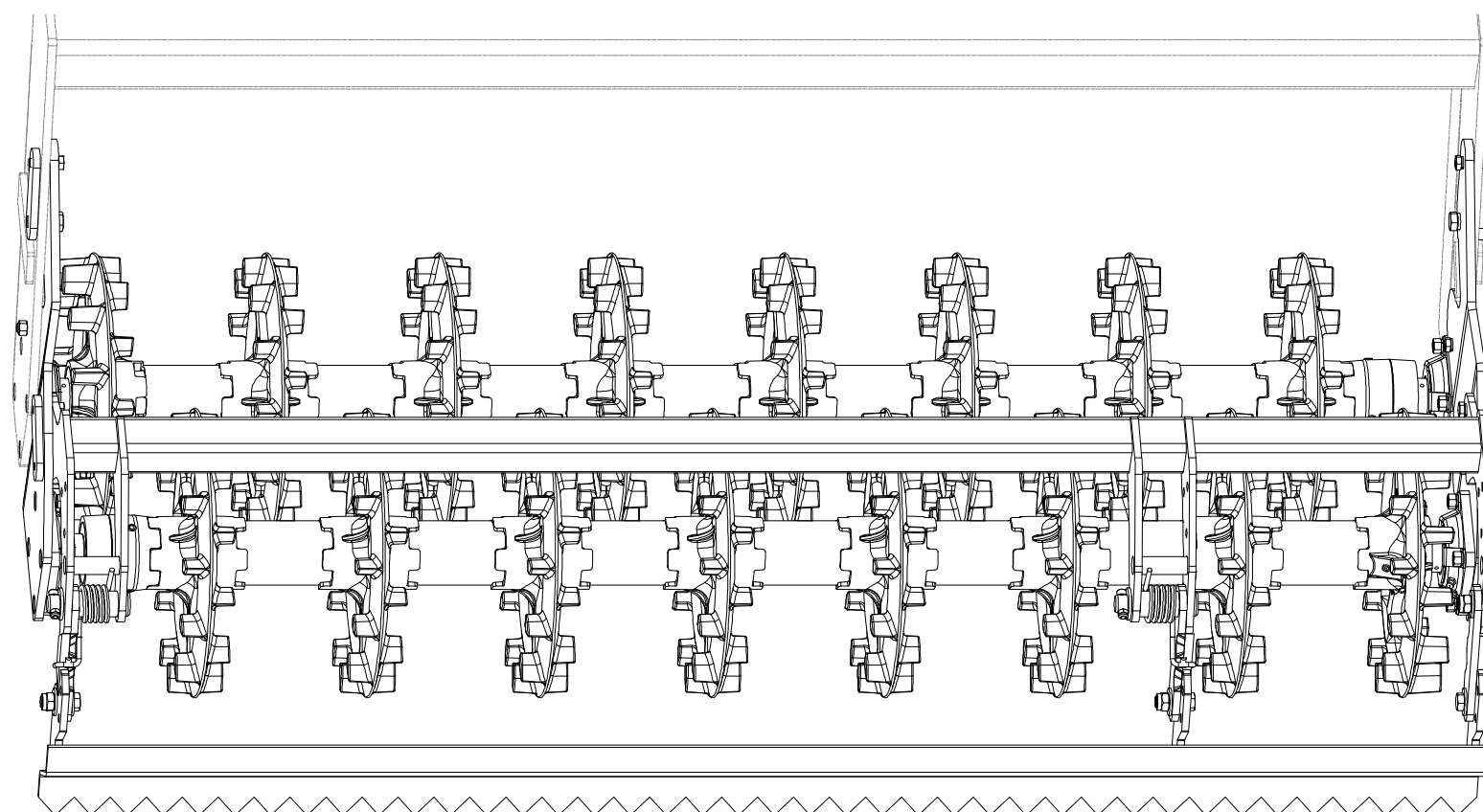
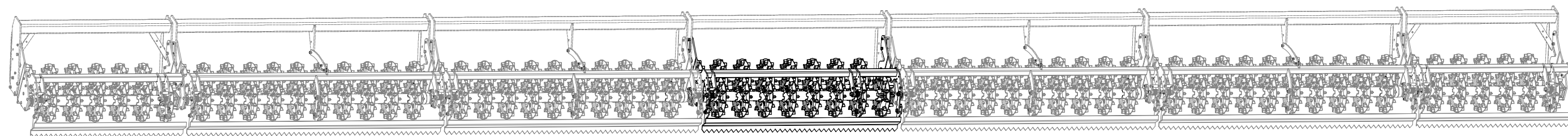
| Pos. | Part Number | Pcs. |
|------|-------------|------|
| 1 | 3007111 | 1 |
| 2 | 3007112 | 4 |
| 3 | 3008009 | 1 |
| 4 | 3008010 | 1 |

ⒸZ SADA ZADNÍCH VÁLCŮ
Ⓓ SATZ HINTERE WALZEN
Ⓕ KIT DE ROULEAUX ARRIÈRE

ⒼB SET OF REAR ROLLERS
ⒺU КОМПЛЕКТ ЗАДНИХ КАТКОВ
ⒼL ZESTAW TYLNYCH WAŁÓW

Farmet

3007111



ⒸZ SADA ZADNÍCH VÁLCŮ

Ⓓ SATZ HINTERE WALZEN

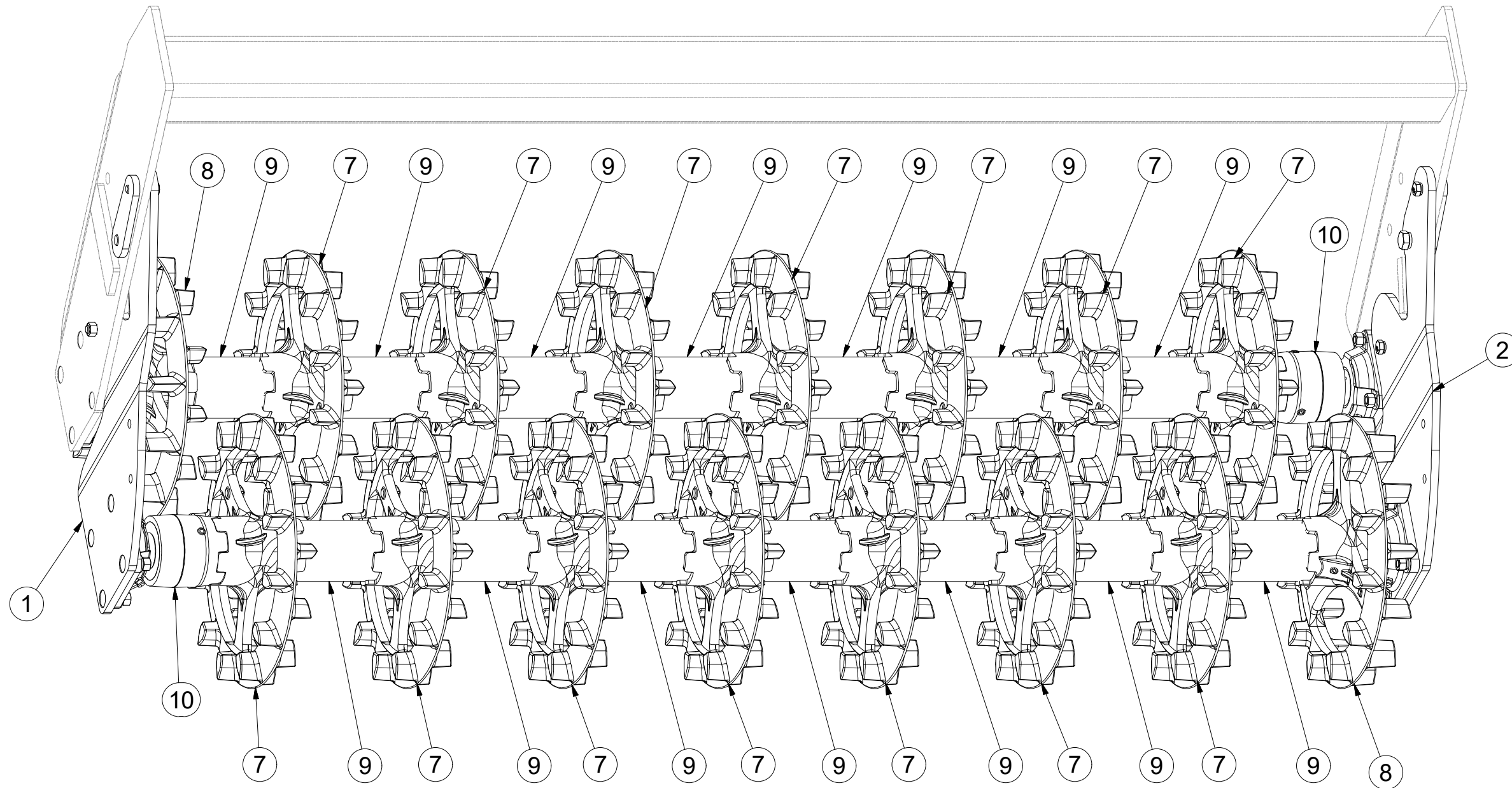
Ⓕ KIT DE ROULEAUX ARRIÈRE

3007111

ⒼB SET OF REAR ROLLERS

ⒺU КОМПЛЕКТ ЗАДНИХ КАТКОВ

ⒼL ZESTAW TYLNYCH WAŁÓW



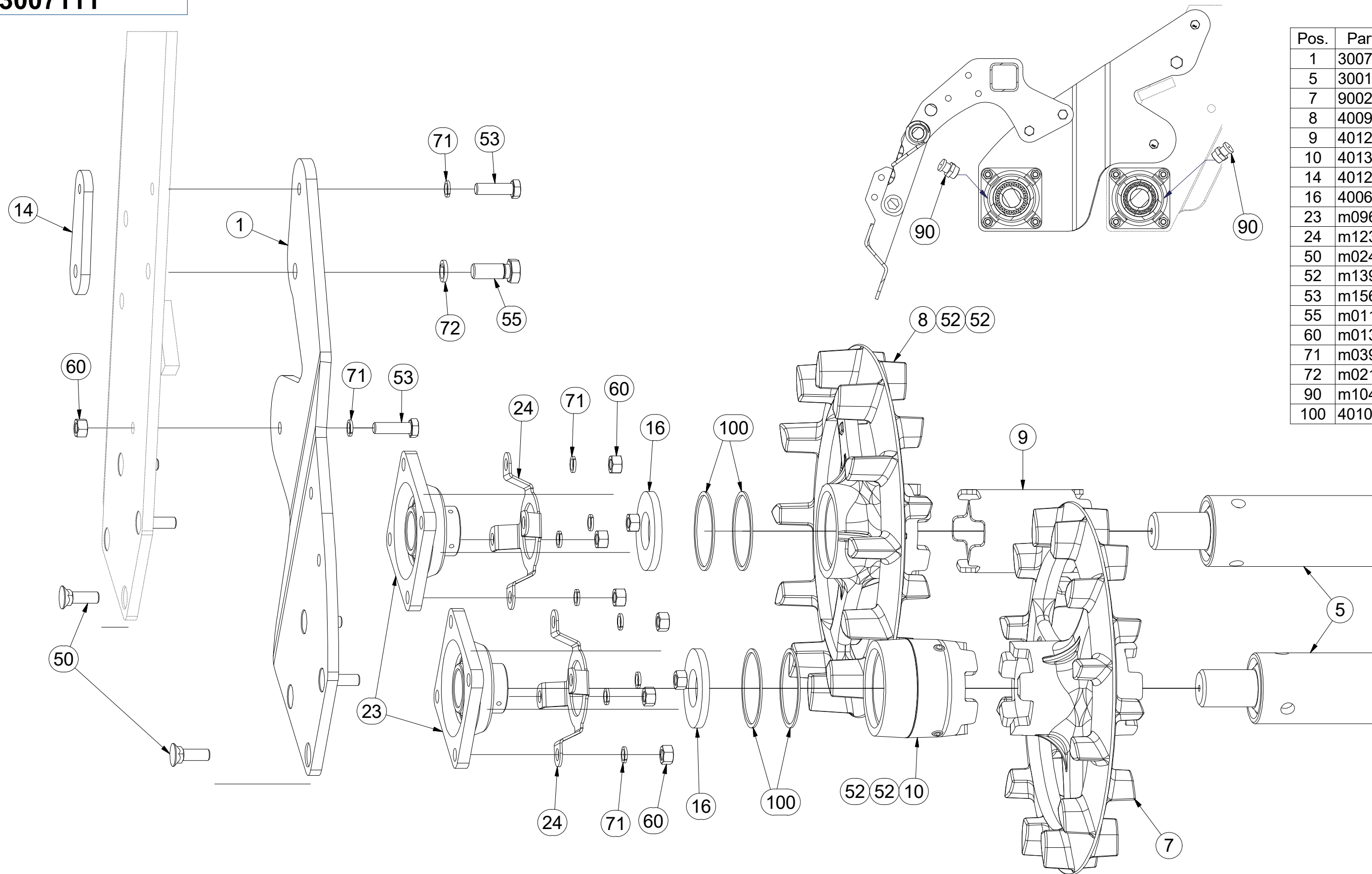
| Pos. | Part Number | Pcs. |
|------|-------------|------|
| 1 | 3007118 | 1 |
| 2 | 3007119 | 1 |
| 7 | 9002944 | 14 |
| 8 | 4009333 | 2 |
| 9 | 4012606 | 14 |
| 10 | 4013129 | 2 |

CZ SADA ZADNÍCH VÁLCŮ
 D SATZ HINTERE WALZEN
 F KIT DE ROULEAUX ARRIÈRE

GB SET OF REAR ROLLERS
 RU КОМПЛЕКТ ЗАДНИХ КАТКОВ
 PL ZESTAW TYLNYCH WAŁÓW



3007111



| Pos. | Part Number | Pcs. |
|------|-------------|------|
| 1 | 3007118 | 1 |
| 5 | 3001805 | 2 |
| 7 | 9002944 | 14 |
| 8 | 4009333 | 2 |
| 9 | 4012606 | 14 |
| 10 | 4013129 | 2 |
| 14 | 4012019 | 2 |
| 16 | 4006820 | 4 |
| 23 | m09687 | 4 |
| 24 | m12337 | 4 |
| 50 | m02491 | 16 |
| 52 | m13958 | 8 |
| 53 | m15618 | 4 |
| 55 | m01129 | 2 |
| 60 | m01305 | 18 |
| 71 | m03988 | 24 |
| 72 | m02157 | 2 |
| 90 | m10448 | 4 |
| 100 | 4010015 | 8 |

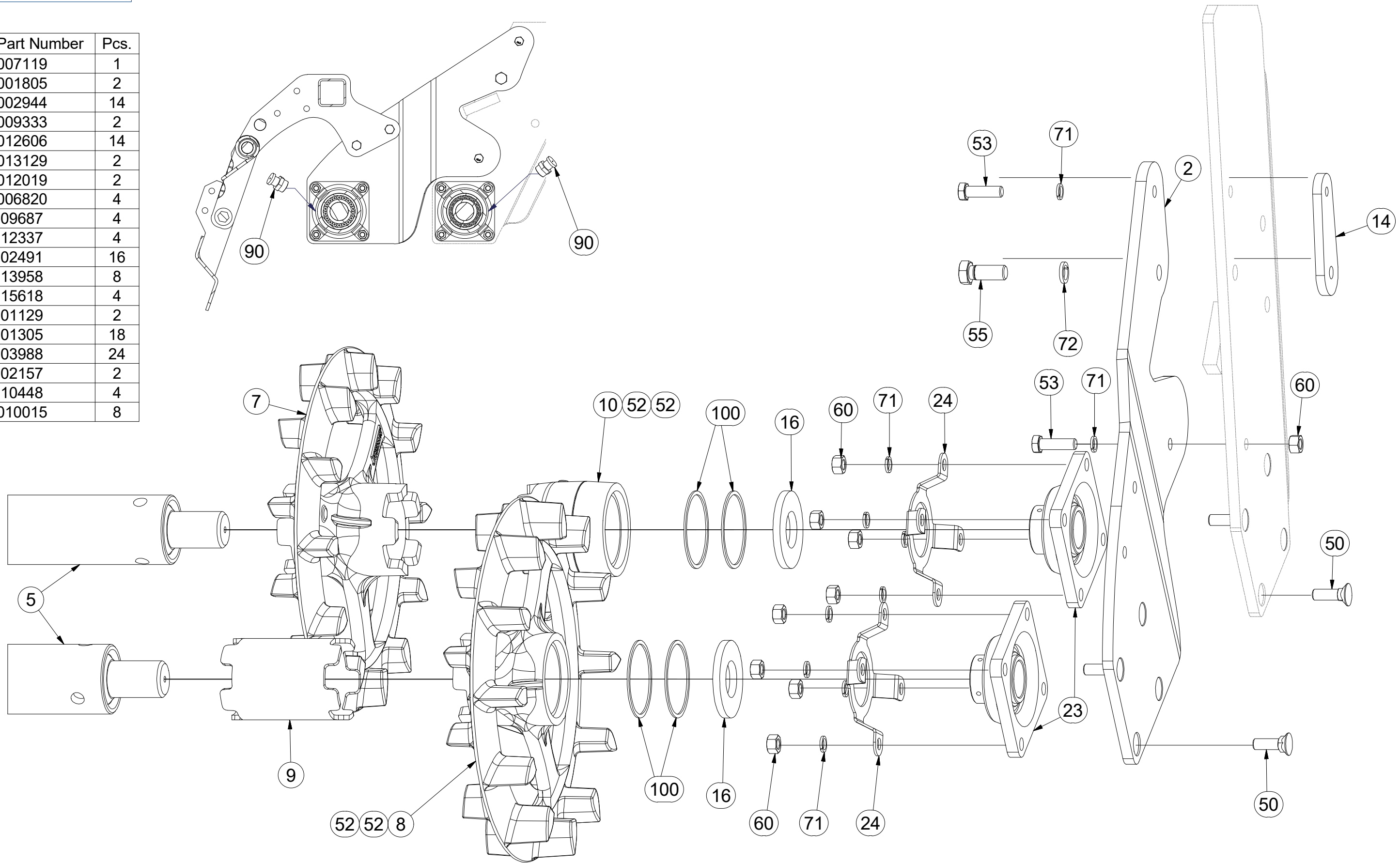
(CZ) SADA ZADNÍCH VÁLCŮ
 (D) SATZ HINTERE WALZEN
 (F) KIT DE ROULEAUX ARRIÈRE

(GB) SET OF REAR ROLLERS
 (RU) КОМПЛЕКТ ЗАДНИХ КАТКОВ
 (PL) ZESTAW TYLNYCH WAŁÓW



3007111

| Pos. | Part Number | Pcs. |
|------|-------------|------|
| 2 | 3007119 | 1 |
| 5 | 3001805 | 2 |
| 7 | 9002944 | 14 |
| 8 | 4009333 | 2 |
| 9 | 4012606 | 14 |
| 10 | 4013129 | 2 |
| 14 | 4012019 | 2 |
| 16 | 4006820 | 4 |
| 23 | m09687 | 4 |
| 24 | m12337 | 4 |
| 50 | m02491 | 16 |
| 52 | m13958 | 8 |
| 53 | m15618 | 4 |
| 55 | m01129 | 2 |
| 60 | m01305 | 18 |
| 71 | m03988 | 24 |
| 72 | m02157 | 2 |
| 90 | m10448 | 4 |
| 100 | 4010015 | 8 |



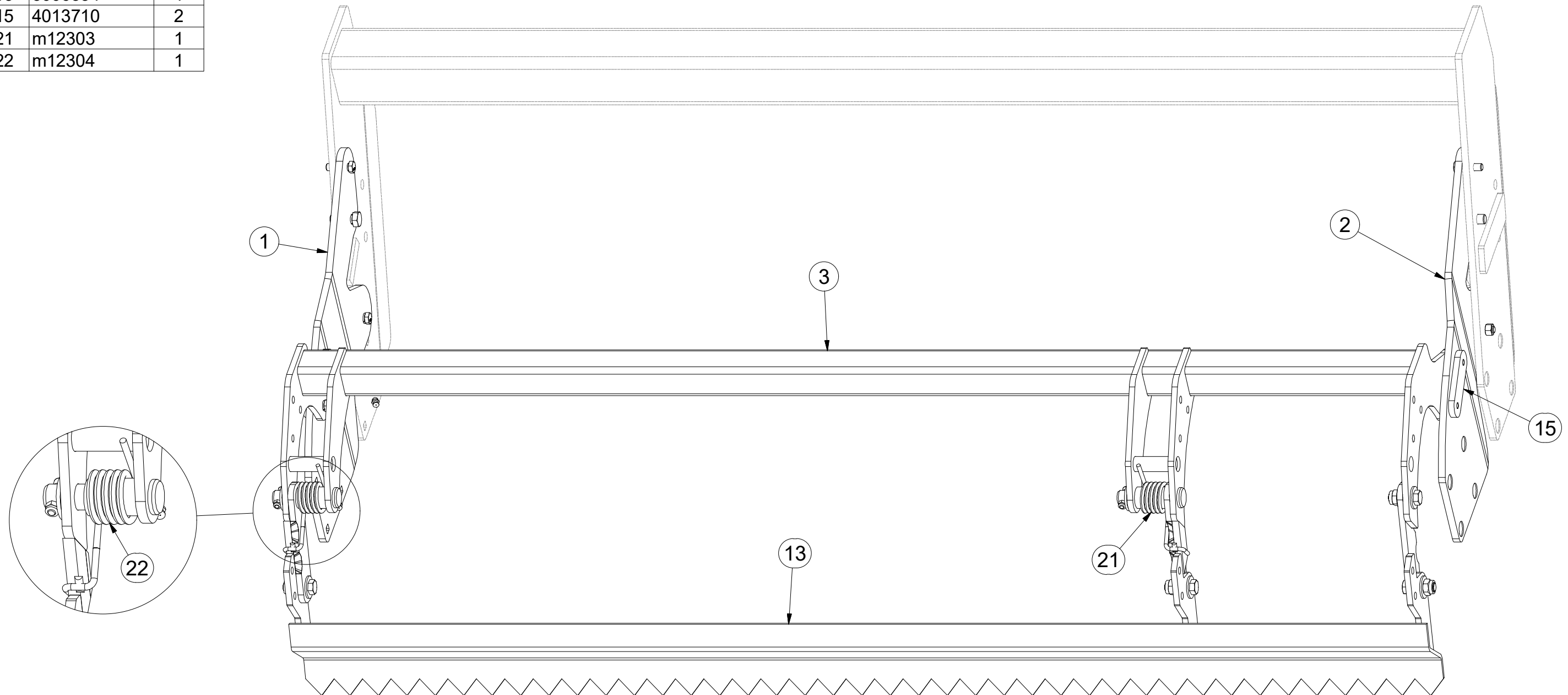
- Ⓒ SADA ZADNÍCH VÁLCŮ
- Ⓓ SATZ HINTERE WALZEN
- Ⓕ KIT DE ROULEAUX ARRIÈRE

- Ⓖ SET OF REAR ROLLERS
- Ⓡ КОМПЛЕКТ ЗАДНИХ КАТКОВ
- Ⓟ ZESTAW TYLNYCH WAŁÓW



3007111

| Pos. | Part Number | Pcs. |
|------|-------------|------|
| 1 | 3007118 | 1 |
| 2 | 3007119 | 1 |
| 3 | 3006307 | 1 |
| 13 | 3006334 | 1 |
| 15 | 4013710 | 2 |
| 21 | m12303 | 1 |
| 22 | m12304 | 1 |



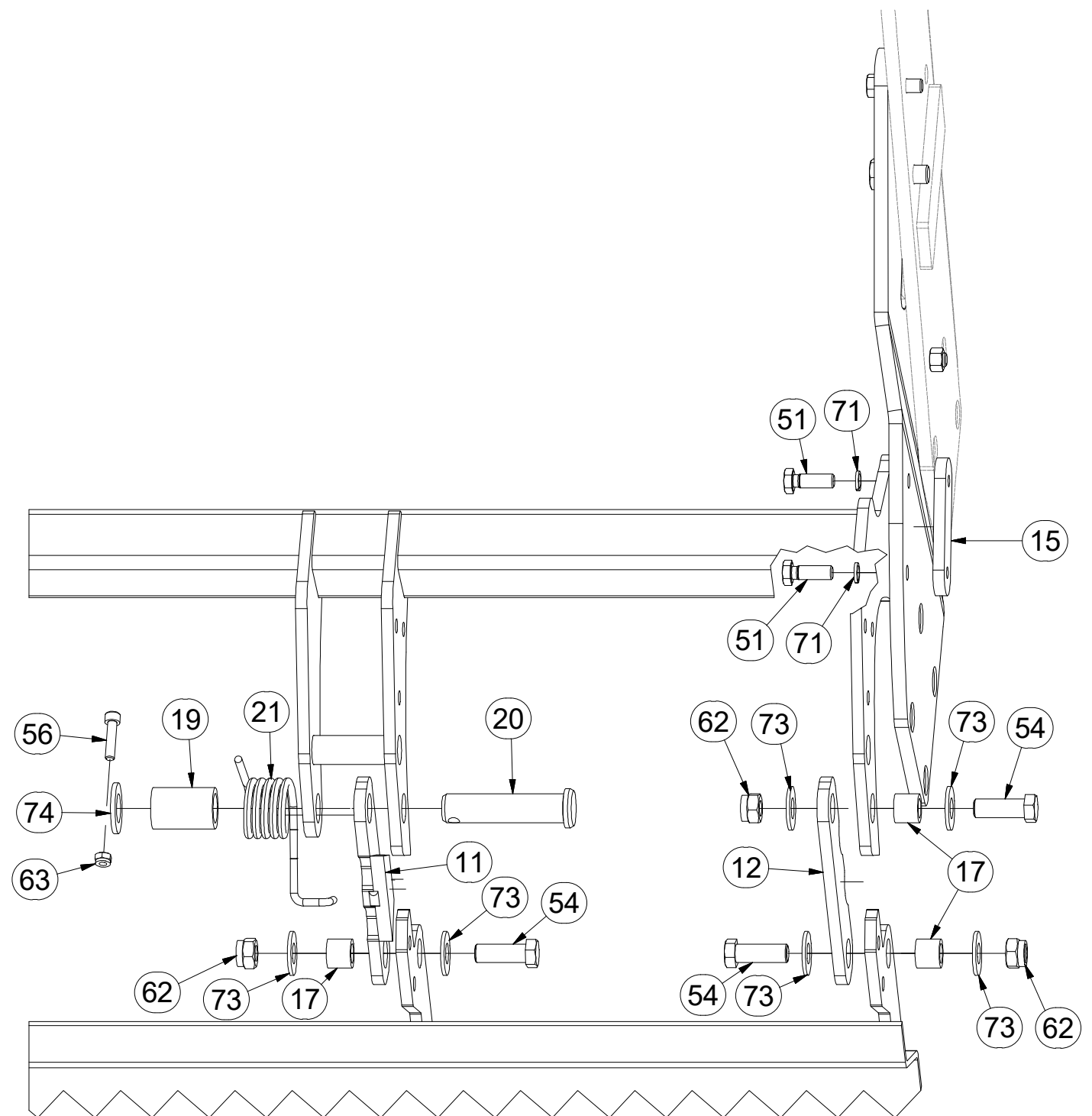
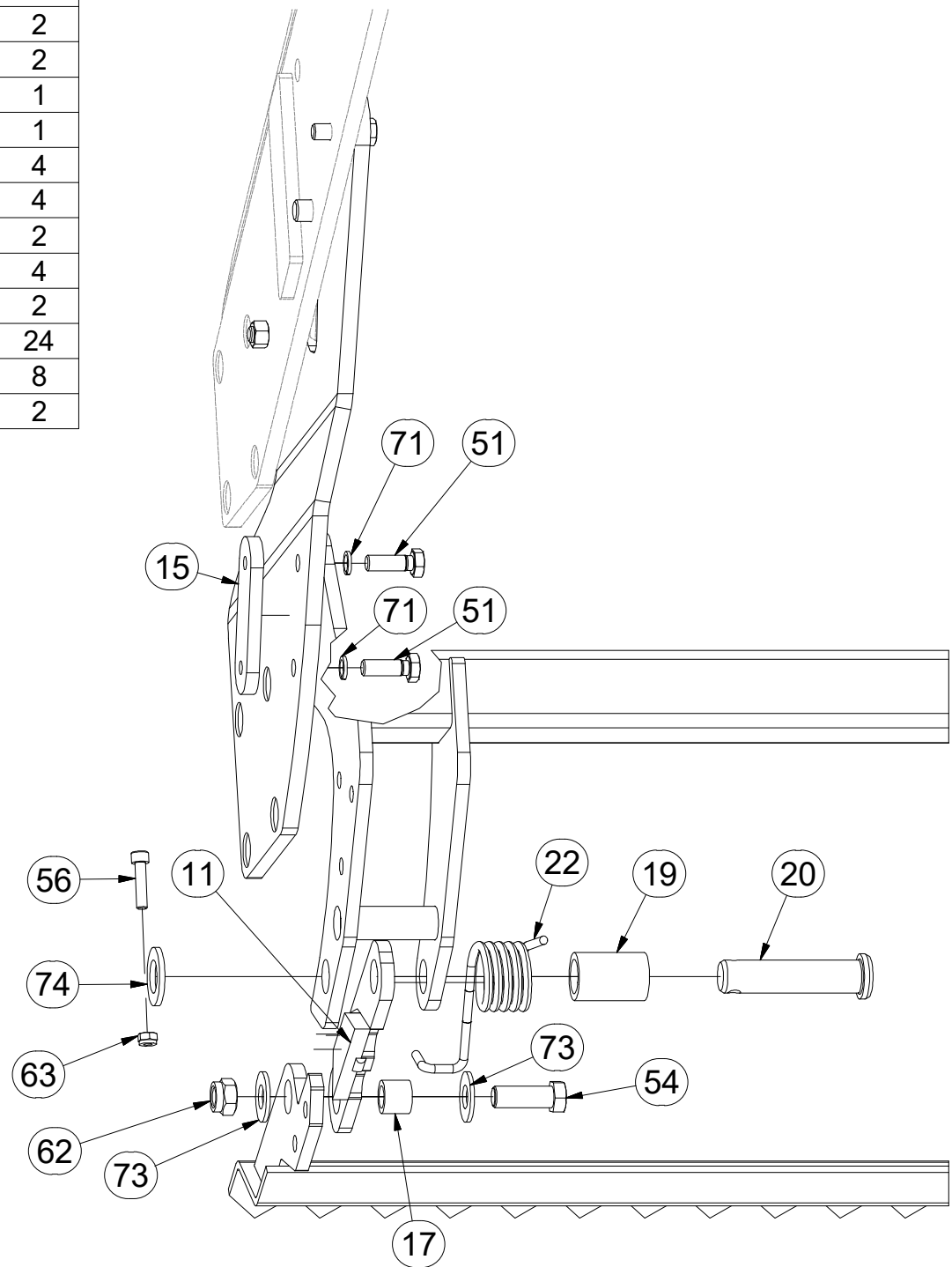
- Ⓒ SADA ZADNÍCH VÁLČŮ
- Ⓓ SATZ HINTERE WALZEN
- Ⓕ KIT DE ROULEAUX ARRIÈRE

- Ⓖ SET OF REAR ROLLERS
- Ⓡ КОМПЛЕКТ ЗАДНИХ КАТКОВ
- Ⓟ ZESTAW TYLNYCH WAŁÓW



3007111

| Pos. | Part Number | Pcs. |
|------|-------------|------|
| 11 | 4002269 | 2 |
| 12 | 9003659 | 1 |
| 15 | 4013710 | 2 |
| 17 | 4004451 | 4 |
| 19 | 9002979 | 2 |
| 20 | 4015778 | 2 |
| 21 | m12303 | 1 |
| 22 | m12304 | 1 |
| 51 | m04343 | 4 |
| 54 | m02254 | 4 |
| 56 | m09464 | 2 |
| 62 | m03683 | 4 |
| 63 | m04503 | 2 |
| 71 | m03988 | 24 |
| 73 | m05651 | 8 |
| 74 | m14028 | 2 |



ⒸZ SADA ZADNÍCH VÁLCŮ

Ⓓ SATZ HINTERE WALZEN

Ⓕ KIT DE ROULEAUX ARRIÈRE

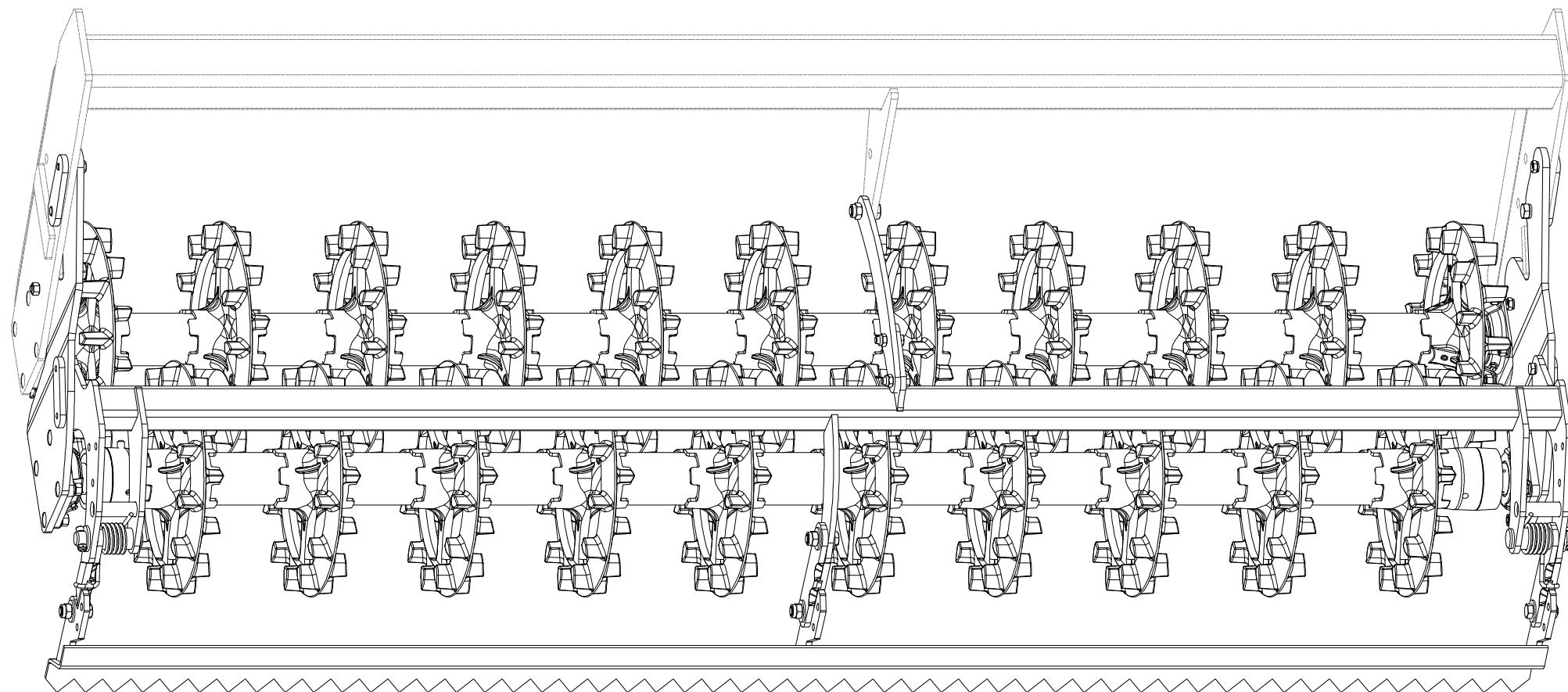
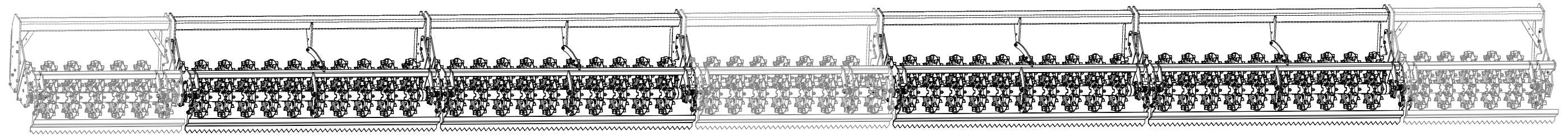
3007112

ⒼB SET OF REAR ROLLERS

ⒺU КОМПЛЕКТ ЗАДНИХ КАТКОВ

ⒼL ZESTAW TYLNYCH WAŁÓW

Farmet



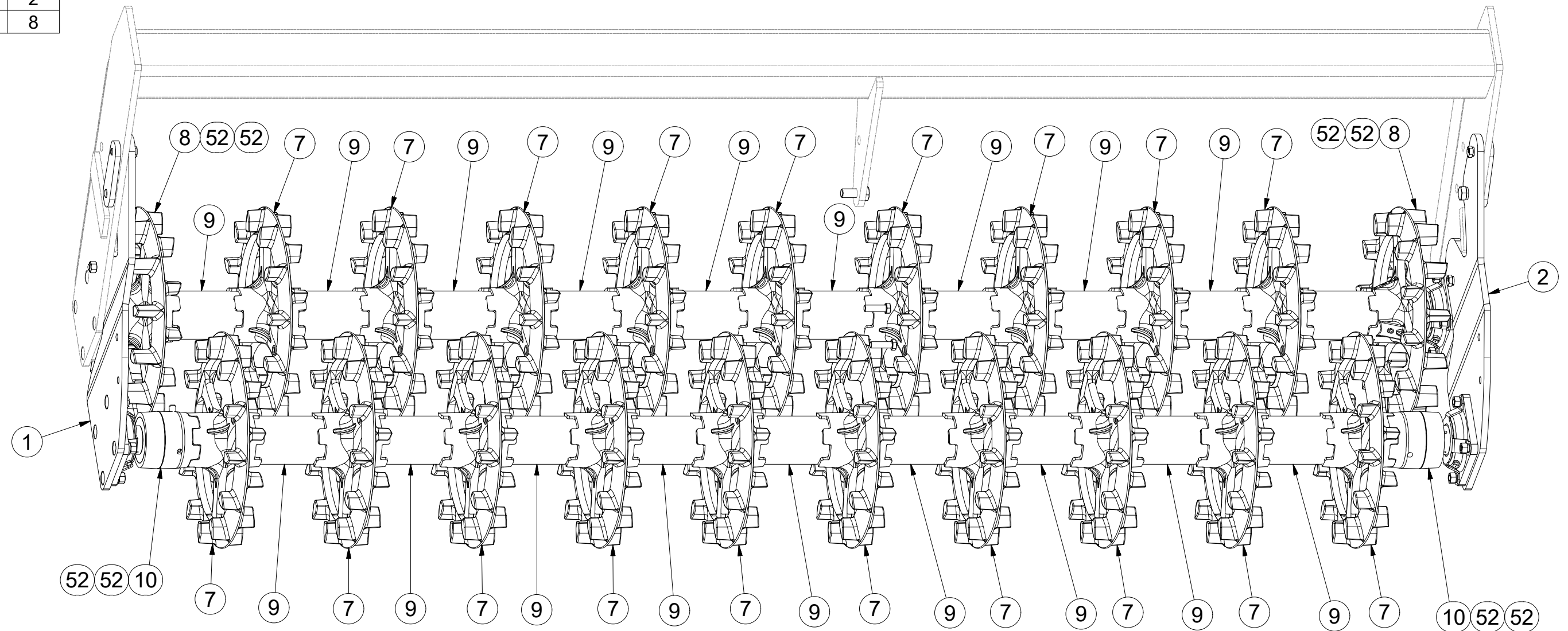
(CZ) SADA ZADNÍCH VÁLČŮ
 (D) SATZ HINTERE WALZEN
 (F) KIT DE ROULEAUX ARRIÈRE

(GB) SET OF REAR ROLLERS
 (RU) КОМПЛЕКТ ЗАДНИХ КАТКОВ
 (PL) ZESTAW TYLNYCH WAŁÓW



3007112

| Pos. | Part Number | Pcs. |
|------|-------------|------|
| 1 | 3007118 | 1 |
| 2 | 3007119 | 1 |
| 7 | 9002944 | 19 |
| 8 | 4009333 | 2 |
| 9 | 4012606 | 19 |
| 10 | 4013129 | 2 |
| 52 | m13958 | 8 |



☉ SADA ZADNÍCH VÁLCŮ

☐ SATZ HINTERE WALZEN

☐ KIT DE ROULEAUX ARRIÈRE

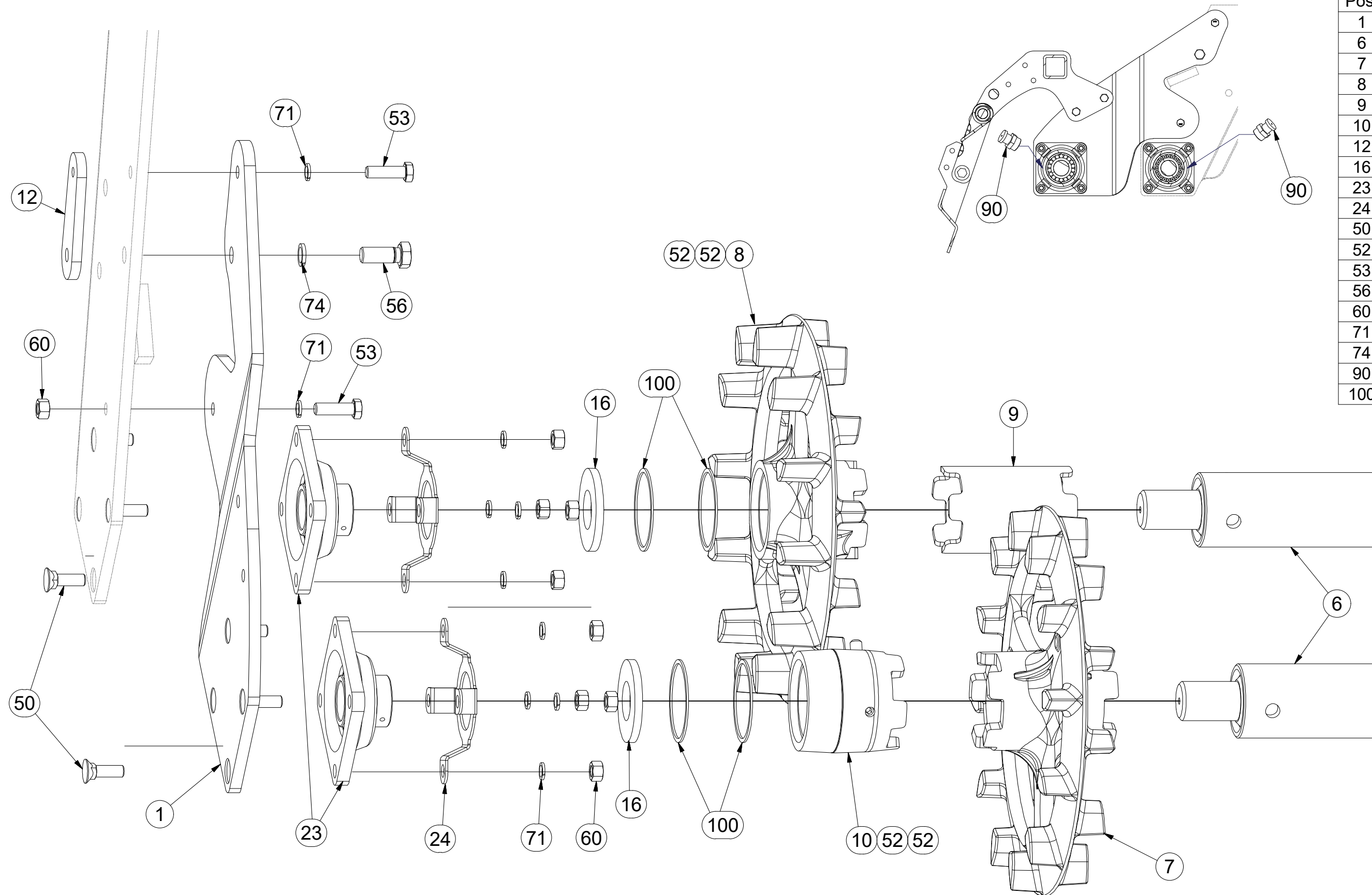
☉ SET OF REAR ROLLERS

☐ КОМПЛЕКТ ЗАДНИХ КАТКОВ

☐ ZESTAW TYLNYCH WAŁÓW



3007112



| Pos. | Part Number | Pcs. |
|------|-------------|------|
| 1 | 3007118 | 1 |
| 6 | 3000130 | 2 |
| 7 | 9002944 | 19 |
| 8 | 4009333 | 2 |
| 9 | 4012606 | 19 |
| 10 | 4013129 | 2 |
| 12 | 4012019 | 2 |
| 16 | 4006820 | 4 |
| 23 | m09687 | 4 |
| 24 | m12337 | 4 |
| 50 | m02491 | 16 |
| 52 | m13958 | 8 |
| 53 | m15618 | 6 |
| 56 | m01129 | 3 |
| 60 | m01305 | 18 |
| 71 | m03988 | 24 |
| 74 | m02157 | 2 |
| 90 | m10448 | 4 |
| 100 | 4010015 | 8 |

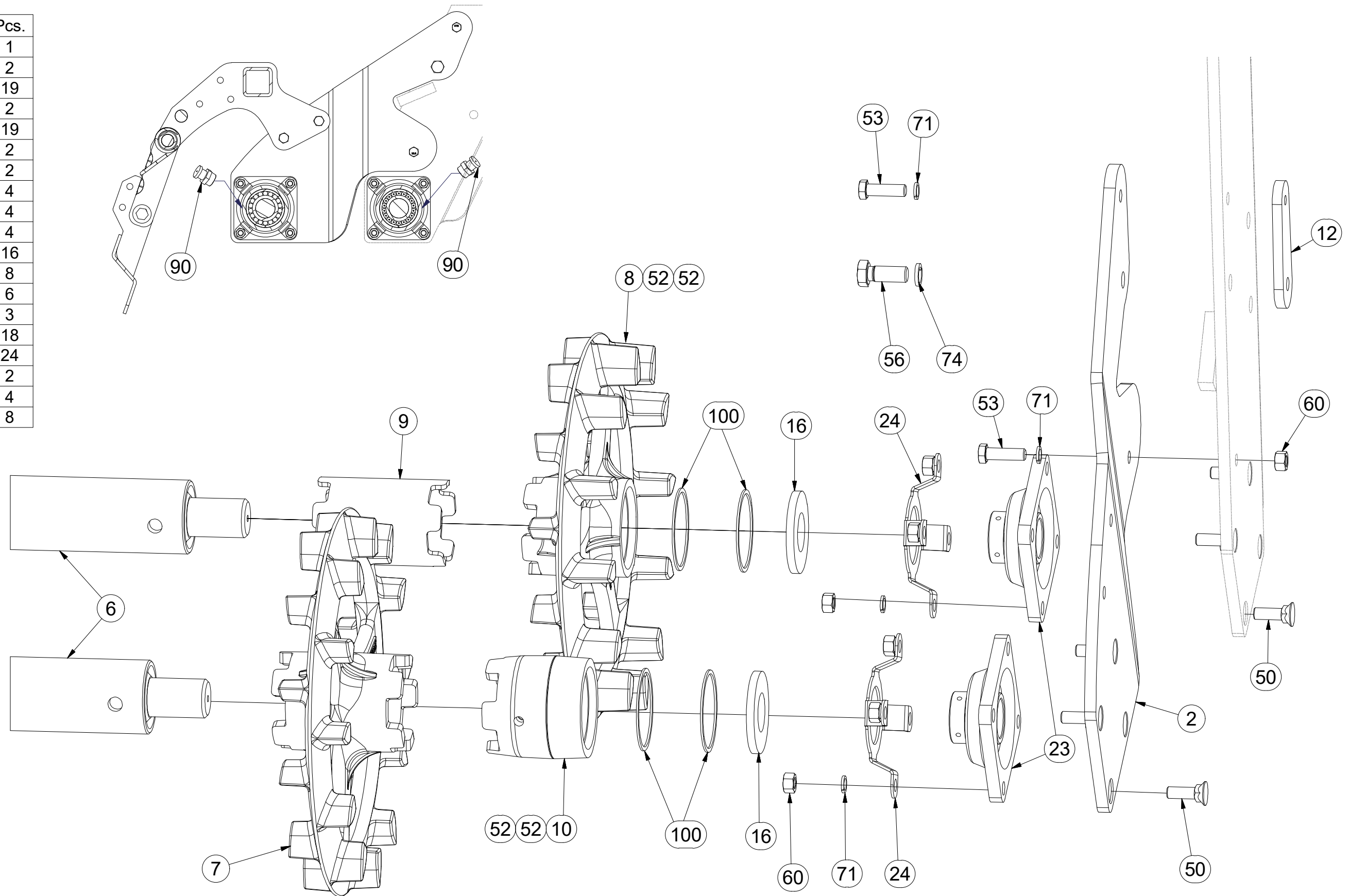
(CZ) SADA ZADNÍCH VÁLCŮ
 (D) SATZ HINTERE WALZEN
 (F) KIT DE ROULEAUX ARRIÈRE

(GB) SET OF REAR ROLLERS
 (RU) КОМПЛЕКТ ЗАДНИХ КАТКОВ
 (PL) ZESTAW TYLNYCH WAŁÓW



3007112

| Pos. | Part Number | Pcs. |
|------|-------------|------|
| 2 | 3007119 | 1 |
| 6 | 3000130 | 2 |
| 7 | 9002944 | 19 |
| 8 | 4009333 | 2 |
| 9 | 4012606 | 19 |
| 10 | 4013129 | 2 |
| 12 | 4012019 | 2 |
| 16 | 4006820 | 4 |
| 23 | m09687 | 4 |
| 24 | m12337 | 4 |
| 50 | m02491 | 16 |
| 52 | m13958 | 8 |
| 53 | m15618 | 6 |
| 56 | m01129 | 3 |
| 60 | m01305 | 18 |
| 71 | m03988 | 24 |
| 74 | m02157 | 2 |
| 90 | m10448 | 4 |
| 100 | 4010015 | 8 |

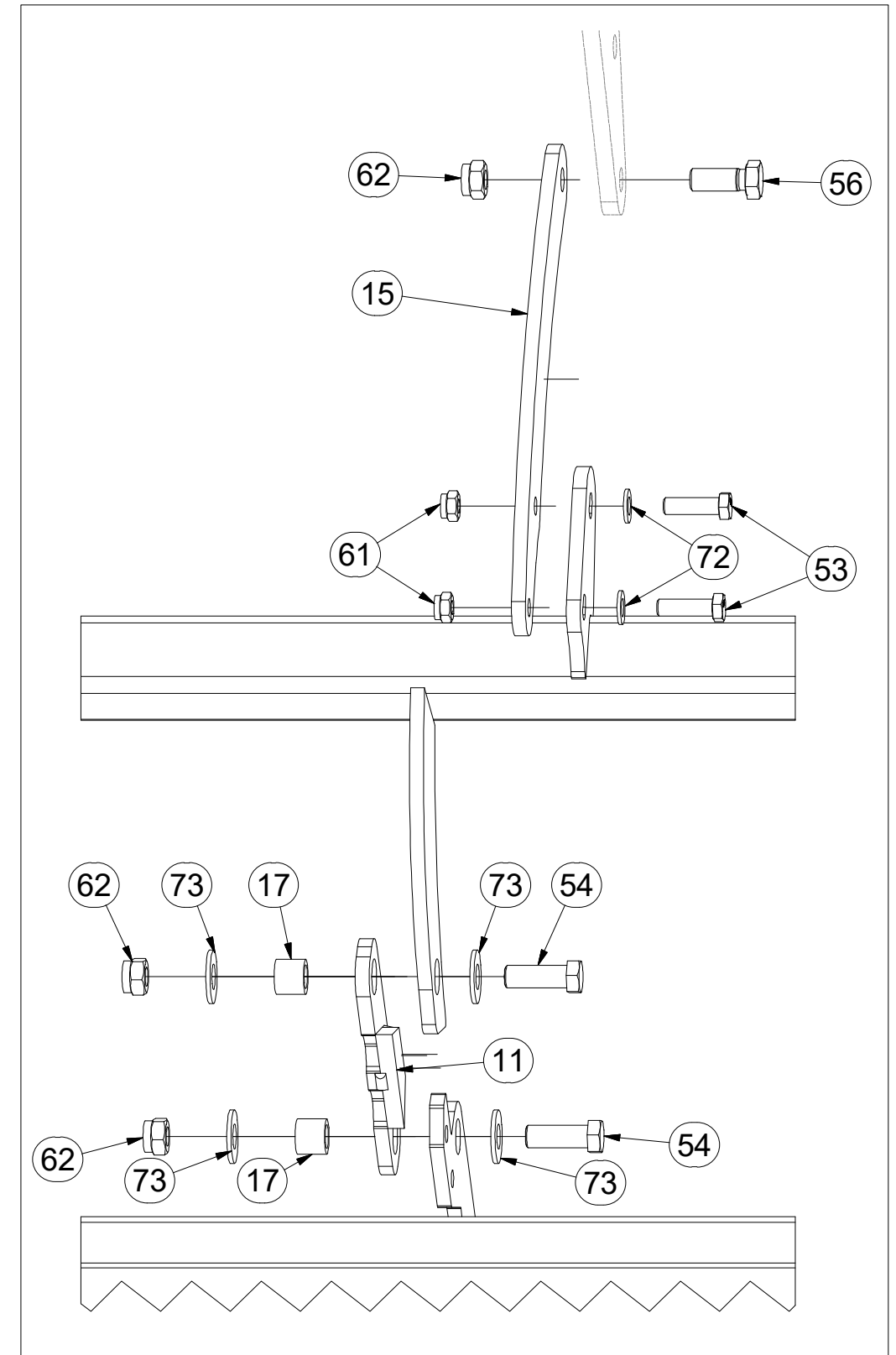
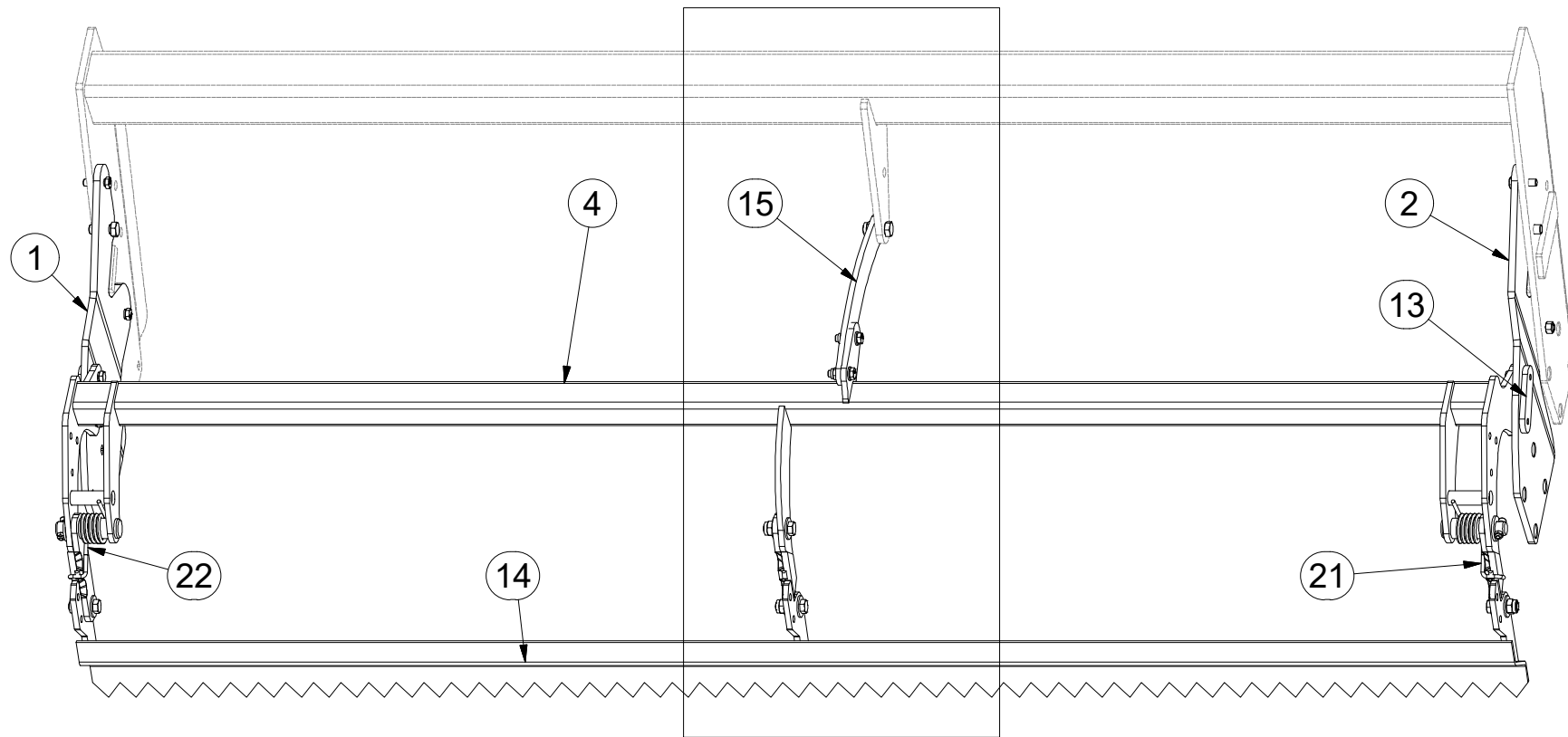


CZ SADA ZADNÍCH VÁLČŮ
 D SATZ HINTERE WALZEN
 F KIT DE ROULEAUX ARRIÈRE

GB SET OF REAR ROLLERS
 RU КОМПЛЕКТ ЗАДНИХ КАТКОВ
 PL ZESTAW TYLNYCH WAŁÓW



3007112



| Pos. | Part Number | Pcs. |
|------|-------------|------|
| 1 | 3007118 | 1 |
| 2 | 3007119 | 1 |
| 4 | 3006922 | 1 |
| 13 | 4013710 | 2 |
| 14 | 3006923 | 1 |
| 15 | 4013508 | 1 |
| 21 | m12303 | 1 |
| 22 | m12304 | 1 |

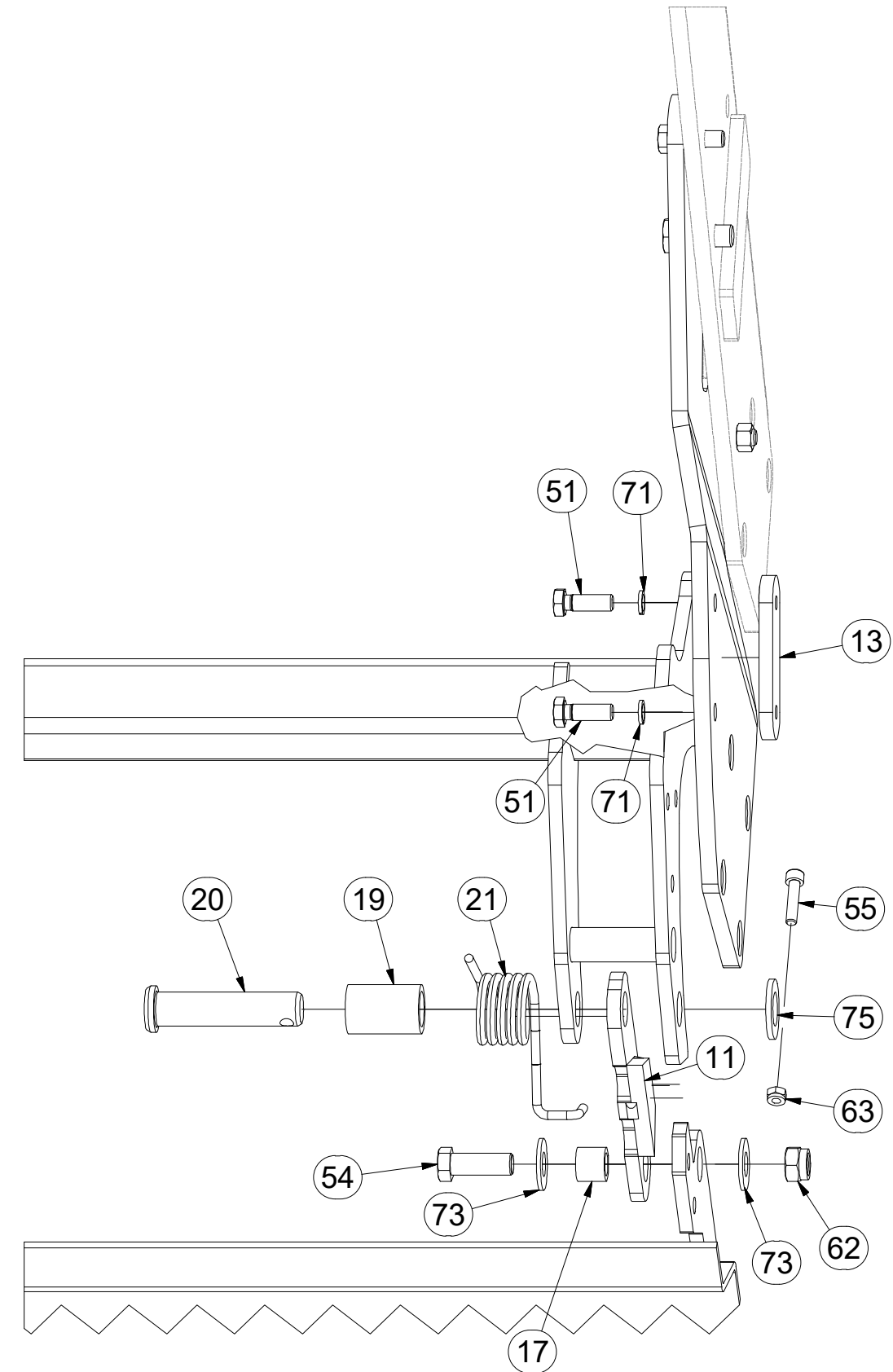
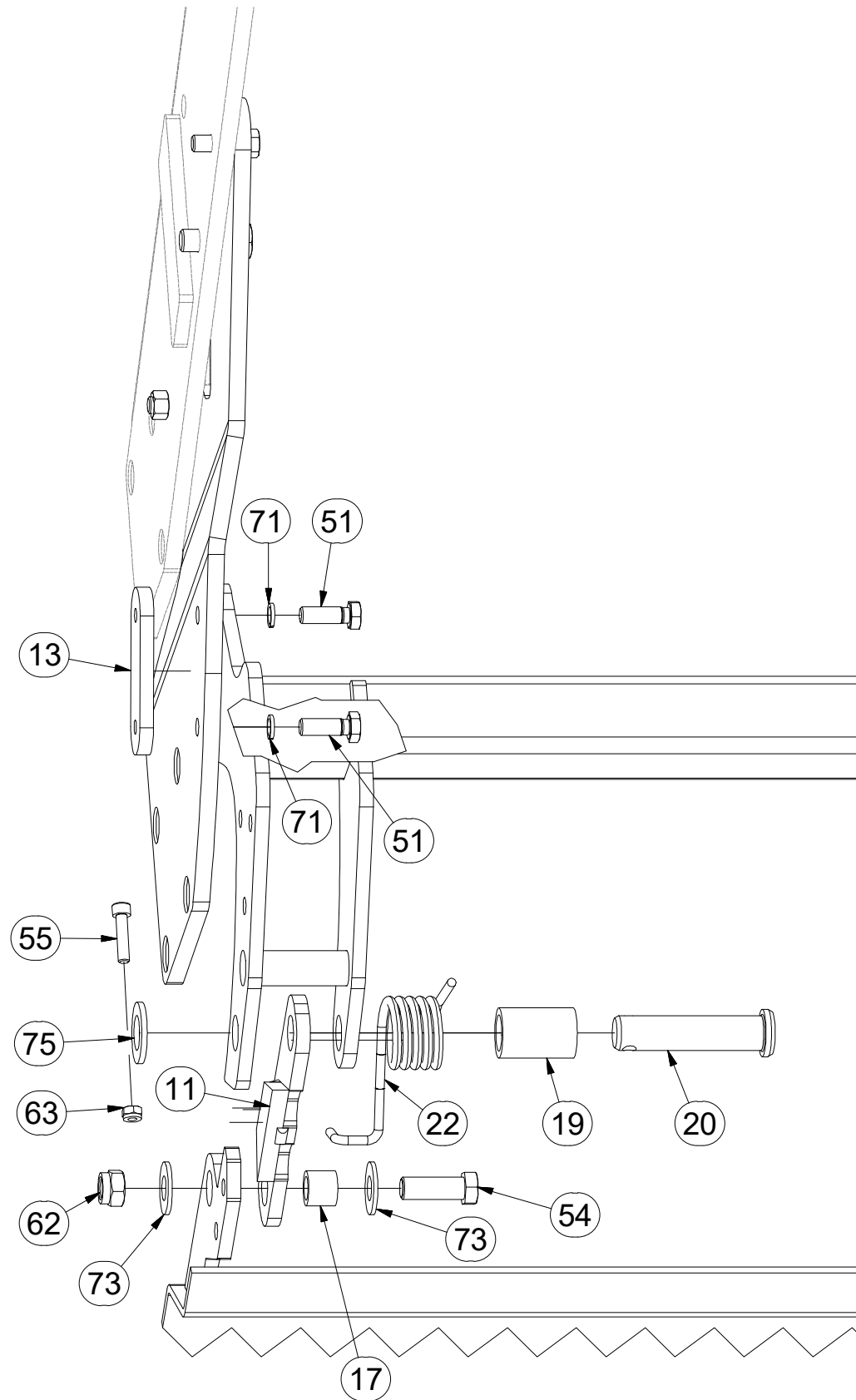
- Ⓒ SADA ZADNÍCH VÁLČŮ
- Ⓓ SATZ HINTERE WALZEN
- Ⓕ KIT DE ROULEAUX ARRIÈRE

- Ⓖ SET OF REAR ROLLERS
- Ⓡ КОМПЛЕКТ ЗАДНИХ КАТКОВ
- Ⓟ ZESTAW TYLNYCH WAŁÓW



3007112

| Pos. | Part Number | Pcs. |
|------|-------------|------|
| 11 | 4002269 | 3 |
| 13 | 4013710 | 2 |
| 17 | 4004451 | 4 |
| 19 | 9002979 | 2 |
| 20 | 4015778 | 2 |
| 21 | m12303 | 1 |
| 22 | m12304 | 1 |
| 51 | m04343 | 4 |
| 54 | m02254 | 4 |
| 55 | m09464 | 2 |
| 62 | m03683 | 5 |
| 63 | m04503 | 2 |
| 71 | m03988 | 24 |
| 73 | m05651 | 8 |
| 75 | m14028 | 2 |

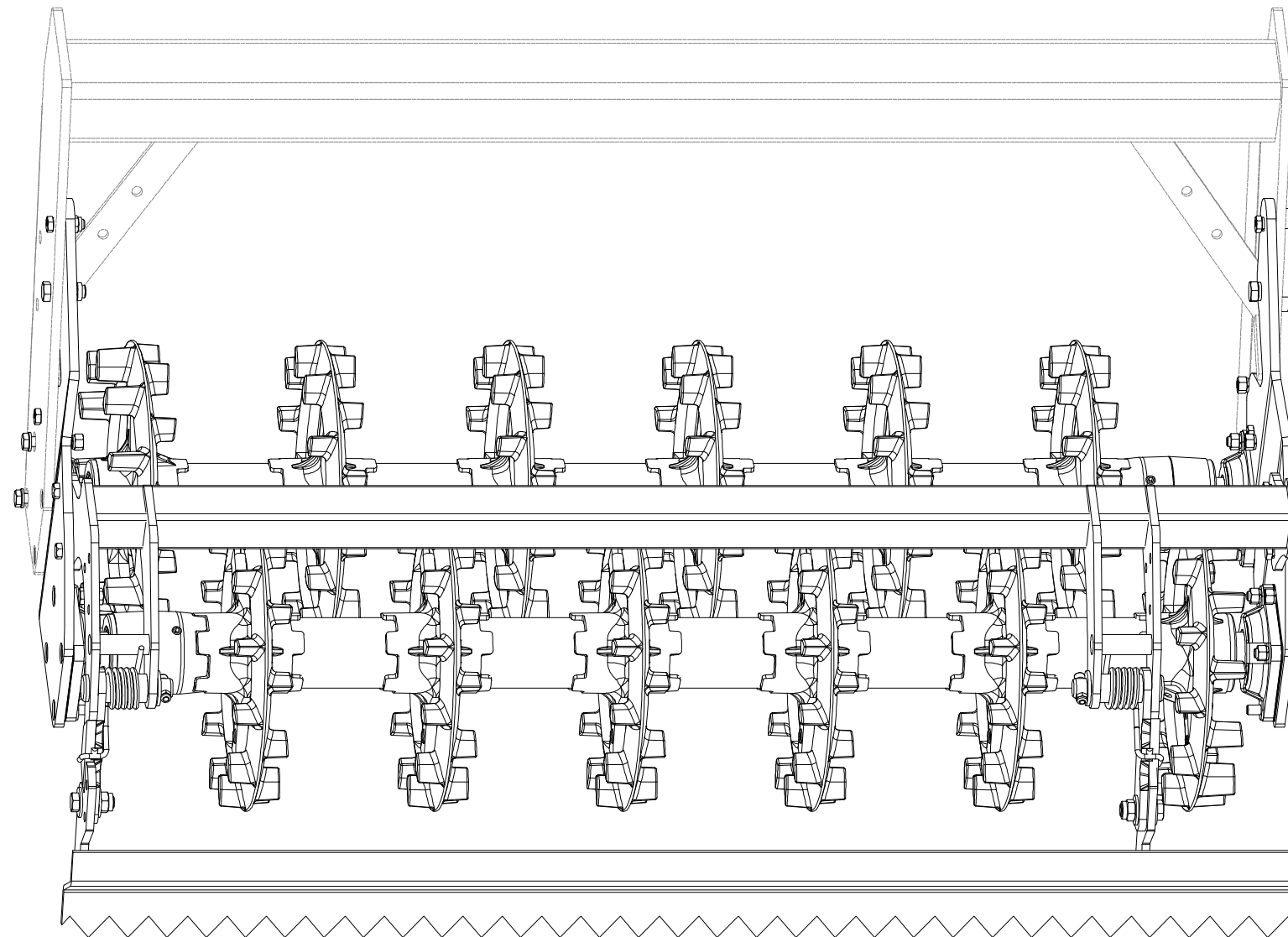
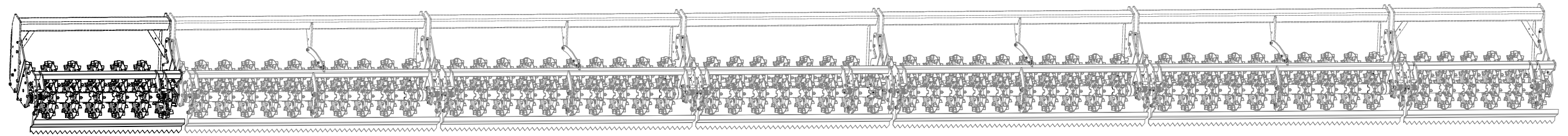


- ⒸZ SADA ZADNÍCH VÁLCŮ
- Ⓓ SATZ HINTERE WALZEN
- Ⓕ KIT DE ROULEAUX ARRIÈRE

3008009

- ⒼB SET OF REAR ROLLERS
- ⒲U КОМПЛЕКТ ЗАДНИХ КАТКОВ
- ⒼL ZESTAW TYLNYCH WAŁÓW

Farmet

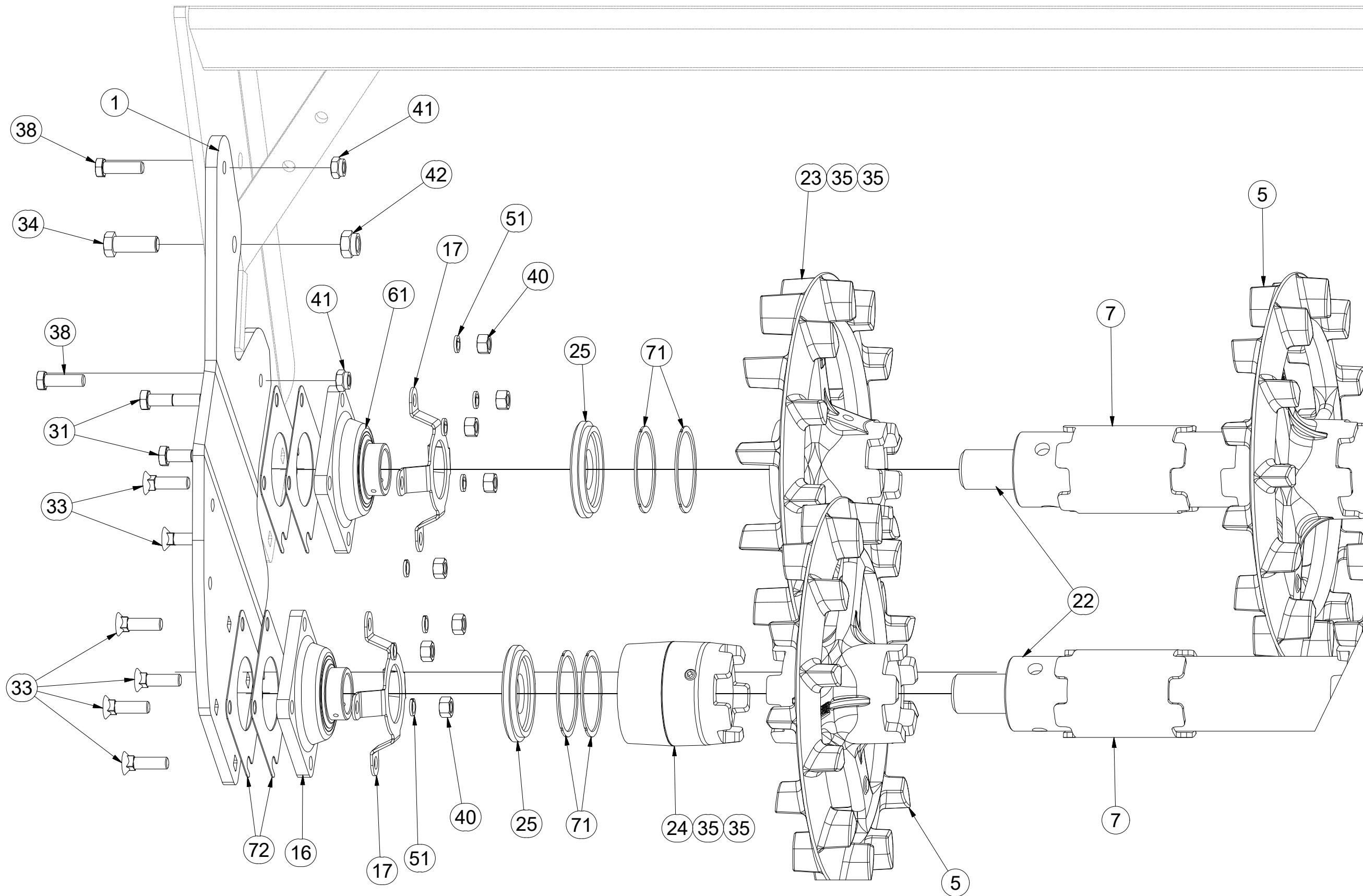


CZ SADA ZADNÍCH VÁLCŮ
 D SATZ HINTERE WALZEN
 F KIT DE ROULEAUX ARRIÈRE

GB SET OF REAR ROLLERS
 RU КОМПЛЕКТ ЗАДНИХ КАТКОВ
 PL ZESTAW TYLNYCH WAŁÓW



3008009



| Pos. | Part Number | Pcs. |
|------|-------------|------|
| 1 | 3008604 | 1 |
| 5 | 9002944 | 10 |
| 7 | 4012606 | 10 |
| 16 | m09687 | 4 |
| 17 | m12337 | 4 |
| 22 | 3000132 | 2 |
| 23 | 4009334 | 2 |
| 24 | 4013131 | 2 |
| 25 | 4016996 | 4 |
| 31 | m04412 | 2 |
| 33 | m03519 | 14 |
| 34 | m02254 | 3 |
| 35 | m13958 | 8 |
| 38 | m15618 | 4 |
| 40 | m01305 | 16 |
| 41 | m04301 | 5 |
| 42 | m03683 | 3 |
| 50 | m01214 | 2 |
| 51 | m03988 | 19 |
| 61 | m10448 | 4 |
| 71 | 4010992 | 8 |
| 72 | 4016809 | 8 |

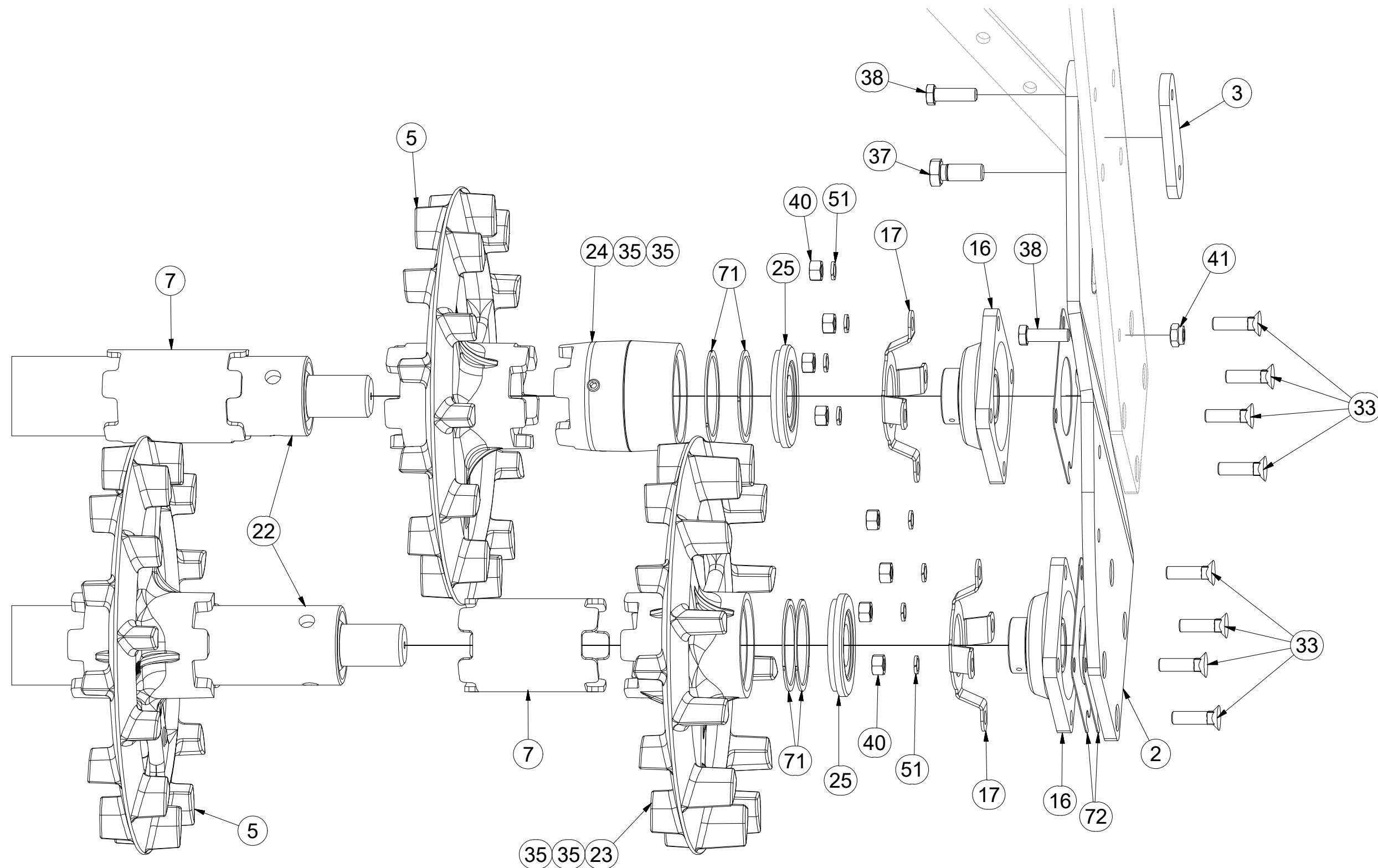
CZ SADA ZADNÍCH VÁLČŮ
 D SATZ HINTERE WALZEN
 F KIT DE ROULEAUX ARRIÈRE

GB SET OF REAR ROLLERS
 RU КОМПЛЕКТ ЗАДНИХ КАТКОВ
 PL ZESTAW TYLNYCH WAŁÓW



3008009

| Pos. | Part Number | Pcs. |
|------|-------------|------|
| 2 | 3008605 | 1 |
| 3 | 4012019 | 1 |
| 5 | 9002944 | 10 |
| 7 | 4012606 | 10 |
| 16 | m09687 | 4 |
| 17 | m12337 | 4 |
| 22 | 3000132 | 2 |
| 23 | 4009334 | 2 |
| 24 | 4013131 | 2 |
| 25 | 4016996 | 4 |
| 31 | m04412 | 2 |
| 33 | m03519 | 14 |
| 34 | m02254 | 3 |
| 35 | m13958 | 8 |
| 37 | m01129 | 1 |
| 40 | m01305 | 16 |
| 41 | m04301 | 5 |
| 42 | m03683 | 3 |
| 50 | m01214 | 2 |
| 51 | m03988 | 19 |
| 61 | m10448 | 4 |
| 71 | 4010992 | 8 |
| 72 | 4016809 | 8 |



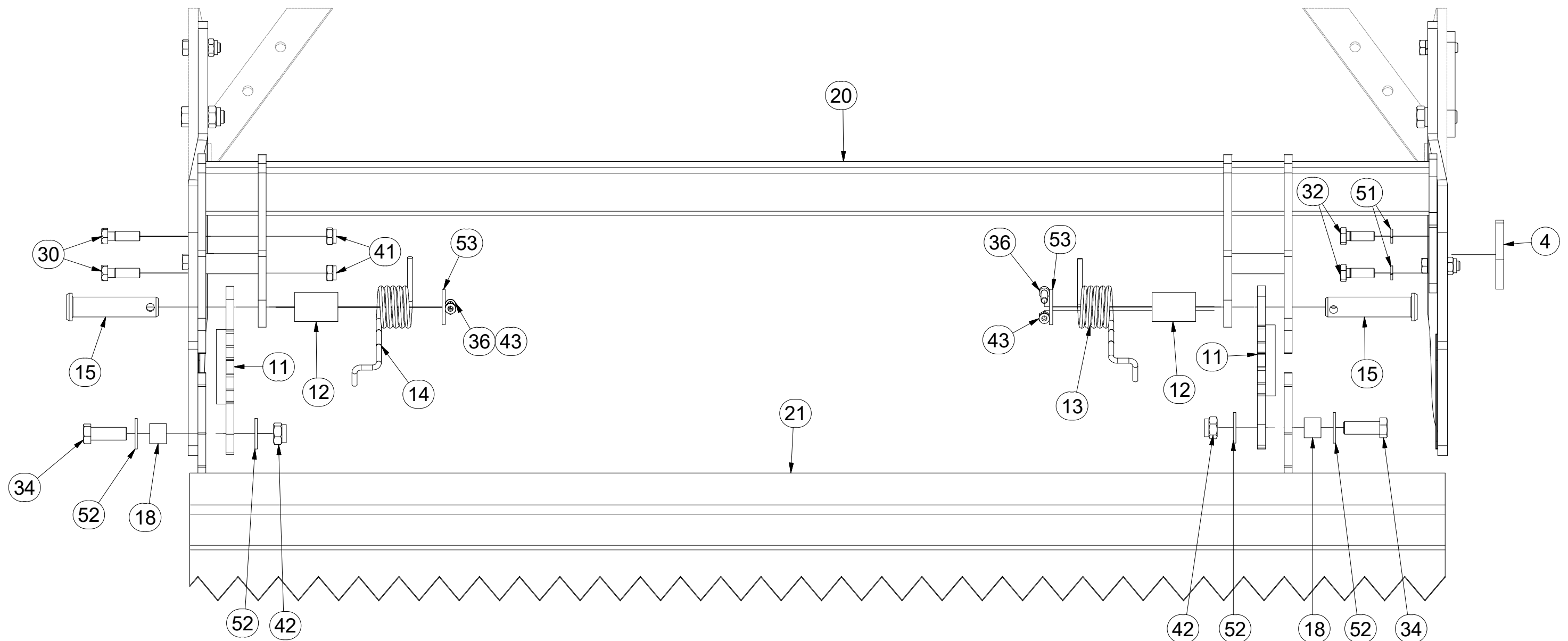
- Ⓒ SADA ZADNÍCH VÁLCŮ
- Ⓓ SATZ HINTERE WALZEN
- Ⓕ KIT DE ROULEAUX ARRIÈRE

- Ⓖ SET OF REAR ROLLERS
- Ⓡ КОМПЛЕКТ ЗАДНИХ КАТКОВ
- Ⓟ ZESTAW TYLNYCH WAŁÓW



3008009

| Pos. | Part Number | Pcs. | Pos. | Part Number | Pcs. |
|------|-------------|------|------|-------------|------|
| 4 | 4013710 | 1 | 30 | m03926 | 2 |
| 11 | 4002269 | 2 | 32 | m04343 | 2 |
| 12 | 9002979 | 2 | 34 | m02254 | 3 |
| 13 | m12303 | 1 | 36 | m09464 | 2 |
| 14 | m12304 | 1 | 41 | m04301 | 5 |
| 15 | 4015778 | 2 | 42 | m03683 | 3 |
| 18 | 4004451 | 2 | 43 | m04503 | 2 |
| 20 | 3006843 | 1 | 51 | m03988 | 19 |
| 21 | 4014091 | 1 | 52 | m05651 | 4 |
| | | | 53 | m14028 | 2 |

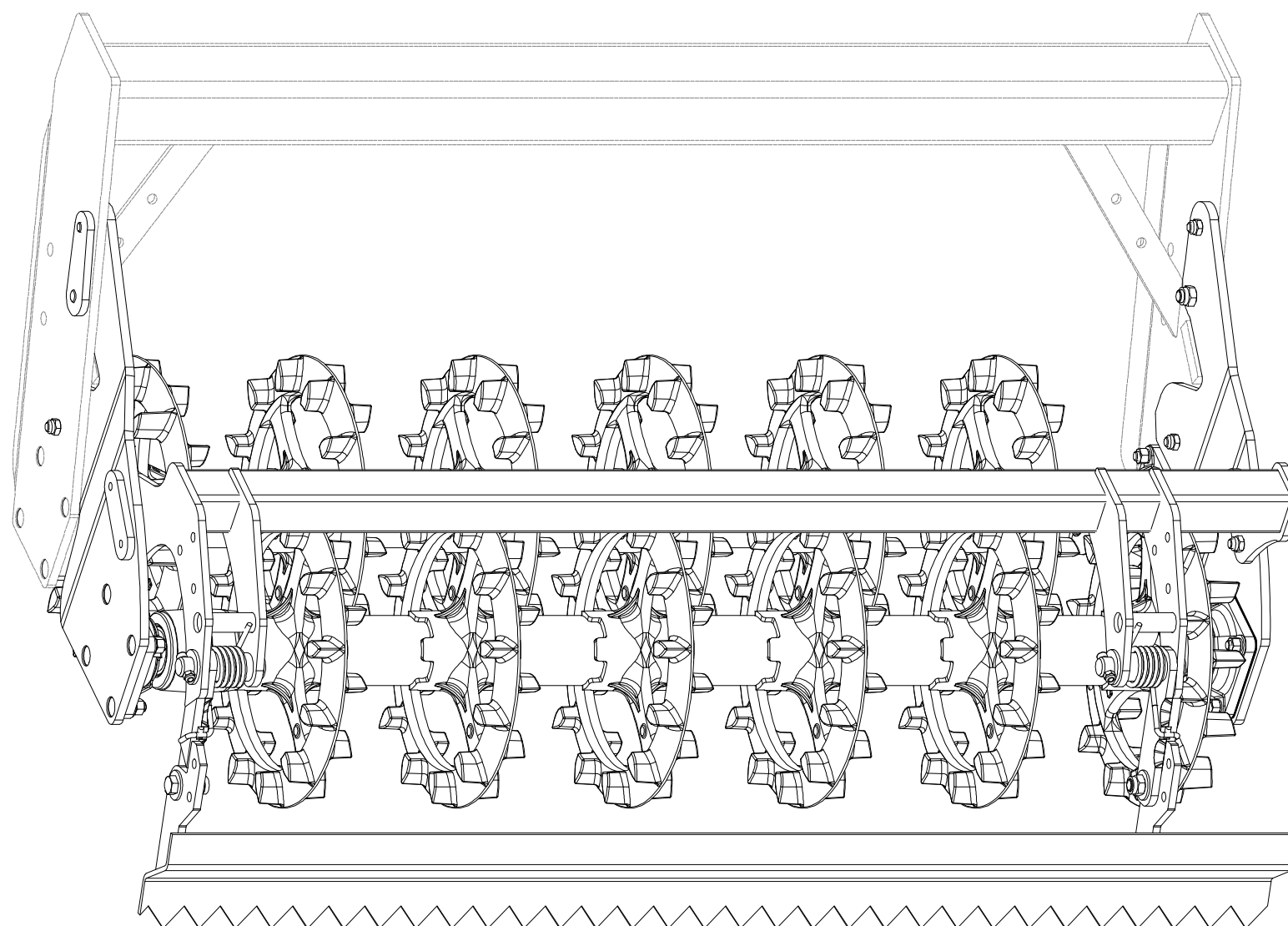
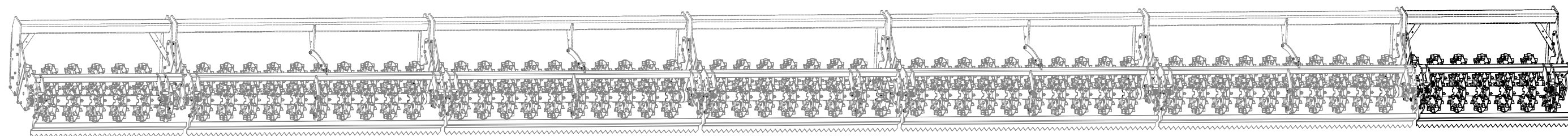


- ⒸZ SADA ZADNÍCH VÁLCŮ
- Ⓓ SATZ HINTERE WALZEN
- Ⓕ KIT DE ROULEAUX ARRIÈRE

- ⒼB SET OF REAR ROLLERS
- ⒲U КОМПЛЕКТ ЗАДНИХ КАТКОВ
- ⒼL ZESTAW TYLNYCH WAŁÓW



3008010

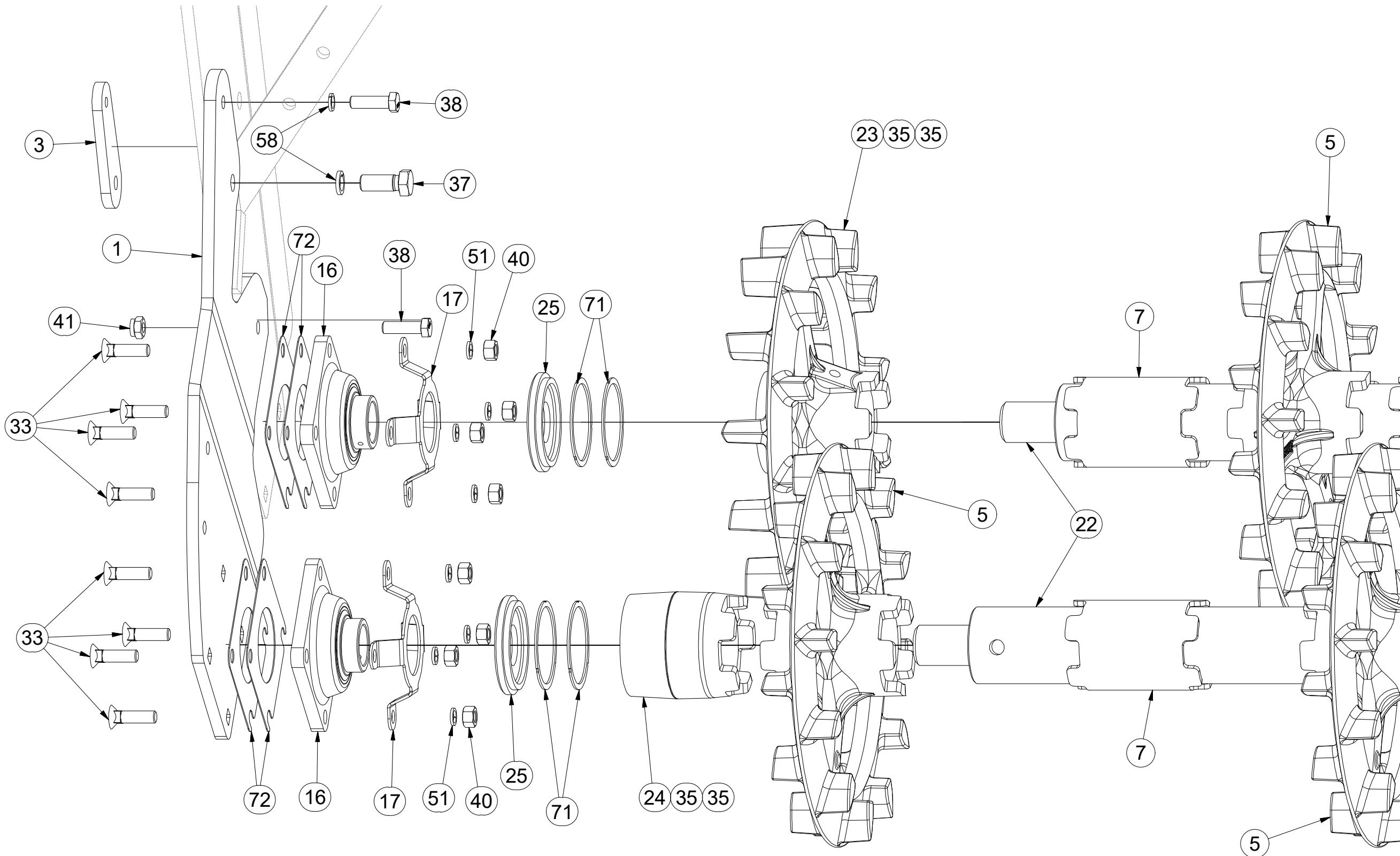


CZ SADA ZADNÍCH VÁLČŮ
 D SATZ HINTERE WALZEN
 F KIT DE ROULEAUX ARRIÈRE

GB SET OF REAR ROLLERS
 RU КОМПЛЕКТ ЗАДНИХ КАТКОВ
 PL ZESTAW TYLNYCH WAŁÓW



3008010



| Pos. | Part Number | Pcs. |
|------|-------------|------|
| 1 | 3008604 | 1 |
| 3 | 4012019 | 1 |
| 5 | 9002944 | 10 |
| 7 | 4012606 | 10 |
| 16 | m09687 | 4 |
| 17 | m12337 | 4 |
| 22 | 3000132 | 2 |
| 23 | 4009334 | 2 |
| 24 | 4013131 | 2 |
| 25 | 4016996 | 4 |
| 33 | m03519 | 14 |
| 35 | m13958 | 8 |
| 37 | m01129 | 1 |
| 38 | m15618 | 4 |
| 40 | m01305 | 16 |
| 41 | m04301 | 5 |
| 51 | m03988 | 19 |
| 58 | m02157 | 1 |
| 71 | 4010992 | 8 |
| 72 | 4016809 | 8 |

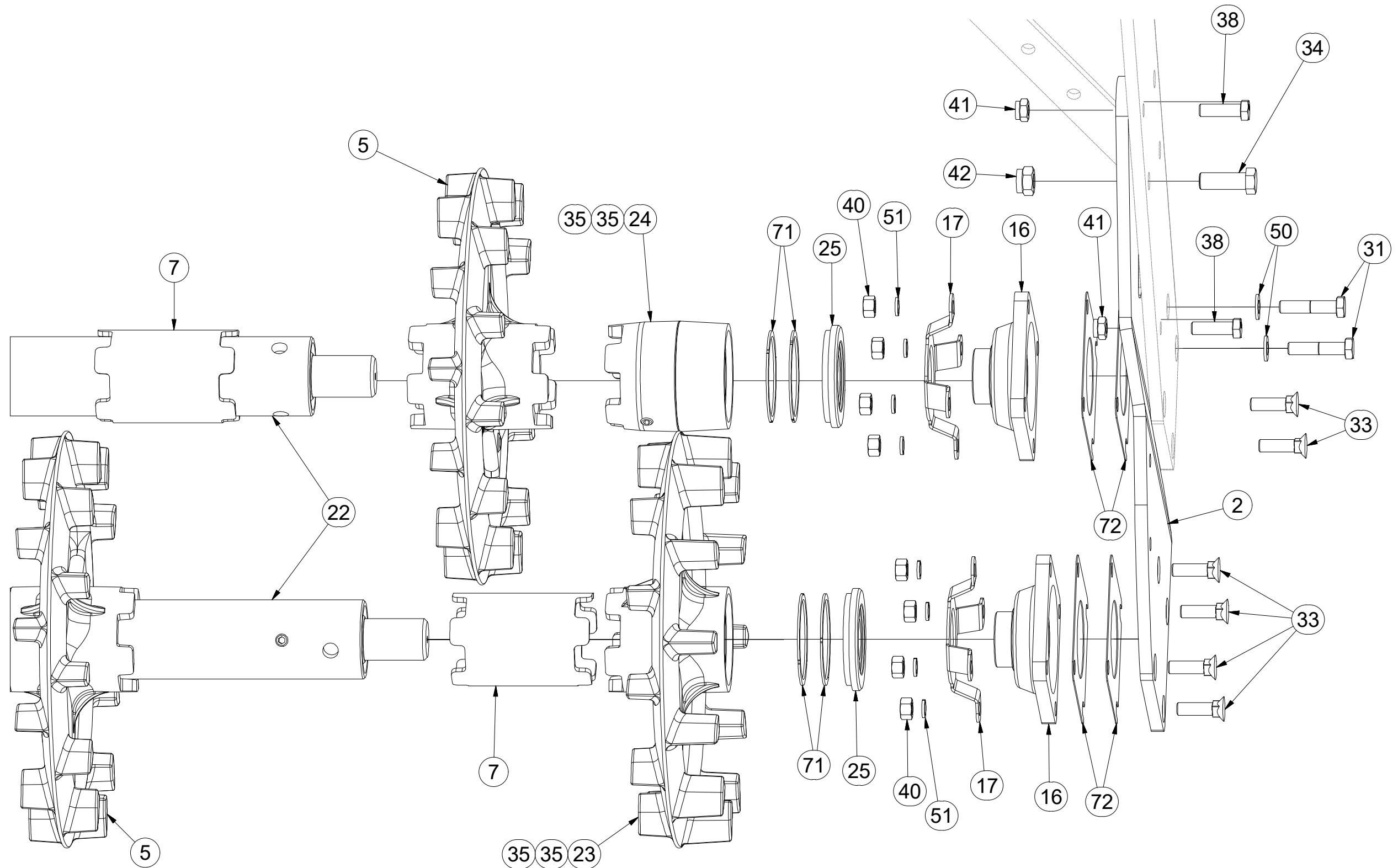
- (CZ) SADA ZADNÍCH VÁLCŮ
 (D) SATZ HINTERE WALZEN
 (F) KIT DE ROULEAUX ARRIÈRE

- (GB) SET OF REAR ROLLERS
 (RU) КОМПЛЕКТ ЗАДНИХ КАТКОВ
 (PL) ZESTAW TYLNYCH WAŁÓW



3008010

| Pos. | Part Number | Pcs. |
|------|-------------|------|
| 2 | 3008605 | 1 |
| 5 | 9002944 | 10 |
| 7 | 4012606 | 10 |
| 16 | m09687 | 4 |
| 17 | m12337 | 4 |
| 22 | 3000132 | 2 |
| 23 | 4009334 | 2 |
| 24 | 4013131 | 2 |
| 25 | 4016996 | 4 |
| 31 | m04412 | 2 |
| 33 | m03519 | 14 |
| 34 | m02254 | 3 |
| 35 | m13958 | 8 |
| 38 | m15618 | 4 |
| 40 | m01305 | 16 |
| 41 | m04301 | 5 |
| 42 | m03683 | 3 |
| 50 | m01214 | 2 |
| 51 | m03988 | 19 |
| 71 | 4010992 | 8 |
| 72 | 4016809 | 8 |



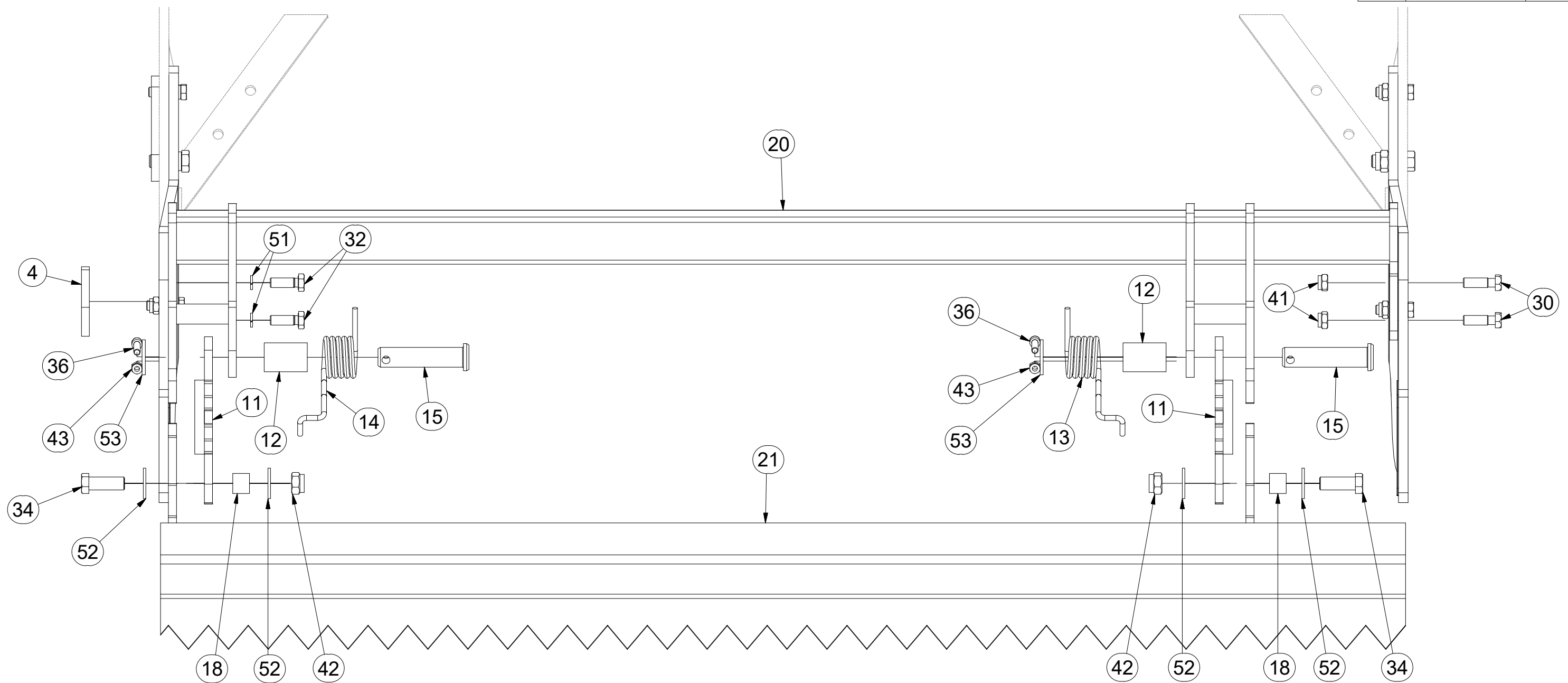
CZ SADA ZADNÍCH VÁLCŮ
 D SATZ HINTERE WALZEN
 F KIT DE ROULEAUX ARRIÈRE

GB SET OF REAR ROLLERS
 RU КОМПЛЕКТ ЗАДНИХ КАТКОВ
 PL ZESTAW TYLNYCH WAŁÓW



3008010

| Pos. | Part Number | Pcs. | Pos. | Part Number | Pcs. |
|------|-------------|------|------|-------------|------|
| 4 | 4013710 | 1 | 30 | m03926 | 2 |
| 11 | 4002269 | 2 | 32 | m04343 | 2 |
| 12 | 9002979 | 2 | 34 | m02254 | 3 |
| 13 | m12303 | 1 | 36 | m09464 | 2 |
| 14 | m12304 | 1 | 41 | m04301 | 5 |
| 15 | 4015778 | 2 | 42 | m03683 | 3 |
| 18 | 4004451 | 2 | 43 | m04503 | 2 |
| 20 | 3006843 | 1 | 51 | m03988 | 19 |
| 21 | 4014091 | 1 | 52 | m05651 | 4 |
| | | | 53 | m14028 | 2 |



ⒸZ SADA DORAZŮ ZADNÍCH SMYKŮ

Ⓓ ANSCHLAGSATZ FÜR HINTERE ACKERSCHLEPPEN

Ⓕ KIT DE BUTÉES DES NIVELEURS ARRIÈRE

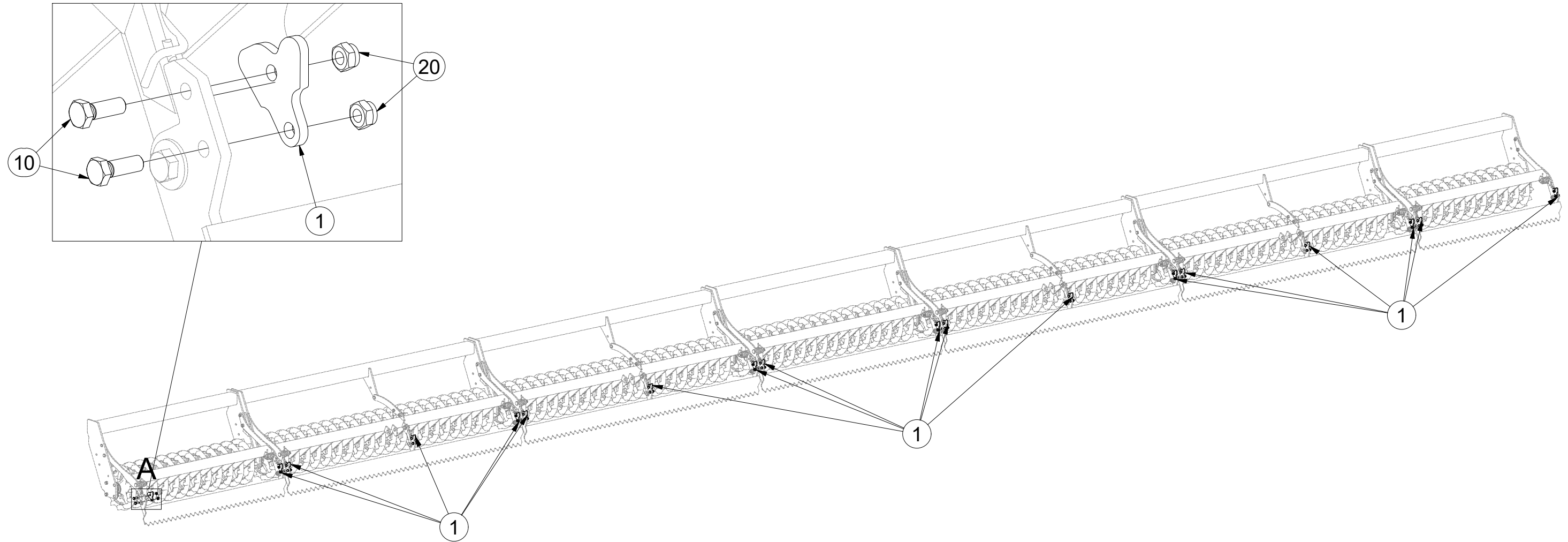
3006136

ⒼB SET OF REAR LEVELLING BAR STOPS

ⒺU КОМПЛЕКТ УПОРОВ ЗАДНИХ БОРОН

ⒽL ZESTAW DOCISKÓW TYLNYCH WŁÓK

Farmet



| Pos. | Part Number | Pcs. |
|------|-------------|------|
| 1 | 4013331 | 18 |
| 10 | m04343 | 36 |
| 20 | m04301 | 36 |

Ⓒ CZ TERČ PŘEDNÍ PRAVÝ

Ⓓ D SCHILD, VORDERES, RECHTES

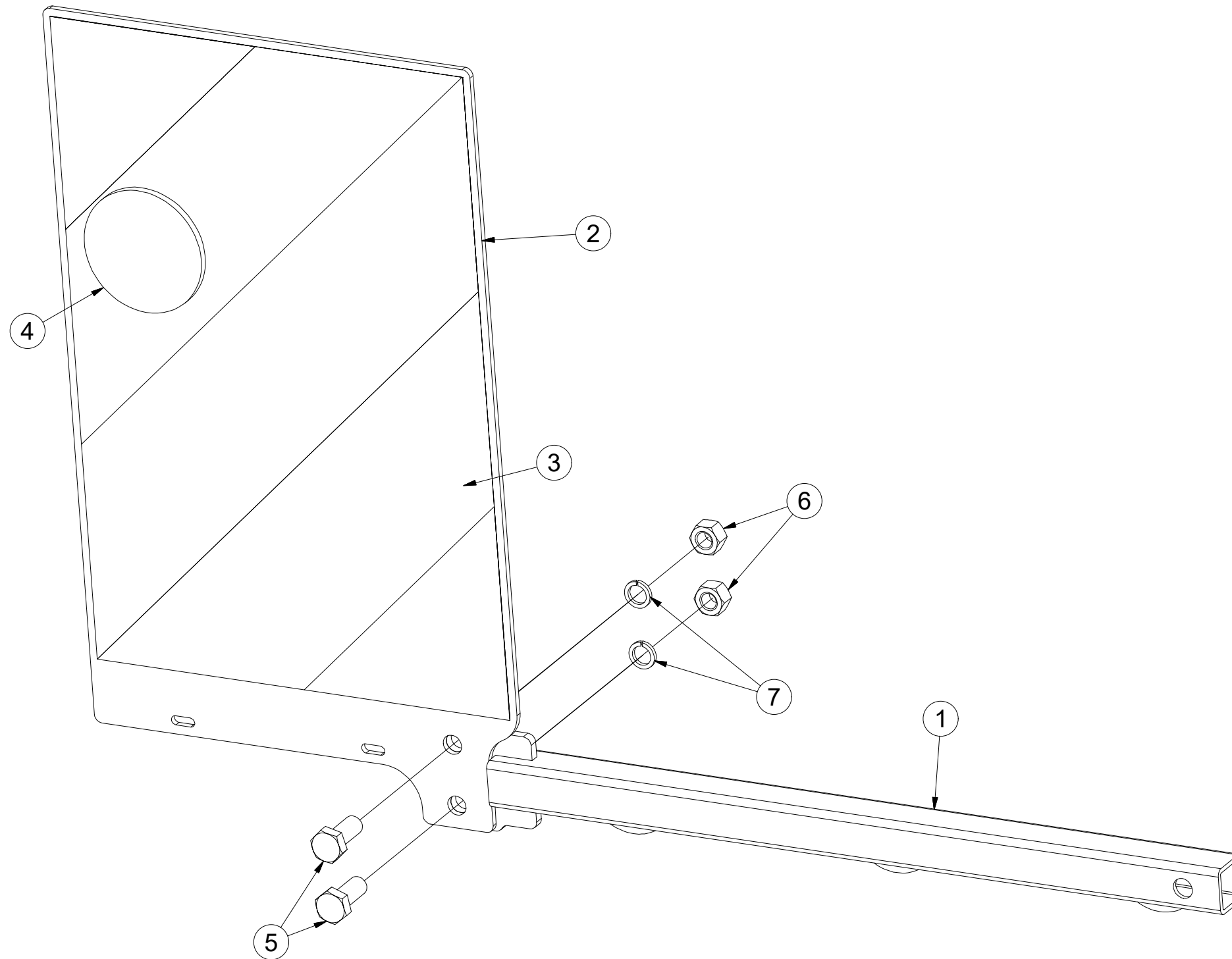
Ⓕ F CIBLE AVANT DROITE

4008193

Ⓖ GB RIGHT FRONT DISC

Ⓡ RU ЩИТОК ПЕРЕДНИЙ ПРАВЫЙ

Ⓟ PL TARCZA PRZEDNIA PRAWA



| Pos. | Part Number | Pcs. |
|------|-------------|------|
| 1 | 4008182 | 1 |
| 2 | 4011118 | 1 |
| 3 | m12619 | 1 |
| 4 | m02498 | 1 |
| 5 | m04039 | 2 |
| 6 | m01305 | 2 |
| 7 | m03988 | 2 |

Ⓒ CZ TERČ PŘEDNÍ LEVÝ

Ⓓ D SCHILD, VORDERES, LINKES

Ⓕ F CIBLE AVANT GAUCHE

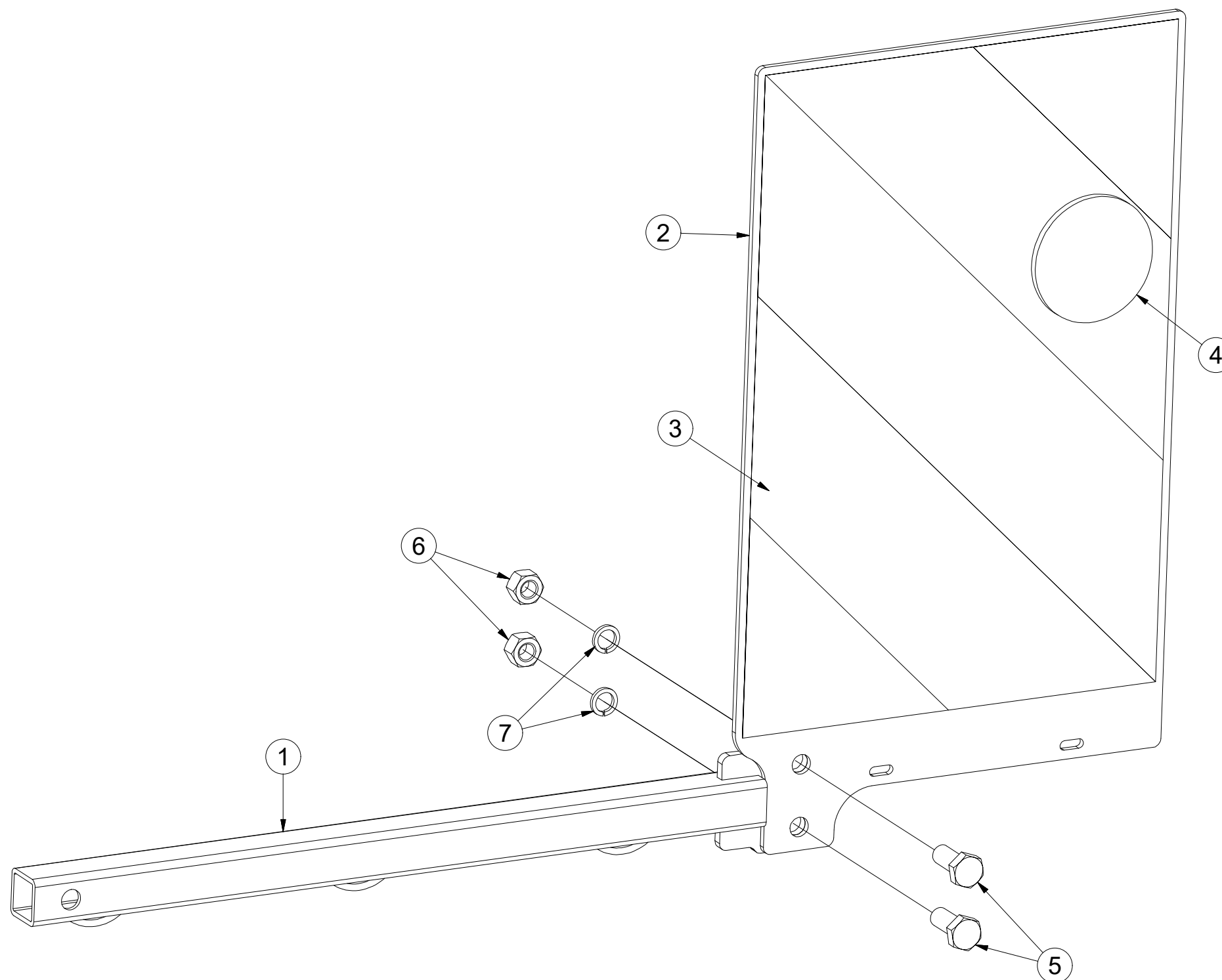
Ⓖ GB LEFT FRONT DISC

Ⓡ RU ЩИТОК ПЕРЕДНИЙ ЛЕВЫЙ

Ⓟ PL TARCZA PRZEDNIA LEWA



4008194



| Pos. | Part Number | Pcs. |
|------|-------------|------|
| 1 | 4008182 | 1 |
| 2 | 4011118 | 1 |
| 3 | m12620 | 1 |
| 4 | m02498 | 1 |
| 5 | m04039 | 2 |
| 6 | m01305 | 2 |
| 7 | m03988 | 2 |

ⒸZ TERČ ZADNÍ LEVÝ

Ⓓ SCHILD, HINTERES, LINKES

Ⓕ CIBLE ARRIÈRE GAUCHE

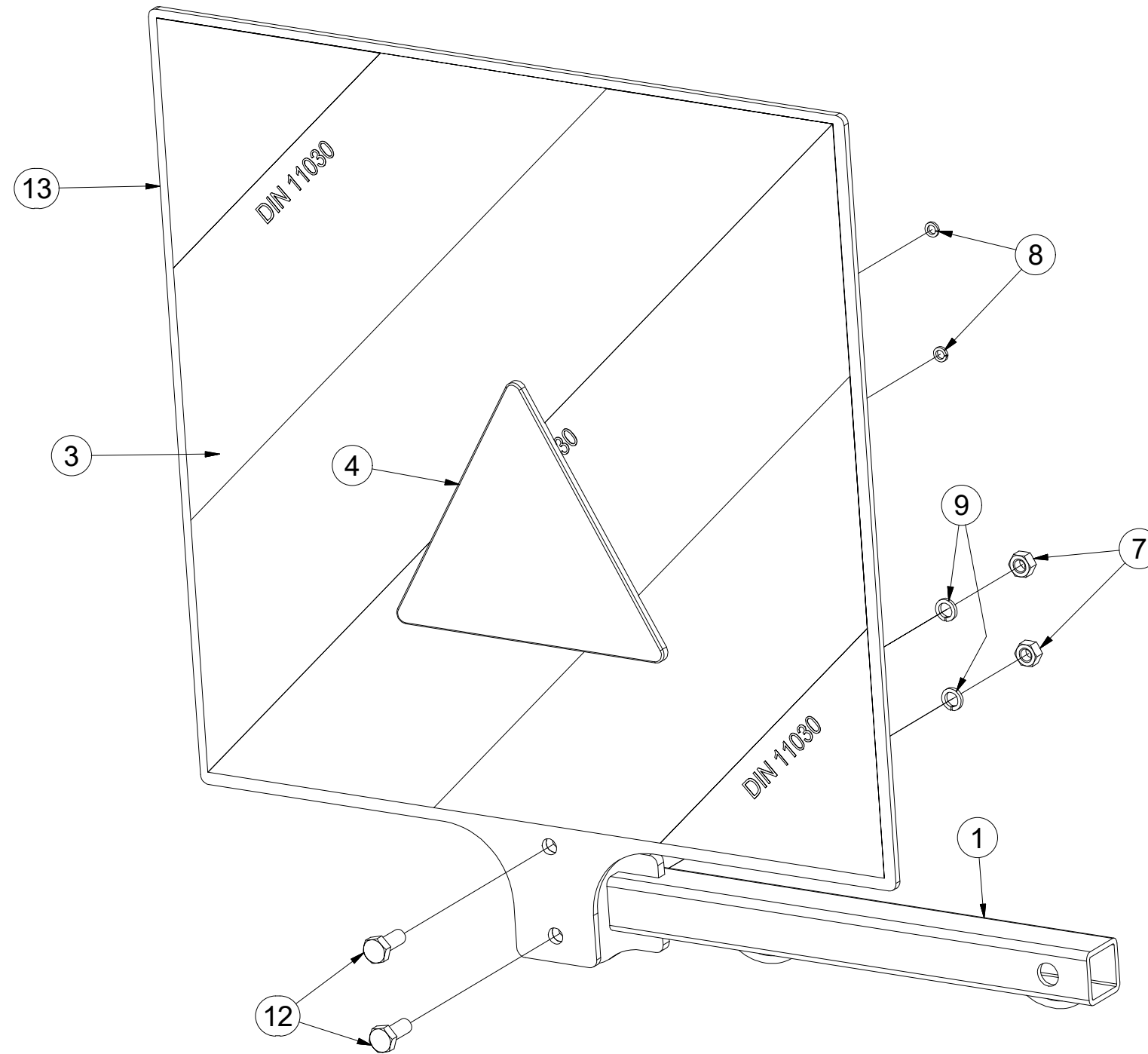
4008195

ⒼB LEFT REAR DISC

ⒺU ЩИТОК ЗАДНИЙ ЛЕВЫЙ

ⒼL TARCZA TYLNA LEWA

Farmet



| Pos. | Part Number | Pcs. |
|------|-------------|------|
| 1 | 4008185 | 1 |
| 3 | m12401 | 1 |
| 4 | m02497 | 1 |
| 7 | m01296 | 2 |
| 8 | m01197 | 2 |
| 9 | m01202 | 2 |
| 12 | m01089 | 2 |
| 13 | 4010321 | 1 |

Ⓒ TERČ ZADNÍ PRAVÝ

Ⓓ SCHILD, HINTERES, RECHTES

Ⓕ CIBLE ARRIÈRE DROITE

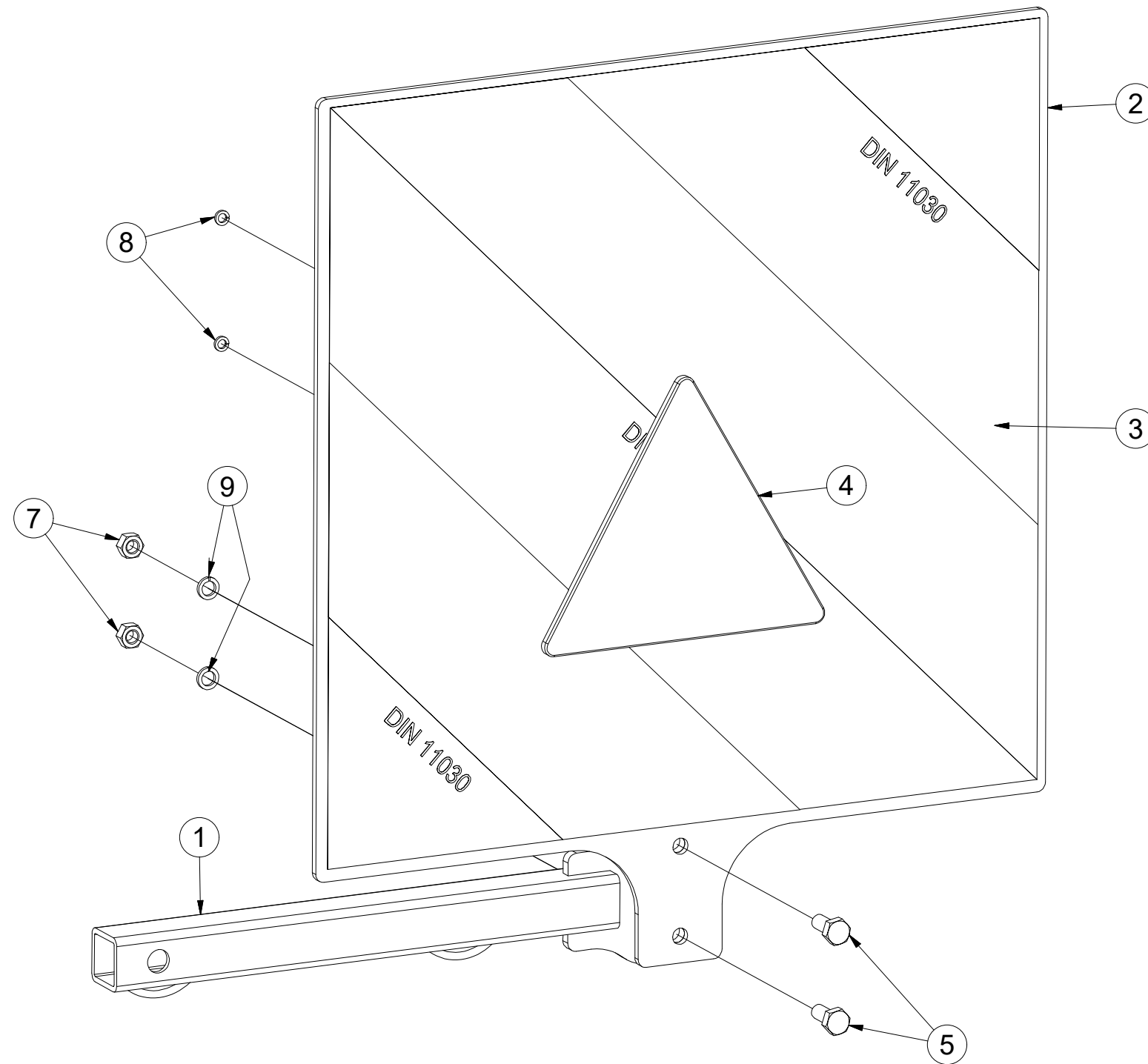
4008196

Ⓖ RIGHT REAR DISC

Ⓔ ЩИТОК ЗАДНИЙ ПРАВЫЙ

Ⓟ TARCZA TYLNA PRAWA

Farmet



| Pos. | Part Number | Pcs. |
|------|-------------|------|
| 1 | 4008185 | 1 |
| 5 | m01089 | 2 |
| 8 | m01197 | 2 |
| 3 | m12401 | 1 |
| 7 | m01296 | 2 |
| 9 | m01202 | 2 |
| 4 | m02497 | 1 |
| 2 | 4010321 | 1 |

Ⓒ SVĚTELNÁ SADA

Ⓓ LEUCHTENSATZ

Ⓕ KIT LUMINEUX

Ⓖ LIGHTING SET

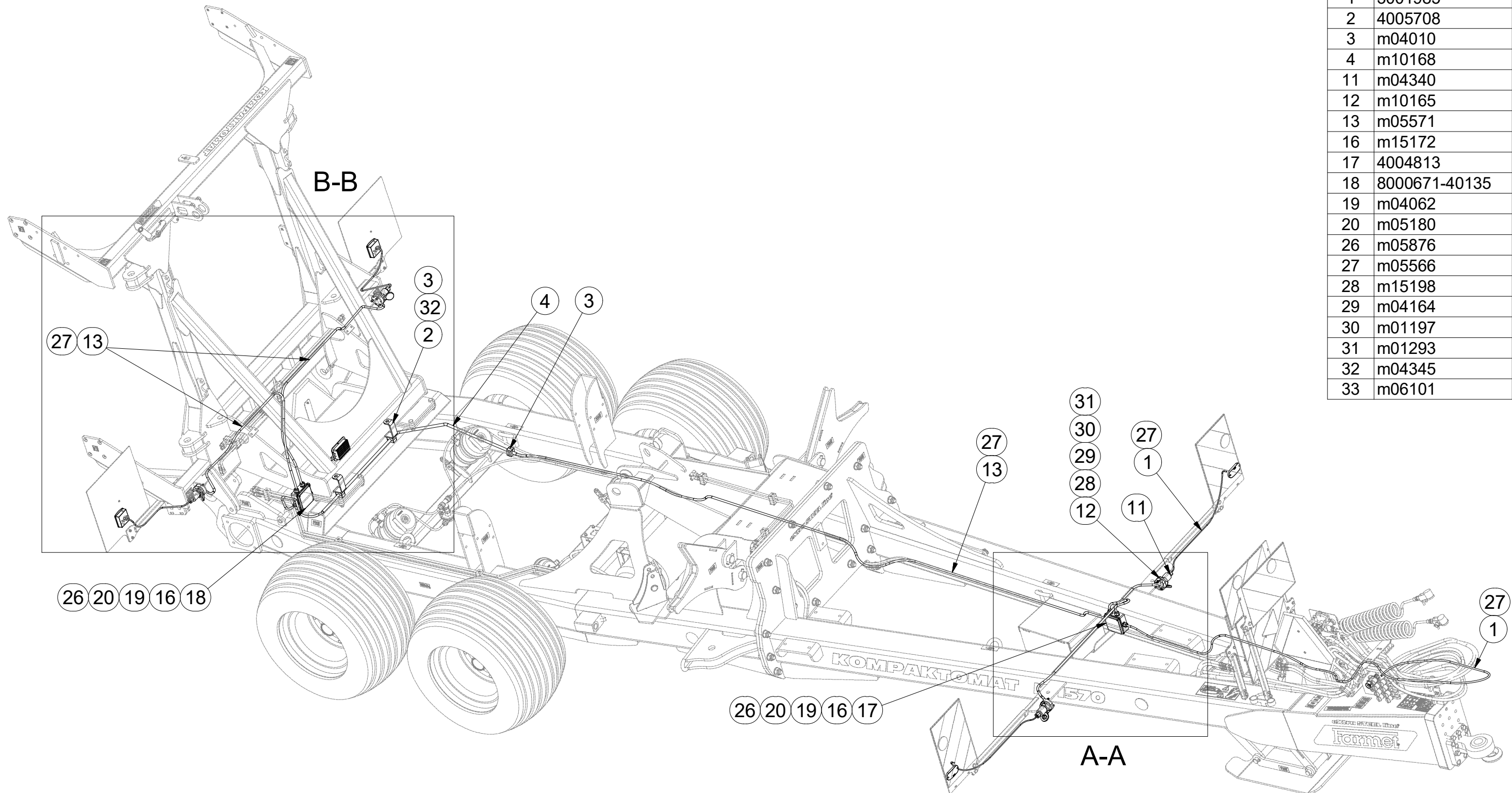
Ⓡ ОСВЕТИТЕЛЬНЫЙ КОМПЛЕКТ

Ⓟ ZESTAW OŚWIETLENIA



3008072

| Pos. | Part Number | Pcs. |
|------|---------------|------|
| 1 | 3001985 | 1 |
| 2 | 4005708 | 2 |
| 3 | m04010 | 3 |
| 4 | m10168 | 1 |
| 11 | m04340 | 4 |
| 12 | m10165 | 4 |
| 13 | m05571 | 14 |
| 16 | m15172 | 2 |
| 17 | 4004813 | 1 |
| 18 | 8000671-40135 | 1 |
| 19 | m04062 | 10 |
| 20 | m05180 | 9 |
| 26 | m05876 | 8 |
| 27 | m05566 | 30 |
| 28 | m15198 | 12 |
| 29 | m04164 | 12 |
| 30 | m01197 | 12 |
| 31 | m01293 | 12 |
| 32 | m04345 | 4 |
| 33 | m06101 | 2 |



Ⓒ SVĚTELNÁ SADA

Ⓓ LEUCHTENSATZ

Ⓕ KIT LUMINEUX

3008072

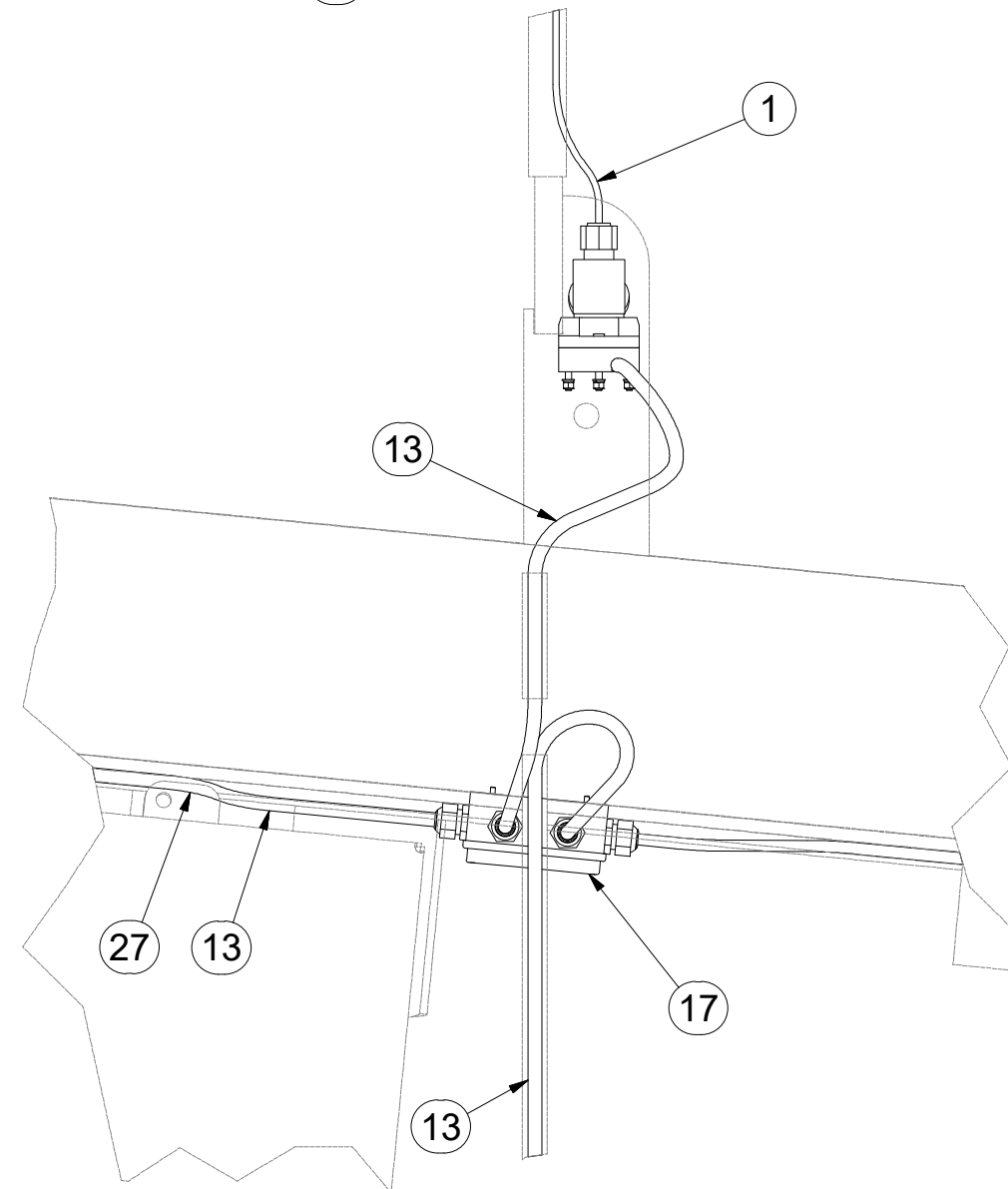
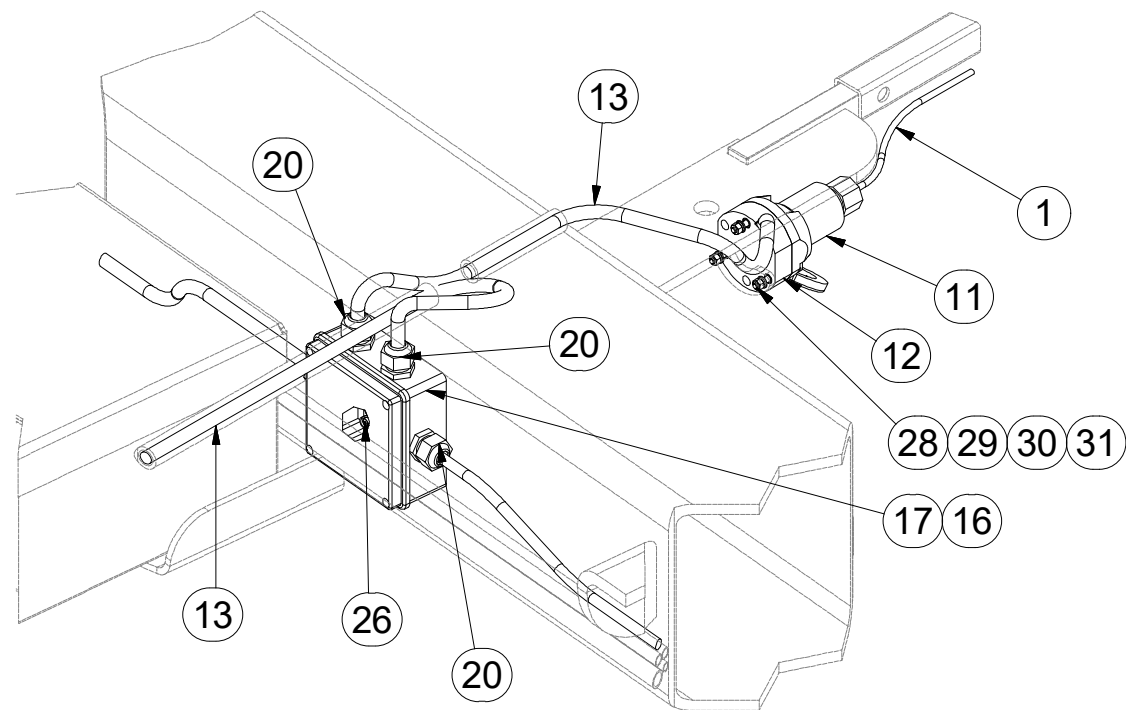
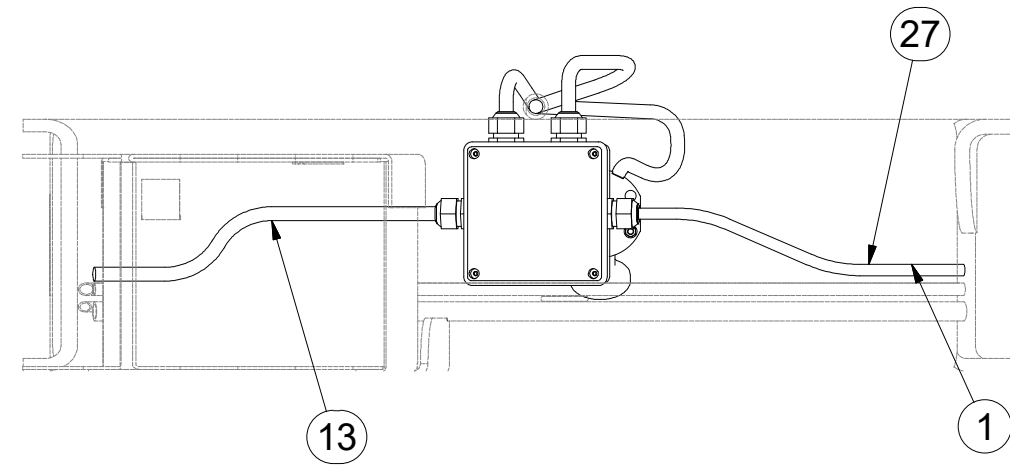
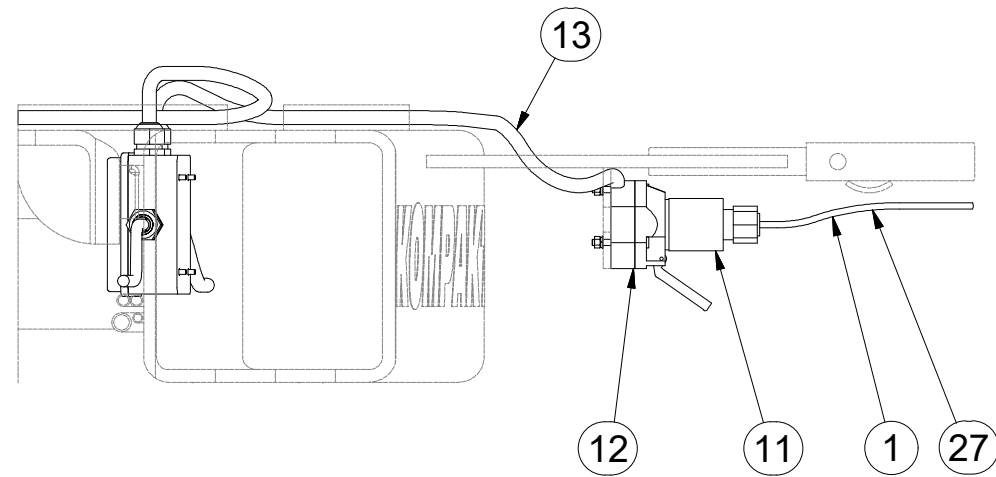
Ⓖ LIGHTING SET

Ⓡ ОСВЕТИТЕЛЬНЫЙ КОМПЛЕКТ

Ⓢ ZESTAW OŚWIETLENIA



A-A



| Pos. | Part Number | Pcs. |
|------|-------------|------|
| 1 | 3001985 | 1 |
| 11 | m04340 | 4 |
| 12 | m10165 | 4 |
| 13 | m05571 | 14 |
| 16 | m15172 | 2 |
| 17 | 4004813 | 1 |
| 19 | m04062 | 10 |
| 20 | m05180 | 9 |
| 26 | m05876 | 8 |
| 27 | m05566 | 30 |
| 28 | m15198 | 12 |
| 29 | m04164 | 12 |
| 30 | m01197 | 12 |
| 31 | m01293 | 12 |

Ⓒ SVĚTELNÁ SADA

Ⓓ LEUCHTENSATZ

Ⓕ KIT LUMINEUX

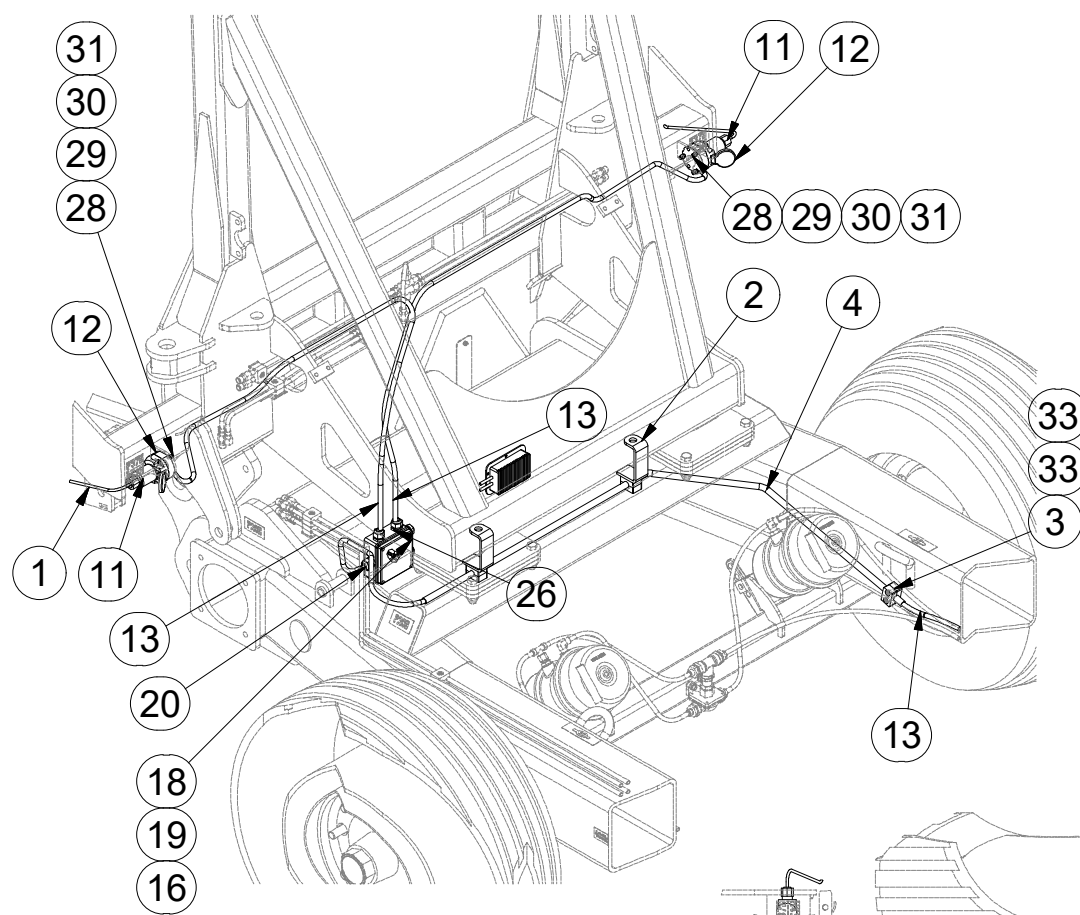
Ⓖ LIGHTING SET

Ⓡ ОСВЕТИТЕЛЬНЫЙ КОМПЛЕКТ

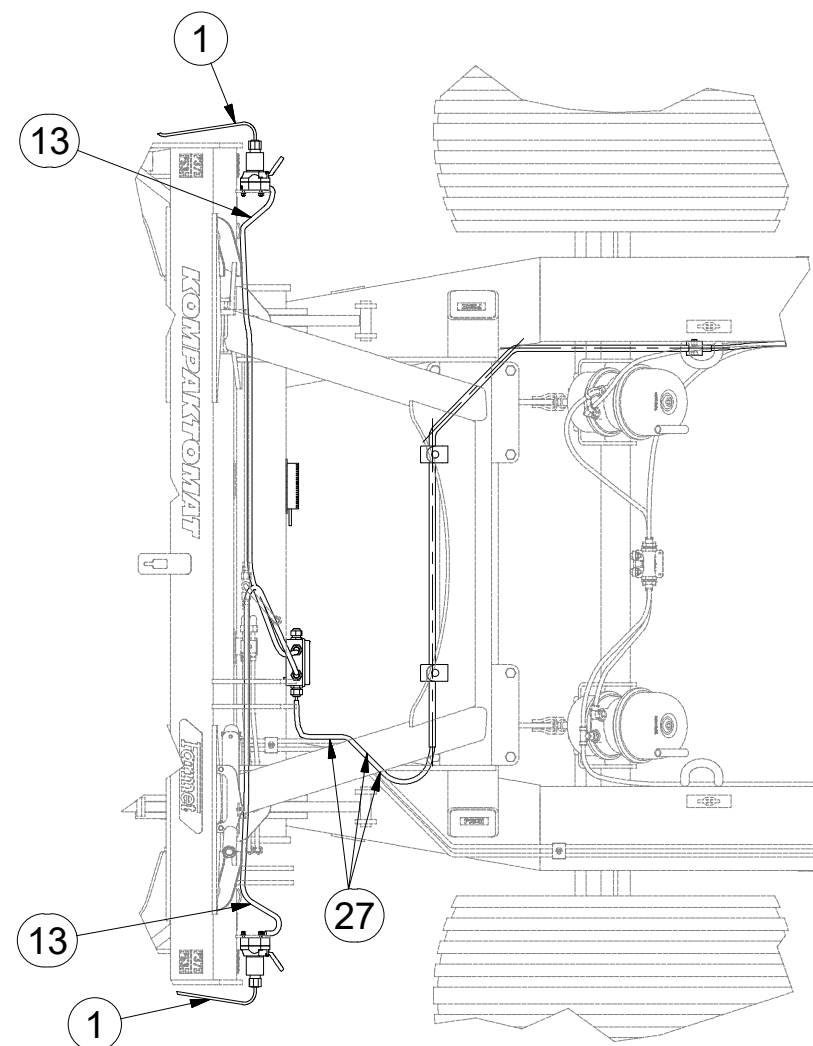
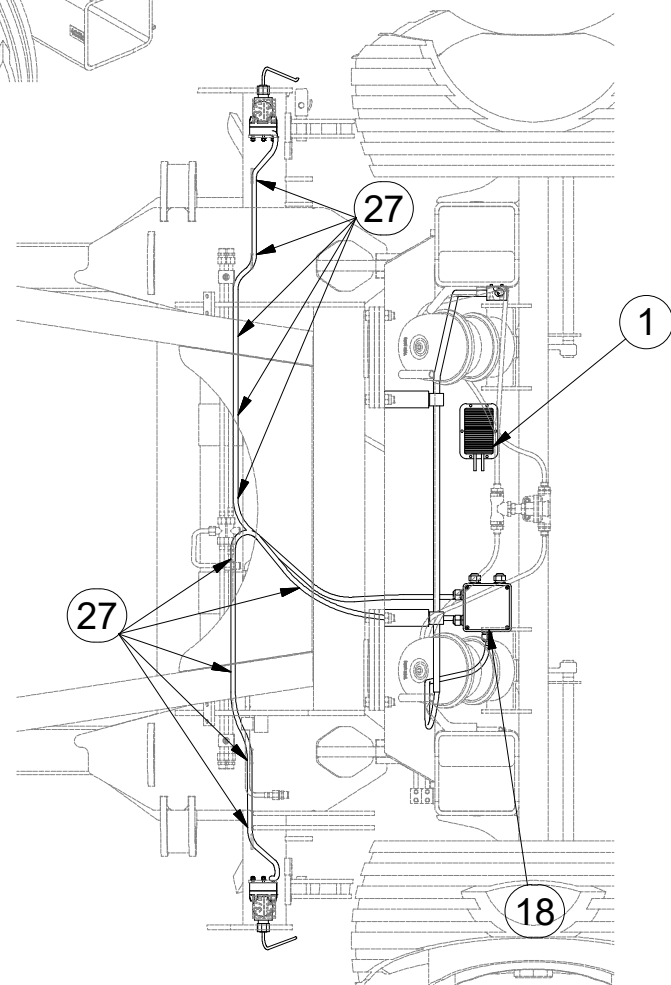
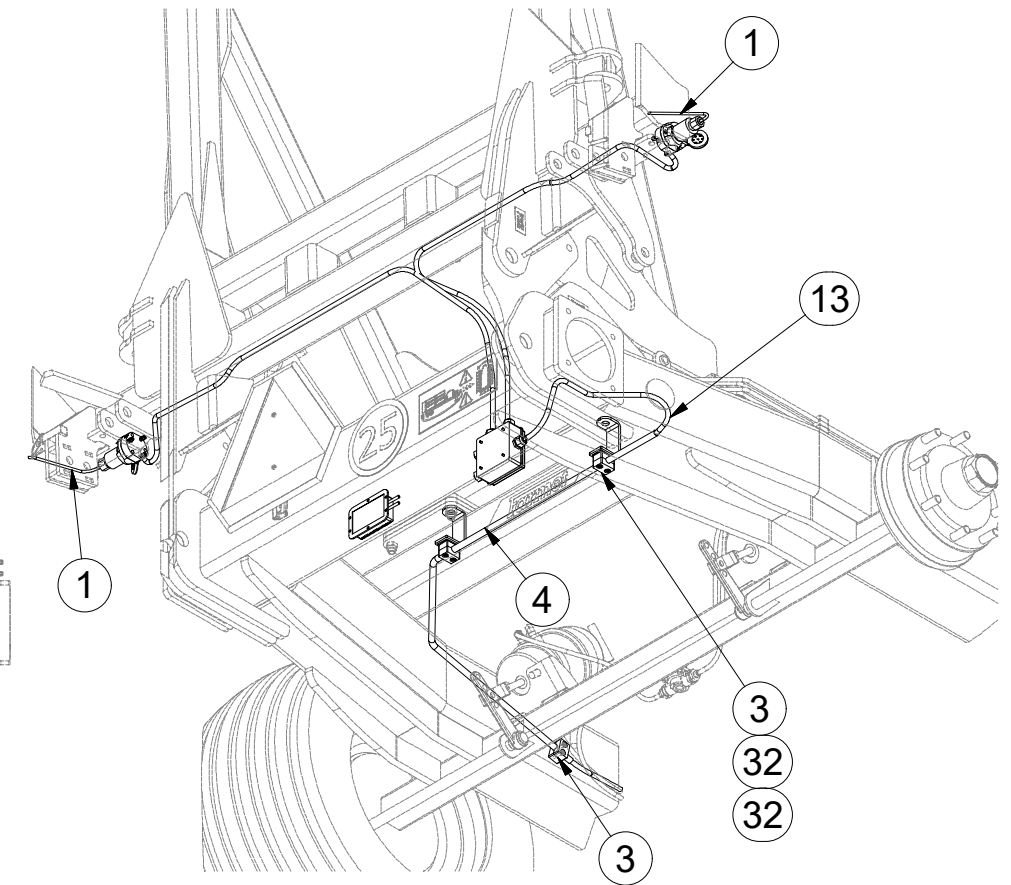
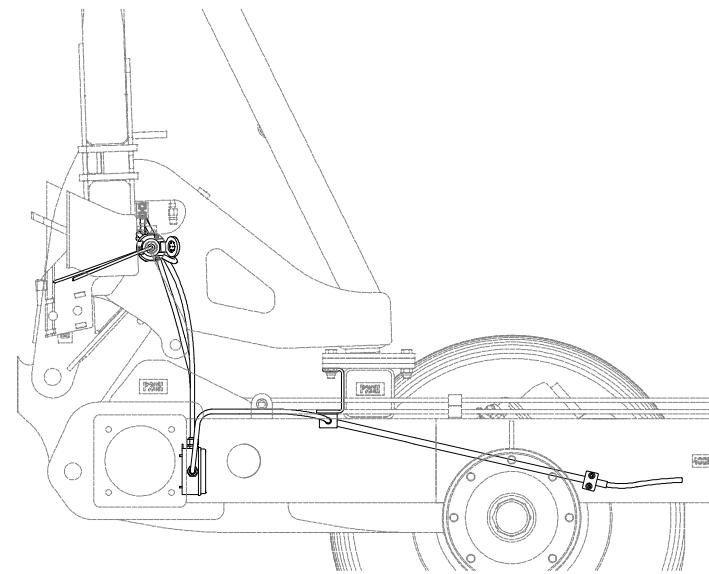
Ⓢ ZESTAW OŚWIETLENIA



3008072



B-B



| Pos. | Part Number | Pcs. |
|------|---------------|------|
| 1 | 3001985 | 1 |
| 2 | 4005708 | 2 |
| 3 | m04010 | 3 |
| 4 | m10168 | 1 |
| 11 | m04340 | 4 |
| 12 | m10165 | 4 |
| 13 | m05571 | 14 |
| 16 | m15172 | 2 |
| 17 | 4004813 | 1 |
| 18 | 8000671-40135 | 1 |
| 19 | m04062 | 10 |
| 20 | m05180 | 9 |
| 26 | m05876 | 8 |
| 27 | m05566 | 30 |
| 28 | m15198 | 12 |
| 29 | m04164 | 12 |
| 30 | m01197 | 12 |
| 31 | m01293 | 12 |
| 32 | m04345 | 4 |
| 33 | m06101 | 2 |

Ⓒ SVĚTELNÁ SADA

Ⓓ LEUCHTENSATZ

Ⓕ KIT LUMINEUX

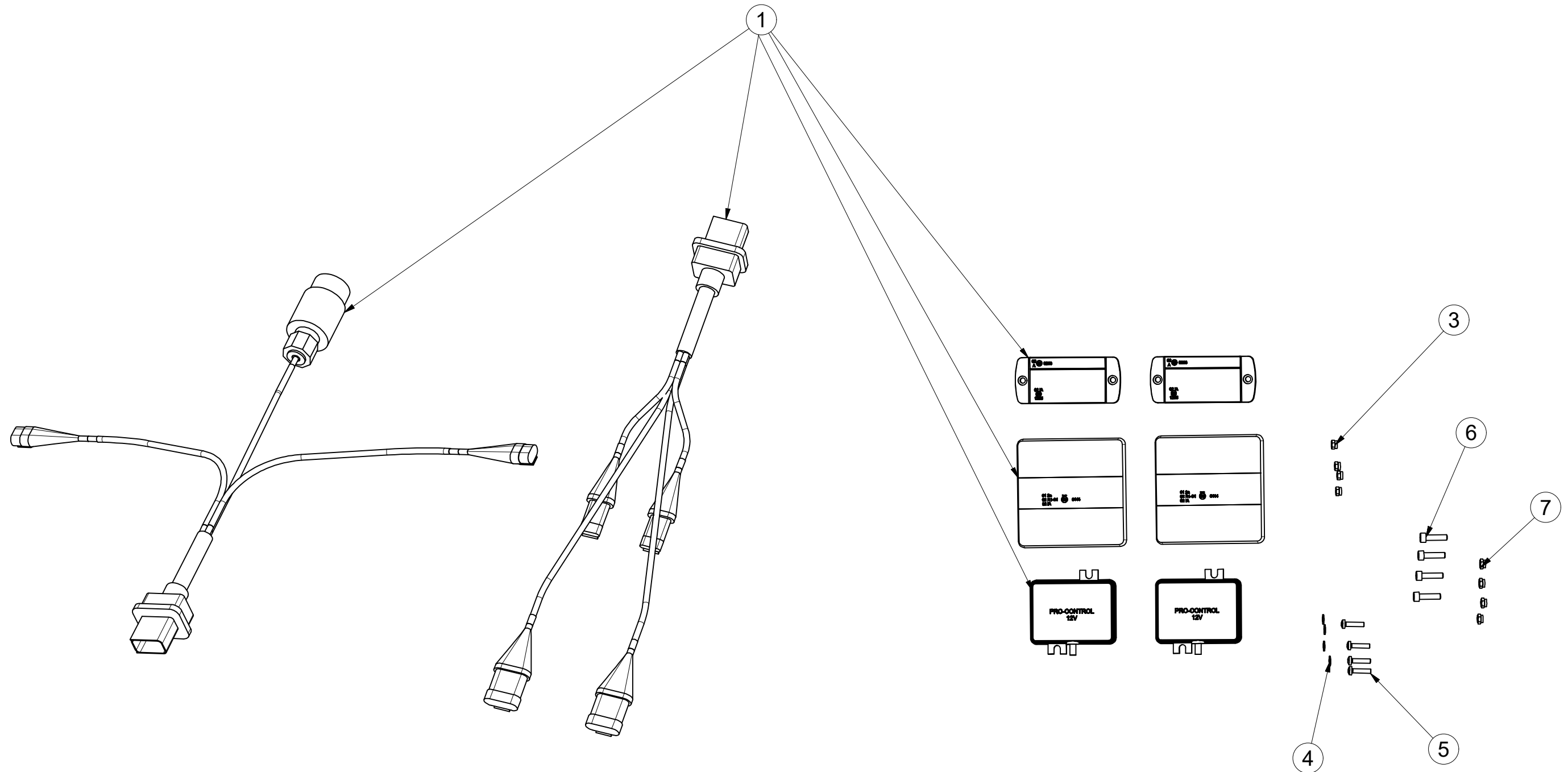
Ⓖ LIGHTING SET

Ⓡ ОСВЕТИТЕЛЬНЫЙ КОМПЛЕКТ

Ⓟ ZESTAW OŚWIETLENIA



3008454



| Pos. | Part Number | Pcs. |
|------|-------------|------|
| 1 | m15240 | 1 |
| 3 | m05562 | 4 |
| 4 | m05597 | 4 |
| 5 | m15790 | 4 |
| 6 | m10591 | 4 |
| 7 | m06236 | 4 |
| 30 | m05566 | 50 |

Ⓒ SVĚTELNÁ SADA

Ⓓ LEUCHTENSATZ

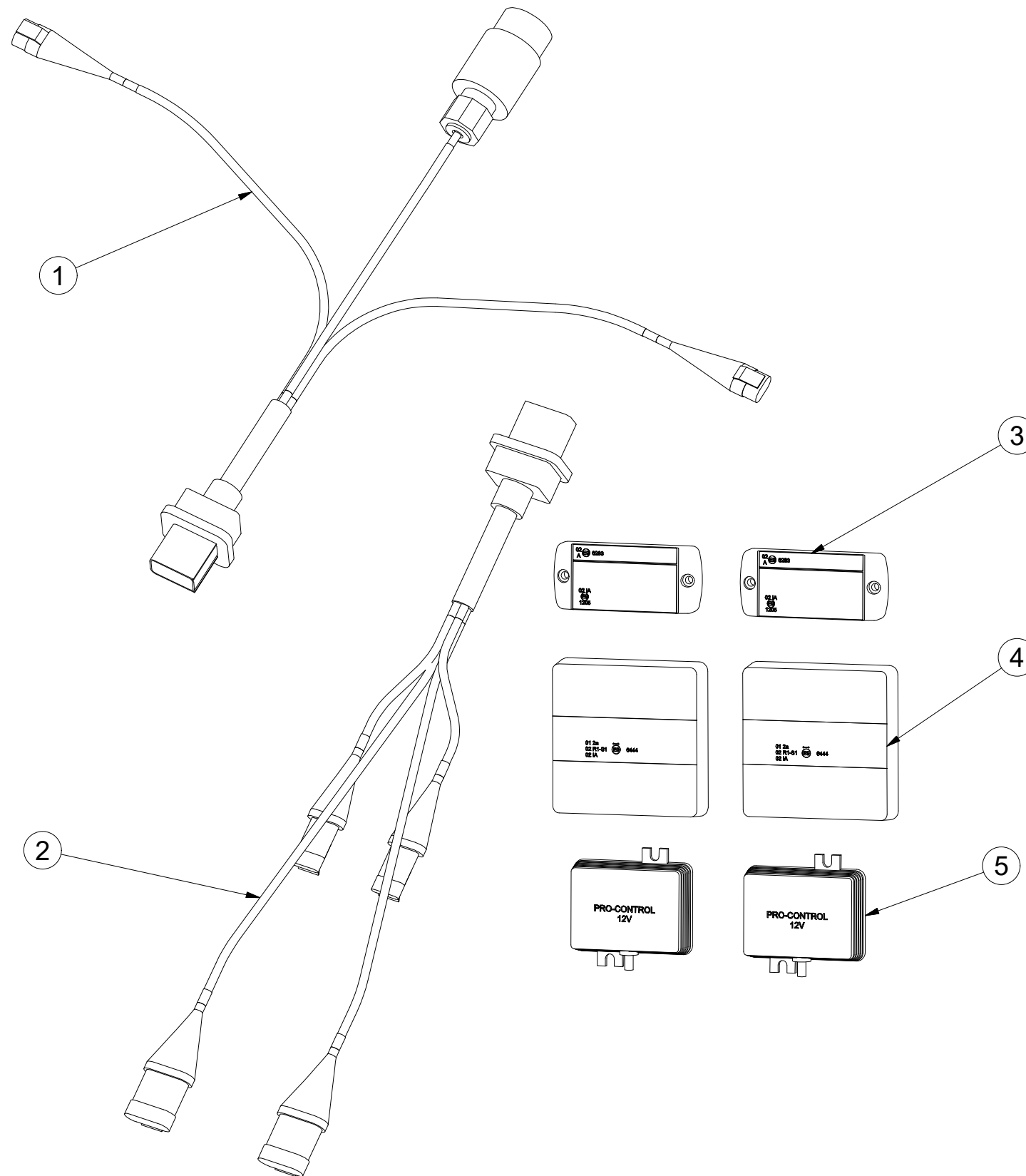
Ⓕ KIT LUMINEUX

m15240

Ⓖ LIGHTING SET

Ⓡ ОСВЕТИТЕЛЬНЫЙ КОМПЛЕКТ

Ⓟ ZESTAW OŚWIETLENIA



| Pos. | Part Number | Pcs. |
|------|-------------|------|
| 1 | m14779 | 1 |
| 2 | m14778 | 1 |
| 3 | m14776 | 2 |
| 4 | m14865 | 2 |
| 5 | m14777 | 2 |

Ⓒ PÍSTNICE 80/40-250

Ⓓ KOLBENSTANGE 80/40-250

Ⓕ TIGE DE PISTON 80/40-250

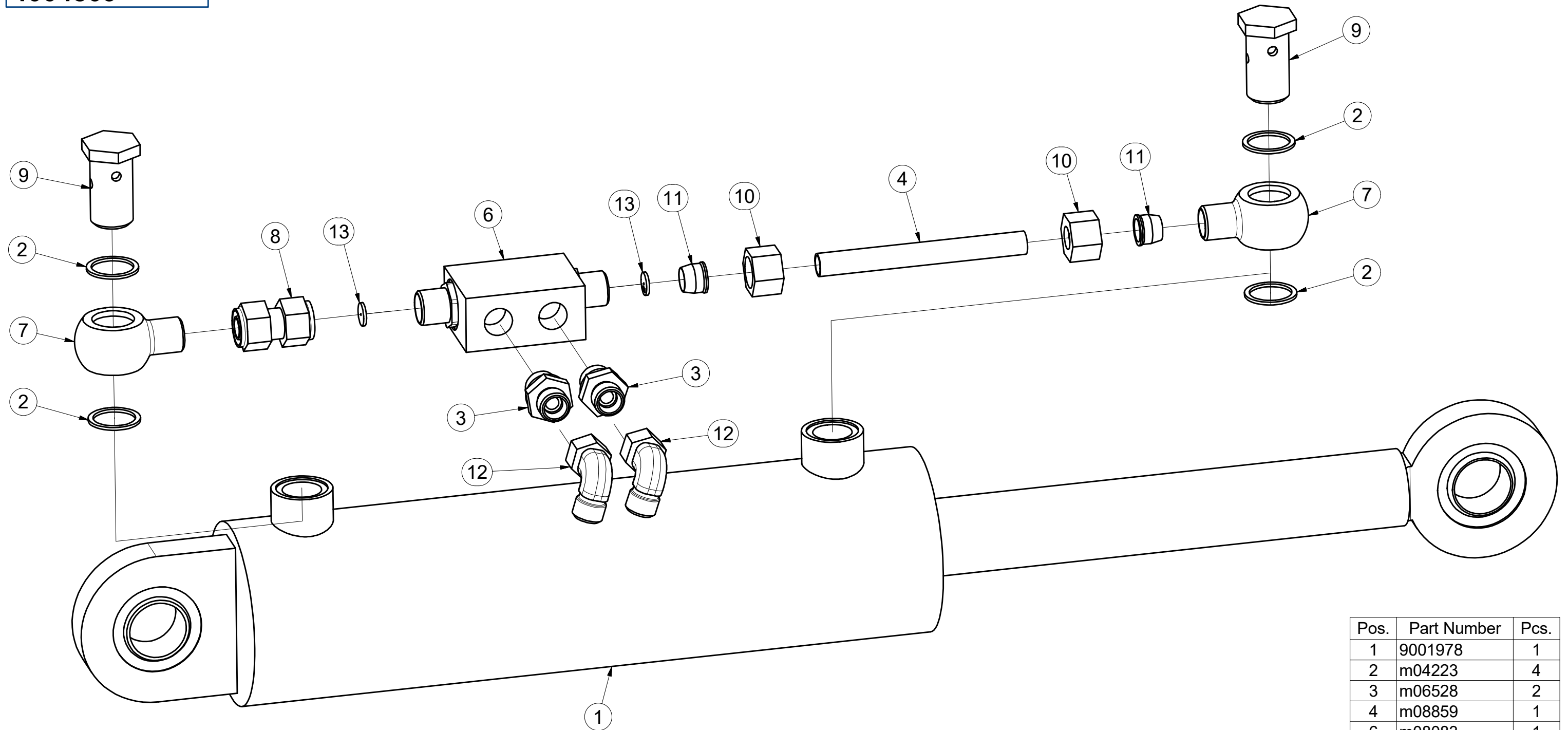
Ⓖ PISTON ROD 80/40-250

Ⓔ ЦИЛИНДР 80/40-250

Ⓟ TRZPIEŃ TŁOKA 80/40-250



4004809



| Pos. | Part Number | Pcs. |
|------|-------------|------|
| 1 | 9001978 | 1 |
| 2 | m04223 | 4 |
| 3 | m06528 | 2 |
| 4 | m08859 | 1 |
| 6 | m08083 | 1 |
| 7 | m08860 | 2 |
| 8 | m05144 | 1 |
| 9 | m02609 | 2 |
| 10 | m08861 | 2 |
| 11 | m08862 | 2 |
| 12 | m06803 | 2 |
| 13 | m10774 | 2 |

Ⓒ PÍSTNICE 110/55-400

Ⓓ KOLBENSTANGE 110/55-400

Ⓕ TIGE DE PISTON 110/55-400

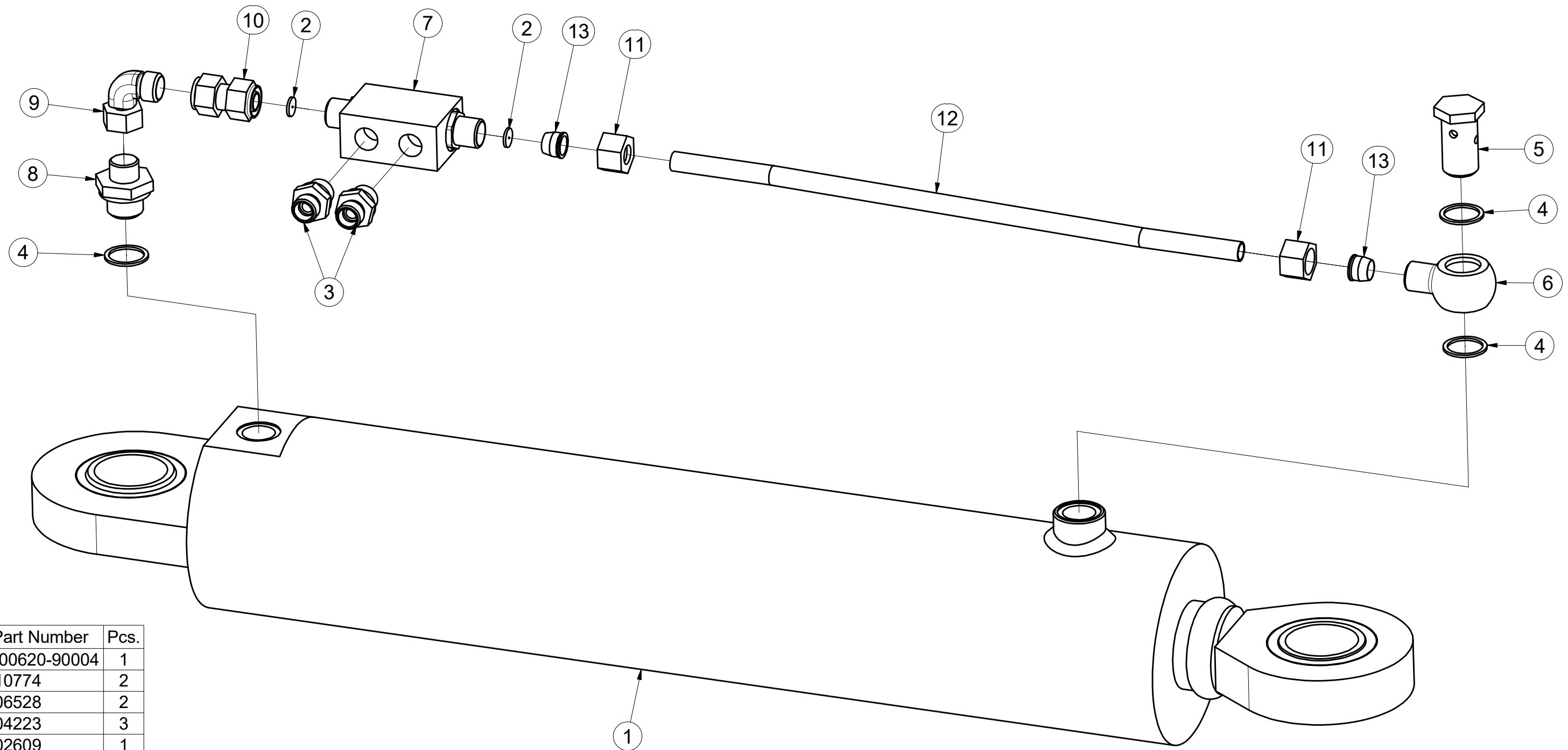
Ⓖ PISTON ROD 110/55-400

Ⓔ ЦИЛИНДР 110/55-400

Ⓟ TRZPIEŃ TŁOKA 110/55-400



4004810



| Pos. | Part Number | Pcs. |
|------|---------------|------|
| 1 | 8000620-90004 | 1 |
| 2 | m10774 | 2 |
| 3 | m06528 | 2 |
| 4 | m04223 | 3 |
| 5 | m02609 | 1 |
| 6 | m08860 | 1 |
| 7 | m08083 | 1 |
| 8 | m07865 | 1 |
| 9 | m07654 | 1 |
| 10 | m05144 | 1 |
| 11 | m08861 | 2 |
| 12 | m09654 | 1 |
| 13 | m08862 | 2 |

Ⓒ PÍSTNICE 63/32-160

Ⓓ KOLBENSTANGE 63/32-160

Ⓕ TIGE DE PISTON 63/32-160

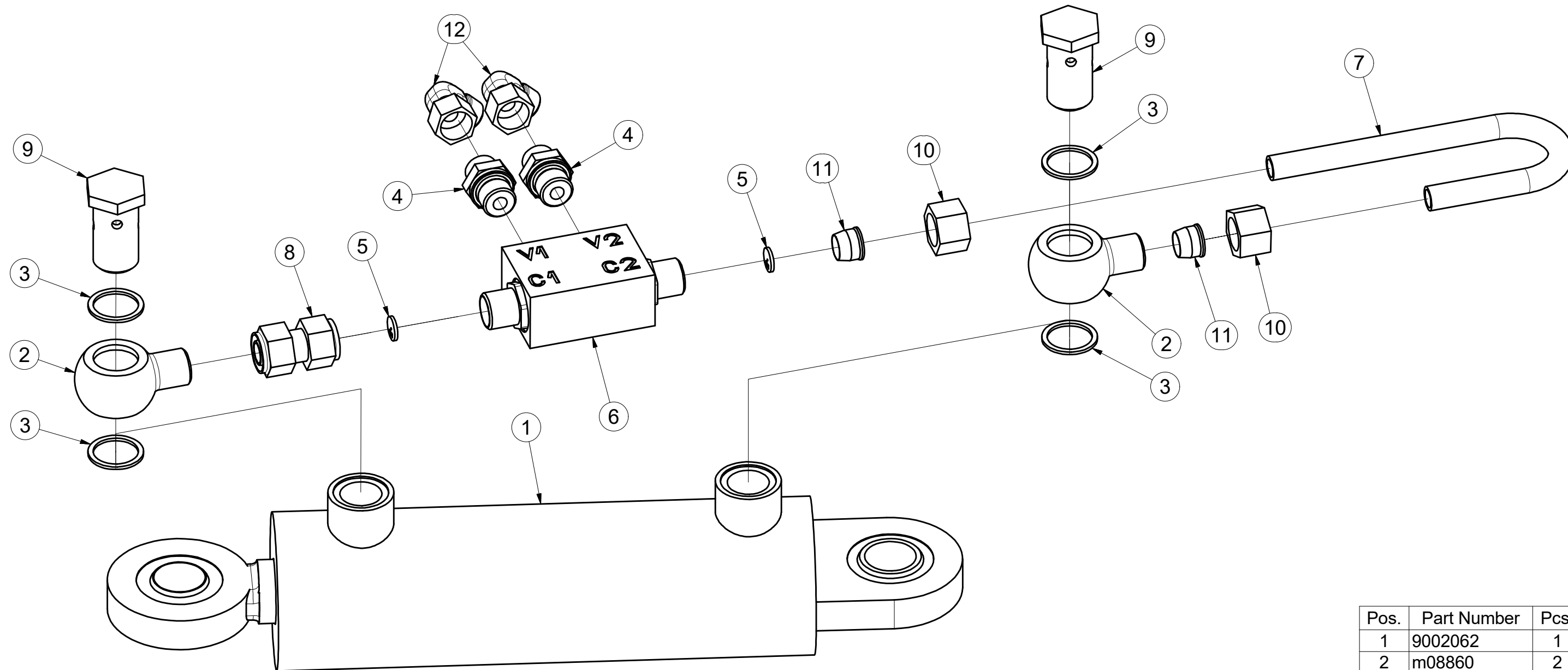
Ⓒ PISTON ROD 63/32-160

Ⓓ ЦИЛИНДР 63/32-160

Ⓖ TRZPIEŃ TŁOKA 63/32-160



4004815



| Pos. | Part Number | Pcs. |
|------|-------------|------|
| 1 | 9002062 | 1 |
| 2 | m08860 | 2 |
| 3 | m04223 | 4 |
| 4 | m06528 | 2 |
| 5 | m10774 | 2 |
| 6 | m08083 | 1 |
| 7 | m09658 | 1 |
| 8 | m05144 | 1 |
| 9 | m02609 | 2 |
| 10 | m08861 | 2 |
| 11 | m08862 | 2 |
| 12 | m06803 | 2 |

Ⓒ PÍSTNICE 125/63-1500

Ⓓ KOLBENSTANGE 125/63-1500

Ⓕ TIGE DE PISTON 125/63-1500

Ⓖ PISTON ROD 125/63-1500

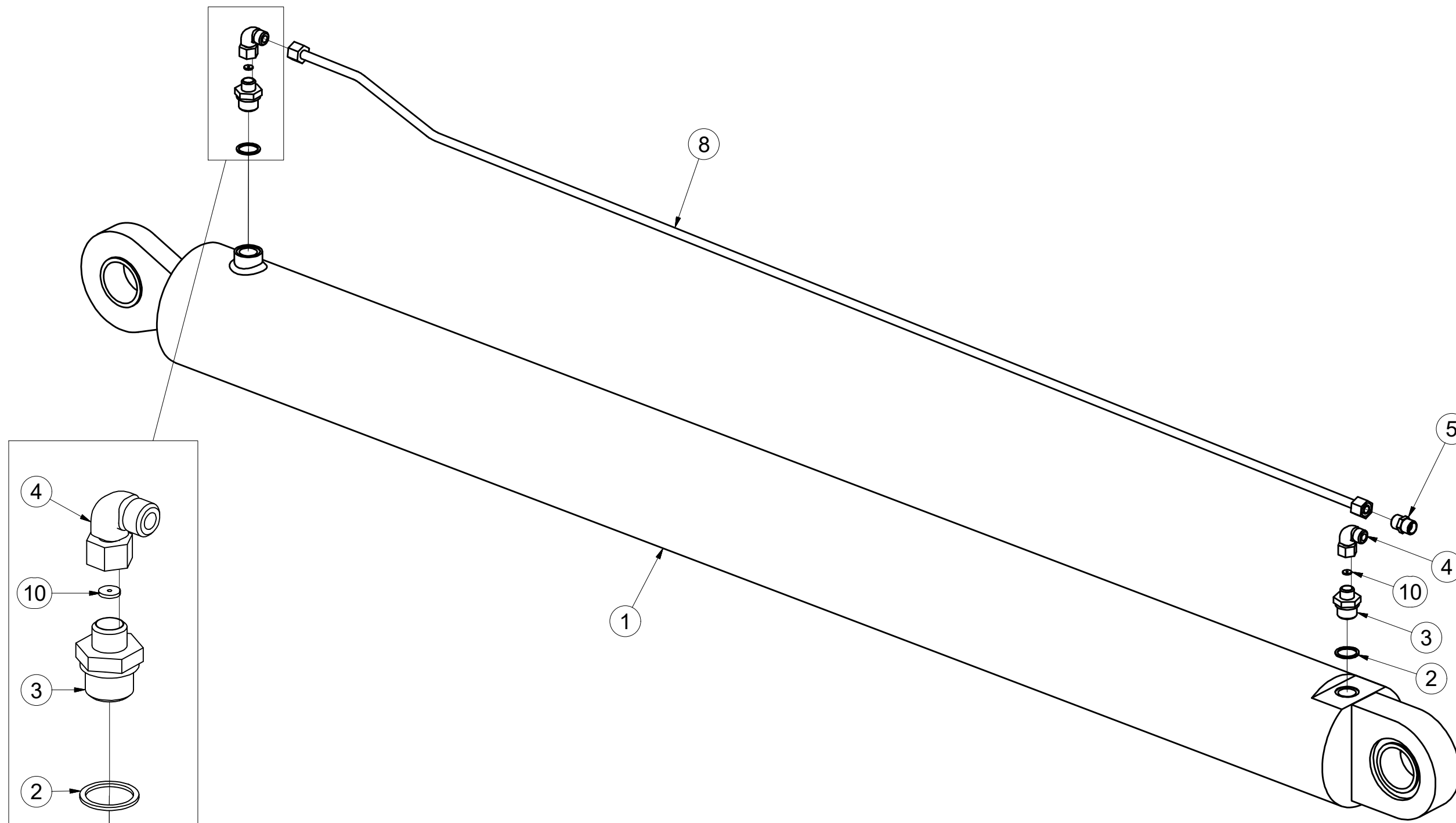
Ⓡ ЦИЛИНДР 125/63-1500

Ⓟ TRZPIEŃ TŁOKA 125/63-1500



4004817

| Pos. | Part Number | Pcs. |
|------|-------------|------|
| 1 | 9001977 | 1 |
| 2 | m04223 | 2 |
| 4 | m06803 | 2 |
| 3 | m03925 | 2 |
| 8 | m09659 | 1 |
| 5 | m03213 | 1 |
| 10 | 4003787 | 2 |



Ⓒ PÍSTNICE 50/25-400

Ⓓ KOLBENSTANGE 50/25-400

Ⓕ TIGE DE PISTON 50/25-400

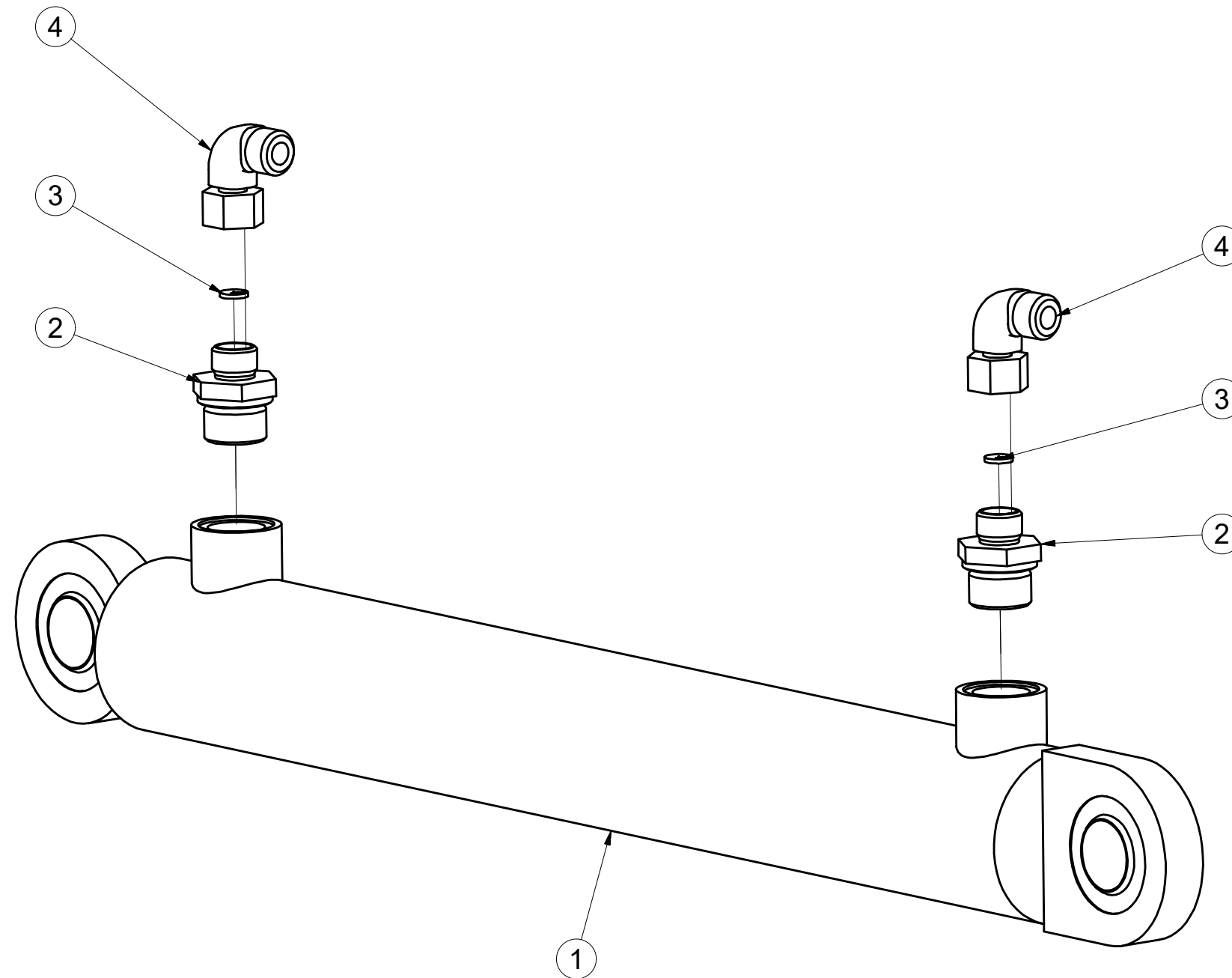
Ⓖ PISTON ROD 50/25-400

Ⓡ ЦИЛИНДР 50/25-400

Ⓟ TRZPIEŃ TŁOKA 50/25-400



4010365



| Pos. | Part Number | Pcs. |
|------|---------------|------|
| 1 | 8000540-90354 | 1 |
| 2 | m09934 | 2 |
| 3 | m10782 | 2 |
| 4 | m06803 | 2 |

Ⓒ PÍSTNICE 50/25-250

Ⓓ KOLBENSTANGE 50/25-250

Ⓕ TIGE DE PISTON 50/25-250

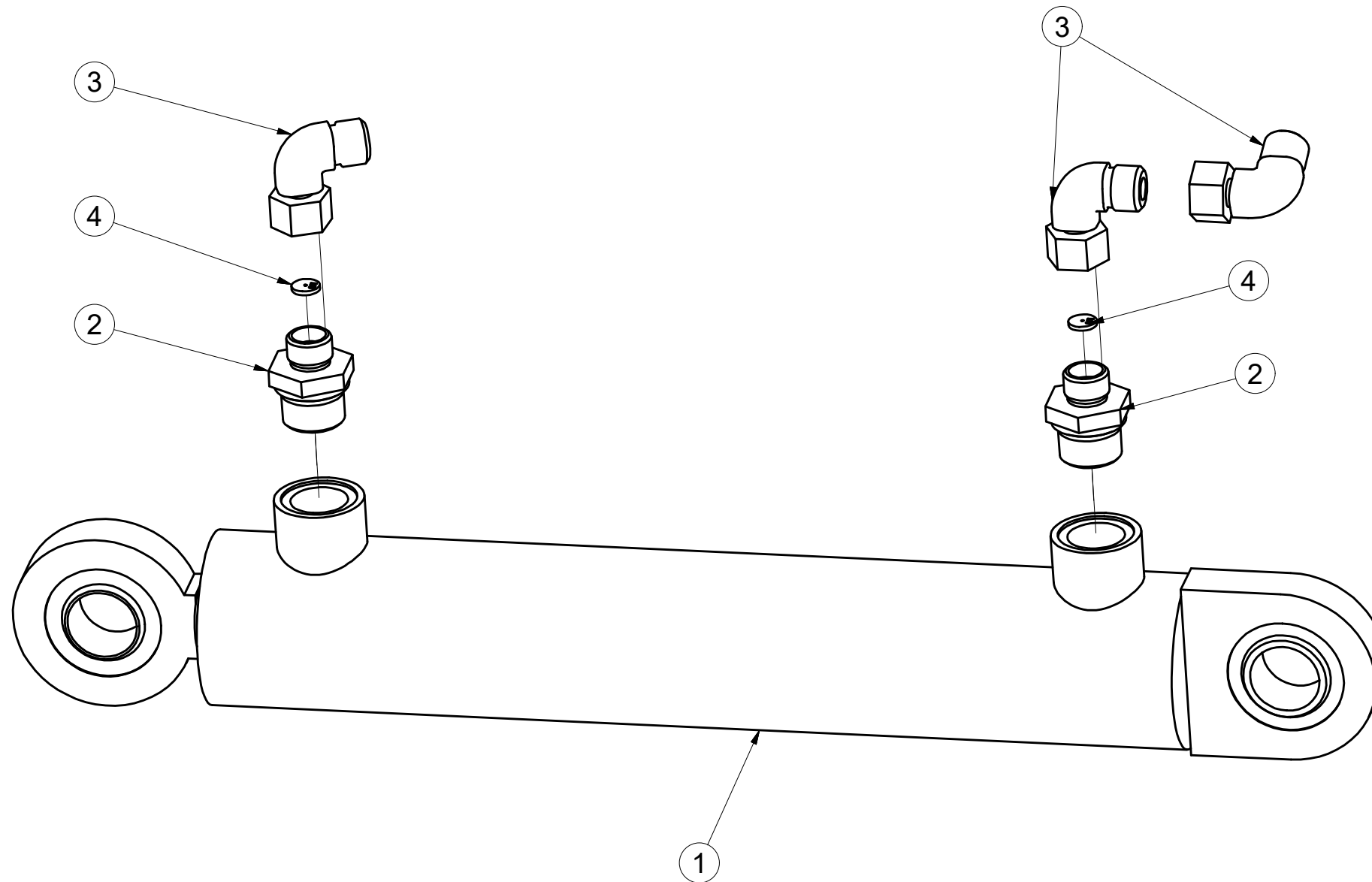
Ⓖ PISTON ROD 50/25-250

Ⓔ ЦИЛИНДР 50/25-250

Ⓗ TRZPIEŃ TŁOKA 50/25-250



4010366



| Pos. | Part Number | Pcs. |
|------|-------------|------|
| 1 | 9002066 | 1 |
| 2 | m09934 | 2 |
| 3 | m06803 | 3 |
| 4 | m10780 | 2 |

Ⓒ SOUPRAVA TĚSNIVA PÍSTNIC

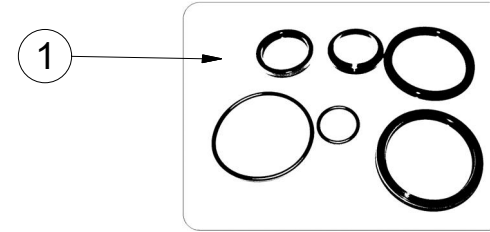
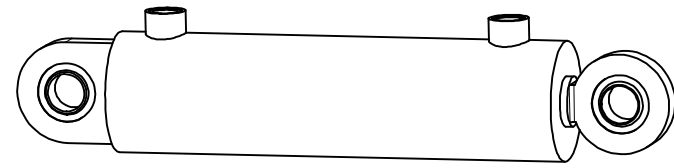
Ⓓ KOLBENSTANGENDICHTUNGSMITTELSATZ

Ⓕ SET DE GARNITURE DES TIGES DE PISTON

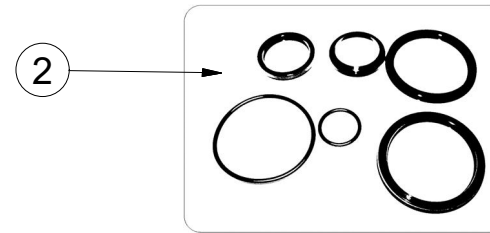
Ⓖ SEALING SET FOR PISTON RODS

Ⓔ КОМПЛЕКТ ПРОКЛАДОК ЦИЛИНДРОВ

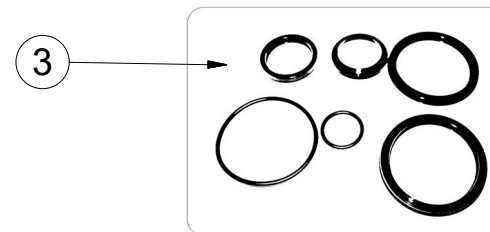
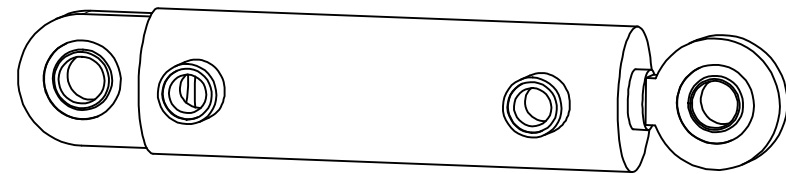
Ⓗ ZESTAW USZCZELEK TRZPIENIA TŁOKA



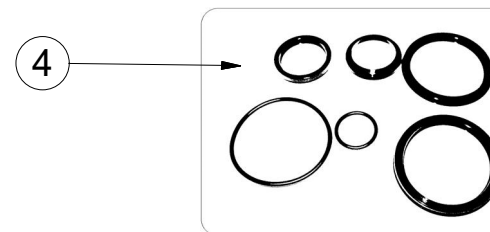
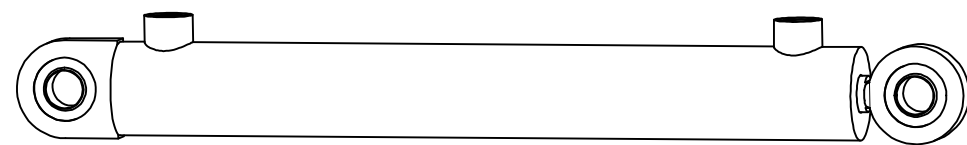
| 9001978 - $\varnothing 80/\varnothing 40-250$ | | |
|---|-------------|-----|
| Pos | Part number | Pcs |
| 1 | m03528 | 1 |



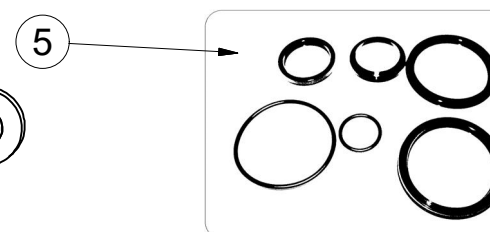
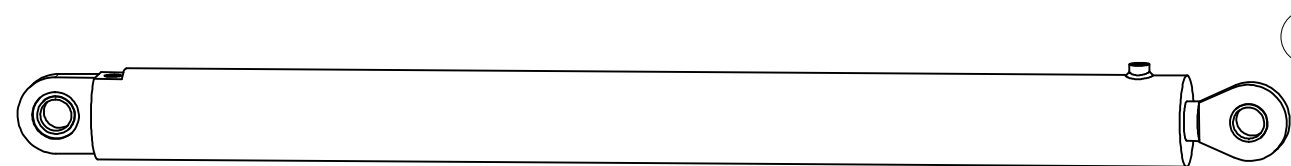
| 8000620-90004 - $\varnothing 110/\varnothing 55-400$ | | |
|--|-------------|-----|
| Pos | Part number | Pcs |
| 2 | m09157 | 1 |



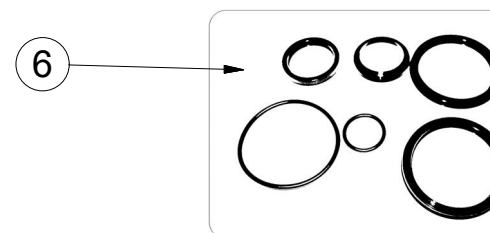
| 9002062 - $\varnothing 63/\varnothing 32-160$ | | |
|---|-------------|-----|
| Pos | Part number | Pcs |
| 3 | m05442 | 1 |



| 8000540-90354 - $\varnothing 50/\varnothing 25-400$ | | |
|---|-------------|-----|
| Pos | Part number | Pcs |
| 4 | m08750 | 1 |



| 9001977 - $\varnothing 125/\varnothing 63-1500$ | | |
|---|-------------|-----|
| Pos | Part number | Pcs |
| 5 | m09158 | 2 |



| 9002066 - $\varnothing 50/\varnothing 25-250$ | | |
|---|-------------|-----|
| Pos | Part number | Pcs |
| 6 | m08750 | 1 |