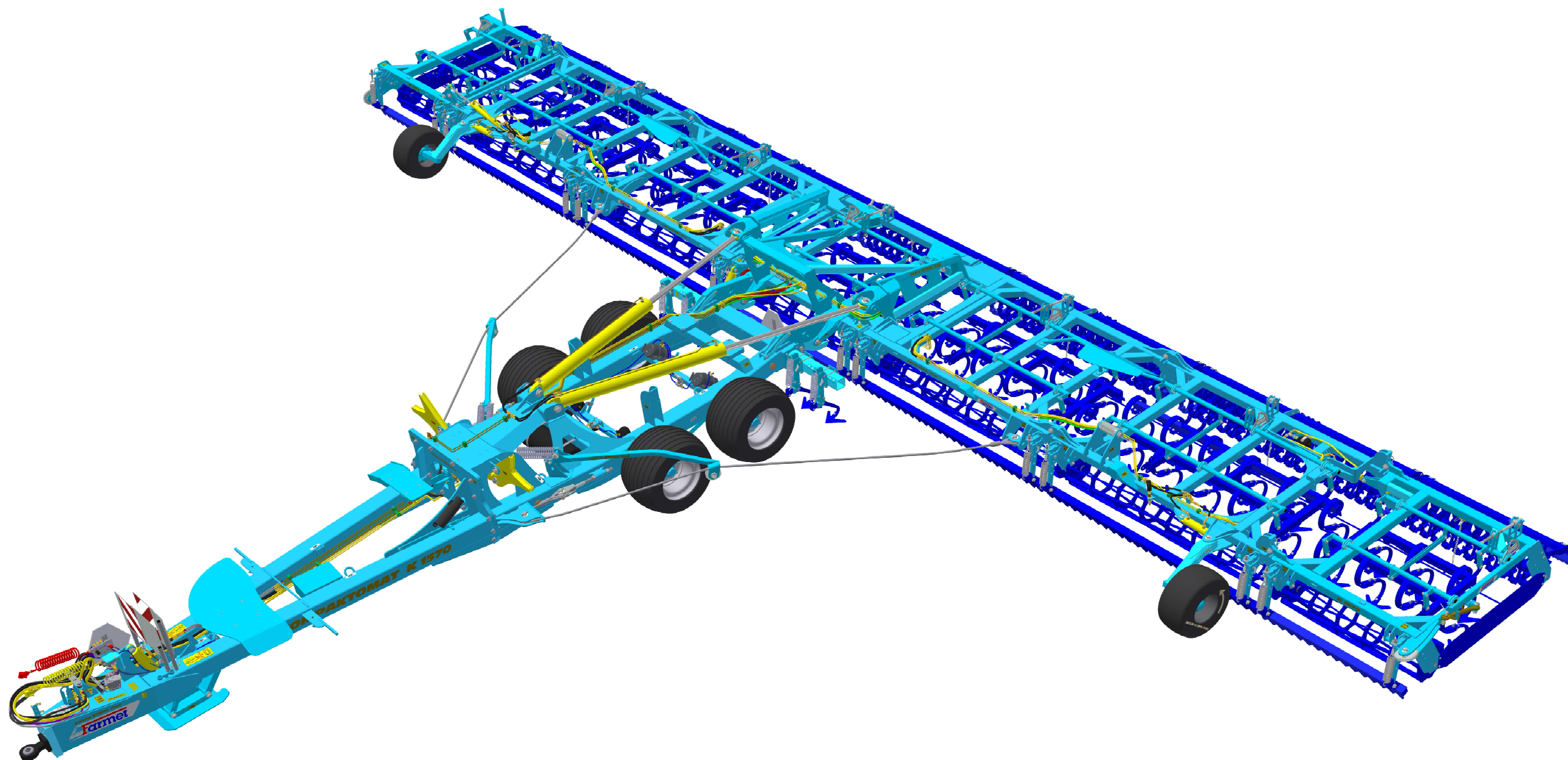


The effective technology

Farmet

ⒸZ KATALOG NÁHRADNÍCH DÍLŮ ⒸB CATALOGUE OF SPARE PARTS ⒸD ERSATZTEILLISTE
ⒸRU КАТАЛОГ ЗАПАСНЫХ ЧАСТЕЙ ⒸF CATALOGUE DES PIÈCES DE RECHANGE ⒸPL KATALOG CZĘŚCI ZAMIENNYCH

КОМПАКТОМАТ K1570PS



ⒸZ Platnost pro vrcholové | výrobní číslo stroje ⒸB Validity for the top | serial number of the machine
ⒸD Gültigkeit für die Haupt- | Herstellungsnummer der Maschine ⒸRU Действительно для главного | заводского номера машины
ⒸF Validité du numéro de référence | de série de la machine ⒸPL Obowiązuje dla numeru głównego | seryjnego maszyny

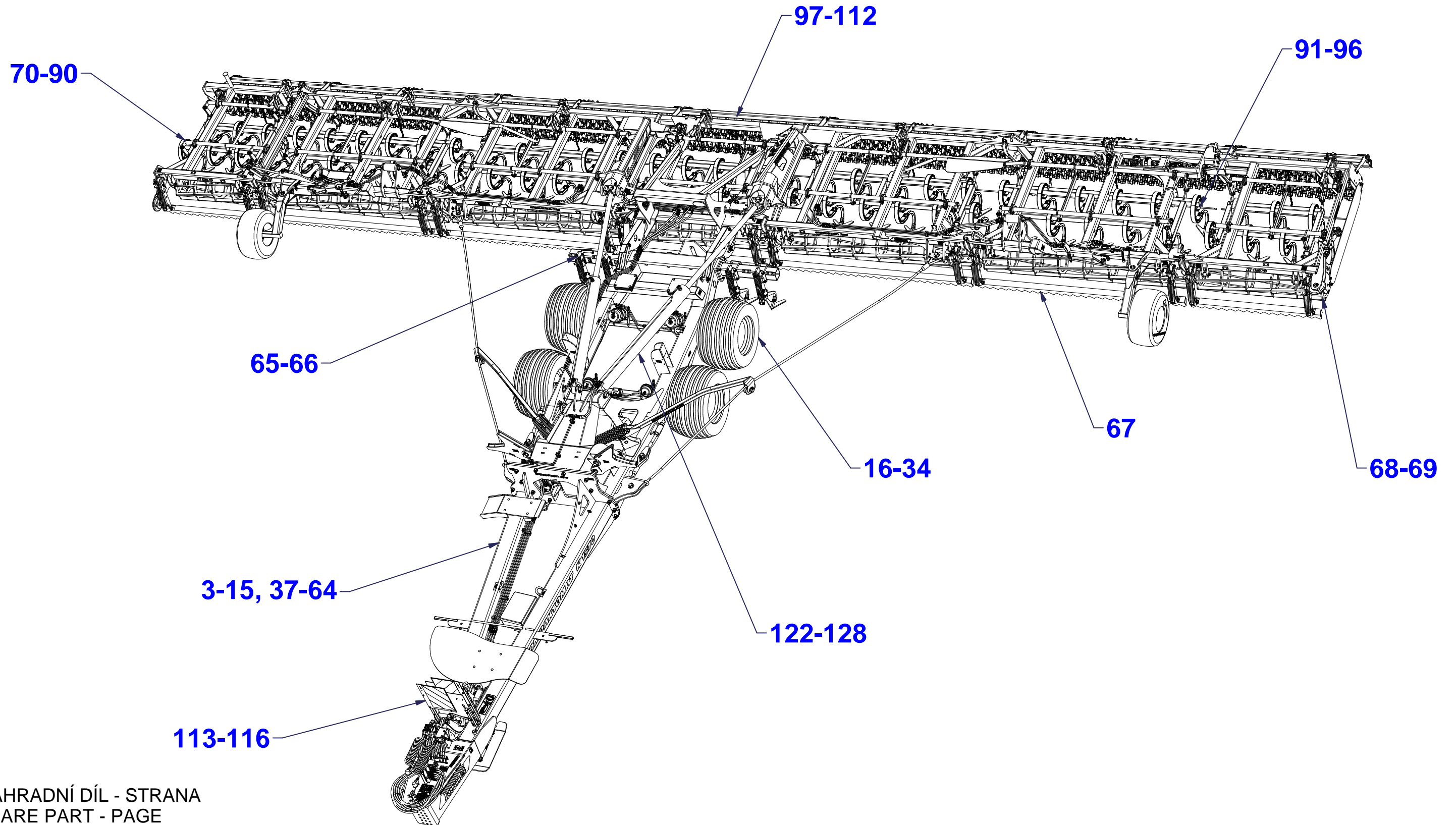
9303987 | 2016/0950

Farmet a. s.
Jiřinková 276
552 03 Česká Skalice, CZ

telefon: +420 491 450 111
fax: +420 491 450 136
GSM: +420 774 715 738

IČ: 46504931
DIČ: CZ46504931

web: www.farmet.cz
e-mail: farmet@farmet.cz



Ⓒ POLOTOVAR STROJE

Ⓓ MASCHINEN-HALBFABRIKAT

Ⓕ MACHINE - SEMI-PRODUIT

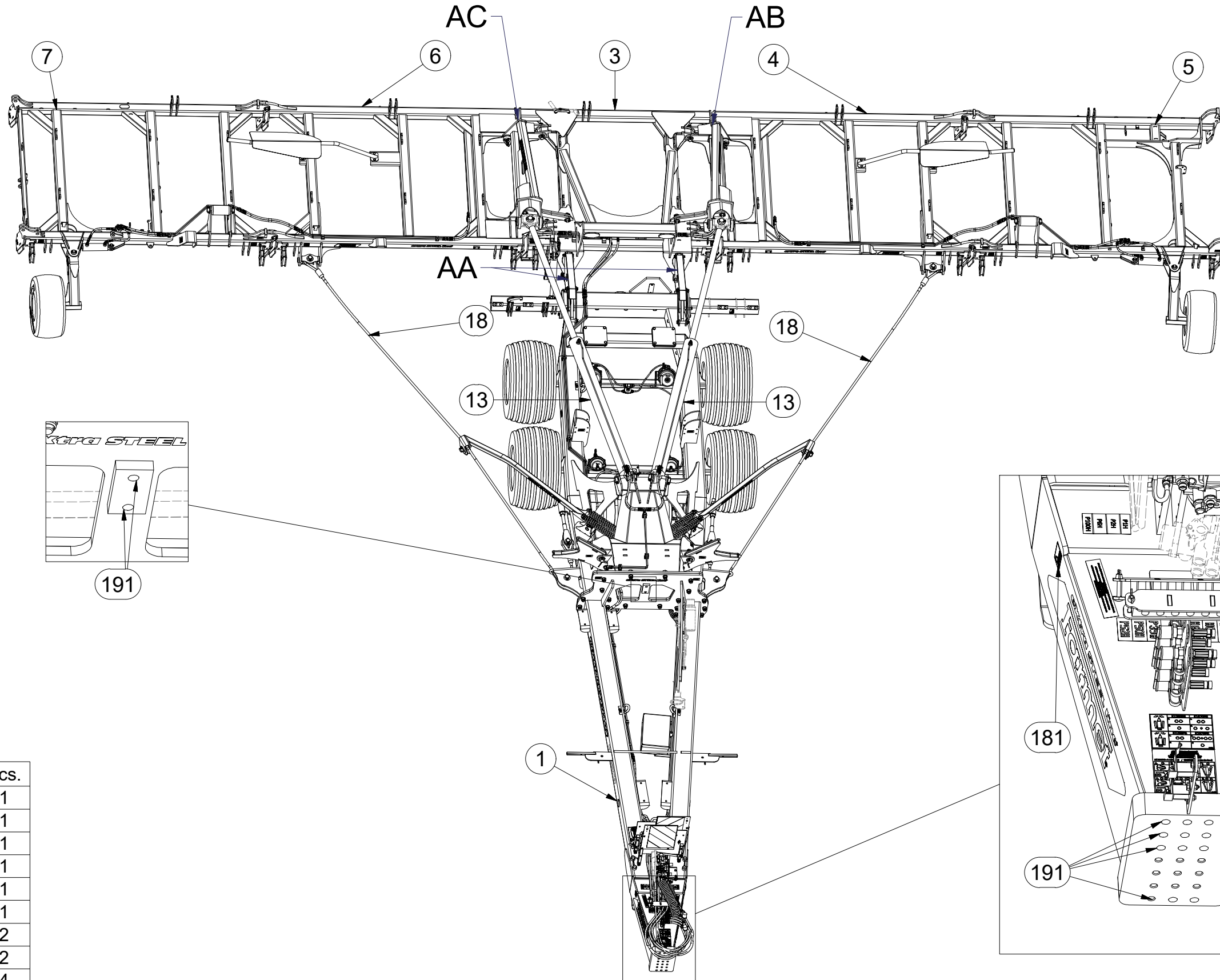
Ⓖ SEMIFINISHED MACHINE

Ⓡ ПОЛУФАБРИКАТ МАШИНЫ

Ⓢ РОЉФАБРИКАТ МАСЗЫНЫ



3007973



Pos.	Part Number	Pcs.
1	3007987	1
3	3006955	1
4	3006956	1
5	3007988	1
6	3006958	1
7	3007989	1
13	4004817	2
18	m09595	2
181	m10180	4
191	m12433	26

Ⓒ POLOTOVAR STROJE

Ⓓ MASCHINEN-HALBFABRIKAT

Ⓕ MACHINE - SEMI-PRODUIT

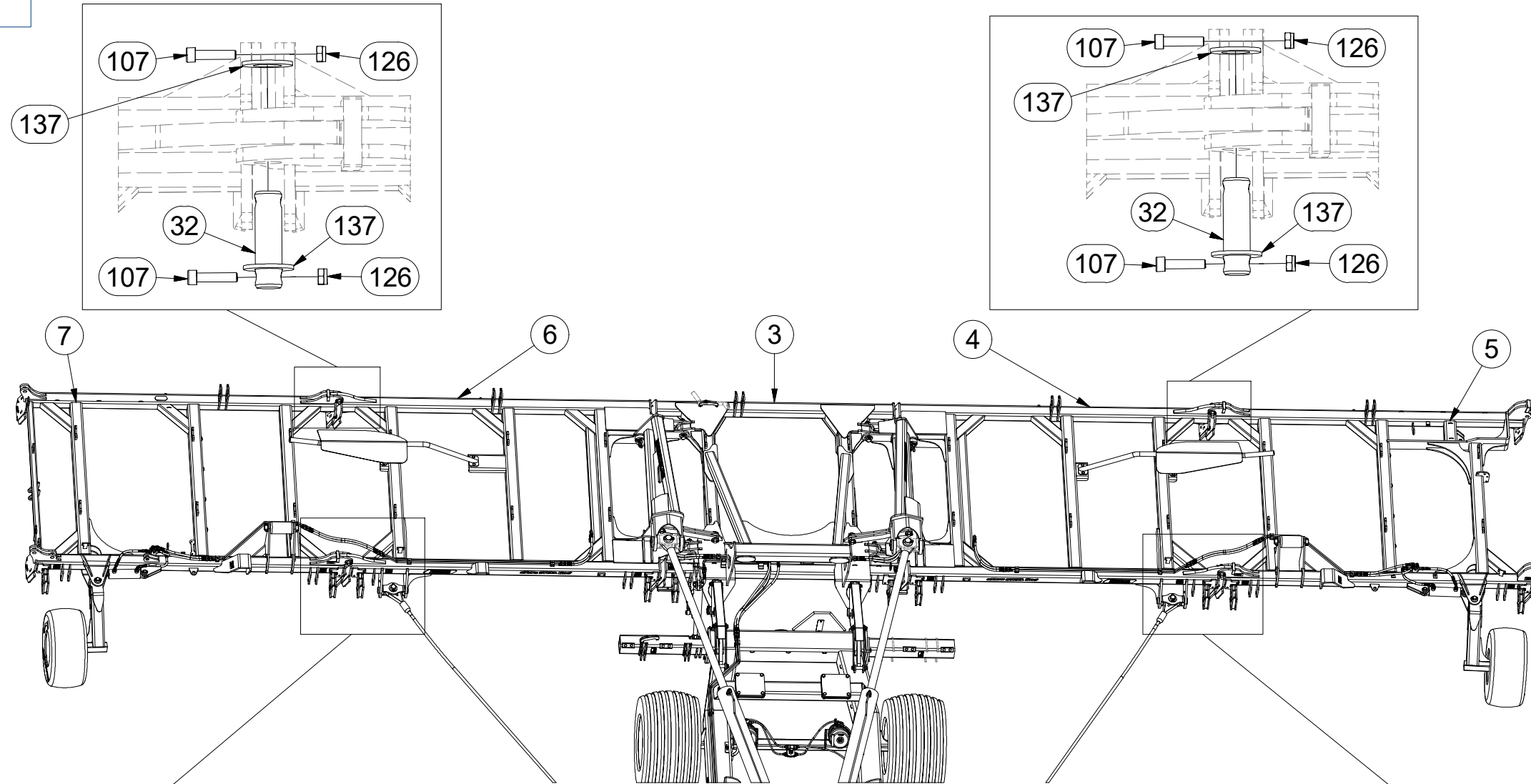
Ⓖ SEMIFINISHED MACHINE

Ⓡ ПОЛУФАБРИКАТ МАШИНЫ

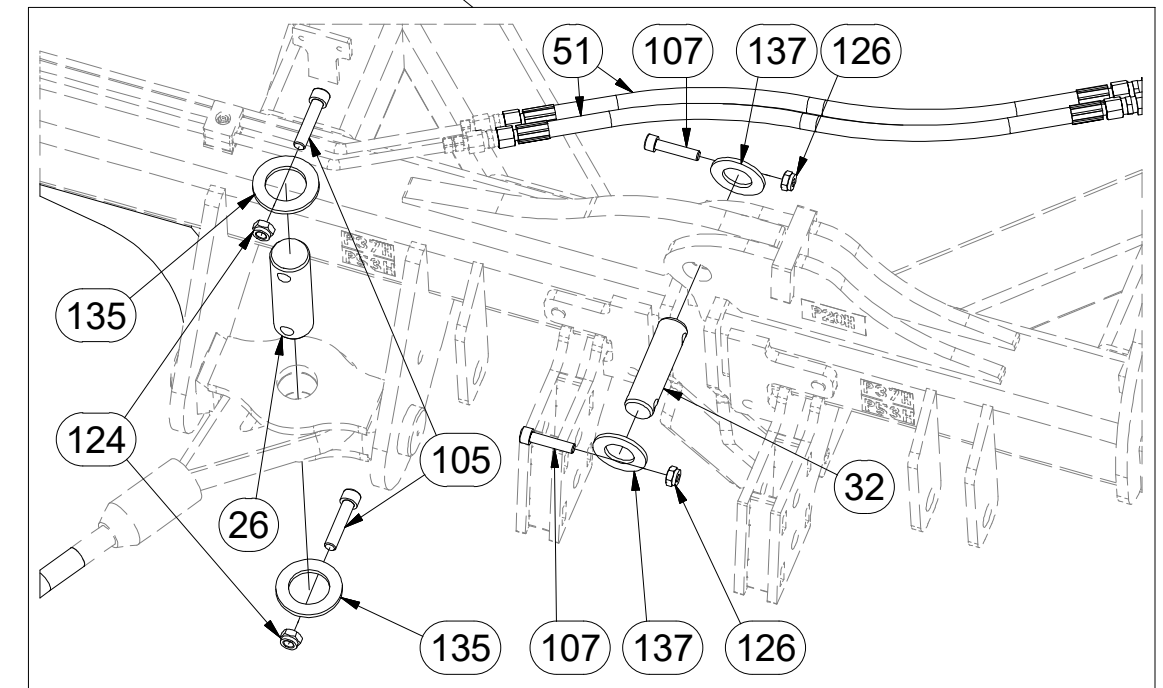
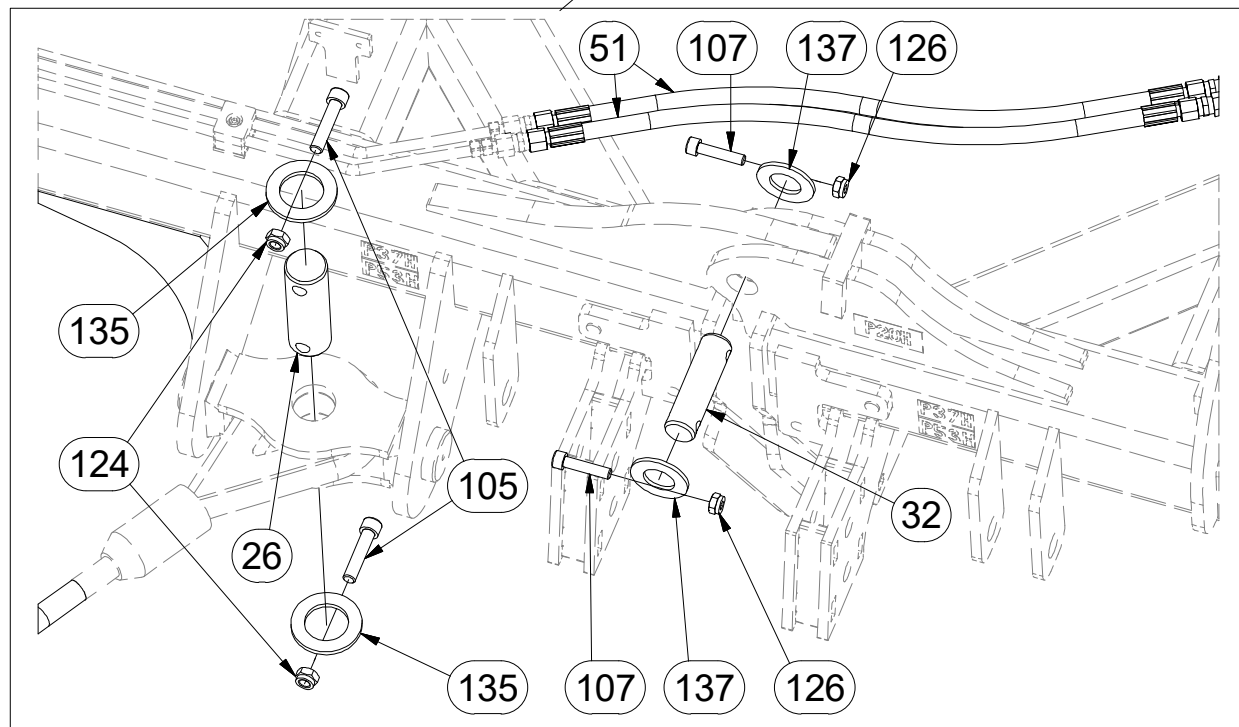
Ⓟ РОЉФАБРИКАТ МАСЗЫНЫ



3007973



Pos.	Part Number	Pcs.
3	3006955	1
4	3006956	1
5	3007988	1
6	3006958	1
7	3007989	1
26	4015686	6
32	4007584	4
51	m03713	6
105	m14008	24
107	m14143	16
124	m04301	24
126	m03775	16
135	4013139	24
137	m14029	16
181	m10180	4
191	m12433	26



Ⓒ POLOTOVAR STROJE

Ⓓ MASCHINEN-HALBFABRIKAT

Ⓕ MACHINE - SEMI-PRODUIT

Ⓖ SEMIFINISHED MACHINE

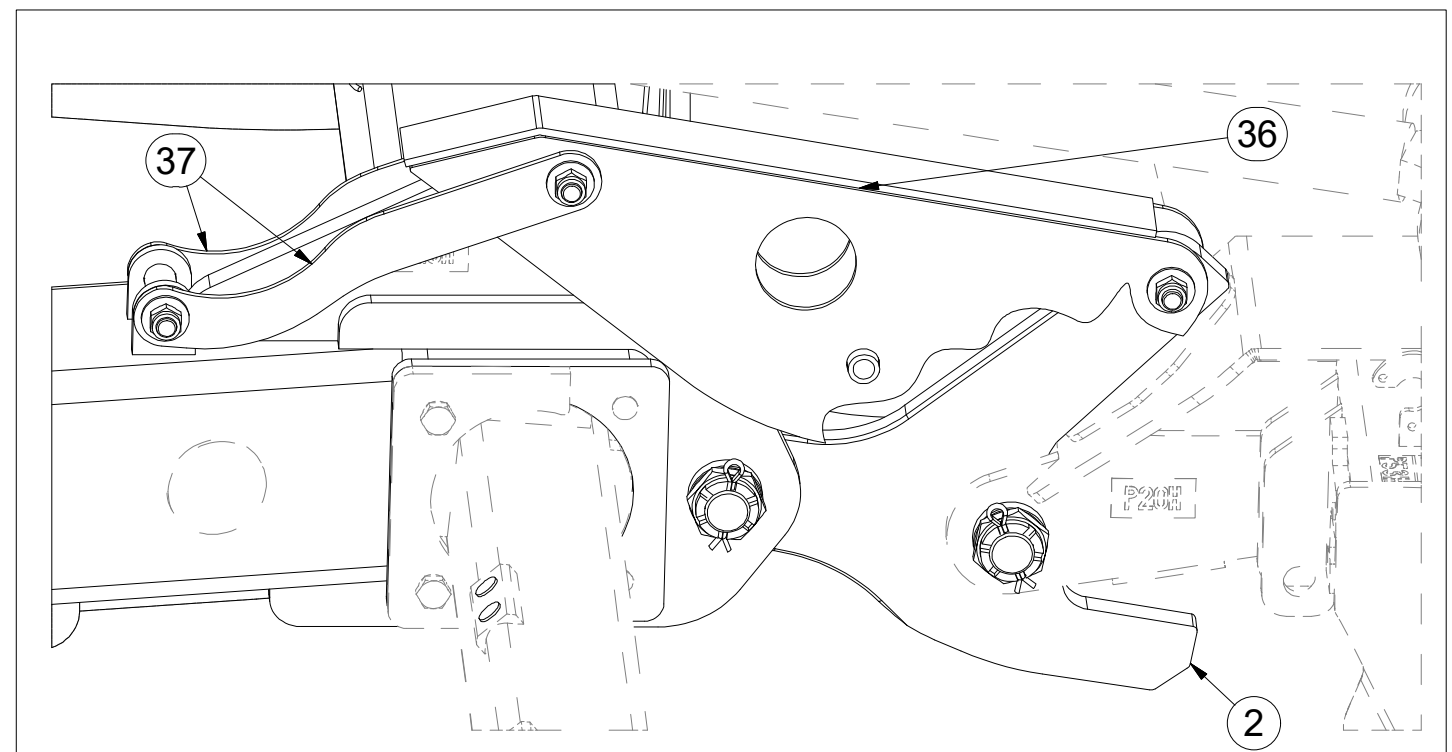
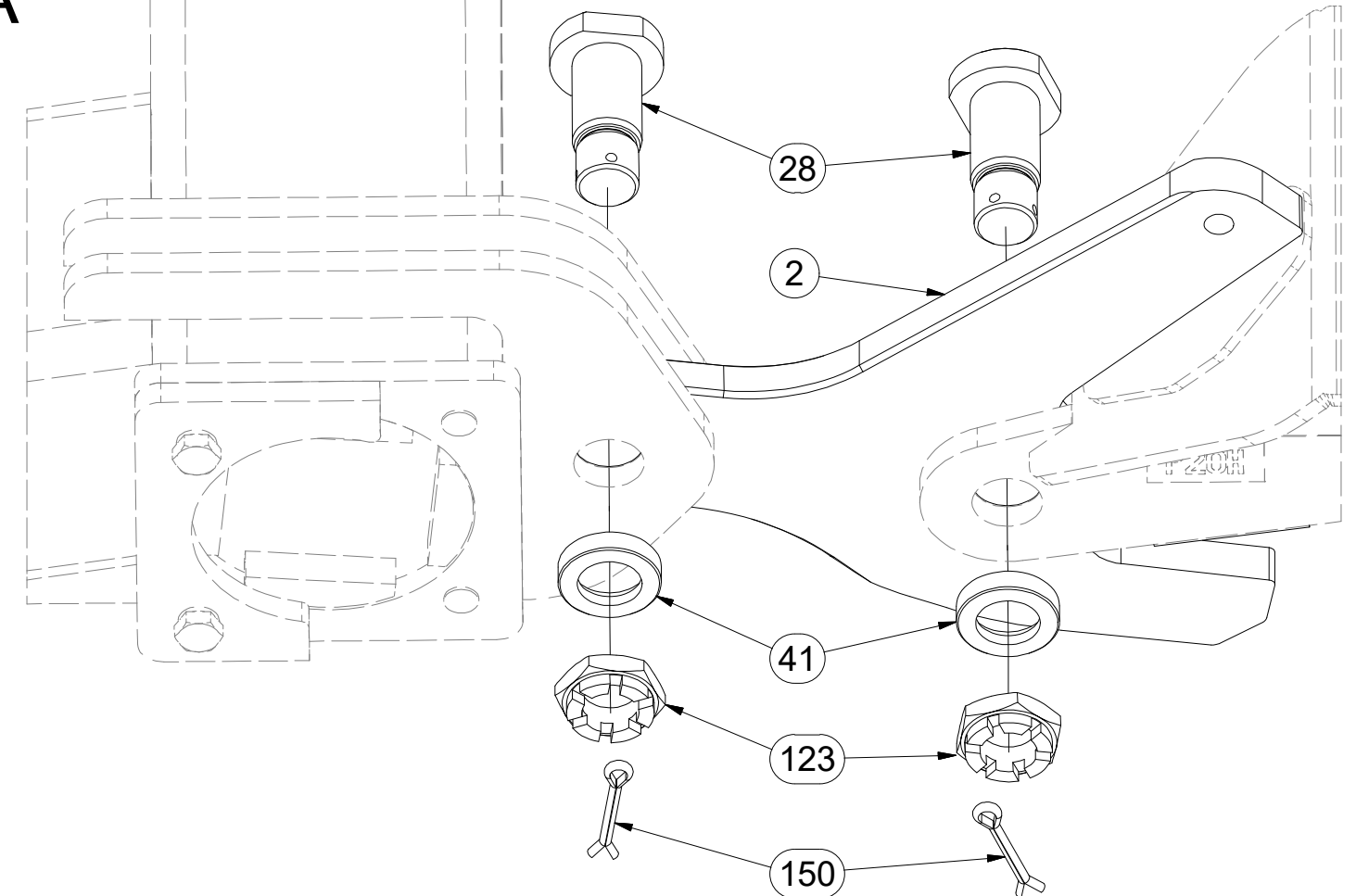
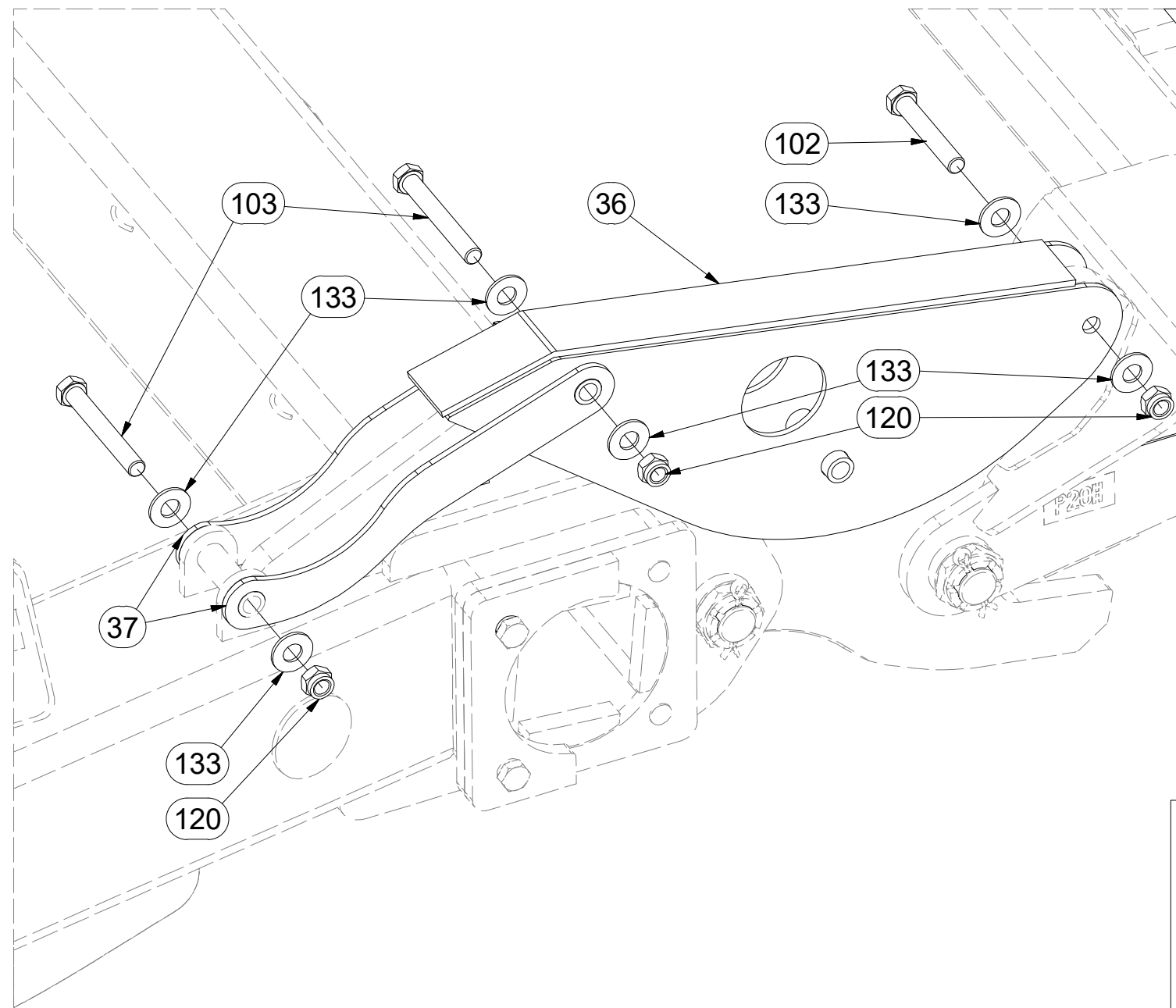
Ⓡ ПОЛУФАБРИКАТ МАШИНЫ

Ⓟ РОЉФАБРИКАТ МАСЗЫНЫ

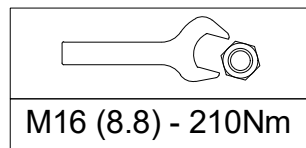


3007973

AA



Pos.	Part Number	Pcs.
2	3006061	2
28	4007363	4
36	3002987	2
37	4005544	4
41	4007364	4
102	m05304	2
103	m00144	4
120	m03683	8
123	m02533	4
133	m05651	12
150	m03959	4



Ⓒ POLOTOVAR STROJE

Ⓓ MASCHINEN-HALBFABRIKAT

Ⓕ MACHINE - SEMI-PRODUIT

Ⓖ SEMIFINISHED MACHINE

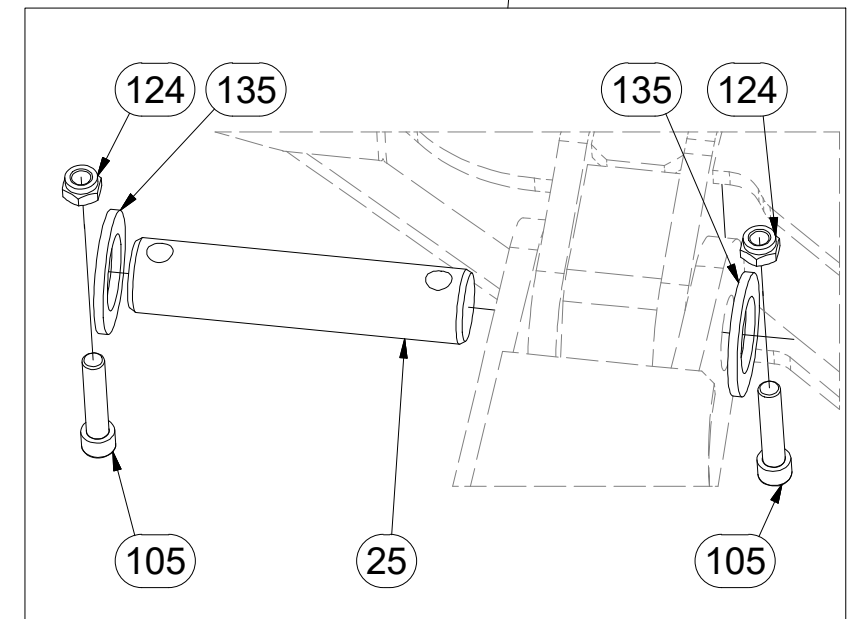
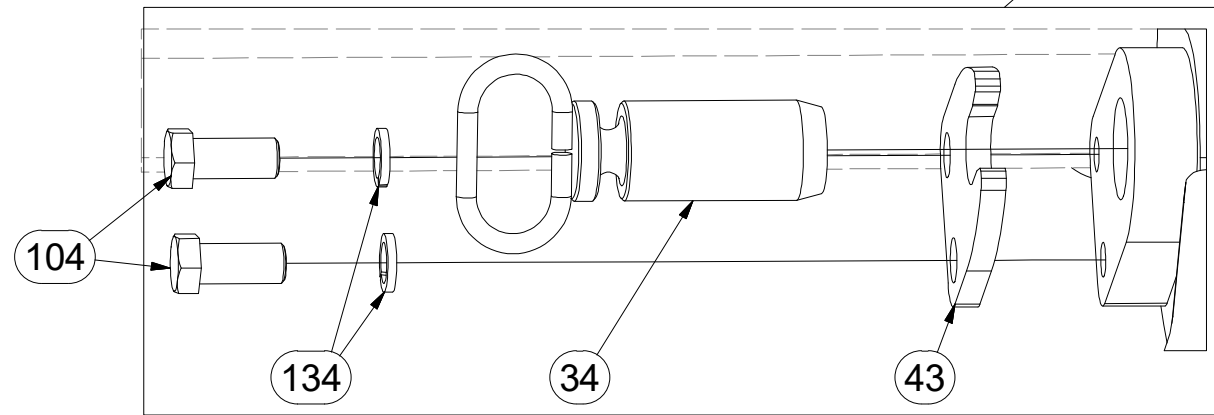
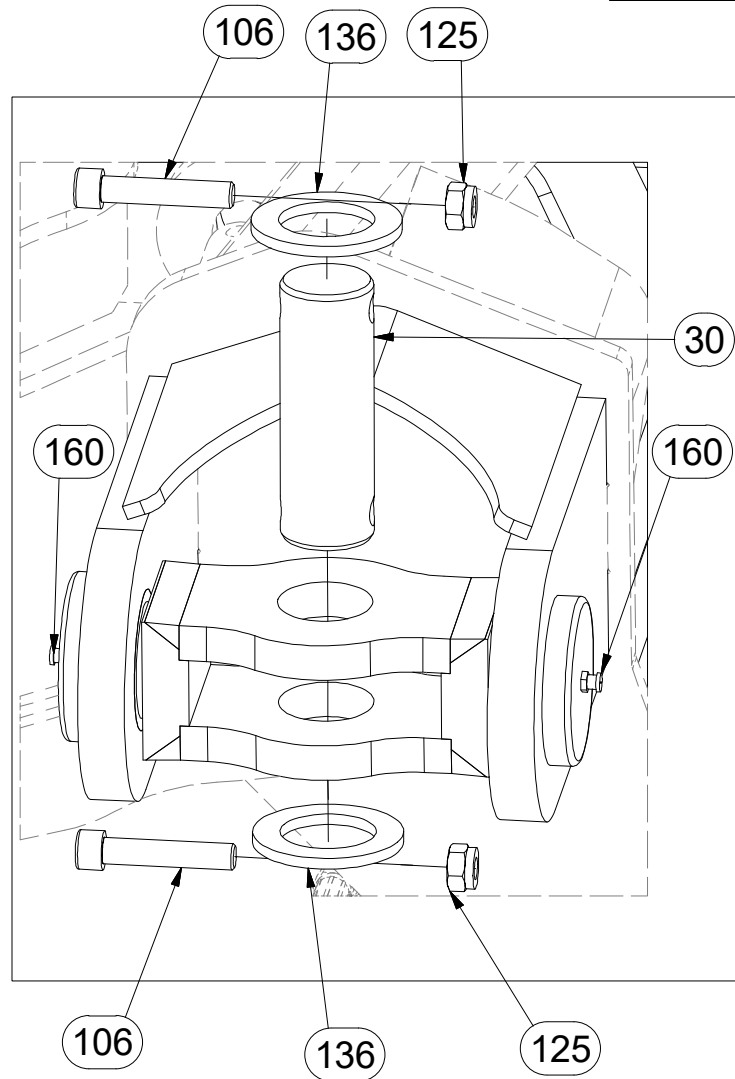
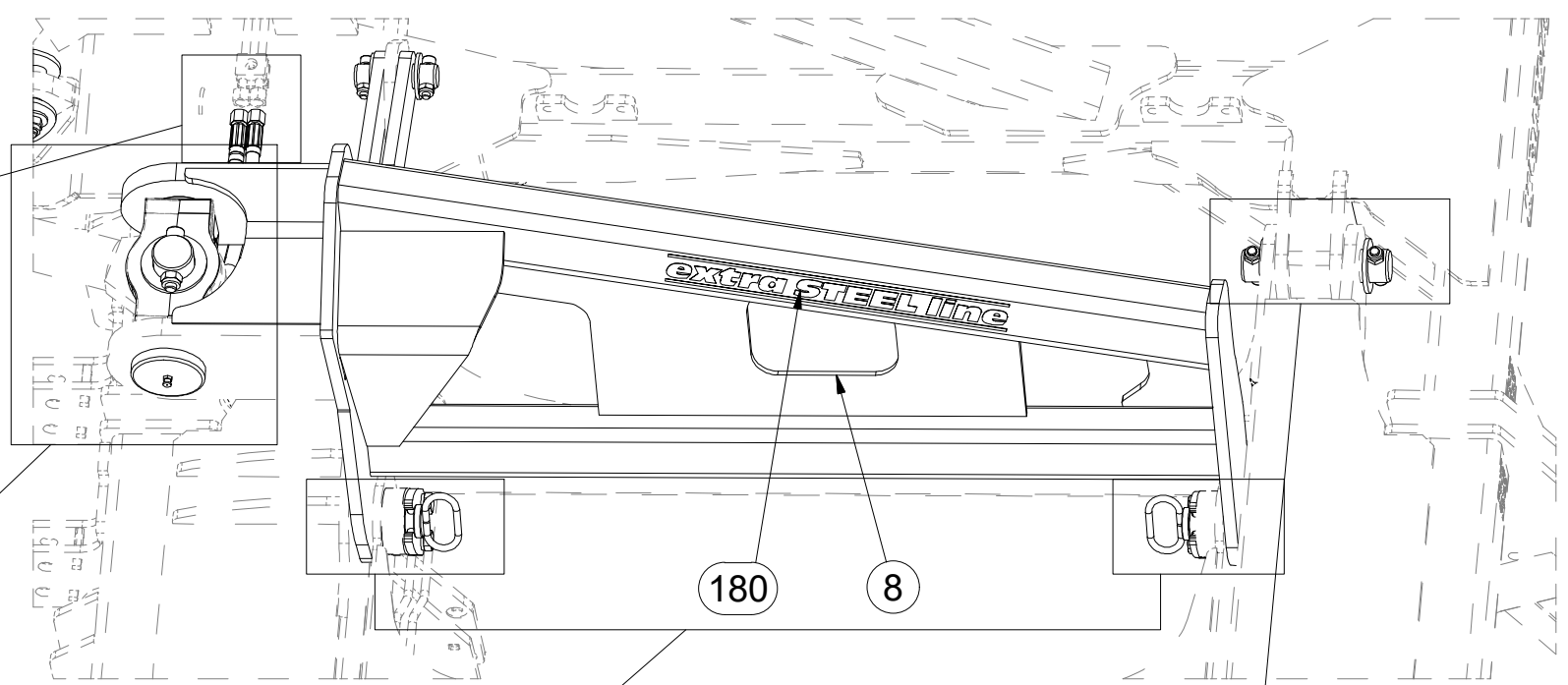
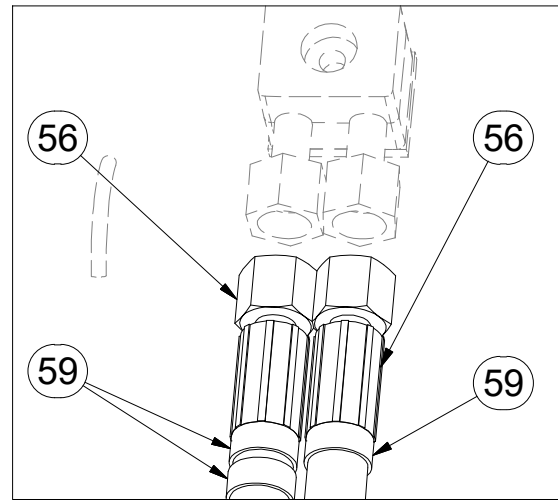
Ⓡ ПОЛУФАБРИКАТ МАШИНЫ

Ⓢ РÓЉФАБРЫКАТ МАСЗЫНЫ



3007973

AB



KM6 - 8Nm
M10 (8.8) - 50Nm
M12 (8.8) - 87Nm
M16 (8.8) - 210Nm
HYDRAULIC COMPONENTS:
M16 x 1,5 - 60Nm
M22 x 1,5 - 140Nm
G 3/8 - 95 Nm

Pos.	Part Number	Pcs.	Pos.	Part Number	Pcs.
8	3002593	1	106	m13957	8
25	4011501	4	124	m04301	24
30	4015689	2	125	m04990	8
43	4010036	4	134	m02157	12
56	m09628	4	135	4013139	24
59	m11691	9	136	4015687	8
104	m04240	8	160	m10451	4
105	m14008	24	180	m10353	4

Ⓒ POLOTOVAR STROJE

Ⓓ MASCHINEN-HALBFABRIKAT

Ⓕ MACHINE - SEMI-PRODUIT

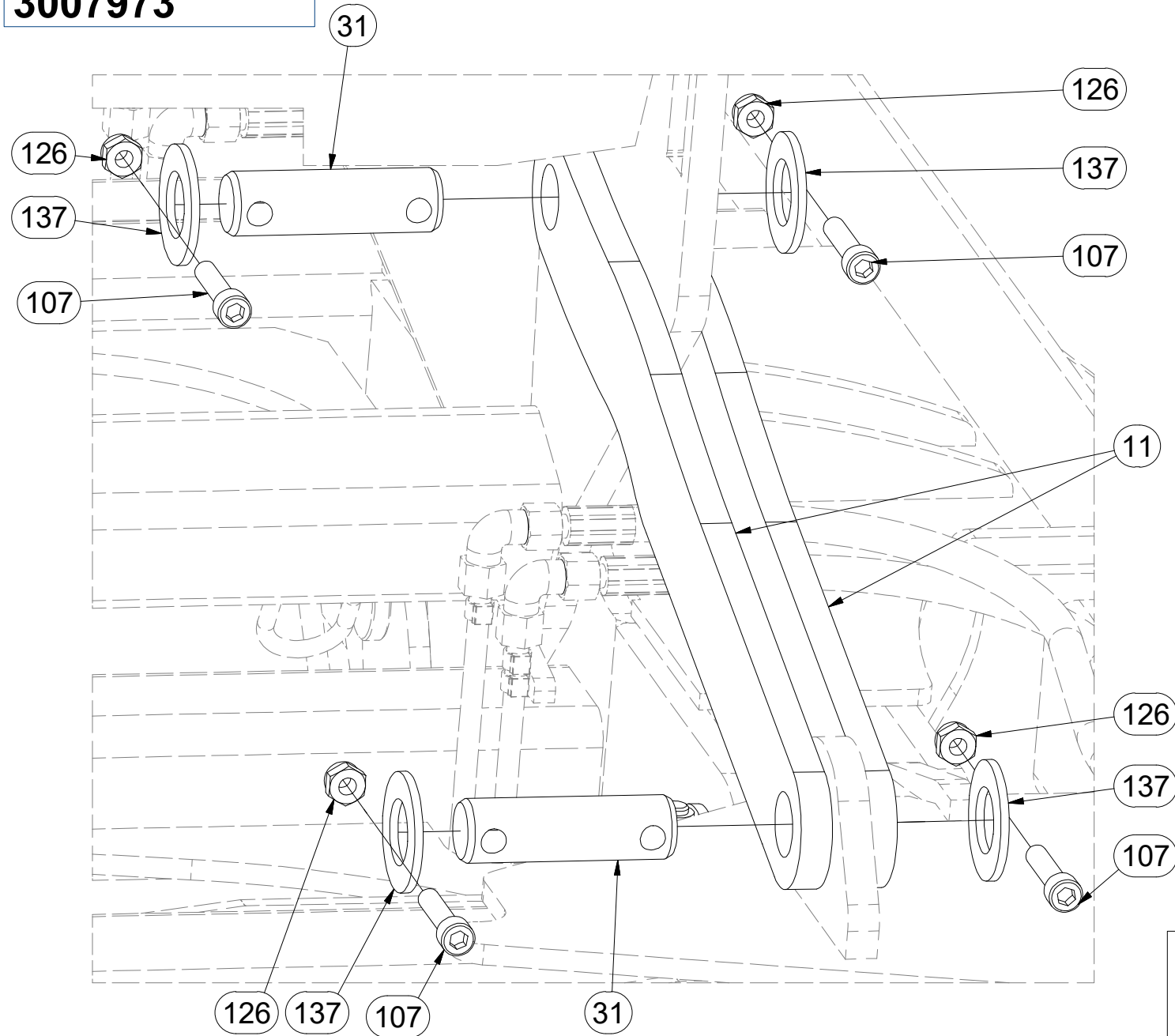
Ⓖ SEMIFINISHED MACHINE

Ⓡ ПОЛУФАБРИКАТ МАШИНЫ

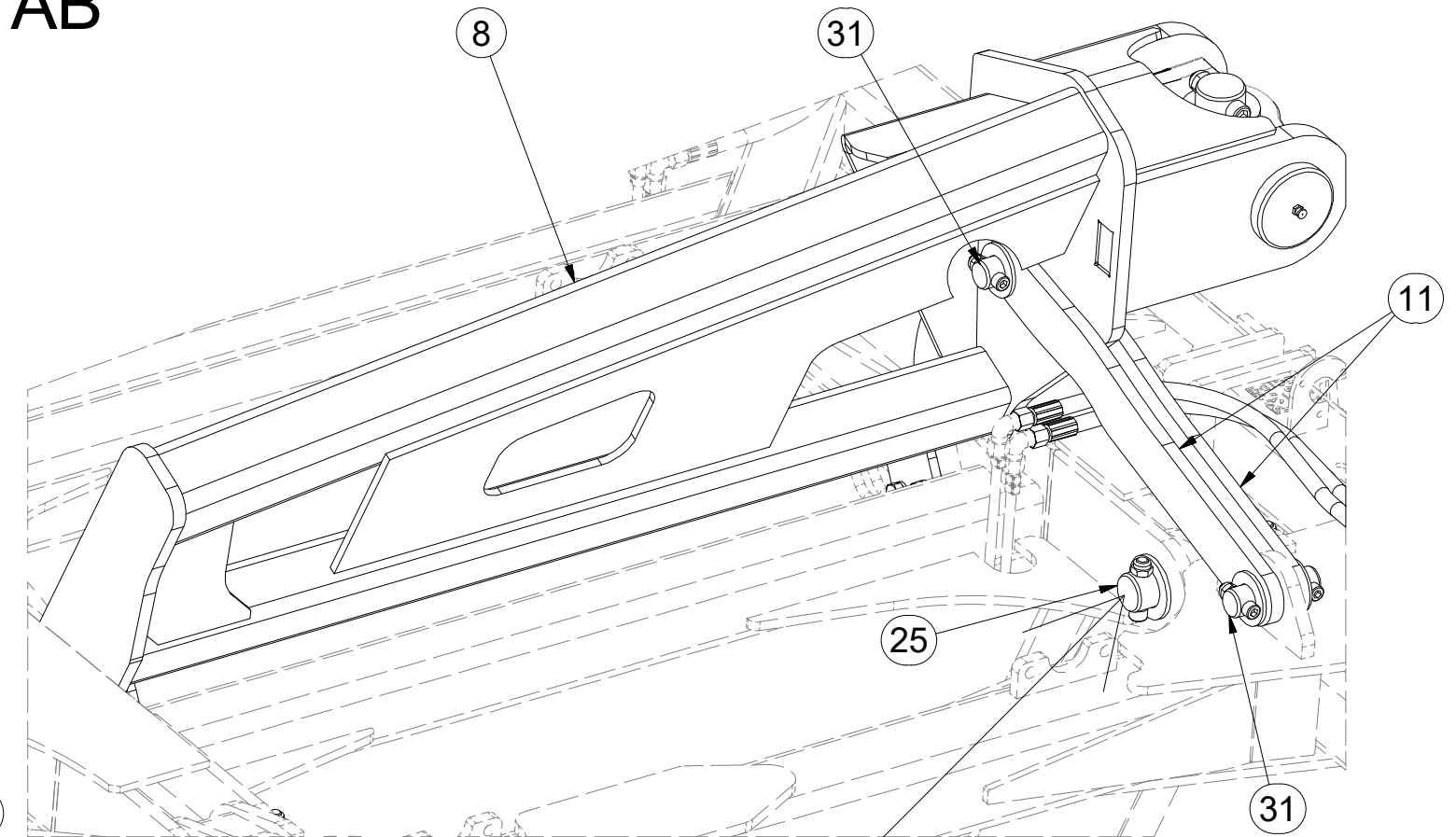
Ⓟ PÓLFABRYKAT MASZYNY




3007973

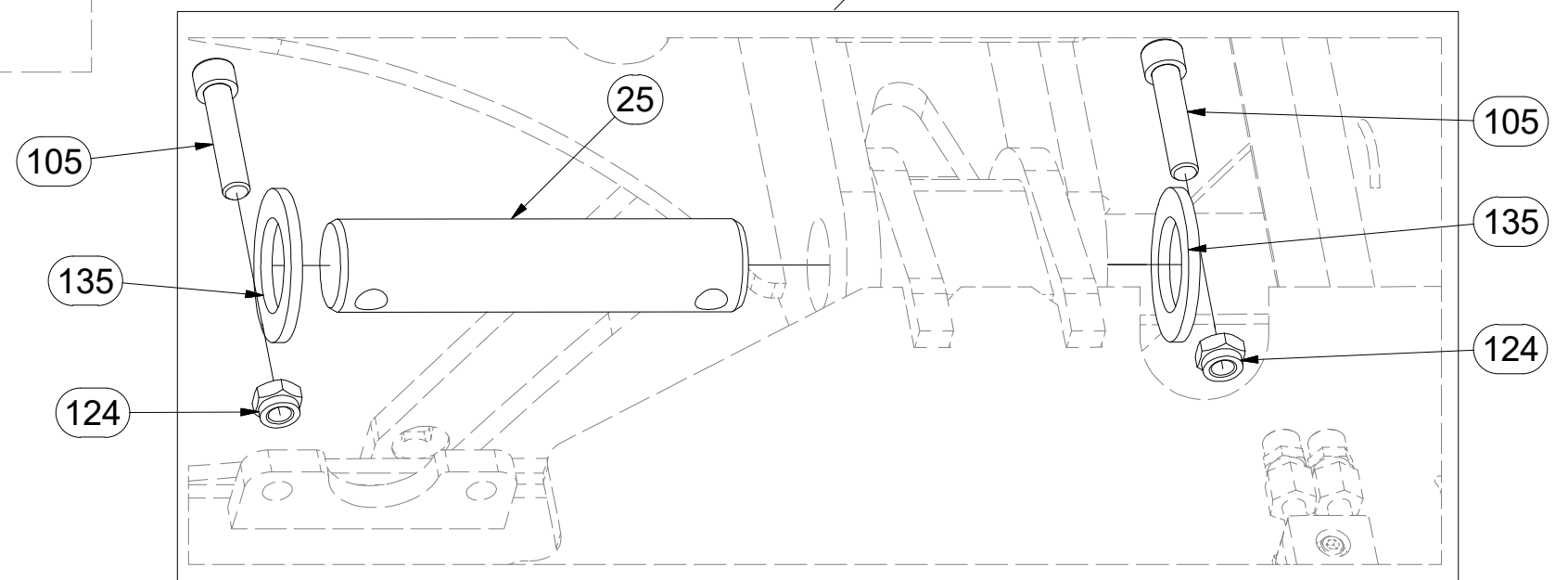


AB



Pos.	Part Number	Pcs.
8	3002593	1
11	4008205	4
25	4011501	4
31	4008234	4
105	m14008	24
107	m14143	16
124	m04301	24
126	m03775	16
135	4013139	24
137	m14029	16

	M10 (8.8) - 50Nm
	M12 (8.8) - 87Nm



Ⓒ POLOTOVAR STROJE

Ⓓ MASCHINEN-HALBFABRIKAT

Ⓕ MACHINE - SEMI-PRODUIT

Ⓖ SEMIFINISHED MACHINE

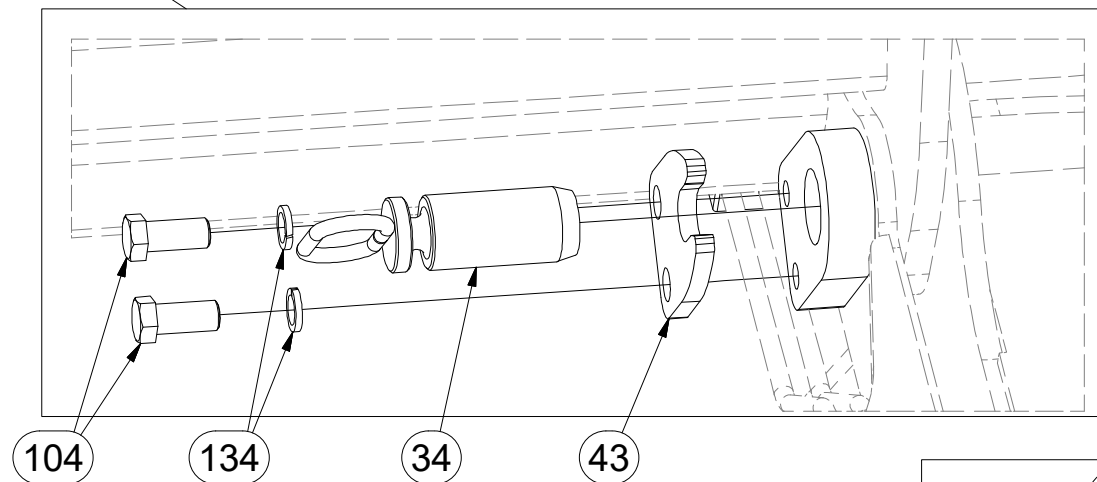
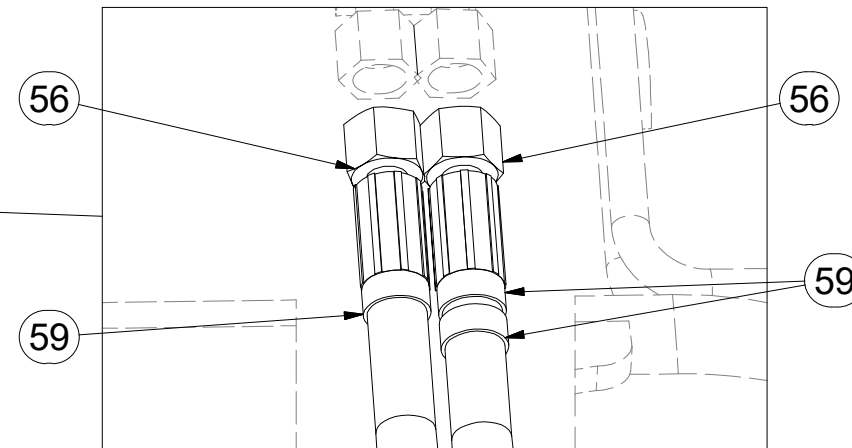
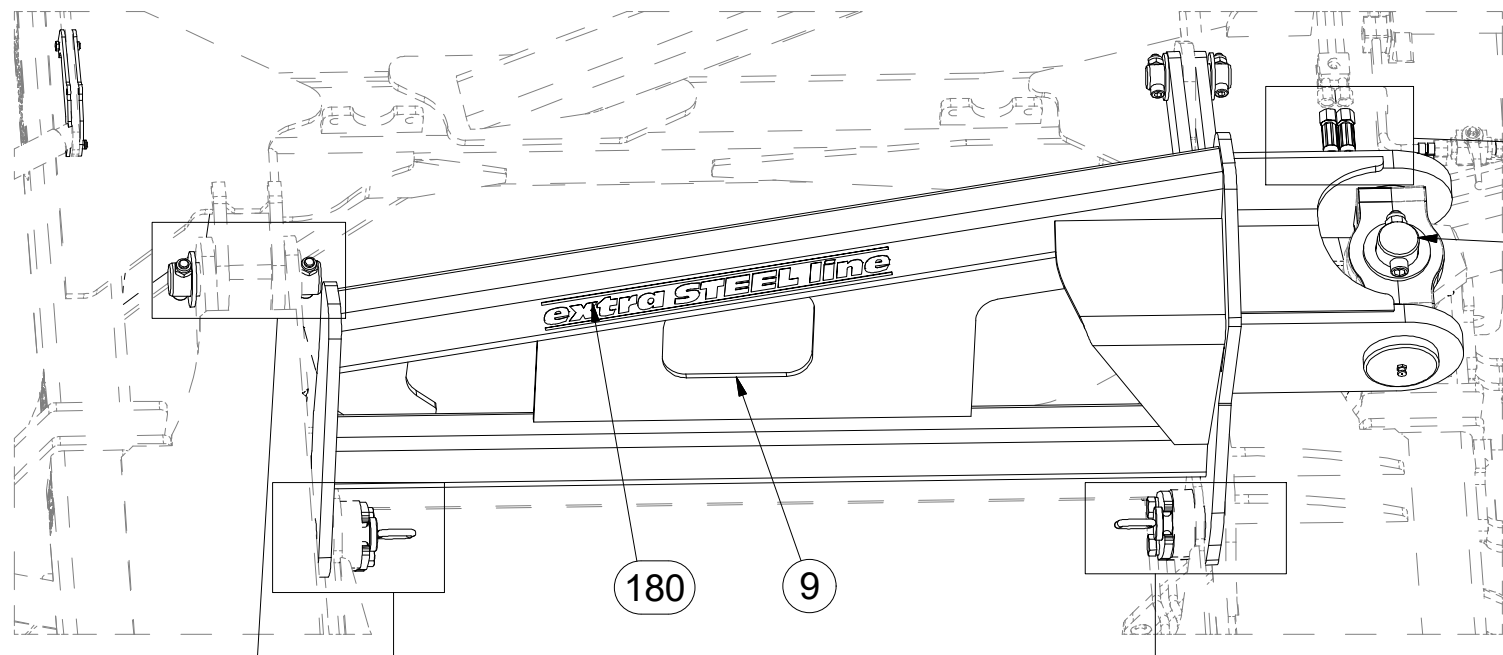
Ⓡ ПОЛУФАБРИКАТ МАШИНЫ

Ⓟ PÓLFABRYKAT MASZYN

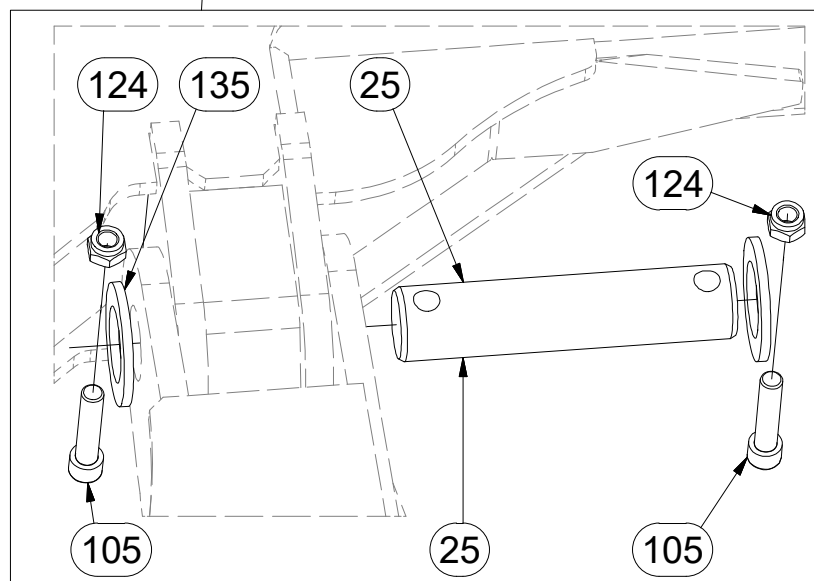
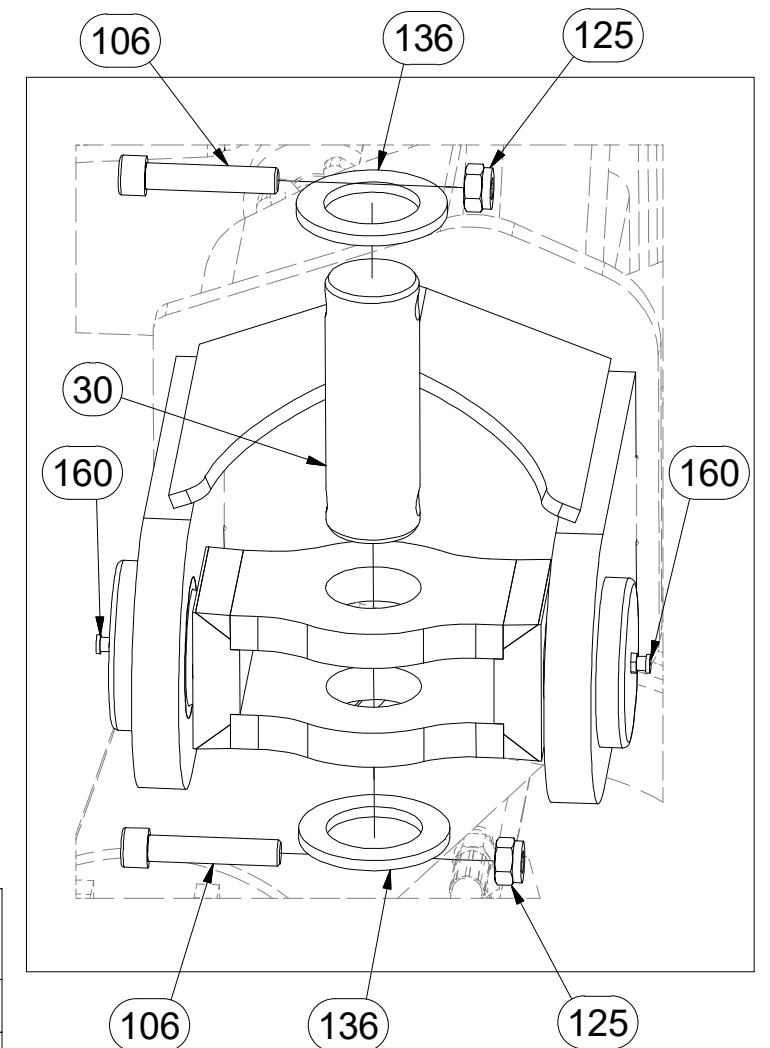


3007973

AC



Pos.	Part Number	Pcs.	Pos.	Part Number	Pcs.
9	3002592	1	106	m13957	8
25	4011501	4	124	m04301	24
30	4015689	2	125	m04990	8
34	4010038	4	134	m02157	12
43	4010036	4	135	4013139	24
56	m09628	4	136	4015687	8
59	m11691	9	160	m10451	4
104	m04240	8	180	m10353	4
105	m14008	24			



Symbol	Specification
	M16 (8.8) - 210Nm
	M12 (8.8) - 87Nm
	M10 (8.8) - 50Nm
	HYDRAULIC COMPONENTS:
	M16 x 1,5 - 60Nm
	M22 x 1,5 - 140Nm
	G 3/8 - 95 Nm
	KM6 - 8Nm

☉ POLOTOVAR STROJE

☉ MASCHINEN-HALBFABRIKAT

☉ MACHINE - SEMI-PRODUIT

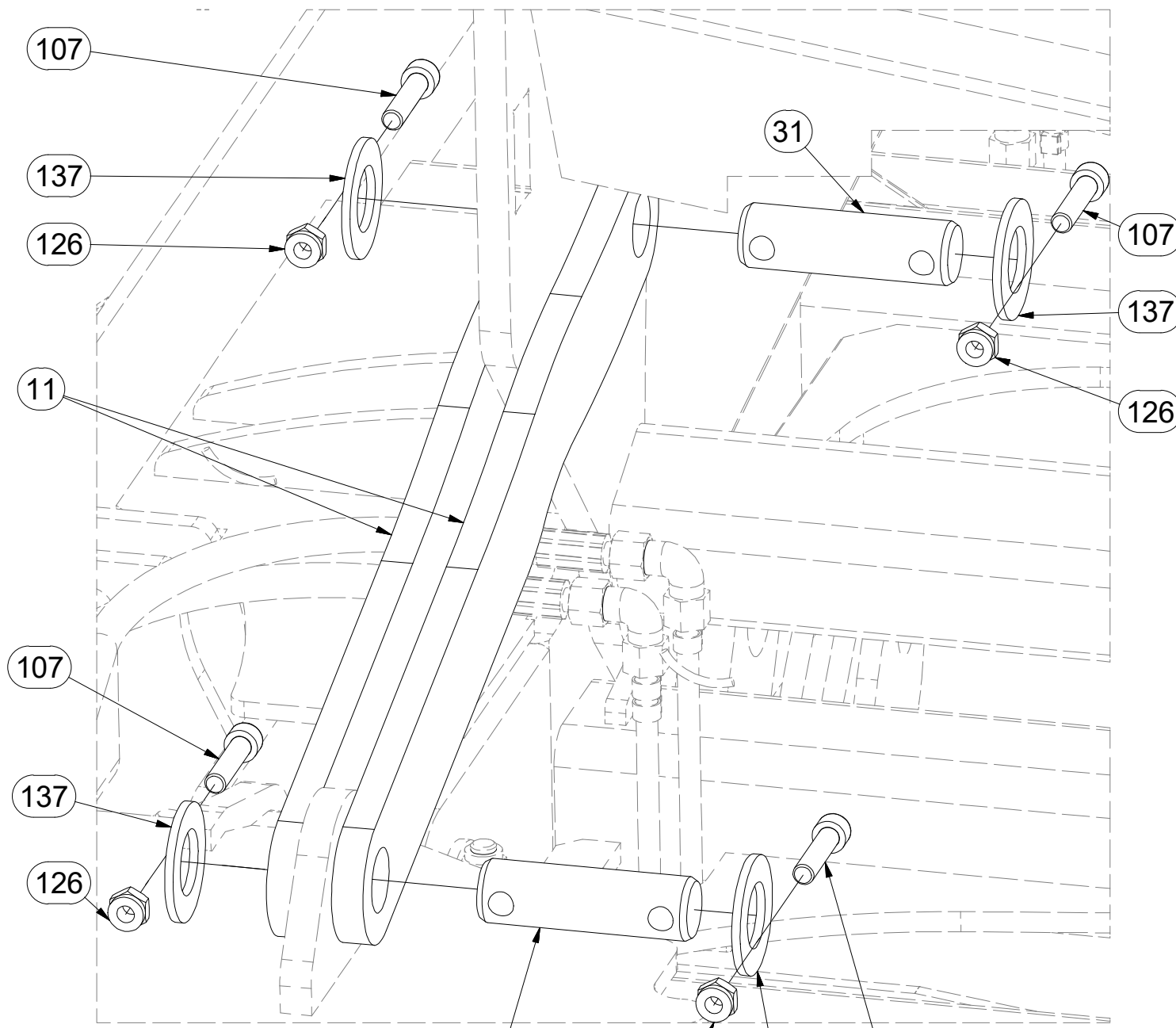
☉ SEMIFINISHED MACHINE

☉ ПОЛУФАБРИКАТ МАШИНЫ

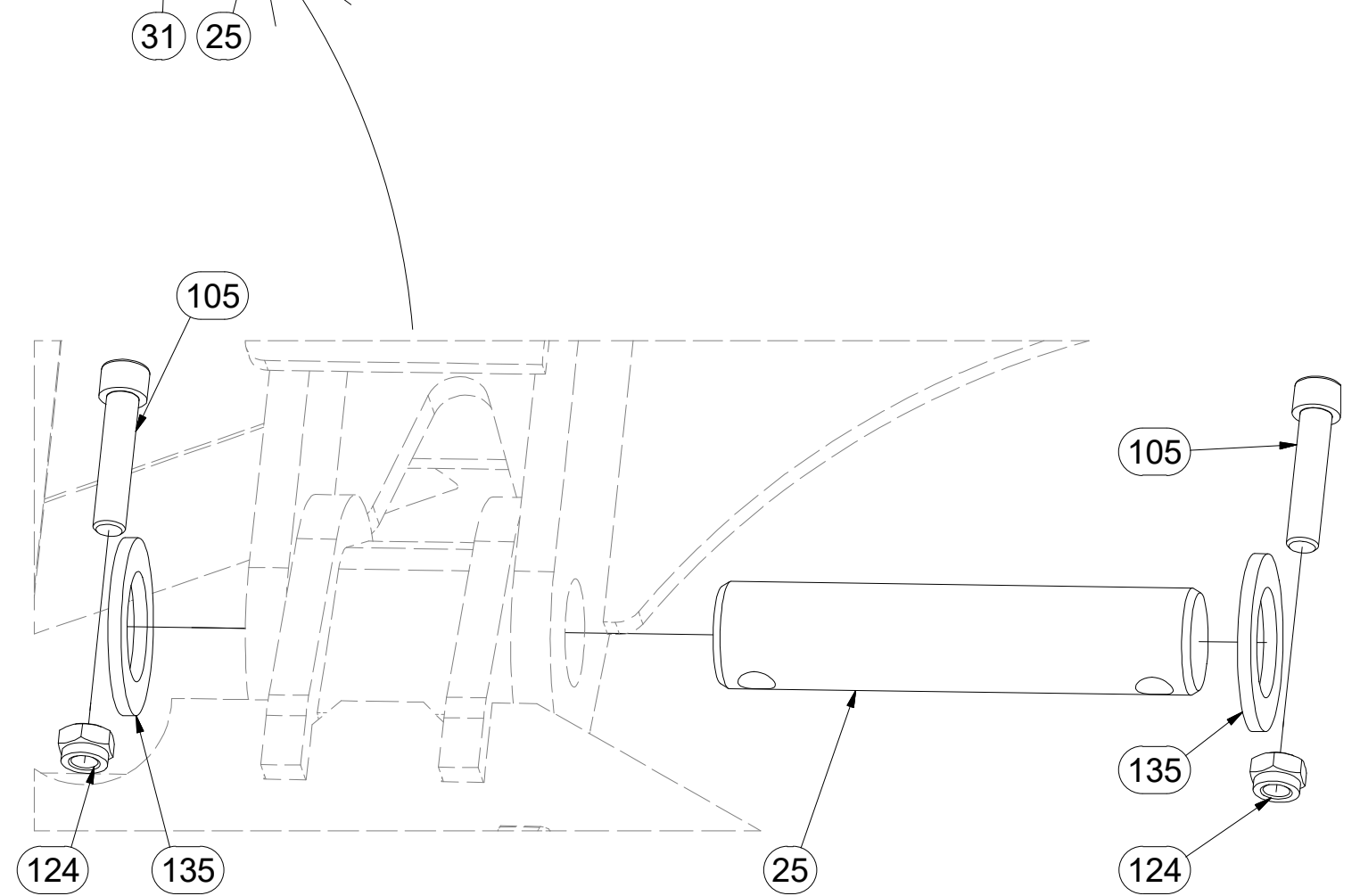
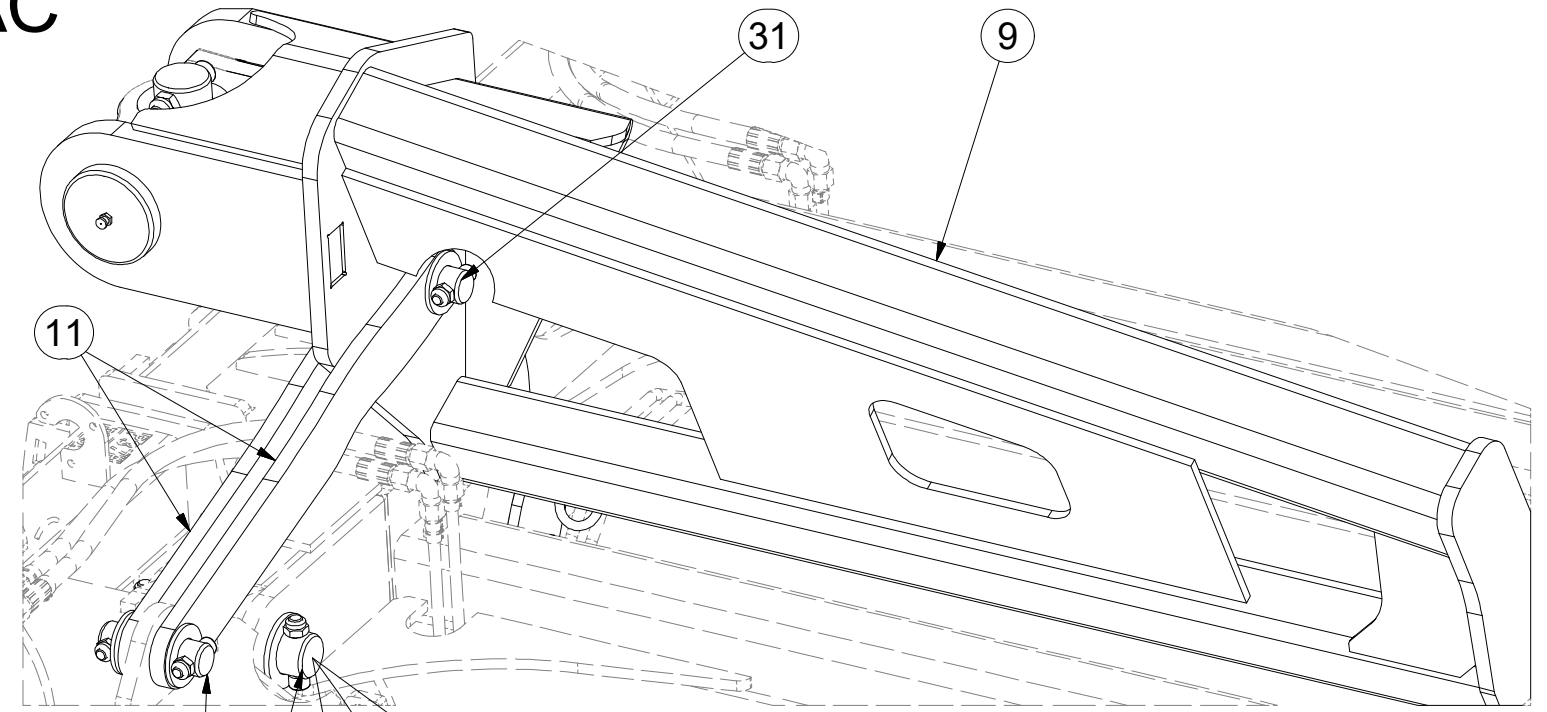
☉ PÓLFABRYKAT MASZYNY



3007973



AC



Pos.	Part Number	Pcs.
9	3002592	1
11	4008205	4
25	4011501	4
31	4008234	4
105	m14008	24
107	m14143	16
124	m04301	24
126	m03775	16
135	4013139	24
137	m14029	16

M10 (8.8) - 50Nm
M12 (8.8) - 87Nm

☉ POLOTOVAR STROJE

☉ MASCHINEN-HALBFABRIKAT

☉ MACHINE - SEMI-PRODUIT

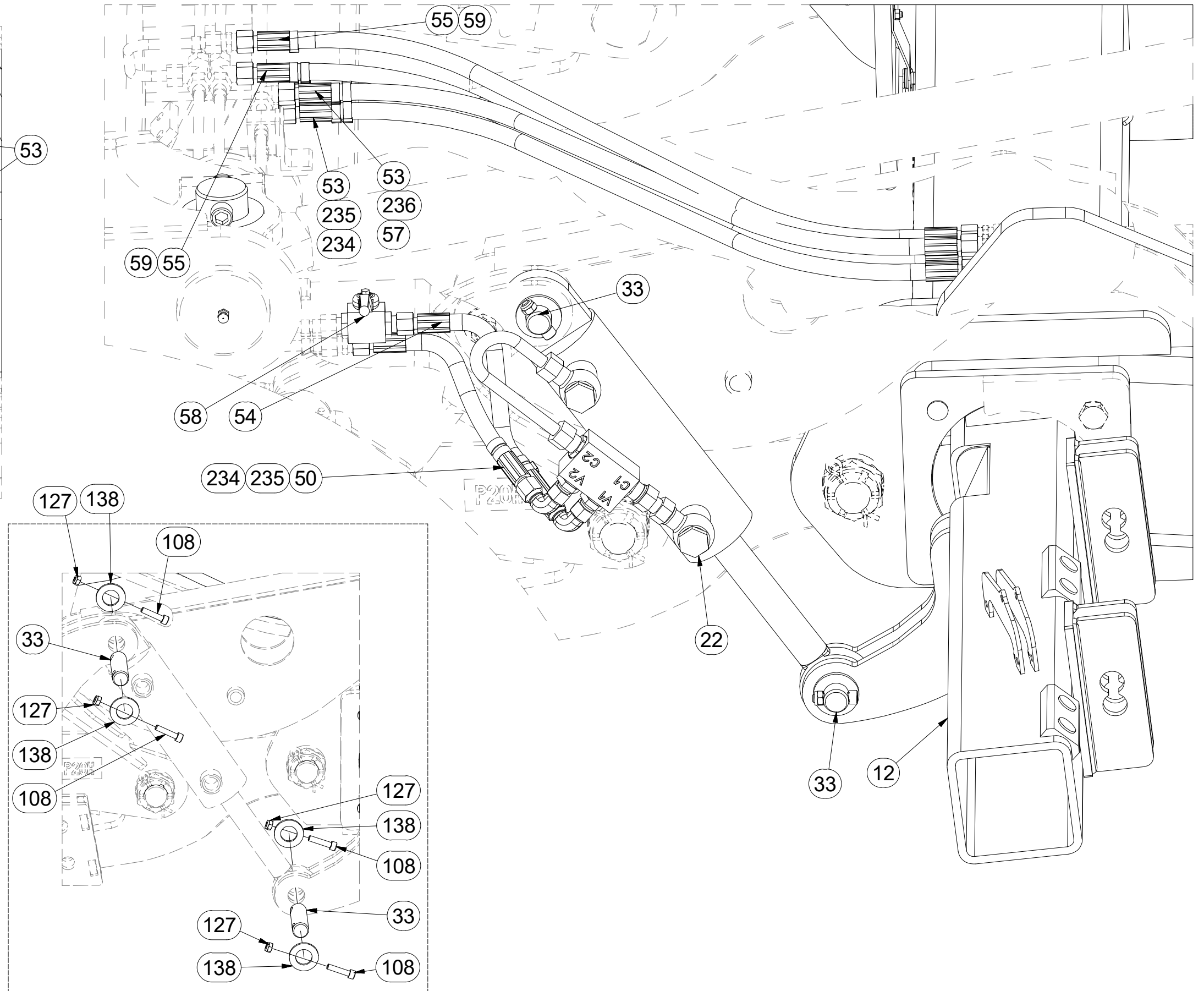
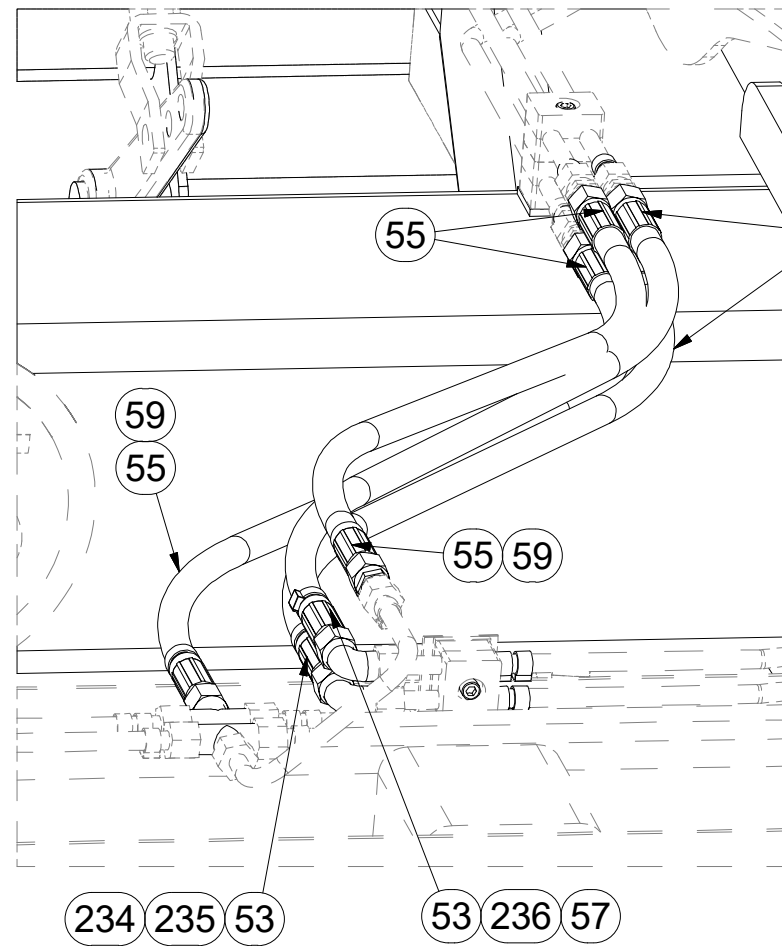
☉ SEMIFINISHED MACHINE

☉ ПОЛУФАБРИКАТ МАШИНЫ

☉ PÓLFABRYKAT MASZYNY



3007973



Pos.	Part Number	Pcs.
12	3003002	1
22	4004815	1
33	4010390	2
50	m04026	1
53	m04033	2
54	m07363	1
55	m07646	2
57	m11294	8
58	m04623	1
59	m11691	9
108	m09464	4
127	m04503	8
138	m14028	4
234	m11289	2
235	m11282	2
236	m11253	2

M8 (8.8) - 25Nm

HYDRAULIC COMPONENTS:
M16 x 1,5 - 60Nm
M22 x 1,5 - 140Nm
G 3/8 - 95 Nm

Ⓒ POLOTOVAR STROJE

Ⓓ MASCHINEN-HALBFABRIKAT

Ⓕ MACHINE - SEMI-PRODUIT

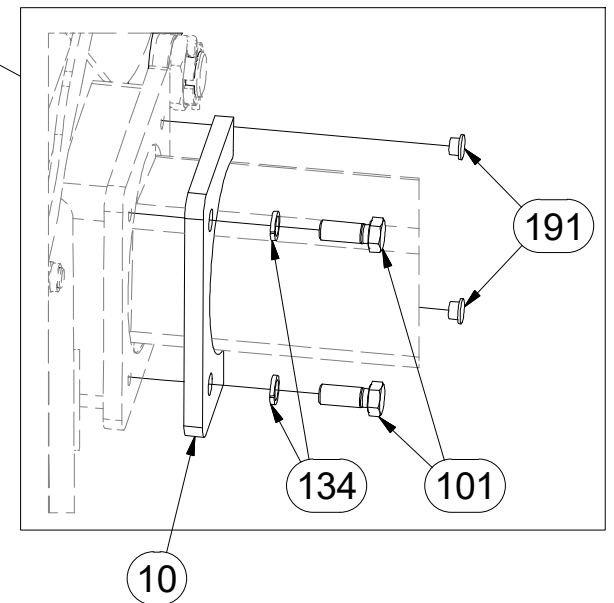
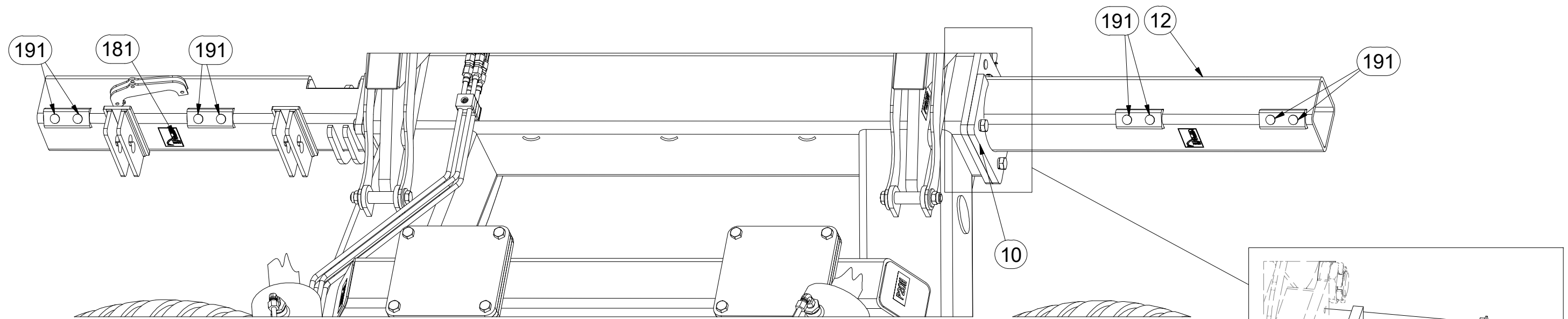
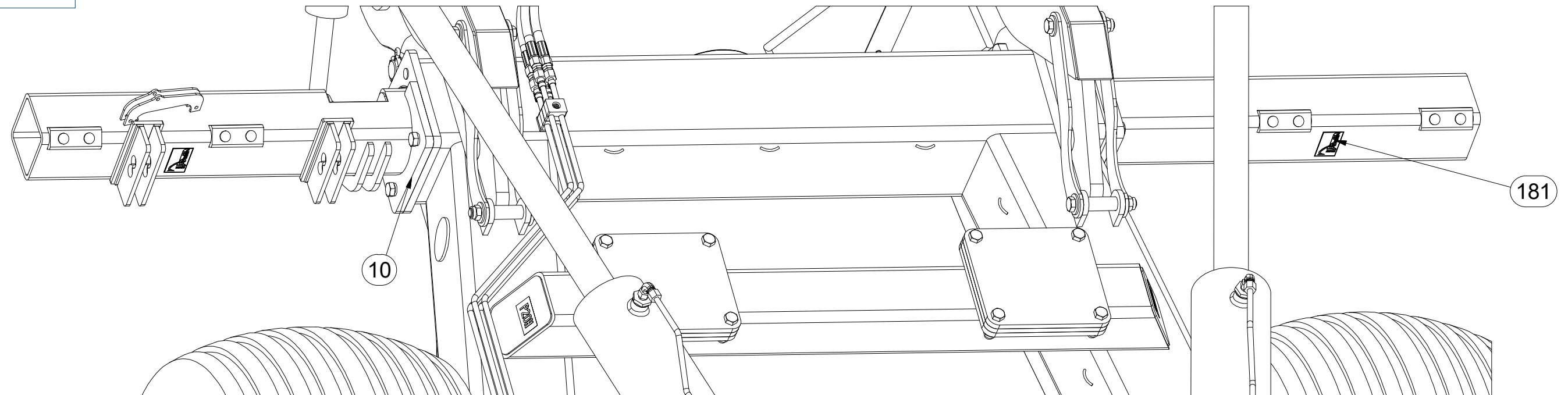
Ⓖ SEMIFINISHED MACHINE

Ⓡ ПОЛУФАБРИКАТ МАШИНЫ

Ⓟ PÓŁFABRYKAT MASZYN



3007973



Pos.	Part Number	Pcs.
10	4004697	2
12	3003002	1
101	m01129	4
134	m02157	12
181	m10180	4
191	m12433	26

Ⓒ POLOTOVAR STROJE

Ⓓ MASCHINEN-HALBFABRIKAT

Ⓕ MACHINE - SEMI-PRODUIT

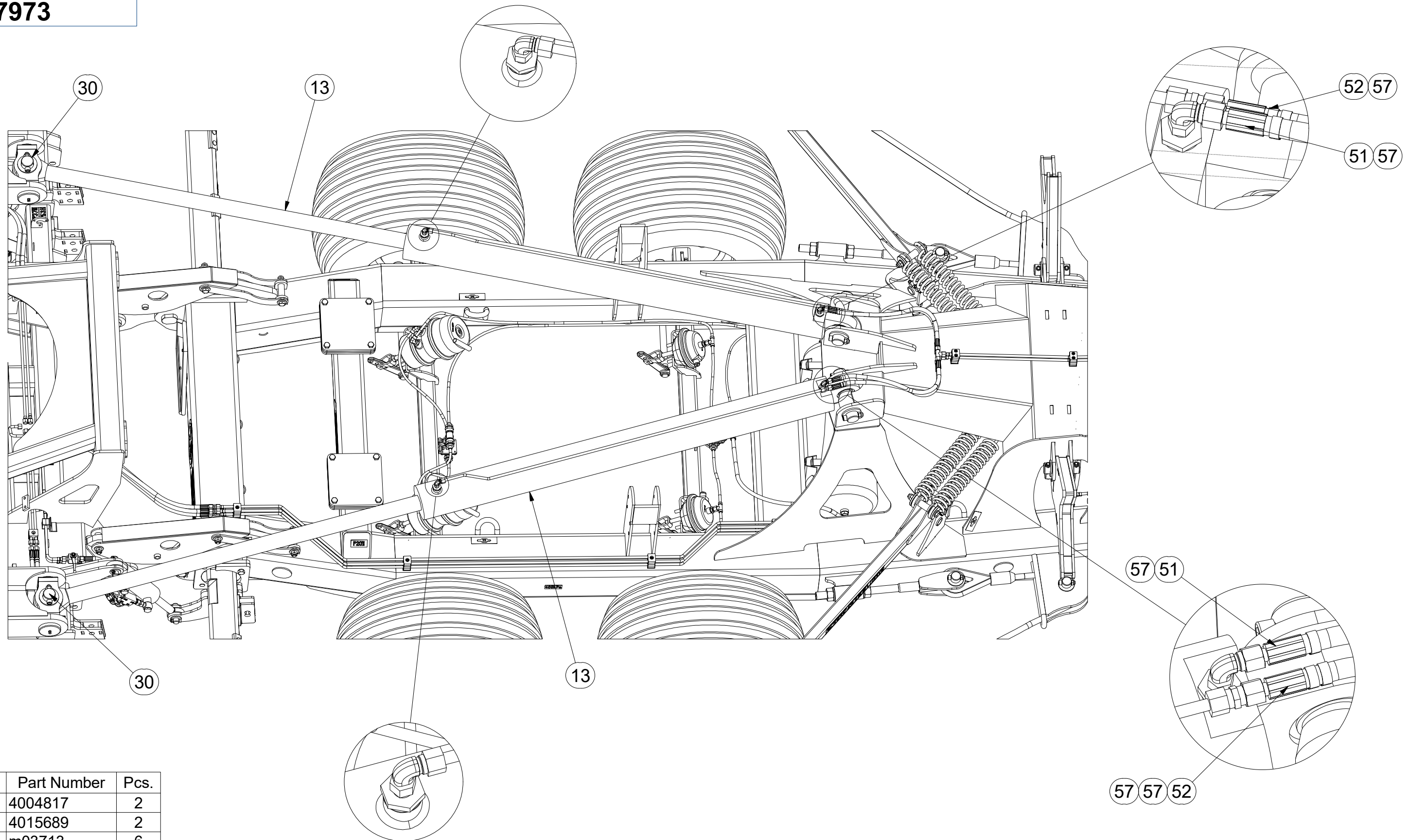
Ⓖ SEMIFINISHED MACHINE

Ⓡ ПОЛУФАБРИКАТ МАШИНЫ

Ⓟ PÓŁFABRYKAT MASZYN



3007973



Pos.	Part Number	Pcs.
13	4004817	2
30	4015689	2
51	m03713	6
52	m09432	2
57	m11294	8

Ⓒ POLOTOVAR STROJE

Ⓓ MASCHINEN-HALBFABRIKAT

Ⓕ MACHINE - SEMI-PRODUIT

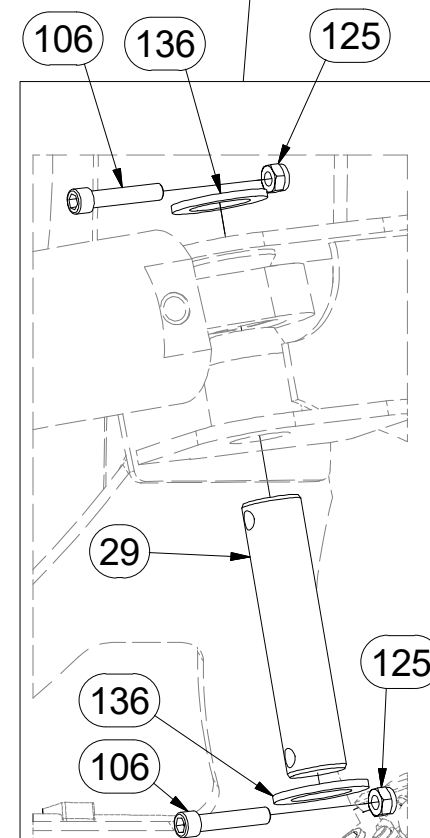
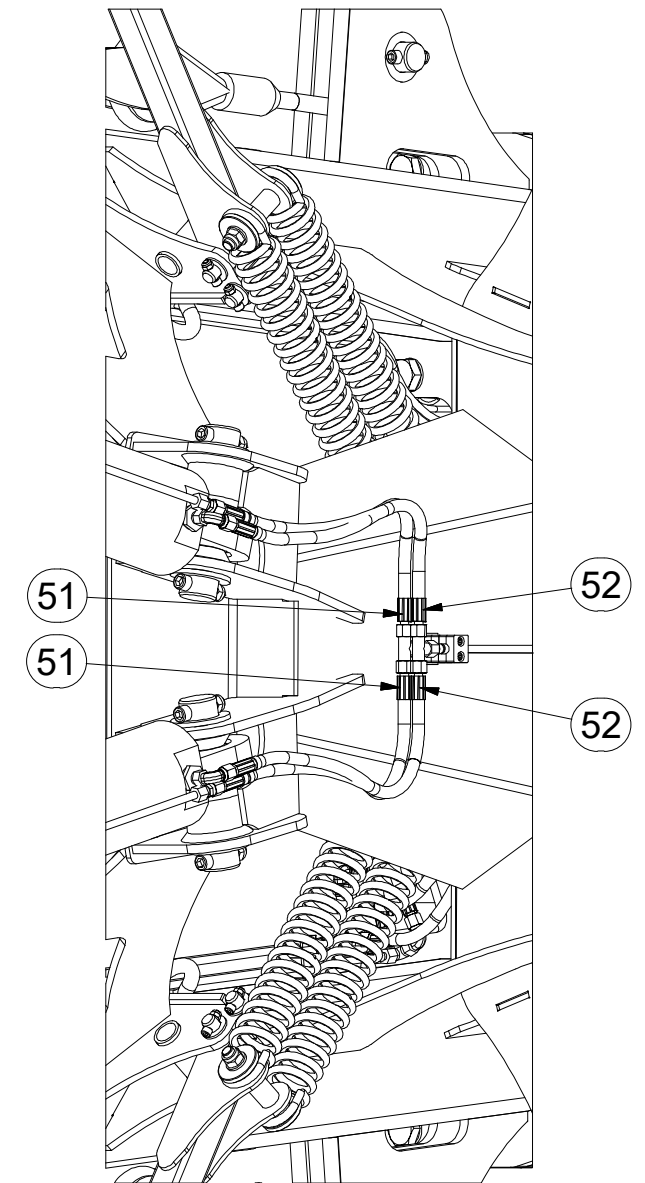
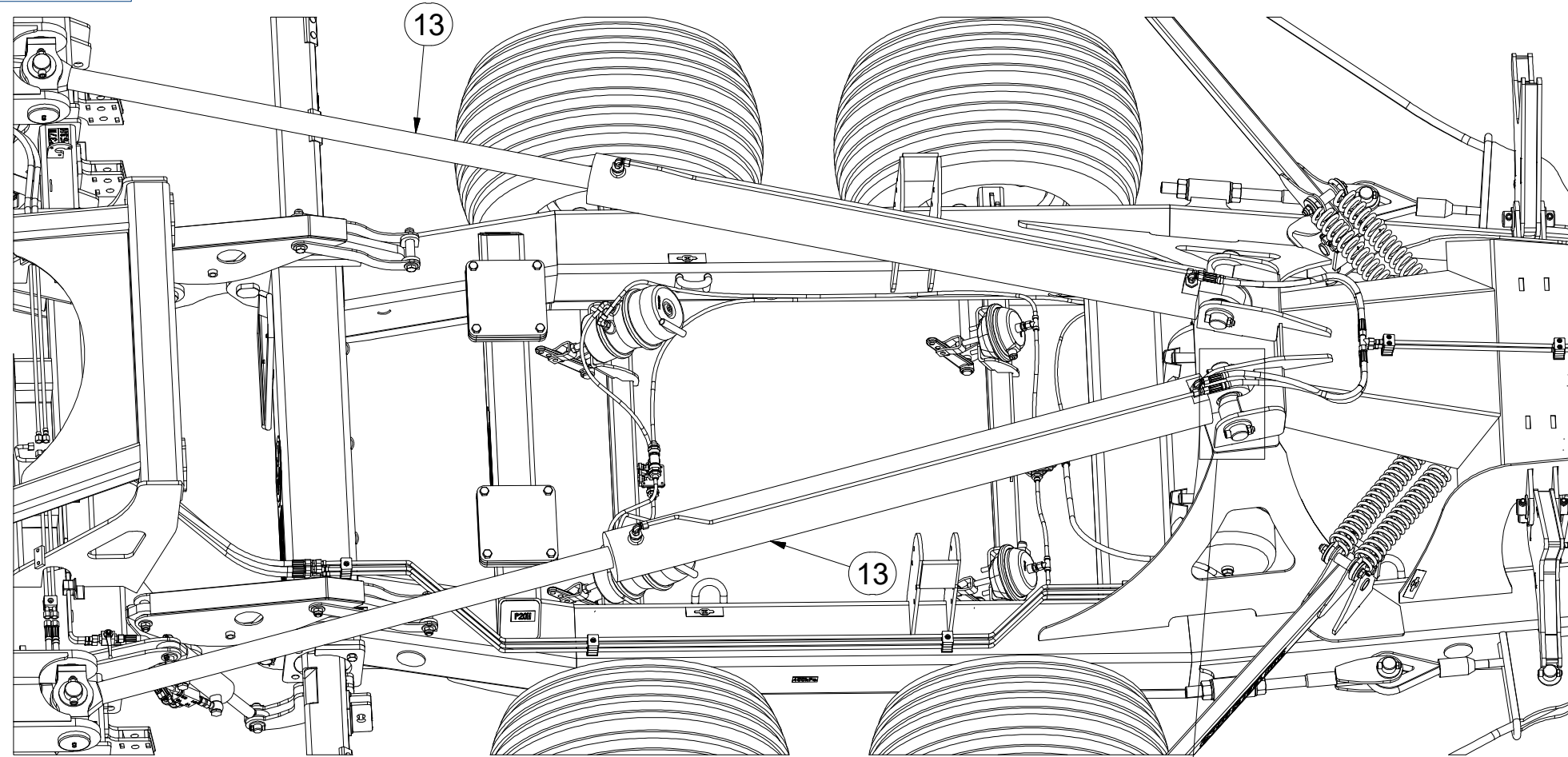
Ⓖ SEMIFINISHED MACHINE

Ⓡ ПОЛУФАБРИКАТ МАШИНЫ

Ⓟ PÓŁFABRYKAT MASZYN



3007973



Pos.	Part Number	Pcs.
13	4004817	2
29	4015688	2
51	m03713	6
52	m09432	2
106	m13957	8
125	m04990	8
136	4015687	8

Ⓒ POLOTOVAR STROJE

Ⓓ MASCHINEN-HALBFABRIKAT

Ⓕ MACHINE - SEMI-PRODUIT

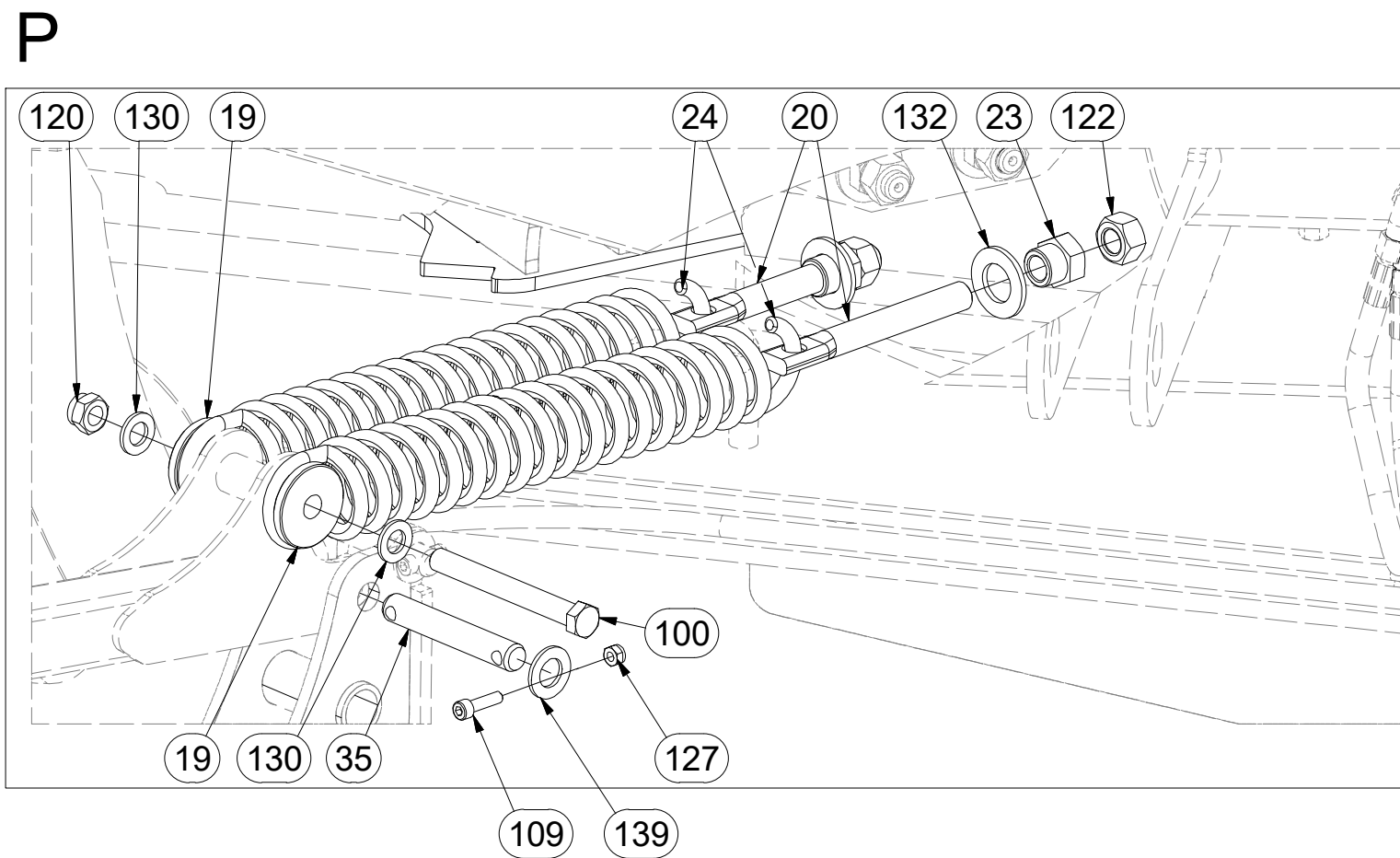
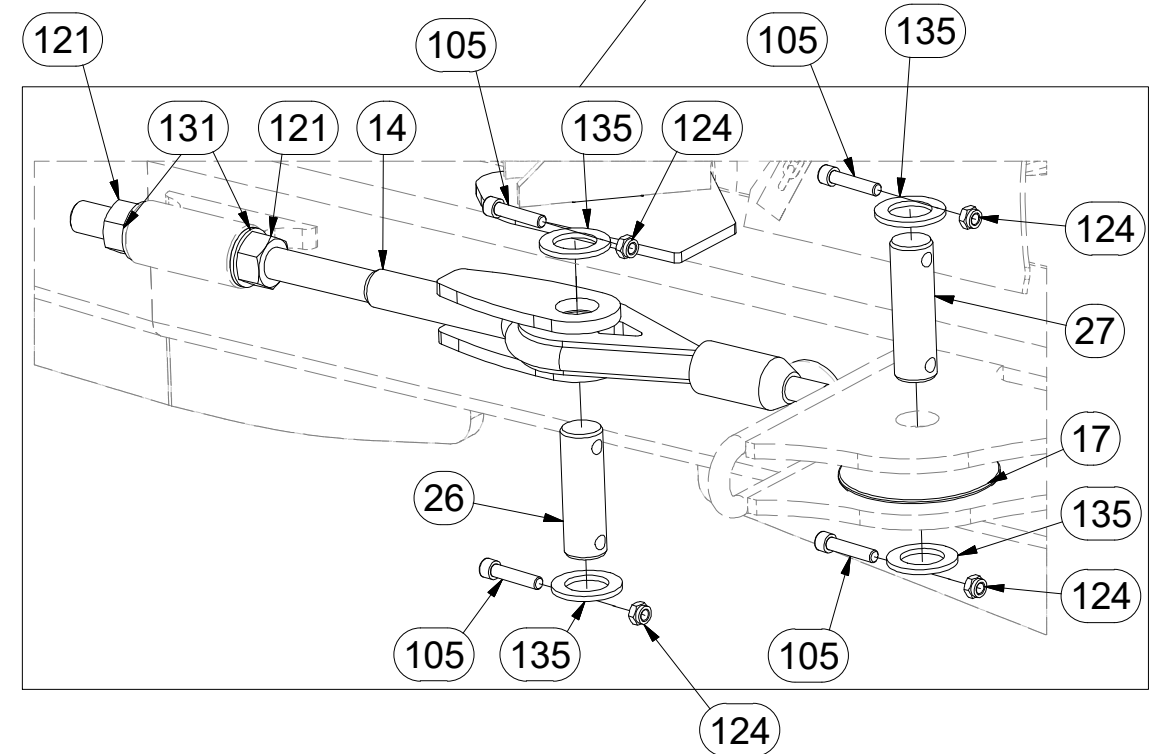
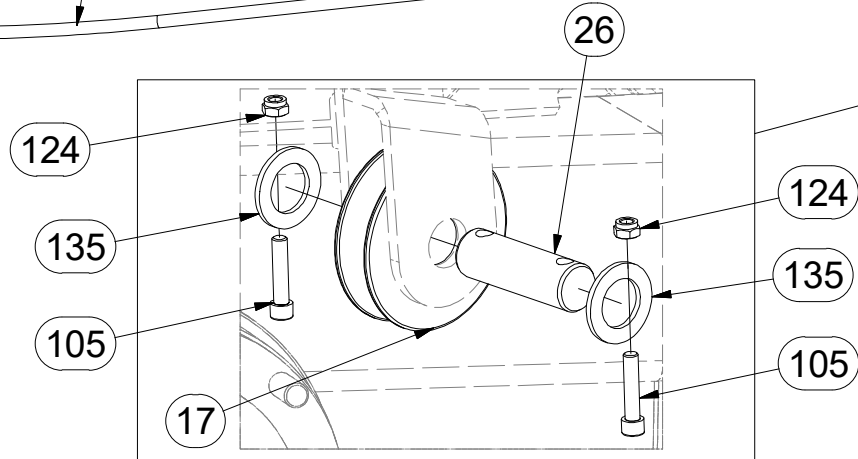
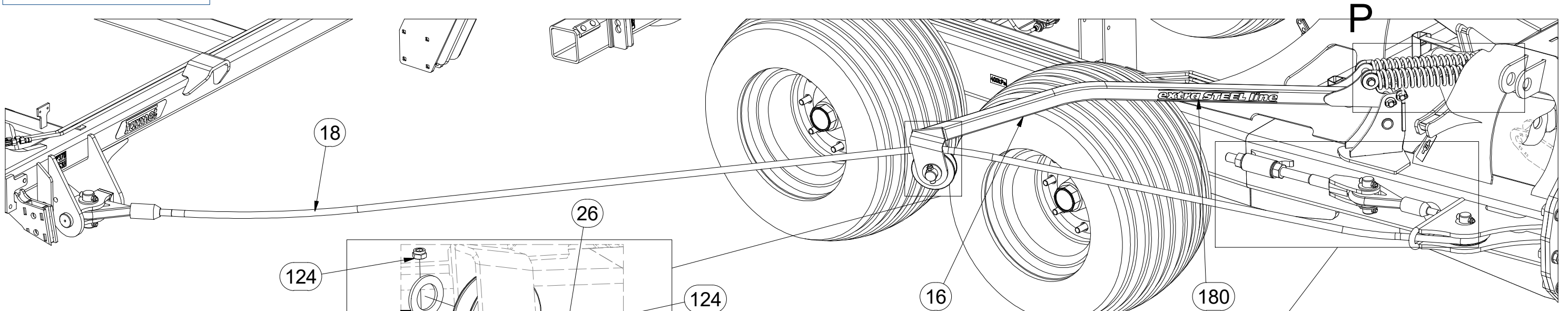
Ⓖ SEMIFINISHED MACHINE

Ⓡ ПОЛУФАБРИКАТ МАШИНЫ

Ⓟ РОЉФАБРИКАТ МАСЗЫНЫ



3007973



Pos.	Part Number	Pcs.	Pos.	Part Number	Pcs.	Pos.	Part Number	Pcs.
14	3002642	2	26	4015686	6	122	m01307	4
16	3002970	1	27	4007646	2	124	m04301	24
17	4004704	4	35	4015696	2	127	m04503	8
18	m09595	2	100	m06046	2	130	m01219	4
19	4004910	4	105	m14008	24	131	m02866	4
20	4003401	4	109	m09870	4	132	m01225	4
23	4000189	4	120	m03683	8	135	4013139	24
24	m02597	4	121	m01309	4	139	m14944	4
						180	m10353	4

☉ POLOTOVAR STROJE

☉ MASCHINEN-HALBFABRIKAT

☉ MACHINE - SEMI-PRODUIT

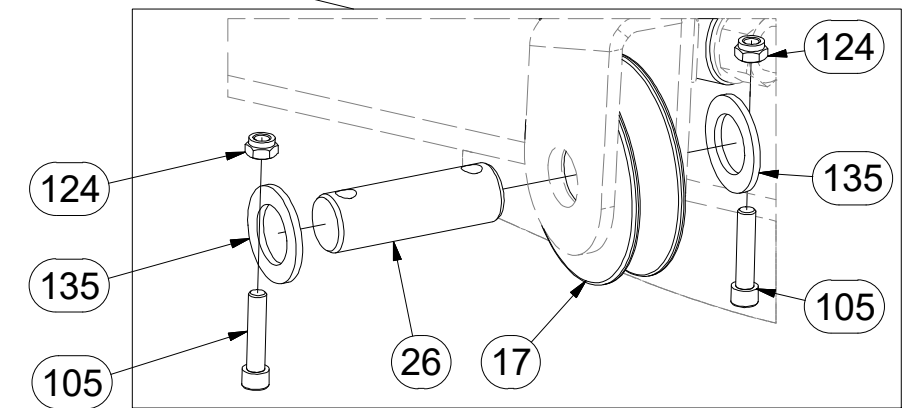
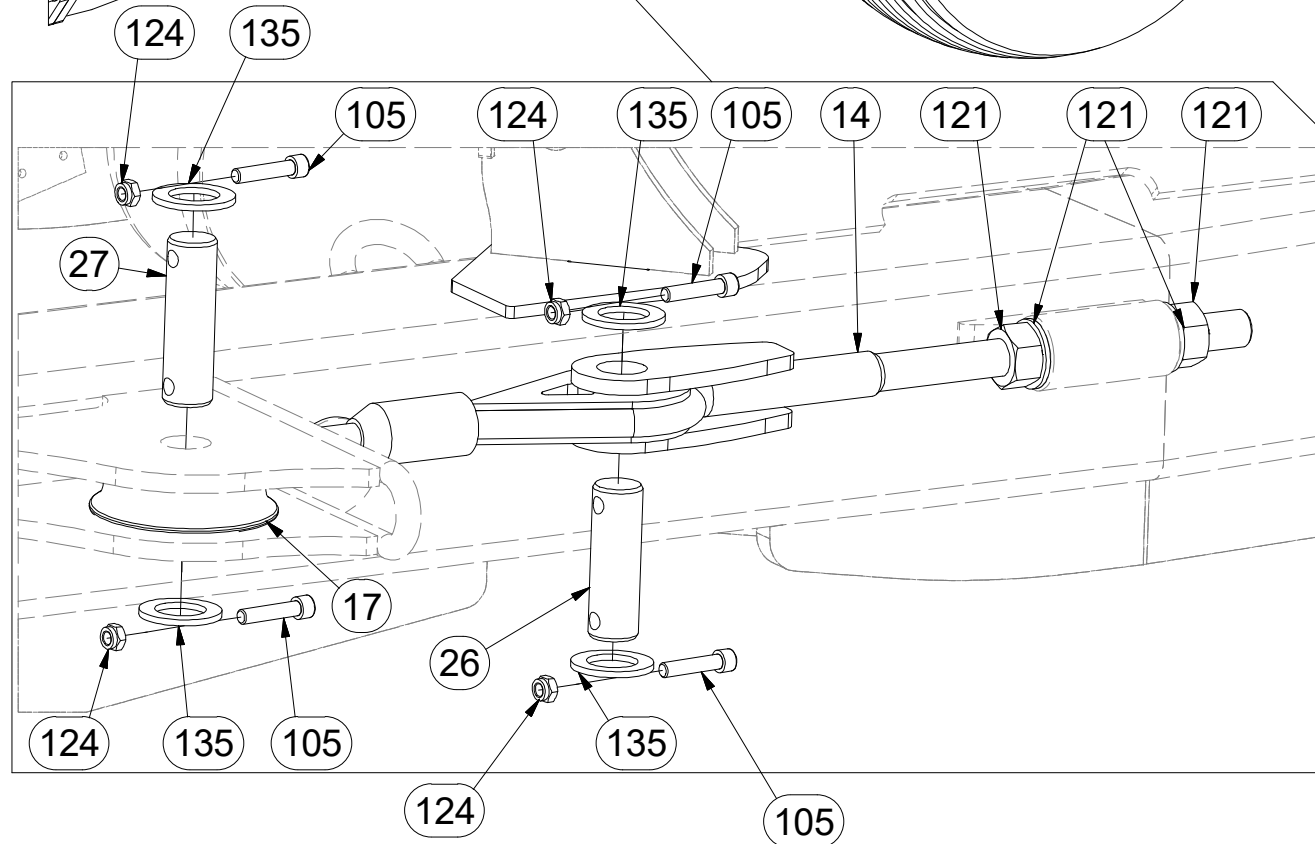
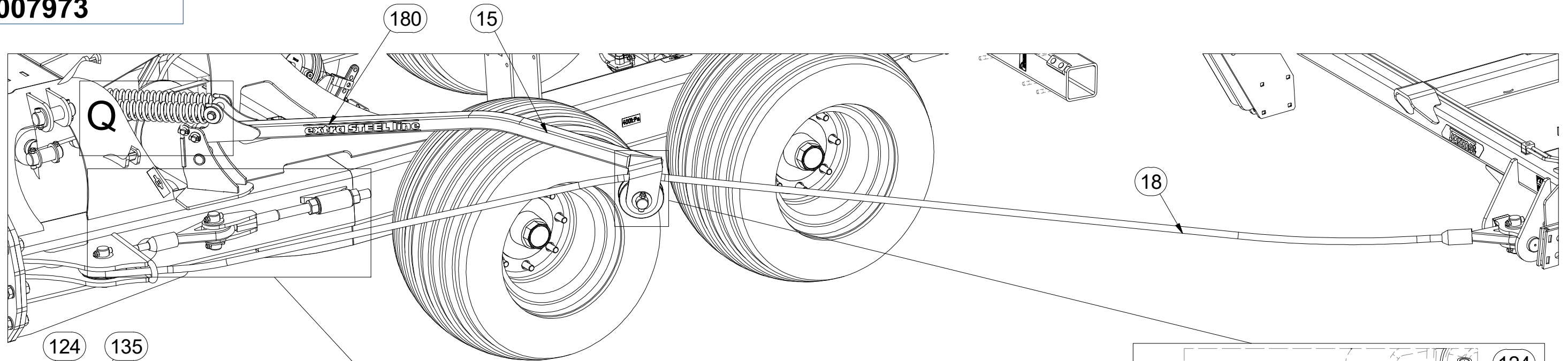
☉ SEMIFINISHED MACHINE

☉ ПОЛУФАБРИКАТ МАШИНЫ

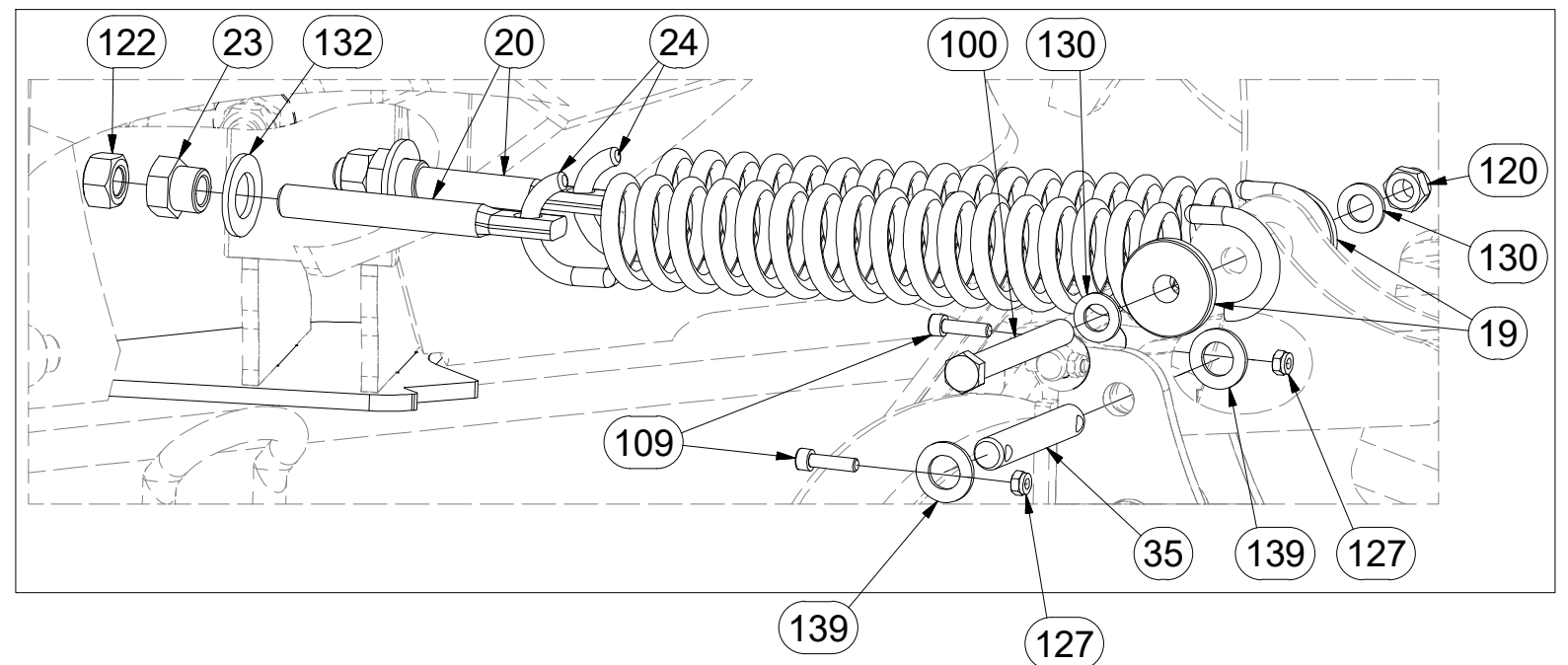
☉ PÓLFABRYKAT MASZYNY



3007973



Q



Pos.	Part Number	Pcs.	Pos.	Part Number	Pcs.	Pos.	Part Number	Pcs.
14	3002642	2	26	4015686	6	124	m04301	24
15	3002969	1	35	4015696	2	127	m04503	8
17	4004704	4	100	m06046	2	130	m01219	4
18	m09595	2	105	m14008	24	132	m01225	4
19	4004910	4	109	m09870	4	135	4013139	24
20	4003401	4	120	m03683	8	139	m14944	4
23	4000189	4	121	m01309	4	180	m10353	4
24	m02597	4	122	m01307	4			

Ⓒ PODVOZEK

Ⓓ CHASSIS

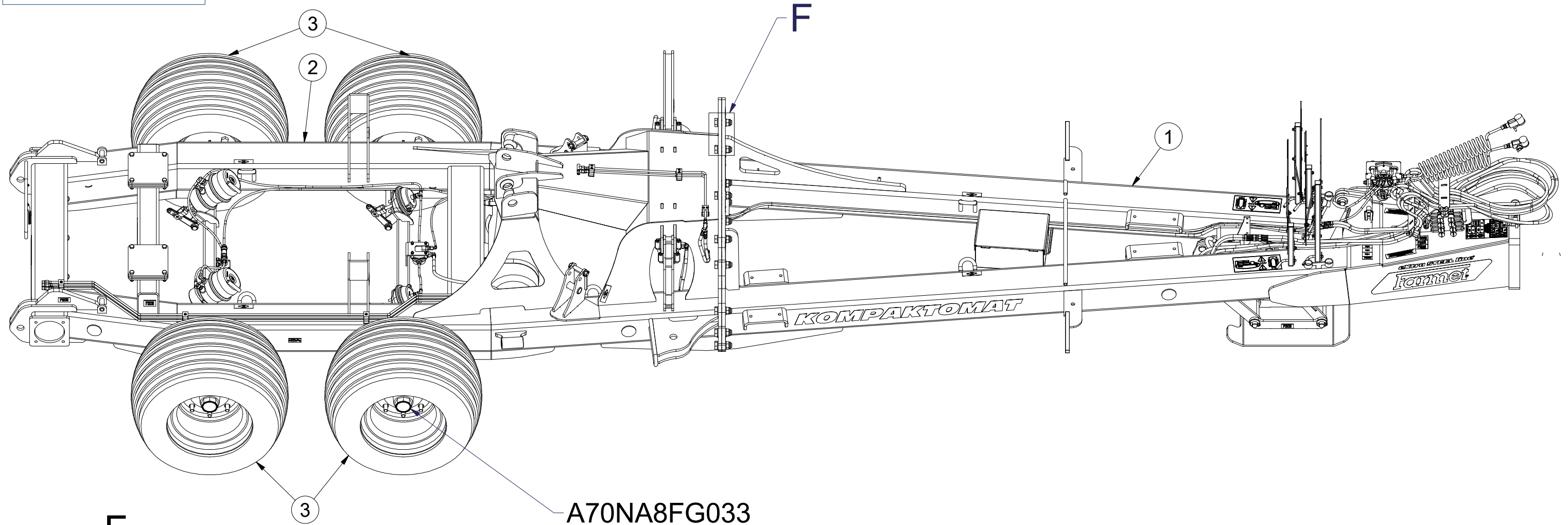
Ⓕ CHÂSSIS

3007987

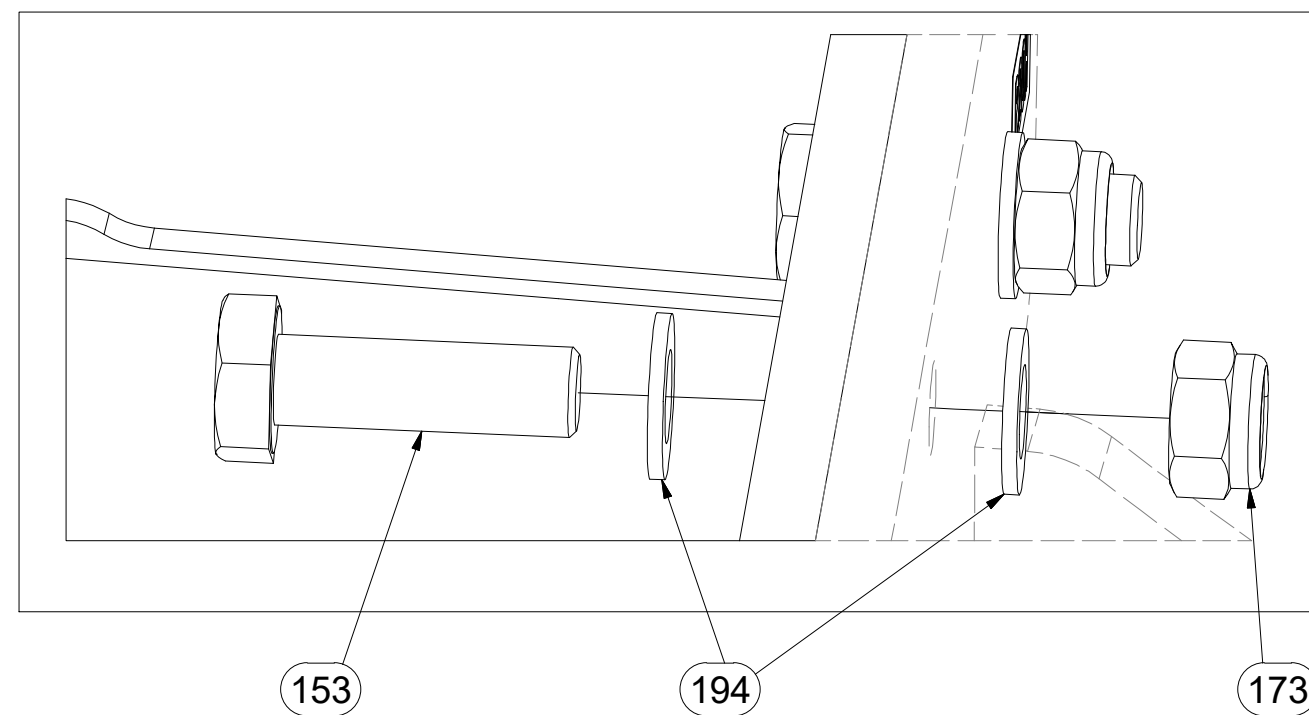
Ⓒ FAHRGESTELL

Ⓓ ШАССИ

Ⓕ PODWOZIE



A70NA8FG033



	M20x1,5-343Nm
	400 kPa
	M24 (8.8) - 710Nm

Pos.	Part Number	Pcs.
1	2000867	1
2	2000866	1
3	m06366	4
153	m03401	22
173	m07147	22
194	m03718	44

Ⓒ PODVOZEK

Ⓓ CHASSIS

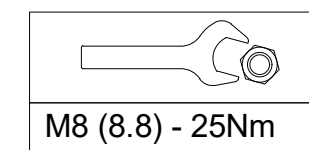
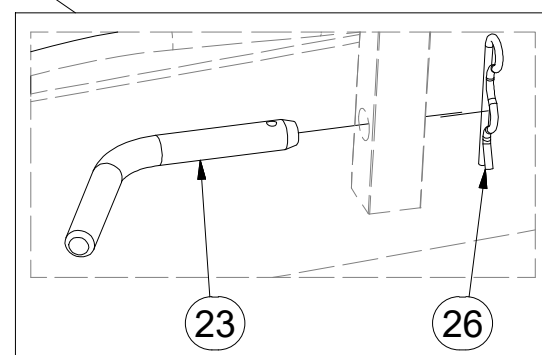
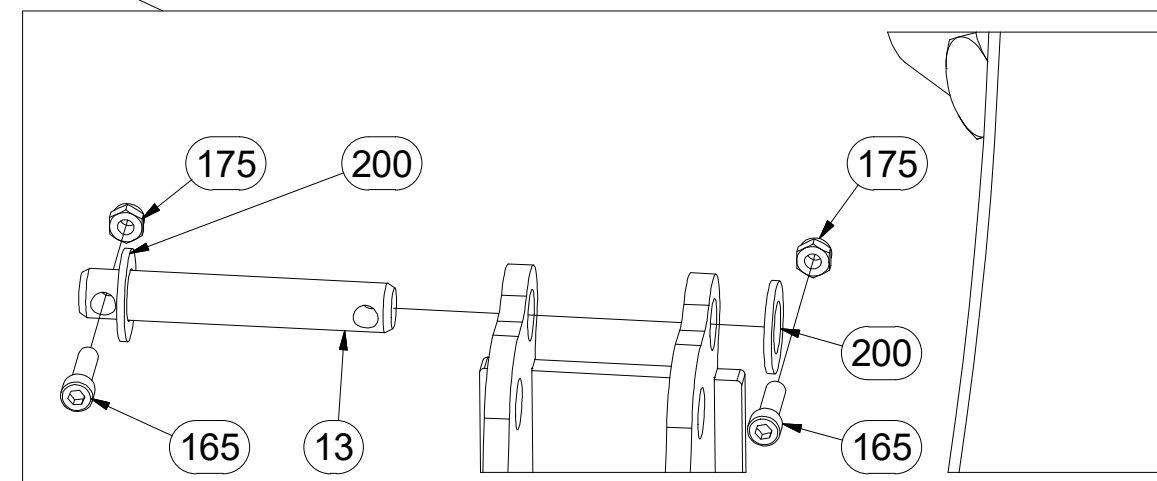
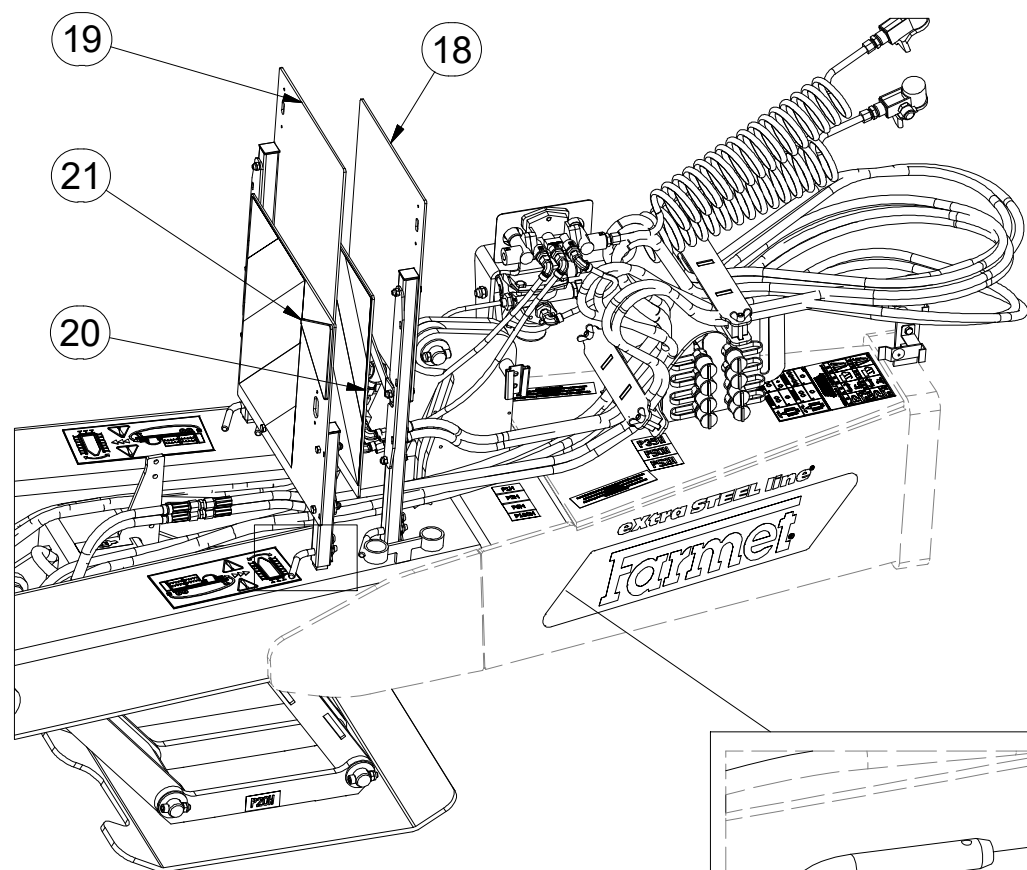
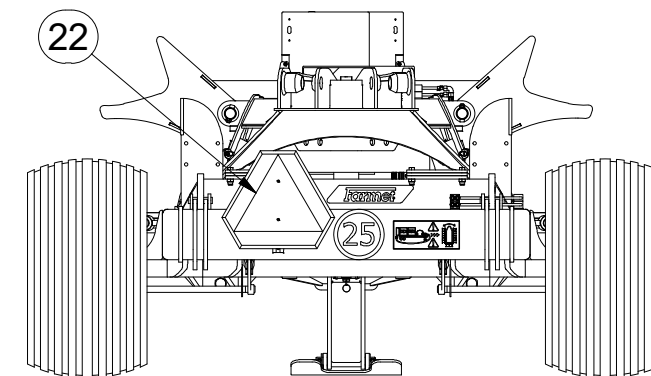
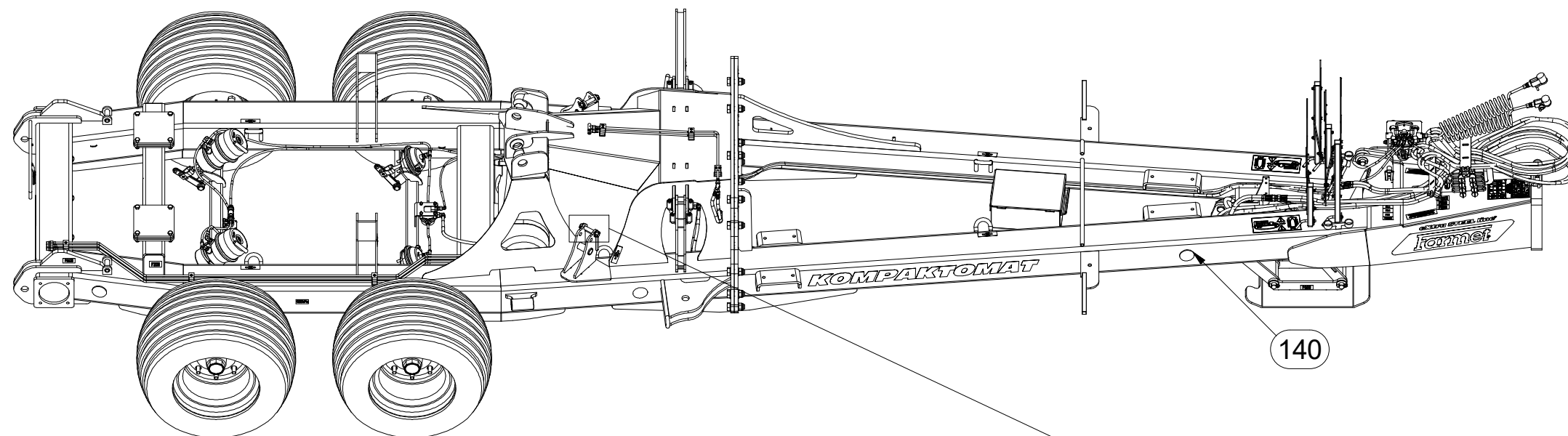
Ⓕ CHÂSSIS

3007987

Ⓖ FAHRGESTELL

Ⓡ ШАССИ

Ⓟ PODWOZIE



Pos.	Part Number	Pcs.
13	4015696	2
18	4017863	1
19	4017864	1
20	4017881	1
21	4017882	1
22	m05371	1
23	m08886	4
26	m08049	4
140	m02579	6
165	m09870	4
175	m04503	13
200	m14944	4

Ⓒ PODVOZEK

Ⓓ CHASSIS

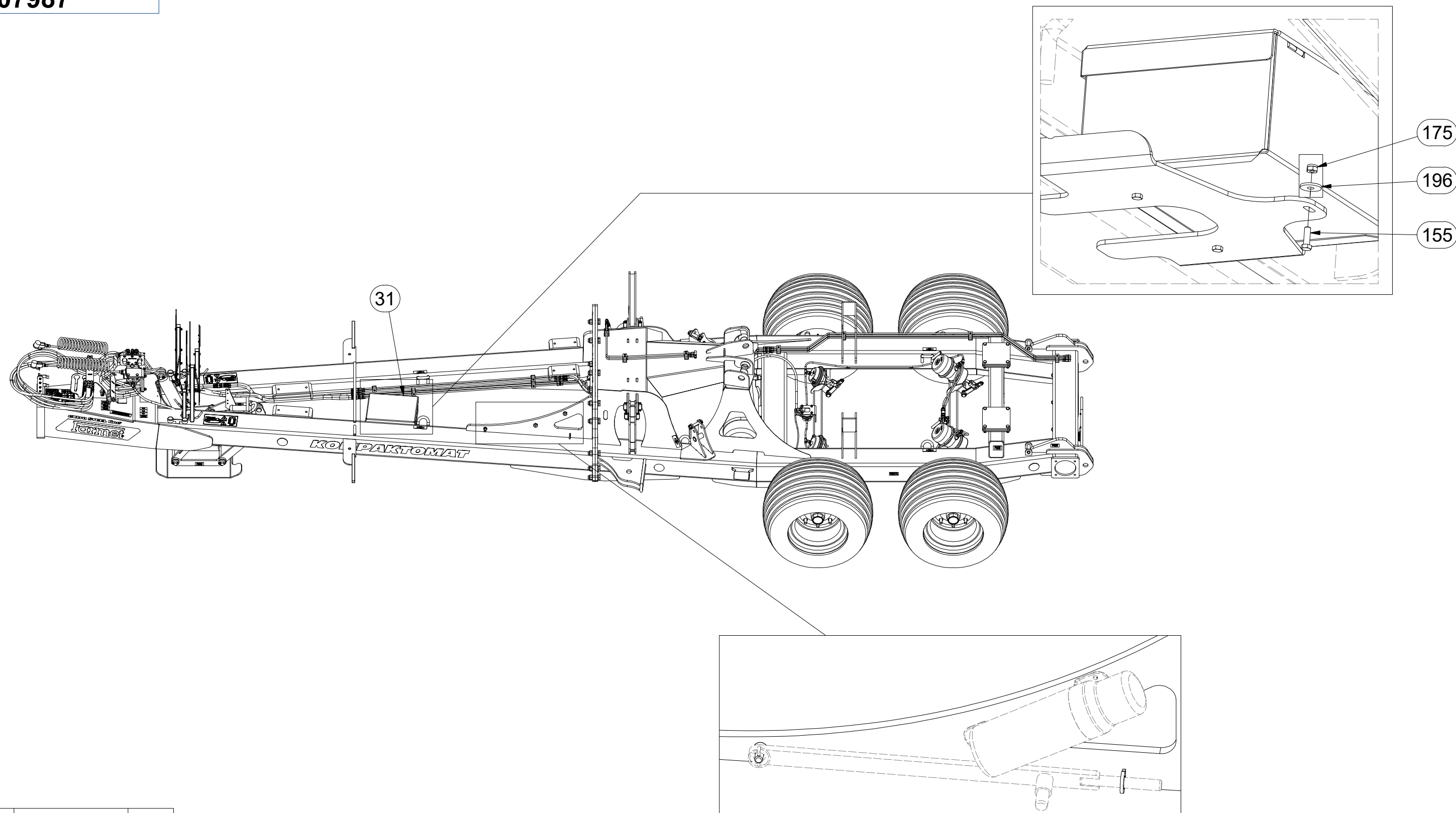
Ⓕ CHÂSSIS

3007987

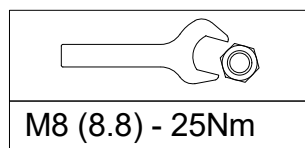
Ⓖ FAHRGESTELL

Ⓡ ШАССИ

Ⓟ PODWOZIE



Pos.	Part Number	Pcs.
31	m12296	1
155	m01092	4
175	m04503	13
196	m07936	3



Ⓒ PODVOZEK

Ⓓ CHASSIS

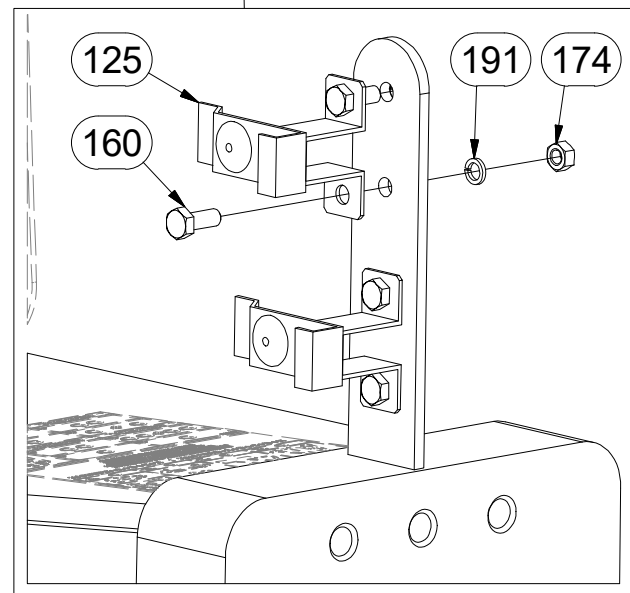
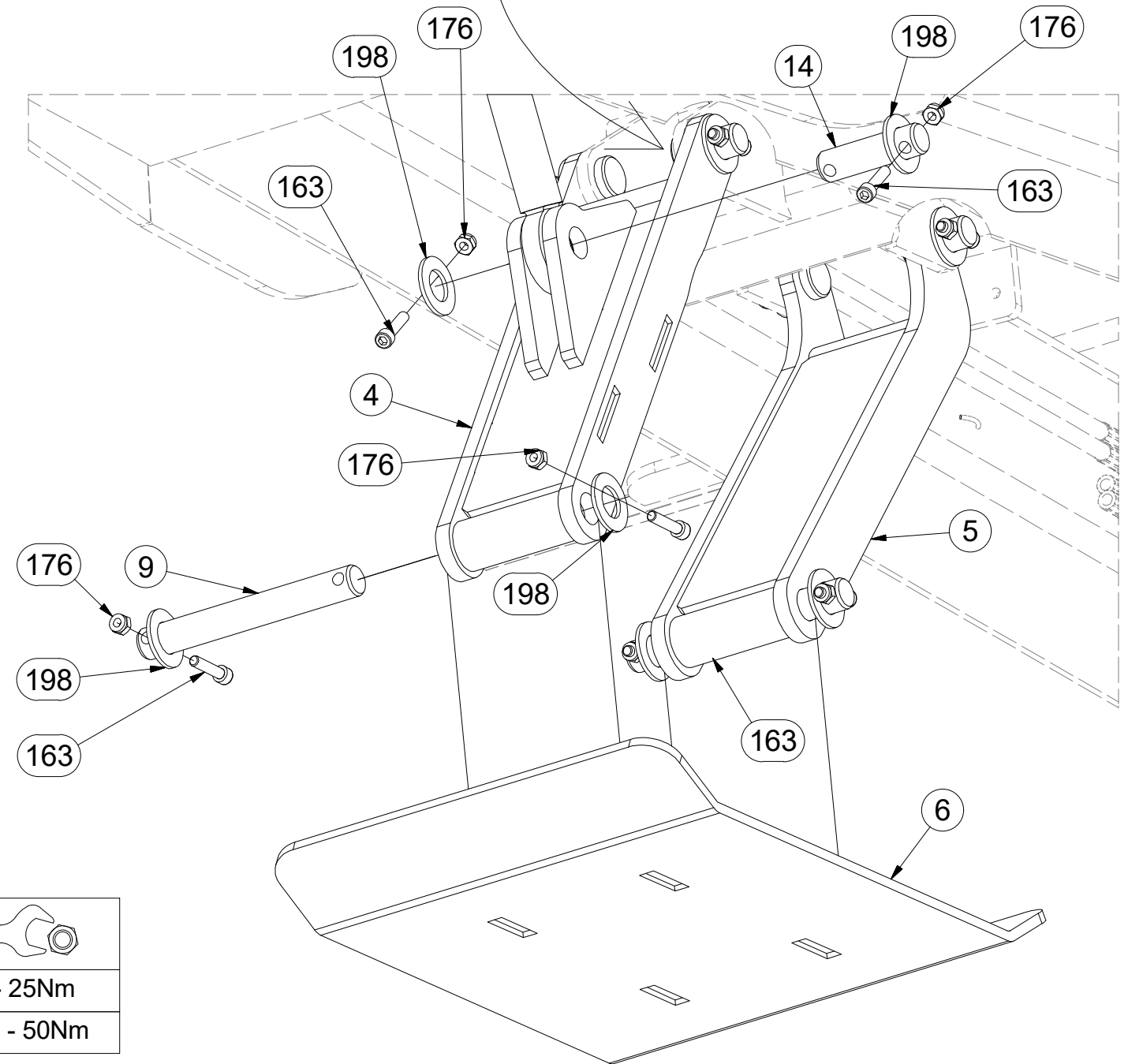
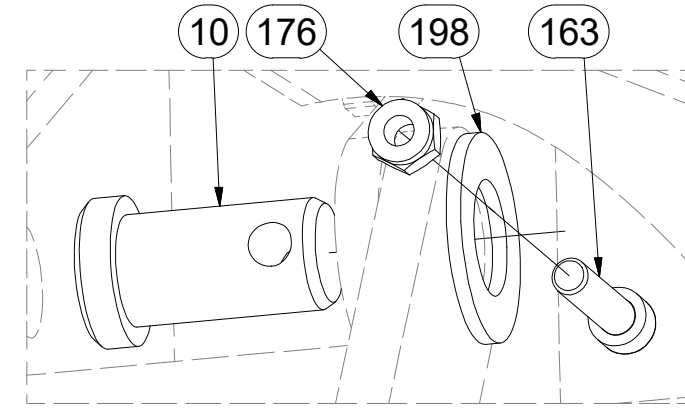
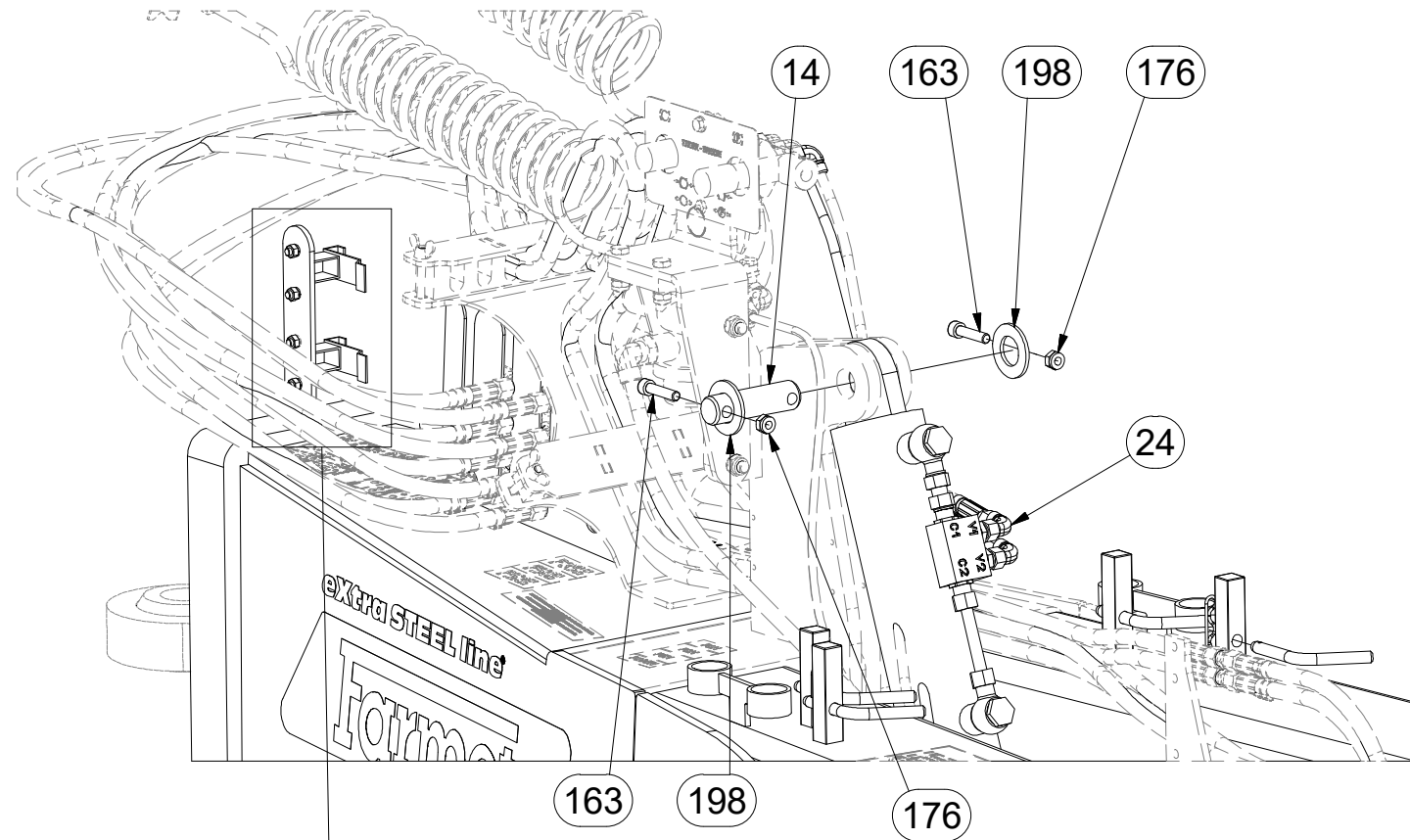
Ⓕ CHÂSSIS

3007987

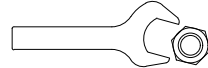
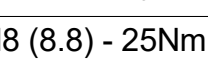
Ⓖ FAHRGESTELL

Ⓡ ШАССИ

Ⓢ PODWOZIE



Pos.	Part Number	Pcs.
4	3002929	1
5	3002928	1
6	3002927	1
9	4015690	2
10	4015692	4
14	4007584	2
24	4004809	1
125	m09789	2
160	m01089	4
163	m14143	12
174	m01296	4
176	m03775	14
191	m01202	4
198	m14029	12

	M8 (8.8) - 25Nm
	M10 (8.8) - 50Nm

Ⓒ PODVOZEK

Ⓓ CHASSIS

Ⓕ CHÂSSIS

3007987

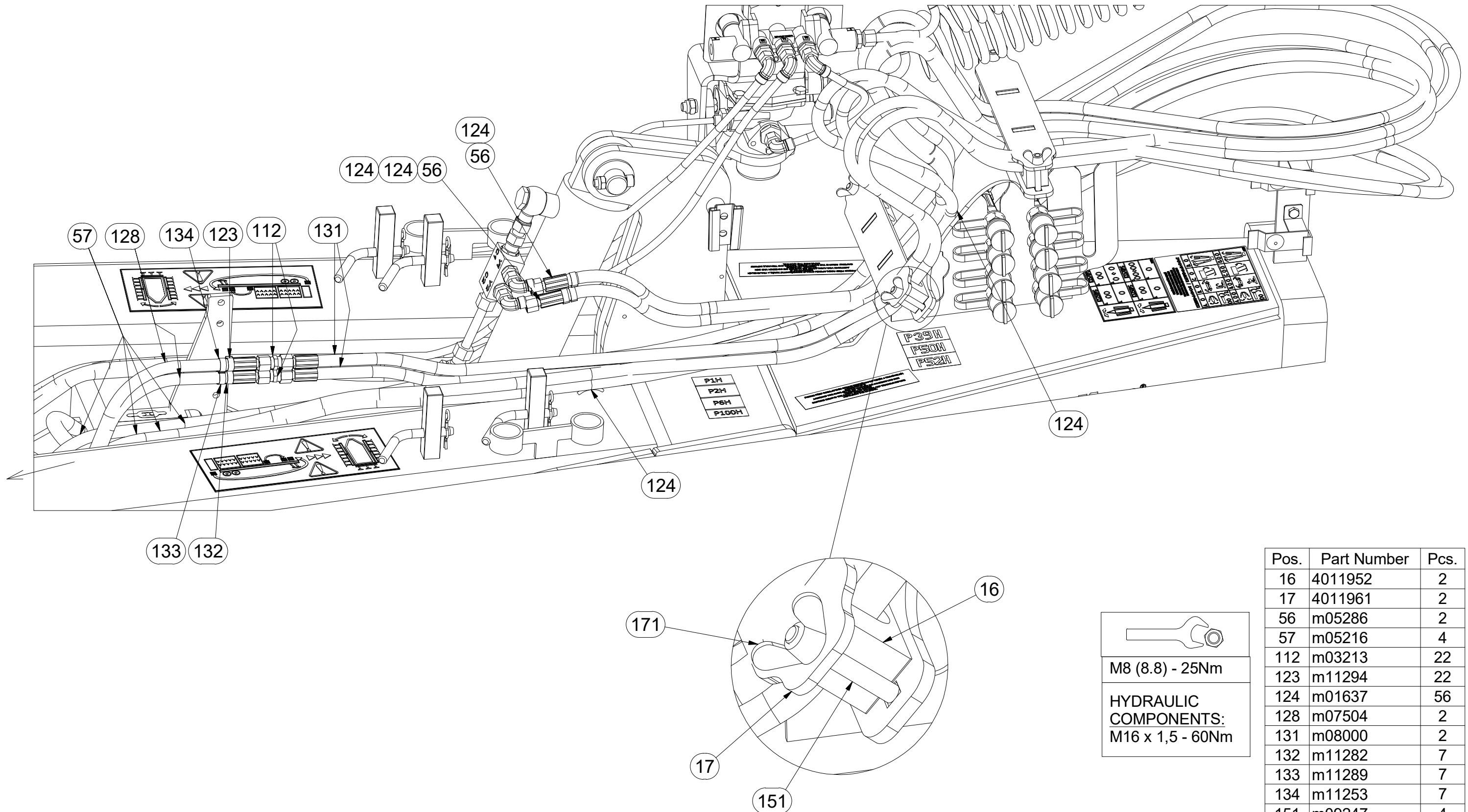
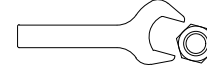
Ⓖ FAHRGESTELL

Ⓡ ШАССИ

Ⓟ PODWOZIE



V

M8 (8.8) - 25Nm

HYDRAULIC COMPONENTS:
M16 x 1,5 - 60Nm

Pos.	Part Number	Pcs.
16	4011952	2
17	4011961	2
56	m05286	2
57	m05216	4
112	m03213	22
123	m11294	22
124	m01637	56
128	m07504	2
131	m08000	2
132	m11282	7
133	m11289	7
134	m11253	7
151	m09247	4
171	m01316	4

Ⓒ PODVOZEK

Ⓓ CHASSIS

Ⓕ CHÂSSIS

3007987

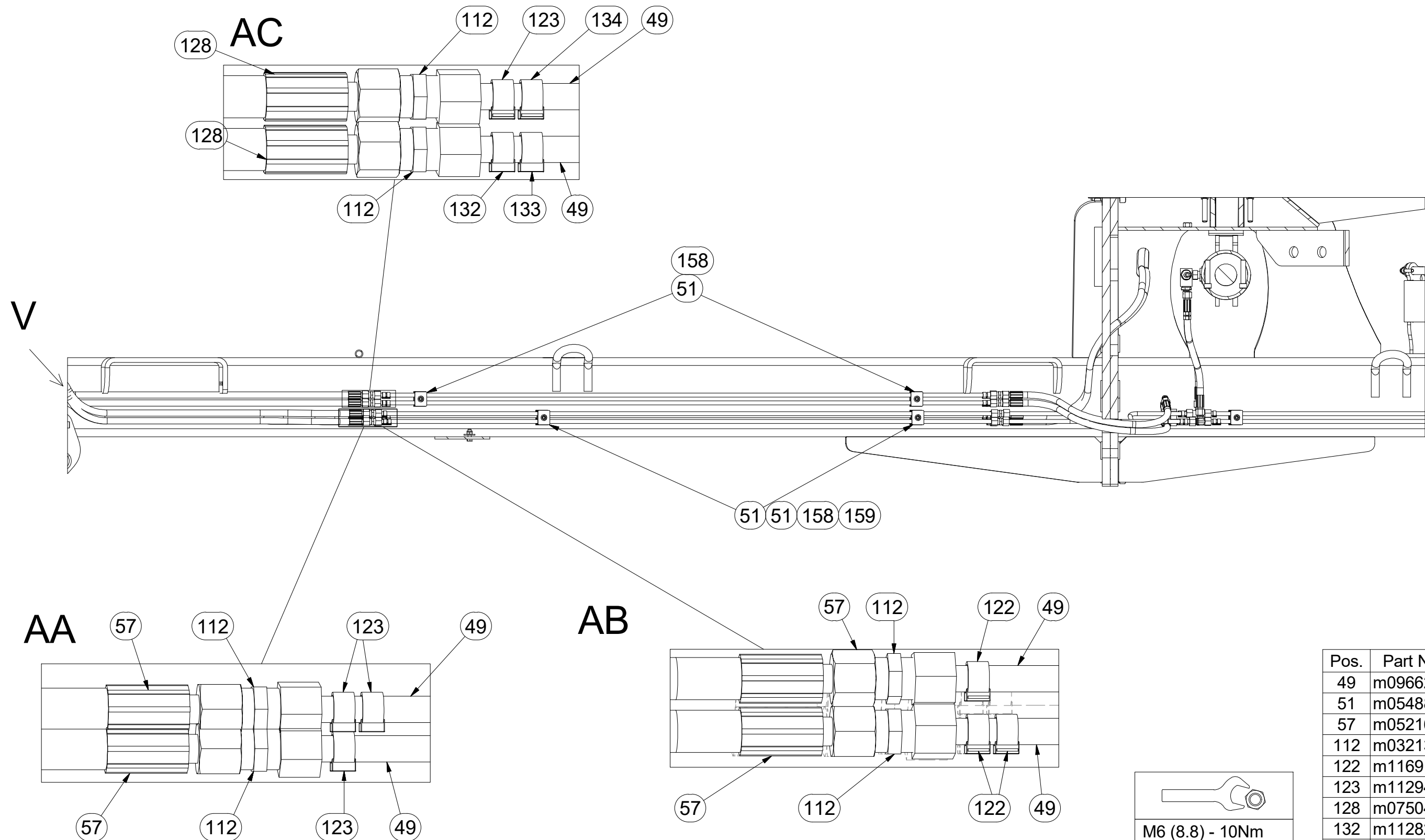
Ⓖ FAHRGESTELL

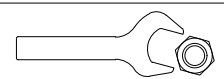
Ⓡ ШАССИ

Ⓟ PODWOZIE



W




M6 (8.8) - 10Nm
HYDRAULIC COMPONENTS:
M16 x 1,5 - 60Nm

Pos.	Part Number	Pcs.
49	m09662	6
51	m05488	18
57	m05216	4
112	m03213	22
122	m11691	21
123	m11294	22
128	m07504	2
132	m11282	7
133	m11289	7
134	m11253	7
158	m04346	10
159	m09956	8

Ⓒ PODVOZEK

Ⓓ CHASSIS

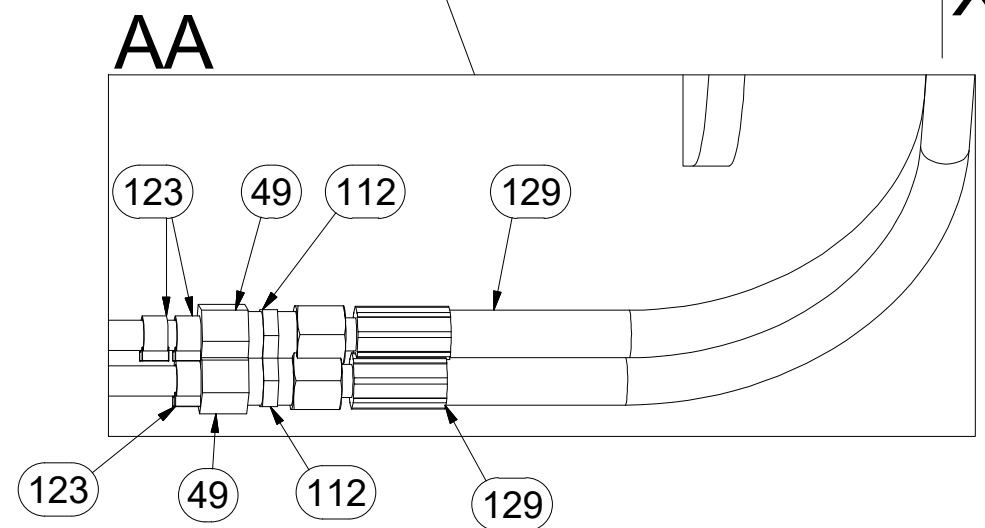
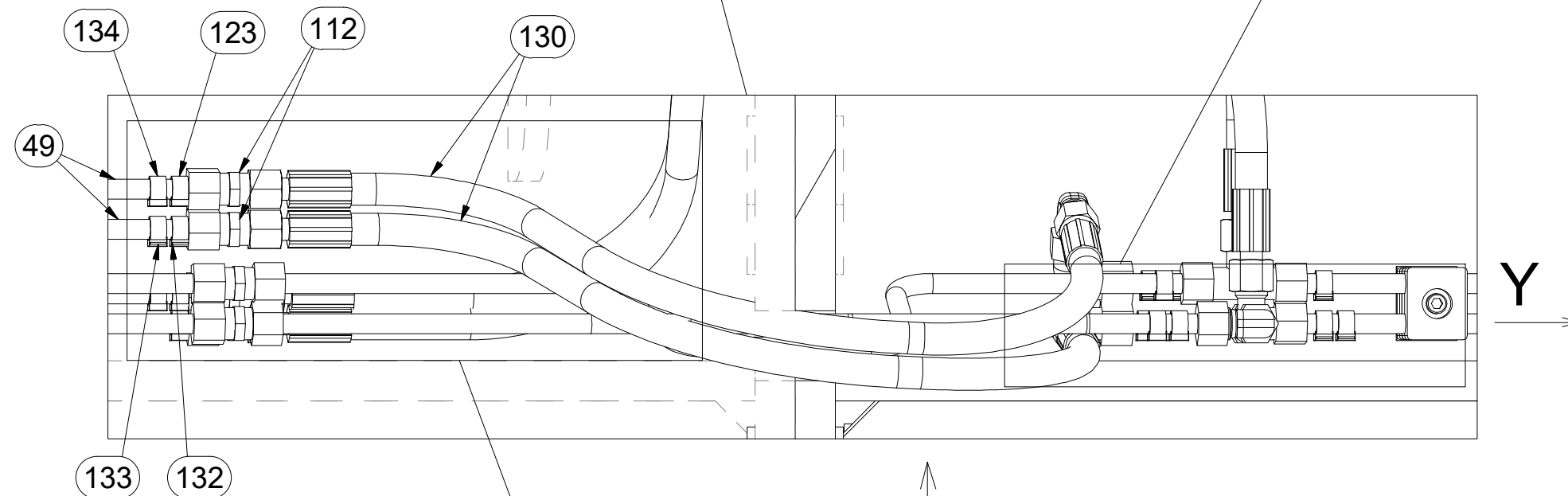
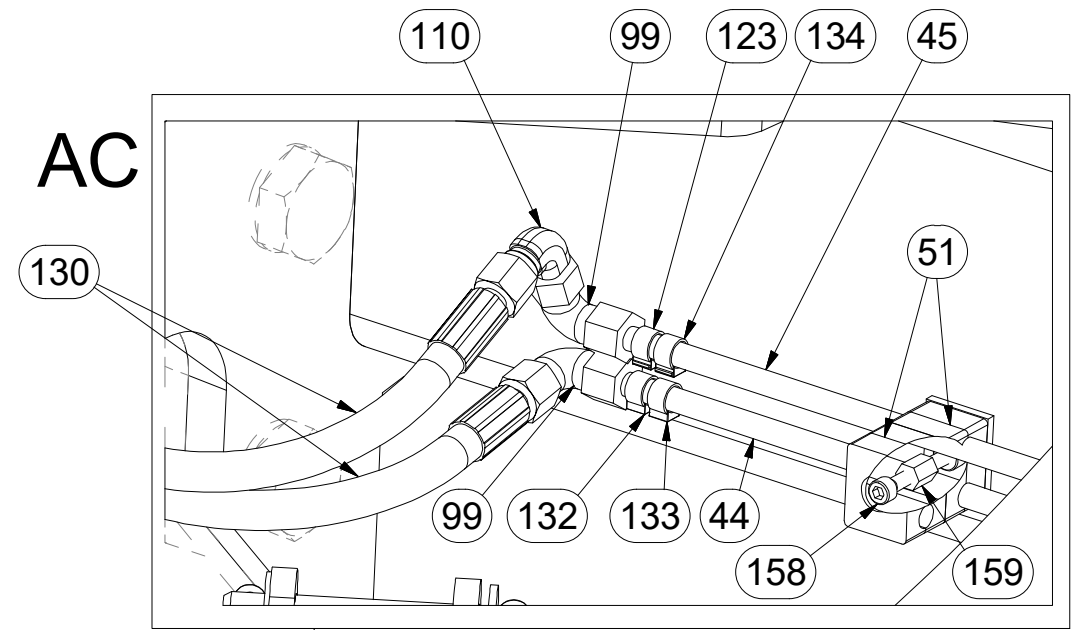
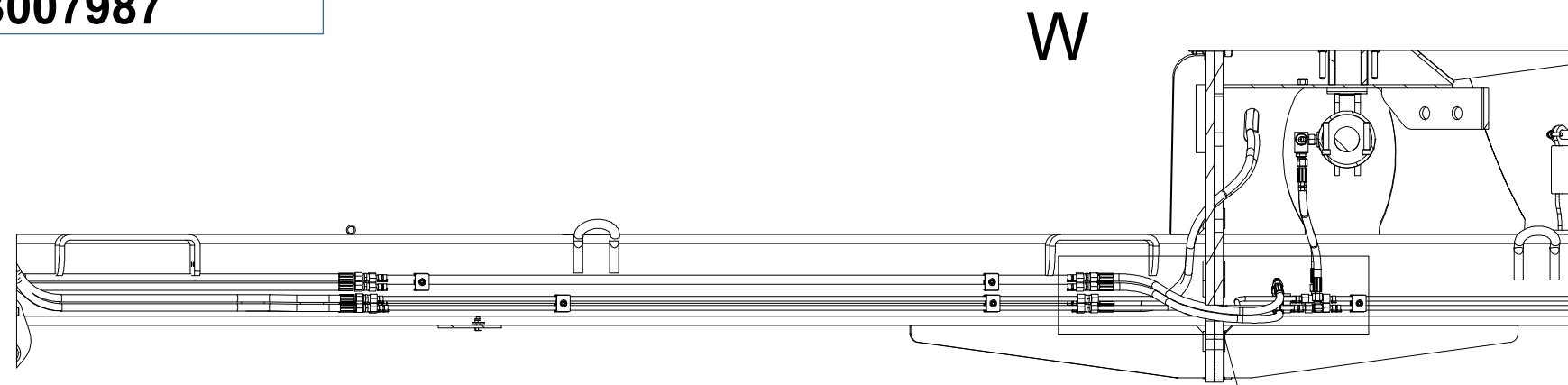
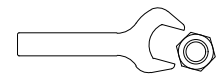
Ⓕ CHÂSSIS

3007987

Ⓖ FAHRGESTELL

Ⓡ ШАССИ

Ⓢ PODWOZIE

M6 (8.8) - 10Nm

HYDRAULIC COMPONENTS:
M16 x 1,5 - 60Nm

Pos.	Part Number	Pcs.
44	m09943	1
45	m09944	1
49	m09662	6
51	m05488	18
99	m06661	5
110	m06803	6
112	m03213	22
123	m11294	22
129	m06532	2
130	m03713	2
132	m11282	7
133	m11289	7
134	m11253	7
158	m04346	10
159	m09956	8

Ⓒ PODVOZEK

Ⓓ CHASSIS

Ⓕ CHÂSSIS

3007987

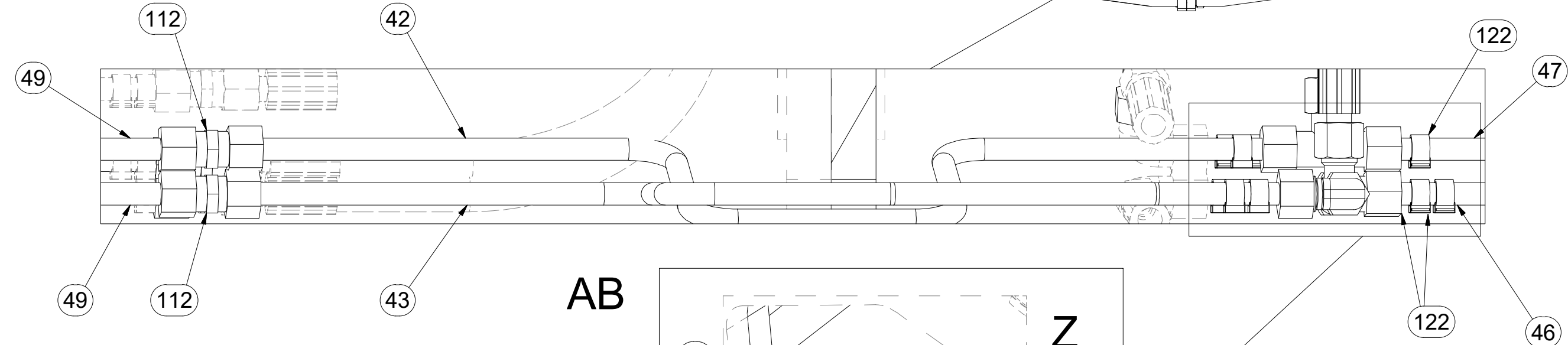
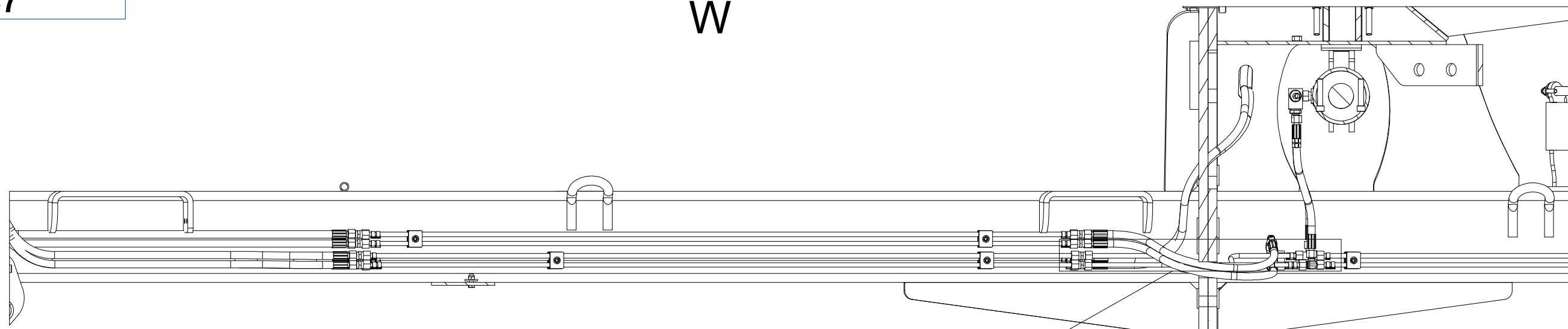
Ⓒ FAHRGESTELL

Ⓔ ШАССИ

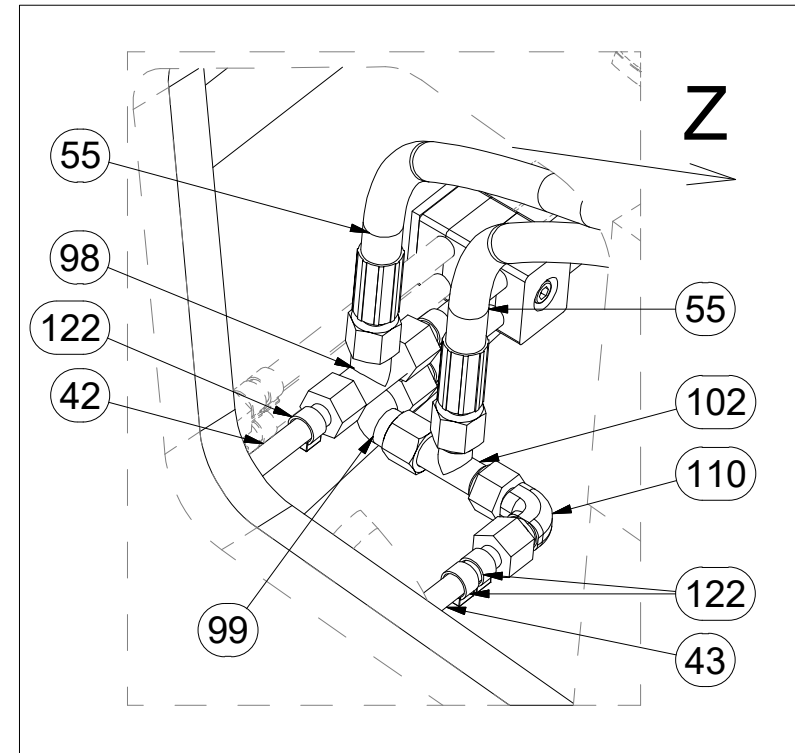
Ⓗ PODWOZIE




W



AB




M6 (8.8) - 10Nm
HYDRAULIC COMPONENTS:
M16 x 1,5 - 60Nm

Pos.	Part Number	Pcs.
42	m09941	1
43	m09942	1
49	m09662	6
55	m09627	2
98	m03889	3
99	m06661	5
102	m07568	1
110	m06803	6
112	m03213	22
122	m11691	21

Ⓒ PODVOZEK

Ⓓ CHASSIS

Ⓕ CHÂSSIS

3007987

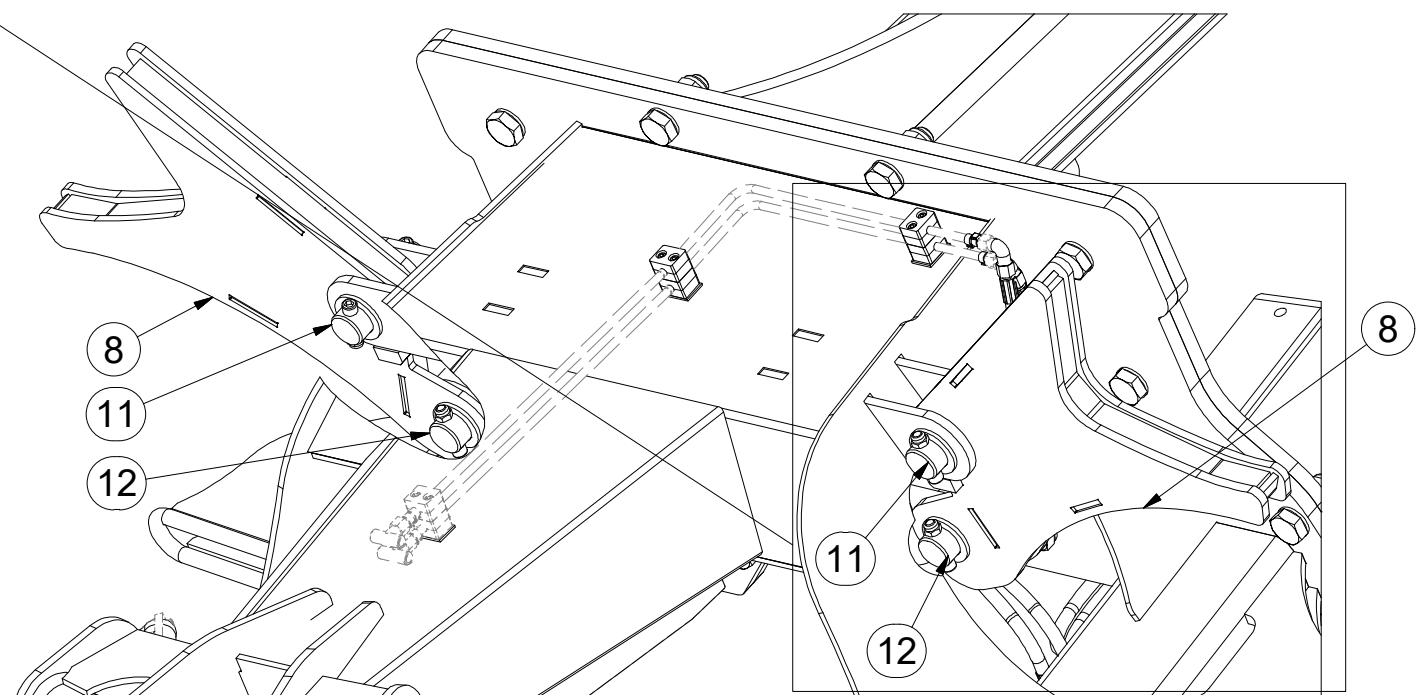
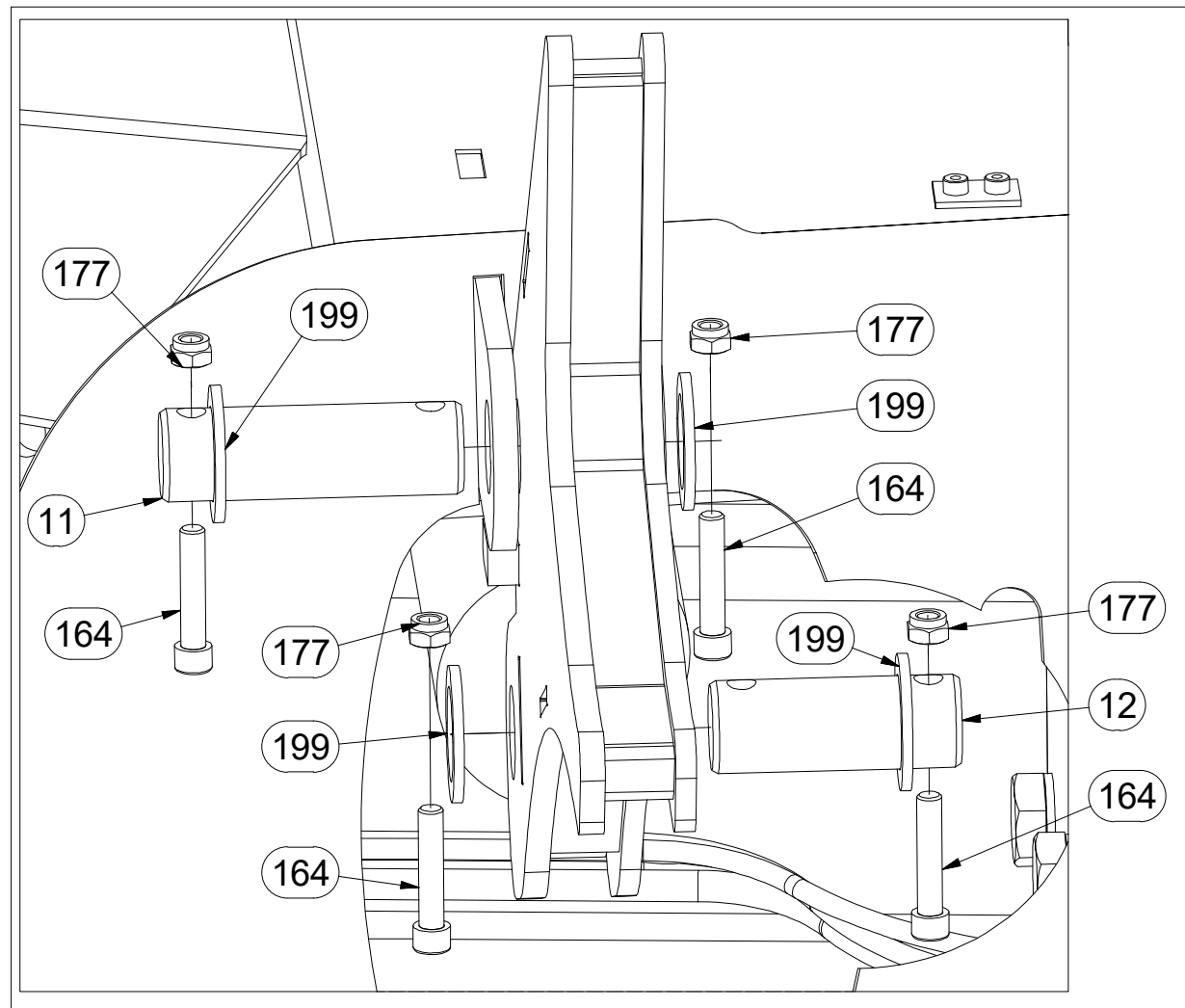
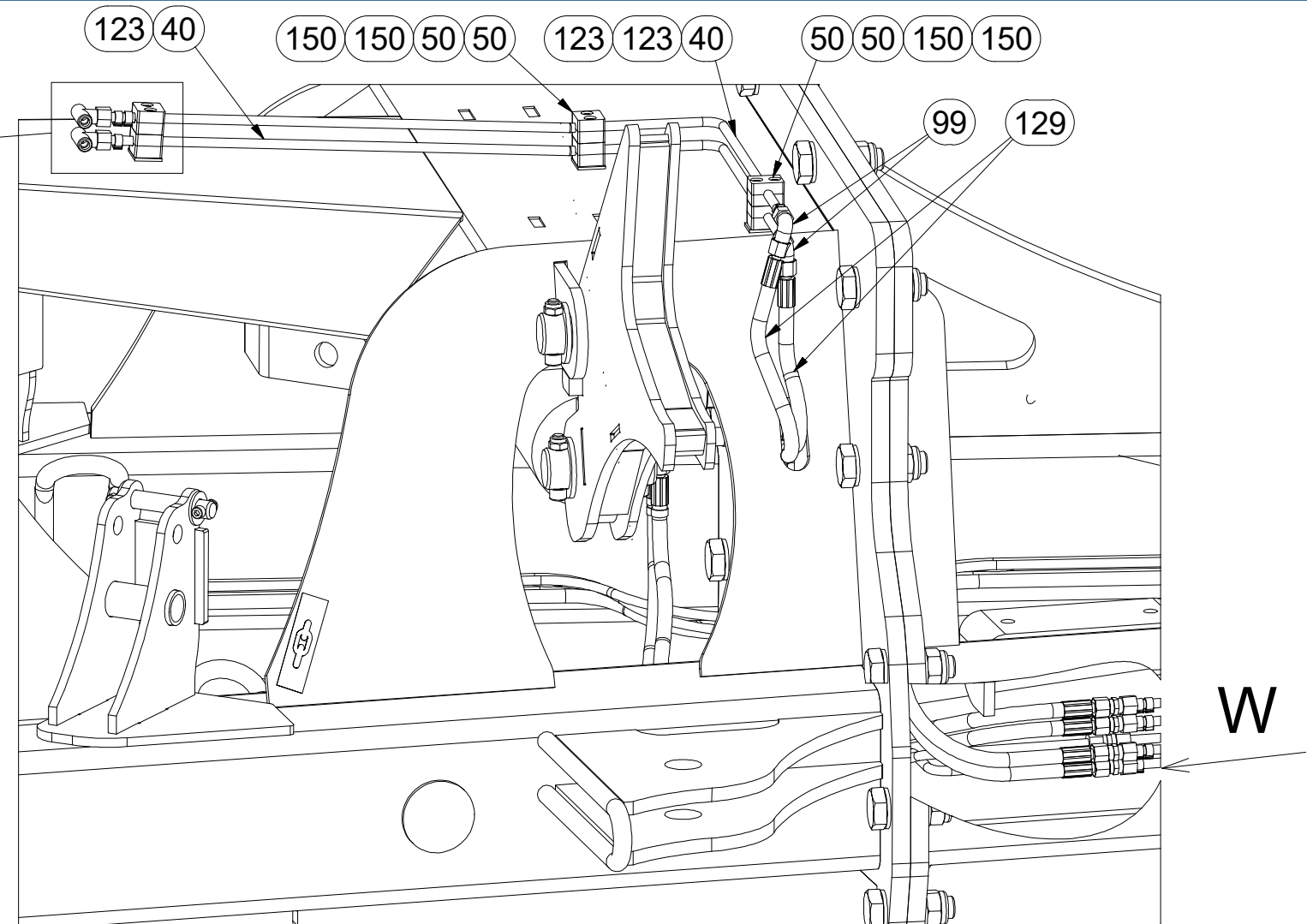
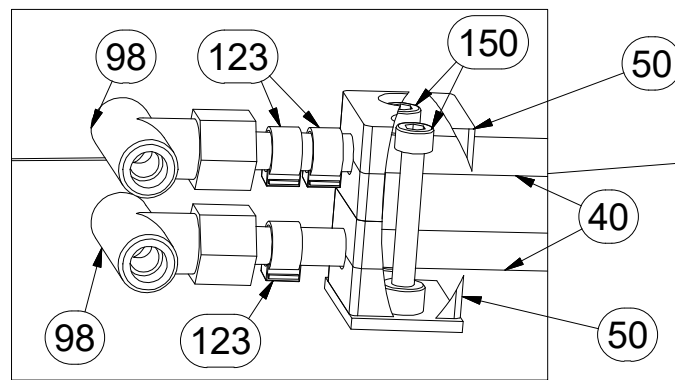
Ⓖ FAHRGESTELL

Ⓡ ШАССИ

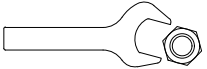
Ⓢ PODWOZIE



AA, X



Pos.	Part Number	Pcs.	Pos.	Part Number	Pcs.
8	3002925	2	123	m11294	22
11	4015693	2	129	m06532	2
12	4015695	2	150	m09935	6
40	m09660	2	164	m04293	8
50	m04009	6	177	m04301	10
98	m03889	3	199	4013561	8
99	m06661	5			



M6 (8.8) - 10Nm
M12 (8.8) - 87Nm
HYDRAULIC COMPONENTS:
M16 x 1,5 - 60Nm

Ⓒ PODVOZEK

Ⓓ CHASSIS

Ⓕ CHÂSSIS

3007987

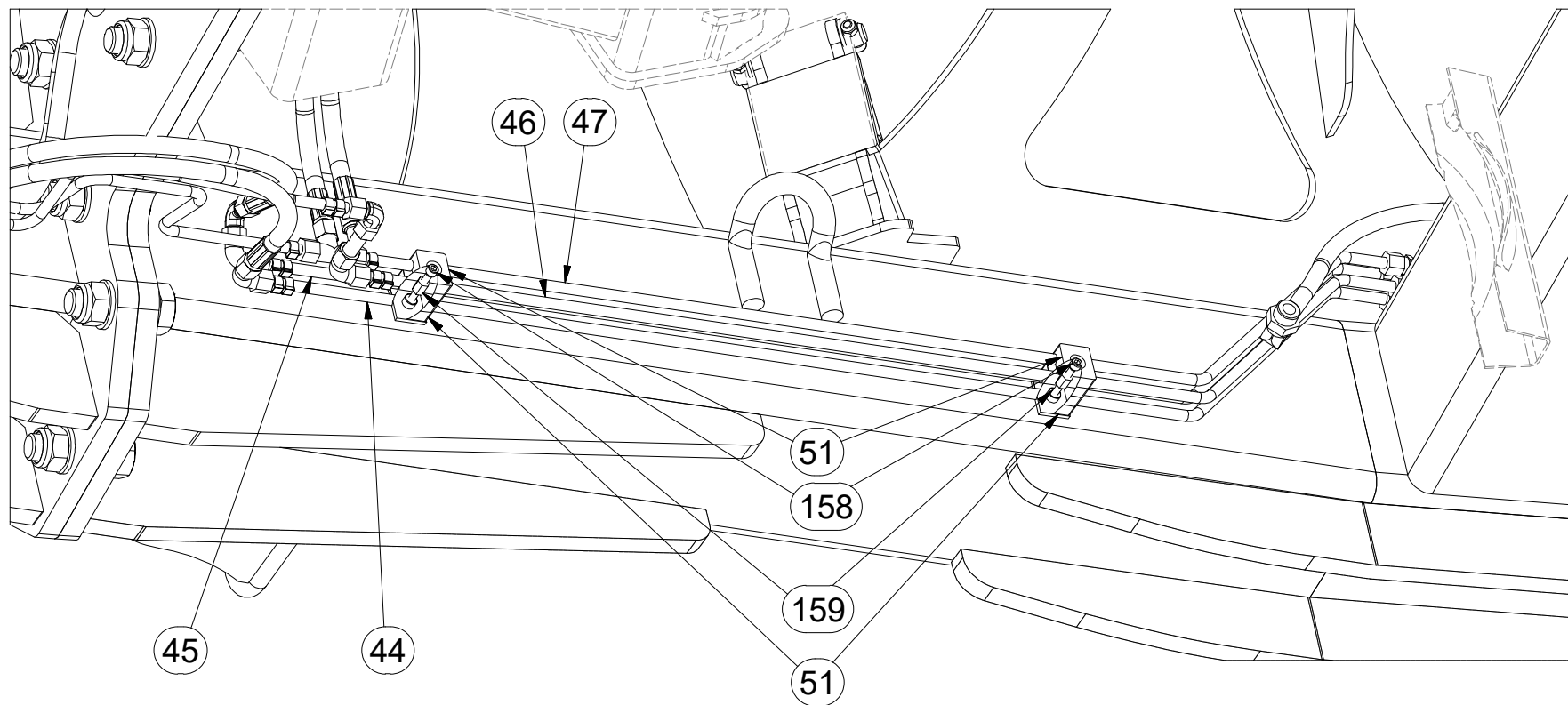
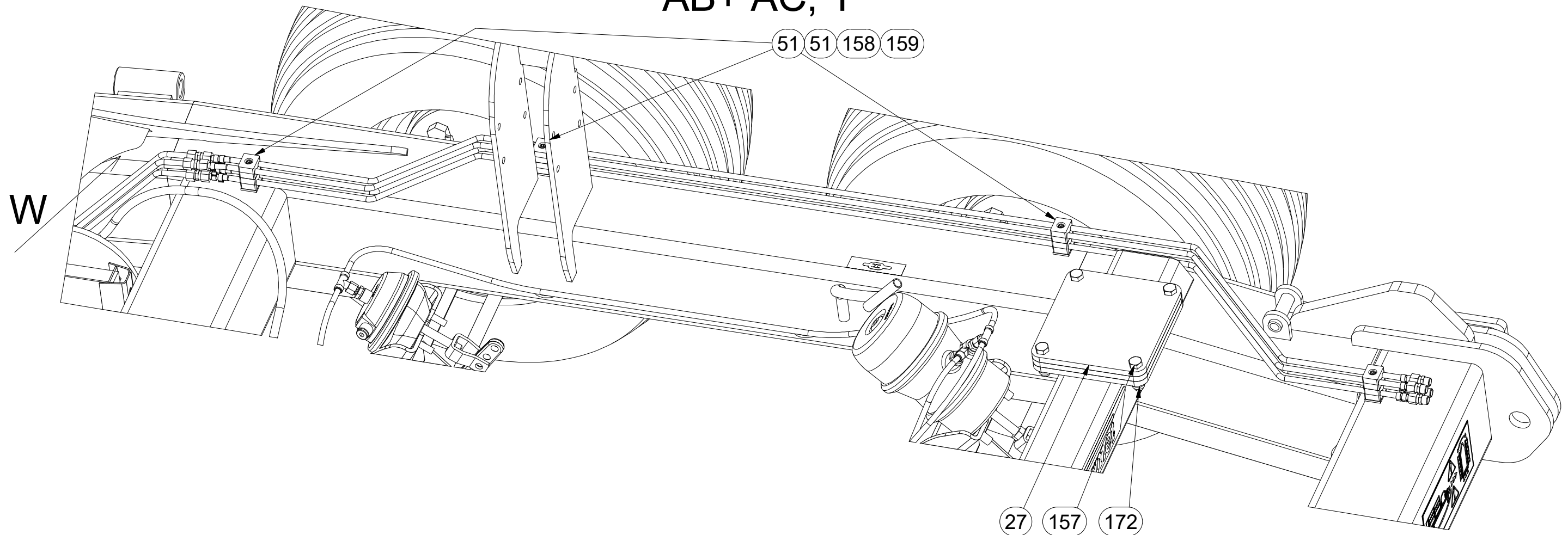
Ⓒ FAHRGESTELL

Ⓔ ШАССИ


Ⓗ PODWOZIE



AB+ AC, Y



Pos.	Part Number	Pcs.
27	9002016	4
44	m09943	1
45	m09944	1
46	m09945	1
47	m09946	1
51	m05488	18
157	m00619	8
158	m04346	10
159	m09956	8
172	m03683	8



M6 (8.8) - 10Nm
M16 (8.8) - 210Nm
HYDRAULIC COMPONENTS:
M16 x 1,5 - 60Nm

Ⓒ PODVOZEK

Ⓓ CHASSIS

Ⓕ CHÂSSIS

3007987

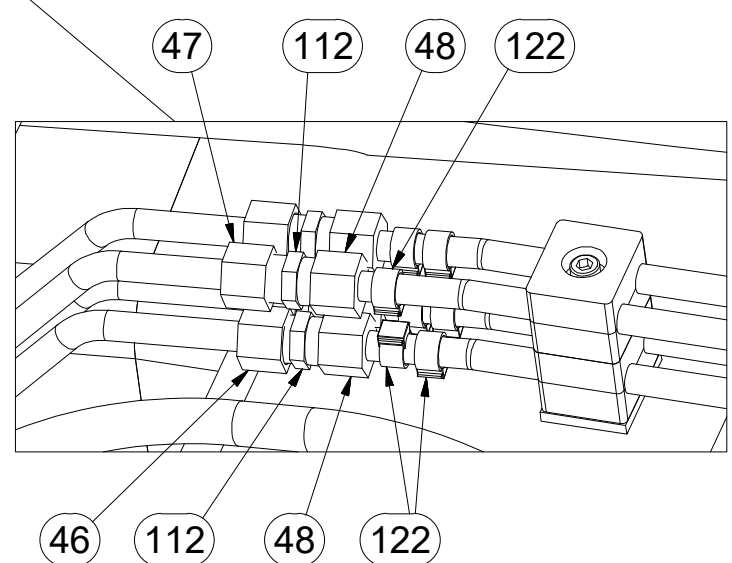
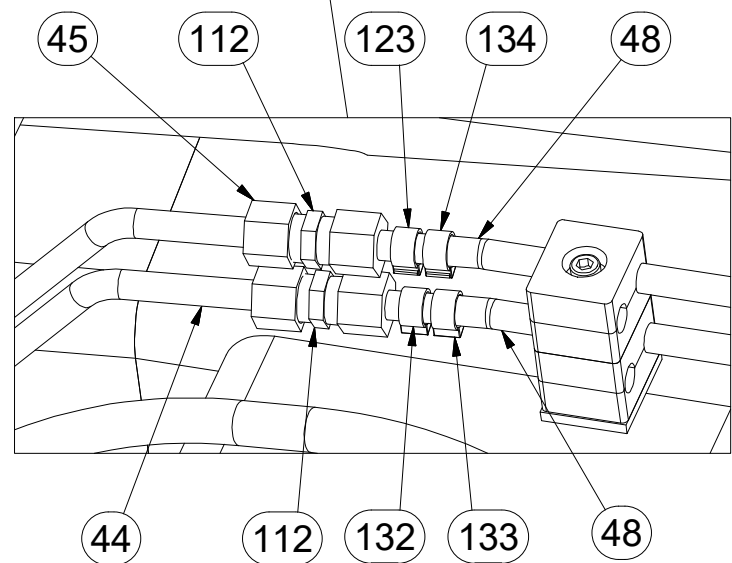
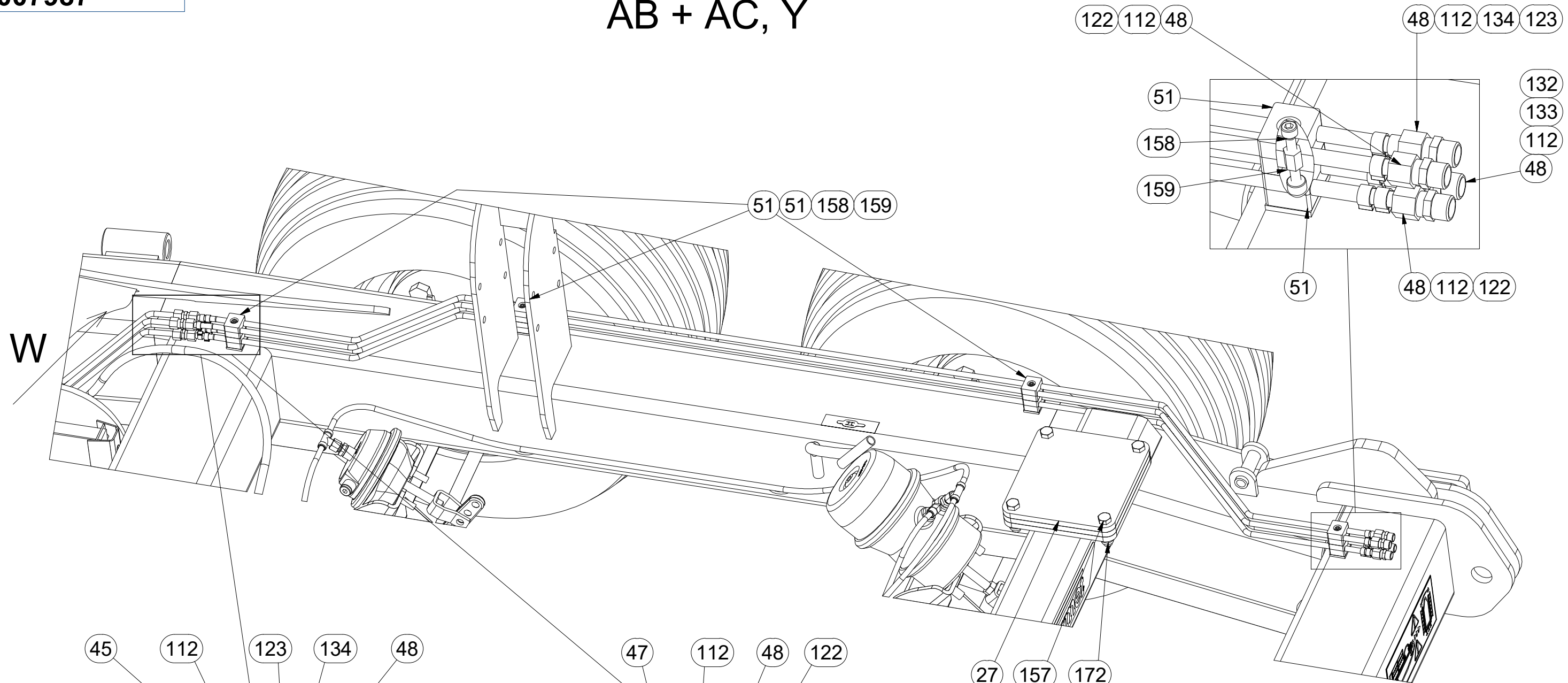
Ⓖ FAHRGESTELL

Ⓡ ШАССИ

Ⓟ PODWOZIE



AB + AC, Y



M6 (8.8) - 10Nm
M16 (8.8) - 210Nm
HYDRAULIC COMPONENTS:
M16 x 1,5 - 60Nm

Pos.	Part Number	Pcs.	Pos.	Part Number	Pcs.
27	9002016	4	123	m11294	22
44	m09943	1	132	m11282	7
45	m09944	1	133	m11289	7
46	m09945	1	134	m11253	7
47	m09946	1	157	m00619	8
48	m09947	4	158	m04346	10
51	m05488	18	159	m09956	8
112	m03213	22	172	m03683	8
122	m11691	21			

Ⓒ PODVOZEK

Ⓓ CHASSIS

Ⓕ CHÂSSIS

3007987

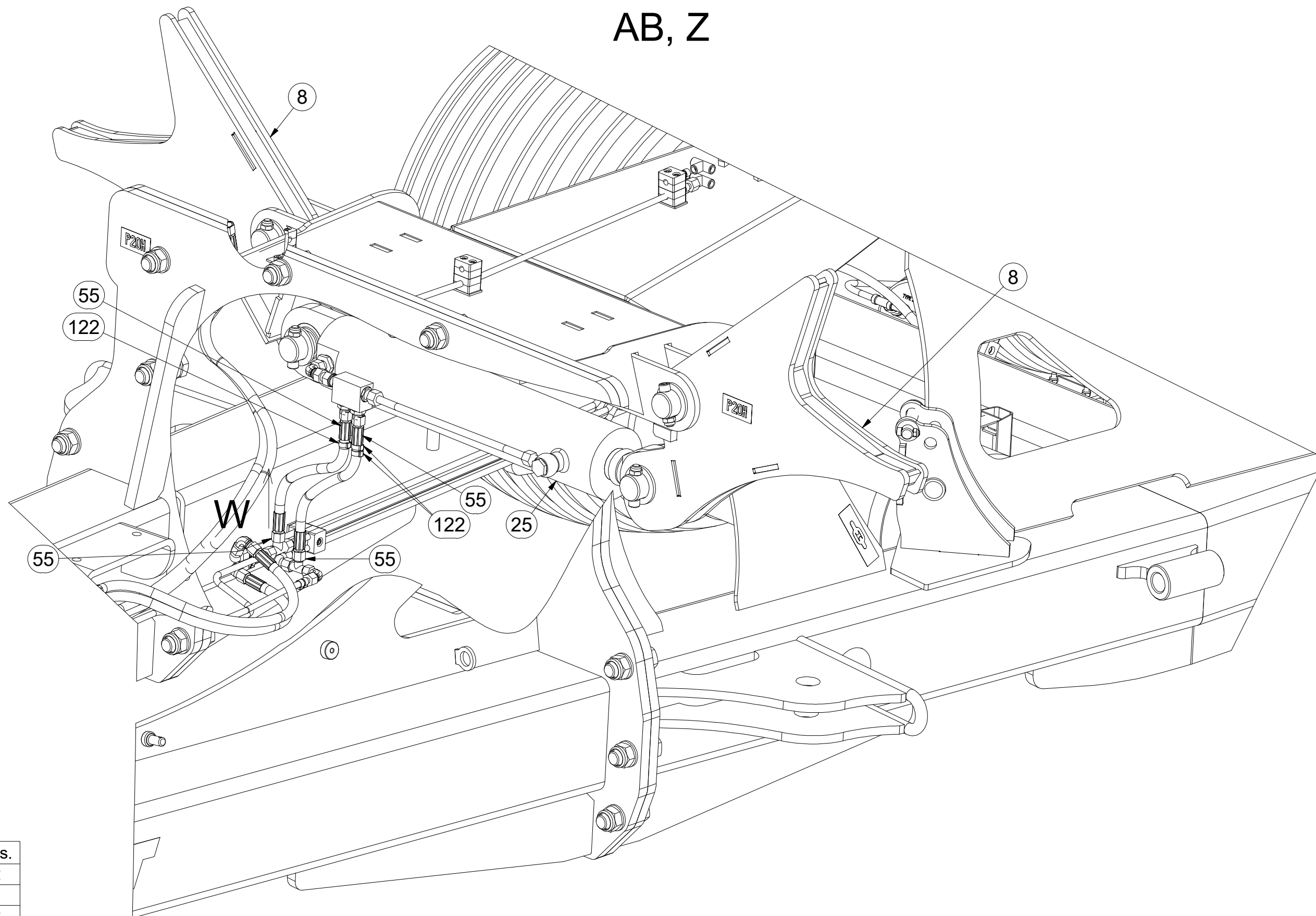

Ⓖ FAHRGESTELL

Ⓡ ШАССИ

Ⓢ PODWOZIE



AB, Z

HYDRAULIC COMPONENTS:
M16 x 1,5 - 60Nm

Pos.	Part Number	Pcs.
8	3002925	2
25	4004810	1
55	m09627	2
122	m11691	21

Ⓒ PODVOZEK

Ⓓ CHASSIS

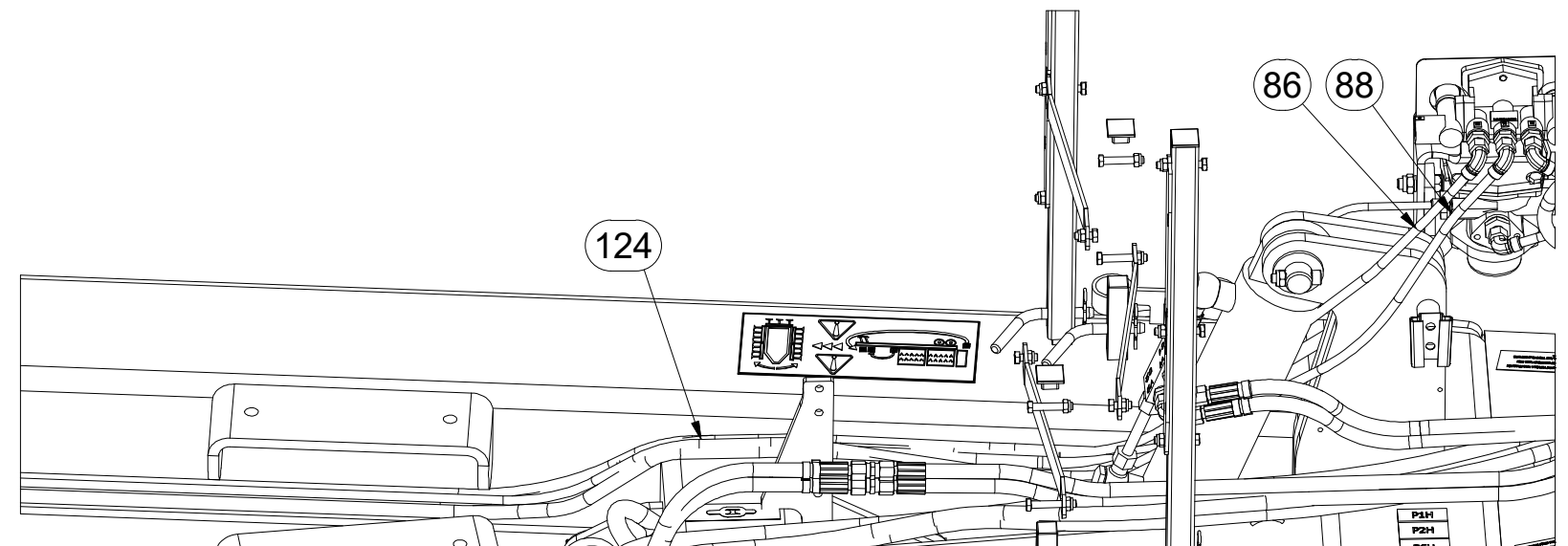
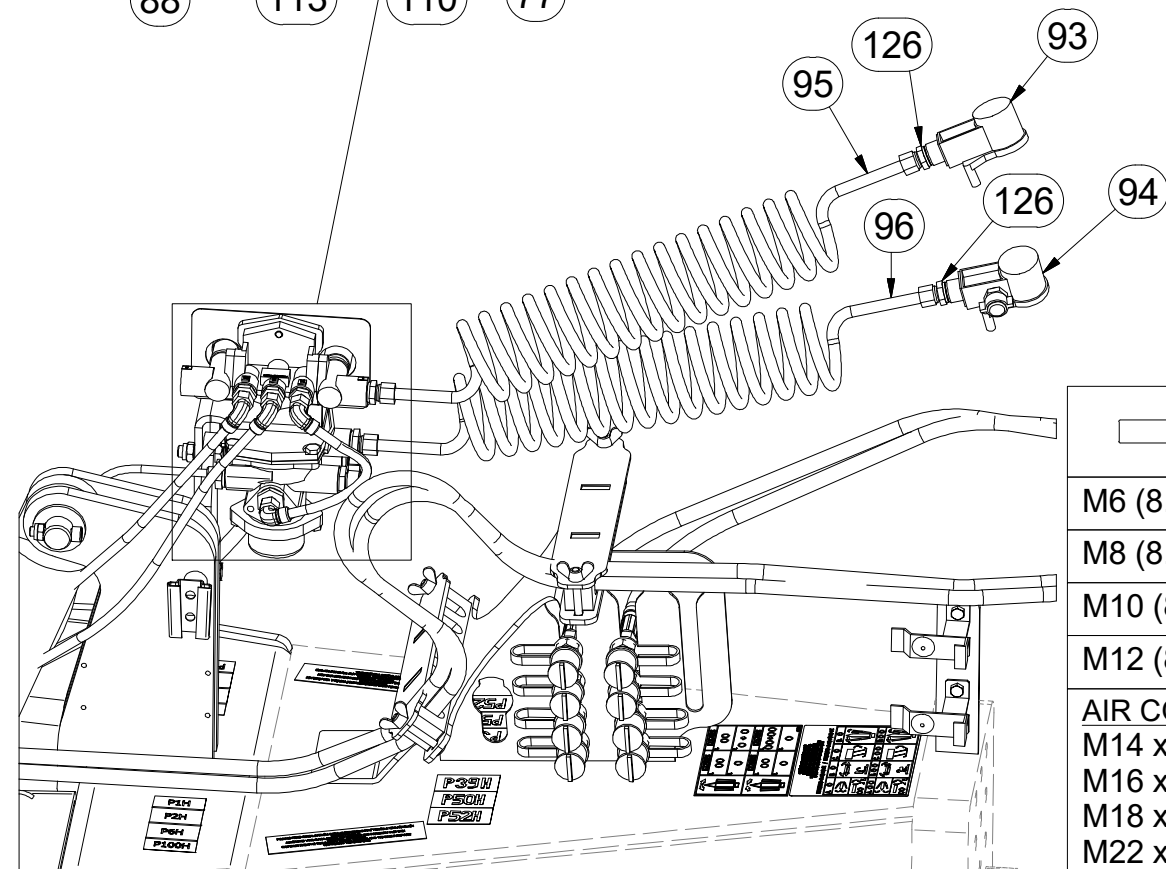
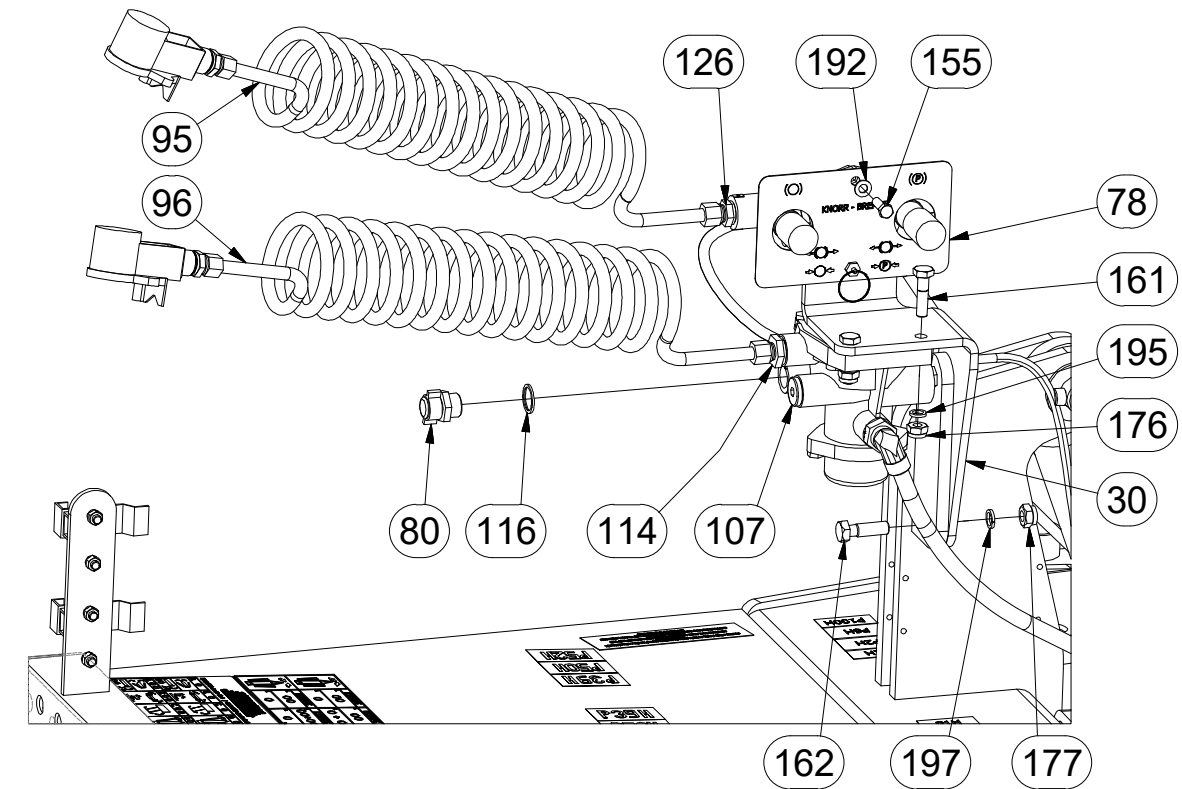
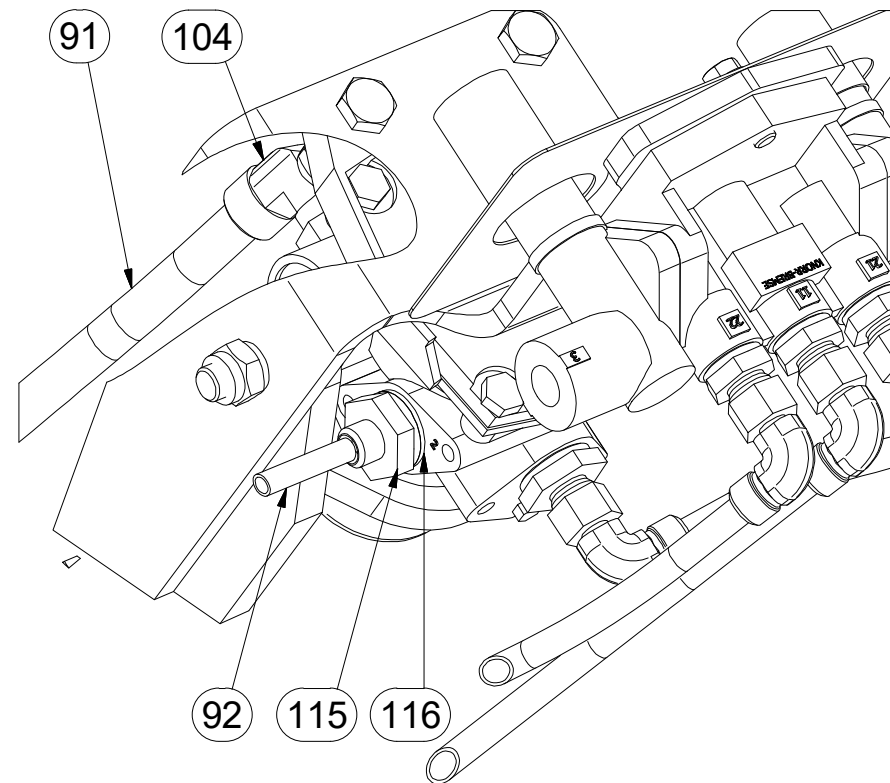
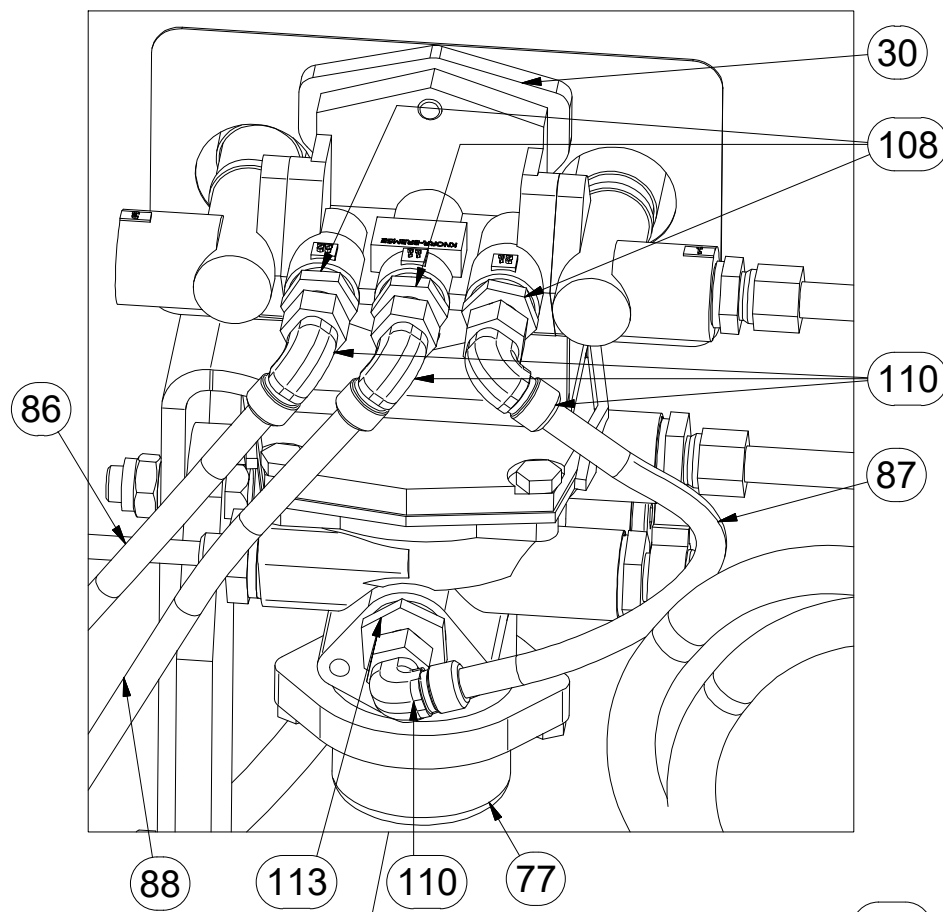
Ⓕ CHÂSSIS

3007987

Ⓒ FAHRGESTELL

Ⓓ ШАССИ

Ⓕ PODWOZIE



M6 (8.8) - 10Nm
M8 (8.8) - 25Nm
M10 (8.8) - 50Nm
M12 (8.8) - 87Nm
AIR COMPONENTS:
M14 x 1,5 - 50Nm
M16 x 1,5 - 60Nm
M18 x 1,5 - 70Nm
M22 x 1,5 - 140Nm

Pos.	Part Number	Pcs.	Pos.	Part Number	Pcs.	Pos.	Part Number	Pcs.	Pos.	Part Number	Pcs.
30	4011962	1	92	4005166	1	110	m06803	6	161	m01111	2
77	m09784	1	93	m09787	1	113	m09934	5	162	m03926	2
78	9786_štítek	1	94	m09788	1	114	m08261	1	176	m03775	14
80	m09816	1	95	m09949	1	115	m07477	1	177	m04301	10
86	4005162	1	96	m09948	1	116	m09818	7	192	m01203	1
87	4005163	1	104	m03896	4	124	m01637	56	195	m01208	2
88	4005164	1	107	m04855	1	126	m10097	3	197	m03988	2
91	4005168	1	108	m07906	6	155	m01092	4			

Ⓒ PODVOZEK

Ⓓ CHASSIS

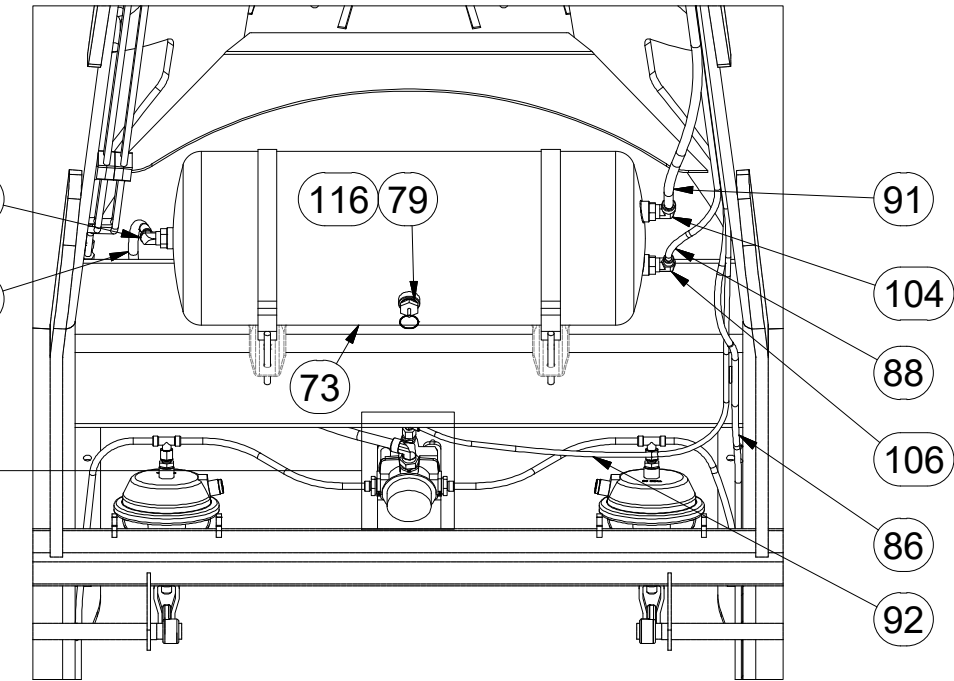
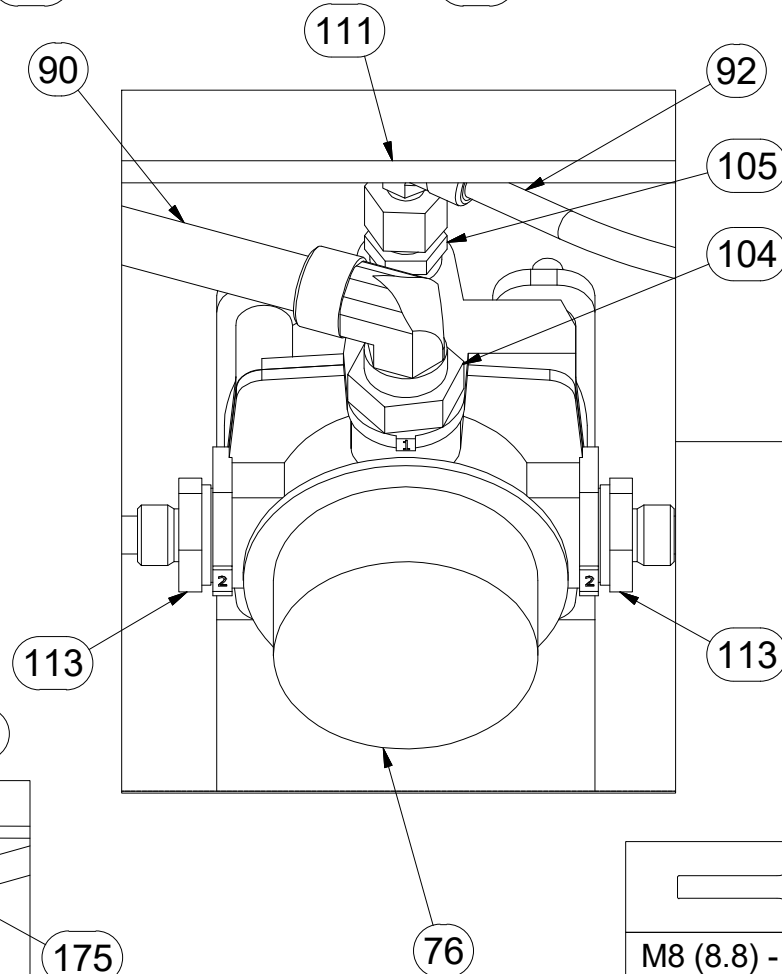
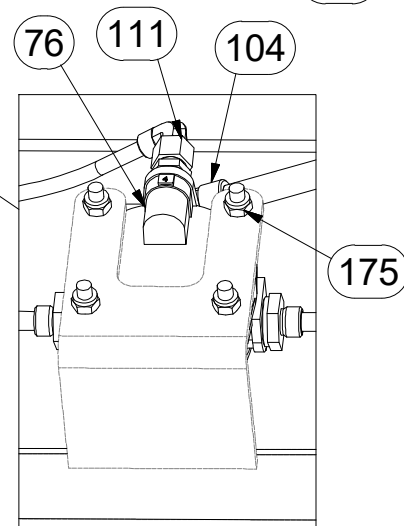
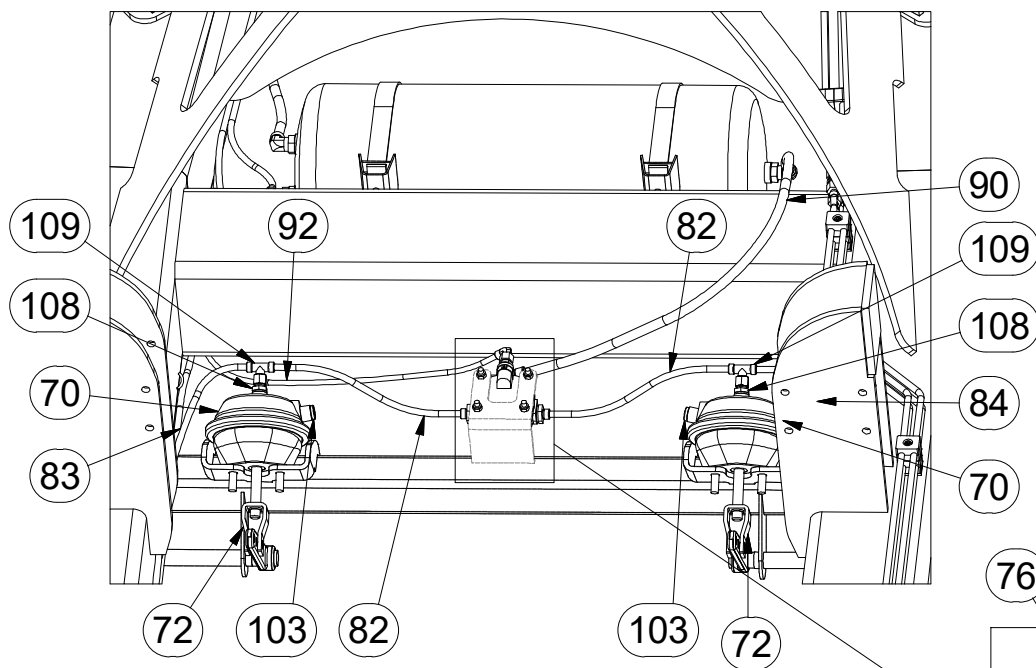
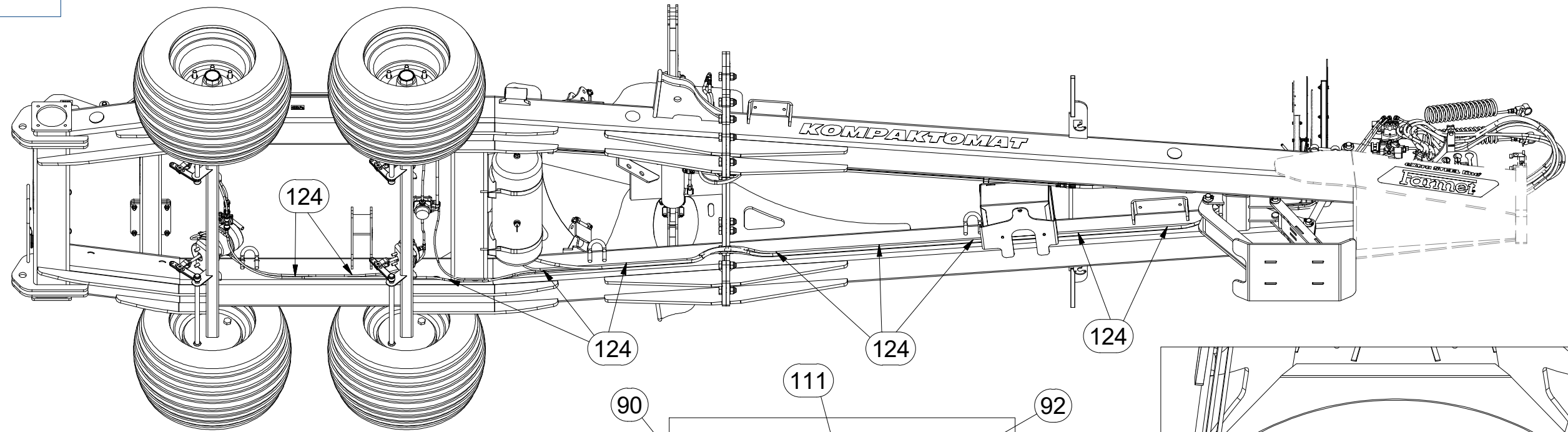
Ⓕ CHÂSSIS


3007987

Ⓖ FAHRGESTELL

Ⓡ ШАССИ

Ⓢ PODWOZIE




M8 (8.8) - 25Nm
AIR COMPONENTS:
M14 x 1,5 - 50Nm
M16 x 1,5 - 60Nm
M18 x 1,5 - 70Nm
M22 x 1,5 - 140Nm

Pos.	Part Number	Pcs.	Pos.	Part Number	Pcs.
70	4005624	2	92	4005166	1
72	m09793	2	103	m04518	2
73	m09795	1	104	m03896	4
76	m09790	1	105	m07478	1
79	m09797	1	106	m03890	1
82	4005158	2	108	m07906	6
83	4005159	1	109	m07567	3
84	4005160	1	111	m07479	1
86	4005162	1	113	m09934	5
88	4005164	1	116	m09818	7
90	4005167	1	124	m01637	56
91	4005168	1	175	m04503	13

Ⓒ PODVOZEK

Ⓓ CHASSIS

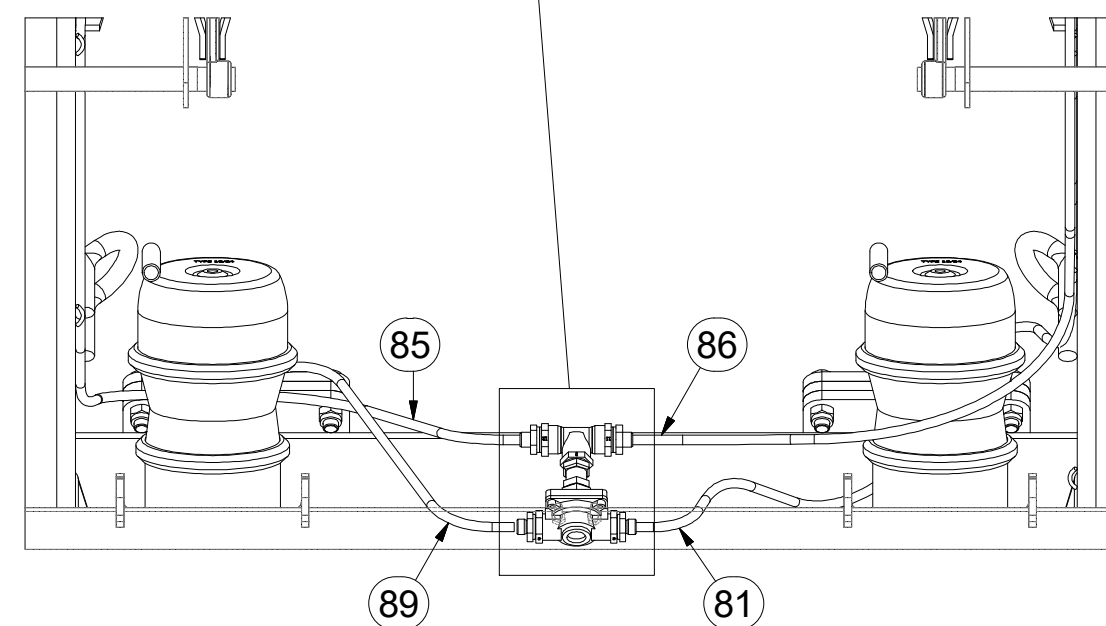
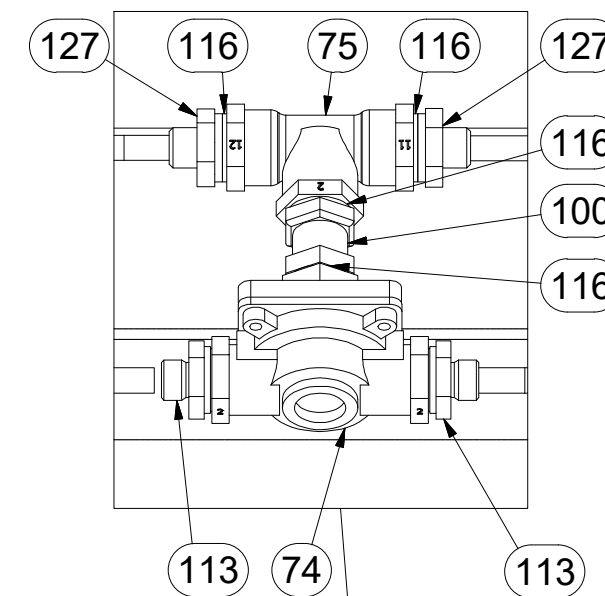
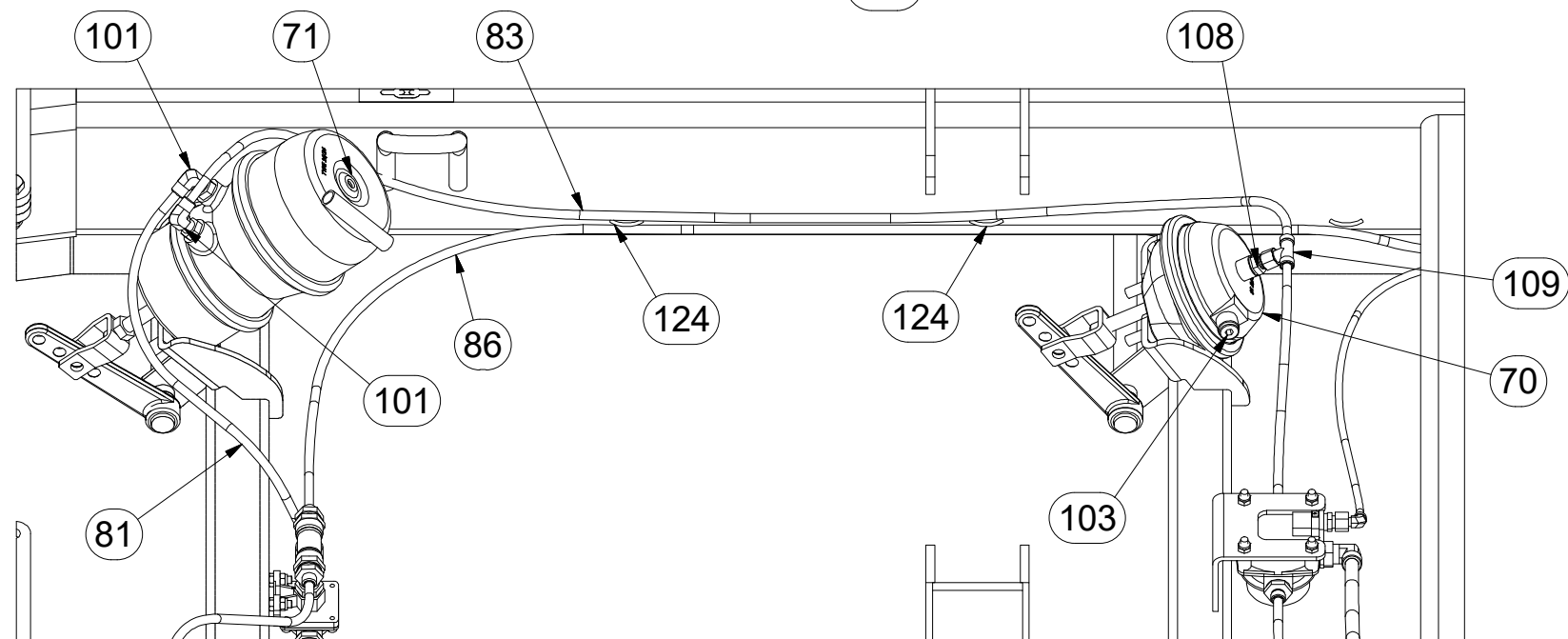
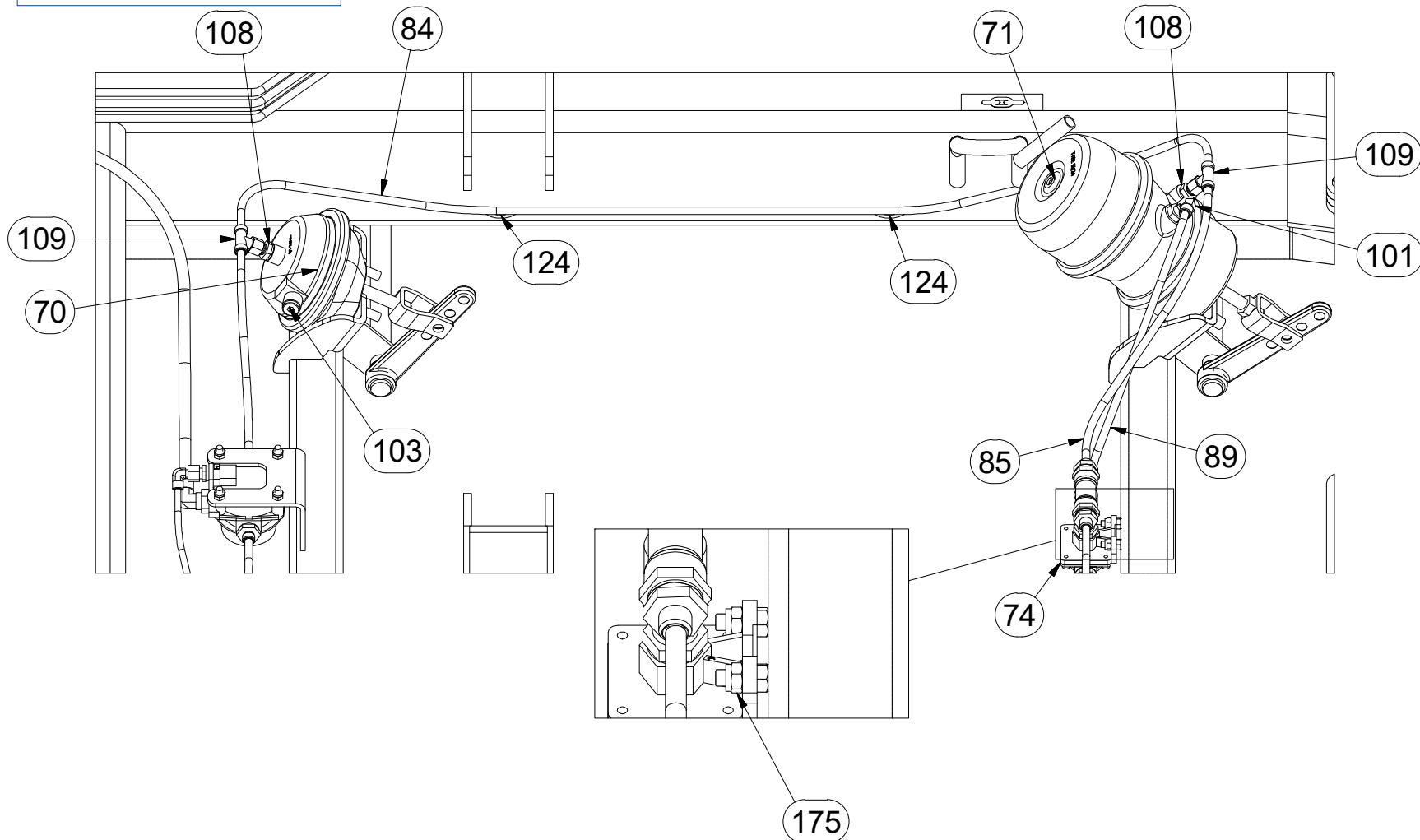
Ⓕ CHÂSSIS

3007987

Ⓒ FAHRGESTELL

Ⓓ ШАССИ

Ⓕ PODWOZIE



M8 (8.8) - 25Nm
AIR COMPONENTS:
M14 x 1,5 - 50Nm
M16 x 1,5 - 60Nm
M18 x 1,5 - 70Nm
M22 x 1,5 - 140Nm

Pos.	Part Number	Pcs.	Pos.	Part Number	Pcs.
70	4005624	2	101	m07483	3
71	4006714	2	103	m04518	2
74	m09791	1	108	m07906	6
75	m09785	1	109	m07567	3
81	4005157	1	113	m09934	5
83	4005159	1	116	m09818	7
85	4006381	1	124	m01637	56
86	4005162	1	127	m03925	2
89	4005165	1	175	m04503	13
100	m09810	1			

☉ SAMOLEPKY STROJE

☉ AUFKLEBER MASCHINEN

☉ VOITURE MACHINES

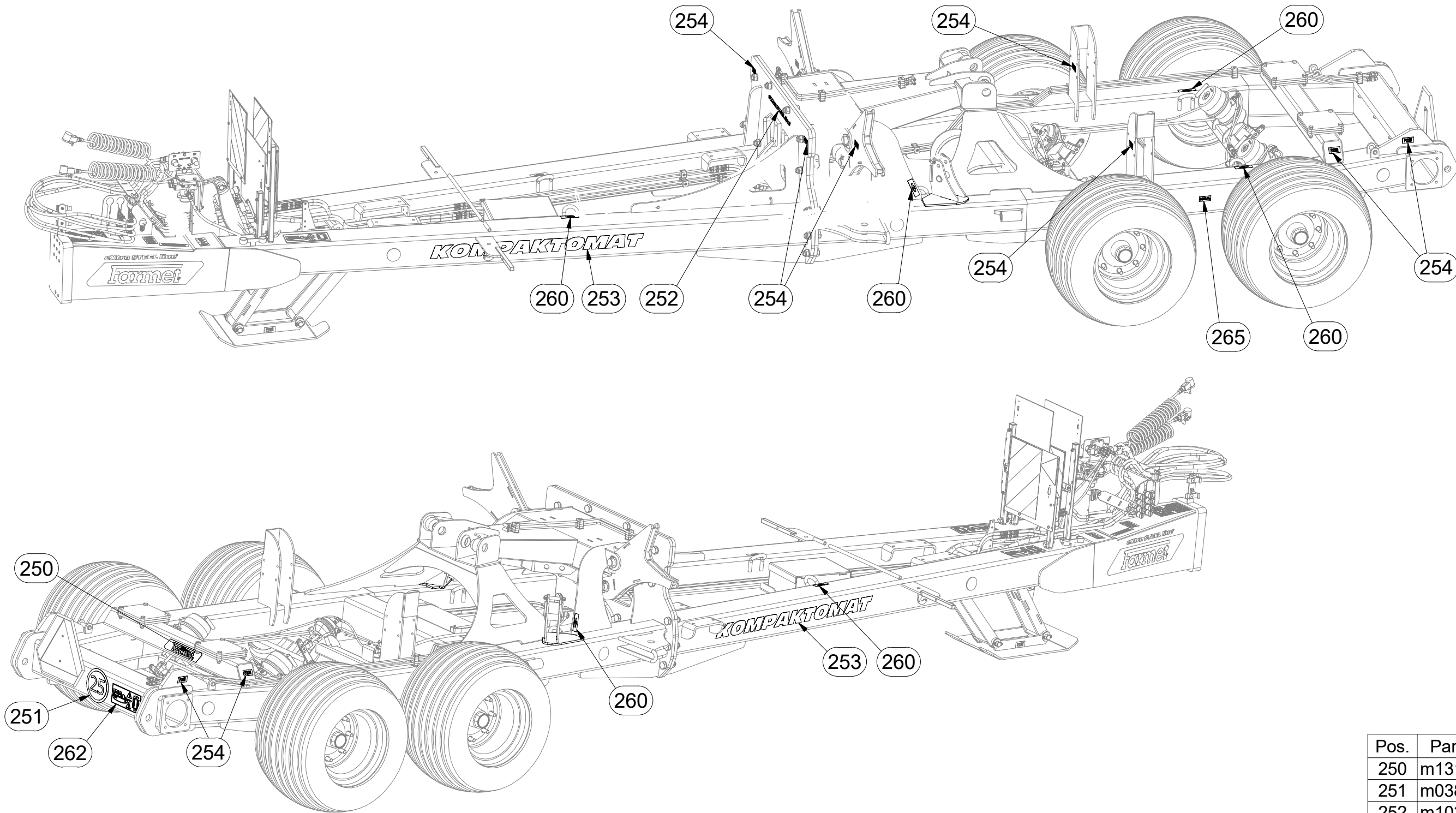
☉ STICKERS MACHINES

☉ СТИКЕРЫ МАШИНЫ

☉ NAKLEJKI MASZYNY



3007987



Pos.	Part Number	Pcs.
250	m13117	1
251	m03820	1
252	m10353	3
253	m09892	2
254	m04368	12
260	m03316	7
262	m09950	3
265	m04887	2

☉ SAMOLEPKY STROJE

☉ AUFKLEBER MASCHINEN

☉ VOITURE MACHINES

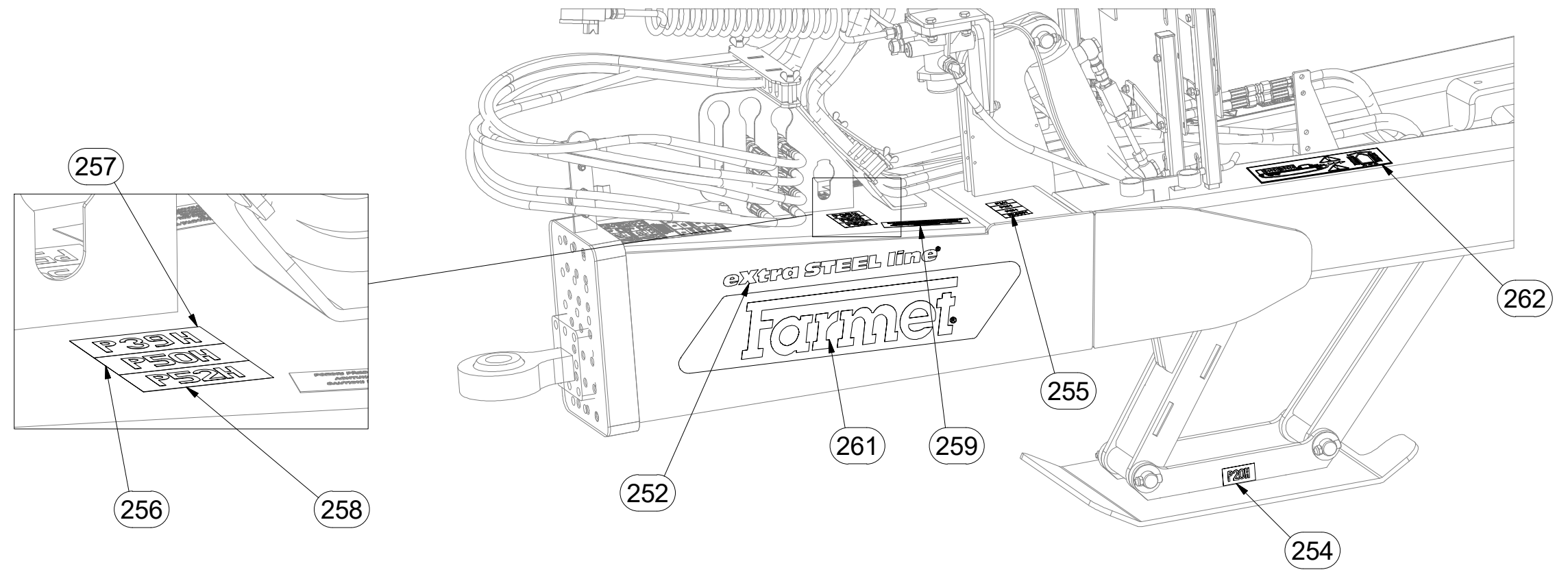
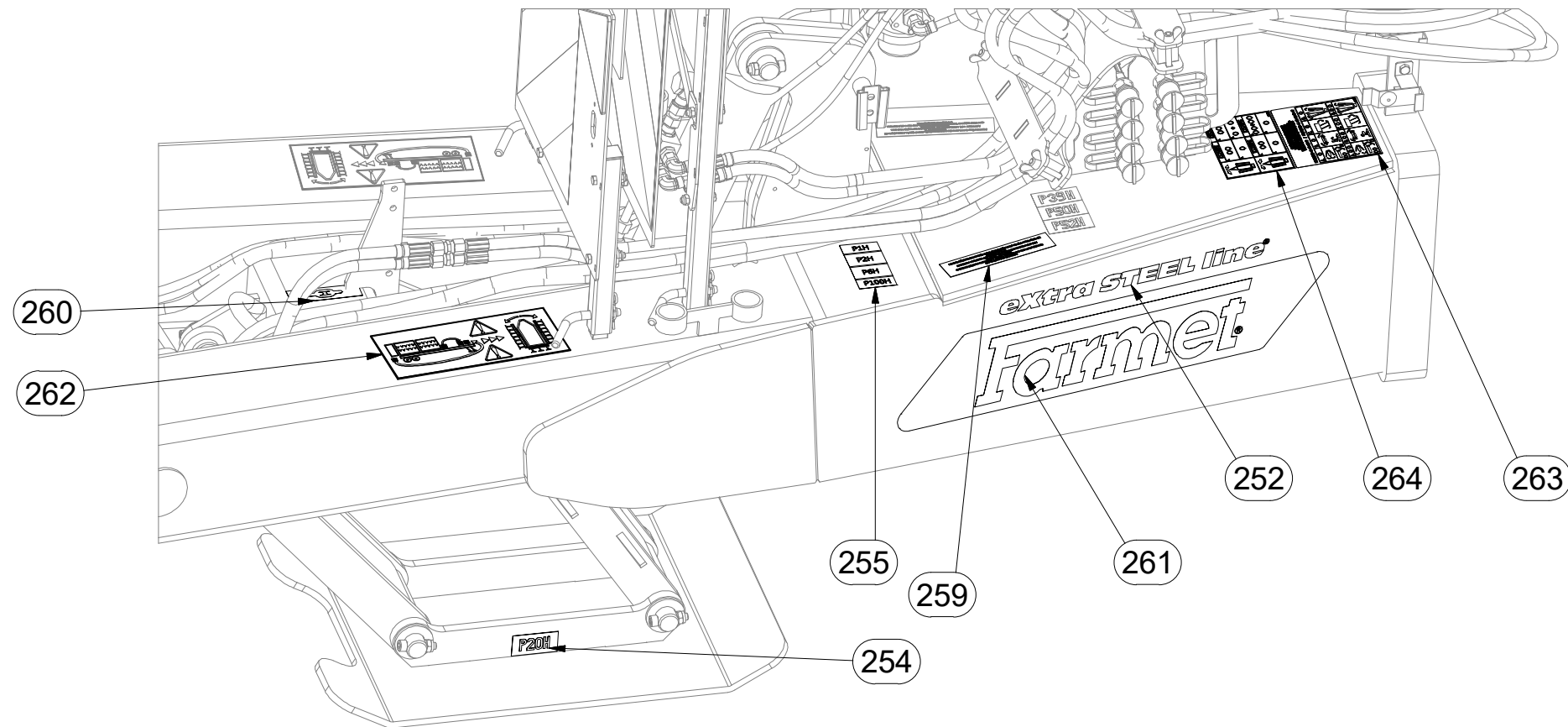
☉ STICKERS MACHINES

☉ СТИКЕРЫ МАШИНЫ

☉ NAKLEJKI MASZYN



3007987



Pos.	Part Number	Pcs.
252	m10353	3
254	m04368	12
255	m11295	2
256	m04367	2
257	m04362	2
258	m04364	2
259	m05691	2
260	m03316	7
261	m13118	2
262	m09950	3
263	m11689	1
264	m11690	1

Ⓒ SADA NÁPRAVY

Ⓓ SATZ AUFHÄNGUNG

Ⓕ KIT DE L'ESSIEU

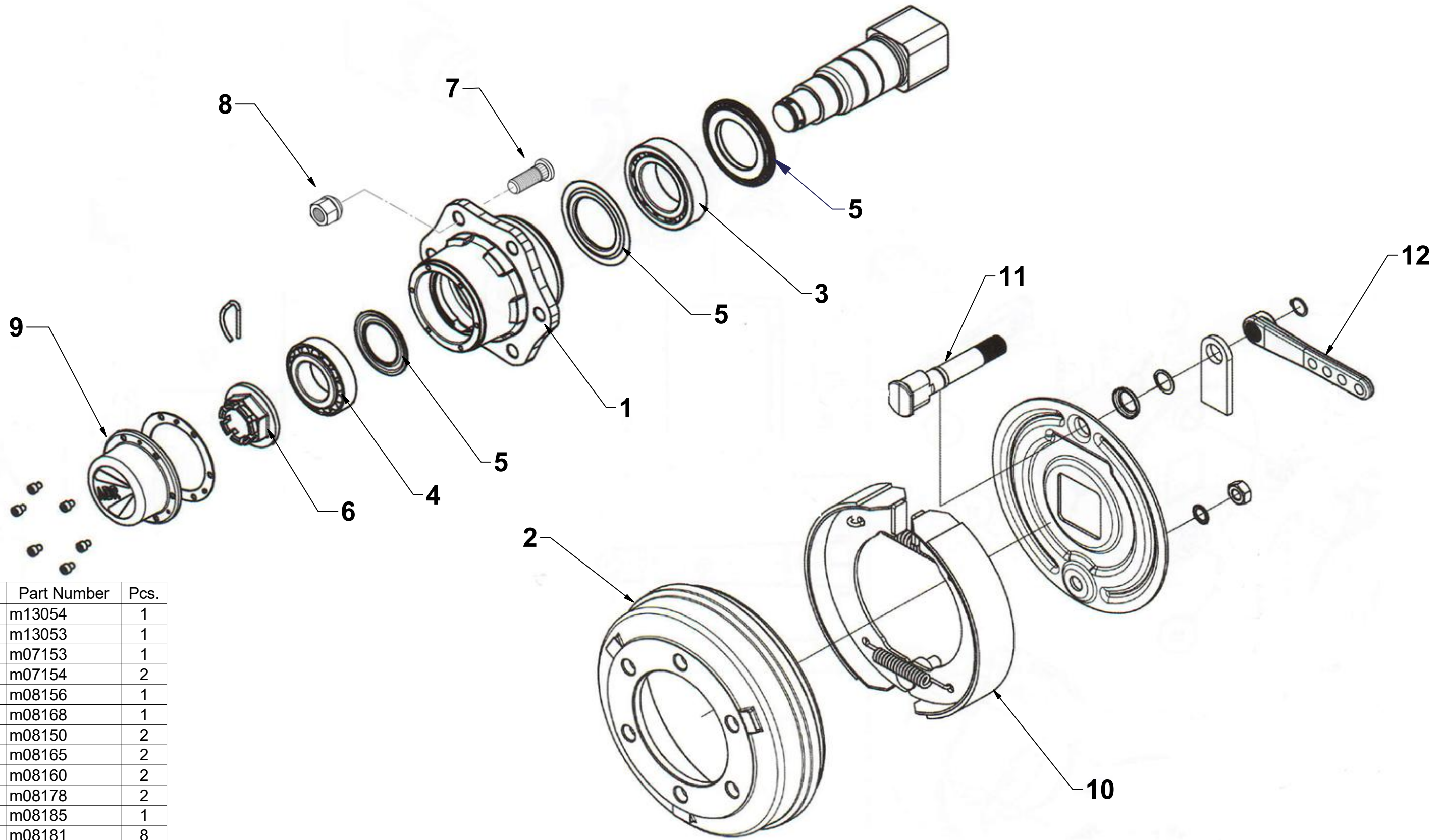
Ⓖ AXLE SET

Ⓡ КОМПЛЕКТ ОСИ КОЛЁС

Ⓟ ZESTAW OSI



A70NA8FG033



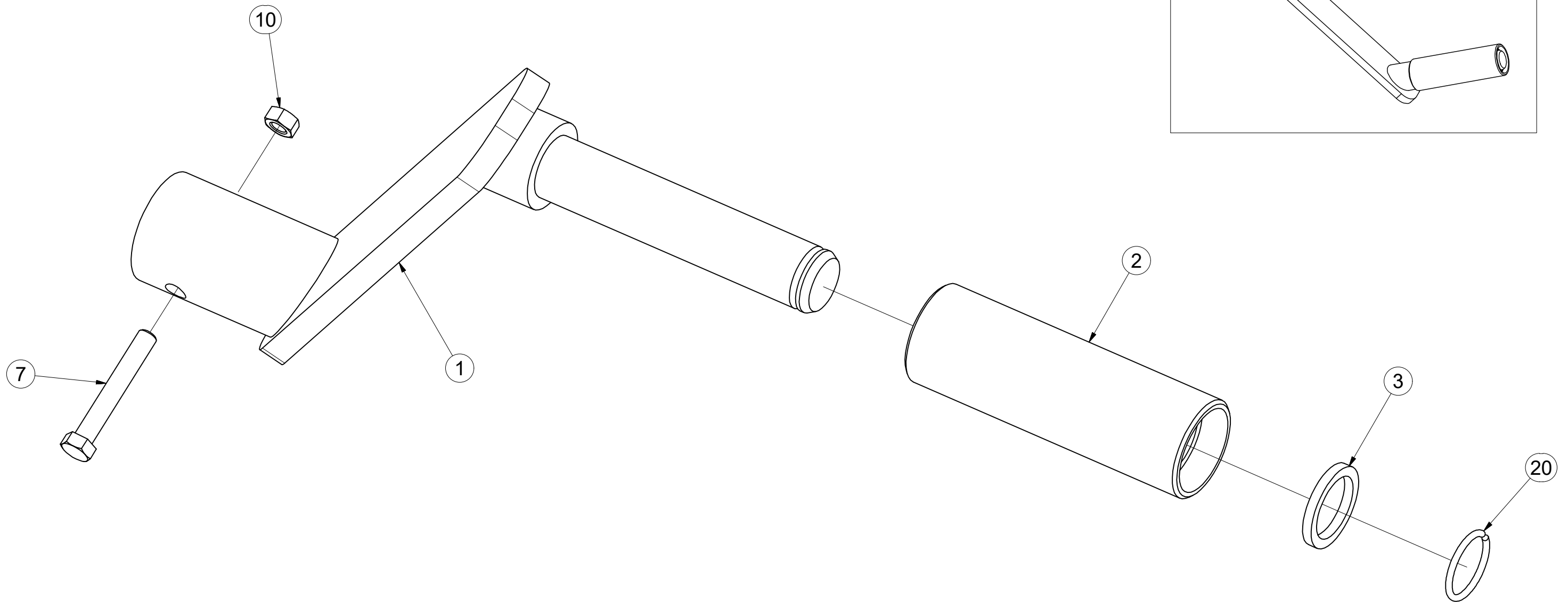
Pos.	Part Number	Pcs.
1	m13054	1
2	m13053	1
3	m07153	1
4	m07154	2
5	m08156	1
6	m08168	1
7	m08150	2
8	m08165	2
9	m08160	2
10	m08178	2
11	m08185	1
12	m08181	8

CZ NASAZOVACÍ KLIKA
 D EINSTELLKURBEL
 F MANIVELLE AMOVIBILE

GB PRESS-ON HANDLE
 RU НАСАЖИВАЕМАЯ РУКОЯТКА
 PL KLAMKA MOCOWANA



4003087



Pos.	Part Number	Pcs.
1	4003092	1
2	4001533	1
3	4004828	1
7	m04641	1
10	m01295	1
20	m06561	1

☉ SADA TAŽNÉHO OKA

☐ ZUGÖSESATZ

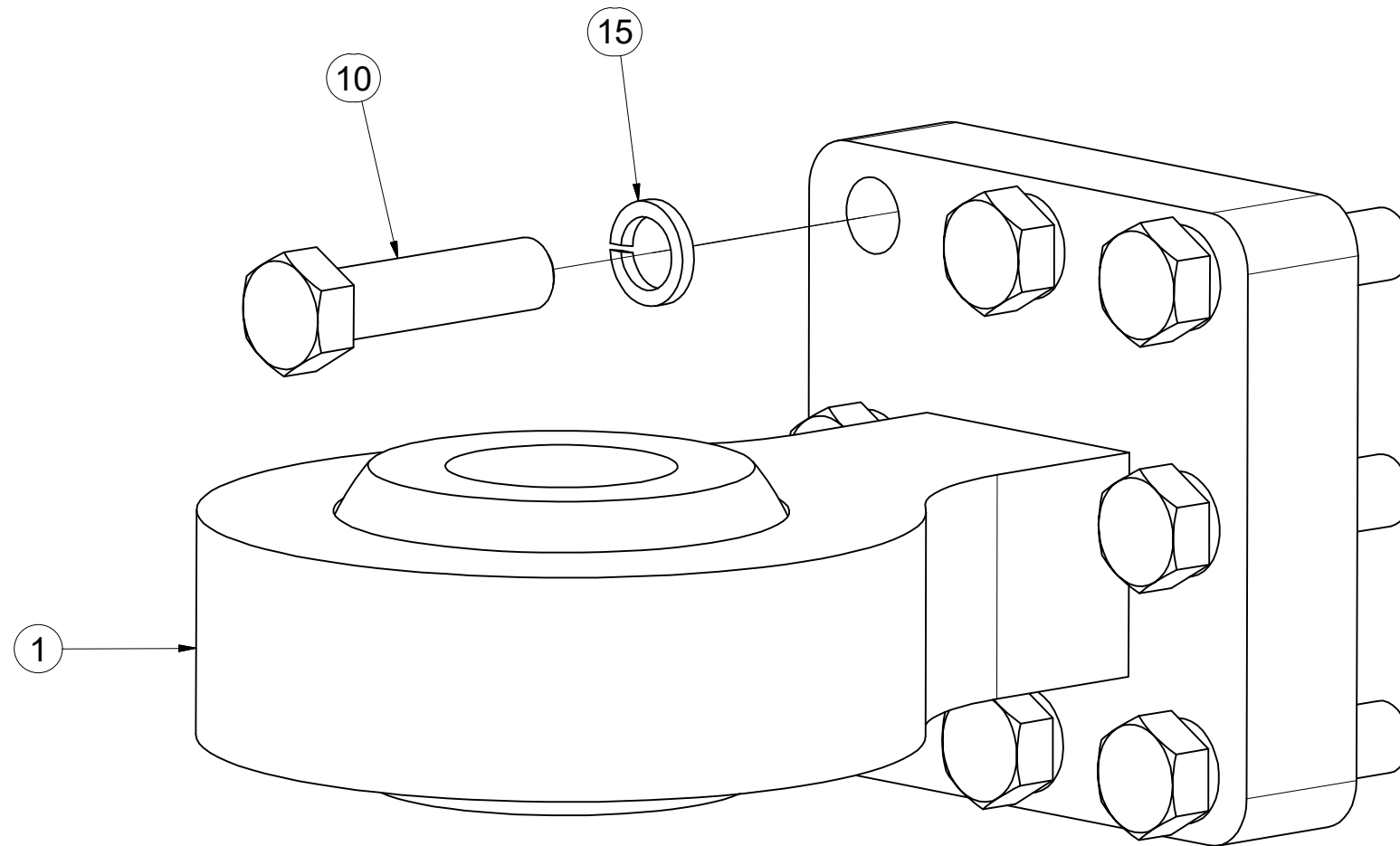
☐ KIT DE L'ŒILLET DE TRACTION

4013529

☉ TOWING LUG SET

☐ КОМПЛЕКТ ТЯГОВОГО ДЫШЛА

☐ ZESTAW UCHA HOLOWNICZEGO



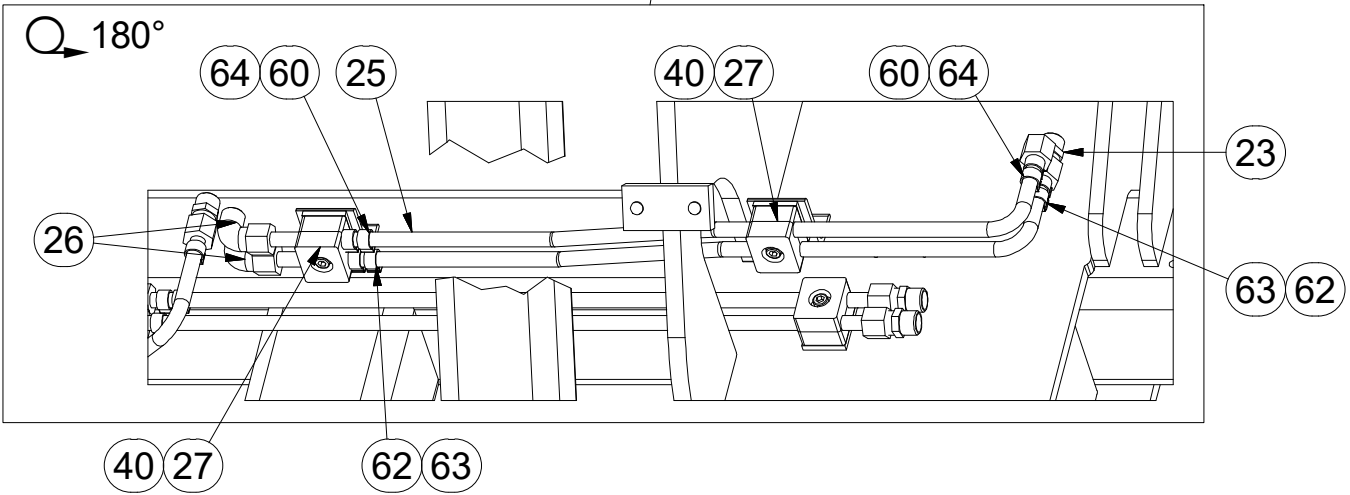
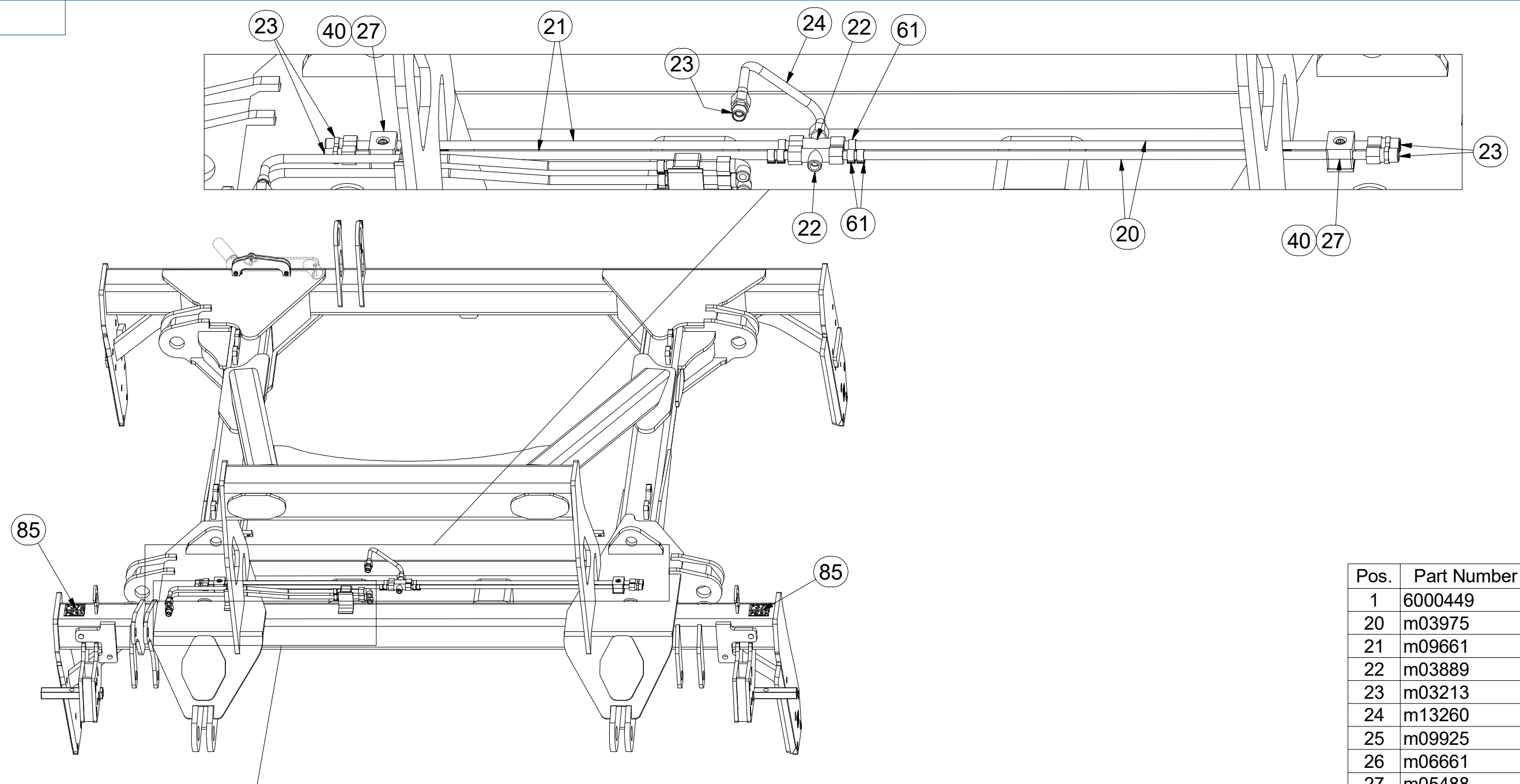
Pos.	Part Number	Pcs.
1	m13263	1
10	m12371	8
15	m02157	8

- ⒸZ RÁM
- Ⓓ RAHMEN
- Ⓕ CHASSIS

- ⒼB FRAME
- ⒺPAMA
- ⒼL RAMA



3006955



Pos.	Part Number	Pcs.
1	6000449	1
20	m03975	2
21	m09661	2
22	m03889	2
23	m03213	6
24	m13260	1
25	m09925	2
26	m06661	2
27	m05488	4
40	m04346	4
41	m01075	2
50	m05560	2
60	m11294	2
61	m11691	7
62	m11282	2
63	m11289	2
64	m11253	2
81	m13116	1
85	m11297	4

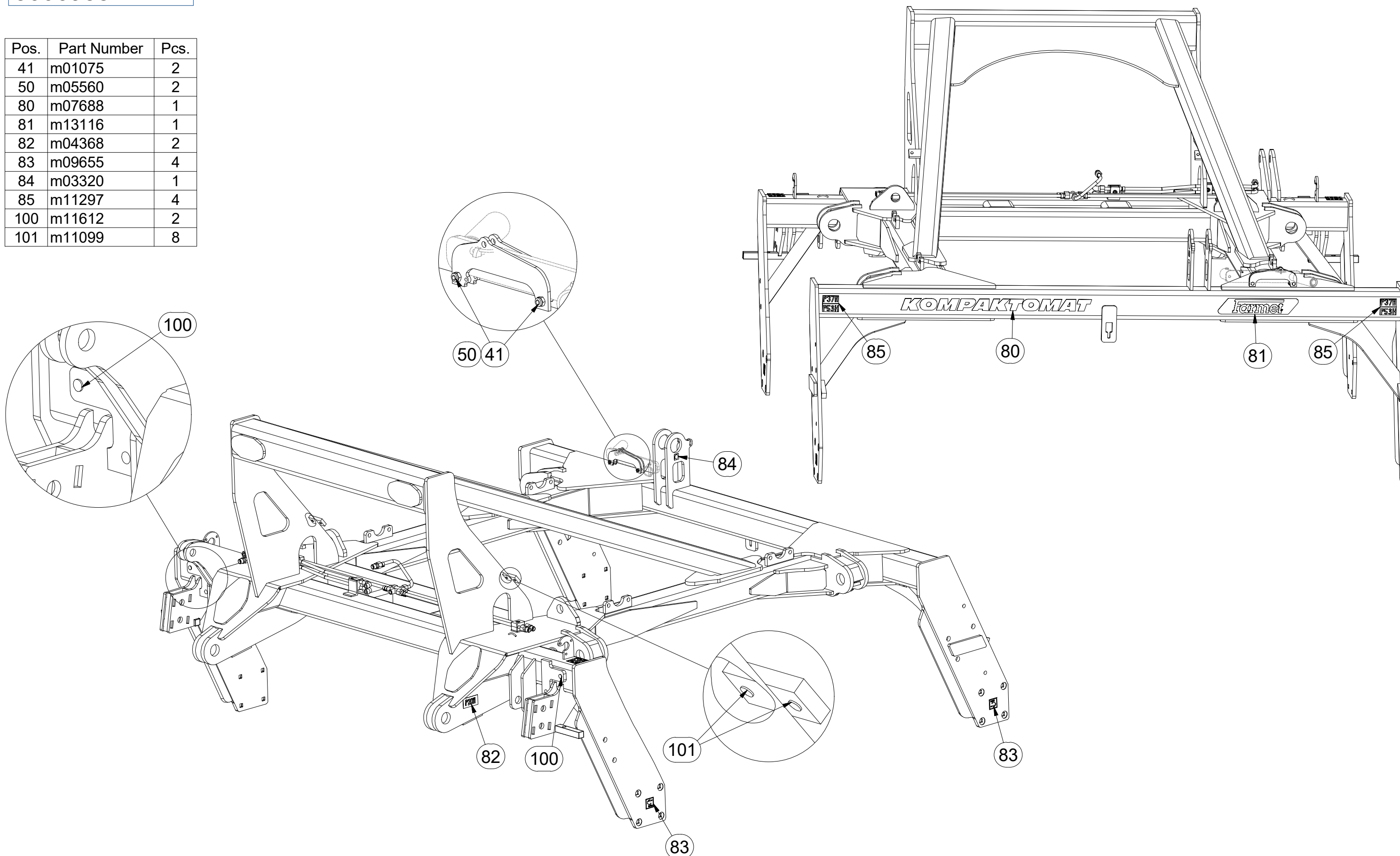
- Ⓒ RÁM
- Ⓓ RAHMEN
- Ⓕ CHASSIS

- Ⓖ FRAME
- Ⓔ PAMA
- Ⓗ RAMA



3006955

Pos.	Part Number	Pcs.
41	m01075	2
50	m05560	2
80	m07688	1
81	m13116	1
82	m04368	2
83	m09655	4
84	m03320	1
85	m11297	4
100	m11612	2
101	m11099	8

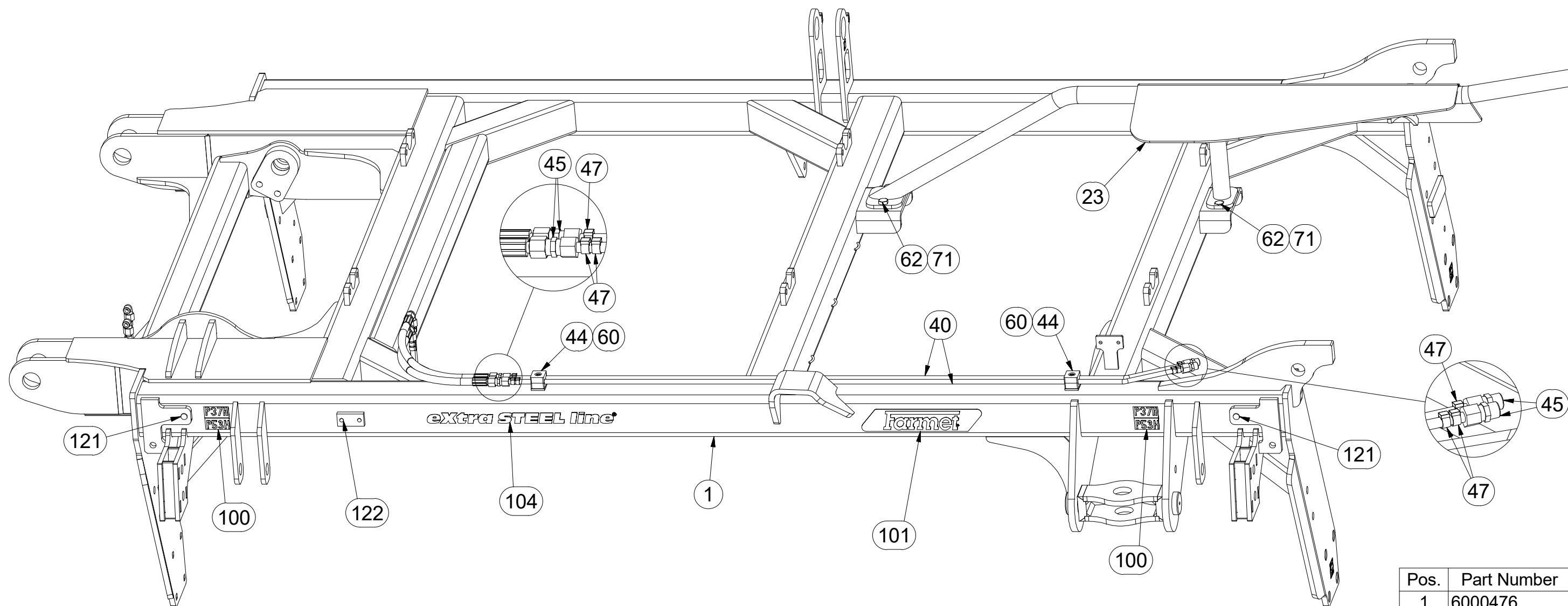


- Ⓒ RÁM
- Ⓓ RAHMEN
- Ⓕ CHASSIS

- Ⓖ FRAME
- Ⓡ PAMA
- Ⓟ RAMA



3006956



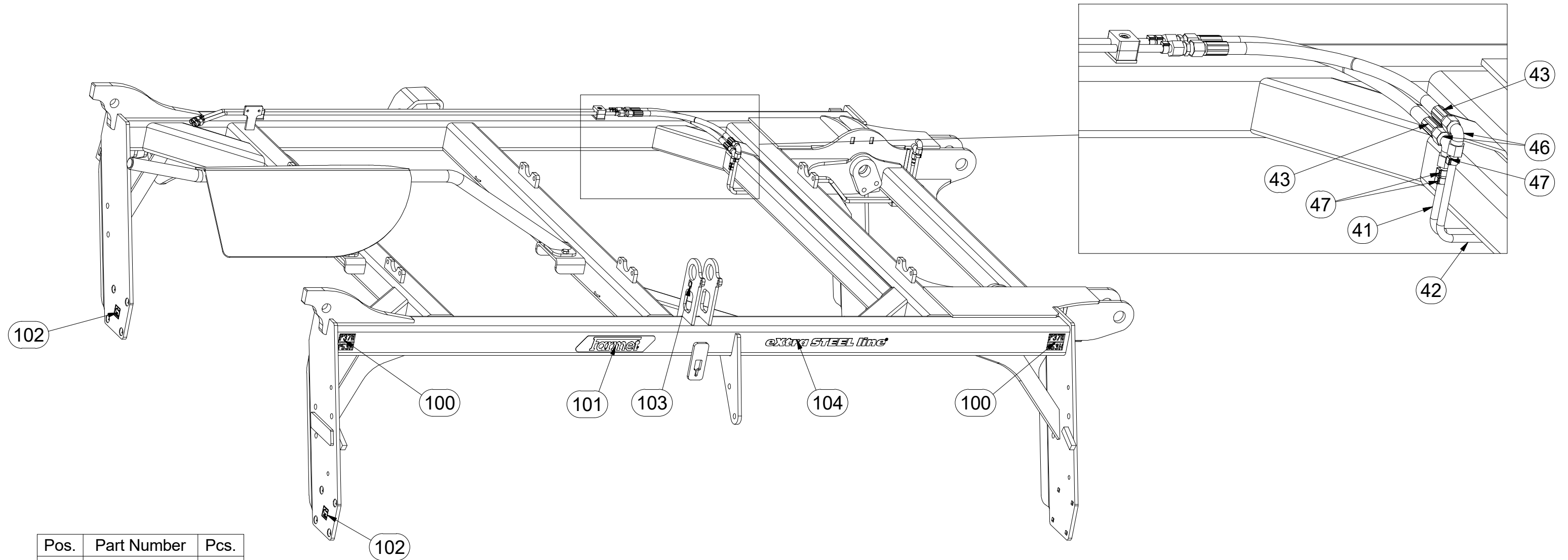
Pos.	Part Number	Pcs.
1	6000476	1
23	4005531	1
40	m10042	2
44	m05488	4
45	m03213	4
47	m11691	12
60	m04346	4
62	m04039	4
71	m04301	4
100	m11297	4
101	m13116	2
104	m10353	2
121	m11612	2
122	m11099	2

- ⒸZ RÁM
- Ⓓ RAHMEN
- Ⓕ CHASSIS

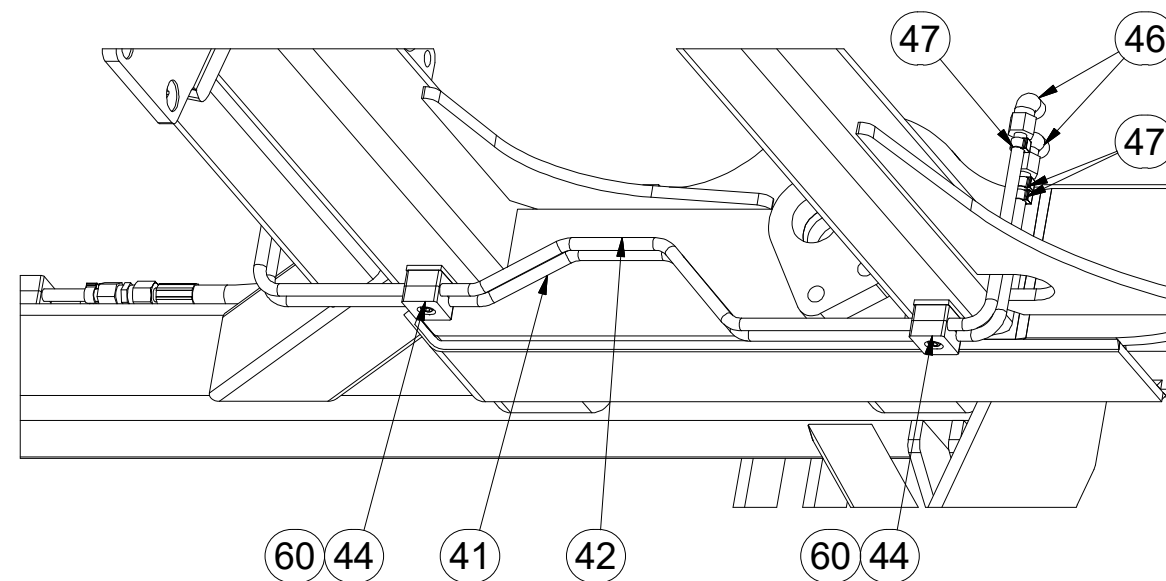
- ⒼB FRAME
- ⒺP PAMA
- ⒺL RAMA



3006956



Pos.	Part Number	Pcs.
1	6000476	1
40	m10042	2
41	m10043	1
42	m10041	1
43	m04827	2
44	m05488	4
45	m03213	4
46	m06661	4
47	m11691	12
60	m04346	4
100	m11297	4
101	m13116	2
102	m09655	4
103	m03320	1
104	m10353	2

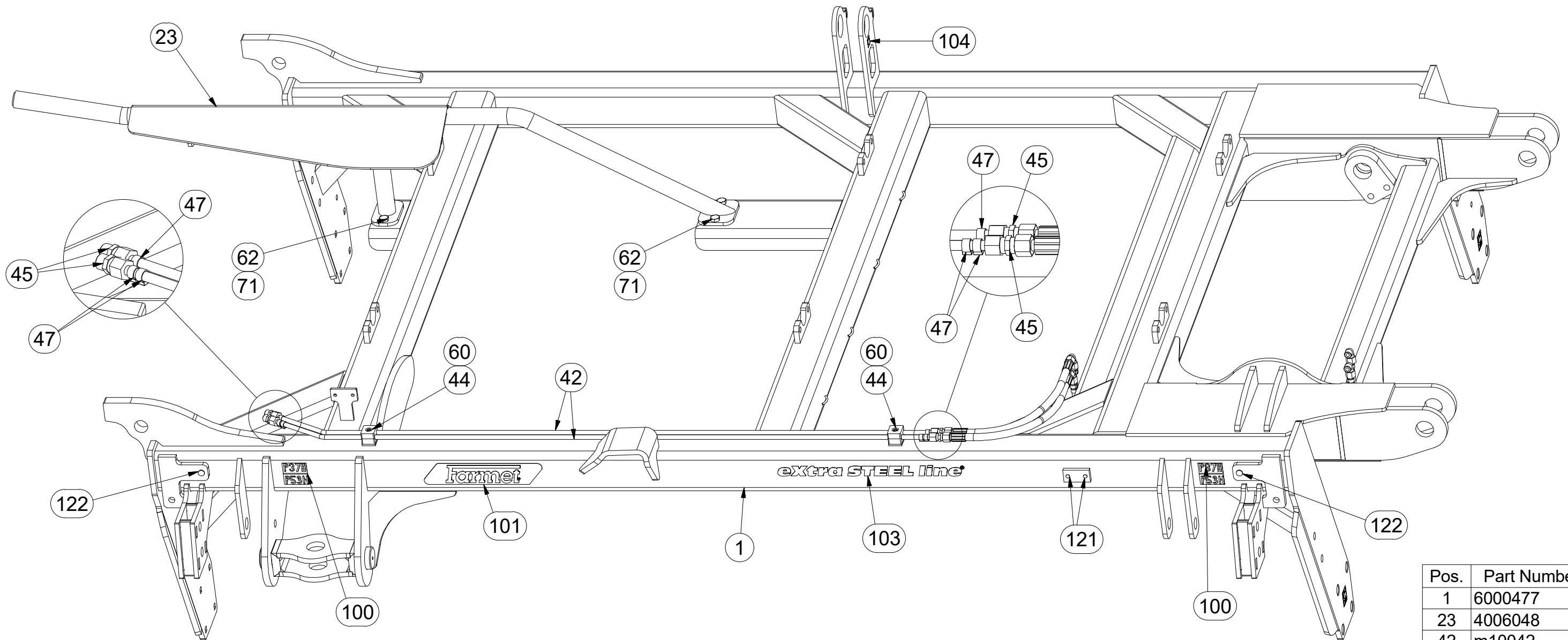


CZ RÁM
 D RAHMEN
 F CHASSIS

GB FRAME
 RU ПАМА
 PL RAMA



3006958



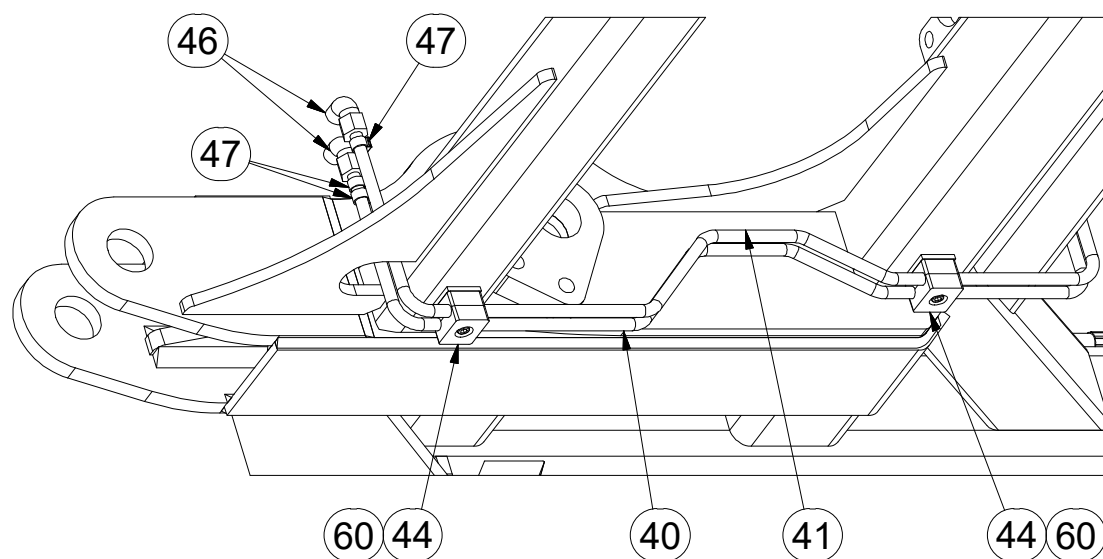
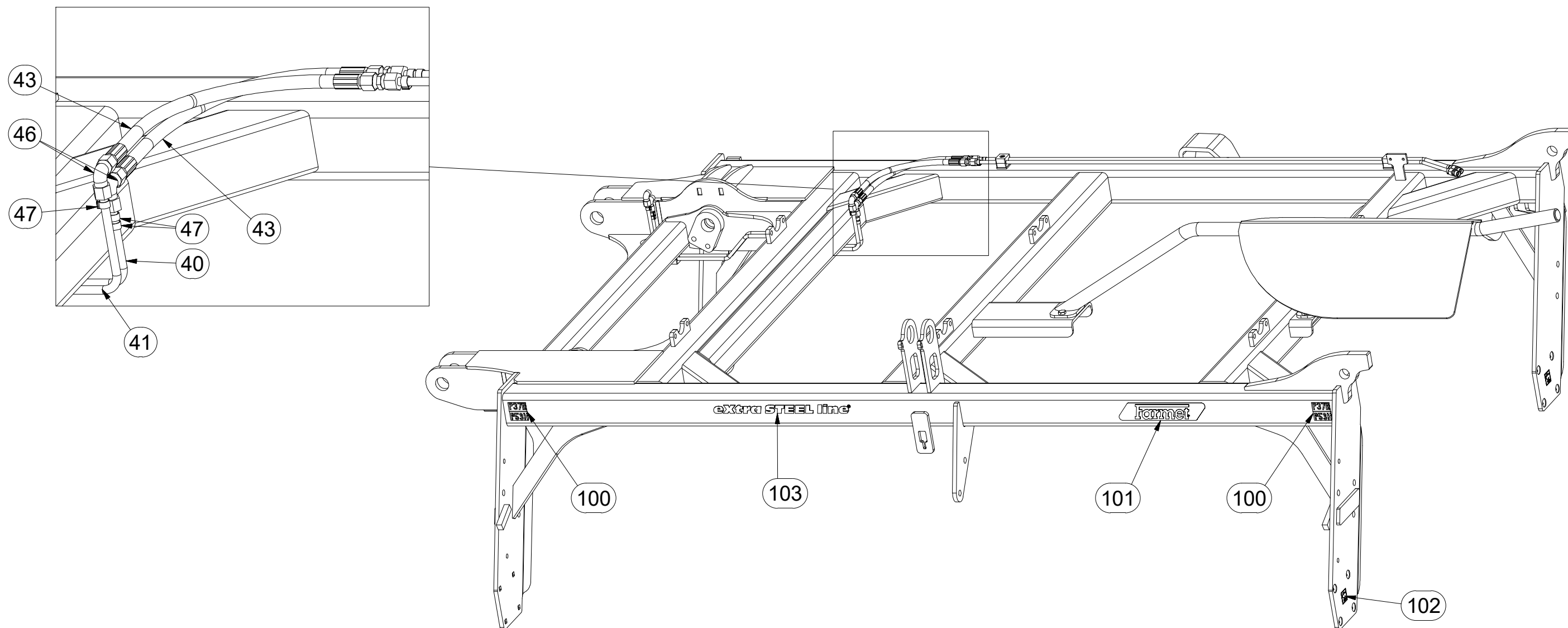
Pos.	Part Number	Pcs.
1	6000477	1
23	4006048	1
42	m10042	2
44	m05488	4
45	m03213	4
47	m11691	12
60	m04346	4
62	m04039	4
71	m04301	4
100	m11297	4
101	m13116	2
103	m10353	2
104	m03320	1
121	m11099	2
122	m11612	2

- Ⓒ RÁM
- Ⓓ RAHMEN
- Ⓕ CHASSIS

- Ⓖ FRAME
- Ⓔ PAMA
- Ⓗ RAMA



3006958



Pos.	Part Number	Pcs.
1	6000477	1
40	m10043	1
41	m10041	1
43	m04827	2
44	m05488	4
45	m03213	4
46	m06661	4
47	m11691	12
60	m04346	4
100	m11297	4
101	m13116	2
102	m09655	4
103	m10353	2

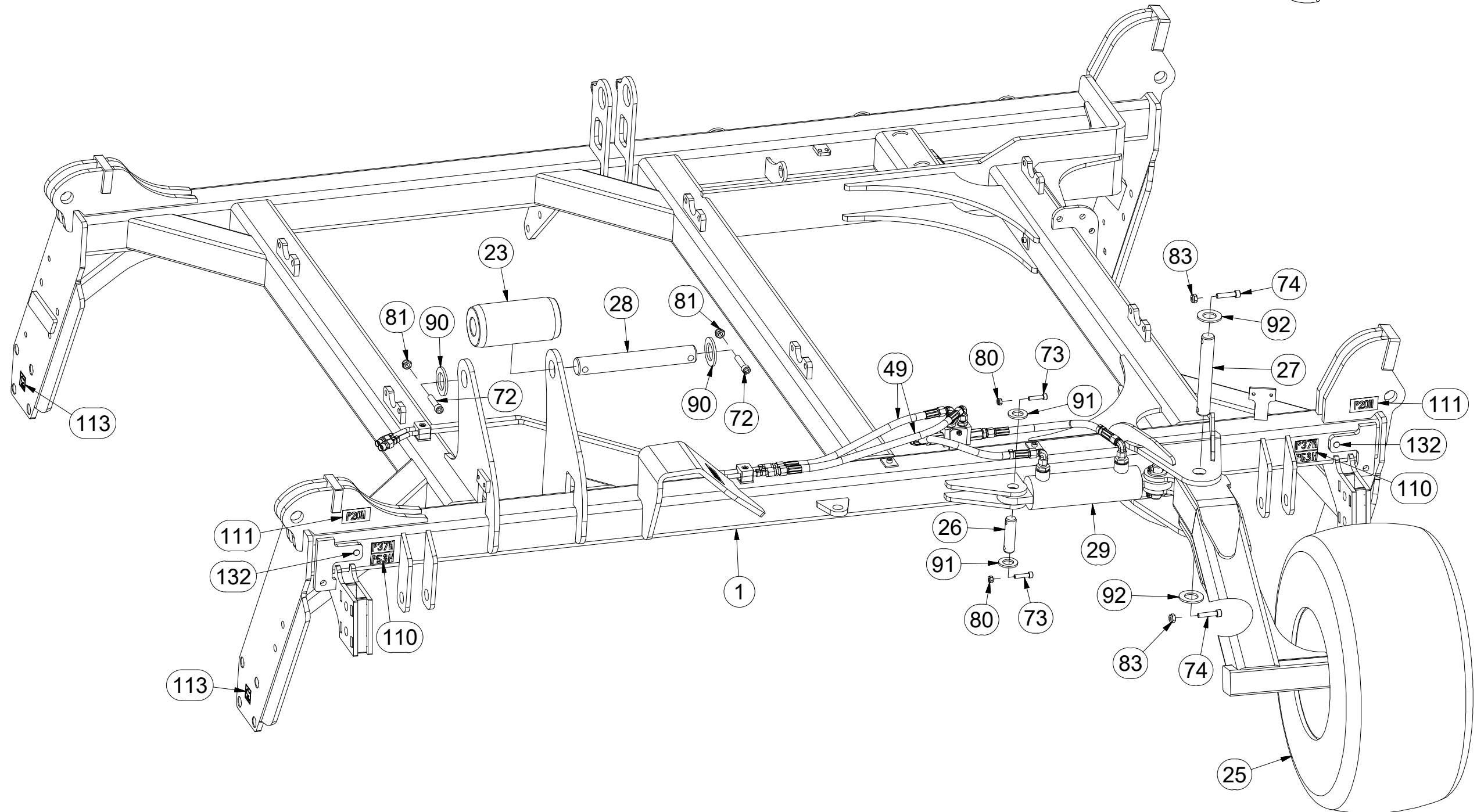
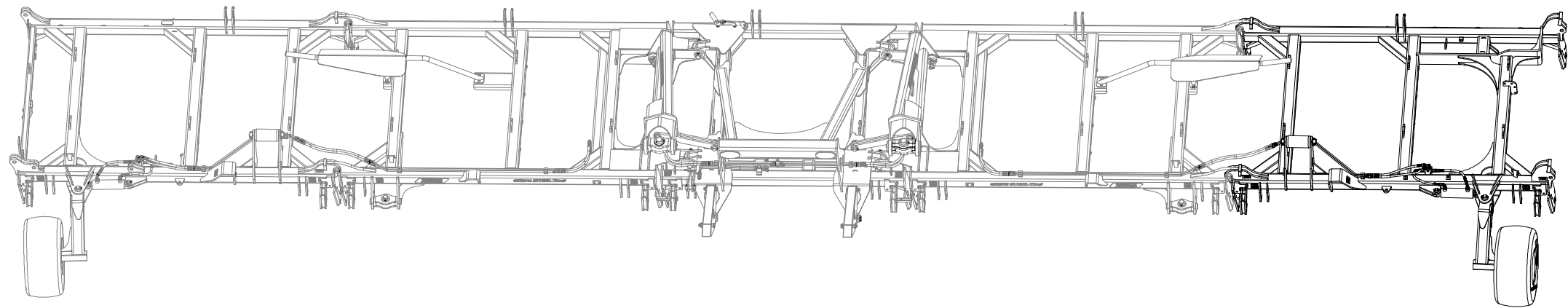
- Ⓒ RÁM
- Ⓓ RAHMEN
- Ⓕ CHASSIS

- Ⓖ FRAME
- Ⓡ PAMA
- Ⓟ RAMA



3007988

Pos.	Part Number	Pcs.
1	6000419	1
23	4004886	1
24	3008108	1
25	m14983	1
26	4010390	2
27	4015702	1
28	4015701	1
29	9002062	1
49	m04827	2
72	m14008	2
73	m09464	4
74	m14143	2
80	m04503	4
81	m04301	2
83	m03775	2
90	4013139	2
91	m14028	4
92	m14029	2
110	m11297	4
111	m04368	6
113	m09655	4
131	m11099	2
132	m11612	2



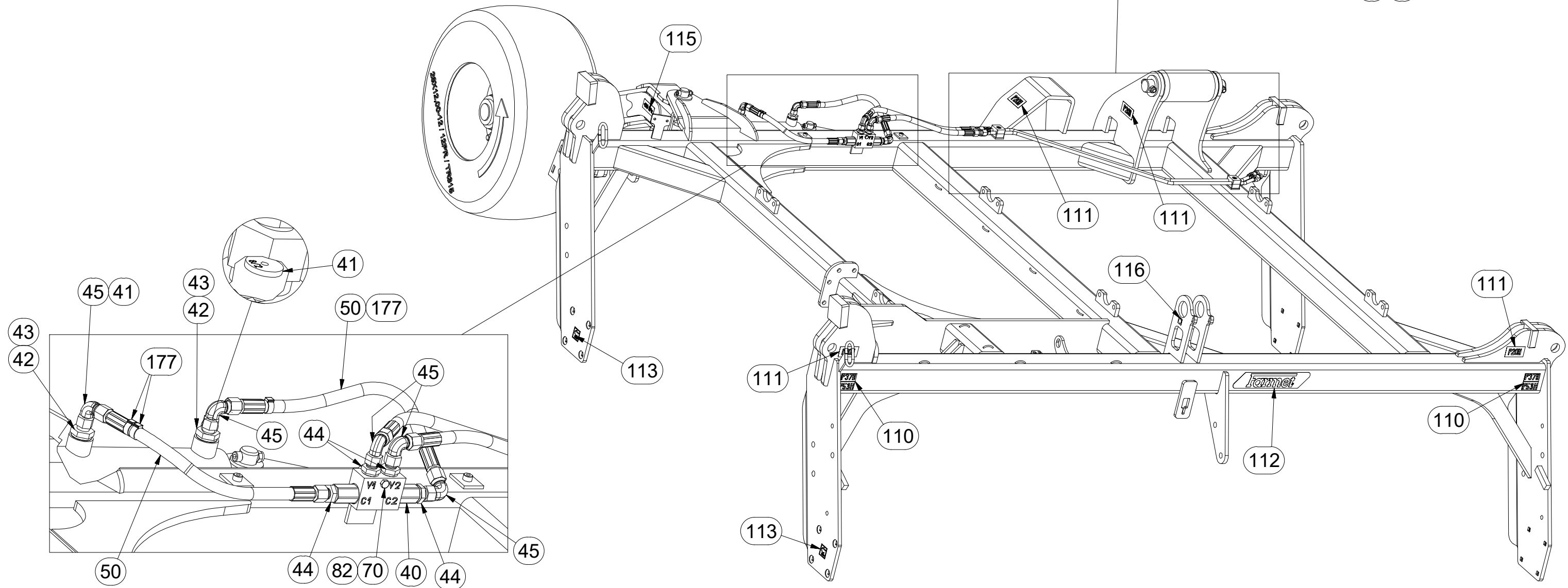
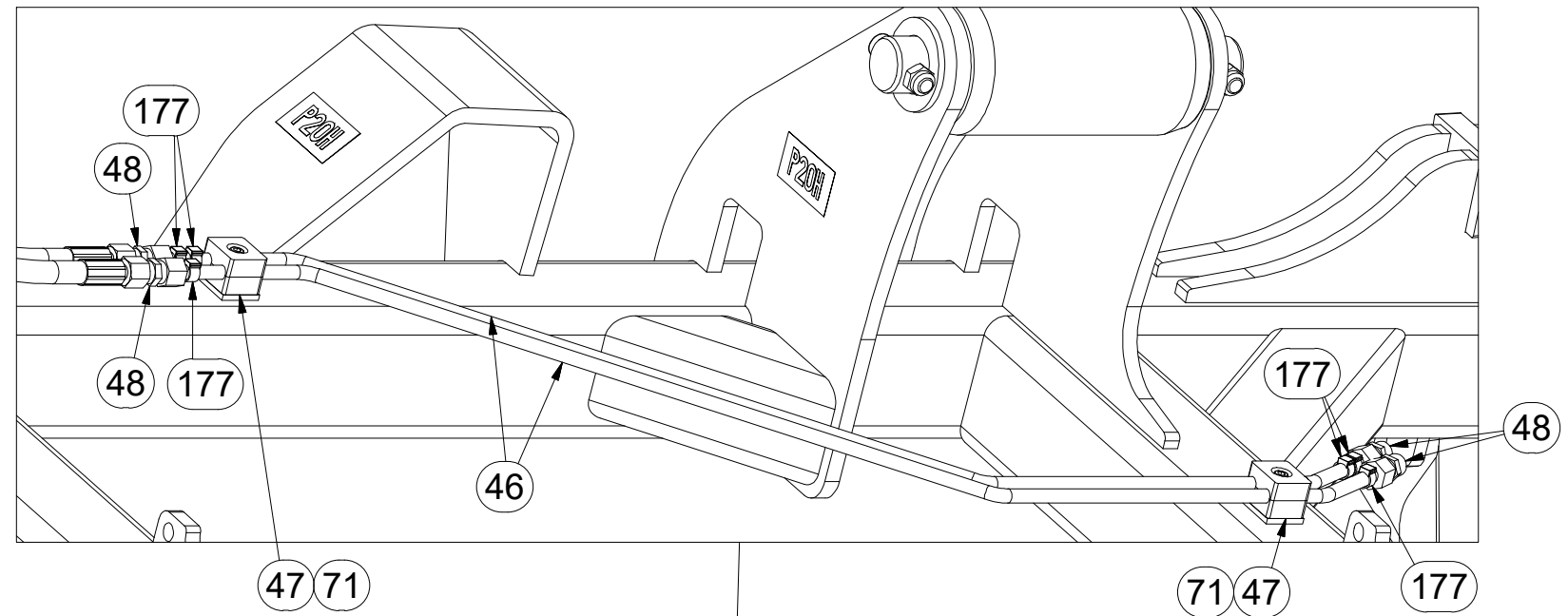
- Ⓒ RÁM
- Ⓓ RAHMEN
- Ⓕ CHASSIS

- Ⓖ FRAME
- Ⓔ PAMA
- Ⓗ RAMA



3007988

Pos.	Part Number	Pcs.	Pos.	Part Number	Pcs.
40	m06673	1	70	m05561	1
41	m10777	2	71	m04346	2
42	m03925	2	82	m05560	1
43	m04223	2	110	m11297	4
44	m06528	4	111	m04368	6
45	m06803	5	112	m13116	1
46	m10040	2	113	m09655	4
47	m05488	2	115	m15020	1
48	m03213	4	116	m03320	1
50	m09627	2	177	m11691	9

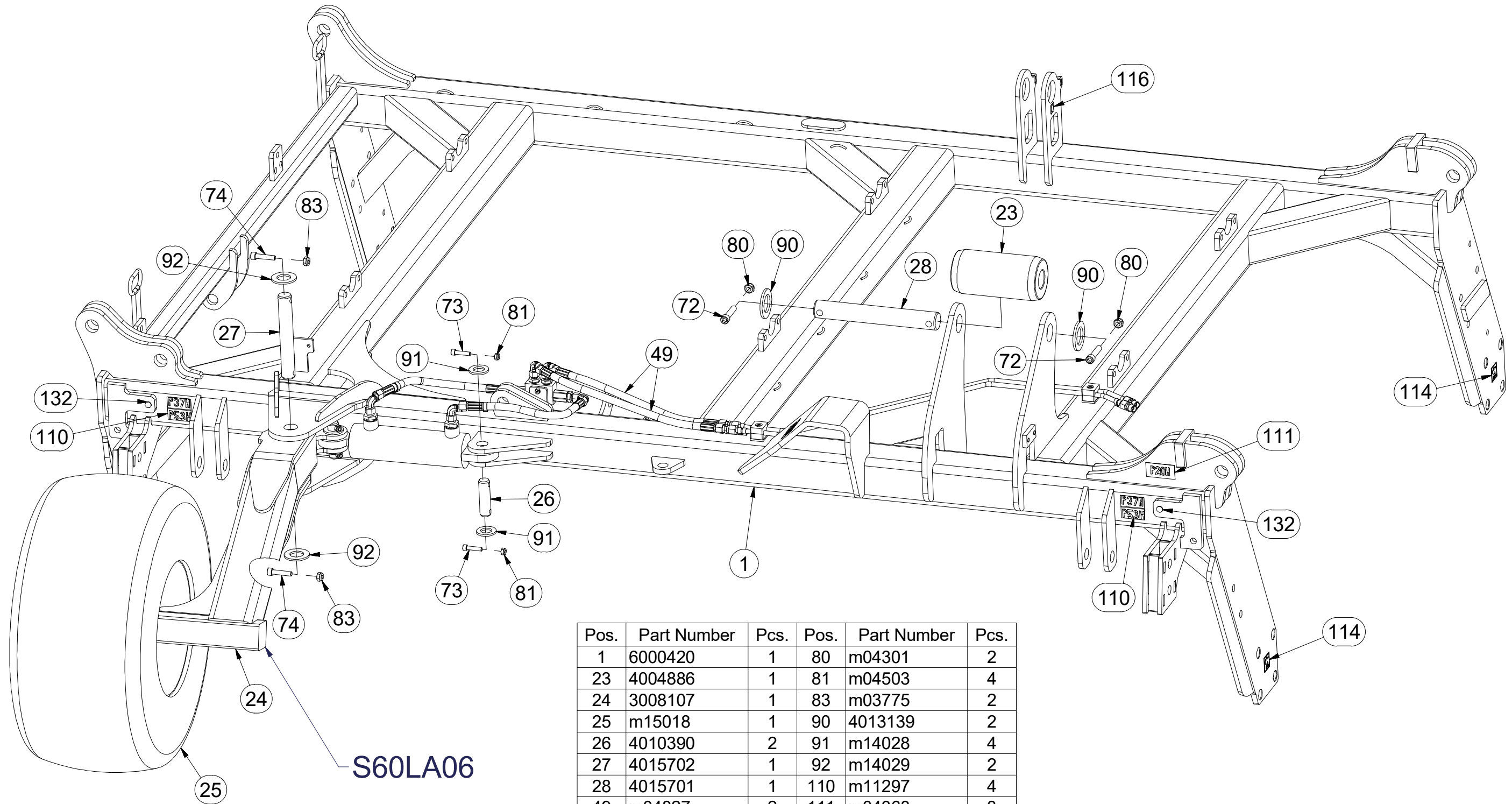


- ⒸZ RÁM
- Ⓓ RAHMEN
- Ⓕ CHASSIS

- ⒼB FRAME
- Ⓔ PAMA
- ⒽL RAMA



3007989



Pos.	Part Number	Pcs.	Pos.	Part Number	Pcs.
1	6000420	1	80	m04301	2
23	4004886	1	81	m04503	4
24	3008107	1	83	m03775	2
25	m15018	1	90	4013139	2
26	4010390	2	91	m14028	4
27	4015702	1	92	m14029	2
28	4015701	1	110	m11297	4
49	m04827	2	111	m04368	3
72	m14008	2	114	m09655	4
73	m09464	4	116	m03320	1
74	m14143	2	132	m11612	2

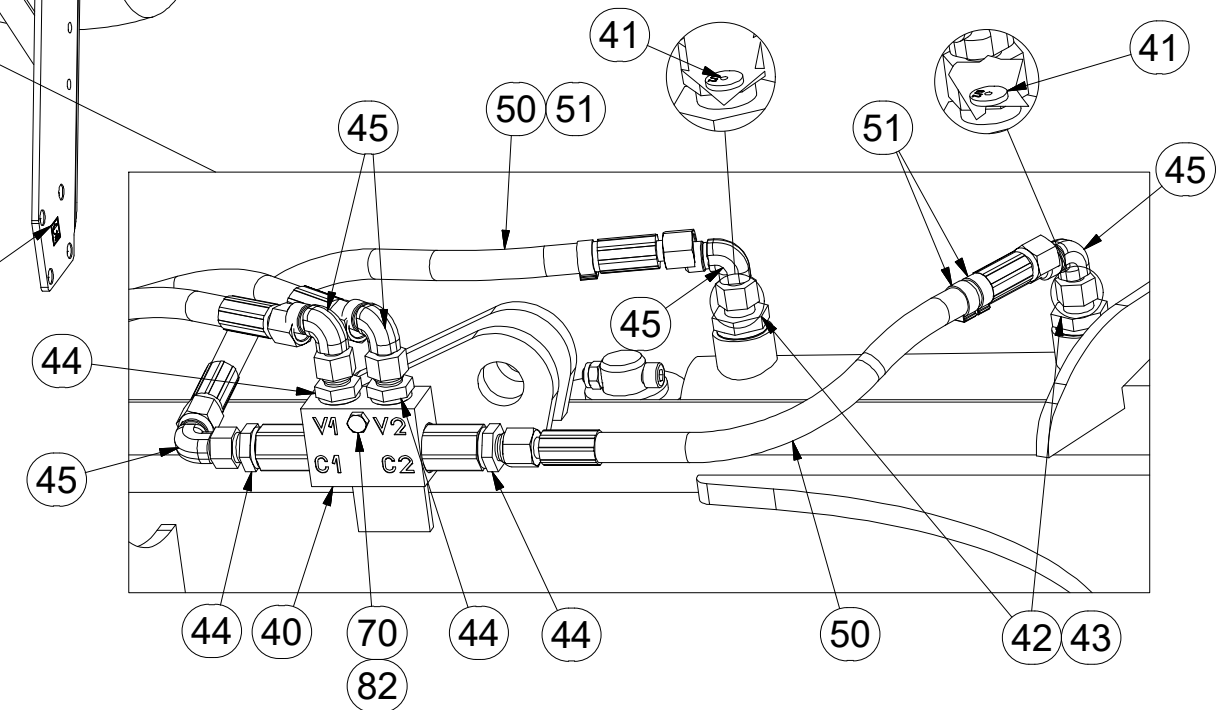
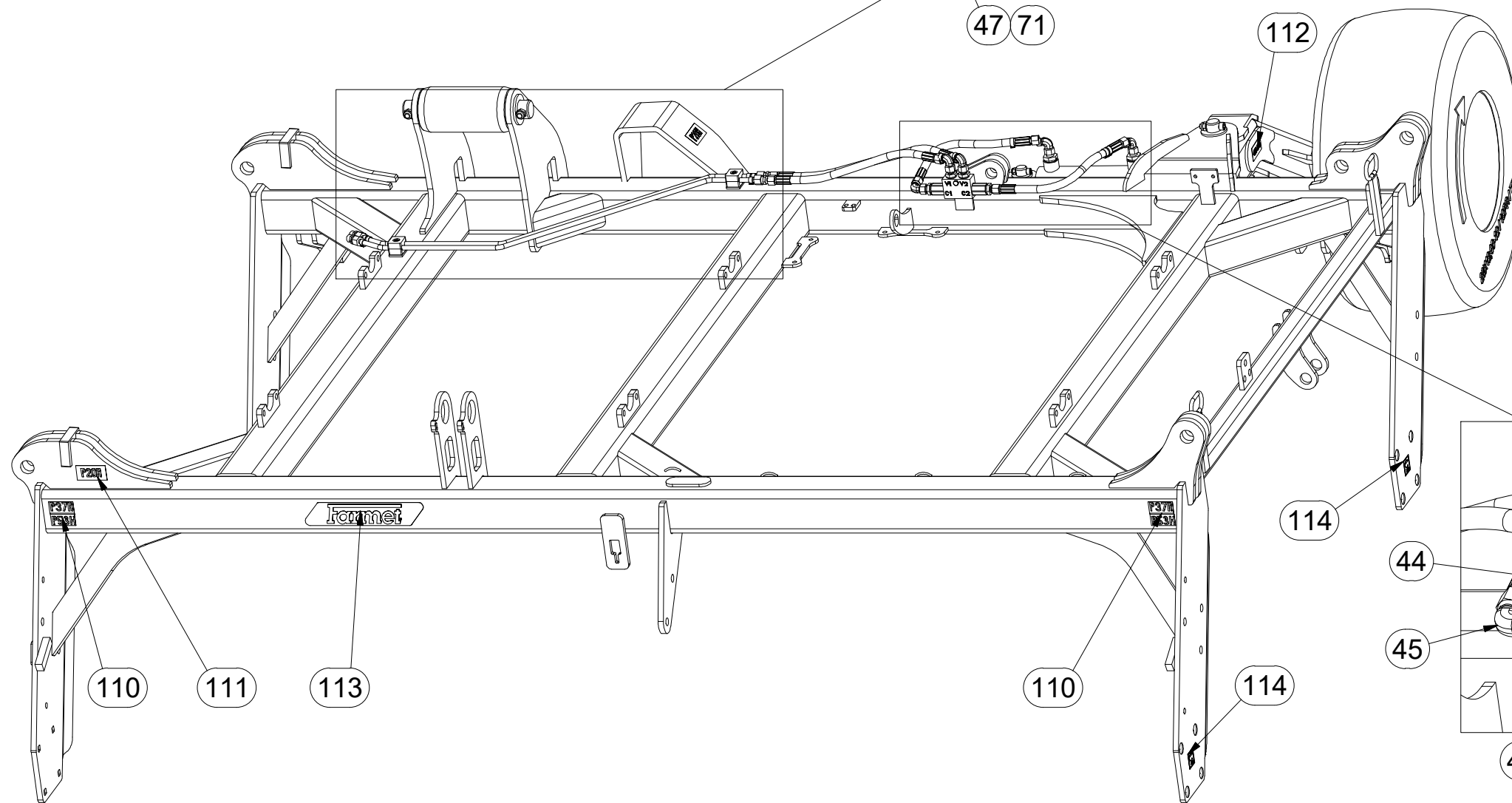
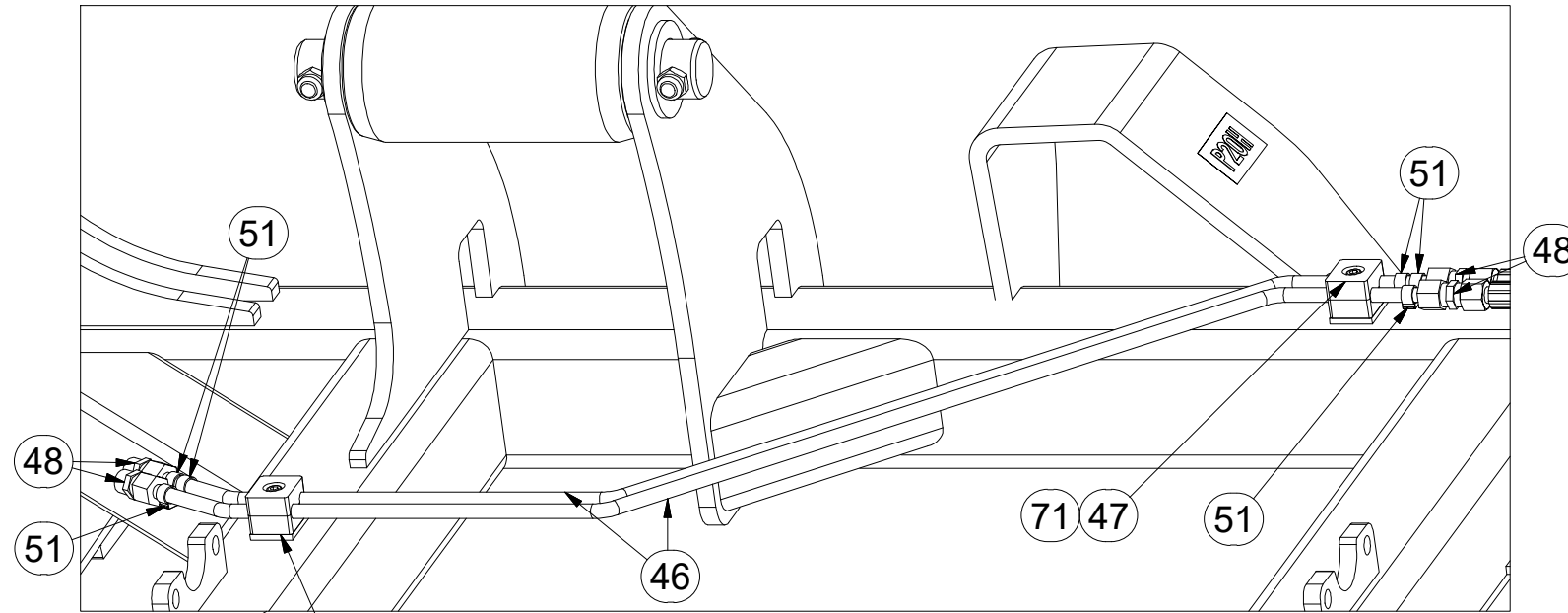
- Ⓒ RÁM
- Ⓓ RAHMEN
- Ⓕ CHASSIS

- Ⓖ FRAME
- Ⓔ PAMA
- Ⓗ RAMA



3007989

Pos.	Part Number	Pcs.	Pos.	Part Number	Pcs.
40	m06673	1	51	m11691	9
41	m10777	2	70	m05561	1
42	m03925	2	71	m04346	2
43	m04223	2	82	m05560	1
44	m06528	4	110	m11297	4
45	m06803	5	111	m04368	3
46	m10040	2	112	m15020	1
47	m05488	2	113	m13116	1
48	m03213	4	114	m09655	4
50	m09627	2			



Ⓒ NÁPRAVA

Ⓓ ACHSE

Ⓕ ESSIEU

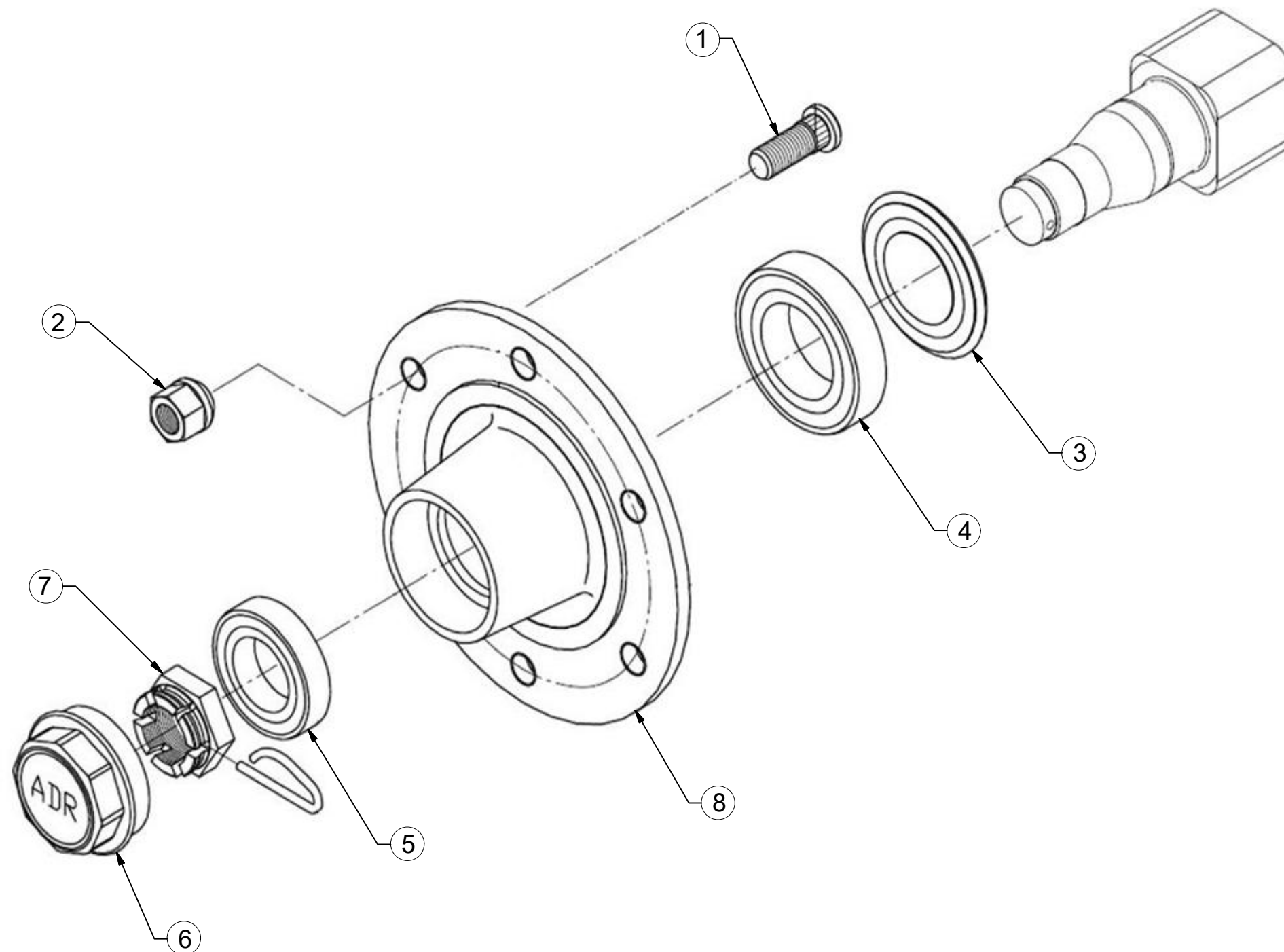
Ⓒ GB AXLE

Ⓒ RU OCB

Ⓒ PL OS

Farmet

S60LA06



Pos.	Part Number	Pcs.
1	m08148	6
2	m08163	6
3	m08153	1
4	m07151	1
5	m07152	1
6	m08162	1
7	m08169	1
8	m08177	1

Ⓒ POLOTOVAR STROJE

Ⓓ MASCHINEN-HALBFABRIKAT

Ⓕ MACHINE - SEMI-PRODUIT

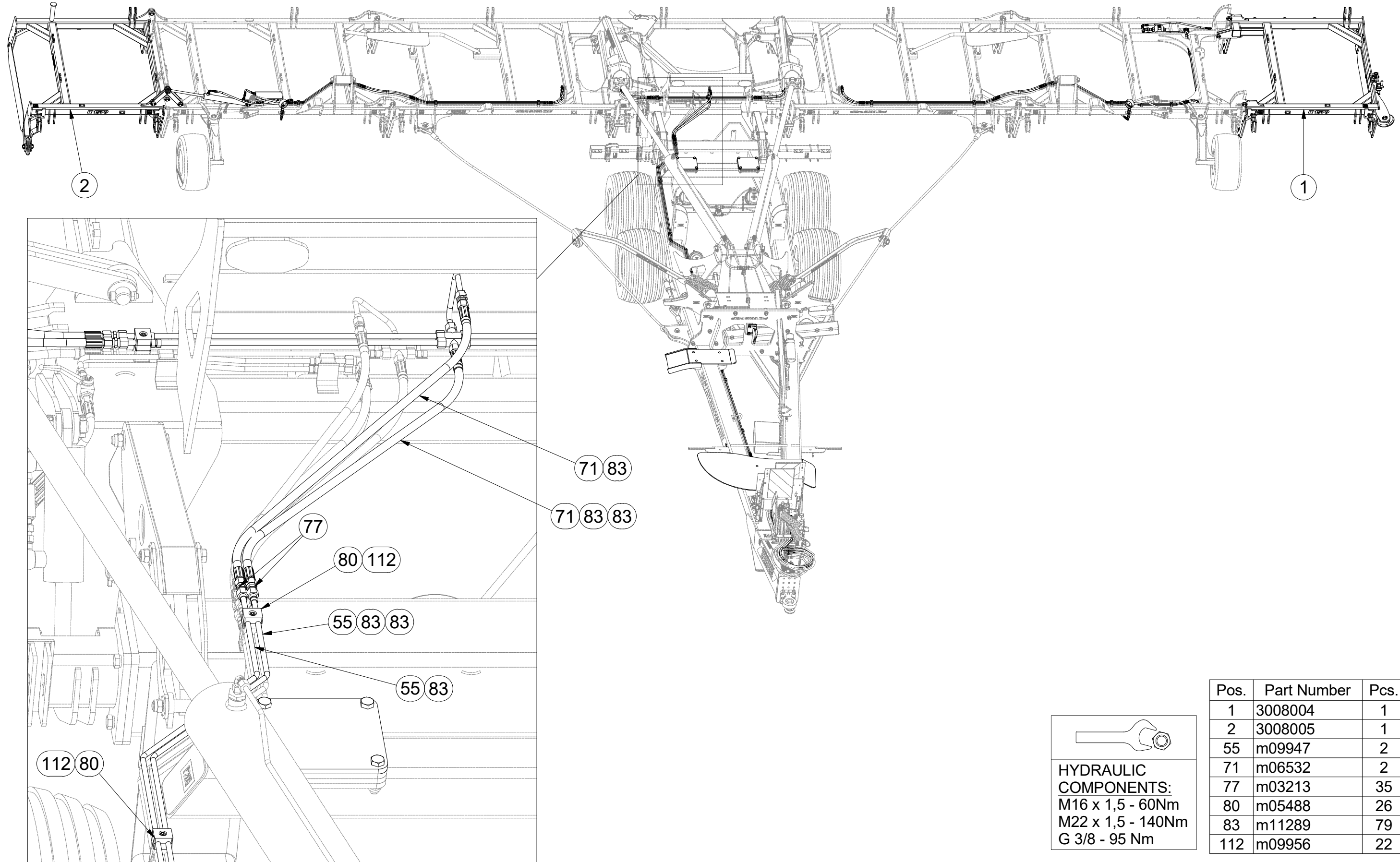
Ⓖ SEMIFINISHED MACHINE

Ⓡ ПОЛУФАБРИКАТ МАШИНЫ

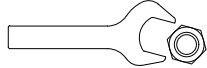
Ⓟ PÓLFABRYKAT MASZYN



3008844



Pos.	Part Number	Pcs.
1	3008004	1
2	3008005	1
55	m09947	2
71	m06532	2
77	m03213	35
80	m05488	26
83	m11289	79
112	m09956	22


HYDRAULIC COMPONENTS:
 M16 x 1,5 - 60Nm
 M22 x 1,5 - 140Nm
 G 3/8 - 95 Nm

Ⓒ POLOTOVAR STROJE

Ⓓ MASCHINEN-HALBFABRIKAT

Ⓕ MACHINE - SEMI-PRODUIT

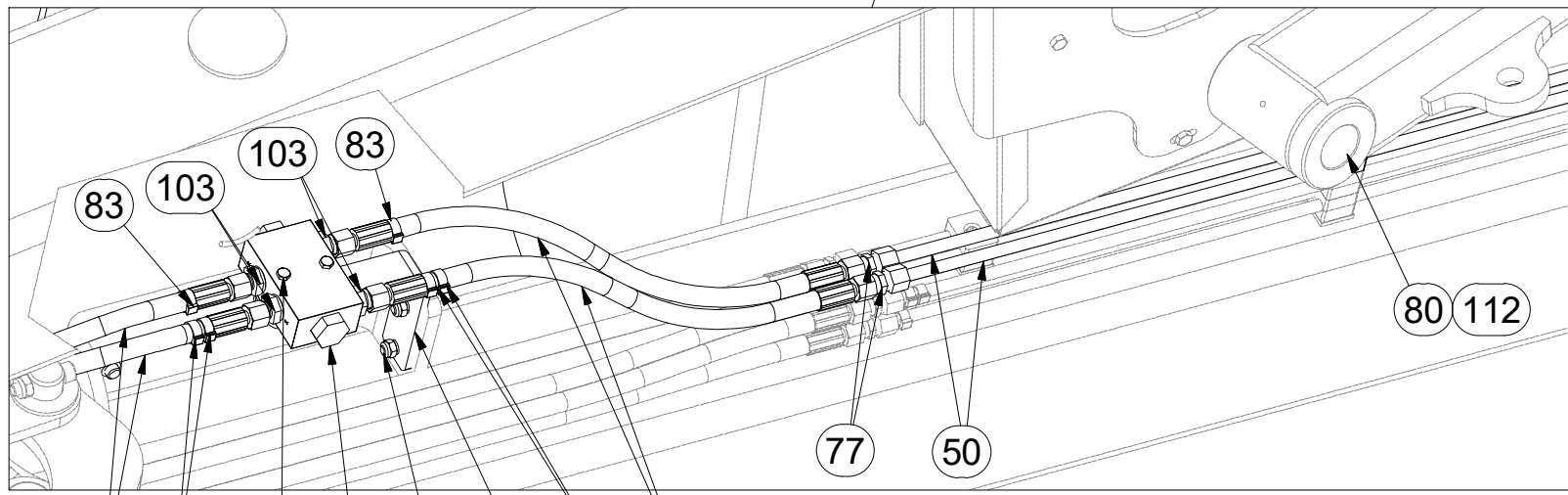
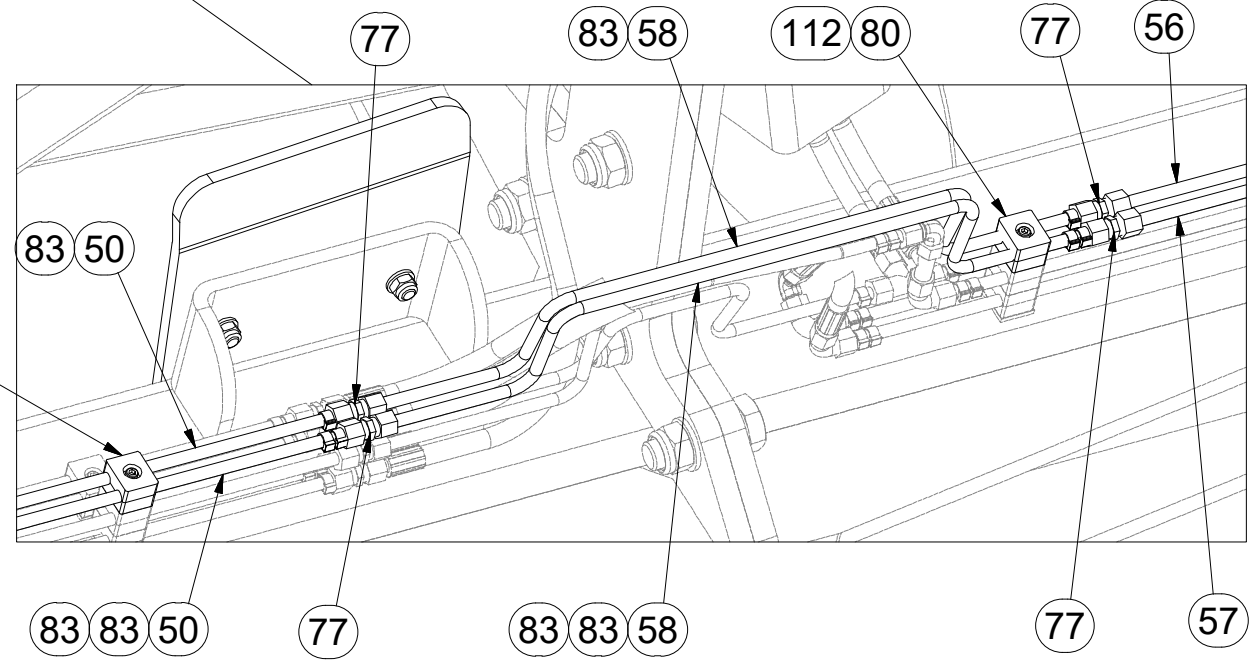
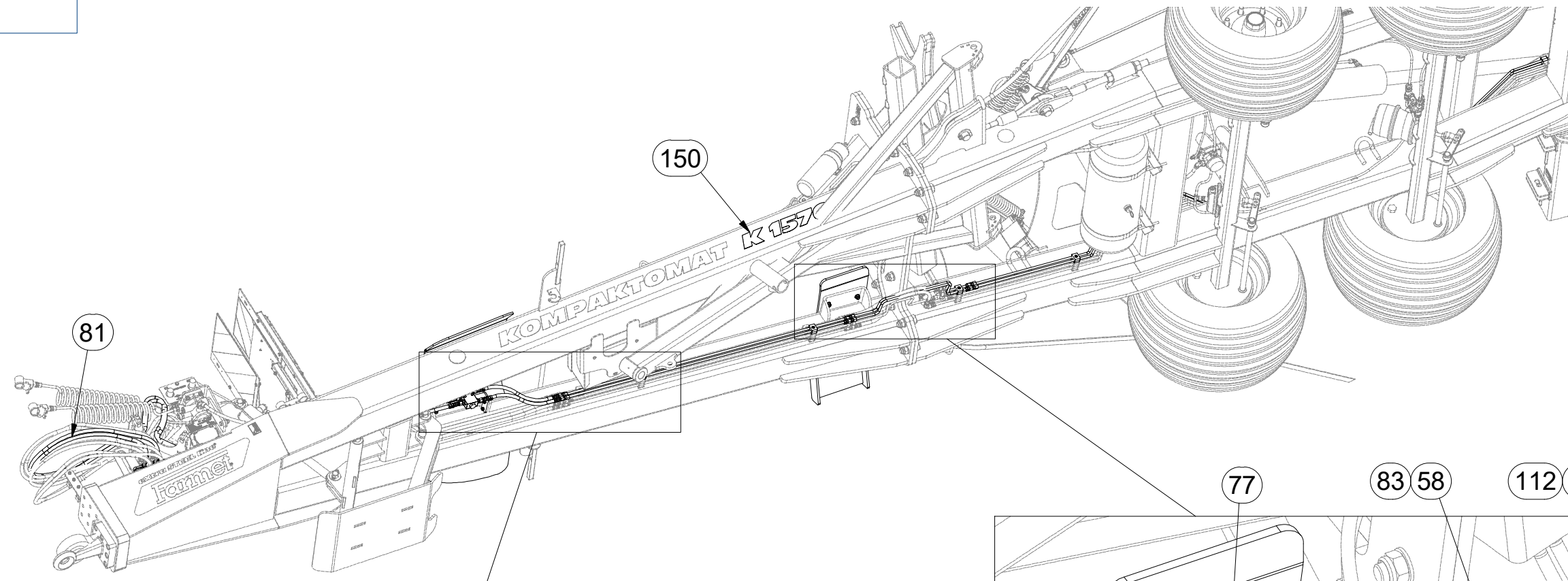
Ⓖ SEMIFINISHED MACHINE

Ⓡ ПОЛУФАБРИКАТ МАШИНЫ

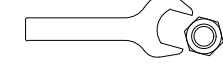
Ⓟ РОЉФАБРИКАТ МАСЗЫНЫ



3008844



- 104 83 119 102 120 21 83 67
- 144 132
- 133 145


HYDRAULIC COMPONENTS:
 M16 x 1,5 - 60Nm
 M22 x 1,5 - 140Nm
 G 3/8 - 95 Nm
 M6 (8.8) - 10Nm

Pos.	Part Number	Pcs.	Pos.	Part Number	Pcs.
21	4017739	1	103	m06528	4
50	m09662	2	104	m05221	2
56	m09961	1	112	m09956	22
57	m09962	1	119	m04842	2
58	m09963	2	120	m04791	2
67	m04827	6	132	m04503	14
77	m03213	35	133	m05560	6
80	m05488	26	144	m01200	6
81	m11183	1	145	m01202	6
83	m11289	79	150	m09891	2
102	m09911	1			

Ⓒ POLOTOVAR STROJE

Ⓓ MASCHINEN-HALBFABRIKAT

Ⓕ MACHINE - SEMI-PRODUIT

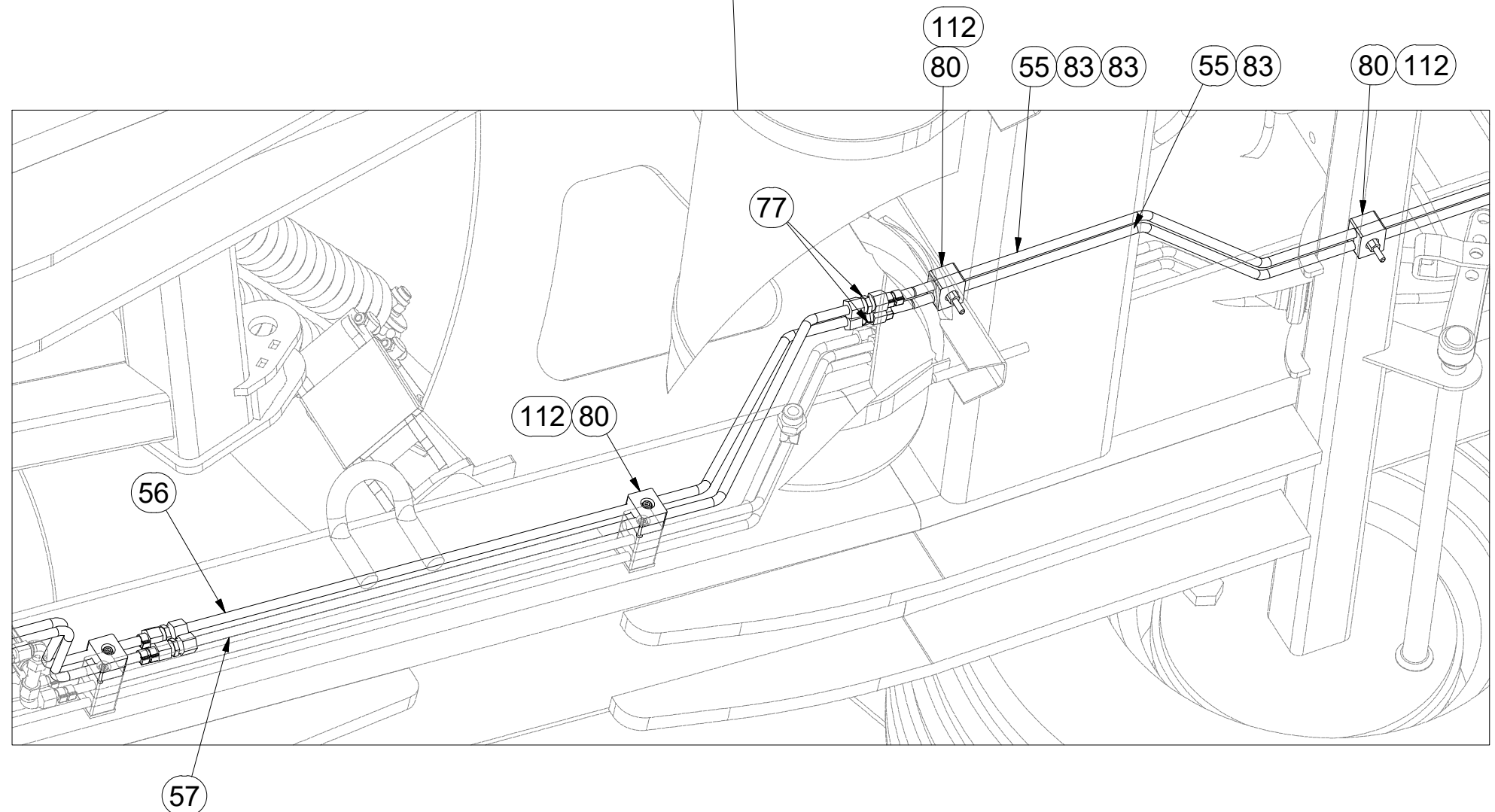
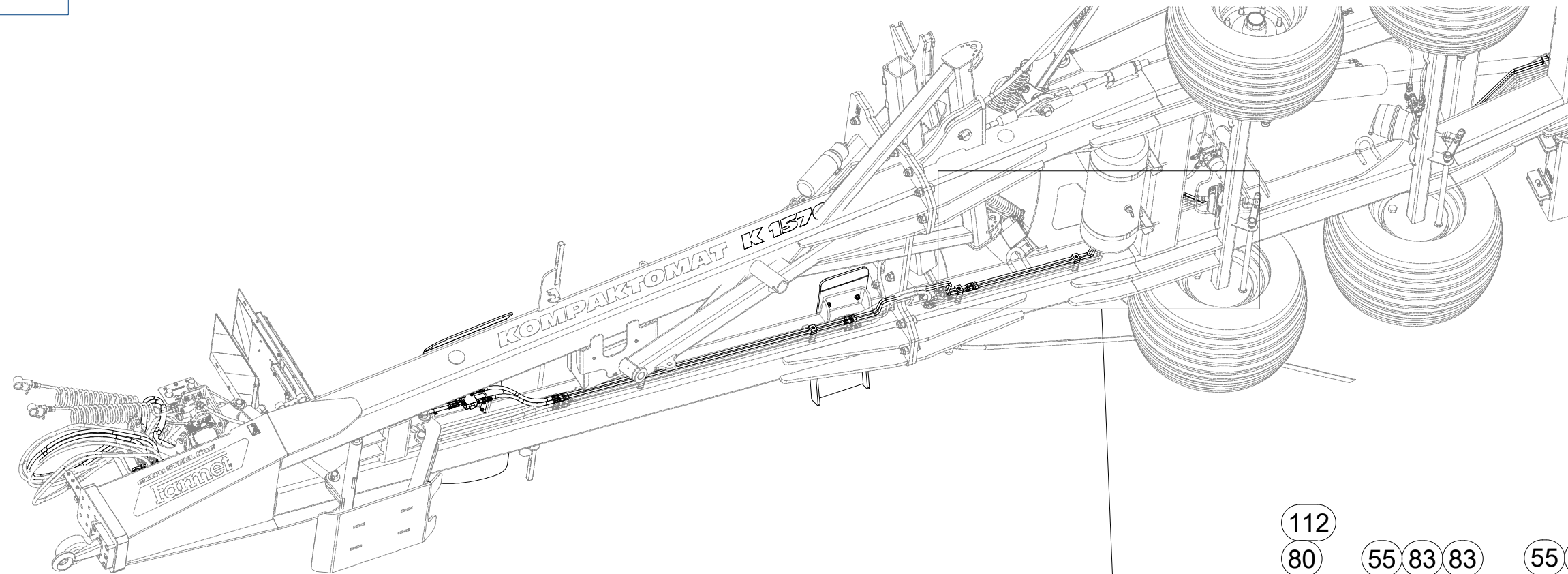
Ⓖ SEMIFINISHED MACHINE

Ⓡ ПОЛУФАБРИКАТ МАШИНЫ

Ⓟ PÓLFABRYKAT MASZYNY



3008844



Pos.	Part Number	Pcs.
55	m09947	2
56	m09961	1
57	m09962	1
77	m03213	35
80	m05488	26
83	m11289	79
112	m09956	22

HYDRAULIC COMPONENTS:	
M16 x 1,5	60Nm
M22 x 1,5	140Nm
G 3/8	95 Nm
M6 (8.8)	10Nm

☉ POLOTOVAR STROJE

☎ MASCHINEN-HALBFABRIKAT

☐ MACHINE - SEMI-PRODUIT

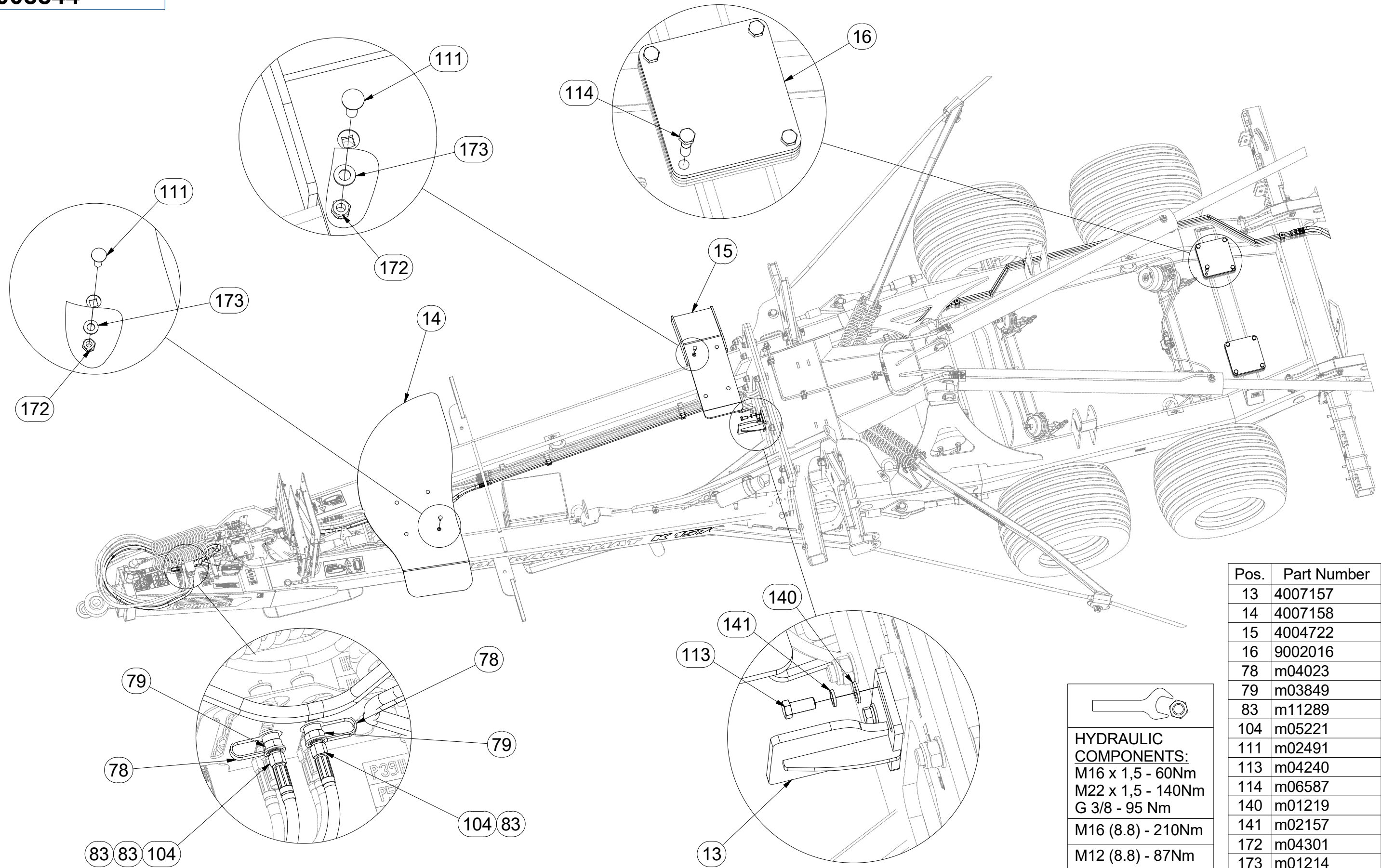
☉ SEMIFINISHED MACHINE

☎ ПОЛУФАБРИКАТ МАШИНЫ

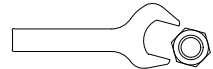
☐ PÓLFABRYKAT MASZYNY



3008844



Pos.	Part Number	Pcs.
13	4007157	1
14	4007158	1
15	4004722	1
16	9002016	2
78	m04023	2
79	m03849	2
83	m11289	79
104	m05221	2
111	m02491	8
113	m04240	3
114	m06587	8
140	m01219	2
141	m02157	2
172	m04301	8
173	m01214	8



HYDRAULIC COMPONENTS:
M16 x 1,5 - 60Nm
M22 x 1,5 - 140Nm
G 3/8 - 95 Nm
M16 (8.8) - 210Nm
M12 (8.8) - 87Nm

Ⓒ POLOTOVAR STROJE

Ⓓ MASCHINEN-HALBFABRIKAT

Ⓕ MACHINE - SEMI-PRODUIT

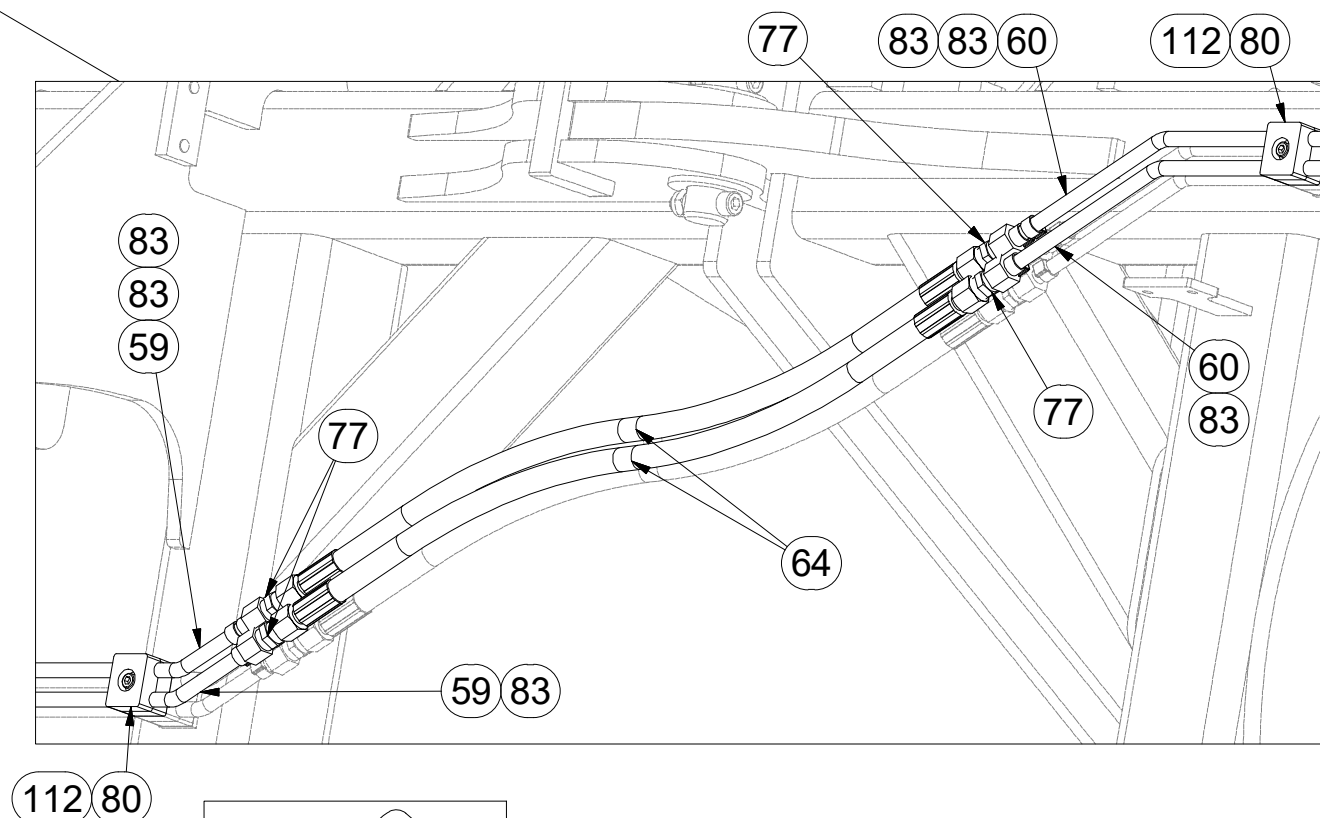
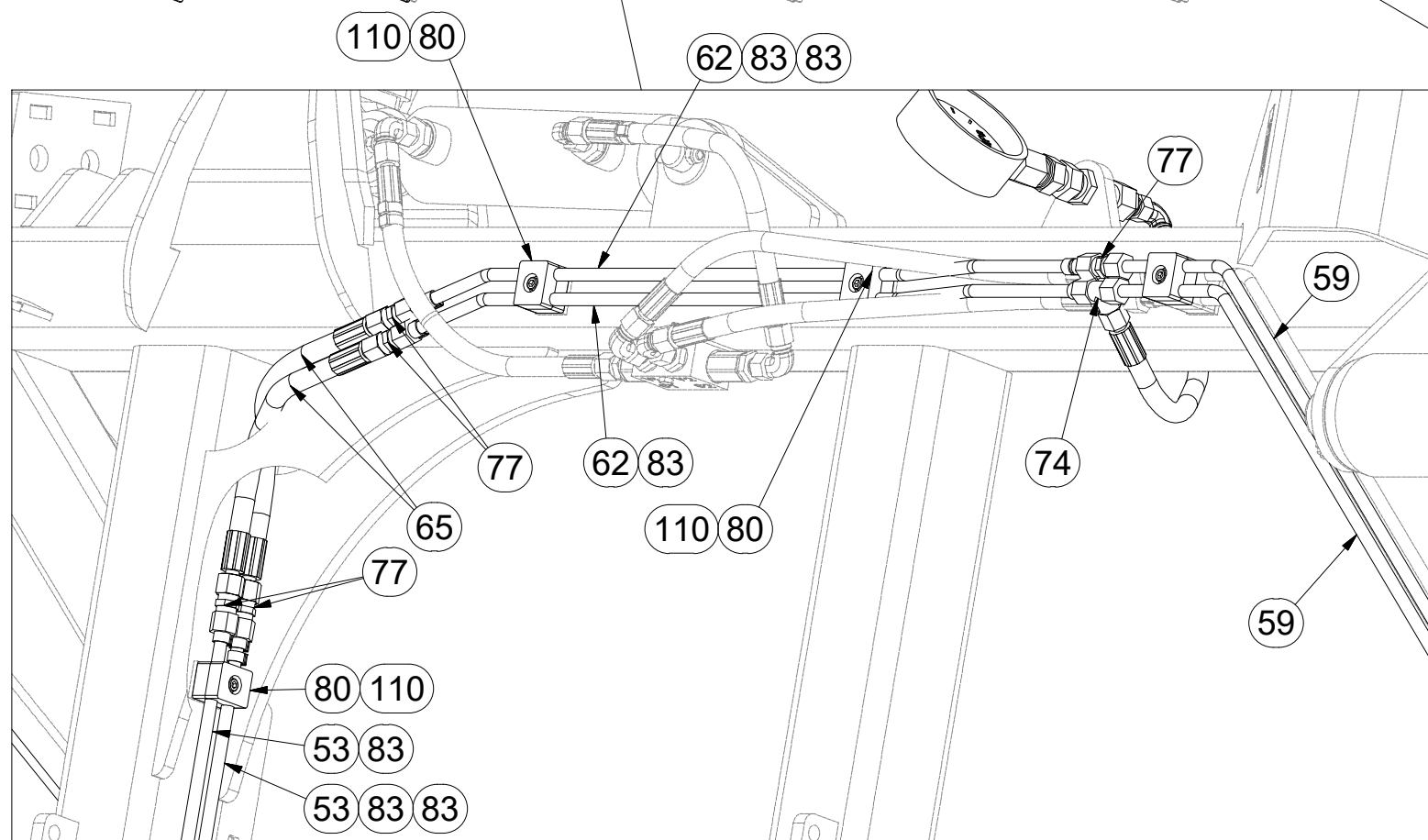
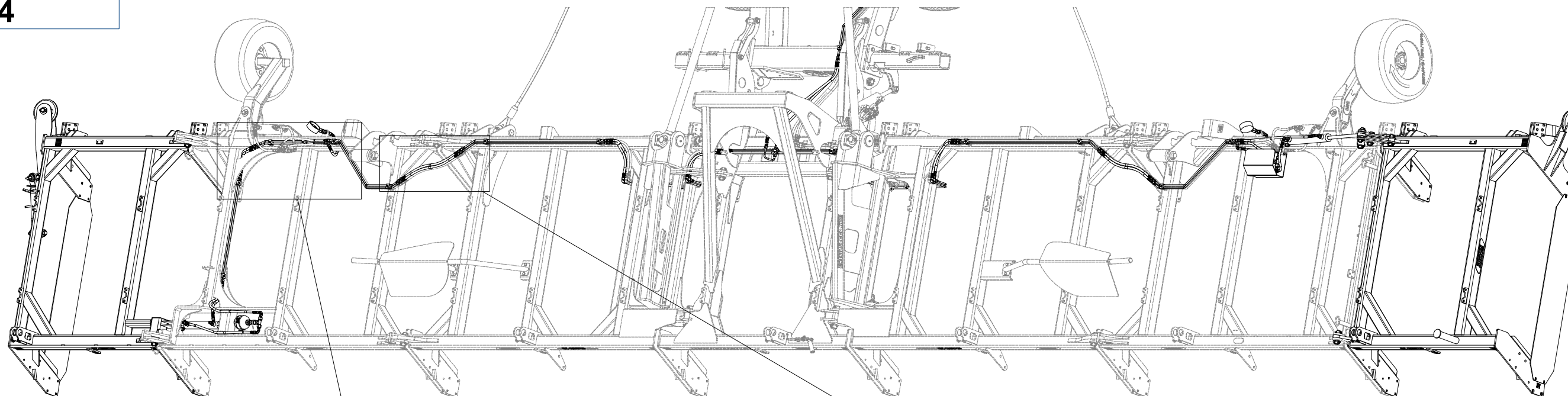
Ⓖ SEMIFINISHED MACHINE


Ⓡ ПОЛУФАБРИКАТ МАШИНЫ

Ⓟ PÓŁFABRYKAT MASZYN



3008844




 HYDRAULIC
 COMPONENTS:
 M16 x 1,5 - 60Nm
 M22 x 1,5 - 140Nm
 G 3/8 - 95 Nm
 M6 (8.8) - 10Nm

Pos.	Part Number	Pcs.	Pos.	Part Number	Pcs.
53	m10087	2	74	m03889	4
59	m10040	4	77	m03213	35
60	m10042	4	80	m05488	26
62	m10086	2	83	m11289	79
64	m03713	4	110	m04346	4
65	m07363	3	112	m09956	22

Ⓒ POLOTOVAR STROJE

Ⓓ MASCHINEN-HALBFABRIKAT

Ⓕ MACHINE - SEMI-PRODUIT

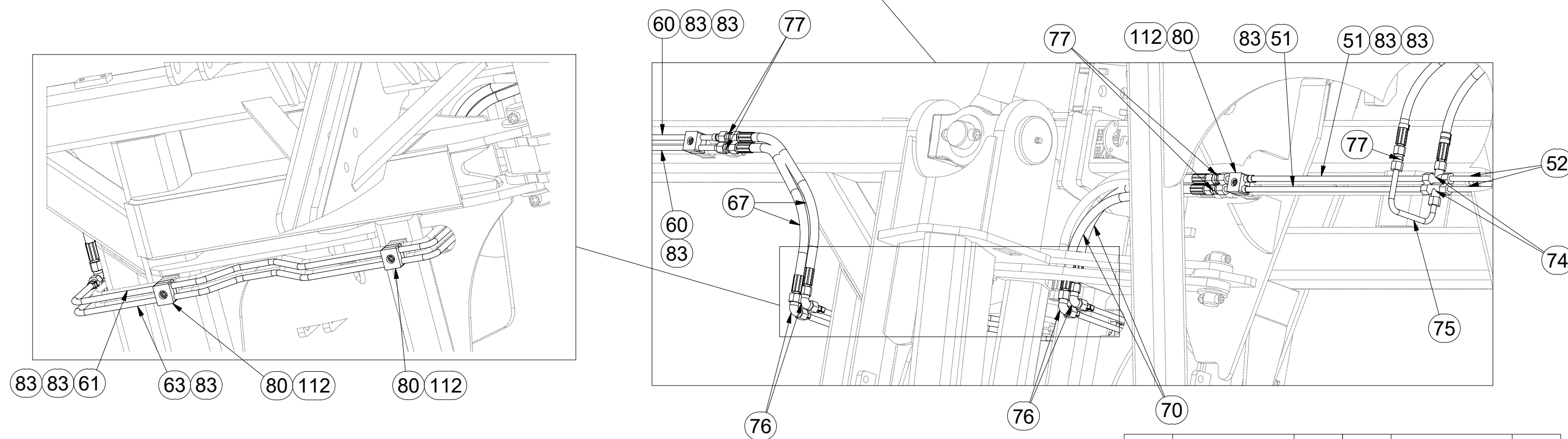
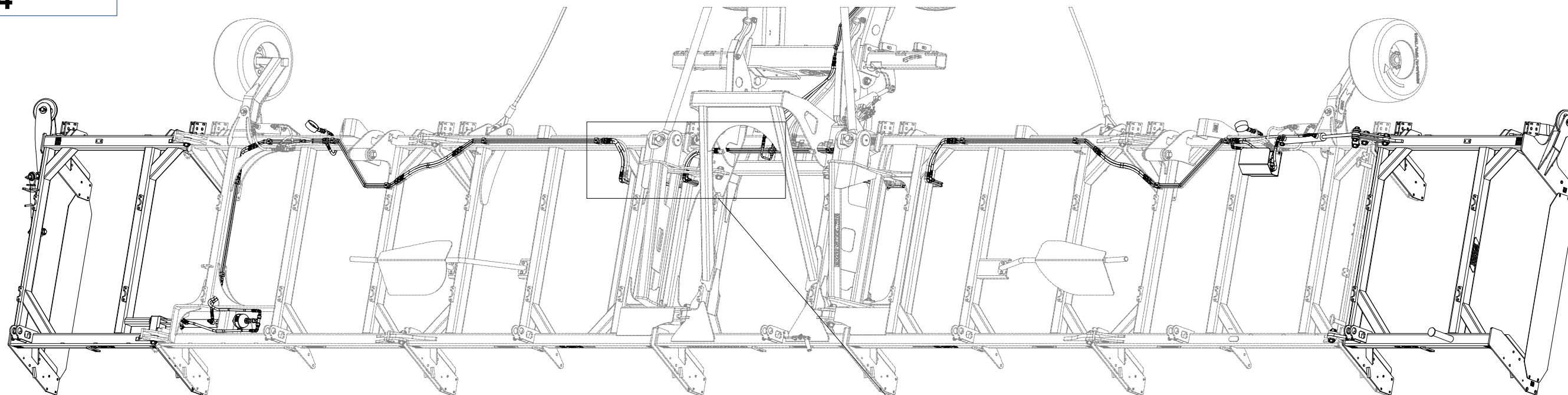
Ⓖ SEMIFINISHED MACHINE

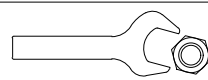
Ⓡ ПОЛУФАБРИКАТ МАШИНЫ

Ⓟ PÓLFABRYKAT MASZYNY



3008844




 HYDRAULIC
 COMPONENTS:
 M16 x 1,5 - 60Nm
 M22 x 1,5 - 140Nm
 G 3/8 - 95 Nm

Pos.	Part Number	Pcs.	Pos.	Part Number	Pcs.
51	m09661	2	74	m03889	4
52	m03975	2	75	m13260	1
60	m10042	4	76	m06661	8
61	m10085	2	77	m03213	35
63	m10084	2	80	m05488	26
67	m04827	6	83	m11289	79
70	m09628	4	112	m09956	22

☉ POLOTOVAR STROJE

☉ MASCHINEN-HALBFABRIKAT

☉ MACHINE - SEMI-PRODUIT

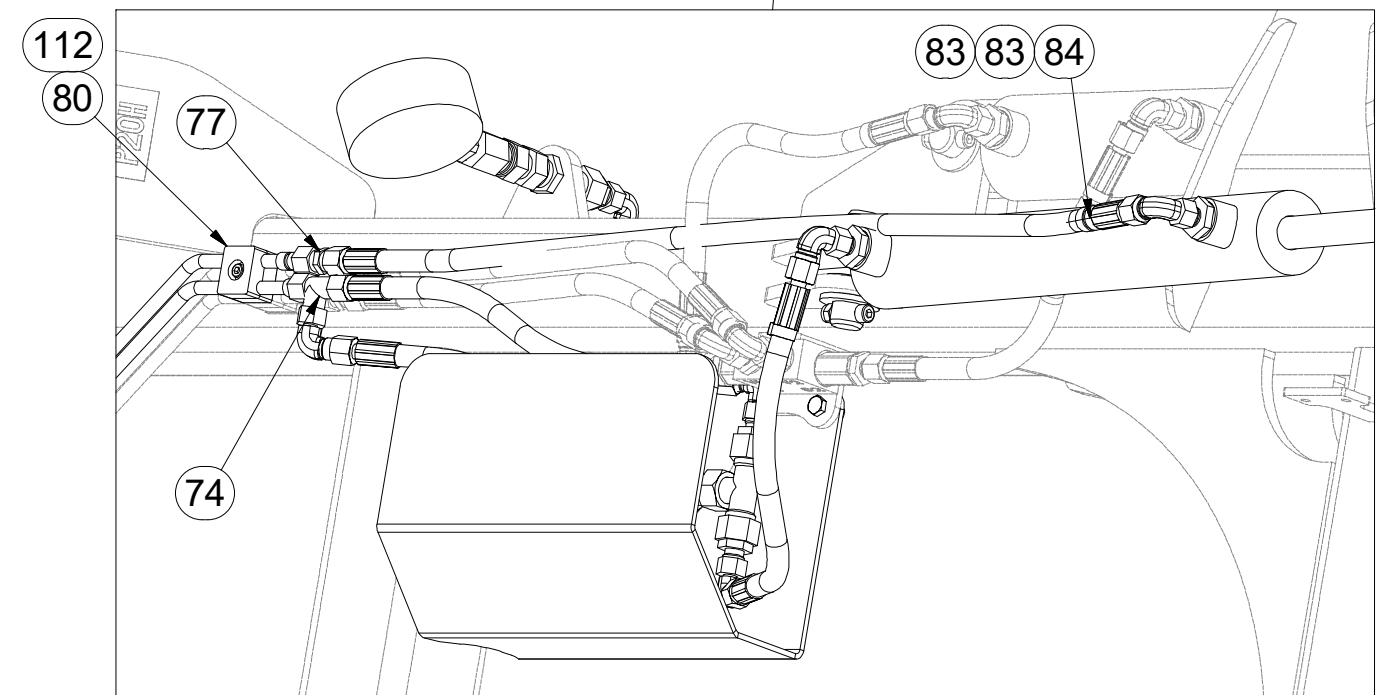
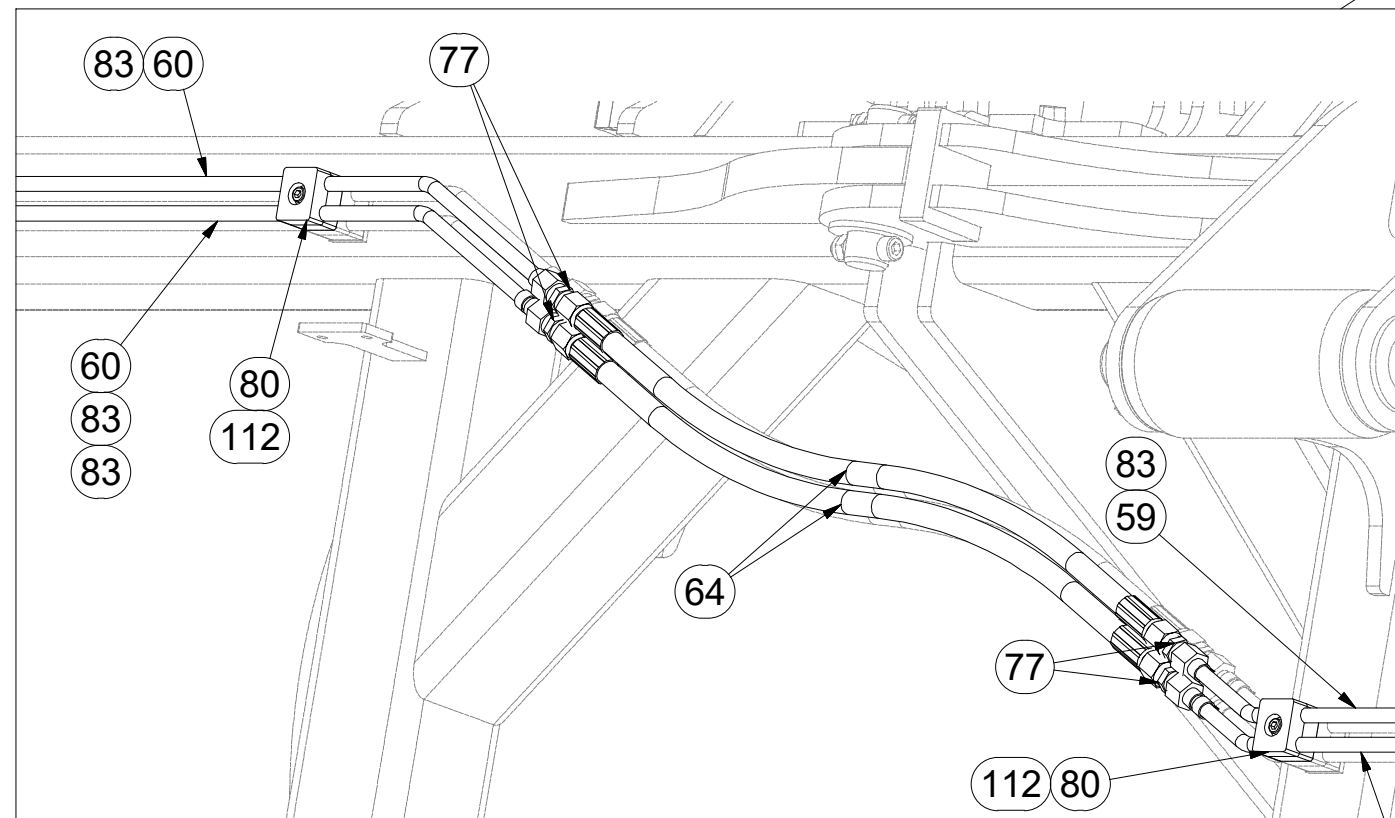
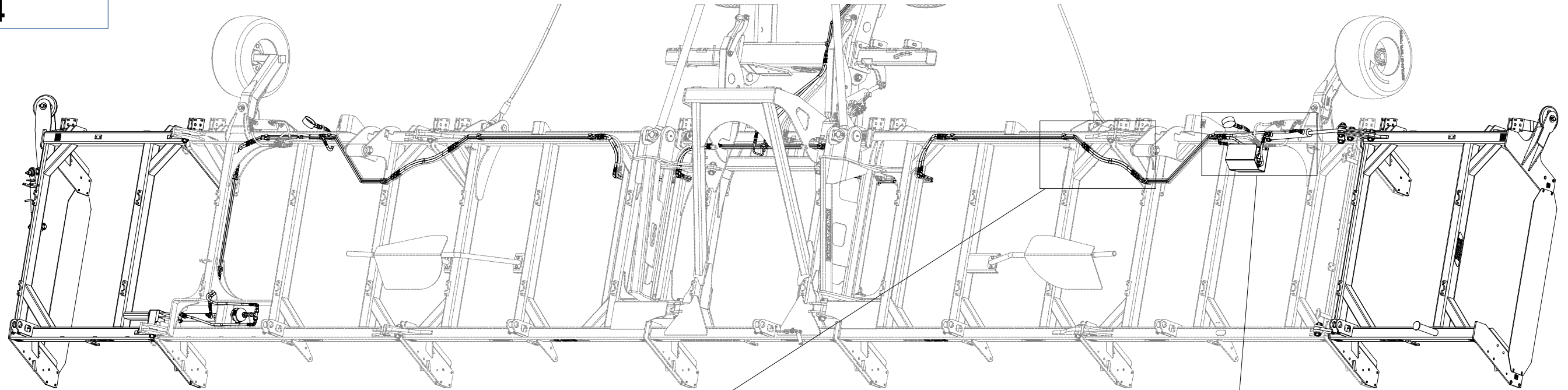
☉ SEMIFINISHED MACHINE

☉ ПОЛУФАБРИКАТ МАШИНЫ

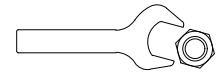
☉ PÓLFABRYKAT MASZYNY



3008844



59 83 83



HYDRAULIC COMPONENTS:
M16 x 1,5 - 60Nm
M22 x 1,5 - 140Nm
G 3/8 - 95 Nm

Pos.	Part Number	Pcs.
59	m10040	4
60	m10042	4
64	m03713	4
74	m03889	4
77	m03213	35
80	m05488	26
83	m11289	79
84	m03951	1
112	m09956	22

☉ POLOTOVAR STROJE

☉ MASCHINEN-HALBFABRIKAT

☉ MACHINE - SEMI-PRODUIT

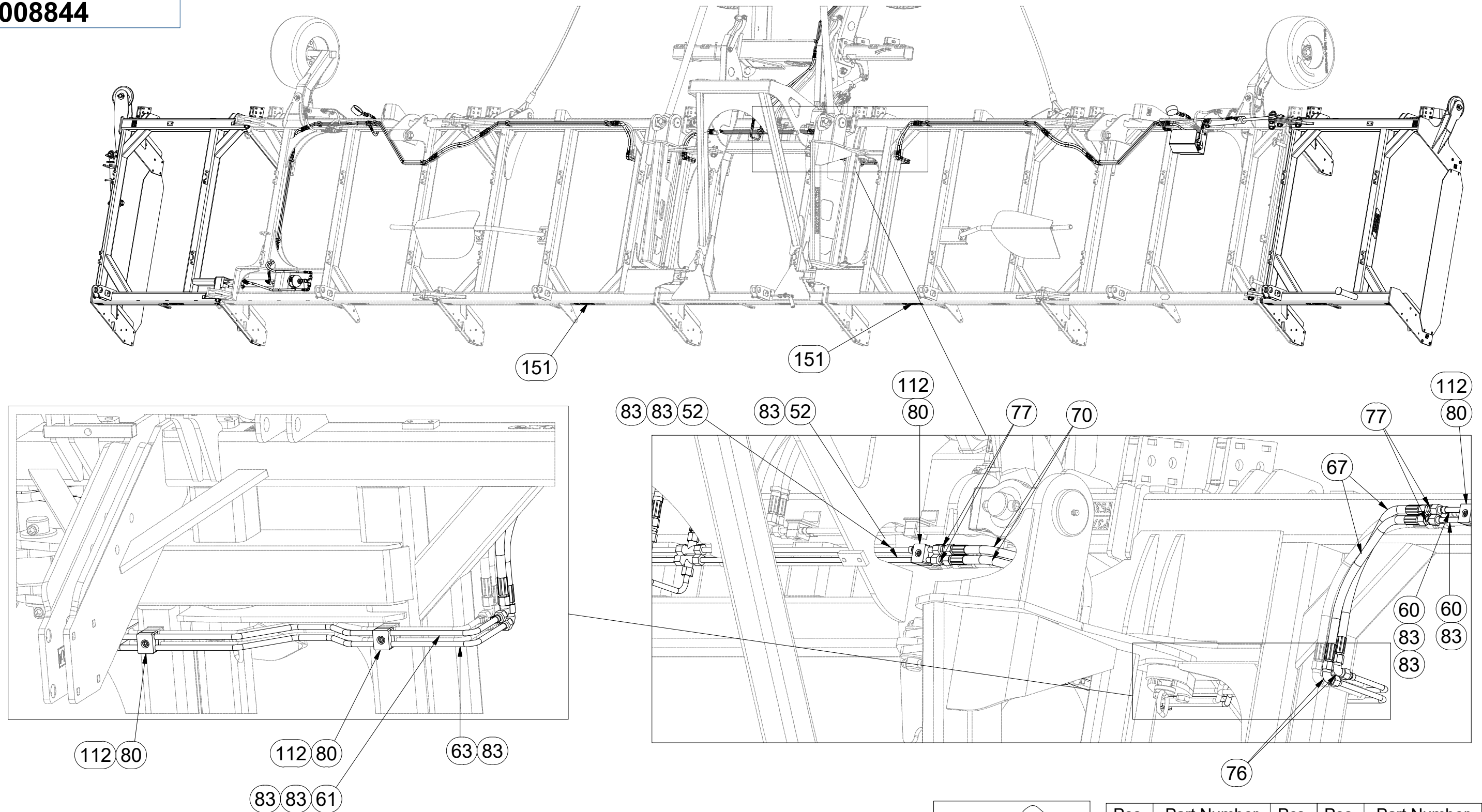
☉ SEMIFINISHED MACHINE

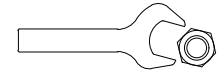
☉ ПОЛУФАБРИКАТ МАШИНЫ

☉ PÓLFABRYKAT MASZYNY



3008844




 HYDRAULIC
 COMPONENTS:
 M16 x 1,5 - 60Nm
 M22 x 1,5 - 140Nm
 G 3/8 - 95 Nm

Pos.	Part Number	Pcs.	Pos.	Part Number	Pcs.
52	m03975	2	77	m03213	35
60	m10042	4	80	m05488	26
61	m10085	2	83	m11289	79
63	m10084	2	112	m09956	22
67	m04827	6	151	m09896	2
70	m09628	4			

☉ POLOTOVAR STROJE

☐ MASCHINEN-HALBFABRIKAT

☐ MACHINE - SEMI-PRODUIT

☉ SEMIFINISHED MACHINE

☐ ПОЛУФАБРИКАТ МАШИНЫ

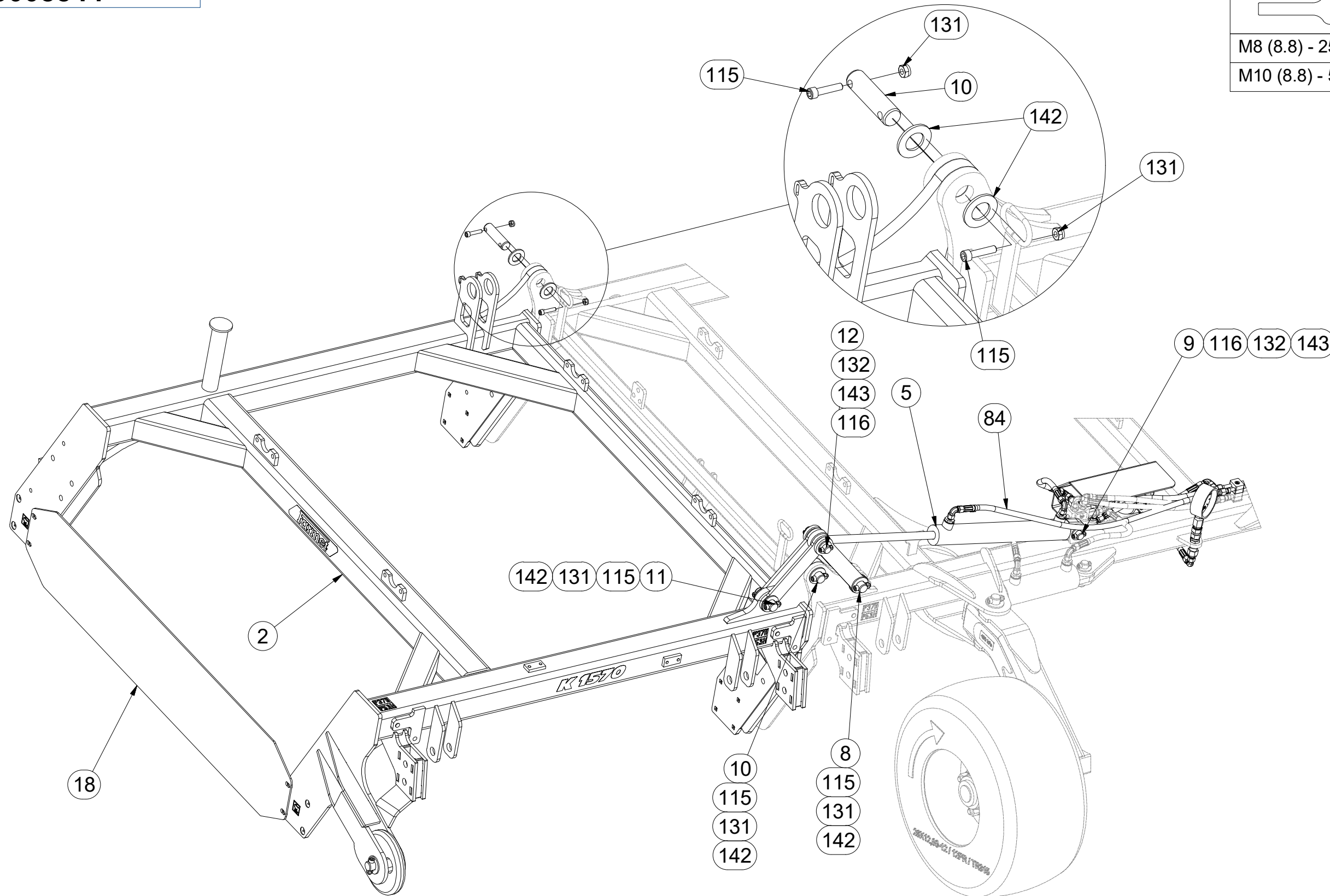
☐ PÓŁFABRYKAT MASZYNY



3008844

M8 (8.8) - 25Nm
M10 (8.8) - 50Nm

Pos.	Part Number	Pcs.
2	3008005	1
5	4017464	1
6	9002067	2
7	4005097	2
8	4011761	1
9	4010390	3
10	4007584	4
11	4008278	1
12	4015755	1
18	4005373	2
84	m03951	1
115	m14143	12
116	m09464	8
131	m03775	12
132	m04503	14
142	m14029	12
143	m14028	8



☉ POLOTOVAR STROJE

☉ MASCHINEN-HALBFABRIKAT

☉ MACHINE - SEMI-PRODUIT

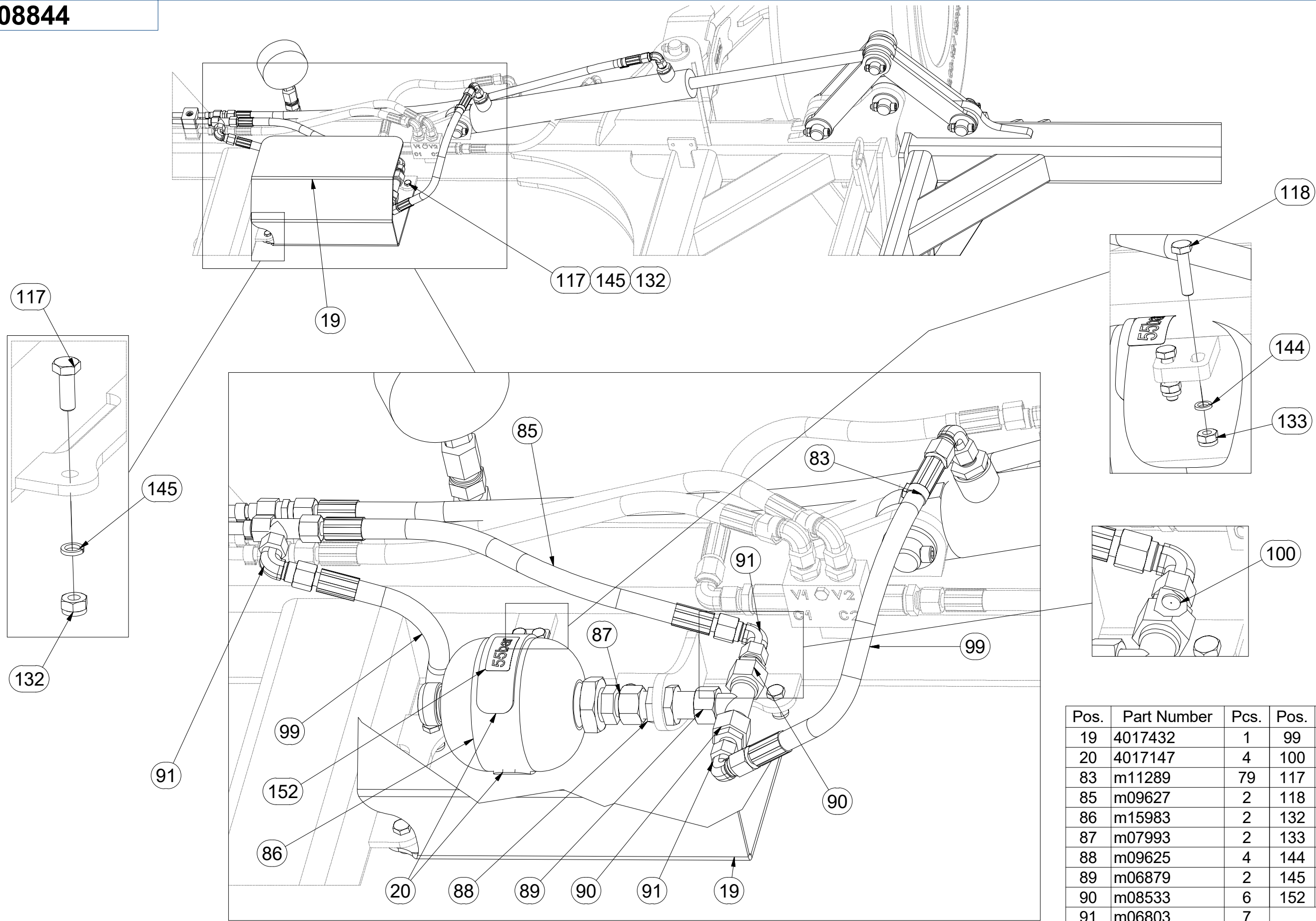
☉ SEMIFINISHED MACHINE

☉ ПОЛУФАБРИКАТ МАШИНЫ

☉ PÓLFABRYKAT MASZYN



3008844



Pos.	Part Number	Pcs.	Pos.	Part Number	Pcs.
19	4017432	1	99	m15873	2
20	4017147	4	100	m10782	1
83	m11289	79	117	m01090	4
85	m09627	2	118	m01075	4
86	m15983	2	132	m04503	14
87	m07993	2	133	m05560	6
88	m09625	4	144	m01200	6
89	m06879	2	145	m01202	6
90	m08533	6	152	m16026	2
91	m06803	7			

Ⓒ POLOTOVAR STROJE

Ⓓ MASCHINEN-HALBFABRIKAT

Ⓕ MACHINE - SEMI-PRODUIT

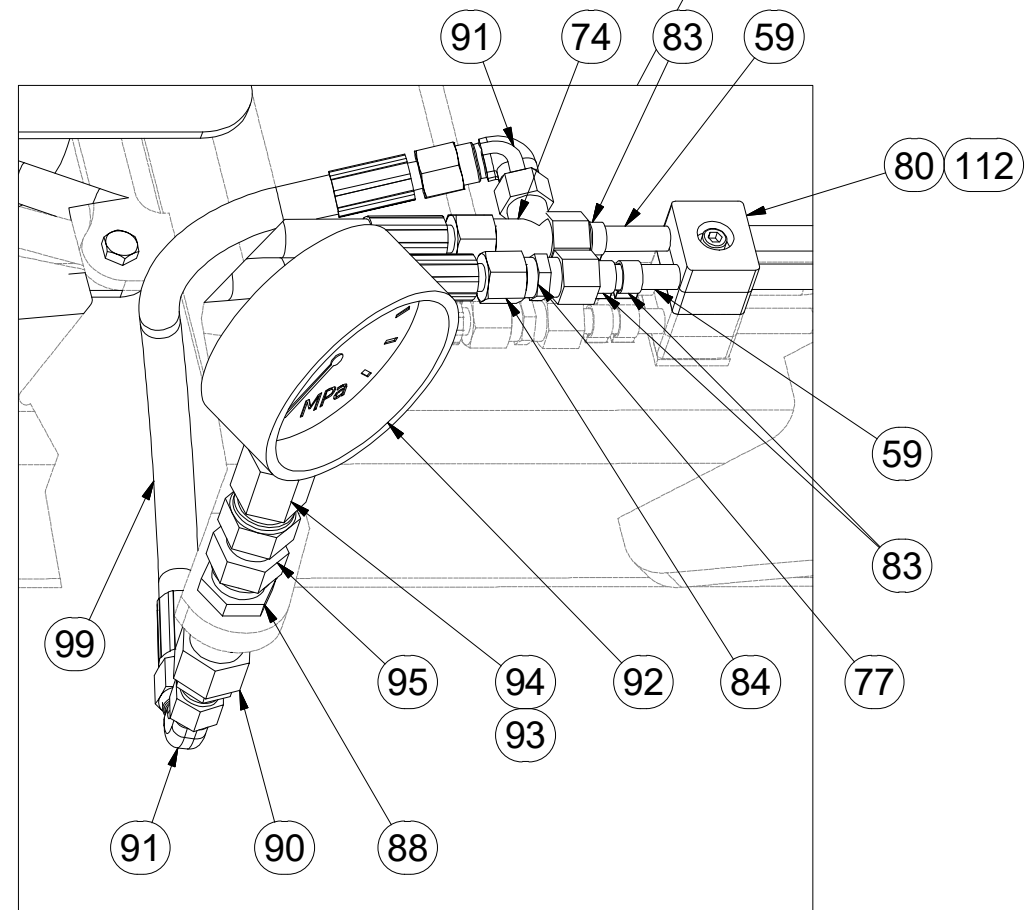
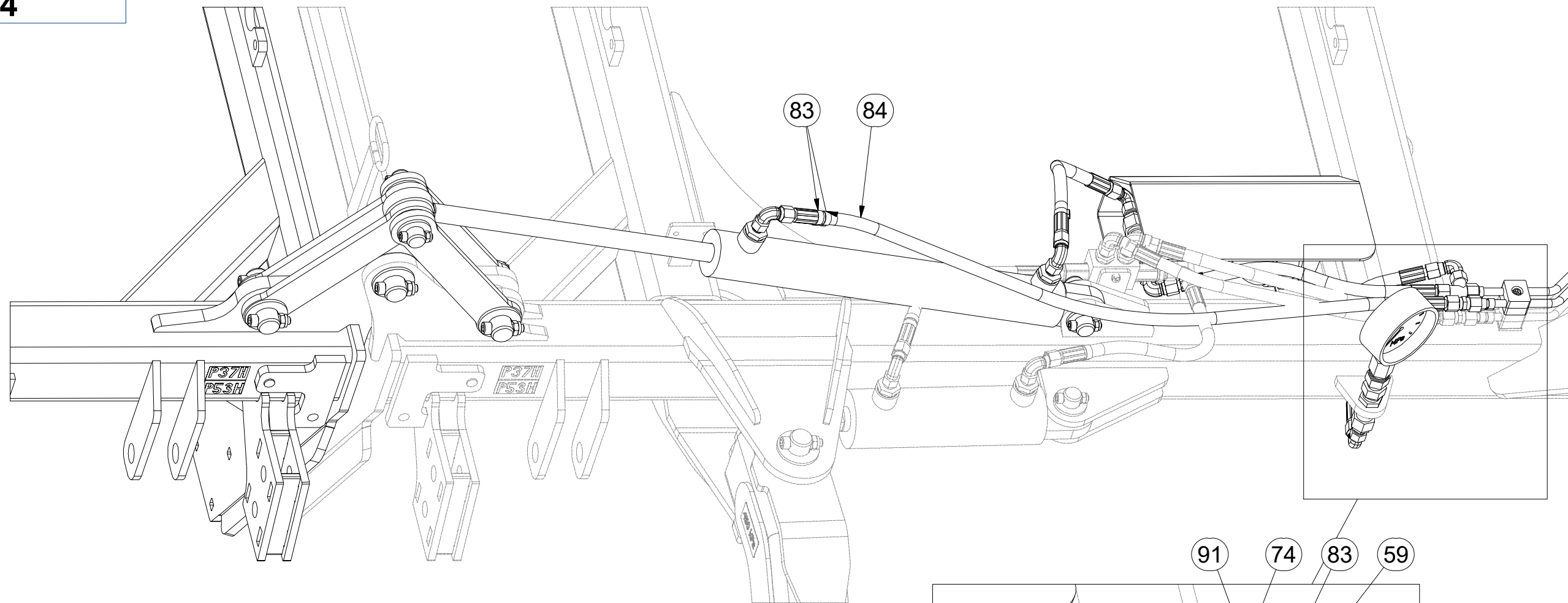
Ⓖ SEMIFINISHED MACHINE

Ⓡ ПОЛУФАБРИКАТ МАШИНЫ

Ⓟ PÓŁFABRYKAT MASZYNY



3008844



Pos.	Part Number	Pcs.
59	m10040	4
74	m03889	4
77	m03213	35
80	m05488	26
83	m11289	79
84	m03951	1
90	m08533	6
91	m06803	7
92	m05518	2
93	m04320	2
94	m11974	2
95	m06135	2
99	m15873	2
112	m09956	22

☉ POLOTOVAR STROJE

☉ MASCHINEN-HALBFABRIKAT

☉ MACHINE - SEMI-PRODUIT

☉ SEMIFINISHED MACHINE

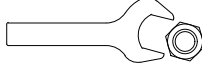
☉ ПОЛУФАБРИКАТ МАШИНЫ

☉ PÓLFABRYKAT MASZYNY

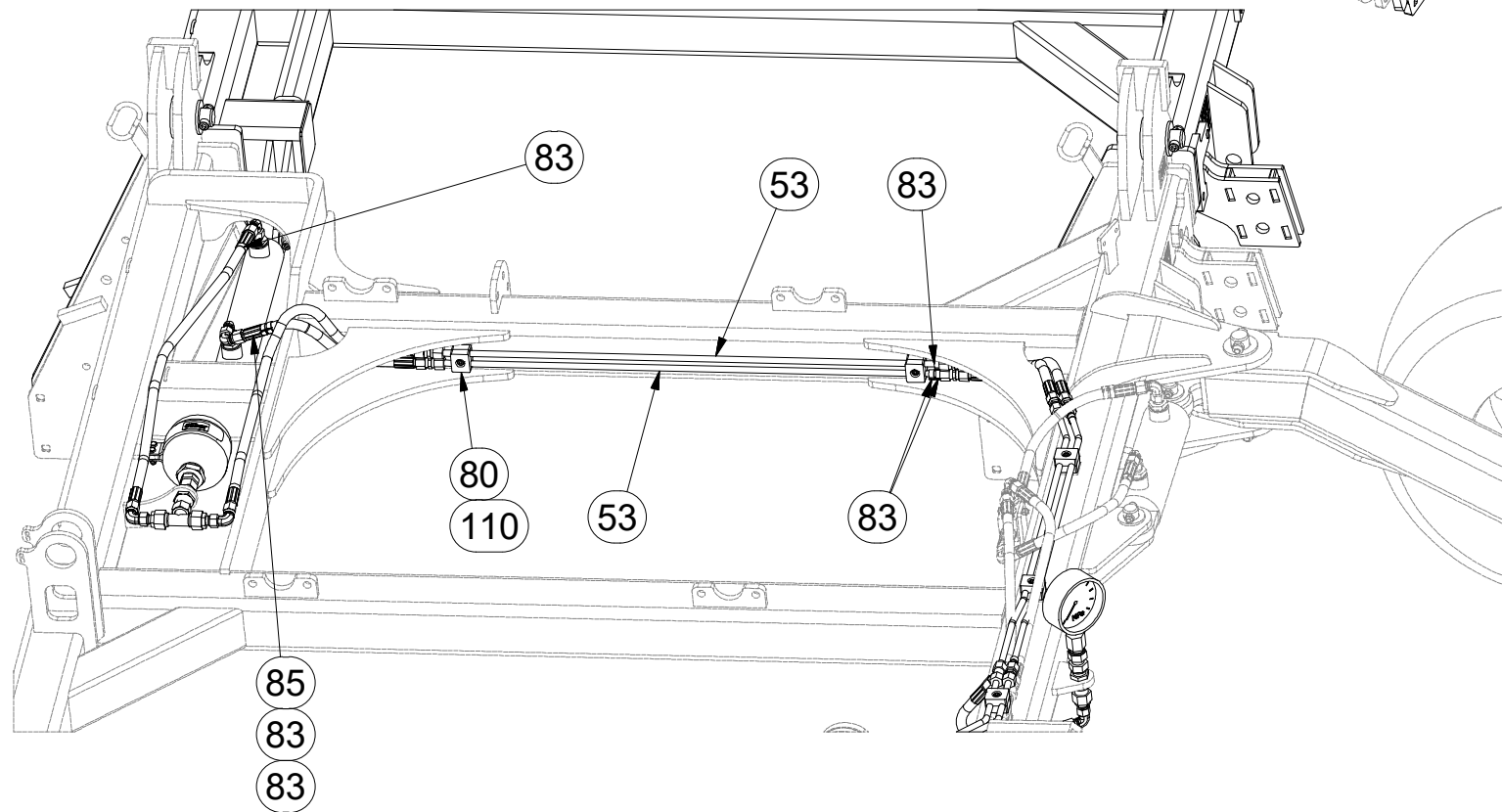
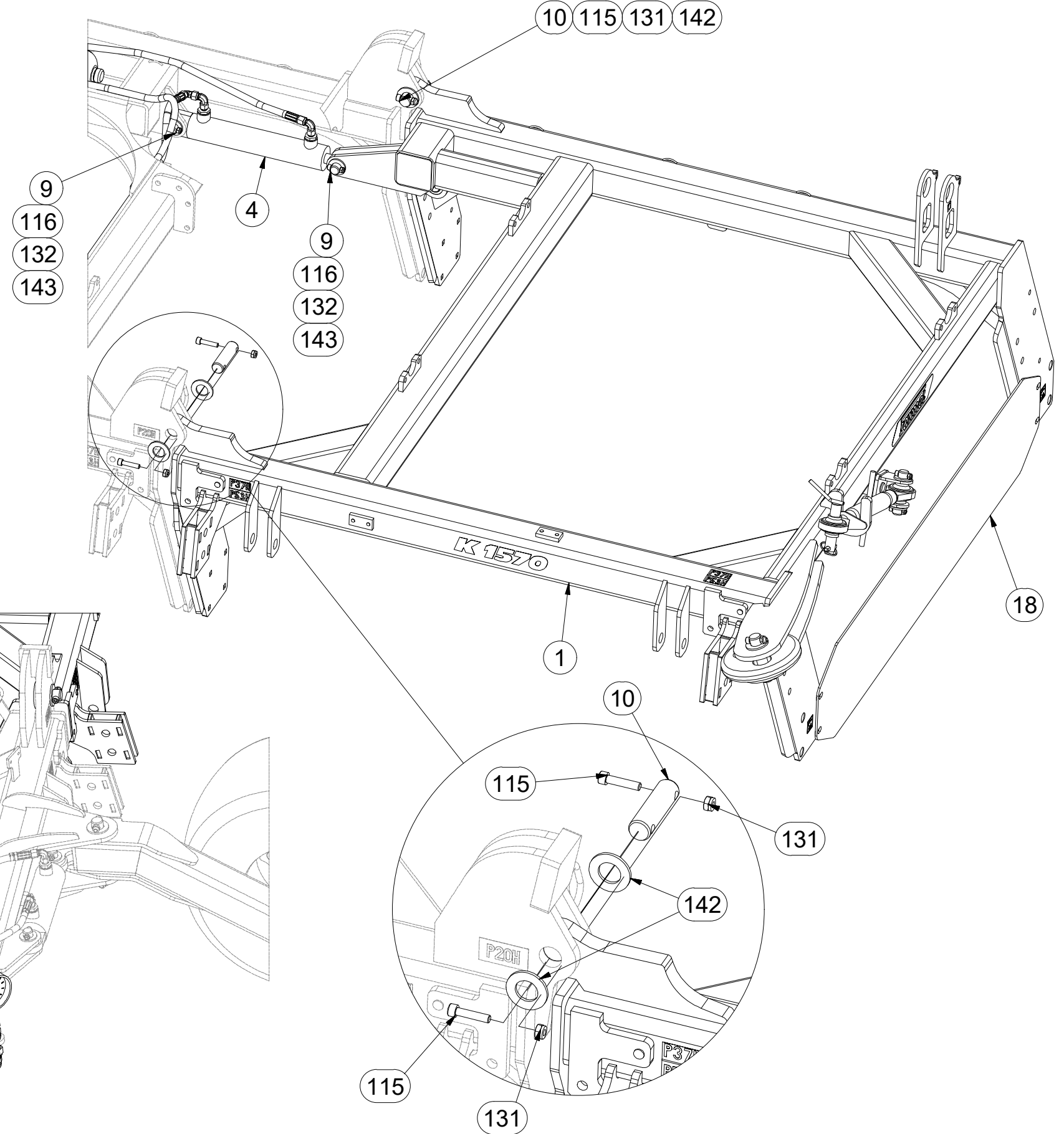


3008844

Pos.	Part Number	Pcs.
1	3008004	1
4	4017454	1
9	4010390	3
10	4007584	4
18	4005373	2
53	m10087	2
80	m05488	26
83	m11289	79
85	m09627	2
115	m14143	12
116	m09464	8
131	m03775	12
132	m04503	14
142	m14029	12
143	m14028	8



HYDRAULIC COMPONENTS:
M16 x 1,5 - 60Nm
M22 x 1,5 - 140Nm
G 3/8 - 95 Nm
M6 (8.8) - 10Nm
M8 (8.8) - 25Nm
M10 (12.9) - 85Nm



Ⓒ POLOTOVAR STROJE

Ⓓ MASCHINEN-HALBFABRIKAT

Ⓕ MACHINE - SEMI-PRODUIT

Ⓖ SEMIFINISHED MACHINE

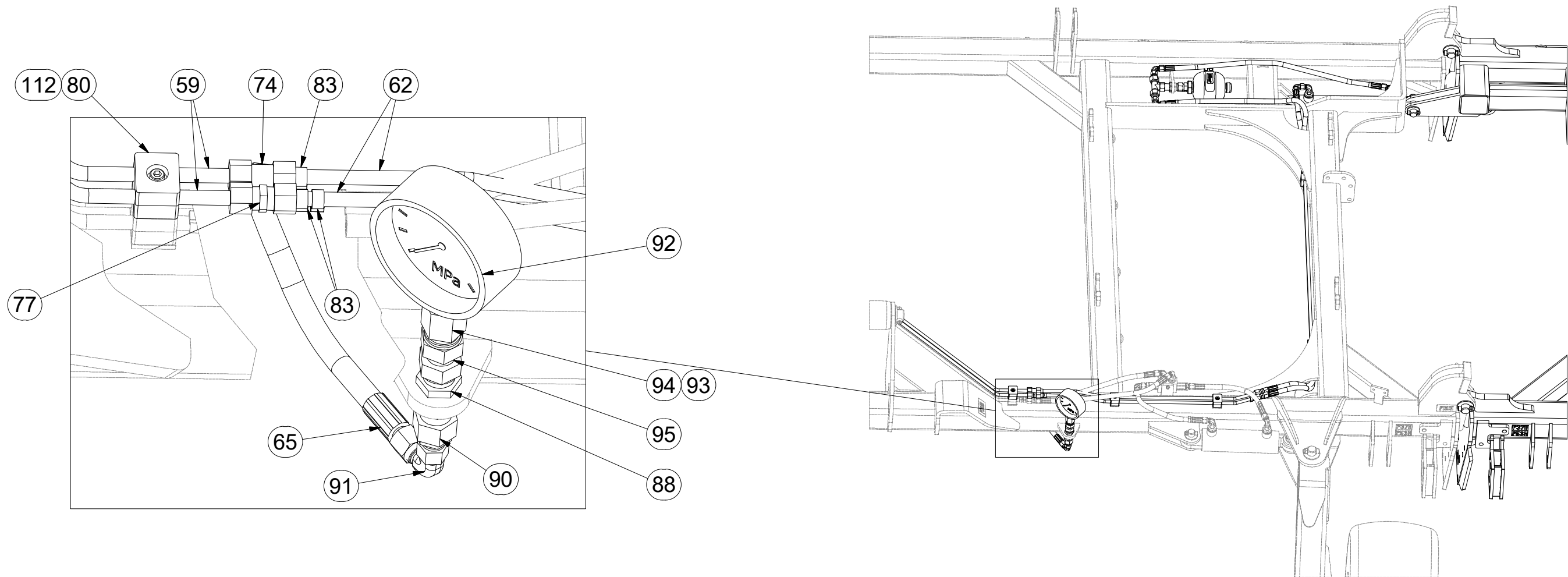
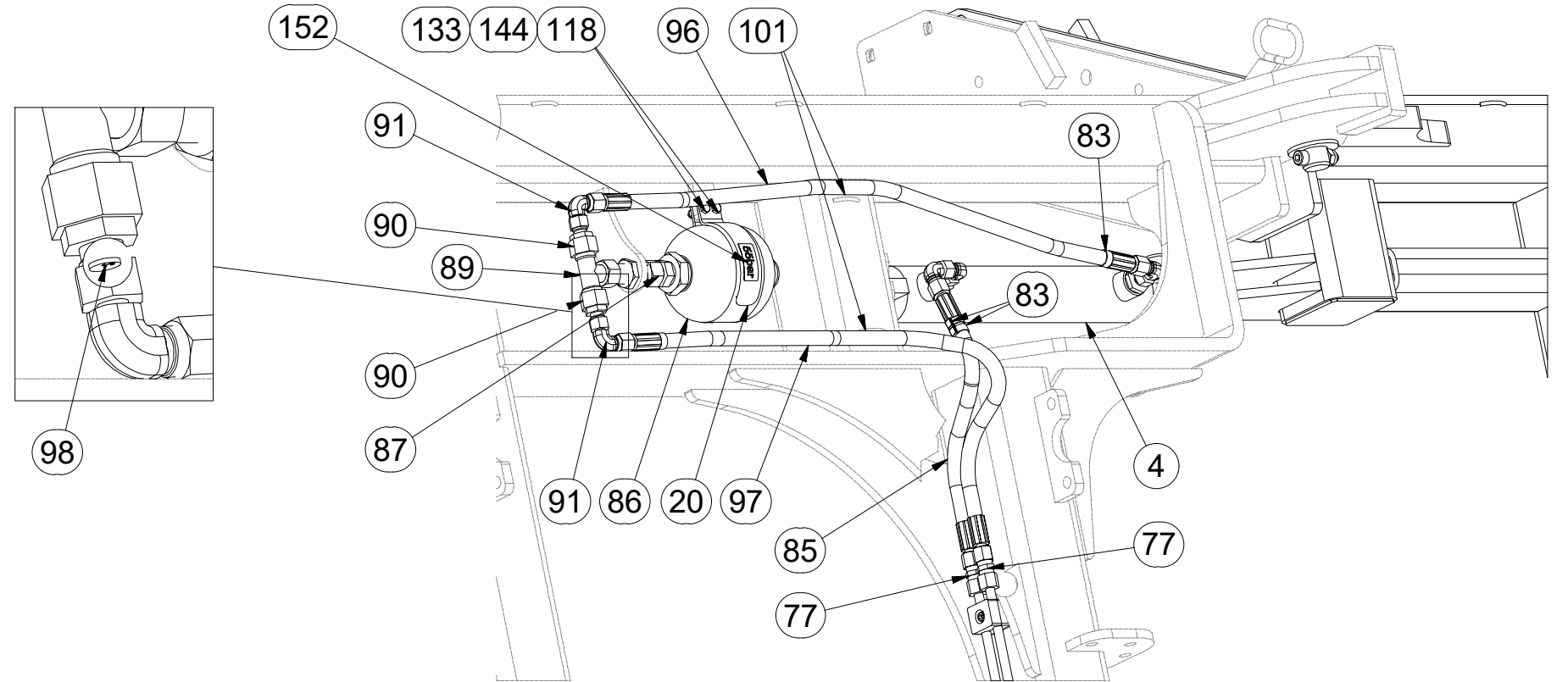
Ⓡ ПОЛУФАБРИКАТ МАШИНЫ

Ⓟ PÓLFABRYKAT MASZYN



3008844

Pos.	Part Number	Pcs.	Pos.	Part Number	Pcs.
4	4017454	1	90	m08533	6
20	4017147	4	91	m06803	7
59	m10040	4	92	m05518	2
62	m10086	2	93	m04320	2
65	m07363	3	94	m11974	2
74	m03889	4	95	m06135	2
77	m03213	35	96	m04033	1
80	m05488	26	97	m07909	1
83	m11289	79	101	m05566	10
85	m09627	2	112	m09956	22
86	m15983	2	118	m01075	4
87	m07993	2	133	m05560	6
88	m09625	4	144	m01200	6
89	m06879	2	152	m16026	2



ⒸZ RÁM

Ⓓ RAHMEN

Ⓕ CHASSIS

ⒼB FRAME

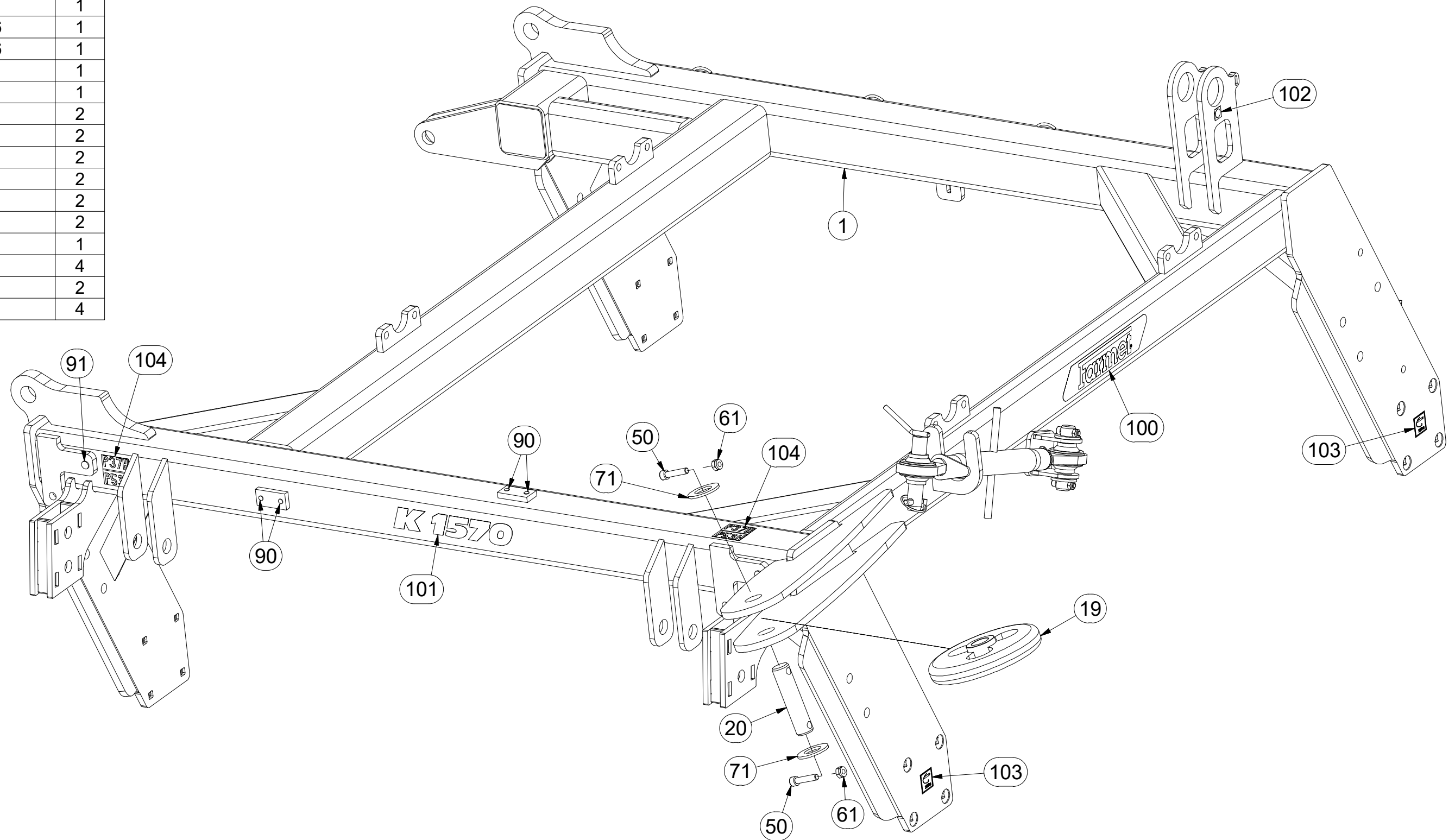
ⒺPAMA

ⒽL RAMA



3008004

Pos.	Part Number	Pcs.
1	1000306	1
19	4008245	1
20	4011761	1
21	4015756	1
22	4000156	1
24	m08879	1
26	m02505	1
50	m14143	2
51	m09464	2
60	m04503	2
61	m03775	2
70	m14028	2
71	m14029	2
80	m11550	1
90	m11099	4
91	m11612	2
104	m11297	4

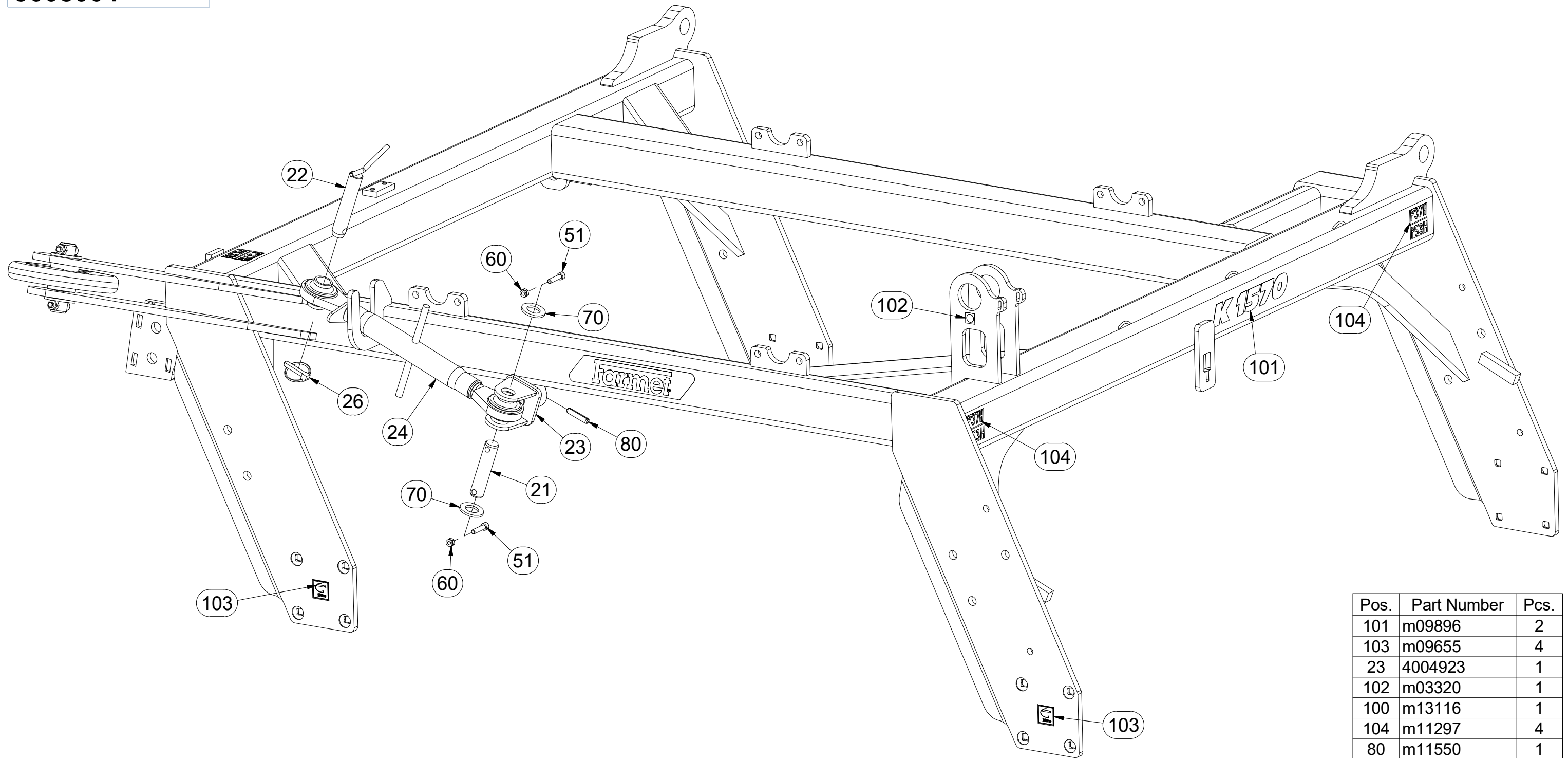


CZ RÁM
 D RAHMEN
 F CHASSIS

GB FRAME
 RU ПАМА
 PL RAMA



3008004



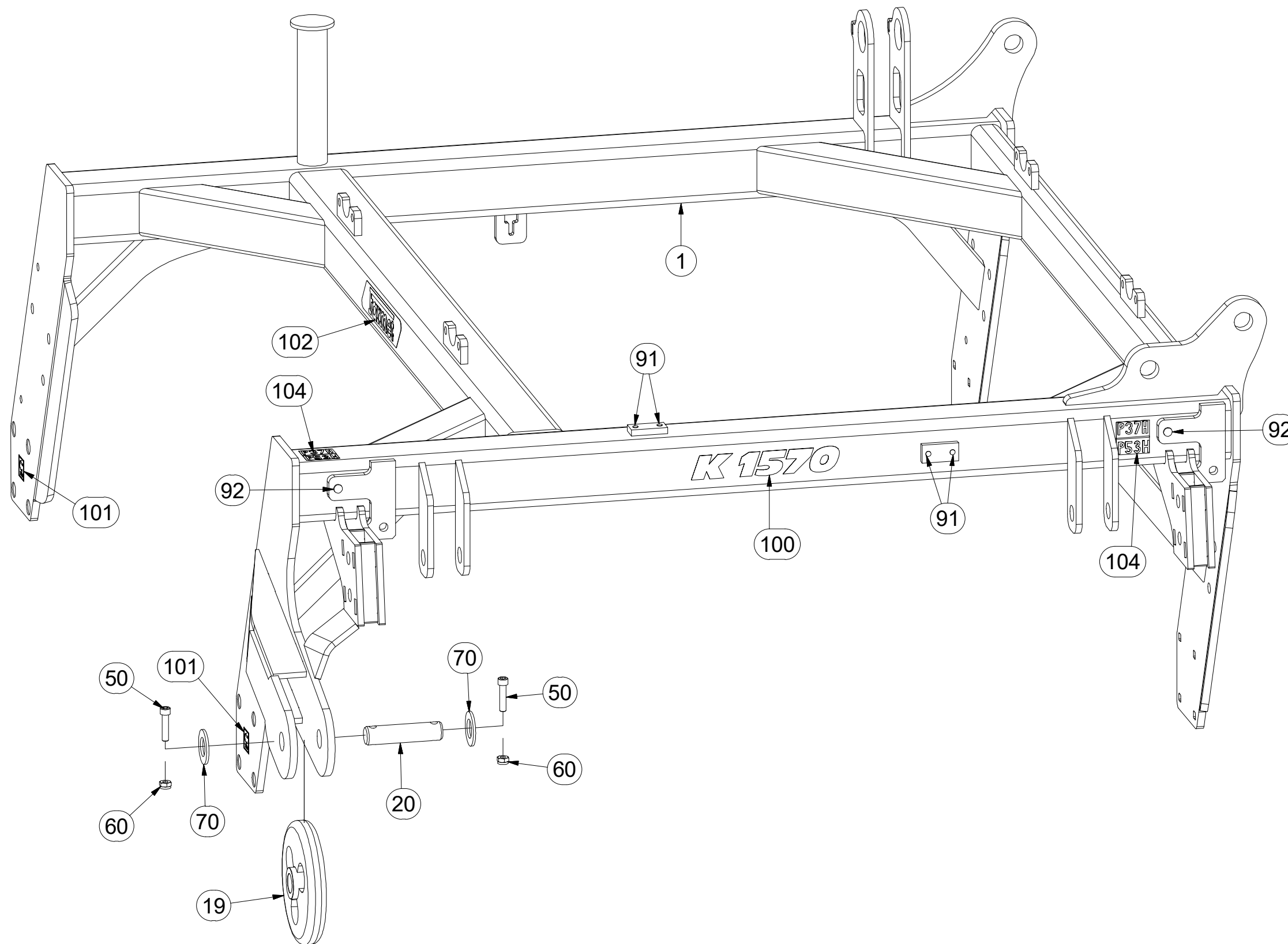
Pos.	Part Number	Pcs.
101	m09896	2
103	m09655	4
23	4004923	1
102	m03320	1
100	m13116	1
104	m11297	4
80	m11550	1
26	m02505	1
91	m11612	2
24	m08879	1
22	4000156	1
90	m11099	4
50	m14143	2

- Ⓒ RÁM
- Ⓓ RAHMEN
- Ⓕ CHASSIS

- Ⓖ FRAME
- Ⓔ PAMA
- Ⓗ RAMA



3008005



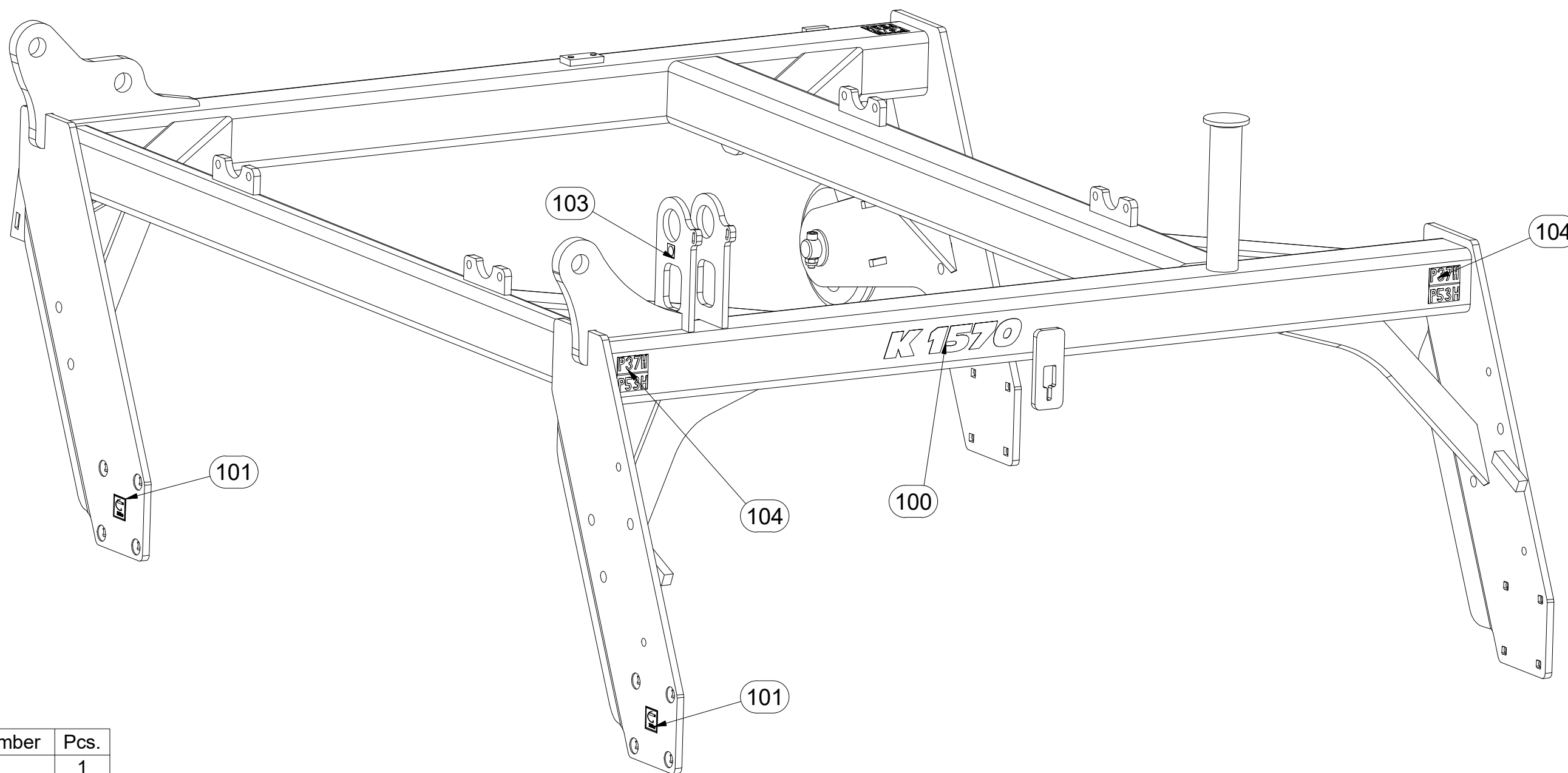
Pos.	Part Number	Pcs.
1	1000304	1
19	4008245	1
20	4011761	1
102	m13116	1
70	m14029	2
103	m03320	1
101	m09655	4
50	m14143	2
92	m11612	2
100	m09896	2
91	m11099	4
60	m03775	2

- Ⓒ RÁM
- Ⓓ RAHMEN
- Ⓕ CHASSIS

- Ⓖ FRAME
- Ⓡ PAMA
- Ⓟ RAMA



3008005



Pos.	Part Number	Pcs.
103	m03320	1
101	m09655	4
104	m11297	4
92	m11612	2
100	m09896	2
91	m11099	4
60	m03775	2

Ⓒ SADA KYPŘIČŮ STOP

Ⓓ SPURENLOCKERERSATZ

Ⓕ KIT DE CULTIVATEURS DE TRACES

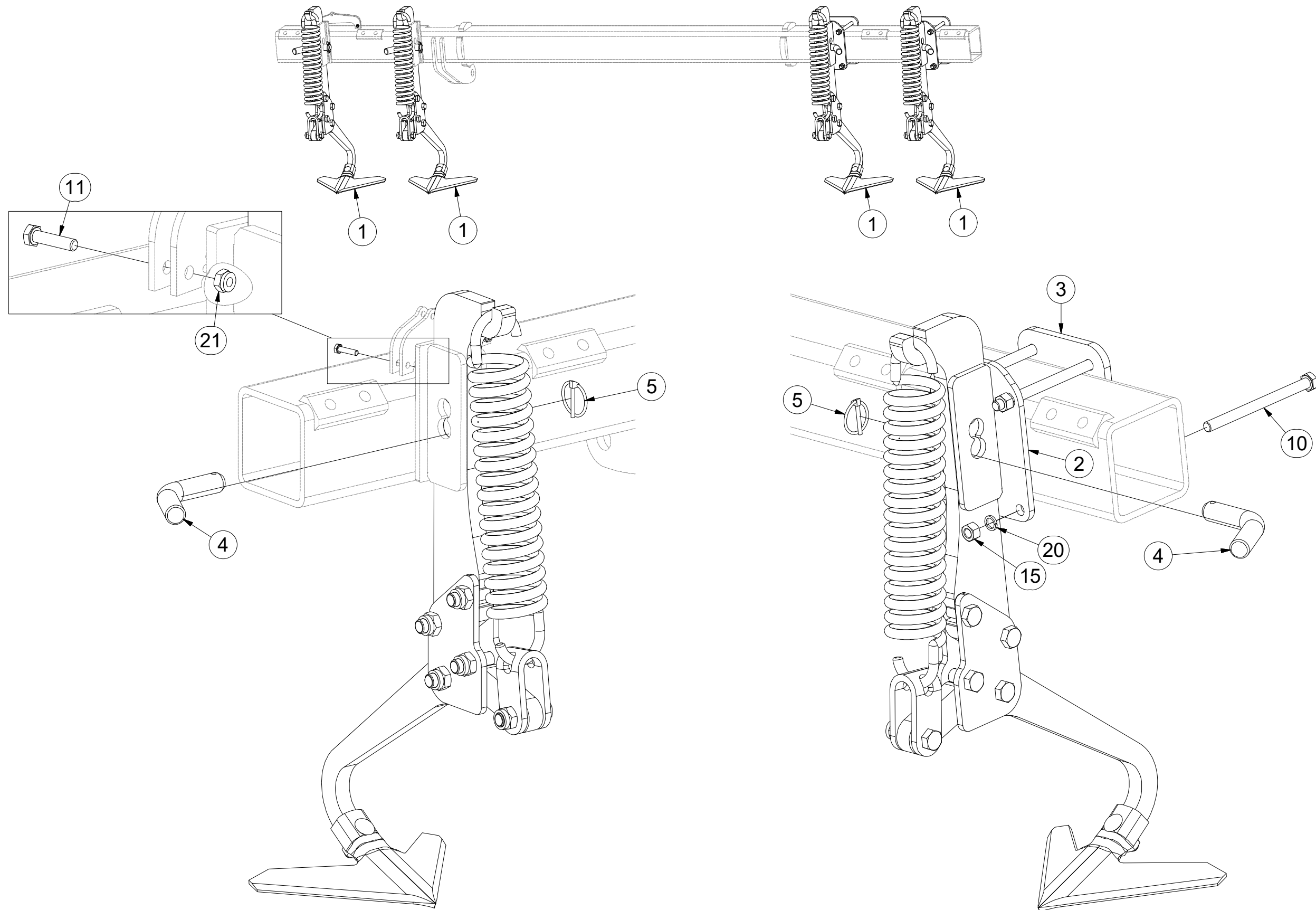
3006964

Ⓖ SET OF TRACK CULTIVATORS

Ⓔ КОМПЛЕКТ РЫХЛИТЕЛЕЙ КОЛЕИ

Ⓗ ZESTAW SPULCHNIACZY ŚLADÓW

Farmet



Pos.	Part Number	Pcs.
1	4005797	4
2	4005617	2
3	4009610	2
4	m08885	4
5	m10454	4
10	m12396	8
11	m01075	2
15	m01305	8
20	m03988	8
21	m05560	2

Ⓒ KYPŘIČ STOP

Ⓓ SPURENLOCKERER

Ⓕ CULTIVATEUR DES TRACES

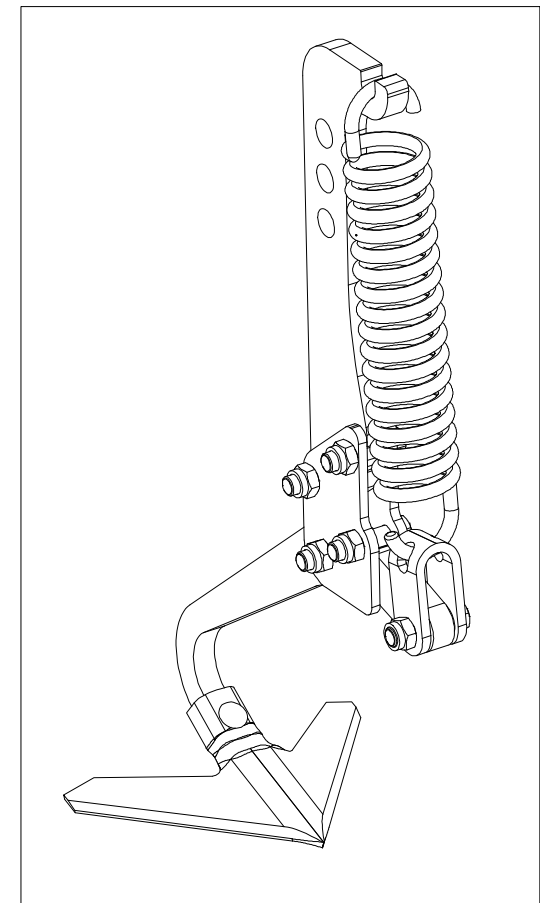
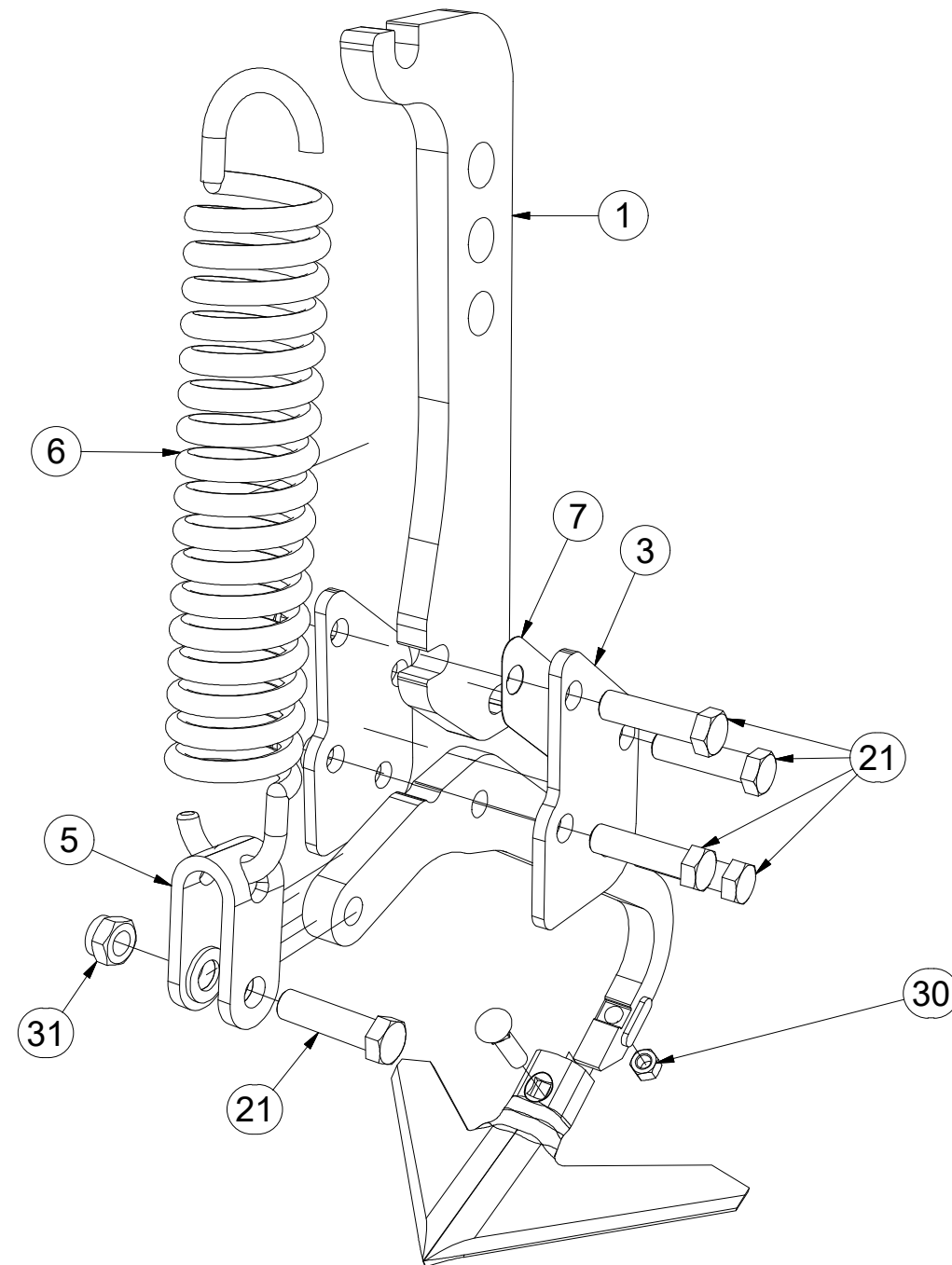
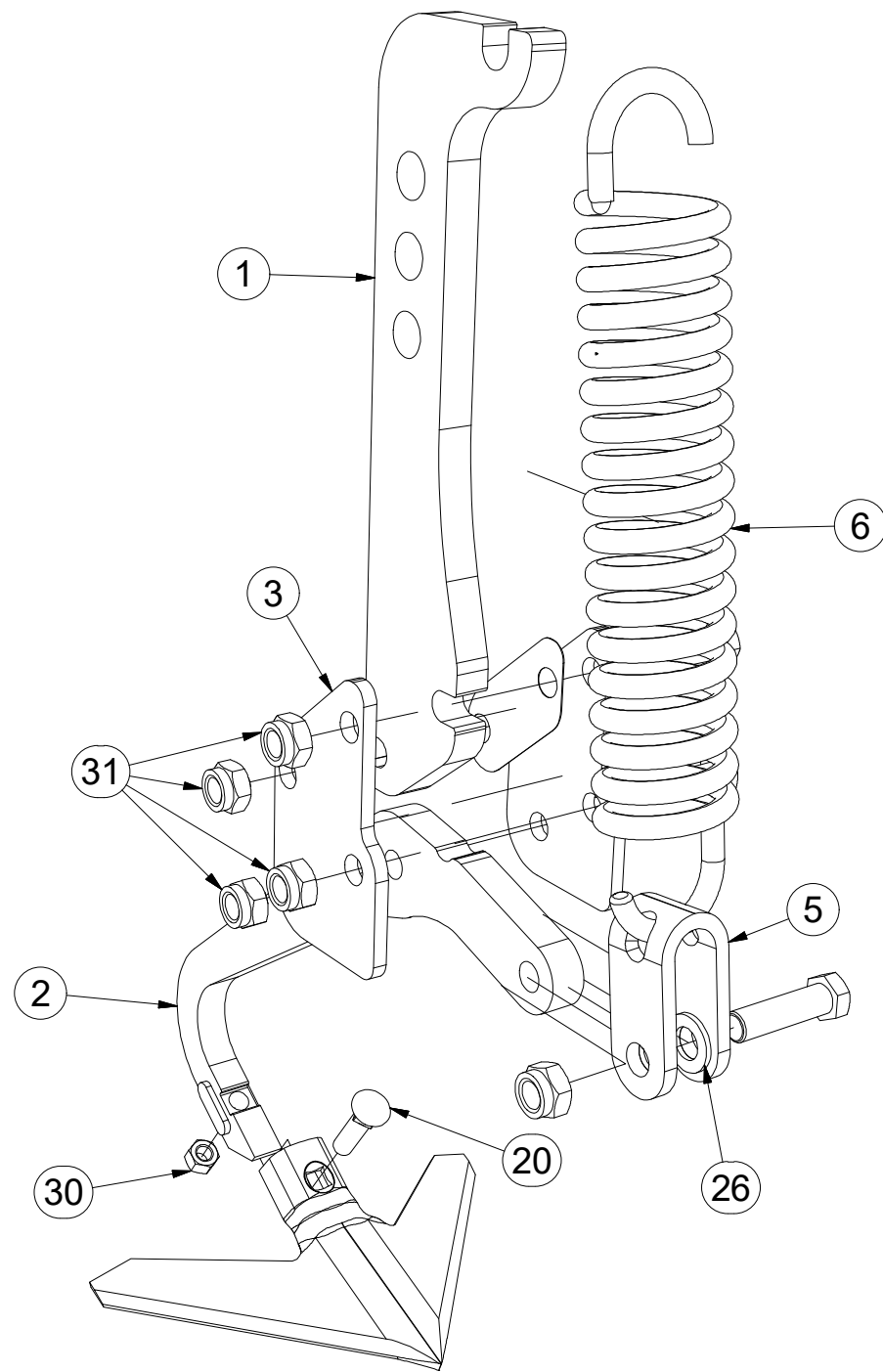
Ⓖ TRACK CULTIVATOR

Ⓡ РЫХЛИТЕЛЬ КОЛЕИ

Ⓟ SPULCHNIARKA STÓP



4005797



Pos.	Part Number	Pcs.
1	4005799	1
2	4008214	1
3	4005582	2
4	3000236-KOO	1
5	4005445	1
6	m02597	1
7	4005591	1
20	m10440	1
21	m00619	5
26	m01219	2
30	m10439	1
31	m03683	5

ⒸZ SADA PŘEDNÍCH SMYKŮ

Ⓓ SATZ VORDERE ACKERSCHLEPPEN

Ⓕ KIT DE NIVELEURS AVANT

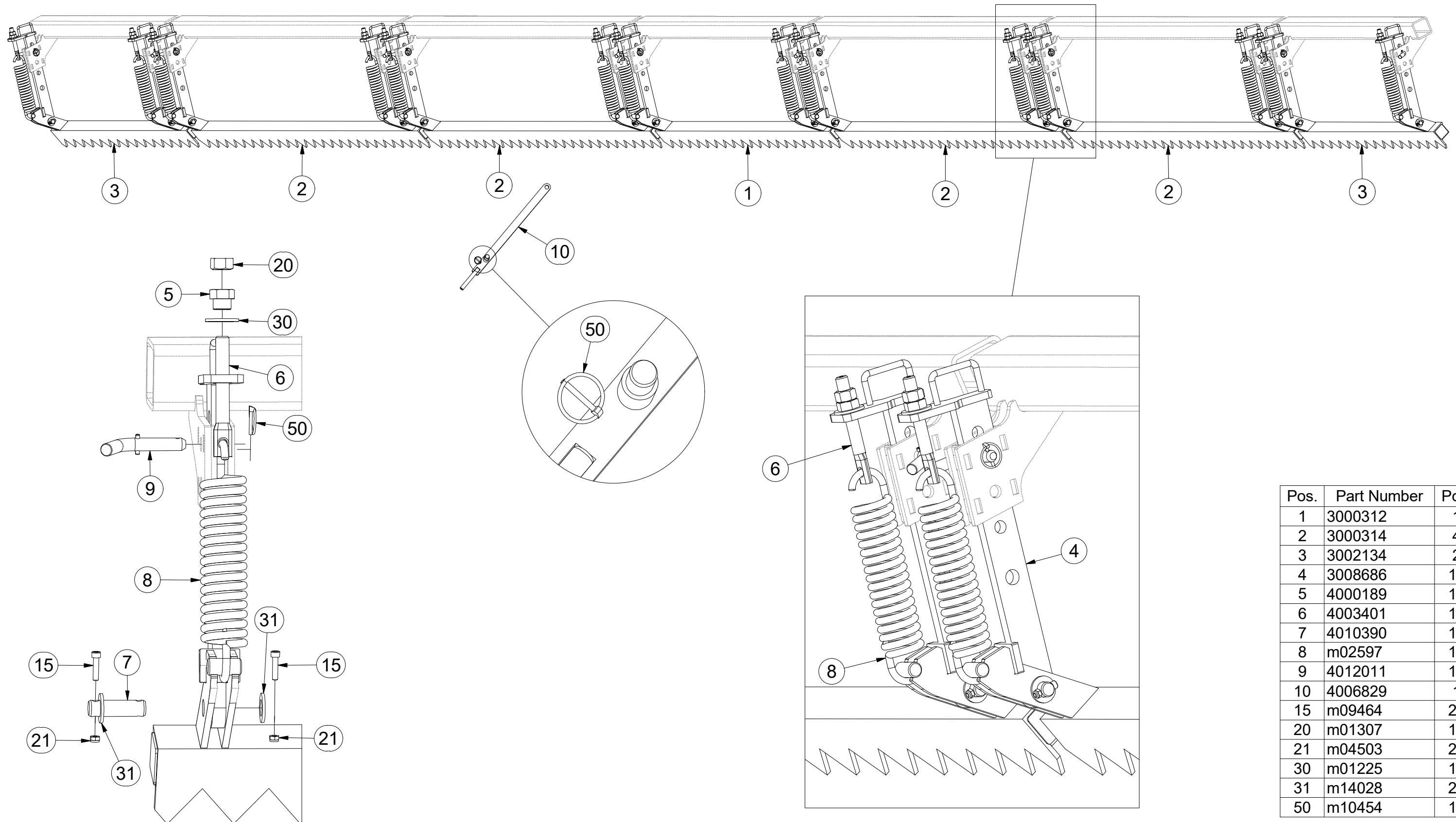
ⒼB SET OF FRONT LEVELLING BARS

ⒺU КОМПЛЕКТ ПЕРЕДНИХ БОРОН

ⒽL ZESTAW PRZEDNICH WŁÓK



3006970



Pos.	Part Number	Pcs.
1	3000312	1
2	3000314	4
3	3002134	2
4	3008686	14
5	4000189	14
6	4003401	14
7	4010390	14
8	m02597	14
9	4012011	14
10	4006829	1
15	m09464	28
20	m01307	14
21	m04503	28
30	m01225	14
31	m14028	28
50	m10454	15

ⒸZ SADA PŘEDNÍCH VÁLCŮ

Ⓓ SATZ VORDERE WALZEN

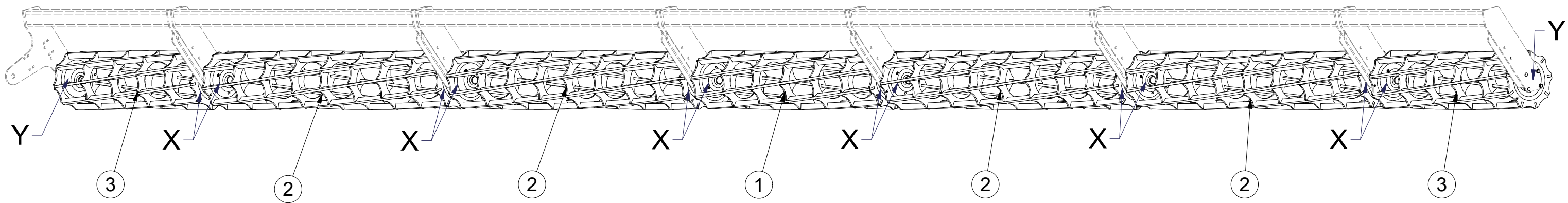
Ⓕ KIT DE ROULEAUX AVANT

3008677

ⒸB SET OF FRONT ROLLERS

Ⓔ КОМПЛЕКТ ПЕРЕДНИХ КАТКОВ

Ⓖ ZESTAW PRZEDNICH WAŁÓW



Pos.	Part Number	Pcs.
1	2000539	1
2	2000526	4
3	2000527	2

ⒸZ SADA PŘEDNÍCH VÁLCŮ

Ⓓ SATZ VORDERE WALZEN

Ⓕ KIT DE ROULEAUX AVANT

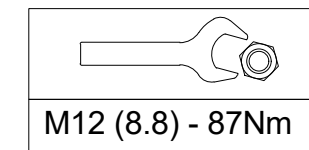
3008677

ⒸB SET OF FRONT ROLLERS

Ⓔ КОМПЛЕКТ ПЕРЕДНИХ КАТКОВ

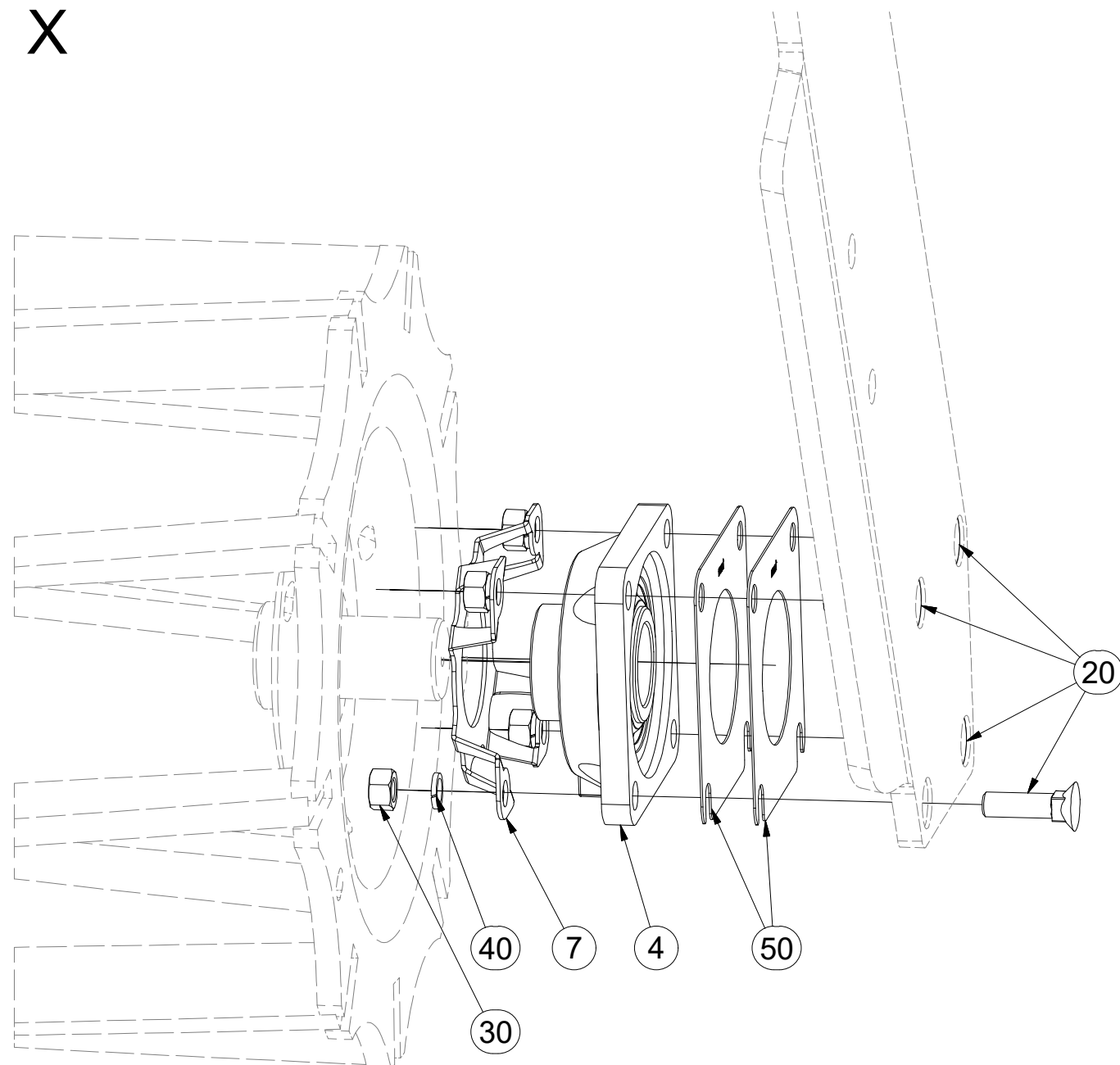
Ⓖ ZESTAW PRZEDNICH WAŁÓW

Farmet

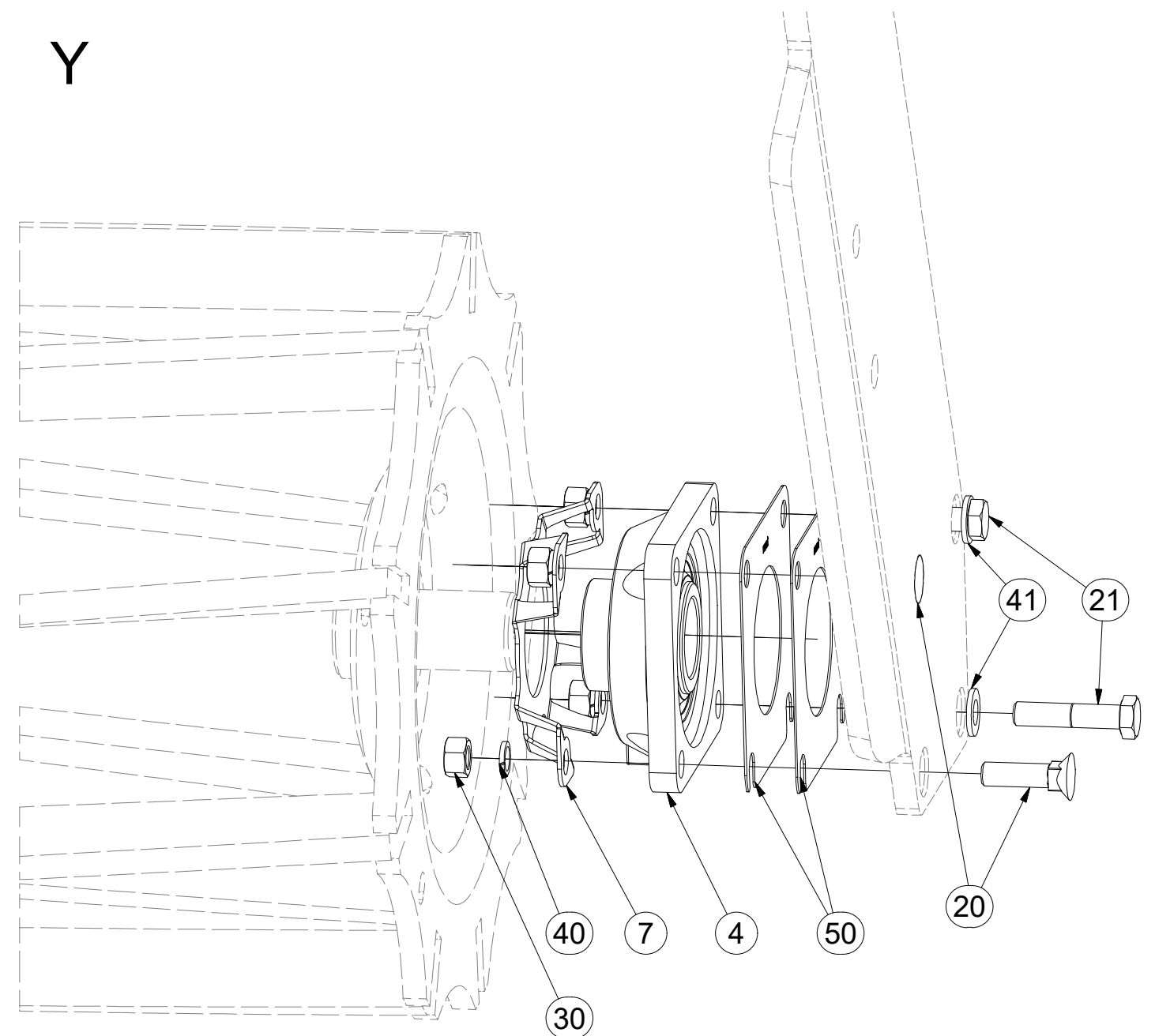


Pos.	Part Number	Pcs.
4	m15625	14
7	4014034	14
20	m03519	52
21	m04412	4
30	m01305	56
40	m03988	56
41	m01214	4
50	4016809	28

X



Y



ⒸZ SADA OVLÁDÁNÍ RADLIC

Ⓓ STEUERSATZ PFLUGSCHAREN

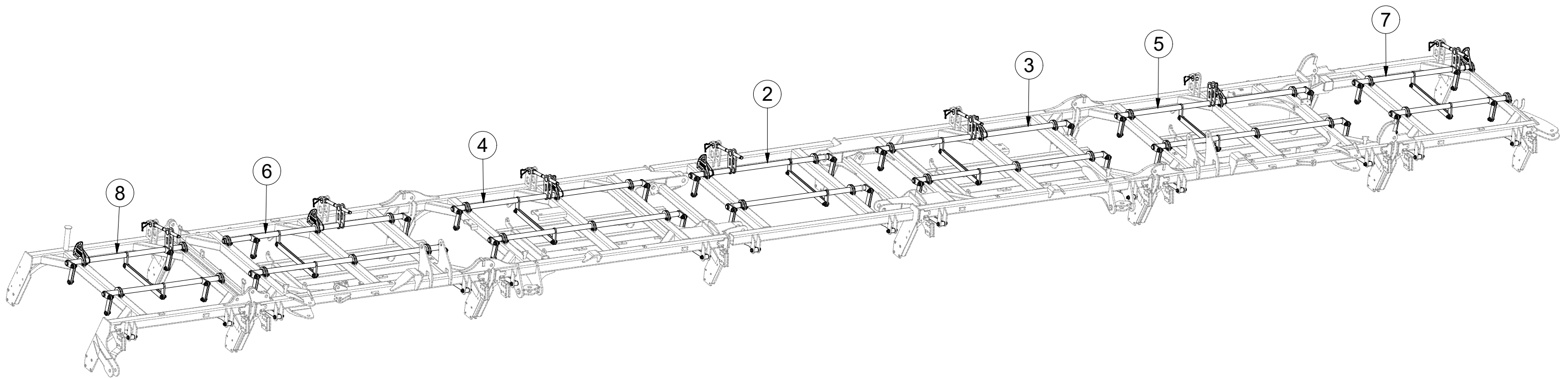
Ⓕ KIT DE COMMANDE DES SOCS

3006976

ⒸB SET OF PLOUGHSHARE CONTROL

Ⓔ КОМПЛЕКТ УПРАВЛЕНИЯ ЛАП

Ⓖ ZESTAW STEROWANIA RADLICAMI



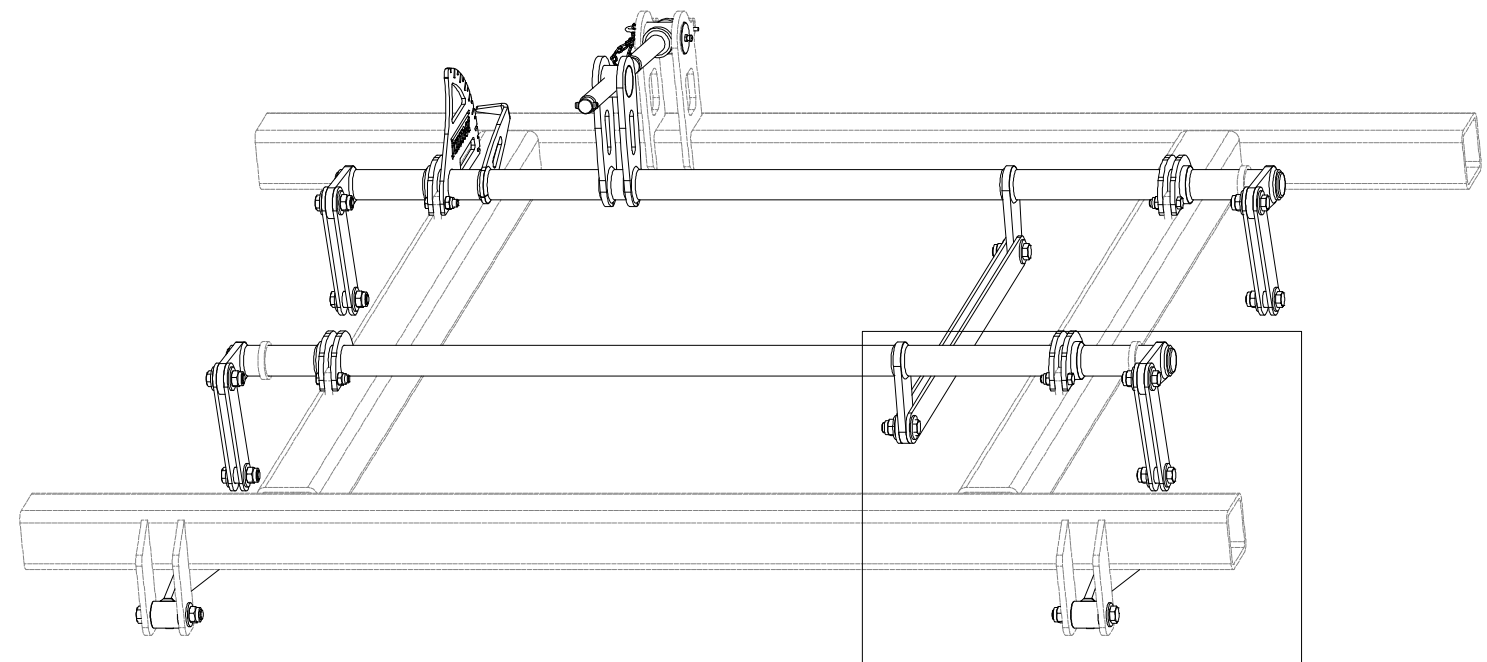
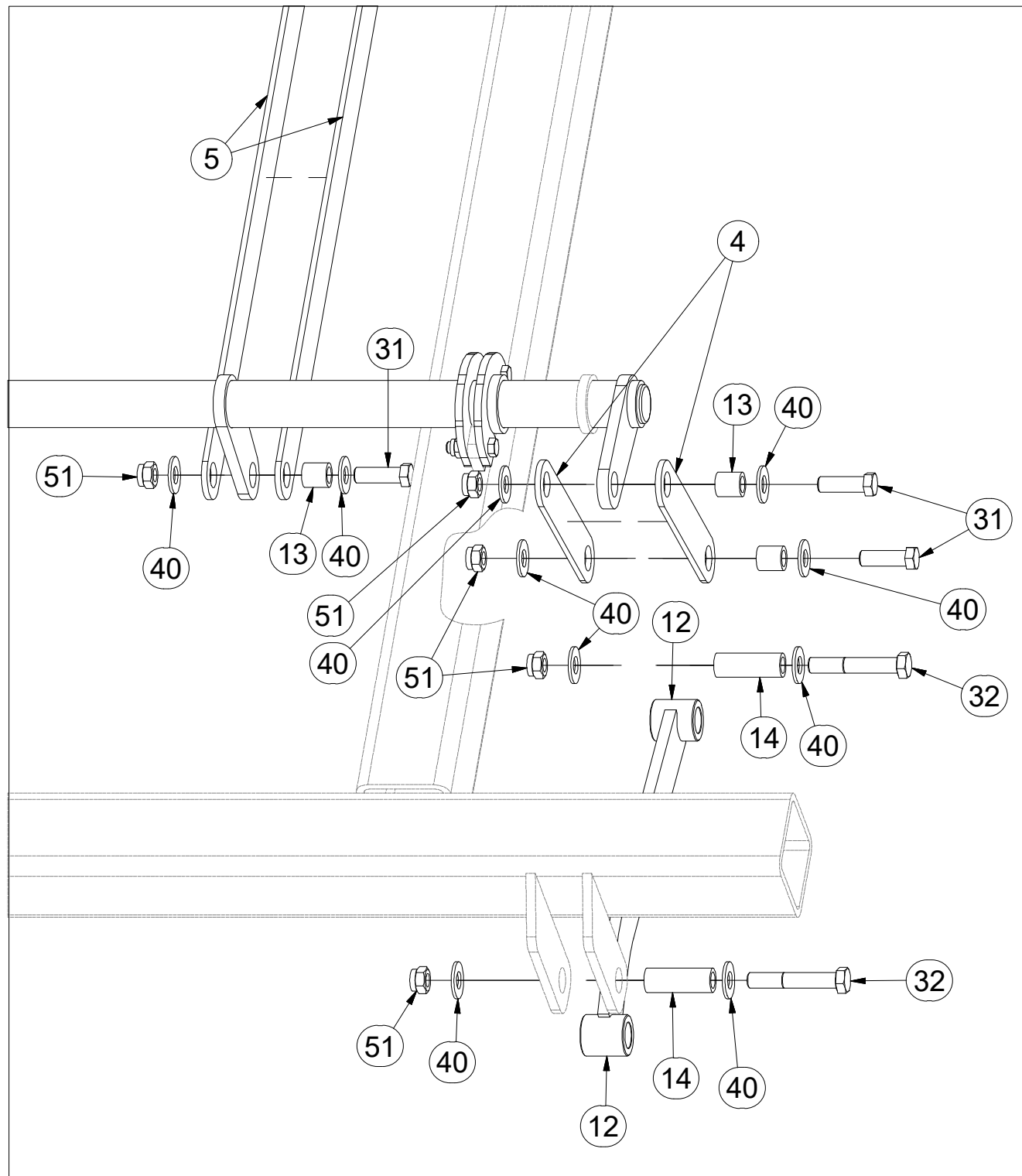
Pos.	Part Number	Pcs.
2	3004209	1
3	3007001	1
4	3007003	1
5	3007002	1
6	3007004	1
7	3007135	1
8	3007136	1

- ⒸZ SADA OVLÁDÁNÍ RADLIC
- Ⓓ STEUERSATZ PFLUGSCHAREN
- Ⓕ KIT DE COMMANDE DES SOCS

- ⒸB SET OF PLOUGHSHARE CONTROL
- ⒸU КОМПЛЕКТ УПРАВЛЕНИЯ ЛАП
- ⒸL ZESTAW STEROWANIA RADLICAMI



3004209



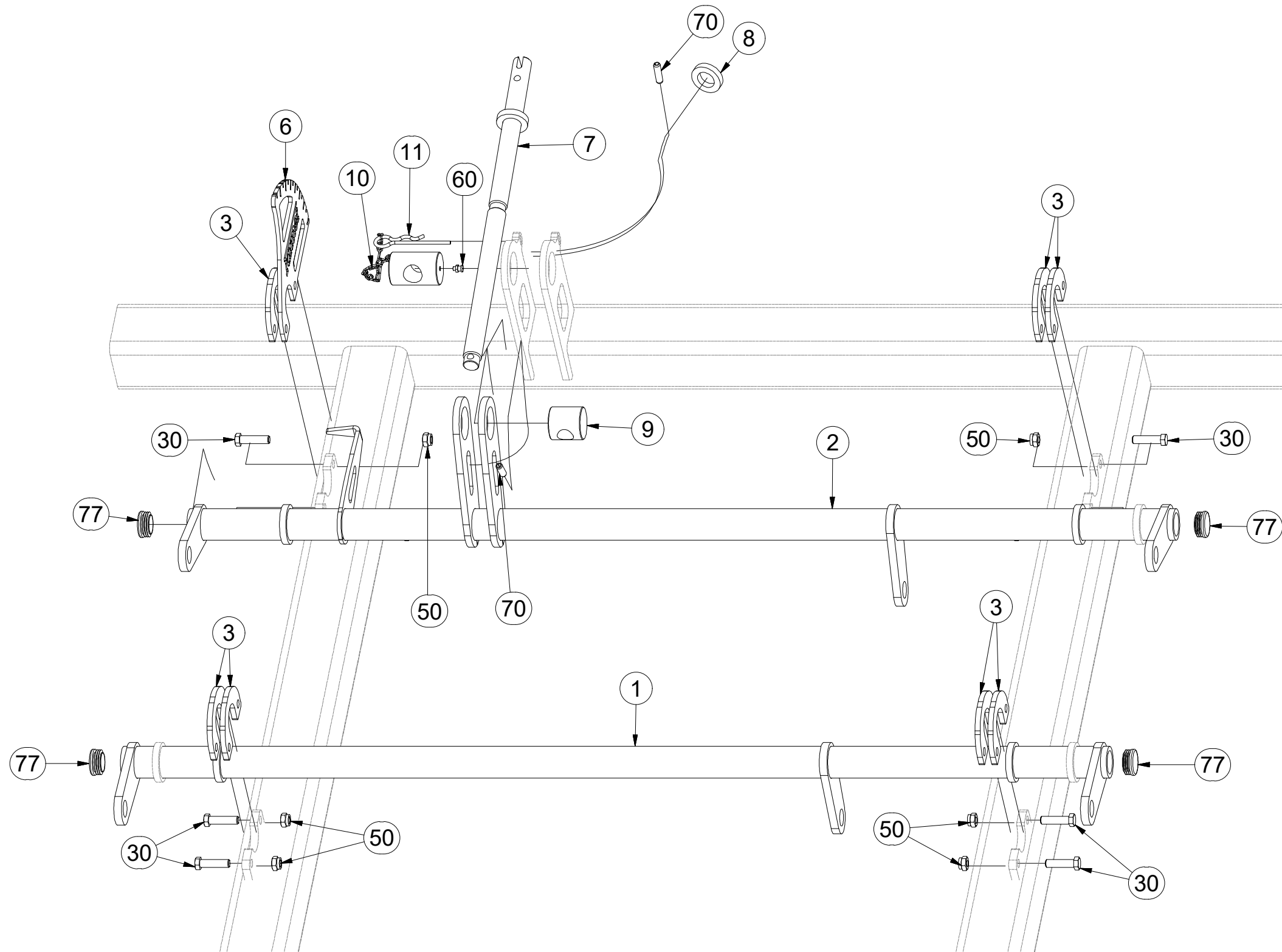
Pos.	Part Number	Pcs.
4	4005333	8
5	4005334	2
12	8000990-30007	2
13	4002265	10
14	9001426	4
31	m04355	10
32	m07673	4
40	m05651	28
51	m03683	14

CZ SADA OVLÁDÁNÍ RADLIC
 D STEUERSATZ PFLUGSCHAREN
 F KIT DE COMMANDE DES SOCS

GB SET OF PLOUGHSHARE CONTROL
 RU КОМПЛЕКТ УПРАВЛЕНИЯ ЛАП
 PL ZESTAW STEROWANIA RADLICAMI



3004209



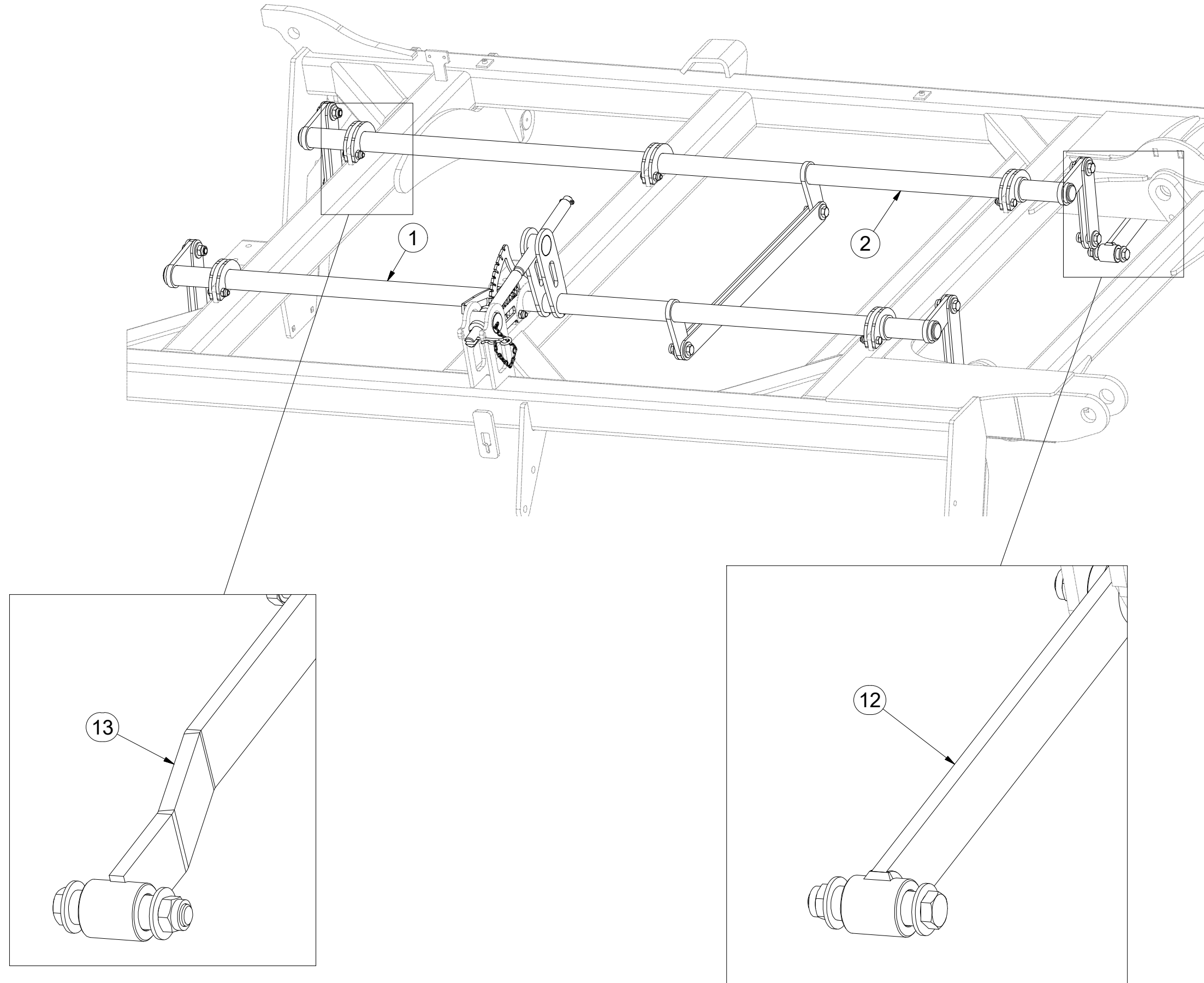
Pos.	Part Number	Pcs.
1	3002830	1
2	3002831	1
3	4005332	7
6	4005335	1
7	4007654	1
8	9002560	1
9	4005340	1
10	4005355	1
11	m09988	1
30	m06077	8
50	m04301	8
60	m10451	1
70	m10736	2
77	m10130	4

CZ SADA OVLÁDÁNÍ RADLIC
 D STEUERSATZ PFLUGSCHAREN
 F KIT DE COMMANDE DES SOCS

GB SET OF PLOUGHSHARE CONTROL
 RU КОМПЛЕКТ УПРАВЛЕНИЯ ЛАП
 PL ZESTAW STEROWANIA RADLICAMI



3007001



Pos.	Part Number	Pcs.
1	3002984	1
2	3002985	1
12	4003971	1
13	4011976	1

ⒸZ SADA OVLÁDÁNÍ RADLIC

Ⓓ STEUERSATZ PFLUGSCHAREN

Ⓕ KIT DE COMMANDE DES SOCS

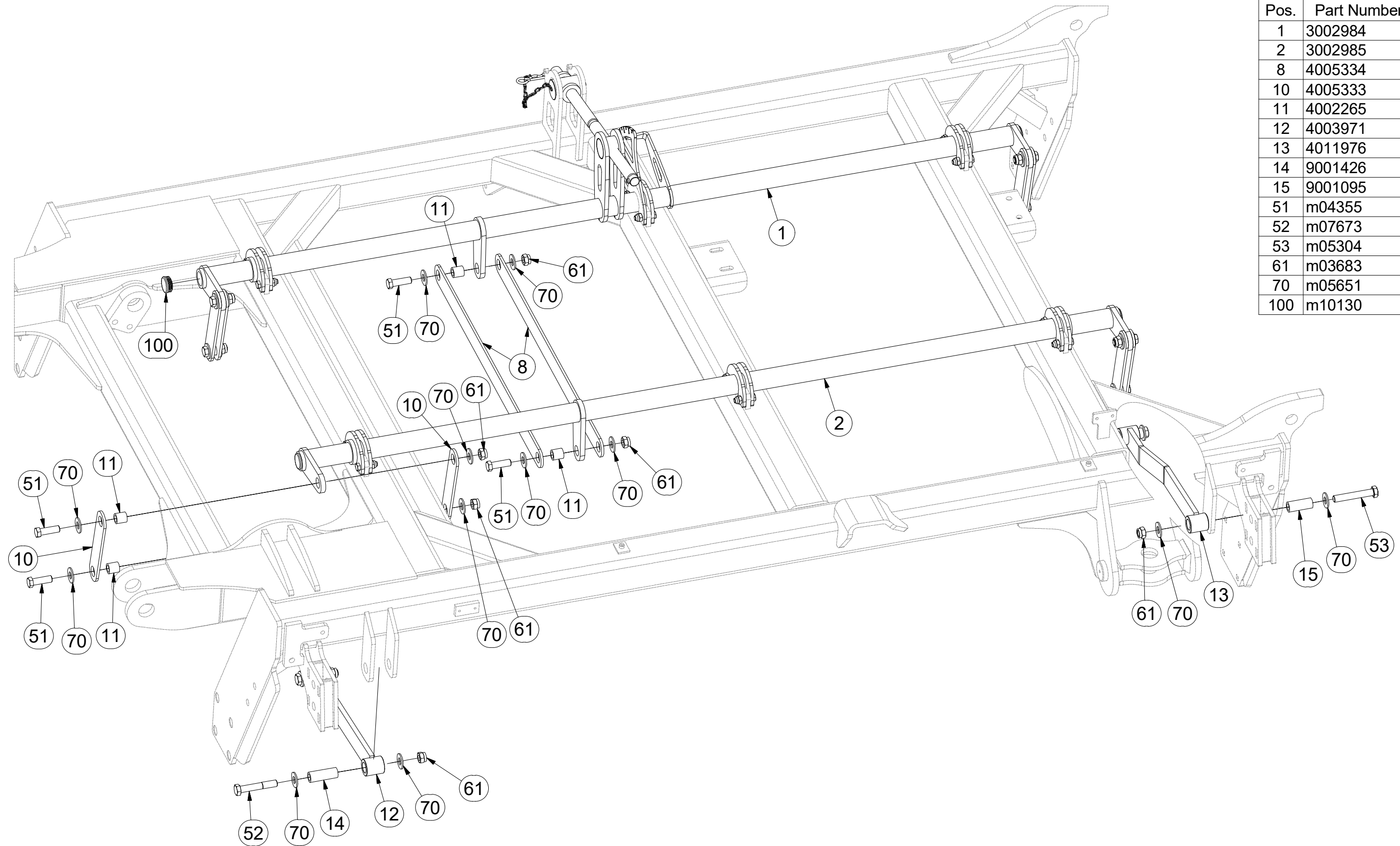
ⒸB SET OF PLOUGHSHARE CONTROL

ⒸU КОМПЛЕКТ УПРАВЛЕНИЯ ЛАП

ⒸL ZESTAW STEROWANIA RADLICAMI



3007001



Pos.	Part Number	Pcs.
1	3002984	1
2	3002985	1
8	4005334	2
10	4005333	8
11	4002265	10
12	4003971	1
13	4011976	1
14	9001426	3
15	9001095	1
51	m04355	10
52	m07673	3
53	m05304	1
61	m03683	14
70	m05651	28
100	m10130	4

Ⓒ SADA OVLÁDÁNÍ RADLIC

Ⓓ STEUERSATZ PFLUGSCHAREN

Ⓕ KIT DE COMMANDE DES SOCS

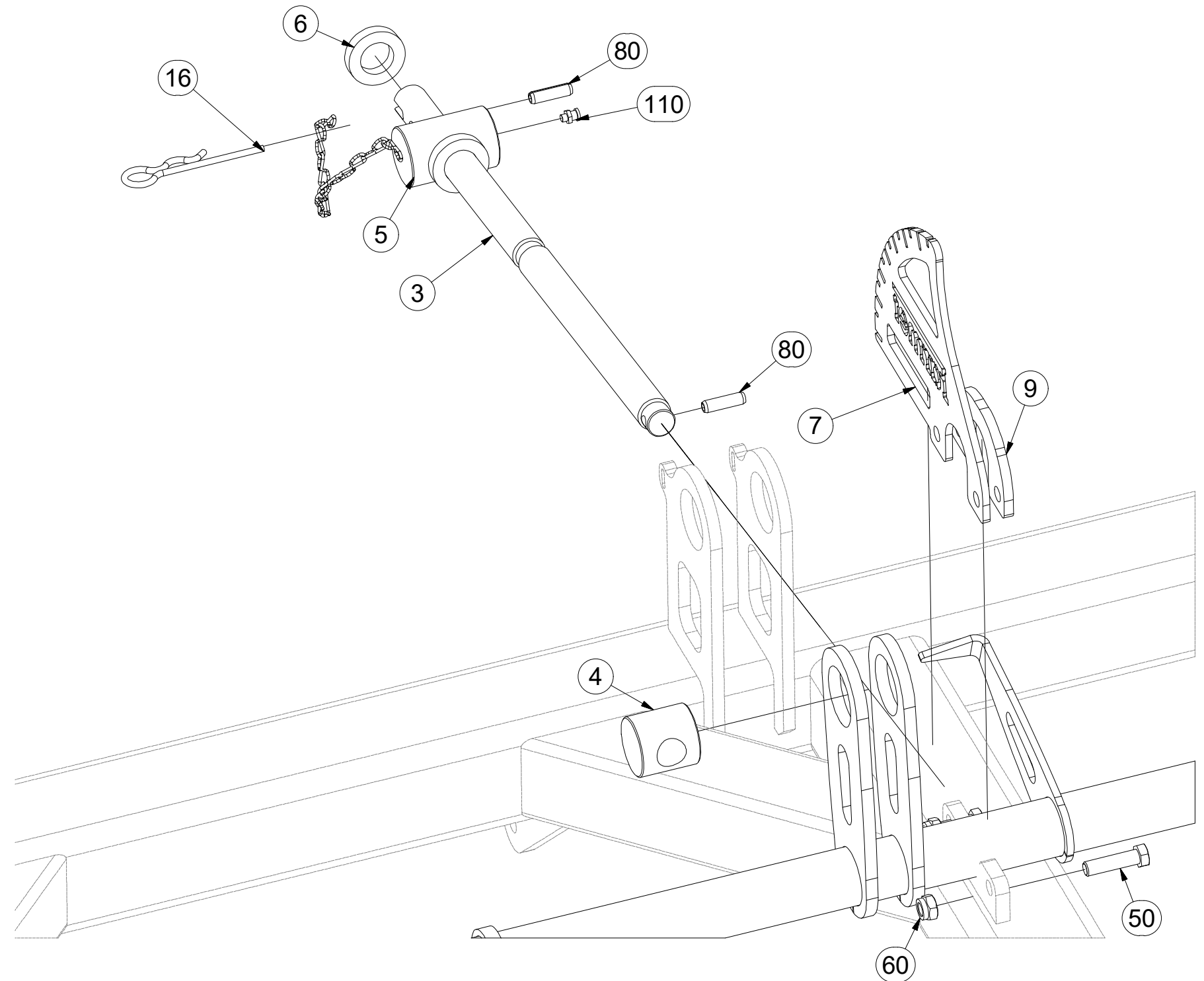
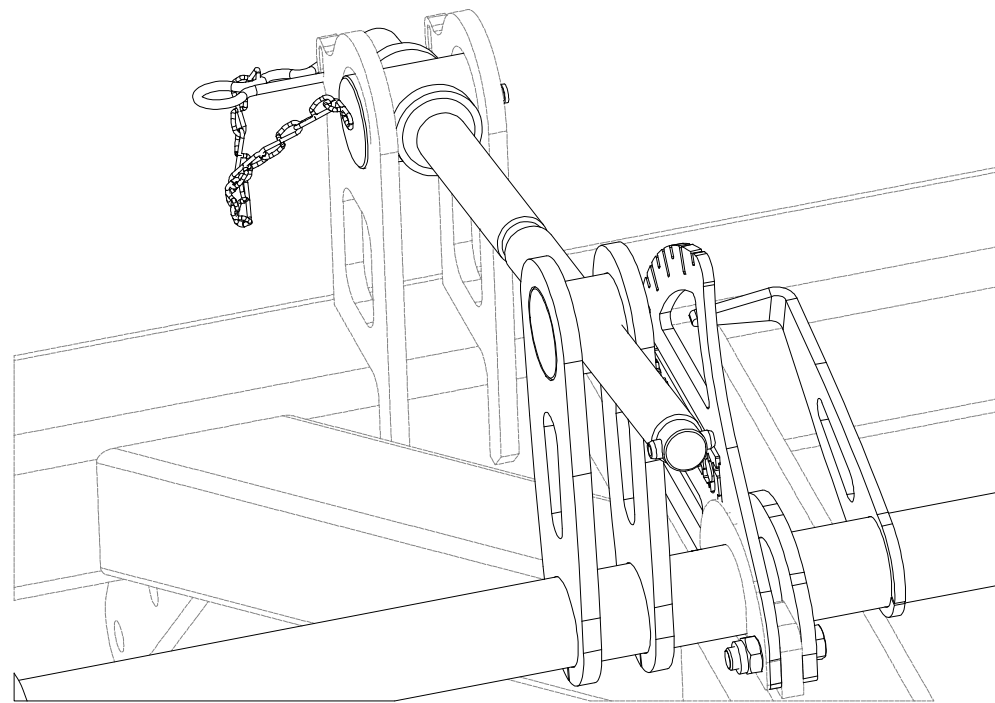
Ⓖ SET OF PLOUGHSHARE CONTROL

Ⓡ КОМПЛЕКТ УПРАВЛЕНИЯ ЛАП

Ⓟ ZESTAW STEROWANIA RADLICAMI



3007001



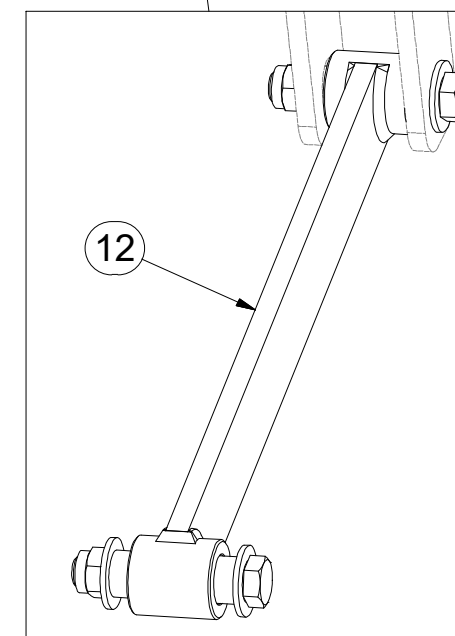
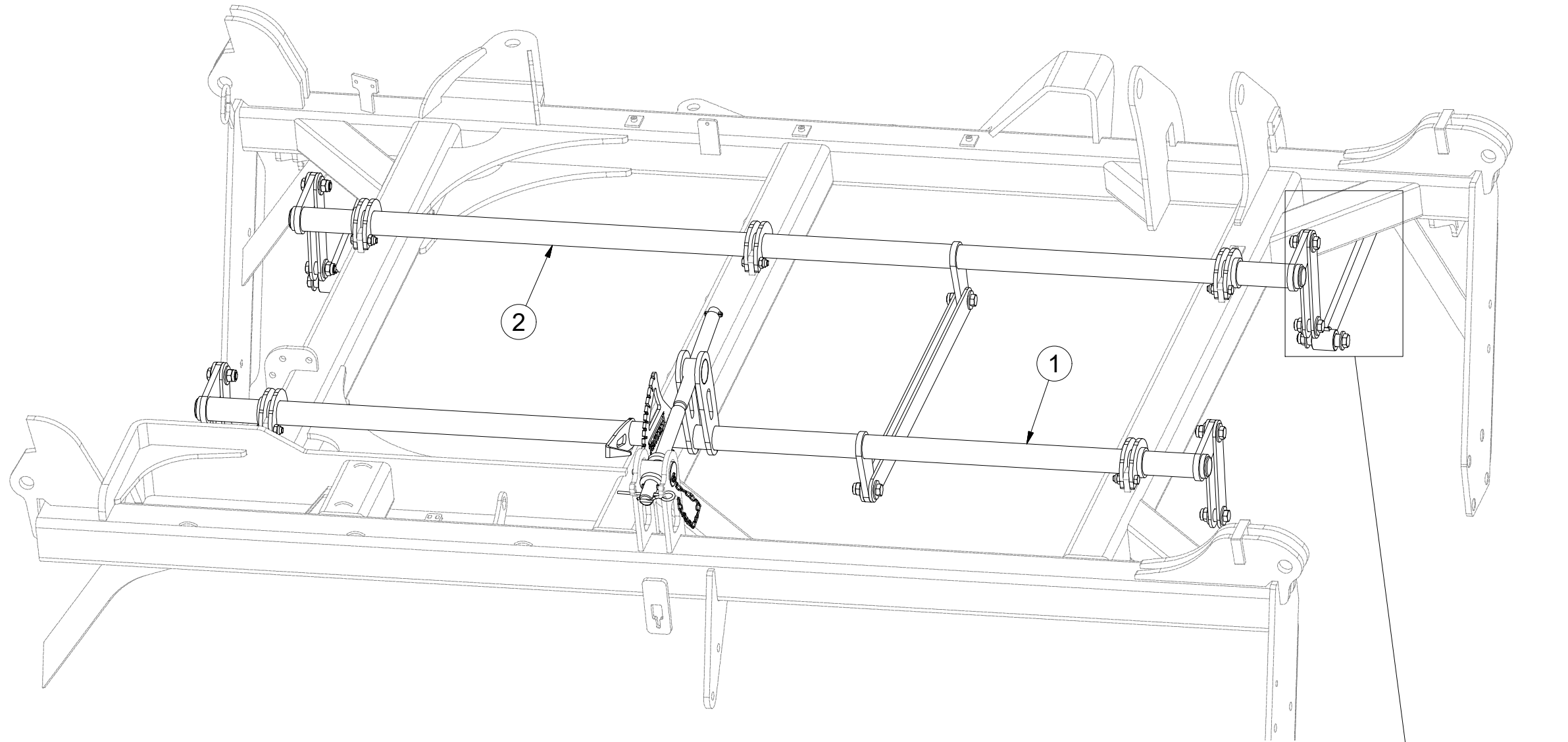
Pos.	Part Number	Pcs.
3	4007654	1
4	4005340	1
5	4005355	1
6	9002560	1
7	4005335	1
9	4005332	11
16	m09988	1
50	m06077	12
60	m04301	12
80	m10736	2
110	m10451	1

- Ⓒ SADA OVLÁDÁNÍ RADLIC
- Ⓓ STEUERSATZ PFLUGSCHAREN
- Ⓕ KIT DE COMMANDE DES SOCS

- Ⓖ SET OF PLOUGHSHARE CONTROL
- Ⓡ КОМПЛЕКТ УПРАВЛЕНИЯ ЛАП
- Ⓟ ZESTAW STEROWANIA RADLICAMI



3007002



Pos.	Part Number	Pcs.
1	3002984	1
2	3002985	1
12	4003971	2

Ⓒ SADA OVLÁDÁNÍ RADLIC

Ⓓ STEUERSATZ PFLUGSCHAREN

Ⓕ KIT DE COMMANDE DES SOCS

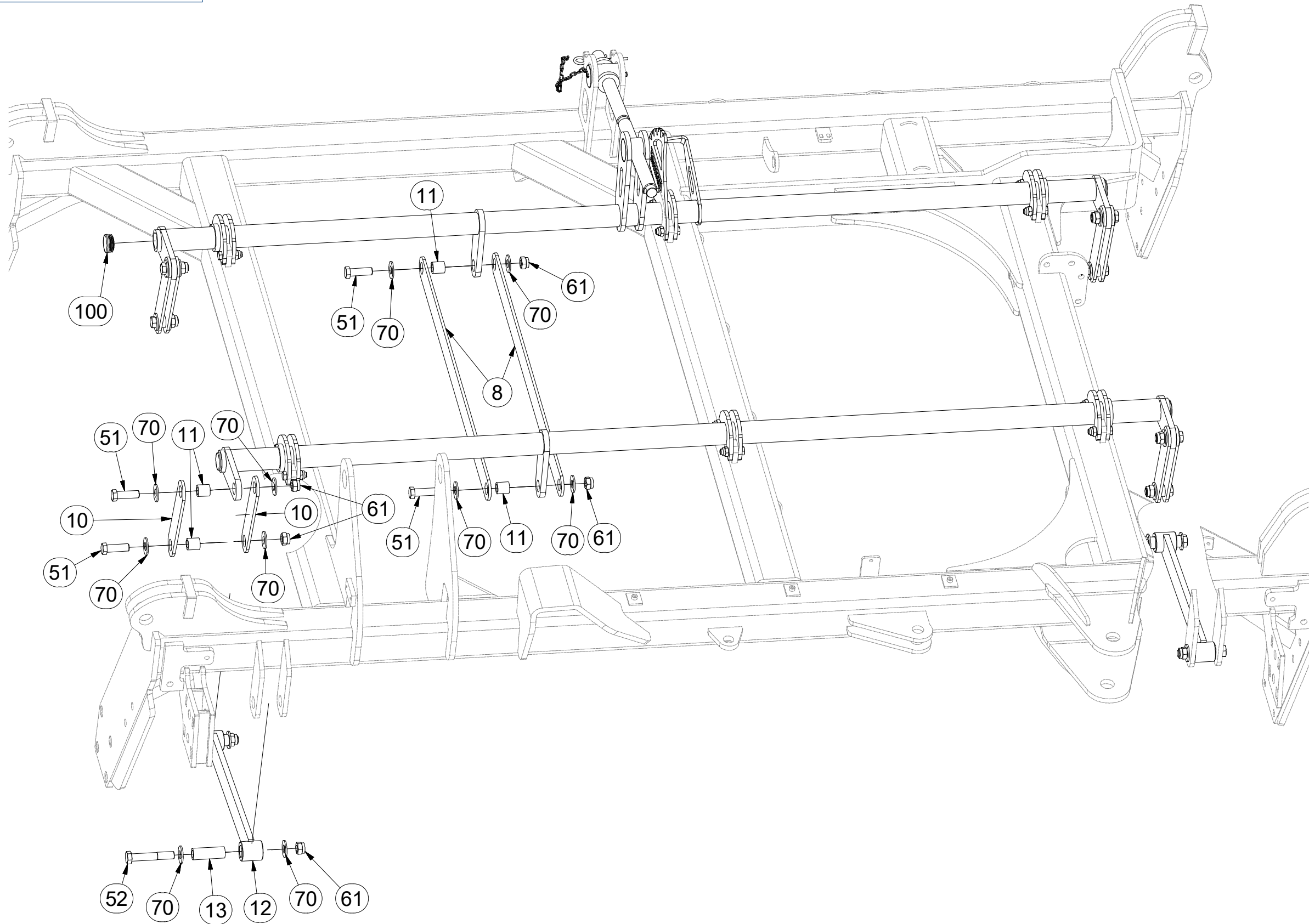
Ⓖ SET OF PLOUGHSHARE CONTROL

Ⓡ КОМПЛЕКТ УПРАВЛЕНИЯ ЛАП

Ⓢ ZESTAW STEROWANIA RADLICAMI



3007002



Pos.	Part Number	Pcs.
8	4005334	2
10	4005333	8
11	4002265	10
12	4003971	2
13	9001426	4
51	m04355	10
52	m07673	4
61	m03683	14
70	m05651	28
100	m10130	4

Ⓒ SADA OVLÁDÁNÍ RADLIC

Ⓓ STEUERSATZ PFLUGSCHAREN

Ⓕ KIT DE COMMANDE DES SOCS

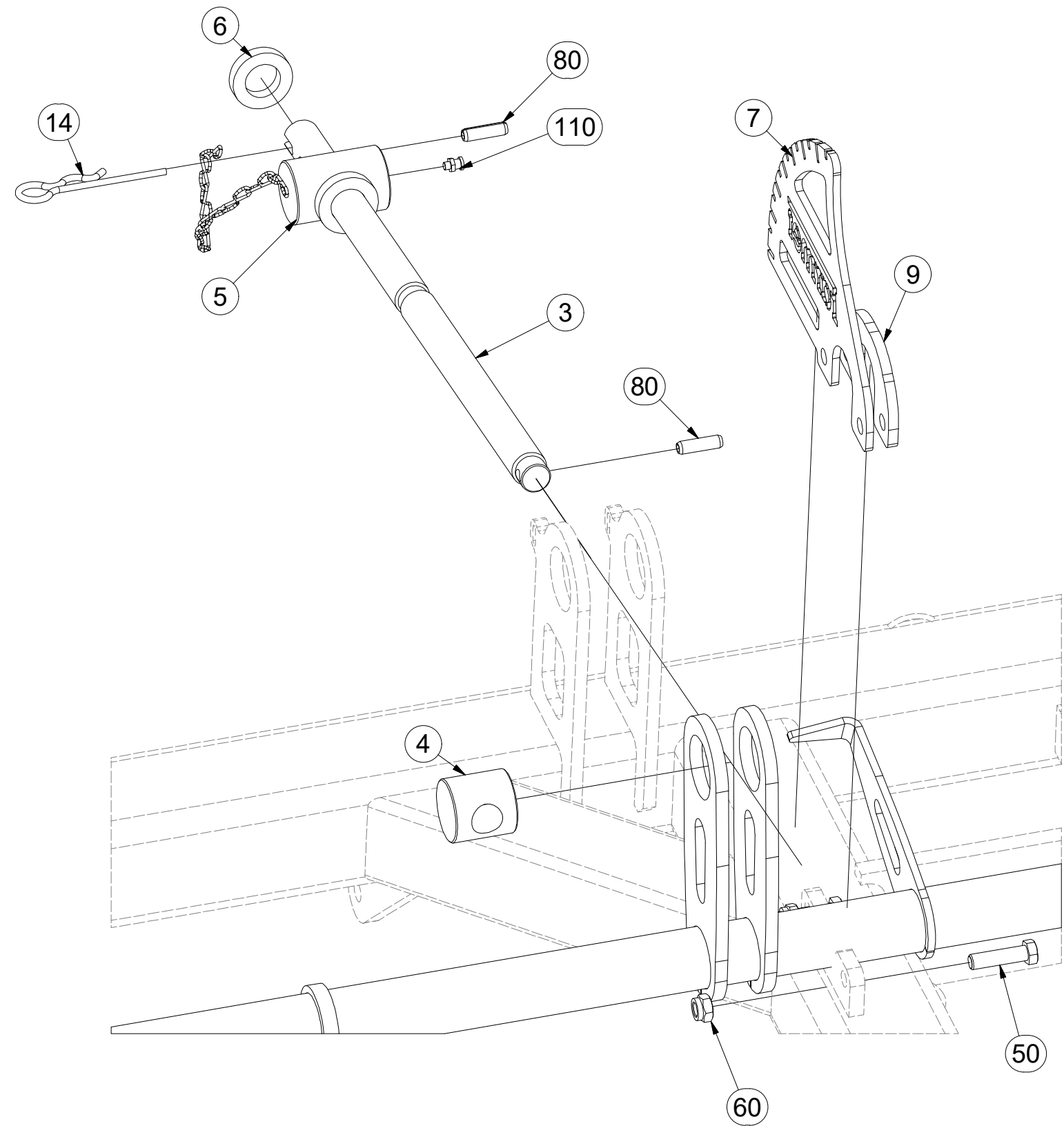
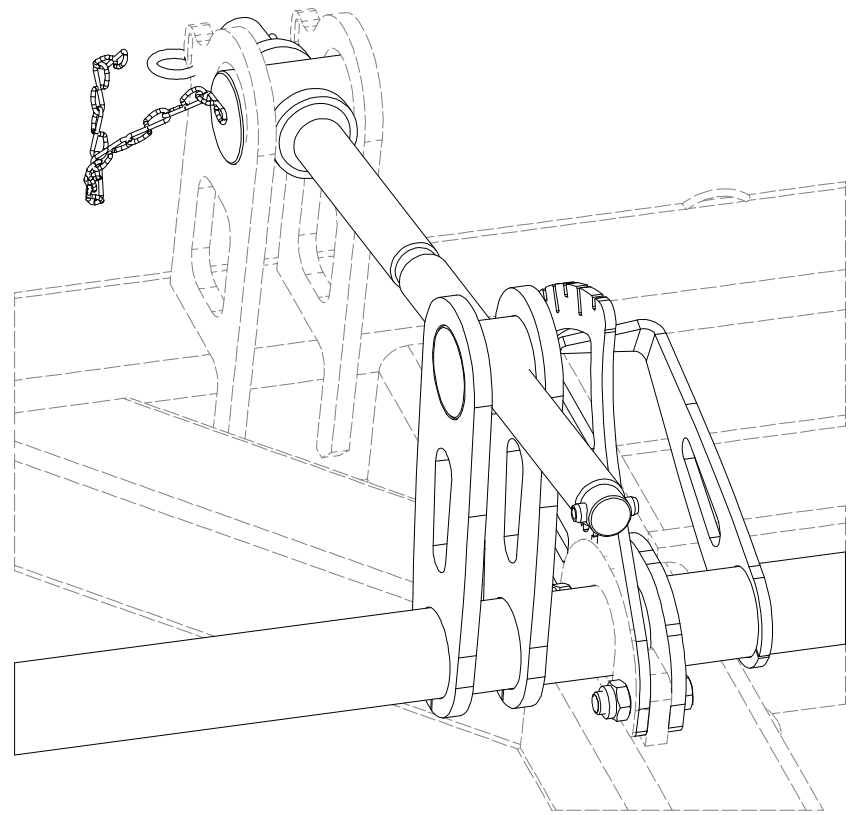
Ⓒ SET OF PLOUGHSHARE CONTROL

Ⓓ КОМПЛЕКТ УПРАВЛЕНИЯ ЛАП

Ⓕ ZESTAW STEROWANIA RADLICAMI



3007002



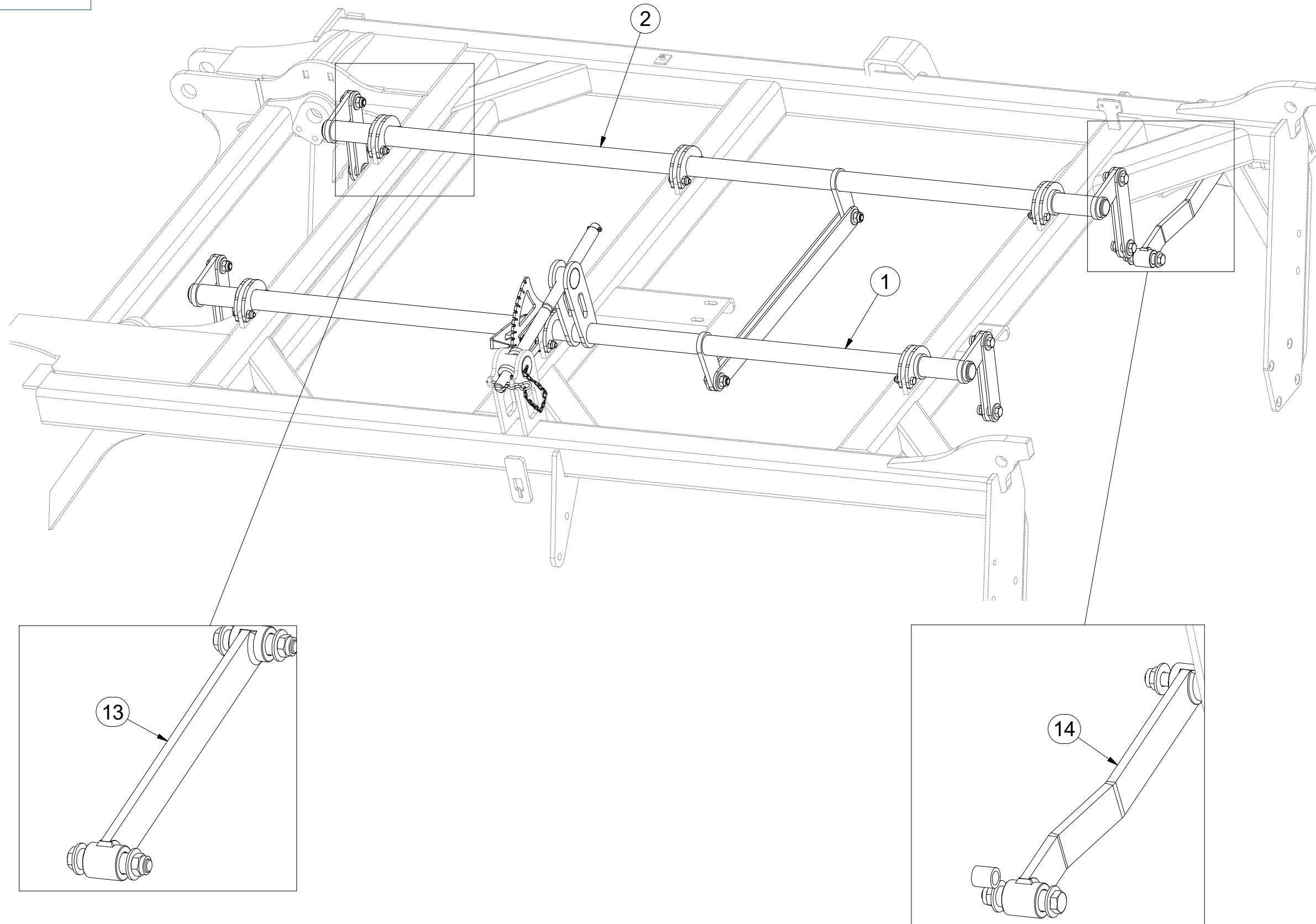
Pos.	Part Number	Pcs.
3	4007654	1
4	4005340	1
5	4005355	1
6	9002560	1
7	4005335	1
9	4005332	11
14	m09988	1
50	m06077	12
60	m04301	12
80	m10736	2
110	m10451	1

CZ SADA OVLÁDÁNÍ RADLIC
 D STEUERSATZ PFLUGSCHAREN
 F KIT DE COMMANDE DES SOCS

GB SET OF PLOUGHSHARE CONTROL
 RU КОМПЛЕКТ УПРАВЛЕНИЯ ЛАП
 PL ZESTAW STEROWANIA RADLICAMI



3007003



Pos.	Part Number	Pcs.
1	3002984	1
2	3002985	1
13	4003971	1
14	4011976	1

Ⓒ SADA OVLÁDÁNÍ RADLIC

Ⓓ STEUERSATZ PFLUGSCHAREN

Ⓕ KIT DE COMMANDE DES SOCS

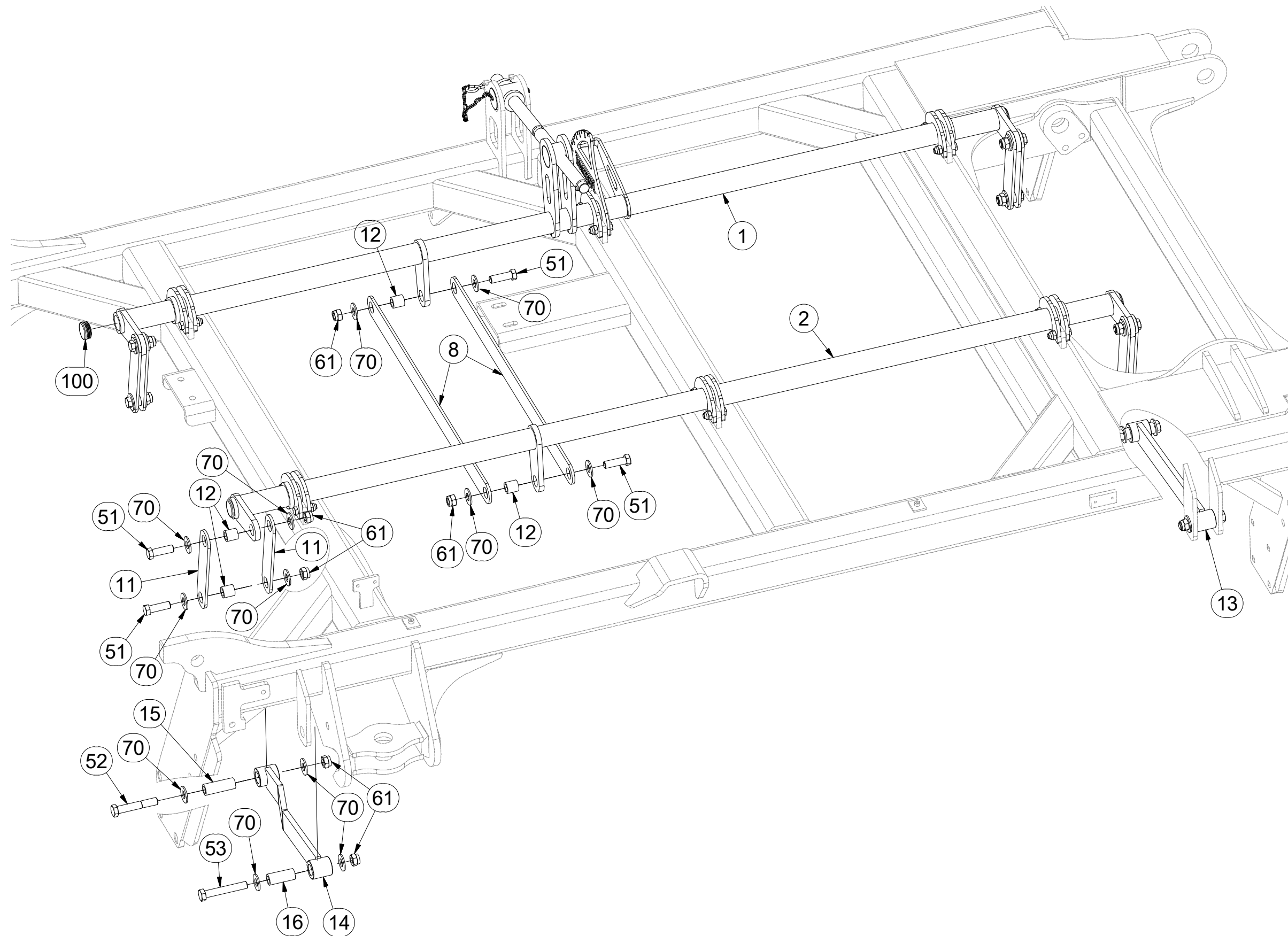
Ⓖ SET OF PLOUGHSHARE CONTROL

Ⓡ КОМПЛЕКТ УПРАВЛЕНИЯ ЛАП

Ⓢ ZESTAW STEROWANIA RADLICAMI



3007003



Pos.	Part Number	Pcs.
1	3002984	1
2	3002985	1
8	4005334	2
11	4005333	8
12	4002265	10
13	4003971	1
14	4011976	1
15	9001426	3
16	9001095	1
51	m04355	10
52	m07673	3
53	m05304	1
61	m03683	14
70	m05651	28
100	m10130	4

ⒸZ SADA OVLÁDÁNÍ RADLIC

Ⓓ STEUERSATZ PFLUGSCHAREN

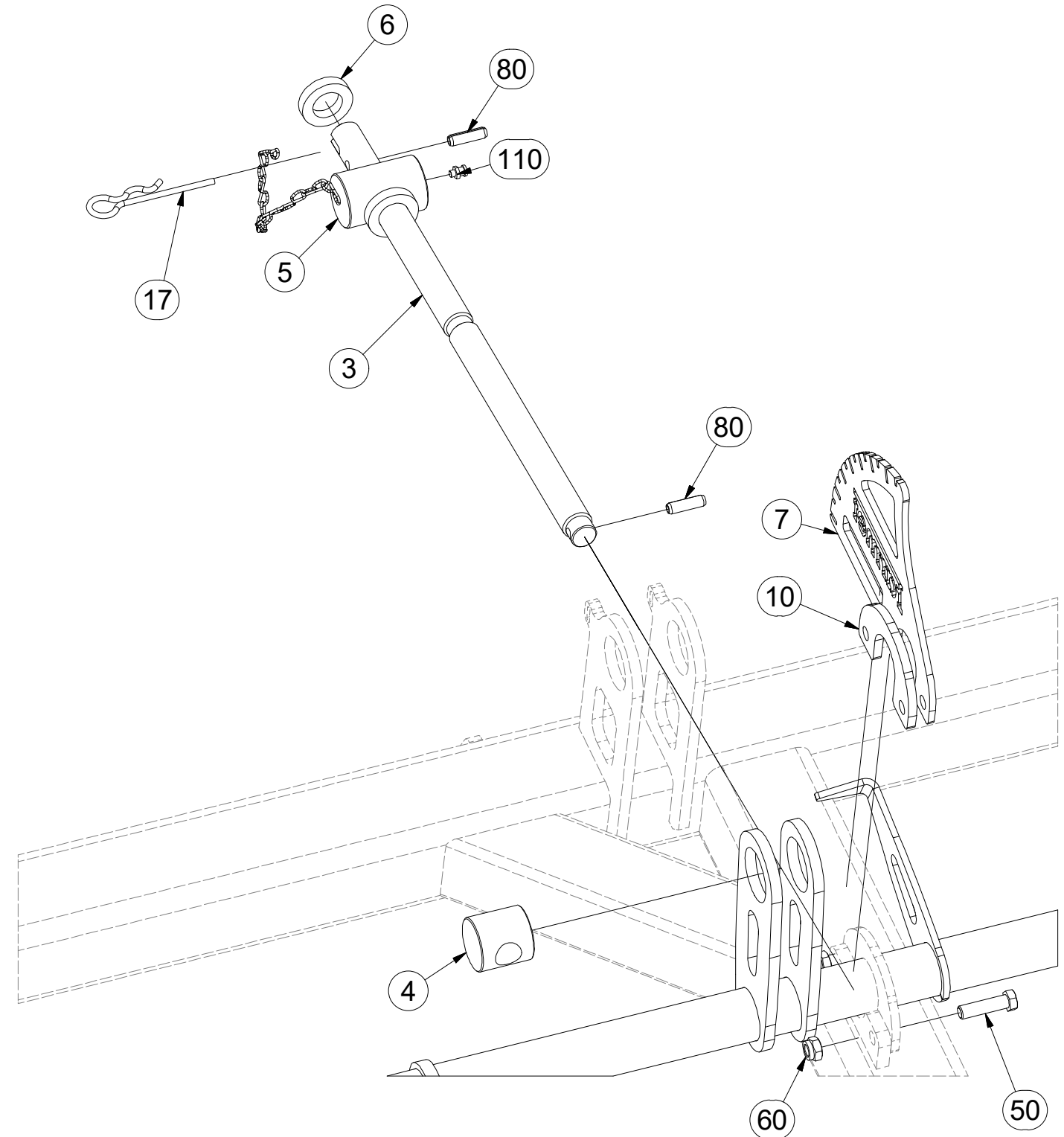
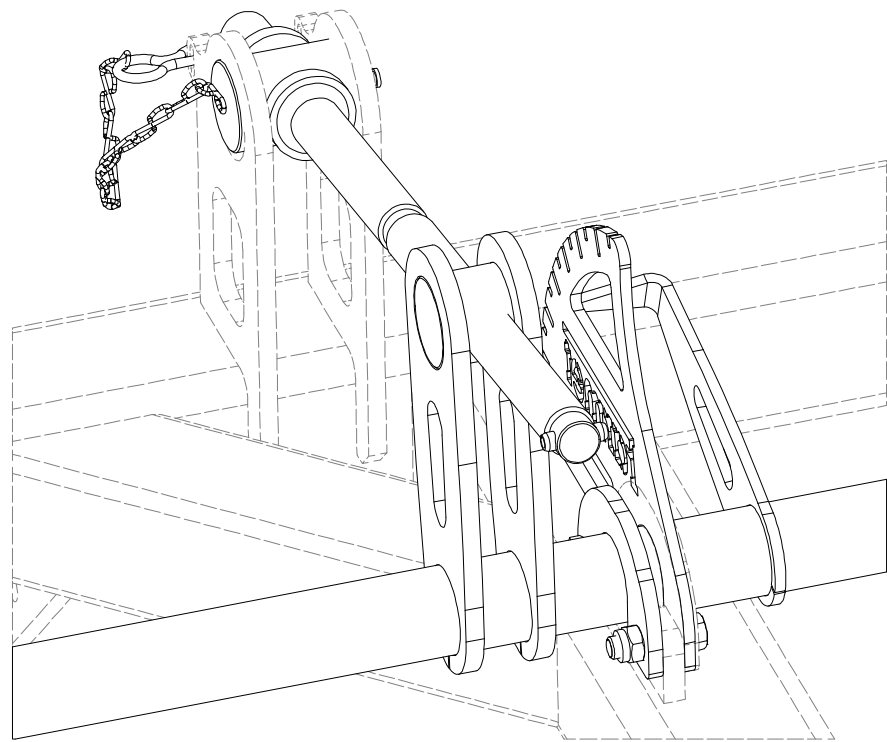
Ⓕ KIT DE COMMANDE DES SOCS

3007003

ⒸB SET OF PLOUGHSHARE CONTROL

Ⓔ КОМПЛЕКТ УПРАВЛЕНИЯ ЛАП

Ⓗ ZESTAW STEROWANIA RADLICAMI



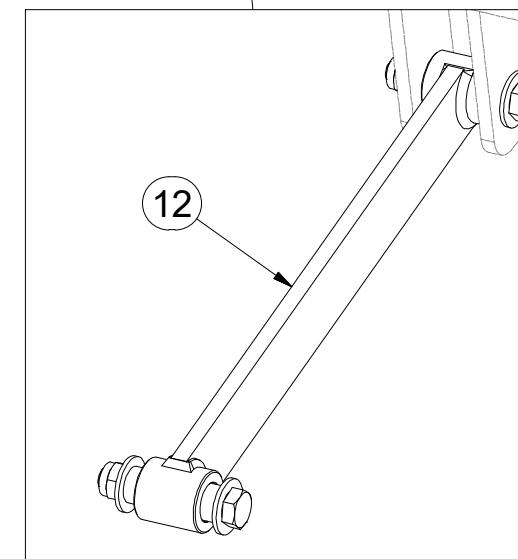
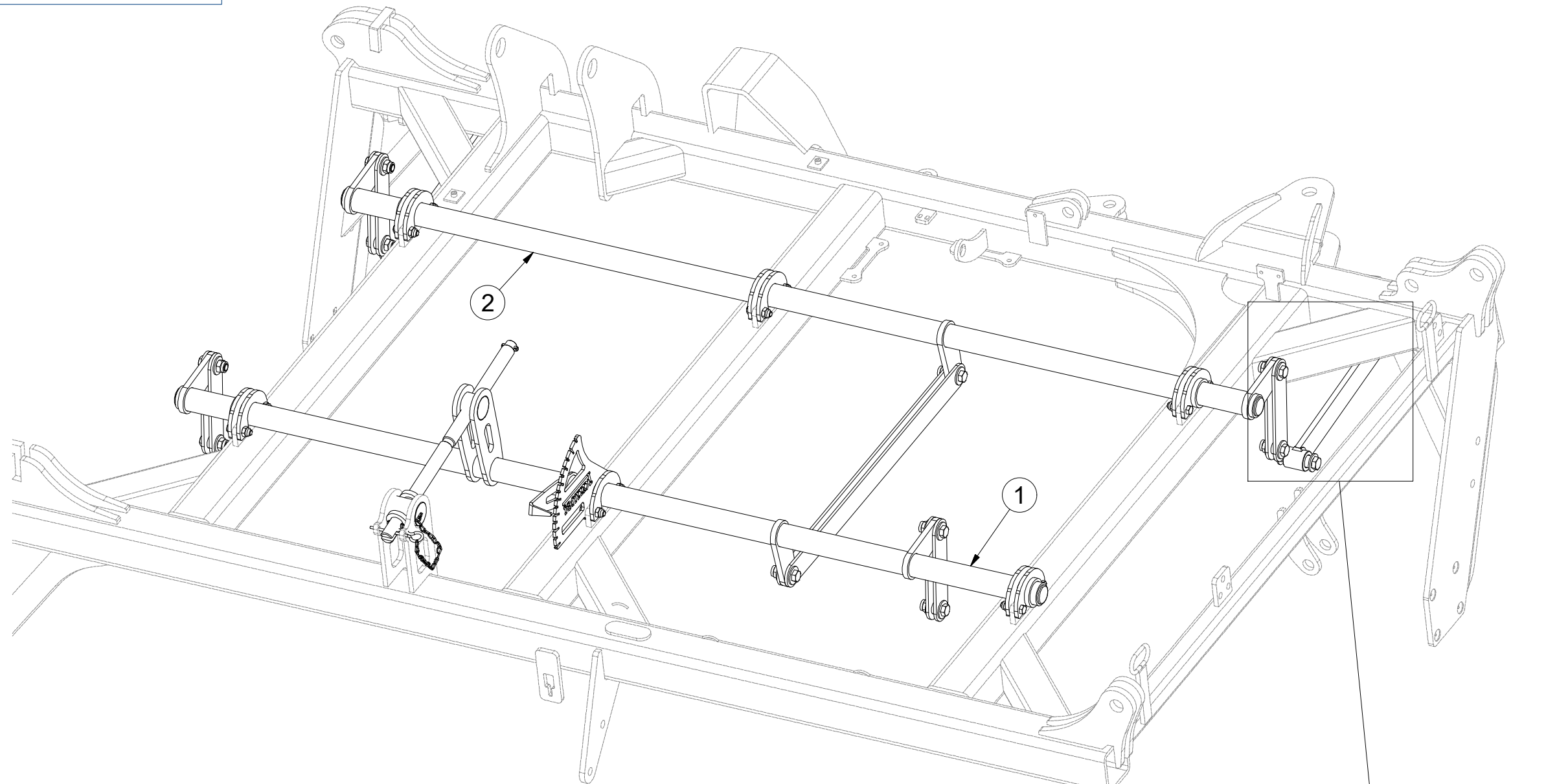
Pos.	Part Number	Pcs.
3	4007654	1
4	4005340	1
5	4005355	1
6	9002560	1
7	4005335	1
10	4005332	11
17	m09988	1
50	m06077	12
60	m04301	12
80	m10736	2
110	m10451	1

CZ SADA OVLÁDÁNÍ RADLIC
 D STEUERSATZ PFLUGSCHAREN
 F KIT DE COMMANDE DES SOCS

GB SET OF PLOUGHSHARE CONTROL
 RU КОМПЛЕКТ УПРАВЛЕНИЯ ЛАП
 PL ZESTAW STEROWANIA RADLICAMI



3007004



Pos.	Part Number	Pcs.
1	3003100	1
2	3002985	1
12	4003971	2

ⒸZ SADA OVLÁDÁNÍ RADLIC

Ⓓ STEUERSATZ PFLUGSCHAREN

Ⓕ KIT DE COMMANDE DES SOCS

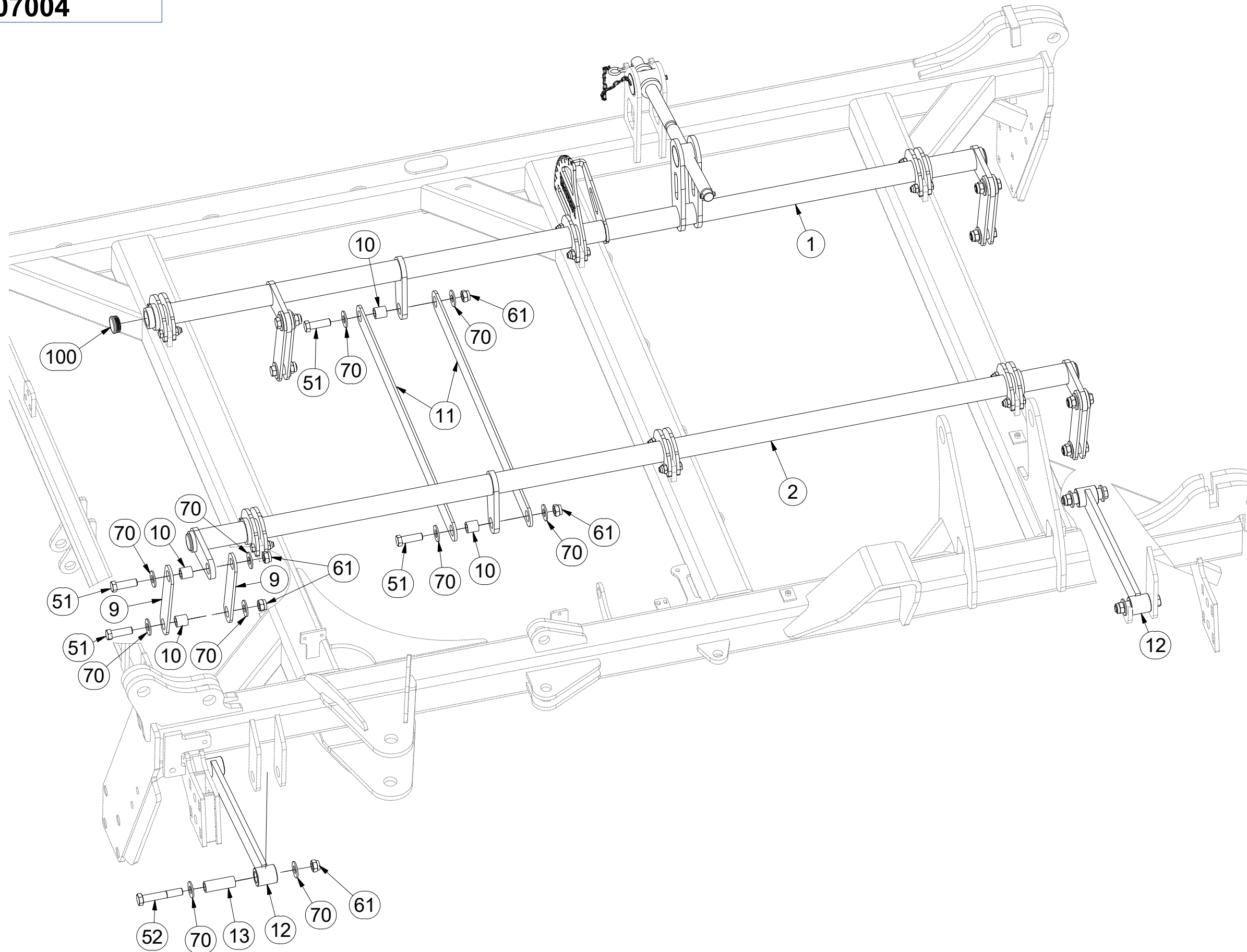
ⒸB SET OF PLOUGHSHARE CONTROL

ⒸU КОМПЛЕКТ УПРАВЛЕНИЯ ЛАП

ⒸL ZESTAW STEROWANIA RADLICAMI



3007004



Pos.	Part Number	Pcs.
1	3003100	1
2	3002985	1
9	4005333	8
10	4002265	10
11	4005334	2
12	4003971	2
13	9001426	4
51	m04355	10
52	m07673	4
61	m03683	14
70	m05651	28
100	m10130	4

Ⓒ SADA OVLÁDÁNÍ RADLIC

Ⓓ STEUERSATZ PFLUGSCHAREN

Ⓕ KIT DE COMMANDE DES SOCS

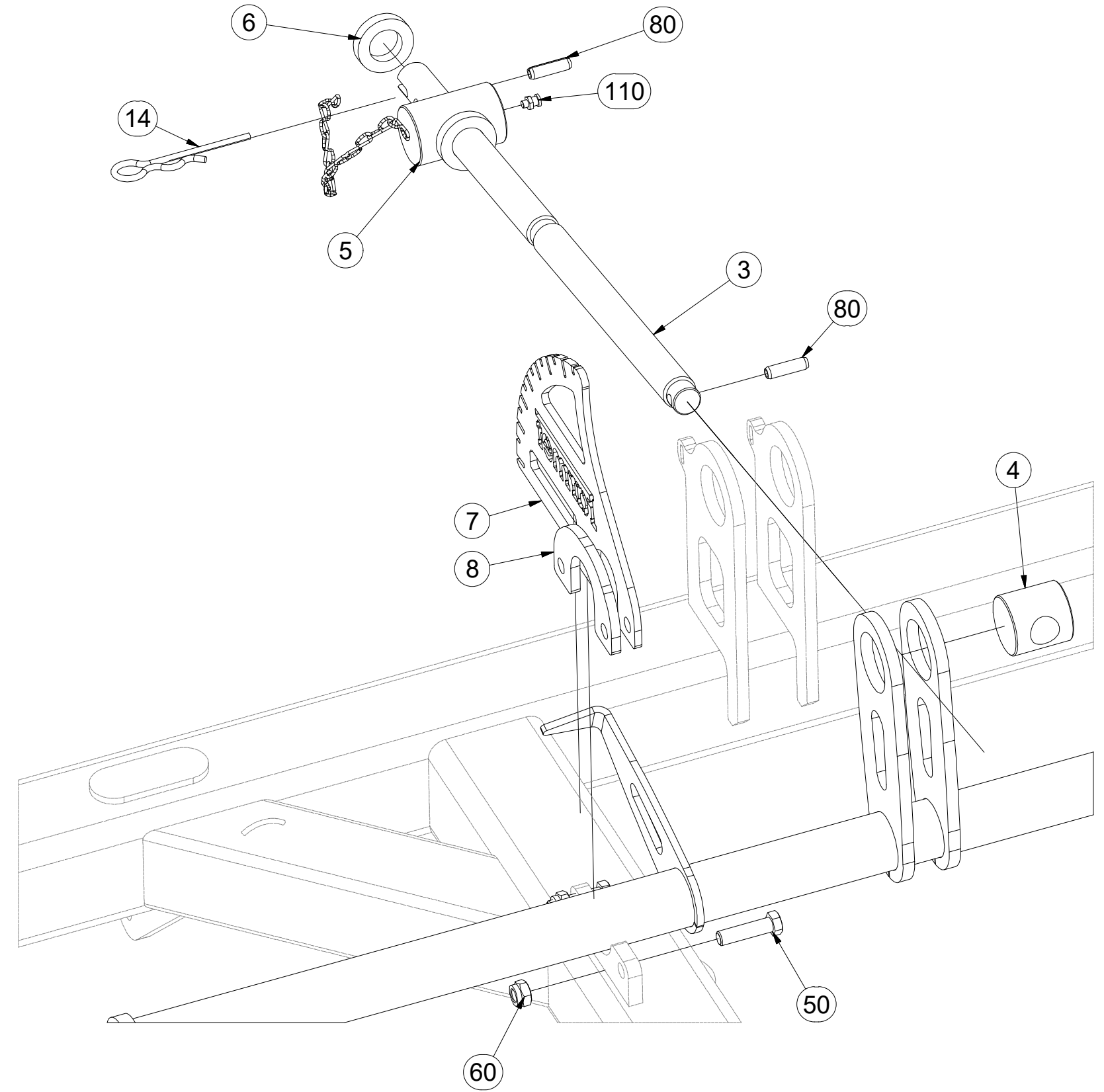
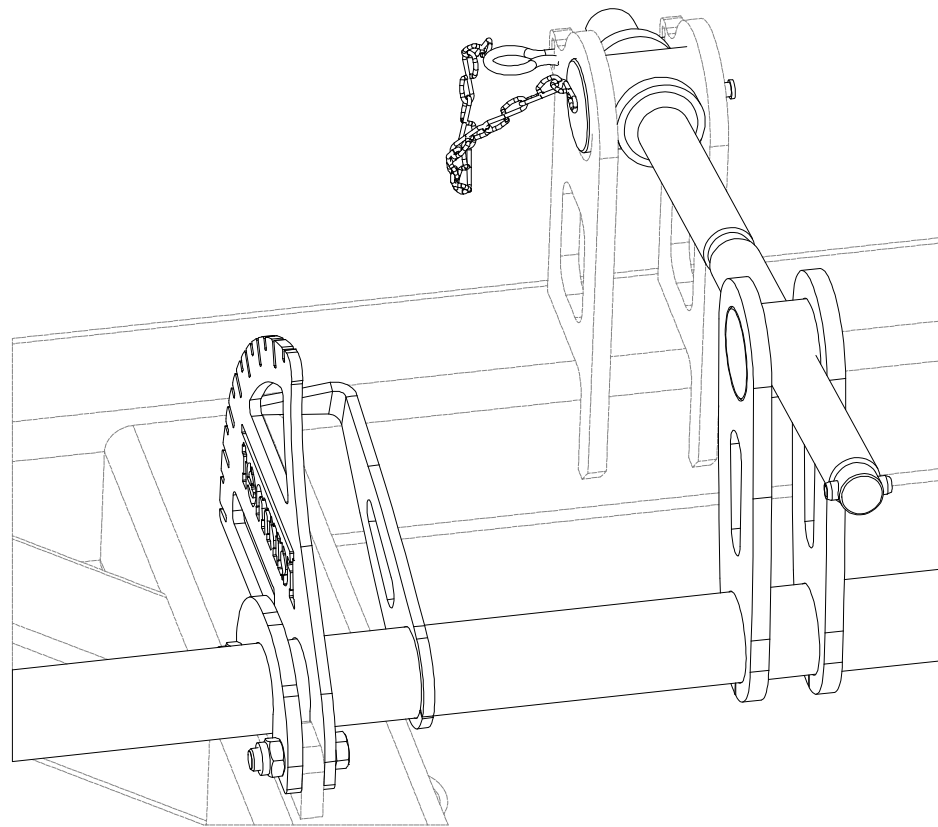
3007004

Ⓖ SET OF PLOUGHSHARE CONTROL

Ⓔ КОМПЛЕКТ УПРАВЛЕНИЯ ЛАП

Ⓗ ZESTAW STEROWANIA RADLICAMI

Farmet



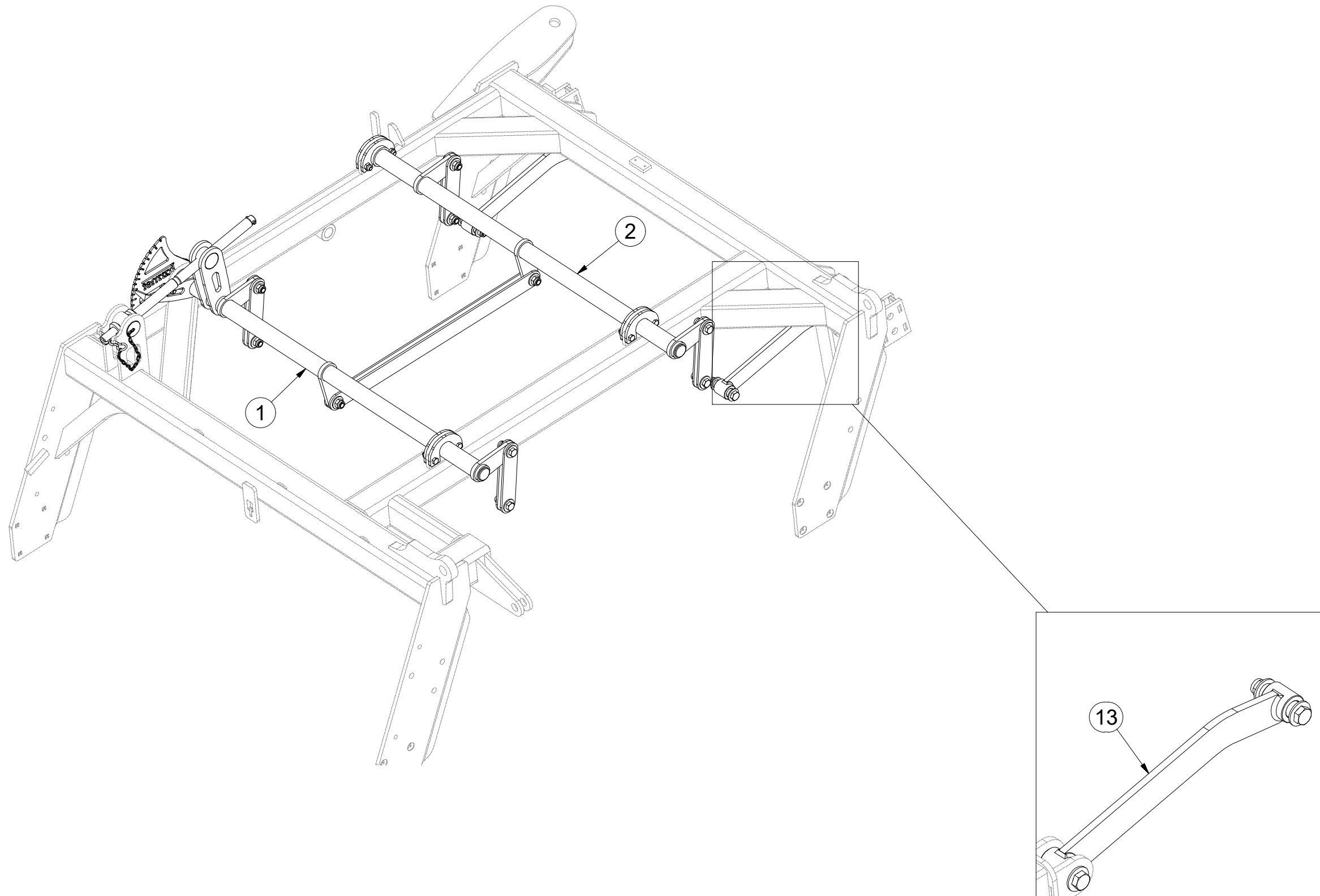
Pos.	Part Number	Pcs.
3	4007654	1
4	4005340	1
5	4005355	1
6	9002560	1
7	4005335	1
8	4005332	11
14	m09988	1
50	m06077	12
60	m04301	12
80	m10736	2
110	m10451	1

CZ SADA OVLÁDÁNÍ RADLIC
 D STEUERSATZ PFLUGSCHAREN
 F KIT DE COMMANDE DES SOCS

GB SET OF PLOUGHSHARE CONTROL
 RU КОМПЛЕКТ УПРАВЛЕНИЯ ЛАП
 PL ZESTAW STEROWANIA RADLICAMI



3007135



Pos.	Part Number	Pcs.
1	3002981	1
2	3002977	1
13	8000990-30007	2

Ⓒ SADA OVLÁDÁNÍ RADLIC

Ⓓ STEUERSATZ PFLUGSCHAREN

Ⓕ KIT DE COMMANDE DES SOCS

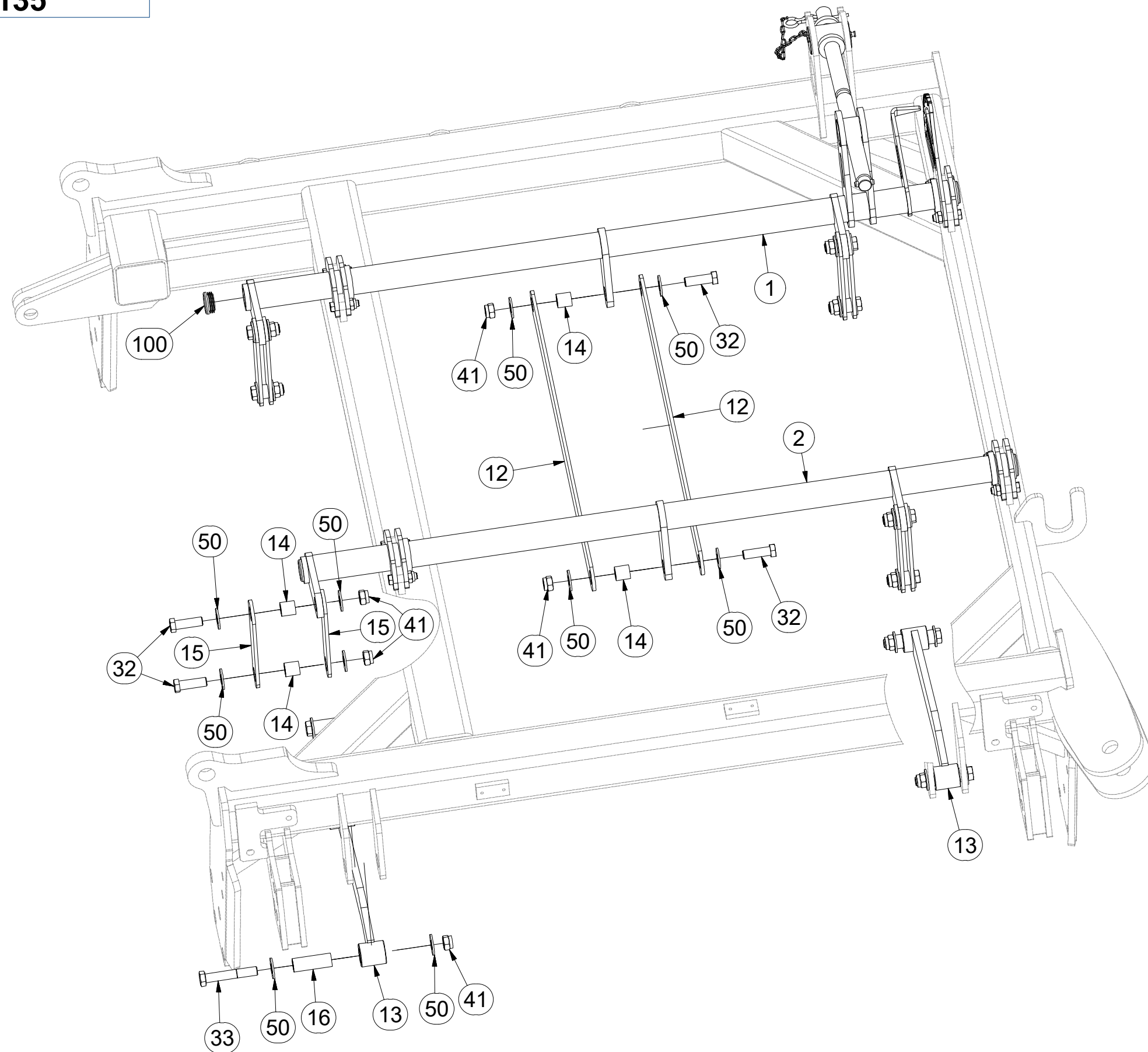
Ⓖ SET OF PLOUGHSHARE CONTROL

Ⓡ КОМПЛЕКТ УПРАВЛЕНИЯ ЛАП

Ⓢ ZESTAW STEROWANIA RADLICAMI



3007135



Pos.	Part Number	Pcs.
1	3002981	1
2	3002977	1
12	4005334	2
13	8000990-30007	2
14	4002265	10
15	4005333	8
16	9001426	4
32	m04355	10
33	m07673	4
41	m03683	14
50	m05651	28
100	m10130	4

Ⓒ SADA OVLÁDÁNÍ RADLIC

Ⓓ STEUERSATZ PFLUGSCHAREN

Ⓕ KIT DE COMMANDE DES SOCS

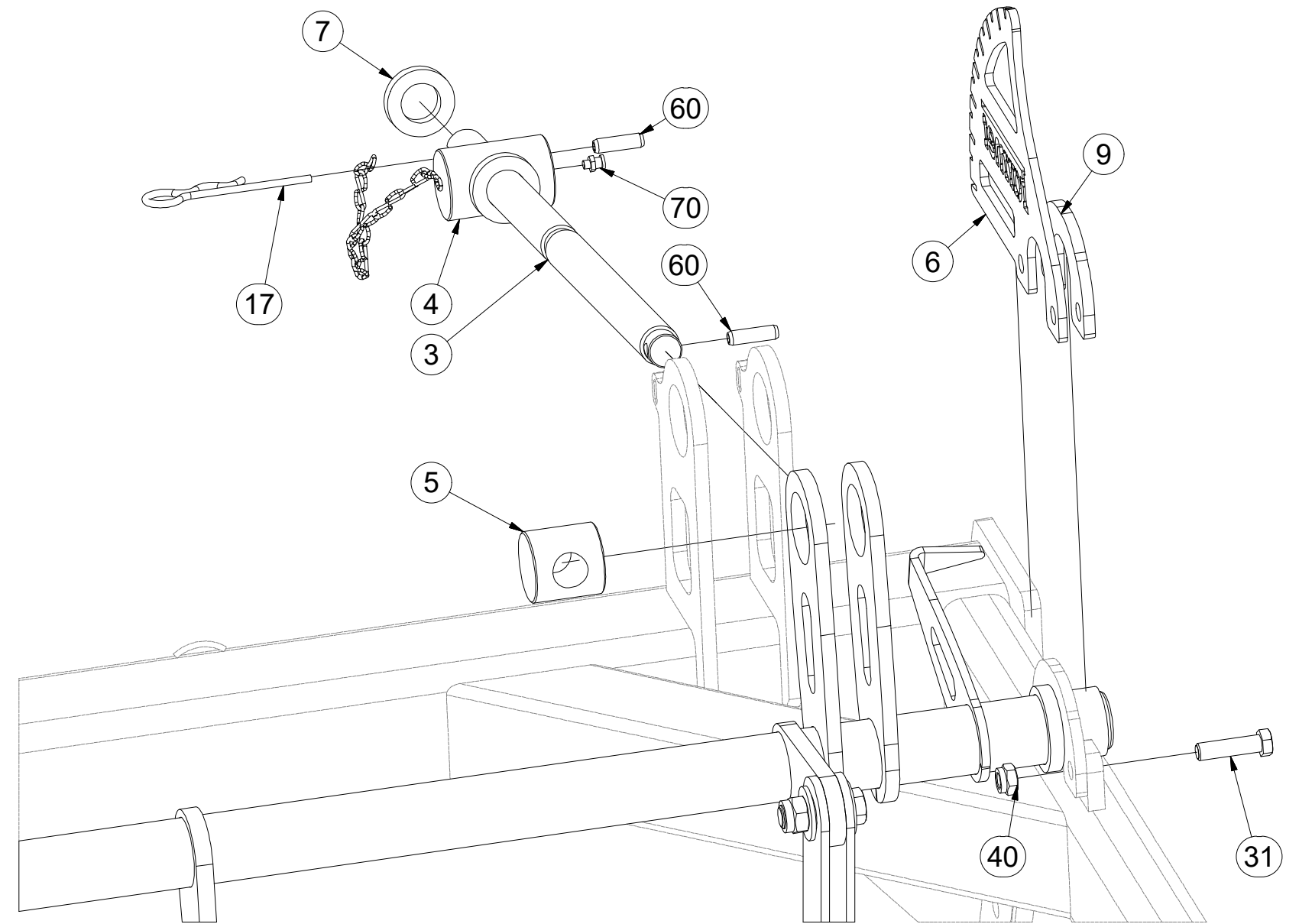
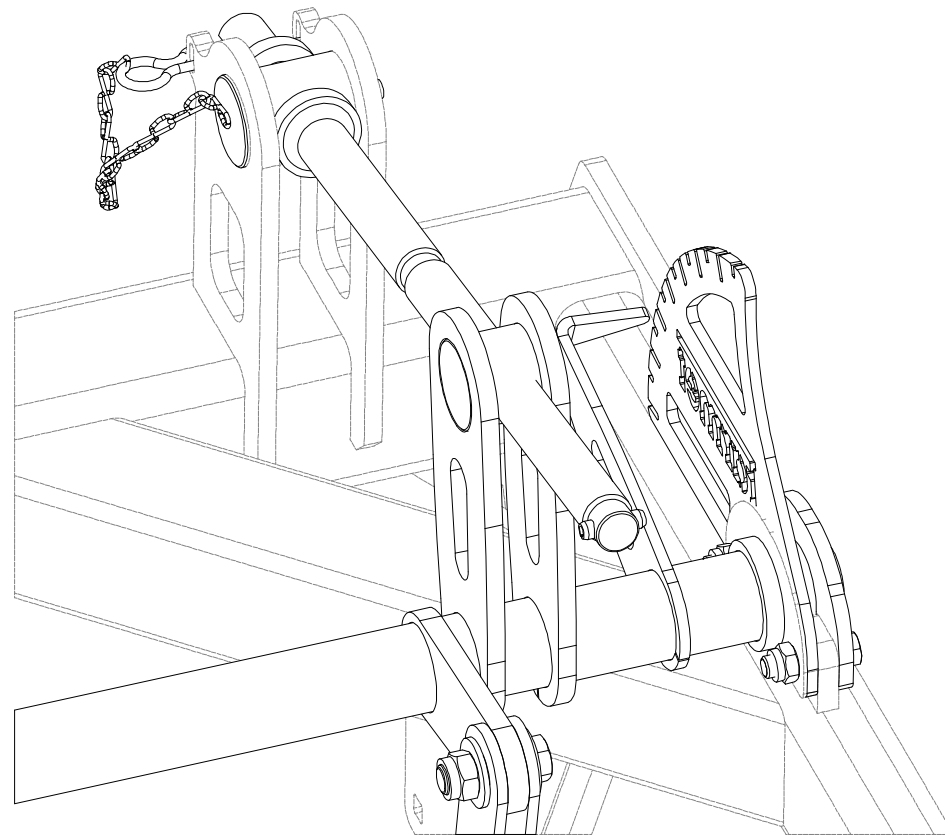
3007135

Ⓖ SET OF PLOUGHSHARE CONTROL

Ⓡ КОМПЛЕКТ УПРАВЛЕНИЯ ЛАП

Ⓢ ZESTAW STEROWANIA RADLICAMI

Farmet



Pos.	Part Number	Pcs.
3	4007654	1
4	4005355	1
5	4005340	1
6	4005335	1
7	9002560	1
9	4005332	7
17	m09988	1
31	m06077	8
40	m04301	8
60	m10736	2
70	m10451	1

Ⓒ SADA OVLÁDÁNÍ RADLIC

Ⓓ STEUERSATZ PFLUGSCHAREN

Ⓕ KIT DE COMMANDE DES SOCS

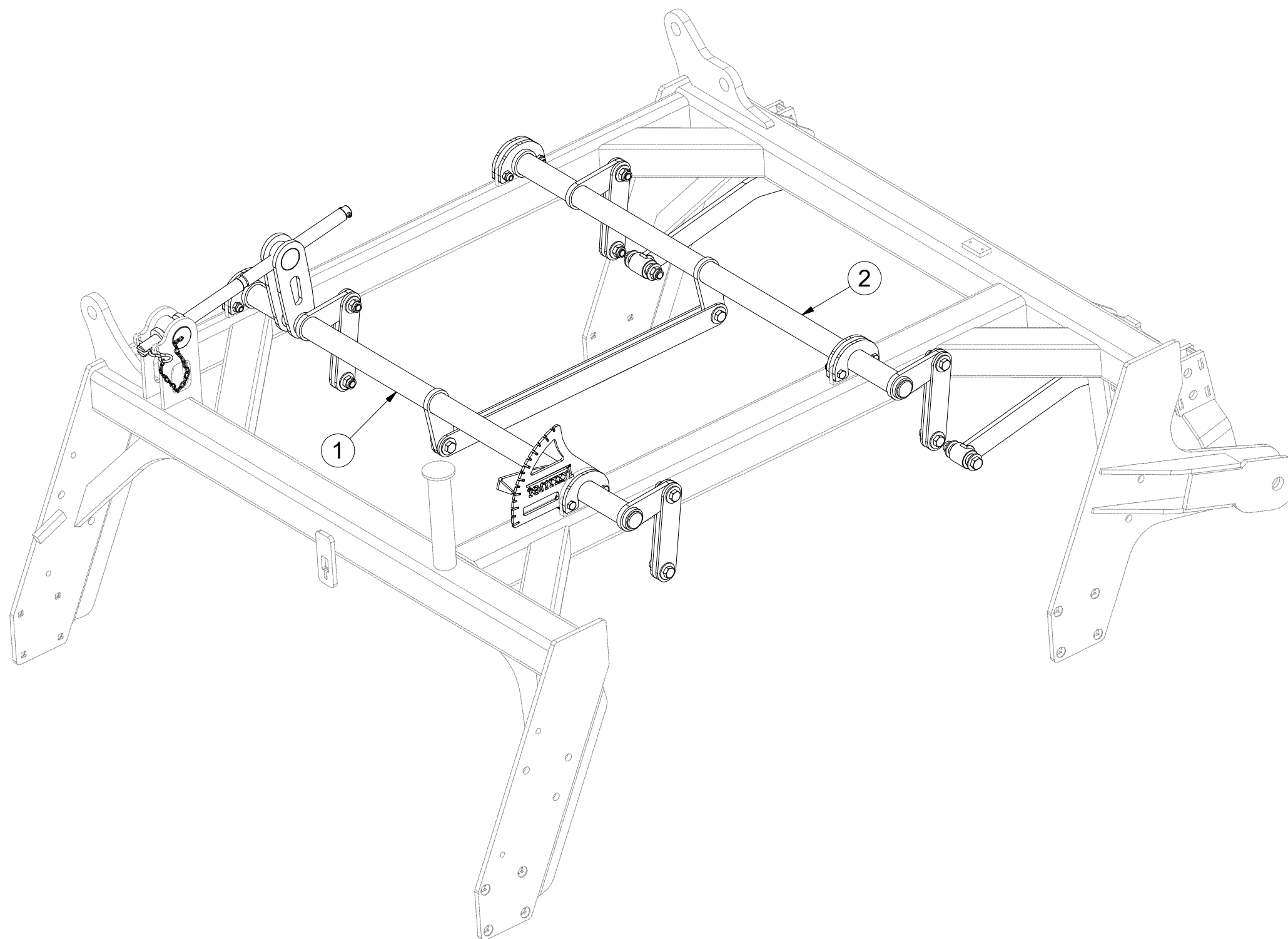
3007136

Ⓖ SET OF PLOUGHSHARE CONTROL

Ⓡ КОМПЛЕКТ УПРАВЛЕНИЯ ЛАП

Ⓟ ZESTAW STEROWANIA RADLICAMI

Farmet



Pos.	Part Number	Pcs.
1	3002976	1
2	3002977	1

ⒸZ SADA OVLÁDÁNÍ RADLIC

Ⓓ STEUERSATZ PFLUGSCHAREN

Ⓕ KIT DE COMMANDE DES SOCS

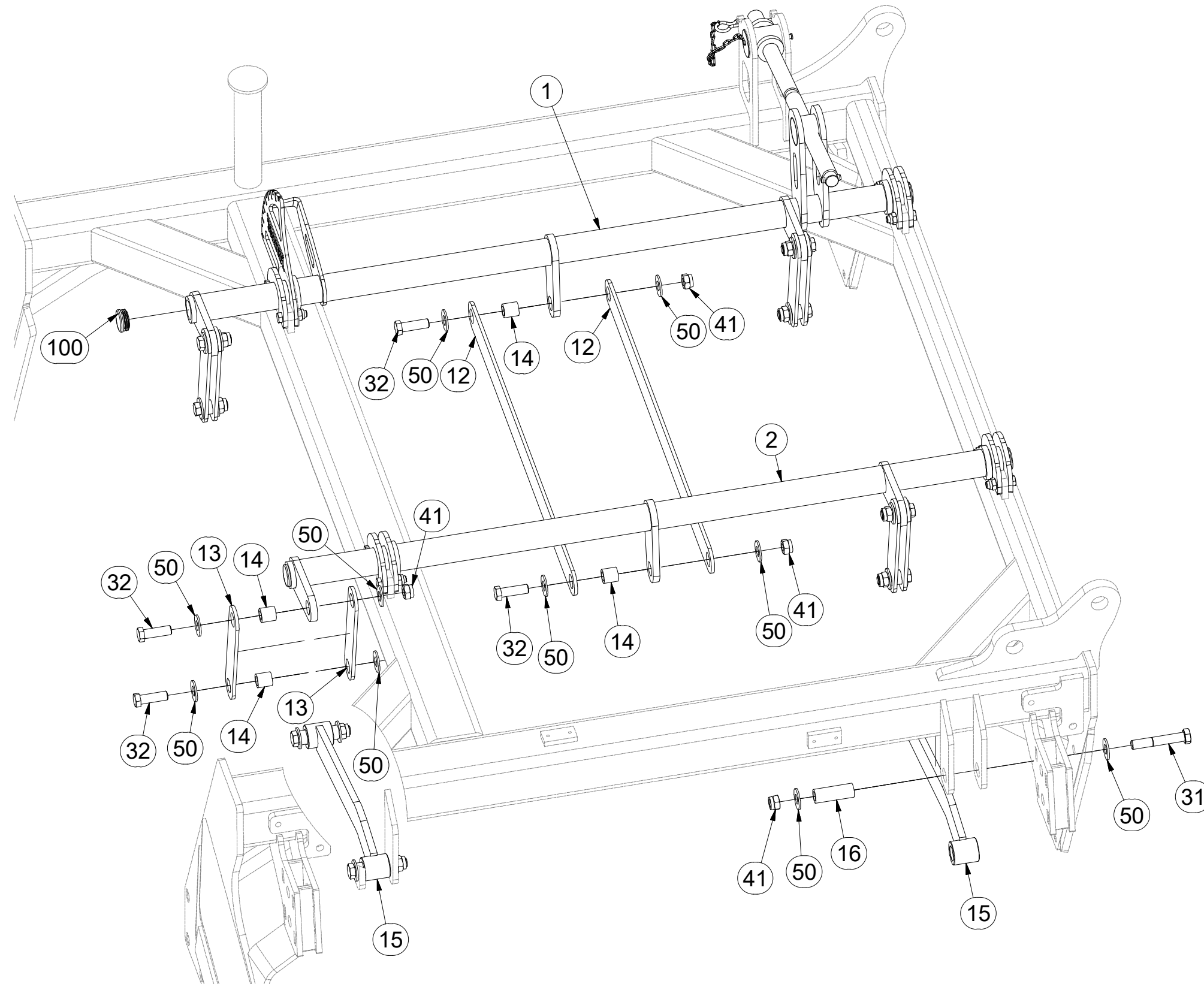
ⒸB SET OF PLOUGHSHARE CONTROL

ⒸU КОМПЛЕКТ УПРАВЛЕНИЯ ЛАП

ⒸL ZESTAW STEROWANIA RADLICAMI



3007136



Pos.	Part Number	Pcs.
1	3002976	1
2	3002977	1
12	4005334	2
13	4005333	8
14	4002265	10
15	8000990-30007	2
16	9001426	4
31	m07673	4
32	m04355	10
41	m03683	14
50	m05651	28
100	m10130	4

Ⓒ SADA OVLÁDÁNÍ RADLIC

Ⓓ STEUERSATZ PFLUGSCHAREN

Ⓕ KIT DE COMMANDE DES SOCS

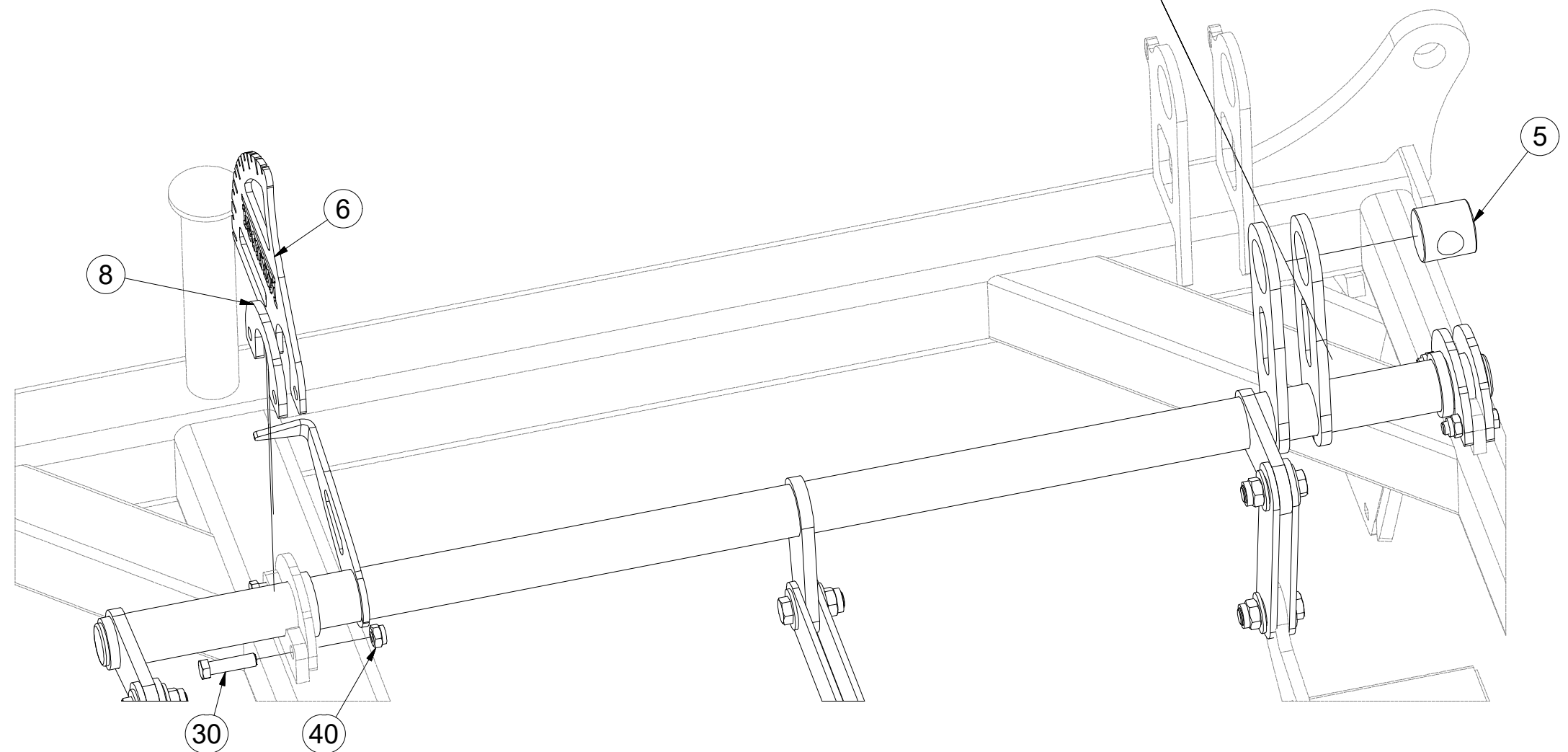
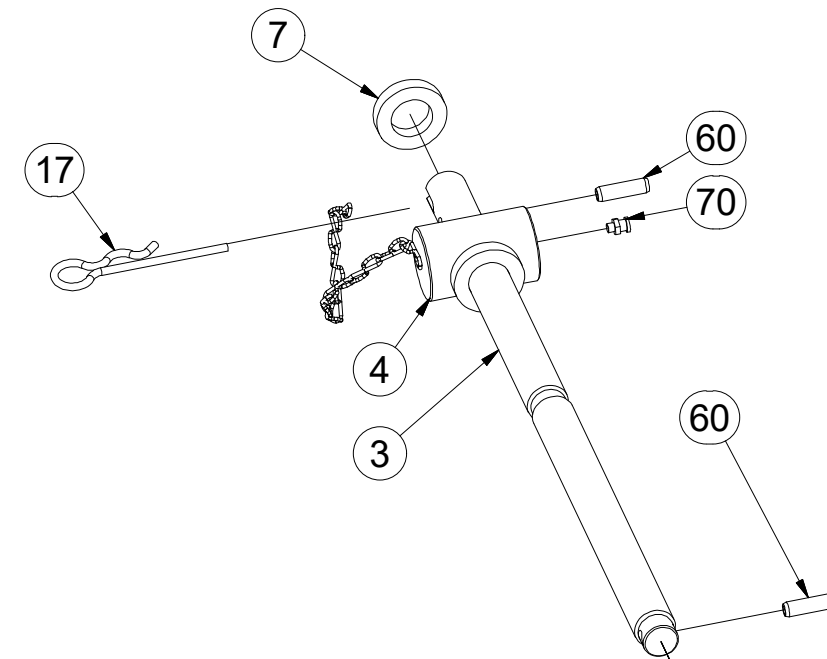
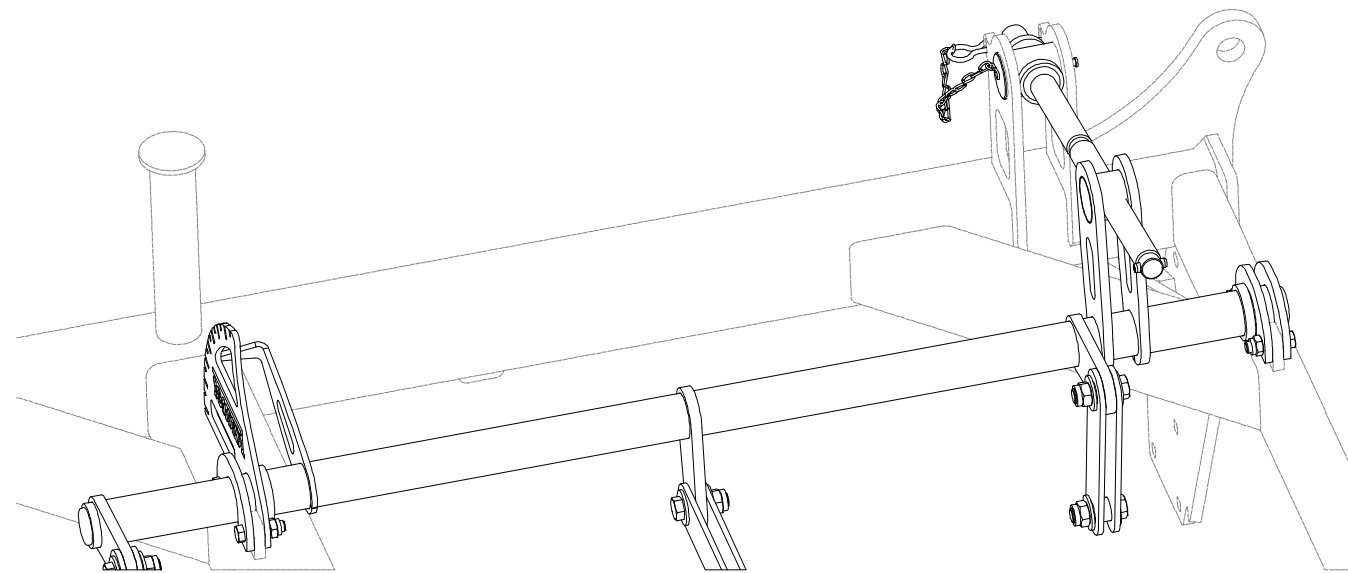
3007136

Ⓖ SET OF PLOUGHSHARE CONTROL

Ⓔ КОМПЛЕКТ УПРАВЛЕНИЯ ЛАП

Ⓗ ZESTAW STEROWANIA RADLICAMI

Farmet



Pos.	Part Number	Pcs.
3	4007654	1
4	4005355	1
5	4005340	1
6	4005335	1
7	9002560	1
8	4005332	7
17	m09988	1
30	m06077	8
40	m04301	8
60	m10736	2
70	m10451	1

Ⓒ CZ SADA RADLIC

Ⓓ D SCHARSATZ

Ⓕ F KIT DE SOCS

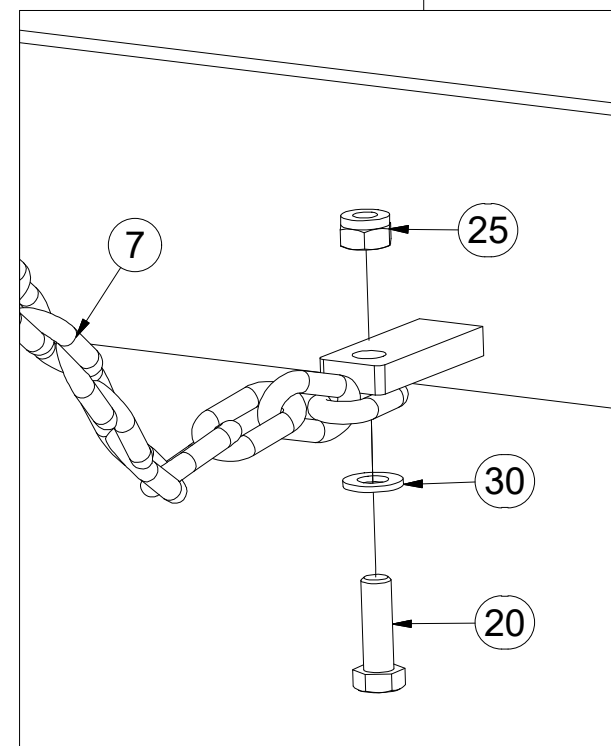
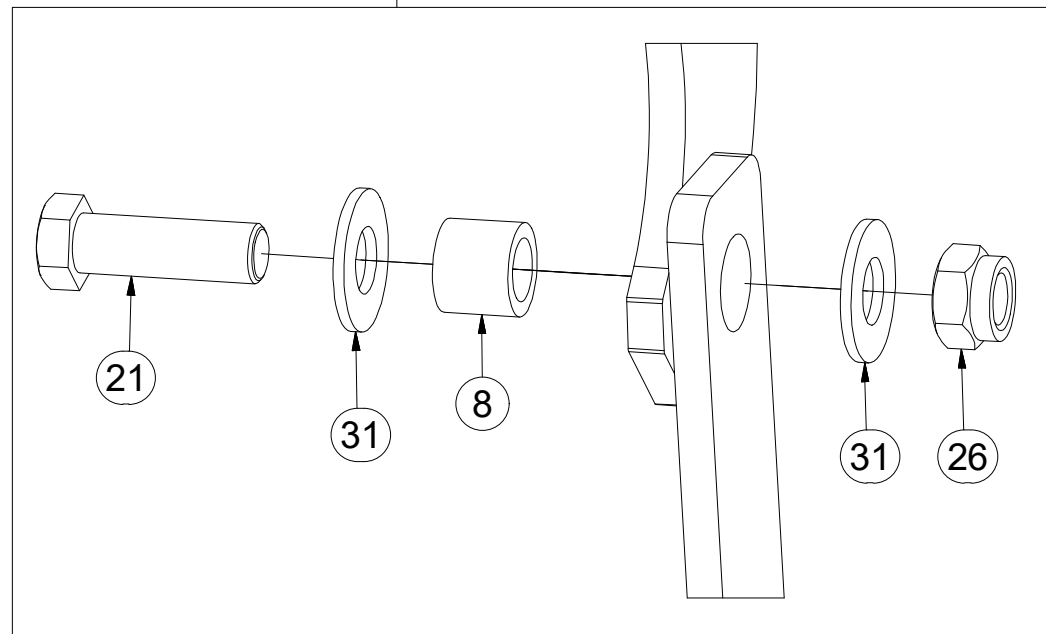
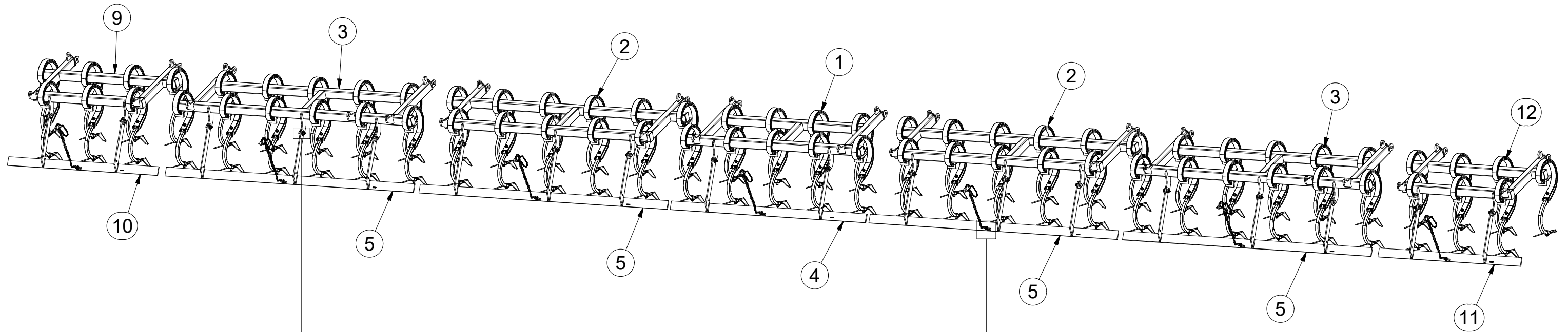
Ⓖ GB SET OF PLOUGHSHARES

Ⓡ RU КОМПЛЕКТ ЛАП

Ⓟ PL ZESTAW REDLIC



2000382



Pos.	Part Number	Pcs.
1	3002834	1
2	3002992	2
3	3002993	2
4	3002557	1
5	3002561	4
7	4001641	7
8	4004451	18
9	3007747	1
10	3002565	1
11	3002566	1
12	3007748	1
20	m01092	7
21	m04355	18
25	m04503	7
26	m03683	18
30	m01203	7
31	m05651	36

Ⓒ SADA RADLIC

Ⓓ SCHARSATZ

Ⓕ KIT DE SOCS

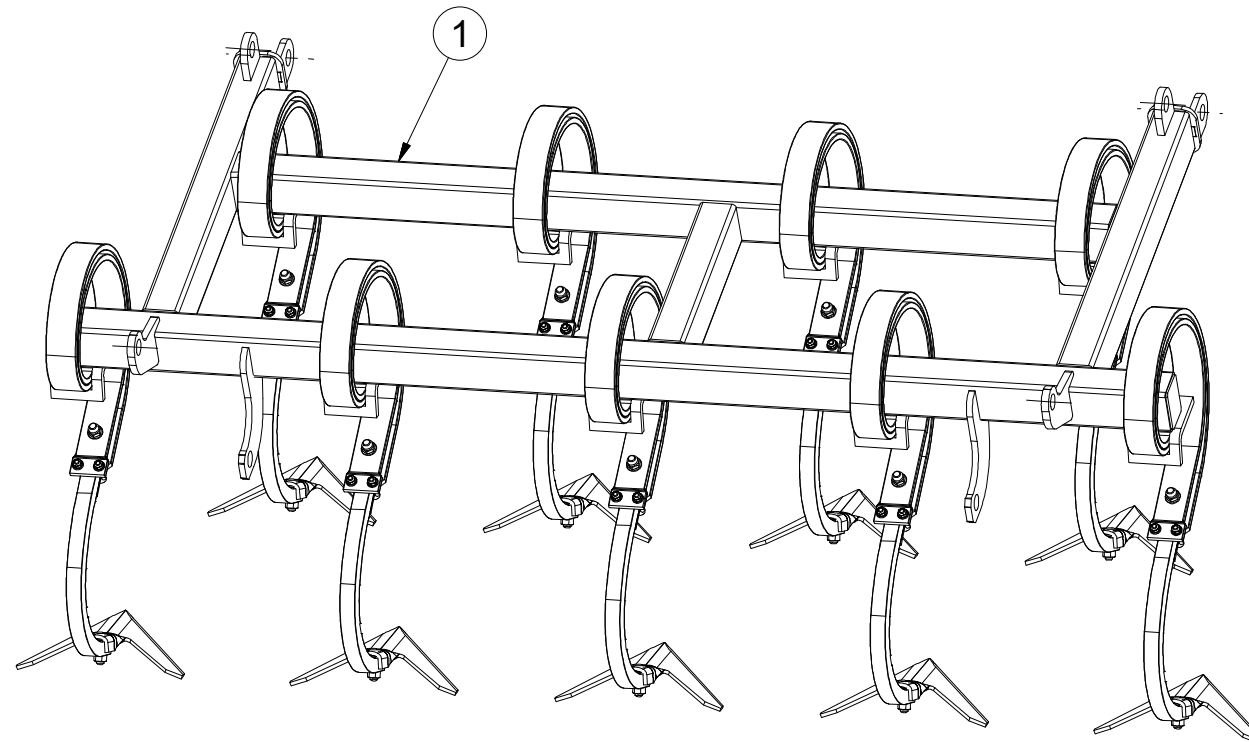
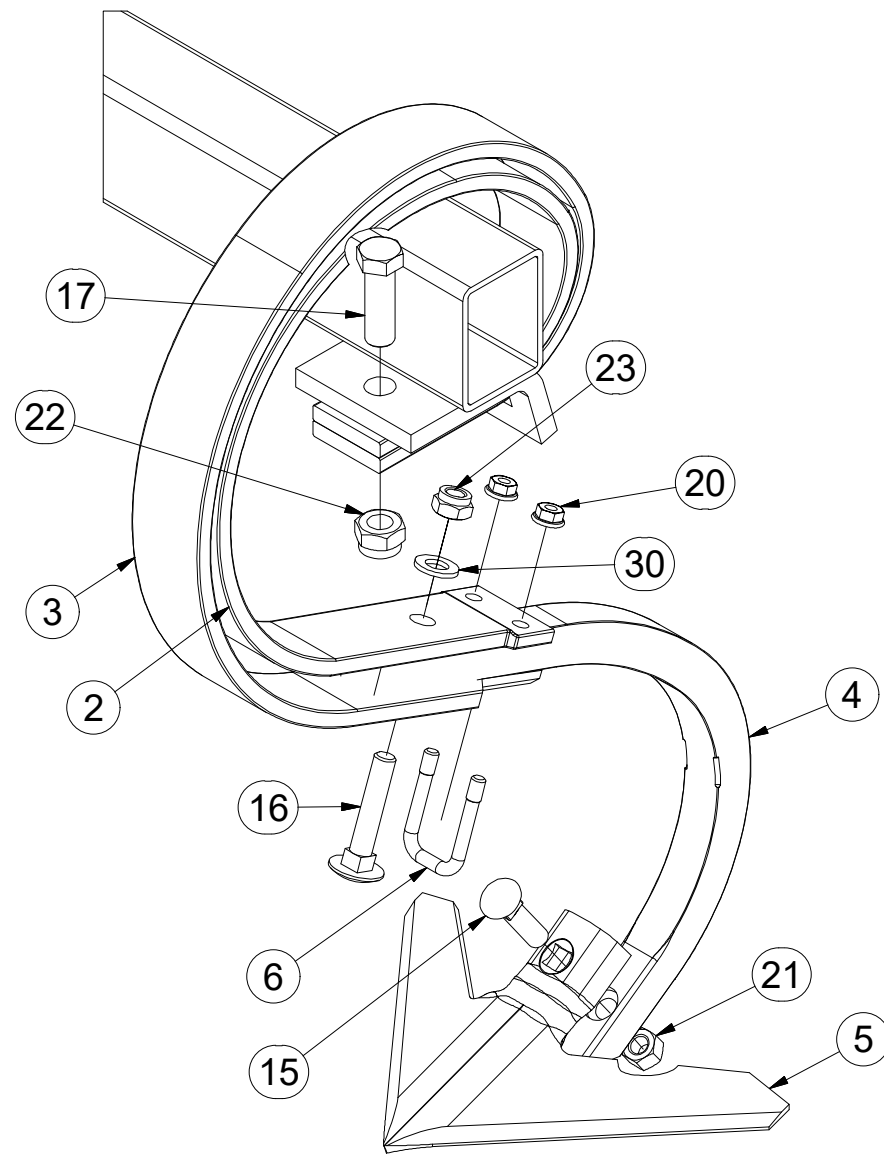
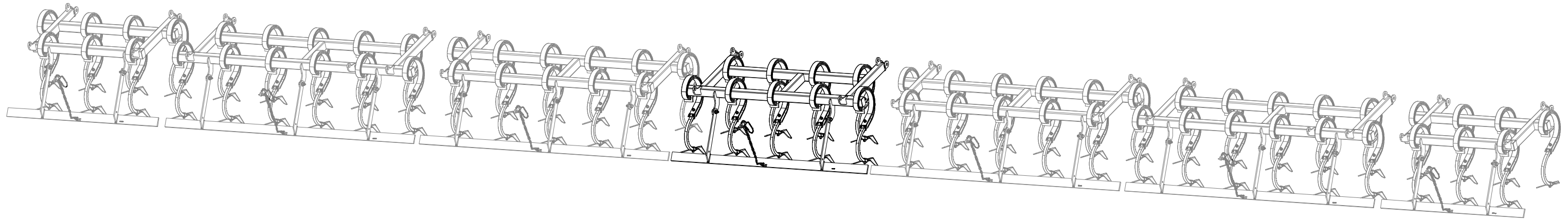
Ⓖ SET OF PLOUGHSHARES

Ⓡ КОМПЛЕКТ ЛАП

Ⓢ ZESTAW REDLIC



3002834



Pos.	Part Number	Pcs.
1	2000363	1
2	3000300	9
3	3000301	9
4	3002818	9
5	3000236-KOO	9
6	m09995	9
15	m10440	9
16	m11600	9
17	m04355	9
20	m06156	18
21	m10439	9
22	m03683	9
23	m04301	9
30	m01214	9

Ⓒ SADA RADLIC

Ⓓ SCHARSATZ

Ⓕ KIT DE SOCS

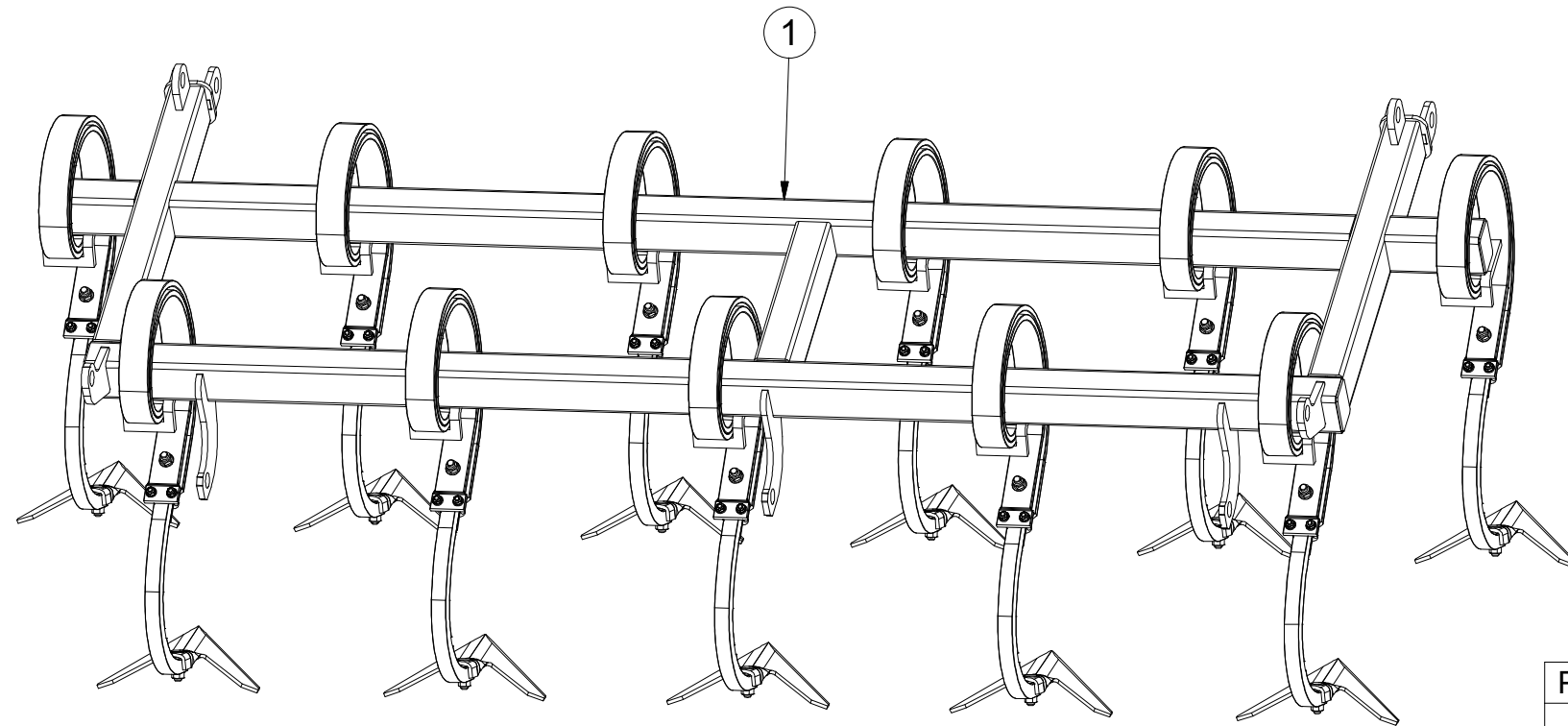
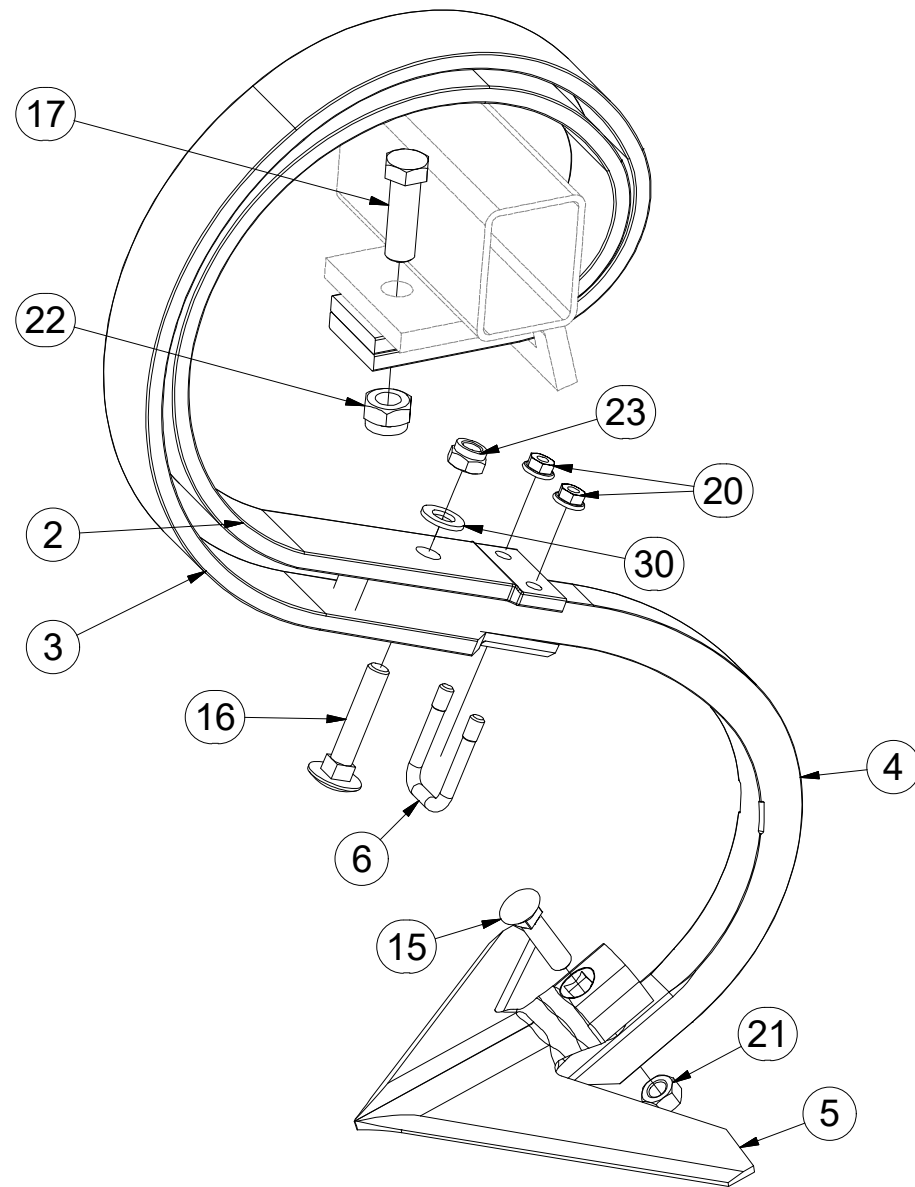
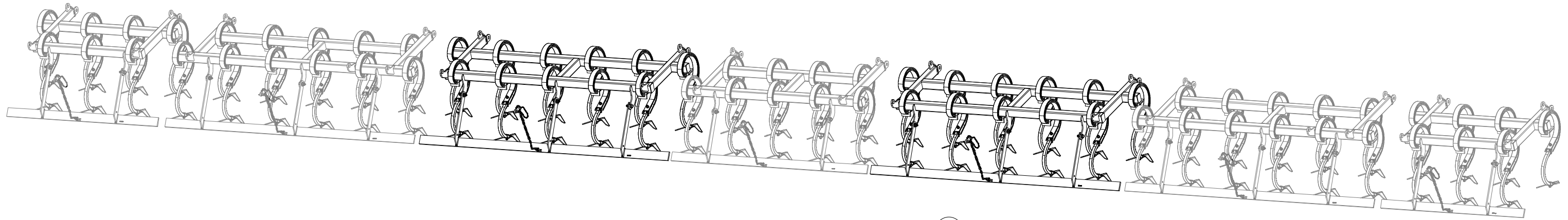
Ⓖ SET OF PLOUGHSHARES

Ⓡ КОМПЛЕКТ ЛАП

Ⓢ ZESTAW REDLIC



3002992



Pos.	Part Number	Pcs.
1	2000371	1
2	3000300	11
3	3000301	11
4	3002818	11
5	3000236-KOO	11
6	m09995	11
15	m10440	11
16	m11600	11
17	m04355	11
20	m06156	22
21	m10439	11
22	m03683	11
23	m04301	11
30	m01214	11

Ⓒ SADA RADLIC

Ⓓ SCHARSATZ

Ⓕ KIT DE SOCS

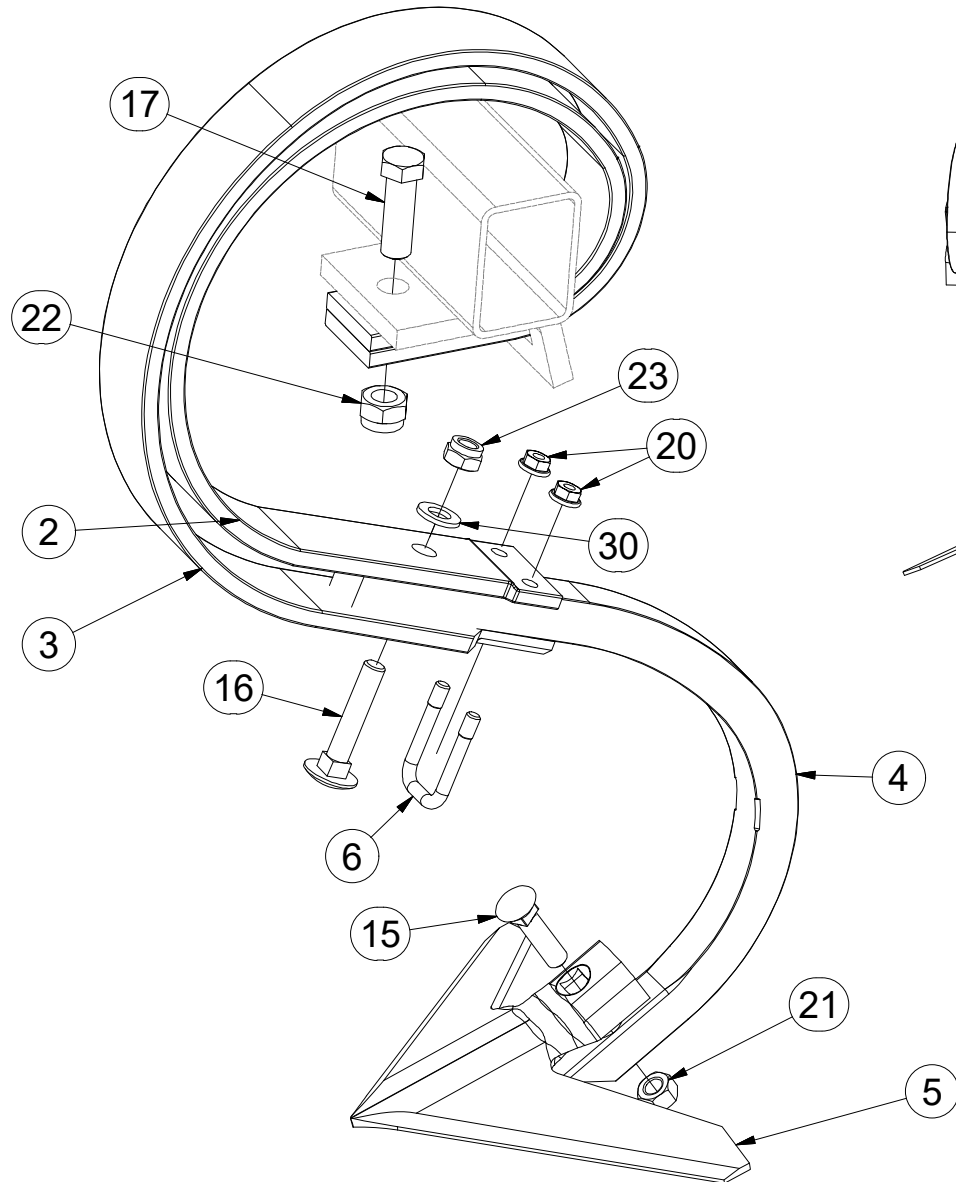
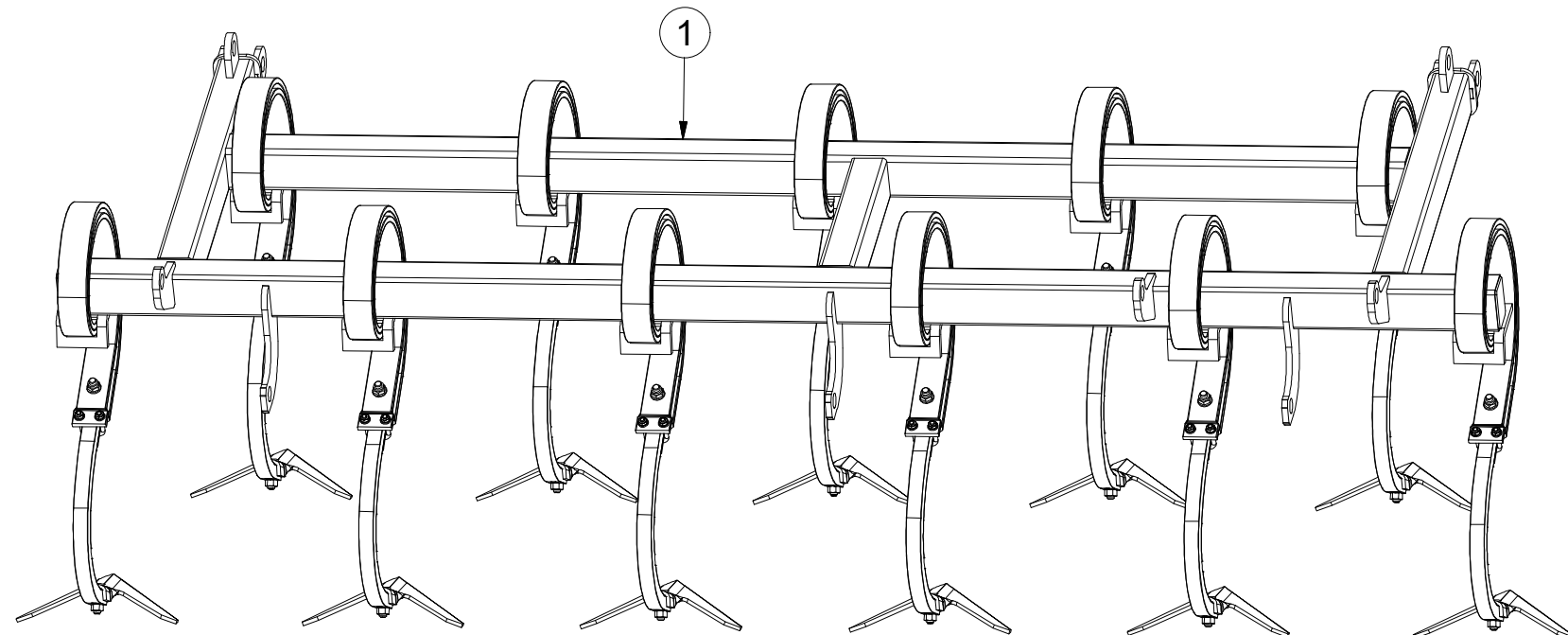
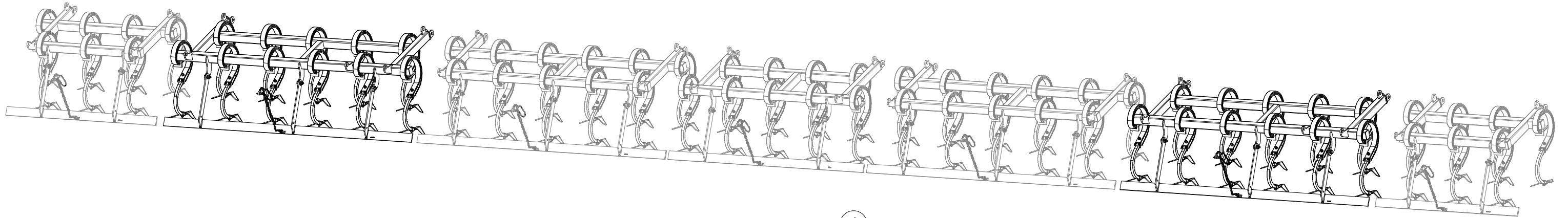
Ⓖ SET OF PLOUGHSHARES

Ⓡ КОМПЛЕКТ ЛАП

Ⓟ ZESTAW REDLIC



3002993



Pos.	Part Number	Pcs.
1	2000380	1
2	3000300	11
3	3000301	11
4	3002818	11
5	3000236-KOO	11
6	m09995	11
15	m10440	11
16	m11600	11
17	m04355	11
20	m06156	22
21	m10439	11
22	m03683	11
23	m04301	11
30	m01214	11

Ⓒ SADA RADLIC

Ⓓ SCHARSATZ

Ⓕ KIT DE SOCS

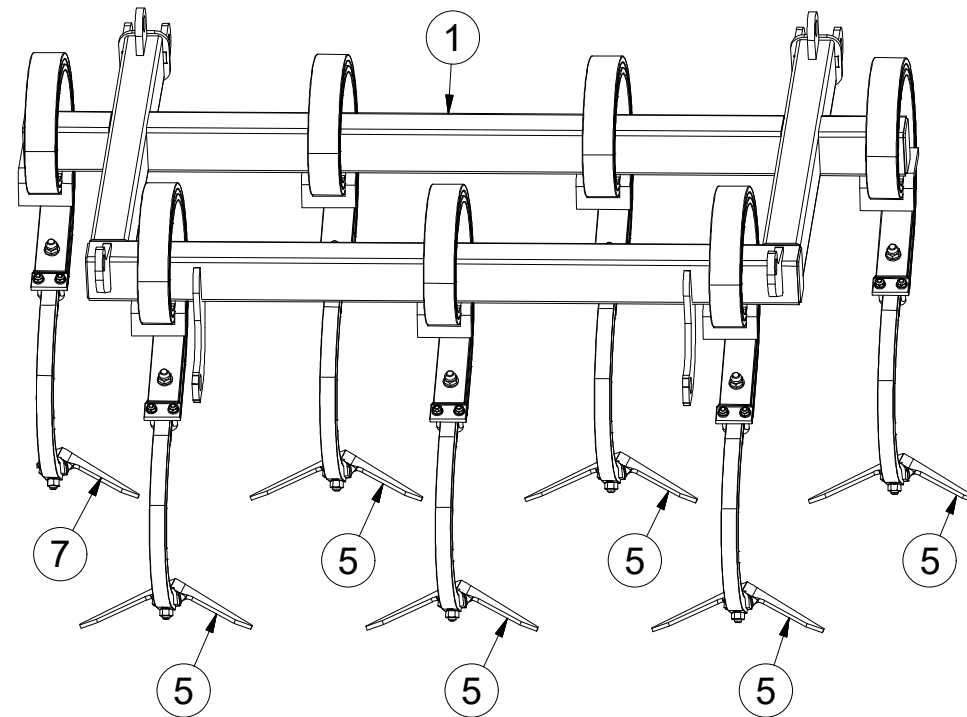
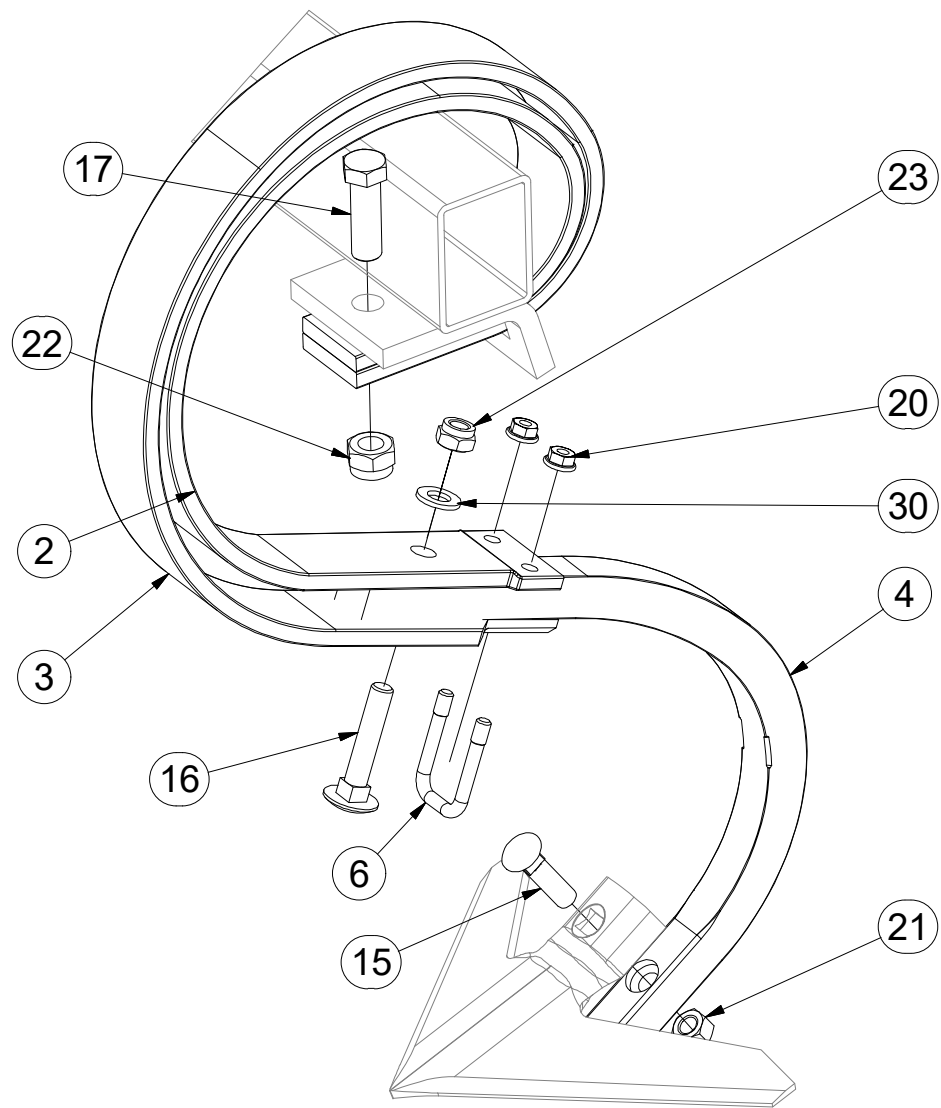
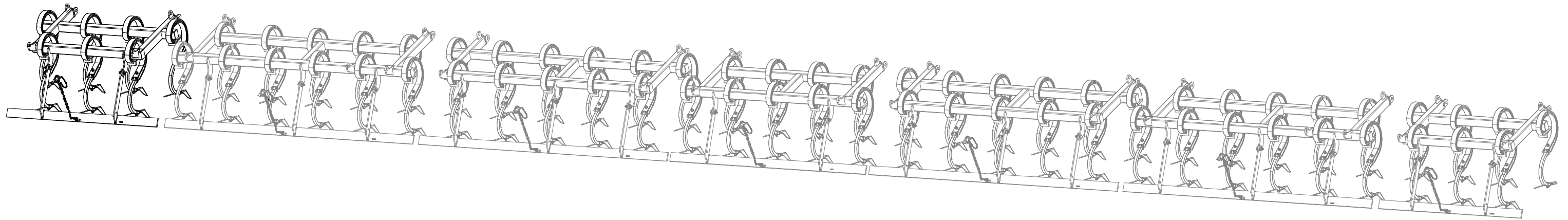
Ⓖ SET OF PLOUGHSHARES

Ⓡ КОМПЛЕКТ ЛАП

Ⓟ ZESTAW REDLIC



3007747



Pos.	Part Number	Pcs.
1	3002869	1
2	3000300	7
3	3000301	7
4	3002818	7
5	3000236-KOO	6
6	m09995	7
7	4007280	1
15	m10440	7
16	m11600	7
17	m04355	7
20	m06156	14
21	m10439	7
22	m03683	7
23	m04301	7
30	m01214	7

Ⓒ SADA RADLIC

Ⓓ SCHARSATZ

Ⓕ KIT DE SOCS

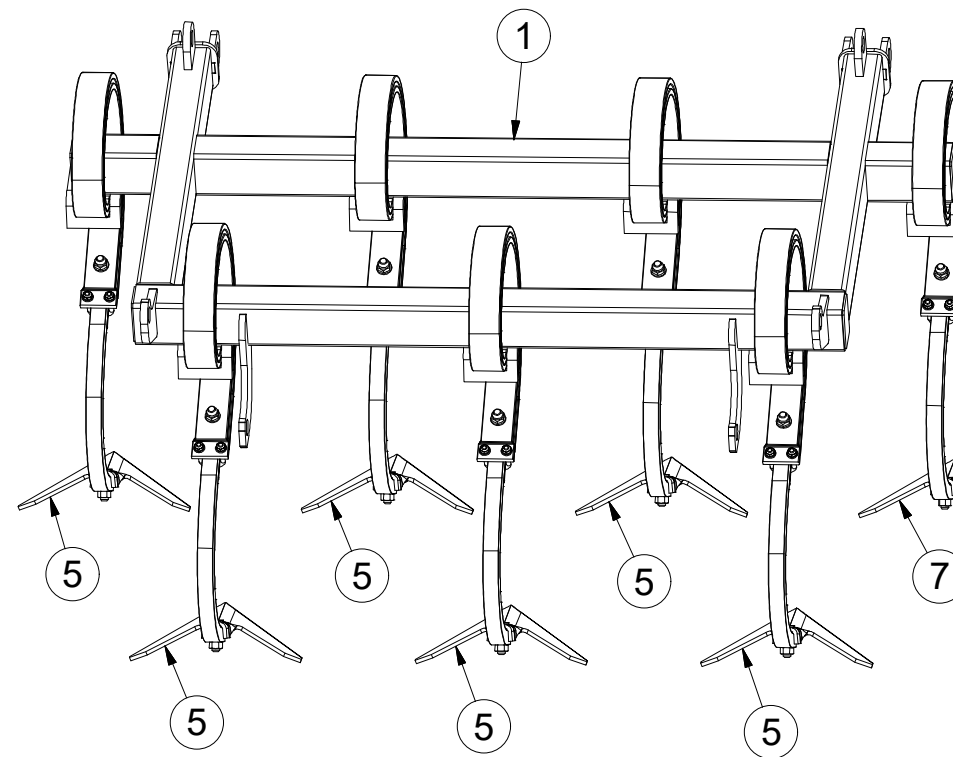
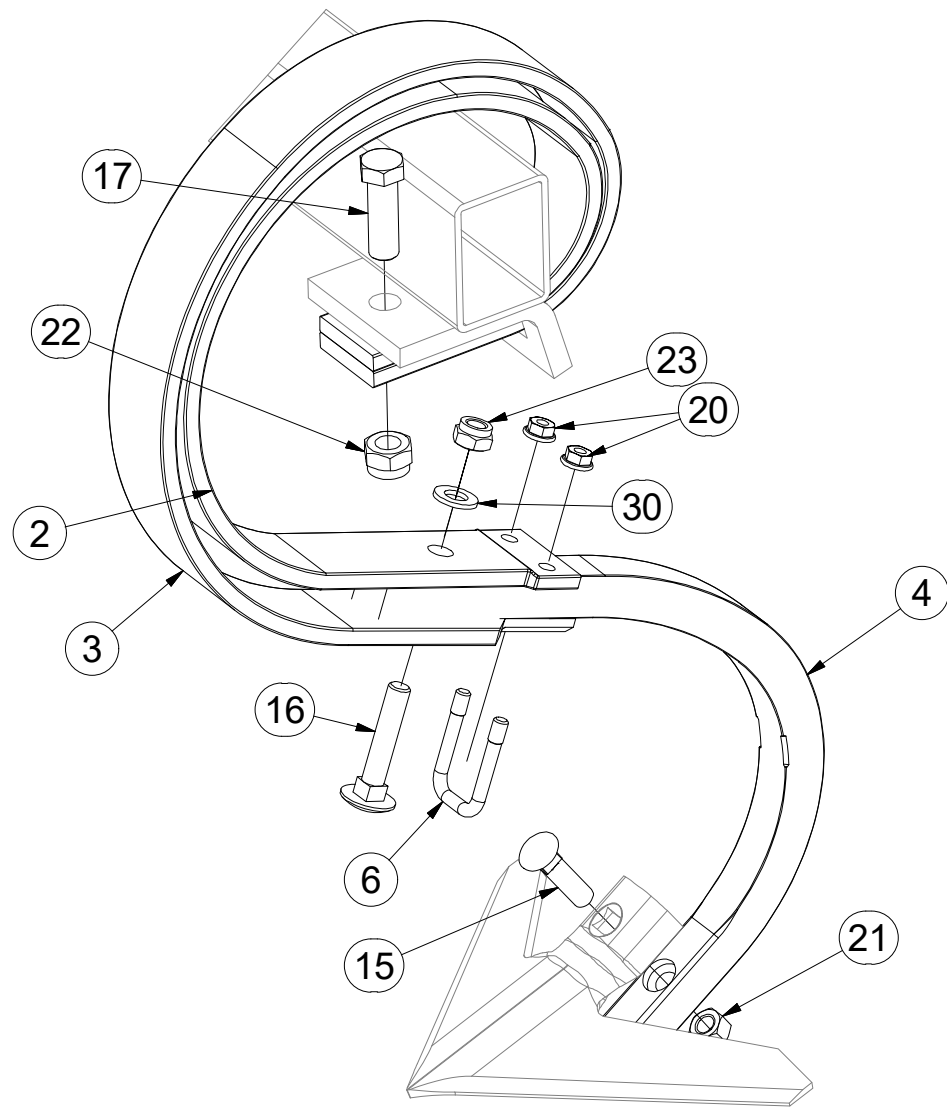
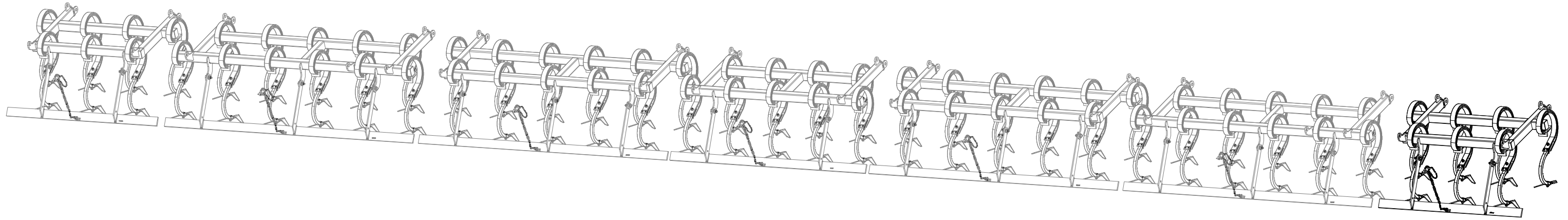
Ⓖ SET OF PLOUGHSHARES

Ⓡ КОМПЛЕКТ ЛАП

Ⓟ ZESTAW REDLIC



3007748



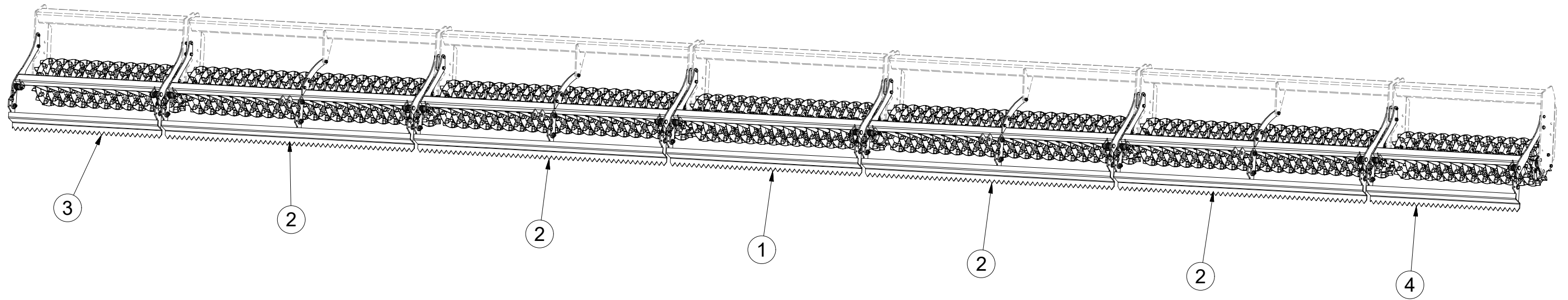
Pos.	Part Number	Pcs.
1	3002869	1
2	3000300	7
3	3000301	7
4	3002818	7
5	3000236-KOO	6
6	m09995	7
7	4007281	1
15	m10440	7
16	m11600	7
17	m04355	7
20	m06156	14
21	m10439	7
22	m03683	7
23	m04301	7
30	m01214	7

ⒸZ SADA ZADNÍCH VÁLCŮ
Ⓓ SATZ HINTERE WALZEN
Ⓕ KIT DE ROULEAUX ARRIÈRE

ⒼB SET OF REAR ROLLERS
ⒺU КОМПЛЕКТ ЗАДНИХ КАТКОВ
ⒼL ZESTAW TYLNYCH WAŁÓW



3008678



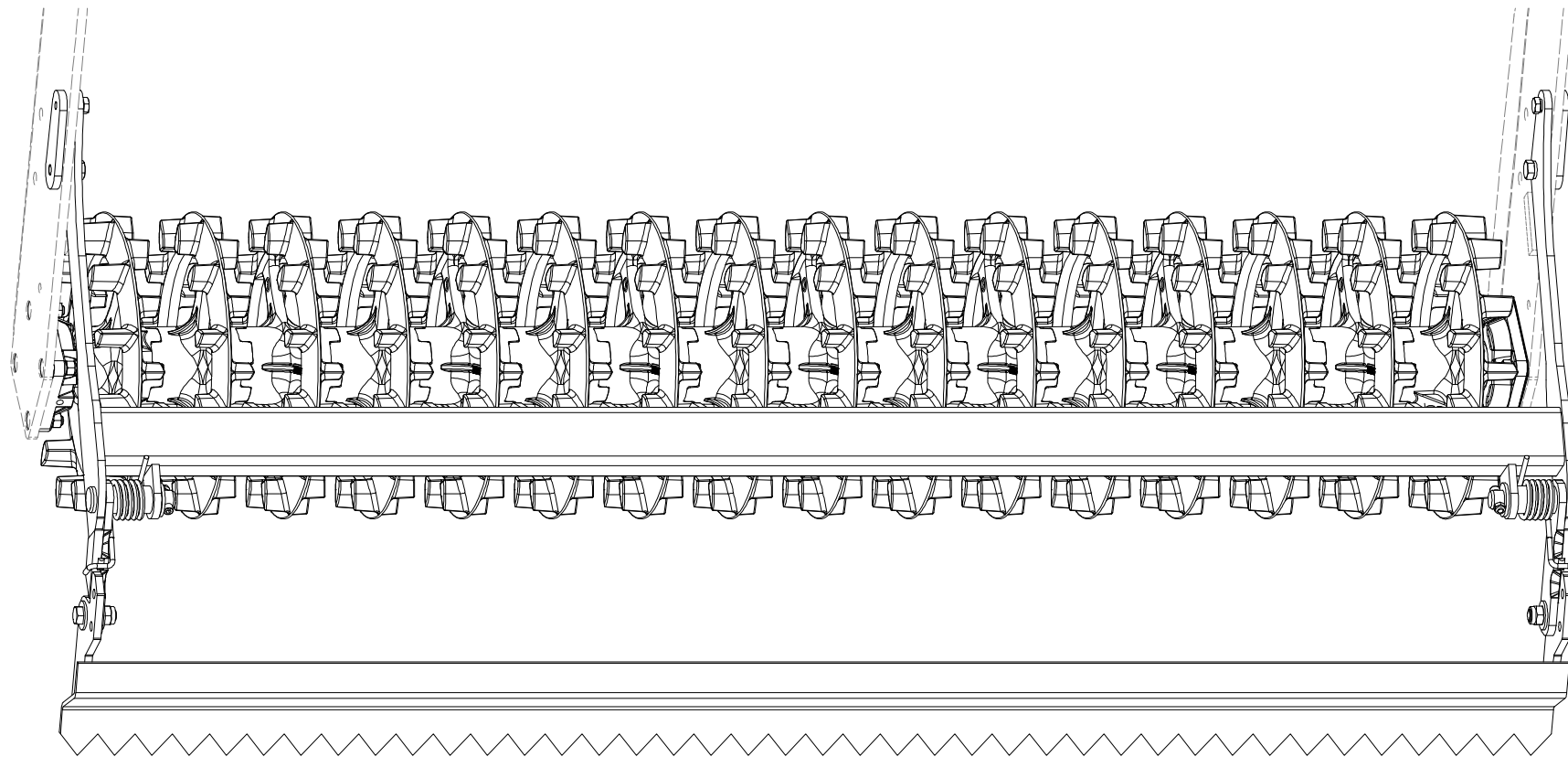
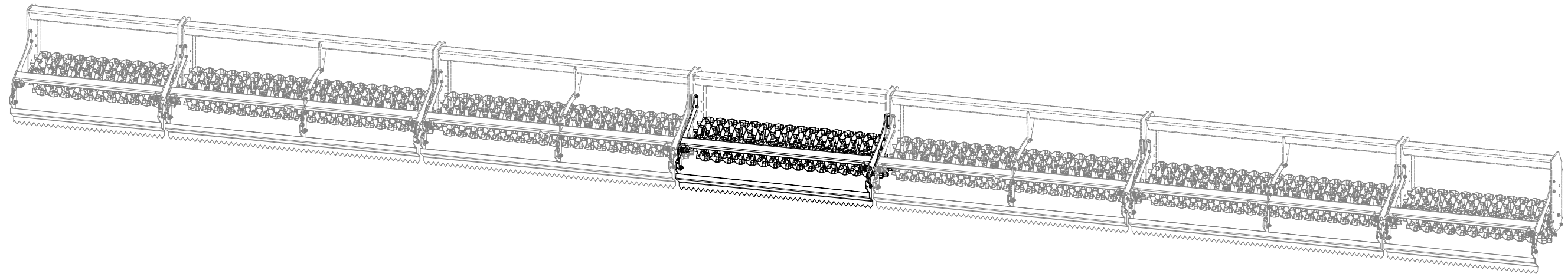
Pos.	Part Number	Pcs.
1	3008740	1
2	3008741	4
3	3008744	1
4	3008745	1

- Ⓒ SADA ZADNÍCH VÁLCŮ
- Ⓓ SATZ HINTERE WALZEN
- Ⓕ KIT DE ROULEAUX ARRIÈRE

3008740

- Ⓖ SET OF REAR ROLLERS
- Ⓡ КОМПЛЕКТ ЗАДНИХ КАТКОВ
- Ⓟ ZESTAW TYLNYCH WAŁÓW

Farmet

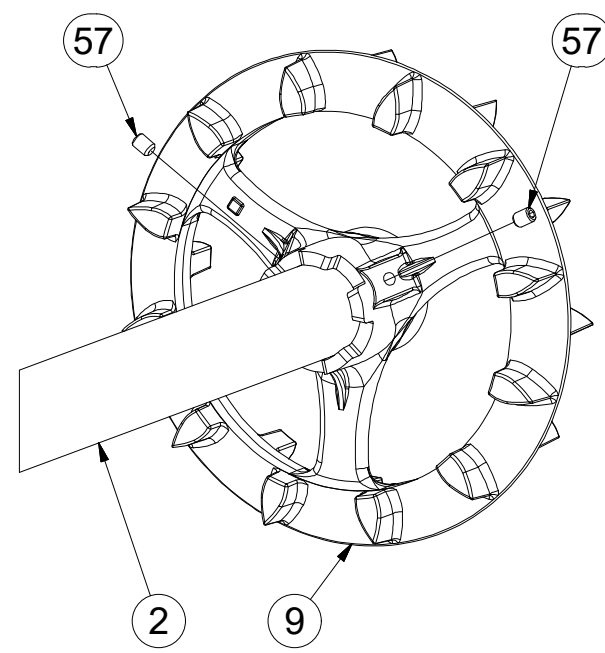
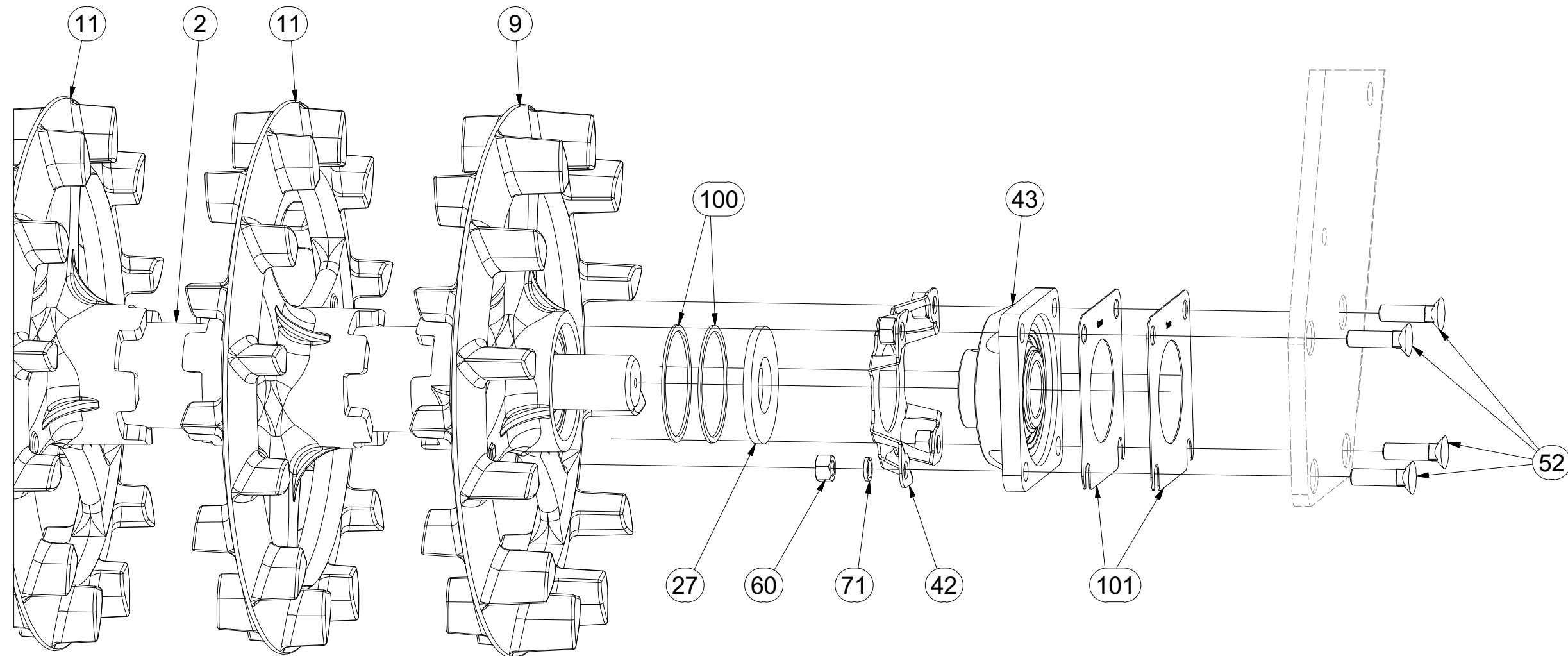


CZ SADA ZADNÍCH VÁLCŮ
 D SATZ HINTERE WALZEN
 F KIT DE ROULEAUX ARRIÈRE

GB SET OF REAR ROLLERS
 RU КОМПЛЕКТ ЗАДНИХ КАТКОВ
 PL ZESTAW TYLNYCH WAŁÓW



3008740



M10 (8.8) - 50Nm
M12 (8.8) - 87Nm

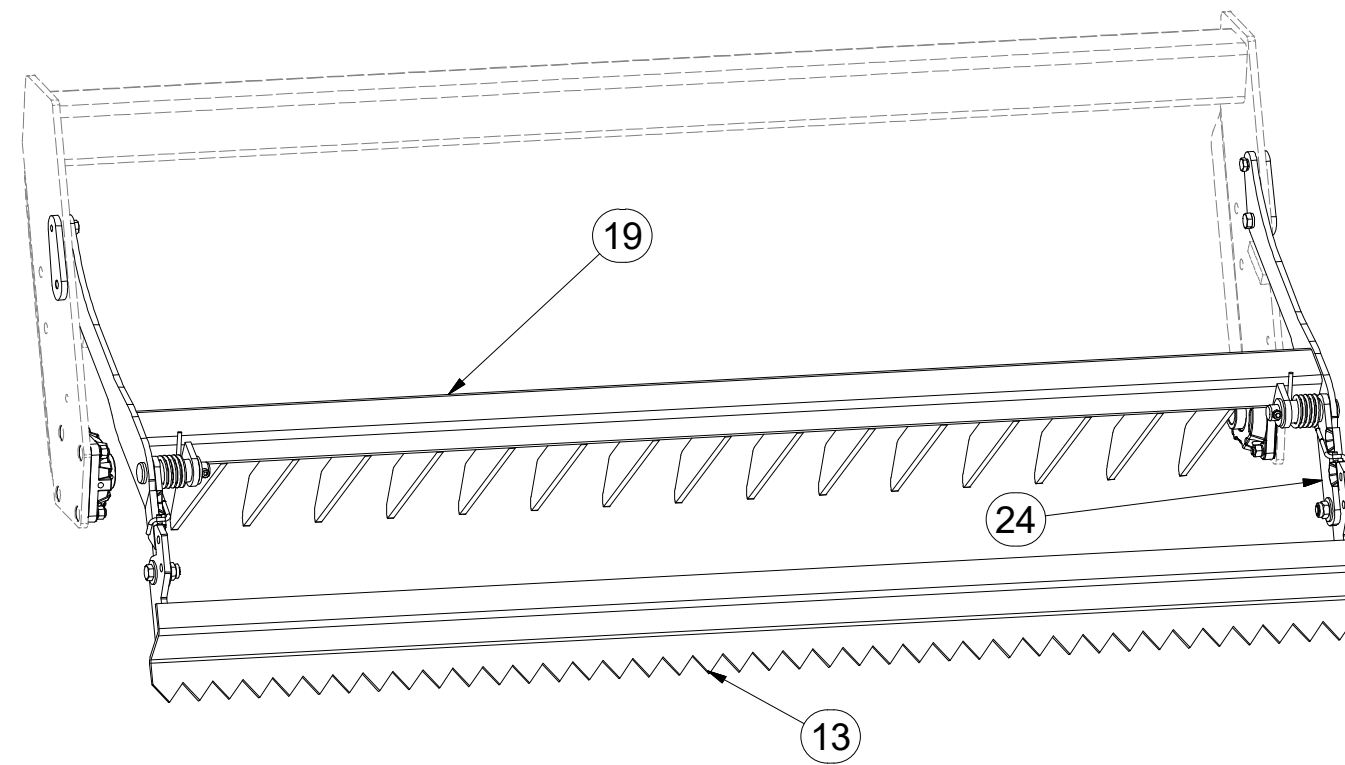
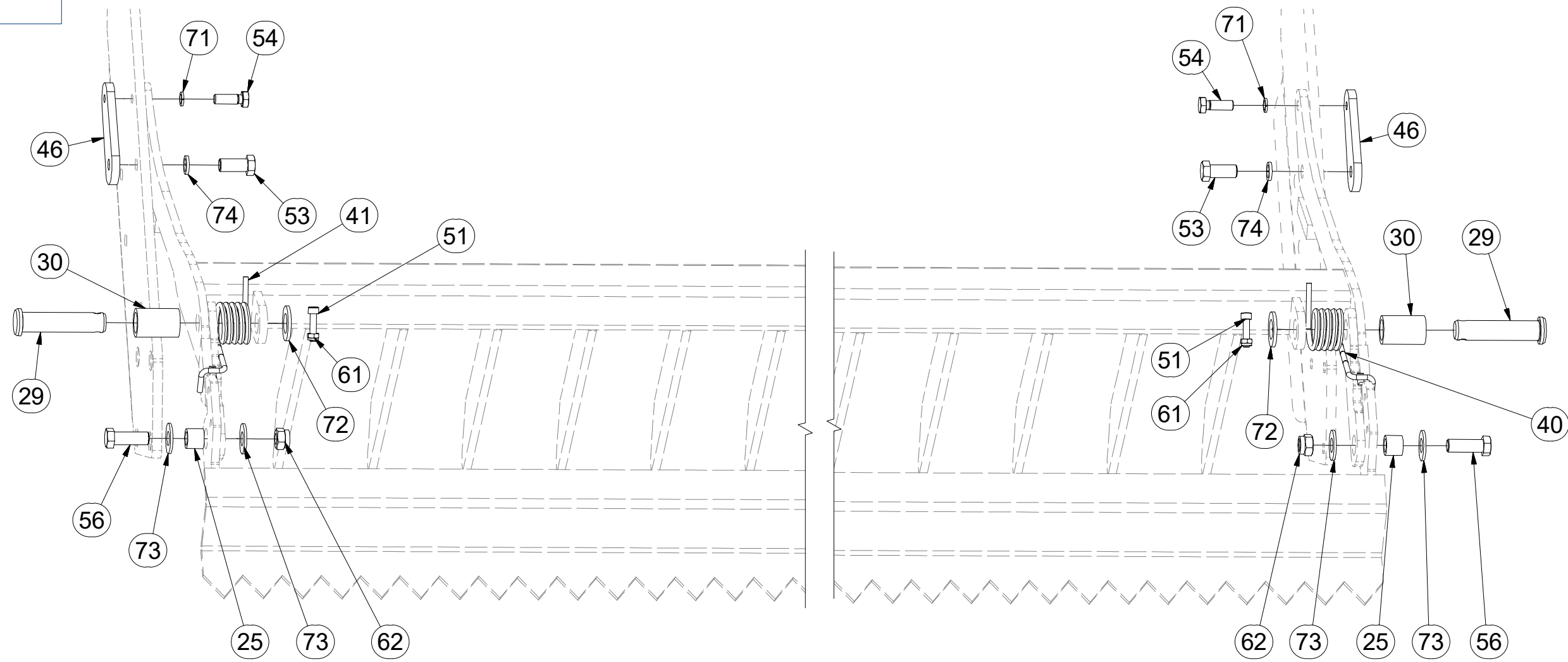
Pos.	Part Number	Pcs.
2	3001805	1
9	4009333	2
11	9002944	14
27	4016995	2
42	4014034	2
43	m15625	2
52	m03519	8
57	m13958	4
60	m01305	8
71	m03988	10
100	4010015	4
101	4016809	4

CZ SADA ZADNÍCH VÁLČŮ
 D SATZ HINTERE WALZEN
 F KIT DE ROULEAUX ARRIÈRE

GB SET OF REAR ROLLERS
 RU КОМПЛЕКТ ЗАДНИХ КАТКОВ
 PL ZESTAW TYLNYCH WAŁÓW



3008740



M8 (8.8) - 25Nm
M12 (8.8) - 87Nm
M16 (8.8) - 210Nm

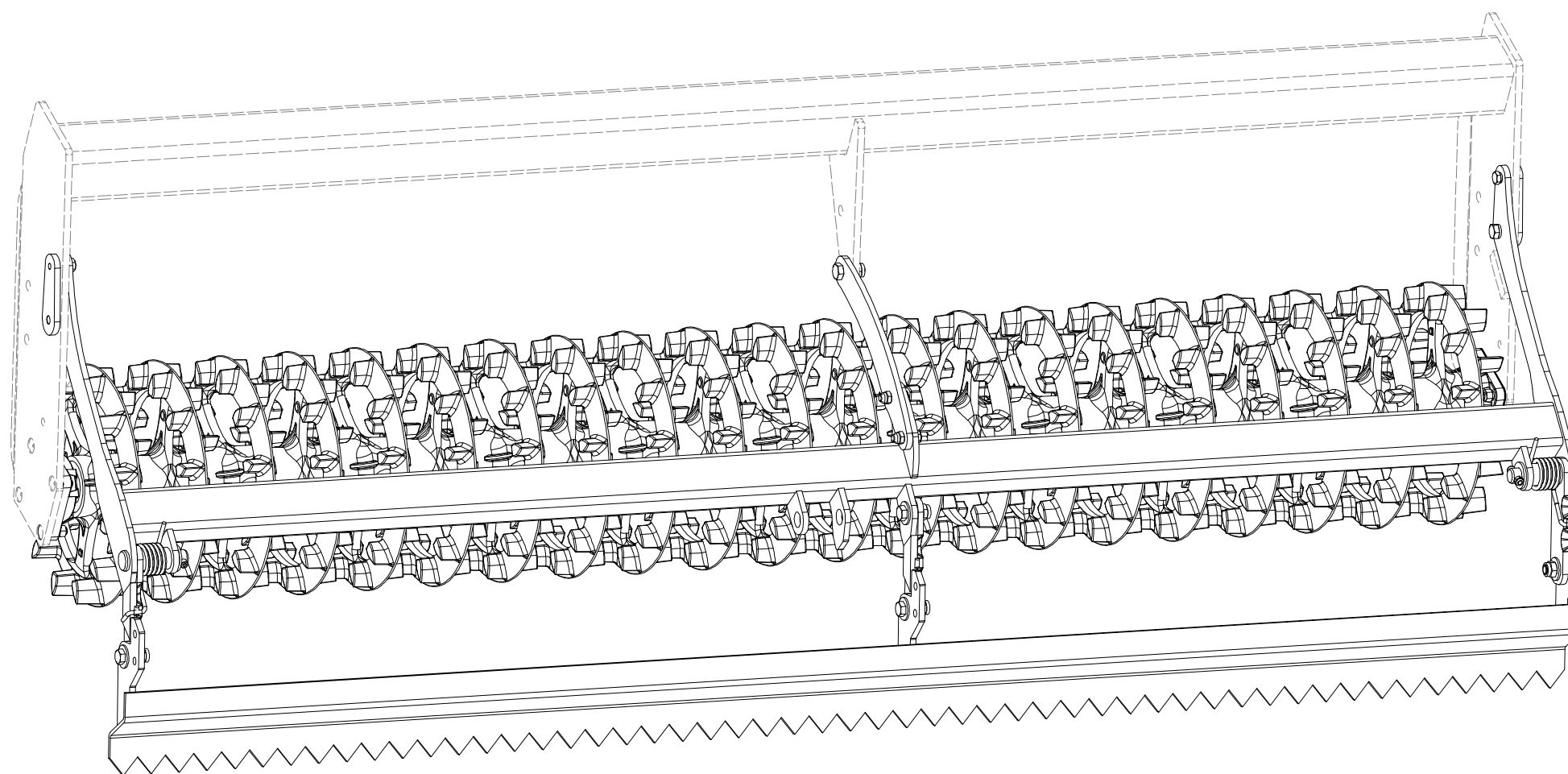
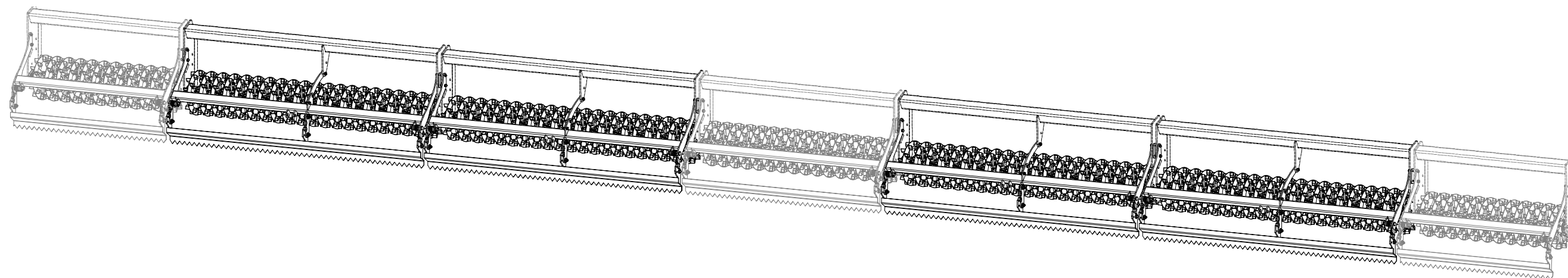
Pos.	Part Number	Pcs.	Pos.	Part Number	Pcs.
13	3001672	1	53	m04240	2
19	3004896	1	54	m04343	2
24	4002269	2	56	m02254	2
25	4004451	2	61	m04503	2
29	4015778	2	62	m03683	2
30	9002979	2	71	m03988	10
40	m12303	1	72	m14028	2
41	m12304	1	73	m05651	4
46	4012019	2	74	m02157	2
51	m09464	2			

- ⒸZ SADA ZADNÍCH VÁLCŮ
- Ⓓ SATZ HINTERE WALZEN
- Ⓕ KIT DE ROULEAUX ARRIÈRE

- ⒼB SET OF REAR ROLLERS
- ⒲U КОМПЛЕКТ ЗАДНИХ КАТКОВ
- ⒼL ZESTAW TYLNYCH WAŁÓW



3008741



Ⓒ SADA ZADNÍCH VÁLCŮ

Ⓓ SATZ HINTERE WALZEN

Ⓕ KIT DE ROULEAUX ARRIÈRE

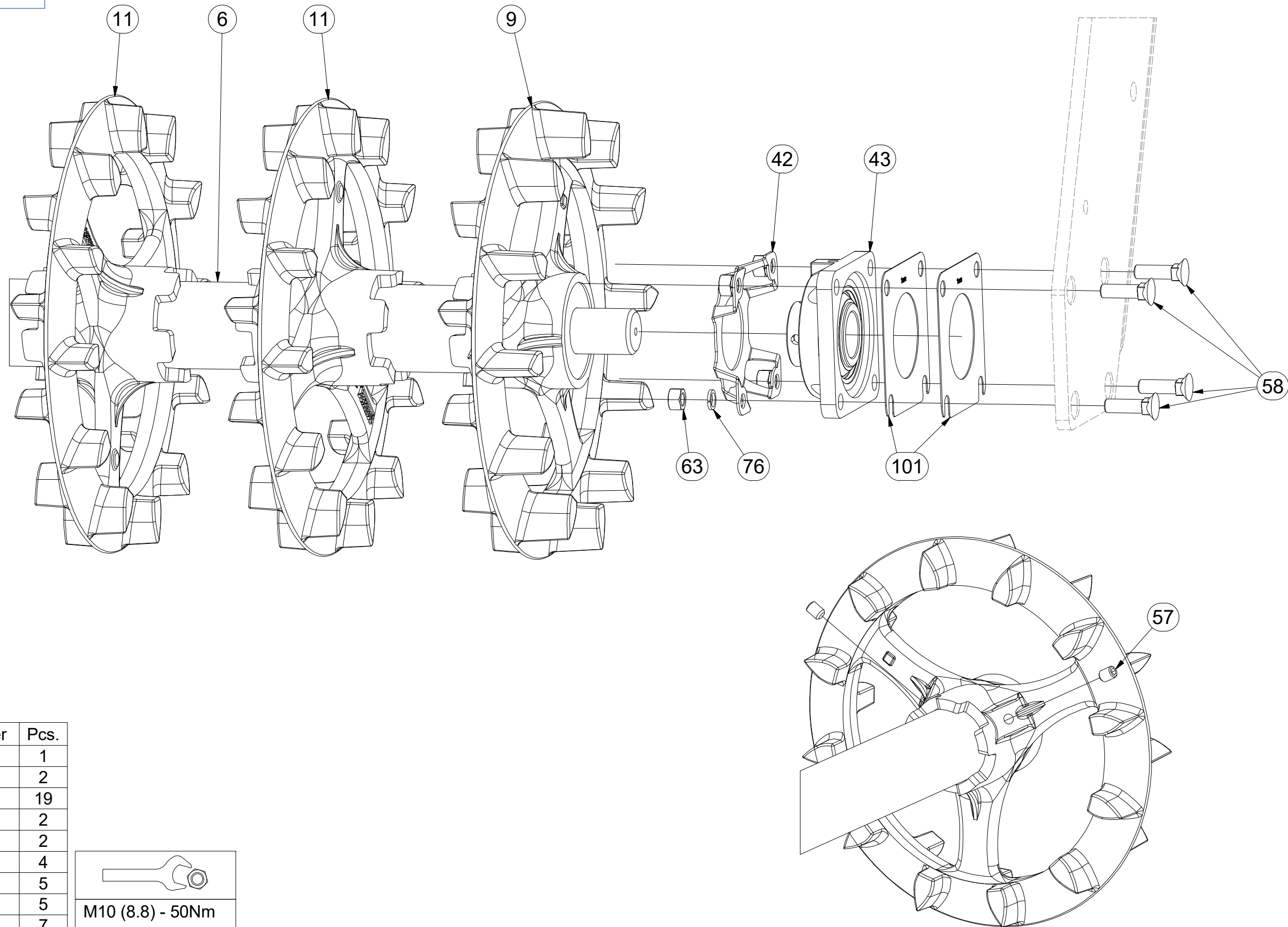
Ⓖ SET OF REAR ROLLERS

Ⓡ КОМПЛЕКТ ЗАДНИХ КАТКОВ

Ⓟ ZESTAW TYLNYCH WAŁÓW



3008741



Pos.	Part Number	Pcs.
6	3000130	1
9	4009333	2
11	9002944	19
42	4014034	2
43	m15625	2
57	m13958	4
58	m03519	5
63	m01305	5
76	m03988	7
101	4016809	4

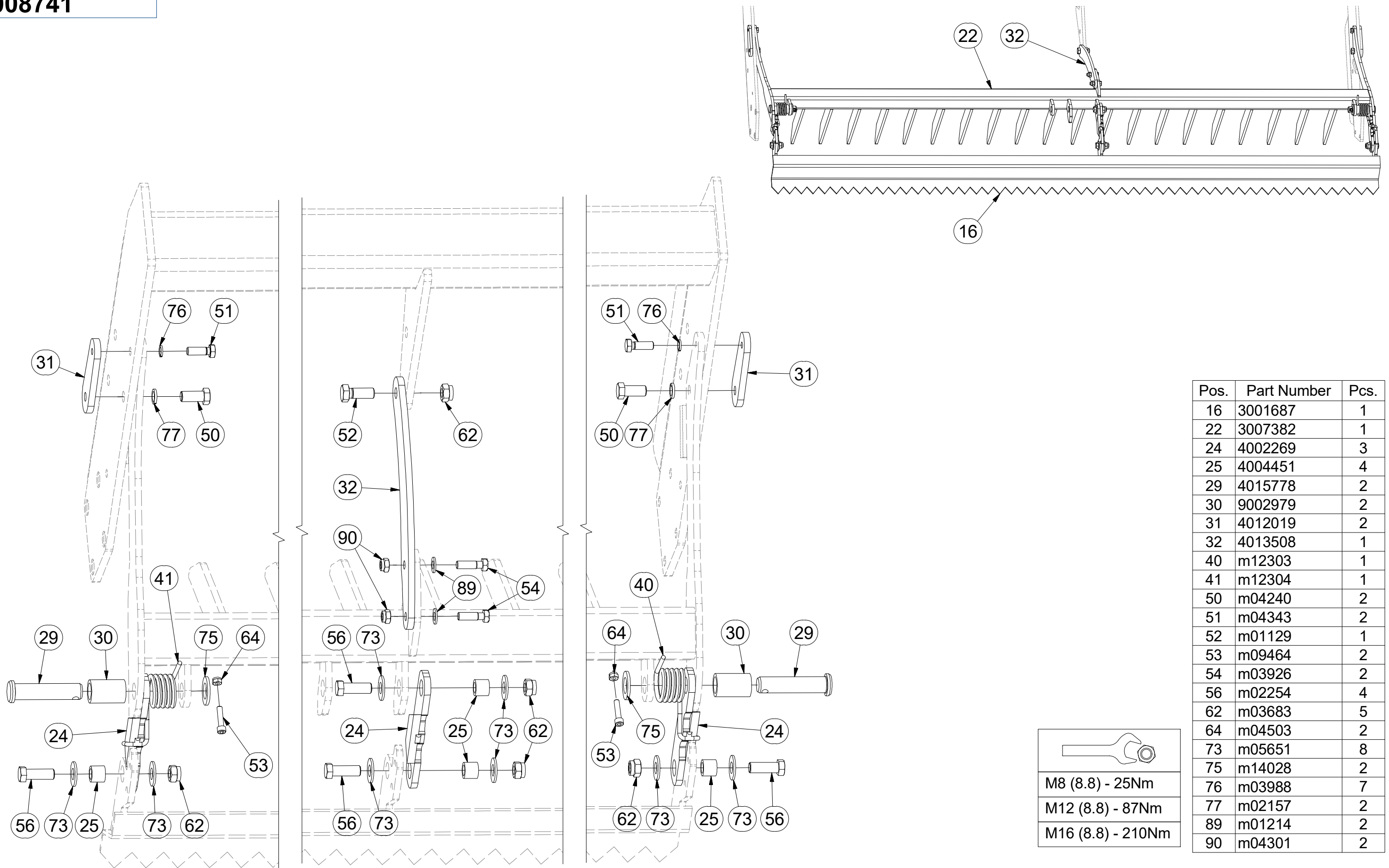
M10 (8.8) - 50Nm
M12 (8.8) - 87Nm

CZ SADA ZADNÍCH VÁLČŮ
 D SATZ HINTERE WALZEN
 F KIT DE ROULEAUX ARRIÈRE

GB SET OF REAR ROLLERS
 RU КОМПЛЕКТ ЗАДНИХ КАТКОВ
 PL ZESTAW TYLNYCH WAŁÓW



3008741



Pos.	Part Number	Pcs.
16	3001687	1
22	3007382	1
24	4002269	3
25	4004451	4
29	4015778	2
30	9002979	2
31	4012019	2
32	4013508	1
40	m12303	1
41	m12304	1
50	m04240	2
51	m04343	2
52	m01129	1
53	m09464	2
54	m03926	2
56	m02254	4
62	m03683	5
64	m04503	2
73	m05651	8
75	m14028	2
76	m03988	7
77	m02157	2
89	m01214	2
90	m04301	2

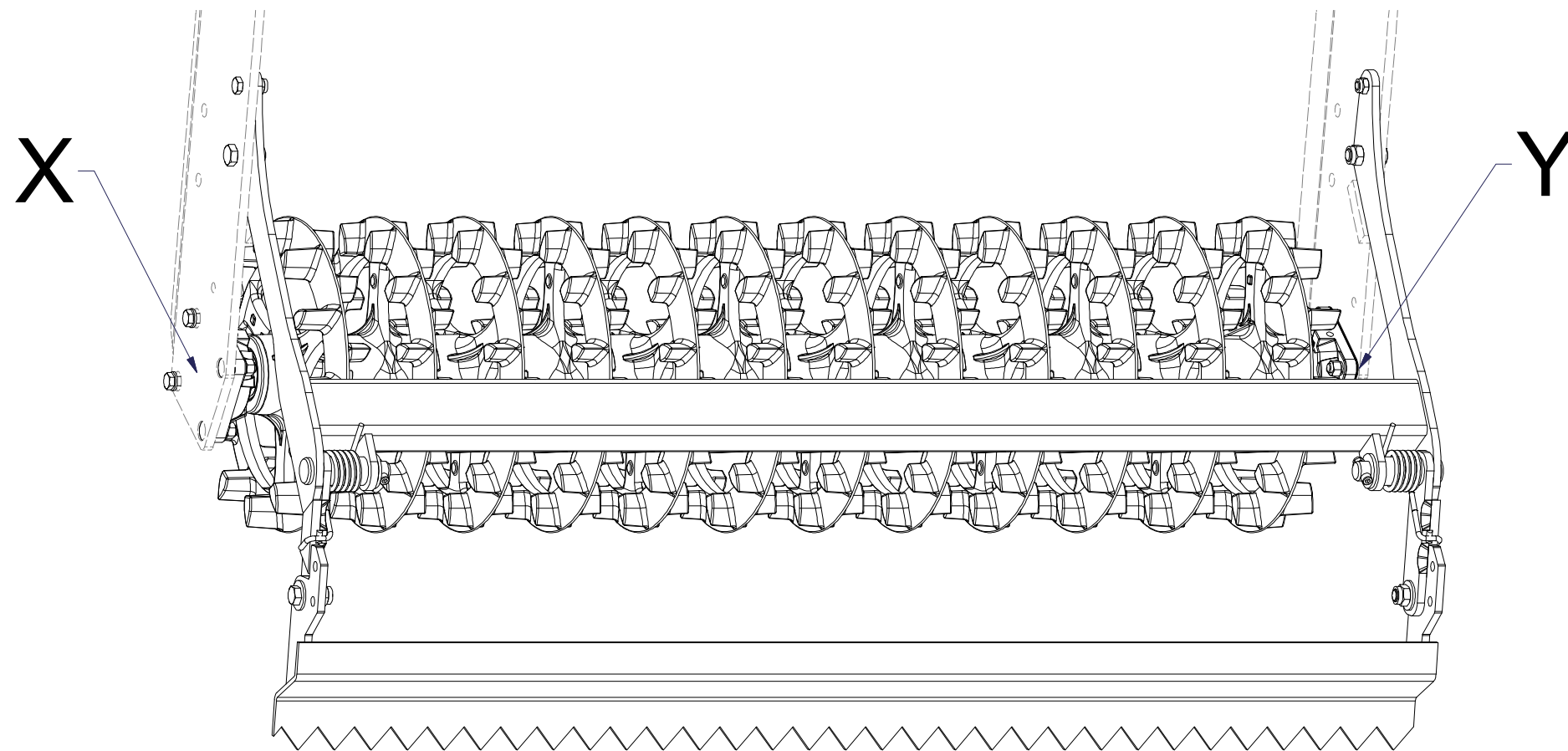
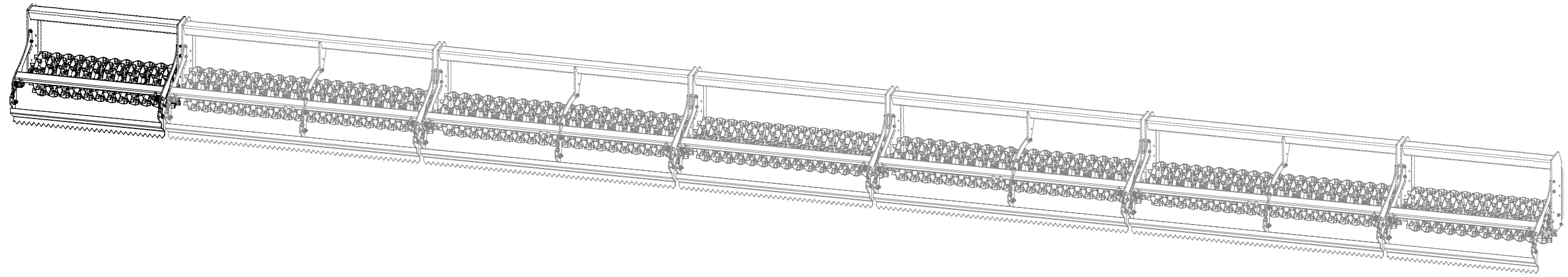
M8 (8.8) - 25Nm
 M12 (8.8) - 87Nm
 M16 (8.8) - 210Nm

- ⒸZ SADA ZADNÍCH VÁLCŮ
- Ⓓ SATZ HINTERE WALZEN
- Ⓕ KIT DE ROULEAUX ARRIÈRE

- ⒸB SET OF REAR ROLLERS
- ⒹU КОМПЛЕКТ ЗАДНИХ КАТКОВ
- ⒸL ZESTAW TYLNYCH WAŁÓW



3008744

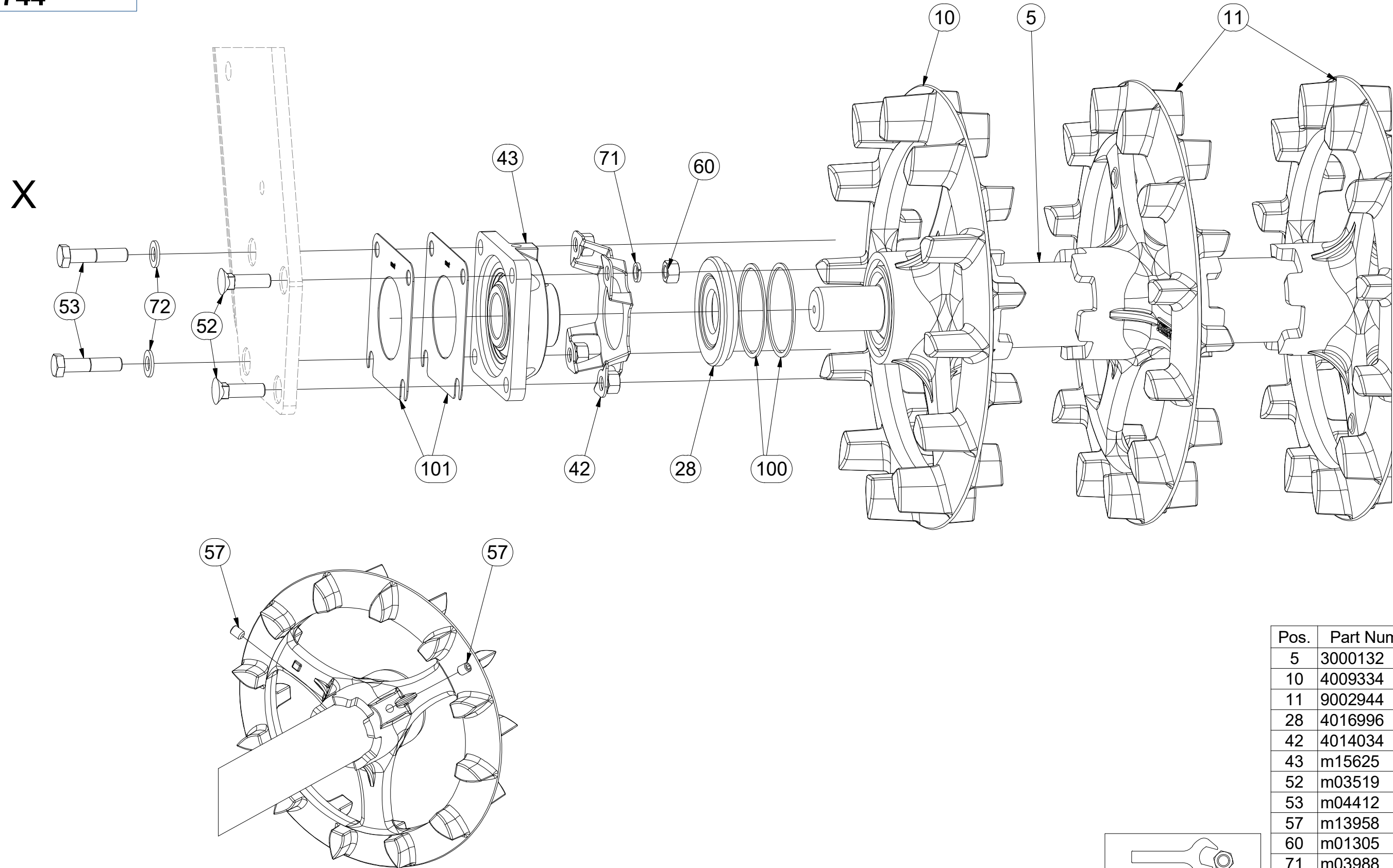


CZ SADA ZADNÍCH VÁLČŮ
 D SATZ HINTERE WALZEN
 F KIT DE ROULEAUX ARRIÈRE

GB SET OF REAR ROLLERS
 RU КОМПЛЕКТ ЗАДНИХ КАТКОВ
 PL ZESTAW TYLNYCH WAŁÓW



3008744



Pos.	Part Number	Pcs.
5	3000132	1
10	4009334	2
11	9002944	10
28	4016996	2
42	4014034	2
43	m15625	2
52	m03519	6
53	m04412	2
57	m13958	4
60	m01305	8
71	m03988	8
72	m01214	2
100	4010015	4
101	4016809	4

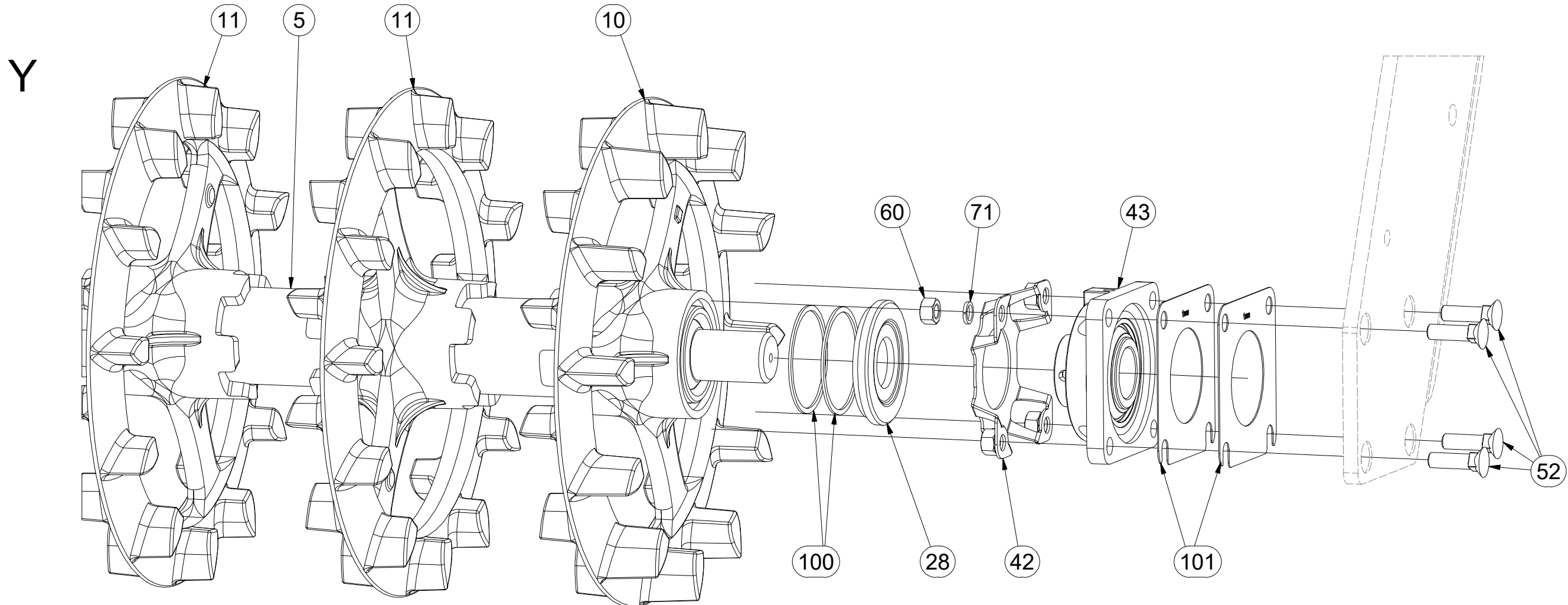
M10 (8.8) - 50Nm
M12 (8.8) - 87Nm

CZ SADA ZADNÍCH VÁLCŮ
 D SATZ HINTERE WALZEN
 F KIT DE ROULEAUX ARRIÈRE

GB SET OF REAR ROLLERS
 RU КОМПЛЕКТ ЗАДНИХ КАТКОВ
 PL ZESTAW TYLNYCH WAŁÓW



3008744



Pos.	Part Number	Pcs.
5	3000132	1
10	4009334	2
11	9002944	10
28	4016996	2
42	4014034	2
43	m15625	2
52	m03519	6
60	m01305	8
71	m03988	8
100	4010015	4
101	4016809	4

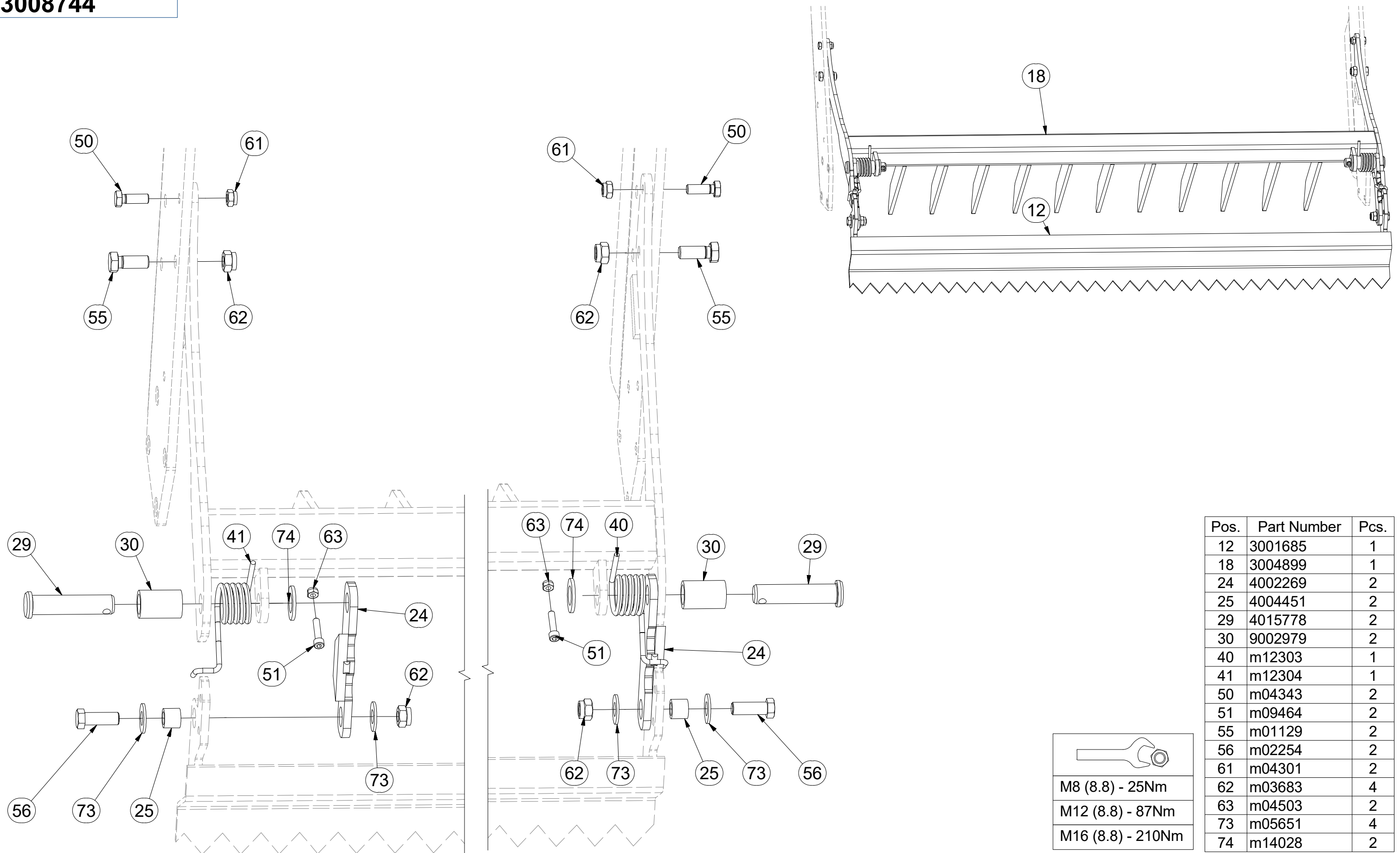
M10 (8.8) - 50Nm
M12 (8.8) - 87Nm

CZ SADA ZADNÍCH VÁLČŮ
 D SATZ HINTERE WALZEN
 F KIT DE ROULEAUX ARRIÈRE

GB SET OF REAR ROLLERS
 RU КОМПЛЕКТ ЗАДНИХ КАТКОВ
 PL ZESTAW TYLNYCH WAŁÓW



3008744



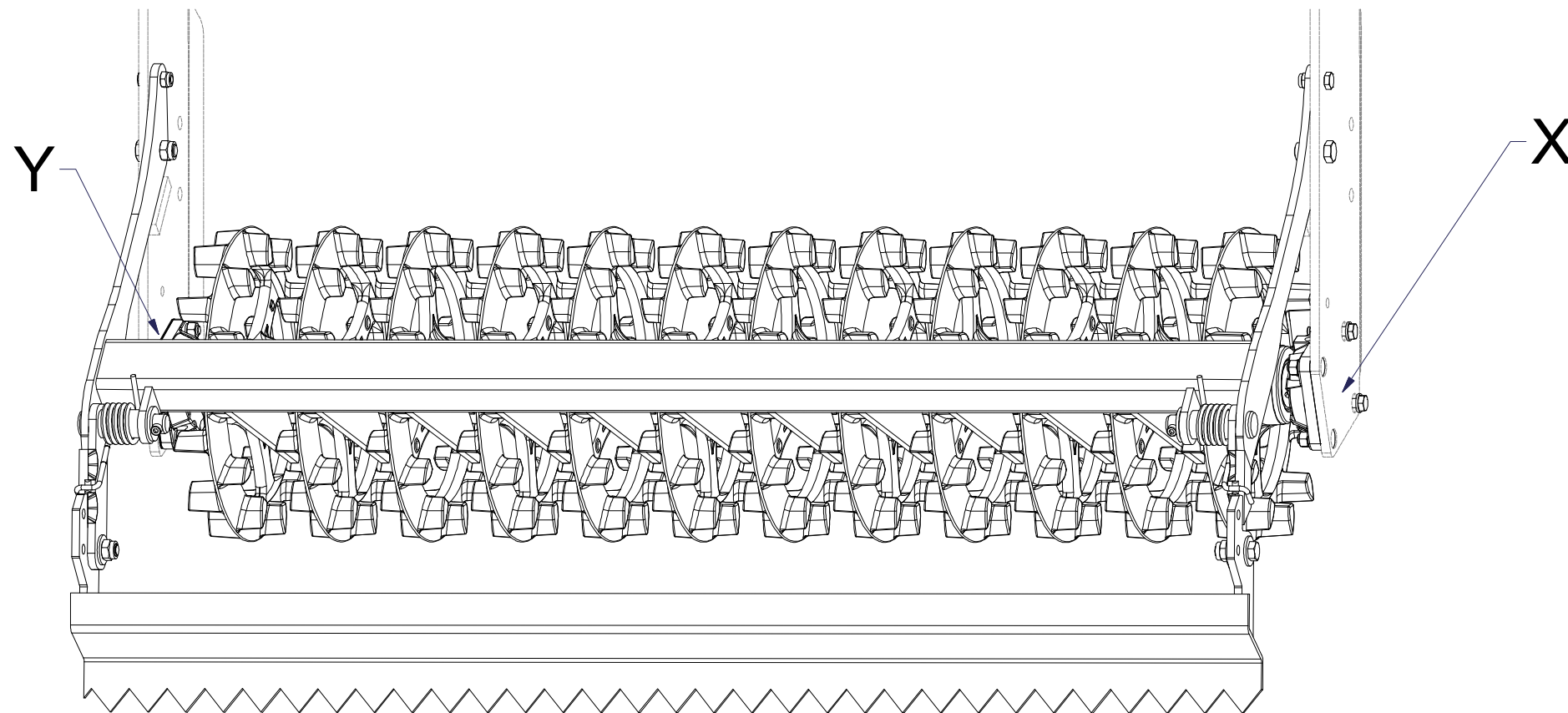
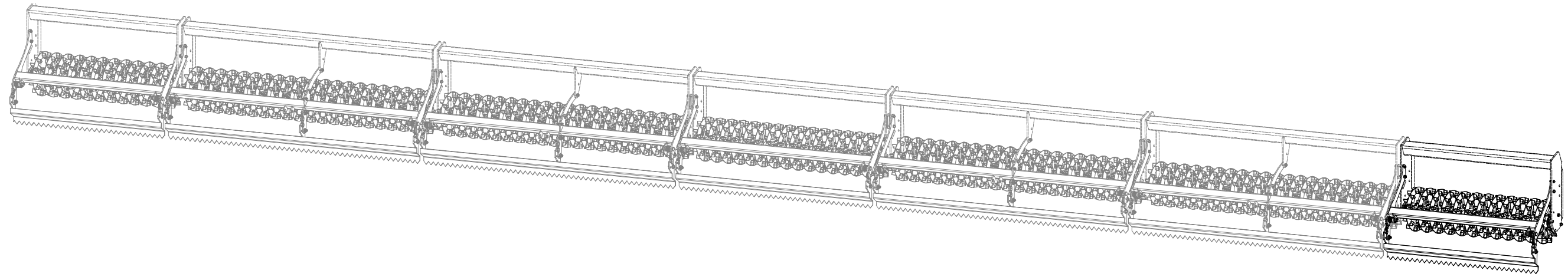
Pos.	Part Number	Pcs.
12	3001685	1
18	3004899	1
24	4002269	2
25	4004451	2
29	4015778	2
30	9002979	2
40	m12303	1
41	m12304	1
50	m04343	2
51	m09464	2
55	m01129	2
56	m02254	2
61	m04301	2
62	m03683	4
63	m04503	2
73	m05651	4
74	m14028	2

- Ⓒ SADA ZADNÍCH VÁLCŮ
- Ⓓ SATZ HINTERE WALZEN
- Ⓕ KIT DE ROULEAUX ARRIÈRE

- Ⓖ SET OF REAR ROLLERS
- Ⓡ КОМПЛЕКТ ЗАДНИХ КАТКОВ
- Ⓟ ZESTAW TYLNYCH WAŁÓW



3008745

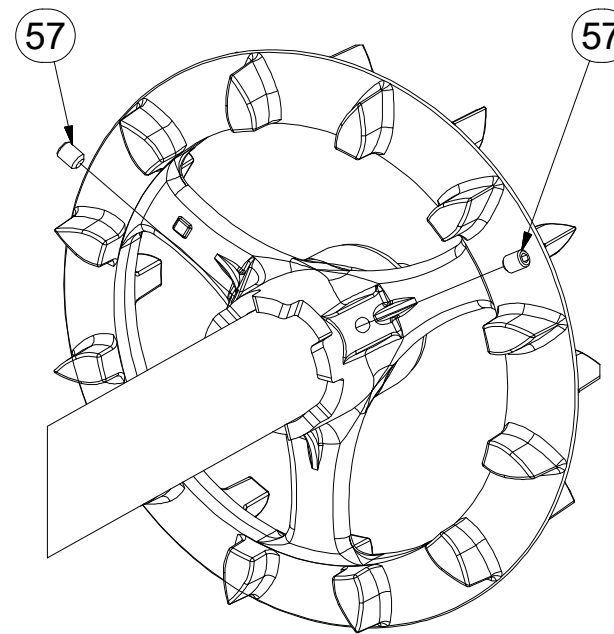
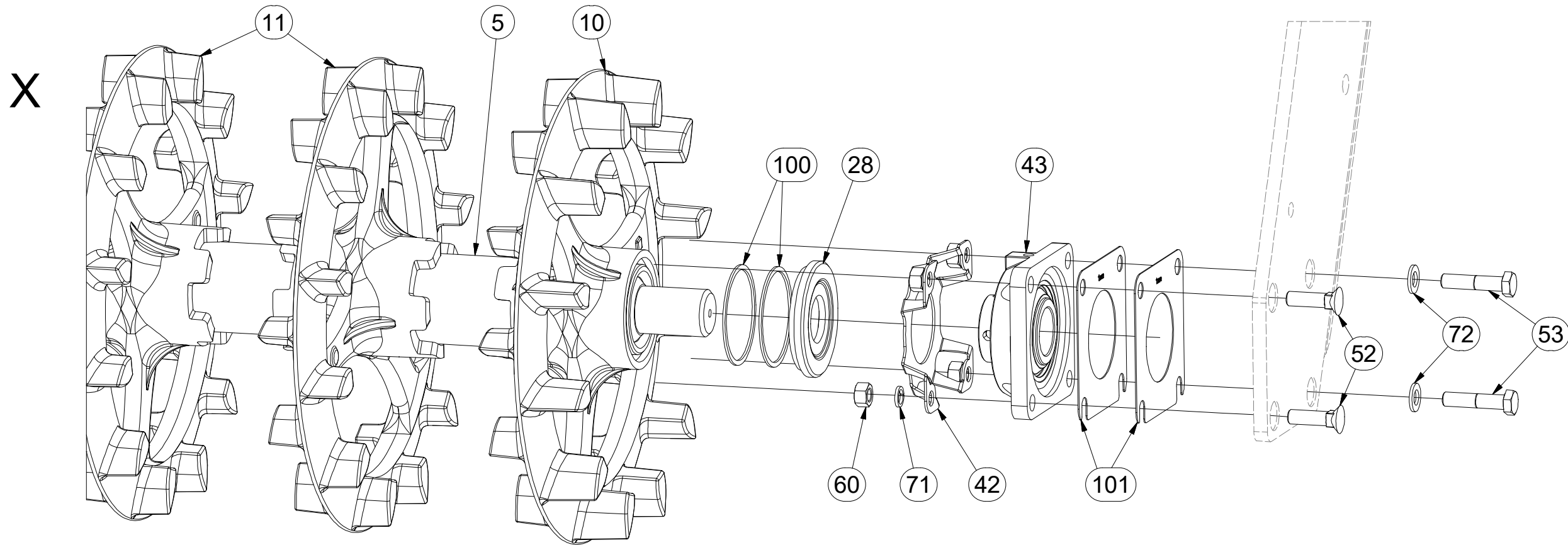


CZ SADA ZADNÍCH VÁLCŮ
 D SATZ HINTERE WALZEN
 F KIT DE ROULEAUX ARRIÈRE

GB SET OF REAR ROLLERS
 RU КОМПЛЕКТ ЗАДНИХ КАТКОВ
 PL ZESTAW TYLNYCH WAŁÓW



3008745



Pos.	Part Number	Pcs.
5	3000132	1
10	4009334	2
11	9002944	10
28	4016996	2
42	4014034	2
43	m15625	2
52	m03519	6
53	m04412	2
57	m13958	4
60	m01305	8
71	m03988	8
72	m01214	2
100	4010015	4
101	4016809	4

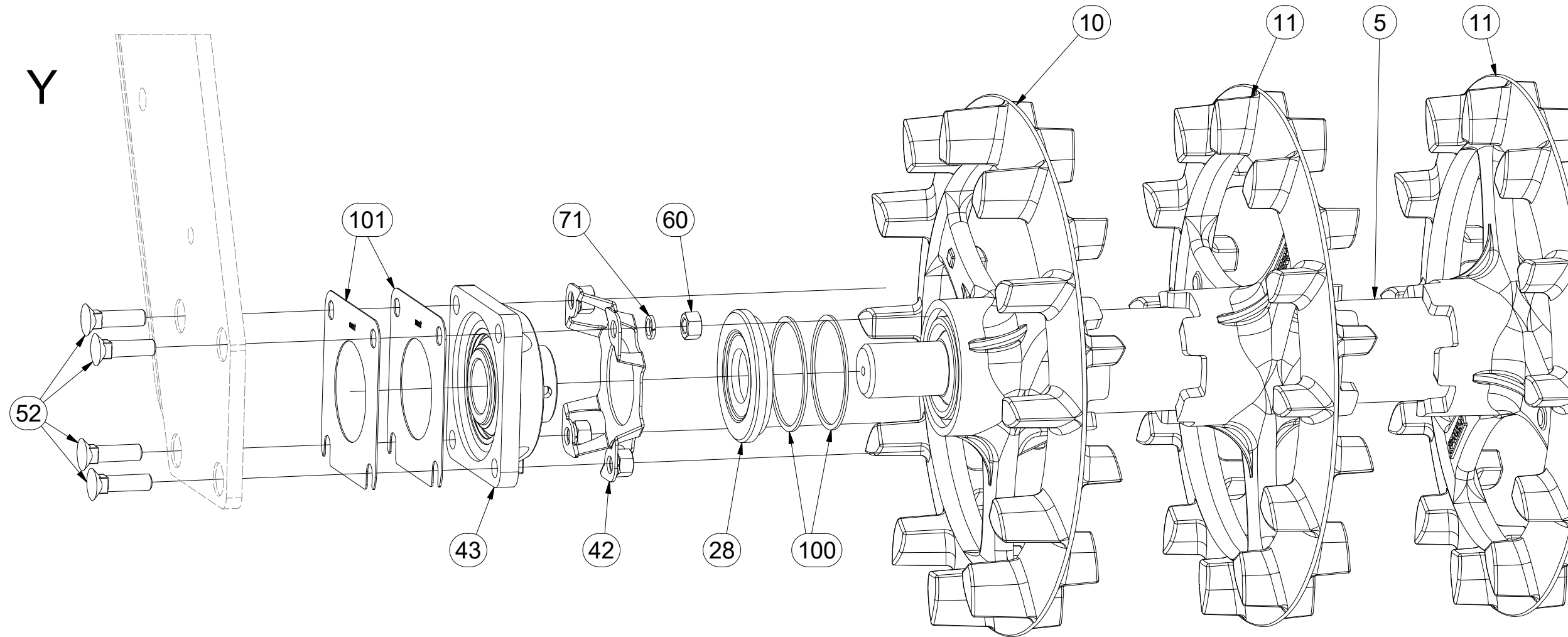
M10 (8.8) - 50Nm
M12 (8.8) - 87Nm

CZ SADA ZADNÍCH VÁLCŮ
 D SATZ HINTERE WALZEN
 F KIT DE ROULEAUX ARRIÈRE

GB SET OF REAR ROLLERS
 RU КОМПЛЕКТ ЗАДНИХ КАТКОВ
 PL ZESTAW TYLNYCH WAŁÓW



3008745



Pos.	Part Number	Pcs.
5	3000132	1
10	4009334	2
11	9002944	10
28	4016996	2
42	4014034	2
43	m15625	2
52	m03519	6
60	m01305	8
71	m03988	8
100	4010015	4
101	4016809	4

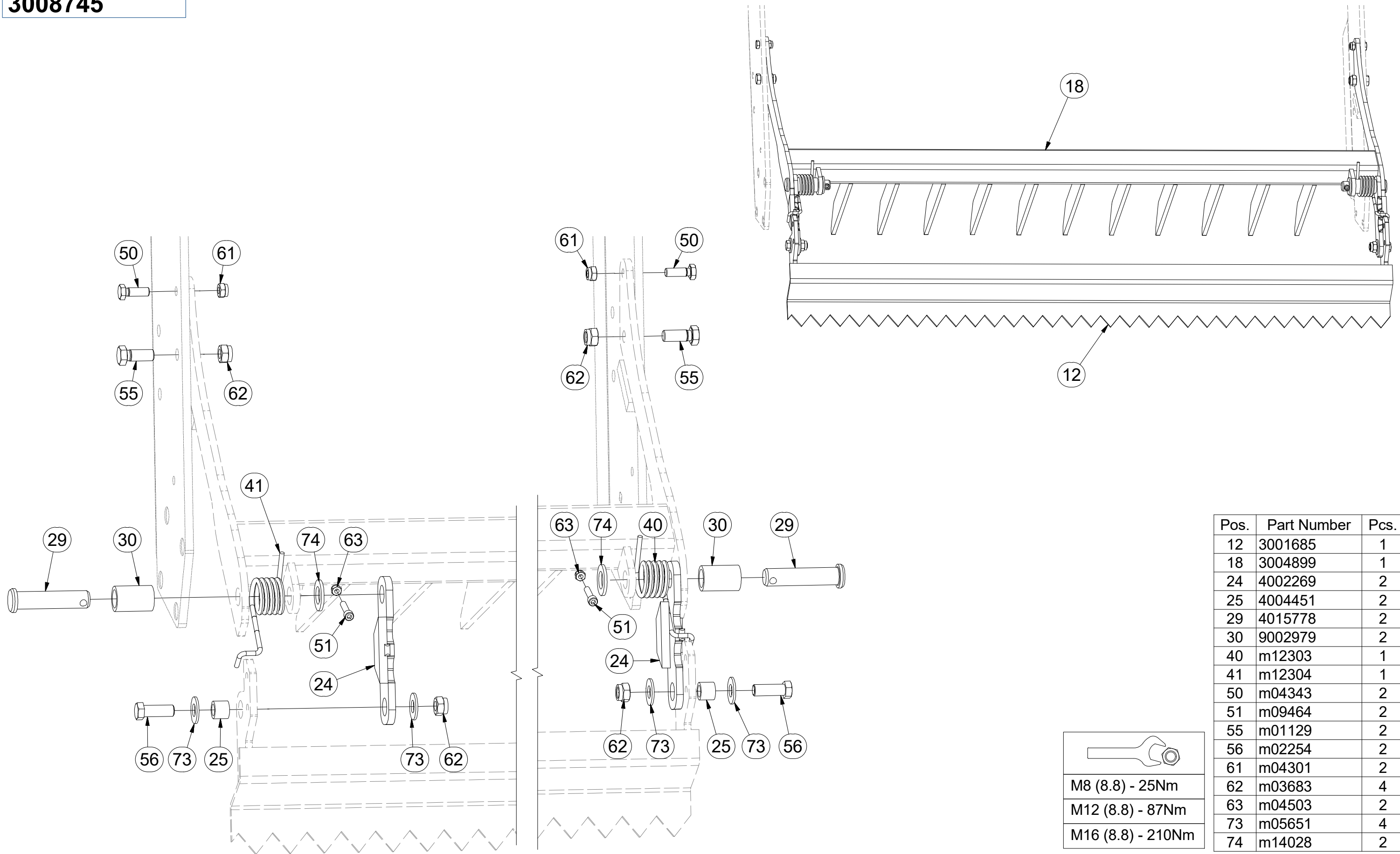
M10 (8.8) - 50Nm
M12 (8.8) - 87Nm

CZ SADA ZADNÍCH VÁLČŮ
 D SATZ HINTERE WALZEN
 F KIT DE ROULEAUX ARRIÈRE

GB SET OF REAR ROLLERS
 RU КОМПЛЕКТ ЗАДНИХ КАТКОВ
 PL ZESTAW TYLNYCH WAŁÓW



3008745



Pos.	Part Number	Pcs.
12	3001685	1
18	3004899	1
24	4002269	2
25	4004451	2
29	4015778	2
30	9002979	2
40	m12303	1
41	m12304	1
50	m04343	2
51	m09464	2
55	m01129	2
56	m02254	2
61	m04301	2
62	m03683	4
63	m04503	2
73	m05651	4
74	m14028	2

M8 (8.8) - 25Nm
M12 (8.8) - 87Nm
M16 (8.8) - 210Nm

ⒸZ SADA DORAZŮ ZADNÍCH SMYKŮ

Ⓓ ANSCHLAGSATZ FÜR HINTERE ACKERSCHLEPPEN

Ⓕ KIT DE BUTÉES DES NIVELEURS ARRIÈRE

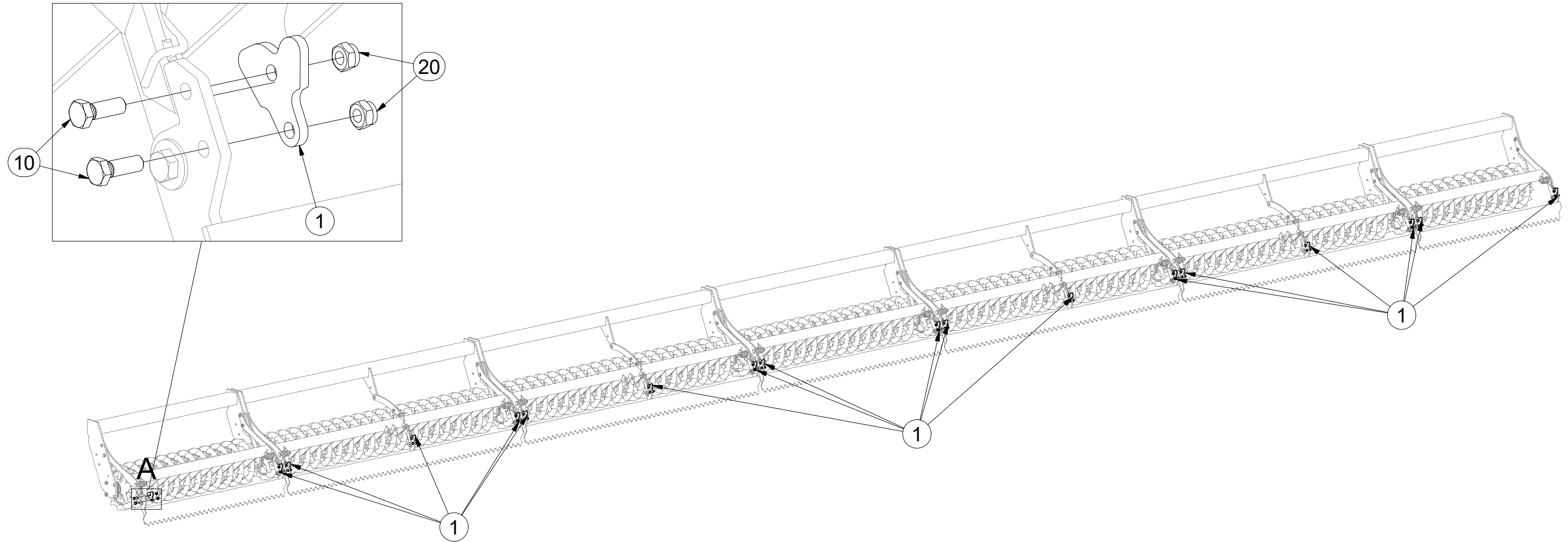
3006136

ⒼB SET OF REAR LEVELLING BAR STOPS

ⒺU КОМПЛЕКТ УПОРОВ ЗАДНИХ БОРОН

ⒽL ZESTAW DOCISKÓW TYLNYCH WŁÓK

Farmet



Pos.	Part Number	Pcs.
1	4013331	18
10	m04343	36
20	m04301	36

Ⓒ CZ TERČ PŘEDNÍ PRAVÝ

Ⓓ D SCHILD, VORDERES, RECHTES

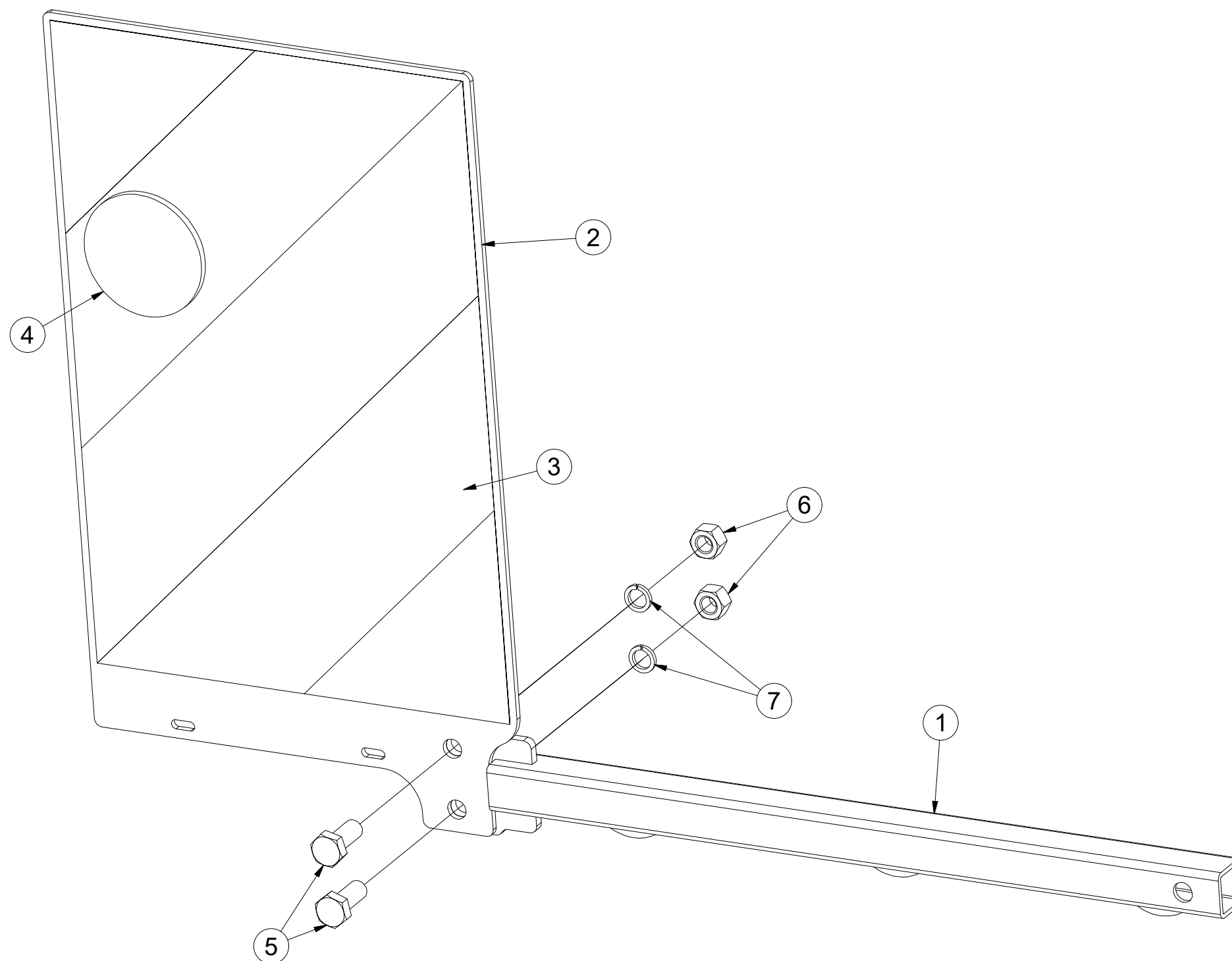
Ⓕ F CIBLE AVANT DROITE

4008193

Ⓖ GB RIGHT FRONT DISC

Ⓡ RU ЩИТОК ПЕРЕДНИЙ ПРАВЫЙ

Ⓟ PL TARCZA PRZEDNIA PRAWA



Pos.	Part Number	Pcs.
1	4008182	1
2	4011118	1
3	m12619	1
4	m02498	1
5	m04039	2
6	m01305	2
7	m03988	2

Ⓒ CZ TERČ PŘEDNÍ LEVÝ

Ⓓ D SCHILD, VORDERES, LINKES

Ⓕ F CIBLE AVANT GAUCHE

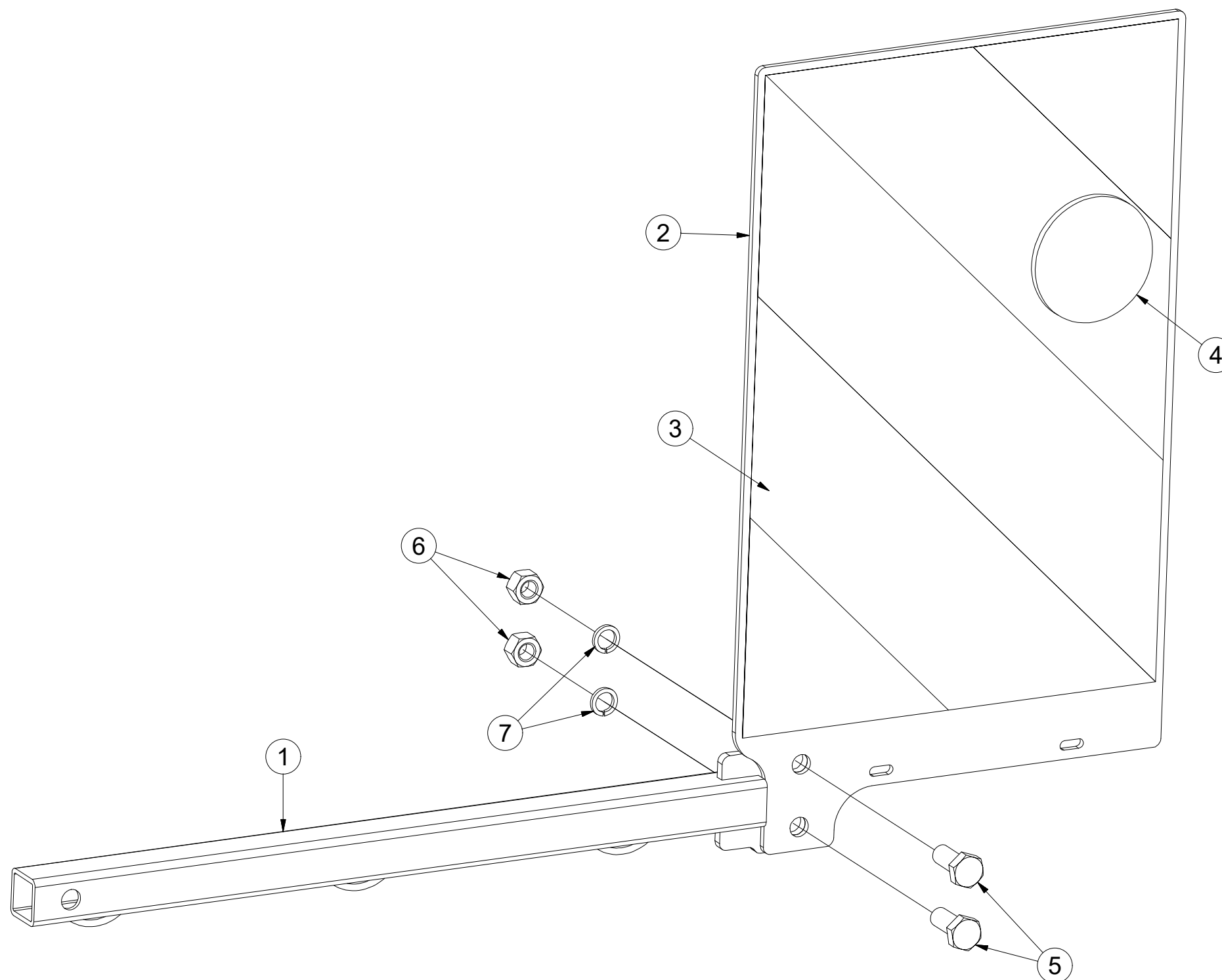
Ⓖ GB LEFT FRONT DISC

Ⓡ RU ЩИТОК ПЕРЕДНИЙ ЛЕВЫЙ

Ⓟ PL TARCZA PRZEDNIA LEWA



4008194



Pos.	Part Number	Pcs.
1	4008182	1
2	4011118	1
3	m12620	1
4	m02498	1
5	m04039	2
6	m01305	2
7	m03988	2

ⒸZ TERČ ZADNÍ LEVÝ

Ⓓ SCHILD, HINTERES, LINKES

Ⓕ CIBLE ARRIÈRE GAUCHE

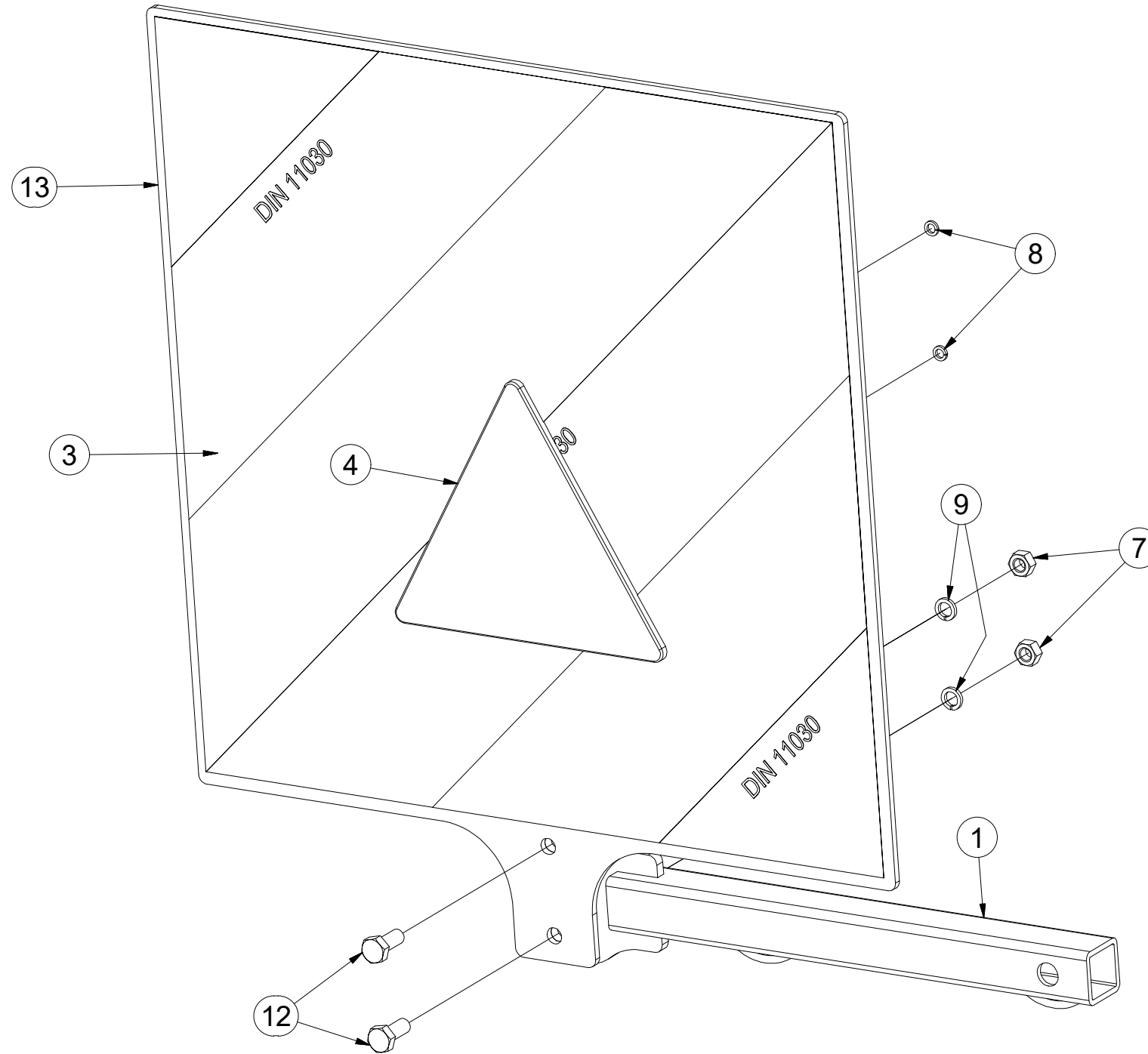
4008195

ⒼB LEFT REAR DISC

ⒺU ЩИТОК ЗАДНИЙ ЛЕВЫЙ

ⒼL TARCZA TYLNA LEWA

Farmet



Pos.	Part Number	Pcs.
1	4008185	1
3	m12401	1
4	m02497	1
7	m01296	2
8	m01197	2
9	m01202	2
12	m01089	2
13	4010321	1

Ⓒ TERČ ZADNÍ PRAVÝ

Ⓓ SCHILD, HINTERES, RECHTES

Ⓕ CIBLE ARRIÈRE DROITE

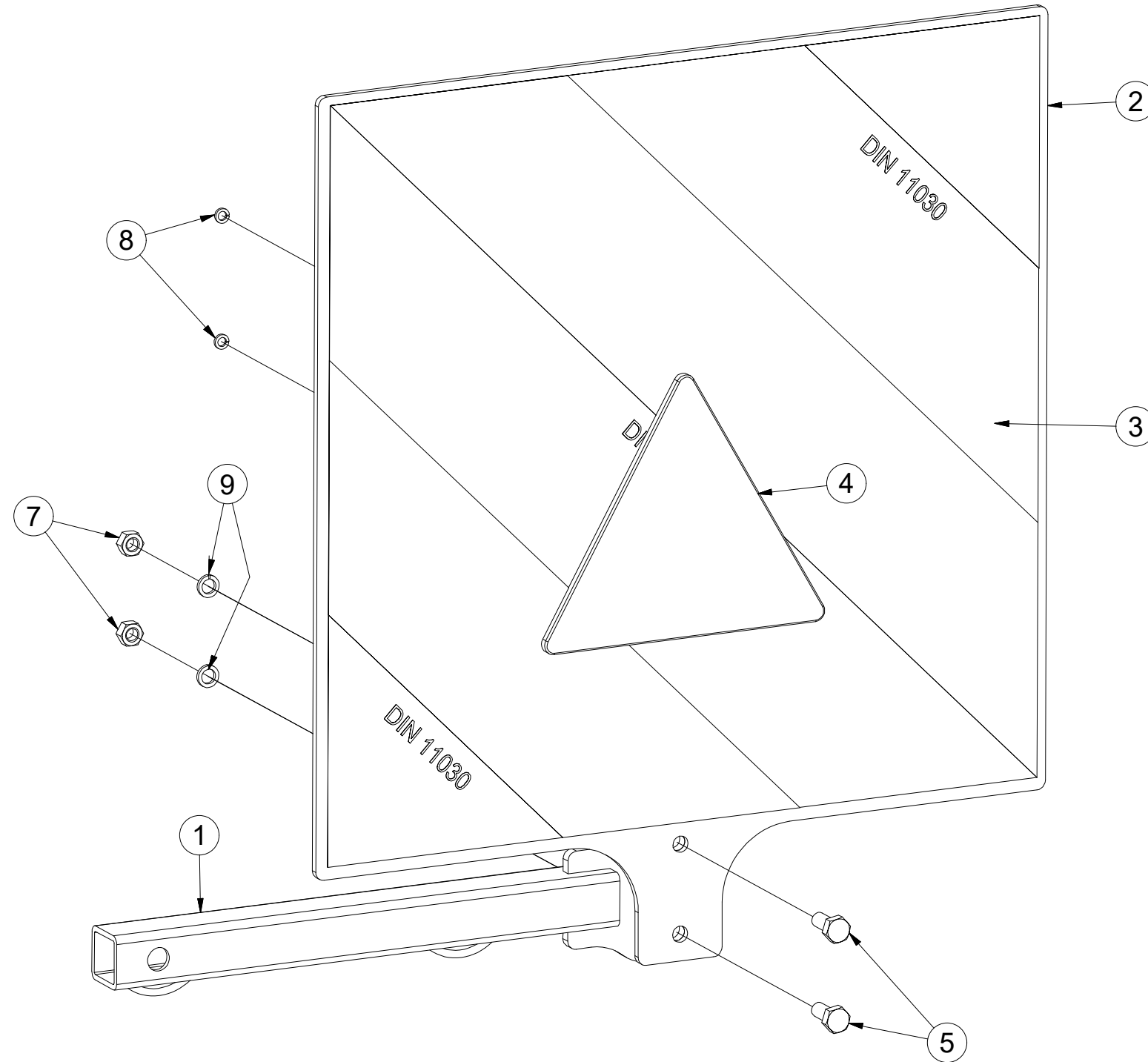
4008196

Ⓖ RIGHT REAR DISC

Ⓡ ЩИТОК ЗАДНИЙ ПРАВЫЙ

Ⓢ TARCZA TYLNA PRAWA

Farmet



Pos.	Part Number	Pcs.
1	4008185	1
5	m01089	2
8	m01197	2
3	m12401	1
7	m01296	2
9	m01202	2
4	m02497	1
2	4010321	1

Ⓒ SVĚTELNÁ SADA

Ⓓ LEUCHTENSATZ

Ⓕ KIT LUMINEUX

Ⓖ LIGHTING SET

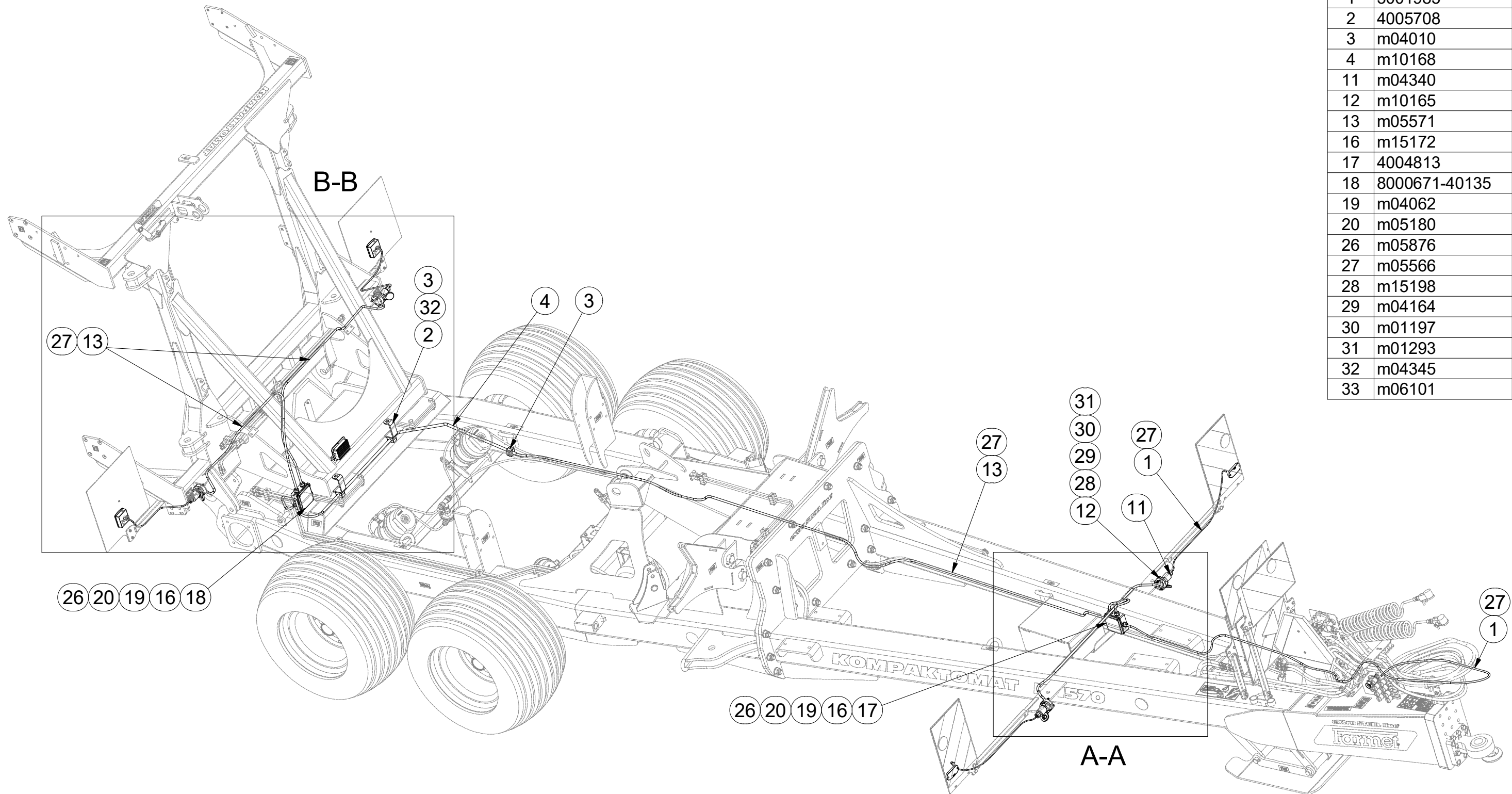
Ⓡ ОСВЕТИТЕЛЬНЫЙ КОМПЛЕКТ

Ⓟ ZESTAW OŚWIETLENIA



3008072

Pos.	Part Number	Pcs.
1	3001985	1
2	4005708	2
3	m04010	3
4	m10168	1
11	m04340	4
12	m10165	4
13	m05571	14
16	m15172	2
17	4004813	1
18	8000671-40135	1
19	m04062	10
20	m05180	9
26	m05876	8
27	m05566	30
28	m15198	12
29	m04164	12
30	m01197	12
31	m01293	12
32	m04345	4
33	m06101	2



Ⓒ SVĚTELNÁ SADA

Ⓓ LEUCHTENSATZ

Ⓕ KIT LUMINEUX

3008072

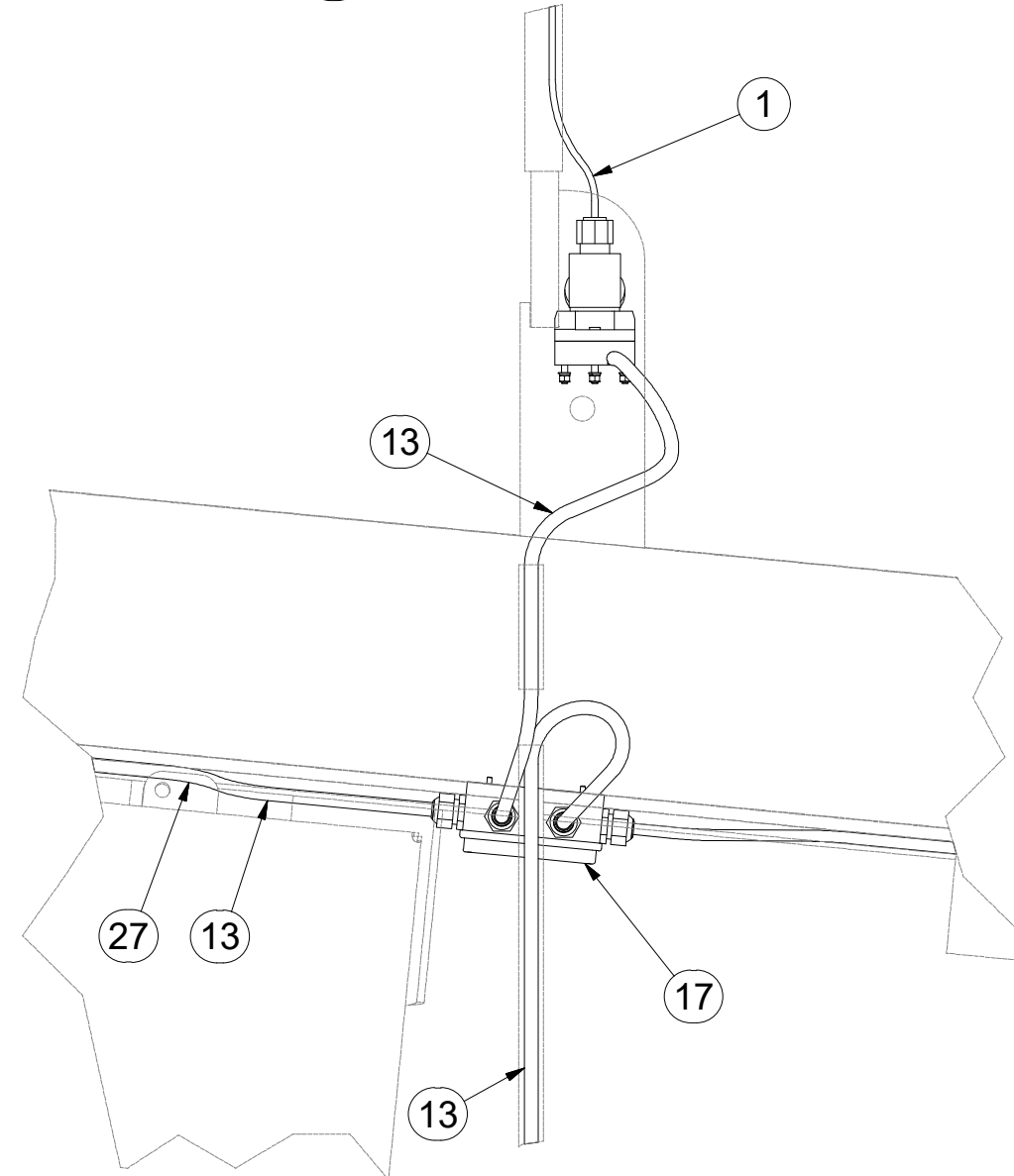
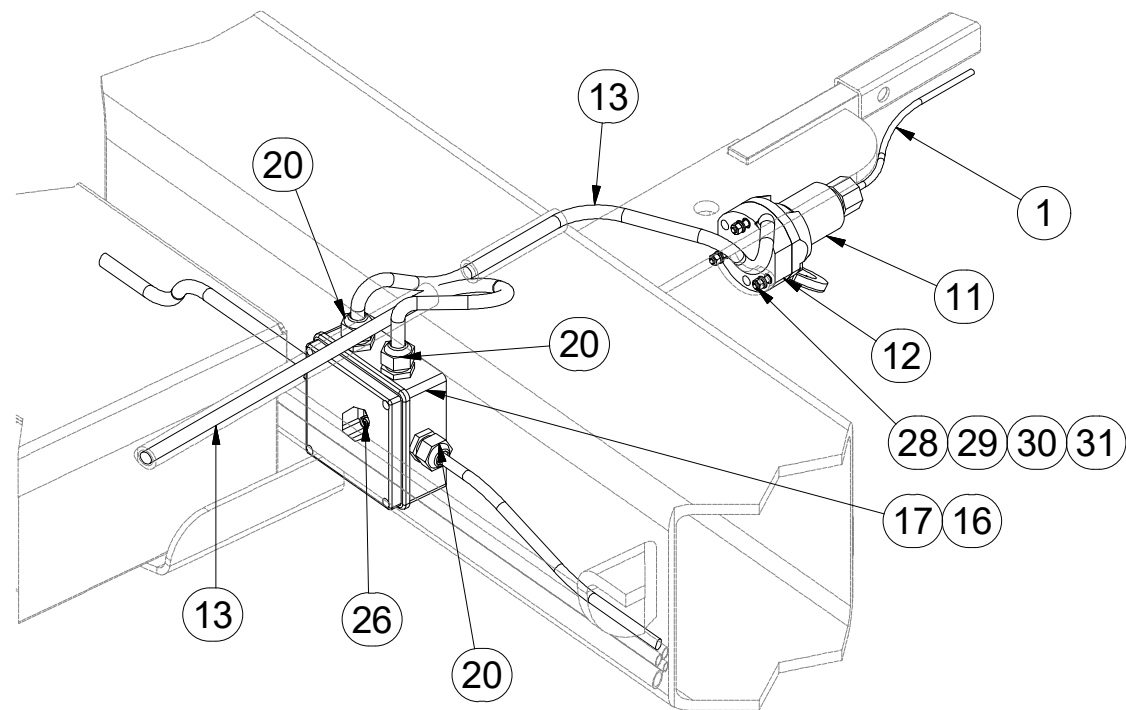
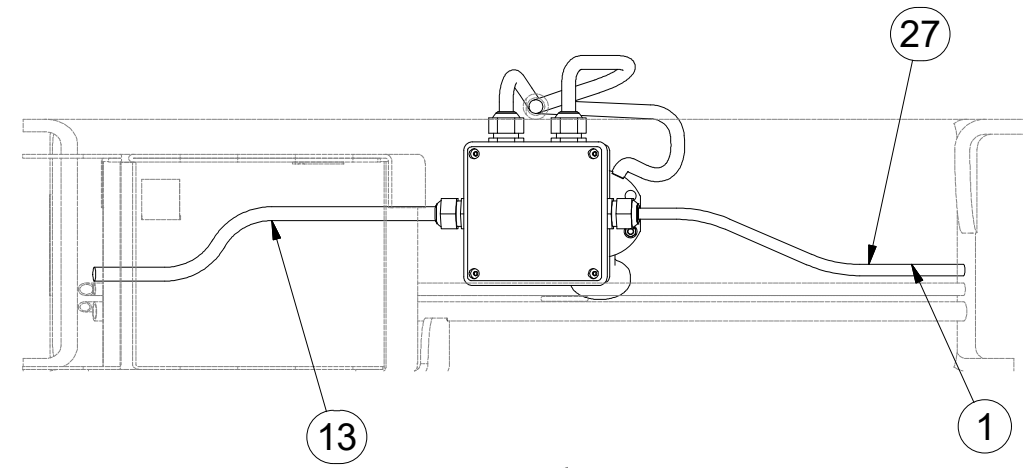
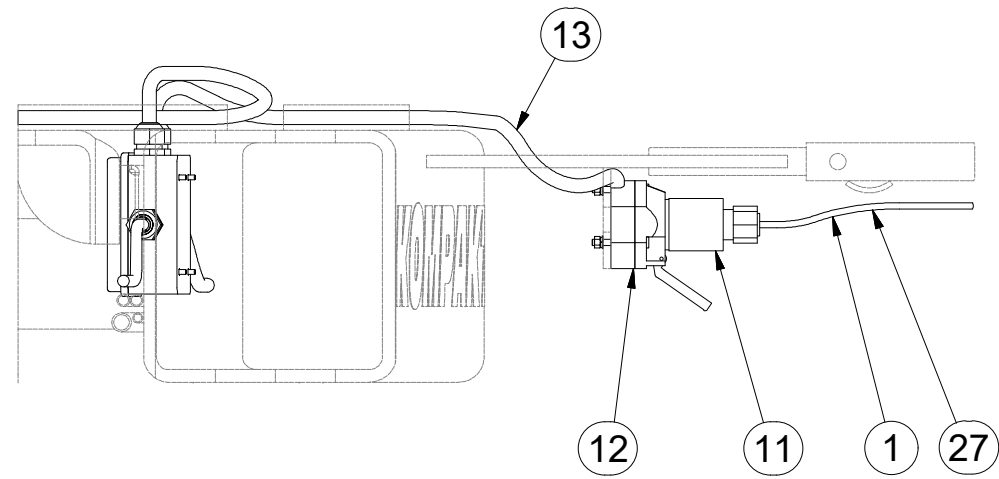
Ⓖ LIGHTING SET

Ⓡ ОСВЕТИТЕЛЬНЫЙ КОМПЛЕКТ

Ⓢ ZESTAW OŚWIETLENIA



A-A



Pos.	Part Number	Pcs.
1	3001985	1
11	m04340	4
12	m10165	4
13	m05571	14
16	m15172	2
17	4004813	1
19	m04062	10
20	m05180	9
26	m05876	8
27	m05566	30
28	m15198	12
29	m04164	12
30	m01197	12
31	m01293	12

Ⓒ SVĚTELNÁ SADA

Ⓓ LEUCHTENSATZ

Ⓕ KIT LUMINEUX

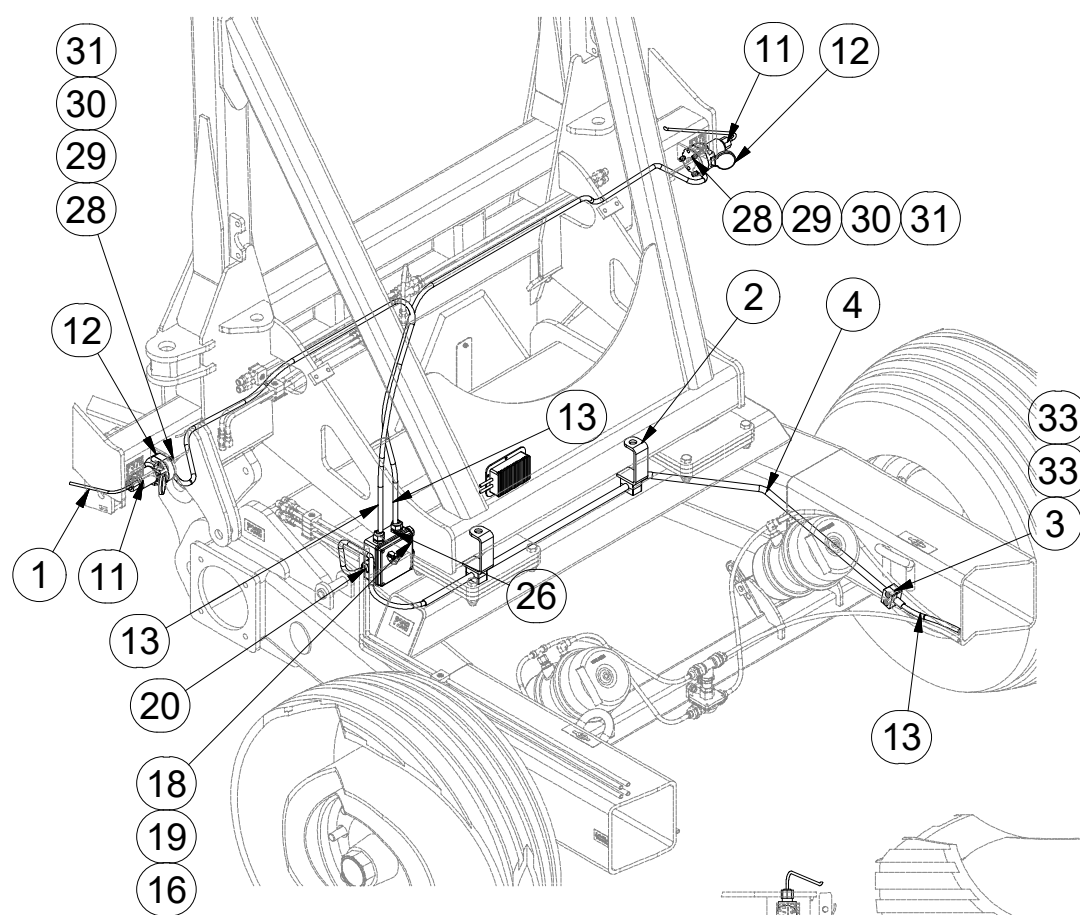
Ⓖ LIGHTING SET

Ⓡ ОСВЕТИТЕЛЬНЫЙ КОМПЛЕКТ

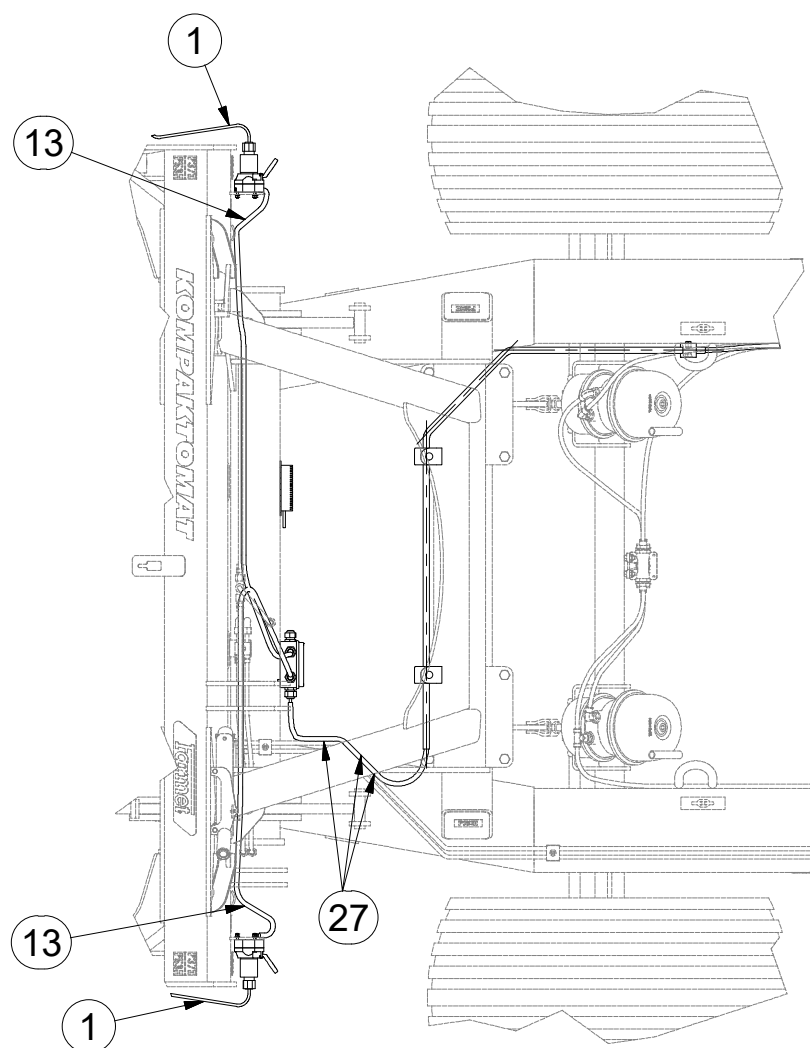
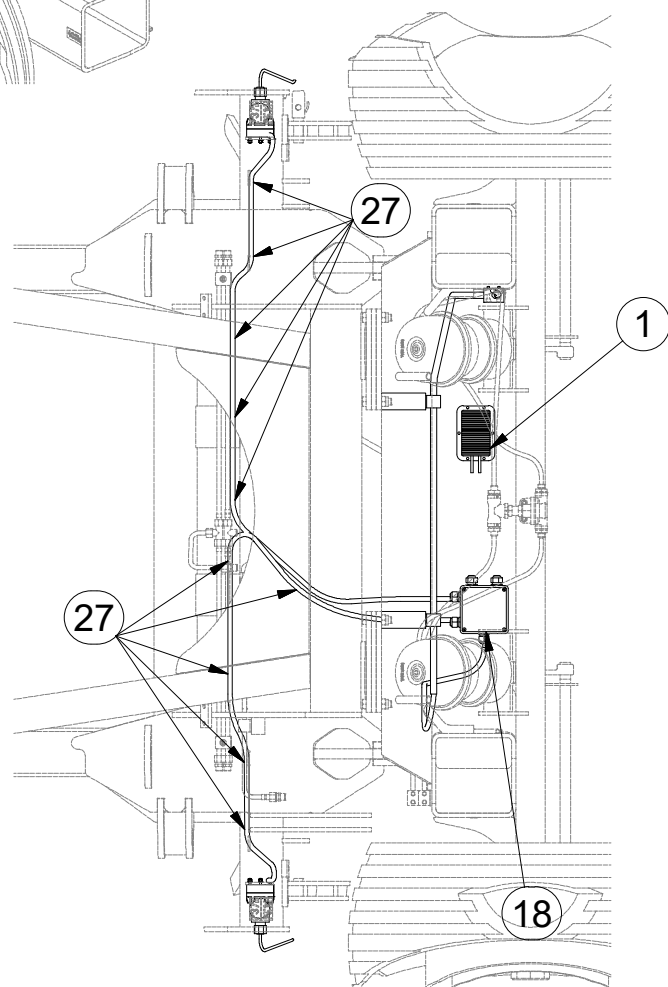
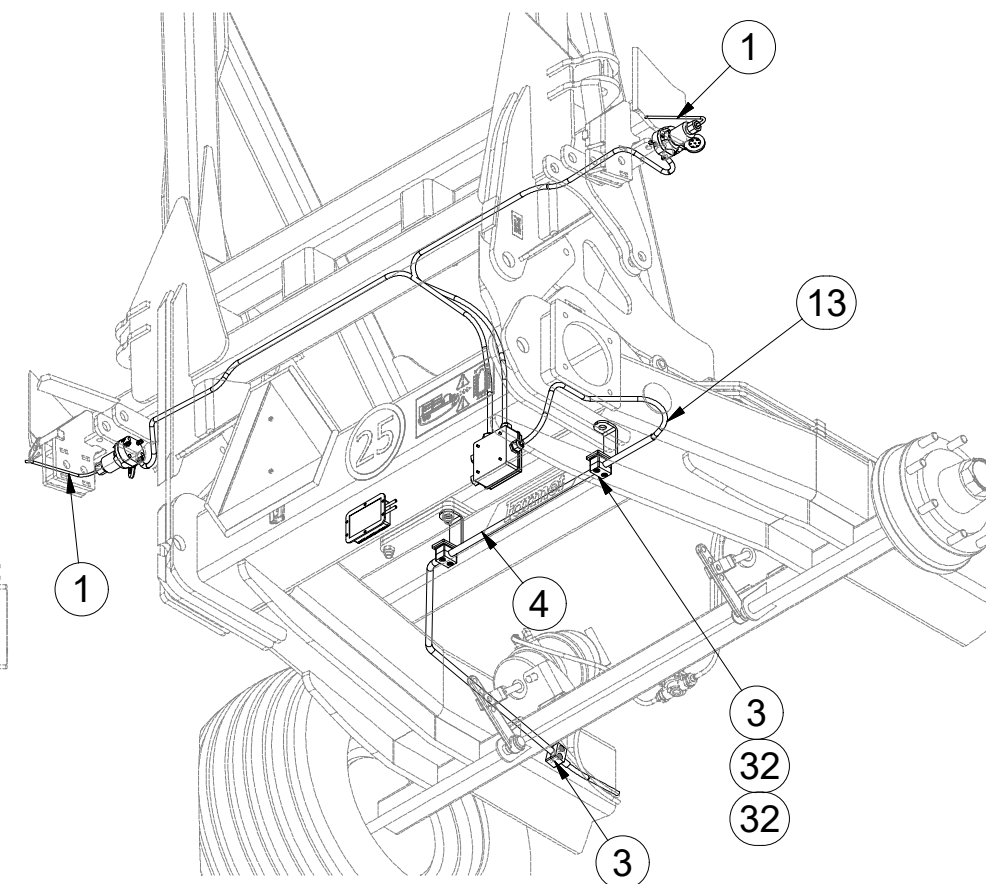
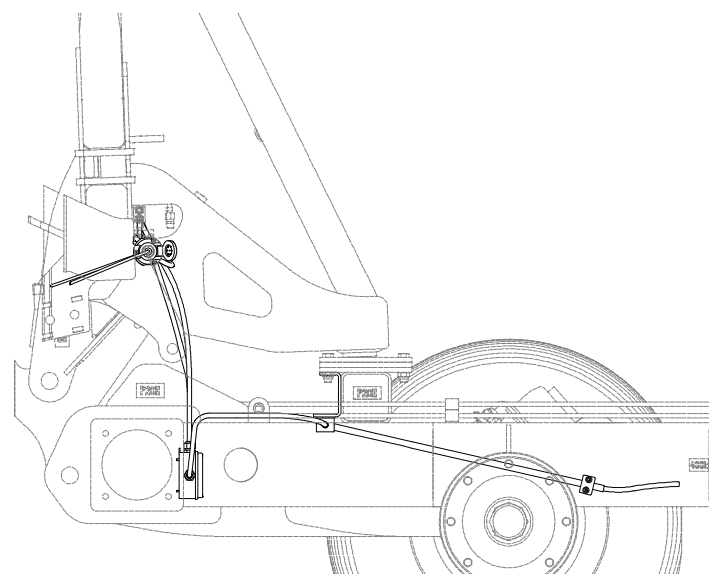
Ⓢ ZESTAW OŚWIETLENIA



3008072



B-B



Pos.	Part Number	Pcs.
1	3001985	1
2	4005708	2
3	m04010	3
4	m10168	1
11	m04340	4
12	m10165	4
13	m05571	14
16	m15172	2
17	4004813	1
18	8000671-40135	1
19	m04062	10
20	m05180	9
26	m05876	8
27	m05566	30
28	m15198	12
29	m04164	12
30	m01197	12
31	m01293	12
32	m04345	4
33	m06101	2

Ⓒ SVĚTELNÁ SADA

Ⓓ LEUCHTENSATZ

Ⓕ KIT LUMINEUX

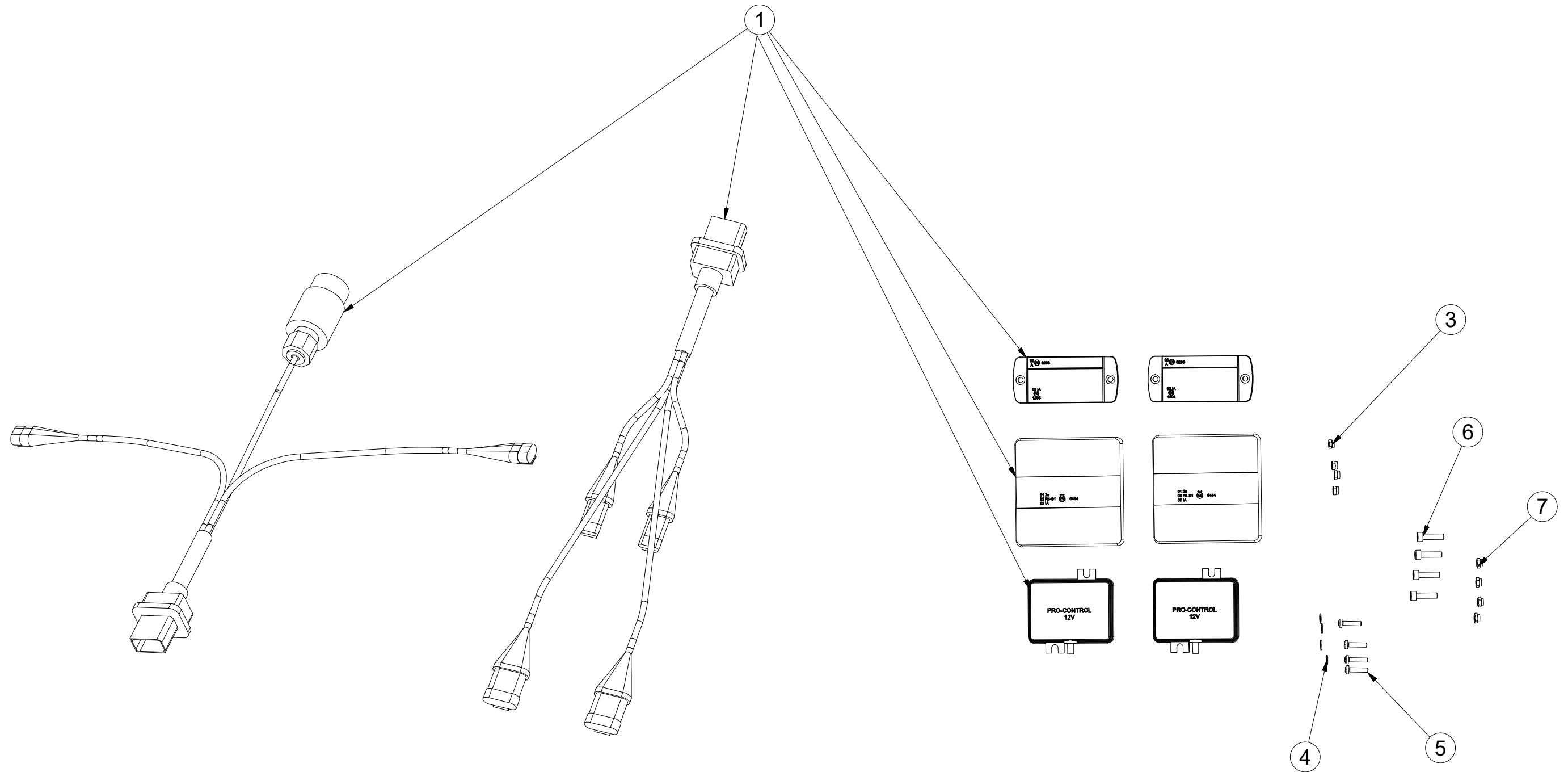
Ⓖ LIGHTING SET

Ⓡ ОСВЕТИТЕЛЬНЫЙ КОМПЛЕКТ

Ⓟ ZESTAW OŚWIETLENIA



3008454



Pos.	Part Number	Pcs.
1	m15240	1
3	m05562	4
4	m05597	4
5	m15790	4
6	m10591	4
7	m06236	4
30	m05566	50

Ⓒ SVĚTELNÁ SADA

Ⓓ LEUCHTENSATZ

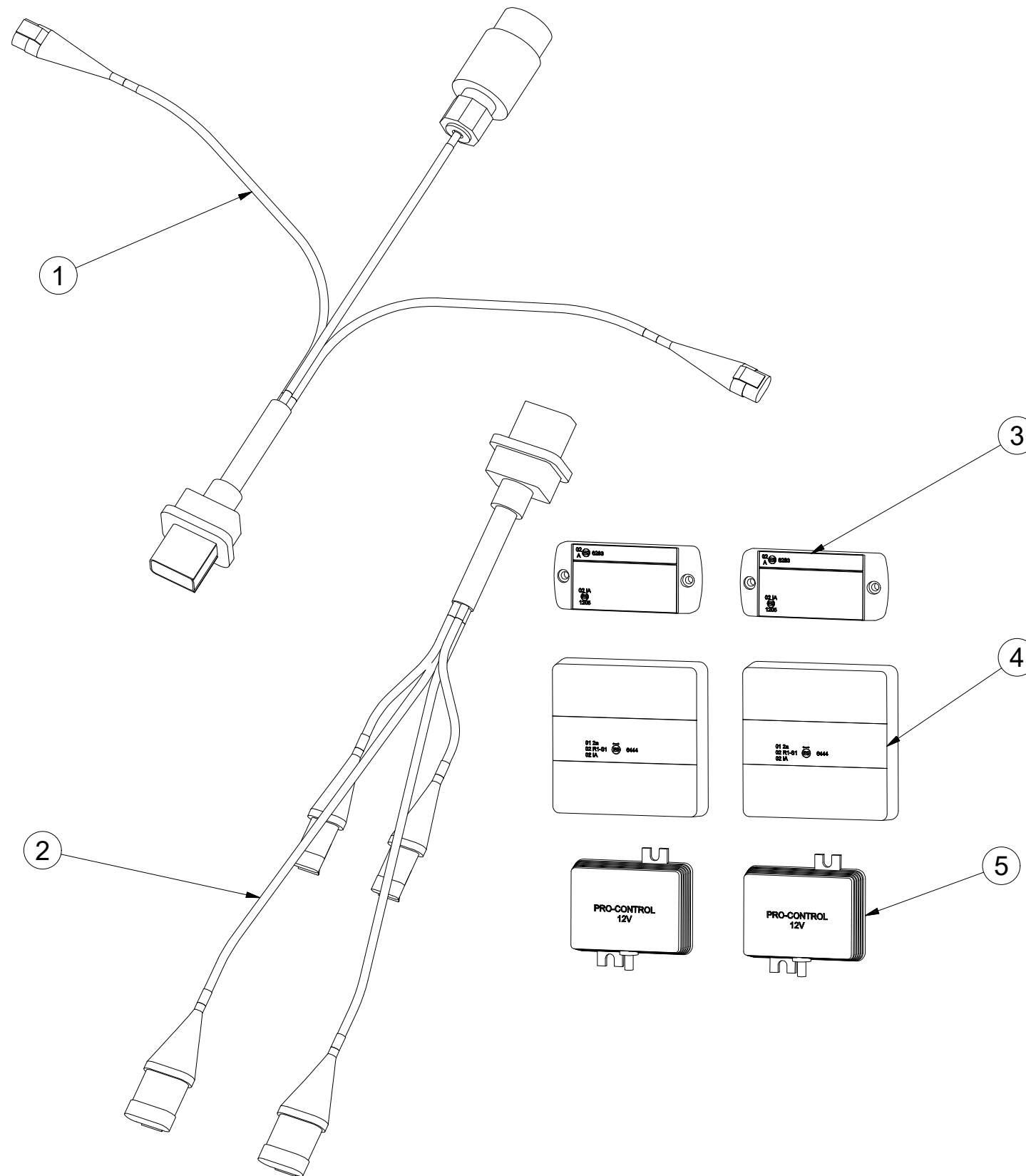
Ⓕ KIT LUMINEUX

m15240

Ⓖ LIGHTING SET

Ⓡ ОСВЕТИТЕЛЬНЫЙ КОМПЛЕКТ

Ⓟ ZESTAW OŚWIETLENIA



Pos.	Part Number	Pcs.
1	m14779	1
2	m14778	1
3	m14776	2
4	m14865	2
5	m14777	2

Ⓒ PÍSTNICE 80/40-250

Ⓓ KOLBENSTANGE 80/40-250

Ⓕ TIGE DE PISTON 80/40-250

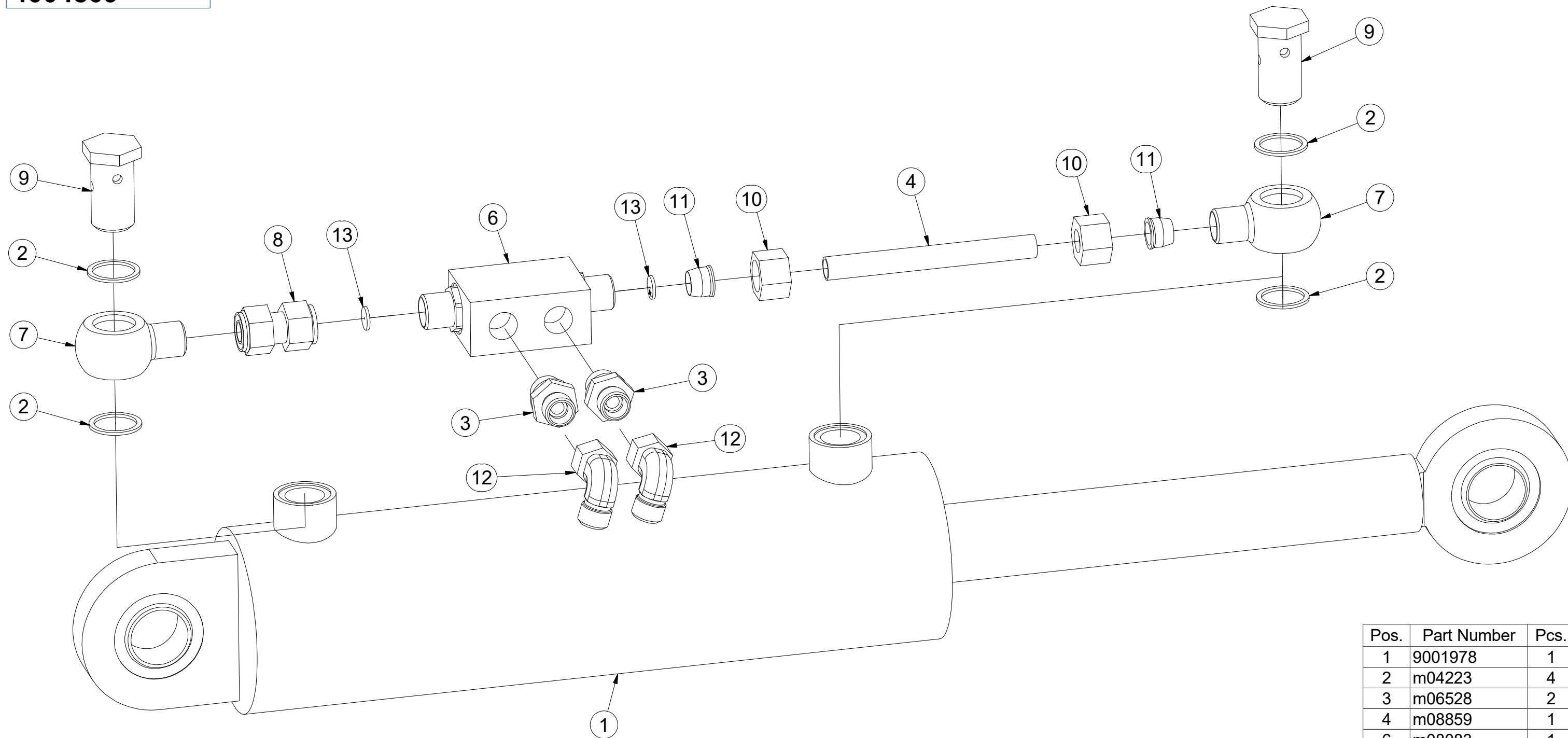
Ⓖ PISTON ROD 80/40-250

Ⓔ ЦИЛИНДР 80/40-250

Ⓟ TRZPIEŃ TŁOKA 80/40-250



4004809



Pos.	Part Number	Pcs.
1	9001978	1
2	m04223	4
3	m06528	2
4	m08859	1
6	m08083	1
7	m08860	2
8	m05144	1
9	m02609	2
10	m08861	2
11	m08862	2
12	m06803	2
13	m10774	2

Ⓒ PÍSTNICE 110/55-400

Ⓓ KOLBENSTANGE 110/55-400

Ⓕ TIGE DE PISTON 110/55-400

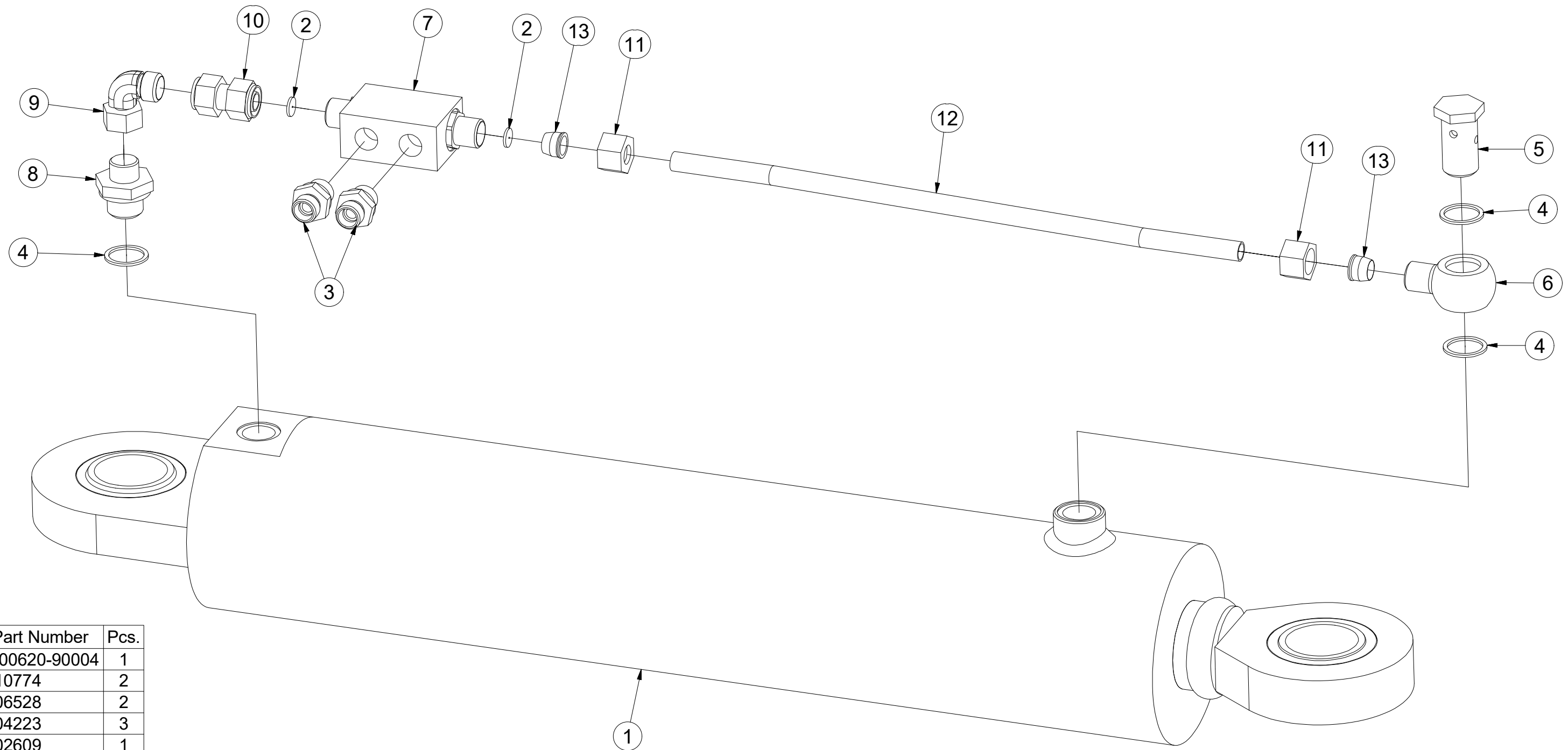
Ⓖ PISTON ROD 110/55-400

Ⓡ ЦИЛИНДР 110/55-400

Ⓟ TRZPIEŃ TŁOKA 110/55-400



4004810



Pos.	Part Number	Pcs.
1	8000620-90004	1
2	m10774	2
3	m06528	2
4	m04223	3
5	m02609	1
6	m08860	1
7	m08083	1
8	m07865	1
9	m07654	1
10	m05144	1
11	m08861	2
12	m09654	1
13	m08862	2

Ⓒ PÍSTNICE 63/32-160

Ⓓ KOLBENSTANGE 63/32-160

Ⓕ TIGE DE PISTON 63/32-160

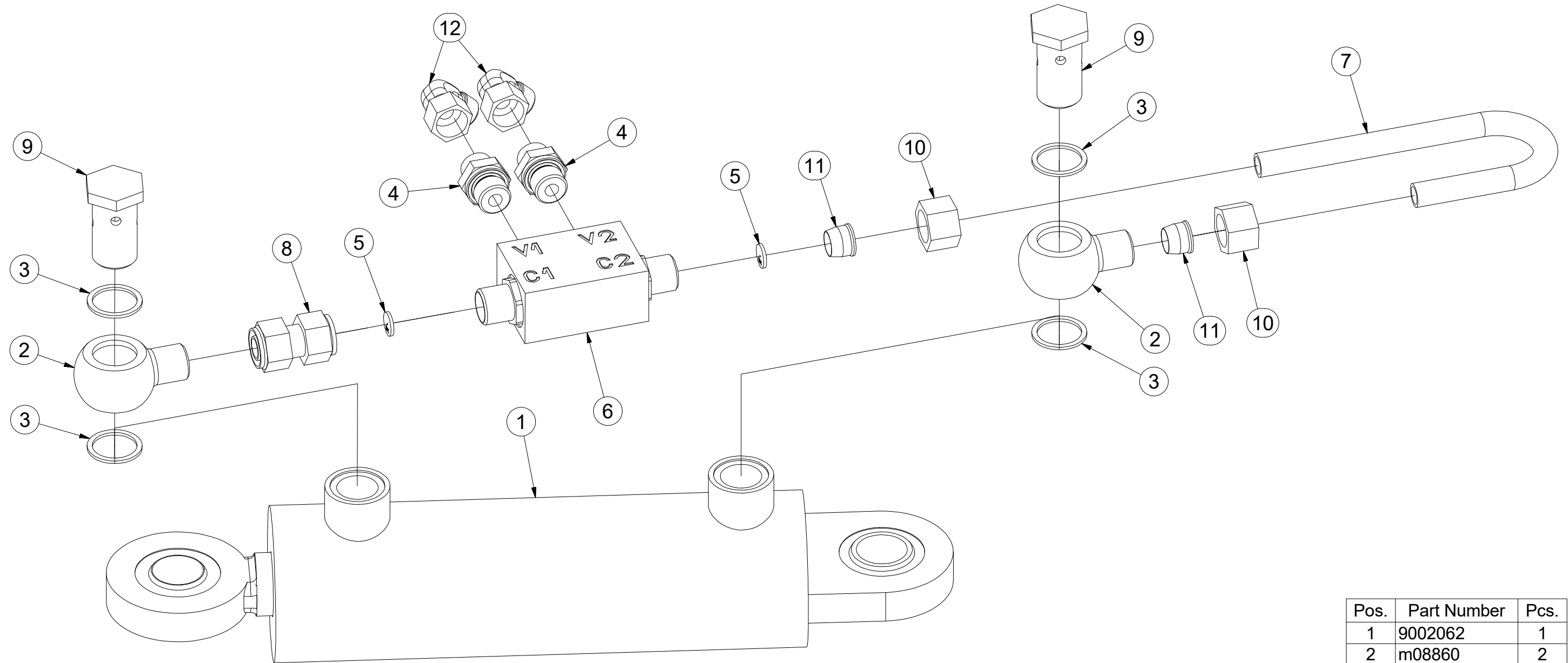
Ⓖ PISTON ROD 63/32-160

Ⓡ ЦИЛИНДР 63/32-160

Ⓟ TRZPIEŃ TŁOKA 63/32-160



4004815



Pos.	Part Number	Pcs.
1	9002062	1
2	m08860	2
3	m04223	4
4	m06528	2
5	m10774	2
6	m08083	1
7	m09658	1
8	m05144	1
9	m02609	2
10	m08861	2
11	m08862	2
12	m06803	2

Ⓒ PÍSTNICE 125/63-1500

Ⓓ KOLBENSTANGE 125/63-1500

Ⓕ TIGE DE PISTON 125/63-1500

Ⓖ PISTON ROD 125/63-1500

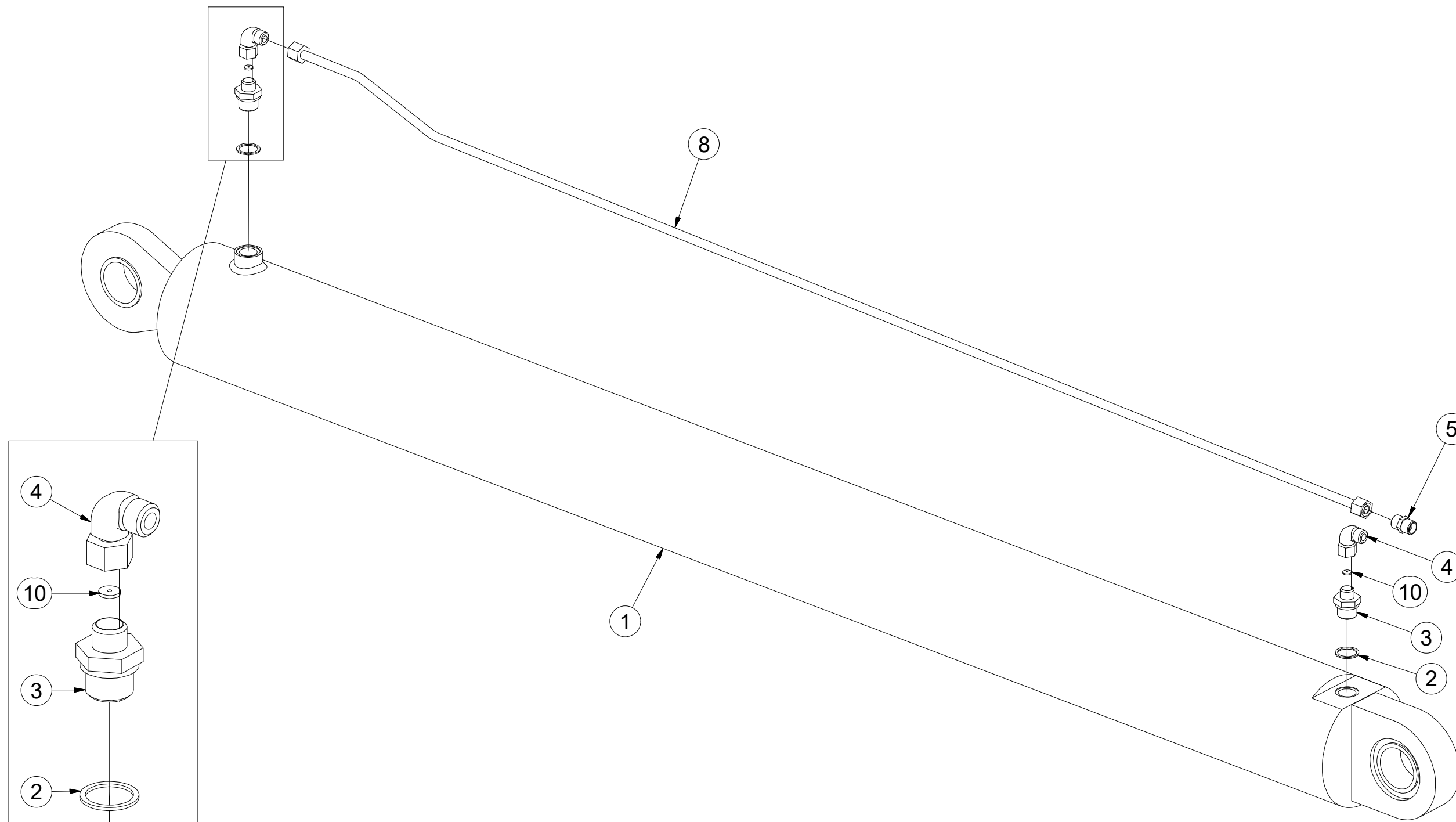
Ⓡ ЦИЛИНДР 125/63-1500

Ⓟ TRZPIEŃ TŁOKA 125/63-1500



4004817

Pos.	Part Number	Pcs.
1	9001977	1
2	m04223	2
4	m06803	2
3	m03925	2
8	m09659	1
5	m03213	1
10	4003787	2



Ⓒ PÍSTNICE 50/25-250

Ⓓ KOLBENSTANGE 50/25-250

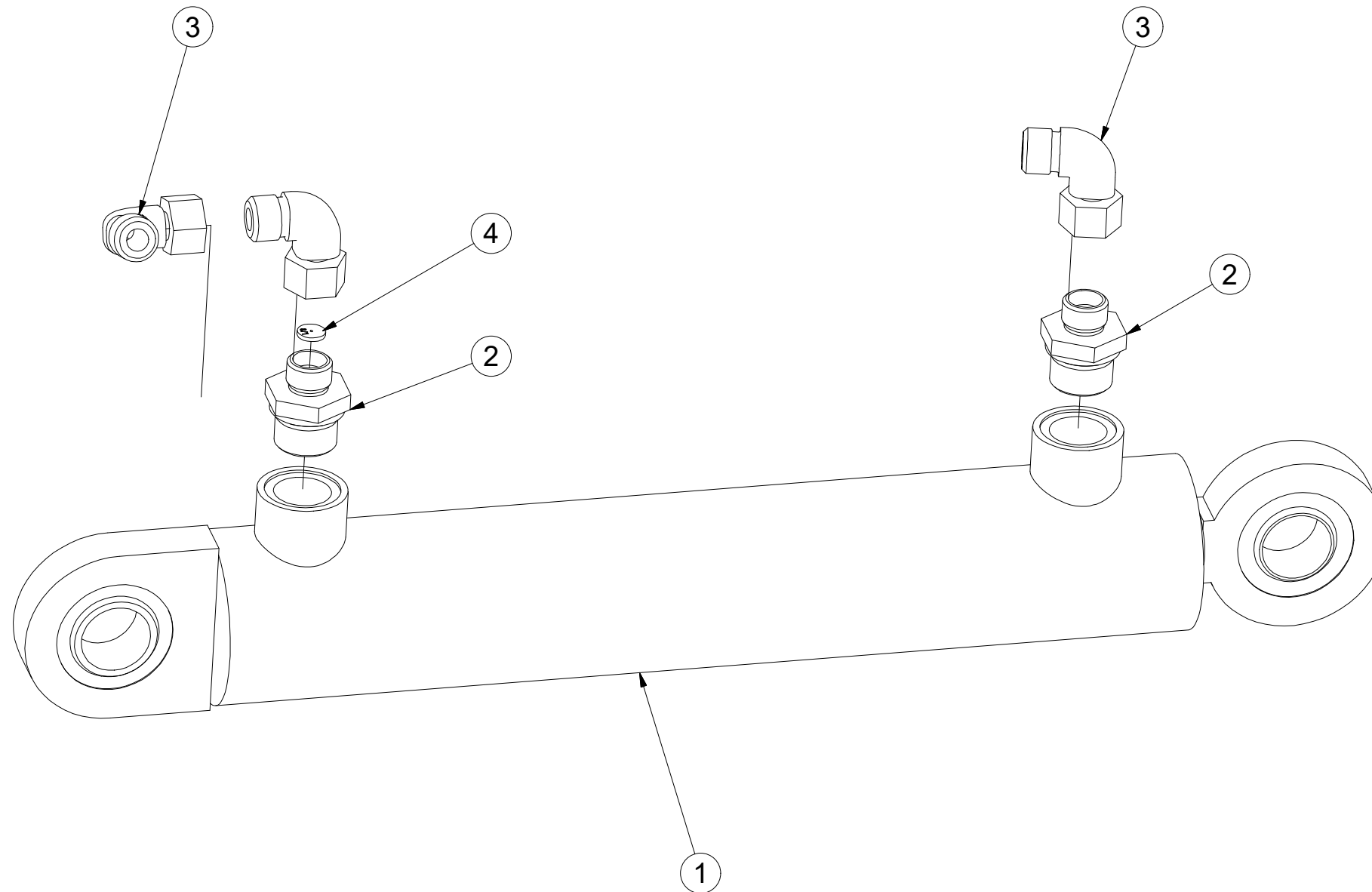
Ⓕ TIGE DE PISTON 50/25-250

4017454

Ⓖ PISTON ROD 50/25-250

Ⓡ ЦИЛИНДР 50/25-250

Ⓟ TRZPIEŃ TŁOKA 50/25-250



Pos.	Part Number	Pcs.
1	9002066	1
2	m09934	2
3	m06803	3
4	m10780	1

Ⓒ PÍSTNICE 50/25-400

Ⓓ KOLBENSTANGE 50/25-400

Ⓕ TIGE DE PISTON 50/25-400

Ⓖ PISTON ROD 50/25-400

Ⓡ ЦИЛИНДР 50/25-400

Ⓟ TRZPIEŃ TŁOKA 50/25-400

Farmet

4017464



Pos.	Part Number	Pcs.
1	8000540-90354	1
2	m09934	2
3	m10782	1
4	m06803	2

Ⓒ SOUPRAVA TĚSNIVA PÍSTNIC

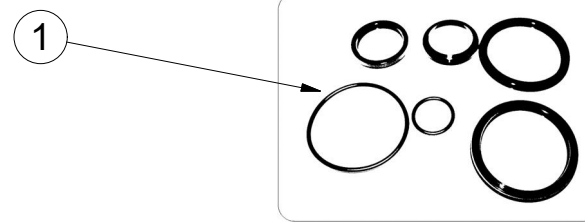
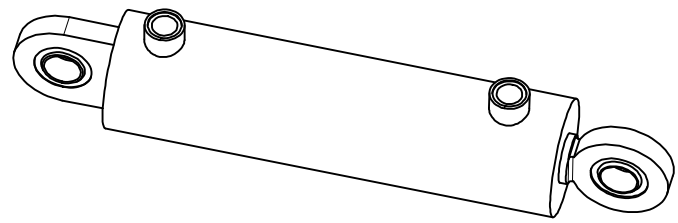
Ⓓ KOLBENSTANGENDICHTUNGSMITTELSATZ

Ⓕ SET DE GARNITURE DES TIGES DE PISTON

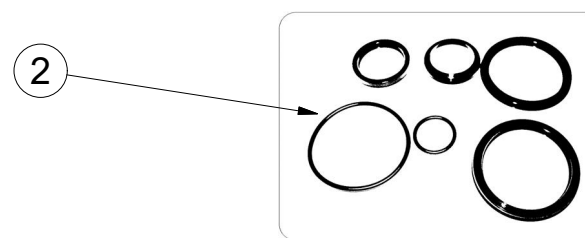
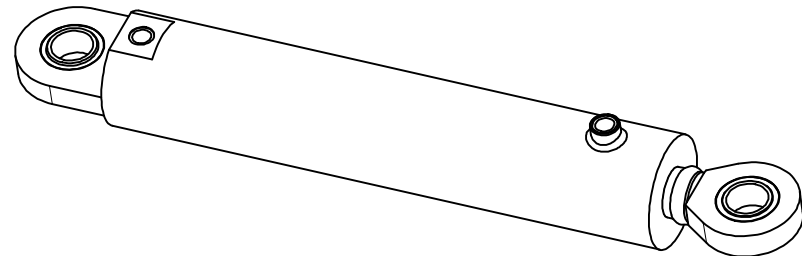
Ⓖ SEALING SET FOR PISTON RODS

Ⓔ КОМПЛЕКТ ПРОКЛАДОК ЦИЛИНДРОВ

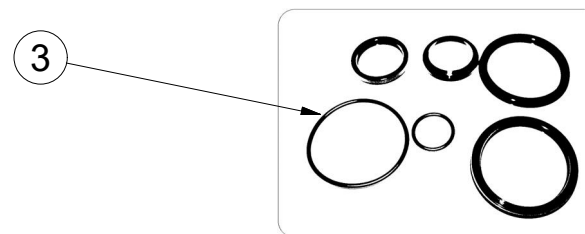
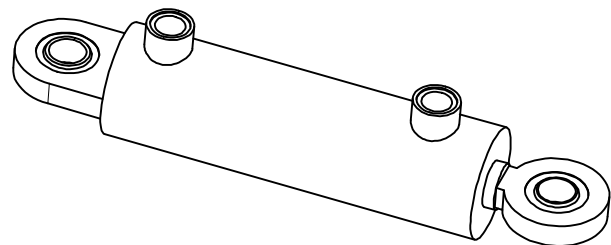
Ⓗ ZESTAW USZCZELEK TRZPIENIA TŁOKA



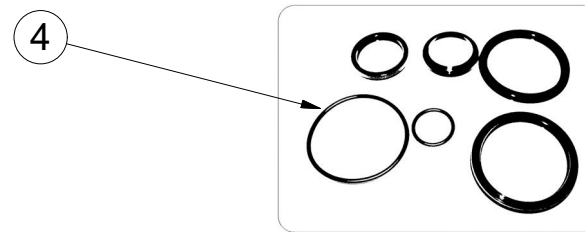
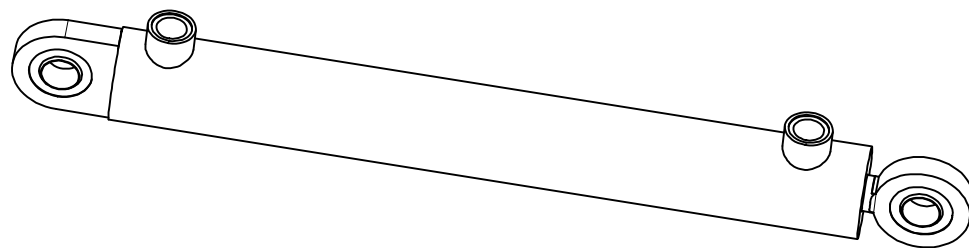
9001978 - $\varnothing 80/\varnothing 40-250$		
Pos	Part number	Pcs
1	m03528	1



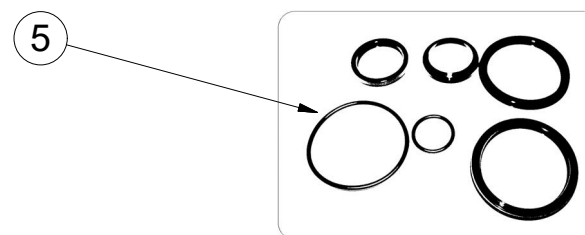
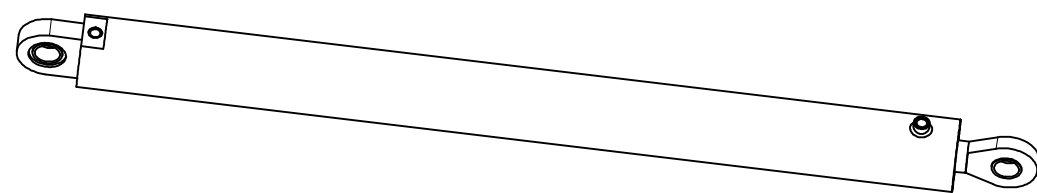
8000620-90004- $\varnothing 110/\varnothing 55-400$		
Pos	Part number	Pcs
2	m09157	1



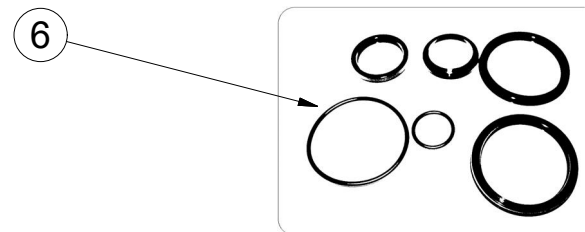
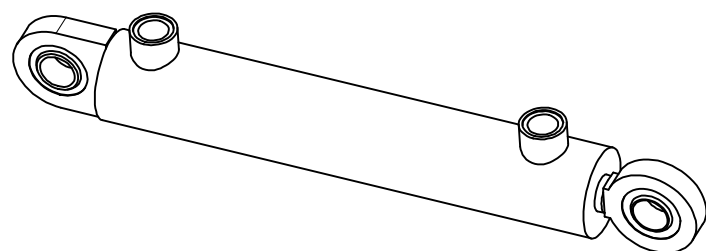
9002062 - $\varnothing 63/\varnothing 32-160$		
Pos	Part number	Pcs
3	m05442	3



8000540-90354 - $\varnothing 50/\varnothing 25-400$		
Pos	Part number	Pcs
4	m08750	1



9001977 - $\varnothing 125/\varnothing 63-1500$		
Pos	Part number	Pcs
5	m09158	2



9002066 - $\varnothing 50/\varnothing 25-250$		
Pos	Part number	Pcs
6	m08750	1