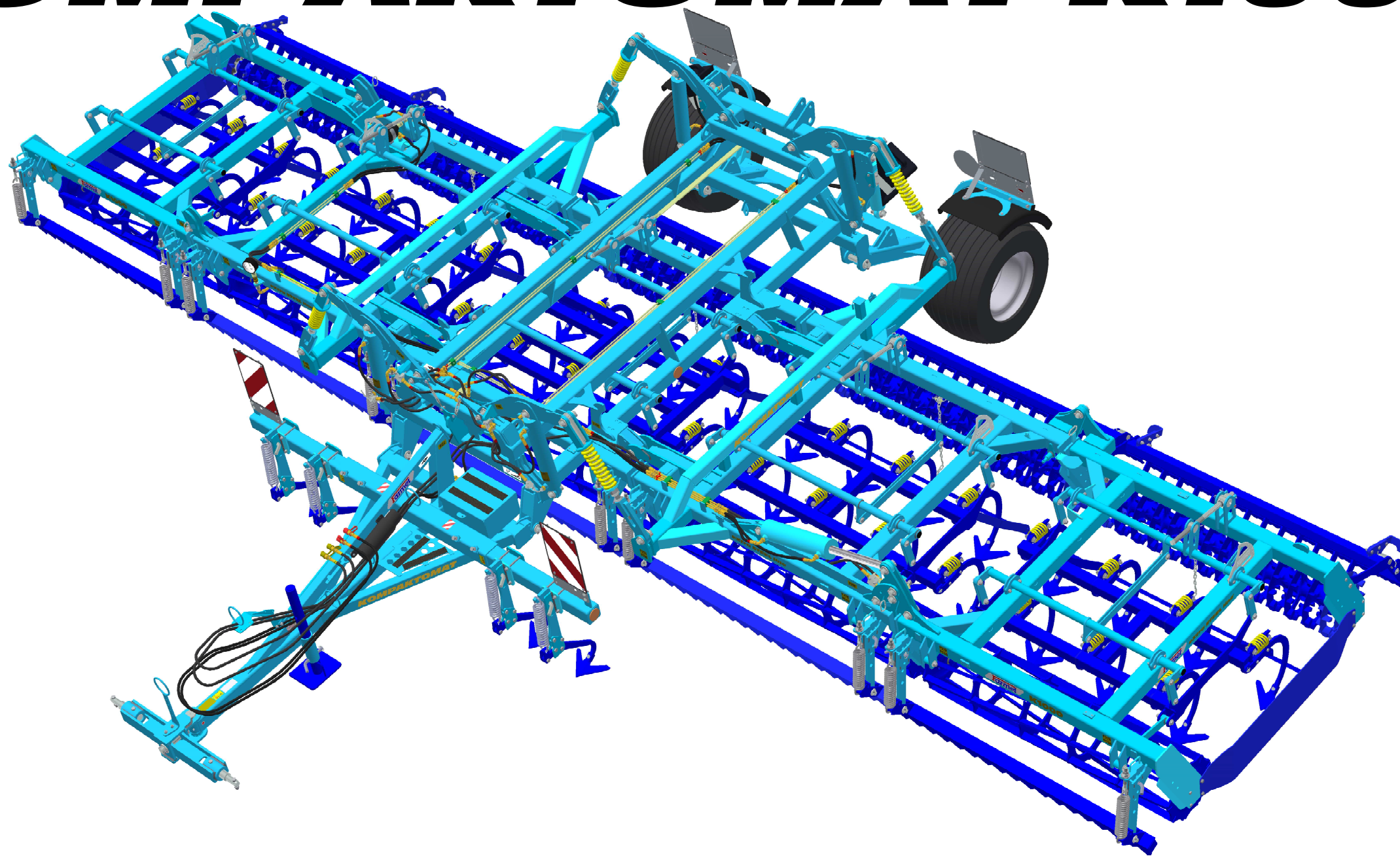


*The effective technology*

**Farmet**<sup>®</sup>

ⒸZ KATALOG NÁHRADNÍCH DÍLŮ ⒸB CATALOGUE OF SPARE PARTS ⒸD ERSATZTEILLISTE  
ⒸRU КАТАЛОГ ЗАПАСНЫХ ЧАСТЕЙ ⒸF CATALOGUE DES PIÈCES DE RECHANGE ⒸPL KATALOG CZĘŚCI ZAMIENNYCH

# КОМПАКТОМАТ K1000PS



ⒸZ Platnost pro vrcholové | výrobní číslo stroje ⒸB Validity for the top | serial number of the machine  
ⒸD Gültigkeit für die Haupt- | Herstellungsnummer der Maschine ⒸRU Действительно для главного | заводского номера машины  
ⒸF Validité du numéro de référence | de série de la machine ⒸPL Obowiązuje dla numeru głównego | seryjnego maszyny

**9303983 | 2017/1155**

**Farmet a. s.**  
Jiřinková 276  
552 03 Česká Skalice, CZ

telefon: +420 491 450 111  
fax: +420 491 450 136  
GSM: +420 774 715 738

IČ: 46504931  
DIČ: CZ46504931

web: [www.farmet.cz](http://www.farmet.cz)  
e-mail: [farmet@farmet.cz](mailto:farmet@farmet.cz)

ⒸZ NAVIGACE STROJE

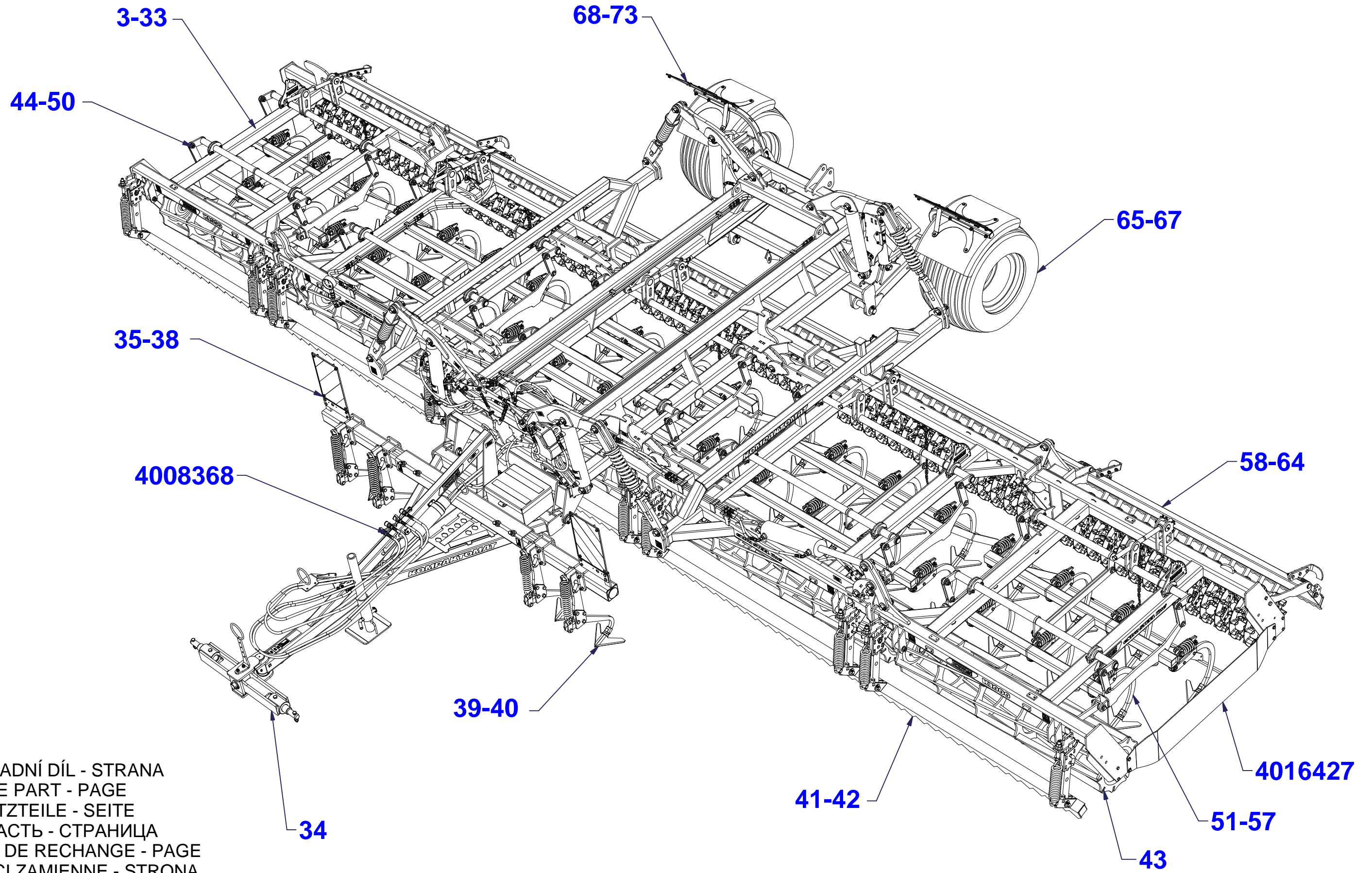
ⒸD NAVIGATION DER MASCHINE

ⒸF NAVIGATION DE LA MACHINE

ⒸGB NAVIGATION OF THE MACHINE

ⒸRU НАВИГАЦИЯ МАШИНЫ

ⒸPL NAWIGACJA MASZYNY



ⒸZ NÁHRADNÍ DÍL - STRANA

ⒸGB SPARE PART - PAGE

ⒸD ERSATZTEILE - SEITE

ⒸRU ЗАПЧАСТЬ - СТРАНИЦА

ⒸF PIÈCE DE RECHANGE - PAGE

ⒸPL CZĘŚCI ZAMIENNE - STRONA

☉ POLOTOVAR STROJE

☉ MASCHINEN-HALBFABRIKAT

☉ MACHINE - SEMI-PRODUIT

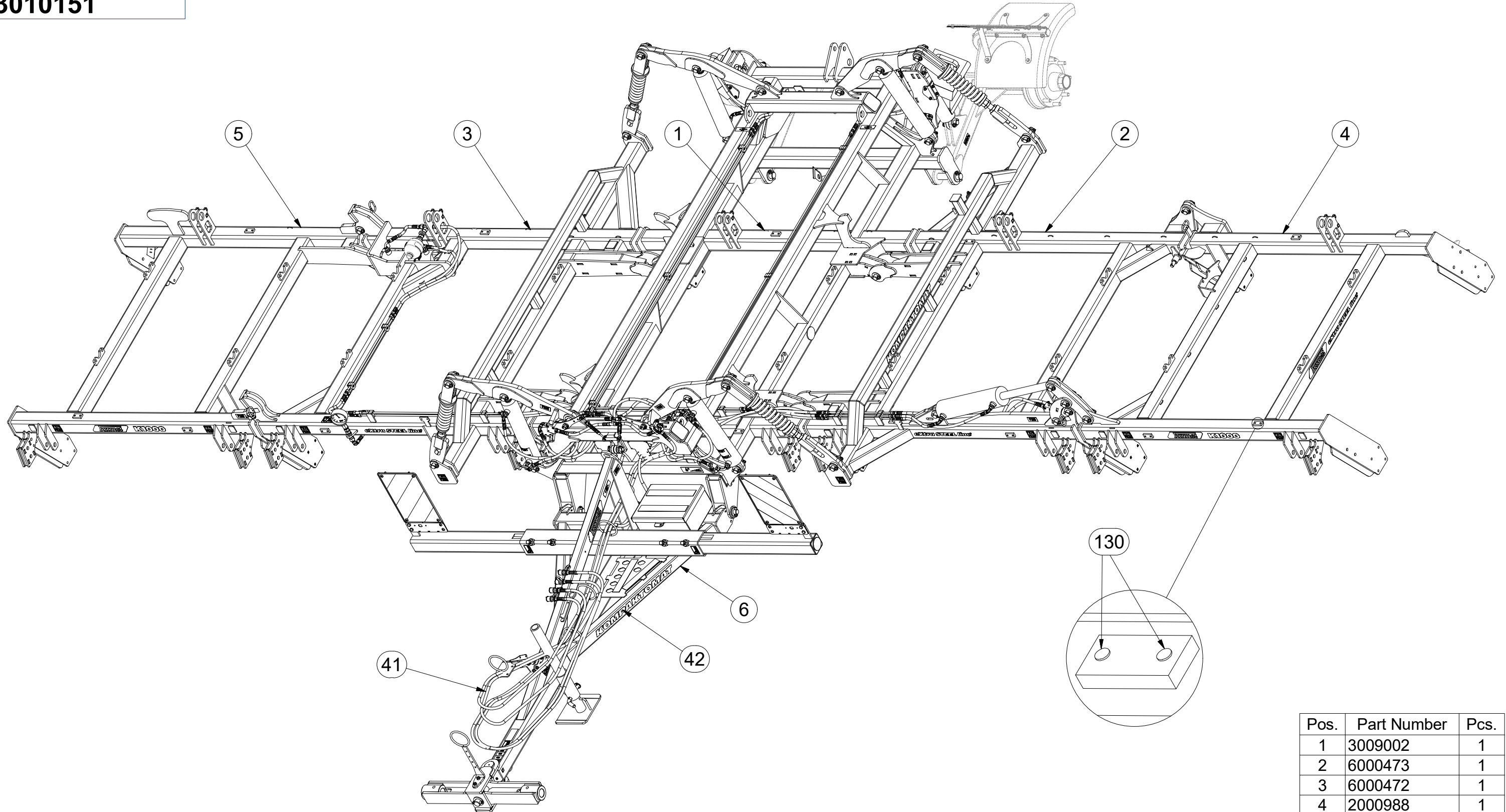
☉ SEMIFINISHED MACHINE

☉ ПОЛУФАБРИКАТ МАШИНЫ

☉ PÓLFABRYKAT MASZYNY



**3010151**



| Pos. | Part Number | Pcs. |
|------|-------------|------|
| 1    | 3009002     | 1    |
| 2    | 6000473     | 1    |
| 3    | 6000472     | 1    |
| 4    | 2000988     | 1    |
| 5    | 2000942     | 1    |
| 6    | 1000094     | 1    |
| 41   | m15720      | 1    |
| 42   | m16696      | 1    |
| 130  | m11099      | 28   |

☉ POLOTOVAR STROJE

☉ MASCHINEN-HALBFABRIKAT

☉ MACHINE - SEMI-PRODUIT

☉ SEMIFINISHED MACHINE

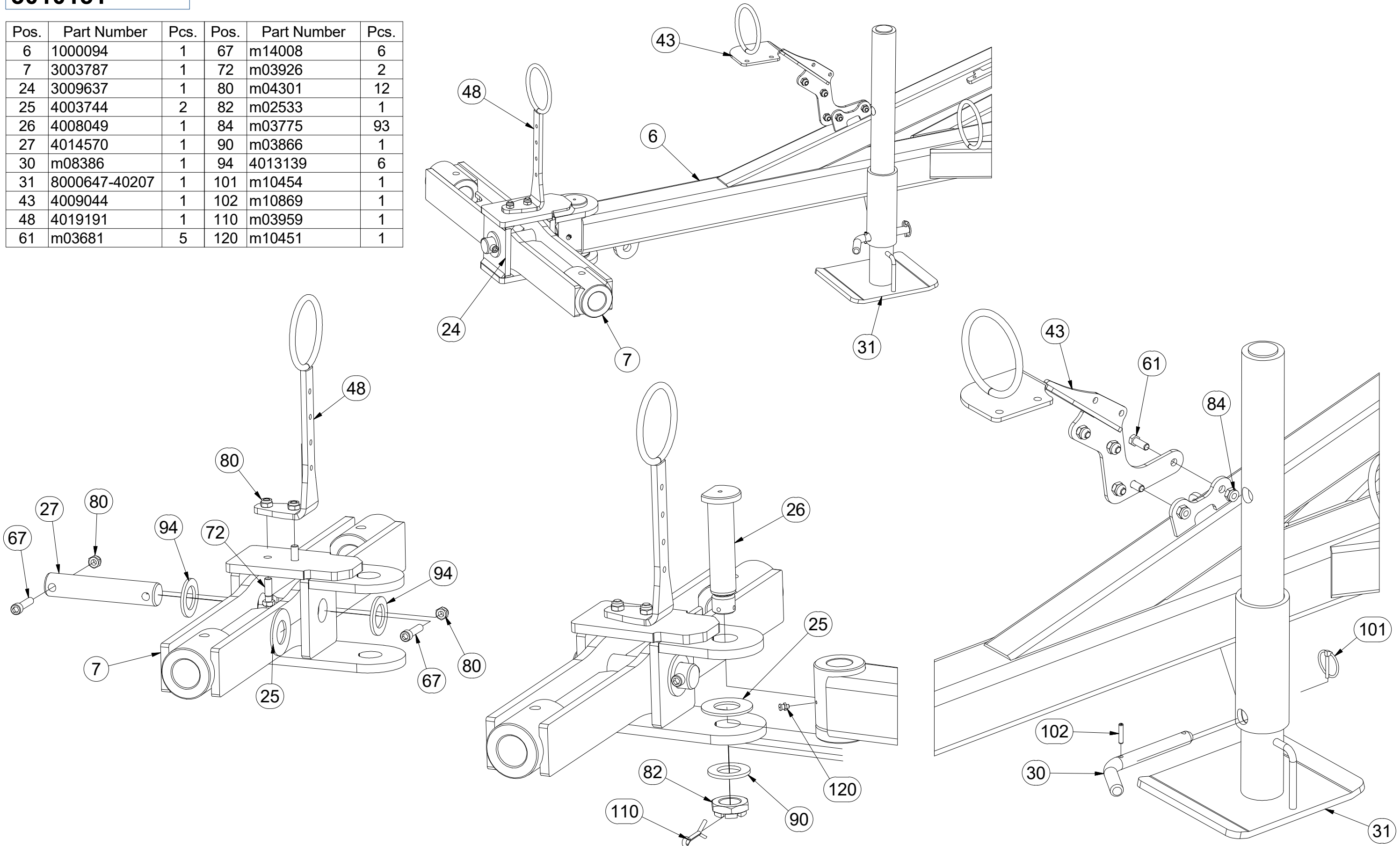
☉ ПОЛУФАБРИКАТ МАШИНЫ

☉ PÓLFABRYKAT MASZYNY



# 3010151

| Pos. | Part Number   | Pcs. | Pos. | Part Number | Pcs. |
|------|---------------|------|------|-------------|------|
| 6    | 1000094       | 1    | 67   | m14008      | 6    |
| 7    | 3003787       | 1    | 72   | m03926      | 2    |
| 24   | 3009637       | 1    | 80   | m04301      | 12   |
| 25   | 4003744       | 2    | 82   | m02533      | 1    |
| 26   | 4008049       | 1    | 84   | m03775      | 93   |
| 27   | 4014570       | 1    | 90   | m03866      | 1    |
| 30   | m08386        | 1    | 94   | 4013139     | 6    |
| 31   | 8000647-40207 | 1    | 101  | m10454      | 1    |
| 43   | 4009044       | 1    | 102  | m10869      | 1    |
| 48   | 4019191       | 1    | 110  | m03959      | 1    |
| 61   | m03681        | 5    | 120  | m10451      | 1    |



☉ POLOTOVAR STROJE

☉ MASCHINEN-HALBFABRIKAT

☉ MACHINE - SEMI-PRODUIT

☉ SEMIFINISHED MACHINE

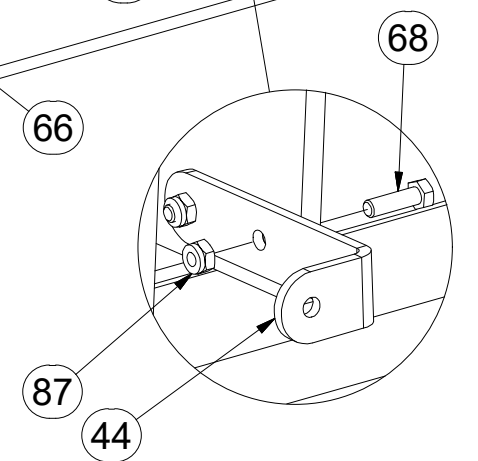
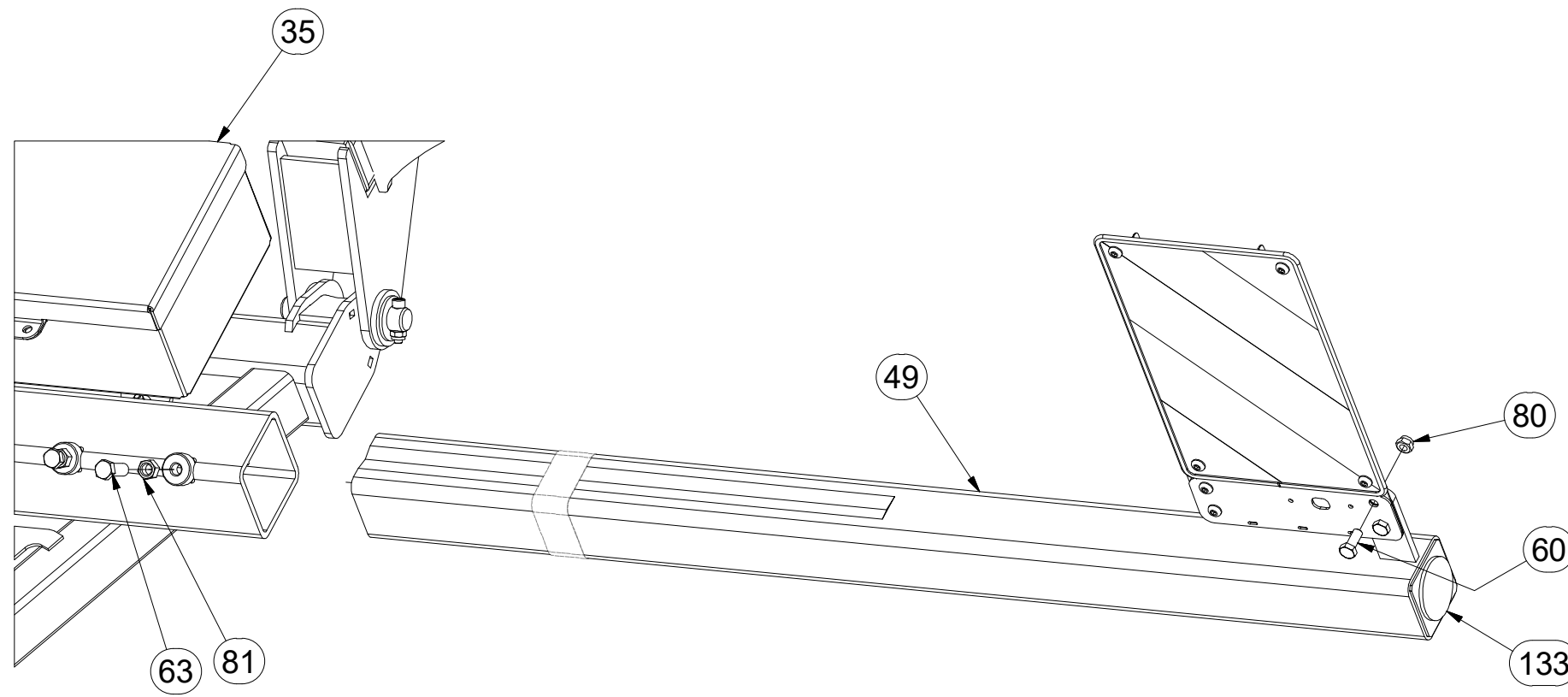
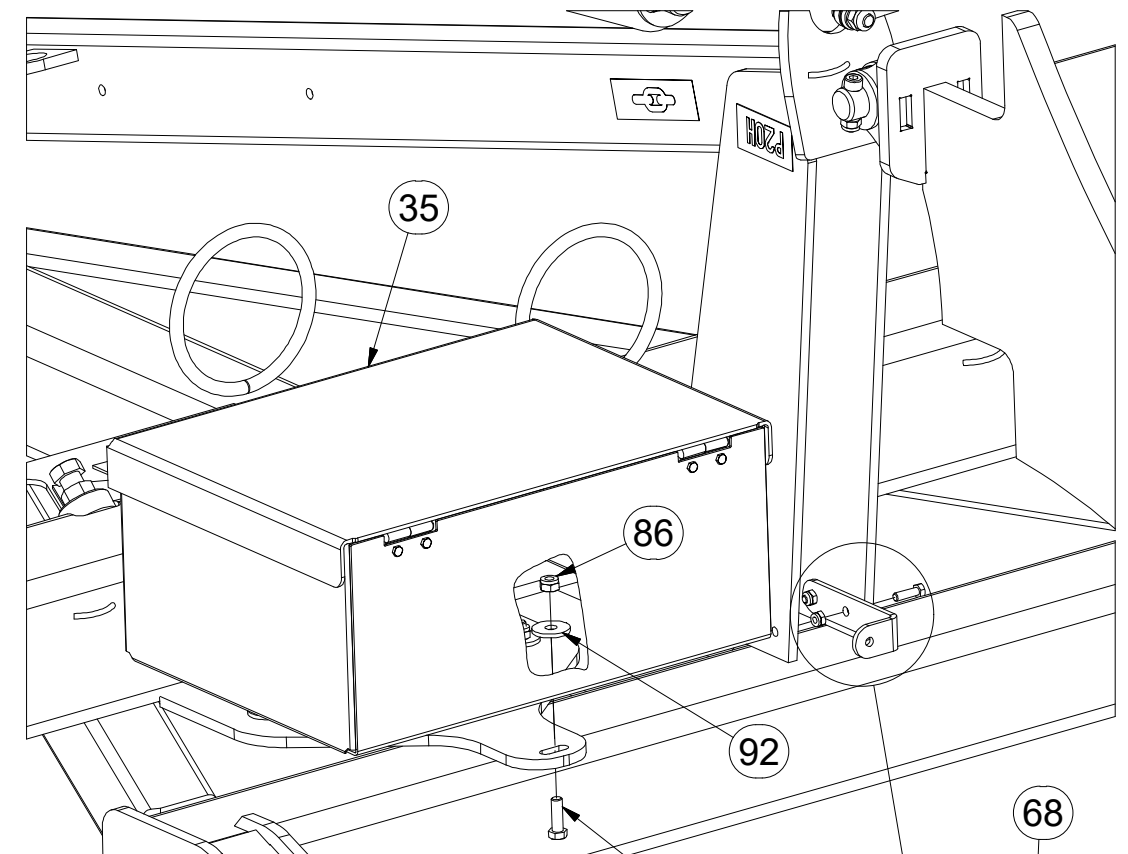
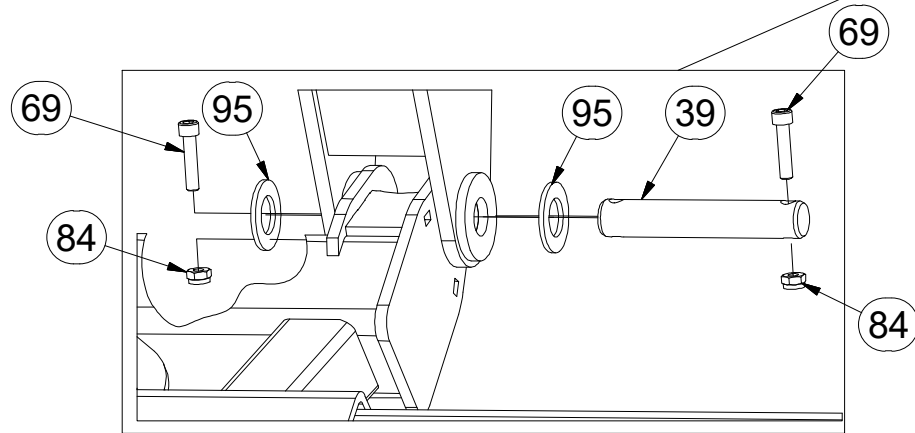
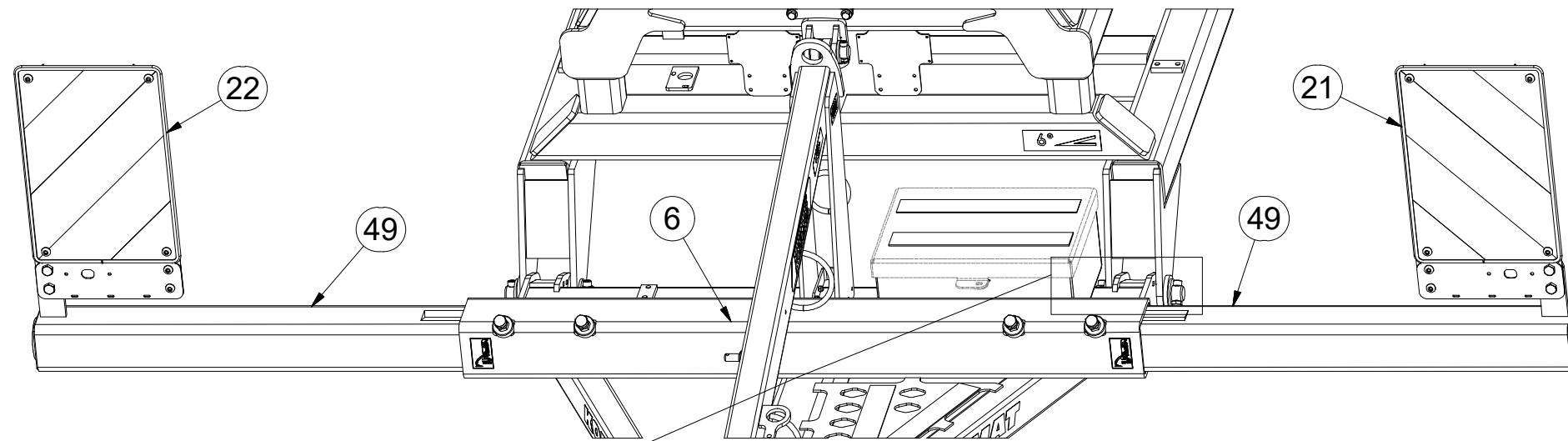
☉ ПОЛУФАБРИКАТ МАШИНЫ

☉ PÓLFABRYKAT MASZYNY



### 3010151

| Pos. | Part Number | Pcs. |
|------|-------------|------|
| 6    | 1000094     | 1    |
| 21   | 4018823     | 1    |
| 22   | 4018833     | 1    |
| 35   | m12296      | 1    |
| 39   | 4011050     | 2    |
| 44   | 4013461     | 1    |
| 49   | 4019255     | 2    |
| 60   | m04039      | 4    |
| 63   | m02254      | 4    |
| 66   | m01092      | 3    |
| 68   | m01074      | 2    |
| 69   | m14143      | 82   |
| 80   | m04301      | 12   |
| 81   | m01306      | 4    |
| 84   | m03775      | 93   |
| 86   | m04503      | 20   |
| 87   | m05560      | 4    |
| 92   | m07936      | 3    |
| 95   | m14029      | 82   |
| 133  | m02579      | 6    |



☉ POLOTOVAR STROJE

☉ MASCHINEN-HALBFABRIKAT

☉ MACHINE - SEMI-PRODUIT

☉ SEMIFINISHED MACHINE

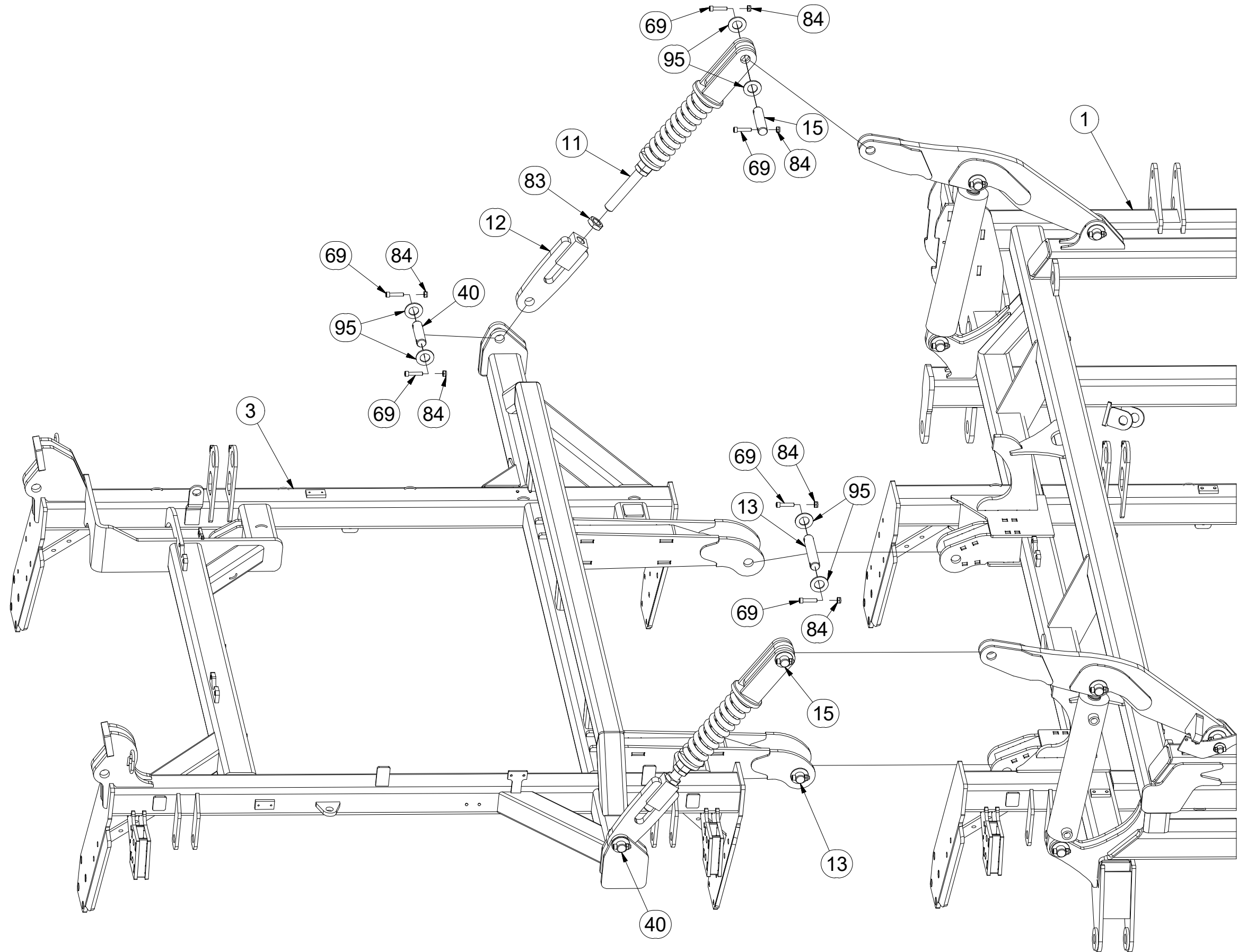
☉ ПОЛУФАБРИКАТ МАШИНЫ

☉ PÓLFABRYKAT MASZYNY



**3010151**

| Pos. | Part Number | Pcs. |
|------|-------------|------|
| 1    | 3009002     | 1    |
| 3    | 6000472     | 1    |
| 11   | 4005363     | 4    |
| 12   | 4005366     | 4    |
| 13   | 4007641     | 4    |
| 15   | 4014569     | 4    |
| 40   | 4007584     | 6    |
| 69   | m14143      | 82   |
| 83   | m04043      | 4    |
| 84   | m03775      | 93   |
| 95   | m14029      | 82   |



☉ POLOTOVAR STROJE

☐ MASCHINEN-HALBFABRIKAT

☐ MACHINE - SEMI-PRODUIT

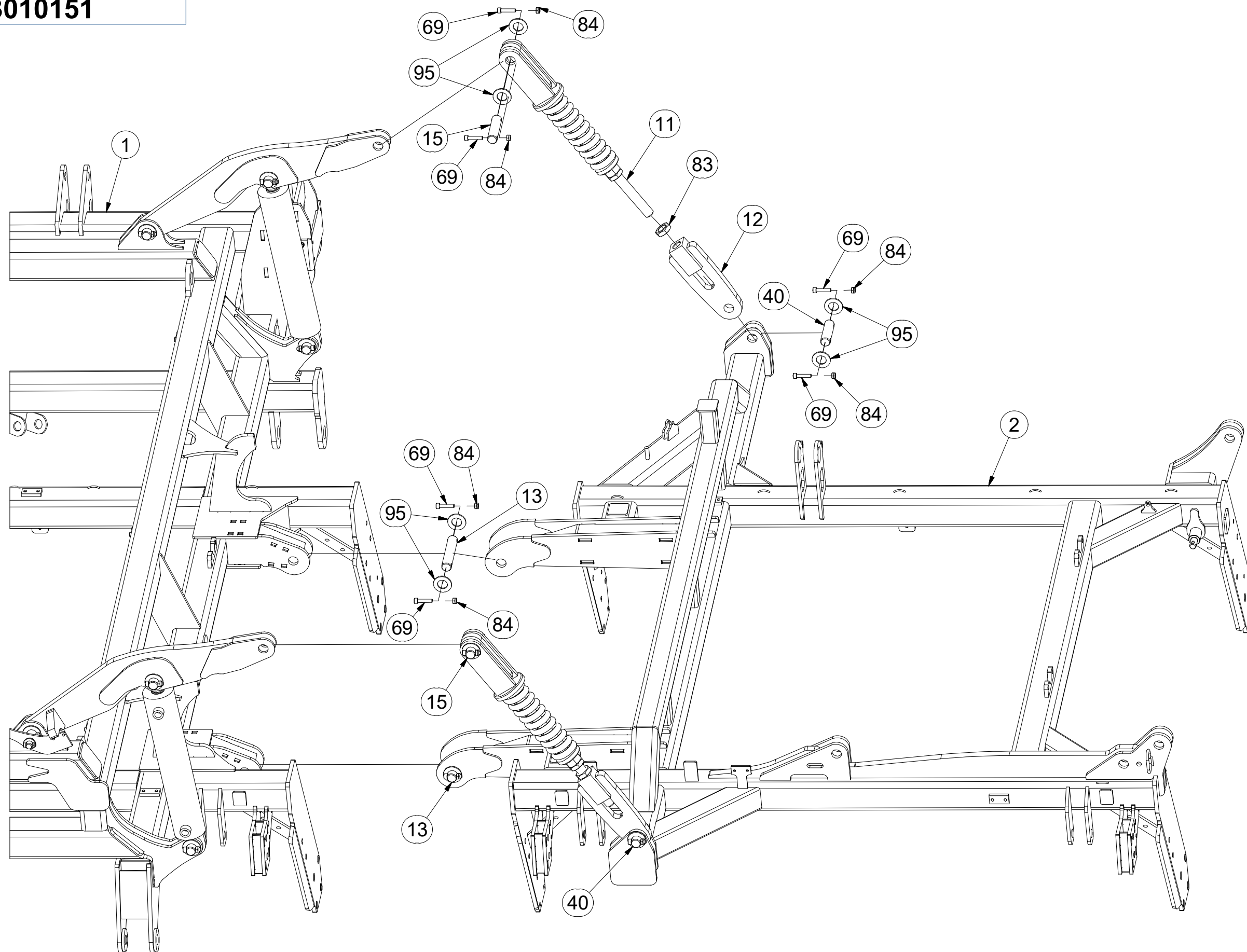
☉ SEMIFINISHED MACHINE

☐ ПОЛУФАБРИКАТ МАШИНЫ

☐ PÓLFABRYKAT MASZYNY



**3010151**



| Pos. | Part Number | Pcs. |
|------|-------------|------|
| 1    | 3009002     | 1    |
| 2    | 6000473     | 1    |
| 11   | 4005363     | 4    |
| 12   | 4005366     | 4    |
| 13   | 4007641     | 4    |
| 15   | 4014569     | 4    |
| 40   | 4007584     | 6    |
| 69   | m14143      | 82   |
| 83   | m04043      | 4    |
| 84   | m03775      | 93   |
| 95   | m14029      | 82   |

☉ POLOTOVAR STROJE

☉ MASCHINEN-HALBFABRIKAT

☉ MACHINE - SEMI-PRODUIT

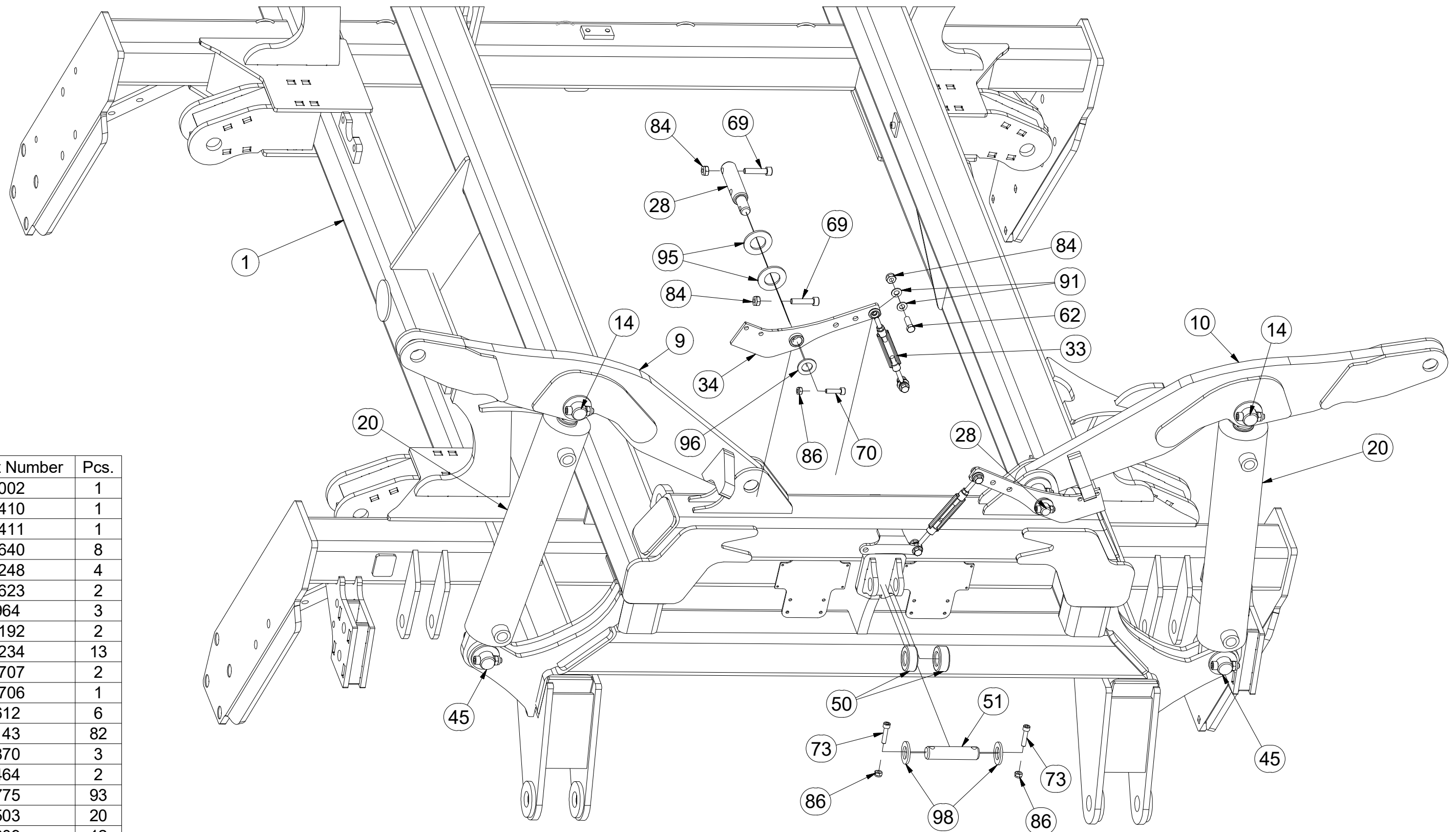
☉ SEMIFINISHED MACHINE

☉ ПОЛУФАБРИКАТ МАШИНЫ

☉ PÓLFABRYKAT MASZYNY



**3010151**



| Pos. | Part Number | Pcs. |
|------|-------------|------|
| 1    | 3009002     | 1    |
| 9    | 3005410     | 1    |
| 10   | 3005411     | 1    |
| 14   | 4007640     | 8    |
| 20   | 9000248     | 4    |
| 28   | 4015623     | 2    |
| 33   | m09964      | 3    |
| 34   | 4019192     | 2    |
| 45   | 4008234     | 13   |
| 50   | 4015707     | 2    |
| 51   | 4015706     | 1    |
| 62   | m04612      | 6    |
| 69   | m14143      | 82   |
| 70   | m09870      | 3    |
| 73   | m09464      | 2    |
| 84   | m03775      | 93   |
| 86   | m04503      | 20   |
| 91   | m01209      | 12   |
| 95   | m14029      | 82   |
| 96   | m14030      | 3    |
| 98   | m14028      | 2    |



Ⓒ POLOTOVAR STROJE

Ⓓ MASCHINEN-HALBFABRIKAT

Ⓕ MACHINE - SEMI-PRODUIT

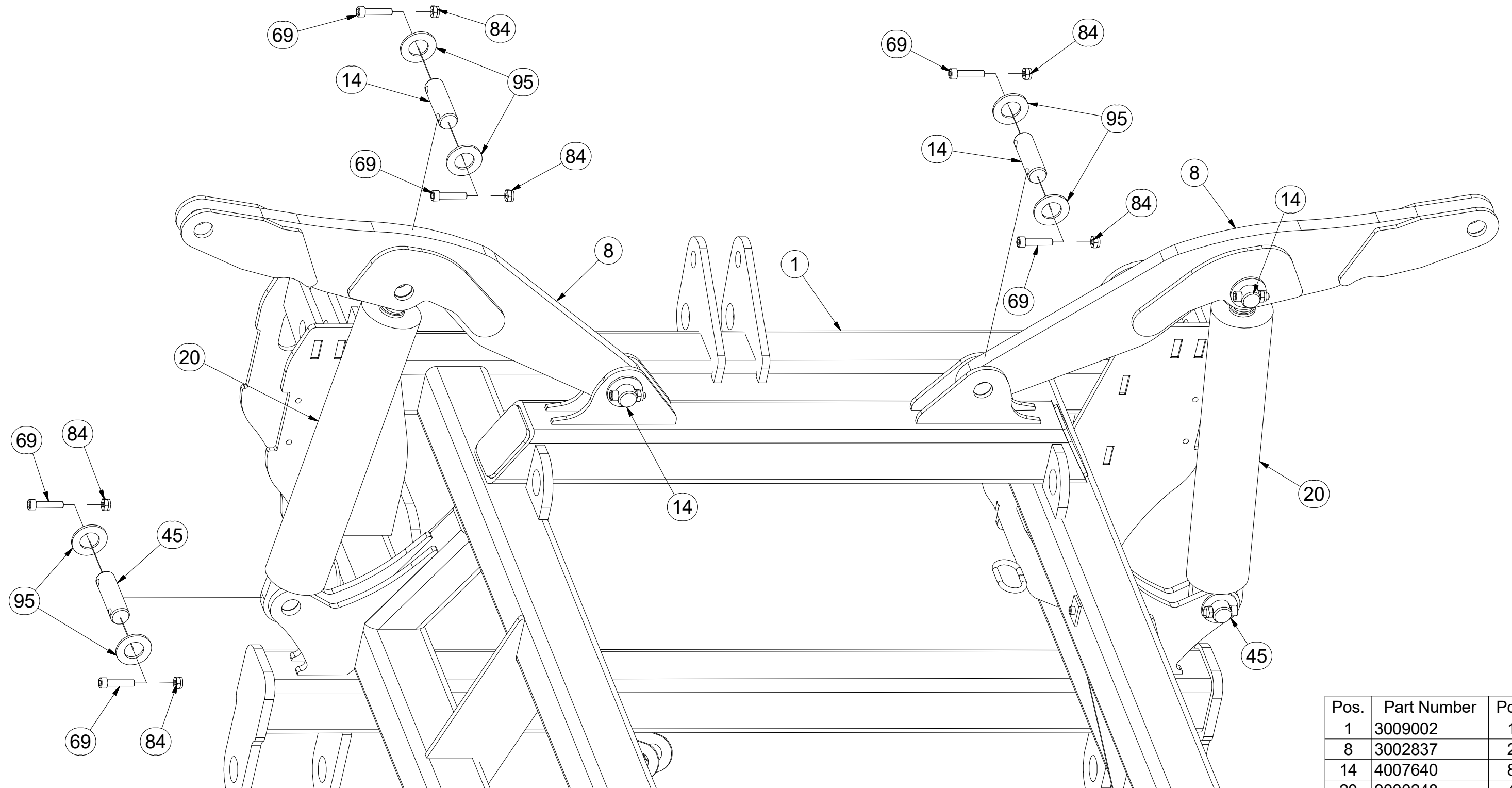
Ⓖ SEMIFINISHED MACHINE

Ⓡ ПОЛУФАБРИКАТ МАШИНЫ

Ⓟ PÓŁFABRYKAT MASZYN



**3010151**



| Pos. | Part Number | Pcs. |
|------|-------------|------|
| 1    | 3009002     | 1    |
| 8    | 3002837     | 2    |
| 14   | 4007640     | 8    |
| 20   | 9000248     | 4    |
| 45   | 4008234     | 13   |
| 69   | m14143      | 82   |
| 84   | m03775      | 93   |
| 95   | m14029      | 82   |

Ⓒ POLOTOVAR STROJE

Ⓓ MASCHINEN-HALBFABRIKAT

Ⓕ MACHINE - SEMI-PRODUIT

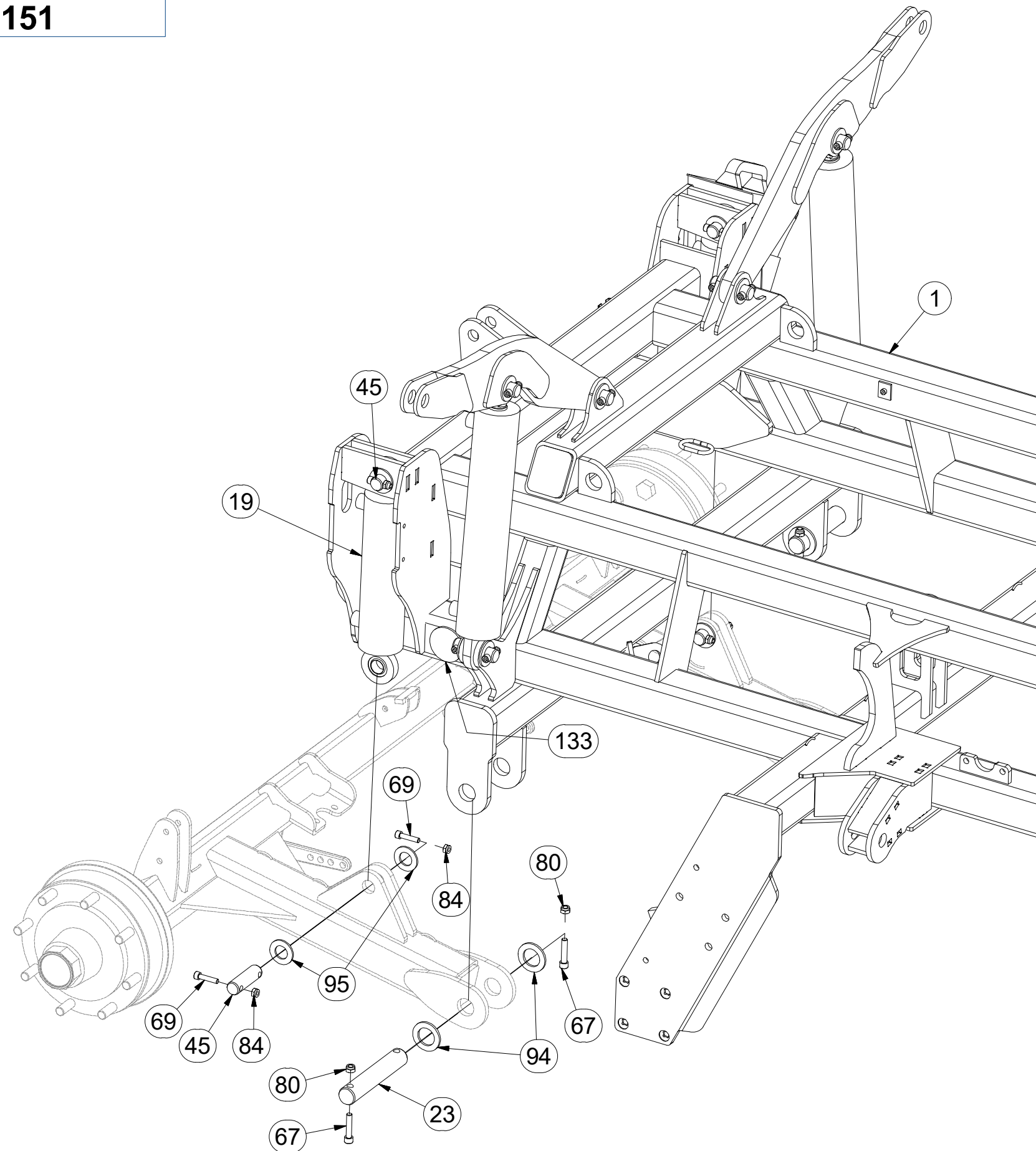
Ⓖ SEMIFINISHED MACHINE

Ⓡ ПОЛУФАБРИКАТ МАШИНЫ

Ⓟ PÓŁFABRYKAT MASZYN



**3010151**



| Pos. | Part Number | Pcs. |
|------|-------------|------|
| 1    | 3009002     | 1    |
| 19   | 9000247     | 3    |
| 23   | 4010875     | 2    |
| 45   | 4008234     | 13   |
| 67   | m14008      | 6    |
| 69   | m14143      | 82   |
| 80   | m04301      | 12   |
| 84   | m03775      | 93   |
| 94   | 4013139     | 6    |
| 95   | m14029      | 82   |
| 133  | m02579      | 6    |

☉ POLOTOVAR STROJE

☉ MASCHINEN-HALBFABRIKAT

☉ MACHINE - SEMI-PRODUIT

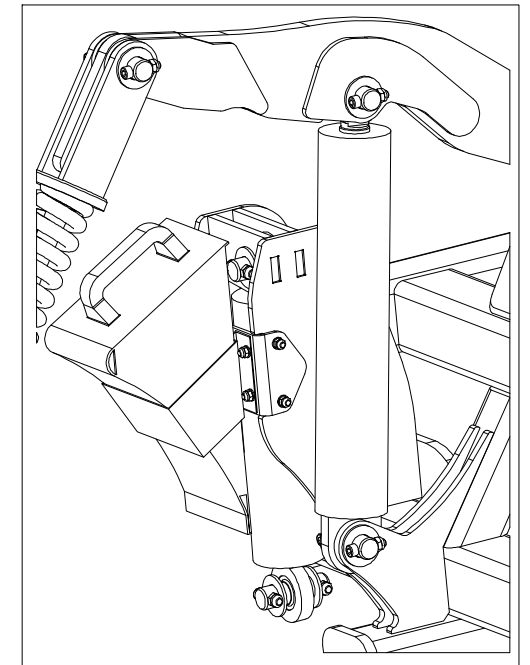
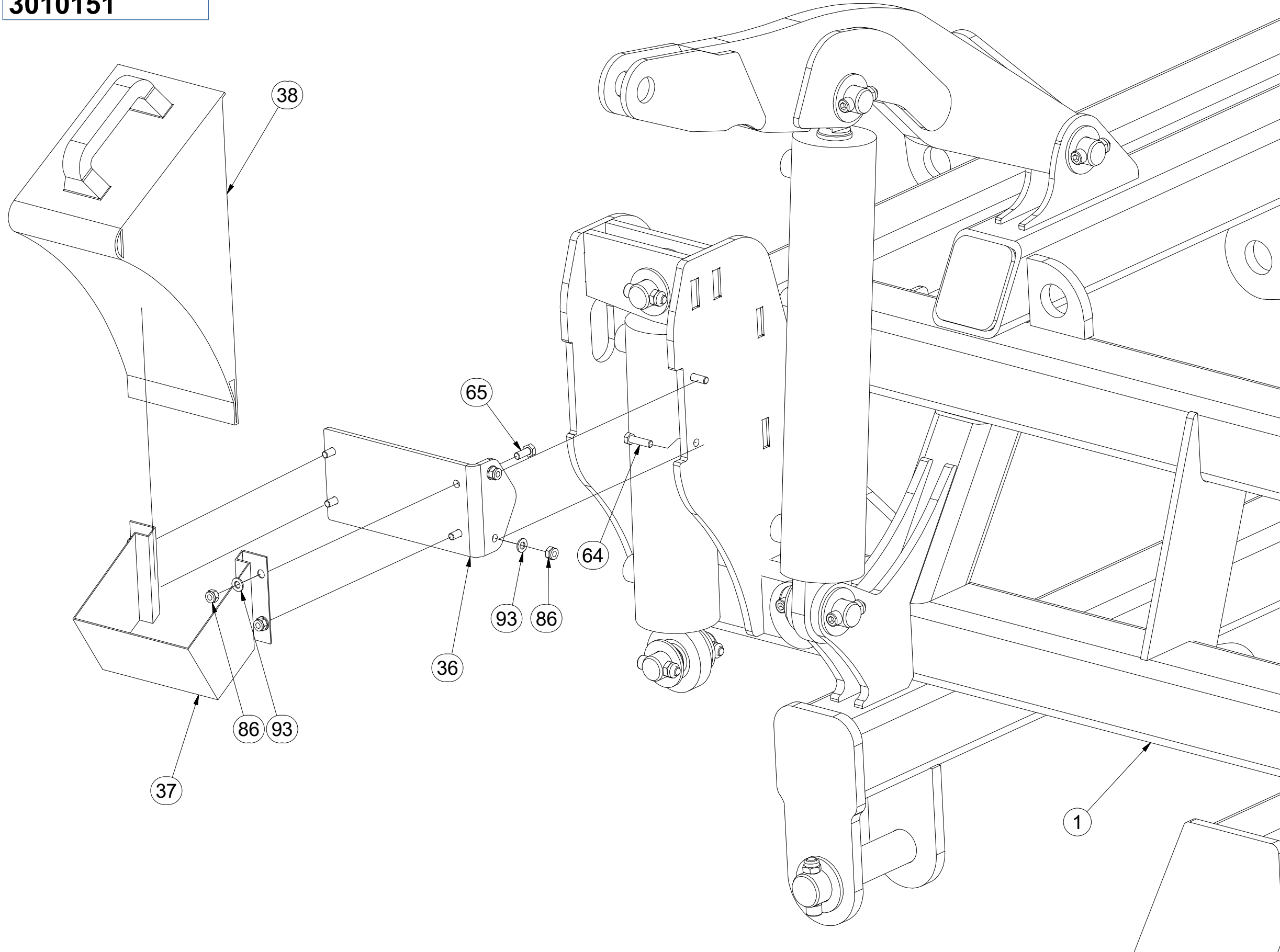
☉ SEMIFINISHED MACHINE

☉ ПОЛУФАБРИКАТ МАШИНЫ

☉ PÓLFABRYKAT MASZYNY



**3010151**



| Pos. | Part Number | Pcs. |
|------|-------------|------|
| 1    | 3009002     | 1    |
| 86   | m04503      | 20   |
| 36   | 4010309     | 2    |
| 38   | m16186      | 2    |
| 37   | m12572      | 2    |
| 93   | m01203      | 12   |
| 64   | m07788      | 4    |
| 65   | m01089      | 8    |

☉ POLOTOVAR STROJE

☉ MASCHINEN-HALBFABRIKAT

☉ MACHINE - SEMI-PRODUIT

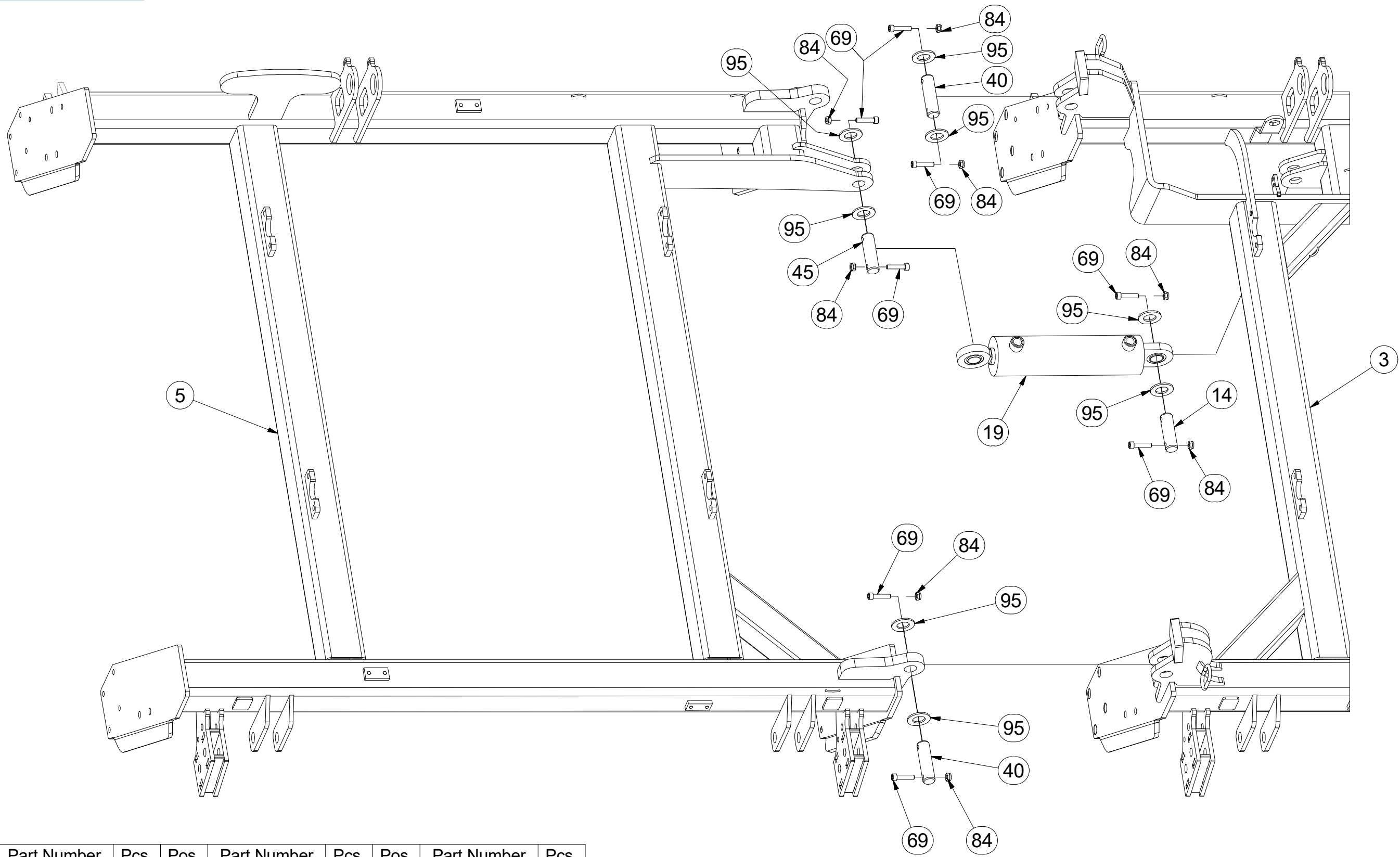
☉ SEMIFINISHED MACHINE

☉ ПОЛУФАБРИКАТ МАШИНЫ

☉ PÓLFABRYKAT MASZYNY



**3010151**



| Pos. | Part Number | Pcs. | Pos. | Part Number | Pcs. | Pos. | Part Number | Pcs. |
|------|-------------|------|------|-------------|------|------|-------------|------|
| 3    | 6000472     | 1    | 19   | 9000247     | 3    | 69   | m14143      | 82   |
| 5    | 2000942     | 1    | 40   | 4007584     | 6    | 84   | m03775      | 93   |
| 14   | 4007640     | 8    | 45   | 4008234     | 13   | 95   | m14029      | 82   |

☉ POLOTOVAR STROJE

☉ MASCHINEN-HALBFABRIKAT

☉ MACHINE - SEMI-PRODUIT

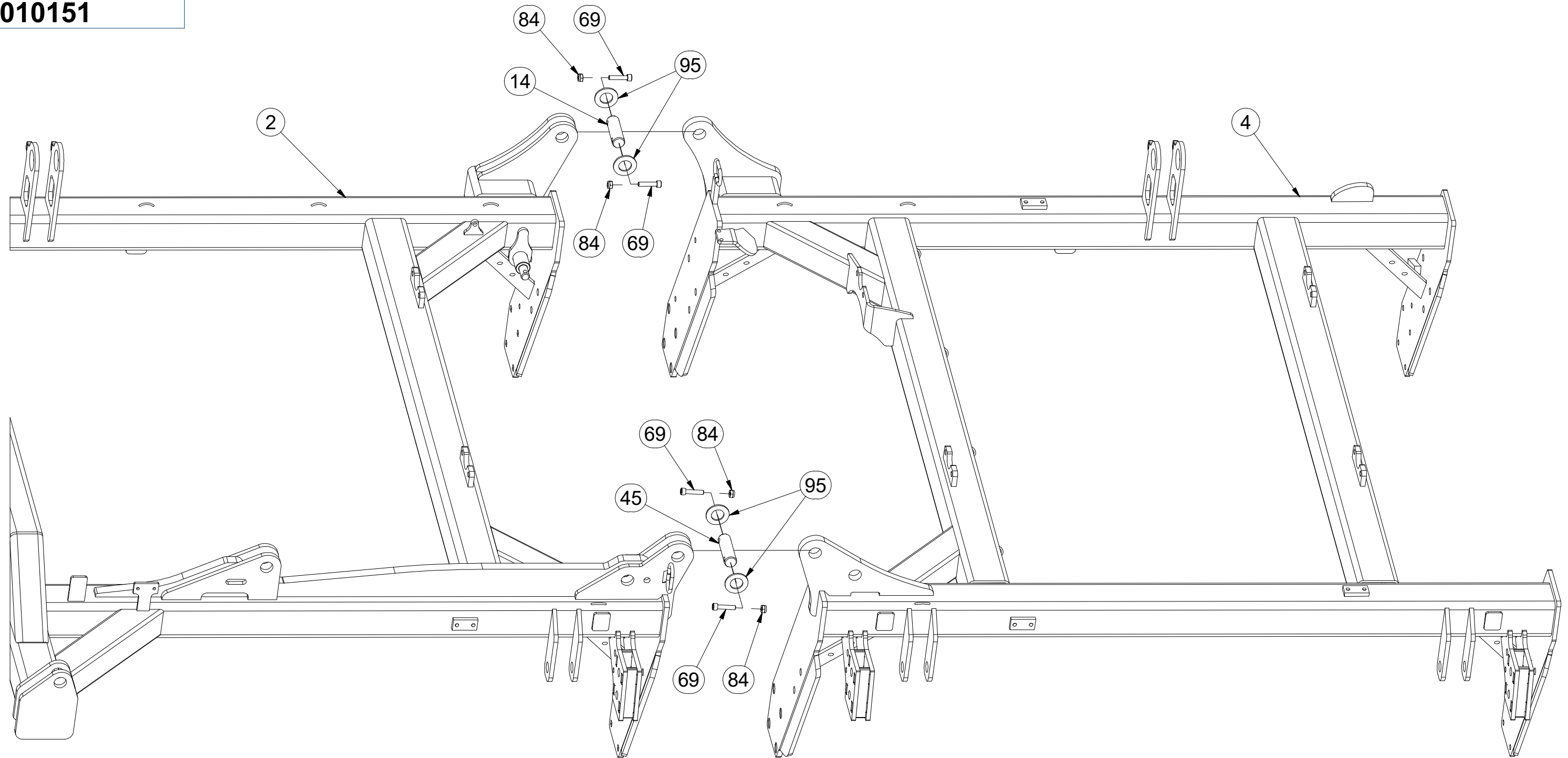
☉ SEMIFINISHED MACHINE

☉ ПОЛУФАБРИКАТ МАШИНЫ

☉ PÓŁFABRYKAT MASZYN



**3010151**



| Pos. | Part Number | Pcs. |
|------|-------------|------|
| 2    | 6000473     | 1    |
| 4    | 2000988     | 1    |
| 14   | 4007640     | 8    |
| 45   | 4008234     | 13   |
| 69   | m14143      | 82   |
| 84   | m03775      | 93   |
| 95   | m14029      | 82   |

☉ POLOTOVAR STROJE

☉ MASCHINEN-HALBFABRIKAT

☉ MACHINE - SEMI-PRODUIT

☉ SEMIFINISHED MACHINE

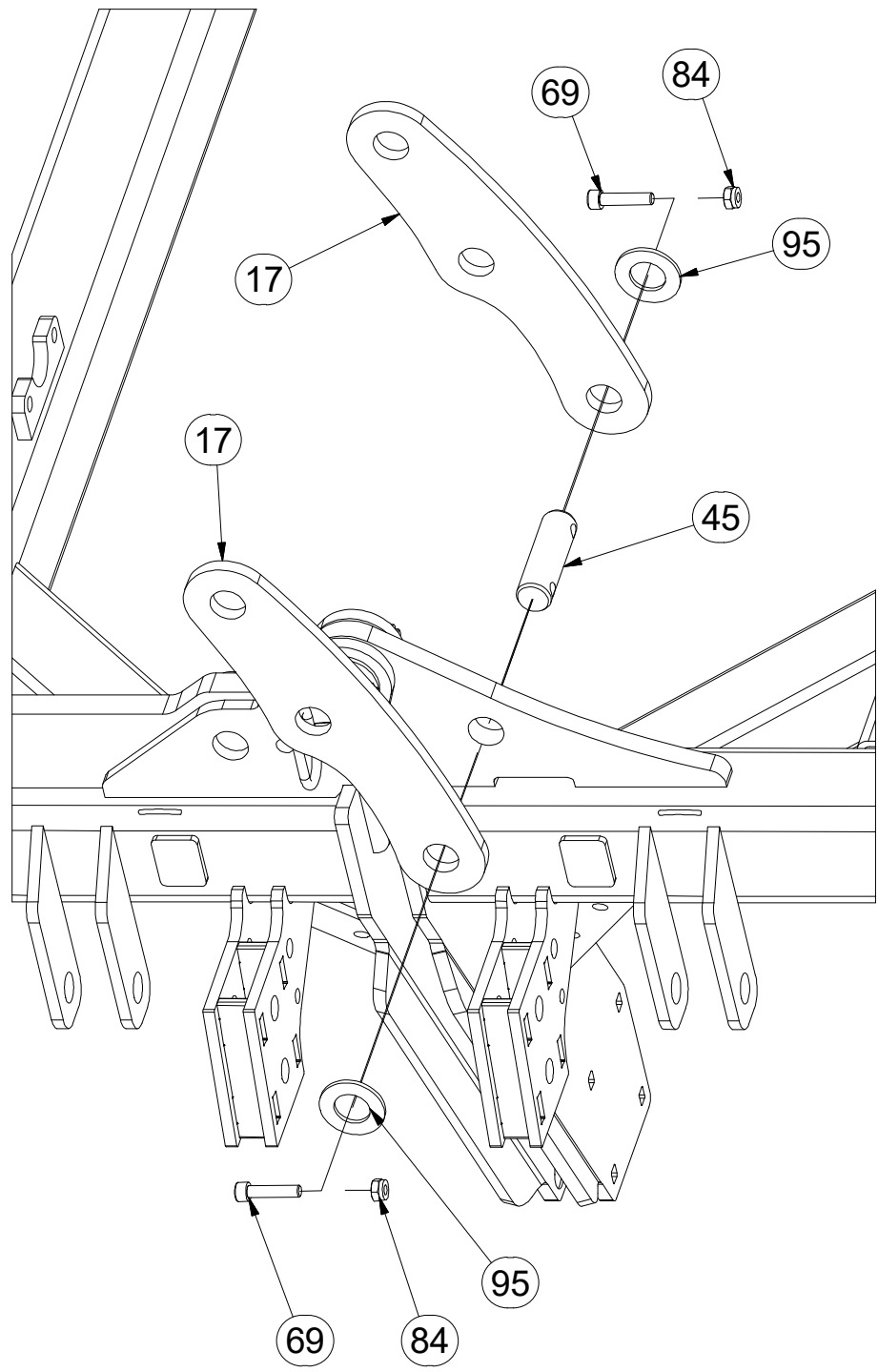
☉ ПОЛУФАБРИКАТ МАШИНЫ

☉ PÓLFABRYKAT MASZYNY

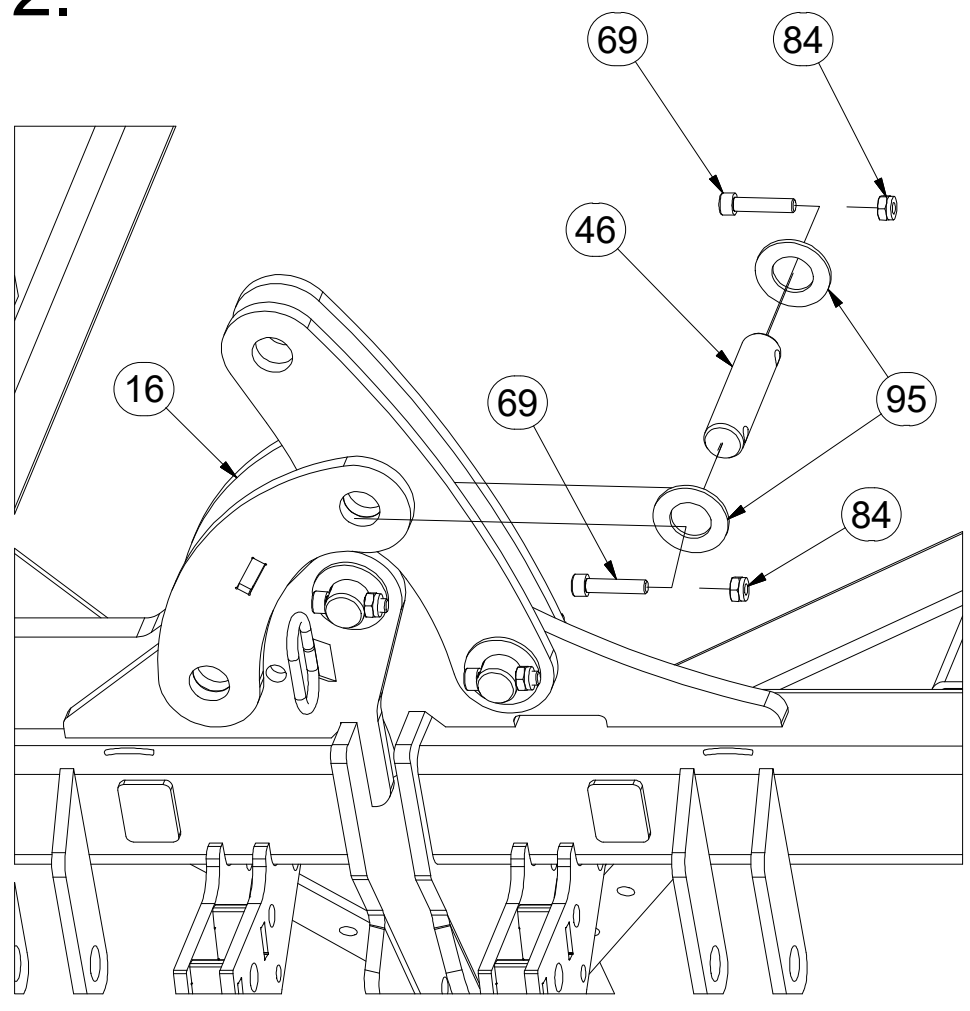


**3010151**

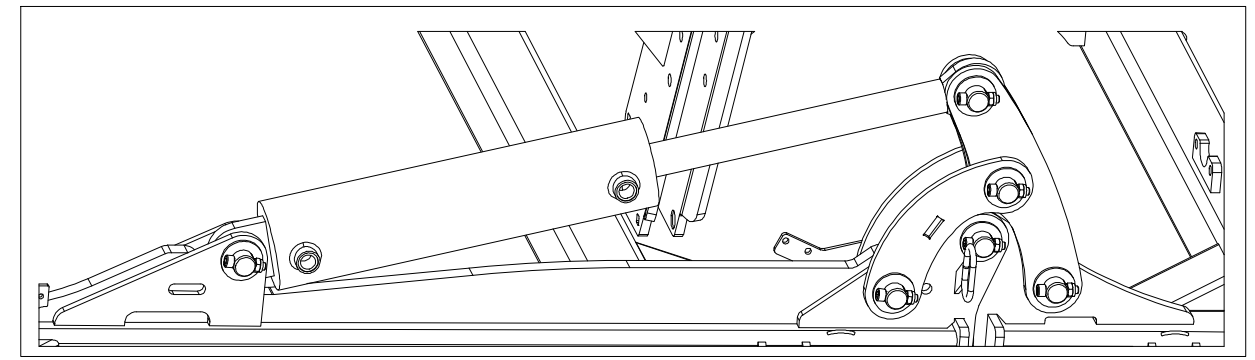
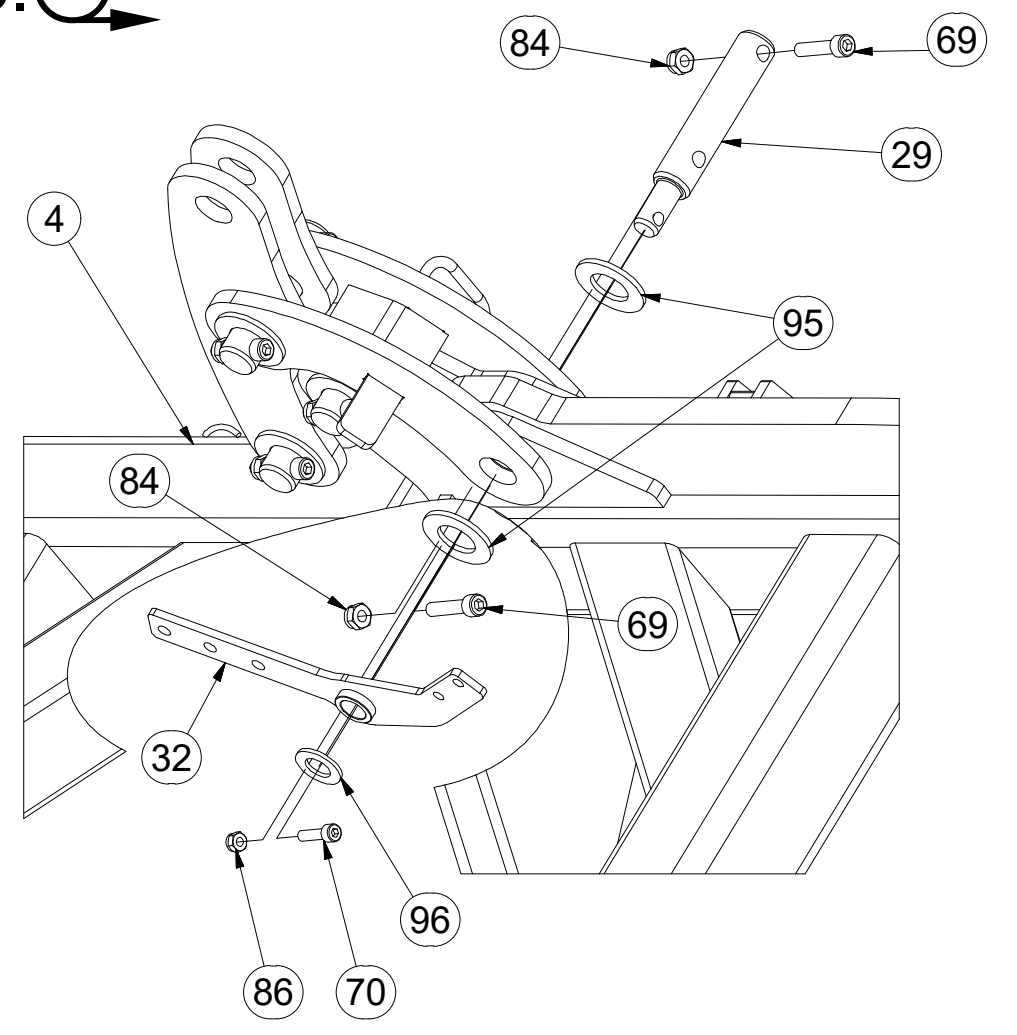
1.



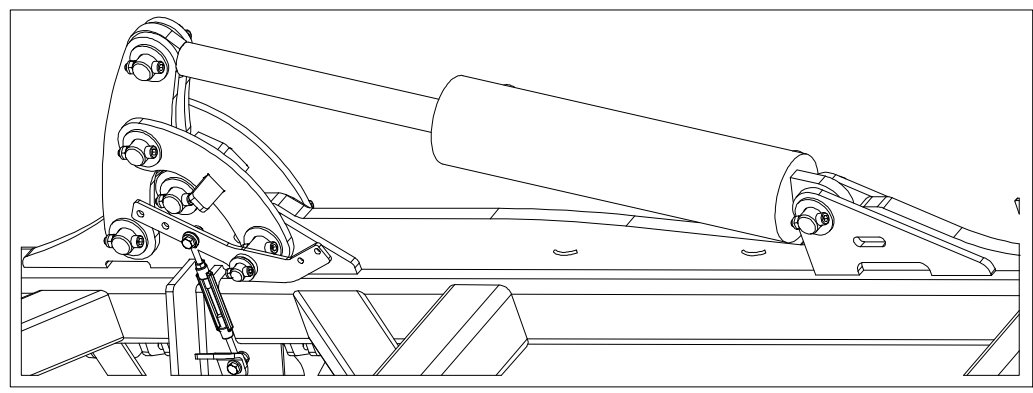
2.



3. Q



Q



| Pos. | Part Number | Pcs. | Pos. | Part Number | Pcs. |
|------|-------------|------|------|-------------|------|
| 4    | 2000988     | 1    | 69   | m14143      | 82   |
| 16   | 3003057     | 1    | 70   | m09870      | 3    |
| 17   | 4010308     | 2    | 84   | m03775      | 93   |
| 29   | 4015624     | 1    | 86   | m04503      | 20   |
| 32   | 4005414     | 1    | 95   | m14029      | 82   |
| 45   | 4008234     | 13   | 96   | m14030      | 3    |
| 46   | 4011761     | 1    |      |             |      |

☉ POLOTOVAR STROJE

☎ MASCHINEN-HALBFABRIKAT

☐ MACHINE - SEMI-PRODUIT

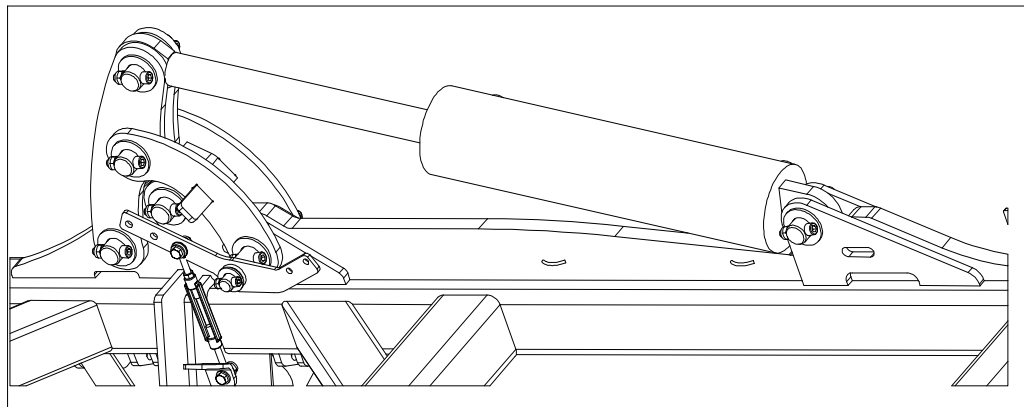
☉ SEMIFINISHED MACHINE

☎ ПОЛУФАБРИКАТ МАШИНЫ

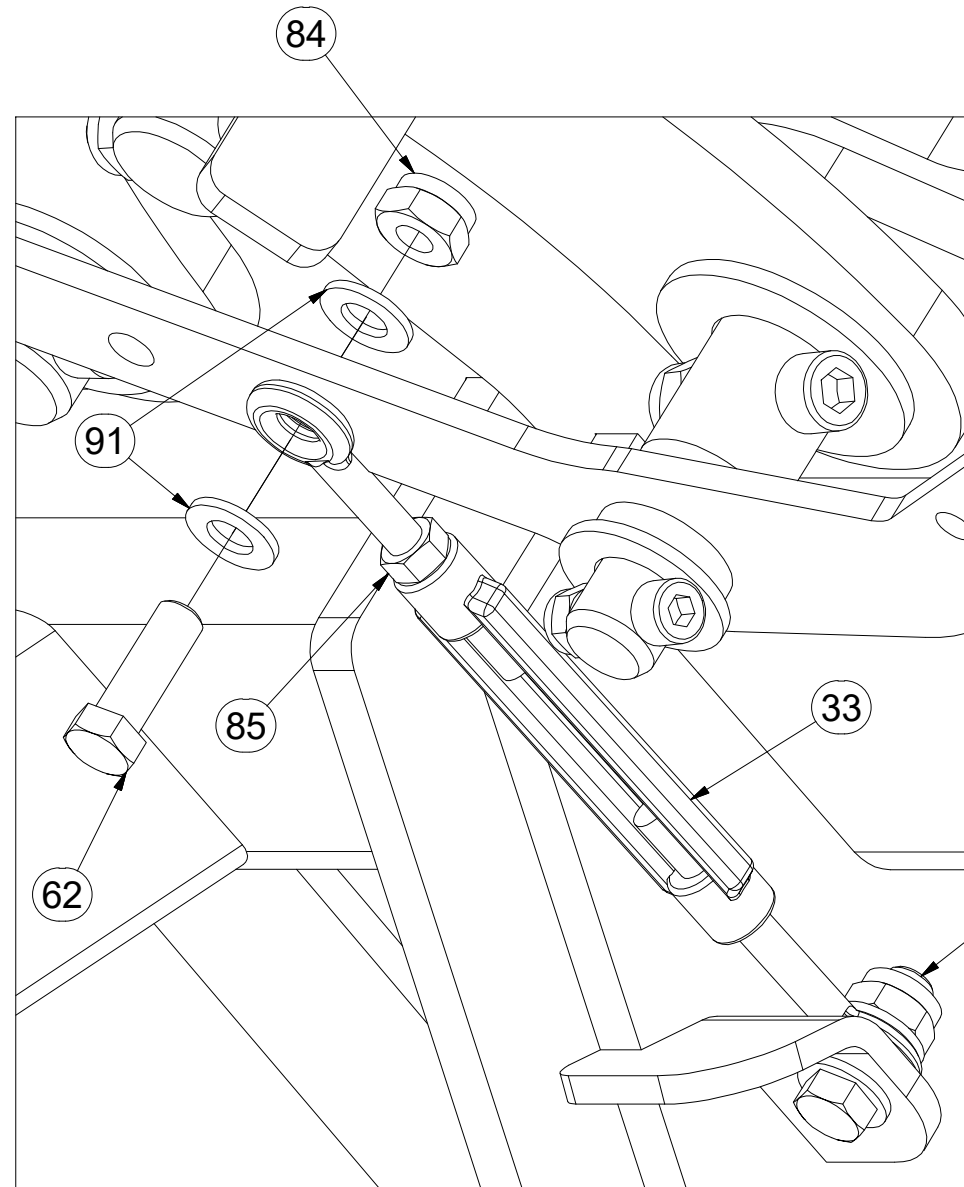
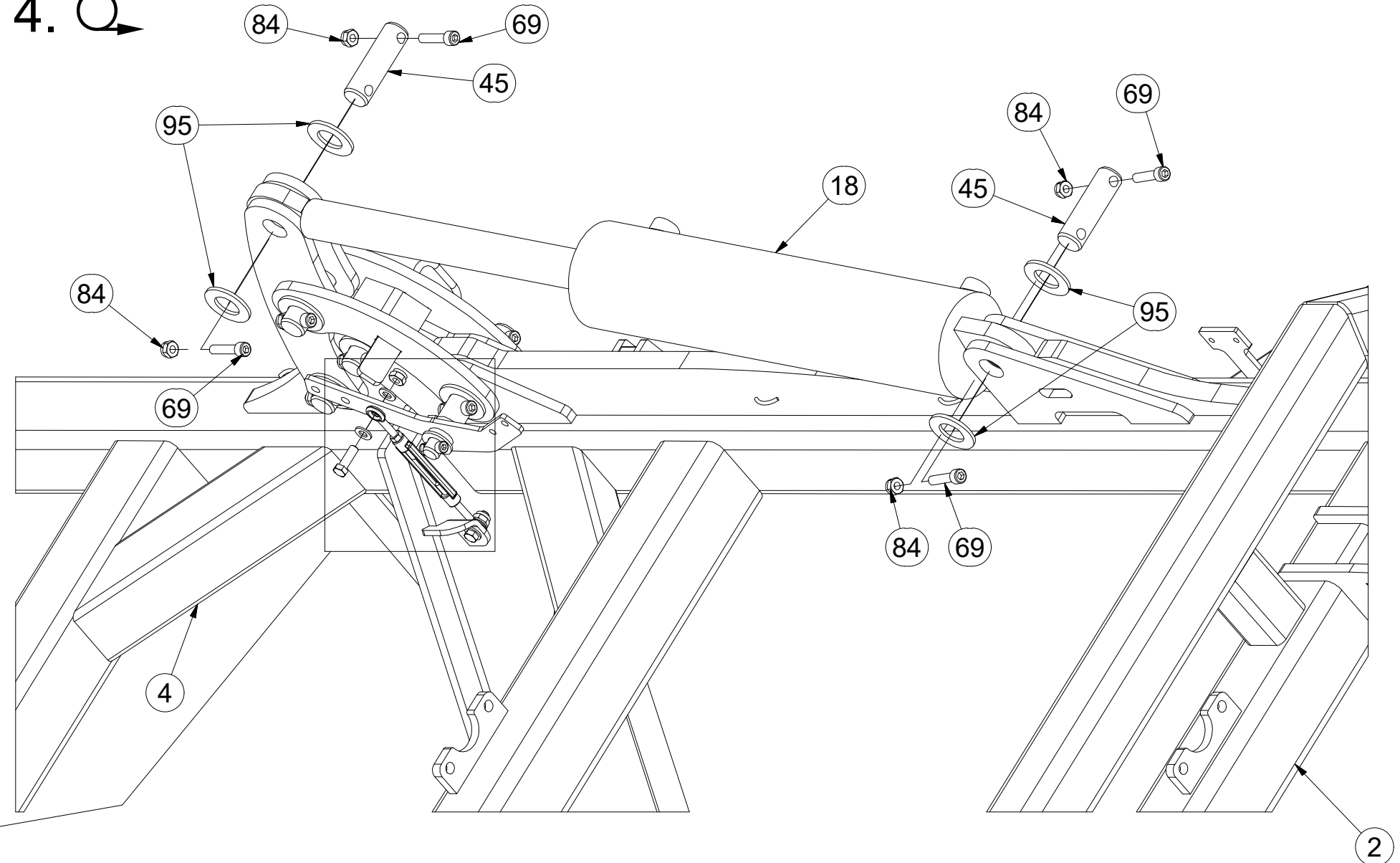
☐ PÓLFABRYKAT MASZYNY



**3010151**



4. Q



| Pos. | Part Number | Pcs. |
|------|-------------|------|
| 2    | 6000473     | 1    |
| 4    | 2000988     | 1    |
| 18   | 9002967     | 1    |
| 33   | m09964      | 3    |
| 45   | 4008234     | 13   |
| 62   | m04612      | 6    |
| 69   | m14143      | 82   |
| 84   | m03775      | 93   |
| 85   | m01296      | 3    |
| 91   | m01209      | 12   |
| 95   | m14029      | 82   |

ⒸZ HYDRAULICKÝ ROZVOD NÁPRAVY

Ⓓ HYDRAULISCHE VERTEILUNG ACHSE

Ⓕ CONDUIT HYDRAULIQUE DE L'ESSIEU

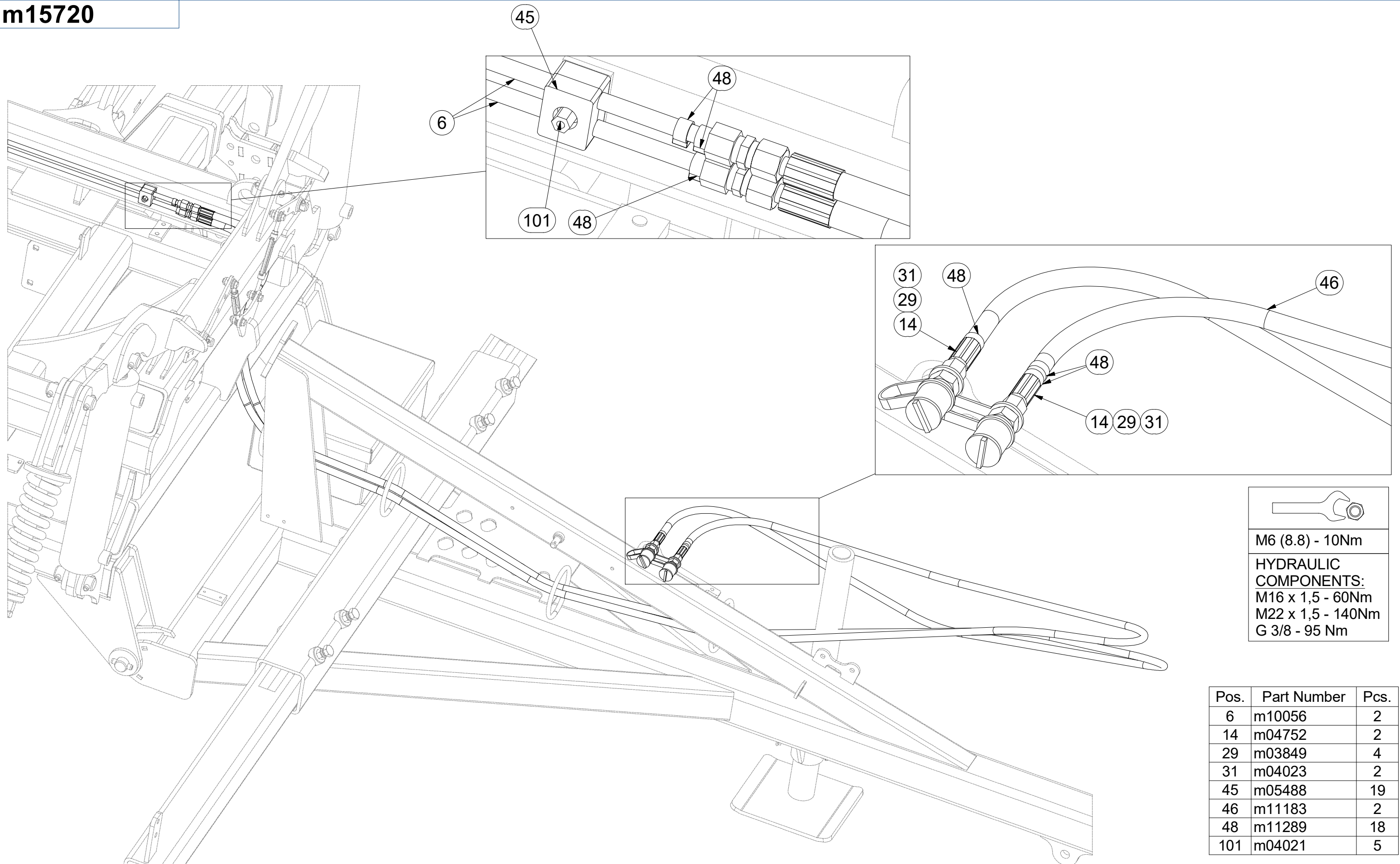
ⒼB HYDRAULIC AXLE DISTRIBUTION


Ⓔ RU ГИДРАВЛИЧЕСКОЕ РАСПРЕДЕЛЕНИЕ ОСИ

ⒼL HYDRAULICZNY PRZEWÓD OSI



**m15720**



  
M6 (8.8) - 10Nm  
HYDRAULIC COMPONENTS:  
M16 x 1,5 - 60Nm  
M22 x 1,5 - 140Nm  
G 3/8 - 95 Nm

| Pos. | Part Number | Pcs. |
|------|-------------|------|
| 6    | m10056      | 2    |
| 14   | m04752      | 2    |
| 29   | m03849      | 4    |
| 31   | m04023      | 2    |
| 45   | m05488      | 19   |
| 46   | m11183      | 2    |
| 48   | m11289      | 18   |
| 101  | m04021      | 5    |



ⒸZ HYDRAULICKÝ ROZVOD NÁPRAVY

Ⓓ HYDRAULISCHE VERTEILUNG ACHSE

Ⓕ CONDUIT HYDRAULIQUE DE L'ESSIEU

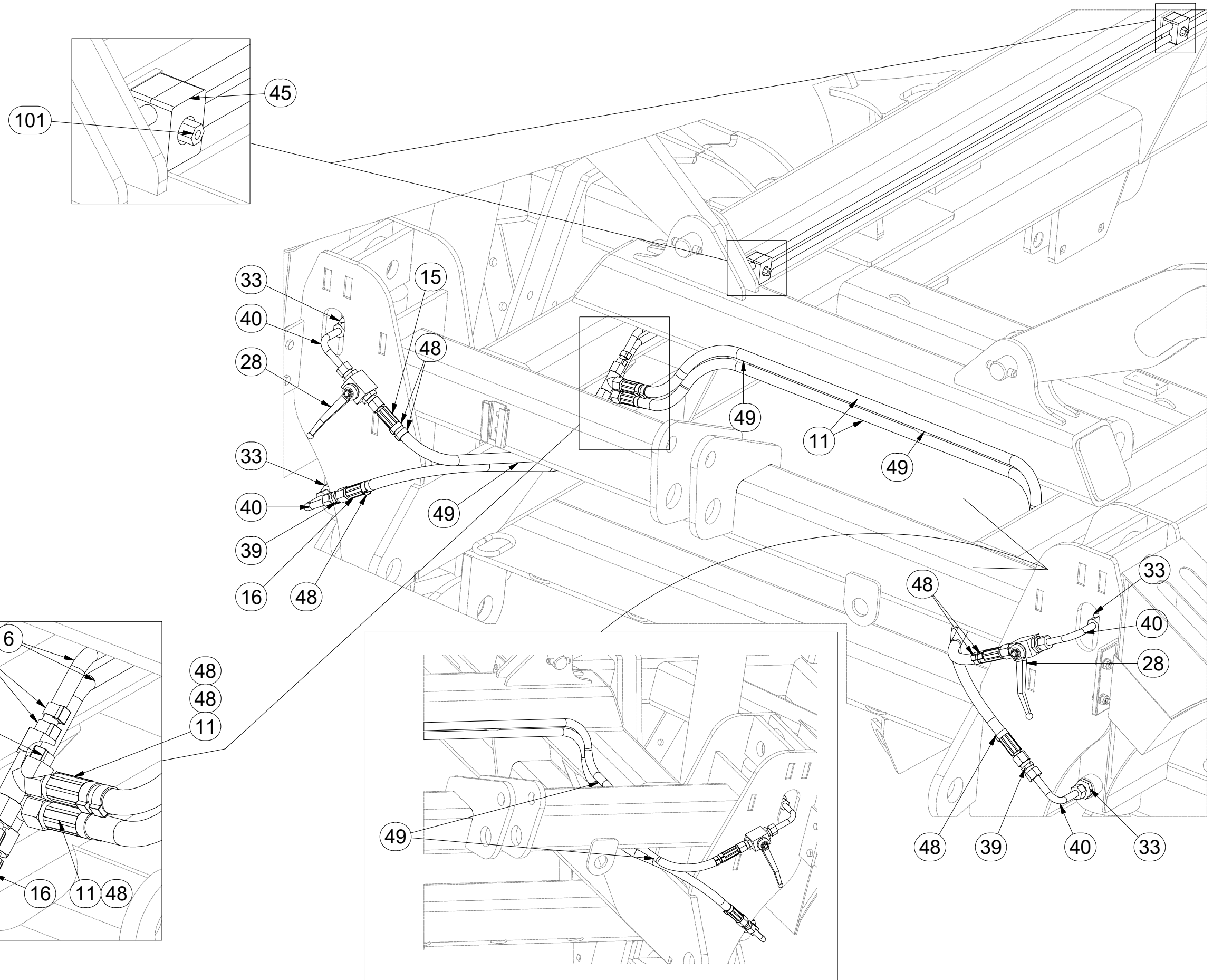
ⒼB HYDRAULIC AXLE DISTRIBUTION

Ⓔ RU ГИДРАВЛИЧЕСКОЕ РАСПРЕДЕЛЕНИЕ ОСИ

ⒼL HYDRAULICZNY PRZEWÓD OSI



**m15720**



M6 (8.8) - 10Nm

HYDRAULIC COMPONENTS:  
M16 x 1,5 - 60Nm  
M22 x 1,5 - 140Nm  
G 3/8 - 95 Nm

| Pos. | Part Number | Pcs. |
|------|-------------|------|
| 6    | m10056      | 2    |
| 11   | m03952      | 3    |
| 15   | m04827      | 6    |
| 16   | m09628      | 2    |
| 28   | m04623      | 4    |
| 33   | m09934      | 16   |
| 39   | m03213      | 2    |
| 40   | m10493      | 4    |
| 45   | m05488      | 19   |
| 48   | m11289      | 18   |
| 49   | m01637      | 15   |
| 101  | m04021      | 5    |

ⒸZ HYDRAULICKÝ ROZVOD SKLÁPĚNÍ

Ⓓ HYDRAULISCHE VERTEILUNG KLAPPMCHANISMUS

Ⓕ CONDUIT HYDRAULIQUE DU BASCULEMENT

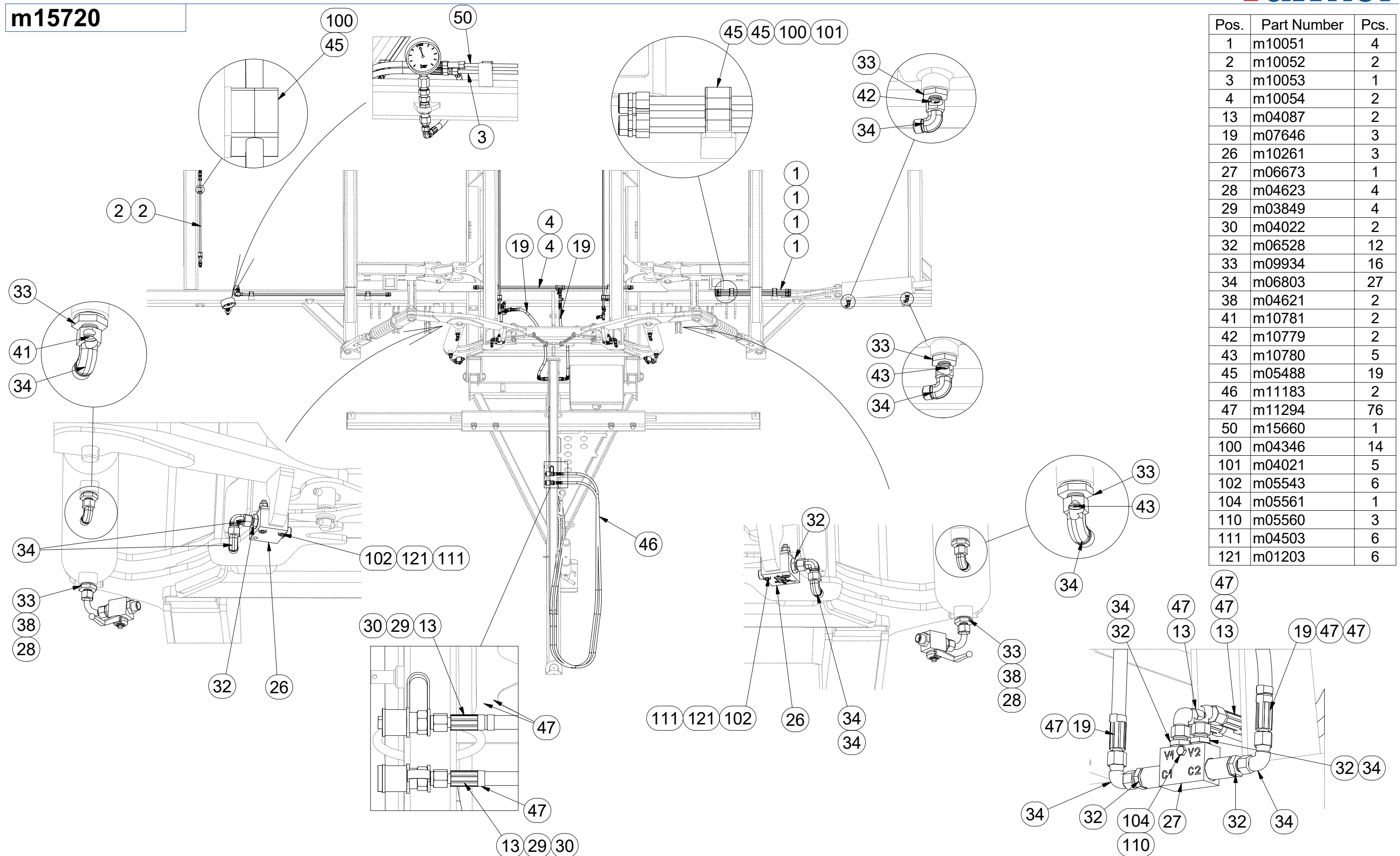
ⒼB HYDRAULIC FOLDING DISTRIBUTION

Ⓔ RU ГИДРАВЛИЧЕСКОЕ РАСПРЕДЕЛЕНИЕ СКЛАДЫВАНИЯ

Ⓗ PL HYDRAULICZNY PRZEWÓD SKŁADANIA



**m15720**



| Pos. | Part Number | Pcs. |
|------|-------------|------|
| 1    | m10051      | 4    |
| 2    | m10052      | 2    |
| 3    | m10053      | 1    |
| 4    | m10054      | 2    |
| 13   | m04087      | 2    |
| 19   | m07646      | 3    |
| 26   | m10261      | 3    |
| 27   | m06673      | 1    |
| 28   | m04623      | 4    |
| 29   | m03849      | 4    |
| 30   | m04022      | 2    |
| 32   | m06528      | 12   |
| 33   | m09934      | 16   |
| 34   | m06803      | 27   |
| 38   | m04621      | 2    |
| 41   | m10781      | 2    |
| 42   | m10779      | 2    |
| 43   | m10780      | 5    |
| 45   | m05488      | 19   |
| 46   | m11183      | 2    |
| 47   | m11294      | 76   |
| 50   | m15660      | 1    |
| 100  | m04346      | 14   |
| 101  | m04021      | 5    |
| 102  | m05543      | 6    |
| 104  | m05561      | 1    |
| 110  | m05560      | 3    |
| 111  | m04503      | 6    |
| 121  | m01203      | 6    |

ⒸZ HYDRAULICKÝ ROZVOD SKLÁPĚNÍ

Ⓓ HYDRAULISCHE VERTEILUNG KLAPPMECHANISMUS

Ⓕ CONDUIT HYDRAULIQUE DU BASCULEMENT

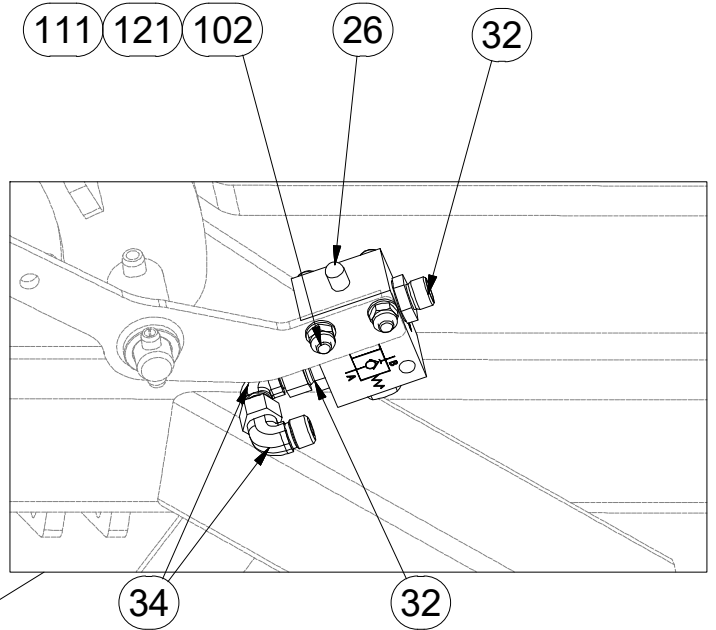
ⒸB HYDRAULIC FOLDING DISTRIBUTION

ⒸU ГИДРАВЛИЧЕСКОЕ РАСПРЕДЕЛЕНИЕ СКЛАДЫВАНИЯ

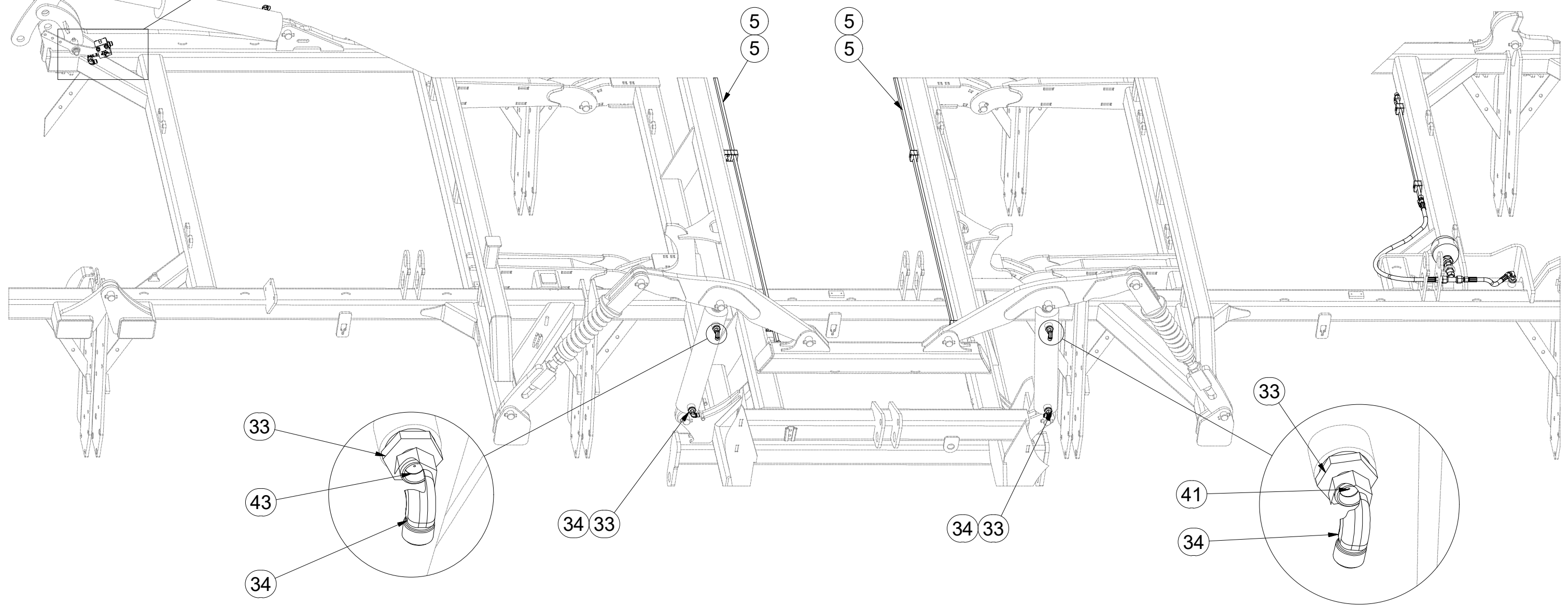
ⒸL HYDRAULICZNY PRZEWÓD SKŁADANIA



**m15720**



| Pos. | Part Number | Pcs. |
|------|-------------|------|
| 5    | m10055      | 4    |
| 26   | m10261      | 3    |
| 32   | m06528      | 12   |
| 33   | m09934      | 16   |
| 34   | m06803      | 27   |
| 41   | m10781      | 2    |
| 43   | m10780      | 5    |
| 102  | m05543      | 6    |
| 111  | m04503      | 6    |
| 121  | m01203      | 6    |



ⒸZ HYDRAULICKÝ ROZVOD SKLÁPĚNÍ

Ⓓ HYDRAULISCHE VERTEILUNG KLAPPMECHANISMUS

Ⓕ CONDUIT HYDRAULIQUE DU BASCULEMENT

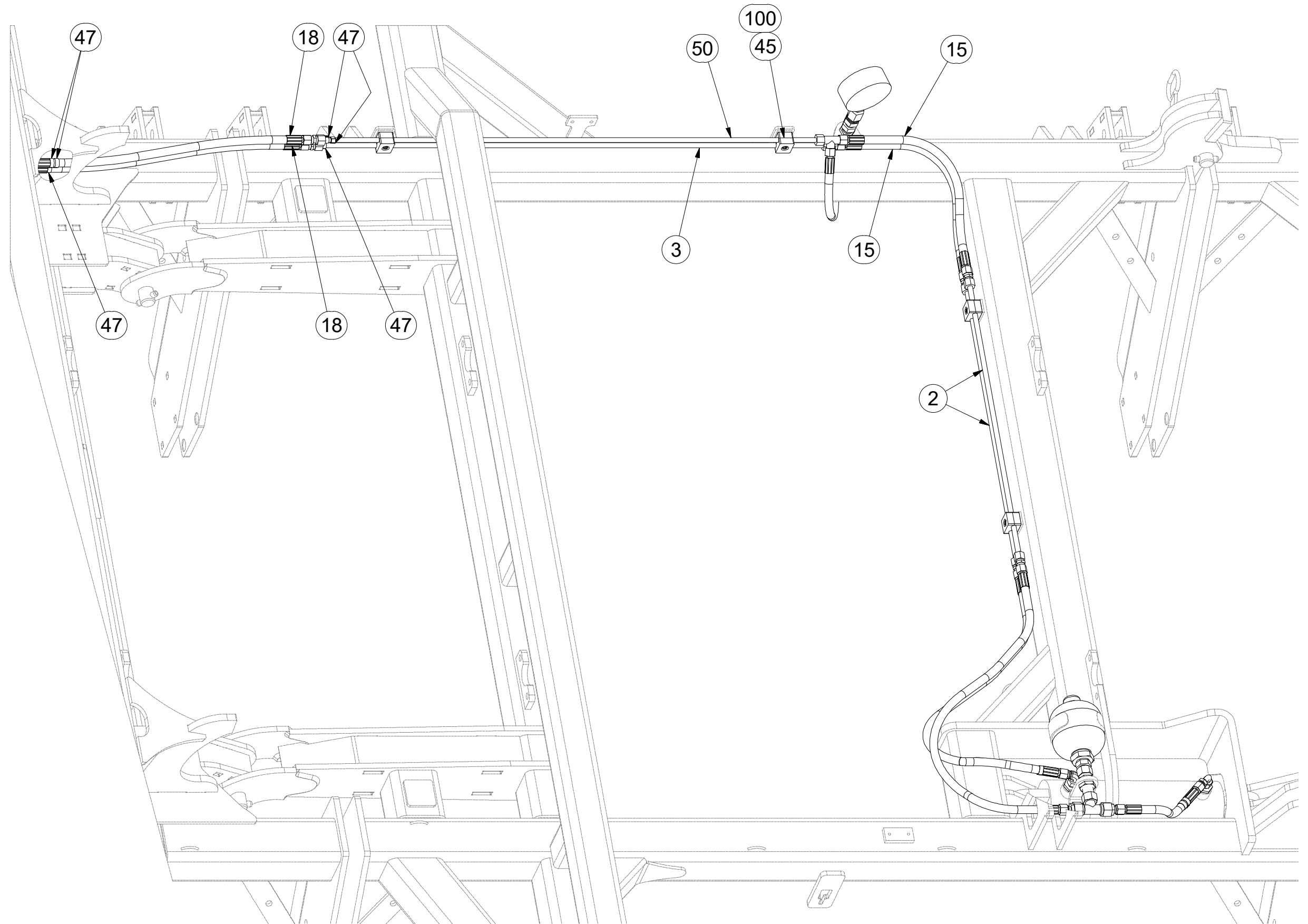
ⒸB HYDRAULIC FOLDING DISTRIBUTION

Ⓔ ГИДРАВЛИЧЕСКОЕ РАСПРЕДЕЛЕНИЕ СКЛАДЫВАНИЯ

Ⓖ HYDRAULICZNY PRZEWÓD SKŁADANIA

**Farmet**

**m15720**



| Pos. | Part Number | Pcs. |
|------|-------------|------|
| 2    | m10052      | 2    |
| 3    | m10053      | 1    |
| 15   | m04827      | 6    |
| 18   | m03713      | 4    |
| 45   | m05488      | 19   |
| 47   | m11294      | 76   |
| 50   | m15660      | 1    |
| 100  | m04346      | 14   |

ⒸZ HYDRAULICKÝ ROZVOD SKLÁPĚNÍ

Ⓓ HYDRAULISCHE VERTEILUNG KLAPPMECHANISMUS

Ⓕ CONDUIT HYDRAULIQUE DU BASCULEMENT

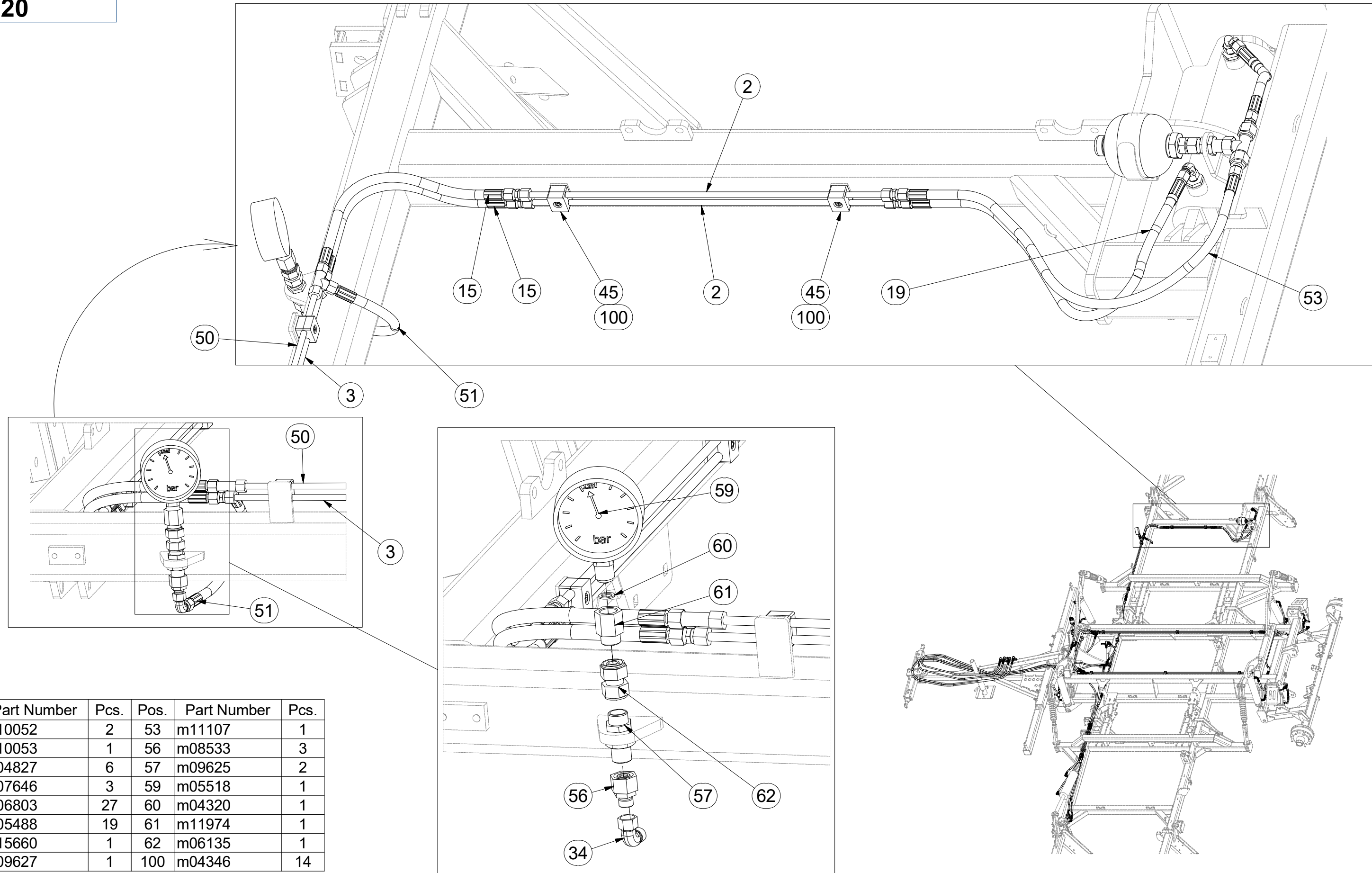
ⒸB HYDRAULIC FOLDING DISTRIBUTION

Ⓔ ГИДРАВЛИЧЕСКОЕ РАСПРЕДЕЛЕНИЕ СКЛАДЫВАНИЯ

Ⓖ HYDRAULICZNY PRZEWÓD SKŁADANIA



**m15720**



| Pos. | Part Number | Pcs. | Pos. | Part Number | Pcs. |
|------|-------------|------|------|-------------|------|
| 2    | m10052      | 2    | 53   | m11107      | 1    |
| 3    | m10053      | 1    | 56   | m08533      | 3    |
| 15   | m04827      | 6    | 57   | m09625      | 2    |
| 19   | m07646      | 3    | 59   | m05518      | 1    |
| 34   | m06803      | 27   | 60   | m04320      | 1    |
| 45   | m05488      | 19   | 61   | m11974      | 1    |
| 50   | m15660      | 1    | 62   | m06135      | 1    |
| 51   | m09627      | 1    | 100  | m04346      | 14   |

☉ POLOTOVAR STROJE

☉ MASCHINEN-HALBFABRIKAT

☉ MACHINE - SEMI-PRODUIT

☉ SEMIFINISHED MACHINE

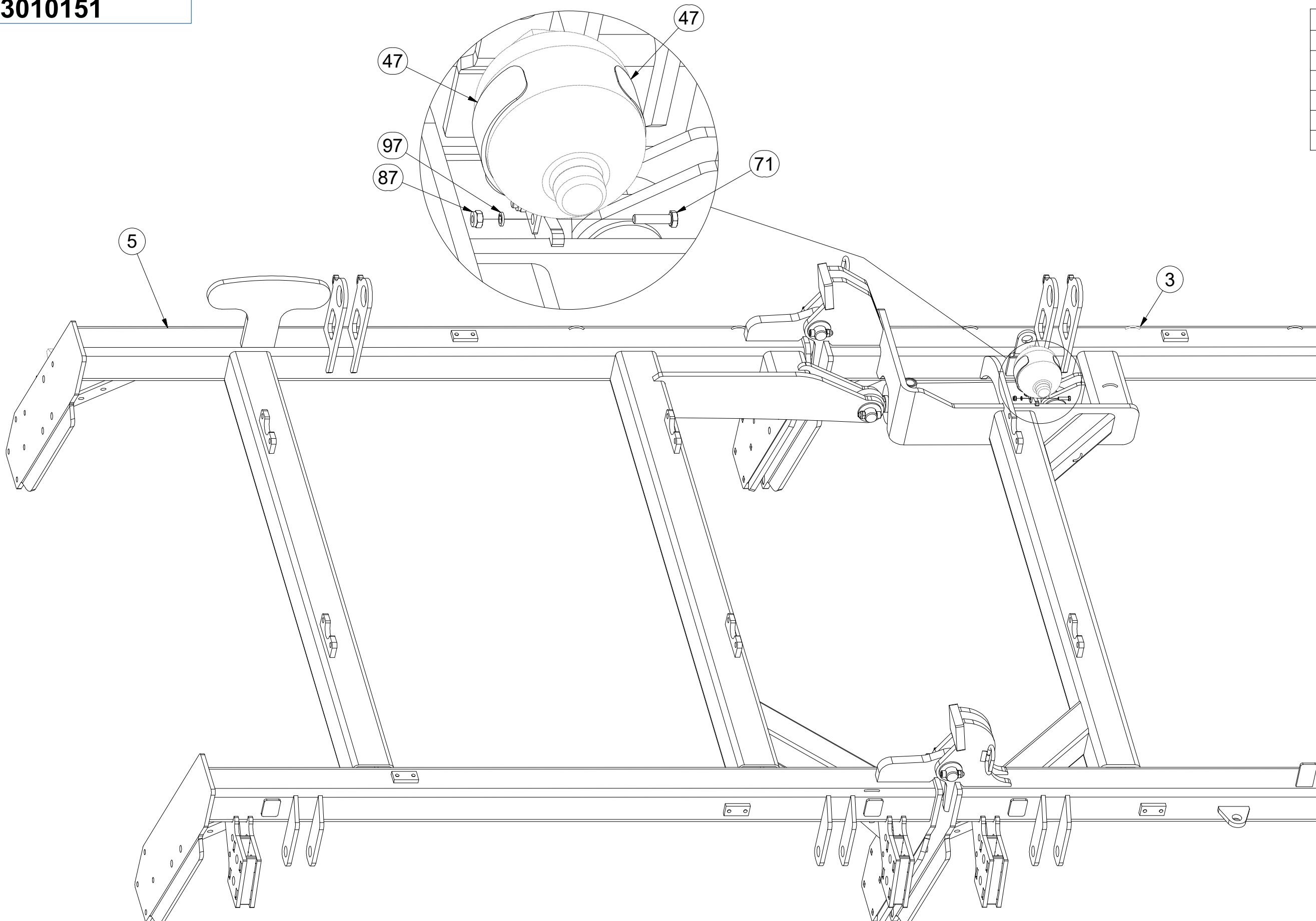
☉ ПОЛУФАБРИКАТ МАШИНЫ

☉ PÓLFABRYKAT MASZYNY



**3010151**

| Pos. | Part Number | Pcs. |
|------|-------------|------|
| 3    | 6000472     | 1    |
| 5    | 2000942     | 1    |
| 47   | 4017147     | 2    |
| 71   | m01075      | 2    |
| 87   | m05560      | 4    |
| 97   | m01200      | 2    |



ⒸZ HYDRAULICKÝ ROZVOD SKLÁPĚNÍ

Ⓓ HYDRAULISCHE VERTEILUNG KLAPPMECHANISMUS

Ⓕ CONDUIT HYDRAULIQUE DU BASCULEMENT

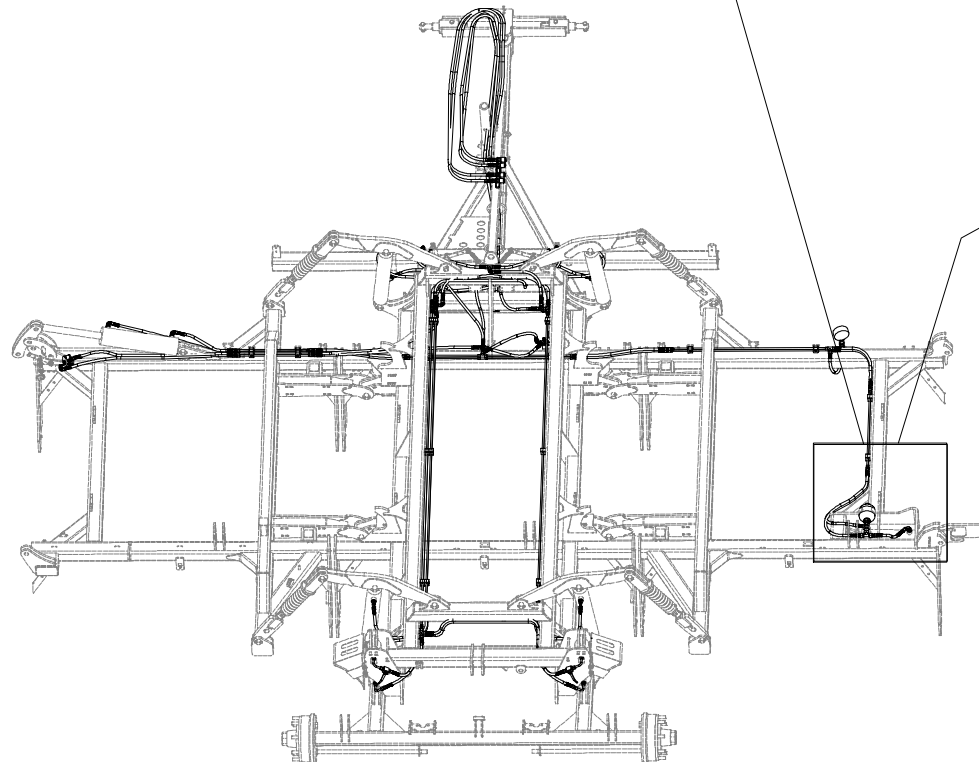
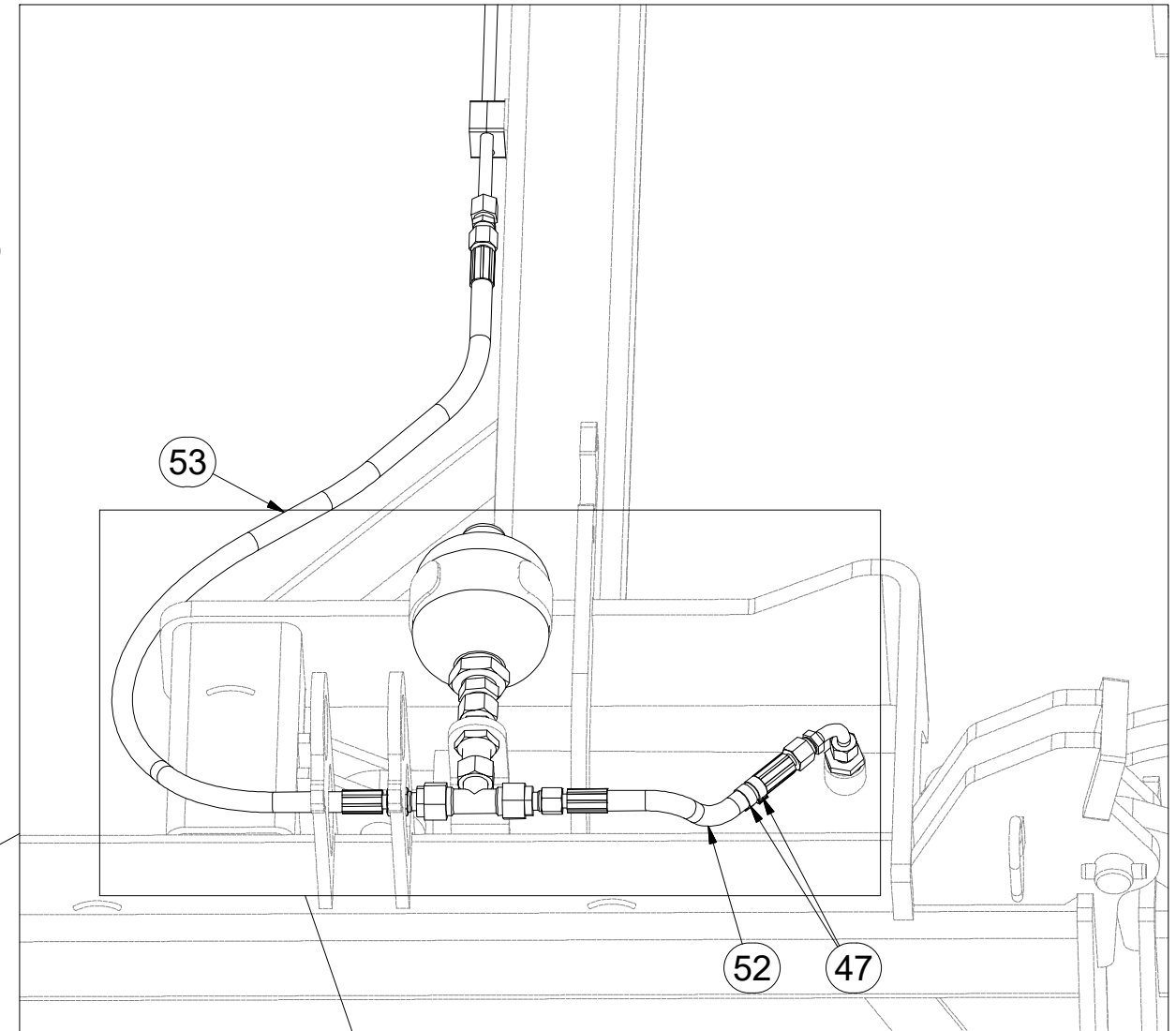
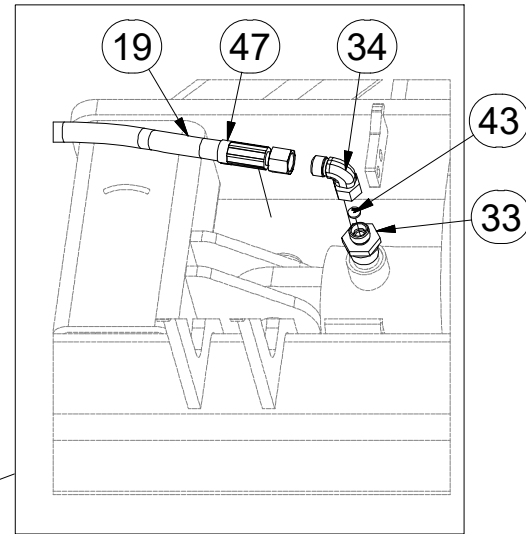
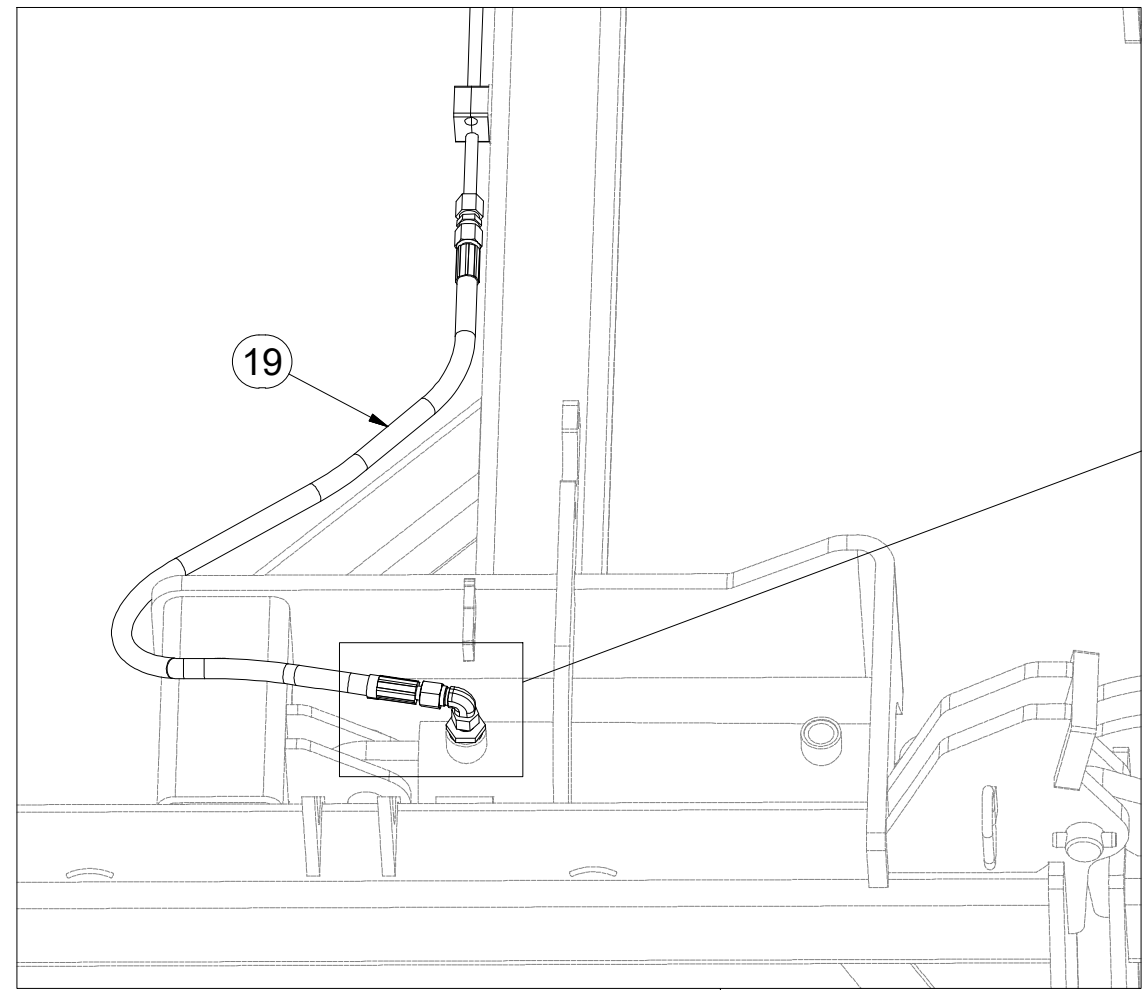
ⒼB HYDRAULIC FOLDING DISTRIBUTION

Ⓐ RU ГИДРАВЛИЧЕСКОЕ РАСПРЕДЕЛЕНИЕ СКЛАДЫВАНИЯ

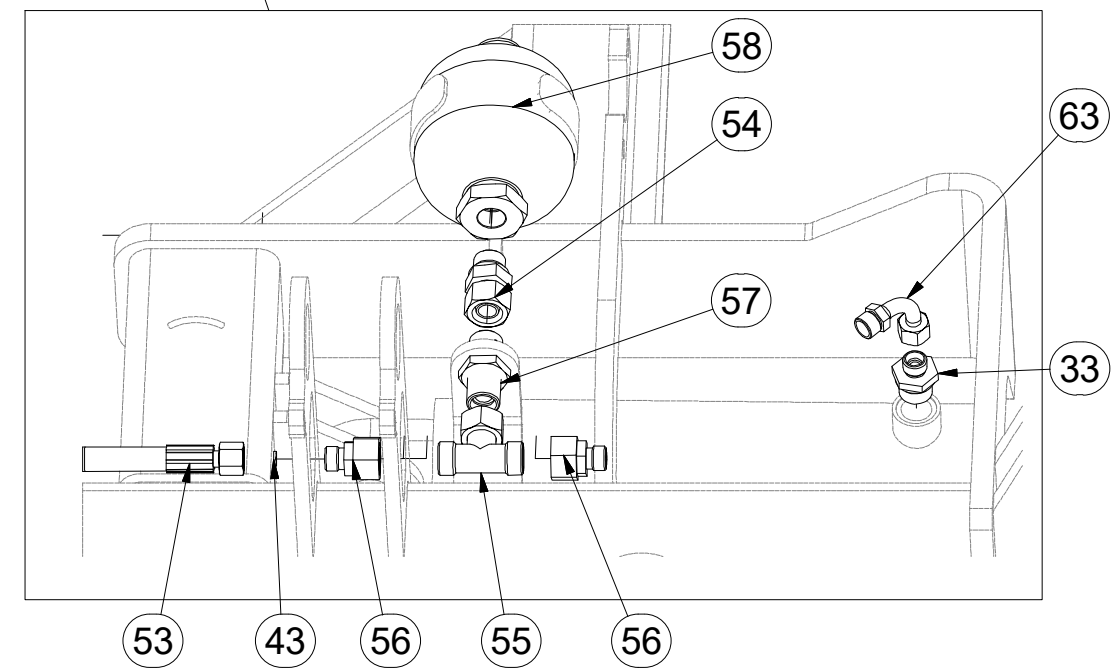
Ⓐ PL HYDRAULICZNY PRZEWÓD SKŁADANIA

**Farmet**

**m15720**



| Pos. | Part Number | Pcs. |
|------|-------------|------|
| 33   | m09934      | 16   |
| 34   | m06803      | 27   |
| 43   | m10780      | 5    |
| 47   | m11294      | 76   |
| 19   | m07646      | 3    |
| 58   | m15983      | 1    |
| 54   | m07993      | 1    |
| 55   | m06879      | 1    |
| 56   | m08533      | 3    |
| 57   | m09625      | 2    |
| 52   | m04026      | 1    |
| 53   | m11107      | 1    |
| 63   | m04024      | 1    |



ⒸZ HYDRAULICKÝ ROZVOD SKLÁPĚNÍ

Ⓓ HYDRAULISCHE VERTEILUNG KLAPPMECHANISMUS

Ⓕ CONDUIT HYDRAULIQUE DU BASCULEMENT

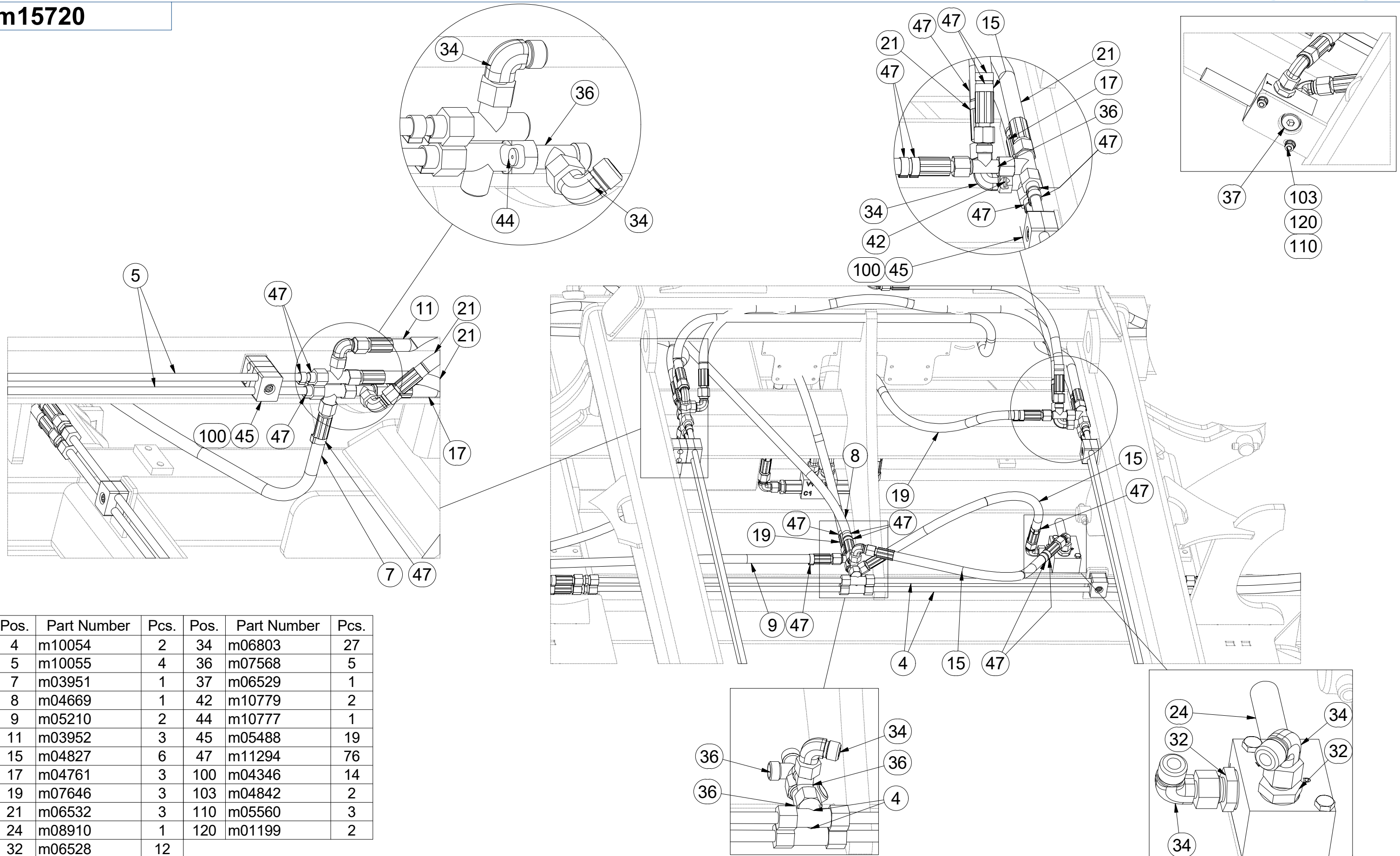
ⒸB HYDRAULIC FOLDING DISTRIBUTION

ⒸR ГИДРАВЛИЧЕСКОЕ РАСПРЕДЕЛЕНИЕ СКЛАДЫВАНИЯ

ⒸL HYDRAULICZNY PRZEWÓD SKŁADANIA

**Farmet**

**m15720**



| Pos. | Part Number | Pcs. | Pos. | Part Number | Pcs. |
|------|-------------|------|------|-------------|------|
| 4    | m10054      | 2    | 34   | m06803      | 27   |
| 5    | m10055      | 4    | 36   | m07568      | 5    |
| 7    | m03951      | 1    | 37   | m06529      | 1    |
| 8    | m04669      | 1    | 42   | m10779      | 2    |
| 9    | m05210      | 2    | 44   | m10777      | 1    |
| 11   | m03952      | 3    | 45   | m05488      | 19   |
| 15   | m04827      | 6    | 47   | m11294      | 76   |
| 17   | m04761      | 3    | 100  | m04346      | 14   |
| 19   | m07646      | 3    | 103  | m04842      | 2    |
| 21   | m06532      | 3    | 110  | m05560      | 3    |
| 24   | m08910      | 1    | 120  | m01199      | 2    |
| 32   | m06528      | 12   |      |             |      |



ⒸZ HYDRAULICKÝ ROZVOD SKLÁPĚNÍ

Ⓓ HYDRAULISCHE VERTEILUNG KLAPPMECHANISMUS

Ⓕ CONDUIT HYDRAULIQUE DU BASCULEMENT

ⒸB HYDRAULIC FOLDING DISTRIBUTION

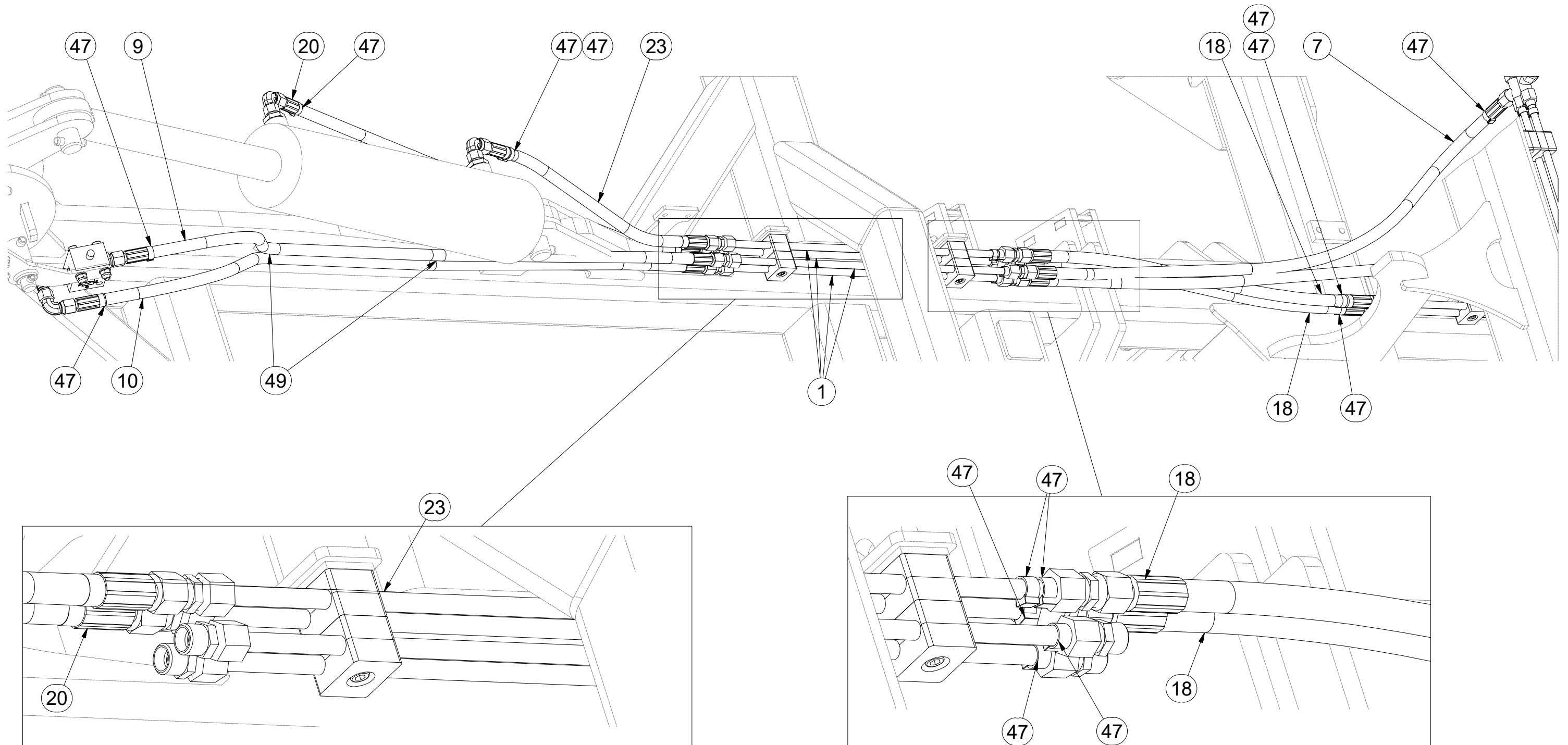
Ⓔ ГИДРАВЛИЧЕСКОЕ РАСПРЕДЕЛЕНИЕ СКЛАДЫВАНИЯ

Ⓖ HYDRAULICZNY PRZEWÓD SKŁADANIA



**m15720**

| Pos. | Part Number | Pcs. | Pos. | Part Number | Pcs. |
|------|-------------|------|------|-------------|------|
| 1    | m10051      | 4    | 20   | m07364      | 1    |
| 7    | m03951      | 1    | 23   | m11126      | 1    |
| 9    | m05210      | 2    | 47   | m11294      | 76   |
| 10   | m07504      | 1    | 49   | m01637      | 15   |
| 18   | m03713      | 4    |      |             |      |



Ⓒ HYDRAULICKÝ ROZVOD SKLÁPĚNÍ

Ⓓ HYDRAULISCHE VERTEILUNG KLAPPMECHANISMUS

Ⓔ CONDUIT HYDRAULIQUE DU BASCULEMENT

Ⓖ HYDRAULIC FOLDING DISTRIBUTION


Ⓔ ГИДРАВЛИЧЕСКОЕ РАСПРЕДЕЛЕНИЕ СКЛАДЫВАНИЯ

Ⓔ HYDRAULICZNY PRZEWÓD SKŁADANIA

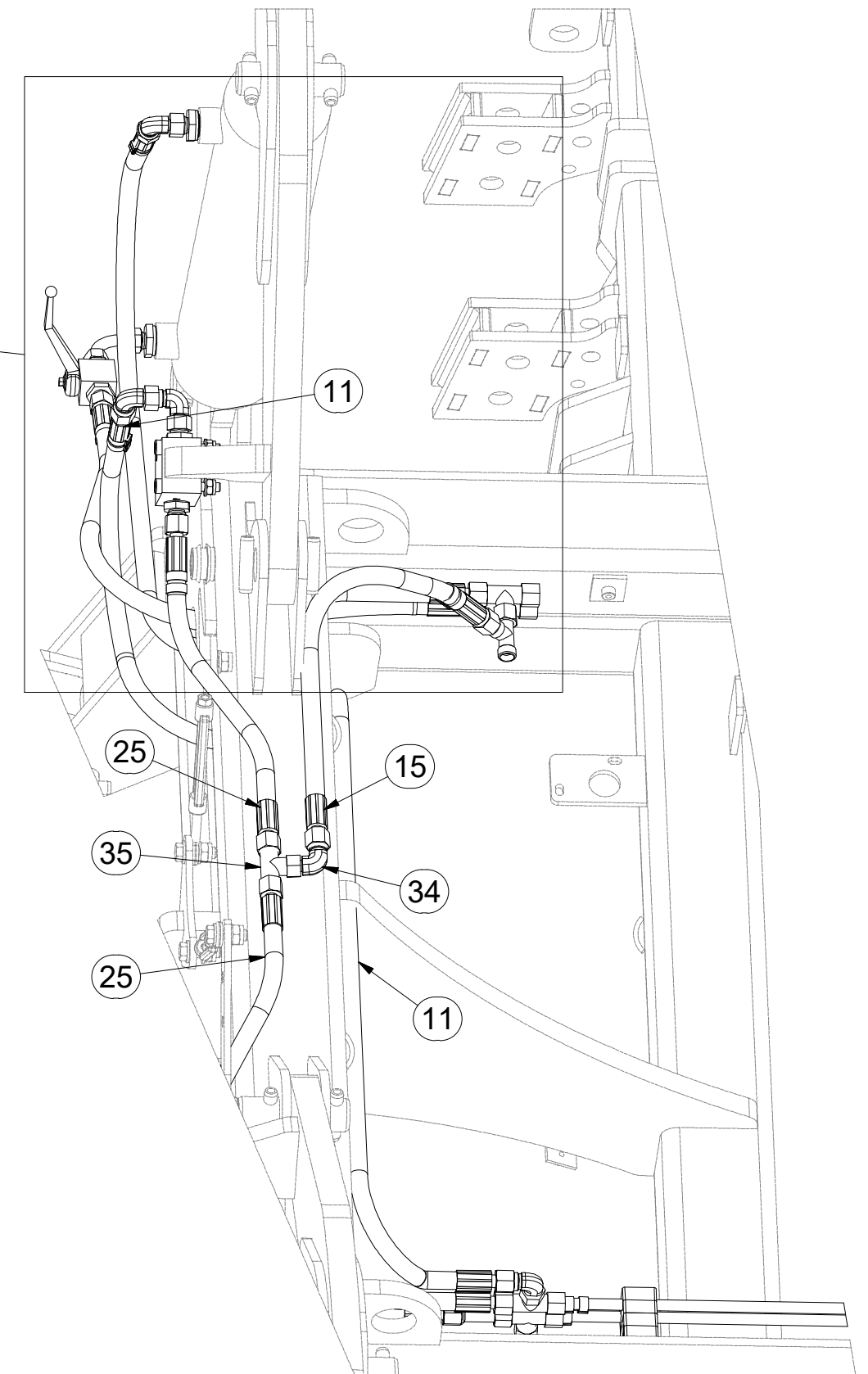
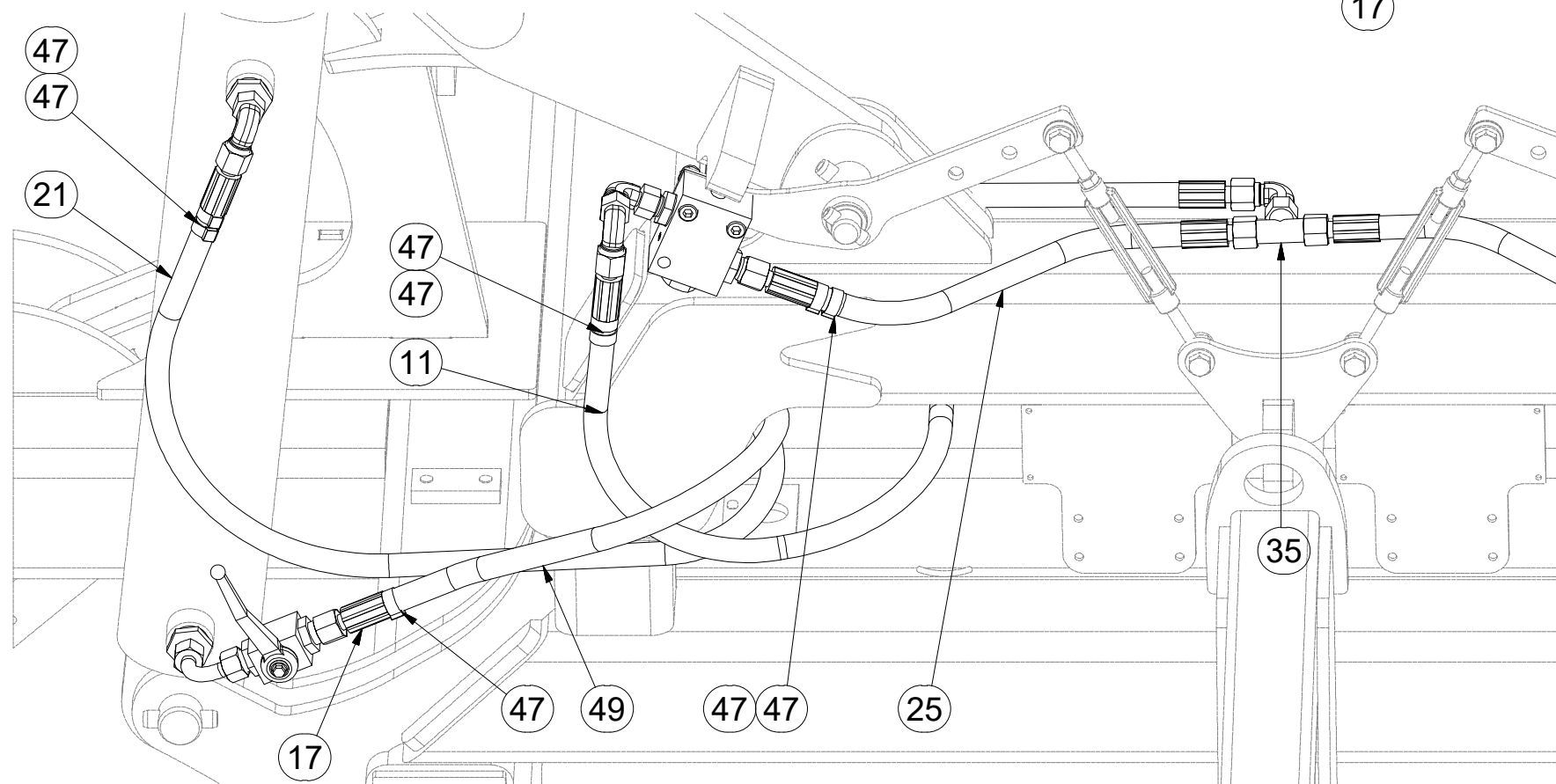
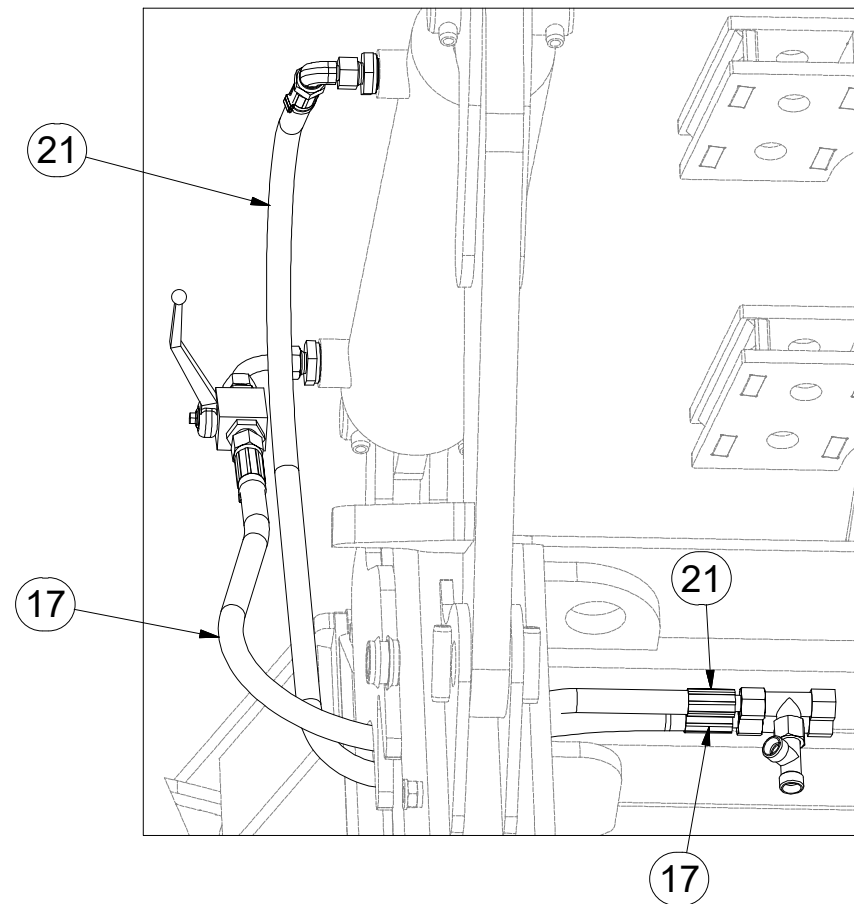


### m15720

| Pos. | Part Number | Pcs. |
|------|-------------|------|
| 11   | m03952      | 3    |
| 15   | m04827      | 6    |
| 17   | m04761      | 3    |
| 21   | m06532      | 3    |
| 25   | m07363      | 2    |
| 34   | m06803      | 27   |
| 35   | m03889      | 1    |
| 47   | m11294      | 76   |
| 49   | m01637      | 15   |



HYDRAULIC COMPONENTS:  
M16 x 1,5 - 60Nm  
M22 x 1,5 - 140Nm  
G 3/8 - 95 Nm



ⒸZ HYDRAULICKÝ ROZVOD SKLÁPĚNÍ

Ⓓ HYDRAULISCHE VERTEILUNG KLAPPMECHANISMUS

Ⓕ CONDUIT HYDRAULIQUE DU BASCULEMENT

ⒸB HYDRAULIC FOLDING DISTRIBUTION

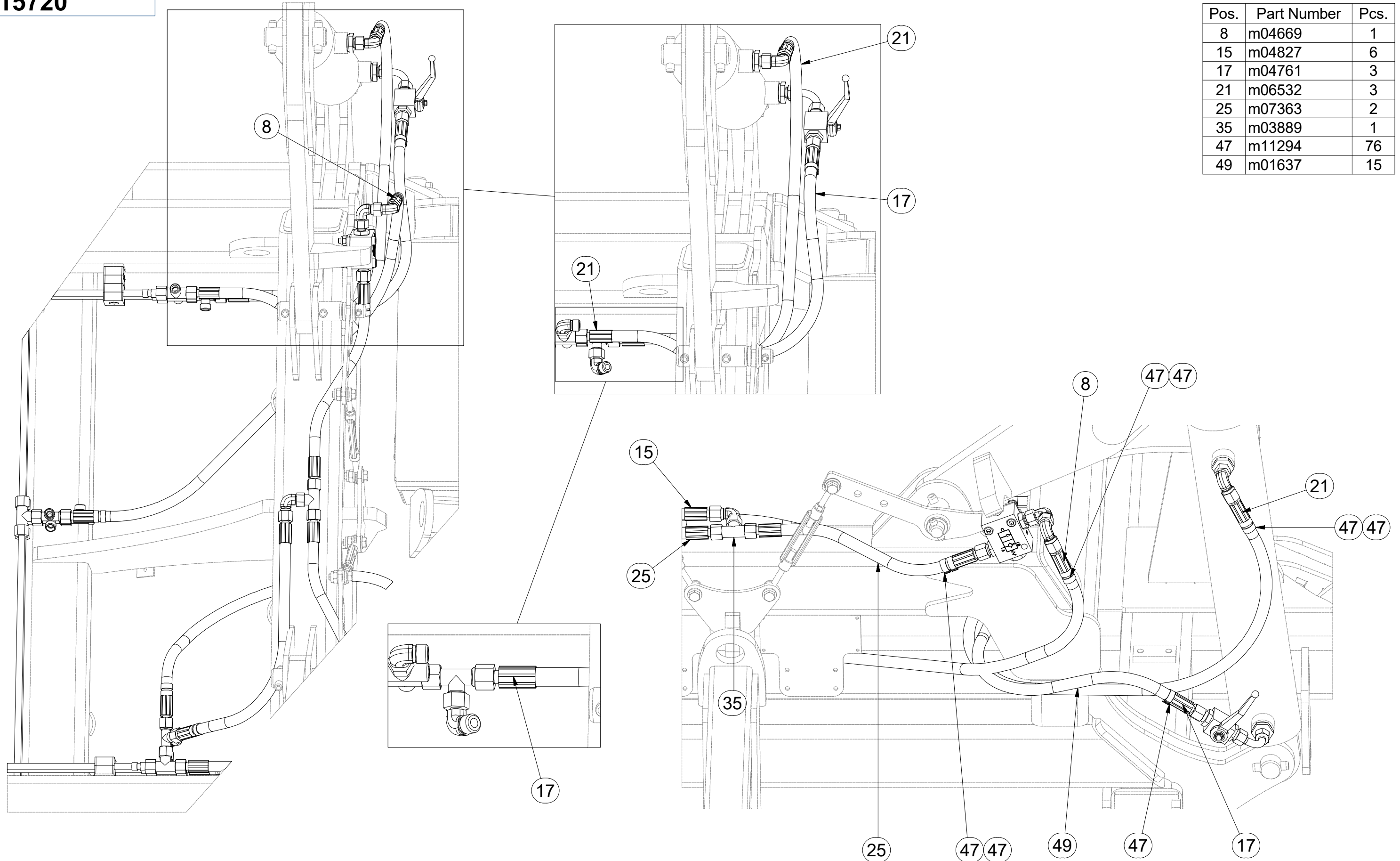
ⒸU ГИДРАВЛИЧЕСКОЕ РАСПРЕДЕЛЕНИЕ СКЛАДЫВАНИЯ

ⒸL HYDRAULICZNY PRZEWÓD SKŁADANIA



**m15720**

| Pos. | Part Number | Pcs. |
|------|-------------|------|
| 8    | m04669      | 1    |
| 15   | m04827      | 6    |
| 17   | m04761      | 3    |
| 21   | m06532      | 3    |
| 25   | m07363      | 2    |
| 35   | m03889      | 1    |
| 47   | m11294      | 76   |
| 49   | m01637      | 15   |



ⒸZ HYDRAULICKÝ ROZVOD SKLÁPĚNÍ

Ⓓ HYDRAULISCHE VERTEILUNG KLAPPMECHANISMUS

Ⓕ CONDUIT HYDRAULIQUE DU BASCULEMENT

ⒸB HYDRAULIC FOLDING DISTRIBUTION

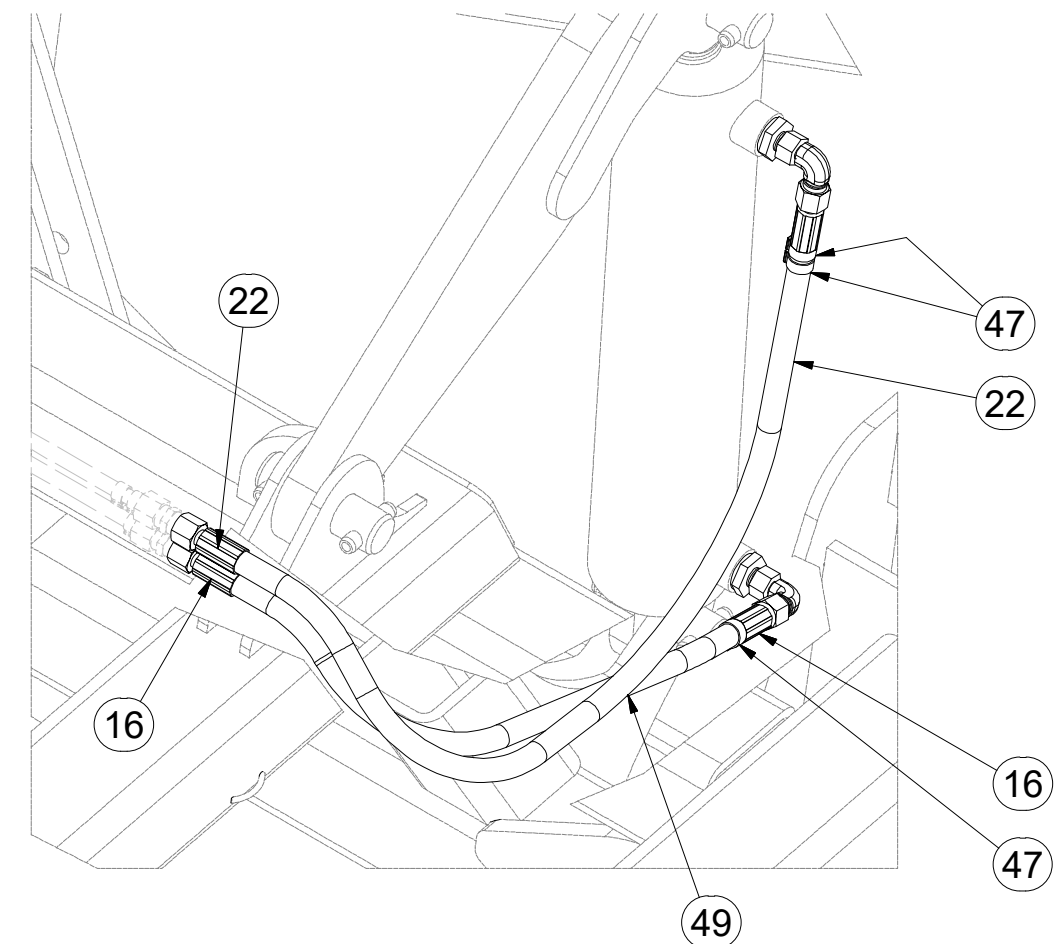
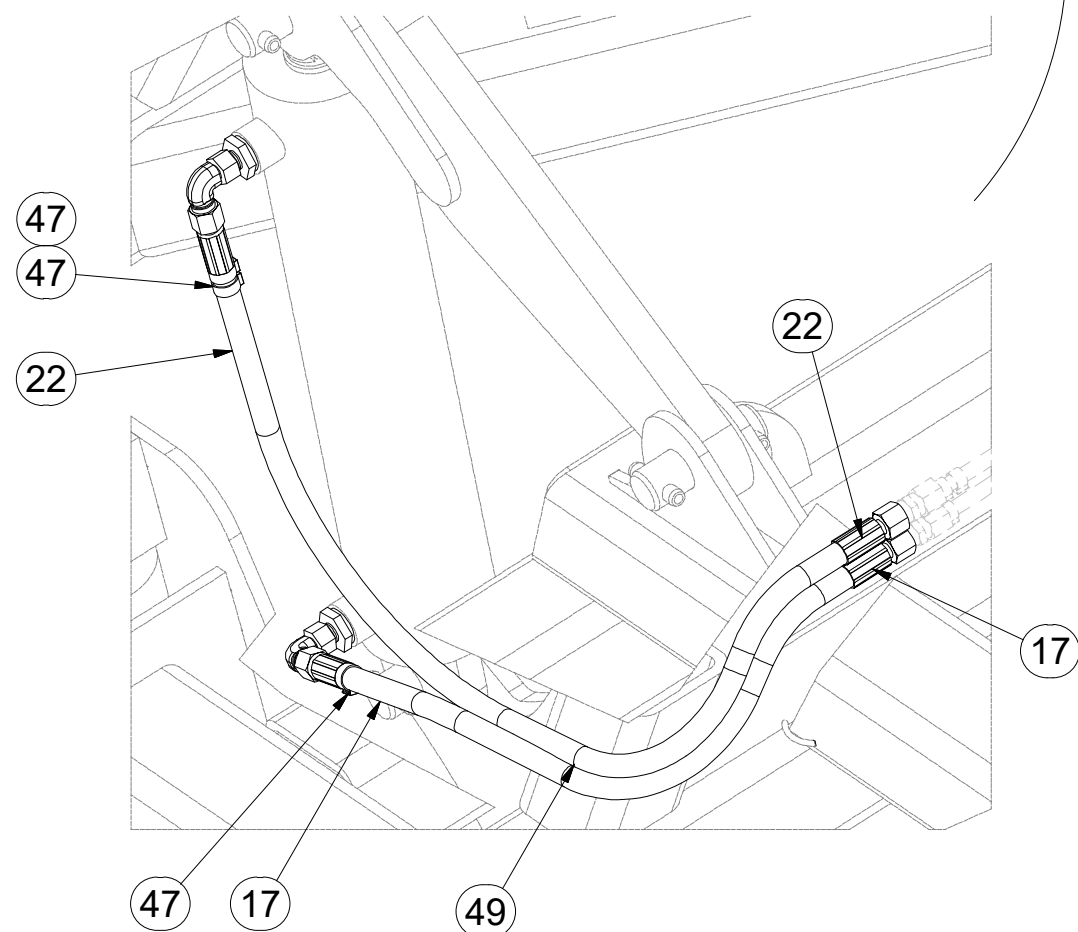
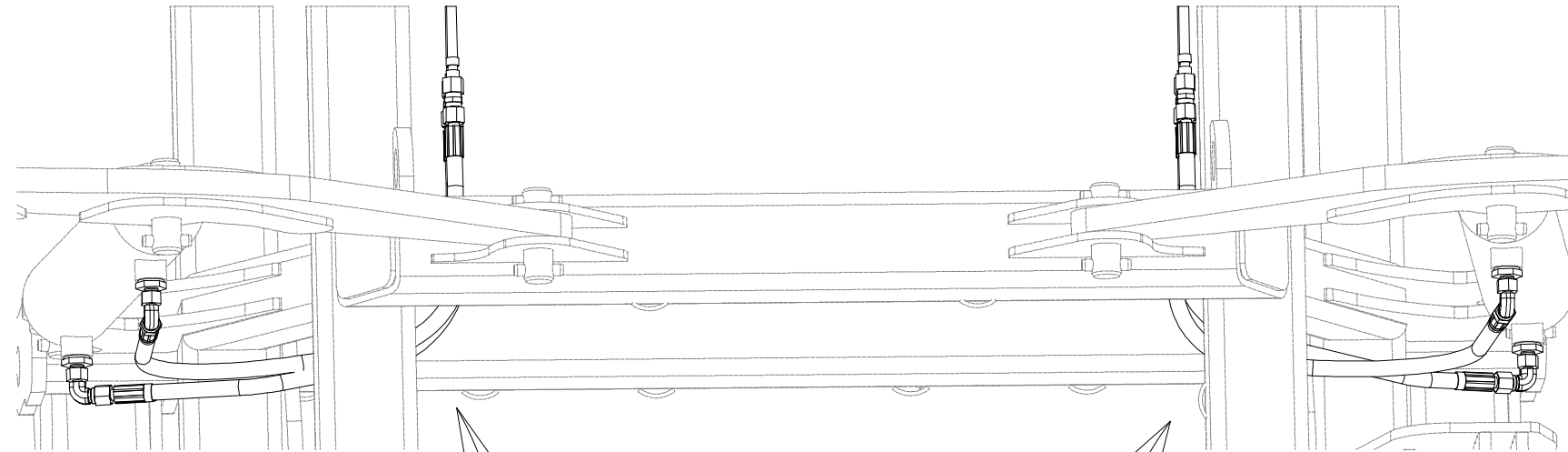
Ⓔ ГИДРАВЛИЧЕСКОЕ РАСПРЕДЕЛЕНИЕ СКЛАДЫВАНИЯ

Ⓗ HYDRAULICZNY PRZEWÓD SKŁADANIA



## m15720

| Pos. | Part Number | Pcs. |
|------|-------------|------|
| 16   | m09628      | 2    |
| 17   | m04761      | 3    |
| 22   | m04033      | 2    |
| 47   | m11294      | 76   |
| 49   | m01637      | 15   |



☉ SAMOLEPKY STROJE

☉ AUFKLEBER MASCHINEN

☉ VOITURE MACHINES

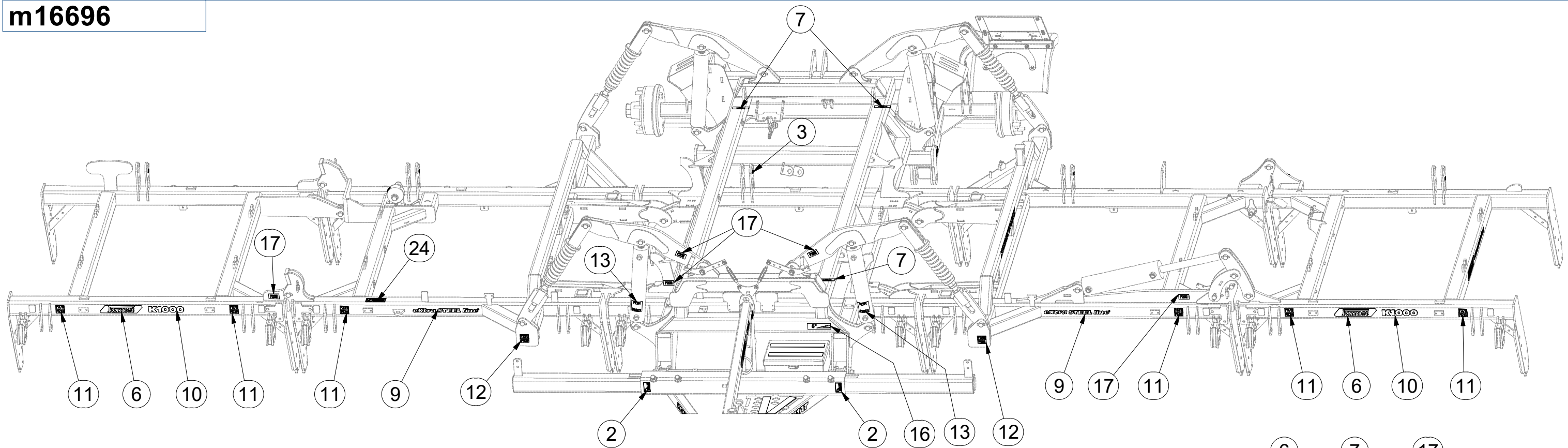
☉ STICKERS MACHINES

☉ СТИКЕРЫ МАШИНЫ

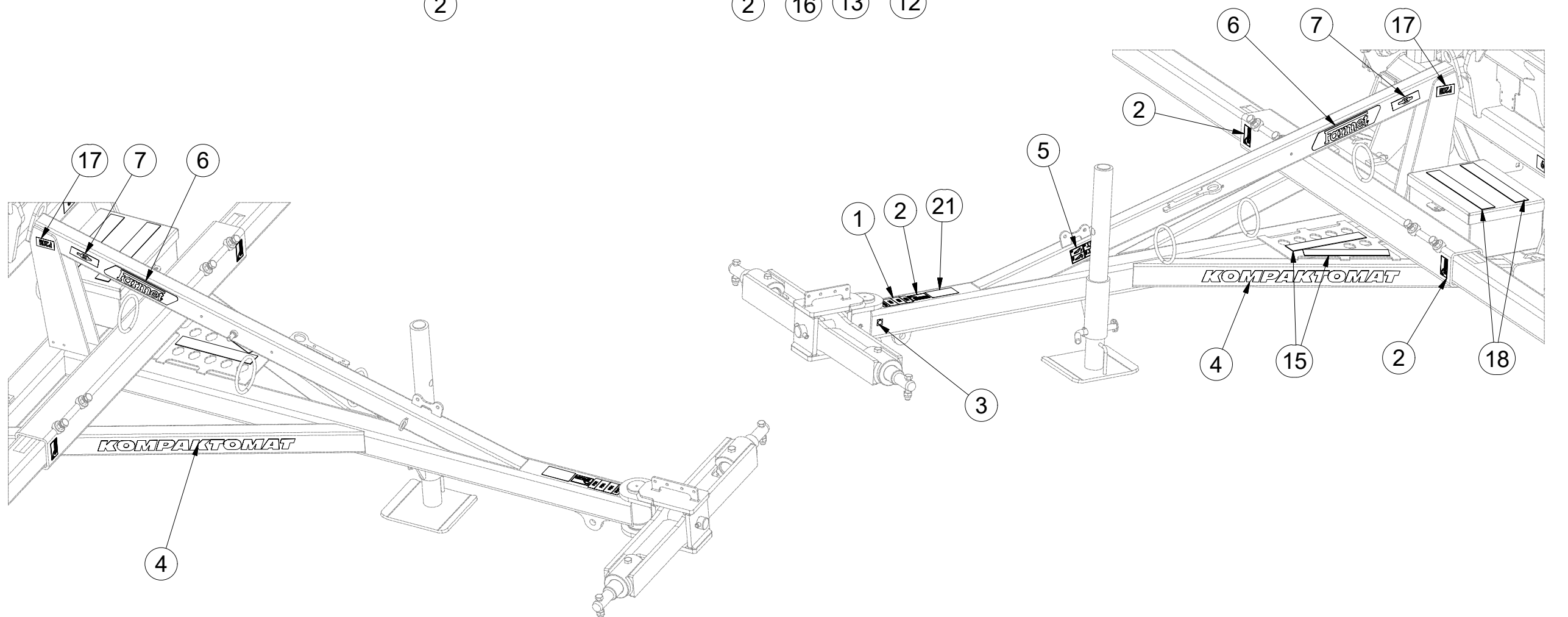
☉ NAKLEJKI MASZYNY



**m16696**



| Pos. | Part Number | Pcs. |
|------|-------------|------|
| 1    | m11295      | 1    |
| 2    | m10180      | 3    |
| 3    | m03320      | 6    |
| 4    | m07688      | 5    |
| 5    | m11291      | 1    |
| 6    | m13116      | 8    |
| 7    | m03316      | 6    |
| 9    | m10353      | 6    |
| 10   | m10152      | 4    |
| 11   | m11297      | 12   |
| 12   | m11296      | 4    |
| 13   | m11299      | 4    |
| 15   | m11147      | 2    |
| 16   | m03314      | 1    |
| 17   | m04368      | 12   |
| 18   | m11146      | 2    |
| 21   | m13708      | 5    |
| 24   | m17102      | 1    |



☉ SAMOLEPKY STROJE

☉ AUFKLEBER MASCHINEN

☉ VOITURE MACHINES

☉ STICKERS MACHINES

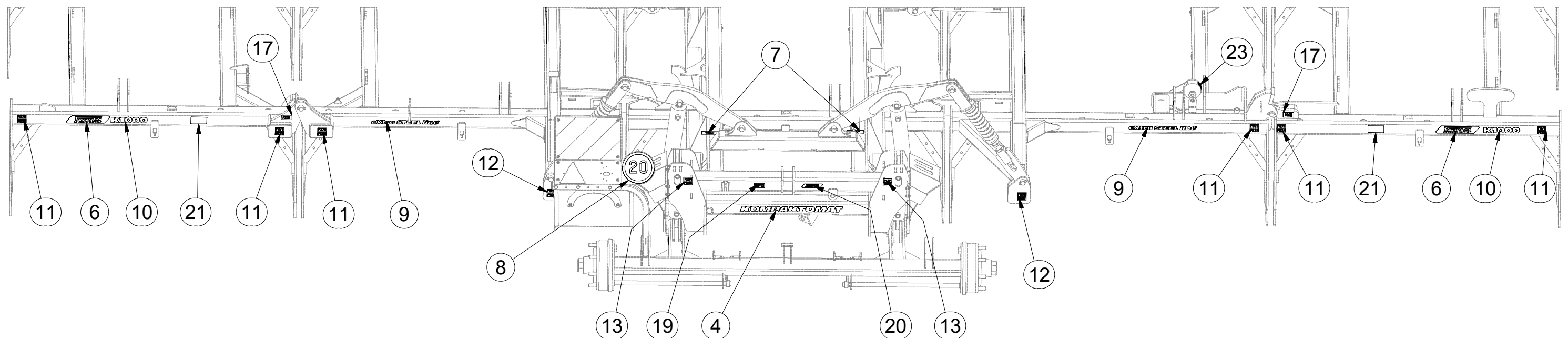
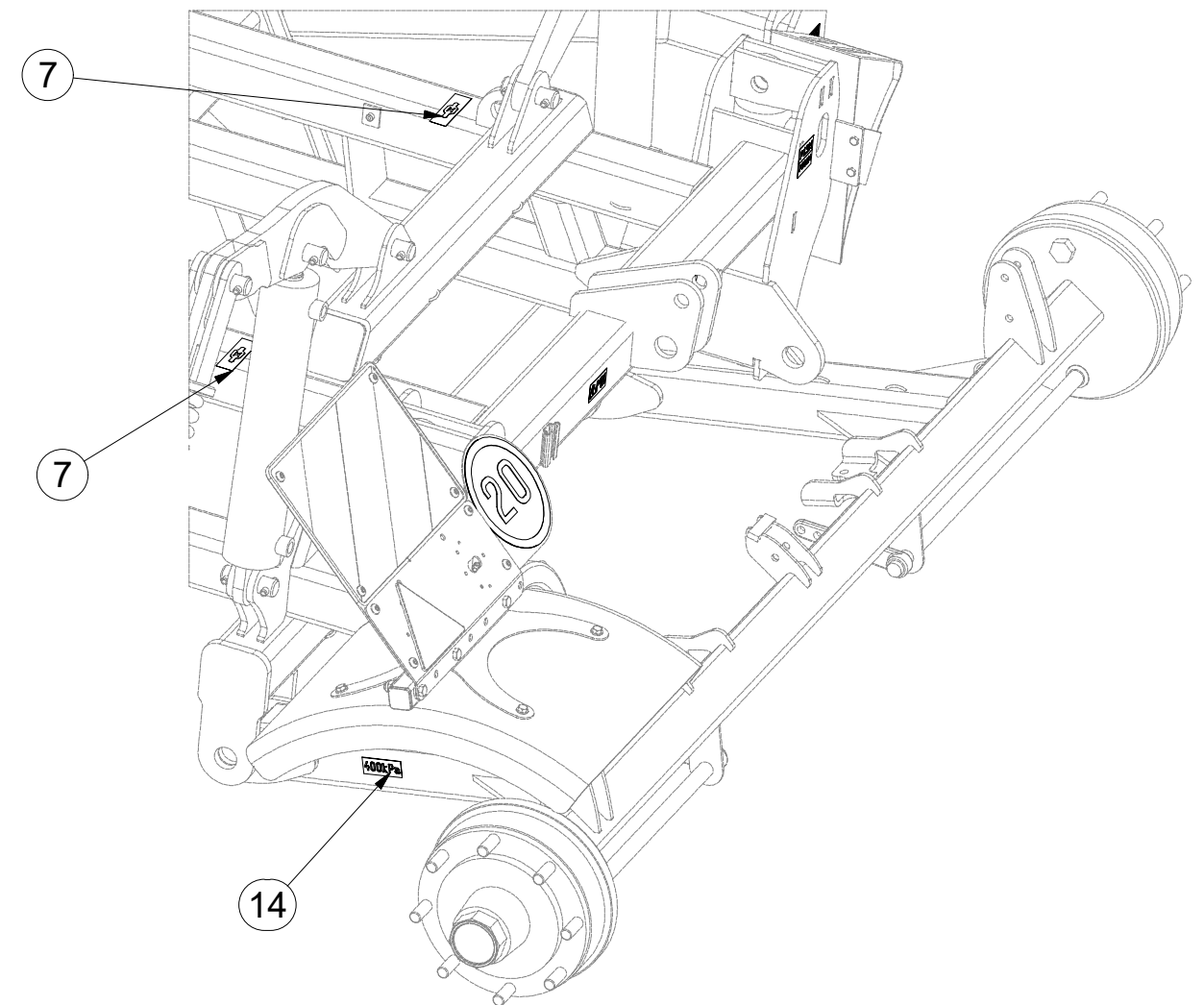
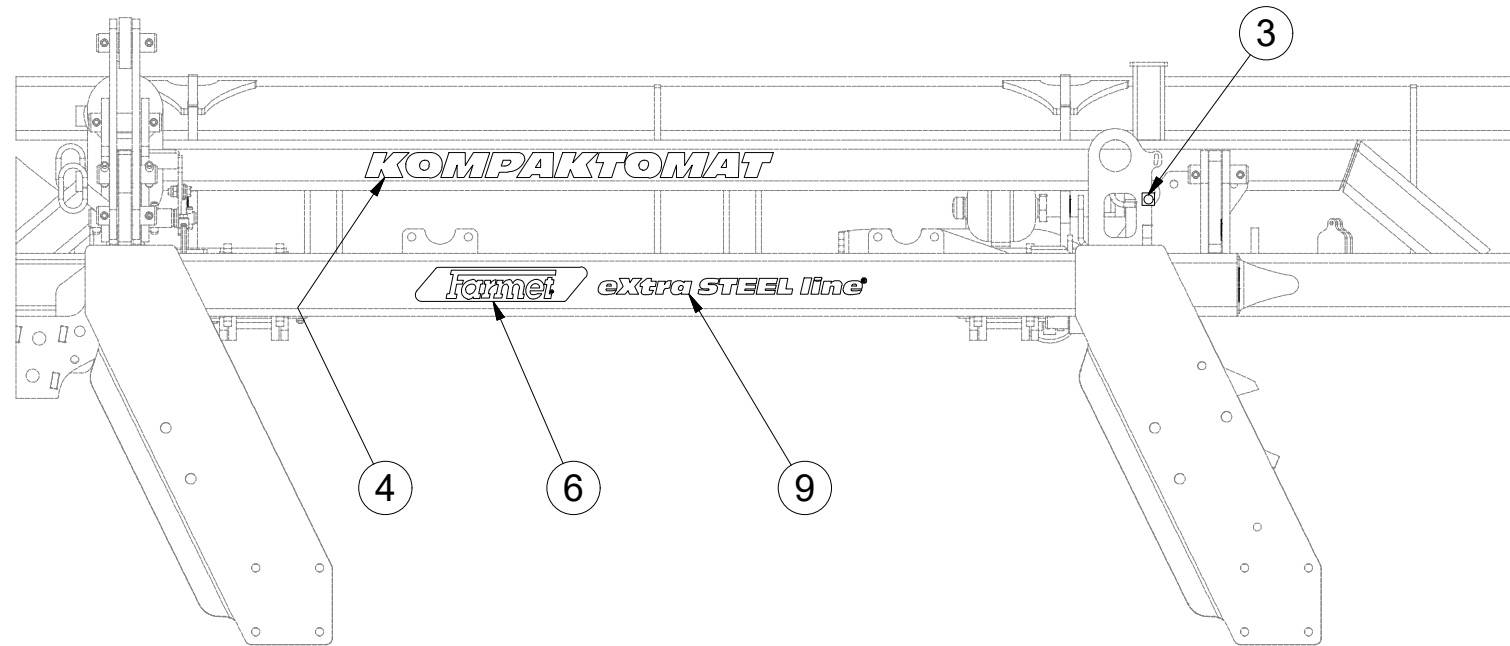
☉ СТИКЕРЫ МАШИНЫ

☉ NAKLEJKI MASZYNY



### m16696

| Pos. | Part Number | Pcs. | Pos. | Part Number | Pcs. |
|------|-------------|------|------|-------------|------|
| 3    | m03320      | 6    | 12   | m11296      | 4    |
| 4    | m07688      | 5    | 13   | m11299      | 4    |
| 6    | m13116      | 8    | 14   | m04887      | 2    |
| 7    | m03316      | 6    | 17   | m04368      | 12   |
| 8    | m04406      | 1    | 19   | m04359      | 1    |
| 9    | m10353      | 6    | 20   | m13401      | 1    |
| 10   | m10152      | 4    | 21   | m13708      | 5    |
| 11   | m11297      | 12   | 23   | m16026      | 1    |



Ⓒ SADA TUBUSU

Ⓓ BÜCHSENSATZ

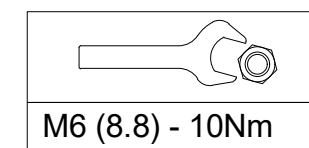
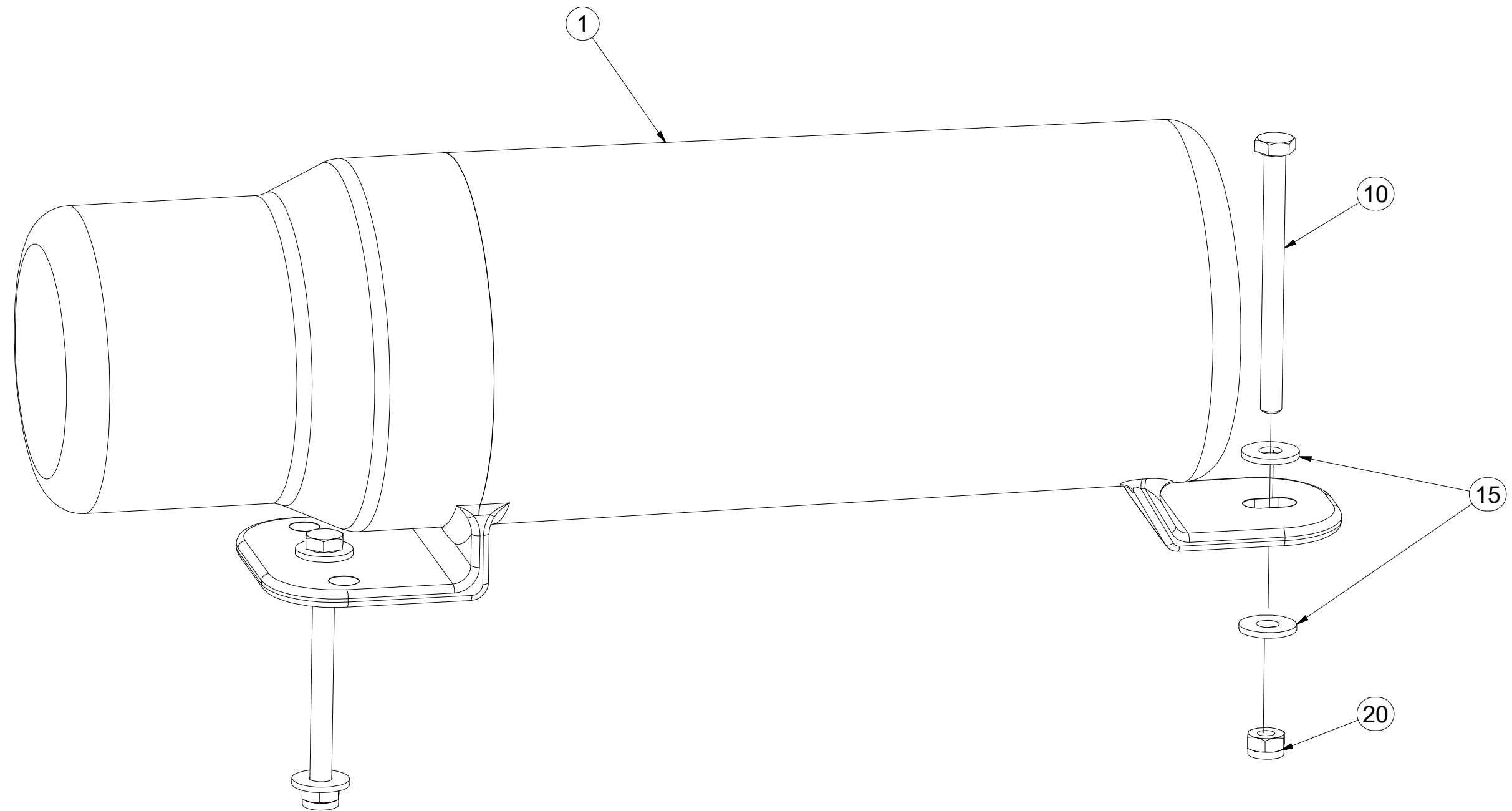
Ⓕ KIT DU TUBE

**4018541**

Ⓖ TUBE SET

Ⓡ КОМПЛЕКТ ТУБУСА

Ⓟ ZESTAW RUREK



M6 (8.8) - 10Nm

| Pos. | Part Number | Pcs. |
|------|-------------|------|
| 1    | m15900      | 1    |
| 10   | m16453      | 2    |
| 15   | m16612      | 4    |
| 20   | m05560      | 2    |

ⒸZ TÁHLO SKLÁPĚNÍ

Ⓓ ZUGSTANGE ZUR KIPPUNG

Ⓕ TIGE DU BASCULEMENT

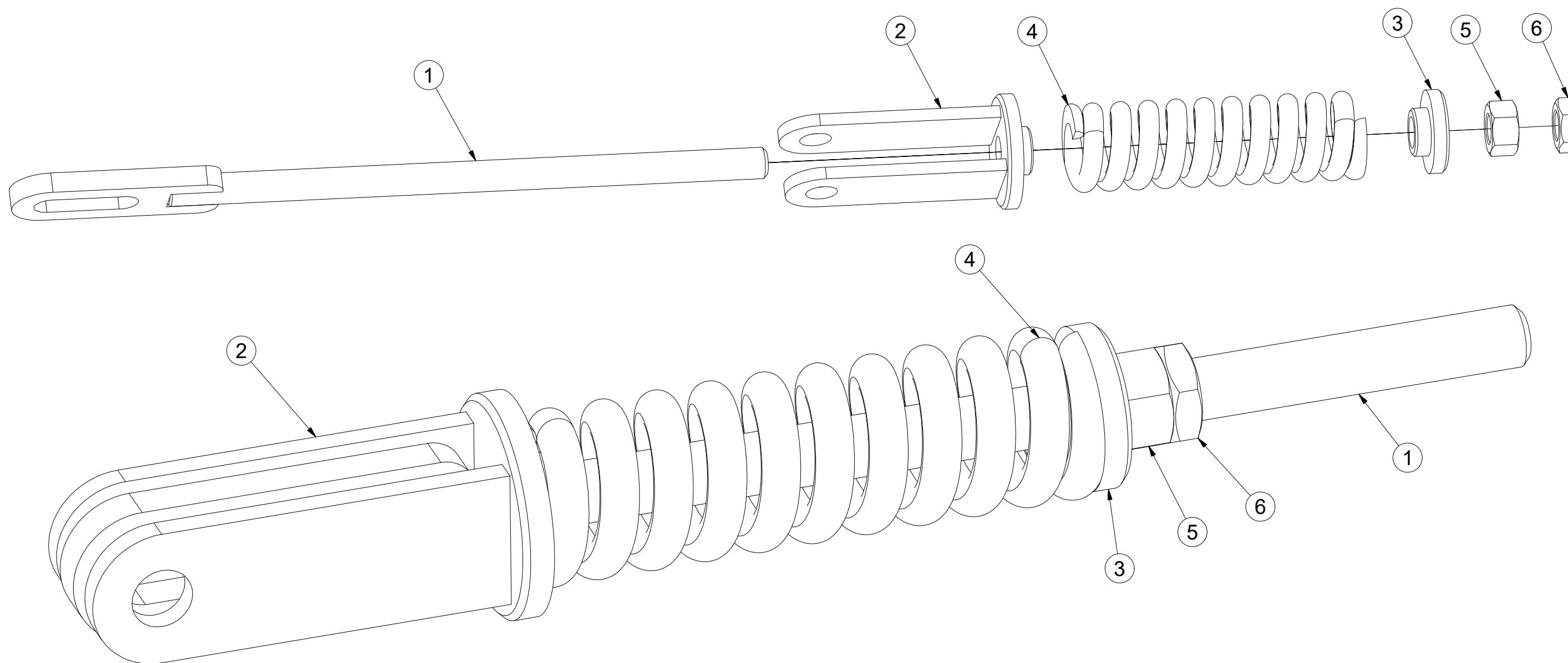
ⒸB TILTING PULL ROD

ⒸU ТЯГА СКЛАДЫВАНИЯ

ⒸL CIĘGŁO PRZECHYLANIA



**4005363**



| Pos | Part Number | Pcs. |
|-----|-------------|------|
| 1   | 4005358     | 1    |
| 2   | 4005361     | 1    |
| 3   | 4000023     | 1    |
| 5   | m01309      | 1    |
| 4   | m06482      | 1    |
| 6   | m04043      | 1    |

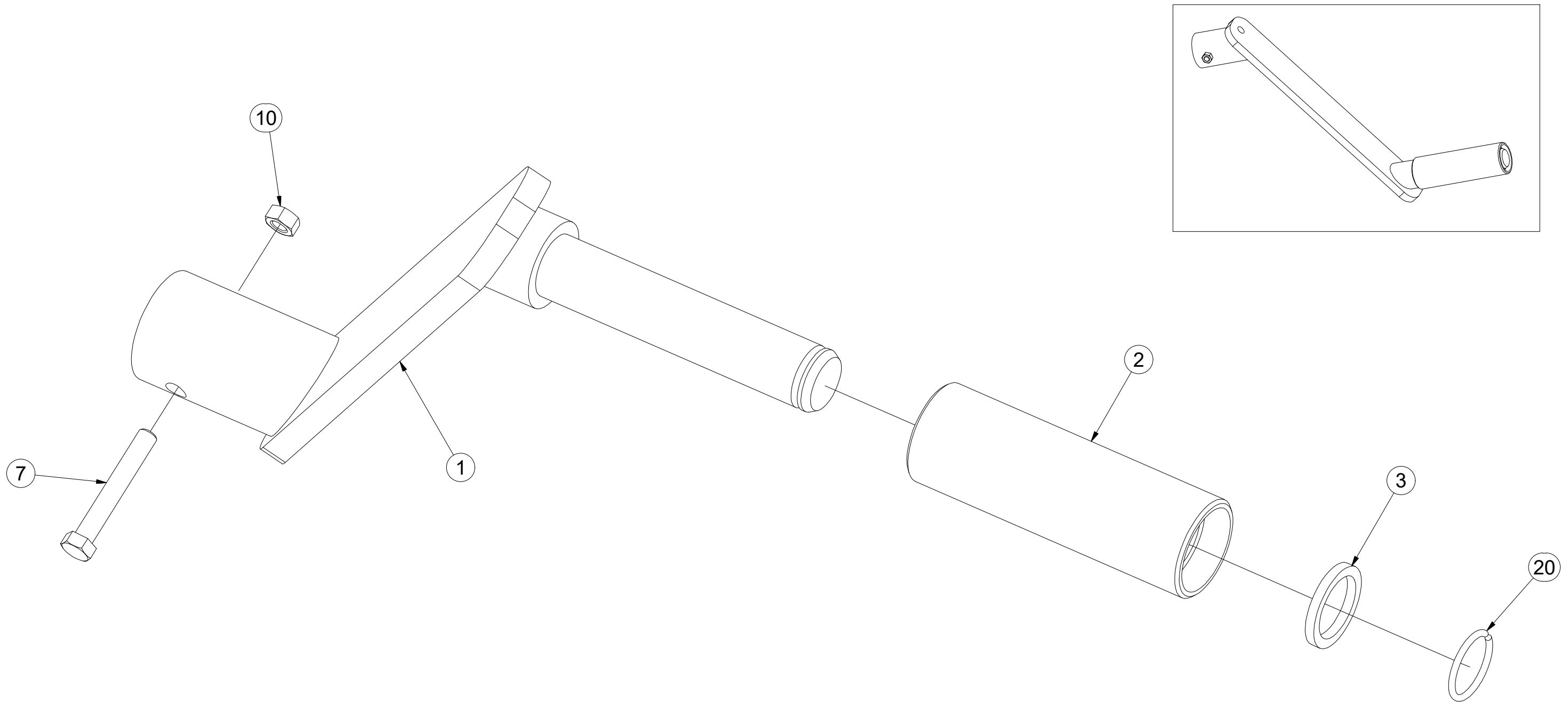


CZ NASAZOVACÍ KLIKA  
 D EINSTELLKURBEL  
 F MANIVELLE AMOVIBILE

GB PRESS-ON HANDLE  
 RU НАСАЖИВАЕМАЯ РУКОЯТКА  
 PL KLAMKA MOCOWANA



**4003087**



| Pos. | Part Number | Pcs. |
|------|-------------|------|
| 1    | 4003092     | 1    |
| 2    | 4001533     | 1    |
| 3    | 4004828     | 1    |
| 7    | m04641      | 1    |
| 10   | m01295      | 1    |
| 20   | m06561      | 1    |

☉ SADA ČEPŮ TBZ 3

☉ BOLZENSATZ TBZ 3

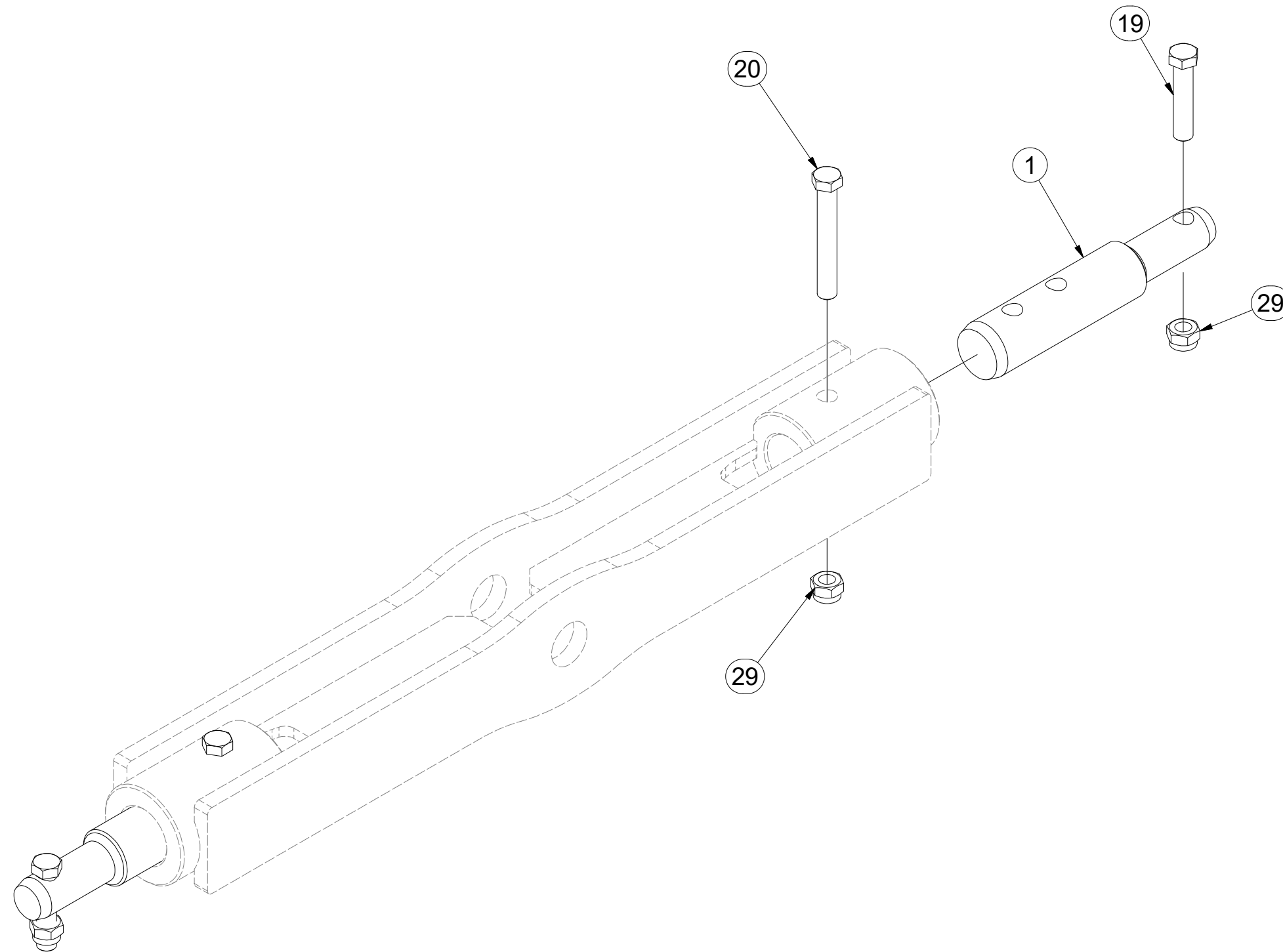
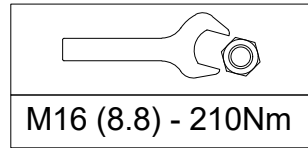
☉ KIT D'EMBOUITS TBZ 3

**3005554**

☉ SET OF TBZ 3 PINS

☉ КОМПЛЕКТ ПАЛЬЦЕВ TBZ 3

☉ ZESTAW CZOPÓW TBZ 3



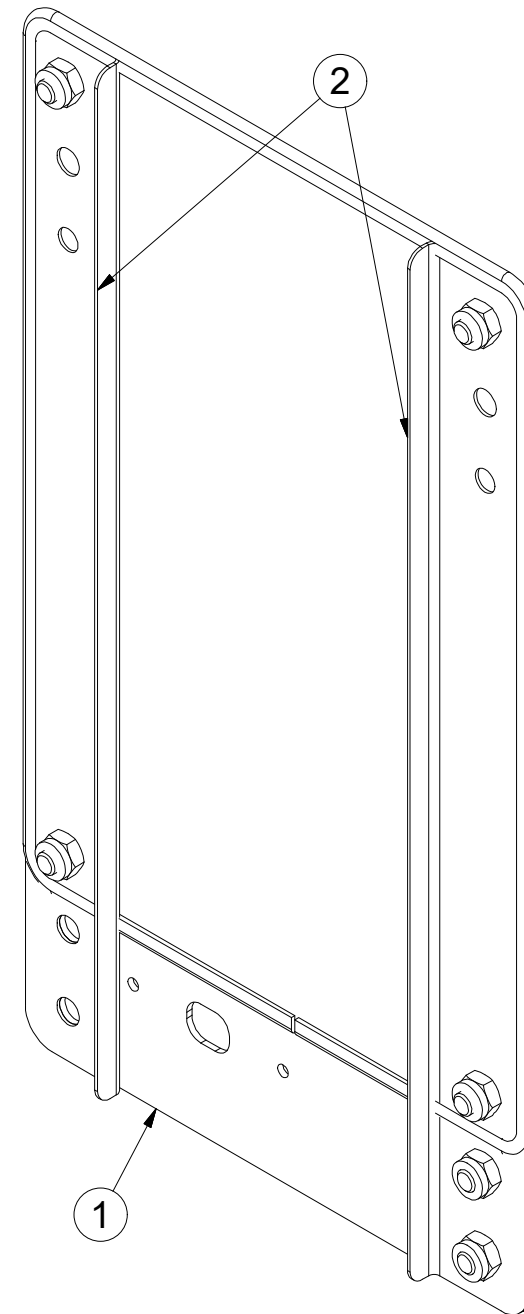
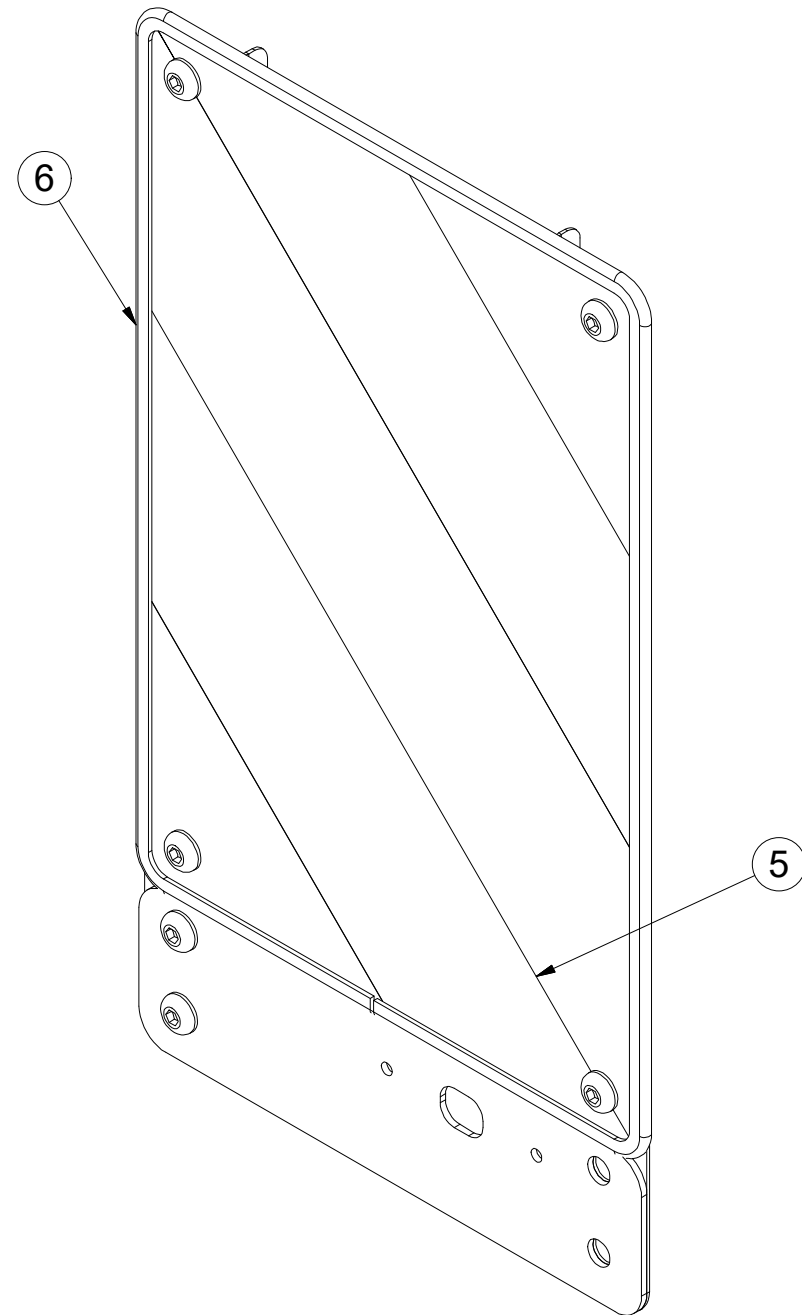
| Pos. | Part Number | Pcs. |
|------|-------------|------|
| 1    | 4007412     | 2    |
| 19   | m01133      | 2    |
| 20   | m02970      | 2    |
| 29   | m03683      | 4    |

- ⒸZ TERČ PŘEDNÍ LEVÝ
- Ⓓ SCHILD, VORDERES, LINKES
- Ⓕ CIBLE AVANT GAUCHE

- ⒸGB LEFT FRONT DISC
- ⒸRU ЩИТОК ПЕРЕДНИЙ ЛЕВЫЙ
- ⒸPL TARCZA PRZEDNIA LEWA



**4018823**



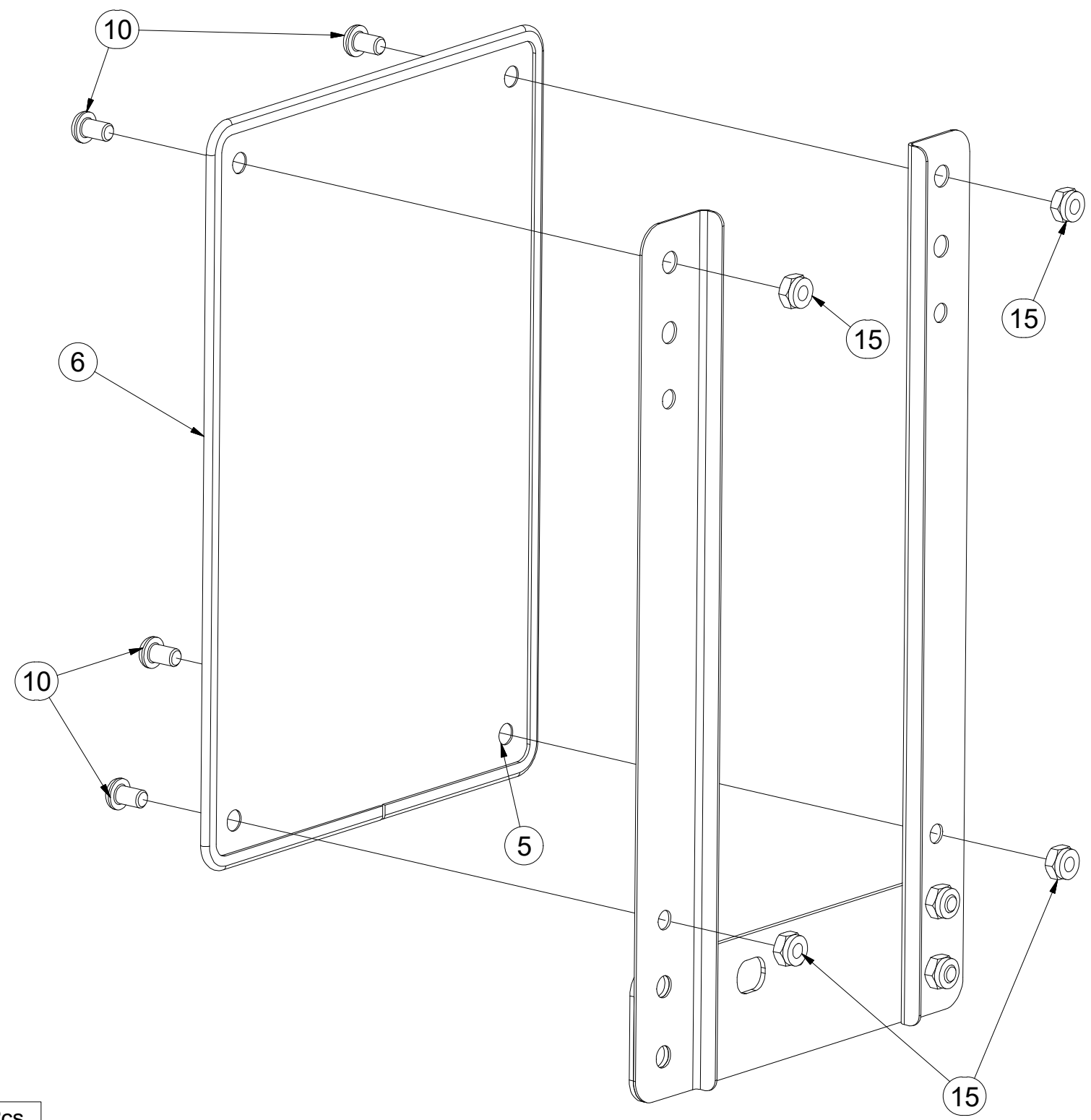
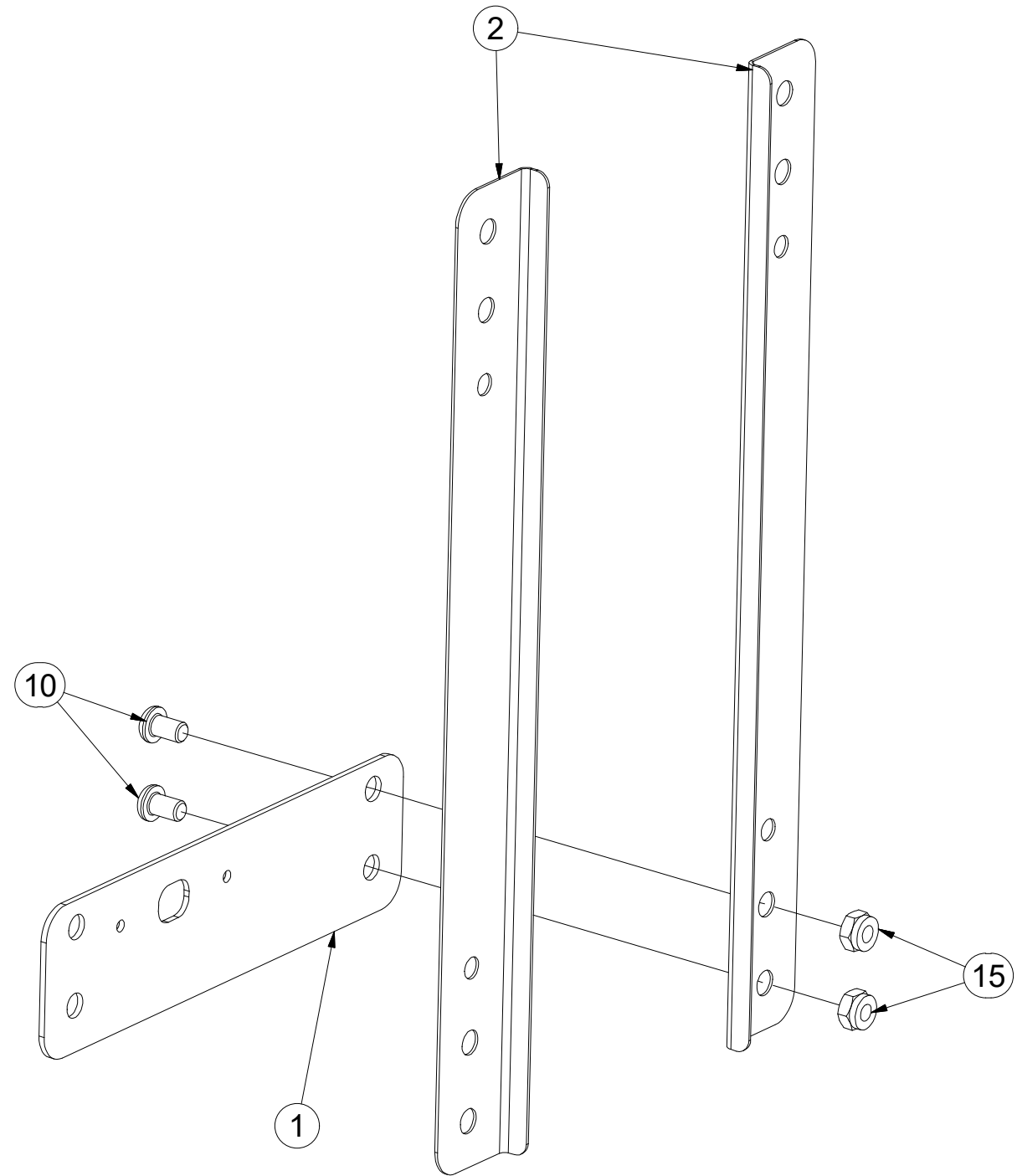
| Pos. | Part Number | Pcs. |
|------|-------------|------|
| 1    | 4019247     | 1    |
| 2    | 4019245     | 2    |
| 5    | m16274      | 1    |
| 6    | m16628      | 1,4  |

CZ TERČ PŘEDNÍ LEVÝ  
 D SCHILD, VORDERES, LINKES  
 F CIBLE AVANT GAUCHE

GB LEFT FRONT DISC  
 RU ЩИТОК ПЕРЕДНИЙ ЛЕВЫЙ  
 PL TARCZA PRZEDNIA LEWA



**4018823**



| Pos. | Part Number | Pcs. |
|------|-------------|------|
| 1    | 4019247     | 1    |
| 2    | 4019245     | 2    |
| 5    | m16274      | 1    |
| 6    | m16628      | 1,4  |
| 10   | m16687      | 6    |
| 15   | m03775      | 6    |

ⒸZ TERČ PŘEDNÍ PRAVÝ

Ⓓ SCHILD, VORDERES, RECHTES

Ⓕ CIBLE AVANT DROITE

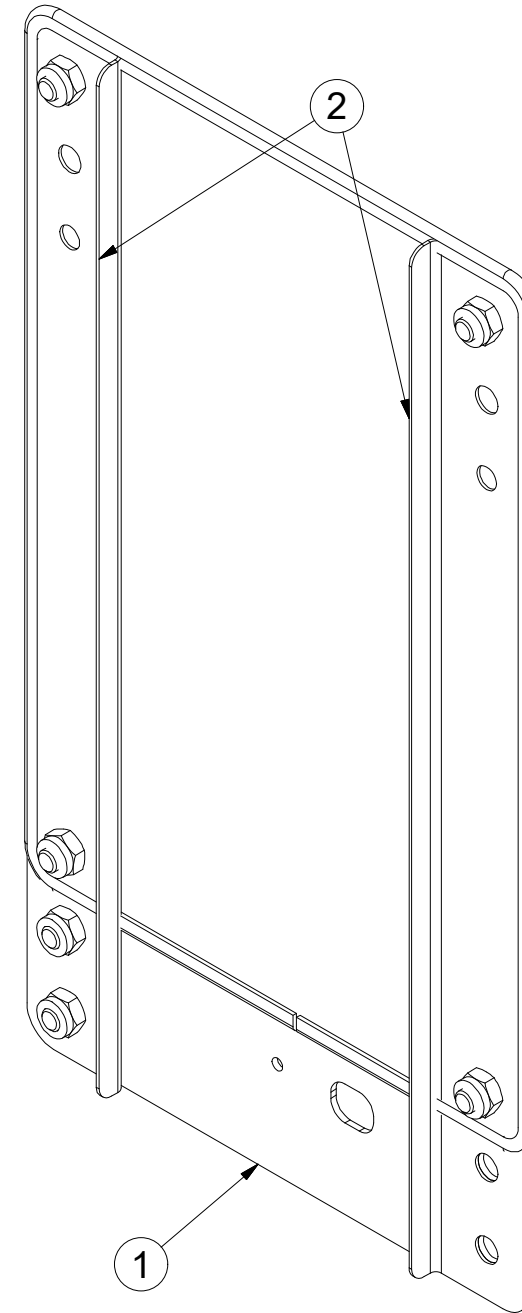
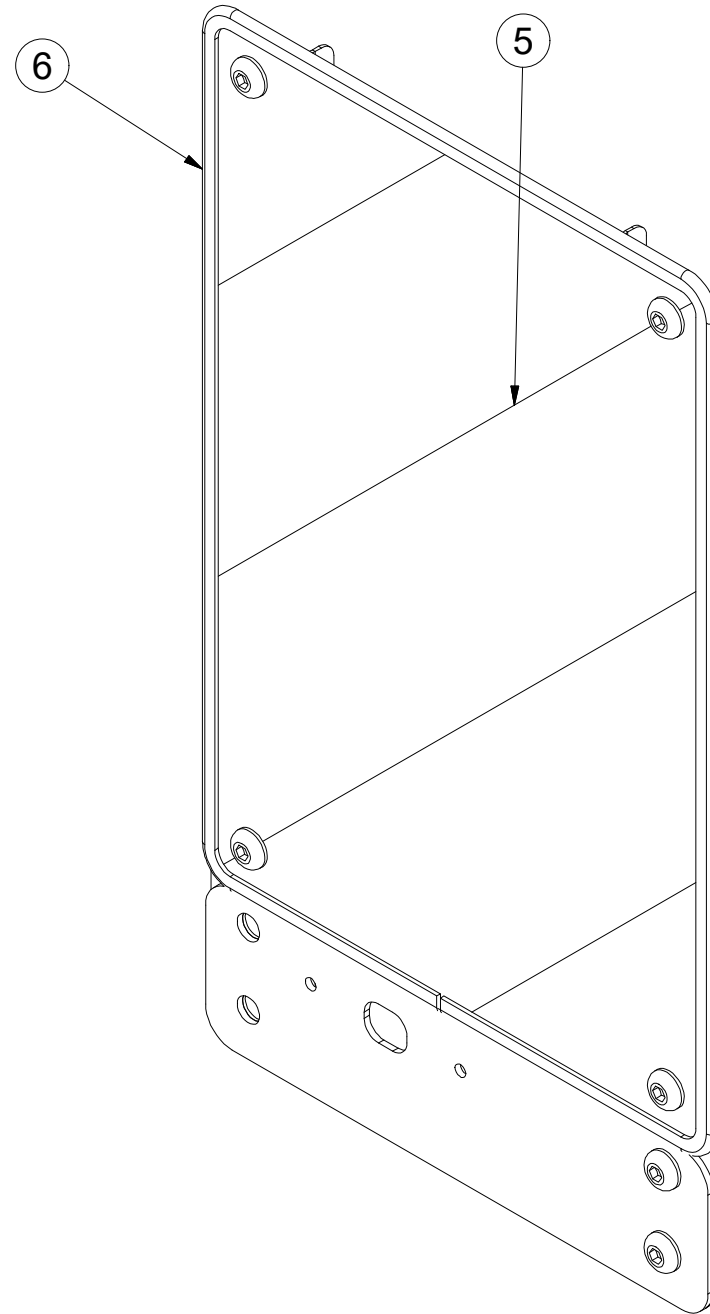
**4018833**

ⒼB RIGHT FRONT DISC

ⒺЩИТОК ПЕРЕДНИЙ ПРАВЫЙ

ⒽL TARCZA PRZEDNIA PRAWA

**Farmet**



| Pos. | Part Number | Pcs. |
|------|-------------|------|
| 1    | 4019247     | 1    |
| 2    | 4019245     | 2    |
| 5    | m16273      | 1    |
| 6    | m16628      | 1,4  |

ⒸZ TERČ PŘEDNÍ PRAVÝ

Ⓓ SCHILD, VORDERES, RECHTES

Ⓕ CIBLE AVANT DROITE

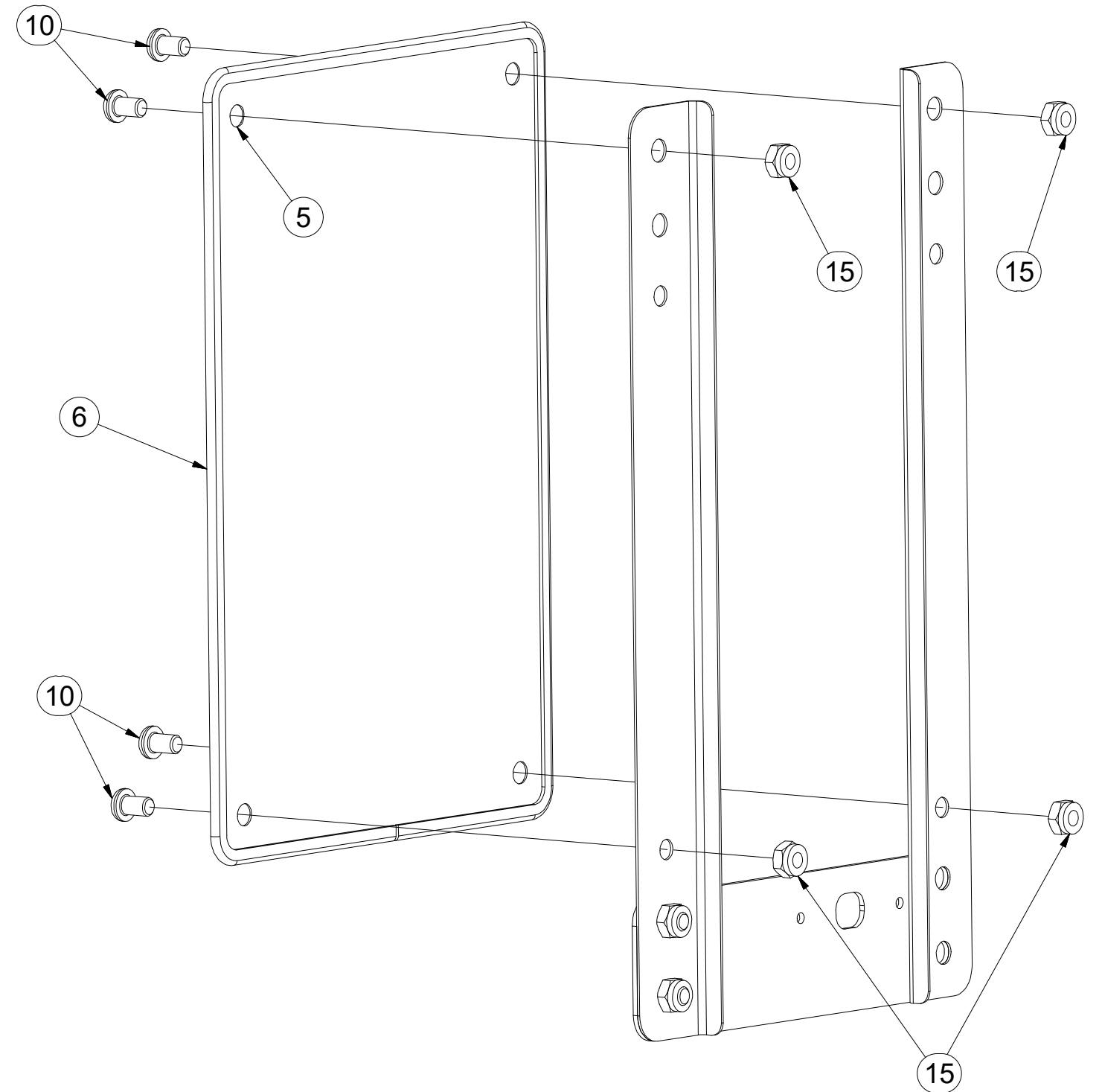
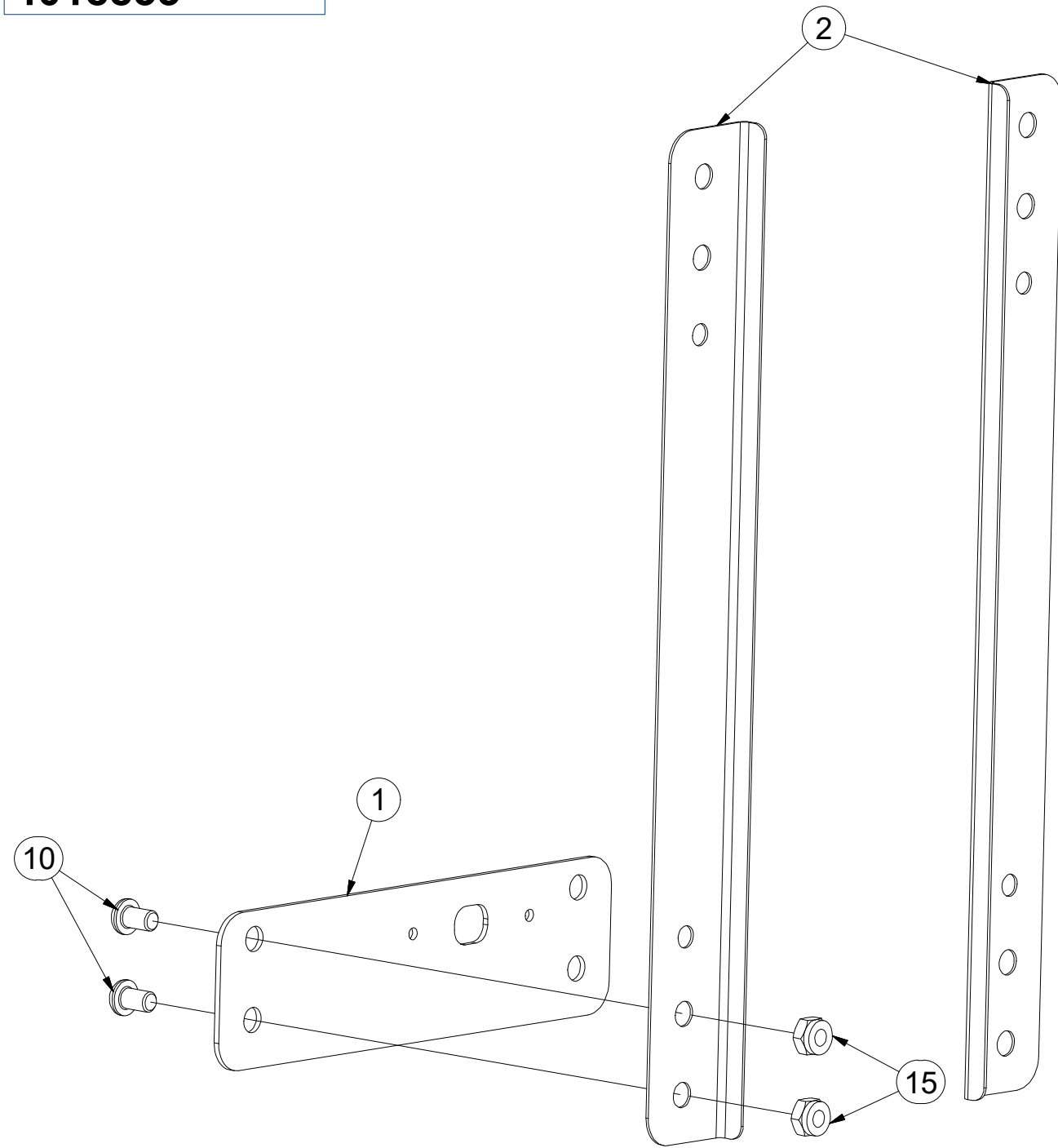
ⒸGB RIGHT FRONT DISC

ⒸRU ЩИТОК ПЕРЕДНИЙ ПРАВЫЙ

ⒸPL TARCZA PRZEDNIA PRAWA



**4018833**



| Pos. | Part Number | Pcs. |
|------|-------------|------|
| 1    | 4019247     | 1    |
| 2    | 4019245     | 2    |
| 5    | m16273      | 1    |
| 6    | m16628      | 1,4  |
| 10   | m16687      | 6    |
| 15   | m03775      | 6    |

Ⓒ SADA KYPŘIČŮ STOP

Ⓓ SPURENLOCKERERSATZ

Ⓕ KIT DE CULTIVATEURS DE TRACES

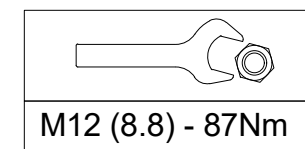
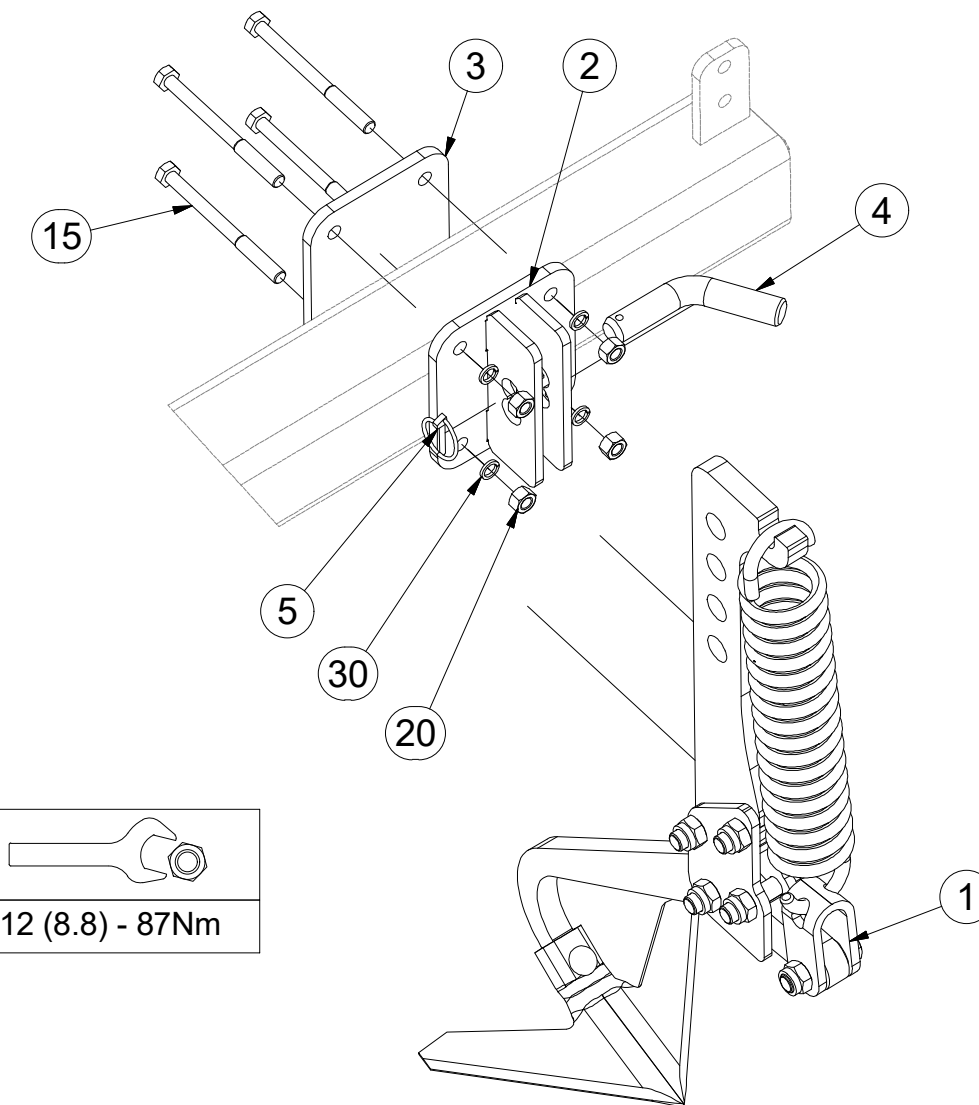
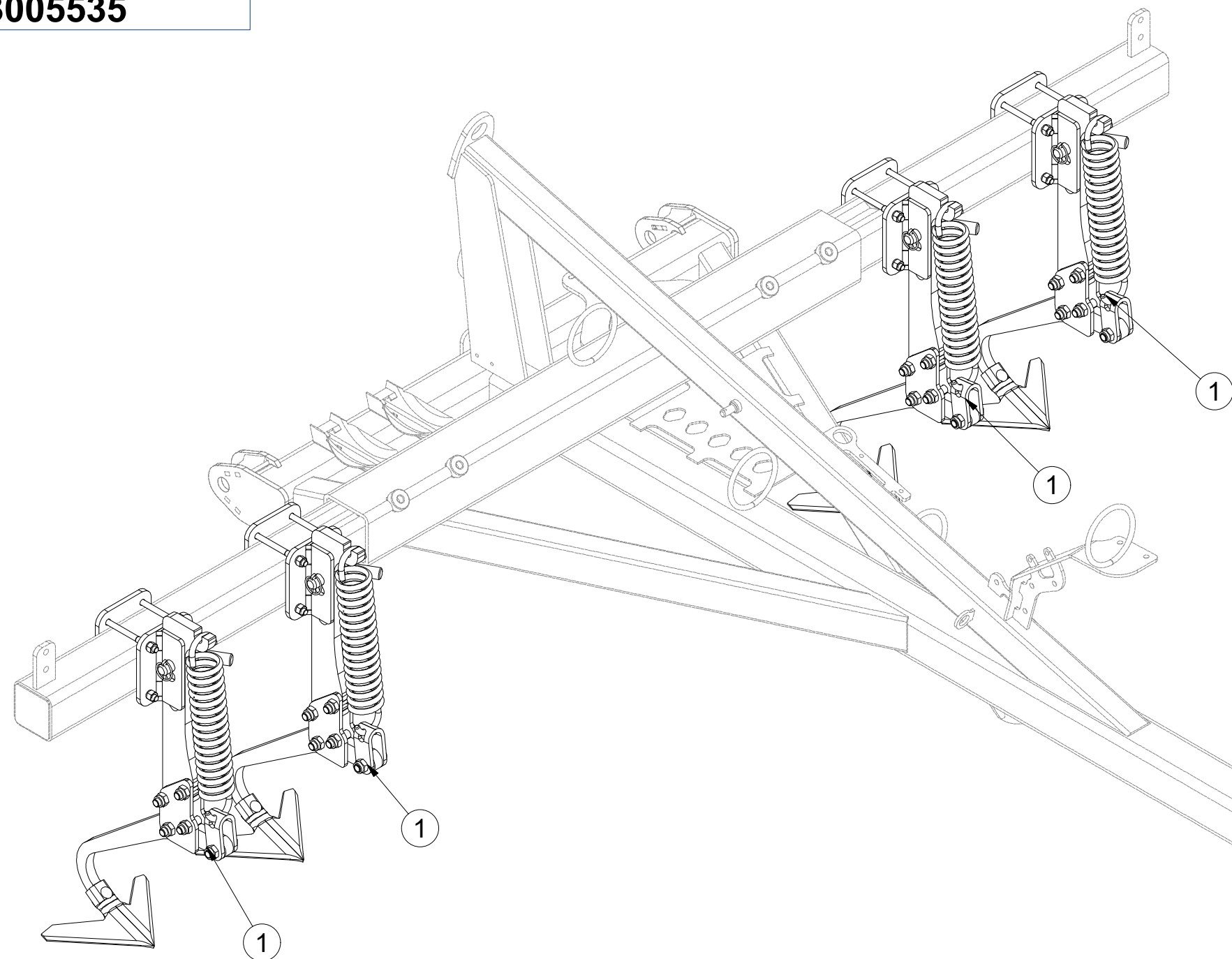
Ⓖ SET OF TRACK CULTIVATORS

Ⓡ КОМПЛЕКТ РЫХЛИТЕЛЕЙ КОЛЕИ

Ⓟ ZESTAW SPULCHNIACZY ŚLADÓW



**3005535**



| Pos. | Part Number | Pcs. |
|------|-------------|------|
| 1    | 4013092     | 4    |
| 2    | 4005583     | 4    |
| 3    | 4009468     | 4    |
| 4    | m08885      | 4    |
| 5    | m10454      | 4    |
| 15   | m05946      | 16   |
| 20   | m01305      | 16   |
| 30   | m03988      | 16   |

Ⓒ KYPŘIČ STOP

Ⓓ SPURENLOCKERER

Ⓕ CULTIVATEUR DES TRACES

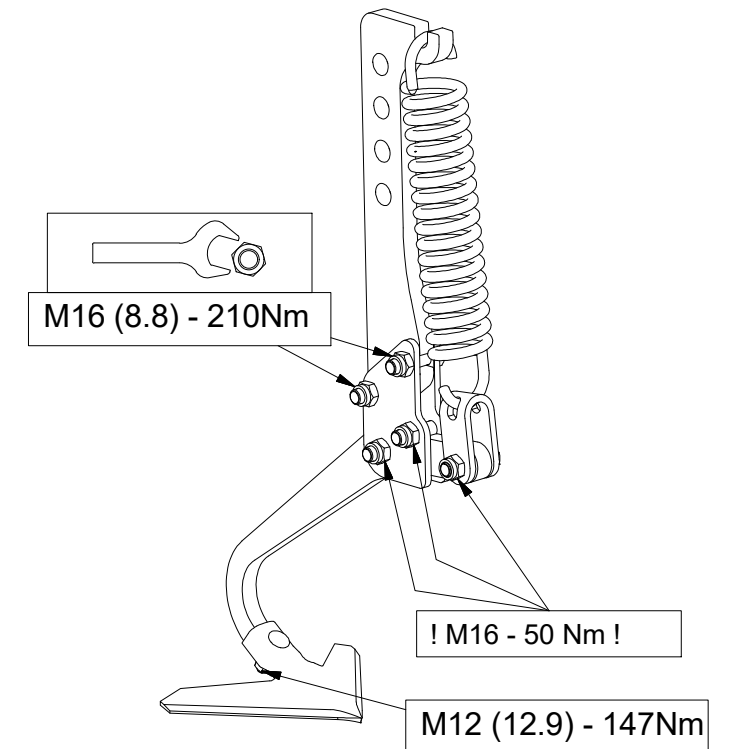
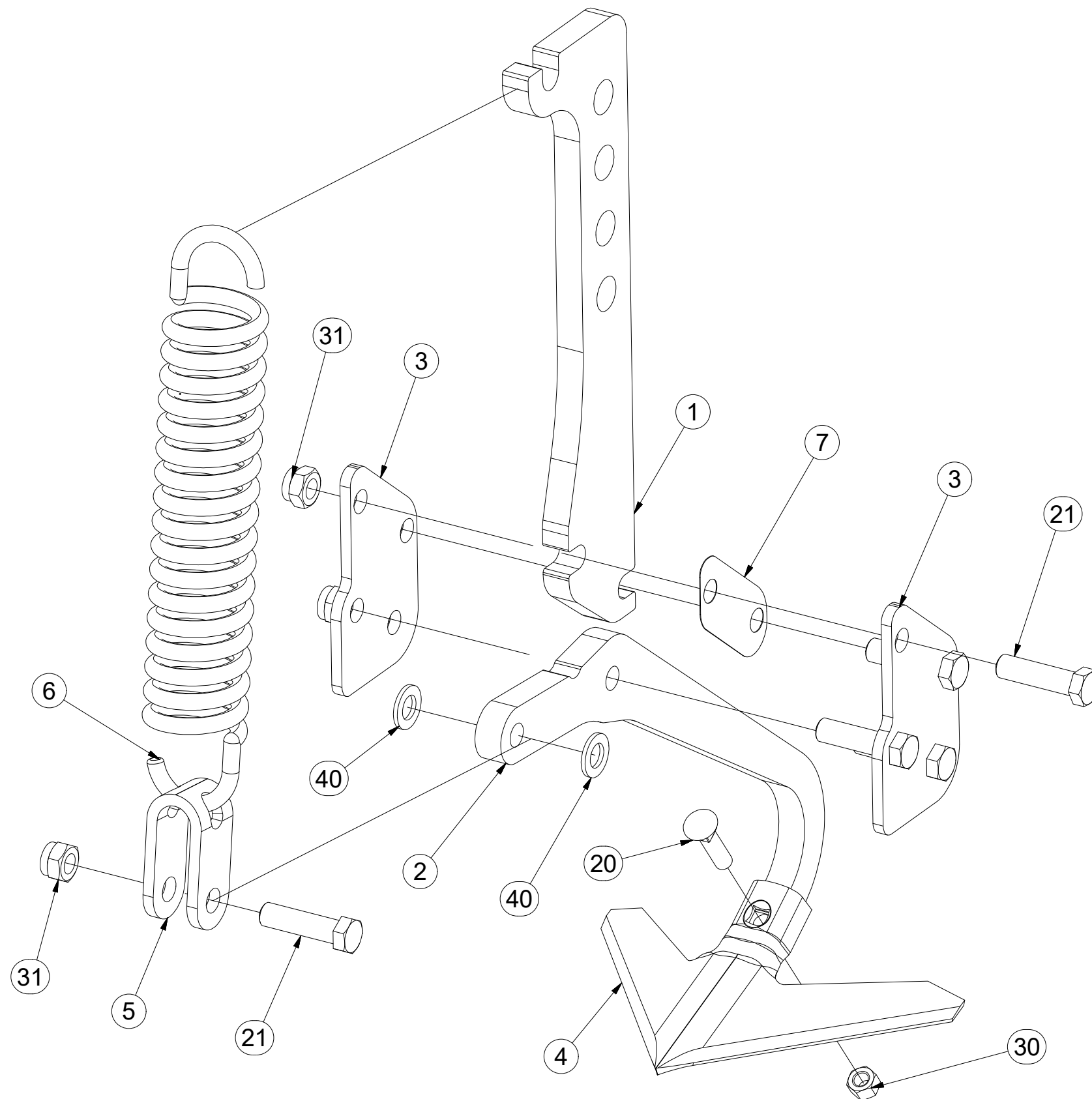
Ⓖ TRACK CULTIVATOR

Ⓡ РЫХЛИТЕЛЬ КОЛЕИ

Ⓟ SPULCHNIARKA STÓP



4013092



| Pos. | Part Number | Pcs. |
|------|-------------|------|
| 1    | 4017307     | 1    |
| 2    | 4007379     | 1    |
| 3    | 4005582     | 2    |
| 4    | 3000236-KOO | 1    |
| 5    | 4005445     | 1    |
| 6    | m02597      | 1    |
| 7    | 4005591     | 1    |
| 20   | m10440      | 1    |
| 21   | m00619      | 5    |
| 30   | m10439      | 1    |
| 31   | m03683      | 5    |
| 40   | m01219      | 2    |



ⒸZ SADA PŘEDNÍCH SMYKŮ

Ⓓ SATZ VORDERE ACKERSCHLEPPEN

Ⓕ KIT DE NIVELEURS AVANT

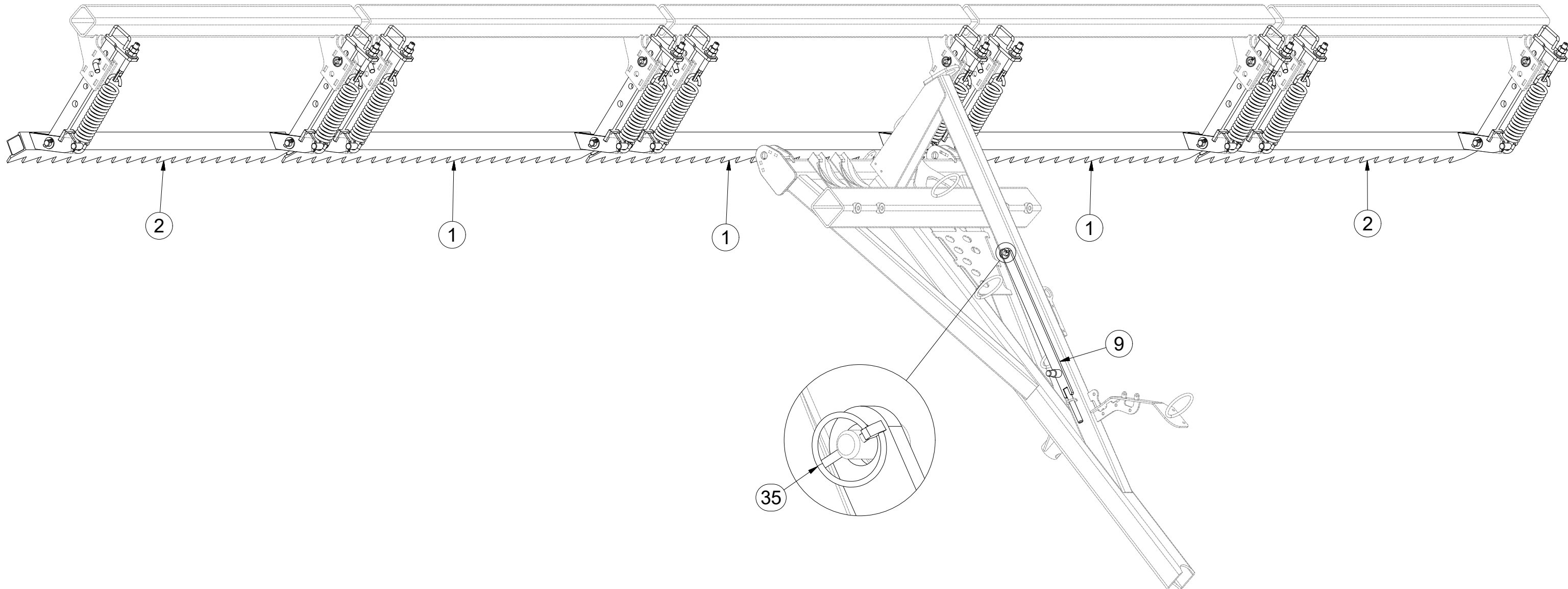
ⒼB SET OF FRONT LEVELLING BARS

ⒺU КОМПЛЕКТ ПЕРЕДНИХ БОРОН

ⒼL ZESTAW PRZEDNICH WŁÓK

**Farmet**

**3006165**



| Pos. | Part Number | Pcs. |
|------|-------------|------|
| 1    | 3000312     | 3    |
| 2    | 3003009     | 2    |
| 9    | 4006829     | 1    |
| 35   | m10454      | 11   |

ⒸZ SADA PŘEDNÍCH SMYKŮ

Ⓓ SATZ VORDERE ACKERSCHLEPPEN

Ⓕ KIT DE NIVELEURS AVANT

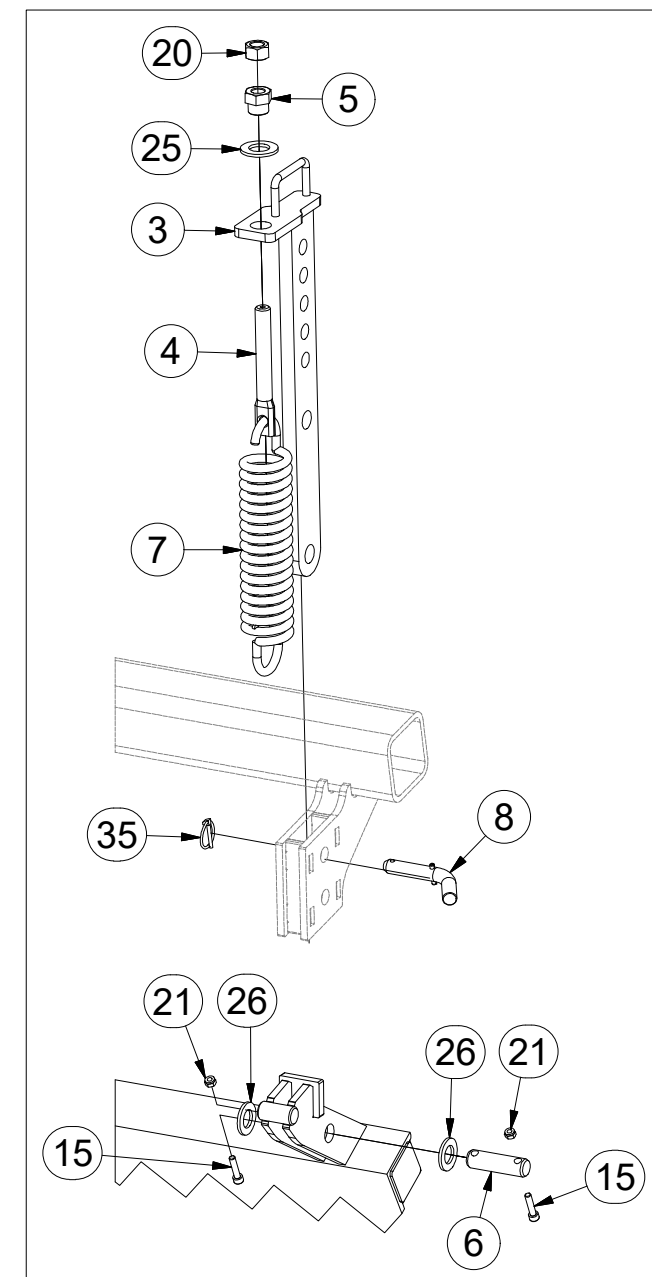
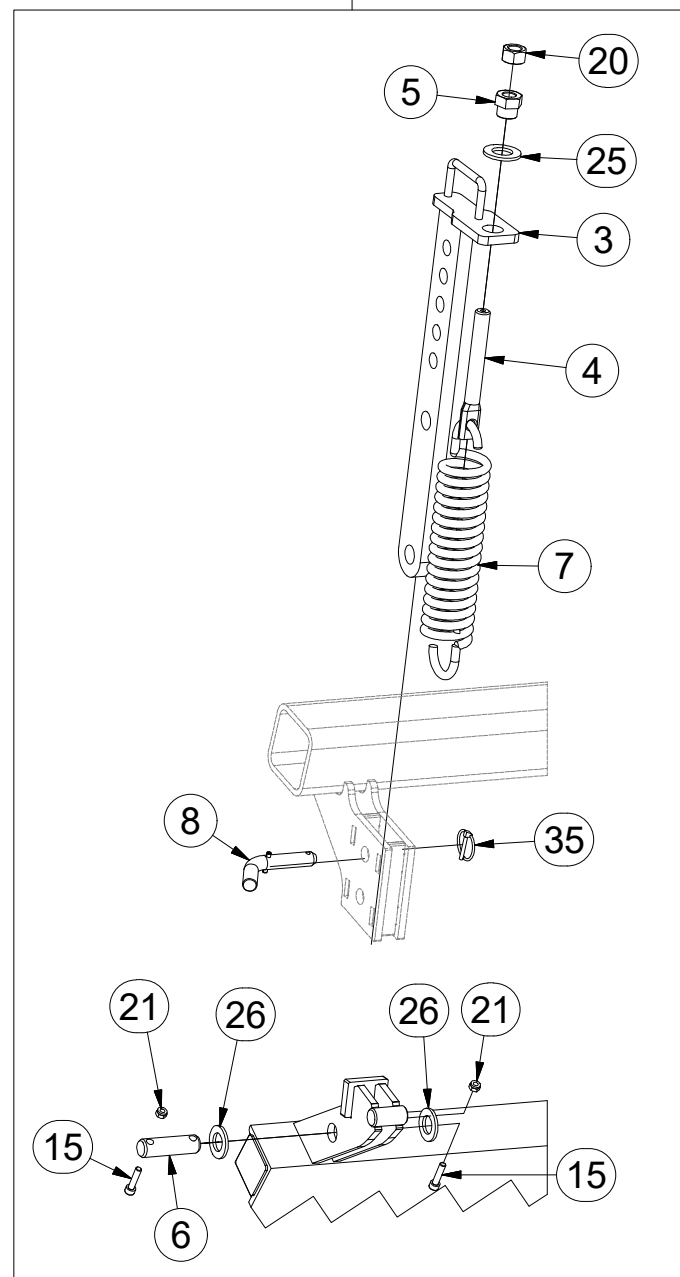
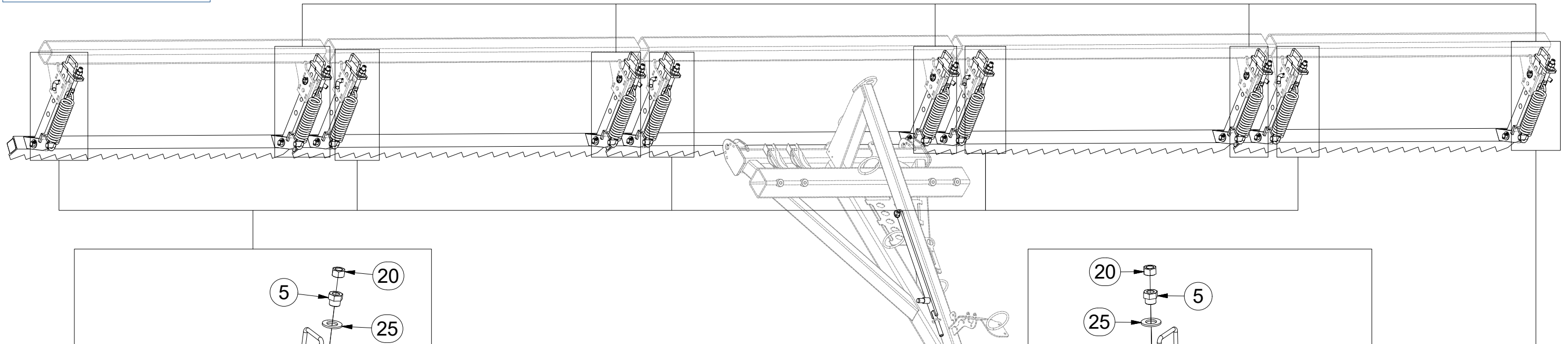
ⒼB SET OF FRONT LEVELLING BARS

ⒺU КОМПЛЕКТ ПЕРЕДНИХ БОРОН

ⒼL ZESTAW PRZEDNICH WŁÓK



**3006165**



| Pos. | Part Number | Pcs. |
|------|-------------|------|
| 3    | 3008686     | 10   |
| 4    | 4003401     | 10   |
| 5    | 4000189     | 10   |
| 6    | 4010390     | 10   |
| 7    | m02597      | 10   |
| 8    | 4012011     | 10   |
| 15   | m09464      | 20   |
| 20   | m01307      | 10   |
| 21   | m04503      | 20   |
| 25   | m01225      | 10   |
| 26   | m14028      | 20   |
| 35   | m10454      | 11   |

ⒸZ SADA PŘEDNÍCH VÁLCŮ

Ⓓ SATZ VORDERE WALZEN

Ⓕ KIT DE ROULEAUX AVANT

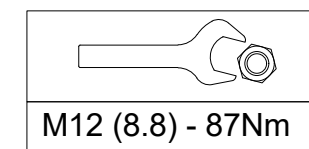
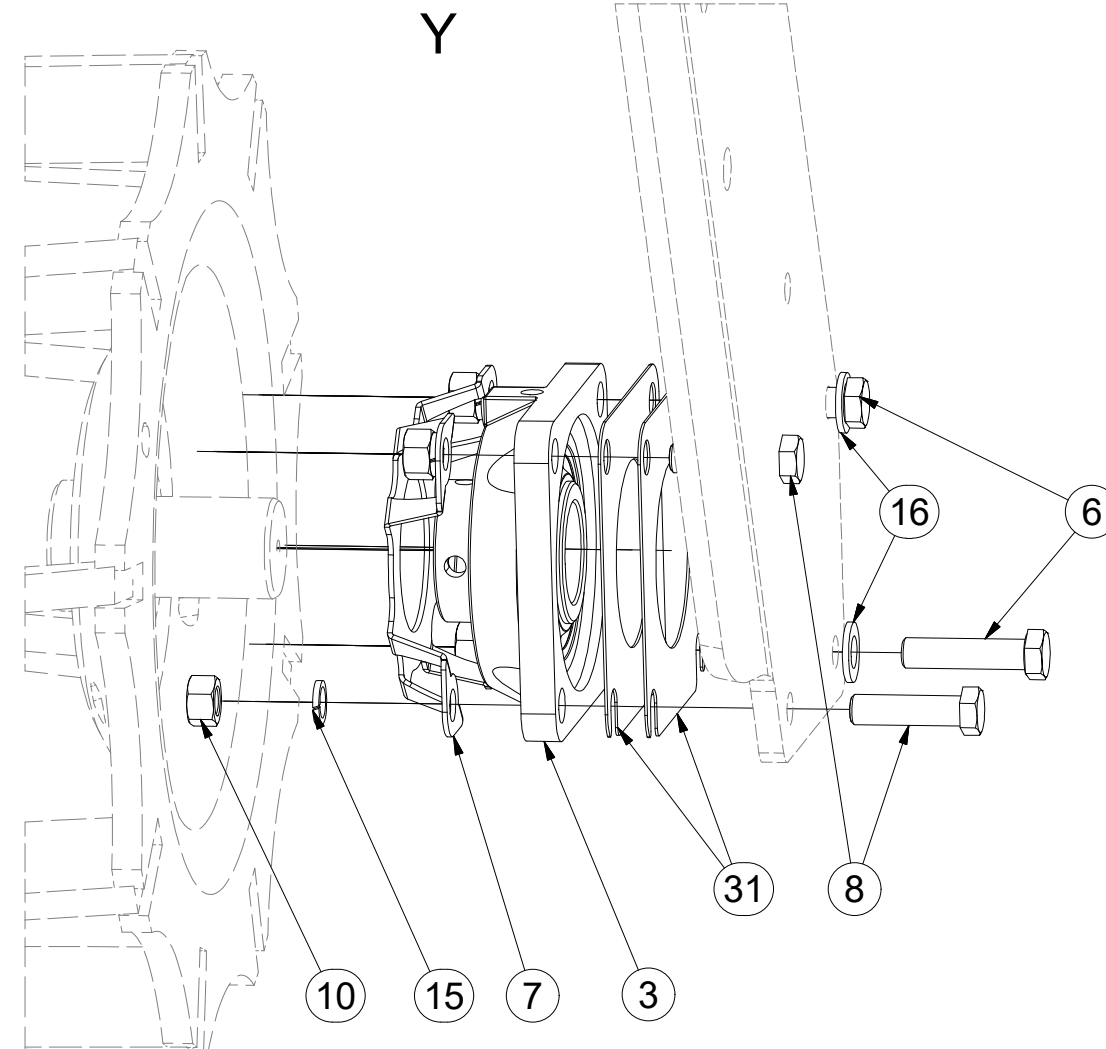
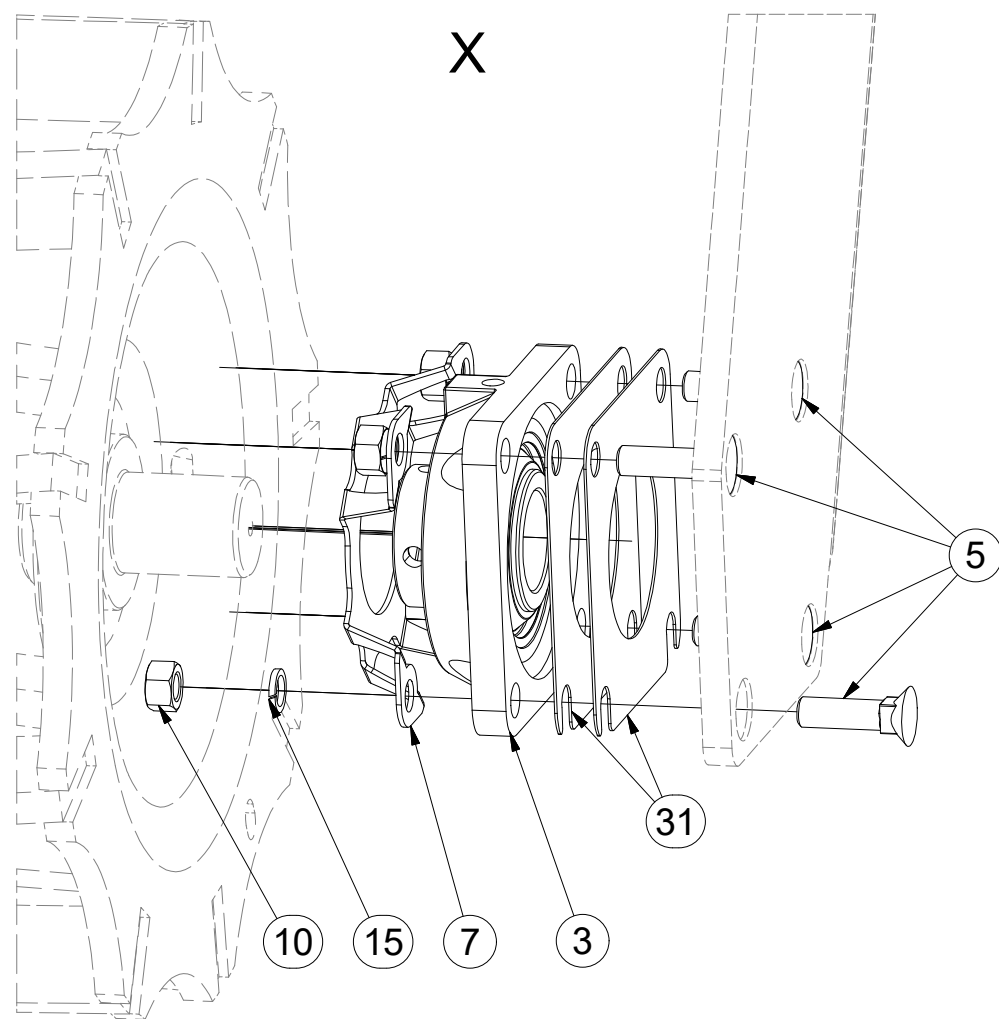
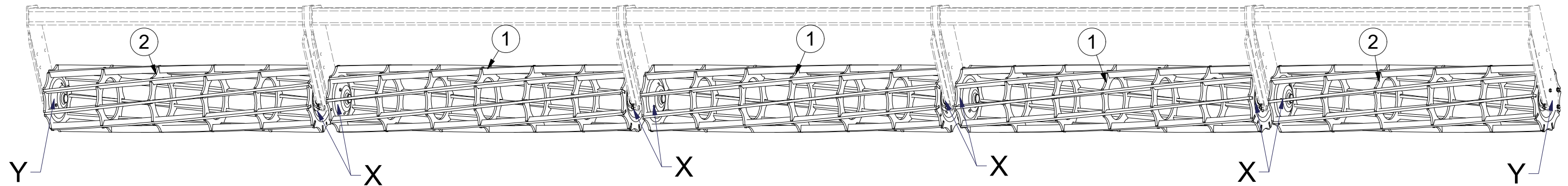
ⒼB SET OF FRONT ROLLERS

ⒺU КОМПЛЕКТ ПЕРЕДНИХ КАТКОВ

ⒼL ZESTAW PRZEDNICH WAŁÓW



**3008669**



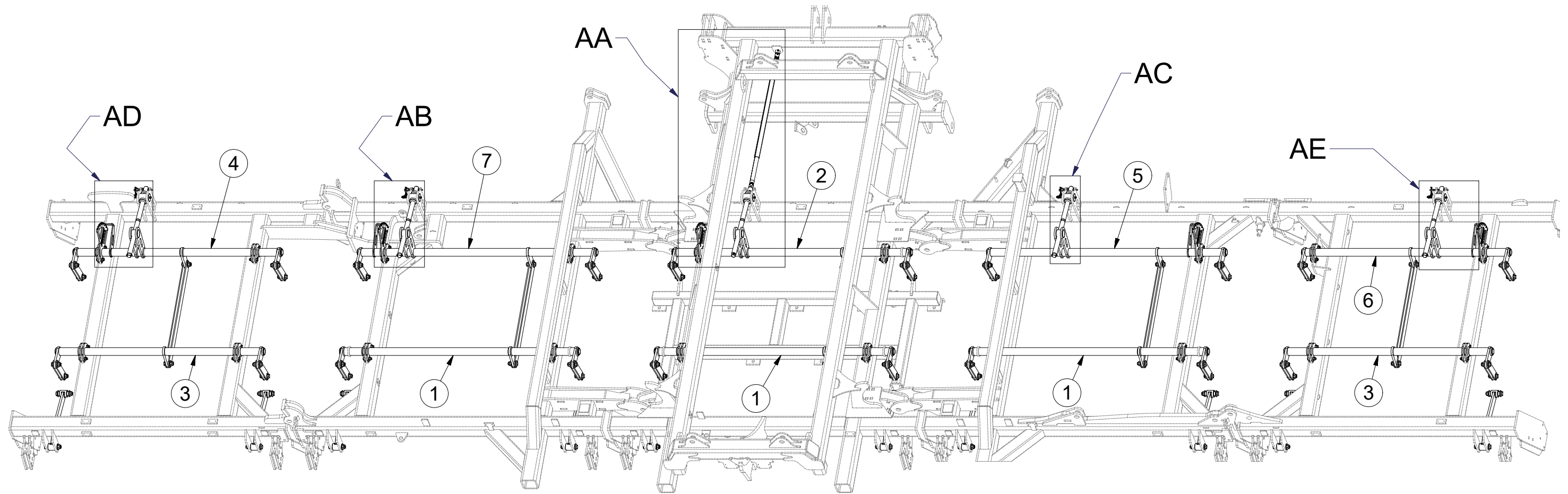
| Pos. | Part Number | Pcs. |
|------|-------------|------|
| 1    | 2000539     | 3    |
| 2    | 2000593     | 2    |
| 3    | m15625      | 10   |
| 5    | m03519      | 32   |
| 6    | m03339      | 4    |
| 7    | 4014034     | 10   |
| 8    | m06077      | 4    |
| 10   | m01305      | 40   |
| 15   | m03988      | 40   |
| 16   | m01214      | 4    |
| 31   | 4016809     | 20   |

- Ⓒ SADA OVLÁDÁNÍ RADLIC
- Ⓓ STEUERSATZ PFLUGSCHAREN
- Ⓕ KIT DE COMMANDE DES SOCS

- Ⓖ SET OF PLOUGHSHARE CONTROL
- Ⓡ КОМПЛЕКТ УПРАВЛЕНИЯ ЛАП
- Ⓟ ZESTAW STEROWANIA RADLICAMI



**3006166**



Ⓒ SADA OVLÁDÁNÍ RADLIC

Ⓓ STEUERSATZ PFLUGSCHAREN

Ⓕ KIT DE COMMANDE DES SOCS

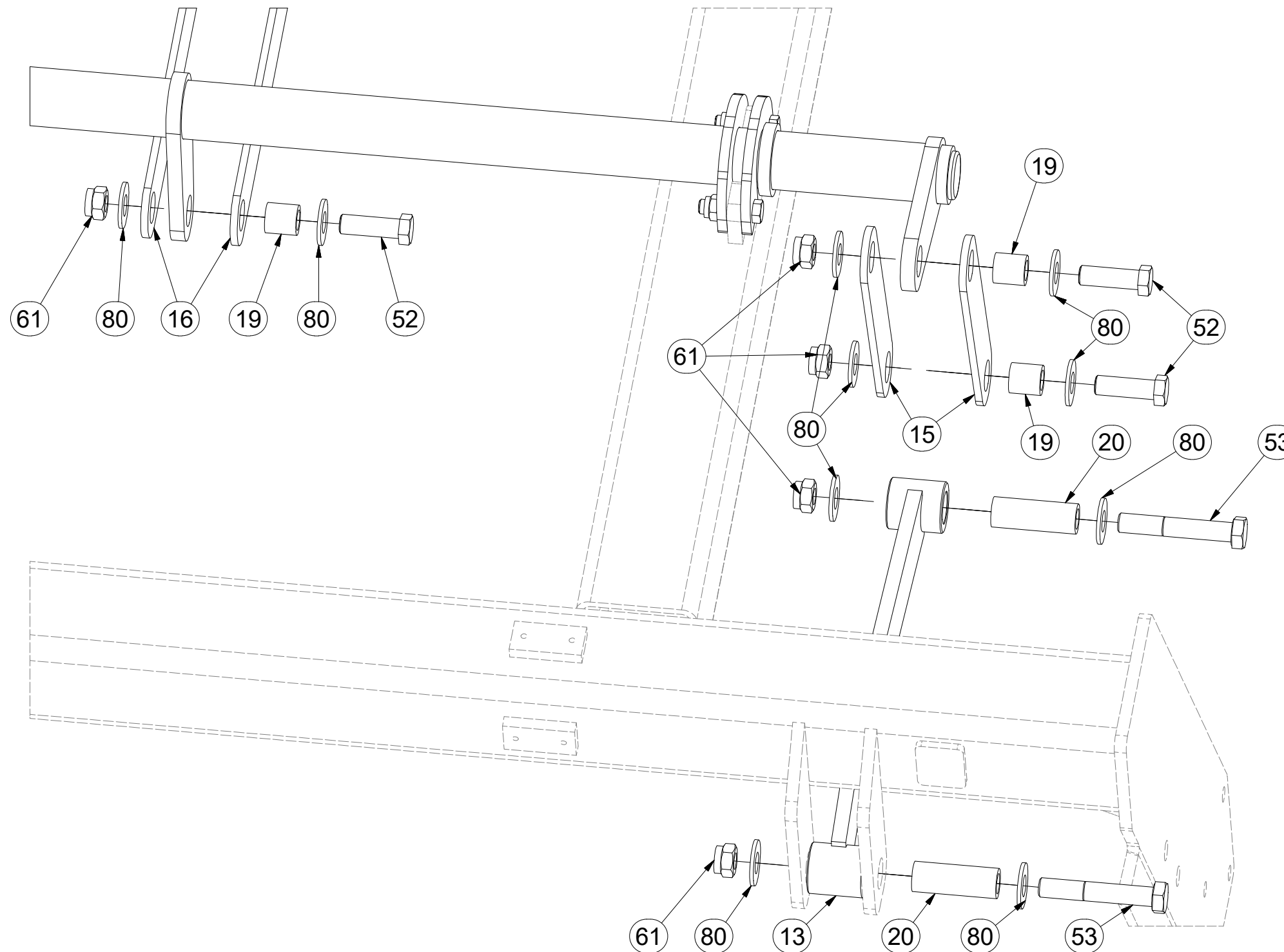
Ⓖ SET OF PLOUGHSHARE CONTROL

Ⓡ КОМПЛЕКТ УПРАВЛЕНИЯ ЛАП

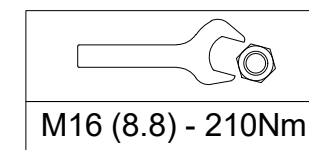
Ⓢ ZESTAW STEROWANIA RADLICAMI



**3006166**



| Pos. | Part Number   | Pcs. |
|------|---------------|------|
| 1    | 3002830       | 3    |
| 2    | 3002831       | 1    |
| 3    | 3003054       | 2    |
| 4    | 3005286       | 1    |
| 5    | 3002883       | 1    |
| 6    | 3005287       | 1    |
| 7    | 3002884       | 1    |
| 13   | 8000990-30007 | 10   |
| 15   | 4005333       | 40   |
| 16   | 4005334       | 10   |
| 19   | 4002265       | 50   |
| 20   | 9001426       | 20   |
| 52   | m04355        | 50   |
| 53   | m07673        | 20   |
| 61   | m03683        | 70   |
| 80   | m05651        | 140  |



Ⓒ SADA OVLÁDÁNÍ RADLIC

Ⓓ STEUERSATZ PFLUGSCHAREN

Ⓕ KIT DE COMMANDE DES SOCS

Ⓖ SET OF PLOUGHSHARE CONTROL

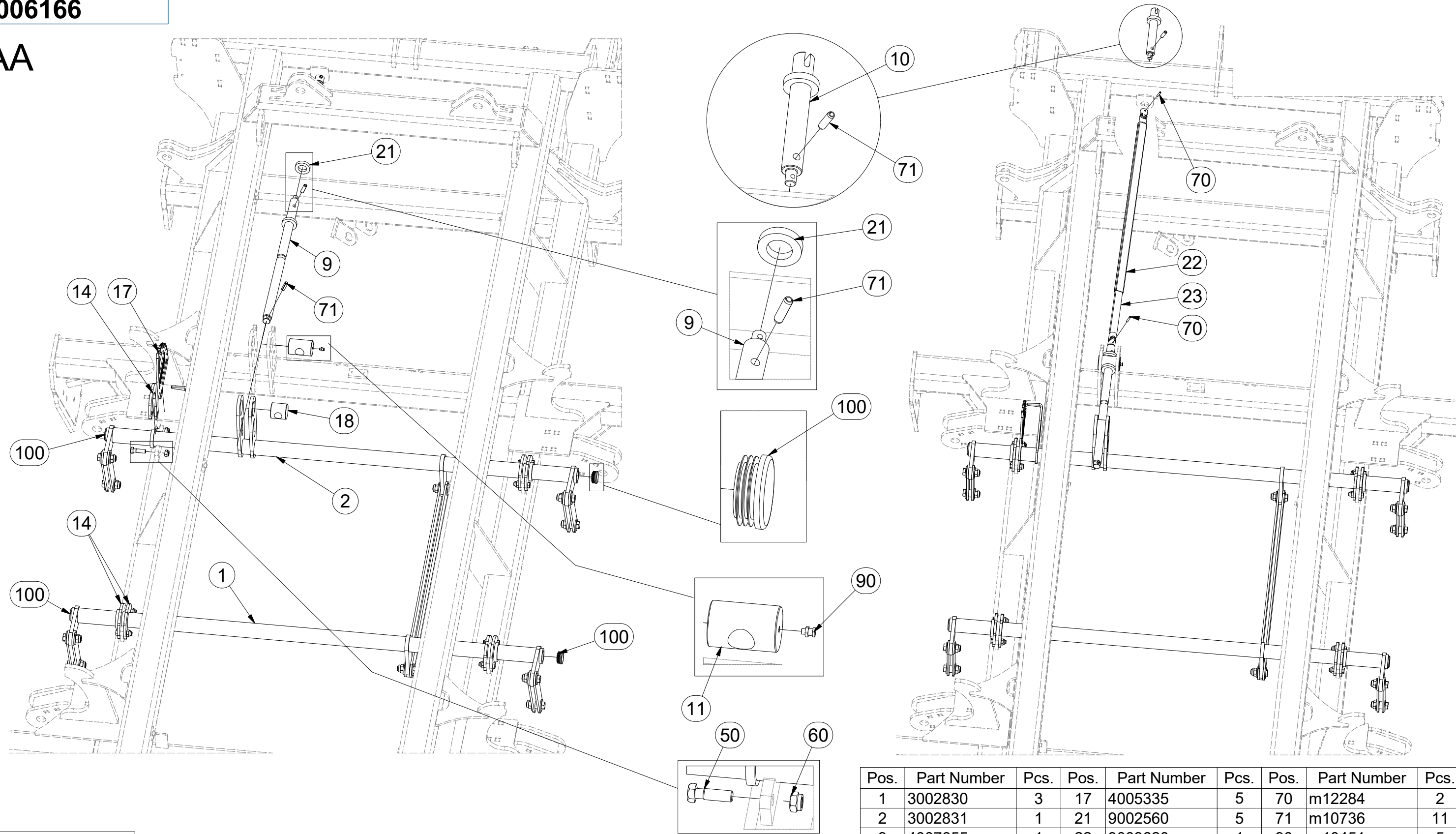
Ⓒ КОМПЛЕКТ УПРАВЛЕНИЯ ЛАП


Ⓓ ZESTAW STEROWANIA RADLICAMI



3006166

AA



  
M12 (8.8) - 87Nm

| Pos. | Part Number | Pcs. | Pos. | Part Number | Pcs. | Pos. | Part Number | Pcs. |
|------|-------------|------|------|-------------|------|------|-------------|------|
| 1    | 3002830     | 3    | 17   | 4005335     | 5    | 70   | m12284      | 2    |
| 2    | 3002831     | 1    | 21   | 9002560     | 5    | 71   | m10736      | 11   |
| 9    | 4007655     | 1    | 22   | 9003620     | 1    | 90   | m10451      | 5    |
| 10   | 4007660     | 1    | 23   | m05173      | 1    | 100  | m10130      | 20   |
| 11   | 9002114     | 1    | 50   | m03926      | 12   |      |             |      |
| 14   | 4005332     | 35   | 60   | m04301      | 40   |      |             |      |

Ⓒ SADA OVLÁDÁNÍ RADLIC

Ⓓ STEUERSATZ PFLUGSCHAREN

Ⓕ KIT DE COMMANDE DES SOCS

Ⓖ SET OF PLOUGHSHARE CONTROL

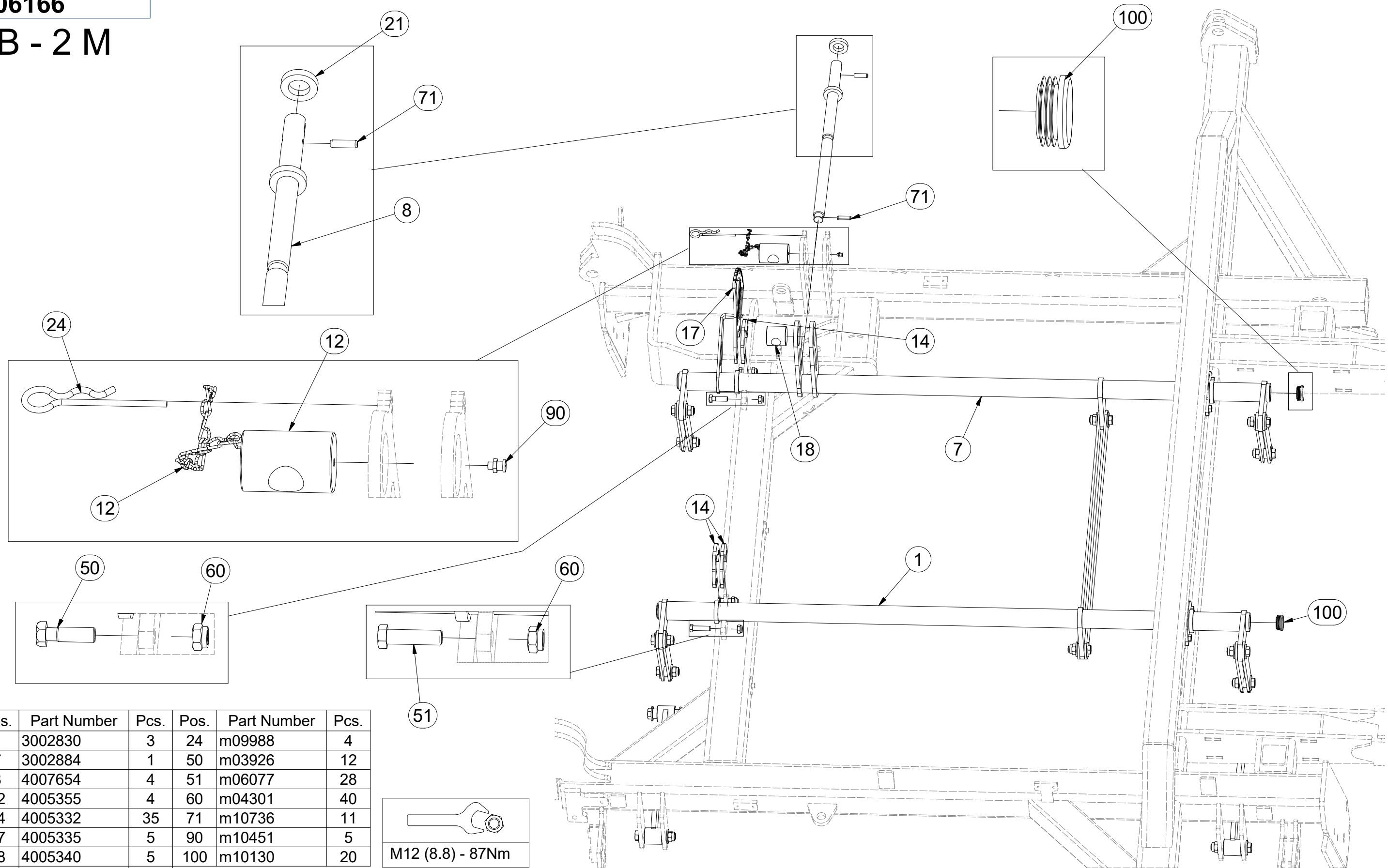
Ⓡ КОМПЛЕКТ УПРАВЛЕНИЯ ЛАП

Ⓟ ZESTAW STEROWANIA RADLICAMI

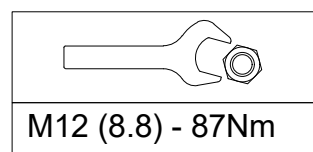


3006166

AB - 2 M



| Pos. | Part Number | Pcs. | Pos. | Part Number | Pcs. |
|------|-------------|------|------|-------------|------|
| 1    | 3002830     | 3    | 24   | m09988      | 4    |
| 7    | 3002884     | 1    | 50   | m03926      | 12   |
| 8    | 4007654     | 4    | 51   | m06077      | 28   |
| 12   | 4005355     | 4    | 60   | m04301      | 40   |
| 14   | 4005332     | 35   | 71   | m10736      | 11   |
| 17   | 4005335     | 5    | 90   | m10451      | 5    |
| 18   | 4005340     | 5    | 100  | m10130      | 20   |
| 21   | 9002560     | 5    |      |             |      |



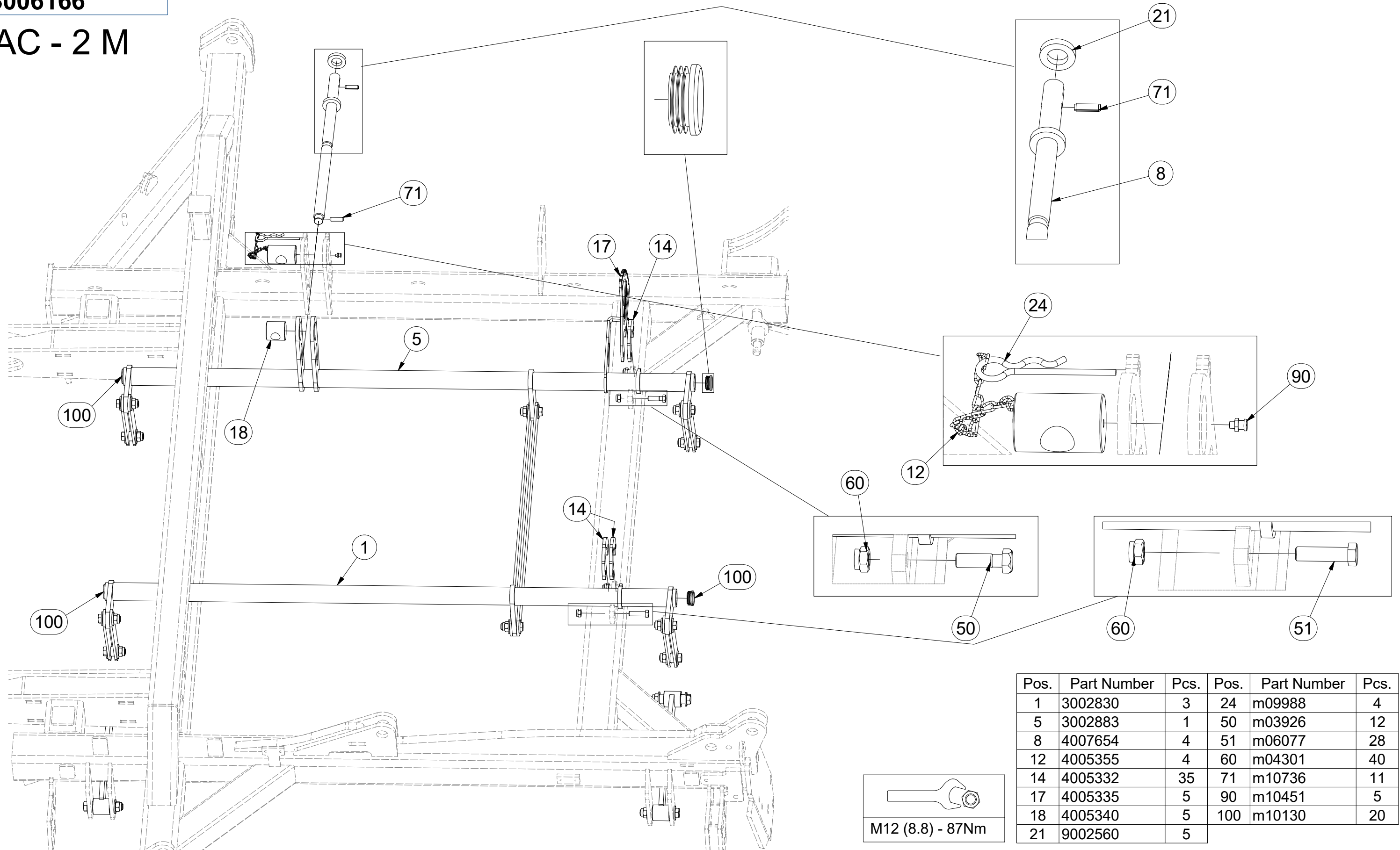
CZ SADA OVLÁDÁNÍ RADLIC  
 D STEUERSATZ PFLUGSCHAREN  
 F KIT DE COMMANDE DES SOCS

GB SET OF PLOUGHSHARE CONTROL  
 RU КОМПЛЕКТ УПРАВЛЕНИЯ ЛАП  
 PL ZESTAW STEROWANIA RADLICAMI



3006166

AC - 2 M



| Pos. | Part Number | Pcs. | Pos. | Part Number | Pcs. |
|------|-------------|------|------|-------------|------|
| 1    | 3002830     | 3    | 24   | m09988      | 4    |
| 5    | 3002883     | 1    | 50   | m03926      | 12   |
| 8    | 4007654     | 4    | 51   | m06077      | 28   |
| 12   | 4005355     | 4    | 60   | m04301      | 40   |
| 14   | 4005332     | 35   | 71   | m10736      | 11   |
| 17   | 4005335     | 5    | 90   | m10451      | 5    |
| 18   | 4005340     | 5    | 100  | m10130      | 20   |
| 21   | 9002560     | 5    |      |             |      |



Ⓒ SADA OVLÁDÁNÍ RADLIC

Ⓓ STEUERSATZ PFLUGSCHAREN

Ⓕ KIT DE COMMANDE DES SOCS

Ⓖ SET OF PLOUGHSHARE CONTROL

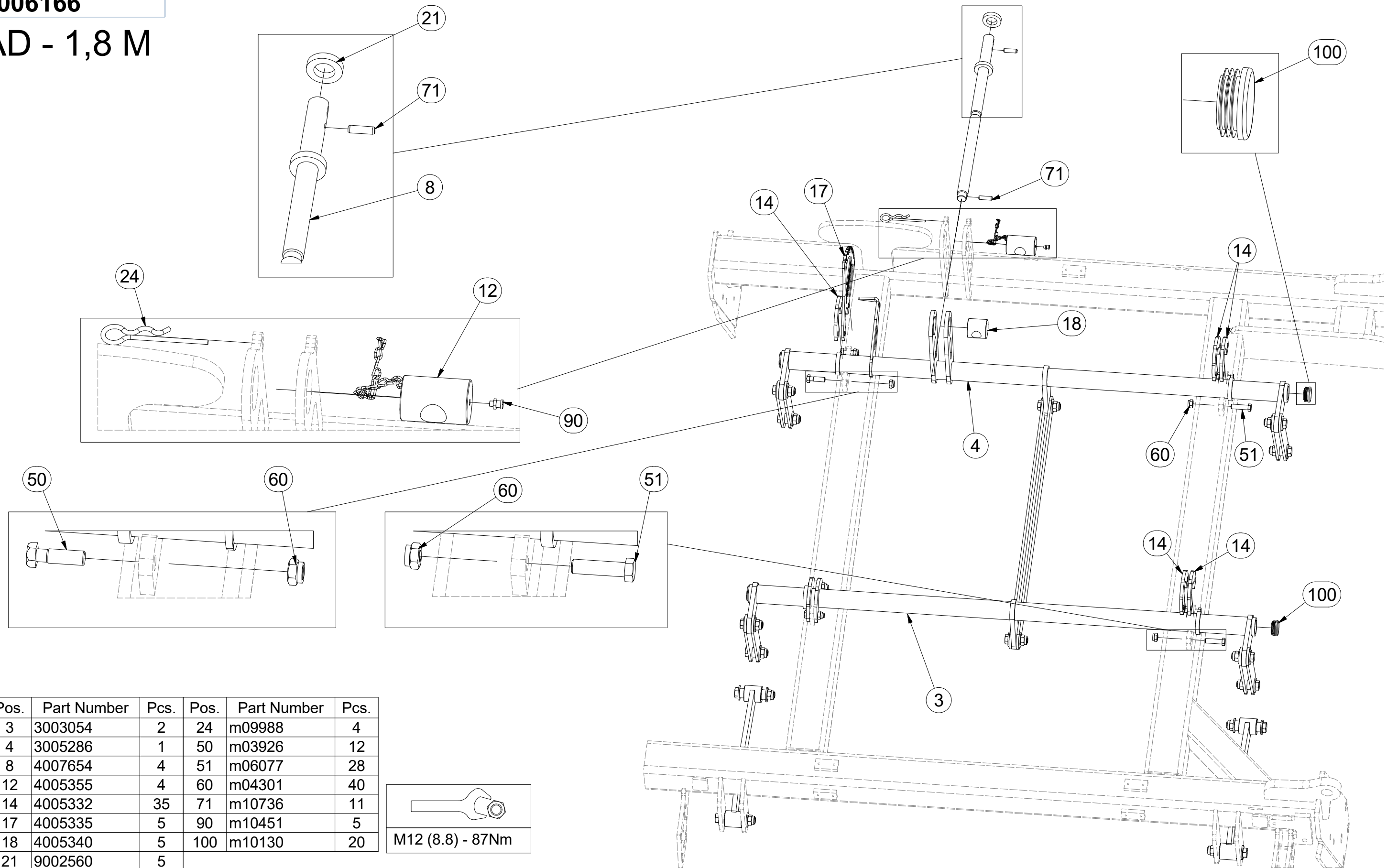
Ⓡ КОМПЛЕКТ УПРАВЛЕНИЯ ЛАП

Ⓢ ZESTAW STEROWANIA RADLICAMI

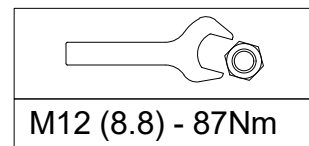


3006166

AD - 1,8 M



| Pos. | Part Number | Pcs. | Pos. | Part Number | Pcs. |
|------|-------------|------|------|-------------|------|
| 3    | 3003054     | 2    | 24   | m09988      | 4    |
| 4    | 3005286     | 1    | 50   | m03926      | 12   |
| 8    | 4007654     | 4    | 51   | m06077      | 28   |
| 12   | 4005355     | 4    | 60   | m04301      | 40   |
| 14   | 4005332     | 35   | 71   | m10736      | 11   |
| 17   | 4005335     | 5    | 90   | m10451      | 5    |
| 18   | 4005340     | 5    | 100  | m10130      | 20   |
| 21   | 9002560     | 5    |      |             |      |



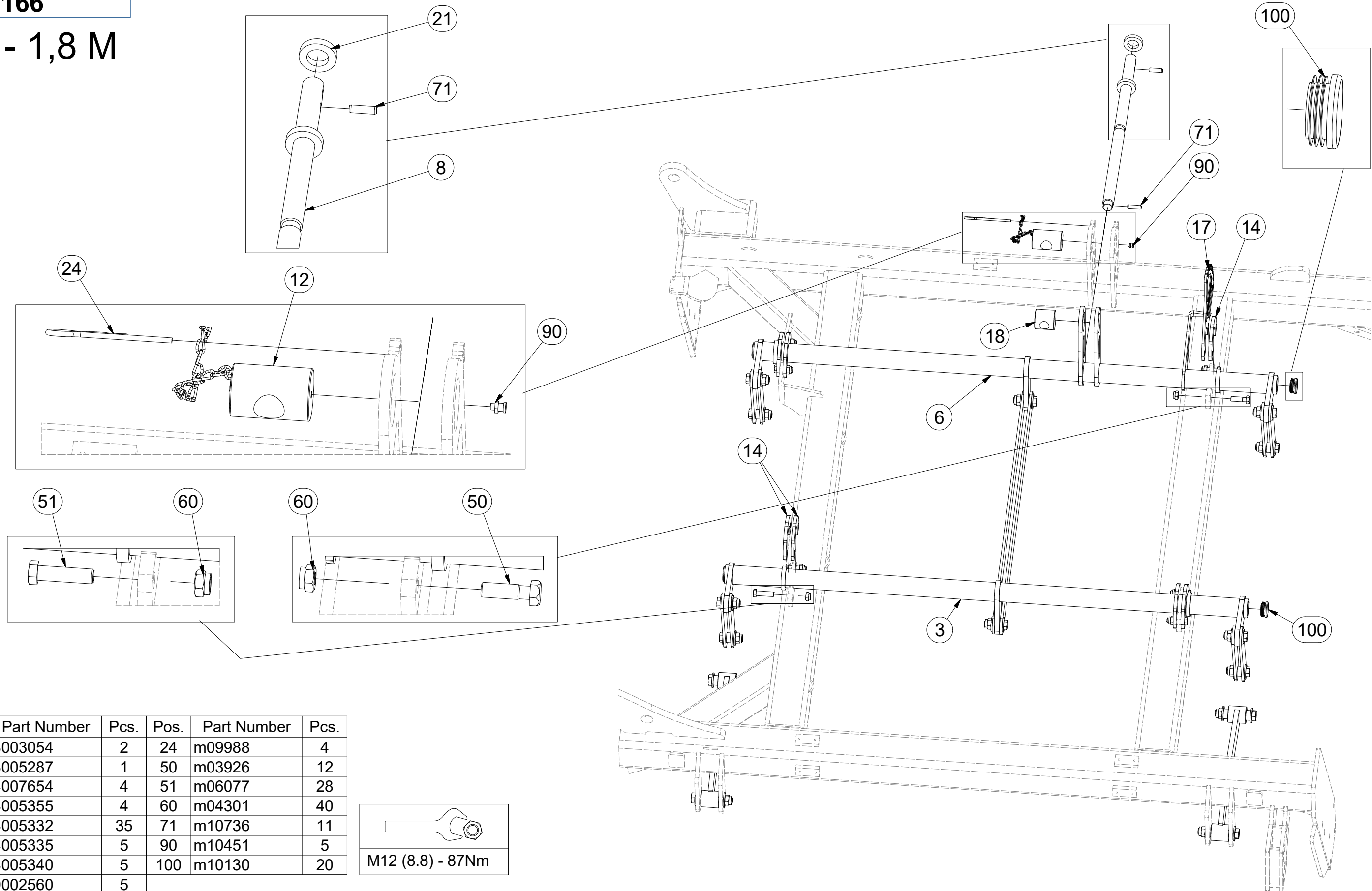
CZ SADA OVLÁDÁNÍ RADLIC  
 D STEUERSATZ PFLUGSCHAREN  
 F KIT DE COMMANDE DES SOCS

GB SET OF PLOUGHSHARE CONTROL  
 RU КОМПЛЕКТ УПРАВЛЕНИЯ ЛАП  
 PL ZESTAW STEROWANIA RADLICAMI



**3006166**

**AE - 1,8 M**



| Pos. | Part Number | Pcs. | Pos. | Part Number | Pcs. |
|------|-------------|------|------|-------------|------|
| 3    | 3003054     | 2    | 24   | m09988      | 4    |
| 6    | 3005287     | 1    | 50   | m03926      | 12   |
| 8    | 4007654     | 4    | 51   | m06077      | 28   |
| 12   | 4005355     | 4    | 60   | m04301      | 40   |
| 14   | 4005332     | 35   | 71   | m10736      | 11   |
| 17   | 4005335     | 5    | 90   | m10451      | 5    |
| 18   | 4005340     | 5    | 100  | m10130      | 20   |
| 21   | 9002560     | 5    |      |             |      |



ⒸZ SADA RADLIC

Ⓓ SCHARSATZ

Ⓕ KIT DE SOCS

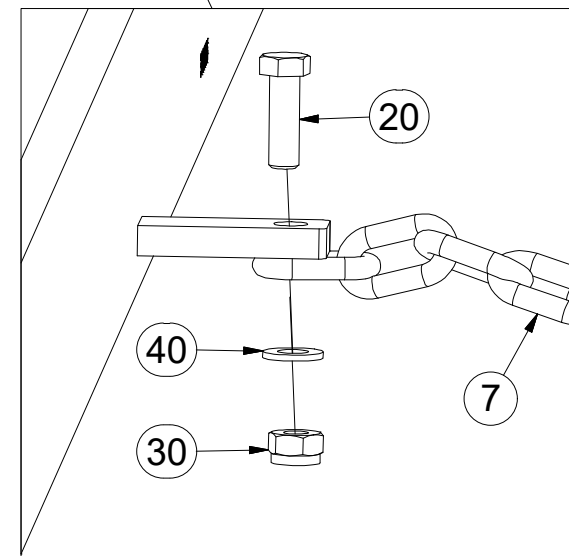
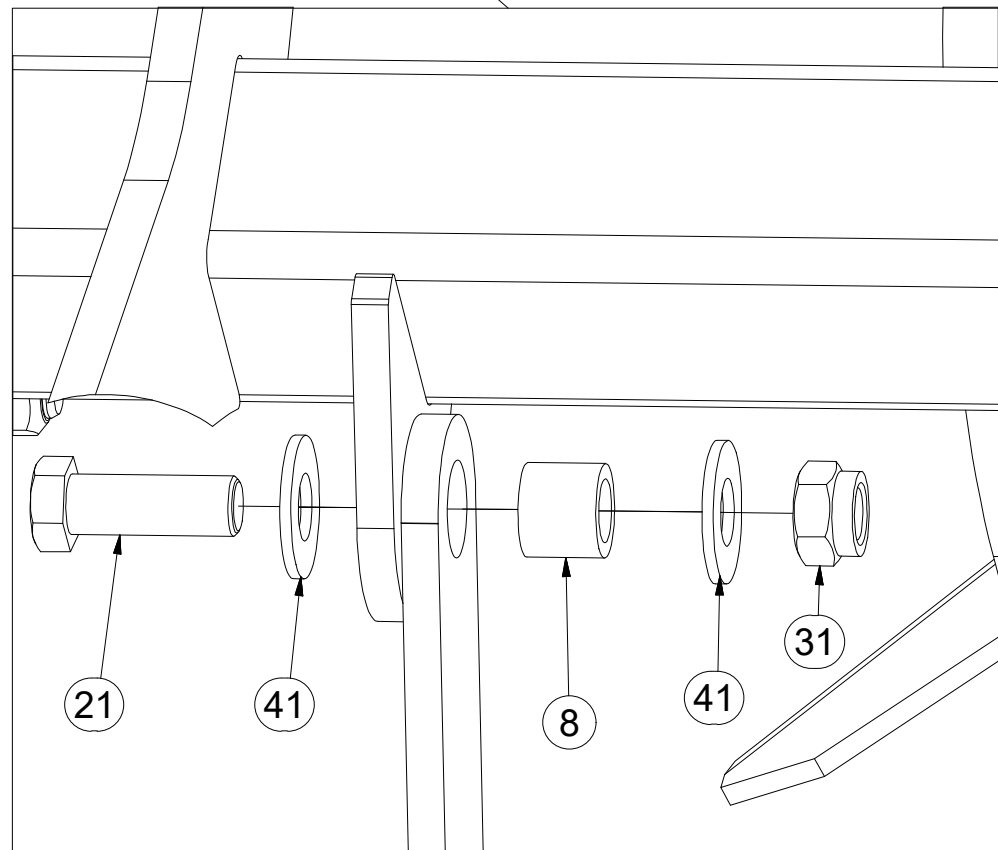
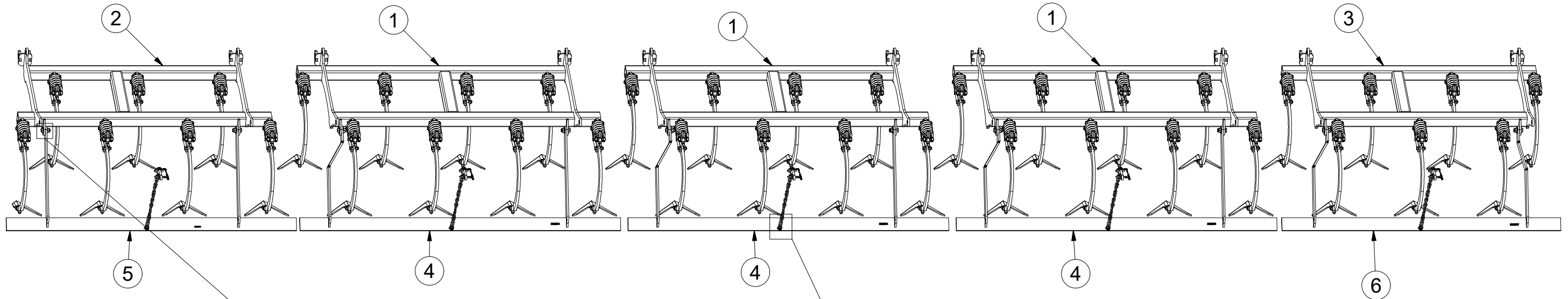
ⒸB SET OF PLOUGHSHARES

ⒸU КОМПЛЕКТ ЛАП

ⒸL ZESTAW REDLIC



**3005051**



| Pos. | Part Number | Pcs. |
|------|-------------|------|
| 1    | 3005054     | 3    |
| 2    | 3005314     | 1    |
| 3    | 3005315     | 1    |
| 4    | 3009576     | 3    |
| 5    | 3005376     | 1    |
| 6    | 3009577     | 1    |
| 7    | 4001641     | 5    |
| 8    | 4004451     | 10   |
| 20   | m01092      | 5    |
| 21   | m02254      | 10   |
| 30   | m04503      | 5    |
| 31   | m03683      | 10   |
| 40   | m01203      | 5    |
| 41   | m05651      | 20   |

Ⓒ CZ SADA RADLIC

Ⓓ D SCHARSATZ

Ⓕ F KIT DE SOCS

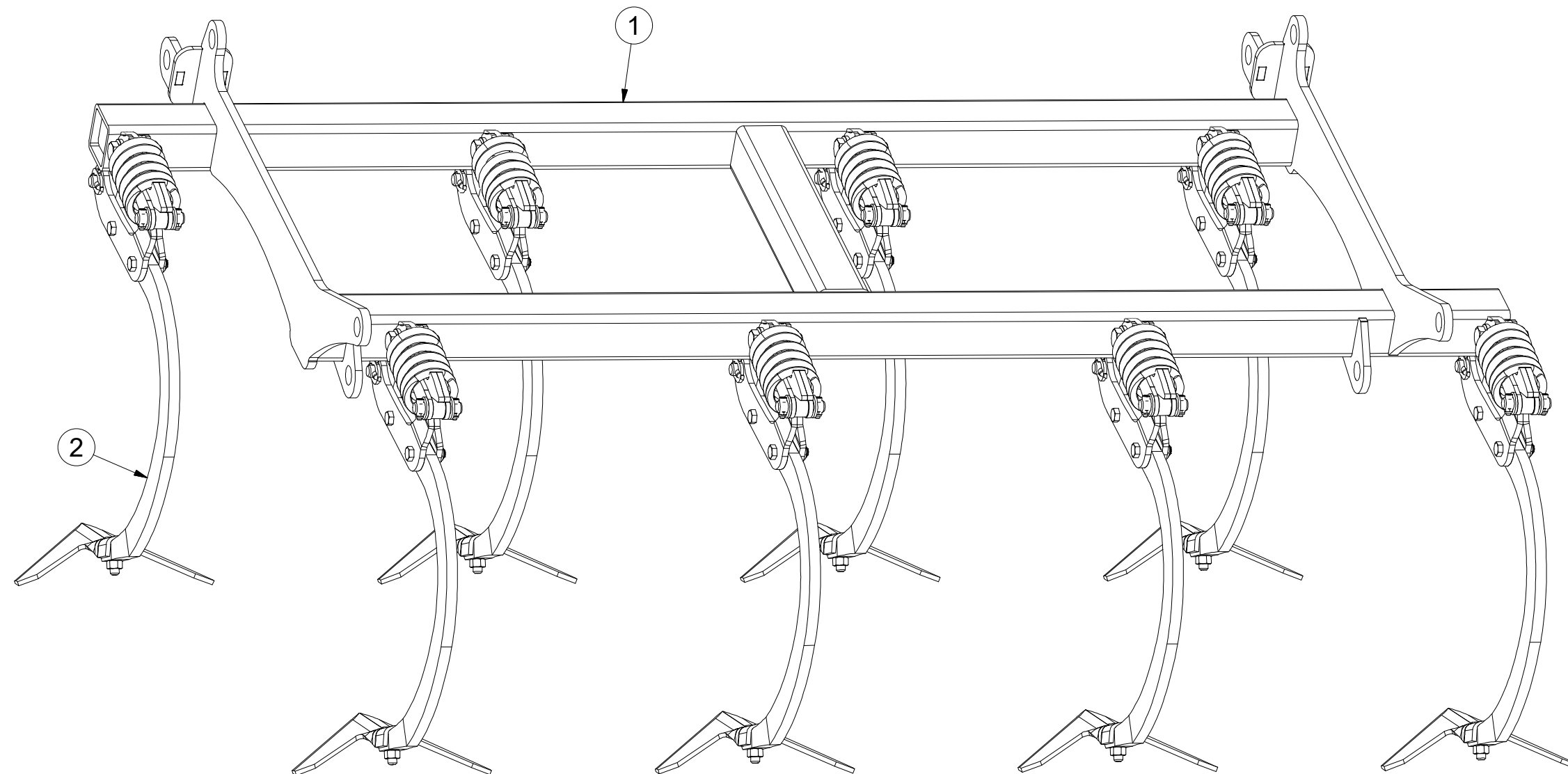
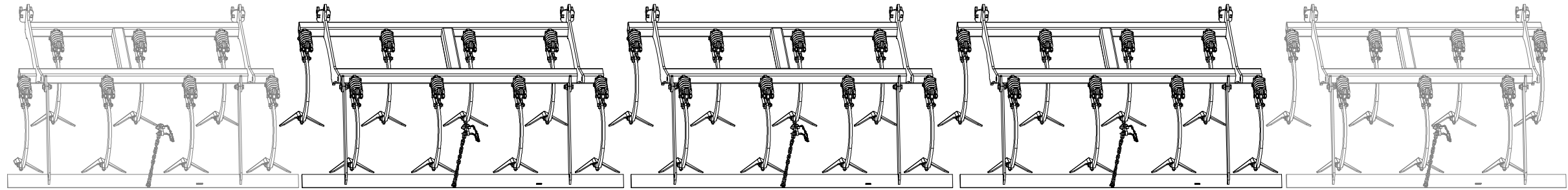
Ⓖ GB SET OF PLOUGHSHARES

Ⓡ RU КОМПЛЕКТ ЛАП

Ⓟ PL ZESTAW REDLIC



**3005054**



| Pos. | Part Number | Pcs. |
|------|-------------|------|
| 1    | 3010174     | 1    |
| 2    | 4009708_2   | 8    |

Ⓒ SADA RADLIC

Ⓓ SCHARSATZ

Ⓕ KIT DE SOCS

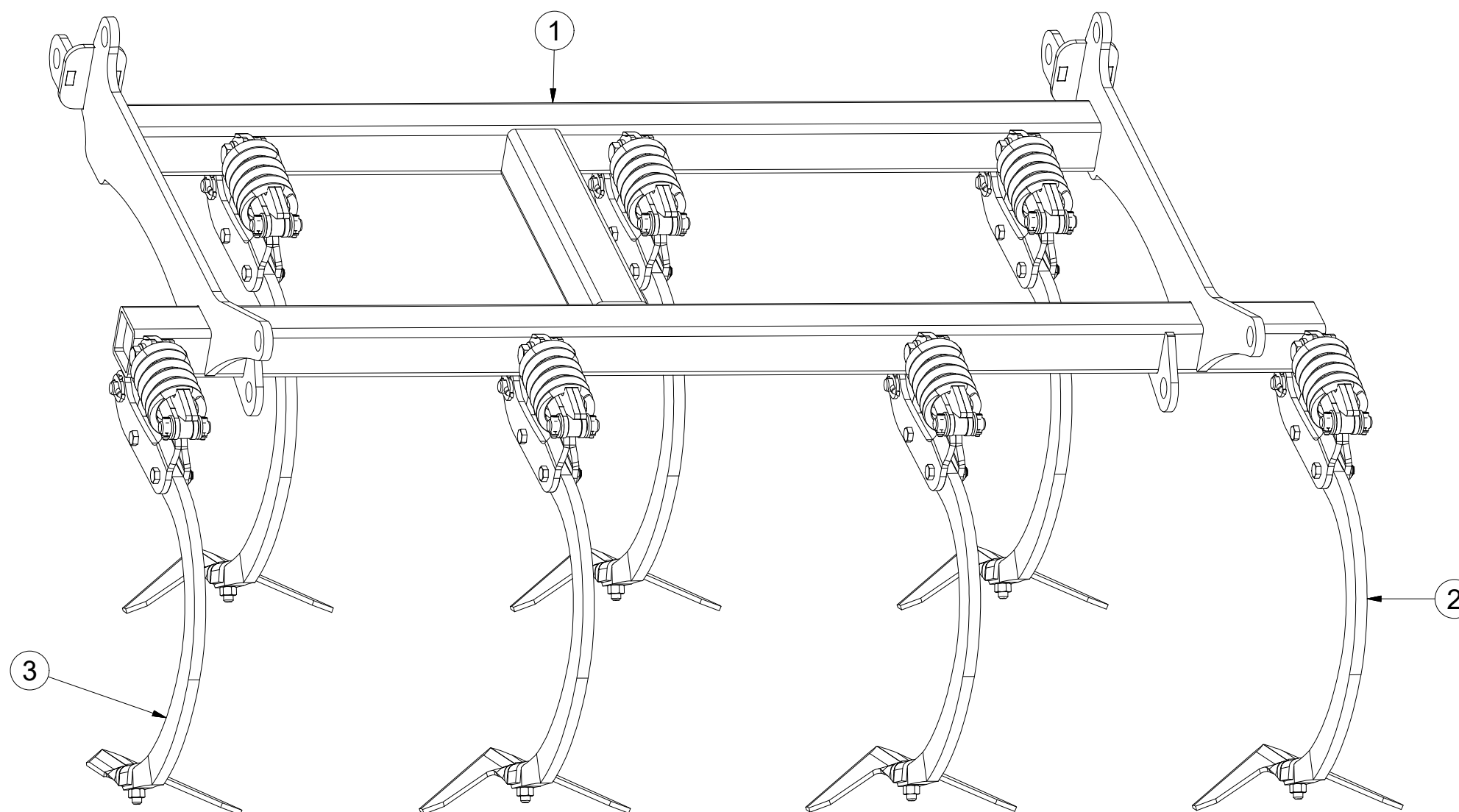
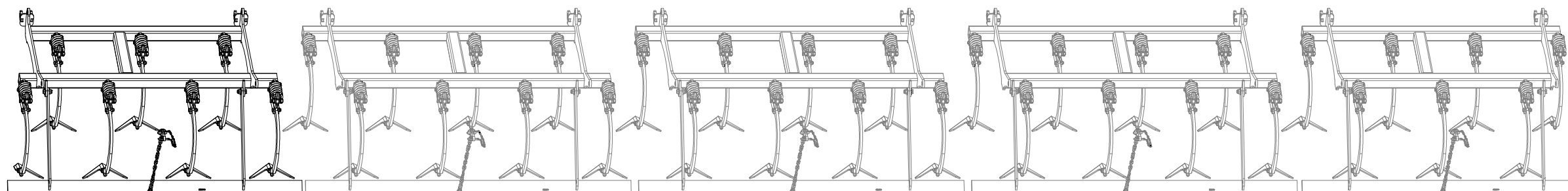
Ⓖ SET OF PLOUGHSHARES

Ⓡ КОМПЛЕКТ ЛАП

Ⓢ ZESTAW REDLIC



**3005314**



| Pos. | Part Number | Pcs. |
|------|-------------|------|
| 1    | 3010192     | 1    |
| 2    | 4009708_2   | 6    |
| 3    | 4014549     | 1    |

Ⓒ SADA RADLIC

Ⓓ SCHARSATZ

Ⓕ KIT DE SOCS

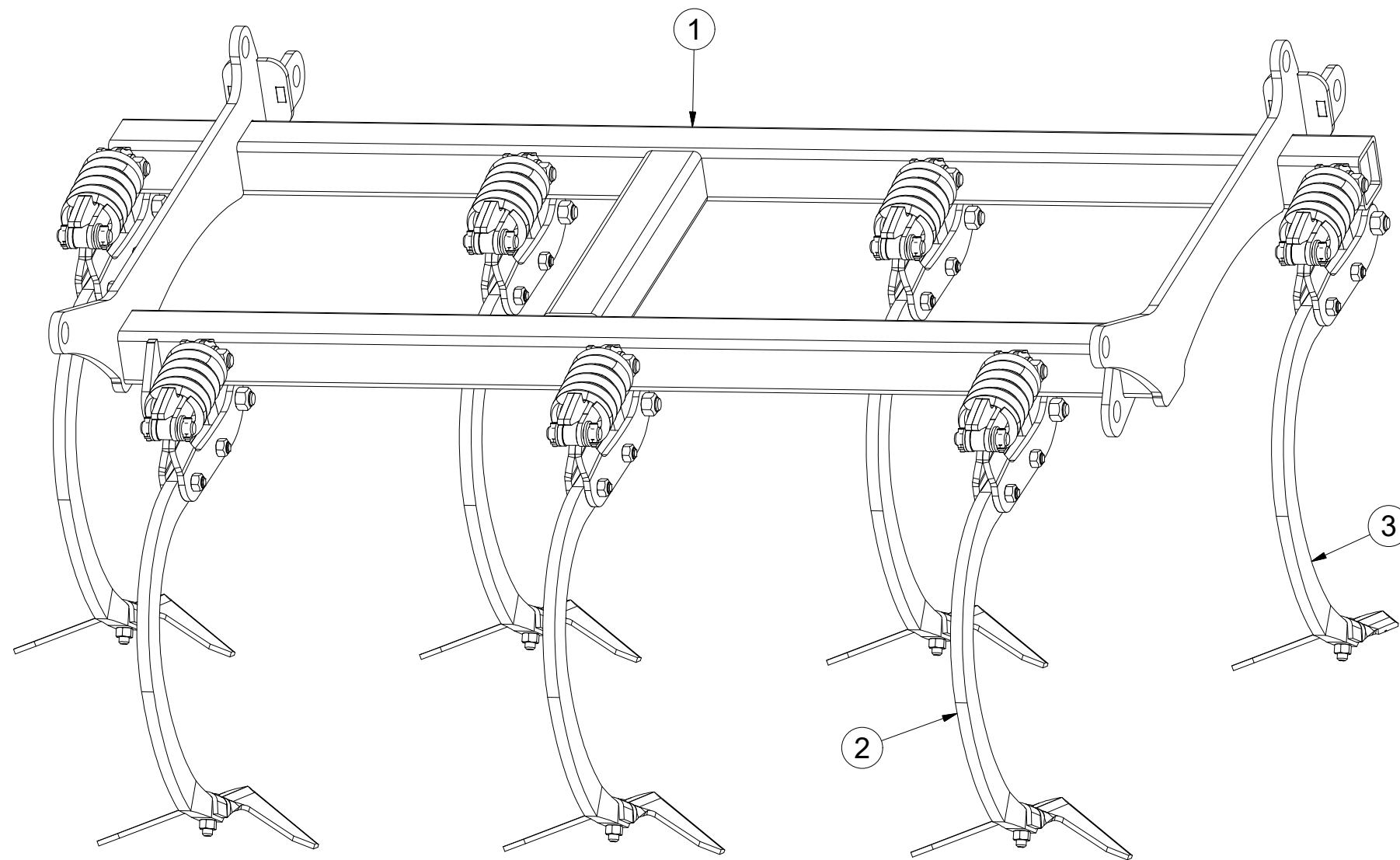
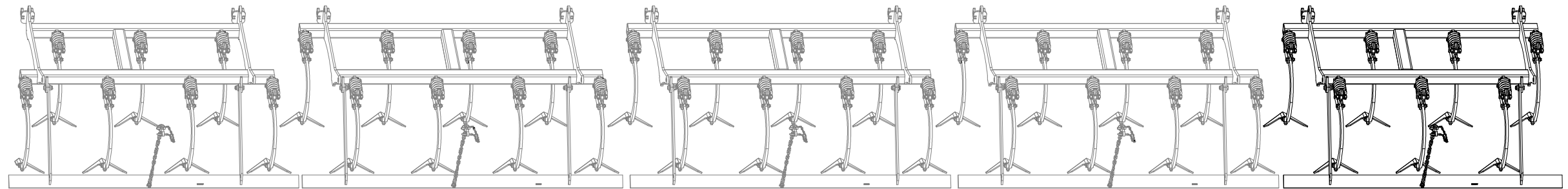
Ⓖ SET OF PLOUGHSHARES

Ⓡ КОМПЛЕКТ ЛАП

Ⓟ ZESTAW REDLIC



**3005315**



| Pos. | Part Number | Pcs. |
|------|-------------|------|
| 1    | 3010193     | 1    |
| 2    | 4009708_2   | 6    |
| 3    | 4014550     | 1    |

Ⓒ RADLICE KRAJOVÁ / LEVÁ

Ⓓ RANDPFLUGSCHAR / LINKS

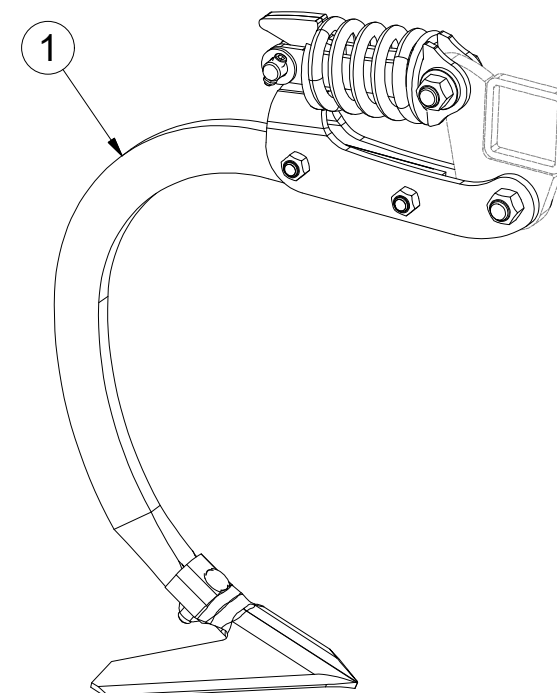
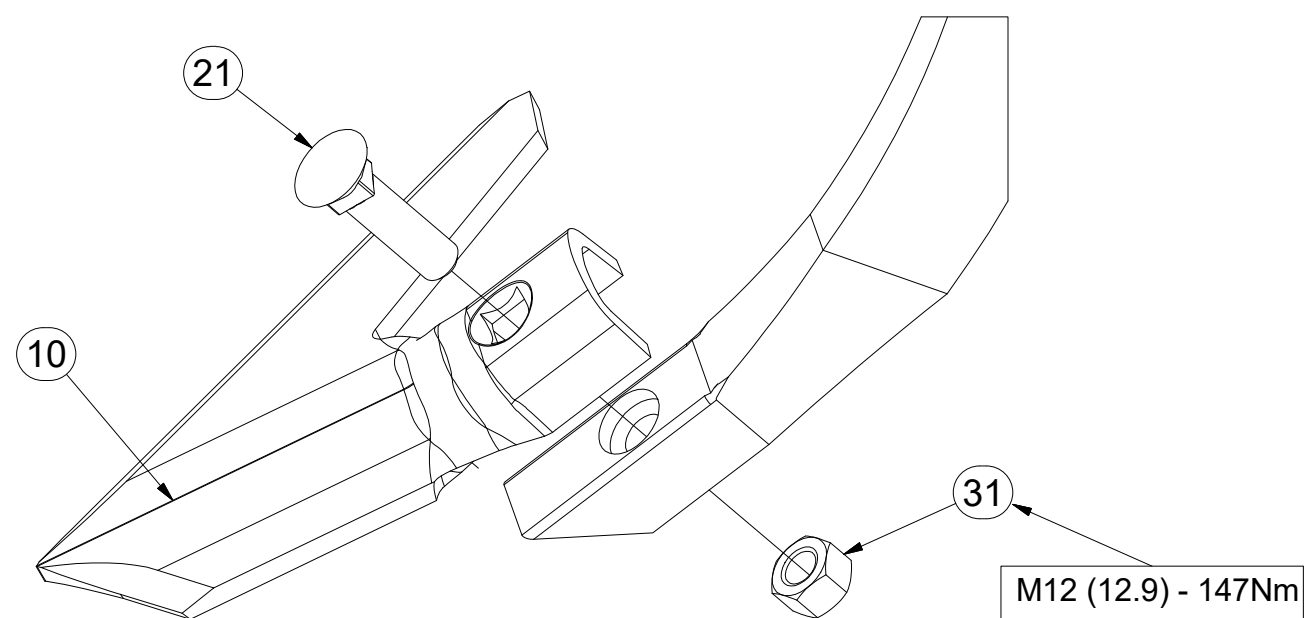
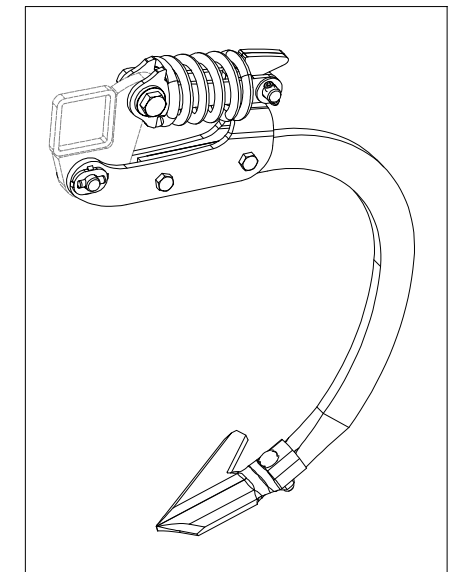
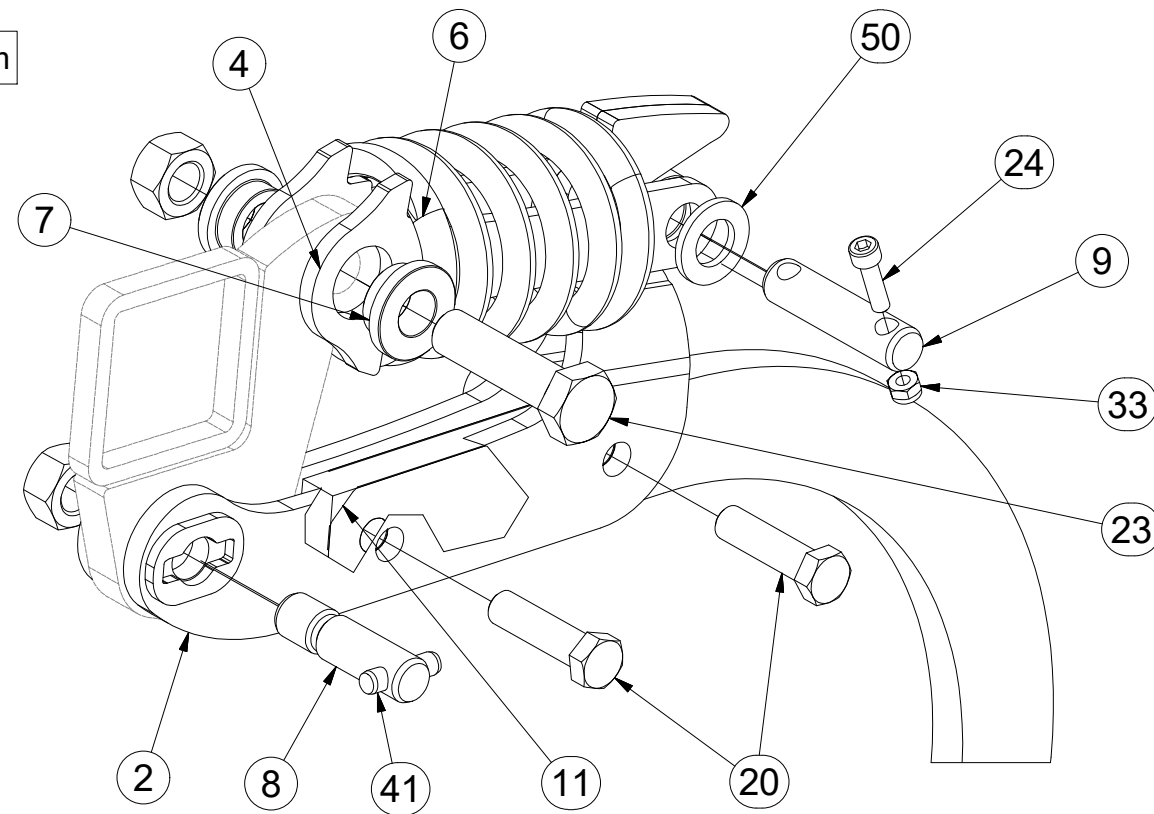
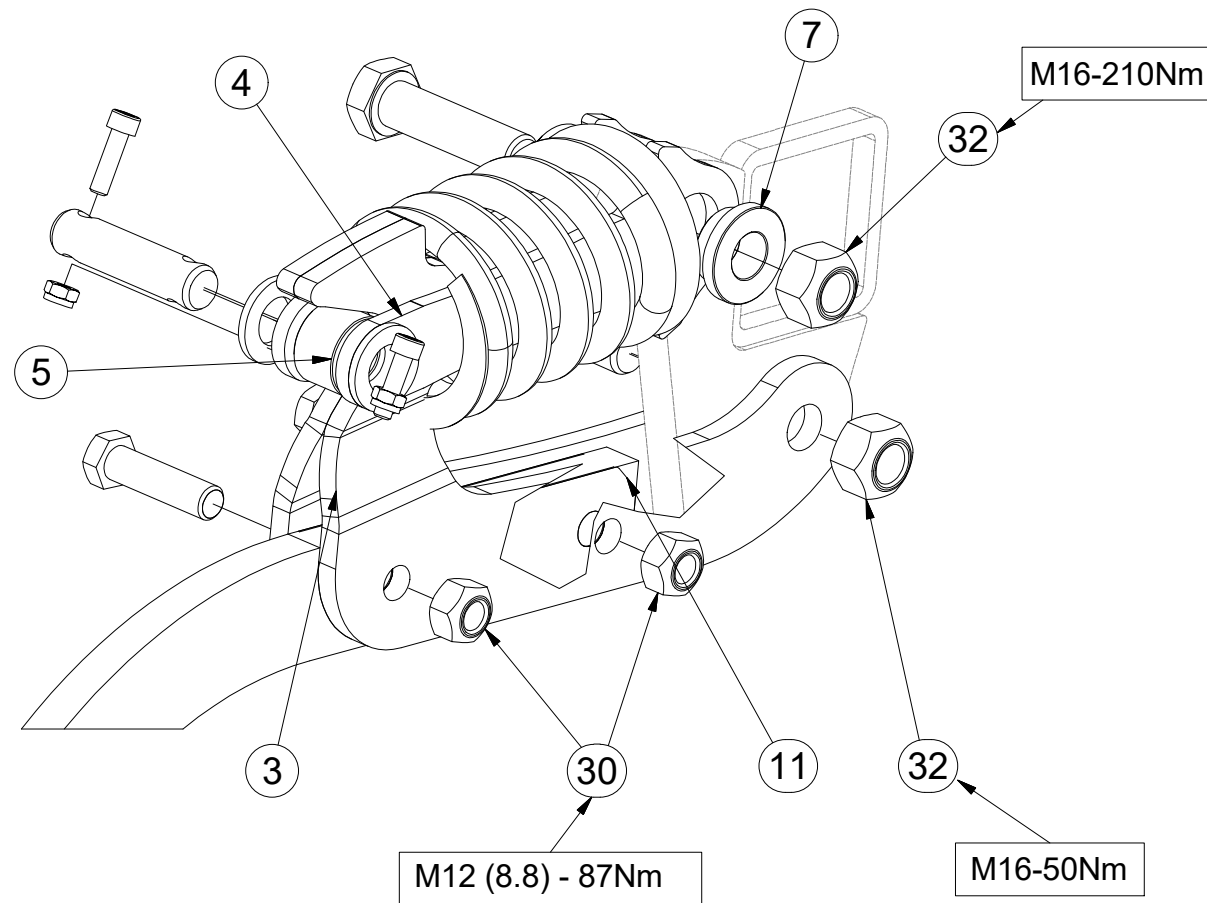
Ⓕ SOC D'EXTRÉMITÉ DE LA /GAUCHE

**4014549**

Ⓖ PLOUGHSHARE EDGE / LEFT

Ⓔ БОКОВАЯ ЛАПА / ЛЕВАЯ

Ⓗ REDLICA SKRAJNA / LEWA



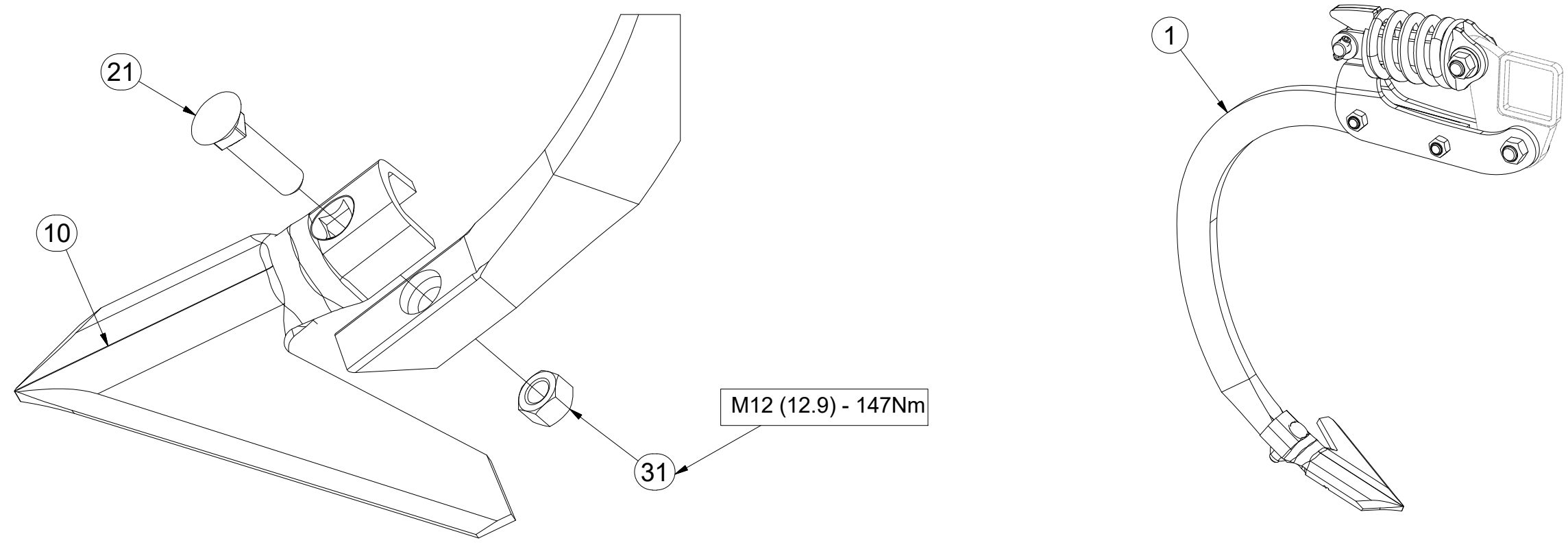
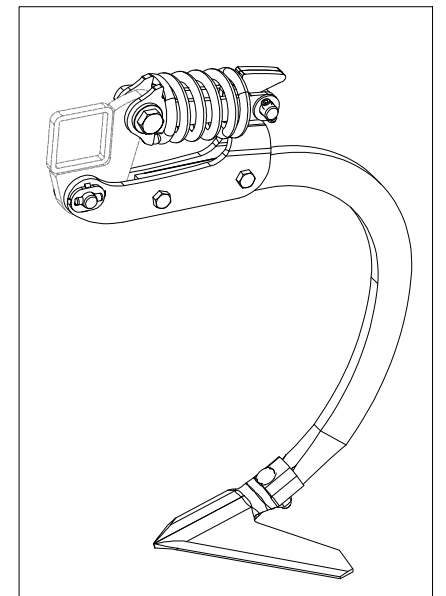
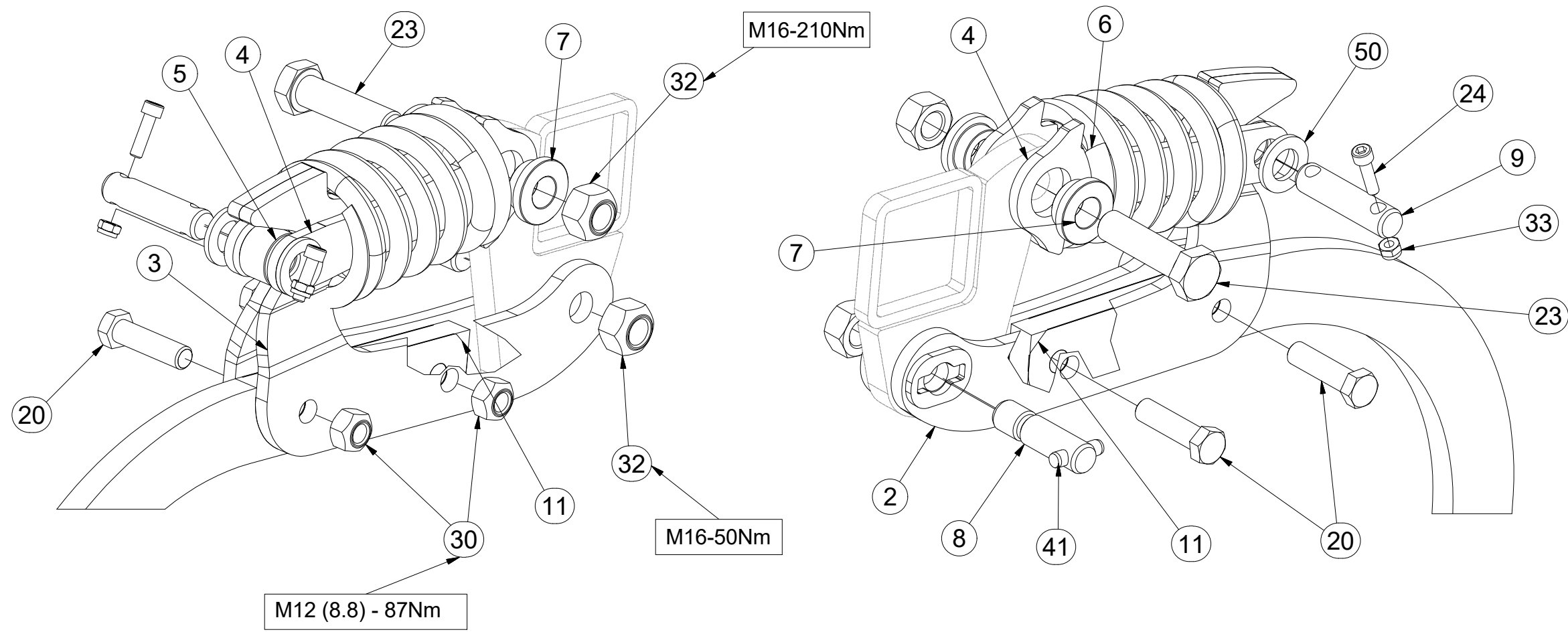
| Pos. | Part Number | Pcs. |
|------|-------------|------|
| 1    | 9003266     | 1    |
| 2    | 4009710     | 1    |
| 3    | 3005057     | 1    |
| 4    | 4014253     | 2    |
| 5    | 4009624     | 1    |
| 6    | m12950      | 1    |
| 7    | 4014252     | 2    |
| 8    | 4009647     | 1    |
| 9    | 4015783     | 1    |
| 10   | 4007280     | 1    |
| 11   | 4014863     | 2    |
| 20   | m06077      | 2    |
| 21   | m10440      | 1    |
| 23   | m14482      | 1    |
| 24   | m15215      | 2    |
| 30   | m06233      | 2    |
| 31   | m10439      | 1    |
| 32   | m12150      | 2    |
| 33   | m05560      | 2    |
| 41   | m12464      | 1    |
| 50   | m14971      | 2    |

CZ RADLICE KRAJOVÁ / PRAVÁ  
 D RANDPFLUGSCHAR / RECHTS  
 F SOC D'EXTRÉMITÉ DE LA / DROITE

GB PLOUGHSHARE EDGE / RIGHT  
 RU БОКОВАЯ ЛАПА / ПРАВАЯ  
 PL REDLICA SKRAJNA / PRAWA



**4014550**



| Pos. | Part Number | Pcs. |
|------|-------------|------|
| 1    | 9003266     | 1    |
| 2    | 4009710     | 1    |
| 3    | 3005057     | 1    |
| 4    | 4014253     | 2    |
| 5    | 4009624     | 1    |
| 6    | m12950      | 1    |
| 7    | 4014252     | 2    |
| 8    | 4009647     | 1    |
| 9    | 4015783     | 1    |
| 10   | 4007281     | 1    |
| 11   | 4014863     | 2    |
| 20   | m06077      | 2    |
| 21   | m10440      | 1    |
| 23   | m14482      | 1    |
| 24   | m15215      | 2    |
| 30   | m06233      | 2    |
| 31   | m10439      | 1    |
| 32   | m12150      | 2    |
| 33   | m05560      | 2    |
| 41   | m12464      | 1    |
| 50   | m14971      | 2    |



Ⓒ RADLICE

Ⓓ SCHARE

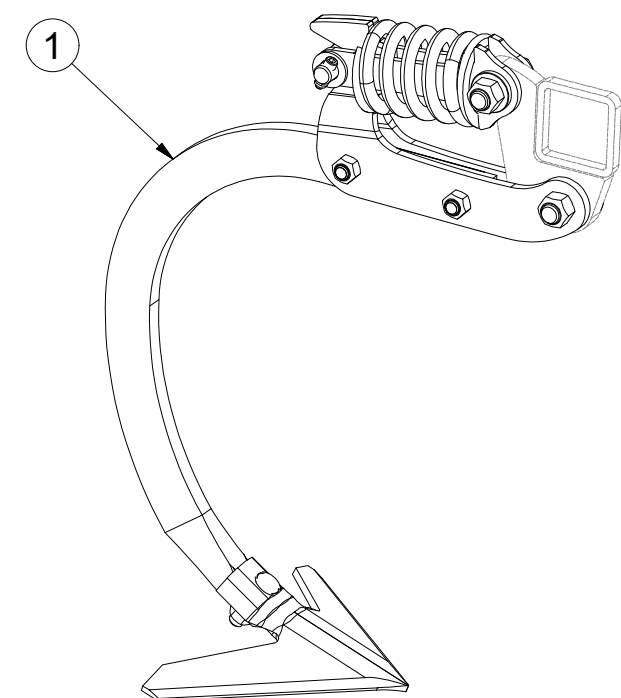
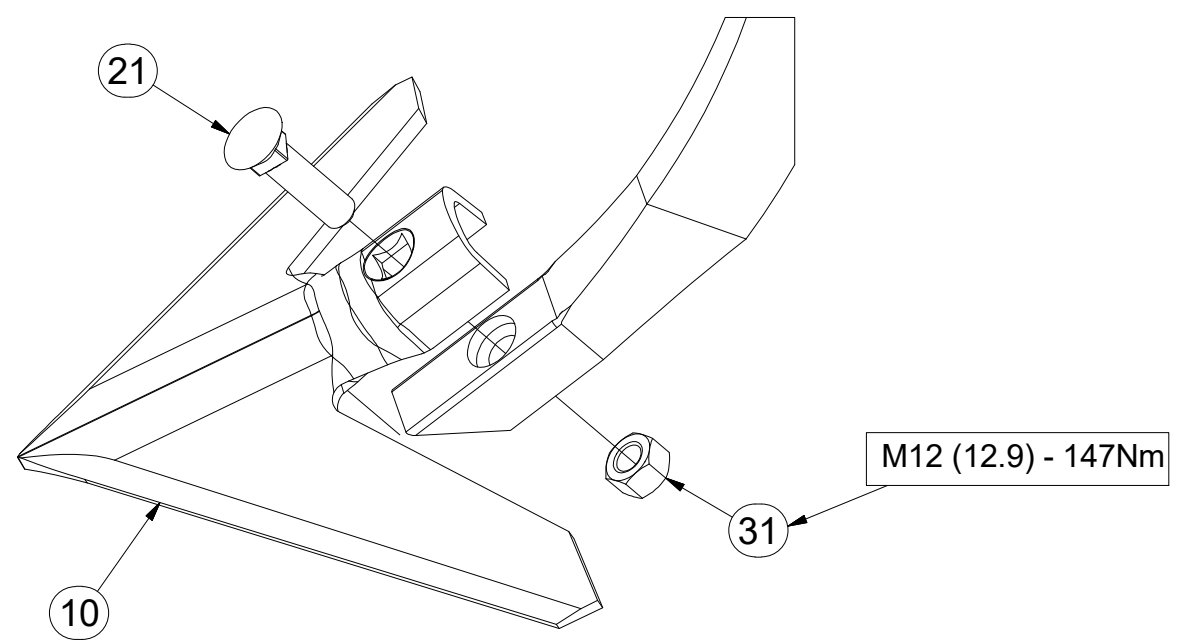
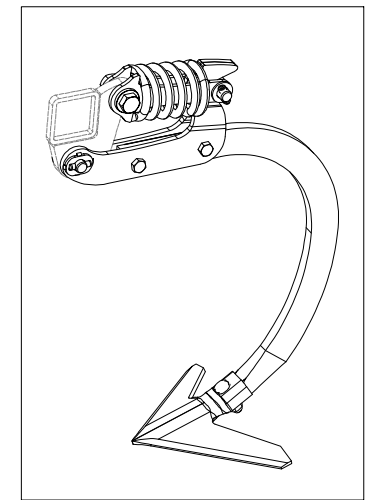
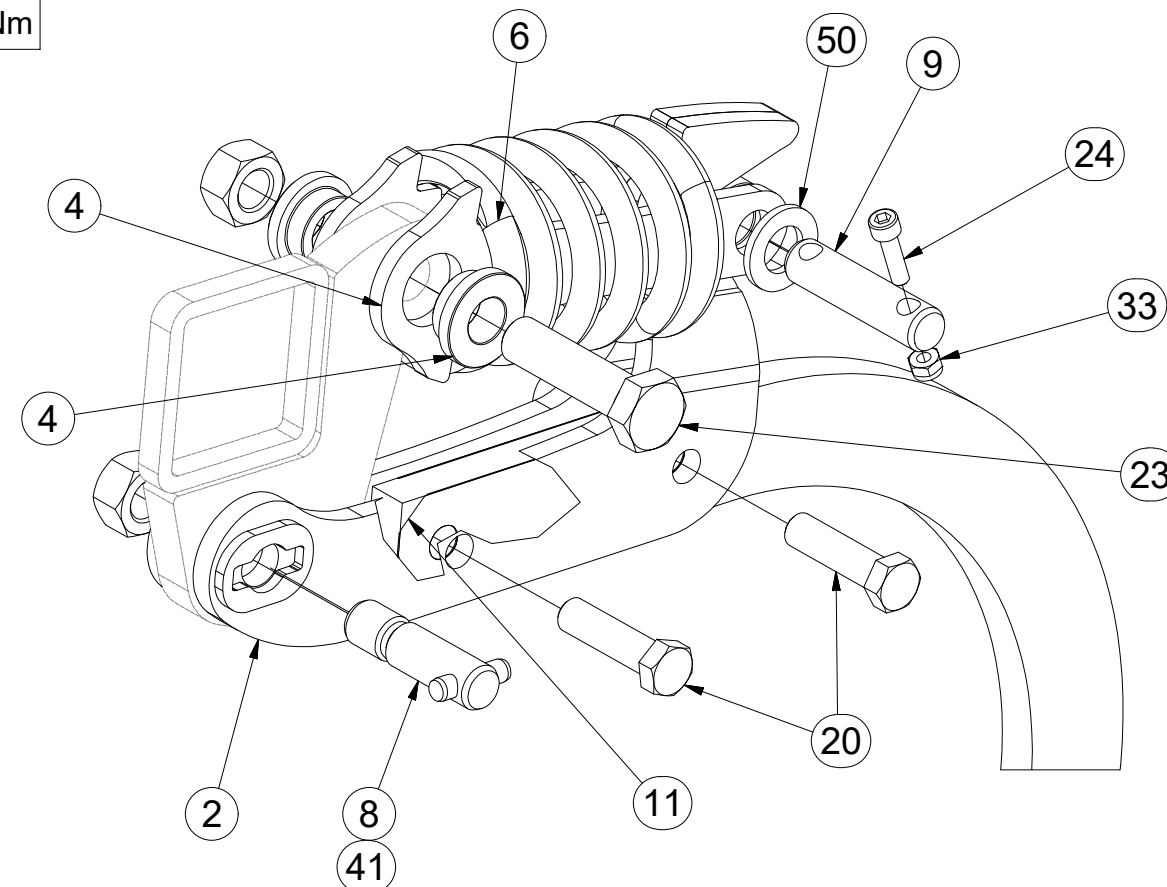
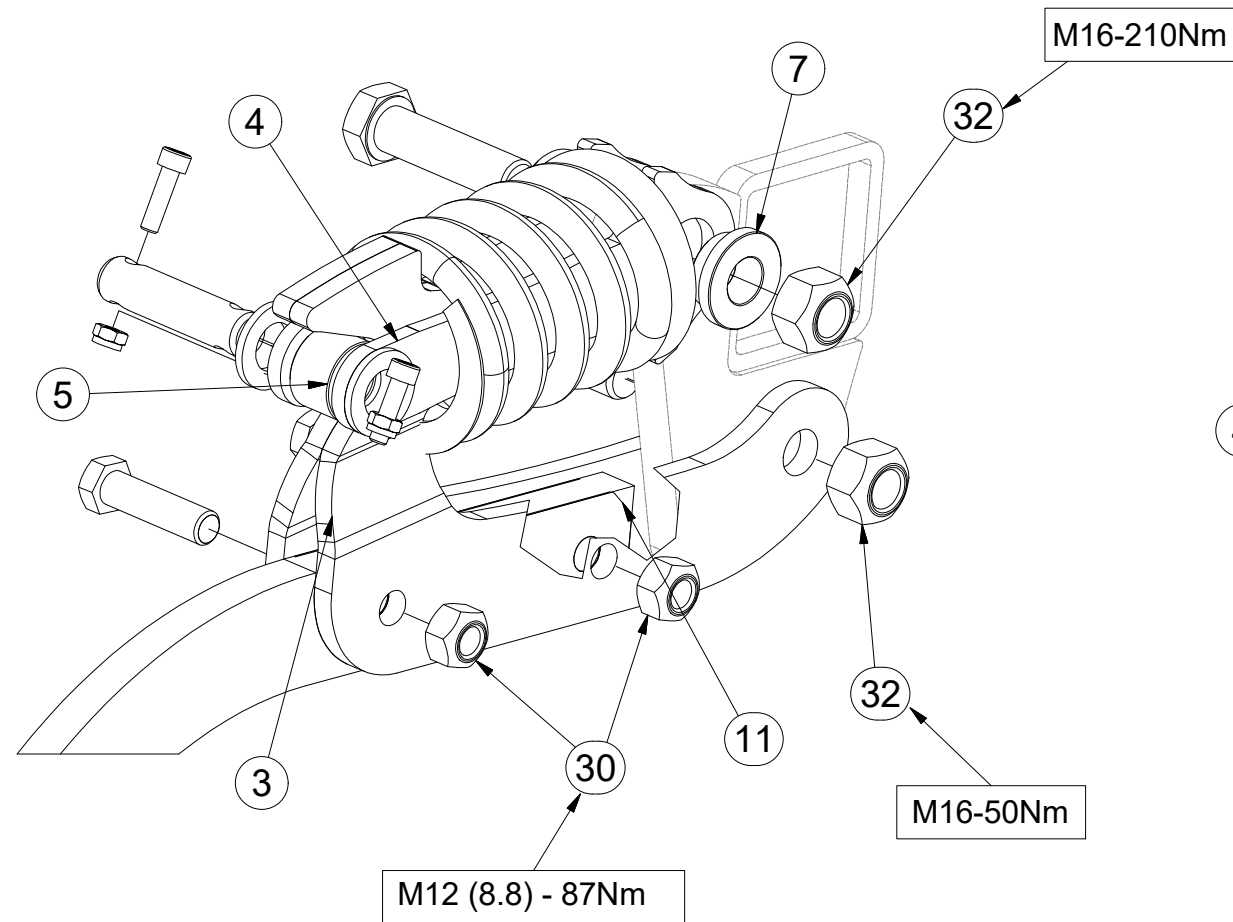
Ⓕ SOC

**4009708\_2**

Ⓖ SHARE

Ⓡ ЛАПА

Ⓟ REDLICE



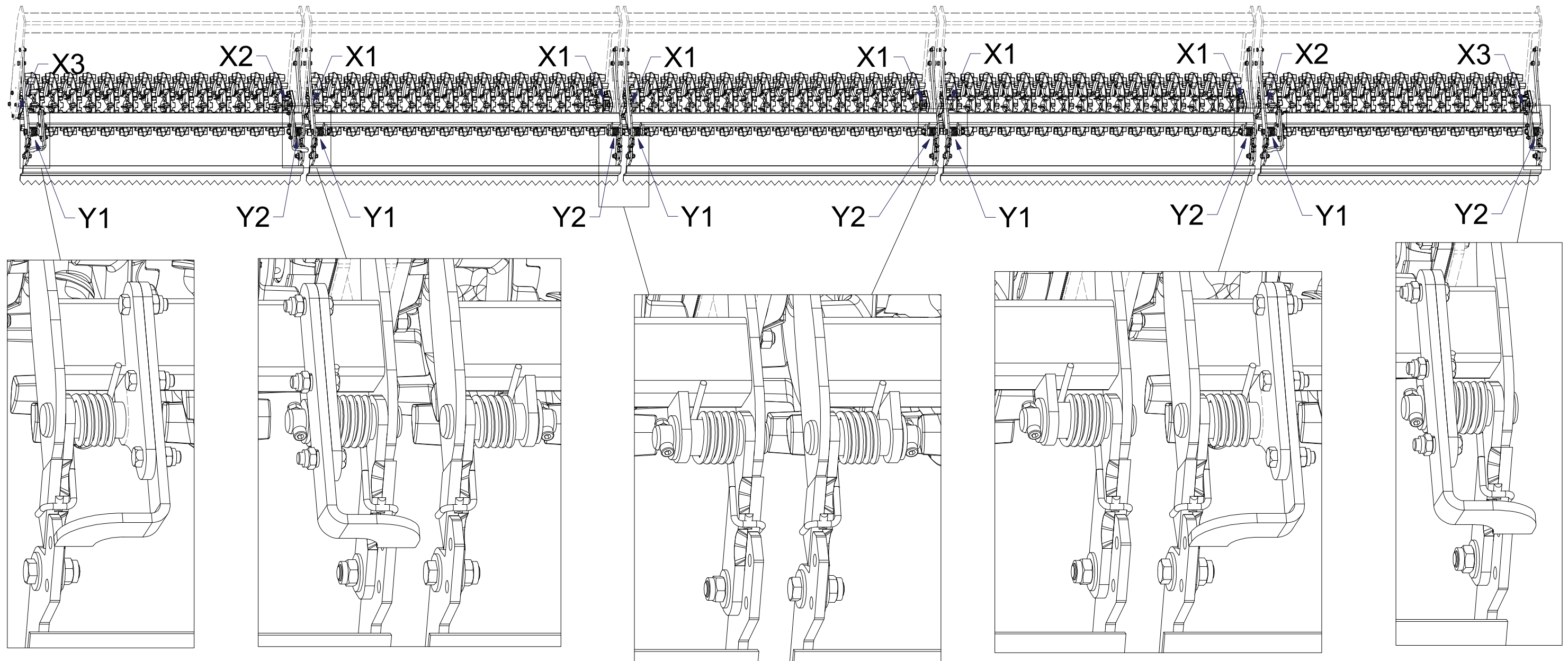
| Pos. | Part Number | Pcs. |
|------|-------------|------|
| 1    | 9003266     | 1    |
| 2    | 4009710     | 1    |
| 3    | 3005057     | 1    |
| 4    | 4014253     | 2    |
| 5    | 4009624     | 1    |
| 6    | m12950      | 1    |
| 7    | 4014252     | 2    |
| 8    | 4009647     | 1    |
| 9    | 4015783     | 1    |
| 10   | 3000236-KOO | 1    |
| 11   | 4014863     | 2    |
| 20   | m06077      | 2    |
| 21   | m10440      | 1    |
| 23   | m14482      | 1    |
| 24   | m15215      | 2    |
| 30   | m06233      | 2    |
| 31   | m10439      | 1    |
| 32   | m12150      | 2    |
| 33   | m05560      | 2    |
| 41   | m12464      | 1    |
| 50   | m14971      | 2    |

- Ⓒ SADA ZADNÍCH VÁLCŮ
- Ⓓ SATZ HINTERE WALZEN
- Ⓕ KIT DE ROULEAUX ARRIÈRE

- Ⓖ SET OF REAR ROLLERS
- Ⓡ КОМПЛЕКТ ЗАДНИХ КАТКОВ
- Ⓟ ZESTAW TYLNYCH WAŁÓW



**3008670**



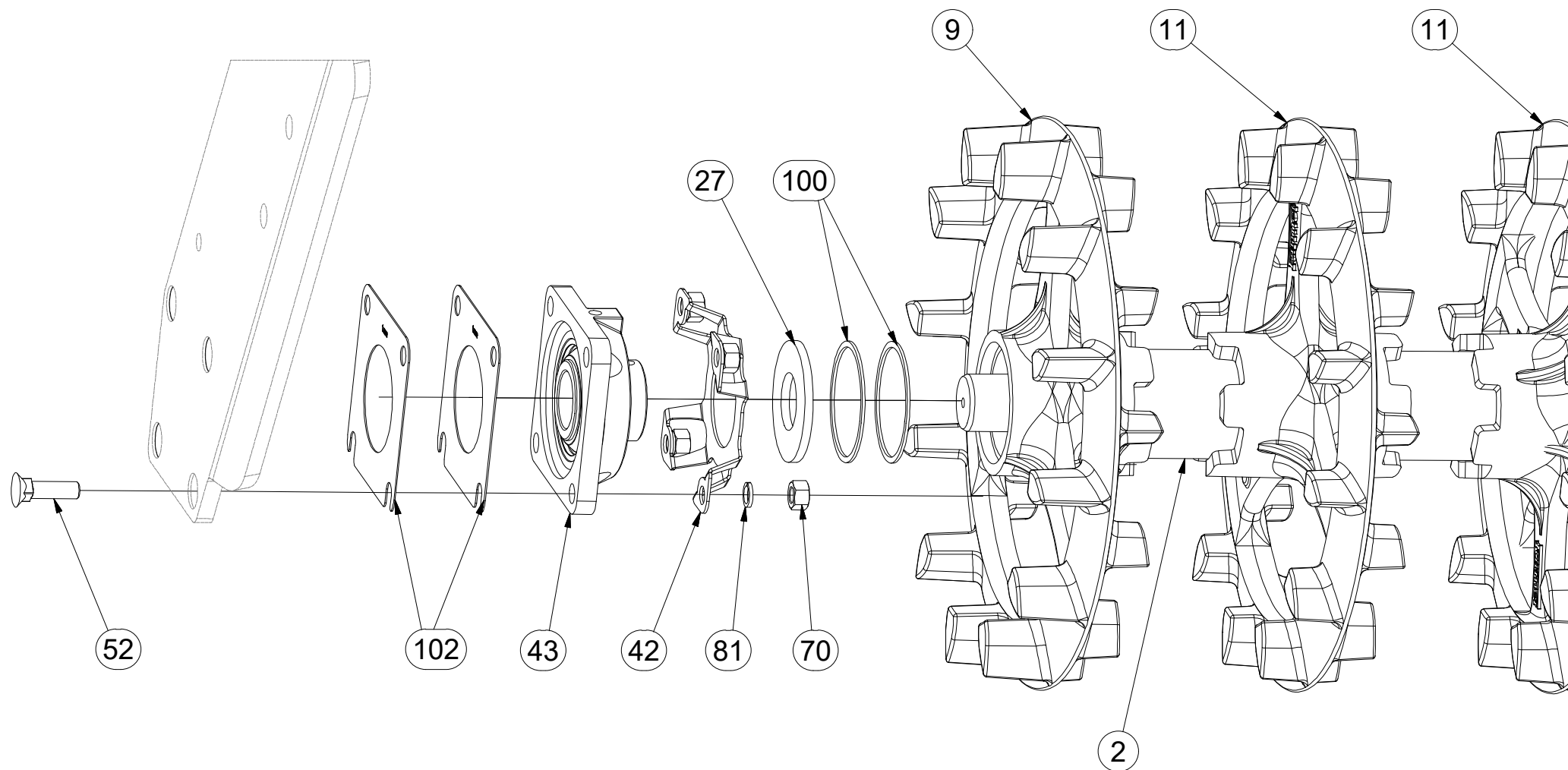
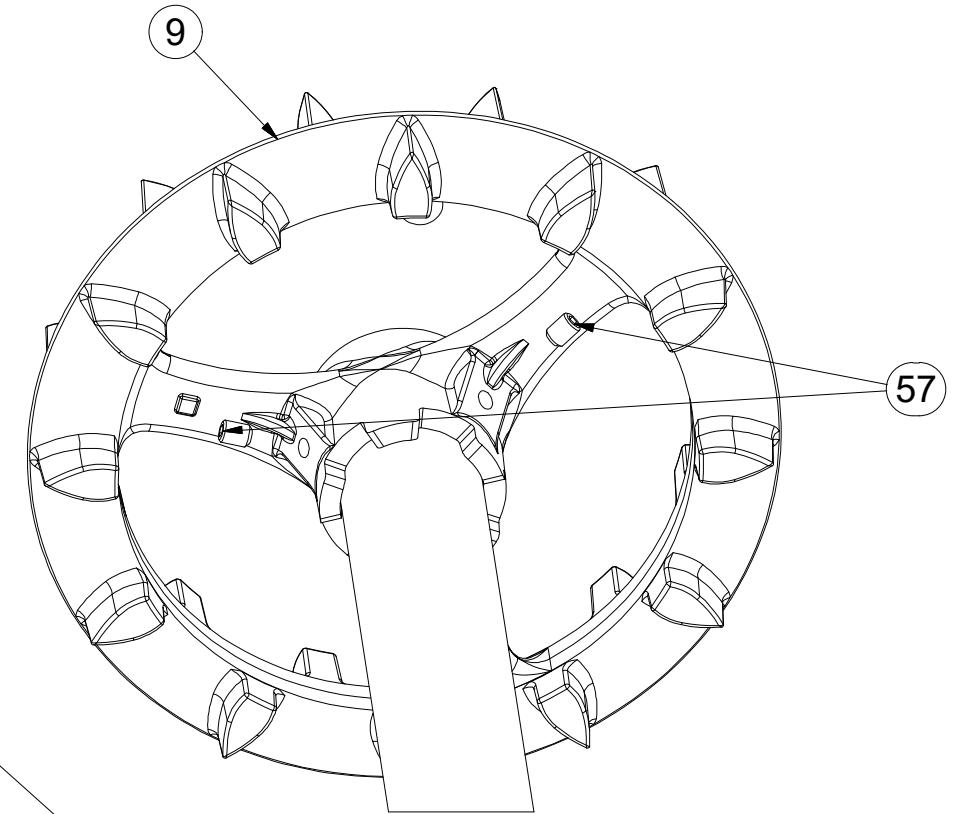
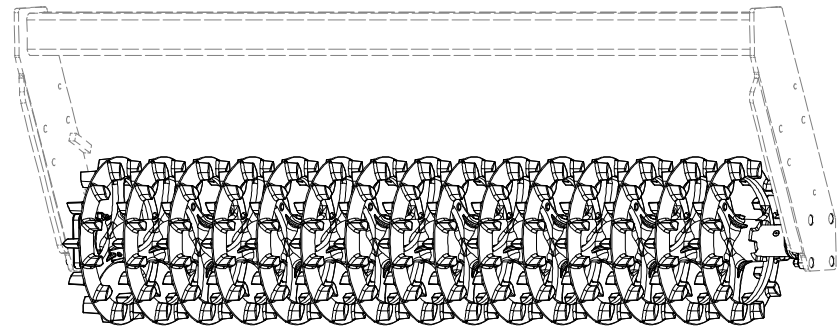
CZ SADA ZADNÍCH VÁLCŮ  
 D SATZ HINTERE WALZEN  
 F KIT DE ROULEAUX ARRIÈRE

GB SET OF REAR ROLLERS  
 RU КОМПЛЕКТ ЗАДНИХ КАТКОВ  
 PL ZESTAW TYLNYCH WAŁÓW



3008670

X1



|                   |
|-------------------|
|                   |
| M12 (10.9) - 88Nm |
| M12 (8.8) - 87Nm  |

| Pos. | Part Number | Pcs. |
|------|-------------|------|
| 2    | 3001805     | 3    |
| 9    | 4009333     | 6    |
| 11   | 9002944     | 66   |
| 27   | 4016995     | 6    |
| 42   | 4014034     | 10   |
| 43   | m15625      | 10   |
| 52   | m03519      | 32   |
| 57   | m13958      | 20   |
| 70   | m01305      | 40   |
| 81   | m03988      | 52   |
| 100  | 4010015     | 12   |
| 102  | 4016809     | 20   |

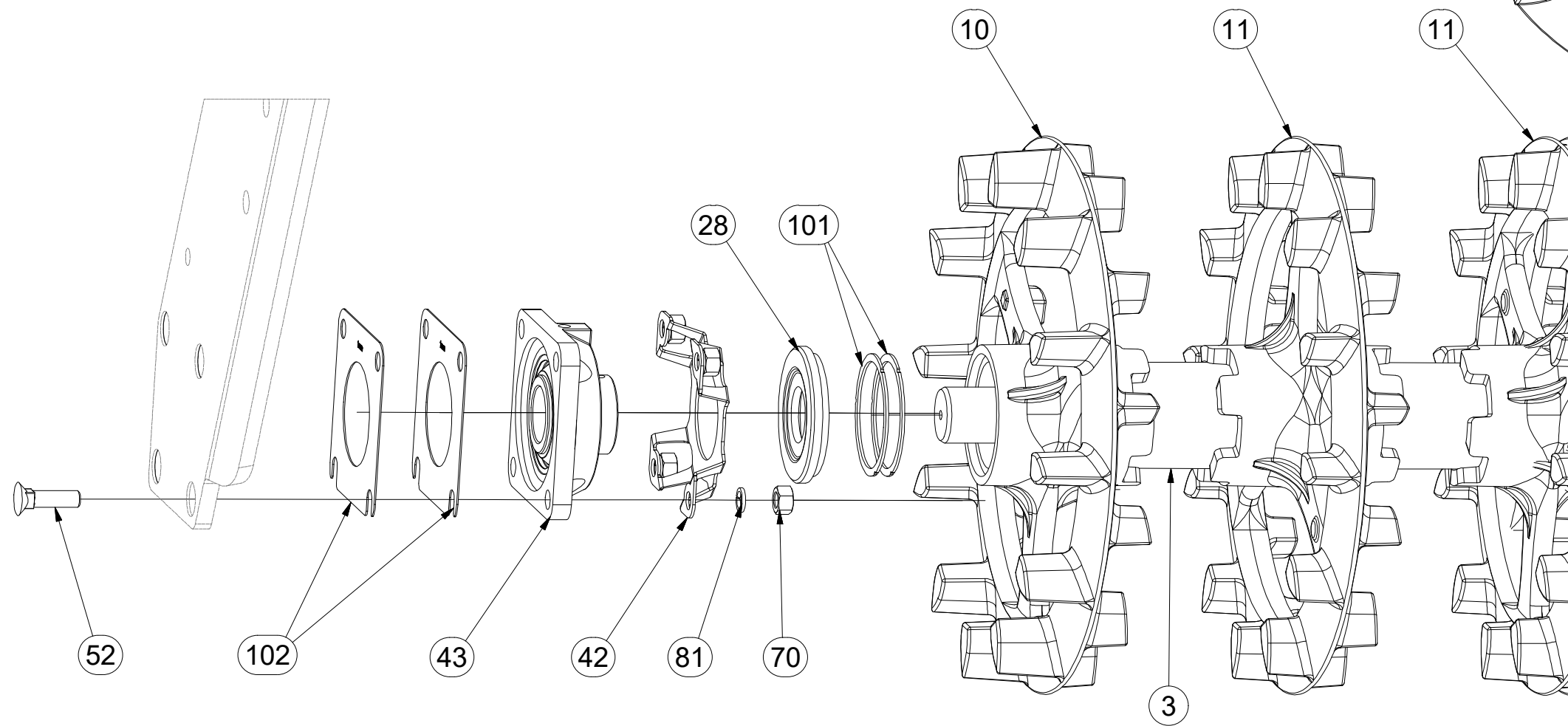
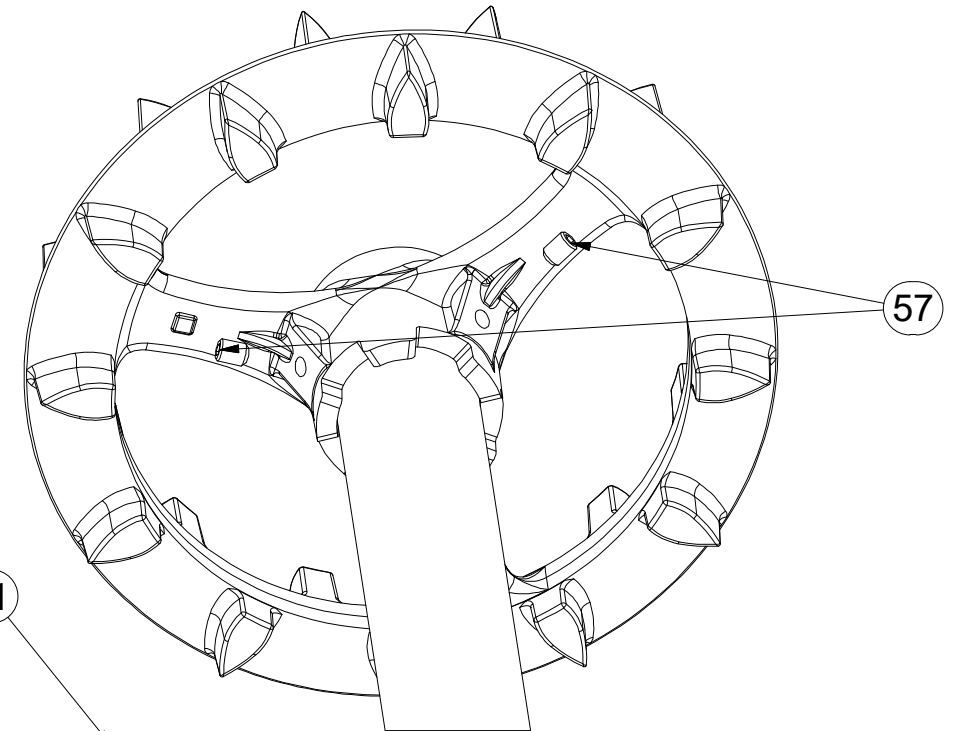
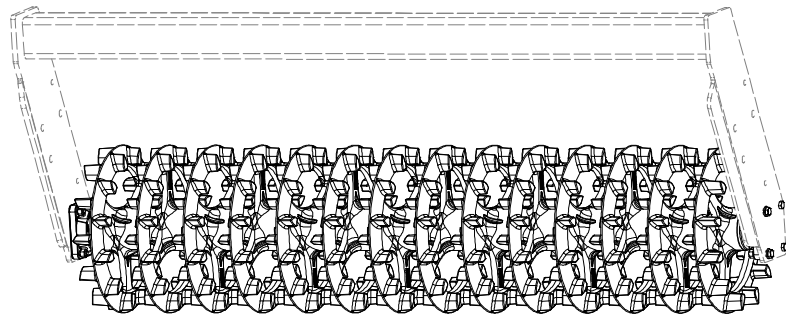
- ⒸZ SADA ZADNÍCH VÁLČŮ
- Ⓓ SATZ HINTERE WALZEN
- Ⓕ KIT DE ROULEAUX ARRIÈRE

- ⒼB SET OF REAR ROLLERS
- ⒹU КОМПЛЕКТ ЗАДНИХ КАТКОВ
- ⒹL ZESTAW TYLNYCH WAŁÓW



**3008670**

**X2**



| Pos. | Part Number | Pcs. |
|------|-------------|------|
| 3    | 3008655     | 2    |
| 10   | 4009334     | 4    |
| 11   | 9002944     | 66   |
| 28   | 4016996     | 4    |
| 42   | 4014034     | 10   |
| 43   | m15625      | 10   |
| 52   | m03519      | 32   |
| 57   | m13958      | 20   |
| 70   | m01305      | 40   |
| 81   | m03988      | 52   |
| 101  | 4010992     | 8    |
| 102  | 4016809     | 20   |

M12 (10.9) - 88Nm  
M12 (8.8) - 87Nm

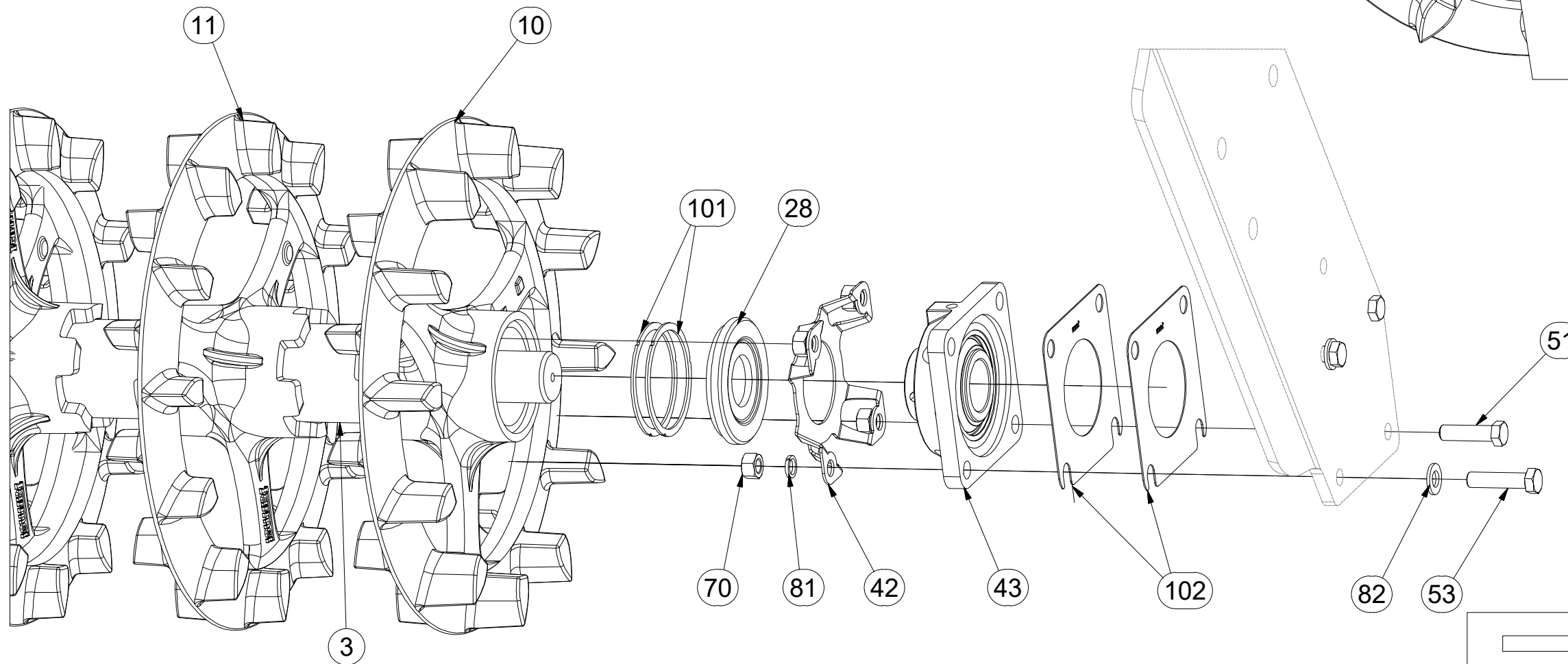
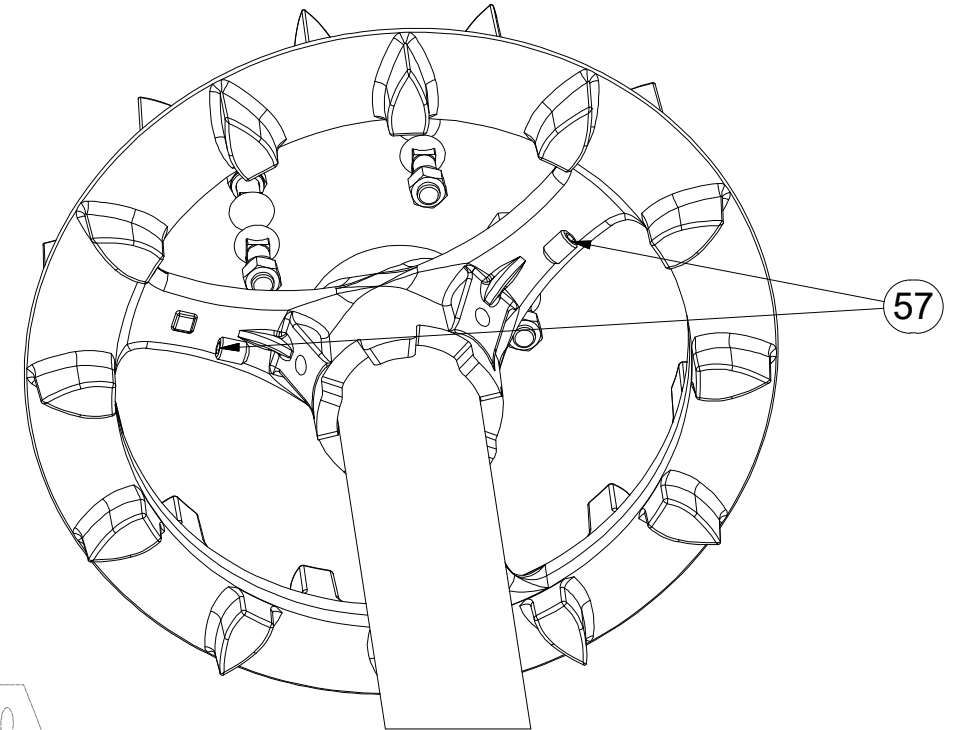
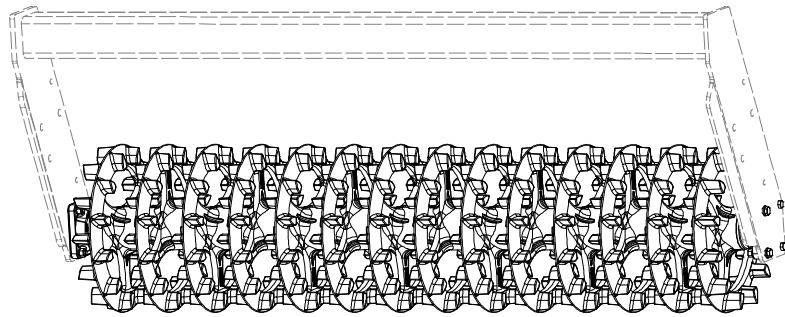
- ⒸZ SADA ZADNÍCH VÁLČŮ
- Ⓓ SATZ HINTERE WALZEN
- Ⓕ KIT DE ROULEAUX ARRIÈRE

- ⒼB SET OF REAR ROLLERS
- ⒶR КОМПЛЕКТ ЗАДНИХ КАТКОВ
- ⒶL ZESTAW TYLNYCH WAŁÓW



**3008670**

**X3**



|                   |
|-------------------|
|                   |
| M12 (10.9) - 88Nm |
| M12 (8.8) - 87Nm  |

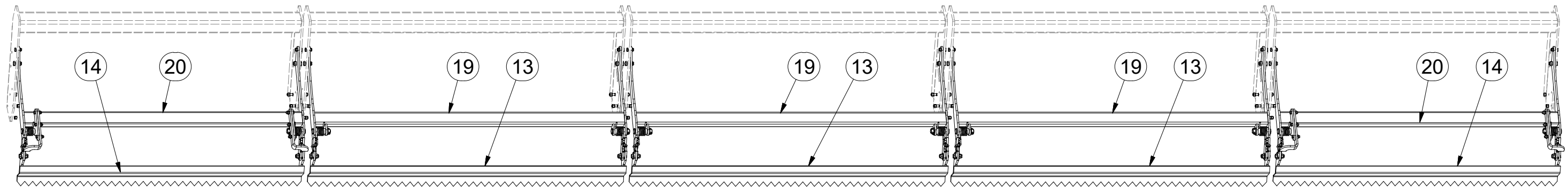
| Pos. | Part Number | Pcs. |
|------|-------------|------|
| 3    | 3008655     | 2    |
| 10   | 4009334     | 4    |
| 11   | 9002944     | 66   |
| 28   | 4016996     | 4    |
| 42   | 4014034     | 10   |
| 43   | m15625      | 10   |
| 51   | m06077      | 4    |
| 53   | m03339      | 4    |
| 57   | m13958      | 20   |
| 70   | m01305      | 40   |
| 81   | m03988      | 52   |
| 82   | m01214      | 4    |
| 101  | 4010992     | 8    |
| 102  | 4016809     | 20   |

CZ SADA ZADNÍCH VÁLCŮ  
 D SATZ HINTERE WALZEN  
 F KIT DE ROULEAUX ARRIÈRE

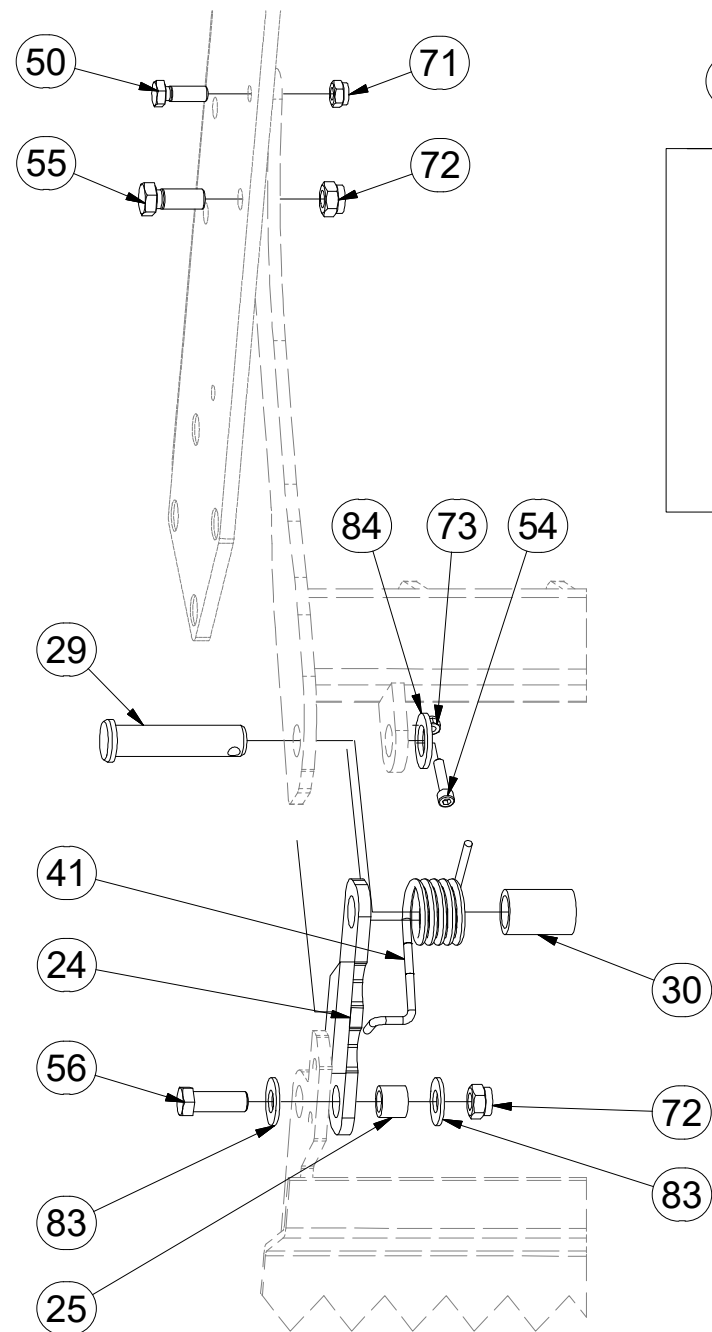
GB SET OF REAR ROLLERS  
 RU КОМПЛЕКТ ЗАДНИХ КАТКОВ  
 PL ZESTAW TYLNYCH WAŁÓW



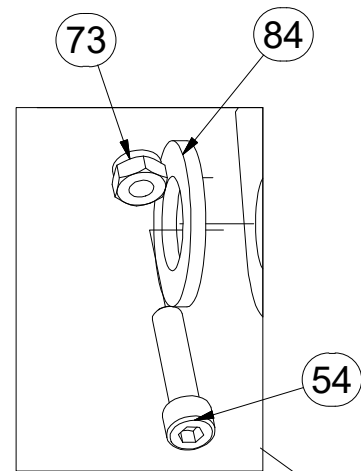
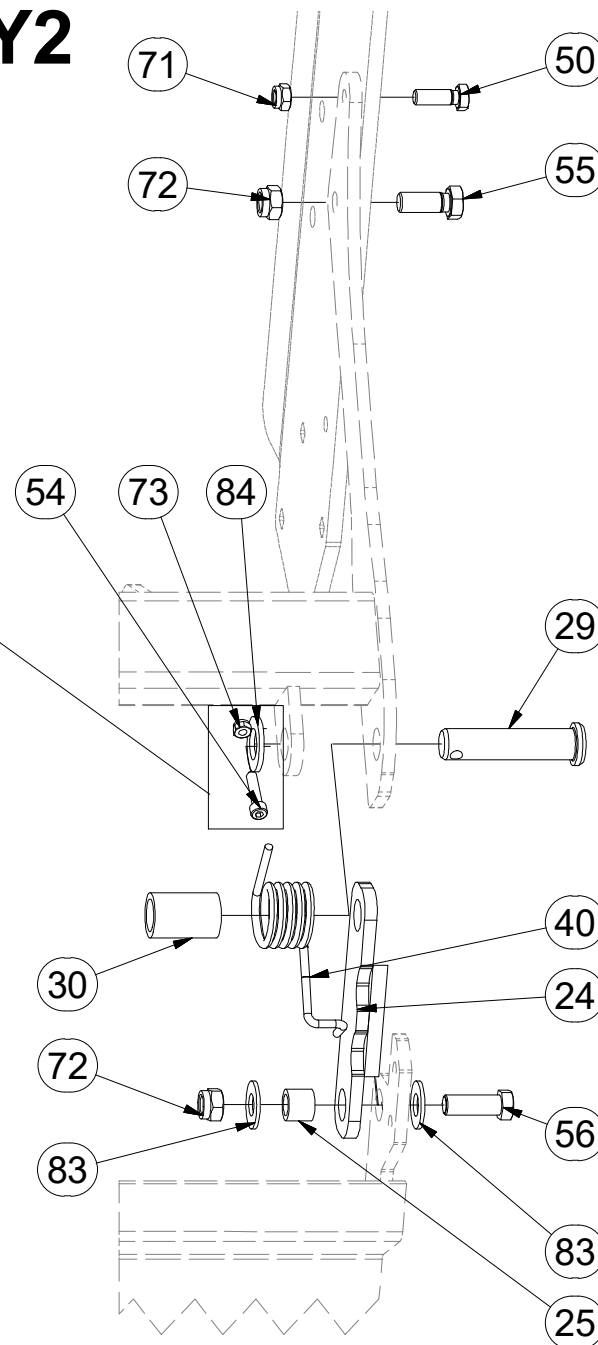
**3008670**



**Y1**



**Y2**



|                   |
|-------------------|
|                   |
| M8 (8.8) - 25Nm   |
| M12 (8.8) - 87Nm  |
| M16 (8.8) - 210Nm |

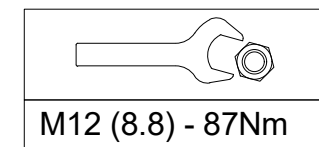
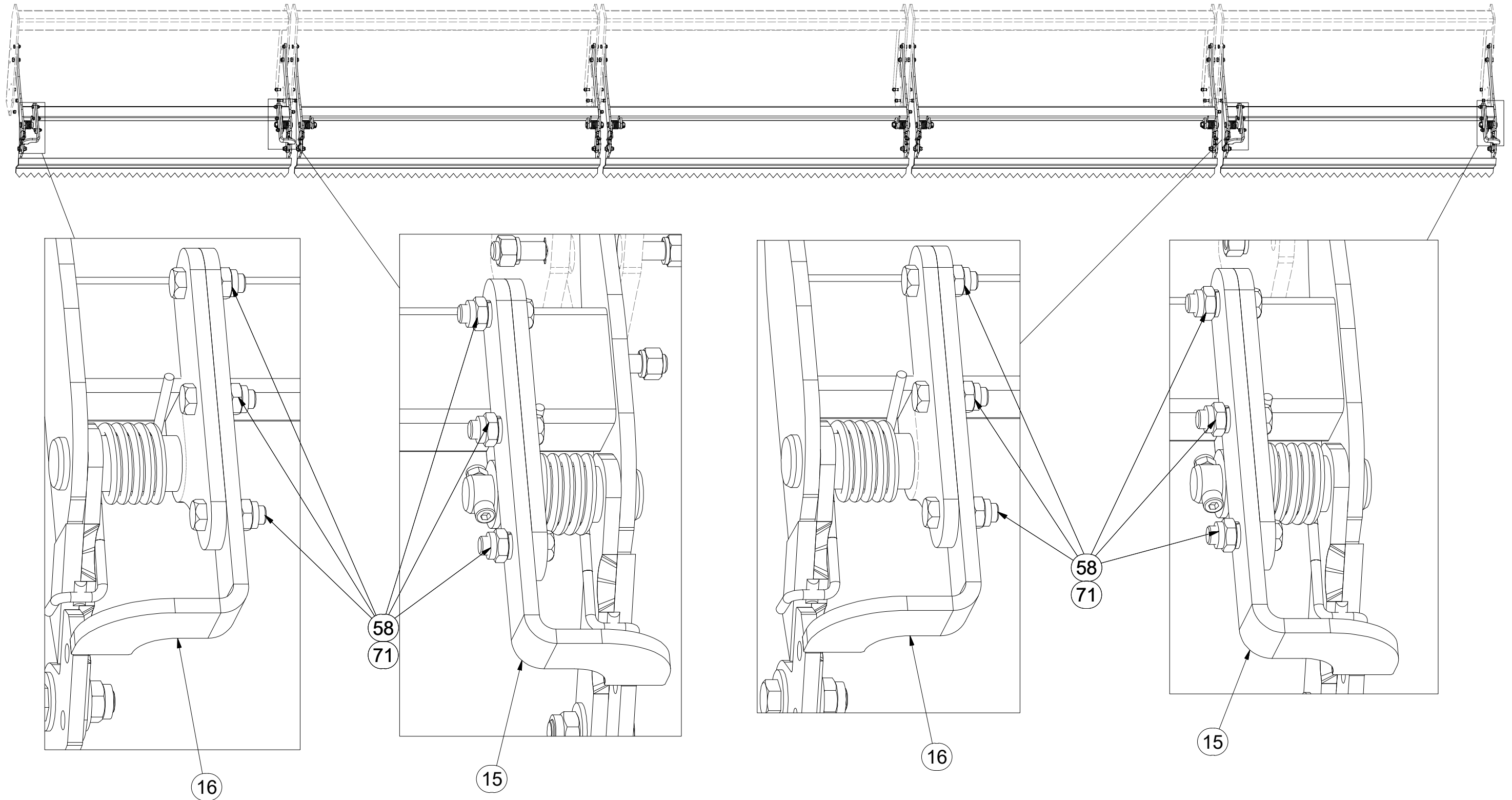
| Pos. | Part Number | Pcs. |
|------|-------------|------|
| 13   | 3001672     | 3    |
| 14   | 3003051     | 2    |
| 19   | 3004896     | 3    |
| 20   | 3004900     | 2    |
| 24   | 4002269     | 10   |
| 25   | 4004451     | 10   |
| 29   | 4015778     | 10   |
| 30   | 9002979     | 10   |
| 40   | m12303      | 5    |
| 41   | m12304      | 5    |
| 50   | m04343      | 10   |
| 54   | m09464      | 10   |
| 55   | m01129      | 10   |
| 56   | m02254      | 10   |
| 71   | m04301      | 22   |
| 72   | m03683      | 20   |
| 73   | m04503      | 10   |
| 83   | m05651      | 20   |
| 84   | m14028      | 10   |

- Ⓒ SADA ZADNÍCH VÁLCŮ
- Ⓓ SATZ HINTERE WALZEN
- Ⓕ KIT DE ROULEAUX ARRIÈRE

- Ⓖ SET OF REAR ROLLERS
- Ⓡ КОМПЛЕКТ ЗАДНИХ КАТКОВ
- Ⓟ ZESTAW TYLNYCH WAŁÓW



**3008670**



| Pos. | Part Number | Pcs. |
|------|-------------|------|
| 15   | 4013192     | 2    |
| 16   | 4013193     | 2    |
| 58   | m03926      | 12   |
| 71   | m04301      | 22   |

ⒸZ SADA DORAZŮ ZADNÍCH SMYKŮ

Ⓓ ANSCHLAGSATZ FÜR HINTERE ACKERSCHLEPPEN

Ⓕ KIT DE BUTÉES DES NIVELEURS ARRIÈRE

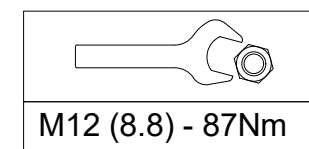
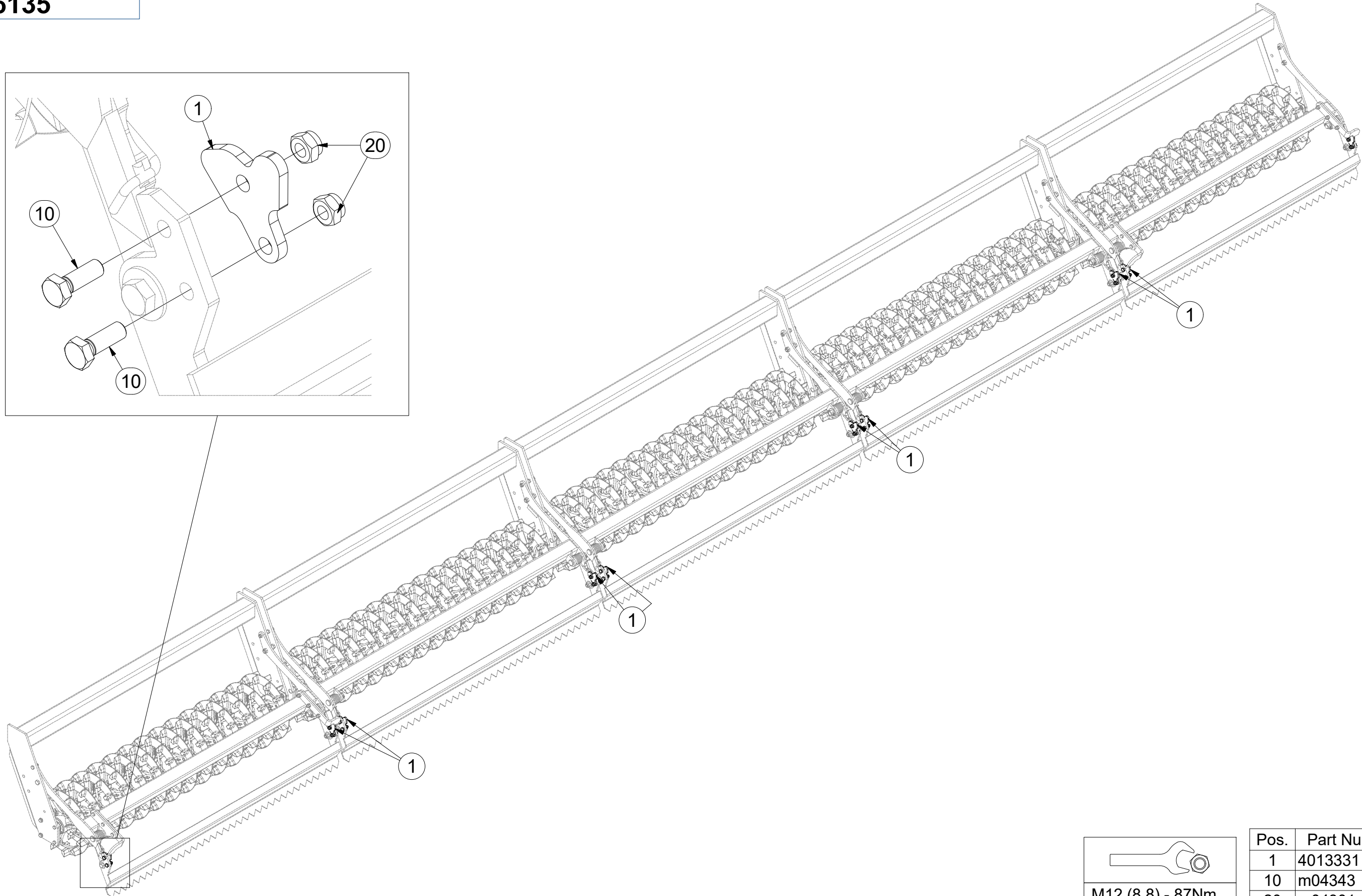
**3006135**

ⒼB SET OF REAR LEVELLING BAR STOPS

ⒺU КОМПЛЕКТ УПОРОВ ЗАДНИХ БОРОН

ⒽL ZESTAW DOCISKÓW TYLNYCH WŁÓK

**Farmet**



| Pos. | Part Number | Pcs. |
|------|-------------|------|
| 1    | 4013331     | 10   |
| 10   | m04343      | 20   |
| 20   | m04301      | 20   |



ⒸZ SADA NÁPRAVY

Ⓓ SATZ AUFHÄNGUNG

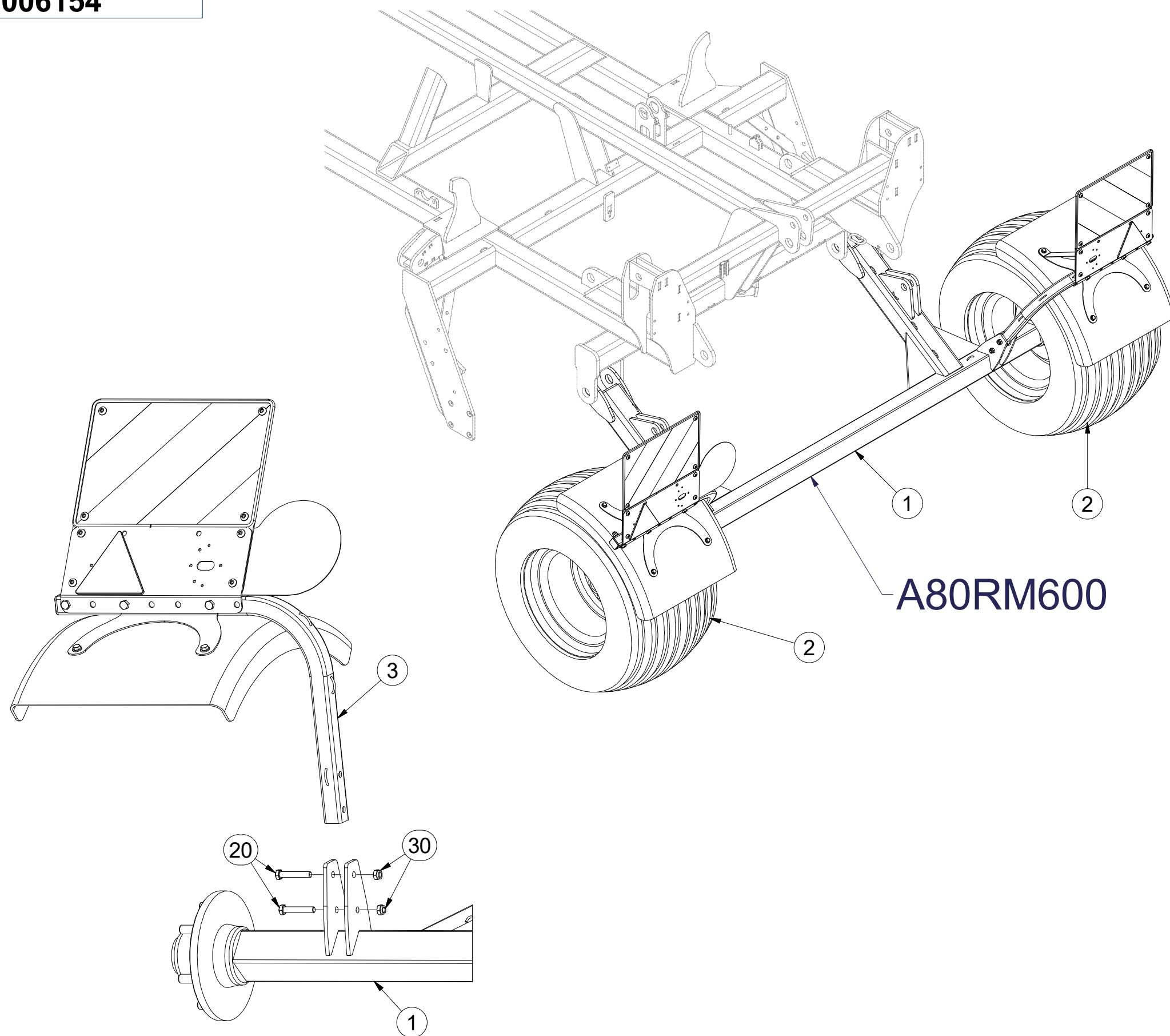
Ⓕ KIT DE L'ESSIEU

**3006154**

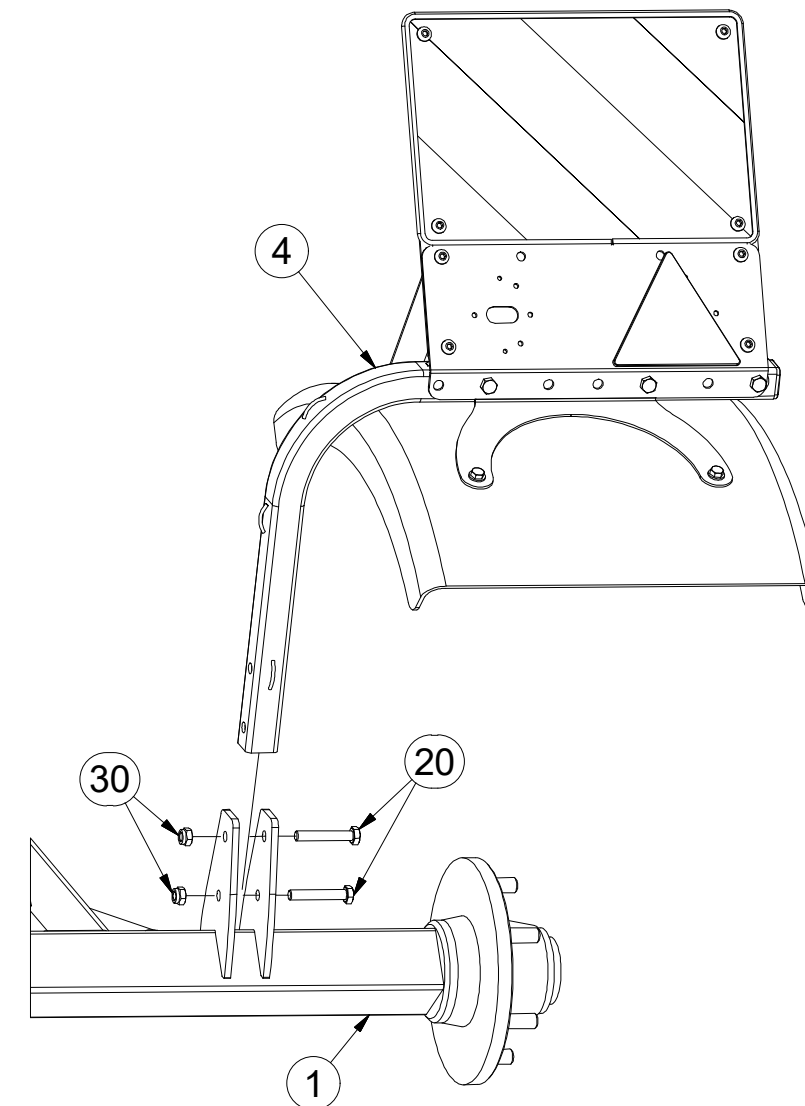
ⒼB AXLE SET

ⒺU КОМПЛЕКТ ОСИ КОЛЁС

ⒼL ZESTAW OSI



**A80RM600**



|  |                          |
|--|--------------------------|
|  | M12 (8.8) - 87Nm         |
|  | M18x1,5-265Nm<br>400 kPa |

| Pos. | Part Number | Pcs. |
|------|-------------|------|
| 1    | 3004298     | 1    |
| 2    | m11625      | 2    |
| 3    | 3009523     | 1    |
| 4    | 3009524     | 1    |
| 20   | m14266      | 4    |
| 30   | m04301      | 4    |

Ⓒ NÁPRAVA

Ⓓ ACHSE

Ⓕ ESSIEU

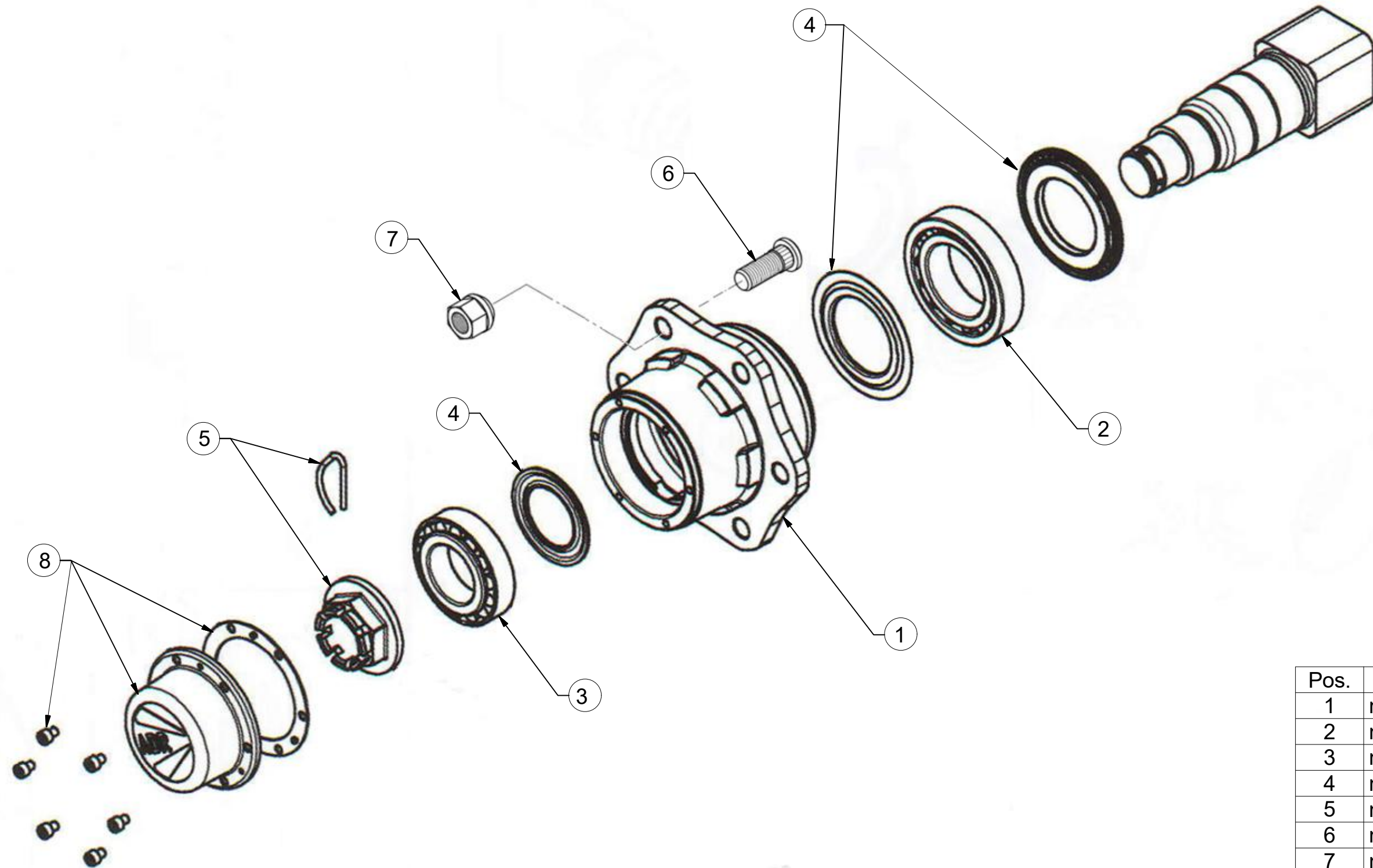
Ⓒ AXLE

Ⓓ OCB

Ⓕ OS



**A80RM600**



| Pos. | Part Number | Pcs. |
|------|-------------|------|
| 1    | m12567      | 2    |
| 2    | m07153      | 2    |
| 3    | m07154      | 2    |
| 4    | m12565      | 2    |
| 5    | m08168      | 2    |
| 6    | m08148      | 12   |
| 7    | m08163      | 12   |
| 8    | m12566      | 2    |

Ⓒ SADA NÁPRAVY

Ⓓ SATZ AUFHÄNGUNG

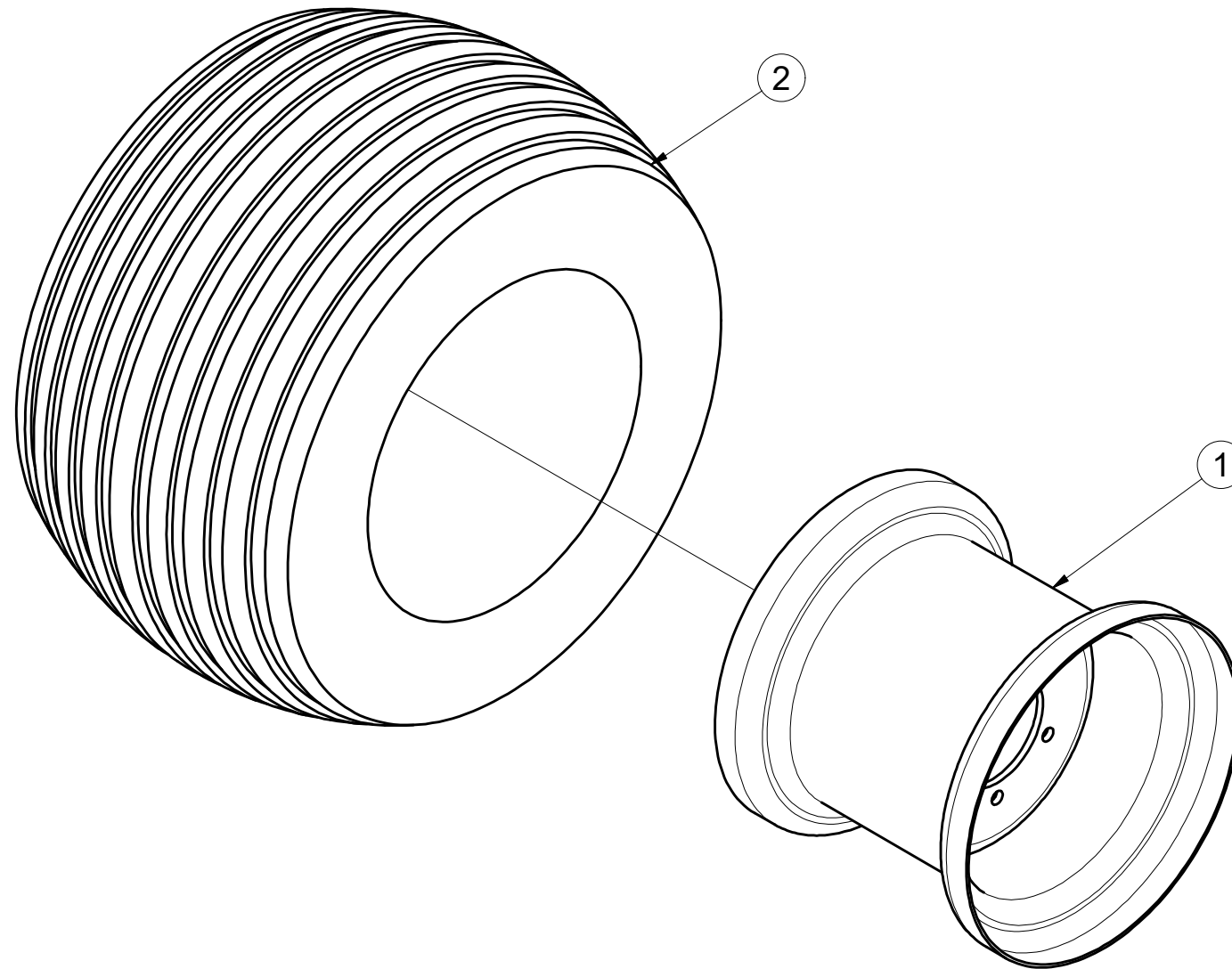
Ⓕ KIT DE L'ESSIEU

**m11625**

Ⓖ AXLE SET

Ⓡ КОМПЛЕКТ ОСИ КОЛЁС

Ⓢ ZESTAW OSI



| Pos. | Part Number | Pcs. |
|------|-------------|------|
| 1    | m08228      | 1    |
| 2    | m07707      | 1    |

ⒸZ TERČ ZADNÍ LEVÝ

Ⓓ SCHILD, HINTERES, LINKES

Ⓕ CIBLE ARRIÈRE GAUCHE

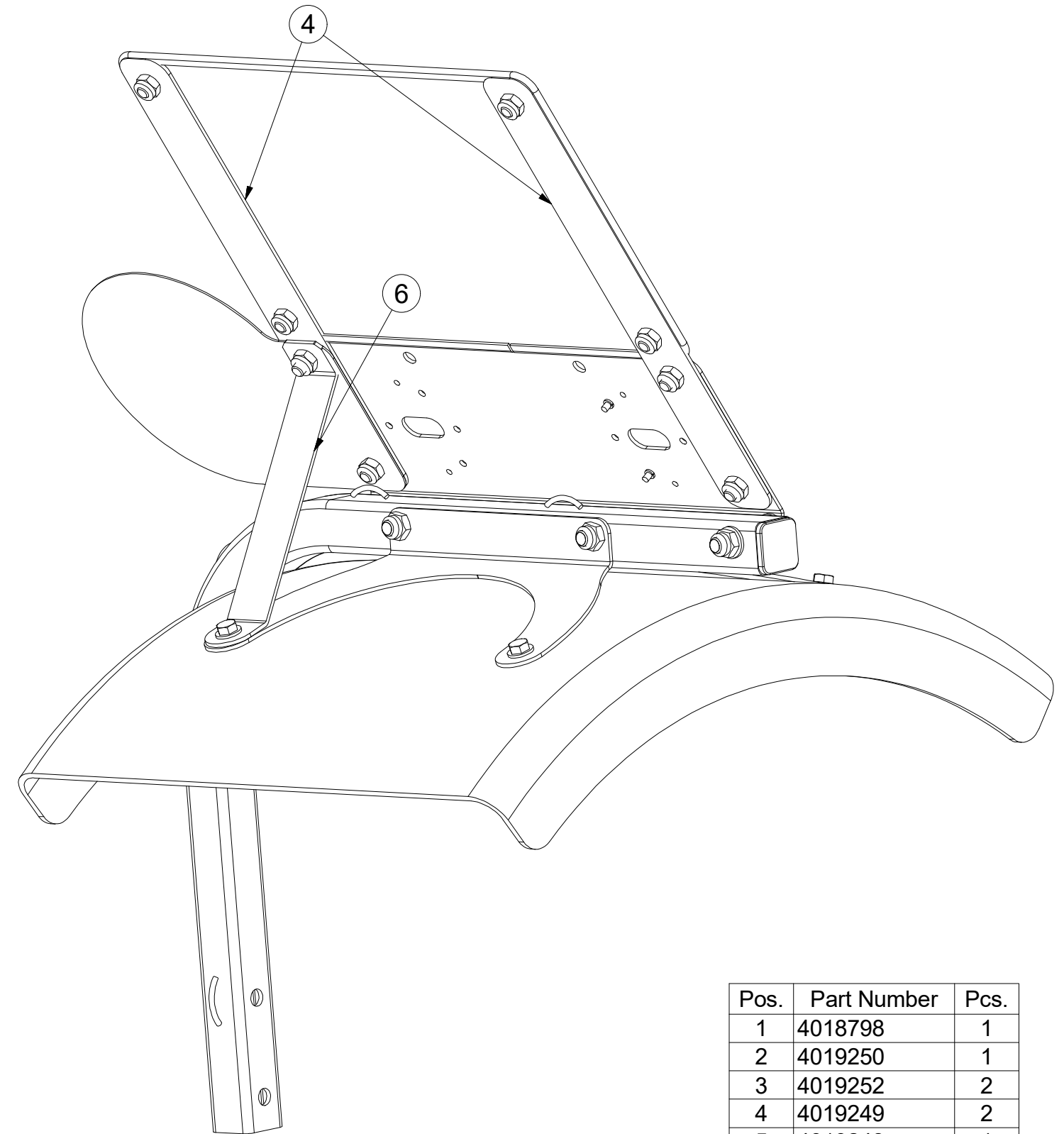
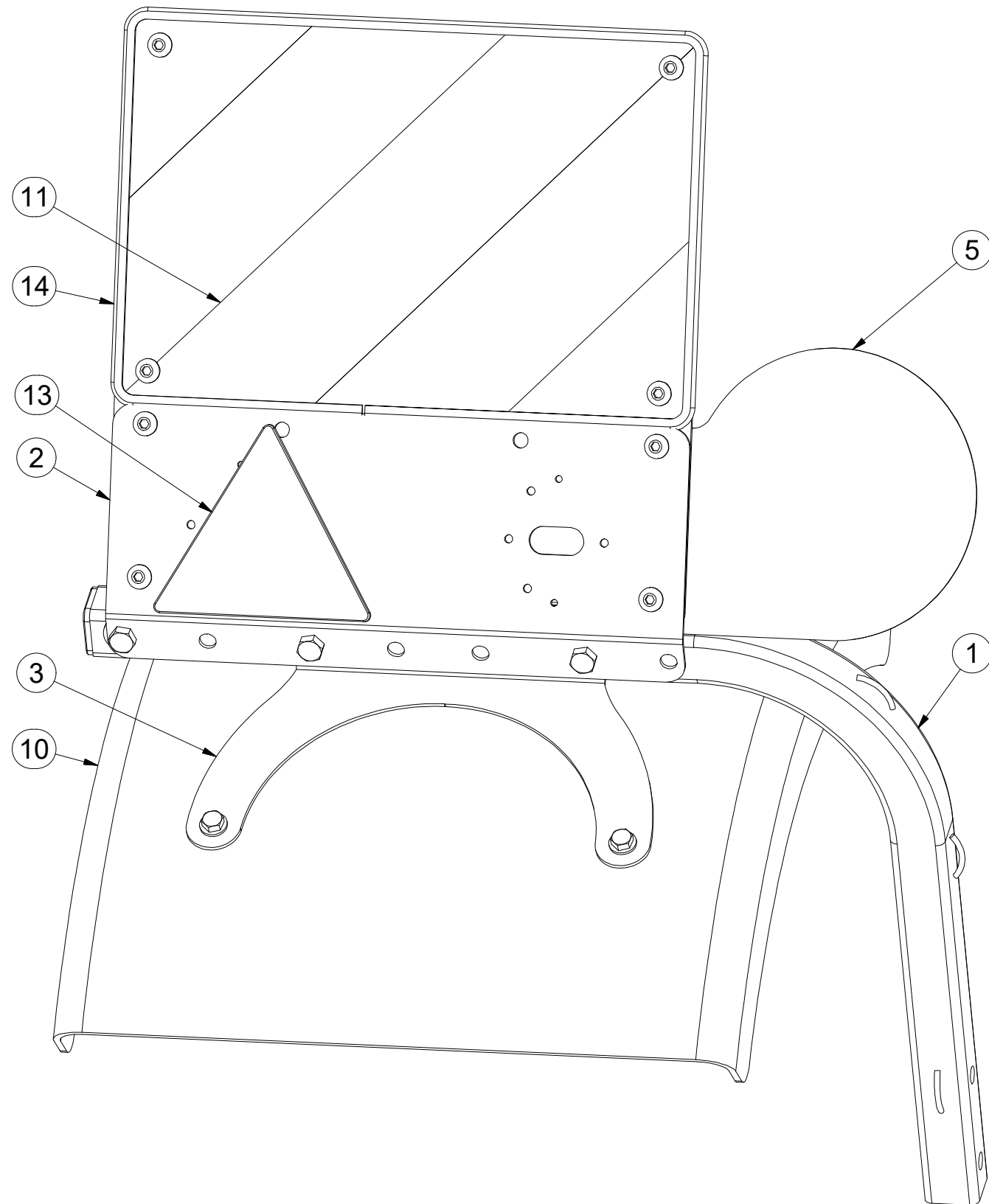
**3009523**

ⒸB LEFT REAR DISC

ⒶЩИТОК ЗАДНИЙ ЛЕВЫЙ

Ⓐ TARCZA TYLNA LEWA

**Farmet**



| Pos. | Part Number | Pcs. |
|------|-------------|------|
| 1    | 4018798     | 1    |
| 2    | 4019250     | 1    |
| 3    | 4019252     | 2    |
| 4    | 4019249     | 2    |
| 5    | 4019248     | 1    |
| 6    | 4019251     | 1    |
| 10   | m09983      | 1    |
| 11   | m16274      | 1    |
| 13   | m02497      | 1    |
| 14   | m16628      | 1,4  |

ⒸZ TERČ ZADNÍ LEVÝ

Ⓓ SCHILD, HINTERES, LINKES

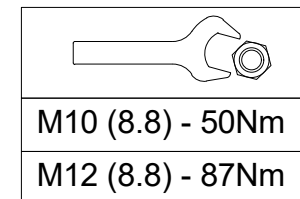
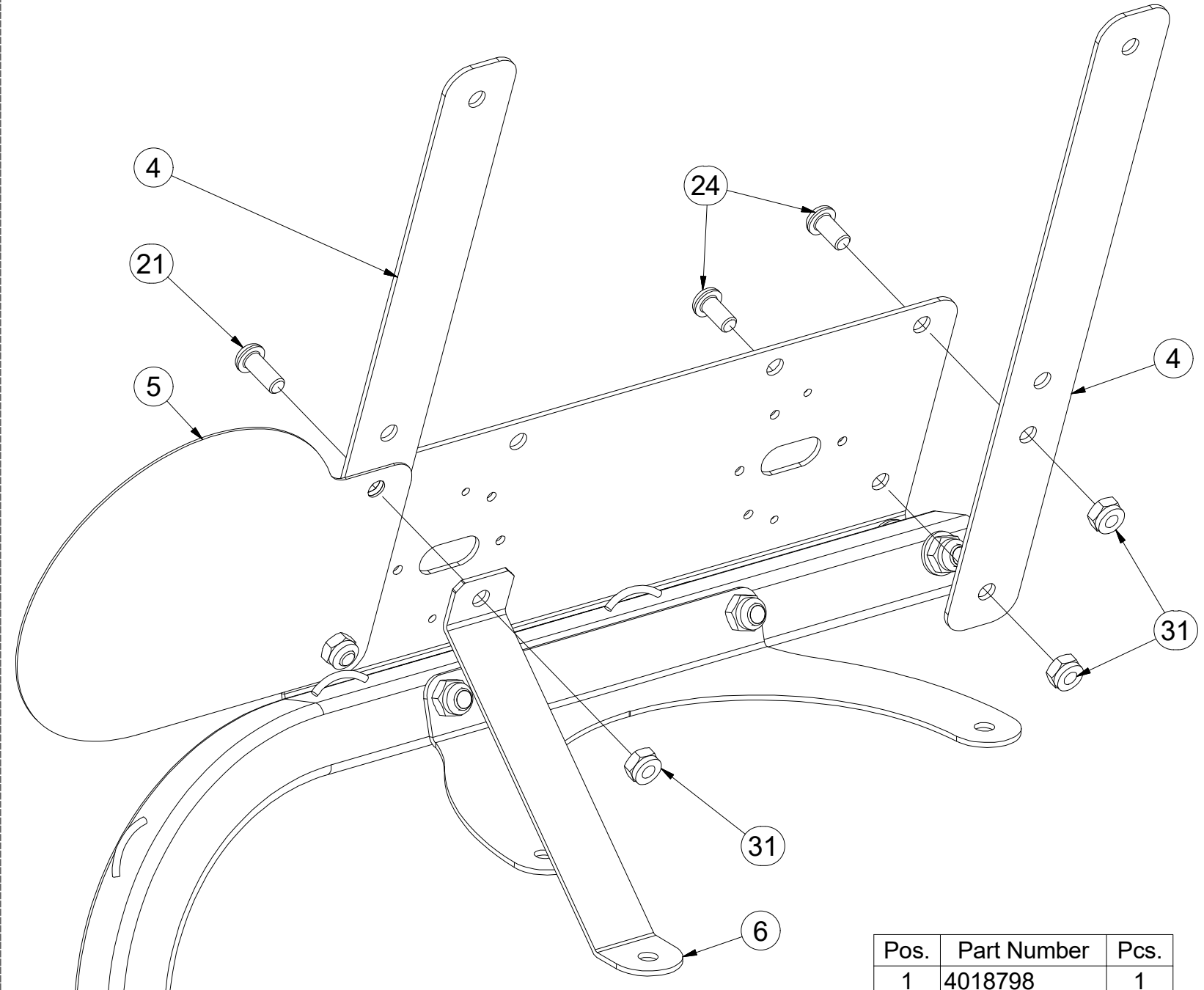
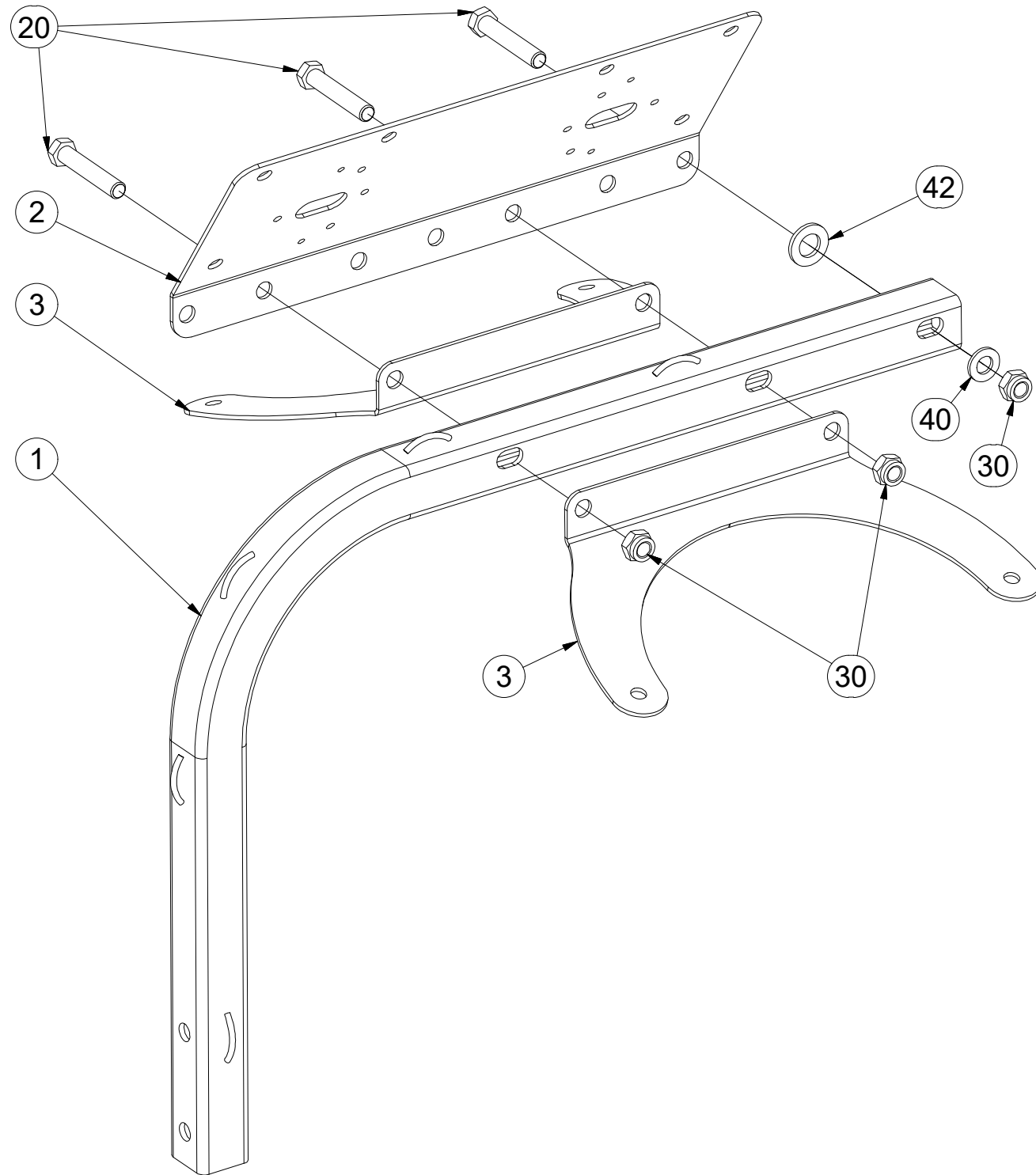
Ⓕ CIBLE ARRIÈRE GAUCHE

**3009523**

ⒼB LEFT REAR DISC

ⒺЩИТОК ЗАДНИЙ ЛЕВЫЙ

ⒽL TARCZA TYLNA LEWA



| Pos. | Part Number | Pcs. |
|------|-------------|------|
| 1    | 4018798     | 1    |
| 2    | 4019250     | 1    |
| 3    | 4019252     | 2    |
| 4    | 4019249     | 2    |
| 5    | 4019248     | 1    |
| 6    | 4019251     | 1    |
| 20   | m05898      | 3    |
| 21   | m16688      | 1    |
| 24   | m16637      | 3    |
| 30   | m04301      | 3    |
| 31   | m03775      | 12   |
| 40   | m01214      | 1    |
| 42   | m01219      | 5    |

ⒸZ TERČ ZADNÍ LEVÝ

Ⓓ SCHILD, HINTERES, LINKES

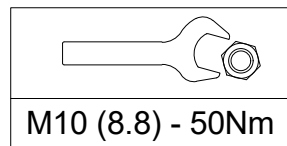
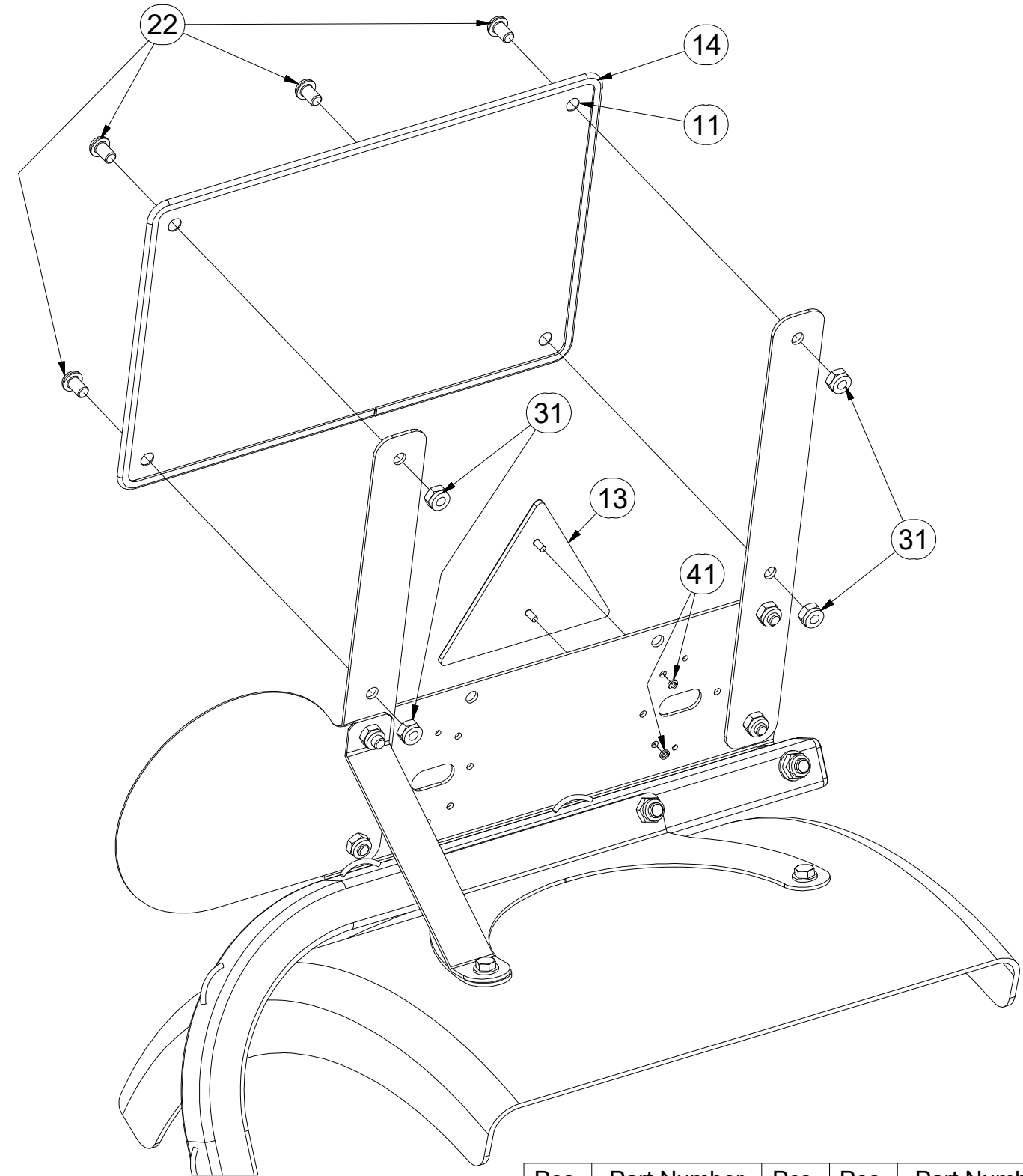
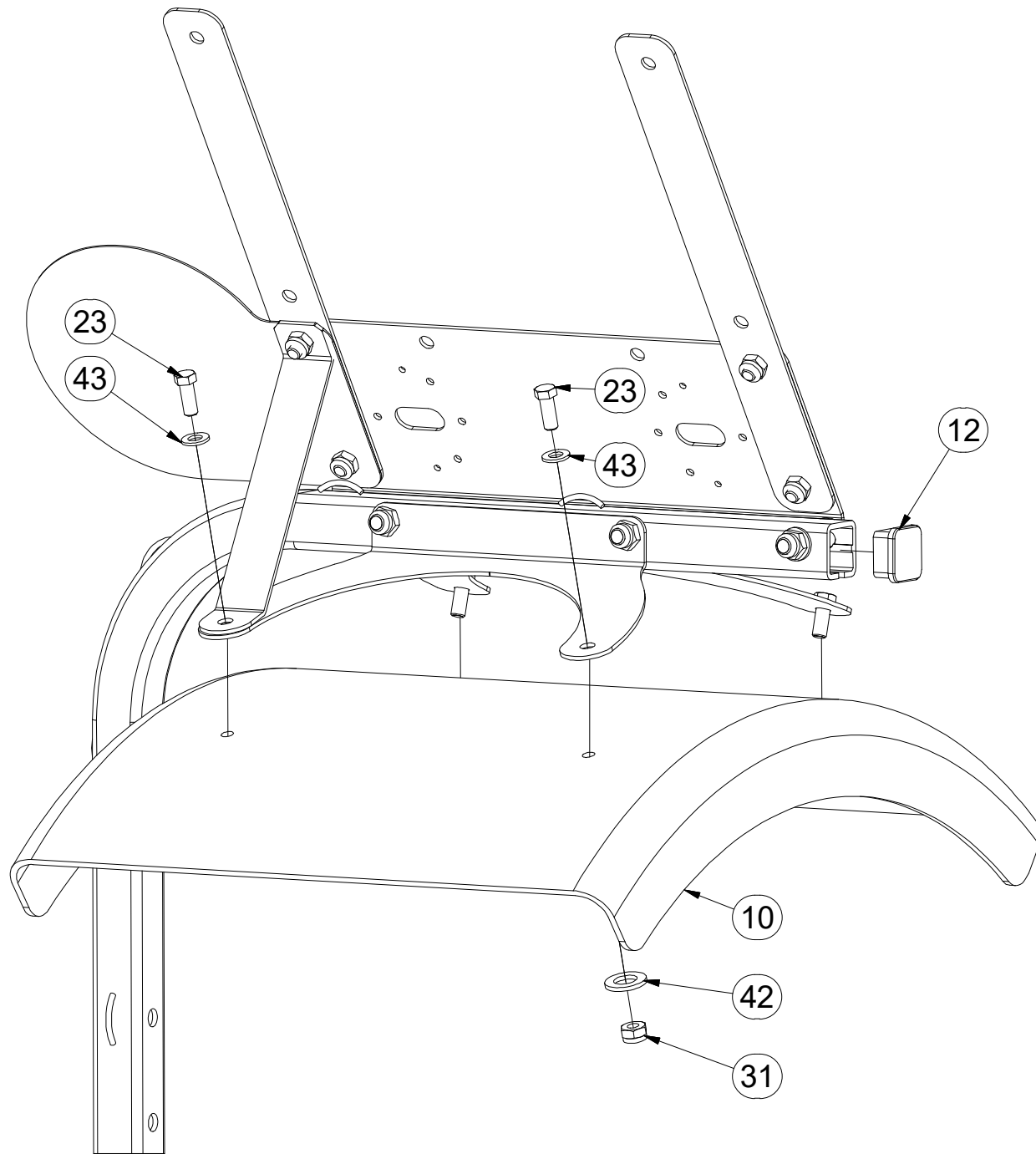
Ⓕ CIBLE ARRIÈRE GAUCHE

**3009523**

ⒼB LEFT REAR DISC

ⒶU ЩИТОК ЗАДНИЙ ЛЕВЫЙ

ⒶL TARCZA TYLNA LEWA



| Pos. | Part Number | Pcs. | Pos. | Part Number | Pcs. |
|------|-------------|------|------|-------------|------|
| 10   | m09983      | 1    | 23   | m03681      | 4    |
| 11   | m16274      | 1    | 31   | m03775      | 12   |
| 12   | m12689      | 1    | 41   | m01197      | 2    |
| 13   | m02497      | 1    | 42   | m01219      | 5    |
| 14   | m16628      | 1,4  | 43   | m01209      | 4    |
| 22   | m16687      | 4    |      |             |      |

ⒸZ TERČ ZADNÍ PRAVÝ

Ⓓ SCHILD, HINTERES, RECHTES

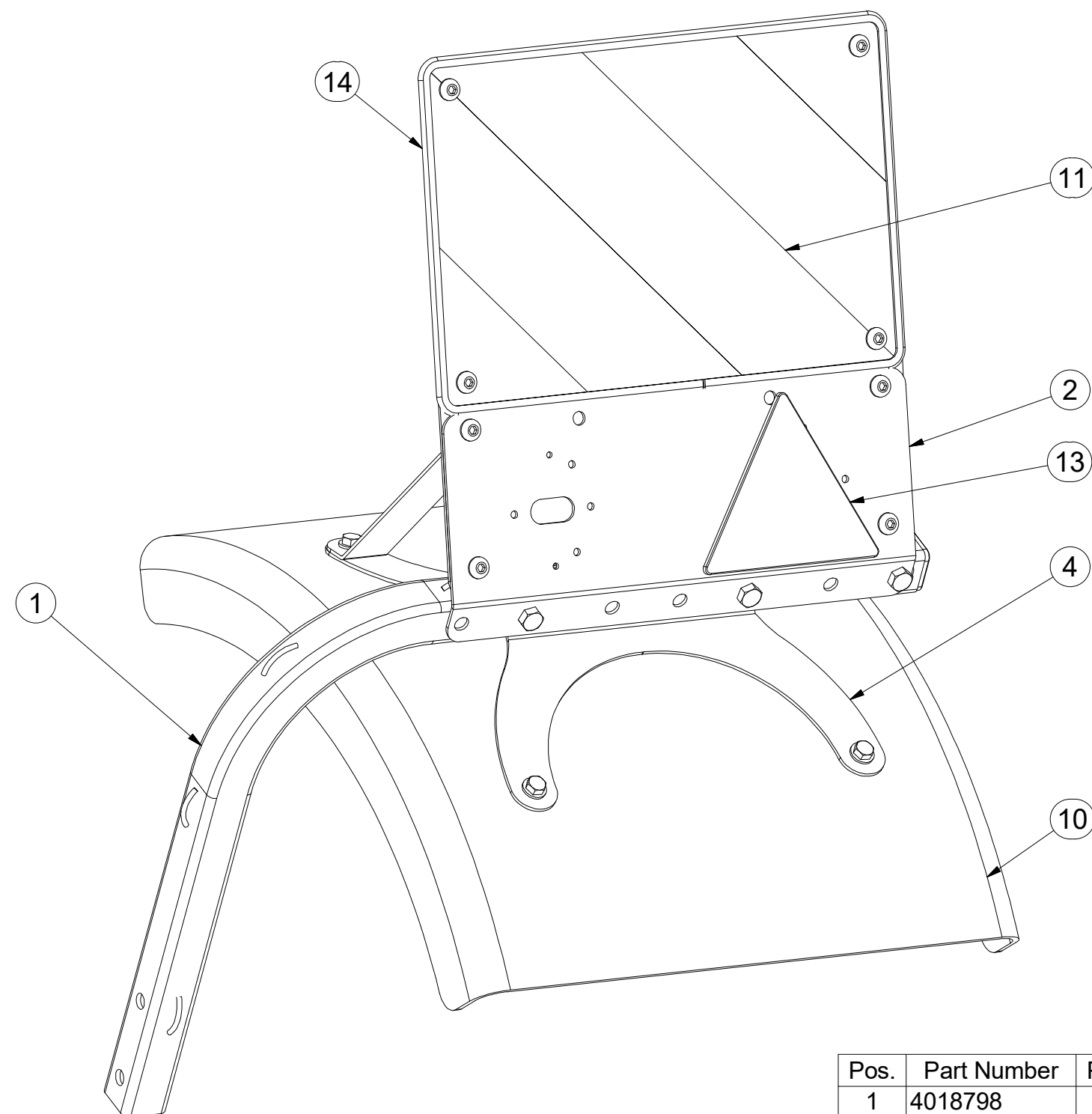
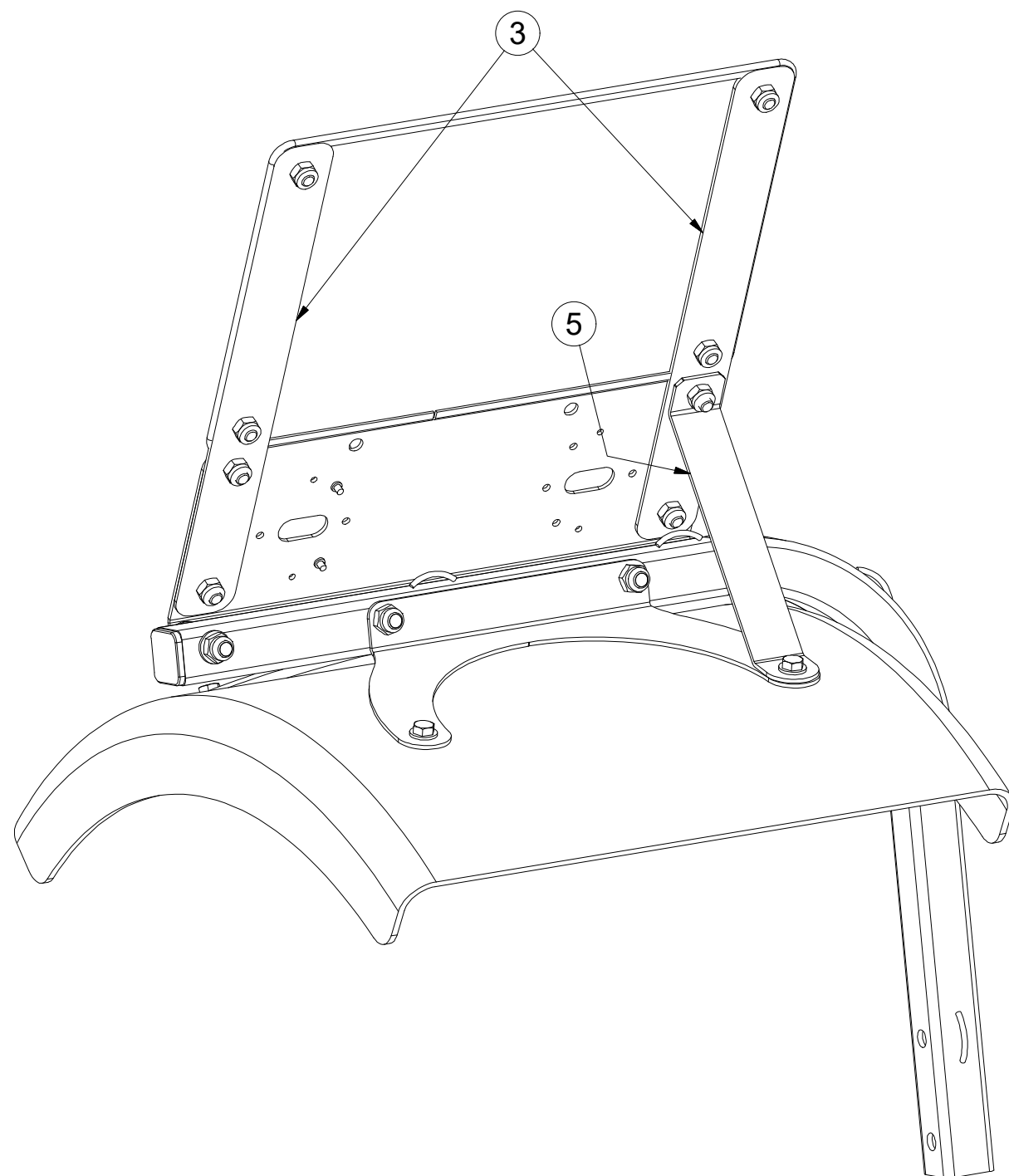
Ⓕ CIBLE ARRIÈRE DROITE

**3009524**

ⒸGB RIGHT REAR DISC

ⒸRU ЩИТОК ЗАДНИЙ ПРАВЫЙ

ⒸPL TARCZA TYLNA PRAWA



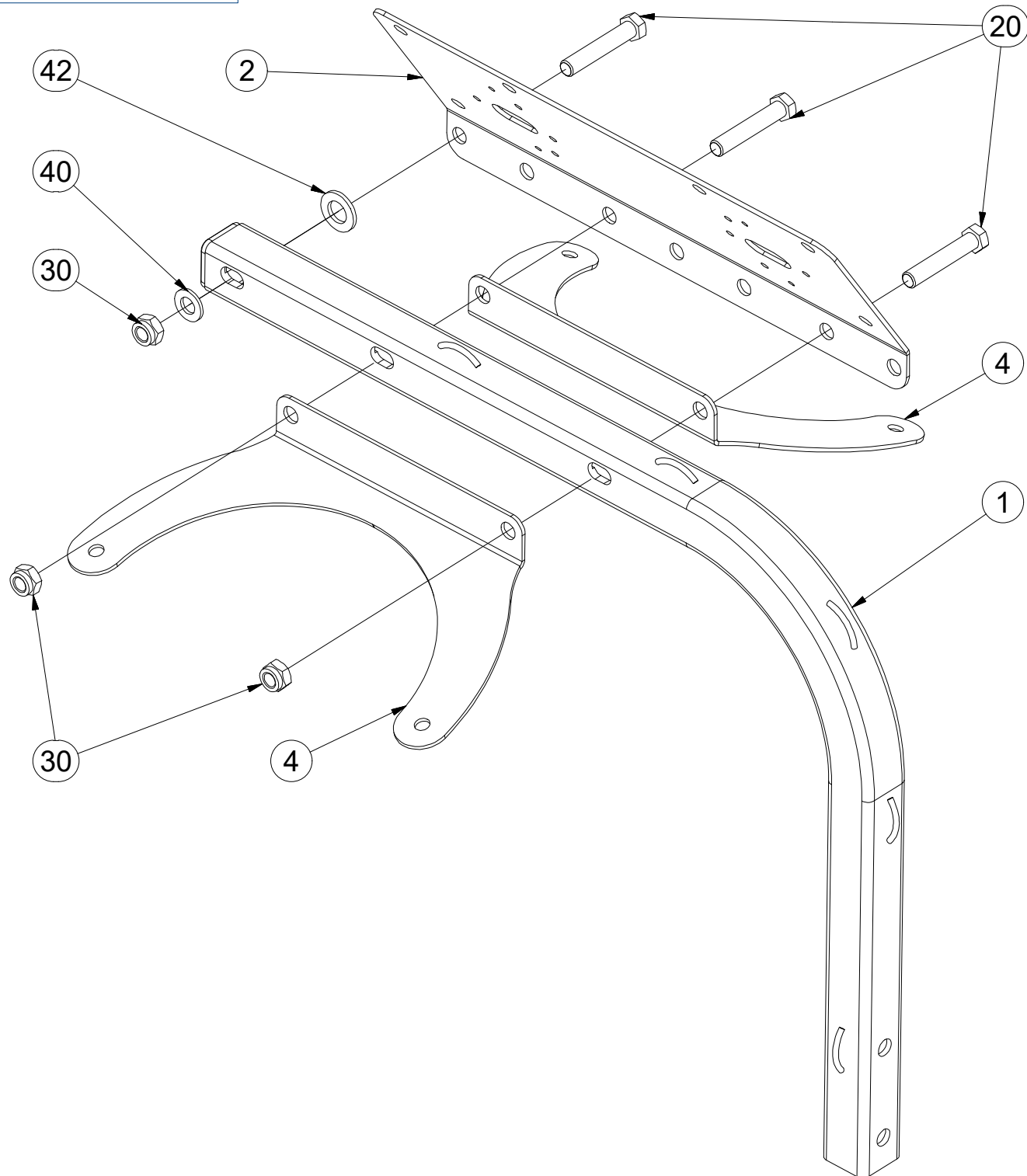
| Pos. | Part Number | Pcs. |
|------|-------------|------|
| 1    | 4018798     | 1    |
| 2    | 4019250     | 1    |
| 3    | 4019249     | 2    |
| 4    | 4019252     | 2    |
| 5    | 4019251     | 1    |
| 10   | m09983      | 1    |
| 11   | m16273      | 1    |
| 13   | m02497      | 1    |
| 14   | m16628      | 1,4  |

ⒸZ TERČ ZADNÍ PRAVÝ

Ⓓ SCHILD, HINTERES, RECHTES

Ⓕ CIBLE ARRIÈRE DROITE

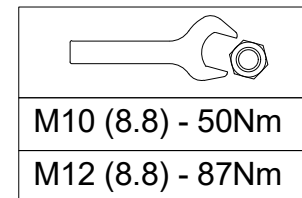
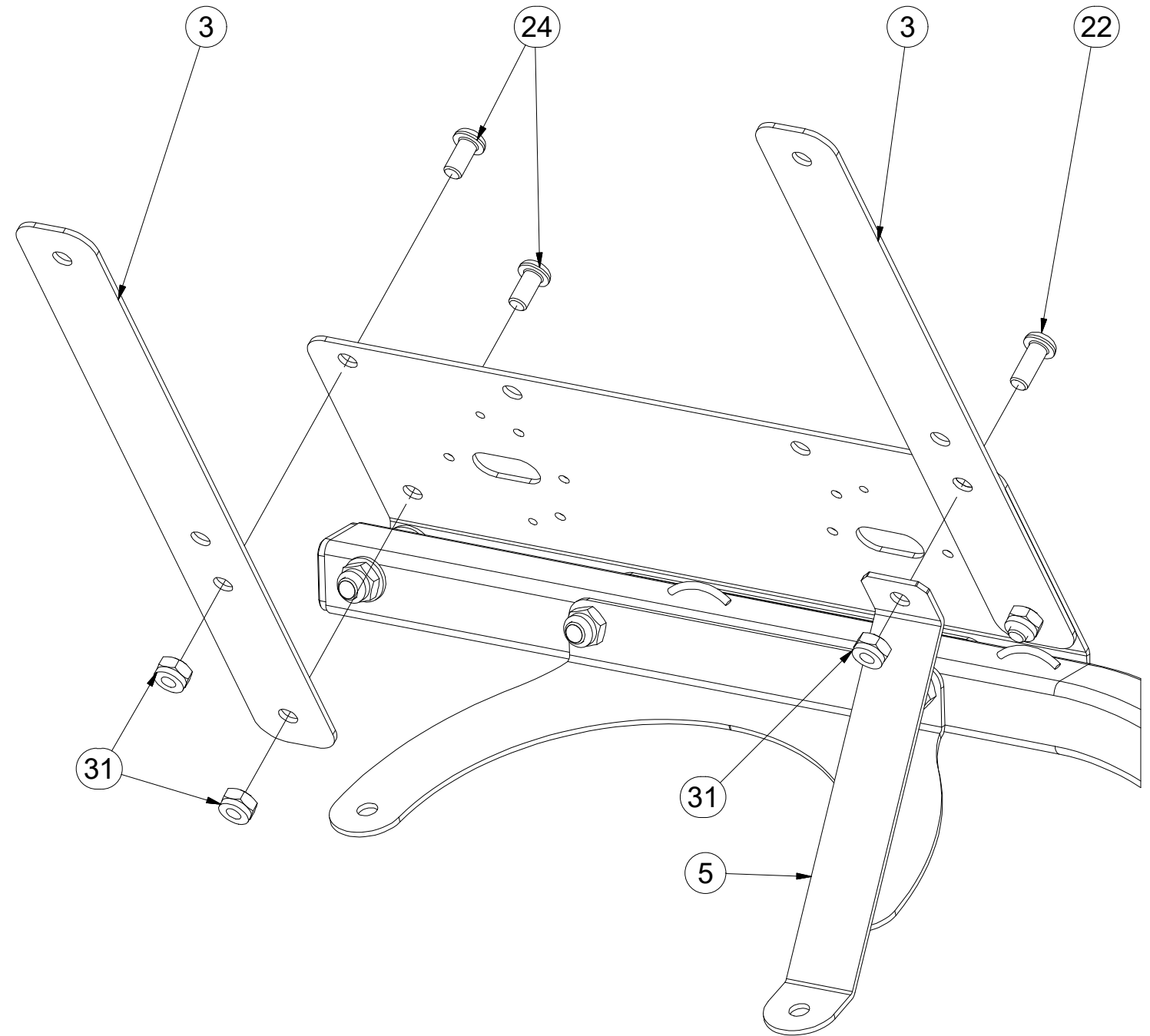
**3009524**



ⒸB RIGHT REAR DISC

ⒸU ЩИТОК ЗАДНИЙ ПРАВЫЙ

ⒸL TARCZA TYLNA PRAWA



| Pos. | Part Number | Pcs. | Pos. | Part Number | Pcs. |
|------|-------------|------|------|-------------|------|
| 1    | 4018798     | 1    | 22   | m16688      | 1    |
| 2    | 4019250     | 1    | 24   | m16637      | 3    |
| 3    | 4019249     | 2    | 30   | m04301      | 3    |
| 4    | 4019252     | 2    | 31   | m03775      | 12   |
| 5    | 4019251     | 1    | 40   | m01214      | 1    |
| 20   | m05898      | 3    | 42   | m01219      | 5    |



ⒸZ TERČ ZADNÍ PRAVÝ

Ⓓ SCHILD, HINTERES, RECHTES

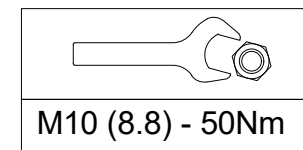
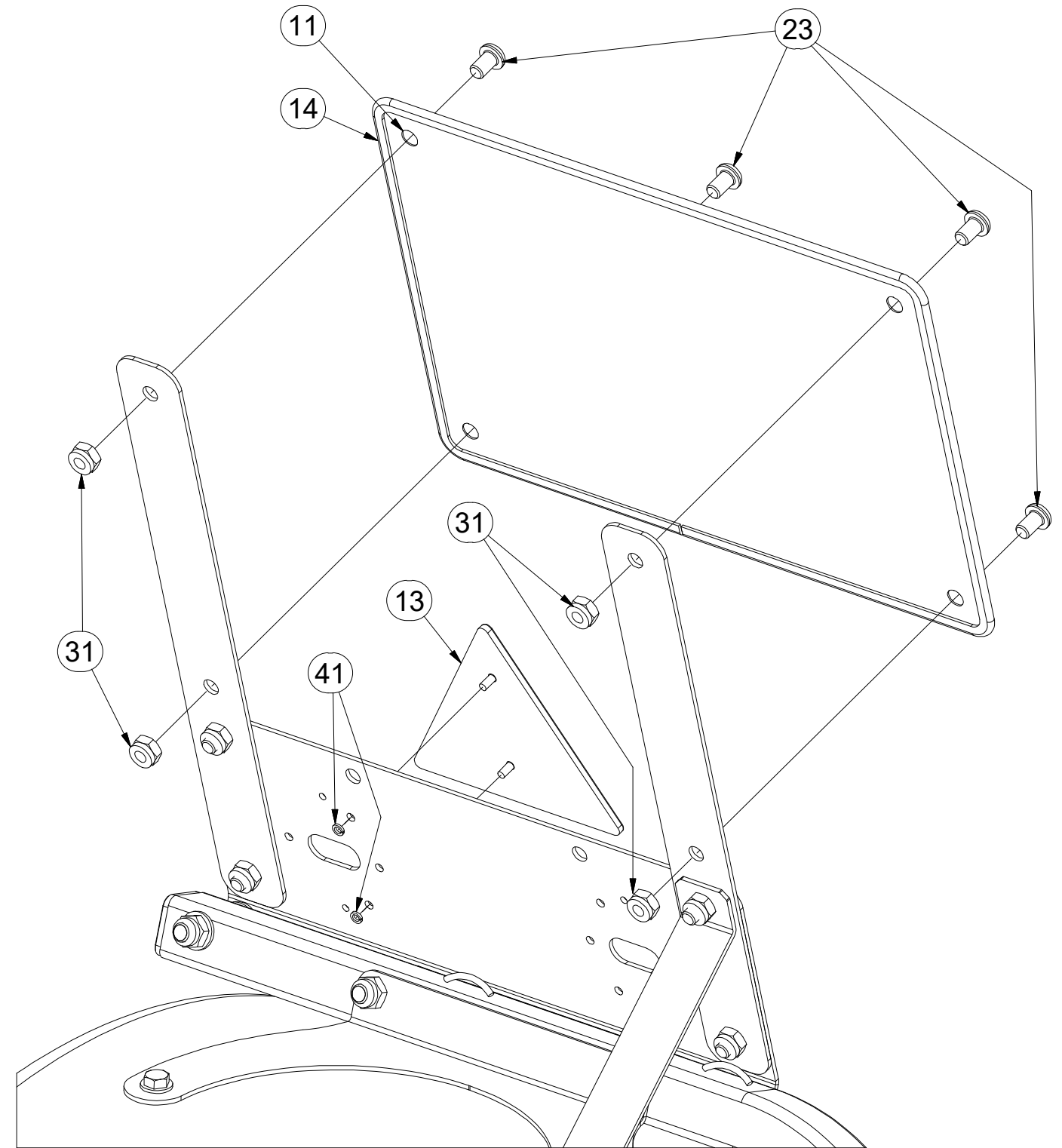
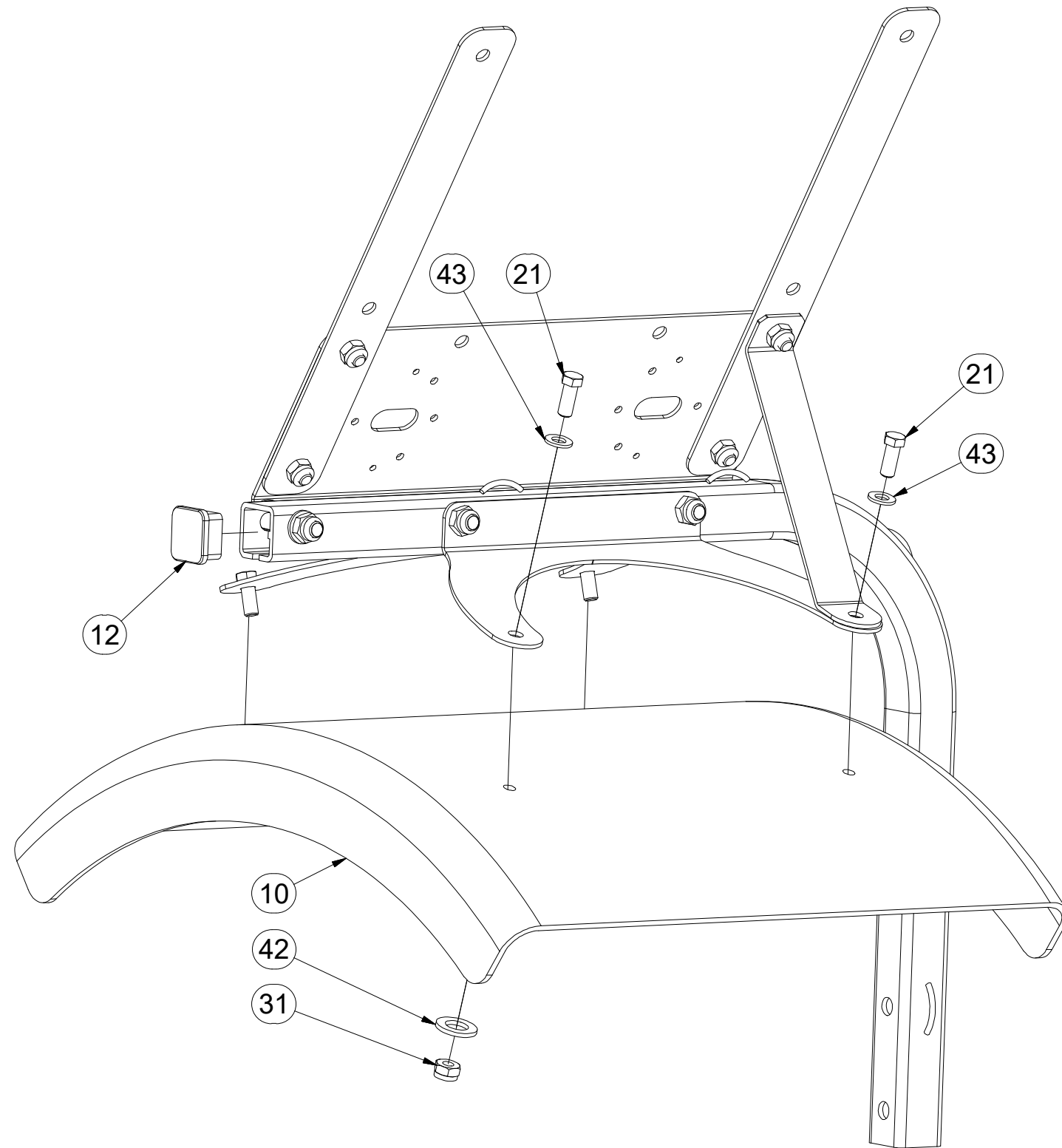
Ⓕ CIBLE ARRIÈRE DROITE

**3009524**

ⒼB RIGHT REAR DISC

ⒶЩИТОК ЗАДНИЙ ПРАВЫЙ

ⒶTARCZA TYLNA PRAWA



| Pos. | Part Number | Pcs. | Pos. | Part Number | Pcs. |
|------|-------------|------|------|-------------|------|
| 10   | m09983      | 1    | 23   | m16687      | 4    |
| 11   | m16273      | 1    | 31   | m03775      | 12   |
| 12   | m12689      | 1    | 41   | m01197      | 2    |
| 13   | m02497      | 1    | 42   | m01219      | 5    |
| 14   | m16628      | 1,4  | 43   | m01209      | 4    |
| 21   | m03681      | 4    |      |             |      |

Ⓒ SVĚTELNÁ SADA

Ⓓ LEUCHTENSATZ

Ⓕ KIT LUMINEUX

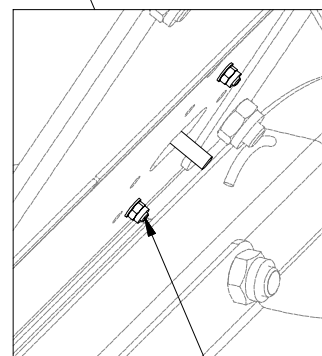
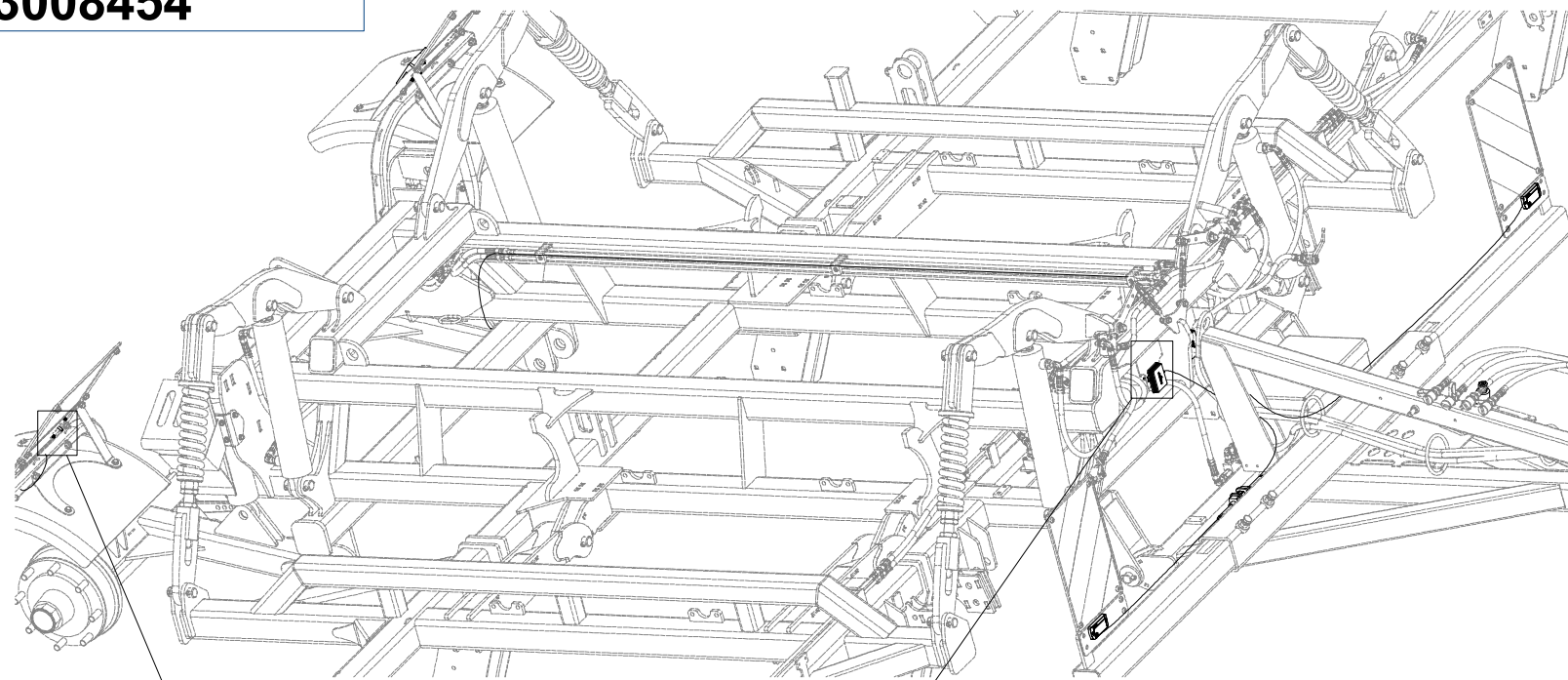
Ⓖ LIGHTING SET

Ⓡ ОСВЕТИТЕЛЬНЫЙ КОМПЛЕКТ

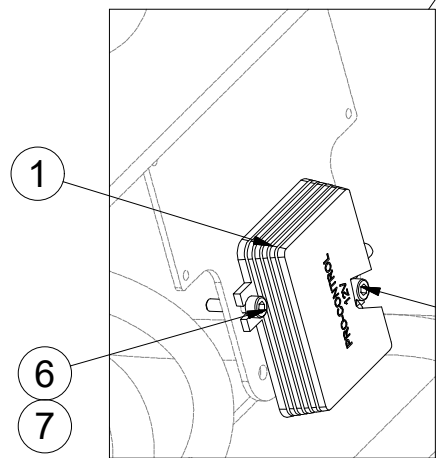
Ⓢ ZESTAW OŚWIETLENIA



**3008454**

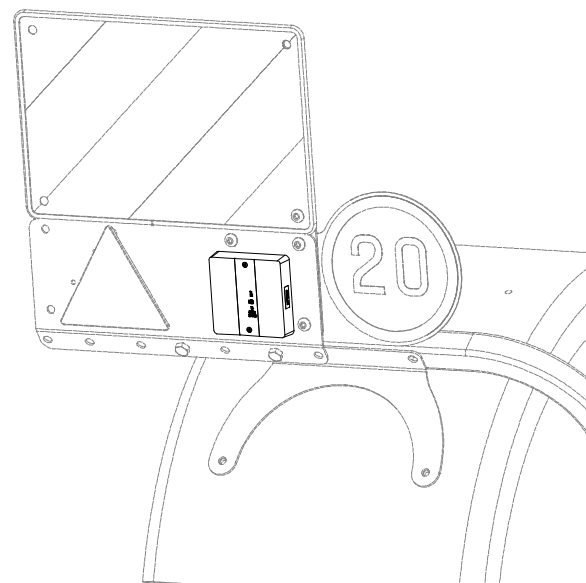


8  
3  
4

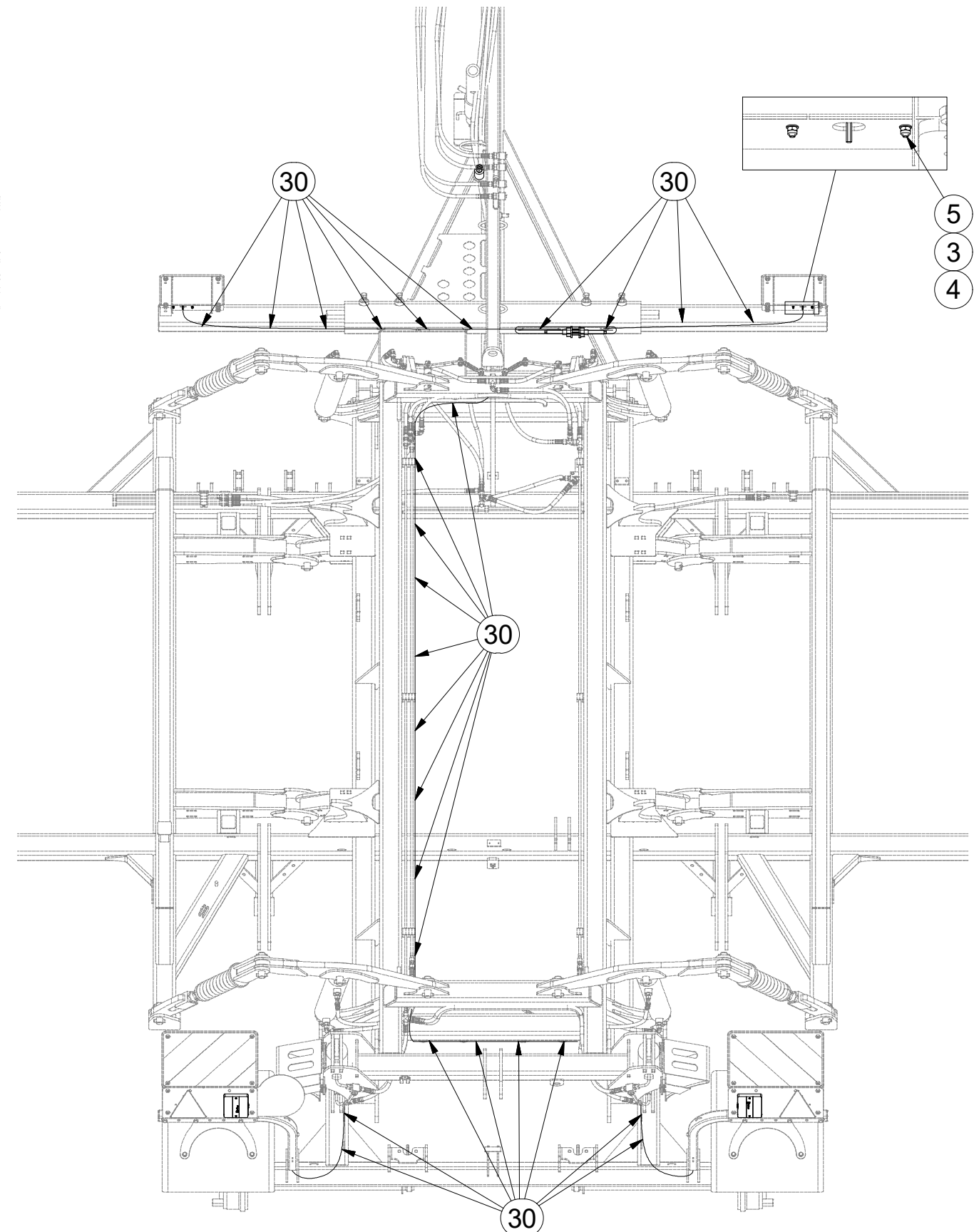


1  
6  
7

6 7



20



30

30

5  
3  
4

30

30

| Pos. | Part Number | Pcs. |
|------|-------------|------|
| 1    | m16768      | 1    |
| 3    | m05562      | 8    |
| 4    | m05597      | 8    |
| 5    | m15790      | 4    |
| 6    | m10591      | 4    |
| 7    | m06236      | 4    |
| 8    | m16861      | 4    |
| 30   | m05566      | 50   |

Ⓒ SVĚTELNÁ SADA

Ⓓ LEUCHTENSATZ

Ⓕ KIT LUMINEUX

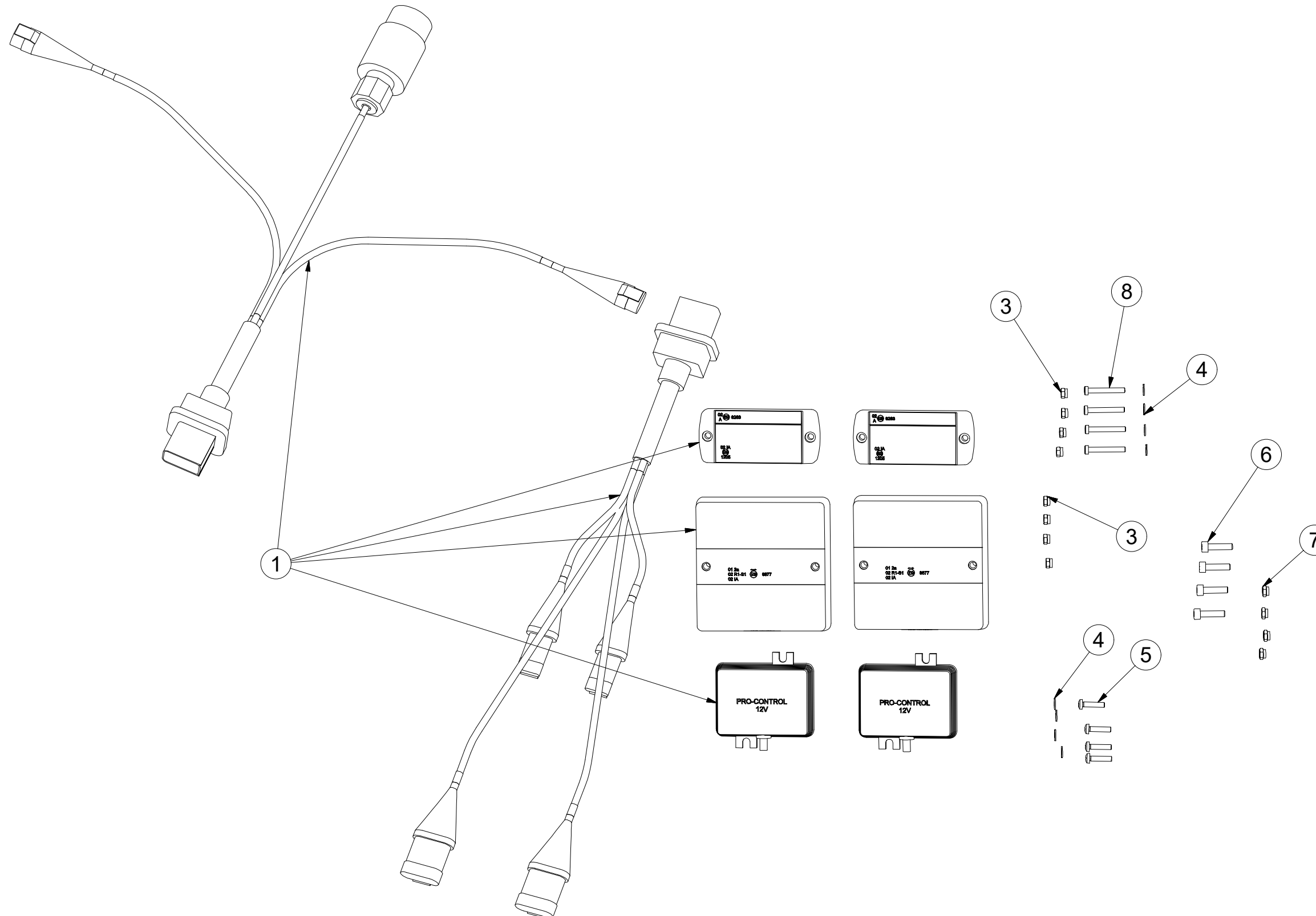
Ⓖ LIGHTING SET

Ⓡ ОСВЕТИТЕЛЬНЫЙ КОМПЛЕКТ

Ⓟ ZESTAW OŚWIETLENIA



**3008454**



| Pos. | Part Number | Pcs. |
|------|-------------|------|
| 1    | m16768      | 1    |
| 3    | m05562      | 8    |
| 4    | m05597      | 8    |
| 5    | m15790      | 4    |
| 6    | m10591      | 4    |
| 7    | m06236      | 4    |
| 8    | m16861      | 4    |

Ⓒ SVĚTELNÁ SADA

Ⓓ LEUCHTENSATZ

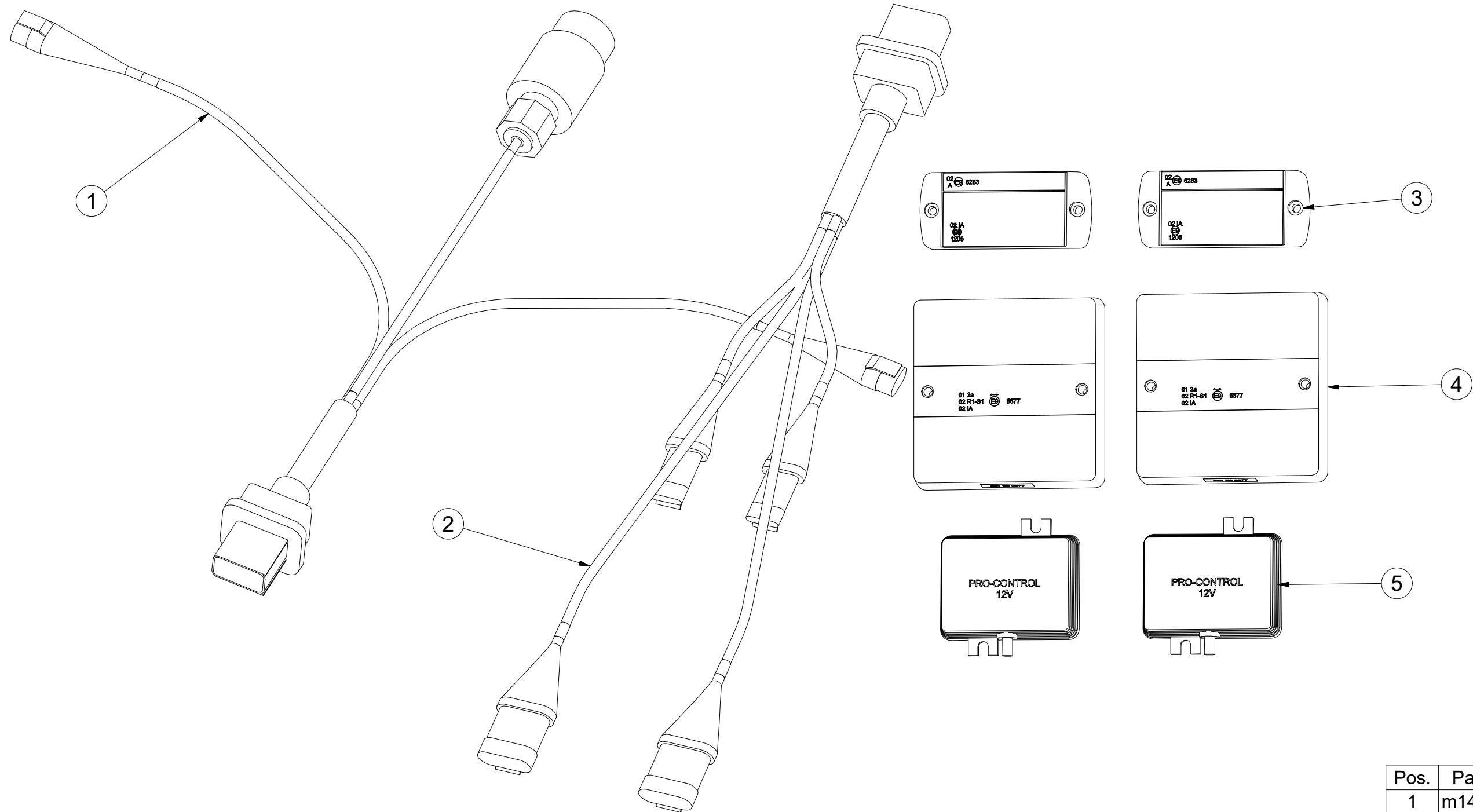
Ⓕ KIT LUMINEUX

**m16768**

Ⓖ LIGHTING SET

Ⓡ ОСВЕТИТЕЛЬНЫЙ КОМПЛЕКТ

Ⓢ ZESTAW OŚWIETLENIA



| Pos. | Part Number | Pcs. |
|------|-------------|------|
| 1    | m14779      | 1    |
| 2    | m14778      | 1    |
| 3    | m14776      | 2    |
| 4    | m16781      | 2    |
| 5    | m14777      | 2    |

ⒸZ SOUPRAVA TĚSNIVA PÍSTNIC

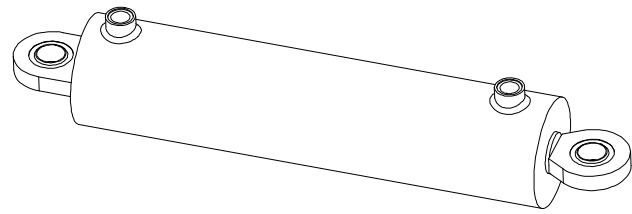
Ⓓ KOLBENSTANGENDICHTUNGSMITTELSATZ

Ⓕ SET DE GARNITURE DES TIGES DE PISTON

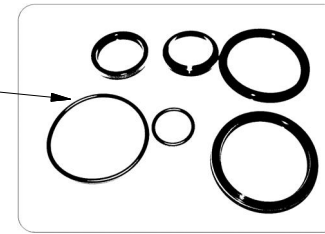
ⒼB SEALING SET FOR PISTON RODS

ⒺRU КОМПЛЕКТ ПРОКЛАДОК ЦИЛИНДРОВ

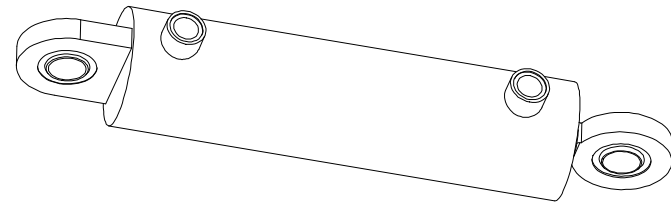
ⒼL ZESTAW USZCZELEK TRZPIENIA TŁOKA



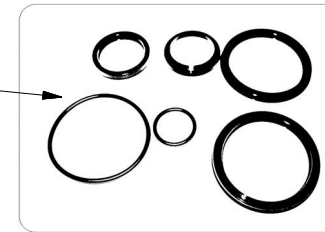
1



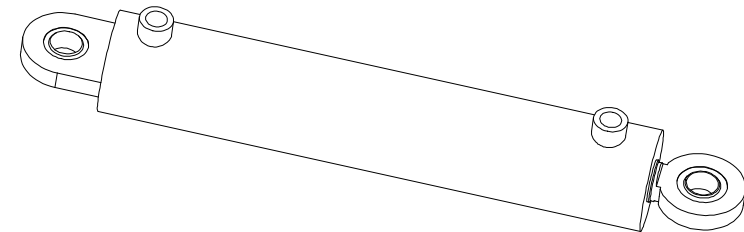
| 9002967 - $\varnothing 100/\varnothing 45-400$ |             |     |
|--|-------------|-----|
| Pos  | Part number | Pcs |
| 1  | m05504      | 1   |



2



| 9000247 - $\varnothing 80/\varnothing 40-250$ |             |     |
|---|-------------|-----|
| Pos   | Part number | Pcs |
| 2   | m03528      | 3   |



3



| 9000248 - $\varnothing 80/\varnothing 40-400$ |             |     |
|---|-------------|-----|
| Pos   | Part number | Pcs |
| 3   | m03528      | 4   |