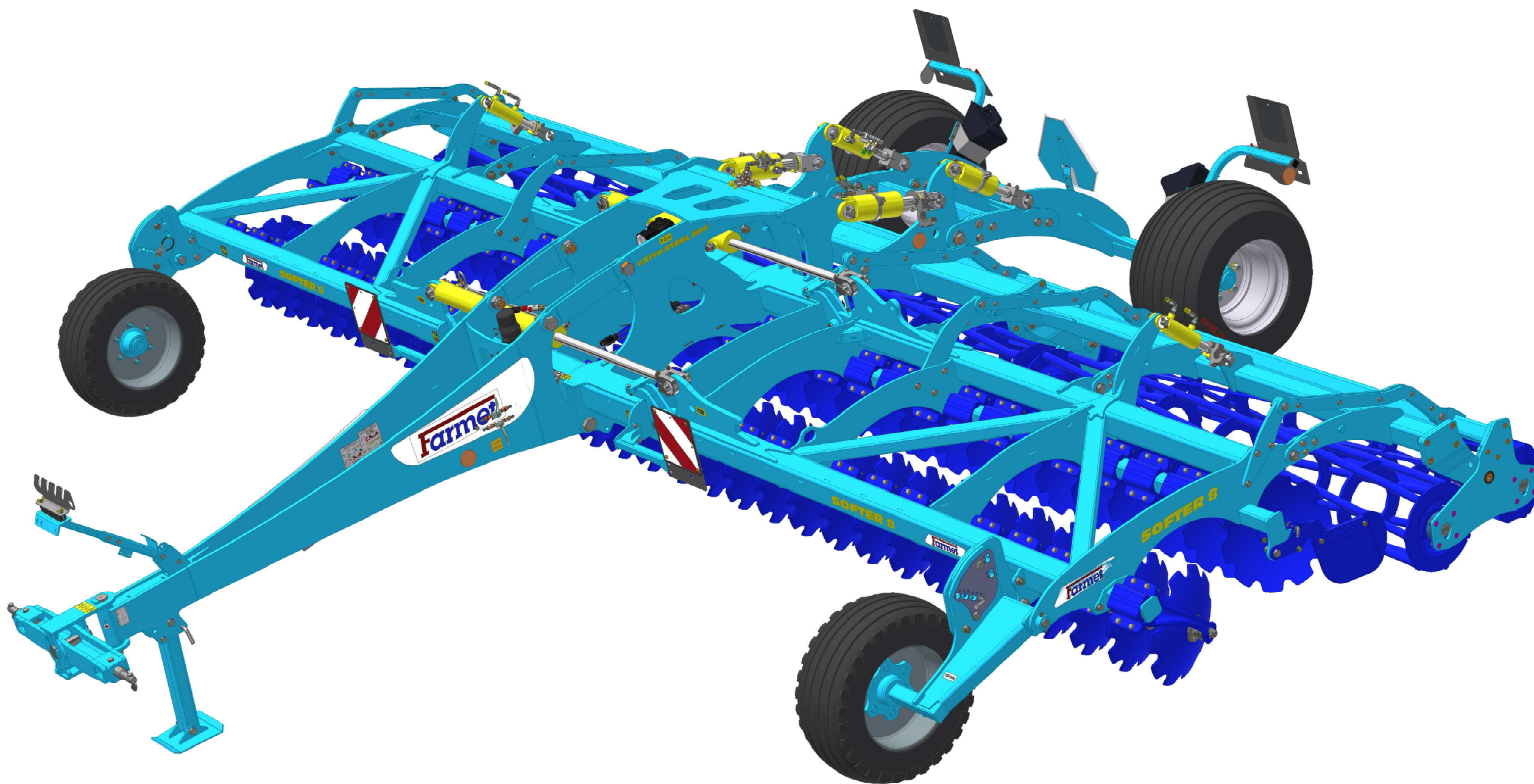


The effective technology

Farmet®

ⒸZ KATALOG NÁHRADNÍCH DÍLŮ ⒸB CATALOGUE OF SPARE PARTS ⒸD ERSATZTEILLISTE
ⒸRU КАТАЛОГ ЗАПАСНЫХ ЧАСТЕЙ ⒸF CATALOGUE DES PIÈCES DE RECHANGE ⒸPL KATALOG CZĘŚCI ZAMIENNYCH

SOFTER 8 PS



ⒸZ Platnost pro vrcholové | výrobní číslo stroje ⒸB Validity for the top | serial number of the machine
ⒸD Gültigkeit für die Haupt- | Herstellungsnummer der Maschine ⒸRU Действительно для главного | заводского номера машины
ⒸF Validité du numéro de référence | de série de la machine ⒸPL Obowiązuje dla numeru głównego | seryjnego maszyny

9316865 | 2022/0226

Farmet a. s.
Jiřinková 276
552 03 Česká Skalice, CZ

telefon: +420 491 450 111
fax: +420 491 450 136
GSM: +420 774 715 738

IČ: 46504931
DIČ: CZ46504931

web: www.farmet.cz
e-mail: farmet@farmet.cz

ⒸZ NAVIGACE STROJE

Ⓓ NAVIGATION DER MASCHINE

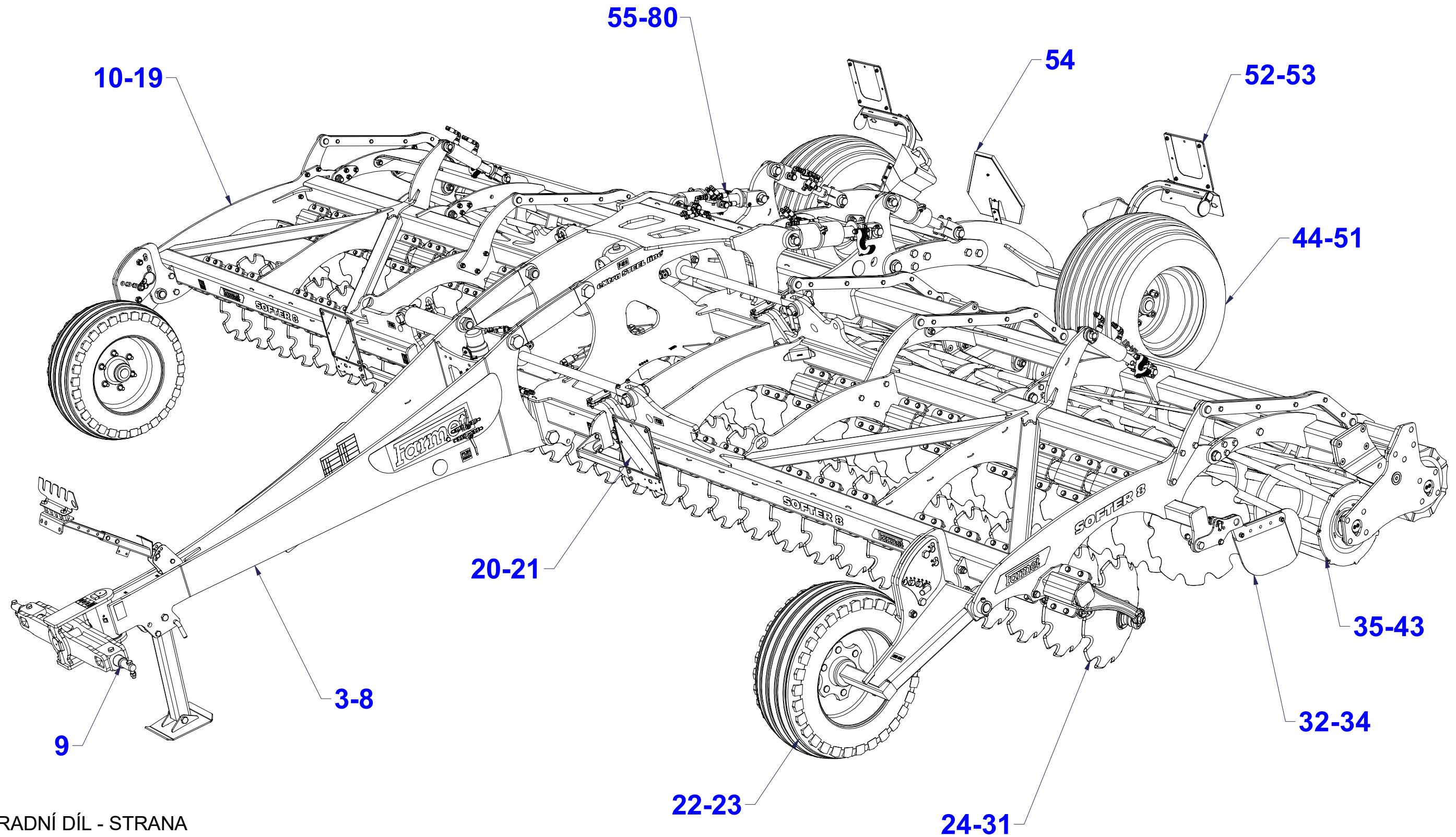
Ⓕ NAVIGATION DE LA MACHINE

ⒸB NAVIGATION OF THE MACHINE

ⒸU НАВИГАЦИЯ МАШИНЫ

ⒸL NAWIGACJA MASZYNY

Farmet



ⒸZ NÁHRADNÍ DÍL - STRANA

ⒸB SPARE PART - PAGE

Ⓓ ERSATZTEILE - SEITE

ⒸU ЗАПЧАСТЬ - СТРАНИЦА

Ⓕ PIÈCE DE RECHANGE - PAGE

ⒸL CZĘŚCI ZAMIENNE - STRONA

ⒸZ OJ MONT

Ⓓ DEICHSEL MONTIERT

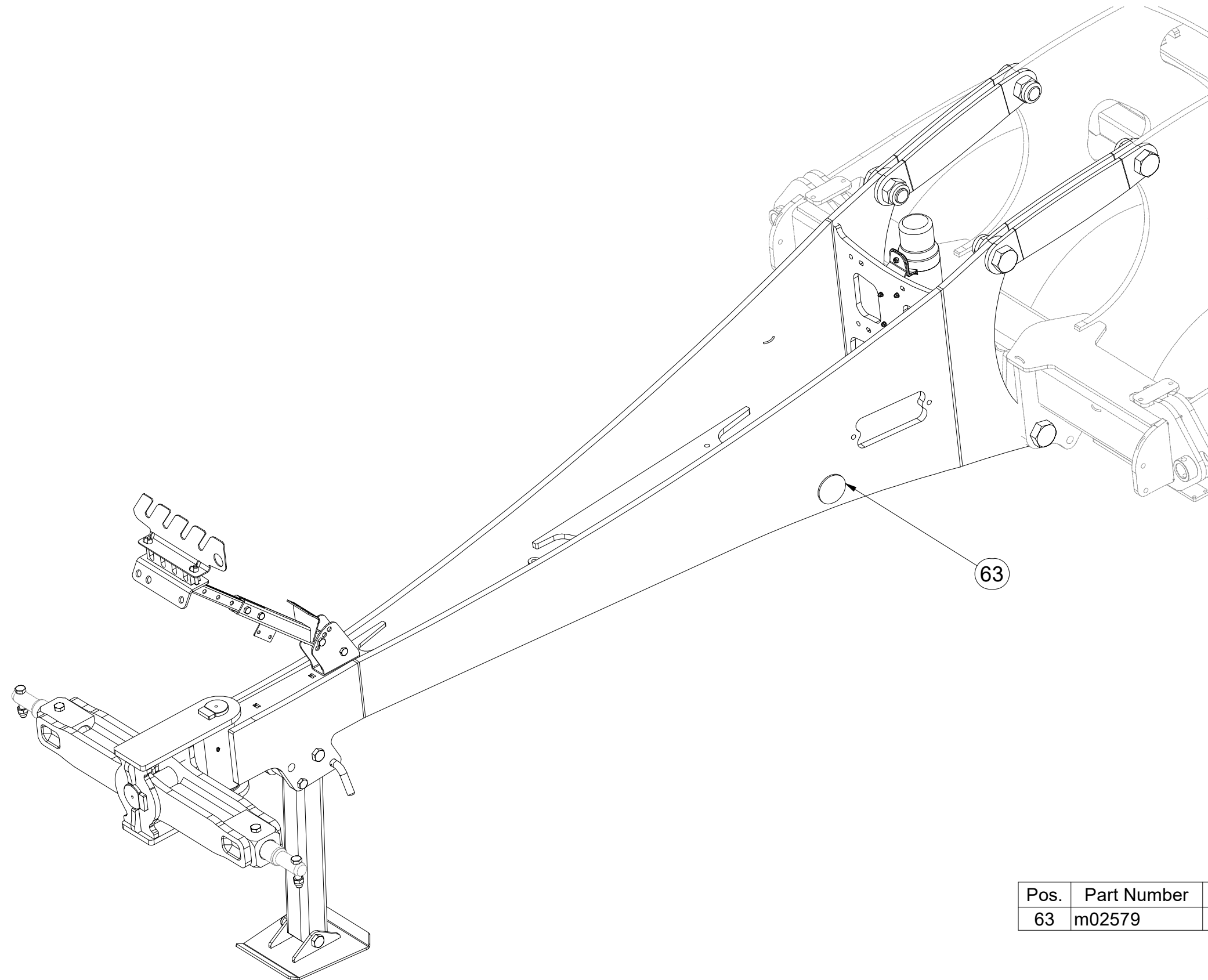
Ⓕ TIMON MONTÉ

VZ00003662

ⒼB MONT DRAWBAR

ⒺU ДЫШЛО МОНТ.

ⒼL DYSZEL MONT



| Pos. | Part Number | Pcs. |
|------|-------------|------|
| 63 | m02579 | 2 |

Ⓒ OJ MONT

Ⓓ DEICHSEL MONTIERT

Ⓕ TIMON MONTÉ

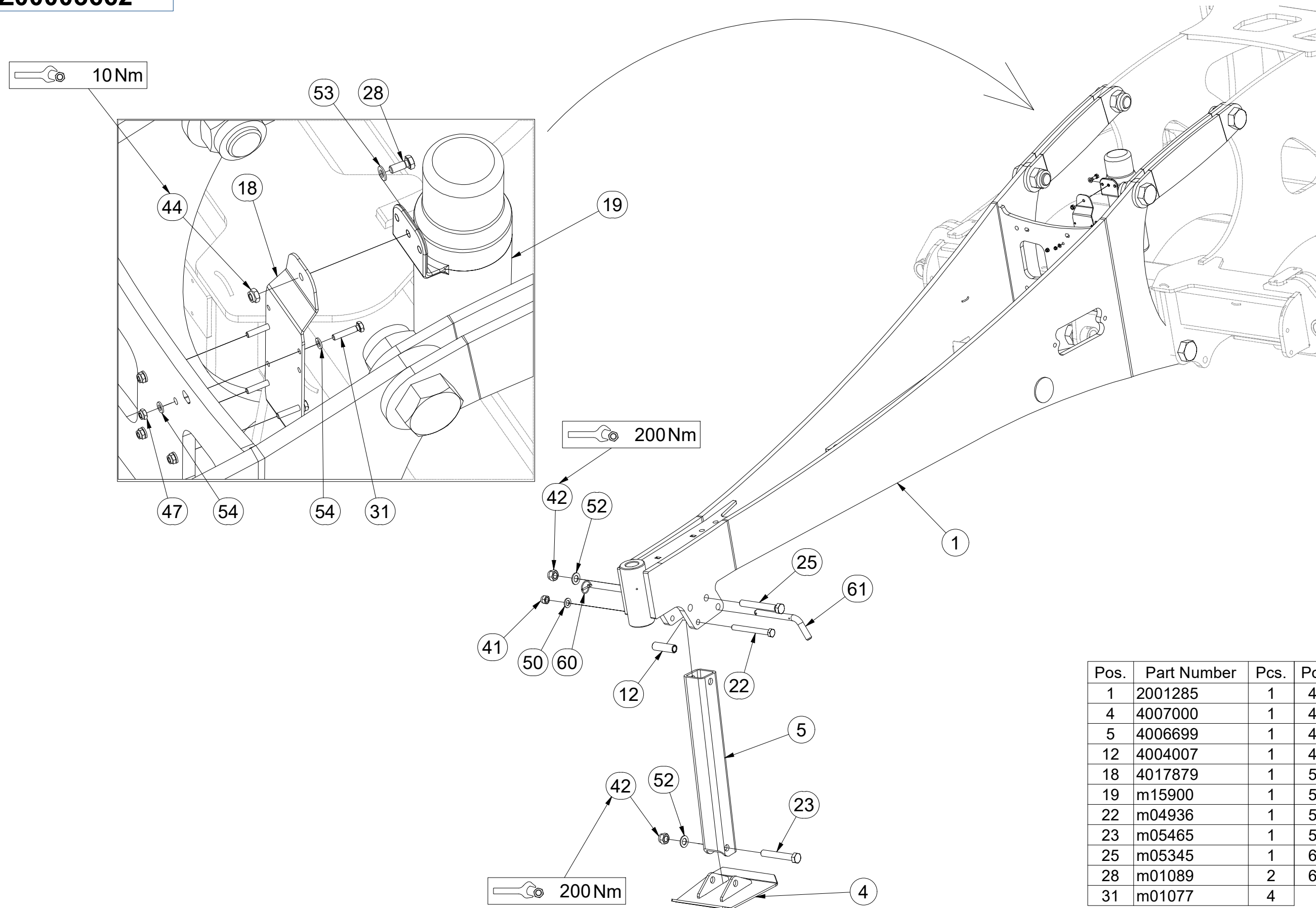
Ⓖ MONT DRAWBAR

Ⓡ ДЫШЛО МОНТ.

Ⓟ DYSZEL MONT



VZ00003662



| Pos. | Part Number | Pcs. | Pos. | Part Number | Pcs. |
|------|-------------|------|------|-------------|------|
| 1 | 2001285 | 1 | 41 | m03683 | 7 |
| 4 | 4007000 | 1 | 42 | m05648 | 2 |
| 5 | 4006699 | 1 | 44 | m04503 | 2 |
| 12 | 4004007 | 1 | 47 | m05560 | 4 |
| 18 | 4017879 | 1 | 50 | m01219 | 1 |
| 19 | m15900 | 1 | 52 | m03768 | 2 |
| 22 | m04936 | 1 | 53 | m01203 | 2 |
| 23 | m05465 | 1 | 54 | m01199 | 8 |
| 25 | m05345 | 1 | 60 | m10454 | 1 |
| 28 | m01089 | 2 | 61 | m18629 | 1 |
| 31 | m01077 | 4 | | | |

ⒸZ OJ MONT

Ⓓ DEICHSEL MONTIERT

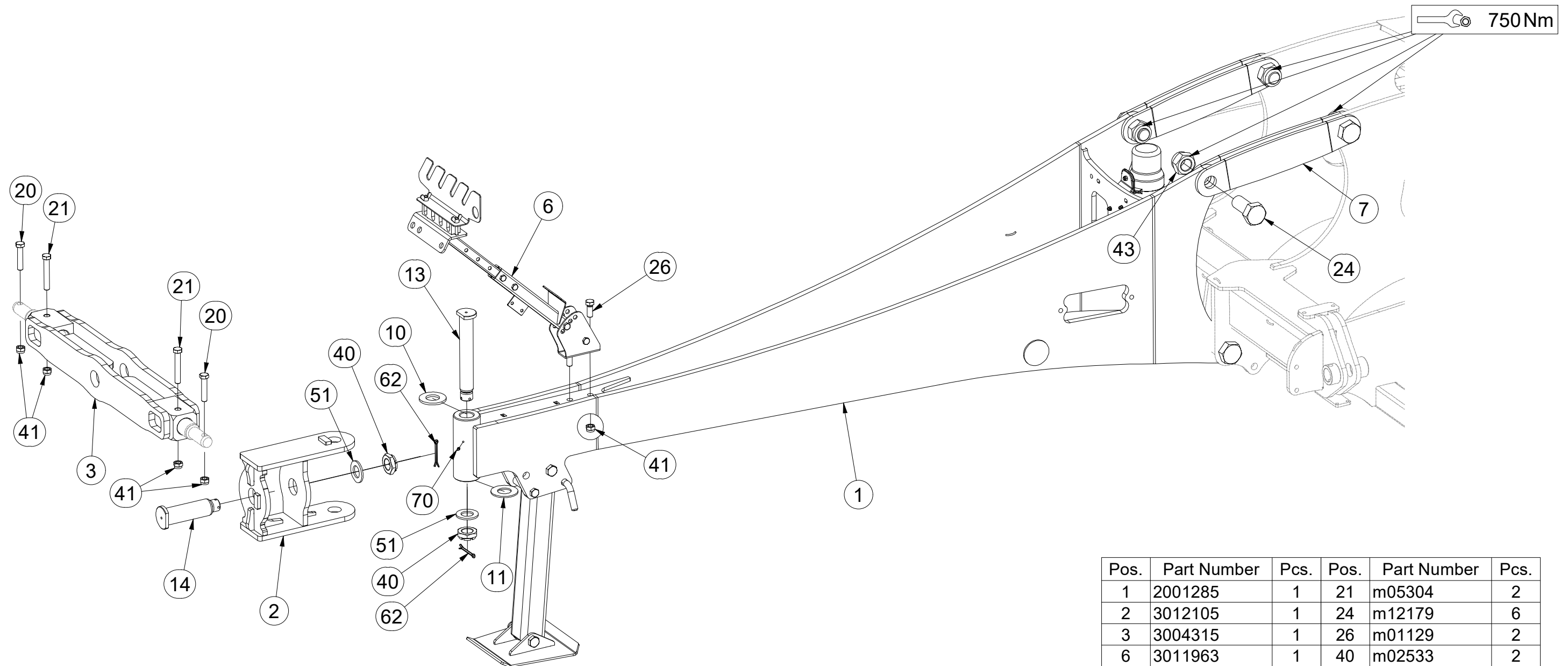
Ⓕ TIMON MONTÉ

VZ00003662

ⒼB MONT DRAWBAR

ⒺU ДЫШЛО МОНТ.

ⒼL DYSZEL MONT



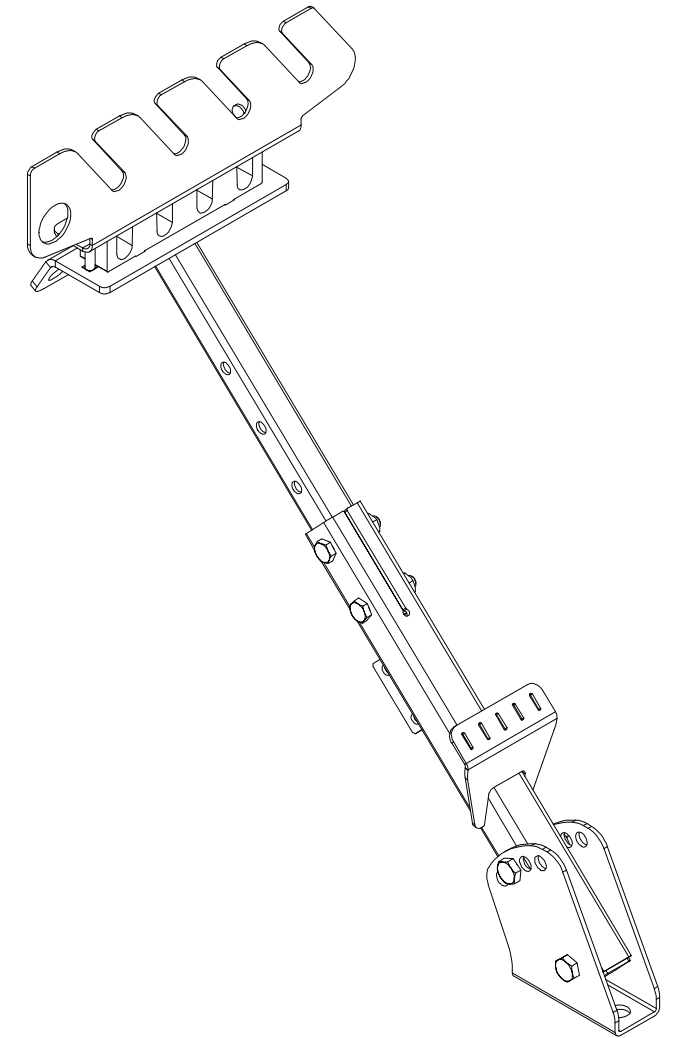
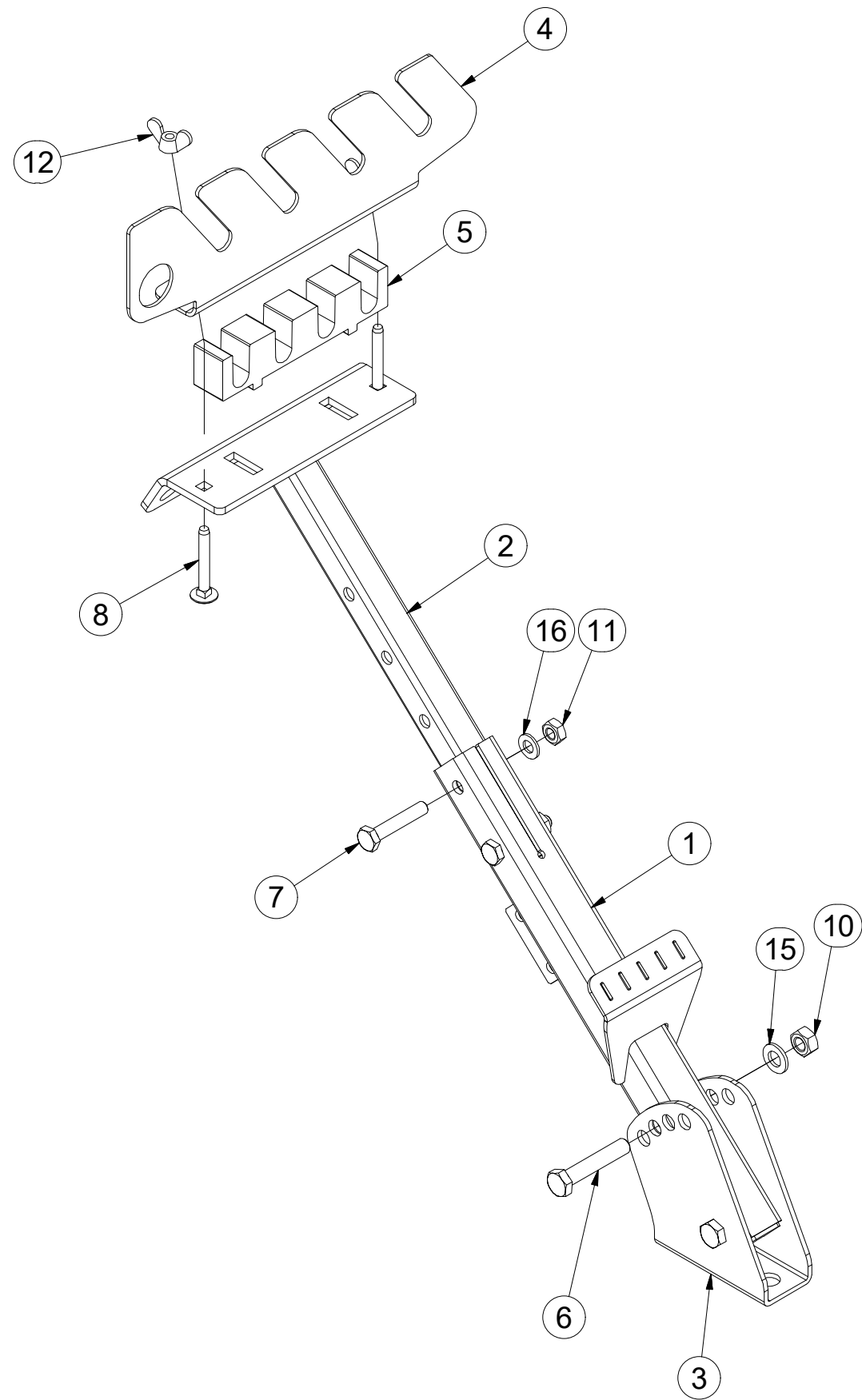
| Pos. | Part Number | Pcs. | Pos. | Part Number | Pcs. |
|------|-------------|------|------|-------------|------|
| 1 | 2001285 | 1 | 21 | m05304 | 2 |
| 2 | 3012105 | 1 | 24 | m12179 | 6 |
| 3 | 3004315 | 1 | 26 | m01129 | 2 |
| 6 | 3011963 | 1 | 40 | m02533 | 2 |
| 7 | 4014721 | 4 | 41 | m03683 | 7 |
| 10 | 4003745 | 1 | 43 | m11337 | 6 |
| 11 | 4003744 | 1 | 51 | m03866 | 2 |
| 13 | 4007817 | 1 | 62 | m04139 | 2 |
| 14 | 4007818 | 1 | 70 | m01725 | 1 |
| 20 | m01133 | 2 | | | |

- Ⓒ DRŽÁK
- Ⓓ HALTER
- Ⓕ SUPPORT

- Ⓖ HOLDER
- Ⓡ ДЕРЖАТЕЛЬ
- Ⓢ UCHWYT



3011963



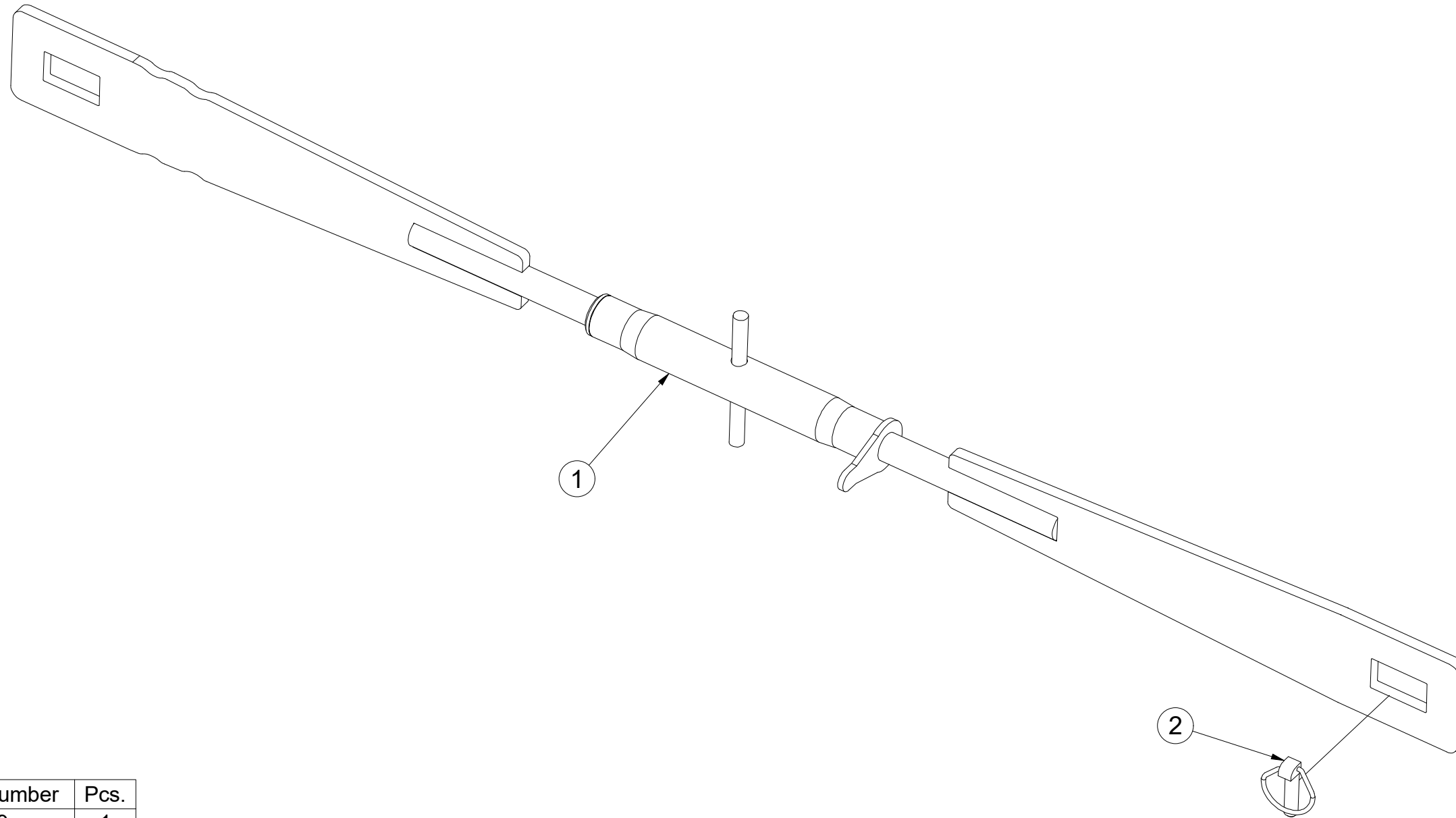
| Pos. | Part Number | Pcs. |
|------|-------------|------|
| 1 | 3011662 | 1 |
| 2 | 3011689 | 1 |
| 3 | 3011659 | 1 |
| 4 | 4023572 | 1 |
| 5 | 4005201 | 1 |
| 6 | m05898 | 2 |
| 7 | m06253 | 2 |
| 8 | m09247 | 2 |
| 10 | m01305 | 2 |
| 11 | m01299 | 2 |
| 12 | m01316 | 2 |
| 15 | m01214 | 2 |
| 16 | m01209 | 2 |

ⒸZ TÁHLO
Ⓓ STANGE
Ⓕ TIGE DE TRACTION

ⒼB DRAWBAR
Ⓔ RU ТЯГА
ⒼL PRĘT



VZ00006988



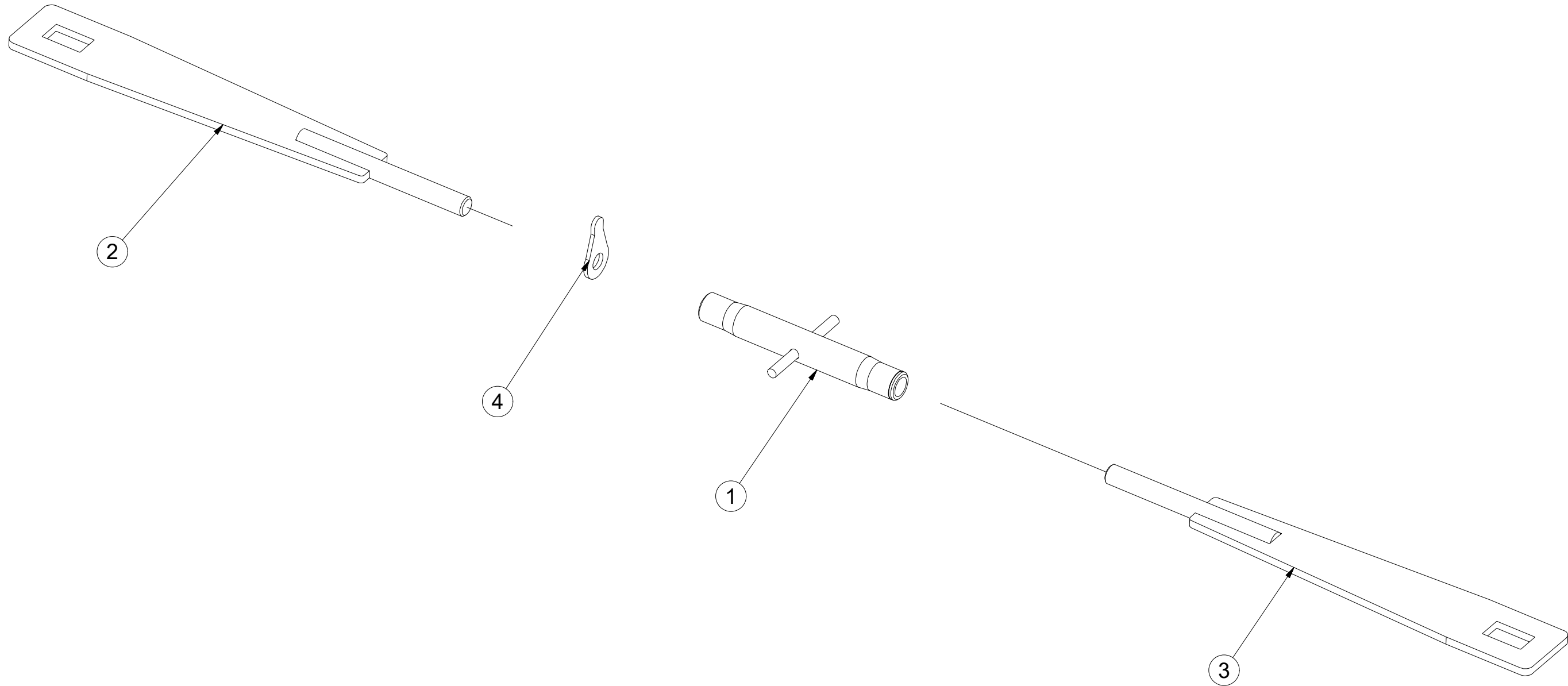
| Pos. | Part Number | Pcs. |
|------|-------------|------|
| 1 | 4009359 | 1 |
| 2 | m02505 | 1 |

Ⓒ SPOJOVACÍ TÁHLO
Ⓓ VERBINDUNGSSTANGE
Ⓕ TIGE DE RACCORDEMENT

Ⓖ CONNECTING ROD
Ⓡ СОЕДИНИТЕЛЬНАЯ ТЯГА
Ⓢ KORBOWÓD



4009359



| Pos. | Part Number | Pcs. |
|------|-------------|------|
| 1 | m08880 | 1 |
| 2 | 4009356 | 1 |
| 3 | 4009360 | 1 |
| 4 | m08881 | 1 |

Ⓒ SADA ČEPŮ TBZ 3

Ⓓ BOLZENSATZ TBZ 3

Ⓕ KIT D'EMBOUITS TBZ 3

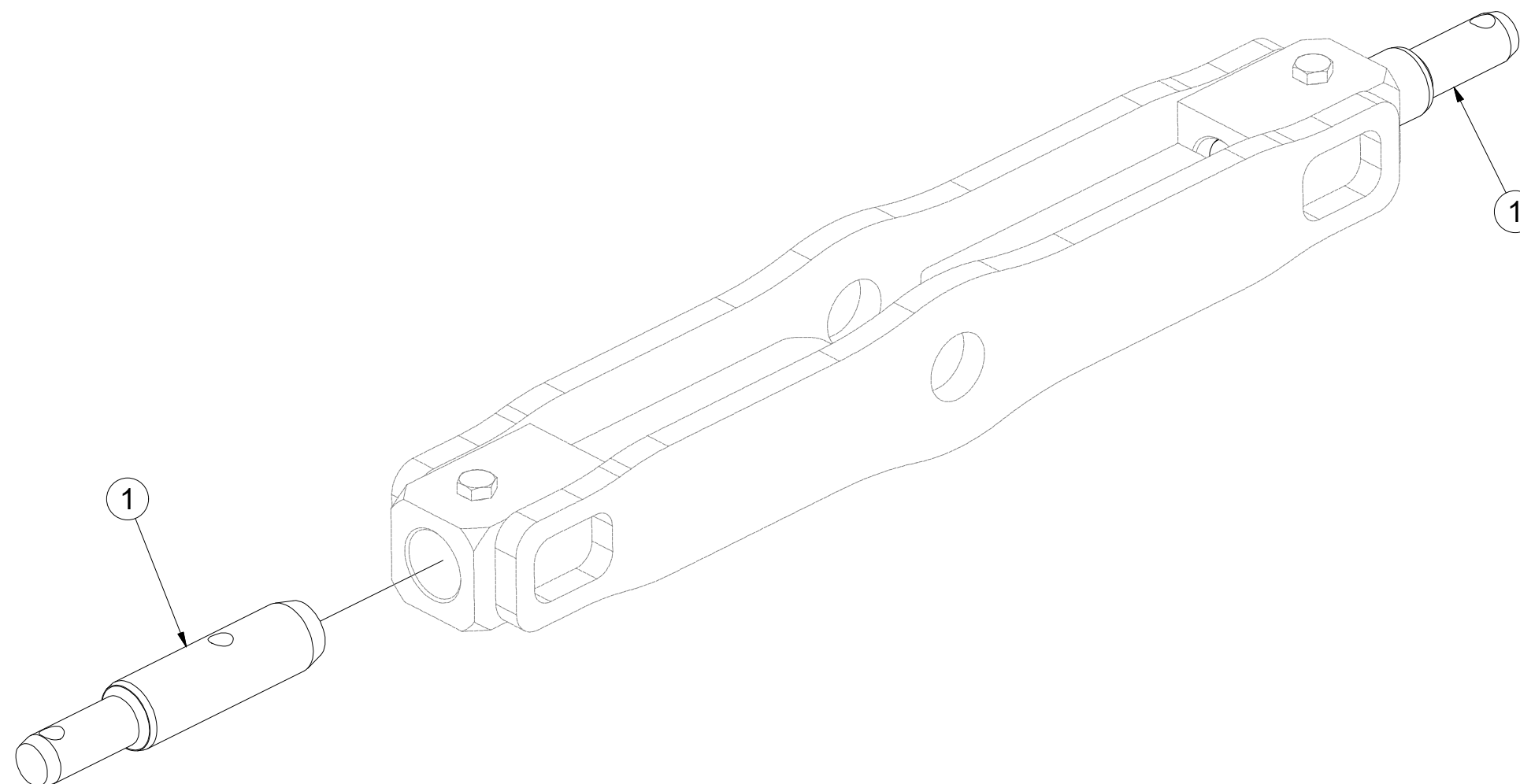
4020780

Ⓖ SET OF TBZ 3 PINS

Ⓡ КОМПЛЕКТ ПАЛЬЦЕВ TBZ 3

Ⓟ ZESTAW CZOPÓW TBZ 3

Farmet



| Pos. | Part Number | Pcs. |
|------|-------------|------|
| 1 | 4008217 | 2 |

Ⓒ ZÁKLAD STROJE

Ⓓ UNTERBAU DER MASCHINE

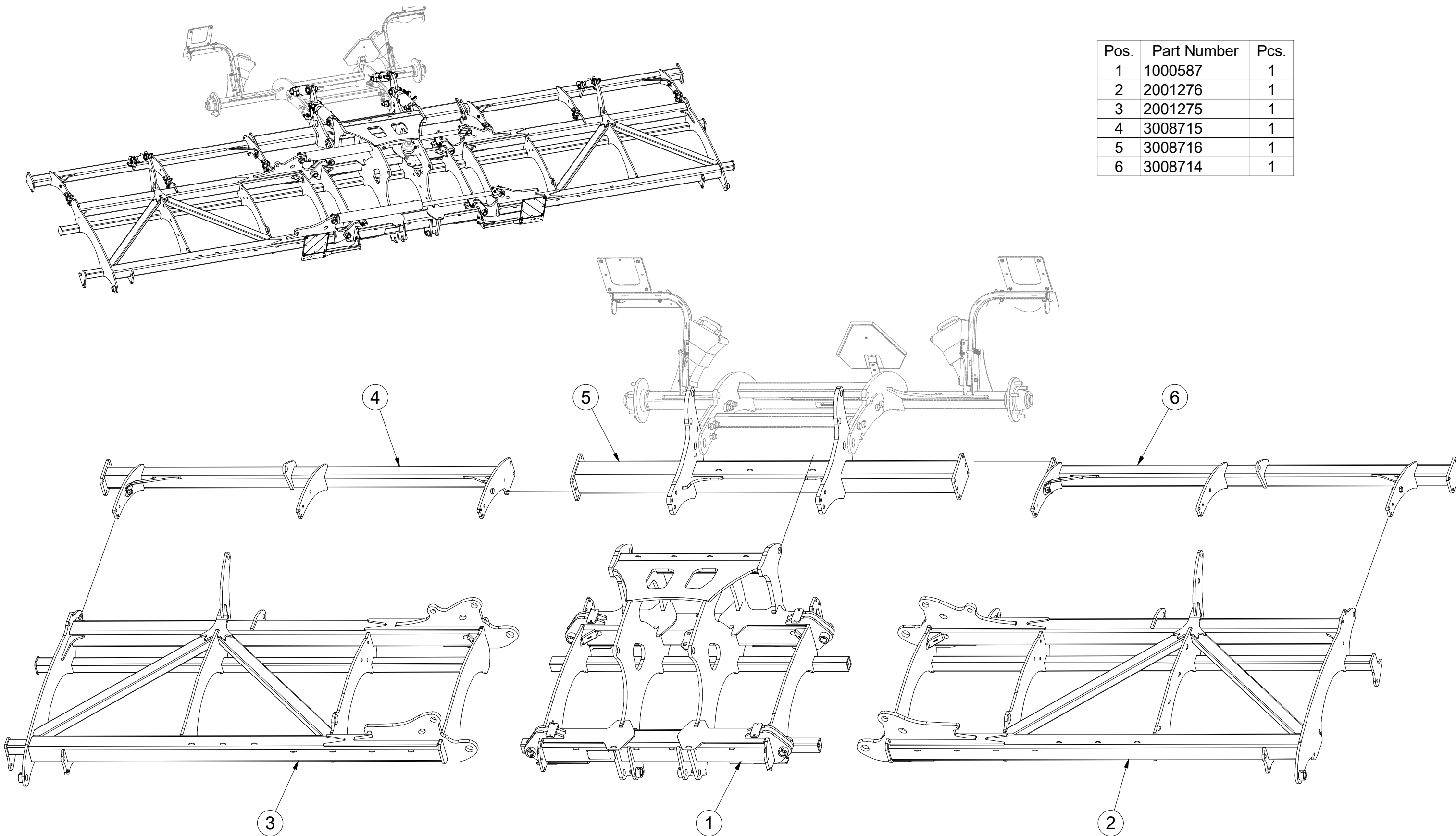
Ⓕ BÂTI DE LA MACHINE

VZ00017378

Ⓖ FOOTING OF THE MACHINE

Ⓡ ОСНОВАНИЕ МАШИНЫ

Ⓢ PODSTAWA MASZYNY



| Pos. | Part Number | Pcs. |
|------|-------------|------|
| 1 | 1000587 | 1 |
| 2 | 2001276 | 1 |
| 3 | 2001275 | 1 |
| 4 | 3008715 | 1 |
| 5 | 3008716 | 1 |
| 6 | 3008714 | 1 |

Ⓒ ZÁKLAD STROJE

Ⓓ UNTERBAU DER MASCHINE

Ⓕ BÂTI DE LA MACHINE

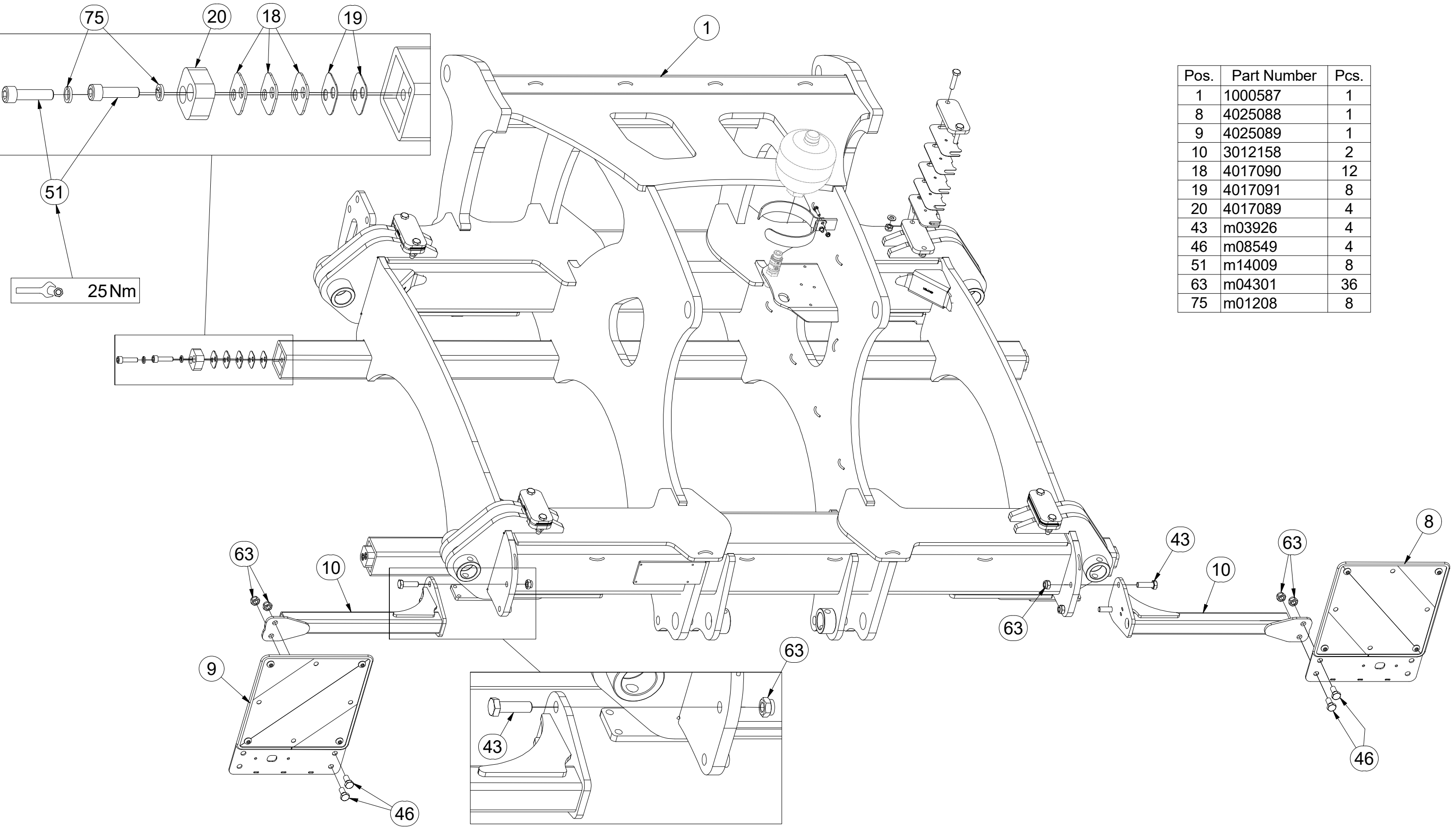
Ⓖ FOOTING OF THE MACHINE

Ⓡ ОСНОВАНИЕ МАШИНЫ

Ⓢ PODSTAWA MASZyny



VZ00017378



| Pos. | Part Number | Pcs. |
|------|-------------|------|
| 1 | 1000587 | 1 |
| 8 | 4025088 | 1 |
| 9 | 4025089 | 1 |
| 10 | 3012158 | 2 |
| 18 | 4017090 | 12 |
| 19 | 4017091 | 8 |
| 20 | 4017089 | 4 |
| 43 | m03926 | 4 |
| 46 | m08549 | 4 |
| 51 | m14009 | 8 |
| 63 | m04301 | 36 |
| 75 | m01208 | 8 |

Ⓒ ZÁKLAD STROJE

Ⓓ UNTERBAU DER MASCHINE

Ⓕ BÂTI DE LA MACHINE

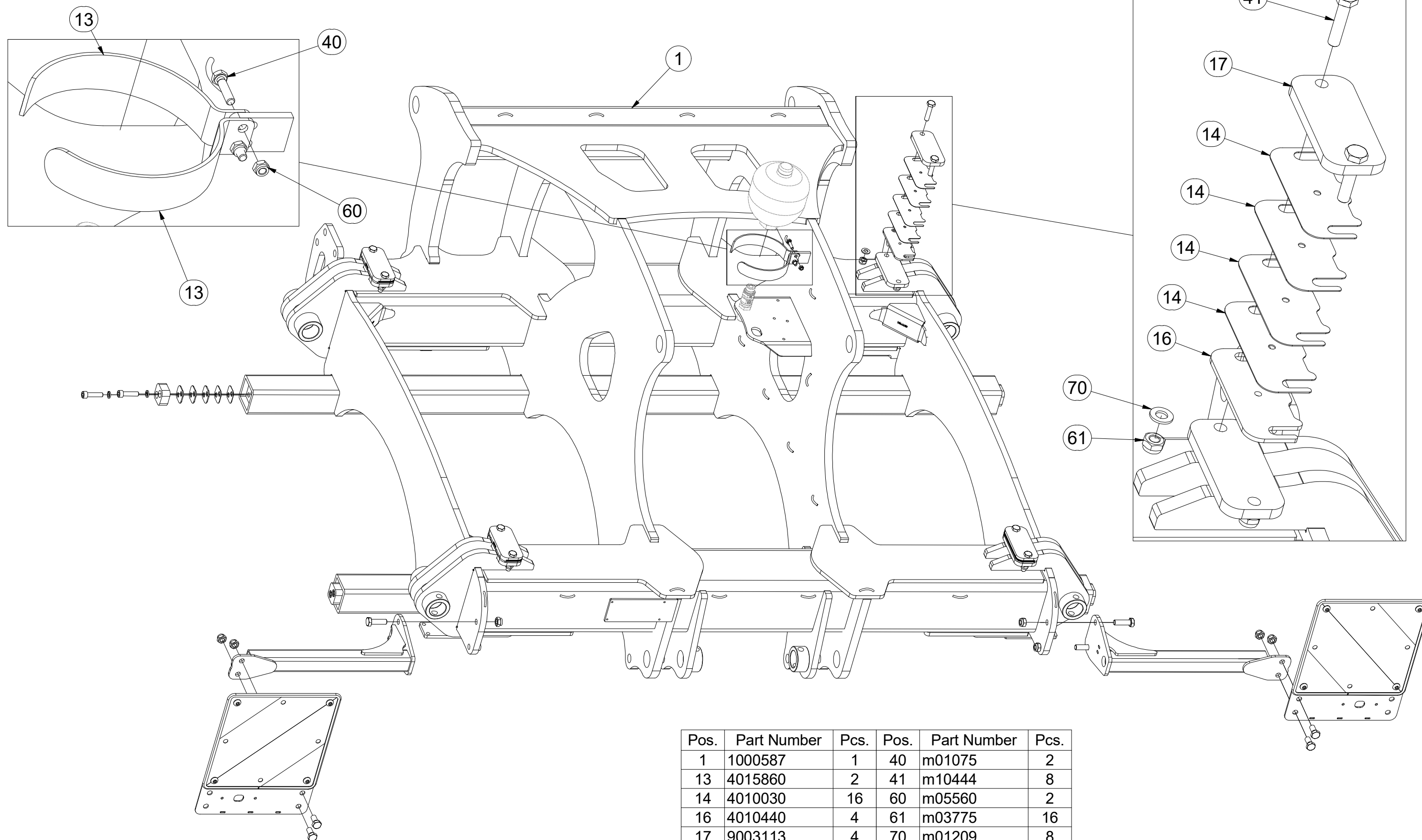
Ⓖ FOOTING OF THE MACHINE

Ⓡ ОСНОВАНИЕ МАШИНЫ

Ⓢ PODSTAWA MASZYNY



VZ00017378



| Pos. | Part Number | Pcs. | Pos. | Part Number | Pcs. |
|------|-------------|------|------|-------------|------|
| 1 | 1000587 | 1 | 40 | m01075 | 2 |
| 13 | 4015860 | 2 | 41 | m10444 | 8 |
| 14 | 4010030 | 16 | 60 | m05560 | 2 |
| 16 | 4010440 | 4 | 61 | m03775 | 16 |
| 17 | 9003113 | 4 | 70 | m01209 | 8 |

Ⓒ ZÁKLAD STROJE

Ⓓ UNTERBAU DER MASCHINE

Ⓕ BÂTI DE LA MACHINE

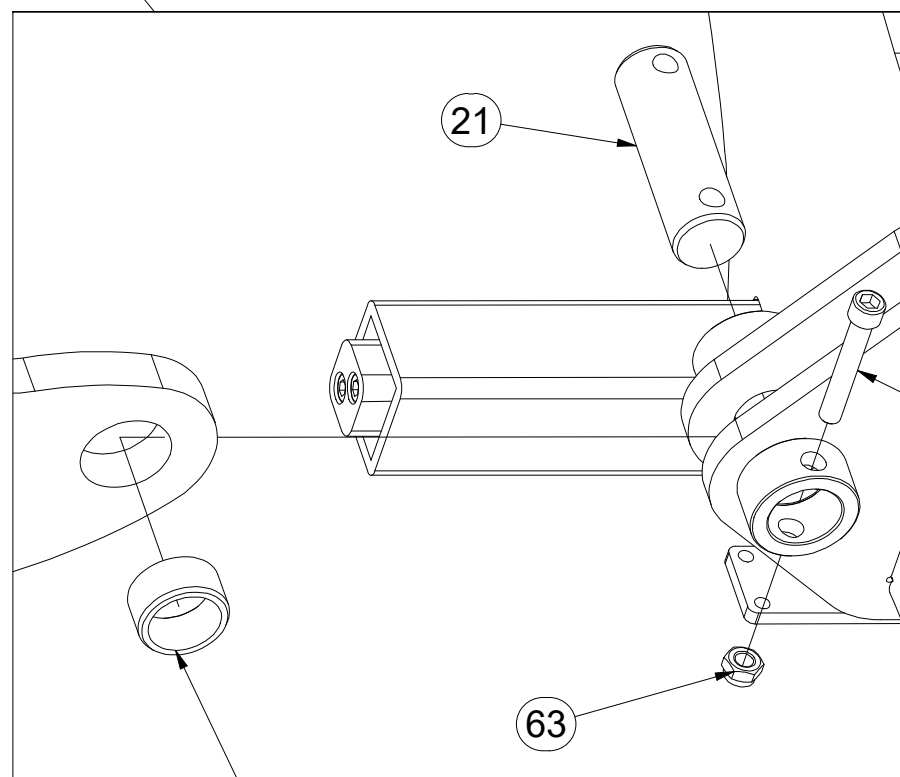
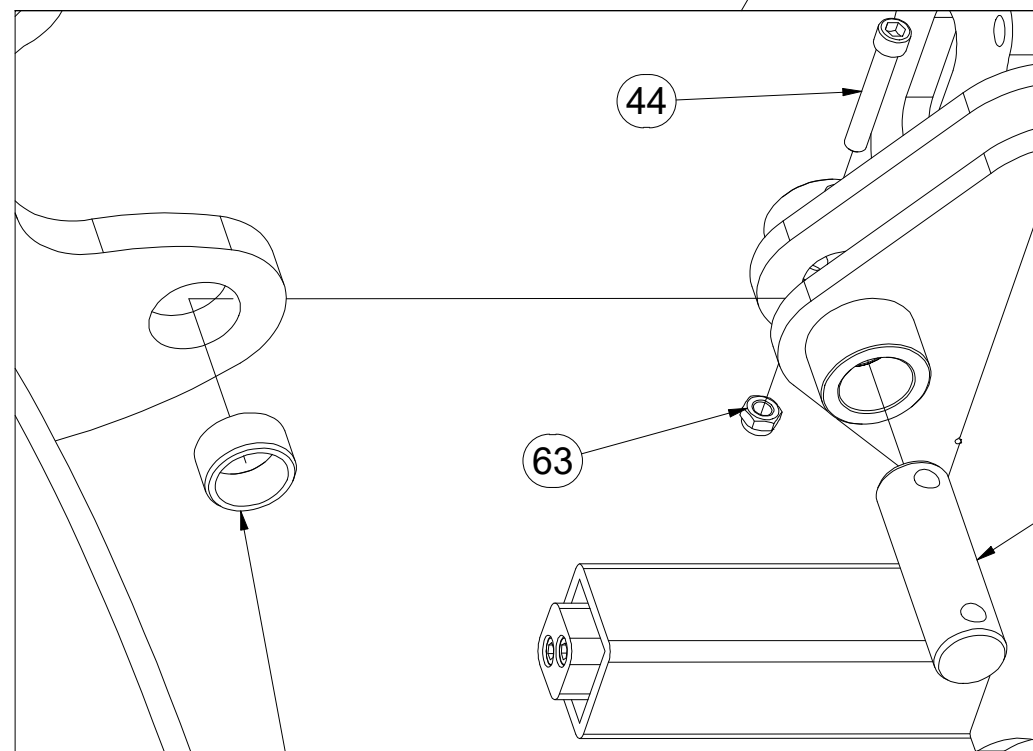
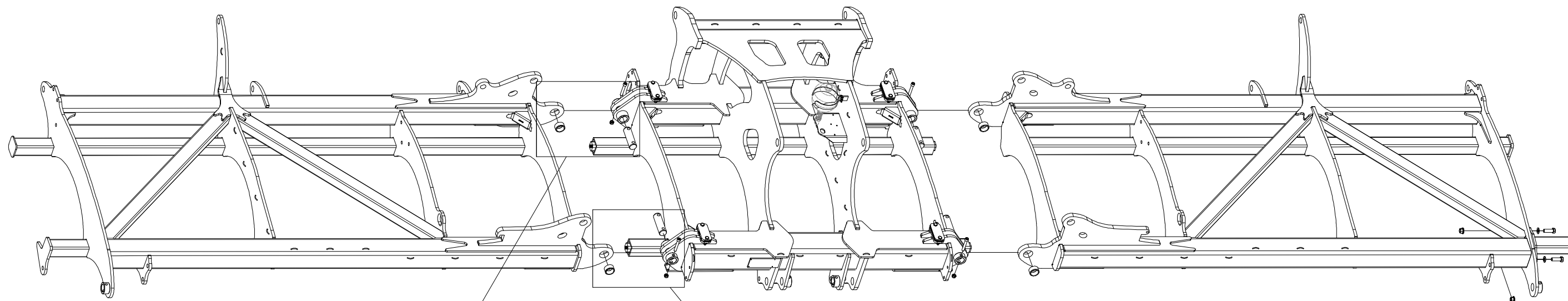
Ⓖ FOOTING OF THE MACHINE

Ⓡ ОСНОВАНИЕ МАШИНЫ

Ⓢ PODSTAWA MASZINY



VZ00017378



| Pos. | Part Number | Pcs. |
|------|-------------|------|
| 21 | 4007816 | 8 |
| 37 | m15002 | 4 |
| 44 | m13033 | 4 |
| 63 | m04301 | 36 |

37

44

63

21

21

44

63

37

Ⓒ ZÁKLAD STROJE

Ⓓ UNTERBAU DER MASCHINE

Ⓕ BÂTI DE LA MACHINE

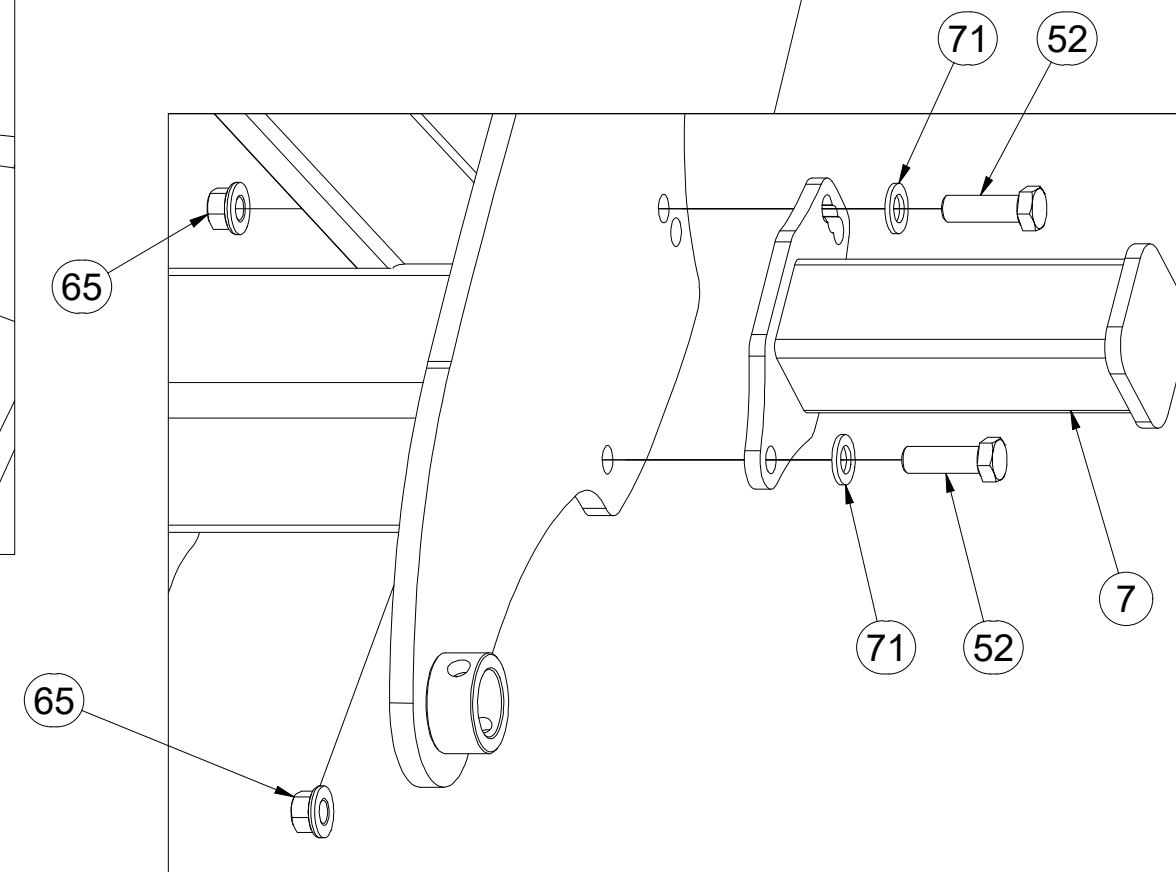
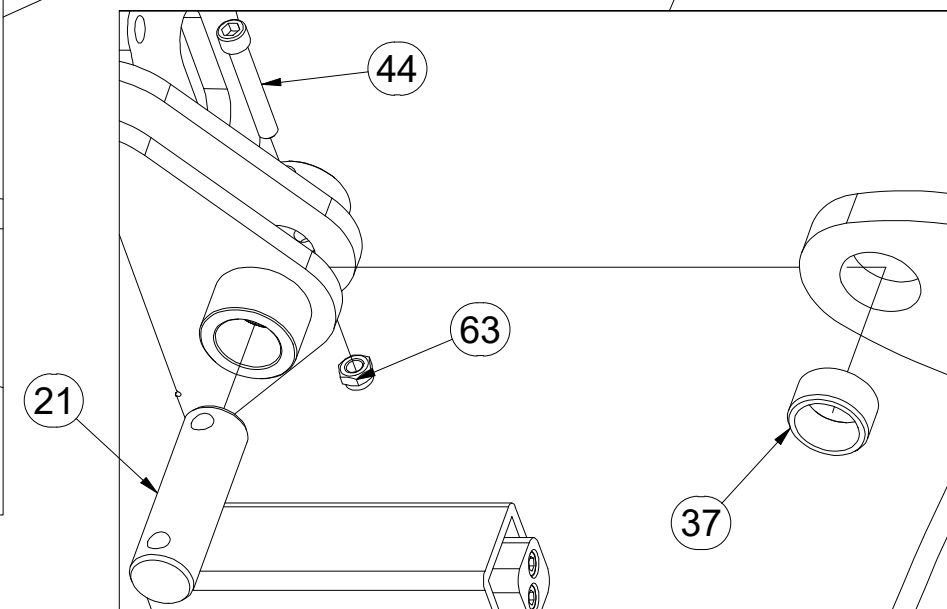
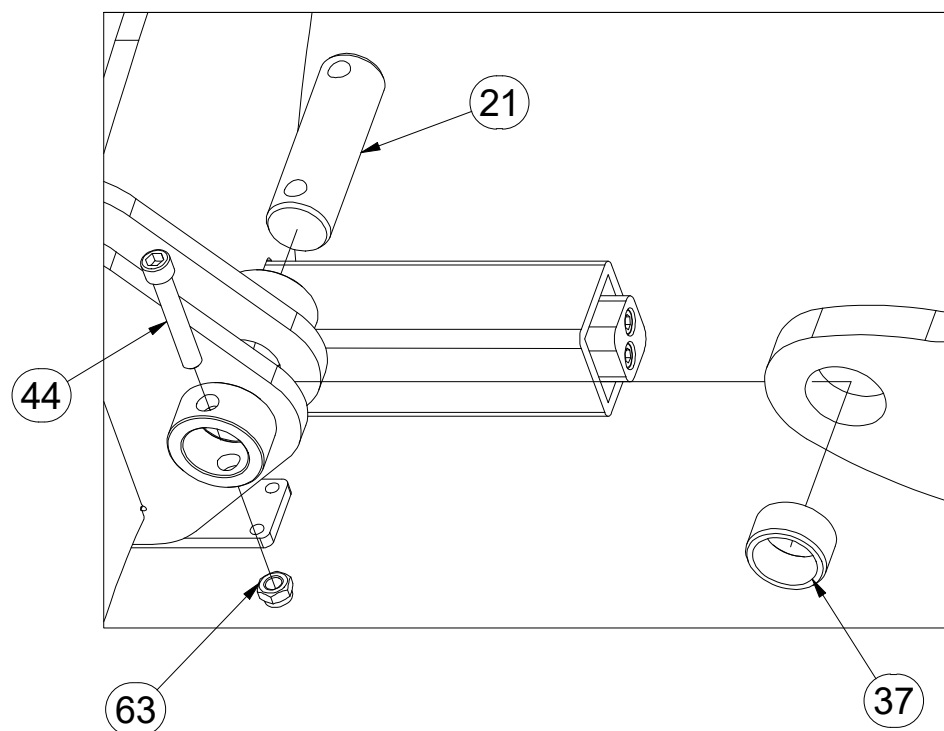
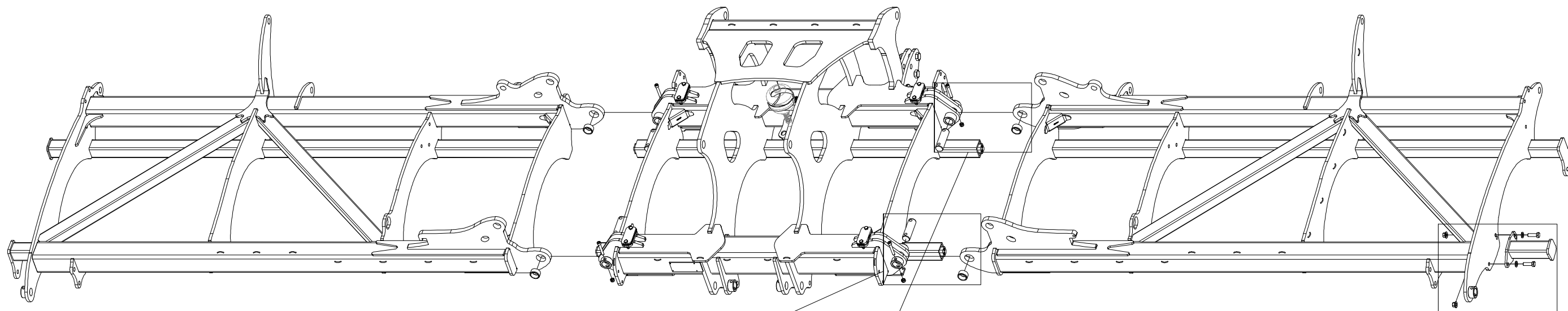
Ⓖ FOOTING OF THE MACHINE

Ⓡ ОСНОВАНИЕ МАШИНЫ

Ⓢ PODSTAWA MASZYNY



VZ00017378



| Pos. | Part Number | Pcs. | Pos. | Part Number | Pcs. |
|------|-------------|------|------|-------------|------|
| 7 | 3007071 | 1 | 52 | m04355 | 2 |
| 21 | 4007816 | 8 | 63 | m04301 | 36 |
| 37 | m15002 | 4 | 65 | m15730 | 2 |
| 44 | m13033 | 4 | 71 | m01219 | 2 |

Ⓒ ZÁKLAD STROJE

Ⓓ UNTERBAU DER MASCHINE

Ⓕ BÂTI DE LA MACHINE

Ⓖ FOOTING OF THE MACHINE

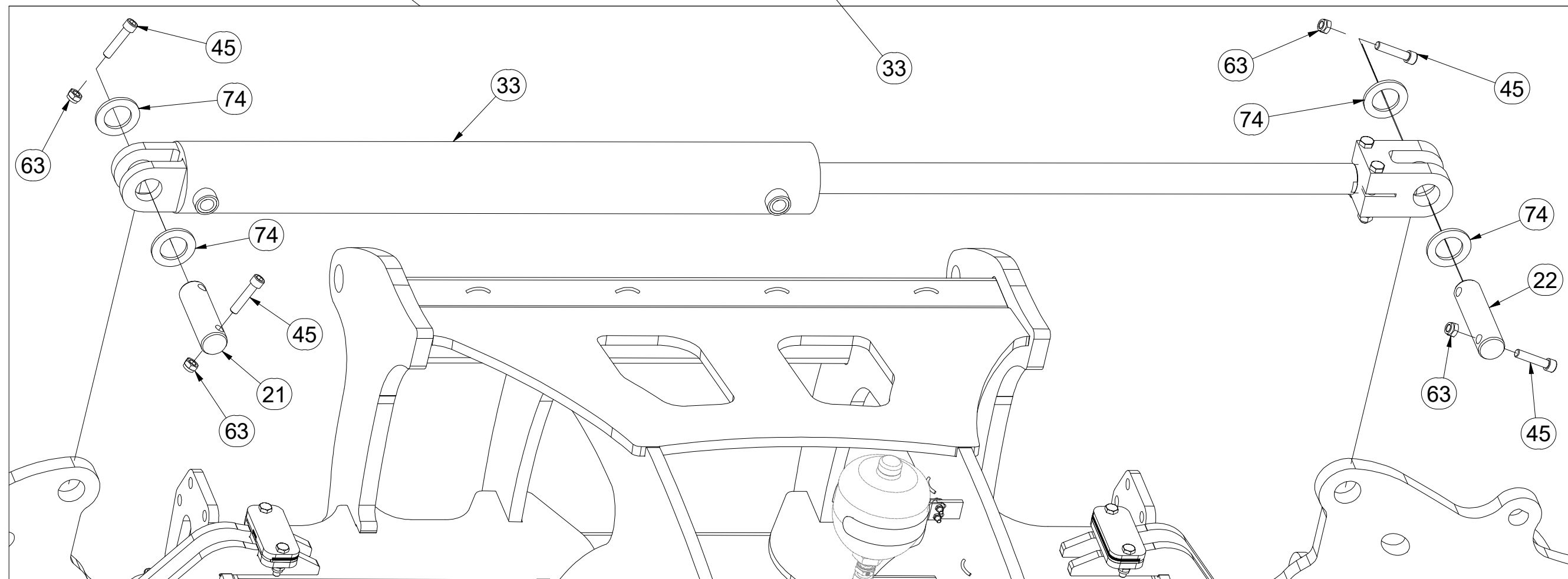
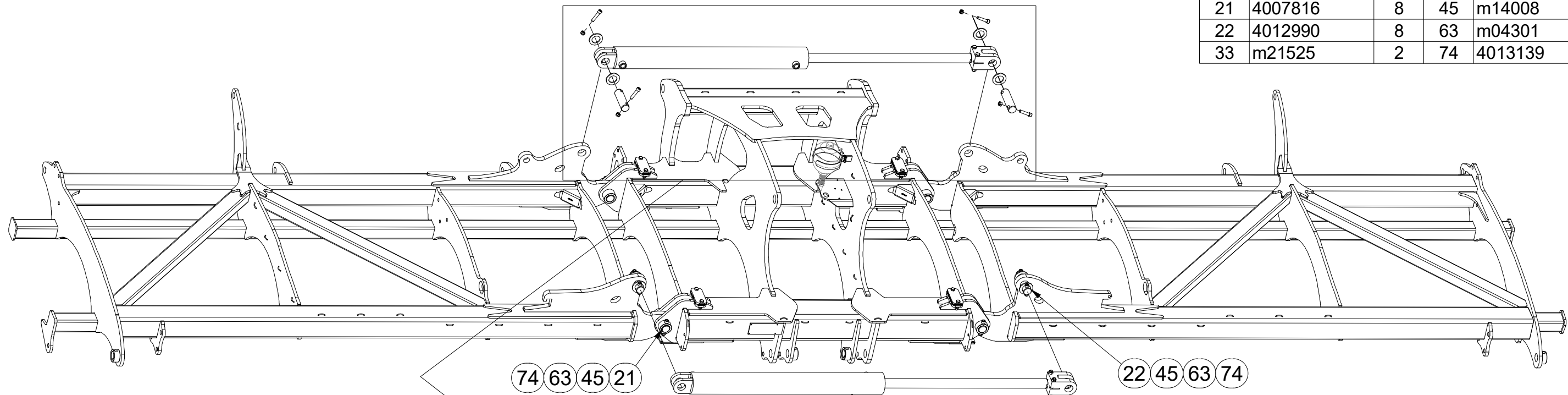
Ⓡ ОСНОВАНИЕ МАШИНЫ

Ⓢ PODSTAWA MASZYNY



VZ00017378

| Pos. | Part Number | Pcs. | Pos. | Part Number | Pcs. |
|------|-------------|------|------|-------------|------|
| 21 | 4007816 | 8 | 45 | m14008 | 24 |
| 22 | 4012990 | 8 | 63 | m04301 | 36 |
| 33 | m21525 | 2 | 74 | 4013139 | 24 |



☉ ZÁKLAD STROJE

☐ UNTERBAU DER MASCHINE

☐ BÂTI DE LA MACHINE

☉ FOOTING OF THE MACHINE

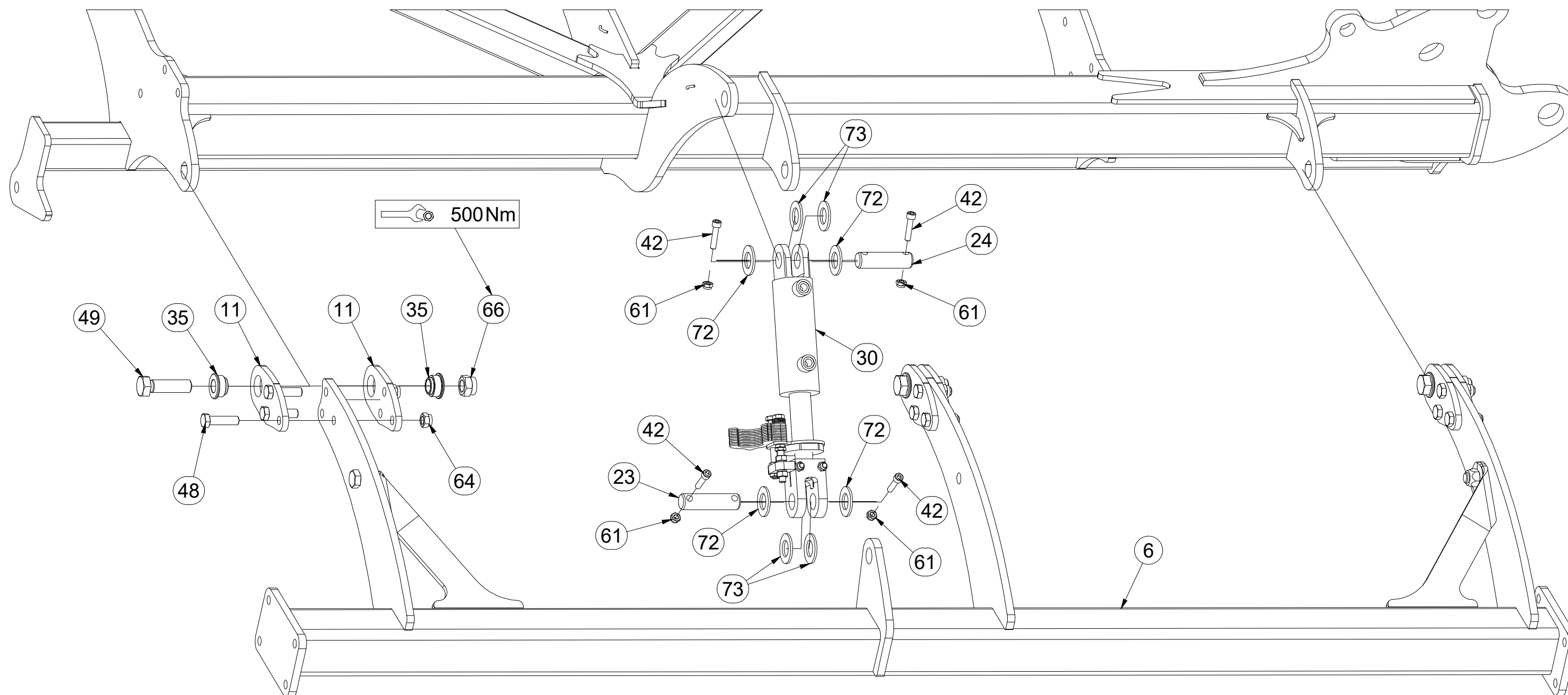
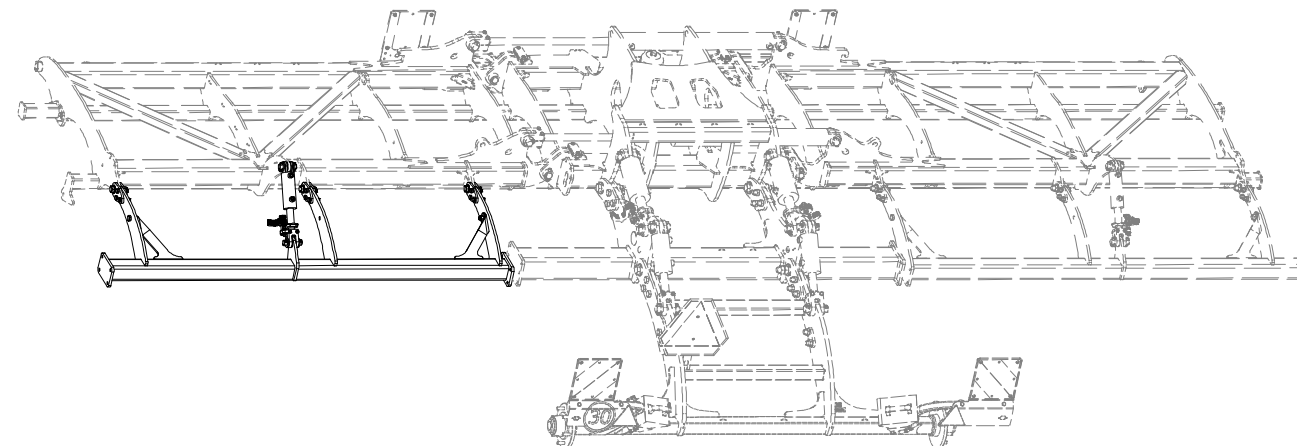
☐ ОСНОВАНИЕ МАШИНЫ

☐ PODSTAWA MASZYNY



VZ00017378

| Pos. | Part Number | Pcs. | Pos. | Part Number | Pcs. |
|------|-------------|------|------|-------------|------|
| 6 | 3008714 | 1 | 48 | m14482 | 18 |
| 11 | 4014704 | 12 | 49 | m08532 | 6 |
| 23 | 4007639 | 2 | 61 | m03775 | 16 |
| 24 | 4007584 | 2 | 64 | m03683 | 18 |
| 30 | 4015781 | 2 | 66 | m07147 | 12 |
| 35 | m14506 | 12 | 72 | m14029 | 8 |
| 42 | m14143 | 8 | 73 | m02866 | 8 |



☉ ZÁKLAD STROJE

☉ UNTERBAU DER MASCHINE

☉ BÂTI DE LA MACHINE

☉ FOOTING OF THE MACHINE

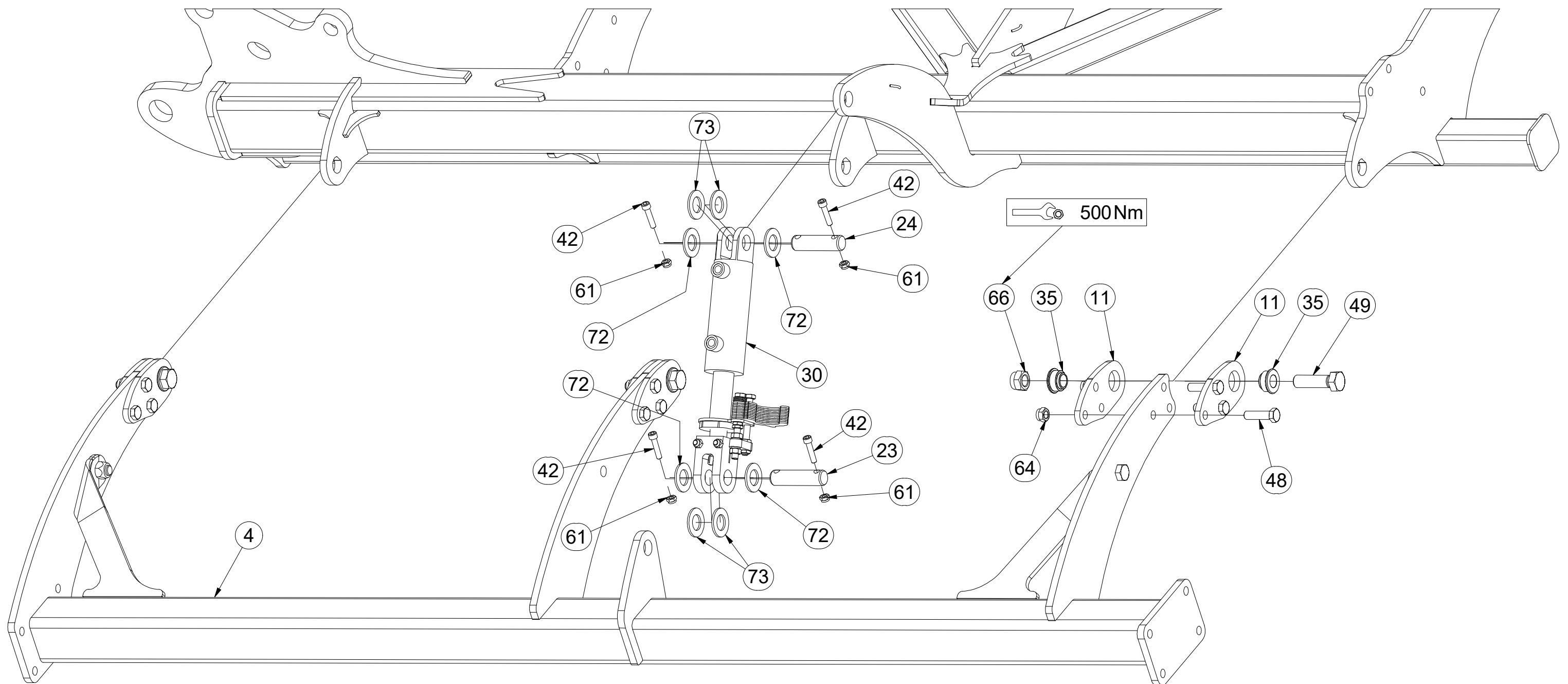
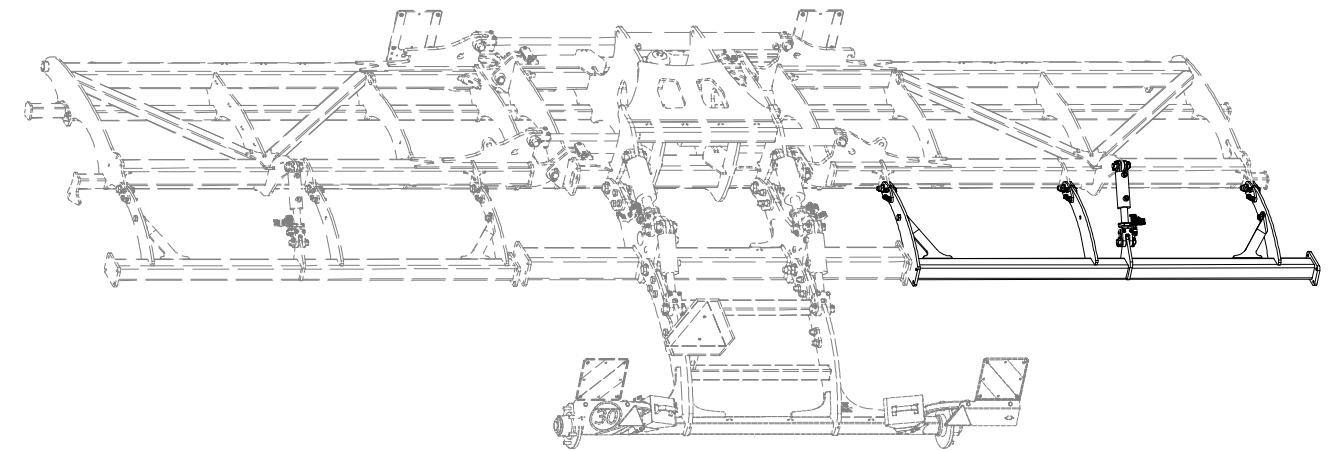
☉ ОСНОВАНИЕ МАШИНЫ

☉ PODSTAWA MASZYNY

Farmet

VZ00017378

| Pos. | Part Number | Pcs. | Pos. | Part Number | Pcs. |
|------|-------------|------|------|-------------|------|
| 4 | 3008715 | 1 | 48 | m14482 | 18 |
| 11 | 4014704 | 12 | 49 | m08532 | 6 |
| 23 | 4007639 | 2 | 61 | m03775 | 16 |
| 24 | 4007584 | 2 | 64 | m03683 | 18 |
| 30 | 4015781 | 2 | 66 | m07147 | 12 |
| 35 | m14506 | 12 | 72 | m14029 | 8 |
| 42 | m14143 | 8 | 73 | m02866 | 8 |



Ⓒ ZÁKLAD STROJE

Ⓓ UNTERBAU DER MASCHINE

Ⓕ BÂTI DE LA MACHINE

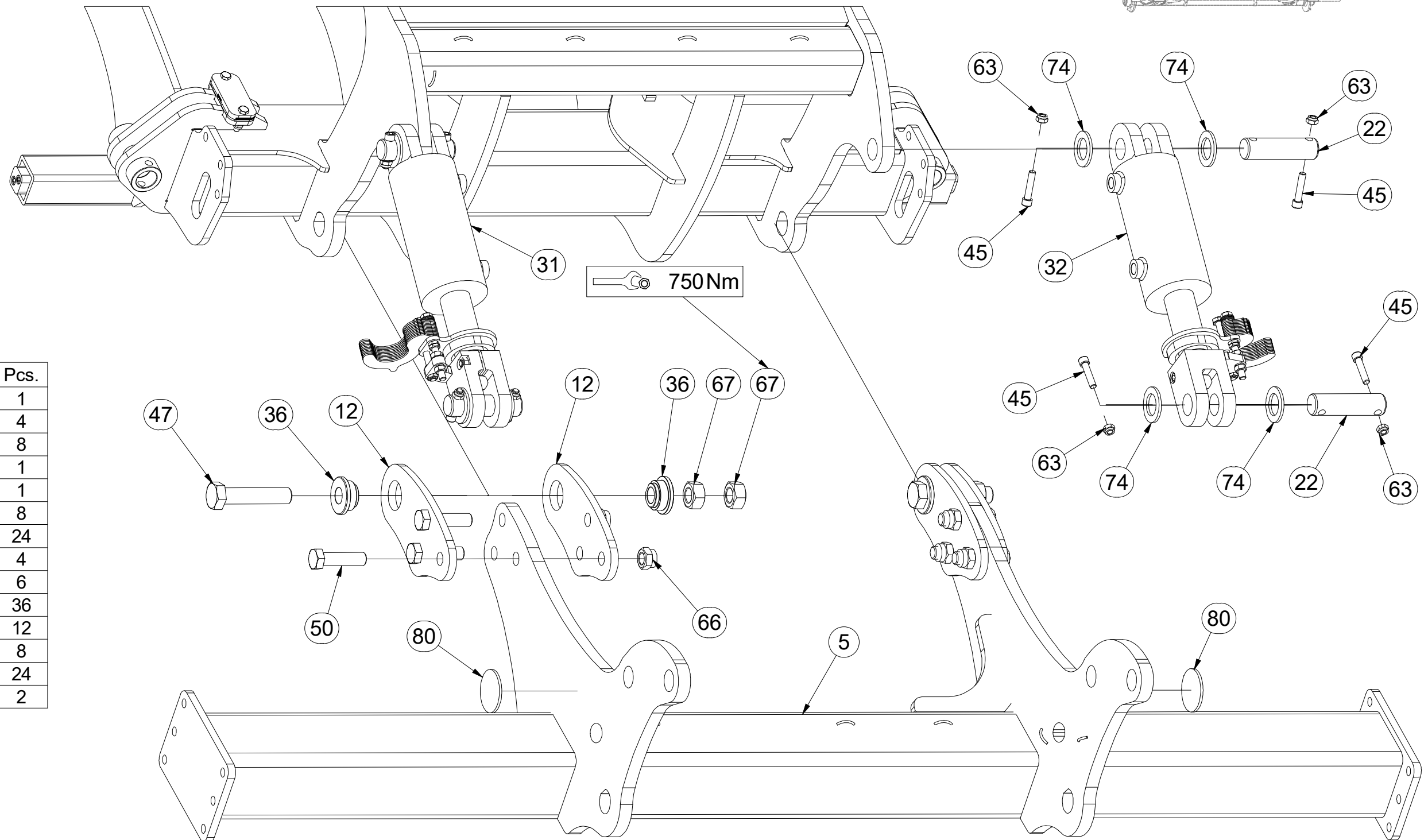
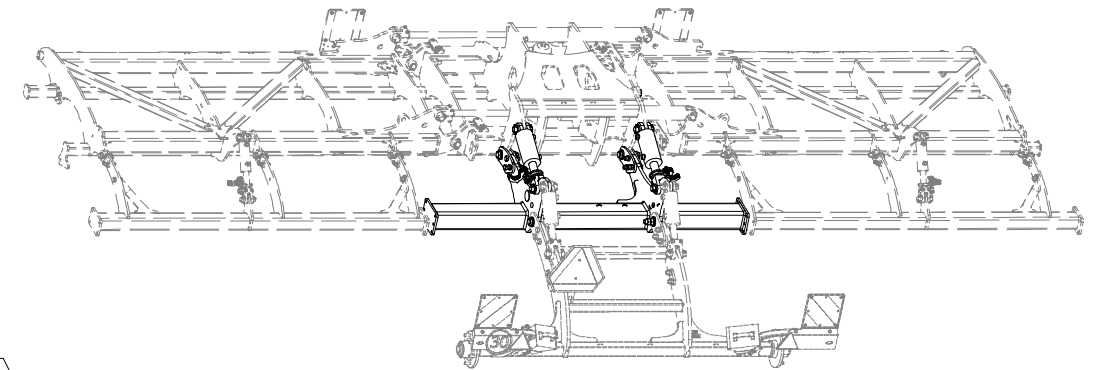
Ⓖ FOOTING OF THE MACHINE

Ⓡ ОСНОВАНИЕ МАШИНЫ

Ⓟ PODSTAWA MASZYNY



VZ00017378



| Pos. | Part Number | Pcs. |
|------|-------------|------|
| 5 | 3008716 | 1 |
| 12 | 4015673 | 4 |
| 22 | 4012990 | 8 |
| 31 | VZ00011042 | 1 |
| 32 | VZ00011113 | 1 |
| 36 | m14505 | 8 |
| 45 | m14008 | 24 |
| 47 | m14856 | 4 |
| 50 | m14495 | 6 |
| 63 | m04301 | 36 |
| 66 | m07147 | 12 |
| 67 | m01309 | 8 |
| 74 | 4013139 | 24 |
| 80 | m02579 | 2 |

Ⓒ ZÁKLAD STROJE

Ⓓ UNTERBAU DER MASCHINE

Ⓕ BÂTI DE LA MACHINE

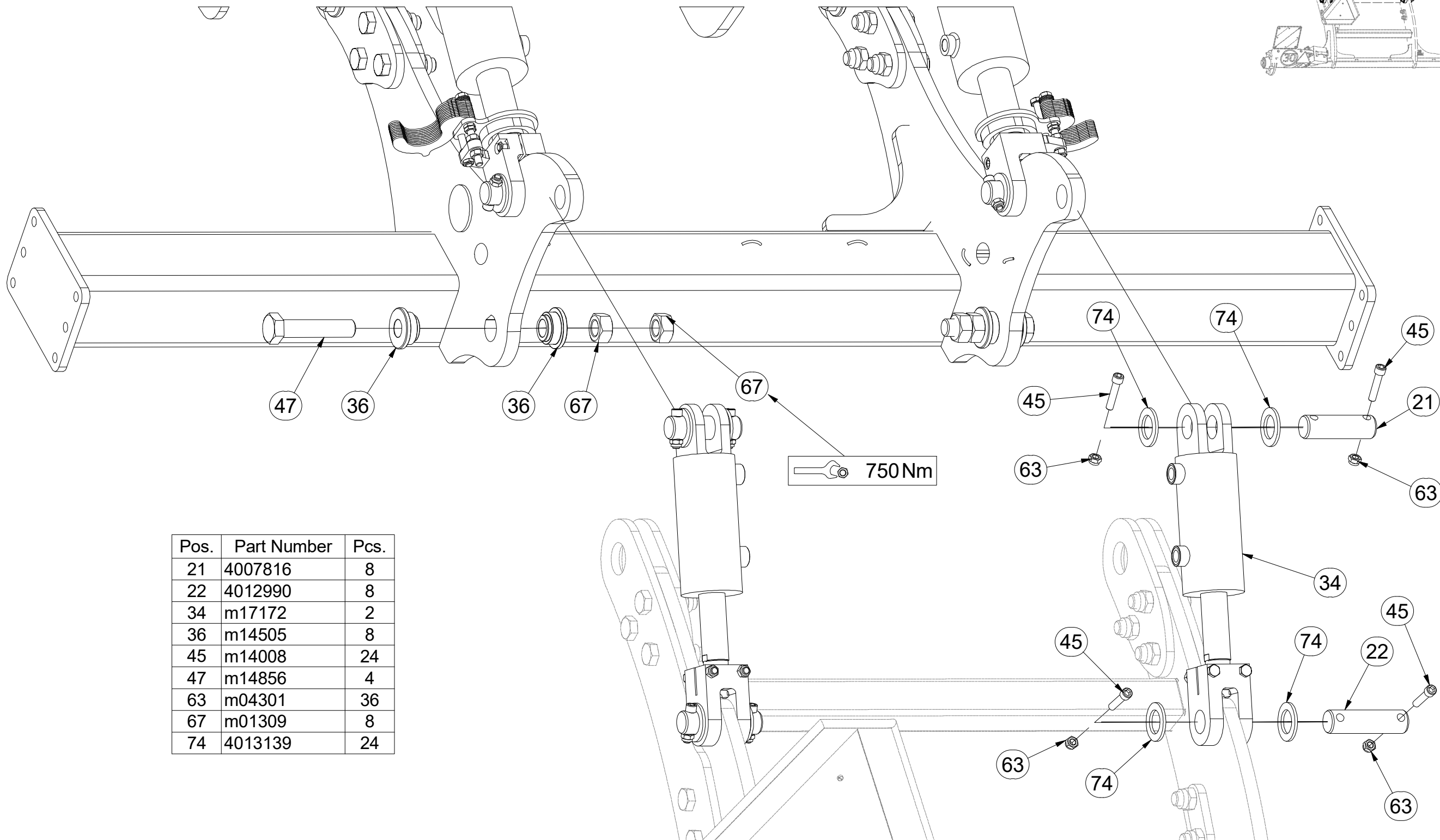
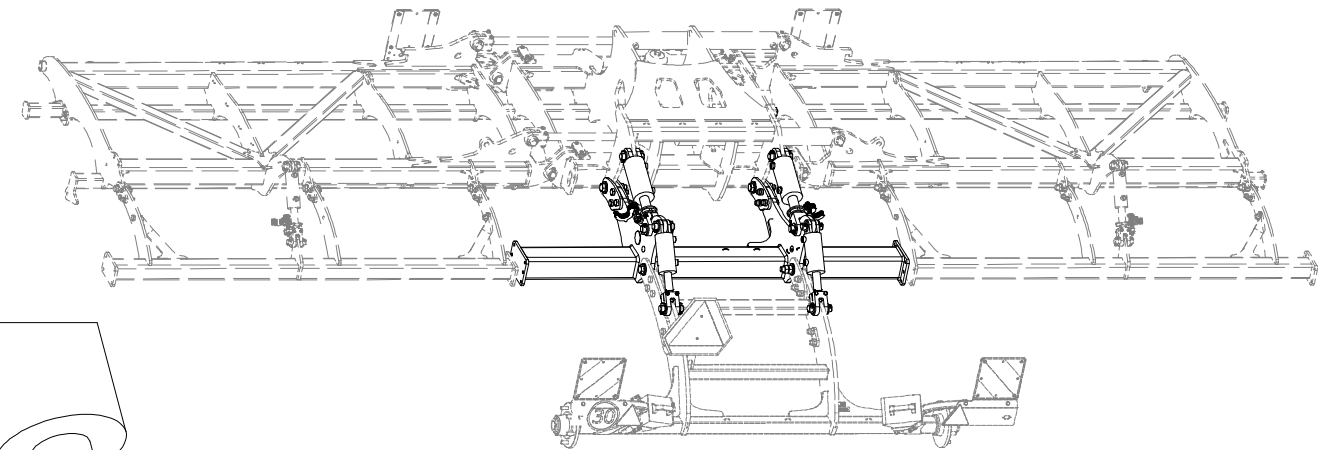
Ⓖ FOOTING OF THE MACHINE

Ⓡ ОСНОВАНИЕ МАШИНЫ

Ⓢ PODSTAWA MASZYNY



VZ00017378



| Pos. | Part Number | Pcs. |
|------|-------------|------|
| 21 | 4007816 | 8 |
| 22 | 4012990 | 8 |
| 34 | m17172 | 2 |
| 36 | m14505 | 8 |
| 45 | m14008 | 24 |
| 47 | m14856 | 4 |
| 63 | m04301 | 36 |
| 67 | m01309 | 8 |
| 74 | 4013139 | 24 |

ⒸZ TERČ PŘEDNÍ LEVÝ

Ⓓ SCHILD, VORDERES, LINKES

Ⓕ CIBLE AVANT GAUCHE

ⒼB LEFT FRONT DISC

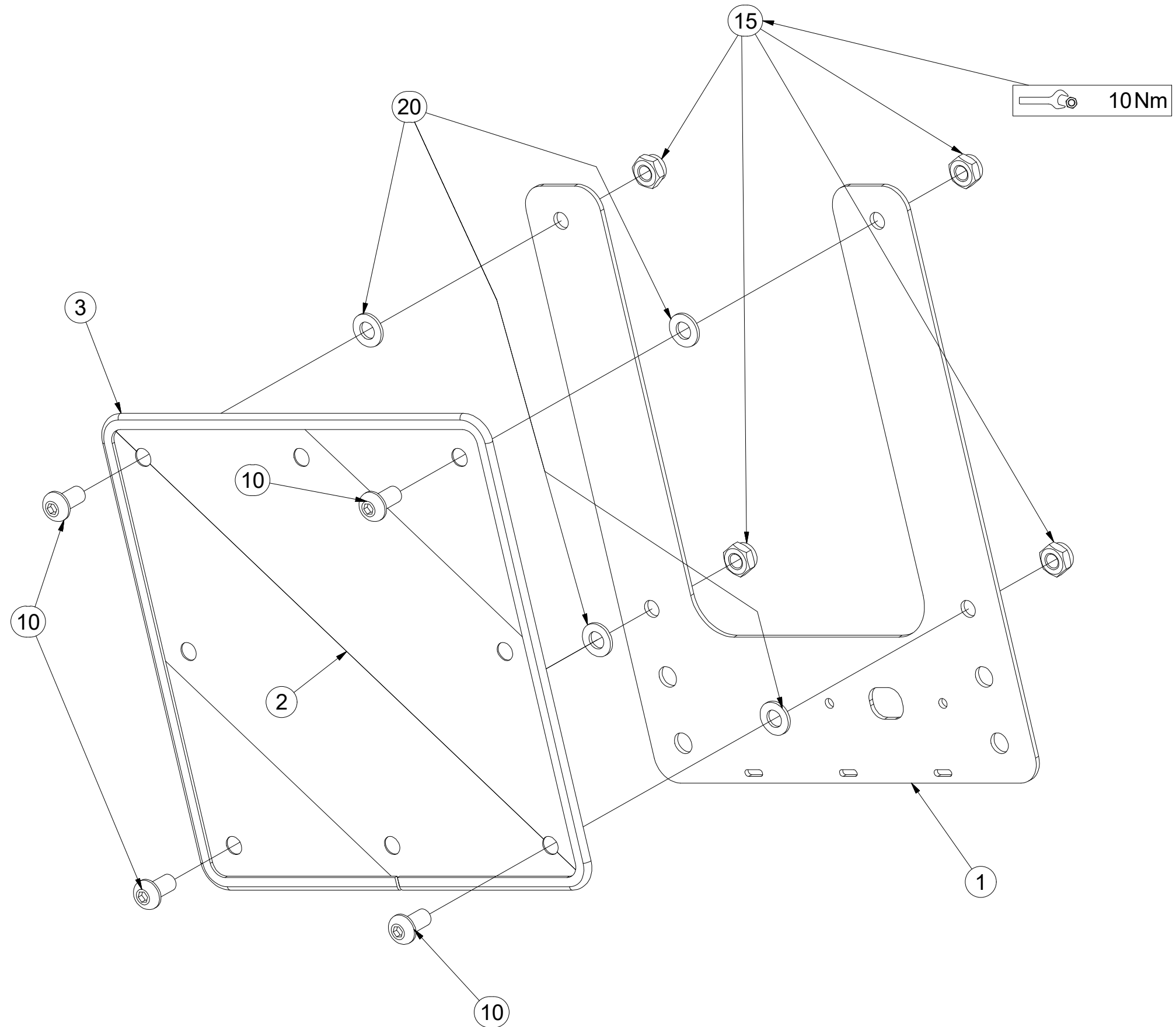
ⒶЩИТОК ПЕРЕДНИЙ ЛЕВЫЙ

ⒶTARCZA PRZEDNIA LEWA



4025088

| Pos. | Part Number | Pcs. |
|------|-------------|------|
| 1 | 4025090 | 1 |
| 2 | m18855 | 1 |
| 3 | 9005707 | 1 |
| 10 | m16637 | 4 |
| 15 | m03775 | 4 |
| 20 | m01209 | 4 |



Ⓒ CZ TERČ PŘEDNÍ PRAVÝ

Ⓓ D SCHILD, VORDERES, RECHTES

Ⓕ F CIBLE AVANT DROITE

Ⓖ GB RIGHT FRONT DISC

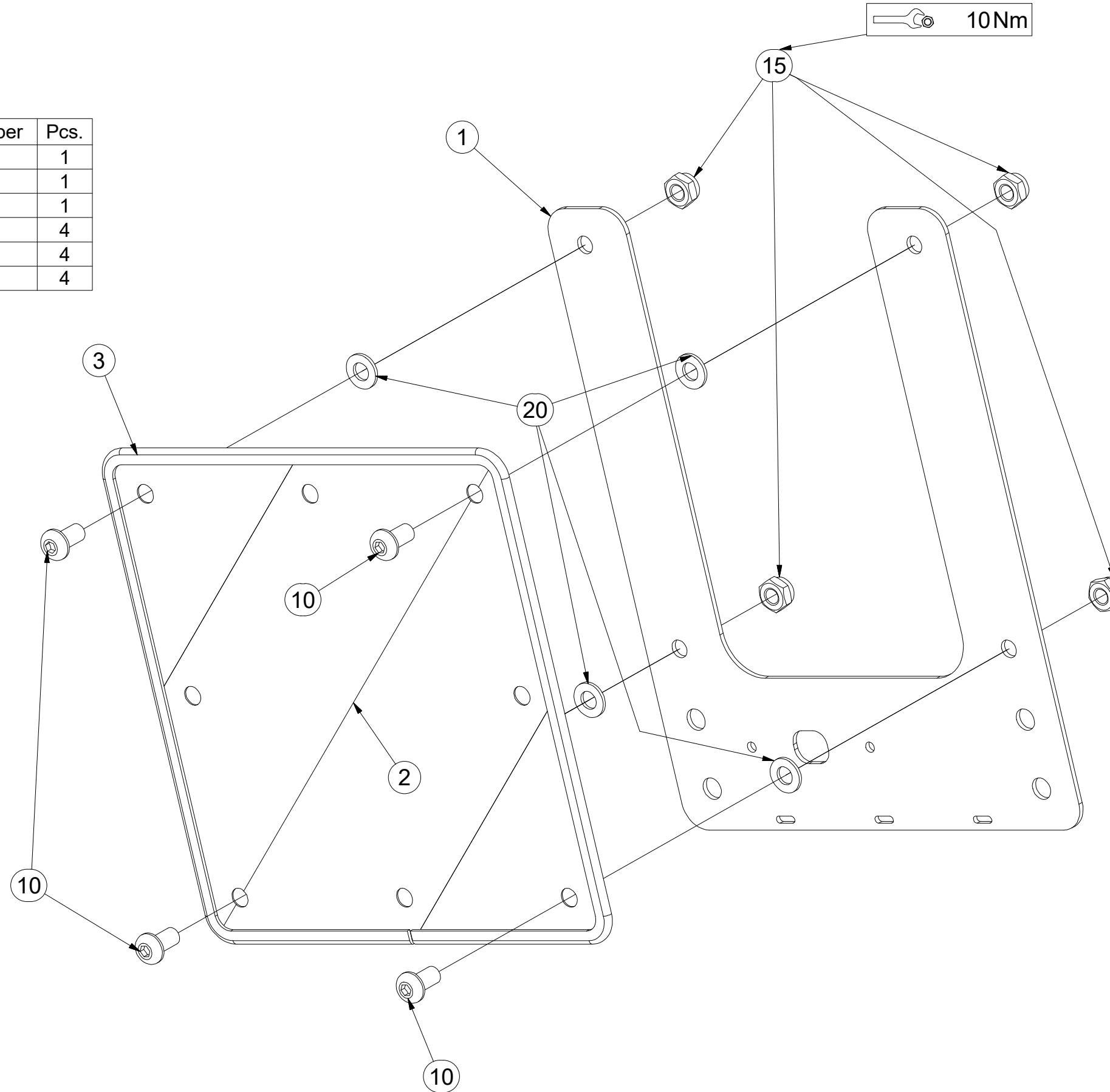
Ⓐ RU ЩИТОК ПЕРЕДНИЙ ПРАВЫЙ

Ⓟ PL TARCZA PRZEDNIA PRAWA



4025089

| Pos. | Part Number | Pcs. |
|------|-------------|------|
| 1 | 4025090 | 1 |
| 2 | m18855 | 1 |
| 3 | 9005707 | 1 |
| 10 | m16637 | 4 |
| 15 | m03775 | 4 |
| 20 | m01209 | 4 |

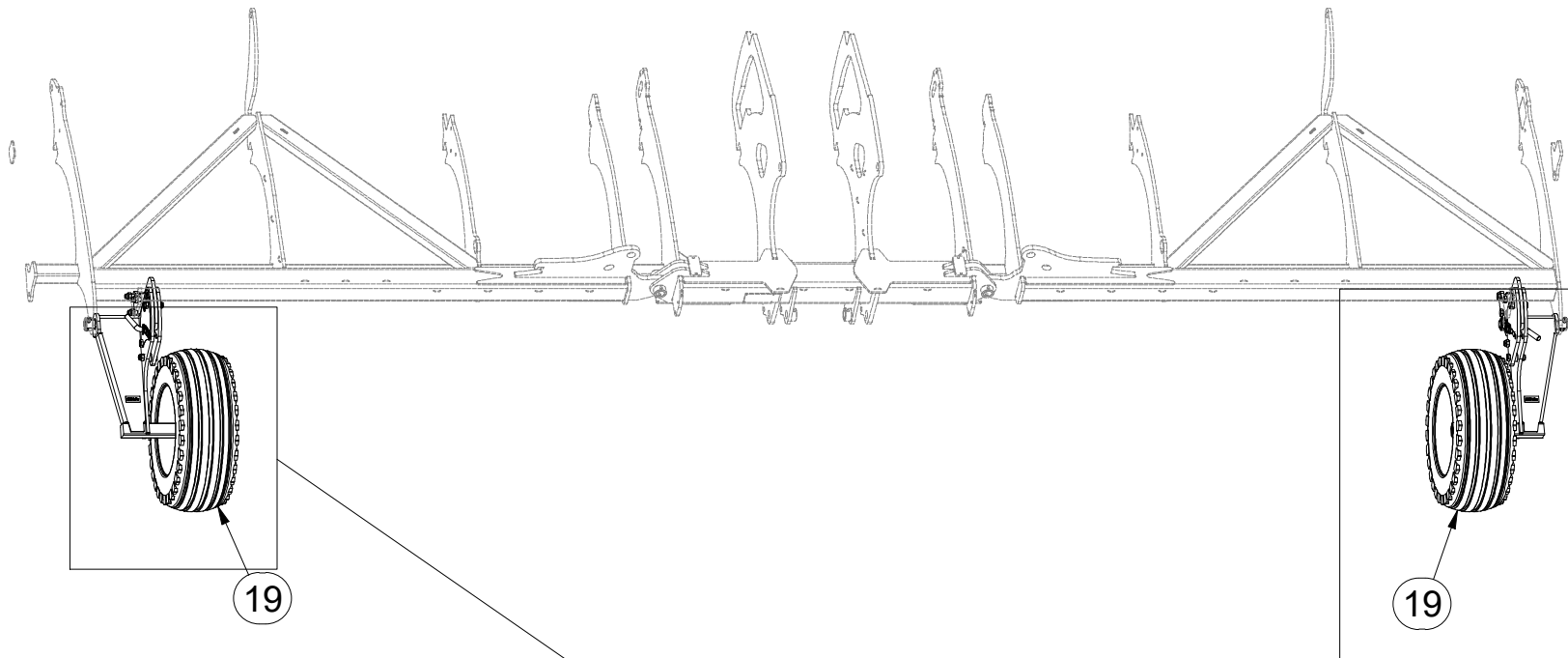


(CZ) KOPÍROVACÍ KOLA
 (D) KOPIERRÄDER
 (F) COPIAGE DU TERRAIN

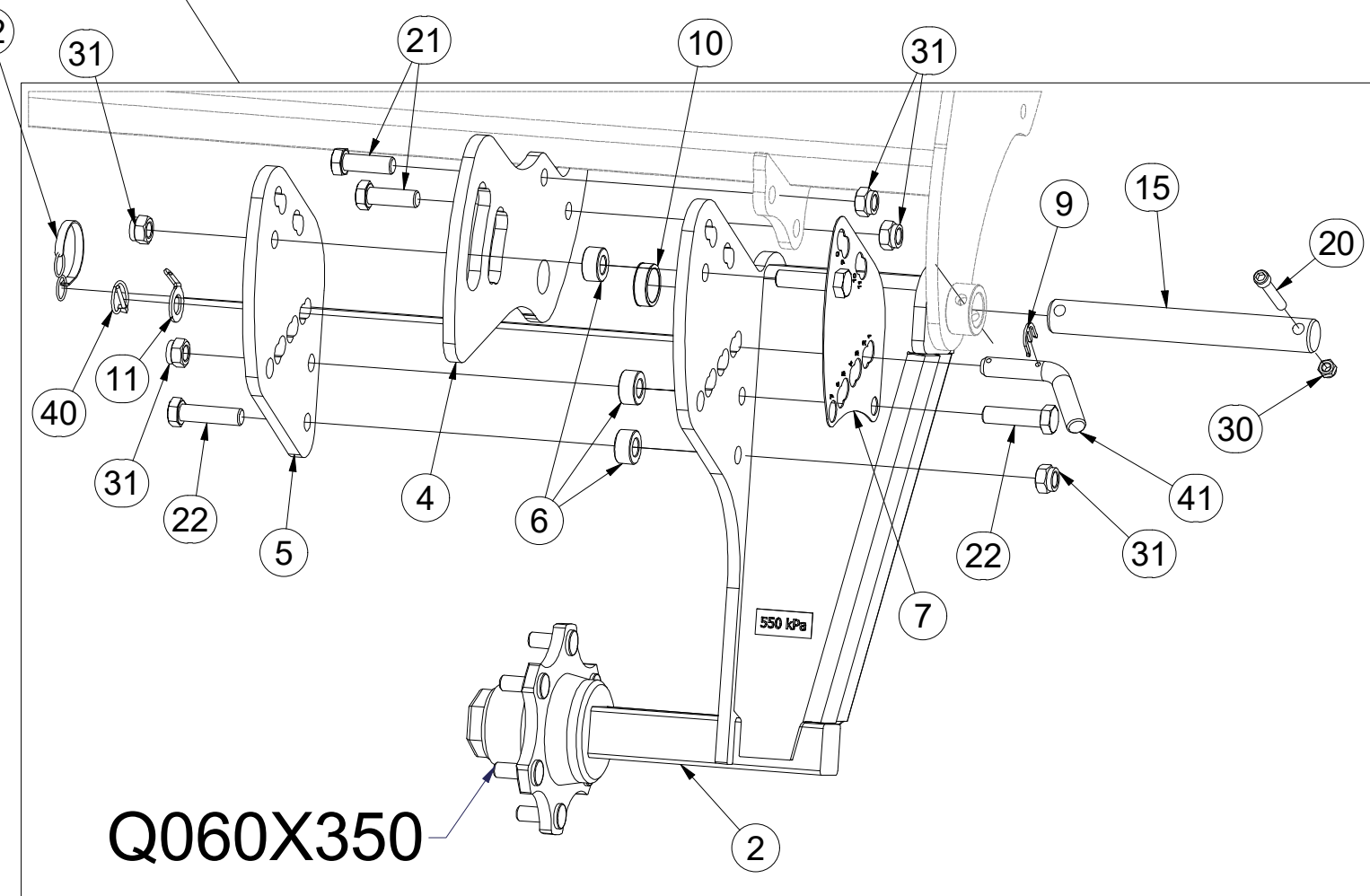
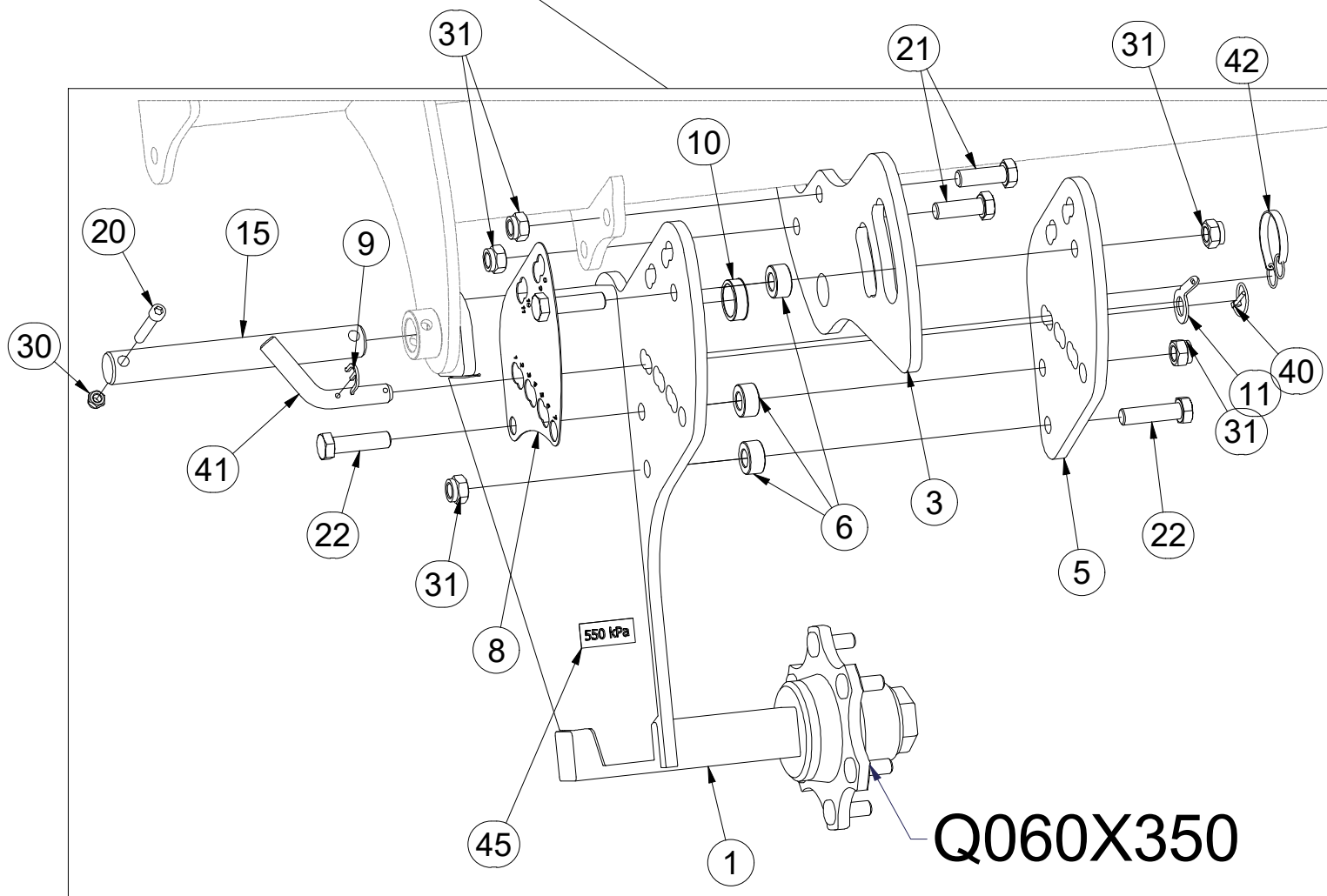
(GB) TRACING WHEELS
 (RU) КОПИРУЮЩЕЕ КОЛЕСА
 (PL) KOŁA KOPIUJĄCE



3011554



| Pos. | Part Number | Pcs. | Pos. | Part Number | Pcs. |
|------|-------------|------|------|-------------|------|
| 1 | VZ00020334 | 1 | 15 | 4011764 | 2 |
| 2 | VZ00020335 | 1 | 19 | m19213 | 2 |
| 3 | VZ00019975 | 1 | 20 | m13033 | 2 |
| 4 | VZ00019977 | 1 | 21 | m05747 | 6 |
| 5 | 4008355 | 2 | 22 | m05723 | 6 |
| 6 | VZ00019974 | 6 | 30 | m04301 | 2 |
| 7 | 4008312 | 1 | 31 | m05648 | 12 |
| 8 | 4008315 | 1 | 40 | m10454 | 2 |
| 9 | 4017145 | 2 | 41 | m15782 | 2 |
| 10 | 4015722 | 4 | 42 | m12467 | 2 |
| 11 | 4017146 | 2 | 45 | m04958 | 2 |



Ⓒ NÁPRAVA

Ⓓ ACHSE

Ⓕ ESSIEU

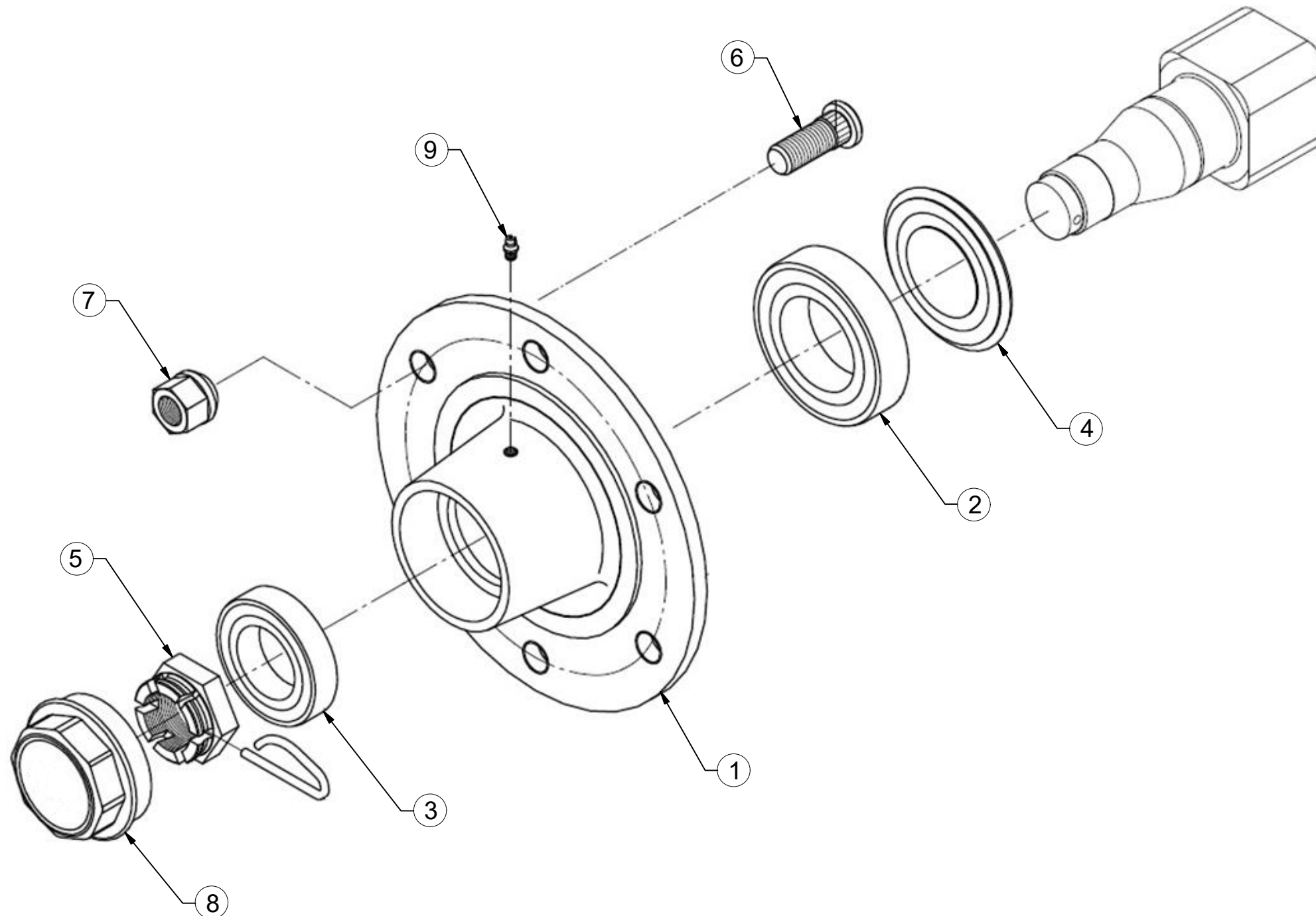
Ⓖ AXLE

Ⓡ OCB

Ⓟ OS



Q060X350



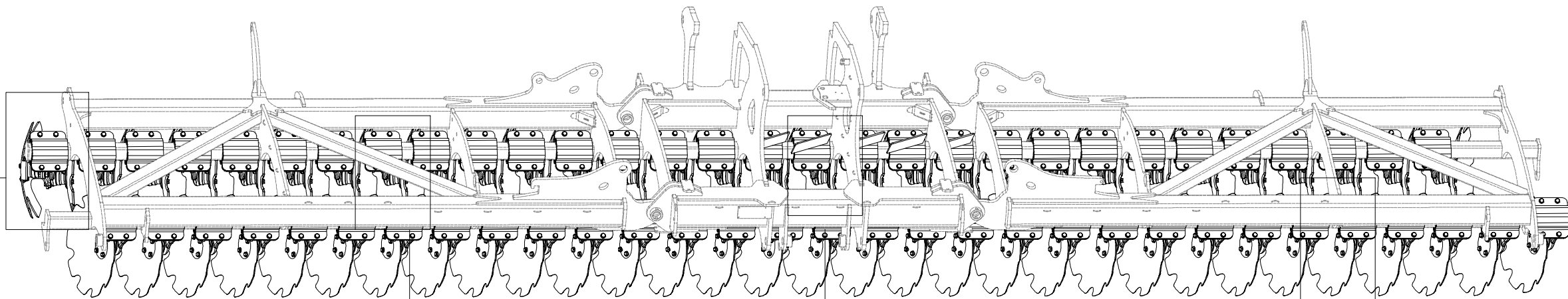
| Pos. | Part Number | Pcs. |
|------|-------------|------|
| 1 | m21713 | 1 |
| 2 | m07151 | 1 |
| 3 | m07152 | 1 |
| 4 | m21717 | 1 |
| 5 | m08169 | 1 |
| 6 | m08148 | 6 |
| 7 | m08163 | 6 |
| 8 | m21725 | 1 |
| 9 | m05698 | 1 |

- Ⓒ SADA DISKŮ
- Ⓓ SCHEIBENSATZ
- Ⓕ KIT DE DISQUES

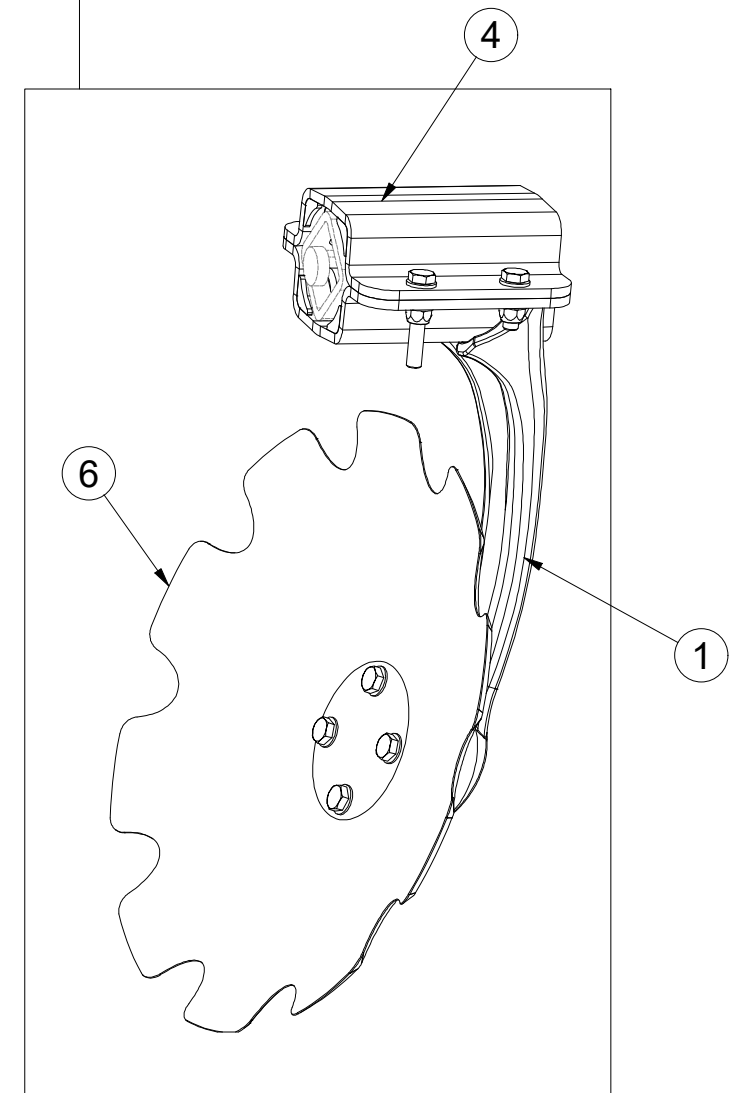
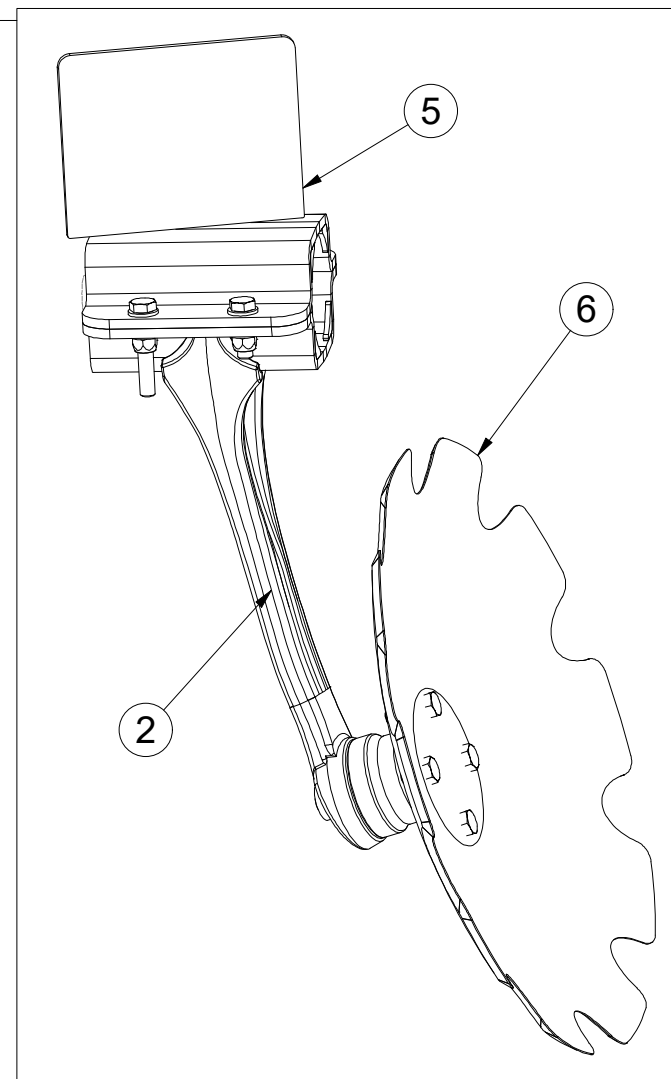
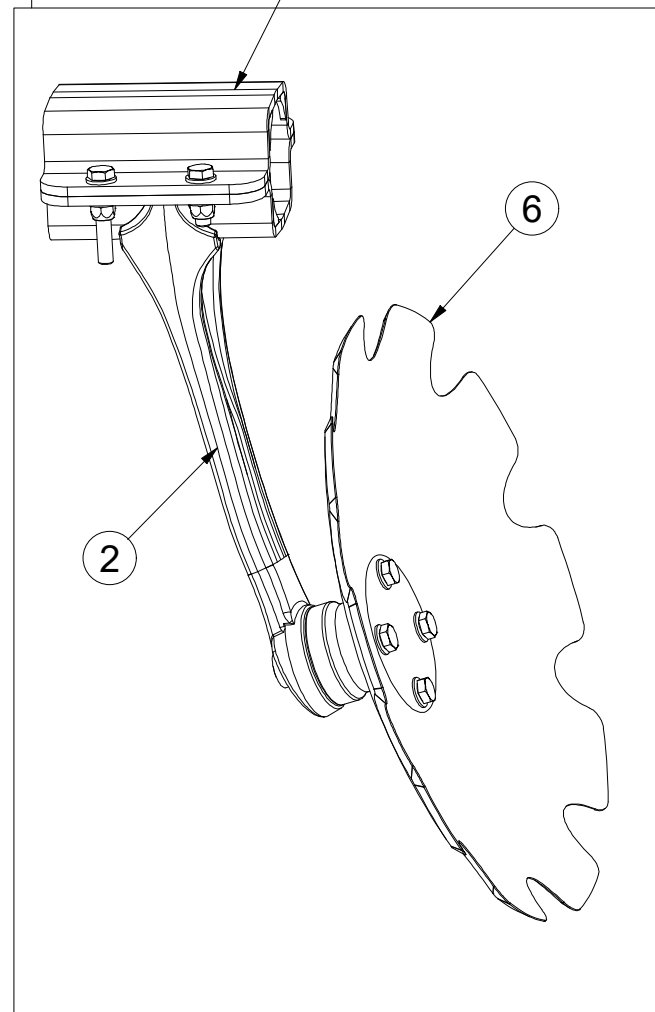
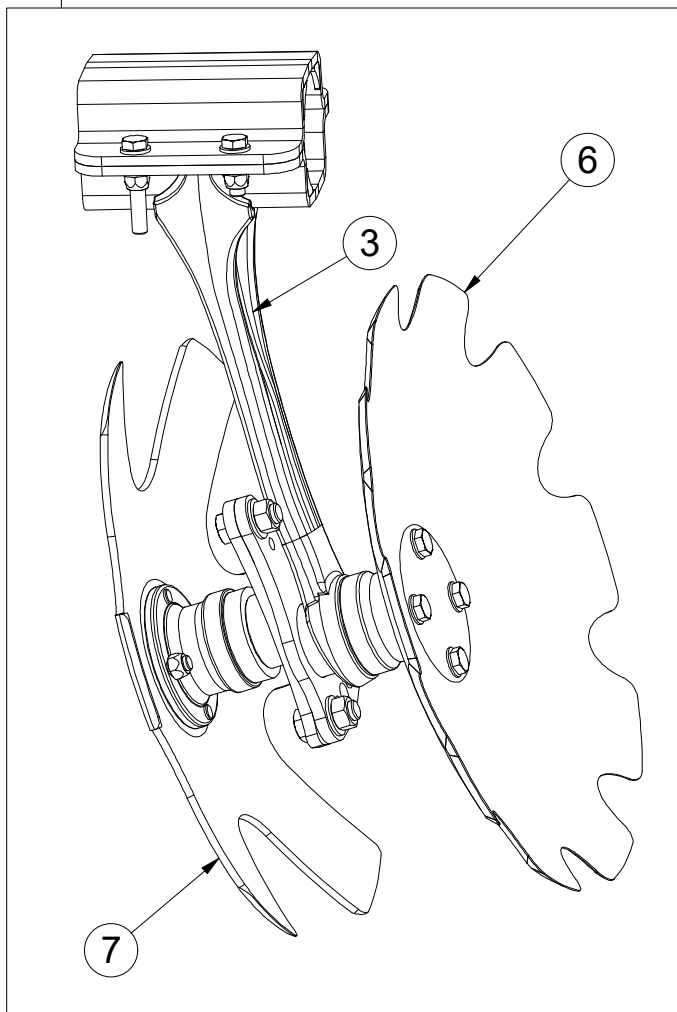
- Ⓖ DISC SET
- Ⓡ КОМПЛЕКТ ДИСКОВ
- Ⓟ ZESTAW TALERZY



VZ00019603



| Pos. | Part Number | Pcs. |
|------|-------------|------|
| 1 | 3008374 | 31 |
| 2 | 3008375 | 29 |
| 3 | VZ00019560 | 1 |
| 4 | 9004269 | 55 |
| 5 | 4016392 | 5 |
| 6 | 3007653 | 61 |
| 7 | VZ00019547 | 1 |

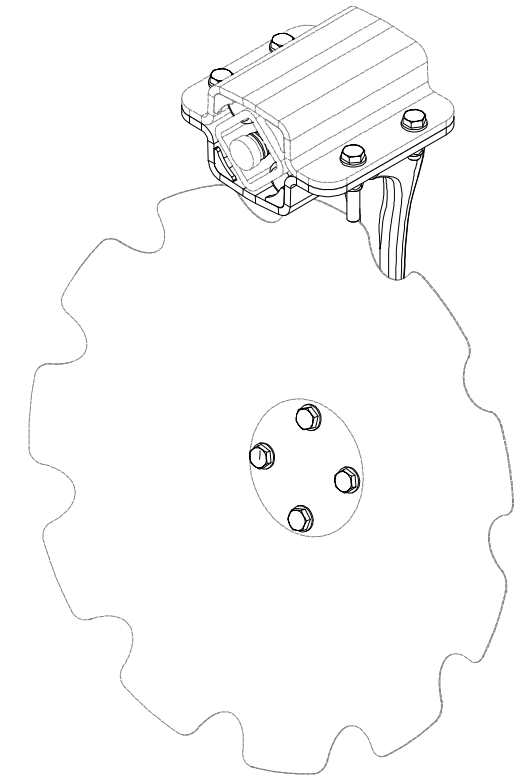
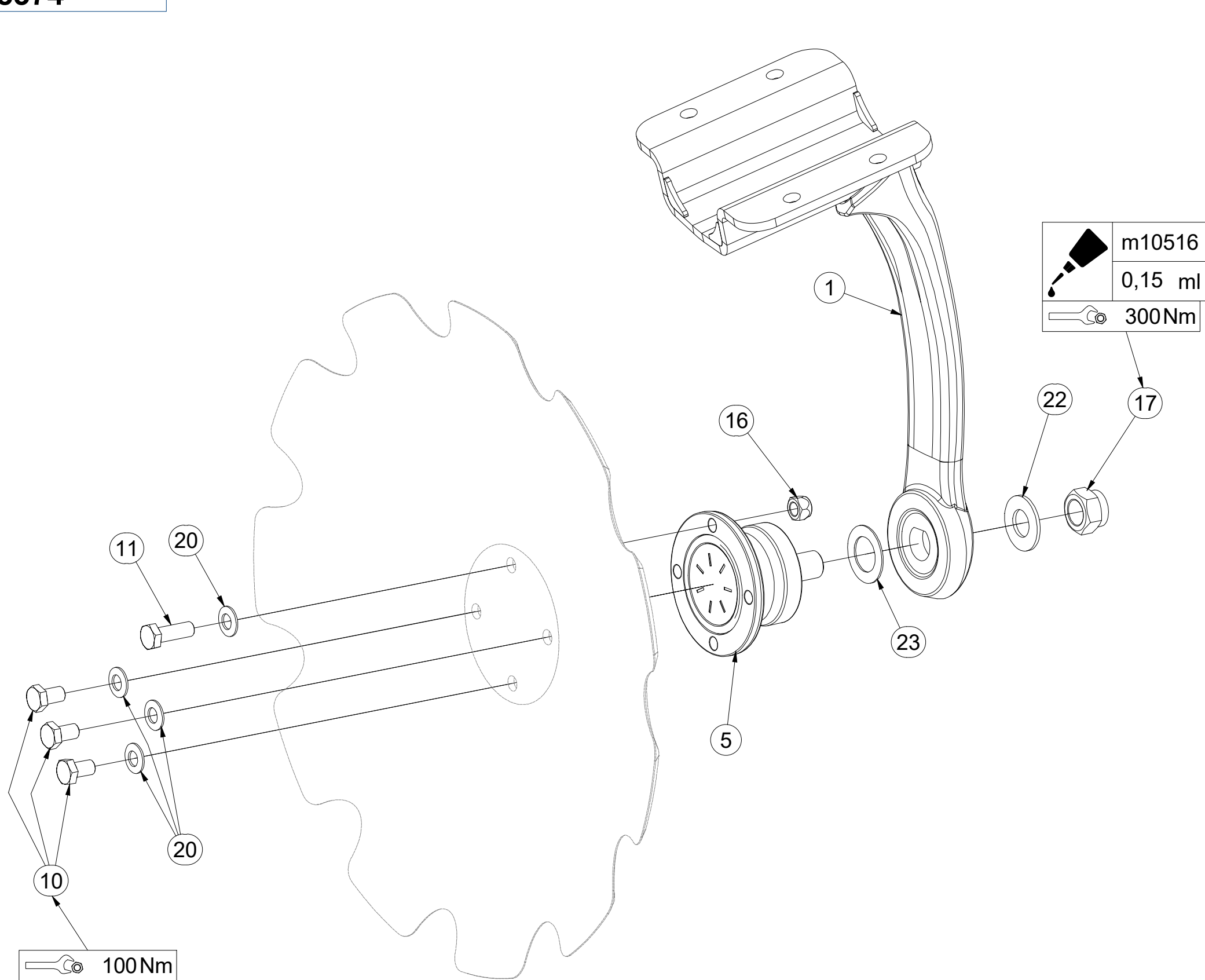


CZ PŘEDNÍ DISK
 D SCHEIBE, VORDERE
 F DISQUE AVANT

GB FRONT DISC
 RU ДИСК ПЕРЕДНИЙ
 PL TALERZ PRZEDNI



3008374



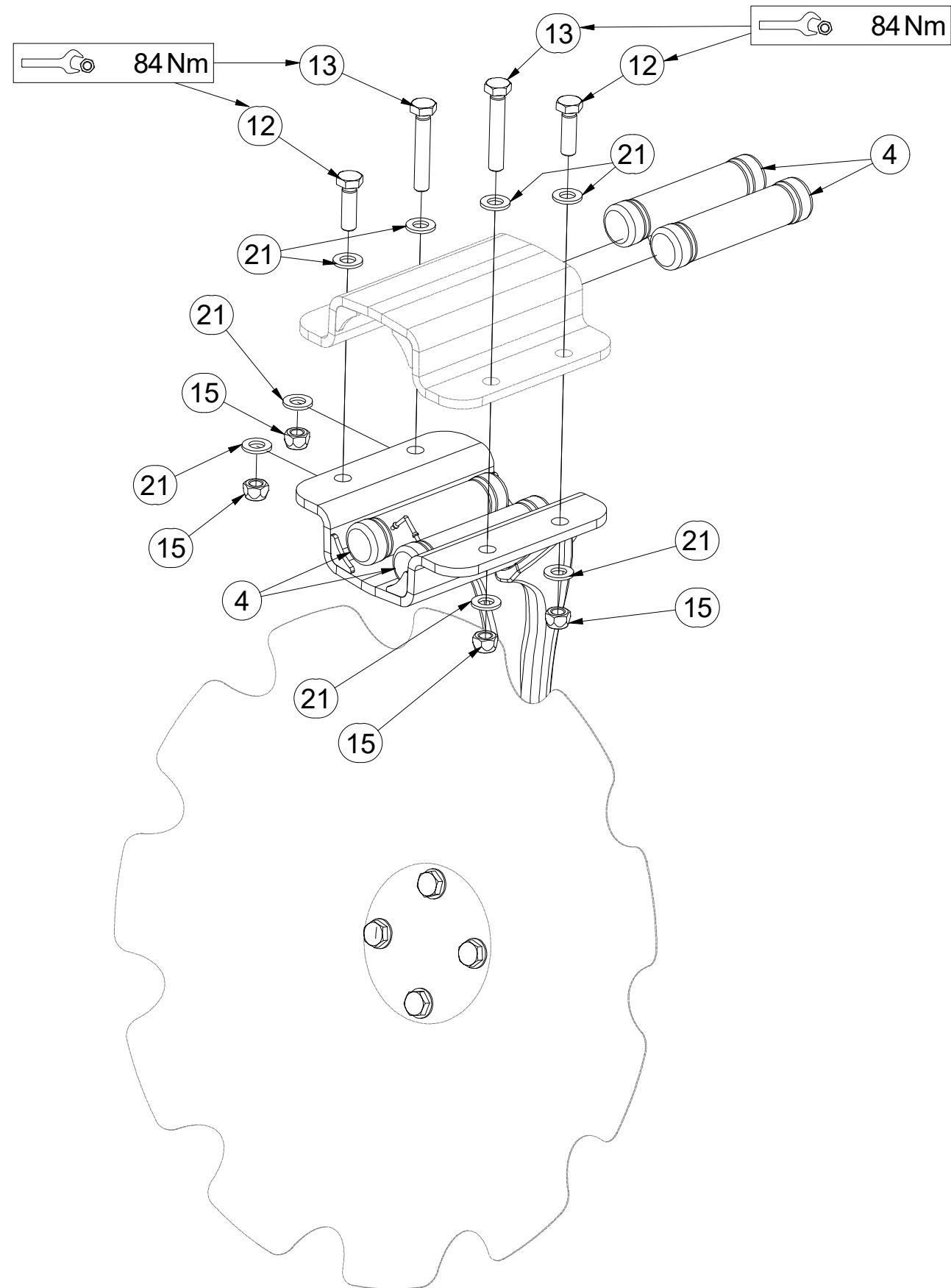
| Pos. | Part Number | Pcs. |
|------|-------------|------|
| 1 | 3008382 | 1 |
| 5 | m11308 | 1 |
| 10 | m11309 | 3 |
| 11 | m11559 | 1 |
| 16 | m11560 | 1 |
| 17 | m11313 | 1 |
| 20 | m17545 | 4 |
| 22 | VZ00011395 | 1 |
| 23 | VZ00022307 | 1 |

CZ PŘEDNÍ DISK
 D SCHEIBE, VORDERE
 F DISQUE AVANT

GB FRONT DISC
 RU ДИСК ПЕРЕДНИЙ
 PL TALERZ PRZEDNI



3008374



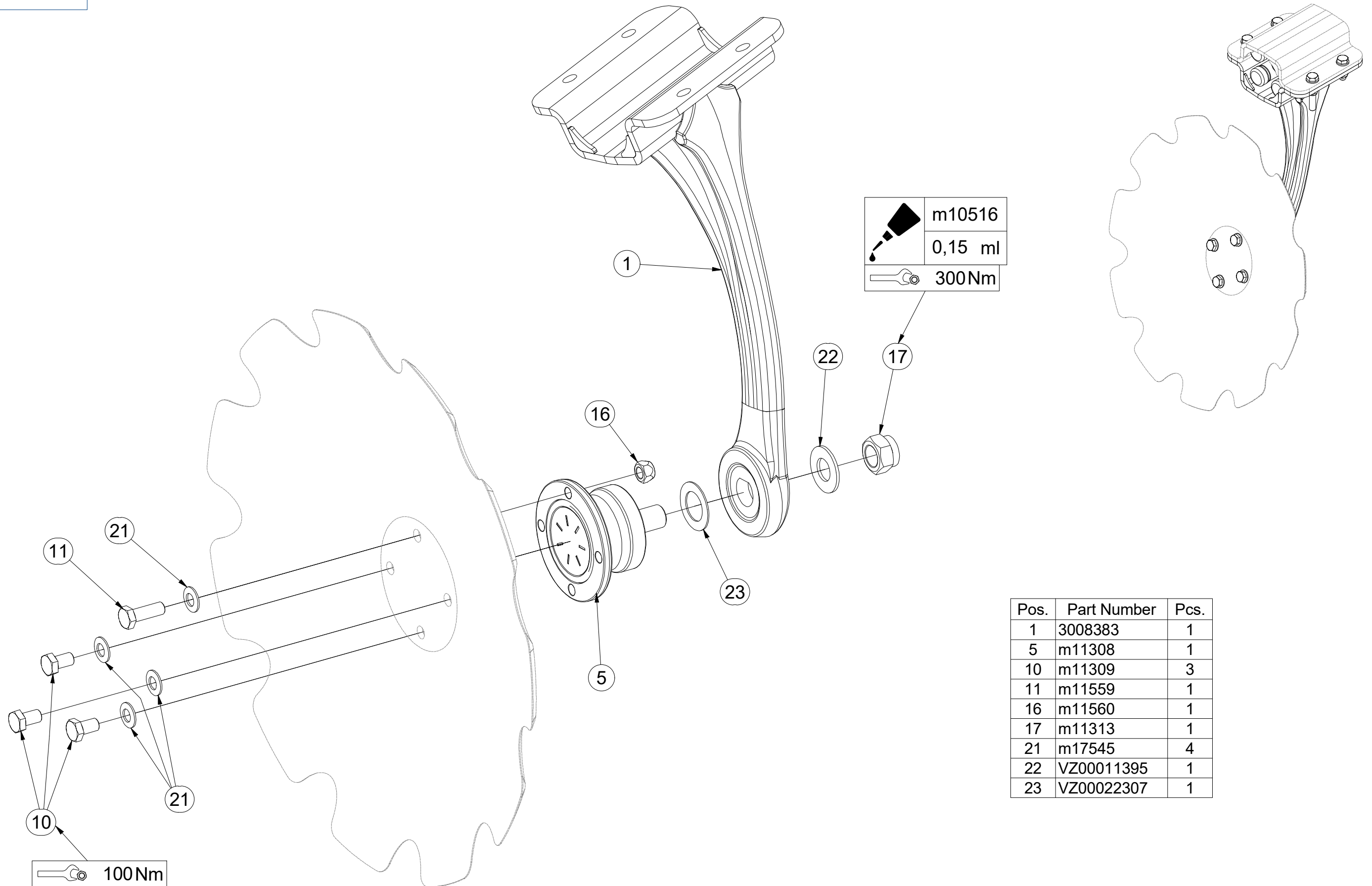
| Pos. | Part Number | Pcs. |
|------|-------------|------|
| 4 | VZ00003901 | 4 |
| 12 | m17657 | 2 |
| 13 | m17653 | 2 |
| 15 | m12134 | 4 |
| 21 | m17741 | 8 |

CZ ZADNÍ DISK
 D SCHEIBE, HINTERE
 F DISQUE ARRIÈRE

GB REAR DISC
 RU ДИСК ЗАДНИЙ
 PL TALERZ TYLNY



3008375



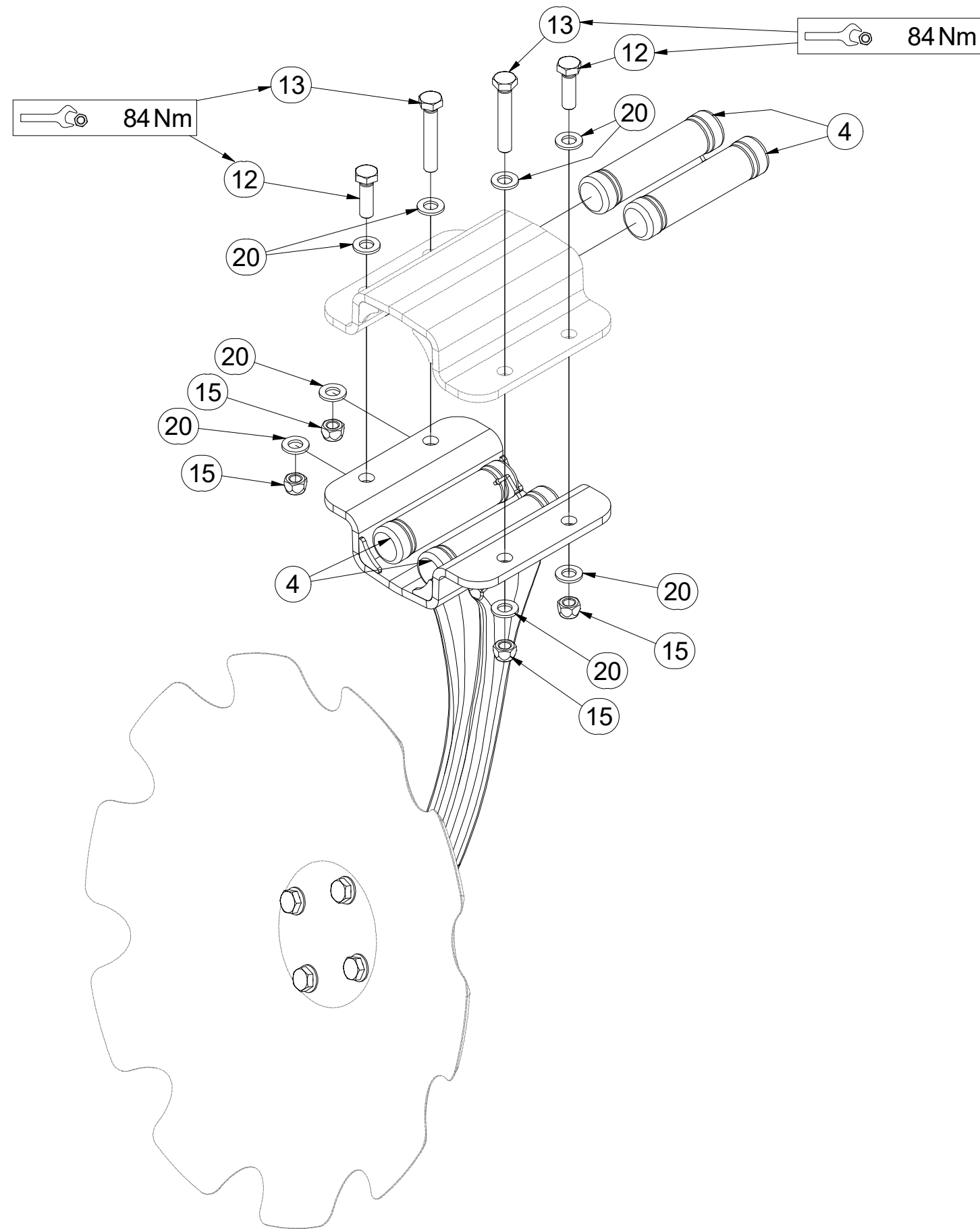
| Pos. | Part Number | Pcs. |
|------|-------------|------|
| 1 | 3008383 | 1 |
| 5 | m11308 | 1 |
| 10 | m11309 | 3 |
| 11 | m11559 | 1 |
| 16 | m11560 | 1 |
| 17 | m11313 | 1 |
| 21 | m17545 | 4 |
| 22 | VZ00011395 | 1 |
| 23 | VZ00022307 | 1 |

- Ⓒ ZADNÍ DISK
- Ⓓ SCHEIBE, HINTERE
- Ⓕ DISQUE ARRIÈRE

- Ⓖ REAR DISC
- Ⓡ ДИСК ЗАДНИЙ
- Ⓟ TALERZ TYLNY



3008375



| Pos. | Part Number | Pcs. |
|------|-------------|------|
| 4 | VZ00003901 | 4 |
| 12 | m17657 | 2 |
| 13 | m17653 | 2 |
| 15 | m12134 | 4 |
| 20 | m17741 | 8 |

Ⓒ ZADNÍ DVOUDISK

Ⓓ DUPLEXSCHEIBE, HINTERE

Ⓕ ARRIÈRE DISQUE DOUBLE

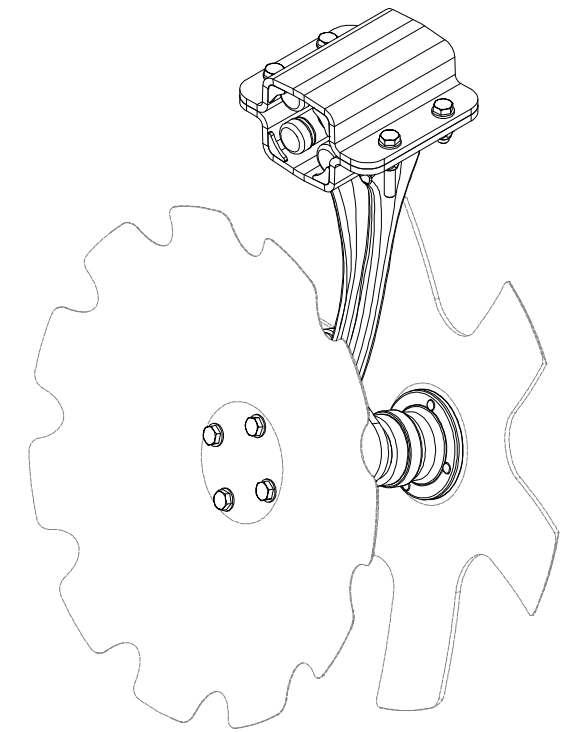
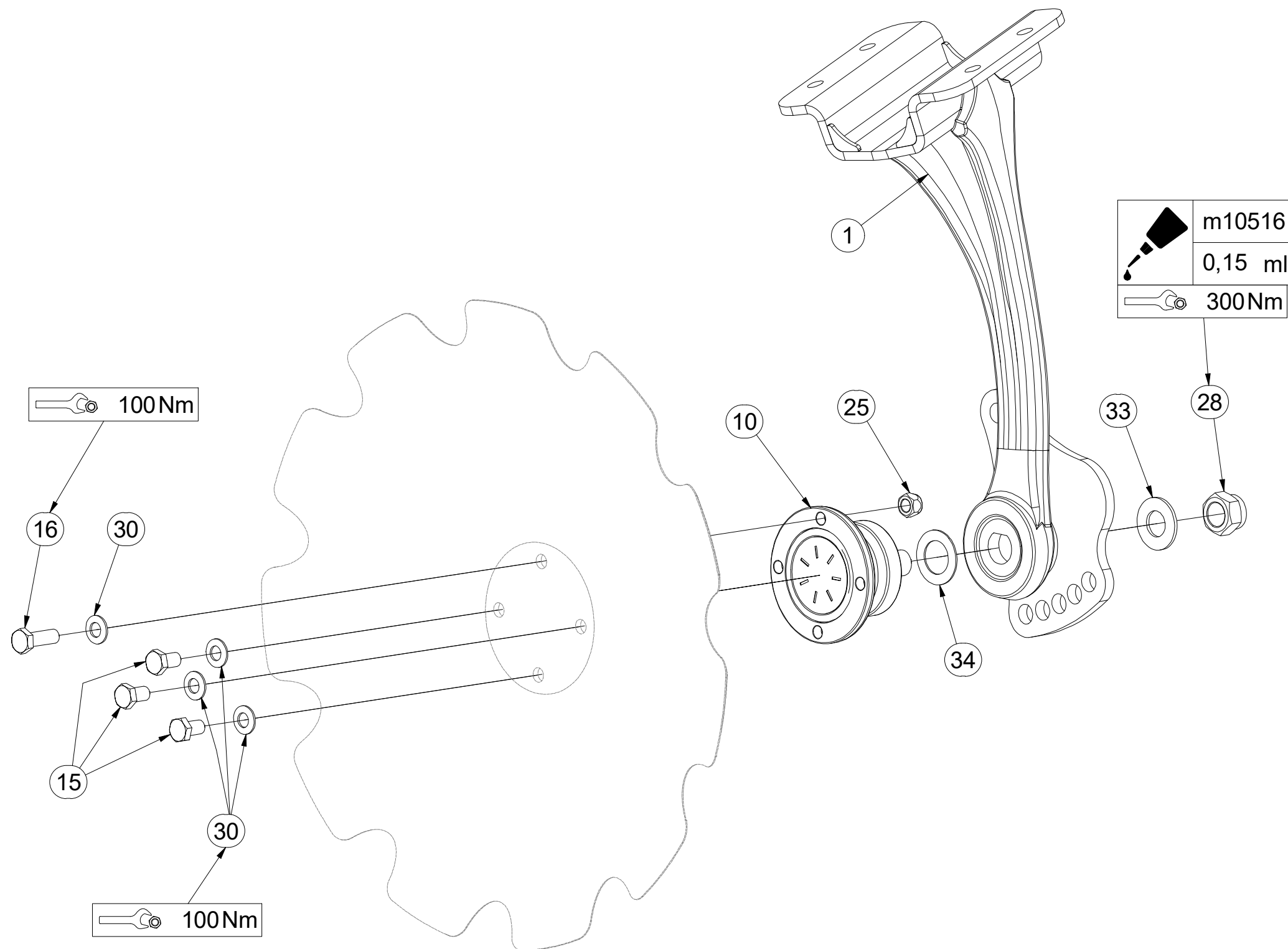
Ⓖ REAR TWIN DISC

Ⓡ ДВОЙНОЙ ДИСК ЗАДНИЙ

Ⓢ TALERZ PODWÓJNY TYLNY



VZ00019560



| Pos. | Part Number | Pcs. |
|------|-------------|------|
| 1 | 3008384 | 1 |
| 10 | m11308 | 2 |
| 15 | m11309 | 6 |
| 16 | m11559 | 2 |
| 25 | m11560 | 2 |
| 28 | m11313 | 2 |
| 30 | m17545 | 8 |
| 33 | VZ00011395 | 2 |
| 34 | VZ00022307 | 1 |

Ⓒ ZADNÍ DVOUDISK

Ⓓ DUPLEXSCHEIBE, HINTERE

Ⓕ ARRIÈRE DISQUE DOUBLE

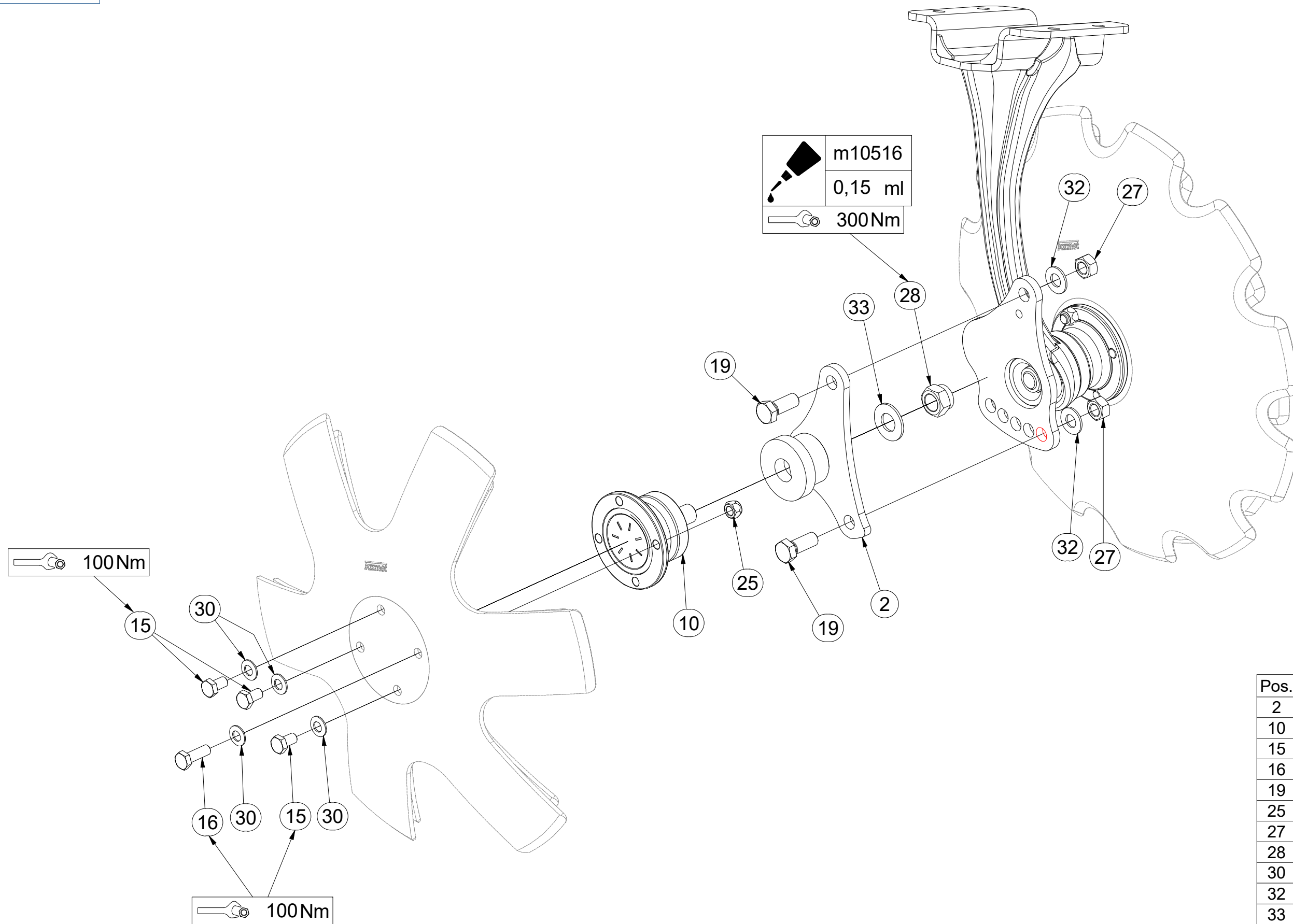
Ⓒ REAR TWIN DISC

Ⓓ ДВОЙНОЙ ДИСК ЗАДНИЙ

Ⓕ TALERZ PODWÓJNY TYLNY



VZ00019560



| Pos. | Part Number | Pcs. |
|------|-------------|------|
| 2 | VZ00019243 | 1 |
| 10 | m11308 | 2 |
| 15 | m11309 | 6 |
| 16 | m11559 | 2 |
| 19 | m01129 | 2 |
| 25 | m11560 | 2 |
| 27 | m01306 | 2 |
| 28 | m11313 | 2 |
| 30 | m17545 | 8 |
| 32 | m17584 | 2 |
| 33 | VZ00011395 | 2 |

Ⓒ ZADNÍ DVOUDISK

Ⓓ DUPLEXSCHEIBE, HINTERE

Ⓕ ARRIÈRE DISQUE DOUBLE

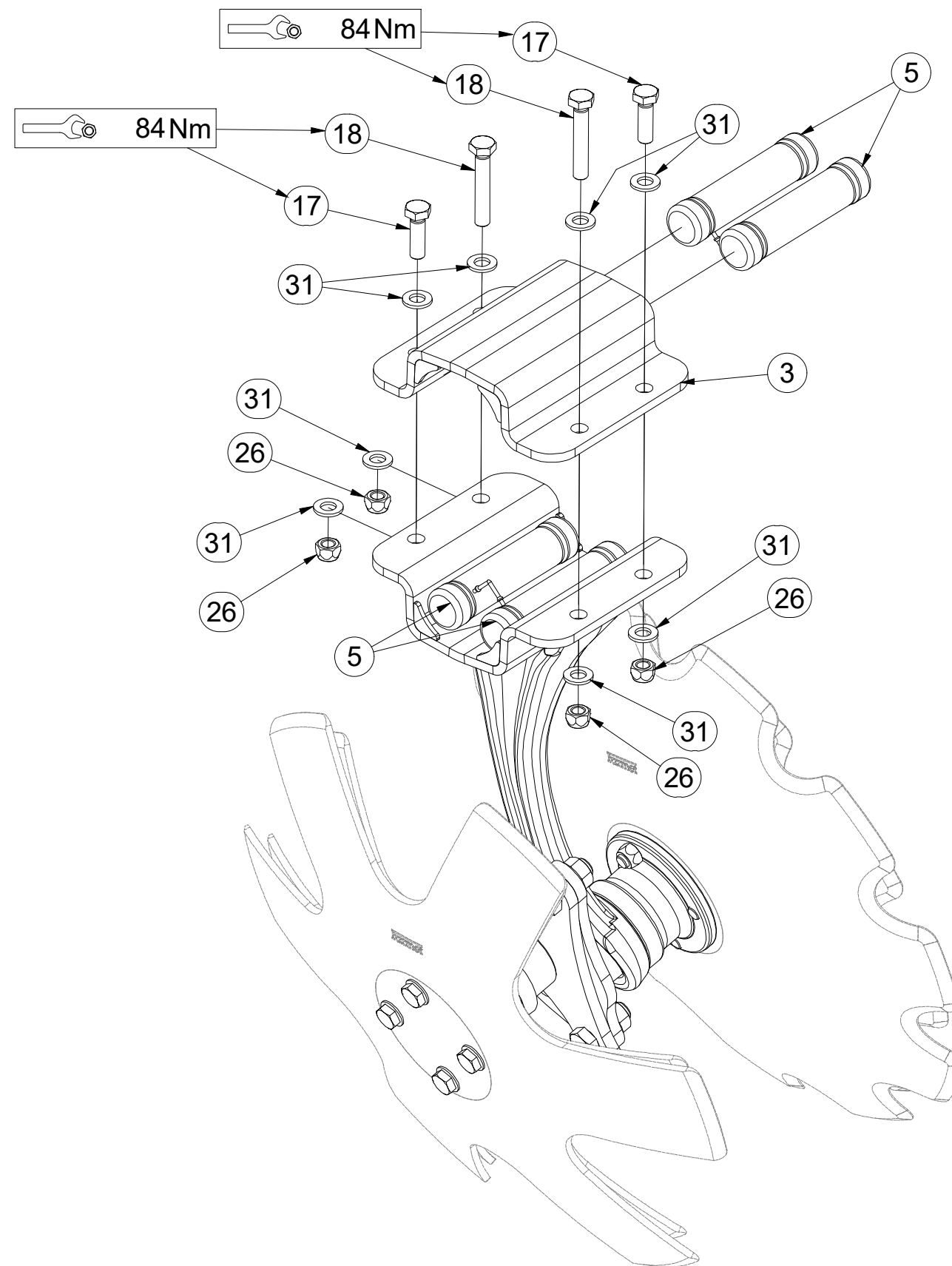
Ⓖ REAR TWIN DISC

Ⓐ ДВОЙНОЙ ДИСК ЗАДНИЙ

Ⓟ TALERZ PODWÓJNY TYLNY



VZ00019560



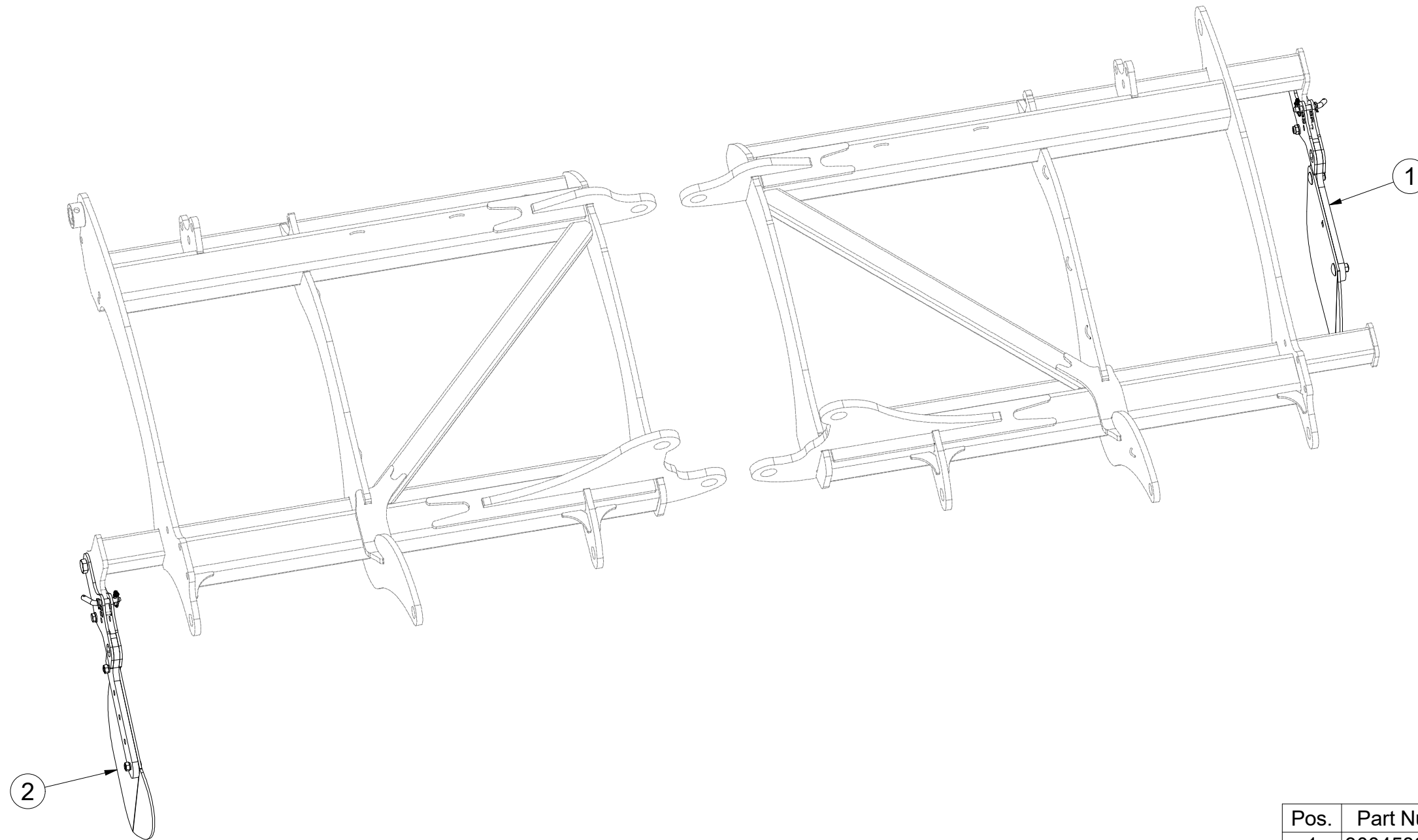
| Pos. | Part Number | Pcs. |
|------|-------------|------|
| 3 | 9004269 | 1 |
| 5 | VZ00003901 | 4 |
| 17 | m17657 | 2 |
| 18 | m17653 | 2 |
| 26 | m12134 | 4 |
| 31 | m17741 | 8 |

Ⓒ SADA DEFLEKTORŮ
Ⓓ DEFLEKTORSATZ
Ⓕ KIT DE DÉFLECTEURS

3009573

Ⓖ SET OF DEFLECTORS
Ⓡ КОМПЛЕКТ ДЕФЛЕКТОРОВ
Ⓟ ZESTAW DEFLEKTÓROW

Farmet



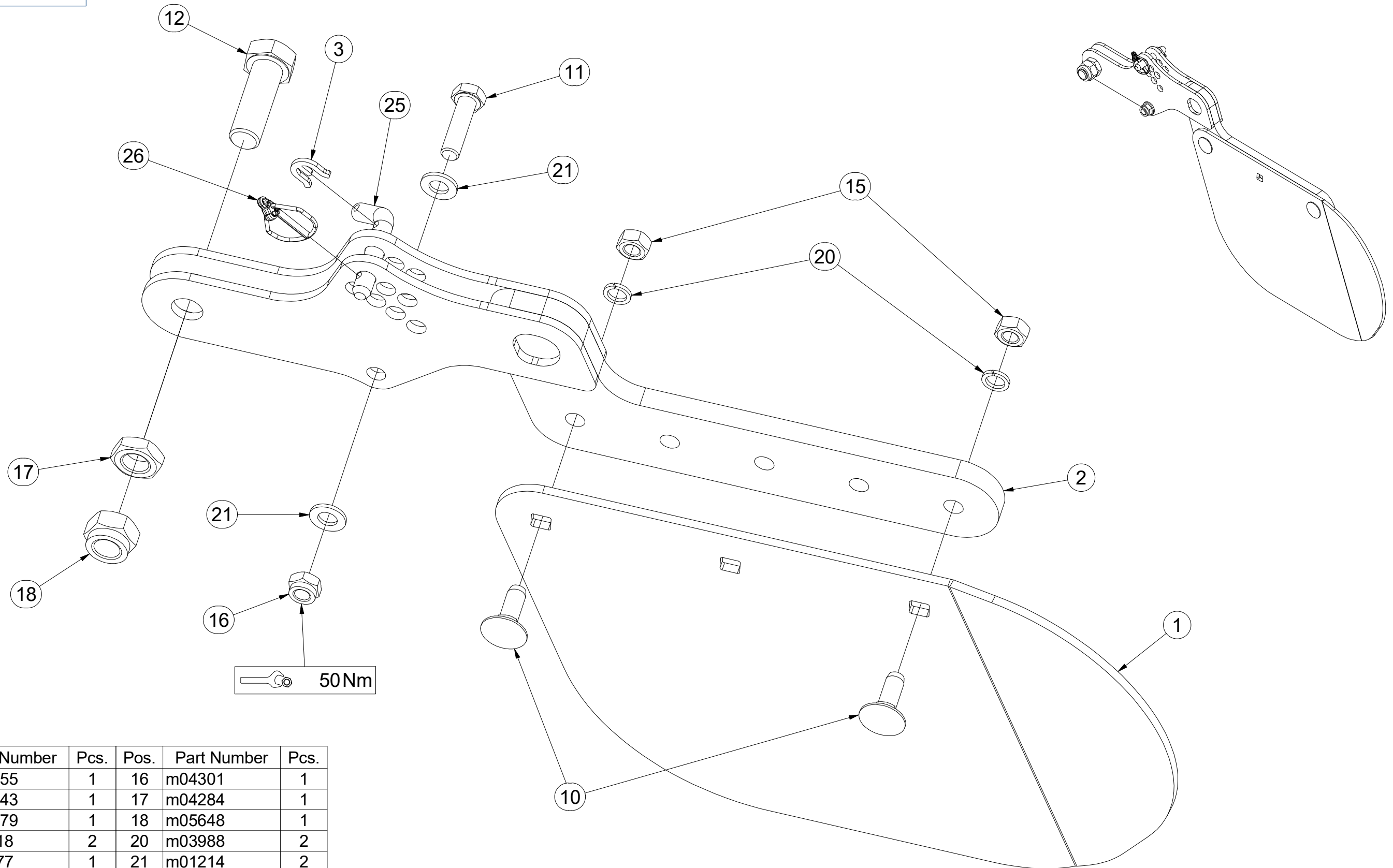
| Pos. | Part Number | Pcs. |
|------|-------------|------|
| 1 | 3004586 | 1 |
| 2 | 3009574 | 1 |

CZ DEFLEKTOR PRAVÝ
 D DEFLEKTOR, RECHTER
 F DÉFLECTEUR DROIT

GB DEFLECTOR RIGHT
 RU ДЕФЛЕКТОР ПРАВЫЙ
 PL DEFLEKTOR PRAWY



3004586



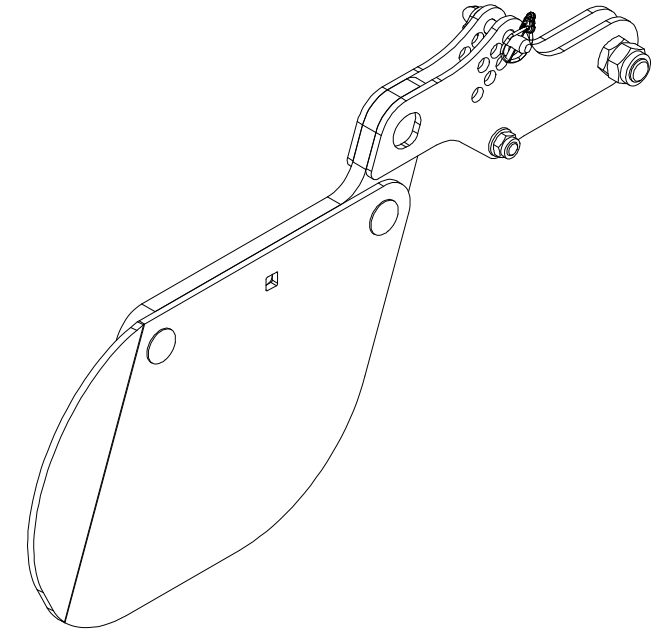
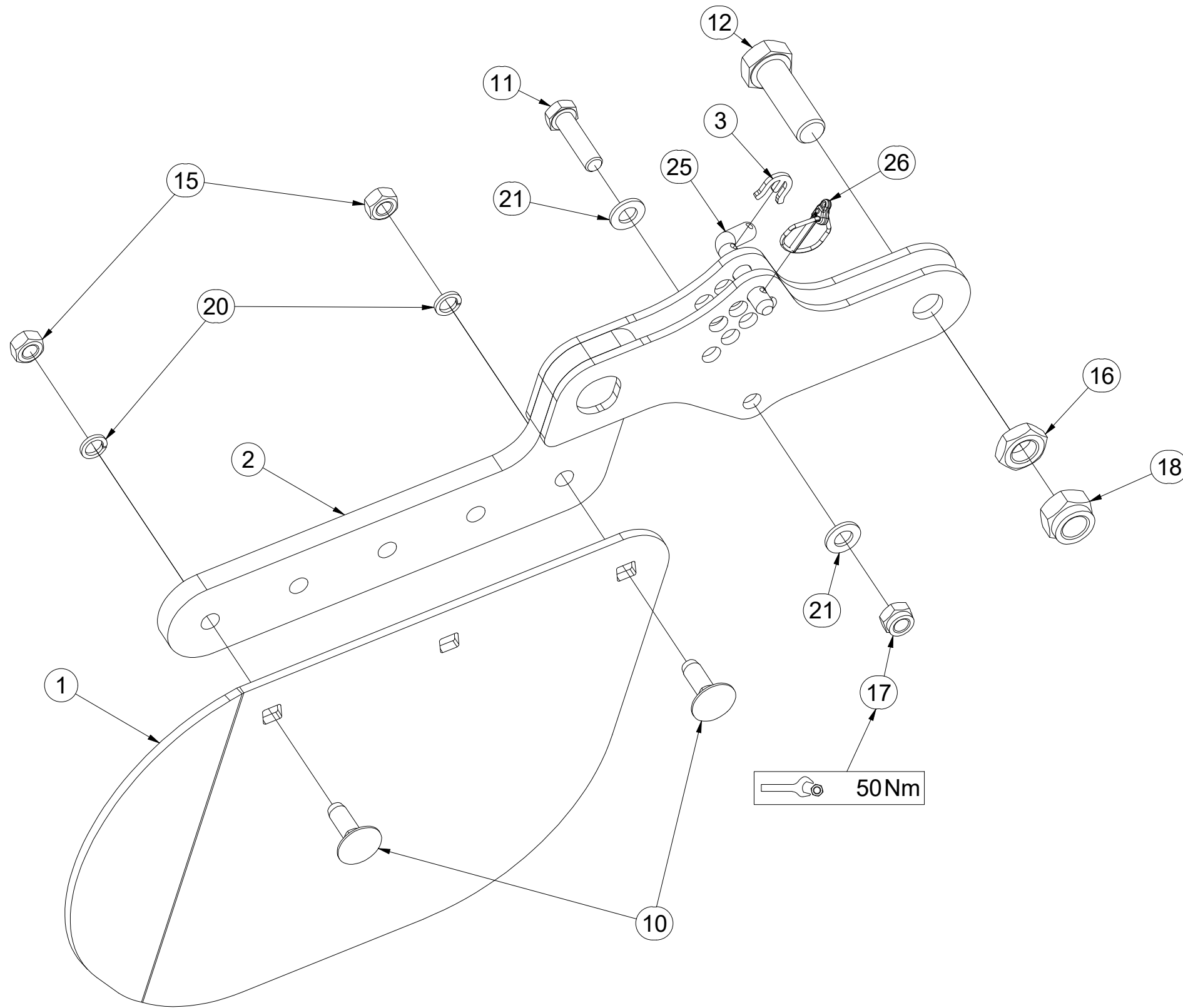
| Pos. | Part Number | Pcs. | Pos. | Part Number | Pcs. |
|------|-------------|------|------|-------------|------|
| 1 | 4008155 | 1 | 16 | m04301 | 1 |
| 2 | 4008743 | 1 | 17 | m04284 | 1 |
| 3 | 4016279 | 1 | 18 | m05648 | 1 |
| 10 | m10618 | 2 | 20 | m03988 | 2 |
| 11 | m06077 | 1 | 21 | m01214 | 2 |
| 12 | m05747 | 1 | 25 | m09141 | 1 |
| 15 | m10439 | 2 | 26 | m10454 | 1 |

CZ DEFLEKTOR LEVÝ
 D DEFLEKTOR, LINKER
 F DÉFLECTEUR GAUCHE

GB DEFLECTOR LEFT
 RU ДЕФЛЕКТОР ЛЕВЫЙ
 PL DEFLEKTOR LEWY



3009574



| Pos. | Part Number | Pcs. |
|------|-------------|------|
| 1 | 4008981 | 1 |
| 2 | 4008743 | 1 |
| 3 | 4016279 | 1 |
| 10 | m10618 | 2 |
| 11 | m06077 | 1 |
| 12 | m05747 | 1 |
| 15 | m10439 | 2 |
| 16 | m04284 | 1 |
| 17 | m04301 | 1 |
| 18 | m05648 | 1 |
| 20 | m03988 | 2 |
| 21 | m01214 | 2 |
| 25 | m09141 | 1 |
| 26 | m10454 | 1 |

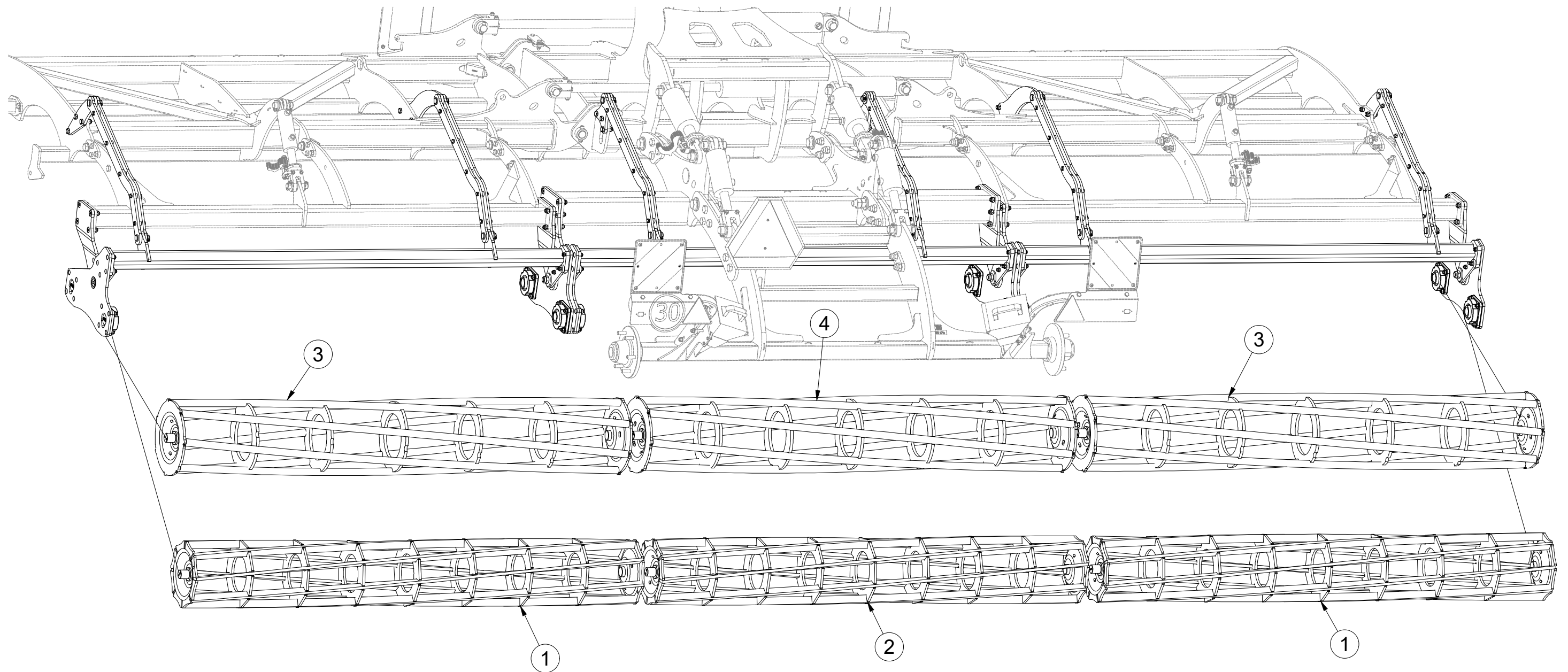
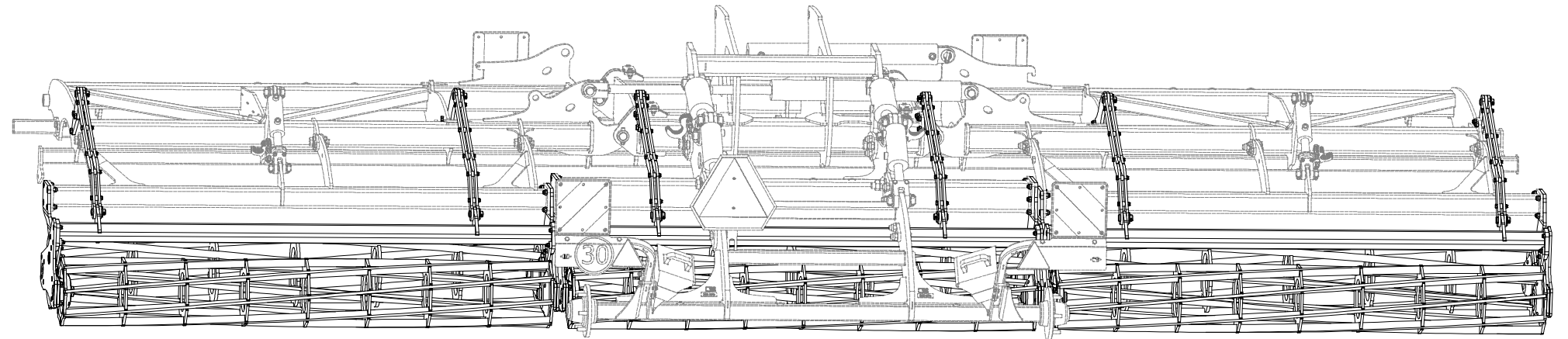
- Ⓒ SADA ZADNÍCH VÁLCŮ
- Ⓓ SATZ HINTERE WALZEN
- Ⓕ KIT DE ROULEAUX ARRIÈRE

- Ⓖ SET OF REAR ROLLERS
- Ⓡ КОМПЛЕКТ ЗАДНИХ КАТКОВ
- Ⓟ ZESTAW TYLNYCH WAŁÓW



VZ00018132

| Pos. | Part Number | Pcs. |
|------|-------------|------|
| 1 | 2000759 | 2 |
| 2 | 2000760 | 1 |
| 3 | 3010651 | 2 |
| 4 | VZ00019231 | 1 |



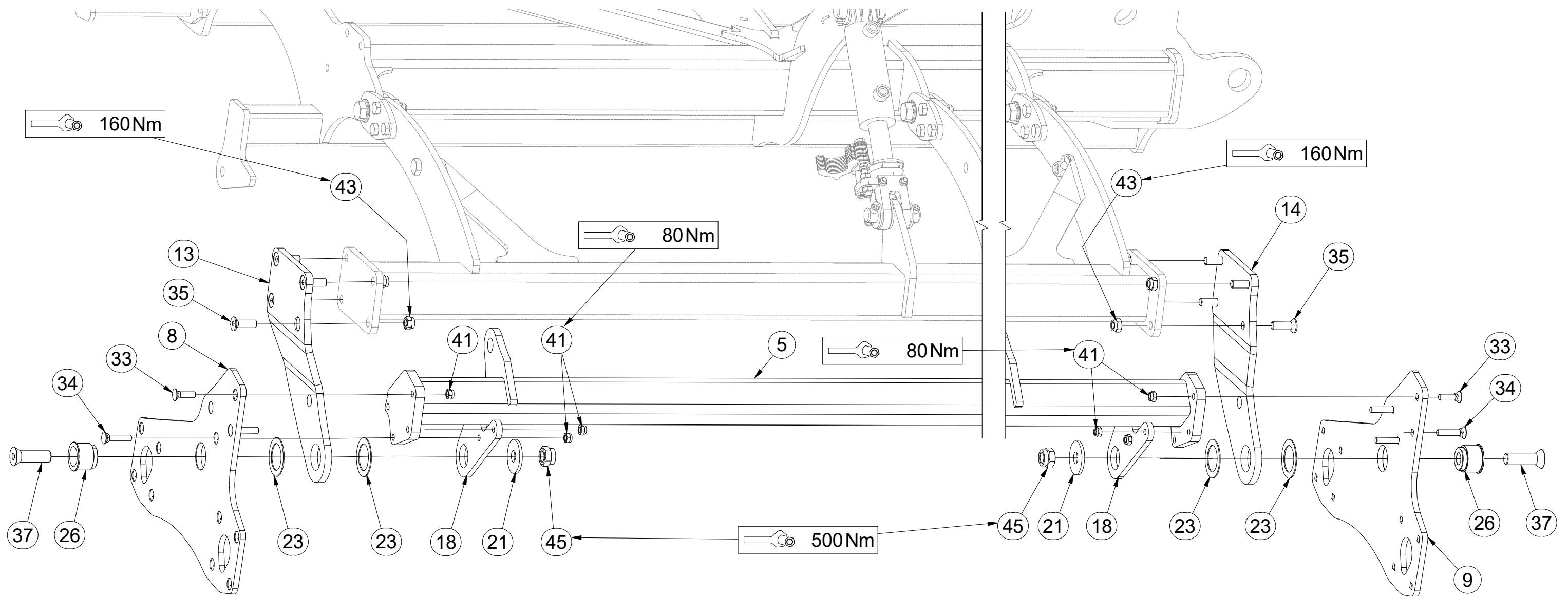
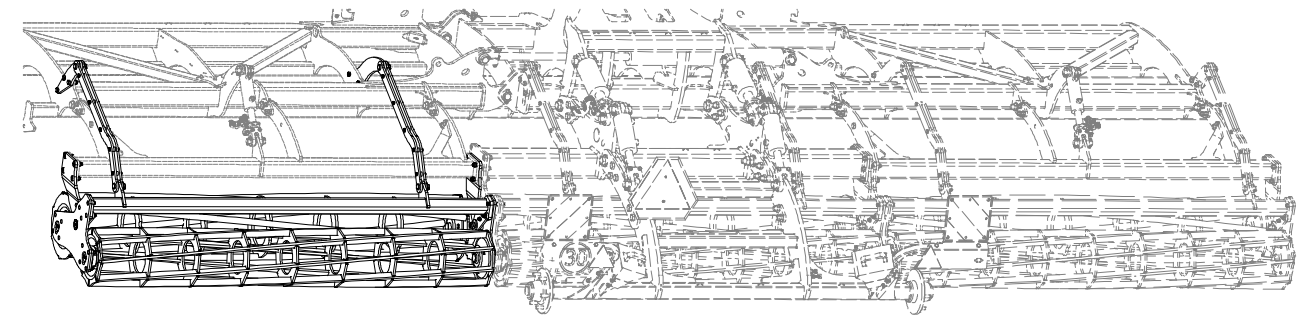
- Ⓒ SADA ZADNÍCH VÁLČŮ
- Ⓓ SATZ HINTERE WALZEN
- Ⓕ KIT DE ROULEAUX ARRIÈRE

- Ⓖ SET OF REAR ROLLERS
- Ⓡ КОМПЛЕКТ ЗАДНИХ КАТКОВ
- Ⓟ ZESTAW TYLNYCH WAŁÓW



VZ00018132

| Pos. | Part Number | Pcs. | Pos. | Part Number | Pcs. |
|------|-------------|------|------|-------------|------|
| 5 | VZ00018145 | 1 | 26 | m14991 | 6 |
| 8 | 3008728 | 3 | 33 | m19364 | 6 |
| 9 | 3008729 | 3 | 34 | m19365 | 18 |
| 13 | 3008700 | 2 | 35 | m14672 | 28 |
| 14 | 3008702 | 2 | 37 | m14992 | 6 |
| 18 | 4015769 | 6 | 41 | m04301 | 24 |
| 21 | 4015792 | 6 | 43 | m03683 | 28 |
| 23 | VZ00003521 | 12 | 45 | m07147 | 6 |



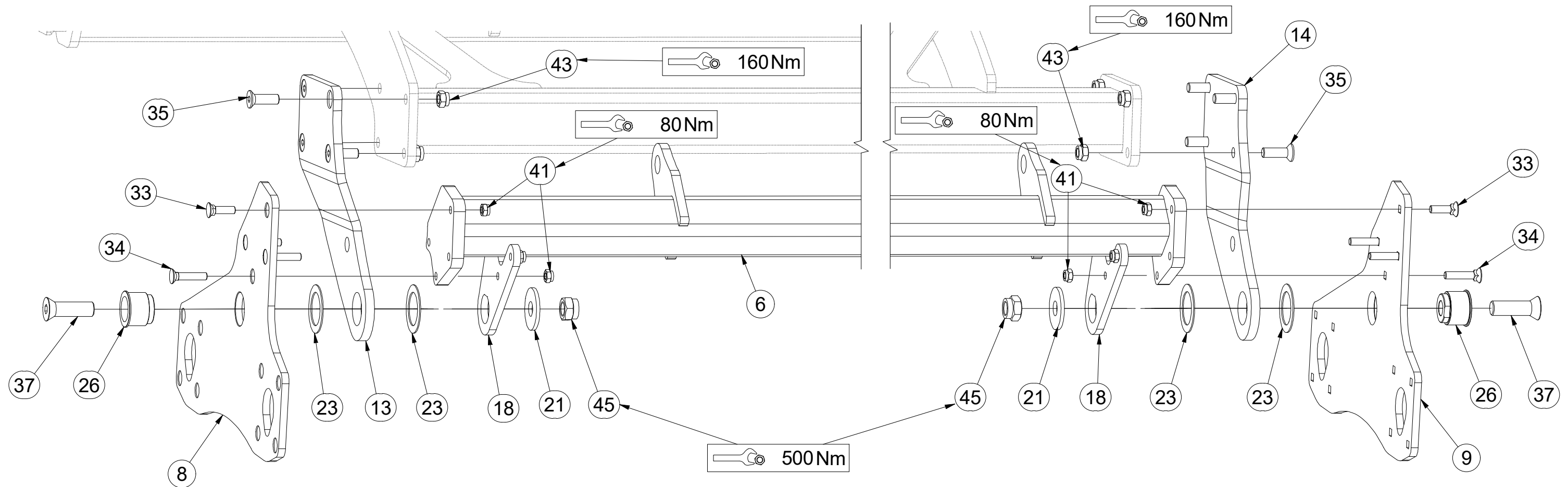
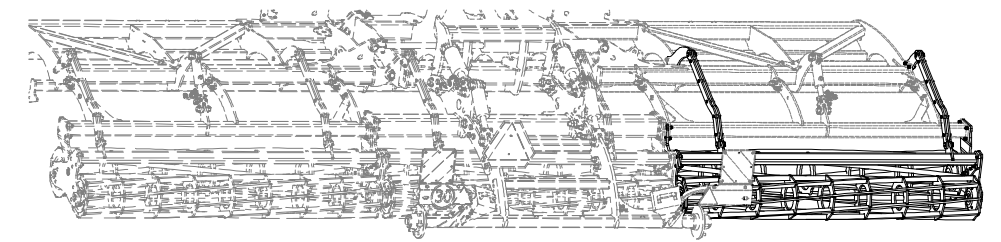
- Ⓒ SADA ZADNÍCH VÁLCŮ
- Ⓓ SATZ HINTERE WALZEN
- Ⓕ KIT DE ROULEAUX ARRIÈRE

- Ⓖ SET OF REAR ROLLERS
- Ⓡ КОМПЛЕКТ ЗАДНИХ КАТКОВ
- Ⓟ ZESTAW TYLNYCH WAŁÓW



VZ00018132

| Pos. | Part Number | Pcs. | Pos. | Part Number | Pcs. |
|------|-------------|------|------|-------------|------|
| 6 | VZ00018146 | 1 | 26 | m14991 | 6 |
| 8 | 3008728 | 3 | 33 | m19364 | 6 |
| 9 | 3008729 | 3 | 34 | m19365 | 18 |
| 13 | 3008700 | 2 | 35 | m14672 | 28 |
| 14 | 3008702 | 2 | 37 | m14992 | 6 |
| 18 | 4015769 | 6 | 41 | m04301 | 24 |
| 21 | 4015792 | 6 | 43 | m03683 | 28 |
| 23 | VZ00003521 | 12 | 45 | m07147 | 6 |

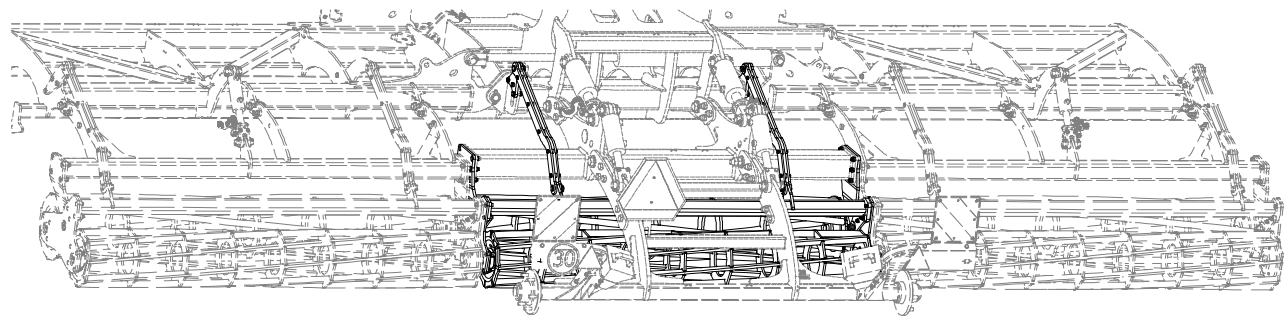


- Ⓒ SADA ZADNÍCH VÁLCŮ
- Ⓓ SATZ HINTERE WALZEN
- Ⓕ KIT DE ROULEAUX ARRIÈRE

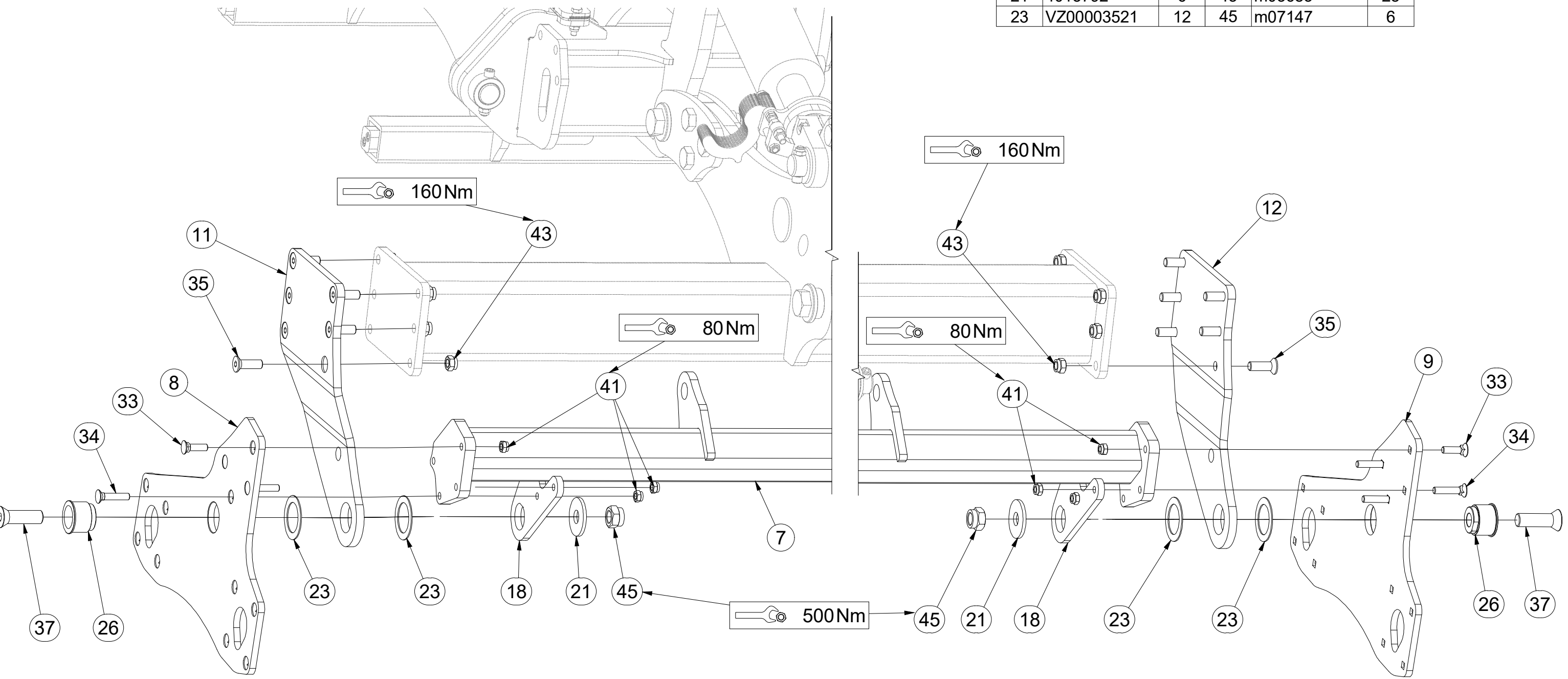
- Ⓖ SET OF REAR ROLLERS
- Ⓡ КОМПЛЕКТ ЗАДНИХ КАТКОВ
- Ⓟ ZESTAW TYLNYCH WAŁÓW



VZ00018132



| Pos. | Part Number | Pcs. | Pos. | Part Number | Pcs. |
|------|-------------|------|------|-------------|------|
| 7 | VZ00018148 | 1 | 26 | m14991 | 6 |
| 8 | 3008728 | 3 | 33 | m19364 | 6 |
| 9 | 3008729 | 3 | 34 | m19365 | 18 |
| 11 | 3008717 | 1 | 35 | m14672 | 28 |
| 12 | 3008718 | 1 | 37 | m14992 | 6 |
| 18 | 4015769 | 6 | 41 | m04301 | 24 |
| 21 | 4015792 | 6 | 43 | m03683 | 28 |
| 23 | VZ00003521 | 12 | 45 | m07147 | 6 |

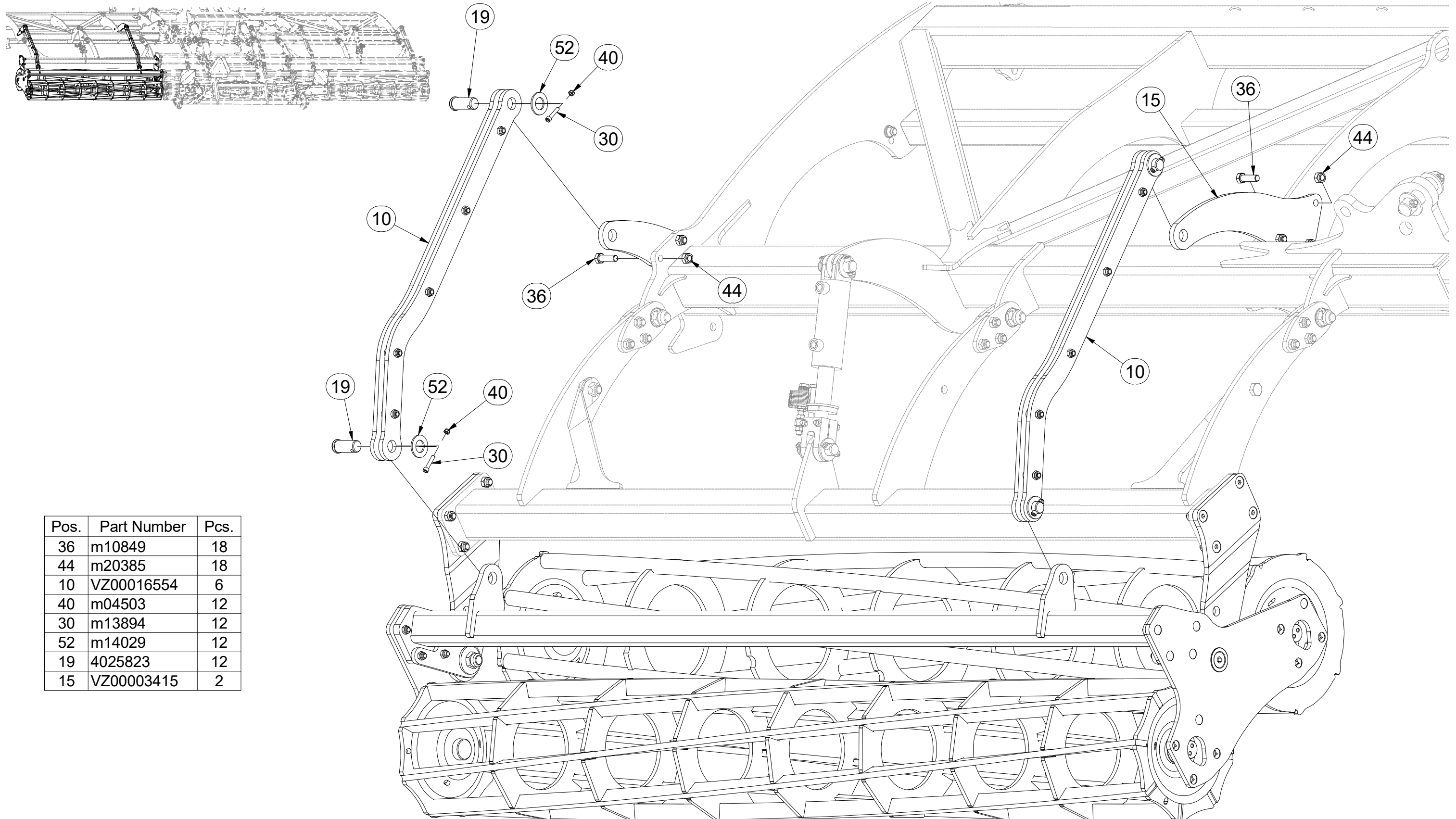


- Ⓒ SADA ZADNÍCH VÁLCŮ
- Ⓓ SATZ HINTERE WALZEN
- Ⓕ KIT DE ROULEAUX ARRIÈRE

- Ⓖ SET OF REAR ROLLERS
- Ⓡ КОМПЛЕКТ ЗАДНИХ КАТКОВ
- Ⓟ ZESTAW TYLNYCH WAŁÓW



VZ00018132



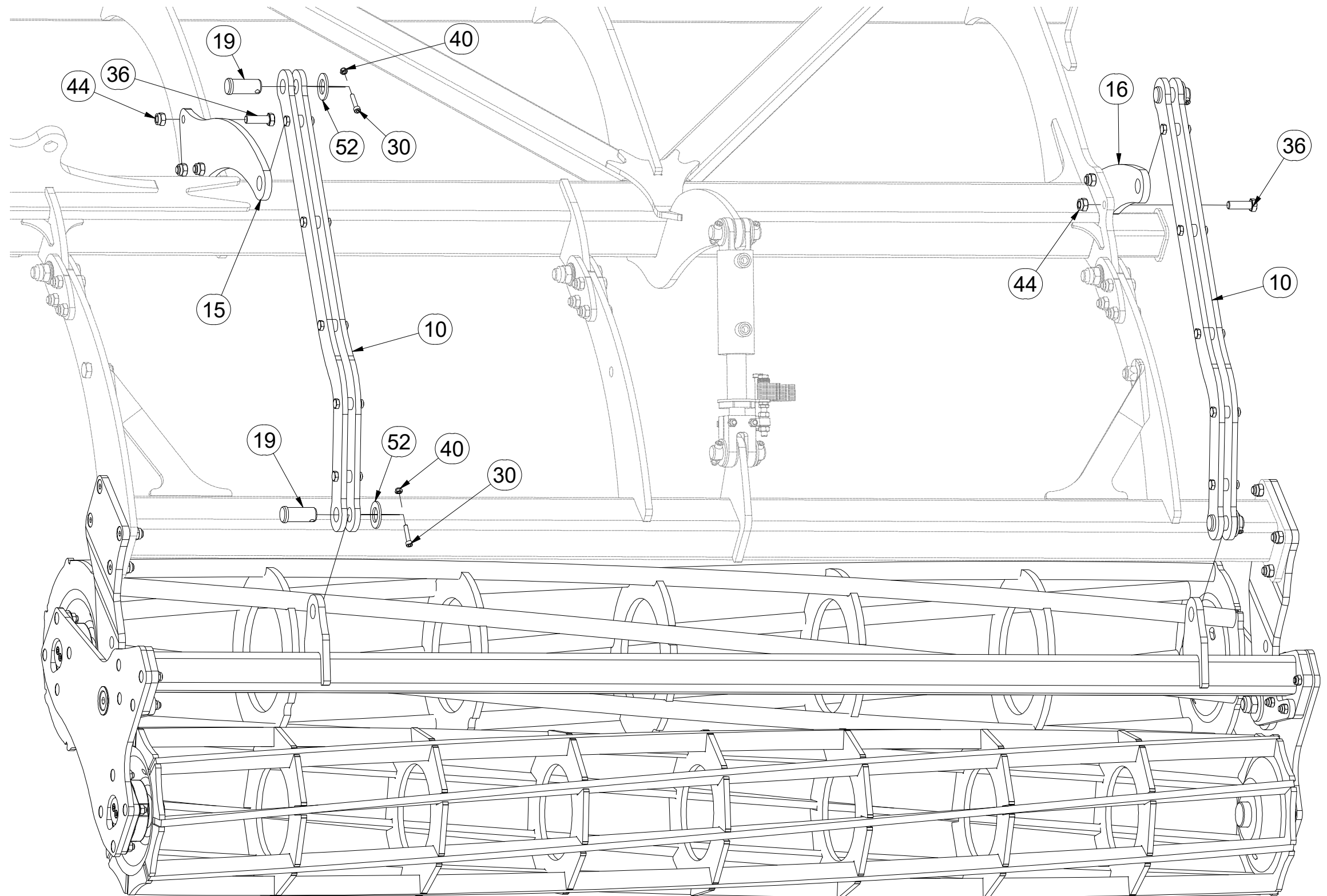
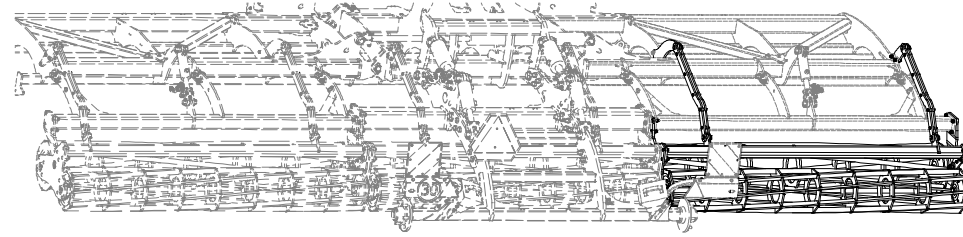
| Pos. | Part Number | Pcs. |
|------|-------------|------|
| 36 | m10849 | 18 |
| 44 | m20385 | 18 |
| 10 | VZ00016554 | 6 |
| 40 | m04503 | 12 |
| 30 | m13894 | 12 |
| 52 | m14029 | 12 |
| 19 | 4025823 | 12 |
| 15 | VZ00003415 | 2 |

- Ⓒ SADA ZADNÍCH VÁLCŮ
- Ⓓ SATZ HINTERE WALZEN
- Ⓕ KIT DE ROULEAUX ARRIÈRE

- Ⓖ SET OF REAR ROLLERS
- Ⓡ КОМПЛЕКТ ЗАДНИХ КАТКОВ
- Ⓟ ZESTAW TYLNYCH WAŁÓW



VZ00018132



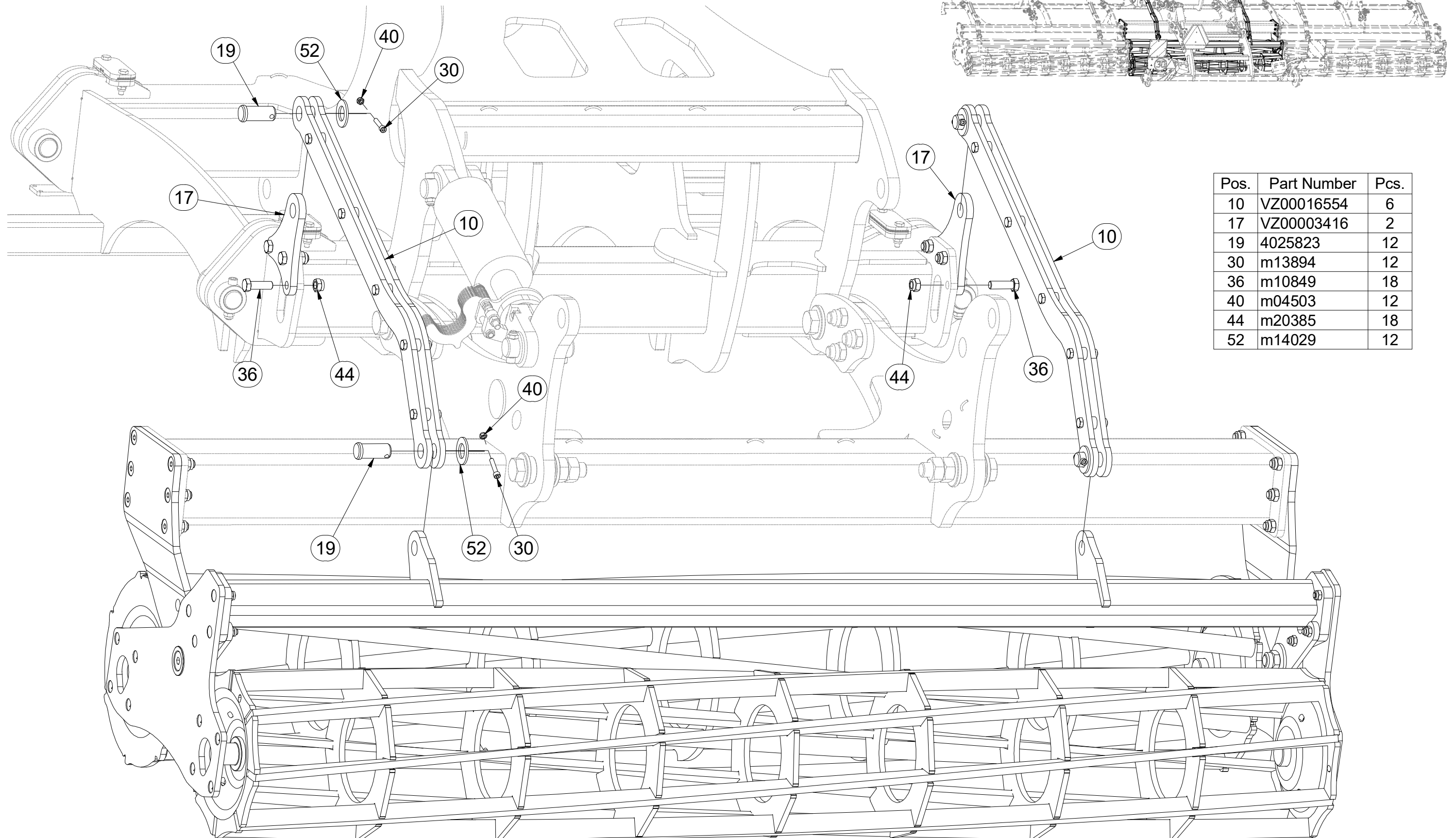
| Pos. | Part Number | Pcs. |
|------|-------------|------|
| 10 | VZ00016554 | 6 |
| 15 | VZ00003415 | 2 |
| 16 | VZ00003423 | 2 |
| 19 | 4025823 | 12 |
| 30 | m13894 | 12 |
| 36 | m10849 | 18 |
| 40 | m04503 | 12 |
| 44 | m20385 | 18 |
| 52 | m14029 | 12 |

- Ⓒ SADA ZADNÍCH VÁLCŮ
- Ⓓ SATZ HINTERE WALZEN
- Ⓕ KIT DE ROULEAUX ARRIÈRE

- Ⓖ SET OF REAR ROLLERS
- Ⓡ КОМПЛЕКТ ЗАДНИХ КАТКОВ
- Ⓟ ZESTAW TYLNYCH WAŁÓW



VZ00018132



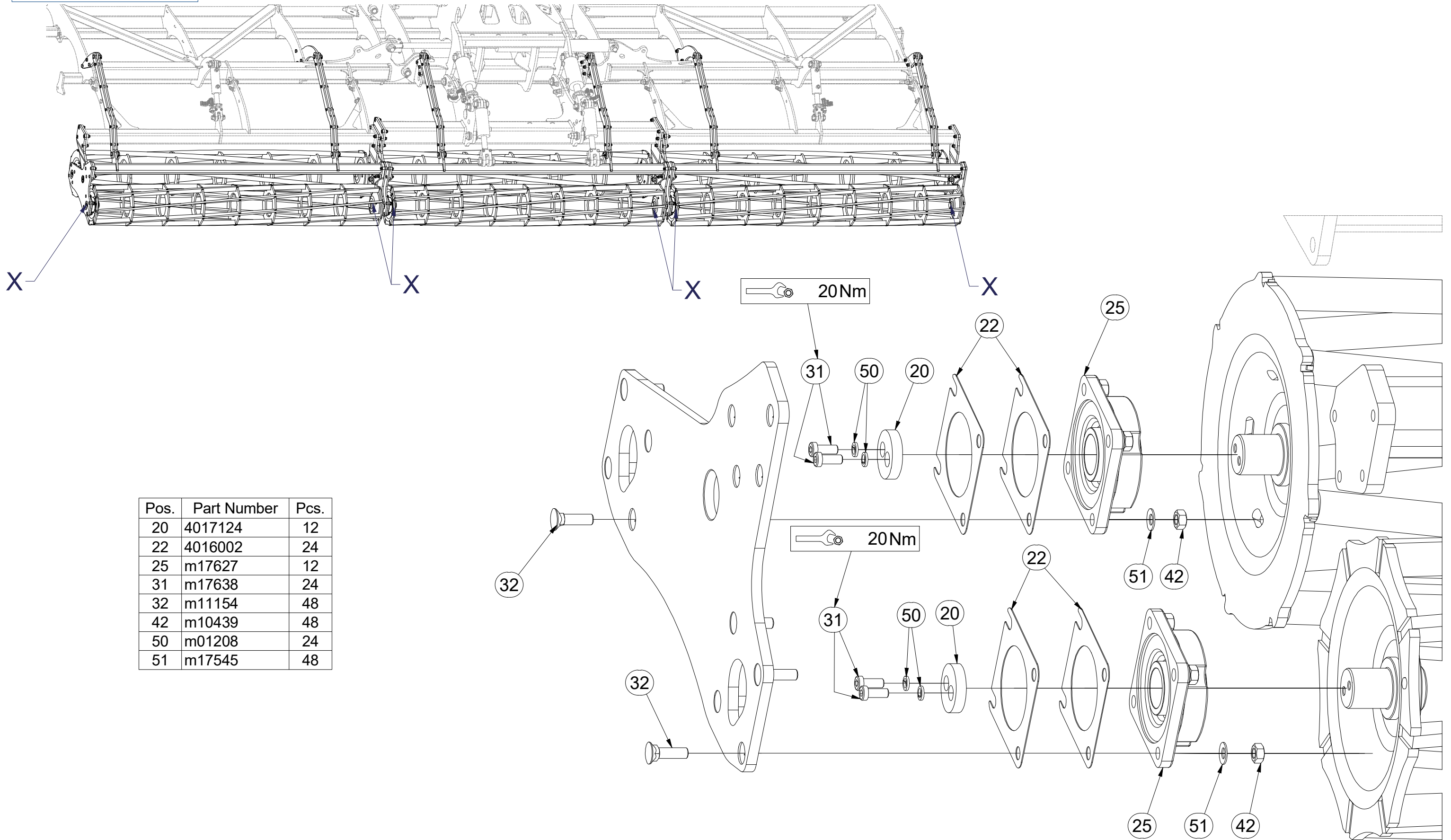
| Pos. | Part Number | Pcs. |
|------|-------------|------|
| 10 | VZ00016554 | 6 |
| 17 | VZ00003416 | 2 |
| 19 | 4025823 | 12 |
| 30 | m13894 | 12 |
| 36 | m10849 | 18 |
| 40 | m04503 | 12 |
| 44 | m20385 | 18 |
| 52 | m14029 | 12 |

- Ⓒ SADA ZADNÍCH VÁLCŮ
- Ⓓ SATZ HINTERE WALZEN
- Ⓕ KIT DE ROULEAUX ARRIÈRE

- Ⓖ SET OF REAR ROLLERS
- Ⓡ КОМПЛЕКТ ЗАДНИХ КАТКОВ
- Ⓟ ZESTAW TYLNYCH WAŁÓW



VZ00018132



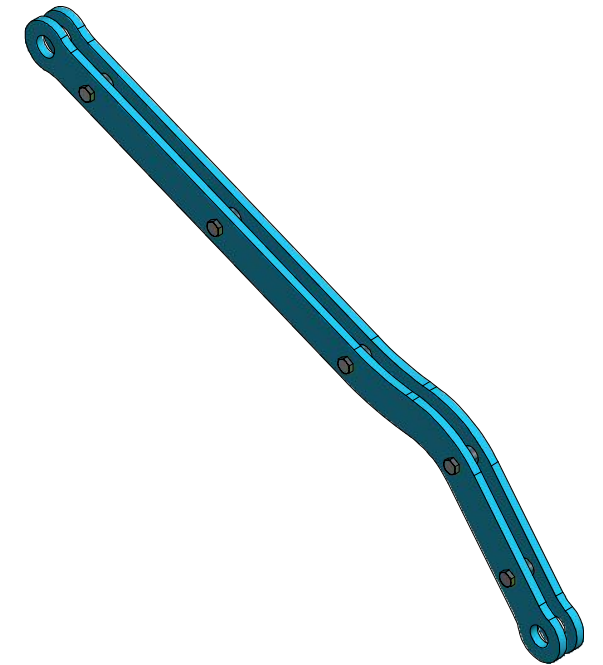
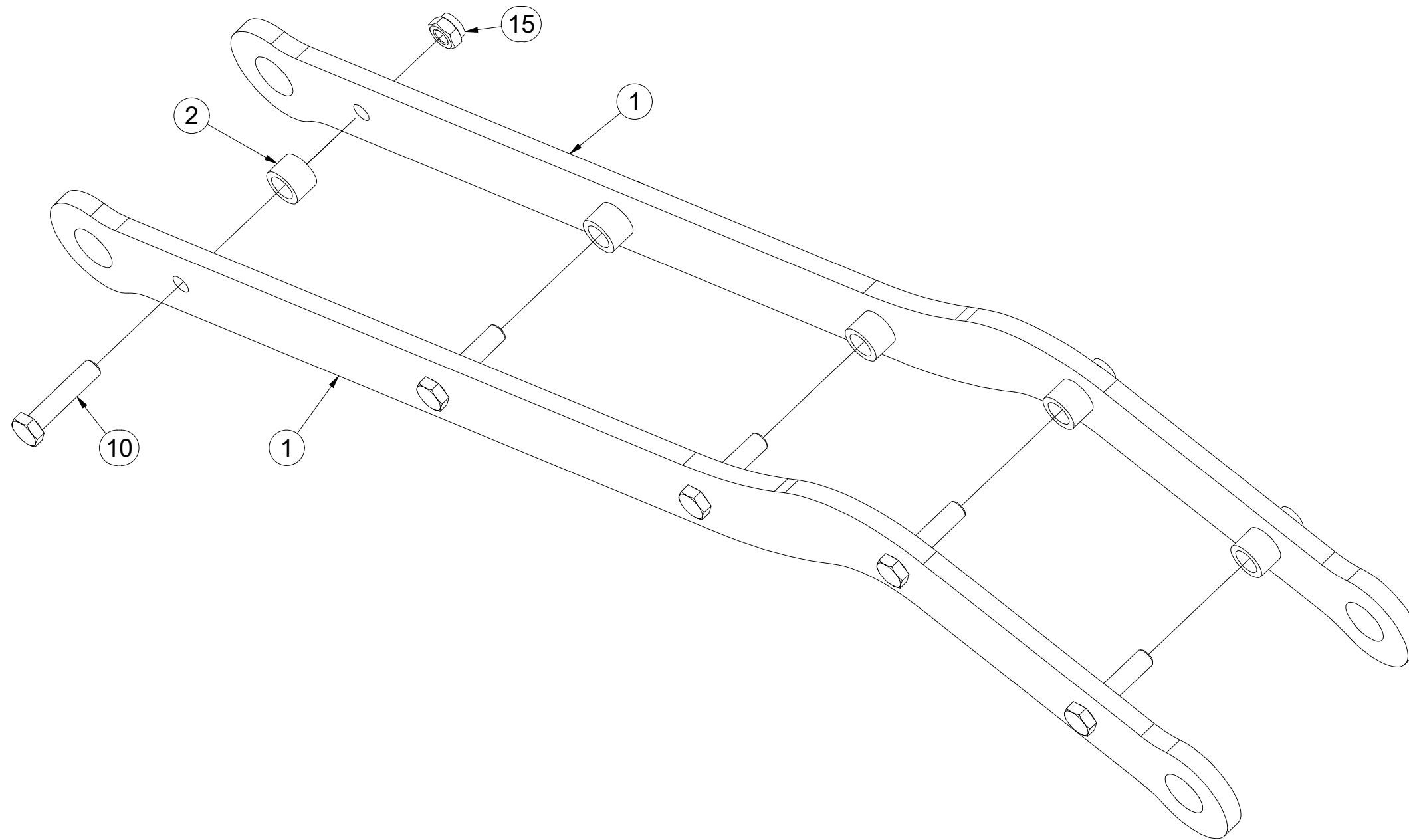
| Pos. | Part Number | Pcs. |
|------|-------------|------|
| 20 | 4017124 | 12 |
| 22 | 4016002 | 24 |
| 25 | m17627 | 12 |
| 31 | m17638 | 24 |
| 32 | m11154 | 48 |
| 42 | m10439 | 48 |
| 50 | m01208 | 24 |
| 51 | m17545 | 48 |

CZ TÁHLO
 D STANGE
 F TIGE DE TRACTION

GB DRAWBAR
 RU ТЯГА
 PL PRĘT



VZ00016554



| Pos. | Part Number | Pcs. |
|------|-------------|------|
| 1 | VZ00016555 | 2 |
| 2 | 4006690 | 5 |
| 10 | m04412 | 5 |
| 15 | m04301 | 5 |

ⒸZ SADA NÁPRAVY

Ⓓ SATZ AUFHÄNGUNG

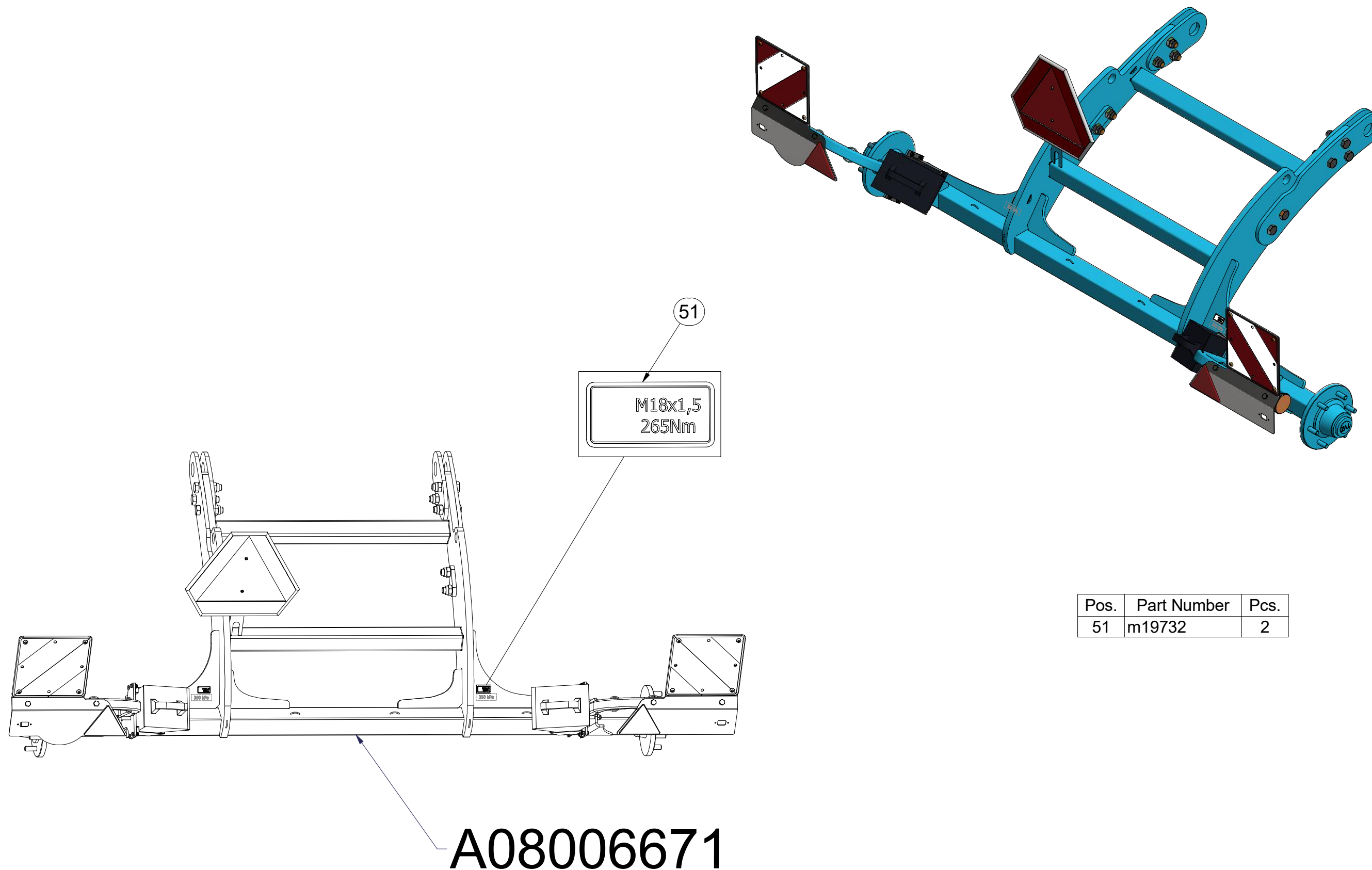
Ⓕ KIT DE L'ESSIEU

VZ00020758

ⒸB AXLE SET

Ⓔ КОМПЛЕКТ ОСИ КОЛЁС

ⒶL ZESTAW OSI



| Pos. | Part Number | Pcs. |
|------|-------------|------|
| 51 | m19732 | 2 |

Ⓒ SADA NÁPRAVY

Ⓓ SATZ AUFHÄNGUNG

Ⓕ KIT DE L'ESSIEU

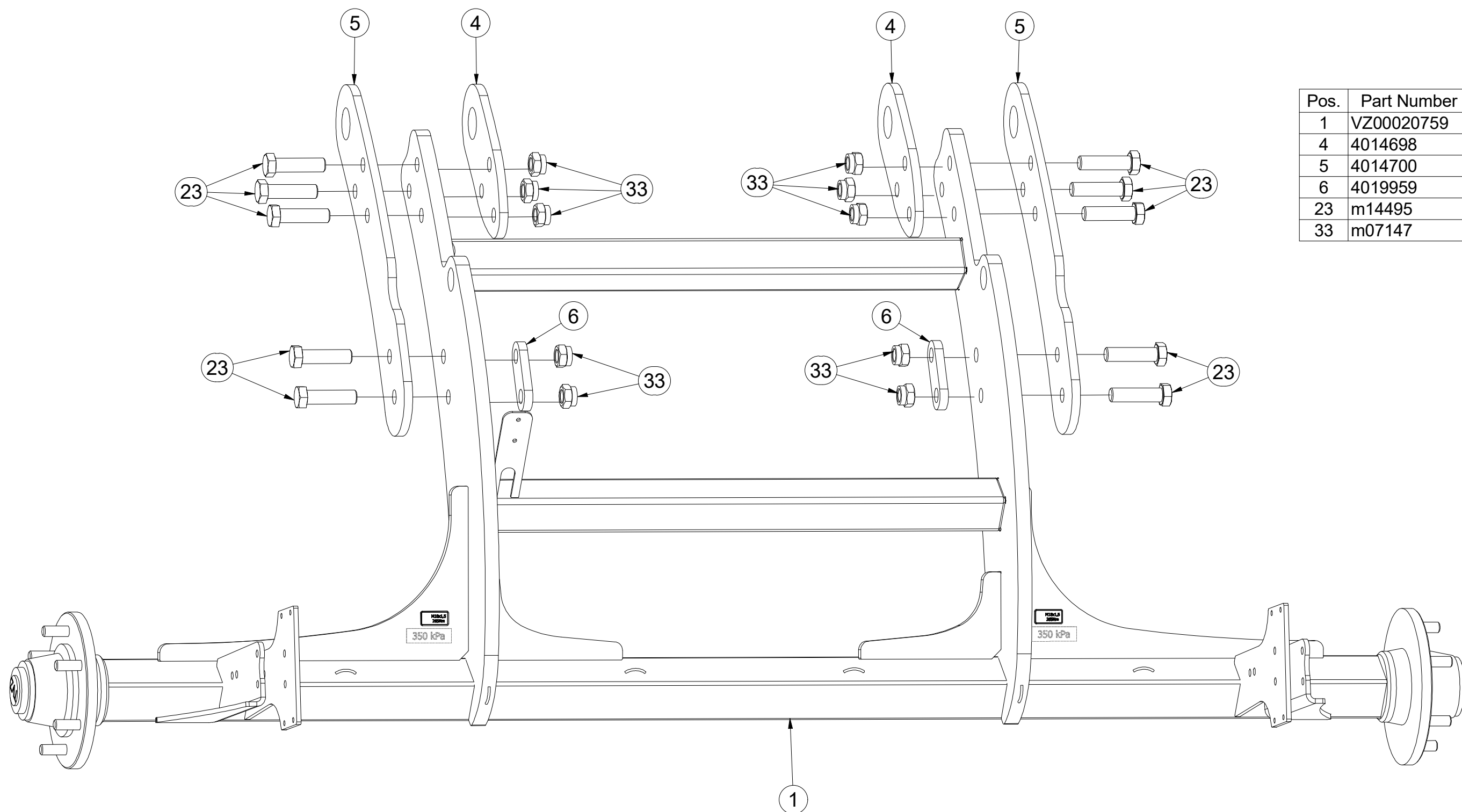
Ⓖ AXLE SET

Ⓡ КОМПЛЕКТ ОСИ КОЛЁС

Ⓟ ZESTAW OSI



VZ00020758



| Pos. | Part Number | Pcs. |
|------|-------------|------|
| 1 | VZ00020759 | 1 |
| 4 | 4014698 | 2 |
| 5 | 4014700 | 2 |
| 6 | 4019959 | 2 |
| 23 | m14495 | 10 |
| 33 | m07147 | 10 |

Ⓒ SADA NÁPRAVY

Ⓓ SATZ AUFHÄNGUNG

Ⓕ KIT DE L'ESSIEU

VZ00020758

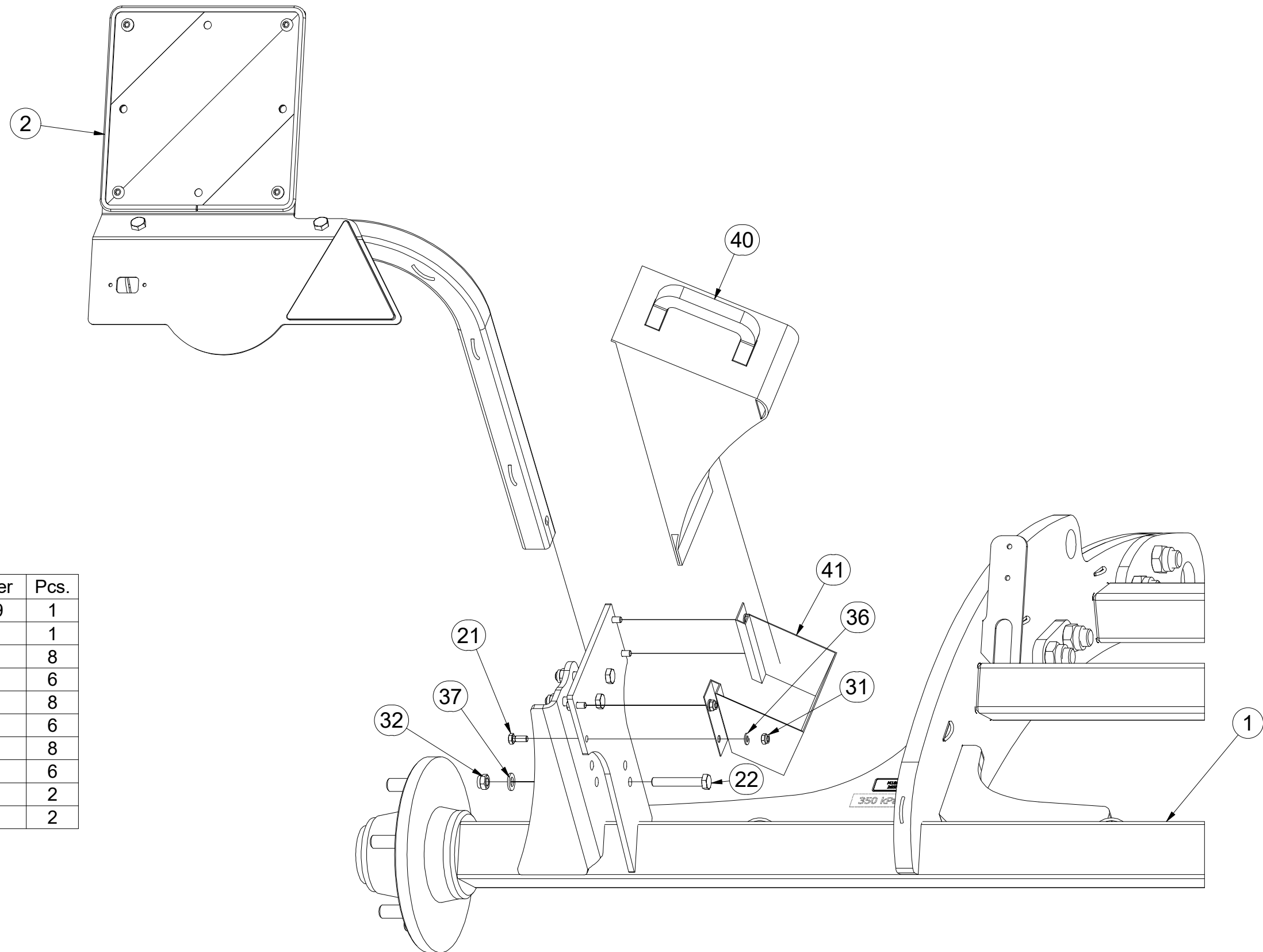
Ⓖ AXLE SET

Ⓡ КОМПЛЕКТ ОСИ КОЛЁС

Ⓢ ZESTAW OSI



| Pos. | Part Number | Pcs. |
|------|-------------|------|
| 1 | VZ00020759 | 1 |
| 2 | 3012367 | 1 |
| 21 | m01089 | 8 |
| 22 | m12493 | 6 |
| 31 | m04503 | 8 |
| 32 | m04301 | 6 |
| 36 | m01203 | 8 |
| 37 | m01214 | 6 |
| 40 | m16186 | 2 |
| 41 | m12572 | 2 |



Ⓒ SADA NÁPRAVY

Ⓓ SATZ AUFHÄNGUNG

Ⓕ KIT DE L'ESSIEU

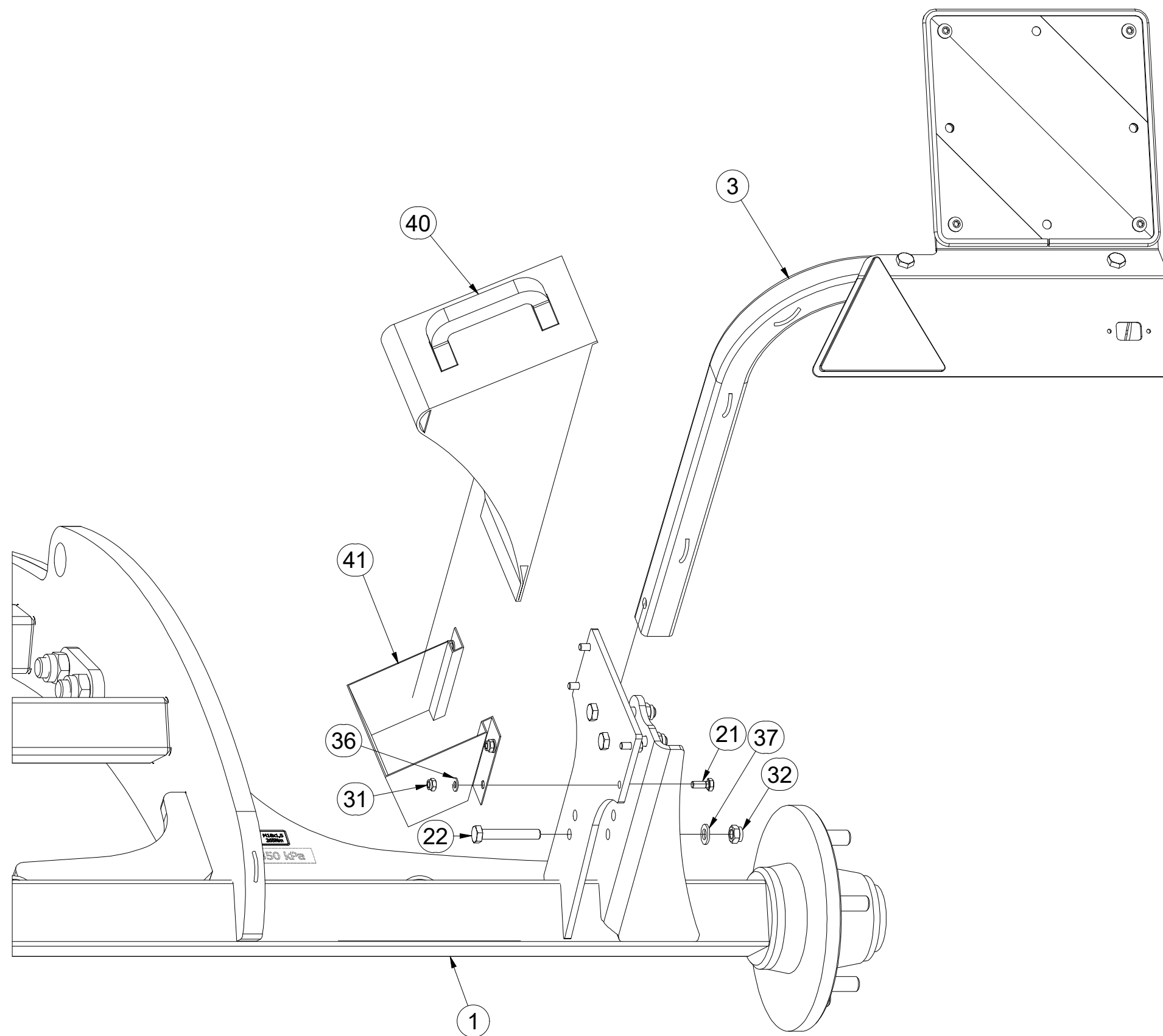
Ⓖ AXLE SET

Ⓡ КОМПЛЕКТ ОСИ КОЛЁС

Ⓢ ZESTAW OSI



VZ00020758



| Pos. | Part Number | Pcs. |
|------|-------------|------|
| 1 | VZ00020759 | 1 |
| 3 | 3012389 | 1 |
| 21 | m01089 | 8 |
| 22 | m12493 | 6 |
| 31 | m04503 | 8 |
| 32 | m04301 | 6 |
| 36 | m01203 | 8 |
| 37 | m01214 | 6 |
| 40 | m16186 | 2 |
| 41 | m12572 | 2 |

Ⓒ CZ SADA NÁPRAVY

Ⓓ D SATZ AUFHÄNGUNG

Ⓕ F KIT DE L'ESSIEU

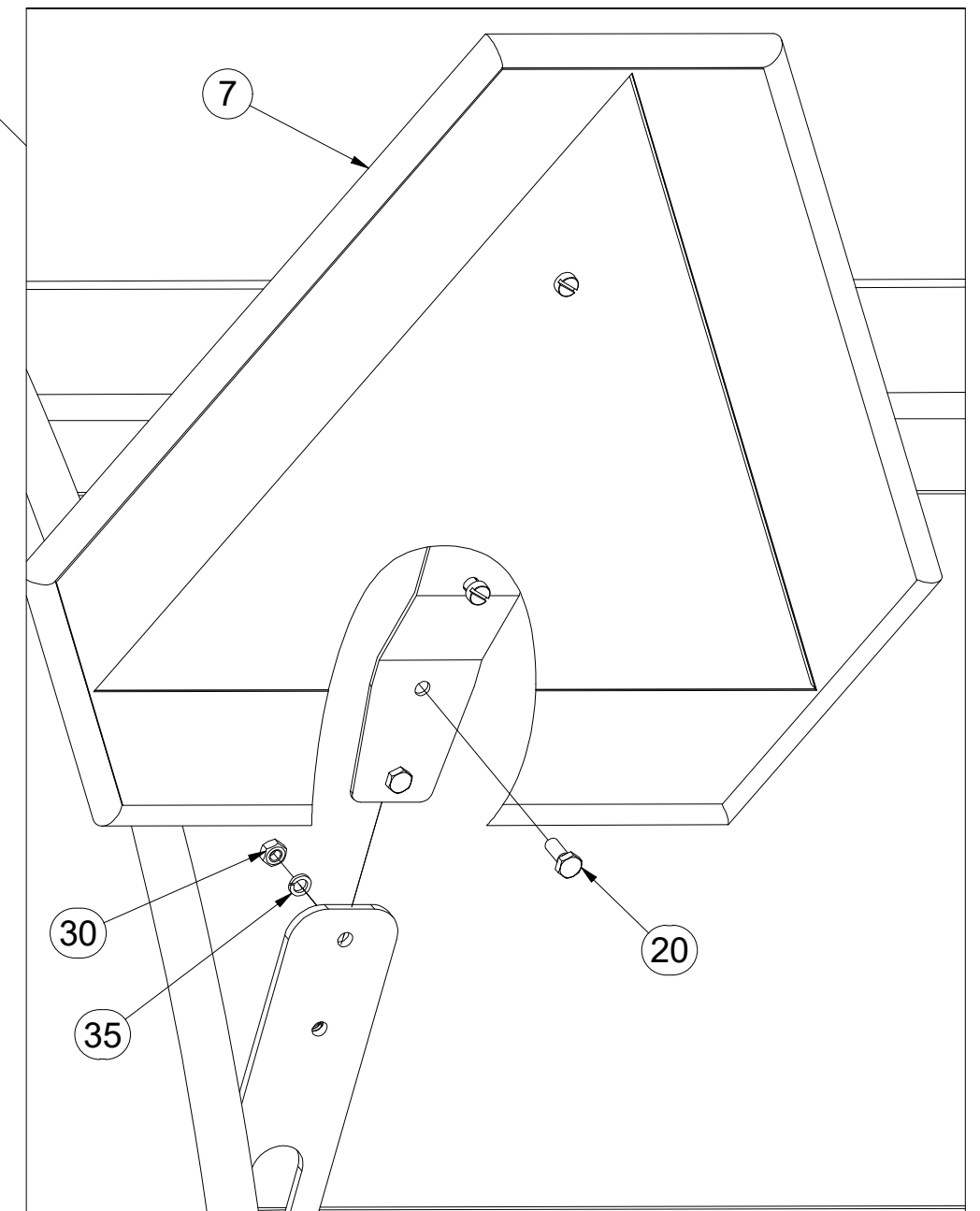
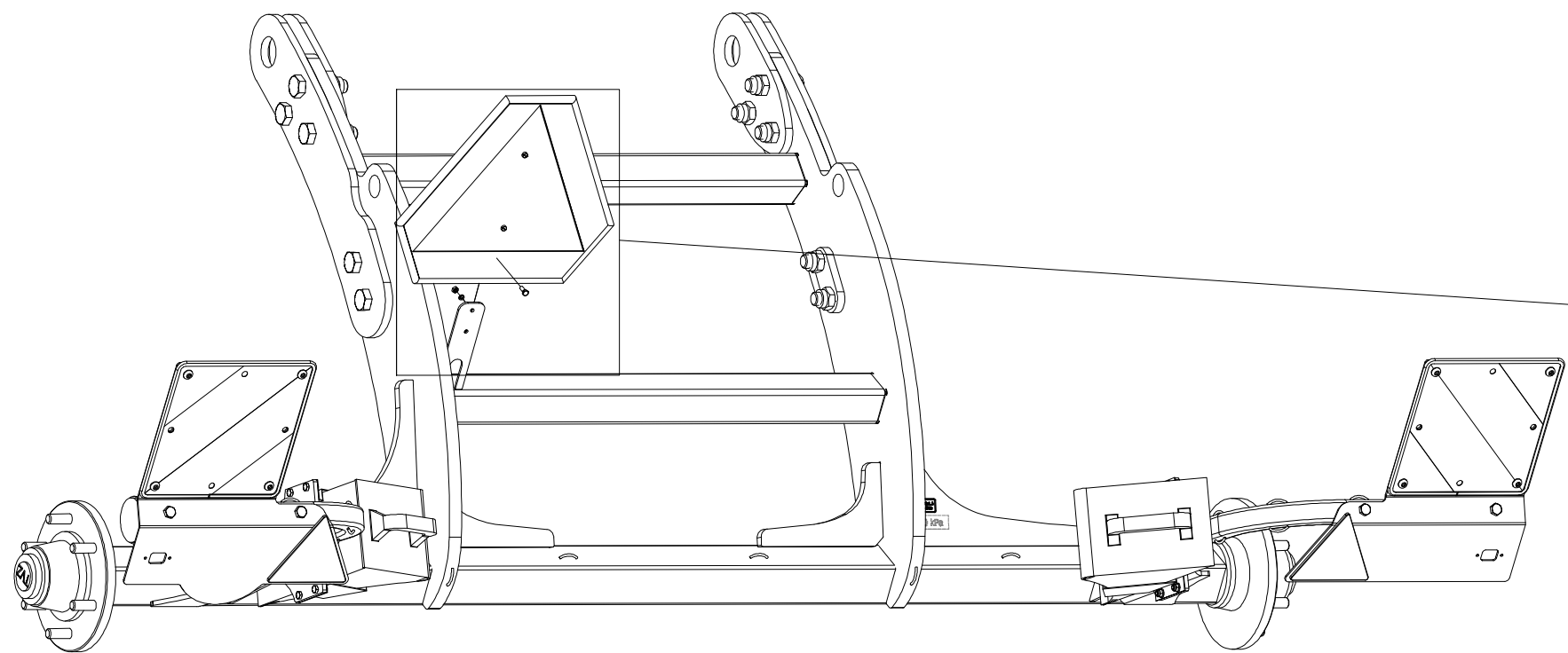
Ⓖ GB AXLE SET

Ⓡ RU КОМПЛЕКТ ОСИ КОЛЁС

Ⓟ PL ZESTAW OSI



VZ00020758



| Pos. | Part Number | Pcs. |
|------|-------------|------|
| 7 | 4007398 | 1 |
| 20 | m01073 | 2 |
| 30 | m01295 | 2 |
| 35 | m01200 | 2 |

Ⓒ NÁPRAVA

Ⓓ АСНСЕ

Ⓕ ESSIEU

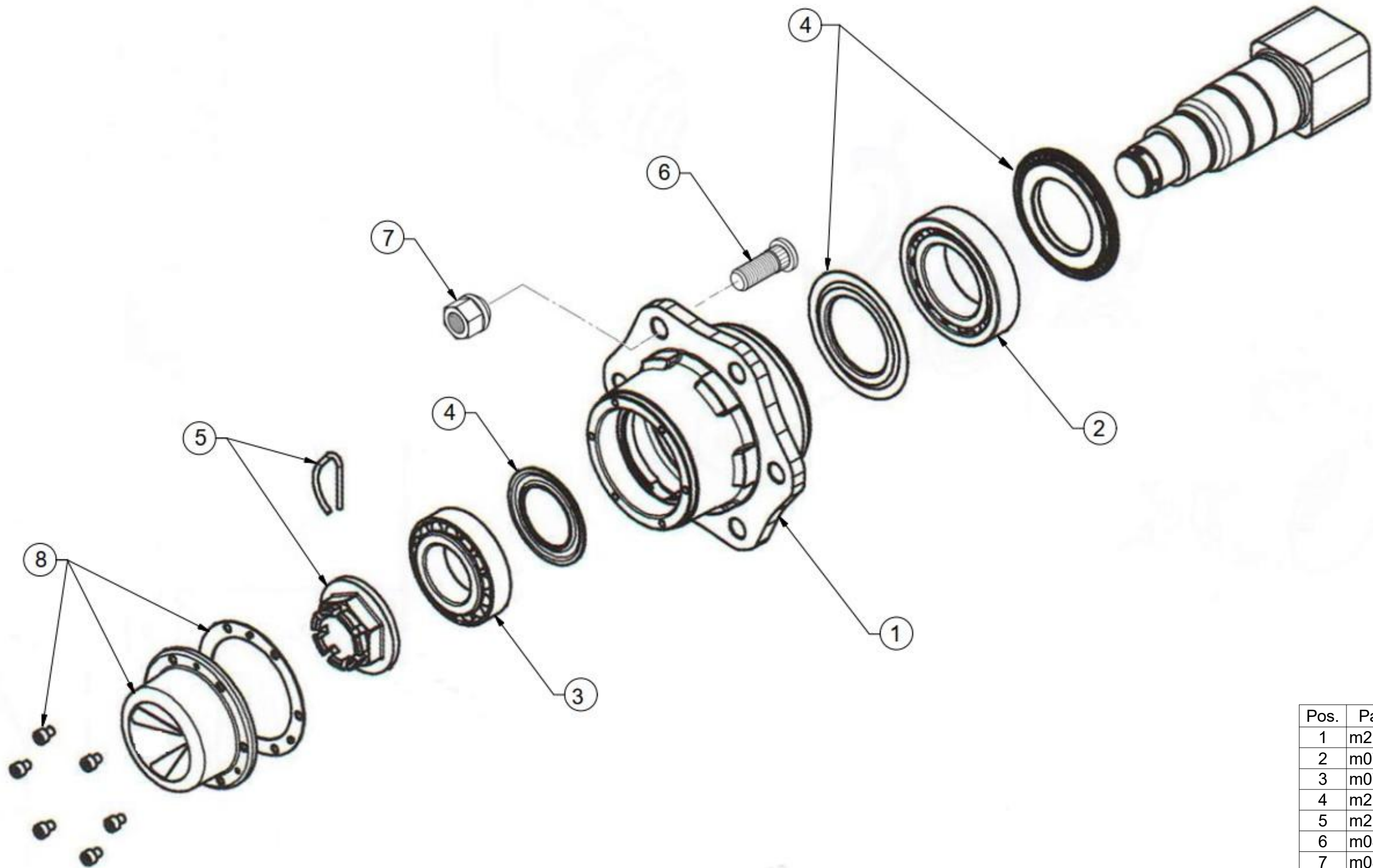
ⒼB AXLE

ⒺO OCB

ⒽO OS

Farmet

A08006671000058



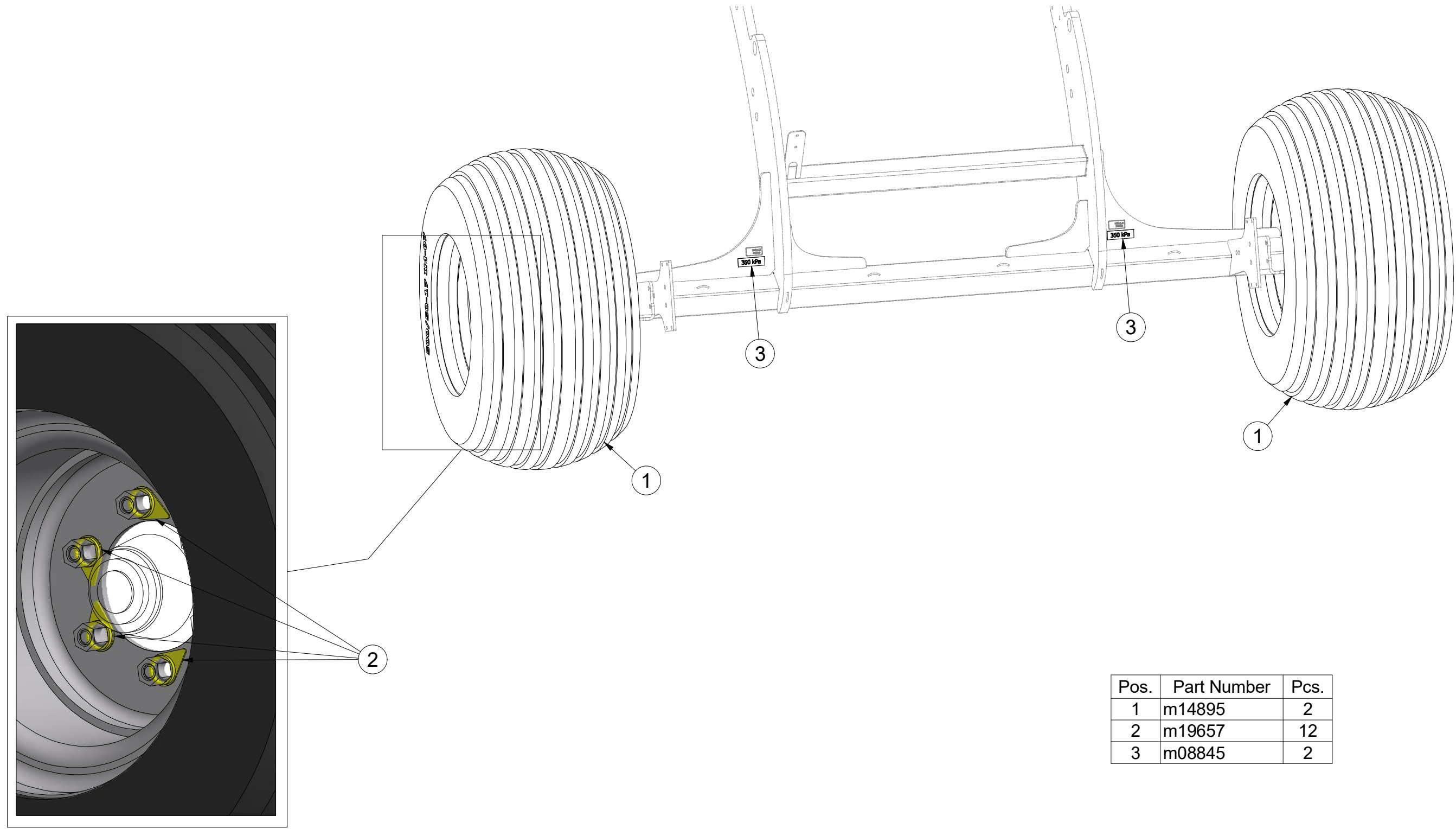
| Pos. | Part Number | Pcs. |
|------|-------------|------|
| 1 | m21391 | 2 |
| 2 | m07153 | 2 |
| 3 | m07154 | 2 |
| 4 | m21321 | 2 |
| 5 | m21489 | 2 |
| 6 | m08148 | 12 |
| 7 | m08163 | 12 |
| 8 | m21461 | 2 |

- Ⓒ CZ SADA NÁPRAVY
- Ⓓ D SATZ AUFHÄNGUNG
- Ⓕ F KIT DE L'ESSIEU

- Ⓖ GB AXLE SET
- Ⓡ RU КОМПЛЕКТ ОСИ КОЛЁС
- Ⓟ PL ZESTAW OSI

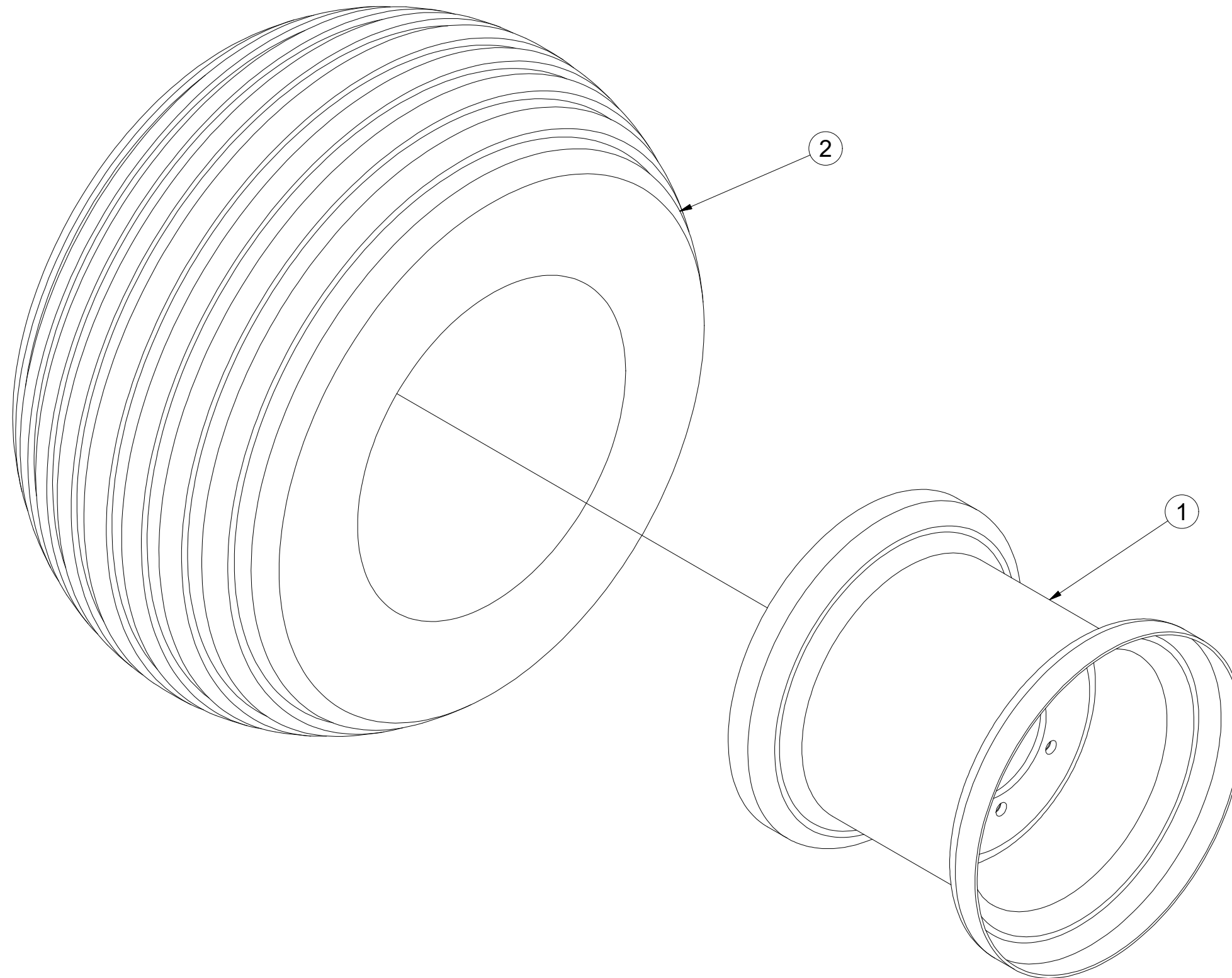


VZ00018118



| Pos. | Part Number | Pcs. |
|------|-------------|------|
| 1 | m14895 | 2 |
| 2 | m19657 | 12 |
| 3 | m08845 | 2 |

m14895



| Pos. | Part Number | Pcs. |
|------|-------------|------|
| 1 | m13089 | 1 |
| 2 | m13238 | 1 |

ⒸZ TERČ ZADNÍ LEVÝ

Ⓓ SCHILD, HINTERES, LINKES

Ⓕ CIBLE ARRIÈRE GAUCHE

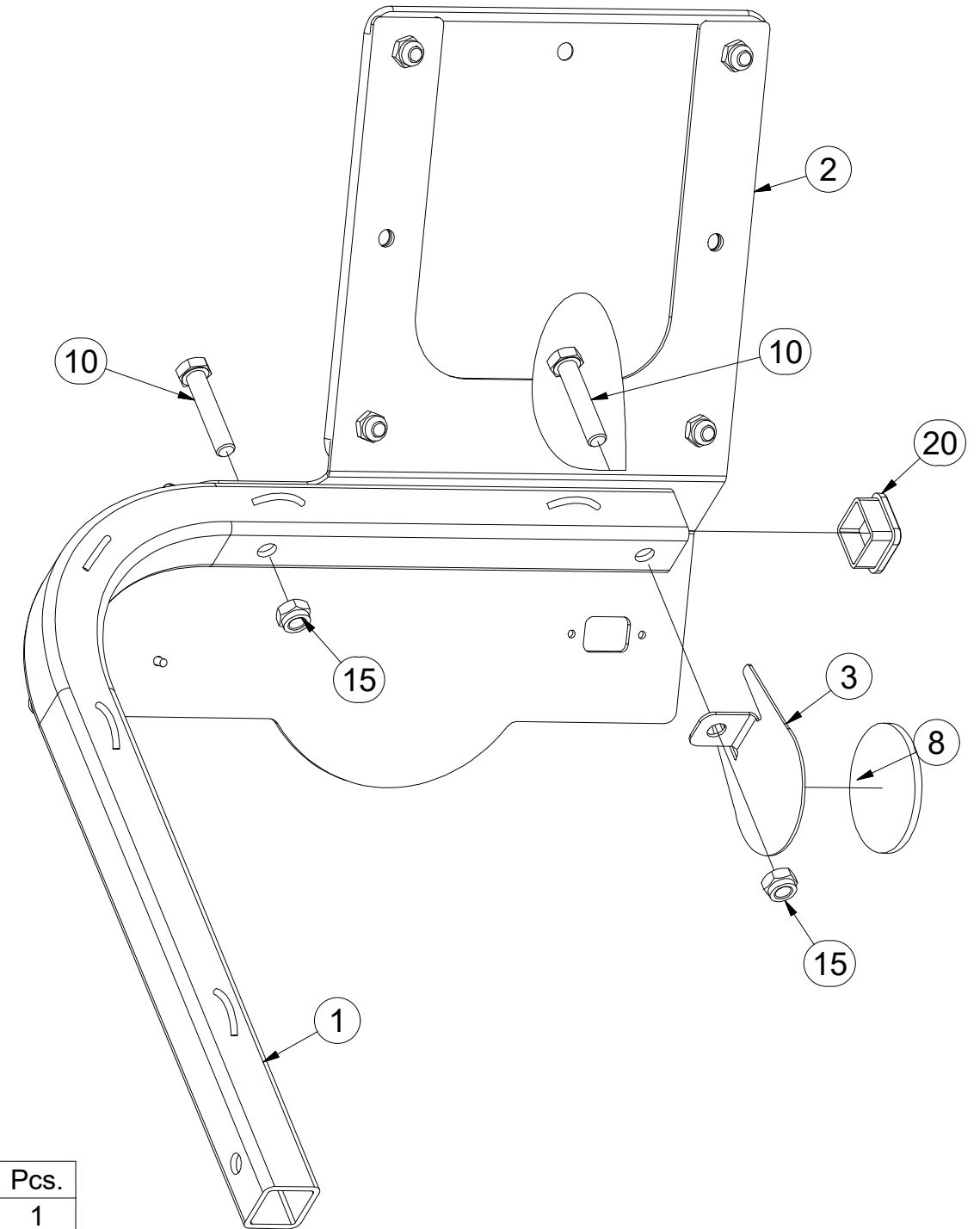
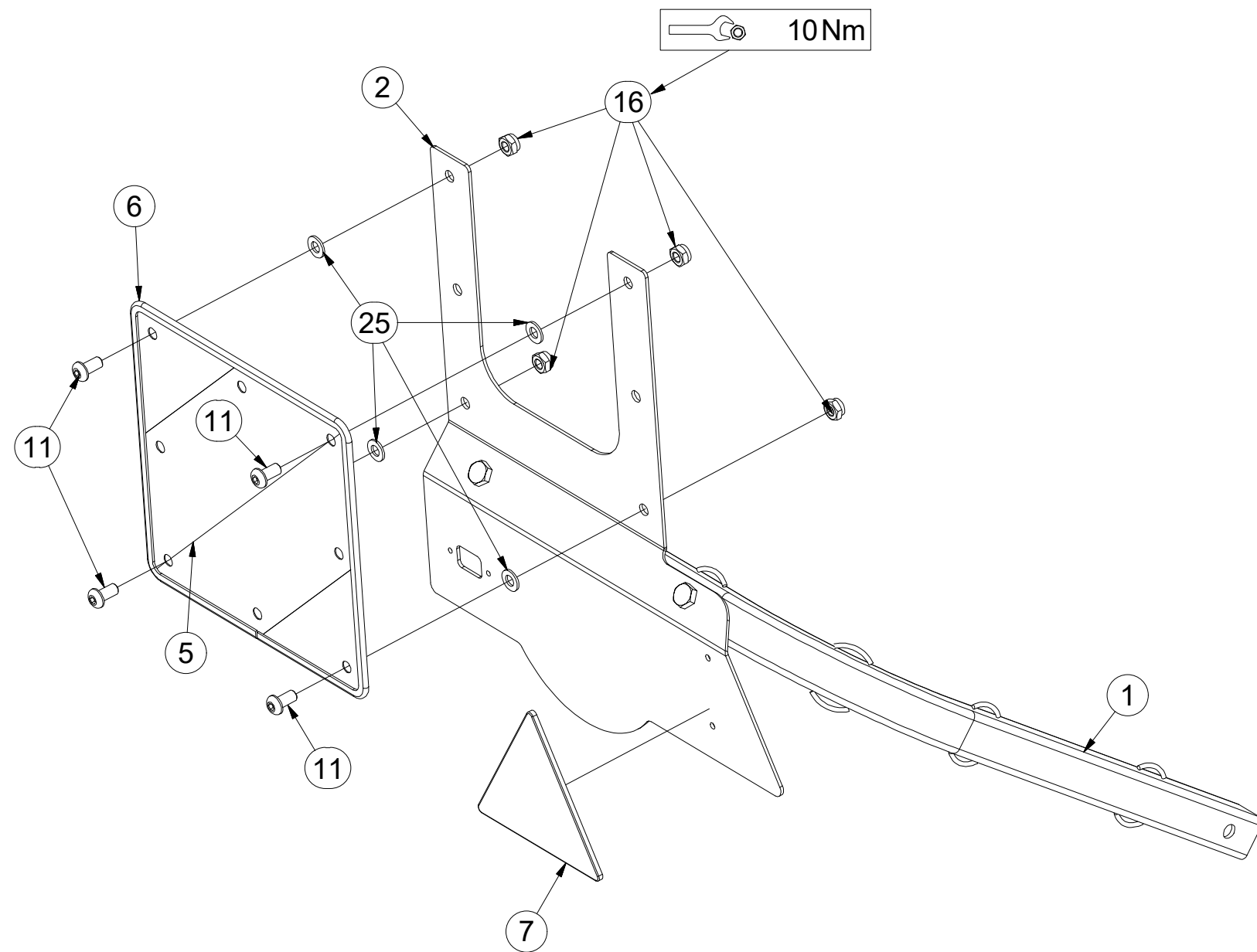
ⒼB LEFT REAR DISC

ⒶRU ЩИТОК ЗАДНИЙ ЛЕВЫЙ

ⒶPL TARCZA TYLNA LEWA



3012367



| Pos. | Part Number | Pcs. | Pos. | Part Number | Pcs. |
|------|-------------|------|------|-------------|------|
| 1 | 3012364 | 1 | 8 | m02579 | 1 |
| 2 | 3012365 | 1 | 10 | m01131 | 2 |
| 3 | 4024926 | 1 | 11 | m16637 | 4 |
| 5 | m18855 | 1 | 15 | m04301 | 2 |
| 6 | 9005707 | 1 | 16 | m03775 | 4 |
| 7 | m02497 | 1 | 20 | m12689 | 1 |
| | | | 25 | m01209 | 4 |

ⒸZ TERČ ZADNÍ PRAVÝ

Ⓓ SCHILD, HINTERES, RECHTES

Ⓕ CIBLE ARRIÈRE DROITE

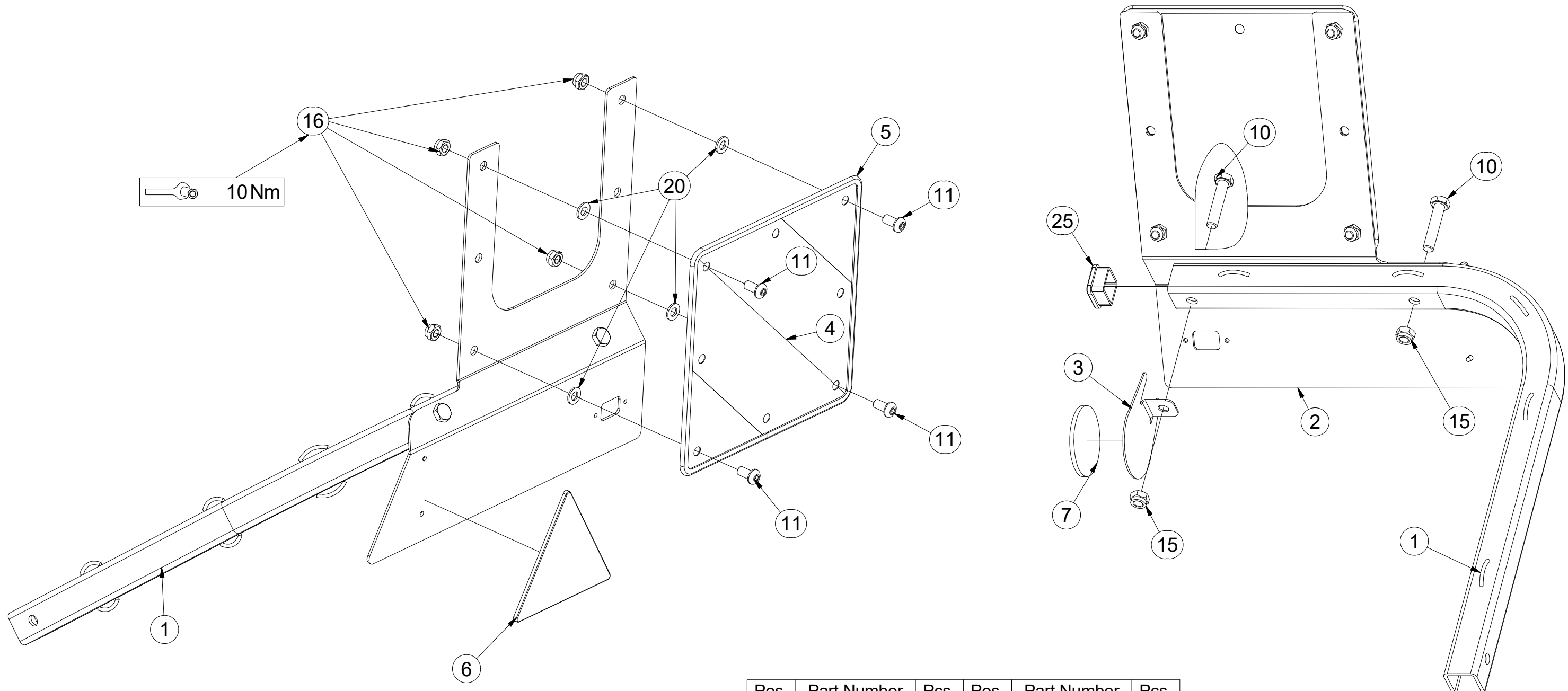
ⒸB RIGHT REAR DISC

ⒸU ЩИТОК ЗАДНИЙ ПРАВЫЙ

ⒸL TARCZA TYLNA PRAWA



3012389



| Pos. | Part Number | Pcs. | Pos. | Part Number | Pcs. |
|------|-------------|------|------|-------------|------|
| 1 | 3012364 | 1 | 7 | m02579 | 1 |
| 2 | 3012390 | 1 | 10 | m01131 | 2 |
| 3 | 4024926 | 1 | 11 | m16637 | 4 |
| 4 | m18855 | 1 | 15 | m04301 | 2 |
| 5 | 9005707 | 1 | 16 | m03775 | 4 |
| 6 | m02497 | 1 | 20 | m01209 | 4 |
| | | | 25 | m12689 | 1 |

Ⓒ VÝSTRAŽNÝ TROJÚHELNÍK

Ⓓ WARNDREIECK

Ⓕ TRIANGLE D'AVERTISSEMENT

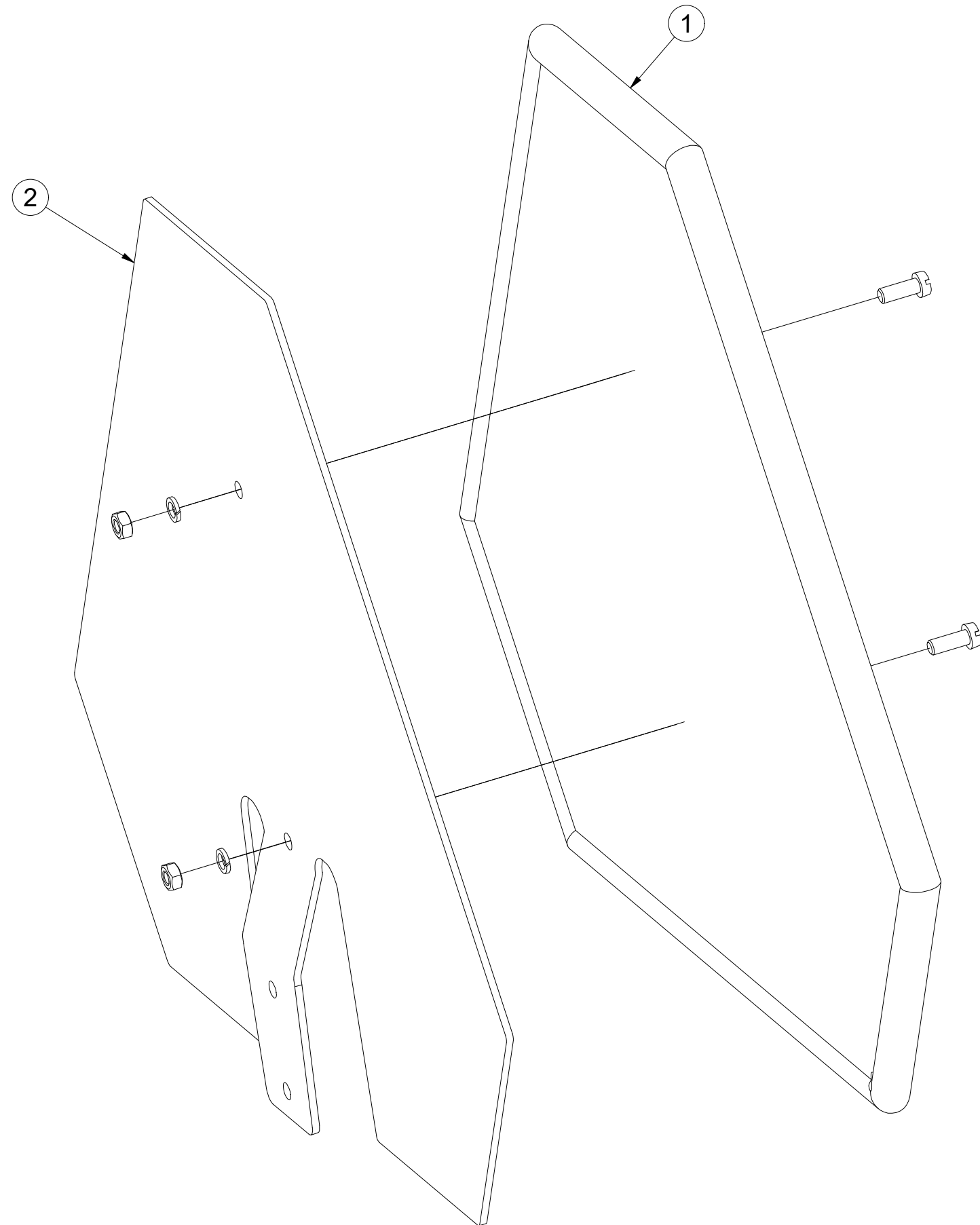
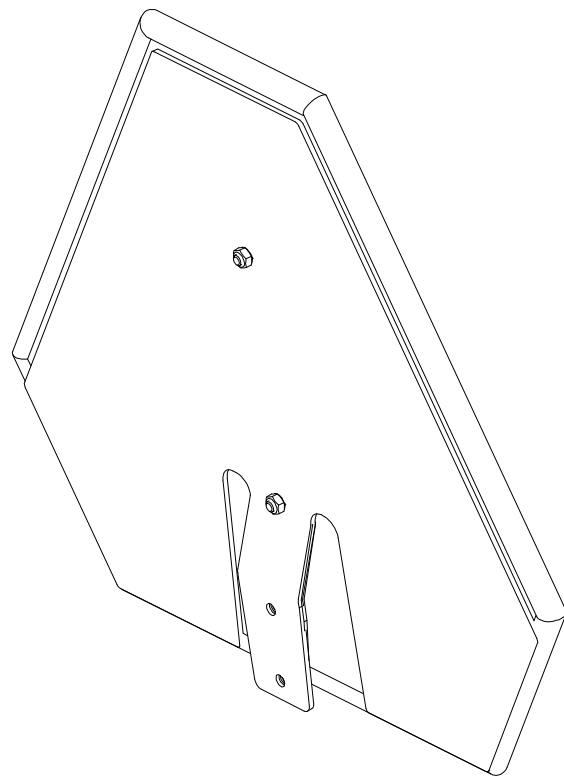
Ⓖ EMERGENCY TRIANGLE

Ⓡ ЗНАК АВАРИЙНОЙ ОСТАНОВКИ

Ⓟ TRÓJKAT OSTRZEGAWCZY



4007398



| Pos. | Part Number | Pcs. |
|------|-------------|------|
| 1 | m05371 | 1 |
| 2 | 3003785 | 1 |

ⒸZ HYDRAULICKÝ ROZVOD SKLÁPĚNÍ

Ⓓ HYDRAULISCHE VERTEILUNG KLAPPMECHANISMUS

Ⓕ CONDUIT HYDRAULIQUE DU BASCULEMENT

ⒸB HYDRAULIC FOLDING DISTRIBUTION

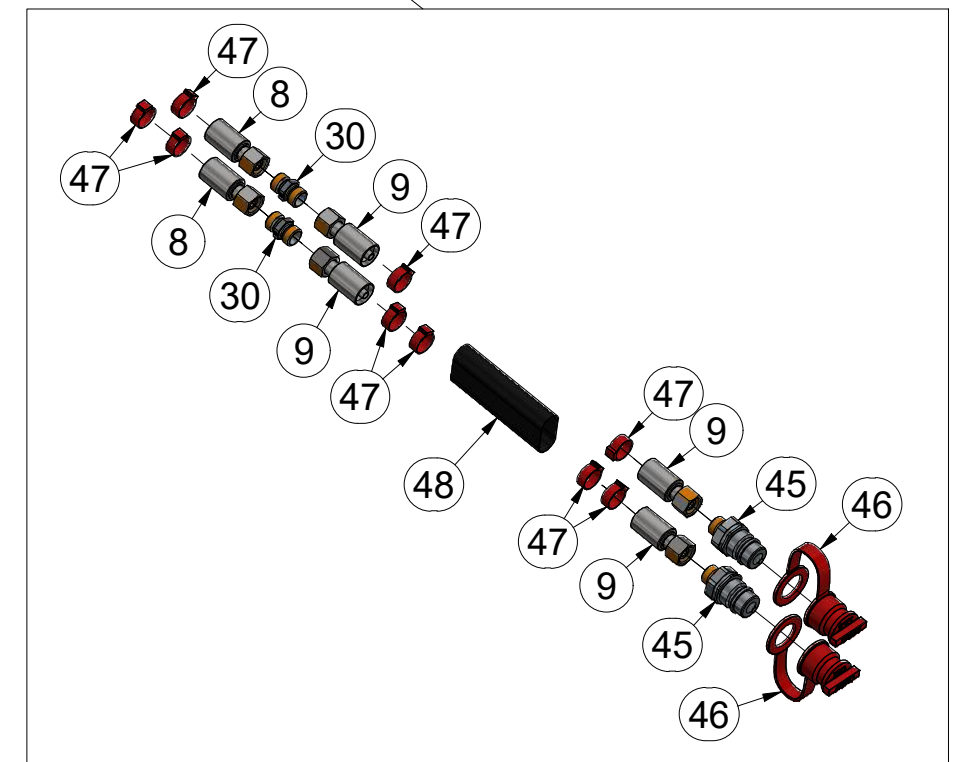
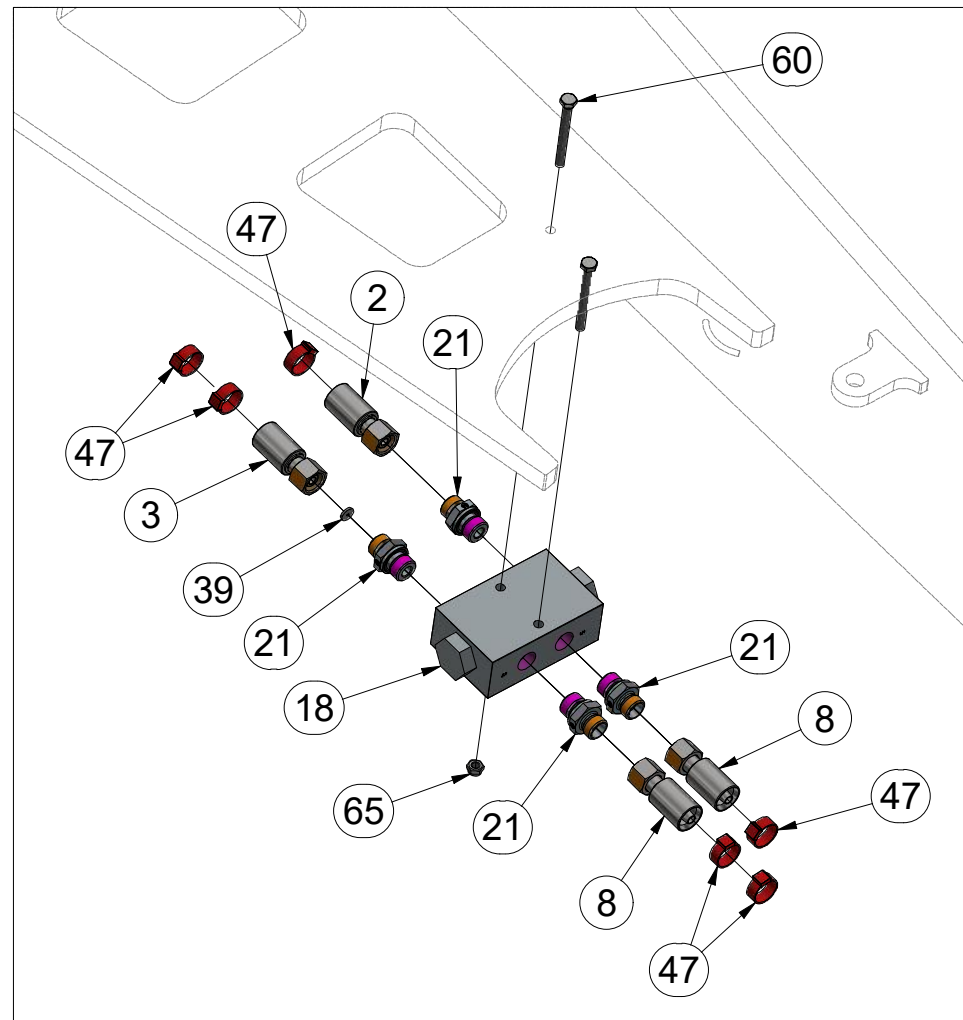
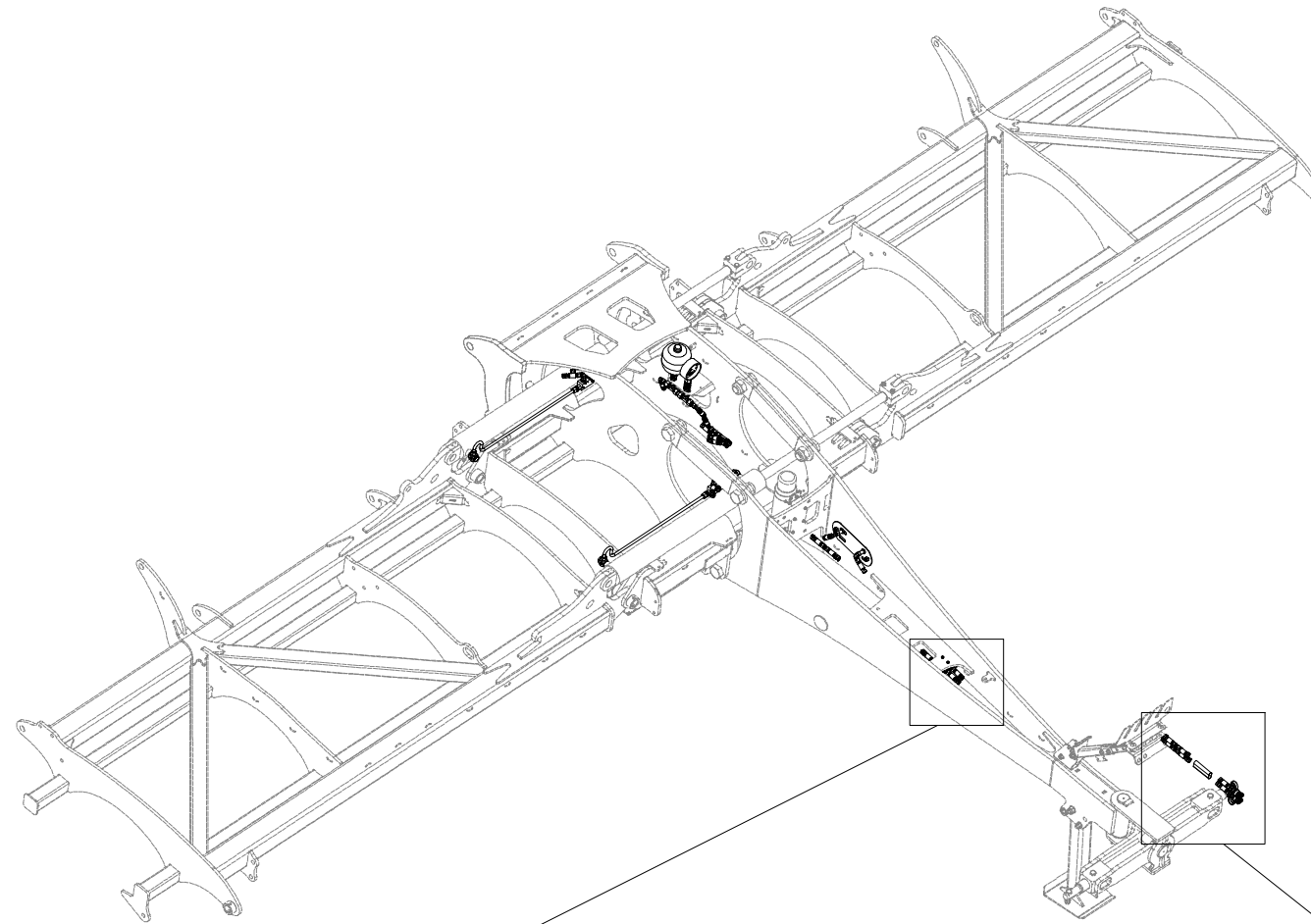
ⒸU ГИДРАВЛИЧЕСКОЕ РАСПРЕДЕЛЕНИЕ СКЛАДЫВАНИЯ

ⒸL HYDRAULICZNY PRZEWÓD SKŁADANIA



VZ00017410

| Pos. | Part Number | Pcs. | Pos. | Part Number | Pcs. |
|------|-------------|------|------|-------------|------|
| 2 | m07645 | 1 | 39 | m10777 | 1 |
| 3 | m20170 | 1 | 45 | m03849 | 2 |
| 8 | m07648 | 2 | 46 | m04022 | 2 |
| 9 | m11696 | 2 | 47 | m11294 | 42 |
| 18 | m09911 | 1 | 48 | m11183 | 1 |
| 21 | m06528 | 8 | 60 | m13696 | 2 |
| 30 | m03213 | 3 | 65 | m05560 | 2 |



ⒸZ HYDRAULICKÝ ROZVOD SKLÁPĚNÍ

Ⓓ HYDRAULISCHE VERTEILUNG KLAPPMECHANISMUS

Ⓕ CONDUIT HYDRAULIQUE DU BASCULEMENT

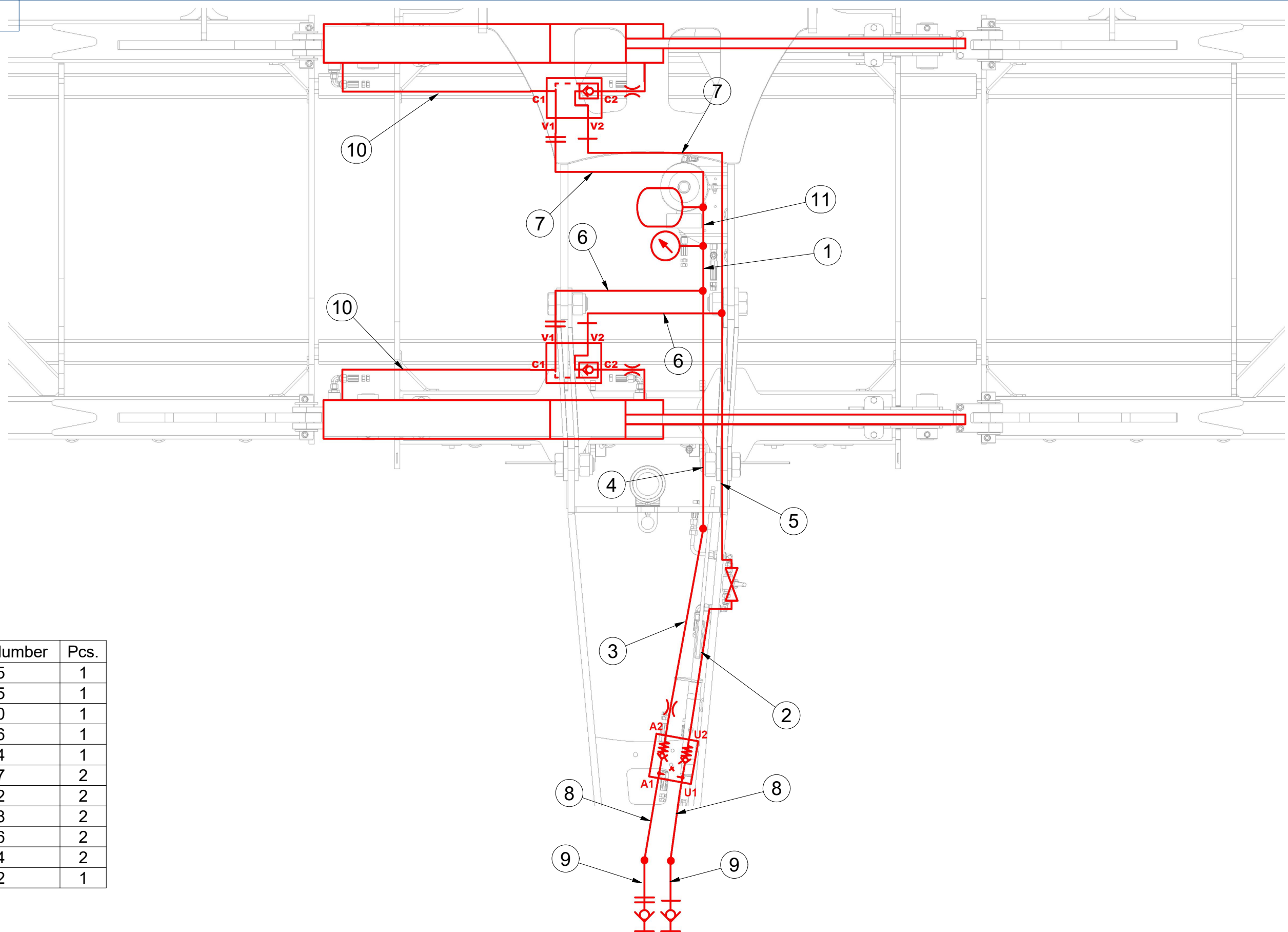
ⒸB HYDRAULIC FOLDING DISTRIBUTION

ⒸU ГИДРАВЛИЧЕСКОЕ РАСПРЕДЕЛЕНИЕ СКЛАДЫВАНИЯ

ⒸL HYDRAULICZNY PRZEWÓD SKŁADANIA

Farmet

VZ00017410



| Pos. | Part Number | Pcs. |
|------|-------------|------|
| 1 | m18625 | 1 |
| 2 | m07645 | 1 |
| 3 | m20170 | 1 |
| 4 | m07646 | 1 |
| 5 | m07364 | 1 |
| 6 | m07647 | 2 |
| 7 | m03952 | 2 |
| 8 | m07648 | 2 |
| 9 | m11696 | 2 |
| 10 | m16714 | 2 |
| 11 | m11782 | 1 |

ⒸZ HYDRAULICKÝ ROZVOD SKLÁPĚNÍ

Ⓓ HYDRAULISCHE VERTEILUNG KLAPPMCHANISMUS

Ⓕ CONDUIT HYDRAULIQUE DU BASCULEMENT

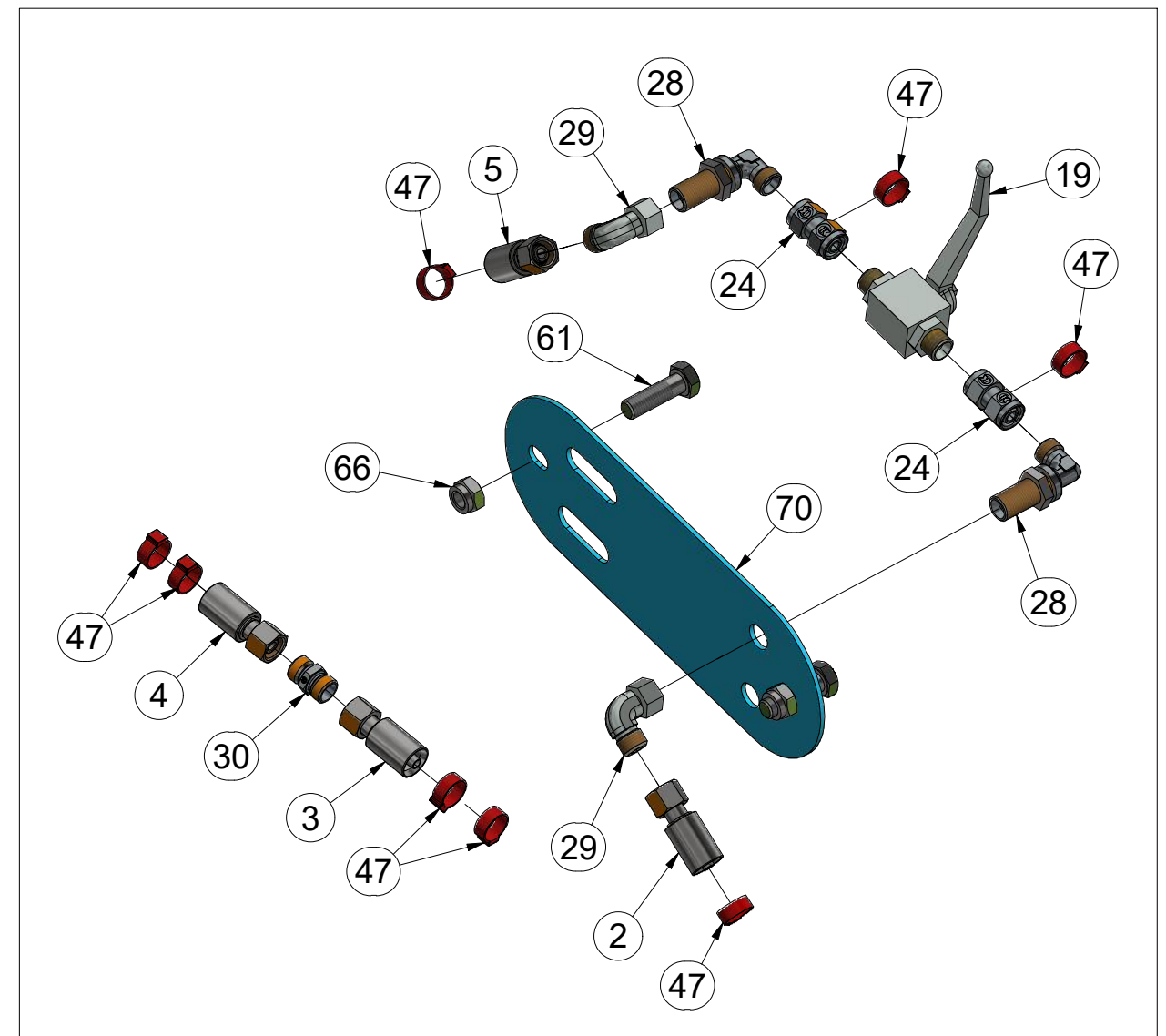
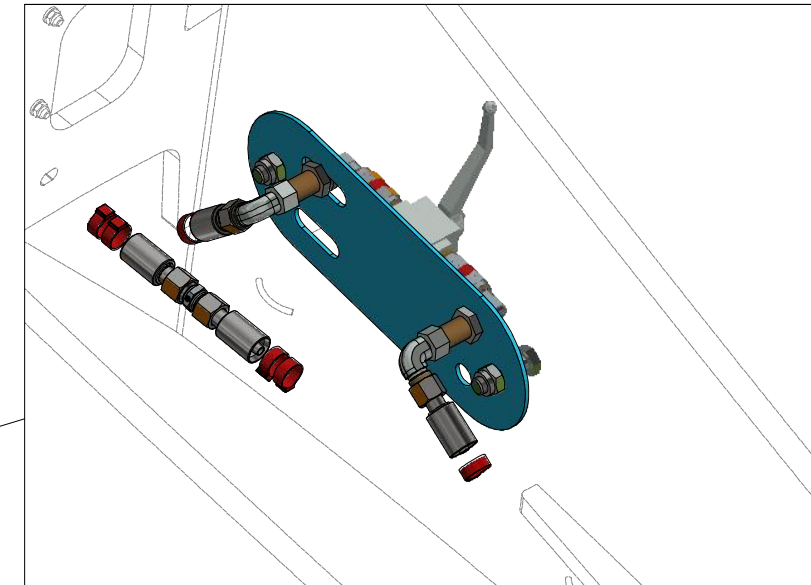
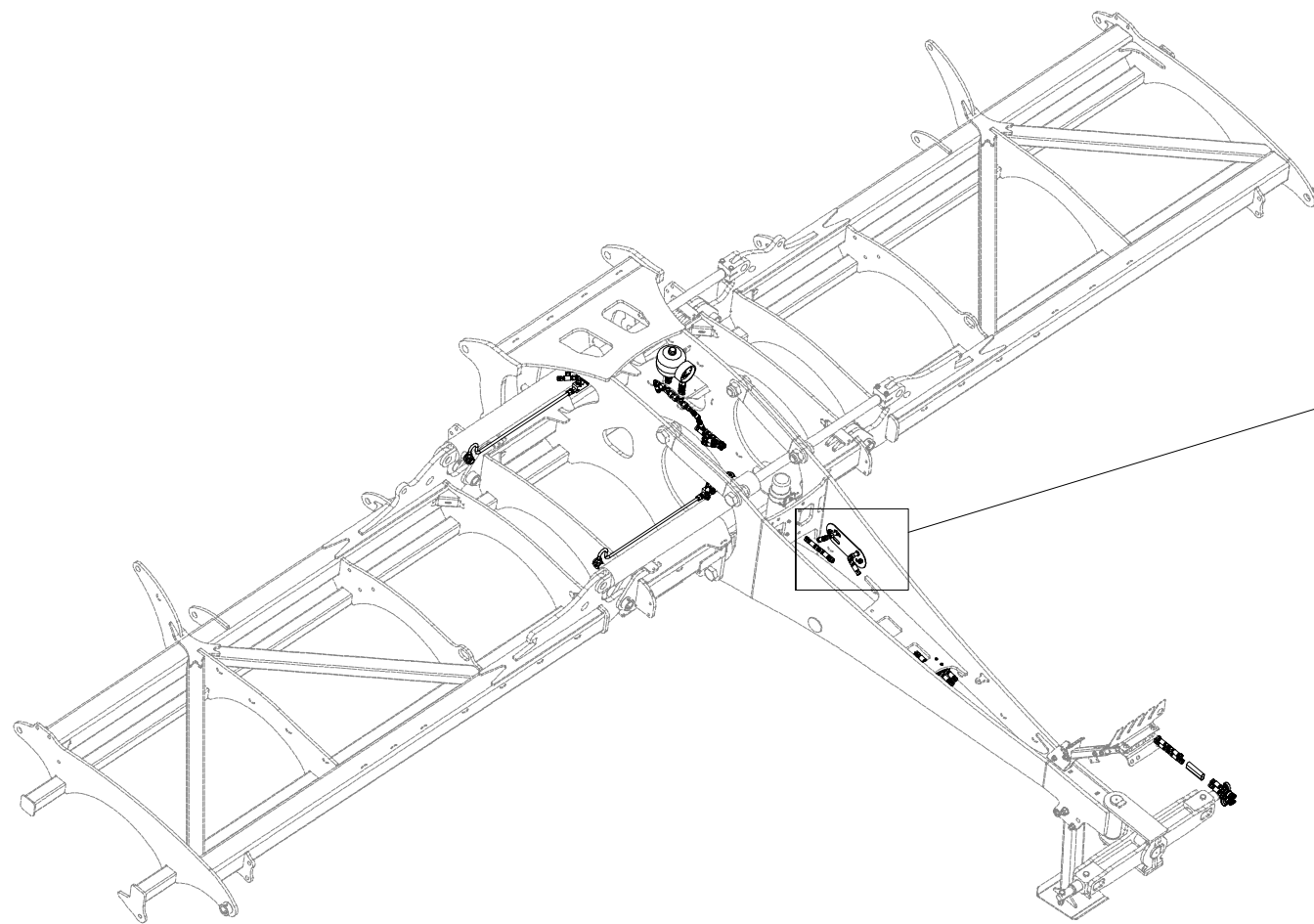
ⒸGB HYDRAULIC FOLDING DISTRIBUTION

ⒸRU ГИДРАВЛИЧЕСКОЕ РАСПРЕДЕЛЕНИЕ СКЛАДЫВАНИЯ

ⒸPL HYDRAULICZNY PRZEWÓD SKŁADANIA



VZ00017410



| Pos. | Part Number | Pcs. | Pos. | Part Number | Pcs. |
|------|-------------|------|------|-------------|------|
| 2 | m07645 | 1 | 29 | m06803 | 11 |
| 3 | m20170 | 1 | 30 | m03213 | 3 |
| 4 | m07646 | 1 | 47 | m11294 | 42 |
| 5 | m07364 | 1 | 61 | m03926 | 2 |
| 19 | m04623 | 1 | 66 | m04301 | 2 |
| 24 | m05212 | 2 | 70 | 4025719 | 1 |
| 28 | m08391 | 2 | | | |

ⒸZ HYDRAULICKÝ ROZVOD SKLÁPĚNÍ

Ⓓ HYDRAULISCHE VERTEILUNG KLAPPMECHANISMUS

Ⓕ CONDUIT HYDRAULIQUE DU BASCULEMENT

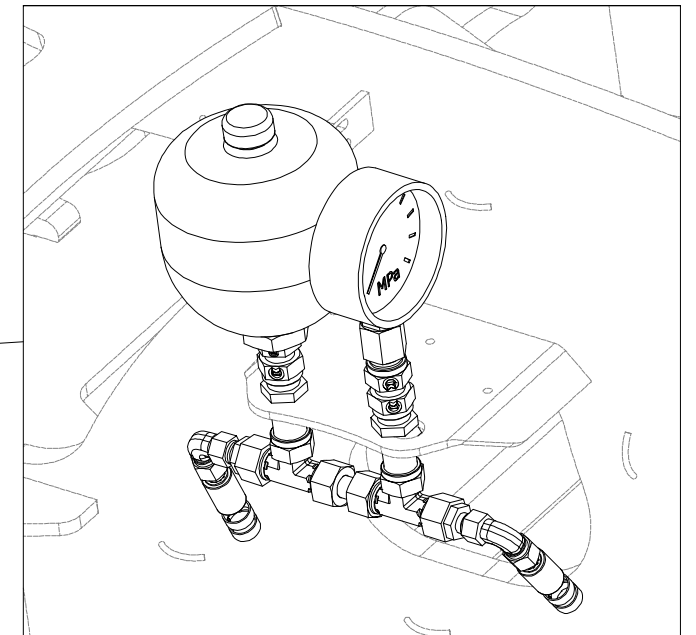
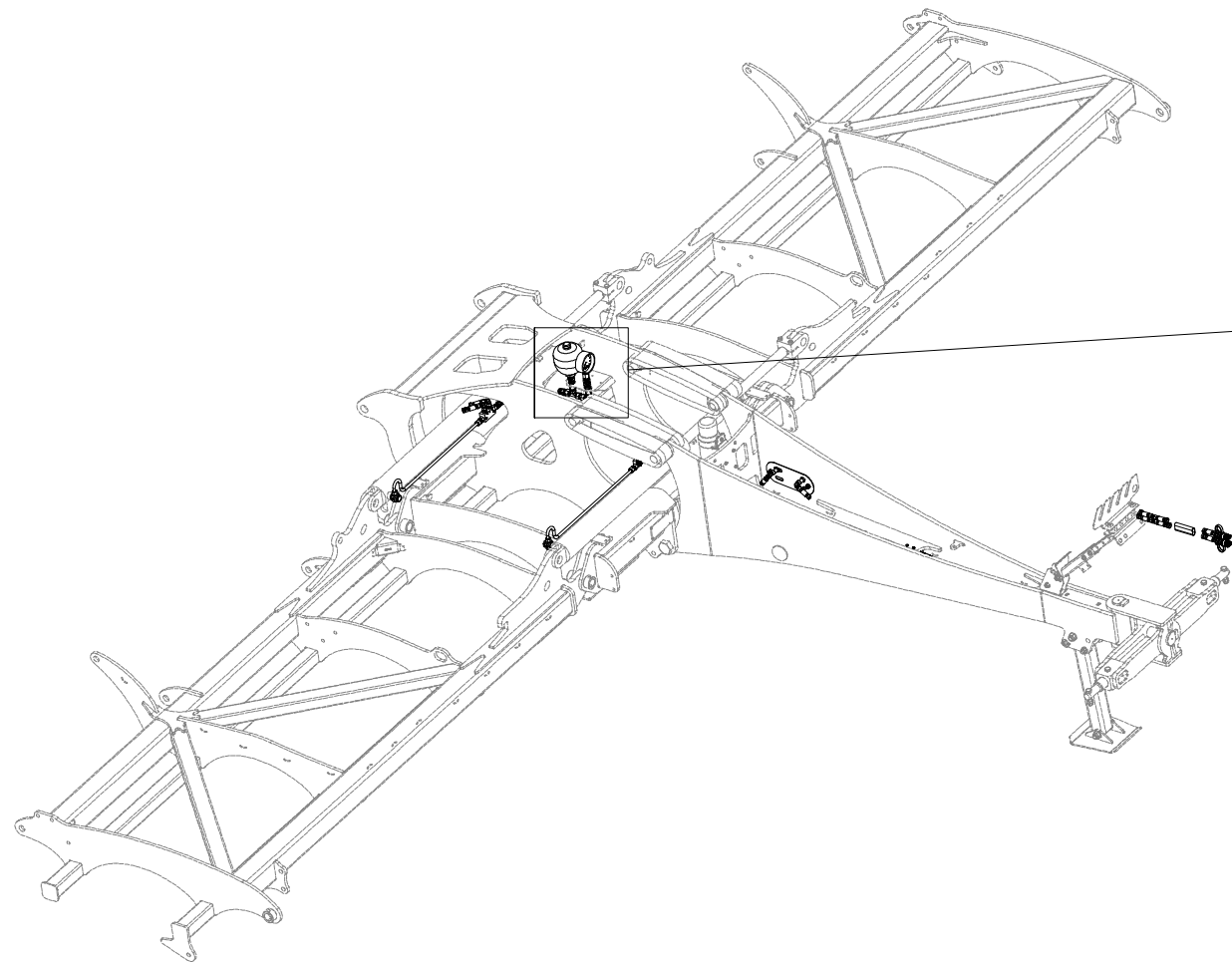
ⒸB HYDRAULIC FOLDING DISTRIBUTION

ⒸU ГИДРАВЛИЧЕСКОЕ РАСПРЕДЕЛЕНИЕ СКЛАДЫВАНИЯ

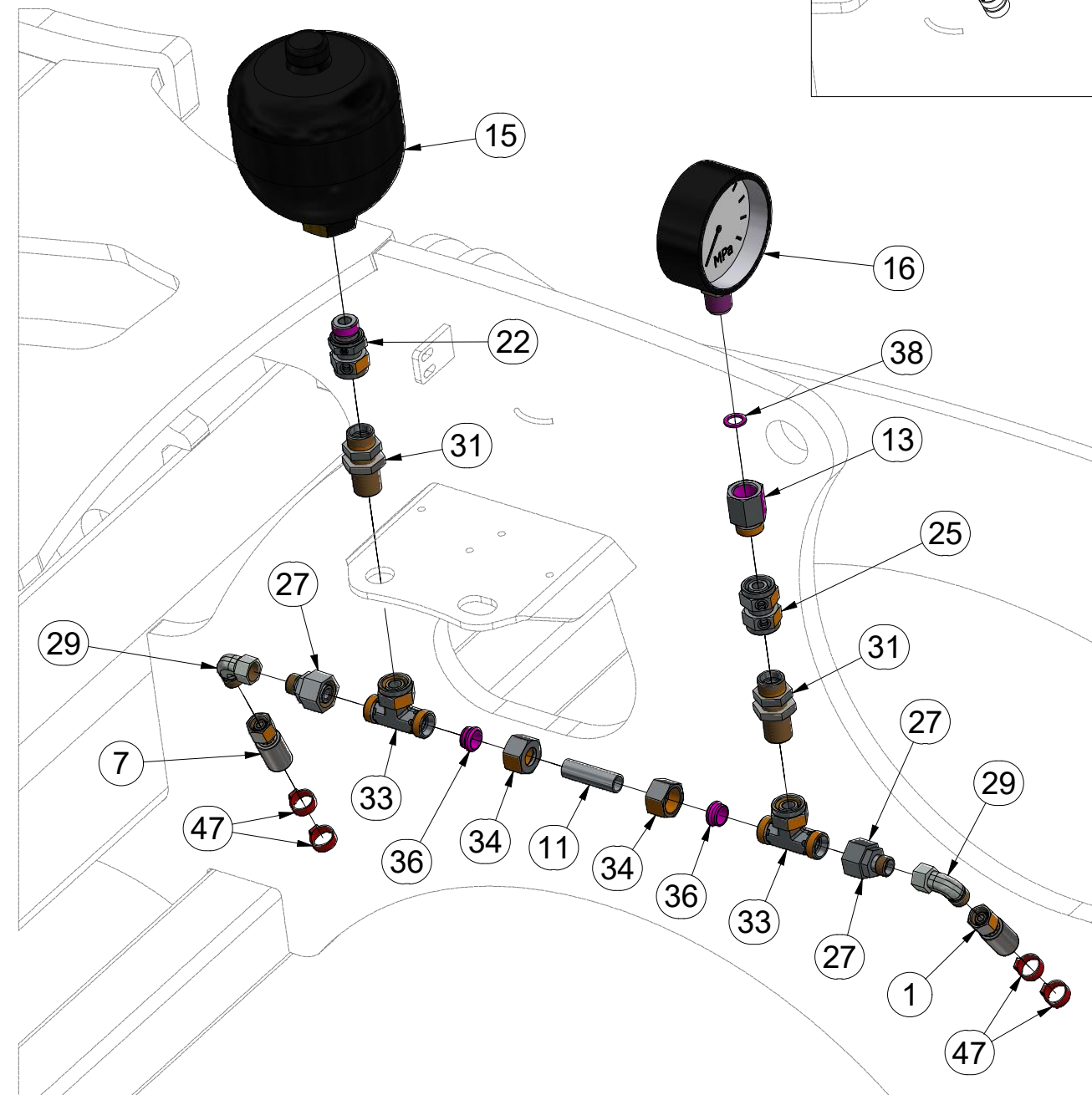
ⒸL HYDRAULICZNY PRZEWÓD SKŁADANIA

Farmet

VZ00017410



| Pos. | Part Number | Pcs. | Pos. | Part Number | Pcs. |
|------|-------------|------|------|-------------|------|
| 1 | m18625 | 1 | 27 | m08533 | 2 |
| 7 | m03952 | 2 | 29 | m06803 | 11 |
| 11 | m11782 | 1 | 31 | m09625 | 2 |
| 13 | m11974 | 1 | 33 | m06879 | 2 |
| 15 | m09910 | 1 | 34 | m09926 | 2 |
| 16 | m05518 | 1 | 36 | m11781 | 2 |
| 22 | m07993 | 1 | 38 | m04320 | 1 |
| 25 | m06135 | 1 | 47 | m11294 | 42 |



ⒸZ HYDRAULICKÝ ROZVOD SKLÁPĚNÍ

Ⓓ HYDRAULISCHE VERTEILUNG KLAPPMECHANISMUS

Ⓕ CONDUIT HYDRAULIQUE DU BASCULEMENT

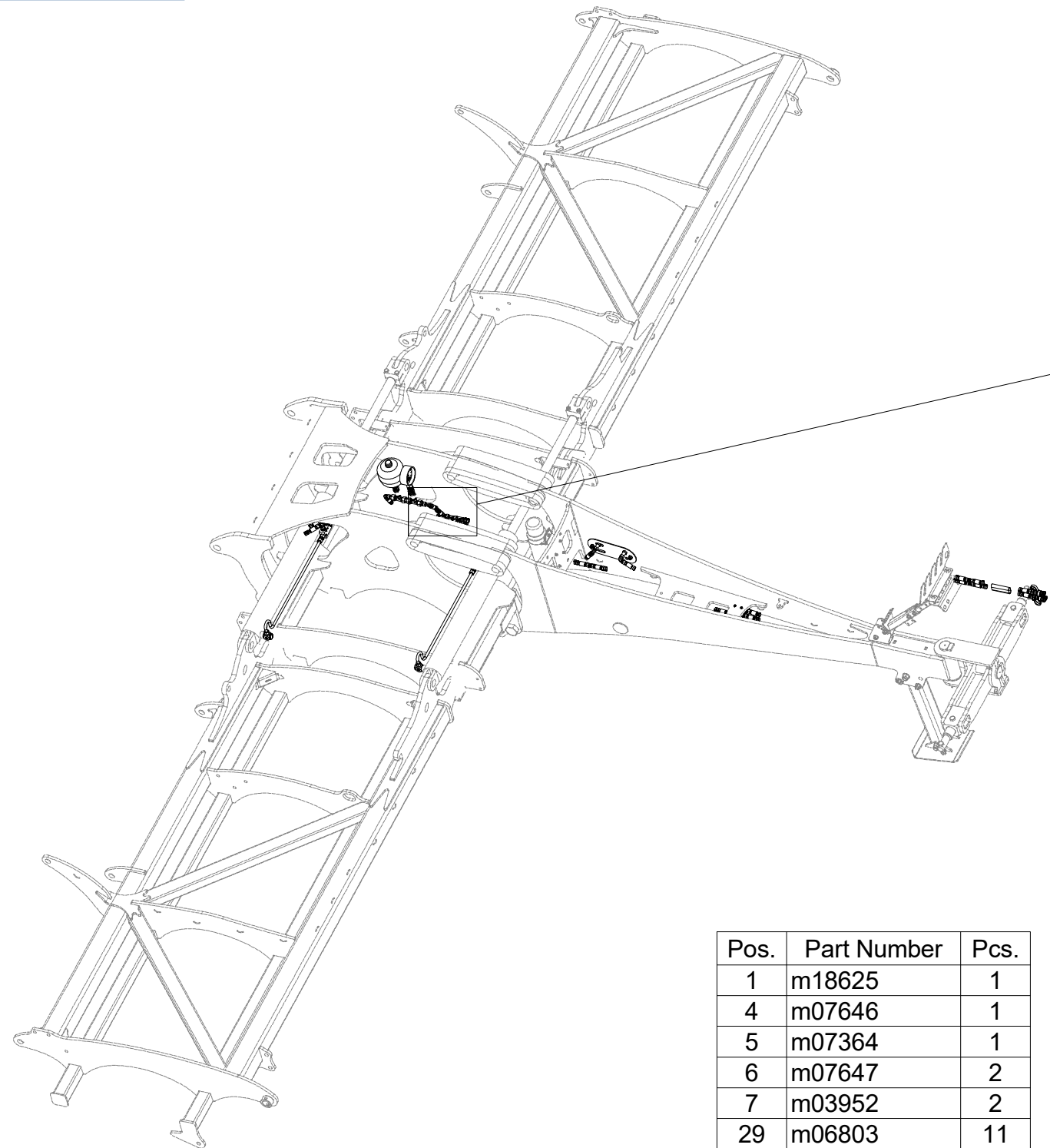
ⒸGB HYDRAULIC FOLDING DISTRIBUTION

ⒸRU ГИДРАВЛИЧЕСКОЕ РАСПРЕДЕЛЕНИЕ СКЛАДЫВАНИЯ

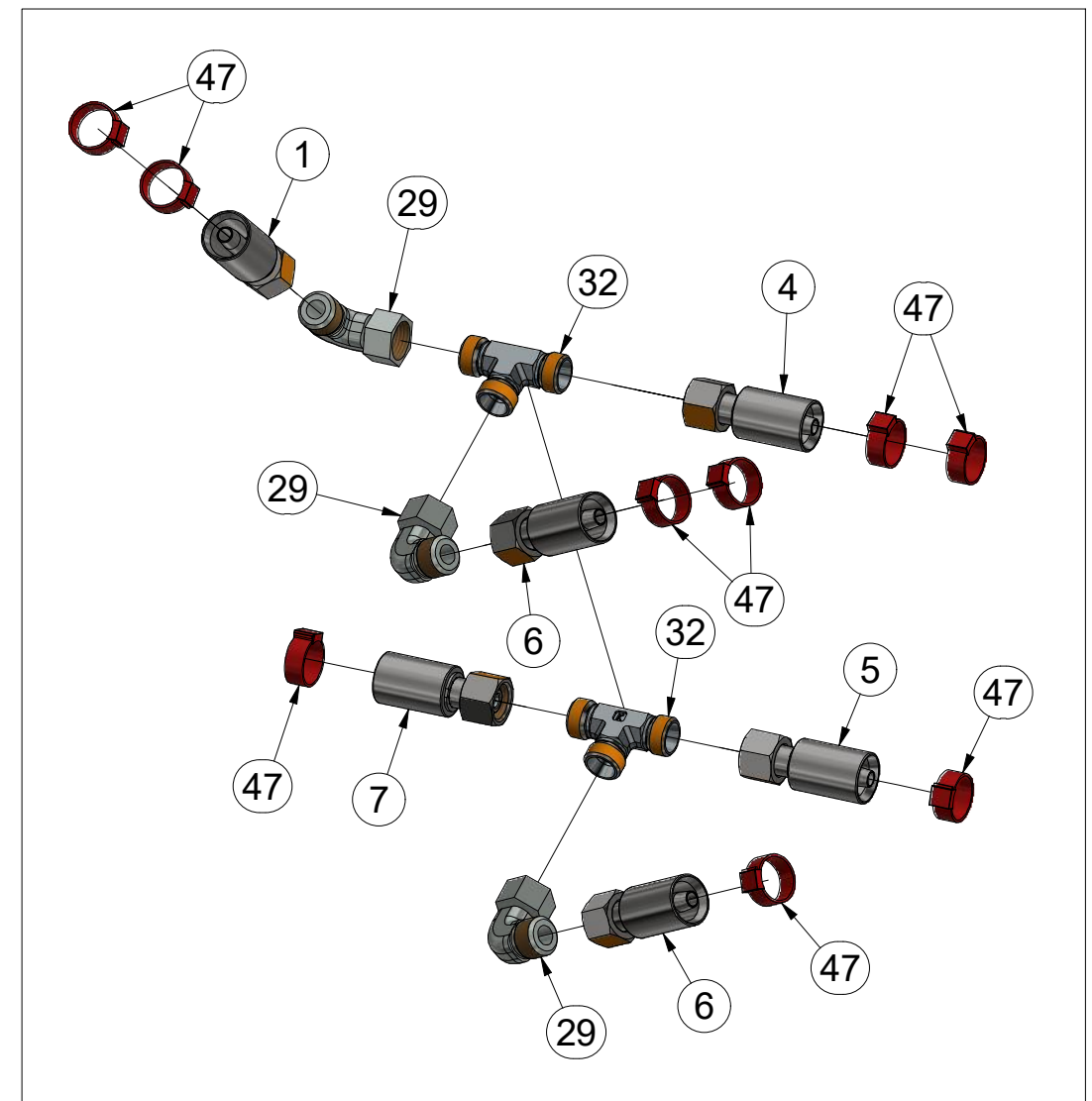
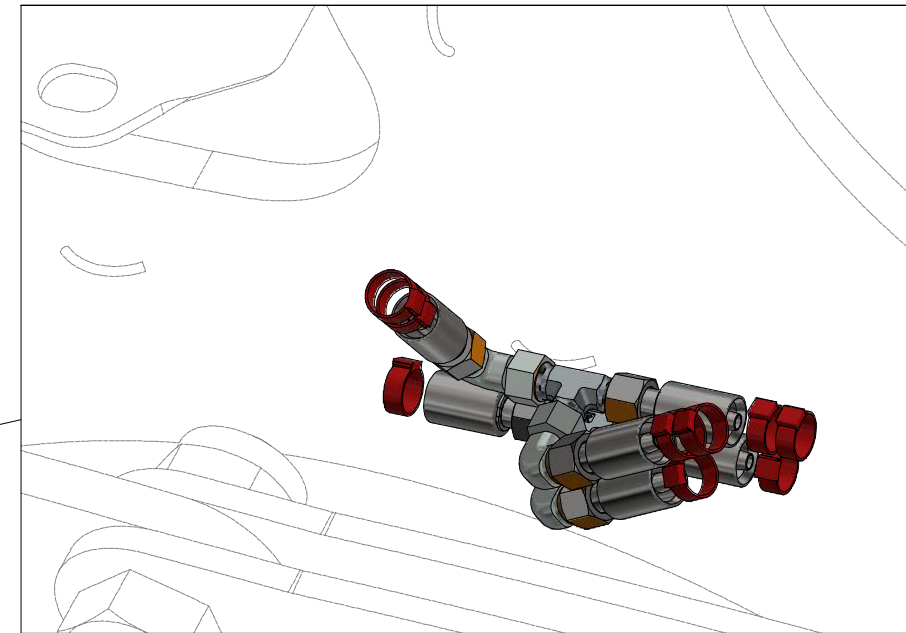
ⒸPL HYDRAULICZNY PRZEWÓD SKŁADANIA



VZ00017410



| Pos. | Part Number | Pcs. |
|------|-------------|------|
| 1 | m18625 | 1 |
| 4 | m07646 | 1 |
| 5 | m07364 | 1 |
| 6 | m07647 | 2 |
| 7 | m03952 | 2 |
| 29 | m06803 | 11 |
| 32 | m03889 | 2 |
| 47 | m11294 | 42 |



ⒸZ HYDRAULICKÝ ROZVOD SKLÁPĚNÍ

Ⓓ HYDRAULISCHE VERTEILUNG KLAPPMCHANISMUS

Ⓕ CONDUIT HYDRAULIQUE DU BASCULEMENT

ⒼB HYDRAULIC FOLDING DISTRIBUTION

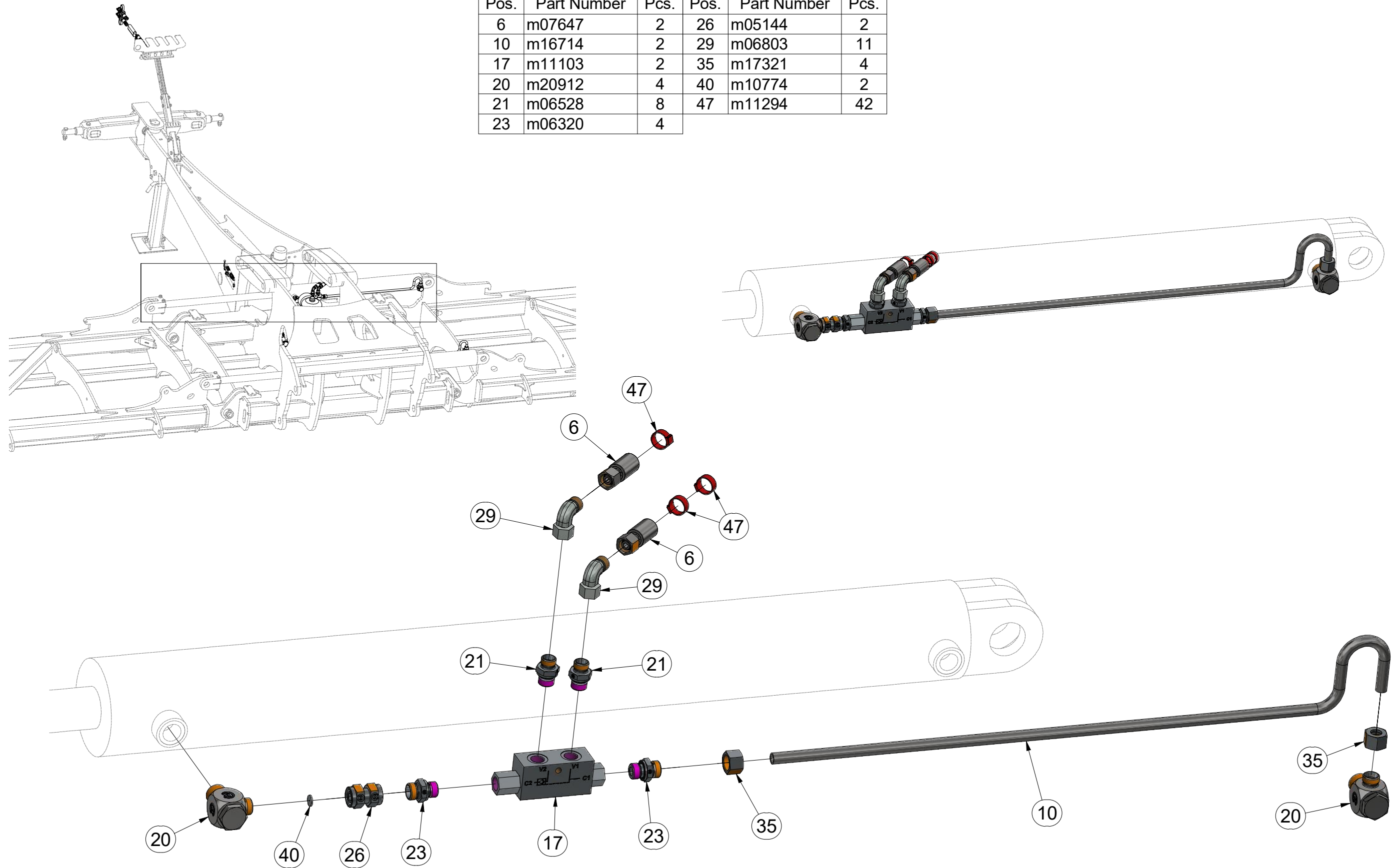
Ⓔ RU ГИДРАВЛИЧЕСКОЕ РАСПРЕДЕЛЕНИЕ СКЛАДЫВАНИЯ

Ⓖ PL HYDRAULICZNY PRZEWÓD SKŁADANIA



VZ00017410

| Pos. | Part Number | Pcs. | Pos. | Part Number | Pcs. |
|------|-------------|------|------|-------------|------|
| 6 | m07647 | 2 | 26 | m05144 | 2 |
| 10 | m16714 | 2 | 29 | m06803 | 11 |
| 17 | m11103 | 2 | 35 | m17321 | 4 |
| 20 | m20912 | 4 | 40 | m10774 | 2 |
| 21 | m06528 | 8 | 47 | m11294 | 42 |
| 23 | m06320 | 4 | | | |



ⒸZ HYDRAULICKÝ ROZVOD SKLÁPĚNÍ

Ⓓ HYDRAULISCHE VERTEILUNG KLAPPMCHANISMUS

Ⓕ CONDUIT HYDRAULIQUE DU BASCULEMENT

ⒼB HYDRAULIC FOLDING DISTRIBUTION

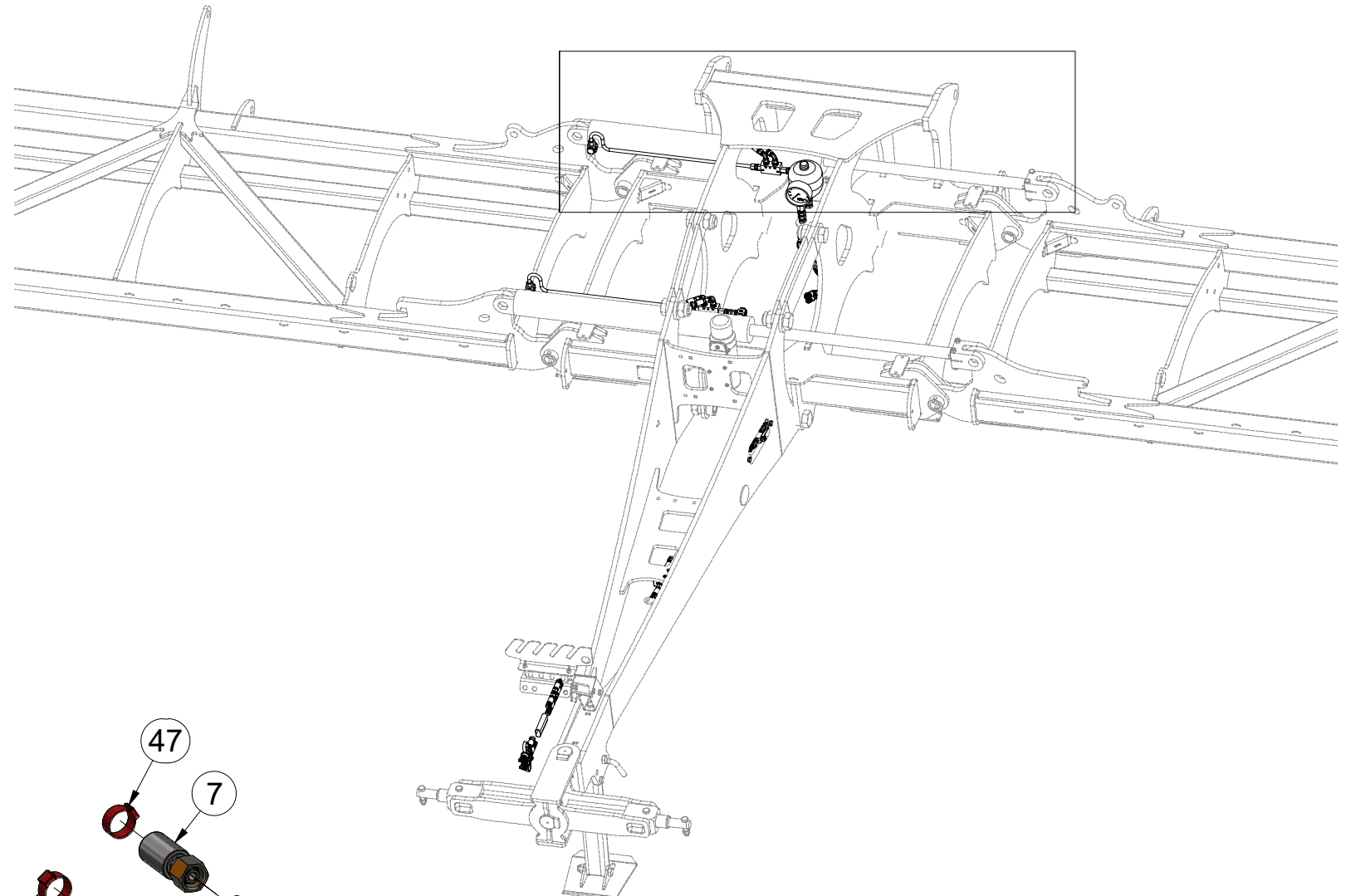
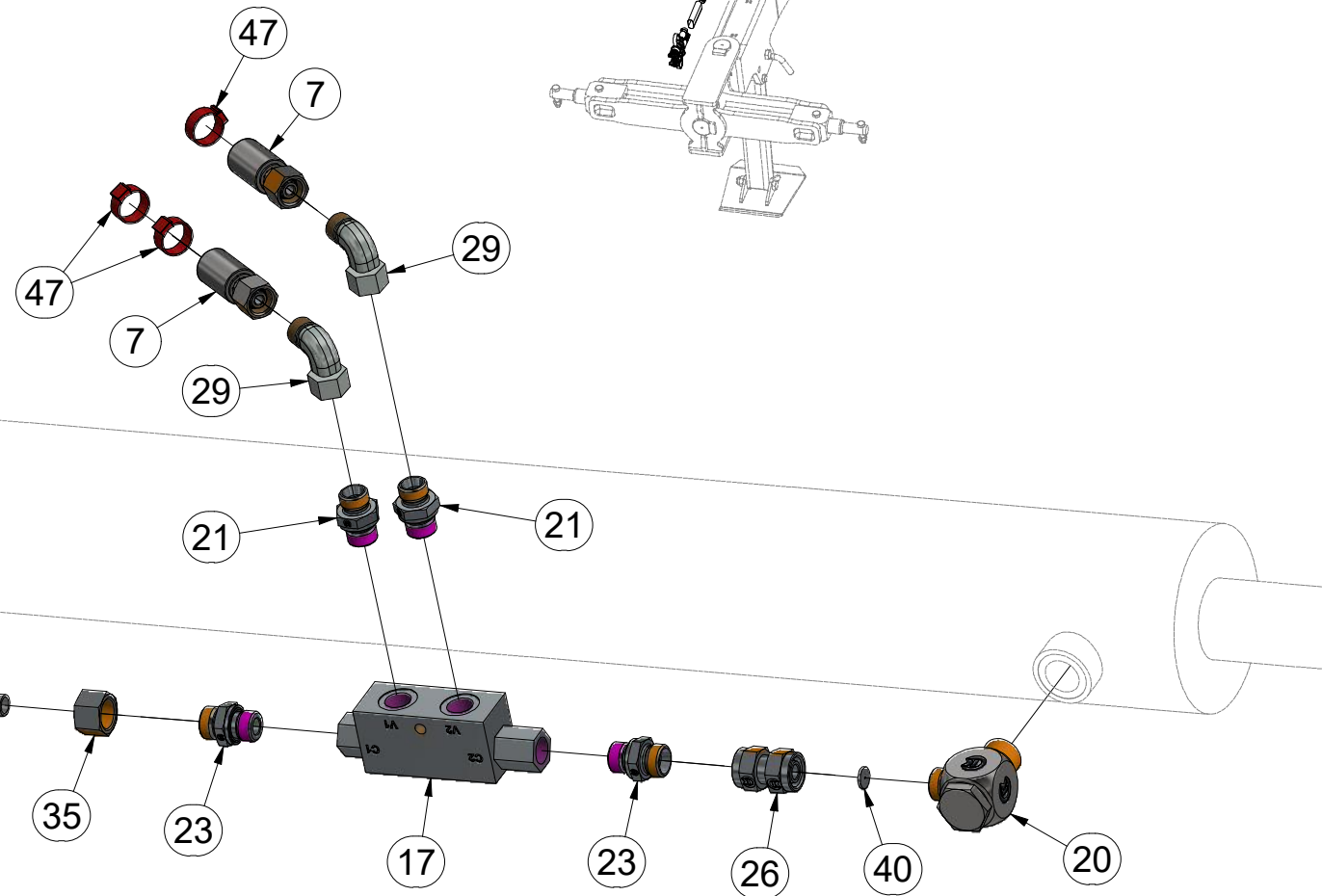
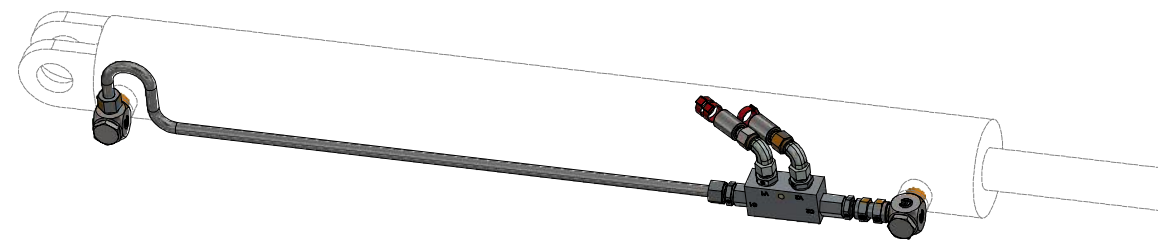
Ⓔ RU ГИДРАВЛИЧЕСКОЕ РАСПРЕДЕЛЕНИЕ СКЛАДЫВАНИЯ

ⒼL HYDRAULICZNY PRZEWÓD SKŁADANIA



VZ00017410

| Pos. | Part Number | Pcs. | Pos. | Part Number | Pcs. |
|------|-------------|------|------|-------------|------|
| 7 | m03952 | 2 | 26 | m05144 | 2 |
| 10 | m16714 | 2 | 29 | m06803 | 11 |
| 17 | m11103 | 2 | 35 | m17321 | 4 |
| 20 | m20912 | 4 | 40 | m10774 | 2 |
| 21 | m06528 | 8 | 47 | m11294 | 42 |
| 23 | m06320 | 4 | | | |



ⒸZ HYDRAULICKÝ ROZVOD - ZAHLUBOVÁNÍ

Ⓓ HYDRAULISCHE VERTEILUNG - EINSENKUNG

Ⓕ CONDUIT HYDRAULIQUE - L'ENFONCEMENT

ⒸB HYDRAULIC DISTRIBUTION - RECESSING

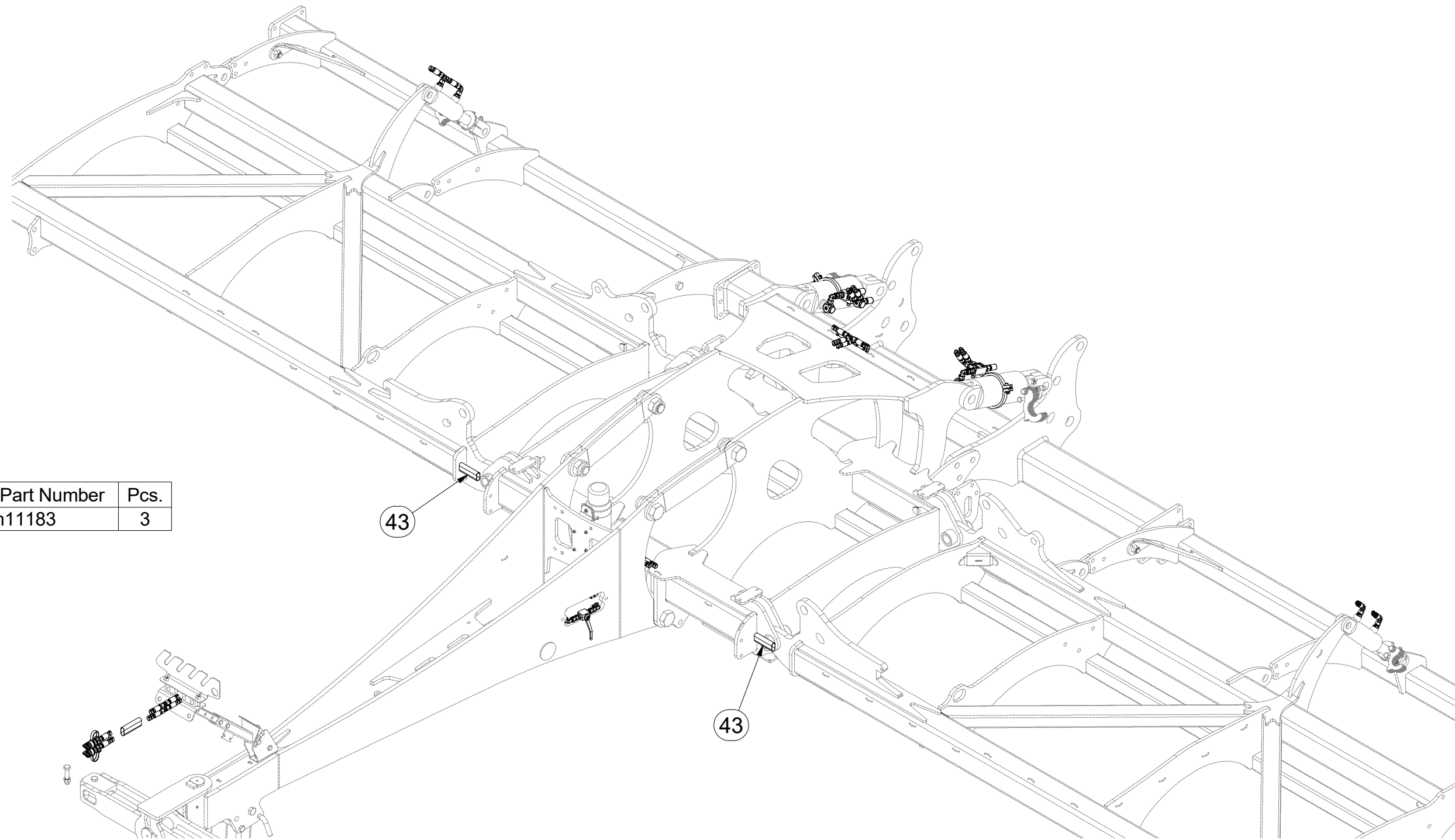
ⒸU ГИДРАВЛИЧЕСКОЕ РАСПРЕДЕЛЕНИЕ - ЗАГЛУБЛЕНИЕ

ⒸL HYDRAULICZNY PRZEWÓD - ZAGŁĘBIENIA

Farmet

VZ00017544

| Pos. | Part Number | Pcs. |
|------|-------------|------|
| 43 | m11183 | 3 |



ⒸZ HYDRAULICKÝ ROZVOD - ZAHLUBOVÁNÍ

Ⓓ HYDRAULISCHE VERTEILUNG - EINSENKUNG

Ⓕ CONDUIT HYDRAULIQUE - L'ENFONCEMENT

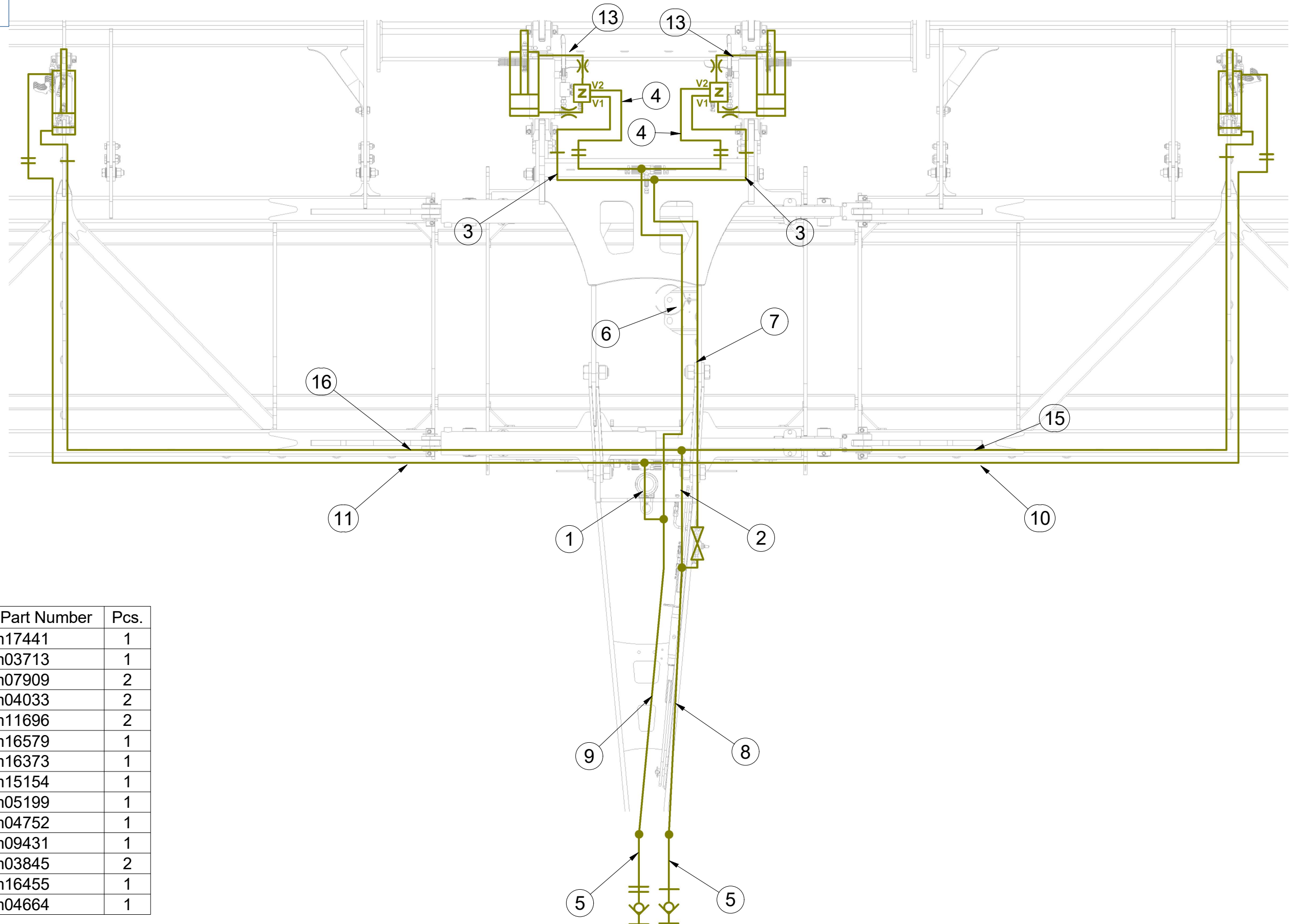
ⒸB HYDRAULIC DISTRIBUTION - RECESSING

ⒸU ГИДРАВЛИЧЕСКОЕ РАСПРЕДЕЛЕНИЕ - ЗАГЛУБЛЕНИЕ

ⒸL HYDRAULICZNY PRZEWÓD - ZAGŁĘBIENIA

Farmet

VZ00017544



| Pos. | Part Number | Pcs. |
|------|-------------|------|
| 1 | m17441 | 1 |
| 2 | m03713 | 1 |
| 3 | m07909 | 2 |
| 4 | m04033 | 2 |
| 5 | m11696 | 2 |
| 6 | m16579 | 1 |
| 7 | m16373 | 1 |
| 8 | m15154 | 1 |
| 9 | m05199 | 1 |
| 10 | m04752 | 1 |
| 11 | m09431 | 1 |
| 13 | m03845 | 2 |
| 15 | m16455 | 1 |
| 16 | m04664 | 1 |

ⒸZ HYDRAULICKÝ ROZVOD - ZAHLUBOVÁNÍ

Ⓓ HYDRAULISCHE VERTEILUNG - EINSENKUNG

Ⓕ CONDUIT HYDRAULIQUE - L'ENFONCEMENT

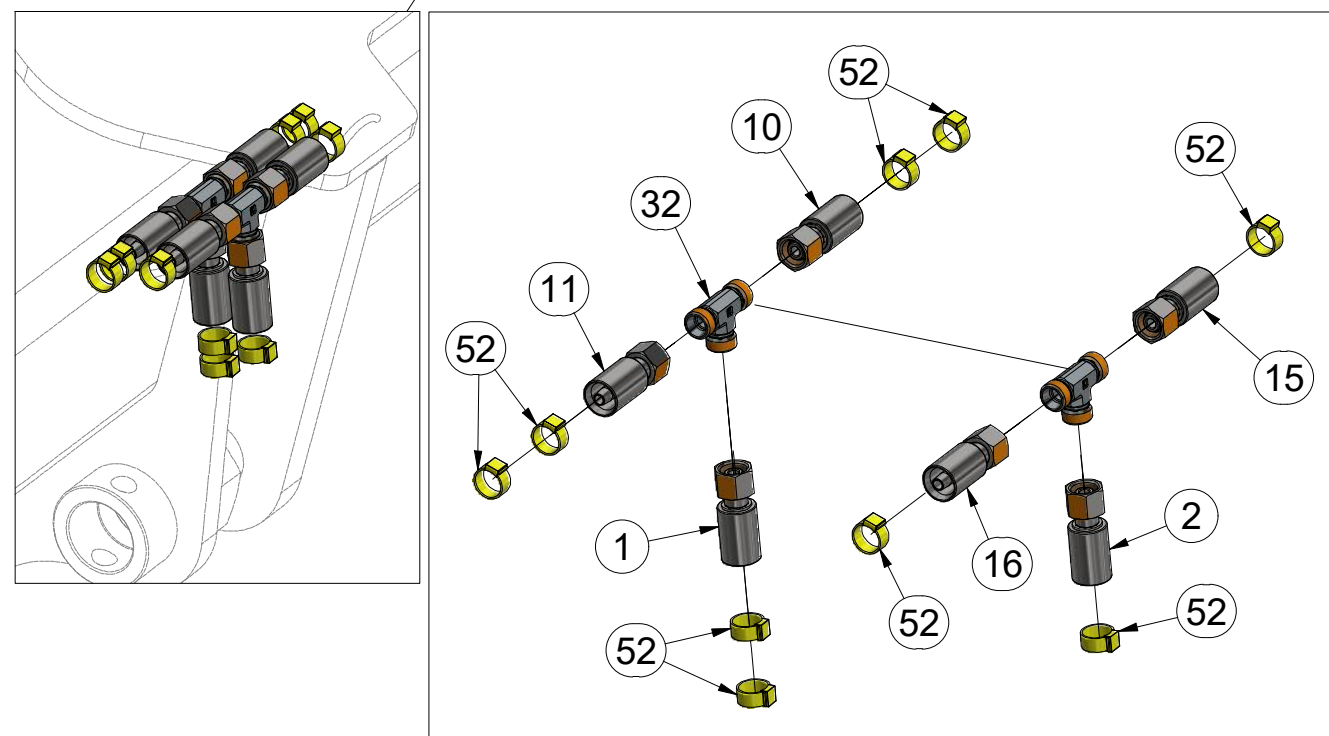
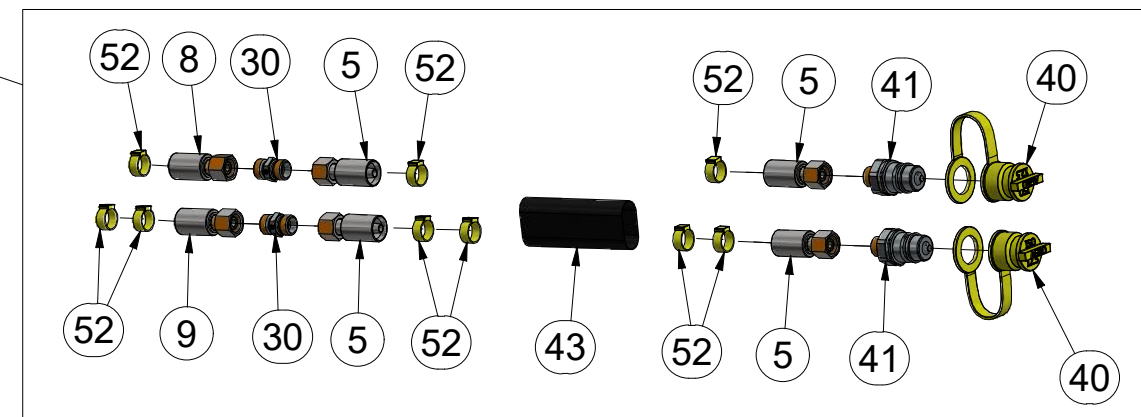
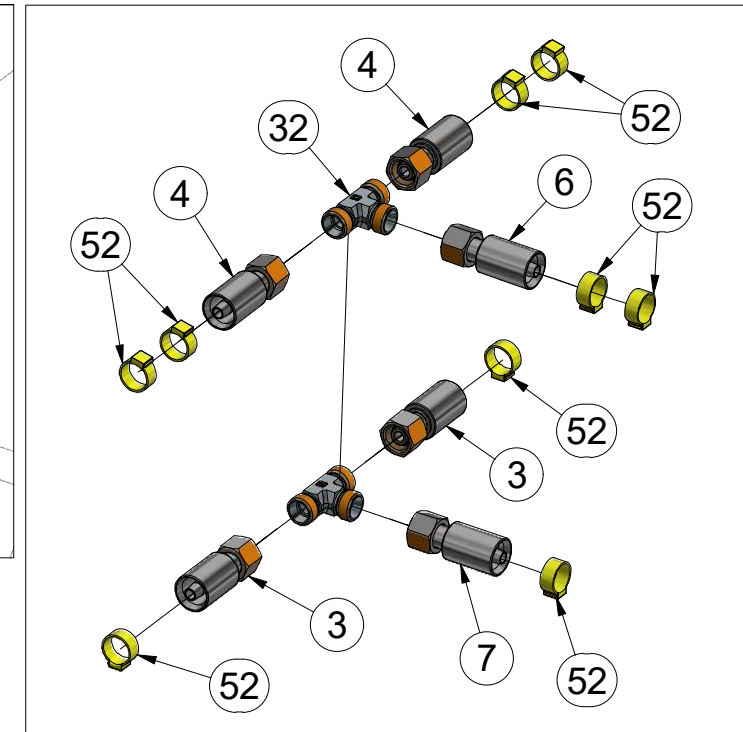
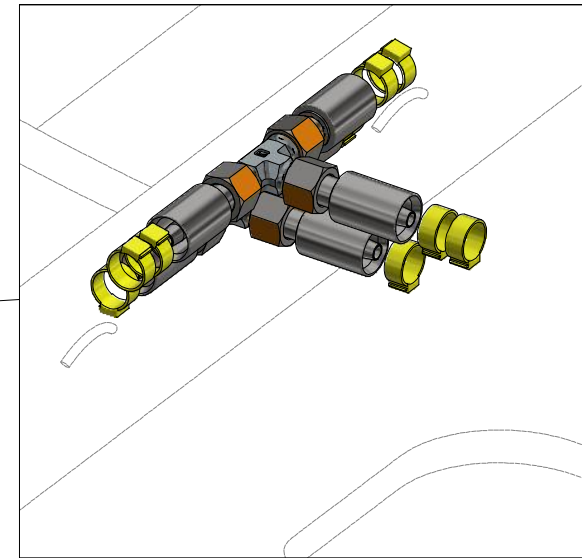
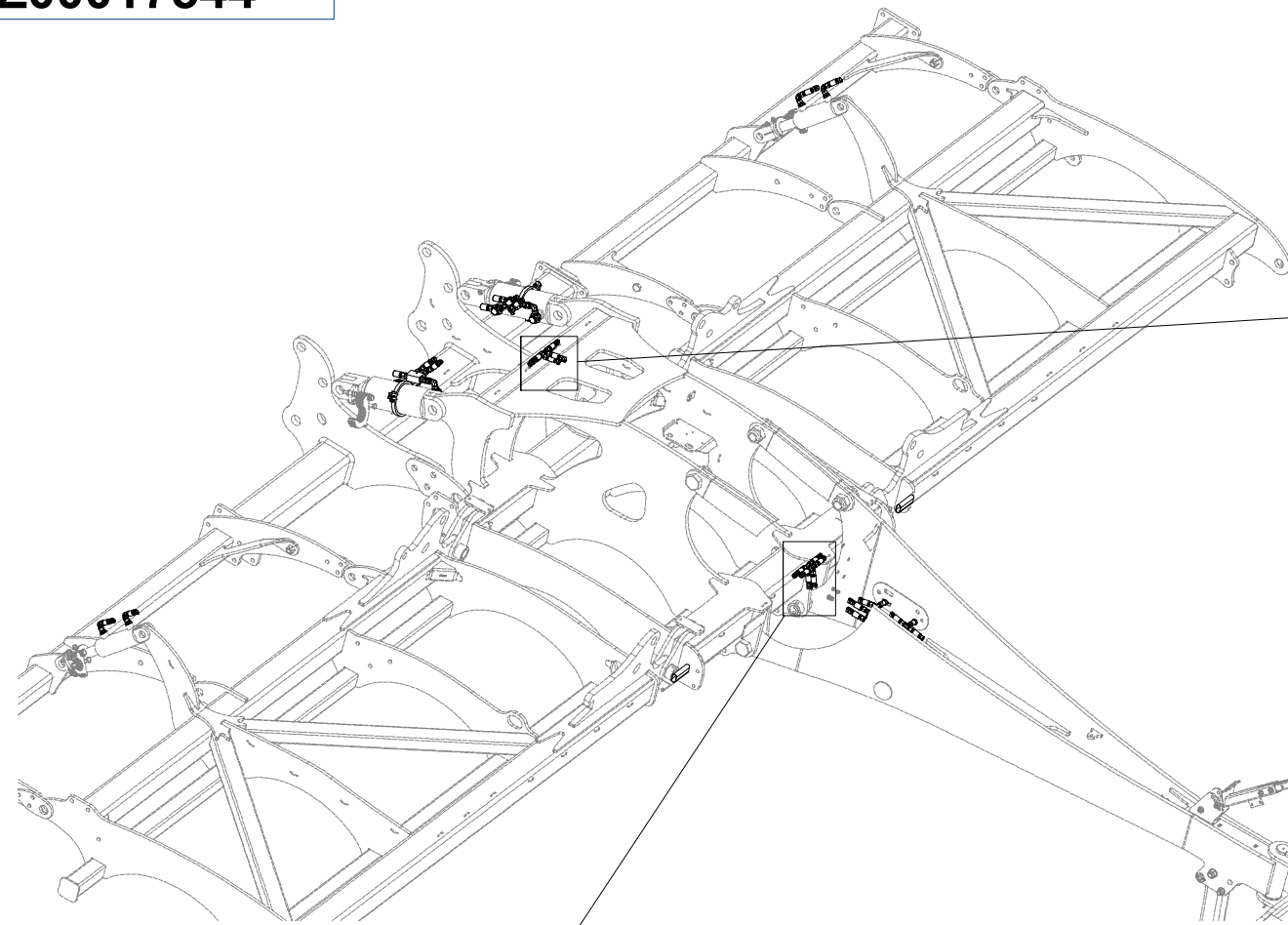
ⒸB HYDRAULIC DISTRIBUTION - RECESSING

ⒸU ГИДРАВЛИЧЕСКОЕ РАСПРЕДЕЛЕНИЕ - ЗАГЛУБЛЕНИЕ

ⒸL HYDRAULICZNY PRZEWÓD - ZAGŁĘBIENIA



VZ00017544



| Pos. | Part Number | Pcs. | Pos. | Part Number | Pcs. |
|------|-------------|------|------|-------------|------|
| 1 | m17441 | 1 | 11 | m09431 | 1 |
| 2 | m03713 | 1 | 15 | m16455 | 1 |
| 3 | m07909 | 2 | 16 | m04664 | 1 |
| 4 | m04033 | 2 | 30 | m03213 | 2 |
| 5 | m11696 | 2 | 32 | m03889 | 5 |
| 6 | m16579 | 1 | 40 | m04023 | 2 |
| 7 | m16373 | 1 | 41 | m03849 | 2 |
| 8 | m15154 | 1 | 43 | m11183 | 3 |
| 9 | m05199 | 1 | 52 | m11289 | 48 |
| 10 | m04752 | 1 | | | |

ⒸZ HYDRAULICKÝ ROZVOD - ZAHLUBOVÁNÍ

Ⓓ HYDRAULISCHE VERTEILUNG - EINSENKUNG

Ⓕ CONDUIT HYDRAULIQUE - L'ENFONCEMENT

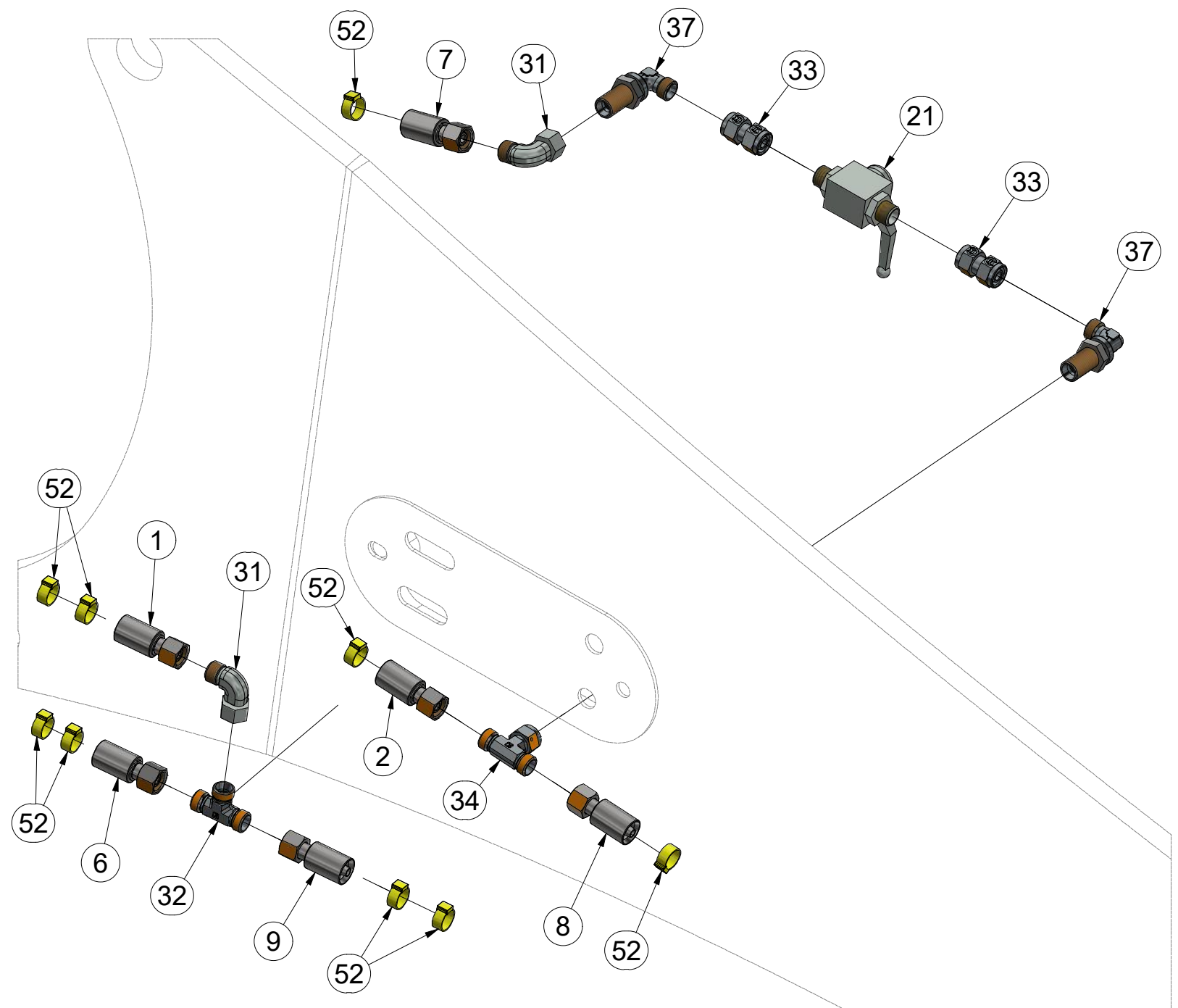
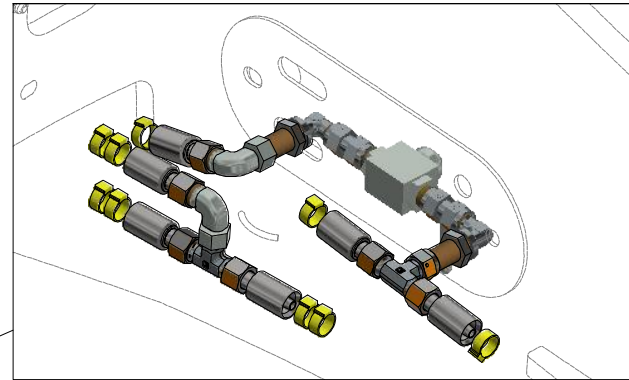
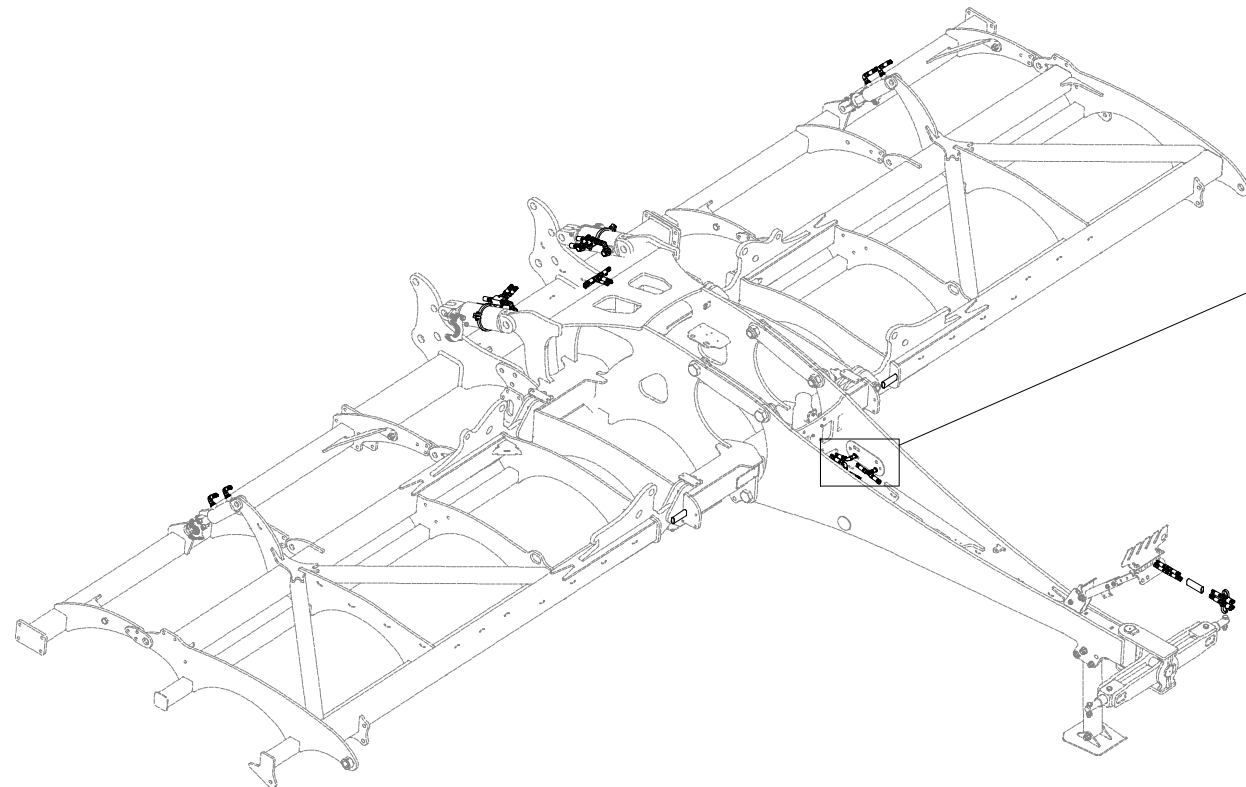
ⒸB HYDRAULIC DISTRIBUTION - RECESSING

ⒸU ГИДРАВЛИЧЕСКОЕ РАСПРЕДЕЛЕНИЕ - ЗАГЛУБЛЕНИЕ

ⒸL HYDRAULICZNY PRZEWÓD - ZAGŁĘBIENIA



VZ00017544



| Pos. | Part Number | Pcs. |
|------|-------------|------|
| 1 | m17441 | 1 |
| 2 | m03713 | 1 |
| 6 | m16579 | 1 |
| 7 | m16373 | 1 |
| 8 | m15154 | 1 |
| 9 | m05199 | 1 |
| 21 | m04623 | 1 |
| 31 | m06803 | 10 |
| 32 | m03889 | 5 |
| 33 | m05212 | 2 |
| 34 | m07567 | 1 |
| 37 | m08391 | 2 |
| 52 | m11289 | 48 |

ⒸZ HYDRAULICKÝ ROZVOD - ZAHLUBOVÁNÍ

Ⓓ HYDRAULISCHE VERTEILUNG - EINSENKUNG

Ⓕ CONDUIT HYDRAULIQUE - L'ENFONCEMENT

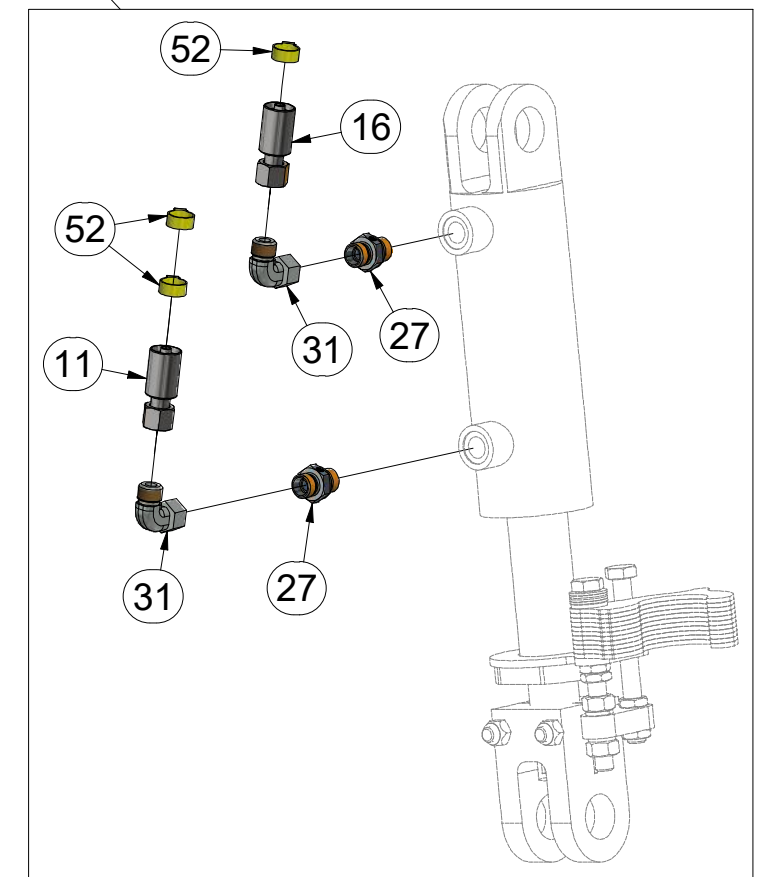
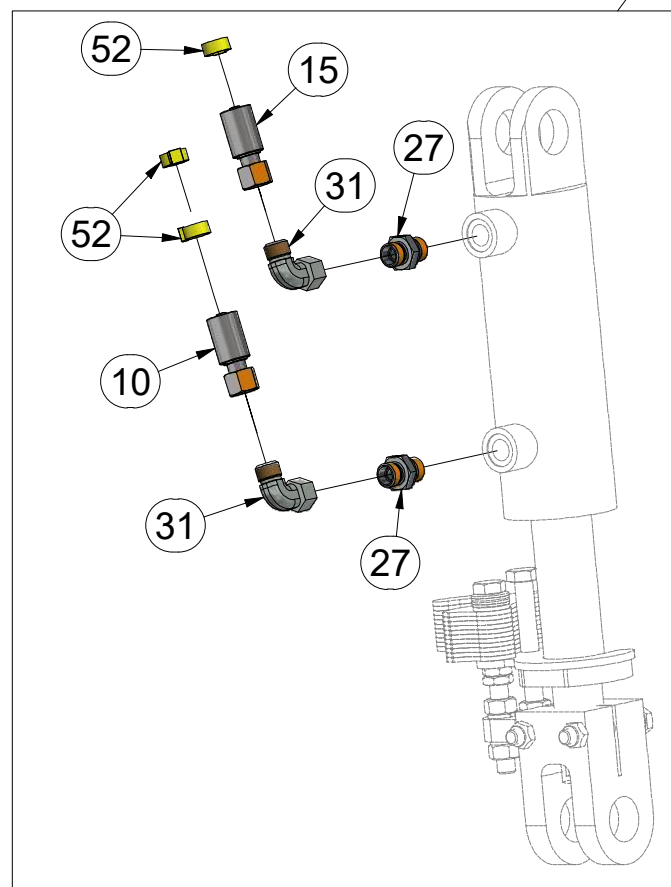
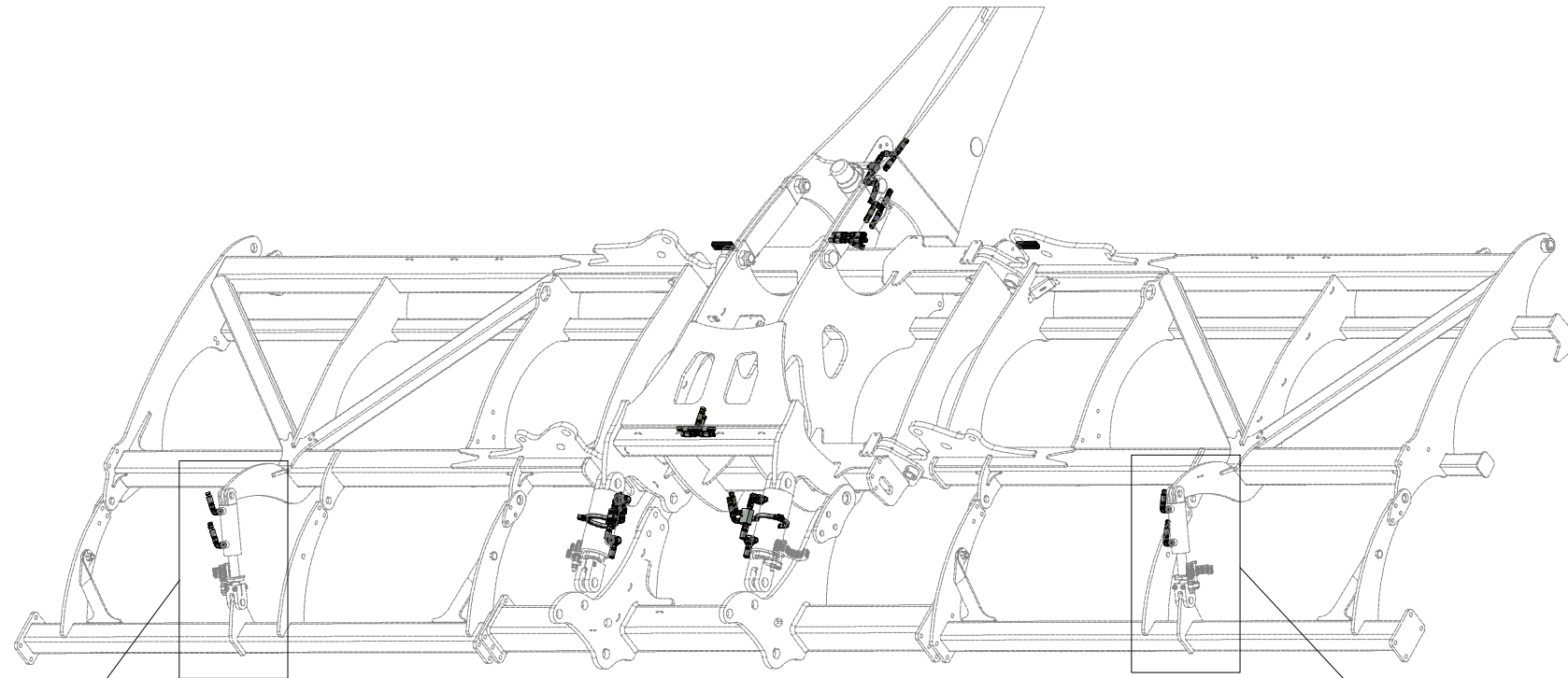
ⒸB HYDRAULIC DISTRIBUTION - RECESSING

ⒸU ГИДРАВЛИЧЕСКОЕ РАСПРЕДЕЛЕНИЕ - ЗАГЛУБЛЕНИЕ

ⒸL HYDRAULICZNY PRZEWÓD - ZAGŁĘBIENIA



VZ00017544



| Pos. | Part Number | Pcs. |
|------|-------------|------|
| 10 | m04752 | 1 |
| 11 | m09431 | 1 |
| 15 | m16455 | 1 |
| 16 | m04664 | 1 |
| 27 | m07906 | 4 |
| 31 | m06803 | 10 |
| 52 | m11289 | 48 |

ⒸZ HYDRAULICKÝ ROZVOD - ZAHLUBOVÁNÍ

Ⓓ HYDRAULISCHE VERTEILUNG - EINSENKUNG

Ⓕ CONDUIT HYDRAULIQUE - L'ENFONCEMENT

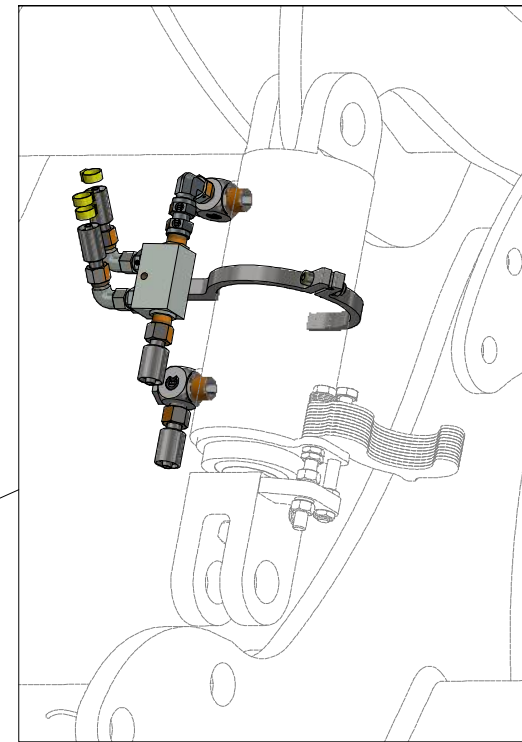
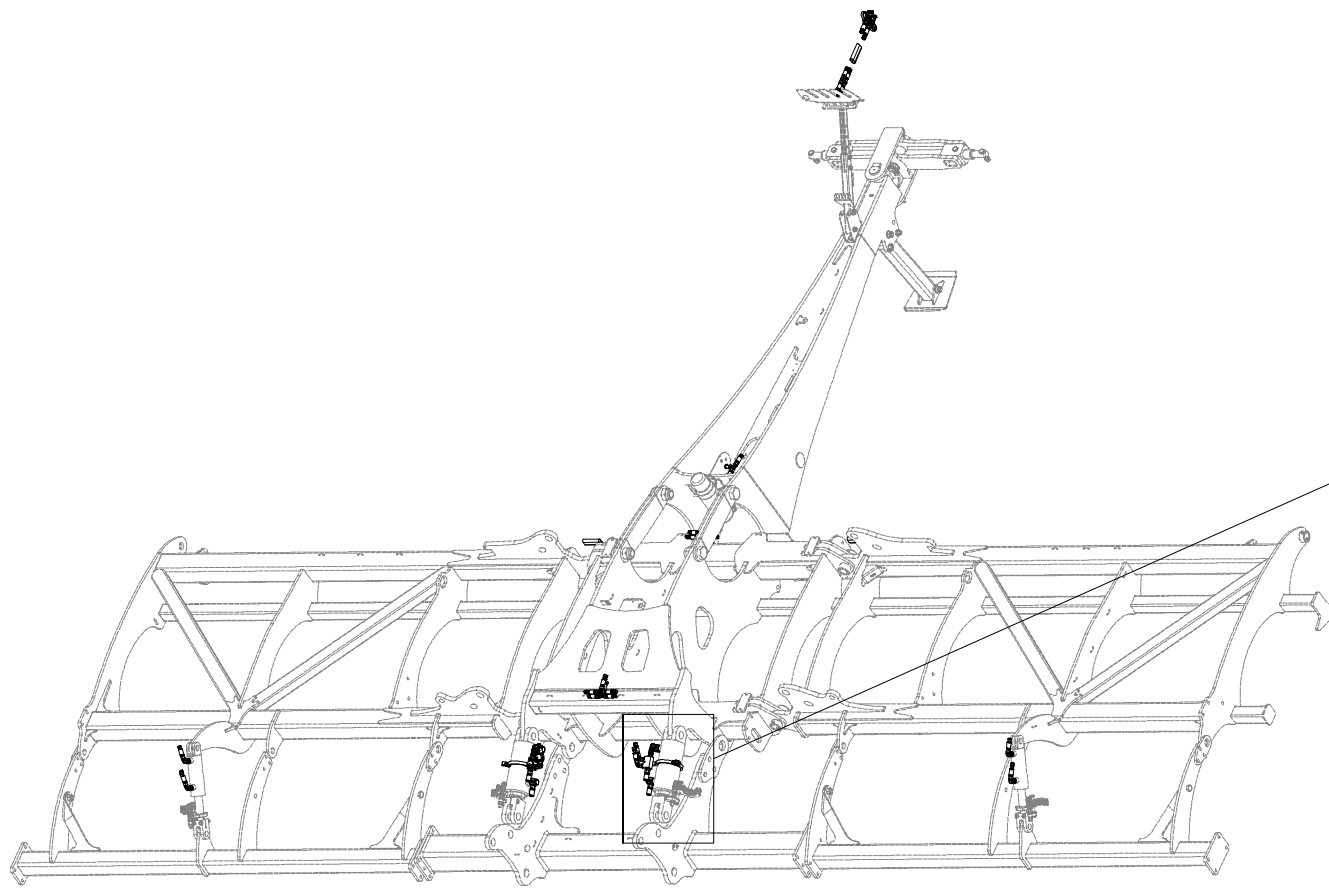
ⒸB HYDRAULIC DISTRIBUTION - RECESSING

ⒸU ГИДРАВЛИЧЕСКОЕ РАСПРЕДЕЛЕНИЕ - ЗАГЛУБЛЕНИЕ

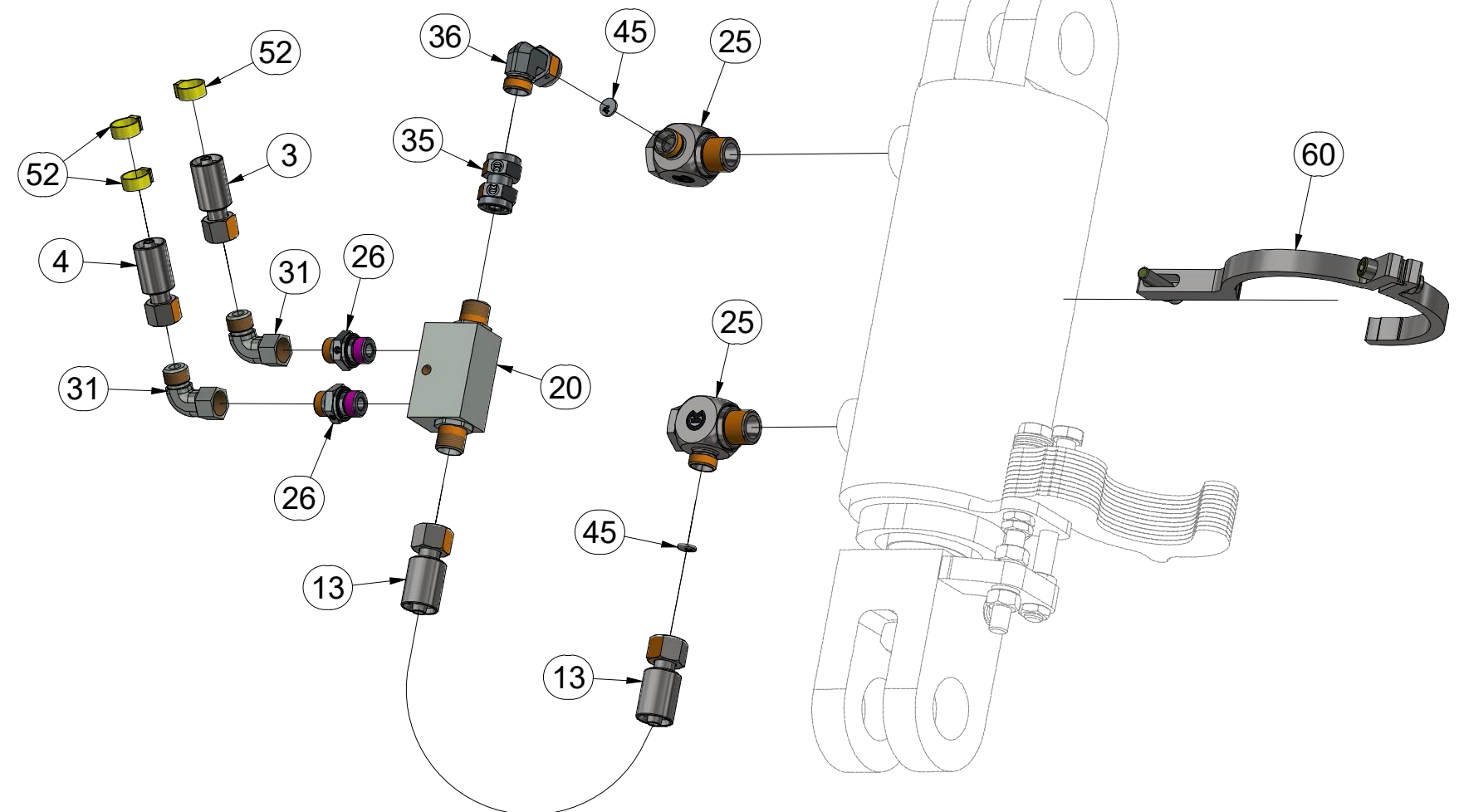
ⒸL HYDRAULICZNY PRZEWÓD - ZAGŁĘBIENIA

Farmet

VZ00017544



| Pos. | Part Number | Pcs. |
|------|-------------|------|
| 3 | m07909 | 2 |
| 4 | m04033 | 2 |
| 13 | m03845 | 2 |
| 20 | m08083 | 2 |
| 25 | m20912 | 4 |
| 26 | m06528 | 4 |
| 31 | m06803 | 10 |
| 35 | m05144 | 2 |
| 36 | m07654 | 2 |
| 45 | m10762 | 4 |
| 52 | m11289 | 48 |
| 60 | VZ00010112 | 2 |



ⒸZ HYDRAULICKÝ ROZVOD - ZAHLUBOVÁNÍ

Ⓓ HYDRAULISCHE VERTEILUNG - EINSENKUNG

Ⓕ CONDUIT HYDRAULIQUE - L'ENFONCEMENT

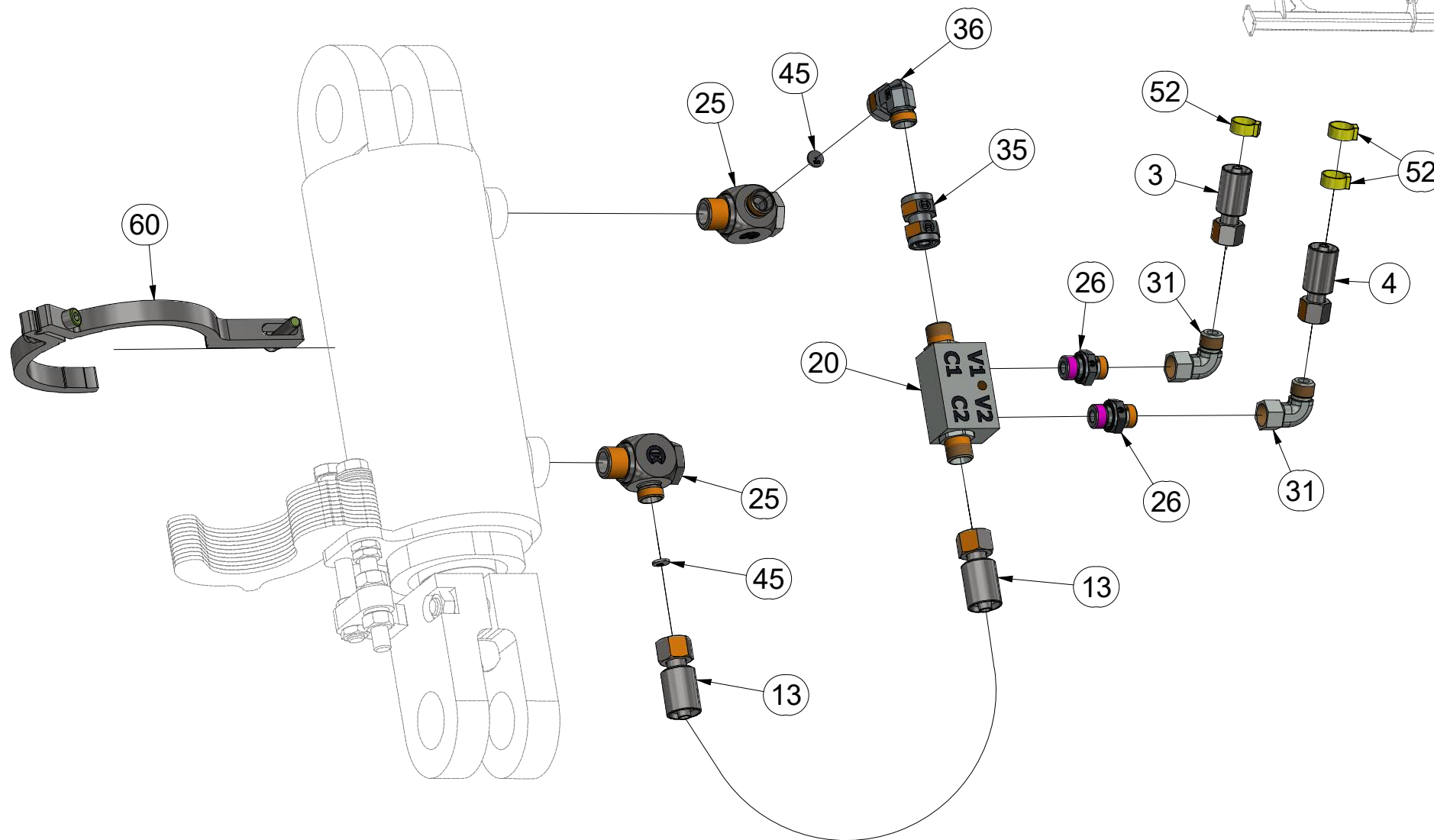
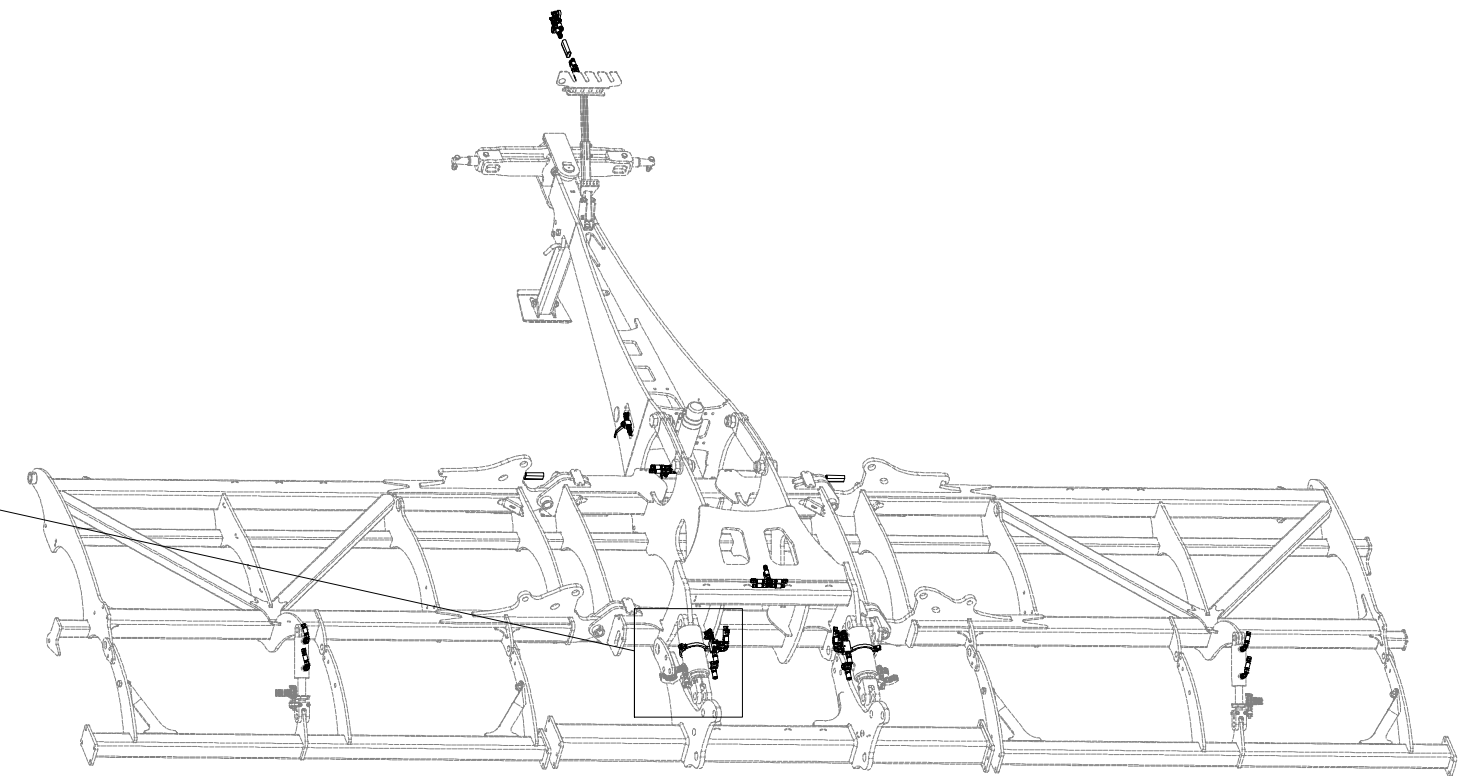
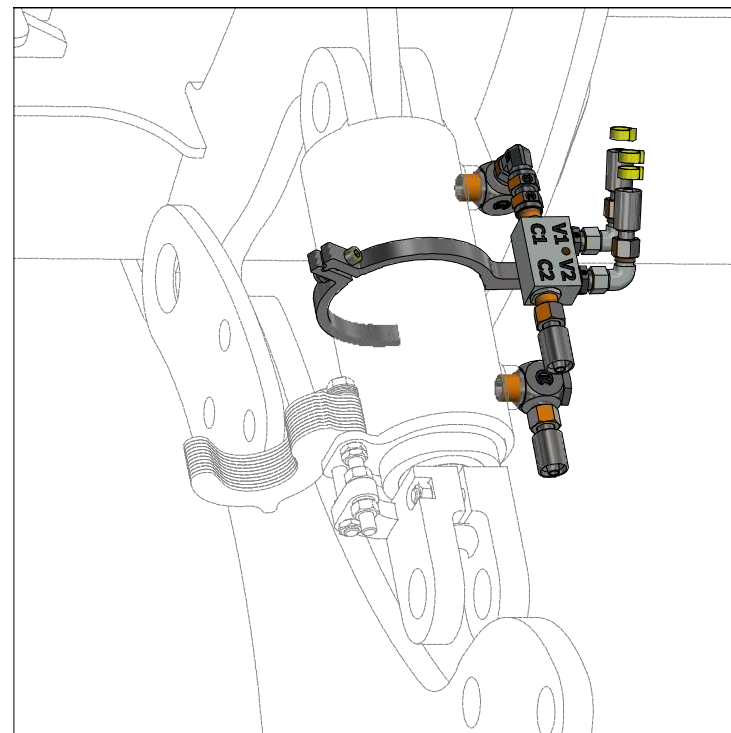
ⒼB HYDRAULIC DISTRIBUTION - RECESSING

Ⓔ RU ГИДРАВЛИЧЕСКОЕ РАСПРЕДЕЛЕНИЕ - ЗАГЛУБЛЕНИЕ

Ⓐ PL HYDRAULICZNY PRZEWÓD - ZAGŁĘBIENIA



VZ00017544



| Pos. | Part Number | Pcs. |
|------|-------------|------|
| 3 | m07909 | 2 |
| 4 | m04033 | 2 |
| 13 | m03845 | 2 |
| 20 | m08083 | 2 |
| 25 | m20912 | 4 |
| 26 | m06528 | 4 |
| 31 | m06803 | 10 |
| 35 | m05144 | 2 |
| 36 | m07654 | 2 |
| 45 | m10762 | 4 |
| 52 | m11289 | 48 |
| 60 | VZ00010112 | 2 |

ⒸZ HYDRAULICKÝ ROZVOD NÁPRAVY

Ⓓ HYDRAULISCHE VERTEILUNG ACHSE

Ⓕ CONDUIT HYDRAULIQUE DE L'ESSIEU

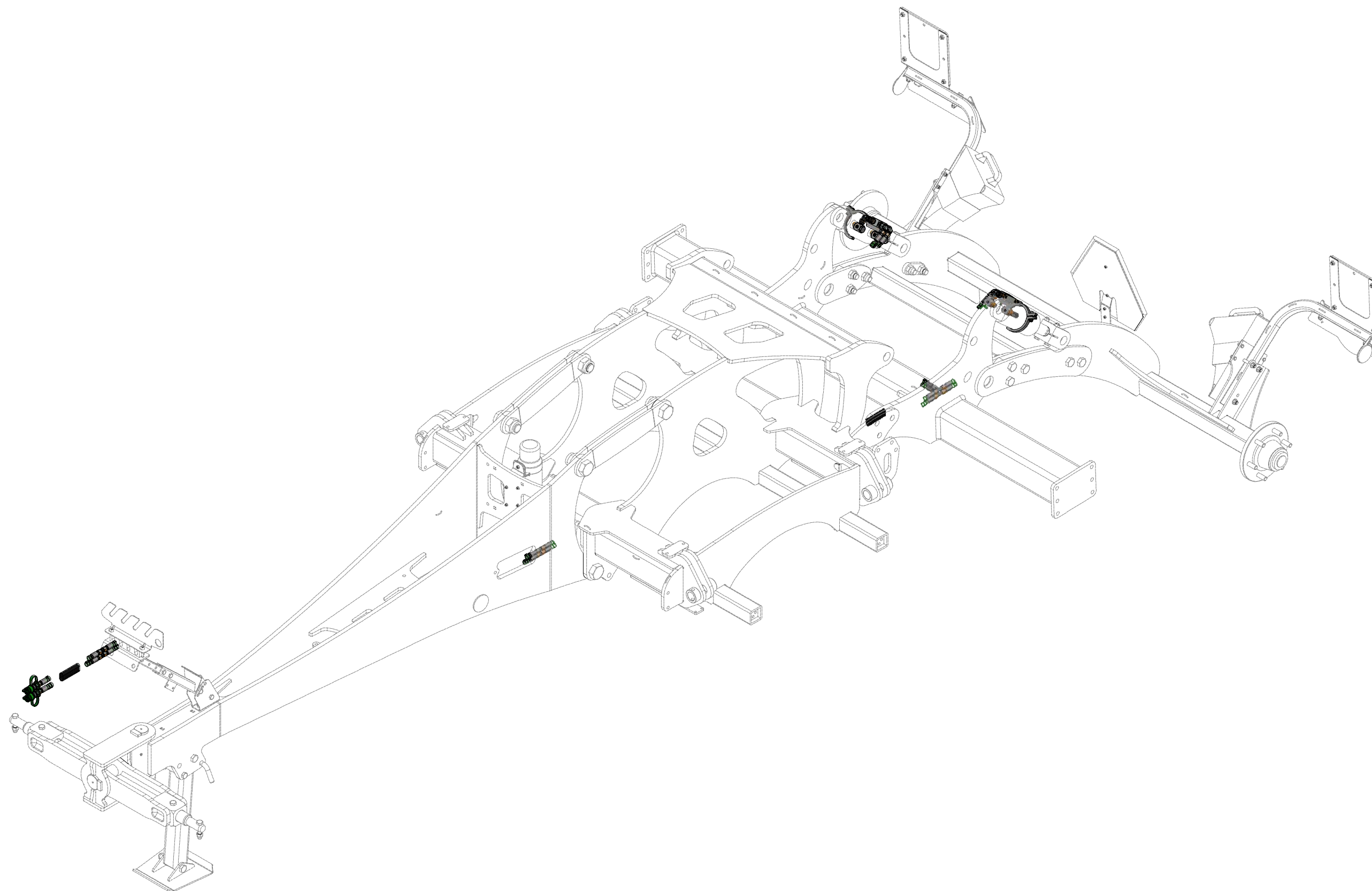
ⒼB HYDRAULIC AXLE DISTRIBUTION

Ⓔ RU ГИДРАВЛИЧЕСКОЕ РАСПРЕДЕЛЕНИЕ ОСИ

Ⓗ PL HYDRAULICZNY PRZEWÓD OSI

Farmet

VZ00017588



ⒸZ HYDRAULICKÝ ROZVOD NÁPRAVY

Ⓓ HYDRAULISCHE VERTEILUNG ACHSE

Ⓕ CONDUIT HYDRAULIQUE DE L'ESSIEU

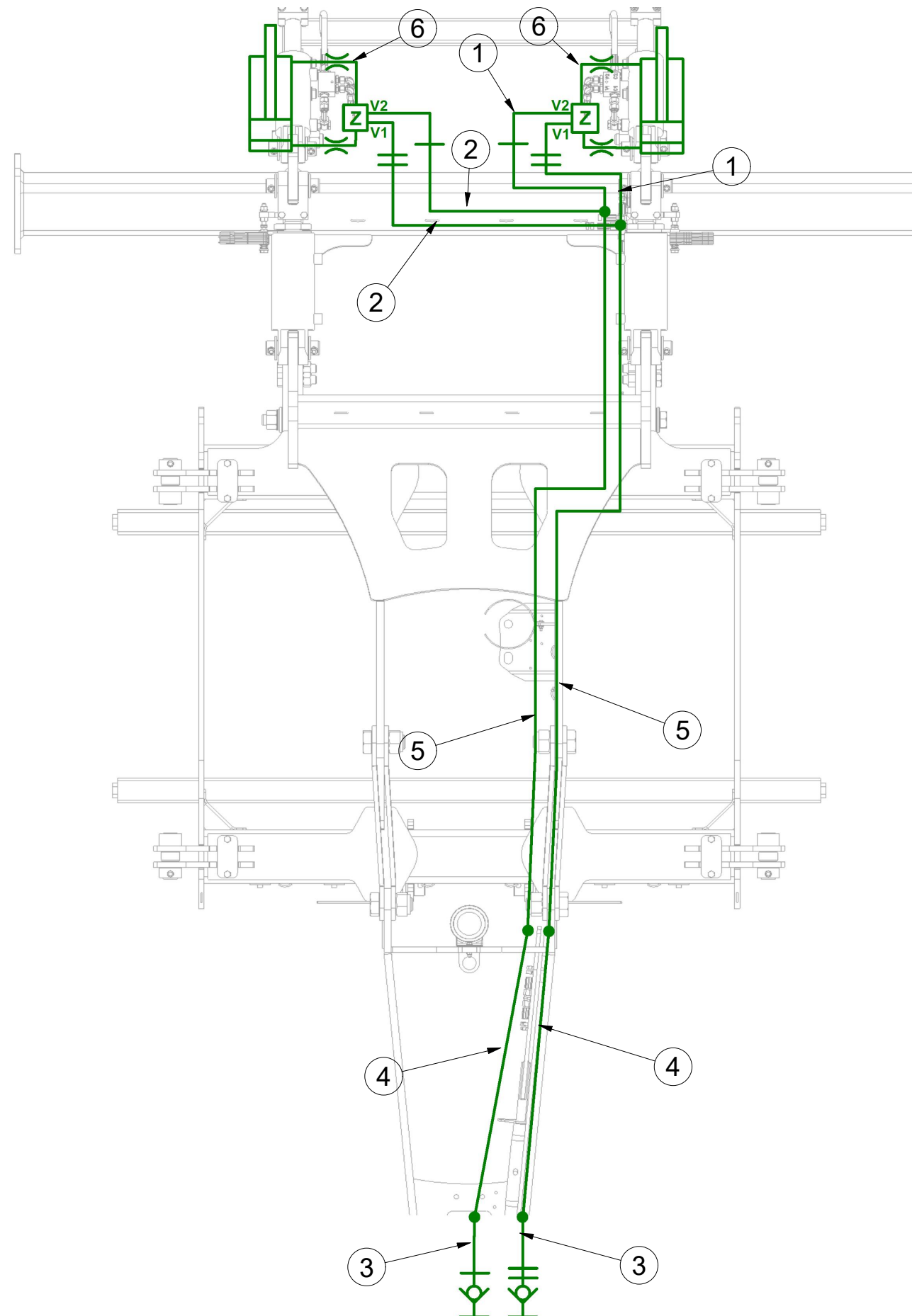
ⒸB HYDRAULIC AXLE DISTRIBUTION

ⒸU ГИДРАВЛИЧЕСКОЕ РАСПРЕДЕЛЕНИЕ ОСИ

ⒸL HYDRAULICZNY PRZEWÓD OSI



VZ00017588



| Pos. | Part Number | Pcs. |
|------|-------------|------|
| 1 | m04827 | 2 |
| 2 | m07360 | 2 |
| 3 | m11696 | 2 |
| 4 | m07650 | 2 |
| 5 | m12022 | 2 |
| 6 | m03845 | 2 |

ⒸZ HYDRAULICKÝ ROZVOD NÁPRAVY

Ⓓ HYDRAULISCHE VERTEILUNG ACHSE

Ⓕ CONDUIT HYDRAULIQUE DE L'ESSIEU

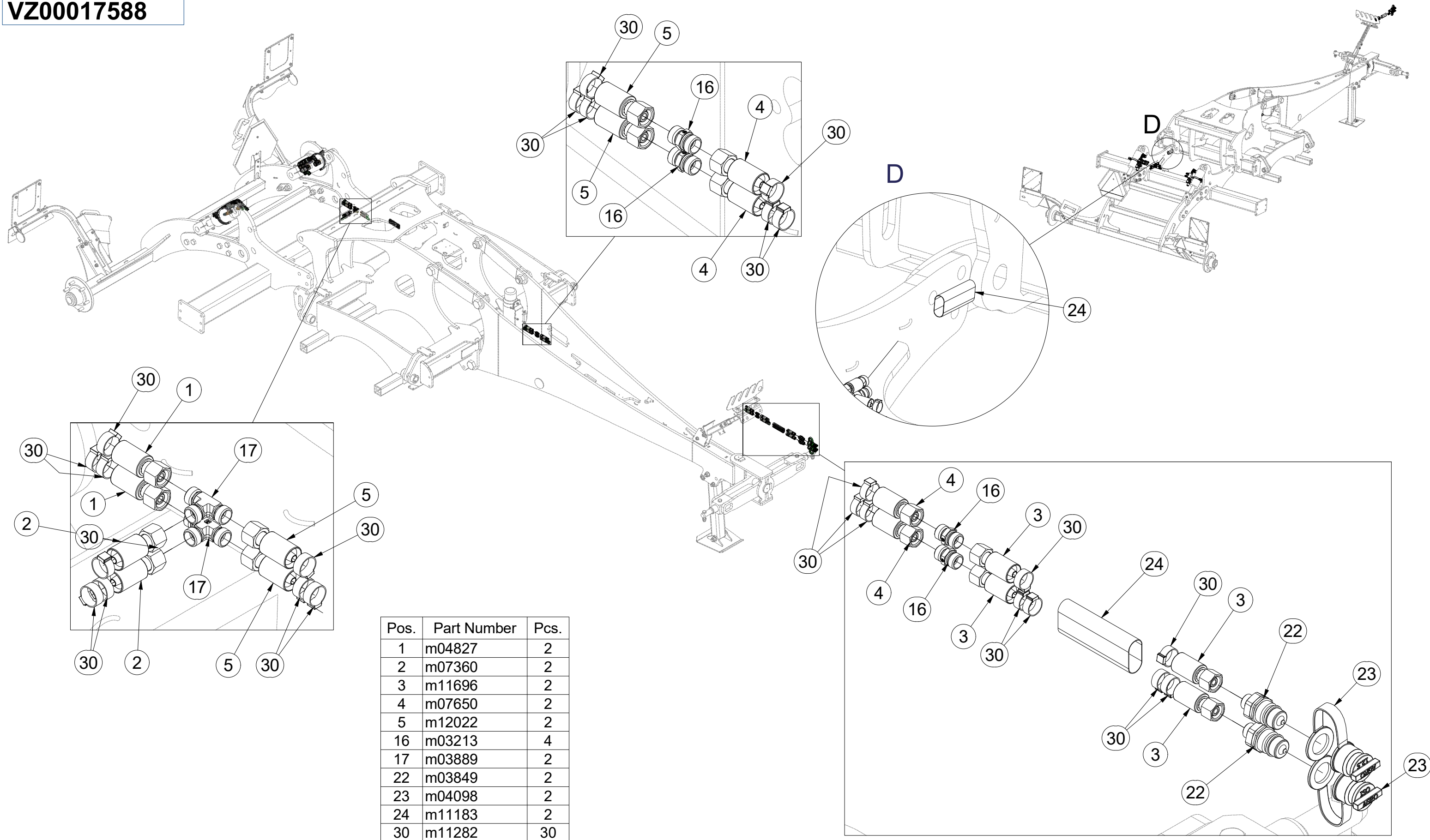
ⒸB HYDRAULIC AXLE DISTRIBUTION

ⒸR ГИДРАВЛИЧЕСКОЕ РАСПРЕДЕЛЕНИЕ ОСИ

ⒸL HYDRAULICZNY PRZEWÓD OSI



VZ00017588

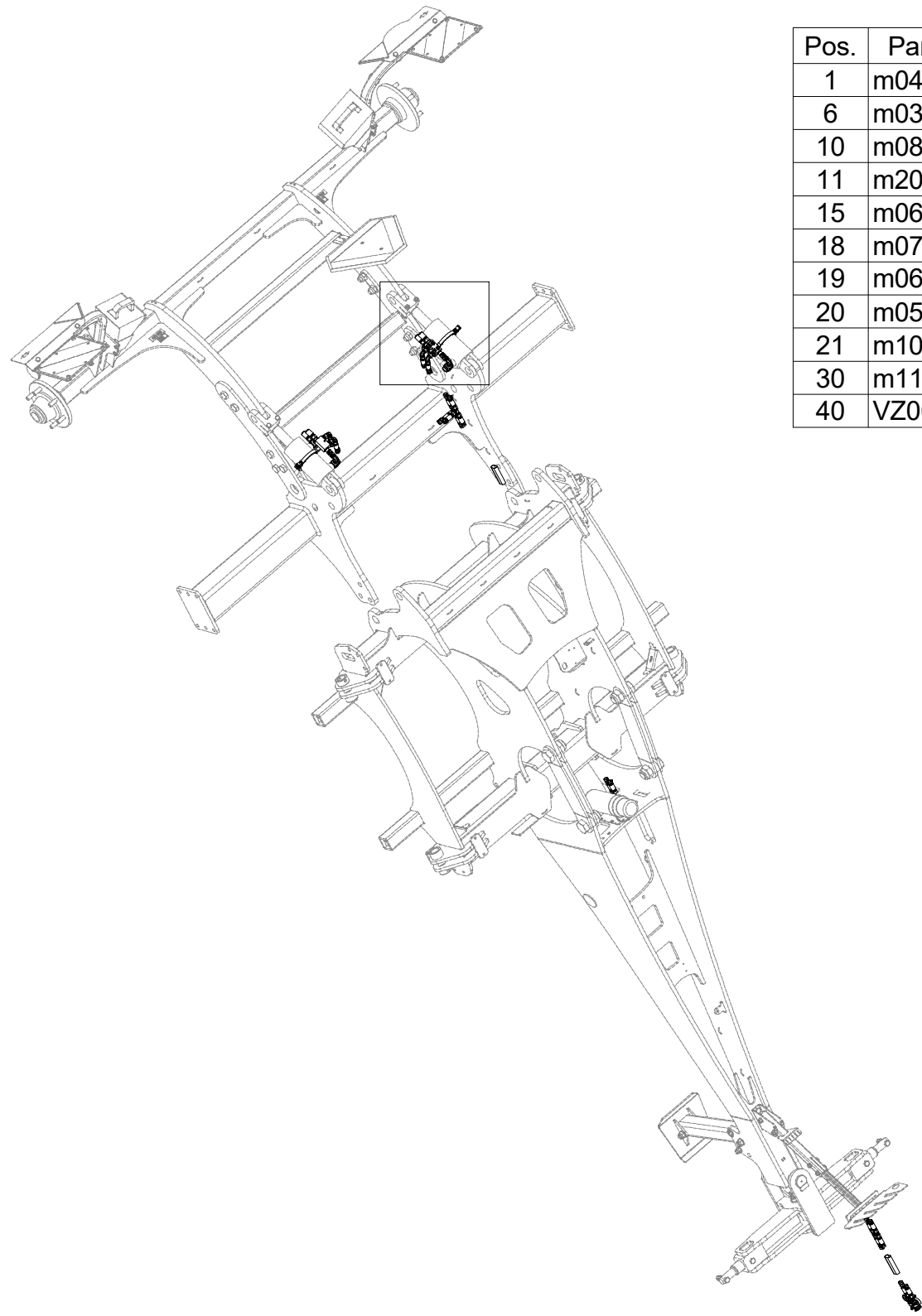


ⒸZ HYDRAULICKÝ ROZVOD NÁPRAVY

Ⓓ HYDRAULISCHE VERTEILUNG ACHSE

Ⓕ CONDUIT HYDRAULIQUE DE L'ESSIEU

VZ00017588

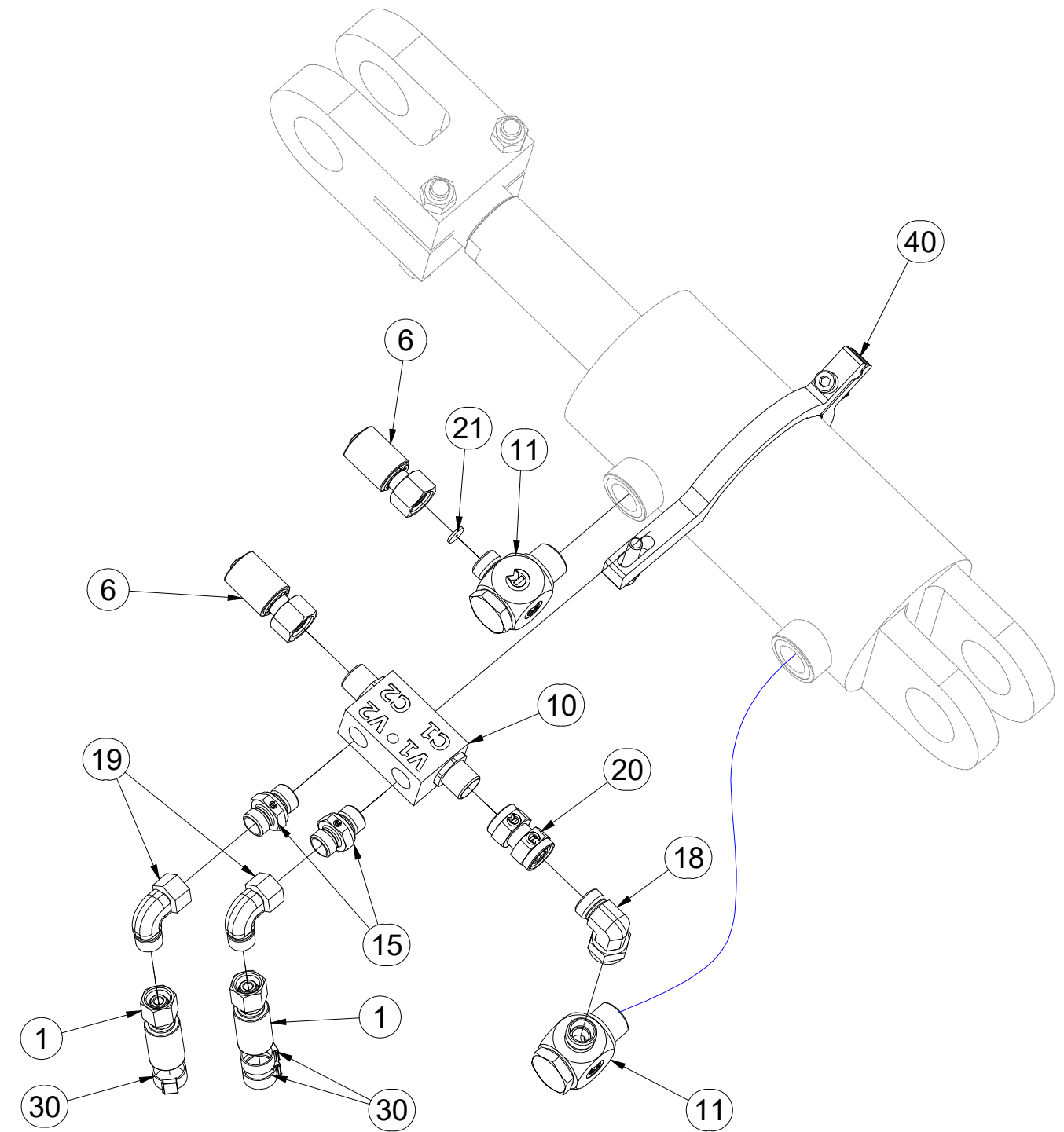


| Pos. | Part Number | Pcs. |
|------|-------------|------|
| 1 | m04827 | 2 |
| 6 | m03845 | 2 |
| 10 | m08083 | 2 |
| 11 | m20912 | 4 |
| 15 | m06528 | 4 |
| 18 | m07654 | 2 |
| 19 | m06803 | 4 |
| 20 | m05144 | 2 |
| 21 | m10776 | 4 |
| 30 | m11282 | 30 |
| 40 | VZ00010409 | 2 |

ⒸB HYDRAULIC AXLE DISTRIBUTION

Ⓔ ГИДРАВЛИЧЕСКОЕ РАСПРЕДЕЛЕНИЕ ОСИ

Ⓗ HYDRAULICZNY PRZEWÓD OSI



ⒸZ HYDRAULICKÝ ROZVOD NÁPRAVY

Ⓓ HYDRAULISCHE VERTEILUNG ACHSE

Ⓕ CONDUIT HYDRAULIQUE DE L'ESSIEU

ⒸB HYDRAULIC AXLE DISTRIBUTION

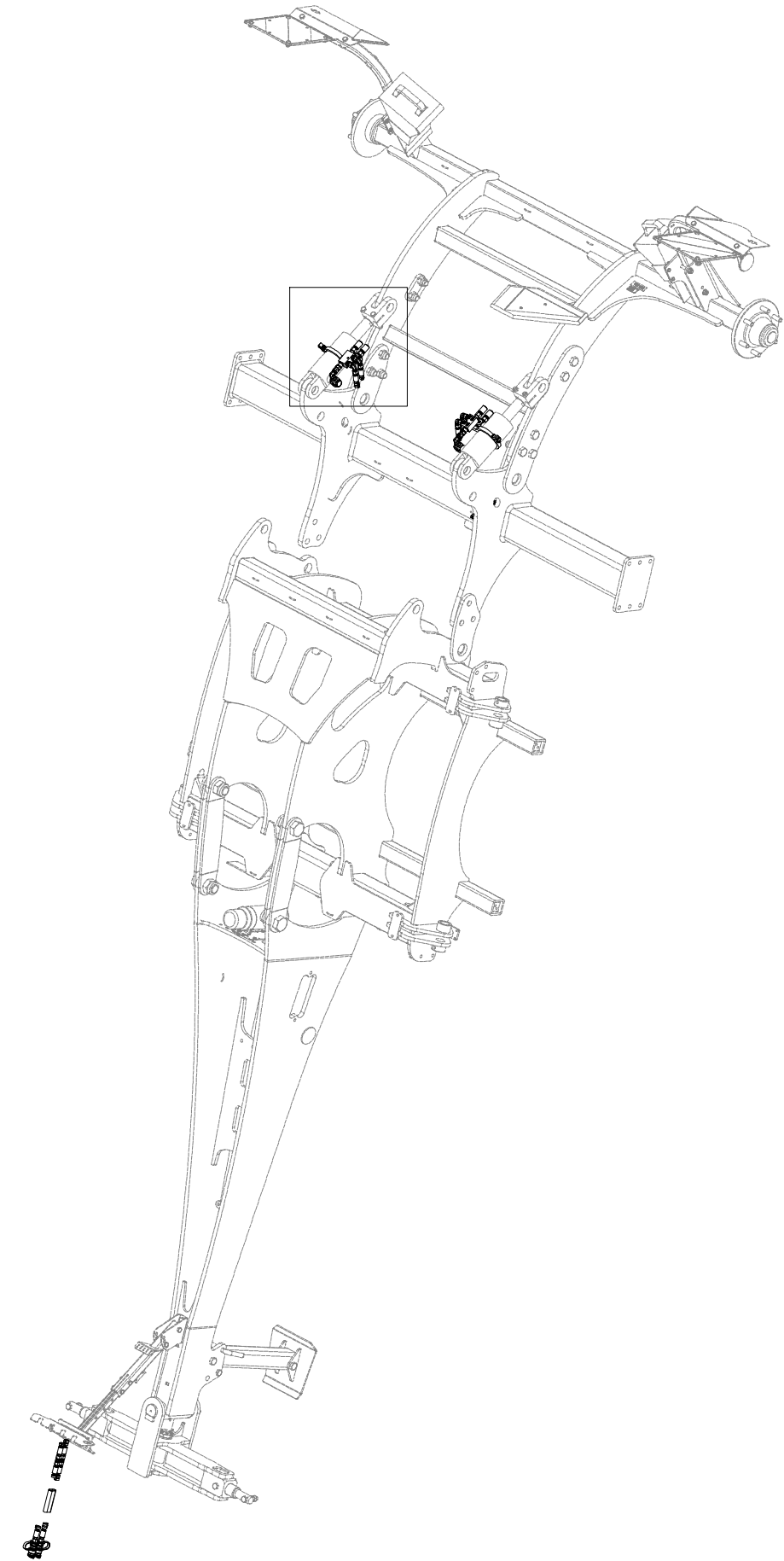
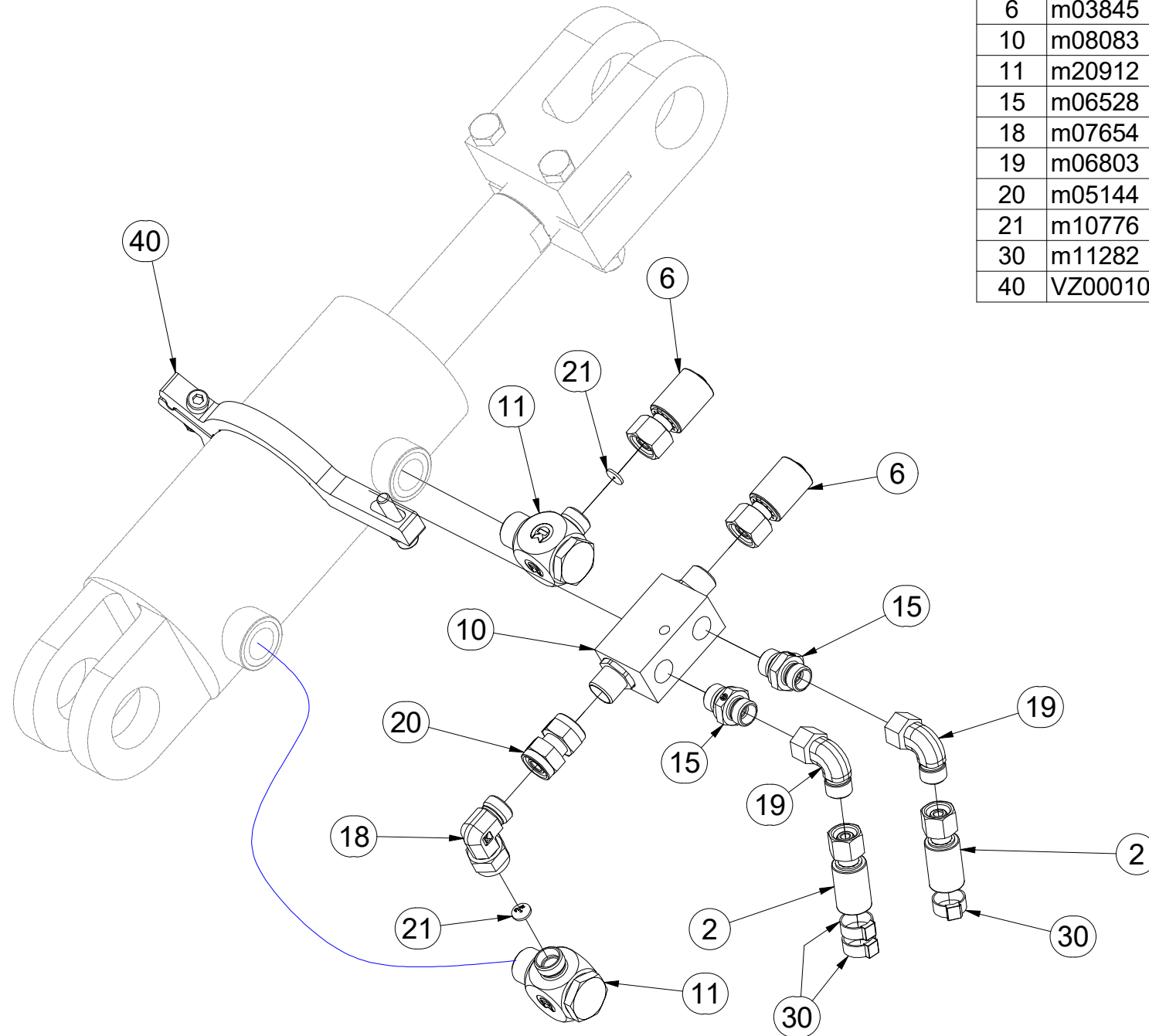
ⒸR ГИДРАВЛИЧЕСКОЕ РАСПРЕДЕЛЕНИЕ ОСИ

ⒸL HYDRAULICZNY PRZEWÓD OSI



VZ00017588

| Pos. | Part Number | Pcs. |
|------|-------------|------|
| 2 | m07360 | 2 |
| 6 | m03845 | 2 |
| 10 | m08083 | 2 |
| 11 | m20912 | 4 |
| 15 | m06528 | 4 |
| 18 | m07654 | 2 |
| 19 | m06803 | 4 |
| 20 | m05144 | 2 |
| 21 | m10776 | 4 |
| 30 | m11282 | 30 |
| 40 | VZ00010409 | 2 |

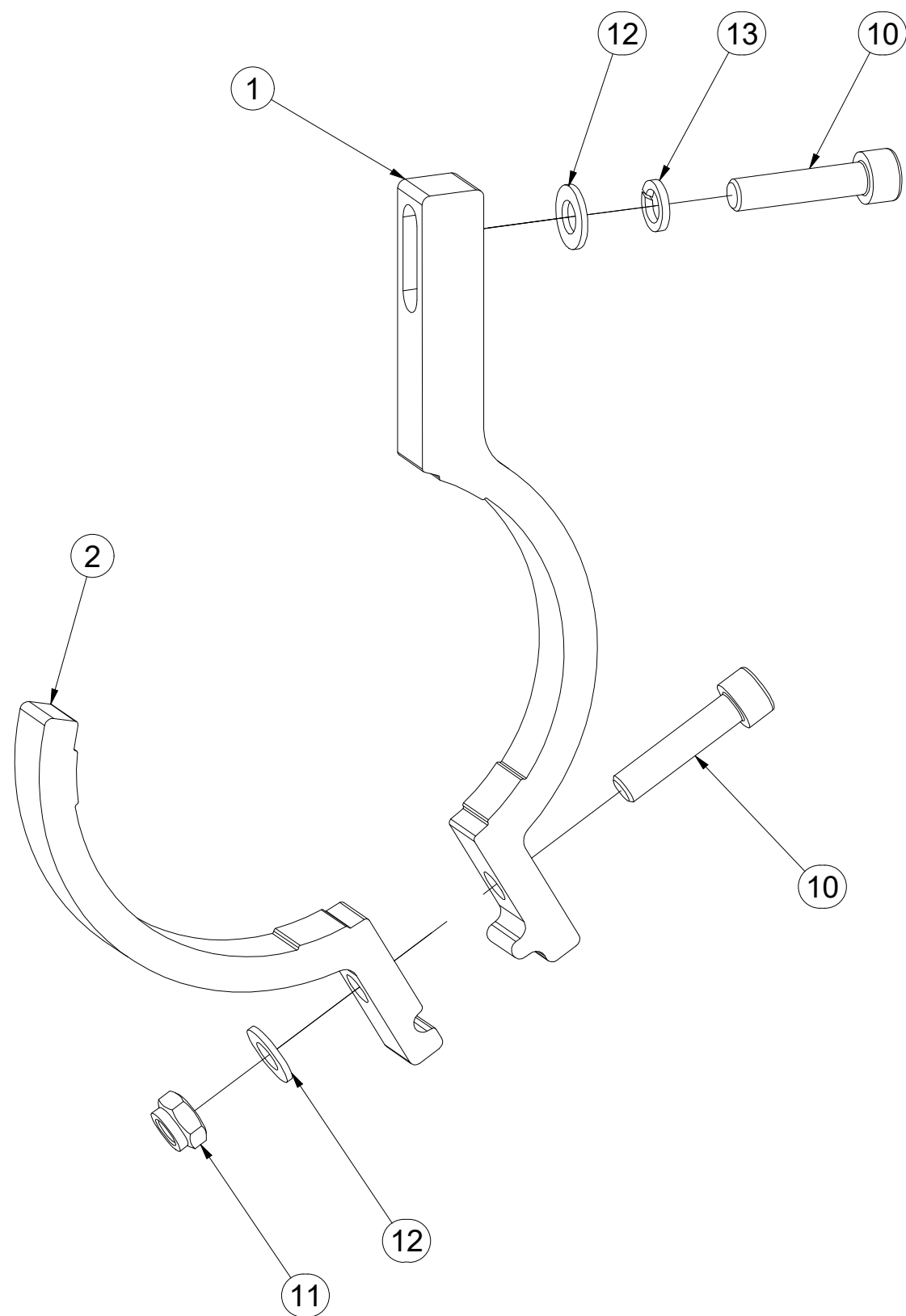


- ⒸZ DRŽÁK
- Ⓓ HALTER
- Ⓕ SUPPORT

- ⒼB HOLDER
- ⒶRU ДЕРЖАТЕЛЬ
- ⒶPL UCHWYT



VZ00010409



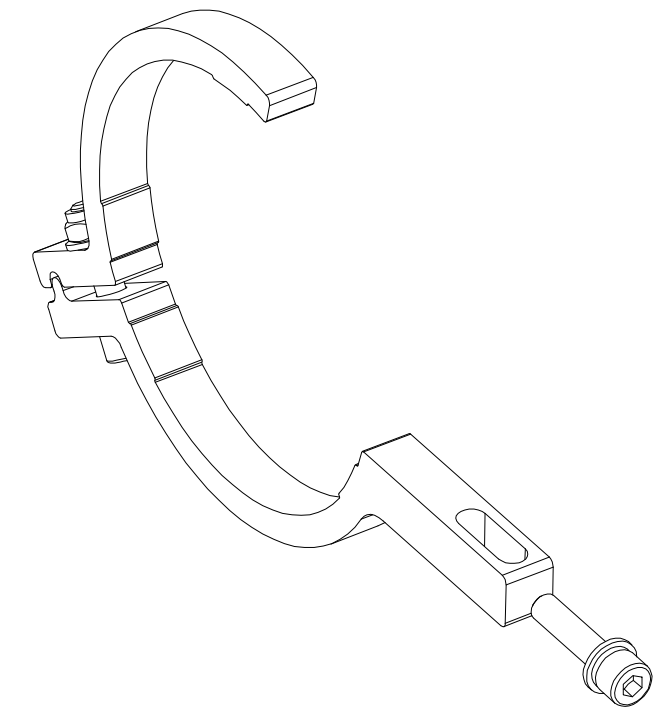
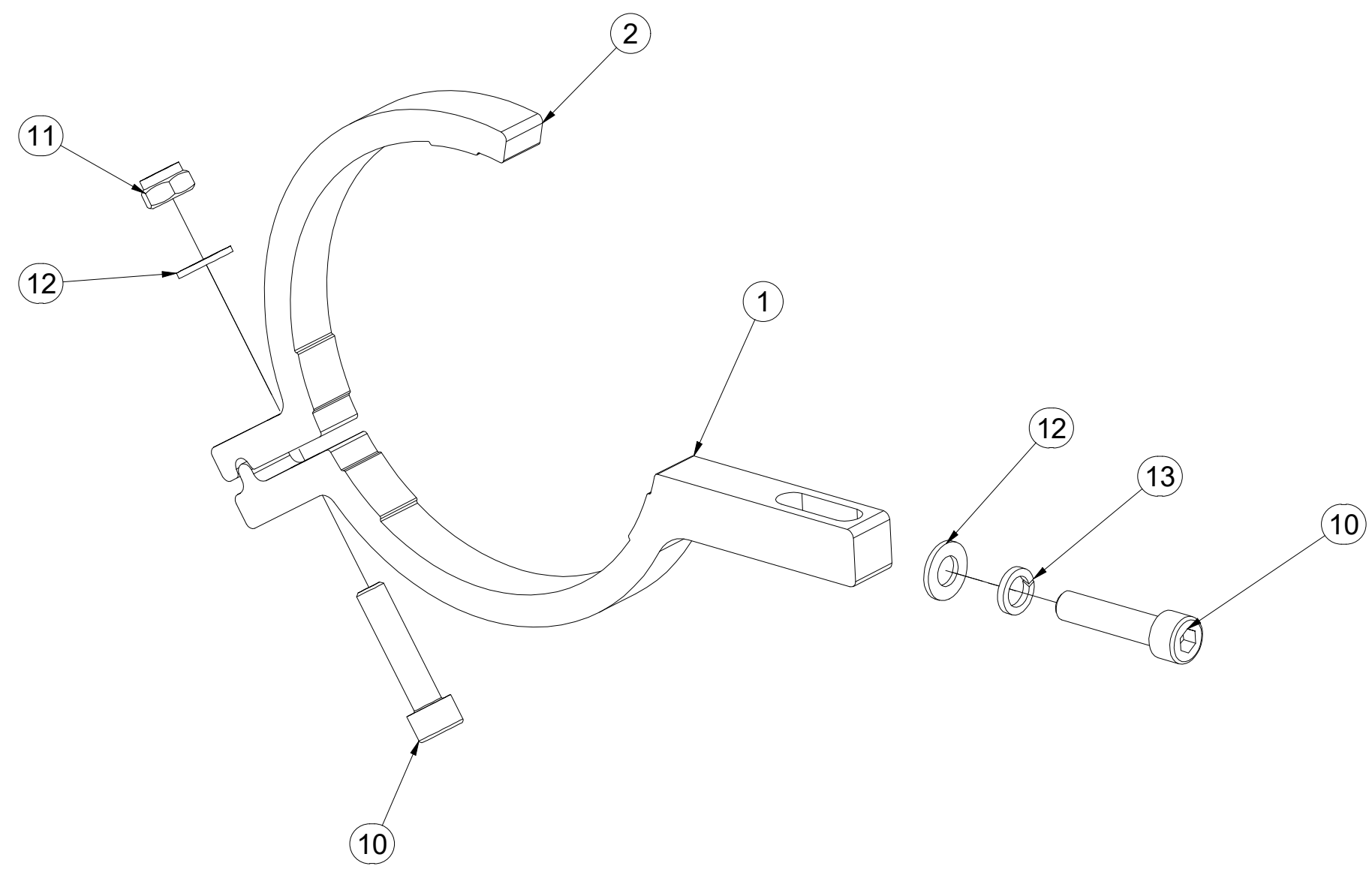
| Pos. | Part Number | Pcs. |
|------|-------------|------|
| 1 | VZ00010410 | 1 |
| 2 | VZ00010408 | 1 |
| 10 | m09464 | 2 |
| 11 | m04503 | 1 |
| 12 | m01203 | 2 |
| 13 | m01202 | 1 |

CZ DRŽÁK
 D HALTER
 F SUPPORT

GB HOLDER
 RU ДЕРЖАТЕЛЬ
 PL UCHWYT



VZ00010112



| Pos. | Part Number | Pcs. |
|------|-------------|------|
| 1 | VZ00010113 | 1 |
| 2 | VZ00010114 | 1 |
| 10 | m09464 | 2 |
| 11 | m04503 | 1 |
| 12 | m01203 | 2 |
| 13 | m01202 | 1 |

Ⓒ PÍSTNICE 63/40-95

Ⓓ KOLBENSTANGE 63/40-95

Ⓕ TIGE DE PISTON 63/40-95

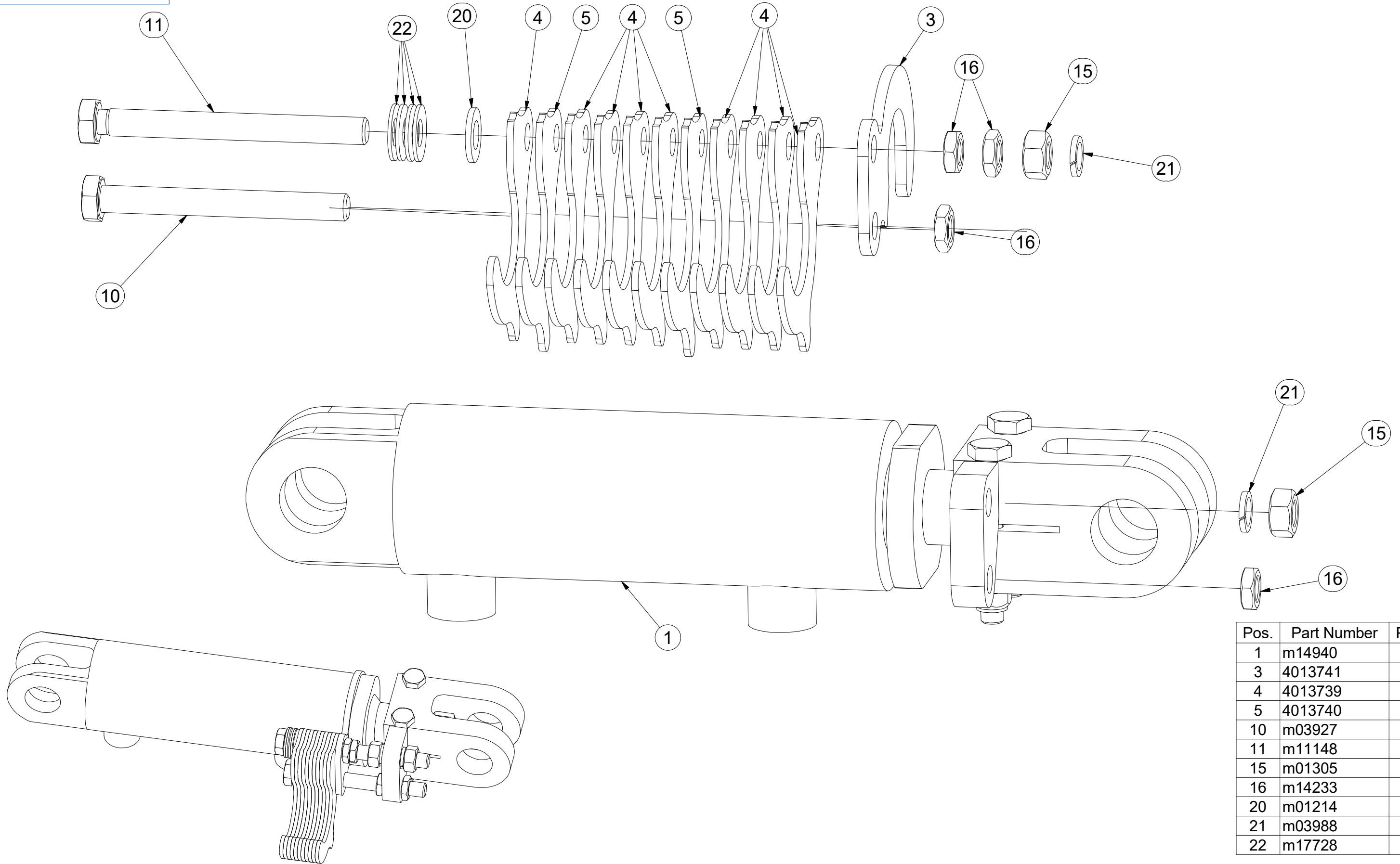
Ⓖ PISTON ROD 63/40-95

Ⓡ ЦИЛИНДР 63/40-95

Ⓟ TRZPIEŃ TŁOKA 63/40-95



4015781



Ⓒ PÍSTNICE 110/56-100

Ⓓ KOLBENSTANGE 110/56-100

Ⓕ TIGE DE PISTON 110/56-100

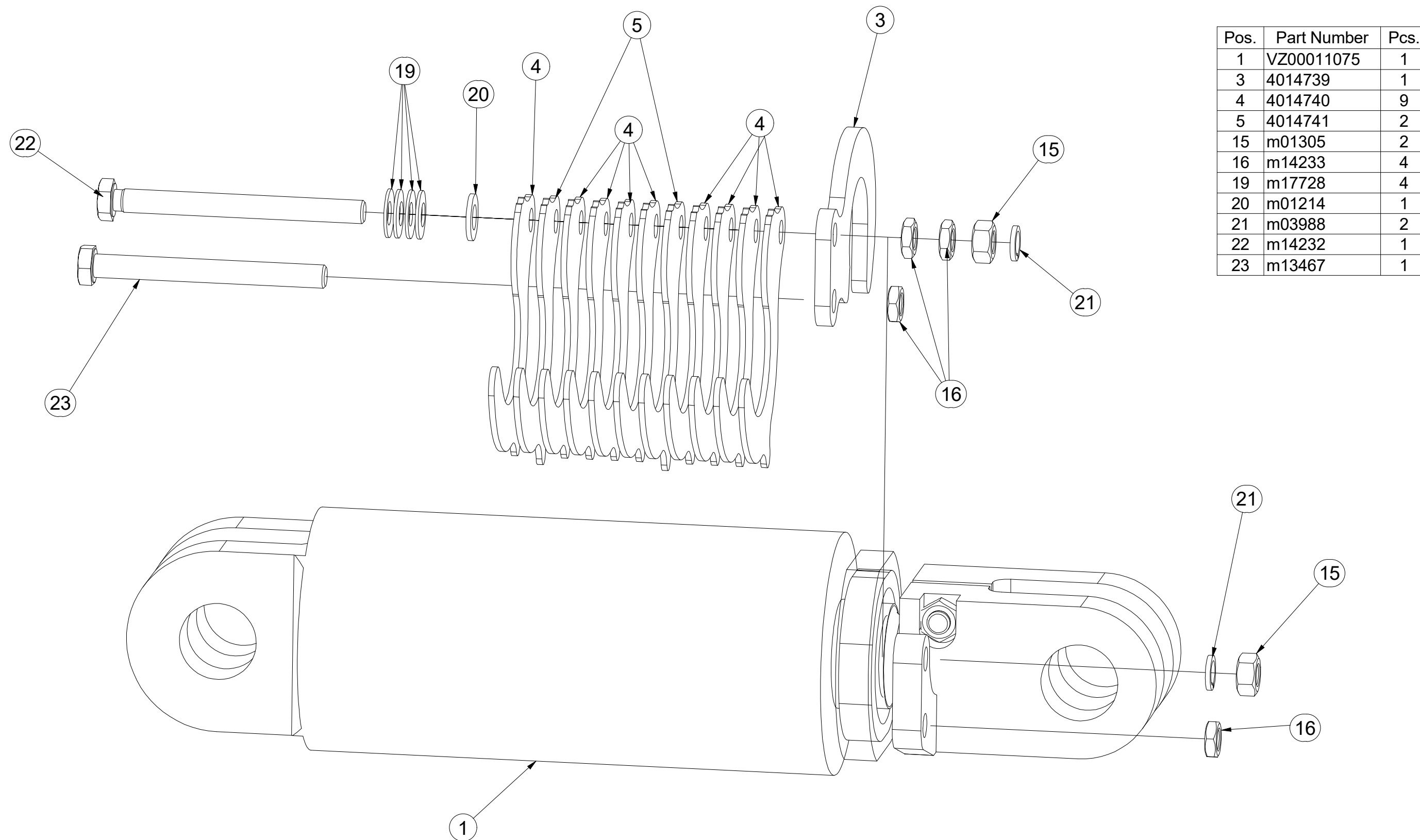
Ⓖ PISTON ROD 110/56-100

Ⓡ ЦИЛИНДР 110/56-100

Ⓟ TRZPIEŃ TŁOKA 110/56-100



VZ00011042



Ⓒ PÍSTNICE 110/56-100

Ⓓ KOLBENSTANGE 110/56-100

Ⓕ TIGE DE PISTON 110/56-100

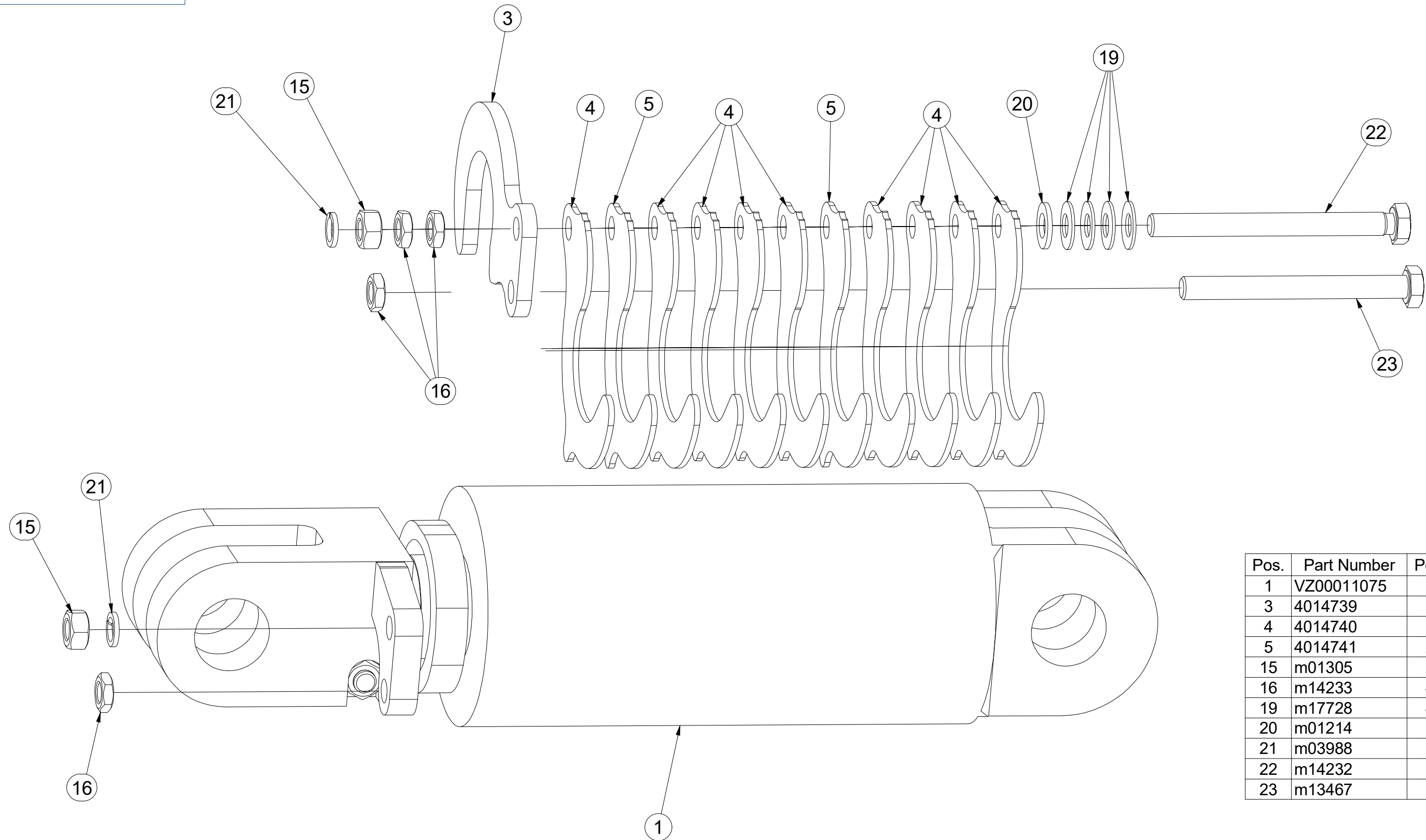
Ⓖ PISTON ROD 110/56-100

Ⓡ ЦИЛИНДР 110/56-100

Ⓟ TRZPIEŃ TŁOKA 110/56-100



VZ00011113



| Pos. | Part Number | Pcs. |
|------|-------------|------|
| 1 | VZ00011075 | 1 |
| 3 | 4014739 | 1 |
| 4 | 4014740 | 9 |
| 5 | 4014741 | 2 |
| 15 | m01305 | 2 |
| 16 | m14233 | 4 |
| 19 | m17728 | 4 |
| 20 | m01214 | 1 |
| 21 | m03988 | 2 |
| 22 | m14232 | 1 |
| 23 | m13467 | 1 |

Ⓒ PÍSTNICE 110/56-100

Ⓓ KOLBENSTANGE 110/56-100

Ⓕ TIGE DE PISTON 110/56-100

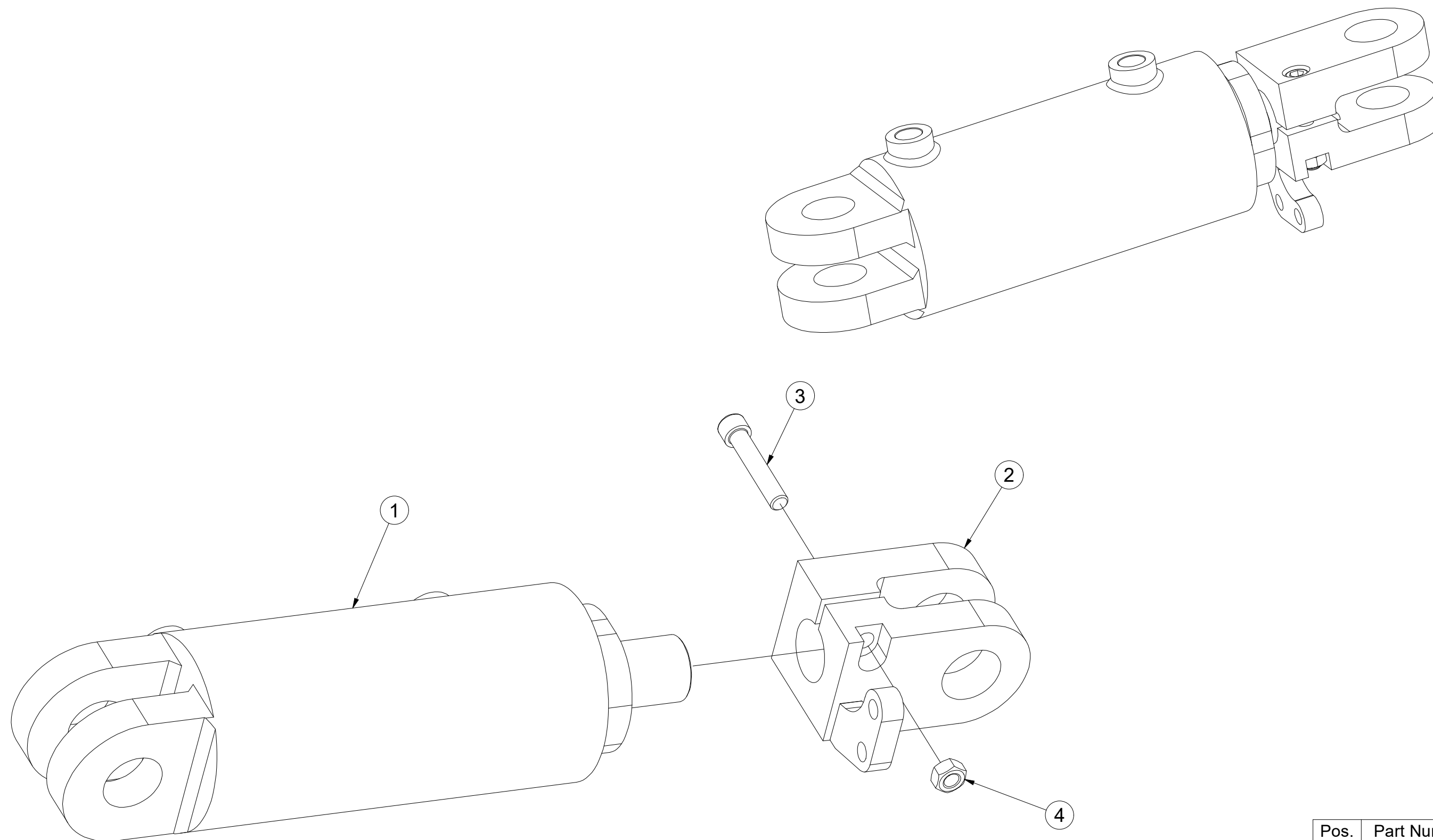
Ⓖ PISTON ROD 110/56-100

Ⓡ ЦИЛИНДР 110/56-100

Ⓟ TRZPIEŃ TŁOKA 110/56-100

Farmet

VZ00011075



| Pos. | Part Number | Pcs. |
|------|-------------|------|
| 1 | m21020 | 1 |
| 2 | m20347 | 1 |
| 3 | m14867 | 1 |
| 4 | m10439 | 1 |

ⒸZ SOUPRAVA TĚSNIVA PÍSTNIC

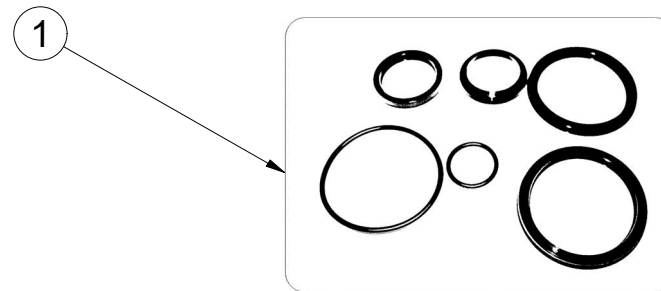
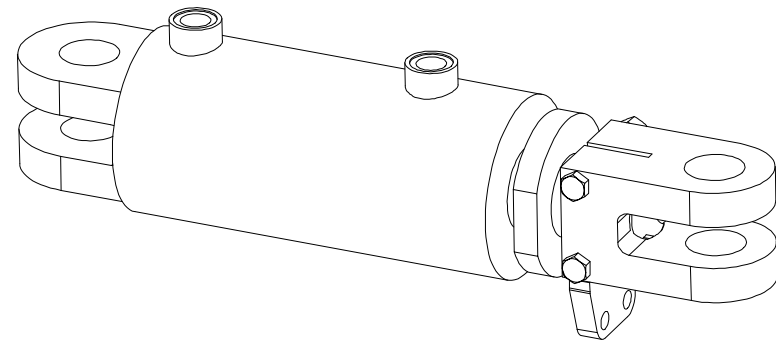
Ⓓ KOLBENSTANGENDICHTUNGSMITTELSATZ

Ⓕ SET DE GARNITURE DES TIGES DE PISTON

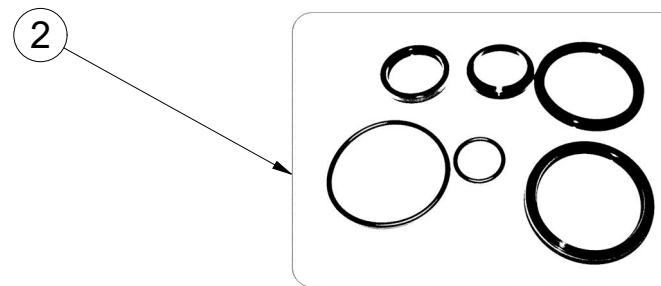
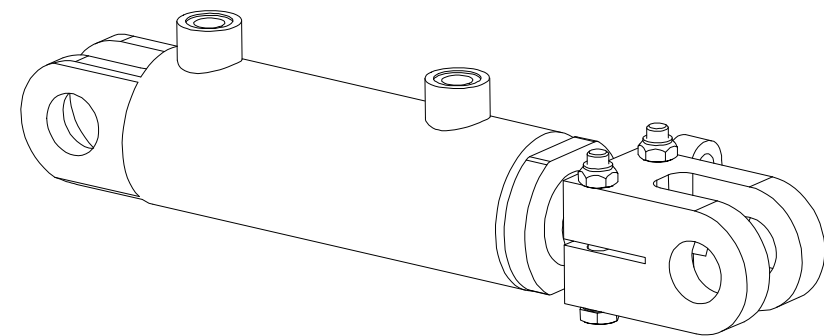
ⒼB SEALING SET FOR PISTON RODS

ⒺU КОМПЛЕКТ ПРОКЛАДОК ЦИЛИНДРОВ

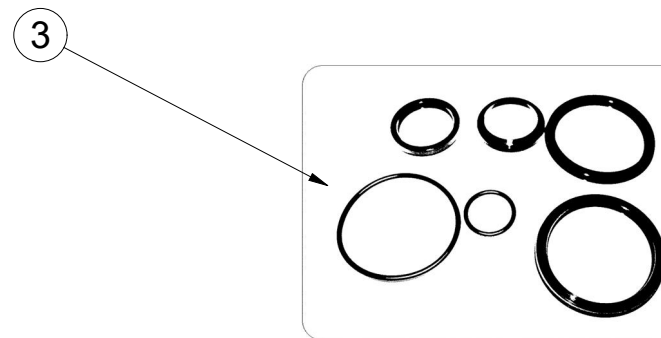
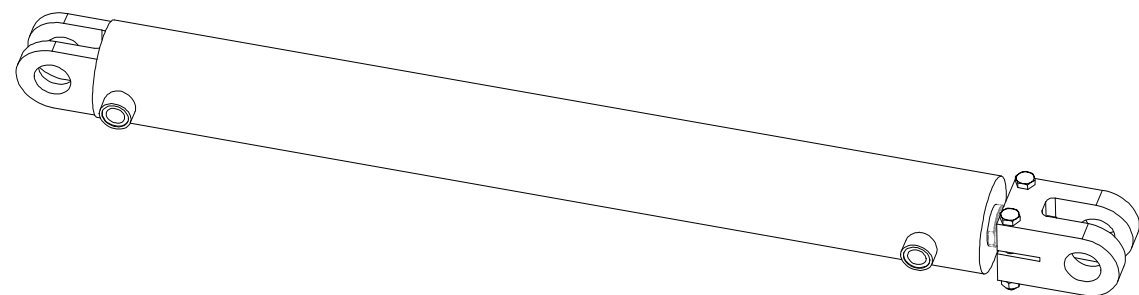
ⒼL ZESTAW USZCZELEK TRZPIENIA TŁOKA



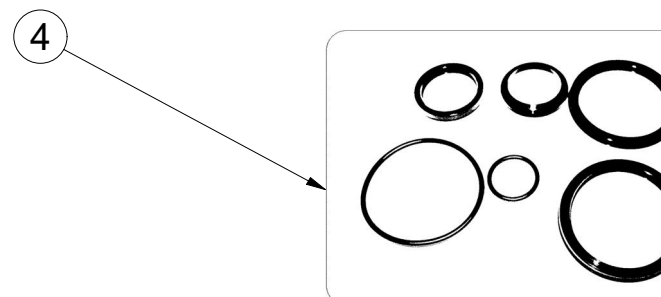
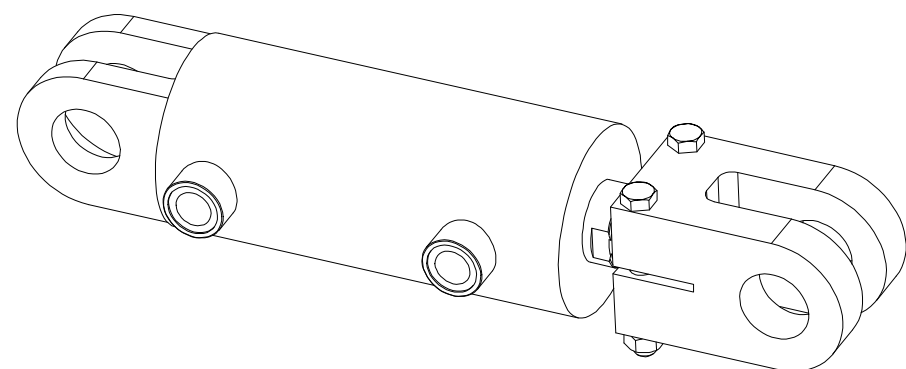
| m21020 - $\varnothing 110/\varnothing 56-100$ | | |
|---|-------------|-----|
| Pos | Part number | Pcs |
| 1 | m15376 | 2 |



| m14940 - $\varnothing 63/\varnothing 40-95$ | | |
|---|-------------|-----|
| Pos | Part number | Pcs |
| 2 | m15372 | 2 |



| m21525 - $\varnothing 90/\varnothing 45-830$ | | |
|--|-------------|-----|
| Pos | Part number | Pcs |
| 3 | m22828 | 2 |



| m17172 - $\varnothing 90/\varnothing 45-100$ | | |
|--|-------------|-----|
| Pos | Part number | Pcs |
| 4 | m15374 | 2 |

Ⓒ SAMOLEPKY STROJE

Ⓓ AUFKLEBER MASCHINEN

Ⓕ VOITURE MACHINES

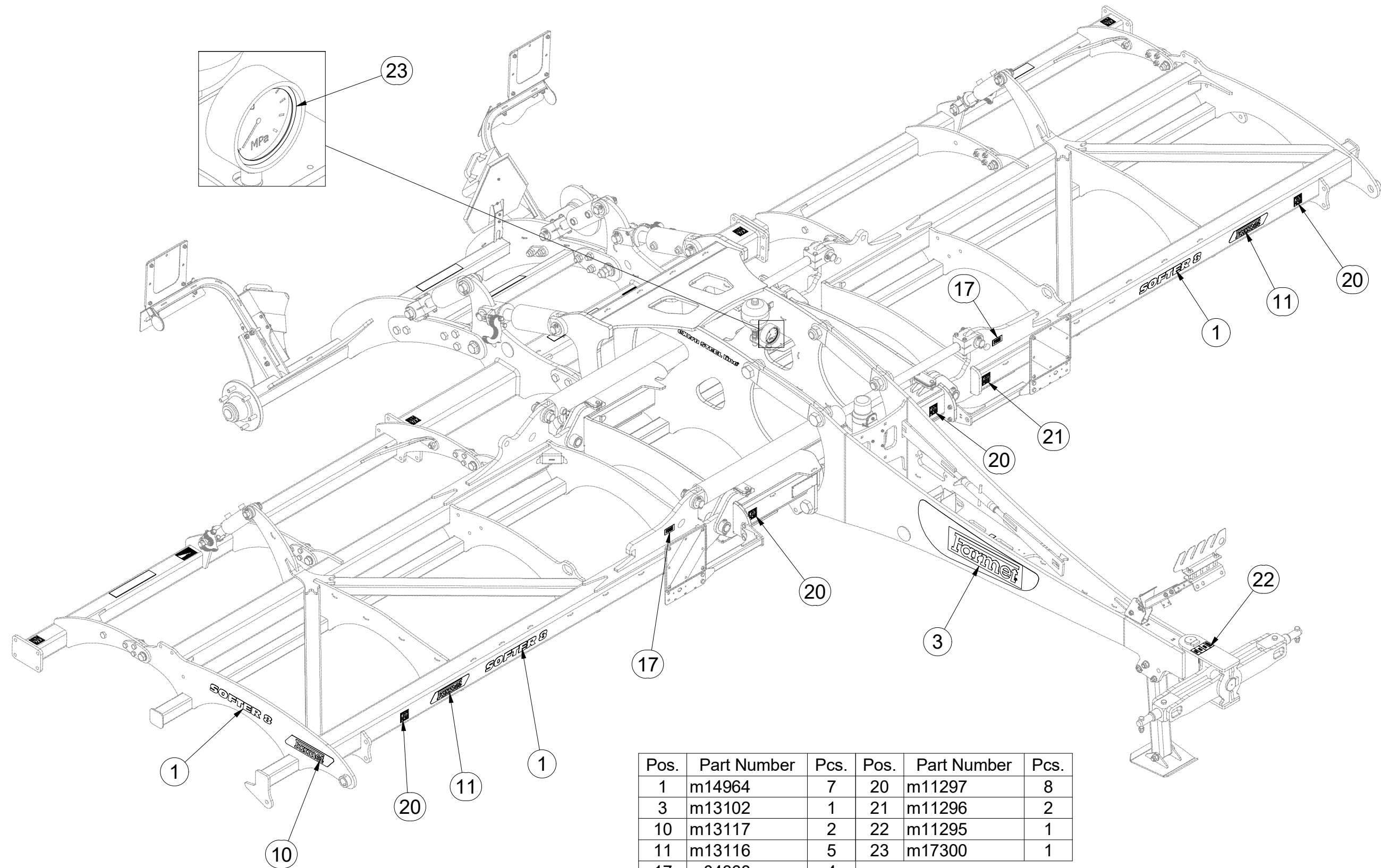
Ⓖ STICKERS MACHINES

Ⓡ СТИКЕРЫ МАШИНЫ

Ⓟ NAKLEJKI MASZYNY



m18691



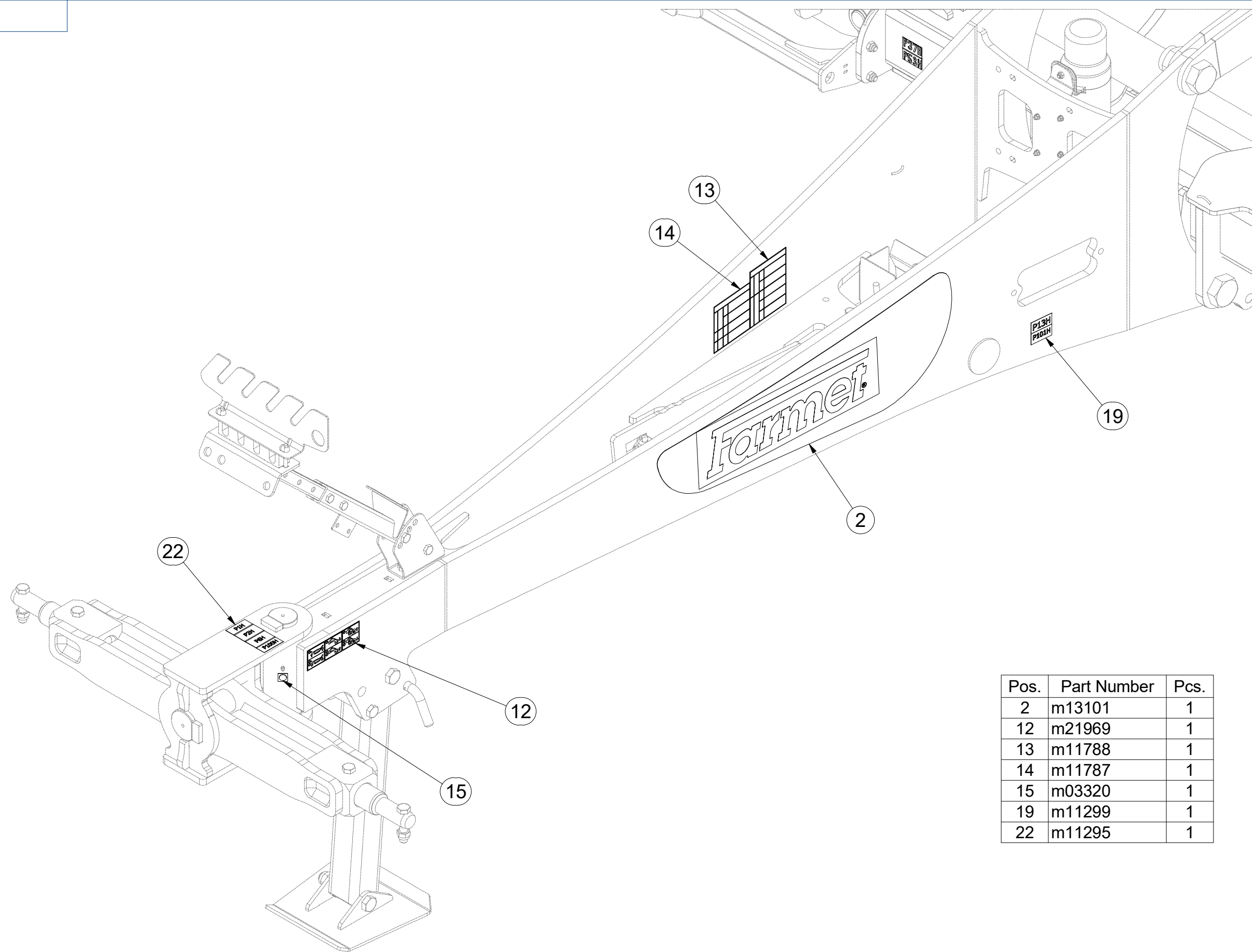
| Pos. | Part Number | Pcs. | Pos. | Part Number | Pcs. |
|------|-------------|------|------|-------------|------|
| 1 | m14964 | 7 | 20 | m11297 | 8 |
| 3 | m13102 | 1 | 21 | m11296 | 2 |
| 10 | m13117 | 2 | 22 | m11295 | 1 |
| 11 | m13116 | 5 | 23 | m17300 | 1 |
| 17 | m04368 | 4 | | | |

- Ⓒ SAMOLEPKY STROJE
- Ⓓ AUFKLEBER MASCHINEN
- Ⓕ VOITURE MACHINES

- Ⓖ STICKERS MACHINES
- Ⓡ СТИКЕРЫ МАШИНЫ
- Ⓟ NAKLEJKI MASZYNY



m18691



| Pos. | Part Number | Pcs. |
|------|-------------|------|
| 2 | m13101 | 1 |
| 12 | m21969 | 1 |
| 13 | m11788 | 1 |
| 14 | m11787 | 1 |
| 15 | m03320 | 1 |
| 19 | m11299 | 1 |
| 22 | m11295 | 1 |

☉ SAMOLEPKY STROJE

☉ AUFKLEBER MASCHINEN

☉ VOITURE MACHINES

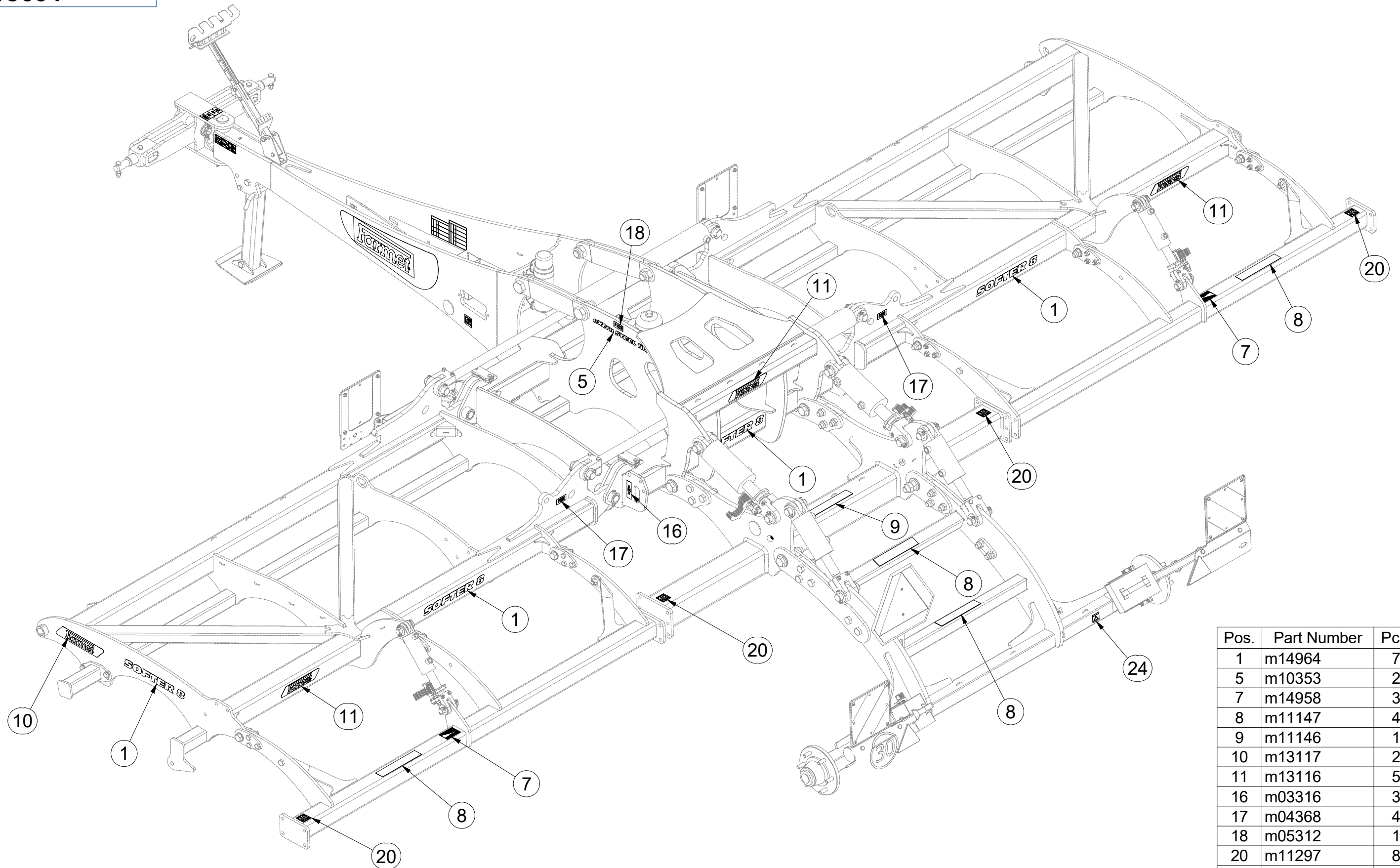
☉ STICKERS MACHINES

☉ СТИКЕРЫ МАШИНЫ

☉ NAKLEJKI MASZYNY



m18691



| Pos. | Part Number | Pcs. |
|------|-------------|------|
| 1 | m14964 | 7 |
| 5 | m10353 | 2 |
| 7 | m14958 | 3 |
| 8 | m11147 | 4 |
| 9 | m11146 | 1 |
| 10 | m13117 | 2 |
| 11 | m13116 | 5 |
| 16 | m03316 | 3 |
| 17 | m04368 | 4 |
| 18 | m05312 | 1 |
| 20 | m11297 | 8 |
| 24 | m03512 | 2 |

Ⓒ SAMOLEPKY STROJE

Ⓓ AUFKLEBER MASCHINEN

Ⓕ VOITURE MACHINES

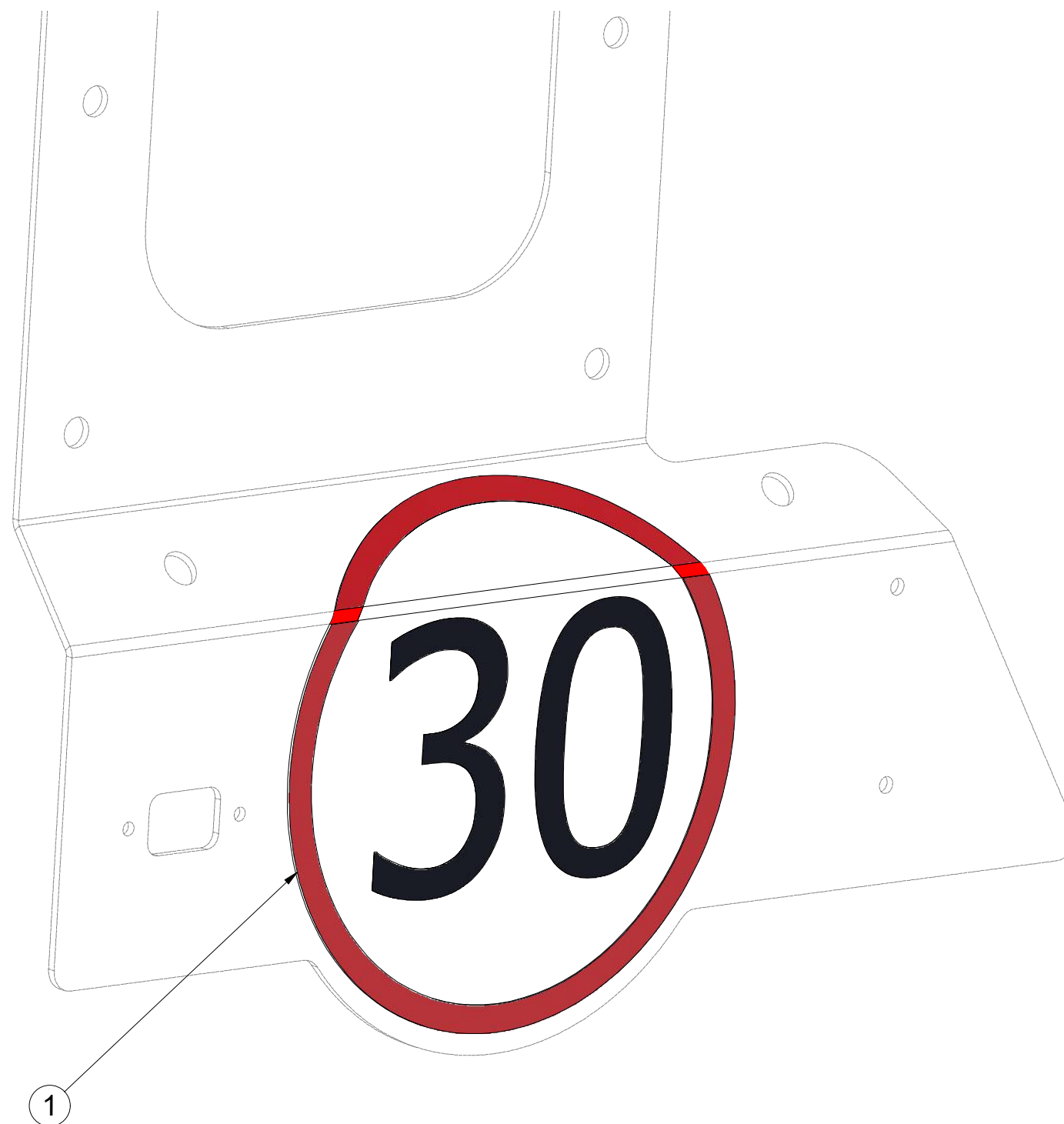
Ⓖ STICKERS MACHINES

Ⓡ СТИКЕРЫ МАШИНЫ

Ⓟ NAKLEJKI MASZYNY



4025230



| Pos. | Part Number | Pcs. |
|------|-------------|------|
| 1 | m19161 | 1 |

Ⓒ SVĚTELNÁ SADA

Ⓓ LEUCHTENSATZ

Ⓕ KIT LUMINEUX

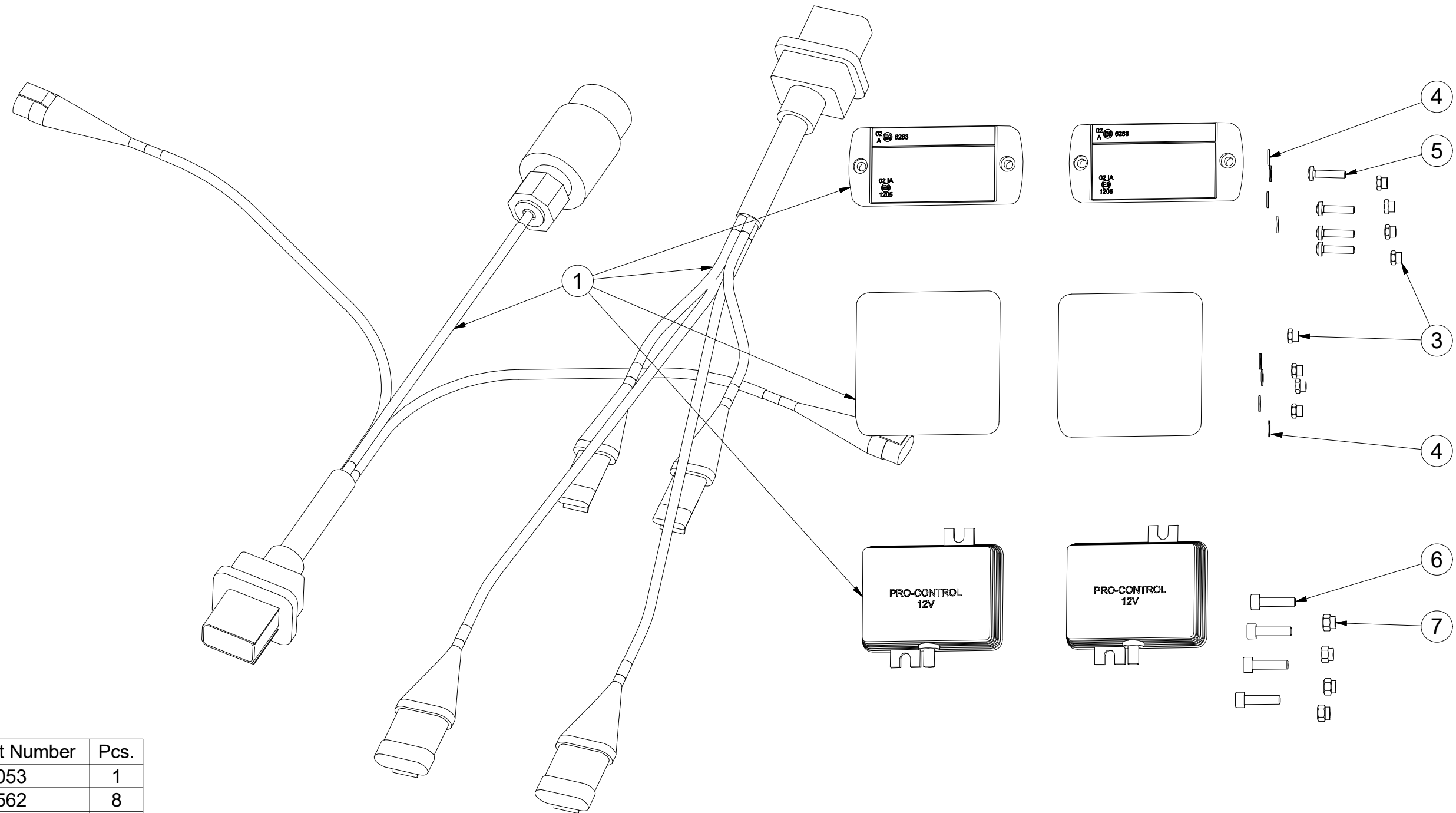
Ⓖ LIGHTING SET

Ⓡ ОСВЕТИТЕЛЬНЫЙ КОМПЛЕКТ

Ⓢ ZESTAW OŚWIETLENIA



3012492



| Pos. | Part Number | Pcs. |
|------|-------------|------|
| 1 | m19053 | 1 |
| 3 | m05562 | 8 |
| 4 | m05597 | 8 |
| 5 | m15790 | 4 |
| 6 | m10591 | 4 |
| 7 | m06236 | 4 |

Ⓒ SVĚTELNÁ SADA

Ⓓ LEUCHTENSATZ

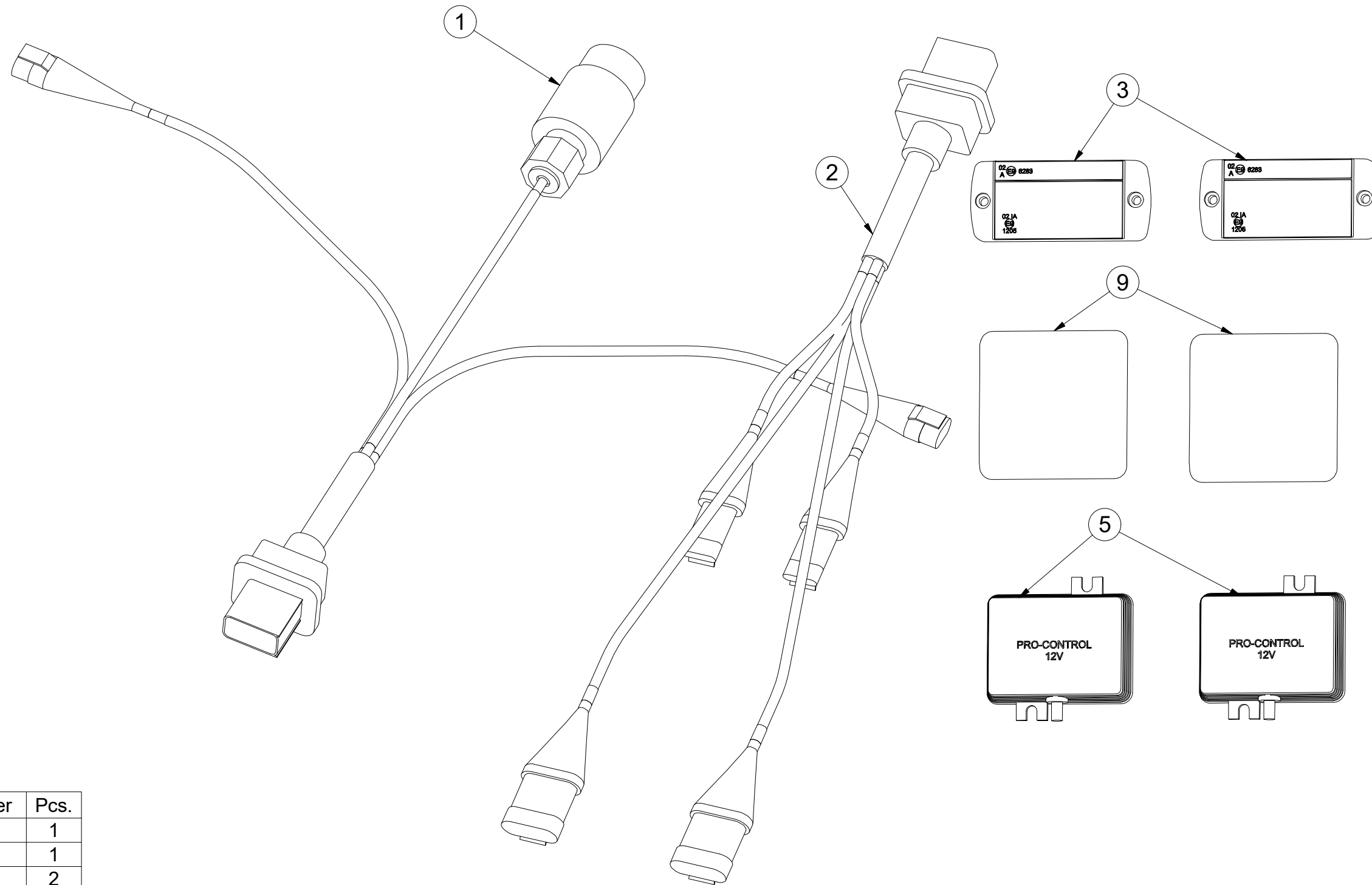
Ⓕ KIT LUMINEUX

m19053

Ⓖ LIGHTING SET

Ⓡ ОСВЕТИТЕЛЬНЫЙ КОМПЛЕКТ

Ⓟ ZESTAW OŚWIETLENIA



| Pos. | Part Number | Pcs. |
|------|-------------|------|
| 1 | m14779 | 1 |
| 2 | m14778 | 1 |
| 3 | m14776 | 2 |
| 5 | m14777 | 2 |
| 9 | m19044 | 2 |

- Ⓒ UTAHOVACÍ MOMENTY ŠROUBŮ
 Ⓓ ANZUGMOMENTE VON SCHRAUBEN
 Ⓕ COUPLES DE SERRAGE DES VIS

- Ⓒ SCREW TIGHTENING TORQUE
 Ⓓ МОМЕНТЫ ЗАЖАТИЯ БОЛТОВ
 Ⓕ MOMENTY DOKRĘCANIA ŚRUB



| P | | 5.8 | 8.8 | 10.9 | 12.9 | Z | |
|-----|------|------|------|-------|-------|----------|-----------|
| D | R | Mu | Mu | Mu | Mu | DIN 7991 | ISO 10642 |
| mm | mm | Nm | Nm | Nm | Nm | Nm | Nm |
| M6 | 1 | 6 | 9 | 13 | 15 | 7,2 | 7,9 |
| M8 | 1,25 | 14 | 22 | 32 | 38 | 17 | 19 |
| M10 | 1,5 | 29 | 44 | 64 | 75 | 35 | 38 |
| M12 | 1,75 | 49 | 76 | 111 | 130 | 58 | 65 |
| M14 | 2 | 79 | 120 | 176 | 206 | 93 | 100 |
| M16 | 2 | 123 | 188 | 276 | 323 | 144 | 158 |
| M18 | 2,5 | 169 | 257 | 378 | 443 | - | 220 |
| M20 | 2,5 | 239 | 365 | 536 | 628 | - | 310 |
| M22 | 2,5 | 329 | 529 | 738 | 864 | - | 420 |
| M24 | 3 | 413 | 629 | 924 | 1082 | - | 530 |
| M27 | 3 | 613 | 934 | 1372 | 1606 | - | - |
| M30 | 3,5 | 832 | 1267 | 1862 | 2179 | - | - |
| M33 | 3,5 | 1130 | 1723 | 2530 | 2961 | - | - |
| M36 | 4 | 1451 | 2210 | 3246 | 3799 | - | - |
| M39 | 4 | 1885 | 2872 | 4217 | 4936 | - | - |
| M42 | 4,5 | 2322 | 3538 | 5196 | 6080 | - | - |
| M45 | 4,5 | 2909 | 4433 | 6511 | 7619 | - | - |
| M48 | 5 | 3513 | 535 | 7862 | 9200 | - | - |
| M52 | 5 | 4524 | 6895 | 10123 | 11849 | - | - |
| M56 | 5,5 | 5636 | 8589 | 12614 | 14761 | - | - |

- Mu - Ⓒ UTAHOVACÍ MOMENT
 Ⓓ ANZUGMOMENTE
 Ⓕ COUPLE DE SERRAGE
 Ⓒ TIGHTENING TORQUE
 Ⓓ МОМЕНТ ЗАЖАТИЯ
 Ⓕ MOMENT DOKRĘCANIA
- D - Ⓒ JMENOVITÝ PRŮMĚR
 Ⓓ NENNDURCHMESSER
 Ⓕ DIAMETRE NOMINAL
 Ⓒ NOMINAL DIAMETER
 Ⓓ НОМИНАЛЬНЫЙ ДИАМЕТР
 Ⓕ ŚREDNICA NOMINALNA
- R - Ⓒ ROZTEČ ZÁVITU - STOUPÁNÍ
 Ⓓ GEWINDESTEIFUNG
 Ⓕ PAS DE FILET - PAS
 Ⓒ SCREW PITCH – LEAD
 Ⓓ ШАГ РЕЗЬБЫ
 Ⓕ ROZSTAW GWINTU - SKOKI
- P - Ⓒ PEVNOST
 Ⓓ FESTIGKEIT
 Ⓕ RÉSISTANCE
 Ⓒ STRENGTH
 Ⓓ ПРОЧНОСТЬ
 Ⓕ WYTRZYMA OŚĆ
- Z - Ⓒ ZÁPUSTNÉ ŠROUBY
 Ⓓ SENKKOPFSCHRAUBEN
 Ⓕ VIS A TETE FRAISEE
 Ⓒ COUNTERSUNK SCREWS
 Ⓓ БОЛТЫ С УТОПЛЕННОЙ ГОЛОВКОЙ
 Ⓕ ŚRUBY Z ŁBEM STOŻKOWYM PŁASKIM

- Ⓒ Hodnoty momentů jsou poníženy o -10% oproti tabulkovým hodnotám. Šroubové spoje utahujte dle vyznačeného utahovacího momentu v dokumentaci. Pokud není utahovací moment v dokumentaci vyznačen, utahujte dle obecné tabulky. Pokud je v dokumentaci definován spoj šroubu a matice o různých pevnostech, vždy utahujte na moment komponenty nižší.
- Ⓓ Die Werte der Anzugsmomente sind um 10 % gegenüber den Tabellenwerten verringert. Ziehen Sie die Schraubverbindungen gemäß dem in der Dokumentation festgeschriebenen Anzugsmoment an. Sofern das Anzugsmoment nicht in der Dokumentation aufgeführt ist, ziehen Sie sie gemäß der allgemeinen Tabelle an. Wenn in der Dokumentation eine Verbindung von Schraube und Mutter mit verschiedene Festigkeiten definiert ist, wird immer mit dem Moment des Bauteils mit der geringeren Festigkeit angezogen.
- Ⓕ Les valeurs des couples de serrage sont baissées de 10% par rapport aux valeurs de tableau. Serrez les raccords à vis selon le couple de serrage indiqué dans les documents. Si le couple de serrage n'est pas indiqué dans les documents, serrez selon le tableau général. Si les documents définissent un assemblage par boulon de diverses résistances, serrez toujours au moment de la composante avec résistance inférieure.
- Ⓒ The torque values are reduced by 10% compared to the table values. Tighten the screw joints according to the tightening torque stated in the documentation. If the tightening torque is not stated in the documentation, tighten according to the general table. If there is a joint with a screw and a nut at different strengths in the documentation, always tighten to the torque of the component with lower strength.
- Ⓓ Значения моментов затяжки уменьшены на 10% по сравнению с данными в таблице. Резьбовые соединения зажимайте с установленным в документации моментом зажатия. Если в документации не указан момент зажатия, то зажимайте по действующей в общем таблице. Если в документации установлено соединение из болта и гайки различной прочности, всегда зажимайте с моментом для компонента с меньшей прочностью.
- Ⓕ Wartości momentów dokręcania są obniżone o 10% w stosunku do wartości z tabeli. Połączenia śrubowe należy dokręcać zgodnie z momentem obrotowym w dokumentacji. Jeśli w dokumentacji nie ma podanego momentu obrotowego, należy dokręcać zgodnie z ogólną tabelą. Jeśli w dokumentacji zdefiniowane jest połączenie ze śrubą nakrętką różnych wytrzymałościach, zawsze należy dokręcać zachowując moment dokręcania komponentu z niższą wytrzymałością.

- Ⓒ UTAHOVACÍ MOMENTY ŠROUBŮ
 Ⓓ ANZUGMOMENTE VON SCHRAUBEN
 Ⓕ COUPLES DE SERRAGE DES VIS

- Ⓖ SCREW TIGHTENING TORQUE
 Ⓡ МОМЕНТЫ ЗАЖАТИЯ БОЛТОВ
 Ⓟ MOMENTY DOKRĘCANIA ŚRUB



- Ⓒ **OBECNÝ PŘEDPIS UTAHOVÁNÍ ZAJIŠTĚNÍ ČEPOVÝCH SPOJŮ:**
 Ⓓ **ALLGEMEINE VORSCHRIFT FÜR DAS ANZIEHEN VON BOLZENVERBINDUNGEN:**
 Ⓕ **CONSIGNE GENERALE POUR LE SERRAGE DES ARTICULATIONS CYLINDRIQUES:**
 Ⓖ **GENERAL INSTRUCTION FOR TIGHTENING THE SECURING OF PIN JOINTS:**
 Ⓡ **ОБЩЕЕ ОПИСАНИЕ ЗАЖАТИЯ ПРЕДОХРАНЕНИЯ СОЕДИНЕНИЙ ПАЛЬЦАМИ:**
 Ⓟ **OGÓLNE ZASADY DOKRĘCANIA ZABEZPIECZENIA POŁĄCZEŃ CZOPEM:**



X

M8, M10, M12

M14

M

09-15Nm

15-25Nm

- X - Ⓒ ROZMĚR ŠROUBU
 Ⓓ SCHRAUBENGRÖSSE
 Ⓕ DIMENSIONS DE LA VIS

- Ⓖ BOLT DIMENSION
 Ⓡ РАЗМЕР БОЛТА
 Ⓟ ROZMIAR ŚRUBY

- M - Ⓒ ORIENTAČNÍ MOMENT
 Ⓓ ANZUGSMOMENT
 Ⓕ COUPLE D'ORIENTATION

- Ⓖ ORIENTATION TORQUE
 Ⓡ ОРИЕНТАЦИОННЫЙ МОМЕНТ
 Ⓟ ORIENTACYJNY MOMENT

- Ⓒ Tyto spoje není nutné ověřovat kontrolou momentovým klíčem = stačí vizuálně kontrolovat sešroubování.
 Ⓓ Diese Verbindungen müssen nicht mit einem Drehmomentschlüssel überprüft werden = es genügt, die Verschraubung visuell zu kontrollieren.
 Ⓕ Il n'est pas nécessaire de contrôler le serrage à l'aide d'une clé dynamométrique = un contrôle visuel de l'assemblage suffit.
 Ⓖ These joints do not have to be verified by checking with a torque wrench = visual inspection of bolting is sufficient.
 Ⓡ Эти соединения не нужно контролировать динамометрическим ключом = достаточно визуально проверять прикручивание.
 Ⓟ Nie trzeba sprawdzać tych połączeń kluczem dynamometrycznym = wystarczy wizualnie skontrolować dokręcenie.