

CEE plugs

according to IEC 60309-1 series II and 60309-2



	Poles	3	3
	Ampere	20	30
	a	118	146
	b	82	100
	c	47	63
	K	6-15	10-20
	SW	38	50
Weight [g/each]	104	181	

Plug

splash-proof IP44

- screw terminals
- quick release locking system (turn2fix)



Voltage		120 V~	250 V~	480 V~	277 V~	Packing unit
Designation		4h	6h	7h	5h	
Ampere	Poles	Article no.	Article no.	Article no.	Article no.	
20	2P3W	S31S10A	S31S20A	S31S50A	S31S70A	10
30	2P3W	S32S10A	S32S20A	S32S50A	S32S70A	10



	Poles	3	3
	Ampere	20	30
	a	118	146
	b	71	93
	K	6-15	10-20
	SW	38	50
	Weight [g/each]	122	210

Plug

watertight IP67

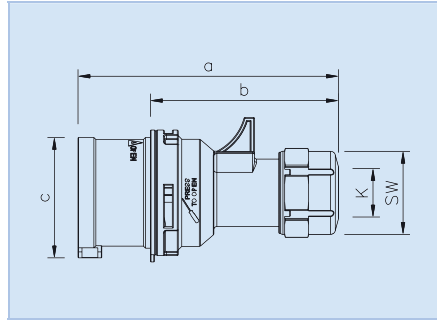
- screw terminals
- quick release locking system (turn2fix)



Voltage		120 V~	250 V~	480 V~	277 V~	Packing unit
Designation		4h	6h	7h	5h	
Ampere	Poles	Article no.	Article no.	Article no.	Article no.	
20	2P3W	S31S15A	S31S25A	S31S55A	S31S75A	10
30	2P3W	S32S15A	S32S25A	S32S55A	S32S75A	10

CEE plugs

according to IEC 60309-1 series II and 60309-2



Poles	4	4
Ampere	20	30
a	124	146
b	88	100
c	53	63
K	6-15	10-20
SW	38	50
Weight [g/each]	127	200

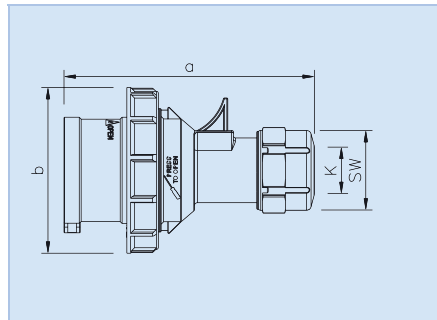
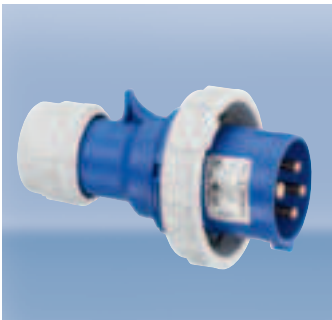
Plug

splash-proof IP44

- screw terminals
- quick release locking system (turn2fix)



Voltage		380/440 V~	250 V~	400 V~	480 V~	120/250 V~	600 V~	Packing unit
Designation		3h	9h	6h	7h	12h	5h	
Ampere	Poles	Article no.	Article no.	Article no.	Article no.	Article no.	Article no.	
20	3P4W	S41S00A	S41S20A	S41S30A	S41S50A	S41S60A	S41S70A	10
30	3P4W	S42S00A	S42S20A	S42S30A	S42S50A	S42S60A	S42S70A	10



Poles	4	4
Ampere	20	30
a	124	146
b	79	93
K	6-15	10-20
SW	38	50
Weight [g/each]	147	230

Plug

watertight IP67

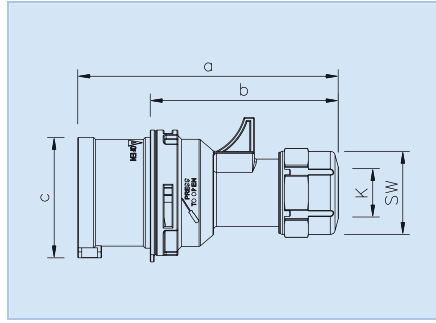
- screw terminals
- quick release locking system (turn2fix)



Voltage		380/440 V~	250 V~	400 V~	480 V~	120/250 V~	600 V~	Packing unit
Designation		3h	9h	6h	7h	12h	5h	
Ampere	Poles	Article no.	Article no.	Article no.	Article no.	Article no.	Article no.	
20	3P4W	S41S05A	S41S25A	S41S35A	S41S55A	S41S65A	S41S75A	10
30	3P4W	S42S05A	S42S25A	S42S35A	S42S55A	S42S65A	S42S75A	10

CEE plugs

according to IEC 60309-1 series II and 60309-2



Poles	5	5
Ampere	20	30
a	131	152
b	95	106
c	61	70
K	8-16	12-22
SW	42	50
Weight [g/each]	150	230

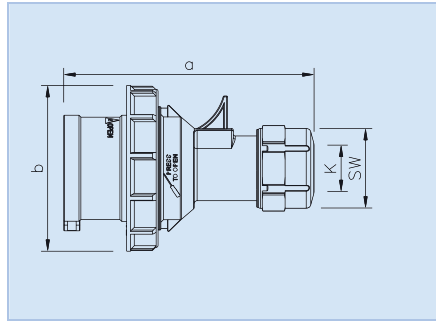
Plug

splash-proof IP44

- screw terminals
- quick release locking system (turn2fix)



Voltage		120/208 V~	400 V~	277/480 V~	347/600 V~	Packing unit
Designation		9h	6h	7h	5h	
Ampere	Poles	Article no.	Article no.	Article no.	Article no.	
20	4P5W	S51S20A	S51S30A	S51S50A	S51S70A	10
30	4P5W	S52S20A	S52S30A	S52S50A	S52S70A	10



Poles	5	5
Ampere	20	30
a	131	152
b	87	100
K	8-16	12-22
SW	42	50
Weight [g/each]	172	263

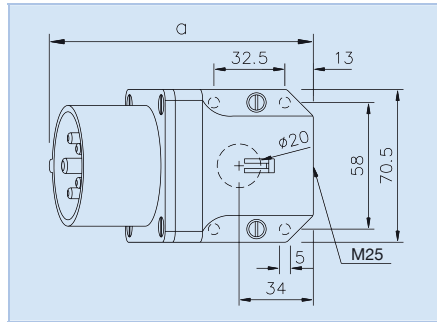
Plug

watertight IP67

- screw terminals
- quick release locking system (turn2fix)



Voltage		120/208 V~	400 V~	277/480 V~	347/600 V~	Packing unit
Designation		9h	6h	7h	5h	
Ampere	Poles	Article no.	Article no.	Article no.	Article no.	
20	4P5W	S51S25A	S51S35A	S51S55A	S51S75A	10
30	4P5W	S52S25A	S52S35A	S52S55A	S52S75A	10



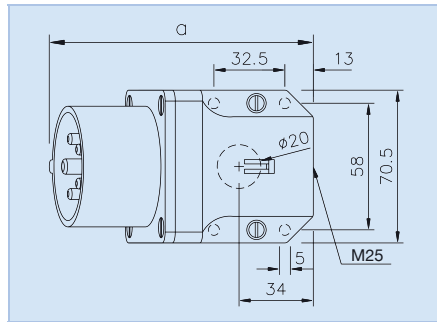
Wall-mounted inlet

splash-proof IP44

- cable entry from above or behind
- including self-sealing grommet

Poles	3	3
Ampere	20	30
a	121	131
b	76	83
Weight [g/each]	176	231

		120 V~	250 V~	480 V~	277 V~	
		4h	6h	7h	5h	
Ampere	Poles	Article no.	Article no.	Article no.	Article no.	Packing unit
20	2P3W	G31S10A	G31S20A	G31S50A	G31S70A	10
30	2P3W	G32S10A	G32S20A	G32S50A	G32S70A	10



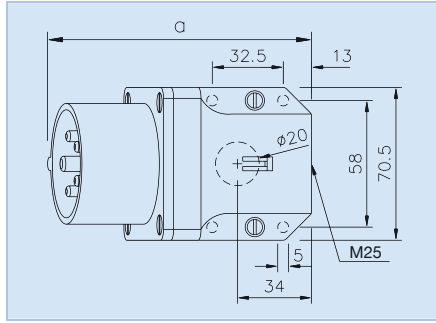
Poles	4	4
Ampere	20	30
a	121	131
b	76	83
Weight [g/each]	195	251

Wall-mounted inlet

splash-proof IP44

- cable entry from above or behind
- including self-sealing grommet

		380/440 V~	250 V~	400 V~	480 V~	120/250 V~	600 V~	
		3h	9h	6h	7h	12h	5h	
Ampere	Poles	Article no.	Article no.	Article no.	Article no.	Article no.	Article no.	Packing unit
20	3P4W	G41S00A	G41S20A	G41S30A	G41S50A	G41S60A	G41S70A	10
30	3P4W	G42S00A	G42S20A	G42S30A	G42S50A	G42S60A	G42S70A	10



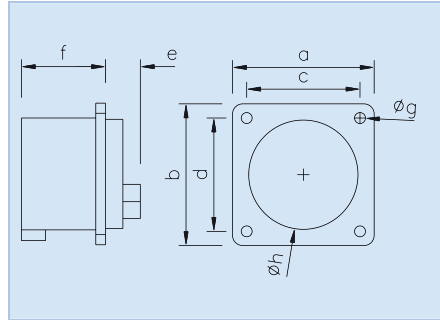
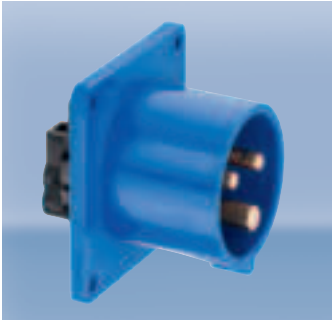
Poles	5	5
Ampere	20	30
a	123	132
b	79	86
Weight [g/each]	213	274

Wall-mounted inlet

splash-proof IP44

- cable entry from above or behind
- including self-sealing grommet

		250 V~	400 V~	480 V~	347/600 V~	
		9h	6h	7h	5h	
Ampere	Poles	Article no.	Article no.	Article no.	Article no.	Packing unit
20	4P5W	G51S20A	G51S30A	G51S50A	G51S70A	10
30	4P5W	G52S20A	G52S30A	G52S50A	G52S70A	10



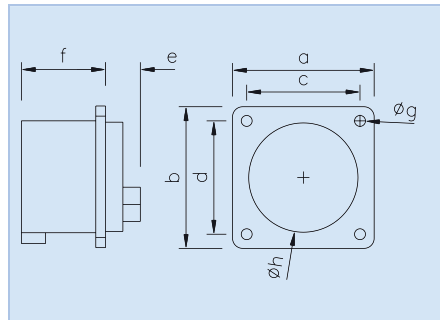
Poles	3	3
Ampere	20	30
a and b	70	70
c and d	56	56
e	25	30
f	41	50
g	5	5
h	43	55
Weight [g/each]	87	140

Appliance inlet, straight
splash-proof IP44

- screw terminals

Notice acc. to EN 60309:
for correct use, a retaining lug or retaining slot is necessary.

Voltage		120 V~	250 V~	480 V~	277 V~	Packing unit
Designation		4h	6h	7h	5h	
Ampere	Poles	Article no.	Article no.	Article no.	Article no.	
20	2P3W	A31S12A	A31S22A	A31S52A	A31S72A	10
30	2P3W	A32S12A	A32S22A	A32S52A	A32S72A	10



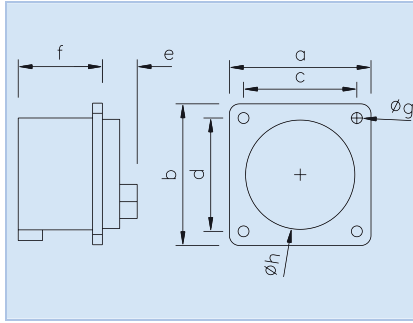
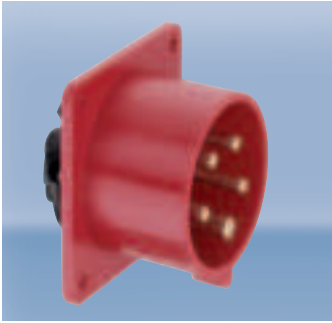
Poles	4	4
Ampere	20	30
a and b	70	70
c and d	56	56
e	25	30
f	41	50
g	5	5
h	43	55
Weight [g/each]	100	160

Appliance inlet, straight
splash-proof IP44

- screw terminals

Notice acc. to EN 60309:
for correct use, a retaining lug or retaining slot is necessary.

Voltage		380/440 V~	250 V~	400 V~	480 V~	120/250 V~	600 V~	Packing unit
Designation		3h	9h	6h	7h	12h	5h	
Ampere	Poles	Article no.	Article no.	Article no.	Article no.	Article no.	Article no.	
20	3P4W	A41S02A	A41S22A	A41S32A	A41S52A	A41S62A	A41S72A	10
30	3P4W	A42S02A	A42S22A	A42S32A	A42S52A	A42S62A	A42S72A	10



Poles	5	5
Ampere	20	30
a and b	70	75
c and d	56	56
e	26	30
f	42	50
g	5	5
h	55	55
Weight [g/each]	112	178

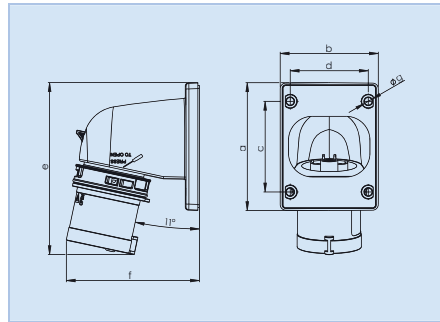
Appliance inlet, straight

splash-proof IP44

- screw terminals

Notice acc. to EN 60309:
for correct use, a retaining lug or
retaining slot is necessary.

		250 V~	400 V~	480 V~	347/600 V~		
		9h	6h	7h	5h		
Ampere	Poles	Article no.	Article no.	Article no.	Article no.	Packing unit	
20	4P5W	A51S22A	A51S32A	A51S52A	A51S72A	10	
30	4P5W	A52S22A	A52S32A	A52S52A	A52S72A	10	



Poles	3	3
Ampere	20	30
a	86	100
b	66	90
c	61	85
d	53	77
e	116	163
f	90	100
g	5	5
Weight [g/each]	129	200

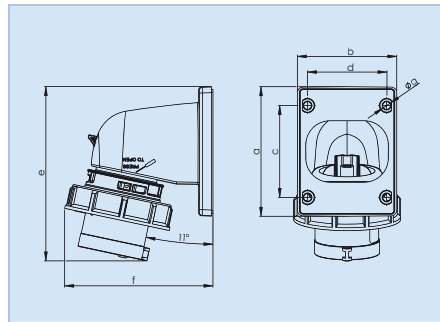
Angle appliance inlet

splash-proof IP44

- screw terminals
- quick release locking system (turn2fix)



Voltage		120 V~	250 V~	480 V~	277 V~	Packing unit
Designation		4h	6h	7h	5h	
Ampere	Poles	Article no.	Article no.	Article no.	Article no.	
20	2P3W	A31S11A	A31S21A	A31S51A	A31S71A	10
30	2P3W	A32S11A	A32S21A	A32S51A	A32S71A	10



Poles	3	3
Ampere	20	30
a	86	100
b	66	90
c	61	85
d	53	77
e	116	163
f	99	110
g	5	5
Weight [g/each]	146	231

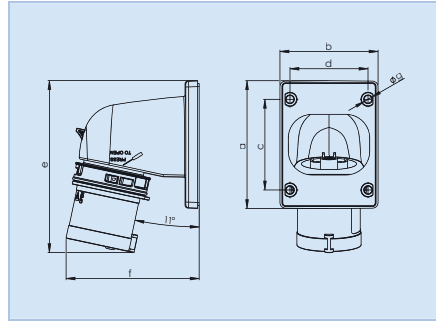
Angle appliance inlet

watertight IP67

- screw terminals
- quick release locking system (turn2fix)



Voltage		120 V~	250 V~	480 V~	277 V~	Packing unit
Designation		4h	6h	7h	5h	
Ampere	Poles	Article no.	Article no.	Article no.	Article no.	
20	2P3W	A31S16A	A31S26A	A31S56A	A31S76A	10
30	2P3W	A32S16A	A32S26A	A32S56A	A32S76A	10



Poles	4	4
Ampere	20	30
a	86	100
b	66	90
c	61	85
d	53	77
e	117	163
f	93	100
g	5	5
Weight [g/each]	143	220

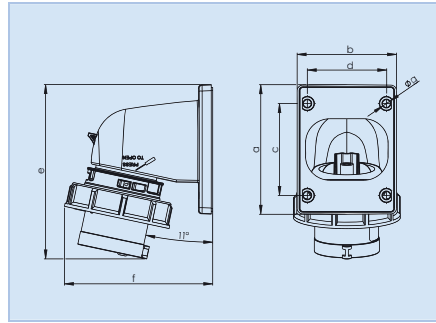
Angle appliance inlet

splash-proof IP44

- screw terminals
- quick release locking system (turn2fix)



Voltage		380/440 V~	250 V~	400 V~	480 V~	120/250 V~	600 V~	Packing unit
Designation		3h	9h	6h	7h	12h	5h	
Ampere	Poles	Article no.	Article no.	Article no.	Article no.	Article no.	Article no.	
20	3P4W	A41S01A	A41S21A	A41S31A	A41S51A	A41S61A	A41S71A	10
30	3P4W	A42S01A	A42S21A	A42S31A	A42S51A	A42S61A	A42S71A	10



Poles	4	4
Ampere	20	30
a	86	100
b	66	90
c	61	85
d	53	77
e	117	163
f	103	110
g	5	5
Weight [g/each]	165	251

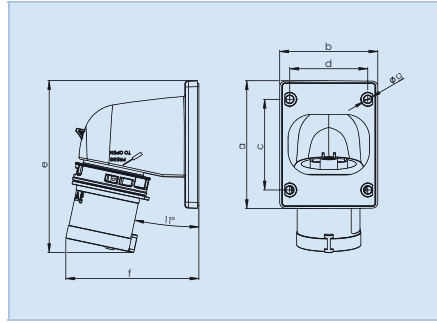
Angle appliance inlet

watertight IP67

- screw terminals
- quick release locking system (turn2fix)



Voltage		380/440 V~	250 V~	400 V~	480 V~	120/250 V~	600 V~	Packing unit
Designation		3h	9h	6h	7h	12h	5h	
Ampere	Poles	Article no.	Article no.	Article no.	Article no.	Article no.	Article no.	
20	3P4W	A41S06A	A41S26A	A41S36A	A41S56A	A41S66A	A41S76A	10
30	3P4W	A42S06A	A42S26A	A42S36A	A42S56A	A42S66A	A42S76A	10



Poles	5	5
Ampere	20	30
a	100	100
b	90	90
c	85	85
d	77	77
e	153	164
f	98	103
g	5	5
Weight [g/each]	187	244

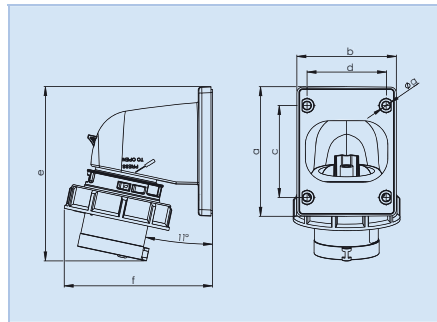
Angle appliance inlet

splash-proof IP44

- screw terminals
- quick release locking system (turn2fix)



Voltage		250 V~	400 V~	480 V~	347/600 V~	Packing unit
Designation		9h	6h	7h	5h	
Ampere	Poles	Article no.	Article no.	Article no.	Article no.	
20	4P5W	A51S21A	A51S31A	A51S51A	A51S71A	10
30	4P5W	A52S21A	A52S31A	A52S51A	A52S71A	10



Poles	5	5
Ampere	20	30
a	100	100
b	90	90
c	85	85
d	77	77
e	153	164
f	107	114
g	5	5
Weight [g/each]	212	275

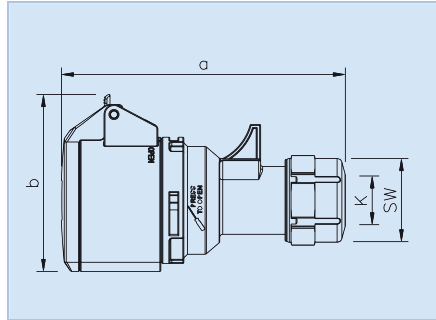
Angle appliance inlet

watertight IP67

- screw terminals
- quick release locking system (turn2fix)



Voltage		250 V~	400 V~	480 V~	347/600 V~	Packing unit
Designation		9h	6h	7h	5h	
Ampere	Poles	Article no.	Article no.	Article no.	Article no.	
20	4P5W	A51S26A	A51S36A	A51S56A	A51S76A	10
30	4P5W	A52S26A	A52S36A	A52S56A	A52S76A	10



Poles	3	3
Ampere	20	30
a	129	159
b	76	92
K	6-15	10-20
SW	38	50
Weight [g/each]	137	225

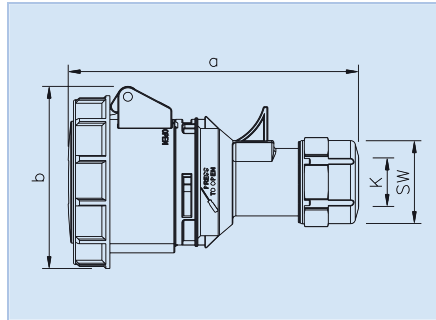
Connector

splash-proof IP44

- hinged lid with thumb grip
- screw terminals
- quick release locking system (turn2fix)



Voltage		120 V~	250 V~	480 V~	277 V~	
Designation		4h	6h	7h	5h	
Ampere	Poles	Article no.	Article no.	Article no.	Article no.	Packing unit
20	2P3W	K31S10A	K31S20A	K31S50A	K31S70A	10
30	2P3W	K32S10A	K32S20A	K32S50A	K32S70A	10



Poles	3	3
Ampere	20	30
a	133	162
b	78	96
K	6-15	10-20
SW	38	50
Weight [g/each]	156	266

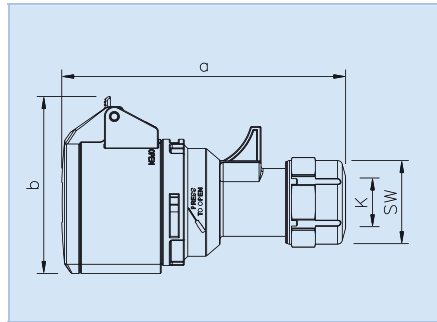
Connector

watertight IP67

- screw terminals
- quick release locking system (turn2fix)



Voltage		120 V~	250 V~	480 V~	277 V~	
Designation		4h	6h	7h	5h	
Ampere	Poles	Article no.	Article no.	Article no.	Article no.	Packing unit
20	2P3W	K31S15A	K31S25A	K31S55A	K31S75A	10
30	2P3W	K32S15A	K32S25A	K32S55A	K32S75A	10



Poles	4	4
Ampere	20	30
a	135	159
b	80	92
K	6-15	10-20
SW	38	50
Weight [g/each]	161	244

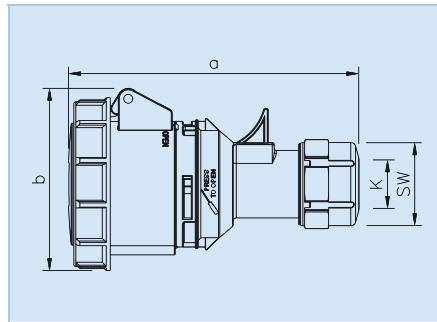
Connector

splash-proof IP44

- hinged lid with thumb grip
- screw terminals
- quick release locking system (turn2fix)



		380/440 V~	250 V~	400 V~	480 V~	120/250 V~	600 V~	
		3h	9h	6h	7h	12h	5h	
Ampere	Poles	Article no.	Article no.	Article no.	Article no.	Article no.	Article no.	Packing unit
20	3P4W	K41S00A	K41S20A	K41S30A	K41S50A	K41S60A	K41S70A	10
30	3P4W	K42S00A	K42S20A	K42S30A	K42S50A	K42S60A	K42S70A	10



Poles	4	4
Ampere	20	30
a	139	162
b	84	96
K	6-15	10-20
SW	38	50
Weight [g/each]	185	285

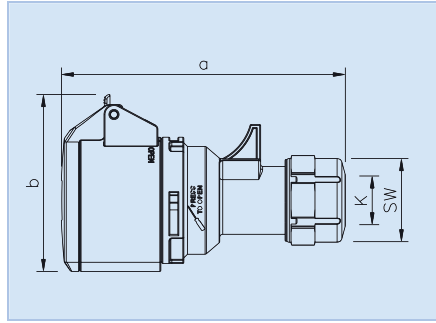
Connector

watertight IP67

- screw terminals
- quick release locking system (turn2fix)



		380/440 V~	250 V~	400 V~	480 V~	120/250 V~	600 V~	
		3h	9h	6h	7h	12h	5h	
Ampere	Poles	Article no.	Article no.	Article no.	Article no.	Article no.	Article no.	Packing unit
20	3P4W	K41S05A	K41S25A	K41S35A	K41S55A	K41S65A	K41S75A	10
30	3P4W	K42S05A	K42S25A	K42S35A	K42S55A	K42S65A	K42S75A	10



Poles	5	5
Ampere	20	30
a	142	165
b	89	98
K	8-16	12-22
SW	42	50
Weight [g/each]	183	278

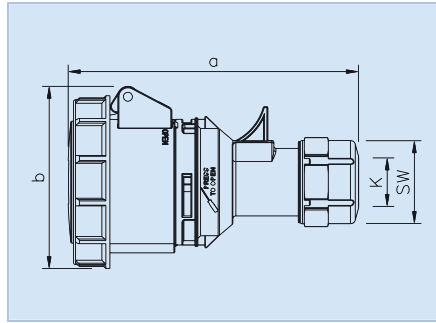
Connector

splash-proof IP44

- hinged lid with thumb grip
- screw terminals
- quick release locking system (turn2fix)



Voltage		120/208 V~	400 V~	277/480 V~	347/600 V~	Packing unit
Designation		9h	6h	7h	5h	
Ampere	Poles	Article no.	Article no.	Article no.	Article no.	
20	4P5W	K51S20A	K51S30A	K51S50A	K51S70A	10
30	4P5W	K52S20A	K52S30A	K52S50A	K52S70A	10



Poles	5	5
Ampere	20	30
a	145	168
b	92	102
K	8-16	12-22
SW	42	50
Weight [g/each]	215	323

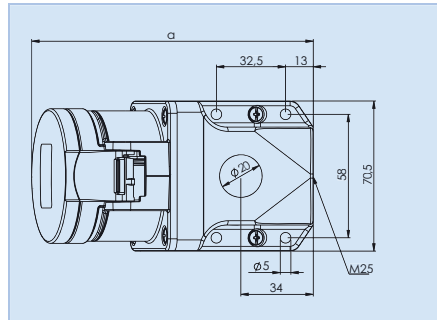
Connector

watertight IP67

- screw terminals
- quick release locking system (turn2fix)



Voltage		120/208 V~	400 V~	277/480 V~	347/600 V~	Packing unit
Designation		9h	6h	7h	5h	
Ampere	Poles	Article no.	Article no.	Article no.	Article no.	
20	4P5W	K51S25A	K51S35A	K51S55A	K51S75A	10
30	4P5W	K52S25A	K52S35A	K52S55A	K52S75A	10



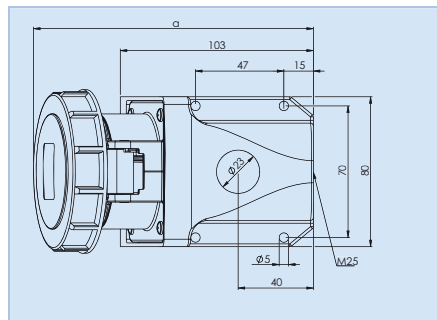
Poles	3	3
Ampere	20	30
a	126	141
b	86	97
M	25	25
Weight [g/each]	205	258

Wall-mounted socket outlet

splash-proof IP44

- screw terminals
- cable entry from above or behind
- including self-sealing grommet

		120 V~	250 V~	480 V~	277 V~	
		4h	6h	7h	5h	
Ampere	Poles	Article no.	Article no.	Article no.	Article no.	Packing unit
20	2P3W	D31S11A	D31S21A	D31S51A	D31S71A	10
30	2P3W	D32S11A	D32S21A	D32S51A	D32S71A	10



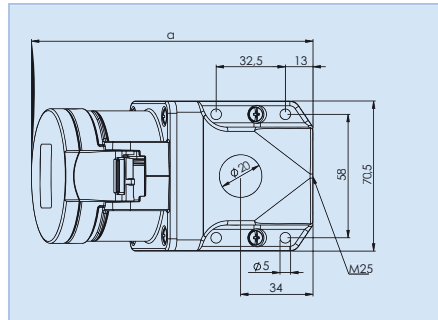
Poles	3	3
Ampere	20	30
a	147	161
b	96	108
M	25	25
Weight [g/each]	231	316

Wall-mounted socket outlet

watertight IP67

- screw terminals
- cable entry above, below or behind
- including blank screw connection

		120 V~	250 V~	480 V~	277 V~	
		4h	6h	7h	5h	
Ampere	Poles	Article no.	Article no.	Article no.	Article no.	Packing unit
20	2P3W	D31S15A	D31S25A	D31S55A	D31S75A	5
30	2P3W	D32S15A	D32S25A	D32S55A	D32S75A	5



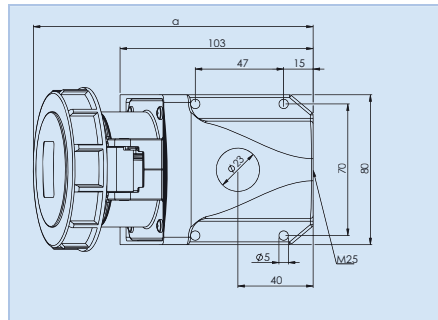
Poles	4	4
Ampere	20	30
a	128	141
b	90	97
M	25	25
Weight [g/each]	213	273

Wall-mounted socket outlet

splash-proof IP44

- screw terminals
- cable entry from above or behind
- including self-sealing grommet

		380/440 V~	250 V~	400 V~	480 V~	120/250 V~	600 V~	
		3h	9h	6h	7h	12h	5h	
Ampere	Poles	Article no.	Article no.	Article no.	Article no.	Article no.	Article no.	Packing unit
20	3P4W	D41S01A	D41S21A	D41S31A	D41S51A	D41S61A	D41S71A	10
30	3P4W	D42S01A	D42S21A	D42S31A	D42S51A	D42S61A	D42S71A	10



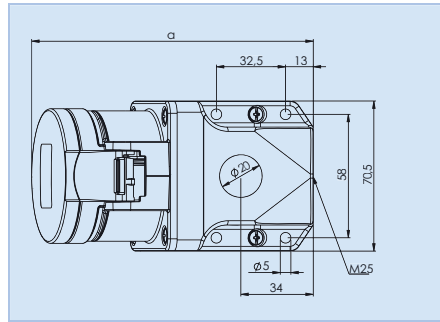
Poles	4	4
Ampere	20	30
a	149	161
b	99	108
M	25	25
Weight [g/each]	252	320

Wall-mounted socket outlet

watertight IP67

- screw terminals
- cable entry above, below or behind
- including blank screw connection

		380/440 V~	250 V~	400 V~	480 V~	120/250 V~	600 V~	
		3h	9h	6h	7h	12h	5h	
Ampere	Poles	Article no.	Article no.	Article no.	Article no.	Article no.	Article no.	Packing unit
20	3P4W	D41S05A	D41S25A	D41S35A	D41S55A	D41S65A	D41S75A	5
30	3P4W	D42S05A	D42S25A	D42S35A	D42S55A	D42S65A	D42S75A	5



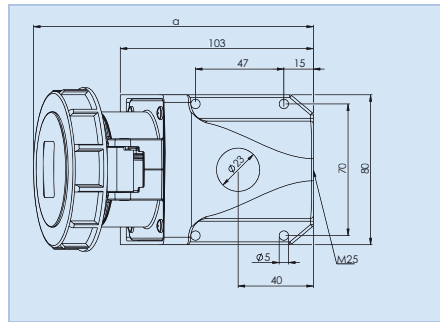
Poles	5	5
Ampere	20	30
a	129	143
b	96	104
M	25	25
Weight [g/each]	238	319

Wall-mounted socket outlet

splash-proof IP44

- screw terminals
- cable entry from above or behind
- including self-sealing grommet

		120/208 V~	400 V~	277/480 V~	347/600 V~	
		9h	6h	7h	5h	
Ampere	Poles	Article no.	Article no.	Article no.	Article no.	Packing unit
20	4P5W	D51S21A	D51S31A	D51S51A	D51S71A	10
30	4P5W	D52S21A	D52S31A	D52S51A	D52S71A	10



Poles	5	5
Ampere	20	30
a	150	162
b	102	110
M	25	25
Weight [g/each]	276	256

Wall-mounted socket outlet

watertight IP67

- screw terminals
- cable entry above, below or behind
- including blank screw connection

		120/208 V~	400 V~	277/480 V~	347/600 V~	
		9h	6h	7h	5h	
Ampere	Poles	Article no.	Article no.	Article no.	Article no.	Packing unit
20	4P5W	D51S25A	D51S35A	D51S55A	D51S75A	5
30	4P5W	D52S25A	D52S35A	D52S55A	D52S75A	5

CEE Panel-mounted socket outlets, straight

according to IEC 60309-1 series II and 60309-2



	Poles	3	3
	Ampere	20	30
	a and b	75	75
	c and d	56	56
	e	21	23
	f	55	67
	g	5,5	5,5
	h	43	55
	Weight [g/each]	113	164

Panel-mounted socket outlet, straight

splash-proof IP44

- screw terminals

Voltage		120 V~	250 V~	480 V~	277 V~	
Designation		4h	6h	7h	5h	
Ampere	Poles	Article no.	Article no.	Article no.	Article no.	Packing unit
20	2P3W	F31S10A	F31S20A	F31S50A	F31S70A	10
30	2P3W	F32S10A	F32S20A	F32S50A	F32S70A	10



	Poles	3	3
	Ampere	20	30
	a and b	75	75
	c and d	60	60
	e	21	23
	f	55	67
	g	5,5	5,5
	h	43	55
	Weight [g/each]	134	200

Panel-mounted socket outlet, straight

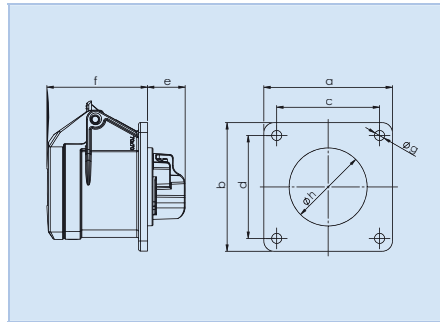
watertight IP67

- screw terminals

Voltage		120 V~	250 V~	480 V~	277 V~	
Designation		4h	6h	7h	5h	
Ampere	Poles	Article no.	Article no.	Article no.	Article no.	Packing unit
20	2P3W	F31S15A	F31S25A	F31S55A	F31S75A	10
30	2P3W	F32S15A	F32S25A	F32S55A	F32S75A	10

CEE Panel-mounted socket outlets, straight

according to IEC 60309-1 series II and 60309-2



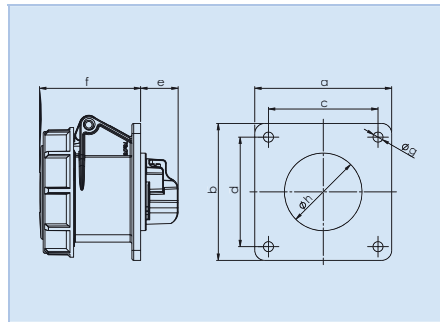
Poles	4	4
Ampere	20	30
a and b	75	75
c and d	56	56
e	21	23
f	55	67
g	5,5	5,5
h	45	55
Weight [g/each]	128	181

Panel-mounted socket outlet, straight

splash-proof IP44

- screw terminals

		380/440 V~	250 V~	400 V~	480 V~	120/250 V~	600 V~	
		3h	9h	6h	7h	12h	5h	
Ampere	Poles	Article no.	Article no.	Article no.	Article no.	Article no.	Article no.	Packing unit
20	3P4W	F41S00A	F41S20A	F41S30A	F41S50A	F41S60A	F41S70A	10
30	3P4W	F42S00A	F42S20A	F42S30A	F42S50A	F42S60A	F42S70A	10



Poles	4	4
Ampere	20	30
a and b	75	75
c and d	60	60
e	21	23
f	55	67
g	5,5	5,5
h	45	55
Weight [g/each]	153	217

Panel-mounted socket outlet, straight

watertight IP67

- screw terminals

		380/440 V~	250 V~	400 V~	480 V~	120/250 V~	600 V~	
		3h	9h	6h	7h	12h	5h	
Ampere	Poles	Article no.	Article no.	Article no.	Article no.	Article no.	Article no.	Packing unit
20	3P4W	F41S05A	F41S25A	F41S35A	F41S55A	F41S65A	F41S75A	10
30	3P4W	F42S05A	F42S25A	F42S35A	F42S55A	F42S65A	F42S75A	10

CEE Panel-mounted socket outlets, straight

according to IEC 60309-1 series II and 60309-2



	Poles	5	5
	Ampere	20	30
	a and b	75	75
	c and d	56	56
	e	21	23
	f	55	67
	g	5,5	5,5
	h	55	58
	Weight [g/each]	150	213

Panel-mounted socket outlet, straight

splash-proof IP44

- screw terminals

Voltage		120/208 V~	400 V~	277/480 V~	347/600 V~	Packing unit
Designation		9h	6h	7h	5h	
Ampere	Poles	Article no.	Article no.	Article no.	Article no.	
20	4P5W	F51S20A	F51S30A	F51S50A	F51S70A	10
30	4P5W	F52S20A	F52S30A	F52S50A	F52S70A	10



	Poles	5	5
	Ampere	20	30
	a and b	75	75
	c and d	60	60
	e	21	23
	f	55	67
	g	5,5	5,5
	h	55	58
	Weight [g/each]	166	250

Panel-mounted socket outlet, straight

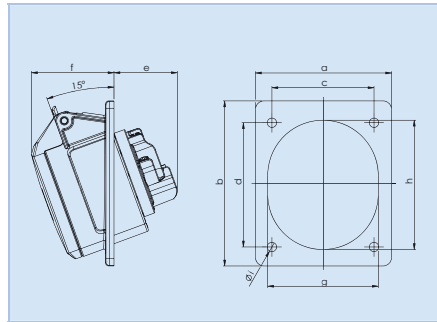
watertight IP67

- screw terminals

Voltage		120/208 V~	400 V~	277/480 V~	347/600 V~	Packing unit
Designation		9h	6h	7h	5h	
Ampere	Poles	Article no.	Article no.	Article no.	Article no.	
20	4P5W	F51S25A	F51S35A	F51S55A	F51S75A	10
30	4P5W	F52S25A	F52S35A	F52S55A	F52S75A	10

CEE Panel-mounted socket outlets, angled

according to IEC 60309-1 series II and 60309-2 



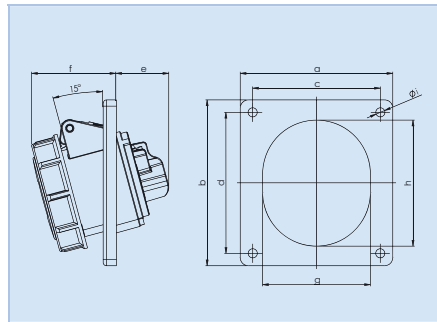
Poles	3	3
Ampere	20	30
Flange a	80	80
Flange b	97	97
Hole spacing c	50	60
Hole spacing d	65	73
e	38	51
f	47	50
g	51	65
h	61	75
i	5,5	5,5
Weight [g/each]	112	198

Panel-mounted socket outlet, angled 15°

splash-proof IP44

- screw terminals

		120 V~	250 V~	480 V~	277 V~	
		4h	6h	7h	5h	
Ampere	Poles	Article no.	Article no.	Article no.	Article no.	Packing unit
20	2P3W	F31S13A	F31S23A	F31S53A	F31S73A	10
30	2P3W	F32S13A	F32S23A	F32S53A	F32S73A	10



Poles	3	3
Ampere	20	30
Flange a	80	80
Flange b	97	97
Hole spacing c	77	77
Hole spacing d	85	85
e	30	38
f	54	65
g	70	77
h	77	88
i	5,5	5,5
Weight [g/each]	152	226

Panel-mounted socket outlet, angled 15°

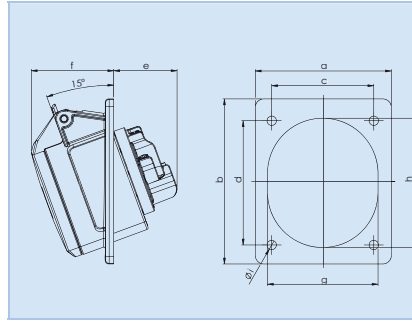
watertight IP67

- screw terminals
- in three parts

		120 V~	250 V~	480 V~	277 V~	
		4h	6h	7h	5h	
Ampere	Poles	Article no.	Article no.	Article no.	Article no.	Packing unit
20	2P3W	F31S18A	F31S28A	F31S58A	F31S78A	10
30	2P3W	F32S18A	F32S28A	F32S58A	F32S78A	10

CEE Panel-mounted socket outlets, angled

according to IEC 60309-1 series II and 60309-2



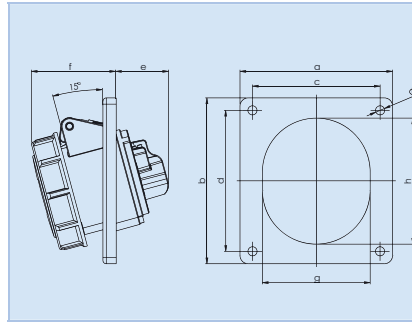
Poles	4	4
Ampere	20	30
Flange a	80	80
Flange b	97	97
Hole spacing c	50	60
Hole spacing d	65	73
e	38	51
f	47	50
g	56	65
h	67	75
i	5,5	5,5
Weight [g/each]	117	222

Panel-mounted socket outlet, angled 15°

splash-proof IP44

- screw terminals

		380/440 V~	250 V~	400 V~	480 V~	120/250 V~	600 V~	
Designation		3h	9h	6h	7h	12h	5h	
Ampere	Poles	Article no.	Article no.	Article no.	Article no.	Article no.	Article no.	Packing unit
20	3P4W	F41S03A	F41S23A	F41S33A	F41S53A	F41S63A	F41S73A	10
30	3P4W	F42S03A	F42S23A	F42S33A	F42S53A	F42S63A	F42S73A	10



Poles	4	4
Ampere	20	30
Flange a	80	80
Flange b	97	97
Hole spacing c	77	77
Hole spacing d	85	85
e	33	38
f	54	65
g	70	77
h	77	88
i	5,5	5,5
Weight [g/each]	172	250

Panel-mounted socket outlet, angled 15°

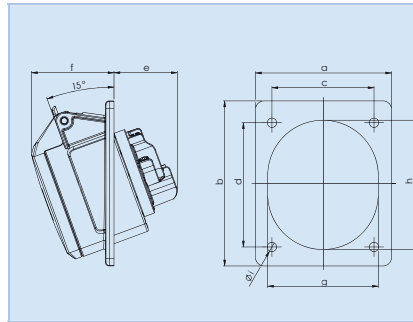
watertight IP67

- screw terminals
- in three parts

		380/440 V~	250 V~	400 V~	480 V~	120/250 V~	600 V~	
Designation		3h	9h	6h	7h	12h	5h	
Ampere	Poles	Article no.	Article no.	Article no.	Article no.	Article no.	Article no.	Packing unit
20	3P4W	F41S08A	F41S28A	F41S38A	F41S58A	F41S68A	F41S78A	10
30	3P4W	F42S08A	F42S28A	F42S38A	F42S58A	F42S68A	F42S78A	10

CEE Panel-mounted socket outlets, angled

according to IEC 60309-1 series II and 60309-2



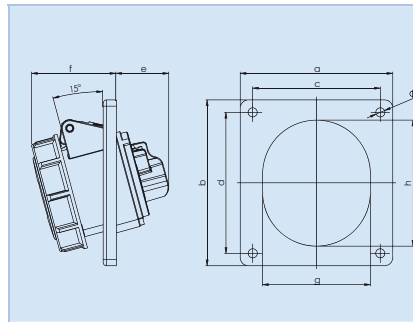
Poles	5	5
Ampere	20	30
Flange a	80	87
Flange b	97	97
Hole spacing c	60	60
Hole spacing d	73	73
e	39	51
f	48	52
g	65	70
h	76	80
i	5,5	5,5
Weight [g/each]	144	250

Panel-mounted socket outlet, angled 15°

splash-proof IP44

- screw terminals

		120/208 V~	400 V~	277/480 V~	347/600 V~	
		9h	6h	7h	5h	
Ampere	Poles	Article no.	Article no.	Article no.	Article no.	Packing unit
20	4P5W	F51S23A	F51S33A	F51S53A	F51S73A	10
30	4P5W	F52S23A	F52S33A	F52S53A	F52S73A	10



Poles	5	5
Ampere	20	30
Flange a	80	80
Flange b	97	97
Hole spacing c	77	77
Hole spacing d	85	85
e	36	41
f	54	65
g	70	77
h	77	88
i	5,5	5,5
Weight [g/each]	206	278

Panel-mounted socket outlet, angled 15°

watertight IP67

- screw terminals
- in three parts

		120/208 V~	400 V~	277/480 V~	347/600 V~	
		9h	6h	7h	5h	
Ampere	Poles	Article no.	Article no.	Article no.	Article no.	Packing unit
20	4P5W	F51S28A	F51S38A	F51S58A	F51S78A	10
30	4P5W	F52S28A	F52S38A	F52S58A	F52S78A	10