

SINARD quick attachment devices are the ideal solution for joining metal or concrete structures with other elements: Cables, pipes, trays, clamps, false ceilings, etc.

They are characterised by the following advantages:

SPEED: Assembly means real savings in time and money for installers.

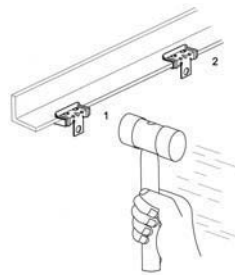
WIDE RANGE: Parts combined to adapt to any requirement.

SAFETY AND COMFORT: It is not necessary to drill the metal structure.

FINISHES: All SINARD fixing elements have a rustproof layer.

INSTRUCTIONS FOR USE

It is easy and quick to fit the fixing elements, in most cases by simply using a hammer.



APPLICATION LOADS

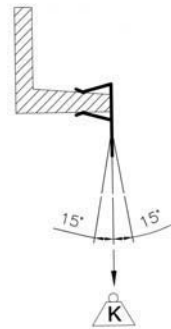
SINARD fixing elements are tested and checked by applying a safety coefficient of 3.

The loads presented are understood as limits for static

loads applied vertically to the structure or installation.

When the fixtures are combined, the load value is determined by the element with least capacity.

If the structure upon which the fixture is hung has a smaller load value than the fixture, it will be the structure that will determine the maximum load to be applied.



MATERIAL USED

Carbon steel for springs according to DIN 17222 (UNE-EN10132-4). Steel that after tempering and shrinking acquires a hardness of HRc 43÷50

ANTI- RUST SURFACE FINISH

Zinc Phosphating

For interiors and non corrosive environments. Rustproofing alongside impregnation with rustproofing oil.

Sinard finishing

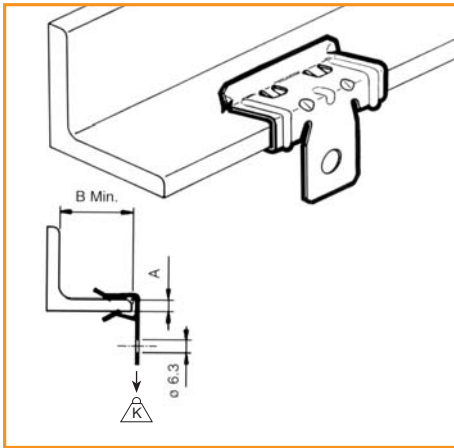
For interiors, exteriors, damp or slightly corrosive environments

- Non electrolytic coating comprising zinc and aluminium layers fixed to the surface of the steel by chemical reaction.
- Non hydrogenating coating (without electrolysis or acid scaling)
- Electrical conductivity. High resistance to temperature.
- Free of chrome VI and chrome III. Low friction values.
- High protection against cathodic corrosion.
- View: Silver grey

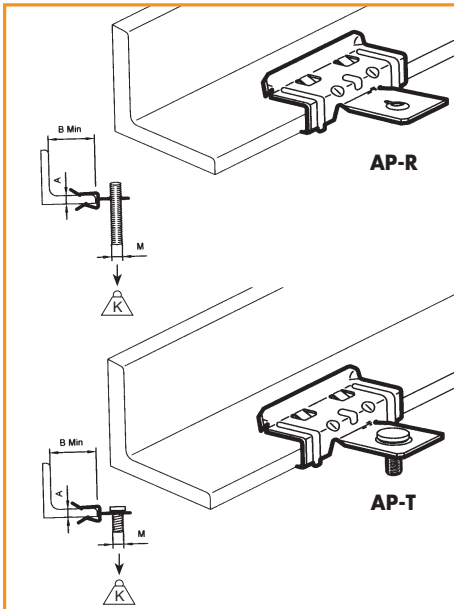
RESISTANCE to corrosion in saline mist for up to 480 hours (DIN 50021).

NOTE

Due to industrial improvements, S.A. SINARD reserves the right to modify the design of the illustrated fixtures while respecting the static load characteristic.

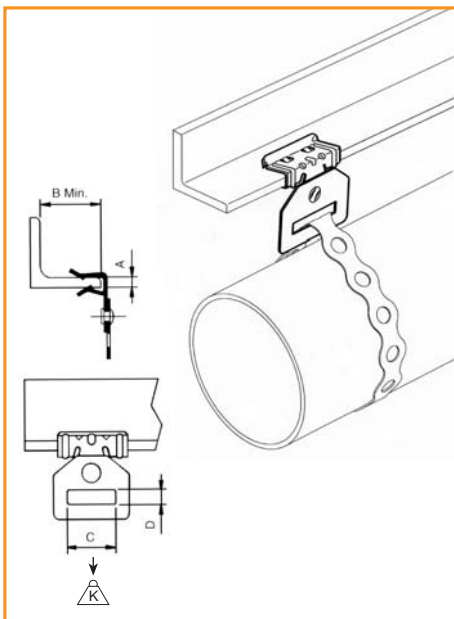


Code	Ref.	A mm.	B mm.	Kg.		€/100
Fosfatado al cinc - Phosphatage au zinc - Zinc phosphating - Zink phosphatierung						
10013001	100	1,5 - 4	18	70	100	
10013002	101	4 - 10	25	90	100	
10013003	102	10 - 15	25	90	100	
10013004	103	15 - 20	25	90	100	
Acabado - Finition - Finishing - Endverarbeitung : SINARD						
1001300150	100 DT	1,5 - 4	18	70	100	
1001300250	101 DT	4 - 10	25	90	100	
1001300350	102 DT	10 - 15	25	90	100	
1001300450	103 DT	15 - 20	25	90	100	

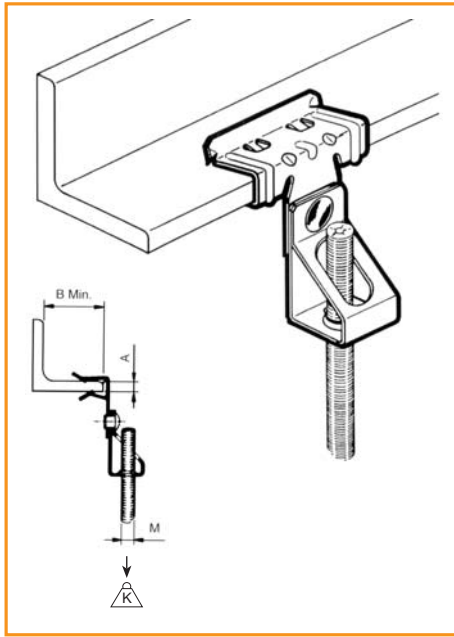


Code	Ref.	A mm.	B mm.	M	Kg.		€/100
Fosfatado al cinc - Phosphatage au zinc - Zinc phosphating - Zink phosphatierung							
10013190	101 AP-R	4-10	18	M 6	20	100	
10013191	102 AP-R	10-15	18	M 6	20	100	
Acabado - Finition - Finishing - Endverarbeitung : SINARD							
1001319050	101 AP-R DT	4-10	25	M 6	20	100	
1001319150	102 AP-R DT	10-15	25	M 6	20	100	

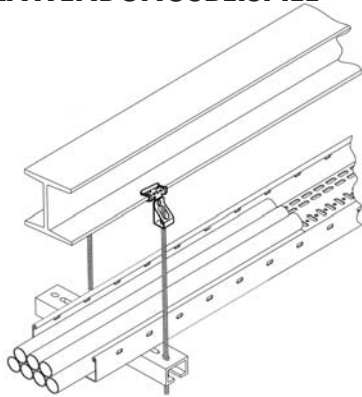
Code	Ref.	A mm.	B mm.	M	Kg.		€/100
Fosfatado al cinc - Phosphatage au zinc - Zinc phosphating - Zink phosphatierung							
10013195	101 AP-T	4-10	18	M 6x9	20	100	
10013196	102 AP-T	10-15	18	M 6x9	20	100	
Acabado - Finition - Finishing - Endverarbeitung : SINARD							
1001319550	101 AP-T DT	4-10	25	M 6x9	20	100	
1001319650	102 AP-T DT	10-15	25	M 6x9	20	100	




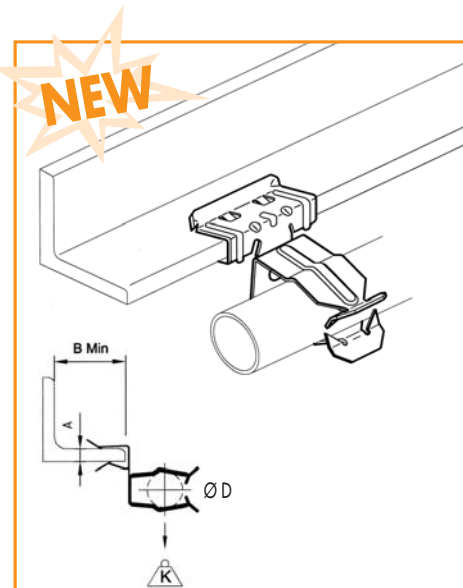
Code	Ref.	A mm.	B mm.	C x D	Kg.		€/100
Fosfatado al cinc - Phosphatage au zinc - Zinc phosphating - Zink phosphatierung							
10013054	100-230	1,5 - 4	18	28 x 6,5	45	100	
10013069	101-230	4 - 10	25	28 x 6,5	45	100	
10013084	102-230	10 - 15	25	28 x 6,5	45	100	
10013099	103-230	15 - 20	25	28 x 6,5	45	100	
Acabado - Finition - Finishing - Endverarbeitung : SINARD							
1001305450	100-230 DT	1,5 - 4	18	28 x 6,5	45	100	
1001306950	101-230 DT	4 - 10	25	28 x 6,5	45	100	
1001308450	102-230 DT	10 - 15	25	28 x 6,5	45	100	
1001309950	103-230 DT	15 - 20	25	28 x 6,5	45	100	




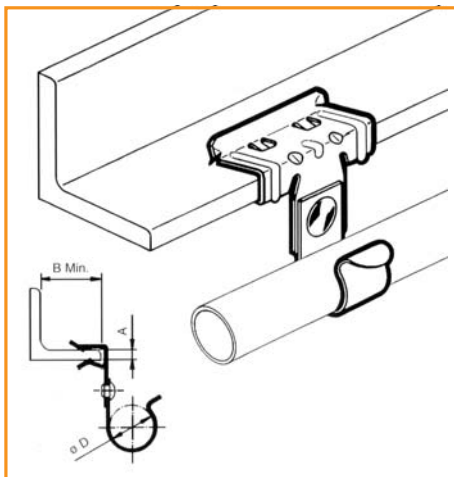
- EJEMPLO DE APLICACIÓN
- EXEMPLE DE MONTAGE
- EXEMPLE OF INSTALLATION
- ANWENDUNGSBEISPIEL




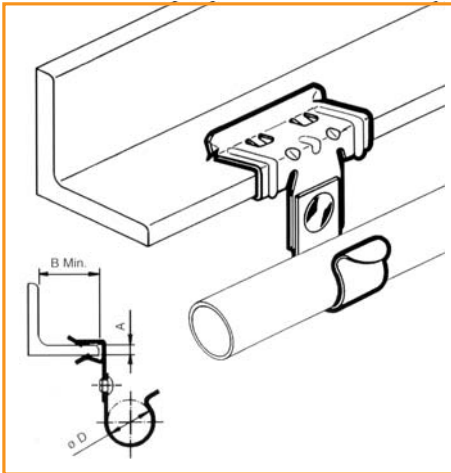
Code	Ref.	A mm.	B mm.	M	Kg.		€/100
Fosfatado al cinc - Phosphatage au zinc - Zinc phosphating - Zink phosphatierung							
10013049	100-210	1,5-4	18	M 6	70	100	
10013050	100-211	1,5-4	18	M 8	70	100	
10013051	100-212	1,5-4	18	M 10	70	100	
10013064	101-210	4-10	25	M 6	70	100	
10013065	101-211	4-10	25	M 8	70	100	
10013066	101-212	4-10	25	M 10	70	100	
10013079	102-210	10-15	25	M 6	70	100	
10013080	102-211	10-15	25	M 8	70	100	
10013081	102-212	10-15	25	M 10	70	100	
10013094	103-210	15-20	25	M 6	70	100	
10013095	103-211	15-20	25	M 8	70	100	
10013096	103-212	15-20	25	M 10	70	100	
Acabado - Finition - Finishing - Endverarbeitung : SINARD							
1001304950	100-210 DT	1,5-4	18	M 6	70	100	
1001305050	100-211 DT	1,5-4	18	M 8	70	100	
1001305150	100-212 DT	1,5-4	18	M 10	70	100	
1001306450	101-210 DT	4-10	25	M 6	70	100	
1001306550	101-211 DT	4-10	25	M 8	70	100	
1001306650	101-212 DT	4-10	25	M 10	70	100	
1001307950	102-210 DT	10-15	25	M 6	70	100	
1001308050	102-211 DT	10-15	25	M 8	70	100	
1001308150	102-212 DT	10-15	25	M 10	70	100	
1001309450	103-210 DT	15-20	25	M 6	70	100	
1001309550	103-211 DT	15-20	25	M 8	70	100	
1001309650	103-212 DT	15-20	25	M 10	70	100	




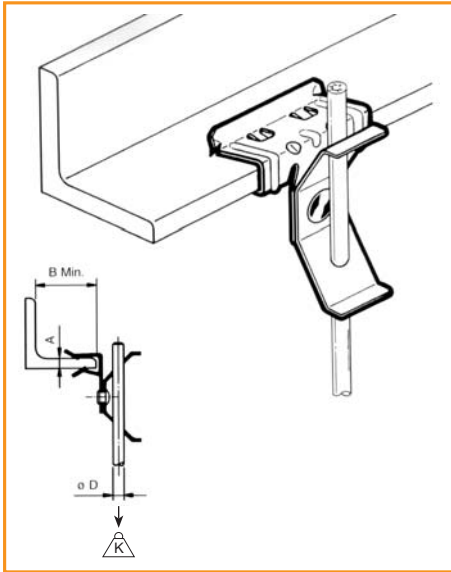
Code	Ref.	A mm.	B mm.	Ø D mm.	Kg.		€/100
Acabado - Finition - Finishing - Endverarbeitung : SINARD							
1001354350	100-280 DT	1,5-4	18	18-22	7	100	
1001354450	100-281 DT	1,5-4	18	22-30	7	100	
1001354550	100-282 DT	1,5-4	18	30-35	7	100	
1001354650	101-280 DT	4-10	25	18-22	7	100	
1001354750	101-281 DT	4-10	25	22-30	7	100	
1001354850	101-282 DT	4-10	25	30-35	7	100	
1001354950	102-280 DT	10-15	25	18-22	7	100	
1001355050	102-281 DT	10-15	25	22-30	7	100	
1001355150	102-282 DT	10-15	25	30-35	7	100	
1001355250	103-280 DT	15-20	25	18-22	7	100	
1001355350	103-281 DT	15-20	25	22-30	7	100	
1001355450	103-282 DT	15-20	25	30-35	7	100	



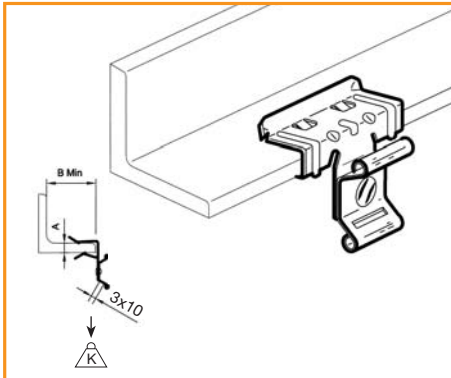
Code	Ref.	A mm.	B mm.	Ø D mm.		€/100
Fosfatado al cinc - Phosphatage au zinc - Zinc phosphating - Zink phosphatierung						
10013056	100-310.1	1,5-4	18	12-14	100	
10013057	100-312.1	1,5-4	18	15-18	100	
10013058	100-314.1	1,5-4	18	19-24	100	
10013059	100-316.1	1,5-4	18	25-30	100	
10013060	100-317.1	1,5-4	18	31-35	100	
10013061	100-318.1	1,5-4	18	36-40	100	
10013062	100-319.1	1,5-4	18	41-45	100	
10013063	100-320.1	1,5-4	18	46-50	100	
10013071	101-310.1	4-10	25	12-14	100	
10013072	101-312.1	4-10	25	15-18	100	
10013073	101-314.1	4-10	25	19-24	100	
10013074	101-316.1	4-10	25	25-30	100	
10013075	101-317.1	4-10	25	31-35	100	
10013076	101-318.1	4-10	25	36-40	100	
10013077	101-319.1	4-10	25	41-45	100	
10013078	101-320.1	4-10	25	46-50	100	
10013086	102-310.1	10-15	25	12-14	100	
10013087	102-312.1	10-15	25	15-18	100	
10013088	102-314.1	10-15	25	19-24	100	
10013089	102-316.1	10-15	25	25-30	100	
10013090	102-317.1	10-15	25	31-35	100	
10013091	102-318.1	10-15	25	36-40	100	
10013092	102-319.1	10-15	25	41-45	100	
10013093	102-320.1	10-15	25	46-50	100	
10013101	103-310.1	15-20	25	12-14	100	
10013102	103-312.1	15-20	25	15-18	100	
10013103	103-314.1	15-20	25	19-24	100	
10013104	103-316.1	15-20	25	25-30	100	
10013105	103-317.1	15-20	25	31-35	100	
10013106	103-318.1	15-20	25	36-40	100	
10013107	103-319.1	15-20	25	41-45	100	
10013108	103-320.1	15-20	25	46-50	100	



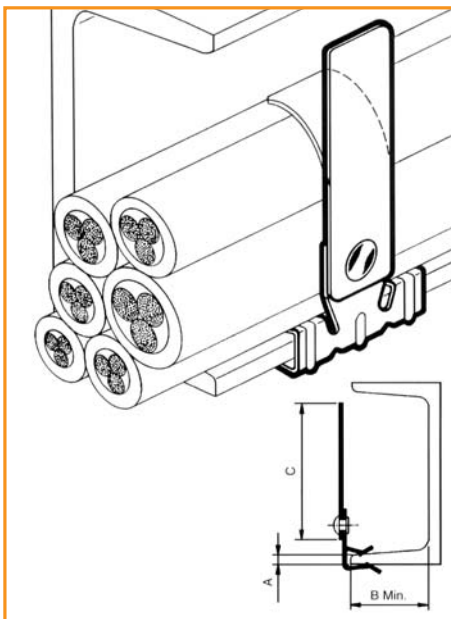
Code	Ref.	A mm.	B mm.	Ø D mm.		€/100
Acabado - Finition - Finishing - Endverarbeitung : SINARD						
1001305650	100-310.1 DT	1,5-4	18	12-14	100	
1001305750	100-312.1 DT	1,5-4	18	15-18	100	
1001305850	100-314.1 DT	1,5-4	18	19-24	100	
1001305950	100-316.1 DT	1,5-4	18	25-30	100	
1001306050	100-317.1 DT	1,5-4	18	31-35	100	
1001306150	100-318.1 DT	1,5-4	18	36-40	100	
1001306250	100-319.1 DT	1,5-4	18	41-45	100	
1001306350	100-320.1 DT	1,5-4	18	46-50	100	
1001307150	101-310.1 DT	4-10	25	12-14	100	
1001307250	101-312.1 DT	4-10	25	15-18	100	
1001307350	101-314.1 DT	4-10	25	19-24	100	
1001307450	101-316.1 DT	4-10	25	25-30	100	
1001307550	101-317.1 DT	4-10	25	31-35	100	
1001307650	101-318.1 DT	4-10	25	36-40	100	
1001307750	101-319.1 DT	4-10	25	41-45	100	
1001307850	101-320.1 DT	4-10	25	46-50	100	
1001308650	102-310.1 DT	10-15	25	12-14	100	
1001308750	102-312.1 DT	10-15	25	15-18	100	
1001308850	102-314.1 DT	10-15	25	19-24	100	
1001308950	102-316.1 DT	10-15	25	25-30	100	
1001309050	102-317.1 DT	10-15	25	31-35	100	
1001309150	102-318.1 DT	10-15	25	36-40	100	
1001309250	102-319.1 DT	10-15	25	41-45	100	
1001309350	102-320.1 DT	10-15	25	46-50	100	
1001310150	103-310.1 DT	15-20	25	12-14	100	
1001310250	103-312.1 DT	15-20	25	15-18	100	
1001310350	103-314.1 DT	15-20	25	19-24	100	
1001310450	103-316.1 DT	15-20	25	25-30	100	
1001310550	103-317.1 DT	15-20	25	31-35	100	
1001310650	103-318.1 DT	15-20	25	36-40	100	
1001310750	103-319.1 DT	15-20	25	41-45	100	
1001310850	103-320.1 DT	15-20	25	46-50	100	



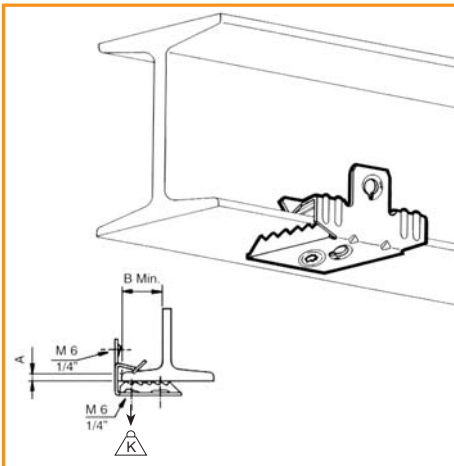
Code	Ref.	A mm.	B mm.	Ø D mm.	Kg.		€/100
Fosfatado al cinc - Phosphatage au zinc - Zinc phosphating - Zink phosphatierung							
10013052	100-220	1,5-4	18	4	60	100	
10013053	100-221	1,5-4	18	6	60	100	
10013067	101-220	4-10	25	4	60	100	
10013068	101-221	4-10	25	6	60	100	
10013082	102-220	10-15	25	4	60	100	
10013083	102-221	10-15	25	6	60	100	
10013097	103-220	15-20	25	4	60	100	
10013098	103-221	15-20	25	6	60	100	
Acabado - Finition - Finishing - Endverarbeitung : SINARD							
1001305250	100-220 DT	1,5-4	18	4	60	100	
1001305350	100-221 DT	1,5-4	18	6	60	100	
1001306750	101-220 DT	4-10	25	4	60	100	
1001306850	101-221 DT	4-10	25	6	60	100	
1001308250	102-220 DT	10-15	25	4	60	100	
1001308350	102-221 DT	10-15	25	6	60	100	
1001309750	103-220 DT	15-20	25	4	60	100	
1001309850	103-221 DT	15-20	25	6	60	100	



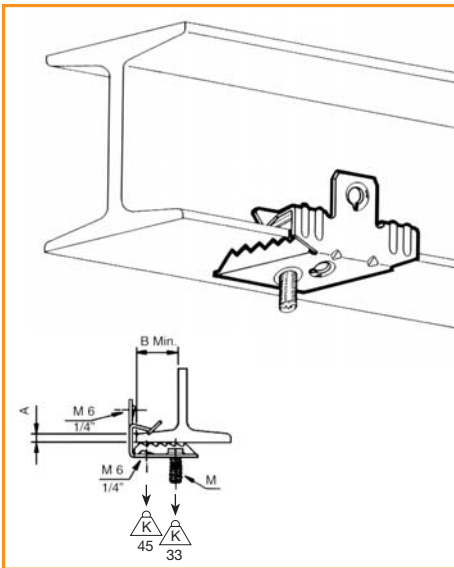
Code	Ref.	A mm.	B mm.	Kg.		€/100
Acabado - Finition - Finishing - Endverarbeitung : SINARD						
1001317150	100-250 DT	1,5-4	18	15	100	
1001317250	101-250 DT	4-10	25	15	100	
1001317350	102-250 DT	10-15	25	15	100	
1001317450	103-250 DT	15-20	25	15	100	



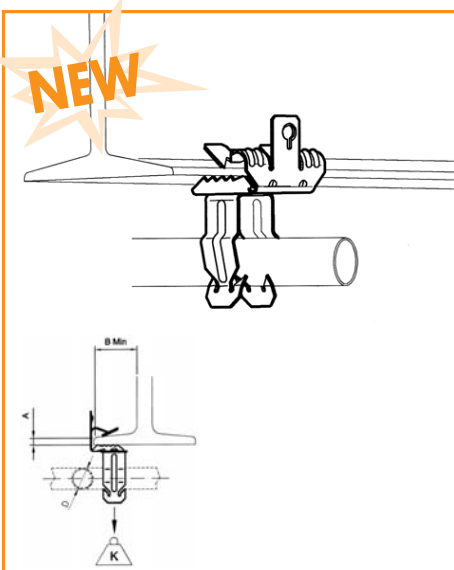
Code	Ref.	A mm.	B mm.	C mm.		€/100
Fosfatado al cinc - Phosphatage au zinc - Zinc phosphating - Zink phosphatierung						
10013055	100-231	1,5-4	18	75	100	
10013070	101-231	4-10	25	75	100	
10013085	102-231	10-15	25	75	100	
10013100	103-231	15-20	25	75	100	
Acabado - Finition - Finishing - Endverarbeitung : SINARD						
1001305550	100-231 DT	1,5-4	18	75	100	
1001307050	101-231 DT	4-10	25	75	100	
1001308550	102-231 DT	10-15	25	75	100	
1001310050	103-231 DT	15-20	25	75	100	



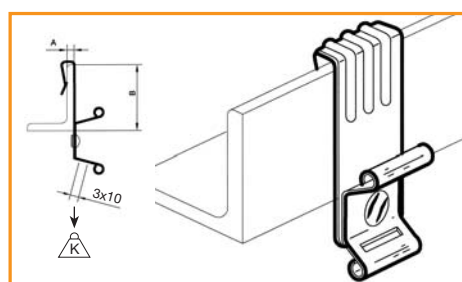
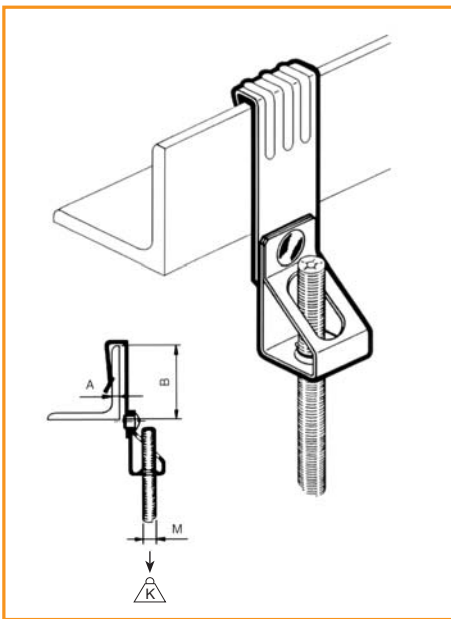
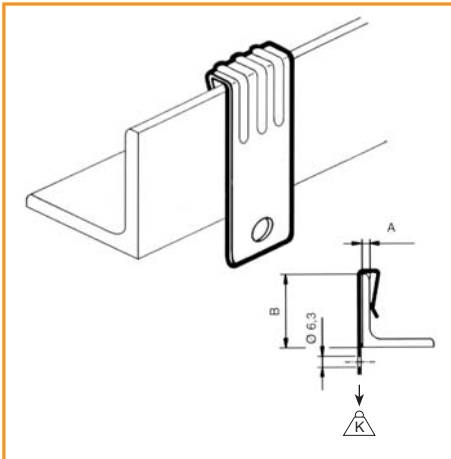
Code	Ref.	A mm.	B mm.	Kg.		€/100
Fosfatado al cinc - Phosphatage au zinc - Zinc phosphating - Zink phosphatierung						
10013005	104	3-7	35	45	100	
10013007	105	7-13	35	45	100	
10013009	106	14-20	35	45	100	
Acabado - Finition - Finishing - Endverarbeitung : SINARD						
1001300550	104 DT	3-7	35	45	100	
1001300750	105 DT	7-13	35	45	100	
1001300950	106 DT	14-20	35	45	100	



Code	Ref.	A mm.	B mm.	M	Kg.		€/100
Fosfatado al cinc - Phosphatage au zinc - Zinc phosphating - Zink phosphatierung							
10013006	104 T-M6	3-7	35	M6x9	45-33	100	
10013008	105 T-M6	7-13	35	M6x9	45-33	100	
10013010	106 T-M6	14-20	35	M6x9	45-33	100	
10013206	104 T-M8	3-7	35	M8x9	45-33	100	
10013208	105 T-M8	7-13	35	M8x9	45-33	100	
10013210	106 T-M8	14-20	35	M8x9	45-33	100	
Acabado - Finition - Finishing - Endverarbeitung : SINARD							
1001300650	104 T-M6 DT	3-7	35	M6x9	45-33	100	
1001300850	105 T-M6 DT	7-13	35	M6x9	45-33	100	
1001301050	106 T-M6 DT	14-20	35	M6x9	45-33	100	
1001320650	104 T-M8 DT	3-7	35	M8x9	45-33	100	
1001320850	105 T-M8 DT	7-13	35	M8x9	45-33	100	
1001321050	106 T-M8 DT	14-20	35	M8x9	45-33	100	



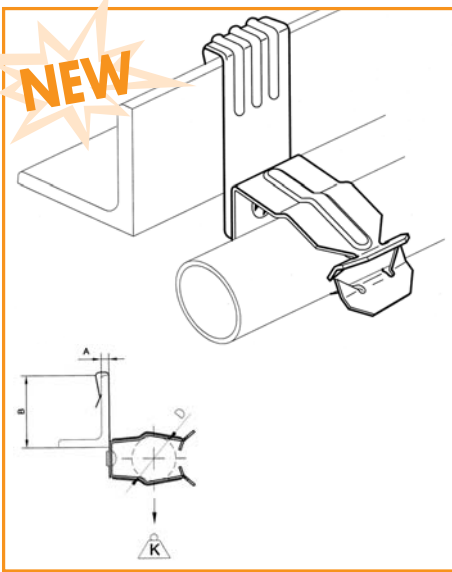
Code	Ref.	A mm.	B mm.	Ø D mm.	Kg.		€/100
Acabado - Finition - Finishing - Endverarbeitung : SINARD							
1001355550	104-280 DT	3-7	35	18-22	11	100	
1001355650	104-281 DT	3-7	35	22-30	11	100	
1001355750	104-282 DT	3-7	35	30-35	11	100	
1001355850	105-280 DT	7-13	35	18-22	11	100	
1001355950	105-281 DT	7-13	35	22-30	11	100	
1001356050	105-282 DT	7-13	35	30-35	11	100	
1001356150	106-280 DT	14-20	35	18-22	11	100	
1001356250	106-281 DT	14-20	35	22-30	11	100	
1001356350	106-282 DT	14-20	35	30-35	11	100	



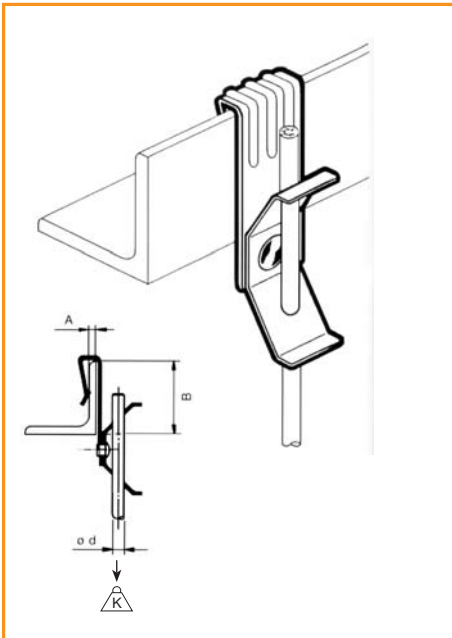
Code	Ref.	A mm.	B mm.	Kg.		€/100
Fosfatado al cinc - Phosphatage au zinc - Zinc phosphating - Zink phosphatierung						
10013011	110	1,5-5	30	70	100	
10013012	111	5-7	30	70	100	
10013013	112	3-7	45	70	100	
10013014	113	4-10	60	70	100	
Acabado - Finition - Finishing - Endverarbeitung : SINARD						
1001301150	110 DT	1,5-5	30	70	100	
1001301250	111 DT	5-7	30	70	100	
1001301350	112 DT	3-7	45	70	100	
1001301450	113 DT	4-10	60	70	100	

Code	Ref.	A mm.	B mm.	M	Kg.		€/100
Fosfatado al cinc - Phosphatage au zinc - Zinc phosphating - Zink phosphatierung							
10013109	110-210	1,5-5	30	M6	70	100	
10013110	110-211	1,5-5	30	M8	70	100	
10013111	110-212	1,5-5	30	M10	70	100	
10013123	111-210	5-7	30	M6	70	100	
10013124	111-211	5-7	30	M8	70	100	
10013125	111-212	5-7	30	M10	70	100	
10013137	112-210	3-7	45	M6	70	100	
10013138	112-211	3-7	45	M8	70	100	
10013139	112-212	3-7	45	M10	70	100	
10013151	113-210	4-10	60	M6	70	100	
10013152	113-211	4-10	60	M8	70	100	
10013153	113-212	4-10	60	M10	70	100	
Acabado - Finition - Finishing - Endverarbeitung : SINARD							
1001310950	110-210 DT	1,5-5	30	M6	70	100	
1001311050	110-211 DT	1,5-5	30	M8	70	100	
1001311150	110-212 DT	1,5-5	30	M10	70	100	
1001312350	111-210 DT	5-7	30	M6	70	100	
1001312450	111-211 DT	5-7	30	M8	70	100	
1001312550	111-212 DT	5-7	30	M10	70	100	
1001313750	112-210 DT	3-7	45	M6	70	100	
1001313850	112-211 DT	3-7	45	M8	70	100	
1001313950	112-212 DT	3-7	45	M10	70	100	
1001315150	113-210 DT	4-10	60	M6	70	100	
1001315250	113-211 DT	4-10	60	M8	70	100	
1001315350	113-212 DT	4-10	60	M10	70	100	

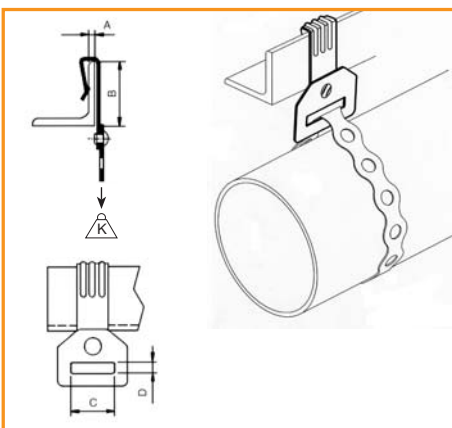
Code	Ref.	A mm.	B min.	Kg.		€/100
Acabado - Finition - Finishing - Endverarbeitung : SINARD						
1001317550	110-250 DT	1,5-5	30	15	100	
1001317650	111-250 DT	5-7	30	15	100	
1001317750	112-250 DT	3-7	45	15	100	
1001317850	113-250 DT	4-10	60	15	100	



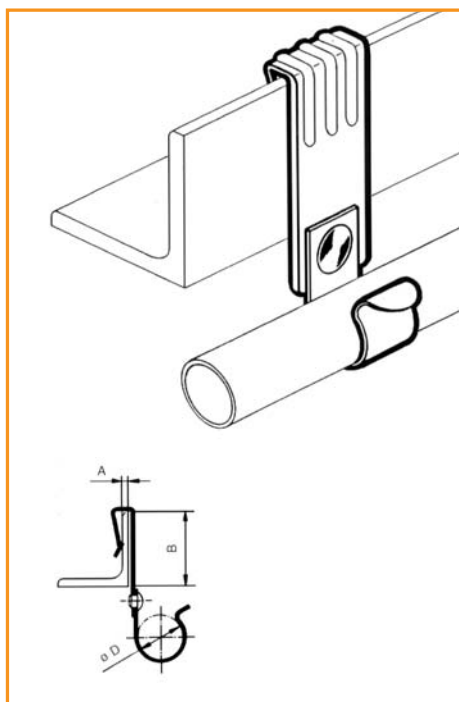
Code	Ref.	A mm.	B mm.	Ø D mm.	Kg.		€/100
Acabado - Finition - Finishing - Endverarbeitung : SINARD							
1001356450	110-280 DT	1,5-5	30	18-22	7	100	
1001356550	110-281 DT	1,5-5	30	22-30	7	100	
1001356650	110-282 DT	1,5-5	30	30-35	7	100	
1001356750	111-280 DT	5-7	30	18-22	7	100	
1001356850	111-281 DT	5-7	30	22-30	7	100	
1001356950	111-282 DT	5-7	30	30-35	7	100	
1001357050	112-280 DT	3-7	45	18-22	7	100	
1001357150	112-281 DT	3-7	45	22-30	7	100	
1001357250	112-282 DT	3-7	45	30-35	7	100	
1001357350	113-280 DT	4-10	60	18-22	7	100	
1001357450	113-281 DT	4-10	60	22-30	7	100	
1001357550	113-282 DT	4-10	60	30-35	7	100	




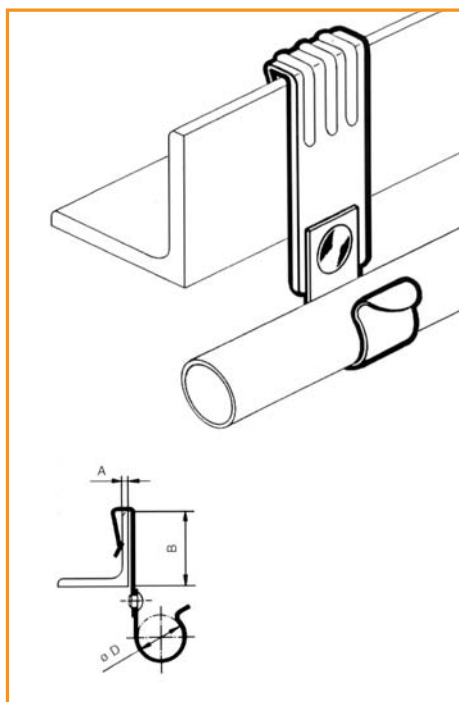
Code	Ref.	A mm.	B mm.	Ø D mm.	Kg.		€/100
Fosfatado al cinc - Phosphatage au zinc - Zinc phosphating - Zink phosphatierung							
10013112	110-220	1,5-5	30	4	60	100	
10013113	110-221	1,5-5	30	6	60	100	
10013126	111-220	5-7	30	4	60	100	
10013127	111-221	5-7	30	6	60	100	
10013140	112-220	3-7	45	4	60	100	
10013141	112-221	3-7	45	6	60	100	
10013154	113-220	4-10	60	4	60	100	
10013155	113-221	4-10	60	6	60	100	
Acabado - Finition - Finishing - Endverarbeitung : SINARD							
1001311250	110-220 DT	1,5-5	30	4	60	100	
1001311350	110-221 DT	1,5-5	30	6	60	100	
1001312650	111-220 DT	5-7	30	4	60	100	
1001312750	111-221 DT	5-7	30	6	60	100	
1001314050	112-220 DT	3-7	45	4	60	100	
1001314150	112-221 DT	3-7	45	6	60	100	
1001315450	113-220 DT	4-10	60	4	60	100	
1001315550	113-221 DT	4-10	60	6	60	100	




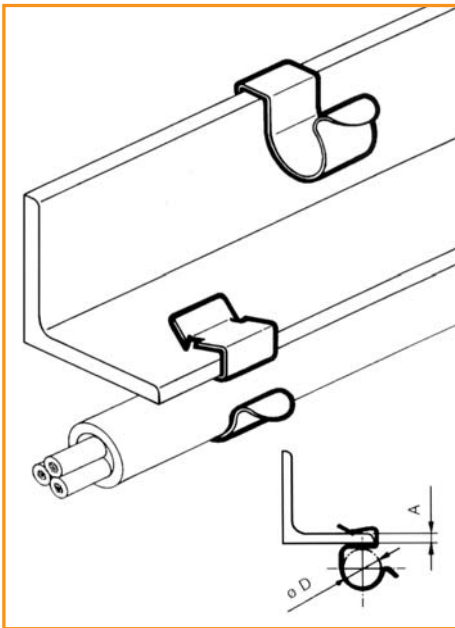
Code	Ref.	A mm.	B mm.	C x D	Kg.		€/100
Fosfatado al cinc - Phosphatage au zinc - Zinc phosphating - Zink phosphatierung							
10013114	110-230	1,5-5	30	28x6,5	45	100	
10013128	111-230	5-7	30	28x6,5	45	100	
10013142	112-230	3-7	45	28x6,5	45	100	
10013156	113-230	4-10	60	28x6,5	45	100	
Acabado - Finition - Finishing - Endverarbeitung : SINARD							
1001311450	110-230 DT	1,5-5	30	28x6,5	45	100	
1001312850	111-230 DT	5-7	30	28x6,5	45	100	
1001314250	112-230 DT	3-7	45	28x6,5	45	100	
1001315650	113-230 DT	4-10	60	28x6,5	45	100	




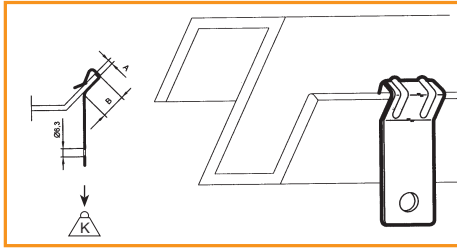
Code	Ref.	A mm.	B mm.	Ø D mm.		€/100
Fosfatado al cinc - Phosphatage au zinc - Zinc phosphating - Zink phosphatierung						
10013115	110-310.1	1,5-5	30	12-14	100	
10013116	110-312.1	1,5-5	30	15-18	100	
10013117	110-314.1	1,5-5	30	19-24	100	
10013118	110-316.1	1,5-5	30	25-30	100	
10013119	110-317.1	1,5-5	30	31-35	100	
10013120	110-318.1	1,5-5	30	36-40	100	
10013121	110-319.1	1,5-5	30	41-45	100	
10013122	110-320.1	1,5-5	30	46-50	100	
10013129	111-310.1	5-7	30	12-14	100	
10013130	111-312.1	5-7	30	15-18	100	
10013131	111-314.1	5-7	30	19-24	100	
10013132	111-316.1	5-7	30	25-30	100	
10013133	111-317.1	5-7	30	31-35	100	
10013134	111-318.1	5-7	30	36-40	100	
10013135	111-319.1	5-7	30	41-45	100	
10013136	111-320.1	5-7	30	46-50	100	
10013143	112-310.1	3-7	45	12-14	100	
10013144	112-312.1	3-7	45	15-18	100	
10013145	112-314.1	3-7	45	19-24	100	
10013146	112-316.1	3-7	45	25-30	100	
10013147	112-317.1	3-7	45	31-35	100	
10013148	112-318.1	3-7	45	36-40	100	
10013149	112-319.1	3-7	45	41-45	100	
10013150	112-320.1	3-7	45	46-50	100	
10013157	113-310.1	4-10	60	12-14	100	
10013158	113-312.1	4-10	60	15-18	100	
10013159	113-314.1	4-10	60	19-24	100	
10013160	113-316.1	4-10	60	25-30	100	
10013161	113-317.1	4-10	60	31-35	100	
10013162	113-318.1	4-10	60	36-40	100	
10013163	113-319.1	4-10	60	41-45	100	
10013164	113-320.1	4-10	60	46-50	100	



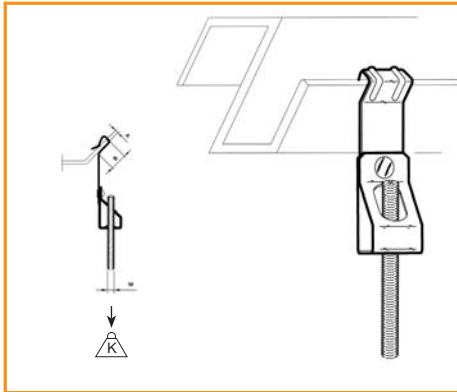
Code	Ref.	A mm.	B mm.	Ø D mm.		€/100
Acabado - Finition - Finishing - Endverarbeitung : SINARD						
1001311550	110-310.1 DT	1,5-5	30	12-14	100	
1001311650	110-312.1 DT	1,5-5	30	15-18	100	
1001311750	110-314.1 DT	1,5-5	30	19-24	100	
1001311850	110-316.1 DT	1,5-5	30	25-30	100	
1001311950	110-317.1 DT	1,5-5	30	31-35	100	
1001312050	110-318.1 DT	1,5-5	30	36-40	100	
1001312150	110-319.1 DT	1,5-5	30	41-45	100	
1001312250	110-320.1 DT	1,5-5	30	46-50	100	
1001312950	111-310.1 DT	5-7	30	12-14	100	
1001313050	111-312.1 DT	5-7	30	15-18	100	
1001313150	111-314.1 DT	5-7	30	19-24	100	
1001313250	111-316.1 DT	5-7	30	25-30	100	
1001313350	111-317.1 DT	5-7	30	31-35	100	
1001313450	111-318.1 DT	5-7	30	36-40	100	
1001313550	111-319.1 DT	5-7	30	41-45	100	
1001313650	111-320.1 DT	5-7	30	46-50	100	
1001314350	112-310.1 DT	3-7	45	12-14	100	
1001314450	112-312.1 DT	3-7	45	15-18	100	
1001314550	112-314.1 DT	3-7	45	19-24	100	
1001314650	112-316.1 DT	3-7	45	25-30	100	
1001314750	112-317.1 DT	3-7	45	31-35	100	
1001314850	112-318.1 DT	3-7	45	36-40	100	
1001314950	112-319.1 DT	3-7	45	41-45	100	
1001315050	112-320.1 DT	3-7	45	46-50	100	
1001315750	113-310.1 DT	4-10	60	12-14	100	
1001315850	113-312.1 DT	4-10	60	15-18	100	
1001315950	113-314.1 DT	4-10	60	19-24	100	
1001316050	113-316.1 DT	4-10	60	25-30	100	
1001316150	113-317.1 DT	4-10	60	31-35	100	
1001316250	113-318.1 DT	4-10	60	36-40	100	
1001316350	113-319.1 DT	4-10	60	41-45	100	
1001316450	113-320.1 DT	4-10	60	46-50	100	



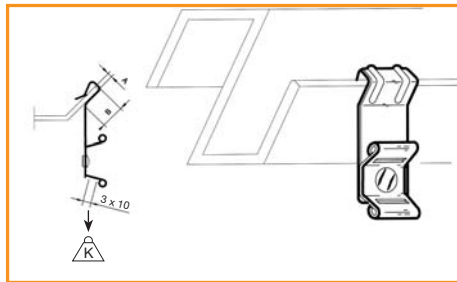
Code	Ref.	Ø D mm.	A mm.		€/100
Fosfatado al cinc - Phosphatage au zinc - Zinc phosphating - Zink phosphatierung					
10013027	306	8-9	1-4	100	
10013028	307	8-9	4-7,5	100	
10013258	307.2	8-9	7,5-12	100	
10013029	308	10-11	1-4	100	
10013030	309	10-11	4-7,5	100	
10013259	309.2	10-11	7,5-12	100	
10013031	310	12-14	1-4	100	
10013033	311	12-14	4-7,5	100	
10013260	311.2	12-14	7,5-12	100	
10013034	312	15-18	1-4	100	
10013036	313	15-18	4-7,5	100	
10013261	313.2	15-18	7,5-12	100	
10013037	314	19-24	1-4	100	
10013039	315	19-24	4-7,5	100	
10013262	315.2	19-24	7,5-12	100	
10013040	316	25-30	1-4	100	
10013042	317	25-30	4-7,5	100	
10013263	317.2	25-30	7,5-12	100	
Acabado - Finition - Finishing - Endverarbeitung : SINARD					
1001302750	306 DT	8-9	1-4	100	
1001302850	307 DT	8-9	4-7,5	100	
1001325850	307.2 DT	8-9	7,5-12	100	
1001302950	308 DT	10-11	1-4	100	
1001303050	309 DT	10-11	4-7,5	100	
1001325950	309.2 DT	10-11	7,5-12	100	
1001303150	310 DT	12-14	1-4	100	
1001303350	311 DT	12-14	4-7,5	100	
1001326050	311.2 DT	12-14	7,5-12	100	
1001303450	312 DT	15-18	1-4	100	
1001303650	313 DT	15-18	4-7,5	100	
1001326150	313.2 DT	15-18	7,5-12	100	
1001303750	314 DT	19-24	1-4	100	
1001303950	315 DT	19-24	4-7,5	100	
1001326250	315.2 DT	19-24	7,5-12	100	
1001304050	316 DT	25-30	1-4	100	
1001304250	317 DT	25-30	4-7,5	100	
1001326350	317.2 DT	25-30	7,5-12	100	



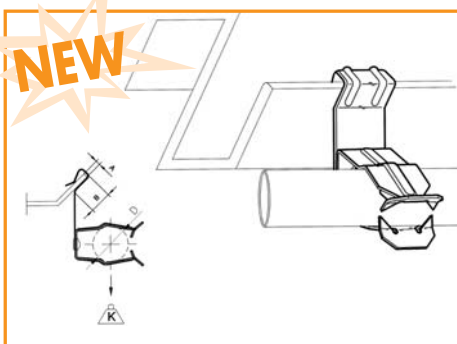
Code	Ref.	A mm.	B min.	Kg.		€/100
Fosfatado al cinc - Phosphatage au zinc - Zinc phosphating - Zink phosphatierung						
10013170	120	1,5-5	20	45	100	
Acabado - Finition - Finishing - Endverarbeitung : SINARD						
1001317050	120 DT	1,5-5	20	45	100	



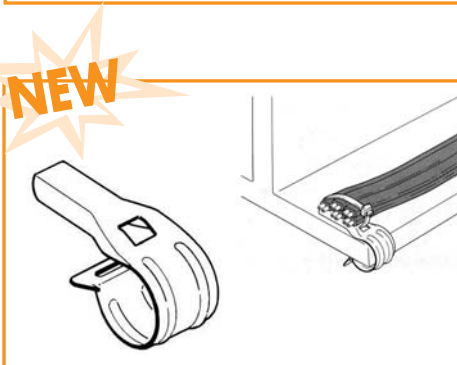
Code	Ref.	A mm.	B mm.	M	Kg.		€/100
Fosfatado al cinc - Phosphatage au zinc - Zinc phosphating - Zink phosphatierung							
10013850	120-210	1,5-5	20	M6	45	100	
10013851	120-211	1,5-5	20	M8	45	100	
10013852	120-212	1,5-5	20	M10	45	100	
Acabado - Finition - Finishing - Endverarbeitung : SINARD							
1001385050	120-210 DT	1,5-5	20	M6	45	100	
1001385150	120-211 DT	1,5-5	20	M8	45	100	
1001385250	120-212 DT	1,5-5	20	M10	45	100	



Code	Ref.	A mm.	B min.	Kg.		€/100
Acabado - Finition - Finishing - Endverarbeitung : SINARD						
1001317950	120-250 DT	1,5-5	20	15	100	

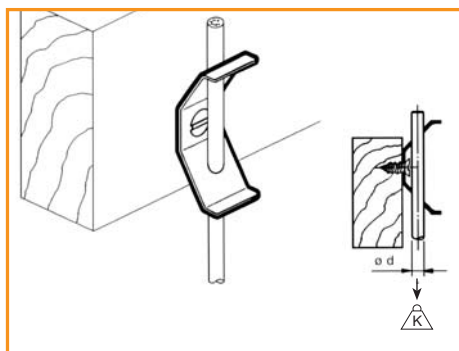


Code	Ref.	A mm.	B mm.	Ø D mm.	Kg.		€/100
Acabado - Finition - Finishing - Endverarbeitung : SINARD							
1001357650	120-280 DT	1,5-5	20	18-22	7	100	
1001357750	120-281 DT	1,5-5	20	22-30	7	100	
1001357850	120-282 DT	1,5-5	20	30-35	7	100	

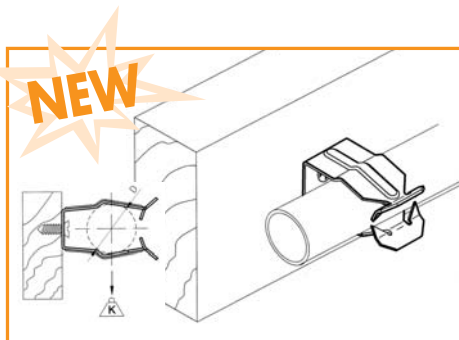


Code	Ref.	ThickNess Beam (mm)	Finishing		€/100
10013629	LB3B	12~20	D	20	
10013630	LB2B	5~12	D	20	

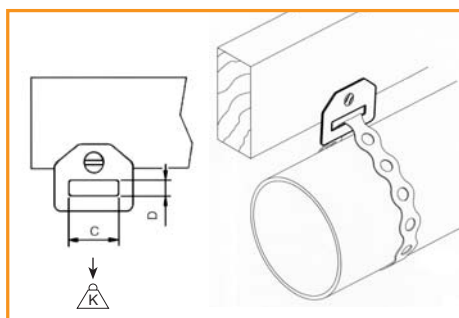
D: Dacromet



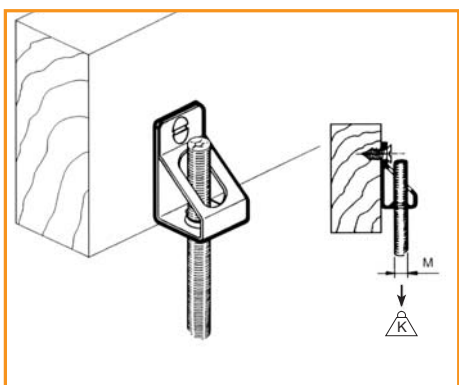
Code	Ref.	Ø D mm.	Kg.		€/100
Fosfatado al cinc - Phosphatage au zinc - Zinc phosphating - Zink phosphatierung					
10013023	220	4	60	100	
10013024	221	6	60	100	
Acabado - Finition - Finishing - Endverarbeitung : SINARD					
1001302350	220 DT	4	60	100	
1001302450	221 DT	6	60	100	



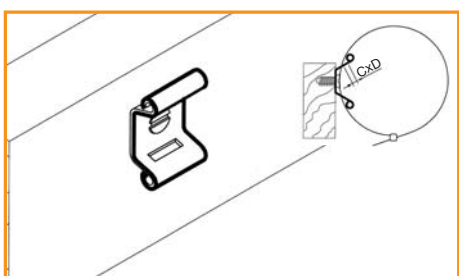
Code	Ref.	Ø D mm.	Kg.		€/100
Acabado - Finition - Finishing - Endverarbeitung : SINARD					
1001354050	280 DT	18-22	7	100	
1001354150	281 DT	22-30	7	100	
1001354250	282 DT	30-35	7	100	



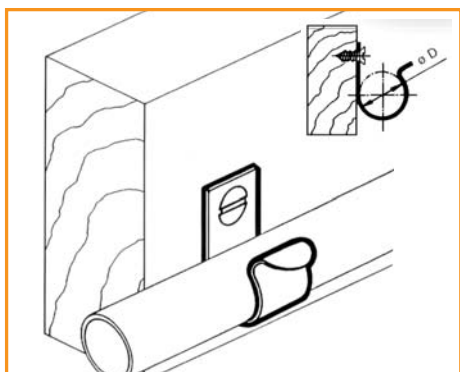
Code	Ref.	C x D	Kg.		€/100
Fosfatado al cinc - Phosphatage au zinc - Zinc phosphating - Zink phosphatierung					
10013025	230	28x6,5	45	100	
Acabado - Finition - Finishing - Endverarbeitung : SINARD					
1001302550	230 DT	28x6,5	45	100	




Code	Ref.	M	Kg.		€/100
Fosfatado al cinc - Phosphatage au zinc - Zinc phosphating - Zink phosphatierung					
10013020	210	M 6	70	100	
10013021	211	M 8	70	100	
10013022	212	M 10	70	100	
Acabado - Finition - Finishing - Endverarbeitung : SINARD					
1001302050	210 DT	M 6	70	100	
1001302150	211 DT	M 8	70	100	
1001302250	212 DT	M 10	70	100	

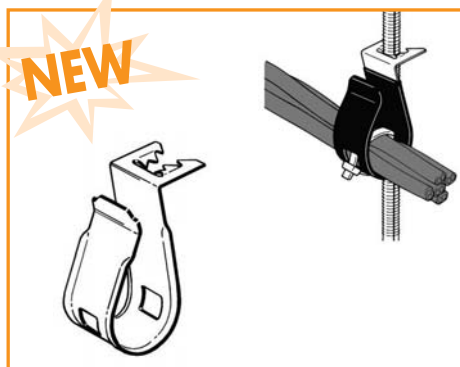



Code	Ref.	C x D	Kg.		€/100
Acabado - Finition - Finishing - Endverarbeitung : SINARD					
1001301850	250 DT	3 x 10	15	100	



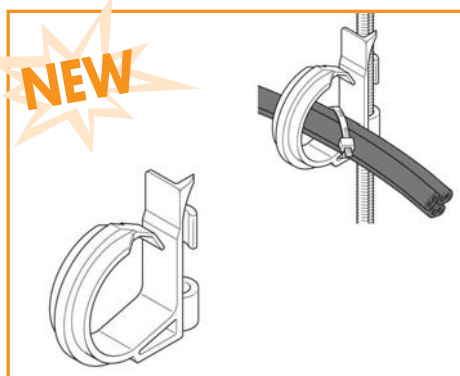
Code	Ref.	Ø D mm.		€/100
Fosfatado al cinc - Phosphatage au zinc - Zinc phosphating - Zink phosphatierung				
10013032	310.1	12-14	100	
10013035	312.1	15-18	100	
10013038	314.1	19-24	100	
10013041	316.1	25-30	100	
10013043	317.1	31-35	100	
10013044	318.1	36-40	100	
10013045	319.1	41-45	100	
10013046	320.1	46-50	100	
Acabado - Finition - Finishing - Endverarbeitung : SINARD				
1001303250	310.1 DT	12-14	100	
1001303550	312.1 DT	15-18	100	
1001303850	314.1 DT	19-24	100	
1001304150	316.1 DT	25-30	100	
1001304350	317.1 DT	31-35	100	
1001304450	318.1 DT	36-40	100	
1001304550	319.1 DT	41-45	100	
1001304650	320.1 DT	46-50	100	


Fijaciones para varilla roscada / Fixations pour tige fileté
Fixings for threaded rod / Befestigungen für Gewindestangen:



Code	Ref.	Ø (mm)	Varilla Rod	Kgs.	Acabado		€/100
10013625	FH6B	25	M6	3	D	50	
10013626	FH8B	25	M8	3	D	50	
10013627	FH9B	25	M10	3	D	50	

D: Dacromet

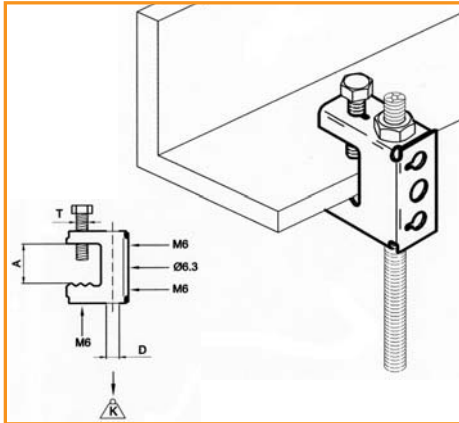


Code	Ref.	Varilla Rod	Material		€/100
10013628	HT45-W3	M8/M10	PP	10	

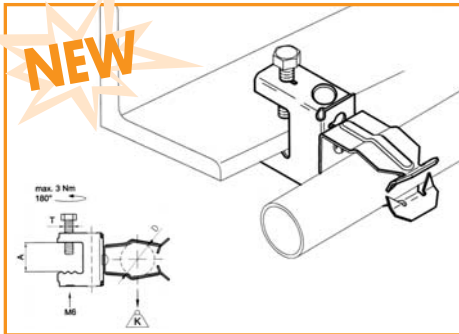
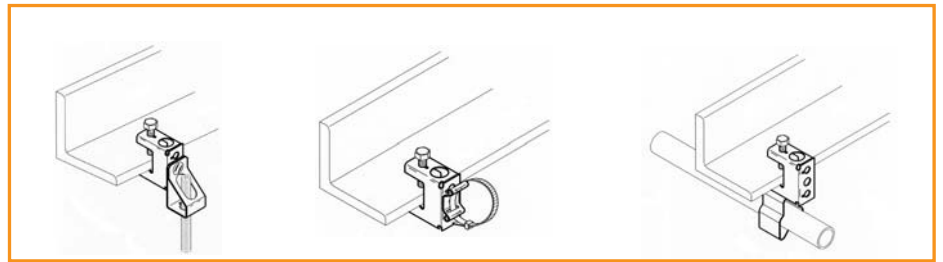
PP: Polipropileno / Polypropylène / Polypropylene / Polypropylen

MORDAZAS - CRAMPONS - BEAM CLAMP - TRÄGERKLAMMER

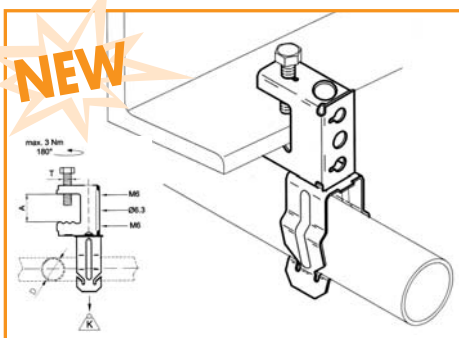
- Elija la mordaza más adecuada a sus necesidades de instalación:
- Choisissez la crampon le plus adéquat à vos besoins d'installation:
- Choose the best clamp for your installation requirements:
- Wählen Sie die Trägerklammer, die sich am Besten an Ihren Installationsbedarf anpassen:



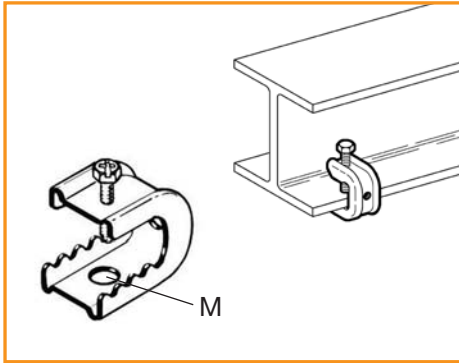
Code	Ref.	D	T	A mm.	Kg.		€/100
Acabado - Finition - Finishing - Endverarbeitung : SINARD							
1001365050	130-DT	10'7	M6	≤16	45	100	




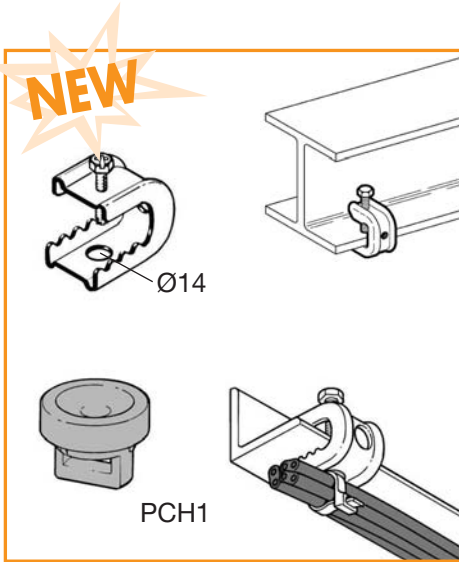
Code	Ref.	T	A mm.	Ø D mm.	Kg.		€/100
Acabado - Finition - Finishing - Endverarbeitung : SINARD							
1001357950	131-280 H DT	M6	≤16	18-22	7	100	
1001358050	131-281 H DT	M6	≤16	22-30	7	100	
1001358150	131-282 H DT	M6	≤16	30-35	7	100	




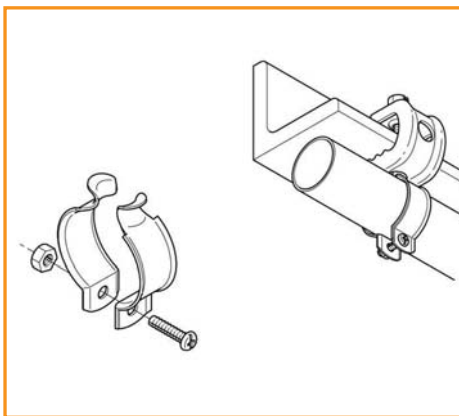
Code	Ref.	T	A mm.	Ø D mm.	Kg.		€/100
Acabado - Finition - Finishing - Endverarbeitung : SINARD							
1001358250	131-280 V DT	M6	≤16	18-22	11	100	
1001358350	131-281 V DT	M6	≤16	22-30	11	100	
1001358450	131-282 V DT	M6	≤16	30-35	11	100	




Code	Ref.	ThickNess beam (mm)	Varilla Rod	Kgs.	Finishing		€/100
10013610	PH1ST-M10	3~12	M10	40	EG	20	
10013611	PH1T-M10	3~16	M10	40	EG	20	
10013612	PH1WT-M10	9~24	M10	40	EG	20	
10013613	PH2WT-M10	17~32	M10	40	EG	20	
10013614	2W8	5~32	M8	40	EG	20	
10013615	2W6	5~32	M6	40	EG	20	

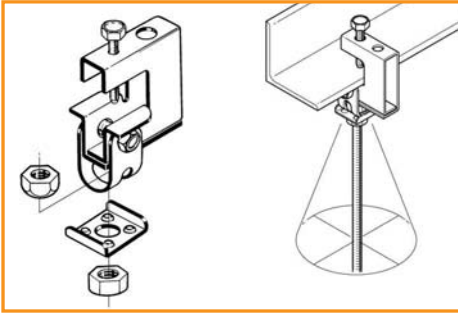



Code	Ref.	ThickNess beam (mm)	Ø	Kgs.	Finishing		€/100
10013616	PH	3~16	14	40	EG	20	
10013617	PH1W	9~24	14	40	EG	20	
10013618	PH2W	17~32	14	40	EG	20	
Elemento para combinar con la gama PH / Élément à combiner avec la gamme PH Element for combining with the PH range / Element zur Kombination mit der Serie PH							
10013619	PCH1		14		N	20	

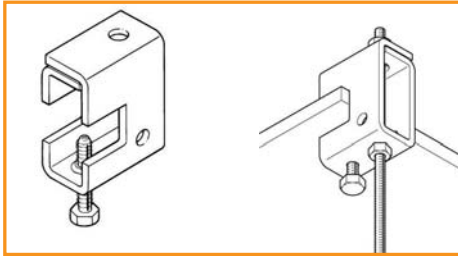



Code	Ref.	Ø (mm)	Kgs.	Finishing		€/100
Elemento para combinar con la gama PH / Élément à combiner avec la gamme PH Element for combining with the PH range / Element zur Kombination mit der Serie PH						
10013620	15C	15	15	HDG/EG	20	
10013621	19C	20	15	HDG/EG	20	
10013622	25C22C	20~25	15	HDG/EG	20	

EG: Bicromatado / Bichromaté / Bichromated / Bichromatiert
 HDG: Galvanizado en caliente / Galvanisé à chaud / Hot dip galvanised / Heißverzinkt
 N: Nylon

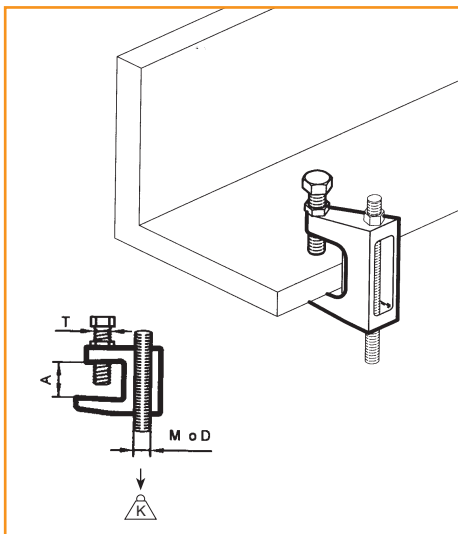



Code	Ref.	ThickNess beam (mm)	Varilla Rod	Kgs.	Finishing		€/100
10013623	HB1S-M10 (W3)	3~20	M10	60	EG	50	



Code	Ref.	ThickNess beam (mm)	Varilla Rod	Kgs.	Finishing		€/100
10013624	HB50P	5~30	M10	500	EG	50	

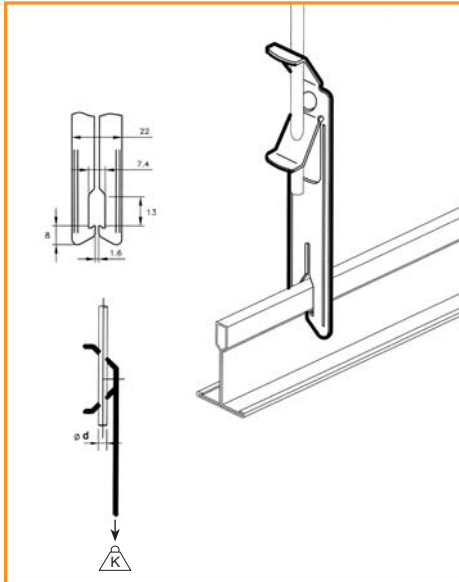
EG: Bicromatado / Bichromaté / Bichromated / Bichromatiert



Code	Ref.	M D	T	A mm.	Kg.		€/100
10013600	M6 T8	M6	M8	≤18	120	50	
10013601	D7 T8	D7	M8	≤18	120	50	
10013602	M6 T10	M6	M10	≤23	250	50	
10013603	D7 T10	D7	M10	≤23	250	50	
10013180	M8 T8	M8	M8	≤18	120	50	
10013181	D9 T8	D9	M8	≤18	120	50	
10013182	M8 T10	M8	M10	≤23	250	50	
10013183	D9 T10	D9	M10	≤23	250	50	
10013184	M10 T10	M10	M10	≤20	250	50	
10013185	D11 T10	D11	M10	≤20	250	50	
10013186	M12 T10	M12	M10	≤26	350	50	
10013187	D13 T10	D13	M10	≤26	350	50	
10013604	M16 T12	M16	M12	≤28	550	50	
10013605	D17 T12	D17	M12	≤28	550	50	

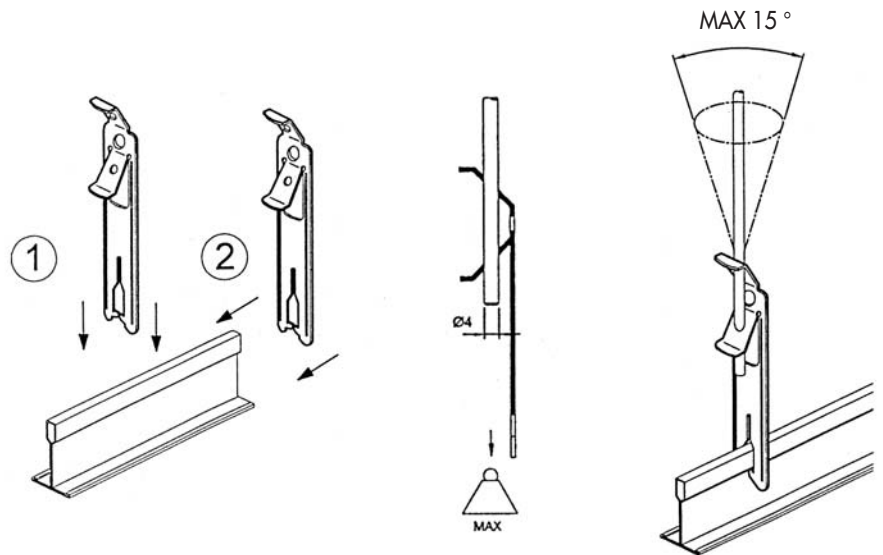
FIJACIONES PARA PERFILES DE FALSOS TECHOS - FIXATION POUR FAUX-PLAFONDS
FIXATION FOR CEILINGS - FIXIERUNG FÜR ZWISCHENDECKENPROFILE

CARGAS LIGERAS - CHARGES LÈGERES - LIGHT DUTY - LEICHTE LASTEN

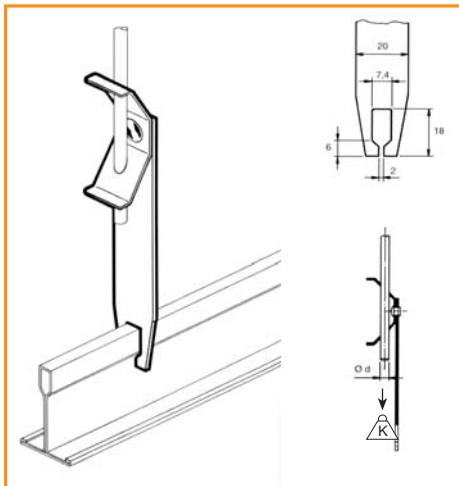


Code	Ref.	Ø D mm.	Kg.		€/100
Acabado - Finition - Finishing - Endverarbeitung : SINARD					
1001323050	260 DT	4	15	100	

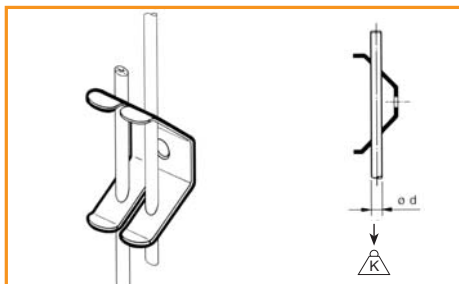
MONTAJE - MONTAGE - INSTALLATION - MONTAGE:



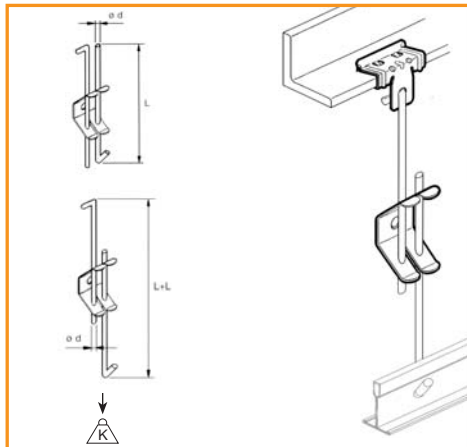
CARGAS PESADAS - CHARGES LOURDES - HEAVY DUTY - SCHWERE LASTEN



Code	Ref.	Ø D mm.	Kg.		€/100
Fosfatado al cinc - Phosphatage au zinc - Zinc phosphating - Zink phosphatierung					
10013256	1122-220	4	60	100	
10013257	1122-221	6	60	100	
Acabado - Finition - Finishing - Endverarbeitung : SINARD					
1001325650	1122-220 DT	4	60	100	
1001325750	1122-221 DT	6	60	100	



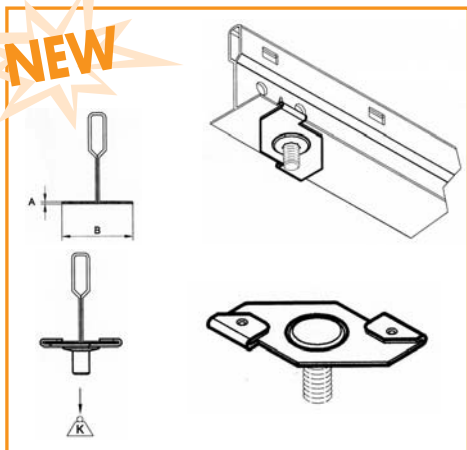
Code	Ref.	Ø D mm.	Kg.		€/100
Acabado - Finition - Finishing - Endverarbeitung : SINARD					
1001326450	240 DT	4	30	100	
1001326550	241 DT	6	30	100	



Code	Ref.	Ø D mm.	L mm.	L + L mm.	Kg.		€/100
Acabado - Finition - Finishing - Endverarbeitung : SINARD							
10013451	240 DT-640	4	180	150-300	30	100	
10013454	240 DT-643	4	330	300-600	30	100	
10013460	240 DT-649	4	630	600-1200	30	100	
10013464	240 DT-653	4	830	800-1500	30	100	
10013468	240 DT-657	4	1030	1000-2000	30	100	

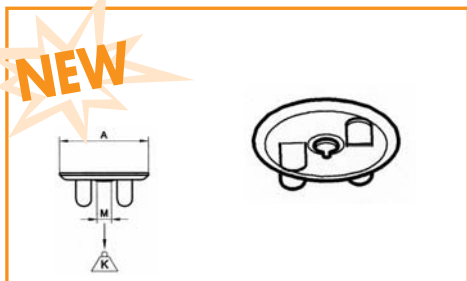
Conjunto premontado - Ensemble pré-monté - Preeassembled set - Vormontierter Satz.

NEW



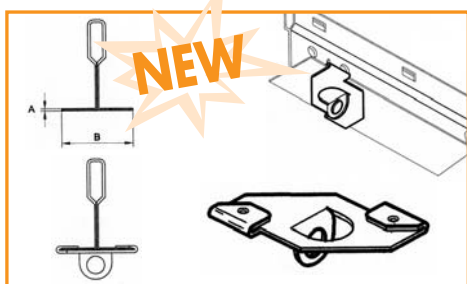
Code	Ref.	B mm.	A mm.	M6 x L	Kg.		€/100
Acabado - Finition - Finishing - Endverarbeitung : SINARD							
1001367150	140 T-9 DT	25	1'5	M6 x 9	20	100	
1001367250	140 T-16 DT	25	1'5	M6 x 16	20	100	
1001367350	140 T-25 DT	25	1'5	M6 x 25	20	100	
Lacado blanco - Laqué blanc - White lacquer - Weisslackiert							
1001367190	140 T-9 L	25	1'5	M6 x 9	20	100	
1001367290	140 T-16 L	25	1'5	M6 x 16	20	100	
1001367390	140 T-25 L	25	1'5	M6 x 25	20	100	

NEW

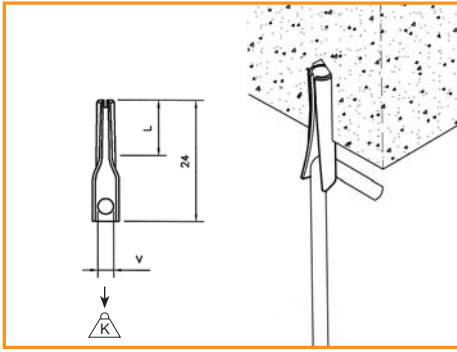



Code	Ref.	M	Kg.		€/100
Acabado - Finition - Finishing - Endverarbeitung : SINARD					
1001367450	290 DT	M6	20	100	

NEW

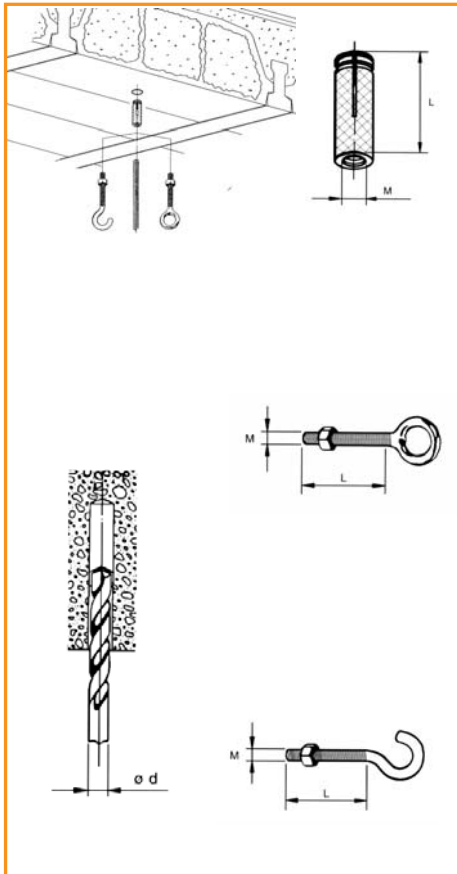
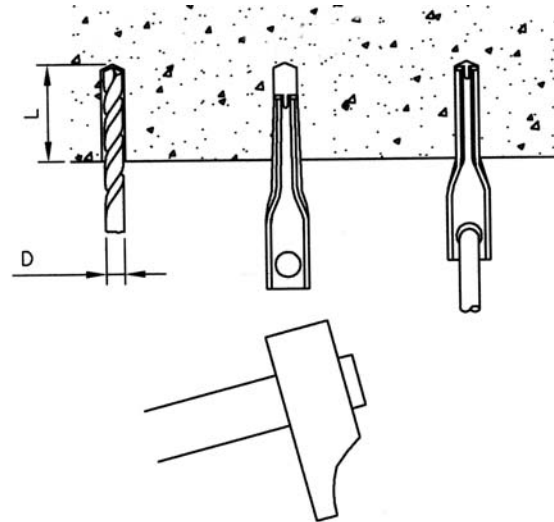



Code	Ref.	B mm.	A mm.	Ø	Kg.		€/100
Acabado - Finition - Finishing - Endverarbeitung : SINARD							
1001367550	141 DT	25	1'5	Ø 7	20	100	
Lacado blanco - Laqué blanc - White lacquer - Weisslackiert							
1001367590	141 L	25	1'5	Ø 7	20	100	





Code	Ref.	Ø V mm.	Prof. min. anclaje "L" mm.	Ø D mm.	Kg.		€/100
10013530	270	4	20	8	40	100	

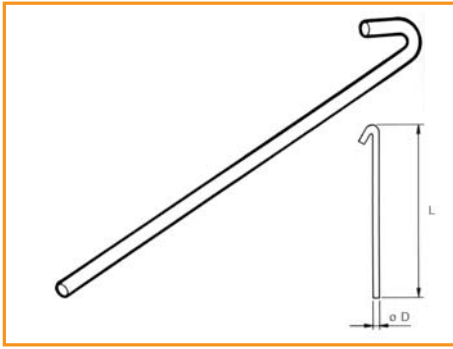
MONTAJE - MONTAGE - INSTALLATION - MONTAGE:




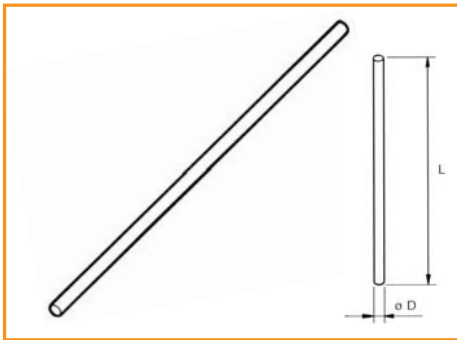
Code	Ref.	M	L mm.	Ø D mm.		€/100
10013469	660	6	23	8	100	
10013470	661	8	28	10	100	
10013471	662	10	33	12	50	


Code	Ref.	M	L mm.		€/100
10013472	670	6	50	100	
10013473	671	8	60	100	
10013474	672	10	70	50	

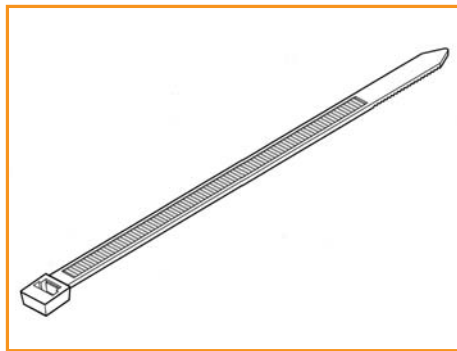
Code	Ref.	M	L mm.		€/100
10013475	680	6	50	100	
10013476	681	8	60	100	
10013477	682	10	70	50	




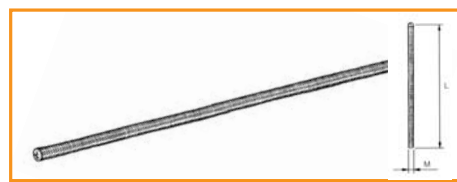
Code	Ref.	ø D mm.	L mm.		€/100
10013433	640	4	180	50	
10013436	643	4	330	50	
10013442	649	4	630	50	
10013446	653	4	830	50	
10013450	657	4	1030	50	




Code	Ref.	ø D mm.	L mm.		€/100
10013430	630	4	1000	25	
10013431	631	6	1000	25	




Código	Ref.	Medidas mm.	Color		€/100
10013510	Brida 180	7,8 x 180	Negro	100	
10013511	Brida 360	7,8 x 365	Negro	100	




Code	Ref.	M	L mm.		€/100
10013421	600	M 6	1000	25	
10013422	601	M 8	1000	25	
10013423	602	M 10	1000	25	



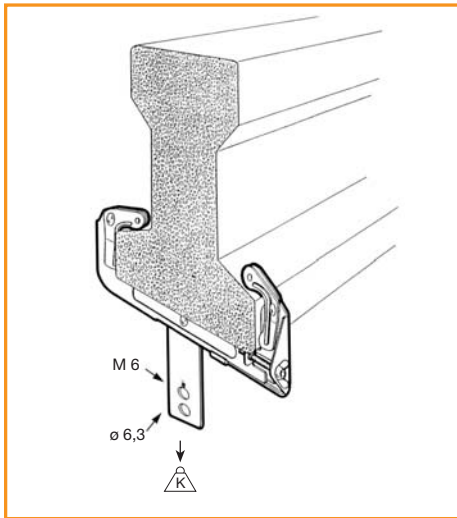
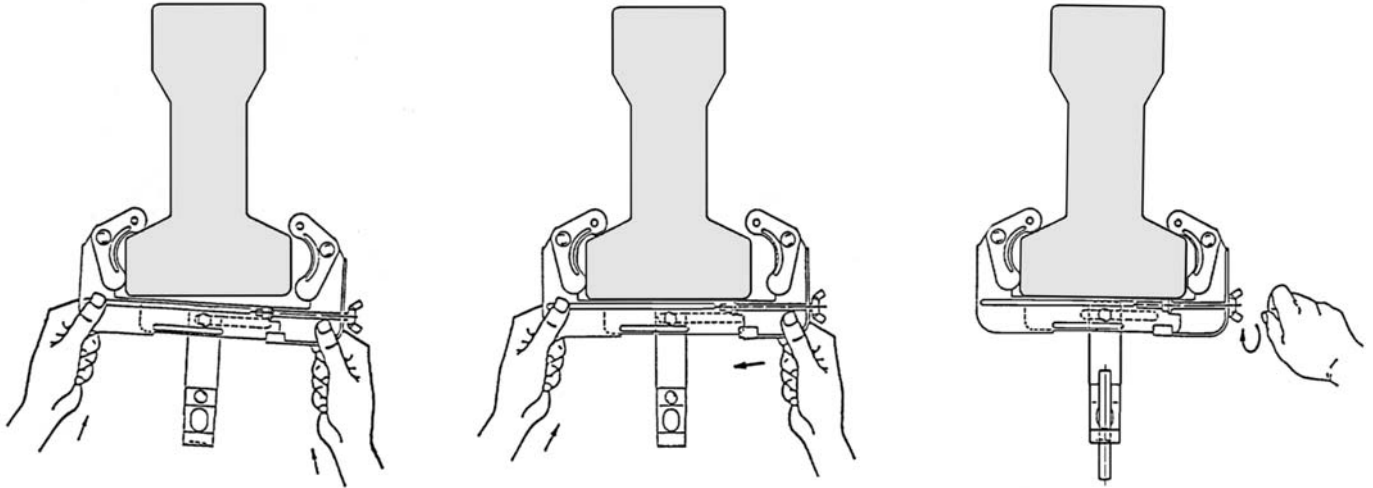
Code	Ref.	M	L mm.		€/100
10013424	610	M 6	60	25	
10013425	611	M 8	60	25	
10013426	612	M 10	60	25	




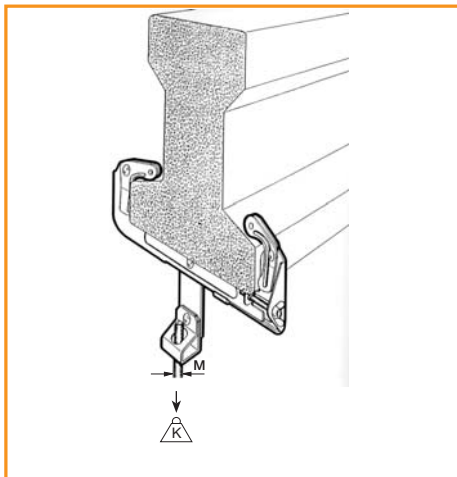
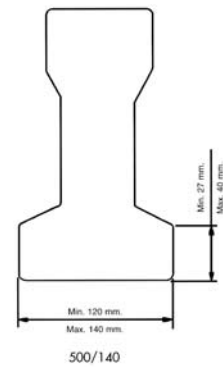
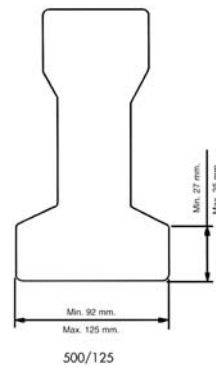
Code	Ref.	M	L mm.		€/100
10013427	620	M 6	20	25	
10013428	621	M 8	25	25	
10013429	622	M 10	30	25	


SOPORTE PARA VIGAS DE HORMIGÓN - SUPPORT POUR POUTRE EN BETÓN
CONCRETE BEAM SUPPORT - STÜTZE FÜR BETONBALKEN

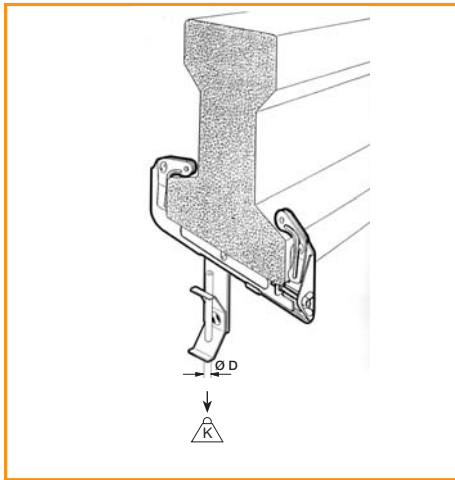
MONTAJE - MONTAGE - INSTALLATION - MONTAGE:



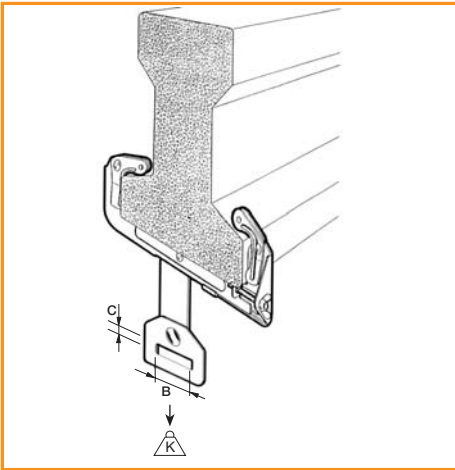
Code	Ref.	Kg.		€/100
10013267	500/125	90	50	
10013282	500/140	90	50	




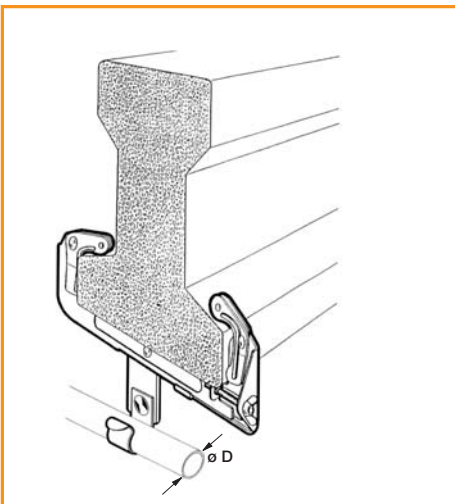
Code	Ref.	M	Kg.		€/100
10013268	500-210/125	M 6	70	50	
10013283	500-210/140	M 6	70	50	
10013269	500-211/125	M 8	70	50	
10013284	500-211/140	M 8	70	50	
10013270	500-212/125	M 10	70	50	
10013285	500-212/140	M 10	70	50	



Code	Ref.	Ø D mm.	Kg.		€/100
10013271	500-220/125	4	60	50	
10013286	500-220/140	4	60	50	
10013272	500-221/125	6	60	50	
10013287	500-221/140	6	60	50	



Code	Ref.	B x C	Kg.		€/100
10013273	500-230/125	28 x 6,5	45	50	
10013288	500-230/140	28 x 6,5	45	50	



Code	Ref.	Ø D mm.		€/100
10013274	500-310.1/125	12-14	50	
10013289	500-310.1/140	12-14	50	
10013275	500-312.1/125	15-18	50	
10013290	500-312.1/140	15-18	50	
10013276	500-314.1/125	19-24	50	
10013291	500-314.1/140	19-24	50	
10013277	500-316.1/125	25-30	50	
10013292	500-316.1/140	25-30	50	
10013278	500-317.1/125	31-35	50	
10013293	500-317.1/140	31-35	50	
10013279	500-318.1/125	36-40	50	
10013294	500-318.1/140	36-40	50	
10013280	500-319.1/125	41-45	50	
10013295	500-319.1/140	41-45	50	
10013281	500-320.1/125	46-50	50	
10013296	500-320.1/140	46-50	50	