

www.hsflamingo.com



 **AQUAFLAM**[®]

Aquaflam

Wood boiler stoves and fireplace inserts

choose your colour...

black

grey



brown - velvet

cream



Easy to connect

Water tapplings from both sides + 2 outputs for connecting sensors



Firebrick-free technology

Due to the absence of a fire-brick lining, there is a better transfer of heat to the exchanger.



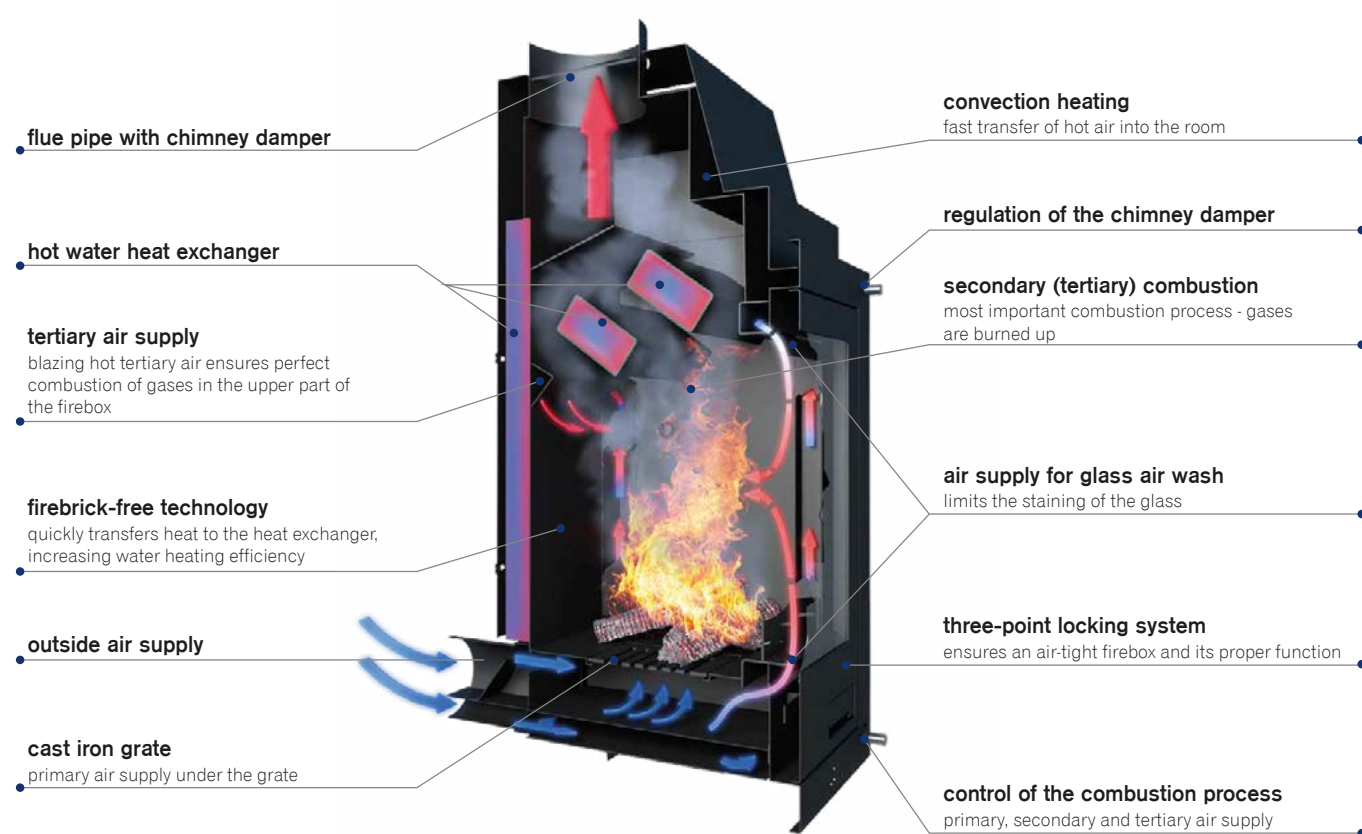
Air supply damper

Damper for regulating air supply / 3 regulation options available



AQUAFLAM boiler stoves and fireplace inserts
meet the strictest European standards: BImSchV – Stufe 2, Ecodesign

Technical cross section Aquaflam ®



 **eco design**



Aquaflam

High quality boiler stoves and fireplace inserts

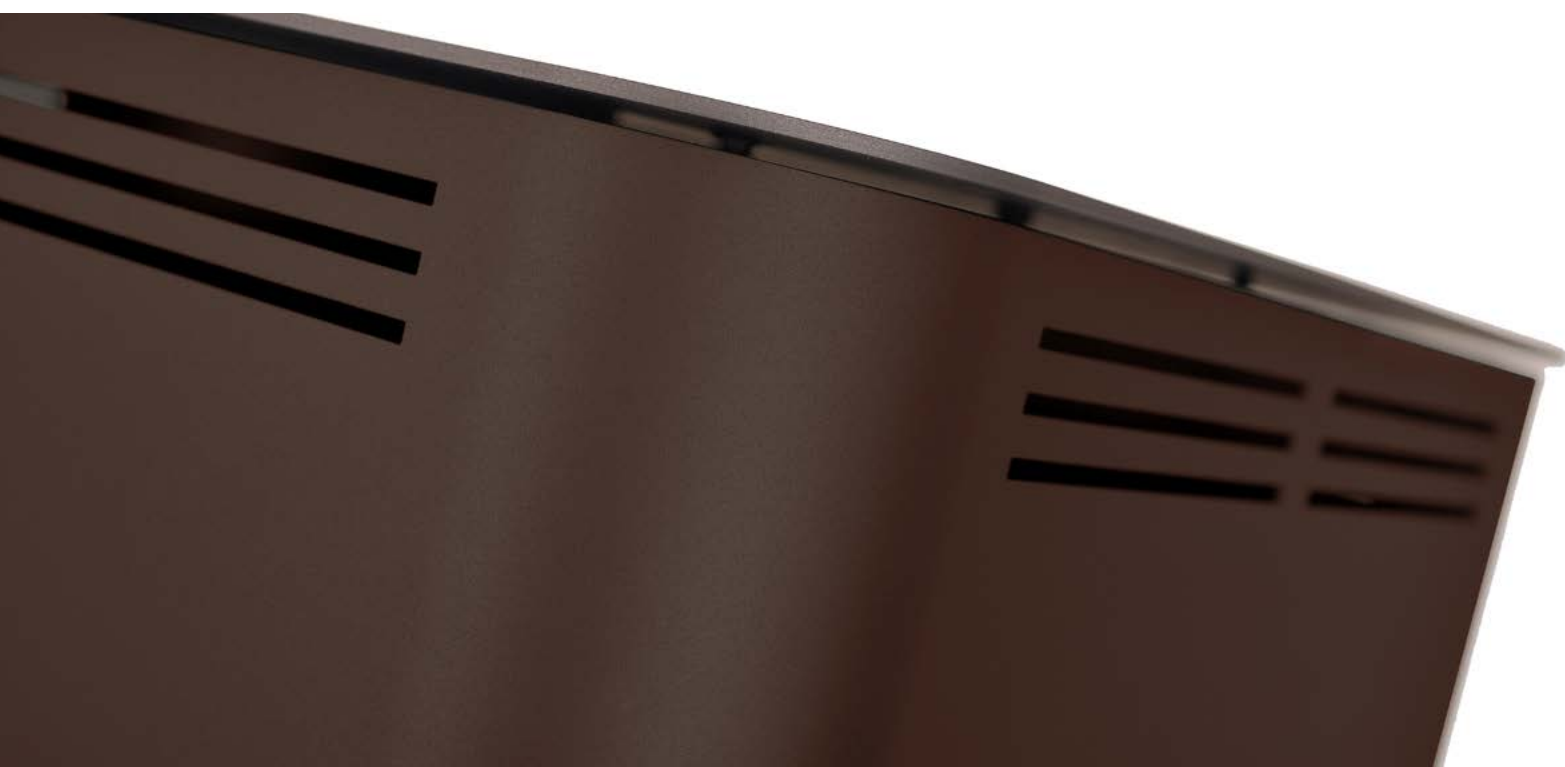
Secondary combustion

ensures clean glass and perfect combustion of gases thanks to a special supply for secondary and tertiary air

Primary air supply

basic supply that is necessary when making the fire and which comes in under the grate

- 1 Cleanless of glass is ensured by the dual air wash
- 2 The glass is supplied by Germany's largest manufacturer
- 3 Prismatic, panoramic glass is manufactured from a single piece
- 4 Types of glass: flat, panoramic, prismatic



fireplace boiler insert

aquaflam 7



Clean Burning



technical parameters

7 kW

Nominal power kW	7
Nominal power into water kW	5
Nominal power range kW	3 - 10
Power into water range kW	3 - 7
Stove efficiency %	79.1
Operation draught Pa	12
Smoke flue diameter mm	160
Log length cm	35
Heating value m ³	60 - 200
Weight kg	130
CO emissions (at 13% O ₂) %	0.1
Average flue gas temperature °C	247
Maximum operating pressure bar	2.5
Warranty	5 years

panoramic - curved glass

prismatic - bent glass



stand aquaflam 7

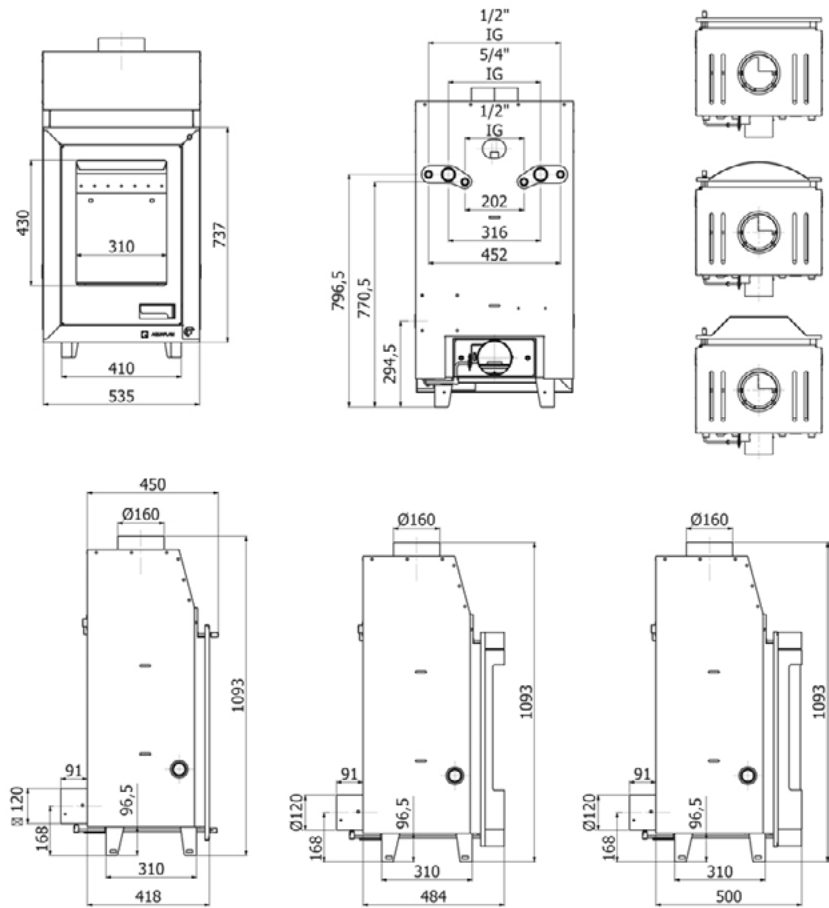


- + Primary, secondary and tertiary air supply
- + Secondary - perfect combustion
- + Dual air wash
- + Glass wash - glass is always clean
- + Option to connect air from the outside
- + Demountable frame before installation
- + Regulation (manual/electronic/automatic)
- + Ashtray
- + Extra long life gasket cord

flat

produced by HS Flamingo s.r.o.

www.hsflamingo.com



fireplace boiler insert



aquaflam 12



Clean Burning



technical parameters

12 kW

Nominal power kW	12
Nominal power into water kW	10
Nominal power range kW	8 - 16
Power into water range kW	8 - 12
Stove efficiency %	79.1
Operation draught Pa	12
Smoke flue diameter mm	160
Log length cm	35
Heating value m ³	160 - 320
Weight kg	136
CO emissions (at 13% O ₂) %	0.1
Average flue gas temperature °C	247
Maximum operating pressure bar	2.5
Warranty	5 years

panoramic - curved glass

prismatic - bent glass



stand aquaflam 12

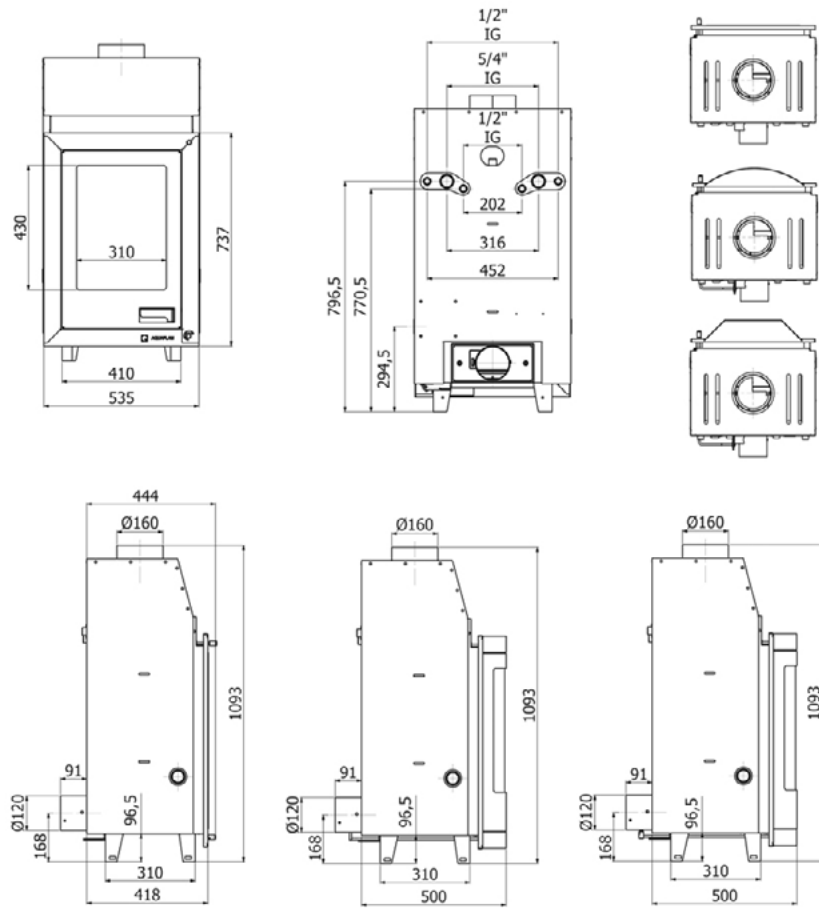


- + Primary, secondary and tertiary air supply
- + Secondary - perfect combustion
- + Dual air wash
- + Glass wash - glass is always clean
- + Option to connect air from the outside
- + Demountable frame before installation
- + Regulation (manual/electronic/automatic)
- + Ashtray
- + Extra long life gasket cord

flat

produced by HS Flamingo s.r.o.

www.hsflamingo.com



fireplace boiler insert

aquaflam 17



Clean Burning



technical parameters

17 kW

Nominal power kW	17
Nominal power into water kW	14
Nominal power range kW	13 - 21
Power into water range kW	12 - 16
Stove efficiency %	79
Operation draught Pa	12
Smoke flue diameter mm	180
Log lenght cm	45
Heating value m ³	260 - 420
Weight kg	151
CO emissions (at 13% O ₂) %	0.1
Average flue gas temperature °C	255
Maximum operating pressure bar	2.5
Warranty	5 years

panoramic - curved glass
prismatic - bent glass



stand aquaflam 17

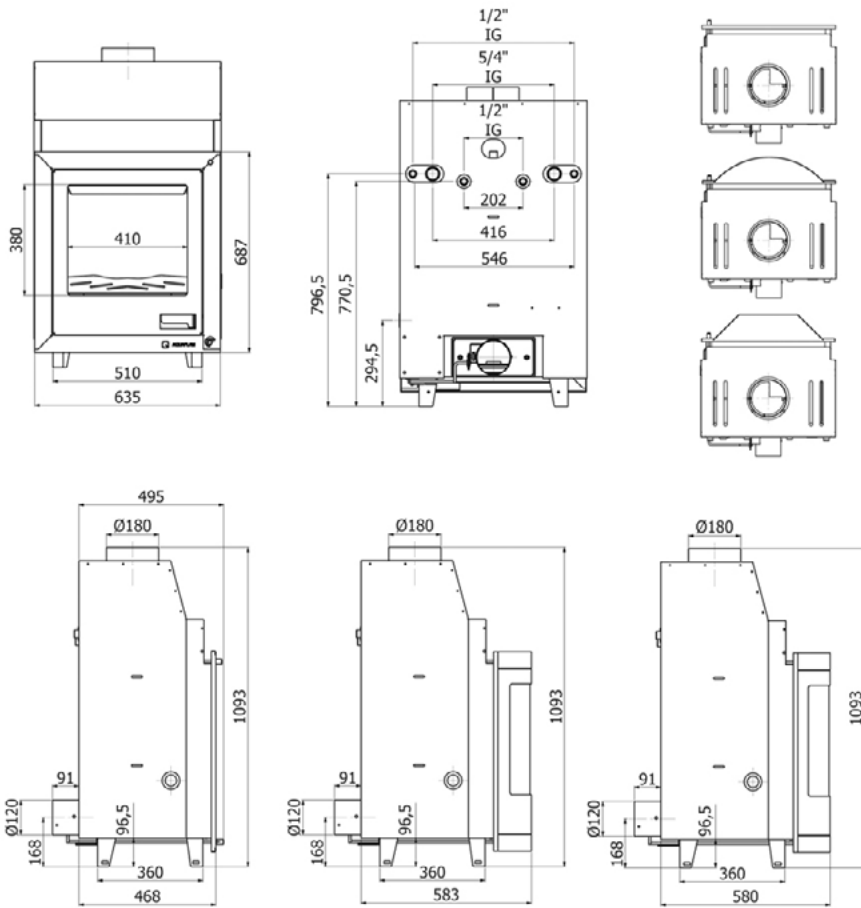


- + Primary, secondary and tertiary air supply
- + Secondary - perfect combustion
- + Dual air wash
- + Glass wash - glass is always clean
- + Option to connect air from the outside
- + Demountable frame before installation
- + Regulation (manual/electronic/automatic)
- + Ashtray
- + Extra long life gasket cord

flat

produced by HS Flamingo s.r.o.

www.hsflamingo.com



fireplace boiler insert



aquaflam 25



Clean Burning



technical parameters

25 kW

Nominal power kW	25
Nominal power into water kW	21
Nominal power range kW	21 - 30
Power into water range kW	19 - 23
Stove efficiency %	78
Operation draught Pa	12
Smoke flue diameter mm	180
Log length cm	55
Heating value m ³	420 - 600
Weight kg	214
CO emissions (at 13% O ₂) %	0.1
Average flue gas temperature °C	278
Maximum operating pressure bar	2.5
Warranty	5 years

panoramic - curved glass
prismatic - bent glass



stand aquaflam 25

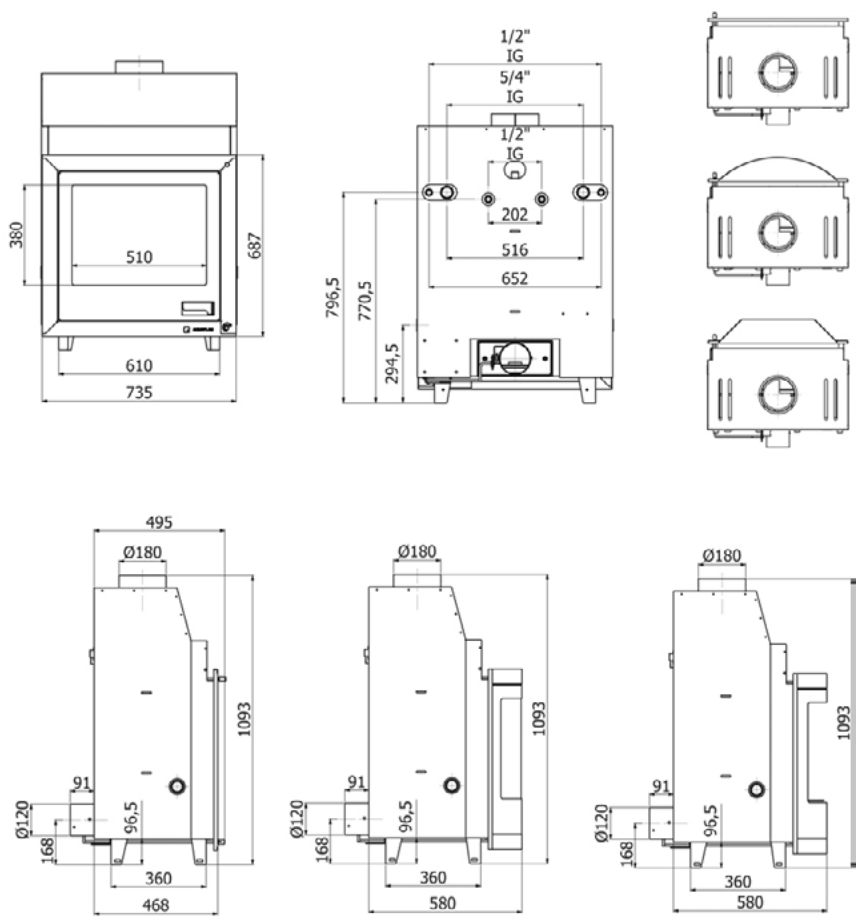


- + Primary, secondary and tertiary air supply
- + Secondary - perfect combustion
- + Dual air wash
- + Glass wash - glass is always clean
- + Option to connect air from the outside
- + Demountable frame before installation
- + Regulation (manual/electronic/automatic)
- + Ashtray
- + Extra long life gasket cord

flat

produced by HS Flamingo s.r.o.

www.hsflamingo.com





AQUAFLAM[®]



Advantages of Aquaflam inserts:

- heat output options (kW): 7 | 12 | 17 | 25
- effective double glass air wash using preheated air
- secondary combustion
- outdoor air supply (primary, secondary and tertiary air supply)
- fire-brick-free technology (larger-area heat transfer to heat exchanger)
- a cooling loop in all options
- glazing types: straight, panoramic, prismatic (bent)
- flap for regulating chimney draught
- the inserts meet the most stringent CE norms
- 5-year warranty

HS Flamingo[®]

Manufactured at HS Flamingo s.r.o.,
třída Osvobození 65,
CZ - 550 01 Broumov, Czech Republic

tel.: +420 491 422 647, fax: +420 491 521 140
e-mail: export@hsflamingo.cz, www.hsflamingo.cz



Wood boiler stoves and inserts

Aquaflam

Today, a hot water heating system is becoming an increasingly popular heating method by which a fireplace can be used for heating the entire house. An Aquaflam wood stove or insert will provide you with effective heating of the entire house while unlocking the magic of a flickering flame directly in your living room.



wood boiler stove

aquaflam 7



Clean Burning



technical parameters

7 kW

Nominal power kW	7
Nominal power into water kW	5
Nominal power range kW	3 - 10
Power into water range kW	3 - 7
Stove efficiency %	79.1
Operation draught Pa	12
Smoke flue diameter mm	160
Log length cm	35
Heating value m ³	60 - 200
Weight kg	165
CO emissions (at 13% O ₂) %	0.1
Average flue gas temperature °C	247
Maximum operating pressure bar	2.5
Warranty	5 years

- + Primary, secondary and tertiary air supply
- + Secondary - perfect combustion
- + Dual air wash
- + Glass wash - glass is always clean
- + Option to connect air from the outside
- + Demountable frame before installation
- + Regulation (manual/electronic/automatic)
- + Ashtray
- + Extra long life gasket cord

black

cream

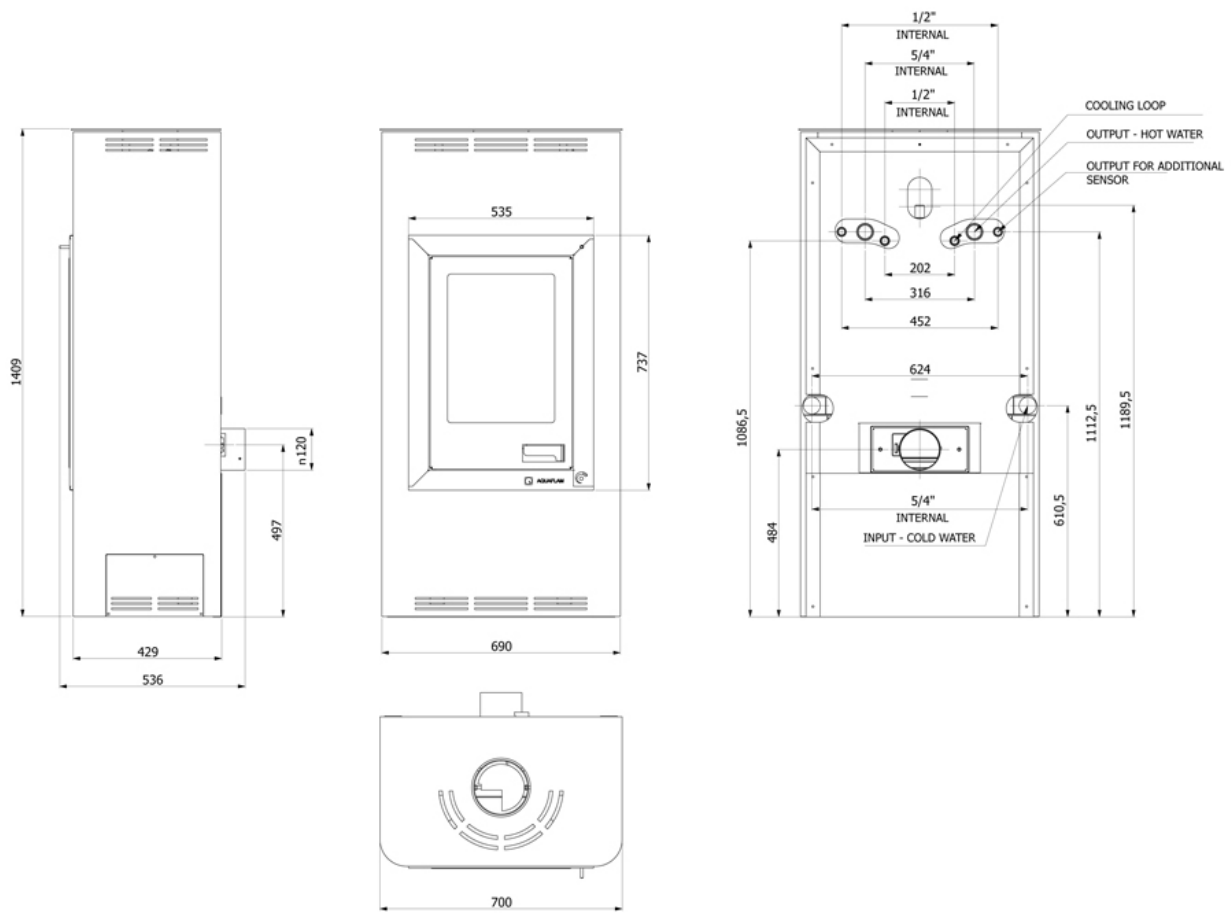
brown - velvet



grey

produced by HS Flamingo s.r.o.

www.hsflamingo.com



wood boiler stove



aquaflam 12



Clean Burning



technical parameters

12 kW

Nominal power kW	12
Nominal power into water kW	10
Nominal power range kW	8 - 16
Power into water range kW	8 - 12
Stove efficiency %	79.1
Operation draught Pa	12
Smoke flue diameter mm	160
Log lenght cm	35
Heating value m ³	160 - 320
Weight kg	175
CO emissions (at 13% O ₂) %	0.1
Average flue gas temperature °C	247
Maximum operating pressure bar	2.5
Warranty	5 years

- + Primary, secondary and tertiary air supply
- + Secondary - perfect combustion
- + Dual air wash
- + Glass wash - glass is always clean
- + Option to connect air from the outside
- + Demountable frame before installation
- + Regulation (manual/electronic/automatic)
- + Ashtray
- + Extra long life gasket cord

grey

black

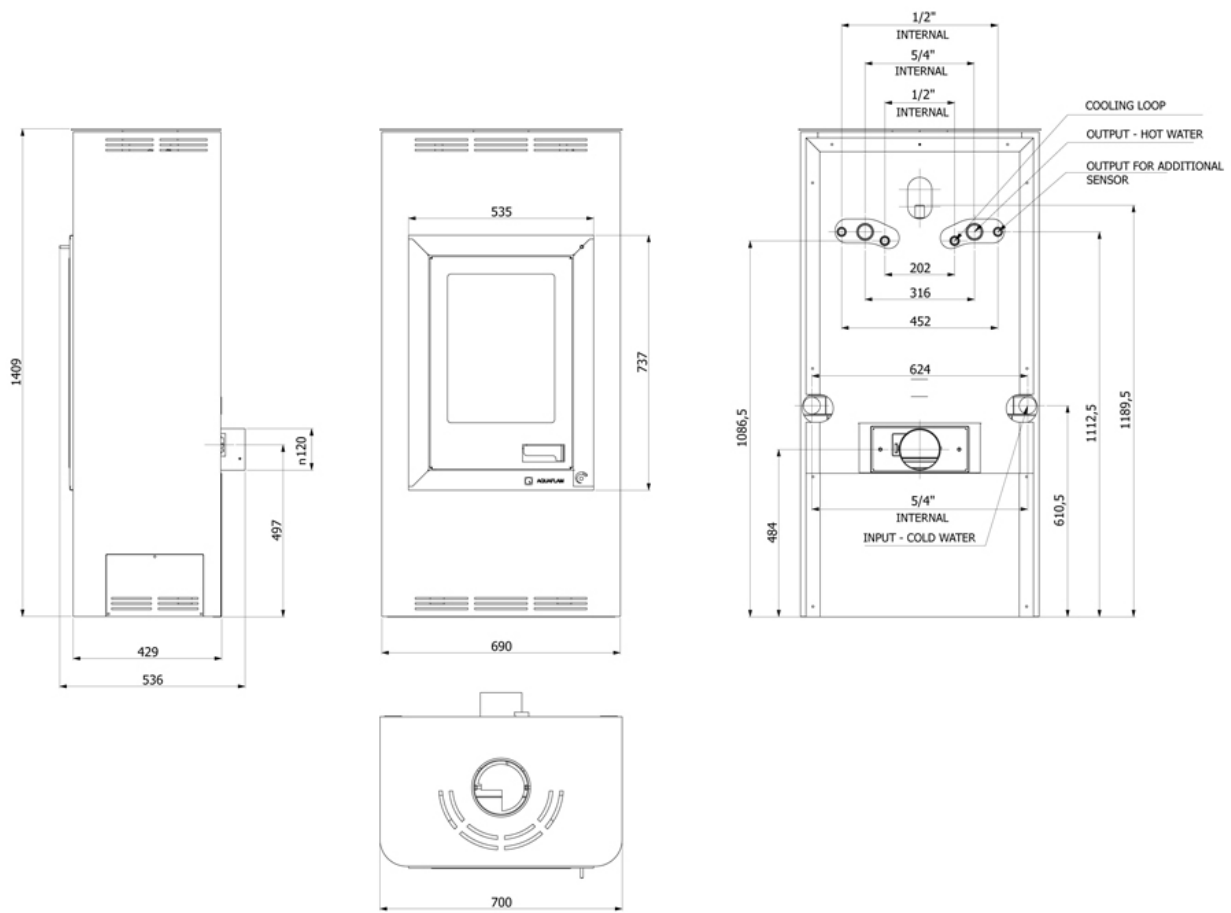
cream



brown - velvet

produced by HS Flamingo s.r.o.

www.hsflamingo.com



wood boiler stove

aquaflam 17



Clean Burning



technical parameters

17 kW

Nominal power kW	17
Nominal power into water kW	14
Nominal power range kW	13 - 21
Power into water range kW	12 - 16
Stove efficiency %	79
Operation draught Pa	12
Smoke flue diameter mm	180
Log lenght cm	45
Heating value m ³	260 - 420
Weight kg	207
CO emissions (at 13% O ₂) %	0.1
Average flue gas temperature °C	255
Maximum operating pressure bar	2.5
Warranty	5 years

- + Primary, secondary and tertiary air supply
- + Secondary - perfect combustion
- + Dual air wash
- + Glass wash - glass is always clean
- + Option to connect air from the outside
- + Demountable frame before installation
- + Regulation (manual/electronic/automatic)
- + Ashtray
- + Extra long life gasket cord

brown - velvet

grey

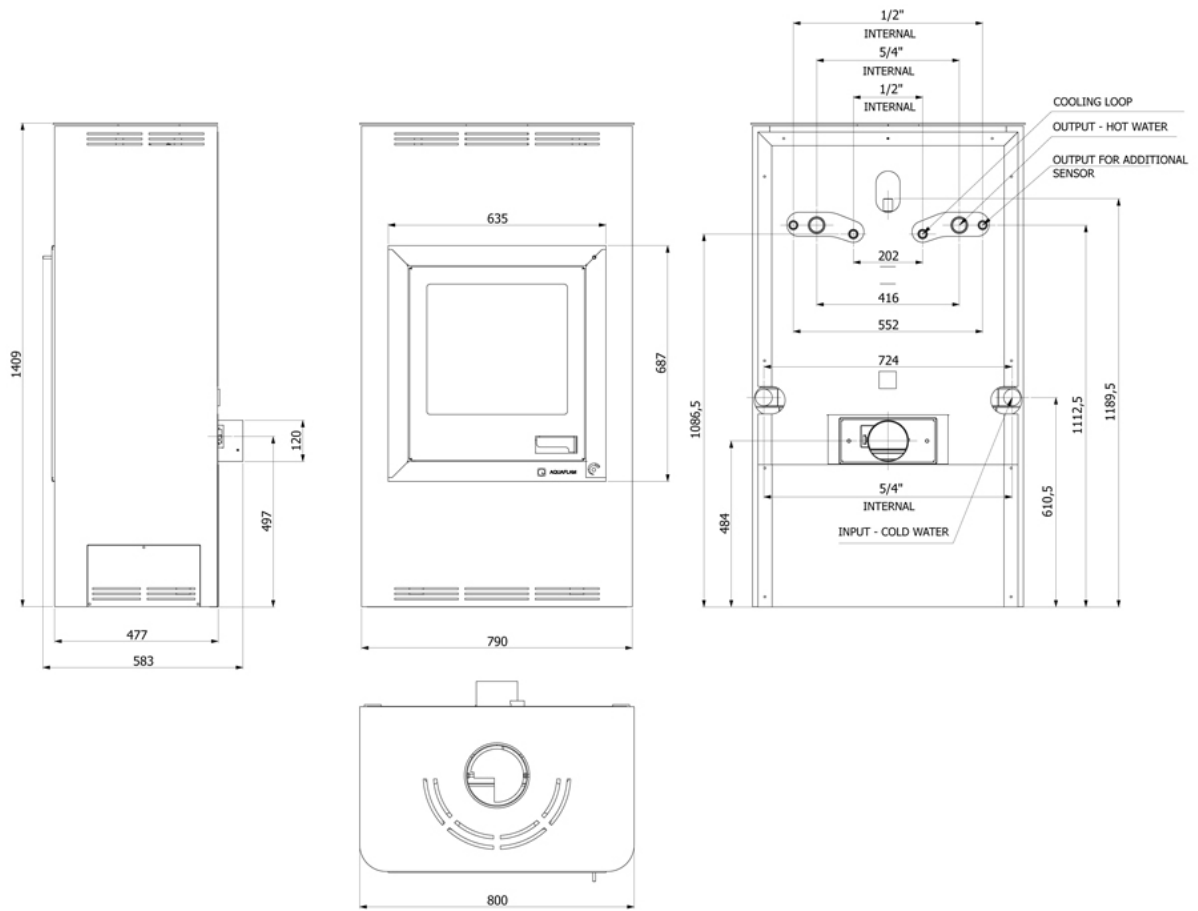
black



cream

produced by HS Flamingo s.r.o.

www.hsflamingo.com



wood boiler stove



aquaflam 25



Clean Burning



technical parameters

25 kW

Nominal power kW	25
Nominal power into water kW	21
Nominal power range kW	21 - 30
Power into water range kW	19 - 23
Stove efficiency %	78
Operation draught Pa	12
Smoke flue diameter mm	180
Log lenght cm	55
Heating value m ³	420 - 600
Weight kg	228
CO emissions (at 13% O ₂) %	0.1
Average flue gas temperature °C	278
Maximum operating pressure bar	2.5
Warranty	5 years

- + Primary, secondary and tertiary air supply
- + Secondary - perfect combustion
- + Dual air wash
- + Glass wash - glass is always clean
- + Option to connect air from the outside
- + Demountable frame before installation
- + Regulation (manual/electronic/automatic)
- + Ashtray
- + Extra long life gasket cord

cream

brown - velvet

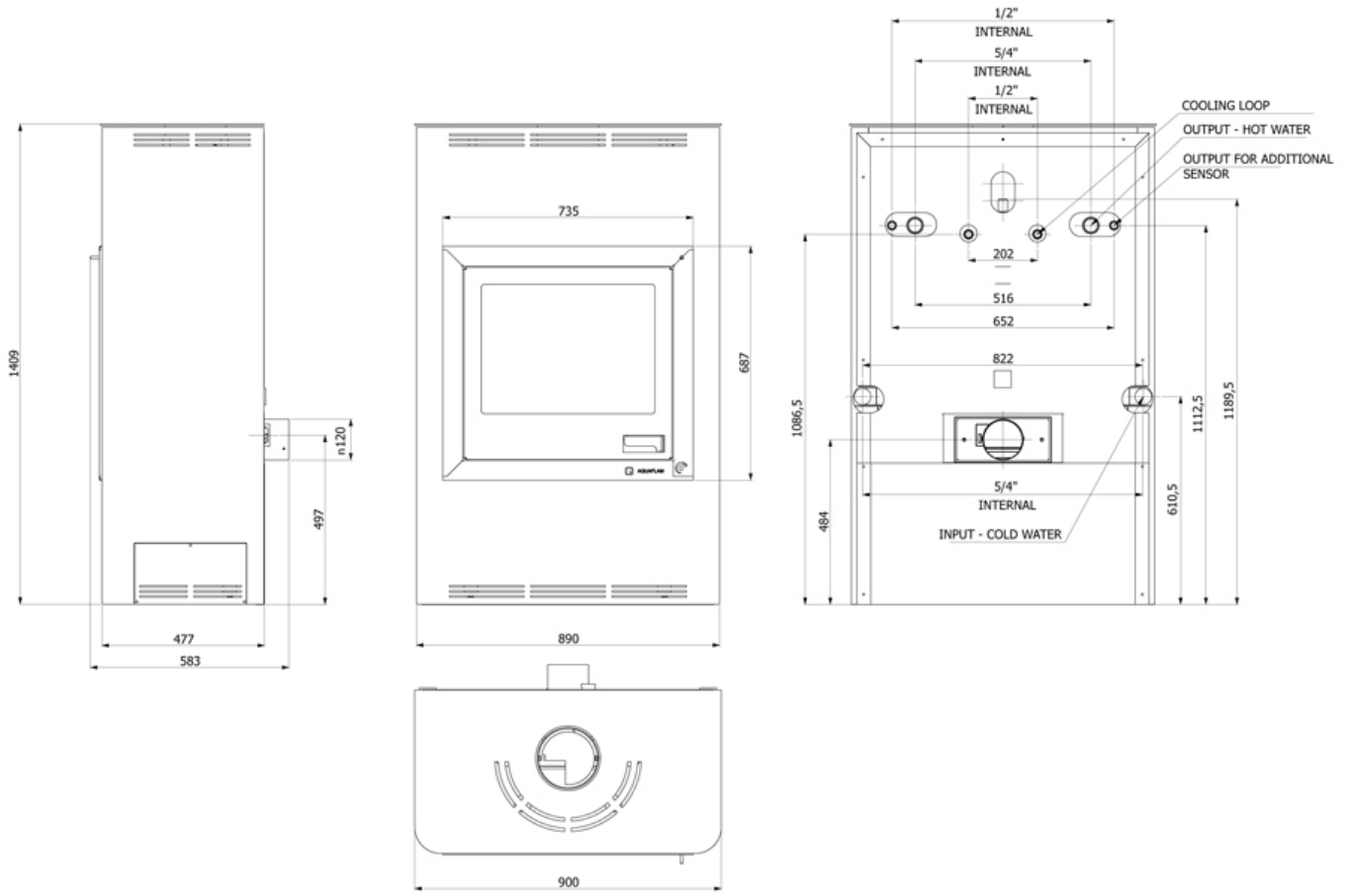
grey



black

produced by HS Flamingo s.r.o.

www.hsflamingo.com



fireplace surrounds

aquaflam

dayno



tech. parameters **7/12** **17** **25**

Dayno			
Weight kg	101,5	104,5	110
polished parts	natural polished marble DAYNO REALE		
Warranty	180		

size 7/12

size 17

size 25



fireplace surrounds

aquaflam

thassos



tech. parameters 7/12 17 25

Thassos			
Weight kg	98,5	103,5	110
polished parts	natural marble THASSOS		
	natural granite ABSOLUT BLACK		
Warranty	180		

size 7/12

size 17

size 25



Wood boiler stove and fireplace inserts

Aquaflam - safeguards

Safeguards against overheating If the temperature rises and there is a danger of overheating this will lead to an acute growth in the pressure in the exchanger. In order to avoid damaging it, we must ensure that overheating does not occur in the fireplace. We can prevent this using a safety valve, cooling loop, backup source or by the draining of water to the sewage system with a subsequent intake from the water supply system. However, if the intake of water is dependent on electricity, we recommend that you purchase a backup power source (UPS).

Safeguards gas explosions

If the damper is in the closed position it will prevent the tertiary air inlet from being completely closed. Thus, if it is completely closed, a minimal amount of air still flows into the combustion chamber. This safeguard protects the user against an explosion of the built up gasses.

Safeguards against temperature

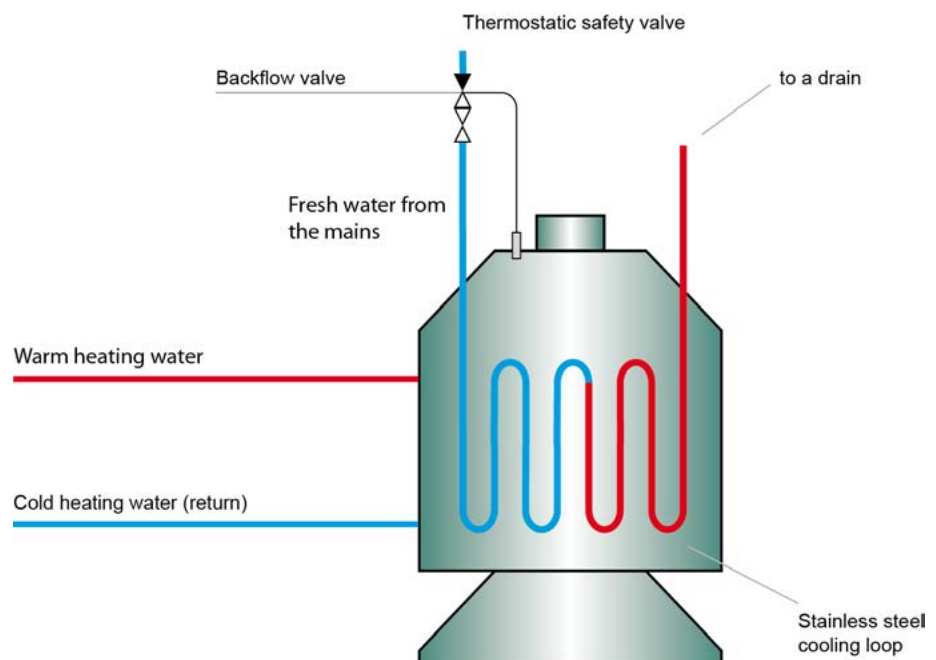
As soon as the electronic damper sensor registers an increased temperature in the heat exchanger, the damper shuts automatically and so reduces the amount of combustion air to a minimum. (Available only on models with the basic or automated regulation).

Wood boiler stoves and fireplace inserts

Aquaflam - connection

A professional installation is very important for the system to function properly and to ensure its long lifetime.

The heating system must be equipped with the prescribed elements, which will ensure safe operation. The entire system must be separated into a short and long circuit, so that the lifetime of the heat exchanger is not threatened. If the temperature of the water in system is too low, corrosion results and the lifetime of the system is reduced. Furthermore, it is necessary to secure the system against overheating. All the basic versions of the Aquaflam wood stoves have this safety element. It consists of a cooling loop, which thanks to a thermostatic valve, cools the water in the heat exchanger.





- | | |
|--|--|
| <ol style="list-style-type: none"> 1. Communication cable (for automatic control) 2. Cold heating water returning to the insert (return) 3. Warm heating water from the insert 4. Ball valve 5. Pump (recommended with backup power source) 6. Thermostatic three-way valve 7. Backflow valve 8. Safety valve 9. Bivalent heat source (electric boiler, gas boiler) | <ol style="list-style-type: none"> 10. Drain outlet for safety valve 11. Filter box 12. Inspection valve 13. Expansion vessel 14. Thermal storage tank (for heating and utility water) 15. Fresh water supply from the mains 16. Warm utility water (sink) 17. Warm heating water (radiators) 18. Cold heating water returning from radiators |
|--|--|

Automatic regulation

Automatic regulation controls the heating circuit where the source of heat is a fireplace boiler insert, or other sources. The combustion process is automatically controlled by the damper, which works together with the wall-mounted control unit. The generated heat is dissipated into the domestic hot water tank, thermal storage tank and central heating distribution. Regulation has three sensors and is able to operate three pumps. Thanks to its graphic display, you can immediately get information about the temperatures of individual sensors, whether the pumps or other source of heat are switched on. This regulation will enable you to save a lot of time regulating the insert, increase your safety and reduce fuel consumption.



- ease of user control
- graphic depiction of sensors, pumps and temperatures
- the entire heating system
- easy installation and connection
- turning other sources of heat on or off (electric / gas boiler, etc.)
- adjusting the settings for individual values using a detailed manual
- design that will match most interiors
- controls up to three pumps + three temperature sensors
- summer / winter heating mode

Basic regulation

- simple control right on the fireplace insert
- no need to connect to mains power
- safety sensor that closes the damper if overheating occurs
- all powered by longlife batteries
- audible alarm overheating



Manual regulation

- Works without electricity
- Controlled using a rod
- For those who like classic styles



full product range at www.hsflamingo.com

Vendor:



HS Flamingo s.r.o.
třída Osvobození 65, CZ - 550 01
Broumov, Czech Republic

tel.: +420 491 422 647, fax: +420 491 521 140
email: export@hsflamingo.cz

www.hsflamingo.com

Copyright © 2019 HS Flamingo s.r.o
072019