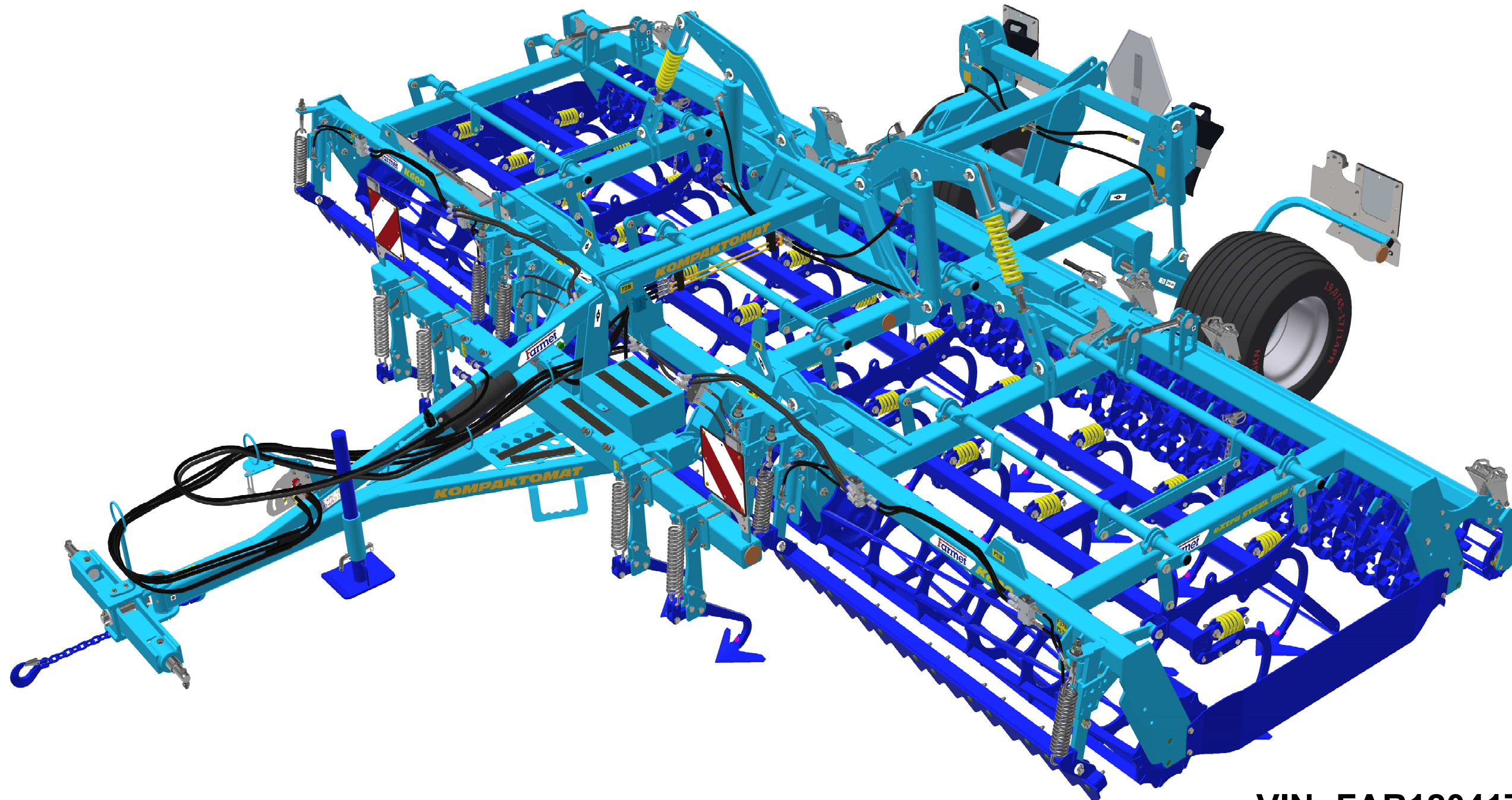


The effective technology and complex services

**Farmet**

ⒸZ KATALOG NÁHRADNÍCH DÍLŮ ⒸB CATALOGUE OF SPARE PARTS ⒸD ERSATZTEILLISTE  
ⒸRU КАТАЛОГ ЗАПАСНЫХ ЧАСТЕЙ ⒸF CATALOGUE DES PIÈCES DE RECHANGE ⒸPL KATALOG CZĘŚCI ZAMIENNYCH

# КОМПАКТОМАТ K600PS



ⒸZ Platnost pro vrcholové | výrobní číslo stroje ⒸB Validity for the top | serial number of the machine  
ⒸD Gültigkeit für die Haupt- | Herstellungsnummer der Maschine ⒸRU Действительно для главного | заводского номера машины  
ⒸF Validité du numéro de référence | de série de la machine ⒸPL Obowiązuje dla numeru głównego | seryjnego maszyny

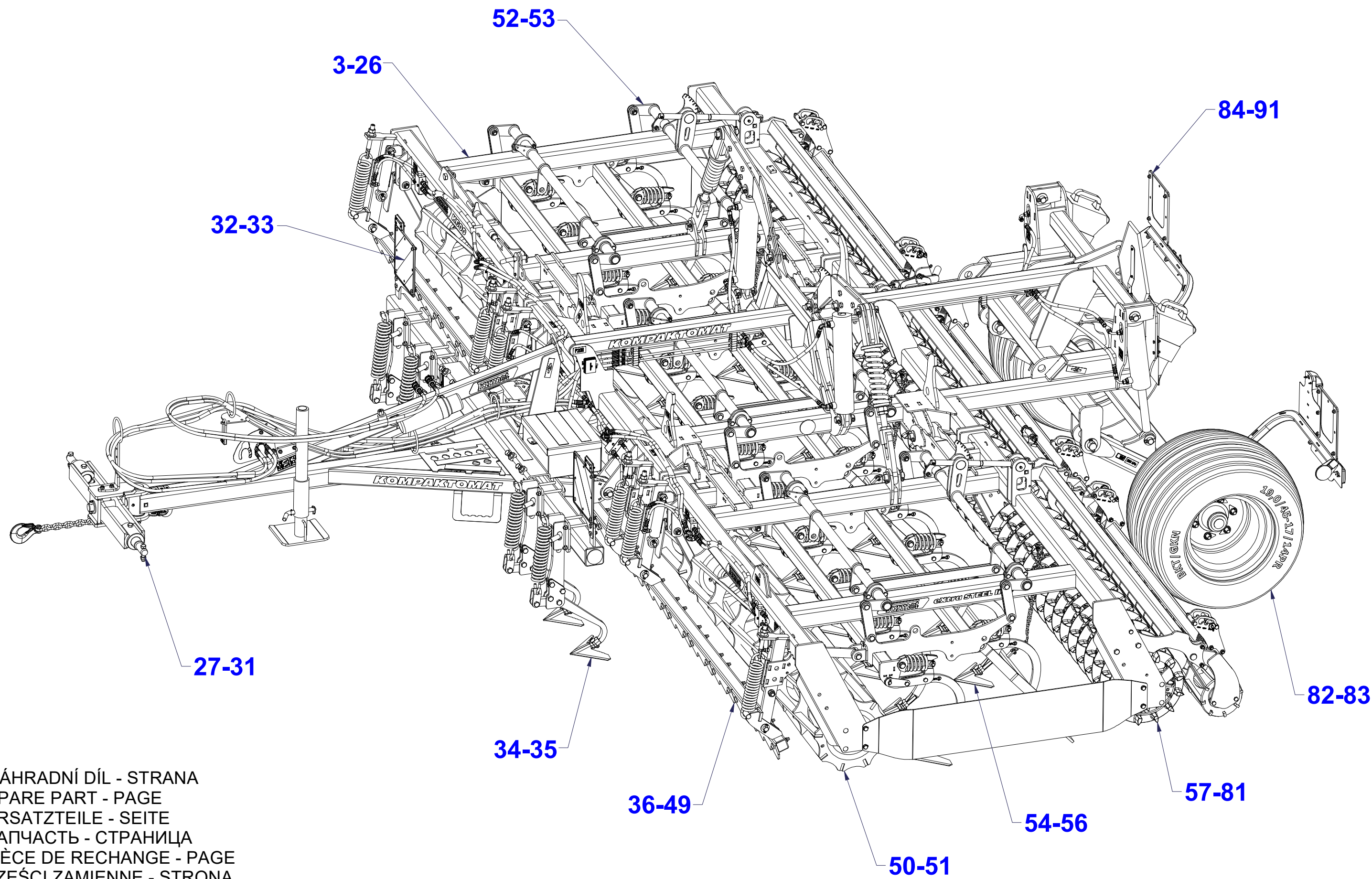
**VIN: FAR12041TP0000447  
9333591 | 2023/0447**

**Farmet a. s.**  
Jiřinková 276  
552 03 Česká Skalice, CZ

phone: +420 491 450 111  
GSM: +420 774 715 738

Id. No.: 46504931  
Tax Id. No.: CZ46504931

web: [www.farmet.eu](http://www.farmet.eu)  
e-mail: [dzt@farmet.cz](mailto:dzt@farmet.cz)



☉ POLOTOVAR STROJE

☐ MASCHINEN-HALBFABRIKAT

☐ MACHINE - SEMI-PRODUIT

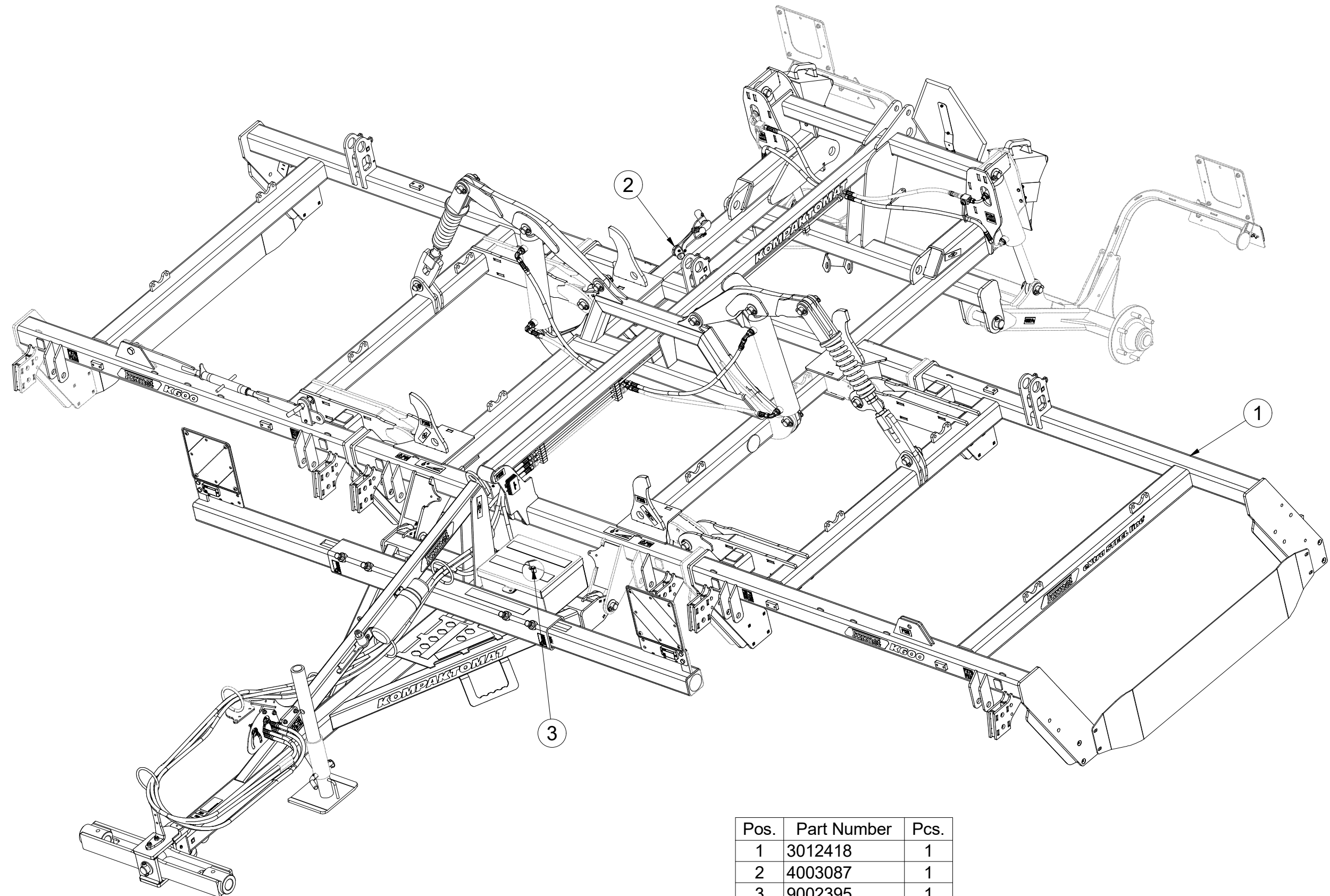
☉ SEMIFINISHED MACHINE

☐ ПОЛУФАБРИКАТ МАШИНЫ

☐ PÓLFABRYKAT MASZYNY



VZ00018740



| Pos. | Part Number | Pcs. |
|------|-------------|------|
| 1    | 3012418     | 1    |
| 2    | 4003087     | 1    |
| 3    | 9002395     | 1    |

Ⓒ NASAZOVACÍ KLIKA

Ⓓ MONTAGEGRIF

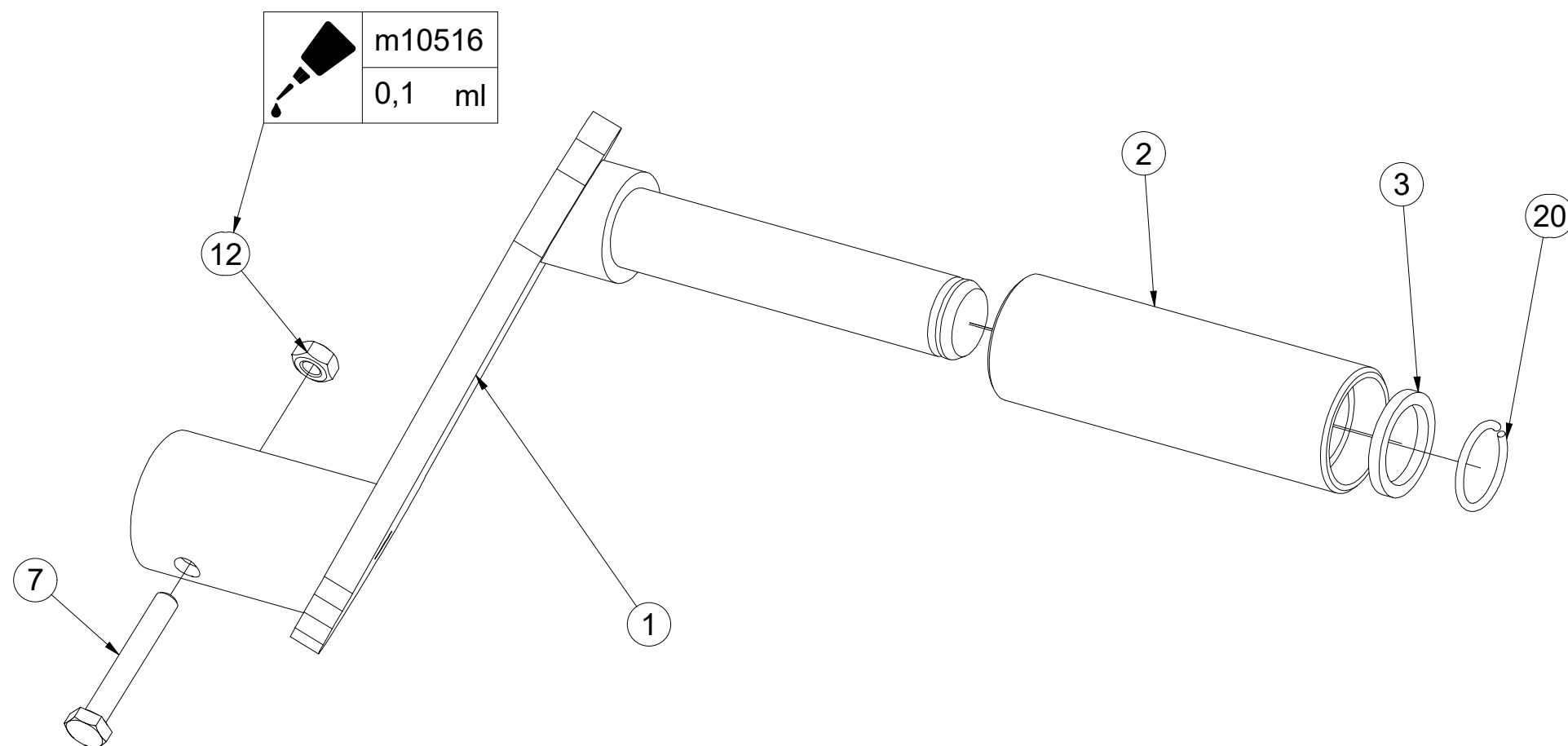
Ⓕ POIGNÉE DE MONTAGE

**4003087**

Ⓖ MOUNTING HANDLE

Ⓡ МОНТАЖНАЯ РУЧКА

Ⓟ UCHWYT MONTAŻOWY



| Pos. | Part Number | Pcs. |
|------|-------------|------|
| 1    | 4003092     | 1    |
| 2    | 4001533     | 1    |
| 3    | 4004828     | 1    |
| 7    | m04641      | 1    |
| 12   | m01295      | 1    |
| 20   | m06561      | 1    |
| 25   | m10516      | 0,1  |

Ⓒ POLOTOVAR STROJE

Ⓓ MASCHINEN-HALBFABRIKAT

Ⓕ MACHINE - SEMI-PRODUIT

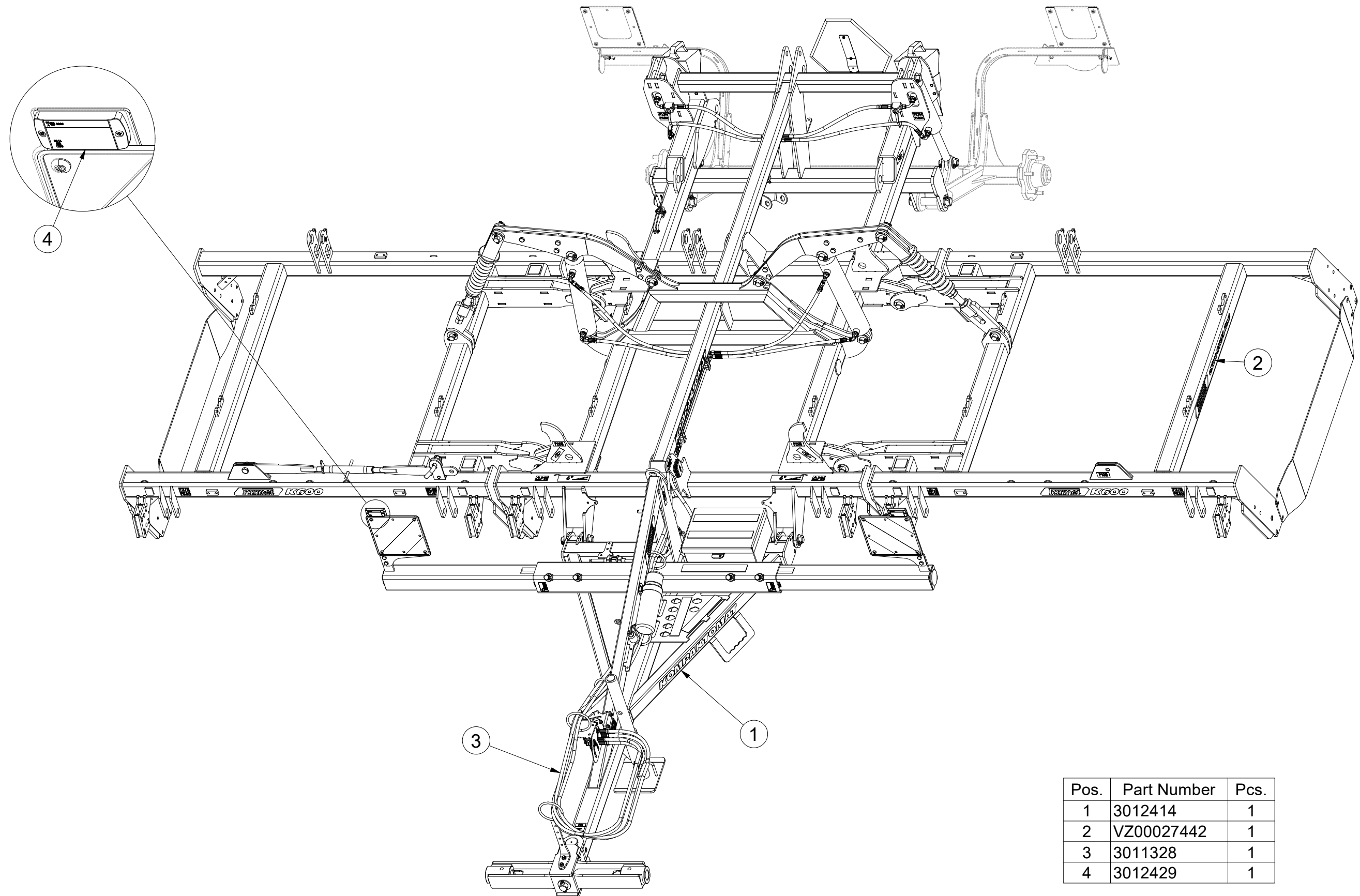
Ⓖ SEMIFINISHED MACHINE

Ⓡ ПОЛУФАБРИКАТ МАШИНЫ

Ⓟ PÓŁFABRYKAT MASZYN



**3012418**



| Pos. | Part Number | Pcs. |
|------|-------------|------|
| 1    | 3012414     | 1    |
| 2    | VZ00027442  | 1    |
| 3    | 3011328     | 1    |
| 4    | 3012429     | 1    |

☉ POLOTOVAR STROJE

Ⓧ MASCHINEN-HALBFABRIKAT

Ⓣ MACHINE - SEMI-PRODUIT

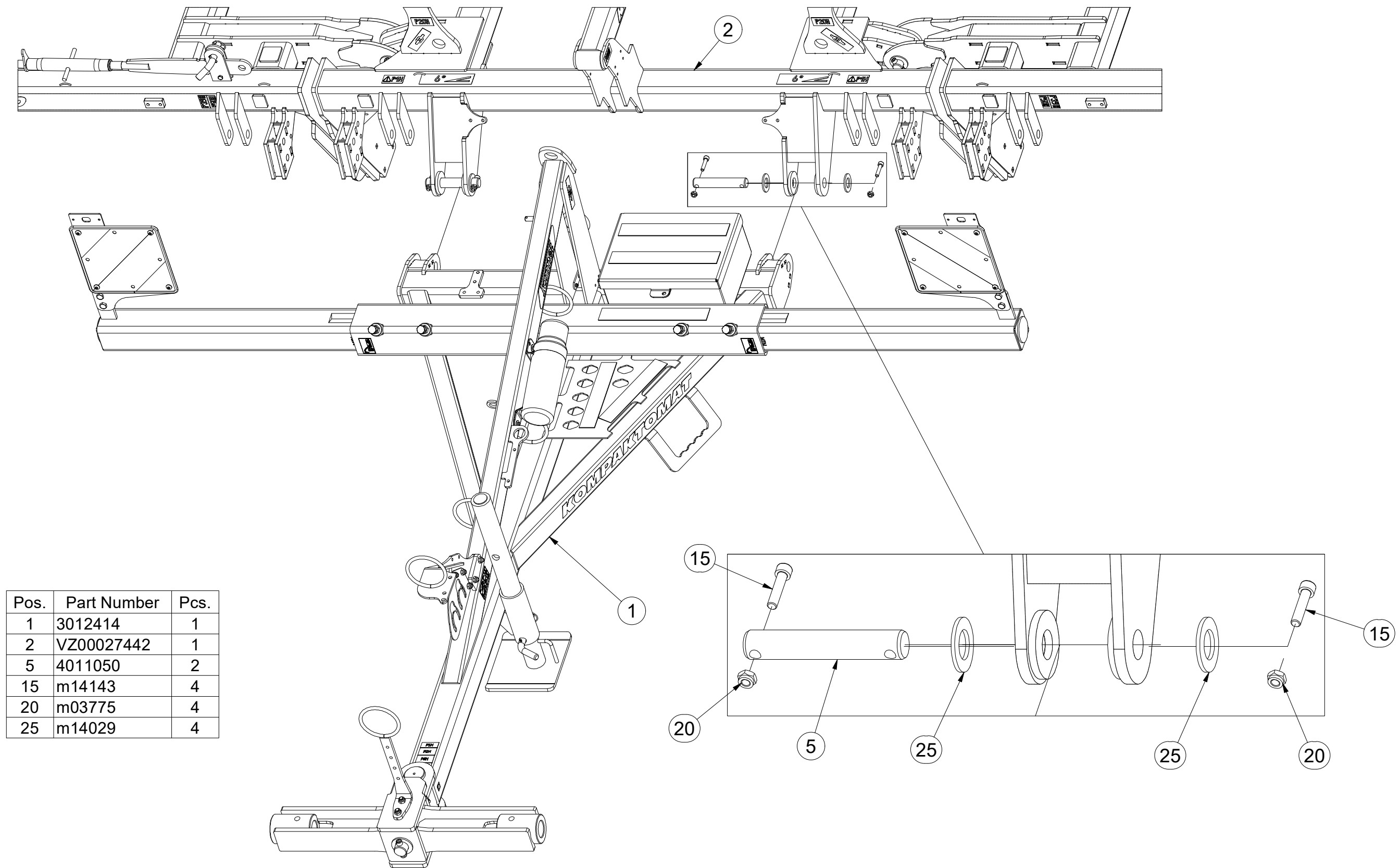
Ⓢ SEMIFINISHED MACHINE

Ⓡ ПОЛУФАБРИКАТ МАШИНЫ

Ⓟ PÓLFABRYKAT MASZYN



**3012418**



| Pos. | Part Number | Pcs. |
|------|-------------|------|
| 1    | 3012414     | 1    |
| 2    | VZ00027442  | 1    |
| 5    | 4011050     | 2    |
| 15   | m14143      | 4    |
| 20   | m03775      | 4    |
| 25   | m14029      | 4    |

☉ POLOTOVAR STROJE

Ⓧ MASCHINEN-HALBFABRIKAT

Ⓧ MACHINE - SEMI-PRODUIT

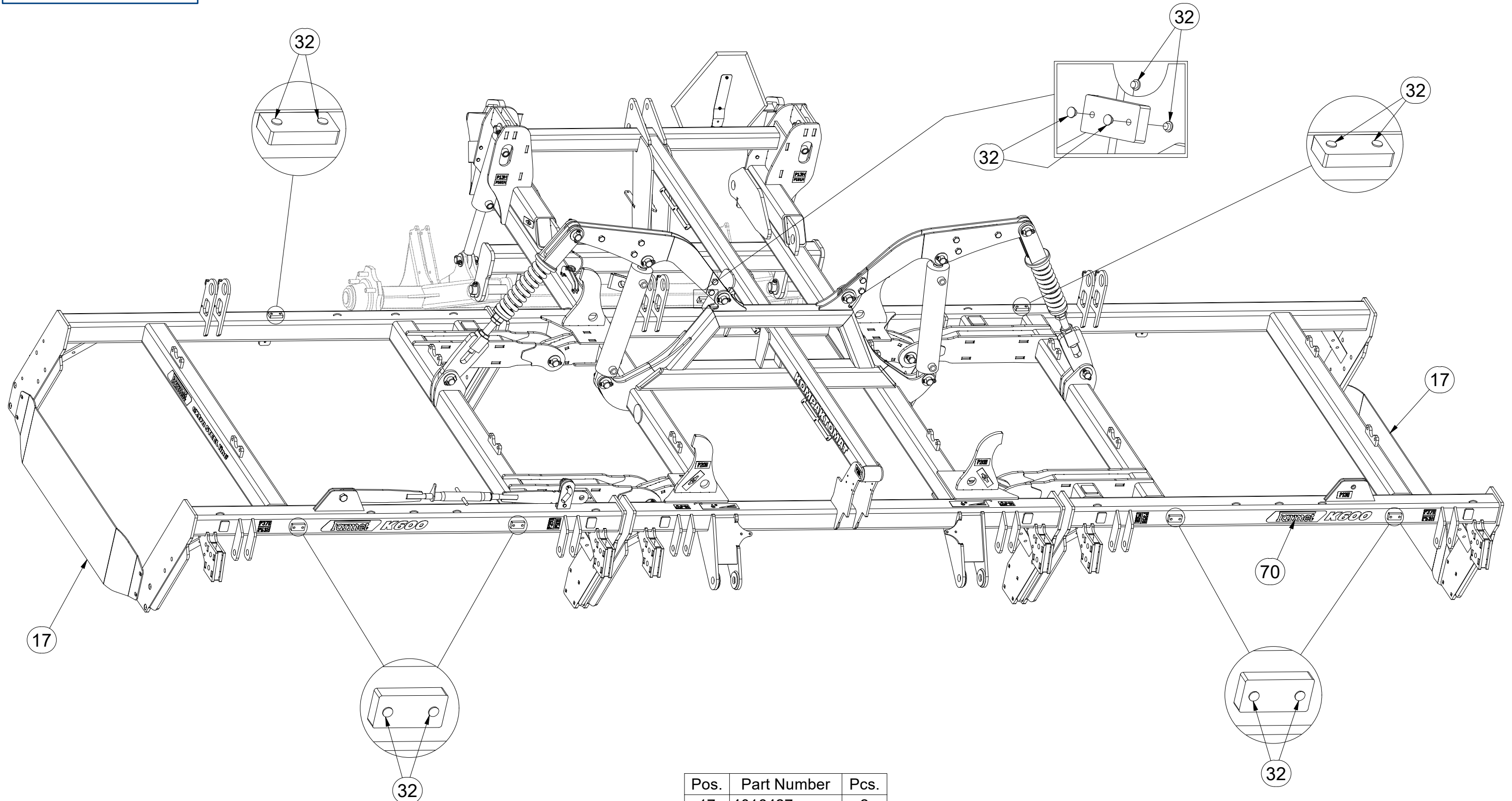
Ⓧ SEMIFINISHED MACHINE

Ⓧ ПОЛУФАБРИКАТ МАШИНЫ

Ⓧ PÓLFABRYKAT MASZYN



**VZ00027442**



| Pos. | Part Number | Pcs. |
|------|-------------|------|
| 17   | 4016427     | 2    |
| 32   | m11099      | 16   |
| 70   | m22775      | 1    |

☉ POLOTOVAR STROJE

☉ MASCHINEN-HALBFABRIKAT

☉ MACHINE - SEMI-PRODUIT

☉ SEMIFINISHED MACHINE

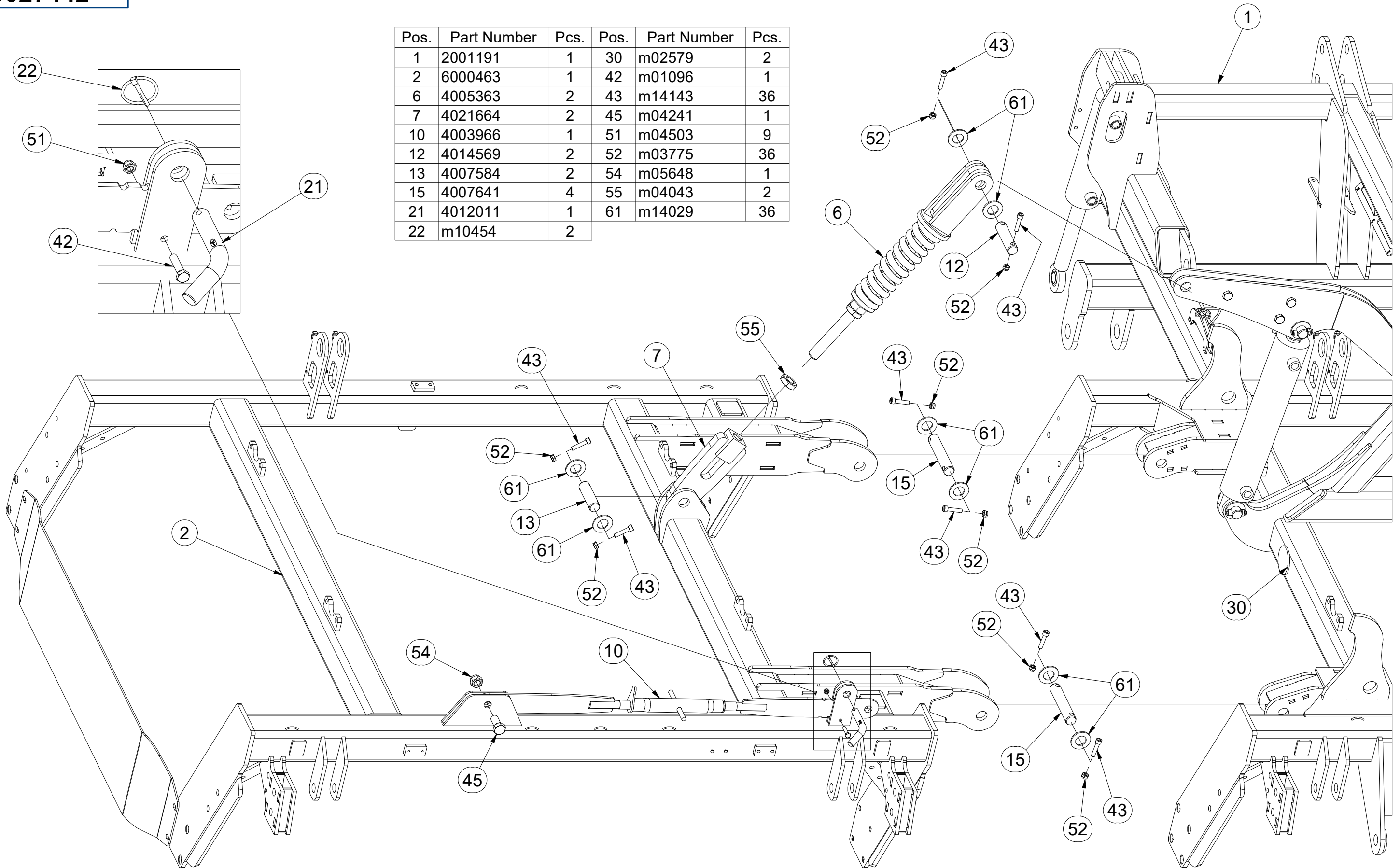
☉ ПОЛУФАБРИКАТ МАШИНЫ

☉ PÓLFABRYKAT MASZYNY



**VZ00027442**

| Pos. | Part Number | Pcs. | Pos. | Part Number | Pcs. |
|------|-------------|------|------|-------------|------|
| 1    | 2001191     | 1    | 30   | m02579      | 2    |
| 2    | 6000463     | 1    | 42   | m01096      | 1    |
| 6    | 4005363     | 2    | 43   | m14143      | 36   |
| 7    | 4021664     | 2    | 45   | m04241      | 1    |
| 10   | 4003966     | 1    | 51   | m04503      | 9    |
| 12   | 4014569     | 2    | 52   | m03775      | 36   |
| 13   | 4007584     | 2    | 54   | m05648      | 1    |
| 15   | 4007641     | 4    | 55   | m04043      | 2    |
| 21   | 4012011     | 1    | 61   | m14029      | 36   |
| 22   | m10454      | 2    |      |             |      |





☉ POLOTOVAR STROJE

Ⓧ MASCHINEN-HALBFABRIKAT

Ⓧ MACHINE - SEMI-PRODUIT

Ⓧ SEMIFINISHED MACHINE

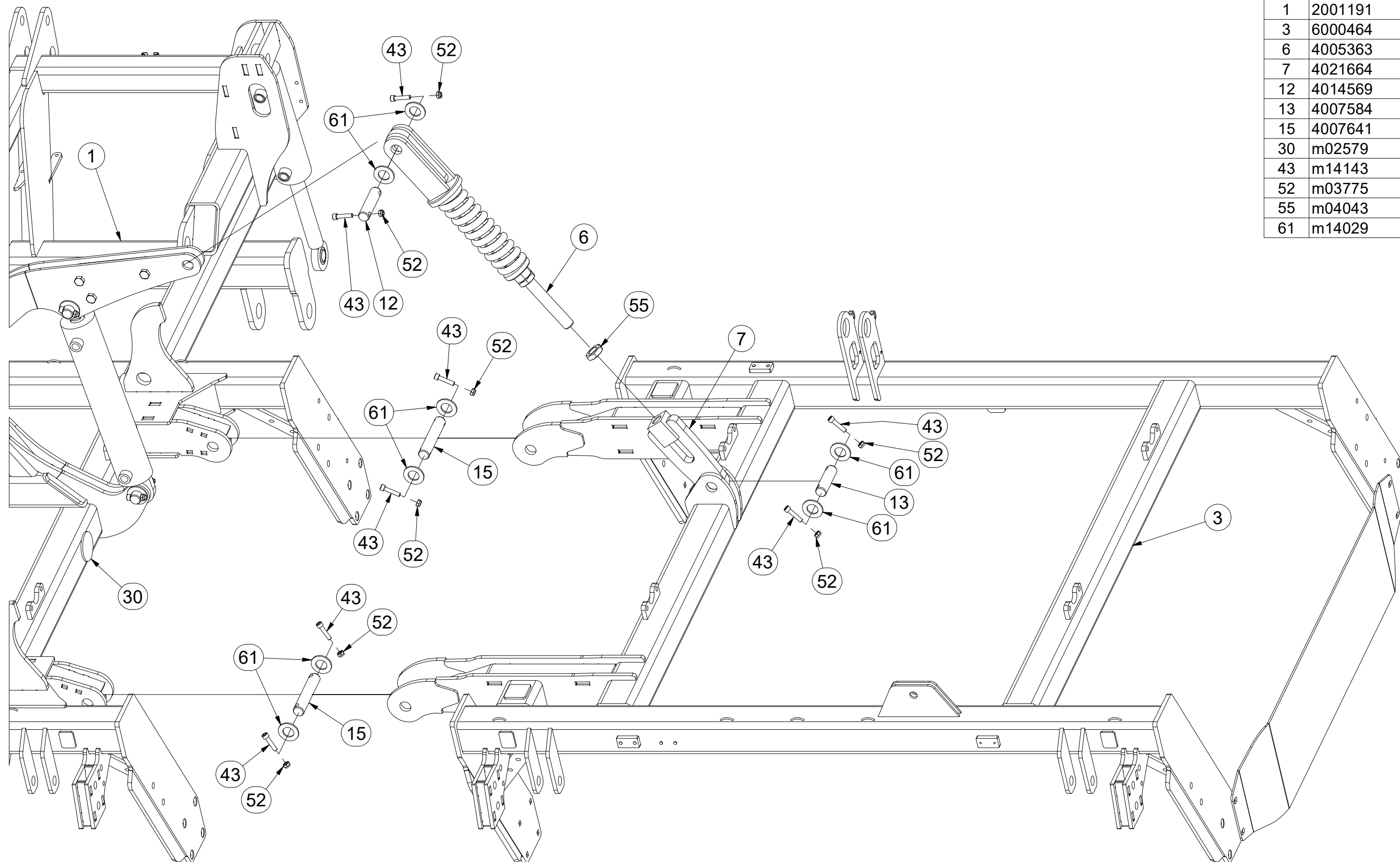
Ⓧ ПОЛУФАБРИКАТ МАШИНЫ

Ⓧ PÓLFABRYKAT MASZYNY



**VZ00027442**

| Pos. | Part Number | Pcs. |
|------|-------------|------|
| 1    | 2001191     | 1    |
| 3    | 6000464     | 1    |
| 6    | 4005363     | 2    |
| 7    | 4021664     | 2    |
| 12   | 4014569     | 2    |
| 13   | 4007584     | 2    |
| 15   | 4007641     | 4    |
| 30   | m02579      | 2    |
| 43   | m14143      | 36   |
| 52   | m03775      | 36   |
| 55   | m04043      | 2    |
| 61   | m14029      | 36   |



☉ POLOTOVAR STROJE

☉ MASCHINEN-HALBFABRIKAT

☉ MACHINE - SEMI-PRODUIT

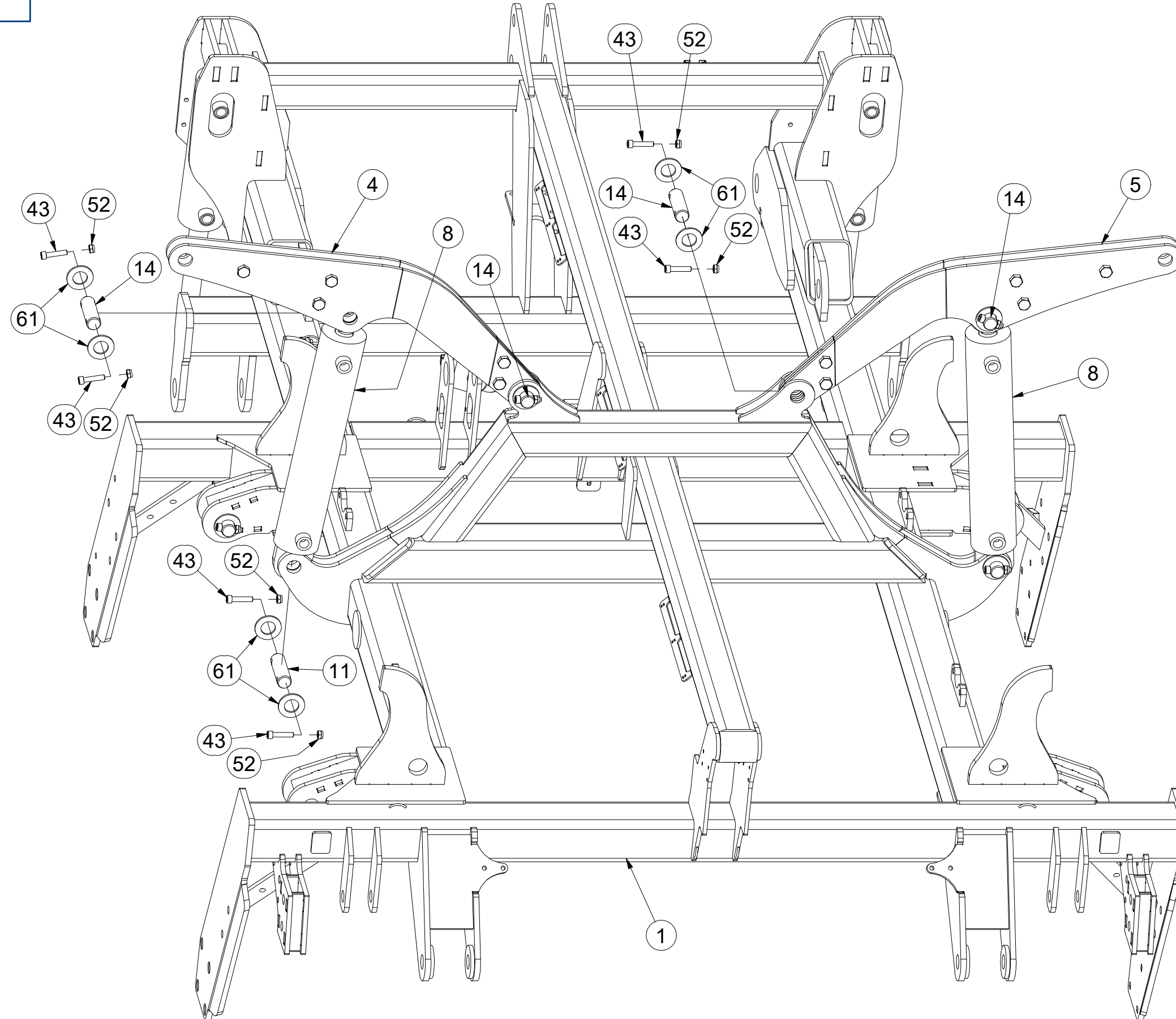
☉ SEMIFINISHED MACHINE

☉ ПОЛУФАБРИКАТ МАШИНЫ

☉ PÓLFABRYKAT MASZYNY



**VZ00027442**



| Pos. | Part Number | Pcs. |
|------|-------------|------|
| 1    | 2001191     | 1    |
| 4    | VZ00004775  | 1    |
| 5    | VZ00004774  | 1    |
| 8    | VZ00004544  | 2    |
| 11   | 4008234     | 6    |
| 14   | 4007640     | 4    |
| 43   | m14143      | 36   |
| 52   | m03775      | 36   |
| 61   | m14029      | 36   |

☉ POLOTOVAR STROJE

Ⓧ MASCHINEN-HALBFABRIKAT

Ⓣ MACHINE - SEMI-PRODUIT

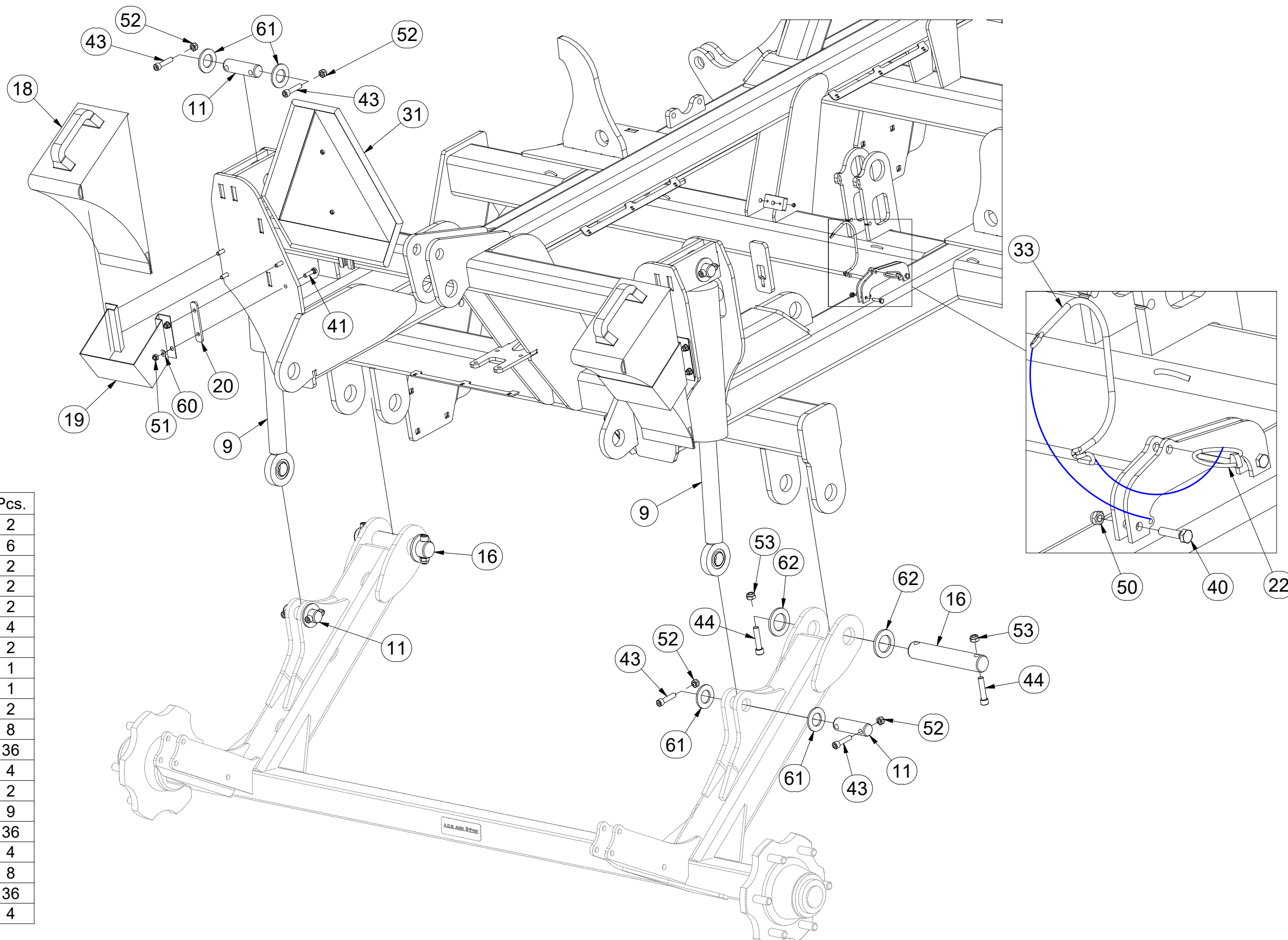
Ⓢ SEMIFINISHED MACHINE

Ⓡ ПОЛУФАБРИКАТ МАШИНЫ

Ⓟ PÓLFABRYKAT MASZYN



**VZ00027442**



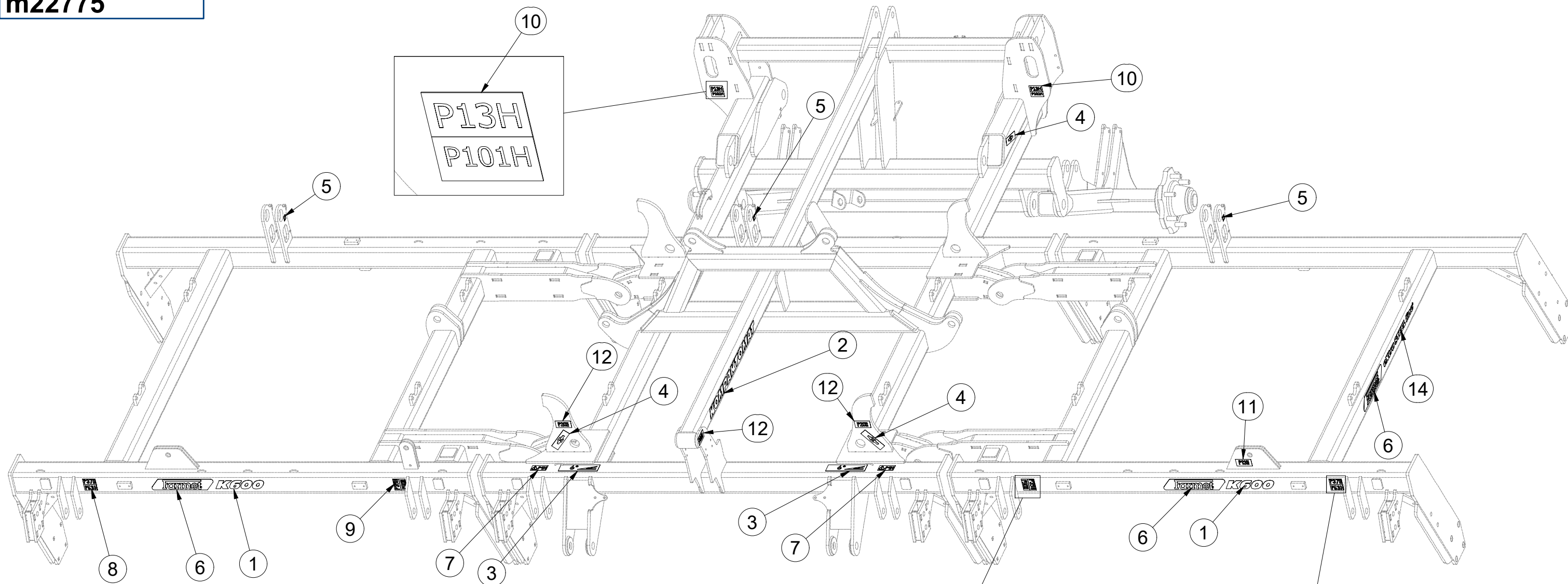
| Pos. | Part Number | Pcs. |
|------|-------------|------|
| 9    | VZ00004549  | 2    |
| 11   | 4008234     | 6    |
| 16   | 4010875     | 2    |
| 18   | m16186      | 2    |
| 19   | m12572      | 2    |
| 20   | 4012712     | 4    |
| 22   | m10454      | 2    |
| 31   | m05371      | 1    |
| 33   | m12467      | 1    |
| 40   | m01075      | 2    |
| 41   | m04791      | 8    |
| 43   | m14143      | 36   |
| 44   | m14008      | 4    |
| 50   | m05560      | 2    |
| 51   | m04503      | 9    |
| 52   | m03775      | 36   |
| 53   | m04301      | 4    |
| 60   | m01203      | 8    |
| 61   | m14029      | 36   |
| 62   | 4013139     | 4    |

- Ⓒ SAMOLEPKY STROJE
- Ⓓ AUFKLEBER MASCHINEN
- Ⓕ VOITURE MACHINES

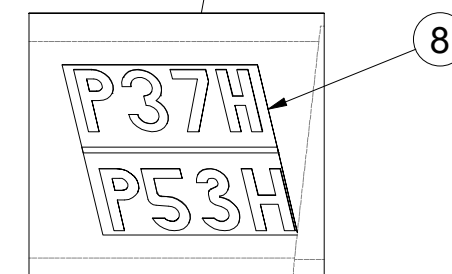
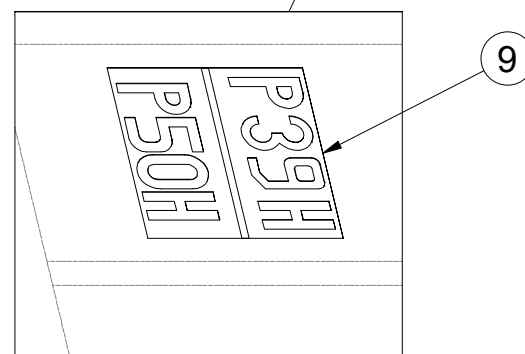
- Ⓖ STICKERS MACHINES
- Ⓔ СТИКЕРЫ МАШИНЫ
- Ⓟ NAKLEJKI MASZYNY



**m22775**



| Pos. | Part Number | Pcs. |
|------|-------------|------|
| 1    | m07693      | 4    |
| 2    | m07688      | 2    |
| 3    | m03314      | 2    |
| 4    | m03316      | 4    |
| 5    | m03320      | 3    |
| 6    | m13116      | 6    |
| 7    | m04359      | 3    |
| 8    | m11297      | 4    |
| 9    | m11296      | 4    |
| 10   | m11299      | 2    |
| 11   | m04363      | 1    |
| 12   | m04368      | 6    |
| 14   | m10353      | 2    |

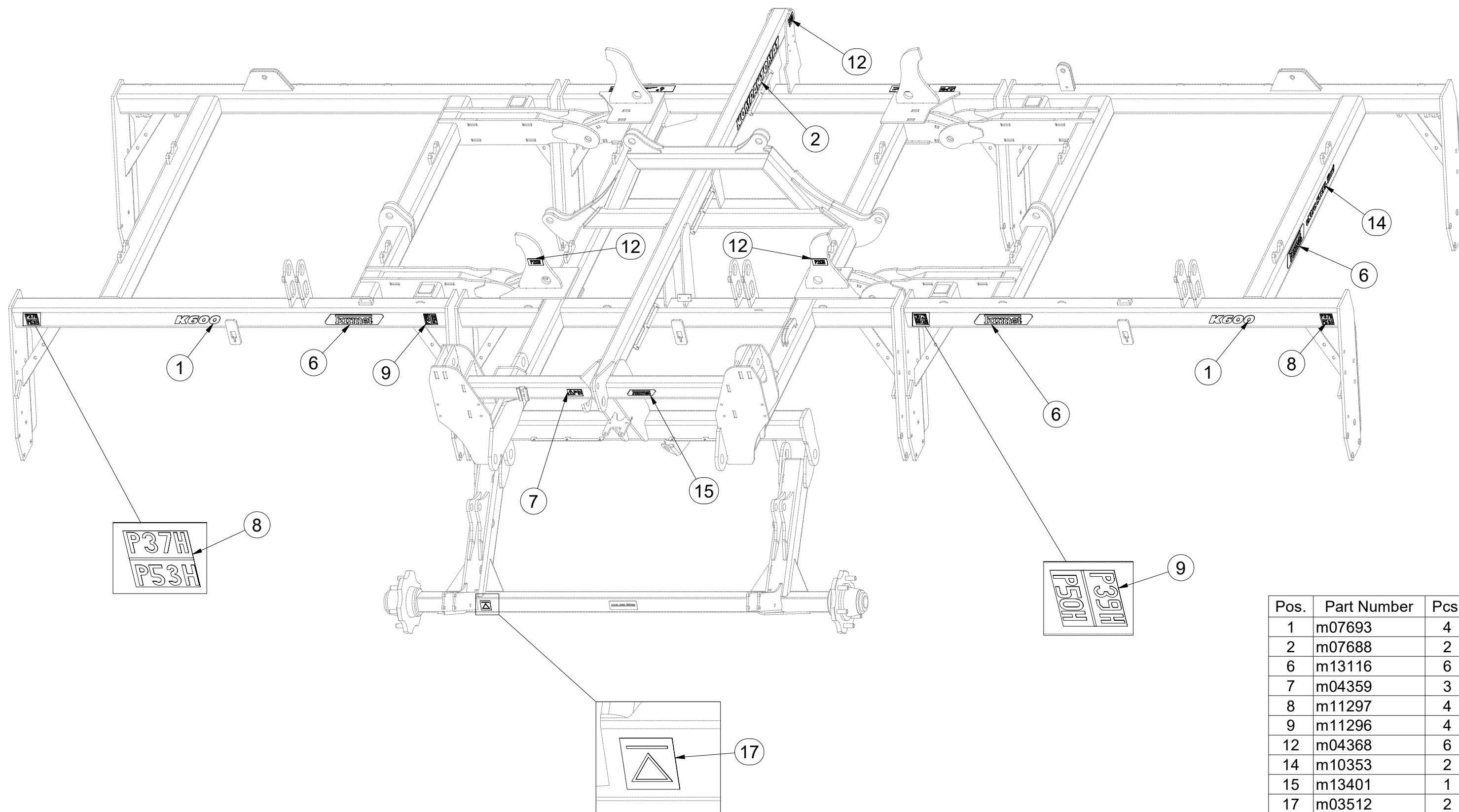


- Ⓒ SAMOLEPKY STROJE
- Ⓓ AUFKLEBER MASCHINEN
- Ⓕ VOITURE MACHINES

- Ⓖ STICKERS MACHINES
- Ⓔ СТИКЕРЫ МАШИНЫ
- Ⓗ NAKLEJKI MASZYNY



**m22775**



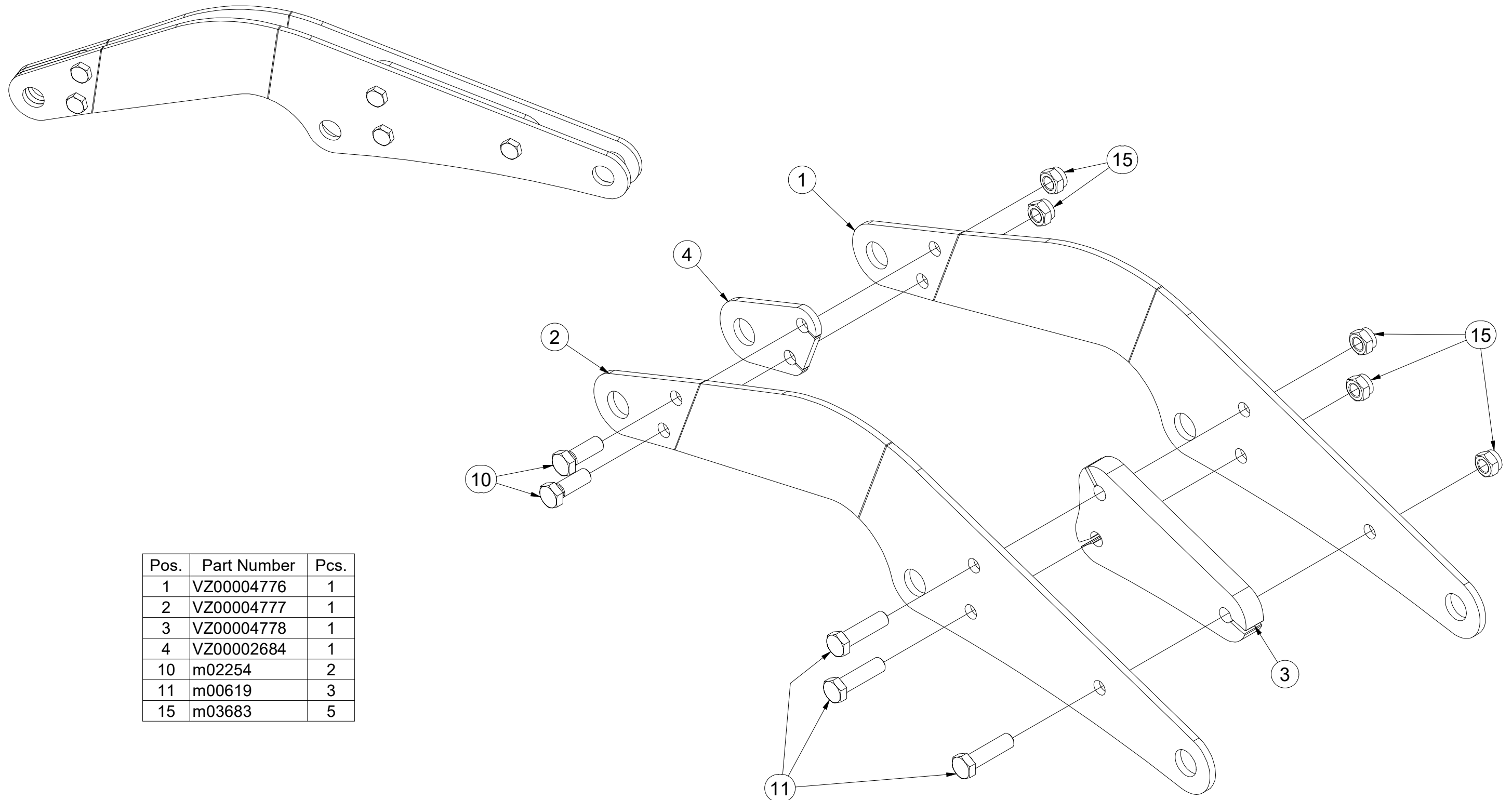
| Pos. | Part Number | Pcs. |
|------|-------------|------|
| 1    | m07693      | 4    |
| 2    | m07688      | 2    |
| 6    | m13116      | 6    |
| 7    | m04359      | 3    |
| 8    | m11297      | 4    |
| 9    | m11296      | 4    |
| 12   | m04368      | 6    |
| 14   | m10353      | 2    |
| 15   | m13401      | 1    |
| 17   | m03512      | 2    |

(CZ) RÁM  
 (D) RAHMEN  
 (F) CHASSIS

(GB) FRAME  
 (RU) ПАМА  
 (PL) RAMA



**VZ00004774**



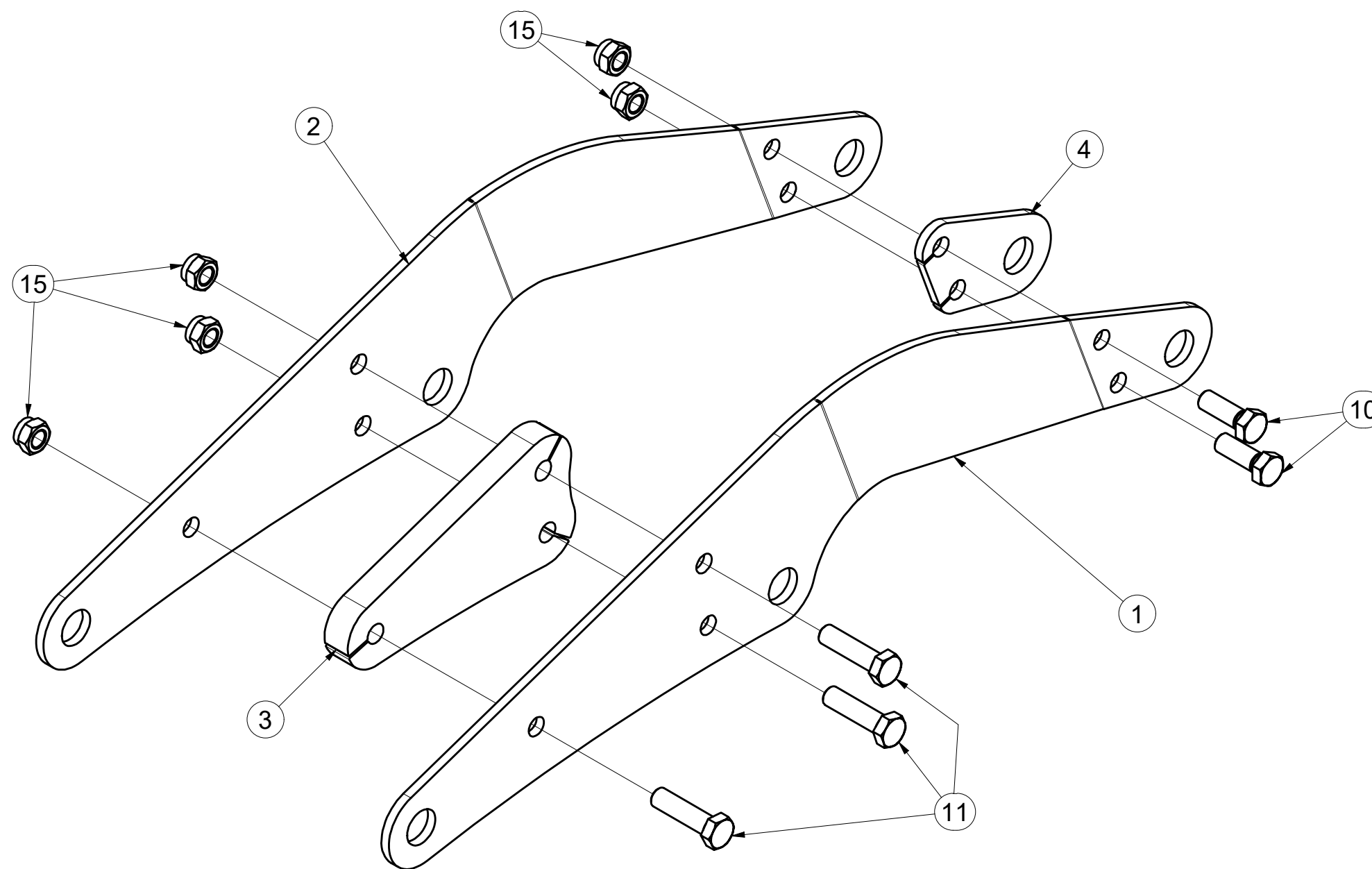
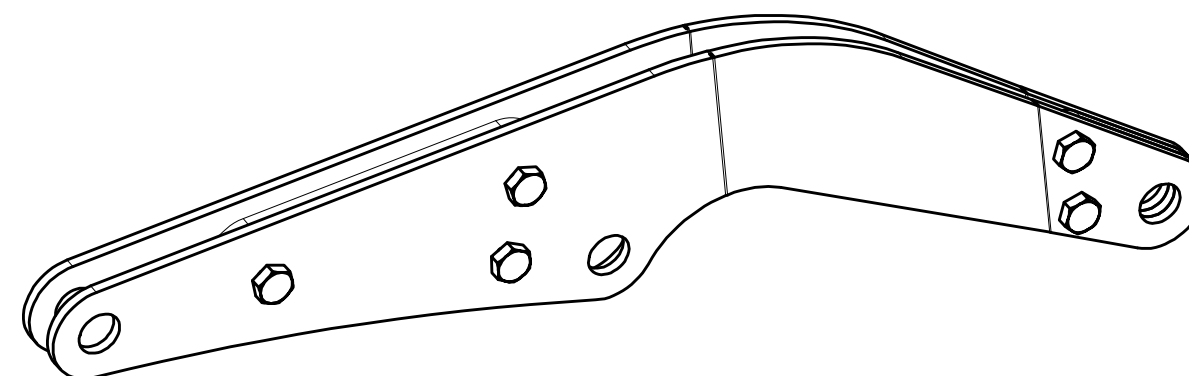
| Pos. | Part Number | Pcs. |
|------|-------------|------|
| 1    | VZ00004776  | 1    |
| 2    | VZ00004777  | 1    |
| 3    | VZ00004778  | 1    |
| 4    | VZ00002684  | 1    |
| 10   | m02254      | 2    |
| 11   | m00619      | 3    |
| 15   | m03683      | 5    |

(CZ) RÁM  
 (D) RAHMEN  
 (F) CHASSIS

(GB) FRAME  
 (RU) ПАМА  
 (PL) RAMA



**VZ00004775**

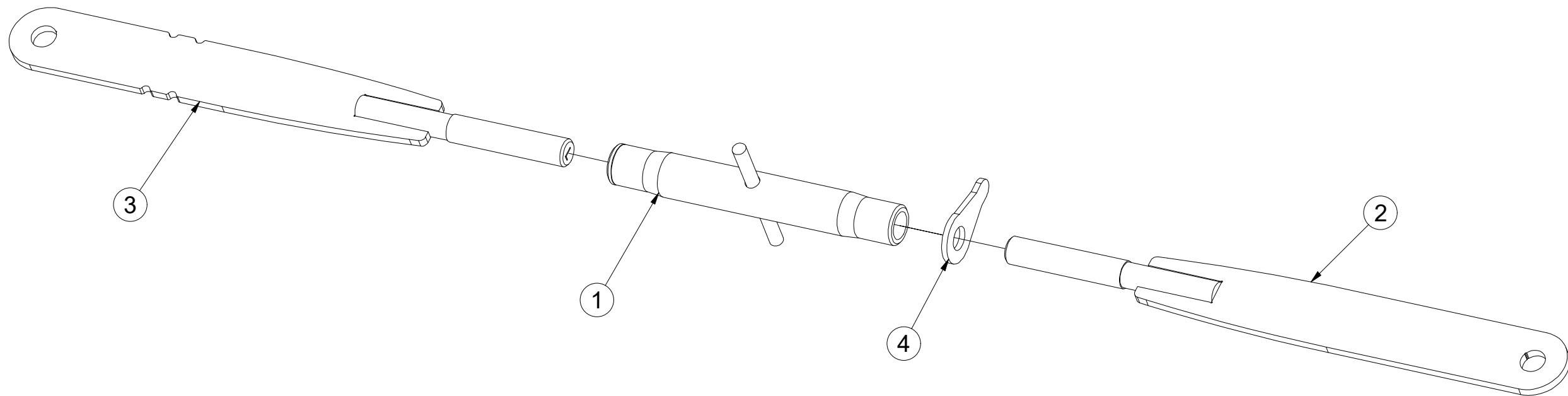
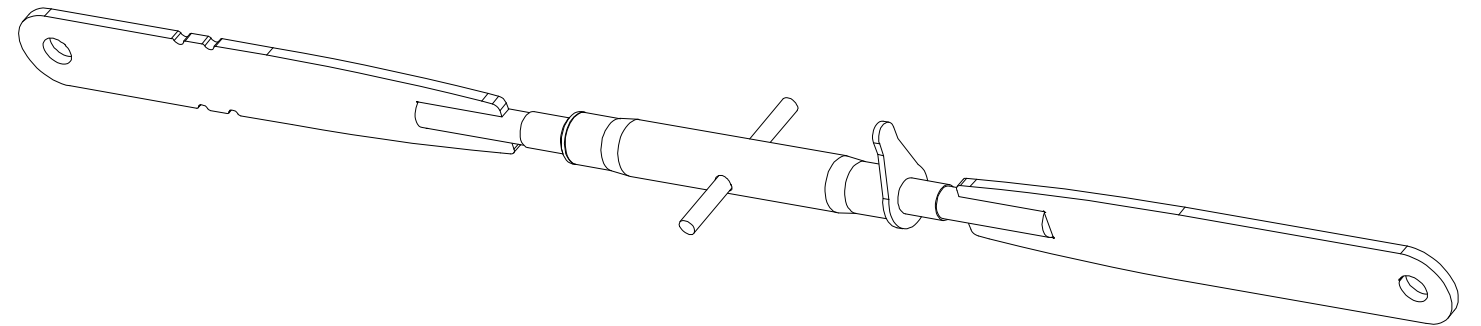


| Pos. | Part Number | Pcs. |
|------|-------------|------|
| 1    | VZ00004776  | 1    |
| 2    | VZ00004777  | 1    |
| 3    | VZ00004778  | 1    |
| 4    | VZ00002684  | 1    |
| 10   | m02254      | 2    |
| 11   | m00619      | 3    |
| 15   | m03683      | 5    |

Ⓒ SPOJOVACÍ TÁHLO  
Ⓓ VERBINDUNGSSTANGE  
Ⓕ TIGE DE RACCORDEMENT

**4003966**

Ⓒ CONNECTING ROD  
Ⓓ СОЕДИНИТЕЛЬНАЯ ТЯГА  
Ⓕ KORBOWÓD



| Pos. | Part Number | Pcs. |
|------|-------------|------|
| 1    | m08880      | 1    |
| 2    | 4023421     | 1    |
| 3    | 4023423     | 1    |
| 4    | m08881      | 1    |



Ⓒ TÁHLO SKLÁPĚNÍ

Ⓓ ZUGSTANGE ZUR KIPPUNG

Ⓕ TIGES DE L'ESSIEU

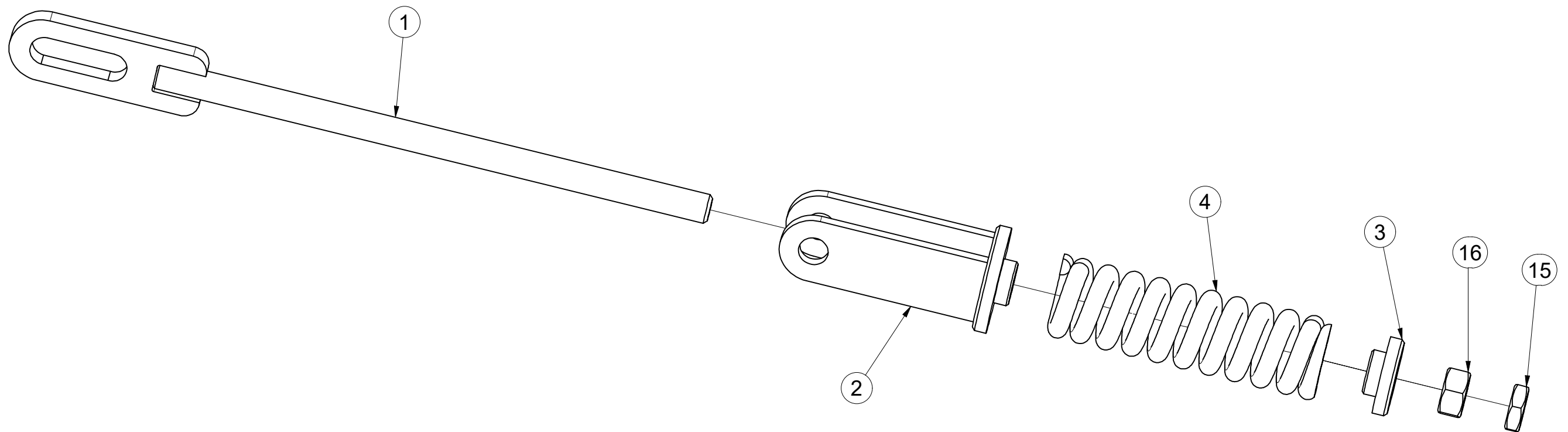
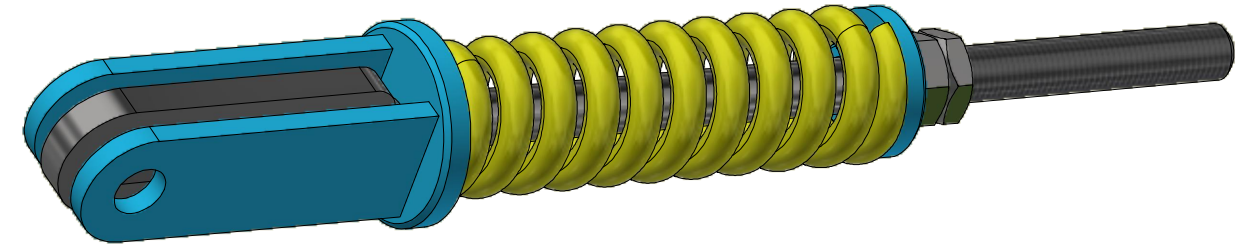
**4005363**

Ⓖ TILTING PULL ROD

Ⓡ ТЯГИ ТРАНСПОРТНОЙ ОСИ

Ⓟ SPRZĘGI OSI

**Farmet**



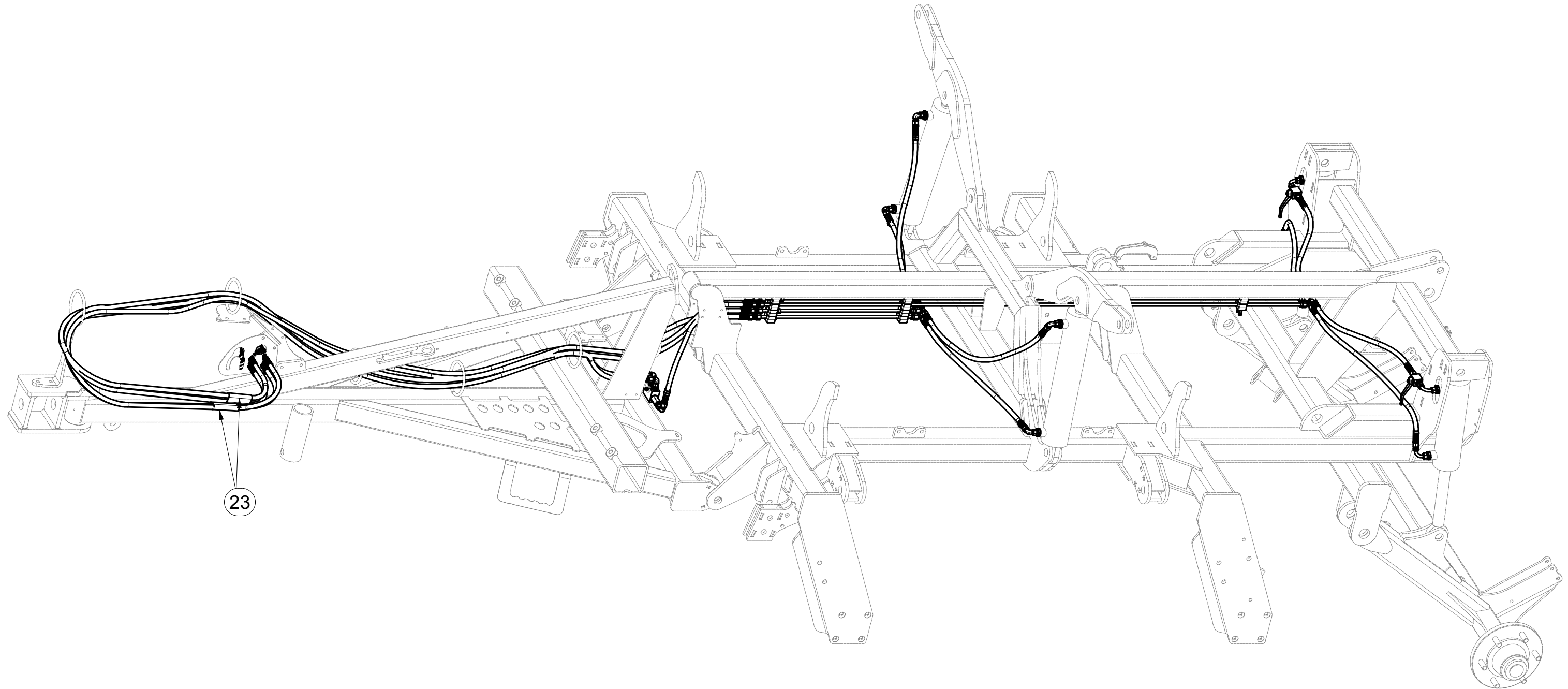
| Pos. | Part Number | Pcs. |
|------|-------------|------|
| 1    | 4005358     | 1    |
| 2    | 4005361     | 1    |
| 3    | 4000023     | 1    |
| 4    | m06482      | 1    |
| 15   | m04043      | 1    |
| 16   | m01309      | 1    |

Ⓒ HYDRAULIKA STROJE  
Ⓓ HYDRAULIK DER MASCHINE  
Ⓕ HYDRAULIQUE DE LA MACHINE

Ⓖ MACHINE HYDRAULICS  
Ⓡ ГИДРАВЛИКА МАШИНЫ  
Ⓟ HYDRAULIKA MASZYN



**3011328**



| Pos. | Part Number | Pcs. |
|------|-------------|------|
| 23   | m11183      | 2    |

ⒸZ HYDRAULIKA STROJE

Ⓓ HYDRAULIK DER MASCHINE

Ⓕ HYDRAULIQUE DE LA MACHINE

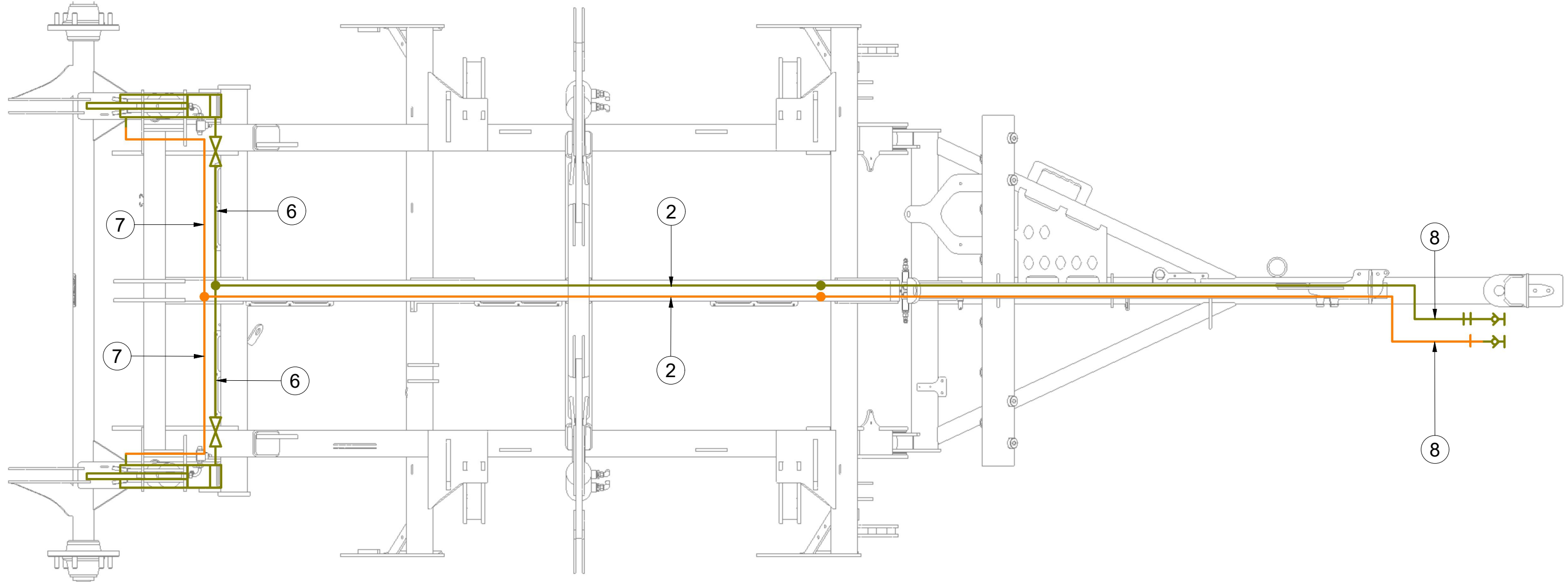
ⒼB MACHINE HYDRAULICS

Ⓔ RU ГИДРАВЛИКА МАШИНЫ

Ⓗ PL HYDRAULIKA MASZYN



**3011328**



| Pos. | Part Number | Pcs. |
|------|-------------|------|
| 2    | m04803      | 2    |
| 6    | m03713      | 4    |
| 7    | m04033      | 2    |
| 8    | m09431      | 2    |

Ⓒ HYDRAULIKA STROJE

Ⓓ HYDRAULIK DER MASCHINE

Ⓕ HYDRAULIQUE DE LA MACHINE

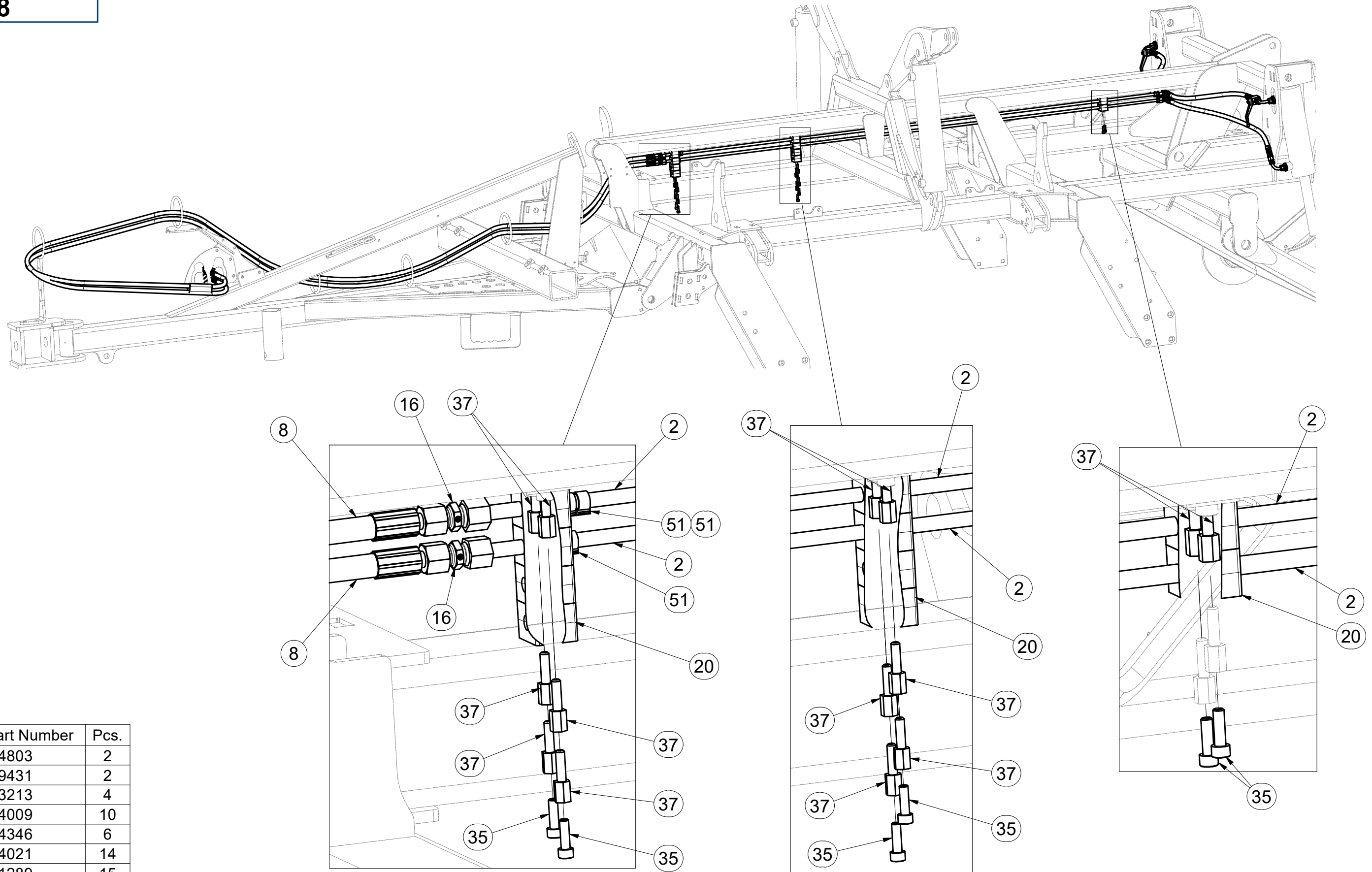
Ⓖ MACHINE HYDRAULICS

Ⓡ ГИДРАВЛИКА МАШИНЫ

Ⓟ HYDRAULIKA MASZYNY



**3011328**



| Pos. | Part Number | Pcs. |
|------|-------------|------|
| 2    | m04803      | 2    |
| 8    | m09431      | 2    |
| 16   | m03213      | 4    |
| 20   | m04009      | 10   |
| 35   | m04346      | 6    |
| 37   | m04021      | 14   |
| 51   | m11289      | 15   |

ⒸZ HYDRAULIKA STROJE

Ⓓ HYDRAULIK DER MASCHINE

Ⓕ HYDRAULIQUE DE LA MACHINE

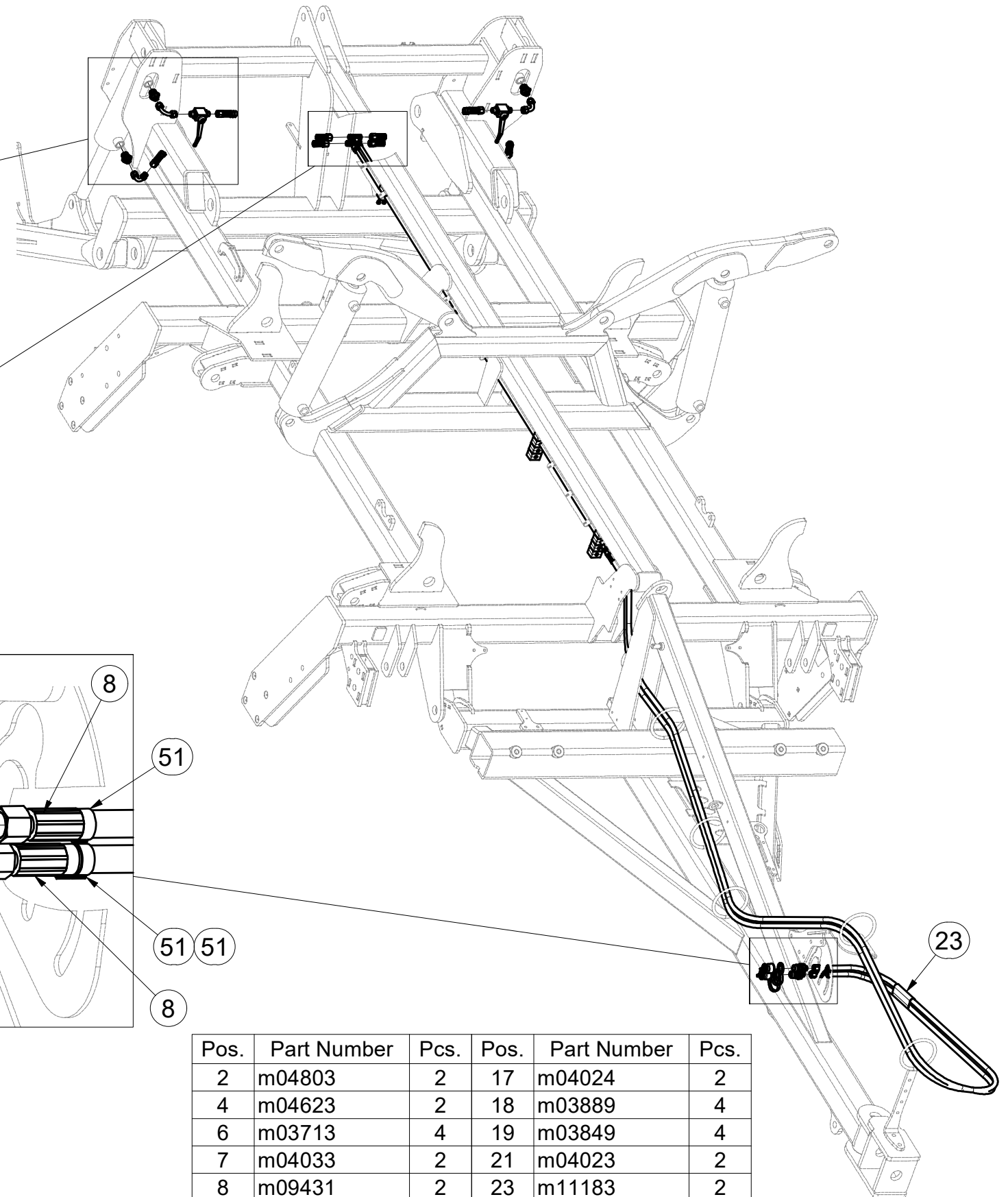
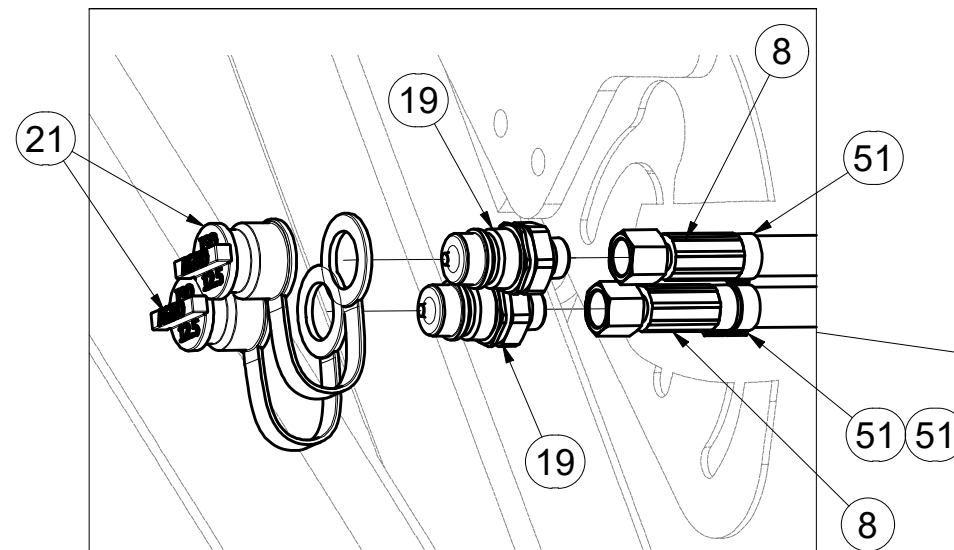
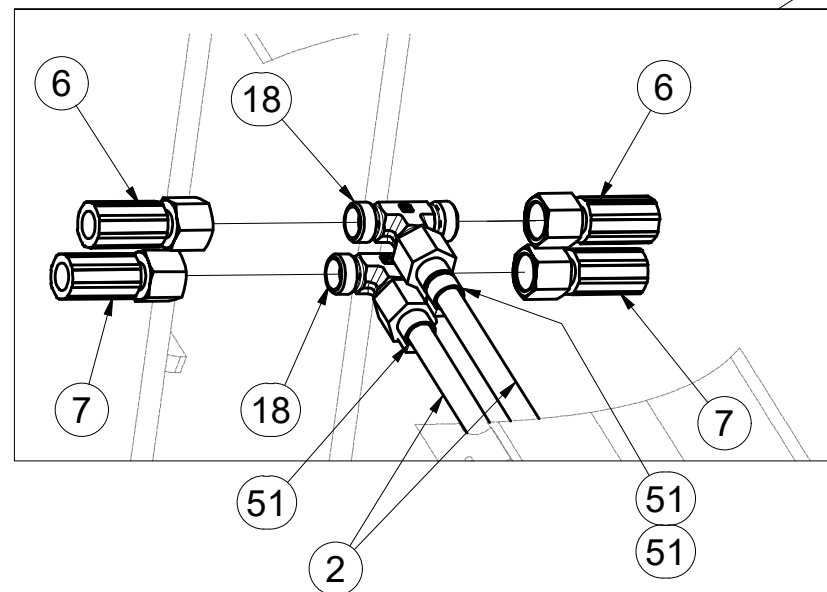
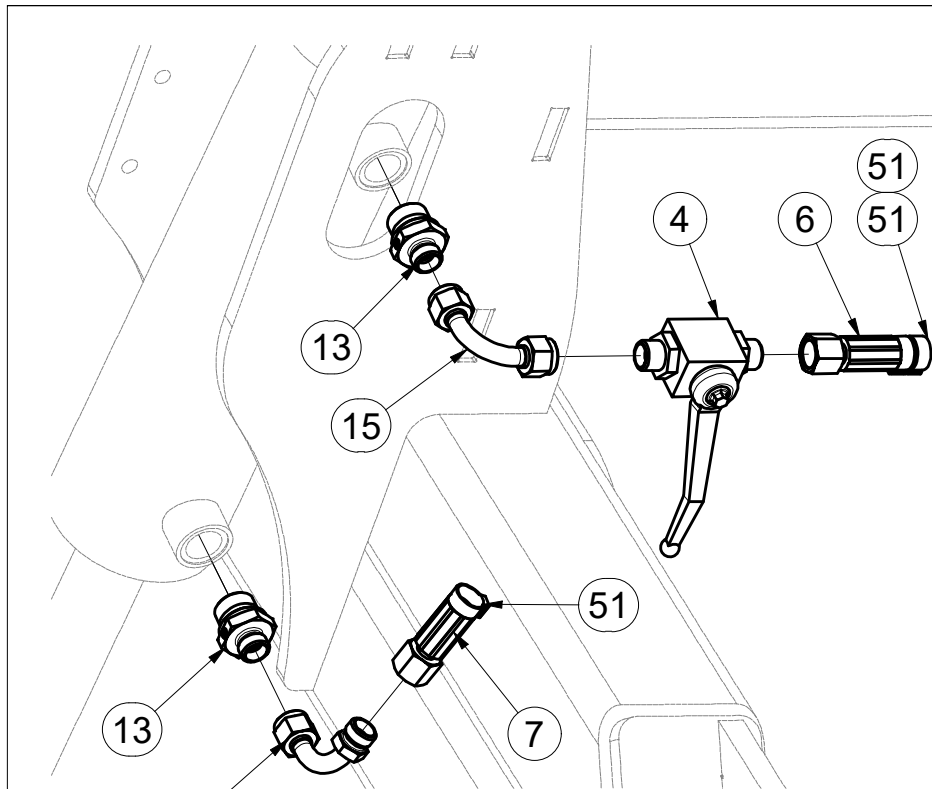
ⒼB MACHINE HYDRAULICS

Ⓔ RU ГИДРАВЛИКА МАШИНЫ

Ⓗ PL HYDRAULIKA MASZYN



**3011328**



| Pos. | Part Number | Pcs. | Pos. | Part Number | Pcs. |
|------|-------------|------|------|-------------|------|
| 2    | m04803      | 2    | 17   | m04024      | 2    |
| 4    | m04623      | 2    | 18   | m03889      | 4    |
| 6    | m03713      | 4    | 19   | m03849      | 4    |
| 7    | m04033      | 2    | 21   | m04023      | 2    |
| 8    | m09431      | 2    | 23   | m11183      | 2    |
| 13   | m09934      | 8    | 51   | m11289      | 15   |
| 15   | m04621      | 2    |      |             |      |

Ⓒ HYDRAULIKA STROJE

Ⓓ HYDRAULIK DER MASCHINE

Ⓕ HYDRAULIQUE DE LA MACHINE

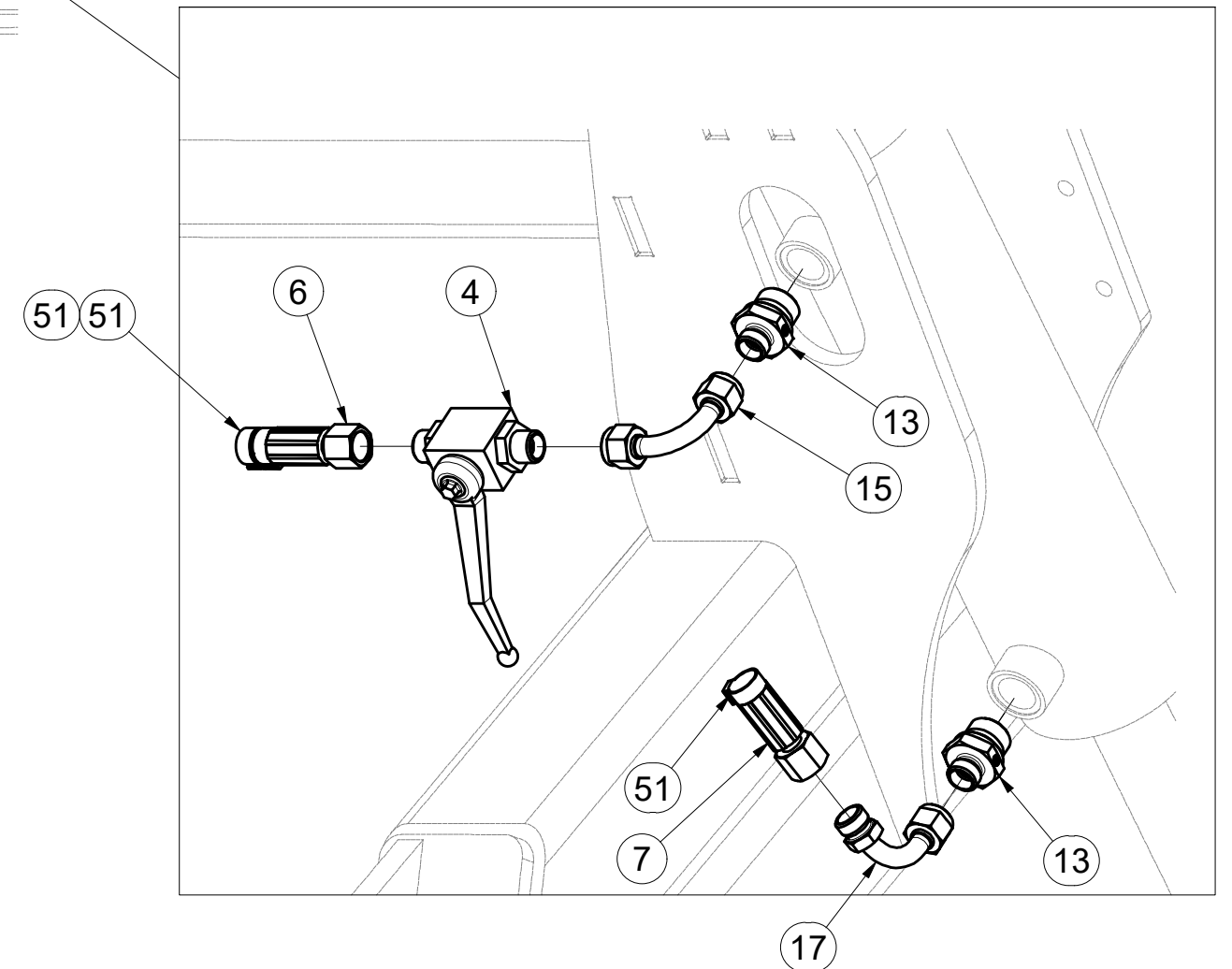
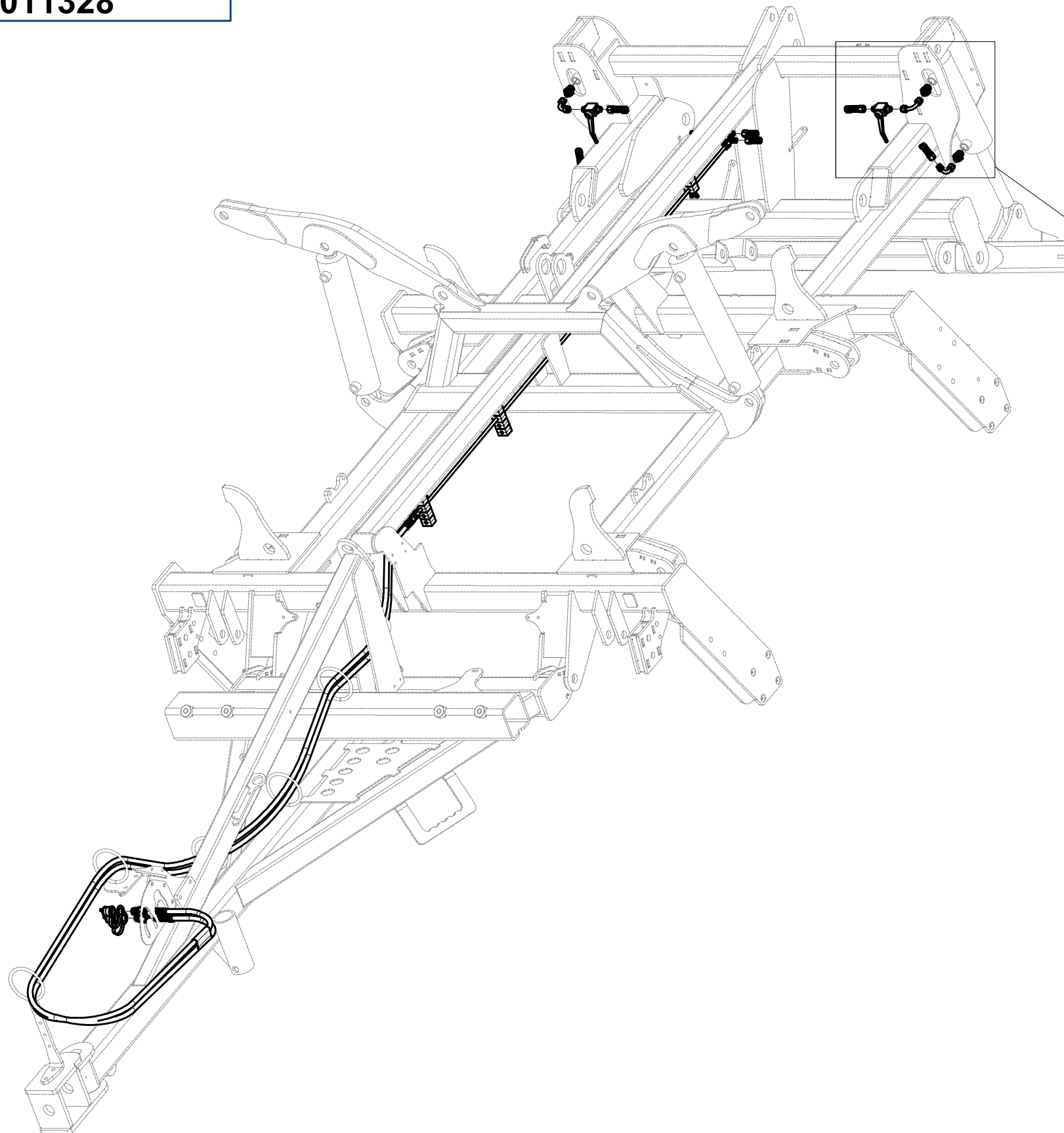
Ⓖ MACHINE HYDRAULICS

Ⓡ ГИДРАВЛИКА МАШИНЫ

Ⓟ HYDRAULIKA MASZYN

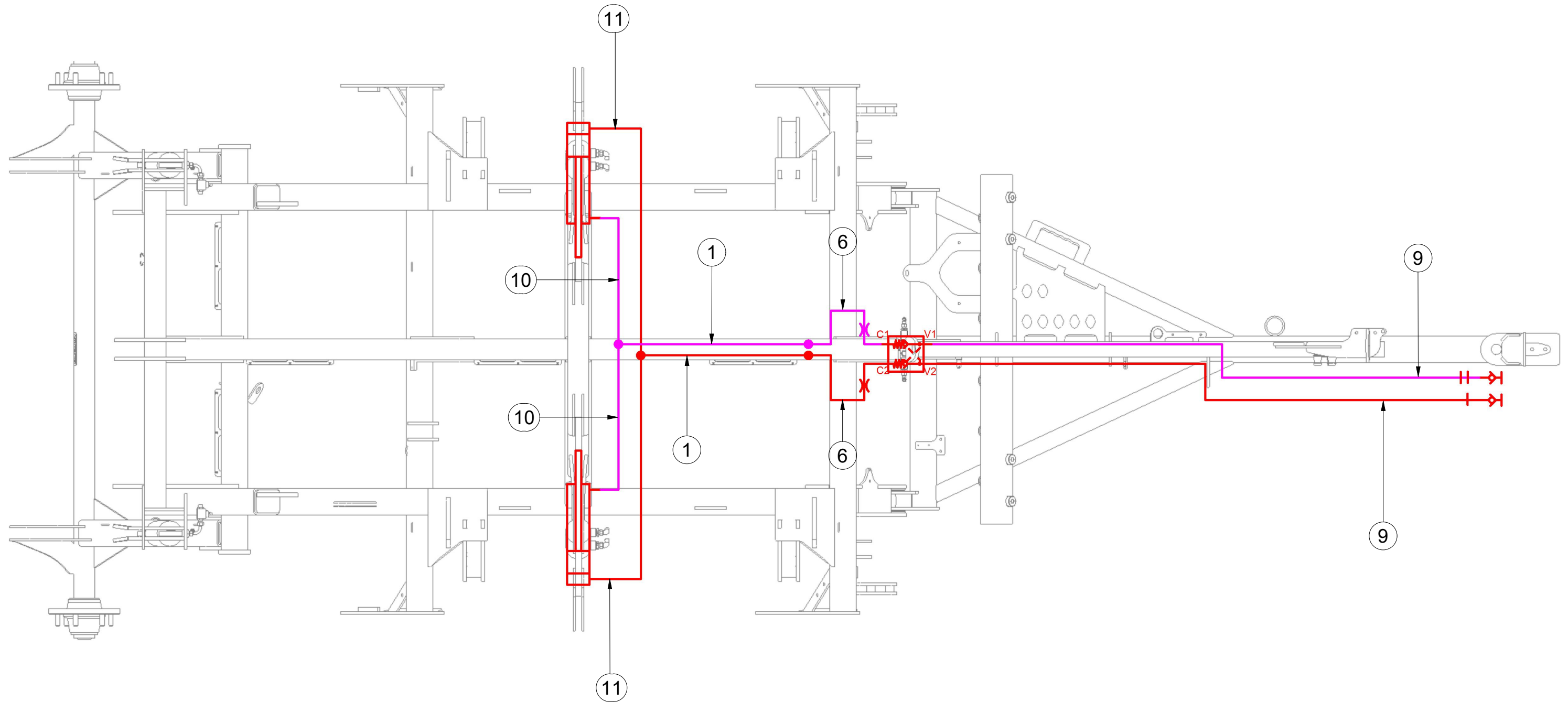


**3011328**



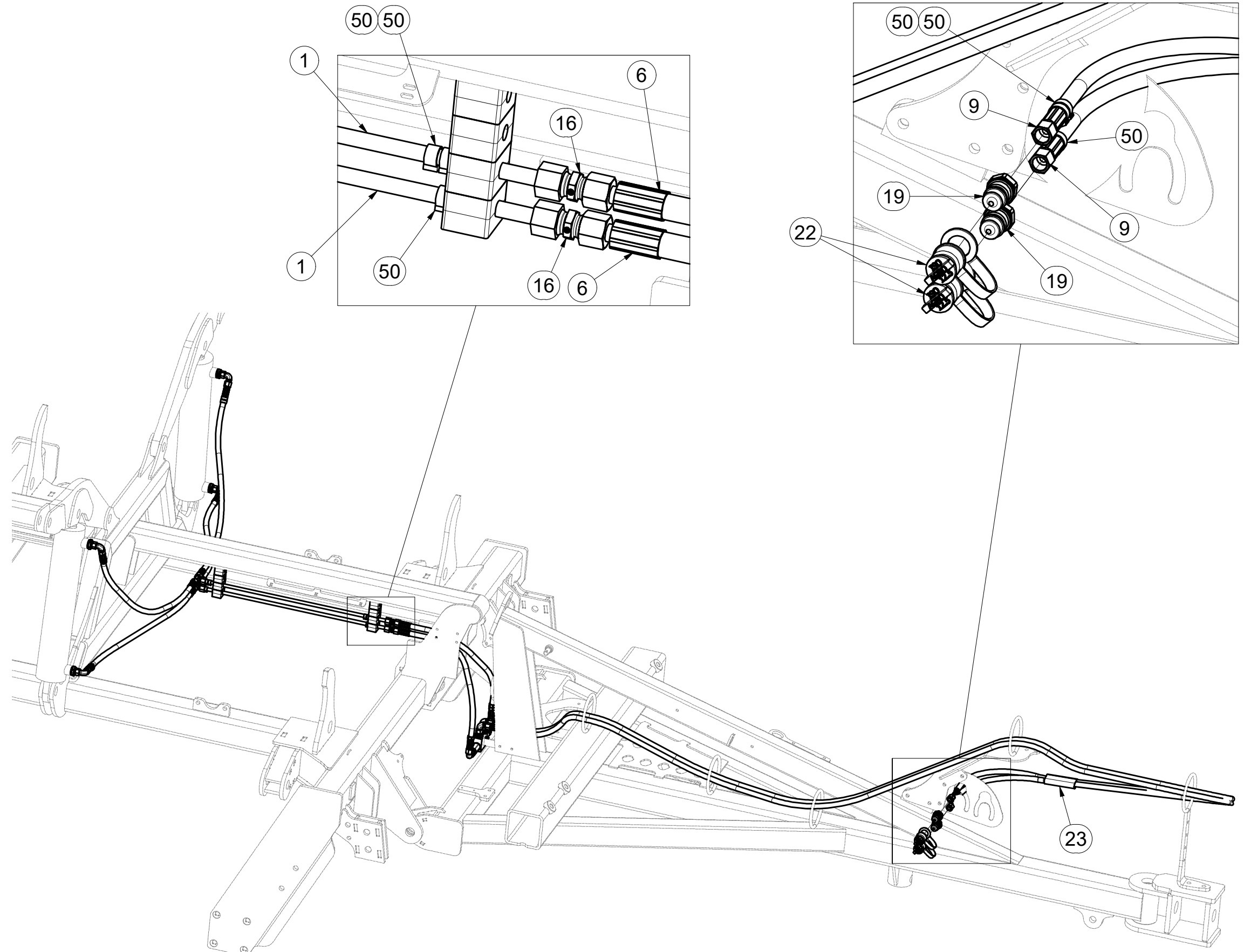
| Pos. | Part Number | Pcs. |
|------|-------------|------|
| 4    | m04623      | 2    |
| 6    | m03713      | 4    |
| 7    | m04033      | 2    |
| 13   | m09934      | 8    |
| 15   | m04621      | 2    |
| 17   | m04024      | 2    |
| 51   | m11289      | 15   |

**3011328**



| Pos. | Part Number | Pcs. |
|------|-------------|------|
| 1    | m03975      | 2    |
| 6    | m03713      | 4    |
| 9    | m04087      | 2    |
| 10   | m07646      | 2    |
| 11   | m07909      | 2    |

**3011328**



| Pos. | Part Number | Pcs. |
|------|-------------|------|
| 1    | m03975      | 2    |
| 6    | m03713      | 4    |
| 9    | m04087      | 2    |
| 16   | m03213      | 4    |
| 19   | m03849      | 4    |
| 22   | m04022      | 2    |
| 23   | m11183      | 2    |
| 50   | m11294      | 21   |



ⒸZ HYDRAULIKA STROJE

Ⓓ HYDRAULIK DER MASCHINE

Ⓕ HYDRAULIQUE DE LA MACHINE

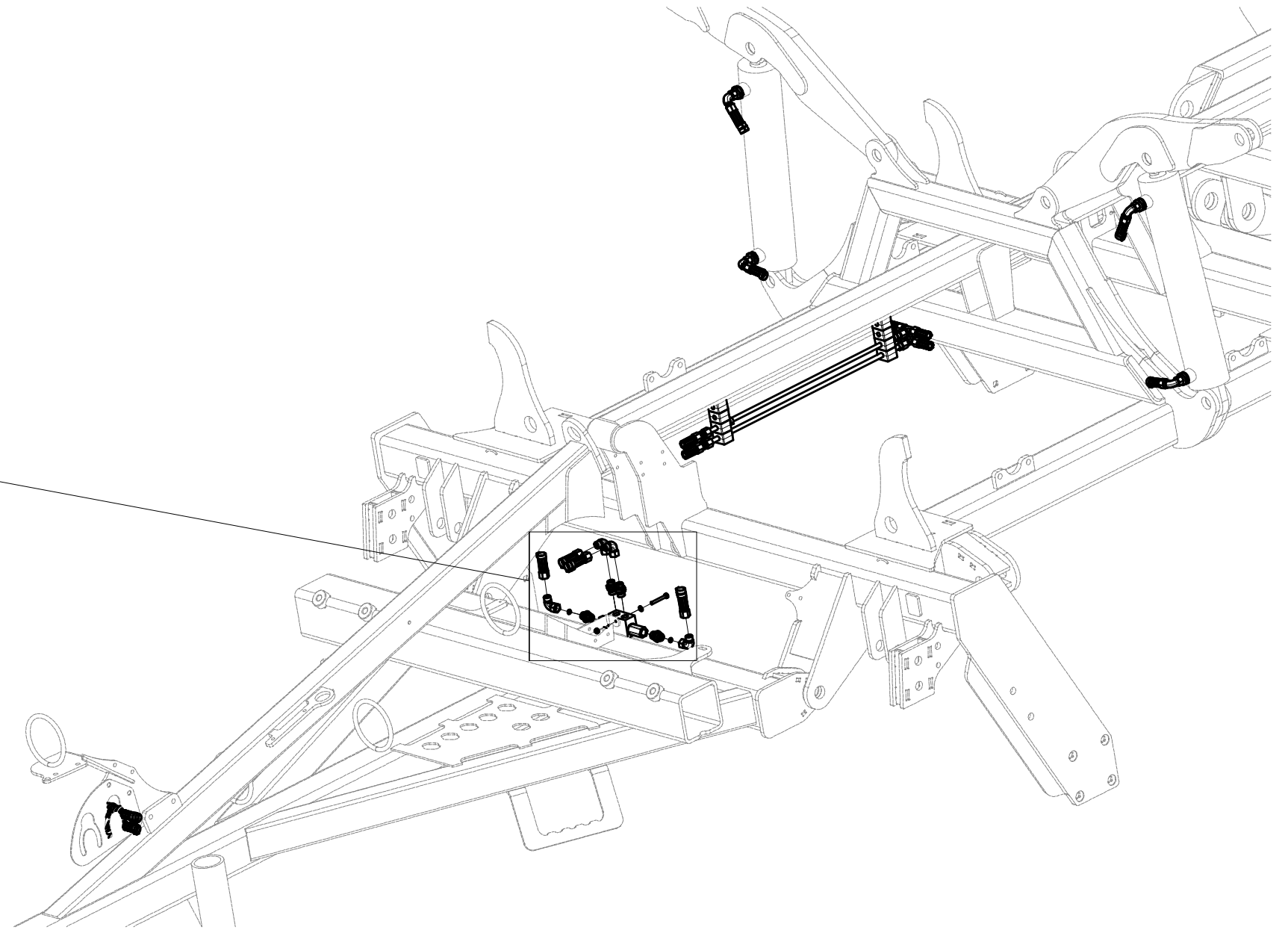
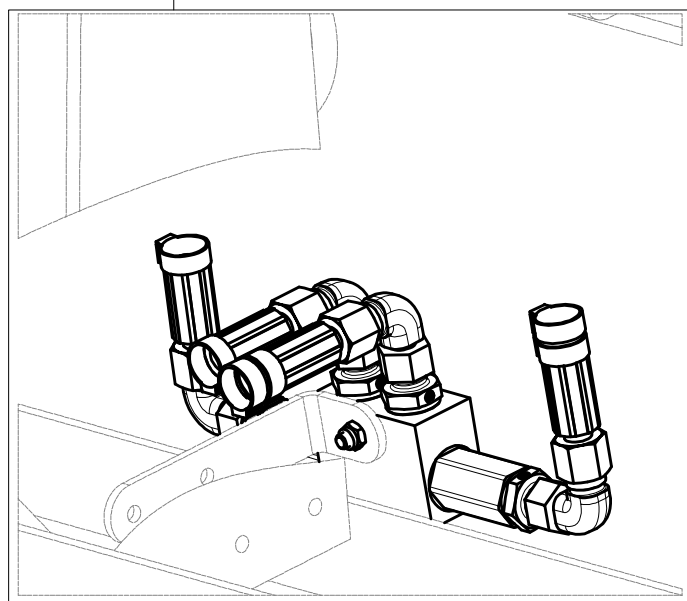
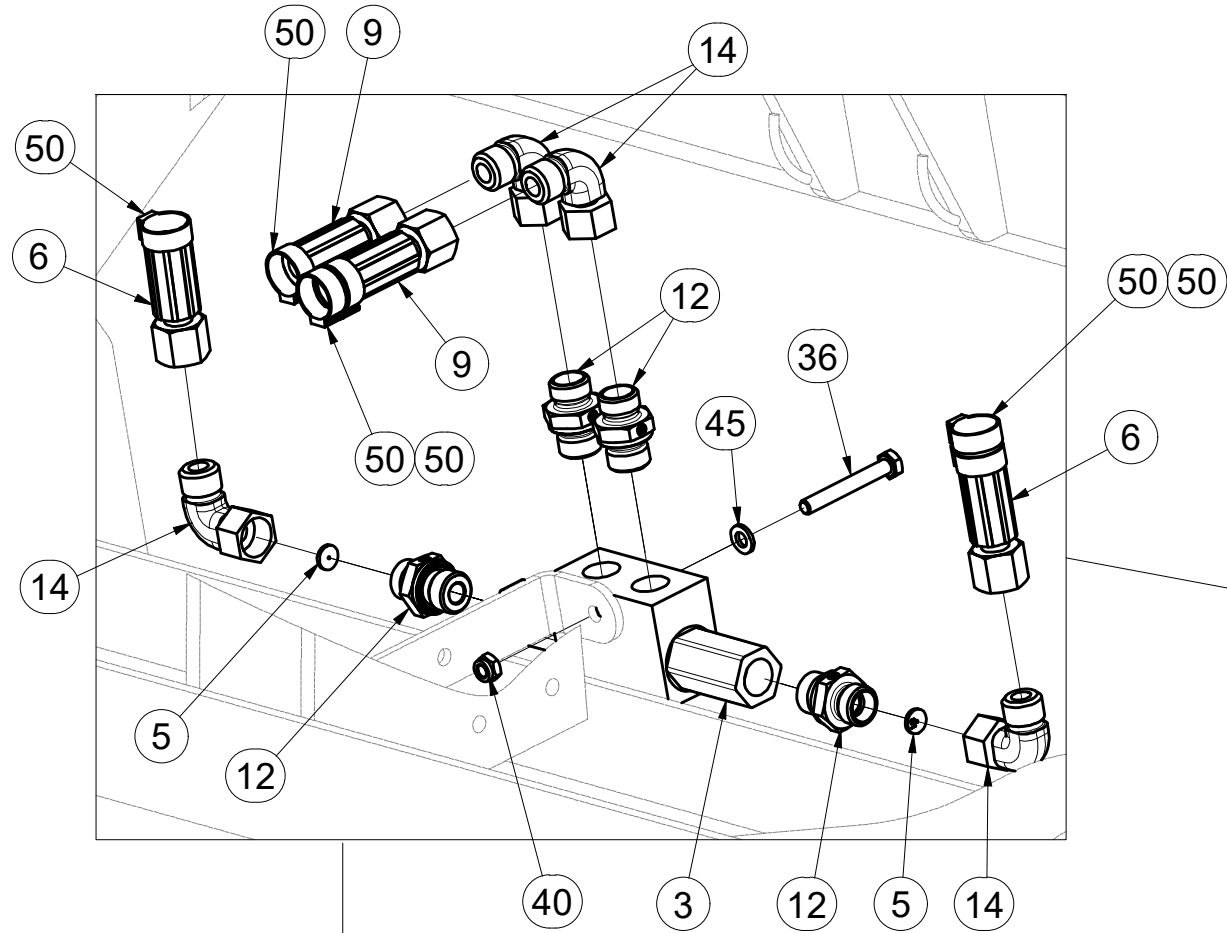
ⒸB MACHINE HYDRAULICS

ⒸR ГИДРАВЛИКА МАШИНЫ

ⒸL HYDRAULIKA MASZYN

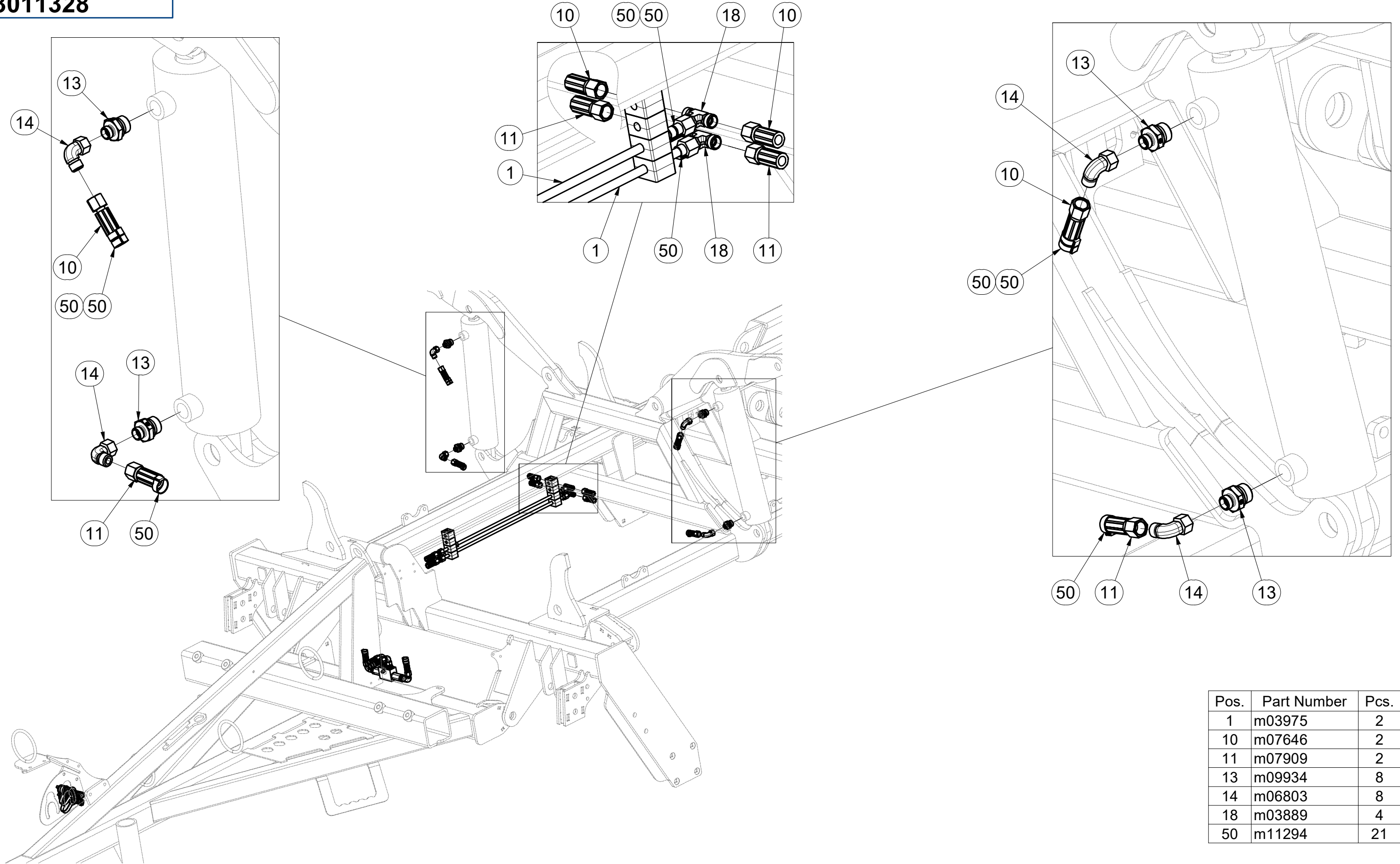


**3011328**



| Pos. | Part Number | Pcs. |
|------|-------------|------|
| 3    | m06673      | 1    |
| 5    | m10780      | 2    |
| 6    | m03713      | 4    |
| 9    | m04087      | 2    |
| 12   | m06528      | 4    |
| 14   | m06803      | 8    |
| 36   | m05561      | 1    |
| 40   | m05560      | 1    |
| 45   | m01199      | 1    |
| 50   | m11294      | 21   |

**3011328**



| Pos. | Part Number | Pcs. |
|------|-------------|------|
| 1    | m03975      | 2    |
| 10   | m07646      | 2    |
| 11   | m07909      | 2    |
| 13   | m09934      | 8    |
| 14   | m06803      | 8    |
| 18   | m03889      | 4    |
| 50   | m11294      | 21   |

ⒸZ OJ T3

Ⓓ DEICHSEL T3

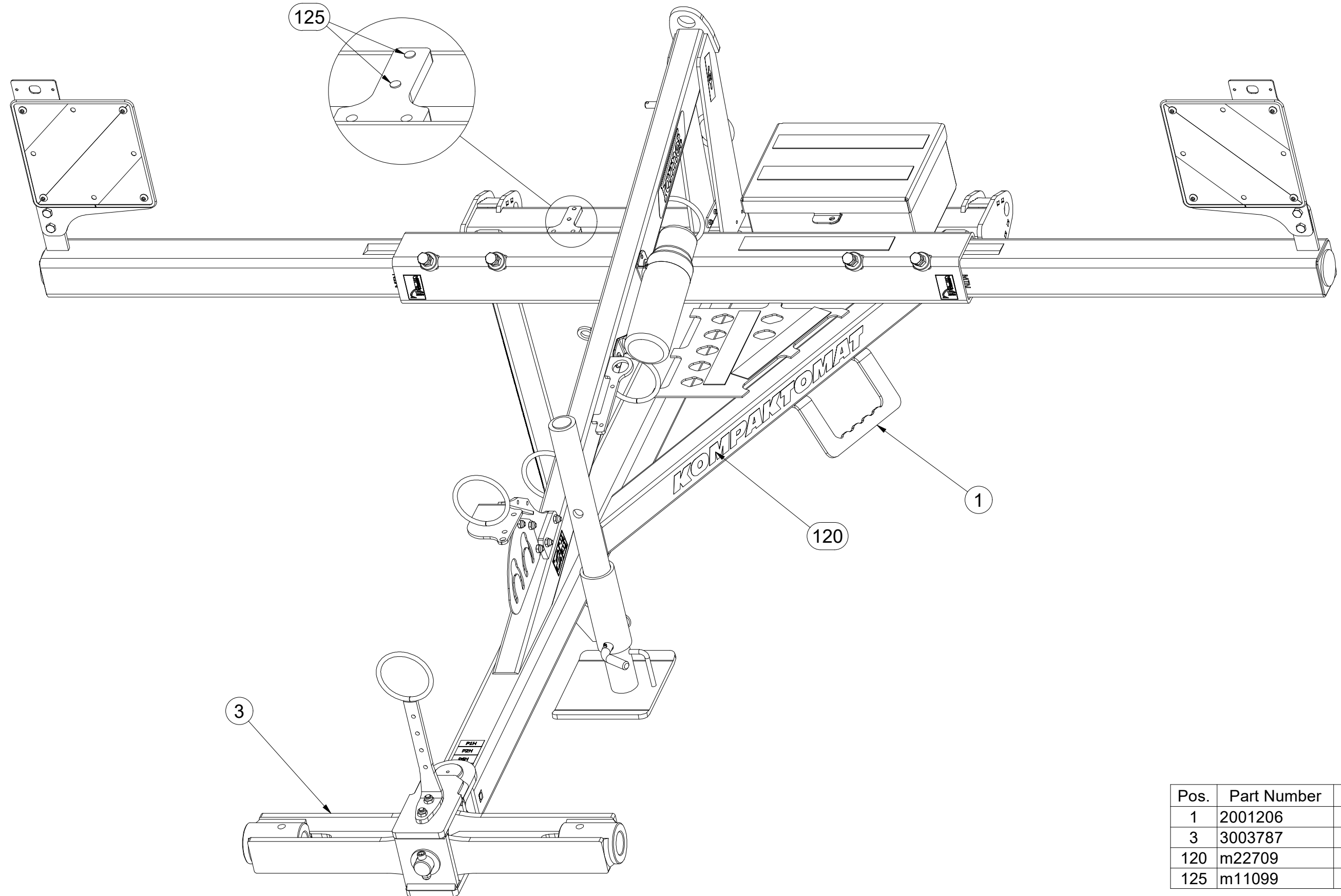
Ⓕ TIMON T3

**3012414**

ⒼB TOW BAR T3

Ⓔ RU ДЫШЛО T3

Ⓗ PL DYSZEL T3



| Pos. | Part Number | Pcs. |
|------|-------------|------|
| 1    | 2001206     | 1    |
| 3    | 3003787     | 1    |
| 120  | m22709      | 1    |
| 125  | m11099      | 2    |

ⒸZ OJ T3

Ⓓ DEICHSEL T3

Ⓕ TIMON T3

ⒼB TOW BAR T3

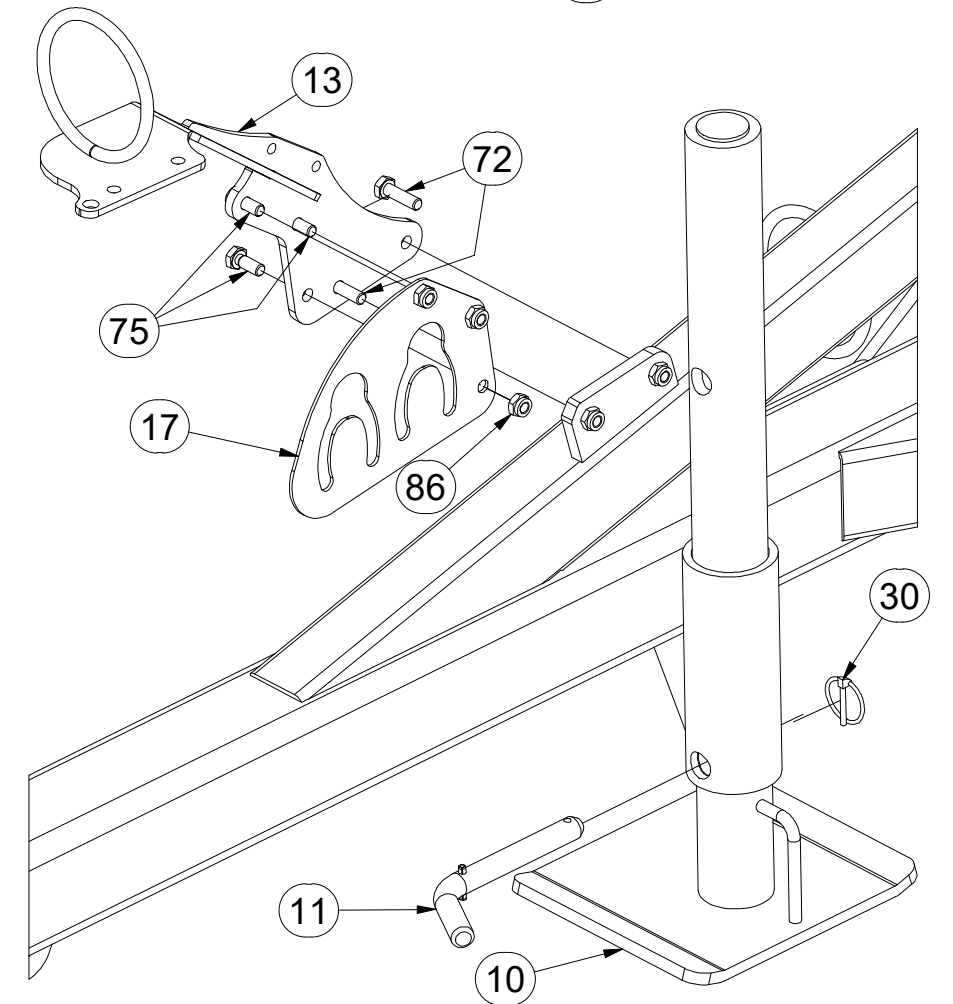
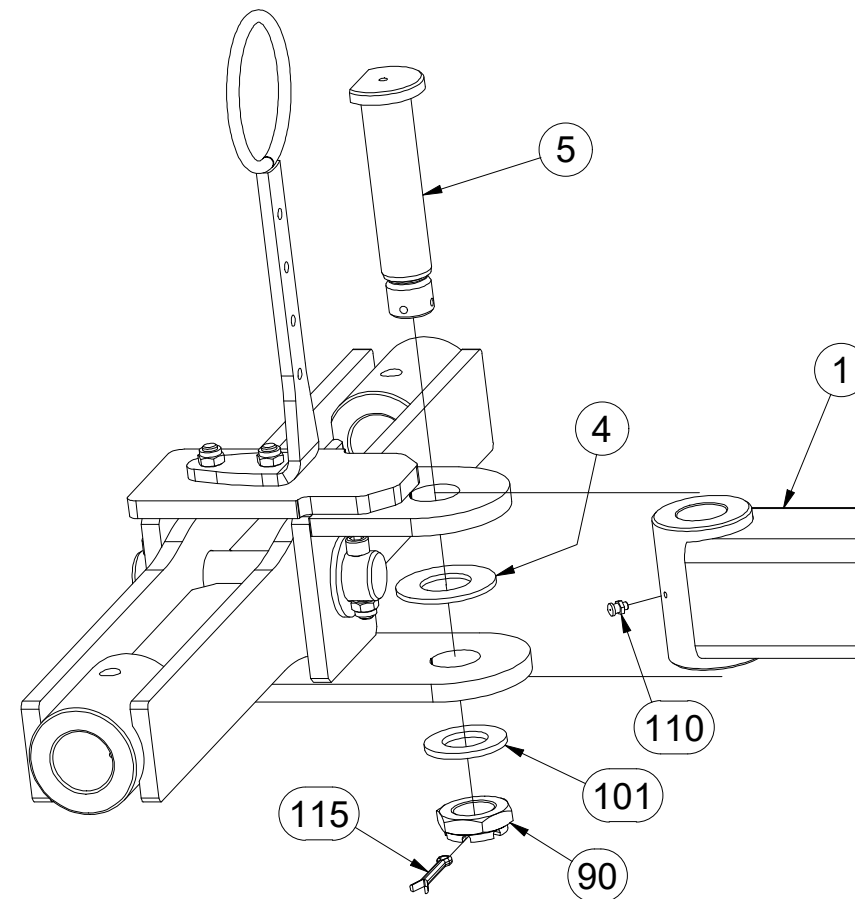
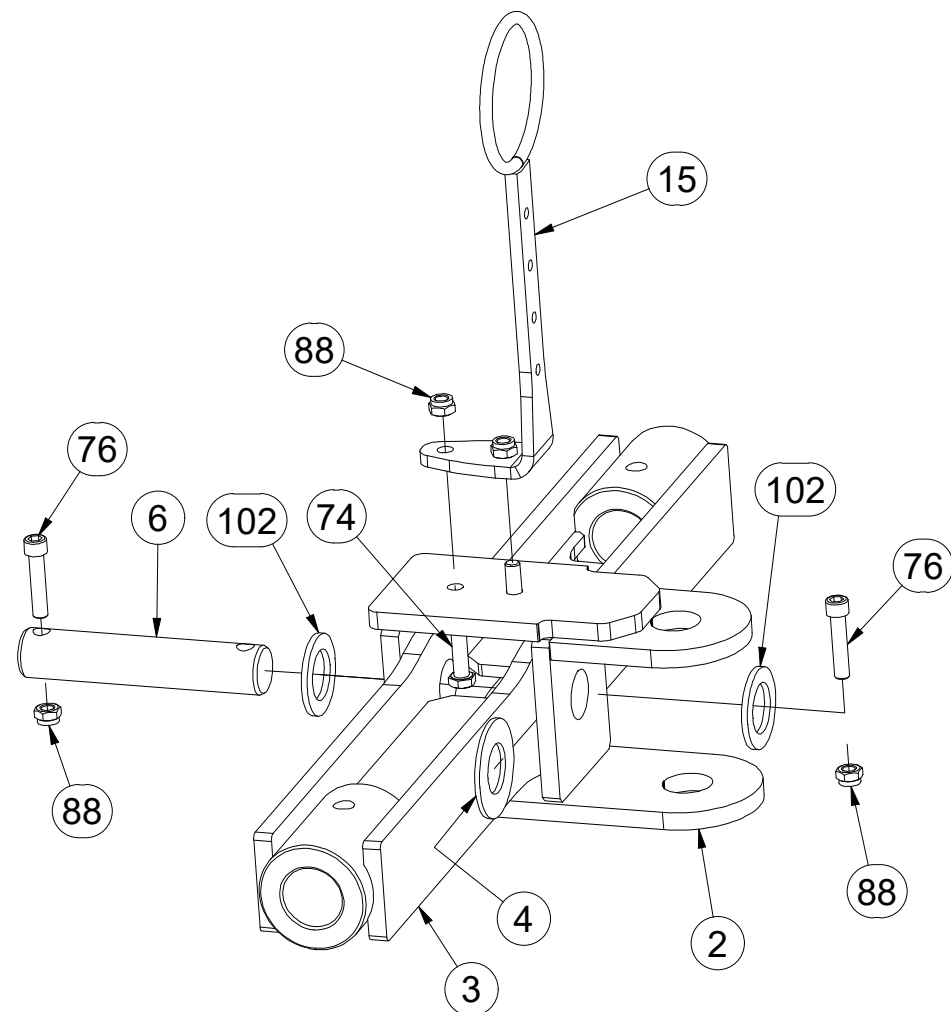
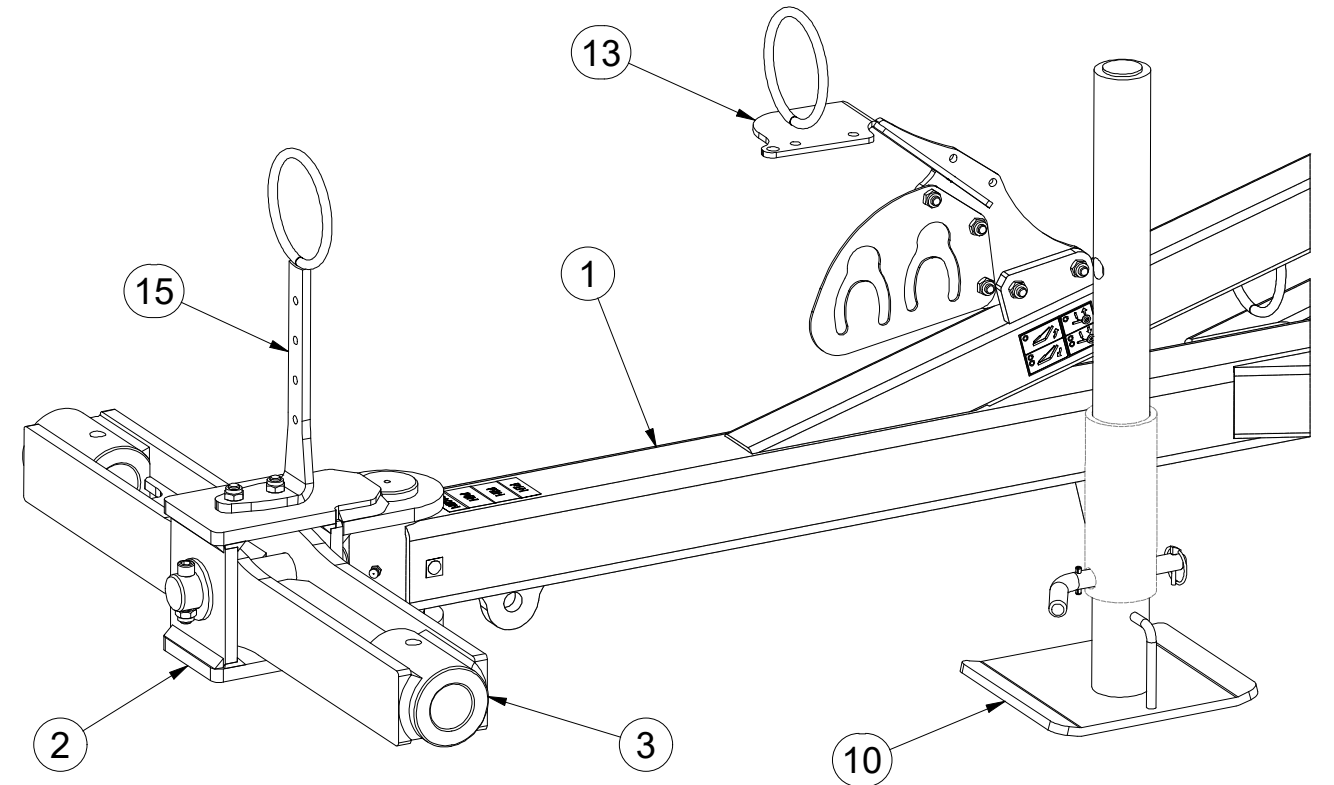
ⒺR ДЫШЛО T3

ⒻL DYSZEL T3



**3012414**

| Pos. | Part Number   | Pcs. | Pos. | Part Number | Pcs. |
|------|---------------|------|------|-------------|------|
| 1    | 2001206       | 1    | 72   | m04613      | 2    |
| 2    | 3009637       | 1    | 74   | m03926      | 2    |
| 3    | 3003787       | 1    | 75   | m03681      | 3    |
| 4    | 4003744       | 2    | 76   | m14008      | 2    |
| 5    | 4008049       | 1    | 86   | m03775      | 5    |
| 6    | 4014570       | 1    | 88   | m04301      | 8    |
| 10   | 8000647-40207 | 1    | 90   | m02533      | 1    |
| 11   | 4012205       | 1    | 101  | m03866      | 1    |
| 13   | 3012460       | 1    | 102  | 4013139     | 2    |
| 15   | 4019191       | 1    | 110  | m10451      | 1    |
| 17   | 4008679       | 1    | 115  | m03959      | 1    |
| 30   | m10454        | 1    |      |             |      |



Ⓒ OJ T3

Ⓓ DEICHSEL T3

Ⓕ TIMON T3

Ⓖ TOW BAR T3

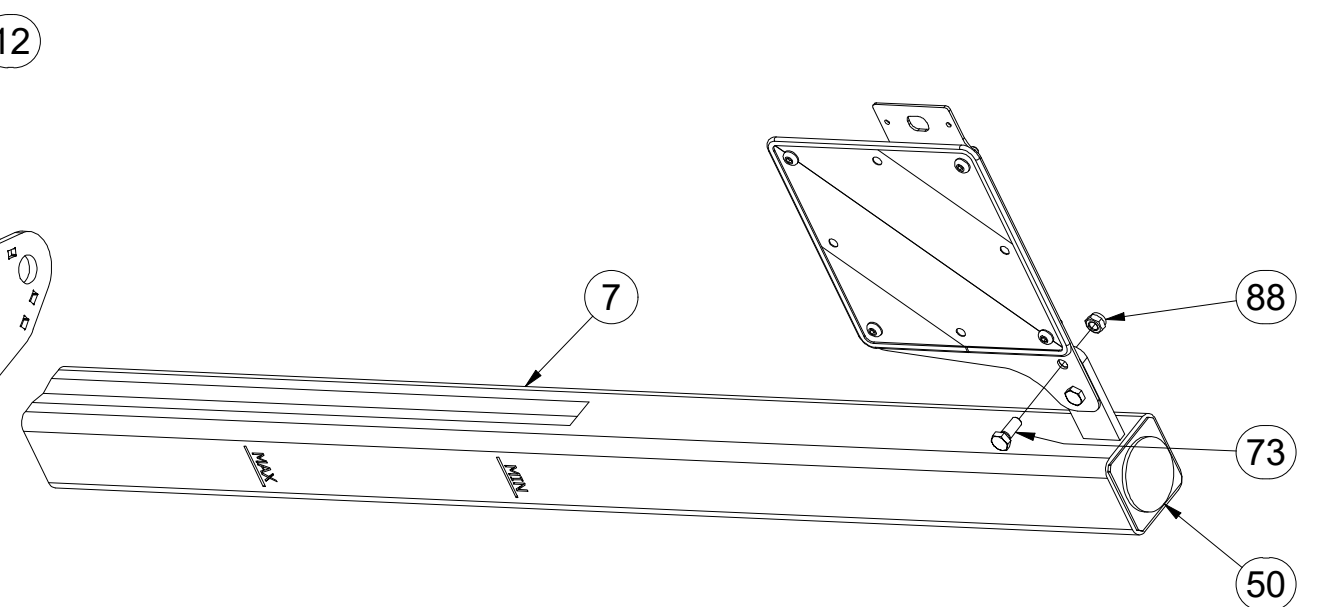
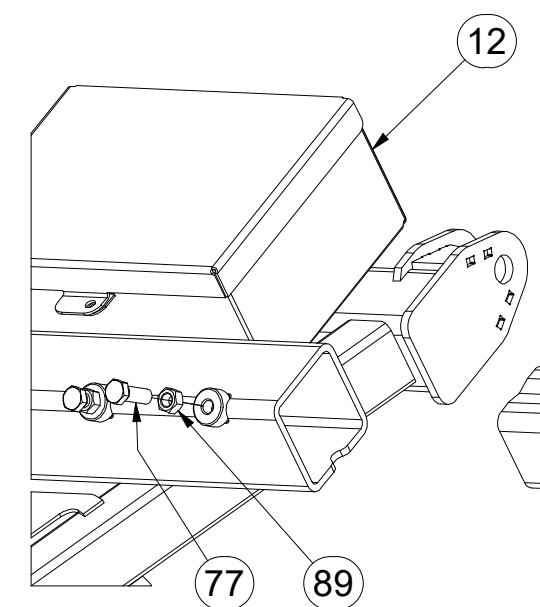
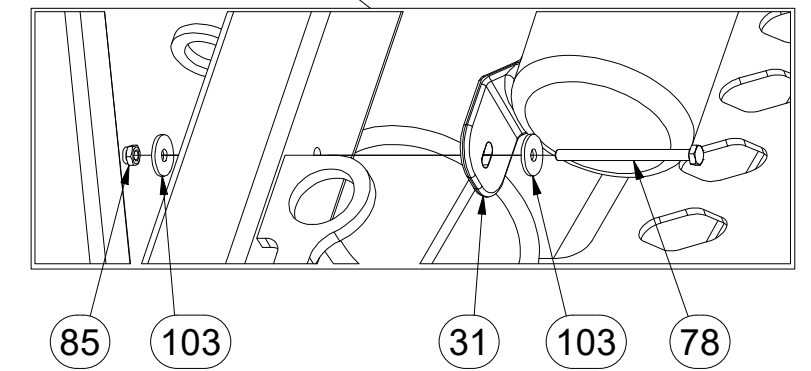
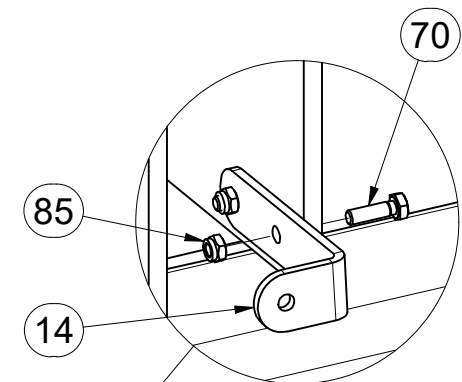
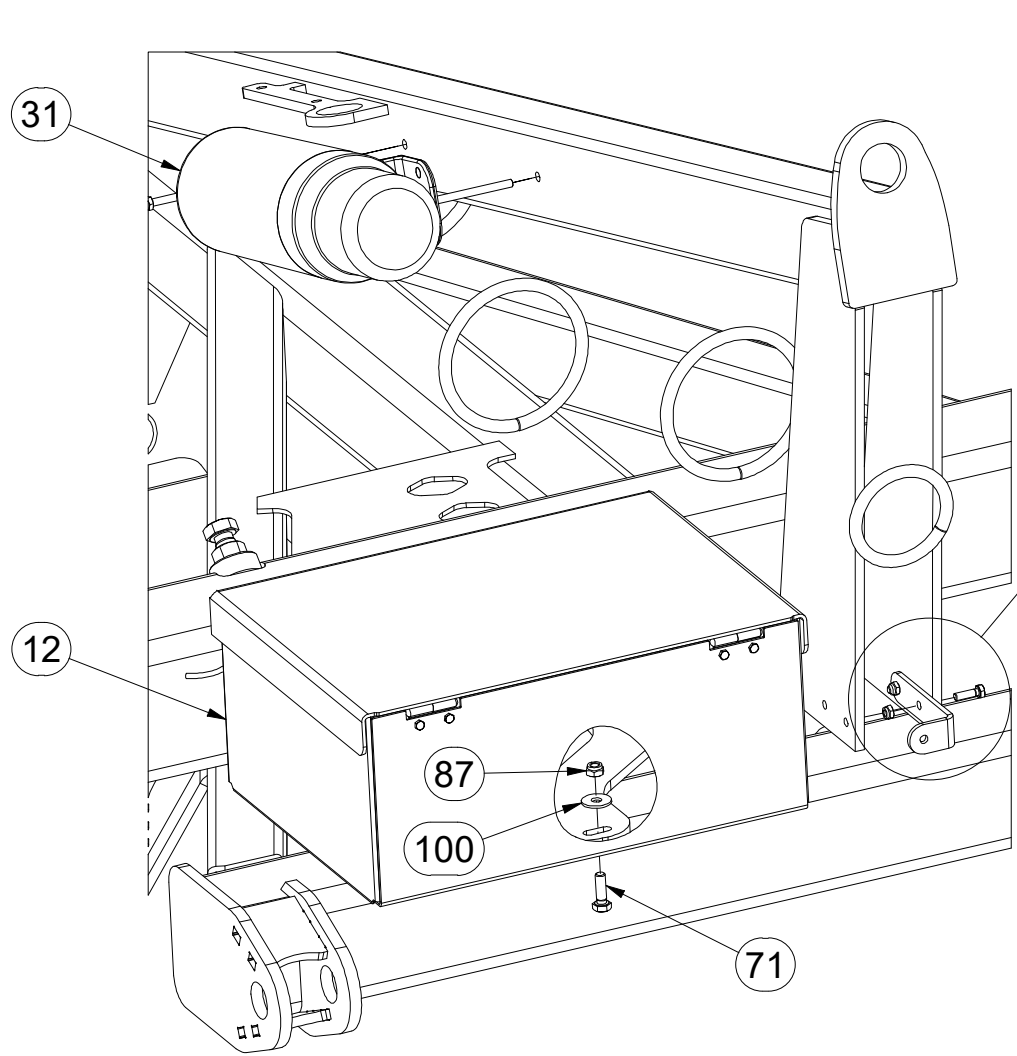
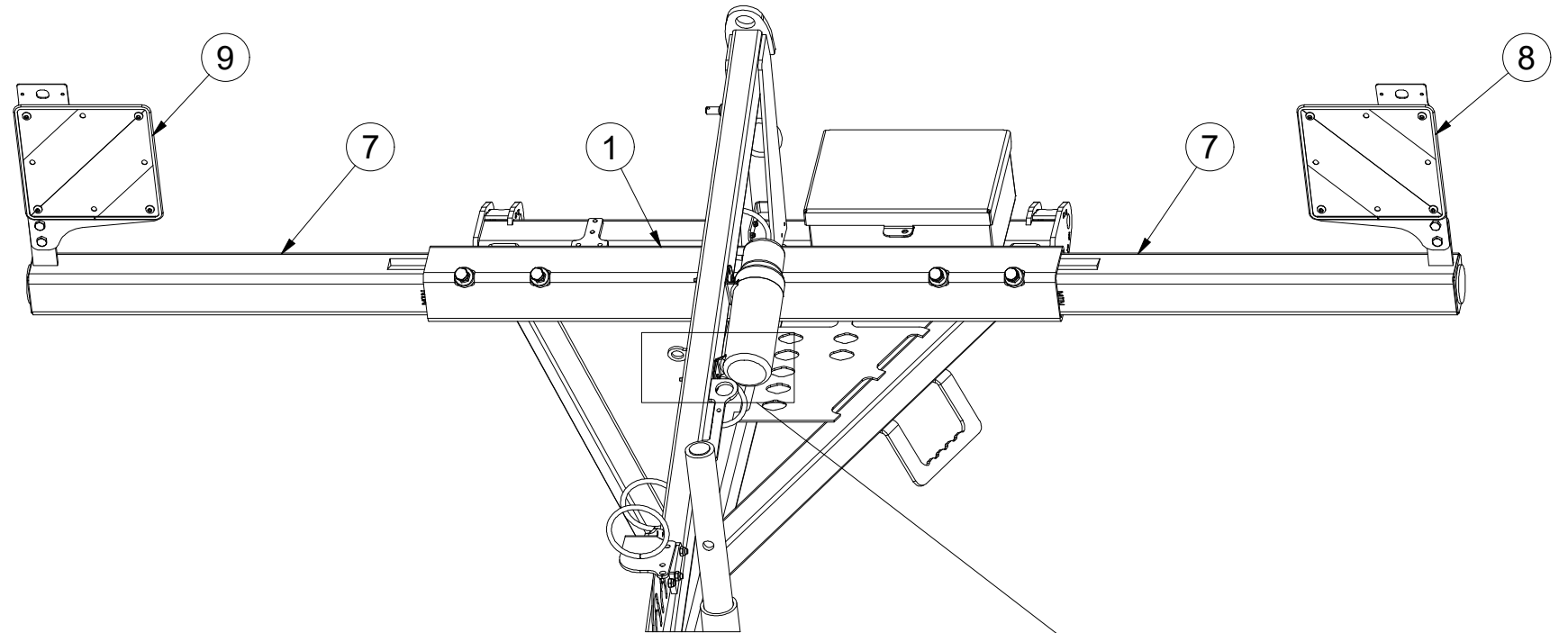
Ⓡ ДЫШЛО T3

Ⓢ DYSZEL T3



**3012414**

| Pos. | Part Number | Pcs. | Pos. | Part Number | Pcs. |
|------|-------------|------|------|-------------|------|
| 1    | 2001206     | 1    | 73   | m04039      | 4    |
| 7    | 4019255     | 2    | 77   | m02254      | 4    |
| 8    | VZ00024252  | 1    | 78   | m17098      | 2    |
| 9    | VZ00024253  | 1    | 85   | m05560      | 4    |
| 12   | m12296      | 1    | 87   | m04503      | 3    |
| 14   | 4013461     | 1    | 88   | m04301      | 8    |
| 31   | m15900      | 1    | 89   | m01306      | 4    |
| 50   | m02579      | 2    | 100  | m07936      | 3    |
| 70   | m01074      | 2    | 103  | m16612      | 4    |
| 71   | m01092      | 3    |      |             |      |



Ⓒ CZ OJ T3

Ⓓ DEICHSEL T3

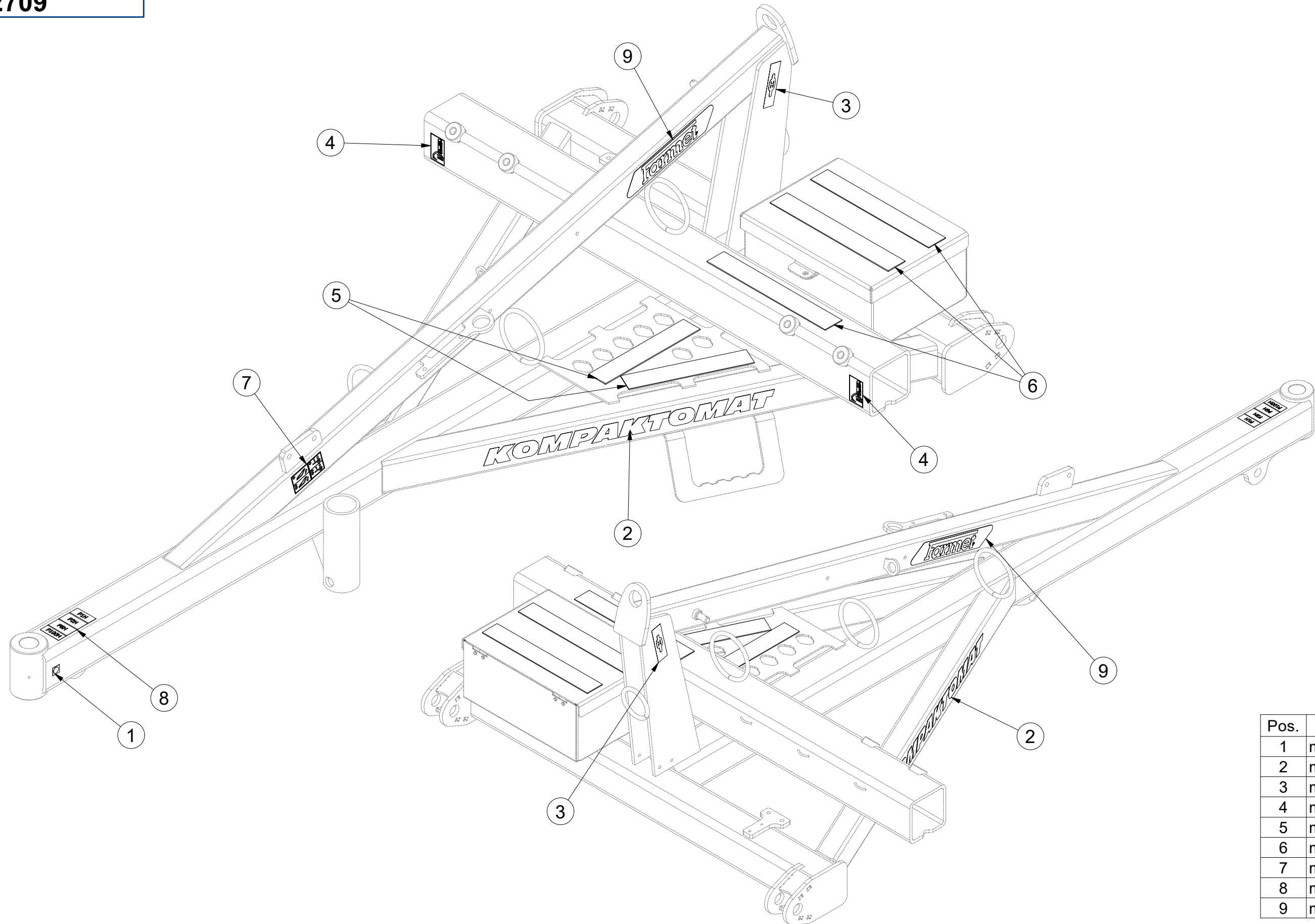
Ⓕ TIMON T3

**m22709**

Ⓖ GB TOW BAR T3

Ⓡ RU ДЫШЛО T3

Ⓟ PL DYSZEL T3



| Pos. | Part Number | Pcs. |
|------|-------------|------|
| 1    | m03320      | 1    |
| 2    | m07688      | 2    |
| 3    | m03316      | 2    |
| 4    | m10180      | 2    |
| 5    | m11147      | 2    |
| 6    | m11146      | 3    |
| 7    | m11291      | 1    |
| 8    | m11295      | 1    |
| 9    | m13116      | 2    |

Ⓒ SADA ČEPŮ TBZ 3

Ⓓ BOLZENSATZ TBZ 3

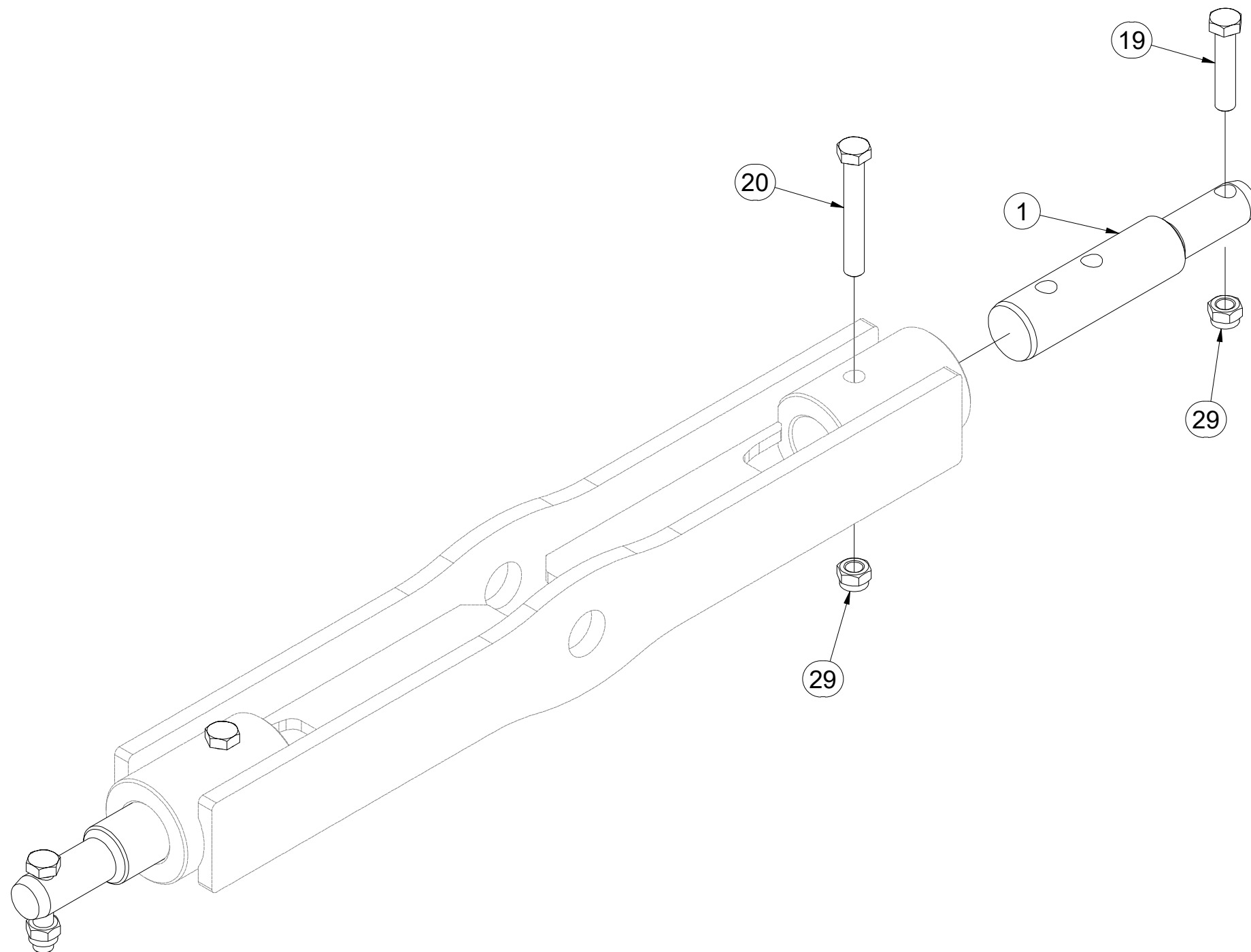
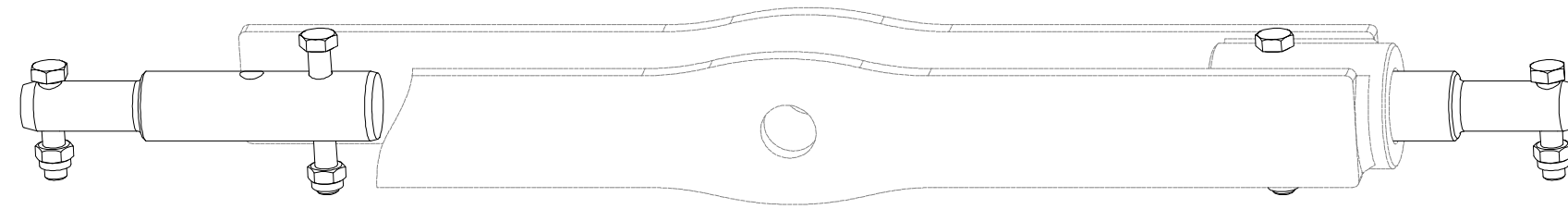
Ⓕ KIT D'EMBOUITS TBZ 3

**3011605**

Ⓖ SET OF TBZ 3 PINS

Ⓡ КОМПЛЕКТ ПАЛЬЦЕВ TBZ 3

Ⓟ ZESTAW CZOPÓW TBZ 3



| Pos. | Part Number | Pcs. |
|------|-------------|------|
| 1    | VZ00022884  | 2    |
| 19   | m01133      | 2    |
| 20   | m02970      | 2    |
| 29   | m03683      | 4    |

ⒸZ TERČ PŘEDNÍ LEVÝ

Ⓓ SCHILD, VORDERES, LINKES

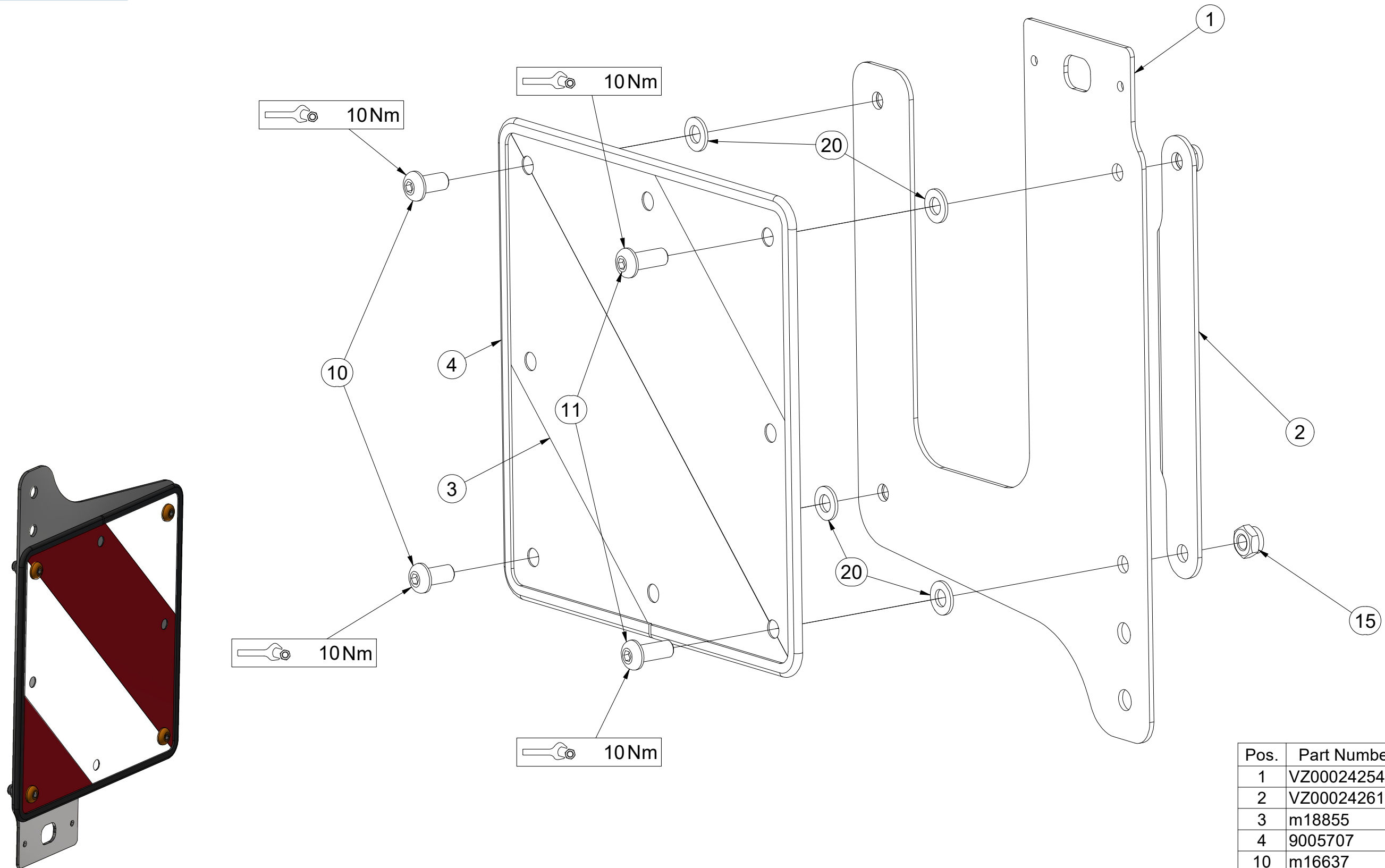
Ⓕ CIBLE AVANT GAUCHE

**VZ00024252**

ⒸB LEFT FRONT DISC

ⒶЩИТОК ПЕРЕДНИЙ ЛЕВЫЙ

Ⓐ TARCZA PRZEDNIA LEWA



| Pos. | Part Number | Pcs. |
|------|-------------|------|
| 1    | VZ00024254  | 1    |
| 2    | VZ00024261  | 1    |
| 3    | m18855      | 1    |
| 4    | 9005707     | 1    |
| 10   | m16637      | 2    |
| 11   | m16688      | 2    |
| 15   | m03775      | 4    |
| 20   | m01209      | 4    |



ⒸZ TERČ PŘEDNÍ PRAVÝ

Ⓓ SCHILD, VORDERES, RECHTES

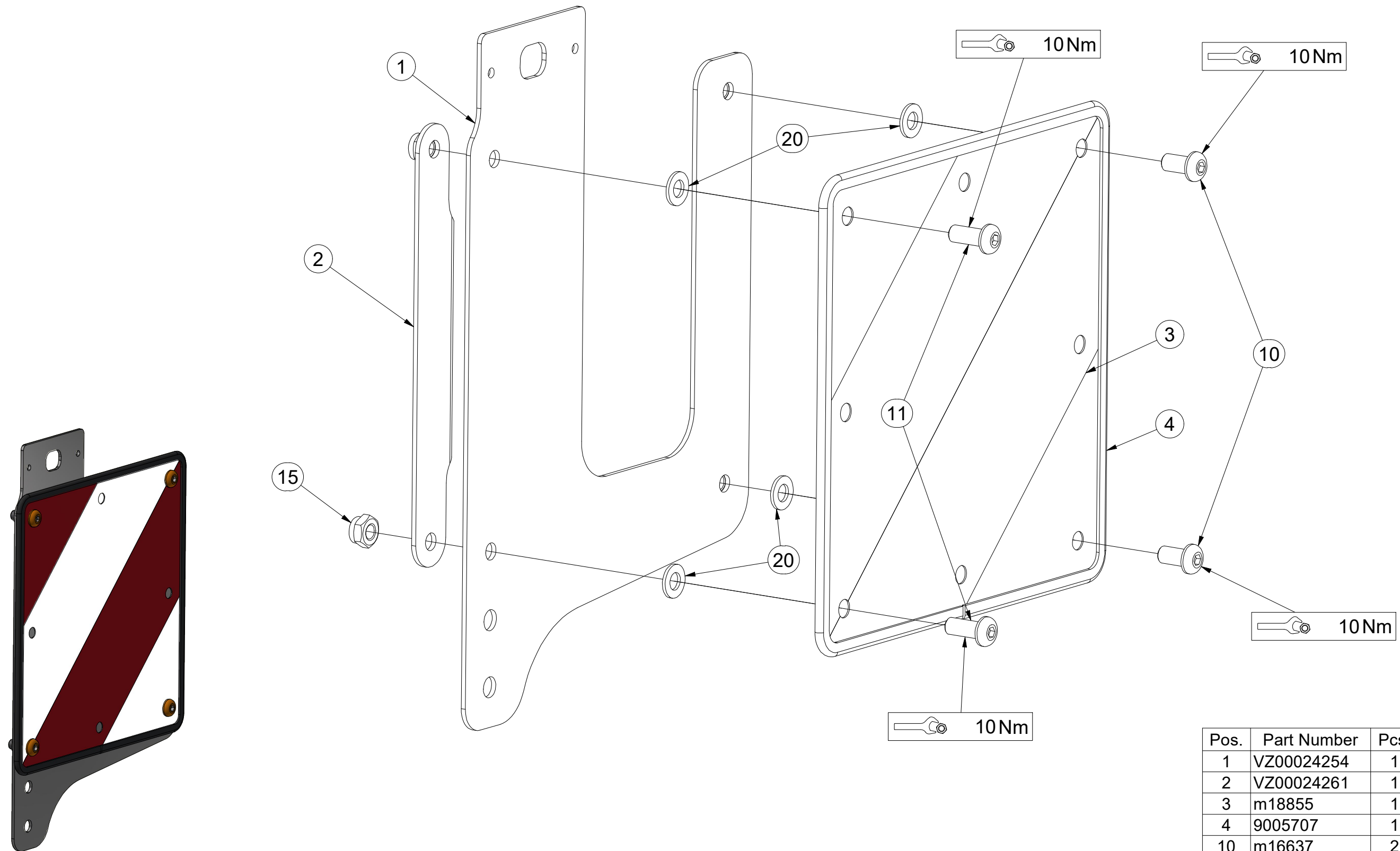
Ⓕ CIBLE AVANT DROITE

**VZ00024253**

ⒸB RIGHT FRONT DISC

ⒺЩИТОК ПЕРЕДНИЙ ПРАВЫЙ

ⒼL TARCZA PRZEDNIA PRAWA



| Pos. | Part Number | Pcs. |
|------|-------------|------|
| 1    | VZ00024254  | 1    |
| 2    | VZ00024261  | 1    |
| 3    | m18855      | 1    |
| 4    | 9005707     | 1    |
| 10   | m16637      | 2    |
| 11   | m16688      | 2    |
| 15   | m03775      | 4    |
| 20   | m01209      | 4    |

Ⓒ SADA KYPŘIČŮ STOP

Ⓓ SPURENLOCKERERSATZ

Ⓕ KIT DE CULTIVATEURS DE TRACES

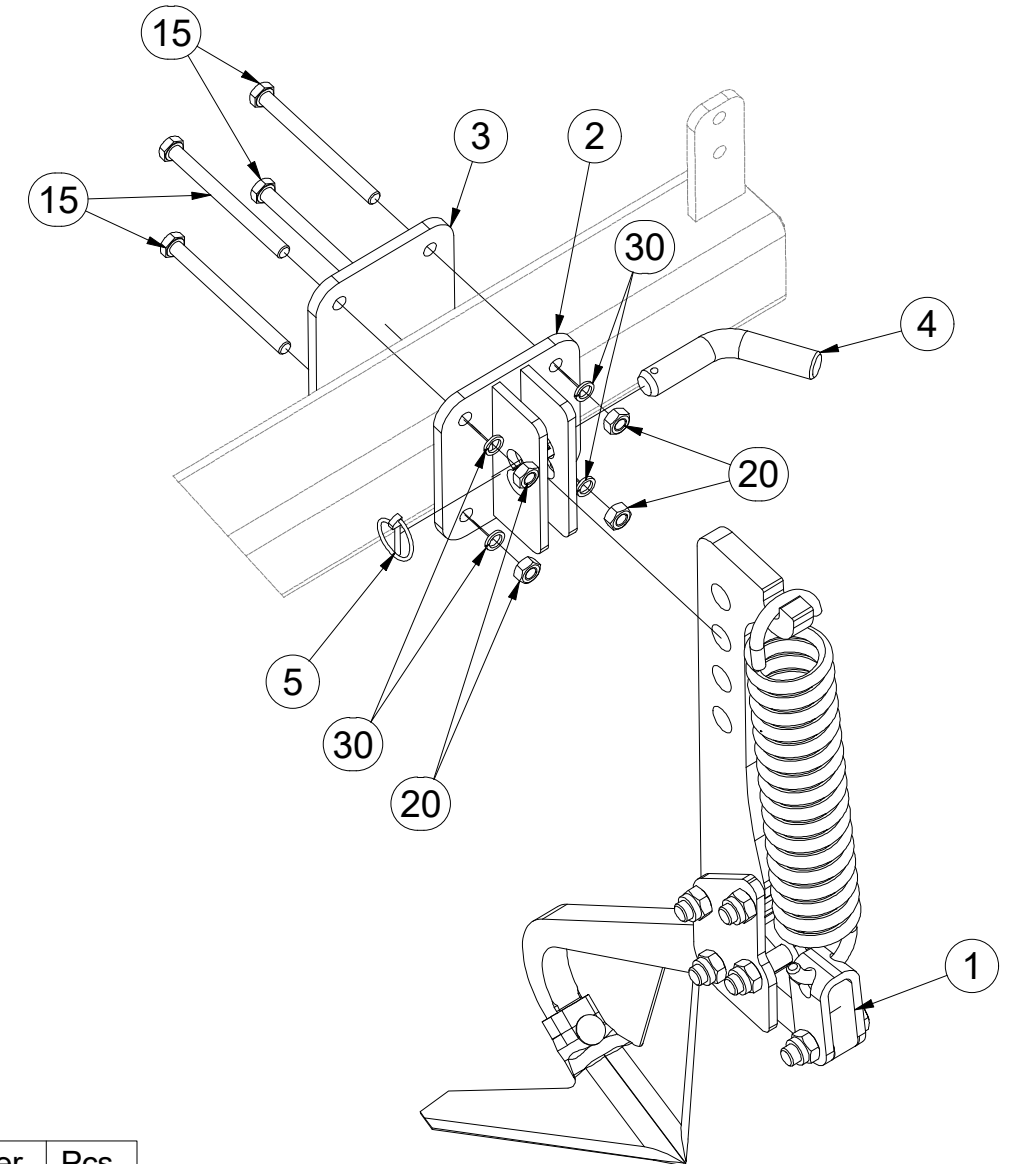
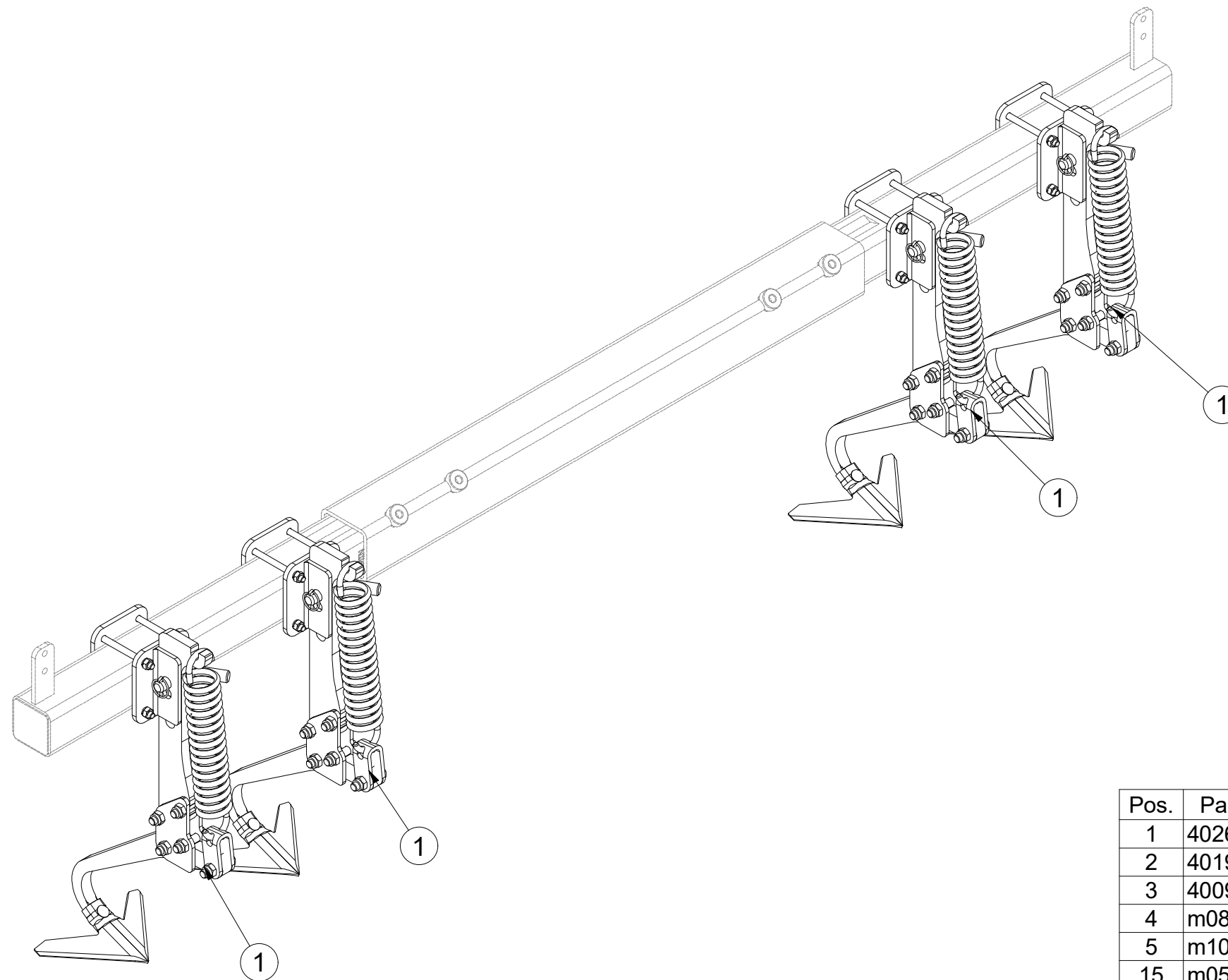
**3005535**

Ⓖ SET OF TRACK CULTIVATORS

Ⓡ КОМПЛЕКТ РЫХЛИТЕЛЕЙ КОЛЕИ

Ⓟ ZESTAW SPULCHNIACZY ŚLADÓW

**Farmet**



| Pos. | Part Number | Pcs. |
|------|-------------|------|
| 1    | 4026045     | 4    |
| 2    | 4019042     | 4    |
| 3    | 4009468     | 4    |
| 4    | m08885      | 4    |
| 5    | m10454      | 4    |
| 15   | m05946      | 16   |
| 20   | m01305      | 16   |
| 30   | m03988      | 16   |

Ⓒ KYPŘIČ STOP

Ⓓ SPURENLOCKERER

Ⓕ CULTIVATEUR DES TRACES

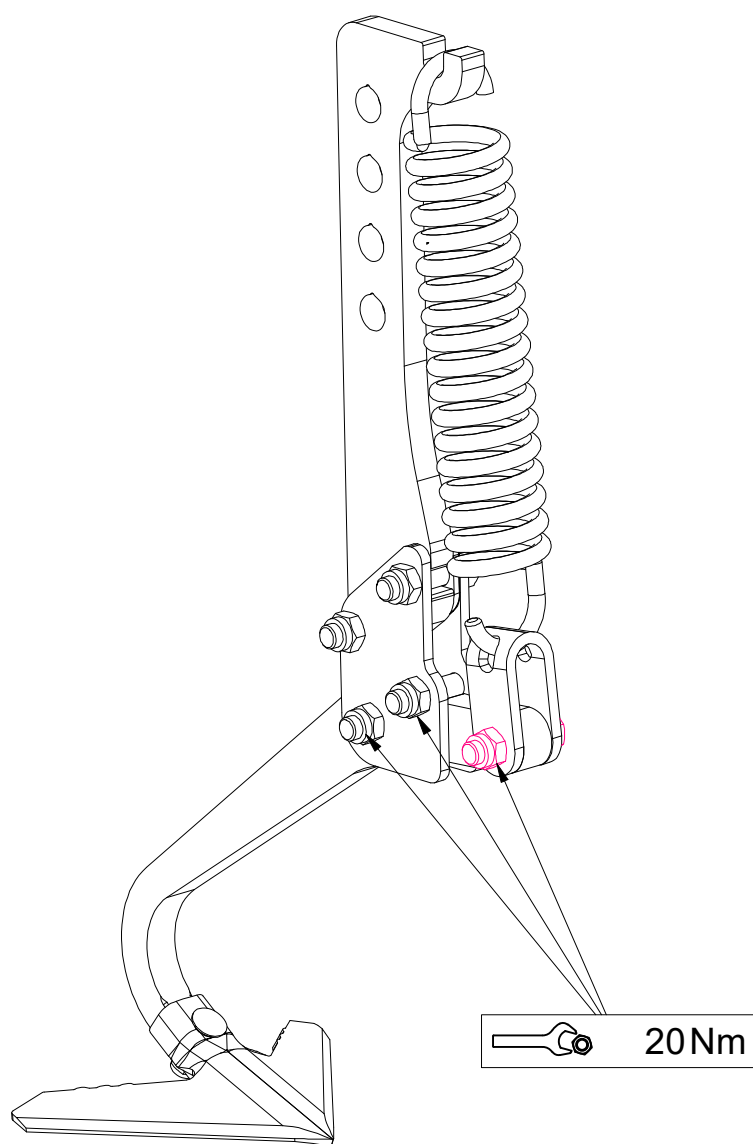
Ⓖ TRACK CULTIVATOR

Ⓡ РЫХЛИТЕЛЬ КОЛЕИ

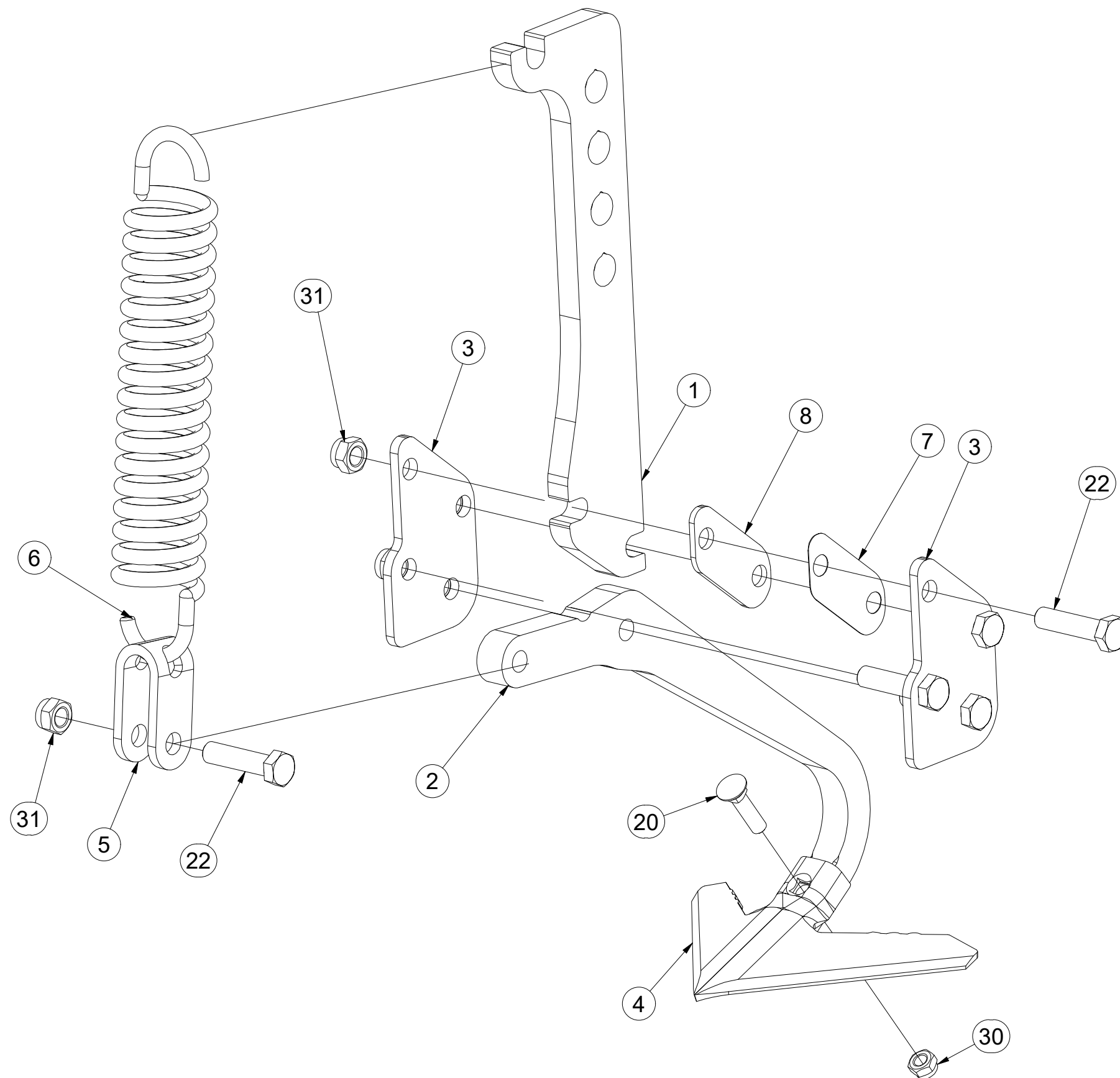
Ⓟ SPULCHNIARKA STÓP



**4026045**



| Pos. | Part Number | Pcs. |
|------|-------------|------|
| 1    | 4017307     | 1    |
| 2    | 4025591     | 1    |
| 3    | 4005582     | 2    |
| 4    | 3000236-KOO | 1    |
| 5    | 4005445     | 1    |
| 6    | m02597      | 1    |
| 7    | 4005591     | 1    |
| 8    | 4026202     | 1    |
| 20   | m10440      | 1    |
| 22   | m06587      | 5    |
| 30   | m21001      | 1    |
| 31   | m03683      | 5    |



Ⓒ SADA PŘEDNÍCH SMYKŮ

Ⓓ SATZ VORDERE ACKERSCHLEPPEN

Ⓕ KIT DE NIVELEURS AVANT

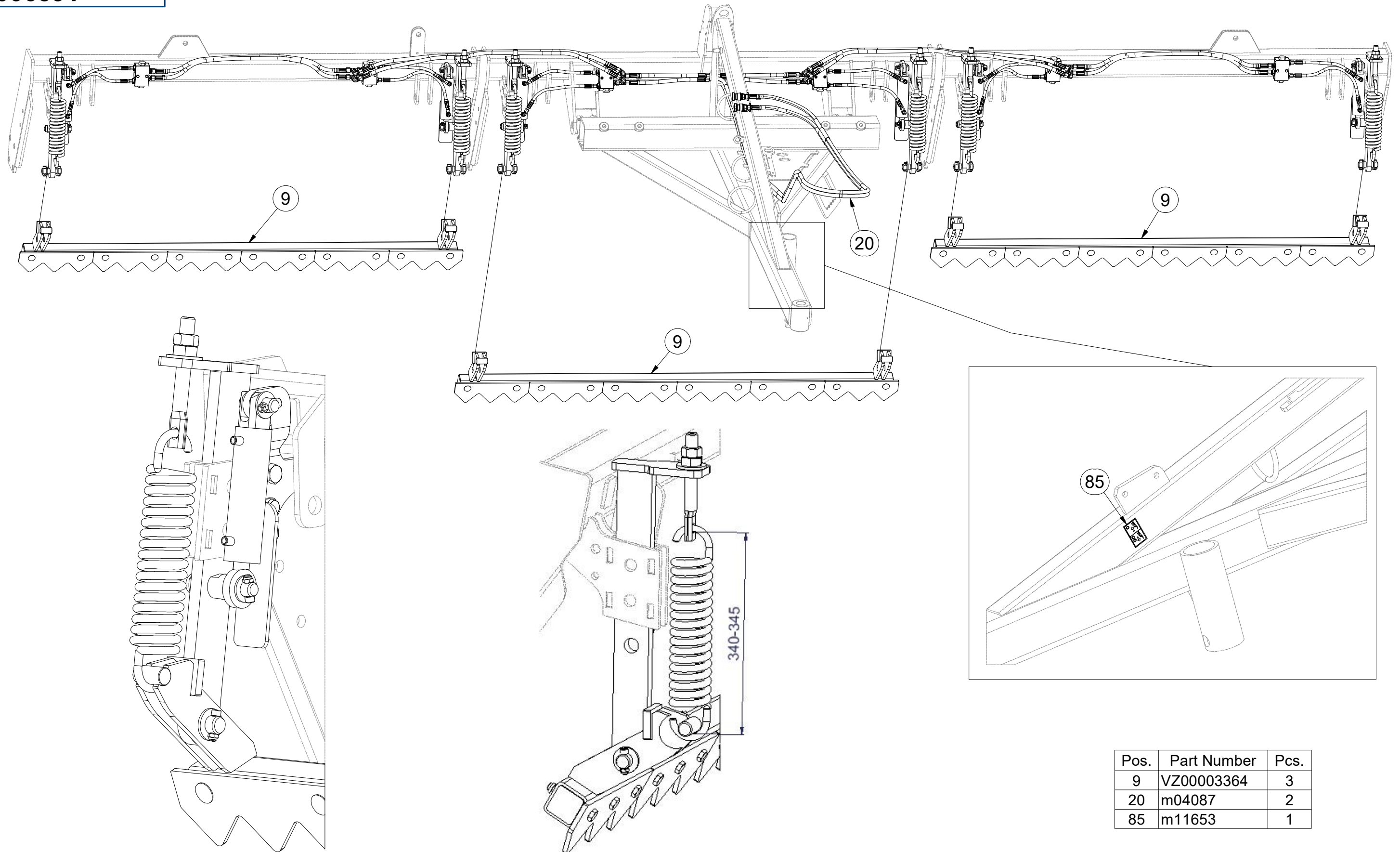
Ⓖ SET OF FRONT LEVELLING BARS

Ⓡ КОМПЛЕКТ ПЕРЕДНИХ БОРОН

Ⓟ ZESTAW PRZEDNICH WŁÓK

**Farmet**

**3006591**



| Pos. | Part Number | Pcs. |
|------|-------------|------|
| 9    | VZ00003364  | 3    |
| 20   | m04087      | 2    |
| 85   | m11653      | 1    |

ⒸZ SADA PŘEDNÍCH SMYKŮ

Ⓓ SATZ VORDERE ACKERSCHLEPPEN

Ⓕ KIT DE NIVELEURS AVANT

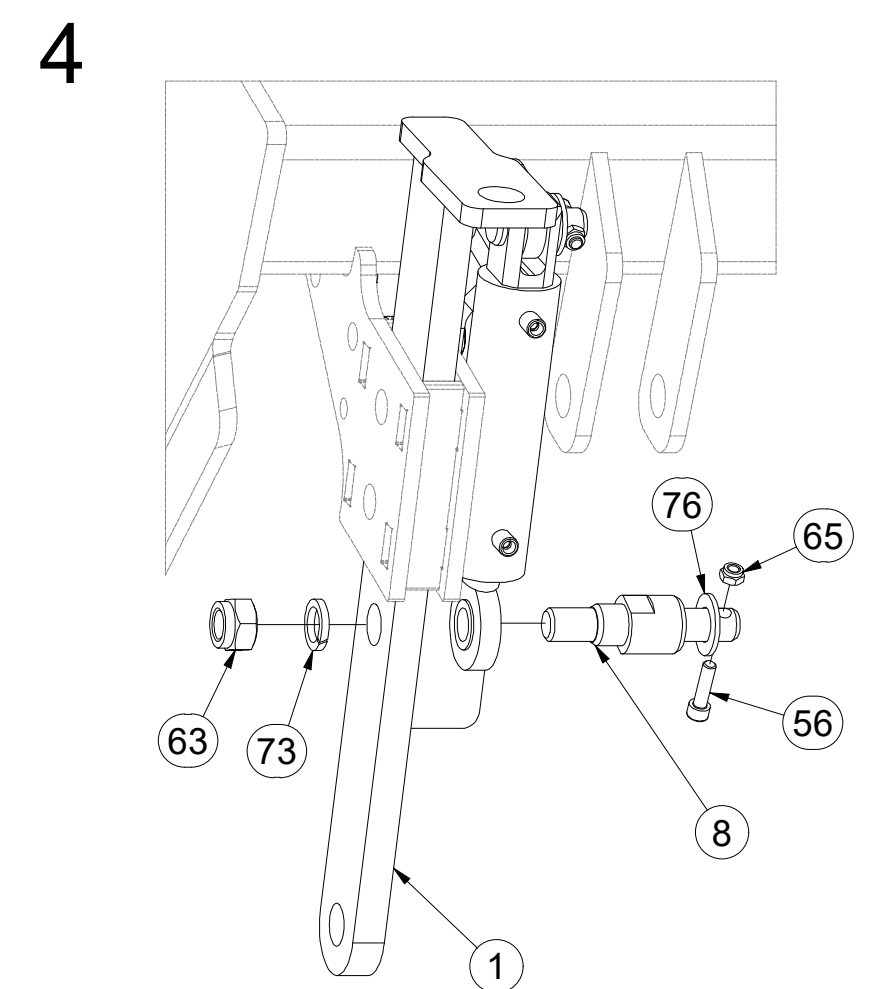
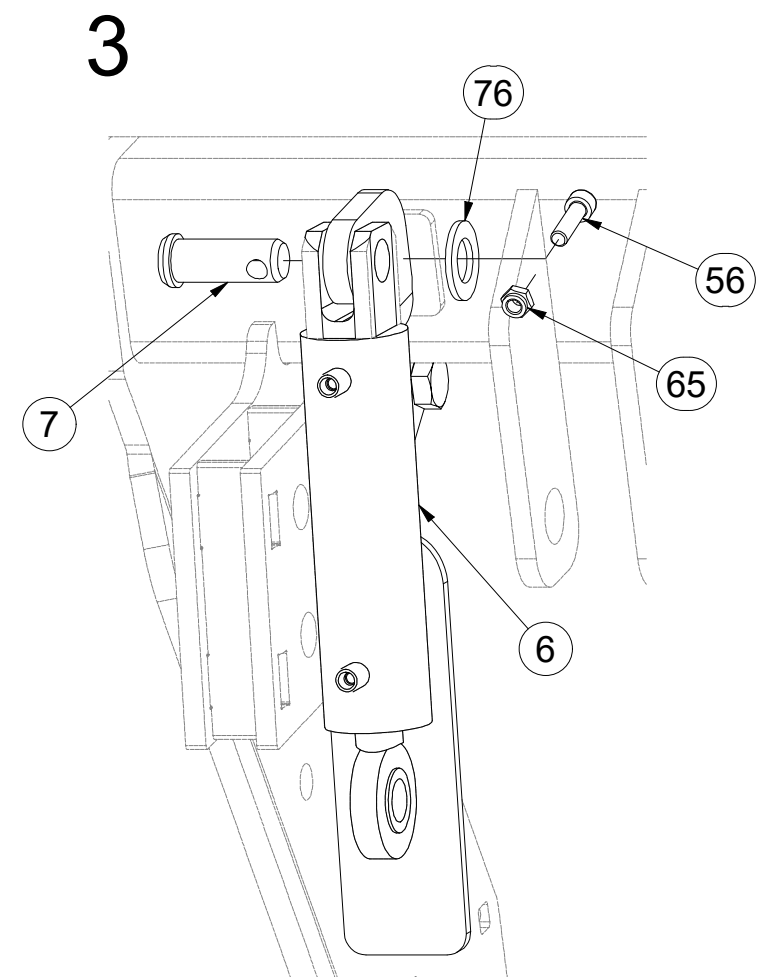
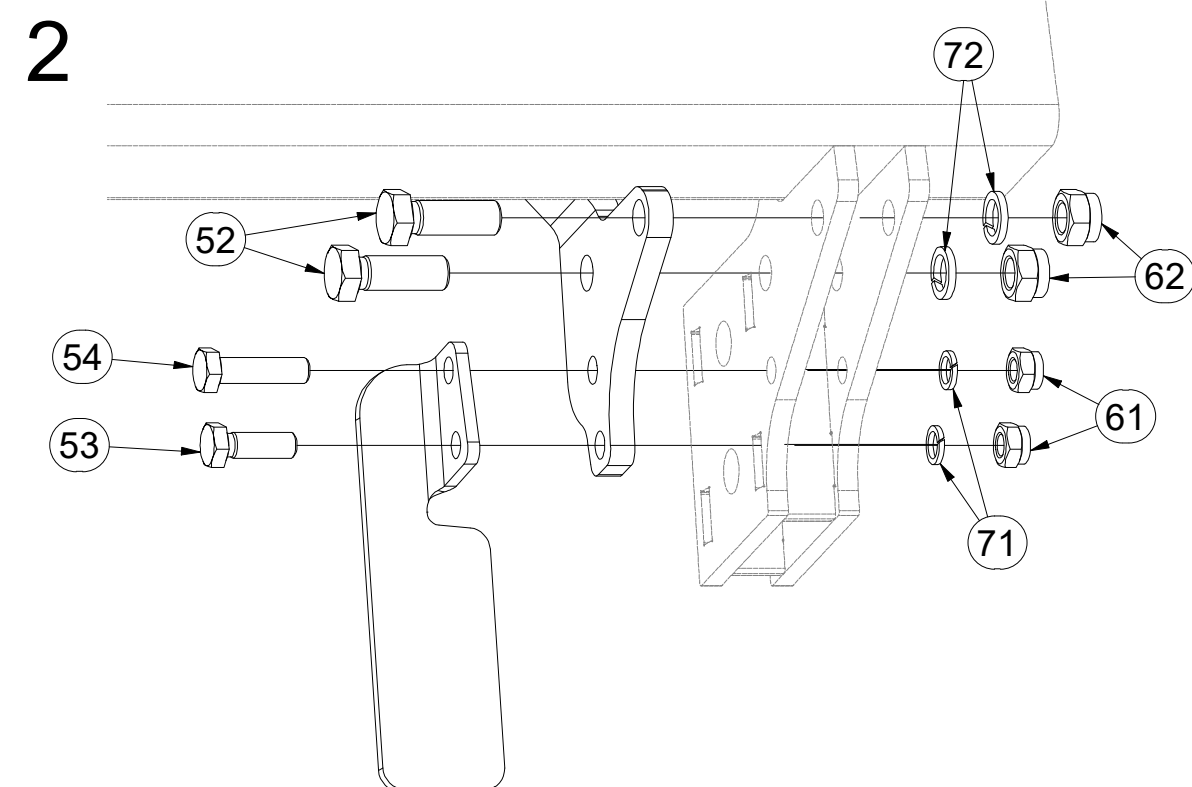
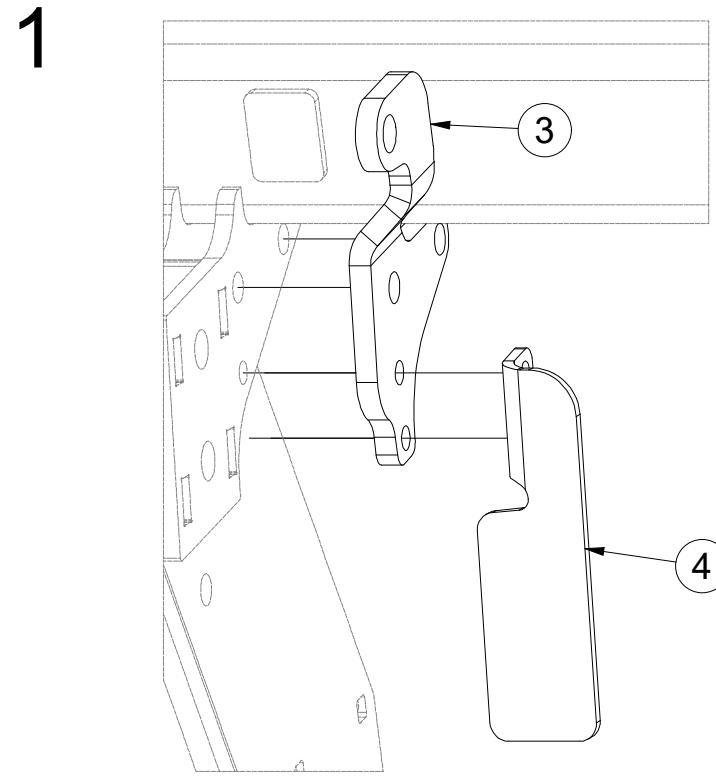
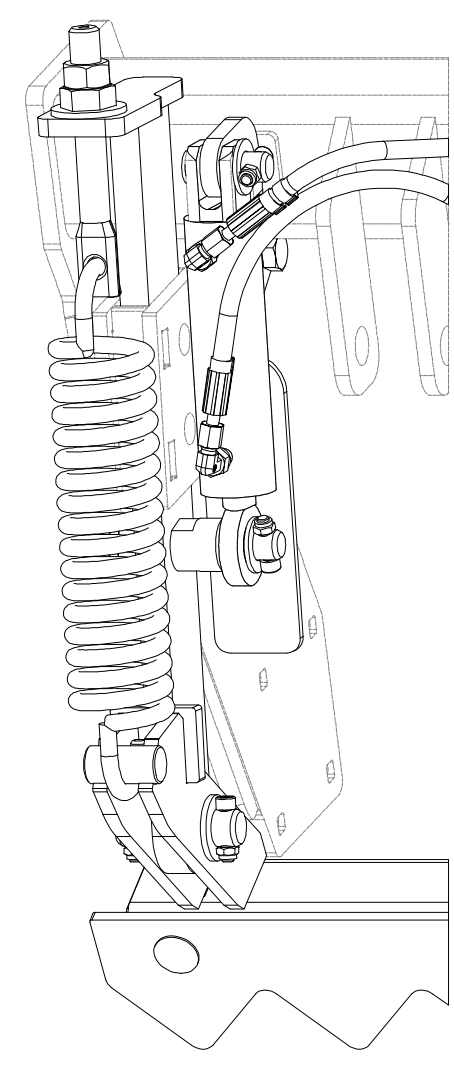
ⒼB SET OF FRONT LEVELLING BARS

ⒺU КОМПЛЕКТ ПЕРЕДНИХ БОРОН

ⒽL ZESTAW PRZEDNICH WŁÓK



**3006591**



| Pos. | Part Number | Pcs. | Pos. | Part Number | Pcs. |
|------|-------------|------|------|-------------|------|
| 1    | 3008688     | 6    | 56   | m09870      | 12   |
| 3    | 4010386     | 3    | 61   | m04301      | 12   |
| 4    | 4010388     | 3    | 62   | m03683      | 12   |
| 6    | VZ00012974  | 6    | 63   | m05648      | 6    |
| 7    | 4015710     | 6    | 65   | m04503      | 24   |
| 8    | VZ00023103  | 6    | 71   | m03988      | 12   |
| 52   | m02254      | 12   | 72   | m02157      | 12   |
| 53   | m04343      | 6    | 73   | m01229      | 6    |
| 54   | m06077      | 6    | 76   | m03768      | 12   |

ⒸZ SADA PŘEDNÍCH SMYKŮ

Ⓓ SATZ VORDERE ACKERSCHLEPPEN

Ⓕ KIT DE NIVELEURS AVANT

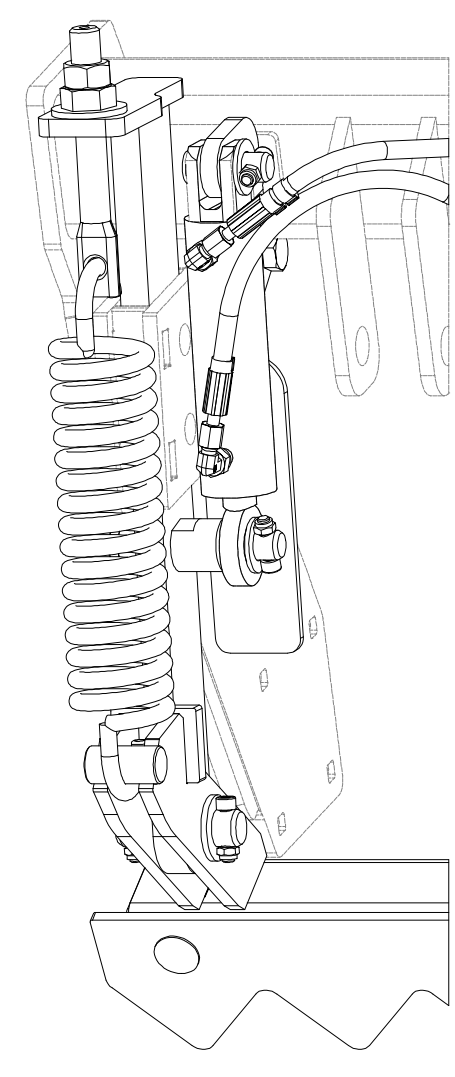
ⒼB SET OF FRONT LEVELLING BARS

ⒺU КОМПЛЕКТ ПЕРЕДНИХ БОРОН

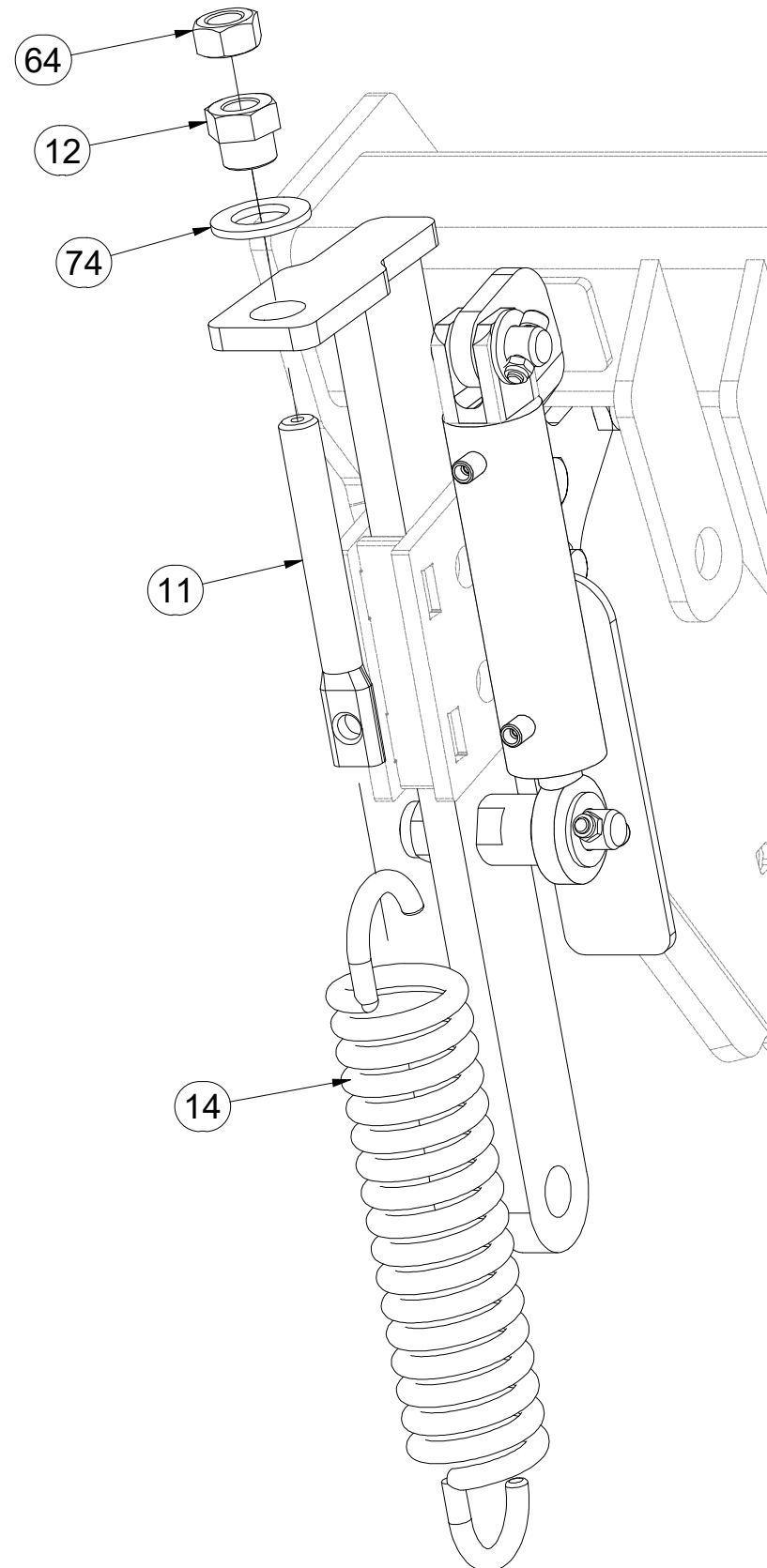
ⒽL ZESTAW PRZEDNICH WŁÓK

**Farmet**

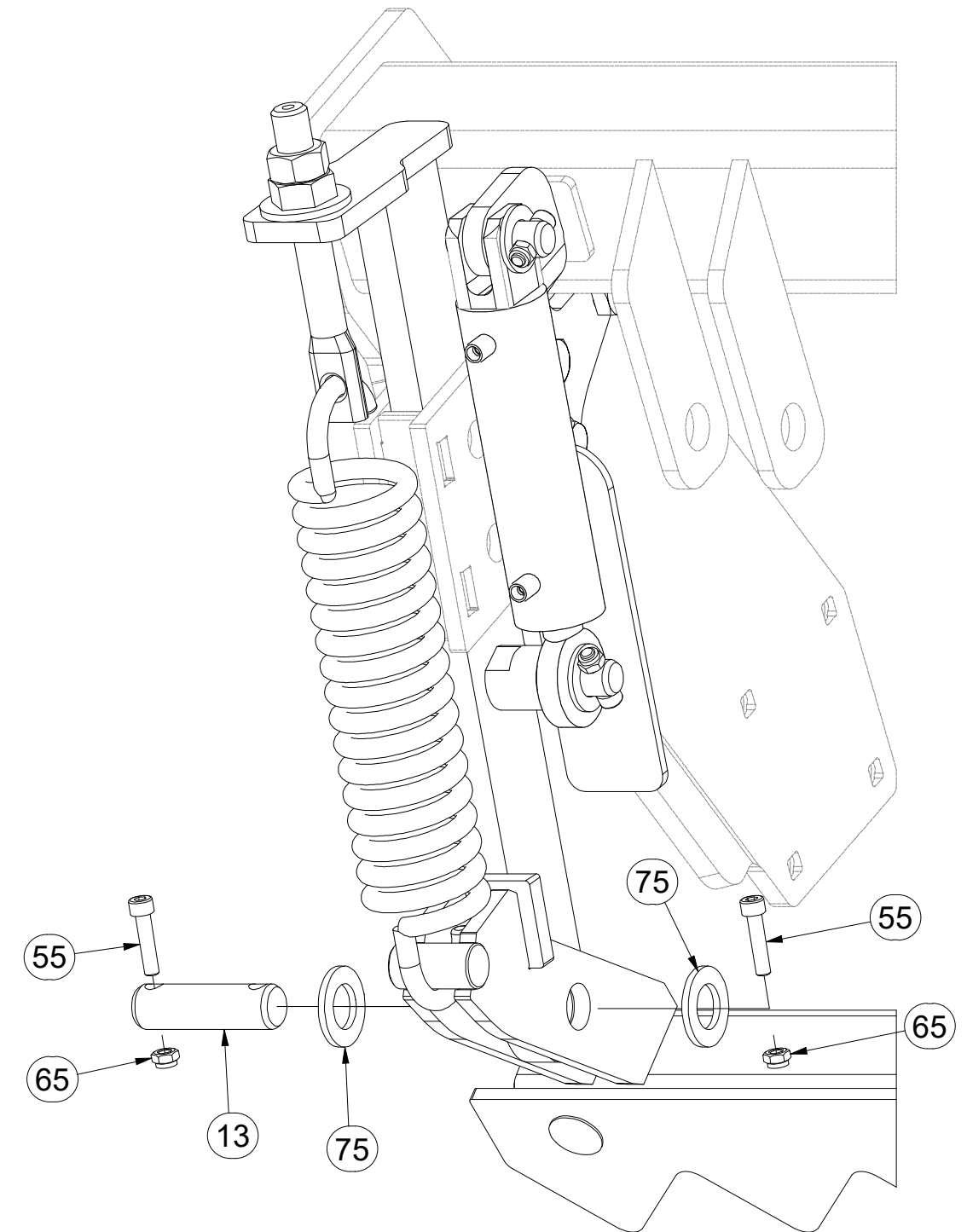
**3006591**



5



6



| Pos. | Part Number | Pcs. |
|------|-------------|------|
| 11   | 4003401     | 6    |
| 12   | 4000189     | 6    |
| 13   | 4010390     | 6    |
| 14   | m02597      | 6    |
| 55   | m09464      | 12   |
| 64   | m01307      | 6    |
| 65   | m04503      | 24   |
| 74   | m01225      | 6    |
| 75   | m14028      | 12   |

Ⓒ SADA PŘEDNÍCH SMYKŮ

Ⓓ SATZ VORDERE ACKERSCHLEPPEN

Ⓕ KIT DE NIVELEURS AVANT

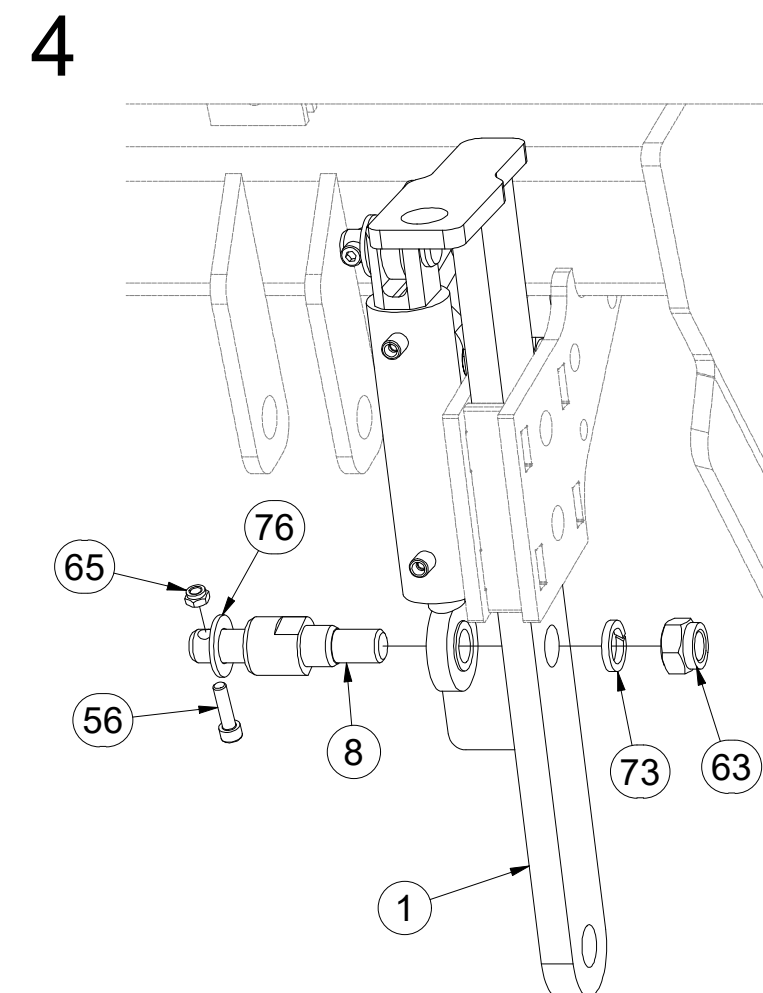
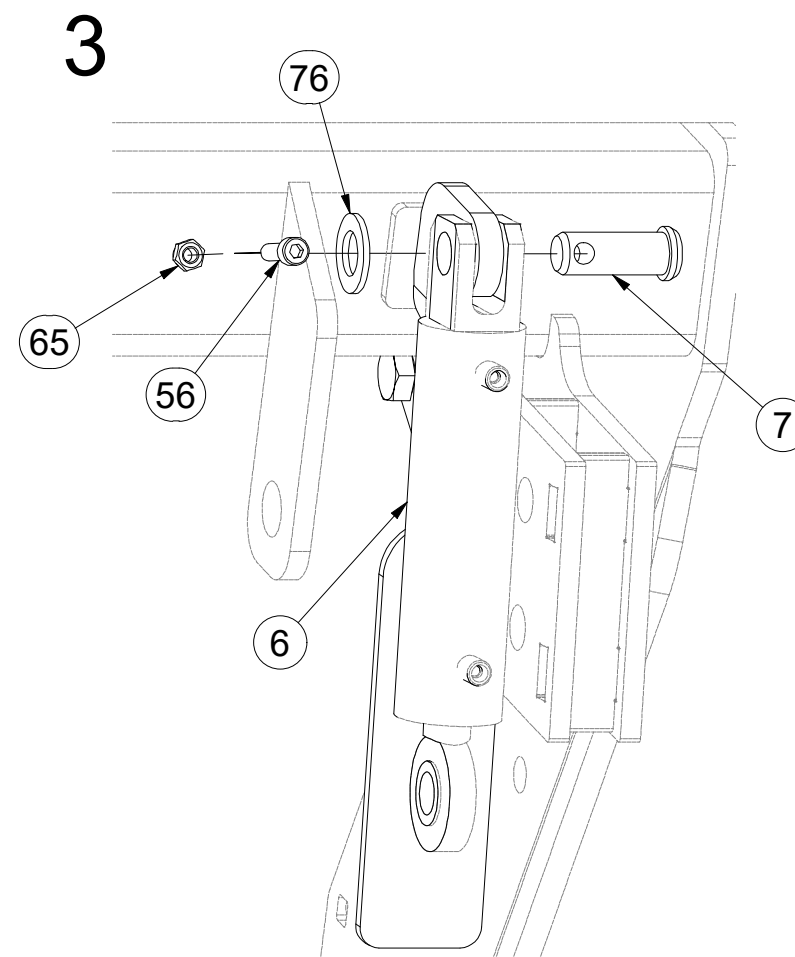
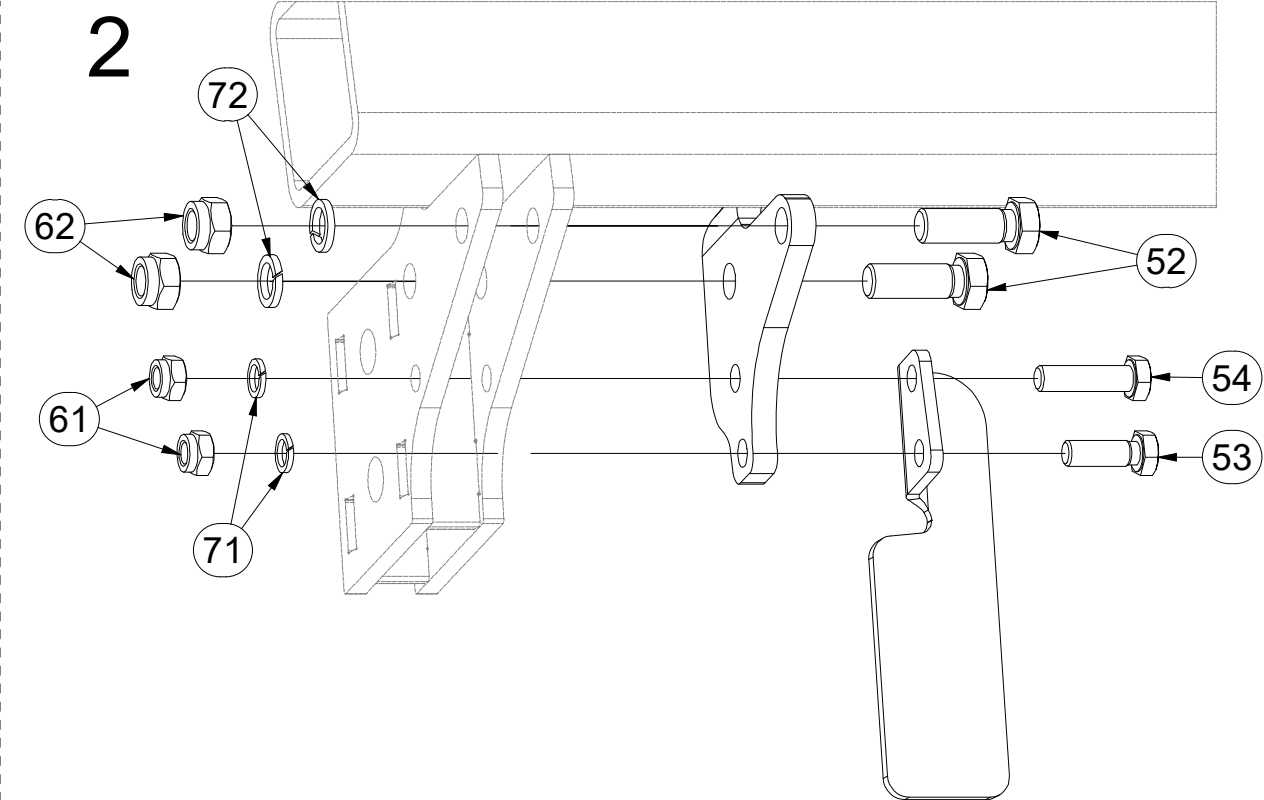
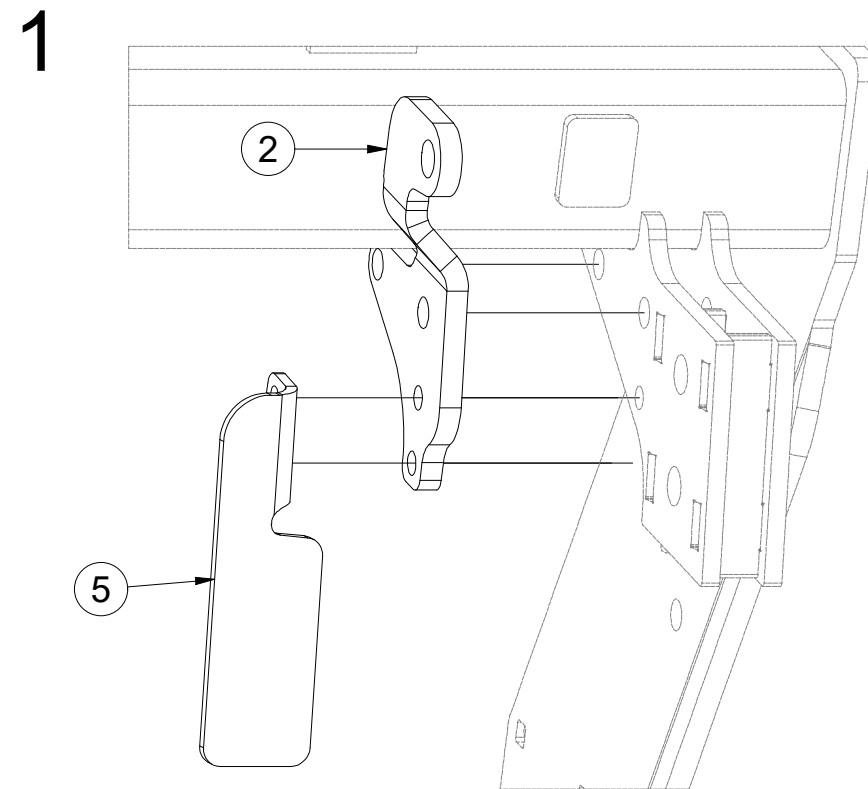
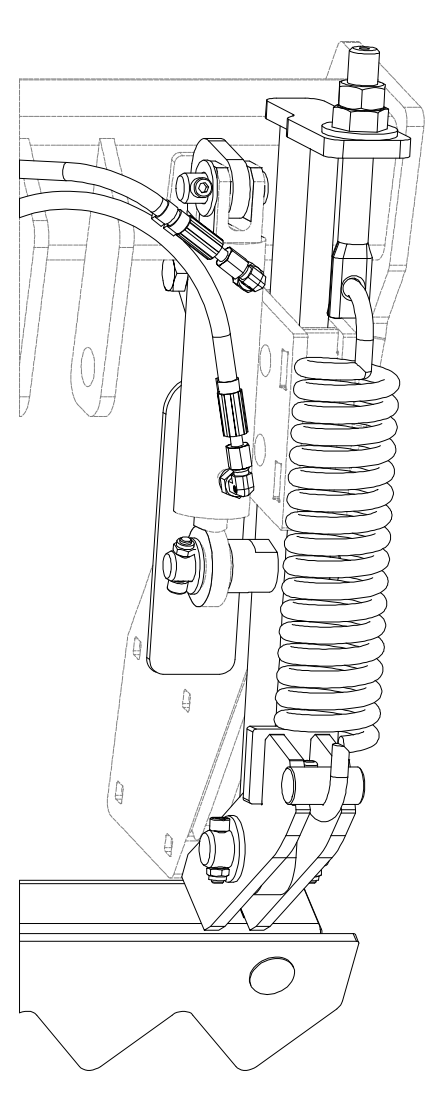
Ⓖ SET OF FRONT LEVELLING BARS

Ⓡ КОМПЛЕКТ ПЕРЕДНИХ БОРОН

Ⓢ ZESTAW PRZEDNICH WŁÓK



**3006591**



| Pos. | Part Number | Pcs. | Pos. | Part Number | Pcs. |
|------|-------------|------|------|-------------|------|
| 1    | 3008688     | 6    | 56   | m09870      | 12   |
| 2    | 4010387     | 3    | 61   | m04301      | 12   |
| 5    | 4010389     | 3    | 62   | m03683      | 12   |
| 6    | VZ00012974  | 6    | 63   | m05648      | 6    |
| 7    | 4015710     | 6    | 65   | m04503      | 24   |
| 8    | VZ00023103  | 6    | 71   | m03988      | 12   |
| 52   | m02254      | 12   | 72   | m02157      | 12   |
| 53   | m04343      | 6    | 73   | m01229      | 6    |
| 54   | m06077      | 6    | 76   | m03768      | 12   |

Ⓒ SADA PŘEDNÍCH SMYKŮ

Ⓓ SATZ VORDERE ACKERSCHLEPPEN

Ⓕ KIT DE NIVELEURS AVANT

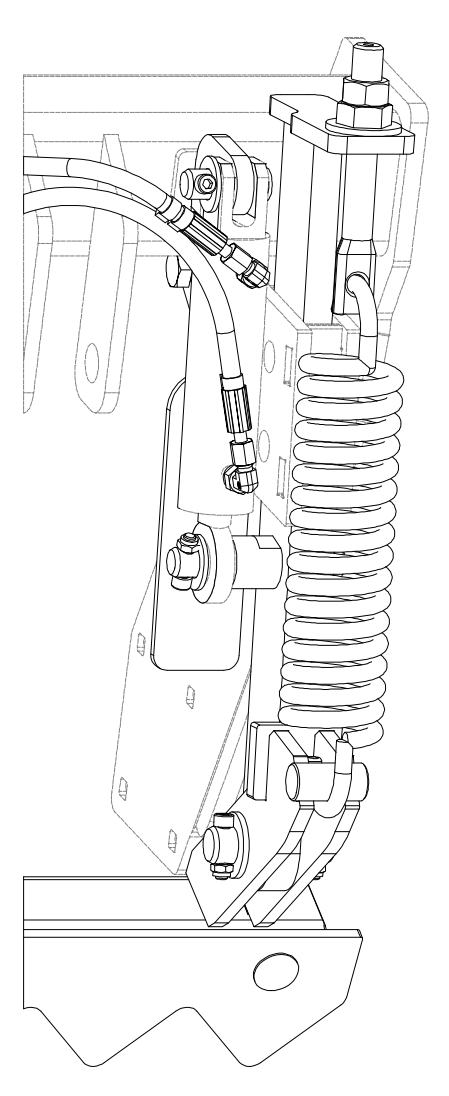
Ⓖ SET OF FRONT LEVELLING BARS

Ⓡ КОМПЛЕКТ ПЕРЕДНИХ БОРОН

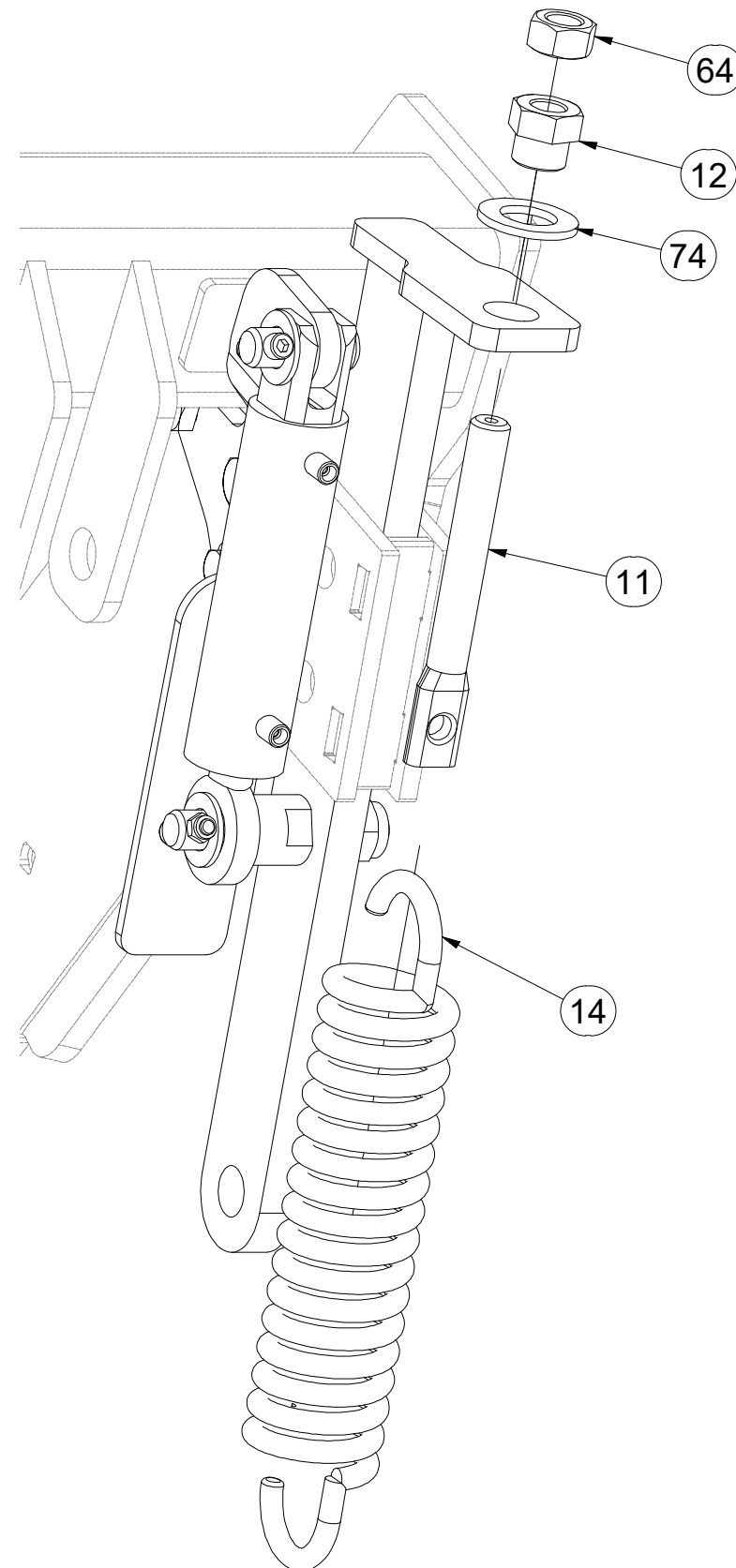
Ⓢ ZESTAW PRZEDNICH WŁÓK

**Farmet**

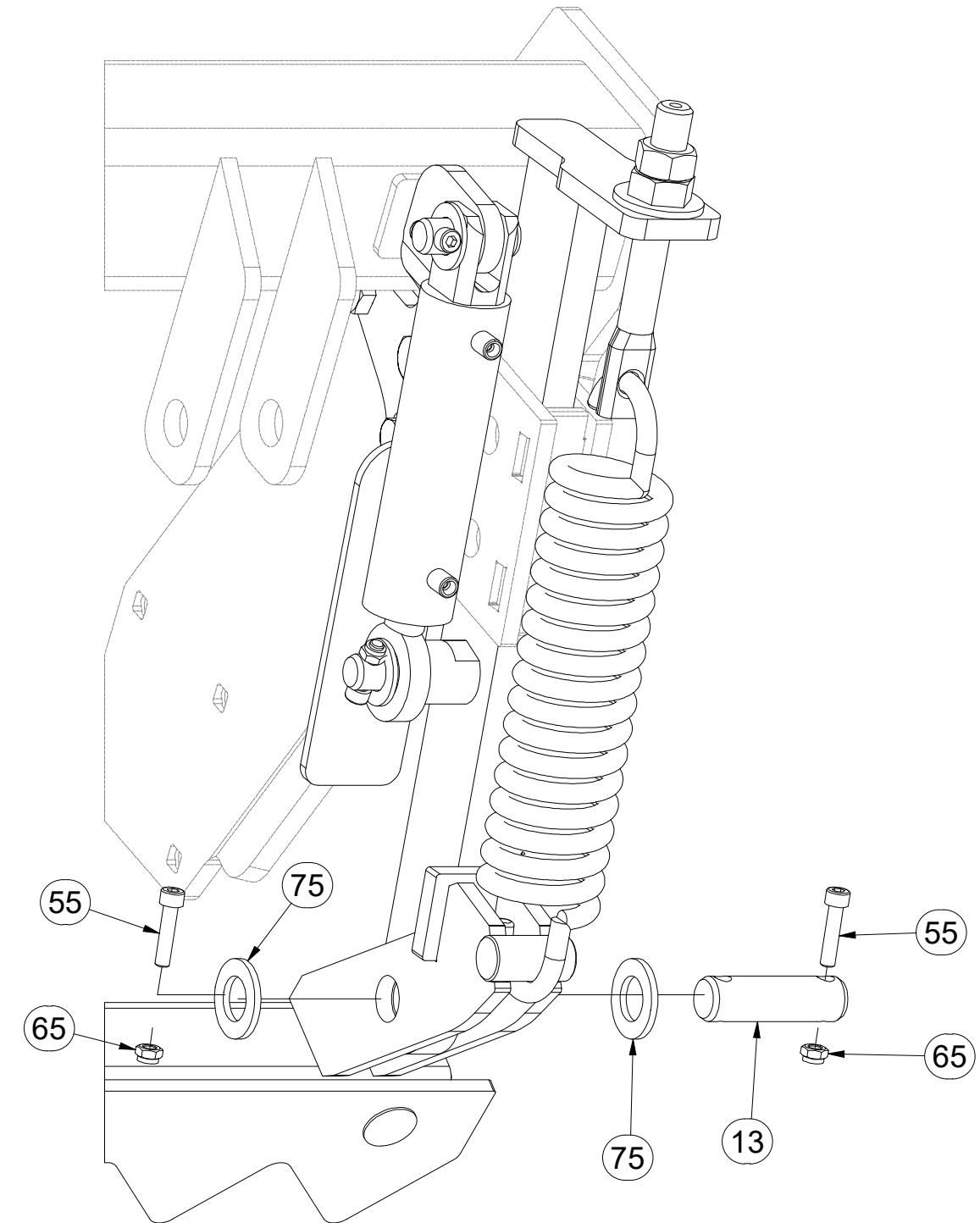
**3006591**



5



6



| Pos. | Part Number | Pcs. |
|------|-------------|------|
| 11   | 4003401     | 6    |
| 12   | 4000189     | 6    |
| 13   | 4010390     | 6    |
| 14   | m02597      | 6    |
| 55   | m09464      | 12   |
| 64   | m01307      | 6    |
| 65   | m04503      | 24   |
| 74   | m01225      | 6    |
| 75   | m14028      | 12   |



Ⓒ SADA PŘEDNÍCH SMYKŮ

Ⓓ SATZ VORDERE ACKERSCHLEPPEN

Ⓕ KIT DE NIVELEURS AVANT

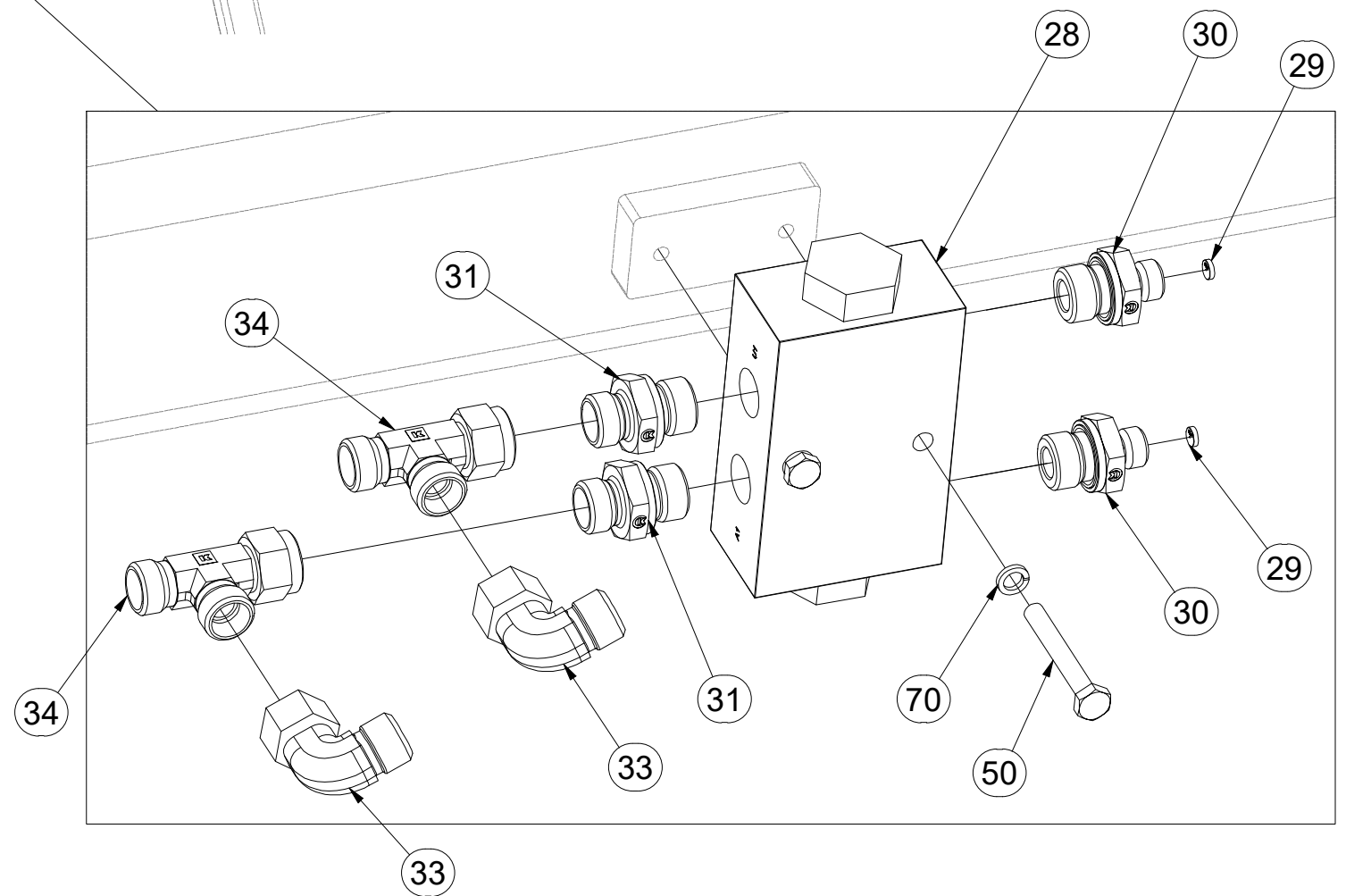
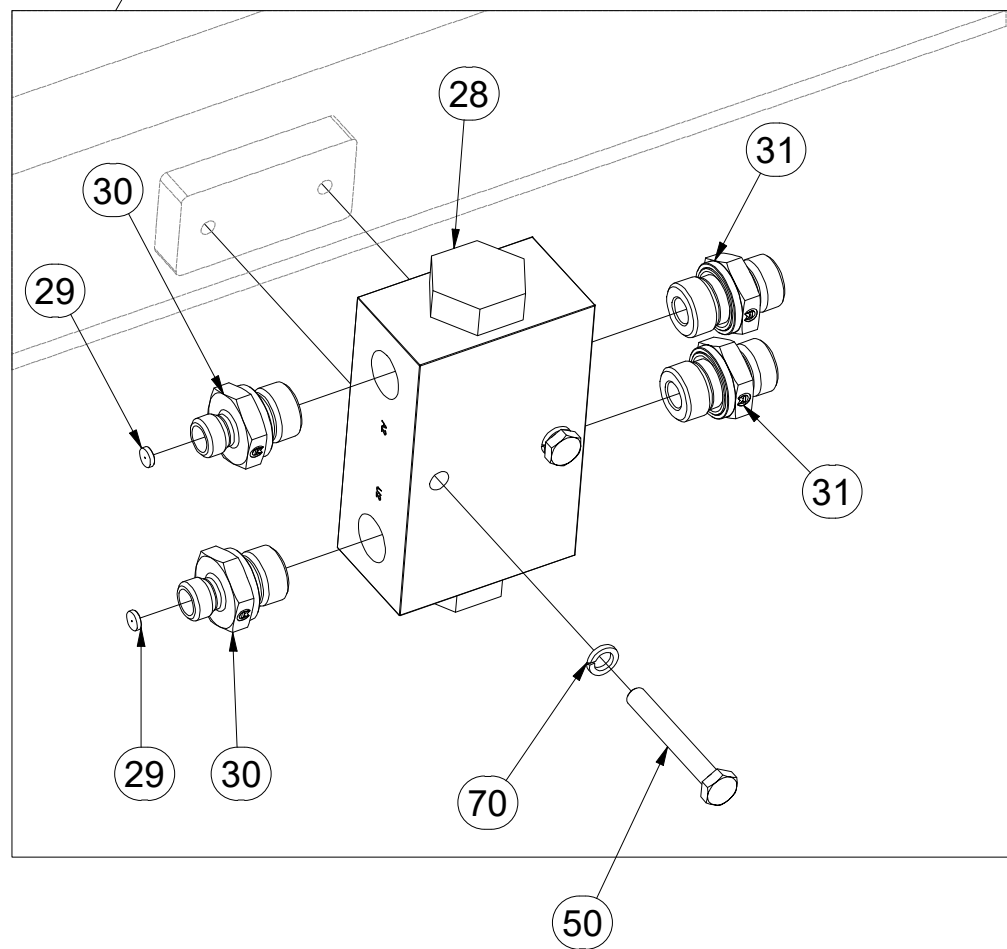
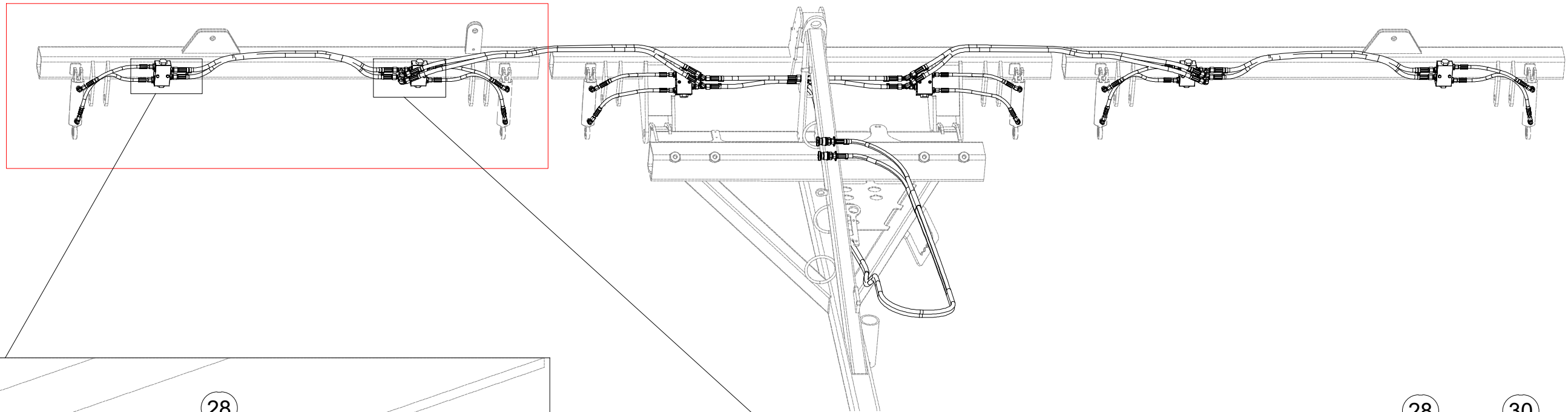
Ⓖ SET OF FRONT LEVELLING BARS

Ⓡ КОМПЛЕКТ ПЕРЕДНИХ БОРОН

Ⓟ ZESTAW PRZEDNICH WŁÓK



**3006591**



| Pos. | Part Number | Pcs. | Pos. | Part Number | Pcs. |
|------|-------------|------|------|-------------|------|
| 28   | m09911      | 6    | 33   | m06803      | 8    |
| 29   | m12986      | 12   | 34   | m07568      | 8    |
| 30   | m12951      | 12   | 50   | m05561      | 8    |
| 31   | m06528      | 12   | 70   | m01200      | 12   |

ⒸZ SADA PŘEDNÍCH SMYKŮ

Ⓓ SATZ VORDERE ACKERSCHLEPPEN

Ⓕ KIT DE NIVELEURS AVANT

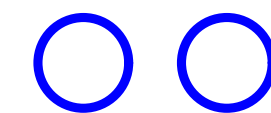
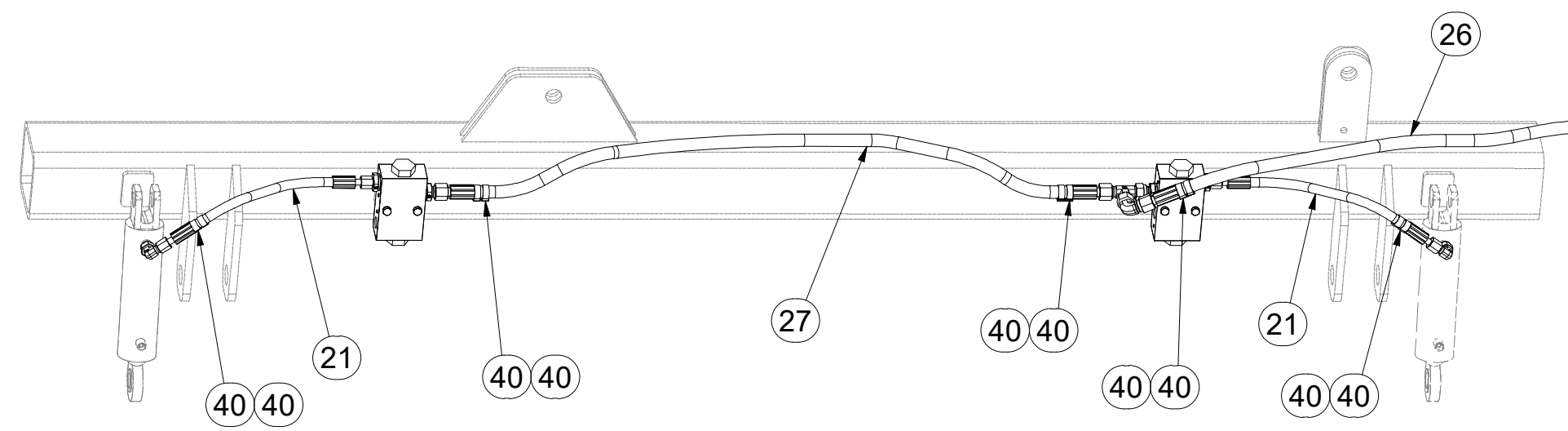
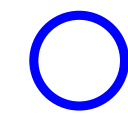
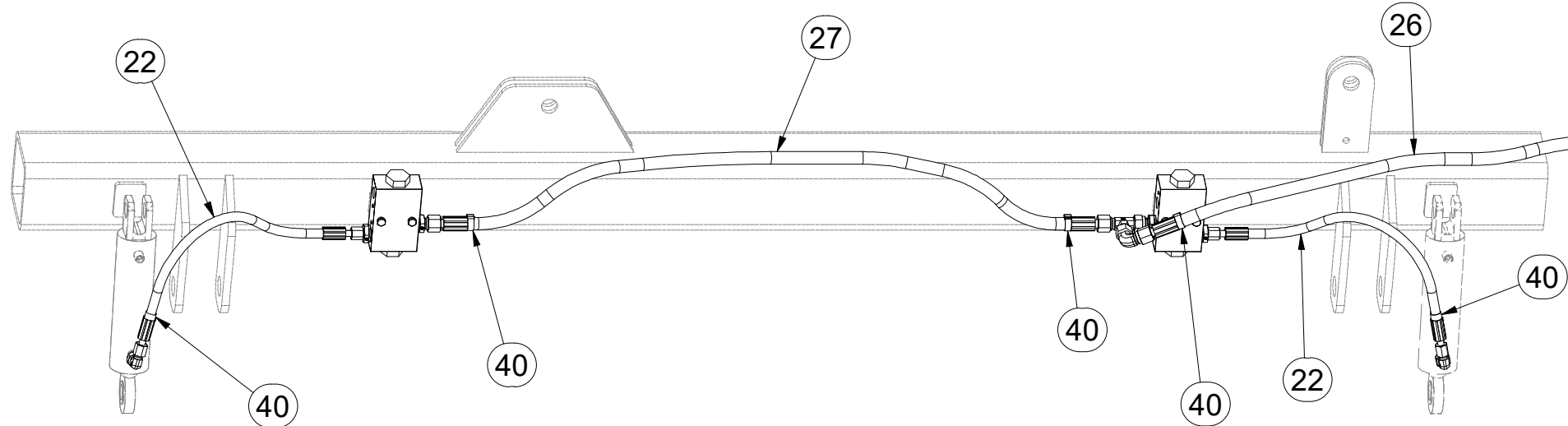
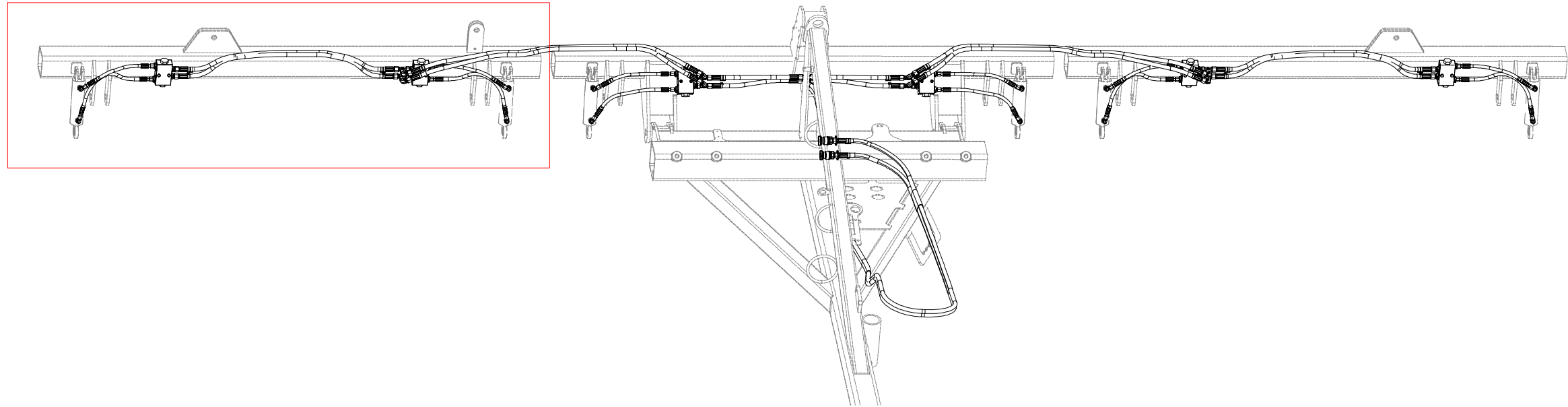
ⒼB SET OF FRONT LEVELLING BARS

ⒺU КОМПЛЕКТ ПЕРЕДНИХ БОРОН

ⒽL ZESTAW PRZEDNICH WŁÓK



**3006591**



| Pos. | Part Number | Pcs. |
|------|-------------|------|
| 21   | m13023      | 4    |
| 22   | m13026      | 4    |
| 26   | m06533      | 4    |
| 27   | m11107      | 4    |
| 40   | m11253      | 54   |

Ⓒ SADA PŘEDNÍCH SMYKŮ

Ⓓ SATZ VORDERE ACKERSCHLEPPEN

Ⓕ KIT DE NIVELEURS AVANT

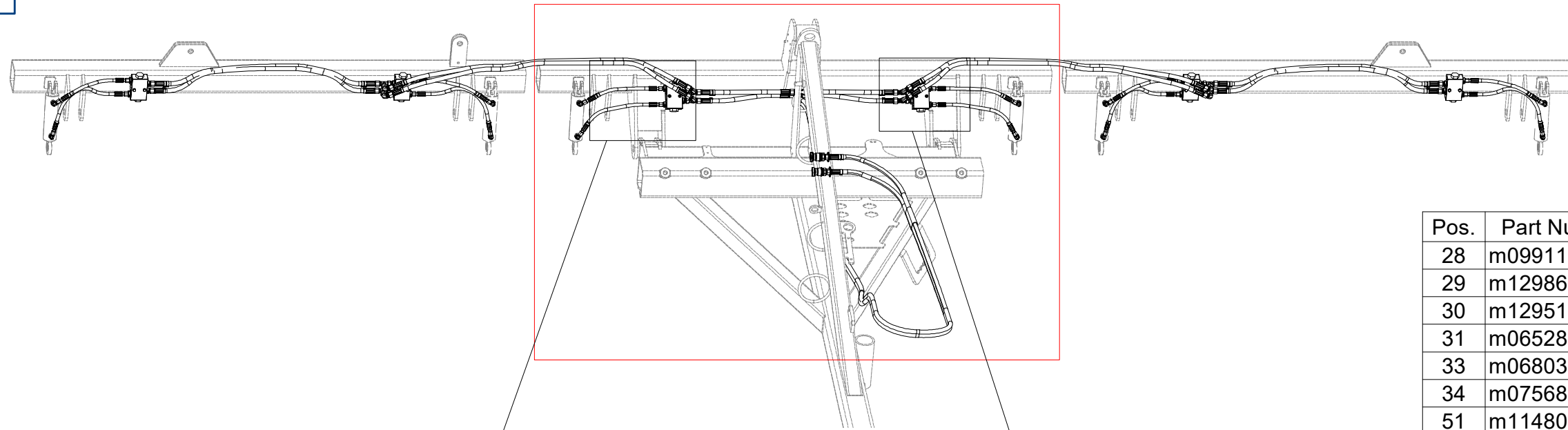
Ⓖ SET OF FRONT LEVELLING BARS

Ⓡ КОМПЛЕКТ ПЕРЕДНИХ БОРОН

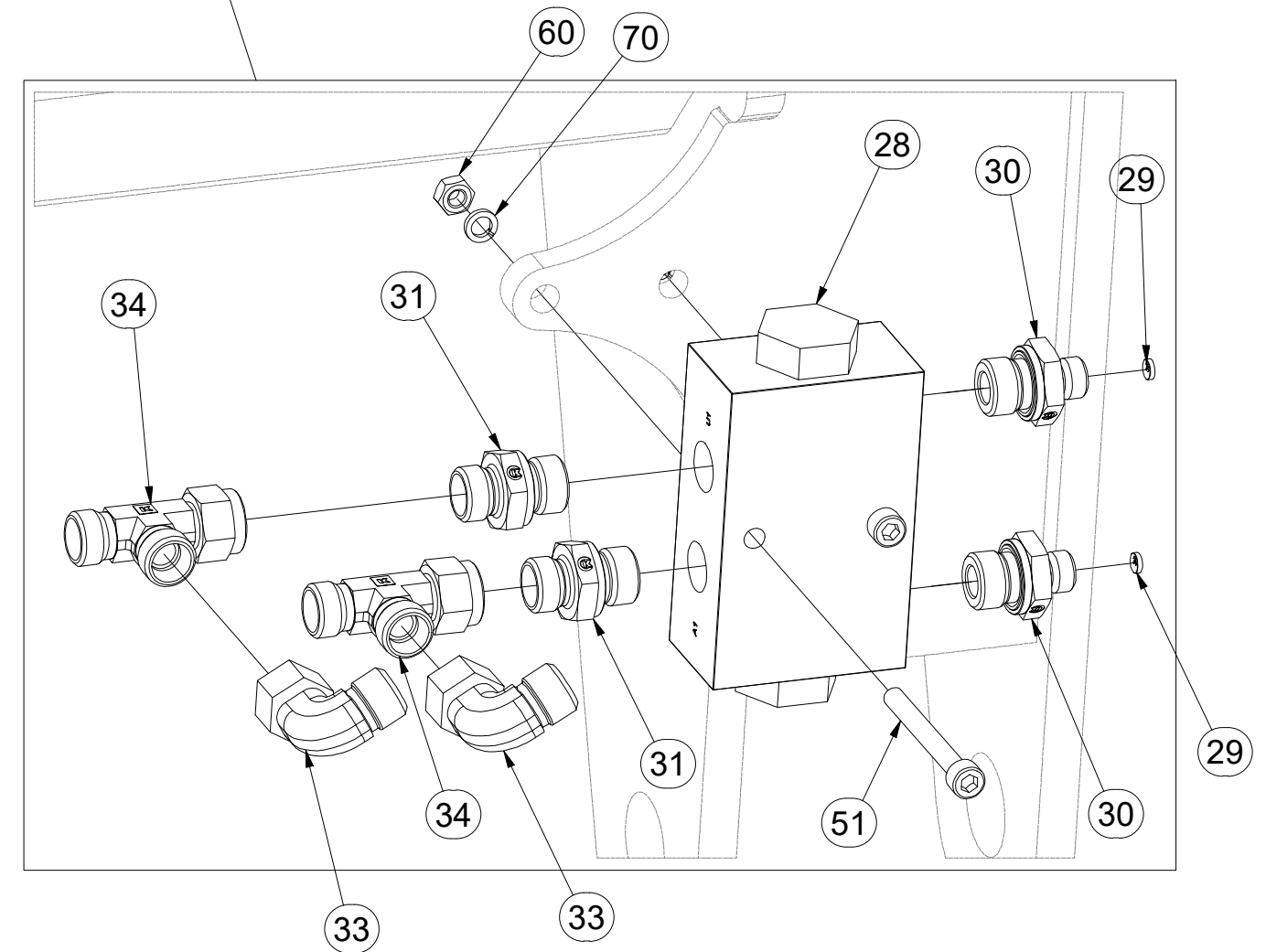
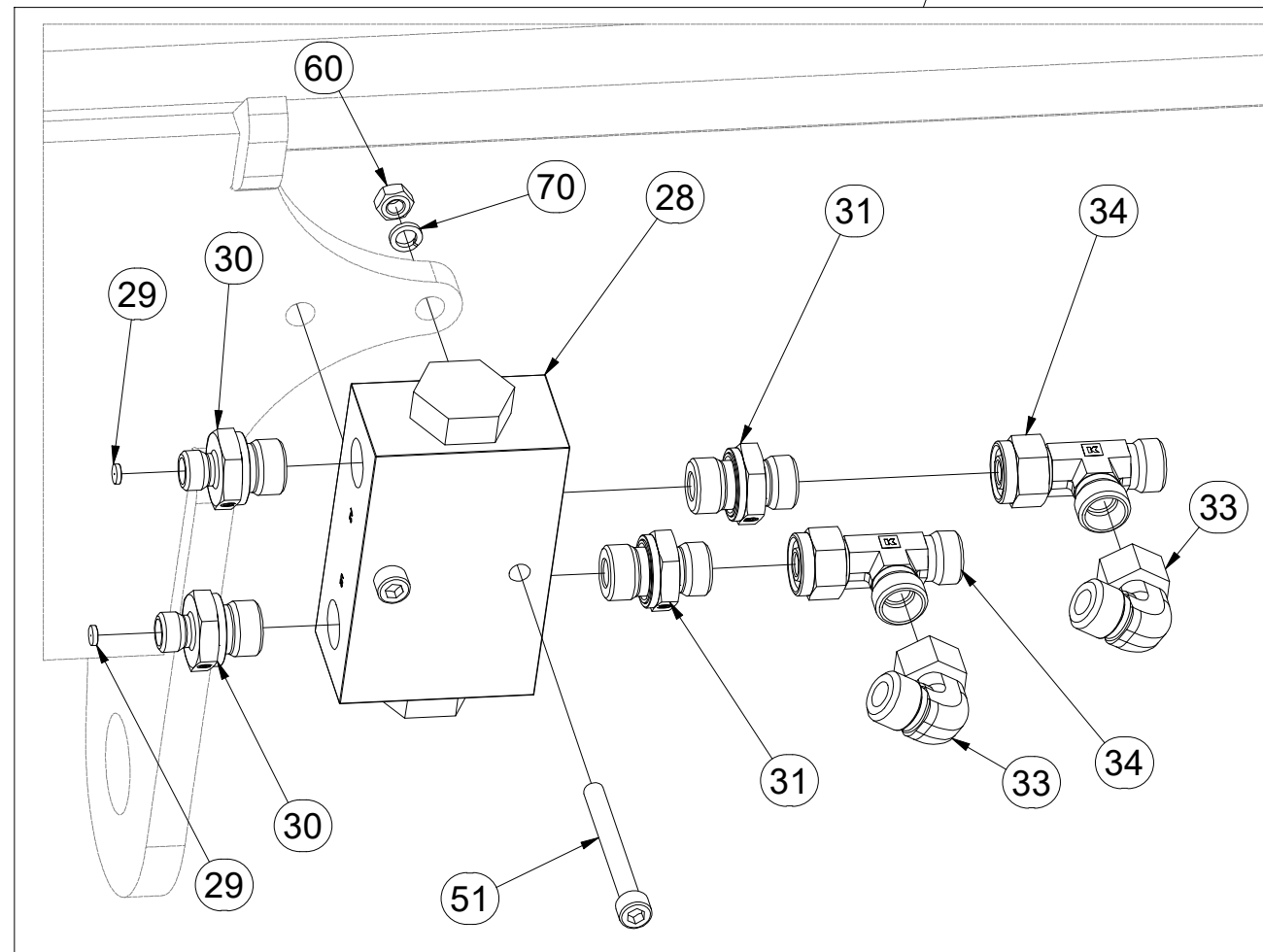
Ⓟ ZESTAW PRZEDNICH WŁÓK



**3006591**



| Pos. | Part Number | Pcs. |
|------|-------------|------|
| 28   | m09911      | 6    |
| 29   | m12986      | 12   |
| 30   | m12951      | 12   |
| 31   | m06528      | 12   |
| 33   | m06803      | 8    |
| 34   | m07568      | 8    |
| 51   | m11480      | 4    |
| 60   | m01295      | 4    |
| 70   | m01200      | 12   |



ⒸZ SADA PŘEDNÍCH SMYKŮ

Ⓓ SATZ VORDERE ACKERSCHLEPPEN

Ⓕ KIT DE NIVELEURS AVANT

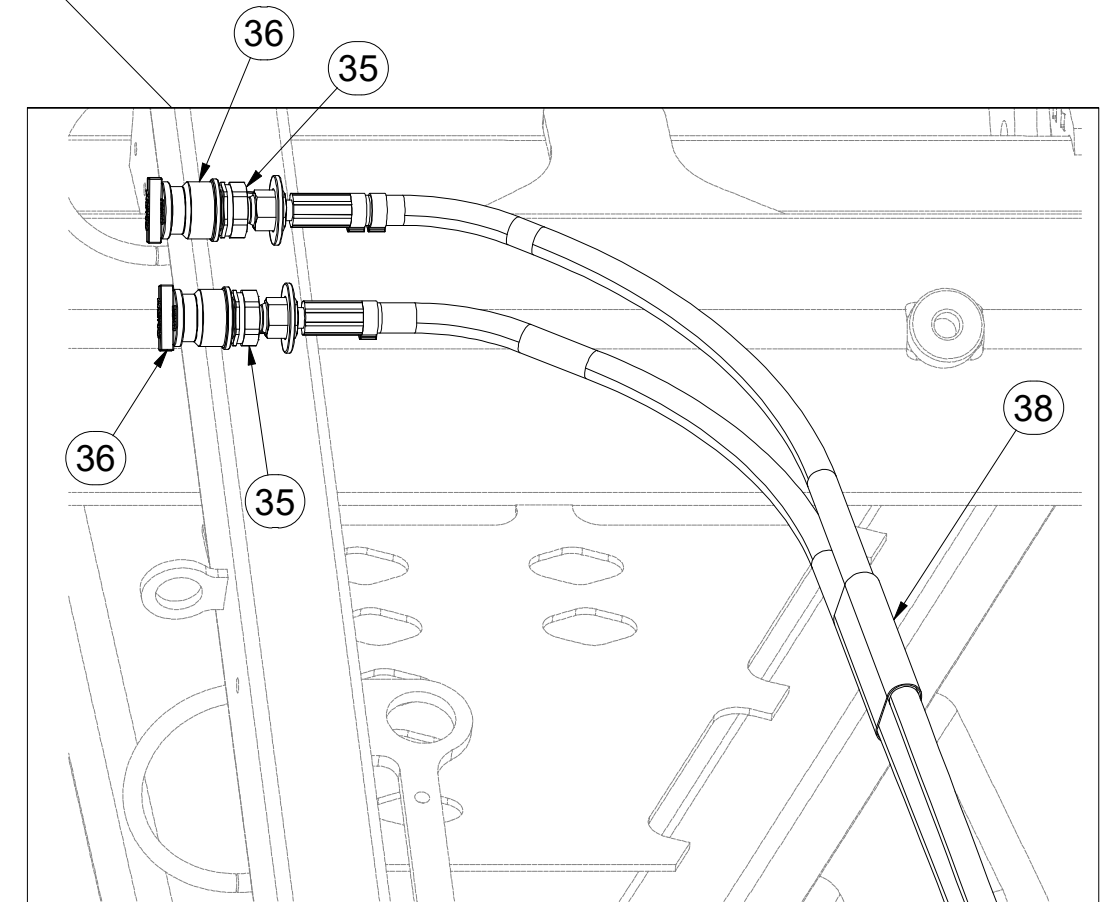
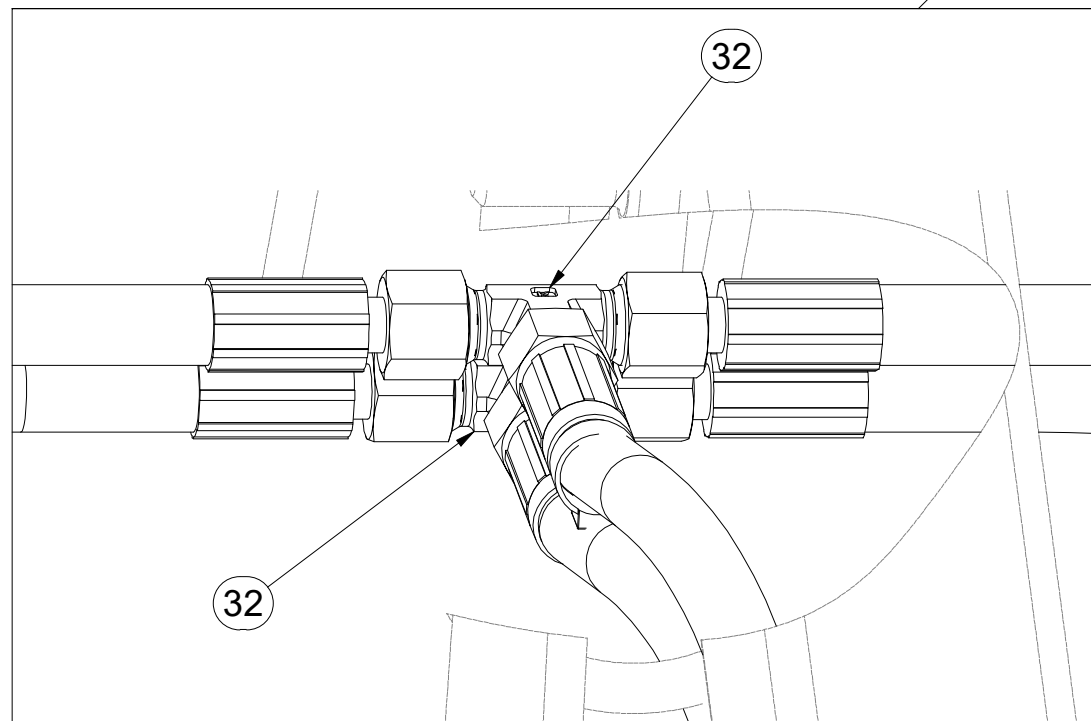
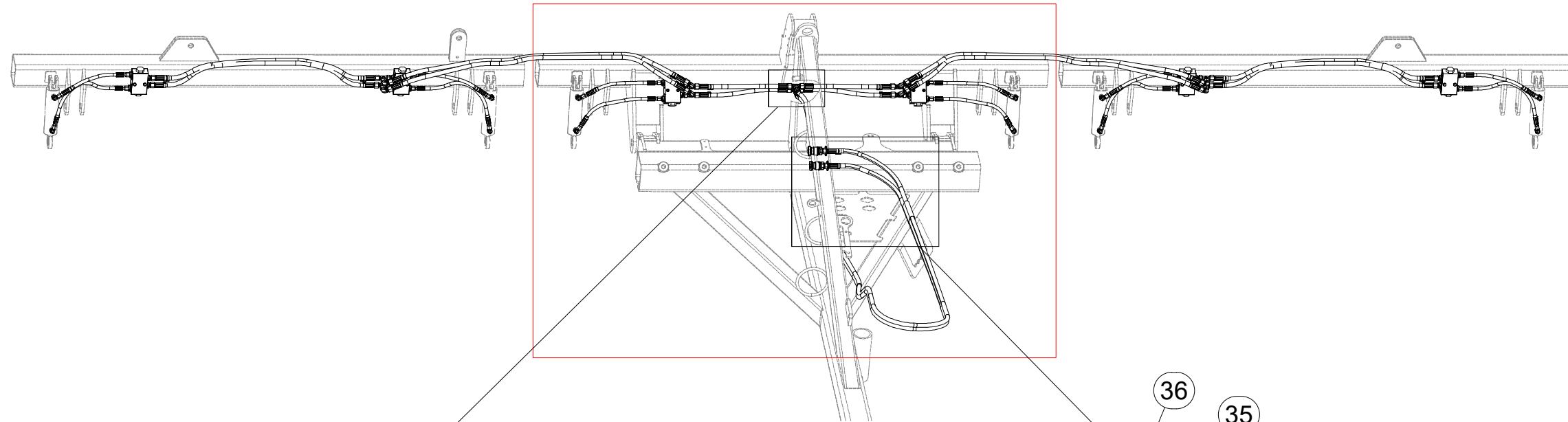
ⒼB SET OF FRONT LEVELLING BARS

ⒺU КОМПЛЕКТ ПЕРЕДНИХ БОРОН

ⒶL ZESTAW PRZEDNICH WŁÓK

**Farmet**

**3006591**



| Pos. | Part Number | Pcs. |
|------|-------------|------|
| 32   | m03889      | 2    |
| 35   | m03849      | 2    |
| 36   | m03743      | 2    |
| 38   | m11183      | 1    |

Ⓒ SADA PŘEDNÍCH SMYKŮ

Ⓓ SATZ VORDERE ACKERSCHLEPPEN

Ⓕ KIT DE NIVELEURS AVANT

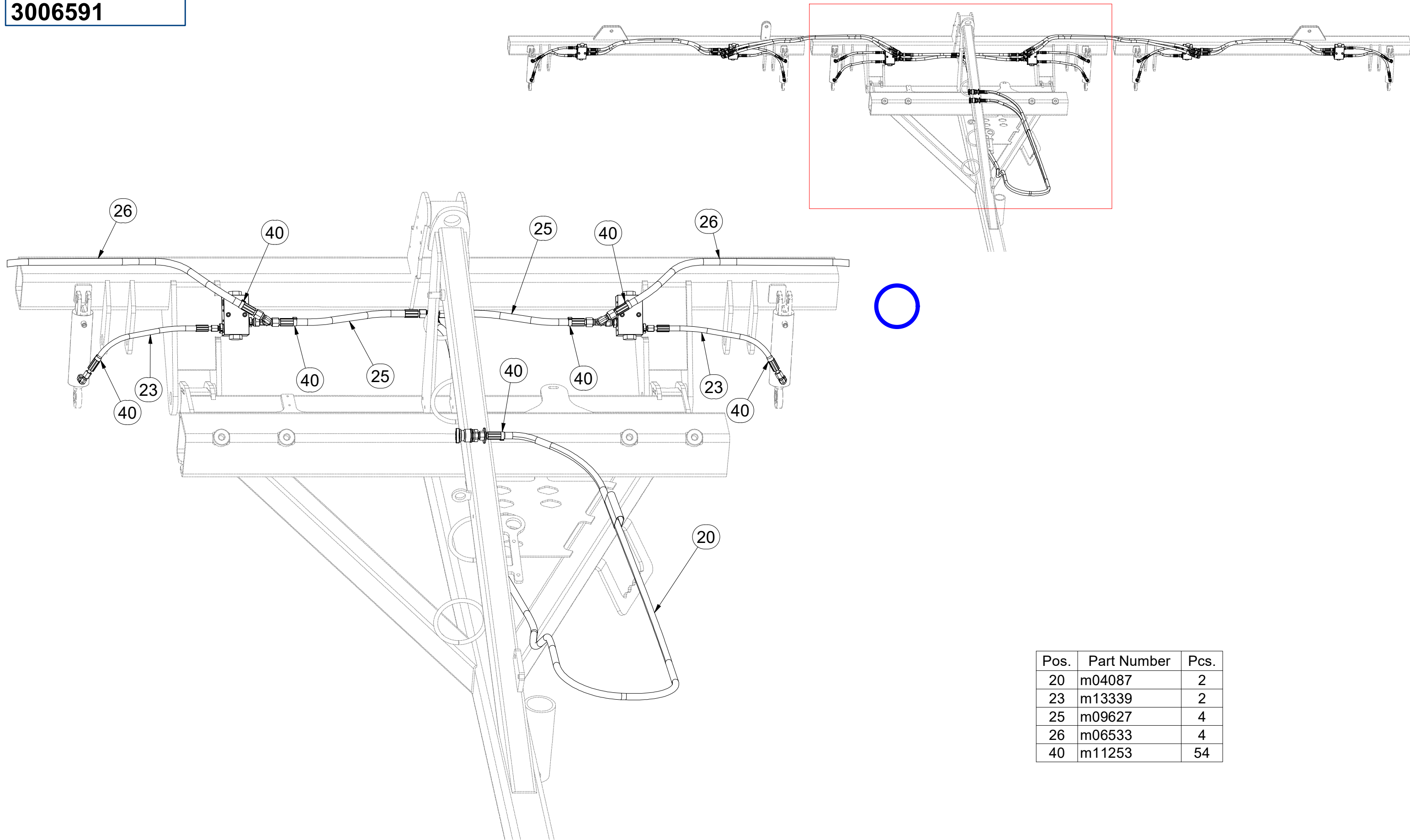
Ⓖ SET OF FRONT LEVELLING BARS

Ⓔ КОМПЛЕКТ ПЕРЕДНИХ БОРОН

Ⓗ ZESTAW PRZEDNICH WŁÓK



**3006591**



| Pos. | Part Number | Pcs. |
|------|-------------|------|
| 20   | m04087      | 2    |
| 23   | m13339      | 2    |
| 25   | m09627      | 4    |
| 26   | m06533      | 4    |
| 40   | m11253      | 54   |

ⒸZ SADA PŘEDNÍCH SMYKŮ

Ⓓ SATZ VORDERE ACKERSCHLEPPEN

Ⓕ KIT DE NIVELEURS AVANT

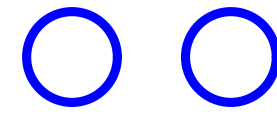
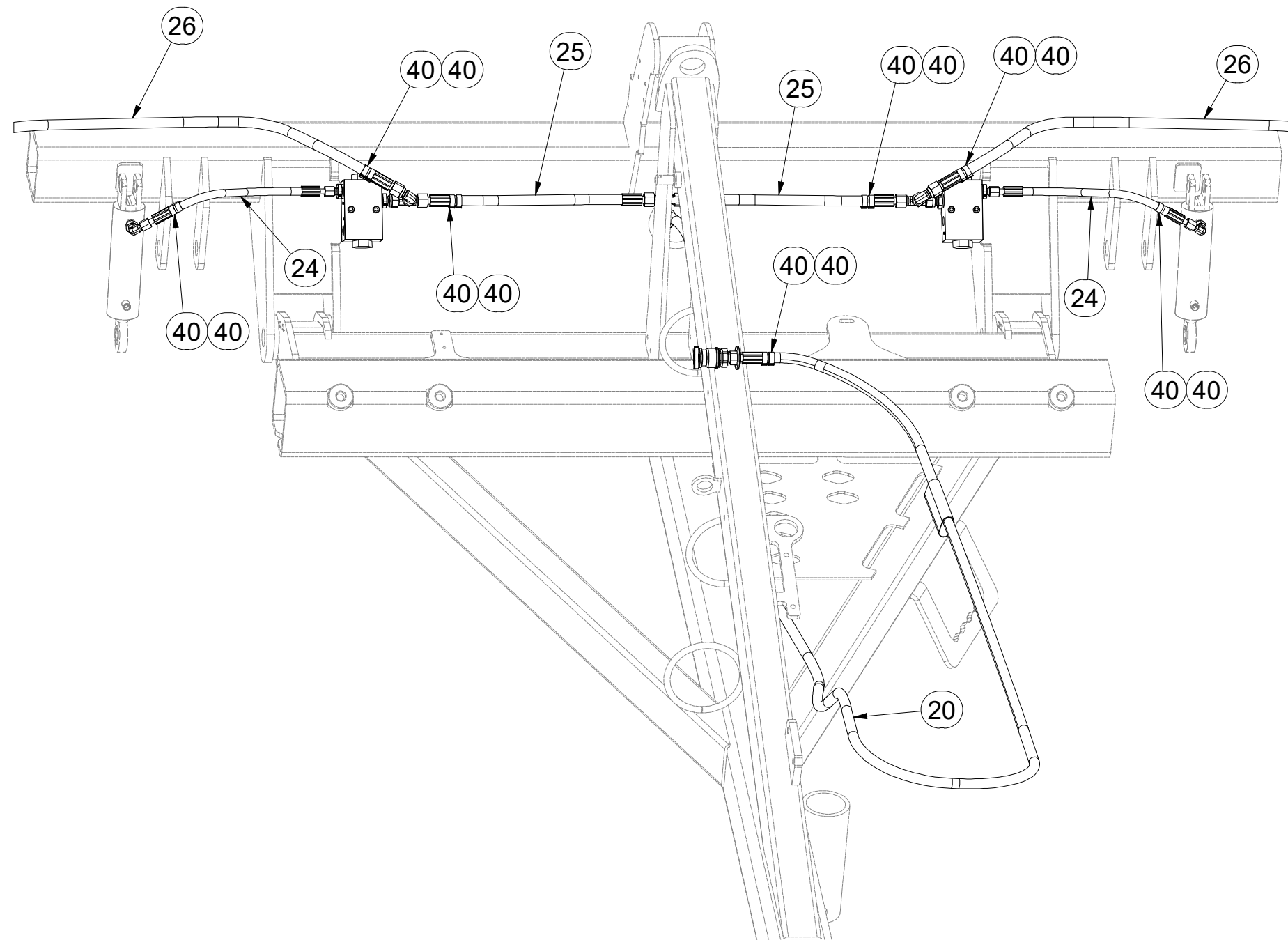
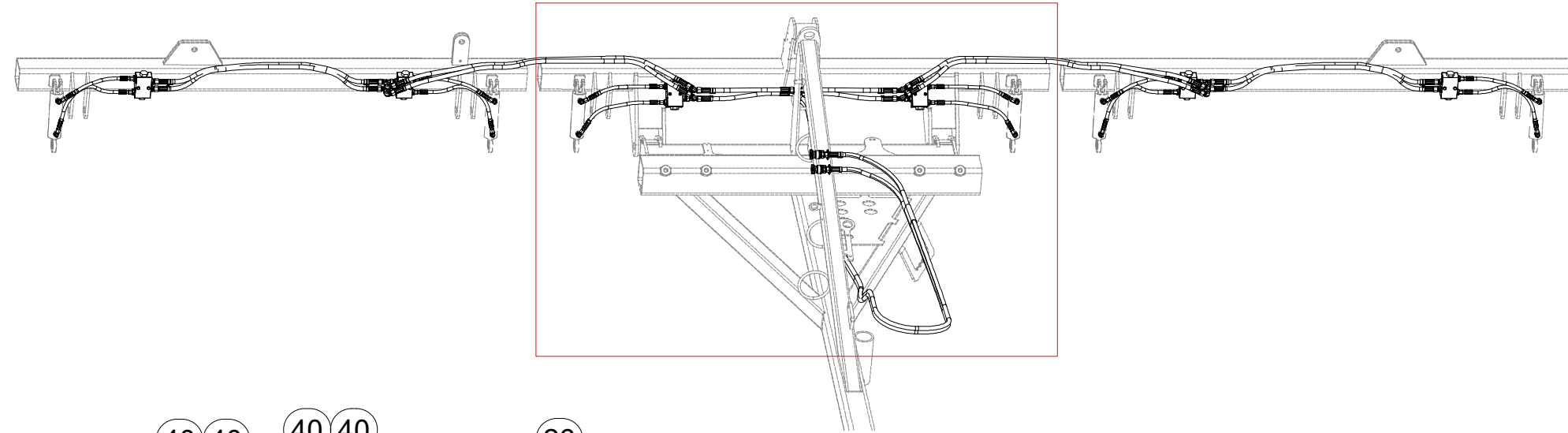
ⒼB SET OF FRONT LEVELLING BARS

ⒺU КОМПЛЕКТ ПЕРЕДНИХ БОРОН

ⒼL ZESTAW PRZEDNICH WŁÓK



**3006591**



| Pos. | Part Number | Pcs. |
|------|-------------|------|
| 20   | m04087      | 2    |
| 24   | m13022      | 2    |
| 25   | m09627      | 4    |
| 26   | m06533      | 4    |
| 40   | m11253      | 54   |

Ⓒ SADA PŘEDNÍCH SMYKŮ

Ⓓ SATZ VORDERE ACKERSCHLEPPEN

Ⓕ KIT DE NIVELEURS AVANT

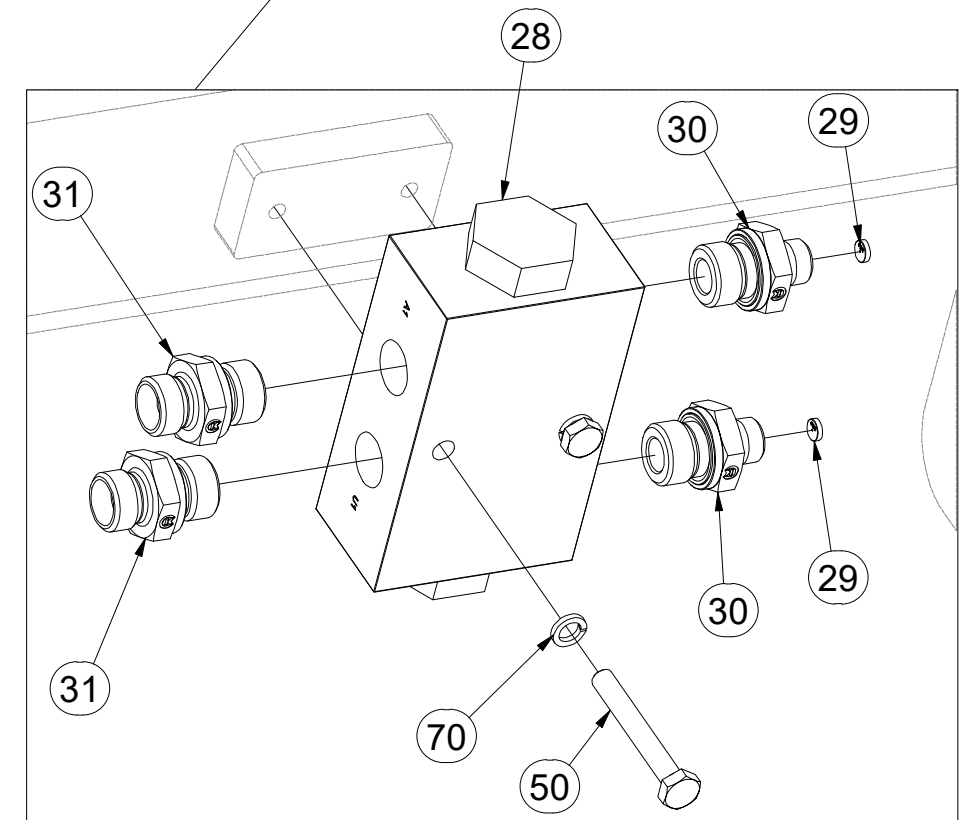
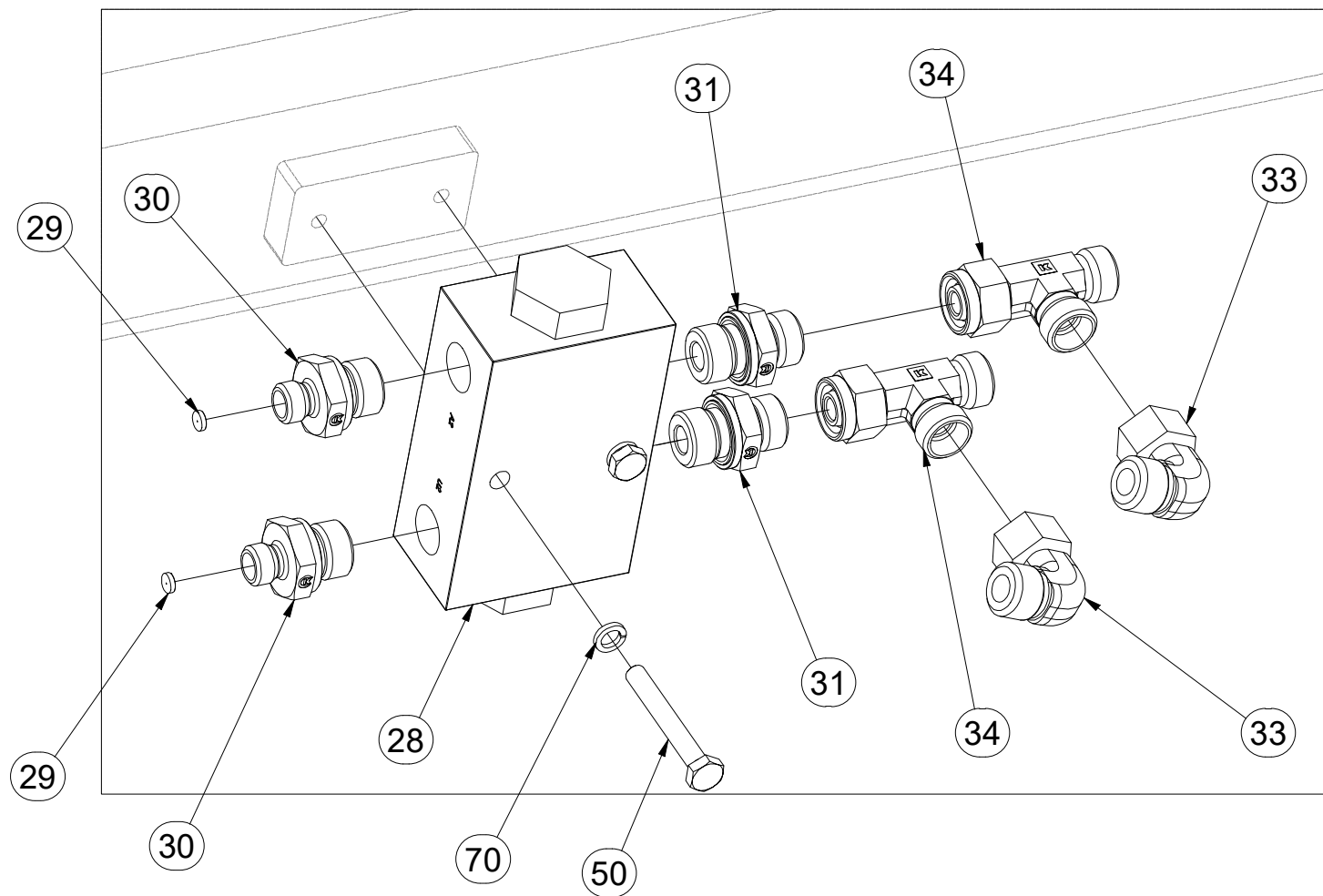
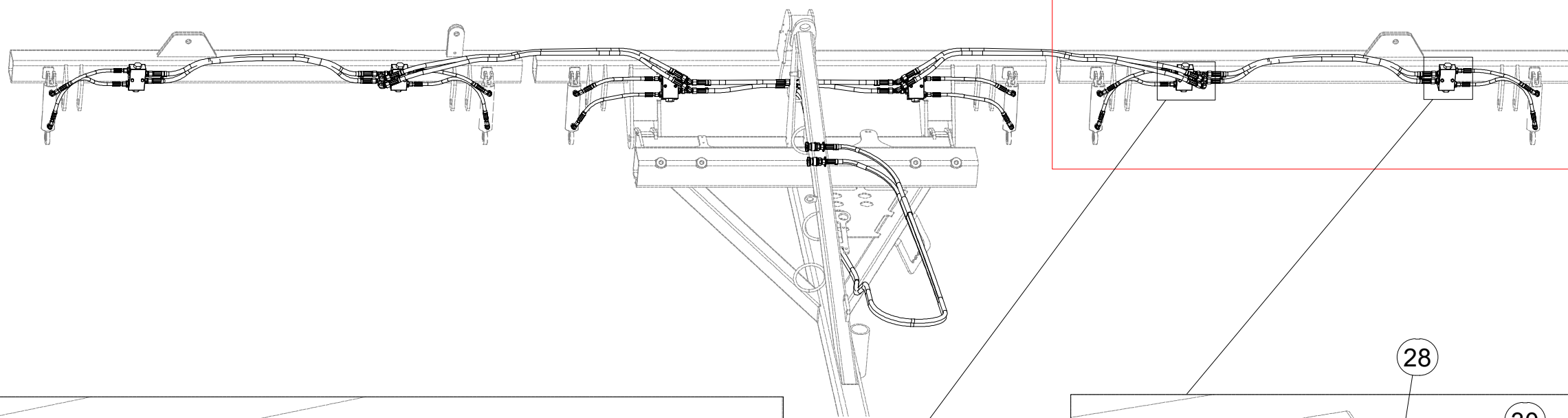
Ⓖ SET OF FRONT LEVELLING BARS

Ⓔ КОМПЛЕКТ ПЕРЕДНИХ БОРОН

Ⓗ ZESTAW PRZEDNICH WŁÓK



**3006591**



| Pos. | Part Number | Pcs. | Pos. | Part Number | Pcs. |
|------|-------------|------|------|-------------|------|
| 28   | m09911      | 6    | 33   | m06803      | 8    |
| 29   | m12986      | 12   | 34   | m07568      | 8    |
| 30   | m12951      | 12   | 50   | m05561      | 8    |
| 31   | m06528      | 12   | 70   | m01200      | 12   |

Ⓒ SADA PŘEDNÍCH SMYKŮ

Ⓓ SATZ VORDERE ACKERSCHLEPPEN

Ⓕ KIT DE NIVELEURS AVANT

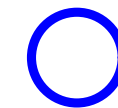
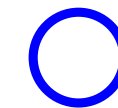
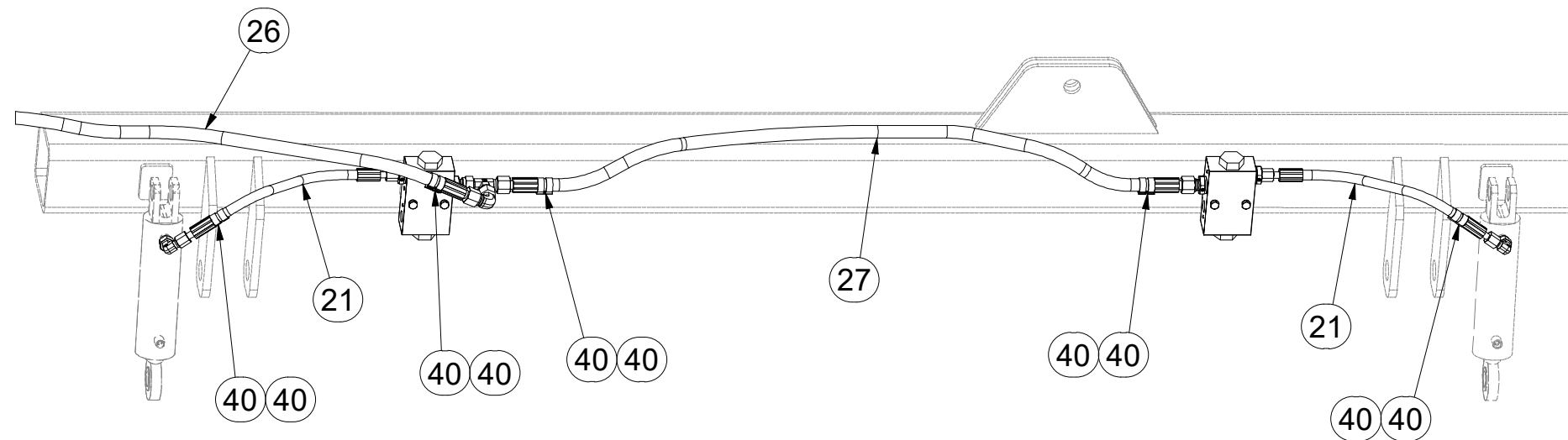
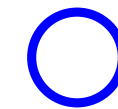
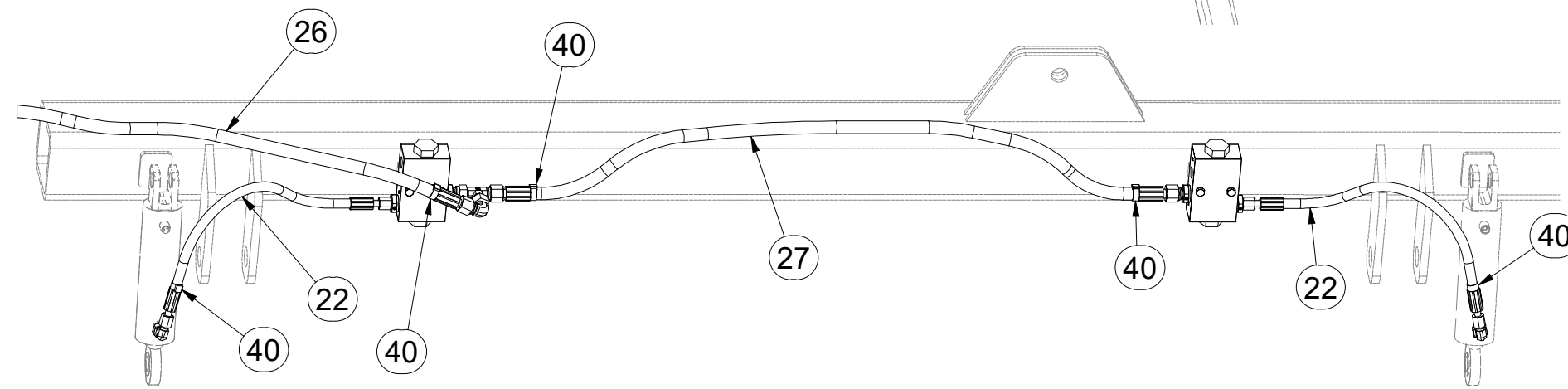
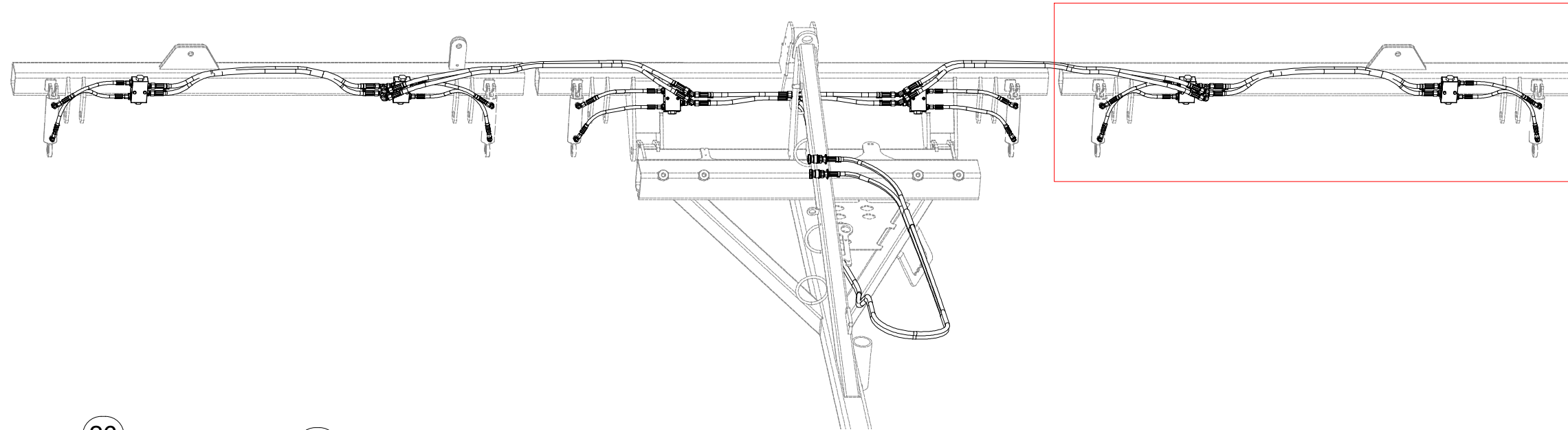
Ⓖ SET OF FRONT LEVELLING BARS

Ⓔ КОМПЛЕКТ ПЕРЕДНИХ БОРОН

Ⓗ ZESTAW PRZEDNICH WŁÓK



**3006591**



| Pos. | Part Number | Pcs. |
|------|-------------|------|
| 21   | m13023      | 4    |
| 22   | m13026      | 4    |
| 26   | m06533      | 4    |
| 27   | m11107      | 4    |
| 40   | m11253      | 54   |



Ⓒ PŘEDNÍ SMYK

Ⓓ VORDERE ACKERSCHLEIFE

Ⓕ NIVELEUR AVANT

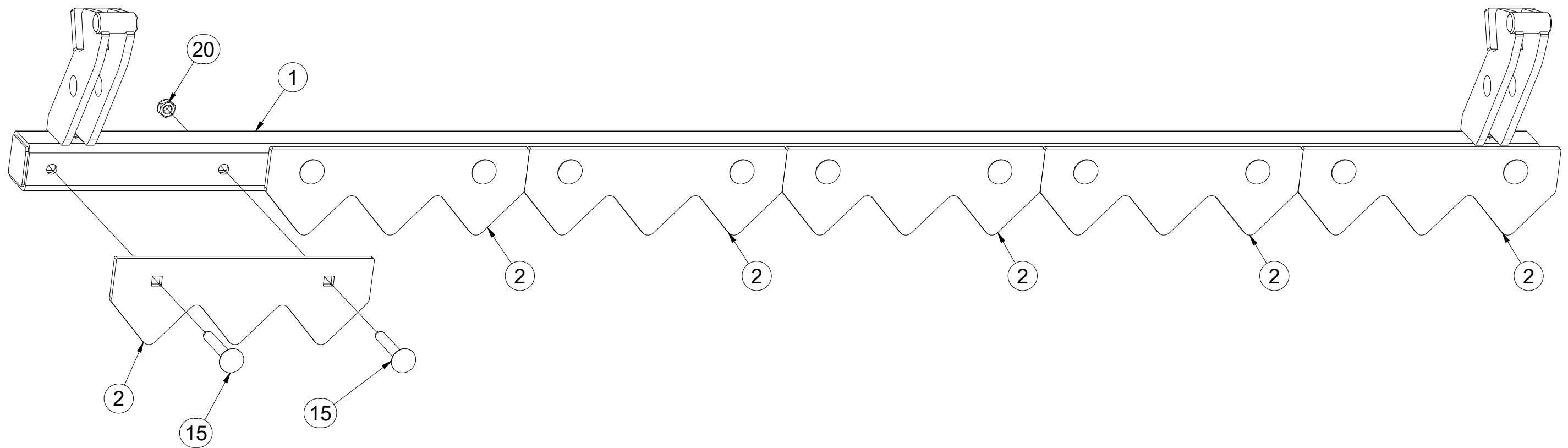
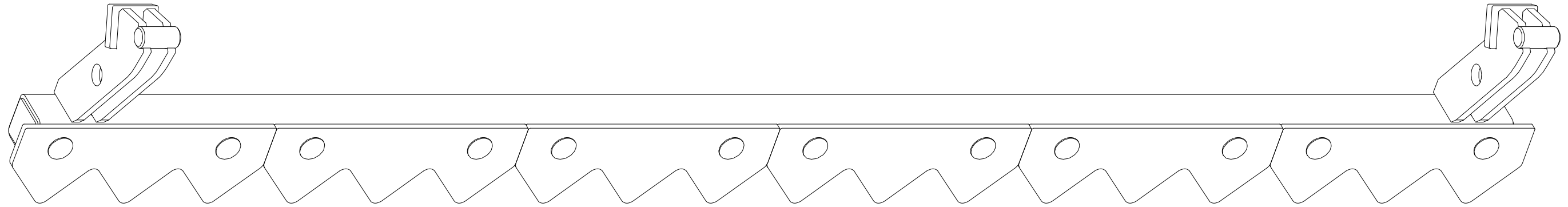
Ⓖ FRONT DRAG

Ⓡ ПЕРЕДНЯЯ БОРОНА

Ⓟ PRZEDNIA WŁÓKA

**Farmet**

**VZ00003364**



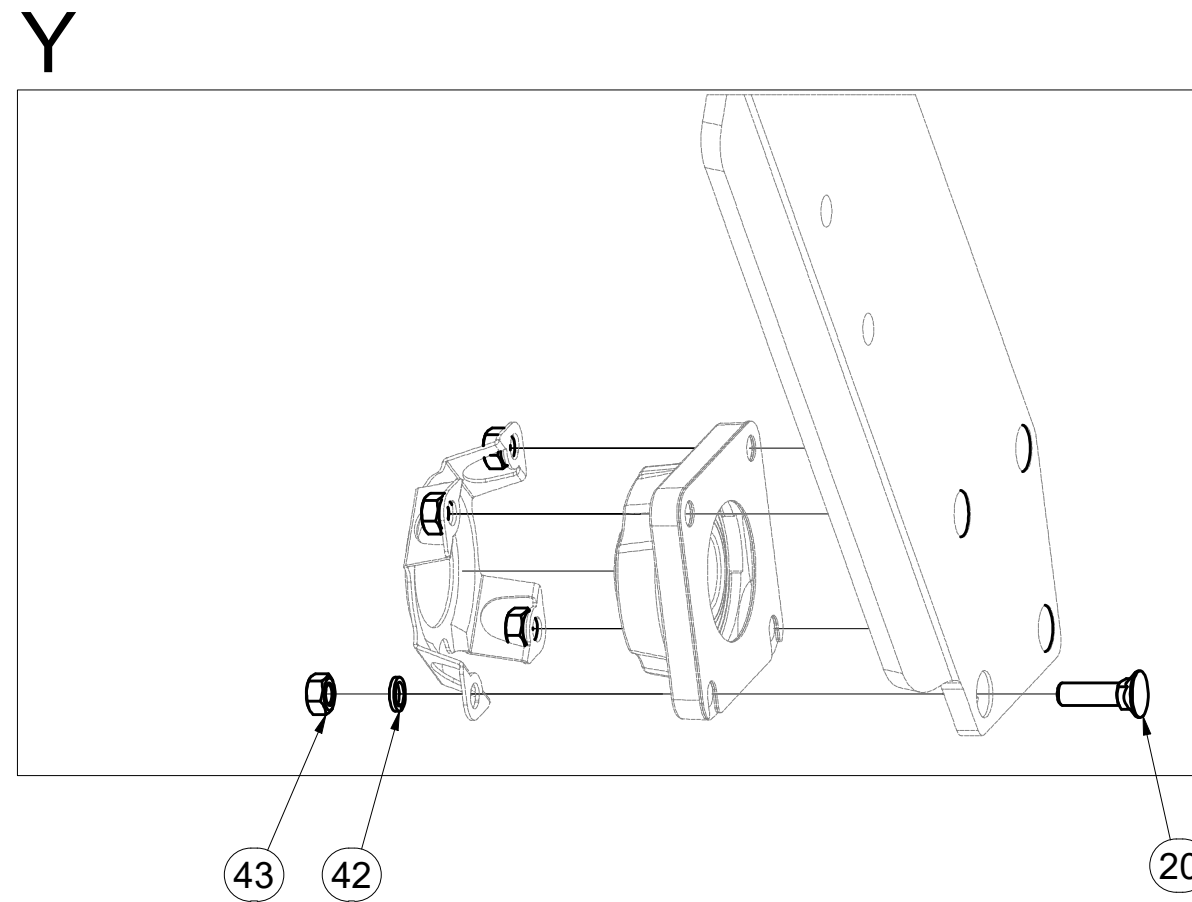
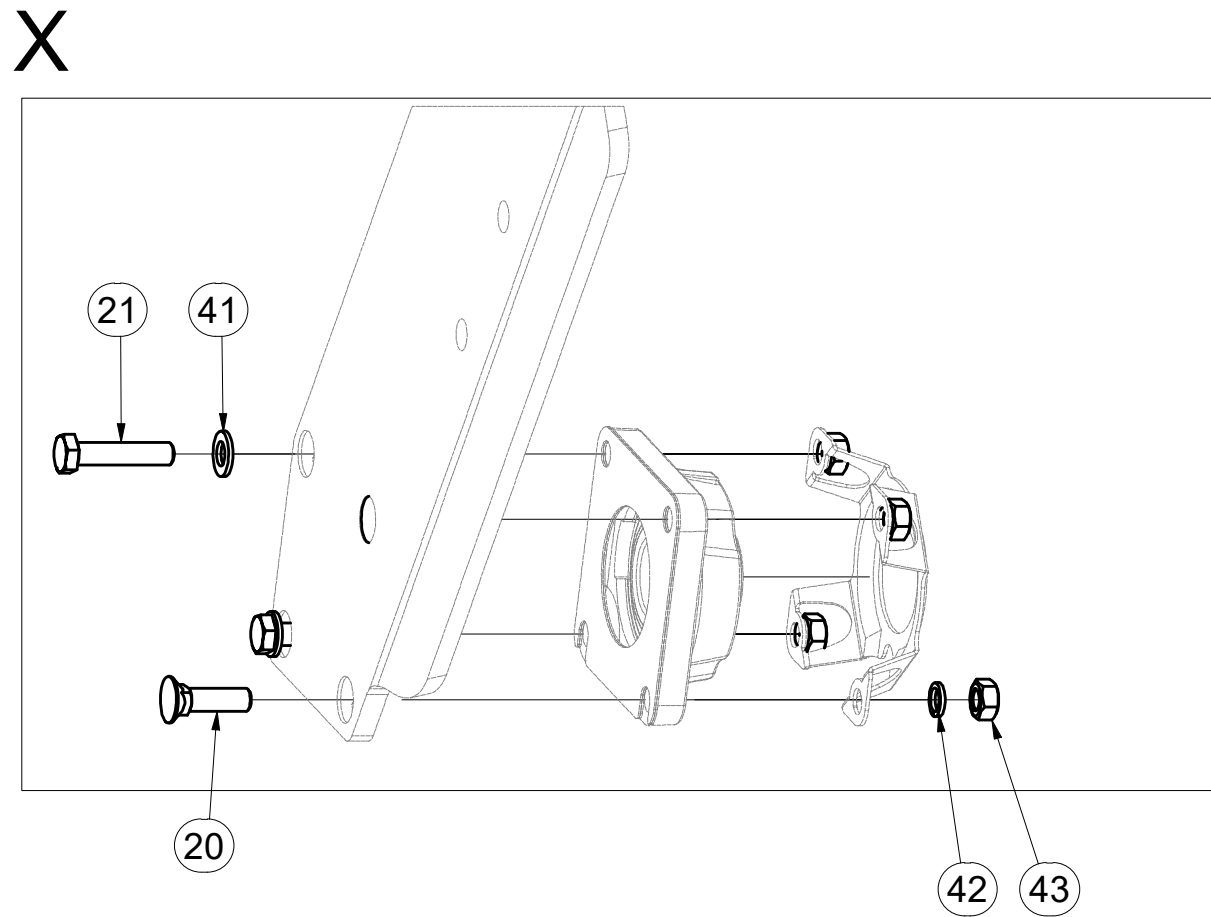
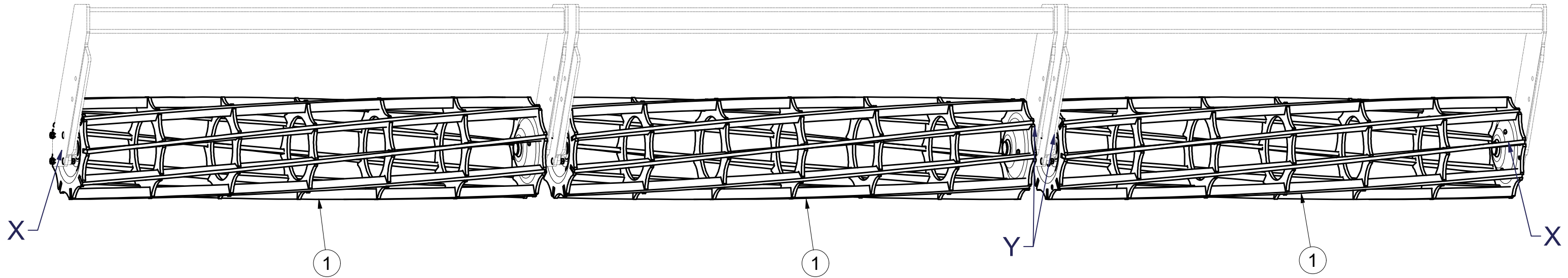
| Pos. | Part Number | Pcs. |
|------|-------------|------|
| 1    | VZ00003365  | 1    |
| 2    | VZ00003366  | 6    |
| 15   | m08339      | 12   |
| 20   | m04301      | 12   |

CZ SADA PŘEDNÍCH VÁLCŮ  
 D SATZ VORDERE WALZEN  
 F KIT DE ROULEAUX AVANT

GB SET OF FRONT ROLLERS  
 RU КОМПЛЕКТ ПЕРЕДНИХ КАТКОВ  
 PL ZESTAW PRZEDNICH WAŁÓW



**3011854**



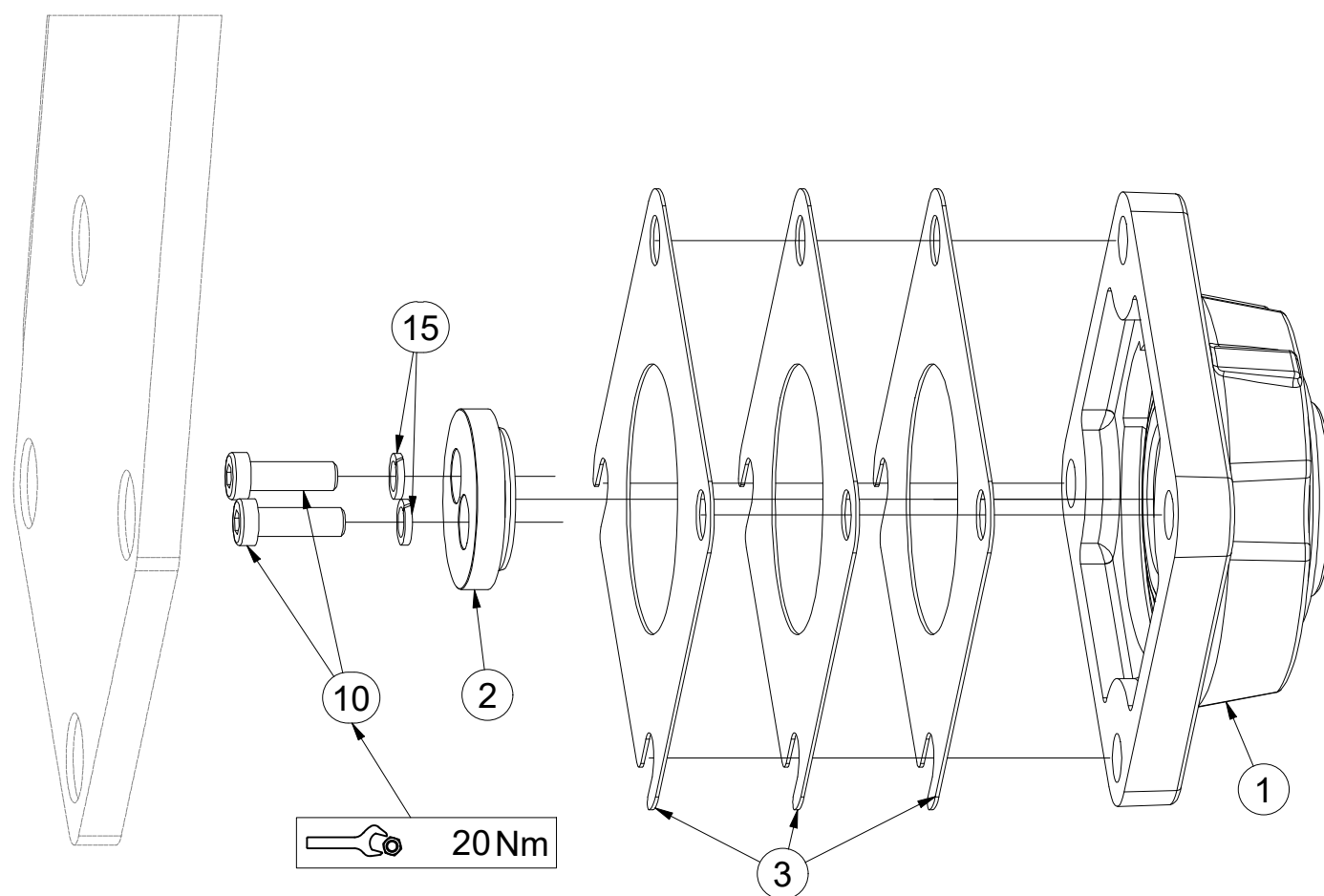
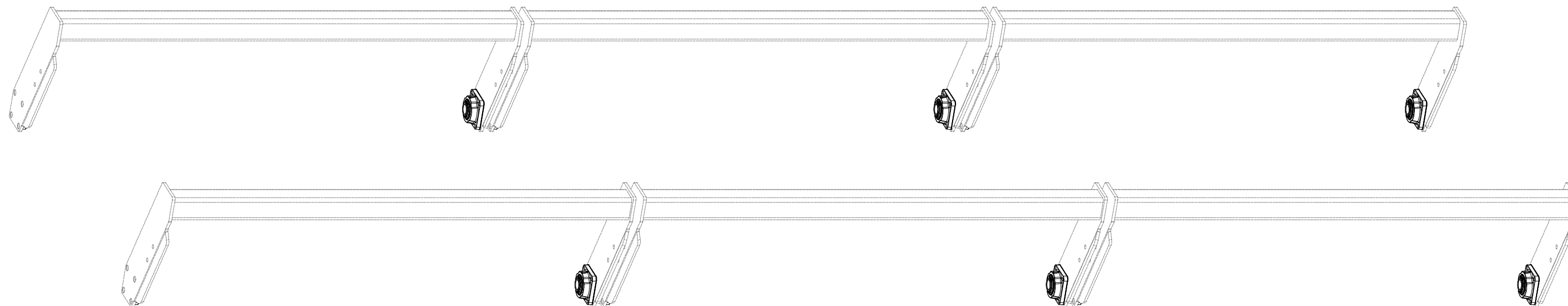
| Pos. | Part Number | Pcs. |
|------|-------------|------|
| 1    | 2000679     | 3    |
| 20   | m03519      | 20   |
| 21   | m04412      | 4    |
| 41   | m17741      | 4    |
| 42   | m03988      | 24   |
| 43   | m01305      | 24   |

(CZ) SADA LOŽISEK  
 (D) SATZ LAGER  
 (F) KIT DE ROULEMENTS

(GB) SET OF BEARINGS  
 (RU) КОМПЛЕКТ ПОДШИПНИКОВ  
 (PL) ZESTAW ŁOŻYSK



**VZ00012425**



| Pos. | Part Number | Pcs. |
|------|-------------|------|
| 1    | m18650      | 12   |
| 2    | 4024753     | 12   |
| 3    | 4016809     | 36   |
| 10   | m23338      | 24   |
| 15   | m01202      | 24   |

ⒸZ SADA OVLÁDÁNÍ RADLIC

Ⓓ STEUERSATZ PFLUGSCHAREN

Ⓕ KIT DE COMMANDE DES SOCS

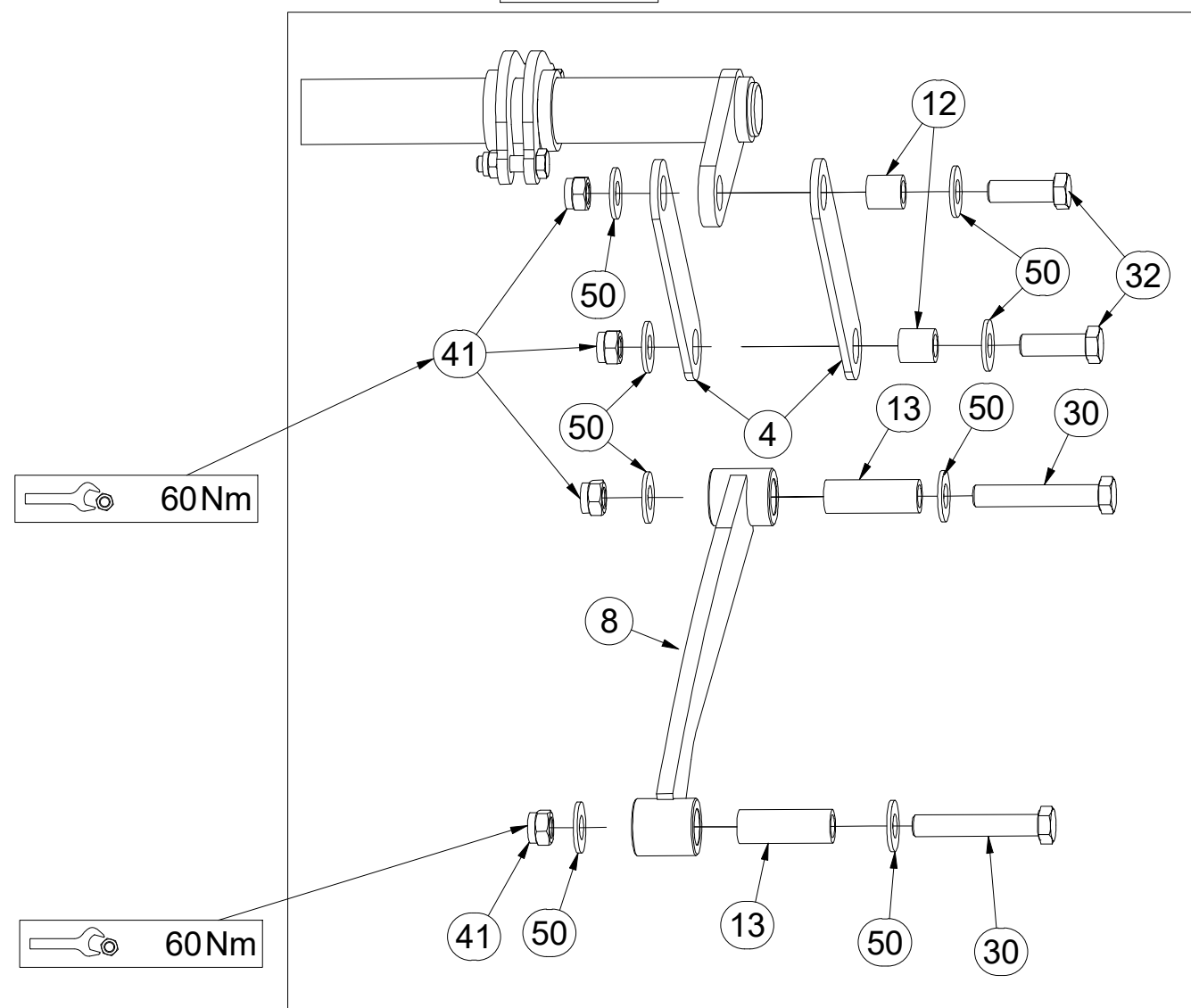
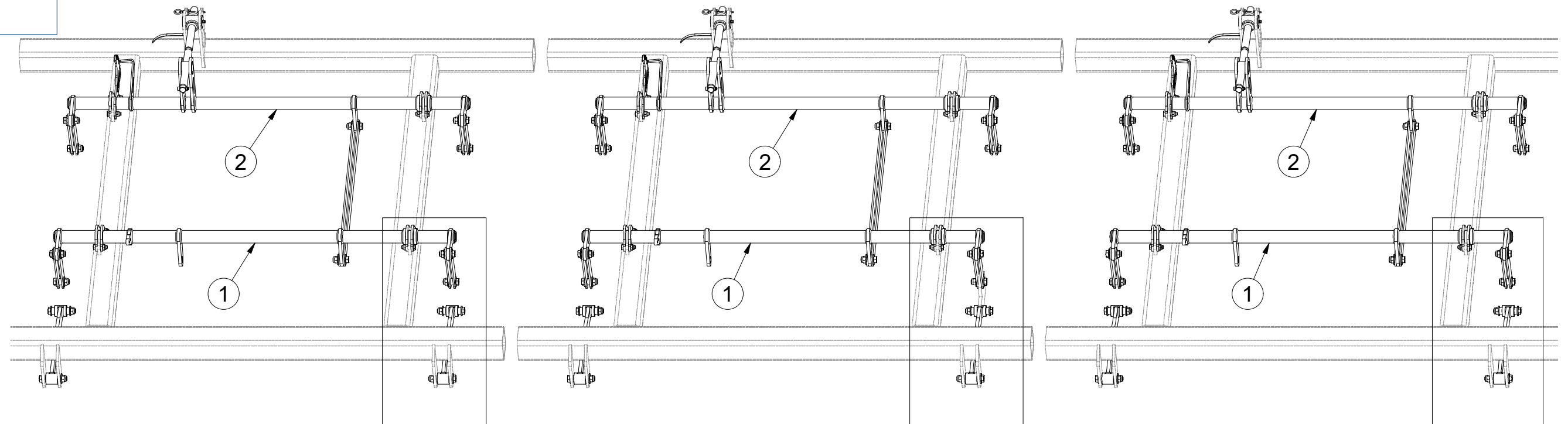
ⒸB SET OF PLOUGHSHARE CONTROL

ⒸU КОМПЛЕКТ УПРАВЛЕНИЯ ЛАП

ⒸL ZESTAW STEROWANIA RADLICAMI



3011967



| Pos. | Part Number | Pcs. |
|------|-------------|------|
| 1    | VZ00007199  | 3    |
| 2    | 3002831     | 3    |
| 4    | 4005333     | 24   |
| 8    | VZ00003342  | 6    |
| 12   | 4002265     | 30   |
| 13   | 9001426     | 12   |
| 30   | m07673      | 12   |
| 32   | m04355      | 30   |
| 41   | m03683      | 42   |
| 50   | m05651      | 84   |

Ⓒ SADA OVLÁDÁNÍ RADLIC

Ⓓ STEUERSATZ PFLUGSCHAREN

Ⓕ KIT DE COMMANDE DES SOCS

Ⓖ SET OF PLOUGHSHARE CONTROL

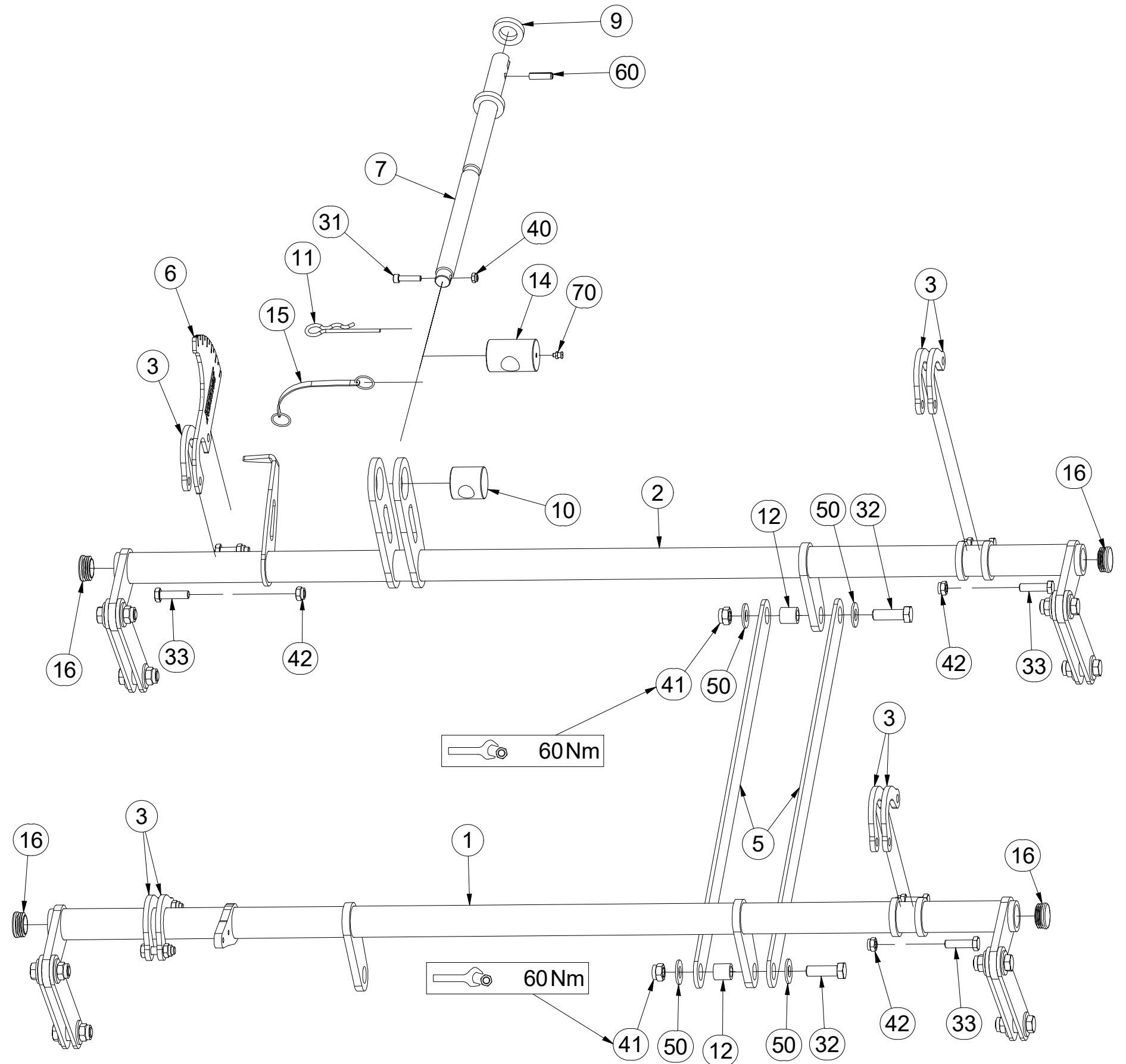
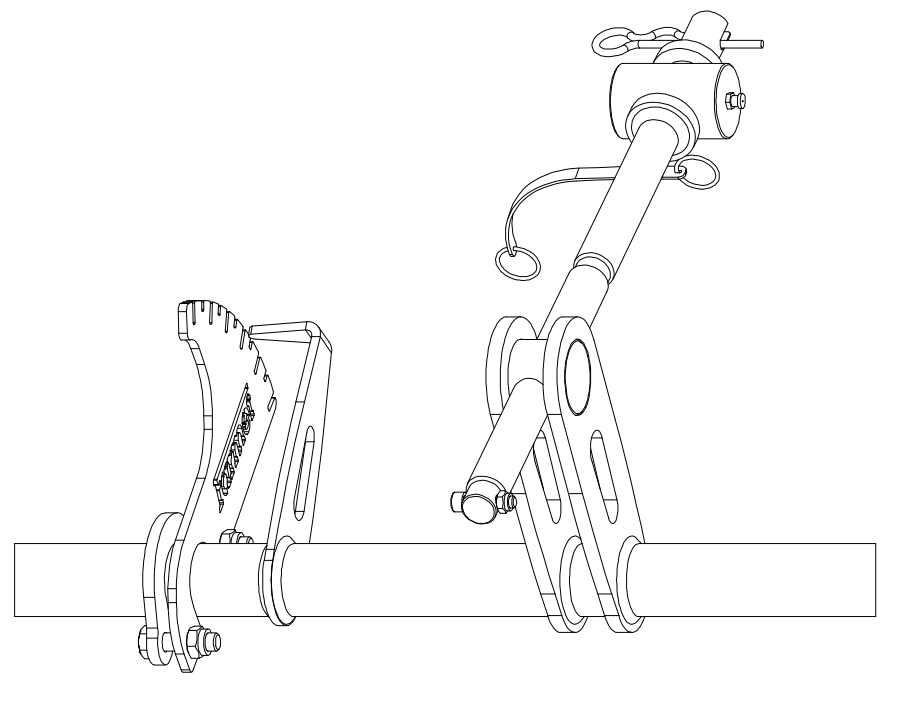
Ⓡ КОМПЛЕКТ УПРАВЛЕНИЯ ЛАП

Ⓢ ZESTAW STEROWANIA RADLICAMI



**3011967**

| Pos. | Part Number | Pcs. | Pos. | Part Number | Pcs. |
|------|-------------|------|------|-------------|------|
| 1    | VZ00007199  | 3    | 15   | m12467      | 3    |
| 2    | 3002831     | 3    | 16   | m10130      | 12   |
| 3    | 4005332     | 21   | 31   | m09464      | 3    |
| 5    | 4005334     | 6    | 32   | m04355      | 30   |
| 6    | 4023896     | 3    | 33   | m06077      | 24   |
| 7    | 4024250     | 3    | 40   | m04503      | 3    |
| 9    | 9002560     | 3    | 41   | m03683      | 42   |
| 10   | 4005340     | 3    | 42   | m04301      | 24   |
| 11   | m09988      | 3    | 50   | m05651      | 84   |
| 12   | 4002265     | 30   | 60   | m10736      | 3    |
| 14   | 9002114     | 3    | 70   | m10451      | 3    |



ⒸZ SADA RADLIC

Ⓓ SCHARSATZ

Ⓕ KIT DE SOCS

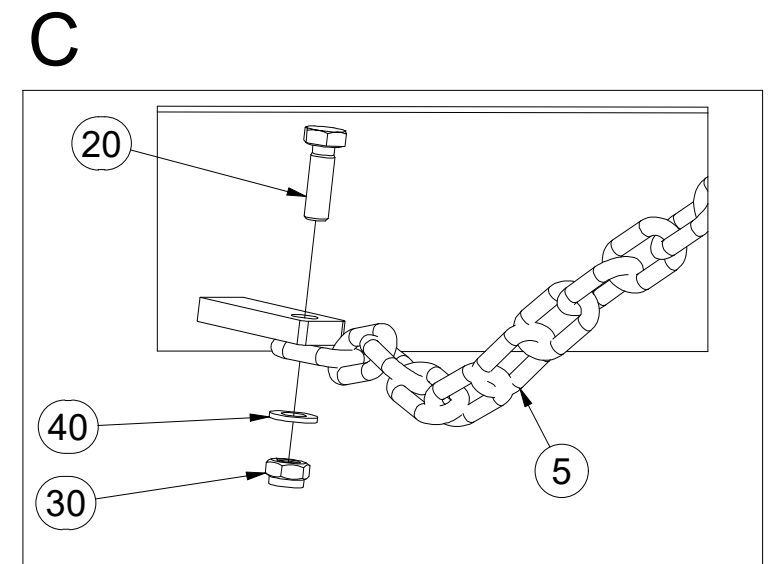
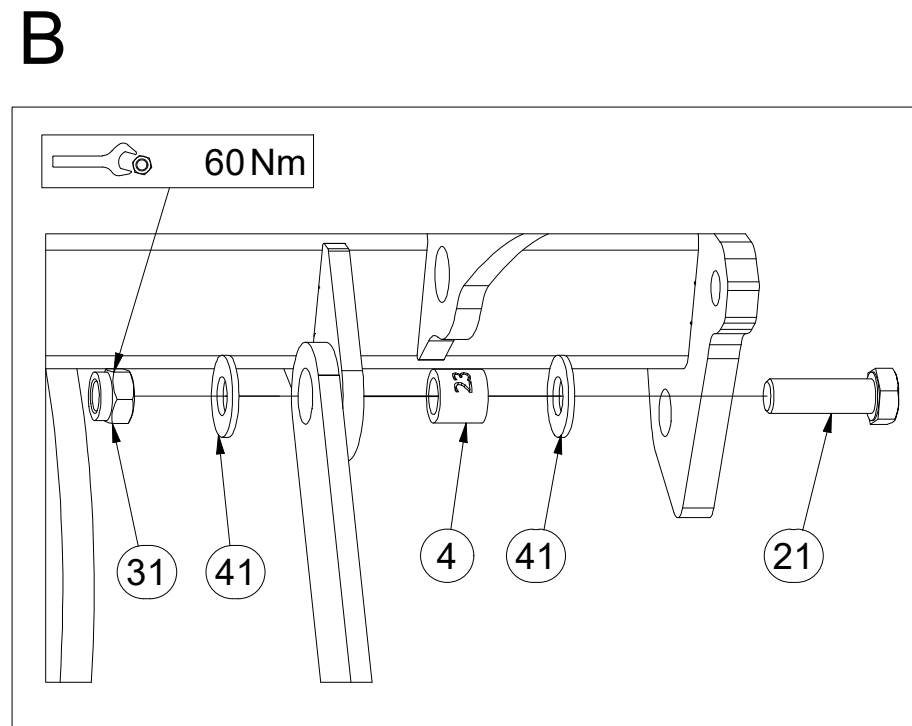
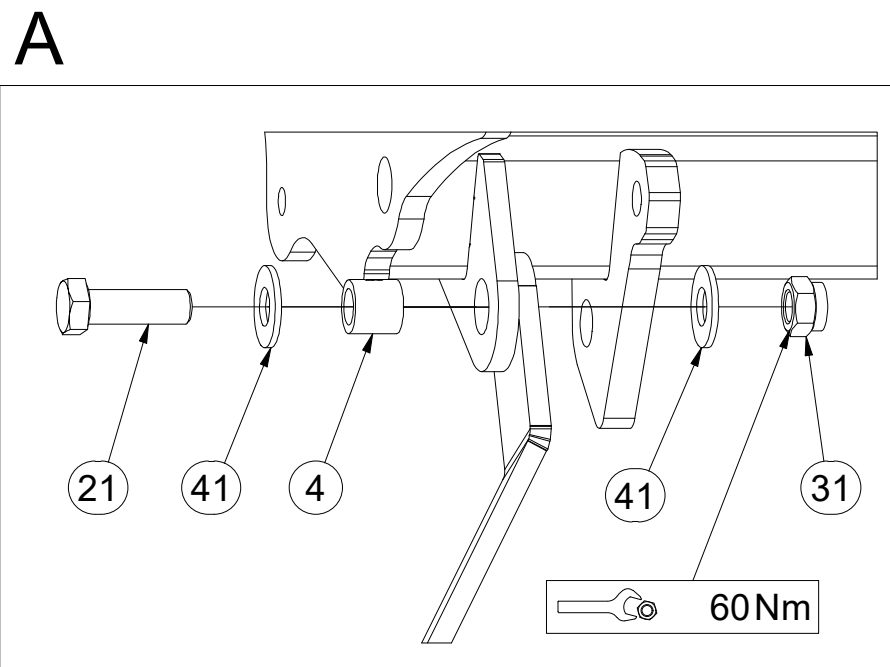
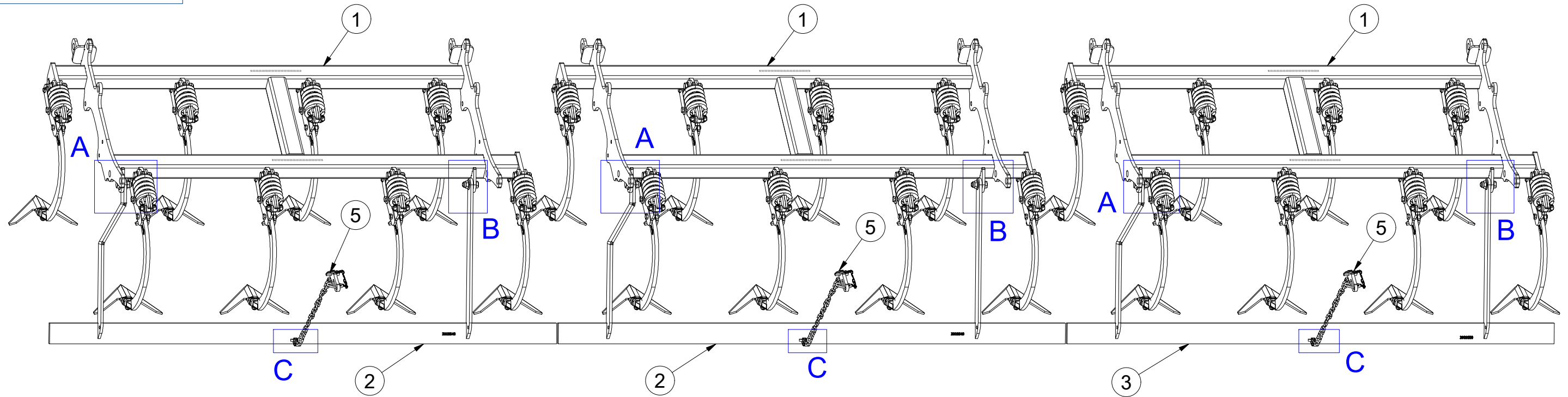
ⒸB SET OF PLOUGHSHARES

ⒸU КОМПЛЕКТ ЛАП

ⒸL ZESTAW REDLIC



3012374



| Pos. | Part Number | Pcs. | Pos. | Part Number | Pcs. |
|------|-------------|------|------|-------------|------|
| 1    | VZ00015183  | 3    | 21   | m04355      | 6    |
| 2    | 3009549     | 2    | 30   | m04503      | 3    |
| 3    | 3009550     | 1    | 31   | m03683      | 6    |
| 4    | 4022223     | 6    | 40   | m01203      | 3    |
| 5    | 4001641     | 3    | 41   | m05651      | 12   |
| 20   | m01092      | 3    |      |             |      |

Ⓒ SADA RADLIC

Ⓓ SCHARSATZ

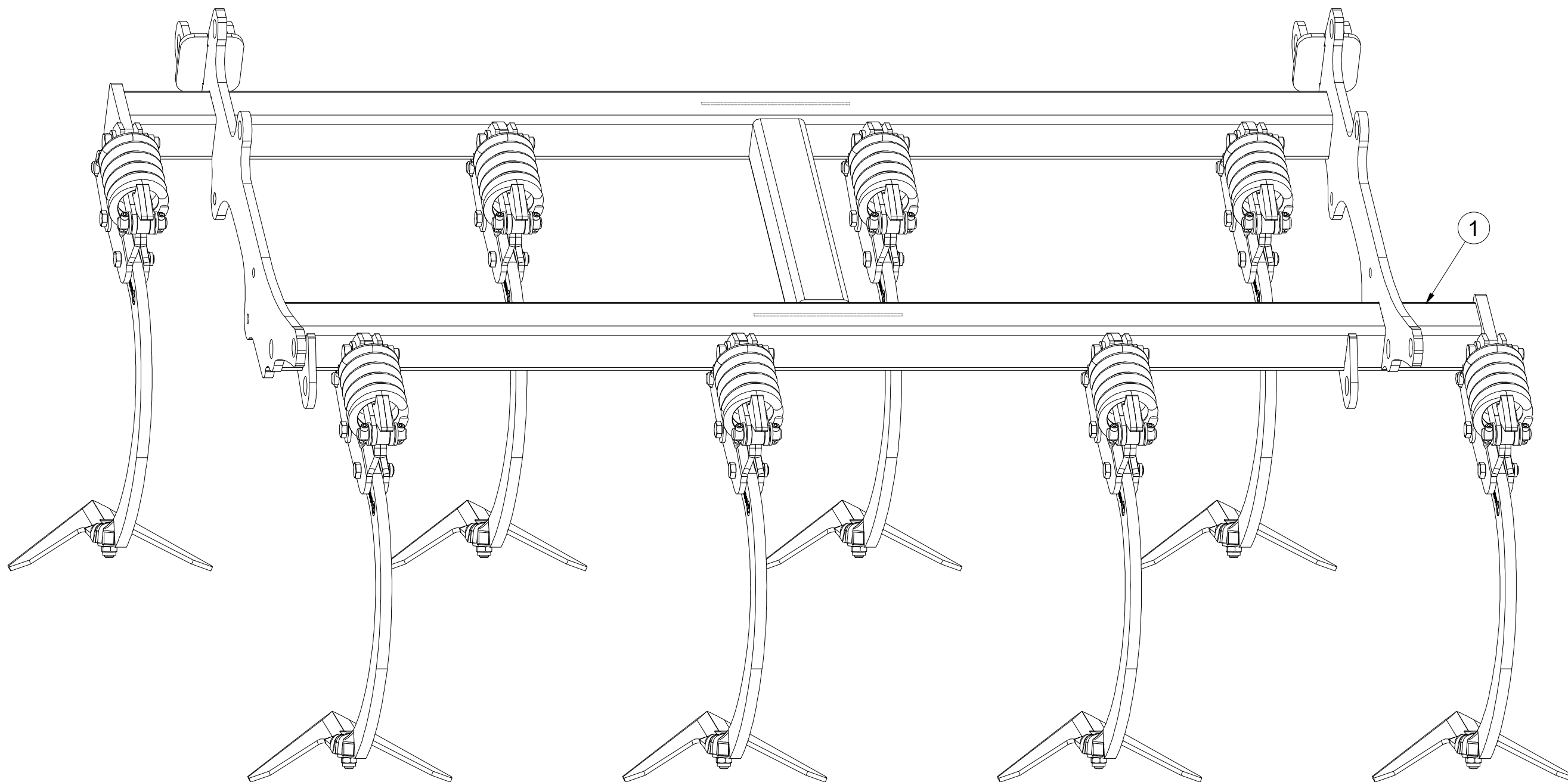
Ⓕ KIT DE SOCS

**VZ00015183**

Ⓖ SET OF PLOUGHSHARES

Ⓡ КОМПЛЕКТ ЛАП

Ⓟ ZESTAW REDLIC



| Pos. | Part Number | Pcs. |
|------|-------------|------|
| 1    | VZ00015184  | 1    |

Ⓒ SADA RADLIC

Ⓓ SCHARSATZ

Ⓕ KIT DE SOCS

Ⓖ SET OF PLOUGHSHARES

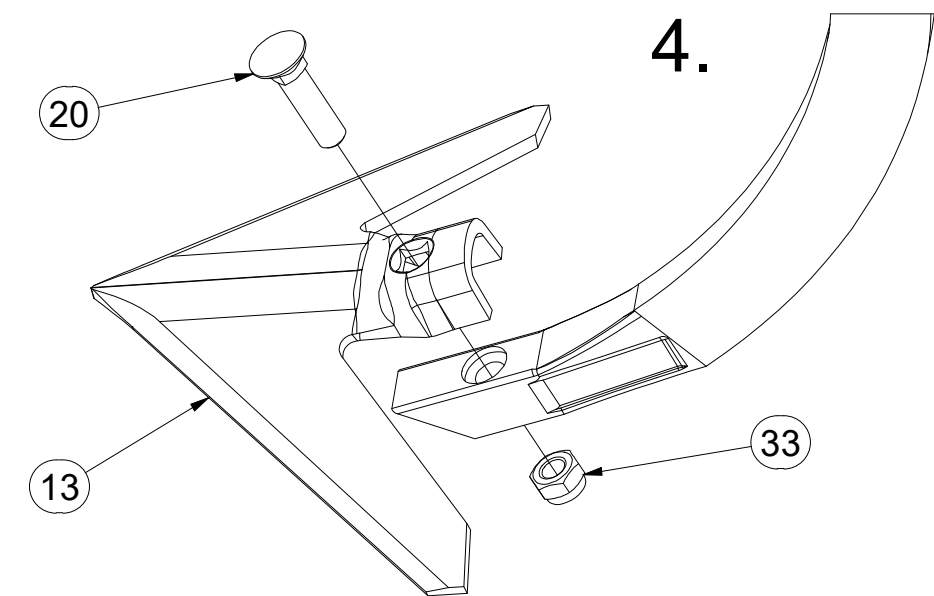
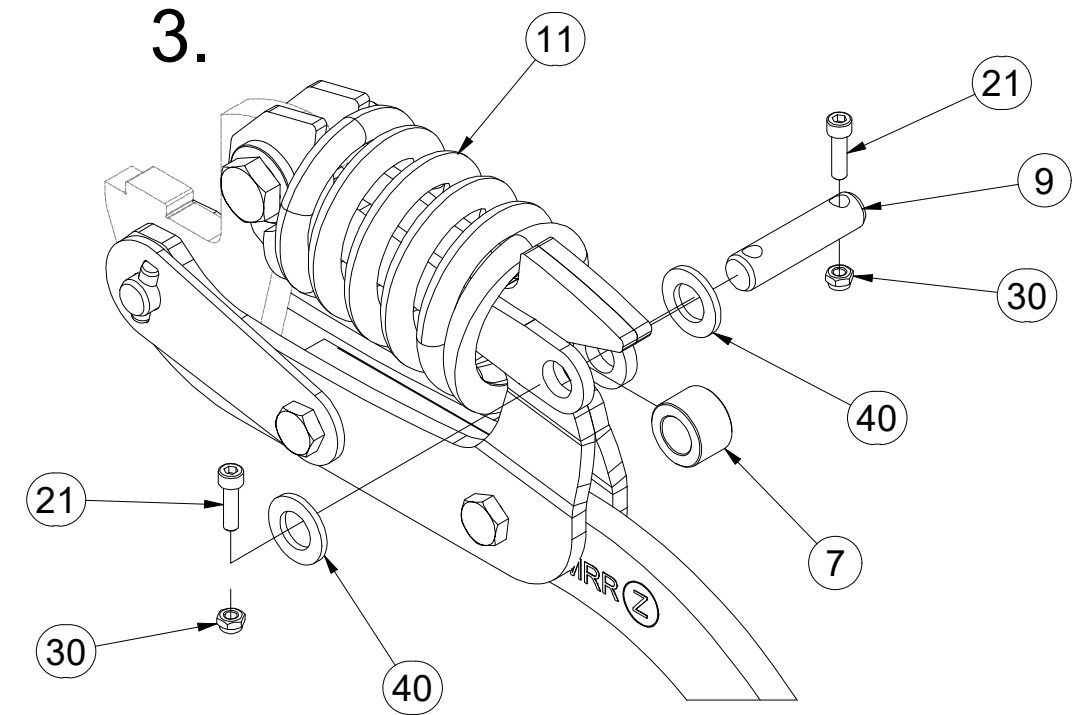
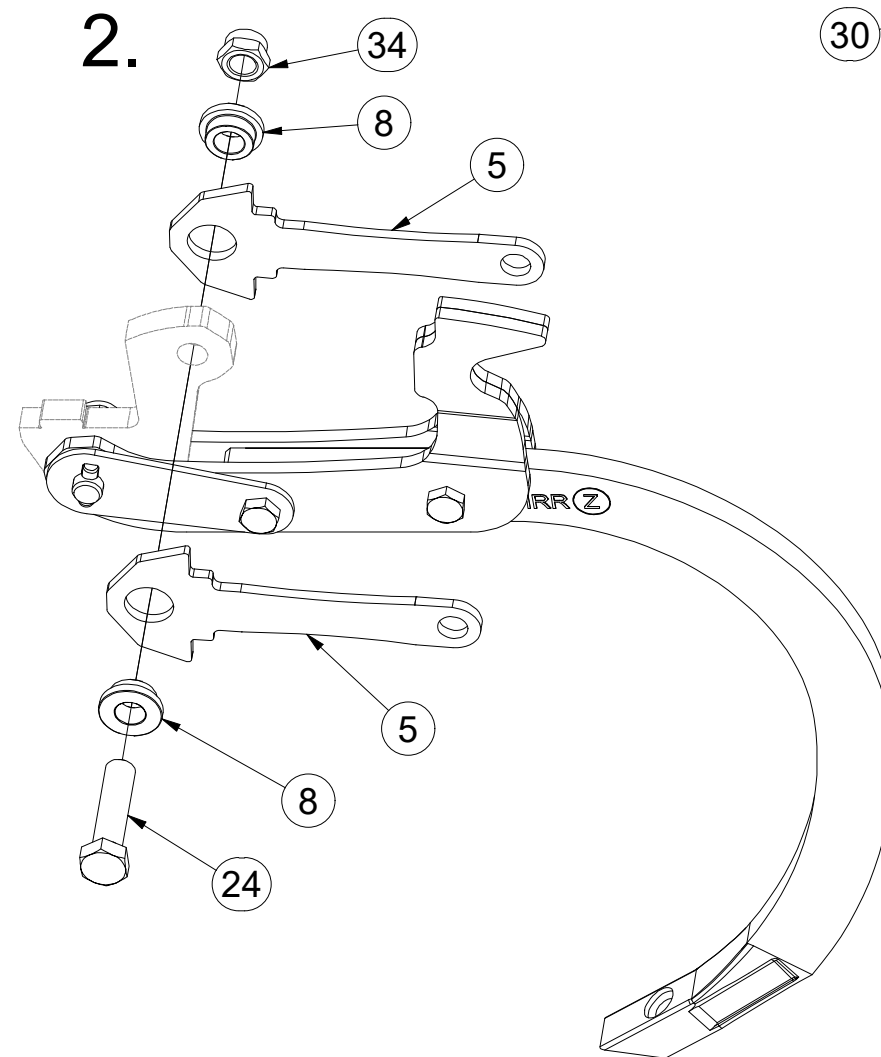
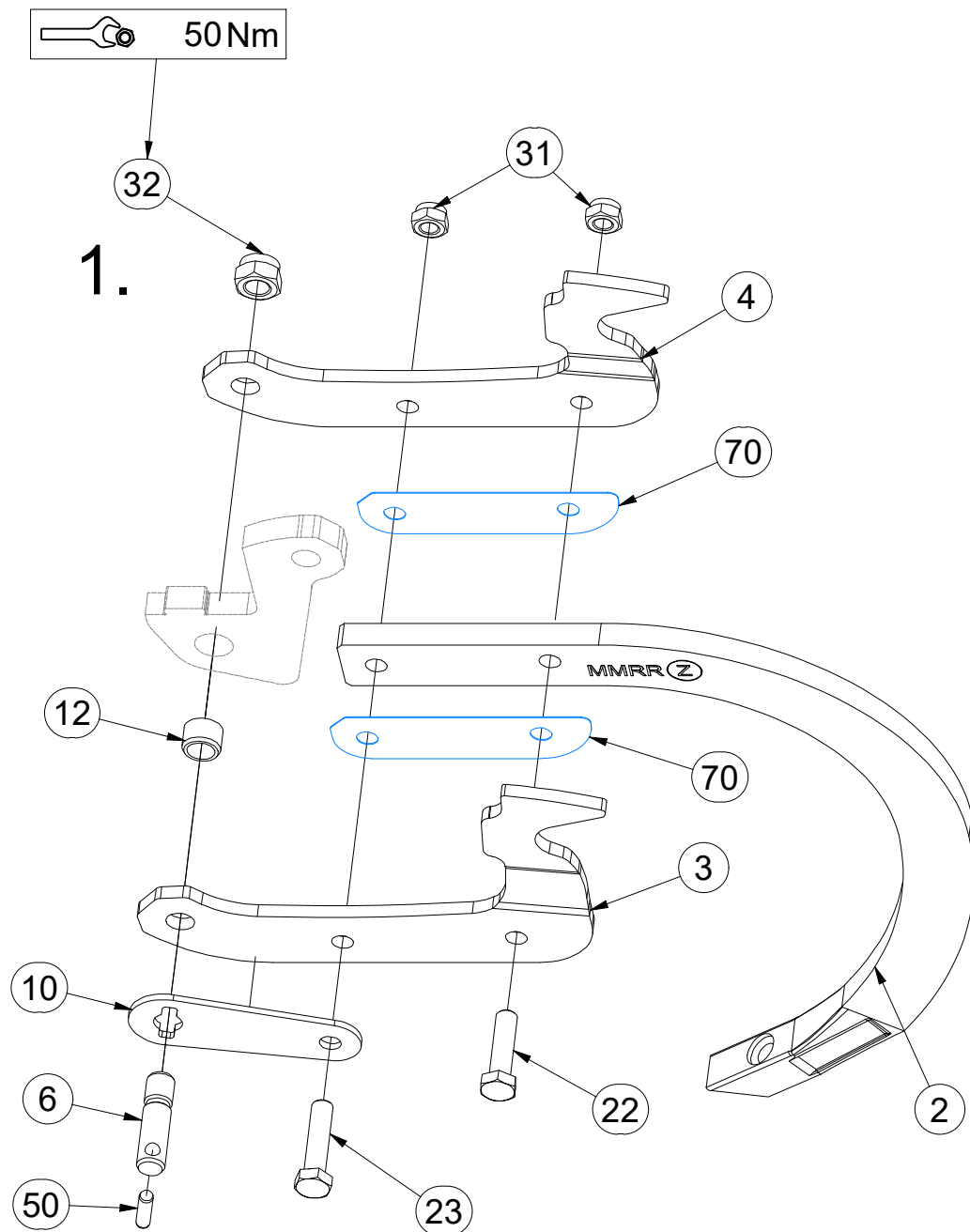
Ⓡ КОМПЛЕКТ ЛАП

Ⓟ ZESTAW REDLIC



**VZ00015183**

| Pos. | Part Number | Pcs. | Pos. | Part Number | Pcs. | Pos. | Part Number | Pcs. |
|------|-------------|------|------|-------------|------|------|-------------|------|
| 2    | 9005683     | 8    | 11   | m18880      | 8    | 30   | m05560      | 16   |
| 3    | 3012358     | 8    | 12   | m18882      | 8    | 31   | m04301      | 16   |
| 4    | 3012359     | 8    | 13   | 3000236-KOO | 8    | 32   | m03683      | 8    |
| 5    | 4024906     | 16   | 20   | m10440      | 8    | 33   | m21001      | 8    |
| 6    | 4024918     | 8    | 21   | m15215      | 16   | 34   | m18478      | 8    |
| 7    | 4009624     | 8    | 22   | m06077      | 8    | 40   | m14971      | 16   |
| 8    | 4014252     | 16   | 23   | m03339      | 8    | 50   | m18826      | 8    |
| 9    | 4015783     | 8    | 24   | m23536      | 8    | 70   | 4014863     | 16   |
| 10   | VZ00003688  | 8    |      |             |      |      |             |      |





ⒸZ SADA VÁLCŮ A LOŽISEK

Ⓓ ZYLINDERSATZ UND LAGER

Ⓕ JEU DE CYLINDRES ET DE ROULEMENTS

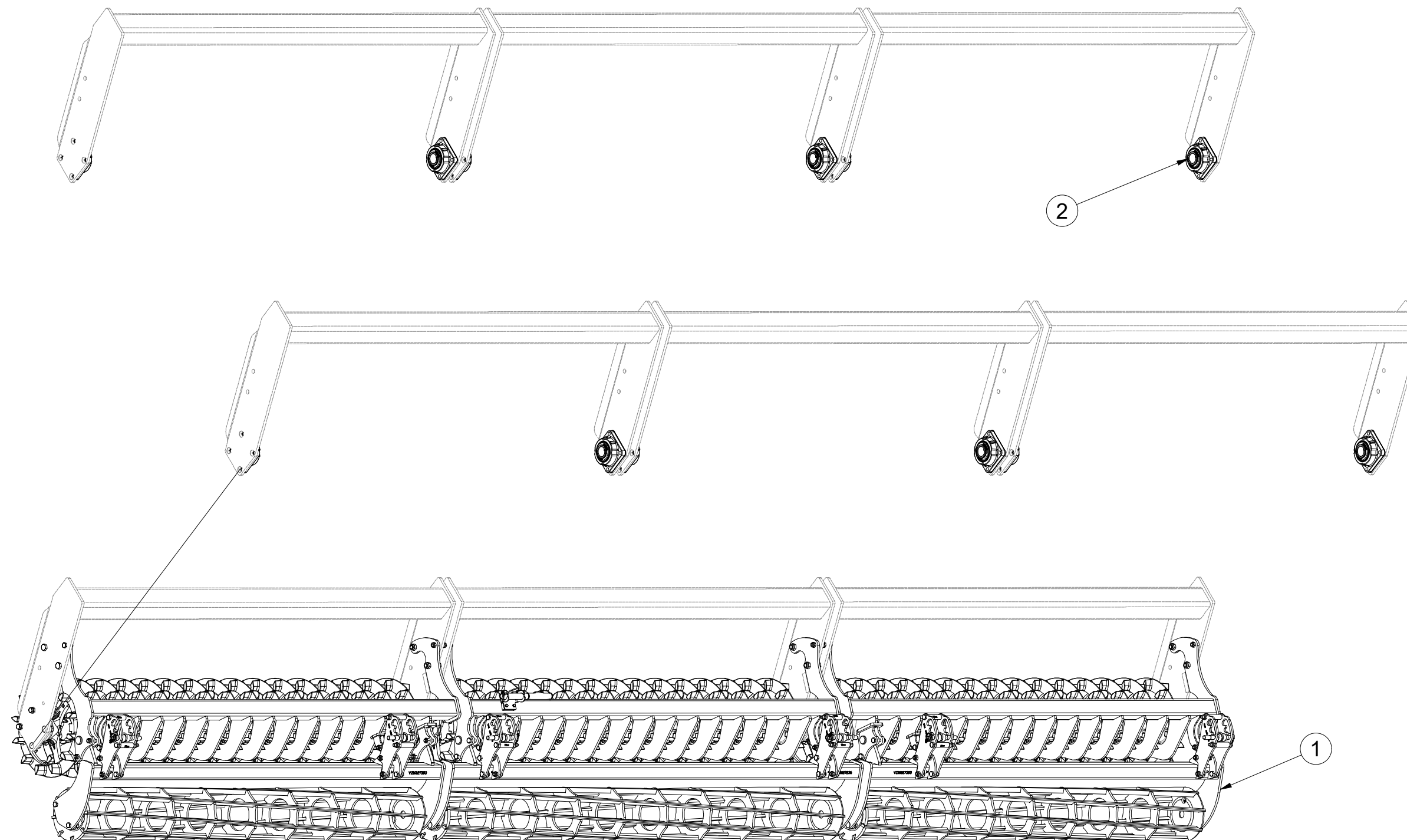
ⒼB SET OF CYLINDERS AND BEARINGS

ⒺU КОМПЛЕКТ ЦИЛИНДРОВ И ПОДШИПНИКОВ

ⒼL ZESTAW CYLINDRÓW I ŁOŻYSK

**Farmet**

**VZ00027954**



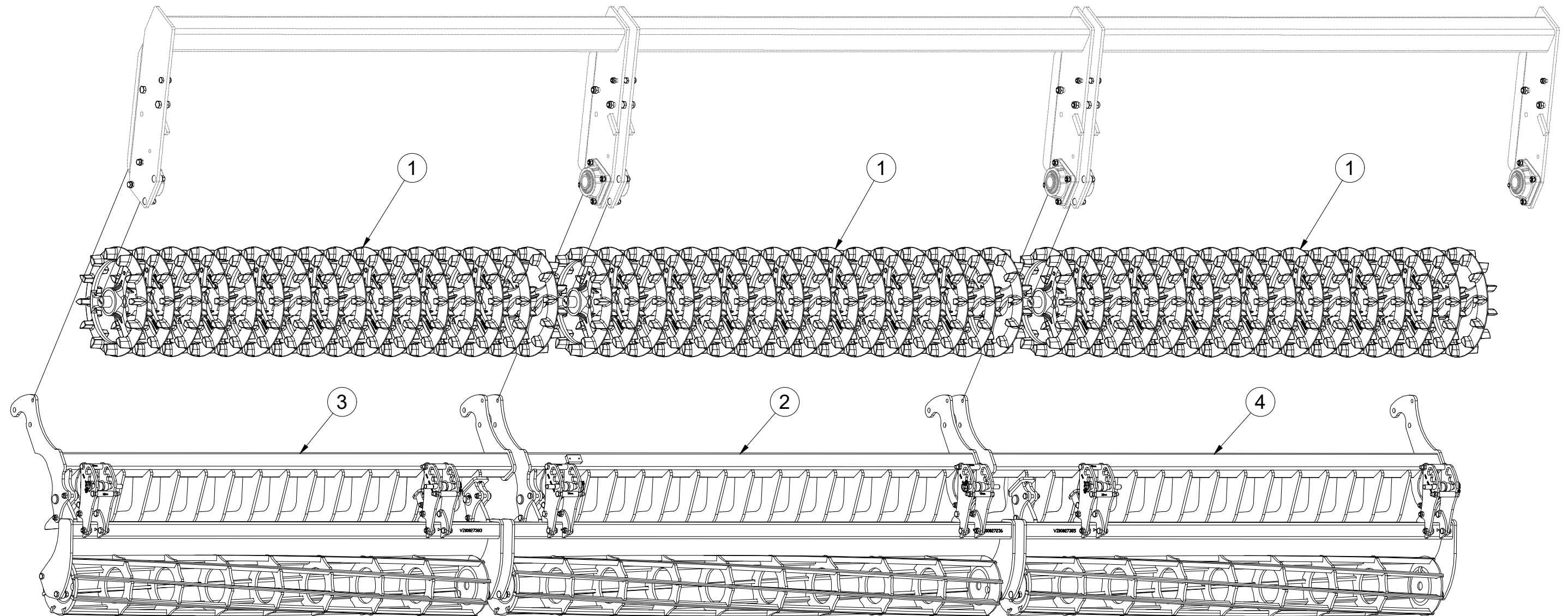
| Pos. | Part Number | Pcs. |
|------|-------------|------|
| 1    | VZ00027848  | 1    |
| 2    | VZ00012425  | 1    |

CZ SADA ZADNÍCH VÁLCŮ  
 D SATZ HINTERE WALZEN  
 F KIT DE ROULEAUX ARRIÈRE

GB SET OF REAR ROLLERS  
 RU КОМПЛЕКТ ЗАДНИХ КАТКОВ  
 PL ZESTAW TYLNYCH WAŁÓW



**VZ00027848**



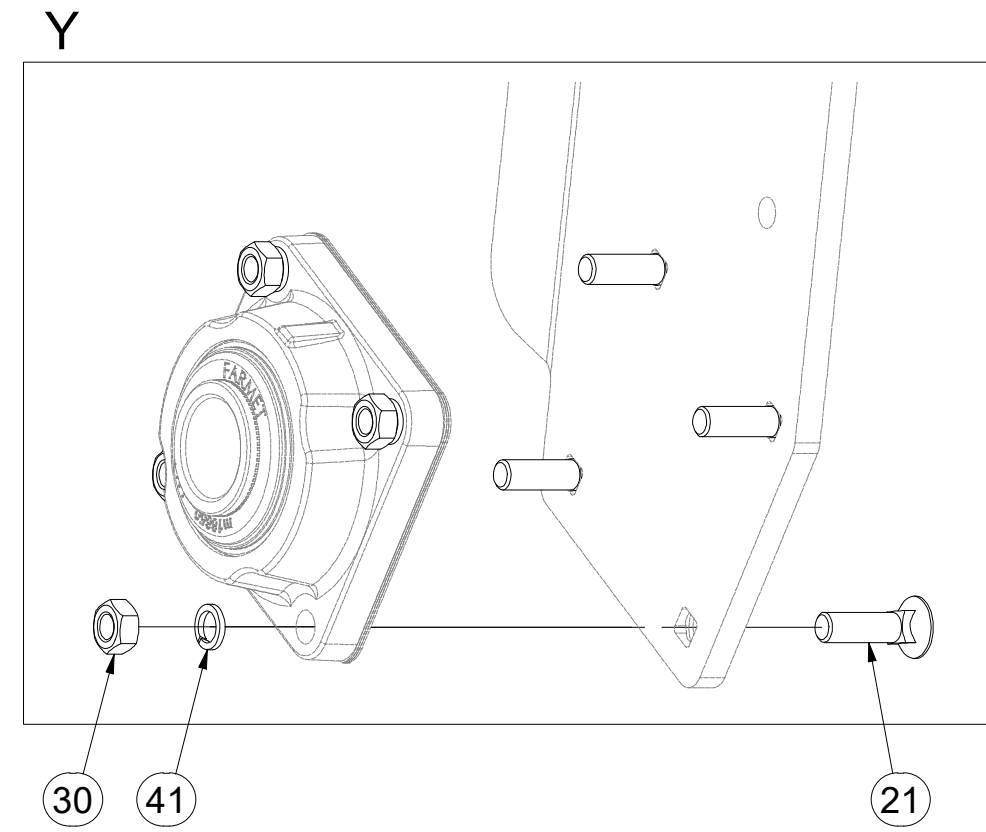
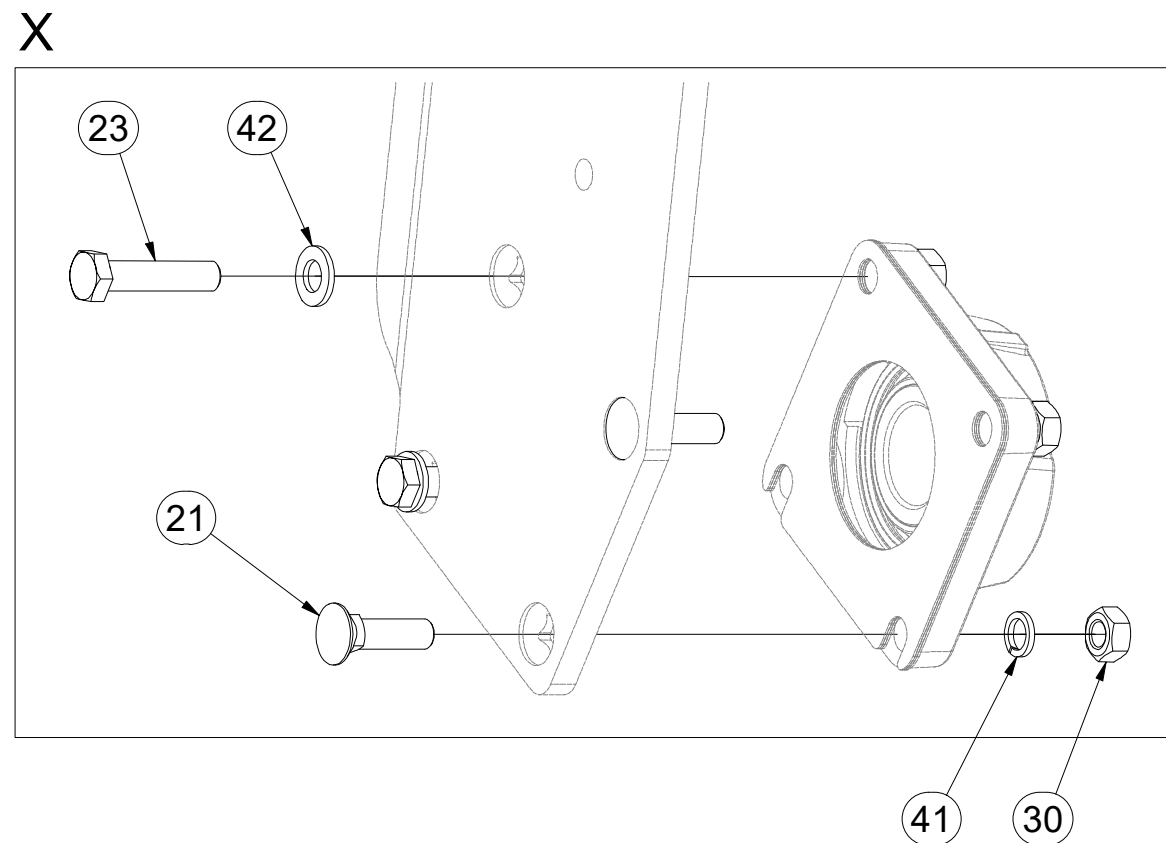
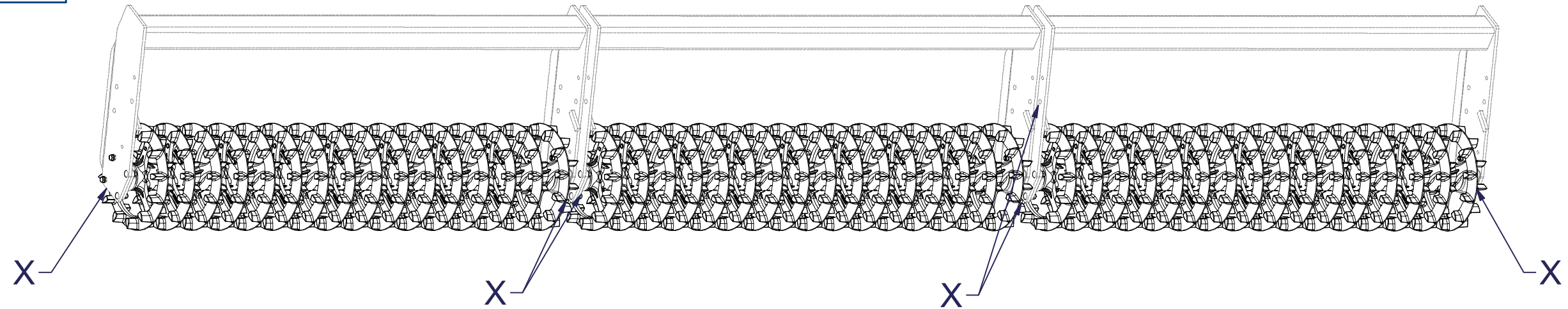
| Pos. | Part Number | Pcs. |
|------|-------------|------|
| 1    | VZ00018566  | 3    |
| 2    | VZ00027233  | 1    |
| 3    | VZ00027380  | 1    |
| 4    | VZ00027381  | 1    |

CZ SADA ZADNÍCH VÁLČŮ  
 D SATZ HINTERE WALZEN  
 F KIT DE ROULEAUX ARRIÈRE

GB SET OF REAR ROLLERS  
 RU КОМПЛЕКТ ЗАДНИХ КАТКОВ  
 PL ZESTAW TYLNYCH WAŁÓW



**VZ00027848**



| Pos. | Part Number | Pcs. |
|------|-------------|------|
| 21   | m03519      | 20   |
| 23   | m04412      | 4    |
| 30   | m01305      | 24   |
| 41   | m03988      | 24   |
| 42   | m17741      | 4    |

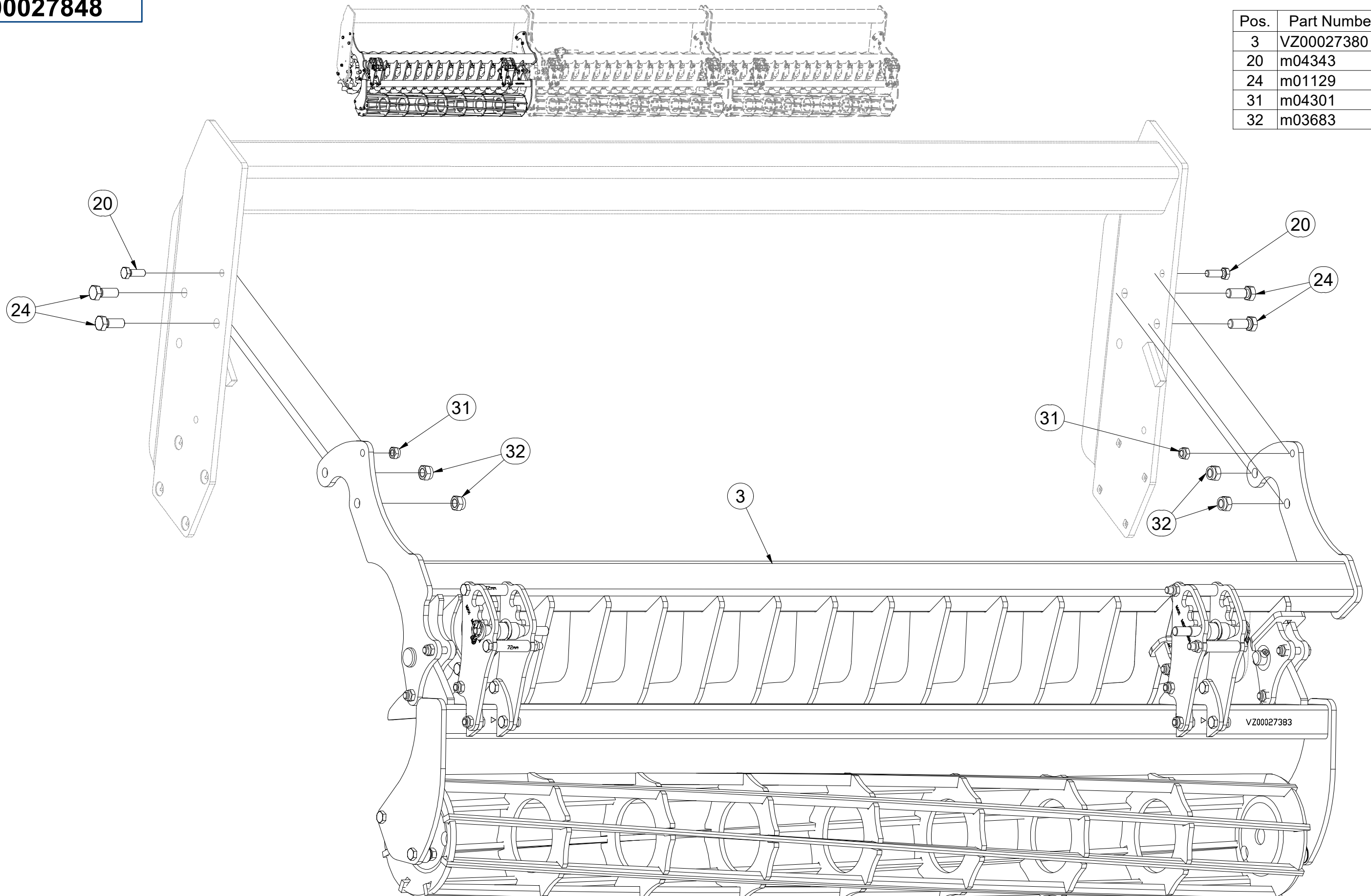
- Ⓒ SADA ZADNÍCH VÁLCŮ
- Ⓓ SATZ HINTERE WALZEN
- Ⓕ KIT DE ROULEAUX ARRIÈRE

- Ⓖ SET OF REAR ROLLERS
- Ⓡ КОМПЛЕКТ ЗАДНИХ КАТКОВ
- Ⓟ ZESTAW TYLNYCH WAŁÓW



**VZ00027848**

| Pos. | Part Number | Pcs. |
|------|-------------|------|
| 3    | VZ00027380  | 1    |
| 20   | m04343      | 6    |
| 24   | m01129      | 12   |
| 31   | m04301      | 6    |
| 32   | m03683      | 12   |

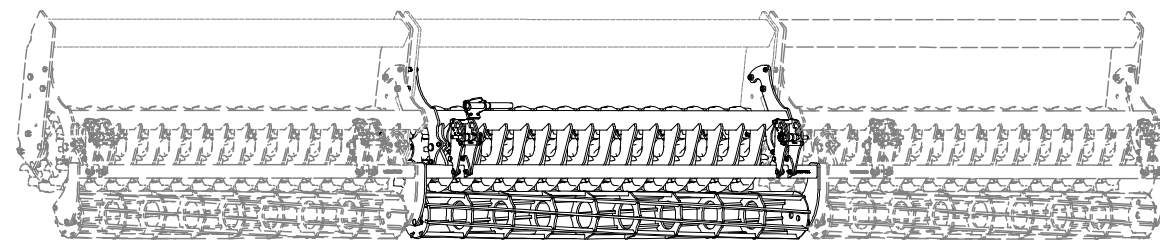


- Ⓒ SADA ZADNÍCH VÁLCŮ
- Ⓓ SATZ HINTERE WALZEN
- Ⓕ KIT DE ROULEAUX ARRIÈRE

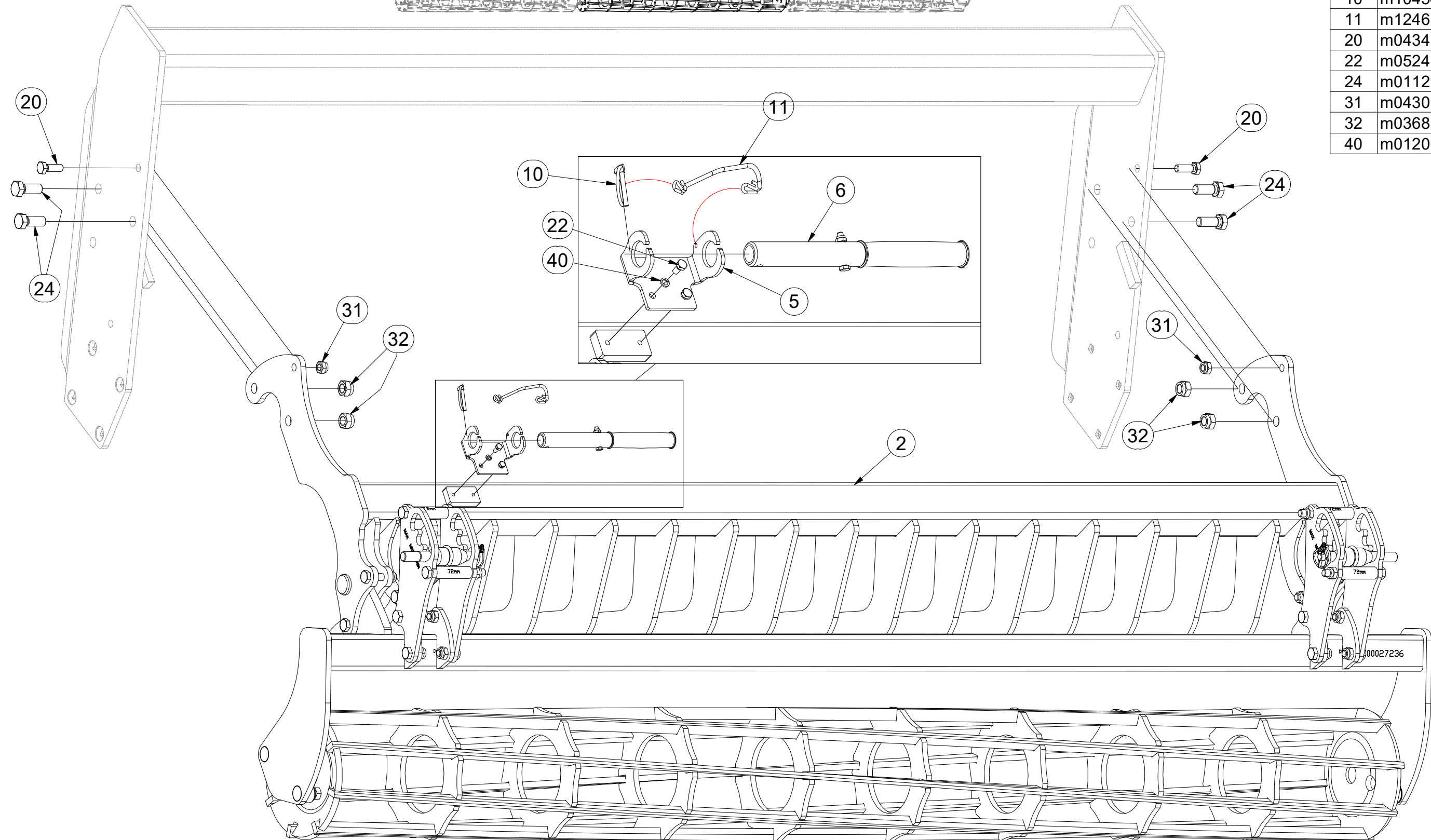
- Ⓖ SET OF REAR ROLLERS
- Ⓡ КОМПЛЕКТ ЗАДНИХ КАТКОВ
- Ⓟ ZESTAW TYLNYCH WAŁÓW



**VZ00027848**



| Pos. | Part Number | Pcs. |
|------|-------------|------|
| 2    | VZ00027233  | 1    |
| 5    | VZ00018558  | 1    |
| 6    | 4016985     | 1    |
| 10   | m10454      | 1    |
| 11   | m12467      | 1    |
| 20   | m04343      | 6    |
| 22   | m05243      | 2    |
| 24   | m01129      | 12   |
| 31   | m04301      | 6    |
| 32   | m03683      | 12   |
| 40   | m01200      | 2    |



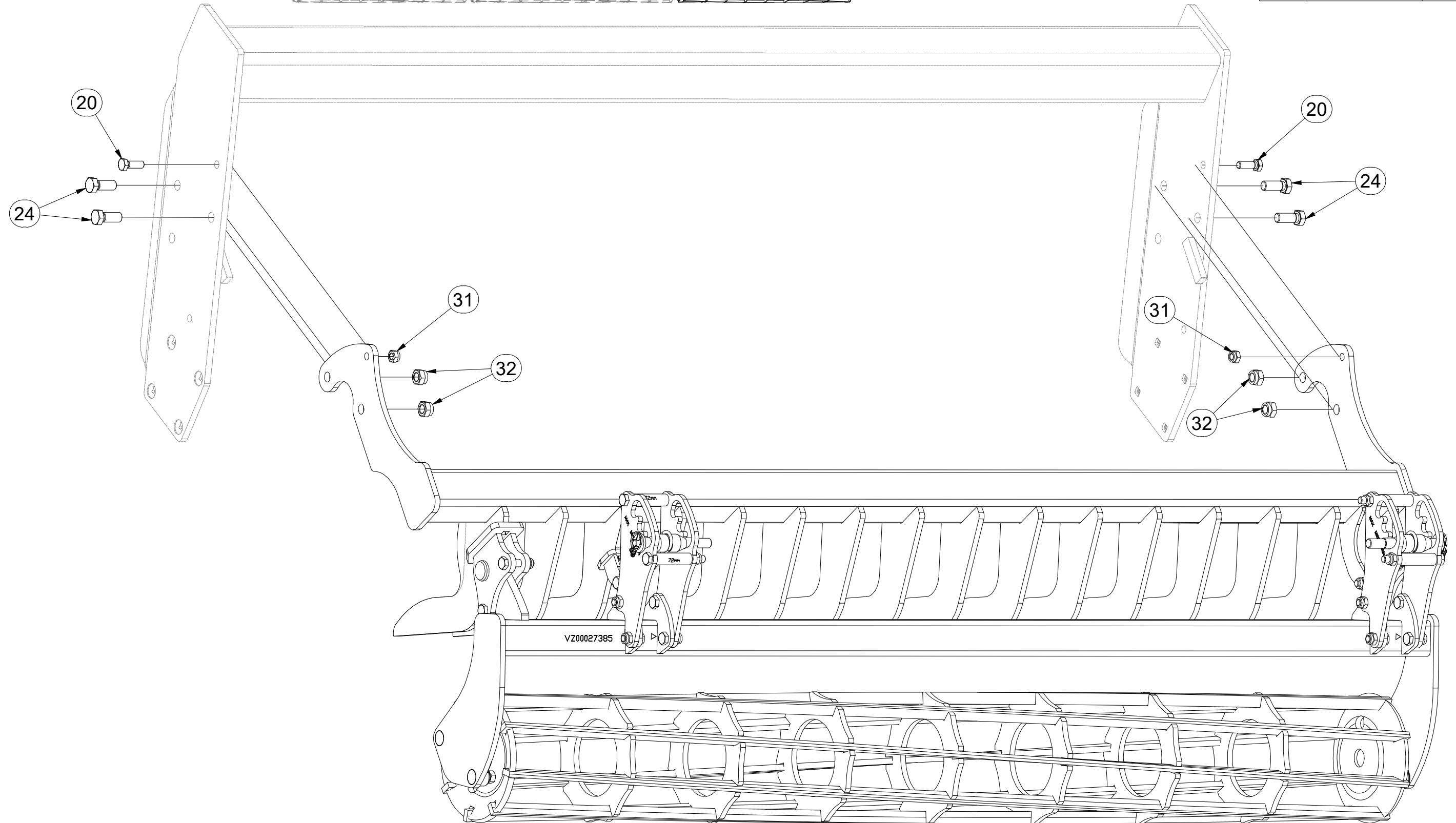
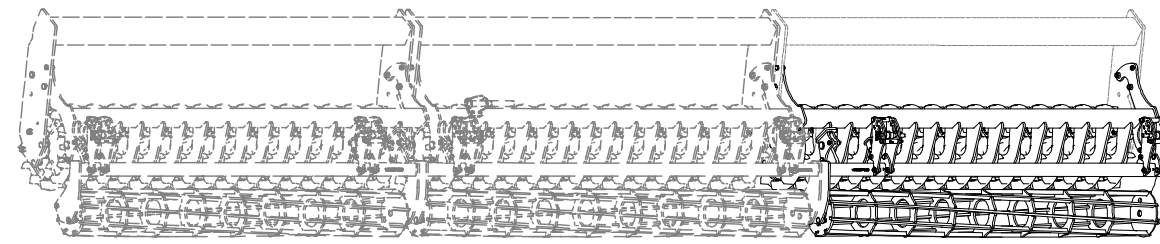
- ⒸZ SADA ZADNÍCH VÁLCŮ
- Ⓓ SATZ HINTERE WALZEN
- Ⓕ KIT DE ROULEAUX ARRIÈRE

- ⒸB SET OF REAR ROLLERS
- ⒸU КОМПЛЕКТ ЗАДНИХ КАТКОВ
- ⒸL ZESTAW TYLNYCH WAŁÓW



**VZ00027848**

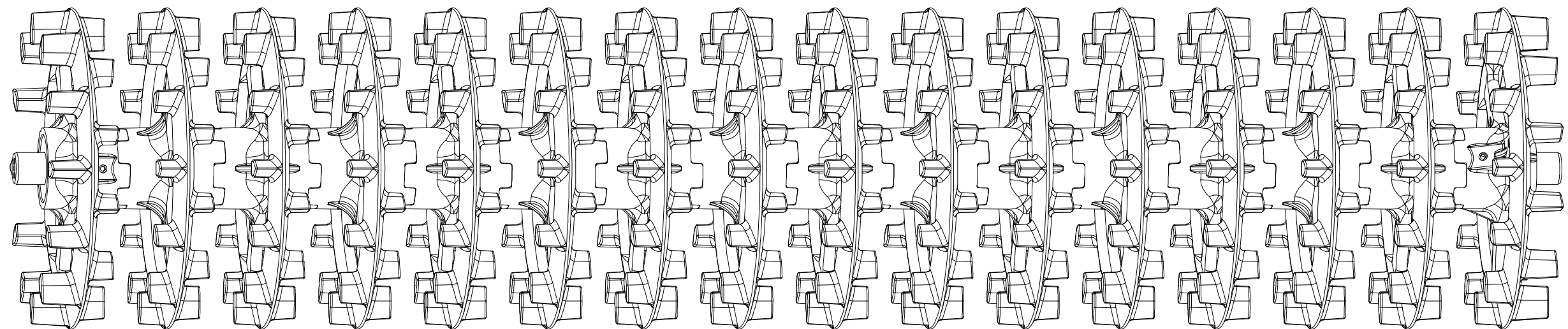
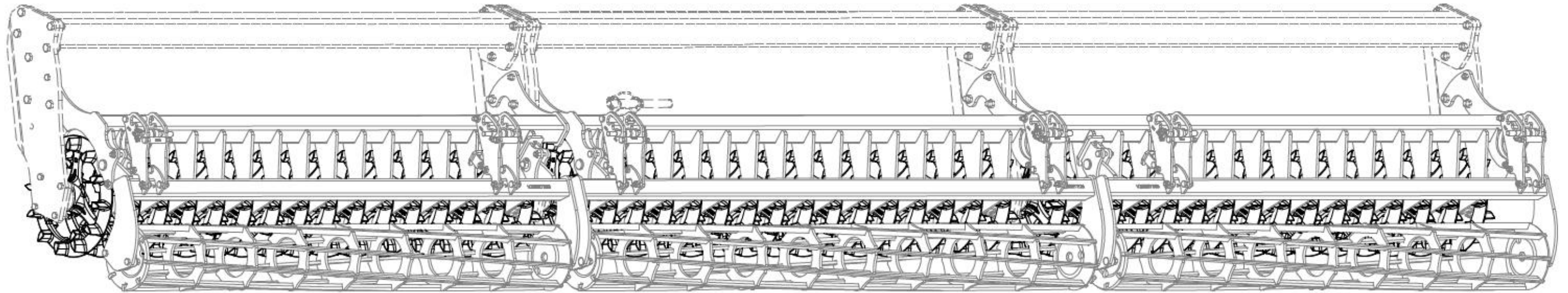
| Pos. | Part Number | Pcs. |
|------|-------------|------|
| 20   | m04343      | 6    |
| 24   | m01129      | 12   |
| 31   | m04301      | 6    |
| 32   | m03683      | 12   |



- Ⓒ SADA ZADNÍCH VÁLČŮ
- Ⓓ SATZ HINTERE WALZEN
- Ⓕ KIT DE ROULEAUX ARRIÈRE

**VZ00018566**

- Ⓖ SET OF REAR ROLLERS
- Ⓡ КОМПЛЕКТ ЗАДНИХ КАТКОВ
- Ⓟ ZESTAW TYLNYCH WAŁÓW

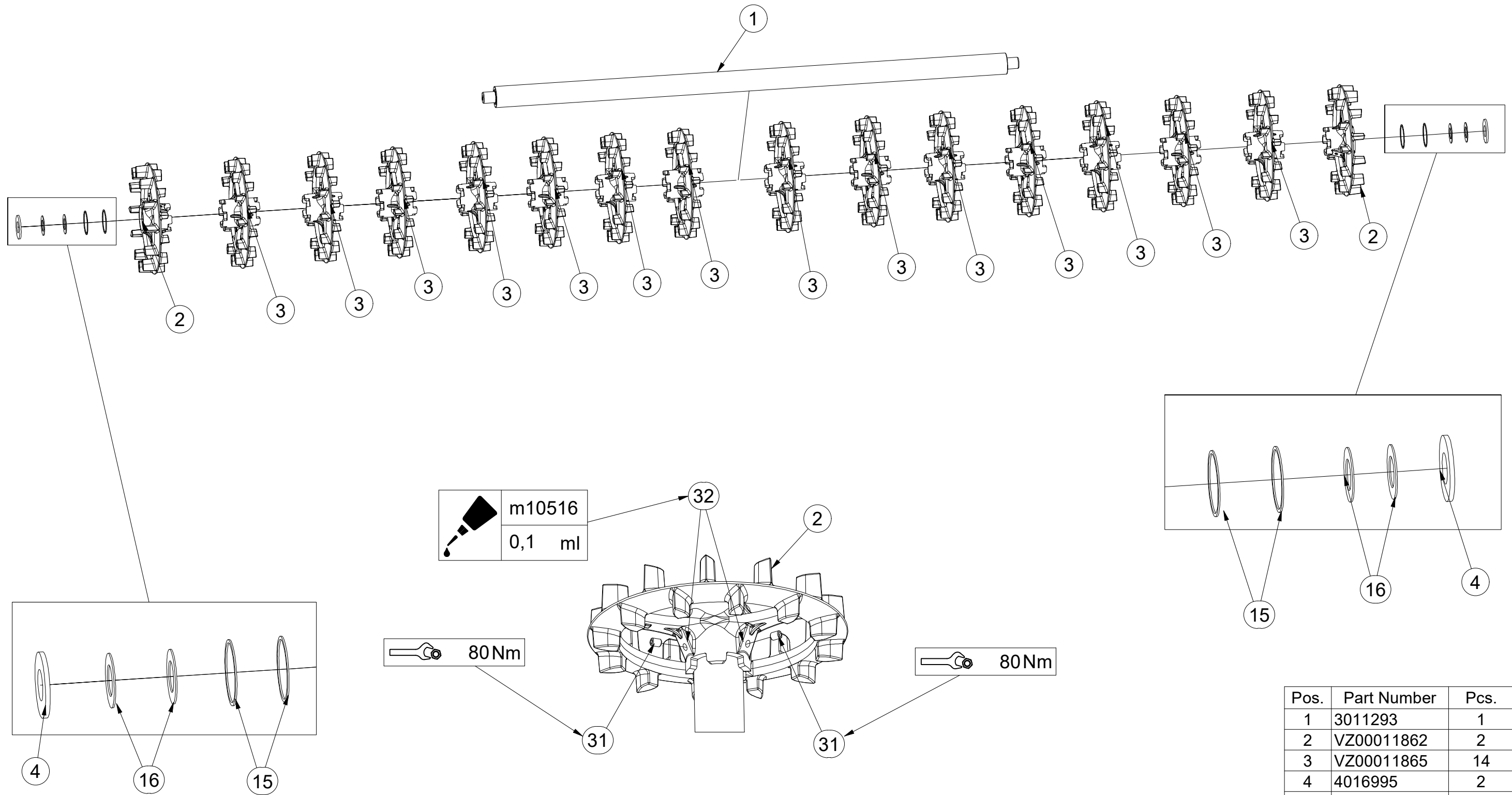


CZ SADA ZADNÍCH VÁLCŮ  
 D SATZ HINTERE WALZEN  
 F KIT DE ROULEAUX ARRIÈRE

GB SET OF REAR ROLLERS  
 RU КОМПЛЕКТ ЗАДНИХ КАТКОВ  
 PL ZESTAW TYLNYCH WAŁÓW



**VZ00018566**



| Pos. | Part Number | Pcs.    |
|------|-------------|---------|
| 1    | 3011293     | 1       |
| 2    | VZ0001862   | 2       |
| 3    | VZ0001865   | 14      |
| 4    | 4016995     | 2       |
| 15   | 4010015     | 4       |
| 16   | 4024556     | 4       |
| 31   | m13958      | 4       |
| 32   | m10516      | 0,40 ml |

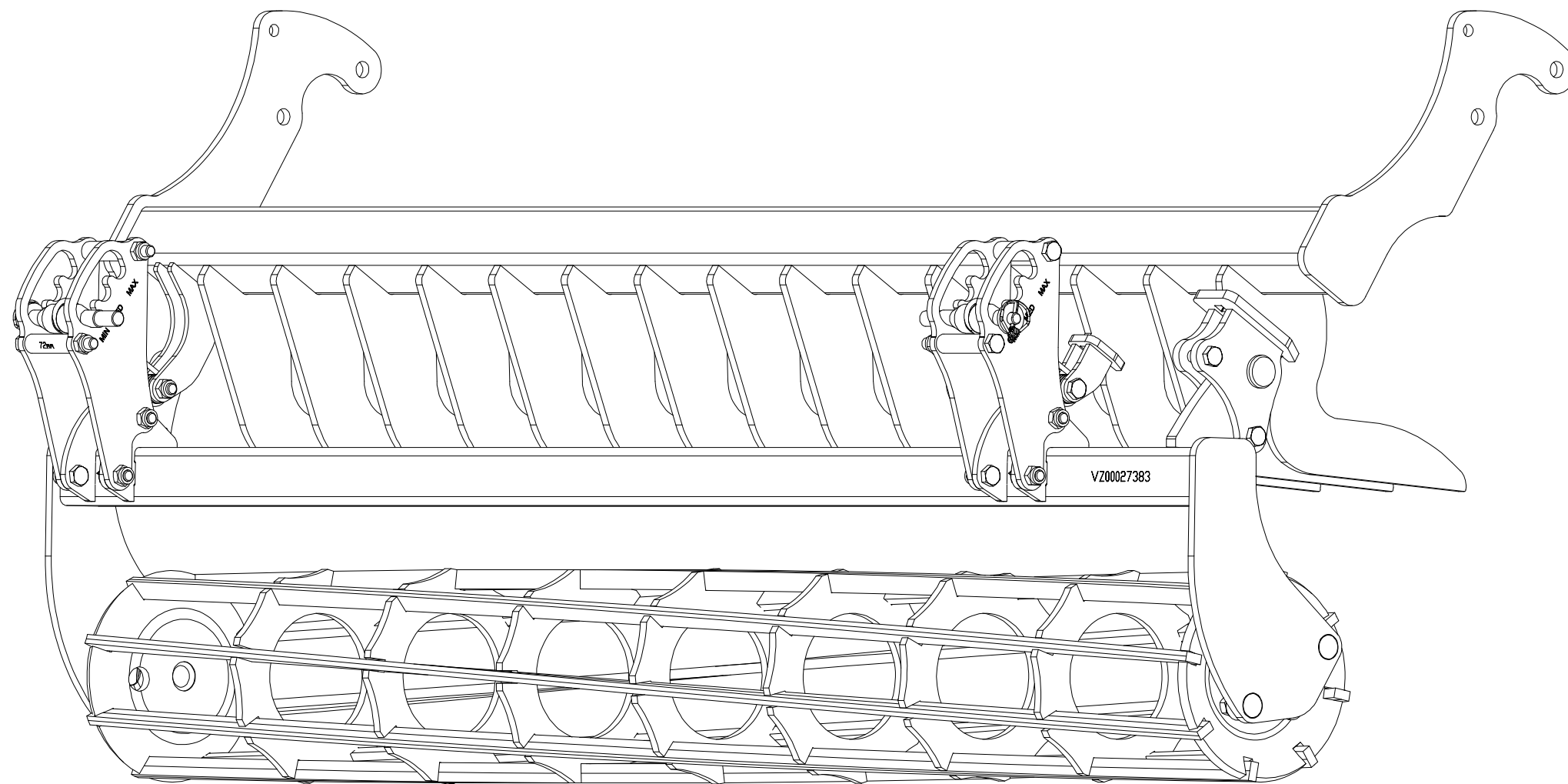
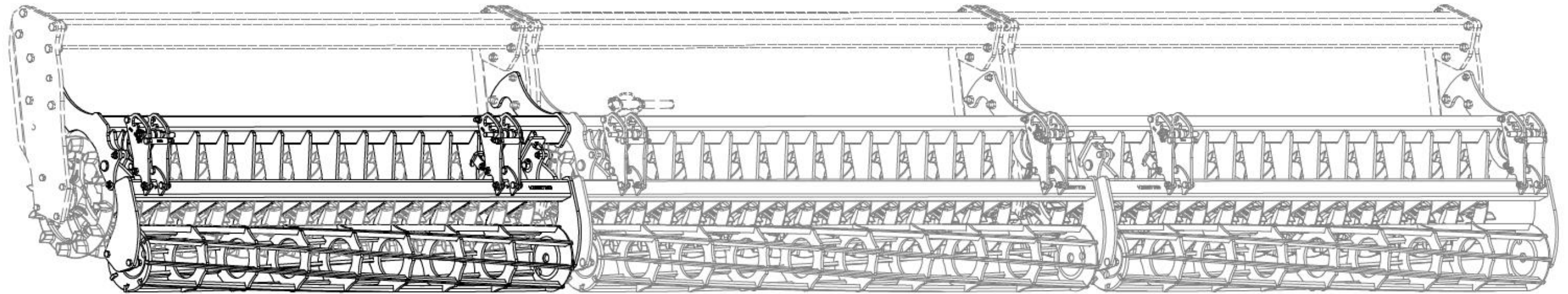


Ⓒ SADA ZADNÍCH VÁLCŮ  
Ⓓ SATZ HINTERE WALZEN  
Ⓕ KIT DE ROULEAUX ARRIÈRE

Ⓒ SET OF REAR ROLLERS  
Ⓓ КОМПЛЕКТ ЗАДНИХ КАТКОВ  
Ⓕ ZESTAW TYLNYCH WAŁÓW

**Farmet**

**VZ00027380**

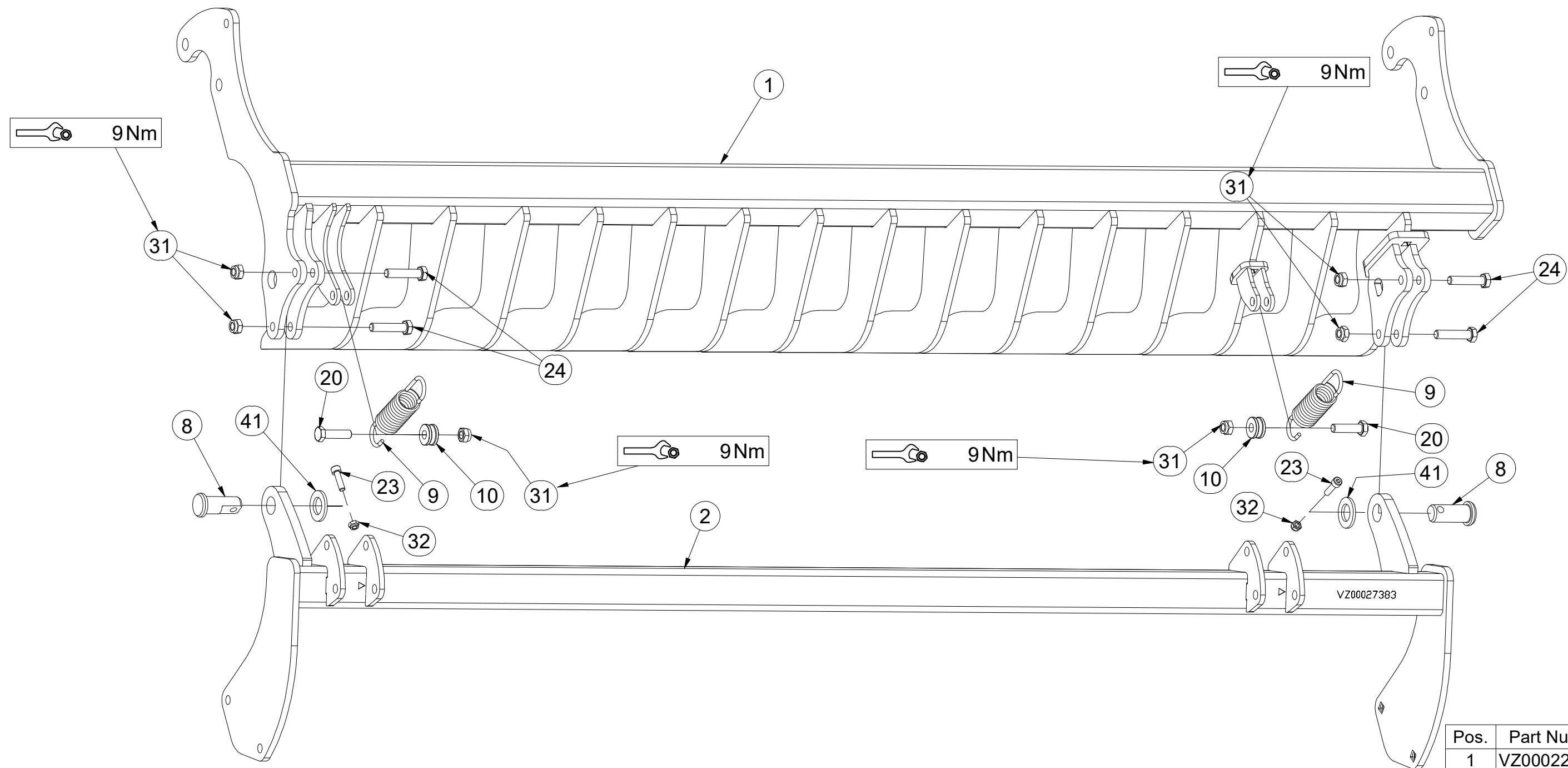


CZ SADA ZADNÍCH VÁLCŮ  
 D SATZ HINTERE WALZEN  
 F KIT DE ROULEAUX ARRIÈRE

GB SET OF REAR ROLLERS  
 RU КОМПЛЕКТ ЗАДНИХ КАТКОВ  
 PL ZESTAW TYLNYCH WAŁÓW



**VZ00027380**



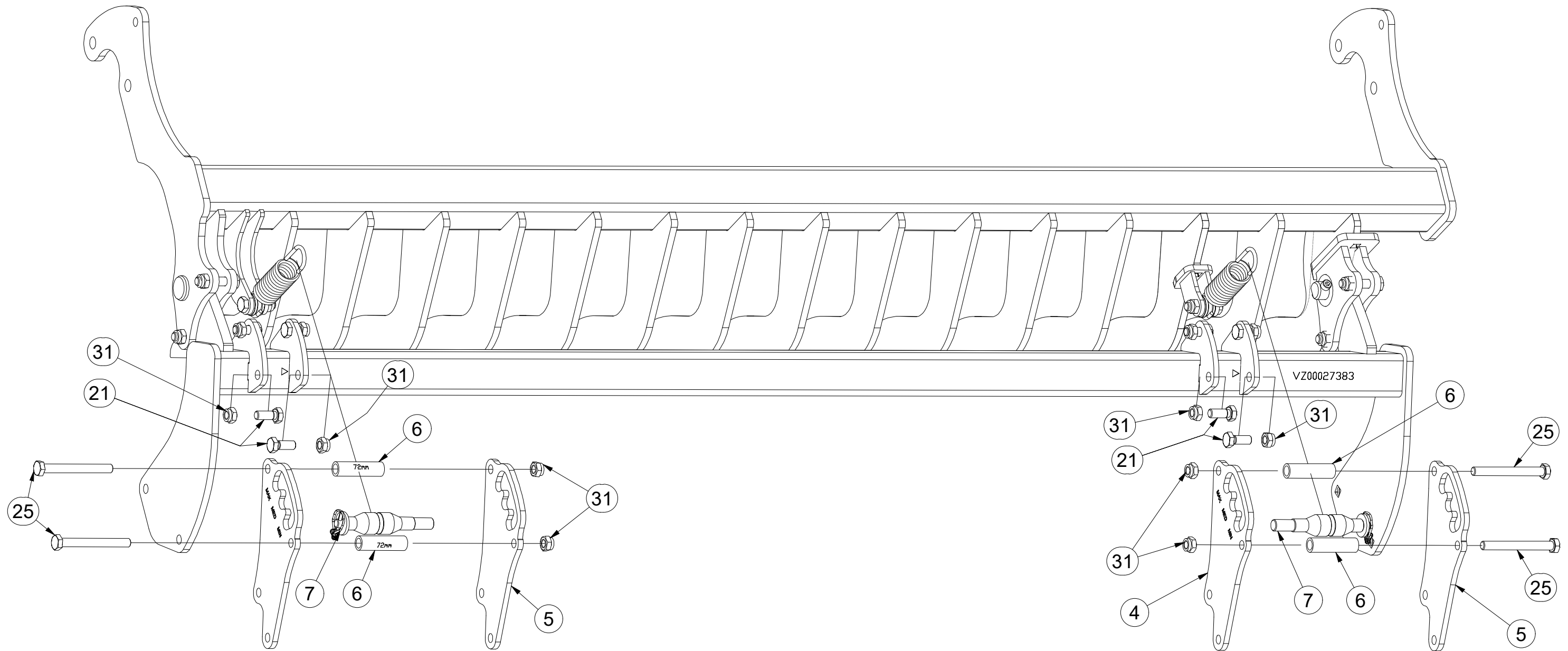
| Pos. | Part Number | Pcs. |
|------|-------------|------|
| 1    | VZ00022908  | 1    |
| 2    | VZ00027383  | 1    |
| 8    | 4016982     | 2    |
| 9    | m15201      | 2    |
| 10   | 4016192     | 2    |
| 20   | m06077      | 4    |
| 23   | m09870      | 2    |
| 24   | m12626      | 4    |
| 31   | m04301      | 18   |
| 32   | m04503      | 2    |
| 41   | m14028      | 2    |

- ⒸZ SADA ZADNÍCH VÁLČŮ
- Ⓓ SATZ HINTERE WALZEN
- Ⓕ KIT DE ROULEAUX ARRIÈRE

- ⒸB SET OF REAR ROLLERS
- ⒸU КОМПЛЕКТ ЗАДНИХ КАТКОВ
- ⒸL ZESTAW TYLNYCH WAŁÓW



**VZ00027380**



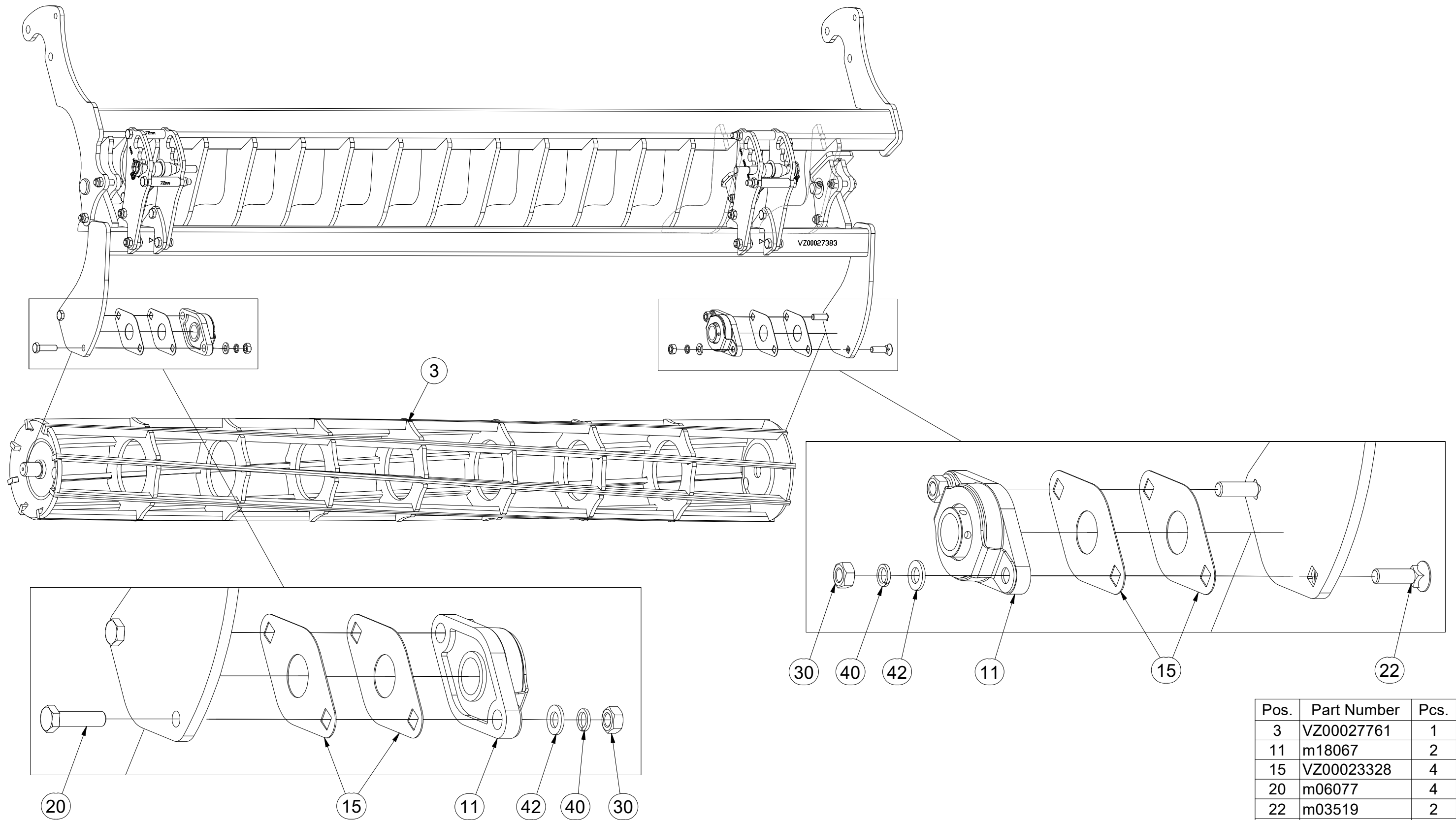
| Pos. | Part Number | Pcs. |
|------|-------------|------|
| 4    | 4021237     | 2    |
| 5    | 4021238     | 2    |
| 6    | VZ00001716  | 4    |
| 7    | VZ00020646  | 2    |
| 21   | m04039      | 8    |
| 25   | m03927      | 4    |
| 31   | m04301      | 18   |

CZ SADA ZADNÍCH VÁLČŮ  
 D SATZ HINTERE WALZEN  
 F KIT DE ROULEAUX ARRIÈRE

GB SET OF REAR ROLLERS  
 RU КОМПЛЕКТ ЗАДНИХ КАТКОВ  
 PL ZESTAW TYLNYCH WAŁÓW



**VZ00027380**



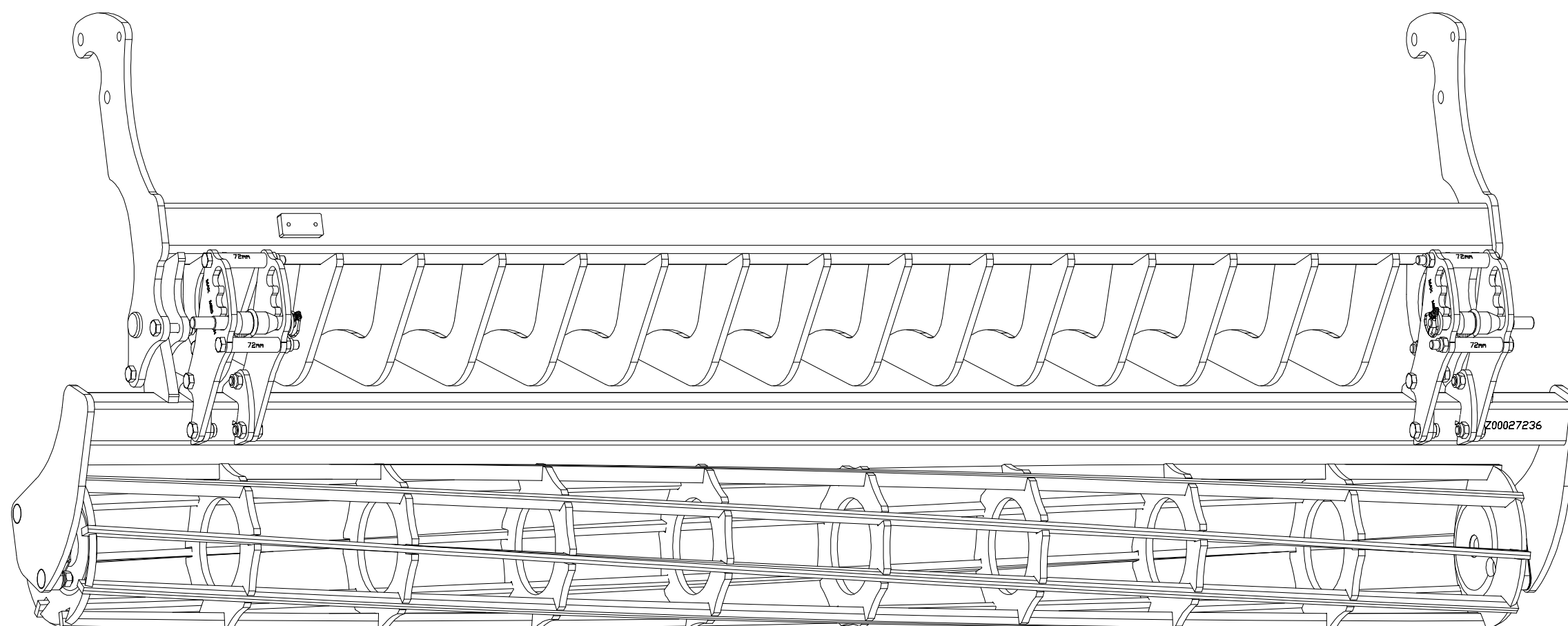
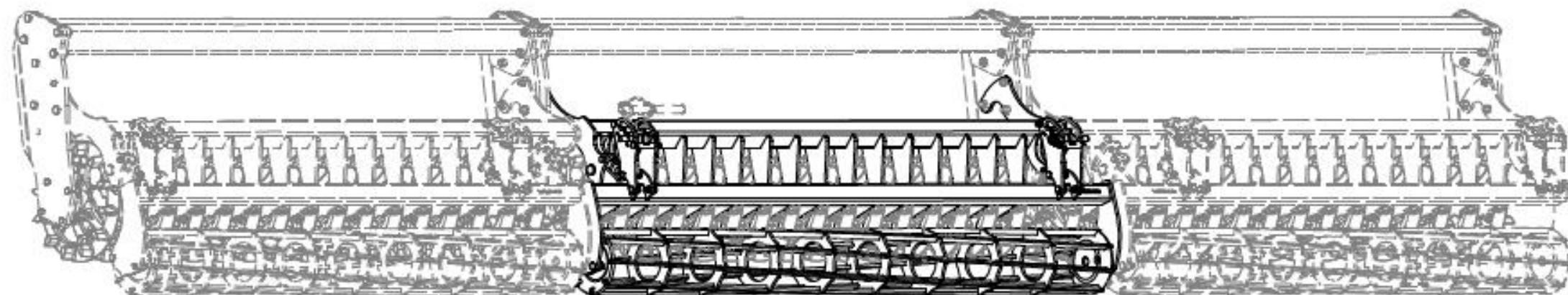
| Pos. | Part Number | Pcs. |
|------|-------------|------|
| 3    | VZ00027761  | 1    |
| 11   | m18067      | 2    |
| 15   | VZ00023328  | 4    |
| 20   | m06077      | 4    |
| 22   | m03519      | 2    |
| 30   | m01305      | 4    |
| 40   | m03988      | 4    |
| 42   | m17741      | 4    |

- Ⓒ SADA ZADNÍCH VÁLCŮ
- Ⓓ SATZ HINTERE WALZEN
- Ⓕ KIT DE ROULEAUX ARRIÈRE

**VZ00027233**

- Ⓖ SET OF REAR ROLLERS
- Ⓡ КОМПЛЕКТ ЗАДНИХ КАТКОВ
- Ⓟ ZESTAW TYLNYCH WAŁÓW

**Farmet**

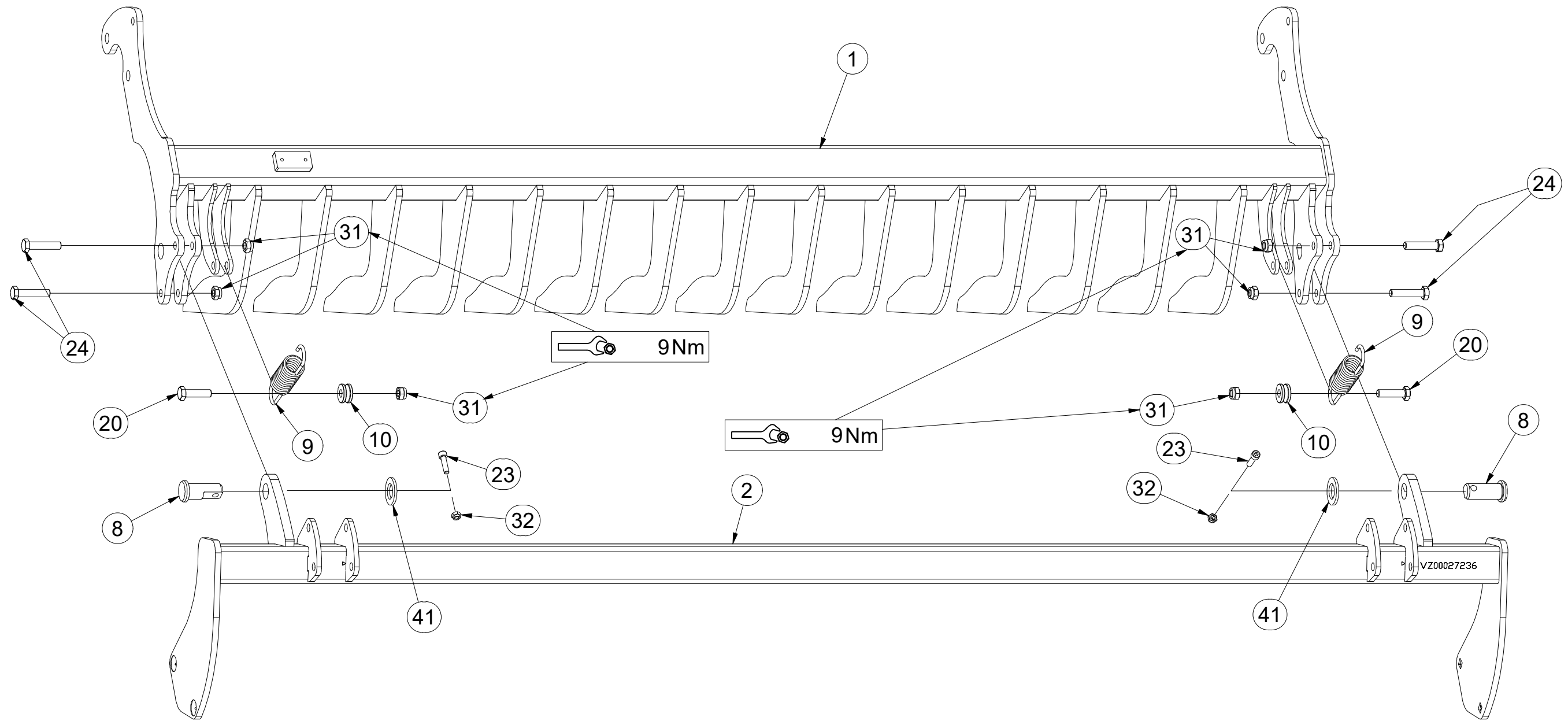


CZ SADA ZADNÍCH VÁLČŮ  
 D SATZ HINTERE WALZEN  
 F KIT DE ROULEAUX ARRIÈRE

GB SET OF REAR ROLLERS  
 RU КОМПЛЕКТ ЗАДНИХ КАТКОВ  
 PL ZESTAW TYLNYCH WAŁÓW



**VZ00027233**



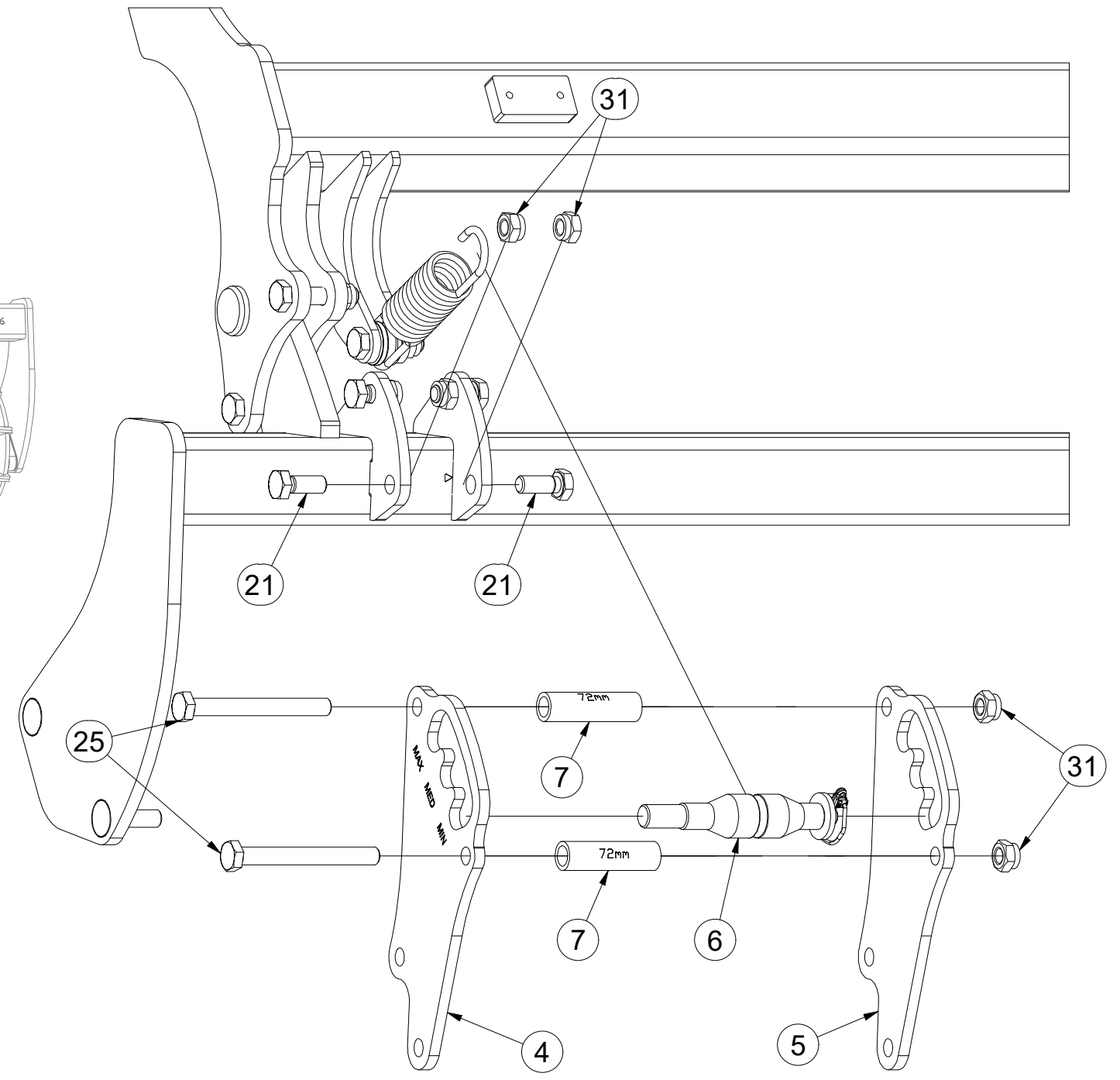
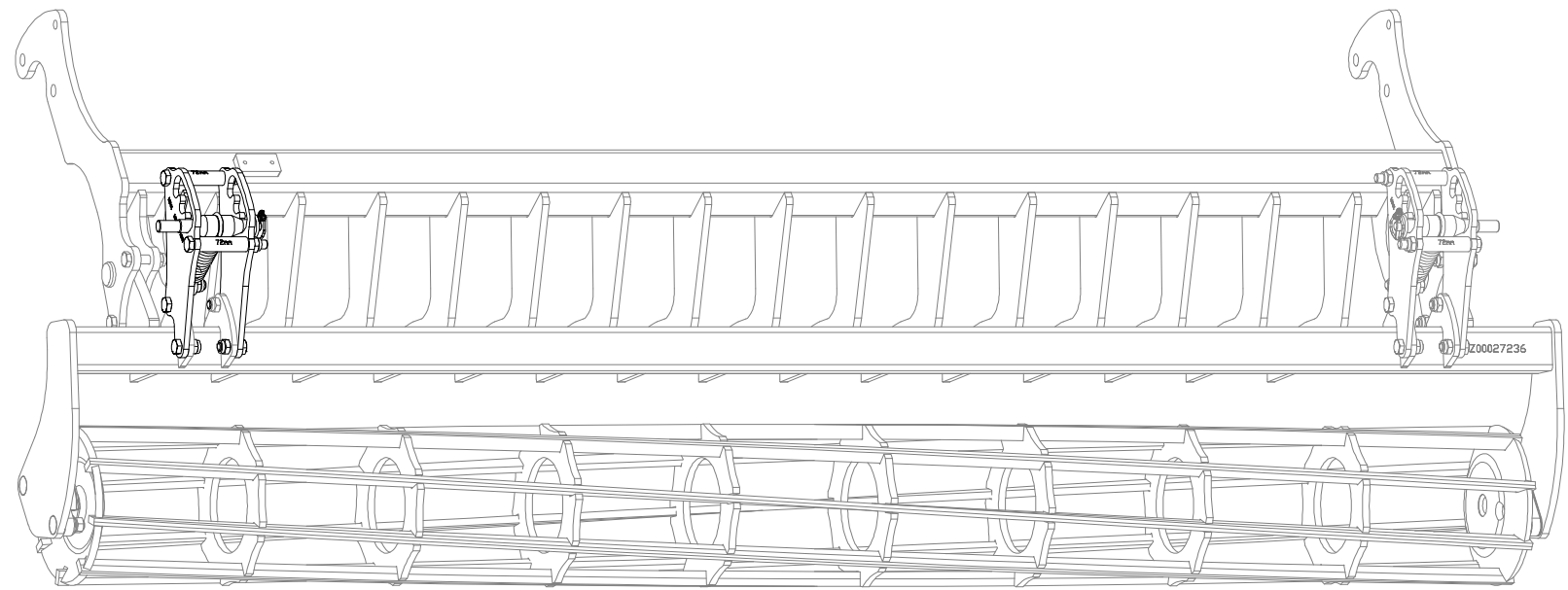
| Pos. | Part Number | Pcs. |
|------|-------------|------|
| 1    | 3012902     | 1    |
| 2    | VZ00027236  | 1    |
| 8    | 4016982     | 2    |
| 9    | m15201      | 2    |
| 10   | 4016192     | 2    |
| 20   | m06077      | 2    |
| 23   | m09870      | 2    |
| 24   | m12626      | 4    |
| 31   | m04301      | 18   |
| 32   | m04503      | 2    |
| 41   | m14028      | 2    |

CZ SADA ZADNÍCH VÁLCŮ  
 D SATZ HINTERE WALZEN  
 F KIT DE ROULEAUX ARRIÈRE

GB SET OF REAR ROLLERS  
 RU КОМПЛЕКТ ЗАДНИХ КАТКОВ  
 PL ZESTAW TYLNYCH WAŁÓW



**VZ00027233**



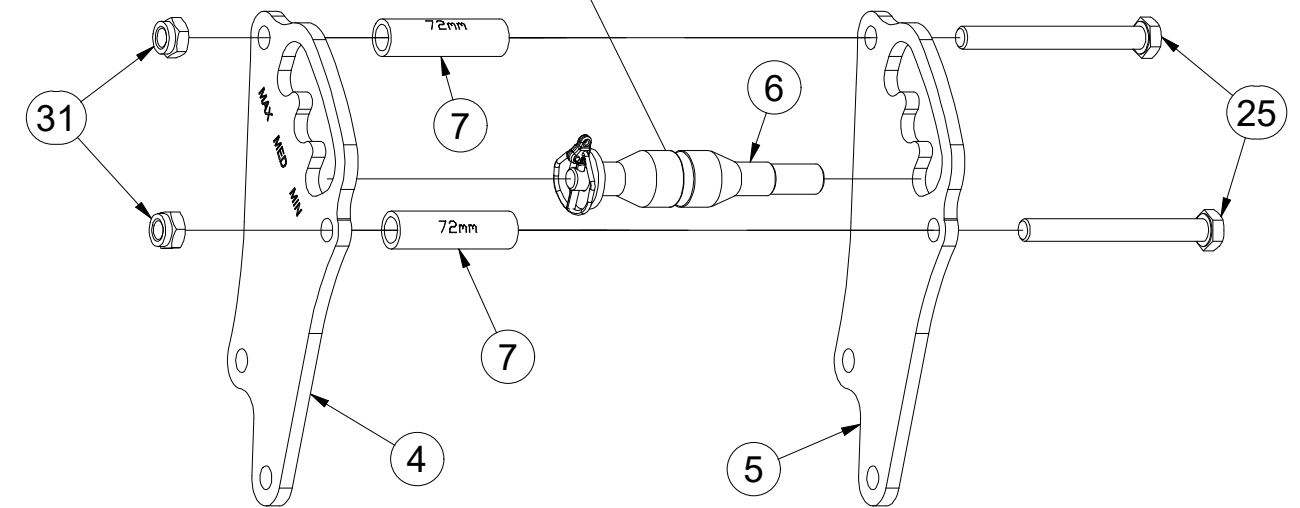
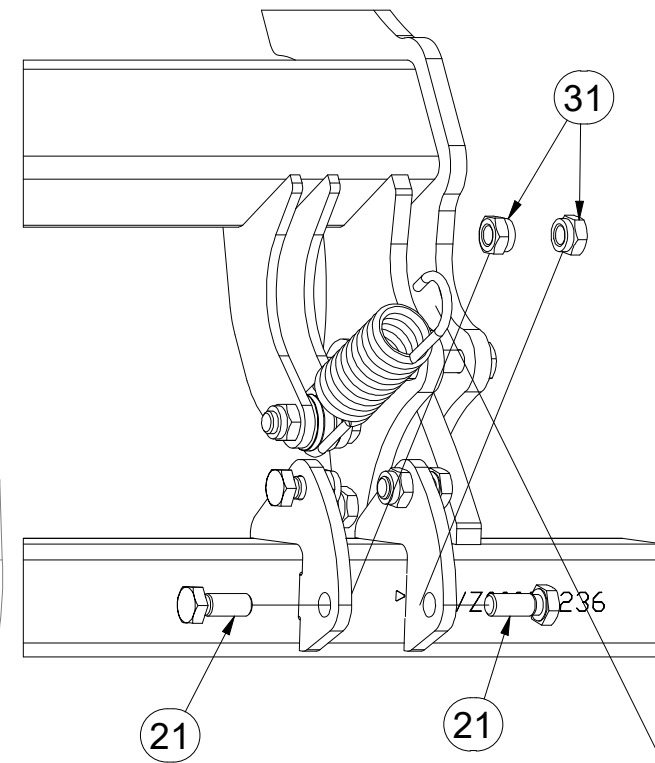
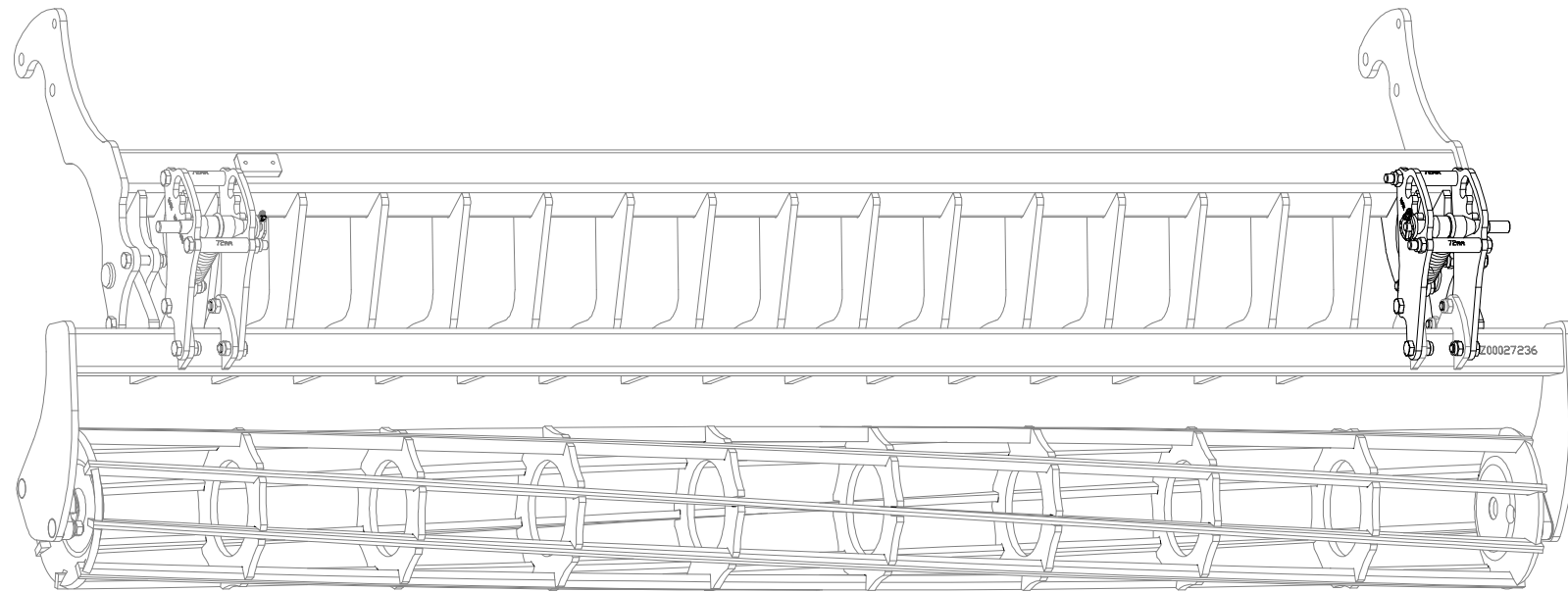
| Pos. | Part Number | Pcs. |
|------|-------------|------|
| 4    | 4021237     | 2    |
| 5    | 4021238     | 2    |
| 6    | VZ00020646  | 2    |
| 7    | VZ00001716  | 4    |
| 21   | m04039      | 8    |
| 25   | m03927      | 4    |
| 31   | m04301      | 18   |

- Ⓒ SADA ZADNÍCH VÁLCŮ
- Ⓓ SATZ HINTERE WALZEN
- Ⓕ KIT DE ROULEAUX ARRIÈRE

- Ⓒ SET OF REAR ROLLERS
- Ⓓ КОМПЛЕКТ ЗАДНИХ КАТКОВ
- Ⓕ ZESTAW TYLNYCH WAŁÓW



**VZ00027233**



| Pos. | Part Number | Pcs. |
|------|-------------|------|
| 4    | 4021237     | 2    |
| 5    | 4021238     | 2    |
| 6    | VZ00020646  | 2    |
| 7    | VZ00001716  | 4    |
| 21   | m04039      | 8    |
| 25   | m03927      | 4    |
| 31   | m04301      | 18   |

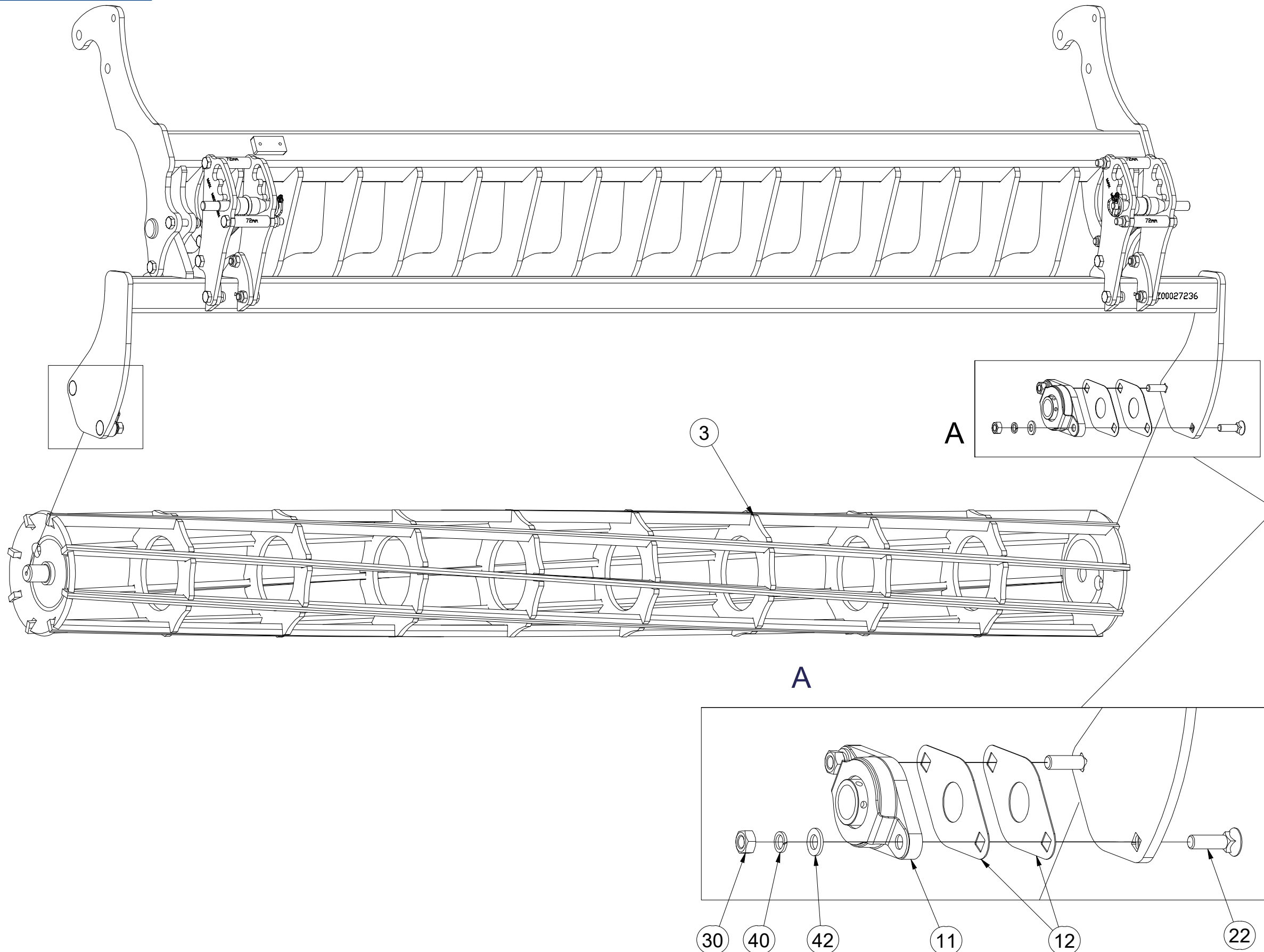


CZ SADA ZADNÍCH VÁLCŮ  
 D SATZ HINTERE WALZEN  
 F KIT DE ROULEAUX ARRIÈRE

GB SET OF REAR ROLLERS  
 RU КОМПЛЕКТ ЗАДНИХ КАТКОВ  
 PL ZESTAW TYLNYCH WAŁÓW



**VZ00027233**



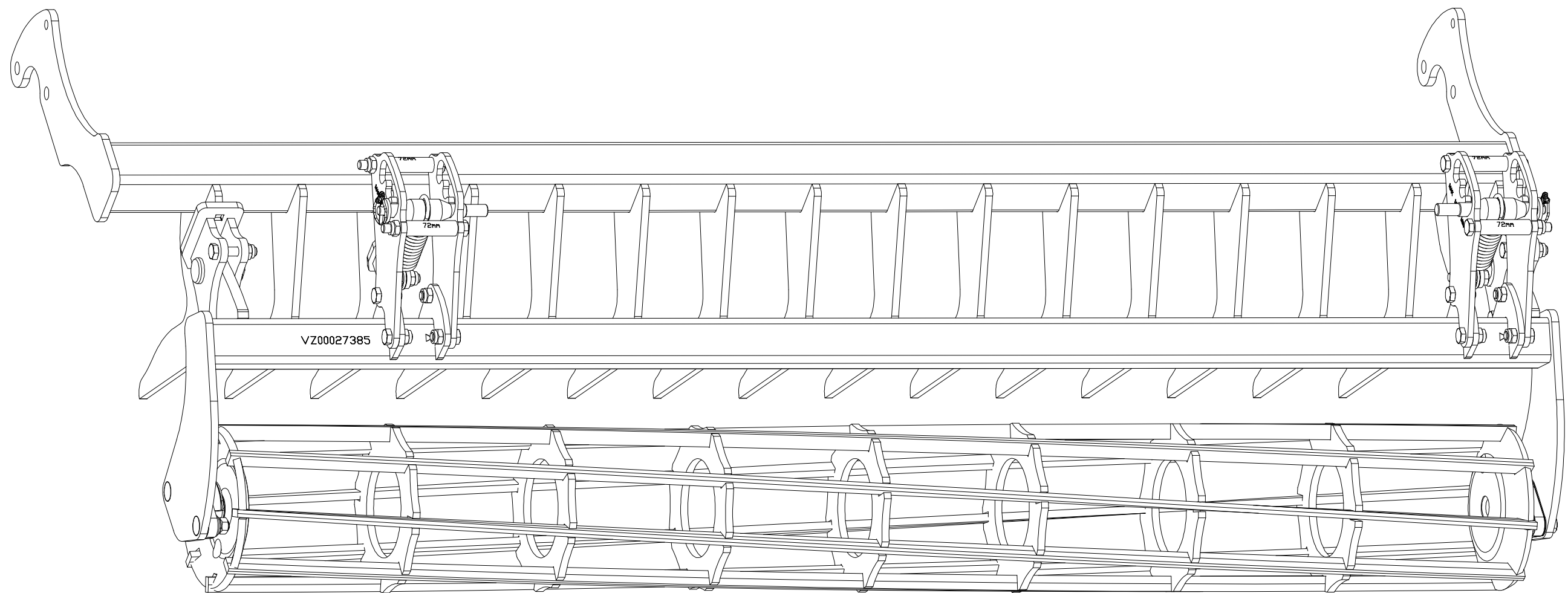
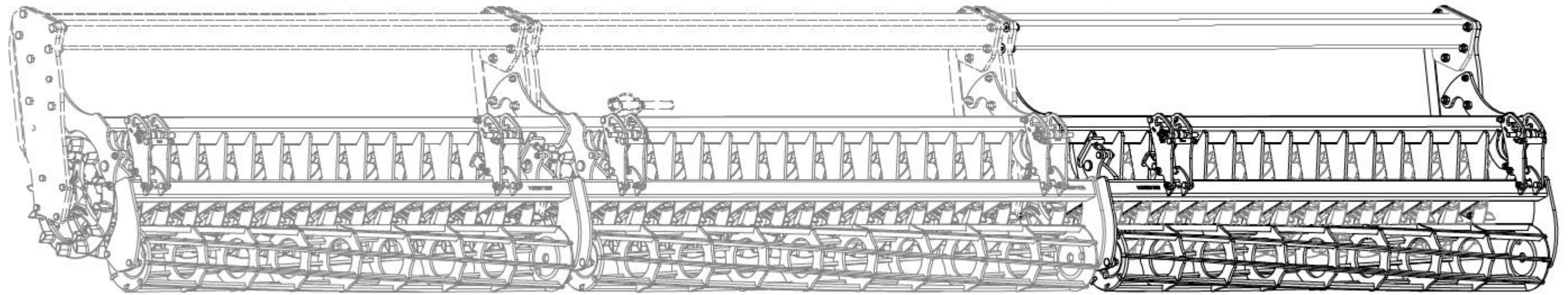
| Pos. | Part Number | Pcs. |
|------|-------------|------|
| 3    | VZ00027249  | 1    |
| 11   | m18067      | 2    |
| 12   | VZ00023328  | 4    |
| 22   | m03519      | 4    |
| 30   | m01305      | 4    |
| 40   | m03988      | 4    |
| 42   | m17741      | 4    |

Ⓒ SADA ZADNÍCH VÁLCŮ  
Ⓓ SATZ HINTERE WALZEN  
Ⓕ KIT DE ROULEAUX ARRIÈRE

Ⓖ SET OF REAR ROLLERS  
Ⓡ КОМПЛЕКТ ЗАДНИХ КАТКОВ  
Ⓟ ZESTAW TYLNYCH WAŁÓW

**Farmet**

**VZ00027381**

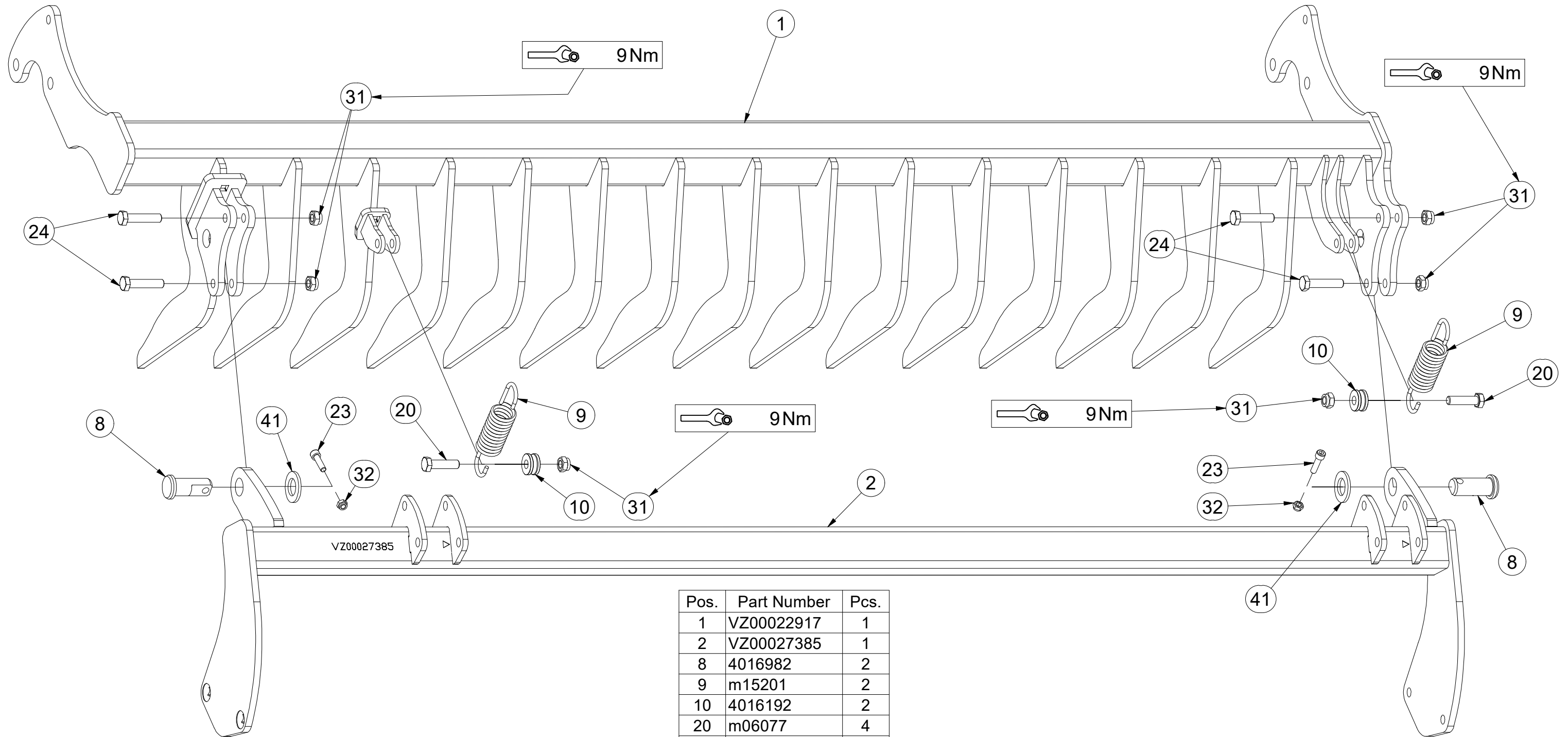


CZ SADA ZADNÍCH VÁLCŮ  
 D SATZ HINTERE WALZEN  
 F KIT DE ROULEAUX ARRIÈRE

GB SET OF REAR ROLLERS  
 RU КОМПЛЕКТ ЗАДНИХ КАТКОВ  
 PL ZESTAW TYLNYCH WAŁÓW



**VZ00027381**



| Pos. | Part Number | Pcs. |
|------|-------------|------|
| 1    | VZ00022917  | 1    |
| 2    | VZ00027385  | 1    |
| 8    | 4016982     | 2    |
| 9    | m15201      | 2    |
| 10   | 4016192     | 2    |
| 20   | m06077      | 4    |
| 23   | m09870      | 2    |
| 24   | m12626      | 4    |
| 31   | m04301      | 18   |
| 32   | m04503      | 2    |
| 41   | m14028      | 2    |

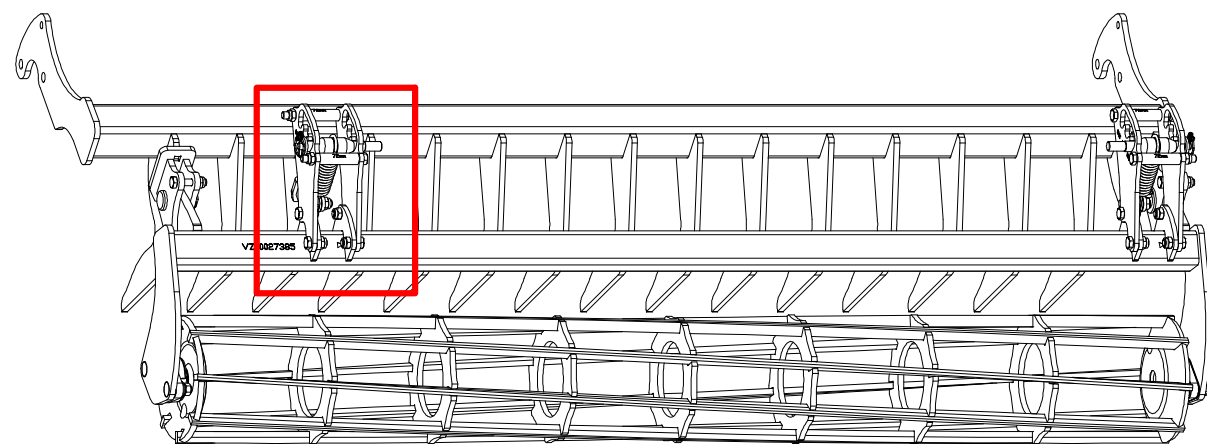
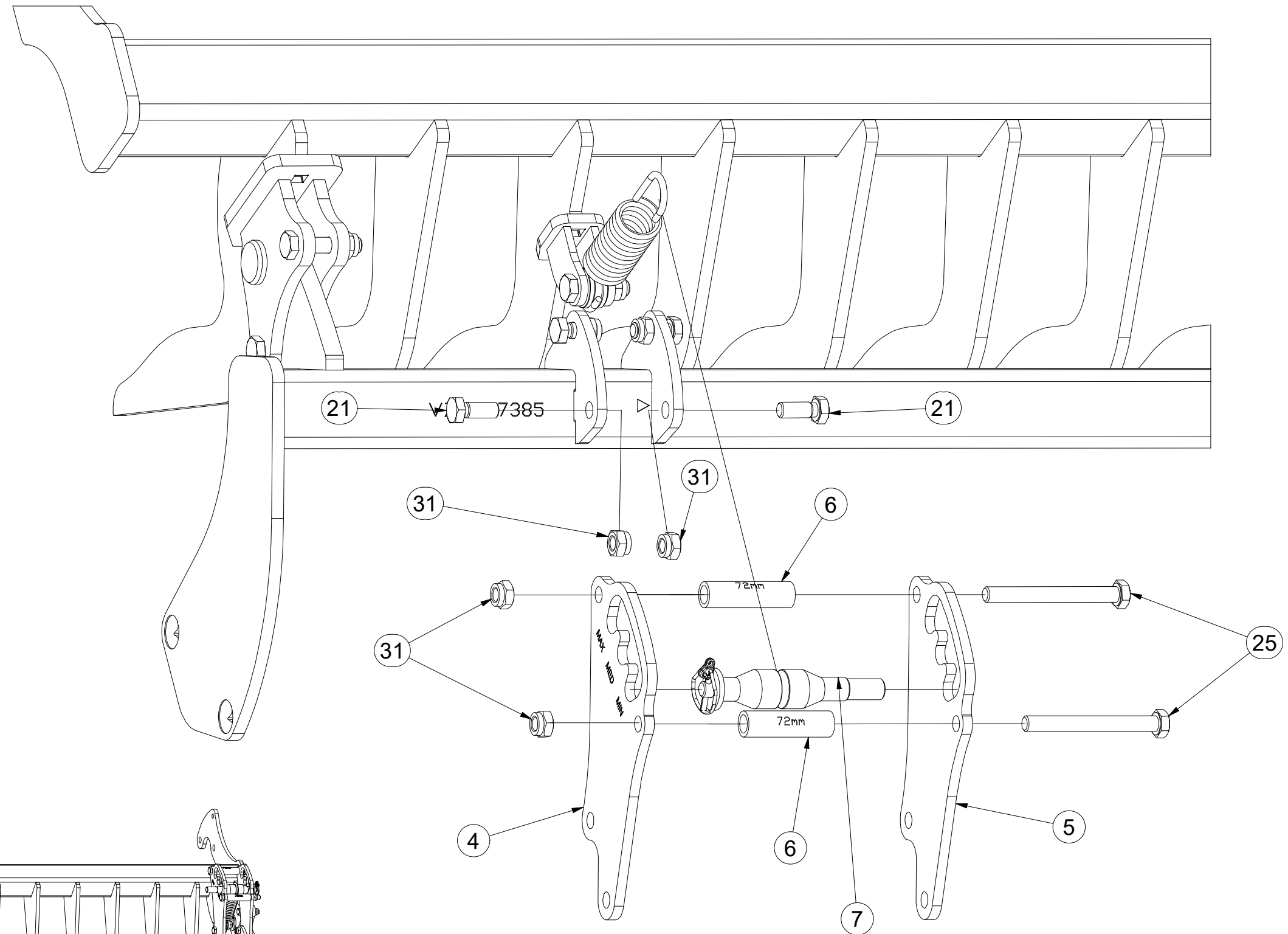
- Ⓒ SADA ZADNÍCH VÁLCŮ
- Ⓓ SATZ HINTERE WALZEN
- Ⓕ KIT DE ROULEAUX ARRIÈRE

- Ⓖ SET OF REAR ROLLERS
- Ⓡ КОМПЛЕКТ ЗАДНИХ КАТКОВ
- Ⓟ ZESTAW TYLNYCH WAŁÓW



**VZ00027381**

| Pos. | Part Number | Pcs. |
|------|-------------|------|
| 4    | 4021237     | 2    |
| 5    | 4021238     | 2    |
| 6    | VZ00001716  | 4    |
| 7    | VZ00020646  | 2    |
| 21   | m04039      | 8    |
| 25   | m03927      | 4    |
| 31   | m04301      | 18   |



Ⓒ SADA ZADNÍCH VÁLČŮ

Ⓓ SATZ HINTERE WALZEN

Ⓕ KIT DE ROULEAUX ARRIÈRE

**VZ00027381**

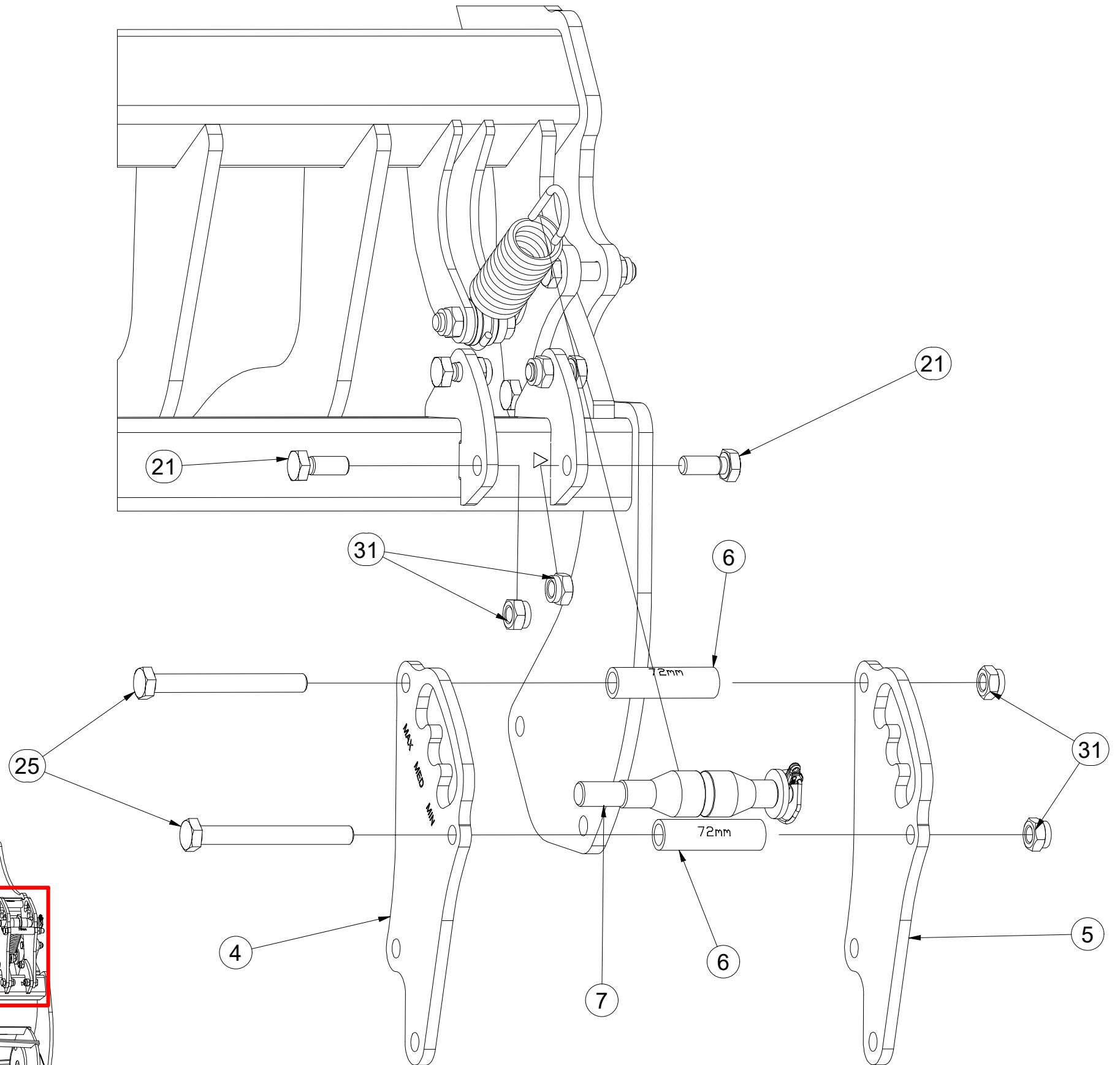
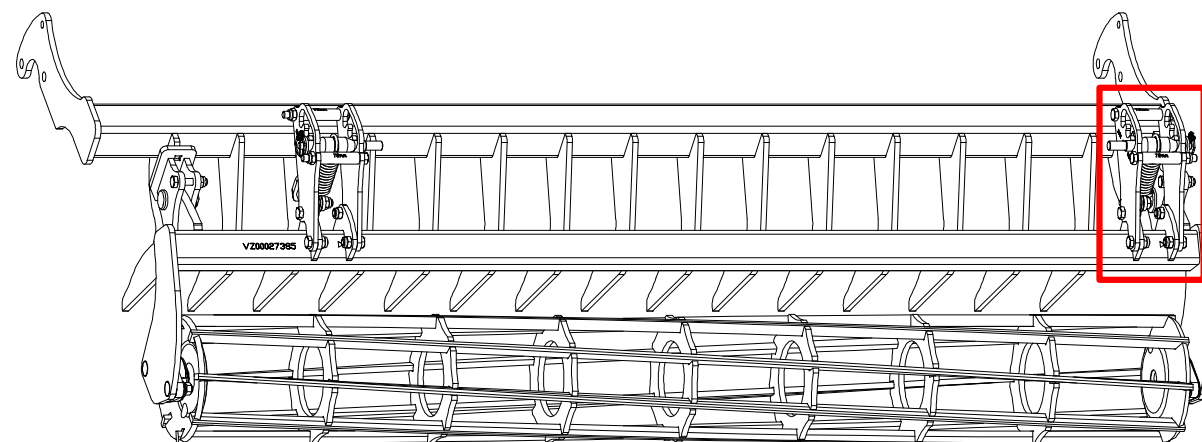
Ⓖ SET OF REAR ROLLERS

Ⓡ КОМПЛЕКТ ЗАДНИХ КАТКОВ

Ⓢ ZESTAW TYLNYCH WAŁÓW



| Pos. | Part Number | Pcs. |
|------|-------------|------|
| 4    | 4021237     | 2    |
| 5    | 4021238     | 2    |
| 6    | VZ00001716  | 4    |
| 7    | VZ00020646  | 2    |
| 21   | m04039      | 8    |
| 25   | m03927      | 4    |
| 31   | m04301      | 18   |

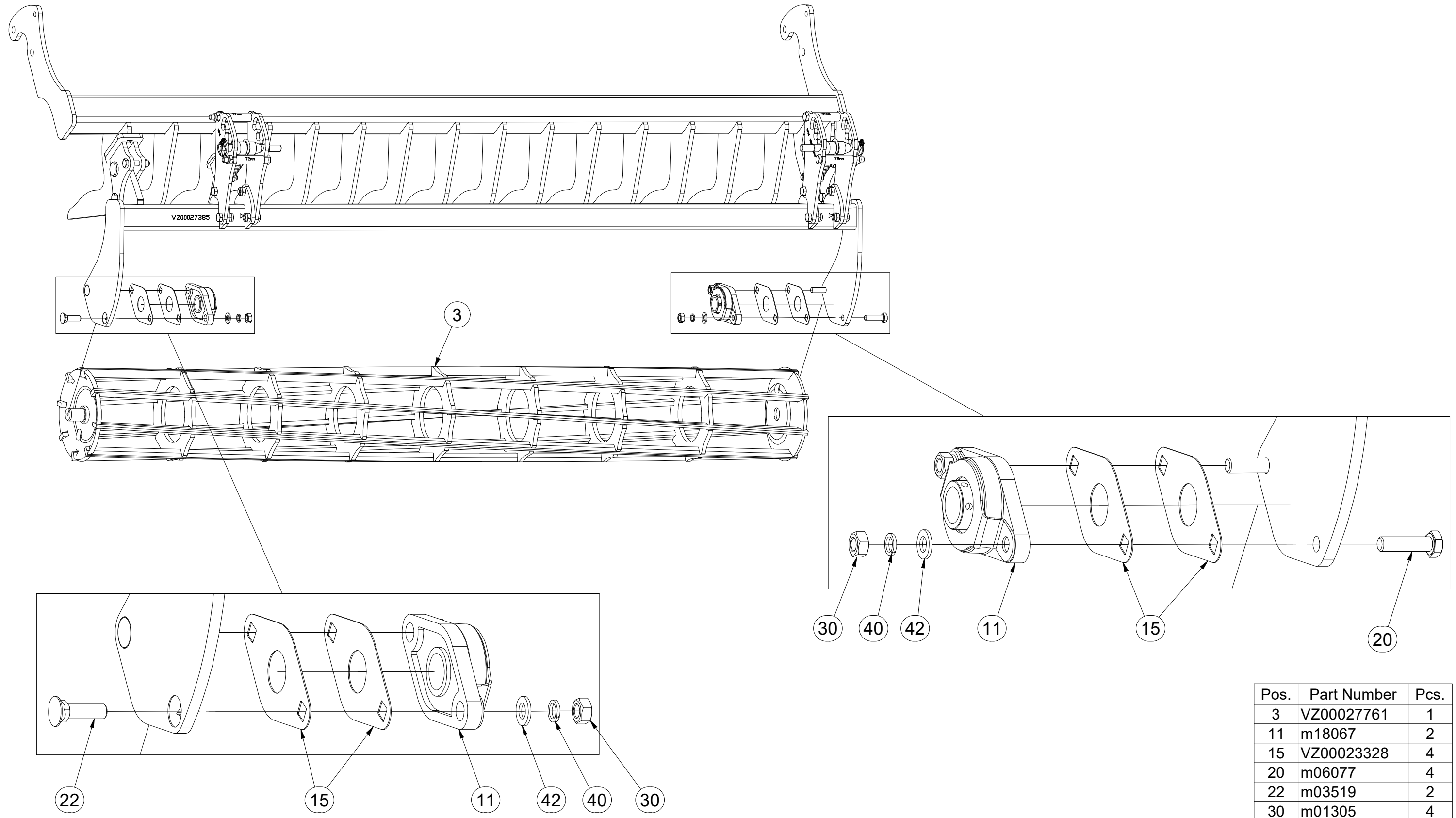


- Ⓒ SADA ZADNÍCH VÁLČŮ
- Ⓓ SATZ HINTERE WALZEN
- Ⓕ KIT DE ROULEAUX ARRIÈRE

- Ⓖ SET OF REAR ROLLERS
- Ⓡ КОМПЛЕКТ ЗАДНИХ КАТКОВ
- Ⓟ ZESTAW TYLNYCH WAŁÓW



**VZ00027381**



| Pos. | Part Number | Pcs. |
|------|-------------|------|
| 3    | VZ00027761  | 1    |
| 11   | m18067      | 2    |
| 15   | VZ00023328  | 4    |
| 20   | m06077      | 4    |
| 22   | m03519      | 2    |
| 30   | m01305      | 4    |
| 40   | m03988      | 4    |
| 42   | m17741      | 4    |

ⒸZ SEGMENT

Ⓓ SEGMENT

Ⓕ SEGMENT

ⒼB SEGMENT

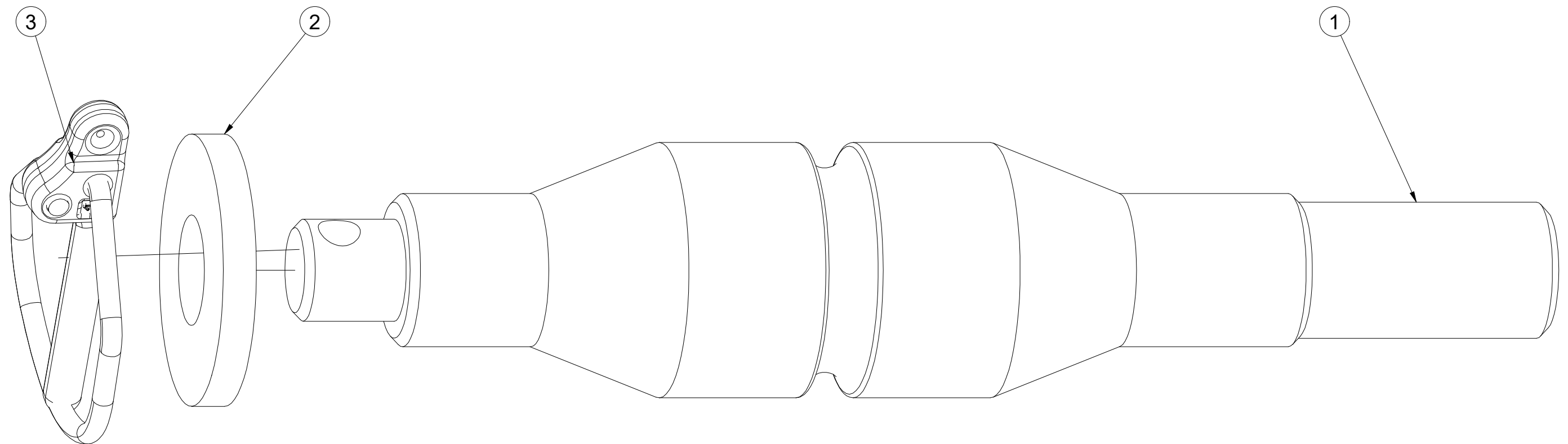
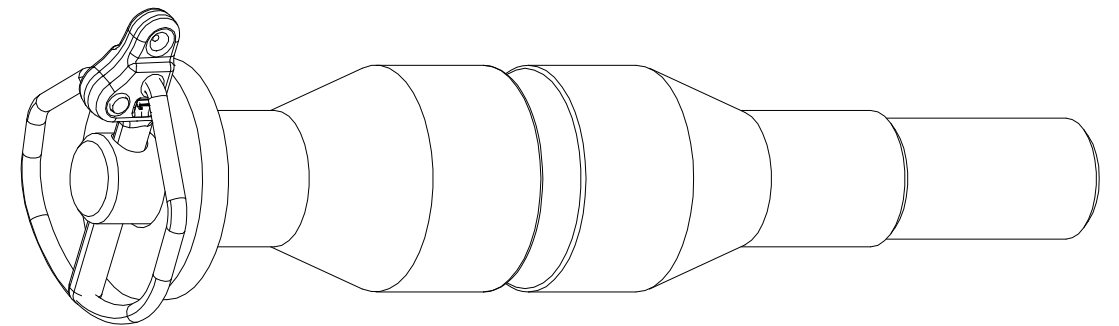
ⒹU СЕГМЕНТ

ⒹL CZŁON

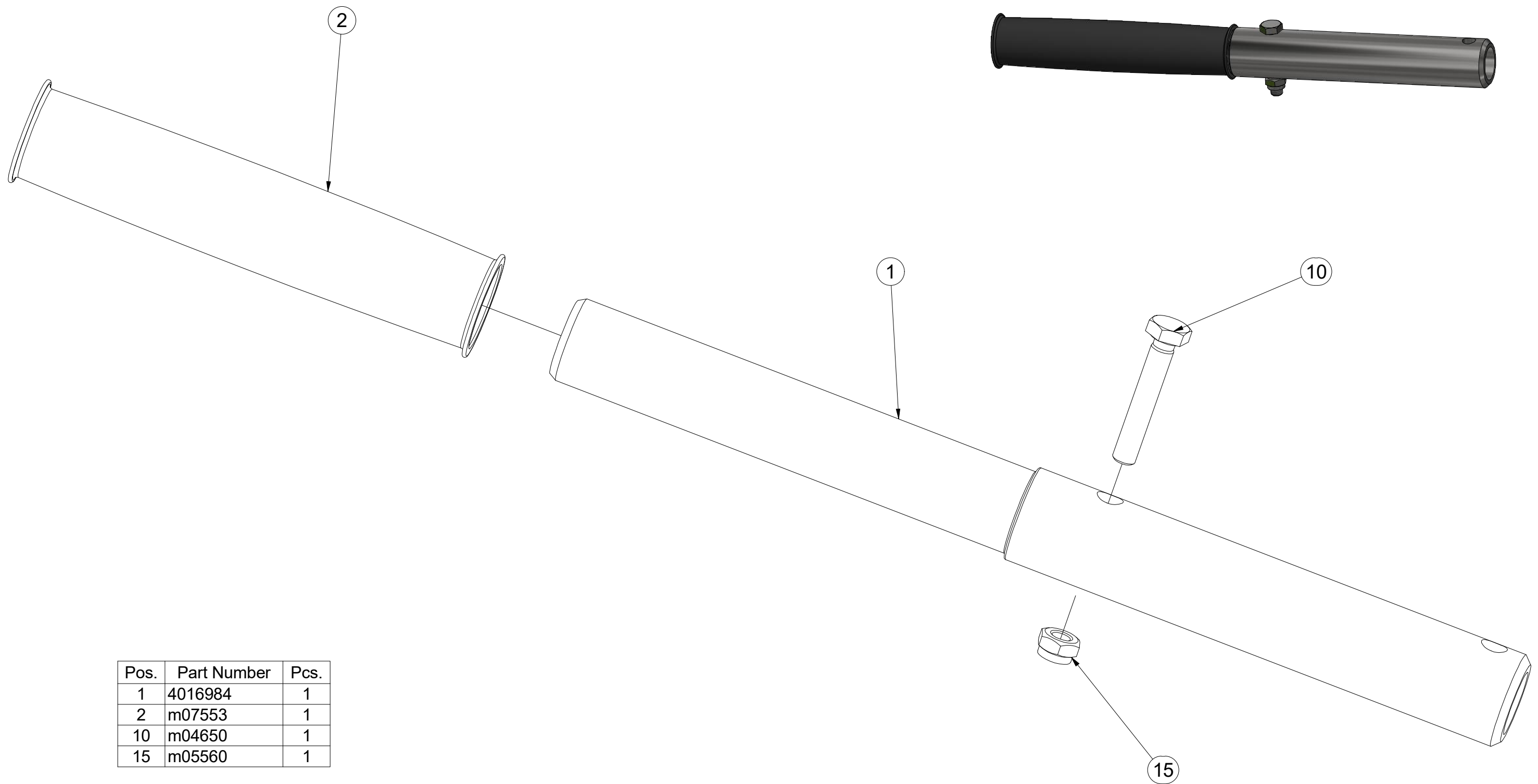


**VZ00020646**

| Pos. | Part Number | Pcs. |
|------|-------------|------|
| 1    | VZ00020644  | 1    |
| 2    | VZ00020645  | 1    |
| 3    | m10454      | 1    |



**4016985**



| Pos. | Part Number | Pcs. |
|------|-------------|------|
| 1    | 4016984     | 1    |
| 2    | m07553      | 1    |
| 10   | m04650      | 1    |
| 15   | m05560      | 1    |

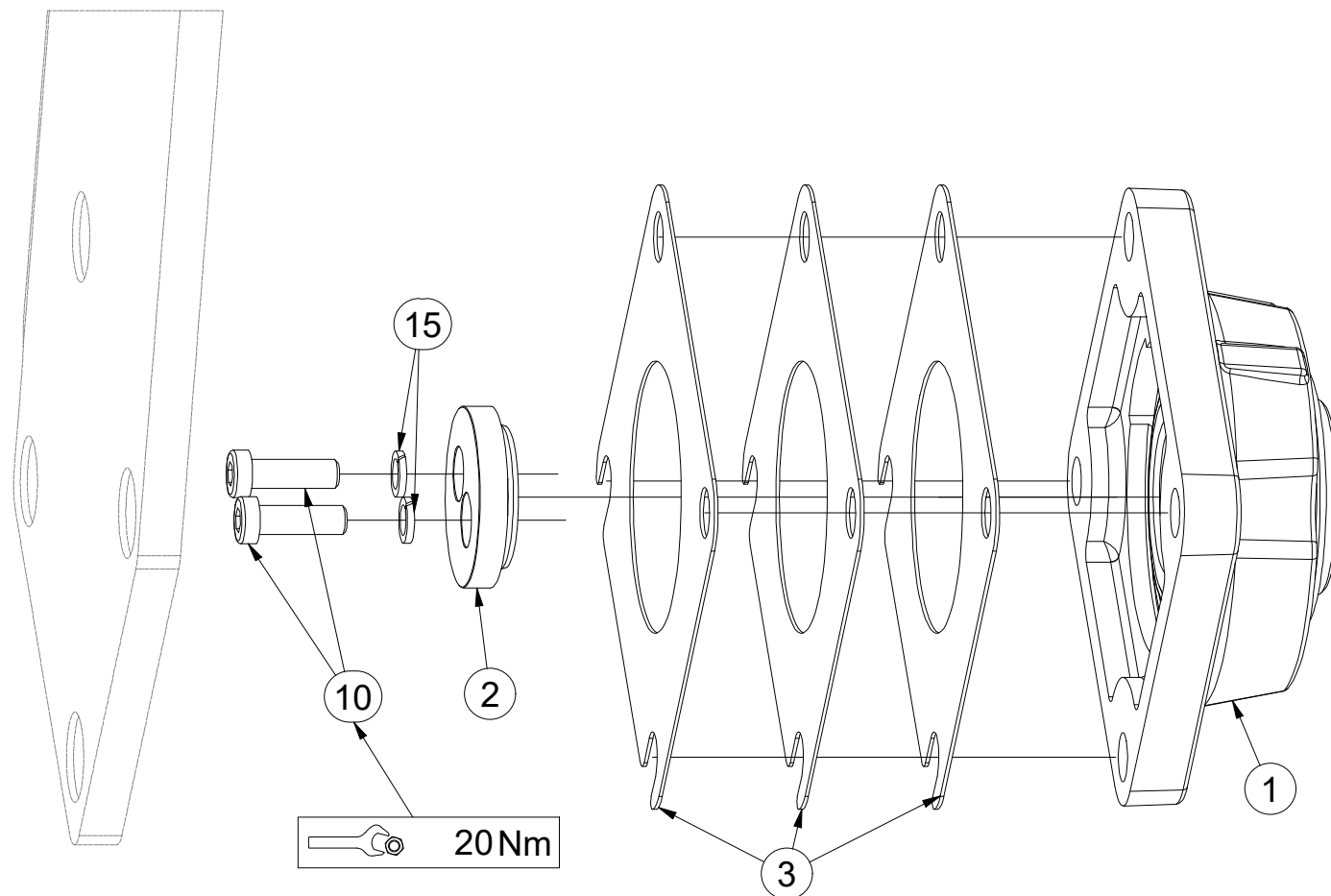
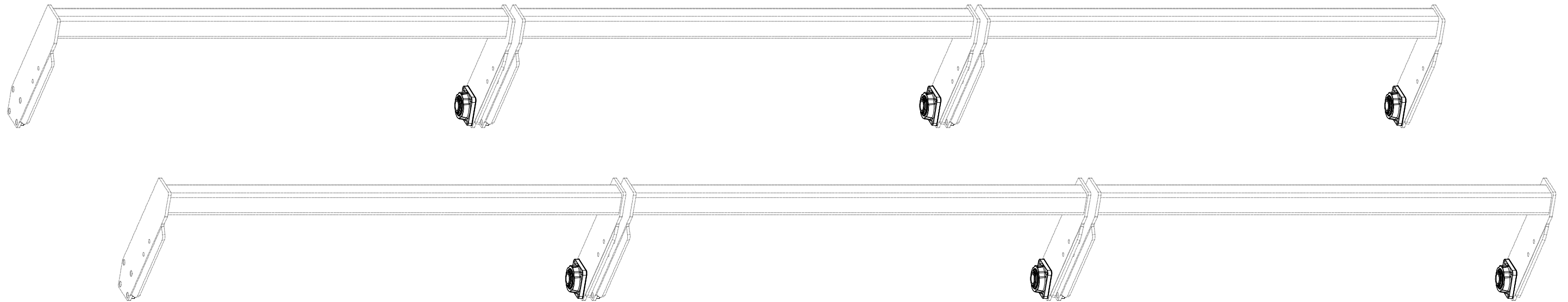


(CZ) SADA LOŽISEK  
 (D) SATZ LAGER  
 (F) KIT DE ROULEMENTS

(GB) SET OF BEARINGS  
 (RU) КОМПЛЕКТ ПОДШИПНИКОВ  
 (PL) ZESTAW ŁOŻYSK



**VZ00012425**



| Pos. | Part Number | Pcs. |
|------|-------------|------|
| 1    | m18650      | 12   |
| 2    | 4024753     | 12   |
| 3    | 4016809     | 36   |
| 10   | m23338      | 24   |
| 15   | m01202      | 24   |

Ⓒ SADA NÁPRAVY

Ⓓ SATZ AUFHÄNGUNG

Ⓕ KIT DE L'ESSIEU

Ⓖ AXLE SET

Ⓒ КОМПЛЕКТ ОСИ КОЛЁС

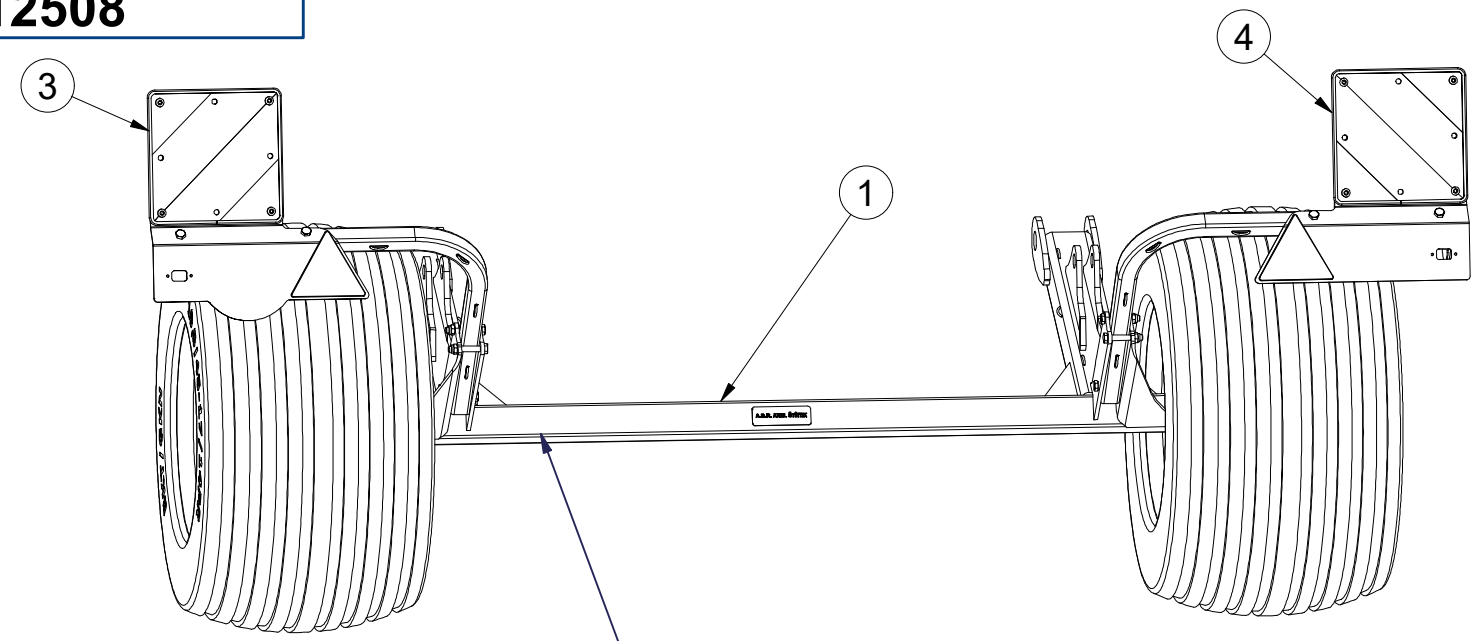
Ⓗ ZESTAW OSI



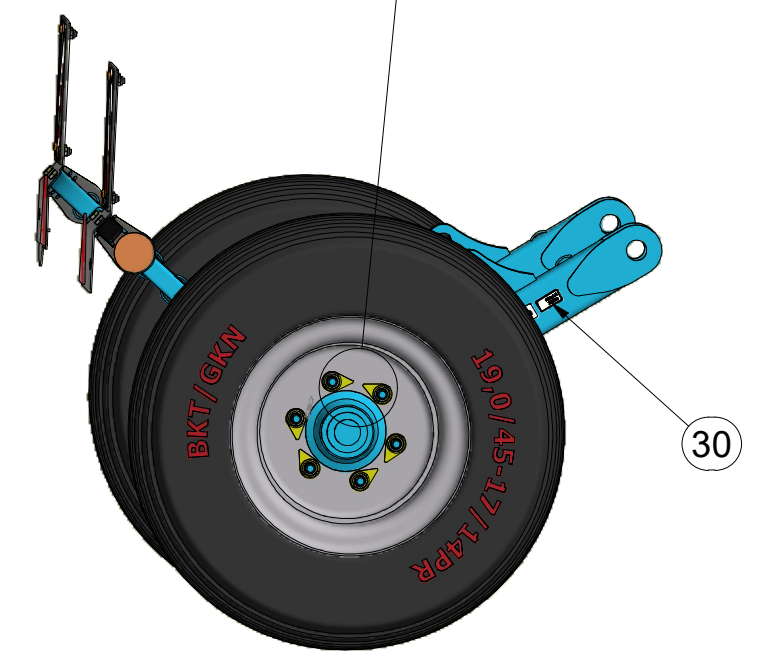
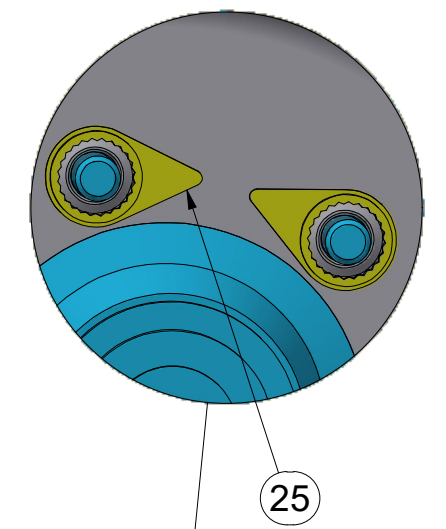
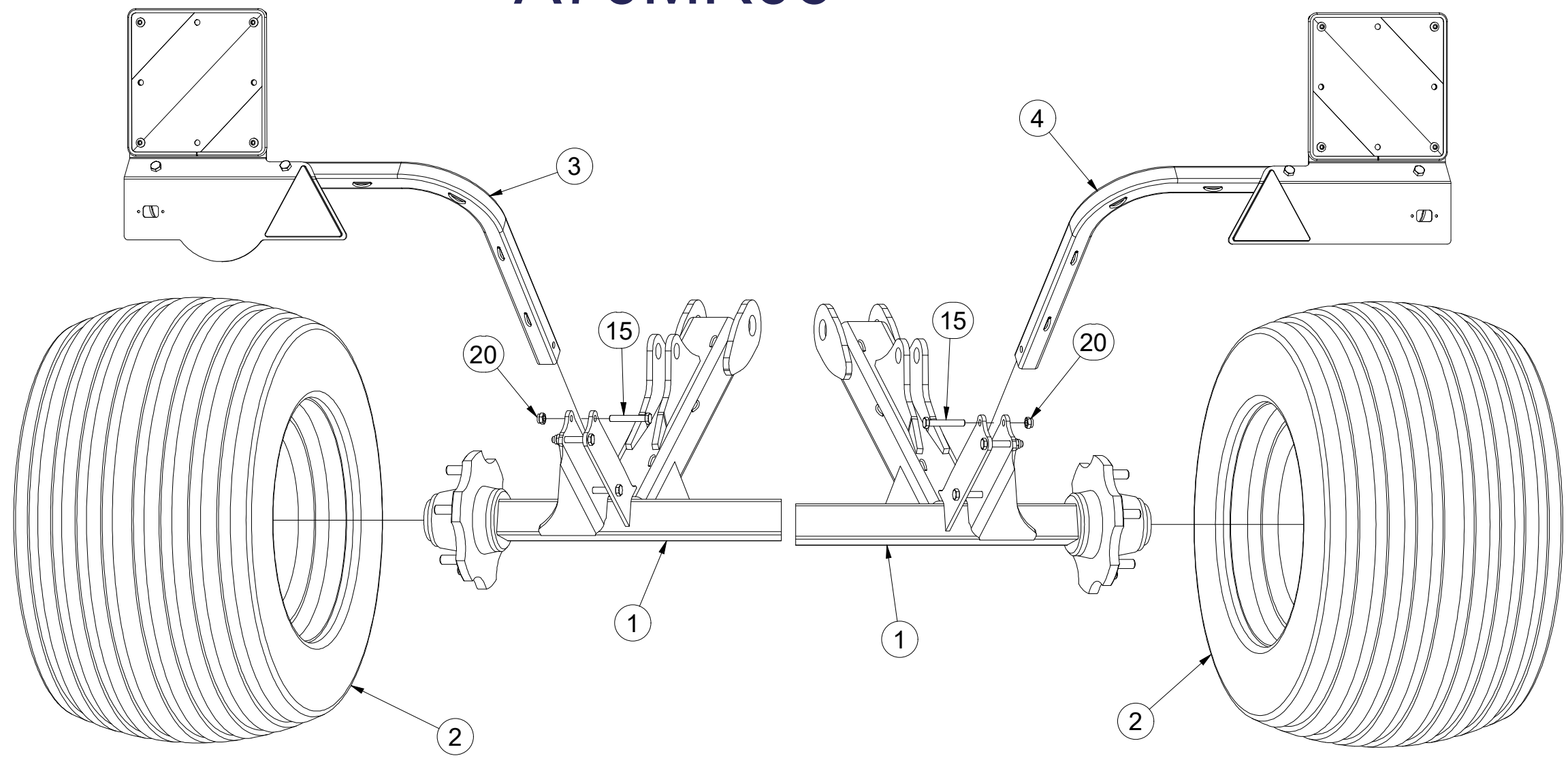
**3012508**

|  |               |
|--|---------------|
|  | M18x1,5-265Nm |
|  | 280 kPa       |

| Pos. | Part Number | Pcs. |
|------|-------------|------|
| 1    | 3012422     | 1    |
| 2    | m19870      | 2    |
| 3    | 3012431     | 1    |
| 4    | 3012432     | 1    |
| 15   | m12493      | 6    |
| 20   | m04301      | 6    |
| 25   | m19657      | 12   |
| 30   | m19732      | 2    |



**A70MR06**



Ⓒ NÁPRAVA

Ⓓ ACHSE

Ⓕ ESSIEU

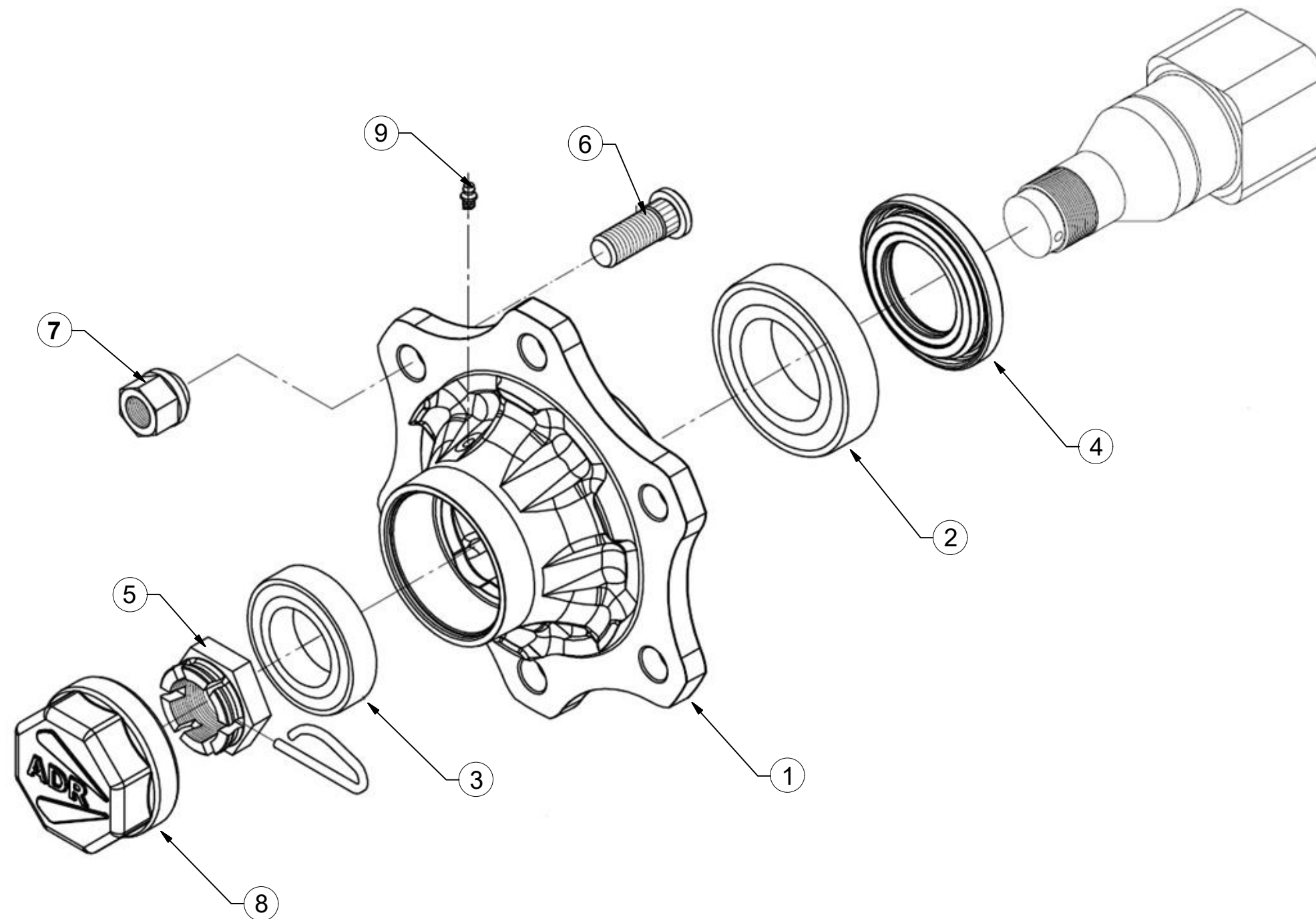
Ⓒ GB AXLE

Ⓒ RU OCB

Ⓒ PL OS



**A70MR06**



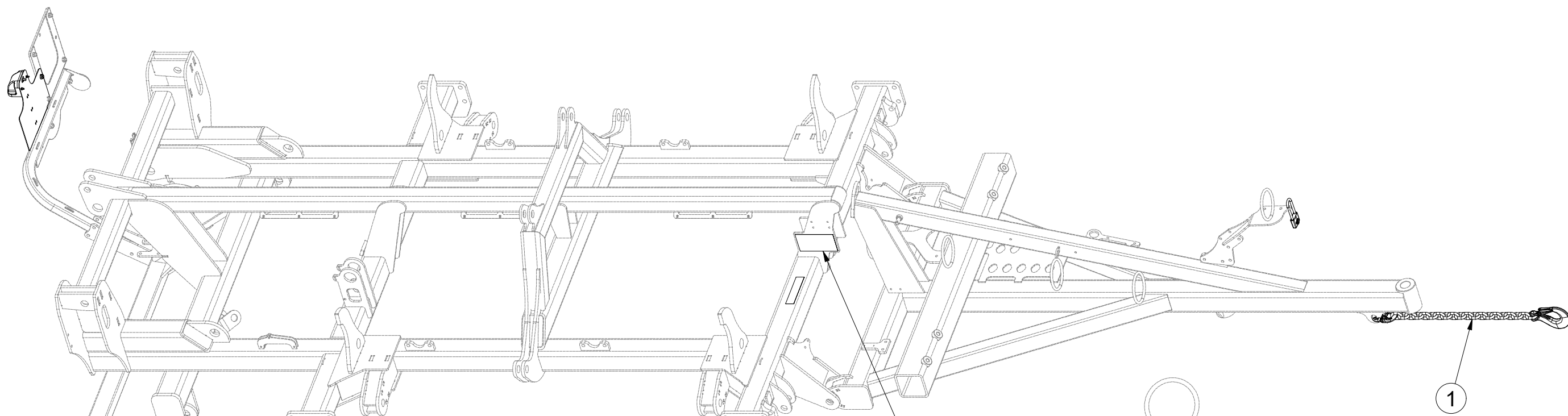
| Pos | Part Number | Pcs. |
|-----|-------------|------|
| 1   | m19667      | 2    |
| 2   | m08194      | 2    |
| 3   | m07152      | 2    |
| 4   | m14924      | 2    |
| 5   | m08169      | 2    |
| 6   | m08148      | 12   |
| 7   | m08163      | 12   |
| 8   | m19668      | 2    |
| 9   | m05698      | 2    |

CZ SADA HOMOLOGACE  
 D HOMOLOGATIONSATZ  
 F KIT DE HOMOLOGATION

GB SET OF HOMOLOGATION  
 RU КОМПЛЕКТ УТВЕРЖДЕНИЯ  
 PL ZESTAW HOMOLOGACJA



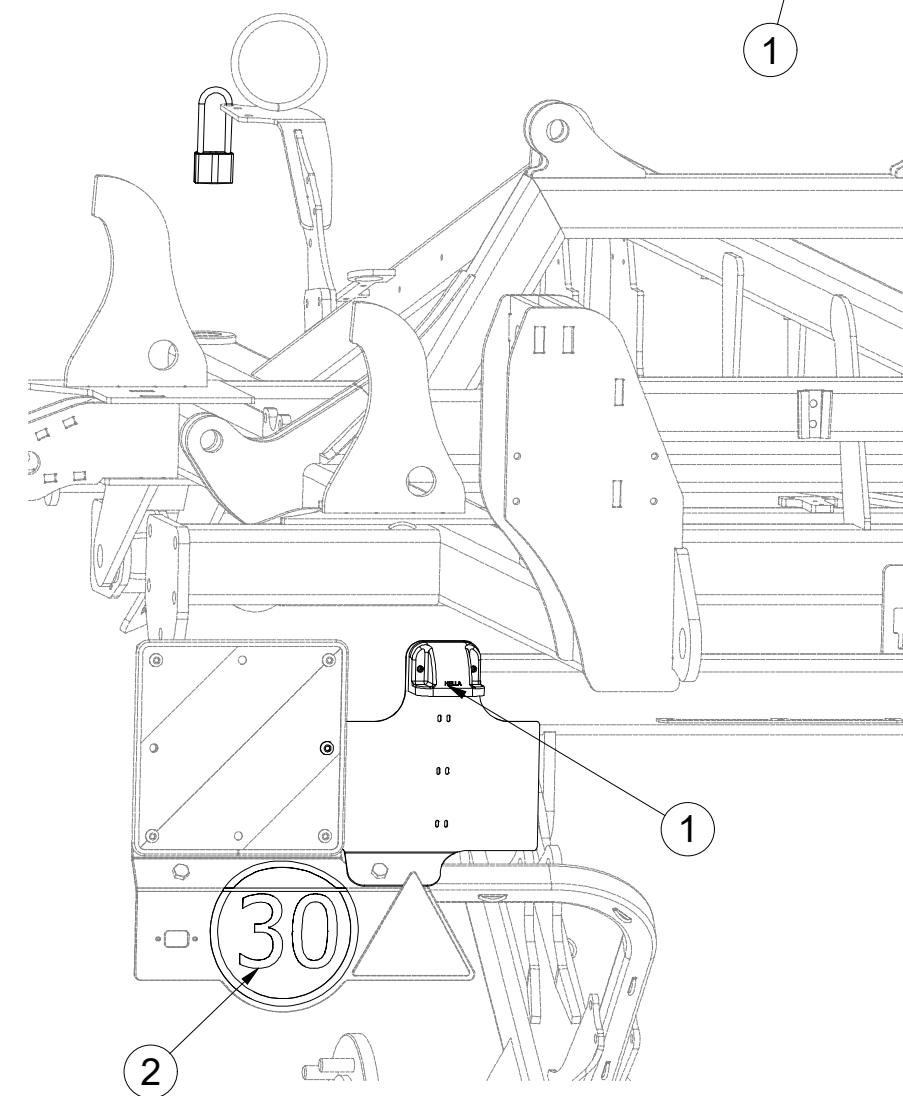
**VZ00018587**



3

1

| Pos. | Part Number | Pcs. |
|------|-------------|------|
| 1    | 3012498     | 1    |
| 2    | 4025230     | 1    |
| 3    | 4025948     | 1    |



1

30

2

ⒸZ TERČ ZADNÍ LEVÝ - HOMOLOGACE

Ⓓ SCHILD, HINTERES, LINKES - HOMOLOGATION

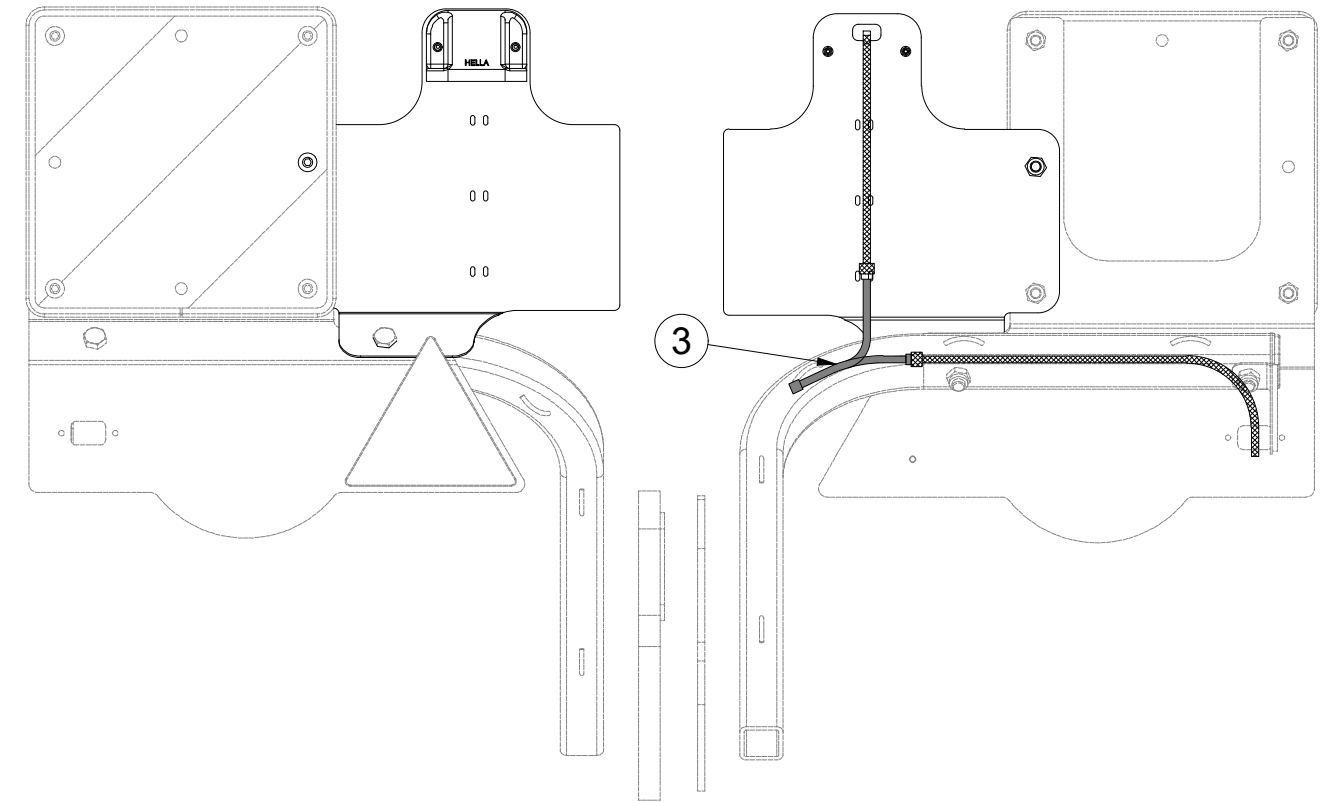
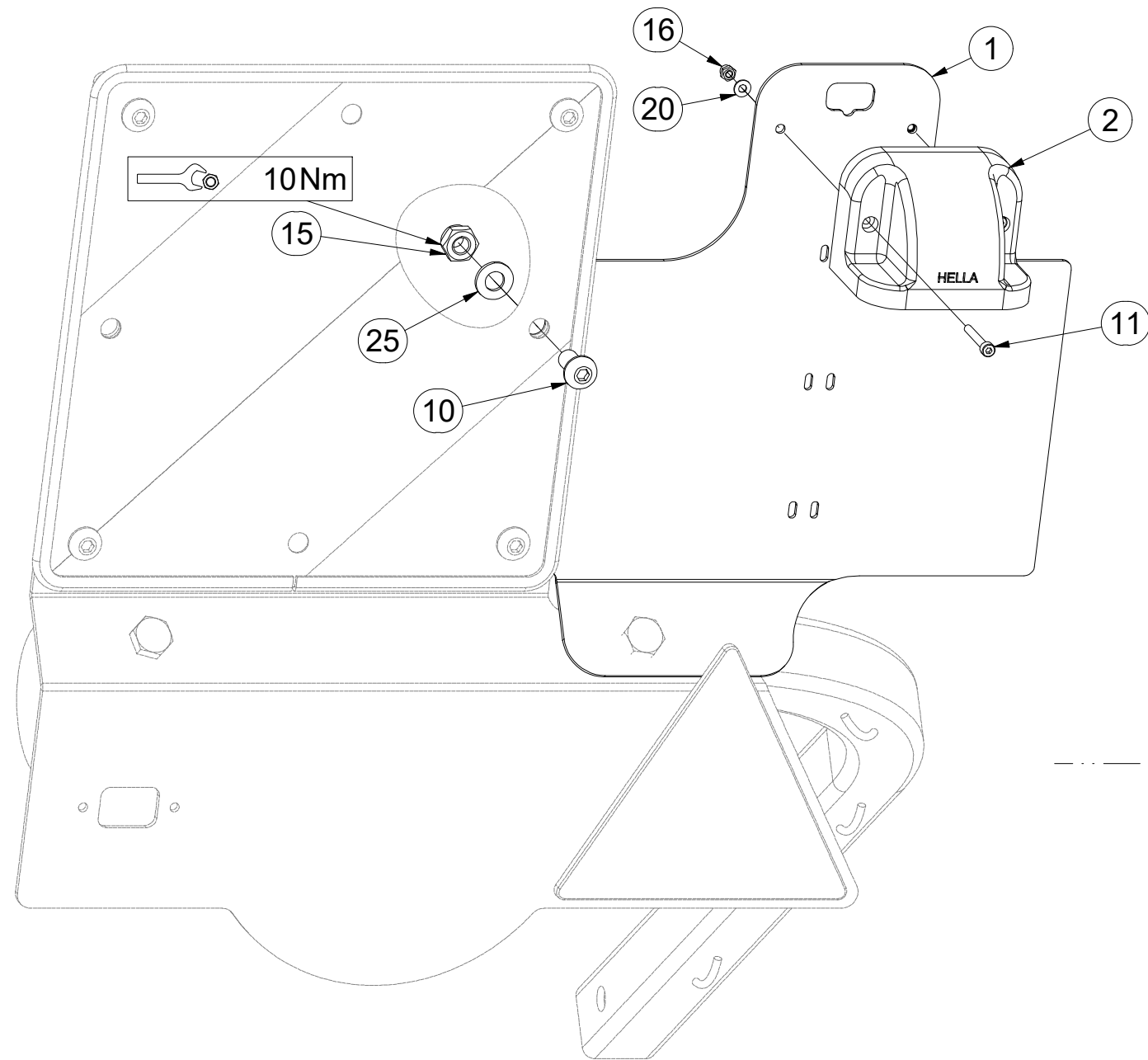
Ⓕ CIBLE ARRIÈRE GAUCHE - HOMOLOGATION

**3012498**

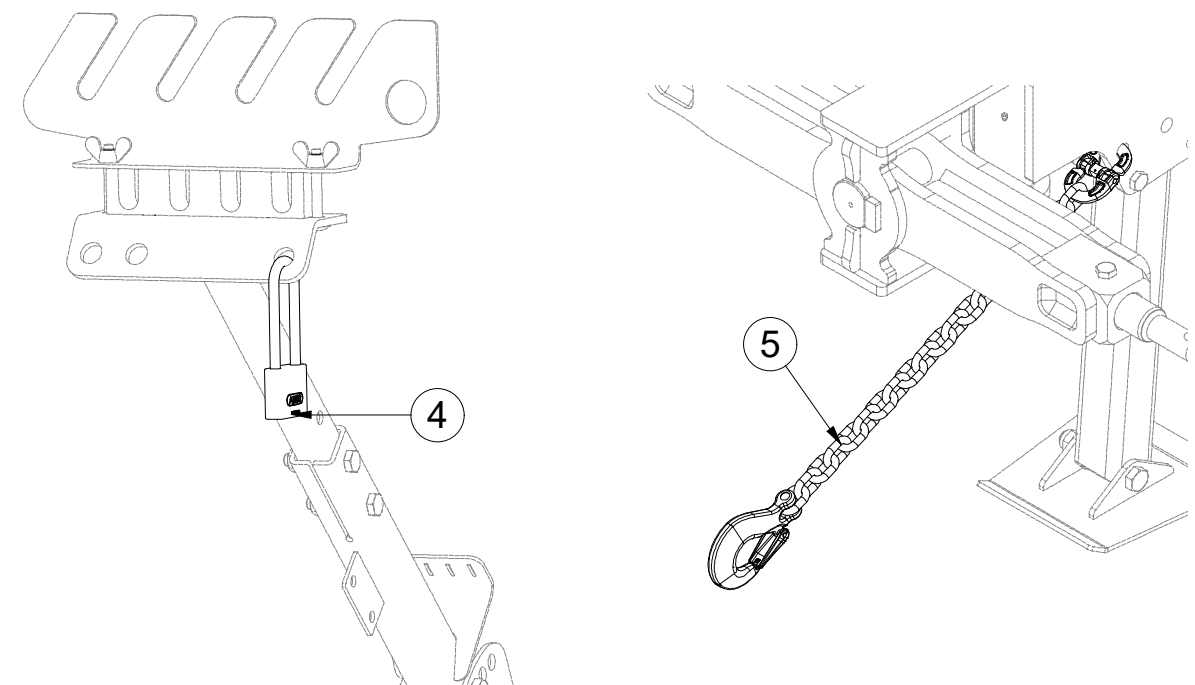
ⒸB LEFT REAR DISC - HOMOLOGATION

ⒸU ЩИТОК ЗАДНИЙ ЛЕВЫЙ - УТВЕРЖДЕНИЯ

ⒸL TARCZA TYLNA LEWA - HOMOLOGACJA



| Pos. | Part Number | Pcs. | Pos. | Part Number | Pcs. |
|------|-------------|------|------|-------------|------|
| 1    | 3012366     | 1    | 11   | m16861      | 2    |
| 2    | m18862      | 1    | 15   | m03775      | 1    |
| 3    | m18861      | 1    | 16   | m05562      | 2    |
| 4    | m18814      | 1    | 20   | m05597      | 2    |
| 5    | 4025903     | 1    | 25   | m01209      | 1    |
| 10   | m16637      | 1    |      |             |      |



ⒸZ ŘETĚZ

Ⓓ KETTE

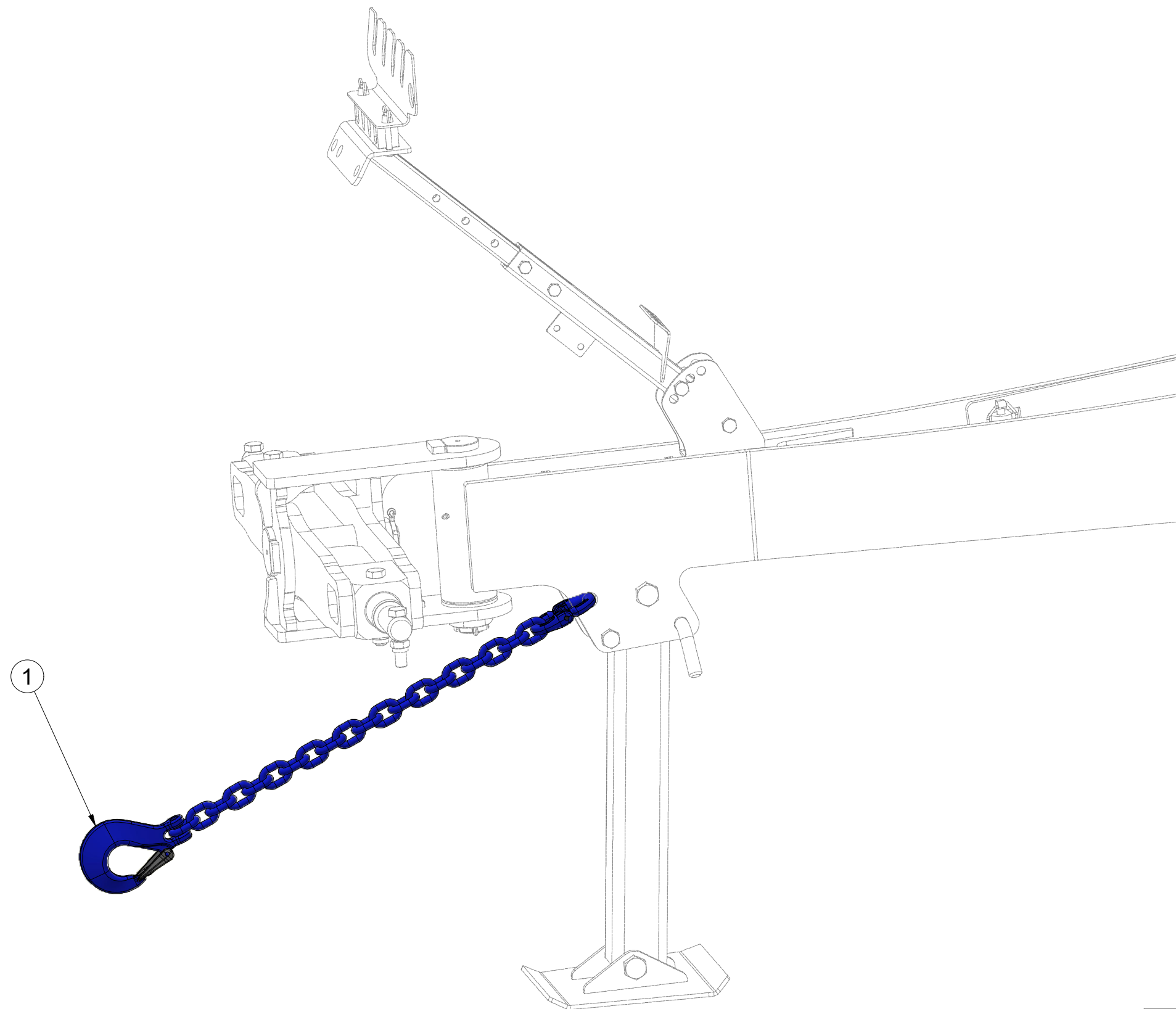
Ⓕ CHAÎNE

**4025903**

ⒼB CHAIN

ⒺP ЦЕПЬ

ⒺP ŁAŃCUCH



| Pos. | Part Number | Pcs. |
|------|-------------|------|
| 1    | m19300      | 1    |

ⒸZ TERČ ZADNÍ LEVÝ

Ⓓ SCHILD, HINTERES, LINKES

Ⓕ CIBLE ARRIÈRE GAUCHE

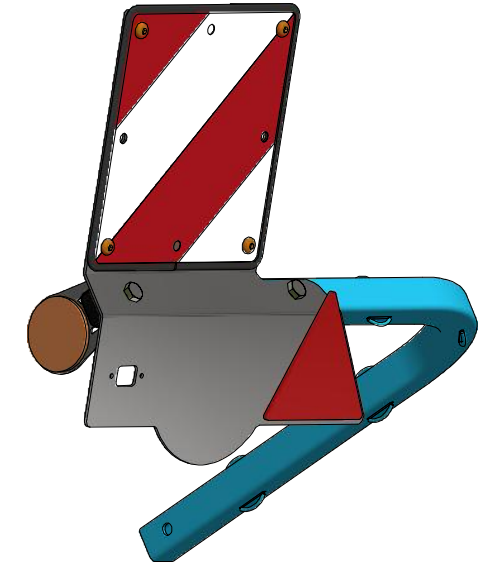
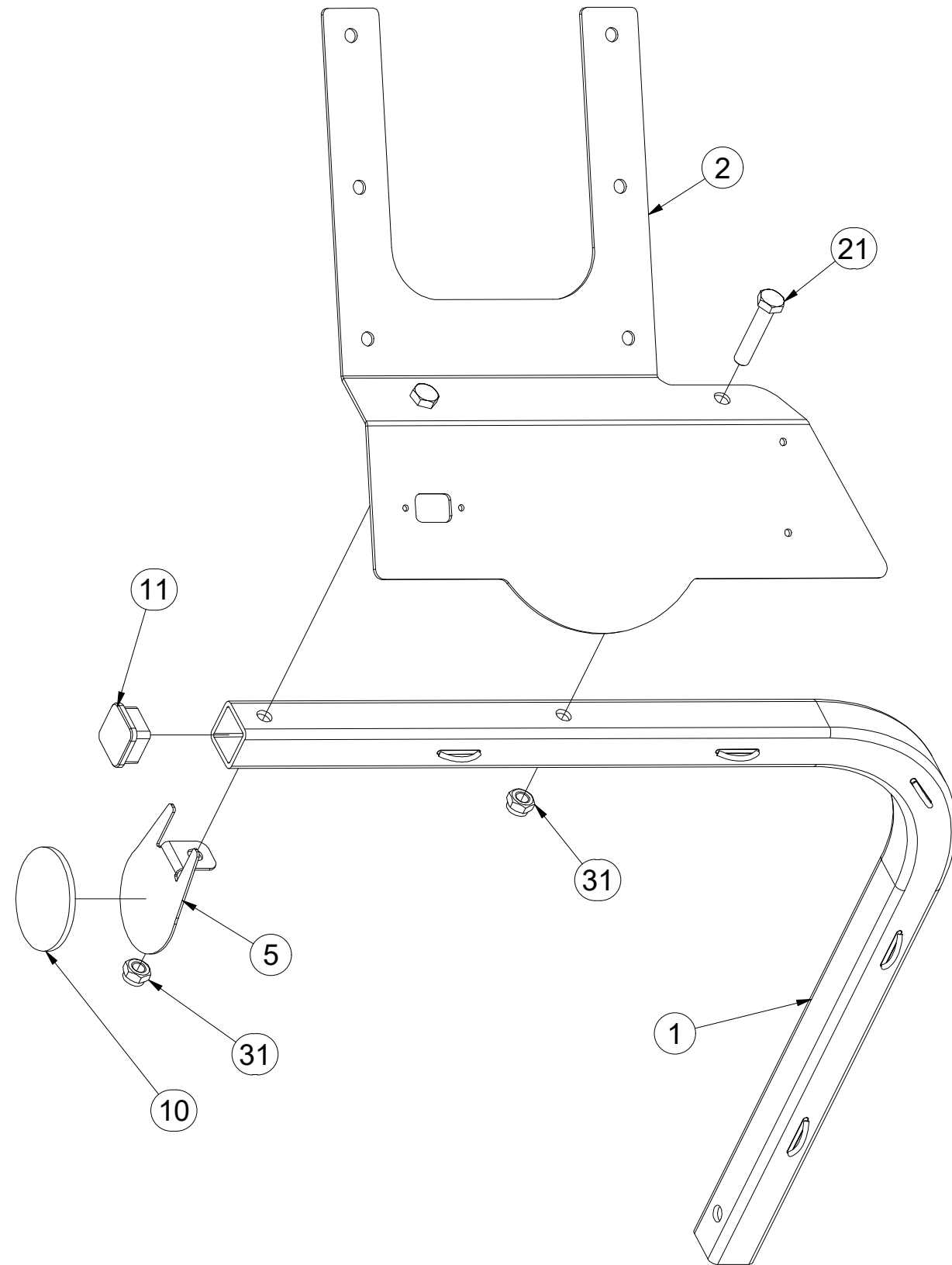
**3012431**

ⒼB LEFT REAR DISC

ⒺЩИТОК ЗАДНИЙ ЛЕВЫЙ

ⒽL TARCZA TYLNA LEWA

**Farmet**



| Pos. | Part Number | Pcs. |
|------|-------------|------|
| 1    | 3012433     | 1    |
| 2    | 3012365     | 1    |
| 5    | 4024926     | 1    |
| 10   | m02579      | 1    |
| 11   | m12689      | 1    |
| 21   | m01131      | 2    |
| 31   | m04301      | 2    |

ⒸZ TERČ ZADNÍ LEVÝ

Ⓓ SCHILD, HINTERES, LINKES

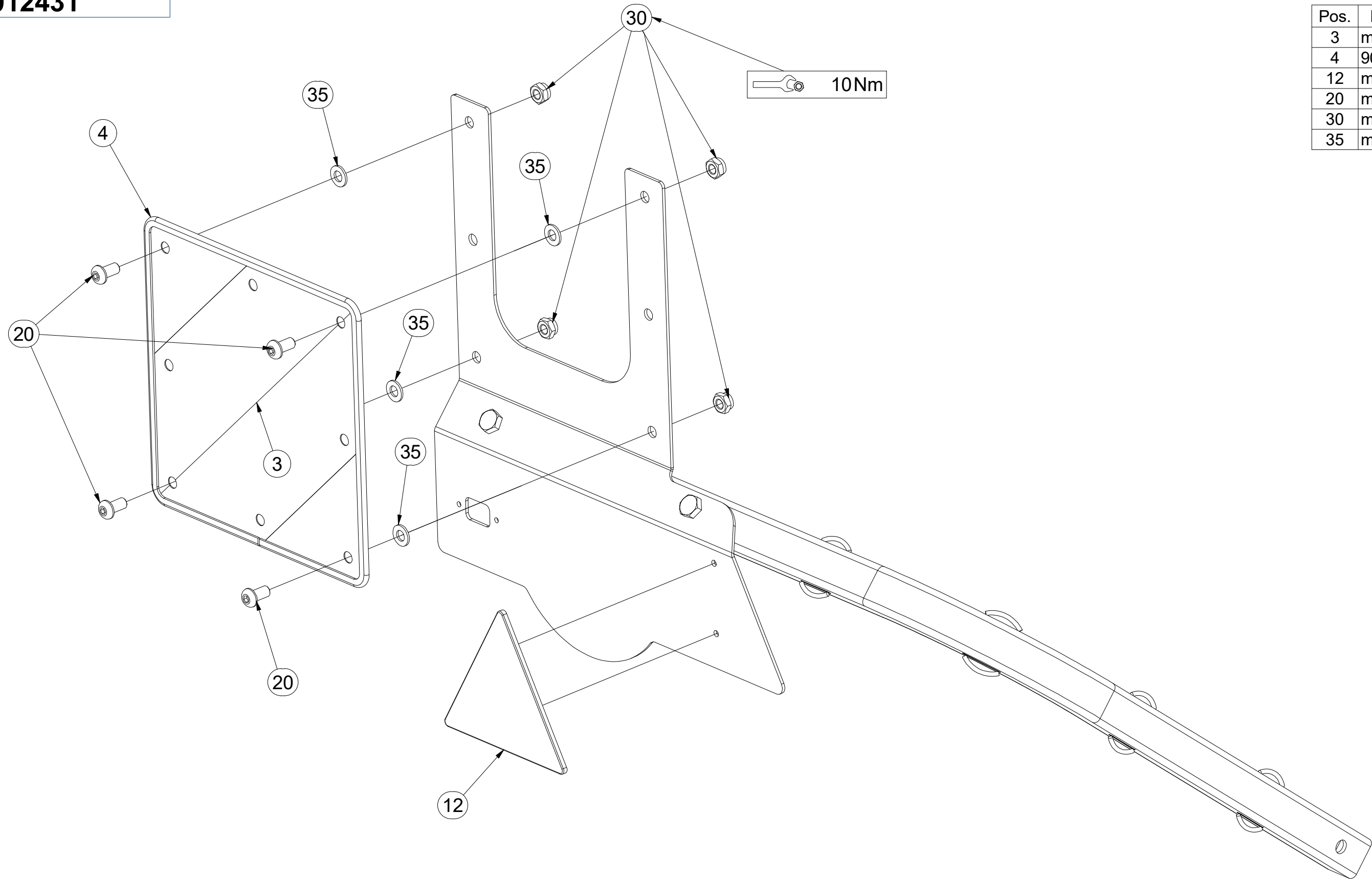
Ⓕ CIBLE ARRIÈRE GAUCHE

**3012431**

ⒼB LEFT REAR DISC

ⒺЩИТОК ЗАДНИЙ ЛЕВЫЙ

ⒽL TARCZA TYLNA LEWA



| Pos. | Part Number | Pcs. |
|------|-------------|------|
| 3    | m18855      | 1    |
| 4    | 9005707     | 1    |
| 12   | m02497      | 1    |
| 20   | m16637      | 4    |
| 30   | m03775      | 4    |
| 35   | m01209      | 4    |



ⒸZ TERČ ZADNÍ PRAVÝ

Ⓓ SCHILD, HINTERES, RECHTES

Ⓕ CIBLE ARRIÈRE DROITE

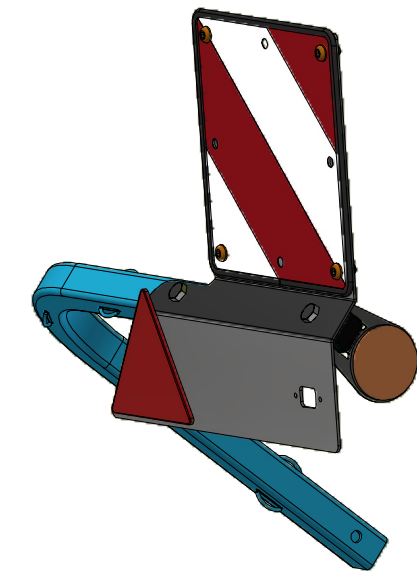
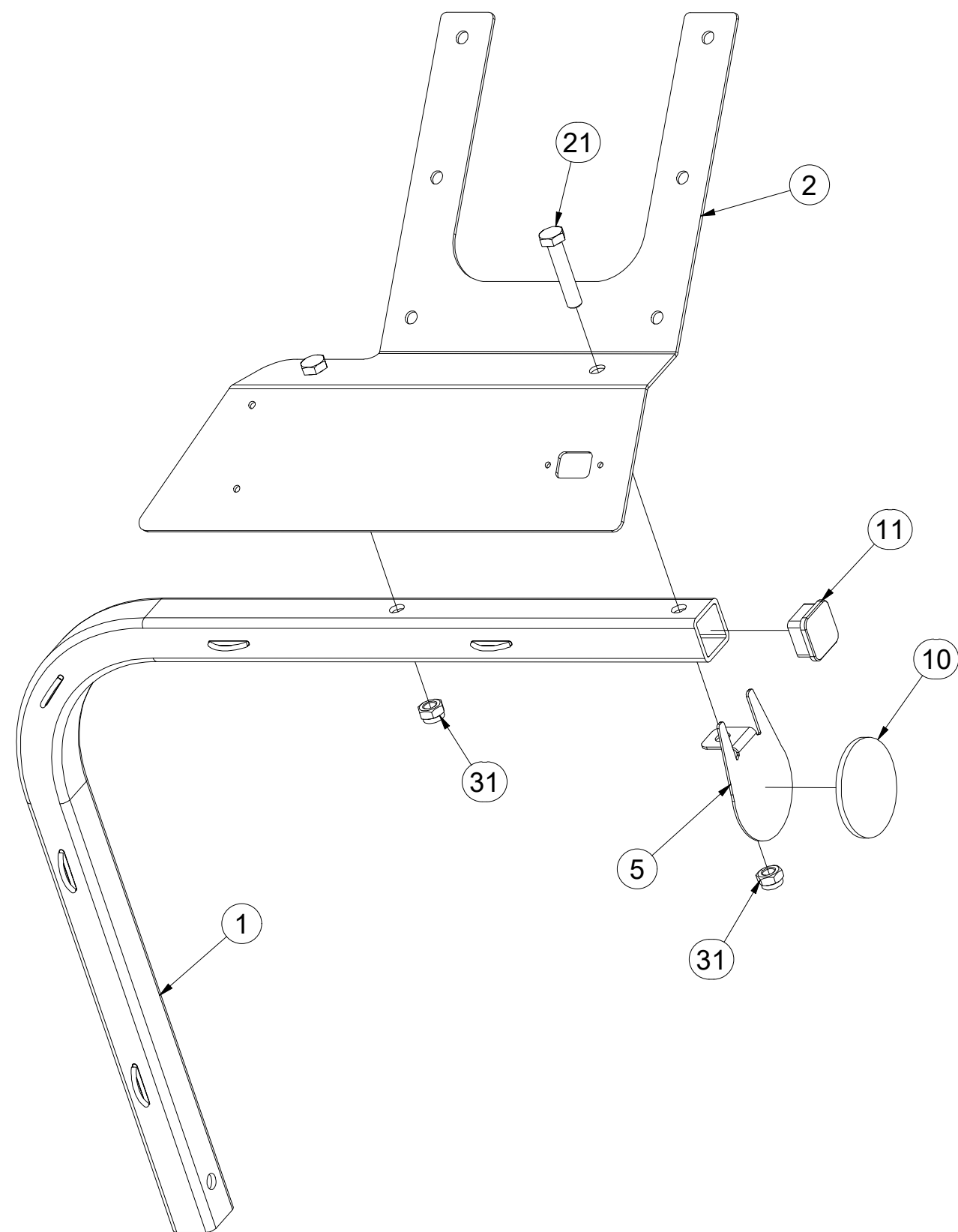
**3012432**

ⒼB RIGHT REAR DISC

ⒺЩИТОК ЗАДНИЙ ПРАВЫЙ

ⒽL TARCZA TYLNA PRAWA

**Farmet**



| Pos. | Part Number | Pcs. |
|------|-------------|------|
| 1    | 3012433     | 1    |
| 2    | 3012390     | 1    |
| 5    | 4024926     | 1    |
| 10   | m02579      | 1    |
| 11   | m12689      | 1    |
| 21   | m01131      | 2    |
| 31   | m04301      | 2    |

Ⓒ TERČ ZADNÍ PRAVÝ

Ⓓ SCHILD, HINTERES, RECHTES

Ⓕ CIBLE ARRIÈRE DROITE

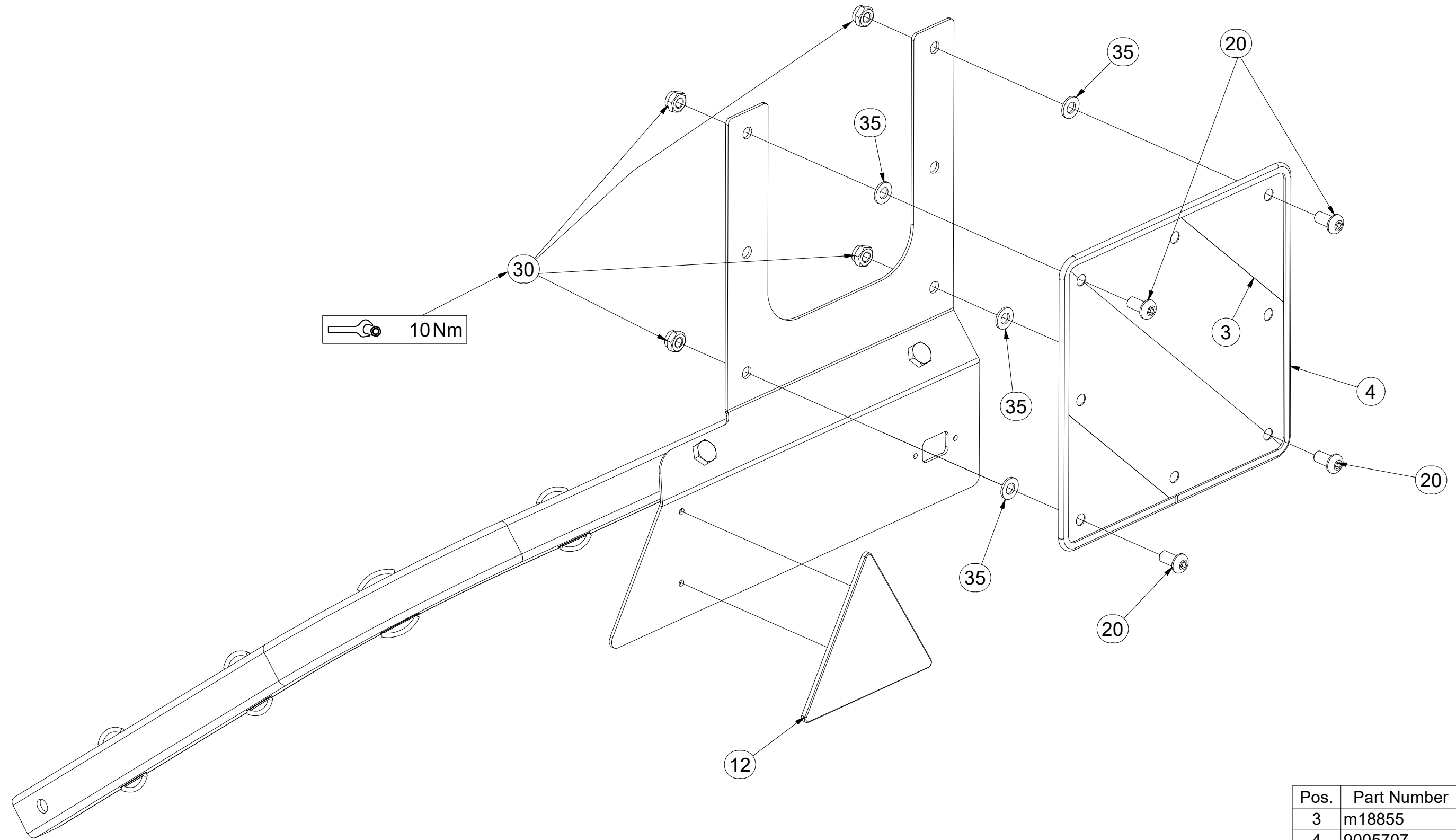
Ⓖ RIGHT REAR DISC

Ⓡ ЩИТОК ЗАДНИЙ ПРАВЫЙ

Ⓟ TARCZA TYLNA PRAWA

**Farmet**

**3012432**



| Pos. | Part Number | Pcs. |
|------|-------------|------|
| 3    | m18855      | 1    |
| 4    | 9005707     | 1    |
| 12   | m02497      | 1    |
| 20   | m16637      | 4    |
| 30   | m03775      | 4    |
| 35   | m01209      | 4    |

Ⓒ SAMOLEPKY STROJE

Ⓓ AUFKLEBER MASCHINEN

Ⓕ VOITURE MACHINES

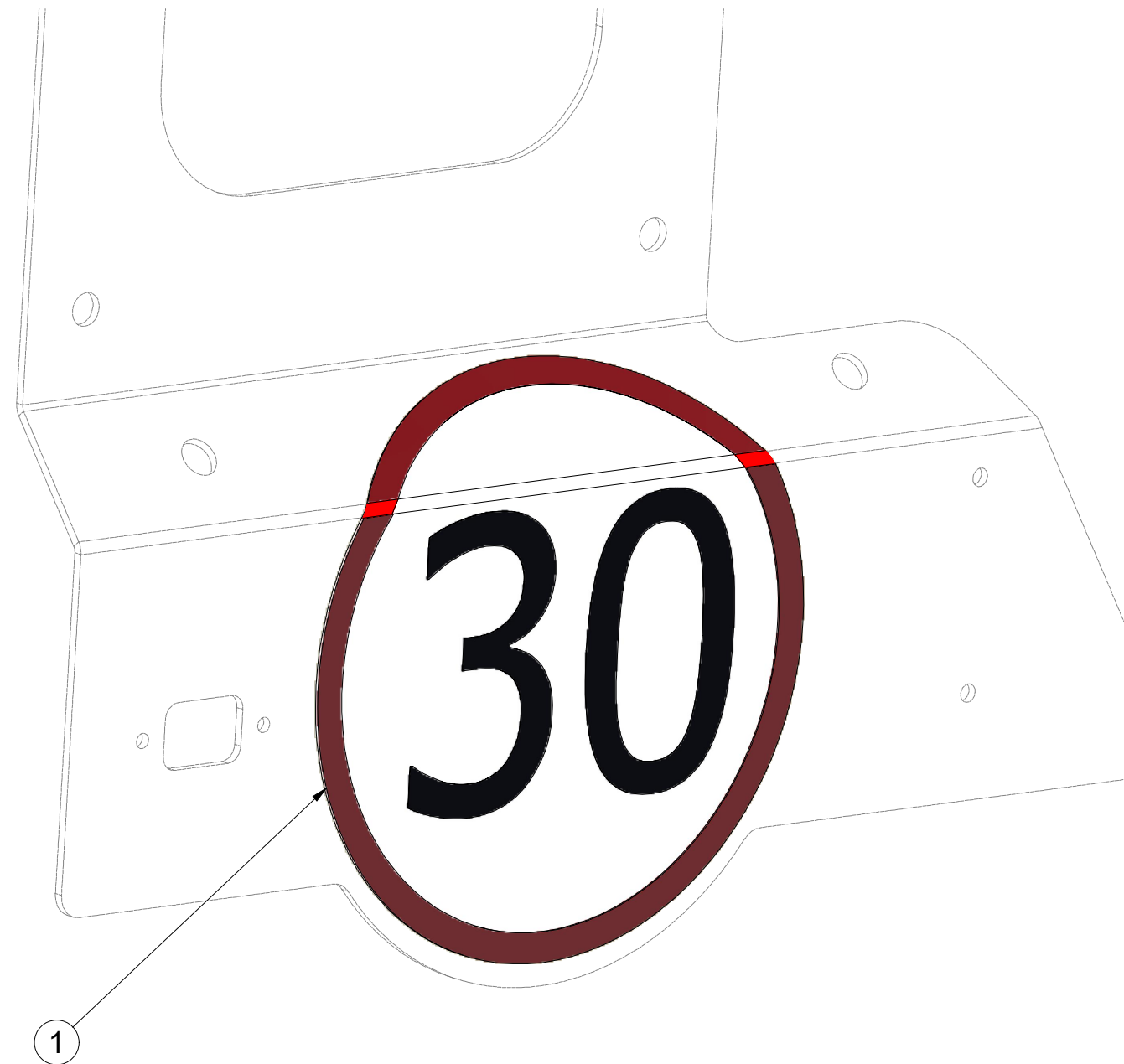
Ⓖ STICKERS MACHINES

Ⓡ СТИКЕРЫ МАШИНЫ

Ⓟ NAKLEJKI MASZYNY



**4025230**



| Pos. | Part Number | Pcs. |
|------|-------------|------|
| 1    | m19161      | 1    |

Ⓒ SVĚTELNÁ SADA

Ⓓ LEUCHTENSATZ

Ⓕ KIT LUMINEUX

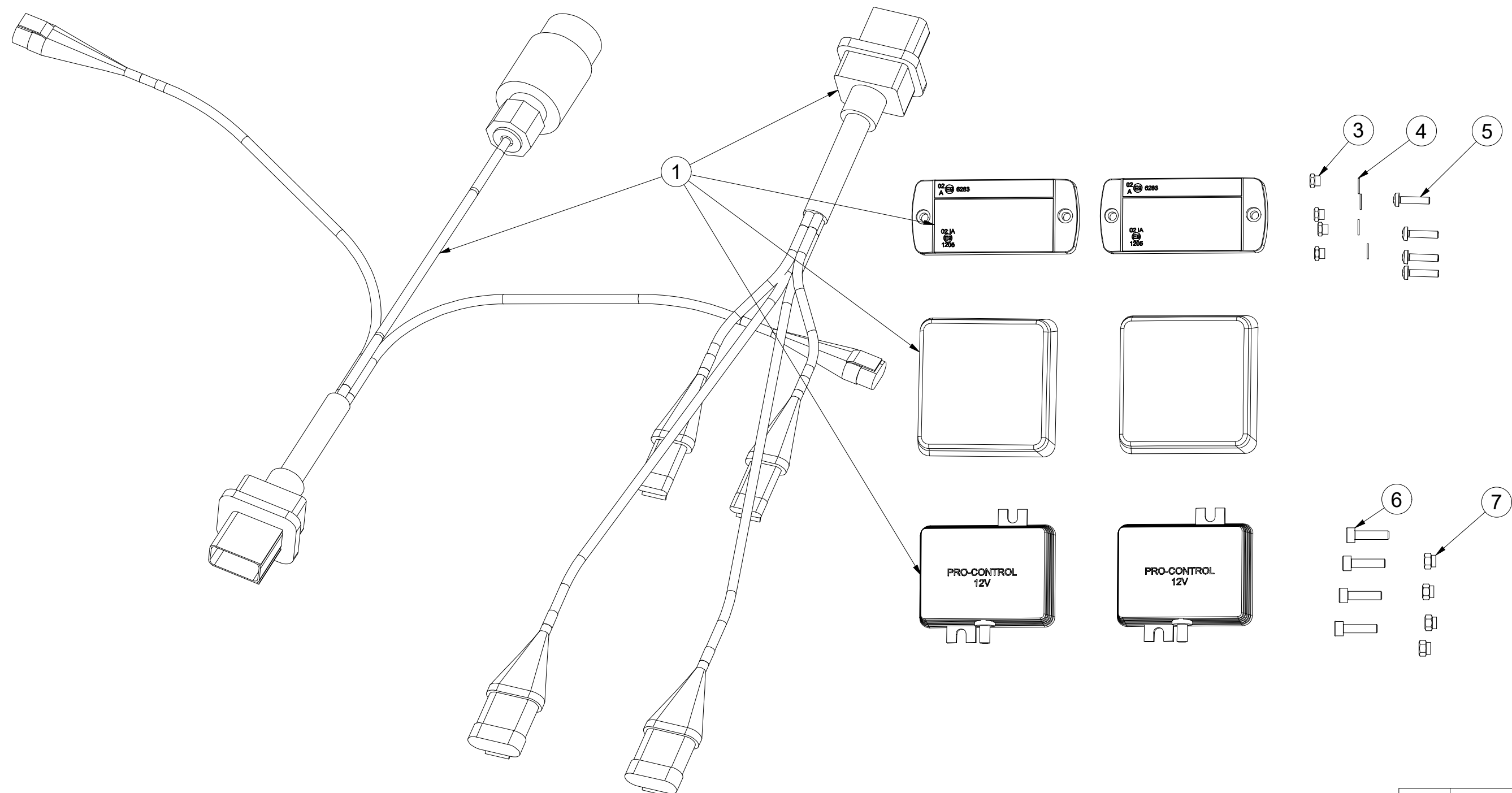
Ⓖ LIGHTING SET

Ⓡ ОСВЕТИТЕЛЬНЫЙ КОМПЛЕКТ

Ⓟ ZESTAW OŚWIETLENIA



**3012429**



| Pos. | Part Number | Pcs. |
|------|-------------|------|
| 1    | m19043      | 1    |
| 3    | m05562      | 4    |
| 4    | m05597      | 4    |
| 5    | m15790      | 4    |
| 6    | m10591      | 4    |
| 7    | m06236      | 4    |

Ⓒ SVĚTELNÁ SADA

Ⓓ LEUCHTENSATZ

Ⓕ KIT LUMINEUX

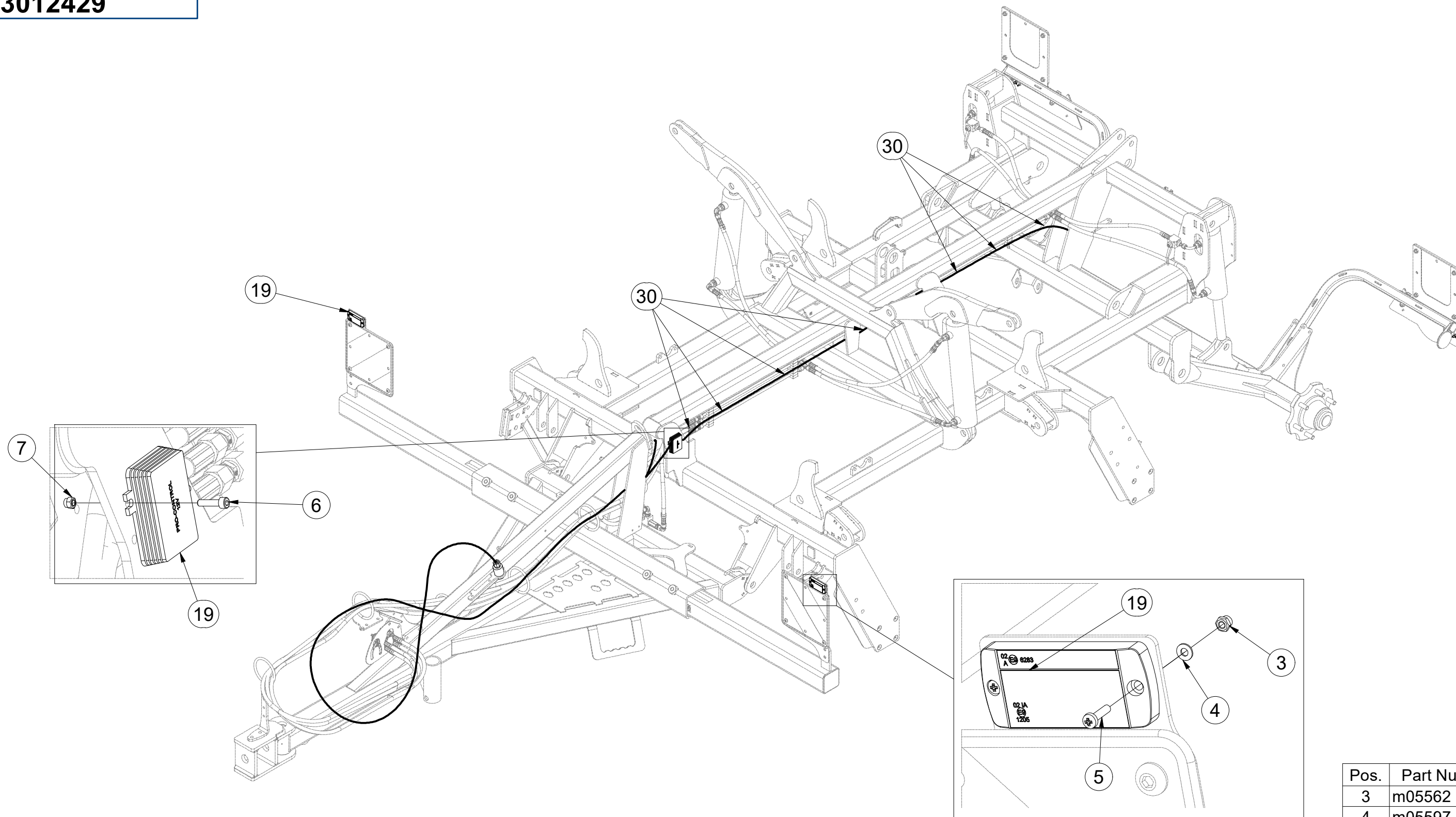
Ⓖ LIGHTING SET

Ⓡ ОСВЕТИТЕЛЬНЫЙ КОМПЛЕКТ

Ⓟ ZESTAW OŚWIETLENIA



**3012429**



| Pos. | Part Number | Pcs. |
|------|-------------|------|
| 3    | m05562      | 4    |
| 4    | m05597      | 4    |
| 5    | m15790      | 4    |
| 6    | m10591      | 4    |
| 7    | m06236      | 4    |
| 19   | m19043      | 1    |
| 30   | m05566      | 50   |

Ⓒ SVĚTELNÁ SADA

Ⓓ LEUCHTENSATZ

Ⓕ KIT LUMINEUX

Ⓖ LIGHTING SET

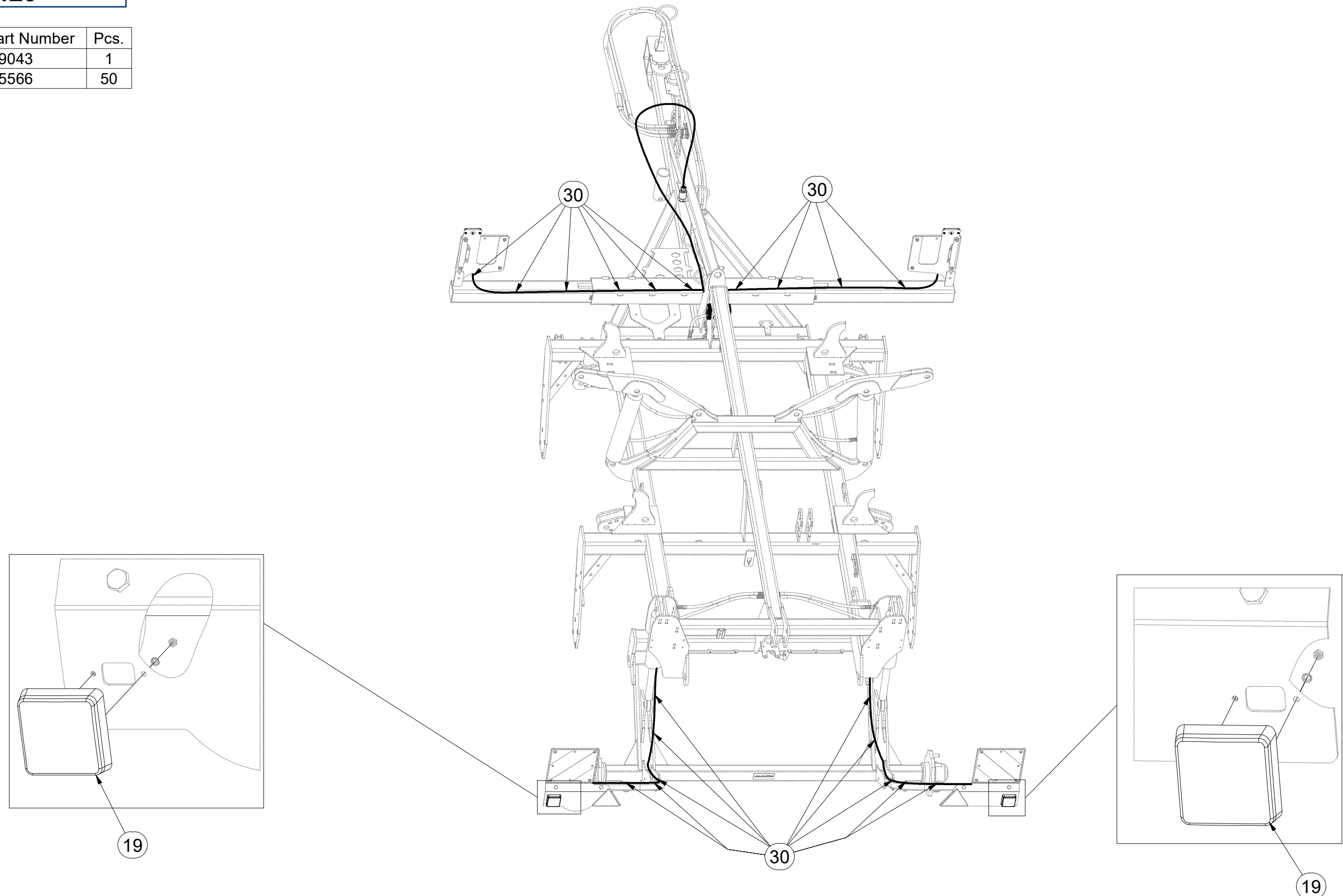
Ⓡ ОСВЕТИТЕЛЬНЫЙ КОМПЛЕКТ

Ⓟ ZESTAW OŚWIETLENIA



**3012429**

| Pos. | Part Number | Pcs. |
|------|-------------|------|
| 19   | m19043      | 1    |
| 30   | m05566      | 50   |



Ⓒ SVĚTELNÁ SADA

Ⓓ LEUCHTENSATZ

Ⓕ KIT LUMINEUX

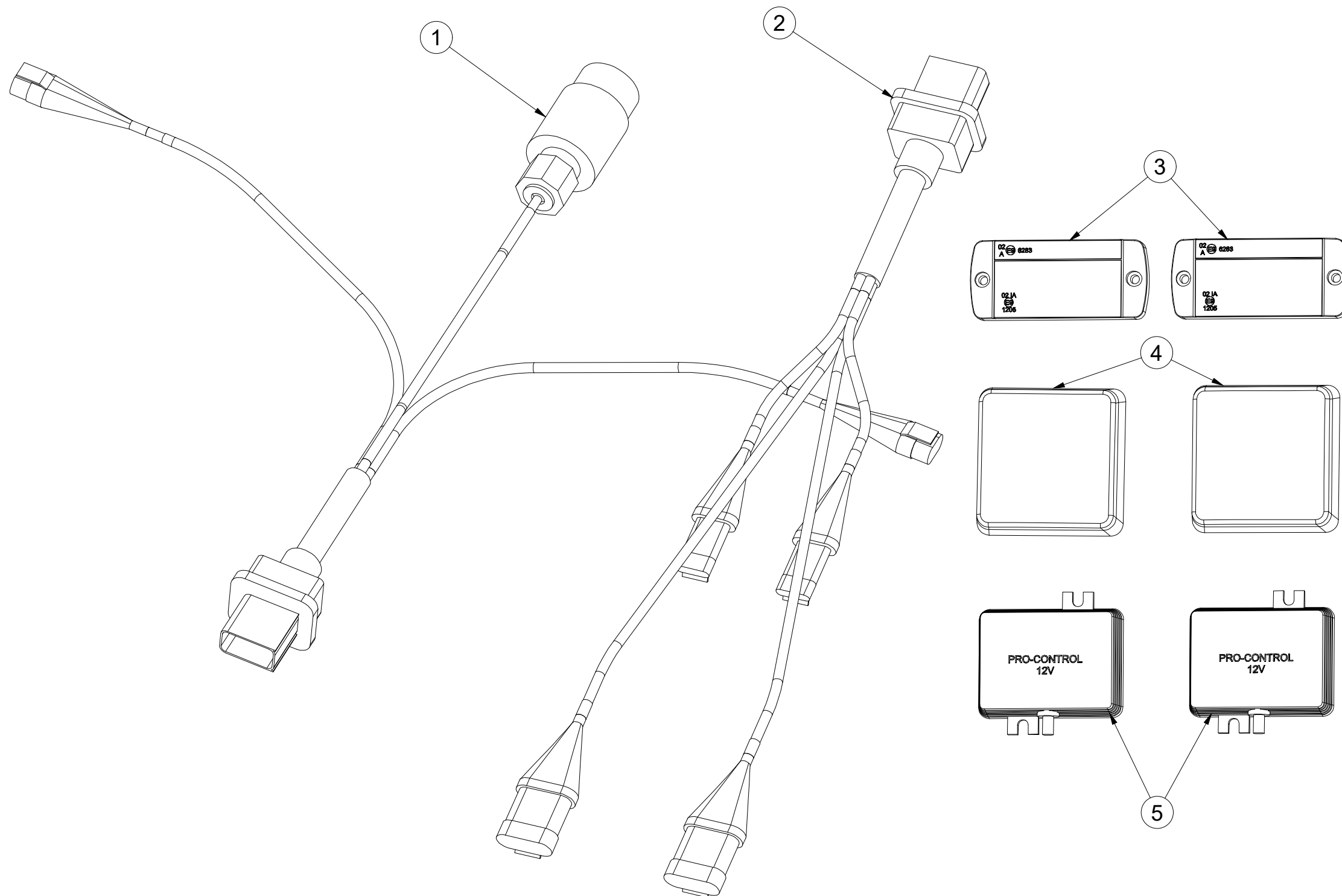
Ⓖ LIGHTING SET

Ⓡ ОСВЕТИТЕЛЬНЫЙ КОМПЛЕКТ

Ⓢ ZESTAW OŚWIETLENIA



**m19043**



| Pos. | Part Number | Pcs. |
|------|-------------|------|
| 1    | m14779      | 1    |
| 2    | m14778      | 1    |
| 3    | m14776      | 2    |
| 4    | m19044      | 2    |
| 5    | m14777      | 2    |

ⒸZ SOUPRAVA TĚSNIVA PÍSTNIC

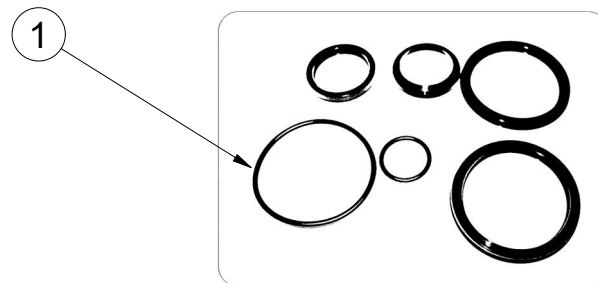
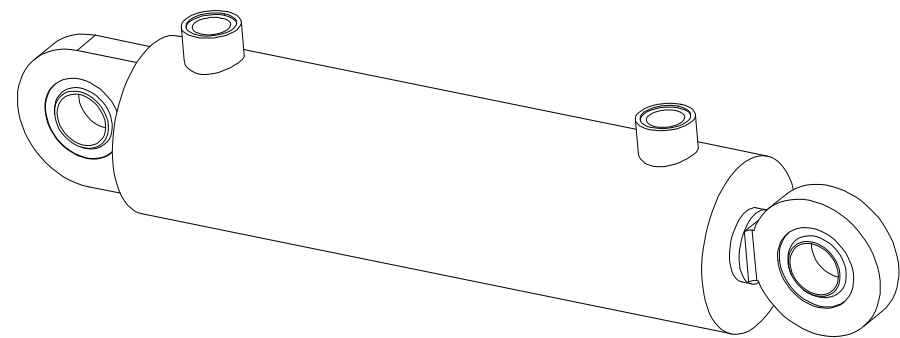
Ⓓ KOLBENSTANGENDICHTUNGSMITTELSATZ

Ⓕ SET DE GARNITURE DES TIGES DE PISTON

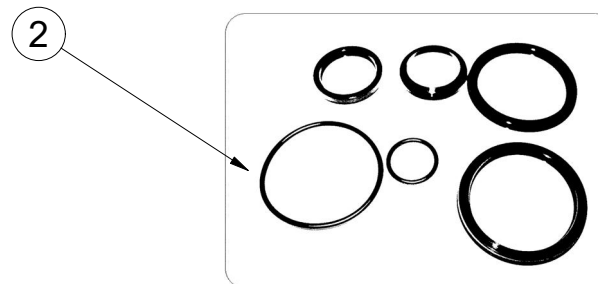
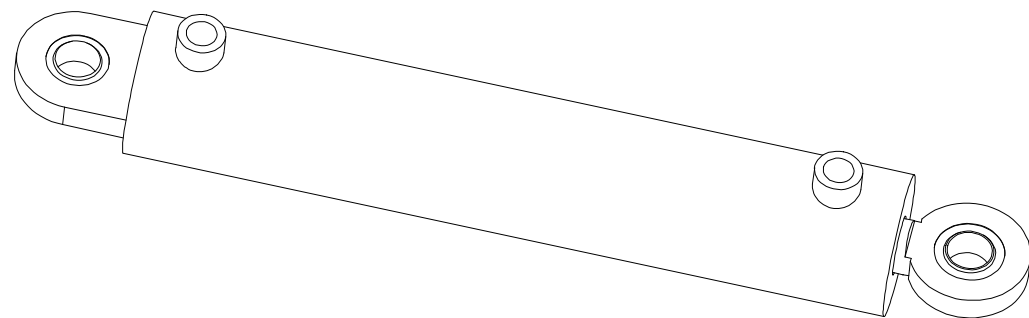
ⒼB SEALING SET FOR PISTON RODS

ⒺR КОМПЛЕКТ ПРОКЛАДОК ЦИЛИНДРОВ

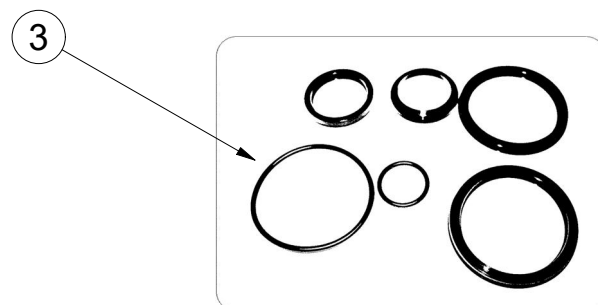
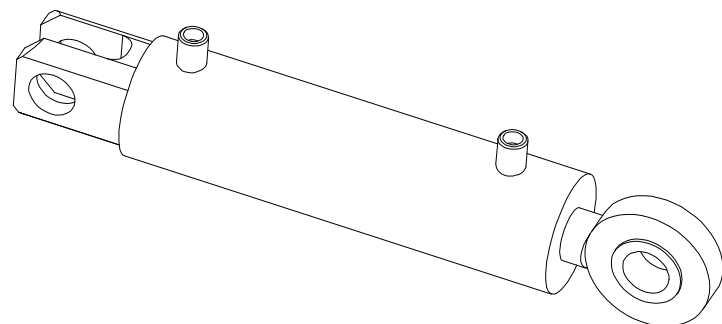
ⒻL ZESTAW USZCZELEK TRZPIENIA TŁOKA



| VZ00004549 - Ø80/Ø40-250/455/705 |             |     |
|----------------------------------|-------------|-----|
| Pos                              | Part number | Pcs |
| 1                                | m20702      | 2   |



| VZ00004544 - Ø80/Ø40-400/605/1005 |             |     |
|-----------------------------------|-------------|-----|
| Pos                               | Part number | Pcs |
| 2                                 | m20702      | 2   |



| VZ00012974 - Ø40/Ø22-100 |             |     |
|--------------------------|-------------|-----|
| Pos                      | Part number | Pcs |
| 3                        | m20706      | 6   |



- Ⓒ UTAHOVACÍ MOMENTY ŠROUBŮ  
 Ⓓ ANZUGMOMENTE VON SCHRAUBEN  
 Ⓕ COUPLES DE SERRAGE DES VIS

- Ⓒ SCREW TIGHTENING TORQUE  
 Ⓓ МОМЕНТЫ ЗАЖАТИЯ БОЛТОВ  
 Ⓕ MOMENTY DOKRĘCANIA ŚRUB



| P   |      | 5.8  | 8.8  | 10.9  | 12.9  | Z        |           |
|-----|------|------|------|-------|-------|----------|-----------|
| D   | R    | Mu   | Mu   | Mu    | Mu    | DIN 7991 | ISO 10642 |
| mm  | mm   | Nm   | Nm   | Nm    | Nm    | Nm       | Nm        |
| M6  | 1    | 6    | 9    | 13    | 15    | 7,2      | 7,9       |
| M8  | 1,25 | 14   | 22   | 32    | 38    | 17       | 19        |
| M10 | 1,5  | 29   | 44   | 64    | 75    | 35       | 38        |
| M12 | 1,75 | 49   | 76   | 111   | 130   | 58       | 65        |
| M14 | 2    | 79   | 120  | 176   | 206   | 93       | 100       |
| M16 | 2    | 123  | 188  | 276   | 323   | 144      | 158       |
| M18 | 2,5  | 169  | 257  | 378   | 443   | -        | 220       |
| M20 | 2,5  | 239  | 365  | 536   | 628   | -        | 310       |
| M22 | 2,5  | 329  | 529  | 738   | 864   | -        | 420       |
| M24 | 3    | 413  | 629  | 924   | 1082  | -        | 530       |
| M27 | 3    | 613  | 934  | 1372  | 1606  | -        | -         |
| M30 | 3,5  | 832  | 1267 | 1862  | 2179  | -        | -         |
| M33 | 3,5  | 1130 | 1723 | 2530  | 2961  | -        | -         |
| M36 | 4    | 1451 | 2210 | 3246  | 3799  | -        | -         |
| M39 | 4    | 1885 | 2872 | 4217  | 4936  | -        | -         |
| M42 | 4,5  | 2322 | 3538 | 5196  | 6080  | -        | -         |
| M45 | 4,5  | 2909 | 4433 | 6511  | 7619  | -        | -         |
| M48 | 5    | 3513 | 535  | 7862  | 9200  | -        | -         |
| M52 | 5    | 4524 | 6895 | 10123 | 11849 | -        | -         |
| M56 | 5,5  | 5636 | 8589 | 12614 | 14761 | -        | -         |

- Mu - Ⓒ UTAHOVACÍ MOMENT  
 Ⓓ ANZUGMOMENTE  
 Ⓕ COUPLE DE SERRAGE  
 Ⓒ TIGHTENING TORQUE  
 Ⓓ МОМЕНТ ЗАЖАТИЯ  
 Ⓕ MOMENT DOKRĘCANIA
- D - Ⓒ JMENOVITÝ PRŮMĚR  
 Ⓓ NENNDURCHMESSER  
 Ⓕ DIAMETRE NOMINAL  
 Ⓒ NOMINAL DIAMETER  
 Ⓓ НОМИНАЛЬНЫЙ ДИАМЕТР  
 Ⓕ ŚREDNICA NOMINALNA
- R - Ⓒ ROZTEČ ZÁVITU - STOUPÁNÍ  
 Ⓓ GEWINDESTEIGUNG  
 Ⓕ PAS DE FILET - PAS  
 Ⓒ SCREW PITCH – LEAD  
 Ⓓ ШАГ РЕЗЬБЫ  
 Ⓕ ROZSTAW GWINTU - SKOKI
- P - Ⓒ PEVNOST  
 Ⓓ FESTIGKEIT  
 Ⓕ RÉSISTANCE  
 Ⓒ STRENGTH  
 Ⓓ ПРОЧНОСТЬ  
 Ⓕ WYTRZYMA OŚĆ
- Z - Ⓒ ZÁPUSTNÉ ŠROUBY  
 Ⓓ SENKKOPFSCHRAUBEN  
 Ⓕ VIS A TETE FRAISEE  
 Ⓒ COUNTERSUNK SCREWS  
 Ⓓ БОЛТЫ С УТОПЛЕННОЙ ГОЛОВКОЙ  
 Ⓕ ŚRUBY Z ŁBEM STOŻKOWYM PŁASKIM

- Ⓒ Hodnoty momentů jsou poníženy o -10% oproti tabulkovým hodnotám. Šroubové spoje utahujte dle vyznačeného utahovacího momentu v dokumentaci. Pokud není utahovací moment v dokumentaci vyznačen, utahujte dle obecné tabulky. Pokud je v dokumentaci definován spoj šroubu a matice o různých pevnostech, vždy utahujte na moment komponenty nižší.
- Ⓓ Die Werte der Anzugsmomente sind um 10 % gegenüber den Tabellenwerten verringert. Ziehen Sie die Schraubverbindungen gemäß dem in der Dokumentation festgeschriebenen Anzugsmoment an. Sofern das Anzugsmoment nicht in der Dokumentation aufgeführt ist, ziehen Sie sie gemäß der allgemeinen Tabelle an. Wenn in der Dokumentation eine Verbindung von Schraube und Mutter mit verschiedene Festigkeiten definiert ist, wird immer mit dem Moment des Bauteils mit der geringeren Festigkeit angezogen.
- Ⓕ Les valeurs des couples de serrage sont baissées de 10% par rapport aux valeurs de tableau. Serrez les raccords à vis selon le couple de serrage indiqué dans les documents. Si le couple de serrage n'est pas indiqué dans les documents, serrez selon le tableau général. Si les documents définissent un assemblage par boulon de diverses résistances, serrez toujours au moment de la composante avec résistance inférieure.
- Ⓒ The torque values are reduced by 10% compared to the table values. Tighten the screw joints according to the tightening torque stated in the documentation. If the tightening torque is not stated in the documentation, tighten according to the general table. If there is a joint with a screw and a nut at different strengths in the documentation, always tighten to the torque of the component with lower strength.
- Ⓓ Значения моментов затяжки уменьшены на 10% по сравнению с данными в таблице. Резьбовые соединения зажимайте с установленным в документации моментом зажатия. Если в документации не указан момент зажатия, то зажимайте по действующей в общем таблице. Если в документации установлено соединение из болта и гайки различной прочности, всегда зажимайте с моментом для компонента с меньшей прочностью.
- Ⓕ Wartości momentów dokręcania są obniżone o 10% w stosunku do wartości z tabeli. Połączenia śrubowe należy dokręcać zgodnie z momentem obrotowym w dokumentacji. Jeśli w dokumentacji nie ma podanego momentu obrotowego, należy dokręcać zgodnie z ogólną tabelą. Jeśli w dokumentacji zdefiniowane jest połączenie ze śrubą nakrętką różnych wytrzymałościach, zawsze należy dokręcać zachowując moment dokręcania komponentu z niższą wytrzymałością.

- Ⓒ UTAHOVACÍ MOMENTY ŠROUBŮ  
 Ⓓ ANZUGMOMENTE VON SCHRAUBEN  
 Ⓕ COUPLES DE SERRAGE DES VIS

- Ⓖ SCREW TIGHTENING TORQUE  
 Ⓡ MOMENTY ZAJATIA BOLTOB  
 Ⓟ MOMENTY DOKRĘCANIA ŚRUB



- Ⓒ **OBECNÝ PŘEDPIS UTAHOVÁNÍ ZAJIŠTĚNÍ ČEPOVÝCH SPOJŮ:**  
 Ⓓ **ALLGEMEINE VORSCHRIFT FÜR DAS ANZIEHEN VON BOLZENVERBINDUNGEN:**  
 Ⓕ **CONSIGNE GENERALE POUR LE SERRAGE DES ARTICULATIONS CYLINDRIQUES:**  
 Ⓖ **GENERAL INSTRUCTION FOR TIGHTENING THE SECURING OF PIN JOINTS:**  
 Ⓡ **ОБЩЕЕ ОПИСАНИЕ ЗАЖАТИЯ ПРЕДОХРАНЕНИЯ СОЕДИНЕНИЙ ПАЛЬЦАМИ:**  
 Ⓟ **OGÓLNE ZASADY DOKRĘCANIA ZABEZPIECZENIA POŁĄCZEŃ CZOPEM:**



**X**

M8, M10, M12

M14

**M**

09-15Nm

15-25Nm

- X - Ⓒ ROZMĚR ŠROUBU  
 Ⓓ SCHRAUBENGRÖSSE  
 Ⓕ DIMENSIONS DE LA VIS

- Ⓖ BOLT DIMENSION  
 Ⓡ РАЗМЕР БОЛТА  
 Ⓟ ROZMIAR ŚRUBY

- M - Ⓒ ORIENTAČNÍ MOMENT  
 Ⓓ ANZUGSMOMENT  
 Ⓕ COUPLE D'ORIENTATION

- Ⓖ ORIENTATION TORQUE  
 Ⓡ ОРИЕНТАЦИОННЫЙ МОМЕНТ  
 Ⓟ ORIENTACYJNY MOMENT

- Ⓒ Tyto spoje není nutné ověřovat kontrolou momentovým klíčem = stačí vizuálně kontrolovat sešroubování.  
 Ⓓ Diese Verbindungen müssen nicht mit einem Drehmomentschlüssel überprüft werden = es genügt, die Verschraubung visuell zu kontrollieren.  
 Ⓕ Il n'est pas nécessaire de contrôler le serrage à l'aide d'une clé dynamométrique = un contrôle visuel de l'assemblage suffit.  
 Ⓖ These joints do not have to be verified by checking with a torque wrench = visual inspection of bolting is sufficient.  
 Ⓡ Эти соединения не нужно контролировать динамометрическим ключом = достаточно визуально проверять прикручивание.  
 Ⓟ Nie trzeba sprawdzać tych połączeń kluczem dynamometrycznym = wystarczy wizualnie skontrolować dokręcenie.