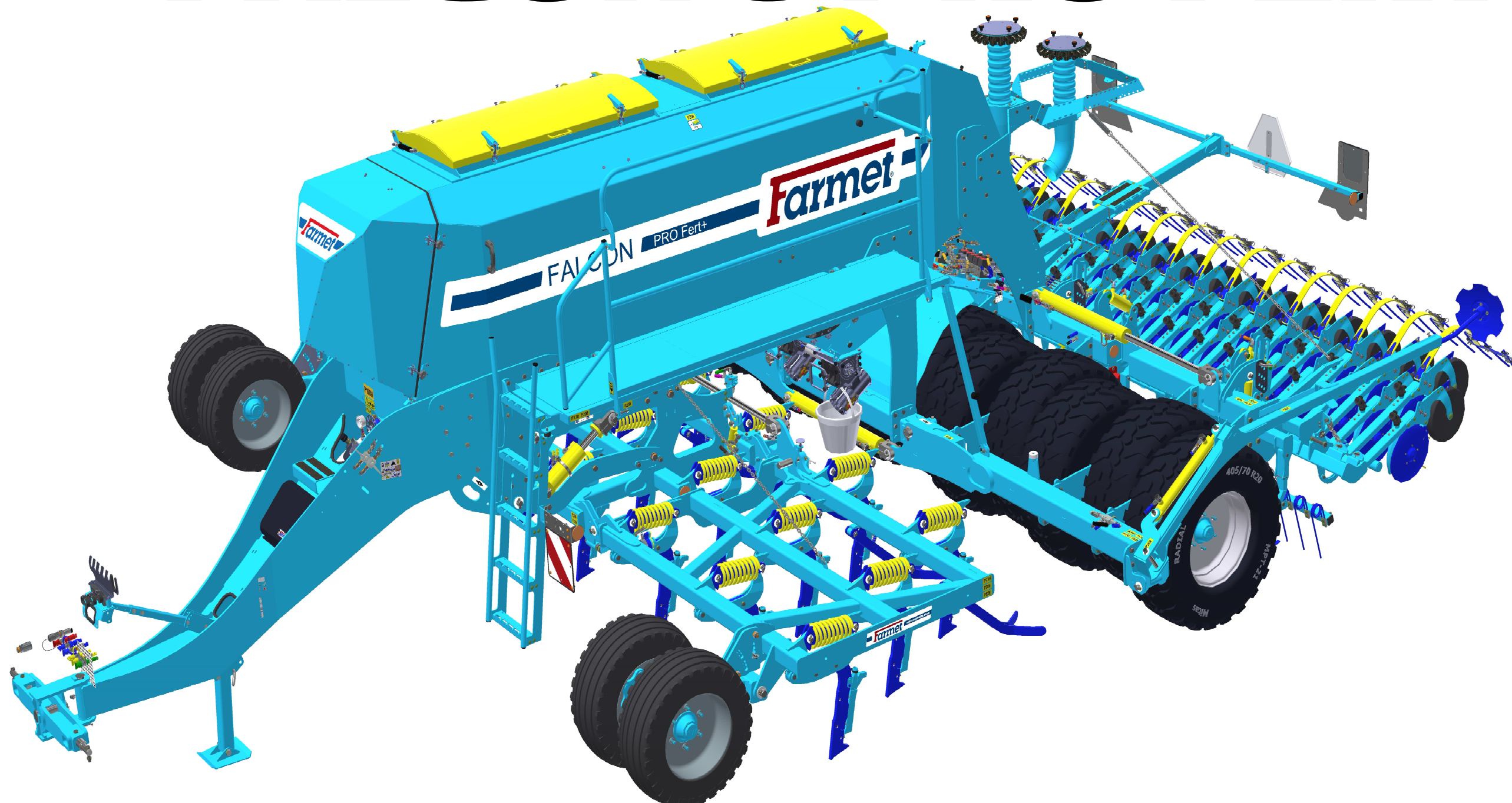


The effective technology and complex services

Farmet

ⒸZ KATALOG NÁHRADNÍCH DÍLŮ ⒸB CATALOGUE OF SPARE PARTS ⒸD ERSATZTEILLISTE
ⒸRU КАТАЛОГ ЗАПАСНЫХ ЧАСТЕЙ ⒸF CATALOGUE DES PIÈCES DE RECHANGE ⒸPL KATALOG CZĘŚCI ZAMIENNYCH

FALCON 6 PRO FERT+



ⒸZ Platnost pro vrcholové | výrobní číslo stroje ⒸB Validity for the top | serial number of the machine
ⒸD Gültigkeit für die Haupt- | Herstellungsnummer der Maschine ⒸRU Действительно для главного | заводского номера машины
ⒸF Validité du numéro de référence | de série de la machine ⒸPL Obowiązuje dla numeru głównego | seryjnego maszyny

9317717 | 2023/0770

Farmet a. s.
Jiřinková 276
552 03 Česká Skalice, CZ

phone: +420 491 450 111
GSM: +420 774 715 738

Id. No.: 46504931
Tax Id. No.: CZ46504931

web: www.farmet.eu
e-mail: dzt@farmet.cz

ⒸZ NAVIGACE STROJE

Ⓓ NAVIGATION DER MASCHINE

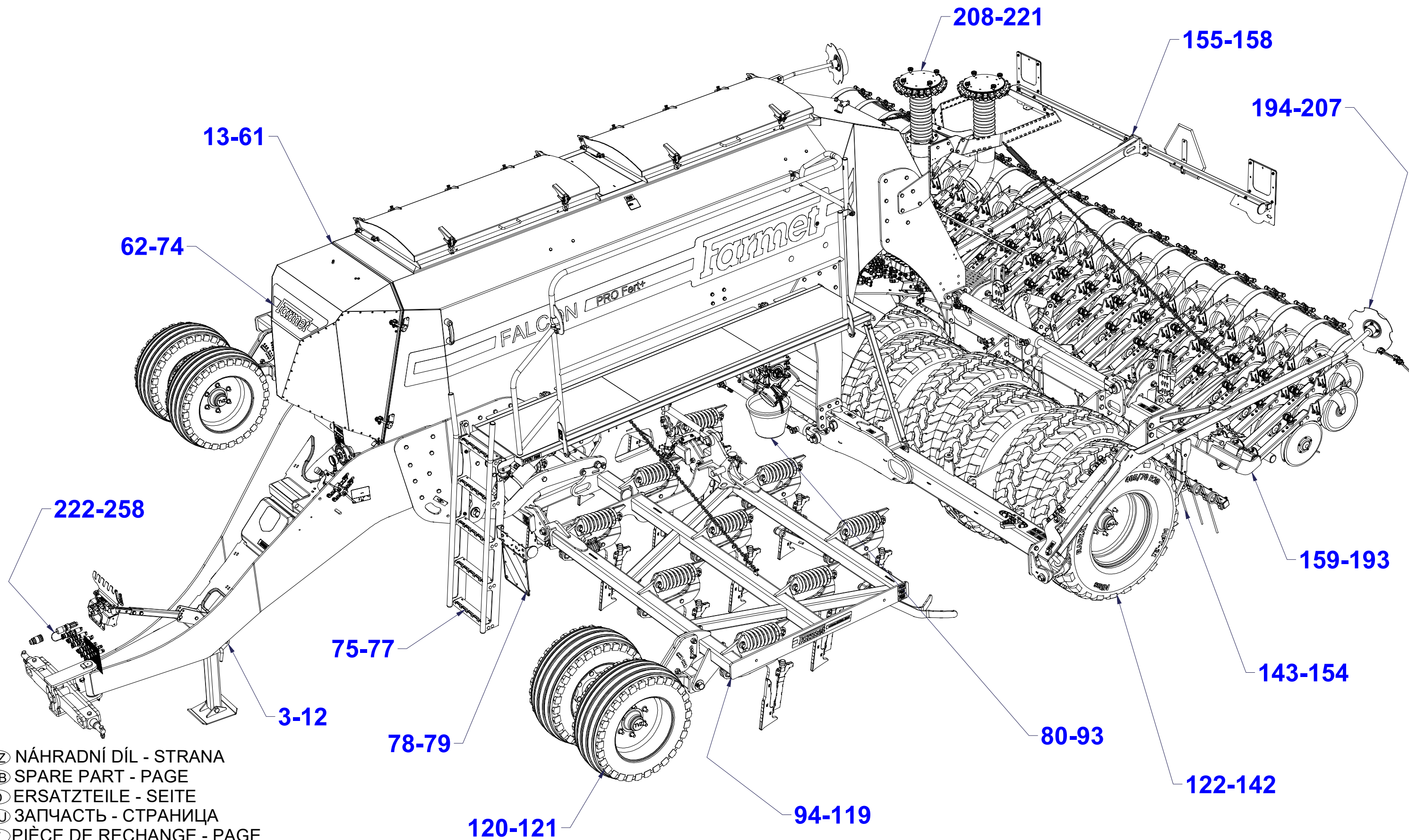
Ⓕ NAVIGATION DE LA MACHINE

ⒸB NAVIGATION OF THE MACHINE

ⒸU НАВИГАЦИЯ МАШИНЫ

ⒸL NAWIGACJA MASZYNY

Farmet



ⒸZ NÁHRADNÍ DÍL - STRANA

ⒸB SPARE PART - PAGE

Ⓓ ERSATZTEILE - SEITE

ⒸU ЗАПЧАСТЬ - СТРАНИЦА

Ⓕ PIÈCE DE RECHANGE - PAGE

ⒸL CZĘŚCI ZAMIENNE - STRONA

Ⓒ OJ MONT

Ⓓ DEICHSEL MONTIERT

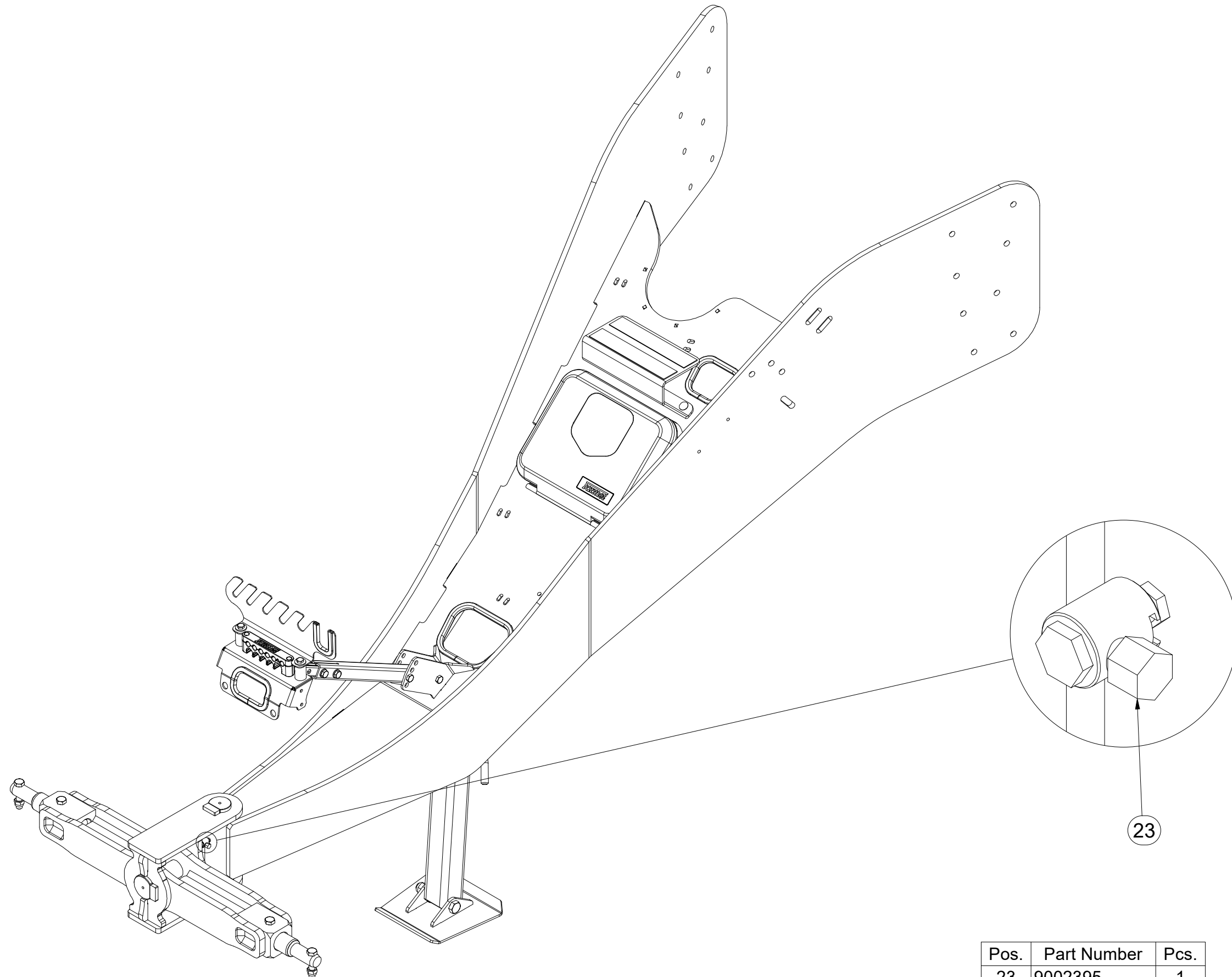
Ⓕ TIMON MONTÉ

VZ00036714

Ⓖ MONT DRAWBAR

Ⓡ ДЫШЛО МОНТ

Ⓢ DYSZEL MONT



| Pos. | Part Number | Pcs. |
|------|-------------|------|
| 23 | 9002395 | 1 |

ⒸZ OJ MONT

Ⓓ DEICHSEL MONTIERT

Ⓕ TIMON MONTÉ

ⒼB MONT DRAWBAR

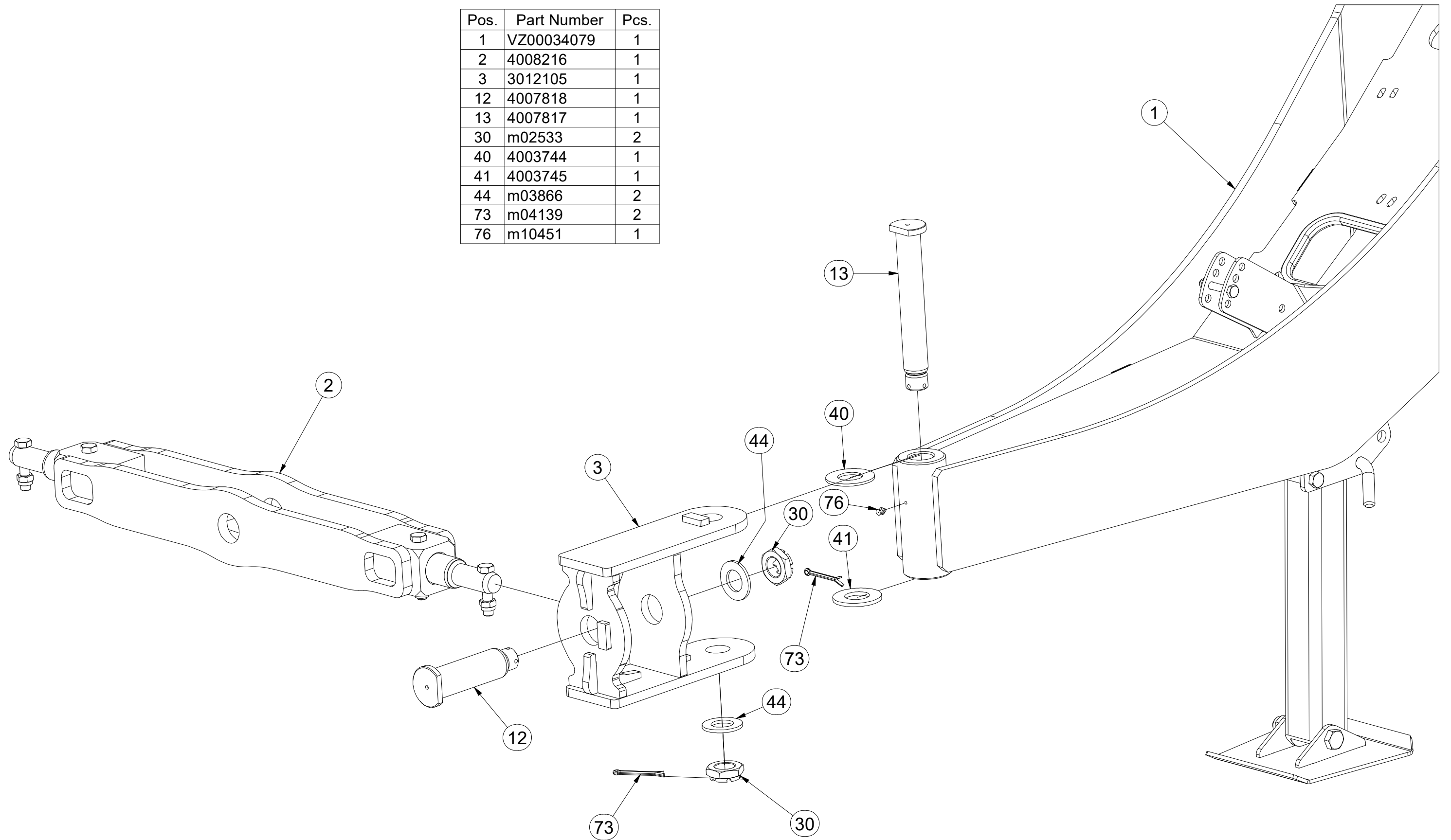
ⒺU ДЫШЛО МОНТ

ⒼL DYSZEL MONT



VZ00036714

| Pos. | Part Number | Pcs. |
|------|-------------|------|
| 1 | VZ00034079 | 1 |
| 2 | 4008216 | 1 |
| 3 | 3012105 | 1 |
| 12 | 4007818 | 1 |
| 13 | 4007817 | 1 |
| 30 | m02533 | 2 |
| 40 | 4003744 | 1 |
| 41 | 4003745 | 1 |
| 44 | m03866 | 2 |
| 73 | m04139 | 2 |
| 76 | m10451 | 1 |



ⒸZ OJ MONT

Ⓓ DEICHSEL MONTIERT

Ⓕ TIMON MONTÉ

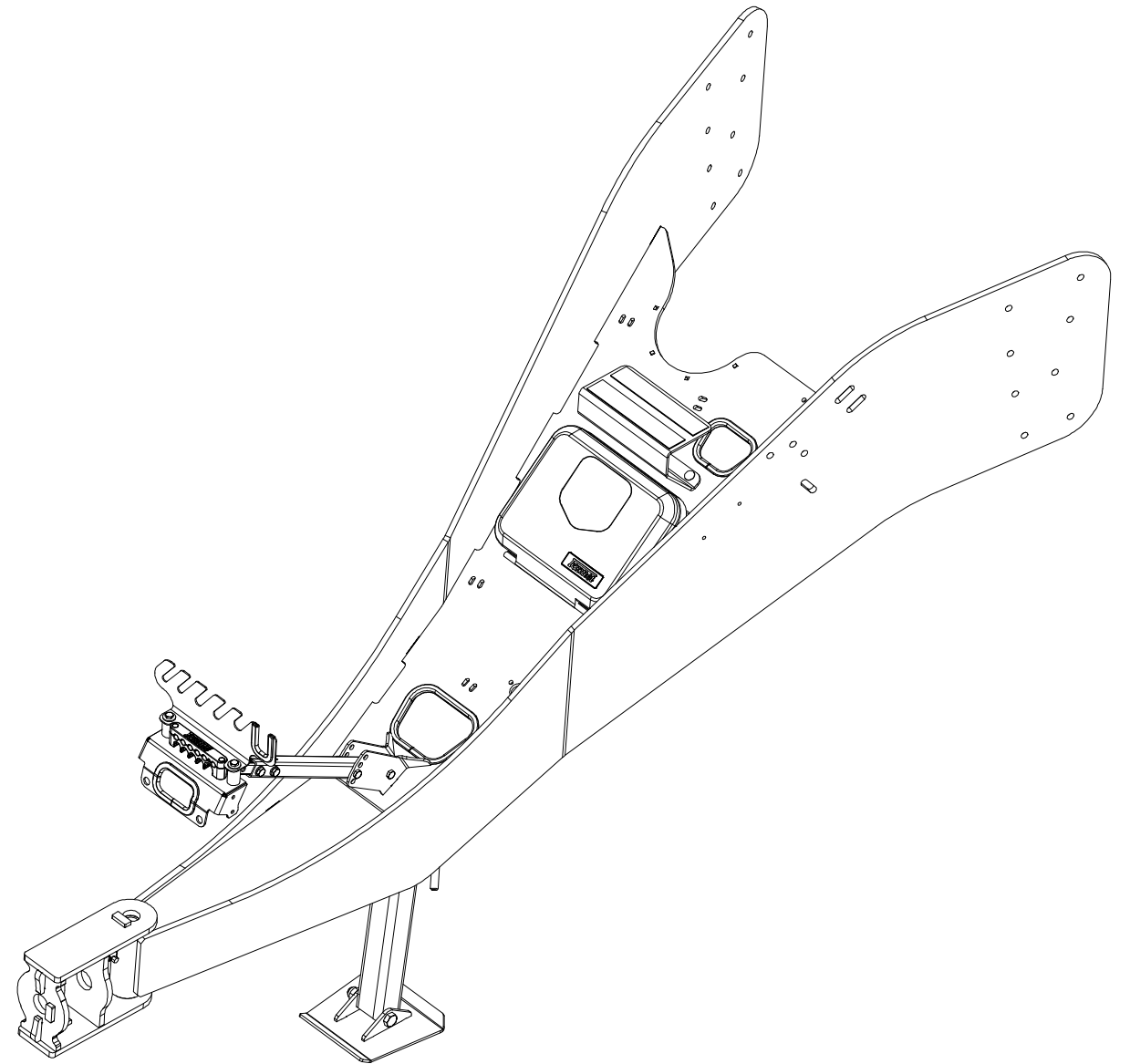
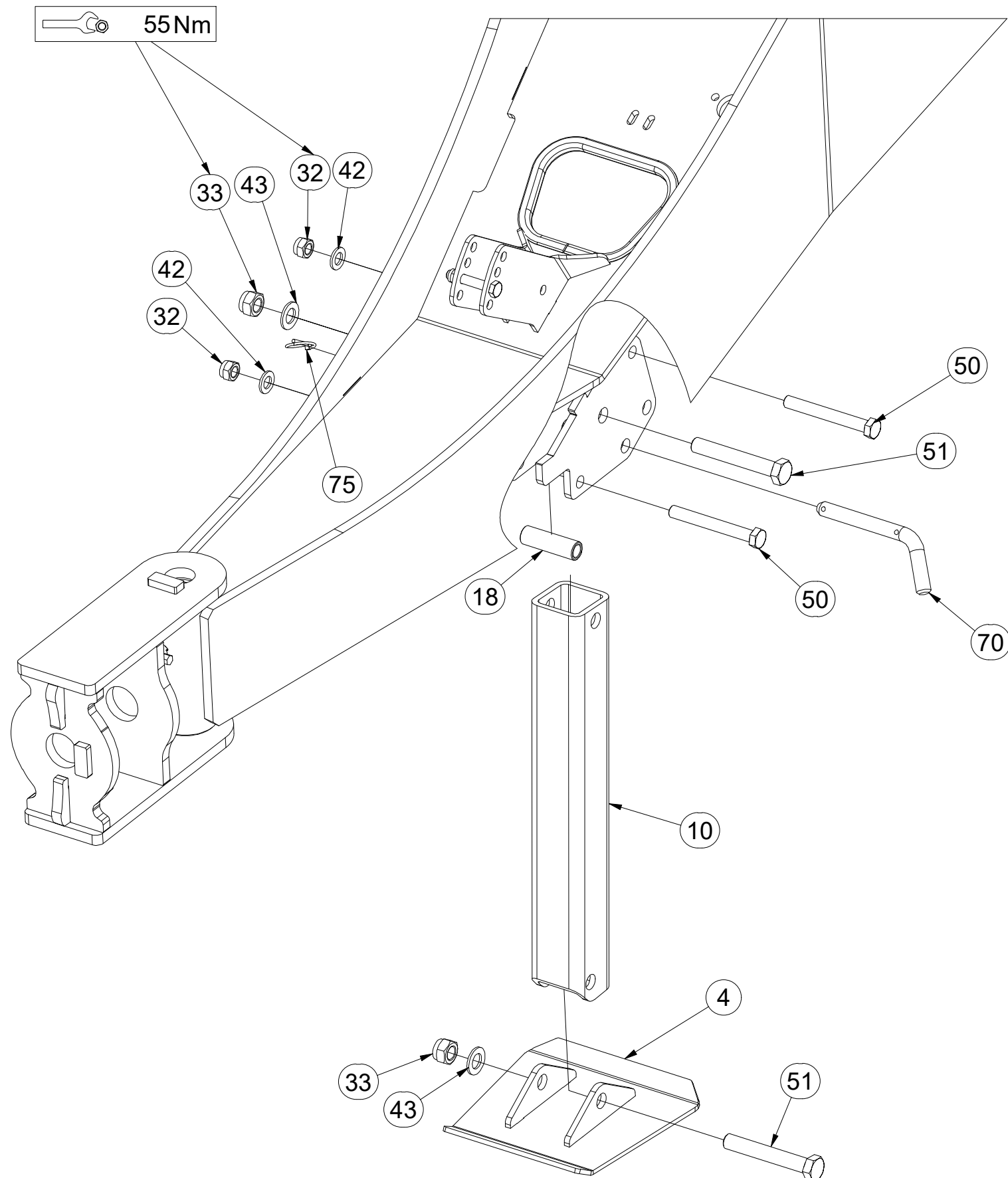
ⒼB MONT DRAWBAR

Ⓔ RU ДЫШЛО МОНТ

ⒼL DYSZEL MONT



VZ00036714



| Pos. | Part Number | Pcs. |
|------|-------------|------|
| 4 | 4007000 | 1 |
| 10 | 4022713 | 1 |
| 18 | 4004007 | 1 |
| 32 | m03683 | 2 |
| 33 | m05648 | 2 |
| 42 | m01219 | 2 |
| 43 | m03768 | 2 |
| 50 | m04404 | 2 |
| 51 | m05465 | 2 |
| 70 | m08386 | 1 |
| 75 | m10454 | 1 |

ⒸZ OJ MONT

Ⓓ DEICHSEL MONTIERT

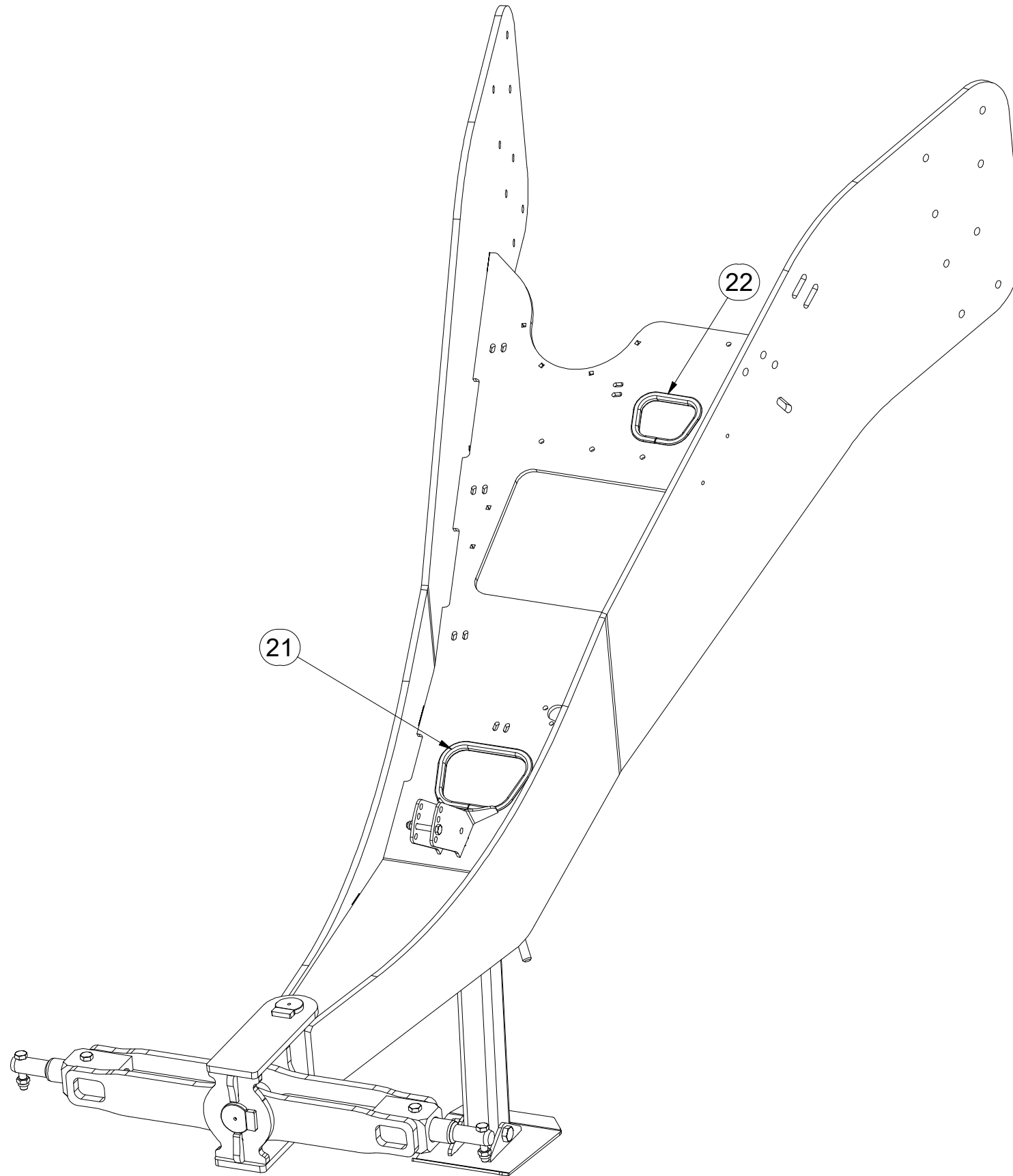
Ⓕ TIMON MONTÉ

VZ00036714

ⒼB MONT DRAWBAR

Ⓔ RU ДЫШЛО МОНТ

Ⓕ PL DYSZEL MONT



| Pos. | Part Number | Pcs. |
|------|-------------|------|
| 21 | VZ00025780 | 1 |
| 22 | VZ00025787 | 1 |

ⒸZ OJ MONT

Ⓓ DEICHSEL MONTIERT

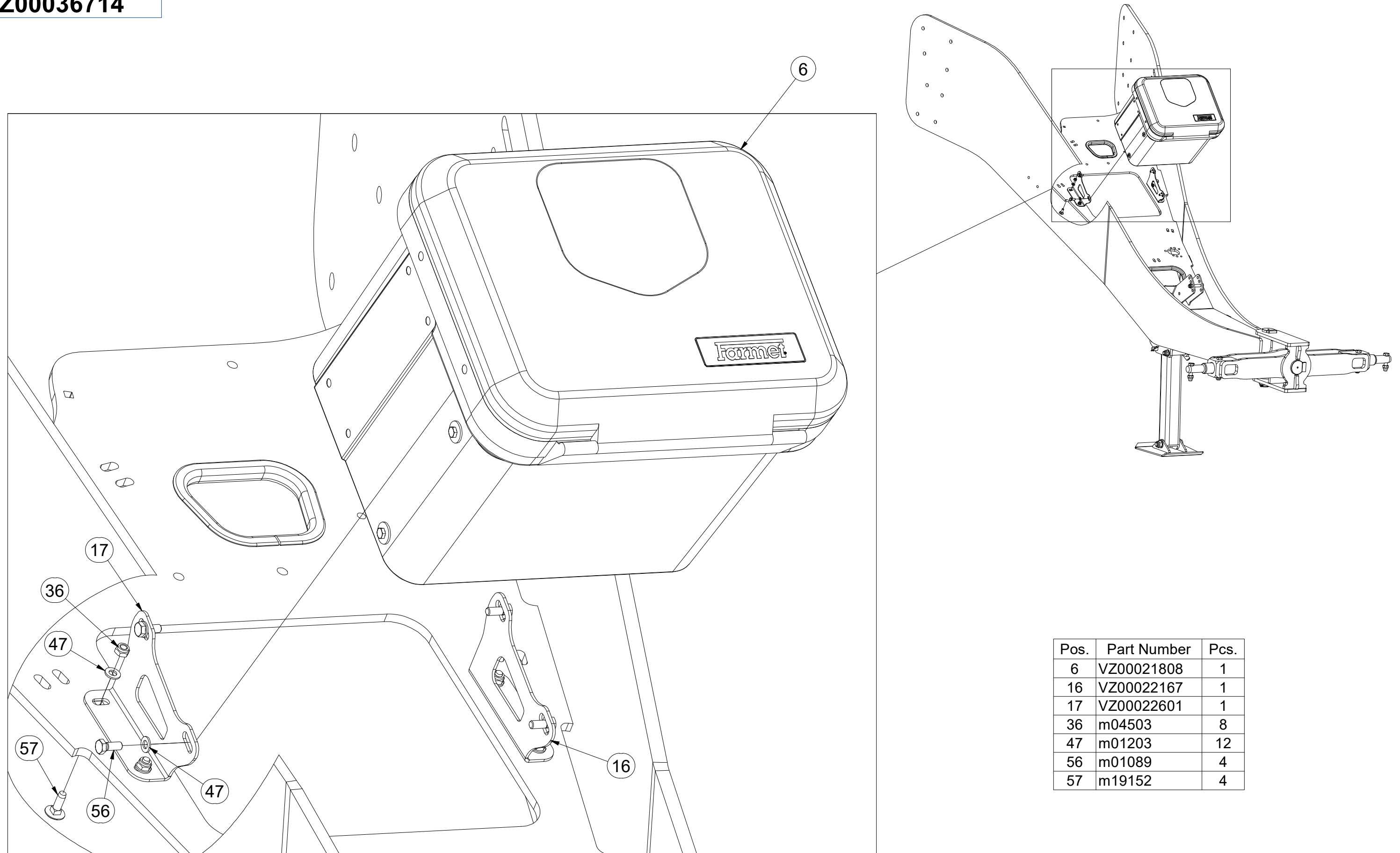
Ⓕ TIMON MONTÉ

VZ00036714

ⒼB MONT DRAWBAR

ⒺU ДЫШЛО МОНТ

ⒼL DYSZEL MONT



| Pos. | Part Number | Pcs. |
|------|-------------|------|
| 6 | VZ00021808 | 1 |
| 16 | VZ00022167 | 1 |
| 17 | VZ00022601 | 1 |
| 36 | m04503 | 8 |
| 47 | m01203 | 12 |
| 56 | m01089 | 4 |
| 57 | m19152 | 4 |

ⒸZ OJ MONT

Ⓓ DEICHSEL MONTIERT

Ⓕ TIMON MONTÉ

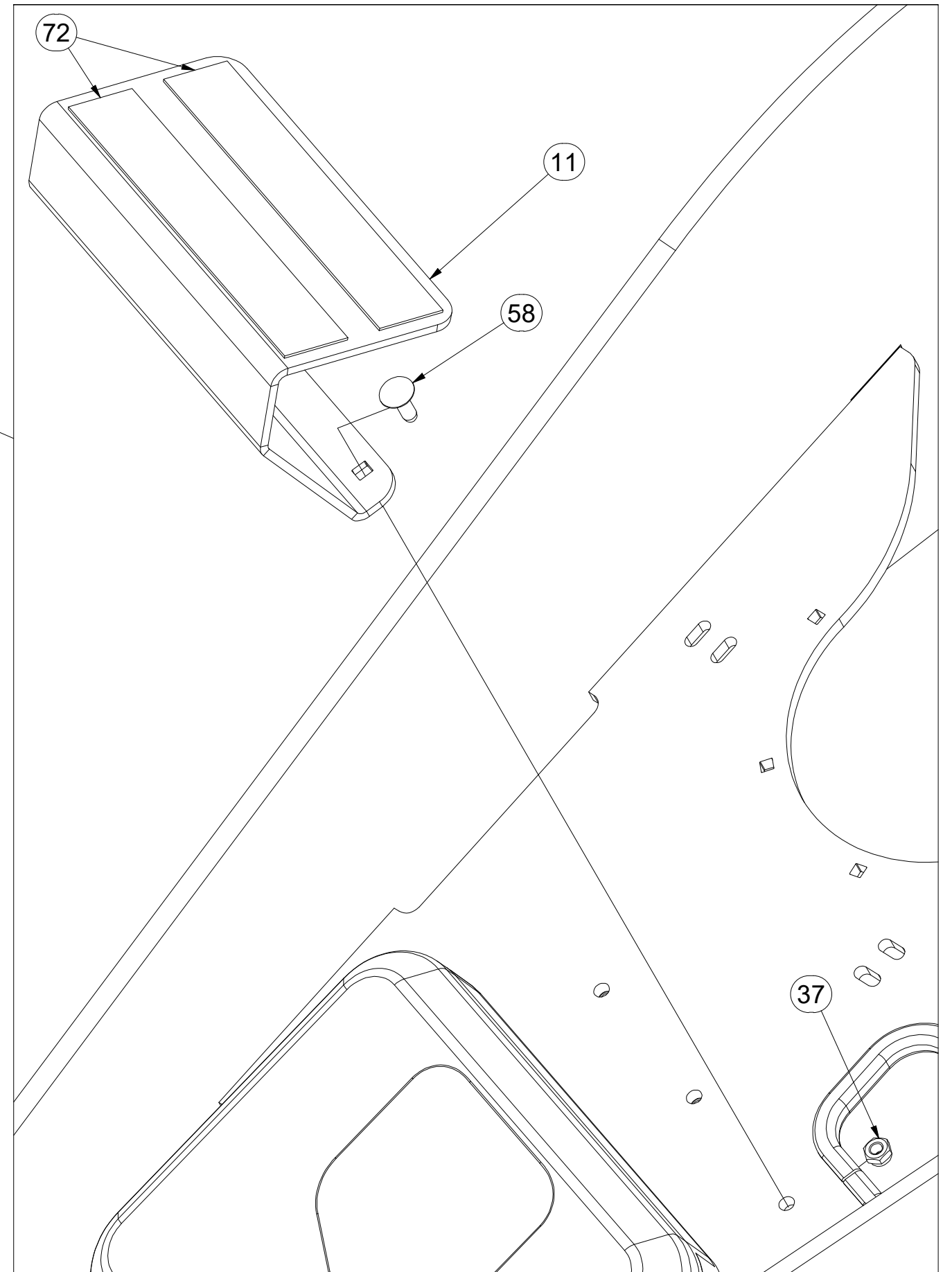
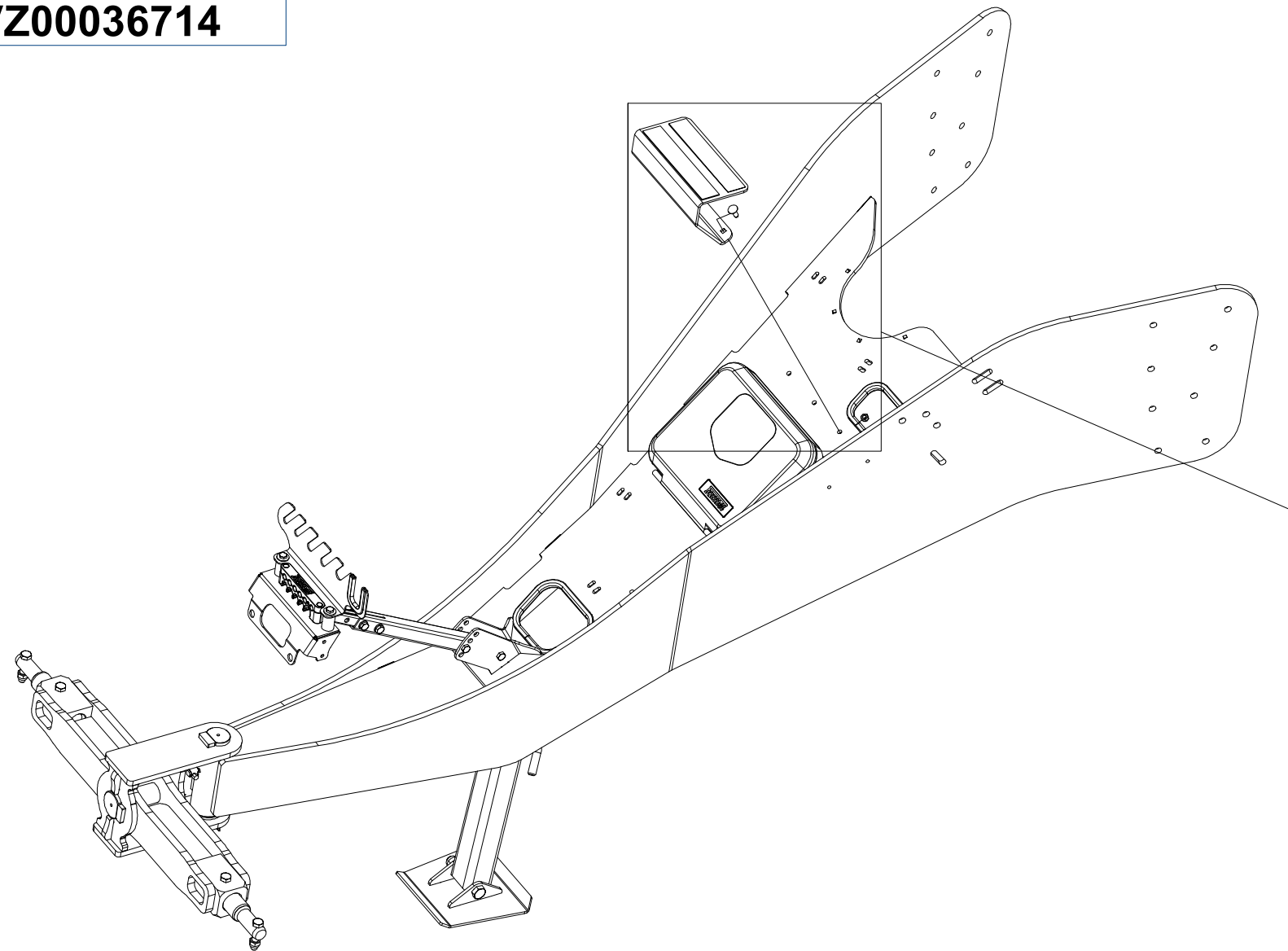
VZ00036714

ⒼB MONT DRAWBAR

ⒺU ДЫШЛО МОНТ

ⒻL DYSZEL MONT

Farmet



| Pos. | Part Number | Pcs. |
|------|-------------|------|
| 11 | VZ00022801 | 1 |
| 37 | m03775 | 3 |
| 58 | m19153 | 3 |
| 72 | m11147 | 2 |

ⒸZ OJ MONT

Ⓓ DEICHSEL MONTIERT

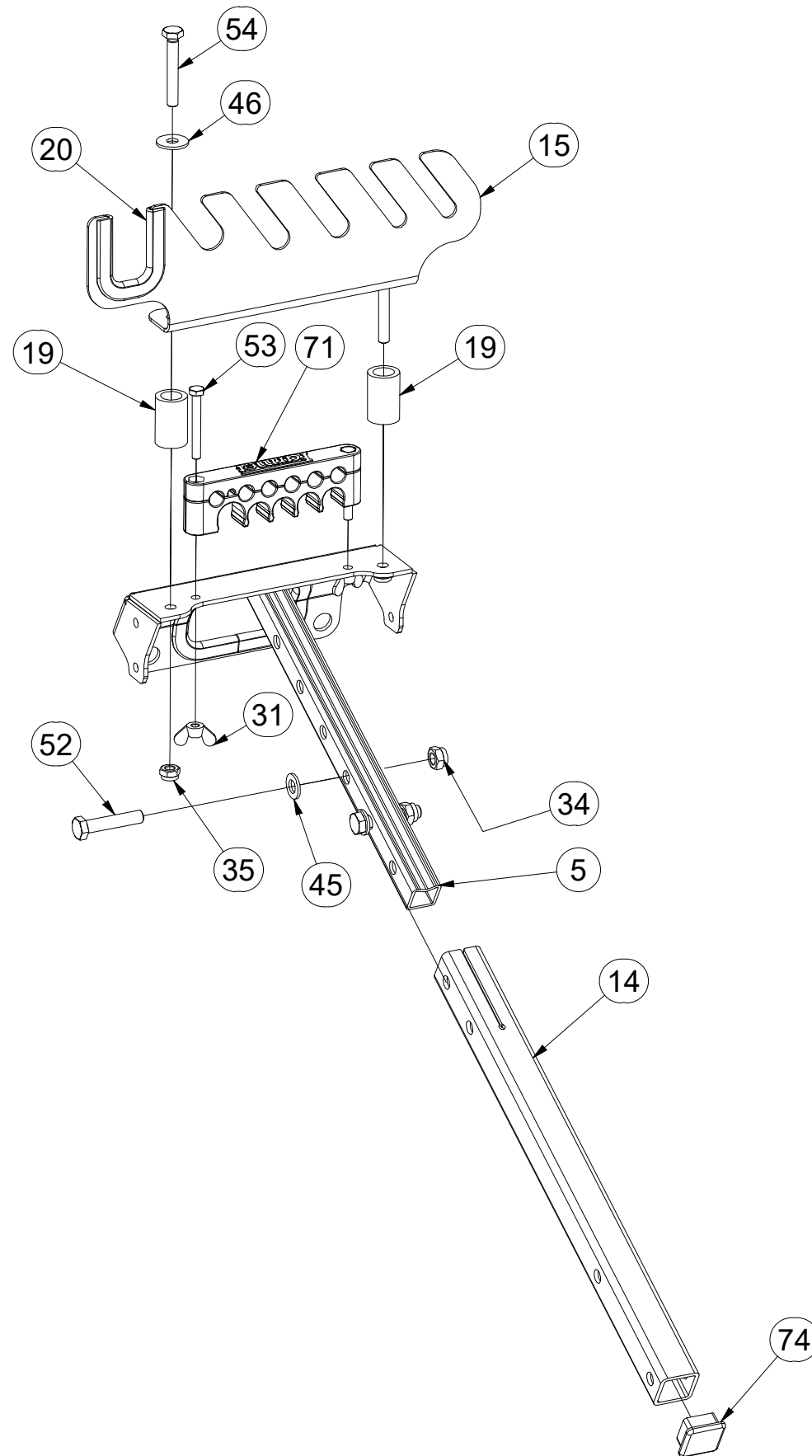
Ⓕ TIMON MONTÉ

VZ00036714

ⒼB MONT DRAWBAR

ⒺU ДЫШЛО МОНТ

ⒼL DYSZEL MONT



| Pos. | Part Number | Pcs. |
|------|-------------|------|
| 5 | VZ00012386 | 1 |
| 14 | 4023719 | 1 |
| 15 | VZ00010942 | 1 |
| 19 | VZ00010943 | 2 |
| 20 | VZ00010979 | 1 |
| 31 | m01316 | 2 |
| 34 | m04301 | 4 |
| 35 | m13617 | 2 |
| 45 | m01214 | 2 |
| 46 | m14035 | 2 |
| 52 | m01131 | 2 |
| 53 | m03931 | 2 |
| 54 | m09319 | 2 |
| 71 | m18857 | 1 |
| 74 | m18847 | 1 |

ⒸZ OJ MONT

Ⓓ DEICHSEL MONTIERT

Ⓕ TIMON MONTÉ

VZ00036714

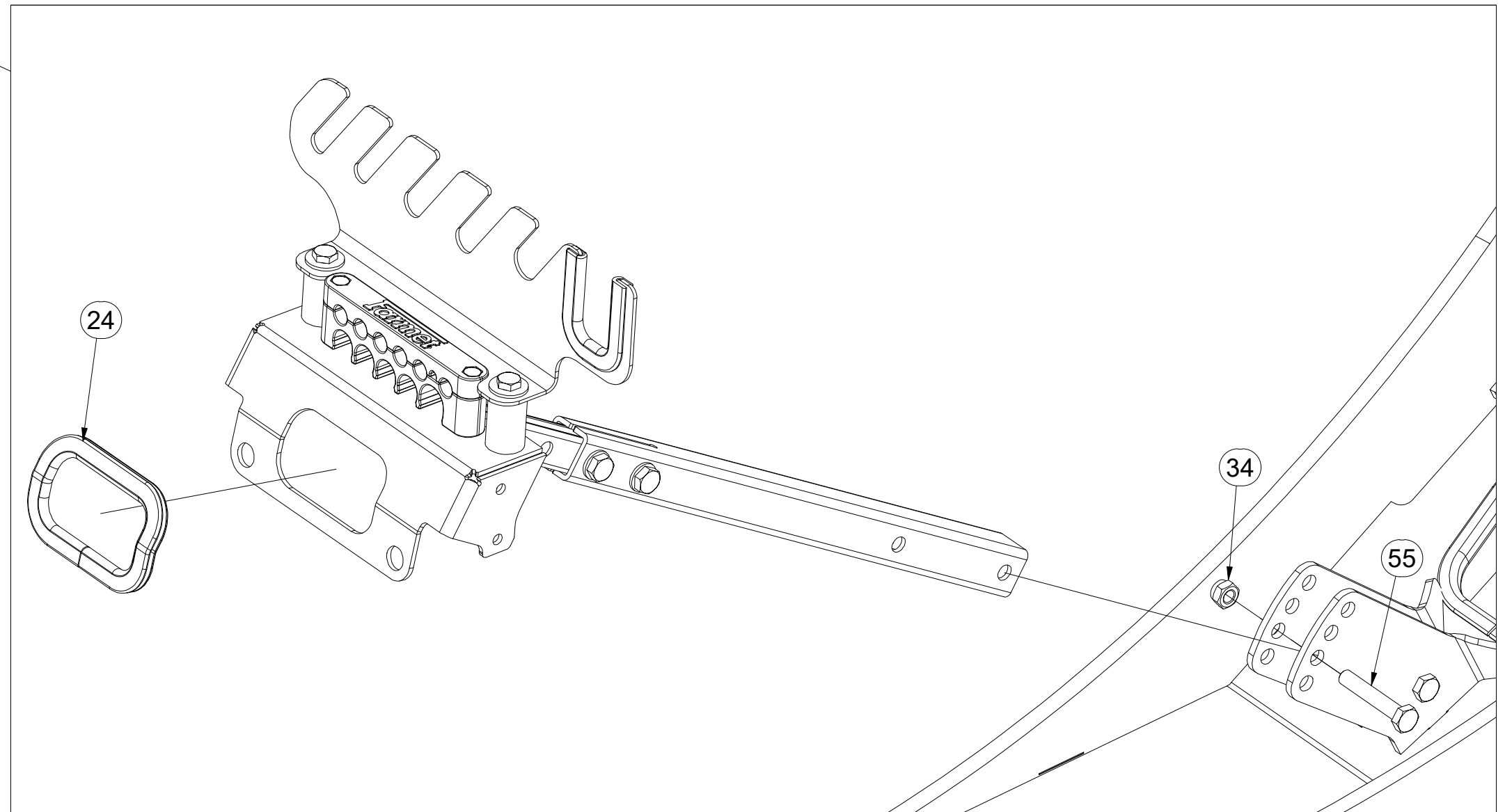
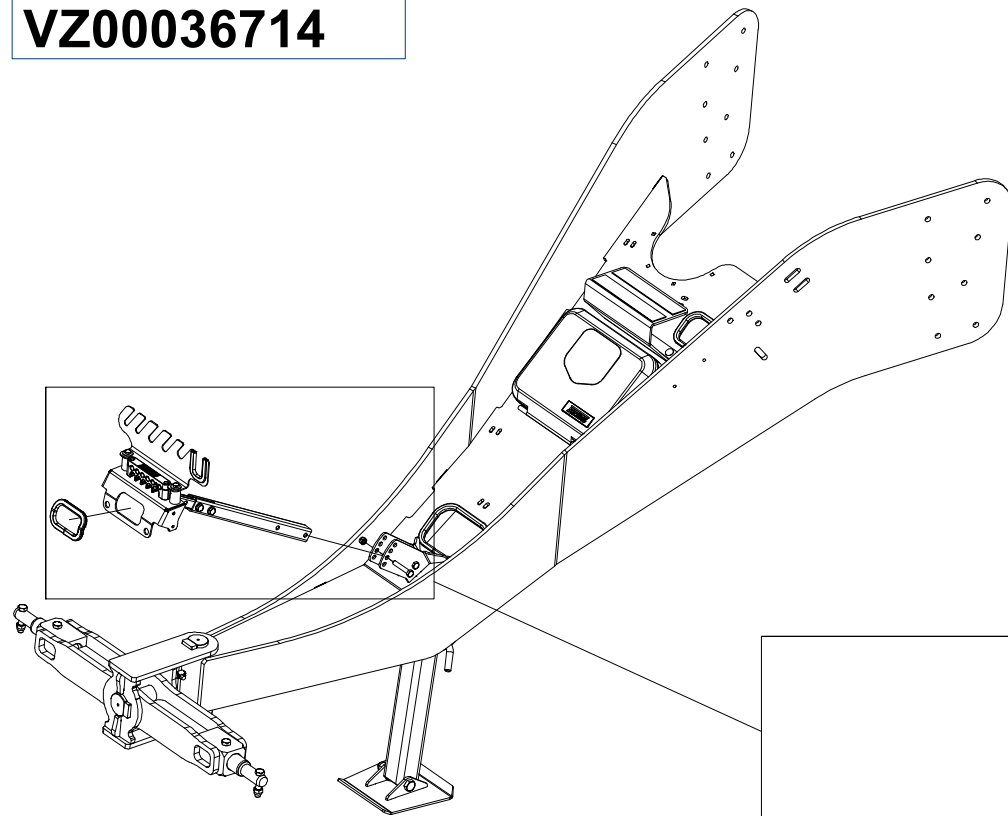
ⒼB MONT DRAWBAR

ⒺU ДЫШЛО МОНТ

ⒼL DYSZEL MONT

Farmet

| Pos. | Part Number | Pcs. |
|------|-------------|------|
| 24 | VZ00038550 | 1 |
| 34 | m04301 | 4 |
| 55 | m14266 | 2 |

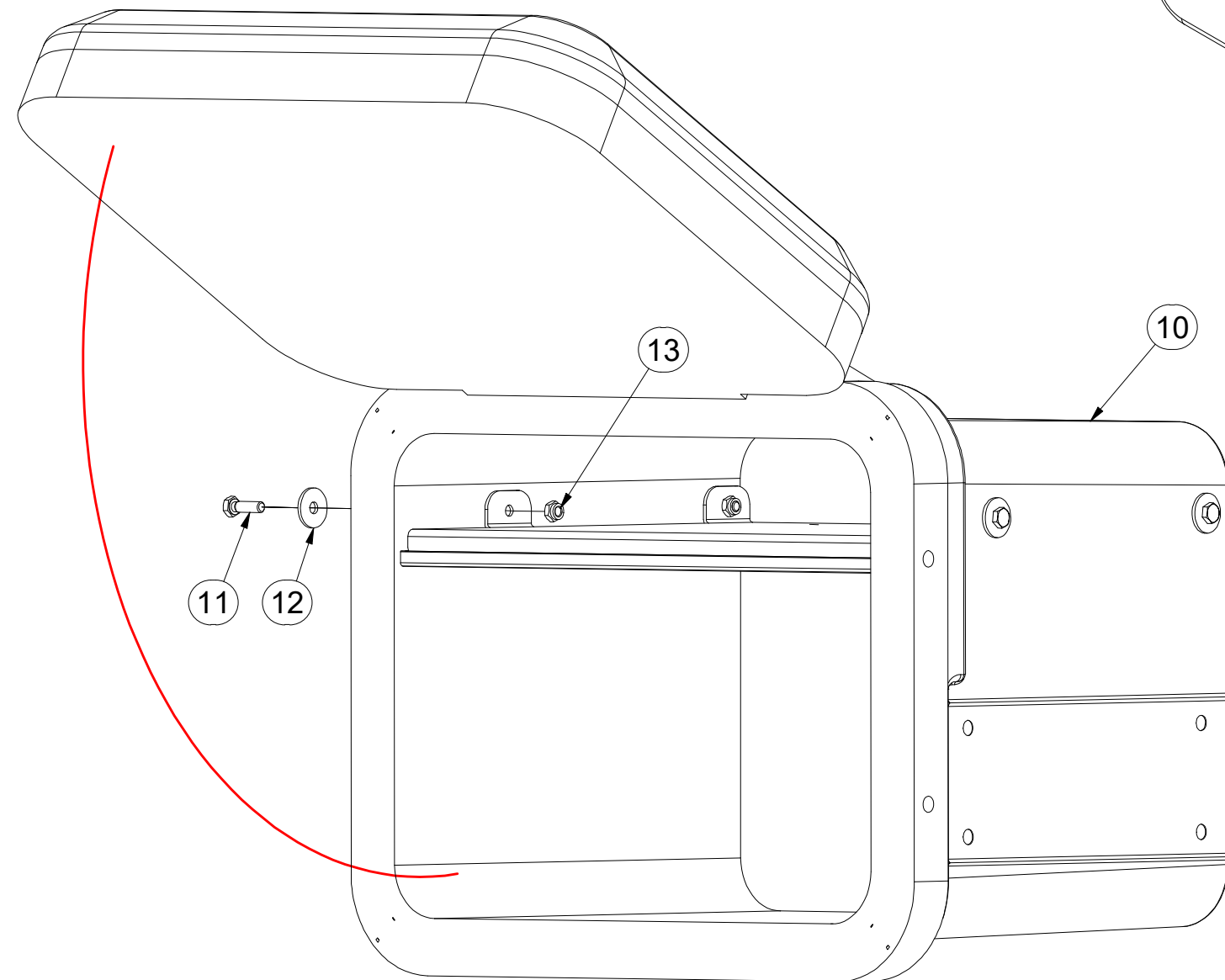
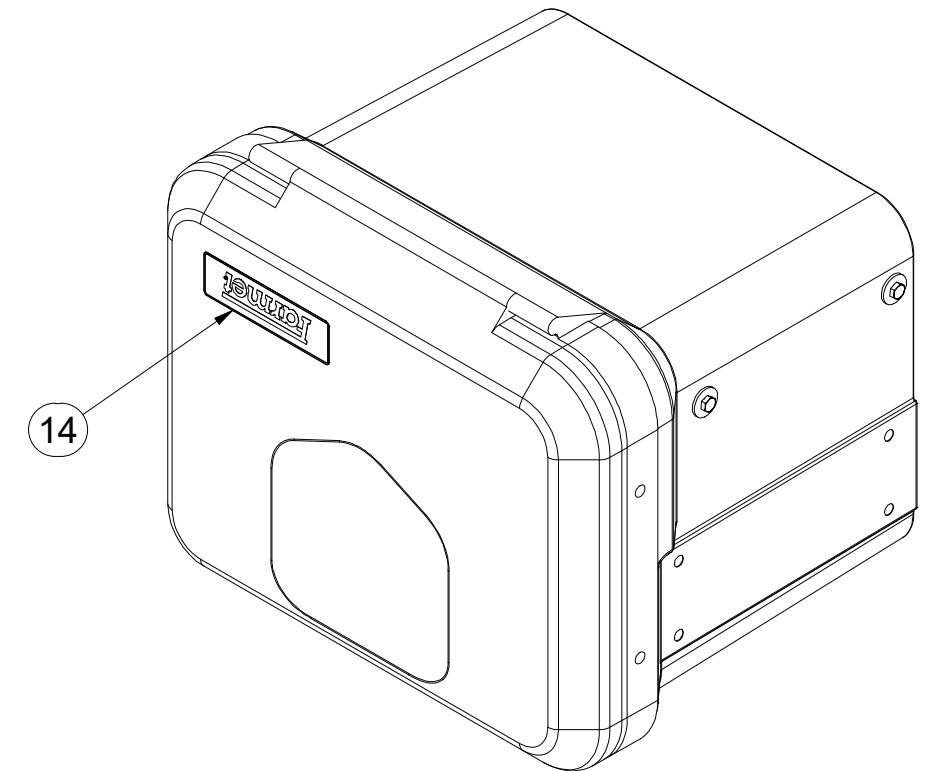
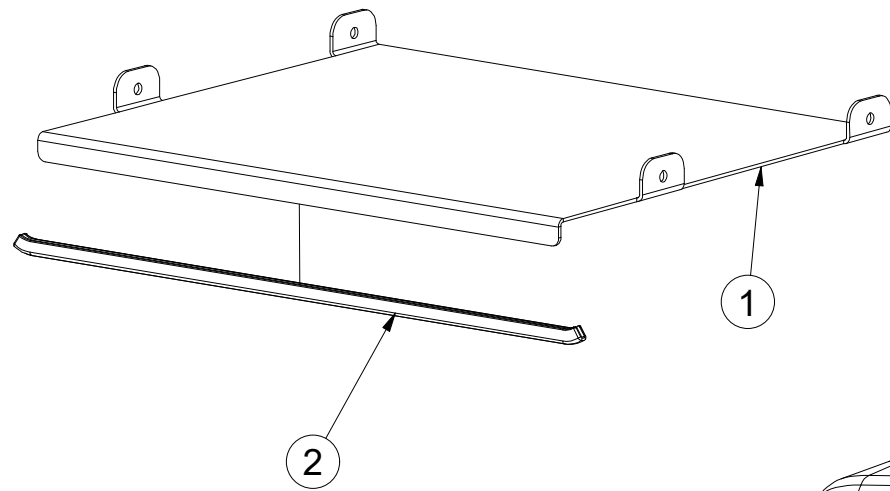


CZ BEDNA NA NÁŘADÍ
 D WERKZEUGKASTEN
 F BOÎTE À OUTILS

GB TOOL BOX
 RU ЯЩИК ДЛЯ ИНСТРУМЕНТОВ
 PL SKRZYŃNIA NA NARZĘDZIE



VZ00021808



| Pos. | Part Number | Pcs. |
|------|-------------|------|
| 1 | VZ00020059 | 1 |
| 2 | VZ00010932 | 1 |
| 10 | m20980 | 1 |
| 11 | m01074 | 4 |
| 12 | m16612 | 4 |
| 13 | m05560 | 4 |
| 14 | m19707 | 1 |

Ⓒ ZÁVĚSNÁ TYČ T3

Ⓓ KÖNIGSSTANGE T3

Ⓕ TIGE DE SUSPENSION T3

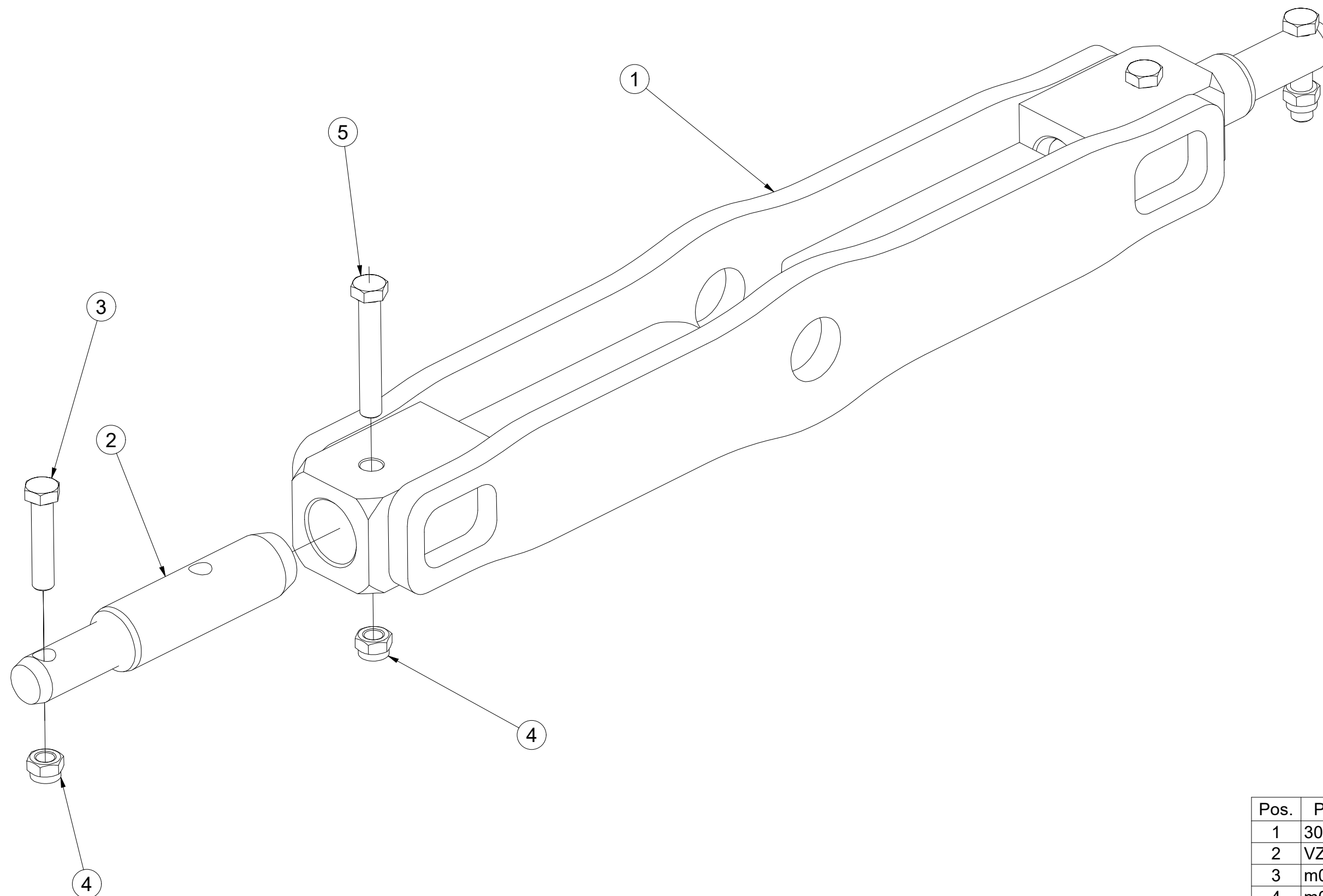
Ⓖ DRAWBAR T3

Ⓡ ПОДВЕСНАЯ ШТАНГА T3

Ⓟ PRĘT ZAWIESZANY T3

Farmet

4008216



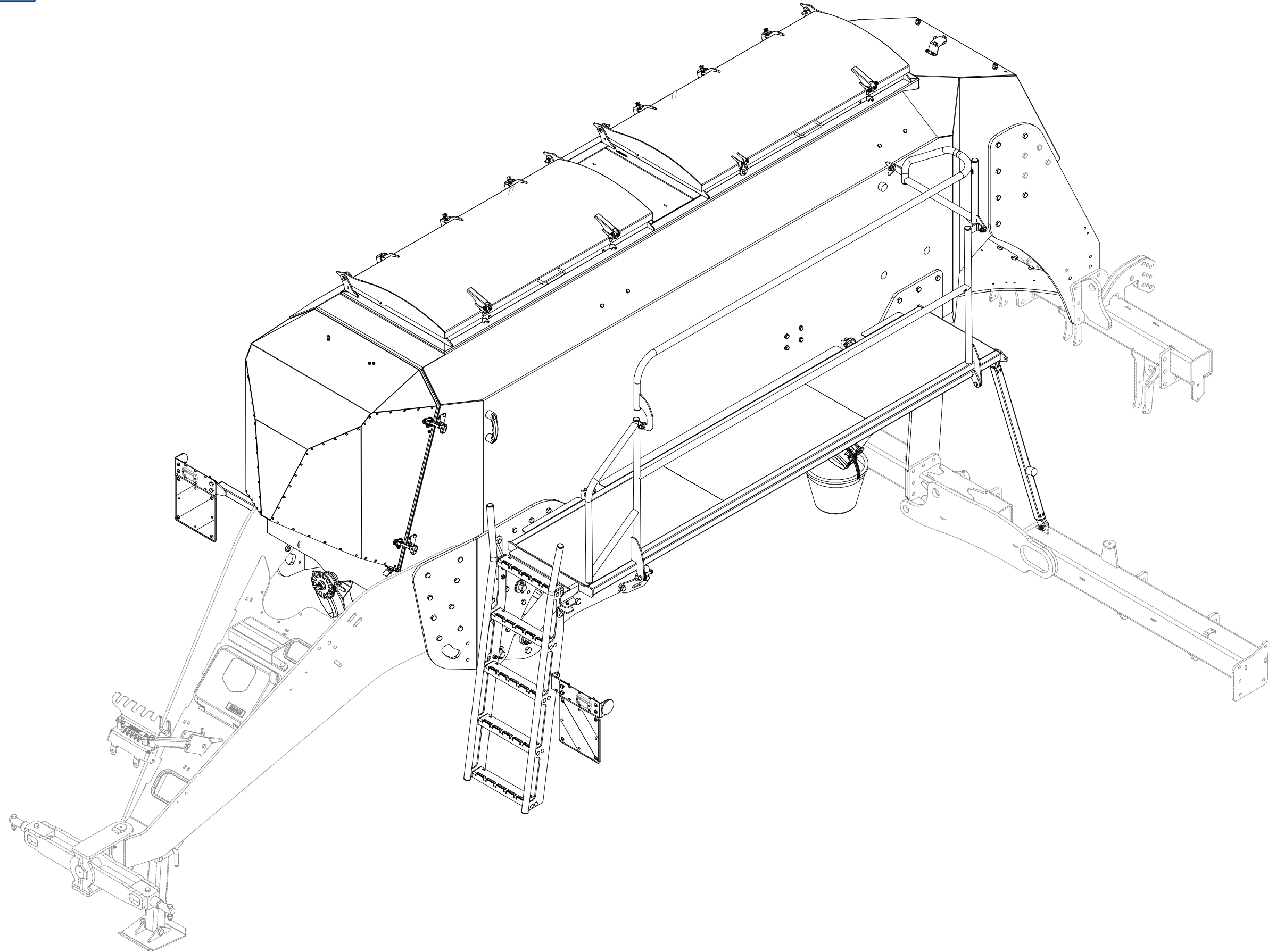
| Pos. | Part Number | Pcs. |
|------|-------------|------|
| 1 | 3004315 | 1 |
| 2 | VZ00022883 | 2 |
| 3 | m01133 | 2 |
| 4 | m03683 | 4 |
| 5 | m05304 | 2 |

Ⓒ NÁŠYPKA
Ⓓ FÜLLTRICHTER
Ⓕ TRÉMIE

Ⓖ HOPPER
Ⓔ БУНКЕР
Ⓗ LEJ

Farmet

VZ00024183

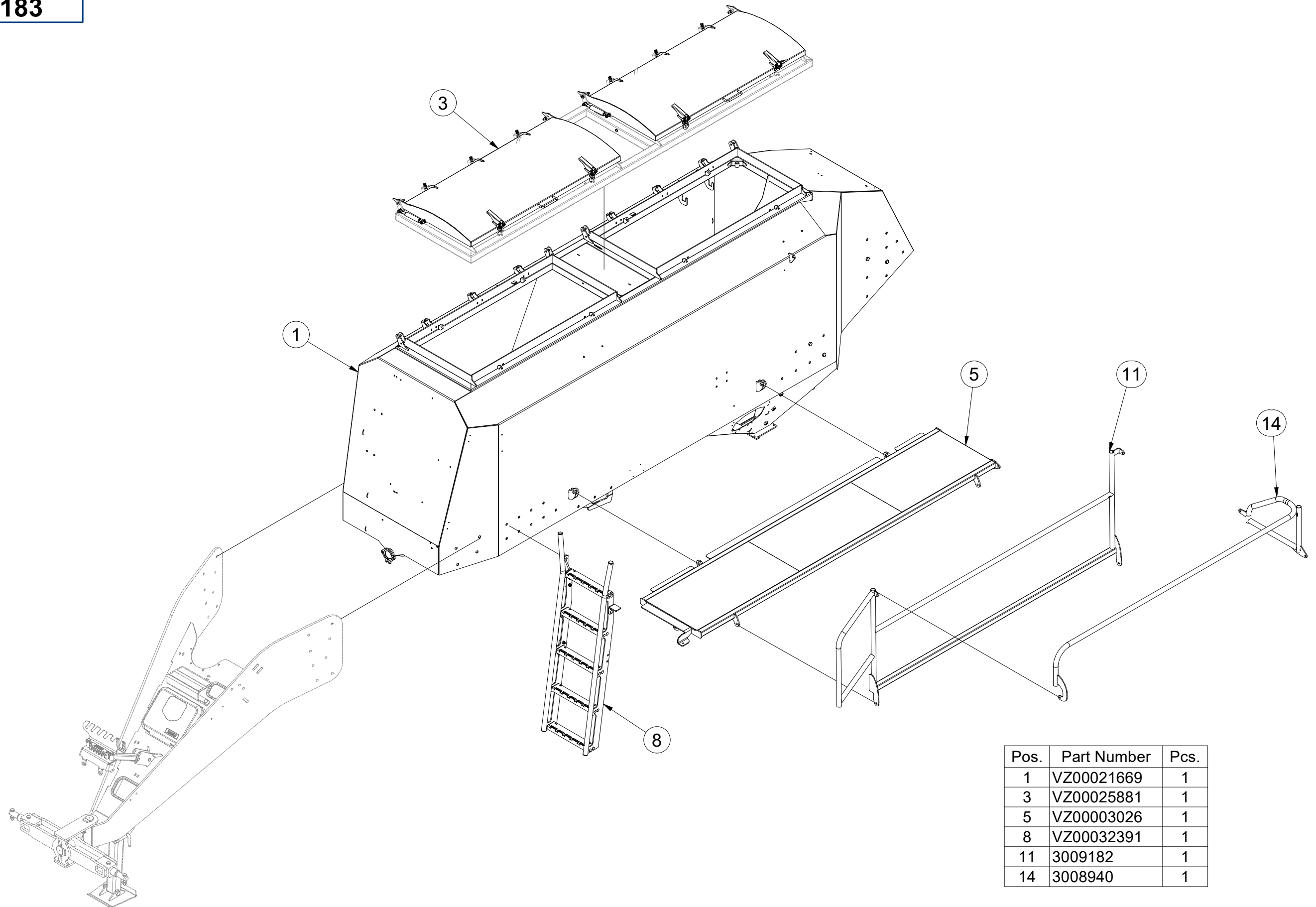


CZ NÁSYPKA
 D FÜLLTRICHTER
 F TRÉMIE

GB HOPPER
 RU БУНКЕР
 PL LEJ



VZ00024183



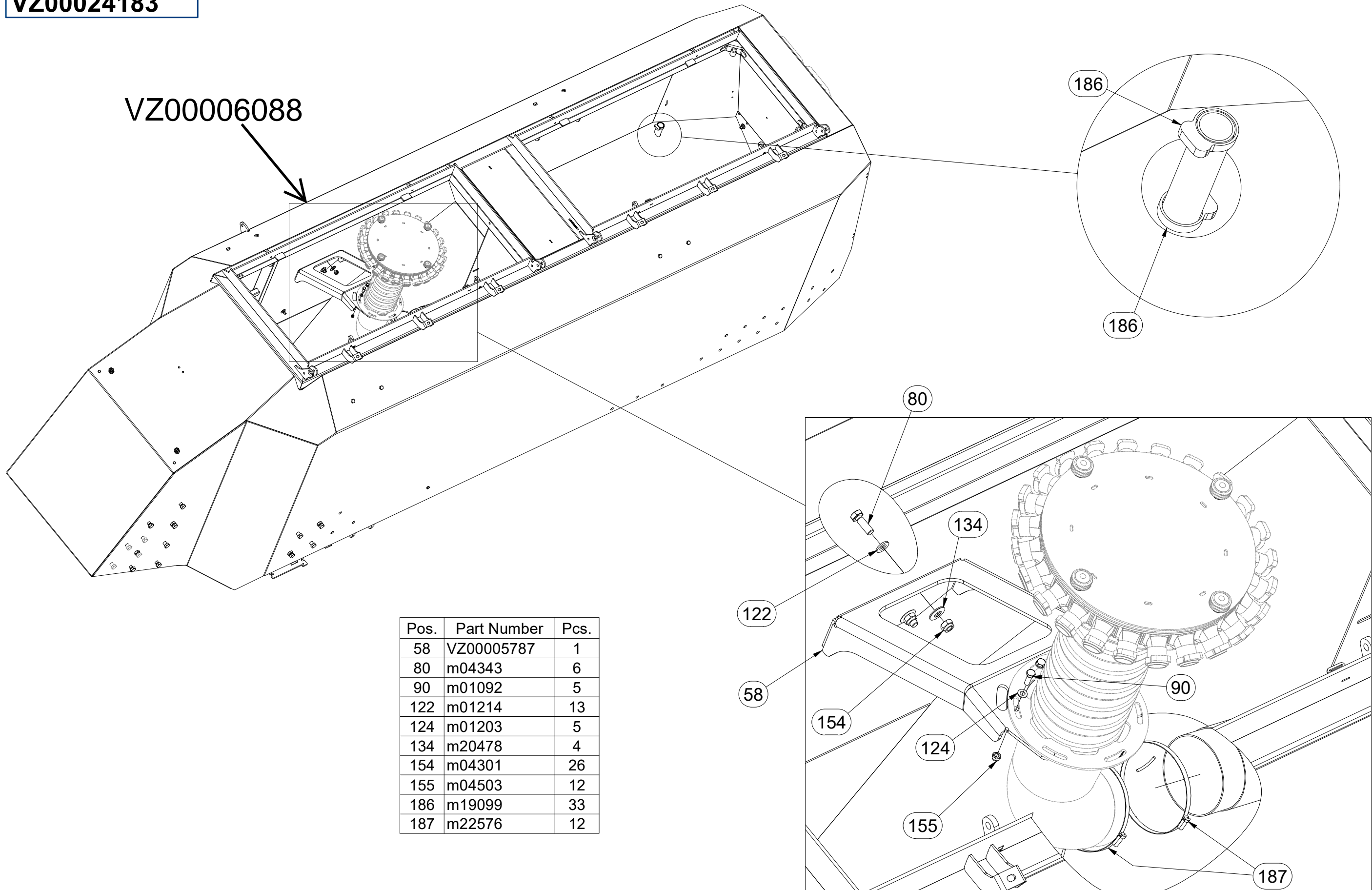
| Pos. | Part Number | Pcs. |
|------|-------------|------|
| 1 | VZ00021669 | 1 |
| 3 | VZ00025881 | 1 |
| 5 | VZ00003026 | 1 |
| 8 | VZ00032391 | 1 |
| 11 | 3009182 | 1 |
| 14 | 3008940 | 1 |

CZ NÁSYPKA
 D FÜLLTRICHTER
 F TRÉMIE

GB HOPPER
 RU БУНКЕР
 PL LEJ



VZ00024183

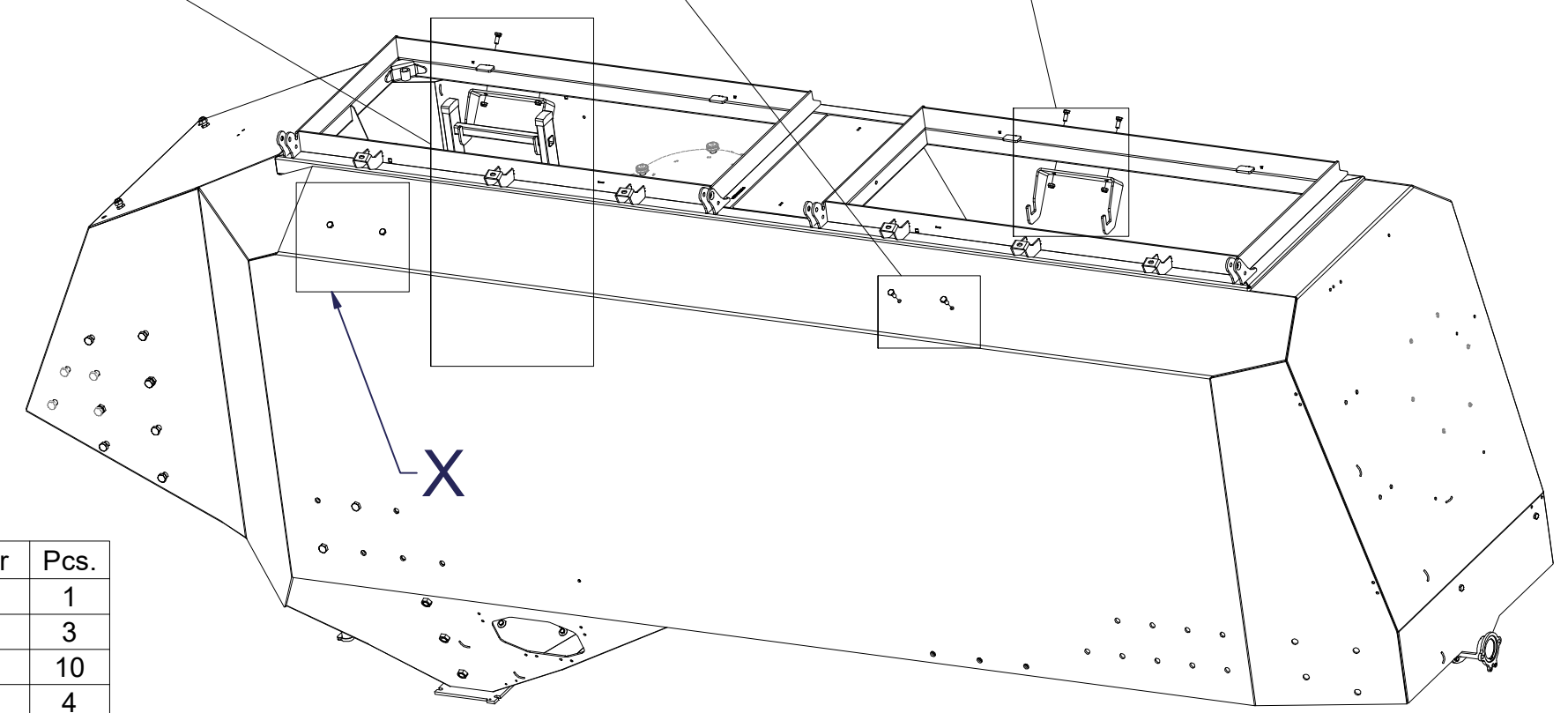
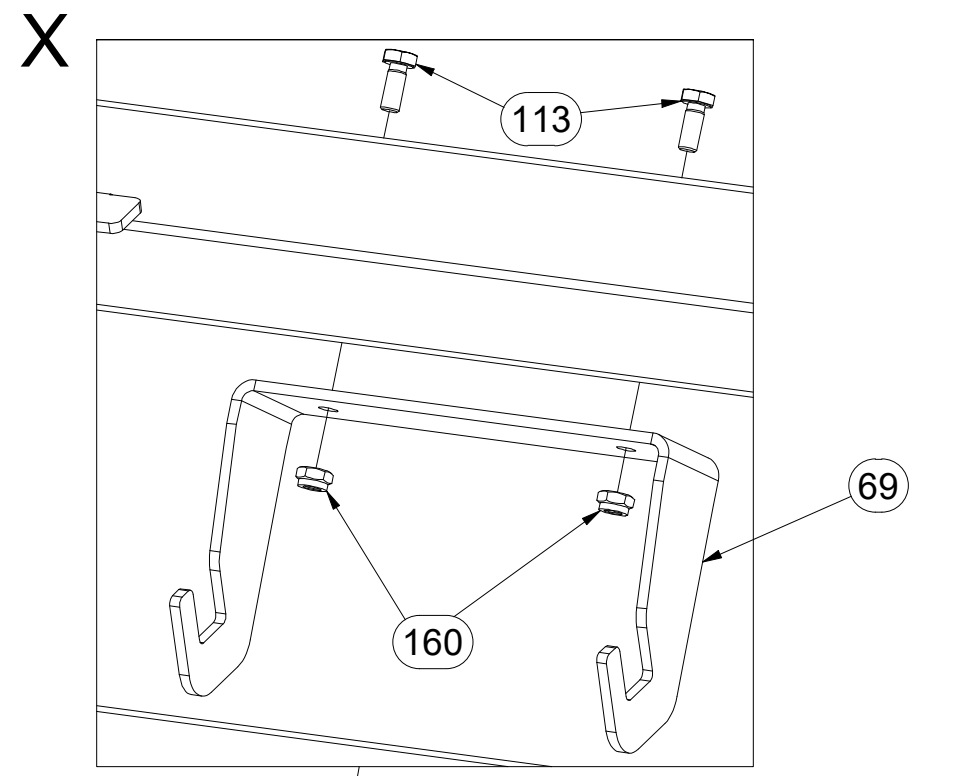
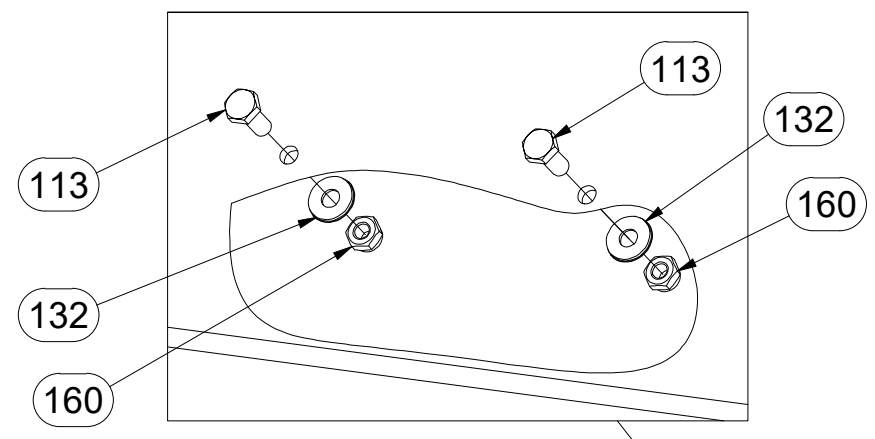
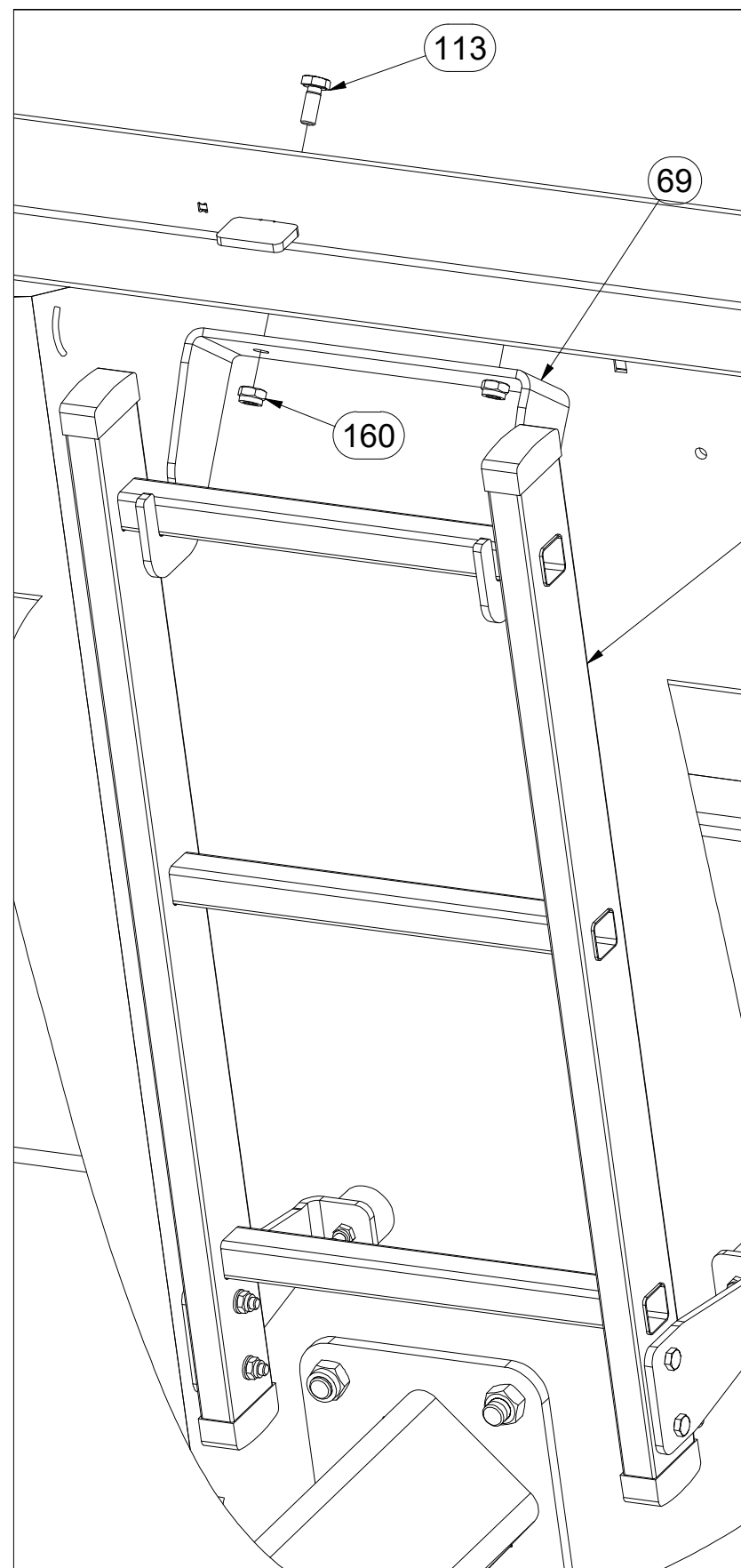


- Ⓒ NÁSYPKA
- Ⓓ FÜLLTRICHTER
- Ⓕ TRÉMIE

- Ⓖ HOPPER
- Ⓡ БУНКЕР
- Ⓟ LEJ



VZ00024183



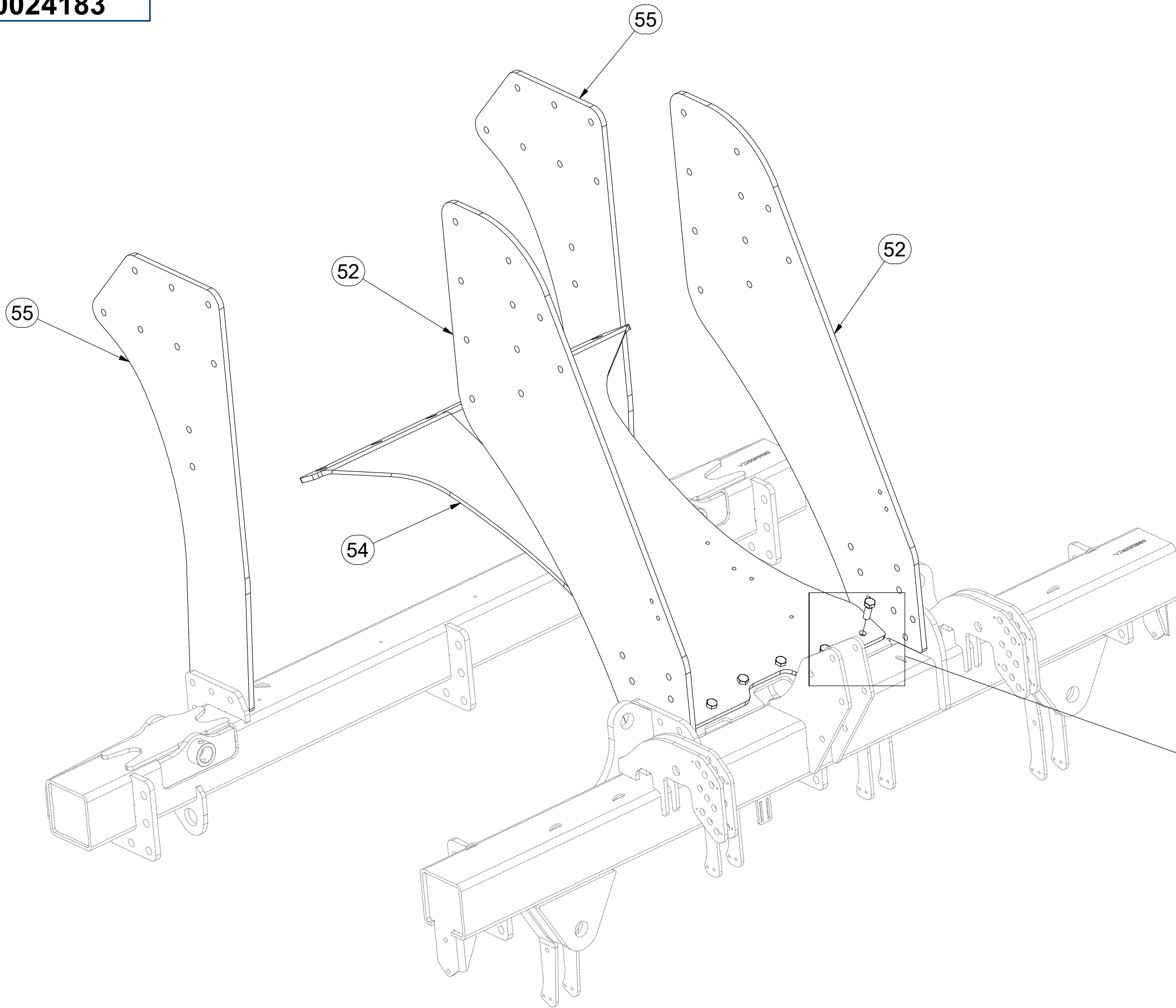
| Pos. | Part Number | Pcs. |
|------|-------------|------|
| 33 | VZ00022606 | 1 |
| 69 | VZ00005403 | 3 |
| 113 | m19695 | 10 |
| 132 | m20312 | 4 |
| 160 | m13617 | 16 |

CZ NÁSYPKA
 D FÜLLTRICHTER
 F TRÉMIE

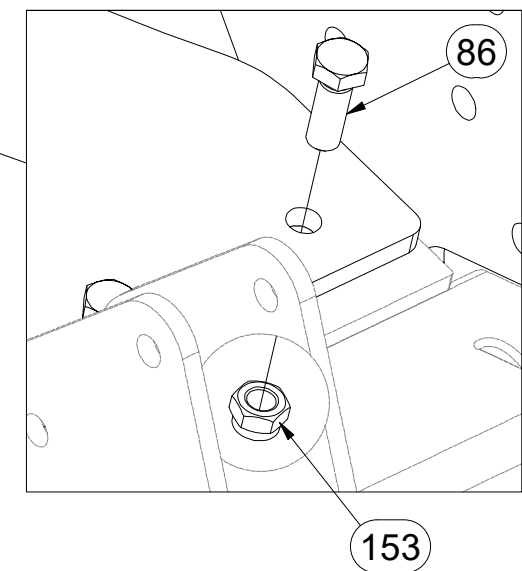
GB HOPPER
 RU БУНКЕР
 PL LEJ



VZ00024183



| Pos. | Part Number | Pcs. |
|------|-------------|------|
| 52 | VZ00001379 | 2 |
| 54 | VZ00001391 | 1 |
| 55 | VZ00001547 | 2 |
| 86 | m02254 | 12 |
| 153 | m03683 | 76 |

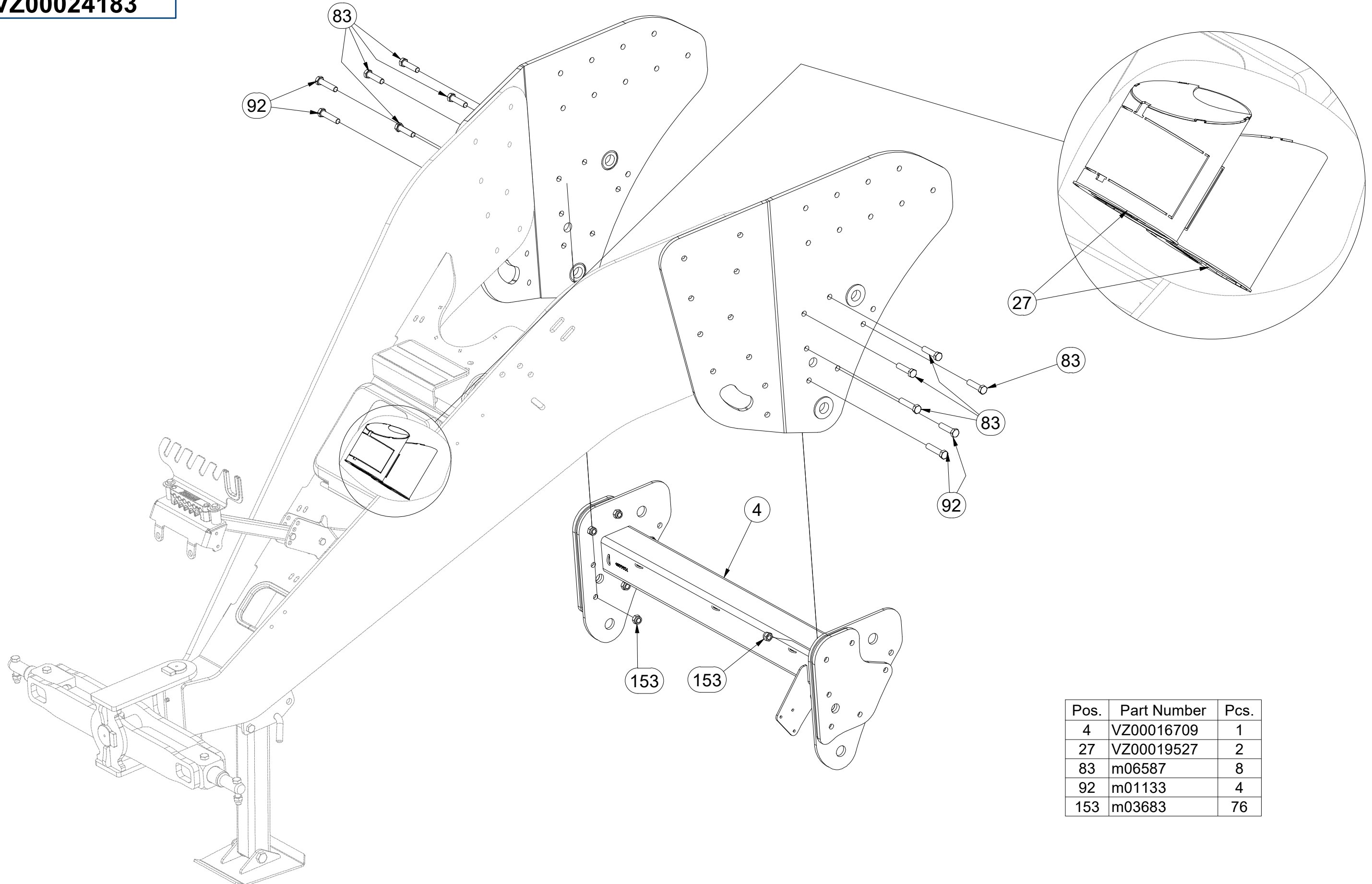


CZ NÁSYPKA
 D FÜLLTRICHTER
 F TRÉMIE

GB HOPPER
 RU БУНКЕР
 PL LEJ



VZ00024183



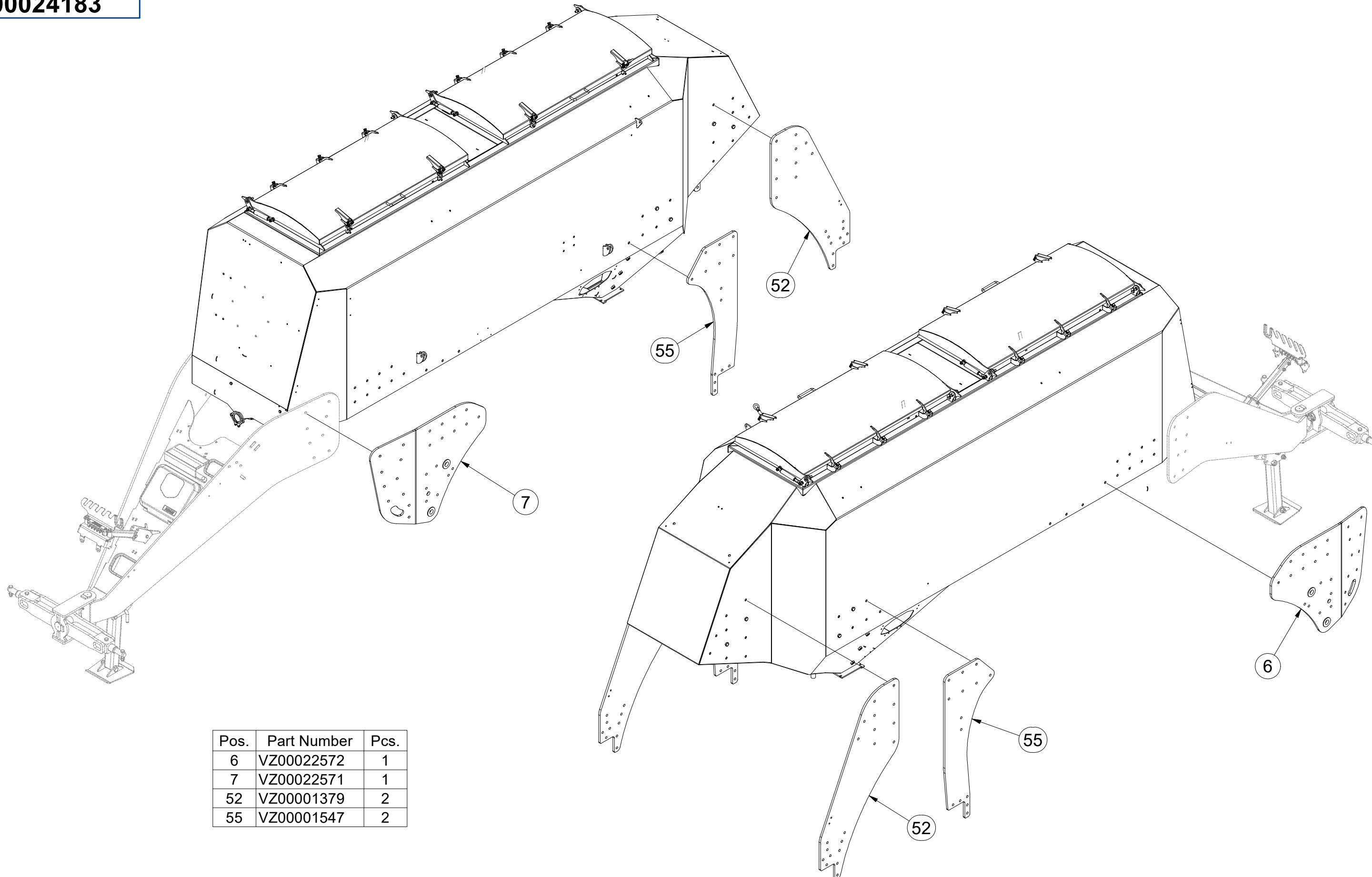
| Pos. | Part Number | Pcs. |
|------|-------------|------|
| 4 | VZ00016709 | 1 |
| 27 | VZ00019527 | 2 |
| 83 | m06587 | 8 |
| 92 | m01133 | 4 |
| 153 | m03683 | 76 |

CZ NÁSYPKA
 D FÜLLTRICHTER
 F TRÉMIE

GB HOPPER
 RU БУНКЕР
 PL LEJ



VZ00024183



| Pos. | Part Number | Pcs. |
|------|-------------|------|
| 6 | VZ00022572 | 1 |
| 7 | VZ00022571 | 1 |
| 52 | VZ00001379 | 2 |
| 55 | VZ00001547 | 2 |

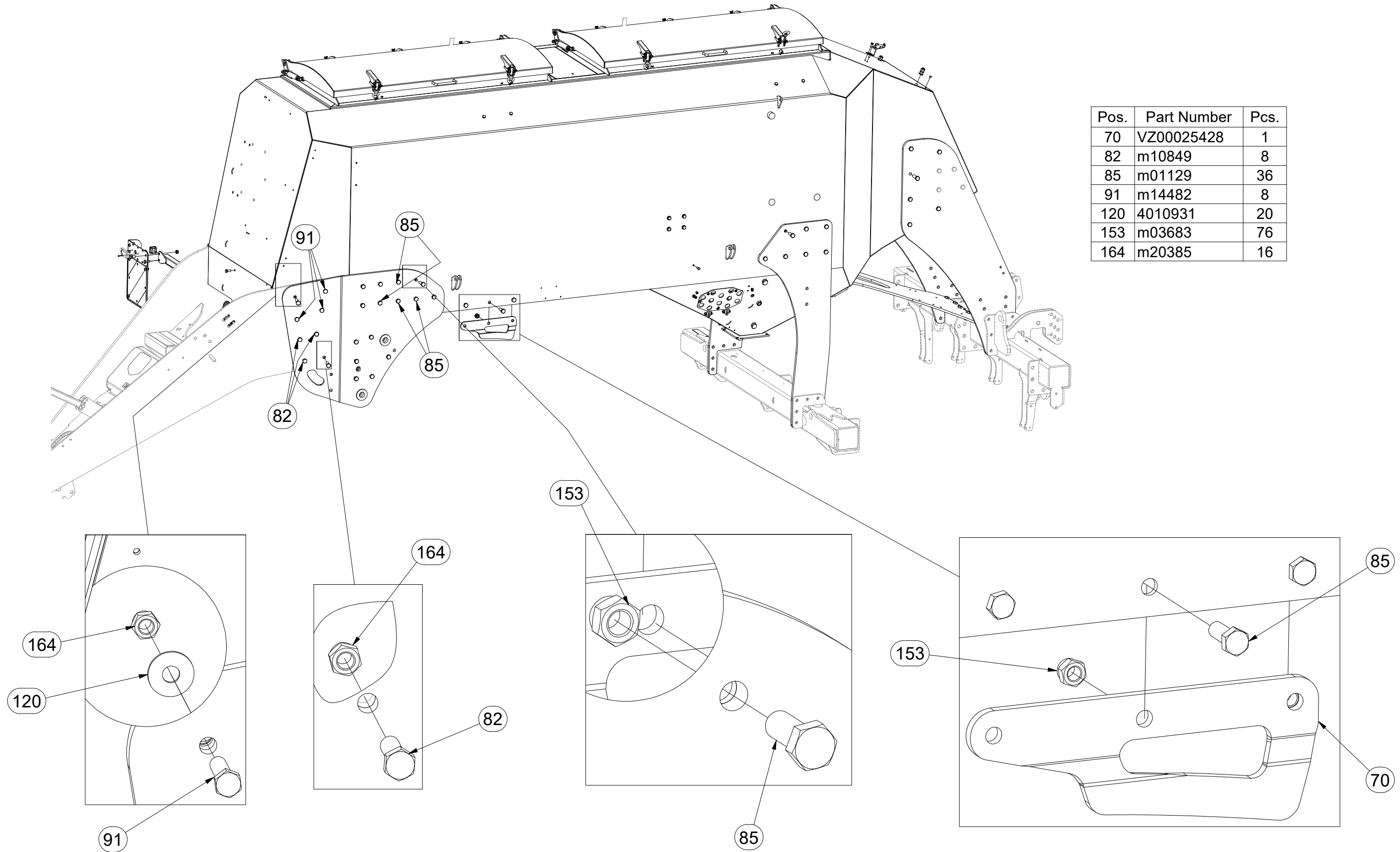
CZ NÁSYPKA
 D FÜLLTRICHTER
 F TRÉMIE

GB HOPPER
 RU БУНКЕР
 PL LEJ



VZ00024183

| Pos. | Part Number | Pcs. |
|------|-------------|------|
| 70 | VZ00025428 | 1 |
| 82 | m10849 | 8 |
| 85 | m01129 | 36 |
| 91 | m14482 | 8 |
| 120 | 4010931 | 20 |
| 153 | m03683 | 76 |
| 164 | m20385 | 16 |

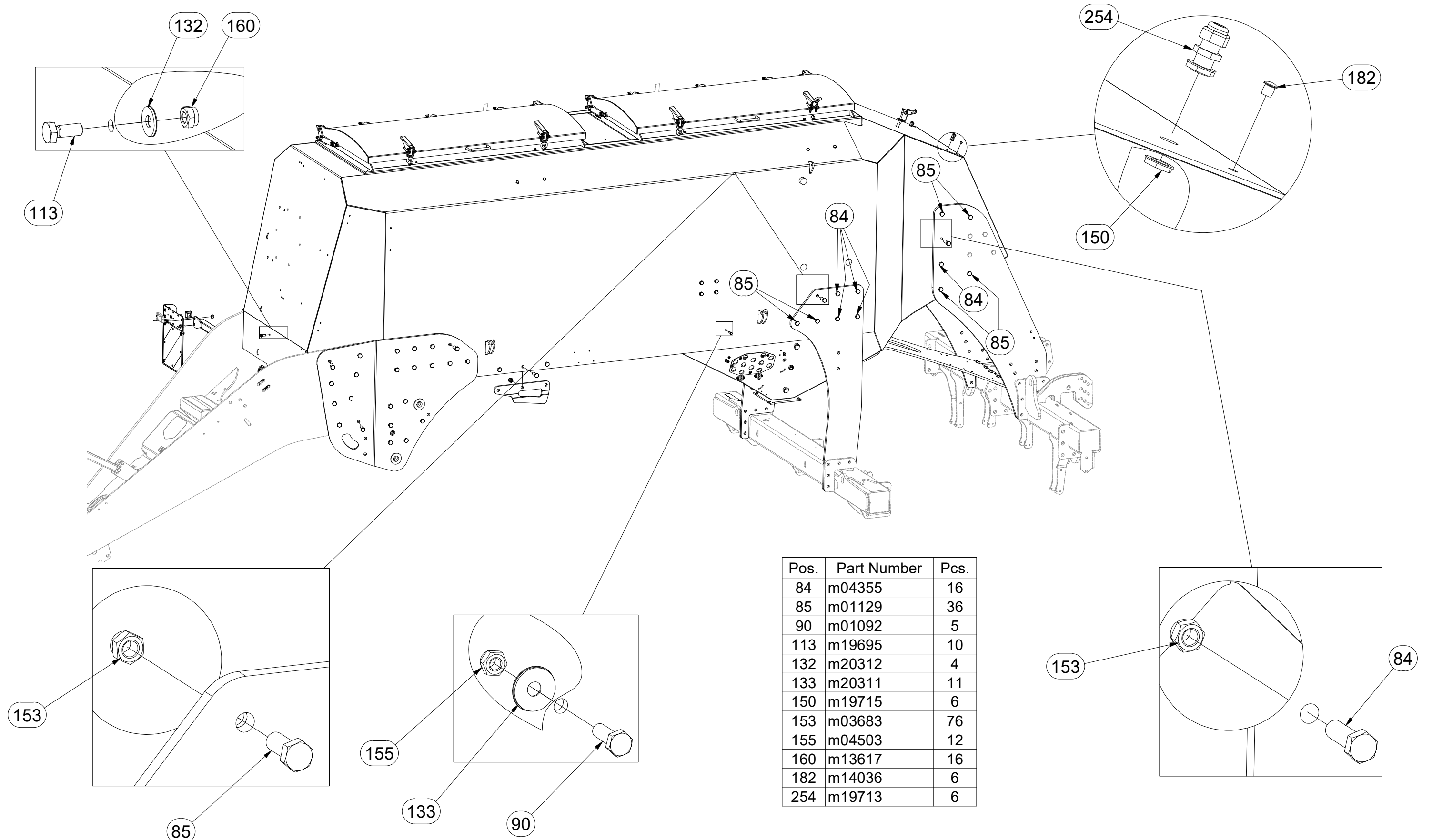


CZ NÁSYPKA
 D FÜLLTRICHTER
 F TRÉMIE

GB HOPPER
 RU БУНКЕР
 PL LEJ



VZ00024183



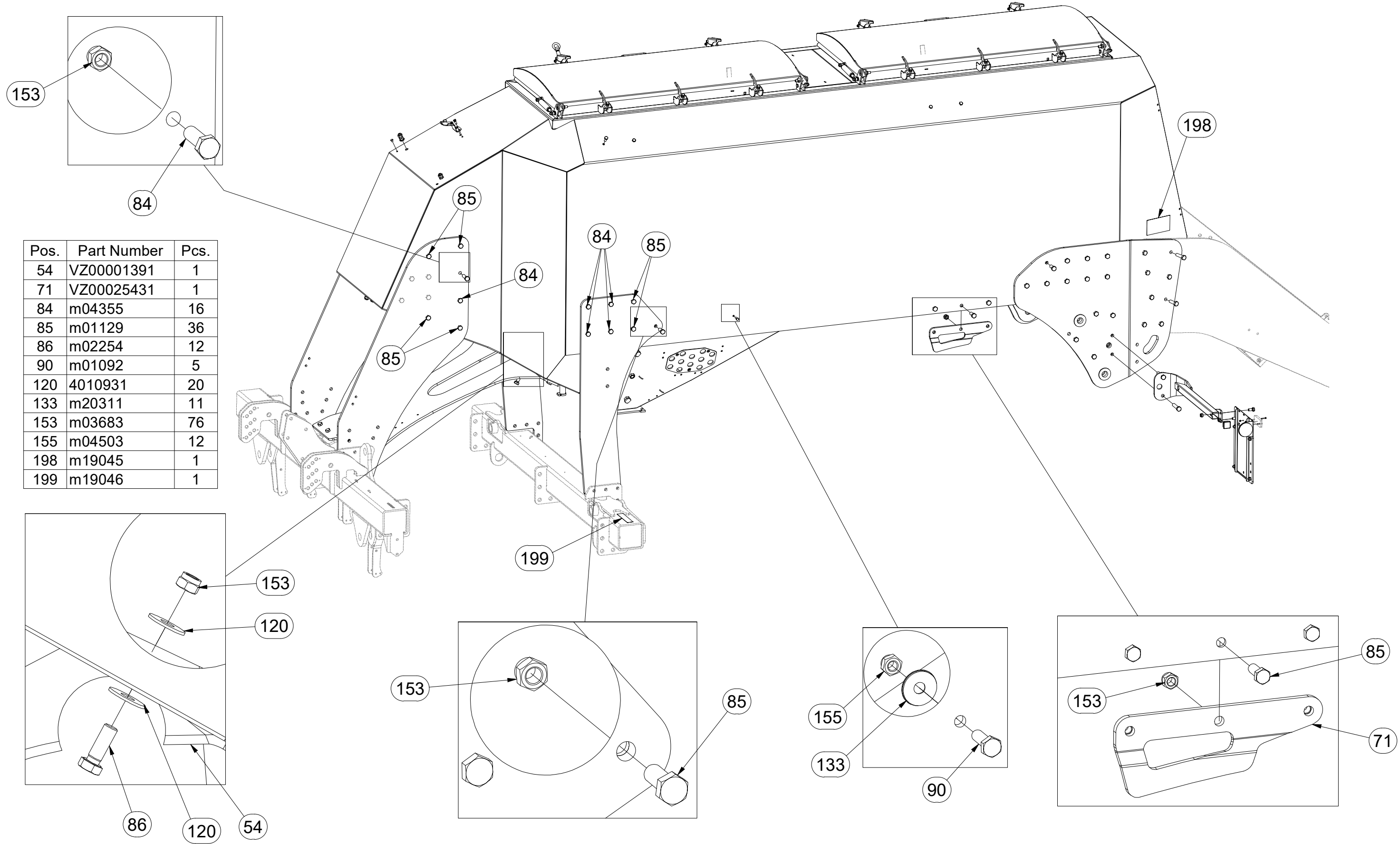
| Pos. | Part Number | Pcs. |
|------|-------------|------|
| 84 | m04355 | 16 |
| 85 | m01129 | 36 |
| 90 | m01092 | 5 |
| 113 | m19695 | 10 |
| 132 | m20312 | 4 |
| 133 | m20311 | 11 |
| 150 | m19715 | 6 |
| 153 | m03683 | 76 |
| 155 | m04503 | 12 |
| 160 | m13617 | 16 |
| 182 | m14036 | 6 |
| 254 | m19713 | 6 |

CZ NÁSYPKA
 D FÜLLTRICHTER
 F TRÉMIE

GB HOPPER
 RU БУНКЕР
 PL LEJ



VZ00024183



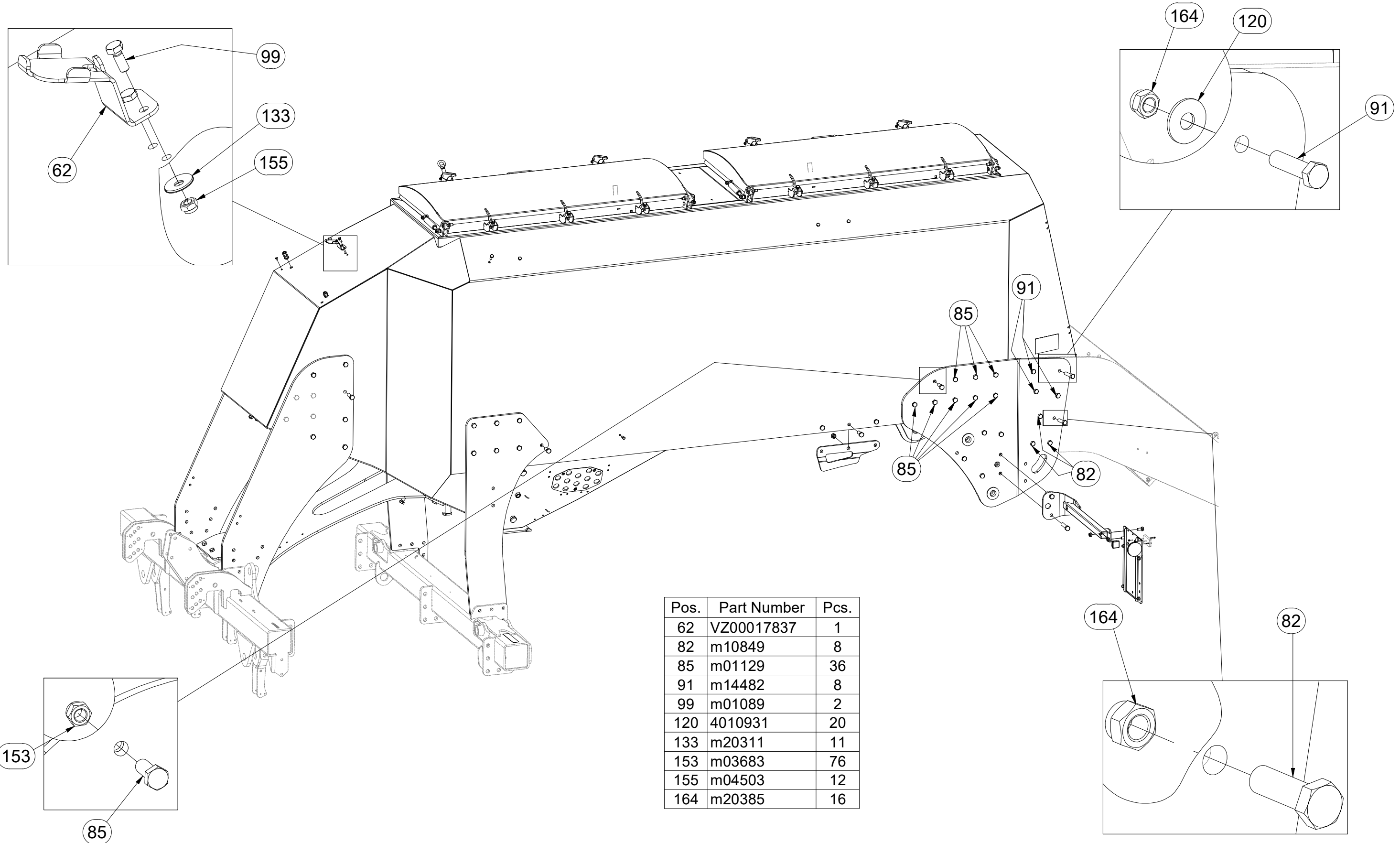
| Pos. | Part Number | Pcs. |
|------|-------------|------|
| 54 | VZ00001391 | 1 |
| 71 | VZ00025431 | 1 |
| 84 | m04355 | 16 |
| 85 | m01129 | 36 |
| 86 | m02254 | 12 |
| 90 | m01092 | 5 |
| 120 | 4010931 | 20 |
| 133 | m20311 | 11 |
| 153 | m03683 | 76 |
| 155 | m04503 | 12 |
| 198 | m19045 | 1 |
| 199 | m19046 | 1 |

CZ NÁSYPKA
 D FÜLLTRICHTER
 F TRÉMIE

GB HOPPER
 RU БУНКЕР
 PL LEJ



VZ00024183



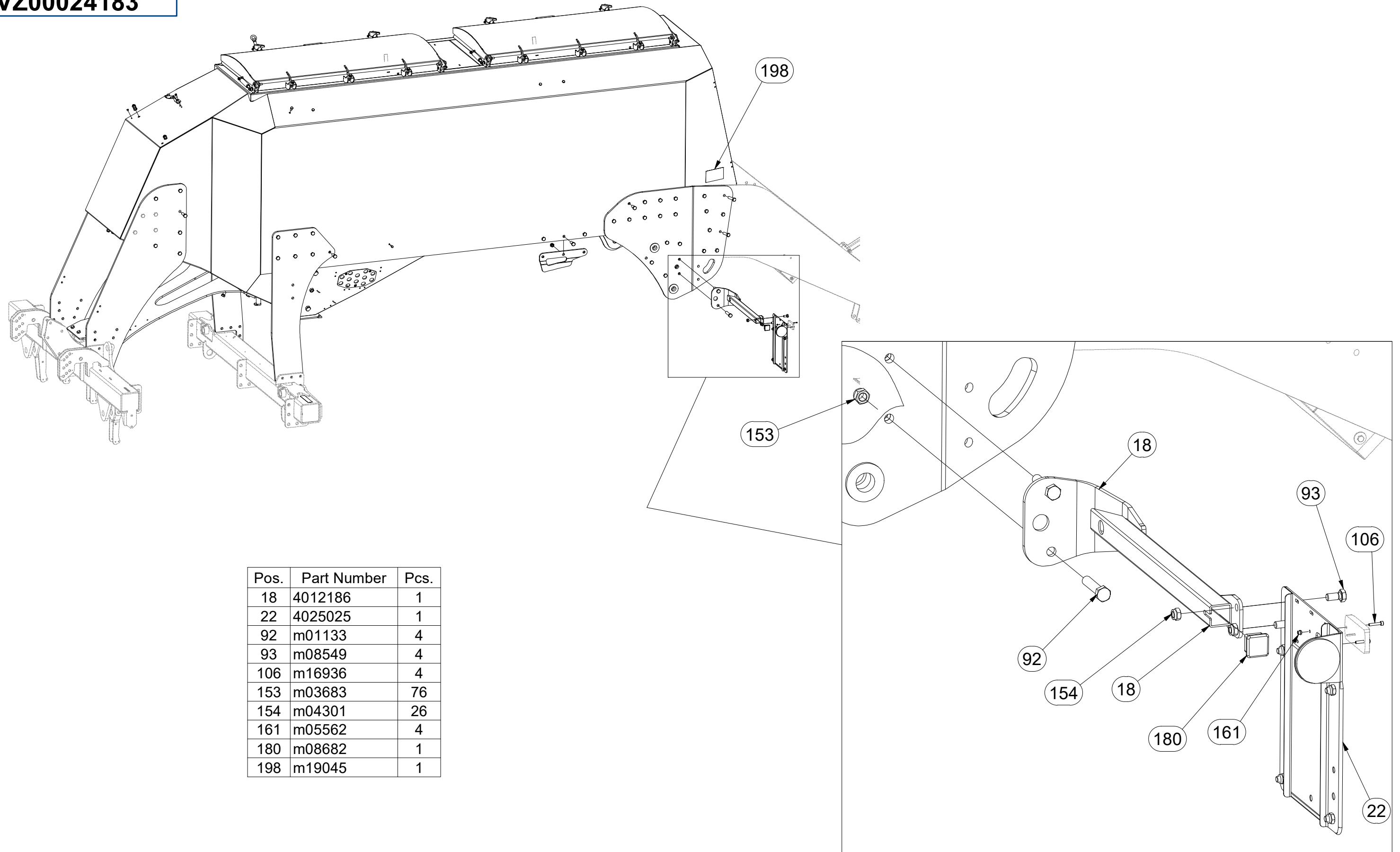
| Pos. | Part Number | Pcs. |
|------|-------------|------|
| 62 | VZ00017837 | 1 |
| 82 | m10849 | 8 |
| 85 | m01129 | 36 |
| 91 | m14482 | 8 |
| 99 | m01089 | 2 |
| 120 | 4010931 | 20 |
| 133 | m20311 | 11 |
| 153 | m03683 | 76 |
| 155 | m04503 | 12 |
| 164 | m20385 | 16 |

CZ NÁSYPKA
 D FÜLLTRICHTER
 F TRÉMIE

GB HOPPER
 RU БУНКЕР
 PL LEJ



VZ00024183



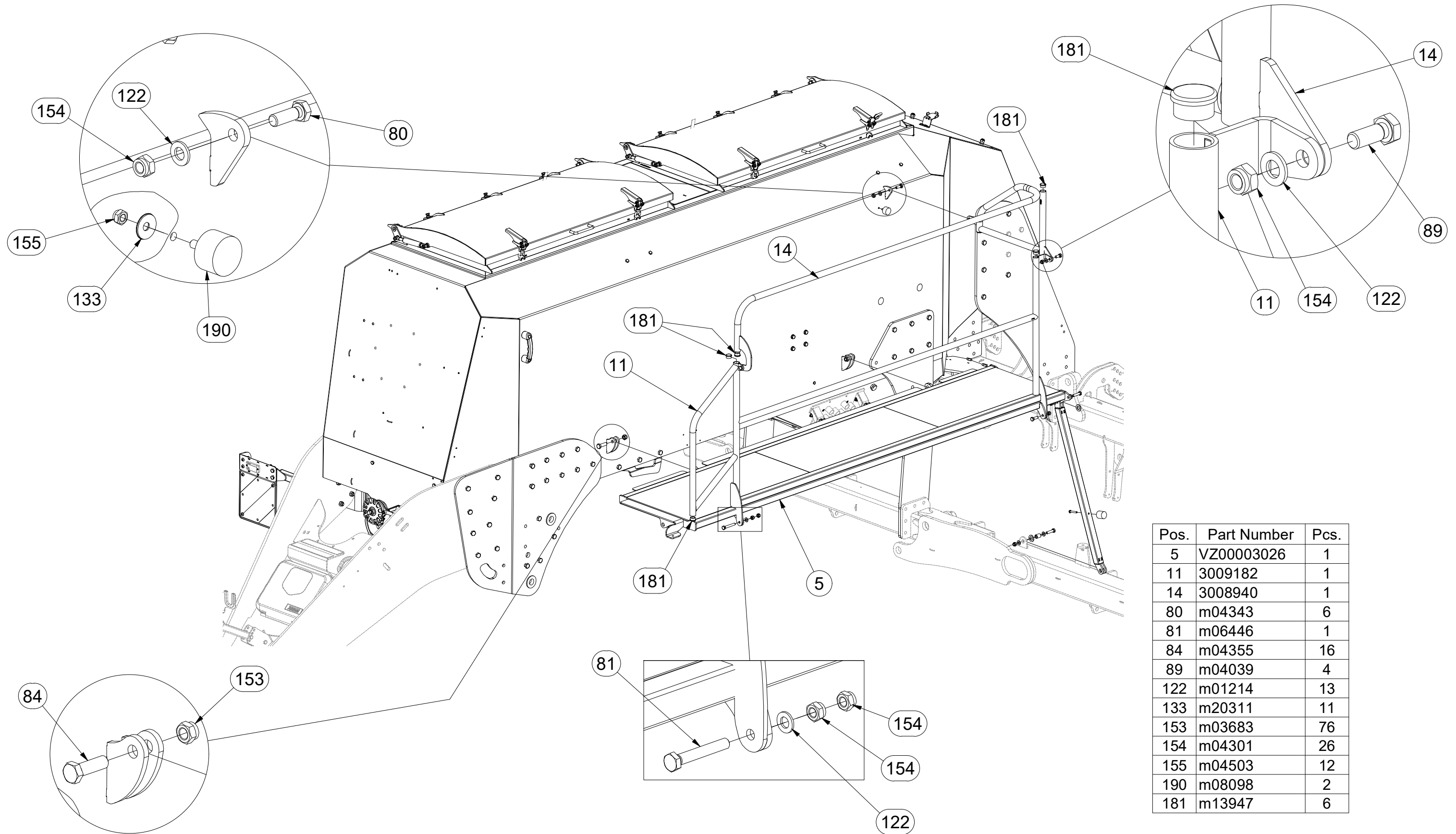
| Pos. | Part Number | Pcs. |
|------|-------------|------|
| 18 | 4012186 | 1 |
| 22 | 4025025 | 1 |
| 92 | m01133 | 4 |
| 93 | m08549 | 4 |
| 106 | m16936 | 4 |
| 153 | m03683 | 76 |
| 154 | m04301 | 26 |
| 161 | m05562 | 4 |
| 180 | m08682 | 1 |
| 198 | m19045 | 1 |

CZ NÁSYPKA
 D FÜLLTRICHTER
 F TRÉMIE

GB HOPPER
 RU БУНКЕР
 PL LEJ



VZ00024183



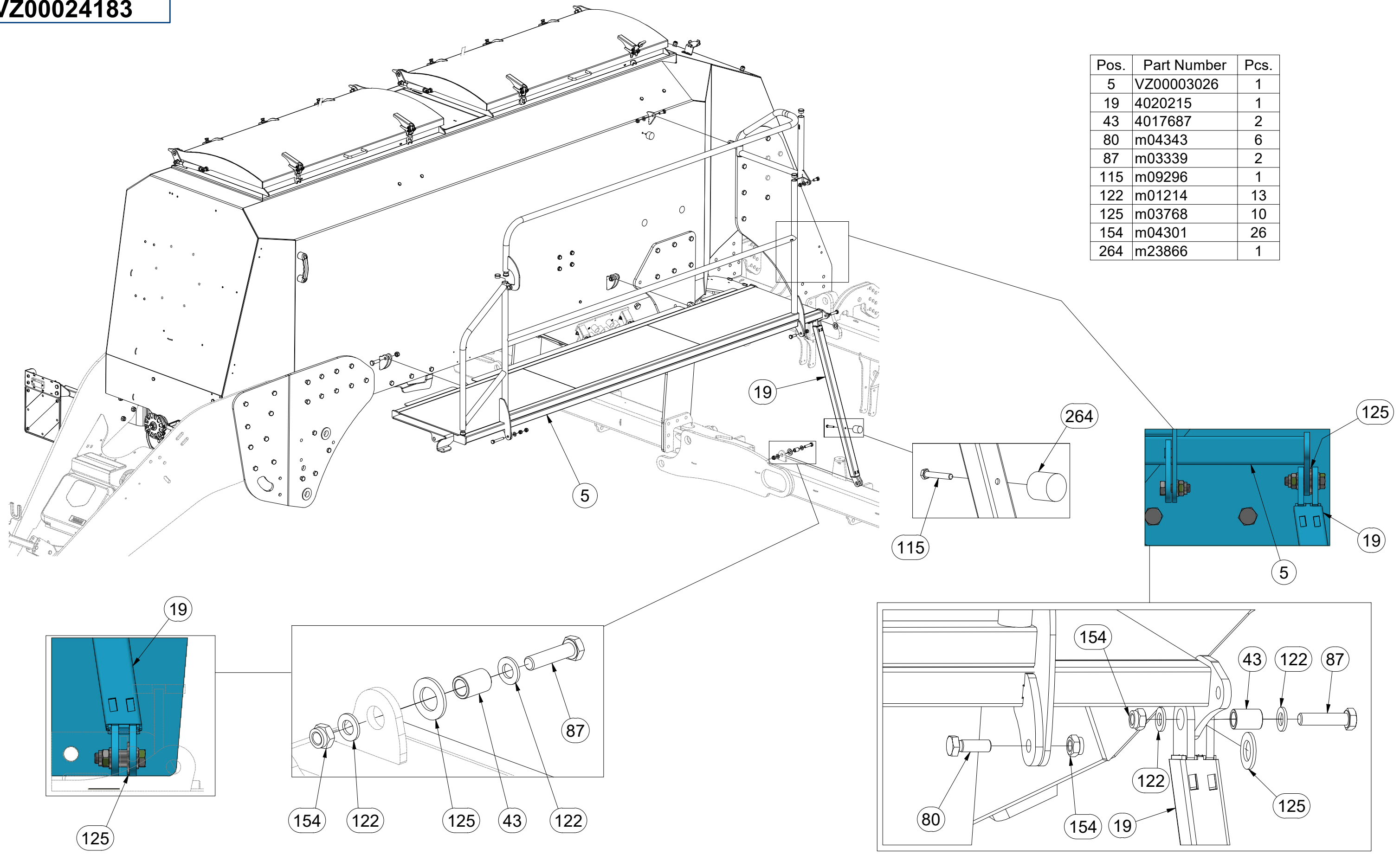
| Pos. | Part Number | Pcs. |
|------|-------------|------|
| 5 | VZ00003026 | 1 |
| 11 | 3009182 | 1 |
| 14 | 3008940 | 1 |
| 80 | m04343 | 6 |
| 81 | m06446 | 1 |
| 84 | m04355 | 16 |
| 89 | m04039 | 4 |
| 122 | m01214 | 13 |
| 133 | m20311 | 11 |
| 153 | m03683 | 76 |
| 154 | m04301 | 26 |
| 155 | m04503 | 12 |
| 190 | m08098 | 2 |
| 181 | m13947 | 6 |

CZ NÁSYPKA
 D FÜLLTRICHTER
 F TRÉMIE

GB HOPPER
 RU БУНКЕР
 PL LEJ



VZ00024183



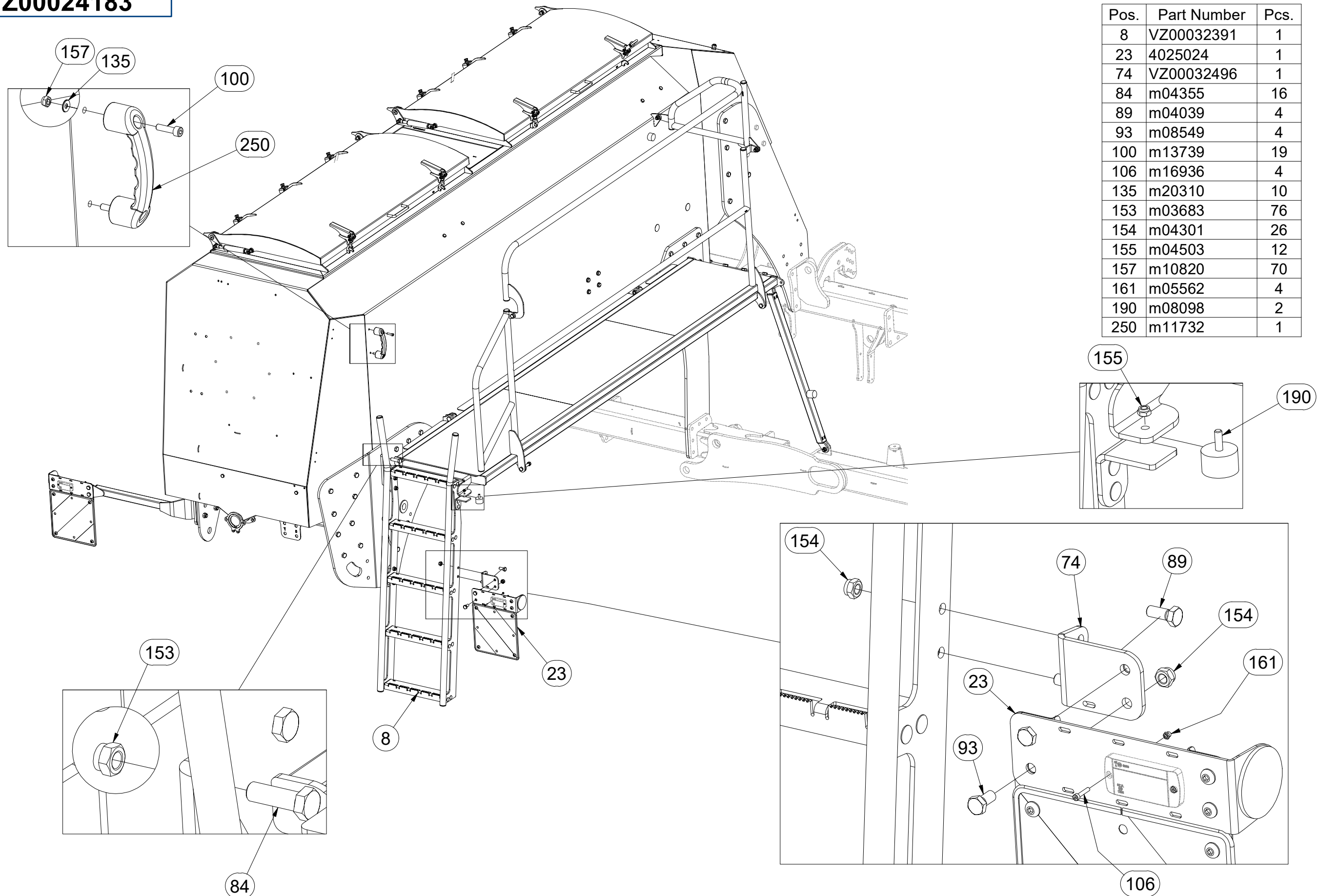
| Pos. | Part Number | Pcs. |
|------|-------------|------|
| 5 | VZ00003026 | 1 |
| 19 | 4020215 | 1 |
| 43 | 4017687 | 2 |
| 80 | m04343 | 6 |
| 87 | m03339 | 2 |
| 115 | m09296 | 1 |
| 122 | m01214 | 13 |
| 125 | m03768 | 10 |
| 154 | m04301 | 26 |
| 264 | m23866 | 1 |

CZ NÁSYPKA
 D FÜLLTRICHTER
 F TRÉMIE

GB HOPPER
 RU БУНКЕР
 PL LEJ



VZ00024183



| Pos. | Part Number | Pcs. |
|------|-------------|------|
| 8 | VZ00032391 | 1 |
| 23 | 4025024 | 1 |
| 74 | VZ00032496 | 1 |
| 84 | m04355 | 16 |
| 89 | m04039 | 4 |
| 93 | m08549 | 4 |
| 100 | m13739 | 19 |
| 106 | m16936 | 4 |
| 135 | m20310 | 10 |
| 153 | m03683 | 76 |
| 154 | m04301 | 26 |
| 155 | m04503 | 12 |
| 157 | m10820 | 70 |
| 161 | m05562 | 4 |
| 190 | m08098 | 2 |
| 250 | m11732 | 1 |

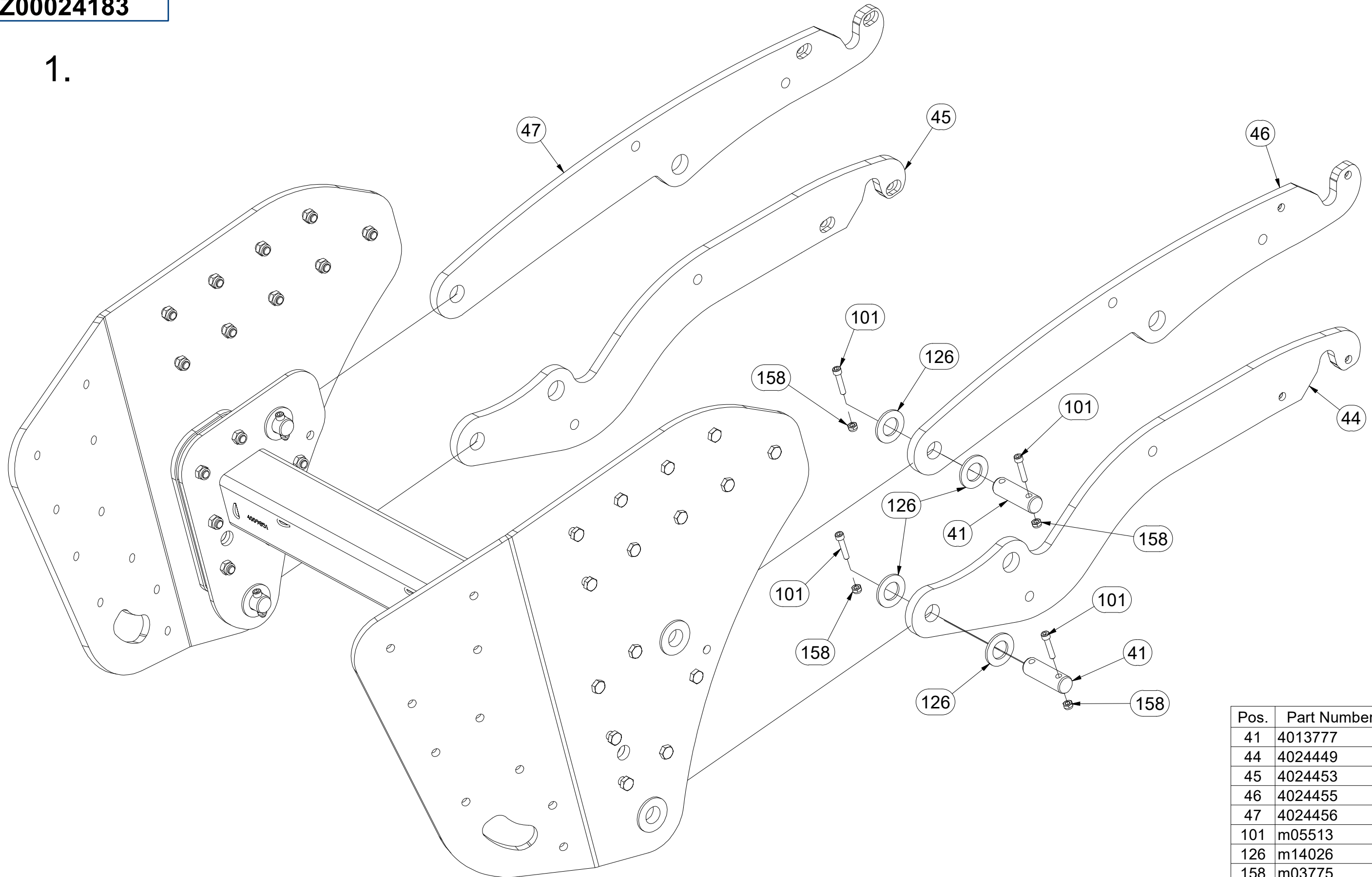
CZ NÁSYPKA
 D FÜLLTRICHTER
 F TRÉMIE

GB HOPPER
 RU БУНКЕР
 PL LEJ



VZ00024183

1.



| Pos. | Part Number | Pcs. |
|------|-------------|------|
| 41 | 4013777 | 4 |
| 44 | 4024449 | 1 |
| 45 | 4024453 | 1 |
| 46 | 4024455 | 1 |
| 47 | 4024456 | 1 |
| 101 | m05513 | 8 |
| 126 | m14026 | 8 |
| 158 | m03775 | 8 |

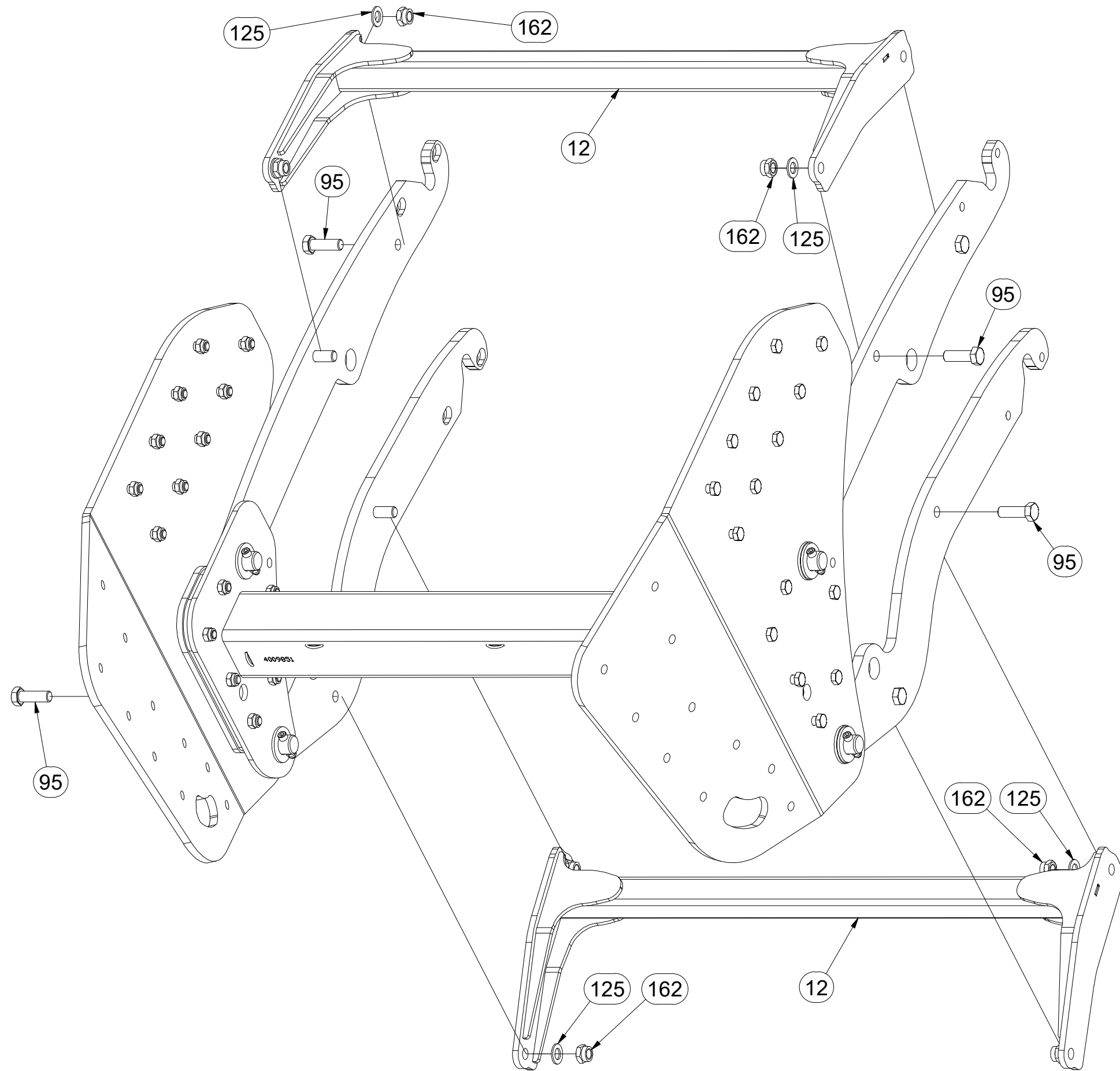
CZ NÁSYPKA
 D FÜLLTRICHTER
 F TRÉMIE

GB HOPPER
 RU БУНКЕР
 PL LEJ



VZ00024183

2.



| Pos. | Part Number | Pcs. |
|------|-------------|------|
| 12 | VZ00027078 | 2 |
| 95 | m14496 | 8 |
| 125 | m03768 | 10 |
| 162 | m21660 | 8 |

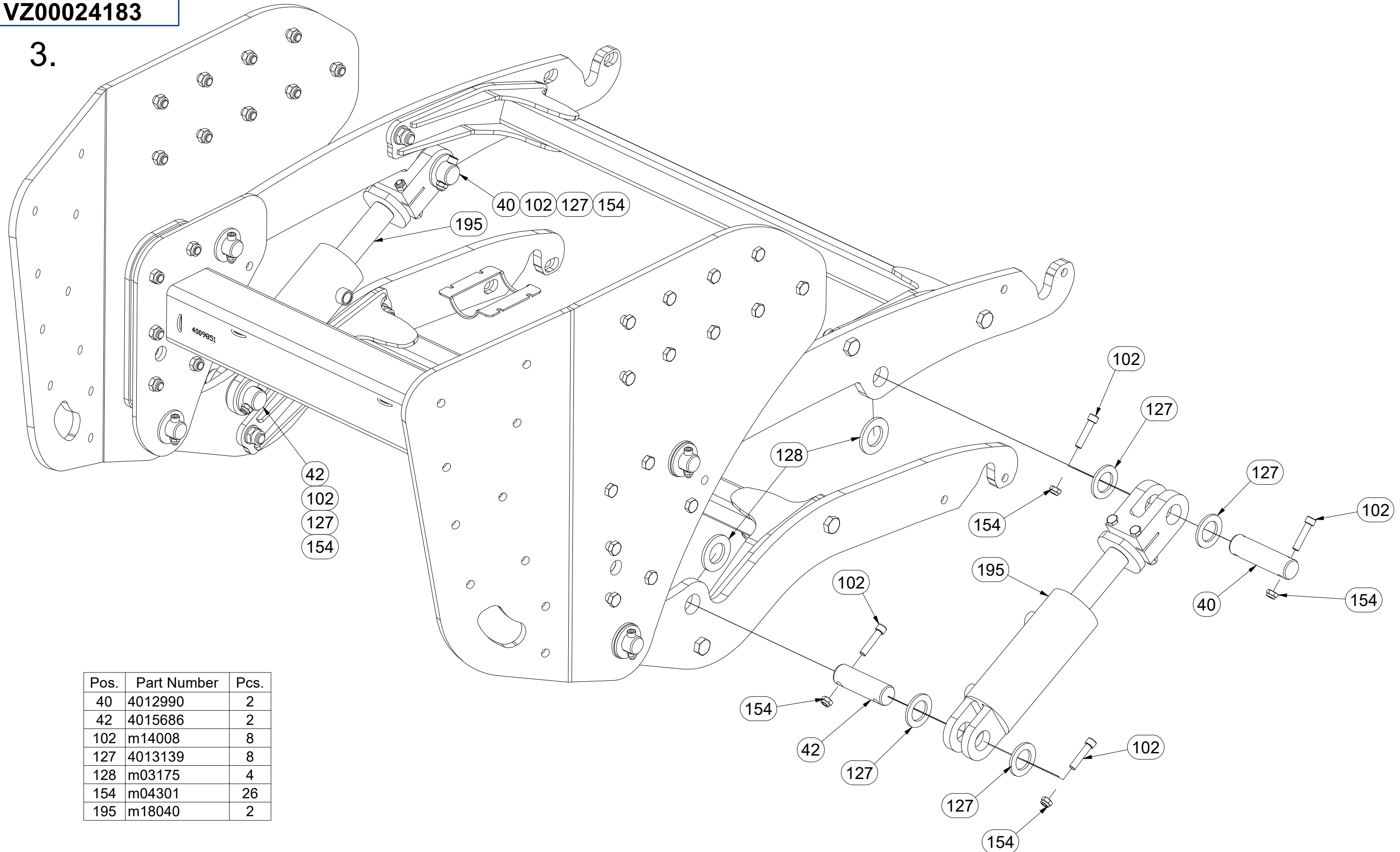
CZ NÁSYPKA
 D FÜLLTRICHTER
 F TRÉMIE

GB HOPPER
 RU БУНКЕР
 PL LEJ



VZ00024183

3.



| Pos. | Part Number | Pcs. |
|------|-------------|------|
| 40 | 4012990 | 2 |
| 42 | 4015686 | 2 |
| 102 | m14008 | 8 |
| 127 | 4013139 | 8 |
| 128 | m03175 | 4 |
| 154 | m04301 | 26 |
| 195 | m18040 | 2 |

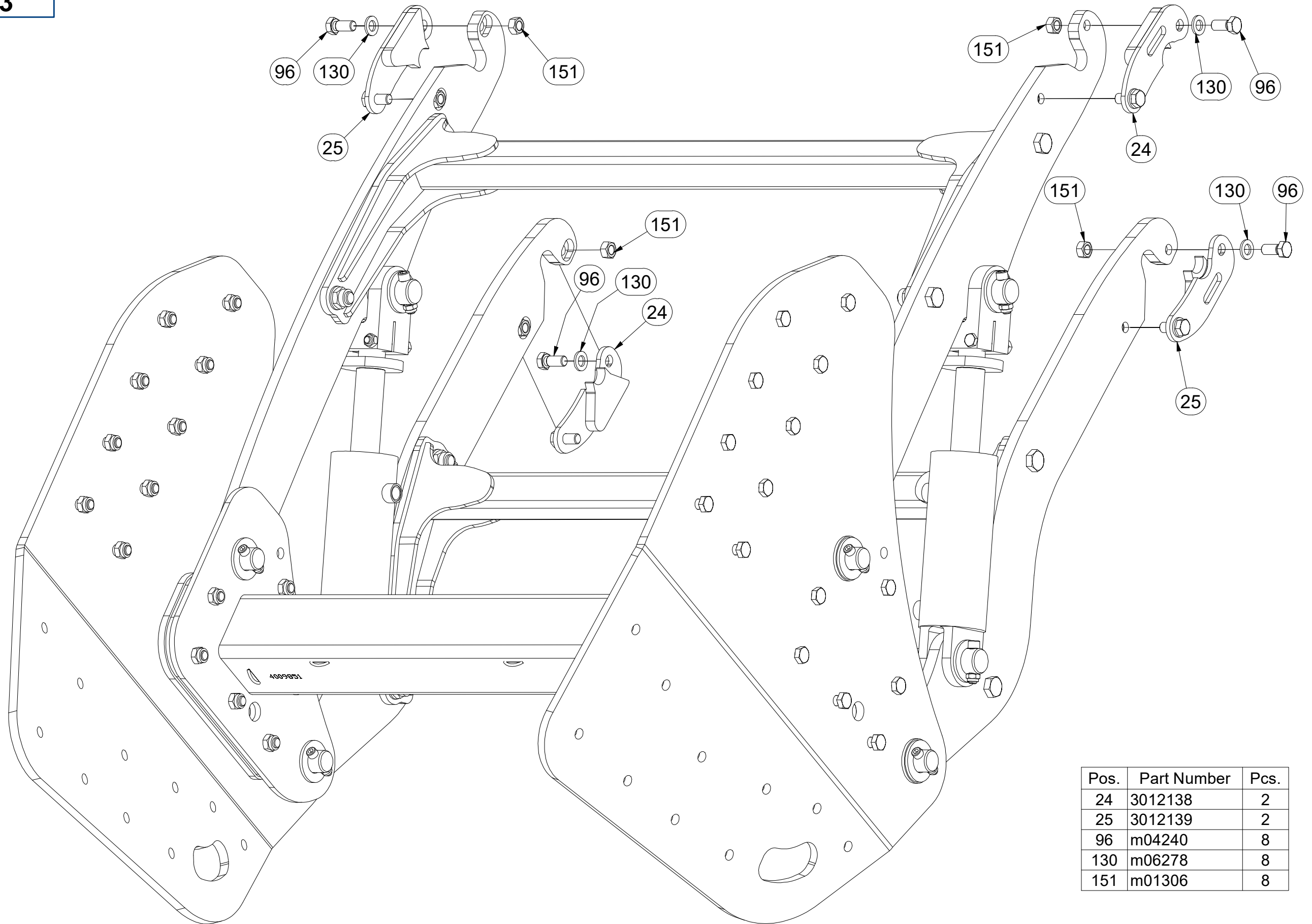
CZ NÁŠYPKA
 D FÜLLTRICHTER
 F TRÉMIE

GB HOPPER
 RU БУНКЕР
 PL LEJ



VZ00024183

4.



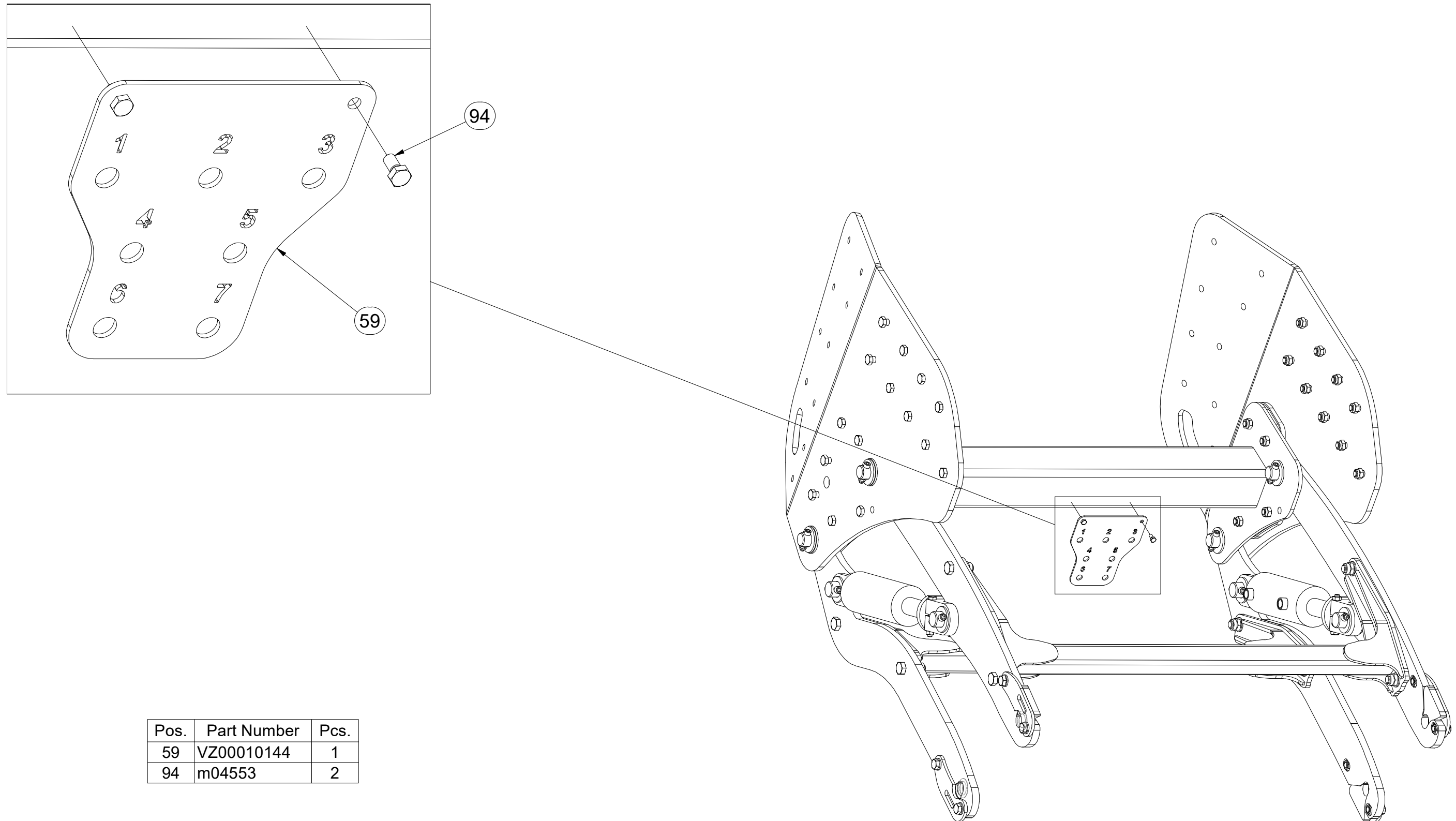
| Pos. | Part Number | Pcs. |
|------|-------------|------|
| 24 | 3012138 | 2 |
| 25 | 3012139 | 2 |
| 96 | m04240 | 8 |
| 130 | m06278 | 8 |
| 151 | m01306 | 8 |

CZ NÁŠYPKA
 D FÜLLTRICHTER
 F TRÉMIE

GB HOPPER
 RU БУНКЕР
 PL LEJ



VZ00024183



| Pos. | Part Number | Pcs. |
|------|-------------|------|
| 59 | VZ00010144 | 1 |
| 94 | m04553 | 2 |

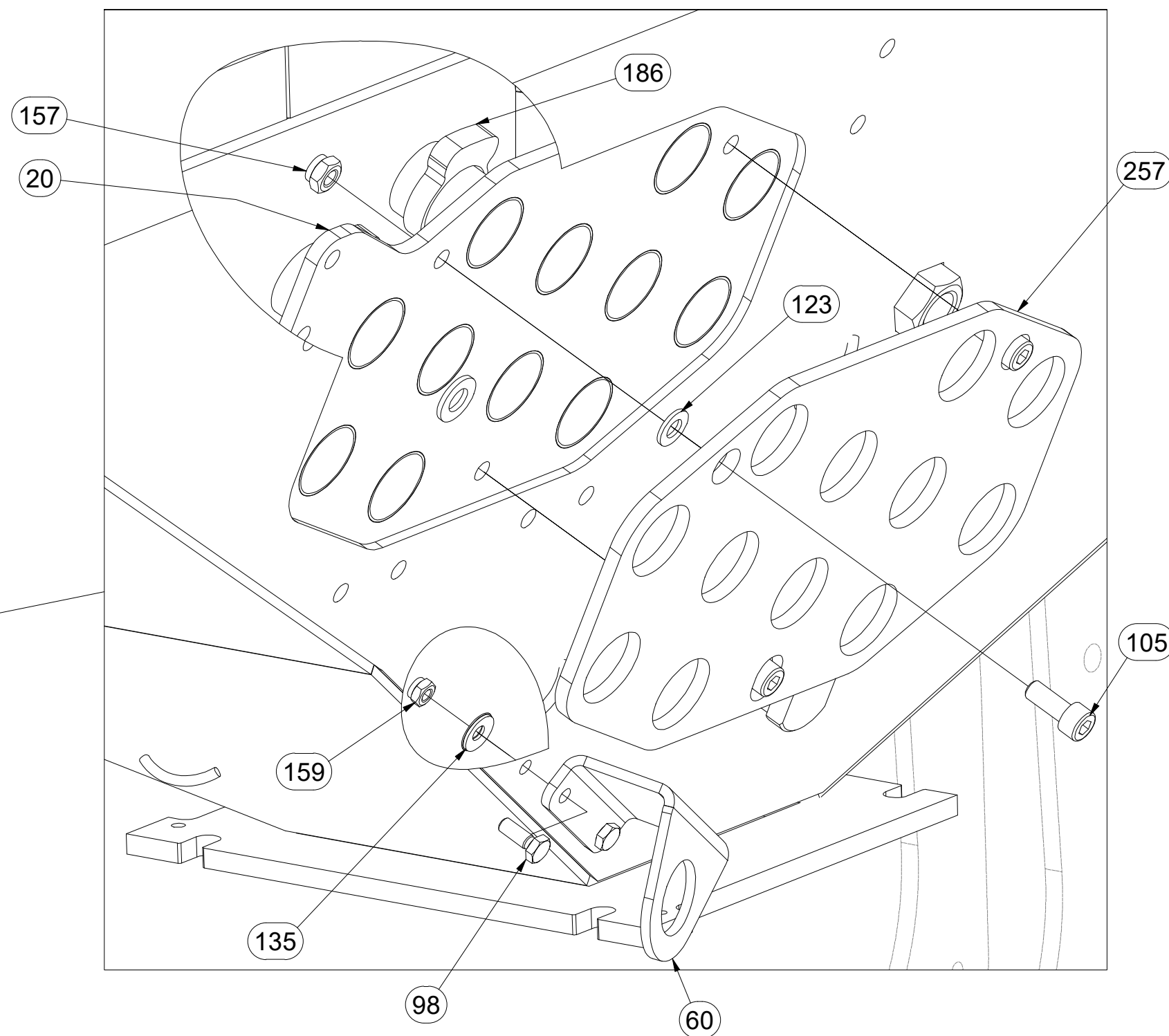
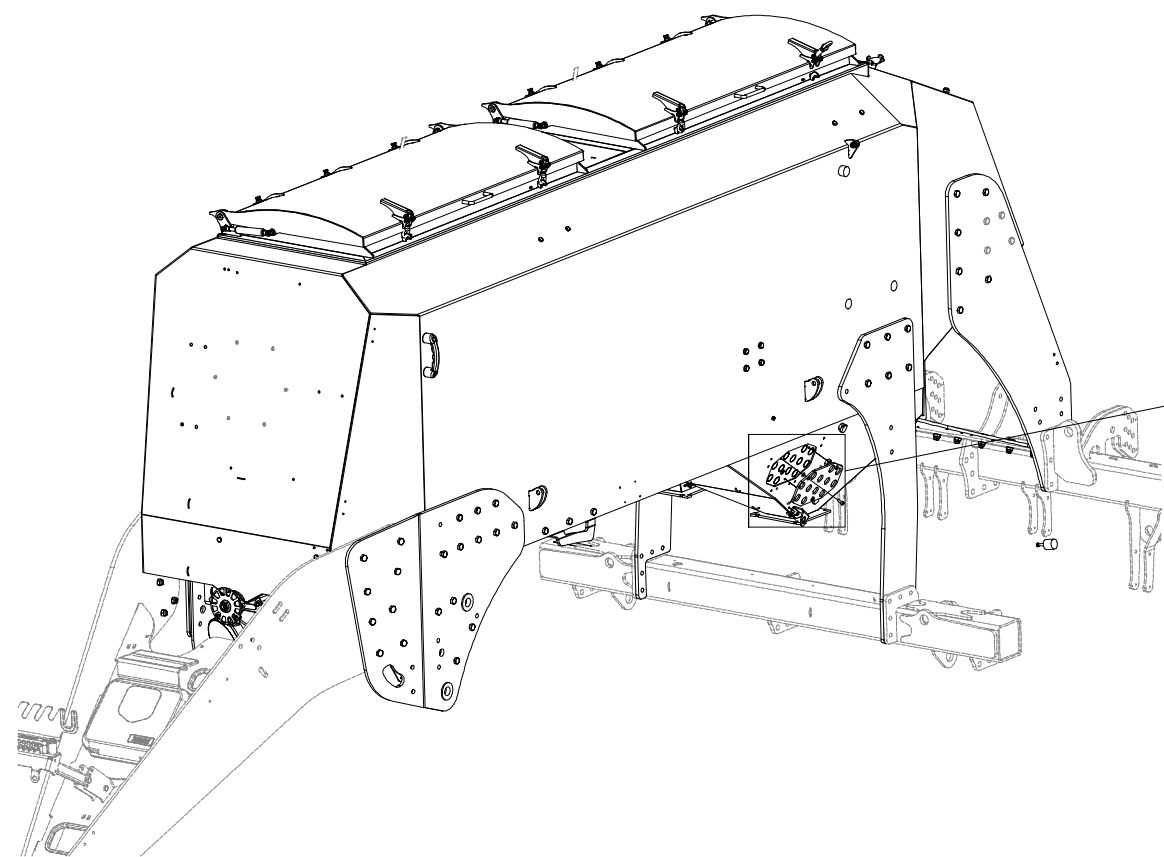
CZ NÁŠYPKA
 D FÜLLTRICHTER
 F TRÉMIE

GB HOPPER
 RU БУНКЕР
 PL LEJ



VZ00024183

| Pos. | Part Number | Pcs. |
|------|-------------|------|
| 20 | VZ00016951 | 2 |
| 60 | VZ00016938 | 2 |
| 98 | m01073 | 4 |
| 105 | m13585 | 10 |
| 123 | m06846 | 26 |
| 135 | m20310 | 10 |
| 157 | m10820 | 70 |
| 159 | m05560 | 4 |
| 186 | m19099 | 33 |
| 257 | m21692 | 2 |

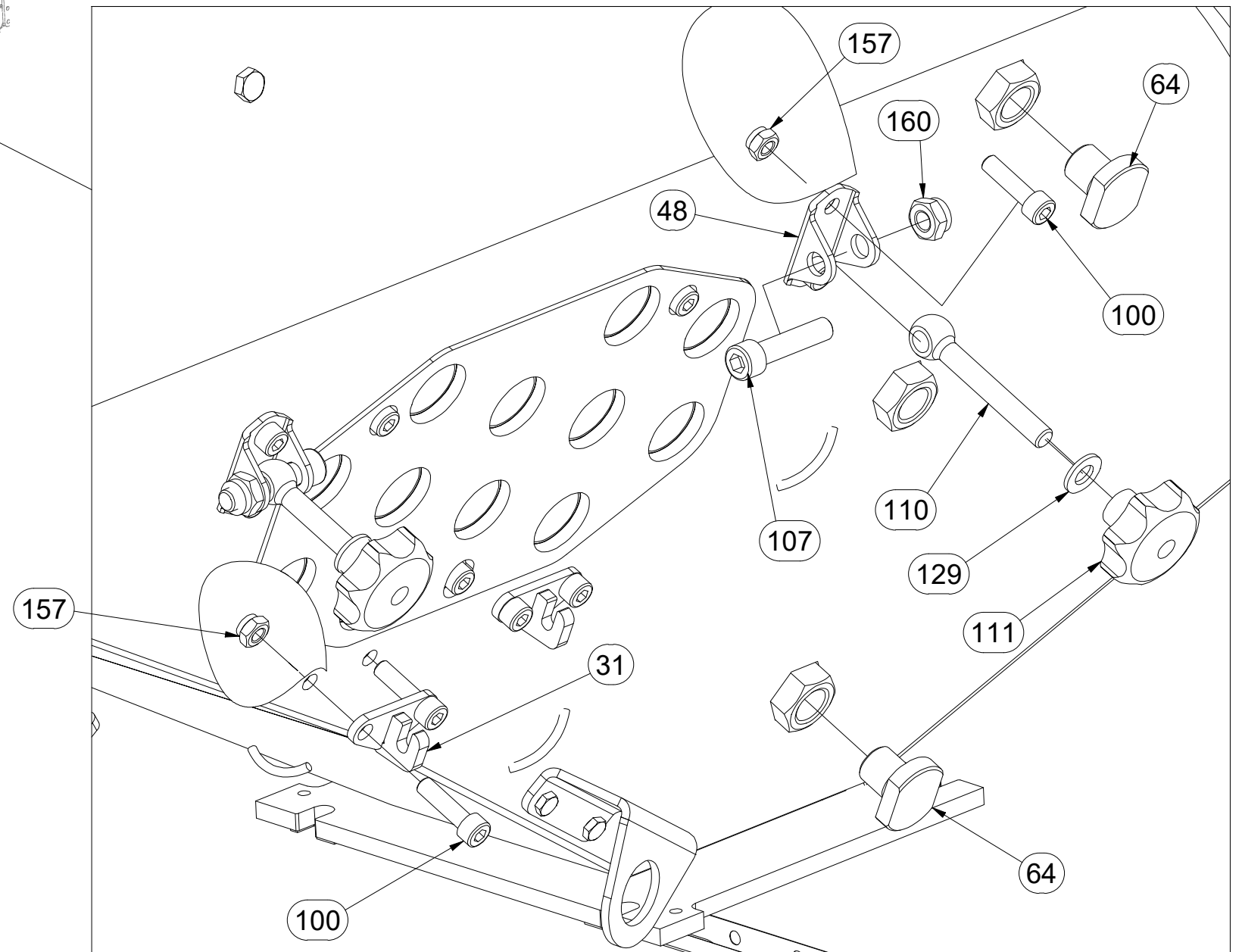
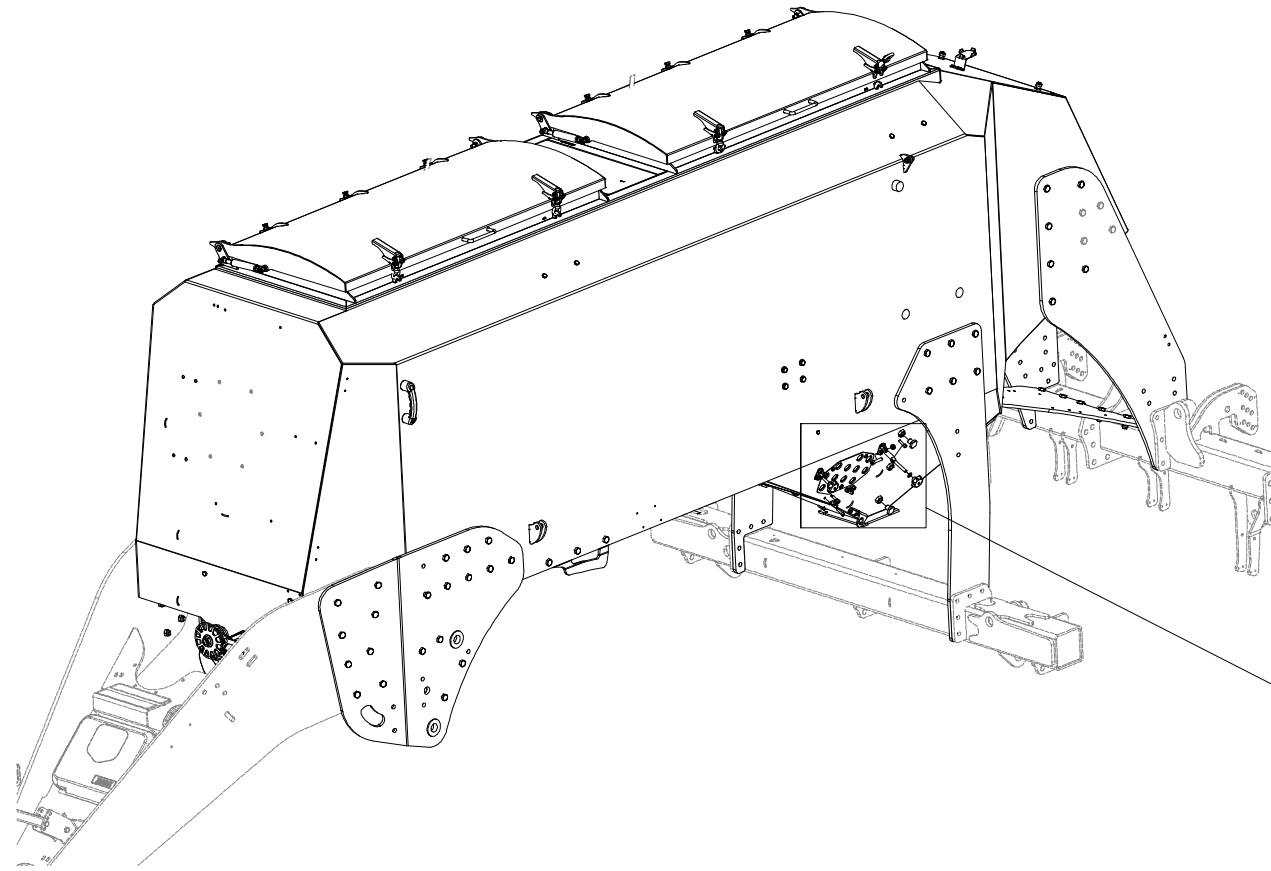


CZ NÁSYPKA
 D FÜLLTRICHTER
 F TRÉMIE

GB HOPPER
 RU БУНКЕР
 PL LEJ



VZ00024183



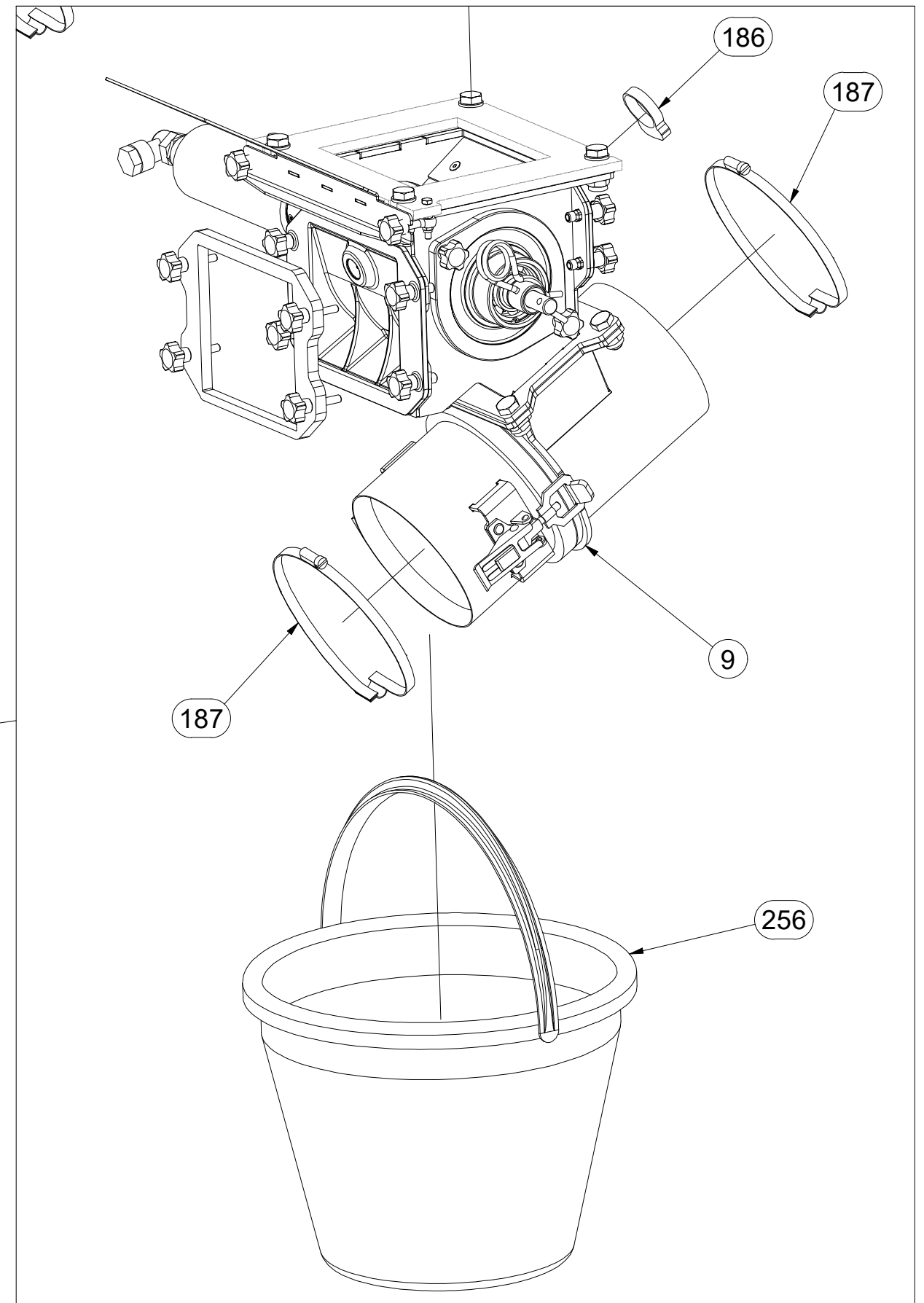
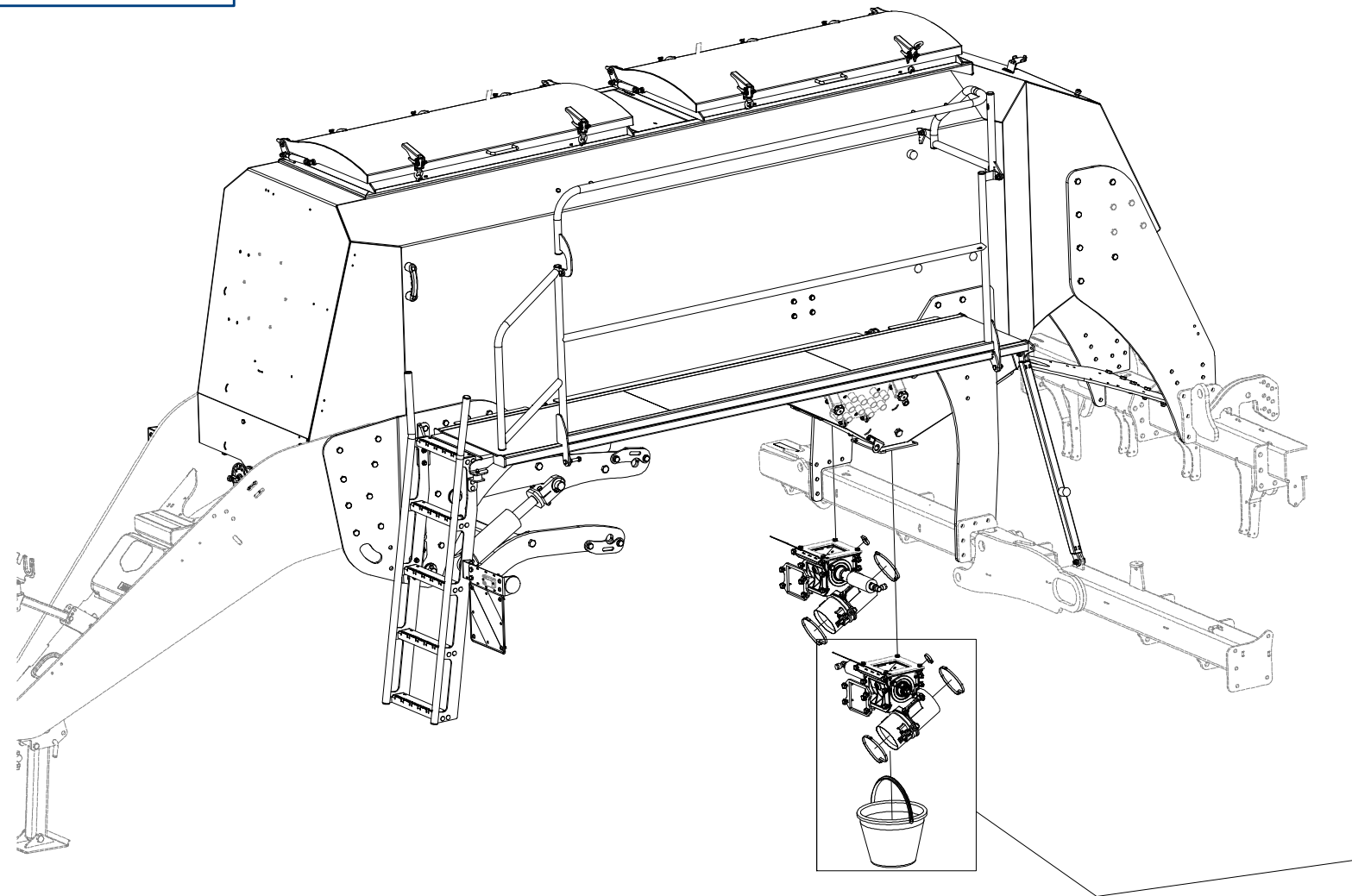
| Pos. | Part Number | Pcs. |
|------|-------------|------|
| 31 | VZ00015995 | 4 |
| 48 | 4025551 | 6 |
| 64 | VZ00021442 | 4 |
| 100 | m13739 | 19 |
| 107 | m16788 | 6 |
| 110 | m16912 | 6 |
| 111 | m16913 | 6 |
| 129 | m06859 | 14 |
| 157 | m10820 | 70 |
| 160 | m13617 | 16 |

CZ NÁSYPKA
 D FÜLLTRICHTER
 F TRÉMIE

GB HOPPER
 RU БУНКЕР
 PL LEJ



VZ00024183



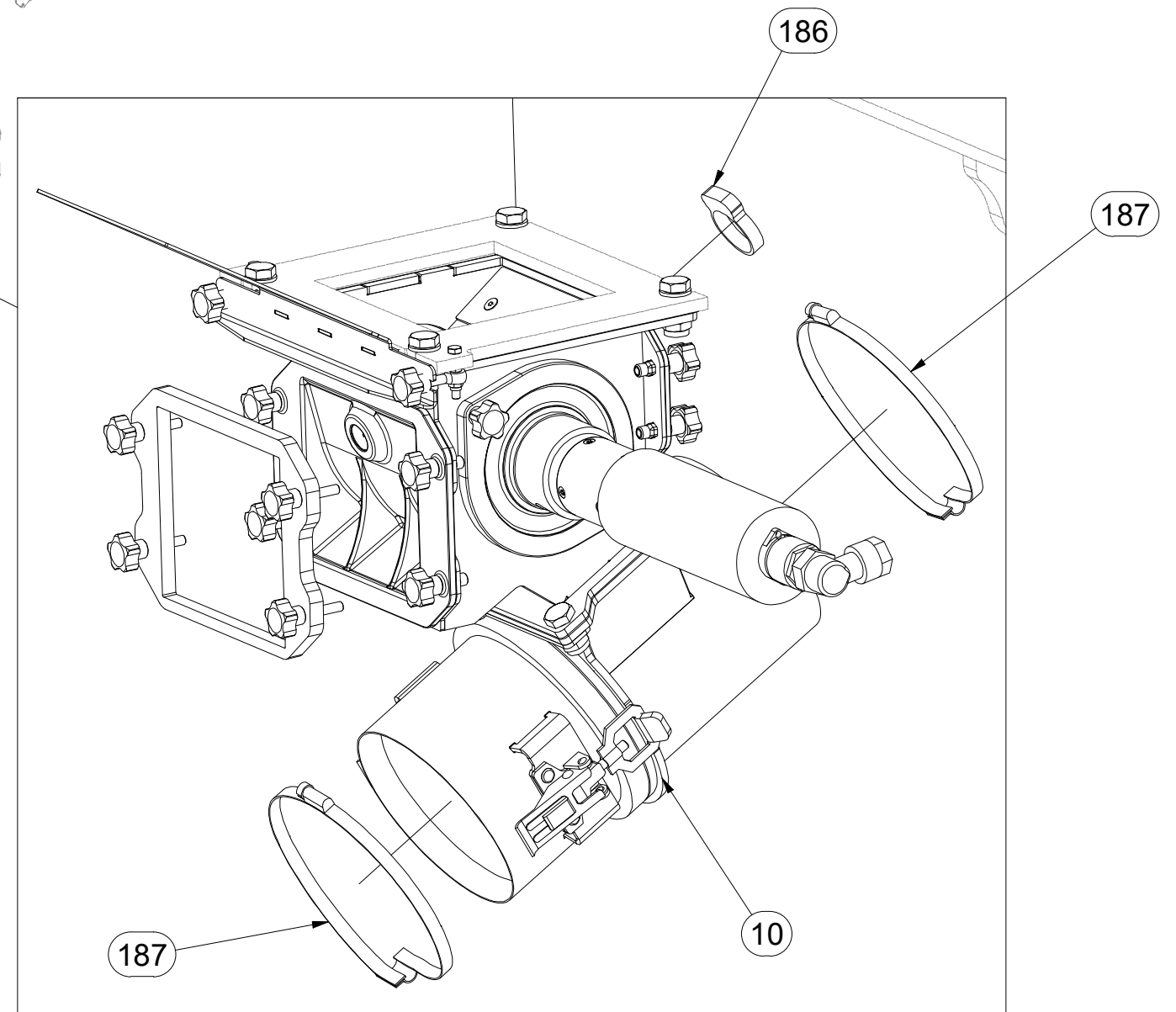
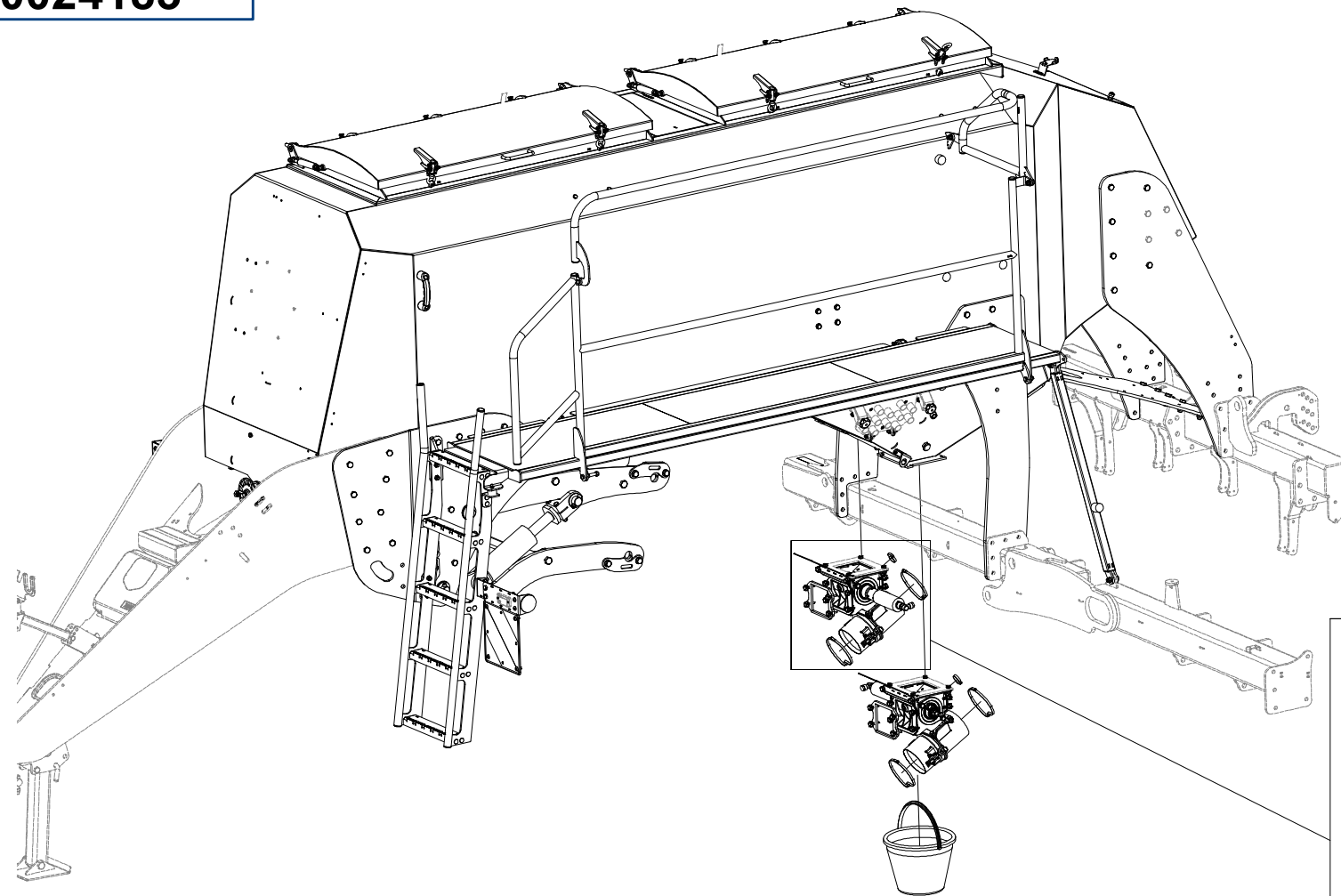
| Pos. | Part Number | Pcs. |
|------|-------------|------|
| 9 | VZ00007265 | 1 |
| 186 | m19099 | 33 |
| 187 | m22576 | 12 |
| 256 | m20504 | 1 |

CZ NÁŠYPKA
 D FÜLLTRICHTER
 F TRÉMIE

GB HOPPER
 RU БУНКЕР
 PL LEJ



VZ00024183



| Pos. | Part Number | Pcs. |
|------|-------------|------|
| 10 | VZ00007266 | 1 |
| 186 | m19099 | 33 |
| 187 | m22576 | 12 |

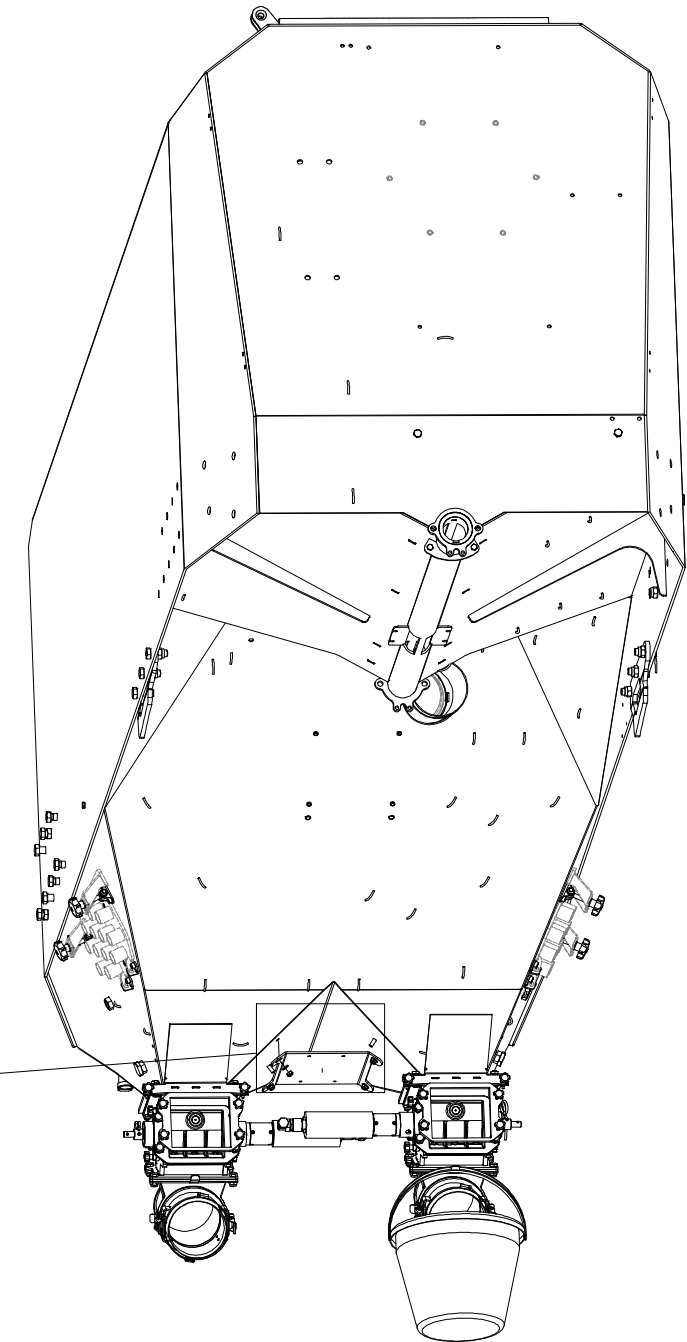
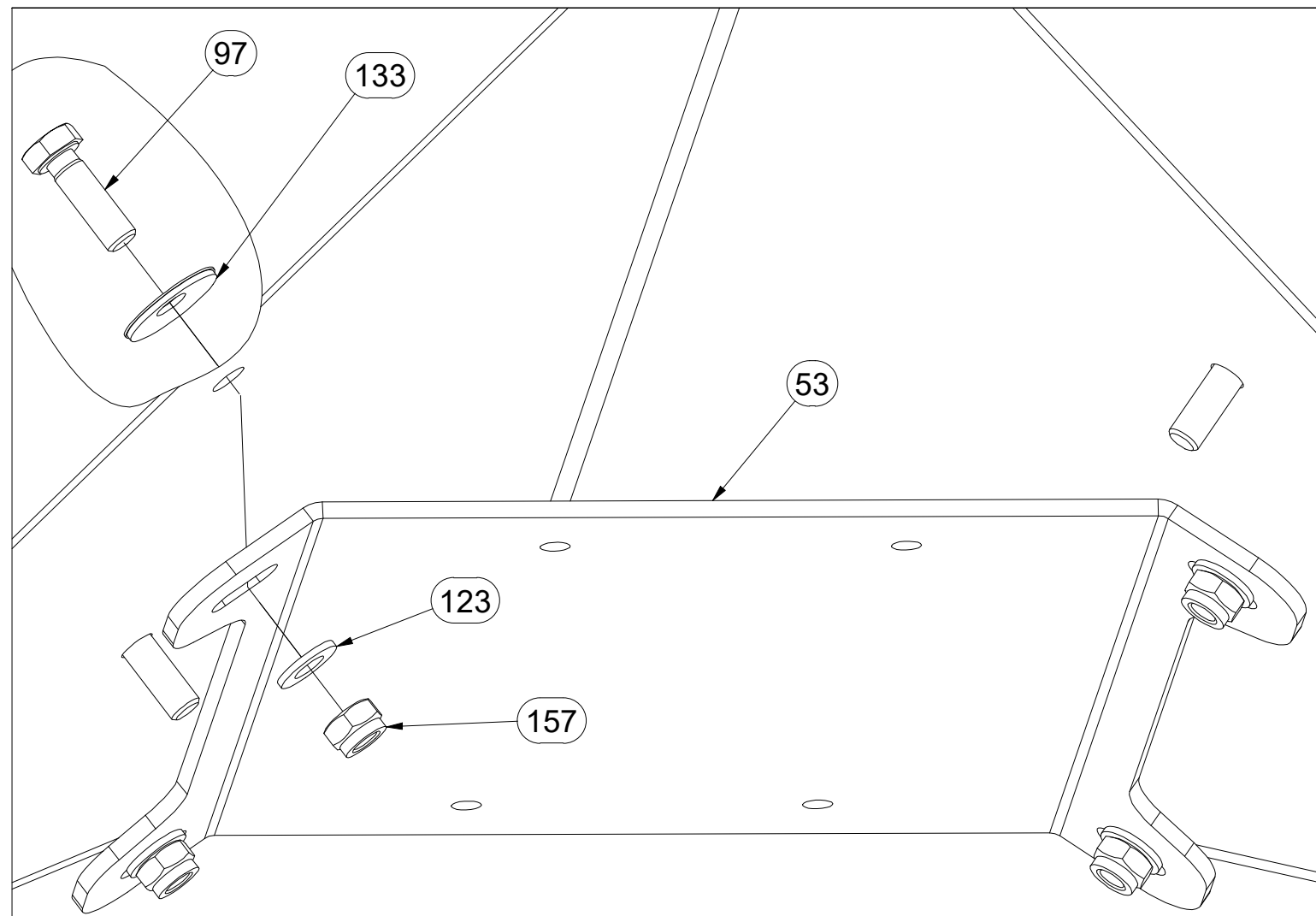
Ⓒ NÁŠYPKA
Ⓓ FÜLLTRICHTER
Ⓕ TRÉMIE

Ⓖ HOPPER
Ⓔ БУНКЕР
Ⓗ LEJ



VZ00024183

| Pos. | Part Number | Pcs. |
|------|-------------|------|
| 53 | VZ00001383 | 1 |
| 97 | m06850 | 16 |
| 123 | m06846 | 26 |
| 133 | m20311 | 11 |
| 157 | m10820 | 70 |

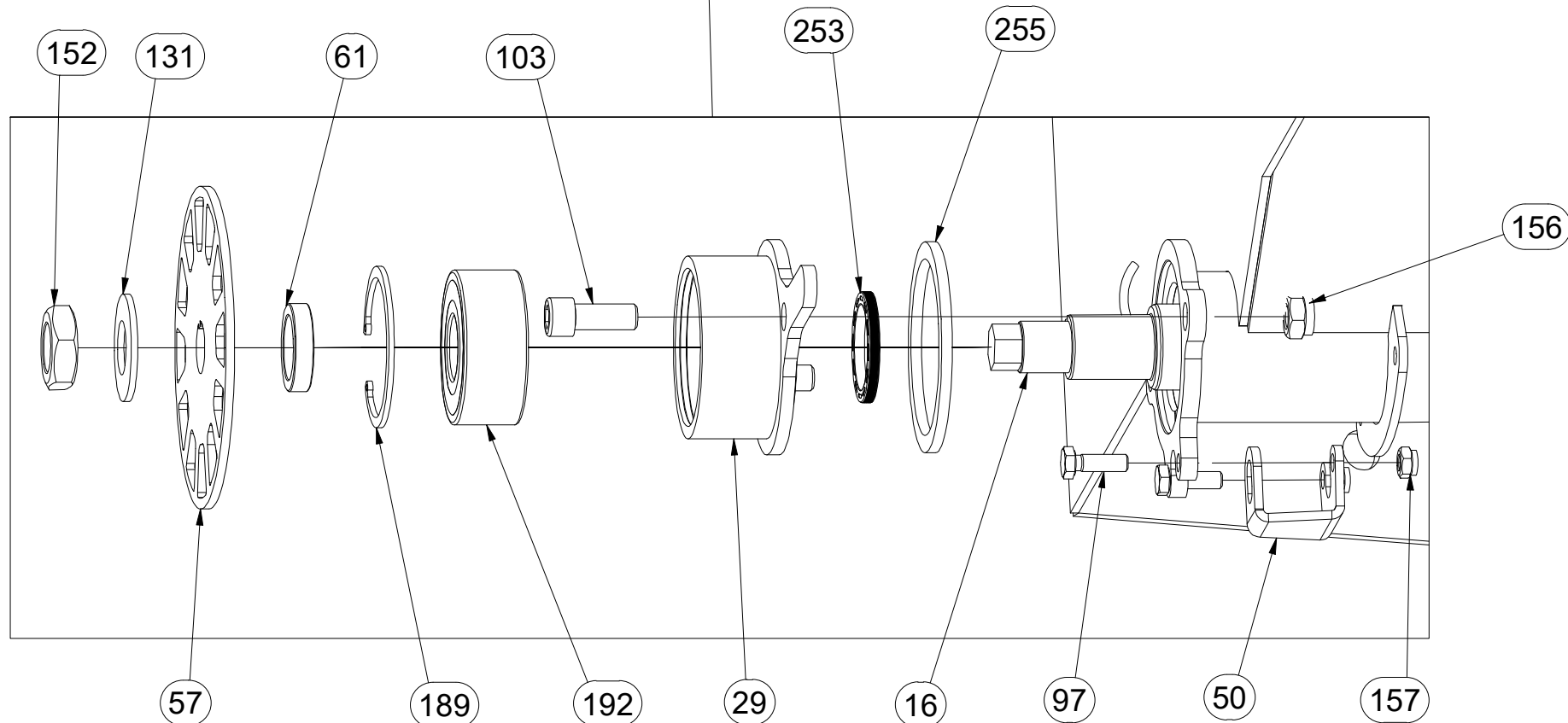
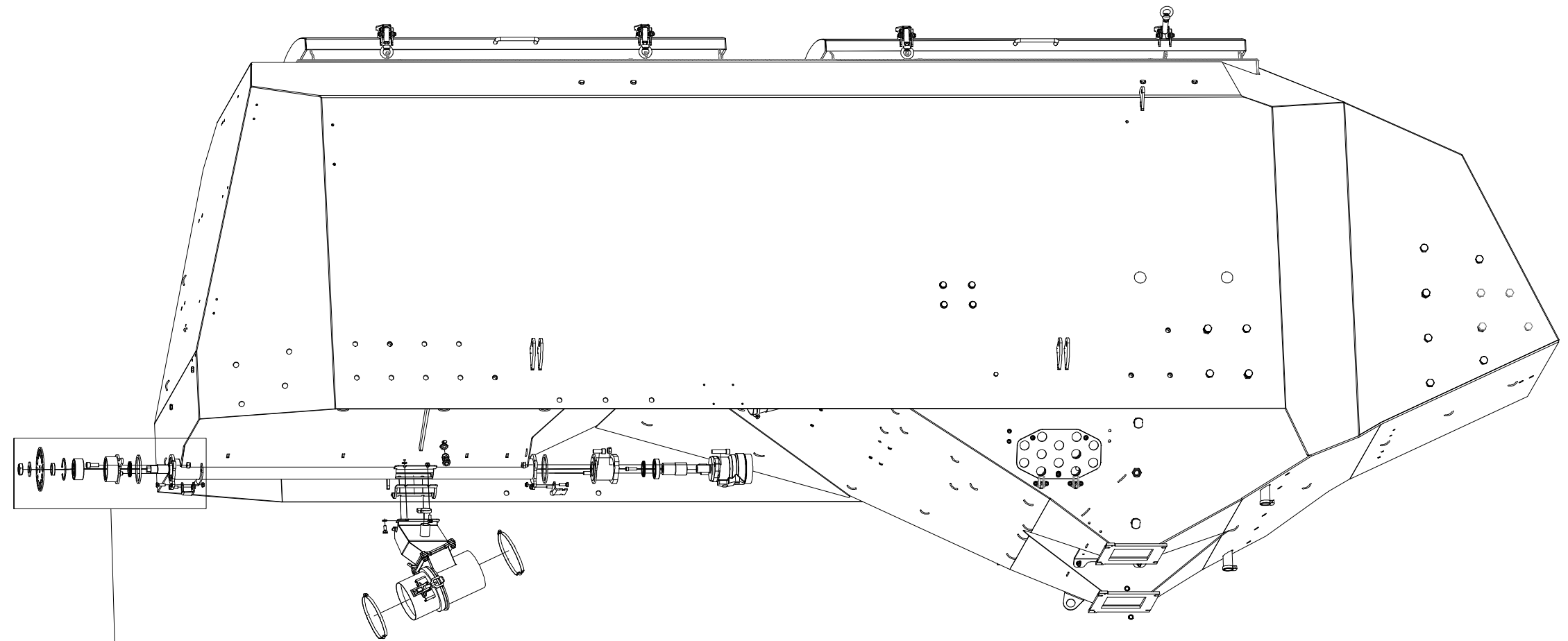


CZ NÁSYPKA
 D FÜLLTRICHTER
 F TRÉMIE

GB HOPPER
 RU БУНКЕР
 PL LEJ



VZ00024183



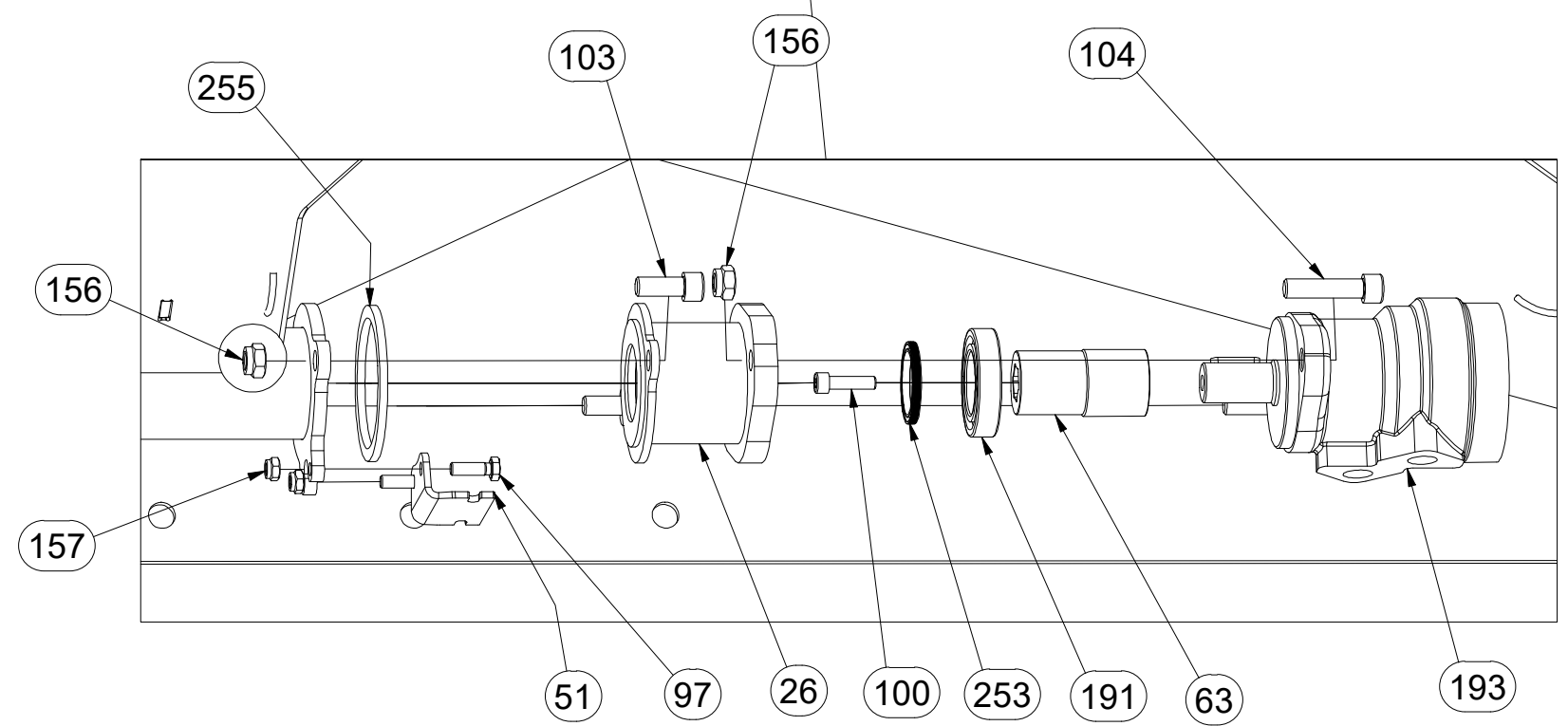
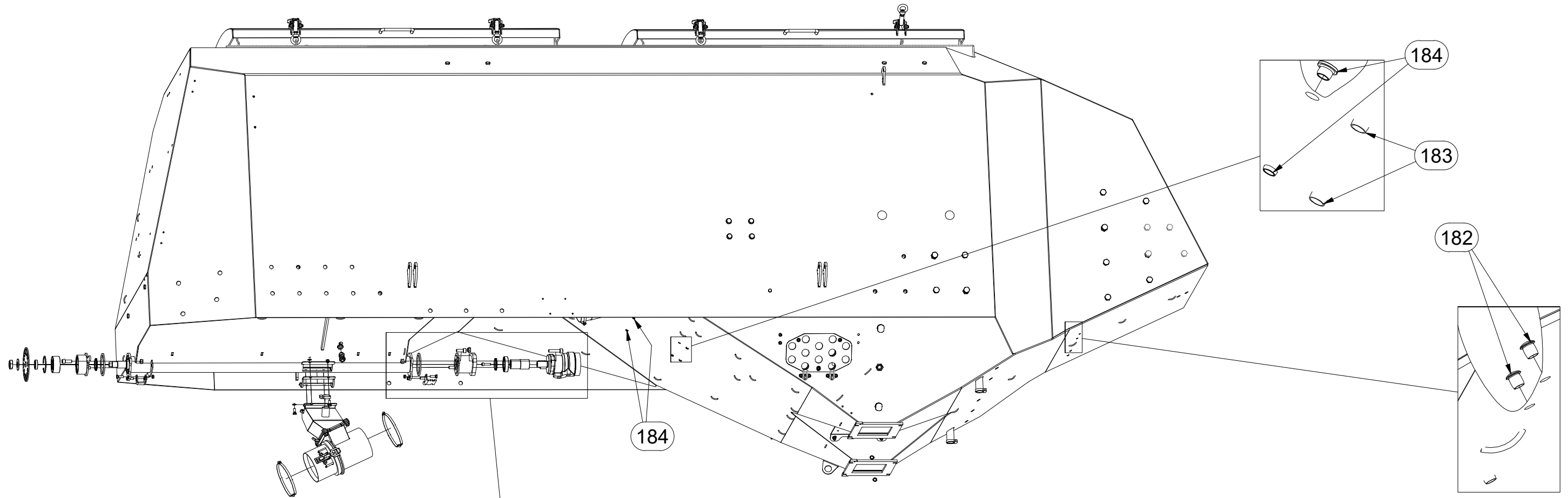
| Pos. | Part Number | Pcs. |
|------|-------------|------|
| 16 | VZ00017243 | 1 |
| 29 | VZ00001918 | 1 |
| 50 | VZ00001311 | 1 |
| 57 | VZ00005122 | 1 |
| 61 | VZ00017245 | 1 |
| 97 | m06850 | 16 |
| 103 | m12696 | 4 |
| 131 | m21685 | 1 |
| 152 | m20236 | 1 |
| 156 | m13618 | 6 |
| 157 | m10820 | 70 |
| 189 | m04250 | 1 |
| 192 | m14552 | 1 |
| 253 | m19263 | 2 |
| 255 | m20329 | 2 |

CZ NÁSYPKA
 D FÜLLTRICHTER
 F TRÉMIE

GB HOPPER
 RU БУНКЕР
 PL LEJ



VZ00024183



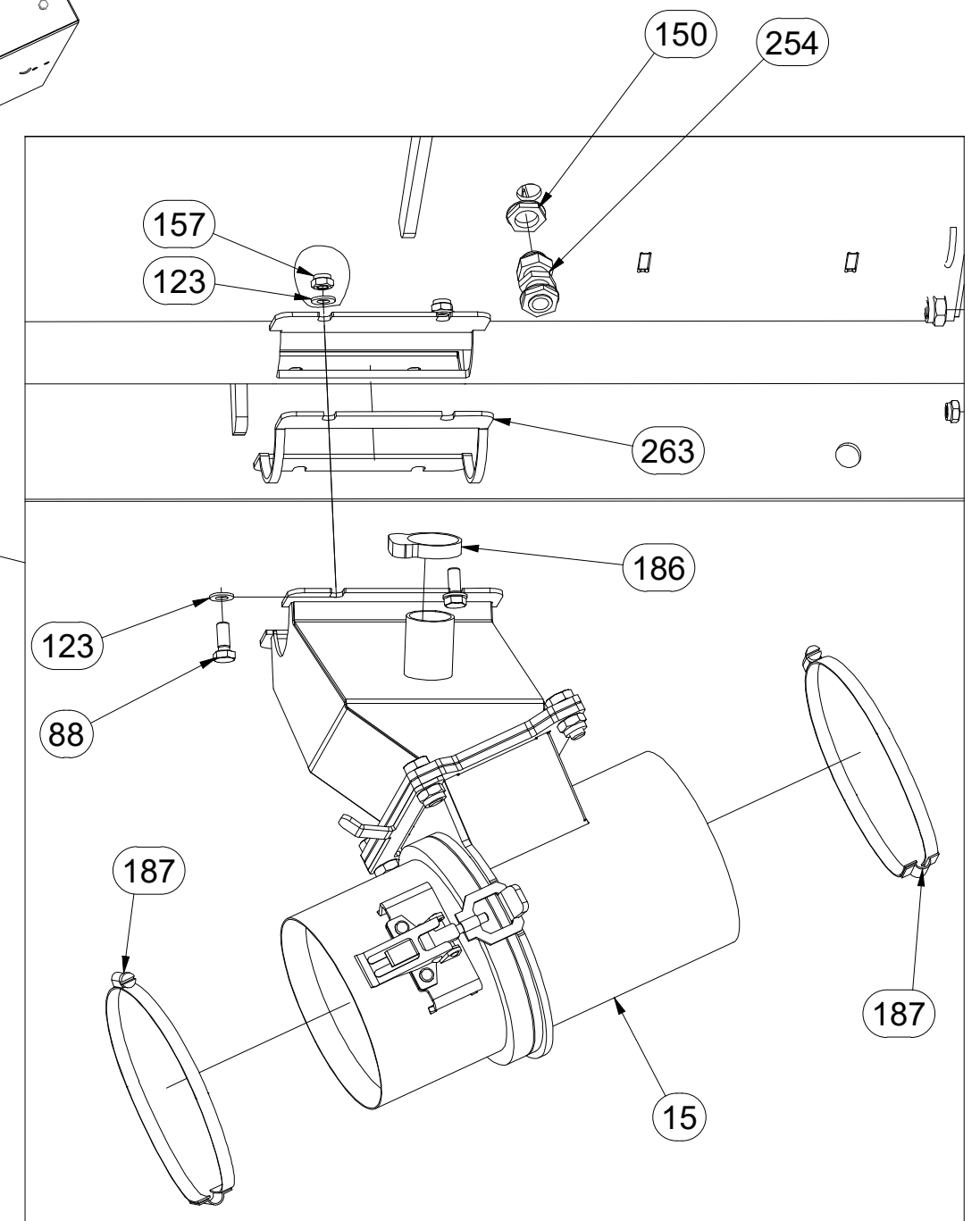
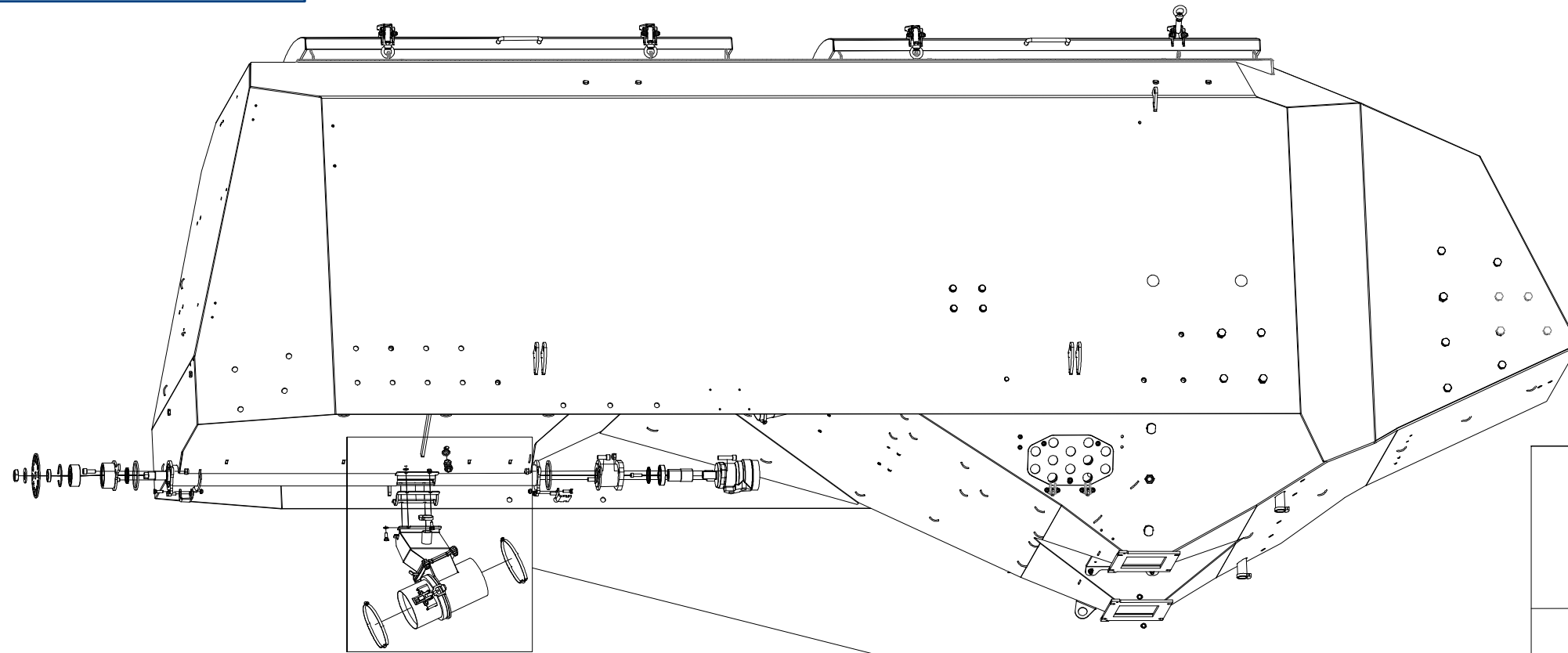
| Pos. | Part Number | Pcs. |
|------|-------------|------|
| 26 | VZ00005214 | 1 |
| 51 | VZ00001369 | 1 |
| 63 | VZ00019182 | 1 |
| 97 | m06850 | 16 |
| 100 | m13739 | 19 |
| 103 | m12696 | 4 |
| 104 | m18790 | 2 |
| 156 | m13618 | 6 |
| 157 | m10820 | 70 |
| 182 | m14036 | 6 |
| 183 | m22941 | 2 |
| 184 | m18534 | 4 |
| 191 | m09830 | 1 |
| 193 | m16300 | 1 |
| 253 | m19263 | 2 |
| 255 | m20329 | 2 |

CZ NÁŠYPKA
 D FÜLLTRICHTER
 F TRÉMIE

GB HOPPER
 RU БУНКЕР
 PL LEJ



VZ00024183



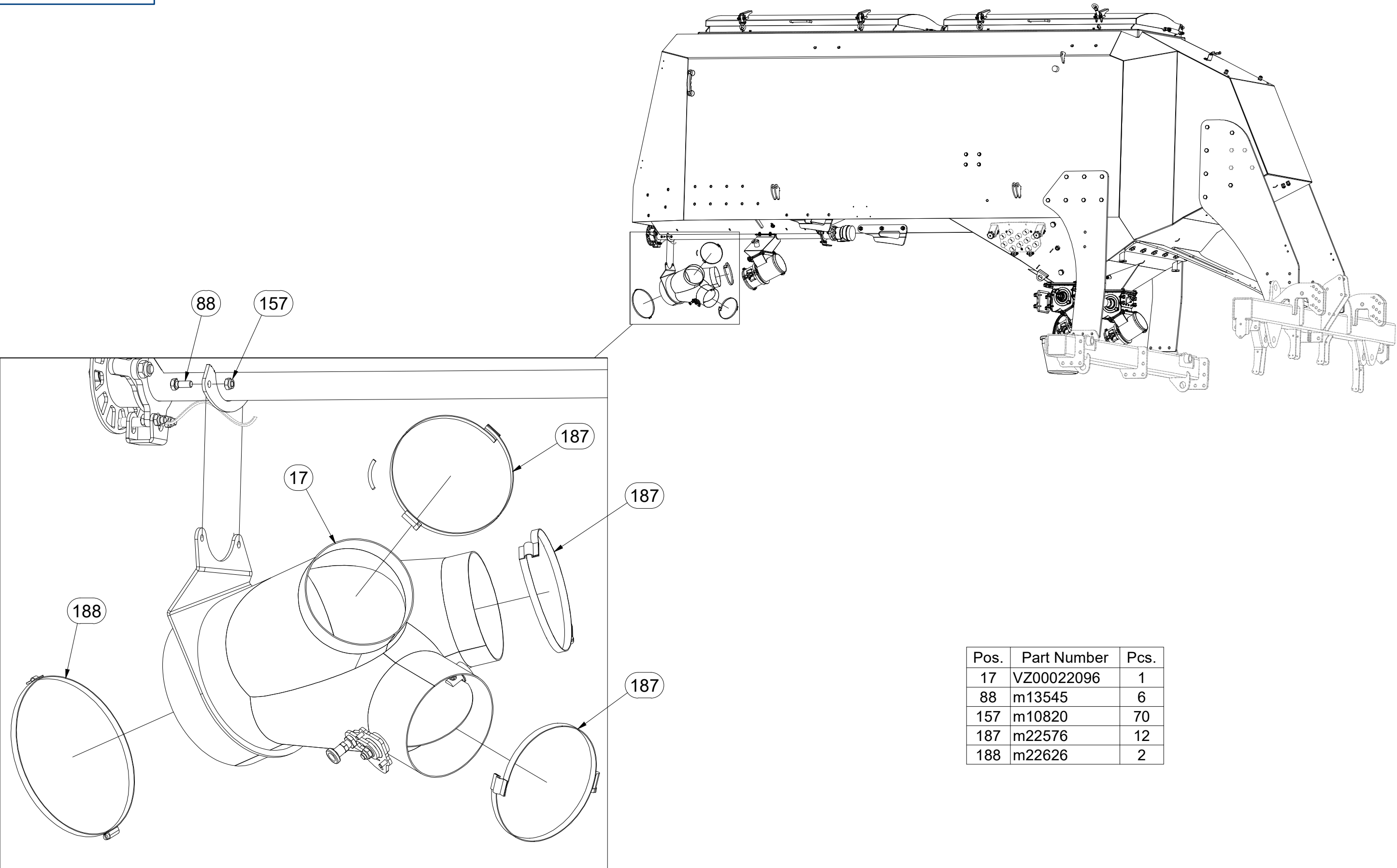
| Pos. | Part Number | Pcs. |
|------|-------------|------|
| 15 | VZ00007264 | 1 |
| 88 | m13545 | 6 |
| 123 | m06846 | 26 |
| 150 | m19715 | 6 |
| 157 | m10820 | 70 |
| 186 | m19099 | 33 |
| 187 | m22576 | 12 |
| 254 | m19713 | 6 |
| 263 | m23412 | 1 |

- Ⓒ NÁŠYPKA
- Ⓓ FÜLLTRICHTER
- Ⓕ TRÉMIE

- Ⓖ HOPPER
- Ⓡ БУНКЕР
- Ⓟ LEJ



VZ00024183



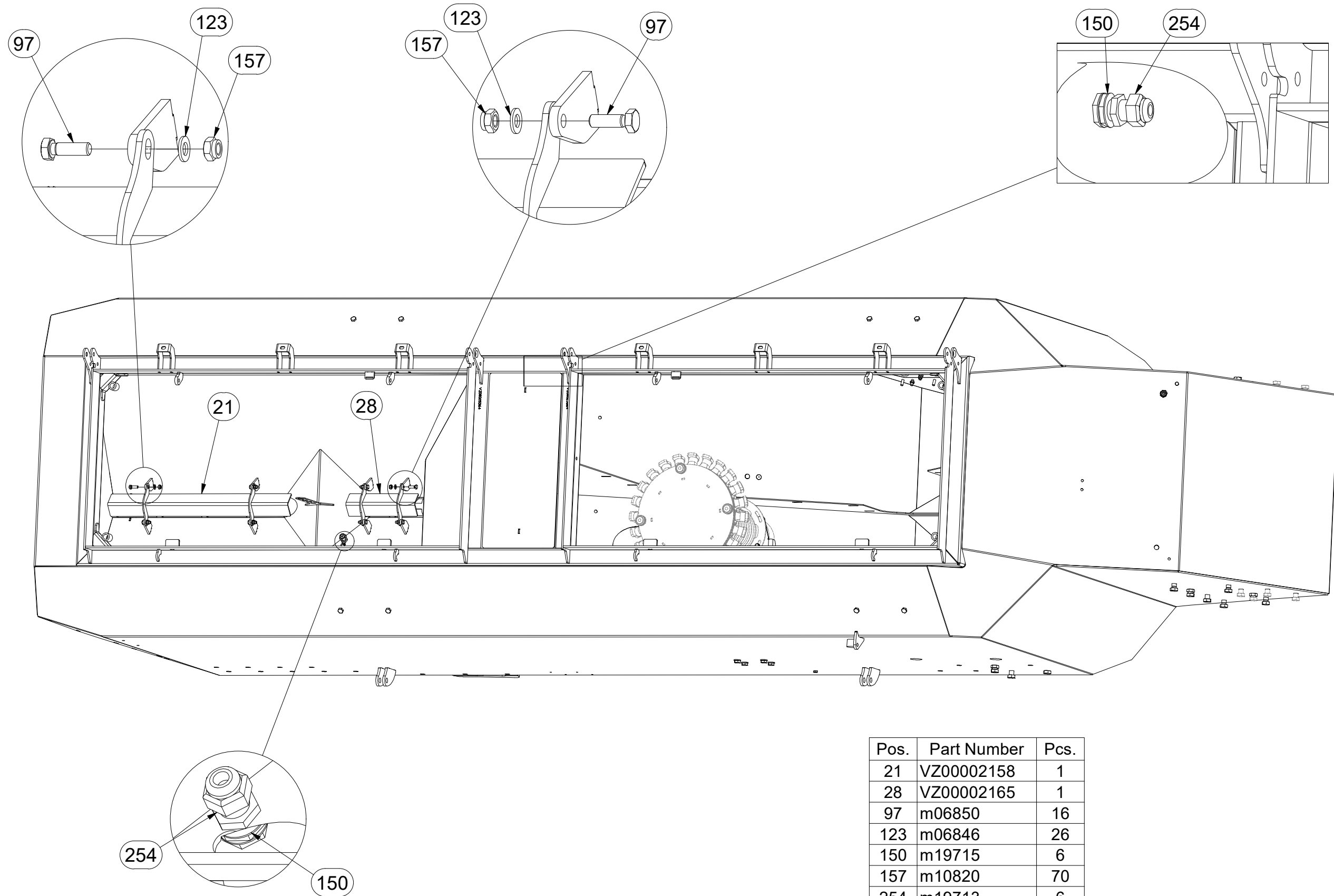
| Pos. | Part Number | Pcs. |
|------|-------------|------|
| 17 | VZ00022096 | 1 |
| 88 | m13545 | 6 |
| 157 | m10820 | 70 |
| 187 | m22576 | 12 |
| 188 | m22626 | 2 |

CZ NÁSYPKA
 D FÜLLTRICHTER
 F TRÉMIE

GB HOPPER
 RU БУНКЕР
 PL LEJ



VZ00024183



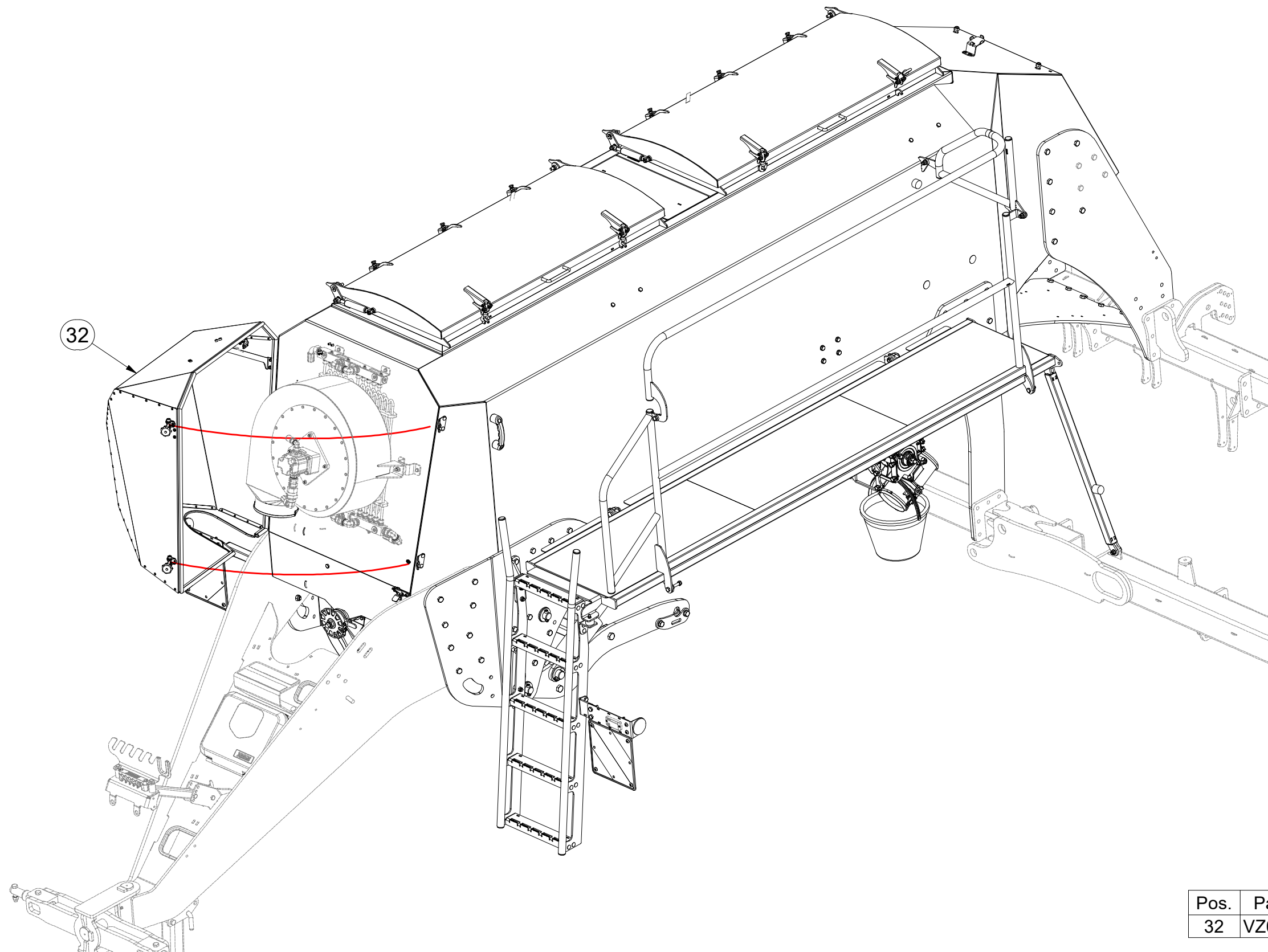
| Pos. | Part Number | Pcs. |
|------|-------------|------|
| 21 | VZ00002158 | 1 |
| 28 | VZ00002165 | 1 |
| 97 | m06850 | 16 |
| 123 | m06846 | 26 |
| 150 | m19715 | 6 |
| 157 | m10820 | 70 |
| 254 | m19713 | 6 |

- Ⓒ NÁŠYPKA
- Ⓓ FÜLLTRICHTER
- Ⓕ TRÉMIE

- Ⓖ HOPPER
- Ⓡ БУНКЕР
- Ⓟ LEJ



VZ00024183



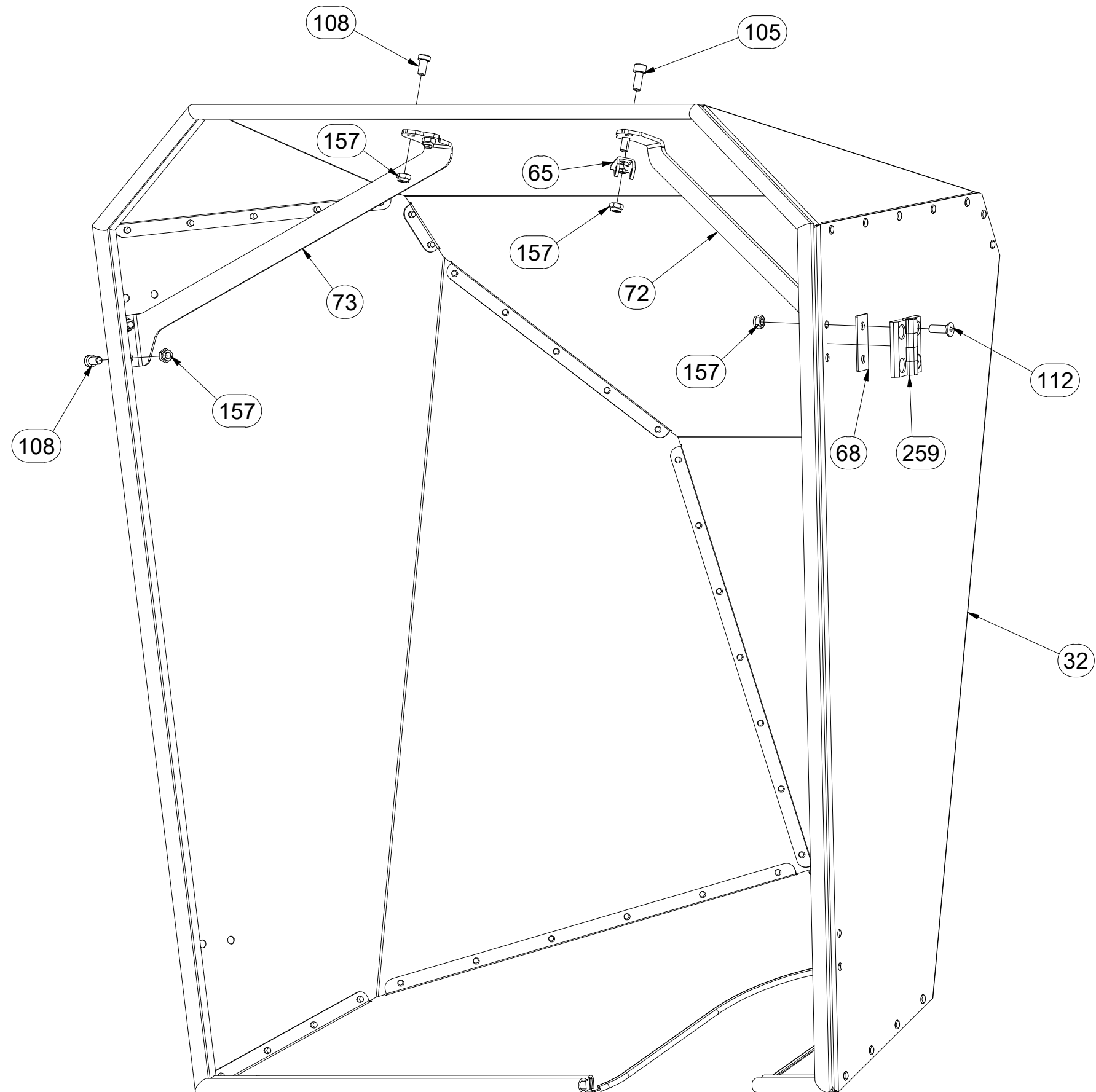
| Pos. | Part Number | Pcs. |
|------|-------------|------|
| 32 | VZ00021569 | 1 |

CZ NÁSYPKA
 D FÜLLTRICHTER
 F TRÉMIE

GB HOPPER
 RU БУНКЕР
 PL LEJ



VZ00024183



| Pos. | Part Number | Pcs. |
|------|-------------|------|
| 32 | VZ00021569 | 1 |
| 65 | VZ00022499 | 3 |
| 68 | VZ00022838 | 2 |
| 72 | VZ00025316 | 1 |
| 73 | VZ00025573 | 1 |
| 105 | m13585 | 10 |
| 108 | m20260 | 12 |
| 112 | m19789 | 8 |
| 157 | m10820 | 70 |
| 259 | m22680 | 2 |

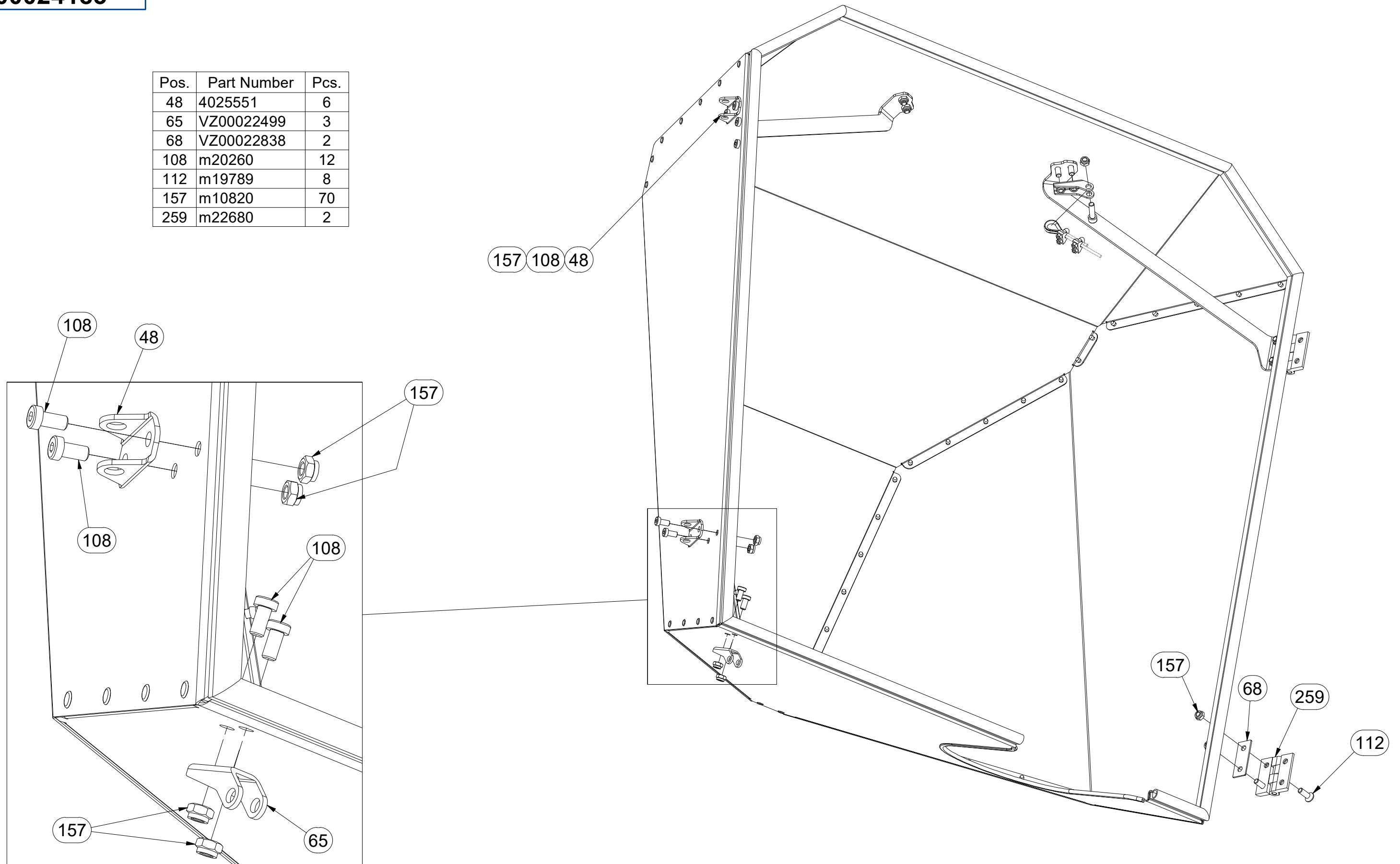
- Ⓒ NÁŠYPKA
- Ⓓ FÜLLTRICHTER
- Ⓕ TRÉMIE

- Ⓖ HOPPER
- Ⓡ БУНКЕР
- Ⓟ LEJ



VZ00024183

| Pos. | Part Number | Pcs. |
|------|-------------|------|
| 48 | 4025551 | 6 |
| 65 | VZ00022499 | 3 |
| 68 | VZ00022838 | 2 |
| 108 | m20260 | 12 |
| 112 | m19789 | 8 |
| 157 | m10820 | 70 |
| 259 | m22680 | 2 |

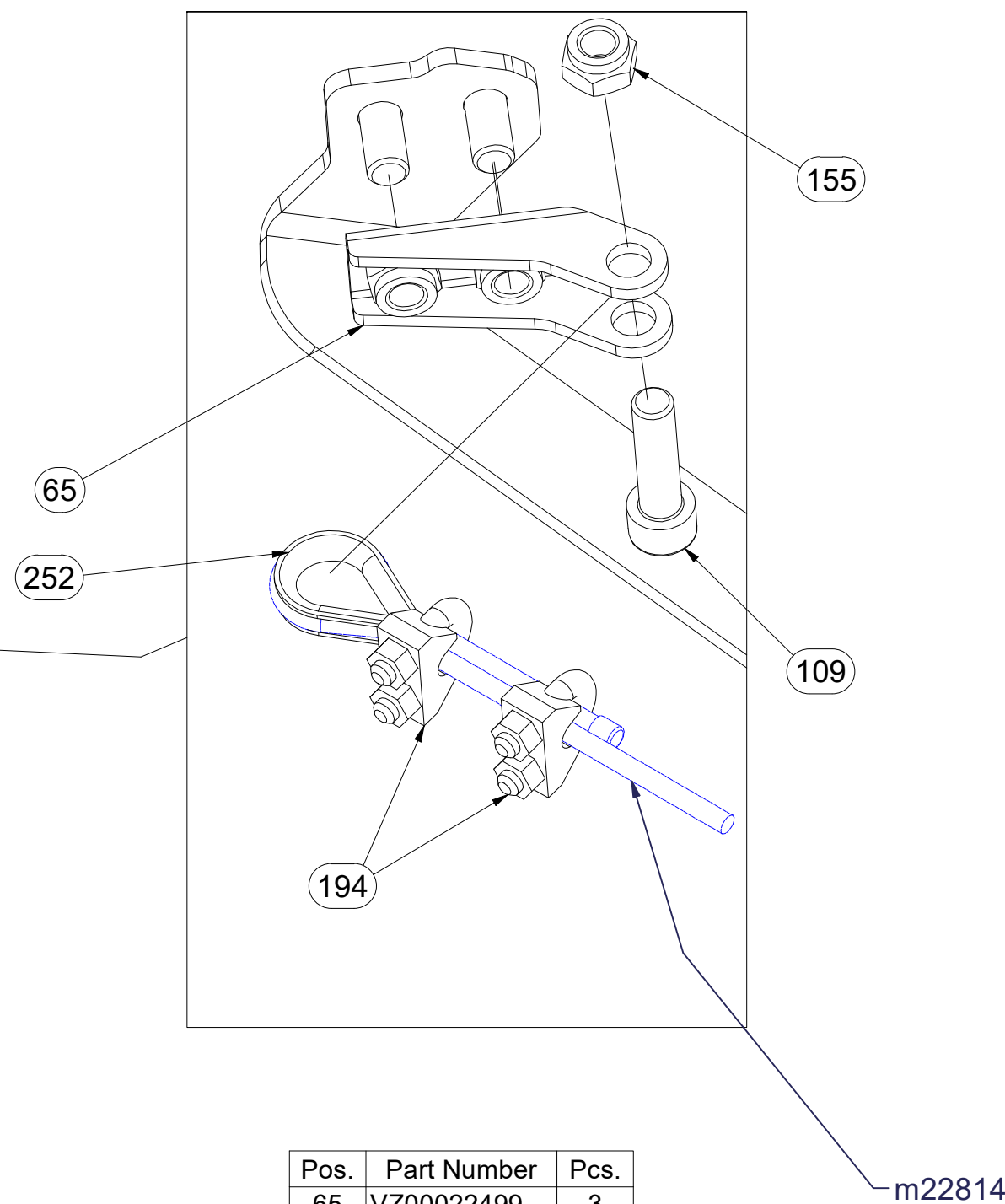
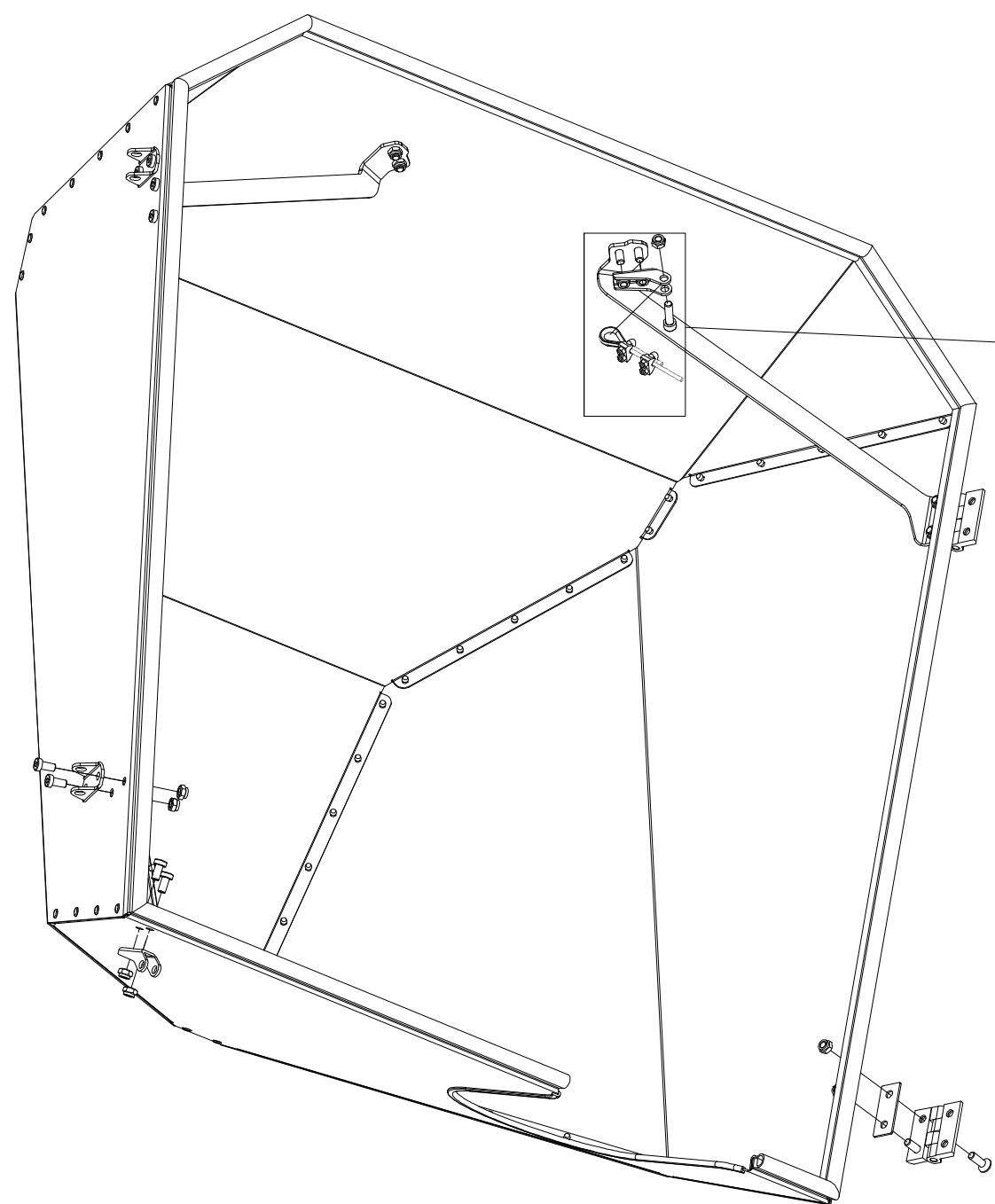


(CZ) NÁŠYPKA
 (D) FÜLLTRICHTER
 (F) TRÉMIE

(GB) HOPPER
 (RU) БУНКЕР
 (PL) LEJ



VZ00024183



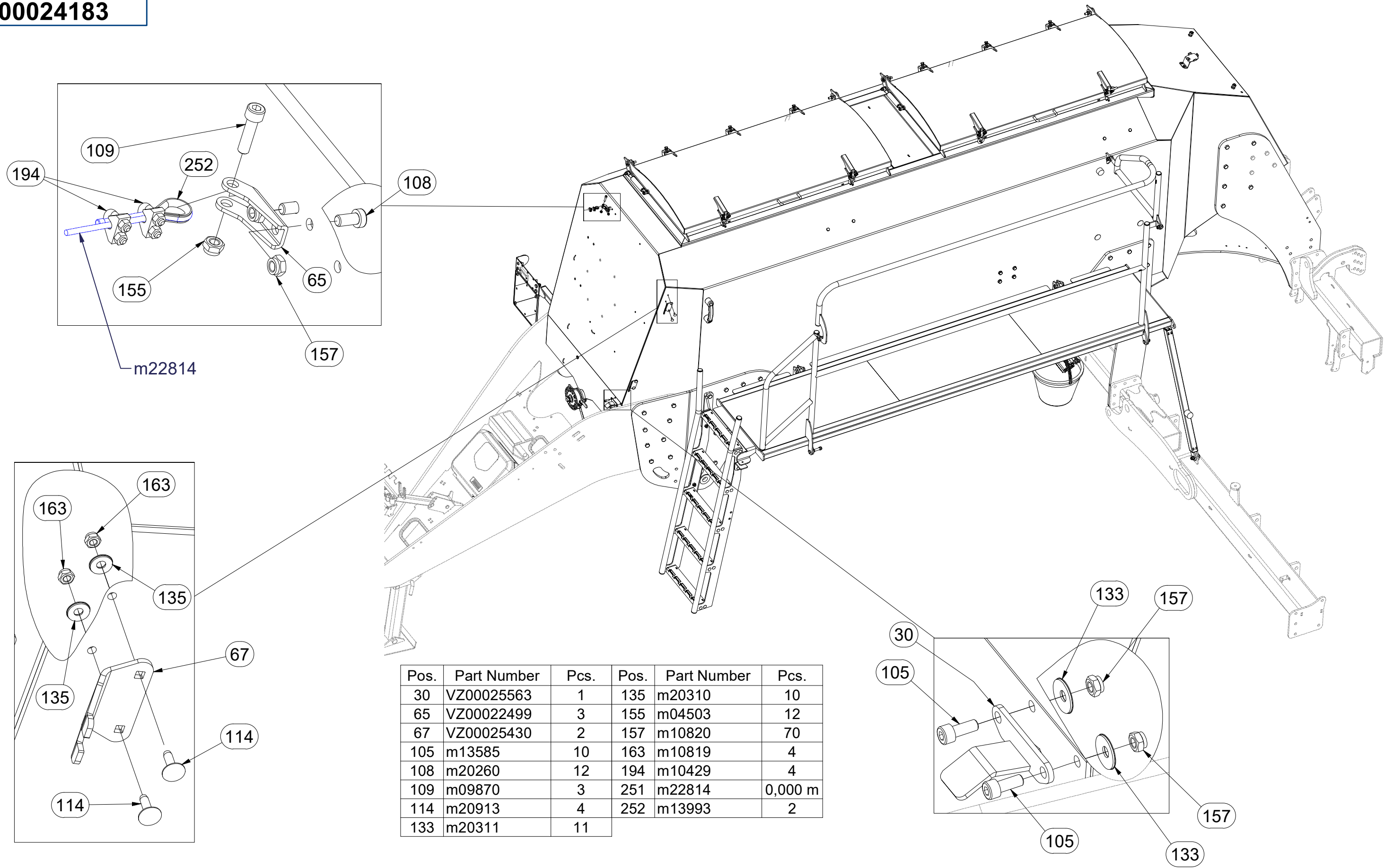
| Pos. | Part Number | Pcs. |
|------|-------------|------|
| 65 | VZ00022499 | 3 |
| 109 | m09870 | 3 |
| 155 | m04503 | 12 |
| 194 | m10429 | 4 |
| 252 | m13993 | 2 |

CZ NÁSYPKA
 D FÜLLTRICHTER
 F TRÉMIE

GB HOPPER
 RU БУНКЕР
 PL LEJ



VZ00024183



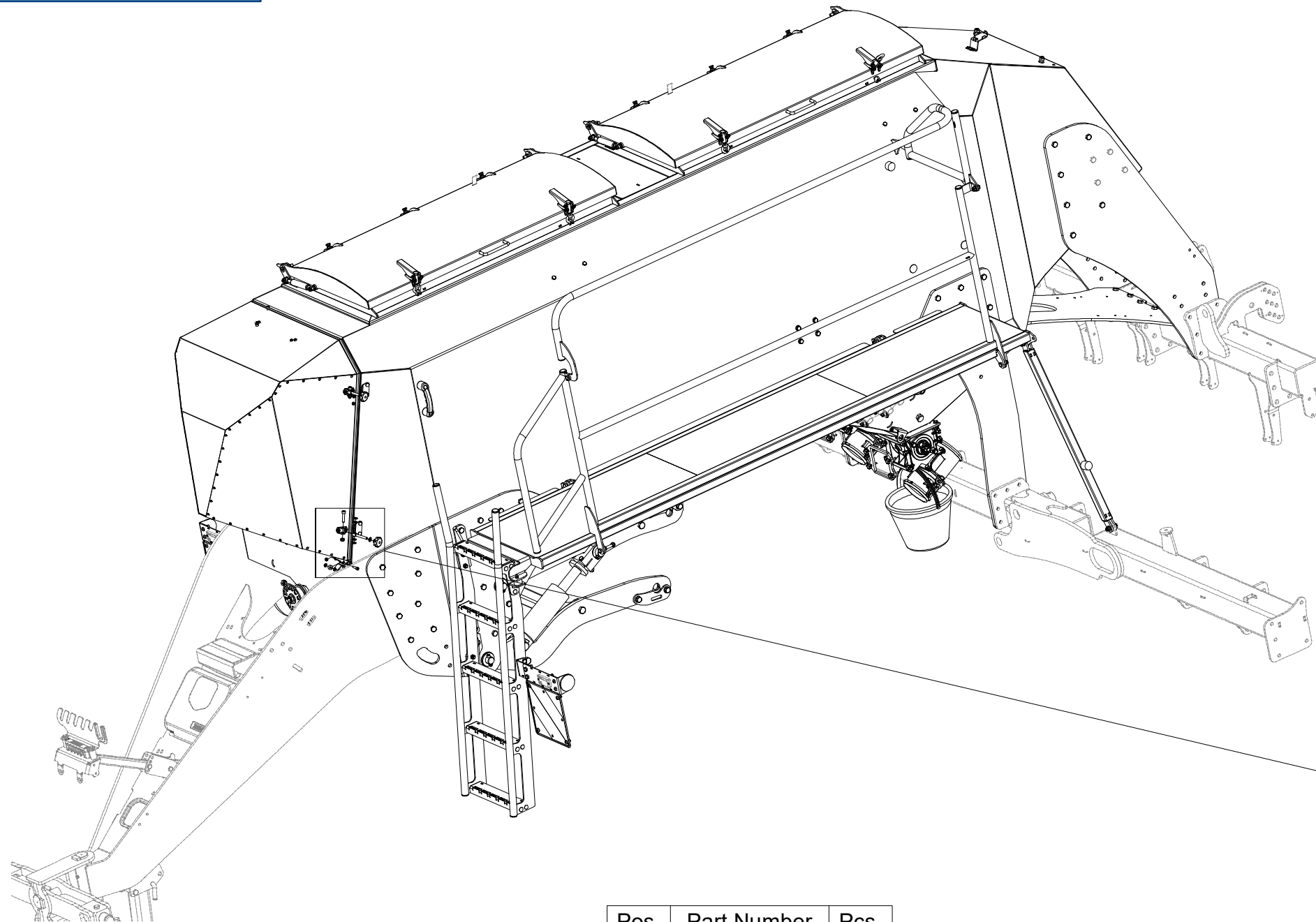
| Pos. | Part Number | Pcs. | Pos. | Part Number | Pcs. |
|------|-------------|------|------|-------------|---------|
| 30 | VZ00025563 | 1 | 135 | m20310 | 10 |
| 65 | VZ00022499 | 3 | 155 | m04503 | 12 |
| 67 | VZ00025430 | 2 | 157 | m10820 | 70 |
| 105 | m13585 | 10 | 163 | m10819 | 4 |
| 108 | m20260 | 12 | 194 | m10429 | 4 |
| 109 | m09870 | 3 | 251 | m22814 | 0,000 m |
| 114 | m20913 | 4 | 252 | m13993 | 2 |
| 133 | m20311 | 11 | | | |

CZ NÁSYPKA
 D FÜLLTRICHTER
 F TRÉMIE

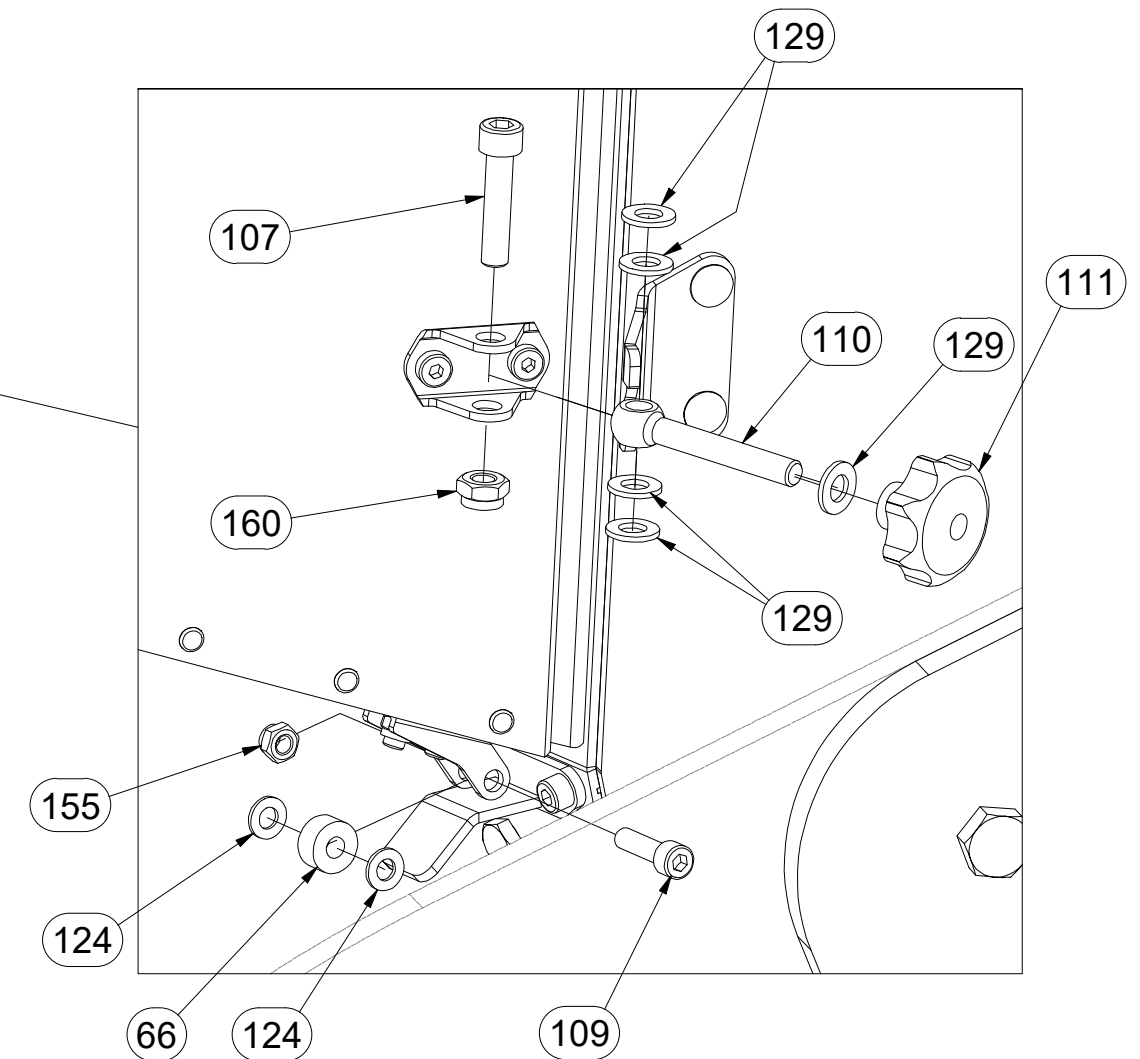
GB HOPPER
 RU БУНКЕР
 PL LEJ



VZ00024183



| Pos. | Part Number | Pcs. |
|------|-------------|------|
| 66 | VZ00022509 | 1 |
| 107 | m16788 | 6 |
| 109 | m09870 | 3 |
| 110 | m16912 | 6 |
| 111 | m16913 | 6 |
| 124 | m01203 | 5 |
| 129 | m06859 | 14 |
| 155 | m04503 | 12 |
| 160 | m13617 | 16 |



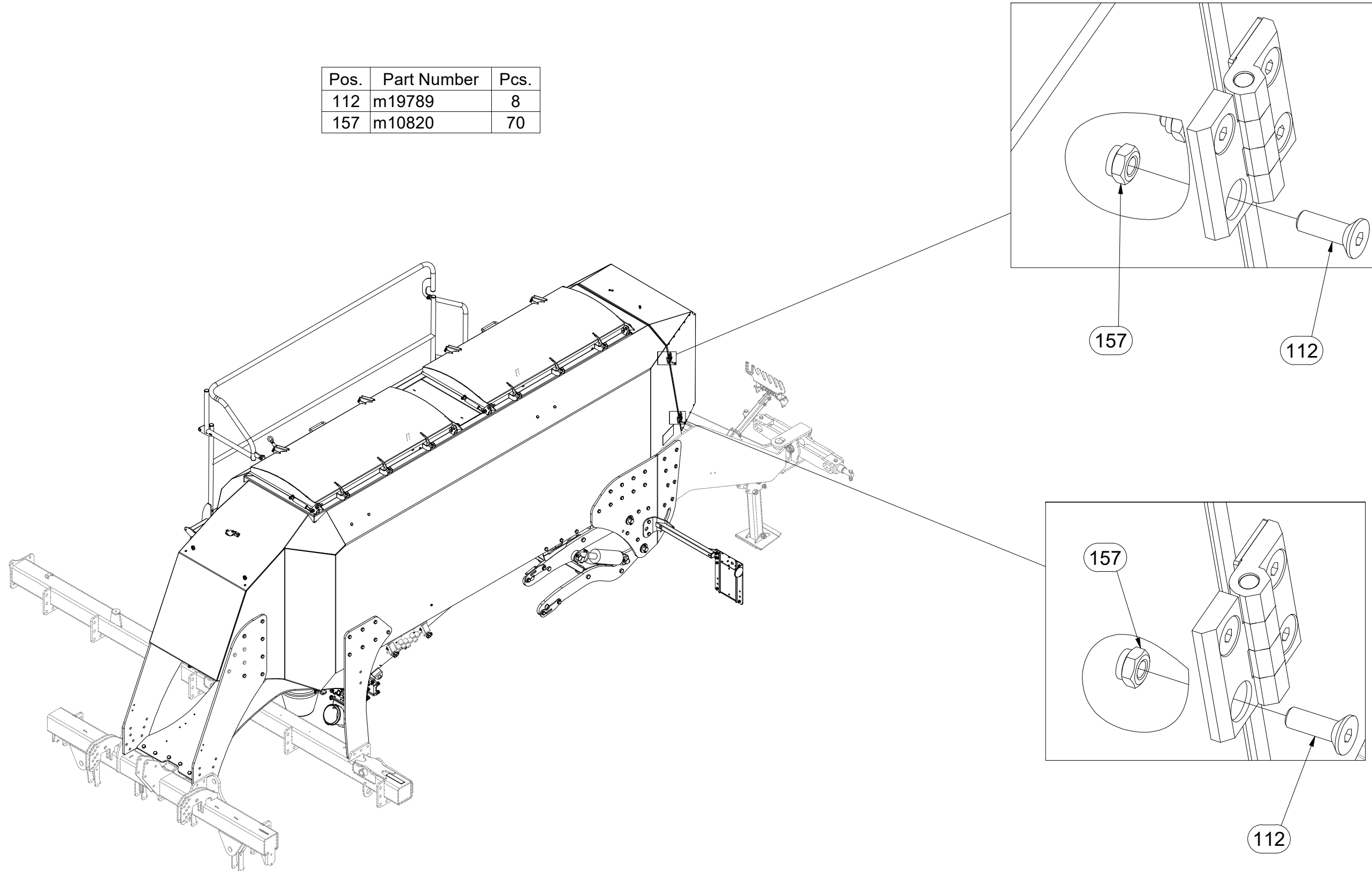
Ⓒ NÁŠYPKA
Ⓓ FÜLLTRICHTER
Ⓕ TRÉMIE

Ⓖ HOPPER
Ⓒ БУНКЕР
Ⓓ LEJ



VZ00024183

| Pos. | Part Number | Pcs. |
|------|-------------|------|
| 112 | m19789 | 8 |
| 157 | m10820 | 70 |

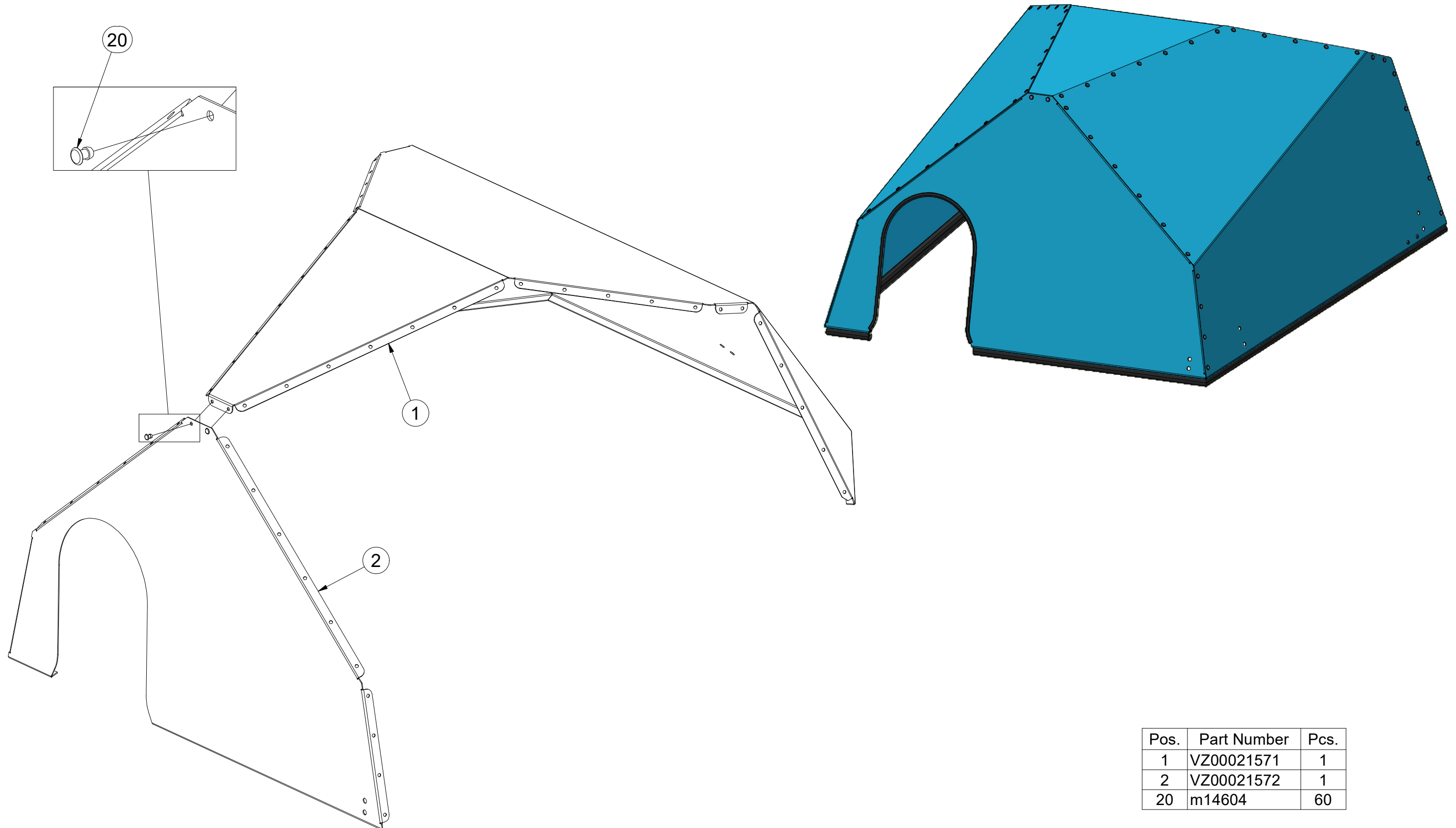


(CZ) KRYT VENTILÁTORU
 (D) LÜFTERABDECKUNG
 (F) COUVERCLE DU VENTILATEUR

(GB) VENTILATOR COVER
 (RU) КРЫШКА ВЕНТИЛЯТОРА
 (PL) POKRYWA WENTYLATORA



VZ00021569



| Pos. | Part Number | Pcs. |
|------|-------------|------|
| 1 | VZ00021571 | 1 |
| 2 | VZ00021572 | 1 |
| 20 | m14604 | 60 |

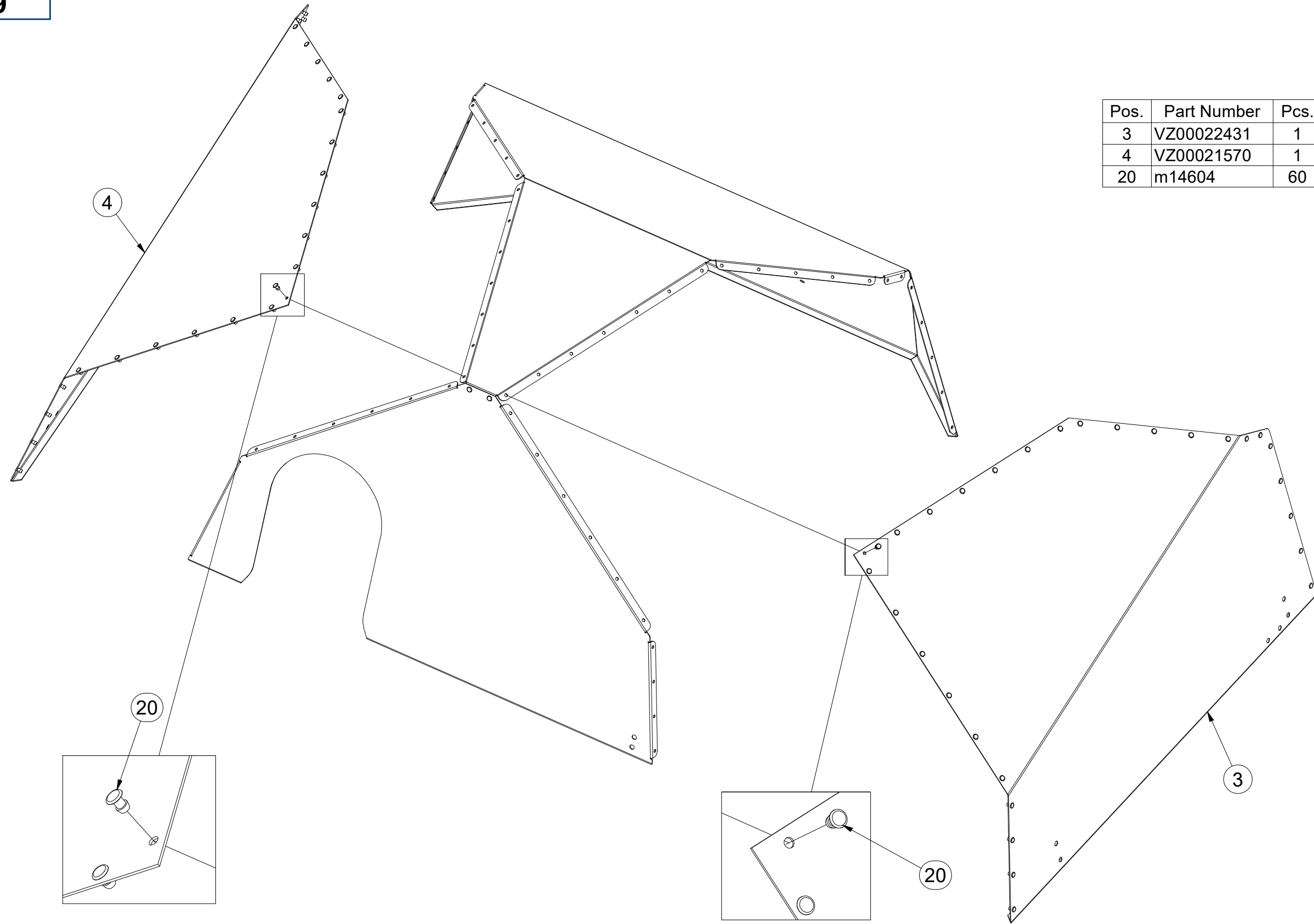
(CZ) KRYT VENTILÁTORU
 (D) LÜFTERABDECKUNG
 (F) COUVERCLE DU VENTILATEUR

(GB) VENTILATOR COVER
 (RU) КРЫШКА ВЕНТИЛЯТОРА
 (PL) POKRYWA WENTYLATORA



VZ00021569

| Pos. | Part Number | Pcs. |
|------|-------------|------|
| 3 | VZ00022431 | 1 |
| 4 | VZ00021570 | 1 |
| 20 | m14604 | 60 |

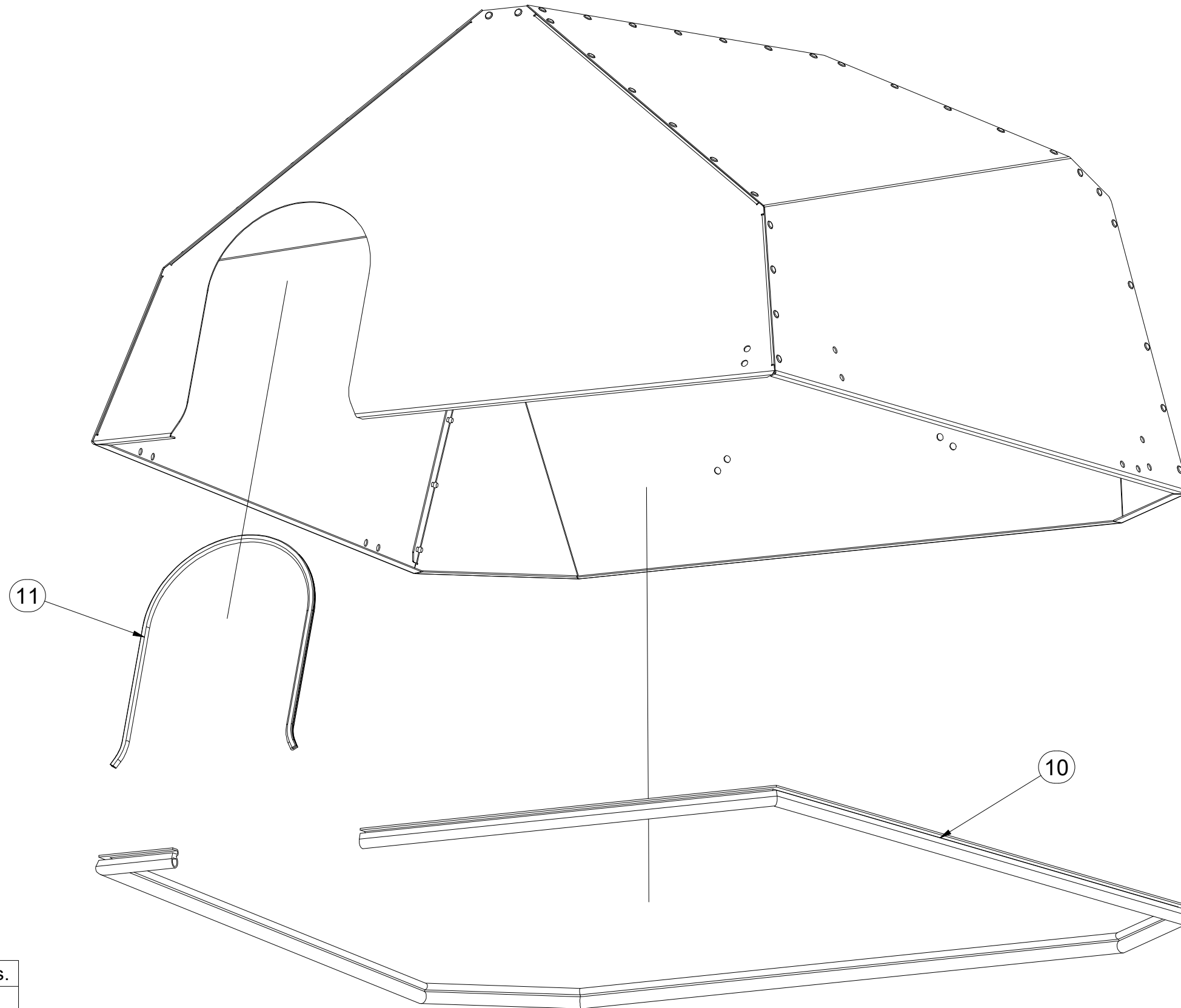


Ⓒ KRYT VENTILÁTORU
Ⓓ LÜFTERABDECKUNG
Ⓕ COUVERCLE DU VENTILATEUR

Ⓖ VENTILATOR COVER
Ⓡ КРЫШКА ВЕНТИЛЯТОРА
Ⓟ ПОКРЫВА ВЕНТЫЛАТОРА



VZ00021569



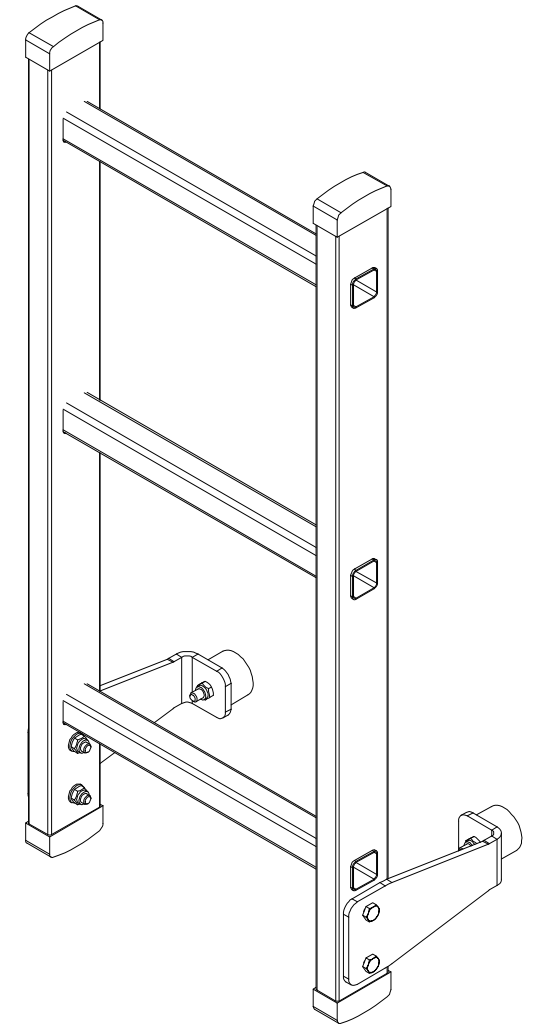
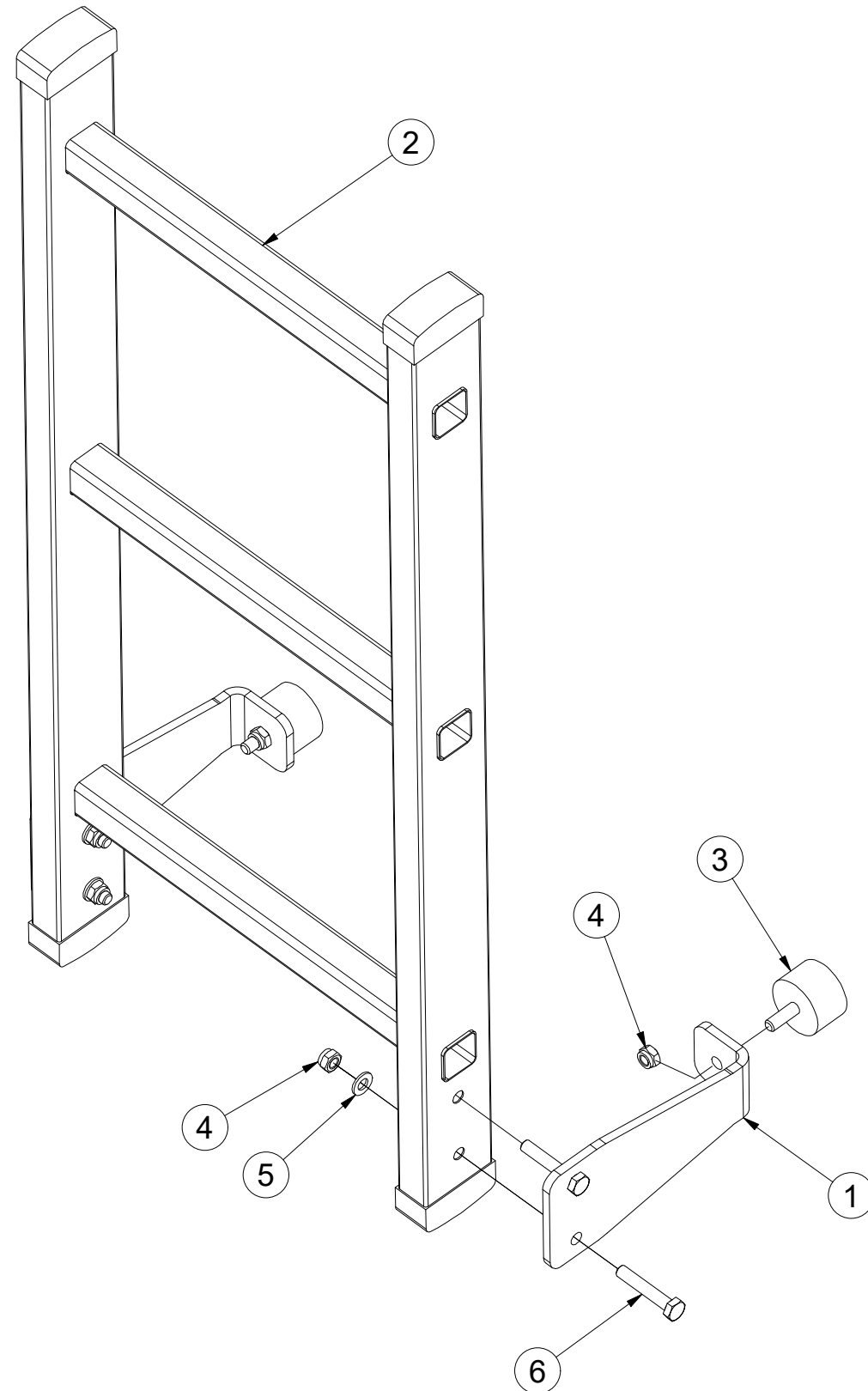
| Pos. | Part Number | Pcs. |
|------|-------------|------|
| 10 | VZ00022605 | 1 |
| 11 | VZ00022514 | 1 |

CZ ŽEBŘÍK
 D LEITER
 F ÉCHELLE

GB FOOTBRIDGE
 RU ЛЕСЕНКА
 PL DRABINKA



VZ00022606



| Pos. | Part Number | Pcs. |
|------|-------------|------|
| 1 | VZ00005406 | 2 |
| 2 | VZ00024355 | 1 |
| 3 | m08098 | 2 |
| 4 | m04503 | 6 |
| 5 | m01203 | 4 |
| 6 | m07789 | 4 |

Ⓒ PŘEPÁŽKA

Ⓓ PARTITION

Ⓕ CLOISON

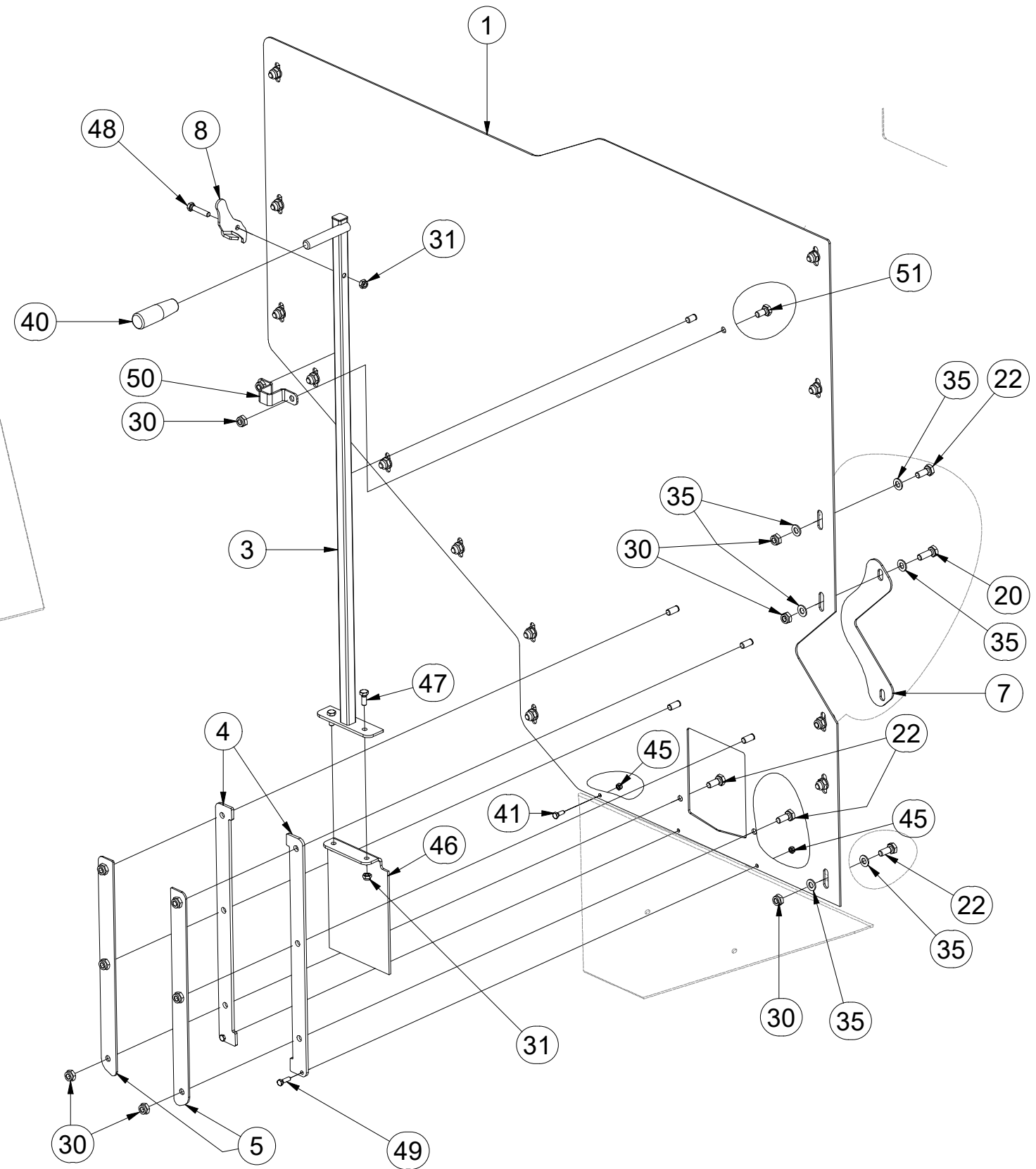
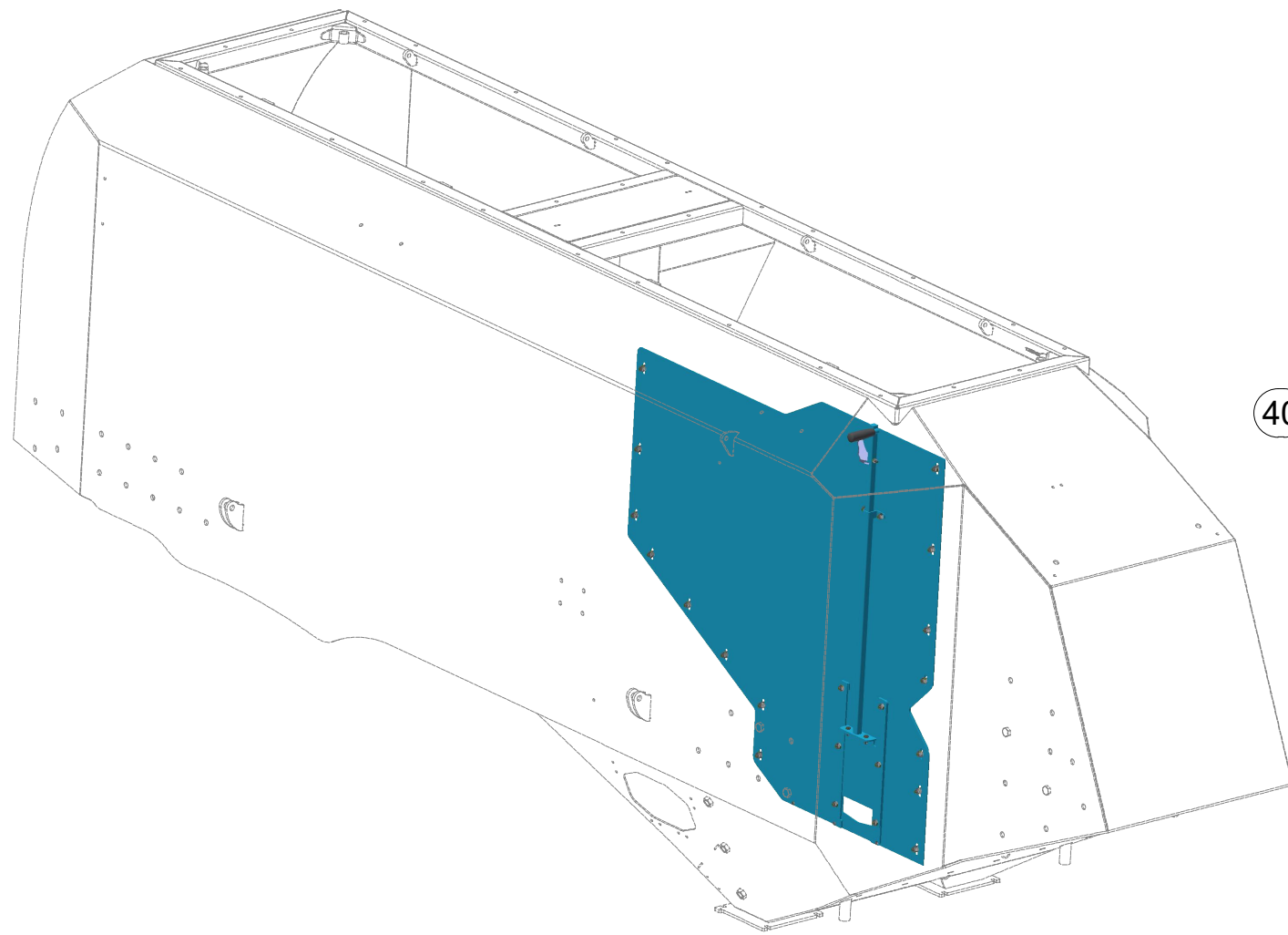
Ⓖ PARTITION

Ⓡ РАЗДЕЛ

Ⓟ PRZEGRODA



VZ00022654



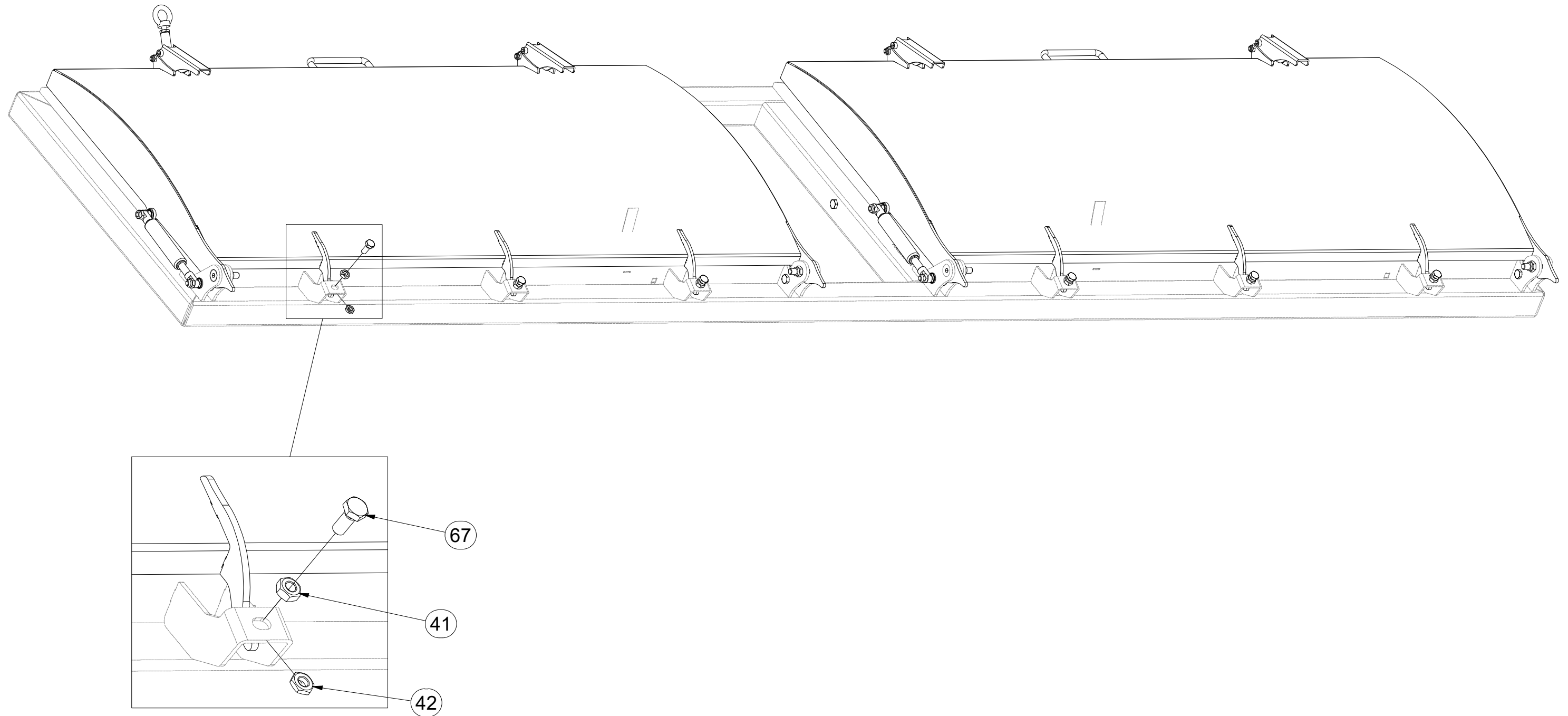
| Pos. | Part Number | Pcs. | Pos. | Part Number | Pcs. |
|------|-------------|------|------|-------------|------|
| 1 | VZ00022655 | 1 | 35 | m01209 | 30 |
| 3 | VZ00022634 | 1 | 40 | m17698 | 1 |
| 4 | VZ00022656 | 2 | 41 | m01073 | 1 |
| 5 | VZ00022657 | 2 | 45 | m05560 | 3 |
| 7 | VZ00012919 | 1 | 46 | VZ00022600 | 1 |
| 8 | VZ00022734 | 1 | 47 | m01089 | 2 |
| 20 | m04612 | 2 | 48 | m01097 | 1 |
| 22 | m03681 | 19 | 49 | m01074 | 2 |
| 30 | m03775 | 23 | 50 | VZ00023034 | 1 |
| 31 | m04503 | 3 | 51 | m00120 | 2 |

CZ VÍKO NÁSYPKY
 D TRICHTERDECKEL
 F COUVERCLE DE TRÉMITE

GB HOPPER LID
 RU КРЫШКА БУНКЕРА
 PL POKRYWA ZASOBNIKA



VZ00025881



| Pos. | Part Number | Pcs. |
|------|-------------|------|
| 42 | m19799 | 16 |
| 41 | m06853 | 12 |
| 67 | m19695 | 6 |

ⒸZ VÍKO NÁSYPKY

Ⓓ TRICHTERDECKEL

Ⓕ COUVERCLE DE TRÉMITE

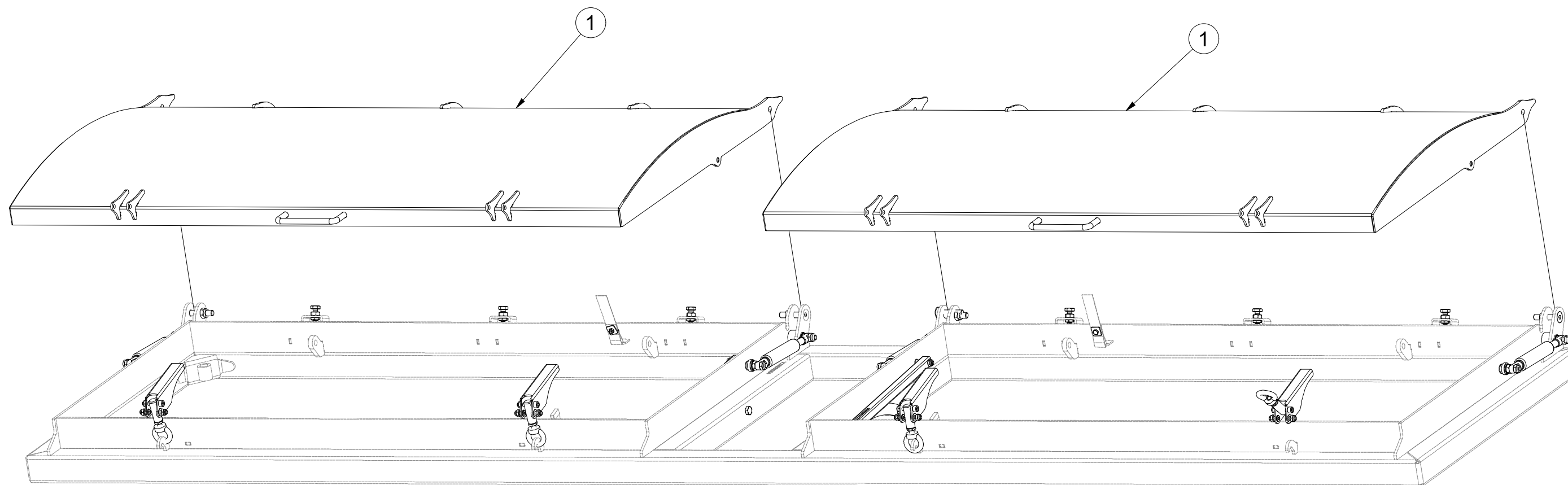
VZ00025881

ⒼB HOPPER LID

Ⓔ КРЫШКА БУНКЕРА

ⒽL POKRYWA ZASOBNIKA

Farmet



| Pos. | Part Number | Pcs. |
|------|-------------|------|
| 1 | VZ00009448 | 2 |

Ⓒ VÍKO NÁSYPKY

Ⓓ TRICHTERDECKEL

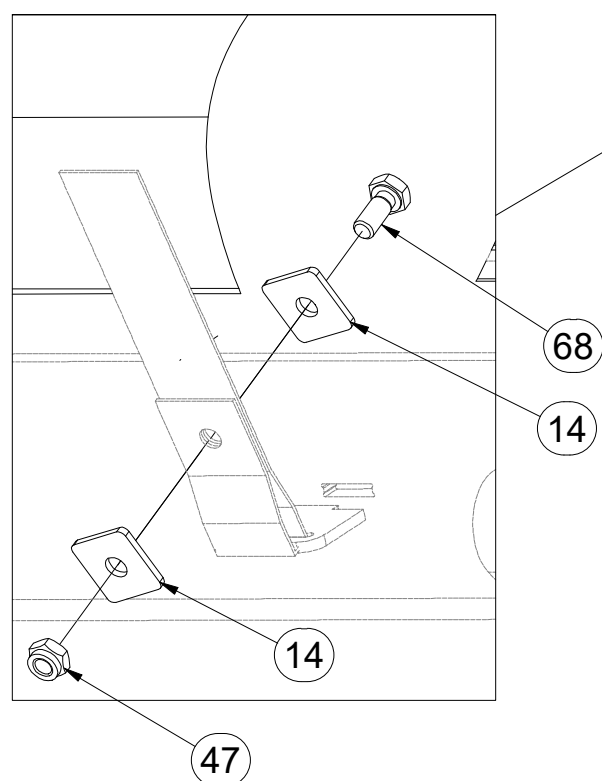
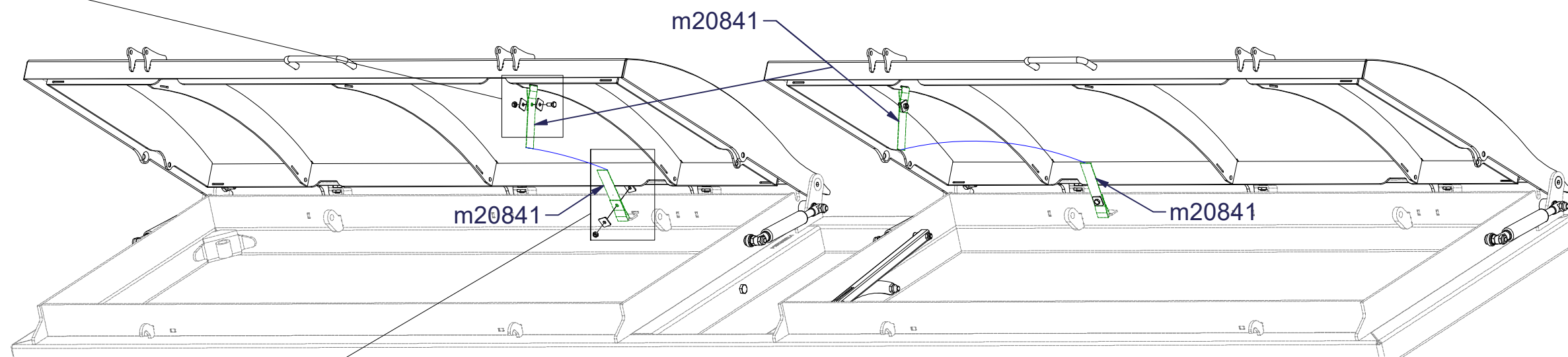
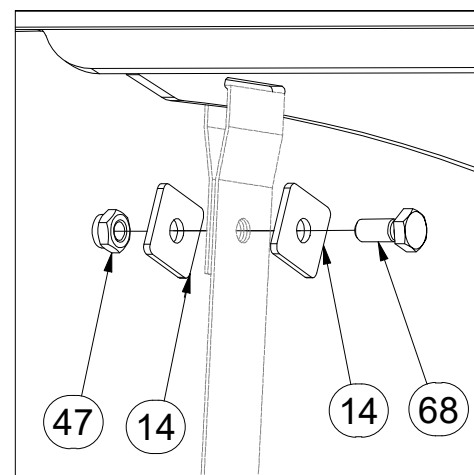
Ⓕ COUVERCLE DE TRÉMITE

VZ00025881

Ⓖ HOPPER LID

Ⓔ КРЫШКА БУНКЕРА

Ⓗ POKRYWA ZASOBNIKA



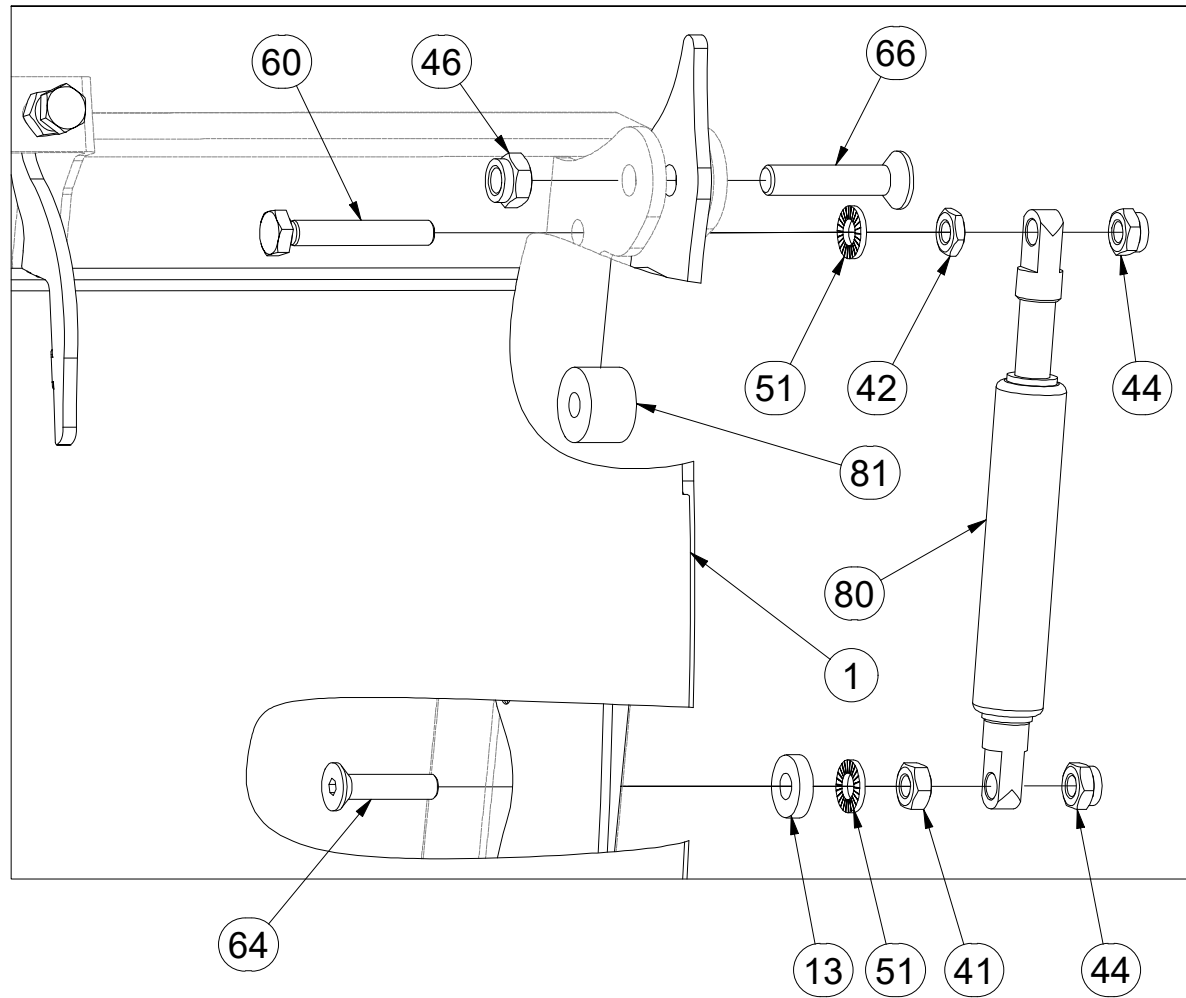
| Pos. | Part Number | Pcs. |
|------|-------------|---------|
| 14 | VZ00004895 | 8 |
| 47 | m10819 | 4 |
| 68 | m10463 | 4 |
| 83 | m20841 | 2,600 m |

CZ VÍKO NÁSYPKY
 D TRICHTERDECKEL
 F COUVERCLE DE TRÉMITE

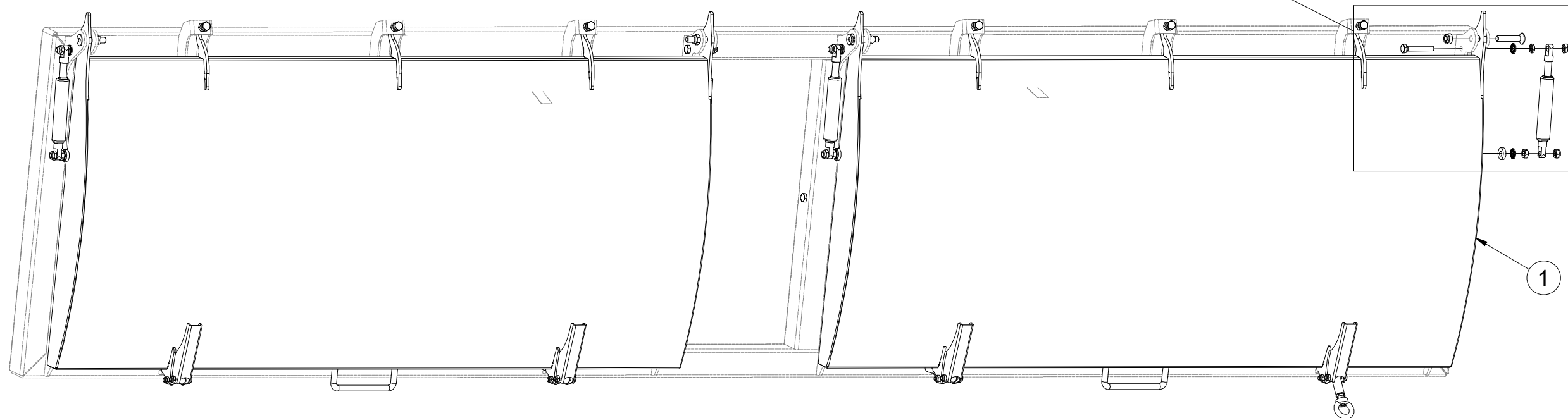
GB HOPPER LID
 RU КРЫШКА БУНКЕРА
 PL POKRYWA ZASOBNIKA



VZ00025881



| Pos. | Part Number | Pcs. |
|------|-------------|------|
| 1 | VZ00009448 | 2 |
| 13 | VZ00005121 | 4 |
| 41 | m06853 | 12 |
| 42 | m19799 | 16 |
| 44 | m13617 | 13 |
| 46 | m13618 | 4 |
| 51 | m06543 | 8 |
| 60 | m19798 | 4 |
| 64 | m19791 | 4 |
| 66 | m19800 | 5 |
| 80 | m19704 | 4 |
| 81 | m20566 | 4 |



Ⓒ VÍKO NÁSYPKY

Ⓓ TRICHTERDECKEL

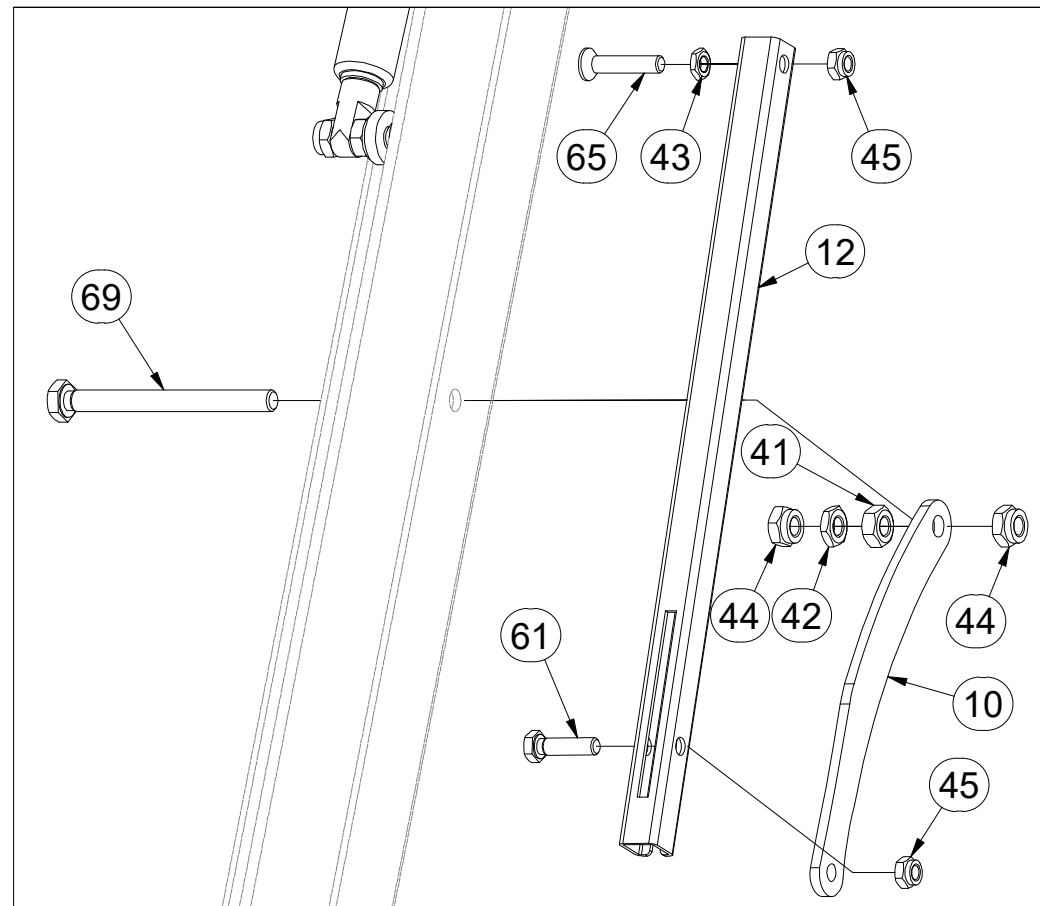
Ⓕ COUVERCLE DE TRÉMITE

VZ0002581

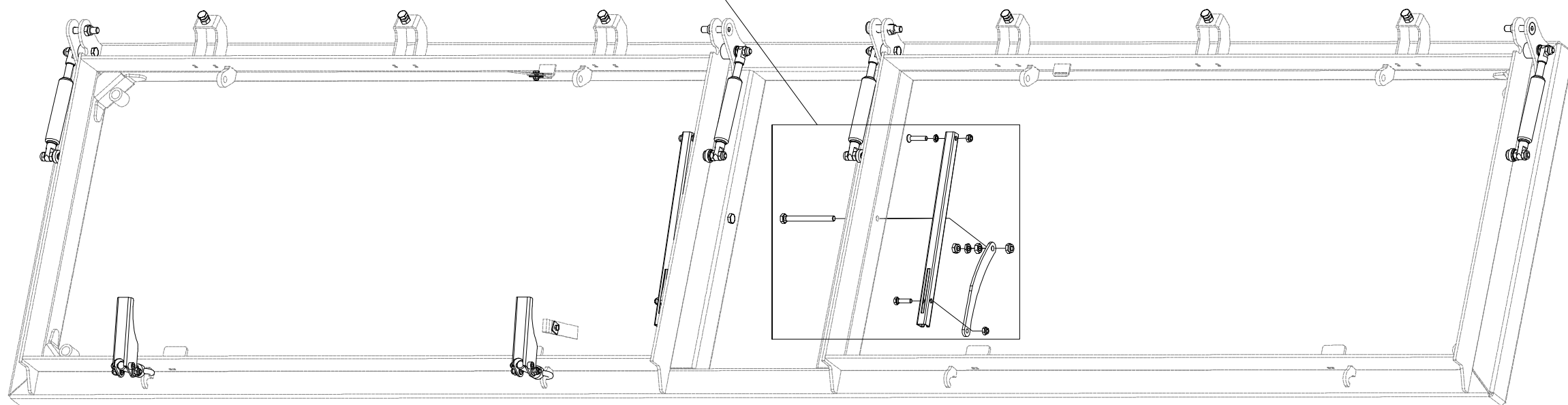
Ⓖ HOPPER LID

Ⓔ КРЫШКА БУНКЕРА

Ⓗ ПОКРЫВА ЗАСОБНИКА



| Pos. | Part Number | Pcs. |
|------|-------------|------|
| 10 | VZ00000440 | 2 |
| 12 | VZ00004915 | 2 |
| 41 | m06853 | 12 |
| 42 | m19799 | 16 |
| 43 | m19790 | 2 |
| 44 | m13617 | 13 |
| 45 | m10820 | 16 |
| 61 | m06855 | 2 |
| 65 | m20229 | 2 |
| 69 | m22830 | 2 |



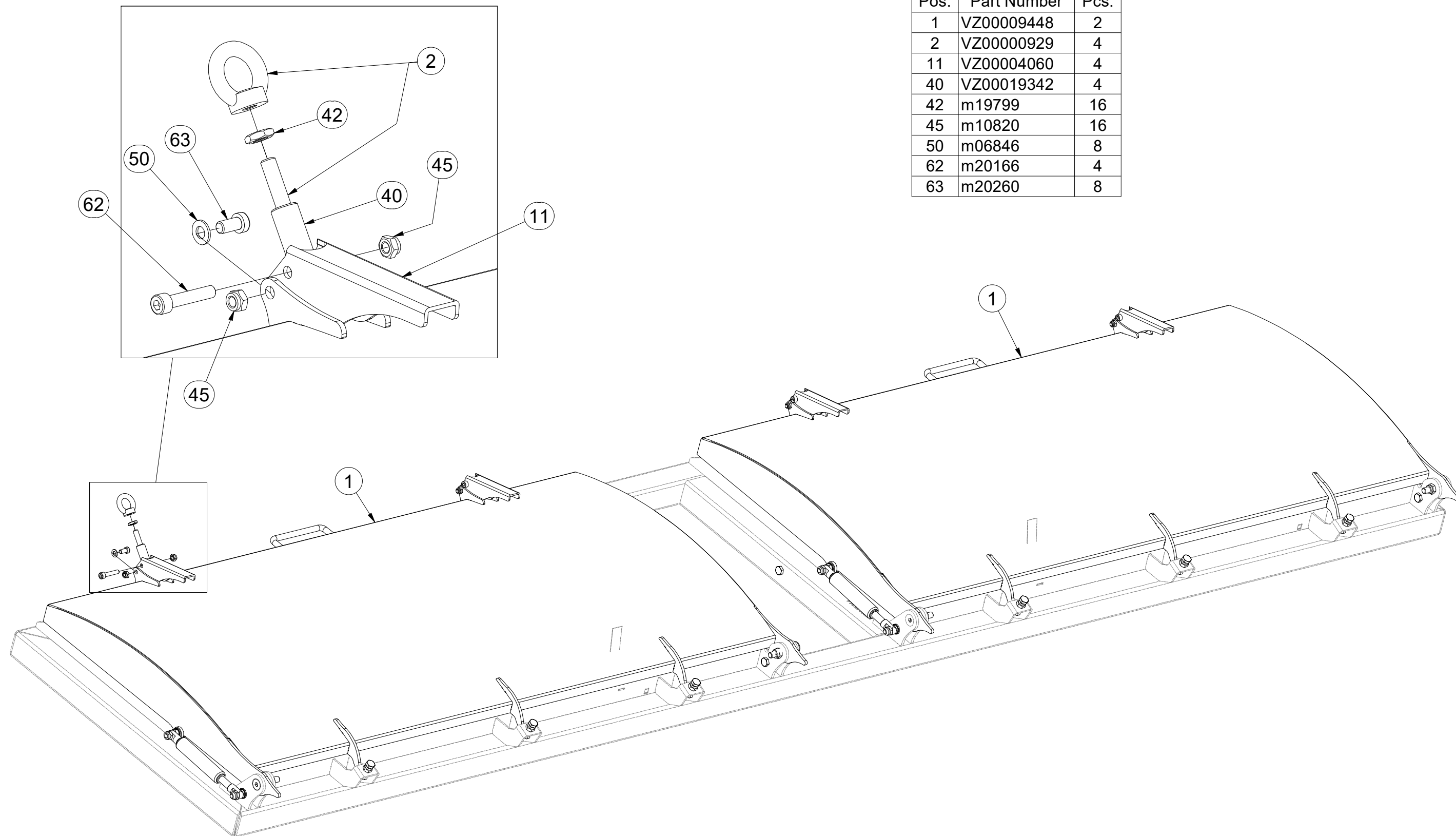
(CZ) VÍKO NÁSYPKY
 (D) TRICHTERDECKEL
 (F) COUVERCLE DE TRÉMITE

(GB) HOPPER LID
 (RU) КРЫШКА БУНКЕРА
 (PL) POKRYWA ZASOBNIKA



VZ00025881

| Pos. | Part Number | Pcs. |
|------|-------------|------|
| 1 | VZ00009448 | 2 |
| 2 | VZ00000929 | 4 |
| 11 | VZ00004060 | 4 |
| 40 | VZ00019342 | 4 |
| 42 | m19799 | 16 |
| 45 | m10820 | 16 |
| 50 | m06846 | 8 |
| 62 | m20166 | 4 |
| 63 | m20260 | 8 |

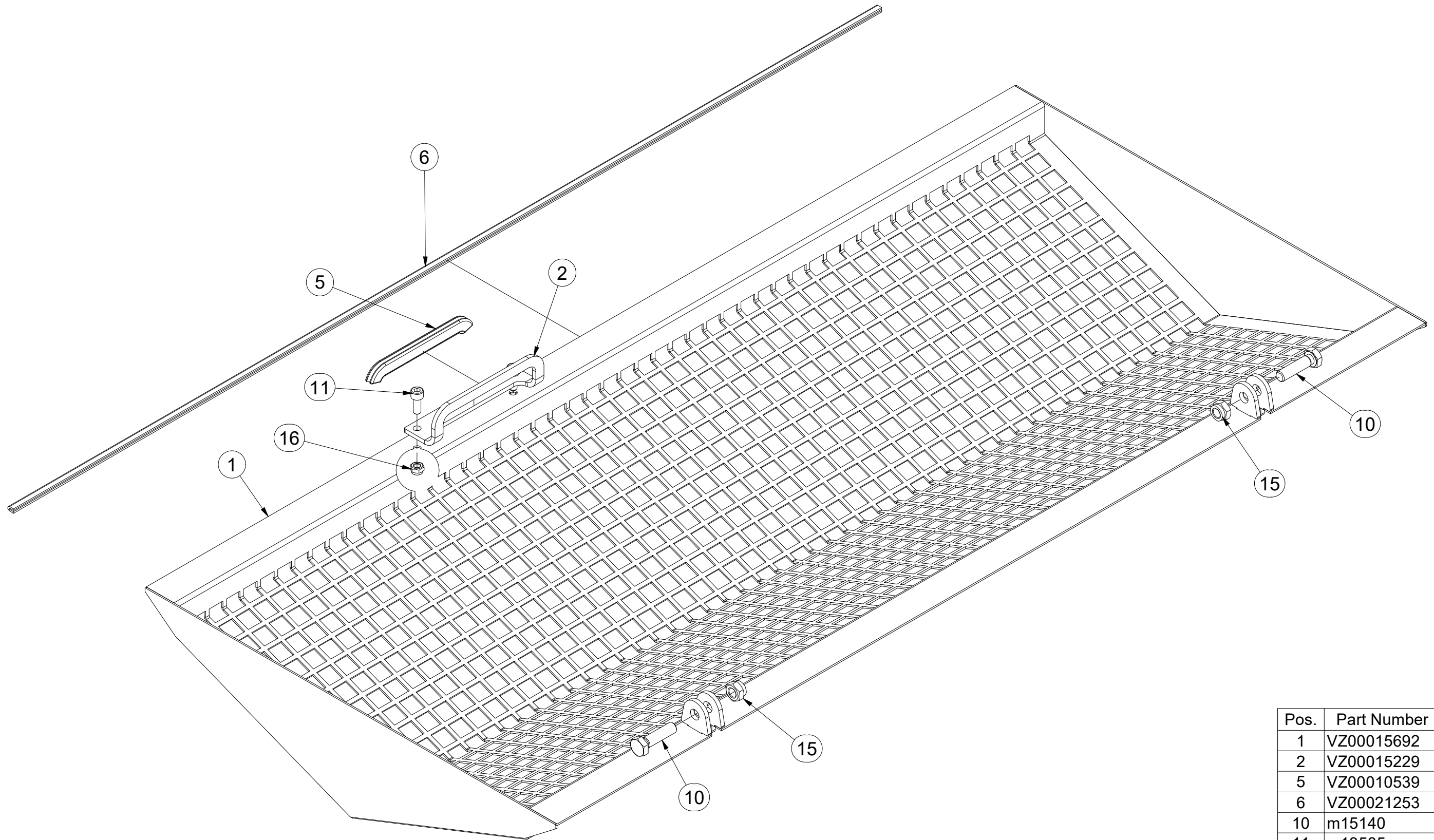


CZ SÍTO NÁSYPKY
 D TRICHTERSIEB
 F TAMIS DE TRÉMIE

GB HOPPER SIEVE
 RU БУНКЕРНОЕ СИТО
 PL SITO LEJOWE



VZ00015691



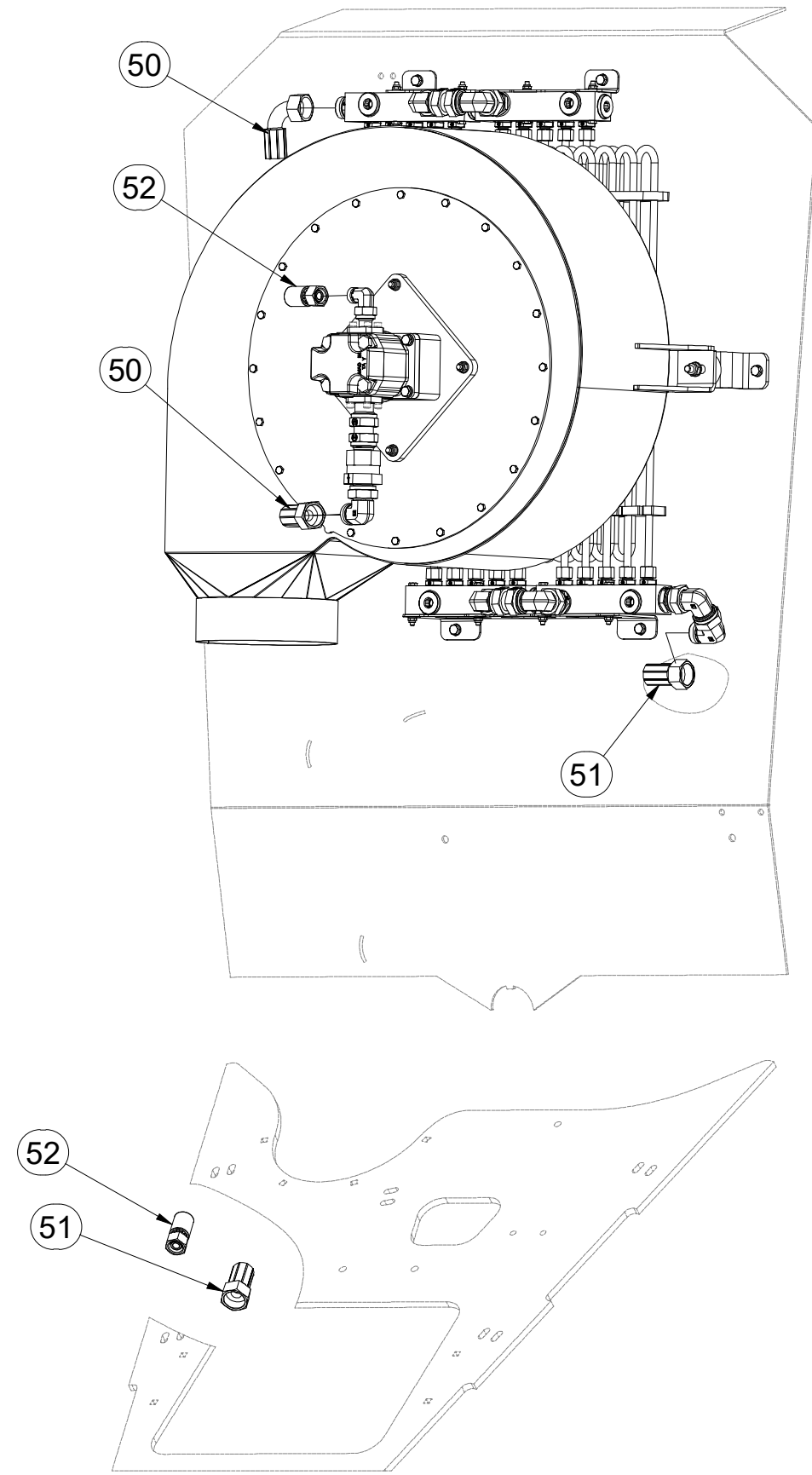
| Pos. | Part Number | Pcs. |
|------|-------------|------|
| 1 | VZ00015692 | 1 |
| 2 | VZ00015229 | 1 |
| 5 | VZ00010539 | 1 |
| 6 | VZ00021253 | 1 |
| 10 | m15140 | 2 |
| 11 | m13585 | 2 |
| 15 | m13618 | 2 |
| 16 | m10820 | 2 |

(CZ) VENTILÁTOR S HYDROPOHONEM
 (D) GEBLÄSE MIT HYDRAULIKANTRIEB
 (F) VENTILATEUR À MOTEUR HYDRAULIQUE

(GB) VENTILATOR WITH HYDRAULIC DRIVE
 (RU) ВЕНТИЛЯТОР С ГИДРОПРИВОДОМ
 (PL) WENTYLATOR Z HYDRO-NAPĘDEM



VZ00023957



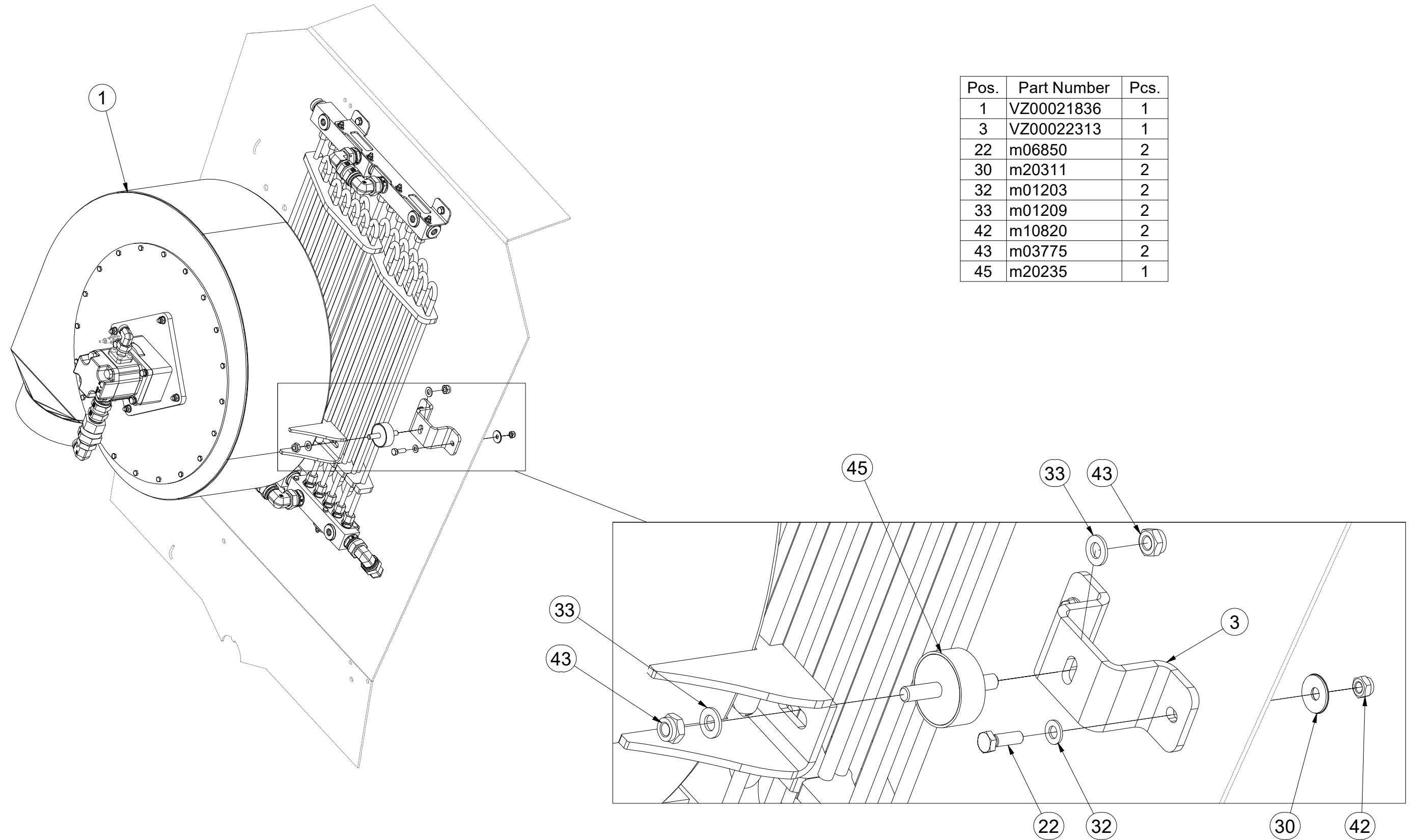
| Pos. | Part Number | Pcs. |
|------|-------------|------|
| 50 | m22823 | 1 |
| 51 | m23036 | 1 |
| 52 | m03716 | 1 |

(CZ) VENTILÁTOR S HYDROPOHONEM
 (D) GEBLÄSE MIT HYDRAULIKANTRIEB
 (F) VENTILATEUR À MOTEUR HYDRAULIQUE

(GB) VENTILATOR WITH HYDRAULIC DRIVE
 (RU) ВЕНТИЛЯТОР С ГИДРОПРИВОДОМ
 (PL) WENTYLATOR Z HYDRO-NAPĘDEM



VZ00023957



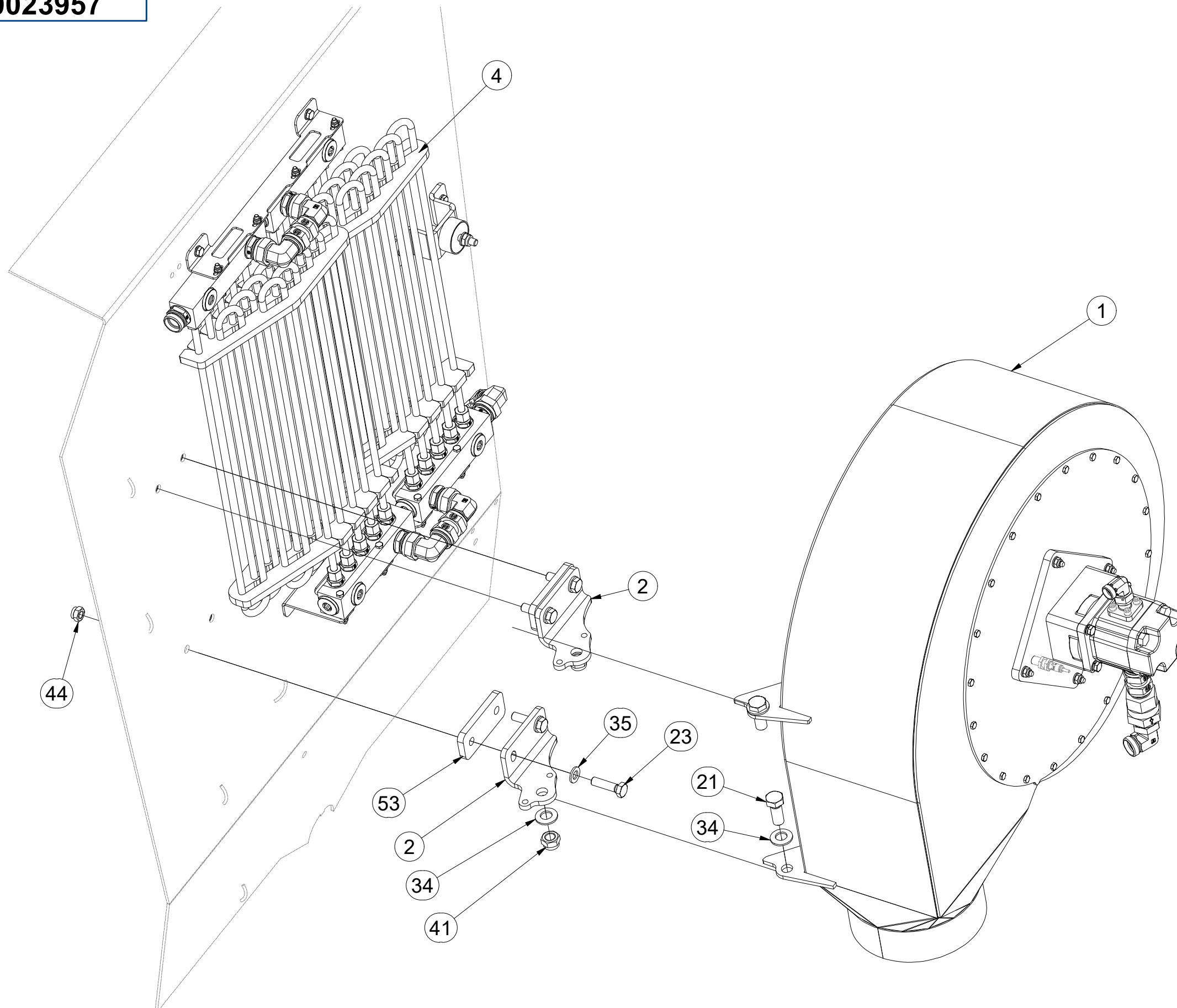
| Pos. | Part Number | Pcs. |
|------|-------------|------|
| 1 | VZ00021836 | 1 |
| 3 | VZ00022313 | 1 |
| 22 | m06850 | 2 |
| 30 | m20311 | 2 |
| 32 | m01203 | 2 |
| 33 | m01209 | 2 |
| 42 | m10820 | 2 |
| 43 | m03775 | 2 |
| 45 | m20235 | 1 |

(CZ) VENTILÁTOR S HYDROPOHONEM
 (D) GEBLÄSE MIT HYDRAULIKANTRIEB
 (F) VENTILATEUR À MOTEUR HYDRAULIQUE

(GB) VENTILATOR WITH HYDRAULIC DRIVE
 (RU) ВЕНТИЛЯТОР С ГИДРОПРИВОДОМ
 (PL) WENTYLATOR Z HYDRO-NAPĘDEM



VZ00023957



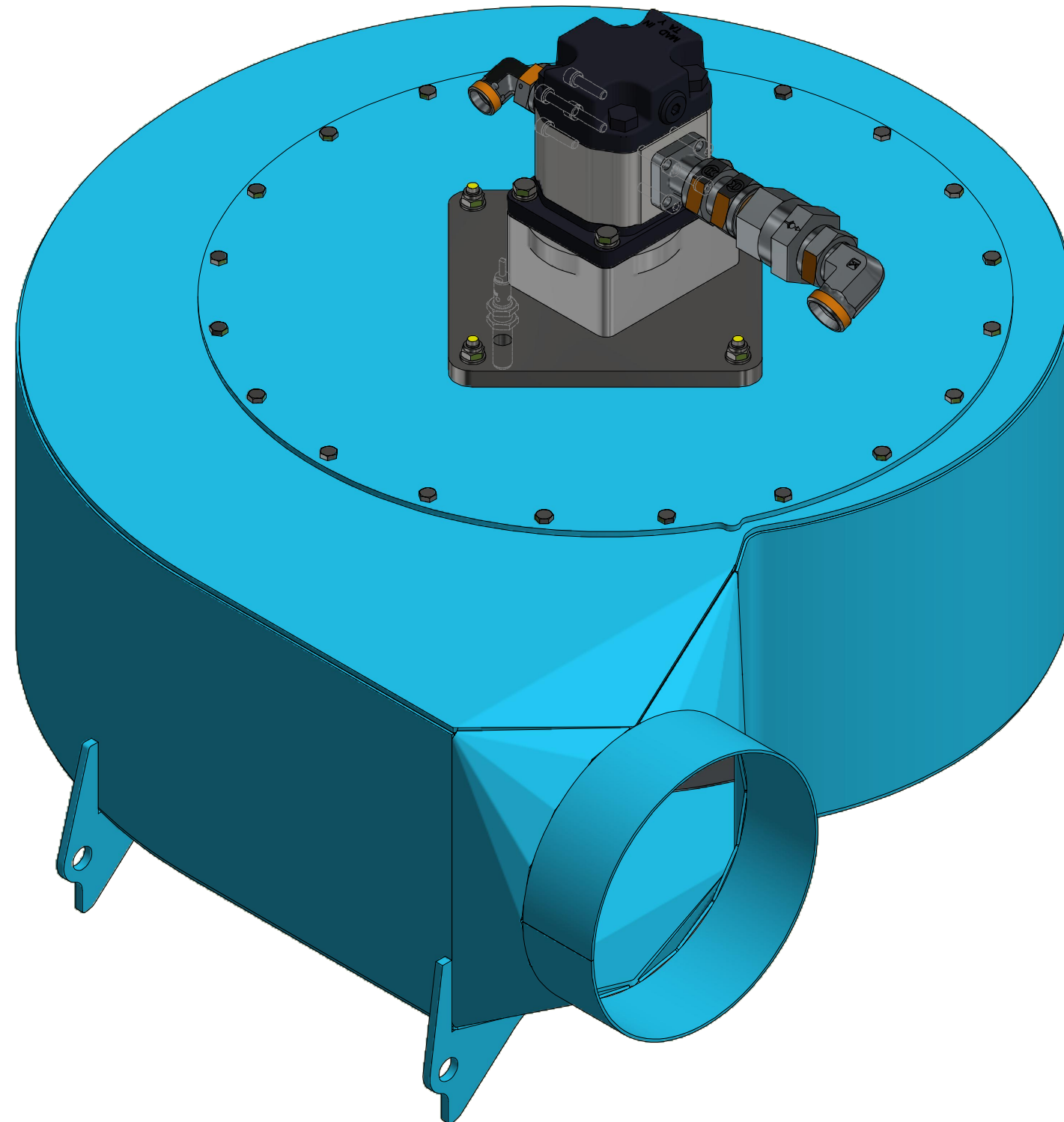
| Pos. | Part Number | Pcs. |
|------|-------------|------|
| 1 | VZ00021836 | 1 |
| 2 | VZ00022166 | 2 |
| 4 | VZ00023998 | 1 |
| 21 | m01129 | 2 |
| 23 | m15140 | 4 |
| 34 | m17584 | 4 |
| 35 | m01214 | 4 |
| 41 | m03683 | 2 |
| 44 | m13618 | 4 |
| 53 | m22778 | 2 |

Ⓒ VENTILÁTOR S HYDROPOHONEM
Ⓓ GEBLÄSE MIT HYDRAULIKANTRIEB
Ⓕ VENTILATEUR À MOTEUR HYDRAULIQUE

Ⓖ VENTILATOR WITH HYDRAULIC DRIVE
Ⓔ ВЕНТИЛЯТОР С ГИДРОПРИВОДОМ
Ⓟ WENTYLATOR Z HYDRO-NAPĘDEM



VZ00021836



(CZ) VENTILÁTOR S HYDROPOHONEM
 (D) GEBLÄSE MIT HYDRAULIKANTRIEB
 (F) VENTILATEUR À MOTEUR HYDRAULIQUE

(GB) VENTILATOR WITH HYDRAULIC DRIVE
 (RU) ВЕНТИЛЯТОР С ГИДРОПРИВОДОМ
 (PL) WENTYLATOR Z HYDRO-NAPĘDEM

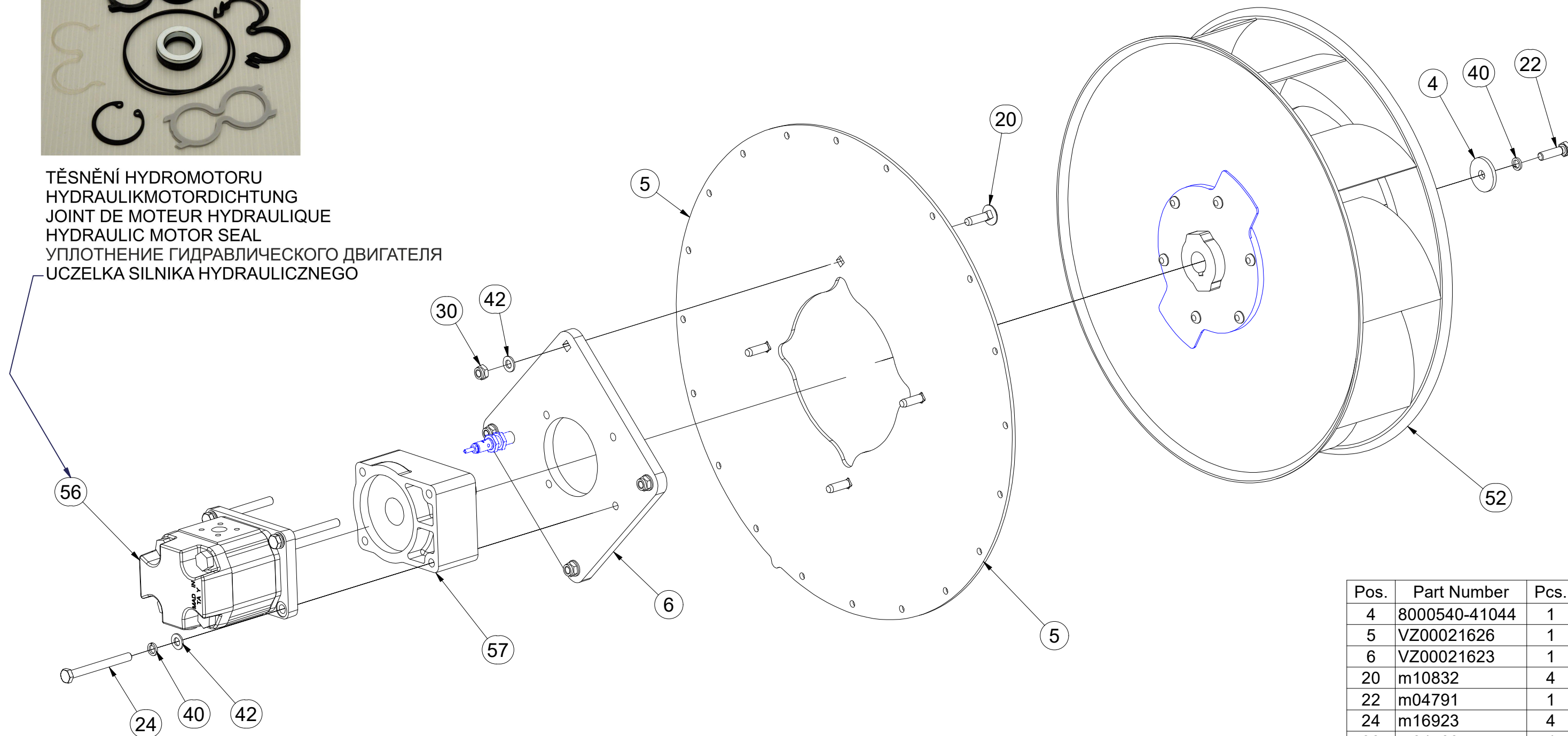


VZ00021836

m13039



TĚSNĚNÍ HYDROMOTORU
 HYDRAULIKMOTORDICHTUNG
 JOINT DE MOTEUR HYDRAULIQUE
 HYDRAULIC MOTOR SEAL
 УПЛОТНЕНИЕ ГИДРАВЛИЧЕСКОГО ДВИГАТЕЛЯ
 UCZELKA SILNIKA HYDRAULICZNEGO



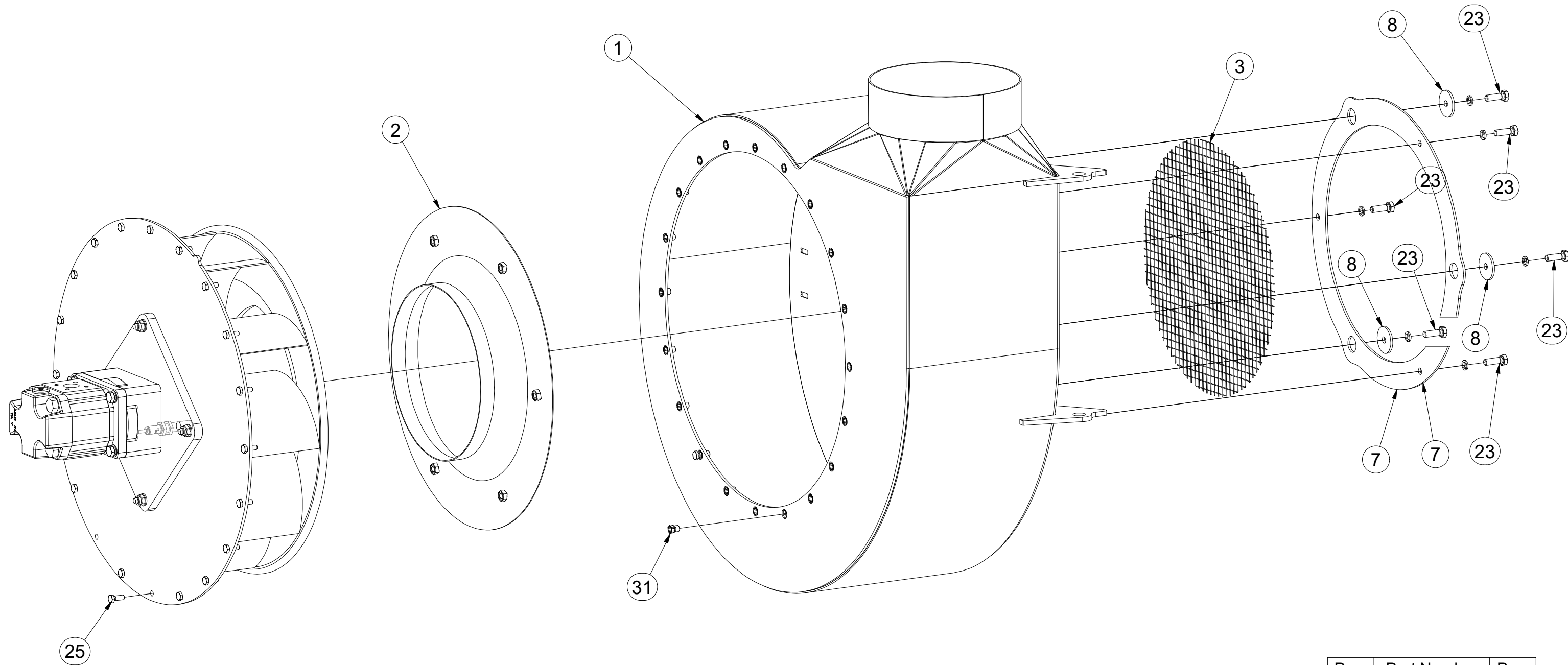
| Pos. | Part Number | Pcs. |
|------|---------------|------|
| 4 | 8000540-41044 | 1 |
| 5 | VZ00021626 | 1 |
| 6 | VZ00021623 | 1 |
| 20 | m10832 | 4 |
| 22 | m04791 | 1 |
| 24 | m16923 | 4 |
| 30 | m04503 | 4 |
| 40 | m01202 | 11 |
| 42 | m01203 | 8 |
| 52 | m17462 | 1 |
| 56 | m12900 | 1 |
| 57 | m21629 | 1 |

(CZ) VENTILÁTOR S HYDROPOHONEM
 (D) GEBLÄSE MIT HYDRAULIKANTRIEB
 (F) VENTILATEUR À MOTEUR HYDRAULIQUE

(GB) VENTILATOR WITH HYDRAULIC DRIVE
 (RU) ВЕНТИЛЯТОР С ГИДРОПРИВОДОМ
 (PL) WENTYLATOR Z HYDRO-NAPĘDEM



VZ00021836



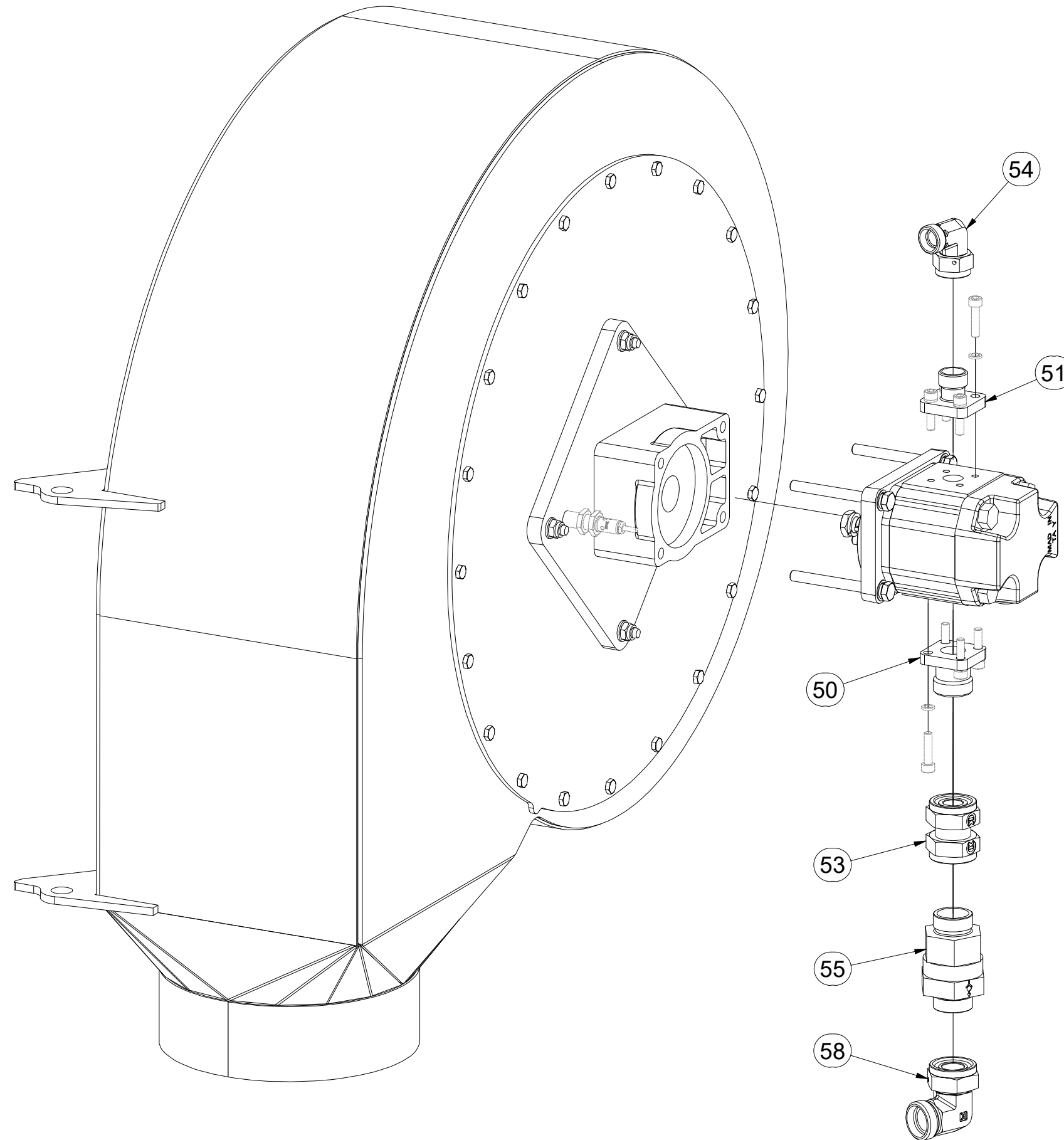
| Pos. | Part Number | Pcs. |
|------|-------------|------|
| 1 | VZ00021837 | 1 |
| 2 | 4022038 | 1 |
| 3 | 4021417 | 1 |
| 7 | 4021339 | 1 |
| 8 | 4023040 | 3 |
| 23 | m01092 | 6 |
| 25 | m01073 | 20 |
| 31 | m19651 | 20 |

(CZ) VENTILÁTOR S HYDROPOHONEM
 (D) GEBLÄSE MIT HYDRAULIKANTRIEB
 (F) VENTILATEUR À MOTEUR HYDRAULIQUE

(GB) VENTILATOR WITH HYDRAULIC DRIVE
 (RU) ВЕНТИЛЯТОР С ГИДРОПРИВОДОМ
 (PL) WENTYLATOR Z HYDRO-NAPĘDEM



VZ00021836



| Pos. | Part Number | Pcs. |
|------|-------------|------|
| 50 | m07988 | 1 |
| 51 | m07987 | 1 |
| 53 | m06438 | 1 |
| 54 | m06114 | 1 |
| 55 | m11300 | 1 |
| 58 | m07745 | 1 |

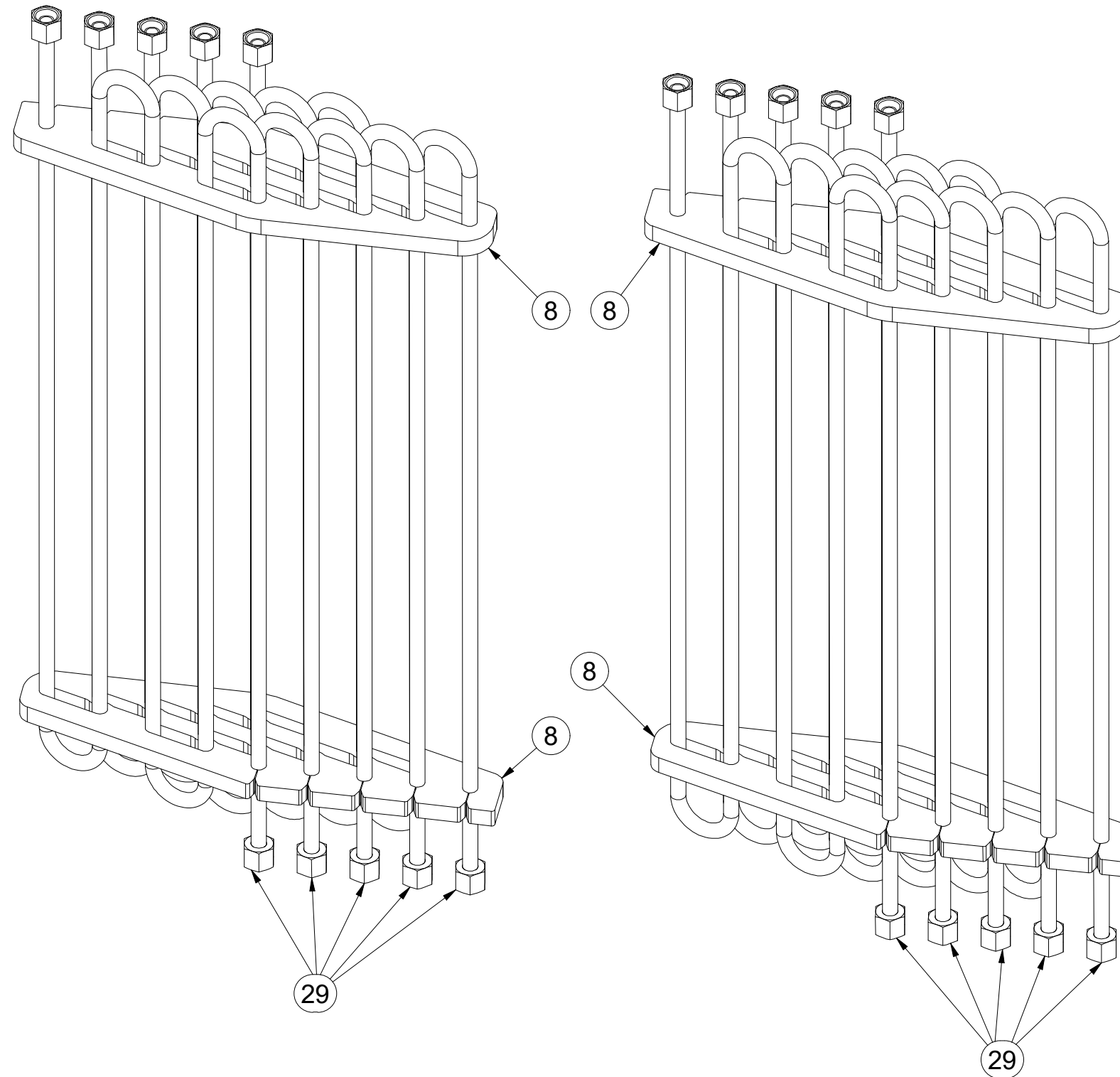
(CZ) CHLADIČ TRUBKOVÝ HYDRAULICKÝ
 (D) HYDRAULISCHER ROHRHEIZKÖRPER
 (F) RADIATEUR TUBULAIRE HYDRAULIQUE

(GB) HYDRAULIC TUBULAR RADIATOR
 (RU) ГИДРАВЛИЧЕСКИЙ ТРУБЧАТЫЙ РАДИАТОР
 (PL) HYDRAULICZNY GRZEJNIK RUROWY



VZ00023998

1.



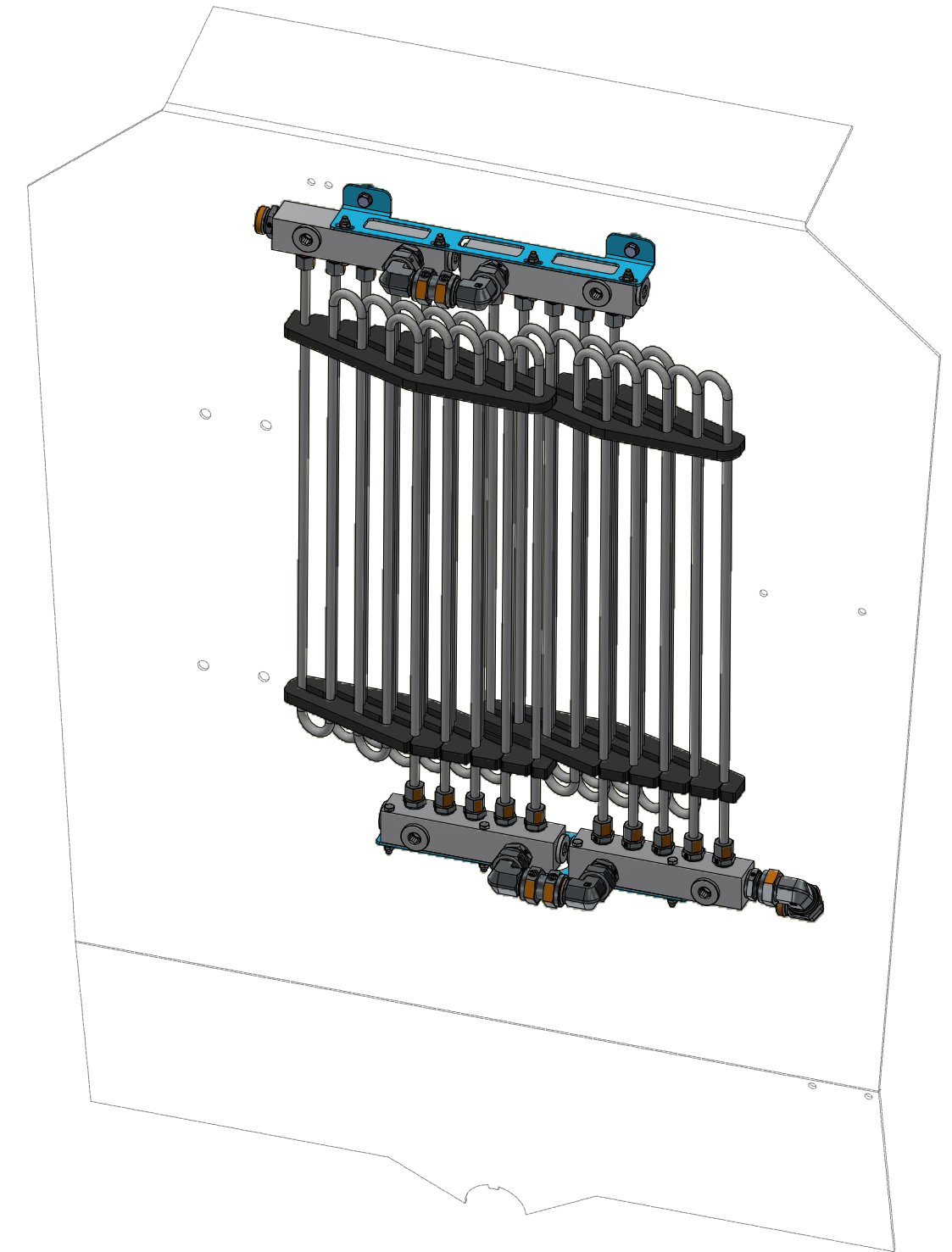
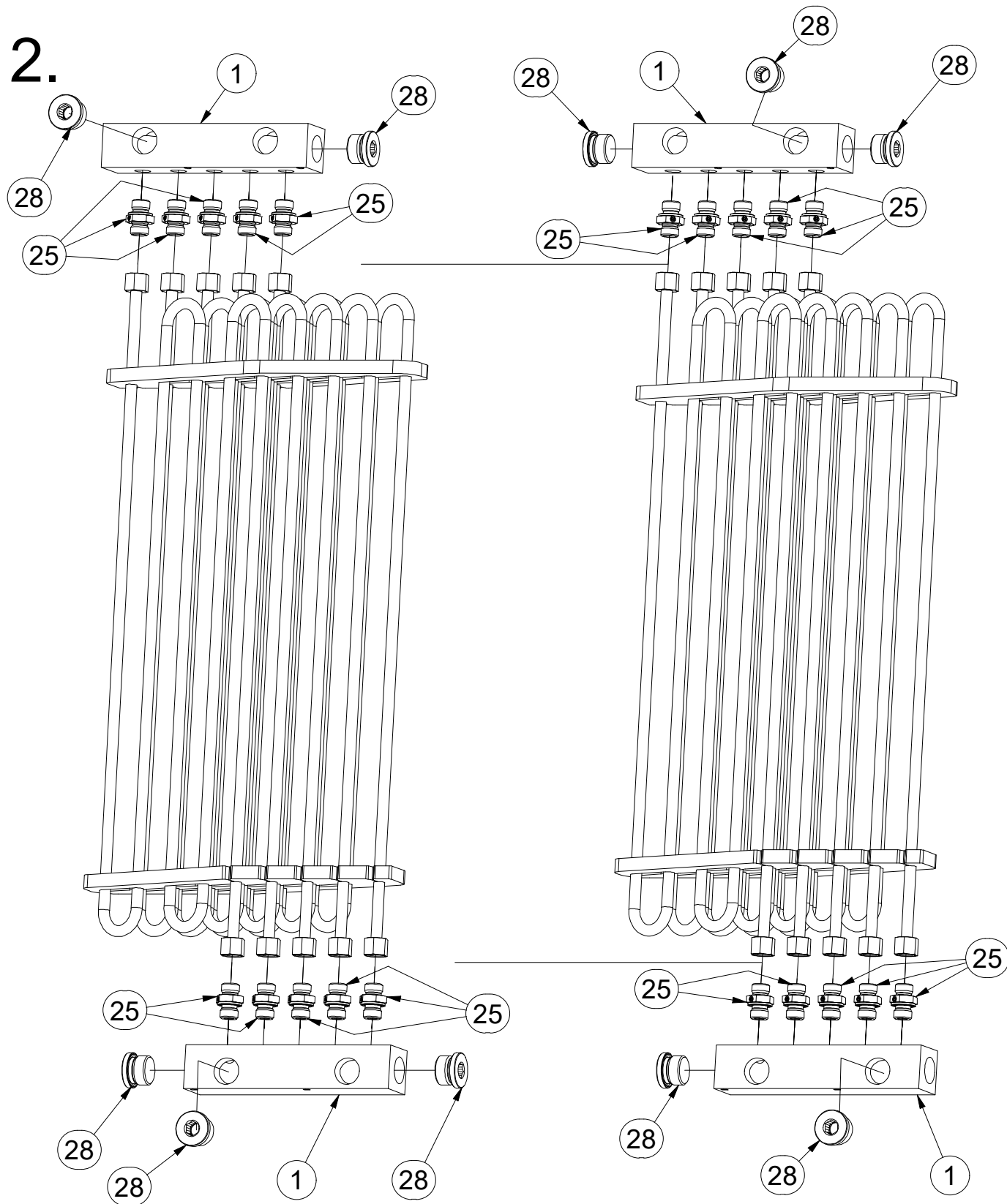
| Pos. | Part Number | Pcs. |
|------|-------------|------|
| 8 | m22856 | 4 |
| 29 | m22360 | 10 |

CZ CHLADIČ TRUBKOVÝ HYDRAULICKÝ
 D HYDRAULISCHER ROHRHEIZKÖRPER
 F RADIATEUR TUBULAIRE HYDRAULIQUE

GB HYDRAULIC TUBULAR RADIATOR
 RU ГИДРАВЛИЧЕСКИЙ ТРУБЧАТЫЙ РАДИАТОР
 PL HYDRAULICZNY GRZEJNIK RUROWY



VZ00023998



| Pos. | Part Number | Pcs. |
|------|-------------|------|
| 1 | VZ00022141 | 4 |
| 25 | m07906 | 20 |
| 28 | m18845 | 10 |

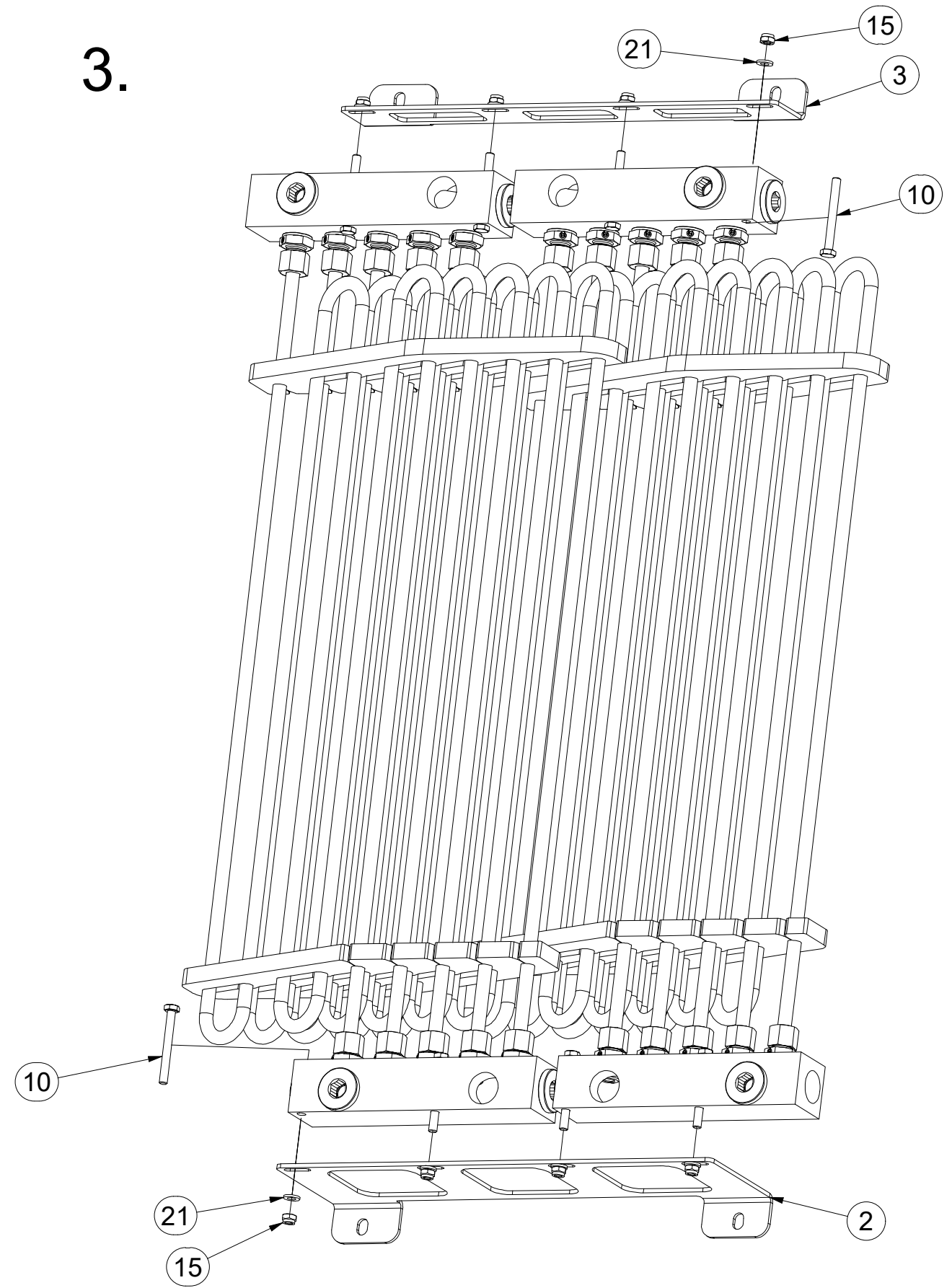
CZ CHLADIČ TRUBKOVÝ HYDRAULICKÝ
 D HYDRAULISCHER ROHRHEIZKÖRPER
 F RADIATEUR TUBULAIRE HYDRAULIQUE

GB HYDRAULIC TUBULAR RADIATOR
 RU ГИДРАВЛИЧЕСКИЙ ТРУБЧАТЫЙ РАДИАТОР
 PL HYDRAULICZNY GRZEJNIK RUROWY



VZ00023998

3.



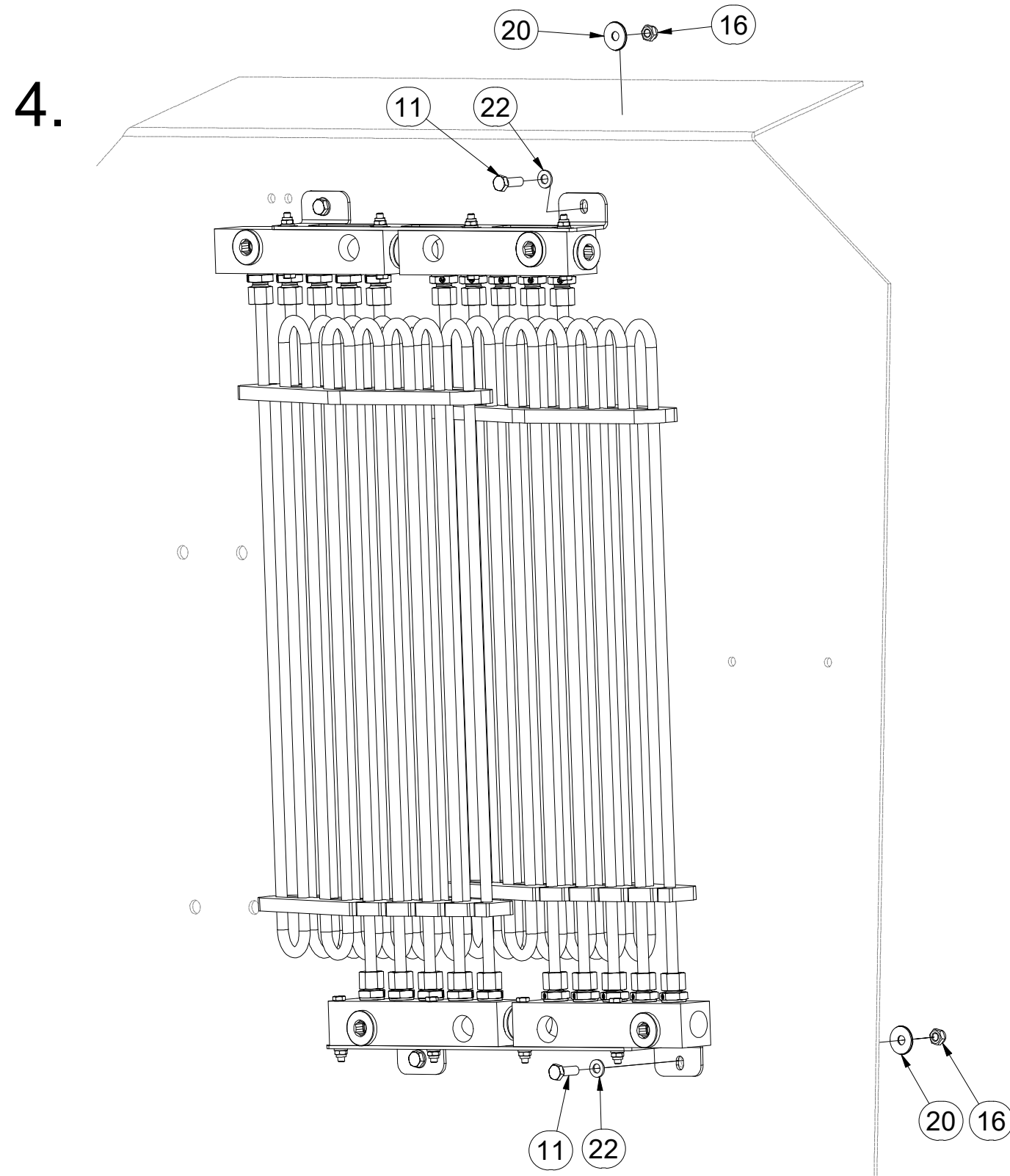
| Pos. | Part Number | Pcs. |
|------|-------------|------|
| 2 | VZ00023040 | 1 |
| 3 | VZ00022213 | 1 |
| 10 | m16903 | 8 |
| 15 | m05560 | 8 |
| 21 | m01199 | 8 |

(CZ) CHLADIČ TRUBKOVÝ HYDRAULICKÝ
 (D) HYDRAULISCHER ROHRHEIZKÖRPER
 (F) RADIATEUR TUBULAIRE HYDRAULIQUE

(GB) HYDRAULIC TUBULAR RADIATOR
 (RU) ГИДРАВЛИЧЕСКИЙ ТРУБЧАТЫЙ РАДИАТОР
 (PL) HYDRAULICZNY GRZEJNIK RUROWY



VZ00023998



| Pos. | Part Number | Pcs. |
|------|-------------|------|
| 11 | m06850 | 4 |
| 16 | m10820 | 4 |
| 20 | m20311 | 4 |
| 22 | m01203 | 4 |

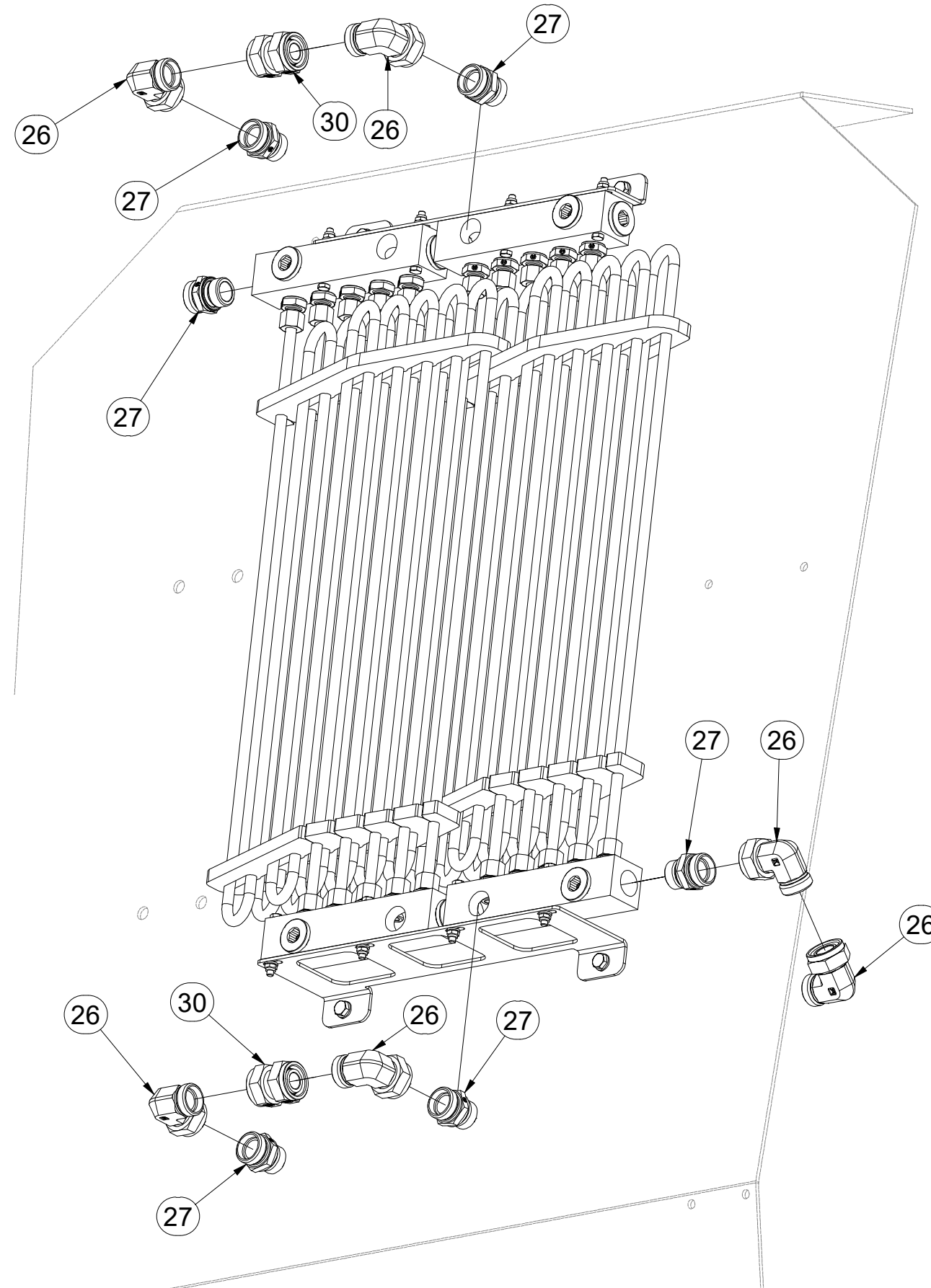
- Ⓒ CHLADIČ TRUBKOVÝ HYDRAULICKÝ
- Ⓓ HYDRAULISCHER ROHRHEIZKÖRPER
- Ⓕ RADIATEUR TUBULAIRE HYDRAULIQUE

- Ⓒ HYDRAULIC TUBULAR RADIATOR
- Ⓓ ГИДРАВЛИЧЕСКИЙ ТРУБЧАТЫЙ РАДИАТОР
- Ⓕ HYDRAULICZNY GRZEJNIK RUROWY



VZ00023998

5.



| Pos. | Part Number | Pcs. |
|------|-------------|------|
| 26 | m07745 | 6 |
| 27 | m07983 | 6 |
| 30 | m06438 | 2 |

Ⓒ TRUBA S KLAPKOU

Ⓓ ROHR MIT KLAPPE

Ⓕ TUYAU AVEC VOILET

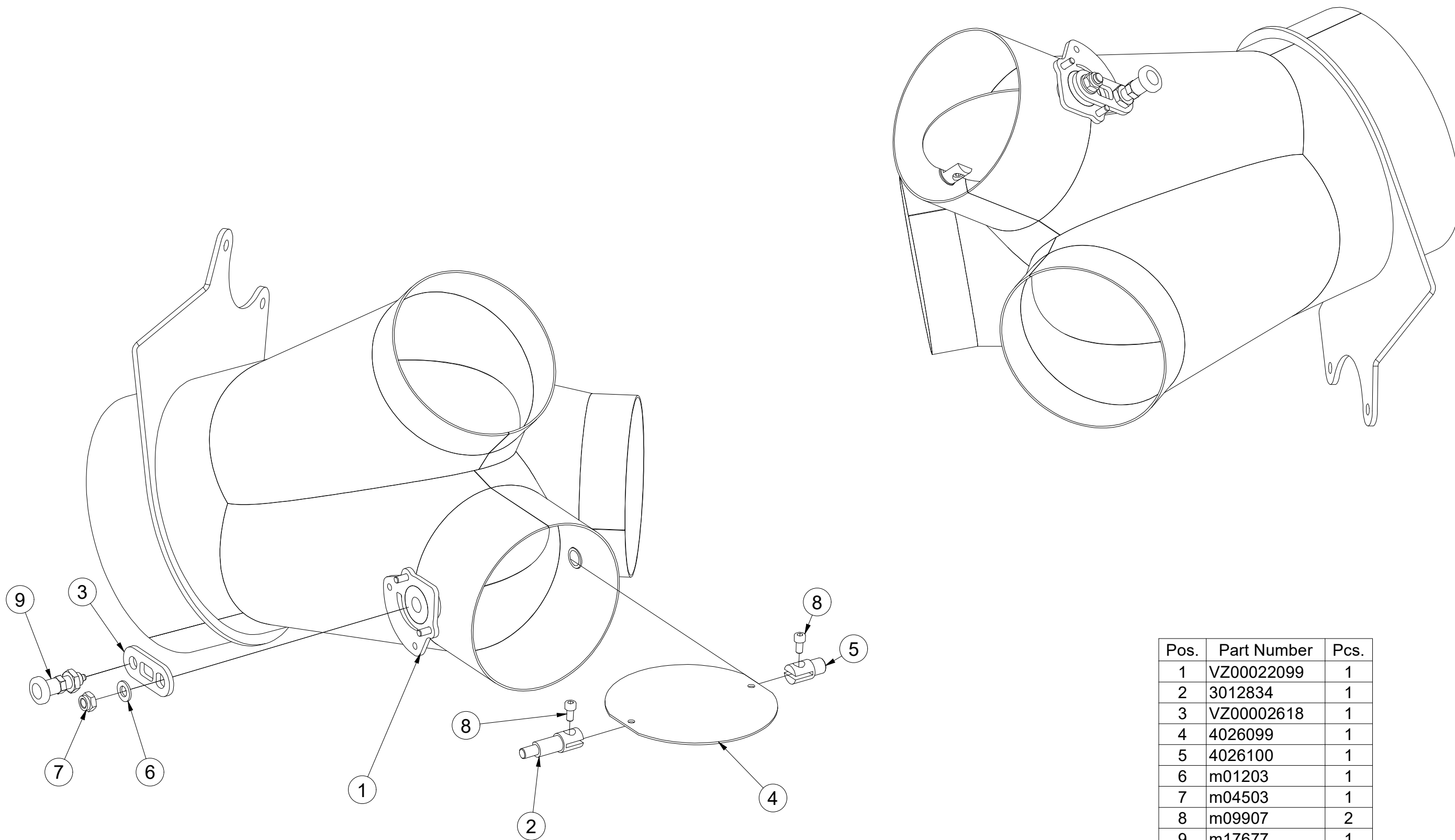
Ⓖ PIPE WITH FLAP

Ⓡ ТРУБА С ЗАСЛОНКОЙ

Ⓢ RURA Z KLAPKĄ



VZ00022096



| Pos. | Part Number | Pcs. |
|------|-------------|------|
| 1 | VZ00022099 | 1 |
| 2 | 3012834 | 1 |
| 3 | VZ00002618 | 1 |
| 4 | 4026099 | 1 |
| 5 | 4026100 | 1 |
| 6 | m01203 | 1 |
| 7 | m04503 | 1 |
| 8 | m09907 | 2 |
| 9 | m17677 | 1 |

Ⓒ ŽEBŘÍK LÁVKY

Ⓓ LEITER BÜHNE

Ⓕ ÉCHELLE DE LA PASSERELLE

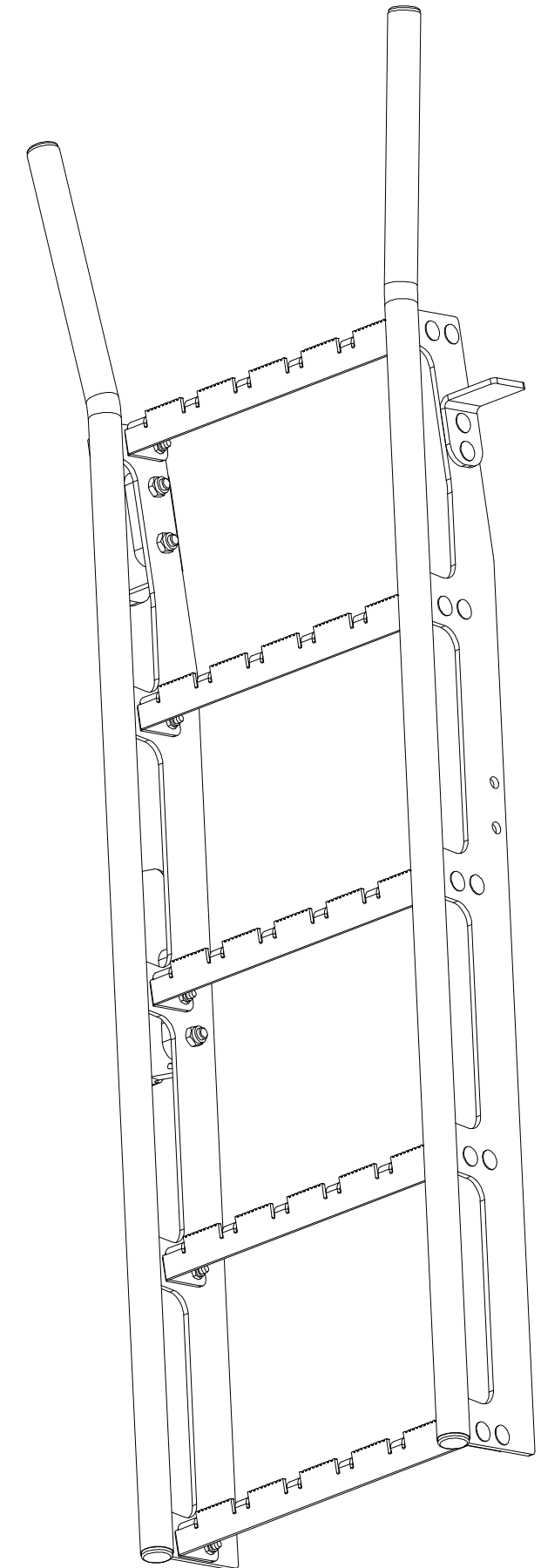
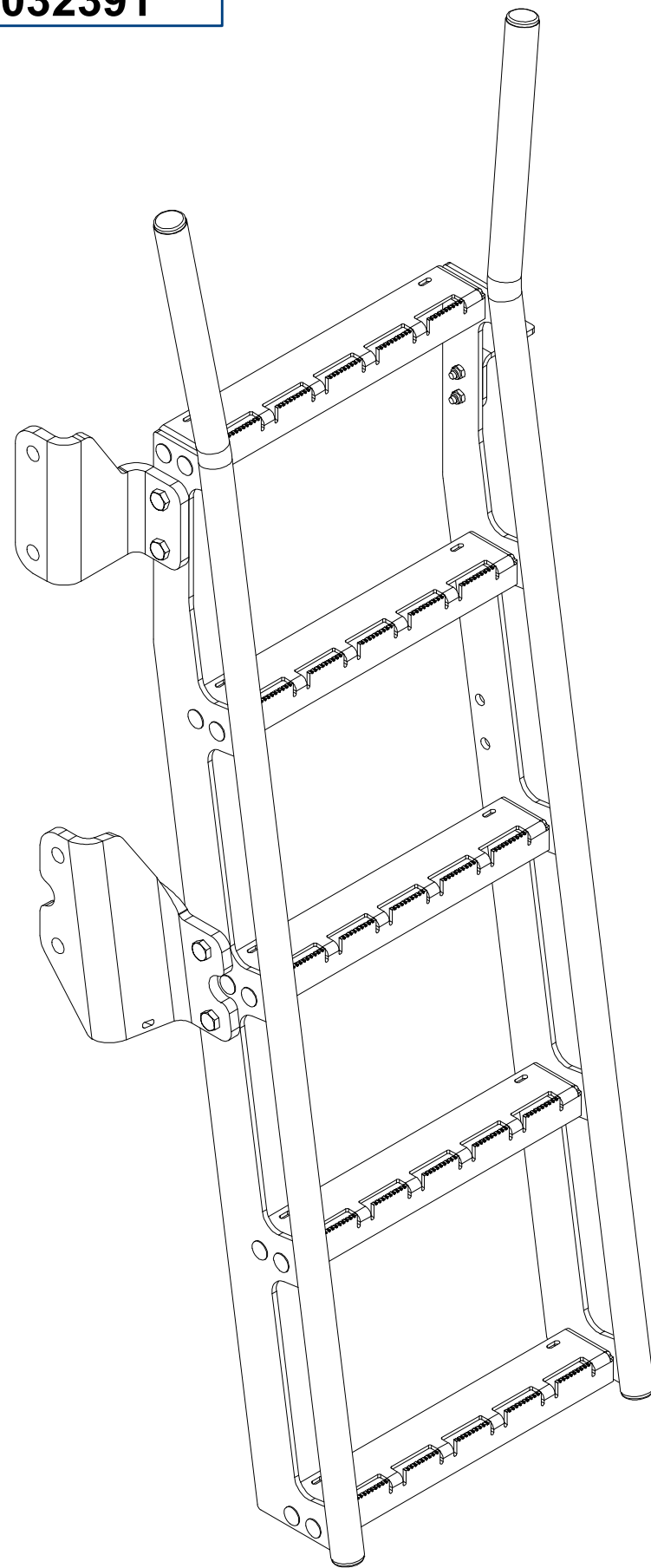
VZ00032391

Ⓖ FOOTBRIDGE LADDER

Ⓡ ЛЕСЕНКА ПЛОЩАДКИ

Ⓟ DRABINKA ŁAWKI

Farmet



Ⓒ ŽEBŘÍK LÁVKY

Ⓓ LEITER BÜHNE

Ⓕ ÉCHELLE DE LA PASSERELLE

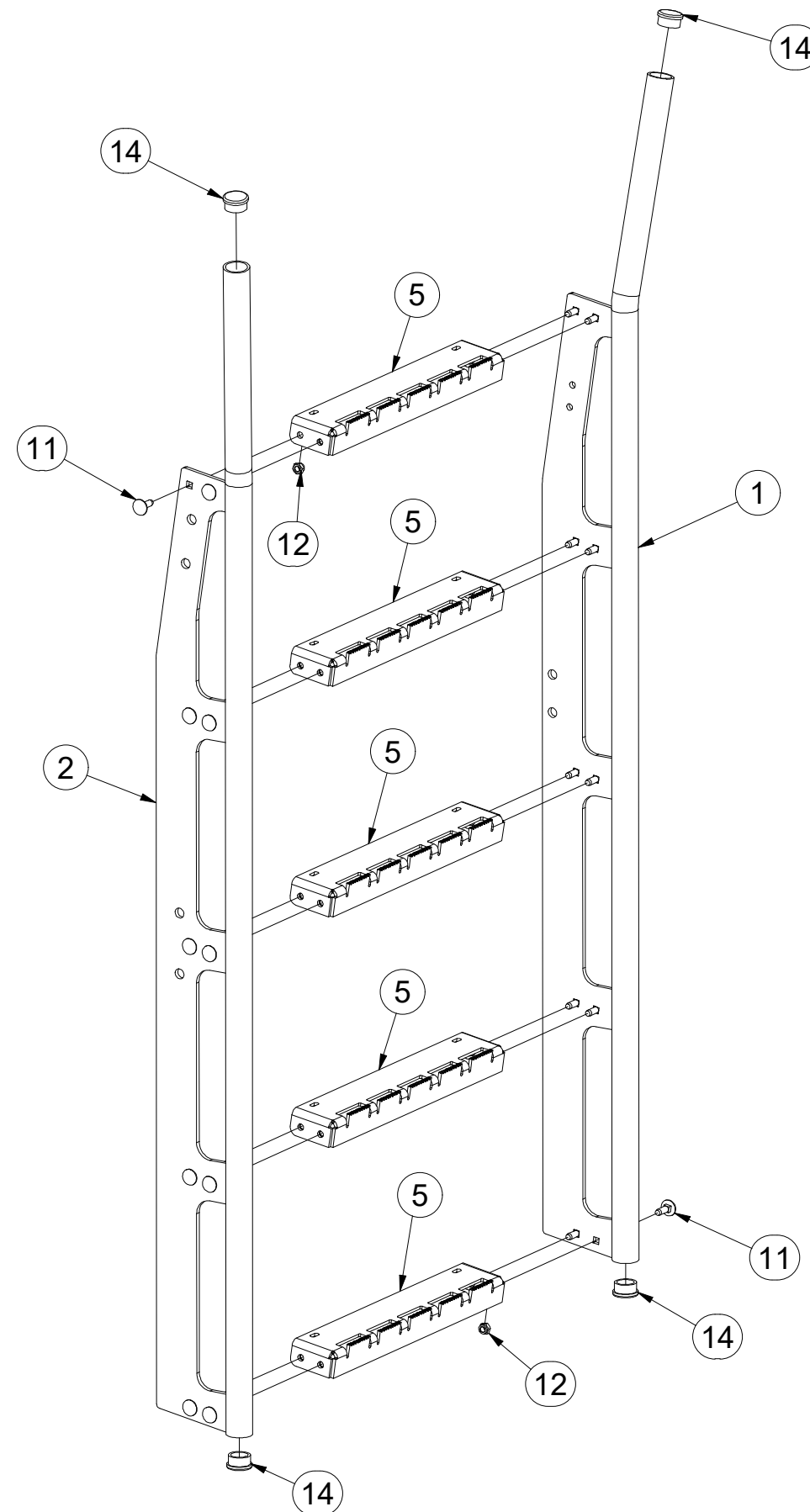
VZ00032391

Ⓖ FOOTBRIDGE LADDER

Ⓡ ЛЕСЕНКА ПЛОЩАДКИ

Ⓟ DRABINKA ŁAWKI

Farmet



| Pos. | Part Number | Pcs. |
|------|-------------|------|
| 1 | VZ00032404 | 1 |
| 2 | VZ00032402 | 1 |
| 5 | VZ00032384 | 5 |
| 11 | m19152 | 22 |
| 12 | m04503 | 22 |
| 14 | m13947 | 4 |

Ⓒ ŽEBŘÍK LÁVKY

Ⓓ LEITER BÜHNE

Ⓕ ÉCHELLE DE LA PASSERELLE

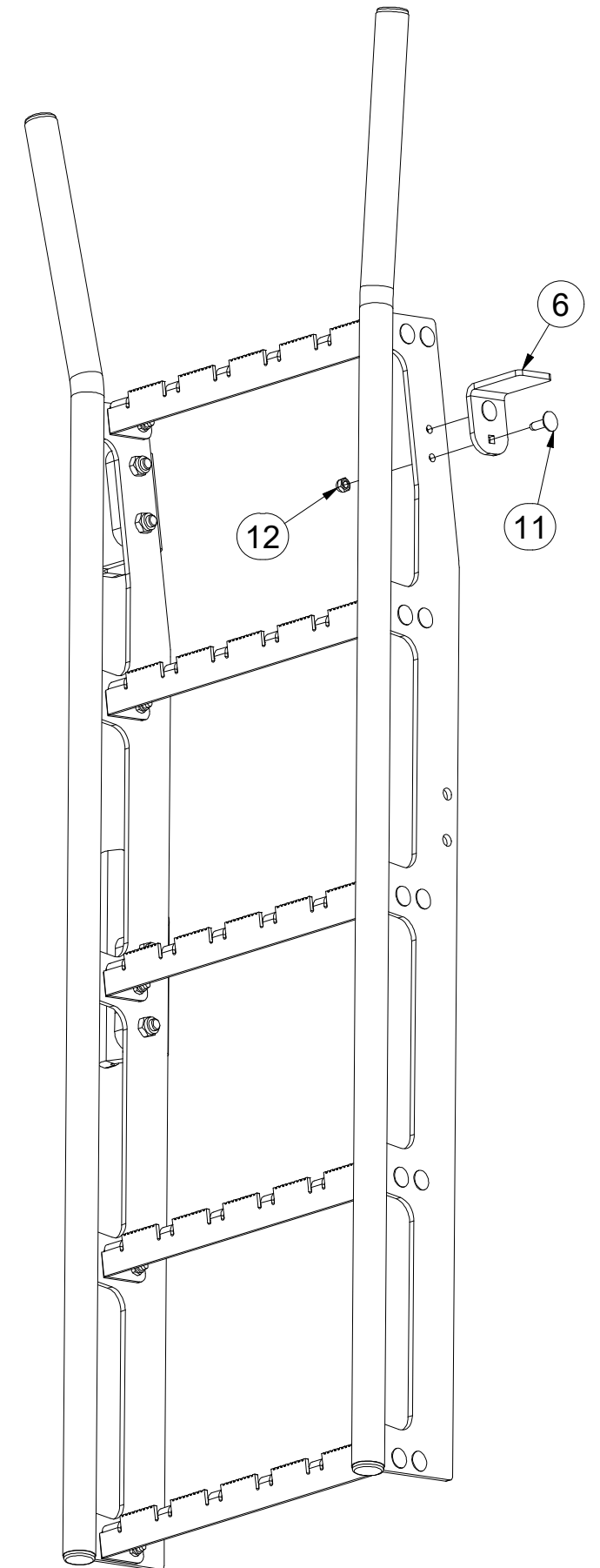
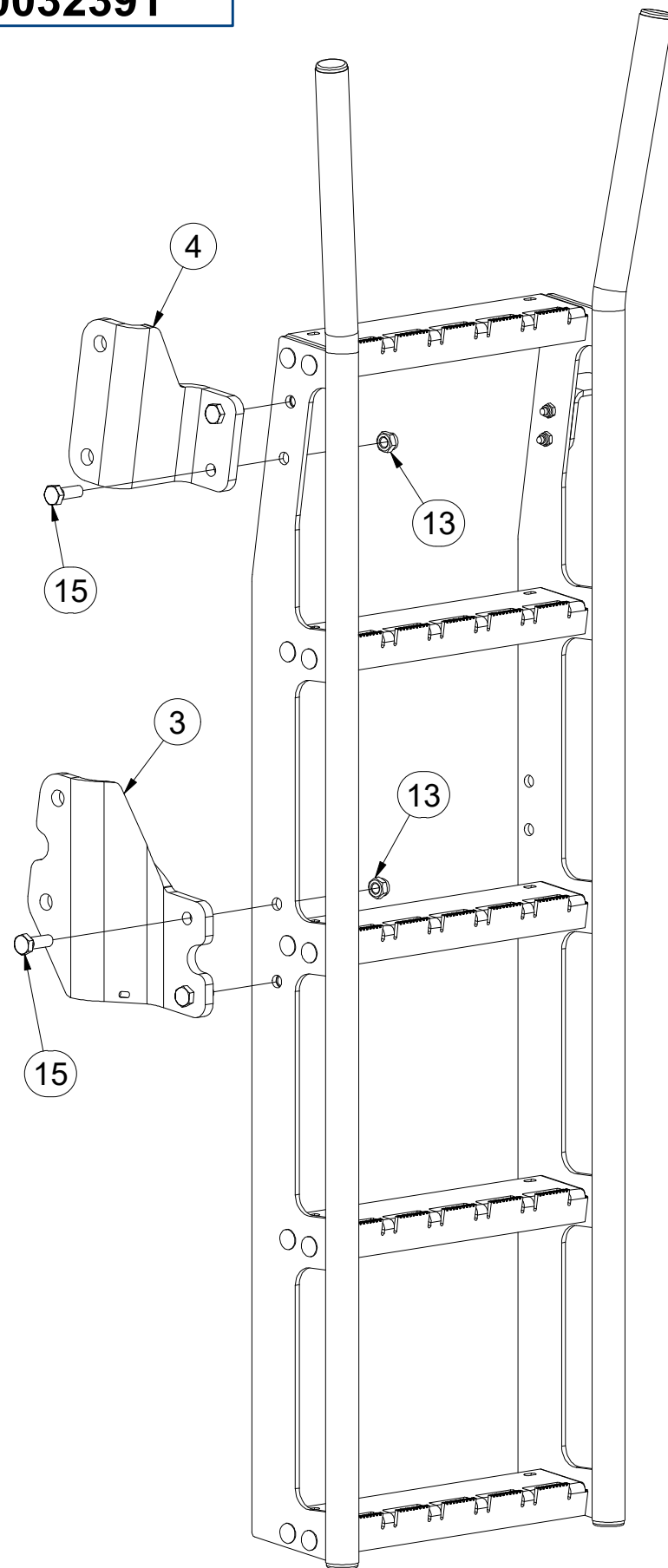
VZ00032391

Ⓖ FOOTBRIDGE LADDER

Ⓡ ЛЕСЕНКА ПЛОЩАДКИ

Ⓟ DRABINKA ŁAWKI

Farmet



| Pos. | Part Number | Pcs. |
|------|-------------|------|
| 3 | VZ00032484 | 1 |
| 4 | VZ00032475 | 1 |
| 6 | VZ00032470 | 1 |
| 11 | m19152 | 22 |
| 12 | m04503 | 22 |
| 13 | m04301 | 4 |
| 15 | m17035 | 4 |

ⒸZ TERČ PŘEDNÍ PRAVÝ

Ⓓ SCHILD, VORDERES, RECHTES

Ⓕ CIBLE AVANT DROITE

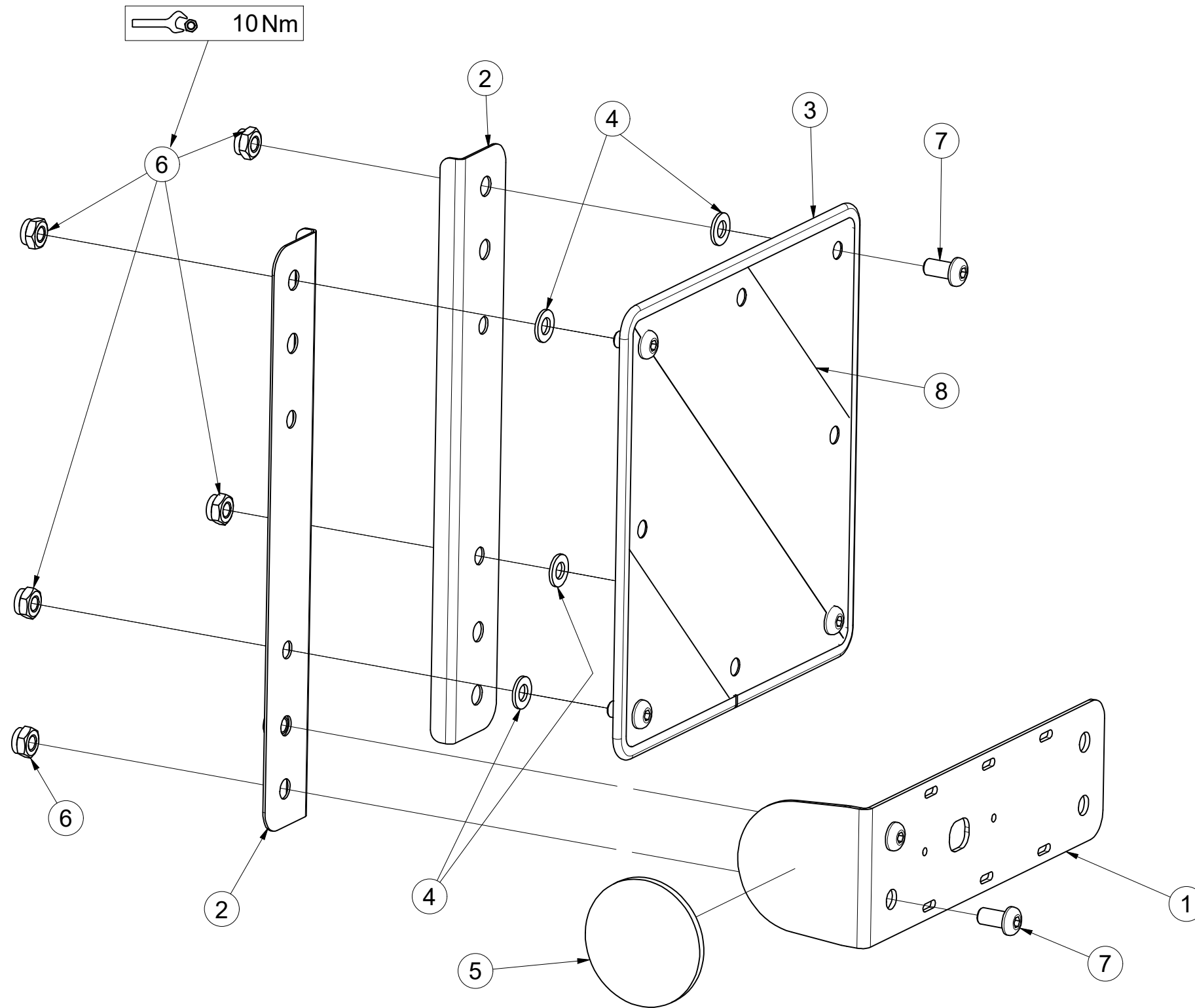
ⒼB RIGHT FRONT DISC

ⒶЩИТОК ПЕРЕДНИЙ ПРАВЫЙ

Ⓐ TARCZA PRZEDNIA PRAWA



4025024



| Pos. | Part Number | Pcs. |
|------|-------------|------|
| 1 | 4024481 | 1 |
| 2 | 4024491 | 2 |
| 3 | 9005707 | 1 |
| 4 | m01209 | 4 |
| 5 | m02579 | 1 |
| 6 | m03775 | 6 |
| 7 | m16637 | 6 |
| 8 | m18855 | 1 |

ⒸZ TERČ PŘEDNÍ LEVÝ

Ⓓ SCHILD, VORDERES, LINKES

Ⓕ CIBLE AVANT GAUCHE

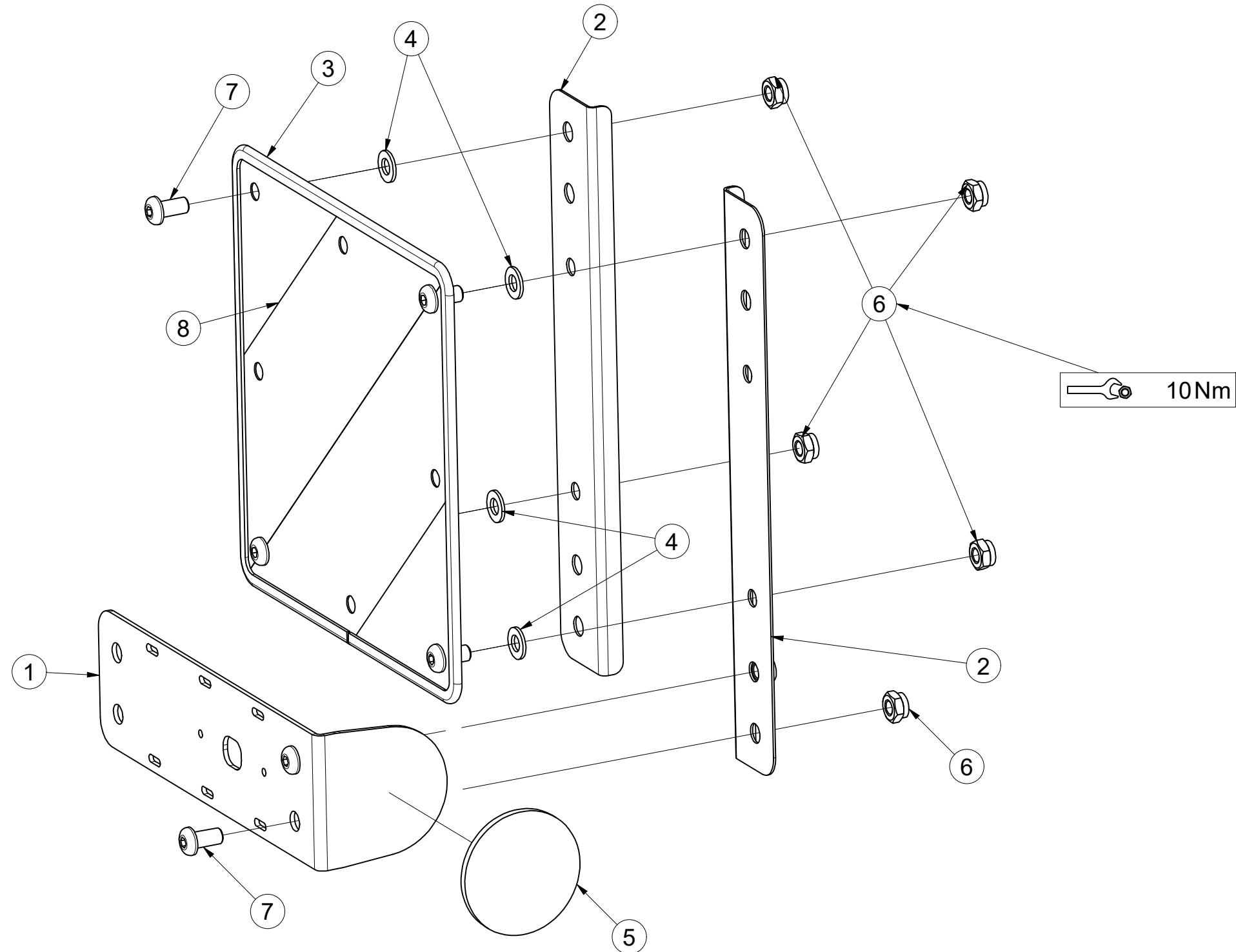
ⒸB LEFT FRONT DISC

ⒸU ЩИТОК ПЕРЕДНИЙ ЛЕВЫЙ

ⒸL TARCZA PRZEDNIA LEWA



4025025



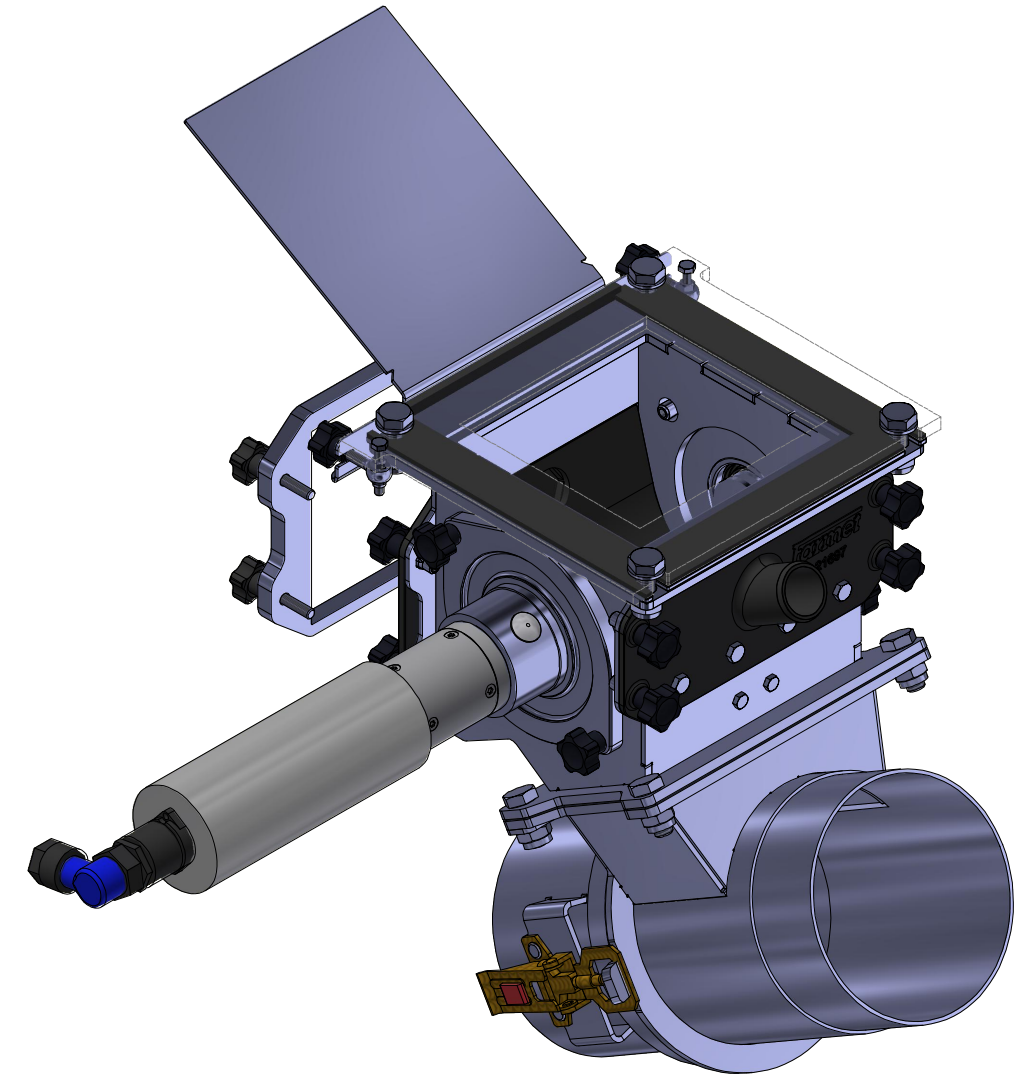
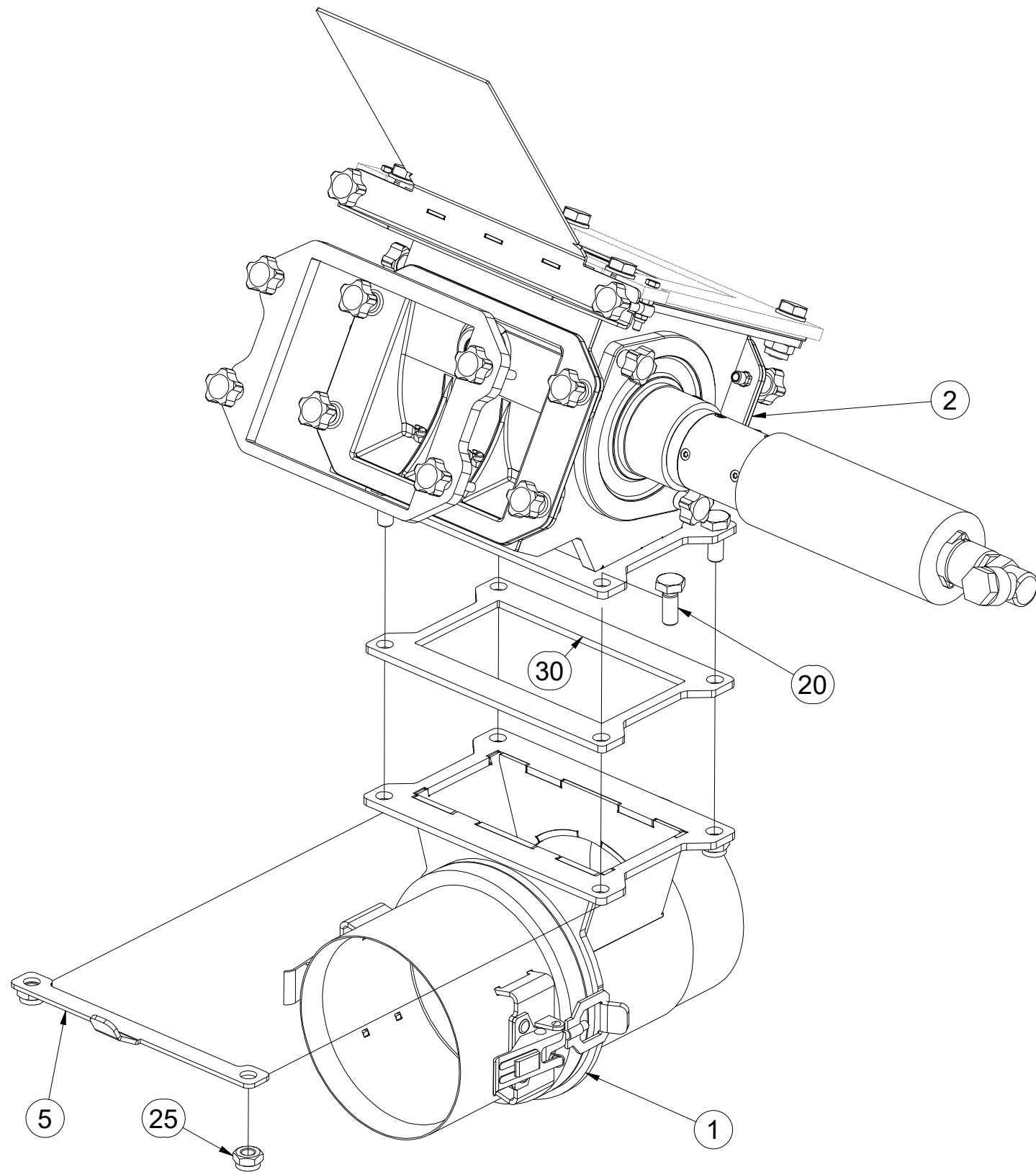
| Pos. | Part Number | Pcs. |
|------|-------------|------|
| 1 | 4024481 | 1 |
| 2 | 4024491 | 2 |
| 3 | 9005707 | 1 |
| 4 | m01209 | 4 |
| 5 | m02579 | 1 |
| 6 | m03775 | 6 |
| 7 | m16637 | 6 |
| 8 | m18855 | 1 |

(CZ) VÝSEVNÉ ÚSTROJÍ
 (D) AUSSAATMECHANISMUS
 (F) DISPOSITIF DE SEMIS

(GB) SEEDING APPARATUS
 (RU) ВЫСЕВАЮЩИЙ МЕХАНИЗМ
 (PL) MECHANIZM SIEWNY



VZ00007266



| Pos. | Part Number | Pcs. |
|------|-------------|------|
| 1 | VZ00005842 | 1 |
| 2 | VZ00017652 | 1 |
| 5 | VZ00006924 | 1 |
| 20 | m19695 | 4 |
| 25 | m13617 | 4 |
| 30 | m21152 | 1 |

Ⓒ VÝSEVNÉ ÚSTROJÍ PRO NÁSYPKU

Ⓓ AUSSAATMECHANISMUS FÜR DEN FÜLLTRICHTER

Ⓕ DISPOSITIF DE SEMIS POUR LA TRÉMIE

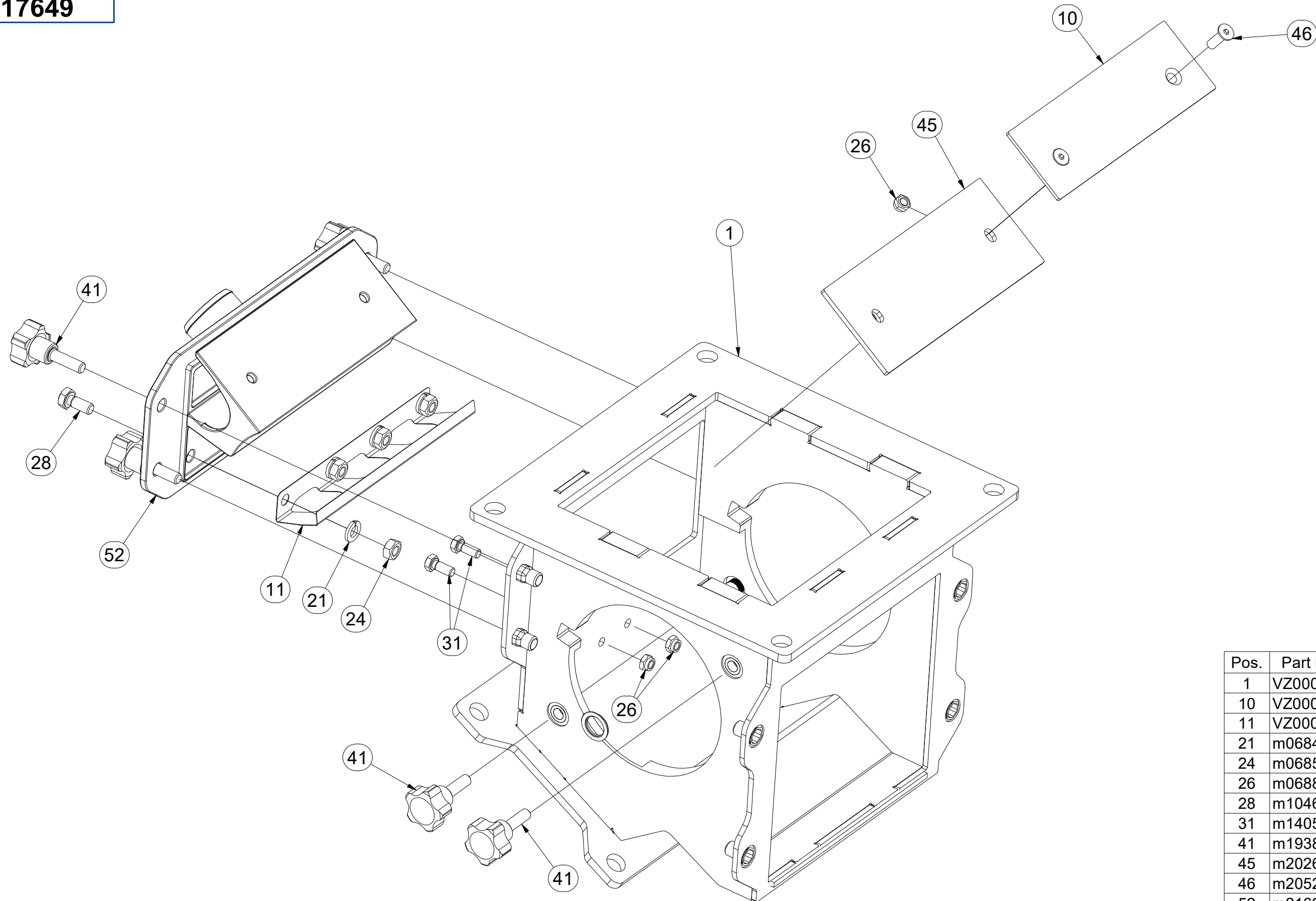
Ⓖ SEEDING APPARATUS FOR THE HOPPER

Ⓡ ВЫСЕВАЮЩИЙ МЕХАНИЗМ ДЛЯ БУНКЕРА

Ⓟ MECHANIZM SIEWNY DO LEJA



VZ00017649



| Pos. | Part Number | Pcs. |
|------|-------------|------|
| 1 | VZ00017646 | 1 |
| 10 | VZ00005384 | 1 |
| 11 | VZ00018483 | 1 |
| 21 | m06844 | 4 |
| 24 | m06854 | 7 |
| 26 | m06886 | 6 |
| 28 | m10463 | 4 |
| 31 | m14053 | 2 |
| 41 | m19381 | 12 |
| 45 | m20269 | 1 |
| 46 | m20521 | 2 |
| 52 | m21697 | 1 |

Ⓒ VÝSEVNÉ ÚSTROJÍ PRO NÁSYPKU

Ⓓ AUSSAATMECHANISMUS FÜR DEN FÜLLTRICHTER

Ⓕ DISPOSITIF DE SEMIS POUR LA TRÉMIE

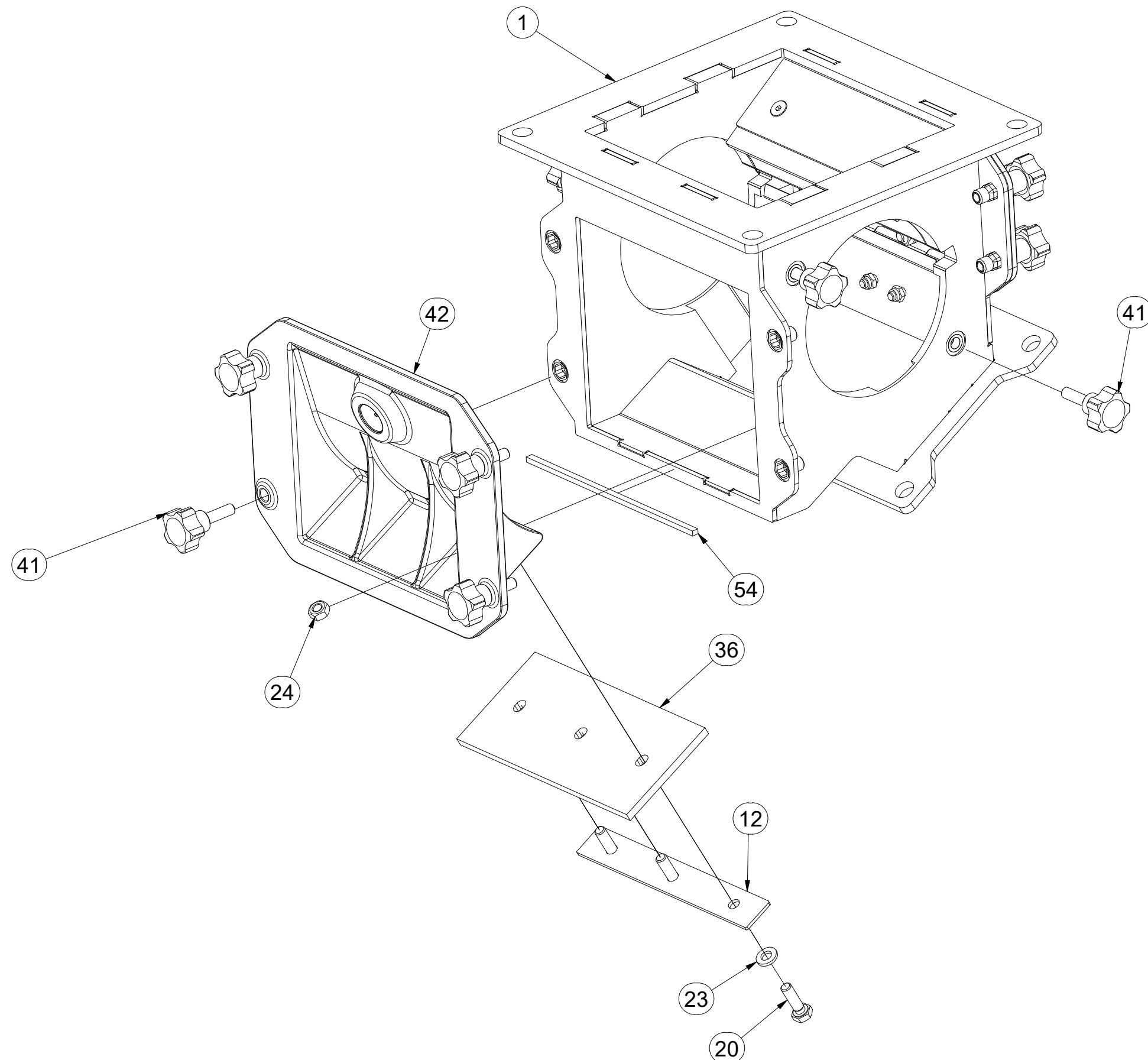
Ⓖ SEEDING APPARATUS FOR THE HOPPER

Ⓡ ВЫСЕВАЮЩИЙ МЕХАНИЗМ ДЛЯ БУНКЕРА

Ⓟ MECHANIZM SIEWNY DO LEJA



VZ00017649



| Pos. | Part Number | Pcs. |
|------|-------------|------|
| 1 | VZ00017646 | 1 |
| 12 | 4026095 | 1 |
| 20 | m06840 | 3 |
| 23 | m06847 | 3 |
| 24 | m06854 | 7 |
| 36 | m19264 | 1 |
| 41 | m19381 | 12 |
| 42 | m19727 | 1 |
| 54 | m22249 | 1 |

ⒸZ VÝSEVNÉ ÚSTROJÍ PRO NÁSYPKU

Ⓓ AUSSAATMECHANISMUS FÜR DEN FÜLLTRICHTER

Ⓕ DISPOSITIF DE SEMIS POUR LA TRÉMIE

ⒼB SEEDING APPARATUS FOR THE HOPPER

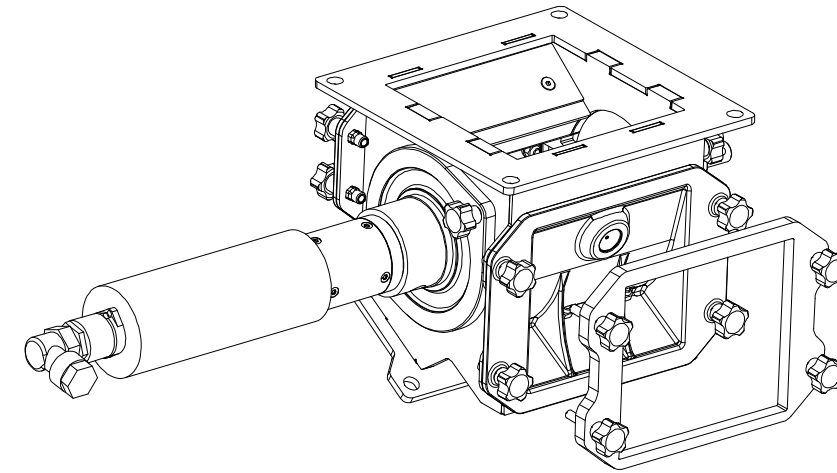
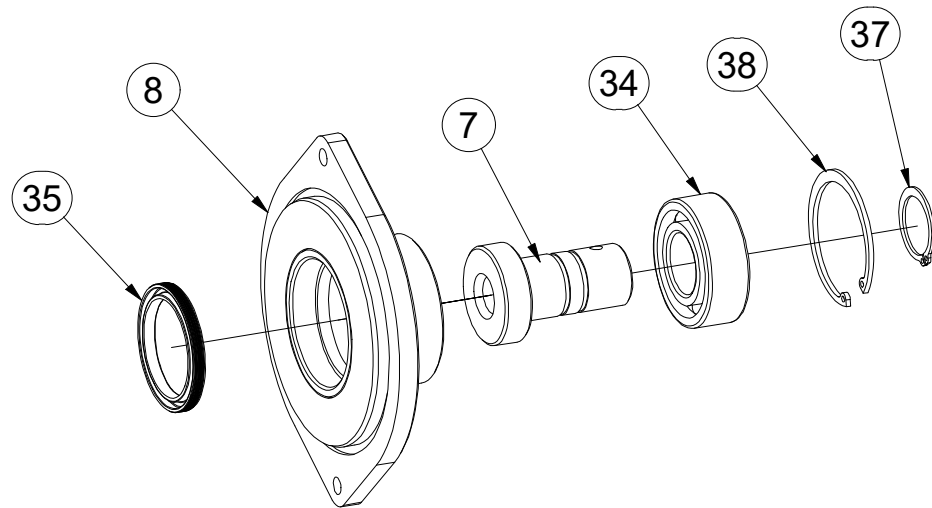
ⒺB BЫСЕВАЮЩИЙ МЕХАНИЗМ ДЛЯ БУНКЕРА

ⒼL MECHANIZM SIEWNY DO LEJA

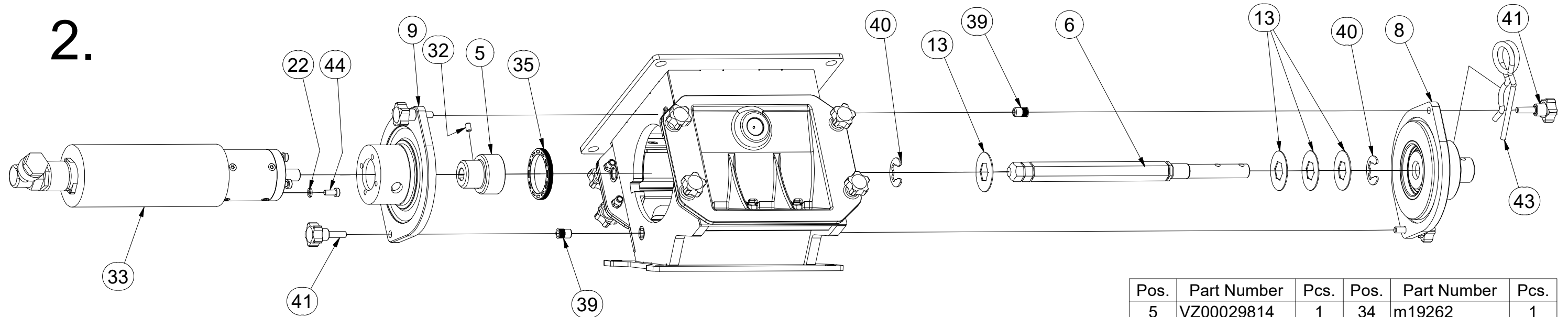


VZ00017649

1.



2.



| Pos. | Part Number | Pcs. | Pos. | Part Number | Pcs. |
|------|-------------|------|------|-------------|------|
| 5 | VZ00029814 | 1 | 34 | m19262 | 1 |
| 6 | VZ00011815 | 1 | 35 | m19263 | 2 |
| 7 | VZ00011814 | 1 | 37 | m19375 | 1 |
| 8 | VZ00011793 | 1 | 38 | m19376 | 1 |
| 9 | VZ00011788 | 1 | 39 | m19377 | 4 |
| 13 | 4026075 | 6 | 40 | m19378 | 2 |
| 22 | m06845 | 4 | 41 | m19381 | 12 |
| 32 | m15550 | 1 | 43 | m19740 | 1 |
| 33 | m19150 | 1 | 44 | m19751 | 4 |

Ⓒ VÝSEVNÉ ÚSTROJÍ PRO NÁSYPKU

Ⓓ AUSSAATMECHANISMUS FÜR DEN FÜLLTRICHTER

Ⓕ DISPOSITIF DE SEMIS POUR LA TRÉMIE

Ⓖ SEEDING APPARATUS FOR THE HOPPER

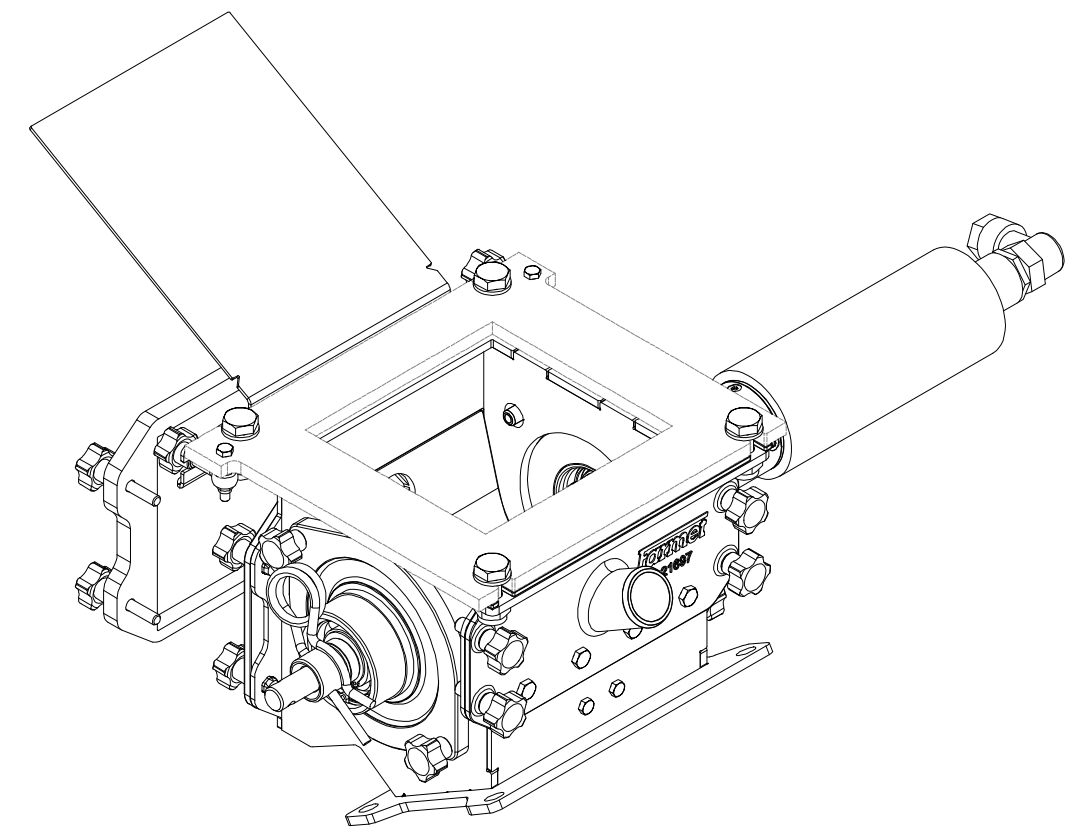
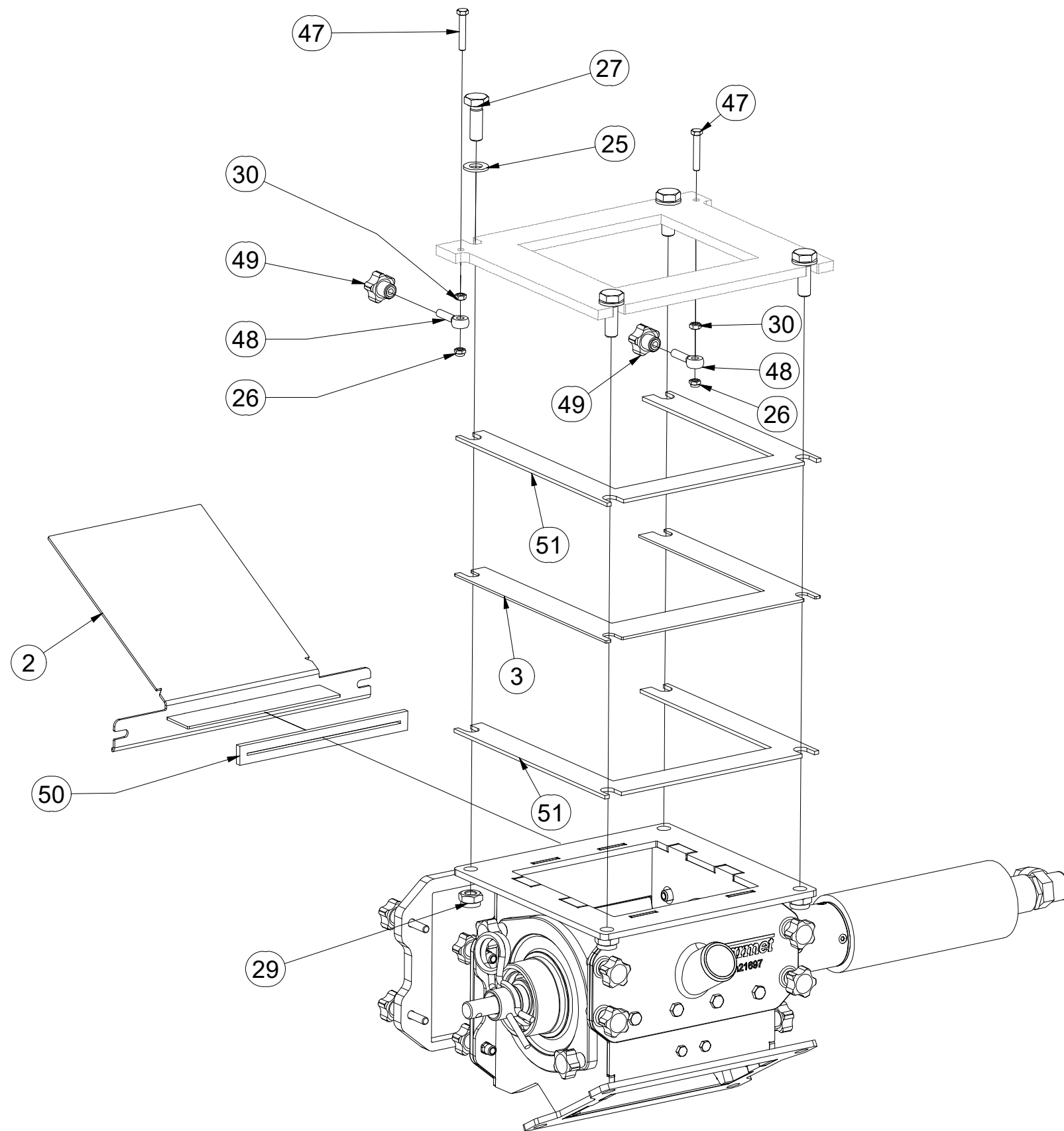
Ⓡ ВЫСЕВАЮЩИЙ МЕХАНИЗМ ДЛЯ БУНКЕРА

Ⓟ MECHANIZM SIEWNY DO LEJA



VZ00017649

| Pos. | Part Number | Pcs. |
|------|-------------|------|
| 2 | VZ00016826 | 1 |
| 3 | VZ00016810 | 1 |
| 25 | m06859 | 4 |
| 26 | m06886 | 6 |
| 27 | m07092 | 4 |
| 29 | m13617 | 4 |
| 30 | m14051 | 2 |
| 47 | m21686 | 2 |
| 48 | m21687 | 2 |
| 49 | m21688 | 2 |
| 50 | m21694 | 1 |
| 51 | m21695 | 2 |



ⒸZ VÝSEVNÉ ÚSTROJÍ PRO NÁSYPKU

Ⓓ AUSSAATMECHANISMUS FÜR DEN FÜLLTRICHTER

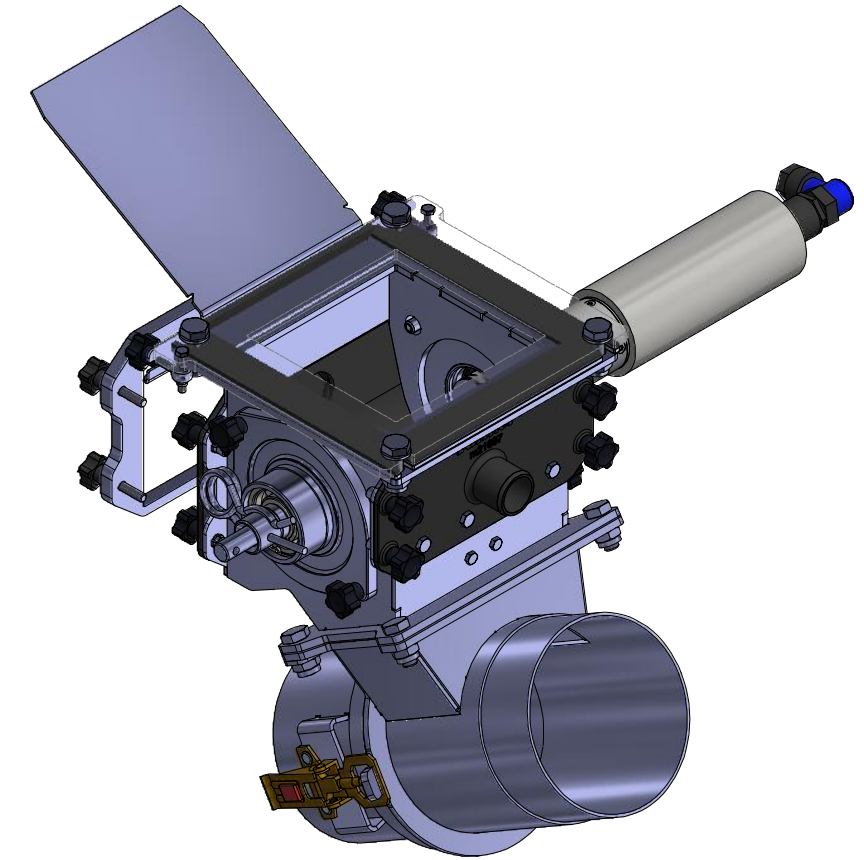
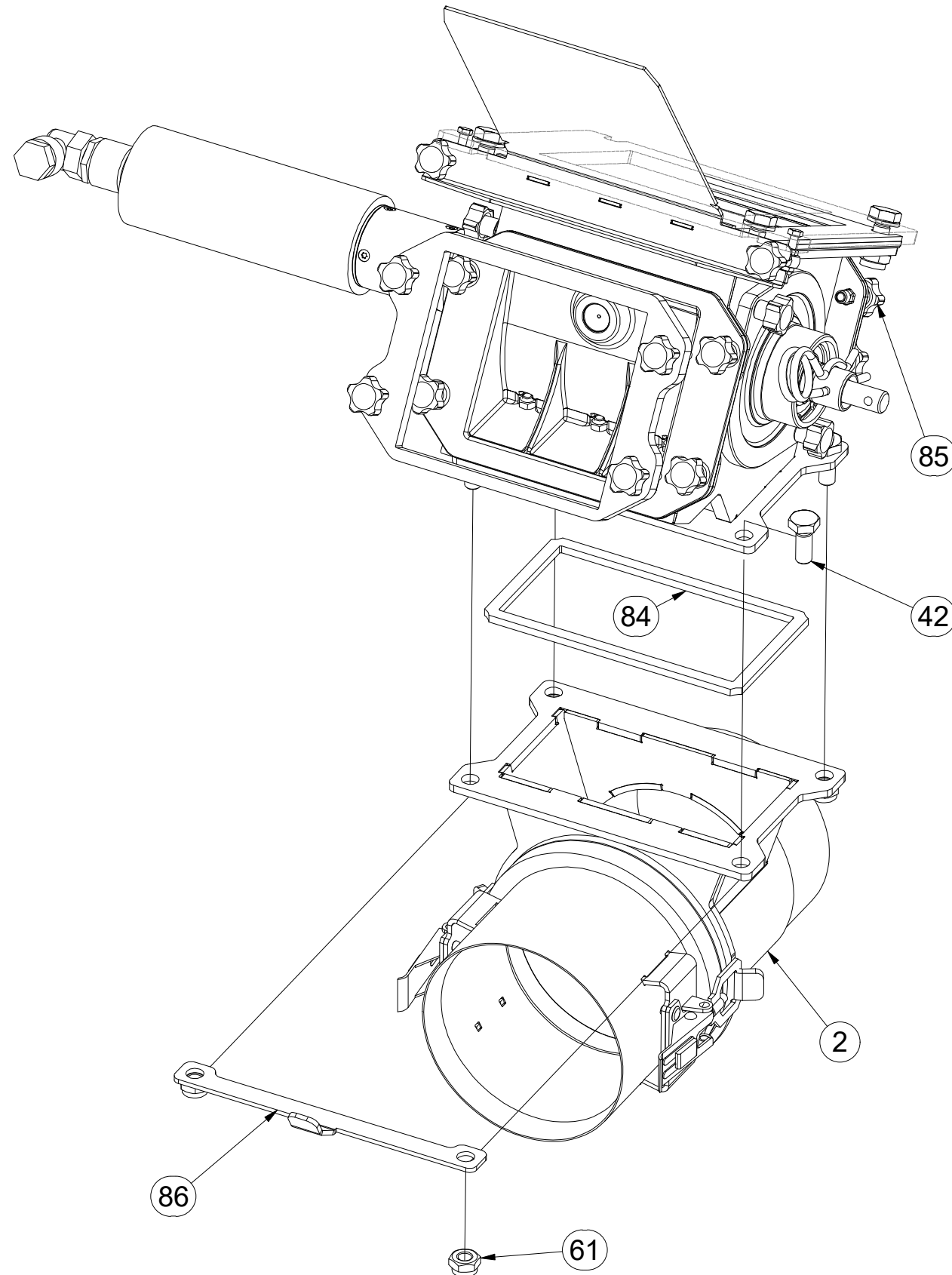
Ⓕ DISPOSITIF DE SEMIS POUR LA TRÉMIE

VZ00007265

ⒼB SEEDING APPARATUS FOR THE HOPPER

ⓇU ВЫСЕВАЮЩИЙ МЕХАНИЗМ ДЛЯ БУНКЕРА

Ⓟ MECHANIZM SIEWNY DO LEJA



| Pos. | Part Number | Pcs. |
|------|-------------|------|
| 2 | VZ00005842 | 1 |
| 42 | m19695 | 4 |
| 61 | m13617 | 4 |
| 84 | m21152 | 1 |
| 85 | VZ00017649 | 1 |
| 86 | VZ00006924 | 1 |

Ⓒ VÝSEVNÉ ÚSTROJÍ PRO NÁSYPKU

Ⓓ AUSSAATMECHANISMUS FÜR DEN FÜLLTRICHTER

Ⓕ DISPOSITIF DE SEMIS POUR LA TRÉMIE

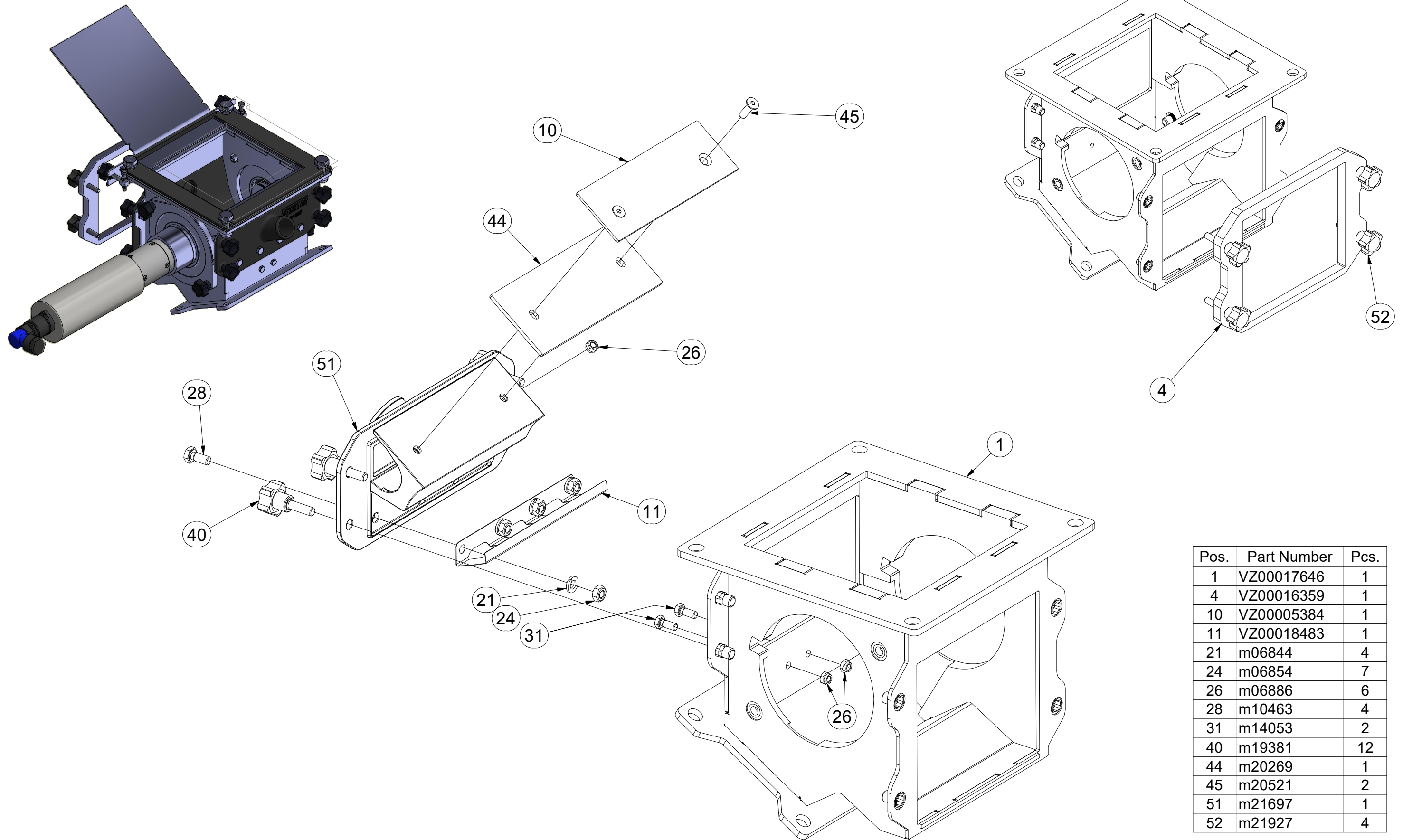
Ⓖ SEEDING APPARATUS FOR THE HOPPER

Ⓡ ВЫСЕВАЮЩИЙ МЕХАНИЗМ ДЛЯ БУНКЕРА

Ⓟ MECHANIZM SIEWNY DO LEJA



VZ00017652



| Pos. | Part Number | Pcs. |
|------|-------------|------|
| 1 | VZ00017646 | 1 |
| 4 | VZ00016359 | 1 |
| 10 | VZ00005384 | 1 |
| 11 | VZ00018483 | 1 |
| 21 | m06844 | 4 |
| 24 | m06854 | 7 |
| 26 | m06886 | 6 |
| 28 | m10463 | 4 |
| 31 | m14053 | 2 |
| 40 | m19381 | 12 |
| 44 | m20269 | 1 |
| 45 | m20521 | 2 |
| 51 | m21697 | 1 |
| 52 | m21927 | 4 |

ⒸZ VÝSEVNÉ ÚSTROJÍ PRO NÁSYPKU

Ⓓ AUSSAATMECHANISMUS FÜR DEN FÜLLTRICHTER

Ⓕ DISPOSITIF DE SEMIS POUR LA TRÉMIE

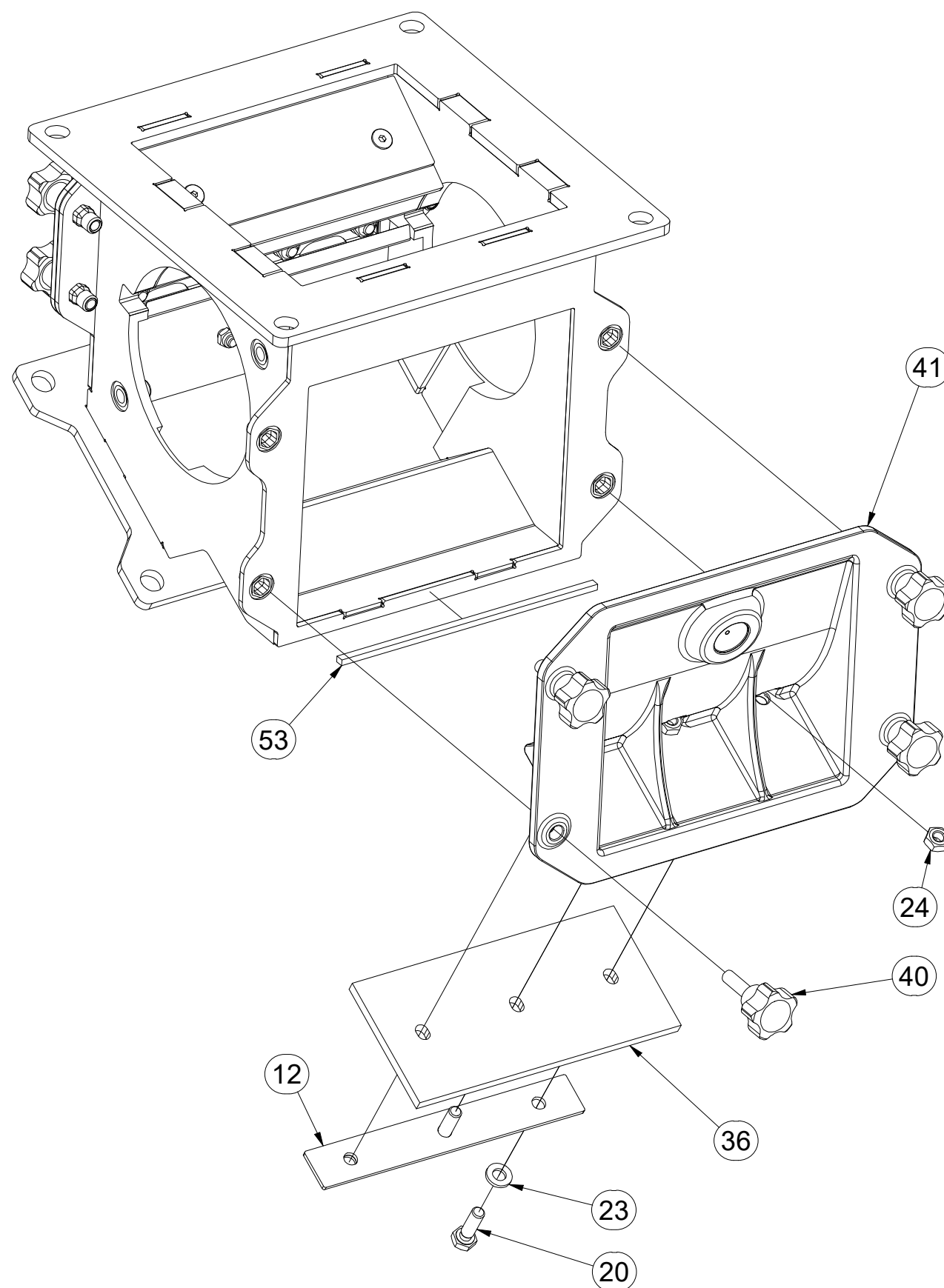
ⒼB SEEDING APPARATUS FOR THE HOPPER

ⒺB ВЫСЕВАЮЩИЙ МЕХАНИЗМ ДЛЯ БУНКЕРА

ⒼL MECHANIZM SIEWNY DO LEJA



VZ00017652



| Pos. | Part Number | Pcs. |
|------|-------------|------|
| 12 | 4026095 | 1 |
| 20 | m06840 | 3 |
| 23 | m06847 | 3 |
| 24 | m06854 | 7 |
| 36 | m19264 | 1 |
| 40 | m19381 | 12 |
| 41 | m19727 | 1 |
| 53 | m22249 | 1 |

Ⓒ VÝSEVNÉ ÚSTROJÍ PRO NÁSYPKU

Ⓓ AUSSAATMECHANISMUS FÜR DEN FÜLLTRICHTER

Ⓕ DISPOSITIF DE SEMIS POUR LA TRÉMIE

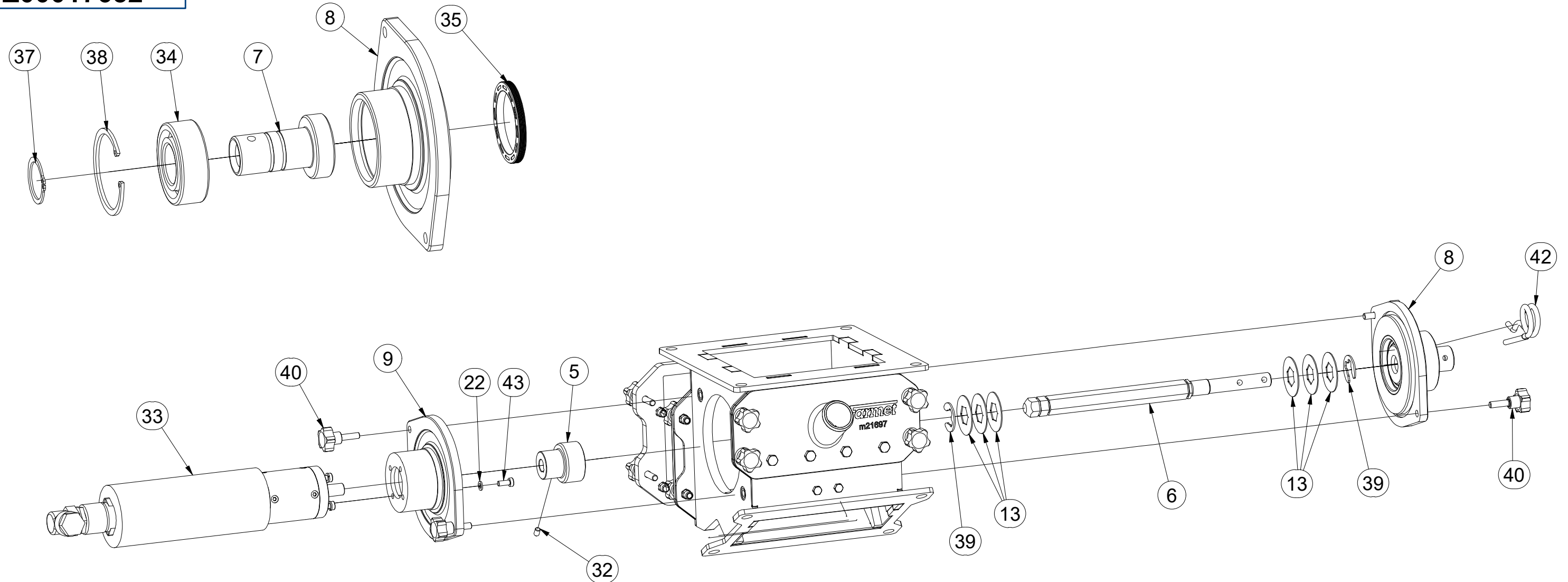
Ⓖ SEEDING APPARATUS FOR THE HOPPER

Ⓡ ВЫСЕВАЮЩИЙ МЕХАНИЗМ ДЛЯ БУНКЕРА

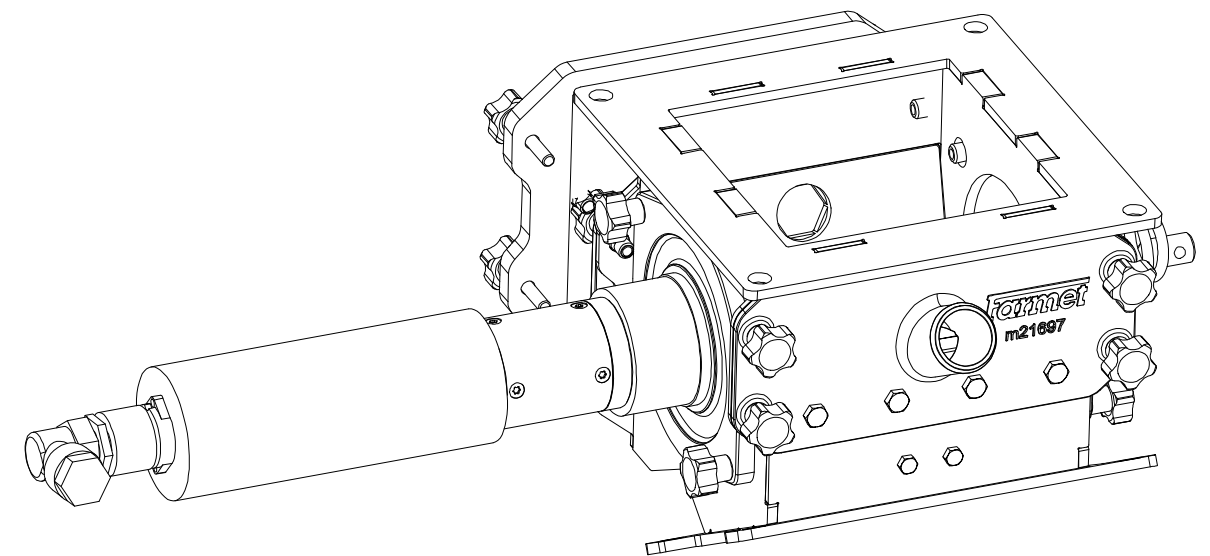
Ⓟ MECHANIZM SIEWNY DO LEJA



VZ00017652



| Pos. | Part Number | Pcs. | Pos. | Part Number | Pcs. |
|------|-------------|------|------|-------------|------|
| 5 | VZ00029814 | 1 | 34 | m19262 | 1 |
| 6 | VZ00011815 | 1 | 35 | m19263 | 2 |
| 7 | VZ00011814 | 1 | 37 | m19375 | 1 |
| 8 | VZ00011793 | 1 | 38 | m19376 | 1 |
| 9 | VZ00011788 | 1 | 39 | m19378 | 2 |
| 13 | 4026075 | 6 | 40 | m19381 | 12 |
| 22 | m06845 | 4 | 42 | m19740 | 1 |
| 32 | m15550 | 1 | 43 | m19751 | 4 |
| 33 | m19150 | 1 | | | |



Ⓒ VÝSEVNÉ ÚSTROJÍ PRO NÁSYPKU

Ⓓ AUSSAATMECHANISMUS FÜR DEN FÜLLTRICHTER

Ⓕ DISPOSITIF DE SEMIS POUR LA TRÉMIE

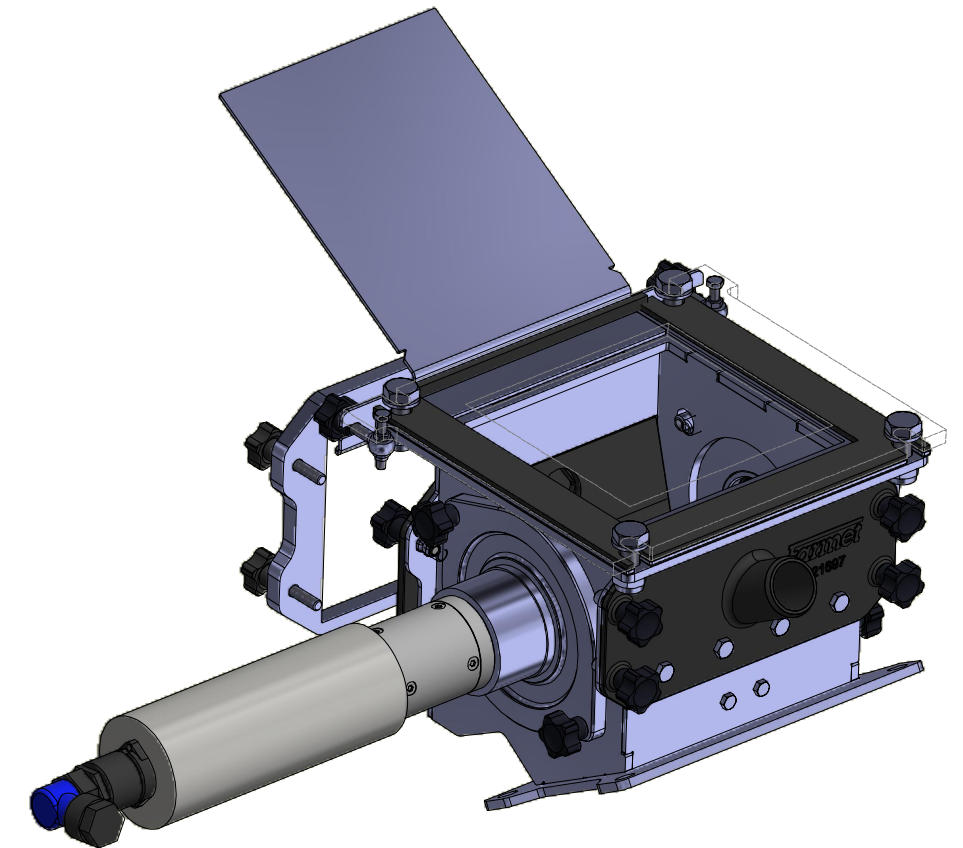
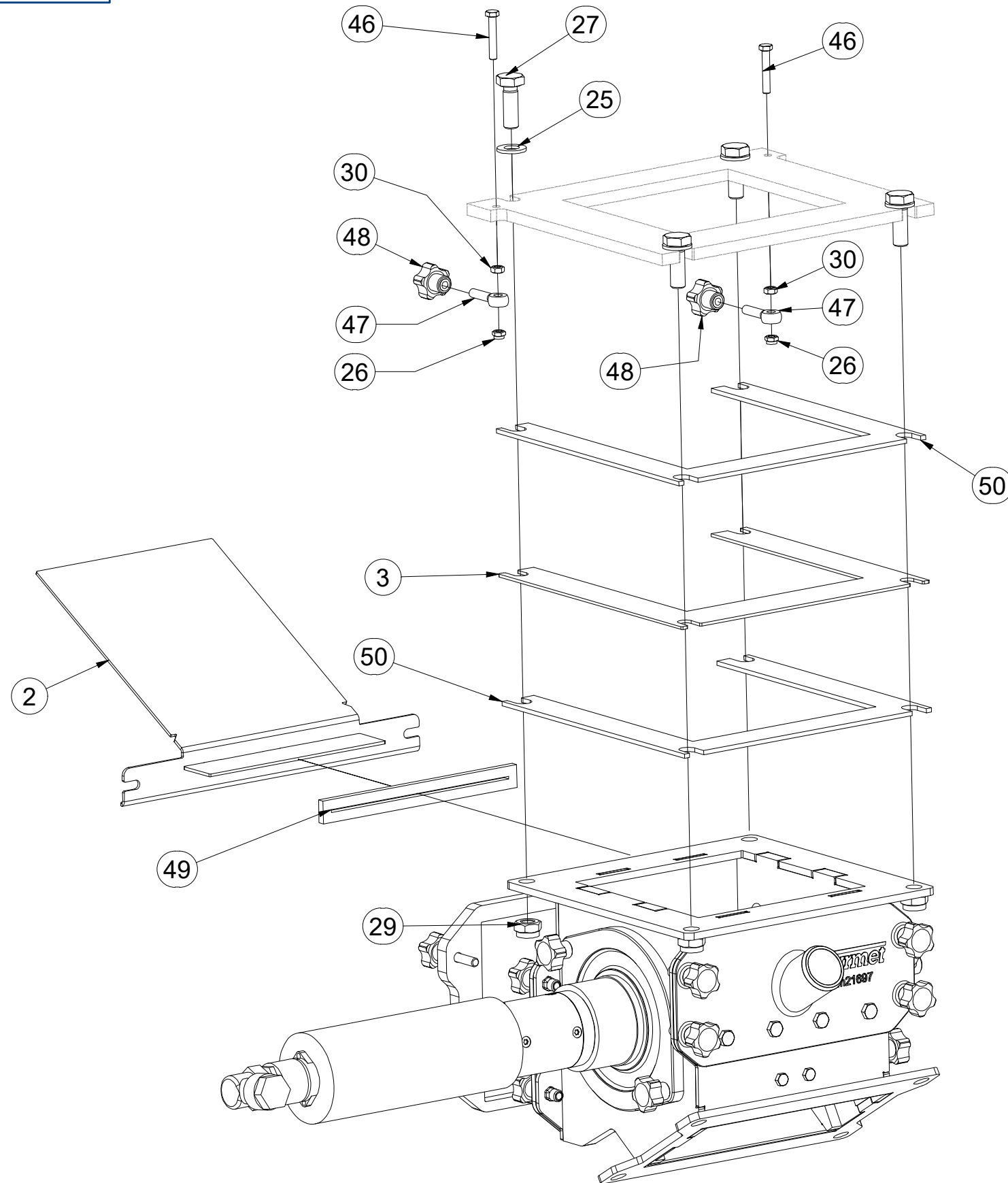
Ⓖ SEEDING APPARATUS FOR THE HOPPER

Ⓡ ВЫСЕВАЮЩИЙ МЕХАНИЗМ ДЛЯ БУНКЕРА

Ⓟ MECHANIZM SIEWNY DO LEJA

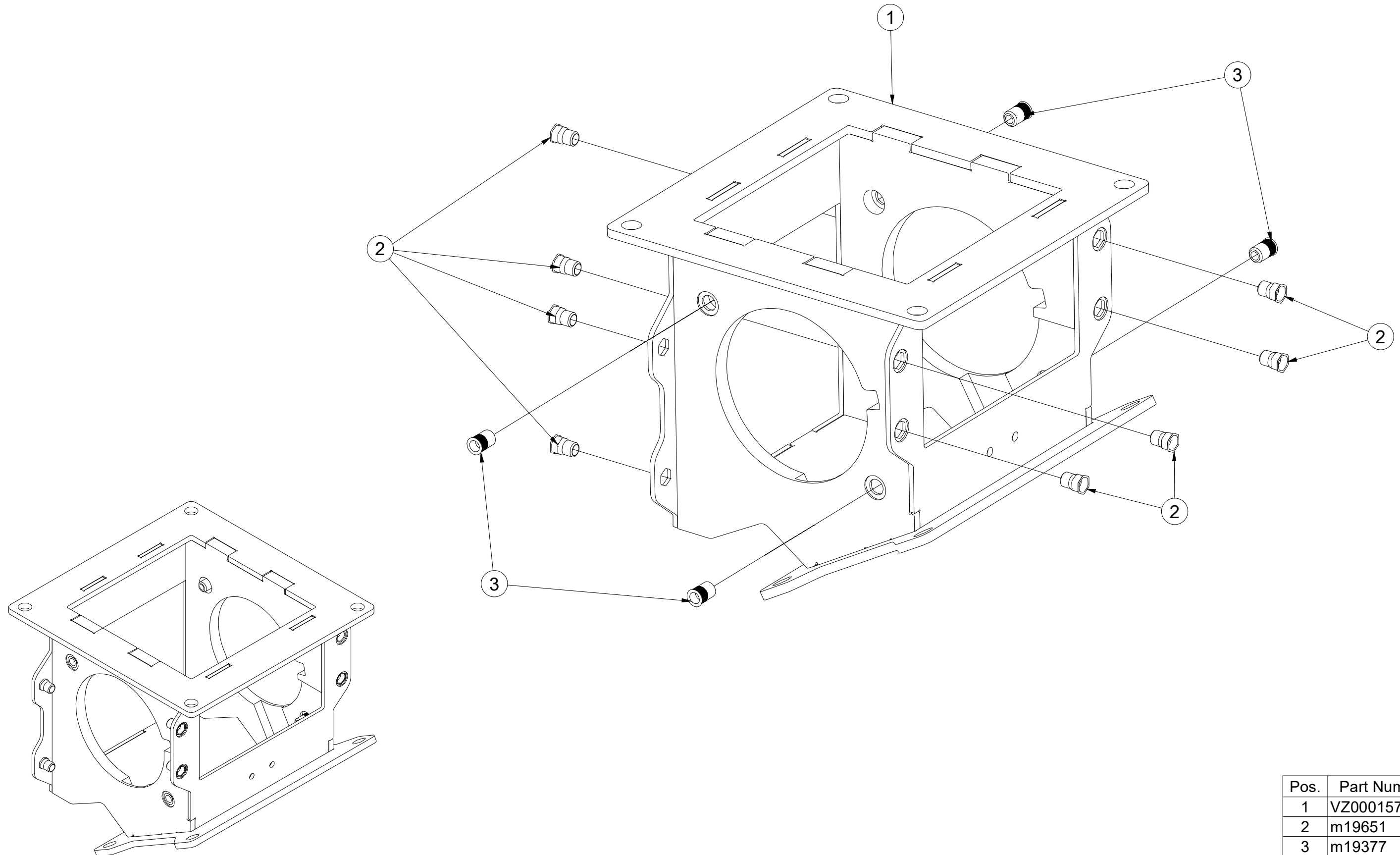
Farmet

VZ00017652



| Pos. | Part Number | Pcs. |
|------|-------------|------|
| 2 | VZ00016826 | 1 |
| 3 | VZ00016810 | 1 |
| 25 | m06859 | 4 |
| 26 | m06886 | 6 |
| 27 | m07092 | 4 |
| 29 | m13617 | 4 |
| 30 | m14051 | 2 |
| 46 | m21686 | 2 |
| 47 | m21687 | 2 |
| 48 | m21688 | 2 |
| 49 | m21694 | 1 |
| 50 | m21695 | 2 |

VZ00017646



| Pos. | Part Number | Pcs. |
|------|-------------|------|
| 1 | VZ00015770 | 1 |
| 2 | m19651 | 8 |
| 3 | m19377 | 4 |

Ⓒ SMĚŠOVAČ

Ⓓ MISCHER

Ⓕ MÉLANGEUR

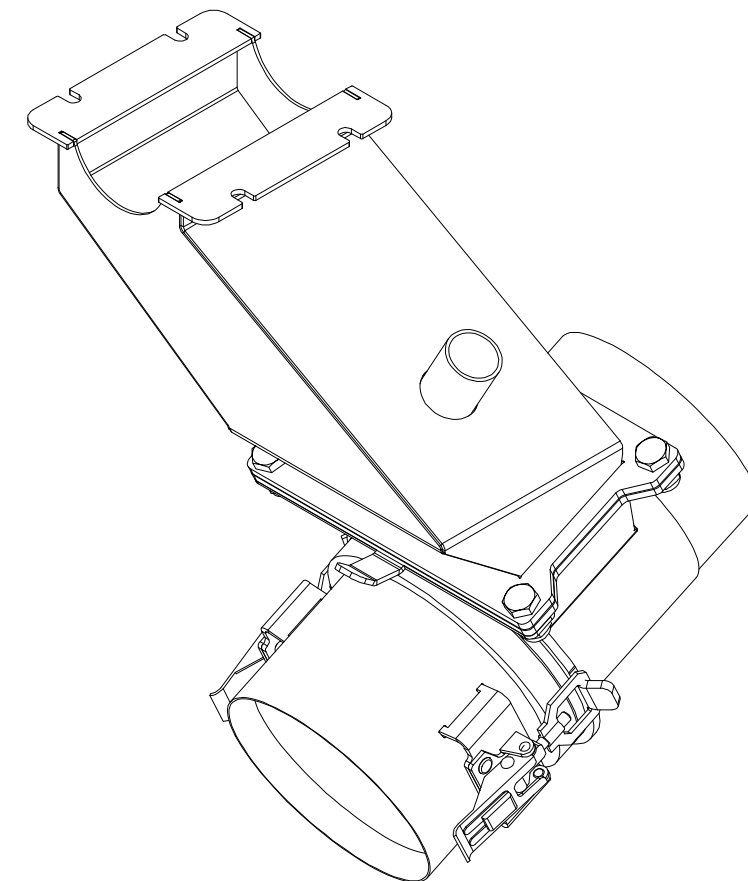
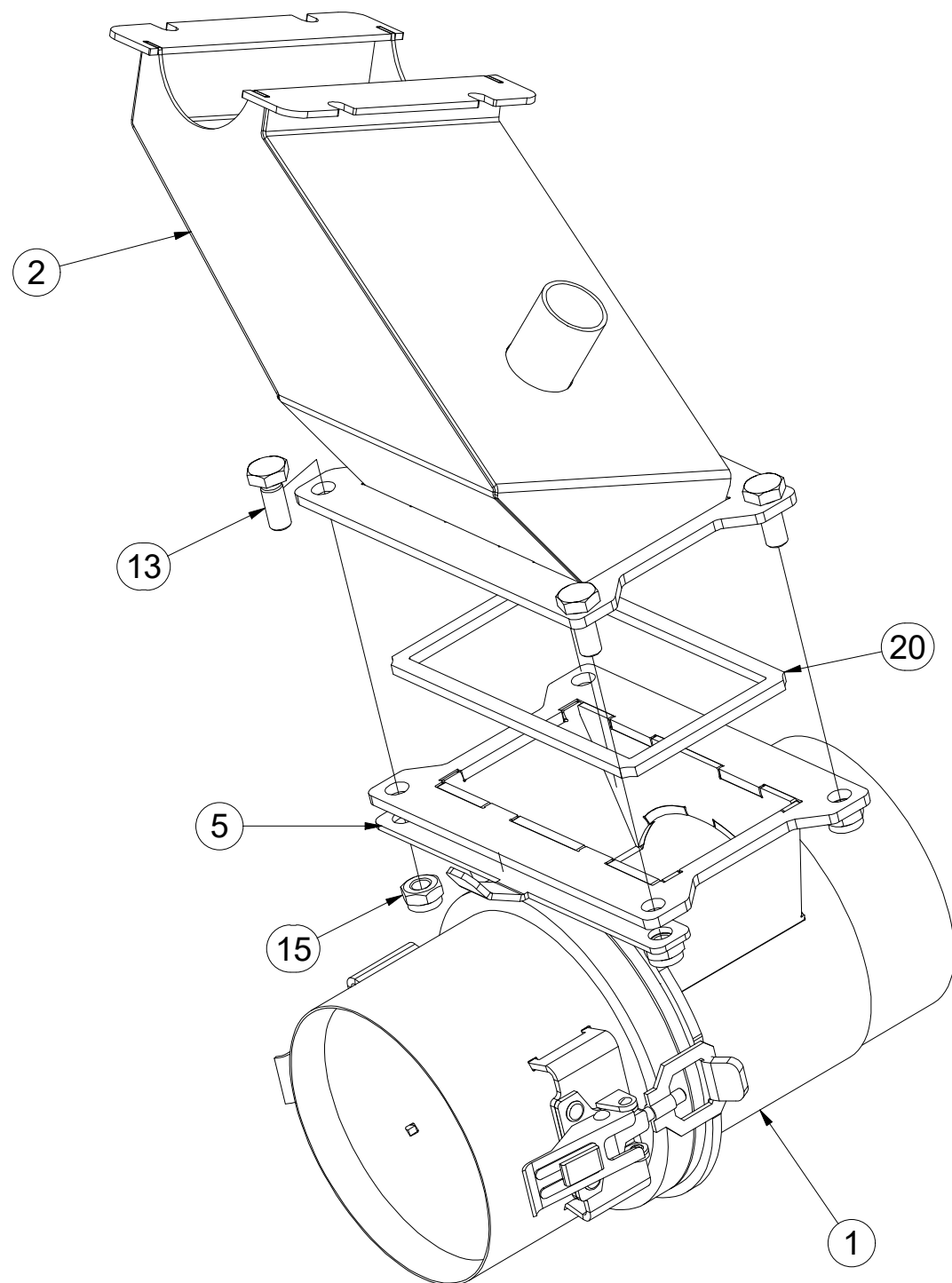
VZ00007264

Ⓖ MIXER

Ⓡ СМЕСИТЕЛЬ

Ⓟ MIESZALNIK

Farmet



| Pos. | Part Number | Pcs. |
|------|-------------|------|
| 1 | VZ00005842 | 1 |
| 2 | VZ00017239 | 1 |
| 5 | VZ00006924 | 1 |
| 13 | m19695 | 4 |
| 15 | m13617 | 4 |
| 20 | m21152 | 1 |

Ⓒ SMĚŠOVAČ

Ⓓ MISCHER

Ⓕ MÉLANGEUR

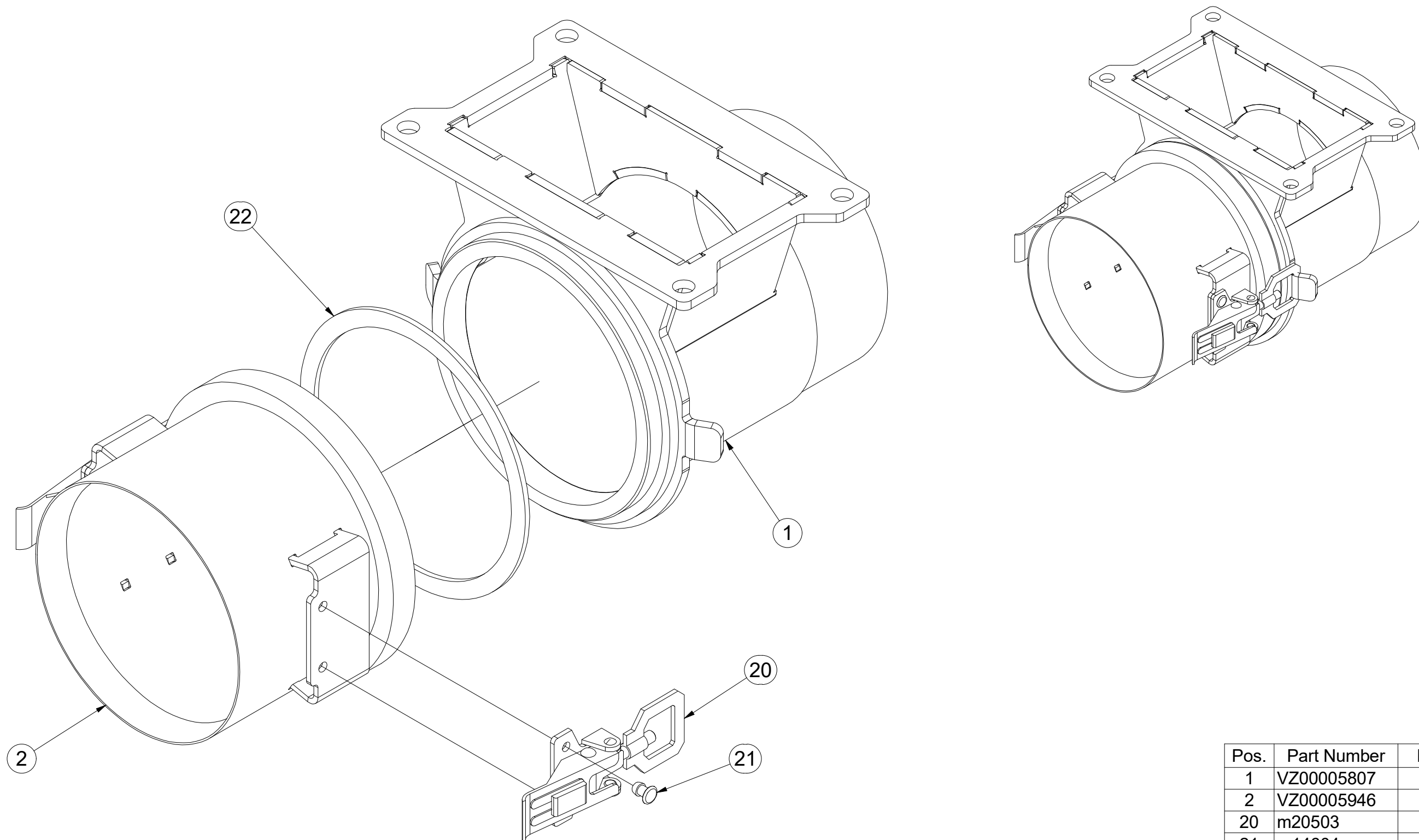
VZ00005842

Ⓖ MIXER

Ⓡ СМЕСИТЕЛЬ

Ⓢ MIESZALNIK

Farmet



| Pos. | Part Number | Pcs. |
|------|-------------|------|
| 1 | VZ00005807 | 1 |
| 2 | VZ00005946 | 1 |
| 20 | m20503 | 2 |
| 21 | m14604 | 4 |
| 22 | m20994 | 1 |

Ⓒ SADA KAPACITNÍCH SNÍMAČŮ DÁVKOVAČE

Ⓓ DOSIERGERÄT KAPAZITIVER SENSOR SATZ

Ⓕ ENSEMBLE DE CAPTEURS CAPACITIFS DU DOSEUR

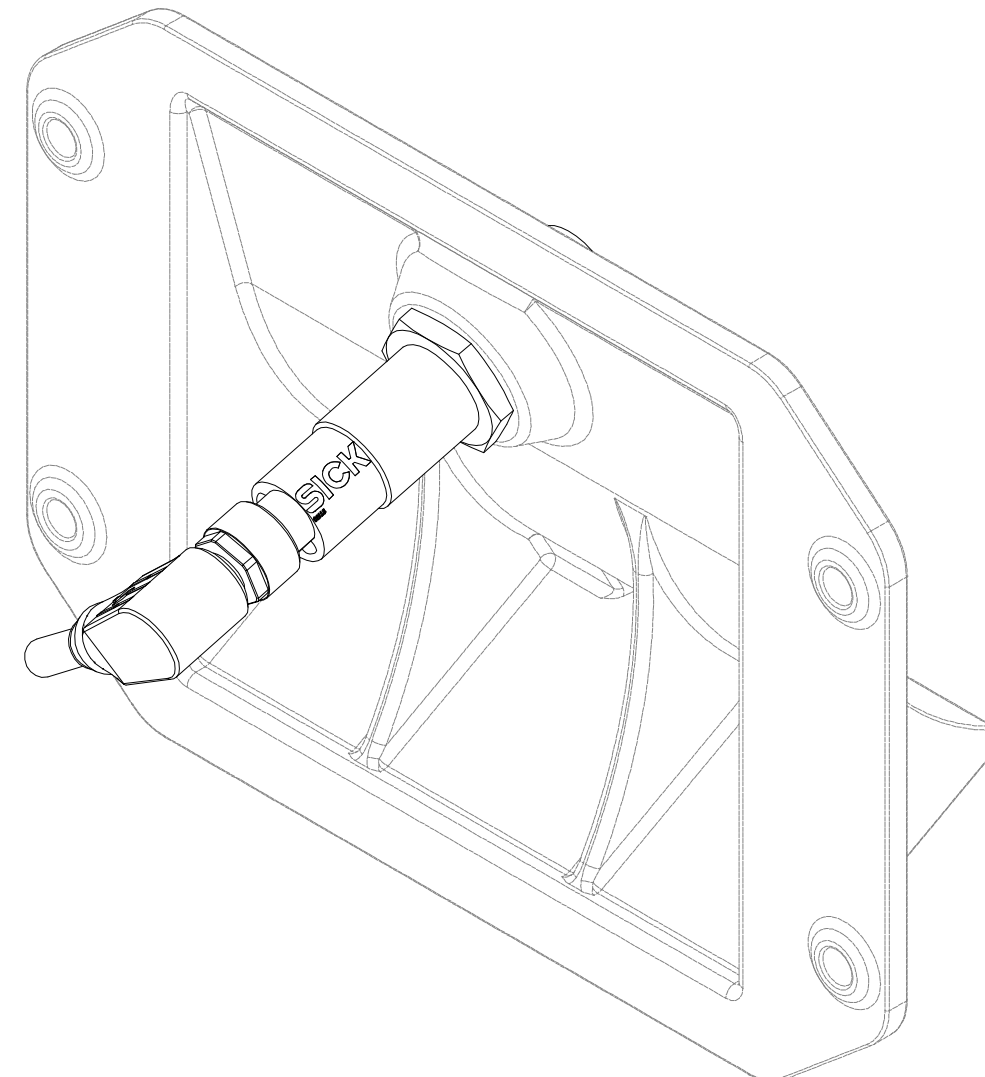
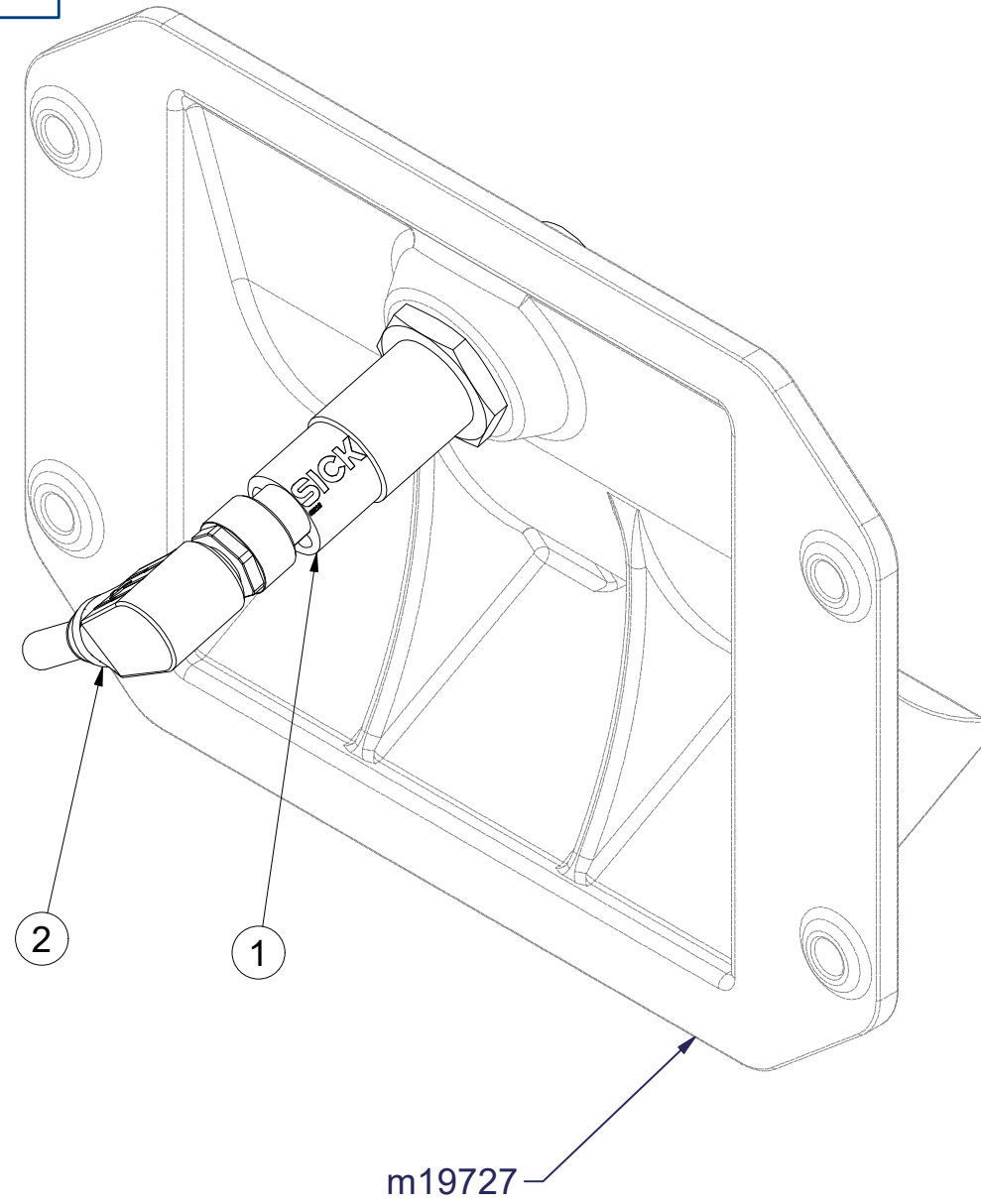
Ⓖ DISPENSER CAPACITIVE SENSOR SET

Ⓡ КОМПЛЕКТ ЕМКОСТНЫХ ДАТЧИКОВ ДОЗАТОРА

Ⓟ ZESTAW CZUJNIKÓW POJEMNOŚCIOWYCH DOSERA



VZ00024726



| Pos. | Part Number | Pcs. |
|------|-------------|------|
| 1 | m22669 | 2 |
| 2 | m22670 | 2 |

Ⓒ SEKCE PRACOVNÍ 3-ŘADÁ DLÁTOVÁ

Ⓓ 3-REIHIGE MEISSEL-ARBEITSSEKTION

Ⓕ SECTION DE TRAVAIL À TROIS RANGÉES - CISEAUX

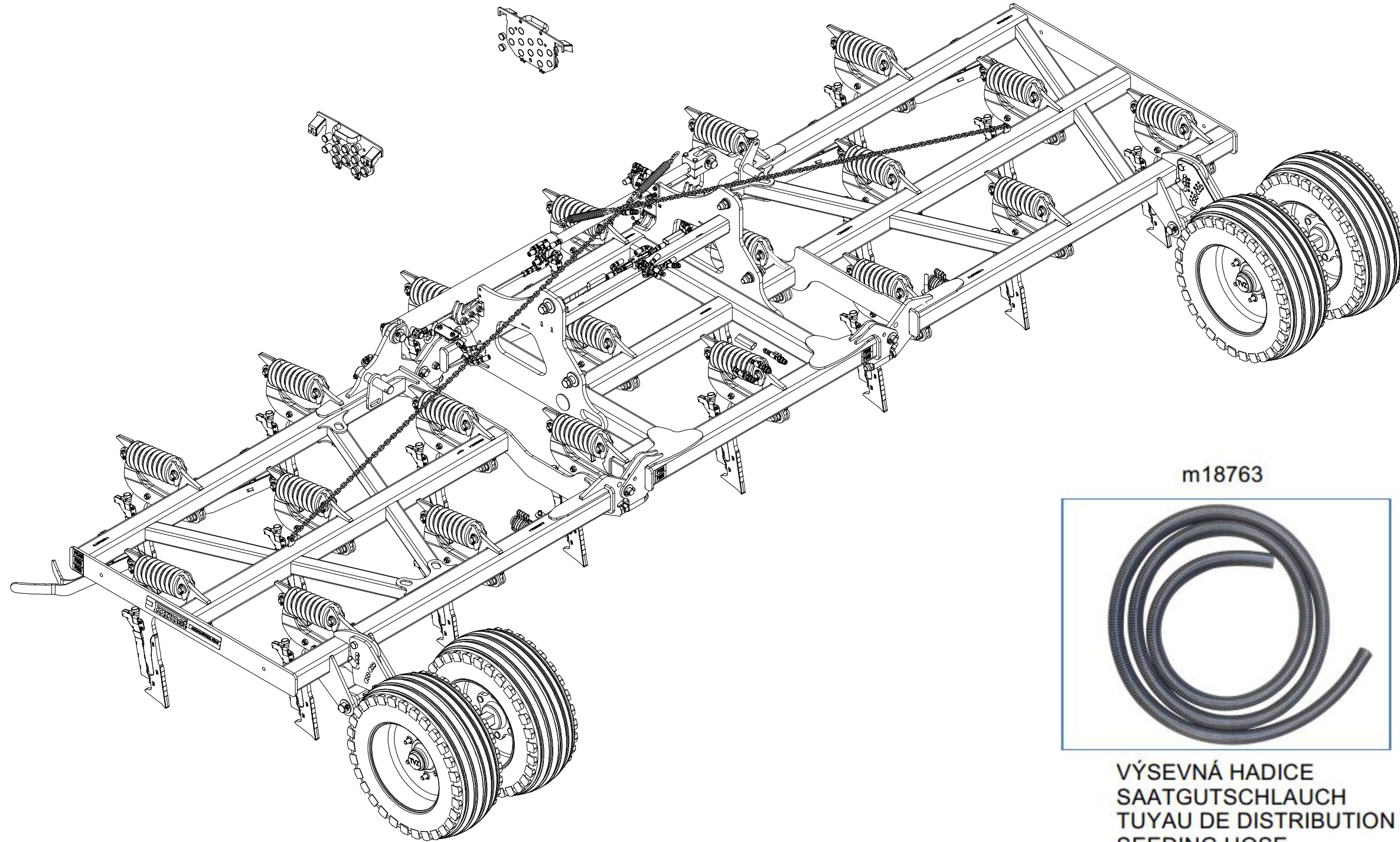
VZ00012333

Ⓖ WORKING SECTION, 3-ROW, CHISEL

Ⓡ СЕКЦИЯ РАБОЧАЯ 3-Х РЯДНАЯ ЧИЗЕЛЬНАЯ

Ⓟ SEKCJA ROBOCZA 3-RZĘDOWA, DŁUTOWA

Farmet



m18763

VÝSEVNÁ HADICE
SAATGUTSCHLAUCH
TUYAU DE DISTRIBUTION
SEEDING HOSE
ВЫСЕВАЮЩИЙ ШЛАНГ
PRZEWÓD WYSIEWU

| Pos. | Part Number | Pcs. |
|------|-------------|----------|
| 61 | m18763 | 80,000 m |

SEKCE PRACOVNÍ 3-ŘADÁ DLÁTOVÁ

3-REIHIGE MEISSEL-ARBEITSSEKTION

SECTION DE TRAVAIL À TROIS RANGÉES - CISEAUX

WORKING SECTION, 3-ROW, CHISEL

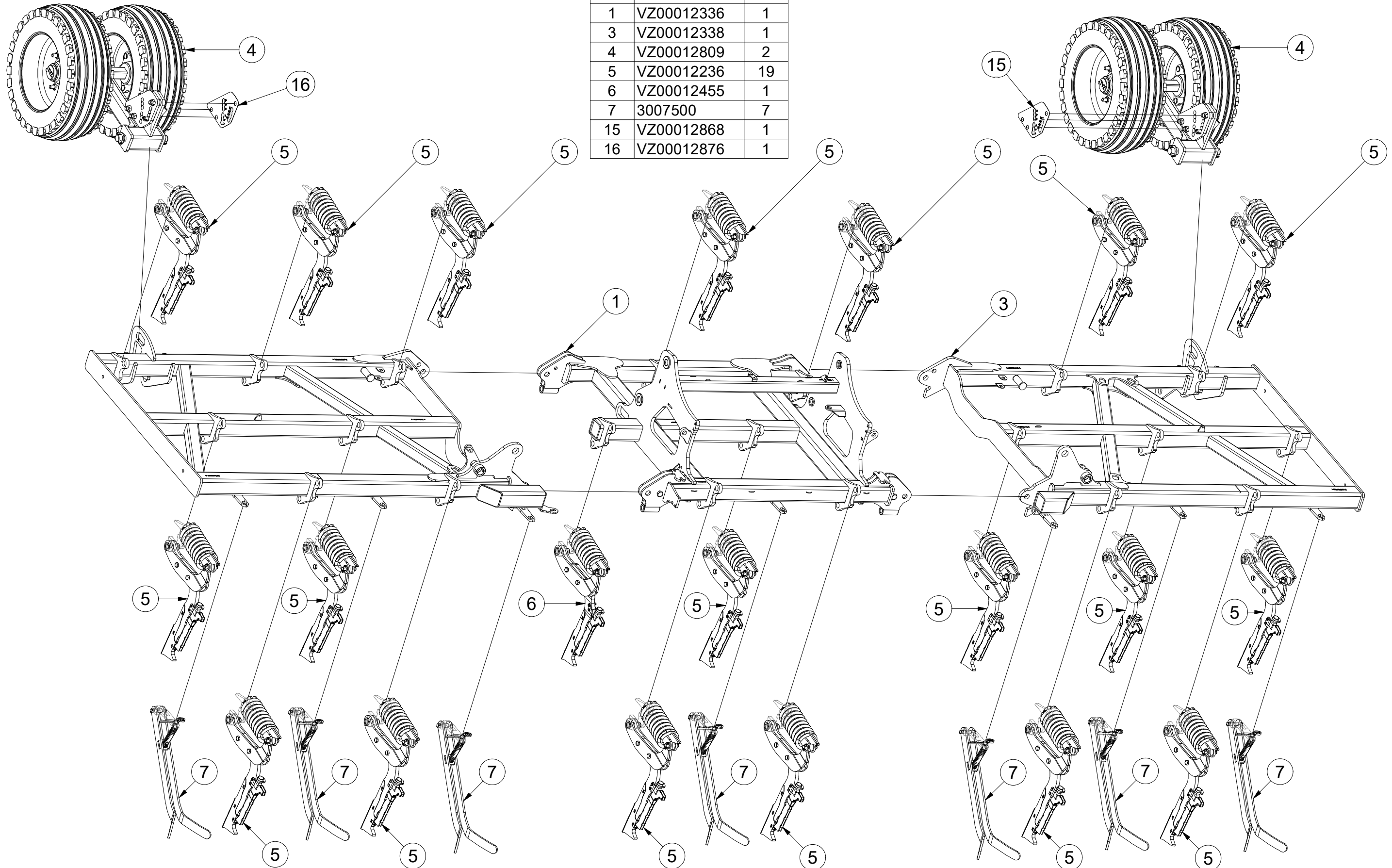
СЕКЦИЯ РАБОЧАЯ 3-Х РЯДНАЯ ЧИЗЕЛЬНАЯ

SEKCJA ROBOCZA 3-RZĘDOWA, DŁUTOWA



VZ00012333

| Pos. | Part Number | Pcs. |
|------|-------------|------|
| 1 | VZ00012336 | 1 |
| 3 | VZ00012338 | 1 |
| 4 | VZ00012809 | 2 |
| 5 | VZ00012236 | 19 |
| 6 | VZ00012455 | 1 |
| 7 | 3007500 | 7 |
| 15 | VZ00012868 | 1 |
| 16 | VZ00012876 | 1 |



☉ SEKCE PRACOVNÍ 3-ŘADÁ DLÁTOVÁ

☉ 3-REIHIGE MEISSEL-ARBEITSSEKTION

☉ SECTION DE TRAVAIL À TROIS RANGÉES - CISEAUX

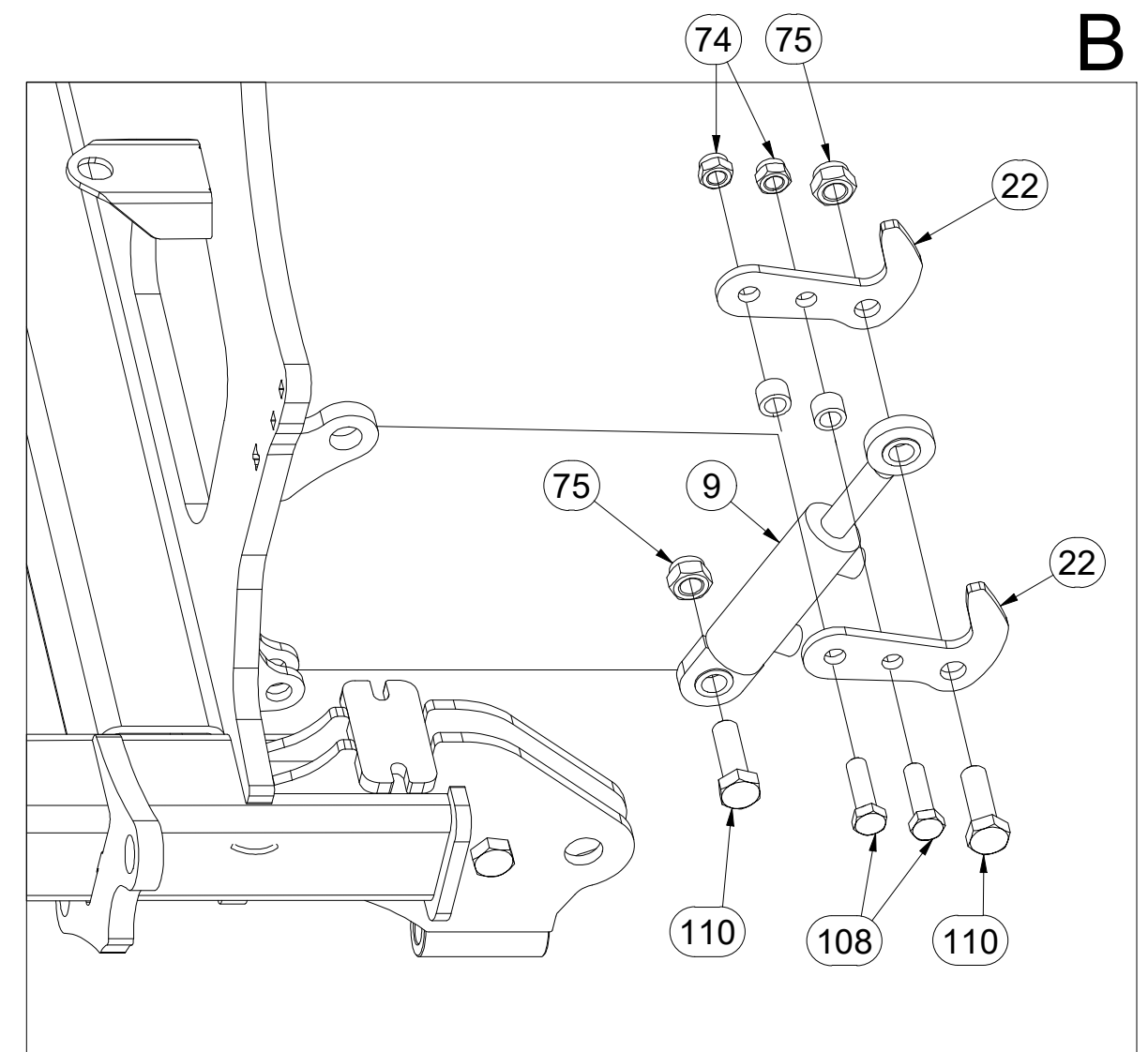
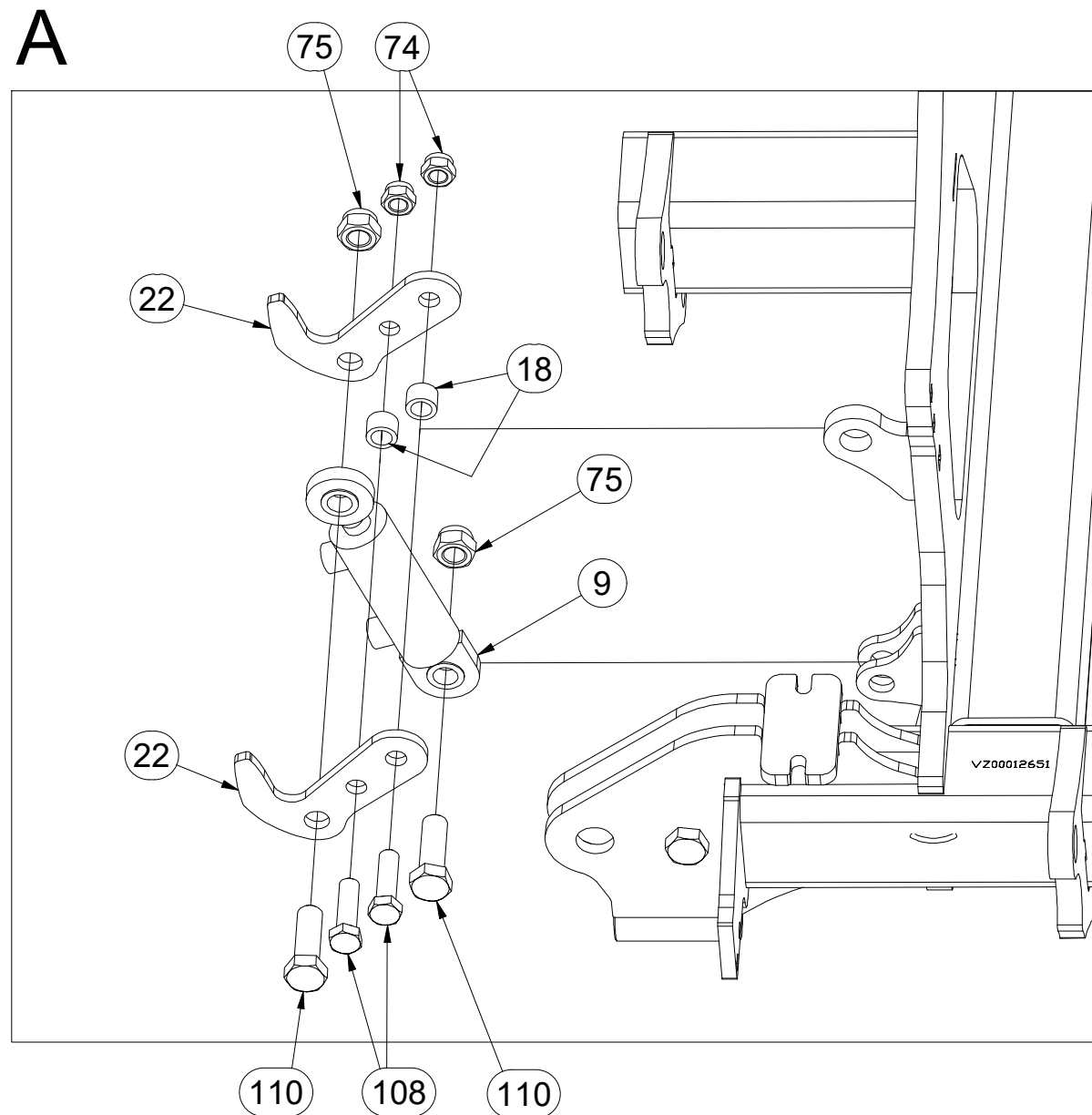
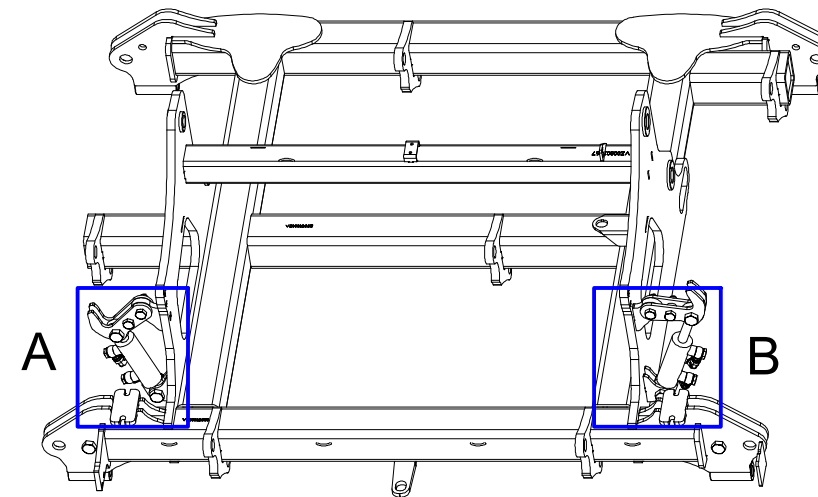
VZ00012333

| Pos. | Part Number | Pcs. |
|------|-------------|------|
| 9 | 9001890 | 2 |
| 18 | 4022545 | 4 |
| 22 | VZ00003254 | 4 |
| 74 | m03683 | 5 |
| 75 | m05648 | 4 |
| 108 | m10112 | 4 |
| 110 | m05747 | 4 |

☉ WORKING SECTION, 3-ROW, CHISEL

☉ СЕКЦИЯ РАБОЧАЯ 3-Х РЯДНАЯ ЧИЗЕЛЬНАЯ

☉ СЕКЦЈА РОБОУА 3-РЗЕДОУА, ДЛУТОВА



☉ SEKCE PRACOVNÍ 3-ŘADÁ DLÁTOVÁ

☎ 3-REIHIGE MEISSEL-ARBEITSSEKTION

☐ SECTION DE TRAVAIL À TROIS RANGÉES - CISEAUX

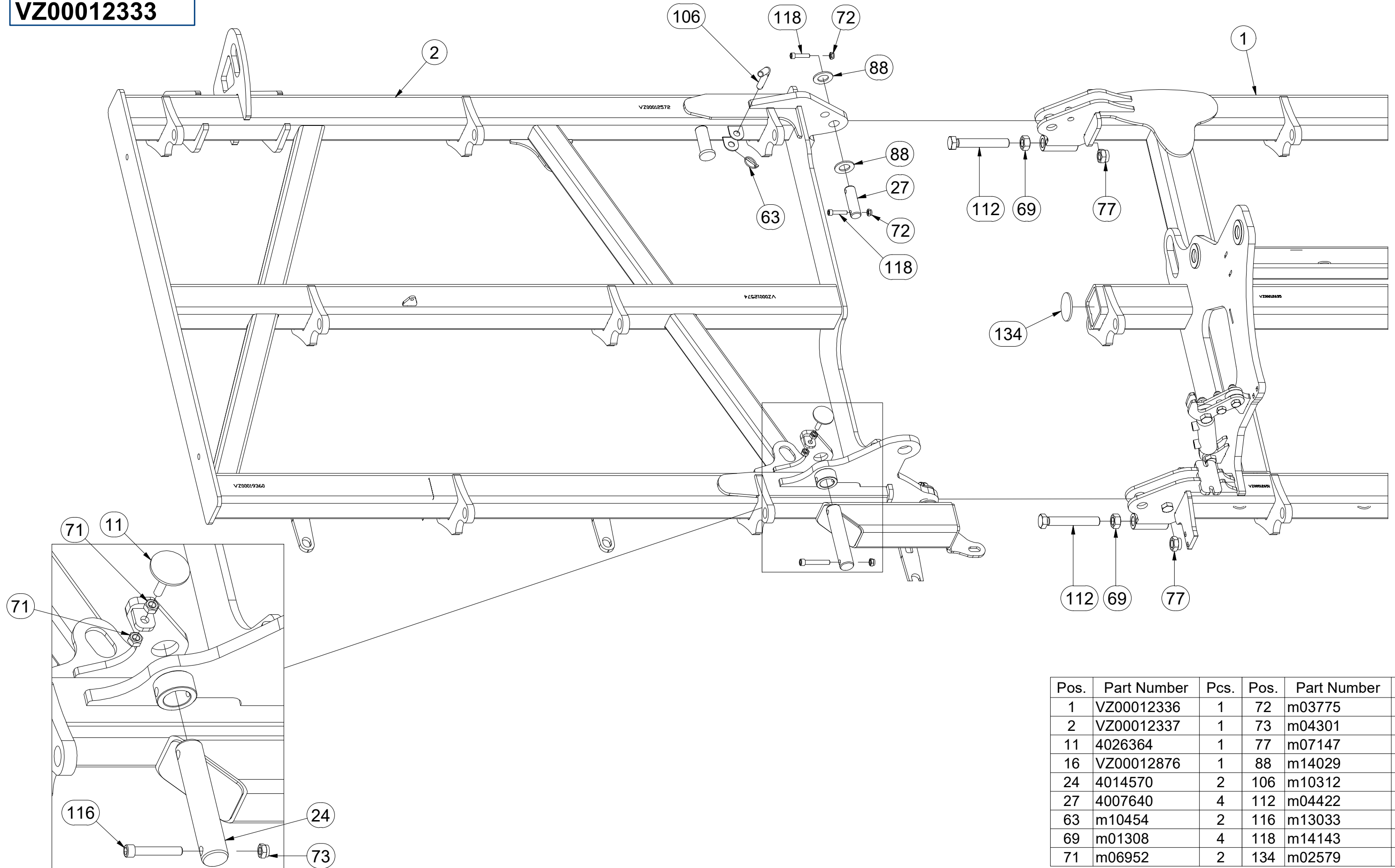
☉ WORKING SECTION, 3-ROW, CHISEL

☎ СЕКЦИЯ РАБОЧАЯ 3-Х РЯДНАЯ ЧИЗЕЛЬНАЯ

☐ SEKCJA ROBOCZA 3-RZĘDOWA, DŁUTOWA



VZ00012333



| Pos. | Part Number | Pcs. | Pos. | Part Number | Pcs. |
|------|-------------|------|------|-------------|------|
| 1 | VZ00012336 | 1 | 72 | m03775 | 10 |
| 2 | VZ00012337 | 1 | 73 | m04301 | 10 |
| 11 | 4026364 | 1 | 77 | m07147 | 4 |
| 16 | VZ00012876 | 1 | 88 | m14029 | 8 |
| 24 | 4014570 | 2 | 106 | m10312 | 2 |
| 27 | 4007640 | 4 | 112 | m04422 | 4 |
| 63 | m10454 | 2 | 116 | m13033 | 2 |
| 69 | m01308 | 4 | 118 | m14143 | 8 |
| 71 | m06952 | 2 | 134 | m02579 | 2 |

☞ SEKCE PRACOVNÍ 3-ŘADÁ DLÁTOVÁ

☞ 3-REIHIGE MEISSEL-ARBEITSSEKTION

☞ SECTION DE TRAVAIL À TROIS RANGÉES - CISEAUX

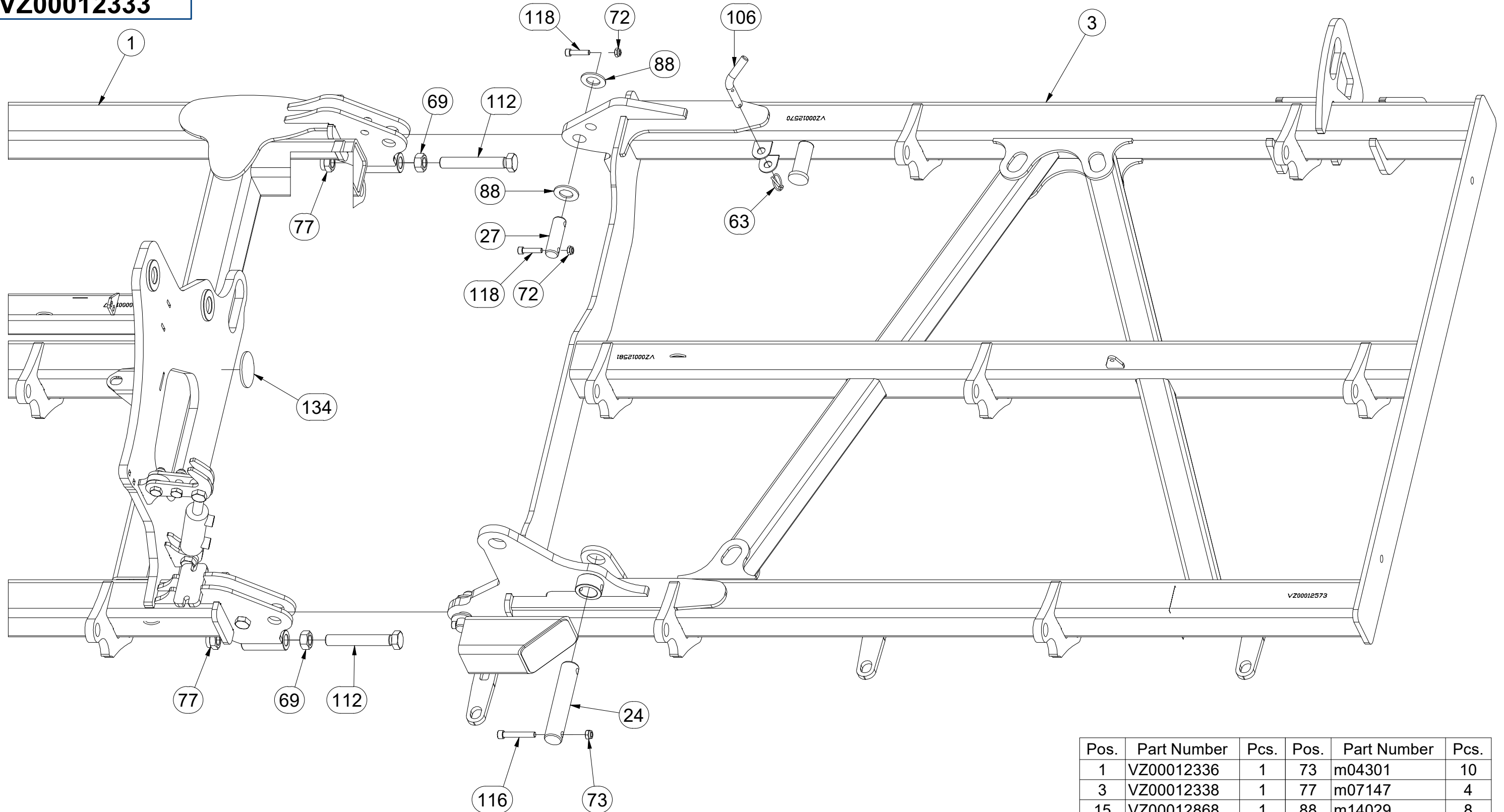
☞ WORKING SECTION, 3-ROW, CHISEL

☞ СЕКЦИЯ РАБОЧАЯ 3-Х РЯДНАЯ ЧИЗЕЛЬНАЯ

☞ SEKCJA ROBOCZA 3-RZĘDOWA, DŁUTOWA



VZ00012333



| Pos. | Part Number | Pcs. | Pos. | Part Number | Pcs. |
|------|-------------|------|------|-------------|------|
| 1 | VZ00012336 | 1 | 73 | m04301 | 10 |
| 3 | VZ00012338 | 1 | 77 | m07147 | 4 |
| 15 | VZ00012868 | 1 | 88 | m14029 | 8 |
| 24 | 4014570 | 2 | 106 | m10312 | 2 |
| 27 | 4007640 | 4 | 112 | m04422 | 4 |
| 63 | m10454 | 2 | 116 | m13033 | 2 |
| 69 | m01308 | 4 | 118 | m14143 | 8 |
| 72 | m03775 | 10 | 134 | m02579 | 2 |

Ⓒ SEKCE PRACOVNÍ 3-ŘADÁ DLÁTOVÁ

Ⓓ 3-REIHIGE MEISSEL-ARBEITSSEKTION

Ⓕ SECTION DE TRAVAIL À TROIS RANGÉES - CISEAUX

Ⓖ WORKING SECTION, 3-ROW, CHISEL

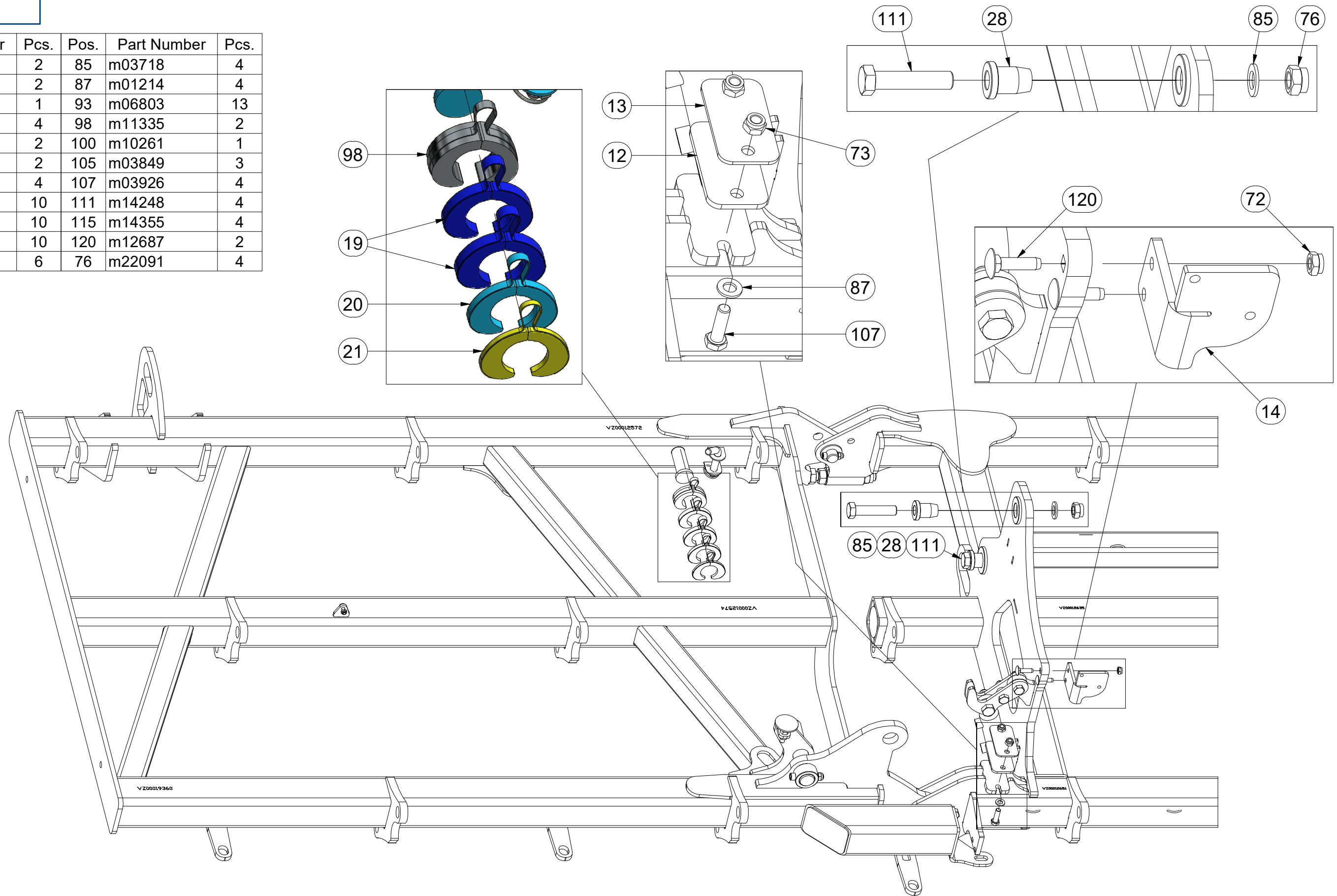
Ⓡ СЕКЦИЯ РАБОЧАЯ 3-Х РЯДНАЯ ЧИЗЕЛЬНАЯ

Ⓟ SEKCJA ROBOCZA 3-RZĘDOWA, DŁUTOWA



VZ00012333

| Pos. | Part Number | Pcs. | Pos. | Part Number | Pcs. |
|------|-------------|------|------|-------------|------|
| 12 | 4009397 | 2 | 85 | m03718 | 4 |
| 13 | 4009352 | 2 | 87 | m01214 | 4 |
| 14 | VZ00003686 | 1 | 93 | m06803 | 13 |
| 19 | 9002587 | 4 | 98 | m11335 | 2 |
| 20 | 9002586 | 2 | 100 | m10261 | 1 |
| 21 | 9002585 | 2 | 105 | m03849 | 3 |
| 28 | 4024458 | 4 | 107 | m03926 | 4 |
| 62 | m06528 | 10 | 111 | m14248 | 4 |
| 72 | m03775 | 10 | 115 | m14355 | 4 |
| 73 | m04301 | 10 | 120 | m12687 | 2 |
| 78 | m04503 | 6 | 76 | m22091 | 4 |



Ⓒ SEKCE PRACOVNÍ 3-ŘADÁ DLÁTOVÁ

Ⓓ 3-REIHIGE MEISSEL-ARBEITSSEKTION

Ⓕ SECTION DE TRAVAIL À TROIS RANGÉES - CISEAUX

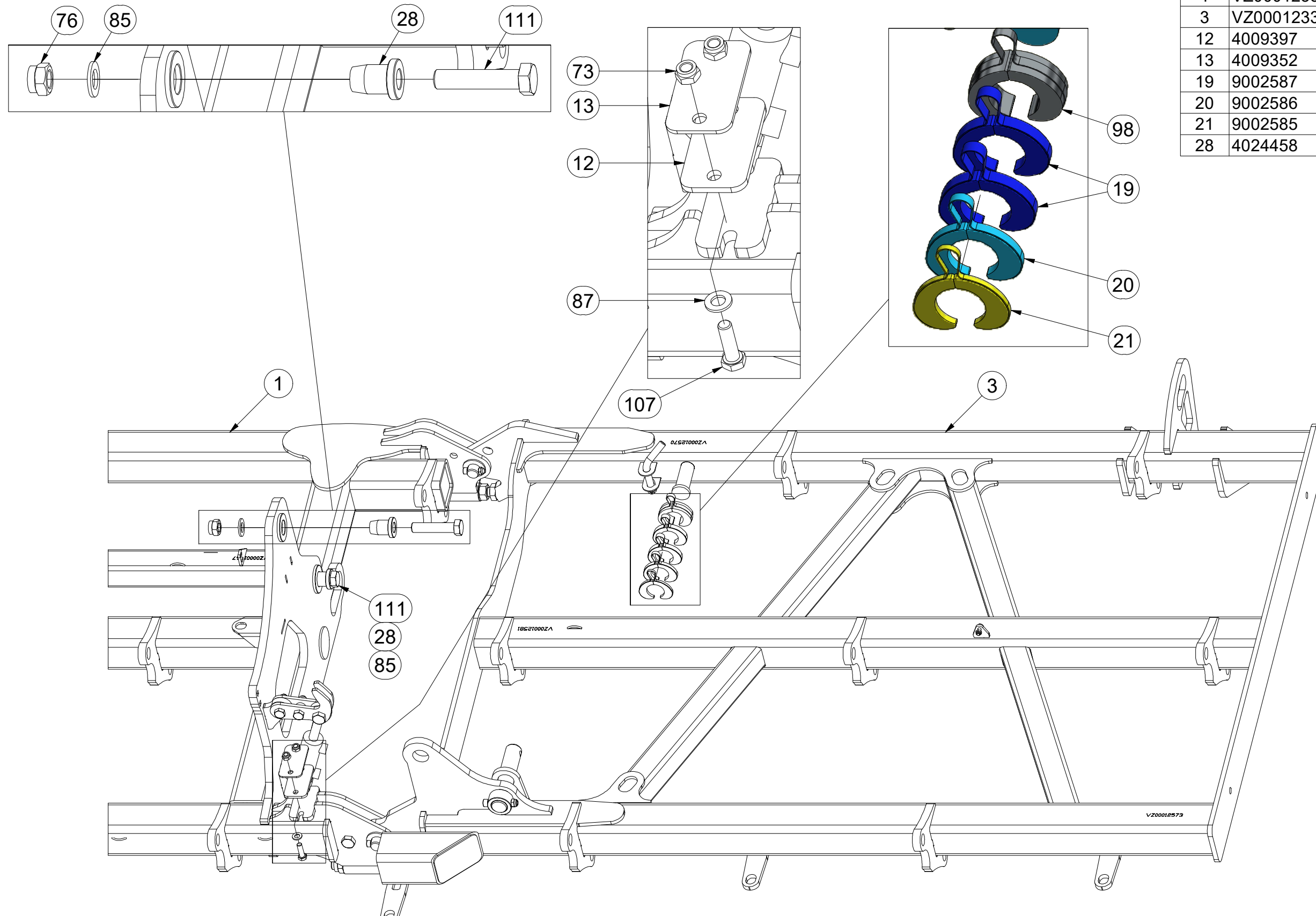
Ⓖ WORKING SECTION, 3-ROW, CHISEL

Ⓔ СЕКЦИЯ РАБОЧАЯ 3-Х РЯДНАЯ ЧИЗЕЛЬНАЯ

Ⓟ SEKCJA ROBOCZA 3-RZĘDOWA, DŁUTOWA



VZ00012333



| Pos. | Part Number | Pcs. | Pos. | Part Number | Pcs. |
|------|-------------|------|------|-------------|------|
| 1 | VZ00012336 | 1 | 73 | m04301 | 10 |
| 3 | VZ00012338 | 1 | 76 | m22091 | 4 |
| 12 | 4009397 | 2 | 85 | m03718 | 4 |
| 13 | 4009352 | 2 | 87 | m01214 | 4 |
| 19 | 9002587 | 4 | 98 | m11335 | 2 |
| 20 | 9002586 | 2 | 105 | m03849 | 3 |
| 21 | 9002585 | 2 | 107 | m03926 | 4 |
| 28 | 4024458 | 4 | 111 | m14248 | 4 |

Ⓒ SEKCE PRACOVNÍ 3-ŘADÁ DLÁTOVÁ

Ⓓ 3-REIHIGE MEISSEL-ARBEITSSEKTION

Ⓕ SECTION DE TRAVAIL À TROIS RANGÉES - CISEAUX

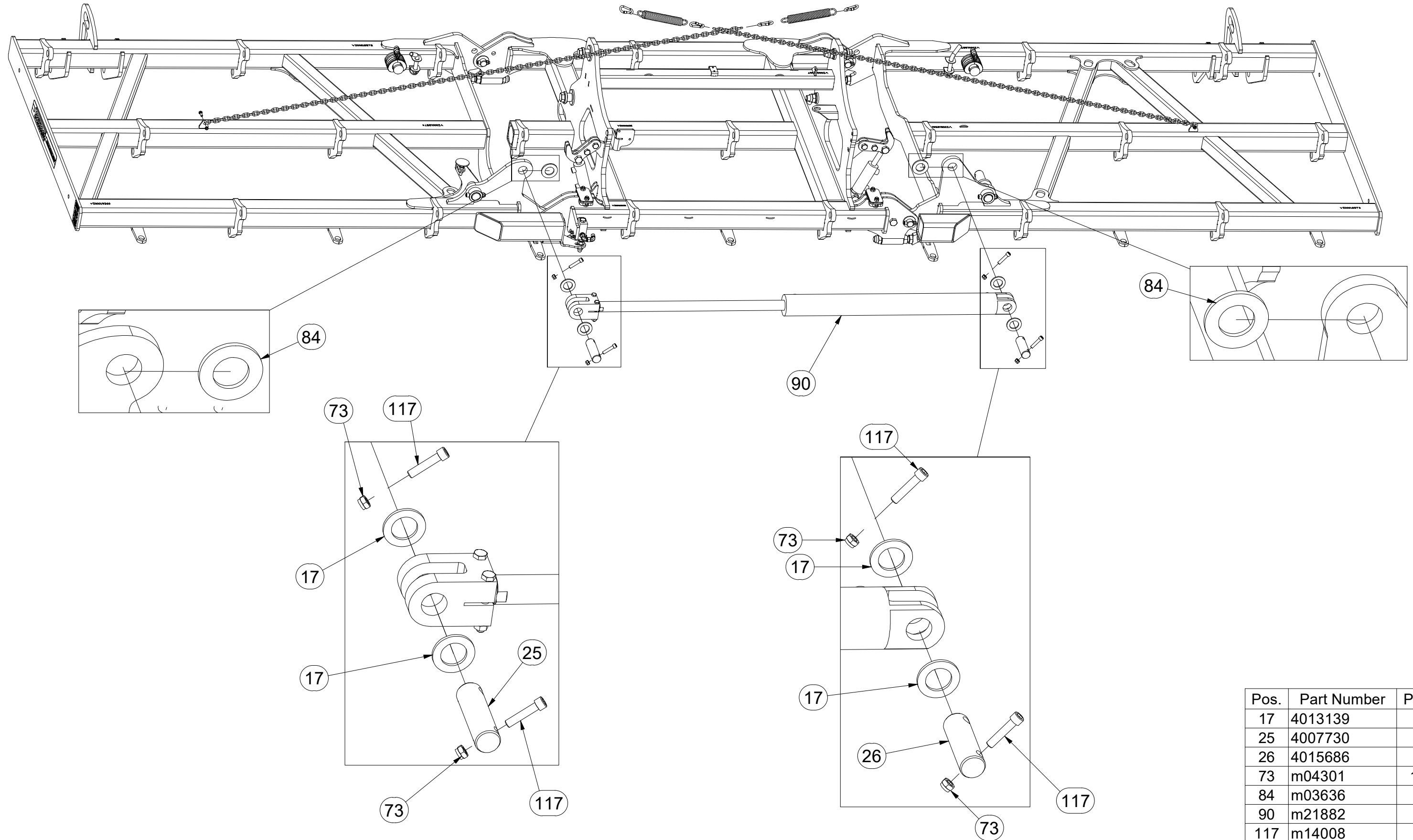
Ⓖ WORKING SECTION, 3-ROW, CHISEL

Ⓡ СЕКЦИЯ РАБОЧАЯ 3-Х РЯДНАЯ ЧИЗЕЛЬНАЯ

Ⓟ SEKCJA ROBOCZA 3-RZĘDOWA, DŁUTOWA



VZ00012333



| Pos. | Part Number | Pcs. |
|------|-------------|------|
| 17 | 4013139 | 4 |
| 25 | 4007730 | 1 |
| 26 | 4015686 | 1 |
| 73 | m04301 | 10 |
| 84 | m03636 | 2 |
| 90 | m21882 | 1 |
| 117 | m14008 | 4 |

ⒸZ SEKCE PRACOVNÍ 3-ŘADÁ DLÁTOVÁ

Ⓓ 3-REIHIGE MEISSEL-ARBEITSSEKTION

Ⓕ SECTION DE TRAVAIL À TROIS RANGÉES - CISEAUX

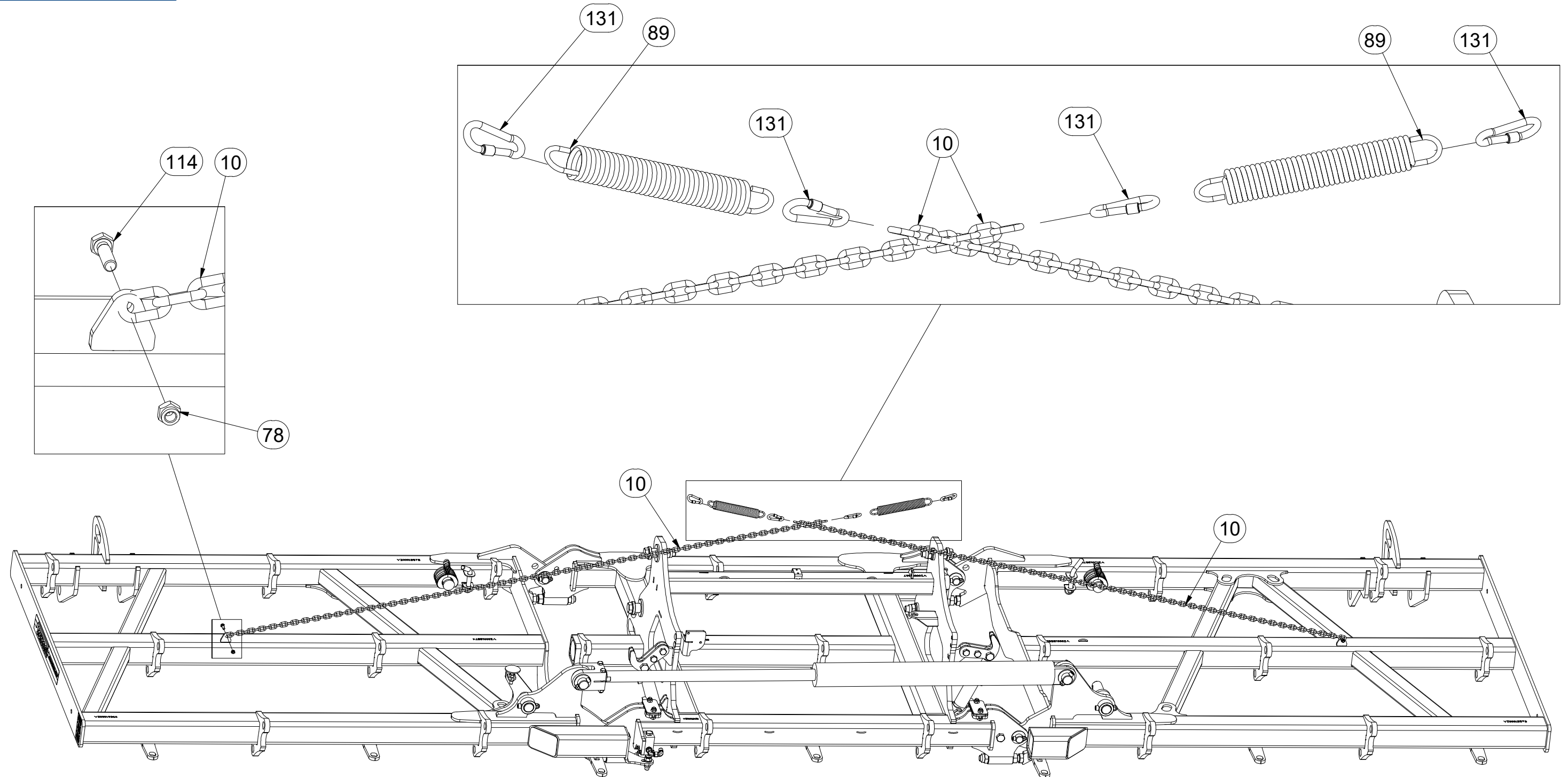
ⒸB WORKING SECTION, 3-ROW, CHISEL

ⒸRU СЕКЦИЯ РАБОЧАЯ 3-Х РЯДНАЯ ЧИЗЕЛЬНАЯ

ⒸPL SEKCJA ROBOCZA 3-RZĘDOWA, DŁUTOWA



VZ00012333



| Pos. | Part Number | Pcs. |
|------|-------------|------|
| 10 | VZ00004624 | 2 |
| 78 | m04503 | 6 |
| 89 | m05126 | 2 |
| 114 | m01092 | 2 |
| 131 | m21127 | 4 |

SEKCE PRACOVNÍ 3-ŘADÁ DLÁTOVÁ

3-REIHIGE MEISSEL-ARBEITSSEKTION

SECTION DE TRAVAIL À TROIS RANGÉES - CISEAUX

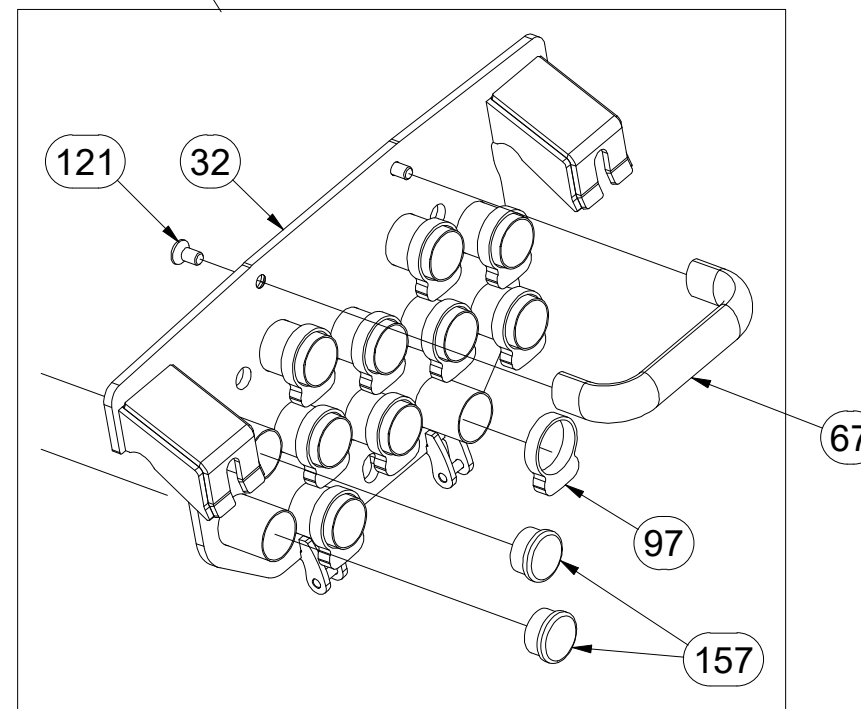
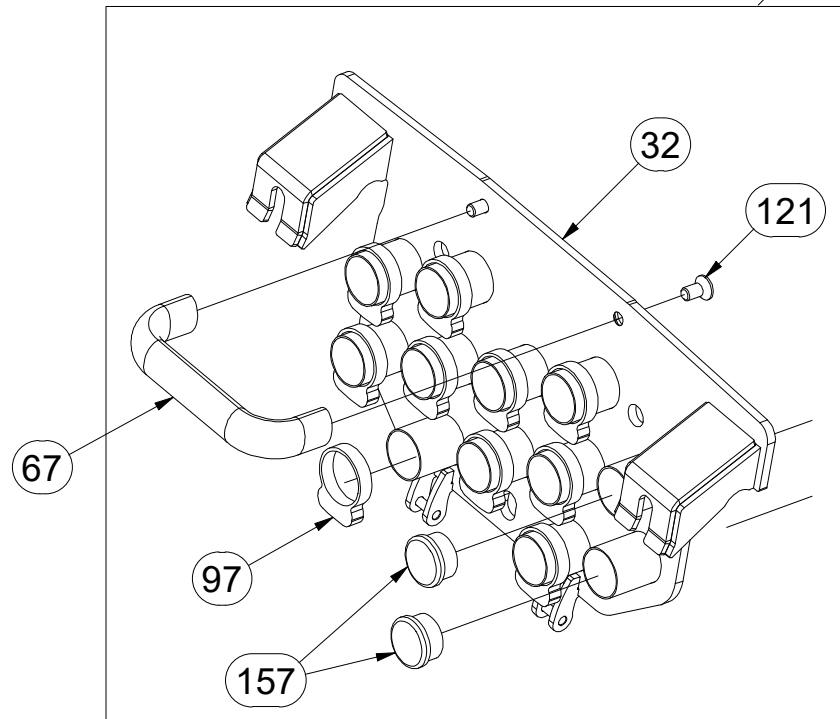
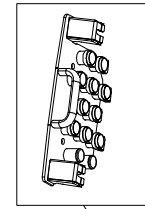
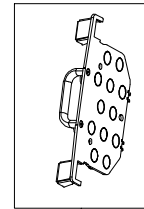
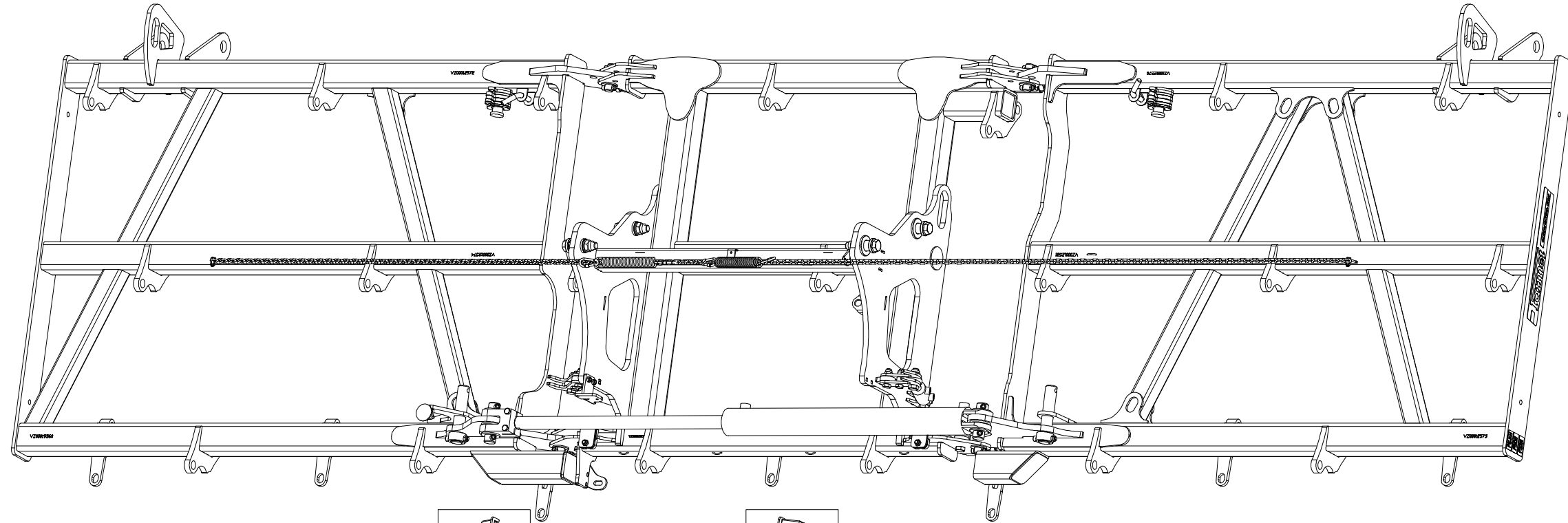
WORKING SECTION, 3-ROW, CHISEL

СЕКЦИЯ РАБОЧАЯ 3-Х РЯДНАЯ ЧИЗЕЛЬНАЯ

SEKSCJA ROBOCZA 3-RZĘDOWA, DŁUTOWA



VZ00012333



| Pos. | Part Number | Pcs. |
|------|-------------|------|
| 32 | VZ00016949 | 2 |
| 67 | m13144 | 2 |
| 97 | m19099 | 20 |
| 121 | m15206 | 4 |
| 157 | m13947 | 8 |

SEKCE PRACOVNÍ 3-ŘADÁ DLÁTOVÁ

3-REIHIGE MEISSEL-ARBEITSSEKTION

SECTION DE TRAVAIL À TROIS RANGÉES - CISEAUX

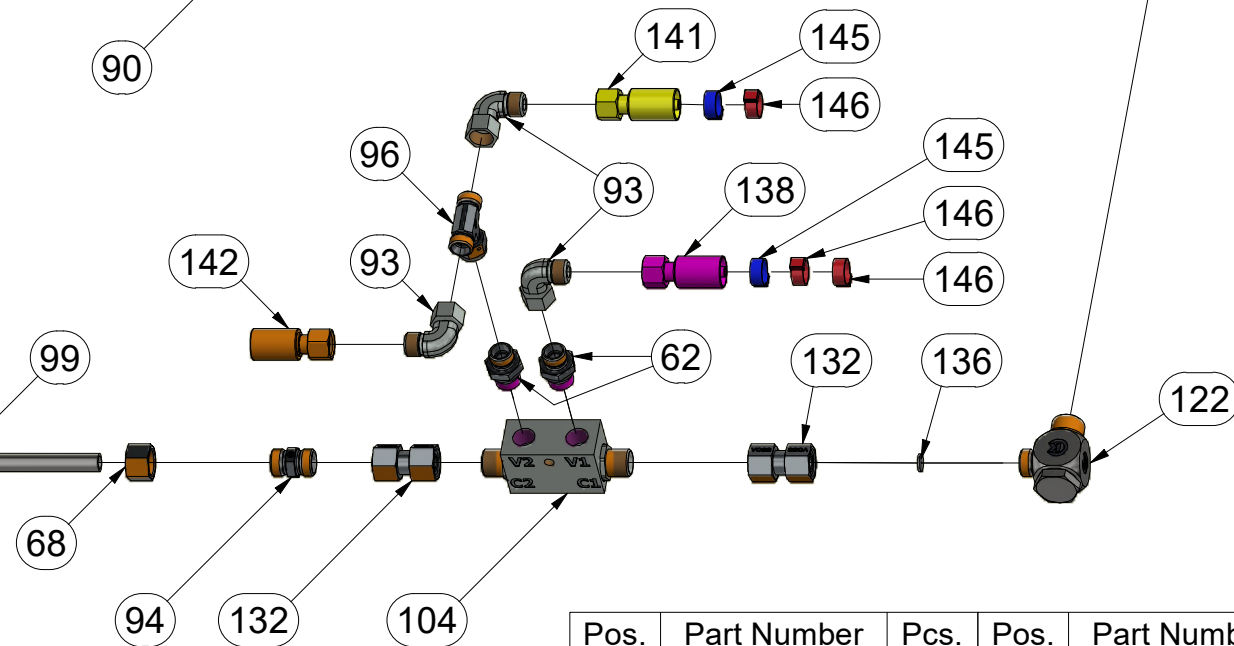
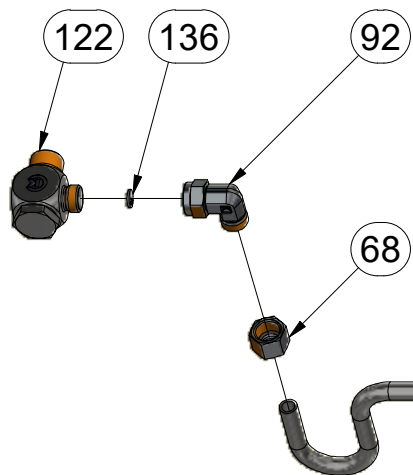
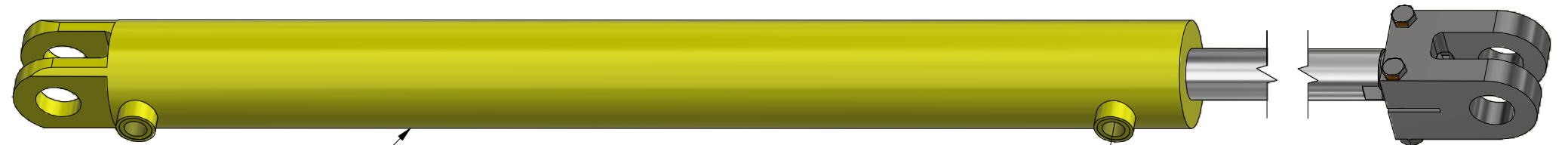
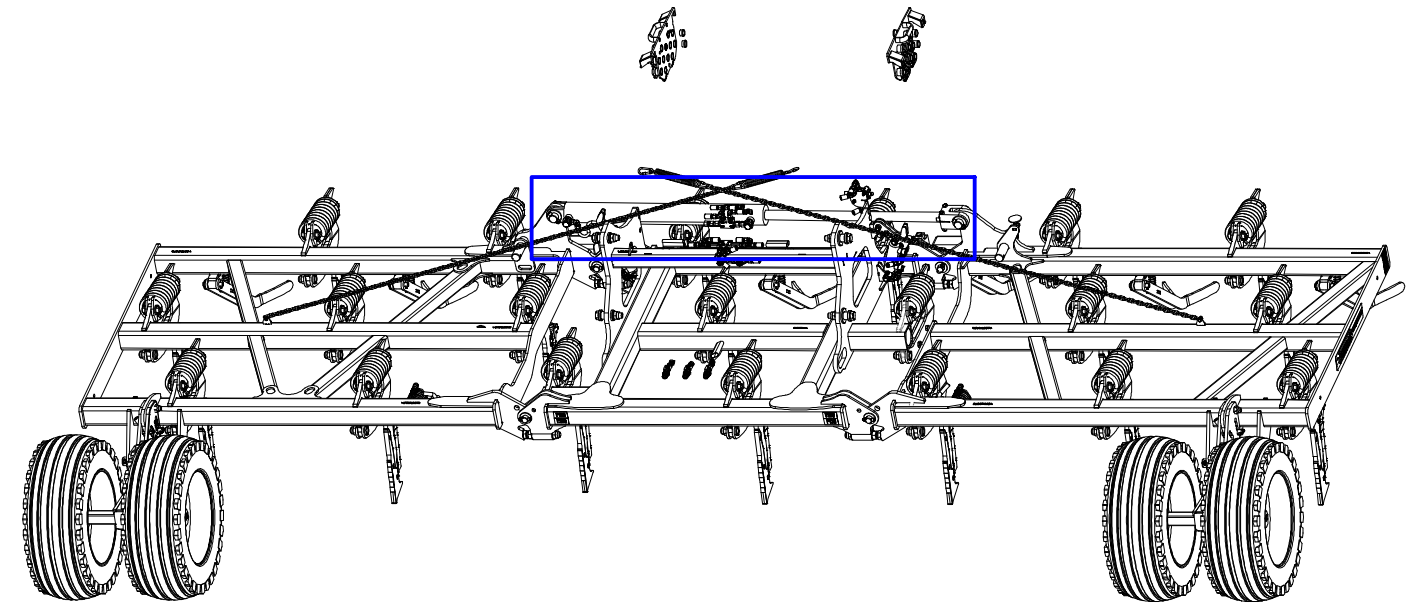
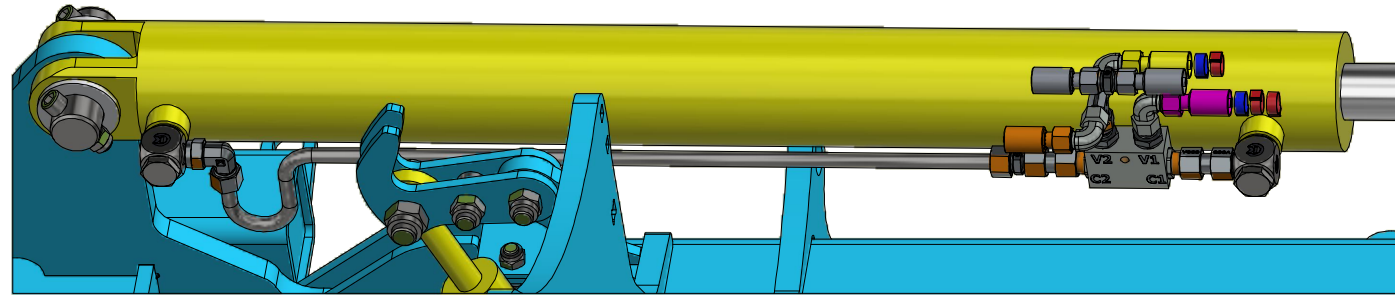
WORKING SECTION, 3-ROW, CHISEL

СЕКЦИЯ РАБОЧАЯ 3-Х РЯДНАЯ ЧИЗЕЛЬНАЯ

SEKCJA ROBOCZA 3-RZĘDOWA, DŁUTOWA



VZ00012333



| Pos. | Part Number | Pcs. | Pos. | Part Number | Pcs. | Pos. | Part Number | Pcs. |
|------|-------------|------|------|-------------|------|------|-------------|------|
| 62 | m06528 | 10 | 96 | m07567 | 1 | 138 | m07364 | 1 |
| 68 | m17321 | 2 | 99 | m16714 | 1 | 141 | m03952 | 1 |
| 90 | m21882 | 1 | 104 | m08083 | 1 | 142 | m07360 | 1 |
| 92 | m07654 | 5 | 122 | m20912 | 2 | 145 | m11253 | 9 |
| 93 | m06803 | 13 | 132 | m22306 | 2 | 146 | m11294 | 12 |
| 94 | m16910 | 2 | 136 | m10774 | 6 | | | |

Ⓒ SEKCE PRACOVNÍ 3-ŘADÁ DLÁTOVÁ

Ⓓ 3-REIHIGE MEISSEL-ARBEITSSEKTION

Ⓔ SECTION DE TRAVAIL À TROIS RANGÉES - CISEAUX

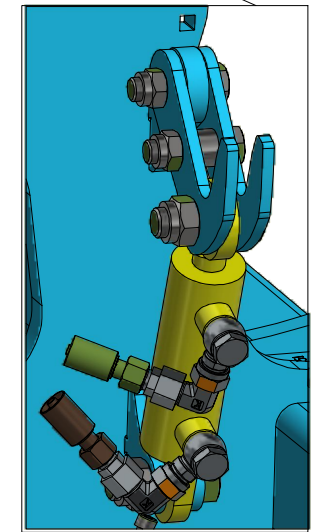
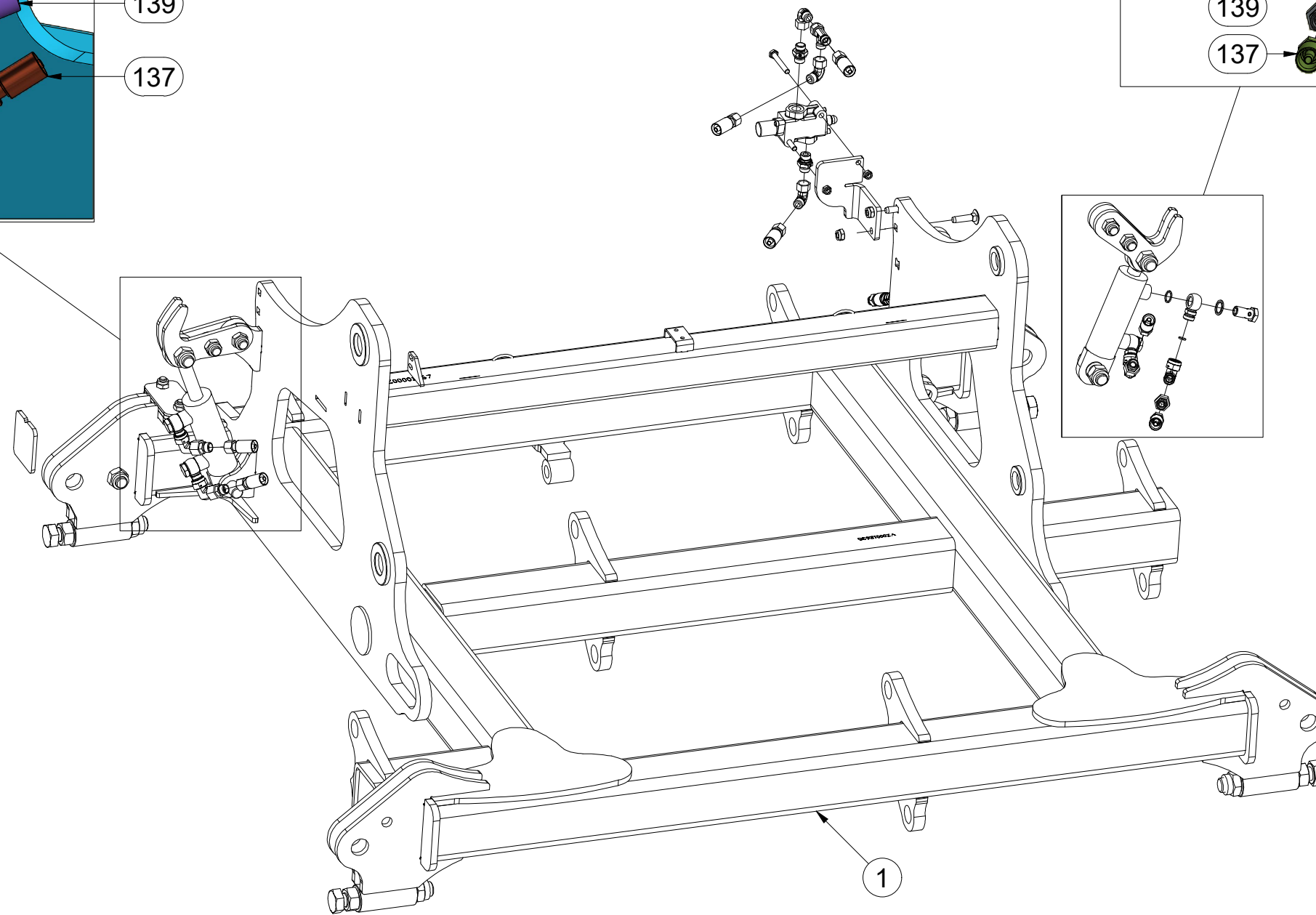
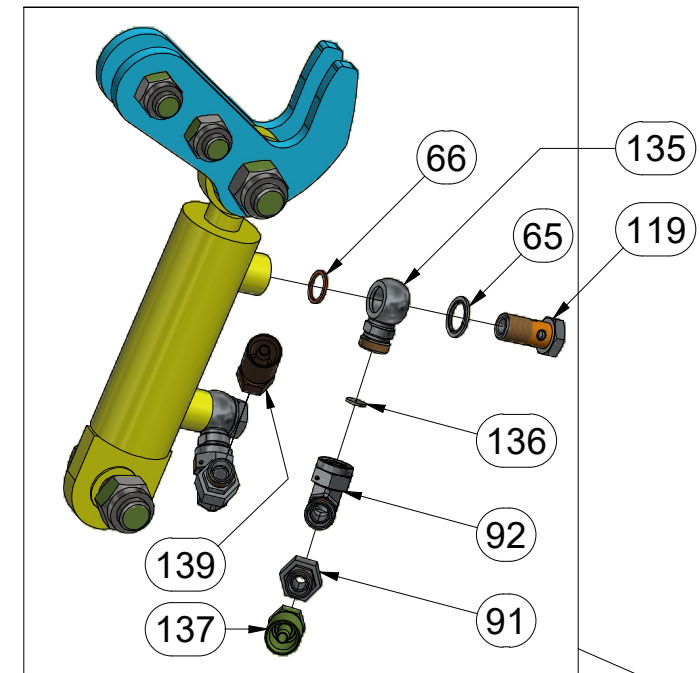
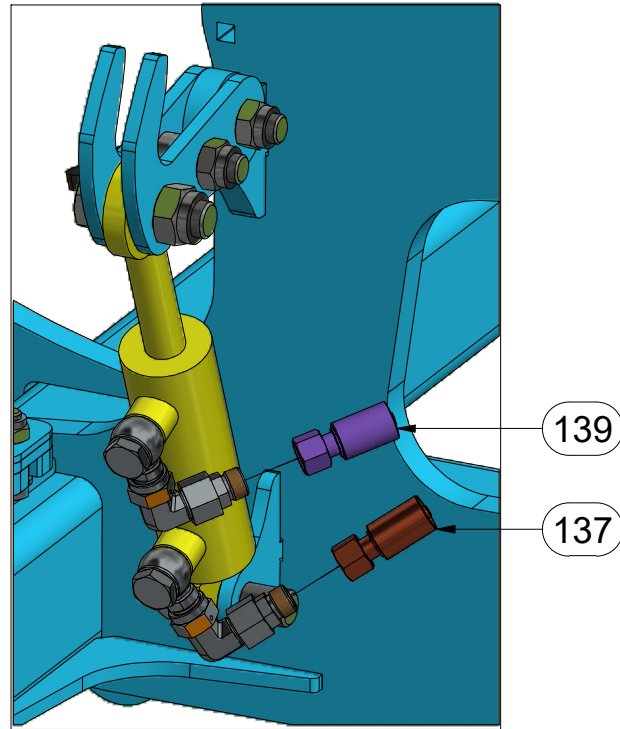
Ⓖ WORKING SECTION, 3-ROW, CHISEL

Ⓡ СЕКЦИЯ РАБОЧАЯ 3-Х РЯДНАЯ ЧИЗЕЛЬНАЯ

Ⓟ SEKCJA ROBOCZA 3-RZĘDOWA, DŁUTOWA



VZ00012333



| Pos. | Part Number | Pcs. |
|------|-------------|------|
| 1 | VZ00012336 | 1 |
| 65 | m12442 | 4 |
| 66 | m04220 | 4 |
| 91 | m09986 | 4 |
| 92 | m07654 | 5 |
| 119 | m08460 | 4 |
| 135 | m08461 | 4 |
| 136 | m10774 | 6 |
| 137 | m04033 | 3 |
| 139 | m03951 | 3 |

SEKCE PRACOVNÍ 3-ŘADÁ DLÁTOVÁ

3-REIHIGE MEISSEL-ARBEITSSEKTION

SECTION DE TRAVAIL À TROIS RANGÉES - CISEAUX

WORKING SECTION, 3-ROW, CHISEL

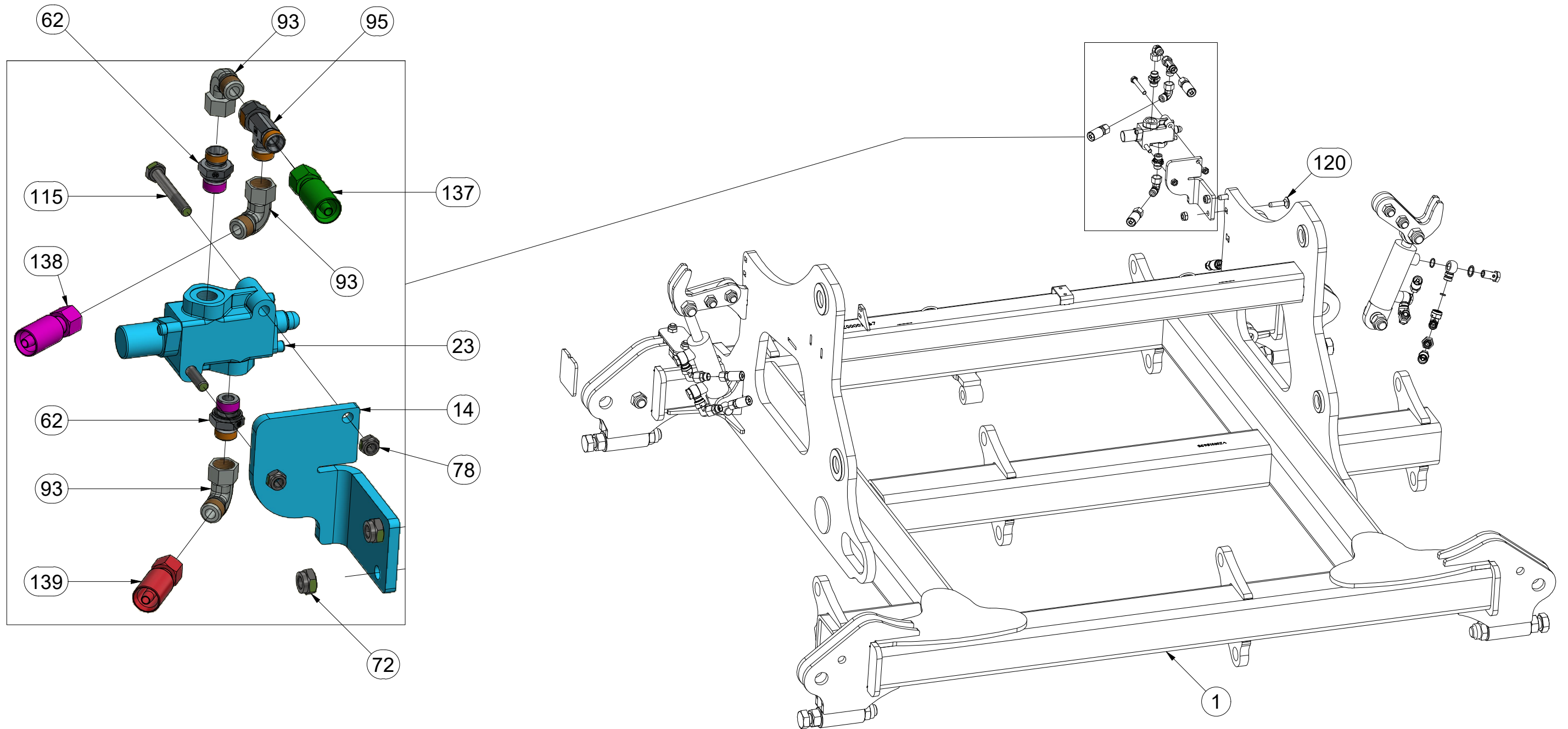
СЕКЦИЯ РАБОЧАЯ 3-Х РЯДНАЯ ЧИЗЕЛЬНАЯ

SEKCJA ROBOCZA 3-RZĘDOWA, DŁUTOWA



VZ00012333

| Pos. | Part Number | Pcs. | Pos. | Part Number | Pcs. |
|------|-------------|------|------|-------------|------|
| 1 | VZ00012336 | 1 | 95 | m07568 | 6 |
| 14 | VZ00003686 | 1 | 115 | m14355 | 4 |
| 23 | VZ00009373 | 1 | 120 | m12687 | 2 |
| 62 | m06528 | 10 | 137 | m04033 | 3 |
| 72 | m03775 | 10 | 139 | m03951 | 3 |
| 78 | m04503 | 6 | 138 | m07364 | 1 |
| 93 | m06803 | 13 | | | |



Ⓒ SEKCE PRACOVNÍ 3-ŘADÁ DLÁTOVÁ

Ⓓ 3-REIHIGE MEISSEL-ARBEITSSEKTION

Ⓔ SECTION DE TRAVAIL À TROIS RANGÉES - CISEAUX

Ⓖ WORKING SECTION, 3-ROW, CHISEL

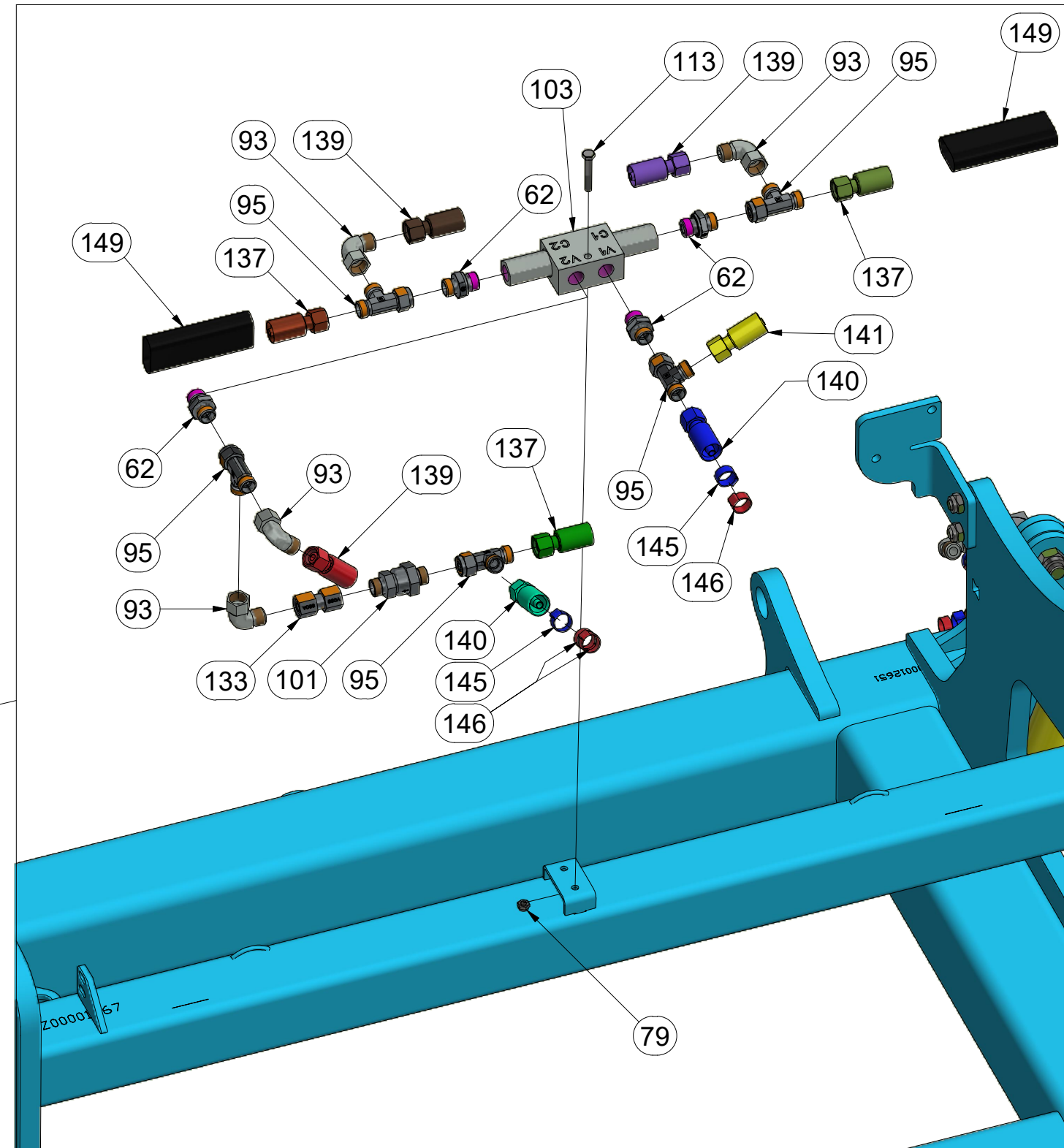
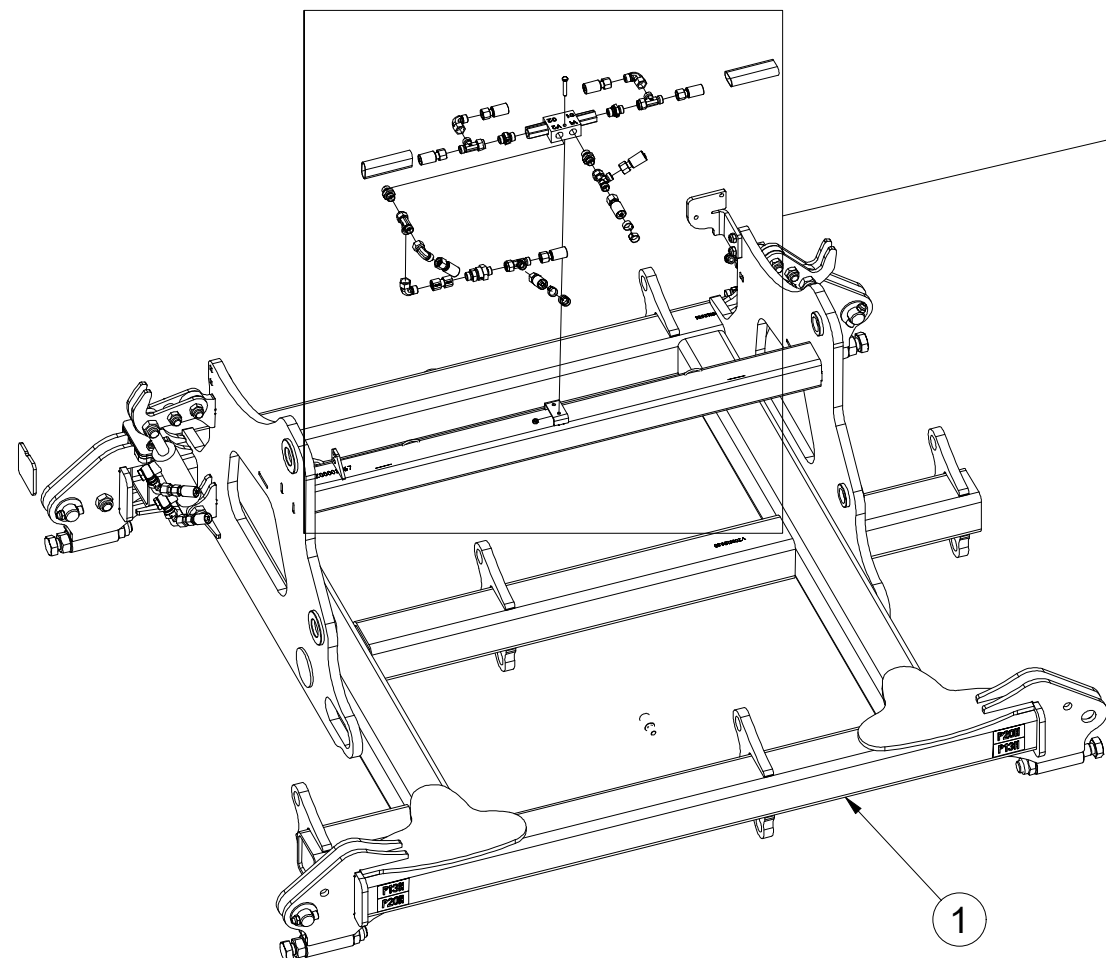
Ⓡ СЕКЦИЯ РАБОЧАЯ 3-Х РЯДНАЯ ЧИЗЕЛЬНАЯ

Ⓟ SEKCJA ROBOCZA 3-RZĘDOWA, DŁUTOWA



VZ00012333

| Pos. | Part Number | Pcs. |
|------|-------------|------|
| 1 | VZ00012336 | 1 |
| 62 | m06528 | 10 |
| 79 | m05560 | 1 |
| 93 | m06803 | 13 |
| 95 | m07568 | 6 |
| 101 | m09565 | 1 |
| 103 | m06673 | 1 |
| 113 | m04641 | 1 |
| 133 | m22305 | 1 |
| 137 | m04033 | 3 |
| 139 | m03951 | 3 |
| 140 | m05210 | 2 |
| 141 | m03952 | 1 |
| 145 | m11253 | 9 |
| 146 | m11294 | 12 |
| 149 | m11183 | 3 |



SEKCE PRACOVNÍ 3-ŘADÁ DLÁTOVÁ

3-REIHIGE MEISSEL-ARBEITSSEKTION

SECTION DE TRAVAIL À TROIS RANGÉES - CISEAUX

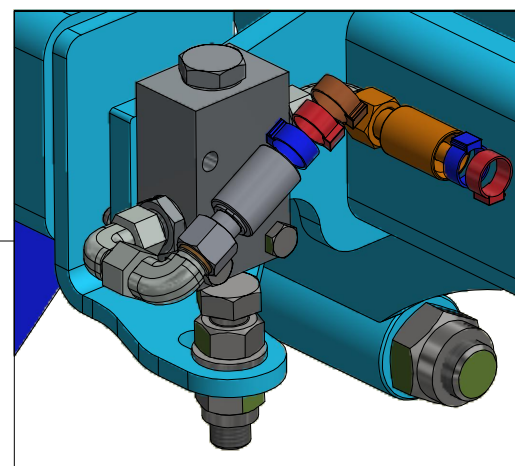
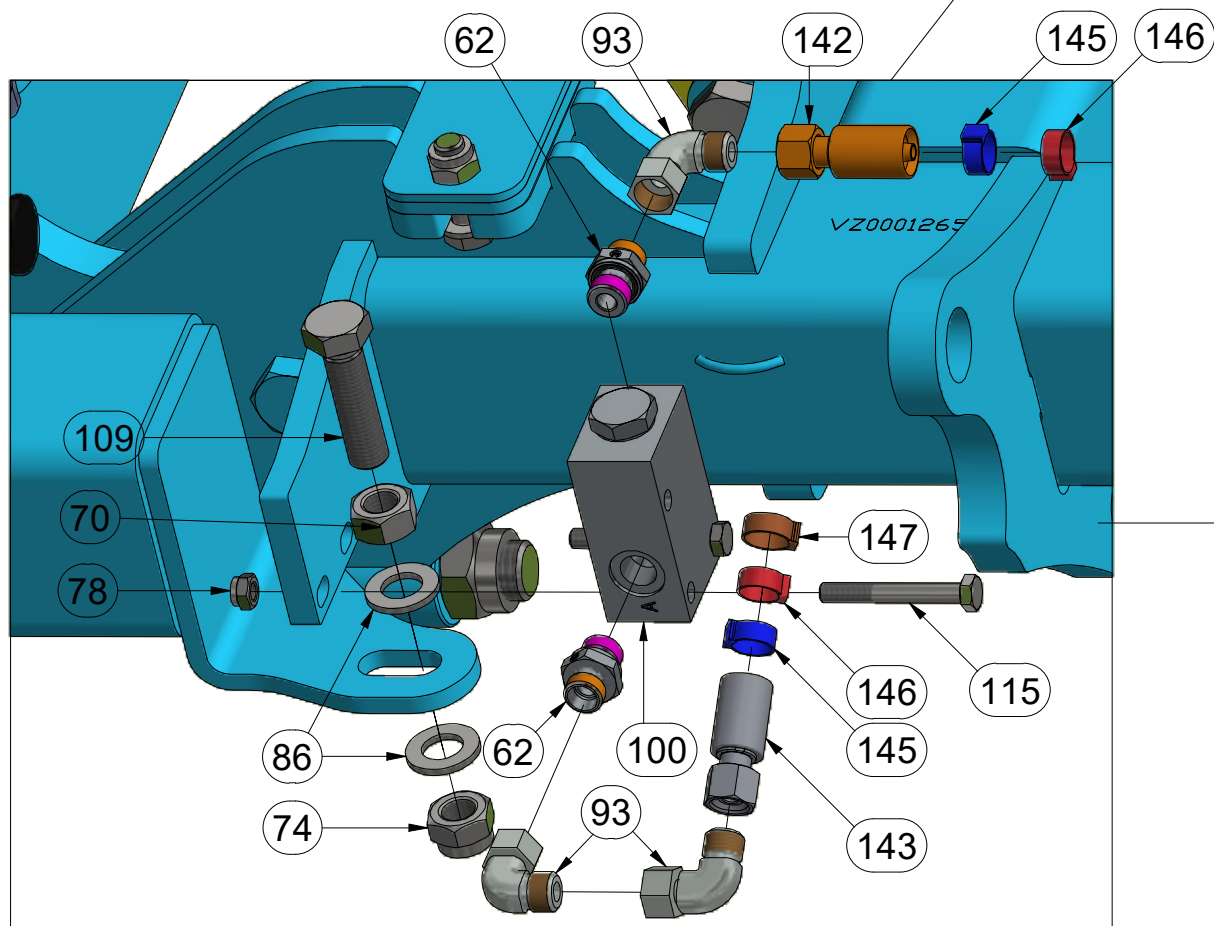
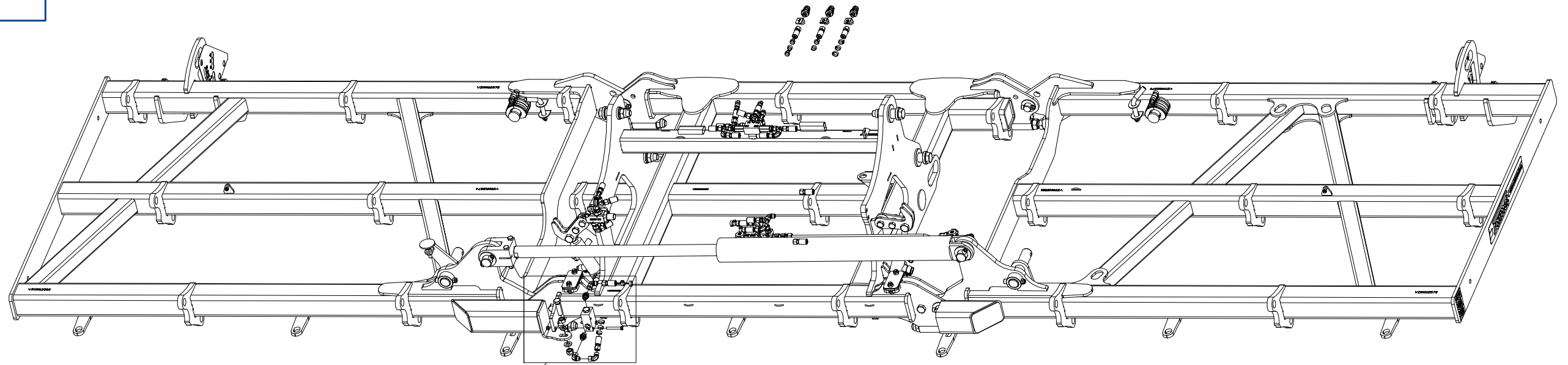
WORKING SECTION, 3-ROW, CHISEL

СЕКЦИЯ РАБОЧАЯ 3-Х РЯДНАЯ ЧИЗЕЛЬНАЯ

SEKSCJA ROBOCZA 3-RZĘDOWA, DŁUTOWA



VZ00012333



| Pos. | Part Number | Pcs. |
|------|-------------|------|
| 62 | m06528 | 10 |
| 70 | m01306 | 1 |
| 74 | m03683 | 5 |
| 78 | m04503 | 6 |
| 86 | m01219 | 2 |
| 93 | m06803 | 13 |
| 100 | m10261 | 1 |
| 109 | m13662 | 1 |
| 115 | m14355 | 4 |
| 142 | m07360 | 1 |
| 143 | m11113 | 1 |
| 145 | m11253 | 9 |
| 146 | m11294 | 12 |
| 147 | m21373 | 2 |

Ⓒ SEKCE PRACOVNÍ 3-ŘADÁ DLÁTOVÁ

Ⓓ 3-REIHIGE MEISSEL-ARBEITSSEKTION

Ⓕ SECTION DE TRAVAIL À TROIS RANGÉES - CISEAUX

Ⓖ WORKING SECTION, 3-ROW, CHISEL

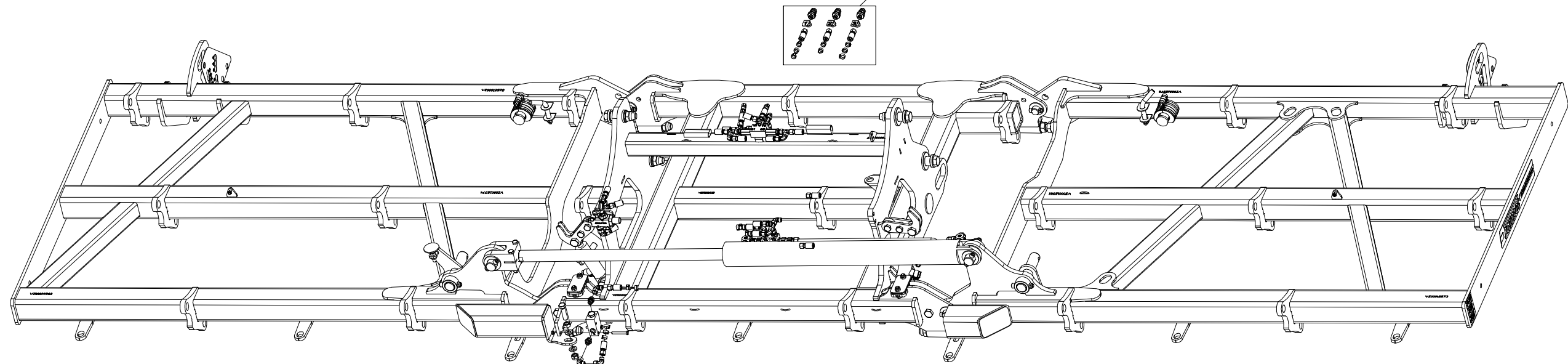
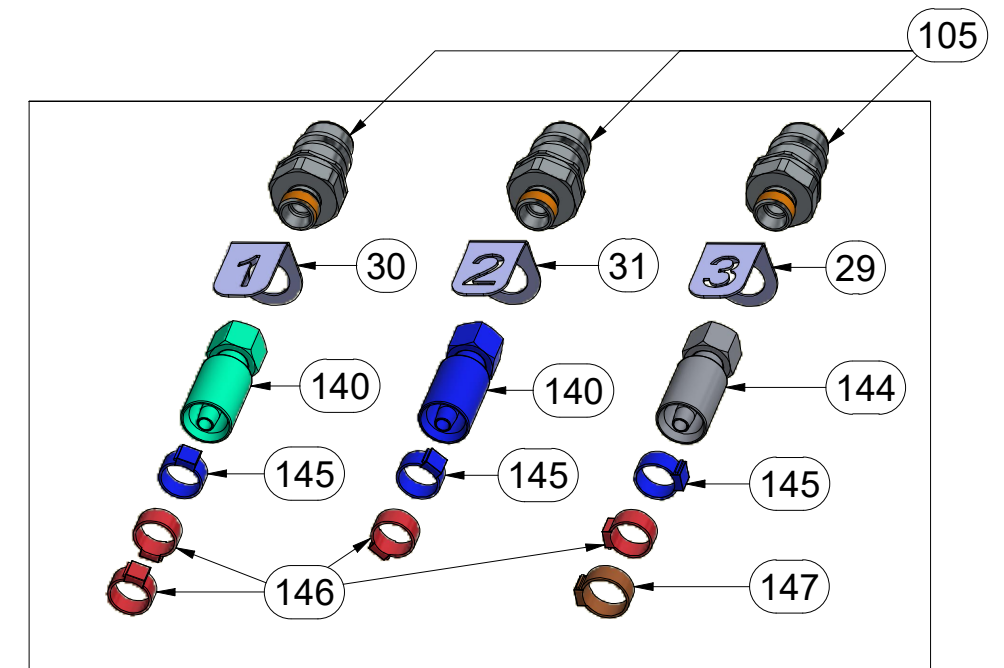
Ⓔ СЕКЦИЯ РАБОЧАЯ 3-Х РЯДНАЯ ЧИЗЕЛЬНАЯ

Ⓗ SEKCJA ROBOCZA 3-RZĘDOWA, DŁUTOWA



VZ00012333

| Pos. | Part Number | Pcs. |
|------|-------------|------|
| 29 | VZ00015406 | 1 |
| 30 | VZ00015420 | 1 |
| 31 | VZ00015421 | 1 |
| 105 | m03849 | 3 |
| 140 | m05210 | 2 |
| 144 | m15153 | 1 |
| 145 | m11253 | 9 |
| 146 | m11294 | 12 |
| 147 | m21373 | 2 |



Ⓒ SEKCE PRACOVNÍ 3-ŘADÁ DLÁTOVÁ

Ⓓ 3-REIHIGE MEISSEL-ARBEITSSEKTION

Ⓔ SECTION DE TRAVAIL À TROIS RANGÉES - CISEAUX

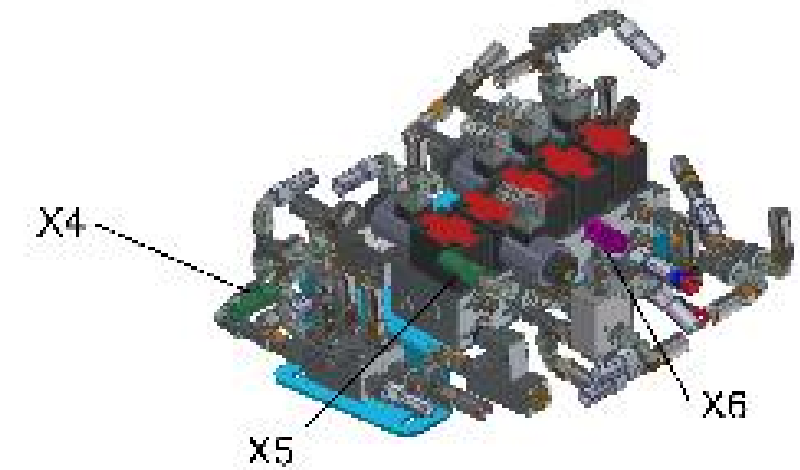
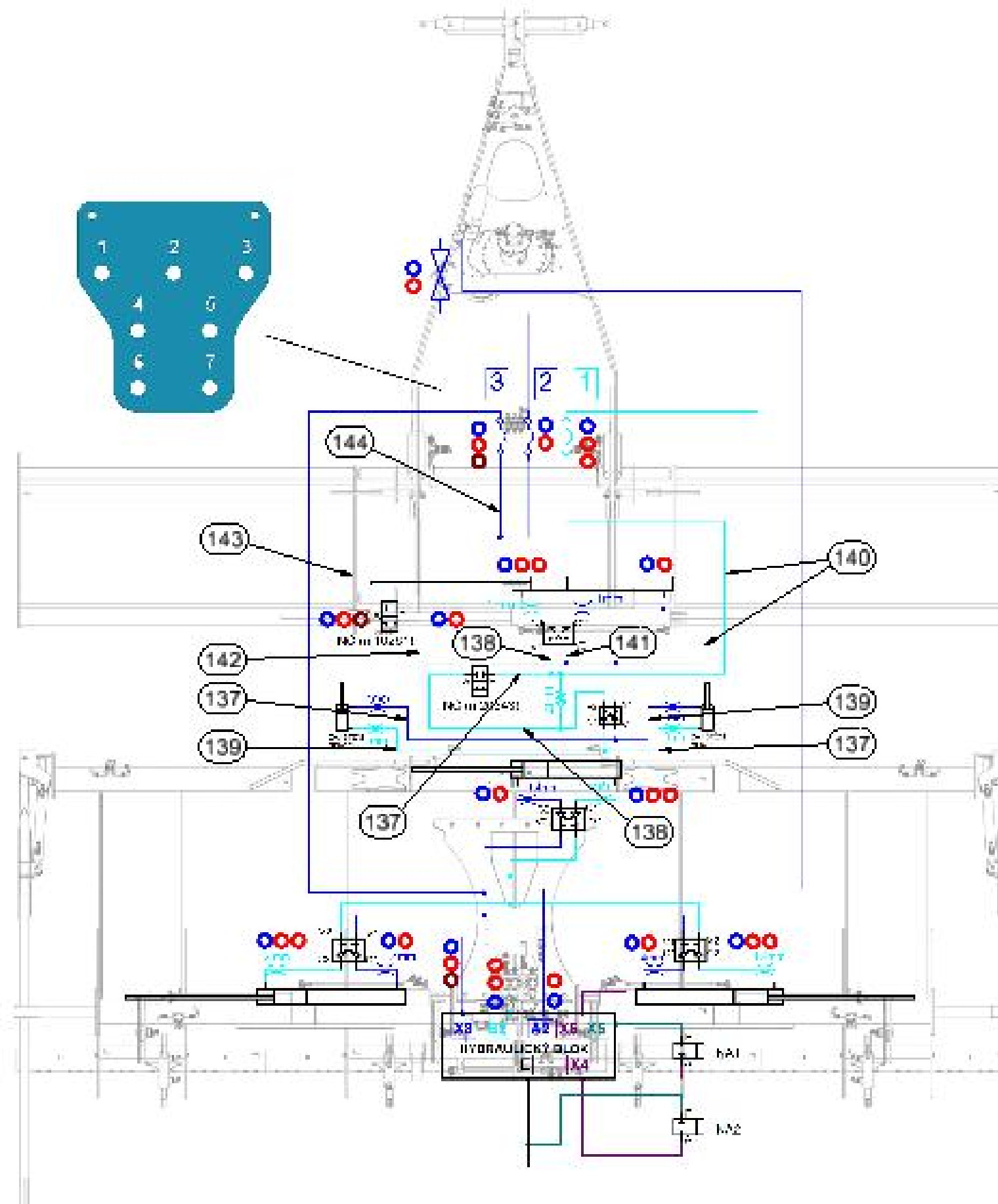
Ⓖ WORKING SECTION, 3-ROW, CHISEL

Ⓡ СЕКЦИЯ РАБОЧАЯ 3-Х РЯДНАЯ ЧИЗЕЛЬНАЯ

Ⓟ SEKCJA ROBOCZA 3-RZĘDOWA, DŁUTOWA

Farmet

VZ00012333



| Pos. | Part Number | Pcs. |
|------|-------------|------|
| 137 | m04033 | 3 |
| 138 | m07364 | 1 |
| 139 | m03951 | 3 |
| 140 | m05210 | 2 |
| 141 | m03952 | 1 |
| 142 | m07360 | 1 |
| 143 | m11113 | 1 |
| 144 | m15153 | 1 |

SEKCE PRACOVNÍ 3-ŘADÁ DLÁTOVÁ

3-REIHIGE MEISSEL-ARBEITSSEKTION

SECTION DE TRAVAIL À TROIS RANGÉES - CISEAUX

WORKING SECTION, 3-ROW, CHISEL

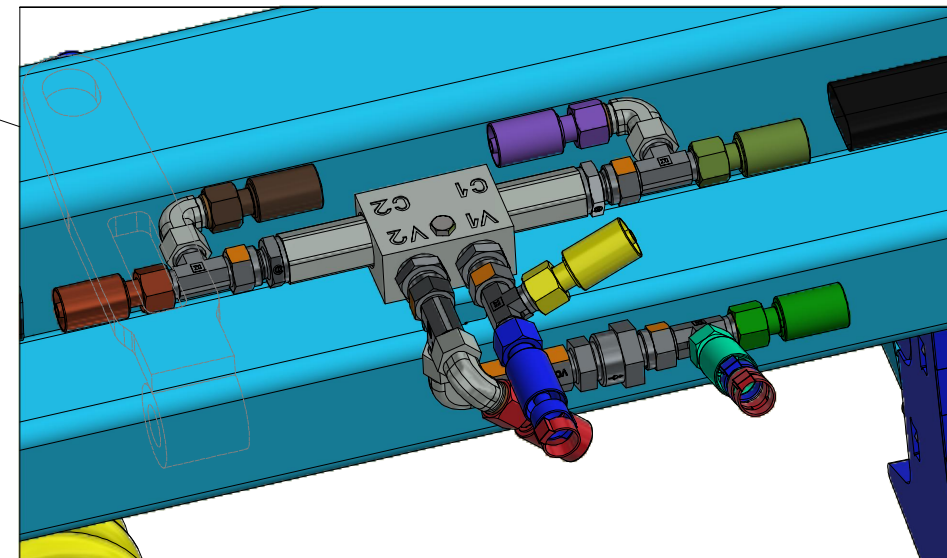
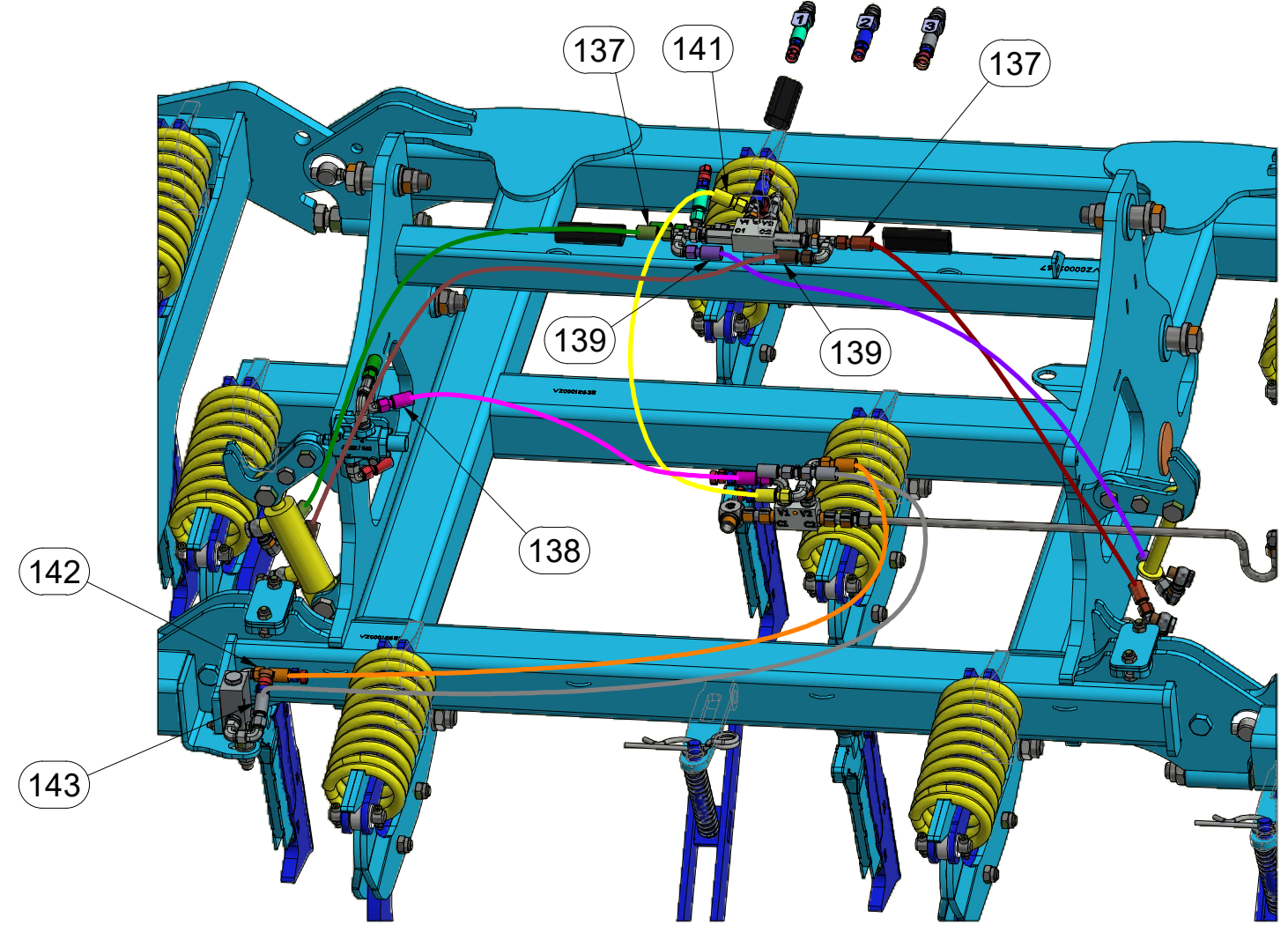
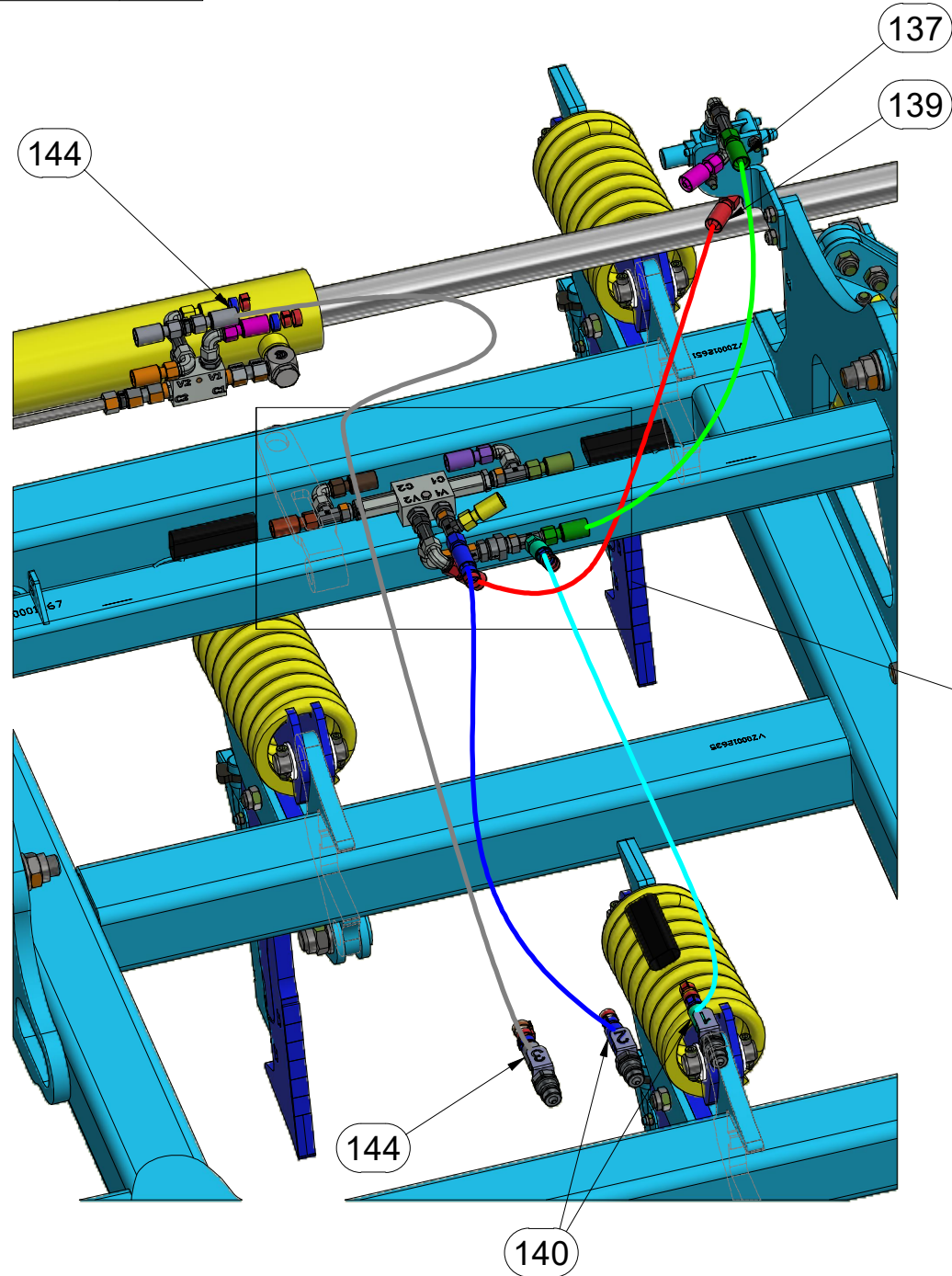
СЕКЦИЯ РАБОЧАЯ 3-Х РЯДНАЯ ЧИЗЕЛЬНАЯ

SEKCJA ROBOCZA 3-RZĘDOWA, DŁUTOWA



VZ00012333

| Pos. | Part Number | Pcs. |
|------|-------------|------|
| 137 | m04033 | 3 |
| 138 | m07364 | 1 |
| 139 | m03951 | 3 |
| 140 | m05210 | 2 |
| 141 | m03952 | 1 |
| 142 | m07360 | 1 |
| 143 | m11113 | 1 |
| 144 | m15153 | 1 |



Ⓒ SEKCE PRACOVNÍ 3-ŘADÁ DLÁTOVÁ

Ⓓ 3-REIHIGE MEISSEL-ARBEITSSEKTION

Ⓕ SECTION DE TRAVAIL À TROIS RANGÉES - CISEAUX

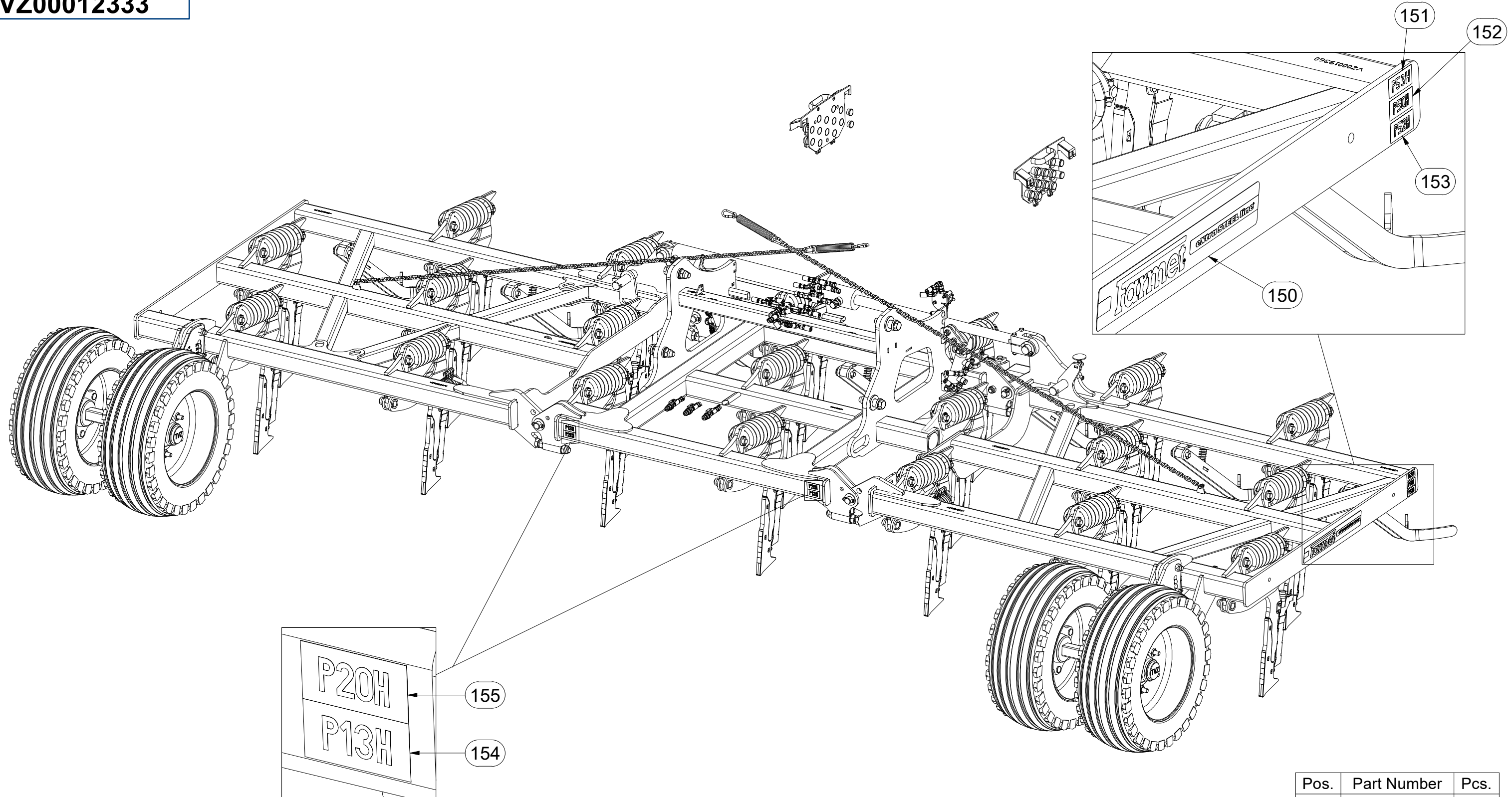
Ⓖ WORKING SECTION, 3-ROW, CHISEL

Ⓔ СЕКЦИЯ РАБОЧАЯ 3-Х РЯДНАЯ ЧИЗЕЛЬНАЯ

Ⓟ SEKCJA ROBOCZA 3-RZĘDOWA, DŁUTOWA

Farmet

VZ00012333



| Pos. | Part Number | Pcs. |
|------|-------------|------|
| 150 | m19414 | 2 |
| 151 | m04369 | 2 |
| 152 | m04367 | 2 |
| 153 | m04364 | 2 |
| 154 | m04363 | 2 |
| 155 | m04368 | 2 |

☉ SEKCE PRACOVNÍ 3-ŘADÁ DLÁTOVÁ

☉ 3-REIHIGE MEISSEL-ARBEITSSEKTION

☉ SECTION DE TRAVAIL À TROIS RANGÉES - CISEAUX

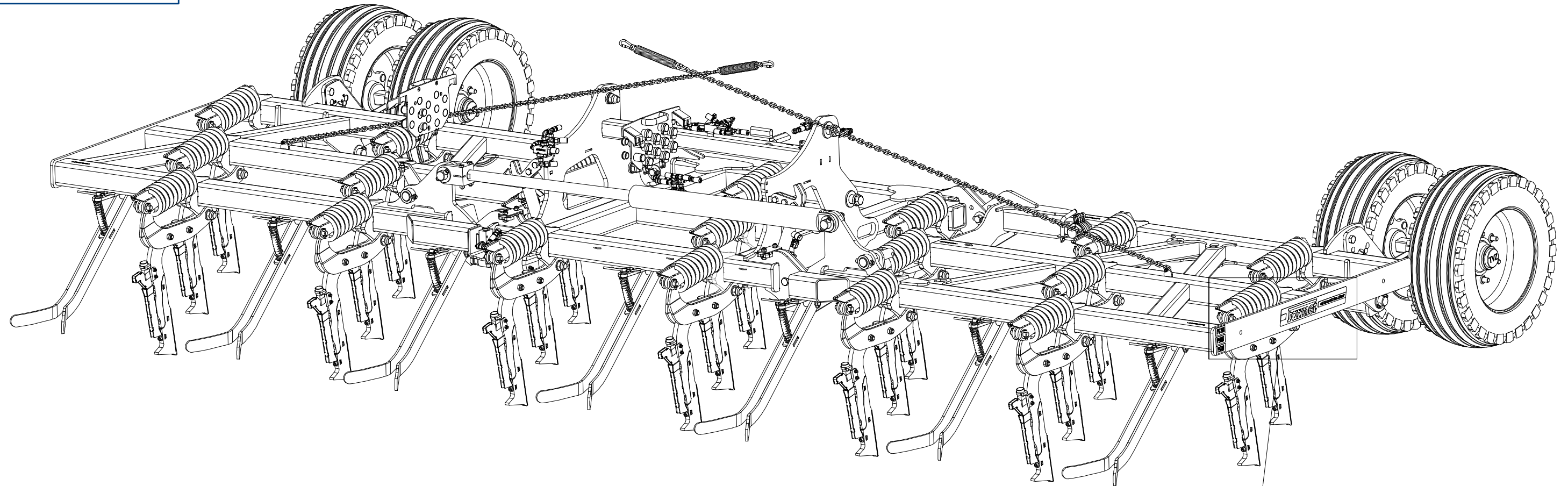
☉ WORKING SECTION, 3-ROW, CHISEL

☉ СЕКЦИЯ РАБОЧАЯ 3-Х РЯДНАЯ ЧИЗЕЛЬНАЯ

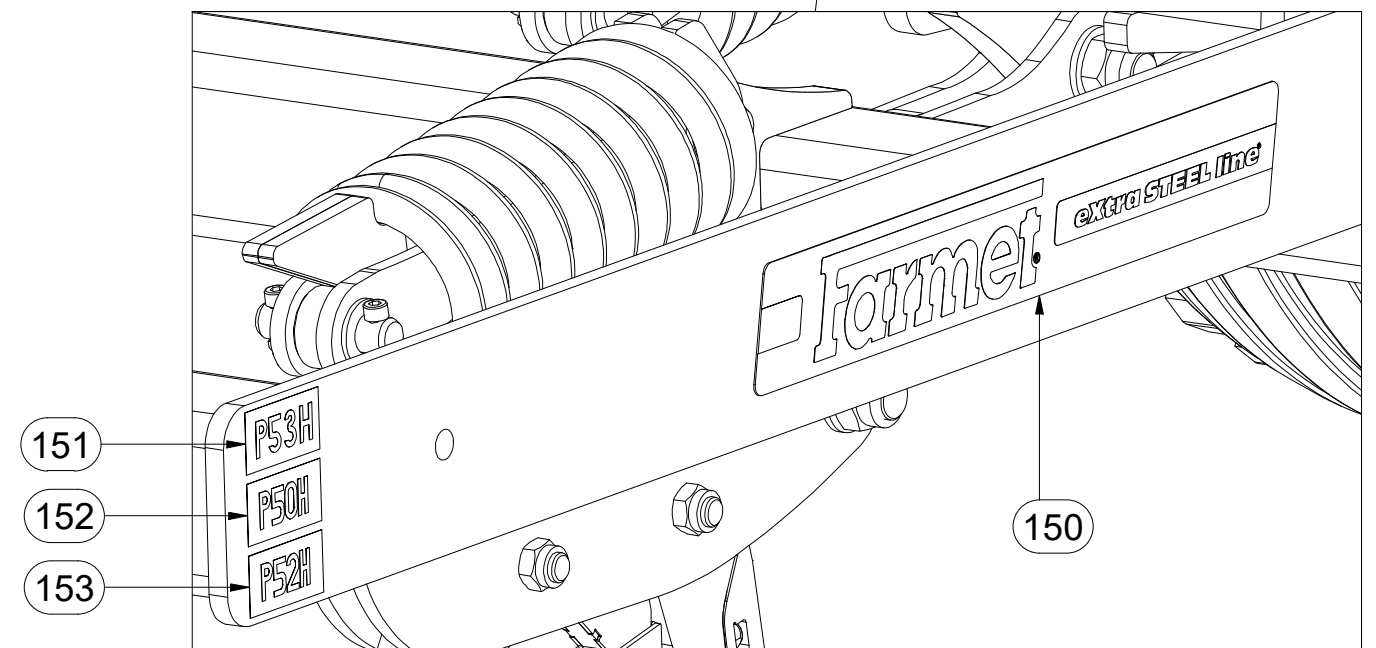
☉ СЕКЦЈА РОБОСЈА 3-РЗЕДОВА, ДЉУТОВА

Farmet

VZ00012333



| Pos. | Part Number | Pcs. |
|------|-------------|------|
| 150 | m19414 | 2 |
| 151 | m04369 | 2 |
| 152 | m04367 | 2 |
| 153 | m04364 | 2 |



Ⓒ JEDNOTKA PRACOVNÍ DLÁTO D3 FERT+

Ⓓ ARBEITSEINHEIT MEISSEL D3 FERT+

Ⓕ UNITÉ DE TRAVAIL CISEAU D3 FERT+

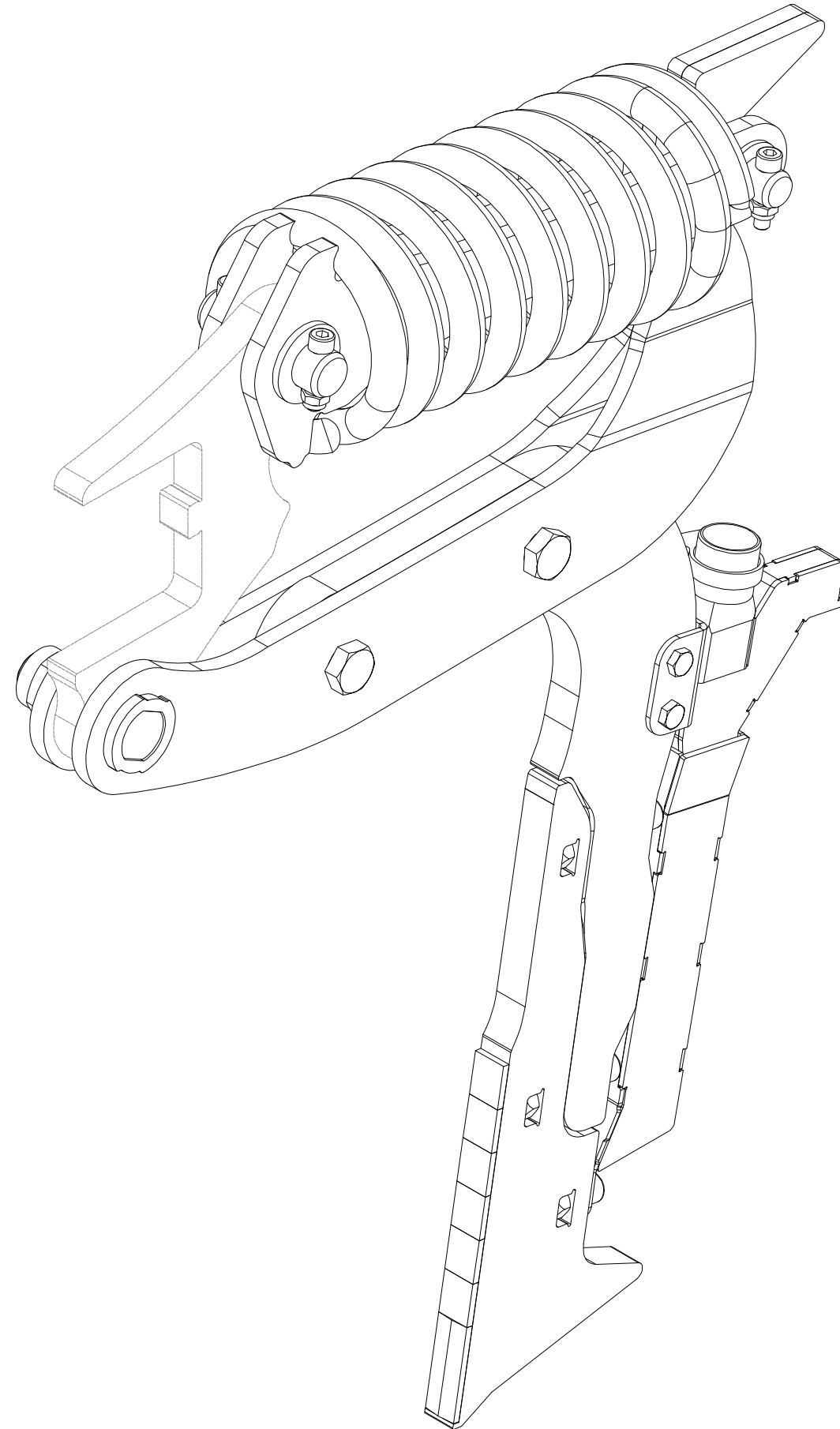
VZ00012236

Ⓖ WORKING CHISEL UNIT D3 FERT+

Ⓡ РАБОЧИЙ УЗЕЛ ЧИЗЕЛЬ D3 FERT+

Ⓟ JEDNOSTKA ROBOCZA DŁUTO D3 FERT+

Farmet



Ⓒ JEDNOTKA PRACOVNÍ DLÁTO D3 FERT+

Ⓓ ARBEITSEINHEIT MEISSEL D3 FERT+

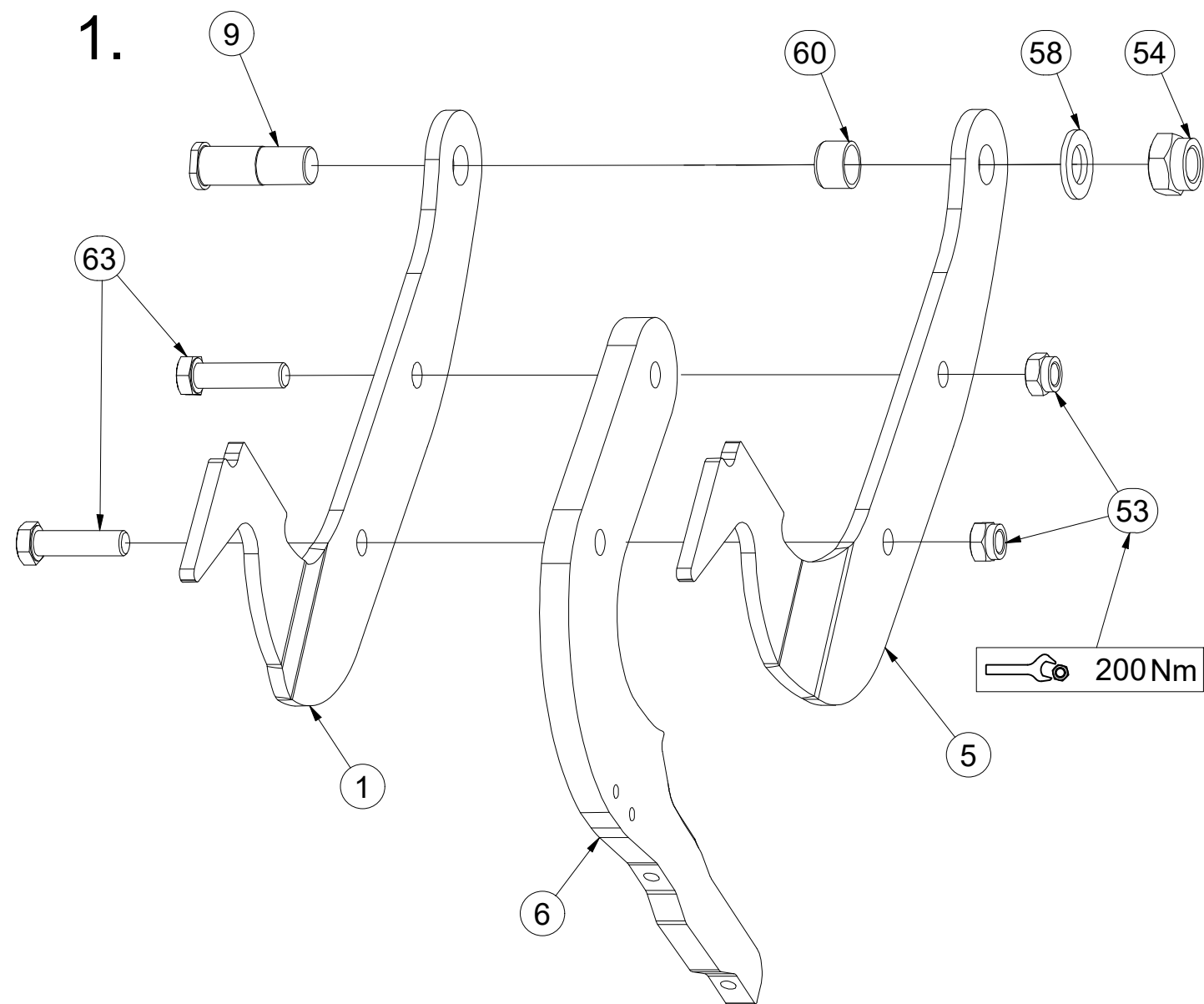
Ⓕ UNITÉ DE TRAVAIL CISEAU D3 FERT+

VZ00012236

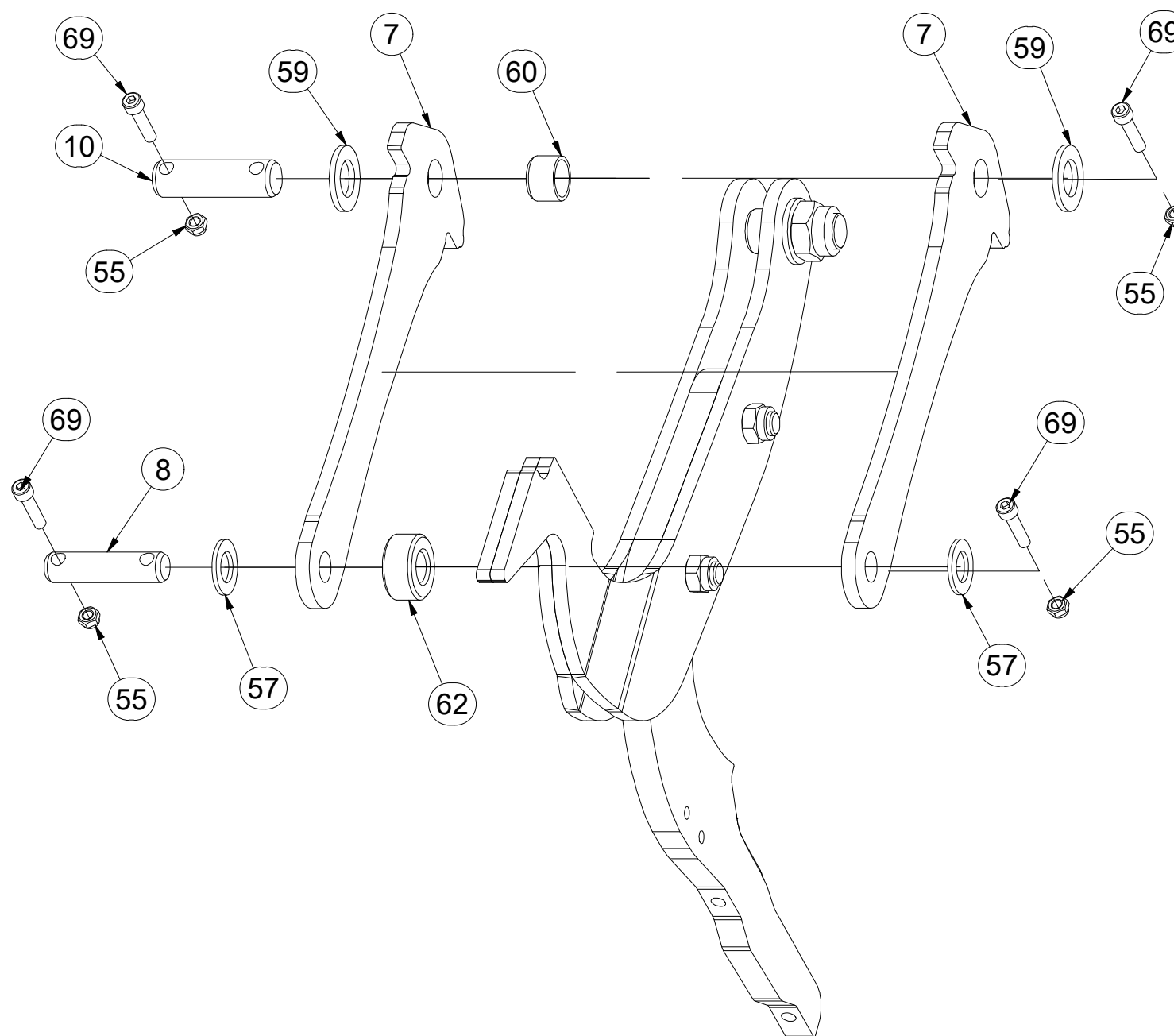
Ⓖ WORKING CHISEL UNIT D3 FERT+

Ⓡ РАБОЧИЙ УЗЕЛ ЧИЗЕЛЬ D3 FERT+

Ⓟ JEDNOSTKA ROBOCZA DŁUTO D3 FERT+



2.



| Pos. | Part Number | Pcs. | Pos. | Part Number | Pcs. |
|------|-------------|------|------|-------------|------|
| 1 | VZ00012426 | 1 | 55 | m04503 | 6 |
| 5 | VZ00012239 | 1 | 57 | m14030 | 2 |
| 6 | VZ00012315 | 1 | 58 | m03718 | 1 |
| 7 | VZ00012246 | 2 | 59 | m14028 | 2 |
| 8 | 4014859 | 1 | 60 | m21218 | 2 |
| 9 | VZ00012277 | 1 | 62 | m14650 | 1 |
| 10 | 4010390 | 1 | 63 | m00619 | 2 |
| 53 | m03683 | 2 | 69 | m09464 | 4 |
| 54 | m07147 | 1 | | | |

Ⓒ JEDNOTKA PRACOVNÍ DLÁTO D3 FERT+

Ⓓ ARBEITSEINHEIT MEISSEL D3 FERT+

Ⓕ UNITÉ DE TRAVAIL CISEAU D3 FERT+

Ⓖ WORKING CHISEL UNIT D3 FERT+

Ⓡ РАБОЧИЙ УЗЕЛ ЧИЗЕЛЬ D3 FERT+

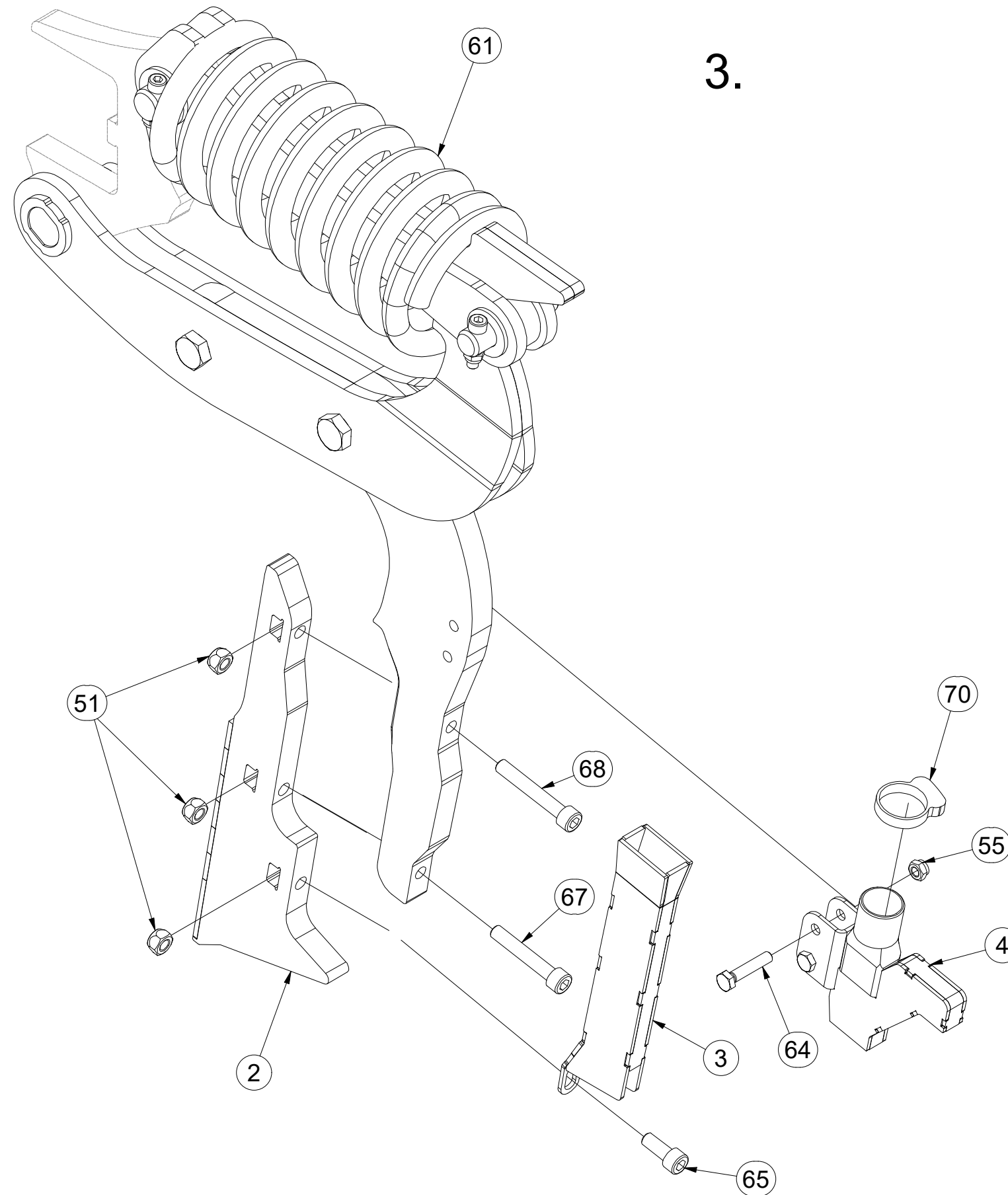
Ⓟ JEDNOSTKA ROBOCZA DŁUTO D3 FERT+



VZ00012236

3.

| Pos. | Part Number | Pcs. |
|------|-------------|------|
| 2 | VZ00032892 | 1 |
| 3 | VZ00002594 | 1 |
| 4 | VZ00004080 | 1 |
| 51 | m11530 | 3 |
| 55 | m04503 | 6 |
| 61 | m20325 | 1 |
| 64 | m01097 | 2 |
| 65 | m04249 | 1 |
| 67 | m14501 | 1 |
| 68 | m10359 | 1 |
| 70 | m19099 | 1 |



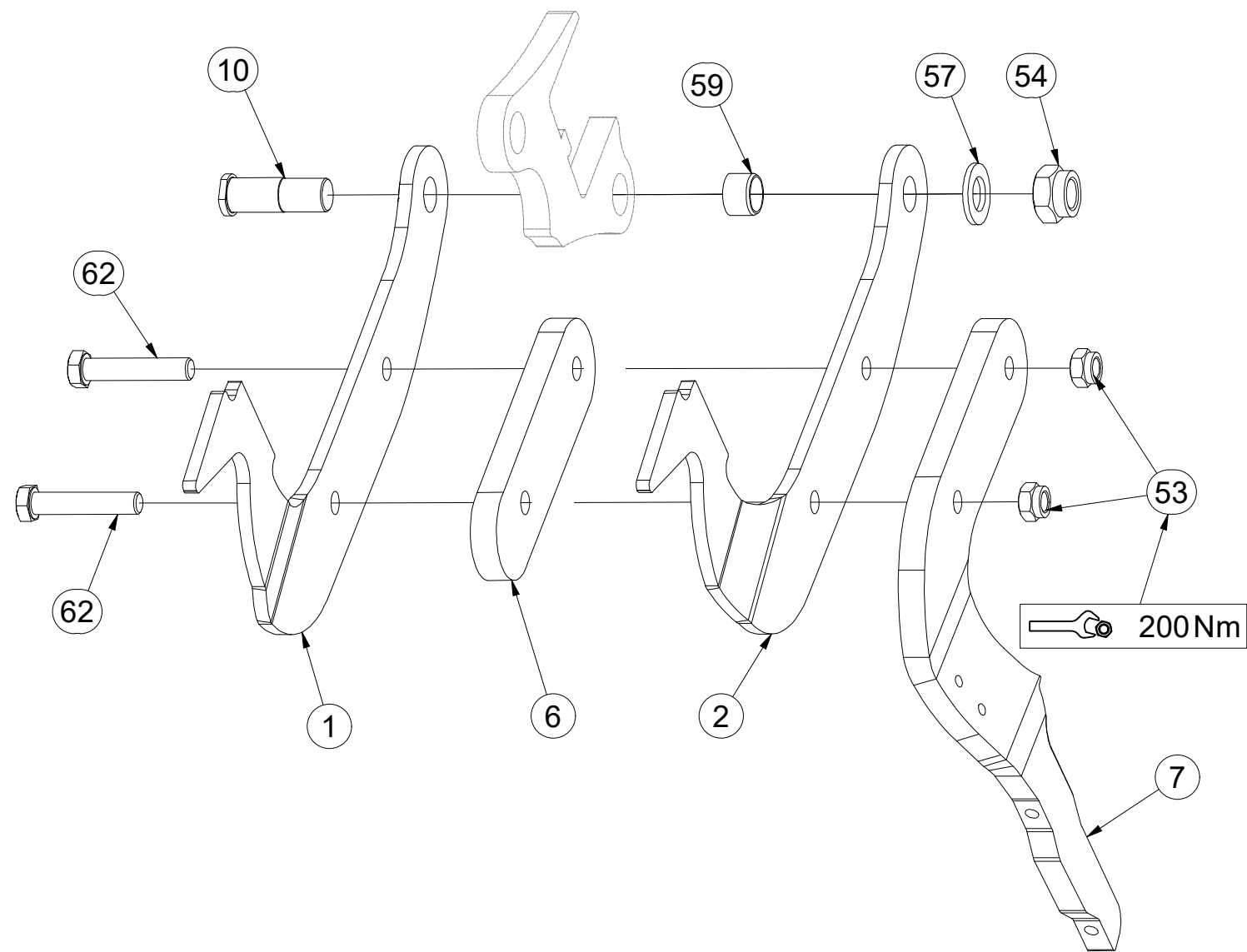
Ⓒ JEDNOTKA PRACOVNÍ DLÁTO D3 FERT+

Ⓓ ARBEITSEINHEIT MEISSEL D3 FERT+

Ⓕ UNITÉ DE TRAVAIL CISEAU D3 FERT+

VZ00012455

1.



| Pos. | Part Number | Pcs. | Pos. | Part Number | Pcs. |
|------|-------------|------|------|-------------|------|
| 1 | VZ00012426 | 1 | 54 | m07147 | 1 |
| 2 | VZ00012239 | 1 | 55 | m04503 | 6 |
| 6 | VZ00012457 | 1 | 56 | m14030 | 2 |
| 7 | VZ00012458 | 1 | 57 | m03718 | 1 |
| 8 | VZ00012246 | 2 | 58 | m14028 | 2 |
| 9 | 4010390 | 1 | 59 | m21218 | 2 |
| 10 | VZ00012277 | 1 | 61 | m14650 | 1 |
| 11 | 4014859 | 1 | 62 | m18019 | 2 |
| 53 | m03683 | 2 | 68 | m09464 | 4 |

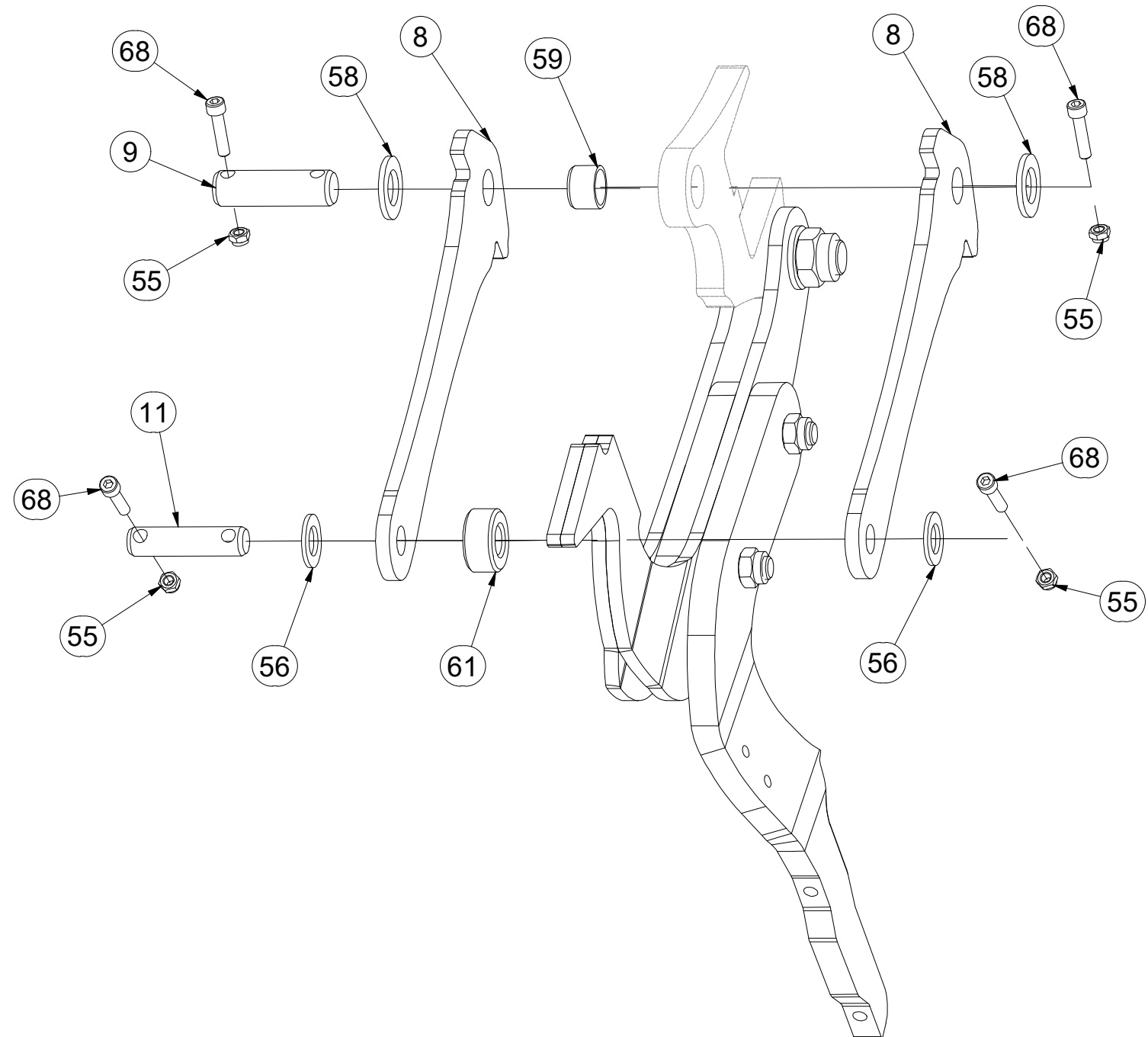
Ⓖ WORKING CHISEL UNIT D3 FERT+

Ⓔ РАБОЧИЙ УЗЕЛ ЧИЗЕЛЬ D3 FERT+

Ⓗ JEDNOSTKA ROBOCZA DŁUTO D3 FERT+



2.



Ⓒ JEDNOTKA PRACOVNÍ DLÁTO D3 FERT+

Ⓓ ARBEITSEINHEIT MEISSEL D3 FERT+

Ⓕ UNITÉ DE TRAVAIL CISEAU D3 FERT+

Ⓖ WORKING CHISEL UNIT D3 FERT+

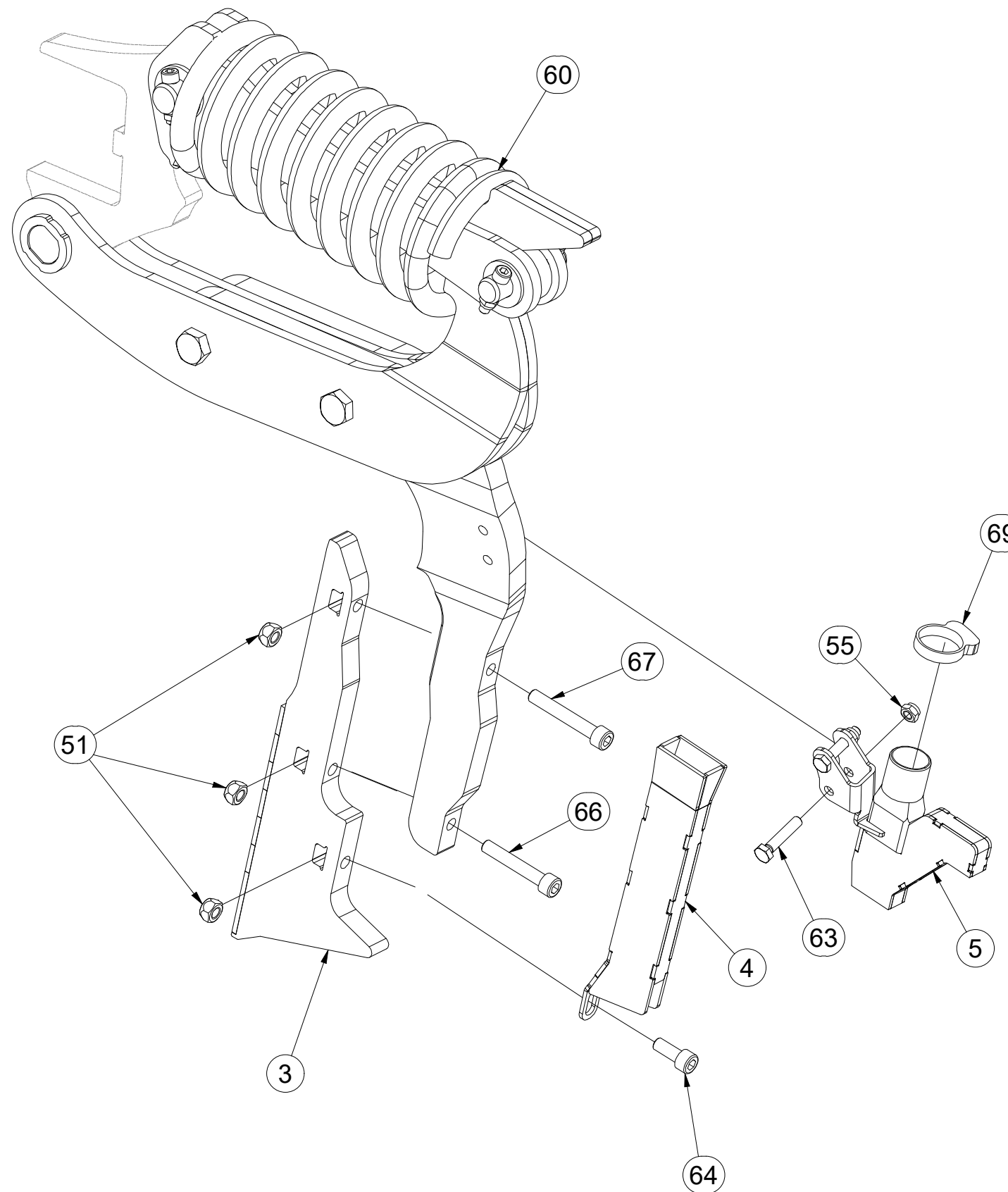
Ⓡ РАБОЧИЙ УЗЕЛ ЧИЗЕЛЬ D3 FERT+

Ⓟ JEDNOSTKA ROBOCZA DŁUTO D3 FERT+



VZ00012455

3.



| Pos. | Part Number | Pcs. |
|------|-------------|------|
| 3 | VZ00032892 | 1 |
| 4 | VZ00002594 | 1 |
| 5 | VZ00012643 | 1 |
| 51 | m11530 | 3 |
| 55 | m04503 | 6 |
| 60 | m20325 | 1 |
| 63 | m01097 | 2 |
| 64 | m04249 | 1 |
| 66 | m14501 | 1 |
| 67 | m10359 | 1 |
| 69 | m19099 | 1 |

ⒸZ JEDNOTKA PRACOVNÍ NIVELÁTOR ZKRÁCENÝ

Ⓓ VERKÜRZTE ARBEITSEINHEIT NIVELATOR

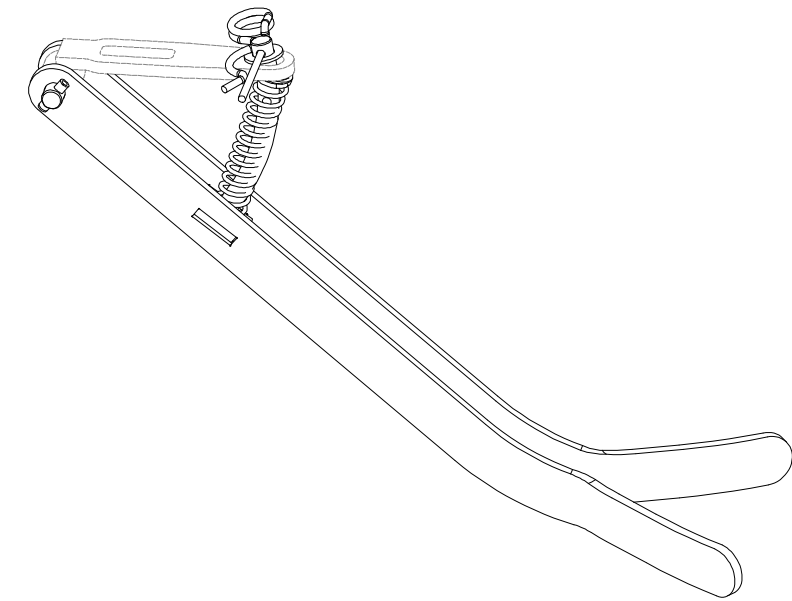
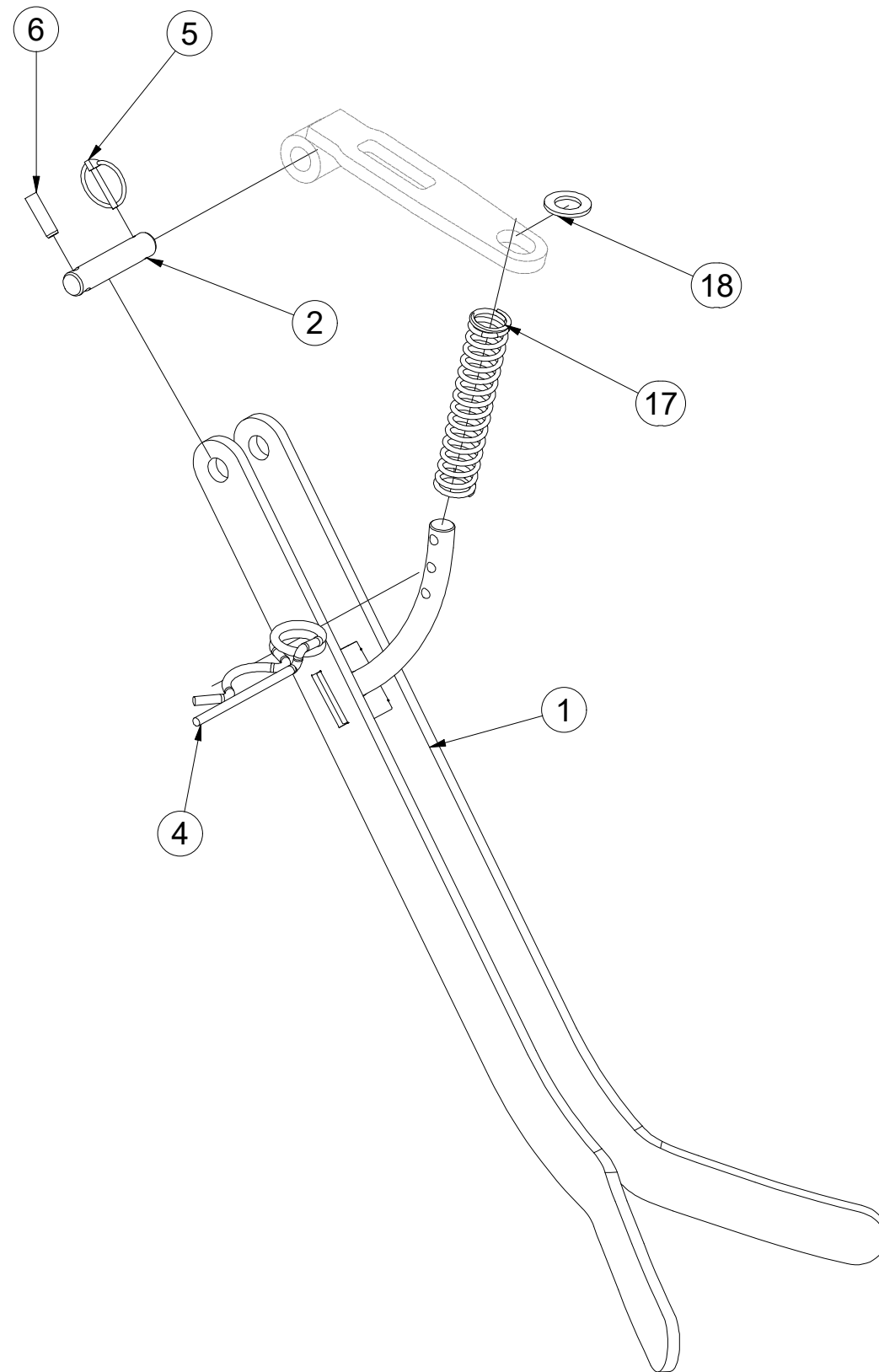
Ⓕ UNITÉ DE TRAVAIL NIVELEUR RACCOURCI

3007500

ⒸB WORKING LEVELLER UNIT, SHORTENED

Ⓔ РАБОЧИЙ УЗЕЛ НИВЕЛИРУЮЩИЙ УКРОЧЕННЫЙ

Ⓖ JEDNOSTKA ROBOCZA NIWELATOR SKRÓCONY



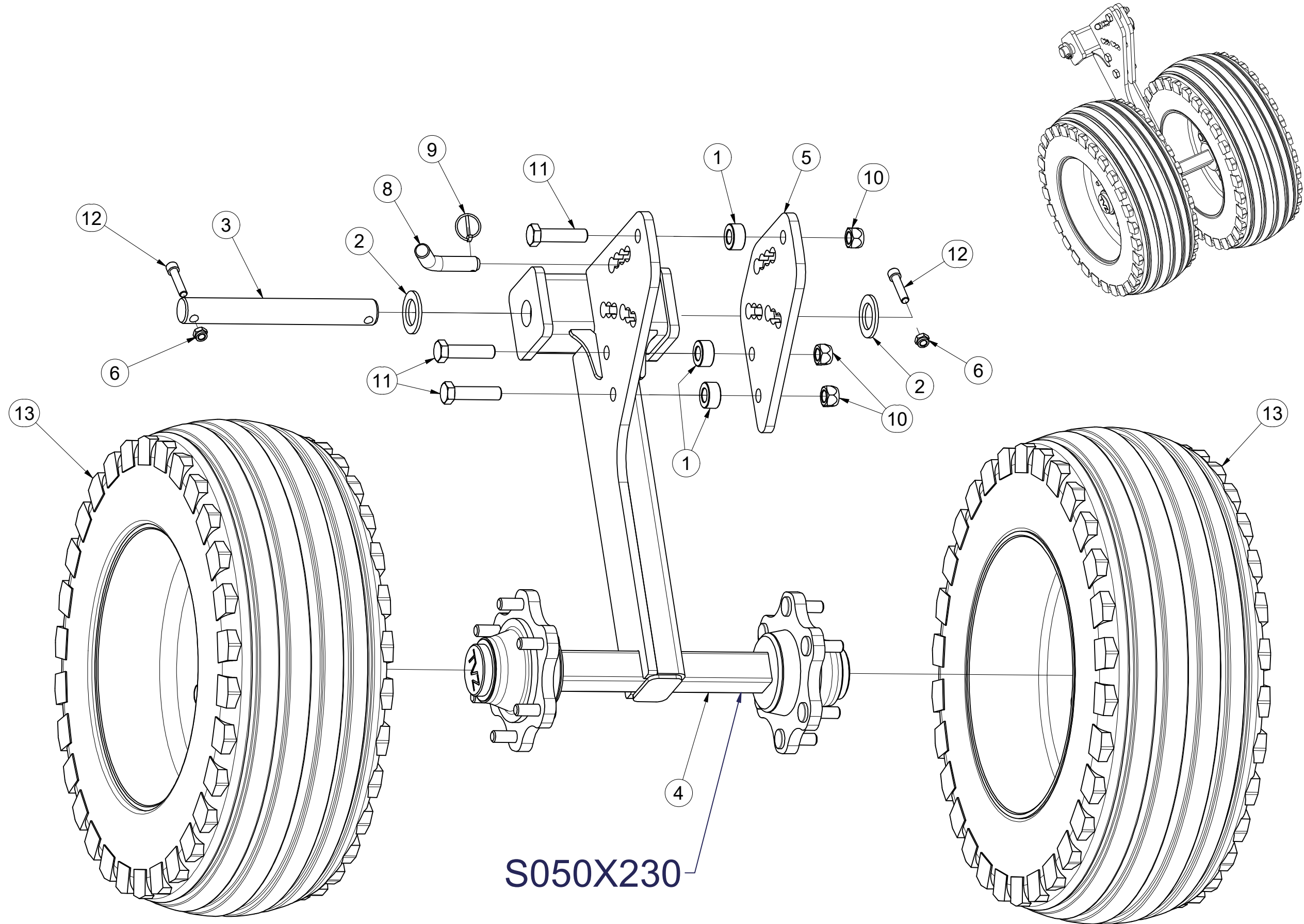
| Pos. | Part Number | Pcs. |
|------|-------------|------|
| 1 | 3011288 | 1 |
| 4 | m17980 | 1 |
| 2 | 4010734 | 1 |
| 5 | m10454 | 1 |
| 6 | m10736 | 1 |
| 17 | m13003 | 1 |
| 18 | m03768 | 1 |


CZ KOPÍROVACÍ KOLA
 D KOPIERRÄDER
 F COPIAGE DU TERRAIN

GB TRACING WHEELS
 RU КОПИРУЮЩЕЕ КОЛЕСА
 PL KOŁA KOPIUJĄCE



VZ00012809



| | |
|---|---------------|
|  | M18x1,5-265Nm |
| | 400 kPa |

| Pos. | Part Number | Pcs. |
|------|-------------|------|
| 1 | 4008058 | 3 |
| 2 | 4013139 | 2 |
| 3 | 4013523 | 1 |
| 4 | VZ00012811 | 1 |
| 5 | VZ00012812 | 1 |
| 6 | m04301 | 2 |
| 8 | m08885 | 1 |
| 9 | m10454 | 1 |
| 10 | m11169 | 3 |
| 11 | m11528 | 3 |
| 12 | m14008 | 2 |
| 13 | m21946 | 2 |

S050X230

ⒸZ NÁPRAVA

ⒸD ACHSE

ⒸF ESSIEU

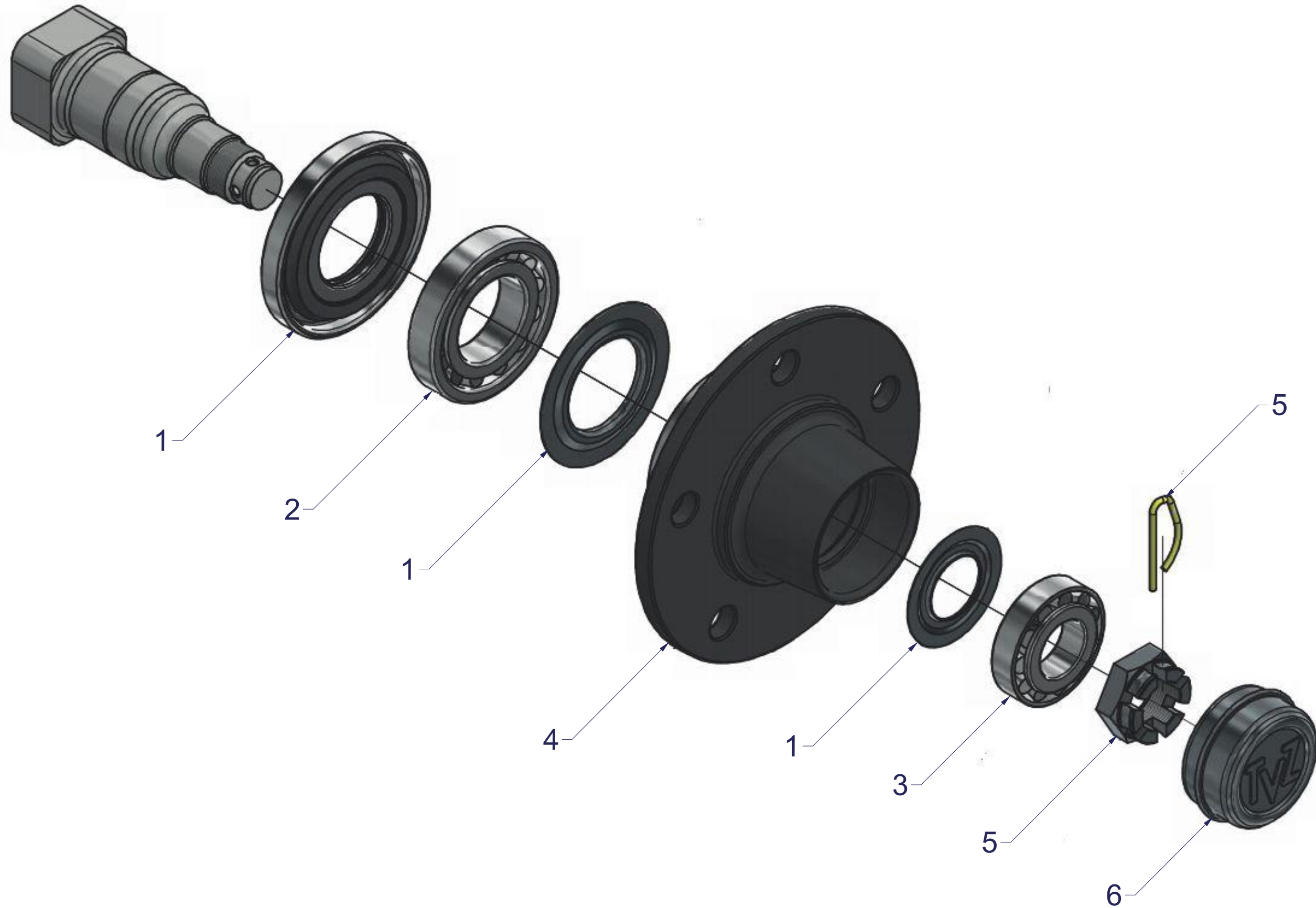
ⒸGB AXLE

ⒸRU OCB

ⒸPL OS



S050X230



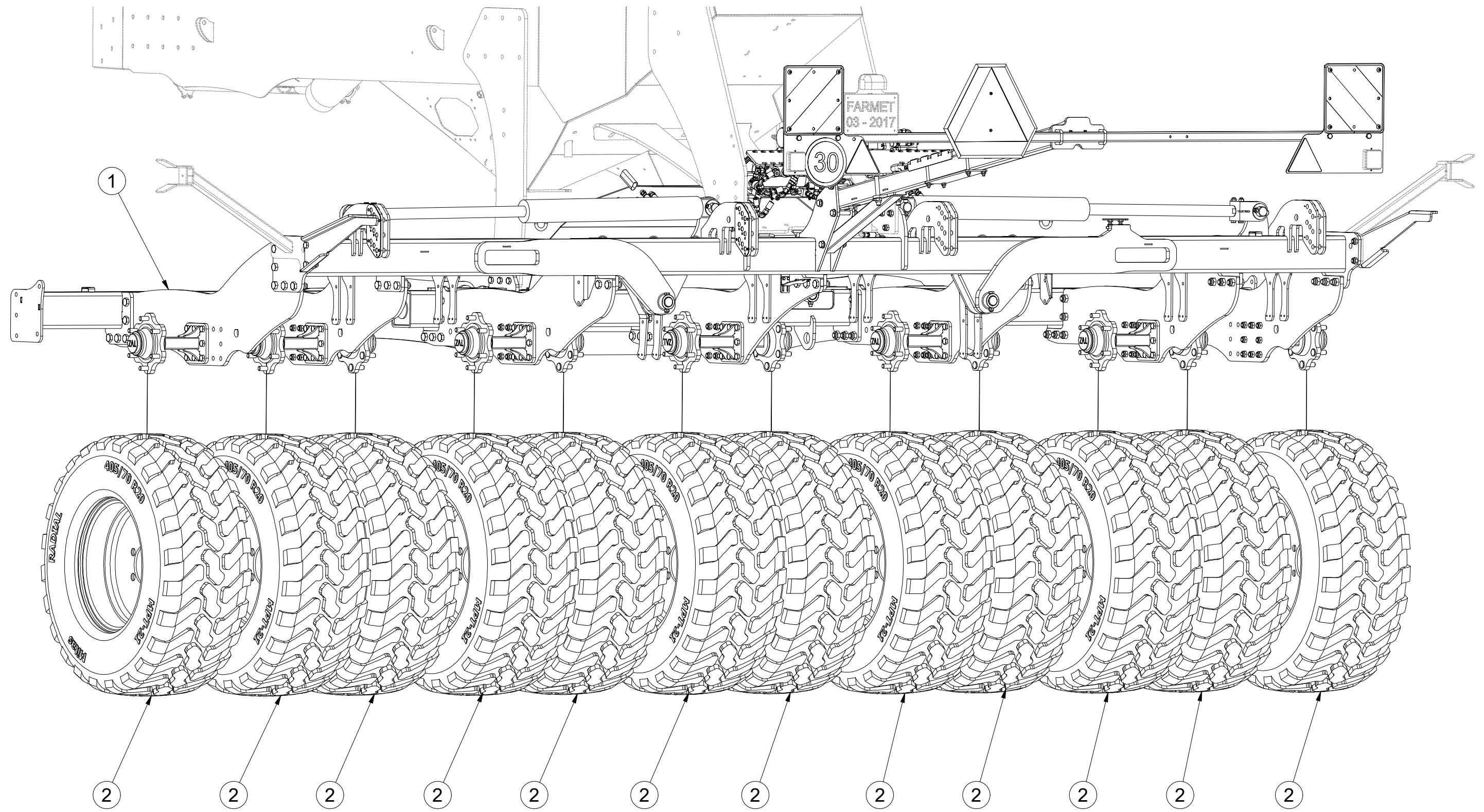
| Pos. | Part Number | Pcs. |
|------|-------------|------|
| 1 | m22189 | 1 |
| 2 | m05624 | 2 |
| 3 | m03223 | 2 |
| 4 | m22190 | 1 |
| 5 | m22188 | 1 |
| 6 | m22191 | 1 |

- ⒸZ VÁLEC SADA
- Ⓓ ZYLINDER SET
- Ⓕ ROULEAU KIT

- ⒼB ROLLER SET
- ⒸU КАТОК КОМПЛЕКТ
- ⒼL WAŁ ZESTAW



VZ00026289



| Pos. | Part Number | Pcs. |
|------|-------------|------|
| 1 | VZ00025047 | 1 |
| 2 | m19215 | 12 |

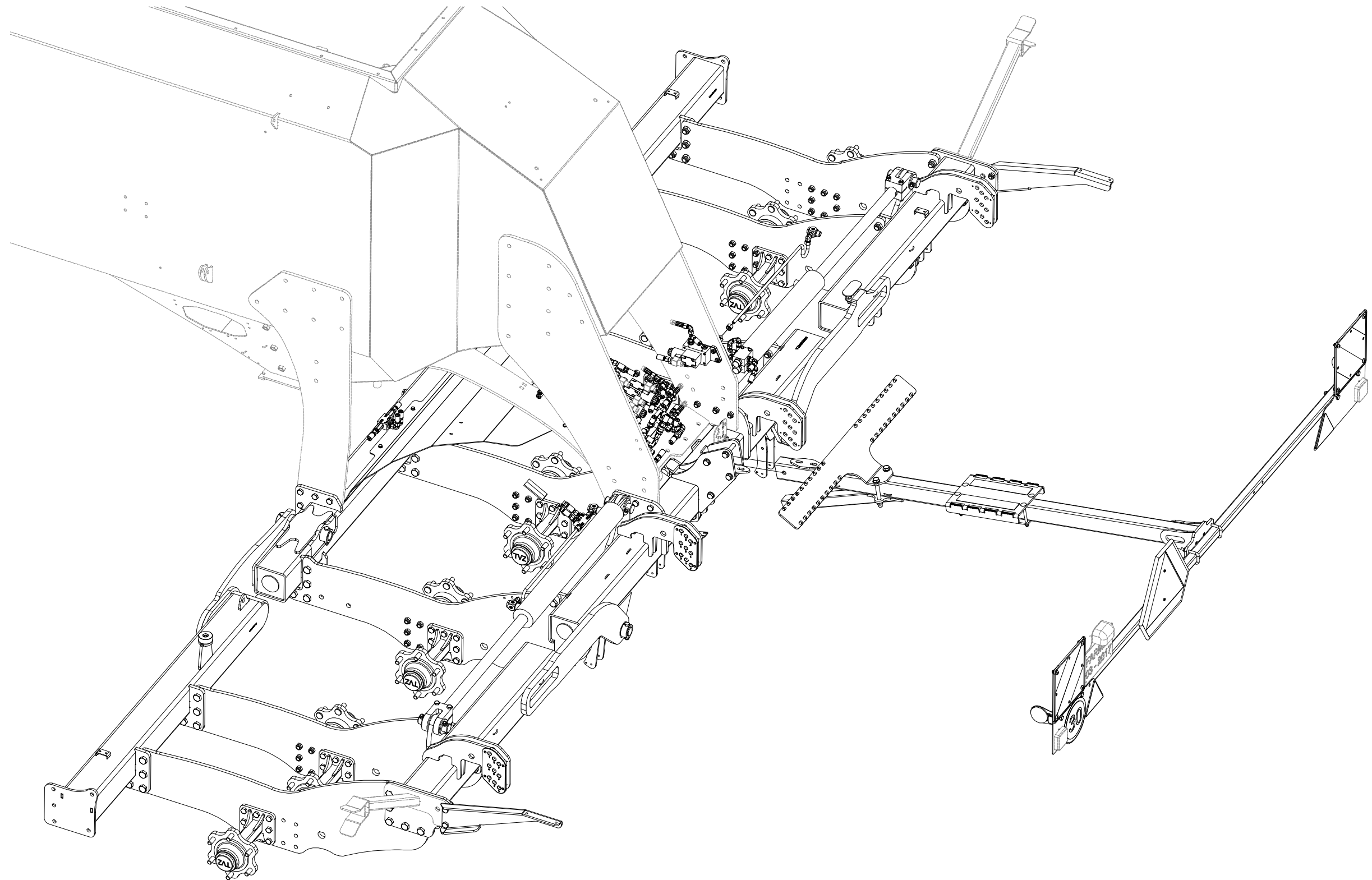
M18x1,5-265Nm

- ⒸZ VÁLEC SADA
- Ⓓ ZYLINDER SET
- Ⓕ ROULEAU KIT

- ⒼB ROLLER SET
- ⒺU КАТОК КОМПЛЕКТ
- ⒽL WAŁ ZESTAW

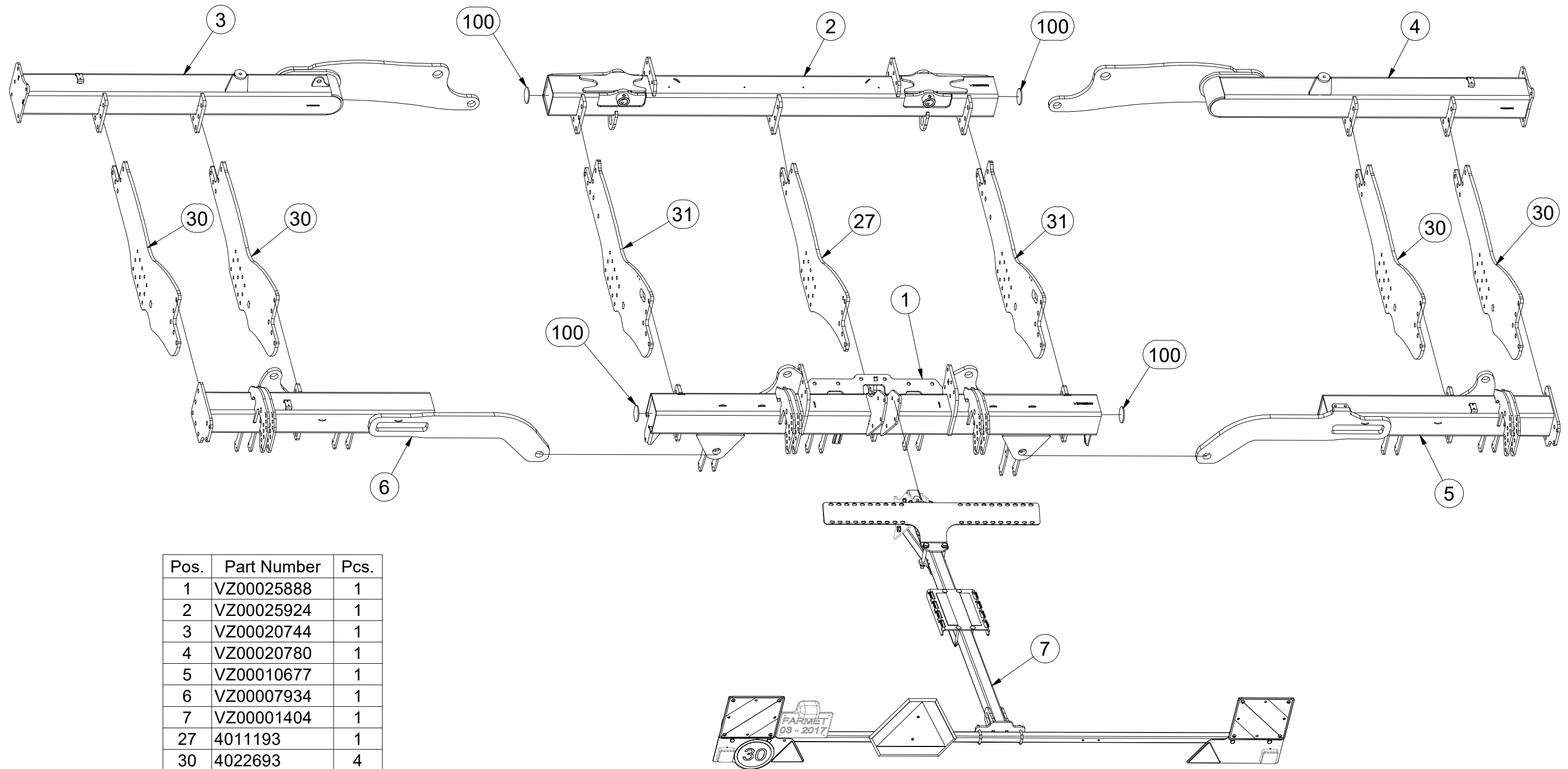


VZ00025047



CZ VÁLEC SADA
 D ZYLINDER SET
 F ROULEAU KIT
VZ00025047

GB ROLLER SET
 RU КАТОК КОМПЛЕКТ
 PL WAŁ ZESTAW



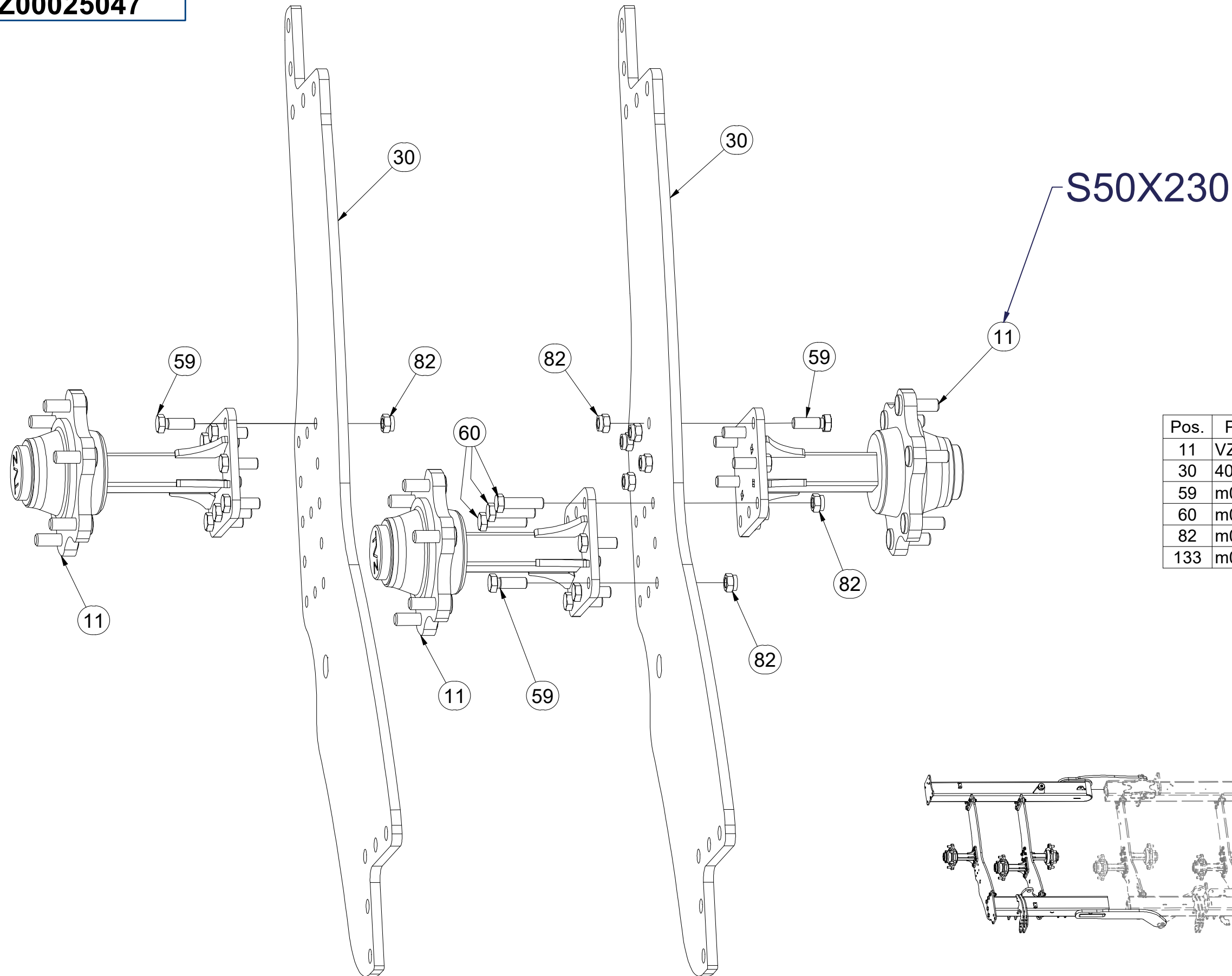
| Pos. | Part Number | Pcs. |
|------|-------------|------|
| 1 | VZ00025888 | 1 |
| 2 | VZ00025924 | 1 |
| 3 | VZ00020744 | 1 |
| 4 | VZ00020780 | 1 |
| 5 | VZ00010677 | 1 |
| 6 | VZ00007934 | 1 |
| 7 | VZ00001404 | 1 |
| 27 | 4011193 | 1 |
| 30 | 4022693 | 4 |
| 31 | 4022694 | 2 |
| 100 | m02579 | 4 |
| 133 | m01114 | 2 |

- Ⓒ VÁLEC SADA
- Ⓓ ZYLINDER SET
- Ⓕ ROULEAU KIT

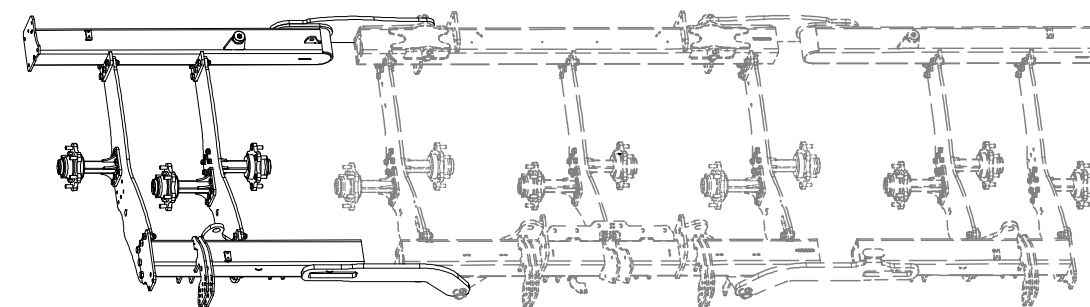
- Ⓖ ROLLER SET
- Ⓡ КАТОК КОМПЛЕКТ
- Ⓟ WAŁ ZESTAW



VZ00025047



| Pos. | Part Number | Pcs. |
|------|-------------|------|
| 11 | VZ00013618 | 12 |
| 30 | 4022693 | 4 |
| 59 | m02254 | 66 |
| 60 | m00619 | 15 |
| 82 | m03683 | 107 |
| 133 | m01114 | 2 |

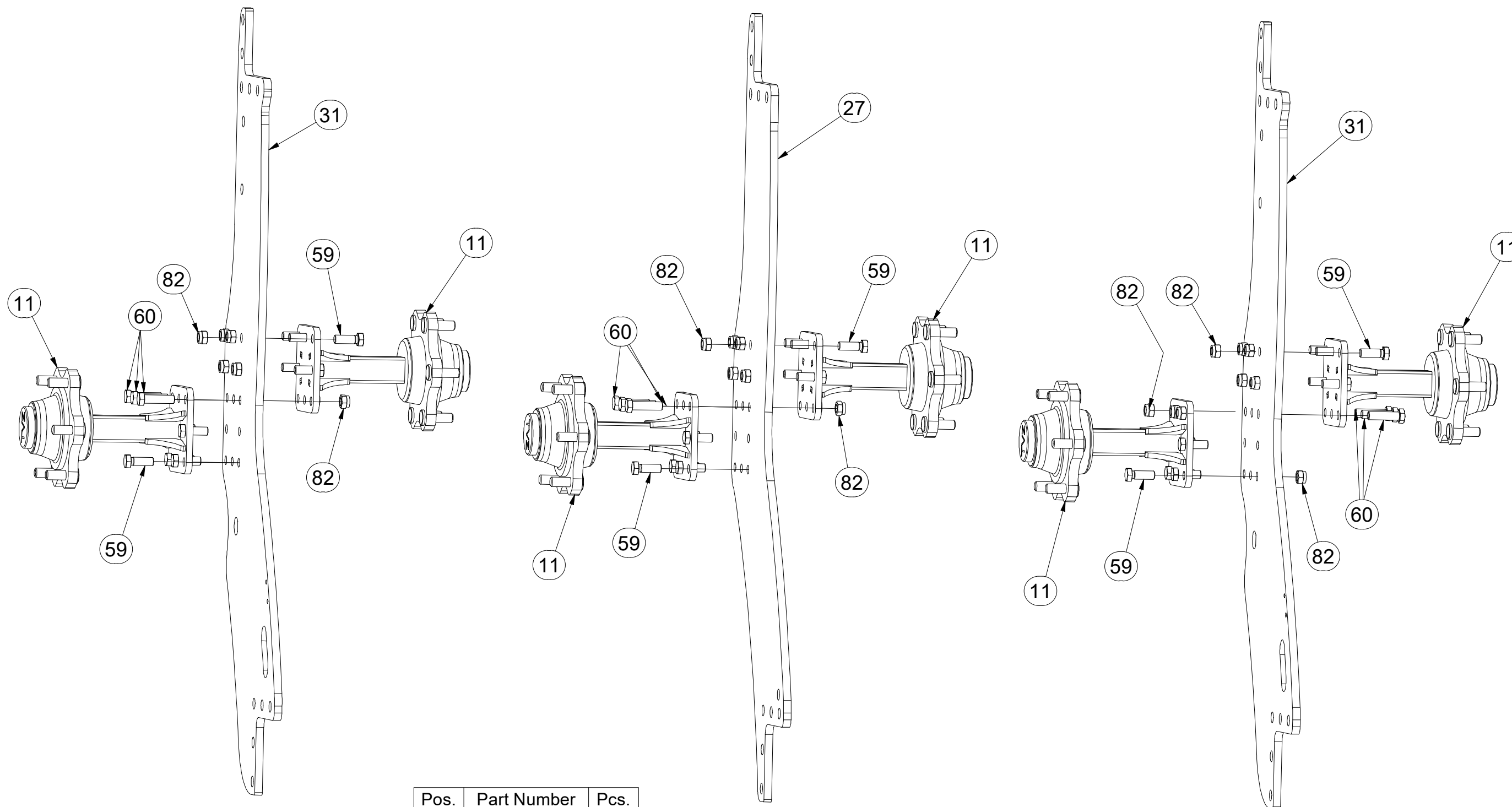


CZ VÁLEC SADA
 D ZYLINDER SET
 F ROULEAU KIT

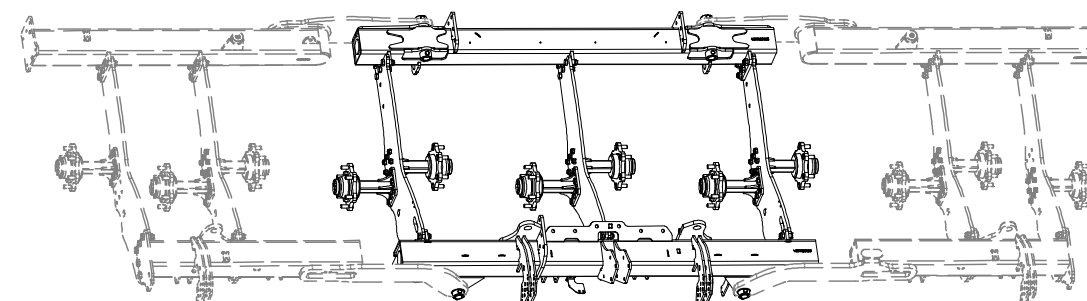
GB ROLLER SET
 RU КАТОК КОМПЛЕКТ
 PL WAŁ ZESTAW



VZ00025047



| Pos. | Part Number | Pcs. |
|------|-------------|------|
| 11 | VZ00013618 | 12 |
| 27 | 4011193 | 1 |
| 31 | 4022694 | 2 |
| 59 | m02254 | 66 |
| 60 | m00619 | 15 |
| 82 | m03683 | 107 |
| 133 | m01114 | 2 |

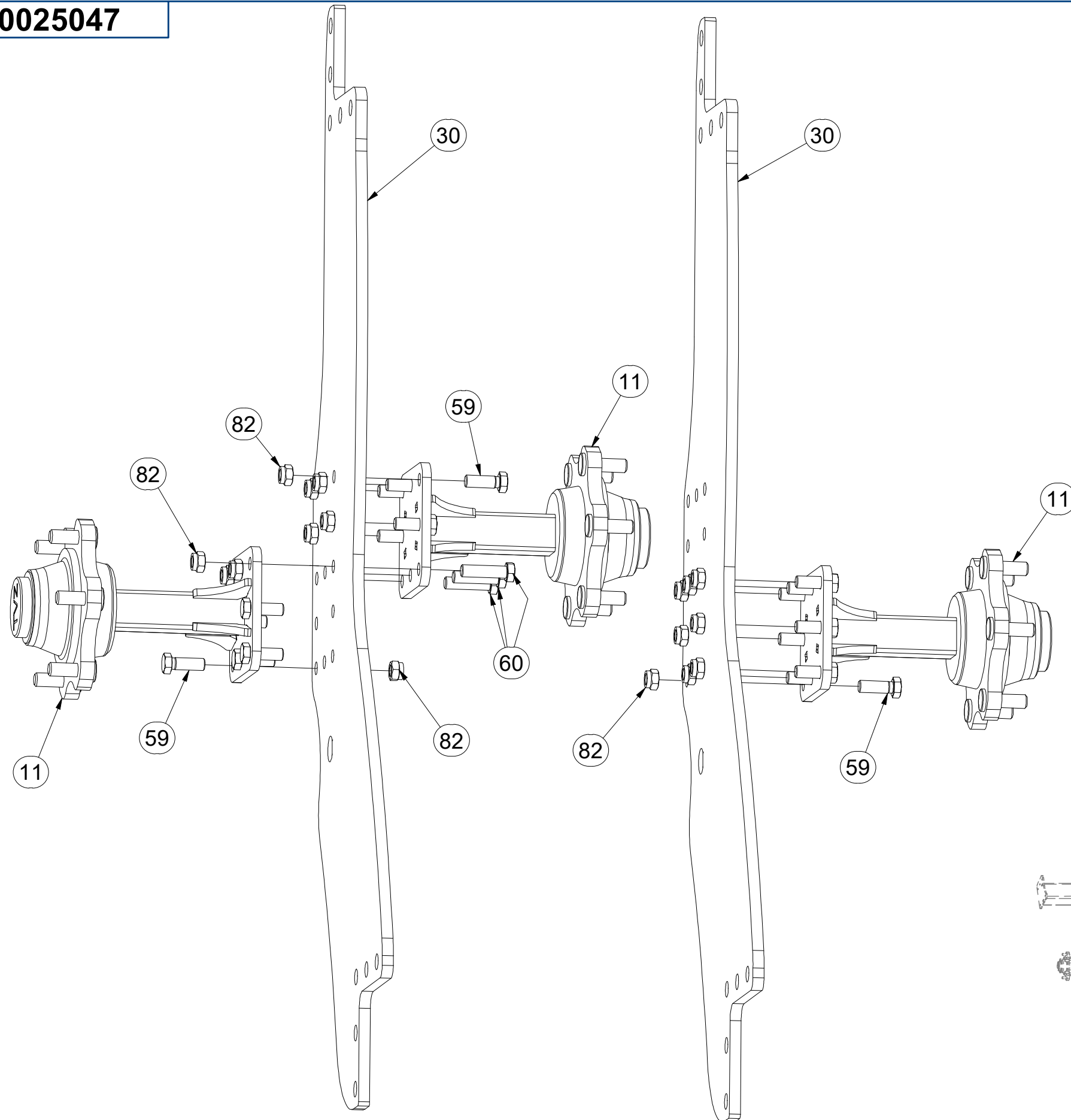


CZ VÁLEC SADA
 D ZYLINDER SET
 F ROULEAU KIT

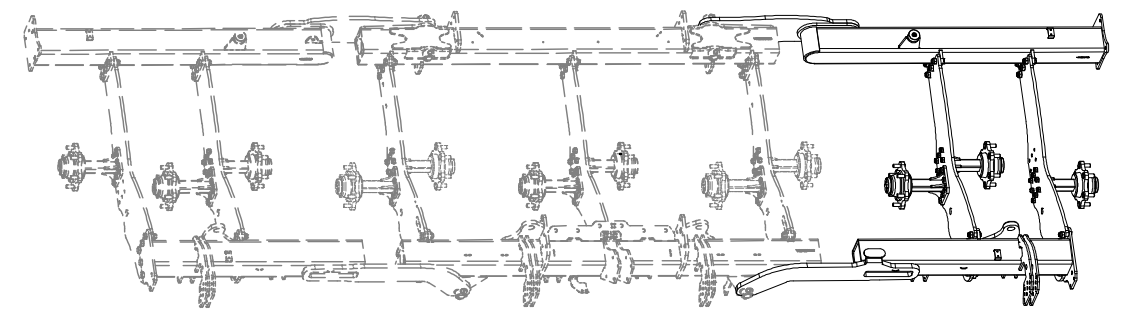
GB ROLLER SET
 RU КАТОК КОМПЛЕКТ
 PL WAŁ ZESTAW



VZ00025047



| Pos. | Part Number | Pcs. |
|------|-------------|------|
| 11 | VZ00013618 | 12 |
| 30 | 4022693 | 4 |
| 59 | m02254 | 66 |
| 60 | m00619 | 15 |
| 82 | m03683 | 107 |
| 133 | m01114 | 2 |



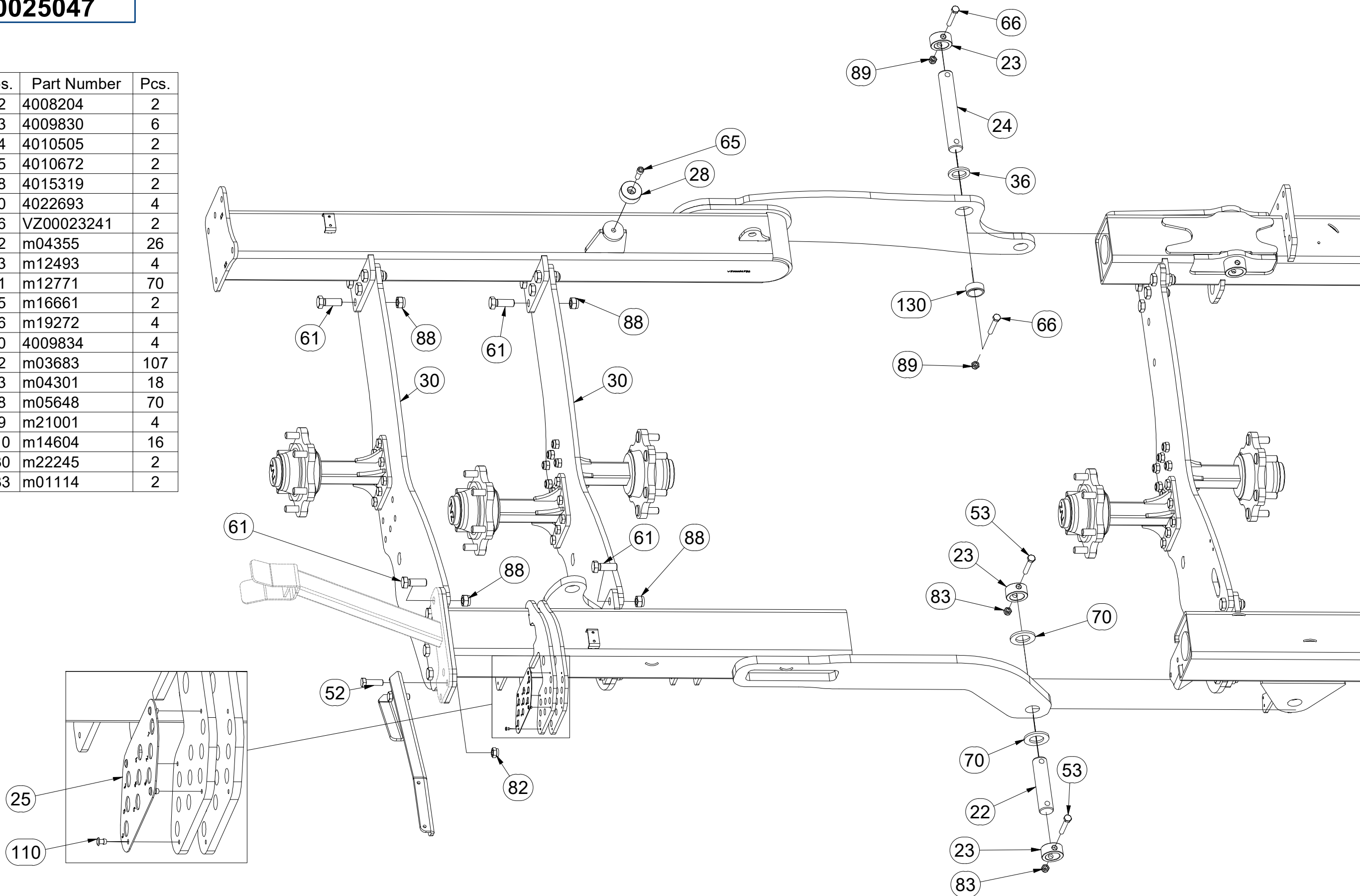
- Ⓒ VÁLEC SADA
- Ⓓ ZYLINDER SET
- Ⓕ ROULEAU KIT

- Ⓖ ROLLER SET
- Ⓡ КАТОК КОМПЛЕКТ
- Ⓟ WAŁ ZESTAW



VZ00025047

| Pos. | Part Number | Pcs. |
|------|-------------|------|
| 22 | 4008204 | 2 |
| 23 | 4009830 | 6 |
| 24 | 4010505 | 2 |
| 25 | 4010672 | 2 |
| 28 | 4015319 | 2 |
| 30 | 4022693 | 4 |
| 36 | VZ00023241 | 2 |
| 52 | m04355 | 26 |
| 53 | m12493 | 4 |
| 61 | m12771 | 70 |
| 65 | m16661 | 2 |
| 66 | m19272 | 4 |
| 70 | 4009834 | 4 |
| 82 | m03683 | 107 |
| 83 | m04301 | 18 |
| 88 | m05648 | 70 |
| 89 | m21001 | 4 |
| 110 | m14604 | 16 |
| 130 | m22245 | 2 |
| 133 | m01114 | 2 |

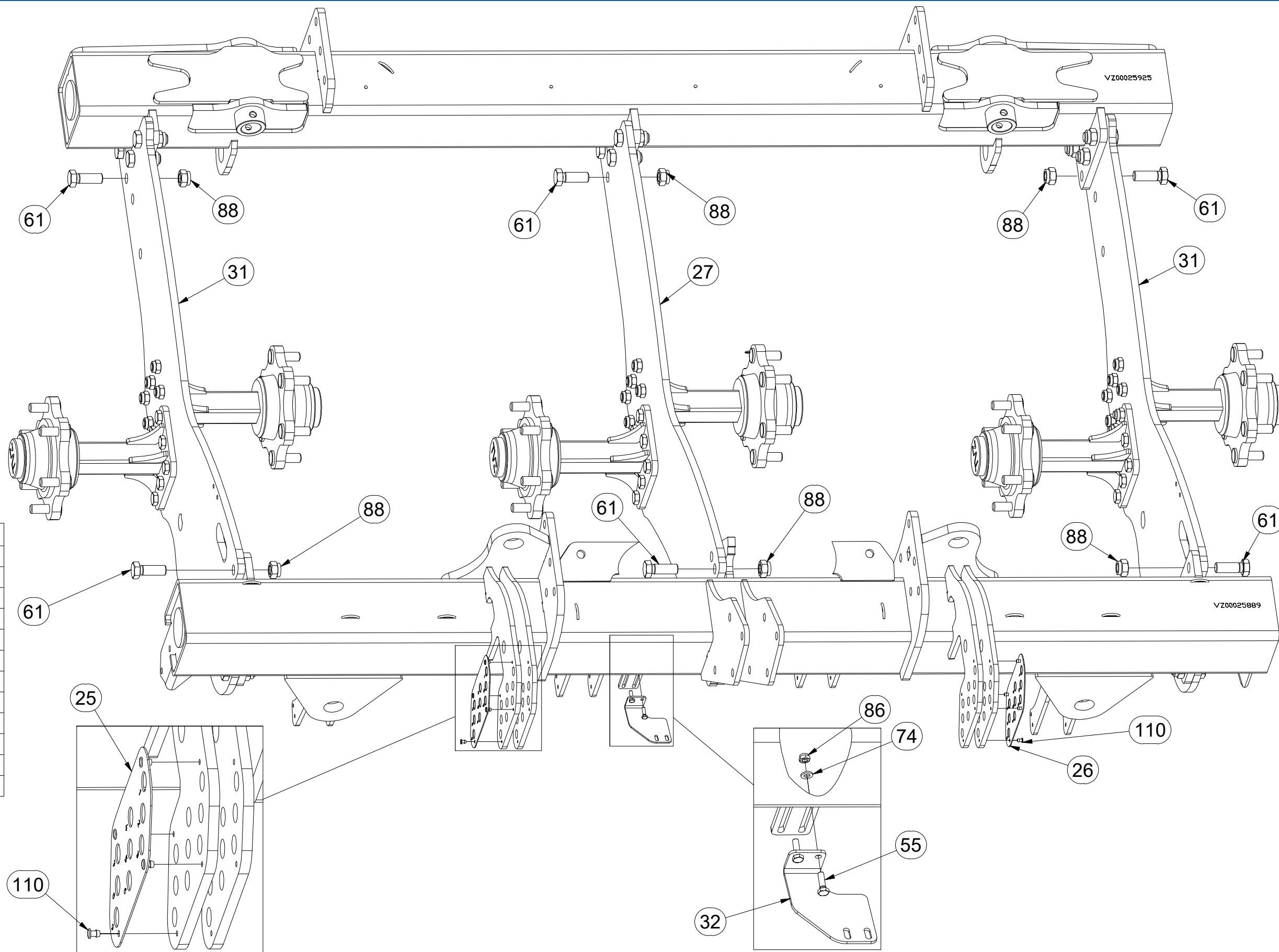


- Ⓒ VÁLEC SADA
- Ⓓ ZYLINDER SET
- Ⓕ ROULEAU KIT

- Ⓖ ROLLER SET
- Ⓔ КАТОК КОМПЛЕКТ
- Ⓟ WAŁ ZESTAW



VZ00025047



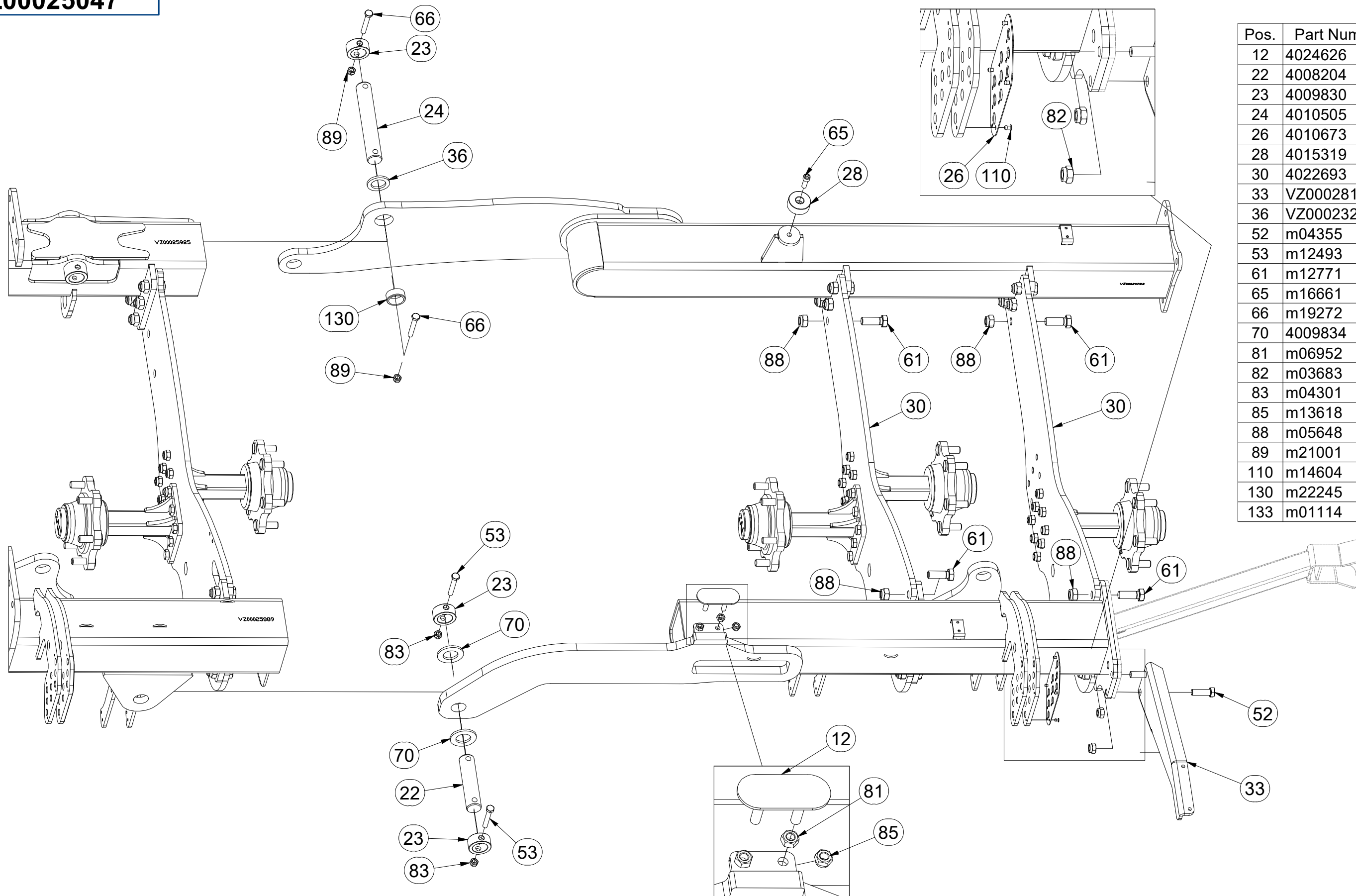
| Pos. | Part Number | Pcs. |
|------|-------------|------|
| 25 | 4010672 | 2 |
| 26 | 4010673 | 2 |
| 27 | 4011193 | 1 |
| 31 | 4022694 | 2 |
| 32 | VZ00001122 | 1 |
| 55 | m01074 | 2 |
| 61 | m12771 | 70 |
| 74 | m01199 | 2 |
| 86 | m05560 | 2 |
| 88 | m05648 | 70 |
| 110 | m14604 | 16 |
| 133 | m01114 | 2 |

- Ⓒ VÁLEC SADA
- Ⓓ ZYLINDER SET
- Ⓕ ROULEAU KIT

- Ⓖ ROLLER SET
- Ⓒ KATOK КОМПЛЕКТ
- Ⓓ WAŁ ZESTAW



VZ00025047



| Pos. | Part Number | Pcs. |
|------|-------------|------|
| 12 | 4024626 | 1 |
| 22 | 4008204 | 2 |
| 23 | 4009830 | 6 |
| 24 | 4010505 | 2 |
| 26 | 4010673 | 2 |
| 28 | 4015319 | 2 |
| 30 | 4022693 | 4 |
| 33 | VZ00028148 | 1 |
| 36 | VZ00023241 | 2 |
| 52 | m04355 | 26 |
| 53 | m12493 | 4 |
| 61 | m12771 | 70 |
| 65 | m16661 | 2 |
| 66 | m19272 | 4 |
| 70 | 4009834 | 4 |
| 81 | m06952 | 2 |
| 82 | m03683 | 107 |
| 83 | m04301 | 18 |
| 85 | m13618 | 2 |
| 88 | m05648 | 70 |
| 89 | m21001 | 4 |
| 110 | m14604 | 16 |
| 130 | m22245 | 2 |
| 133 | m01114 | 2 |

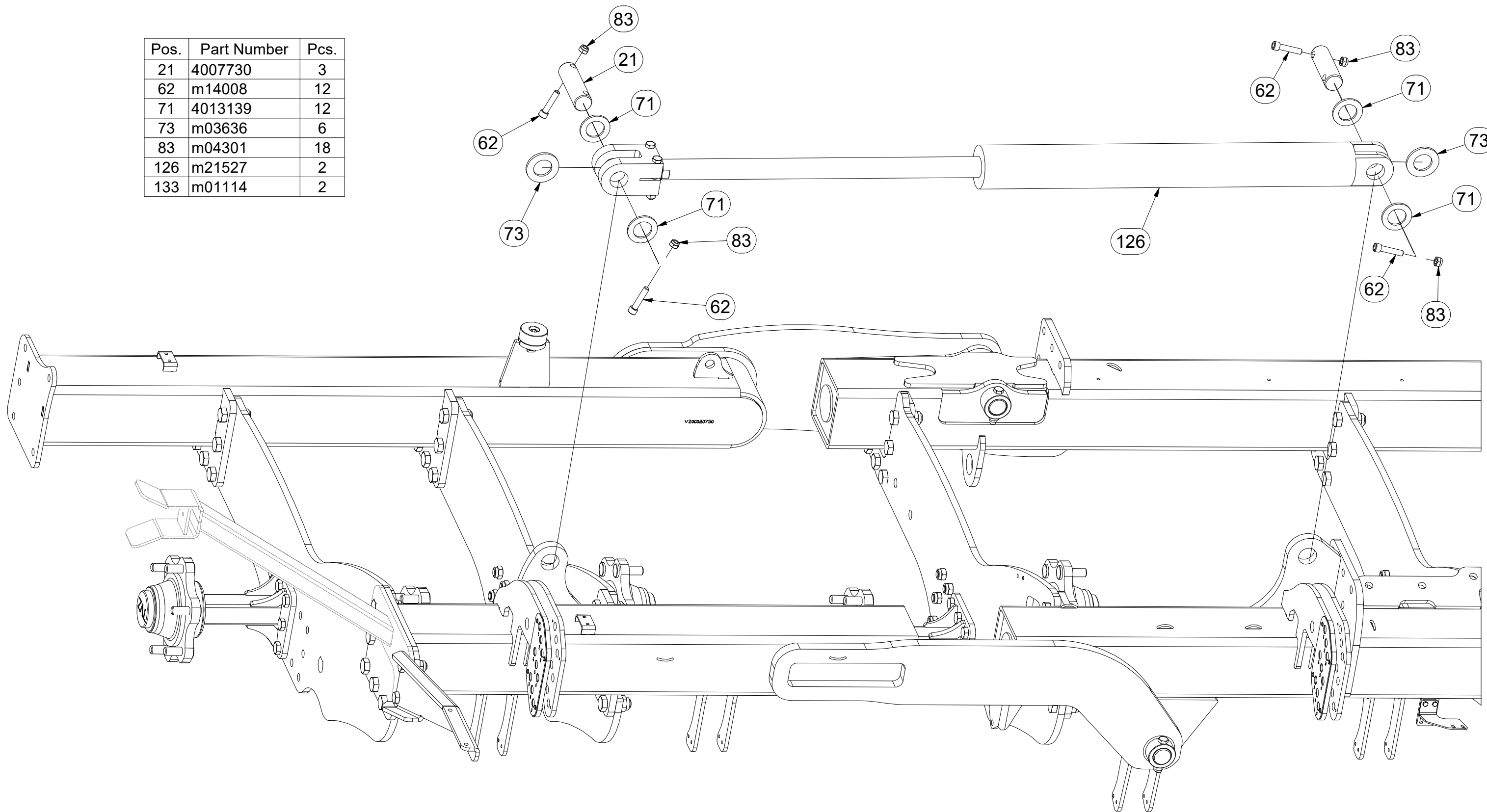
- Ⓒ VÁLEC SADA
- Ⓓ ZYLINDER SET
- Ⓕ ROULEAU KIT

- Ⓖ ROLLER SET
- Ⓔ КАТОК КОМПЛЕКТ
- Ⓗ WAŁ ZESTAW



VZ00025047

| Pos. | Part Number | Pcs. |
|------|-------------|------|
| 21 | 4007730 | 3 |
| 62 | m14008 | 12 |
| 71 | 4013139 | 12 |
| 73 | m03636 | 6 |
| 83 | m04301 | 18 |
| 126 | m21527 | 2 |
| 133 | m01114 | 2 |



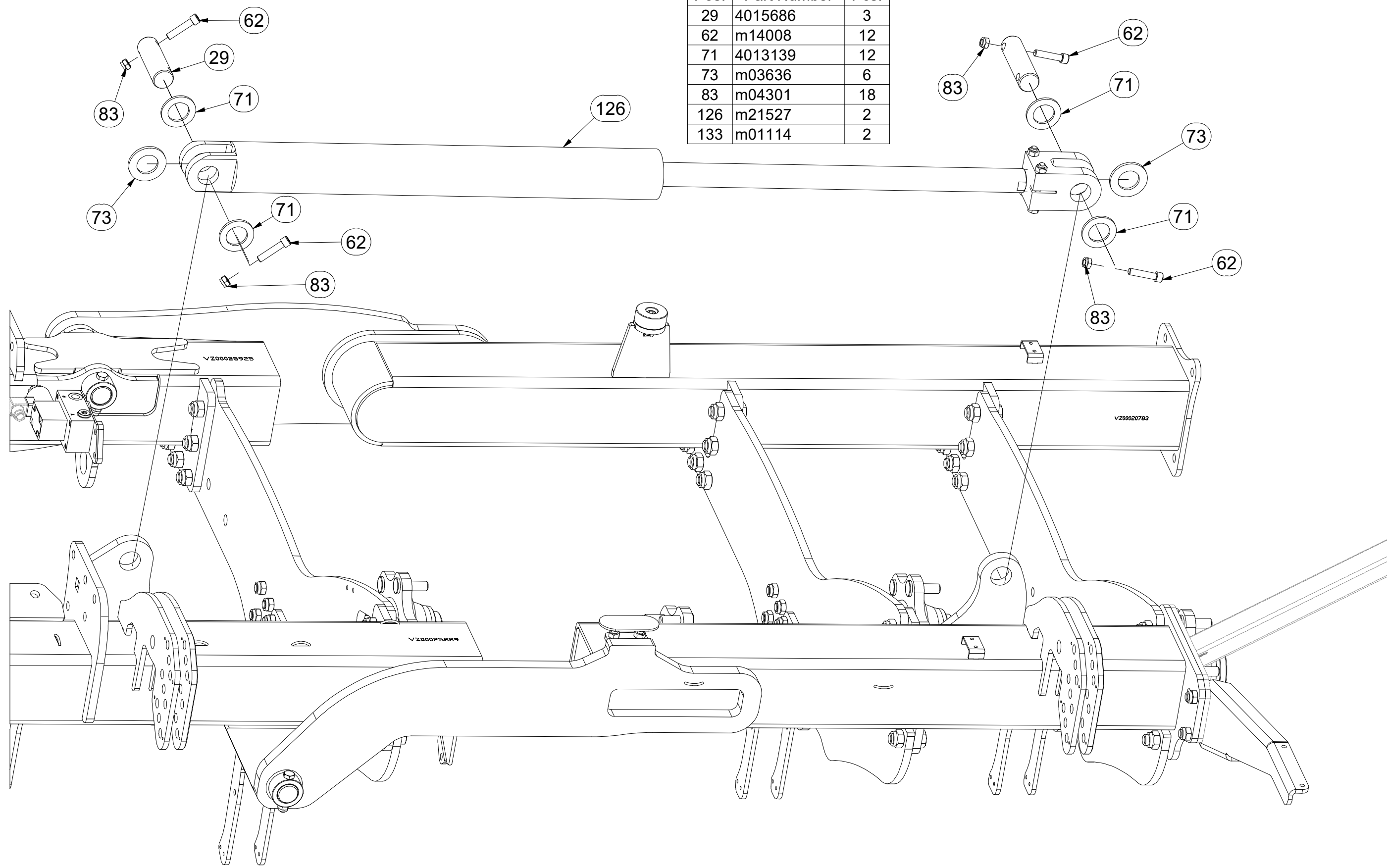
- Ⓒ VÁLEC SADA
- Ⓓ ZYLINDER SET
- Ⓕ ROULEAU KIT

- Ⓒ ROLLER SET
- Ⓓ КАТОК КОМПЛЕКТ
- Ⓕ WAŁ ZESTAW



VZ00025047

| Pos. | Part Number | Pcs. |
|------|-------------|------|
| 29 | 4015686 | 3 |
| 62 | m14008 | 12 |
| 71 | 4013139 | 12 |
| 73 | m03636 | 6 |
| 83 | m04301 | 18 |
| 126 | m21527 | 2 |
| 133 | m01114 | 2 |

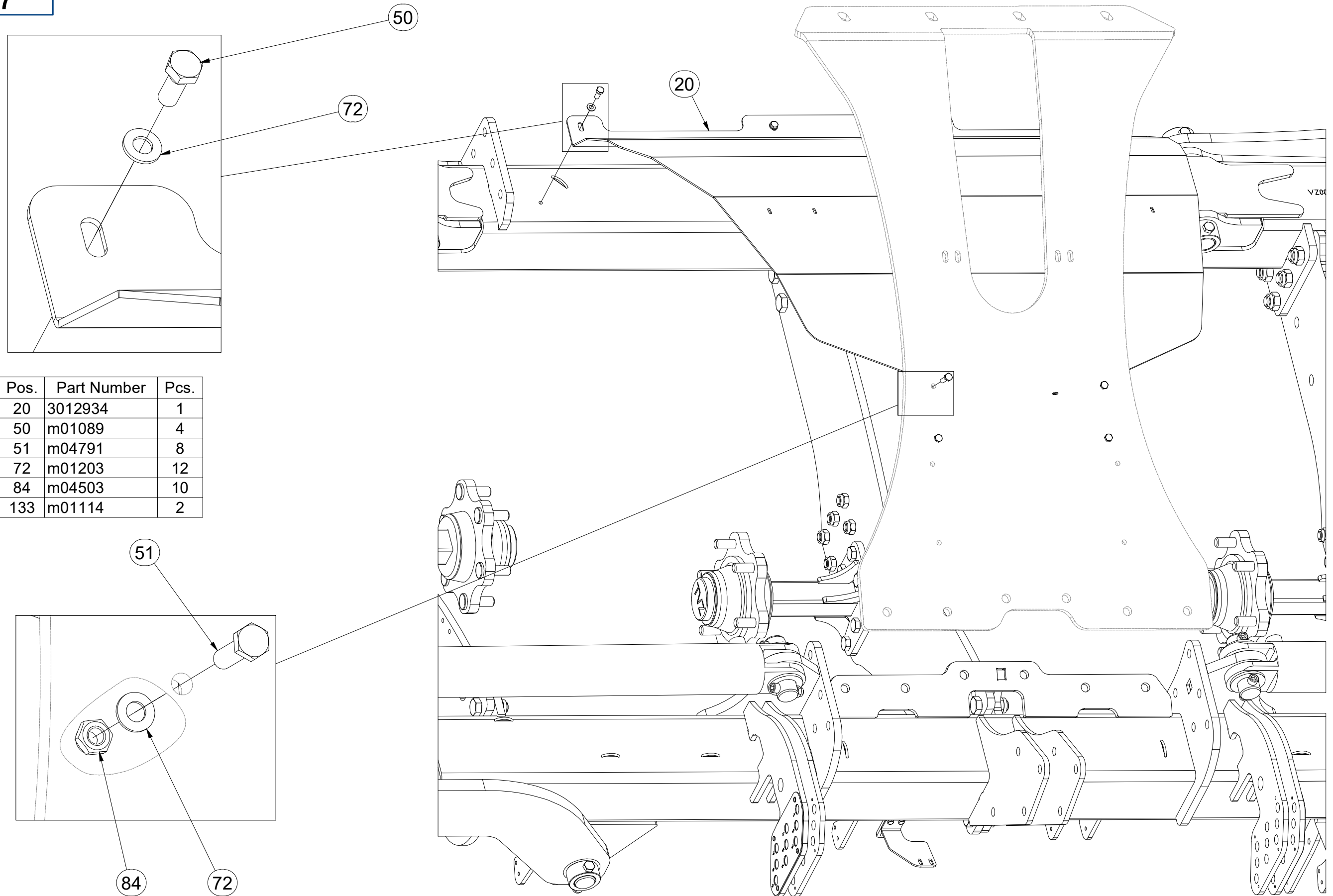


- ⒸZ VÁLEC SADA
- Ⓓ ZYLINDER SET
- Ⓕ ROULEAU KIT

- ⒸB ROLLER SET
- ⒸU КАТОК КОМПЛЕКТ
- ⒸL WAŁ ZESTAW



VZ00025047



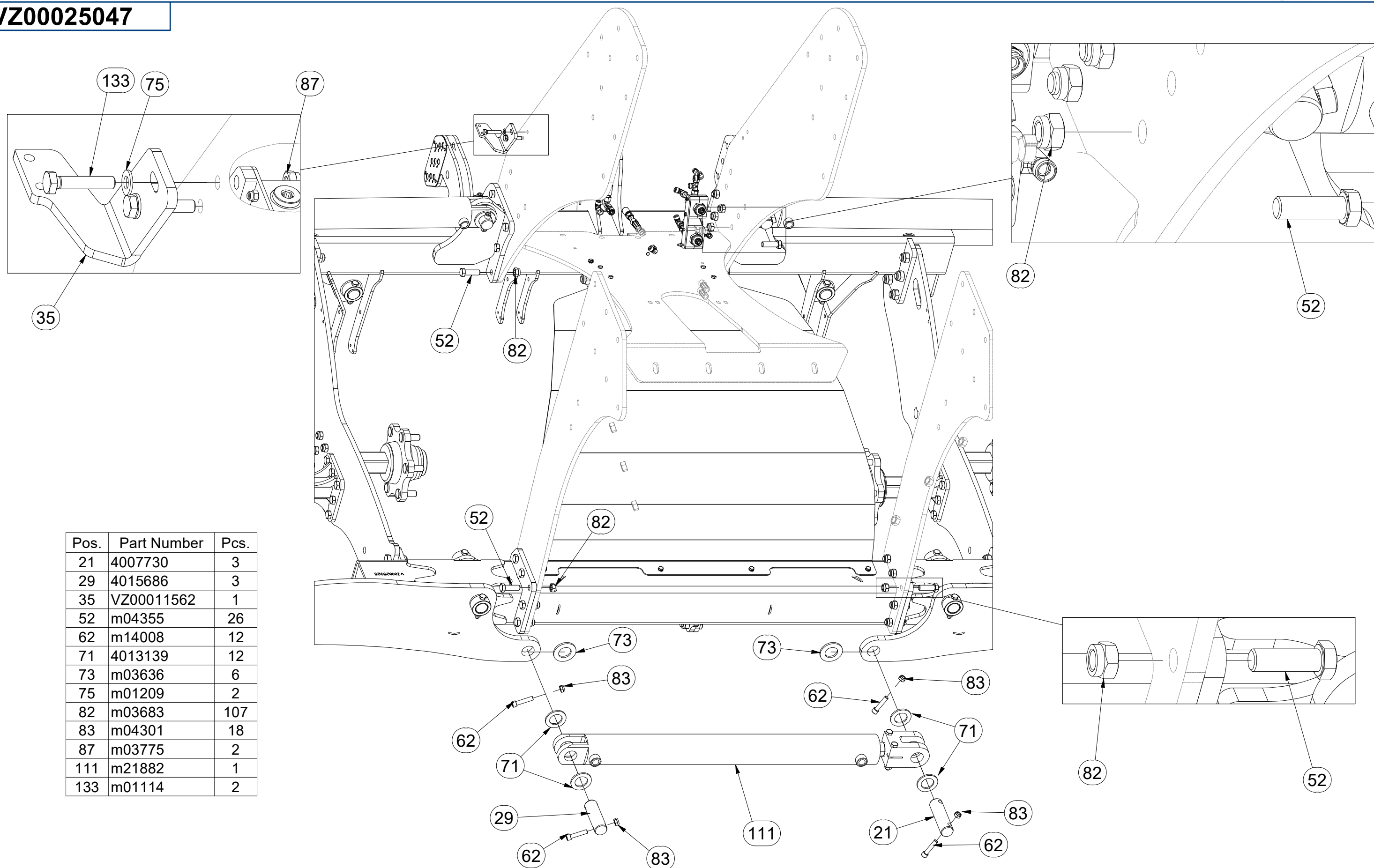
| Pos. | Part Number | Pcs. |
|------|-------------|------|
| 20 | 3012934 | 1 |
| 50 | m01089 | 4 |
| 51 | m04791 | 8 |
| 72 | m01203 | 12 |
| 84 | m04503 | 10 |
| 133 | m01114 | 2 |

- Ⓒ VÁLEC SADA
- Ⓓ ZYLINDER SET
- Ⓕ ROULEAU KIT

- Ⓖ ROLLER SET
- Ⓔ КАТОК КОМПЛЕКТ
- Ⓟ WAŁ ZESTAW



VZ00025047



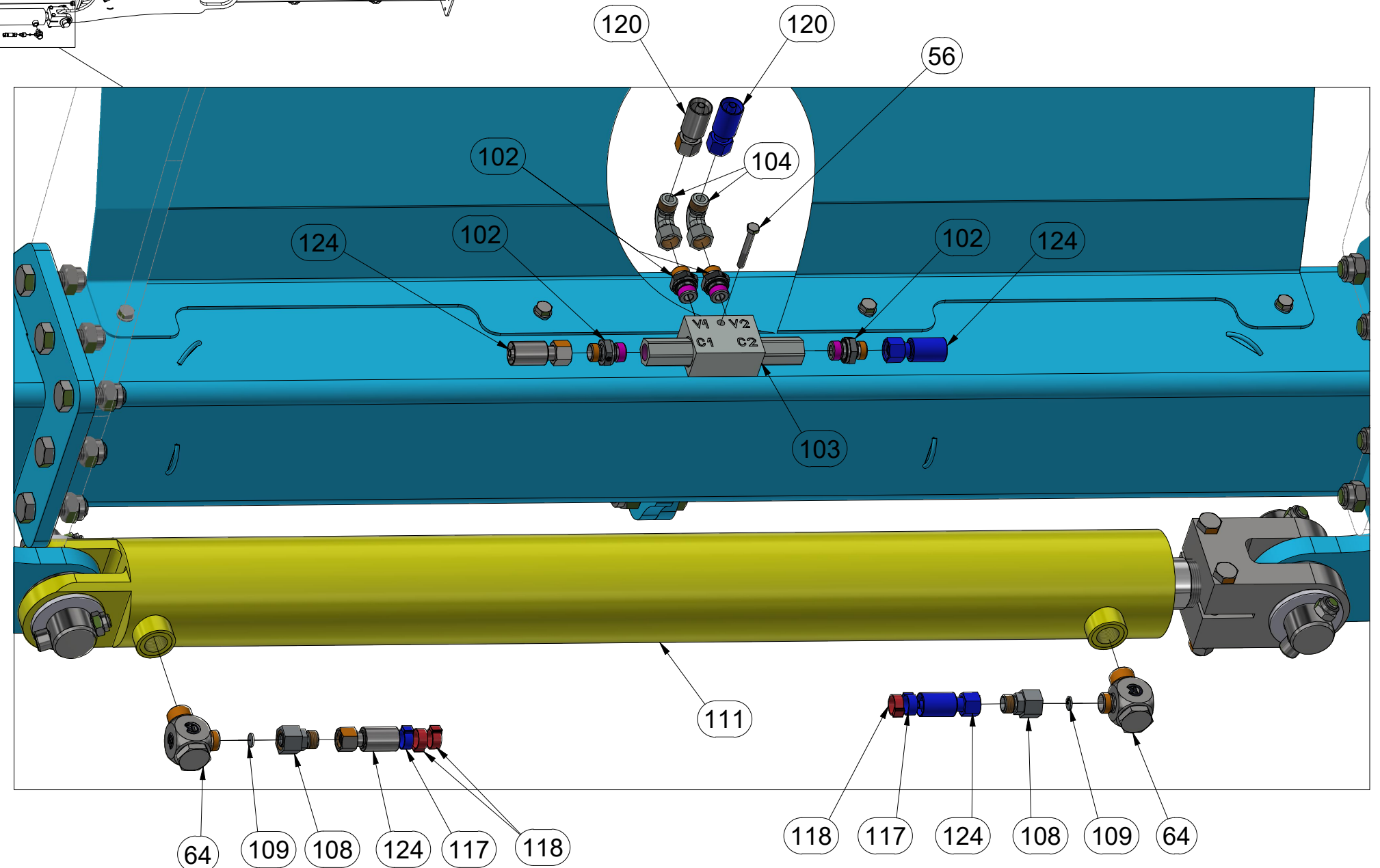
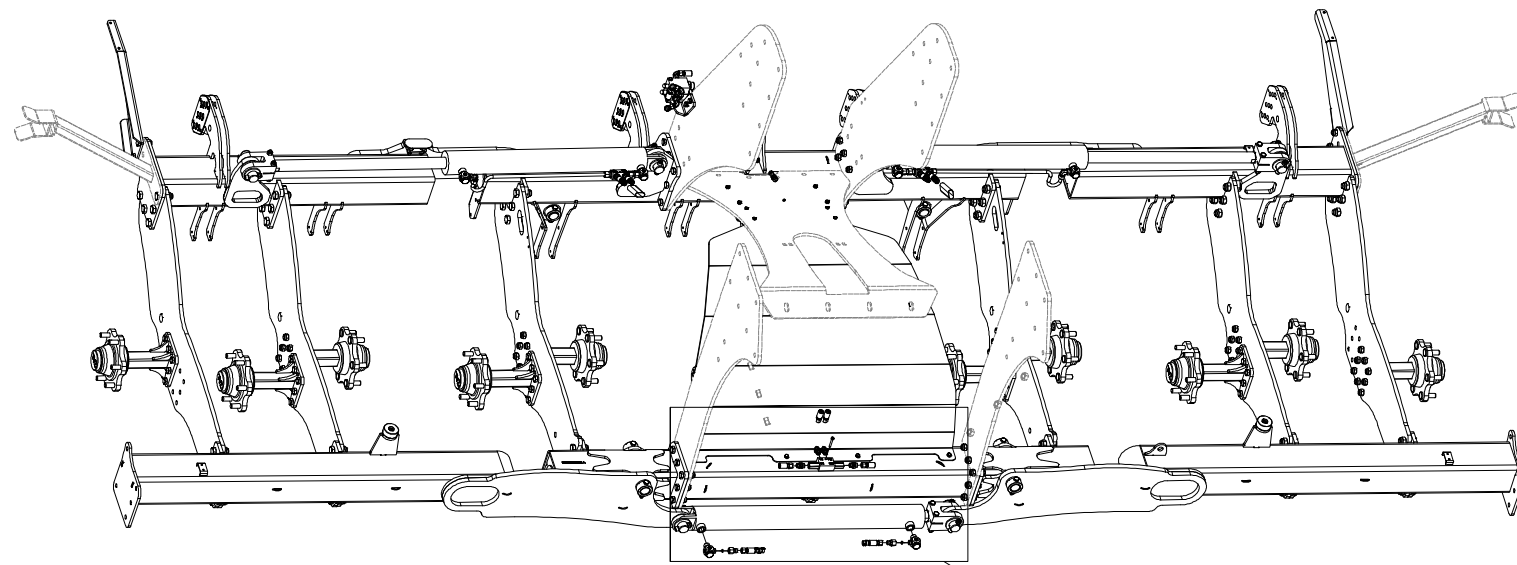
| Pos. | Part Number | Pcs. |
|------|-------------|------|
| 21 | 4007730 | 3 |
| 29 | 4015686 | 3 |
| 35 | VZ00011562 | 1 |
| 52 | m04355 | 26 |
| 62 | m14008 | 12 |
| 71 | 4013139 | 12 |
| 73 | m03636 | 6 |
| 75 | m01209 | 2 |
| 82 | m03683 | 107 |
| 83 | m04301 | 18 |
| 87 | m03775 | 2 |
| 111 | m21882 | 1 |
| 133 | m01114 | 2 |

- ⒸZ VÁLEC SADA
- Ⓓ ZYLINDER SET
- Ⓕ ROULEAU KIT

- ⒼB ROLLER SET
- ⒶK KATOK КОМПЛЕКТ
- ⒶL WAŁ ZESTAW



VZ00025047



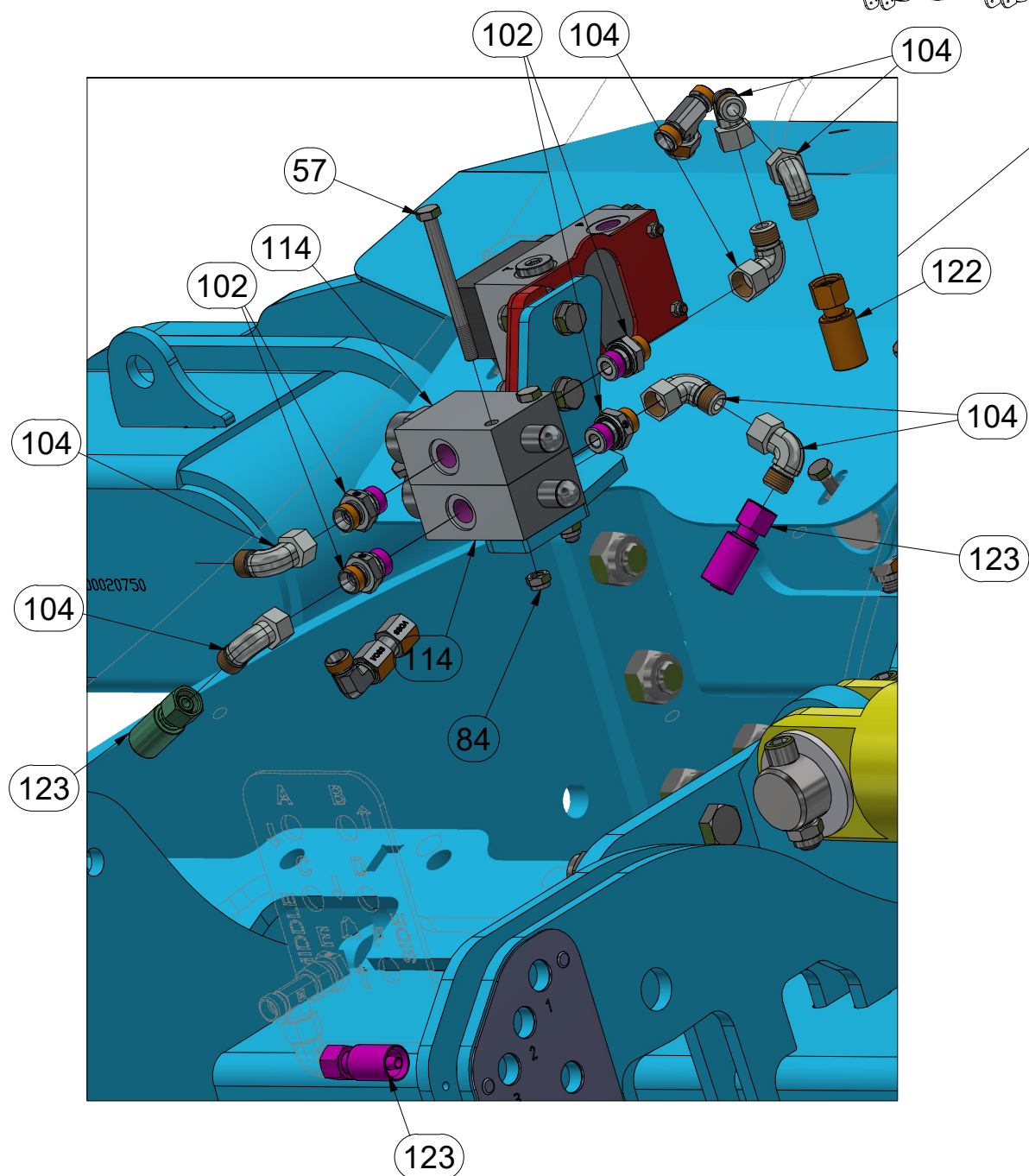
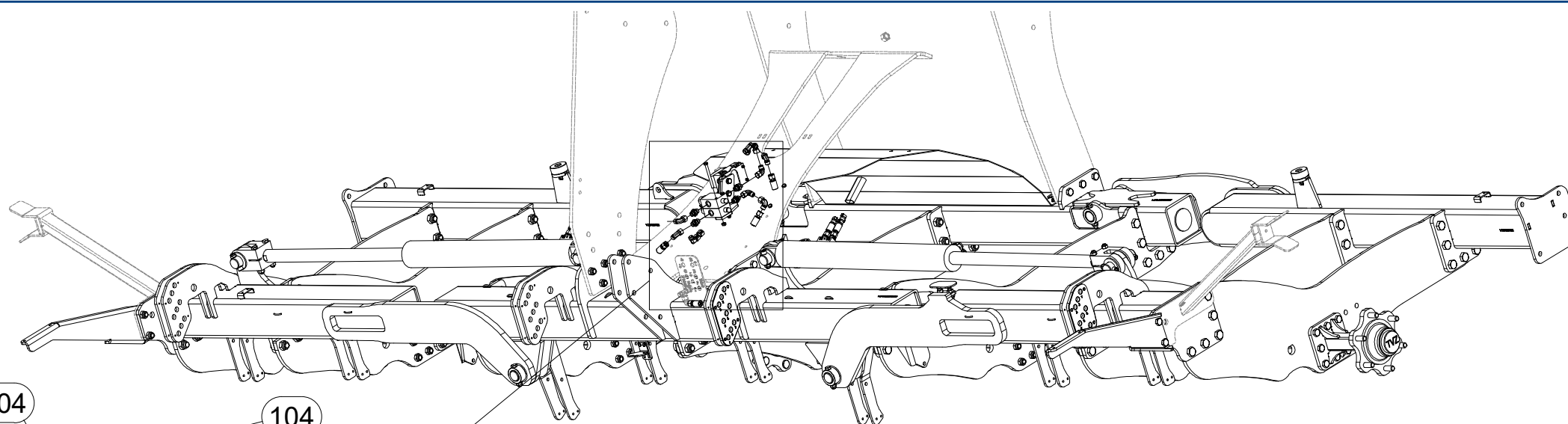
| Pos. | Part Number | Pcs. |
|------|-------------|------|
| 56 | m05561 | 1 |
| 64 | m20912 | 6 |
| 102 | m06528 | 12 |
| 103 | m06673 | 1 |
| 104 | m06803 | 9 |
| 108 | m09986 | 2 |
| 109 | m10775 | 6 |
| 111 | m21882 | 1 |
| 117 | m11253 | 6 |
| 118 | m11294 | 9 |
| 120 | m20170 | 4 |
| 124 | m04669 | 2 |
| 133 | m01114 | 2 |

- ⒸZ VÁLEC SADA
- Ⓓ ZYLINDER SET
- Ⓕ ROULEAU KIT

- ⒸB ROLLER SET
- ⒸU КАТОК КОМПЛЕКТ
- ⒸL WAŁ ZESTAW



VZ00025047



| Pos. | Part Number | Pcs. |
|------|-------------|------|
| 57 | m15456 | 2 |
| 84 | m04503 | 10 |
| 102 | m06528 | 12 |
| 104 | m06803 | 9 |
| 114 | m18047 | 2 |
| 122 | m04033 | 2 |
| 123 | m04827 | 2 |
| 133 | m01114 | 2 |

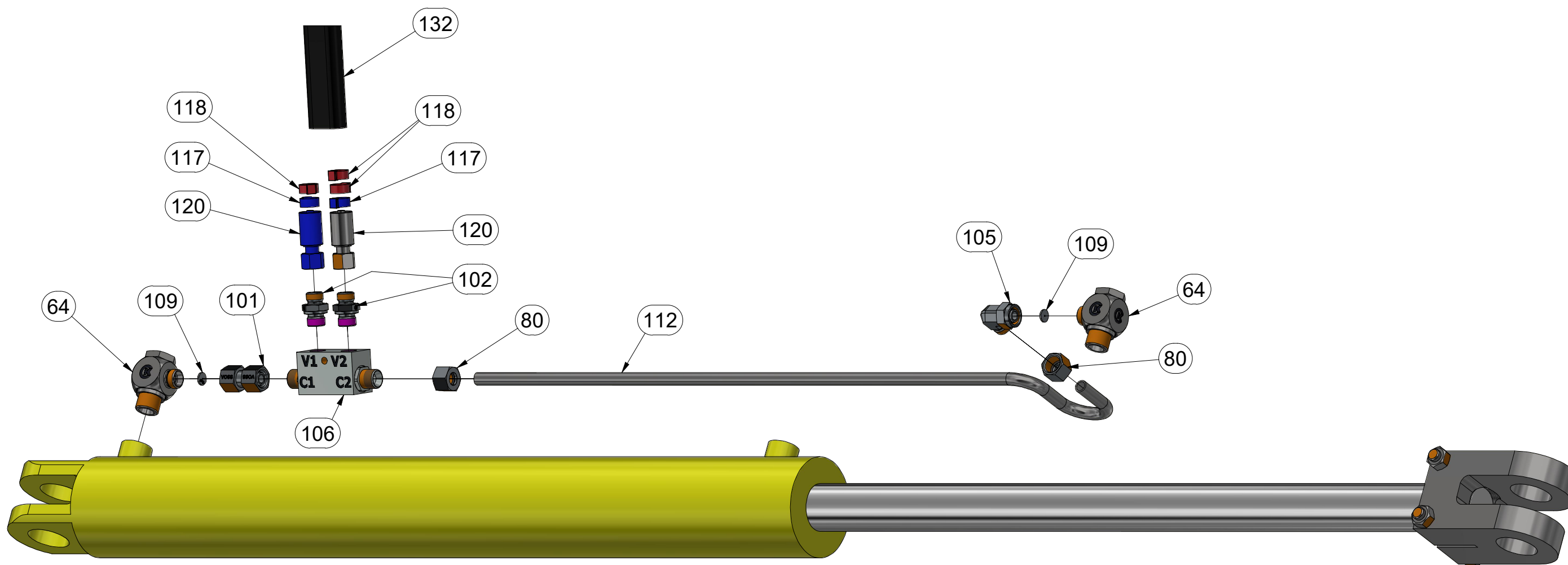
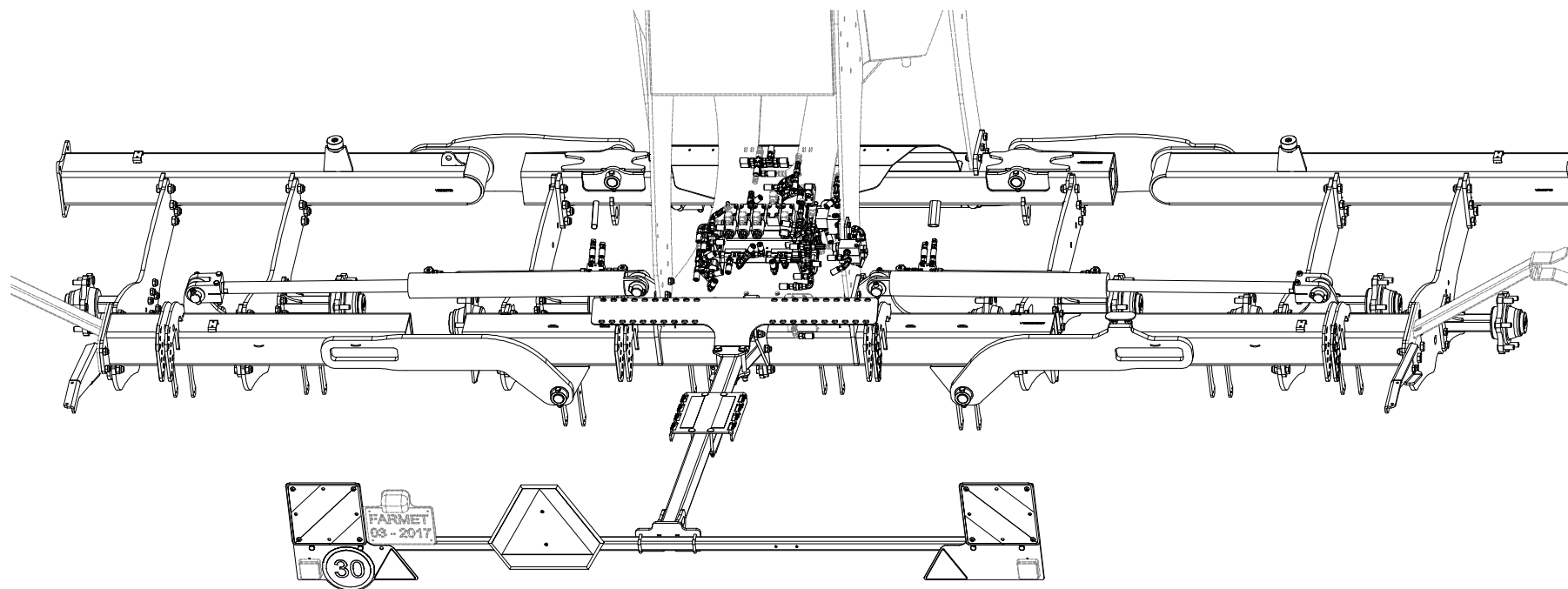
- ⒸZ VÁLEC SADA
- Ⓓ ZYLINDER SET
- Ⓕ ROULEAU KIT

- ⒼB ROLLER SET
- ⒶK KATOK КОМПЛЕКТ
- ⒶL WAŁ ZESTAW



VZ00025047

| Pos. | Part Number | Pcs. |
|------|-------------|------|
| 64 | m20912 | 6 |
| 80 | m17321 | 4 |
| 101 | m22306 | 2 |
| 102 | m06528 | 12 |
| 105 | m07654 | 2 |
| 106 | m08083 | 2 |
| 109 | m10775 | 6 |
| 112 | m16714 | 2 |
| 117 | m11253 | 6 |
| 118 | m11294 | 9 |
| 120 | m20170 | 4 |
| 132 | m11183 | 2 |
| 133 | m01114 | 2 |

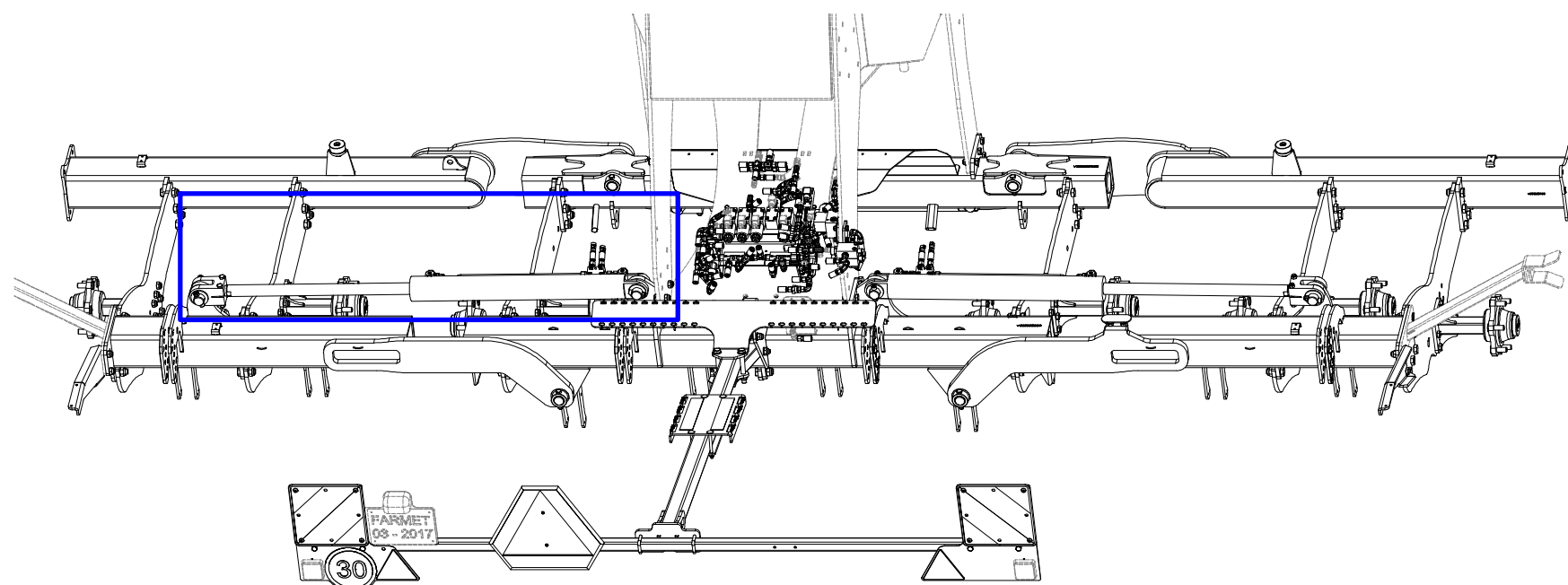


- Ⓒ VÁLEC SADA
- Ⓓ ZYLINDER SET
- Ⓕ ROULEAU KIT

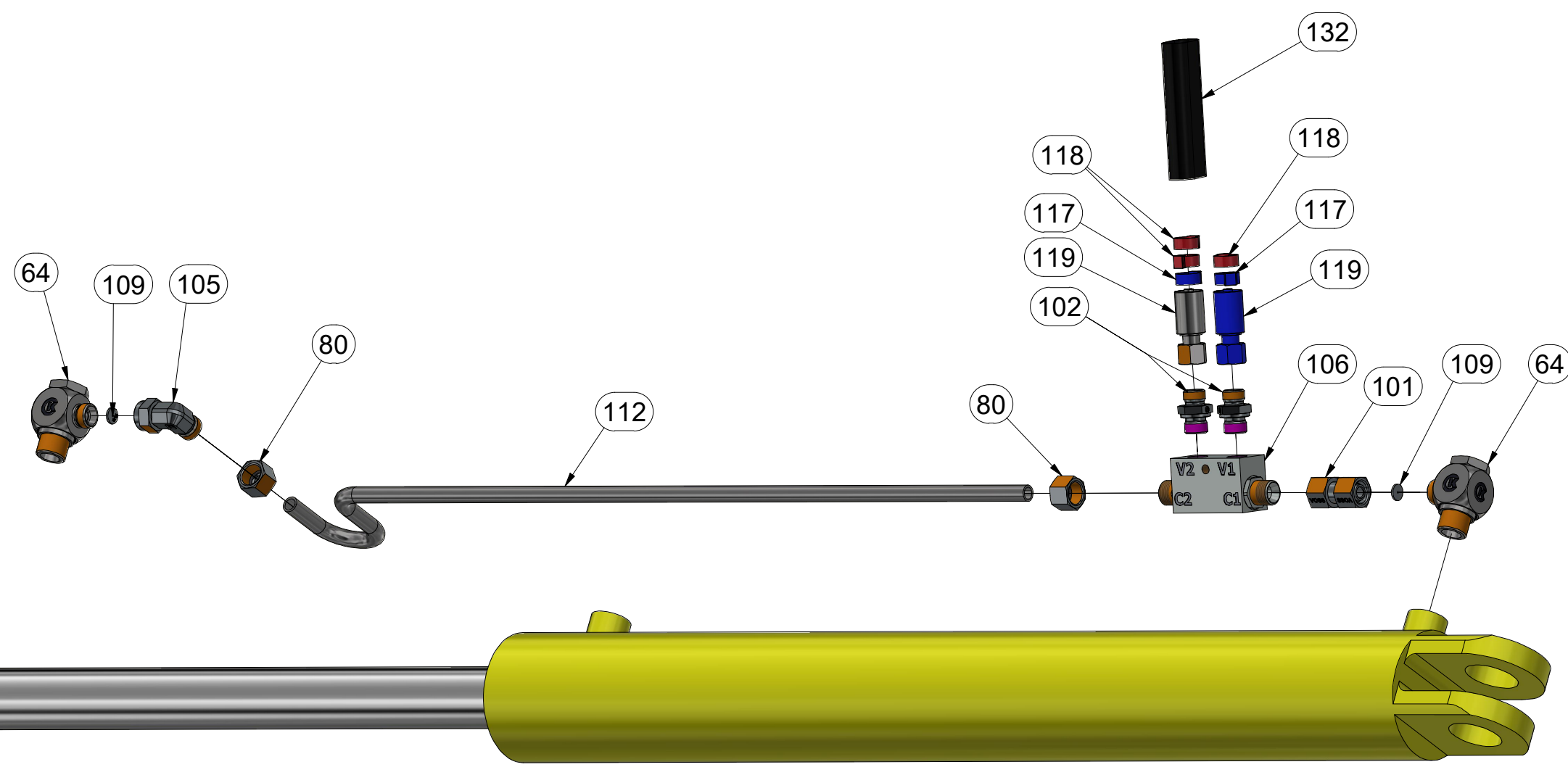
- Ⓒ ROLLER SET
- Ⓓ КАТОК КОМПЛЕКТ
- Ⓕ WAŁ ZESTAW



VZ00025047



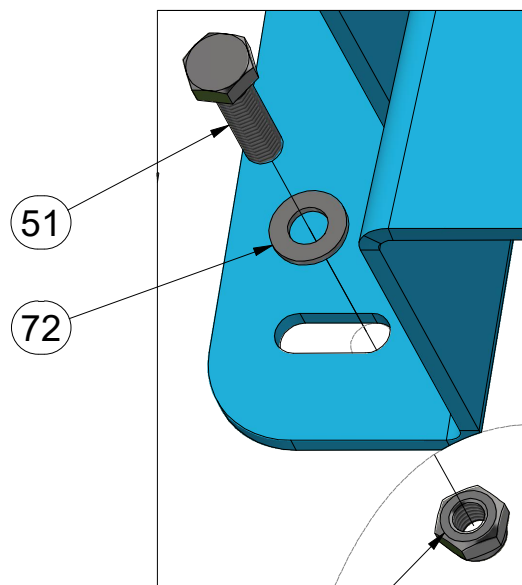
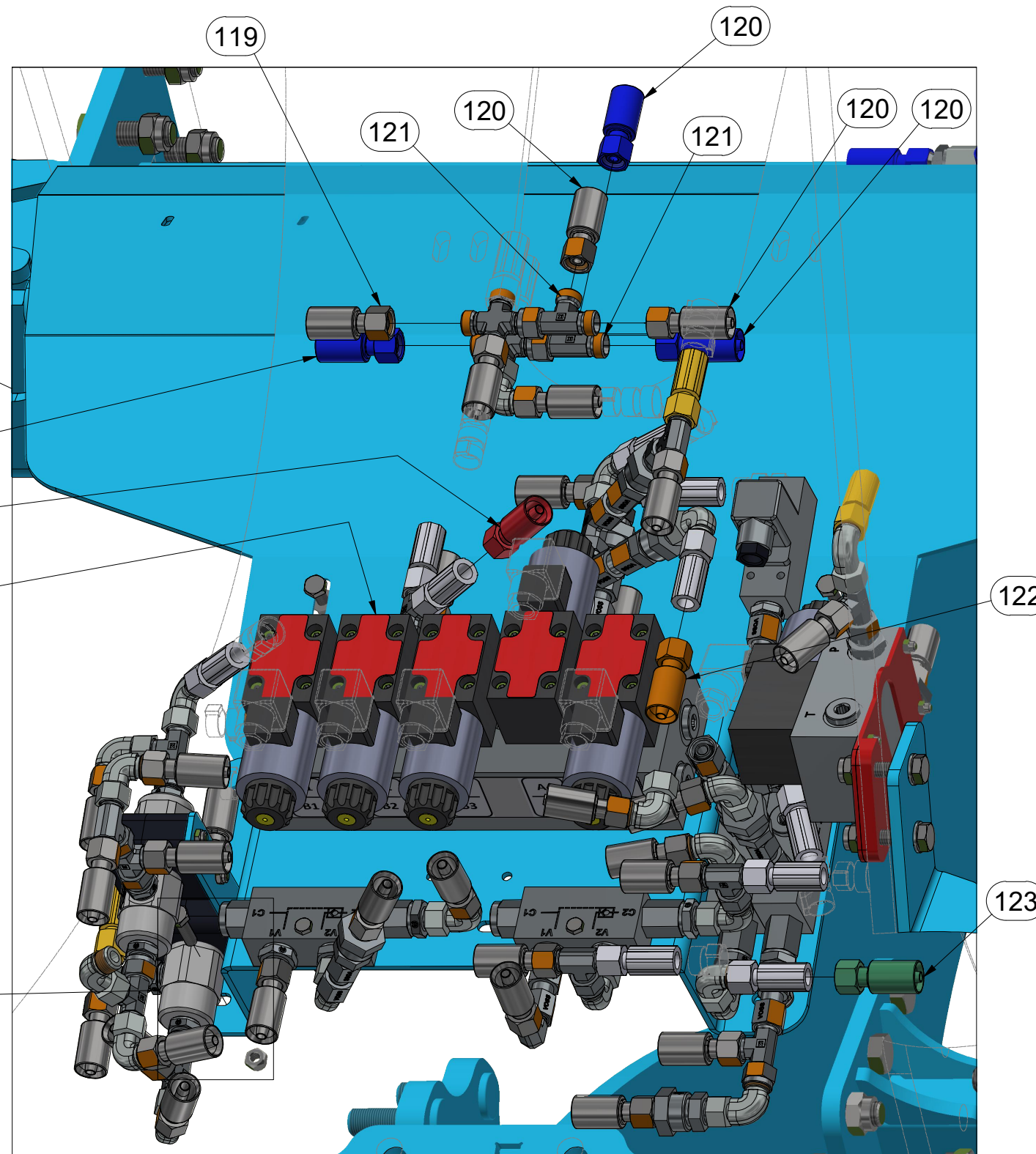
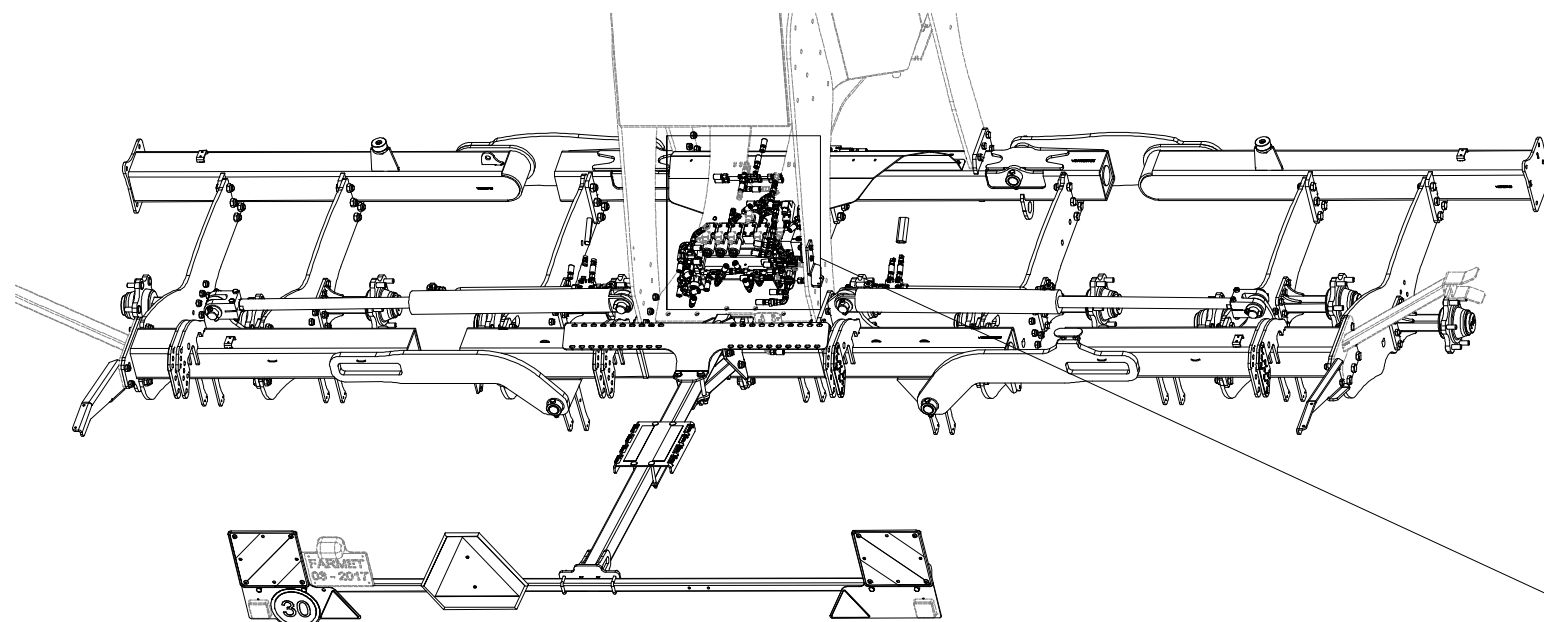
| Pos. | Part Number | Pcs. |
|------|-------------|------|
| 64 | m20912 | 6 |
| 80 | m17321 | 4 |
| 101 | m22306 | 2 |
| 102 | m06528 | 12 |
| 105 | m07654 | 2 |
| 106 | m08083 | 2 |
| 109 | m10775 | 6 |
| 112 | m16714 | 2 |
| 117 | m11253 | 6 |
| 118 | m11294 | 9 |
| 119 | m07364 | 2 |
| 132 | m11183 | 2 |
| 133 | m01114 | 2 |



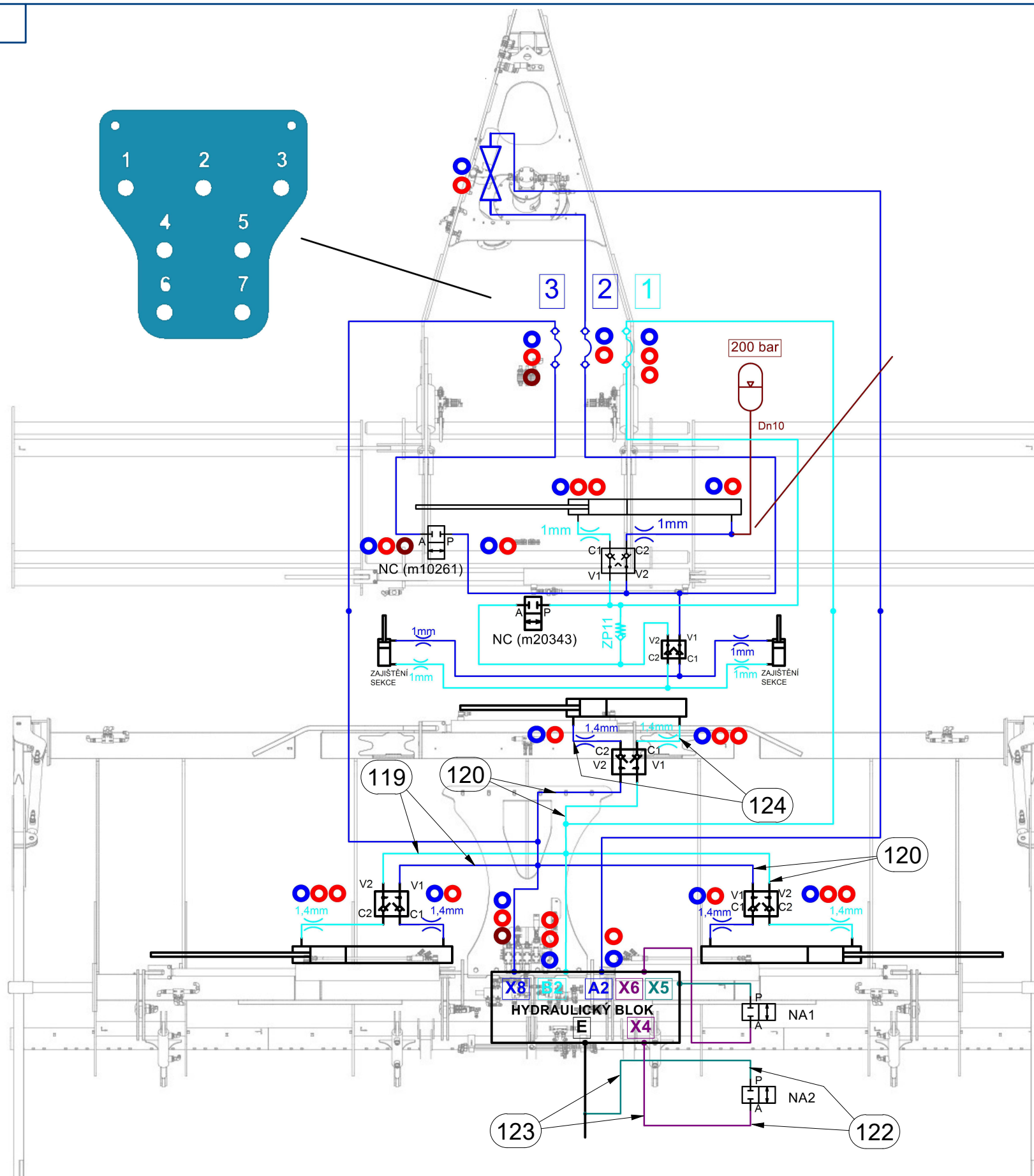
- Ⓒ VÁLEC SADA
- Ⓓ ZYLINDER SET
- Ⓕ ROULEAU KIT

- Ⓒ ROLLER SET
- Ⓓ КАТОК КОМПЛЕКТ
- Ⓕ WAŁ ZESTAW

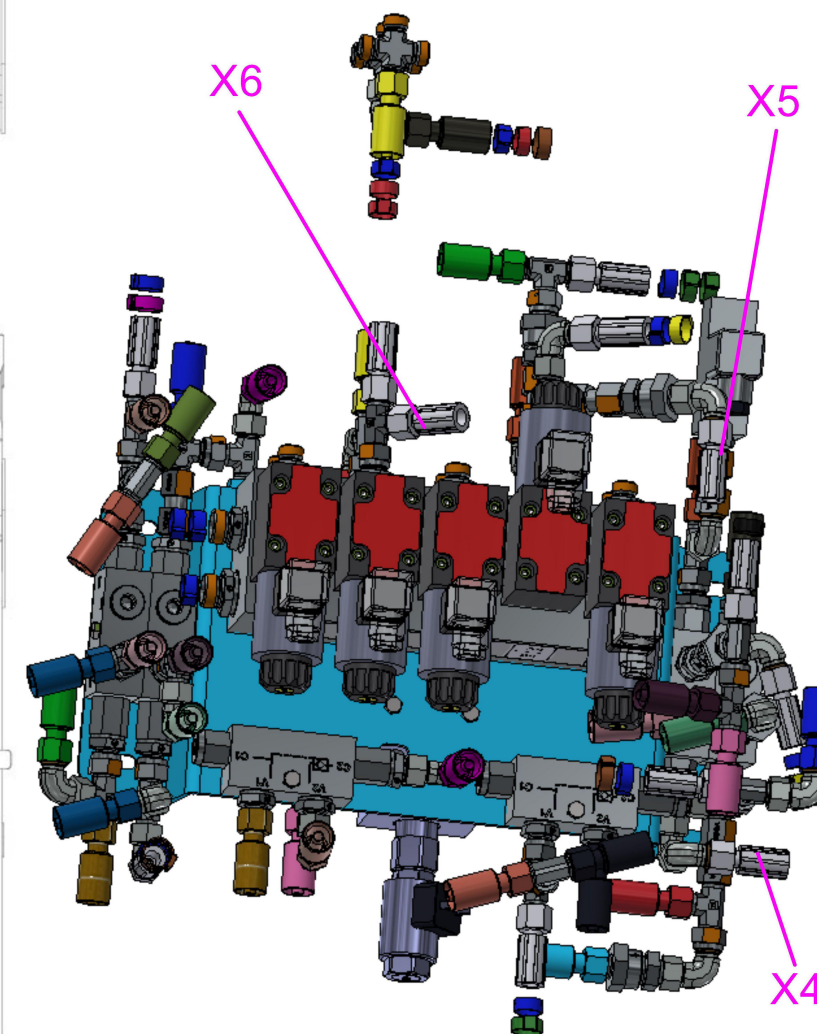
VZ00025047



| Pos. | Part Number | Pcs. |
|------|-------------|------|
| 10 | VZ00030169 | 1 |
| 51 | m04791 | 8 |
| 72 | m01203 | 12 |
| 84 | m04503 | 10 |
| 119 | m07364 | 2 |
| 120 | m20170 | 4 |
| 121 | m07568 | 2 |
| 122 | m04033 | 2 |
| 123 | m04827 | 2 |
| 133 | m01114 | 2 |

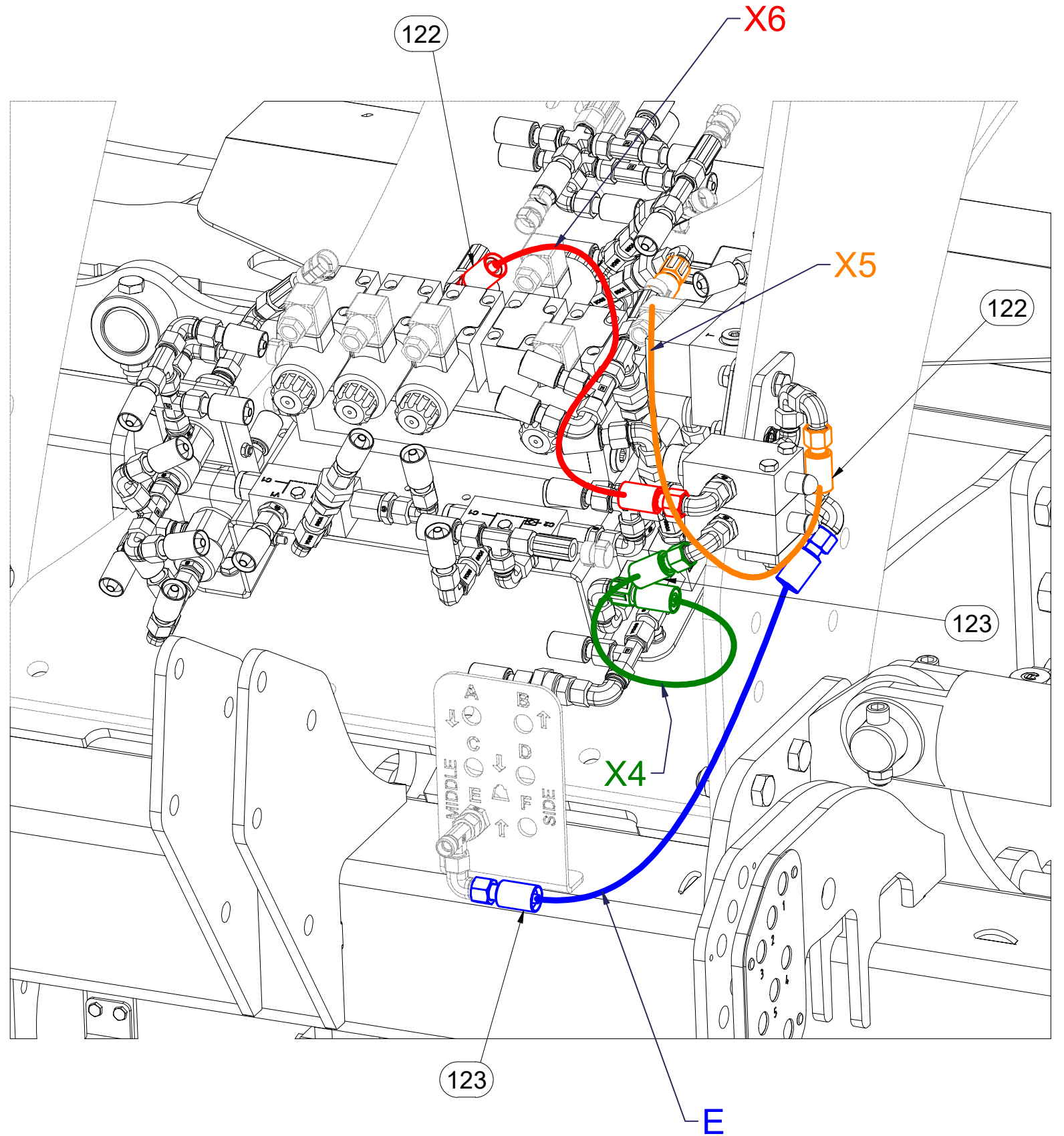
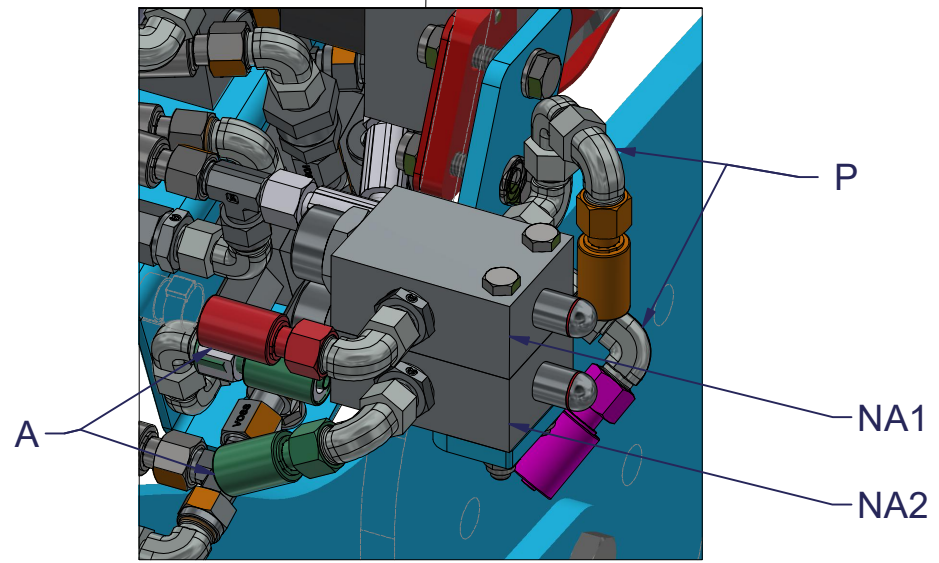
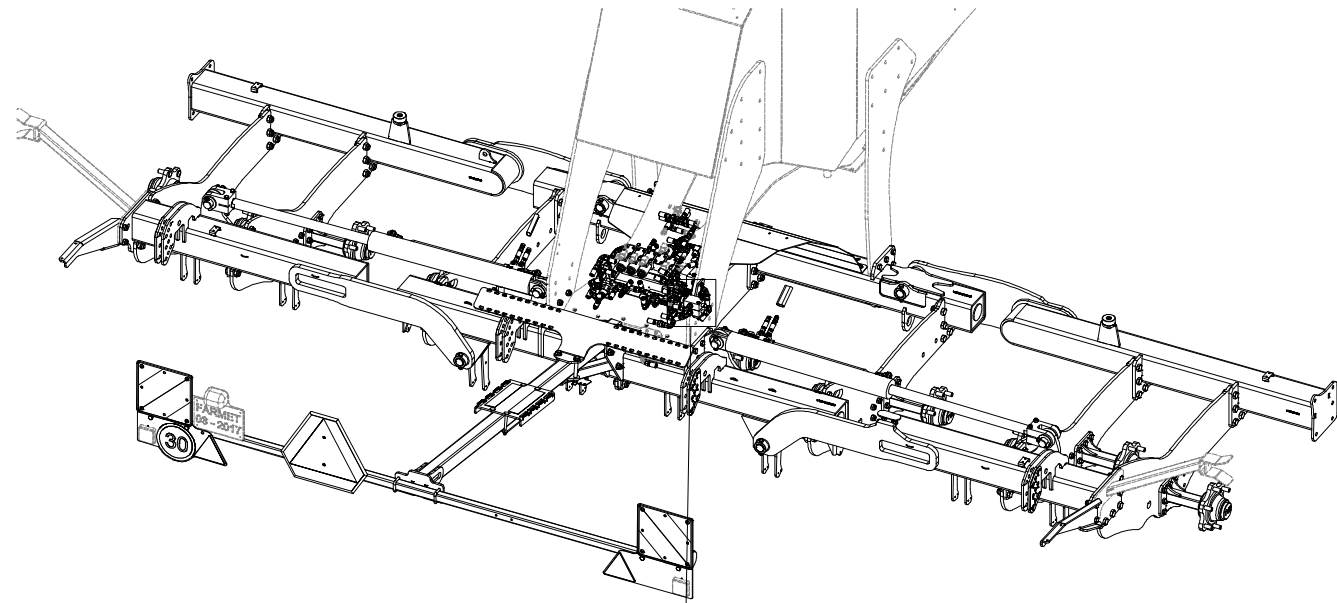


| Pos. | Part Number | Pcs. |
|------|-------------|------|
| 119 | m07364 | 2 |
| 120 | m20170 | 4 |
| 122 | m04033 | 2 |
| 123 | m04827 | 2 |
| 124 | m04669 | 2 |
| 133 | m01114 | 2 |



CZ VÁLEC SADA
 D ZYLINDER SET
 F ROULEAU KIT
VZ00025047

GB ROLLER SET
 RU КАТОК КОМПЛЕКТ
 PL WAŁ ZESTAW



| Pos. | Part Number | Pcs. |
|------|-------------|------|
| 122 | m04033 | 2 |
| 123 | m04827 | 2 |
| 133 | m01114 | 2 |

ⒸZ NÁPRAVA

Ⓓ ACHSE

Ⓕ ESSIEU

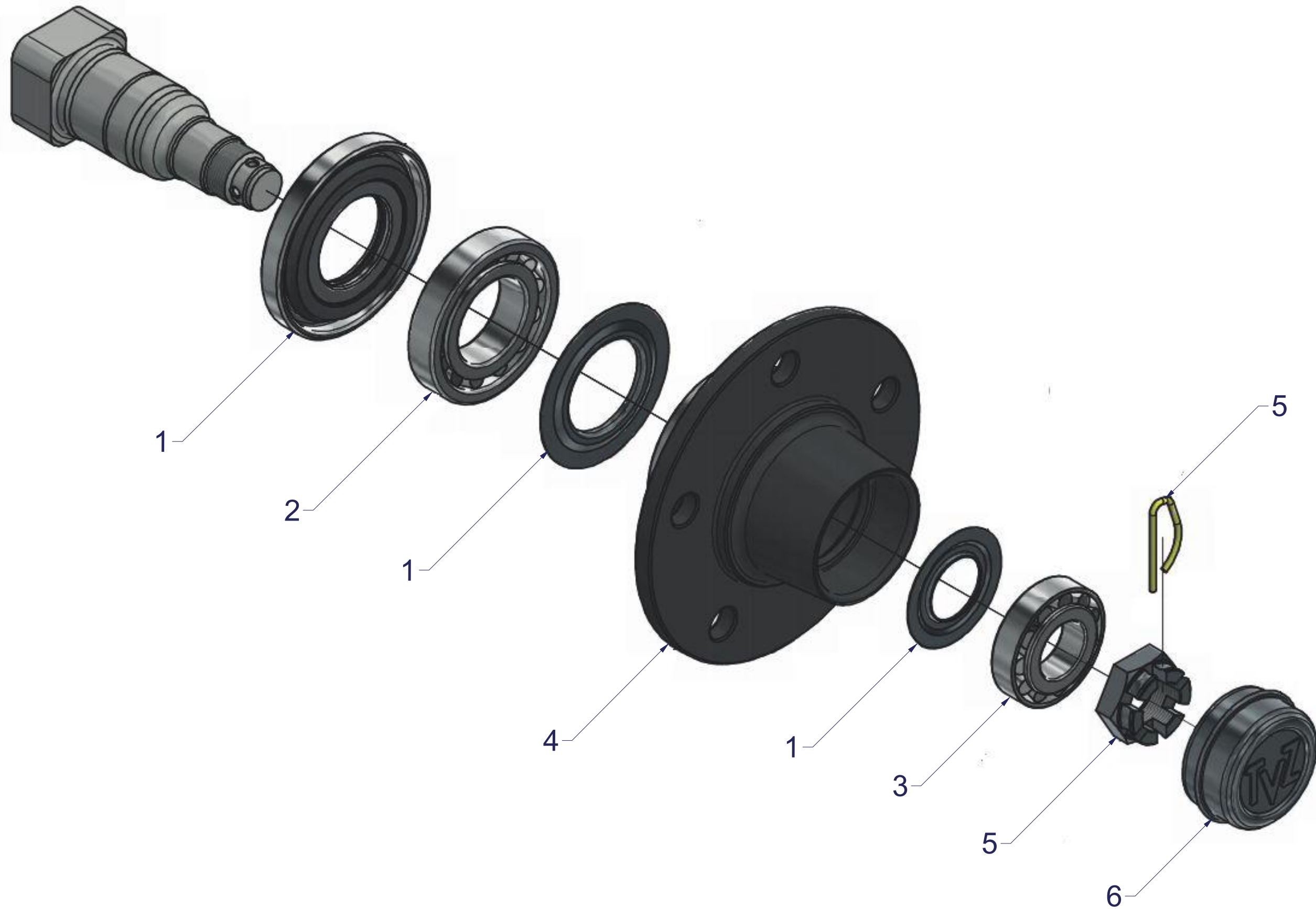
ⒸB AXLE

ⒹU OCB

ⒸL OS



S050X230



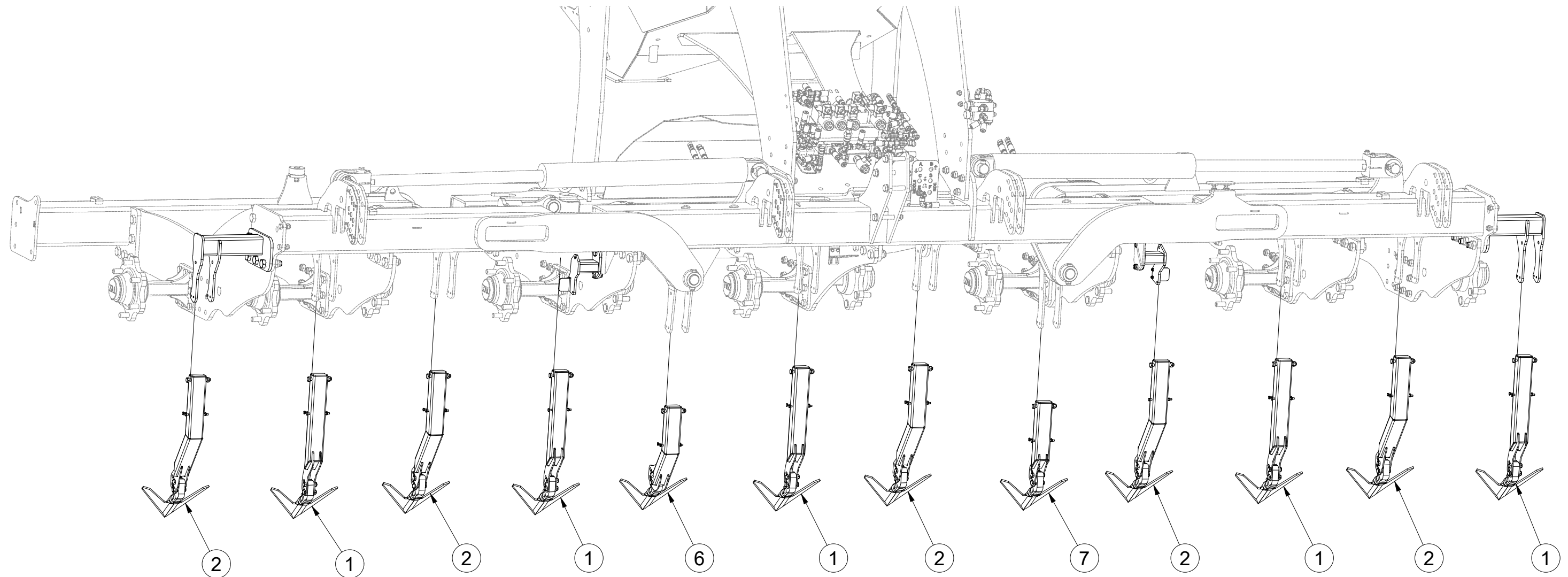
| Pos. | Part Number | Pcs. |
|------|-------------|------|
| 1 | m22189 | 1 |
| 2 | m05624 | 2 |
| 3 | m03223 | 2 |
| 4 | m22190 | 1 |
| 5 | m22188 | 1 |
| 6 | m22191 | 1 |

- Ⓒ SADA ŠKRABEK
- Ⓓ SET ABSTREIFER
- Ⓕ KIT DE RACLOIRS

- Ⓖ SET OF SCRAPERS
- Ⓡ КОМПЛЕКТ СКРЕБКОВ
- Ⓟ ZESTAW ZGARNIAREK



3006588



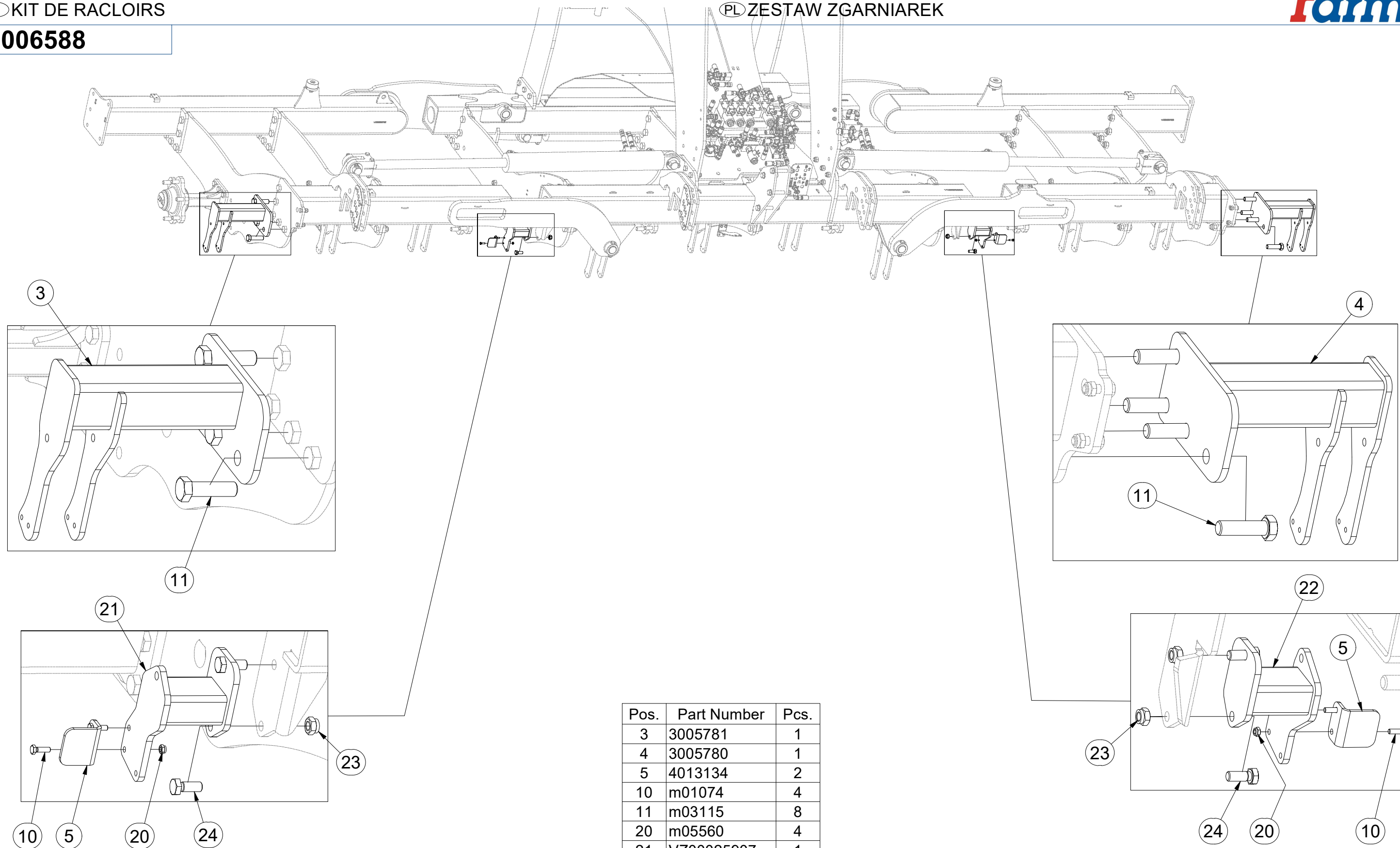
| Pos. | Part Number | Pcs. |
|------|-------------|------|
| 1 | VZ00008686 | 5 |
| 2 | 3006444 | 5 |
| 6 | 3006443 | 1 |
| 7 | 3006452 | 1 |

- Ⓒ SADA ŠKRABEK
- Ⓓ SET ABSTREIFER
- Ⓕ KIT DE RACLOIRS

- Ⓖ SET OF SCRAPERS
- Ⓒ КОМПЛЕКТ СКРЕБКОВ
- Ⓔ ZESTAW ZGARNIAREK



3006588



| Pos. | Part Number | Pcs. |
|------|-------------|------|
| 3 | 3005781 | 1 |
| 4 | 3005780 | 1 |
| 5 | 4013134 | 2 |
| 10 | m01074 | 4 |
| 11 | m03115 | 8 |
| 20 | m05560 | 4 |
| 21 | VZ00025907 | 1 |
| 22 | VZ00026240 | 1 |
| 23 | m04301 | 4 |
| 24 | m04039 | 4 |

Ⓒ ŠKRABKA BLIŽŠÍHO KOLA DELŠÍ

Ⓓ ABSTREIFER DES NÄHEREN RADS LÄNGER

Ⓕ RACLOIR DE LA ROUE LA PLUS PROCHE - PLUS LONG

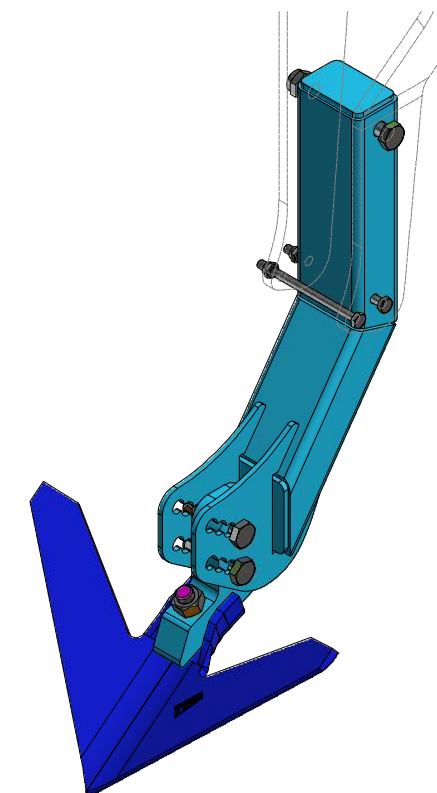
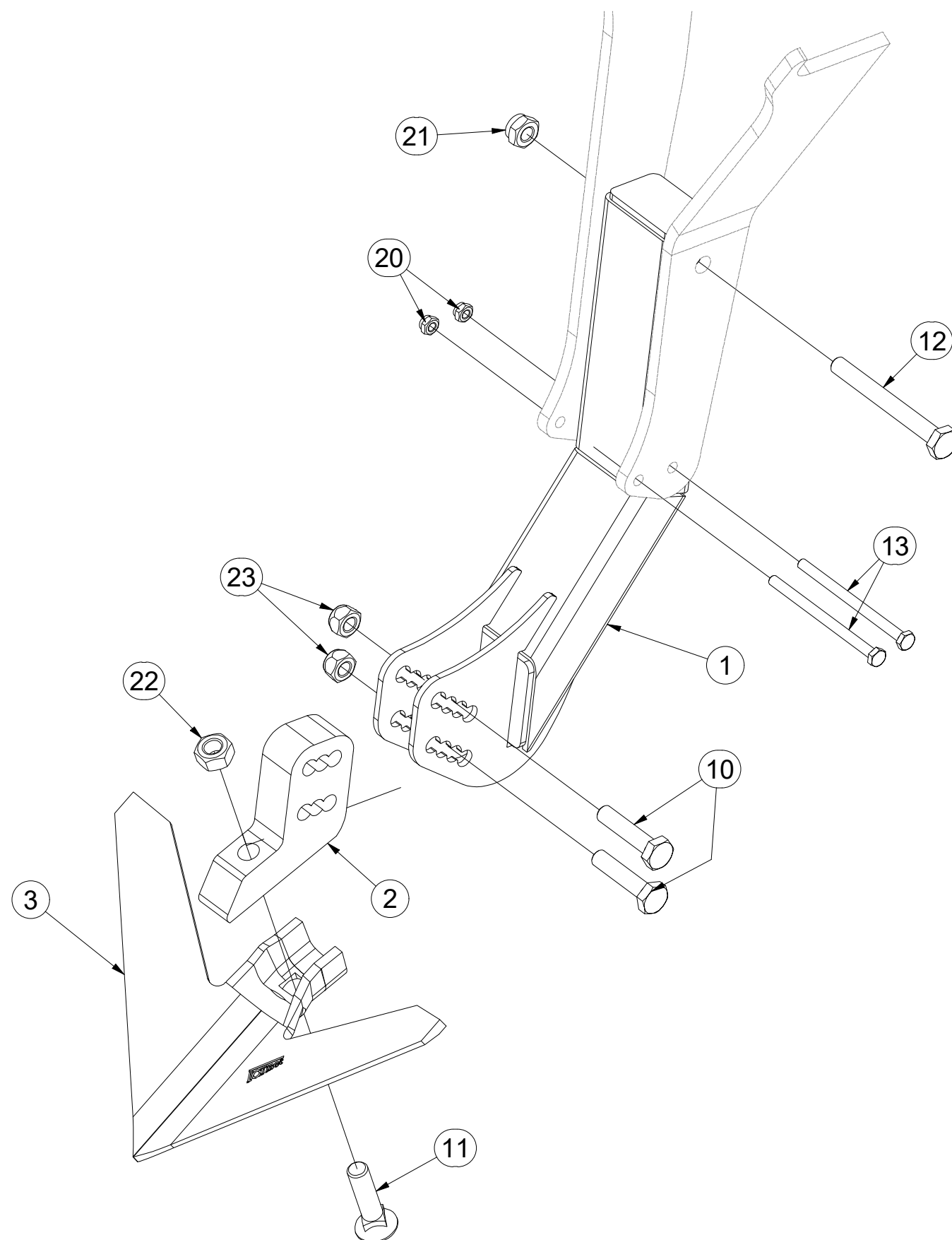
Ⓖ SCRAPER OF THE NEAR WHEEL, LONGER

Ⓡ СКРЕБОК БЛИЖНЕГО КОЛЕСА ДЛИННЫЙ

Ⓟ ZGARNIARKA BLIŻSZEGO KOŁA DALSZA

Farmet

3006443



| Pos. | Part Number | Pcs. |
|------|-------------|------|
| 1 | VZ00017302 | 1 |
| 2 | 4012922 | 1 |
| 3 | 3000236-KOO | 1 |
| 10 | m10444 | 2 |
| 11 | m10440 | 1 |
| 12 | m10555 | 1 |
| 13 | m13891 | 2 |
| 20 | m05560 | 2 |
| 21 | m03775 | 1 |
| 22 | m10439 | 1 |
| 23 | m11530 | 2 |

Ⓒ ŠKRABKA BLIŽŠÍHO KOLA

Ⓓ ABSTREIFER DES NÄHEREN RADS

Ⓕ RACLOIR DE LA ROUE LA PLUS PROCHE

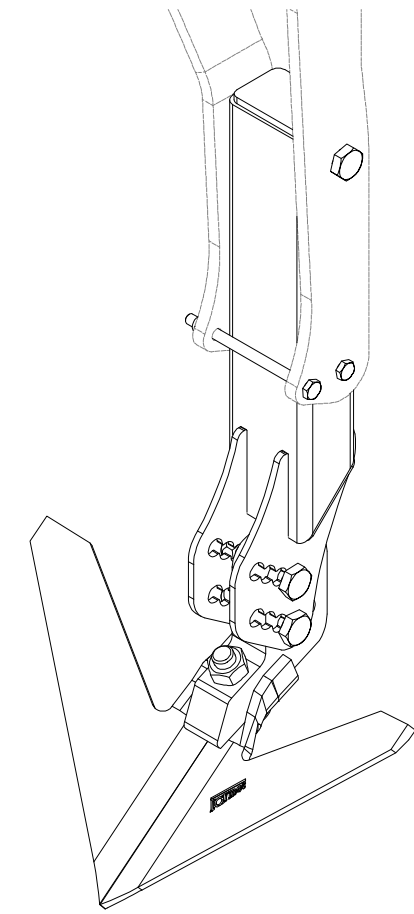
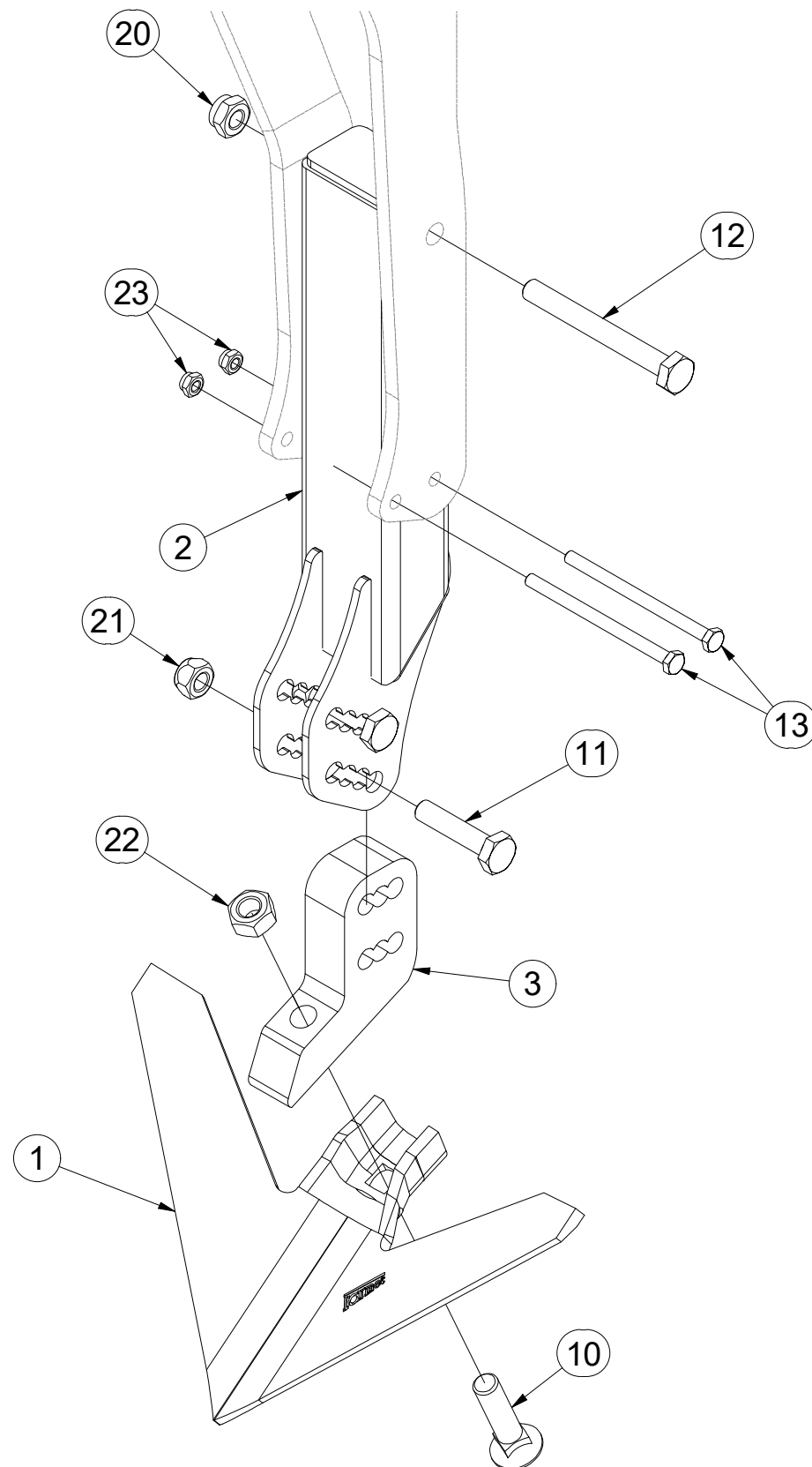
3006452

Ⓖ SCRAPER OF THE NEAR WHEEL

Ⓡ СКРЕБОК БЛИЖНЕГО КОЛЕСА

Ⓟ ZGARNIARKA BLIŻSZEGO KOŁA

Farmet



| Pos. | Part Number | Pcs. |
|------|-------------|------|
| 1 | 3000236-KOO | 1 |
| 2 | 3006451 | 1 |
| 3 | 4012922 | 1 |
| 10 | m10440 | 1 |
| 11 | m10444 | 2 |
| 12 | m10555 | 1 |
| 13 | m13891 | 2 |
| 20 | m03775 | 1 |
| 21 | m11530 | 2 |
| 22 | m10439 | 1 |
| 23 | m05560 | 2 |

Ⓒ ŠKRABKA BLIŽŠÍHO KOLA DELŠÍ

Ⓓ ABSTREIFER DES NÄHEREN RADS LÄNGER

Ⓕ RACLOIR DE LA ROUE LA PLUS PROCHE - PLUS LONG

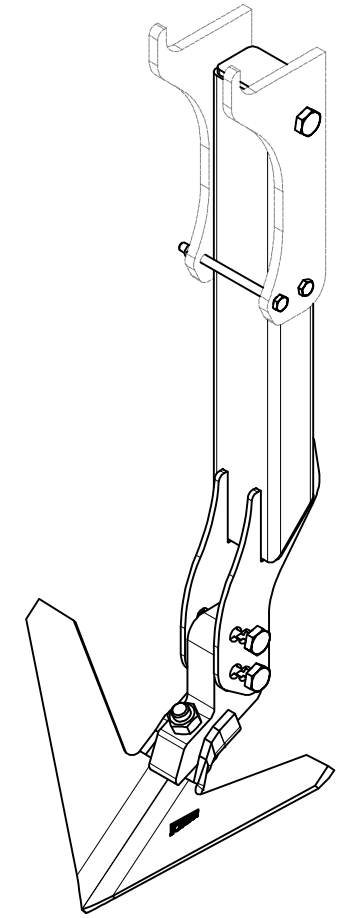
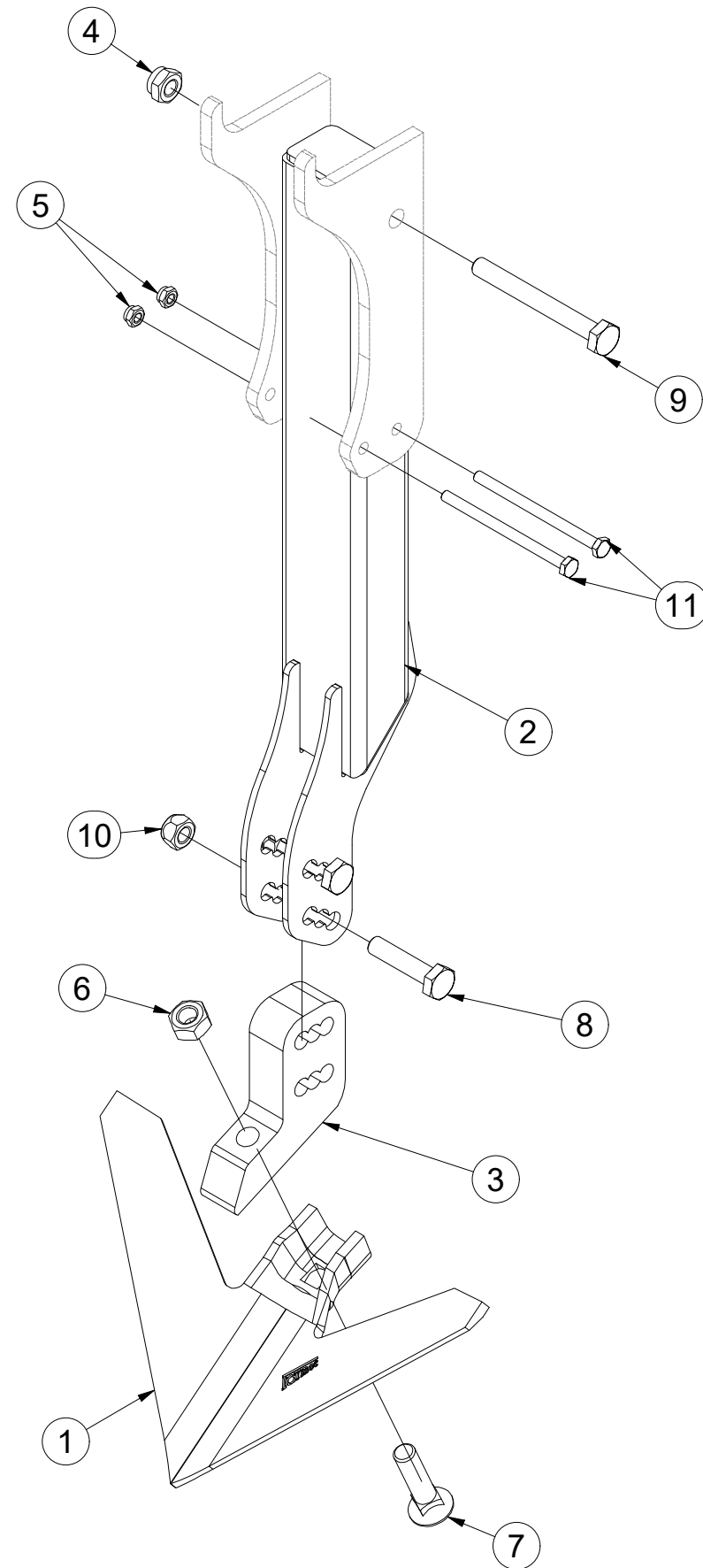
Ⓖ SCRAPER OF THE NEAR WHEEL, LONGER

Ⓡ СКРЕБОК БЛИЖНЕГО КОЛЕСА ДЛИННЫЙ

Ⓟ ZGARNIARKA BLIŻSZEGO KOŁA DALSZA

Farmet

VZ00008686



| Pos. | Part Number | Pcs. |
|------|-------------|------|
| 1 | 3000236-KOO | 1 |
| 2 | VZ00008687 | 1 |
| 3 | 4012922 | 1 |
| 4 | m03775 | 1 |
| 5 | m05560 | 2 |
| 6 | m10439 | 1 |
| 7 | m10440 | 1 |
| 8 | m10444 | 2 |
| 9 | m10555 | 1 |
| 10 | m11530 | 2 |
| 11 | m13891 | 2 |

Ⓒ ŠKRABKA VZDÁLENĚJŠÍHO KOLA DELŠÍ

Ⓓ ABSTREIFER DES ENTFERNTEREN RADS LÄNGER

Ⓕ RACLOIR DE LA ROUE LA PLUS ÉLOIGNÉE - PLUS LONG

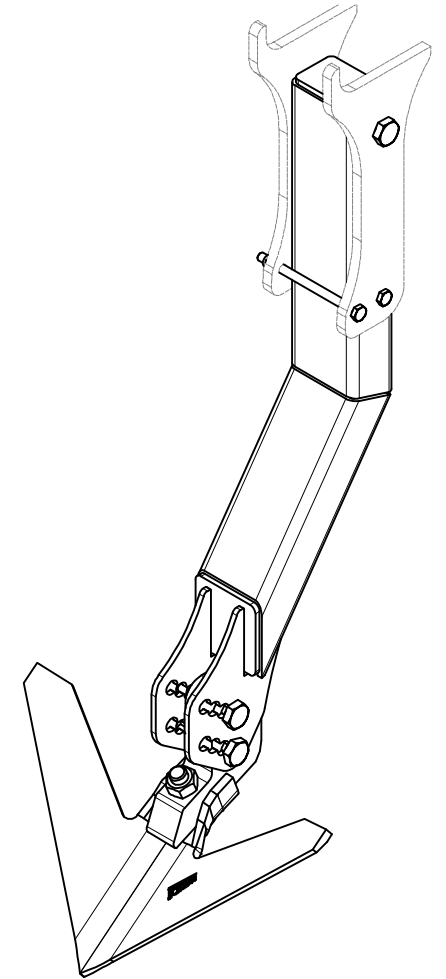
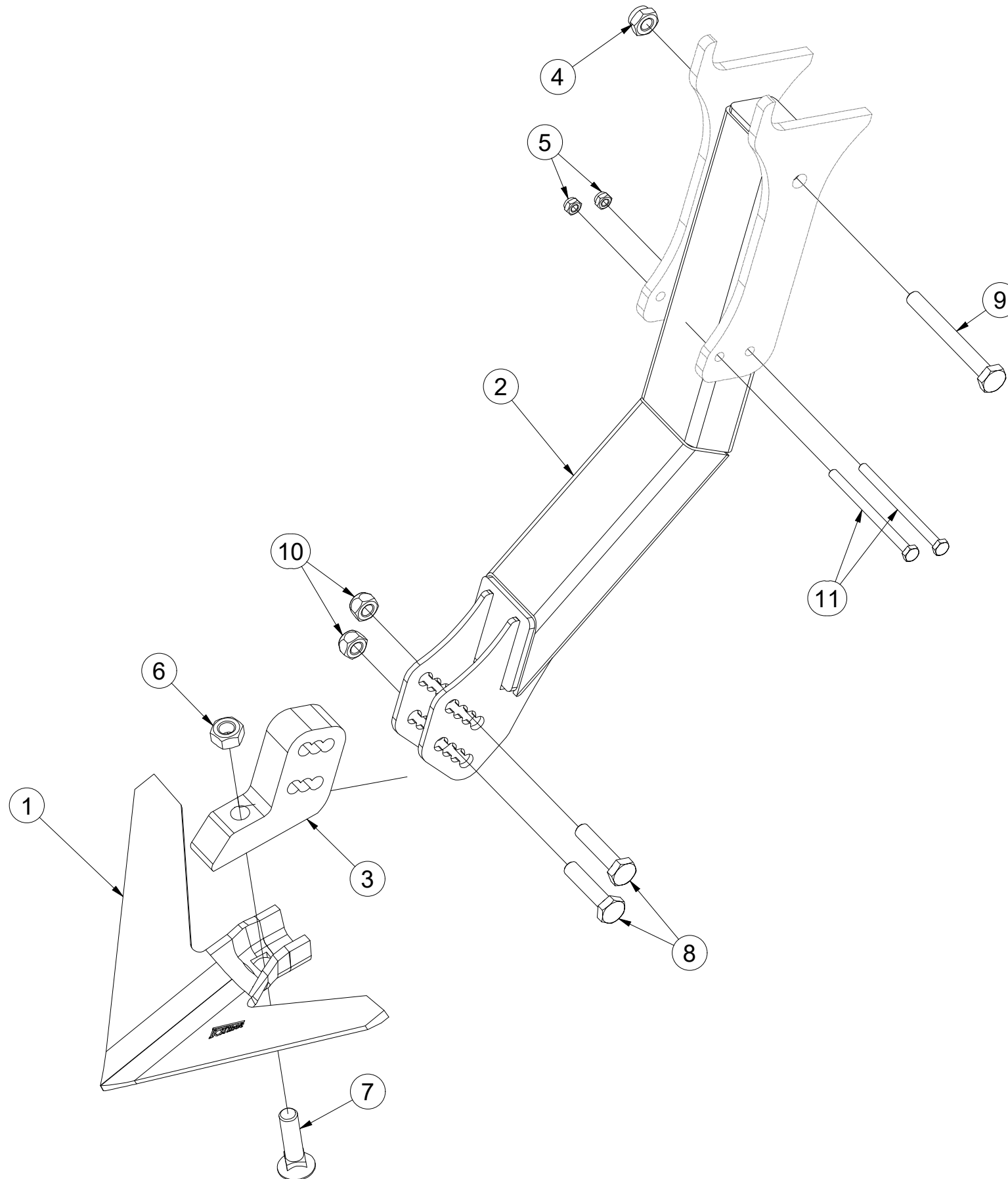
Ⓖ SCRAPER OF THE FAR WHEEL, LONGER

Ⓡ СКРЕБОК ДАЛЬНЕГО КОЛЕСА ДЛИННЫЙ

Ⓟ ZGARNIARKA DALSZEGO KOŁA DALSZA

Farmet

3006444



| Pos. | Part Number | Pcs. |
|------|-------------|------|
| 1 | 3000236-KOO | 1 |
| 2 | VZ00017300 | 1 |
| 3 | 4012922 | 1 |
| 4 | m03775 | 1 |
| 5 | m05560 | 2 |
| 6 | m10439 | 1 |
| 7 | m10440 | 1 |
| 8 | m10444 | 2 |
| 9 | m10555 | 1 |
| 10 | m11530 | 2 |
| 11 | m13891 | 2 |

ⒸZ SADA ZAVLAČOVÁNÍ

Ⓓ SCHLEPPENSATZ

Ⓕ ENSEMBLE DE DÉSHÉRBAGE

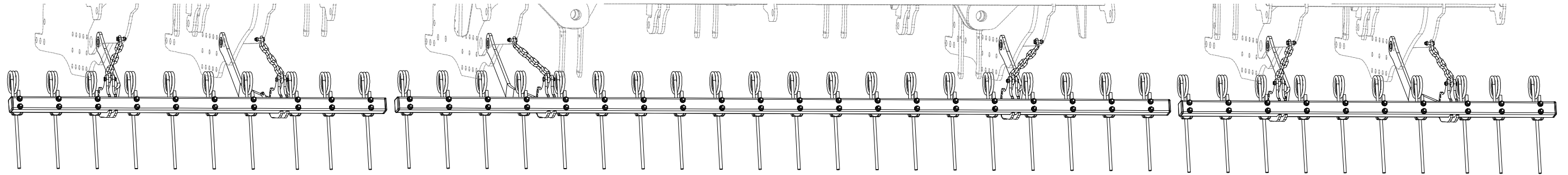
ⒸB SET OF WEEDING

ⒸR НАБОР ПРОПОЛКИ

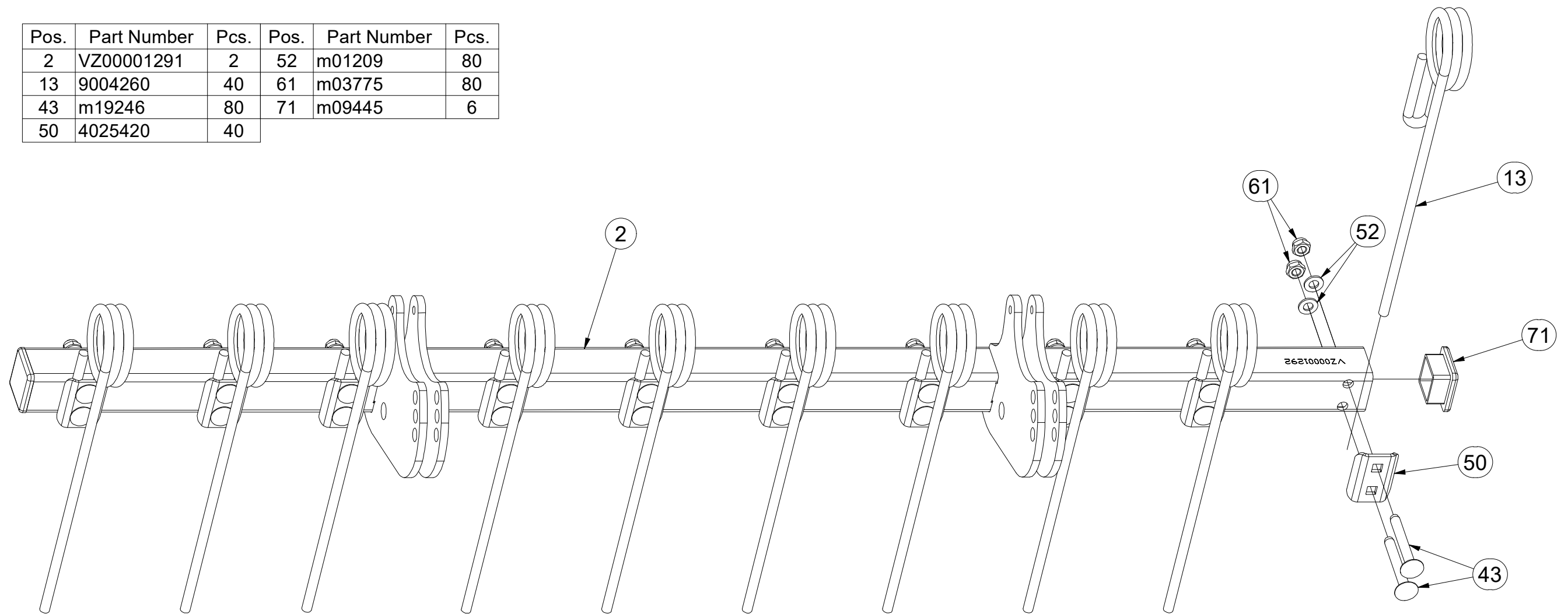
ⒸL ZESTAW PIELENIA

Farmet

VZ00001303



| Pos. | Part Number | Pcs. | Pos. | Part Number | Pcs. |
|------|-------------|------|------|-------------|------|
| 2 | VZ00001291 | 2 | 52 | m01209 | 80 |
| 13 | 9004260 | 40 | 61 | m03775 | 80 |
| 43 | m19246 | 80 | 71 | m09445 | 6 |
| 50 | 4025420 | 40 | | | |



Ⓒ SADA ZAVLAČOVÁNÍ

Ⓓ SCHLEPPENSATZ

Ⓕ ENSEMBLE DE DÉSHÉRBAGE

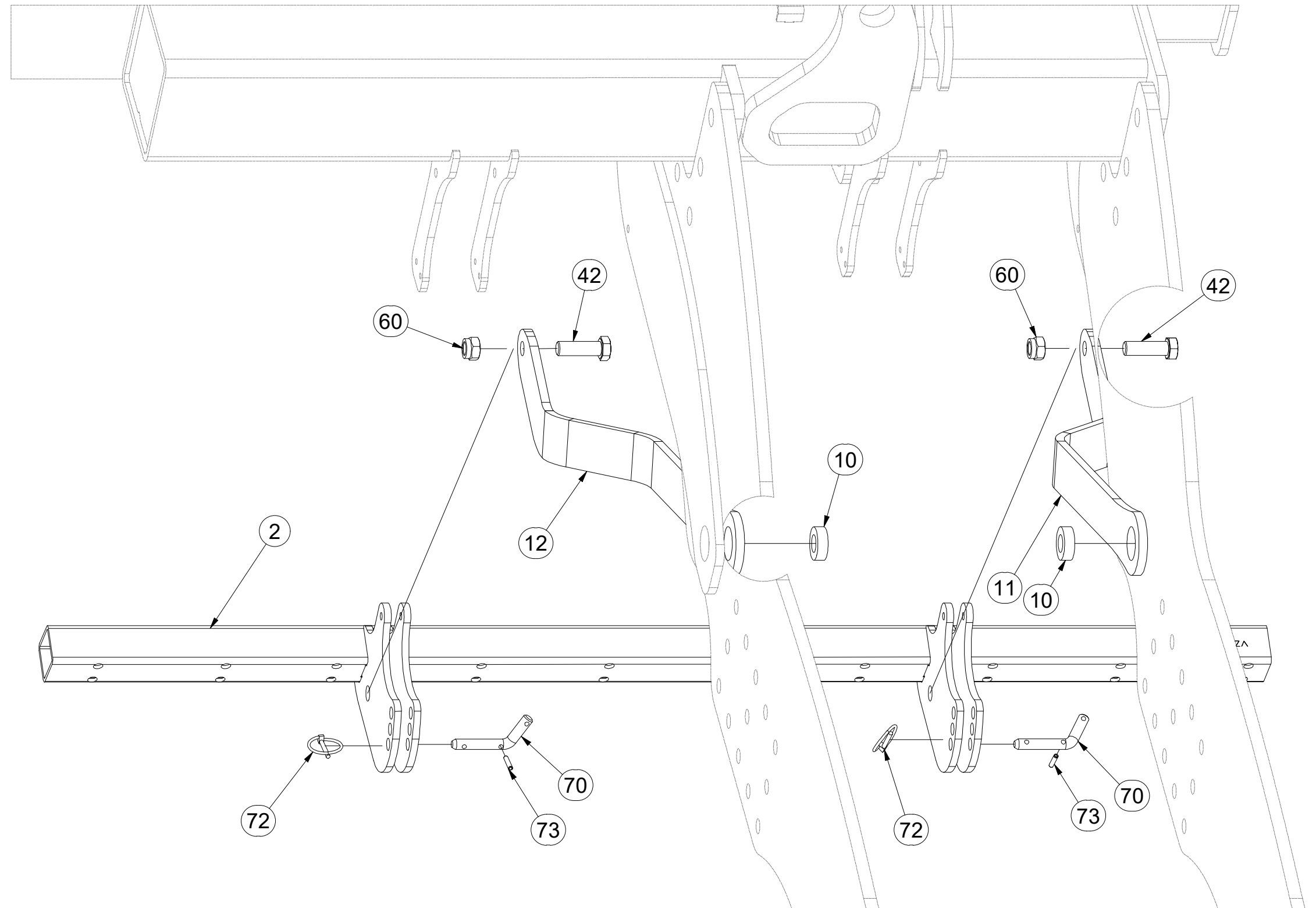
VZ00001303

Ⓖ SET OF WEEDING

Ⓡ НАБОР ПРОПОЛКИ

Ⓢ ZESTAW PIELENIA

Farmet



| Pos. | Part Number | Pcs. |
|------|-------------|------|
| 2 | VZ00001291 | 2 |
| 4 | 4009860 | 4 |
| 10 | 4022741 | 6 |
| 11 | 4022751 | 3 |
| 12 | 4022756 | 3 |
| 41 | m07788 | 6 |
| 42 | m04355 | 6 |
| 51 | m01203 | 6 |
| 60 | m03683 | 6 |
| 62 | m04503 | 12 |
| 70 | m09141 | 6 |
| 71 | m09445 | 6 |
| 72 | m10454 | 6 |
| 73 | m12284 | 6 |

Ⓒ SADA ZAVLAČOVÁNÍ

Ⓓ SCHLEPPENSATZ

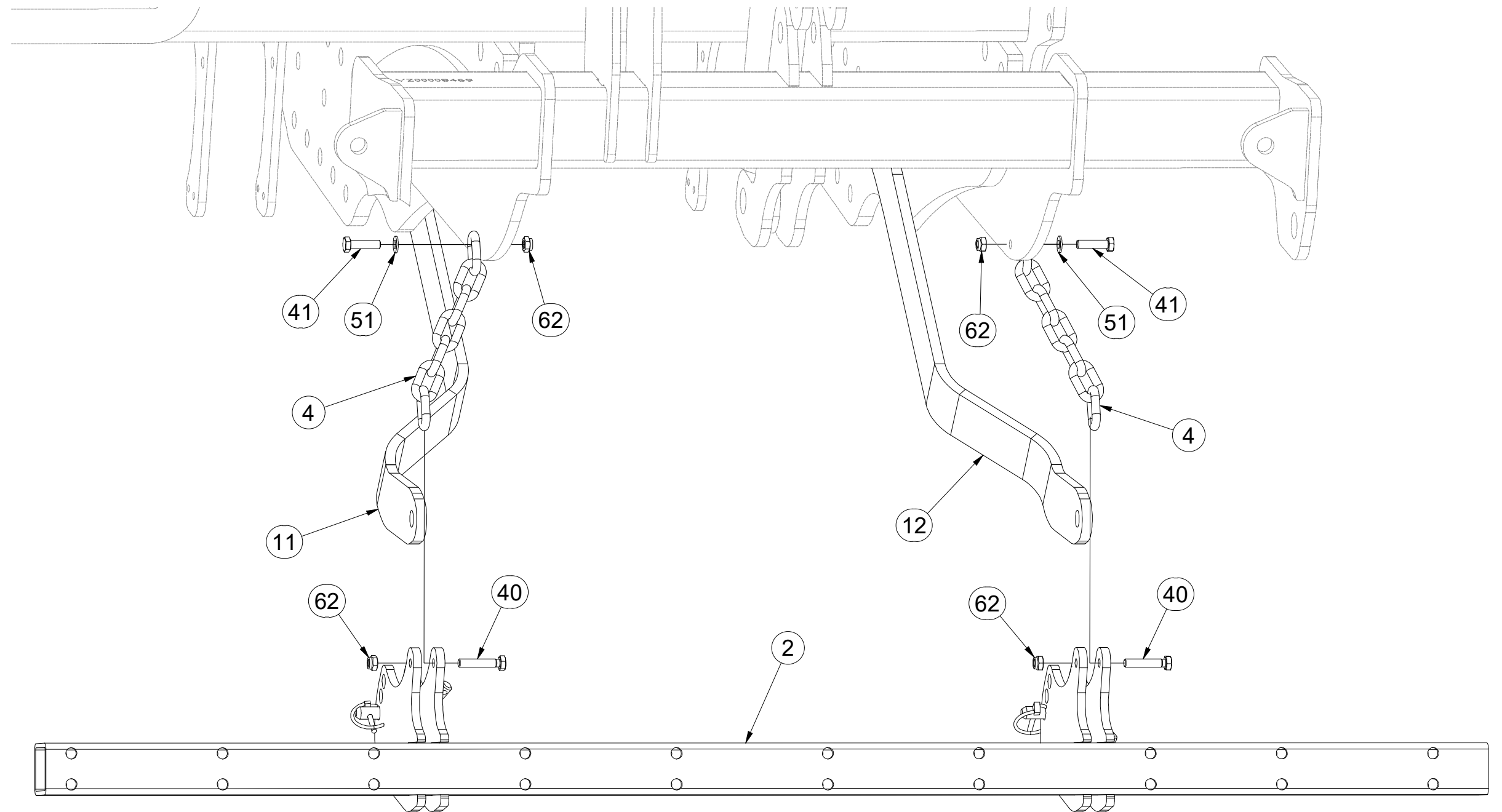
Ⓕ ENSEMBLE DE DÉSHÉRBAGE

VZ00001303

Ⓖ SET OF WEEDING

Ⓡ НАБОР ПРОПОЛКИ

Ⓟ ZESTAW PIELENIA



| Pos. | Part Number | Pcs. |
|------|-------------|------|
| 2 | VZ00001291 | 2 |
| 4 | 4009860 | 4 |
| 11 | 4022751 | 3 |
| 12 | 4022756 | 3 |
| 40 | m01097 | 6 |
| 41 | m07788 | 6 |
| 51 | m01203 | 6 |
| 62 | m04503 | 12 |

Ⓒ SADA ZAVLAČOVÁNÍ

Ⓓ SCHLEPPENSATZ

Ⓕ ENSEMBLE DE DÉSHÉRBAGE

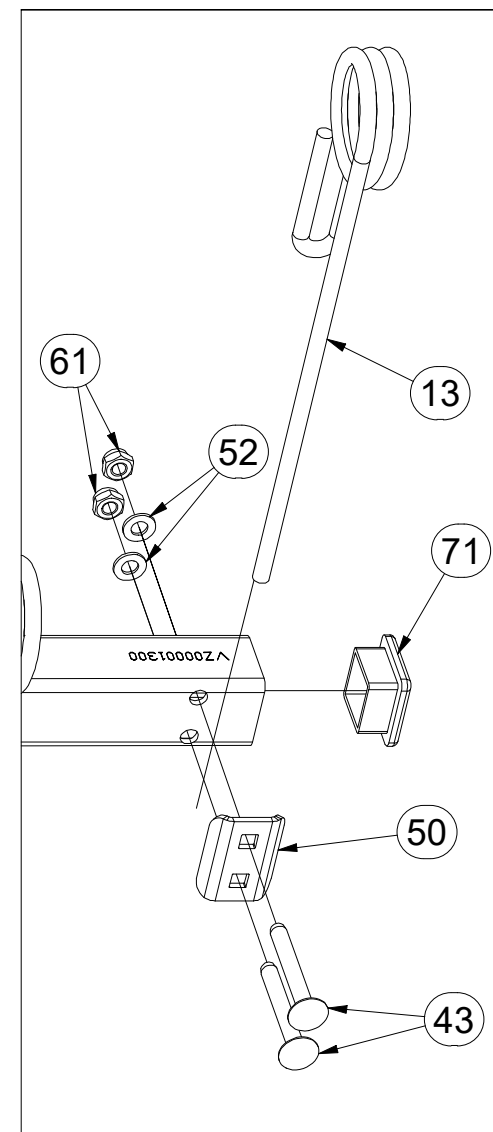
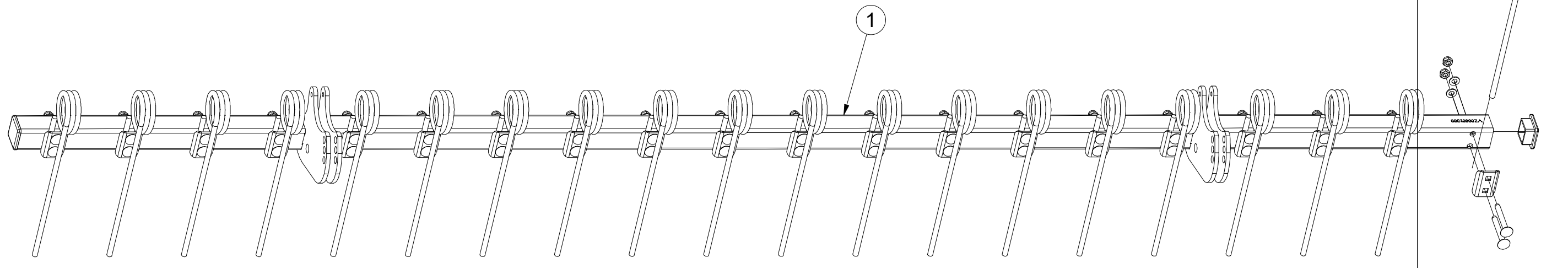
Ⓖ SET OF WEEDING

Ⓡ НАБОР ПРОПОЛКИ

Ⓟ ZESTAW PIELENIA



VZ00001303



| Pos. | Part Number | Pcs. |
|------|-------------|------|
| 1 | VZ00001301 | 1 |
| 13 | 9004260 | 40 |
| 43 | m19246 | 80 |
| 50 | 4025420 | 40 |
| 52 | m01209 | 80 |
| 61 | m03775 | 80 |
| 71 | m09445 | 6 |

Ⓒ SADA ZAVLAČOVÁNÍ

Ⓓ SCHLEPPENSATZ

Ⓕ ENSEMBLE DE DÉSHÉRBAGE

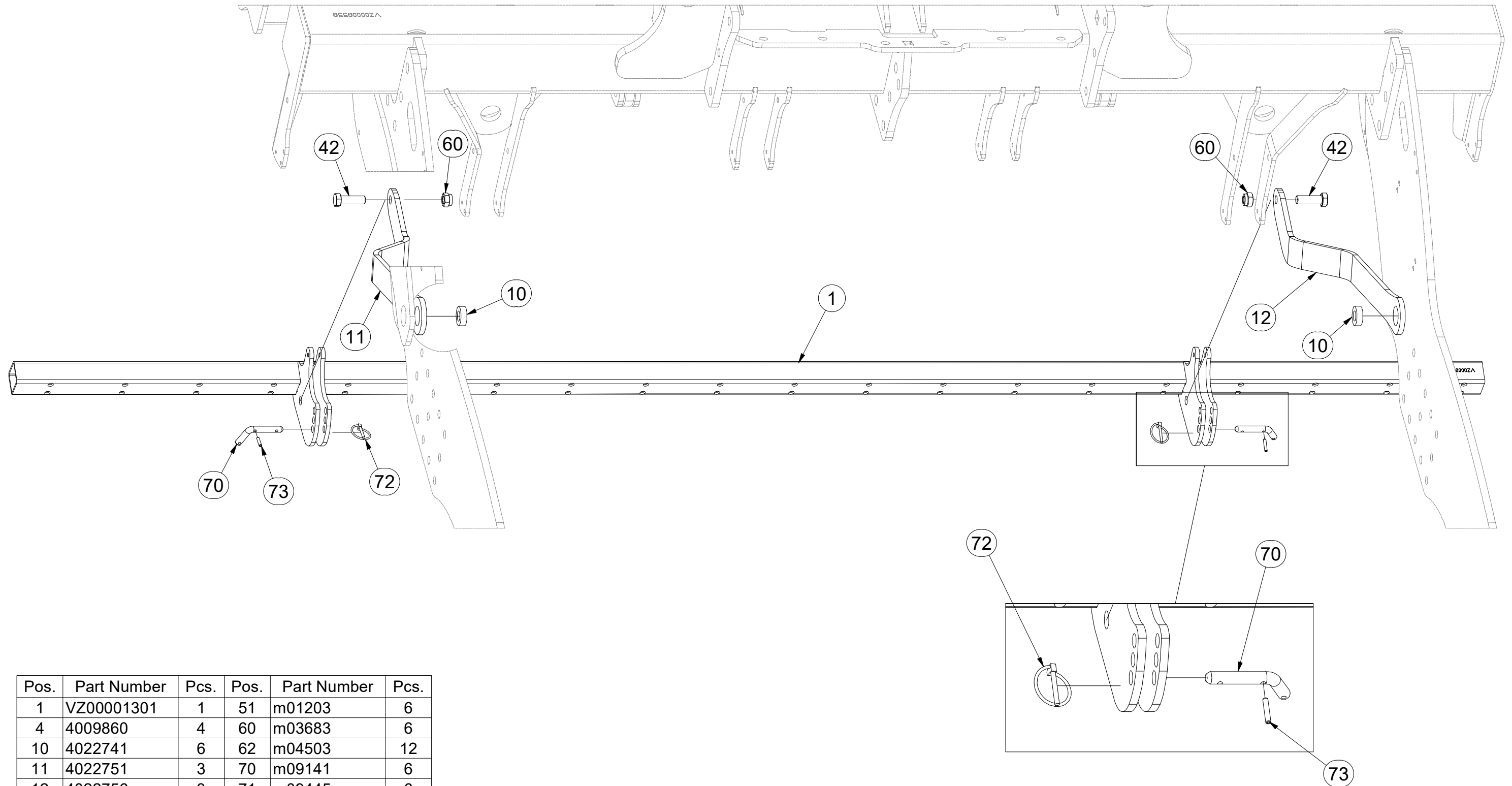
Ⓖ SET OF WEEDING

Ⓡ НАБОР ПРОПОЛКИ

Ⓟ ZESTAW PIELENIA



VZ00001303



| Pos. | Part Number | Pcs. | Pos. | Part Number | Pcs. |
|------|-------------|------|------|-------------|------|
| 1 | VZ00001301 | 1 | 51 | m01203 | 6 |
| 4 | 4009860 | 4 | 60 | m03683 | 6 |
| 10 | 4022741 | 6 | 62 | m04503 | 12 |
| 11 | 4022751 | 3 | 70 | m09141 | 6 |
| 12 | 4022756 | 3 | 71 | m09445 | 6 |
| 41 | m07788 | 6 | 72 | m10454 | 6 |
| 42 | m04355 | 6 | 73 | m12284 | 6 |

ⒸZ SADA ZAVLAČOVÁNÍ

Ⓓ SCHLEPPENSATZ

Ⓕ ENSEMBLE DE DÉSHÉRBAGE

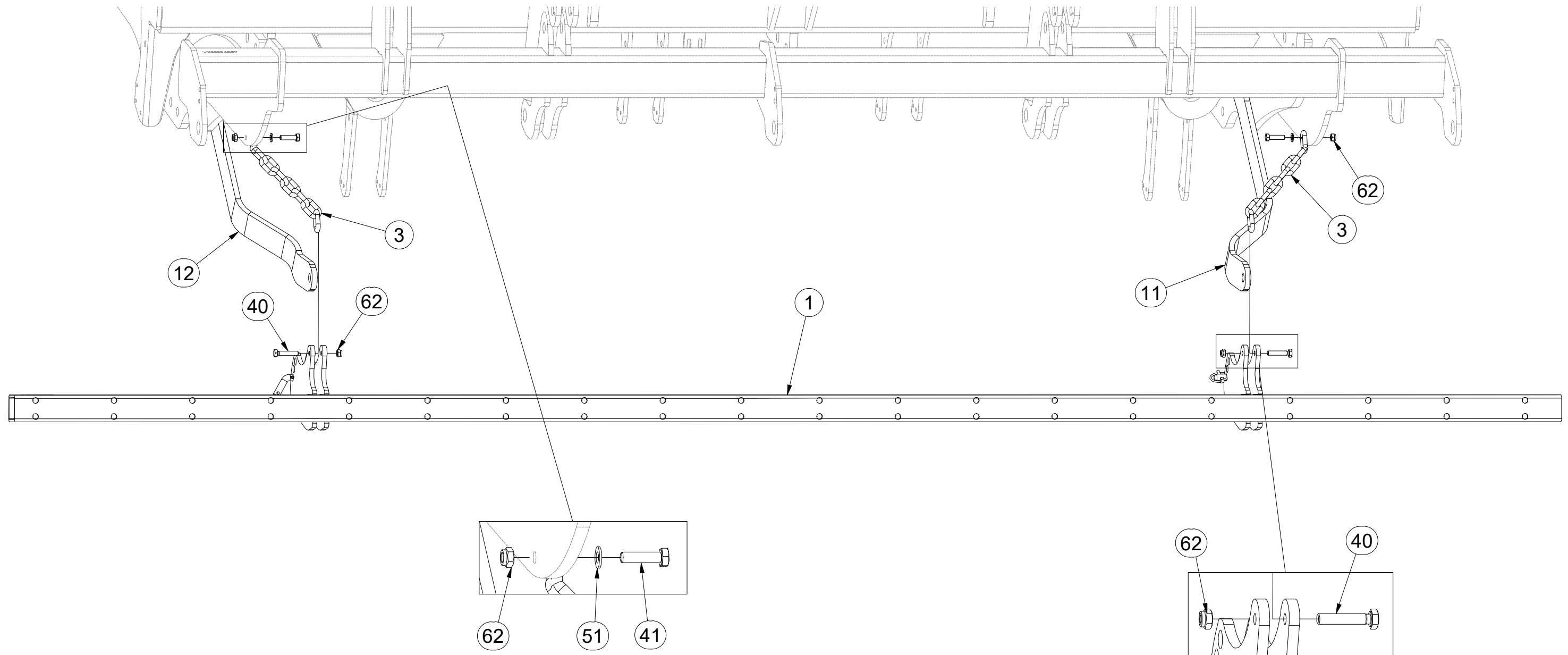
ⒸB SET OF WEEDING

ⒸR НАБОР ПРОПОЛКИ

ⒸL ZESTAW PIELENIA



VZ00001303



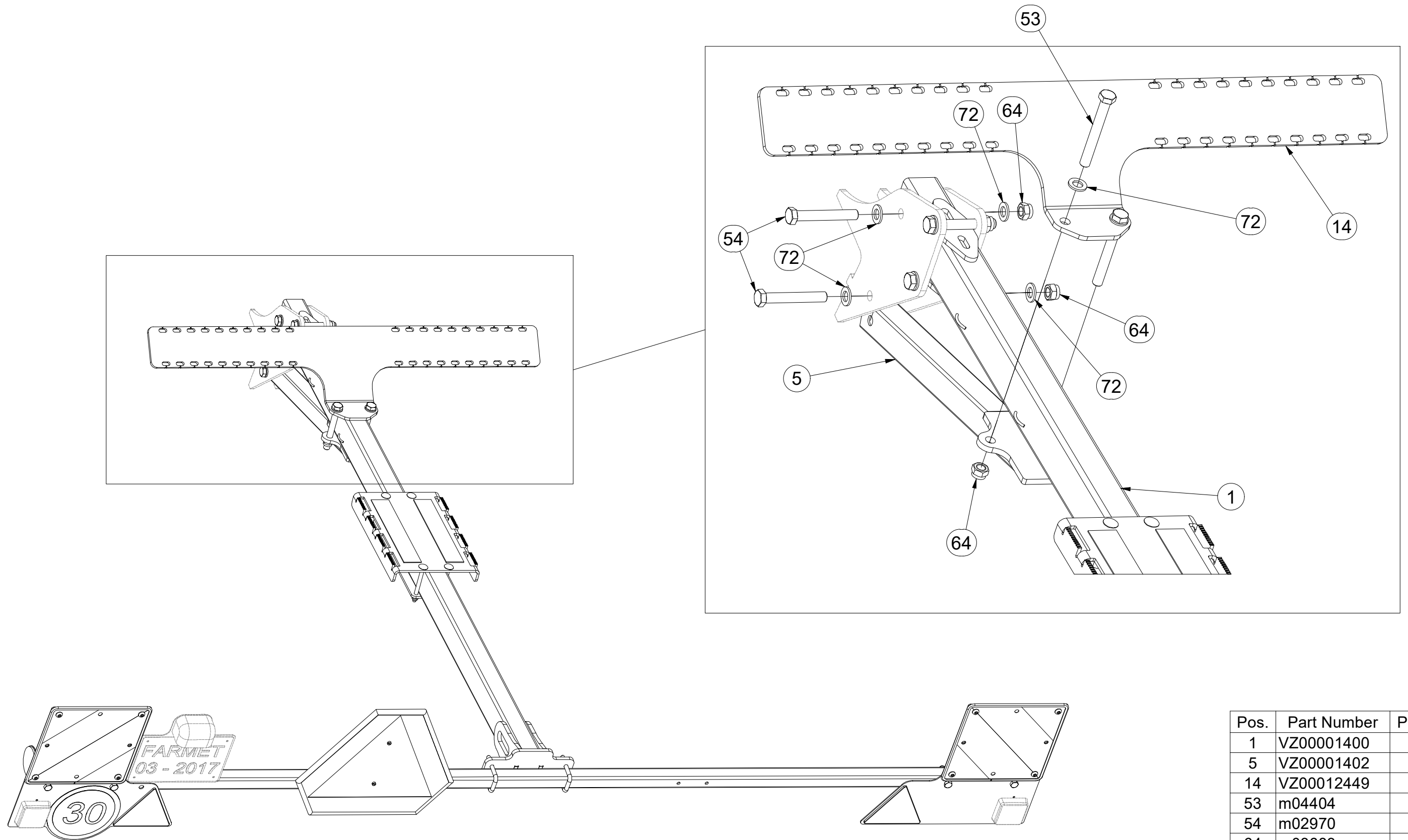
| Pos. | Part Number | Pcs. |
|------|-------------|------|
| 1 | VZ00001301 | 1 |
| 3 | 4012020 | 2 |
| 11 | 4022751 | 3 |
| 12 | 4022756 | 3 |
| 40 | m01097 | 6 |
| 41 | m07788 | 6 |
| 51 | m01203 | 6 |
| 62 | m04503 | 12 |

CZ TERČE
 D SCHEIBE
 F CIBLES

GB DISCS
 RU ЩИТКИ
 PL TARCZE



VZ00001404



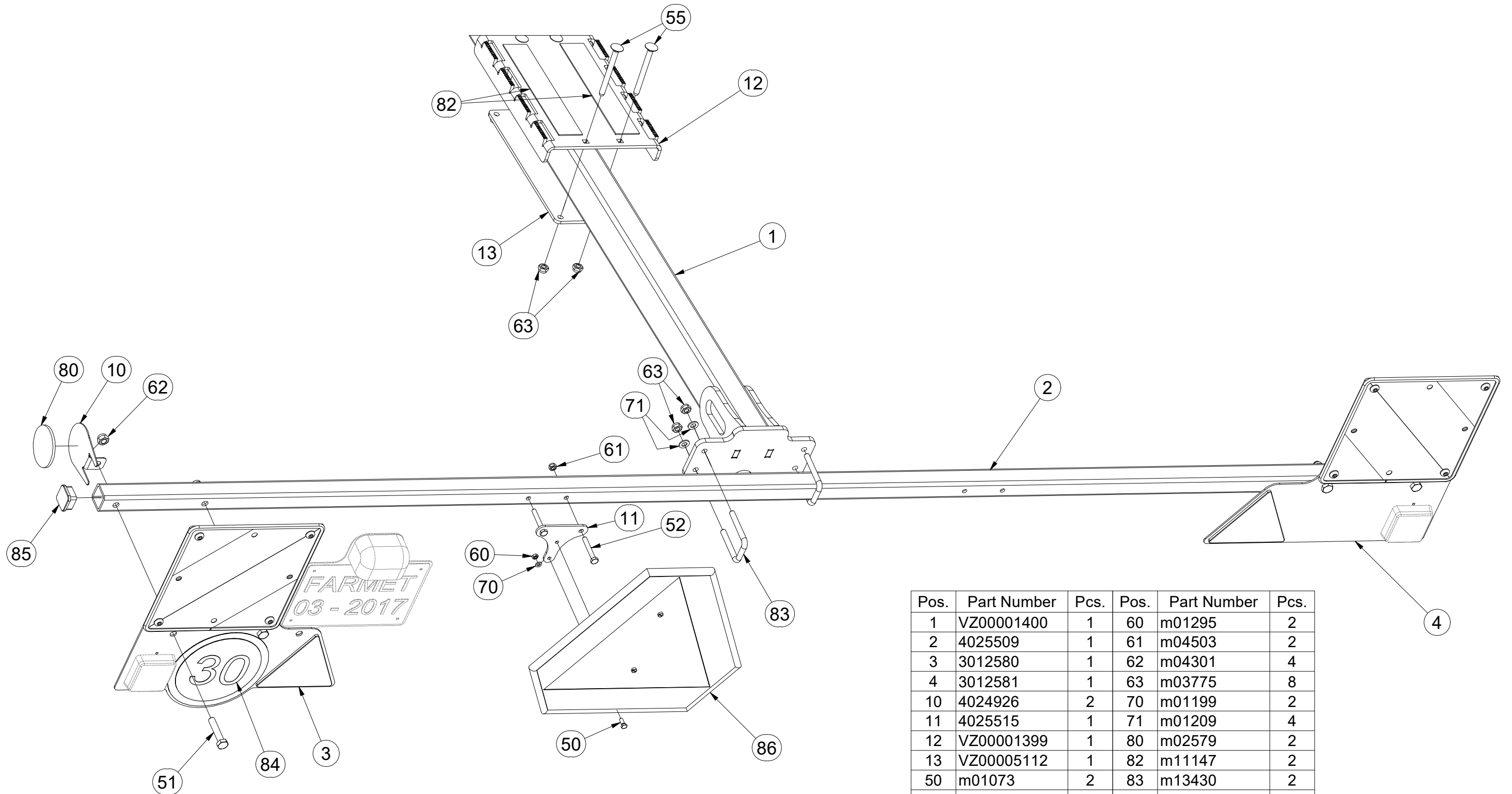
| Pos. | Part Number | Pcs. |
|------|-------------|------|
| 1 | VZ00001400 | 1 |
| 5 | VZ00001402 | 1 |
| 14 | VZ00012449 | 1 |
| 53 | m04404 | 2 |
| 54 | m02970 | 4 |
| 64 | m03683 | 6 |
| 72 | m01219 | 10 |

CZ TERČE
 D SCHEIBE
 F CIBLES

GB DISCS
 RU ЩИТКИ
 PL TARCZE



VZ00001404



| Pos. | Part Number | Pcs. | Pos. | Part Number | Pcs. |
|------|-------------|------|------|-------------|------|
| 1 | VZ00001400 | 1 | 60 | m01295 | 2 |
| 2 | 4025509 | 1 | 61 | m04503 | 2 |
| 3 | 3012580 | 1 | 62 | m04301 | 4 |
| 4 | 3012581 | 1 | 63 | m03775 | 8 |
| 10 | 4024926 | 2 | 70 | m01199 | 2 |
| 11 | 4025515 | 1 | 71 | m01209 | 4 |
| 12 | VZ00001399 | 1 | 80 | m02579 | 2 |
| 13 | VZ00005112 | 1 | 82 | m11147 | 2 |
| 50 | m01073 | 2 | 83 | m13430 | 2 |
| 51 | m01131 | 4 | 84 | m19161 | 1 |
| 52 | m10593 | 2 | 85 | m12689 | 2 |
| 55 | m20234 | 4 | 86 | m05371 | 1 |

ⒸZ TERČ ZADNÍ LEVÝ

Ⓓ SCHILD, HINTERES, LINKES

Ⓕ CIBLE ARRIÈRE GAUCHE

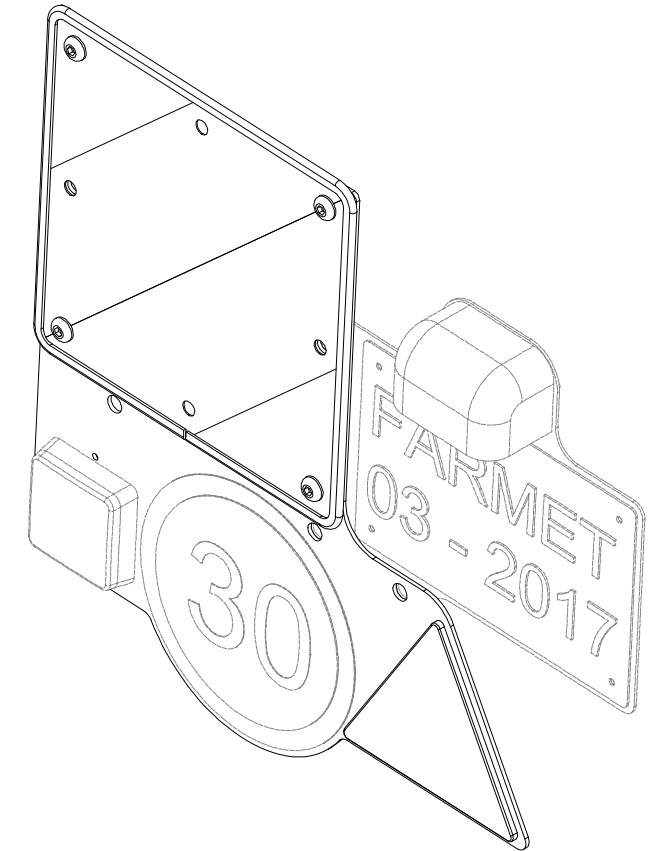
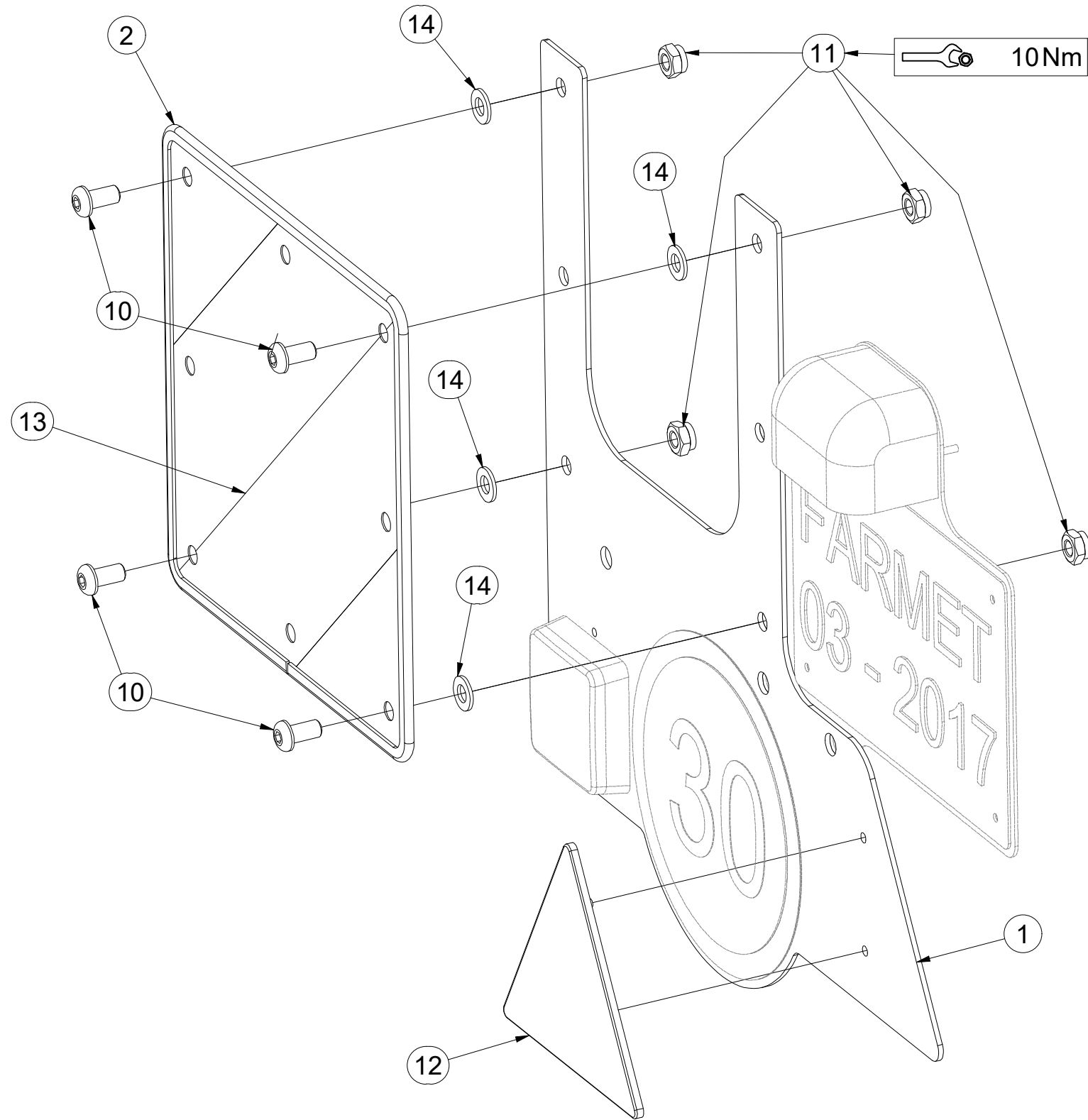
ⒼB LEFT REAR DISC

ⒺЩИТОК ЗАДНИЙ ЛЕВЫЙ

ⒽL TARCZA TYLNA LEWA



3012580



| Pos. | Part Number | Pcs. |
|------|-------------|------|
| 1 | 4024978 | 1 |
| 2 | 9005707 | 1 |
| 10 | m16637 | 4 |
| 11 | m03775 | 4 |
| 12 | m02497 | 1 |
| 13 | m18855 | 1 |
| 14 | m01209 | 4 |

ⒸZ TERČ ZADNÍ PRAVÝ

Ⓓ SCHILD, HINTERES, RECHTES

Ⓕ CIBLE ARRIÈRE DROITE

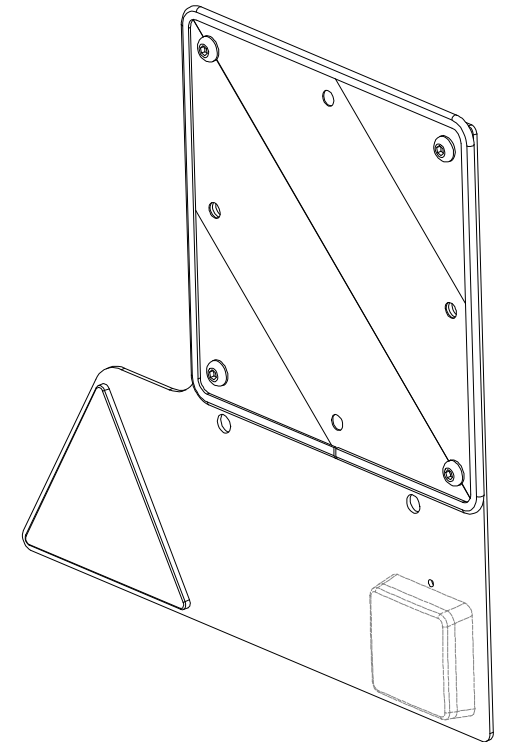
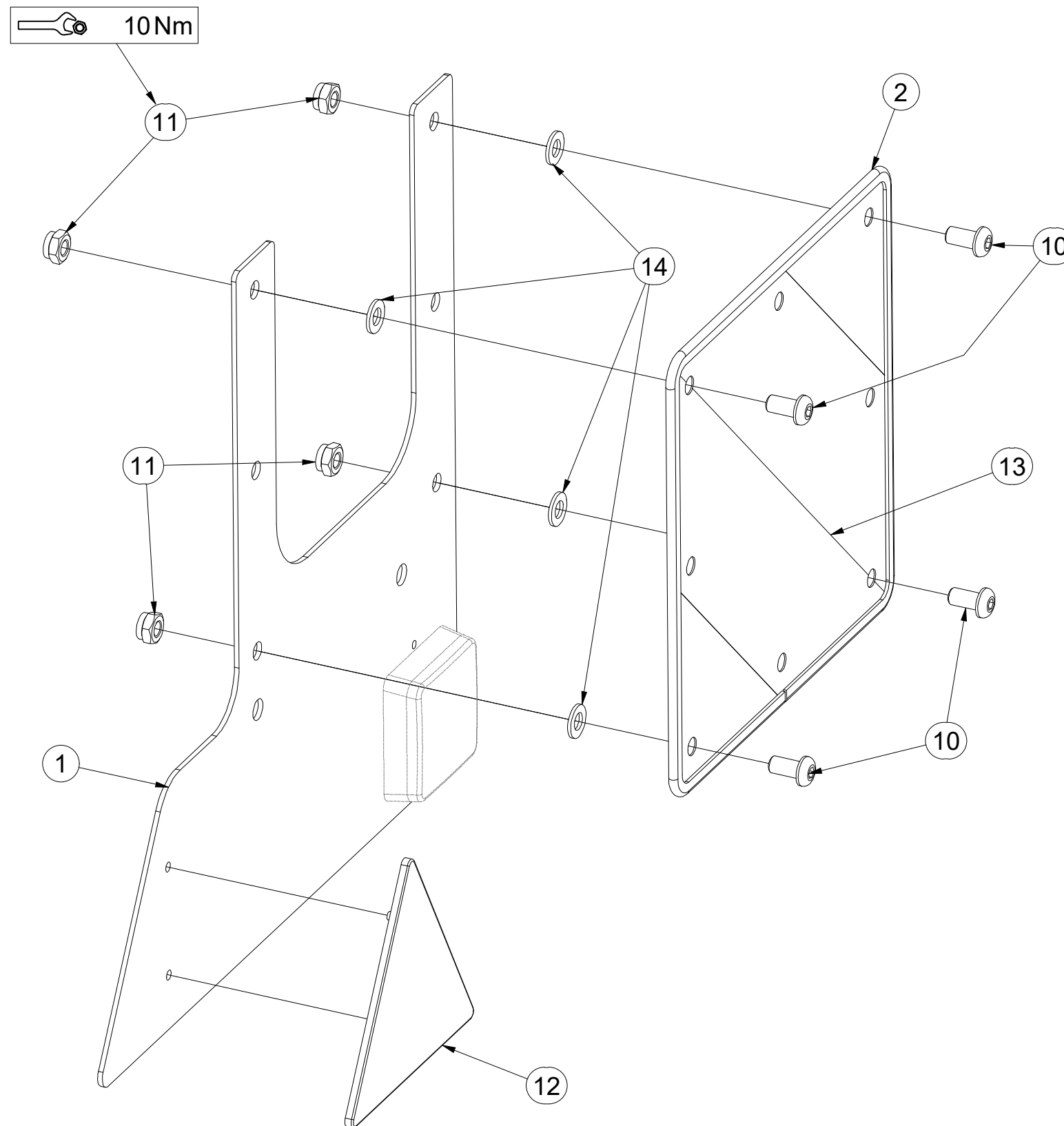
ⒼB RIGHT REAR DISC

ⒺЩИТОК ЗАДНИЙ ПРАВЫЙ

ⒽL TARCZA TYLNA PRAWA

Farmet

3012581



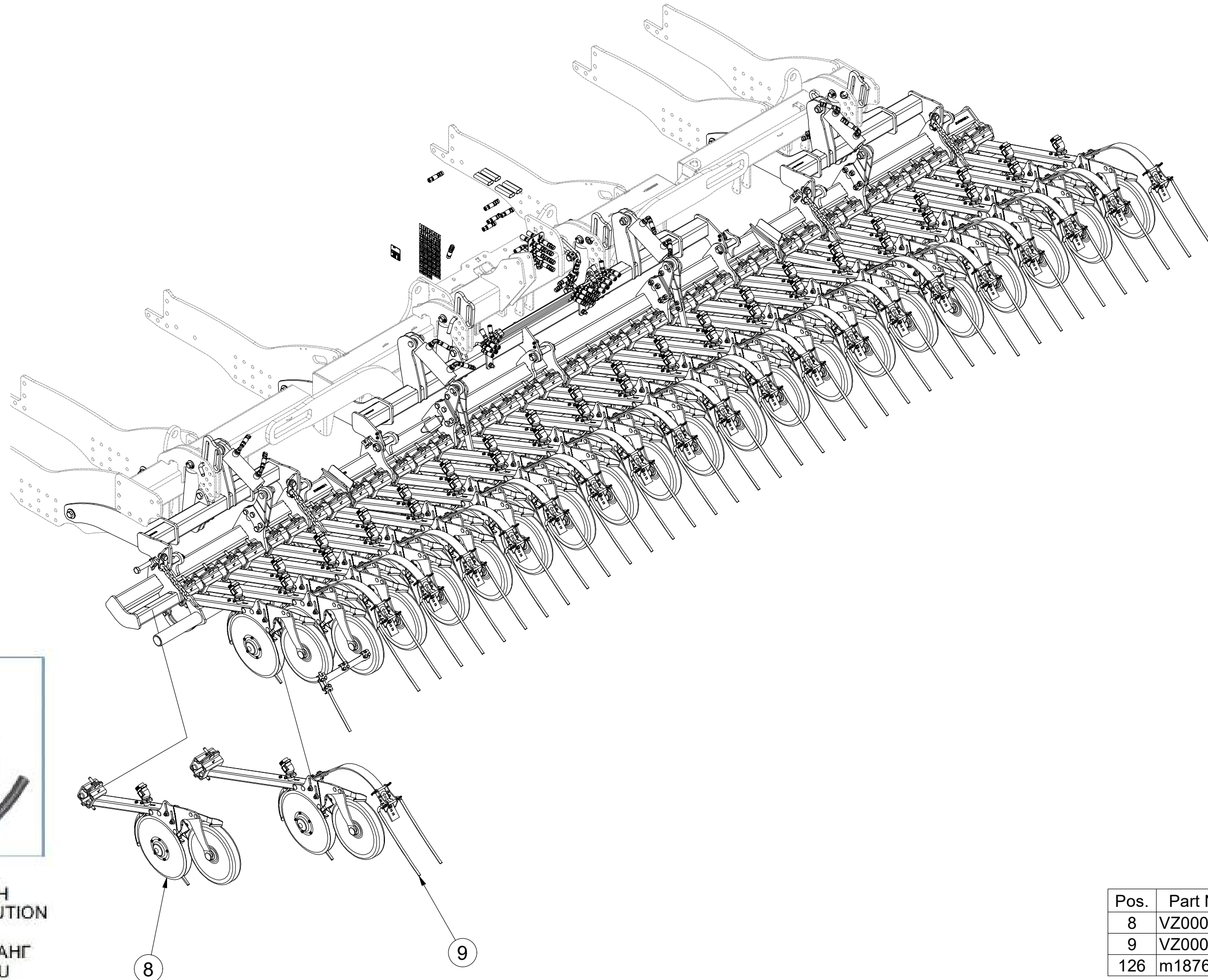
| Pos. | Part Number | Pcs. |
|------|-------------|------|
| 1 | 4024980 | 1 |
| 2 | 9005707 | 1 |
| 10 | m16637 | 4 |
| 11 | m03775 | 4 |
| 12 | m02497 | 1 |
| 13 | m18855 | 1 |
| 14 | m01209 | 4 |

CZ SEKCE PRACOVNÍ SECÍ
 D ARBEITSSEKTION AUSSAAT
 F SECTION DE TRAVAIL - SEMIS

GB WORKING SECTION - SOWING
 RU СЕКЦИЯ РАБОЧАЯ ВЫСЕВАЮЩАЯ
 PL SEKCJA SIEWU ROBOCZEGO



VZ00031430



126
 m18763
 VÝSEVNÁ HADICE
 SAATGUTSCHLAUCH
 TUYAU DE DISTRIBUTION
 SEEDING HOSE
 ВЫСЕВАЮЩИЙ ШЛАНГ
 PRZEWÓD WYSIEWU

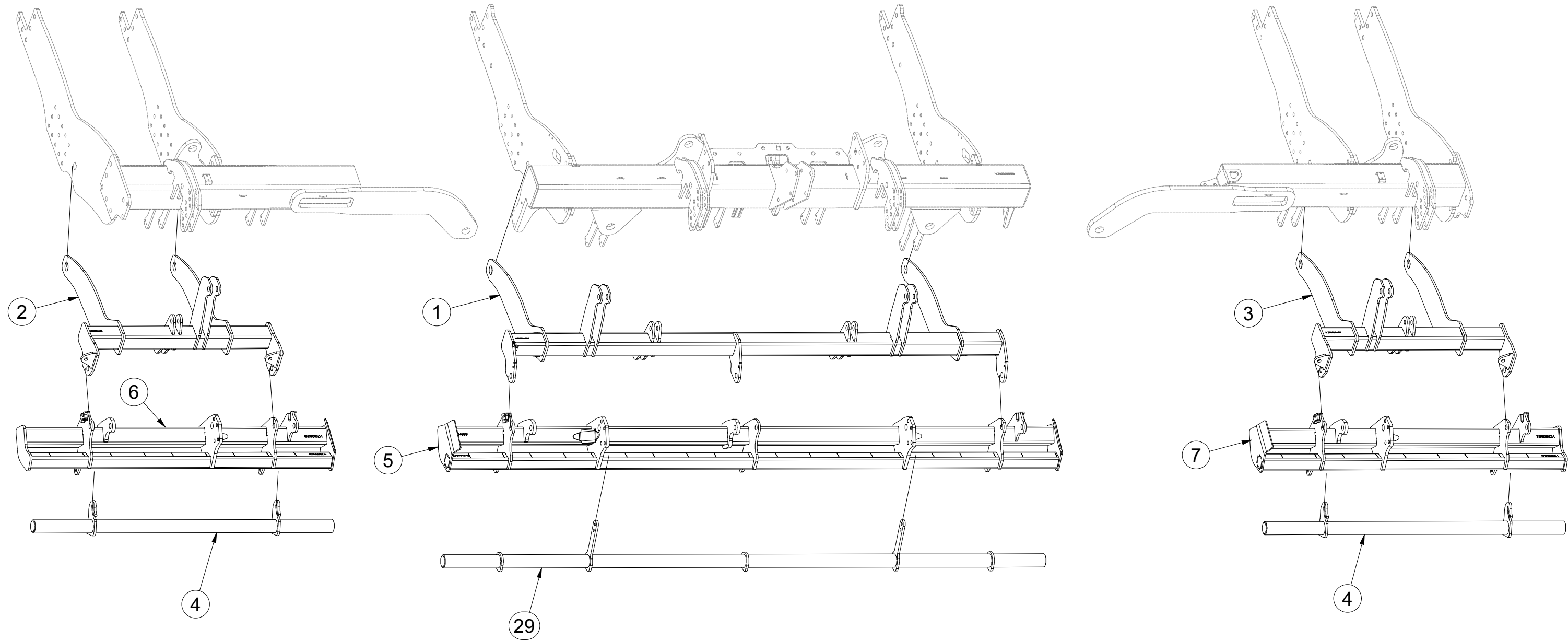
| Pos. | Part Number | Pcs. |
|------|-------------|-----------|
| 8 | VZ00017816 | 20 |
| 9 | VZ00017215 | 20 |
| 126 | m18763 | 150,000 m |

(CZ) SEKCE PRACOVNÍ SECÍ
 (D) ARBEITSSEKTION AUSSAAT
 (F) SECTION DE TRAVAIL - SEMIS

(GB) WORKING SECTION - SOWING
 (RU) СЕКЦИЯ РАБОЧАЯ ВЫСЕВАЮЩАЯ
 (PL) SEKCJA SIEWU ROBOCZEGO



VZ00031430



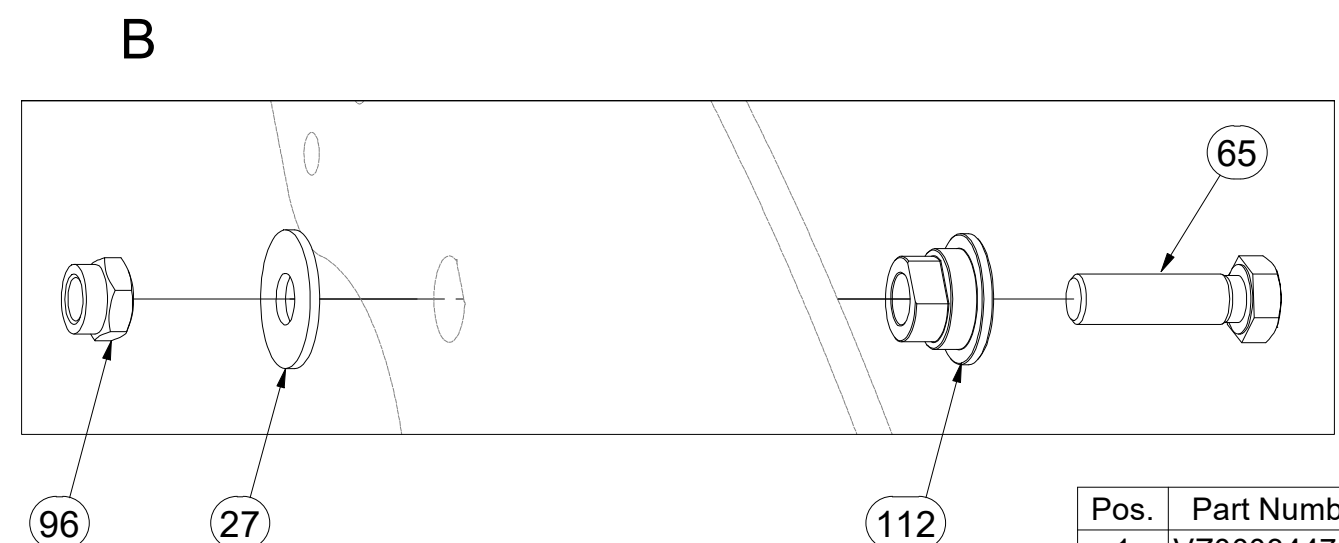
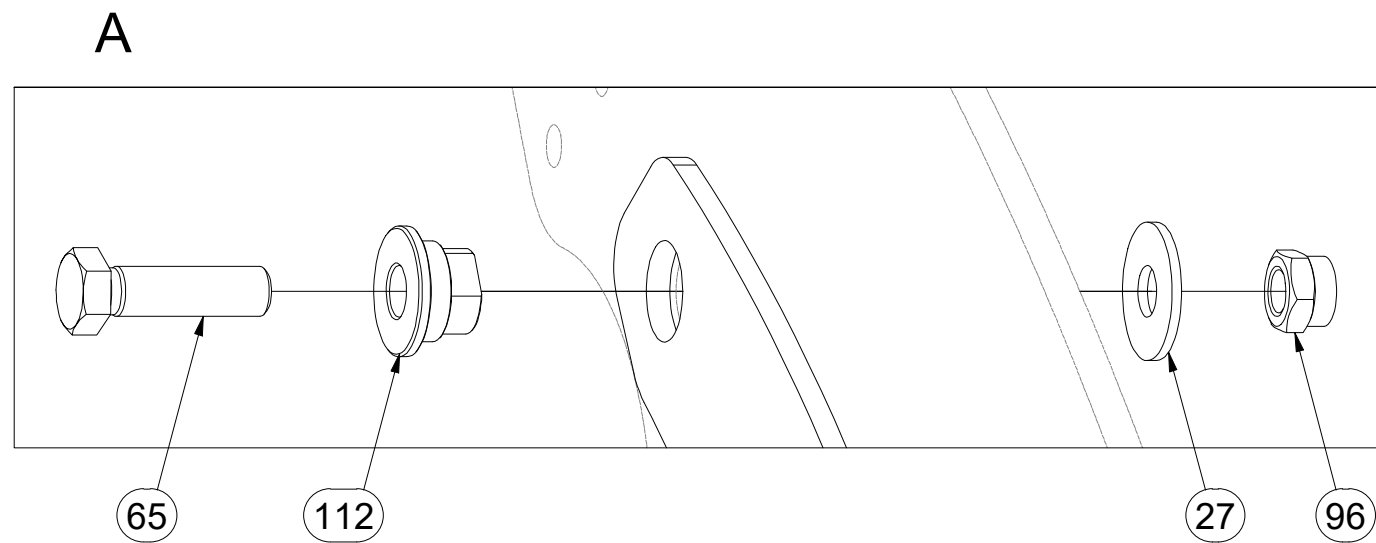
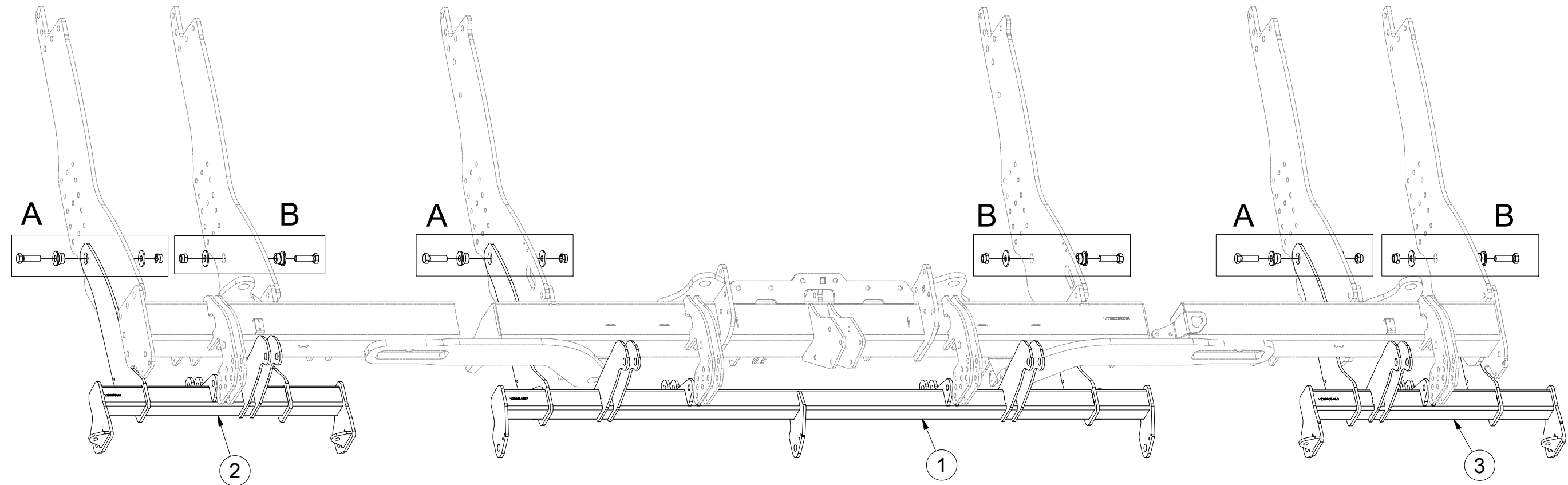
| Pos. | Part Number | Pcs. |
|------|-------------|------|
| 1 | VZ00034474 | 1 |
| 2 | VZ00034857 | 1 |
| 3 | VZ00034856 | 1 |
| 4 | VZ00012927 | 2 |
| 5 | VZ00017399 | 1 |
| 6 | VZ00017406 | 1 |
| 7 | VZ00017412 | 1 |
| 29 | VZ00004847 | 1 |

CZ SEKCE PRACOVNÍ SECÍ
 D ARBEITSSEKTION AUSSAAT
 F SECTION DE TRAVAIL - SEMIS

GB WORKING SECTION - SOWING
 RU СЕКЦИЯ РАБОЧАЯ ВЫСЕВАЮЩАЯ
 PL SEKCJA SIEWU ROBOCZEGO



VZ00031430



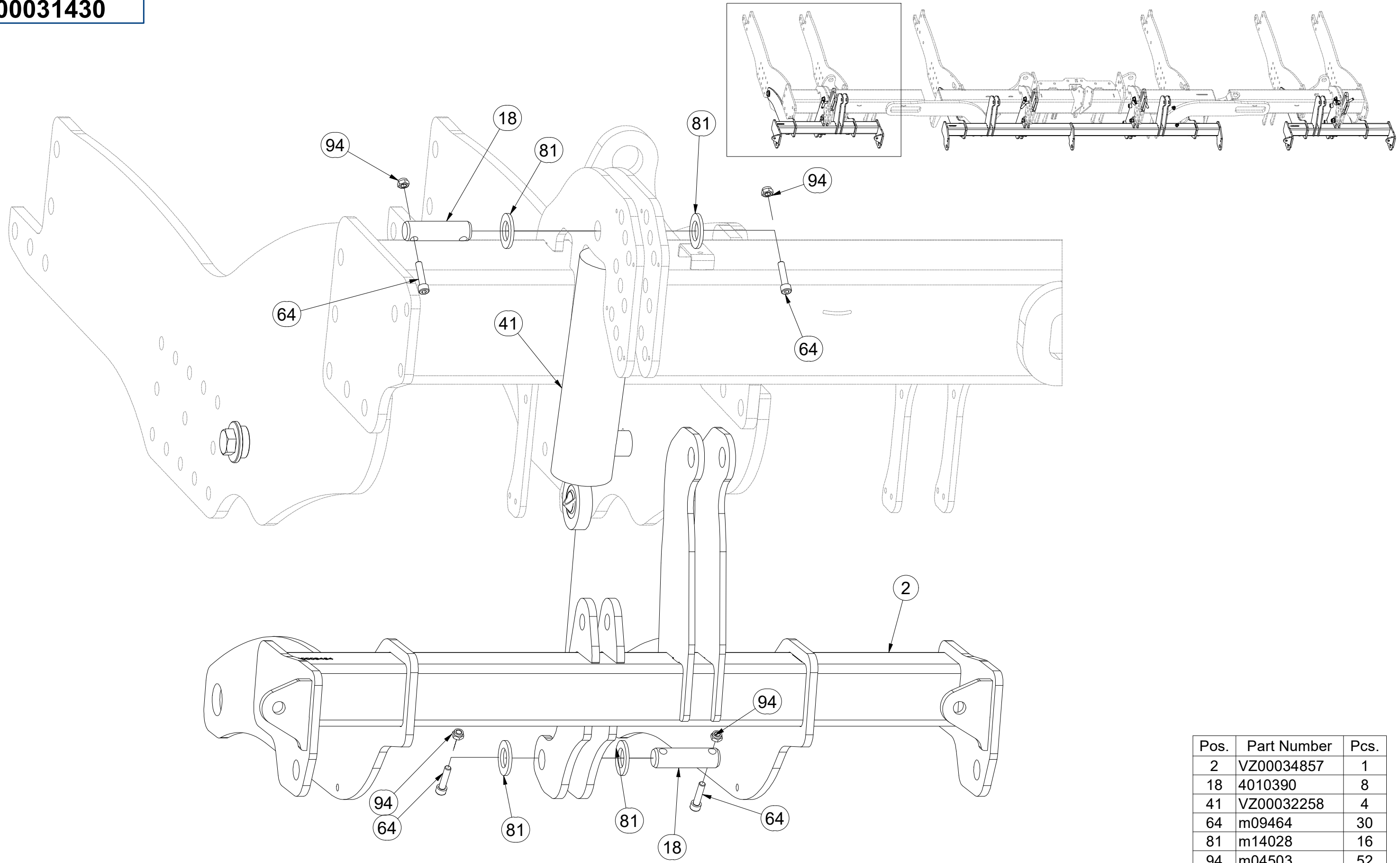
| Pos. | Part Number | Pcs. |
|------|-------------|------|
| 1 | VZ00034474 | 1 |
| 2 | VZ00034857 | 1 |
| 3 | VZ00034856 | 1 |
| 27 | 4022688 | 6 |
| 65 | m17009 | 6 |
| 96 | m21660 | 6 |
| 112 | m17965 | 6 |

CZ SEKCE PRACOVNÍ SECÍ
 D ARBEITSSEKTION AUSSAAT
 F SECTION DE TRAVAIL - SEMIS

GB WORKING SECTION - SOWING
 RU СЕКЦИЯ РАБОЧАЯ ВЫСЕВАЮЩАЯ
 PL SEKCJA SIEWU ROBOCZEGO



VZ00031430



| Pos. | Part Number | Pcs. |
|------|-------------|------|
| 2 | VZ00034857 | 1 |
| 18 | 4010390 | 8 |
| 41 | VZ00032258 | 4 |
| 64 | m09464 | 30 |
| 81 | m14028 | 16 |
| 94 | m04503 | 52 |

Ⓒ SEKCE PRACOVNÍ SECÍ

Ⓓ ARBEITSSEKTION AUSSAAT

Ⓕ SECTION DE TRAVAIL - SEMIS

Ⓖ WORKING SECTION - SOWING

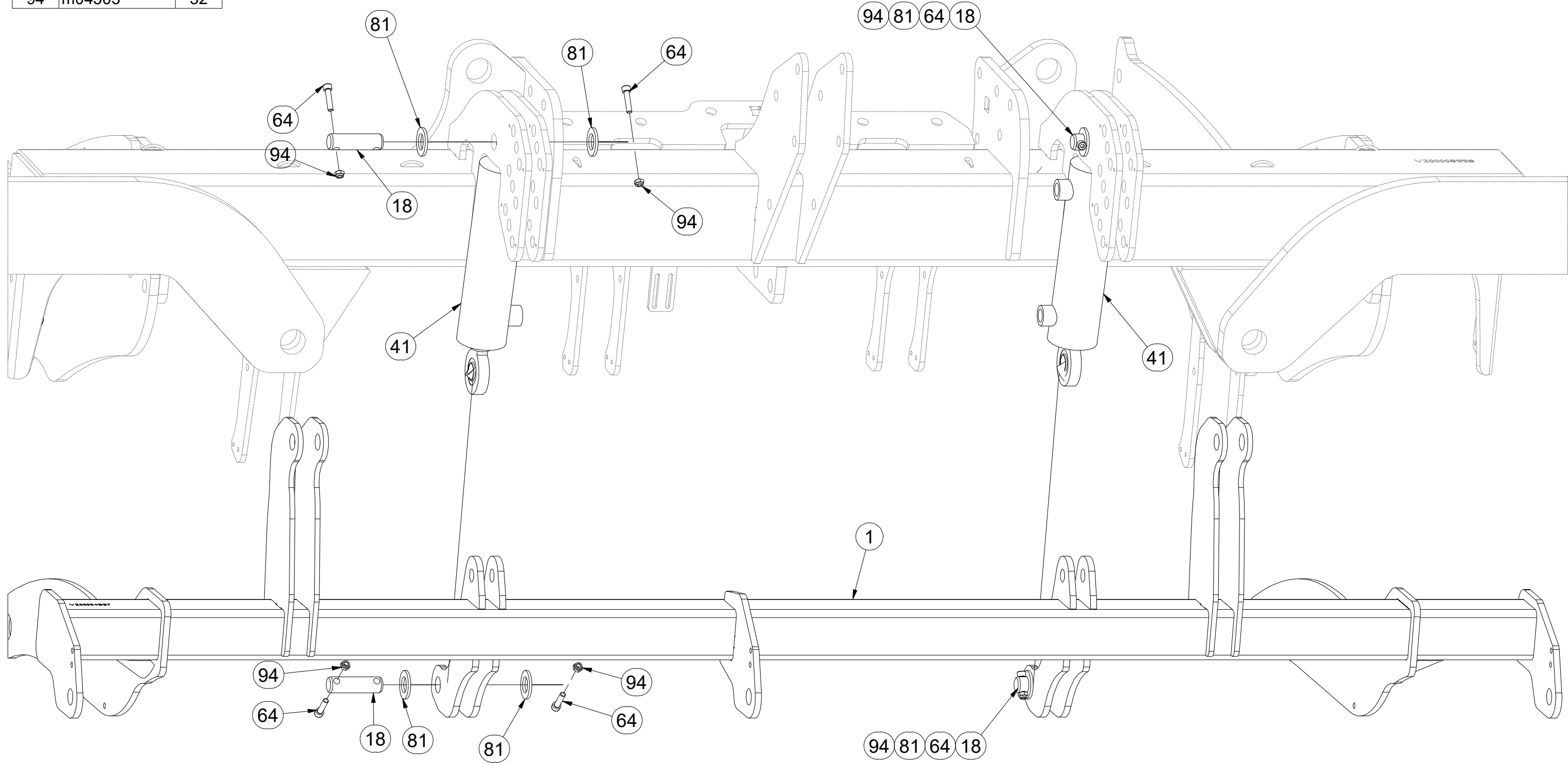
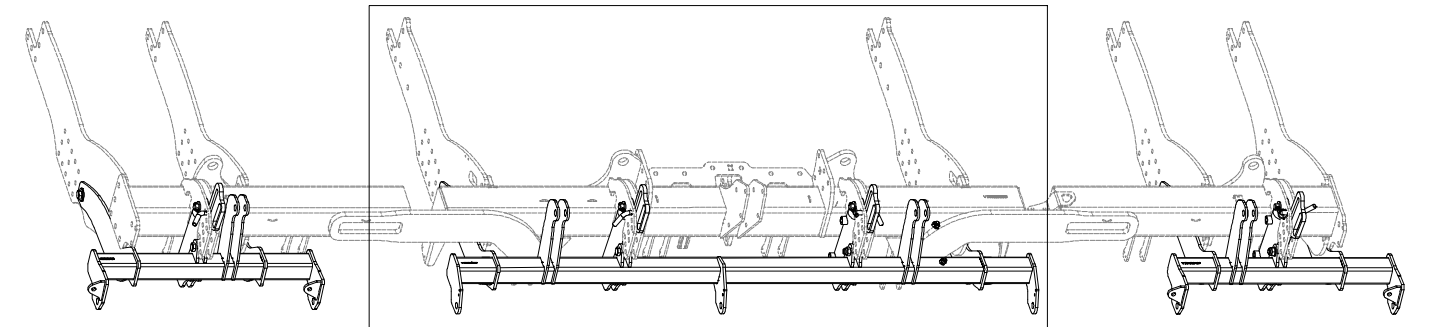
Ⓡ СЕКЦИЯ РАБОЧАЯ ВЫСЕВАЮЩАЯ

Ⓟ SEKCJA SIEWU ROBOCZEGO



VZ00031430

| Pos. | Part Number | Pcs. |
|------|-------------|------|
| 1 | VZ00034474 | 1 |
| 18 | 4010390 | 8 |
| 41 | VZ00032258 | 4 |
| 64 | m09464 | 30 |
| 81 | m14028 | 16 |
| 94 | m04503 | 52 |

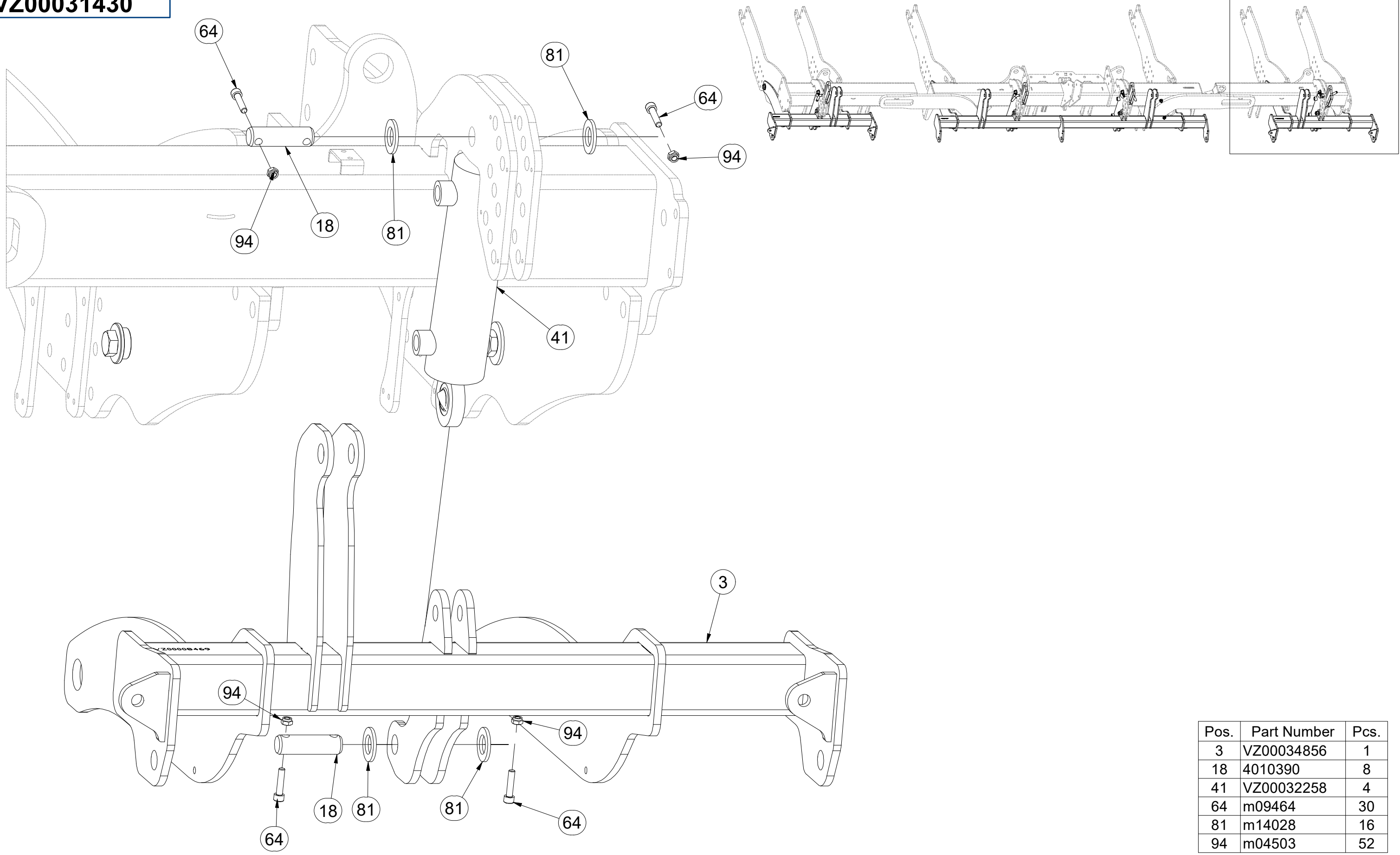


CZ SEKCE PRACOVNÍ SECÍ
 D ARBEITSSEKTION AUSSAAT
 F SECTION DE TRAVAIL - SEMIS

GB WORKING SECTION - SOWING
 RU СЕКЦИЯ РАБОЧАЯ ВЫСЕВАЮЩАЯ
 PL SEKCJA SIEWU ROBOCZEGO



VZ00031430



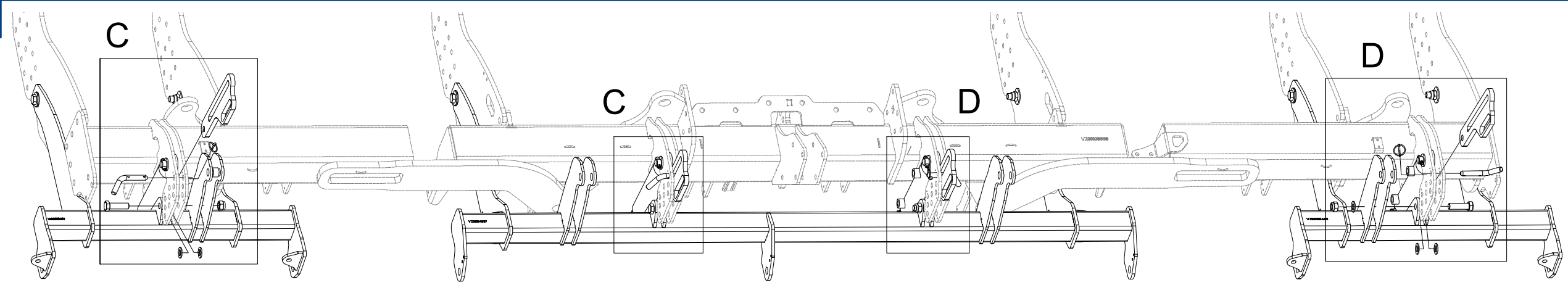
| Pos. | Part Number | Pcs. |
|------|-------------|------|
| 3 | VZ00034856 | 1 |
| 18 | 4010390 | 8 |
| 41 | VZ00032258 | 4 |
| 64 | m09464 | 30 |
| 81 | m14028 | 16 |
| 94 | m04503 | 52 |

CZ SEKCE PRACOVNÍ SECÍ
 D ARBEITSSEKTION AUSSAAT
 F SECTION DE TRAVAIL - SEMIS

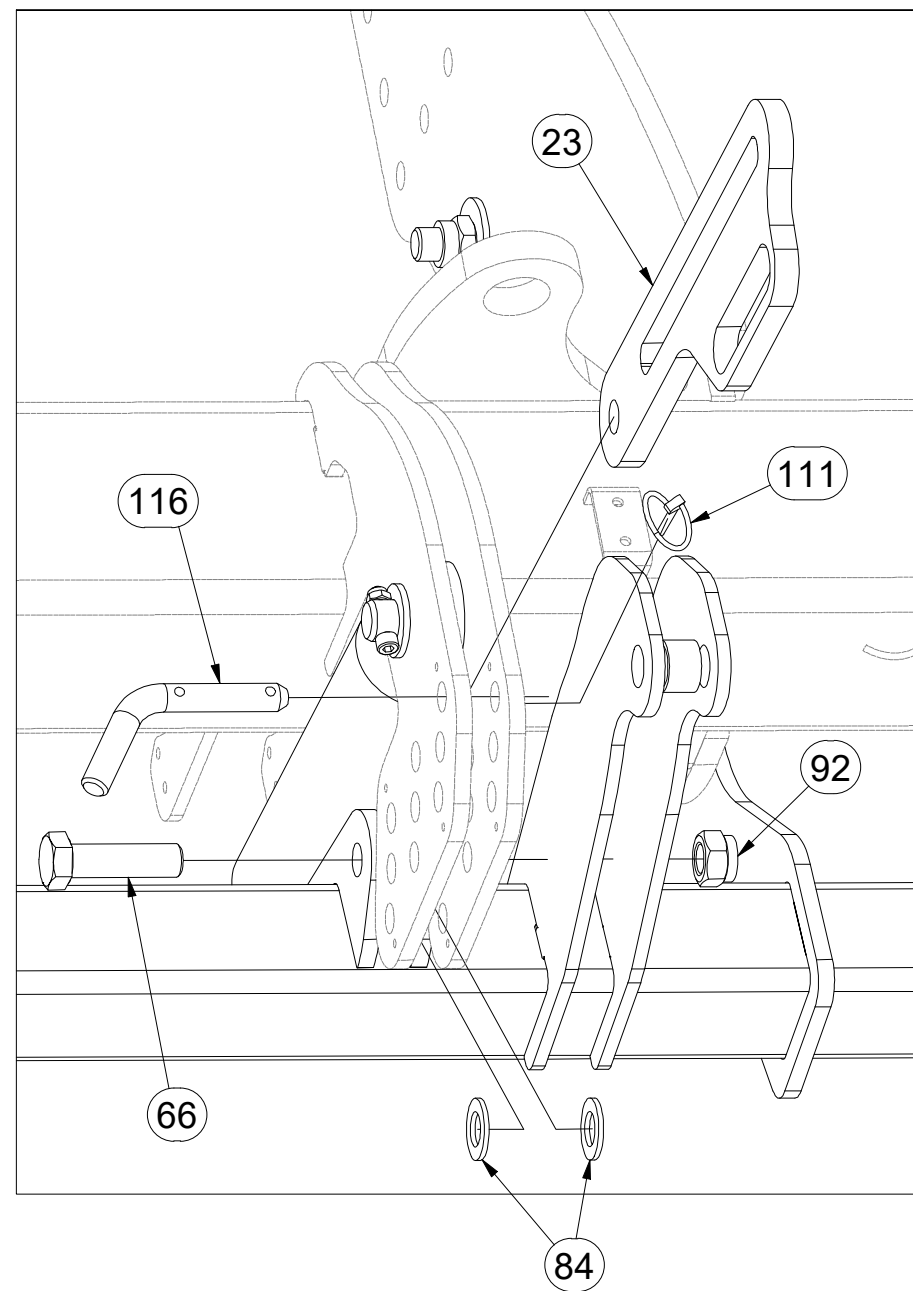
GB WORKING SECTION - SOWING
 RU СЕКЦИЯ РАБОЧАЯ ВЫСЕВАЮЩАЯ
 PL SEKCJA SIEWU ROBOCZEGO



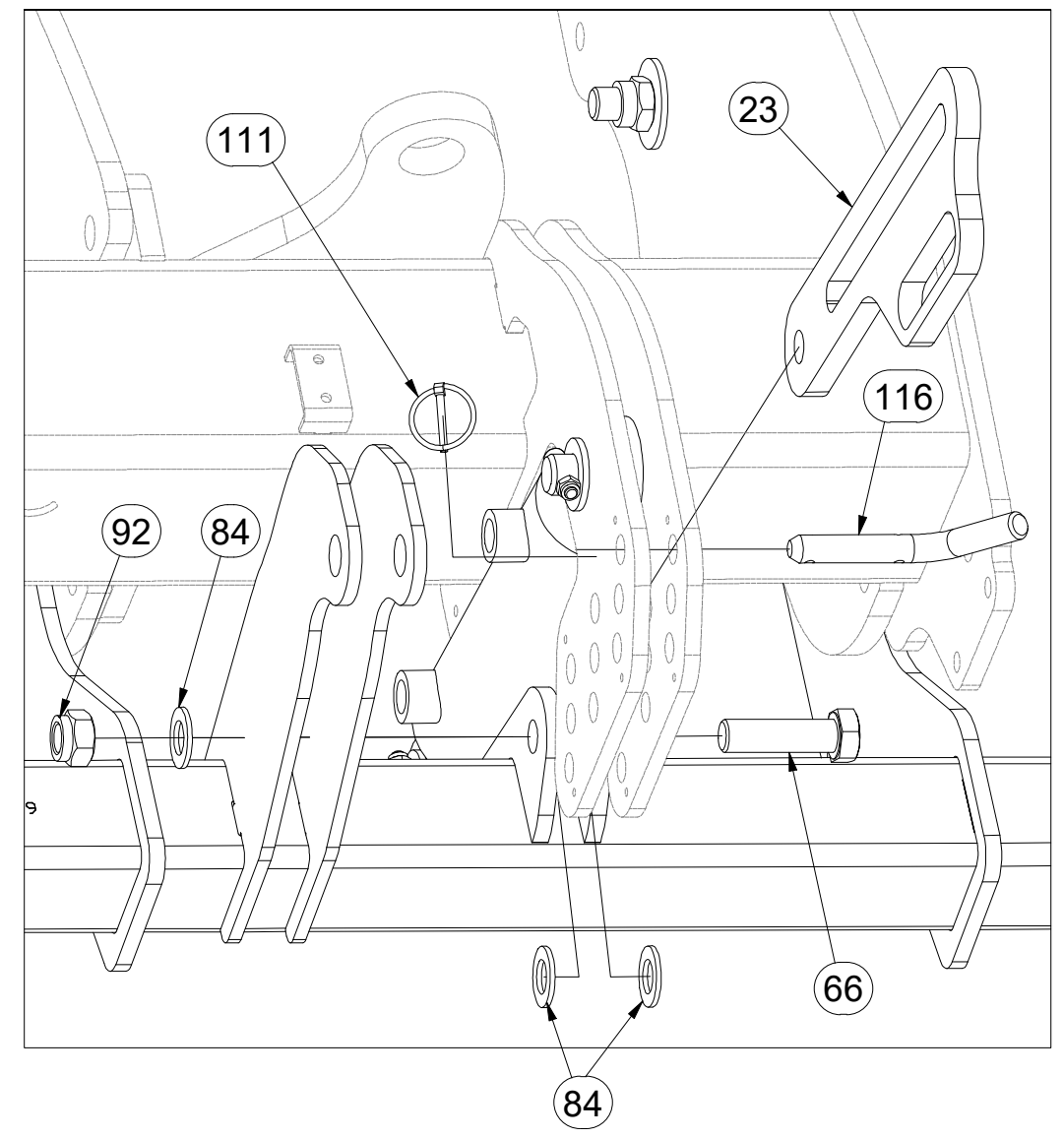
VZ00031430



C



D



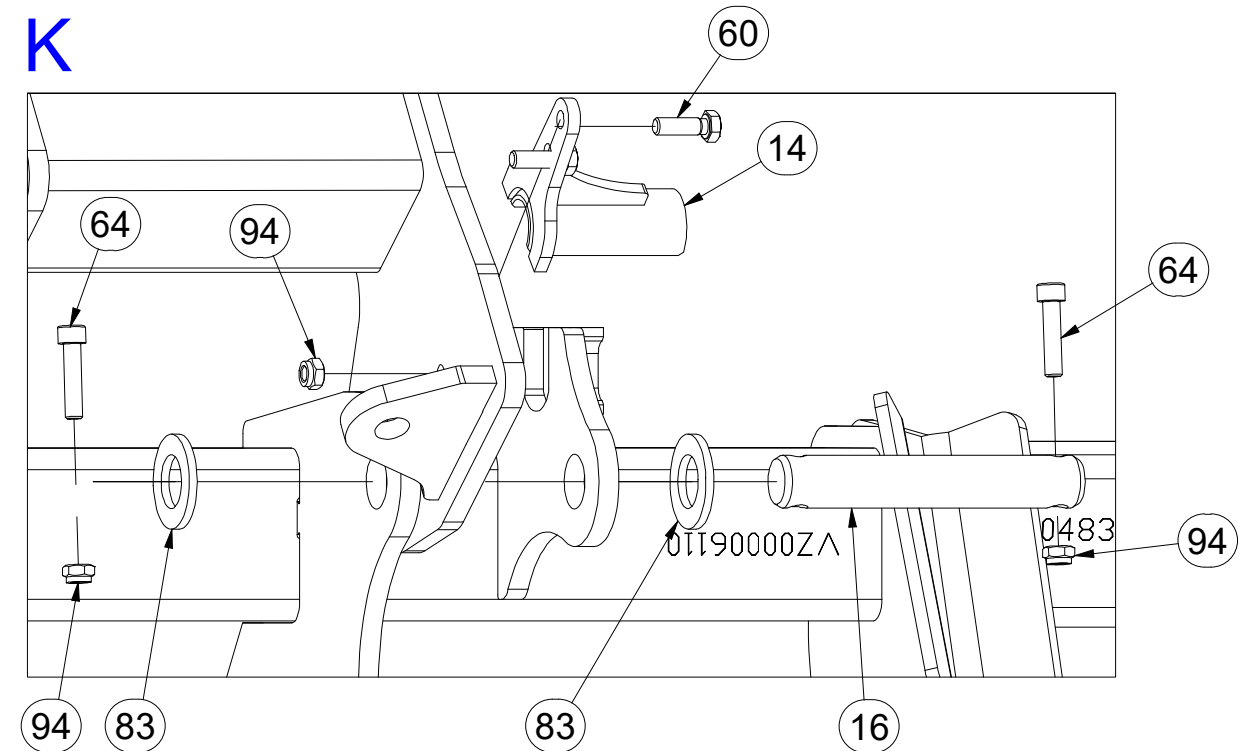
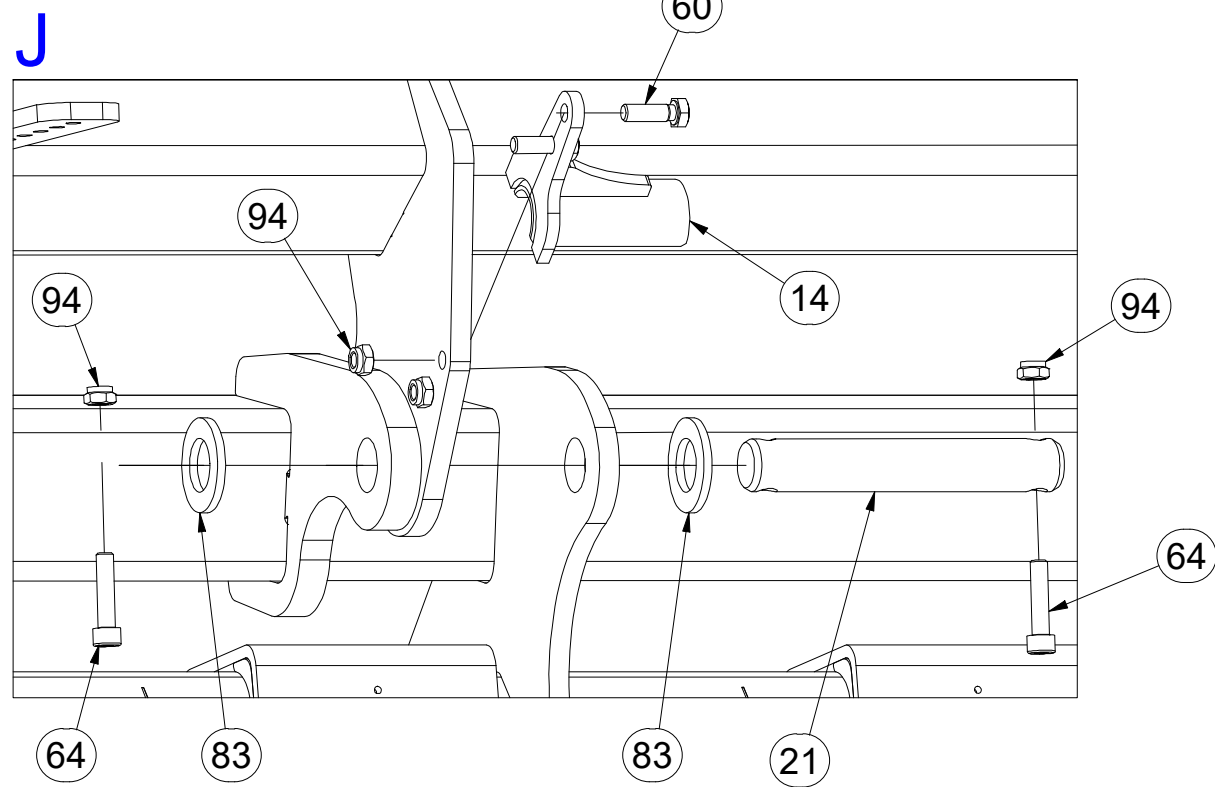
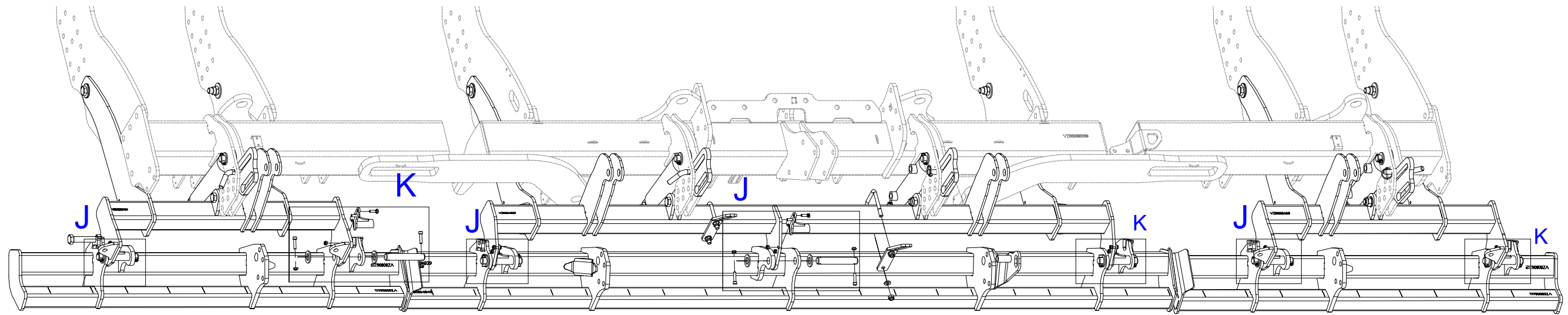
| Pos. | Part Number | Pcs. |
|------|-------------|------|
| 23 | 4010444 | 4 |
| 66 | m03115 | 4 |
| 84 | m03768 | 11 |
| 92 | m05648 | 4 |
| 111 | m10454 | 4 |
| 116 | m10312 | 4 |

CZ SEKCE PRACOVNÍ SECÍ
 D ARBEITSSEKTION AUSSAAT
 F SECTION DE TRAVAIL - SEMIS

GB WORKING SECTION - SOWING
 RU СЕКЦИЯ РАБОЧАЯ ВЫСЕВАЮЩАЯ
 PL SEKCJA SIEWU ROBOCZEGO



VZ00031430



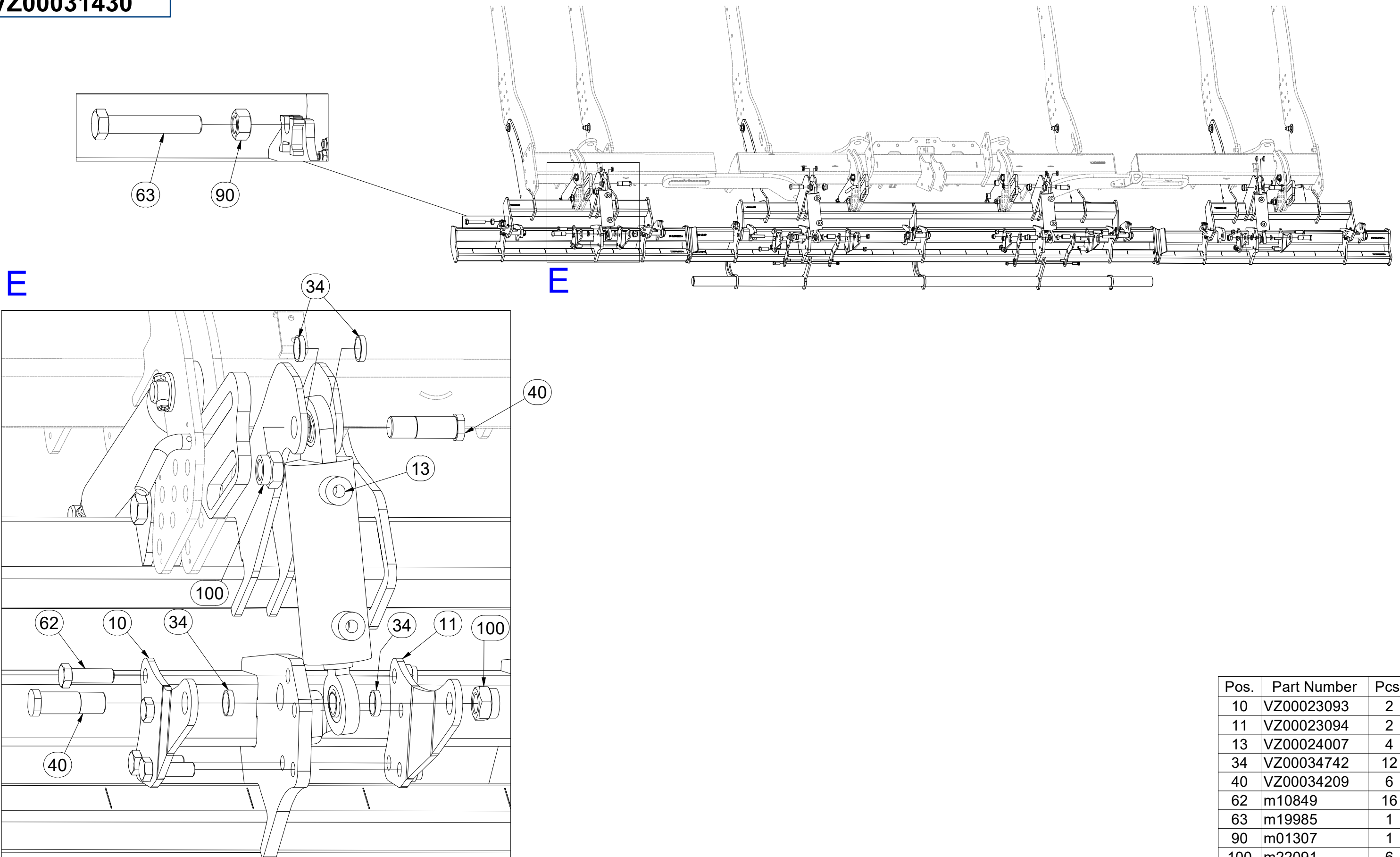
| Pos. | Part Number | Pcs. |
|------|-------------|------|
| 14 | VZ00001968 | 7 |
| 16 | 4015250 | 3 |
| 21 | 4017040 | 4 |
| 60 | m01092 | 14 |
| 64 | m09464 | 30 |
| 83 | m03718 | 15 |
| 94 | m04503 | 52 |

CZ SEKCE PRACOVNÍ SECÍ
 D ARBEITSSEKTION AUSSAAT
 F SECTION DE TRAVAIL - SEMIS

GB WORKING SECTION - SOWING
 RU СЕКЦИЯ РАБОЧАЯ ВЫСЕВАЮЩАЯ
 PL SEKCJA SIEWU ROBOCZEGO



VZ00031430



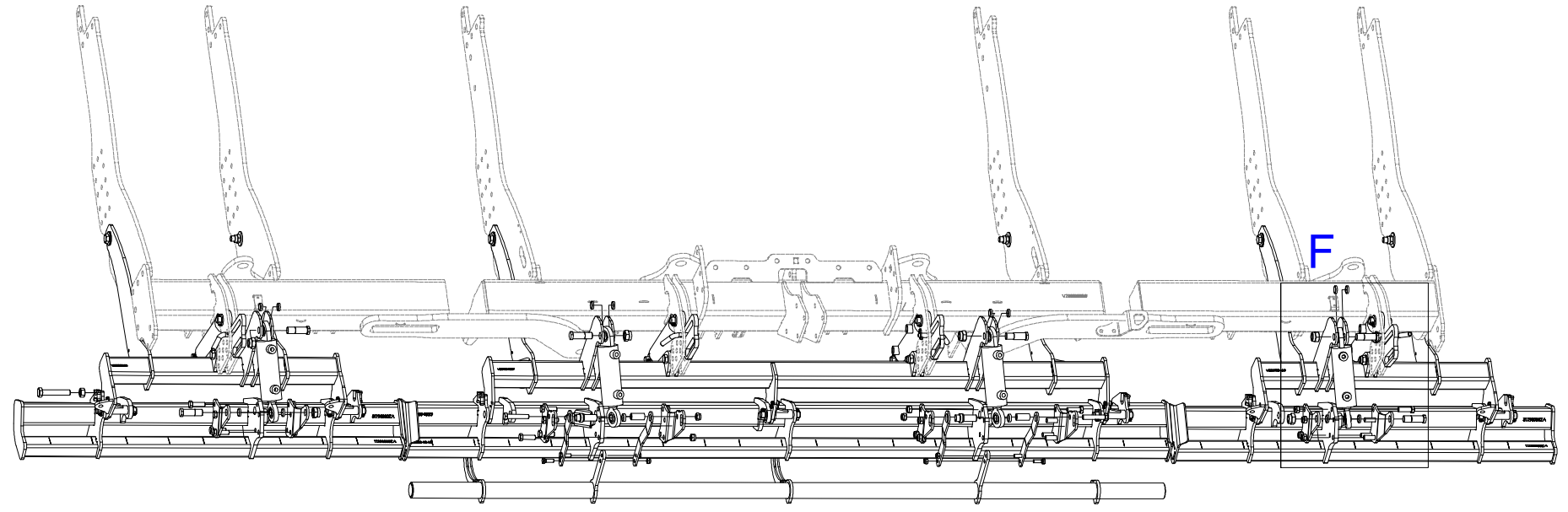
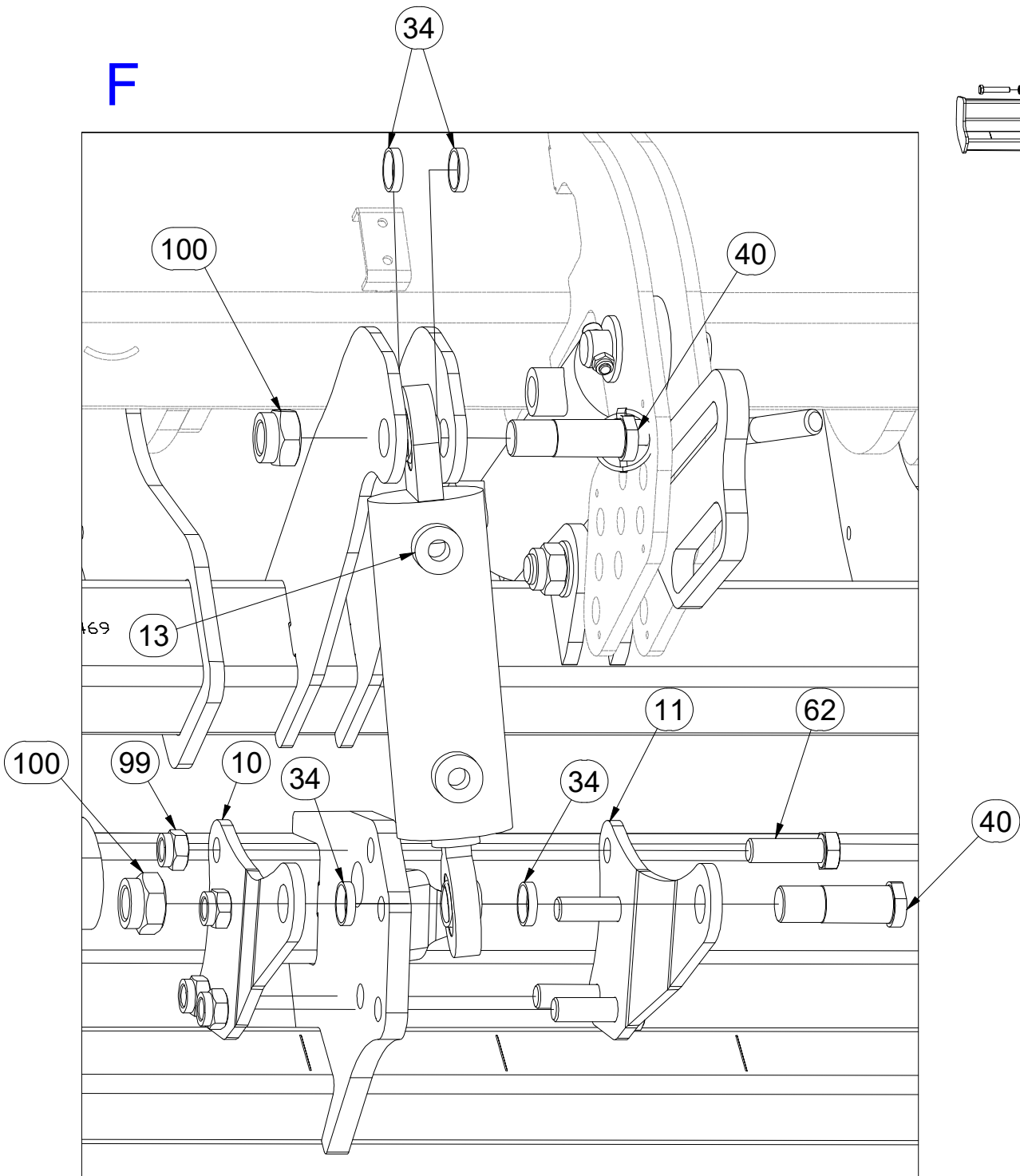
| Pos. | Part Number | Pcs. |
|------|-------------|------|
| 10 | VZ00023093 | 2 |
| 11 | VZ00023094 | 2 |
| 13 | VZ00024007 | 4 |
| 34 | VZ00034742 | 12 |
| 40 | VZ00034209 | 6 |
| 62 | m10849 | 16 |
| 63 | m19985 | 1 |
| 90 | m01307 | 1 |
| 100 | m22091 | 6 |

CZ SEKCE PRACOVNÍ SECÍ
 D ARBEITSSEKTION AUSSAAT
 F SECTION DE TRAVAIL - SEMIS

GB WORKING SECTION - SOWING
 RU СЕКЦИЯ РАБОЧАЯ ВЫСЕВАЮЩАЯ
 PL SEKCJA SIEWU ROBOCZEGO



VZ00031430



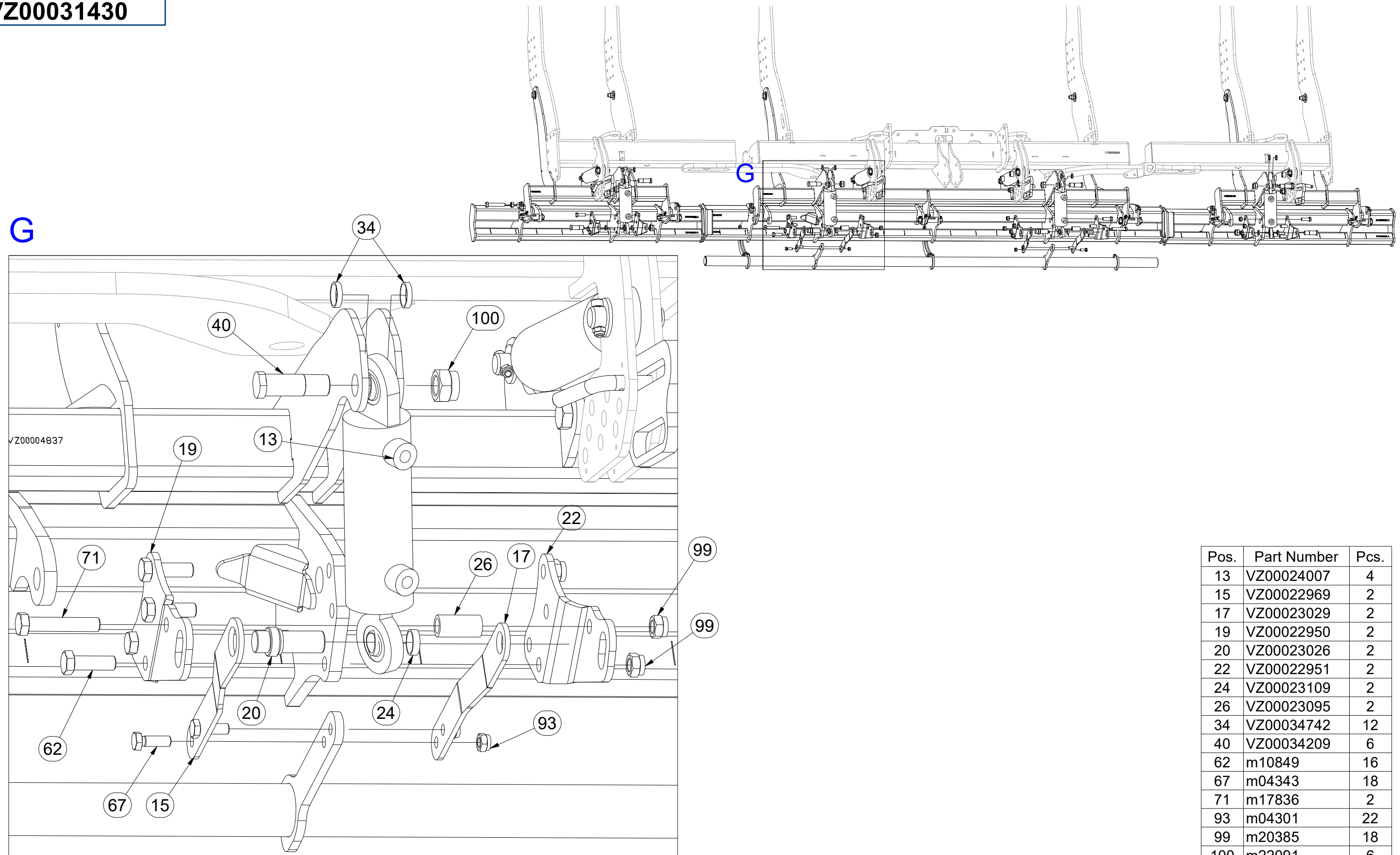
| Pos. | Part Number | Pcs. |
|------|-------------|------|
| 10 | VZ00023093 | 2 |
| 11 | VZ00023094 | 2 |
| 13 | VZ00024007 | 4 |
| 34 | VZ00034742 | 12 |
| 40 | VZ00034209 | 6 |
| 62 | m10849 | 16 |
| 99 | m20385 | 18 |
| 100 | m22091 | 6 |

CZ SEKCE PRACOVNÍ SECÍ
 D ARBEITSSEKTION AUSSAAT
 F SECTION DE TRAVAIL - SEMIS

GB WORKING SECTION - SOWING
 RU СЕКЦИЯ РАБОЧАЯ ВЫСЕВАЮЩАЯ
 PL SEKCJA SIEWU ROBOCZEGO



VZ00031430



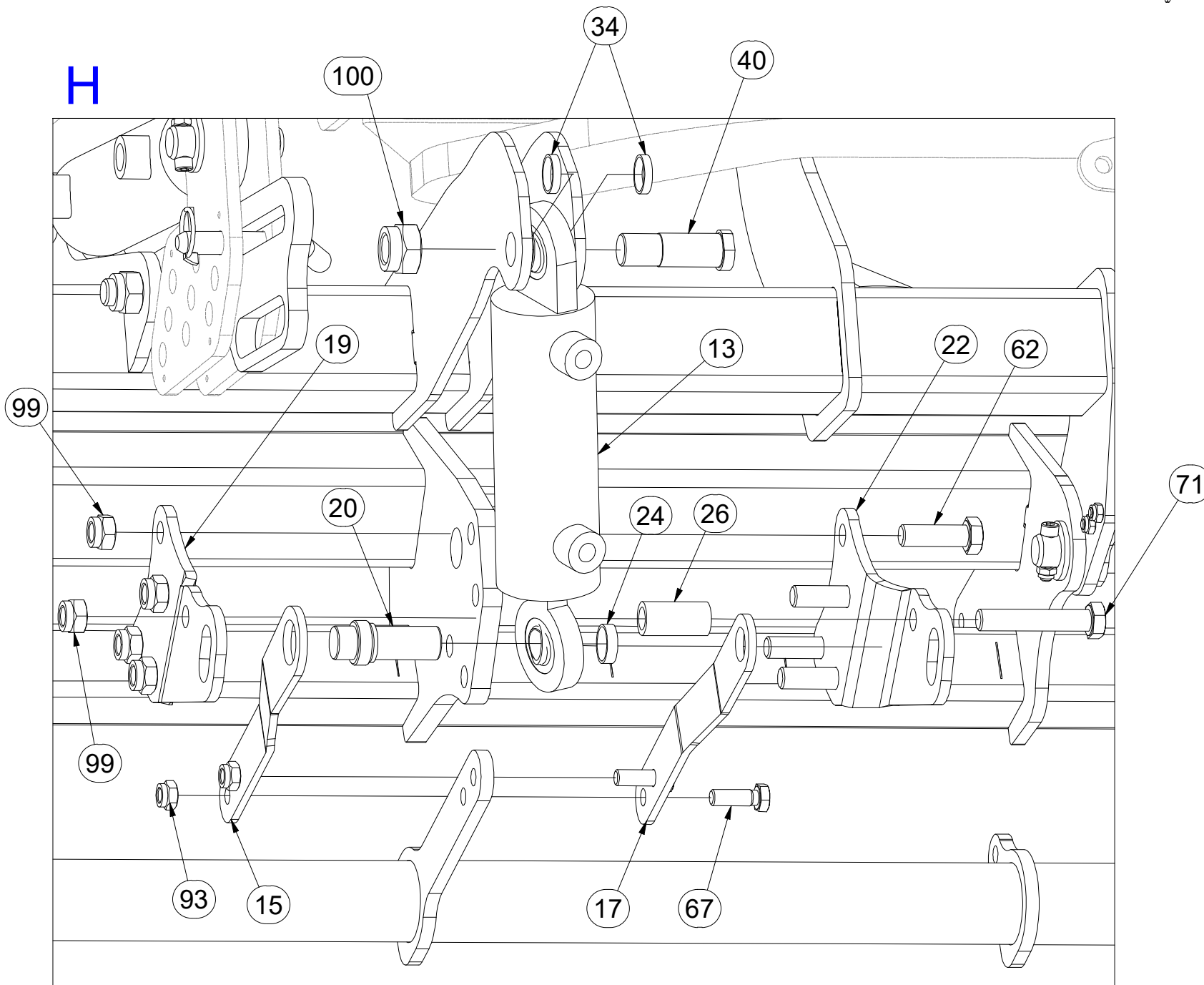
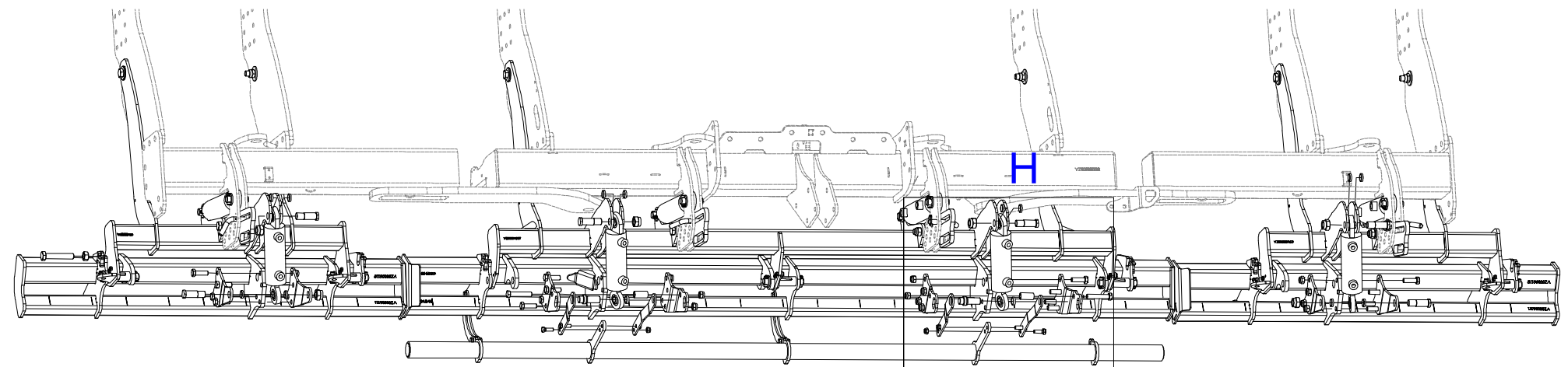
| Pos. | Part Number | Pcs. |
|------|-------------|------|
| 13 | VZ00024007 | 4 |
| 15 | VZ00022969 | 2 |
| 17 | VZ00023029 | 2 |
| 19 | VZ00022950 | 2 |
| 20 | VZ00023026 | 2 |
| 22 | VZ00022951 | 2 |
| 24 | VZ00023109 | 2 |
| 26 | VZ00023095 | 2 |
| 34 | VZ00034742 | 12 |
| 40 | VZ00034209 | 6 |
| 62 | m10849 | 16 |
| 67 | m04343 | 18 |
| 71 | m17836 | 2 |
| 93 | m04301 | 22 |
| 99 | m20385 | 18 |
| 100 | m22091 | 6 |

CZ SEKCE PRACOVNÍ SECÍ
 D ARBEITSSEKTION AUSSAAT
 F SECTION DE TRAVAIL - SEMIS

GB WORKING SECTION - SOWING
 RU СЕКЦИЯ РАБОЧАЯ ВЫСЕВАЮЩАЯ
 PL SEKCJA SIEWU ROBOCZEGO



VZ00031430



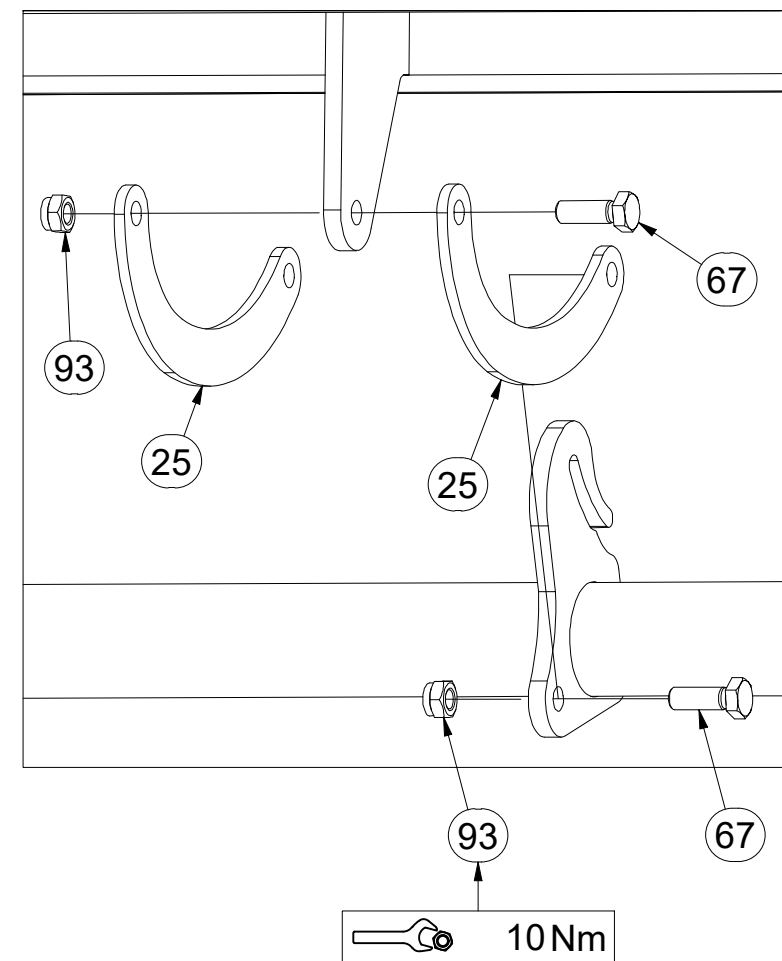
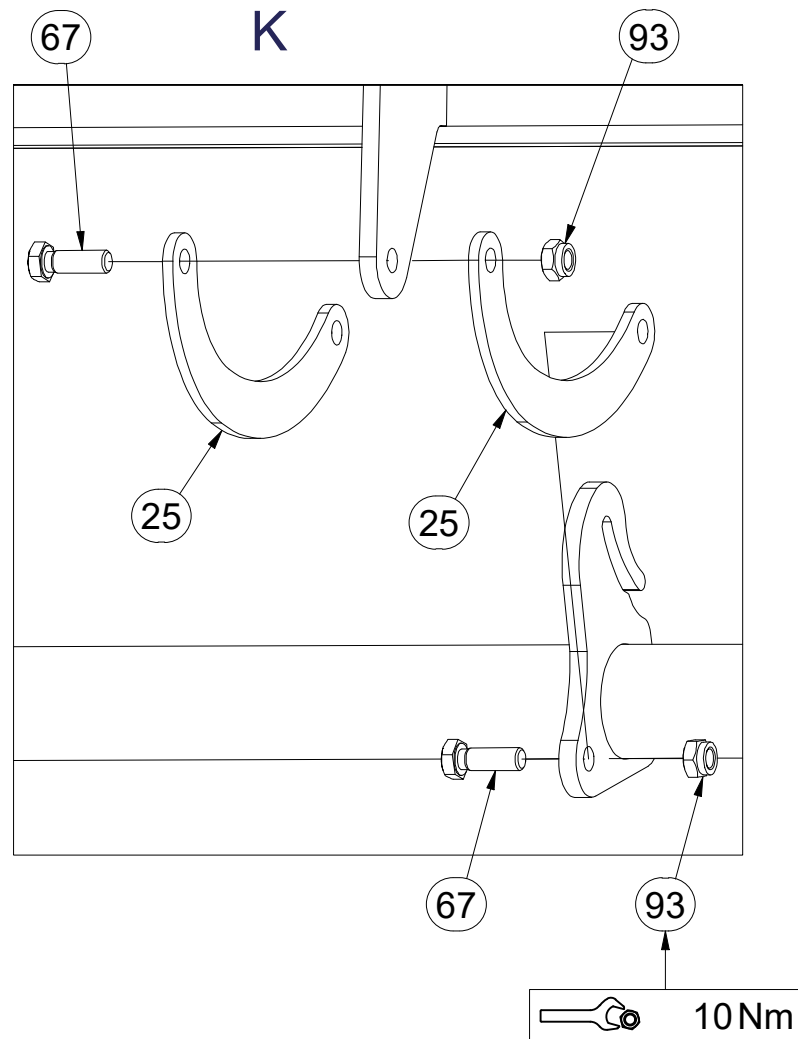
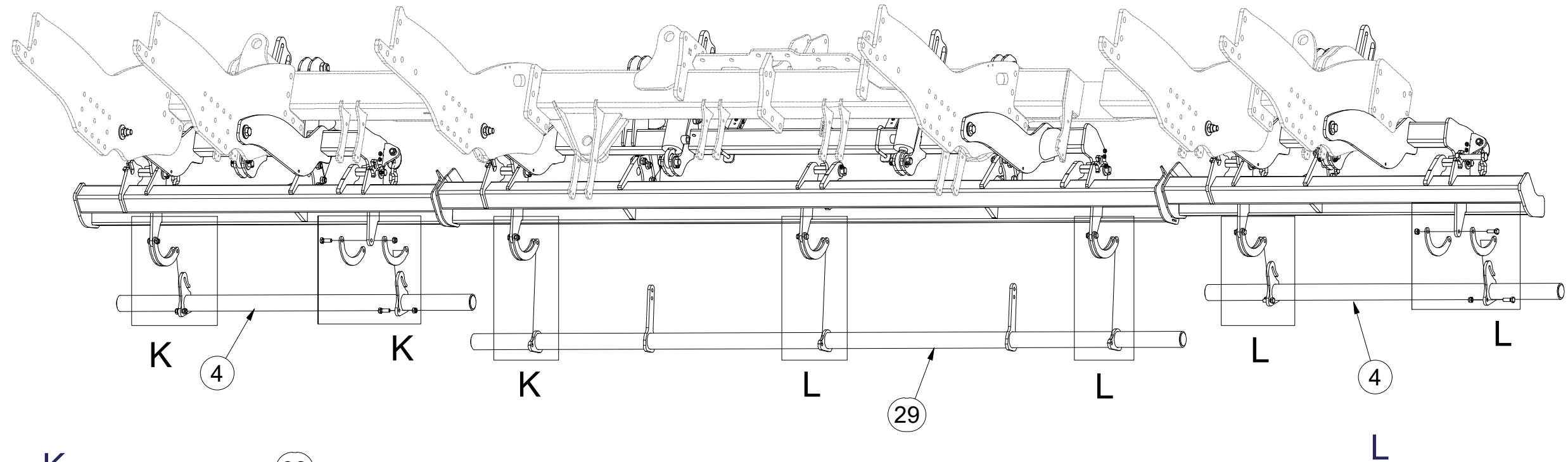
| Pos. | Part Number | Pcs. |
|------|-------------|------|
| 13 | VZ00024007 | 4 |
| 15 | VZ00022969 | 2 |
| 17 | VZ00023029 | 2 |
| 19 | VZ00022950 | 2 |
| 20 | VZ00023026 | 2 |
| 22 | VZ00022951 | 2 |
| 24 | VZ00023109 | 2 |
| 26 | VZ00023095 | 2 |
| 34 | VZ00034742 | 12 |
| 40 | VZ00034209 | 6 |
| 62 | m10849 | 16 |
| 67 | m04343 | 18 |
| 71 | m17836 | 2 |
| 93 | m04301 | 22 |
| 99 | m20385 | 18 |
| 100 | m22091 | 6 |

CZ SEKCE PRACOVNÍ SECÍ
 D ARBEITSSEKTION AUSSAAT
 F SECTION DE TRAVAIL - SEMIS

GB WORKING SECTION - SOWING
 RU СЕКЦИЯ РАБОЧАЯ ВЫСЕВАЮЩАЯ
 PL SEKCJA SIEWU ROBOCZEGO



VZ00031430



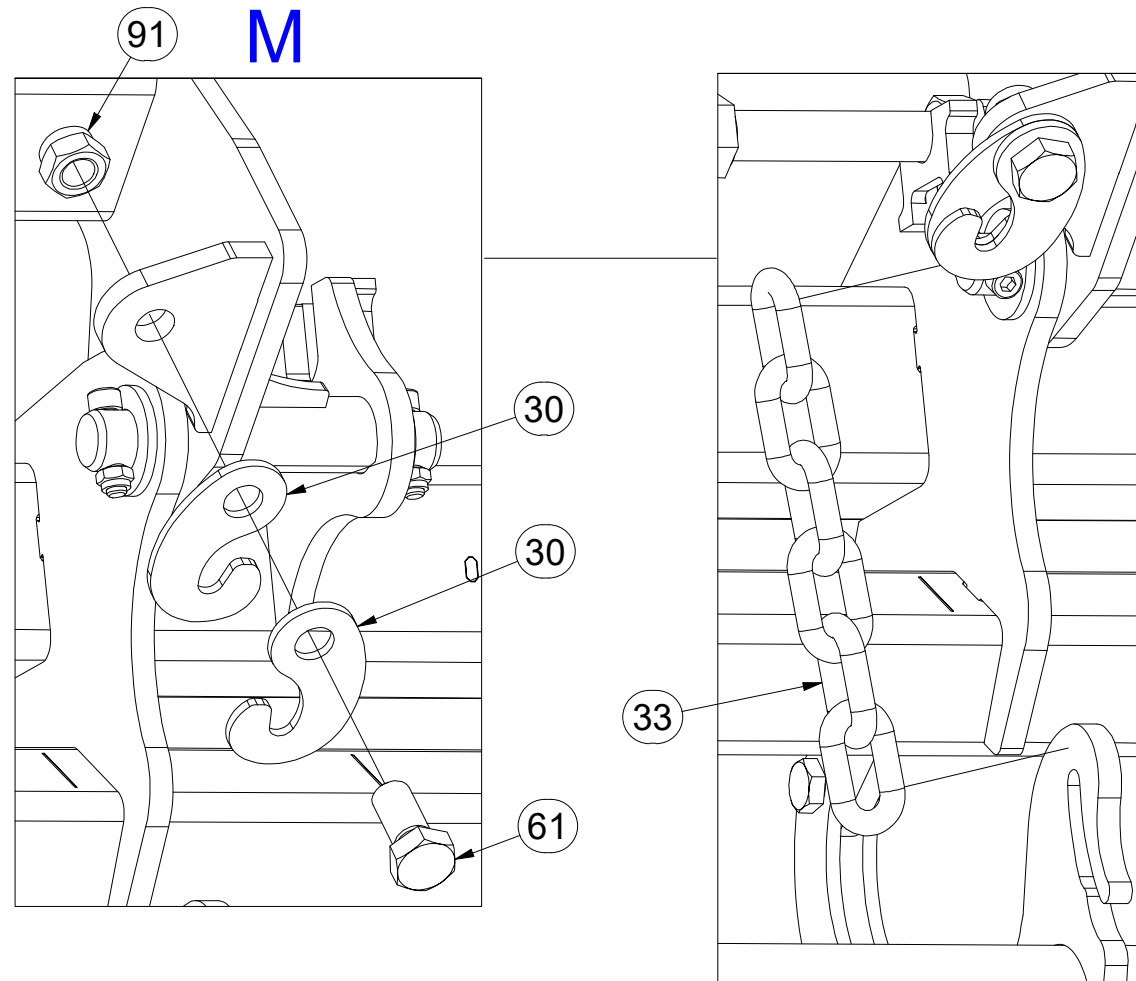
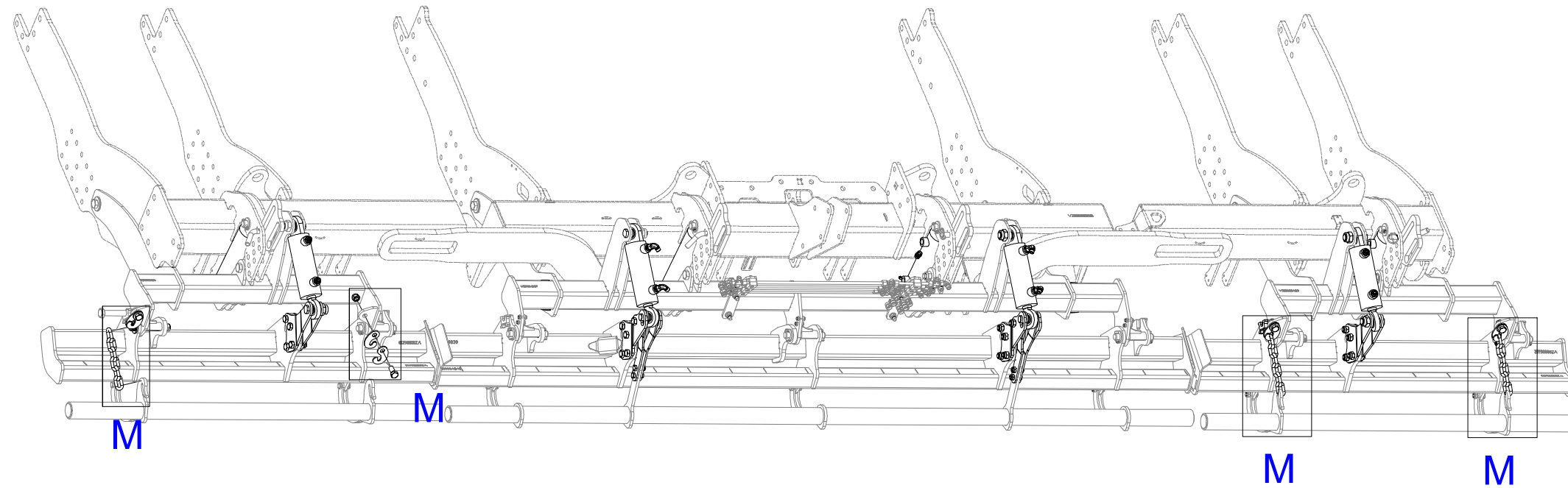
| Pos. | Part Number | Pcs. |
|------|-------------|------|
| 4 | VZ00012927 | 2 |
| 25 | 4011285 | 14 |
| 29 | VZ00004847 | 1 |
| 67 | m04343 | 18 |
| 93 | m04301 | 22 |

CZ SEKCE PRACOVNÍ SECÍ
 D ARBEITSSEKTION AUSSAAT
 F SECTION DE TRAVAIL - SEMIS

GB WORKING SECTION - SOWING
 RU СЕКЦИЯ РАБОЧАЯ ВЫСЕВАЮЩАЯ
 PL SEKCJA SIEWU ROBOCZEGO



VZ00031430



| Pos. | Part Number | Pcs. |
|------|-------------|------|
| 30 | VZ00009554 | 8 |
| 33 | VZ00002448 | 4 |
| 61 | m04240 | 4 |
| 91 | m03683 | 4 |

Ⓒ SEKCE PRACOVNÍ SECÍ

Ⓓ ARBEITSSEKTION AUSSAAT

Ⓕ SECTION DE TRAVAIL - SEMIS

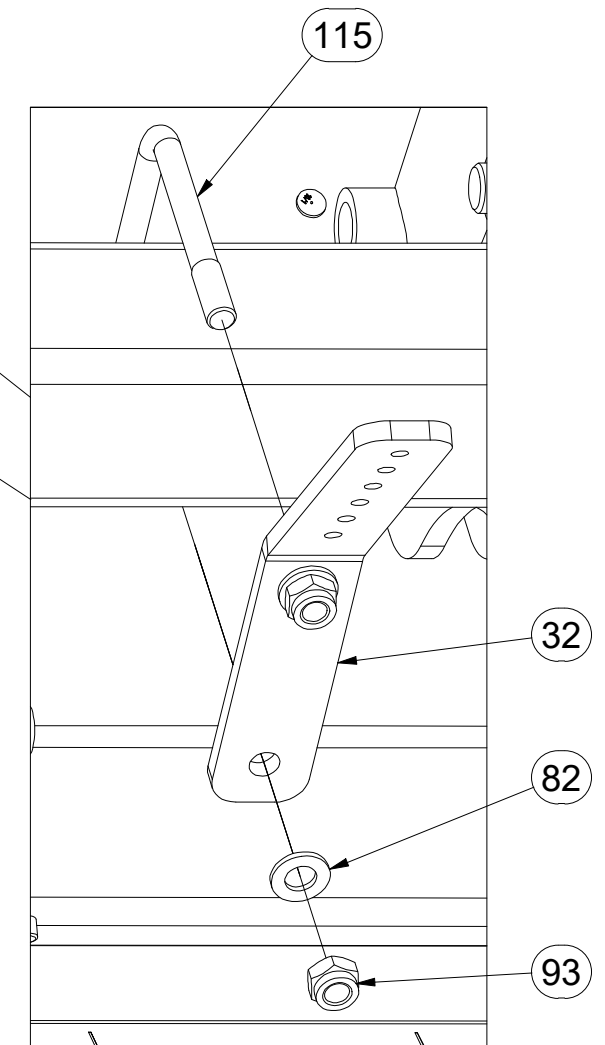
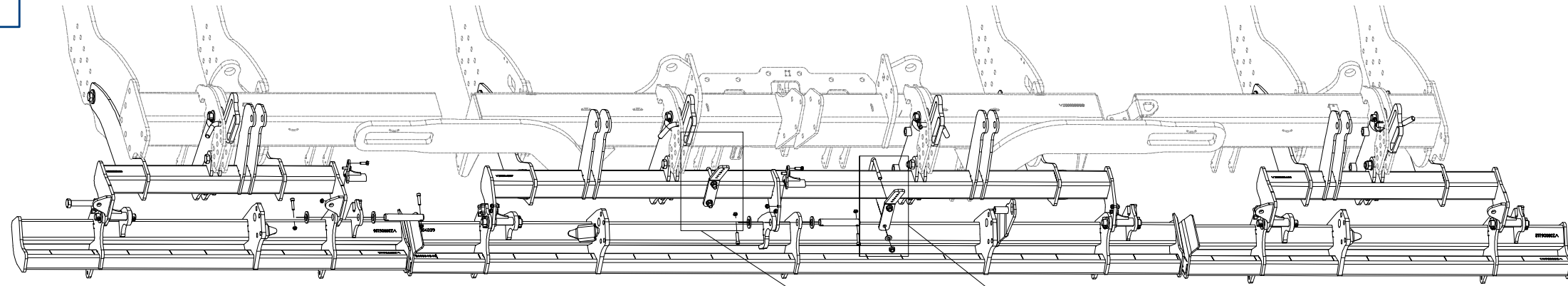
Ⓖ WORKING SECTION - SOWING

Ⓡ СЕКЦИЯ РАБОЧАЯ ВЫСЕВАЮЩАЯ

Ⓟ SEKCJA SIEWU ROBOCZEGO



VZ00031430



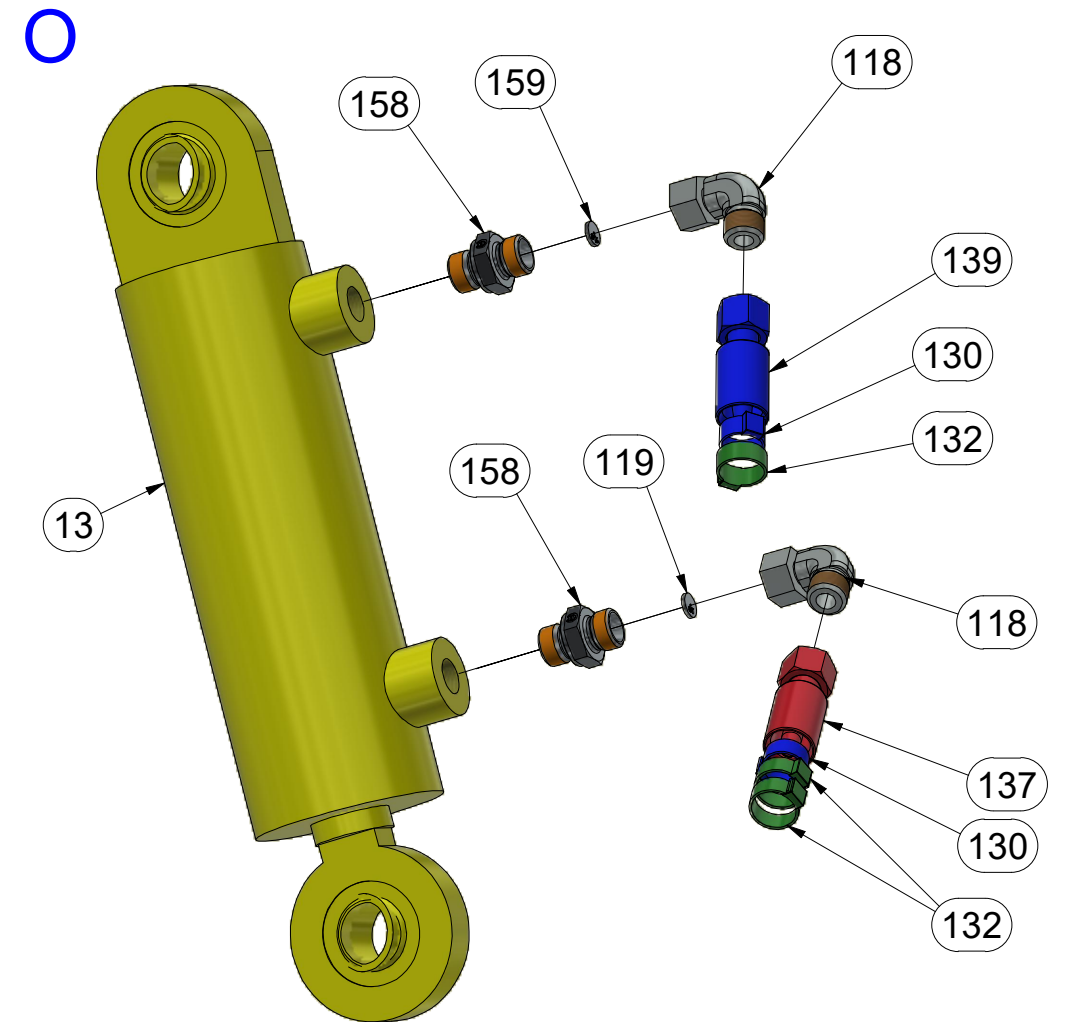
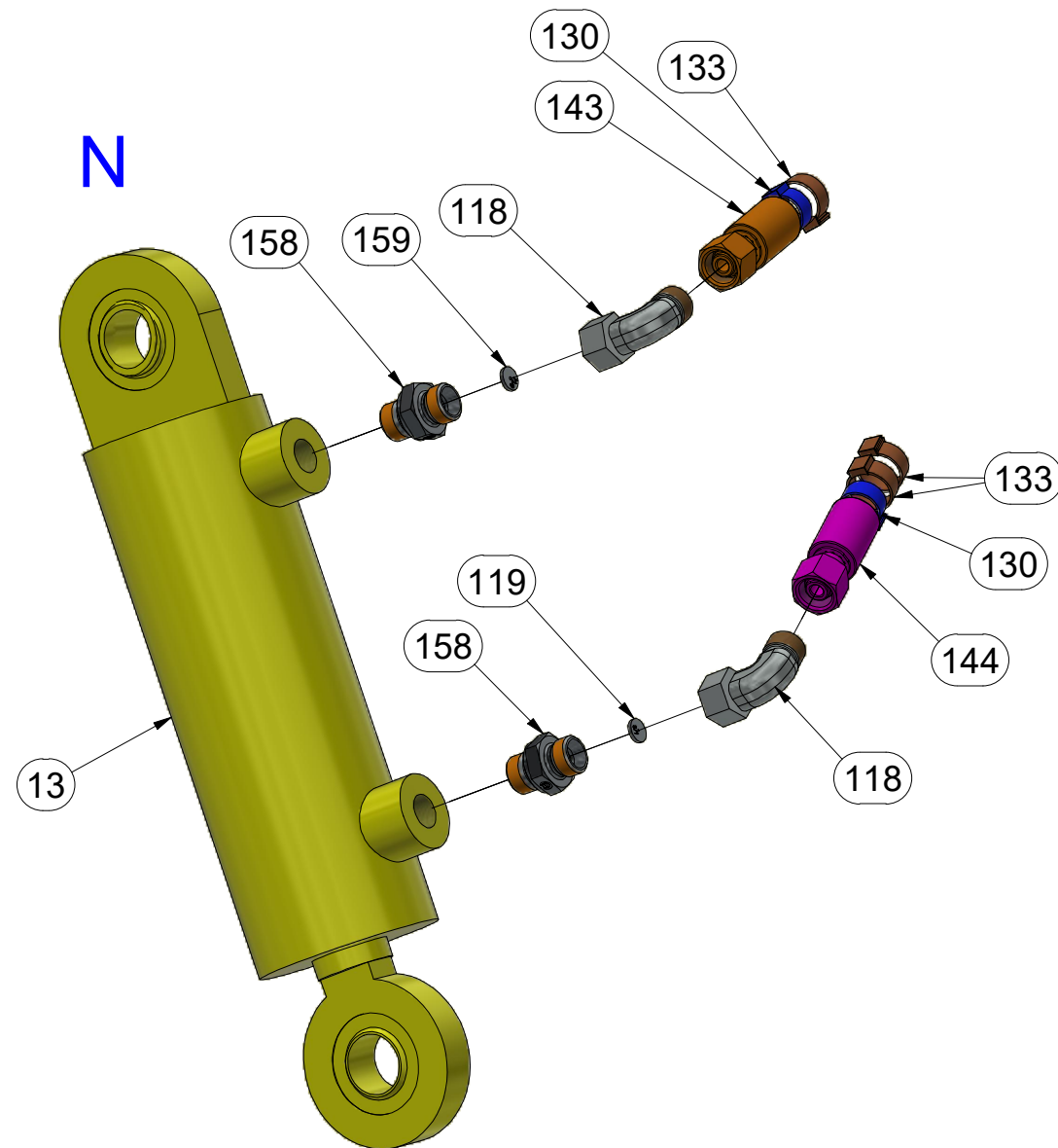
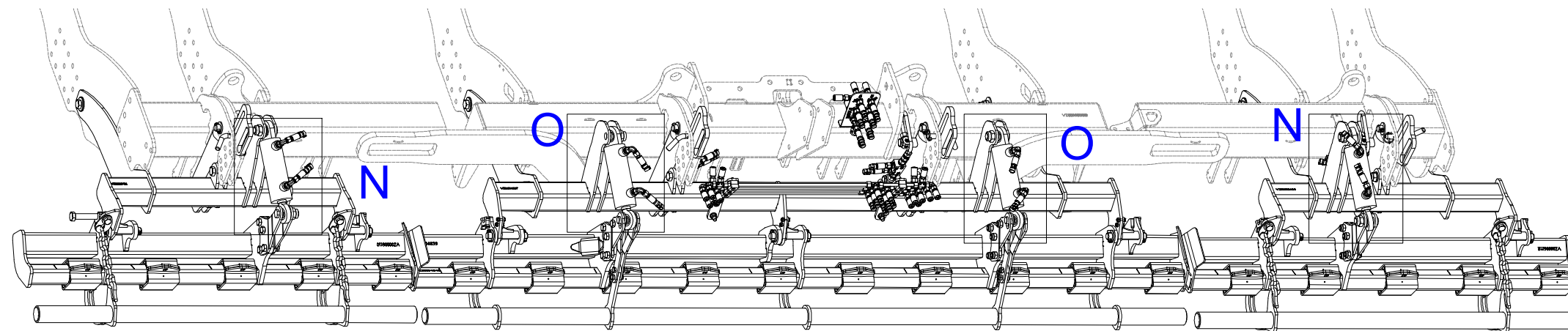
| Pos. | Part Number | Pcs. |
|------|-------------|------|
| 32 | VZ00001403 | 2 |
| 82 | m01214 | 4 |
| 93 | m04301 | 22 |
| 115 | m10296 | 2 |

CZ SEKCE PRACOVNÍ SECÍ
 D ARBEITSSEKTION AUSSAAT
 F SECTION DE TRAVAIL - SEMIS

GB WORKING SECTION - SOWING
 RU СЕКЦИЯ РАБОЧАЯ ВЫСЕВАЮЩАЯ
 PL SEKCJA SIEWU ROBOCZEGO



VZ00031430



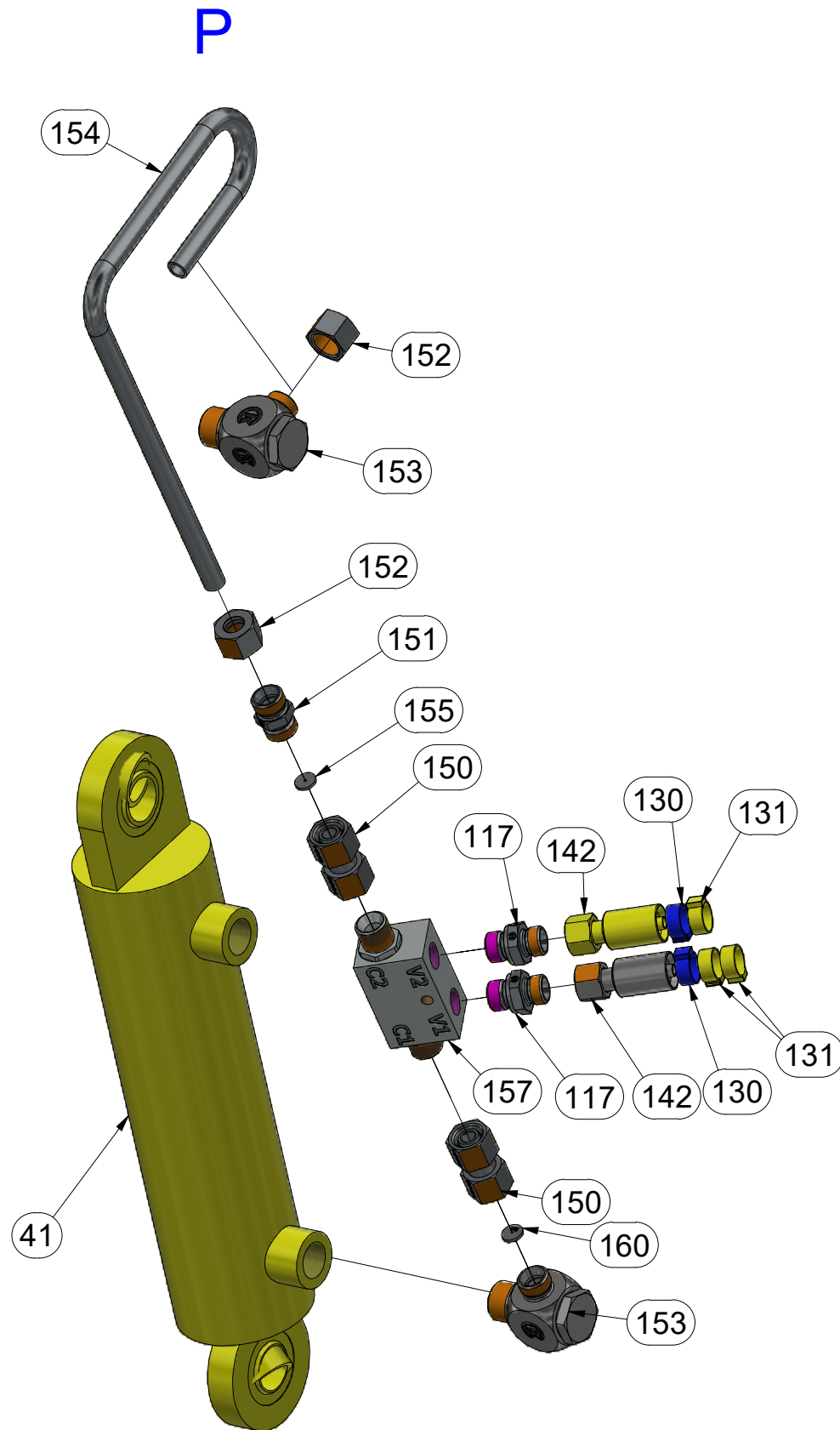
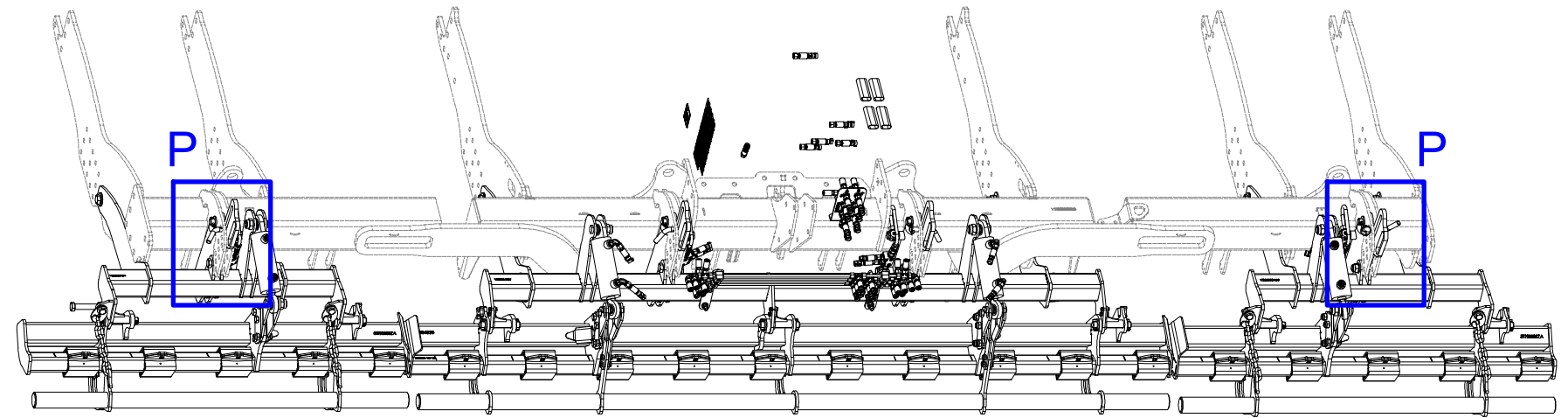
| Pos. | Part Number | Pcs. |
|------|-------------|------|
| 13 | VZ00024007 | 4 |
| 118 | m06803 | 14 |
| 119 | m10780 | 4 |
| 130 | m11253 | 34 |
| 132 | m11282 | 15 |
| 133 | m21373 | 15 |
| 137 | m09629 | 2 |
| 139 | m04033 | 3 |
| 143 | m15154 | 2 |
| 144 | m04181 | 2 |
| 158 | m07906 | 8 |
| 159 | m10772 | 4 |

CZ SEKCE PRACOVNÍ SECÍ
 D ARBEITSSEKTION AUSSAAT
 F SECTION DE TRAVAIL - SEMIS

GB WORKING SECTION - SOWING
 RU СЕКЦИЯ РАБОЧАЯ ВЫСЕВАЮЩАЯ
 PL SEKCJA SIEWU ROBOCZEGO

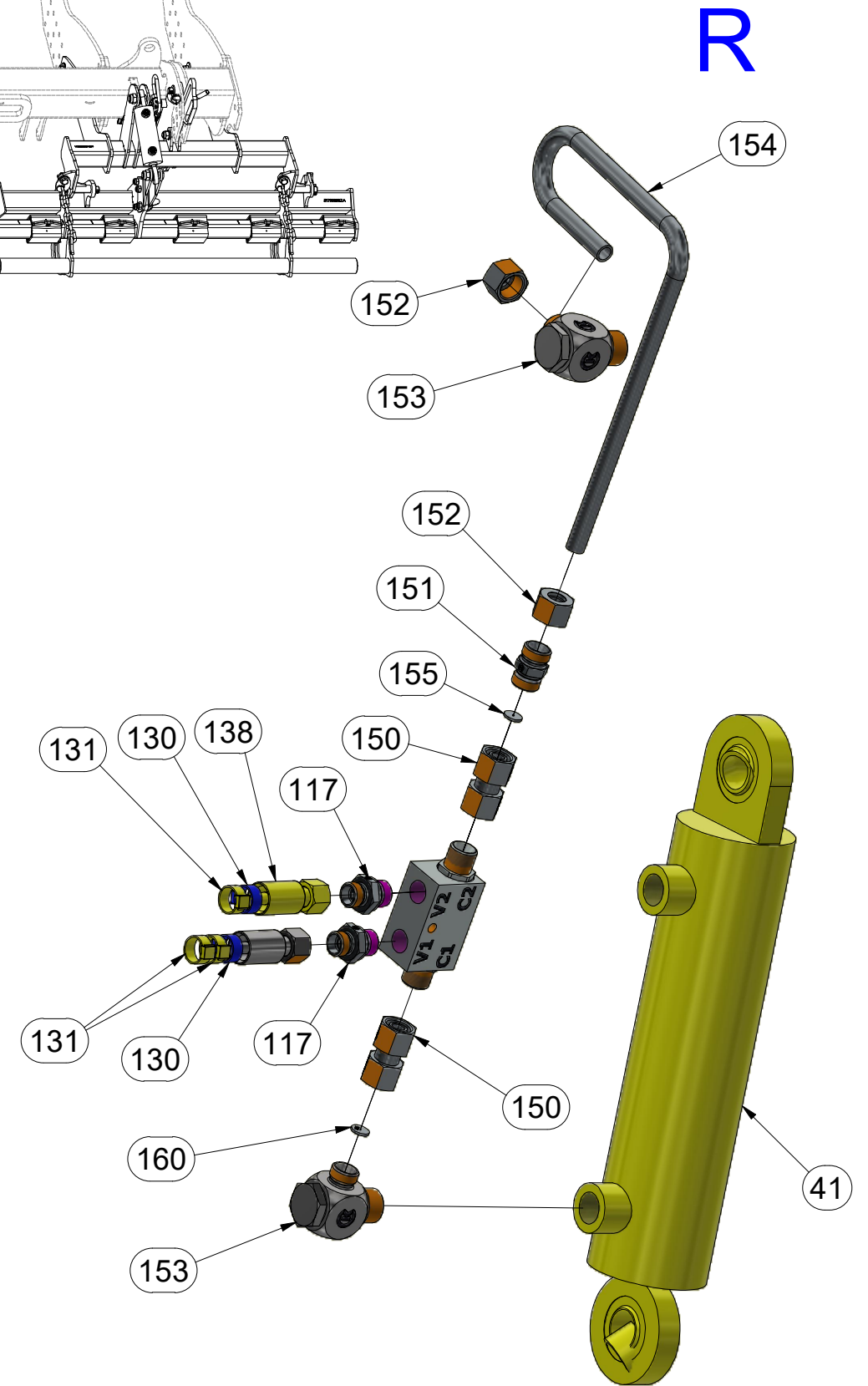
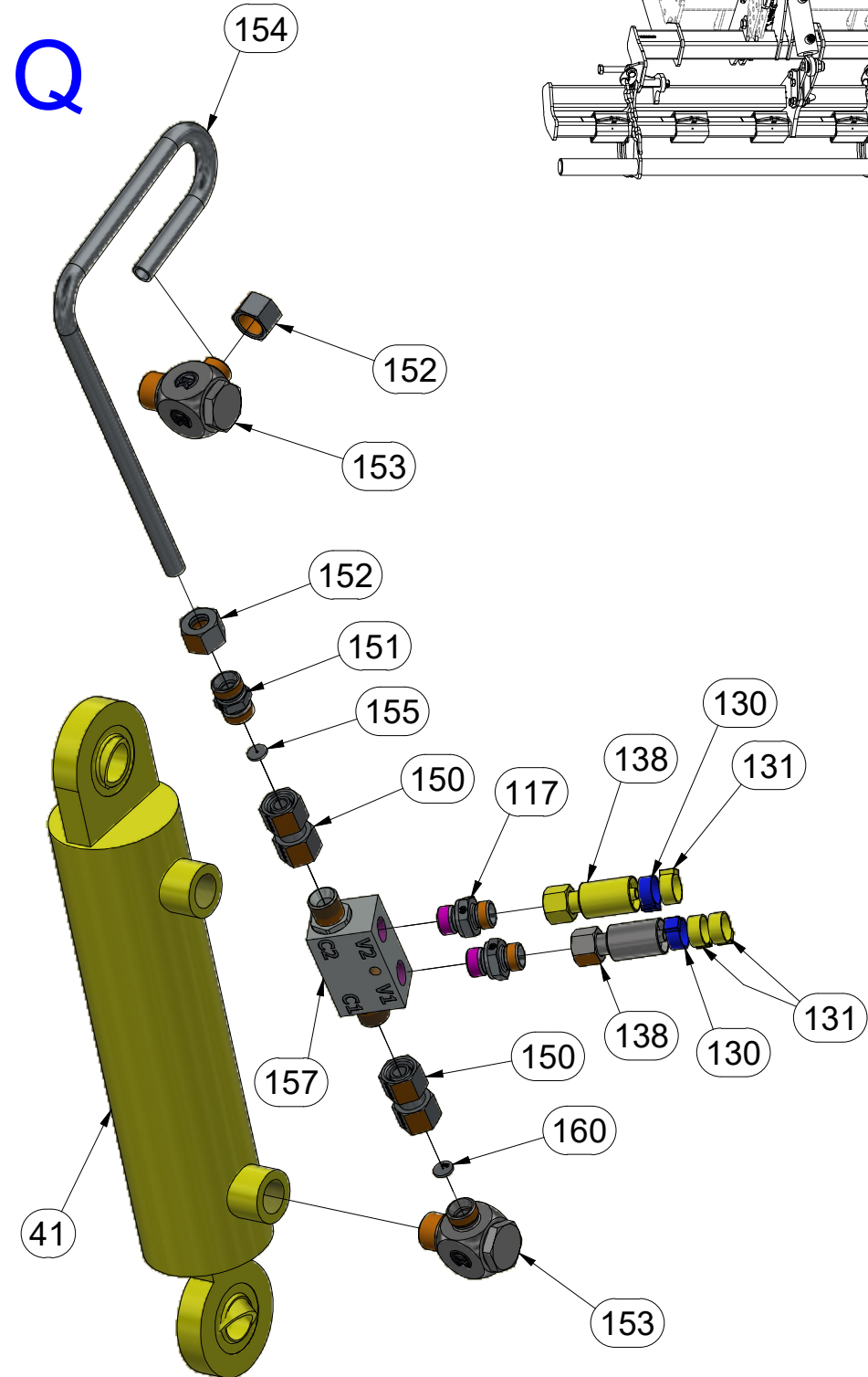
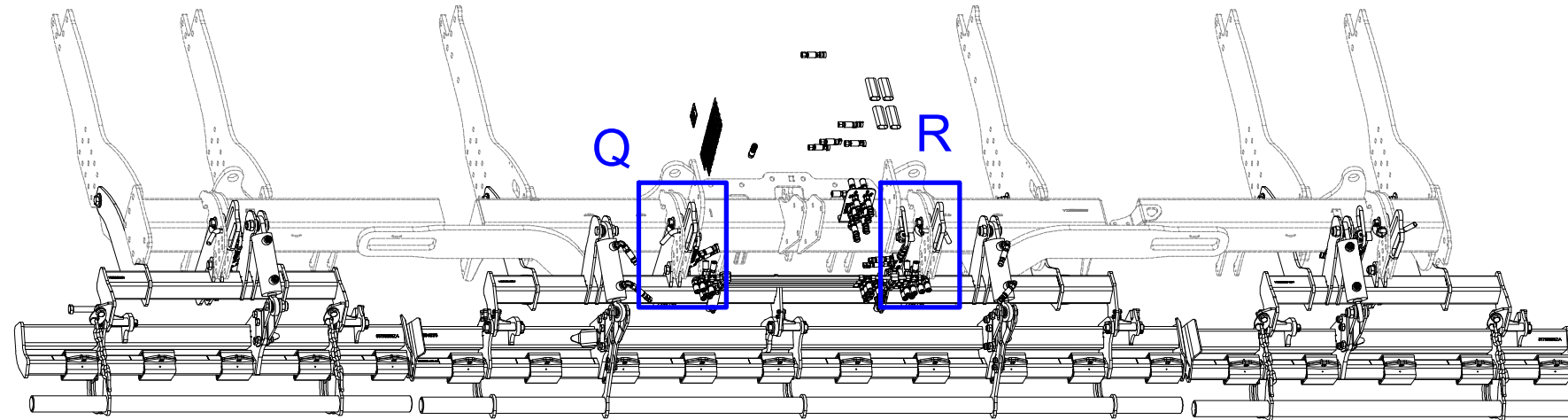


VZ00031430



| Pos. | Part Number | Pcs. |
|------|-------------|------|
| 41 | VZ00032258 | 4 |
| 117 | m06528 | 8 |
| 130 | m11253 | 34 |
| 131 | m11289 | 21 |
| 142 | m05278 | 4 |
| 150 | m22306 | 8 |
| 151 | m16910 | 4 |
| 152 | m17321 | 8 |
| 153 | m20912 | 8 |
| 154 | m16719 | 4 |
| 155 | m10775 | 4 |
| 157 | m08083 | 4 |
| 160 | m10774 | 4 |

VZ00031430



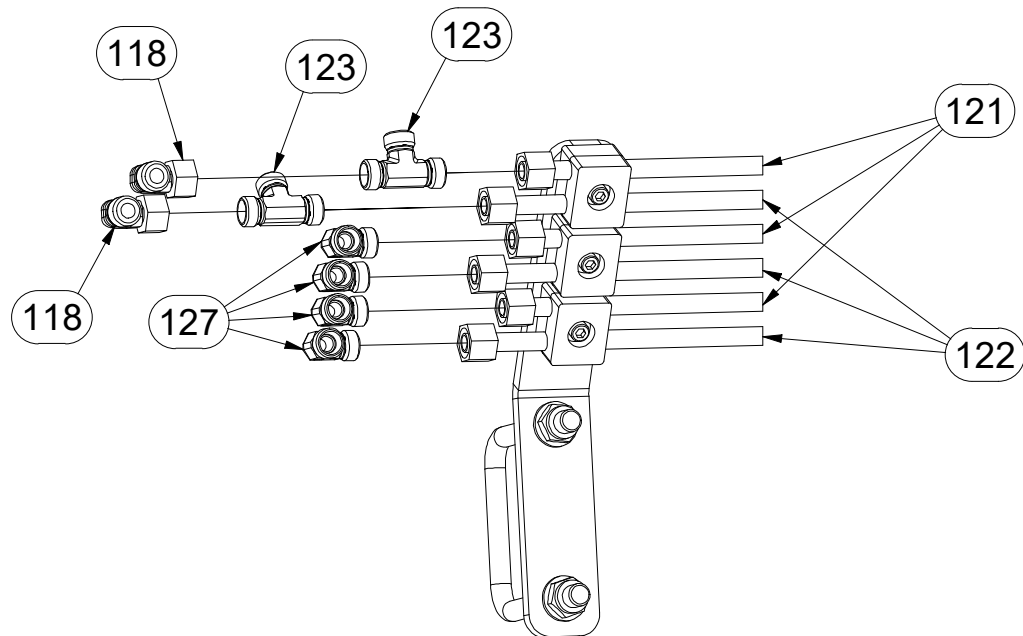
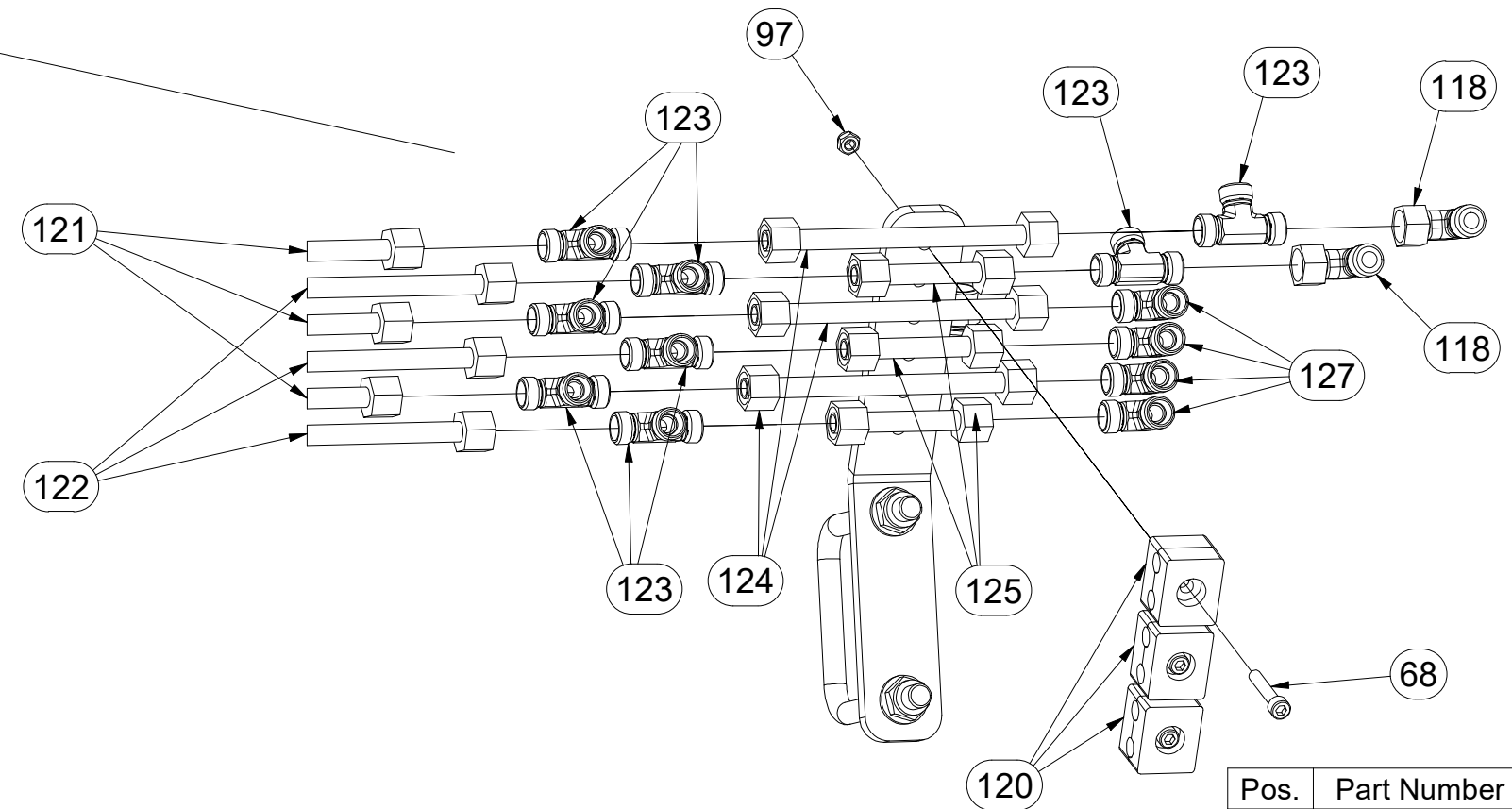
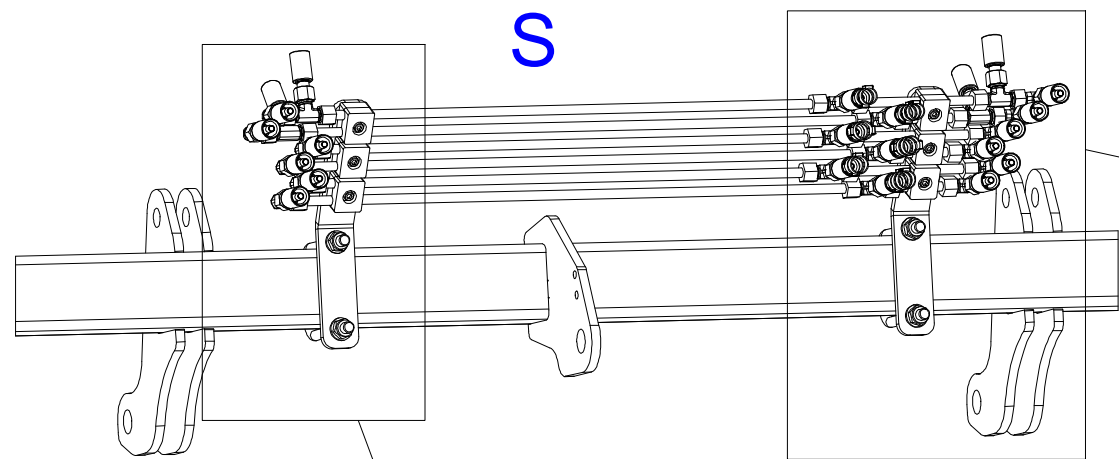
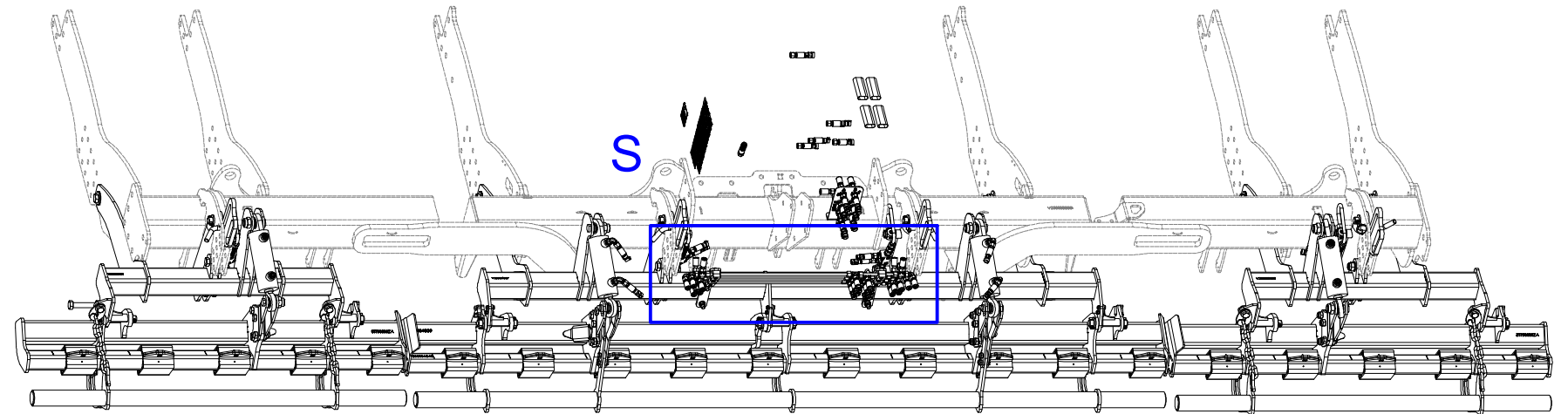
| Pos. | Part Number | Pcs. |
|------|-------------|------|
| 41 | VZ00032258 | 4 |
| 117 | m06528 | 8 |
| 130 | m11253 | 34 |
| 131 | m11289 | 21 |
| 138 | m07645 | 5 |
| 150 | m22306 | 8 |
| 151 | m16910 | 4 |
| 152 | m17321 | 8 |
| 153 | m20912 | 8 |
| 154 | m16719 | 4 |
| 155 | m10775 | 4 |
| 157 | m08083 | 4 |
| 160 | m10774 | 4 |

CZ SEKCE PRACOVNÍ SECÍ
 D ARBEITSSEKTION AUSSAAT
 F SECTION DE TRAVAIL - SEMIS

GB WORKING SECTION - SOWING
 RU СЕКЦИЯ РАБОЧАЯ ВЫСЕВАЮЩАЯ
 PL SEKCJA SIEWU ROBOCZEGO



VZ00031430



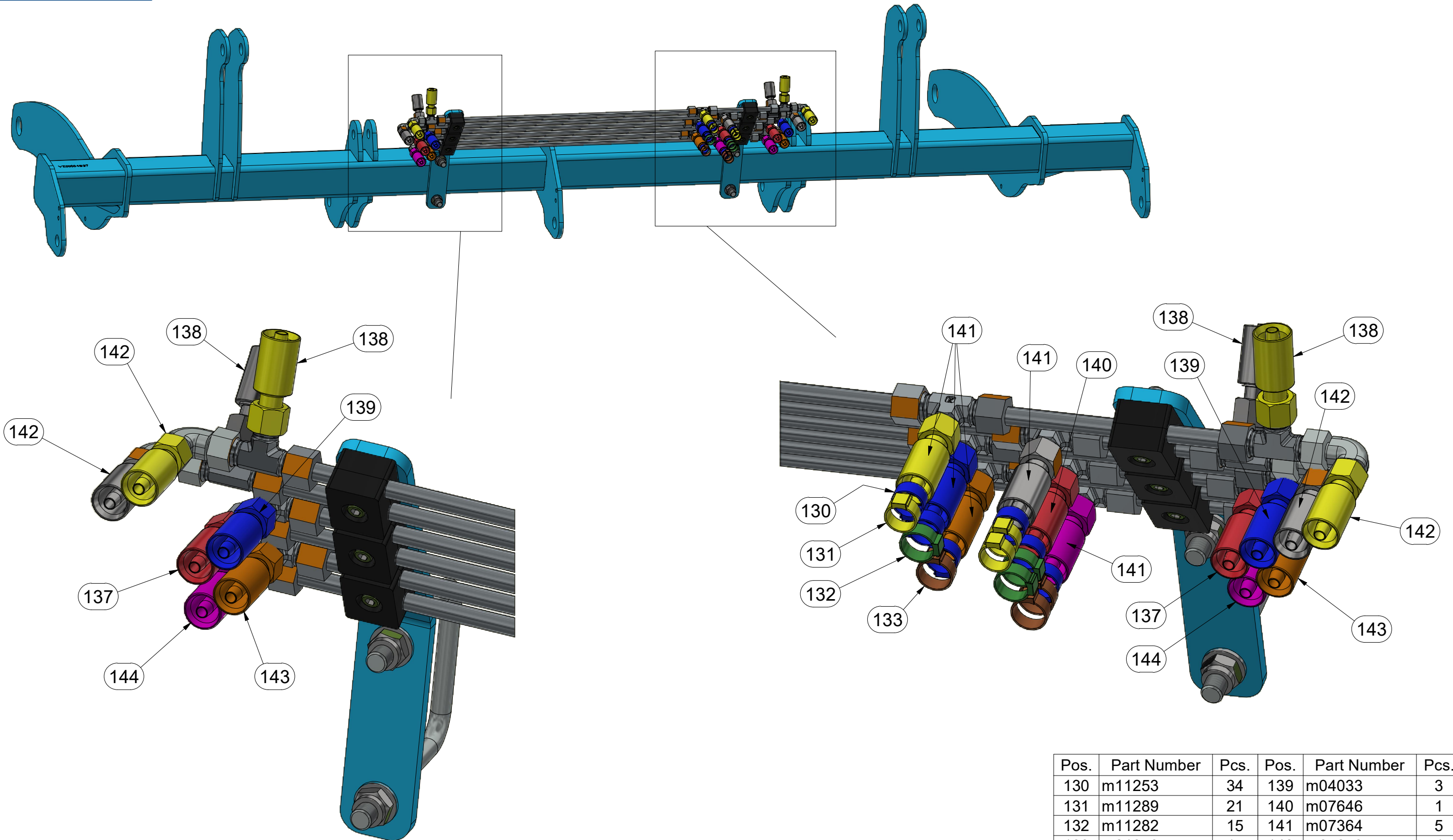
| Pos. | Part Number | Pcs. |
|------|-------------|------|
| 68 | m06102 | 6 |
| 97 | m05560 | 6 |
| 118 | m06803 | 14 |
| 120 | m05488 | 6 |
| 121 | m13970 | 3 |
| 122 | m13969 | 3 |
| 123 | m03889 | 10 |
| 124 | m13971 | 3 |
| 125 | m13972 | 3 |
| 127 | m06661 | 8 |

CZ SEKCE PRACOVNÍ SECÍ
 D ARBEITSSEKTION AUSSAAT
 F SECTION DE TRAVAIL - SEMIS

GB WORKING SECTION - SOWING
 RU СЕКЦИЯ РАБОЧАЯ ВЫСЕВАЮЩАЯ
 PL SEKCJA SIEWU ROBOCZEGO



VZ00031430



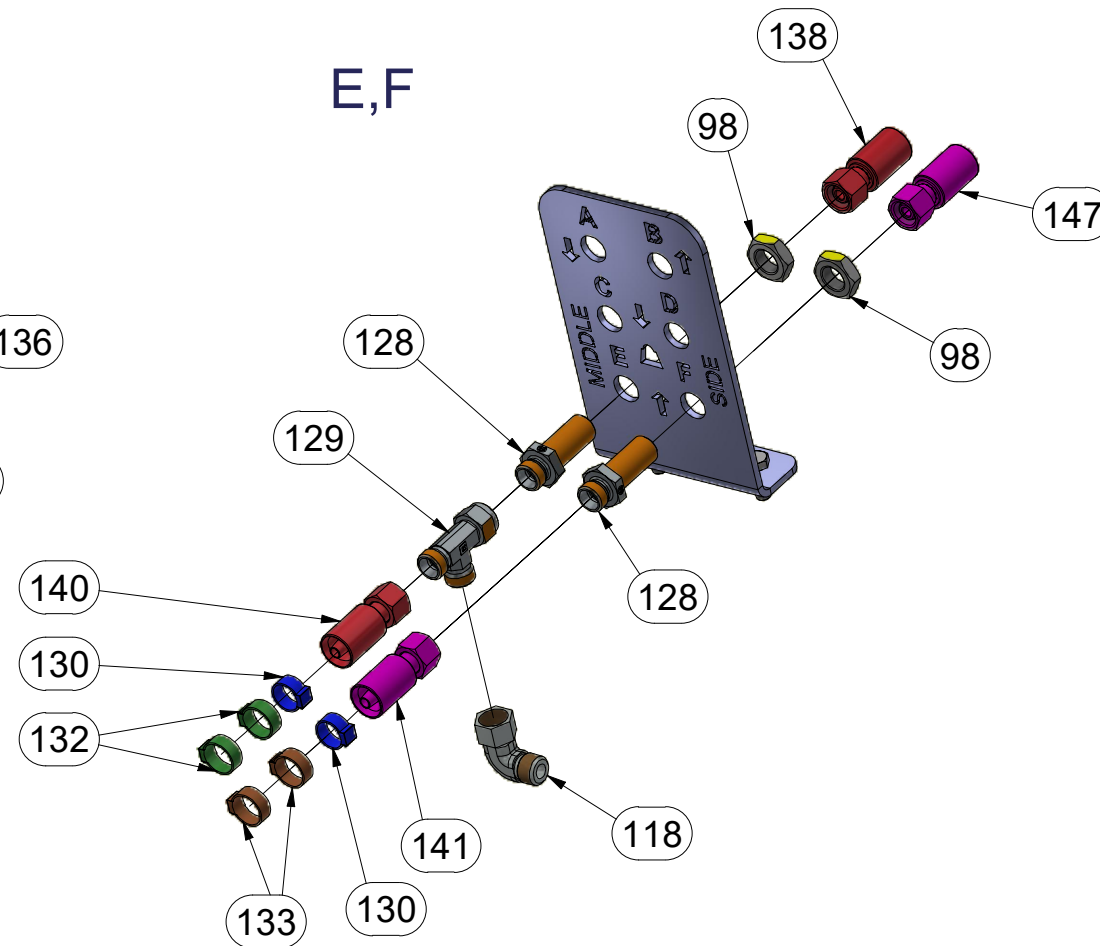
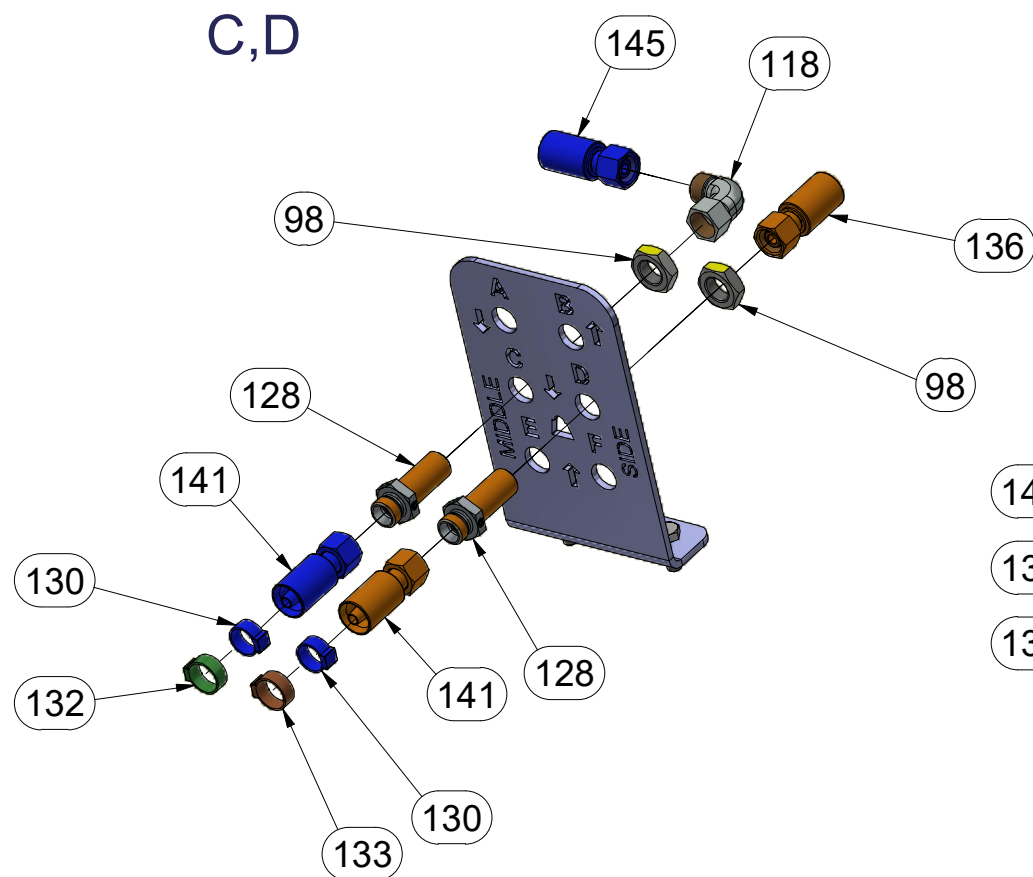
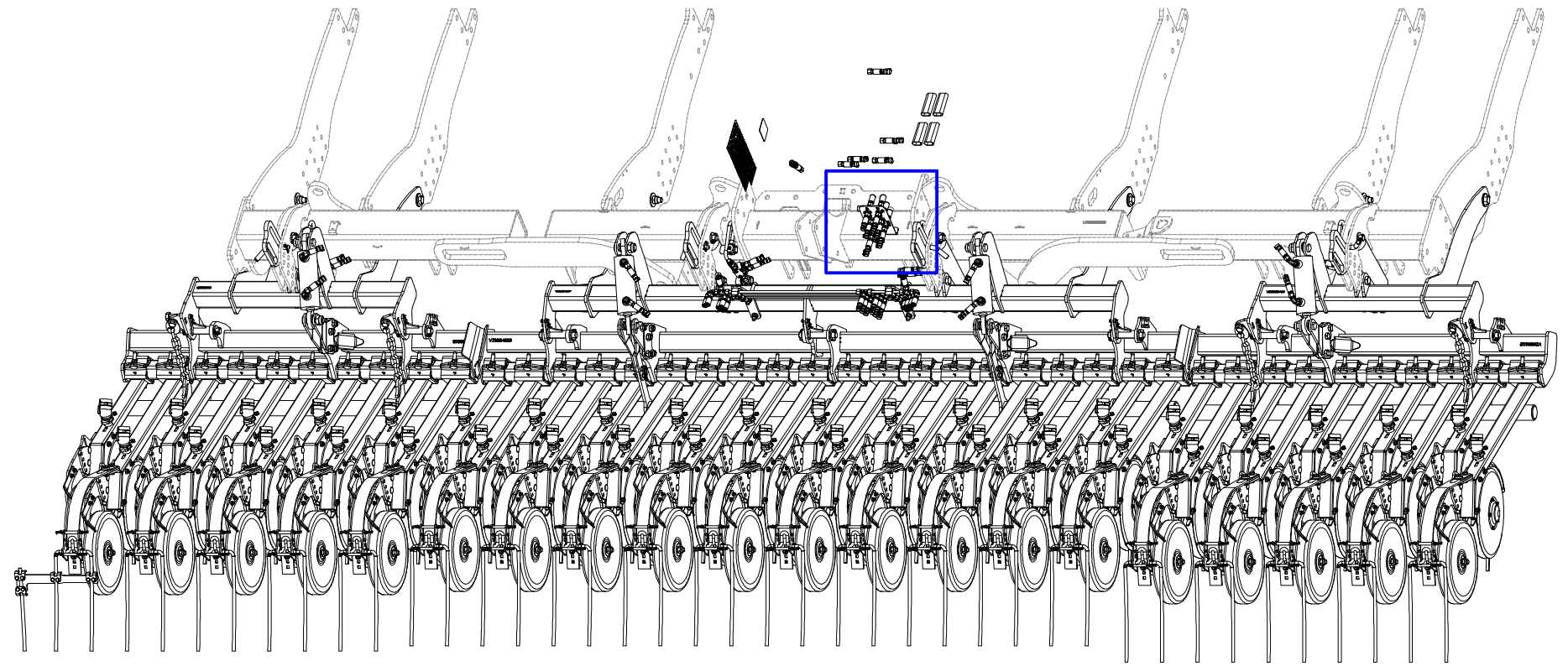
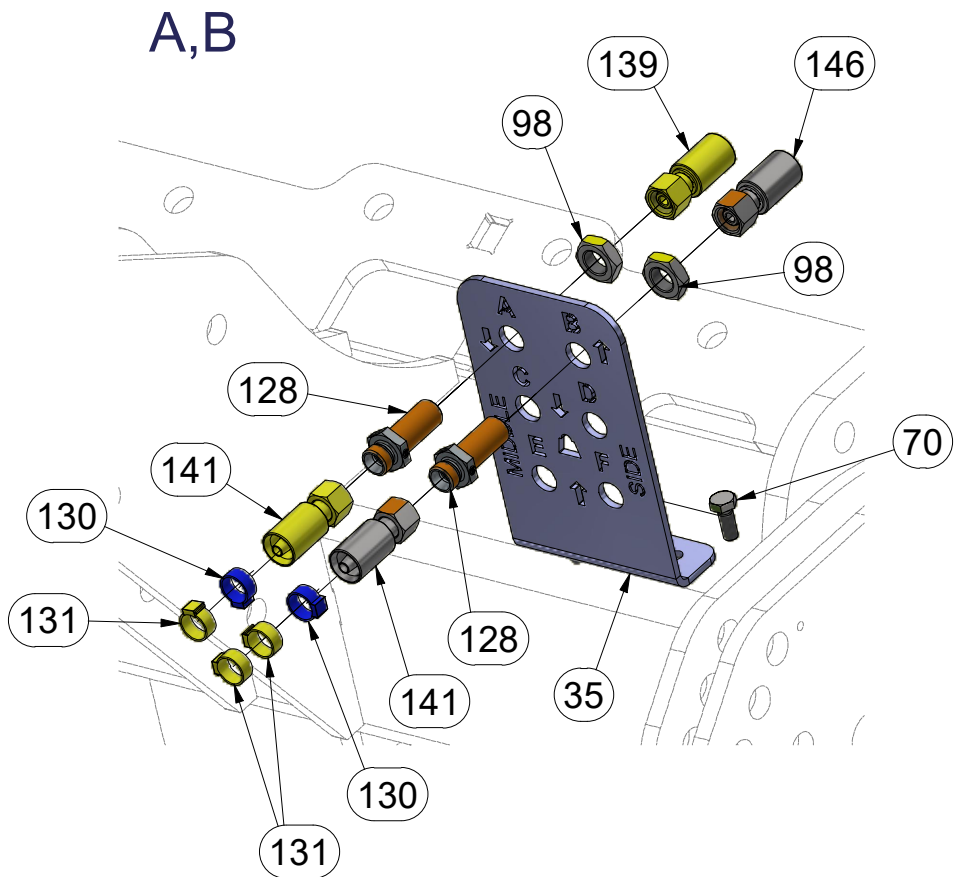
| Pos. | Part Number | Pcs. | Pos. | Part Number | Pcs. |
|------|-------------|------|------|-------------|------|
| 130 | m11253 | 34 | 139 | m04033 | 3 |
| 131 | m11289 | 21 | 140 | m07646 | 1 |
| 132 | m11282 | 15 | 141 | m07364 | 5 |
| 133 | m21373 | 15 | 142 | m05278 | 4 |
| 137 | m09629 | 2 | 143 | m15154 | 2 |
| 138 | m07645 | 5 | 144 | m04181 | 2 |

CZ SEKCE PRACOVNÍ SECÍ
 D ARBEITSSEKTION AUSSAAT
 F SECTION DE TRAVAIL - SEMIS

GB WORKING SECTION - SOWING
 RU СЕКЦИЯ РАБОЧАЯ ВЫСЕВАЮЩАЯ
 PL SEKCJA SIEWU ROBOCZEGO



VZ00031430



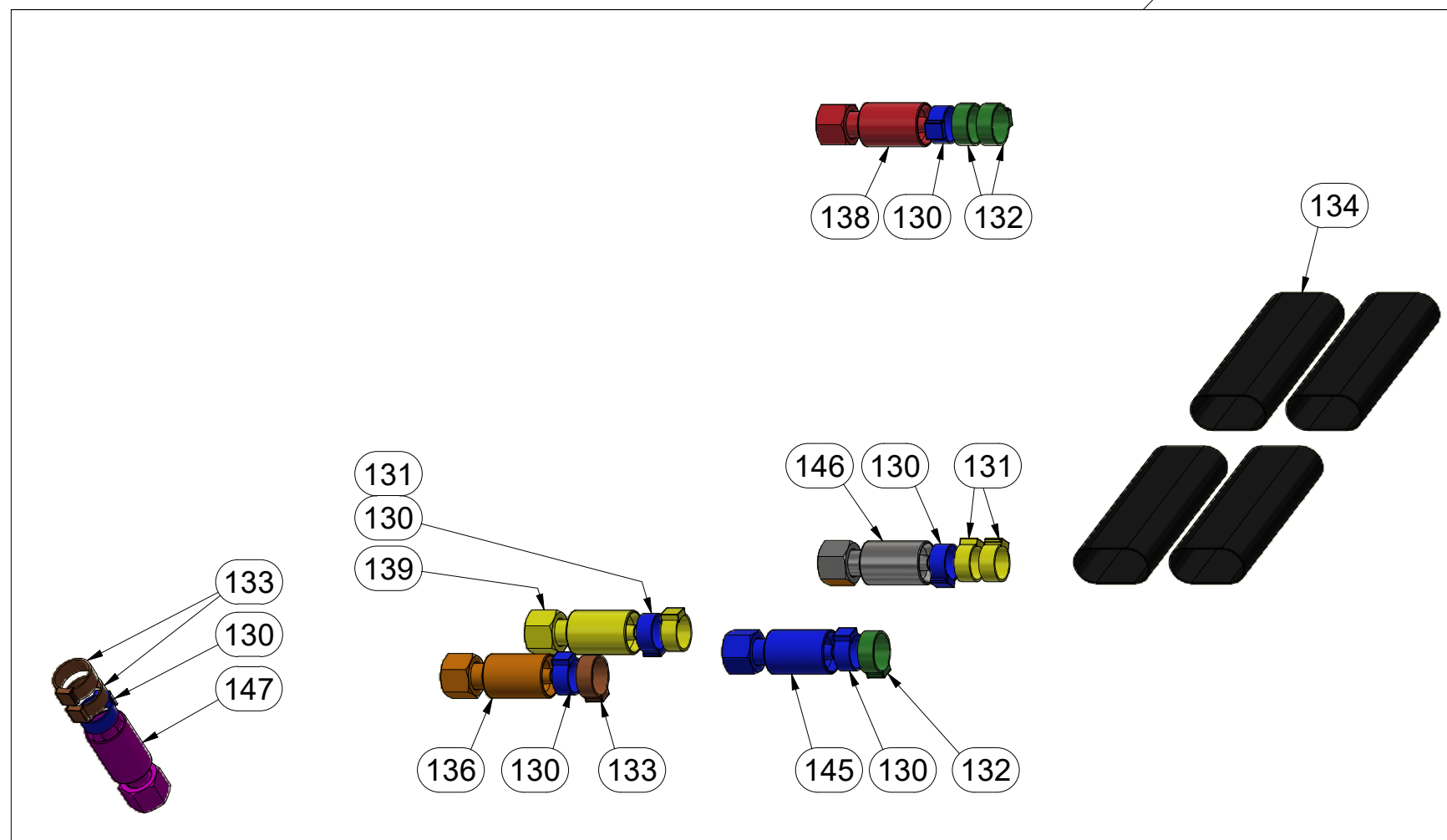
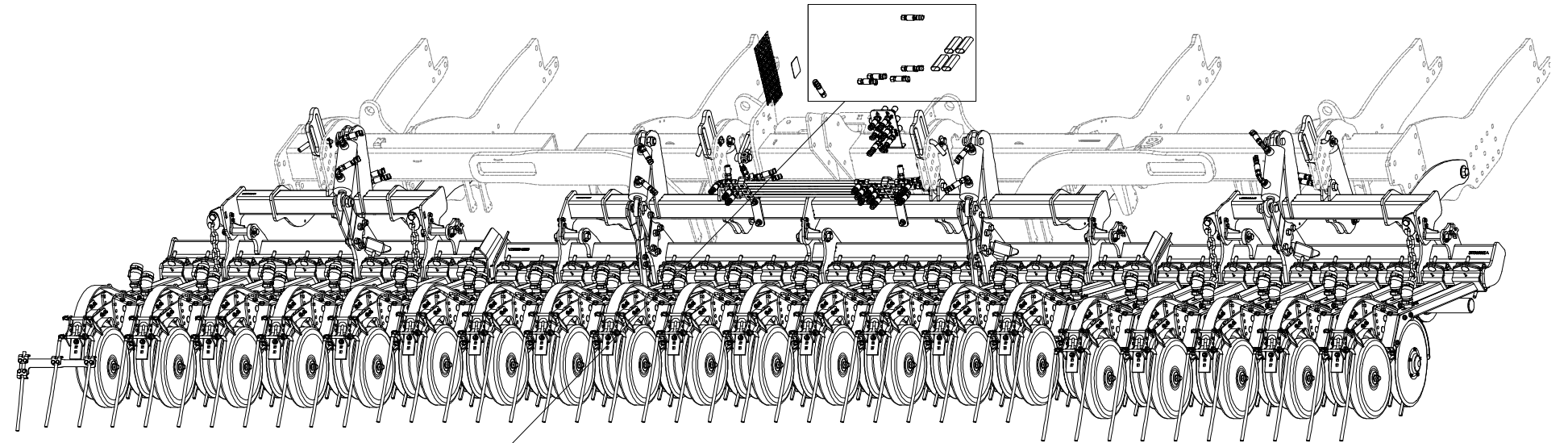
| Pos. | Part Number | Pcs. | Pos. | Part Number | Pcs. |
|------|-------------|------|------|-------------|------|
| 35 | VZ00014425 | 1 | 133 | m21373 | 15 |
| 70 | m01089 | 2 | 136 | m09627 | 1 |
| 98 | m03941 | 6 | 138 | m07645 | 5 |
| 118 | m06803 | 14 | 139 | m04033 | 3 |
| 128 | m11768 | 6 | 140 | m07646 | 1 |
| 129 | m07568 | 1 | 141 | m07364 | 5 |
| 130 | m11253 | 34 | 145 | m11125 | 1 |
| 131 | m11289 | 21 | 146 | m07363 | 1 |
| 132 | m11282 | 15 | 147 | m07909 | 1 |

CZ SEKCE PRACOVNÍ SECÍ
 D ARBEITSSEKTION AUSSAAT
 F SECTION DE TRAVAIL - SEMIS

GB WORKING SECTION - SOWING
 RU СЕКЦИЯ РАБОЧАЯ ВЫСЕВАЮЩАЯ
 PL SEKCJA SIEWU ROBOCZEGO



VZ00031430



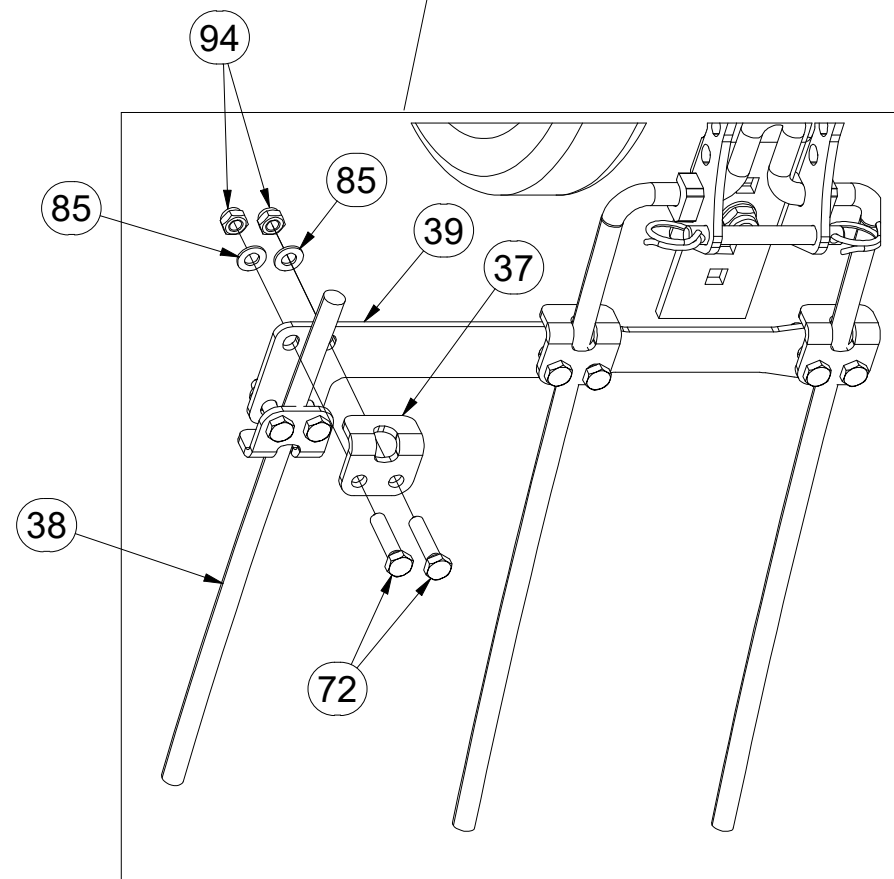
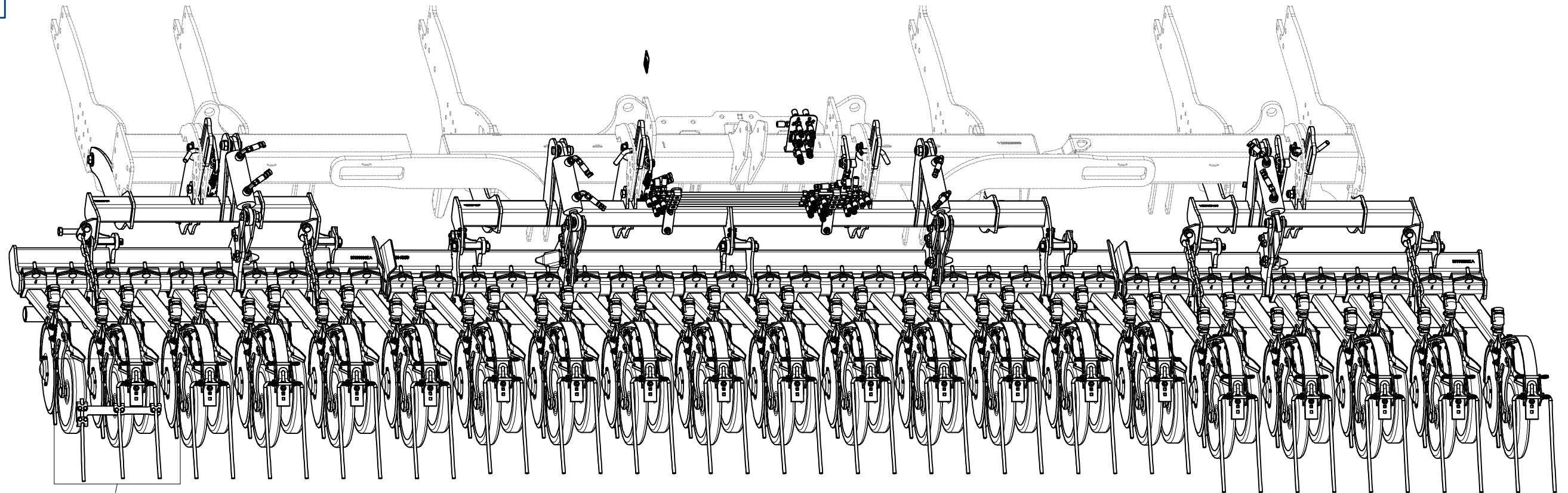
| Pos. | Part Number | Pcs. |
|------|-------------|------|
| 130 | m11253 | 34 |
| 131 | m11289 | 21 |
| 132 | m11282 | 15 |
| 133 | m21373 | 15 |
| 134 | m11183 | 4 |
| 136 | m09627 | 1 |
| 138 | m07645 | 5 |
| 139 | m04033 | 3 |
| 145 | m11125 | 1 |
| 146 | m07363 | 1 |
| 147 | m07909 | 1 |

CZ SEKCE PRACOVNÍ SECÍ
 D ARBEITSSEKTION AUSSAAT
 F SECTION DE TRAVAIL - SEMIS

GB WORKING SECTION - SOWING
 RU СЕКЦИЯ РАБОЧАЯ ВЫСЕВАЮЩАЯ
 PL SEKCJA SIEWU ROBOCZEGO



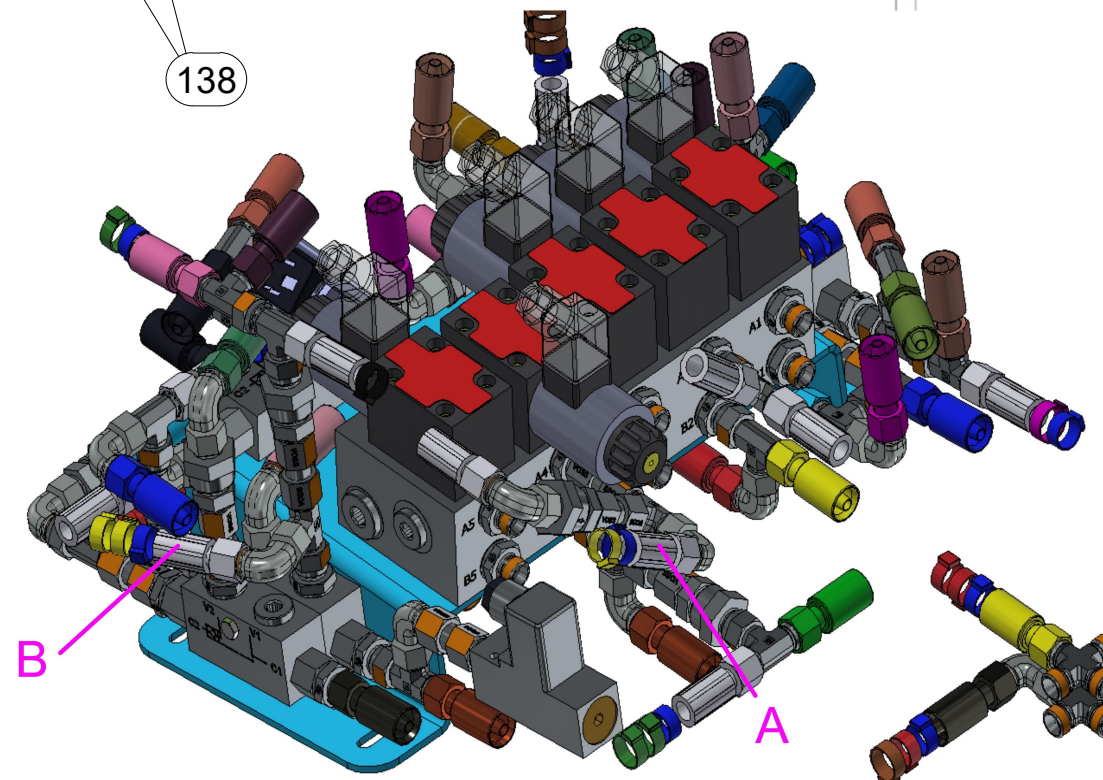
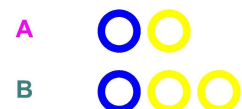
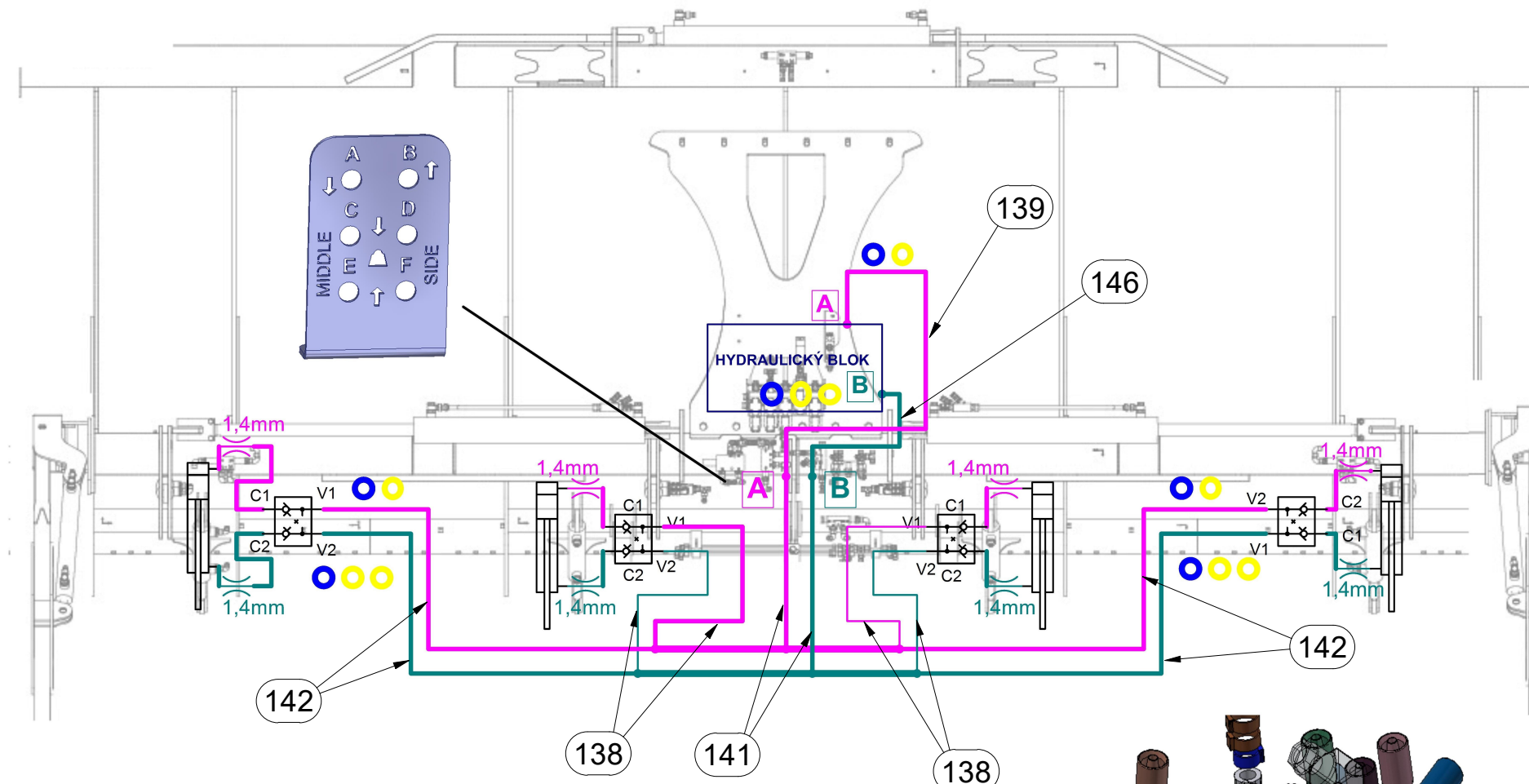
VZ00031430



| | | | | |
|----|----|----|----|----|
| 1 | 2 | 3 | 4 | 5 |
| 6 | 7 | 8 | 9 | 10 |
| 11 | 12 | 13 | 14 | 15 |
| 16 | 17 | 18 | 19 | 20 |
| 21 | 22 | 23 | 24 | 25 |
| 26 | 27 | 28 | 29 | 30 |
| 31 | 32 | 33 | 34 | 35 |
| 36 | 37 | 38 | 39 | 40 |
| 41 | 42 | 43 | 44 | 45 |
| 46 | 47 | 48 | | |

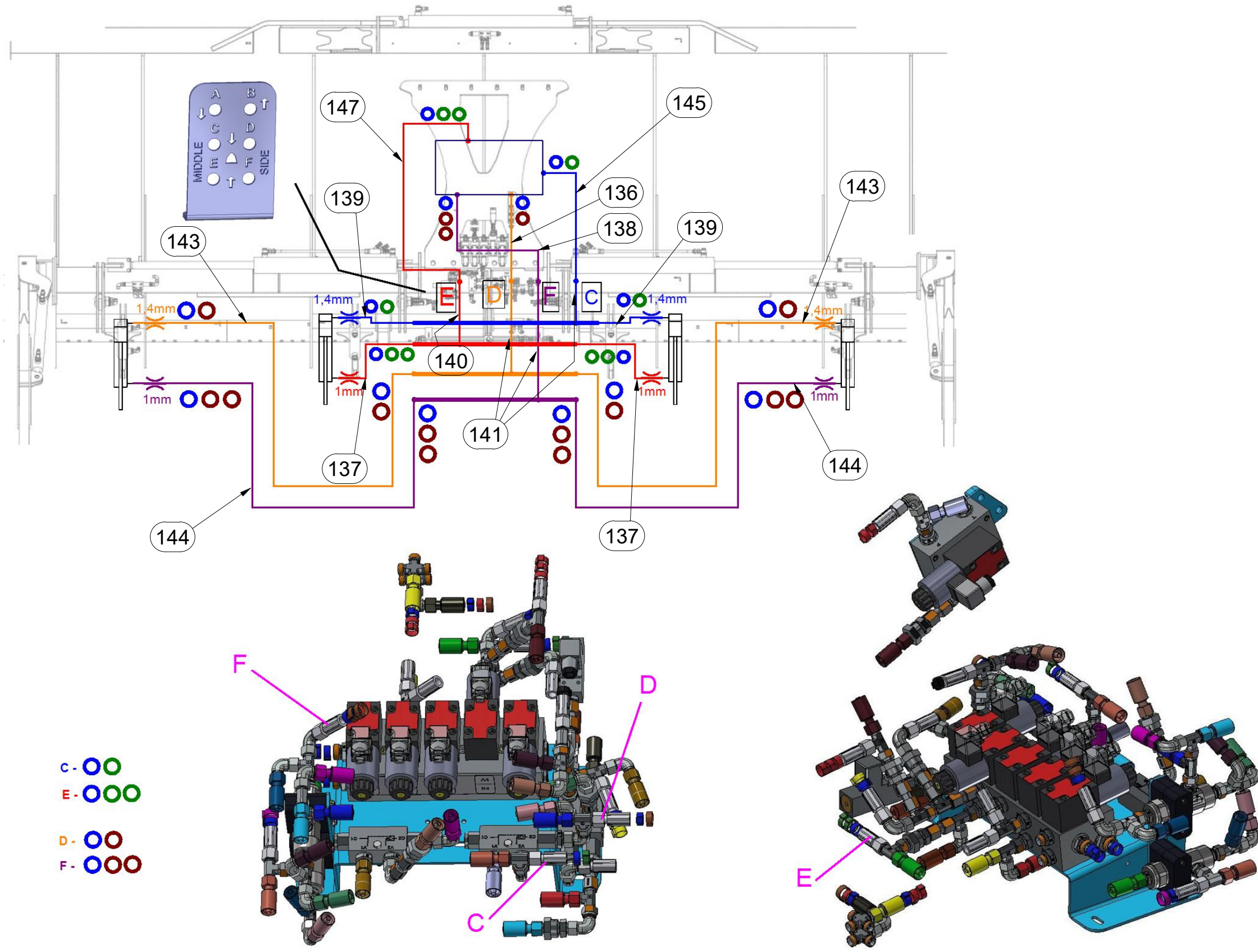
| Pos. | Part Number | Pcs. |
|------|-------------|------|
| 28 | 4026216 | 1 |
| 37 | VZ00021252 | 4 |
| 38 | VZ00004829 | 1 |
| 39 | VZ00026396 | 1 |
| 72 | m01096 | 8 |
| 85 | m01203 | 8 |
| 94 | m04503 | 52 |

VZ00031430



| Pos. | Part Number | Pcs. |
|------|-------------|------|
| 138 | m07645 | 5 |
| 139 | m04033 | 3 |
| 141 | m07364 | 5 |
| 142 | m05278 | 4 |
| 146 | m07363 | 1 |

VZ00031430



- C - ○○
- E - ○○○
- D - ○○
- F - ○○○○

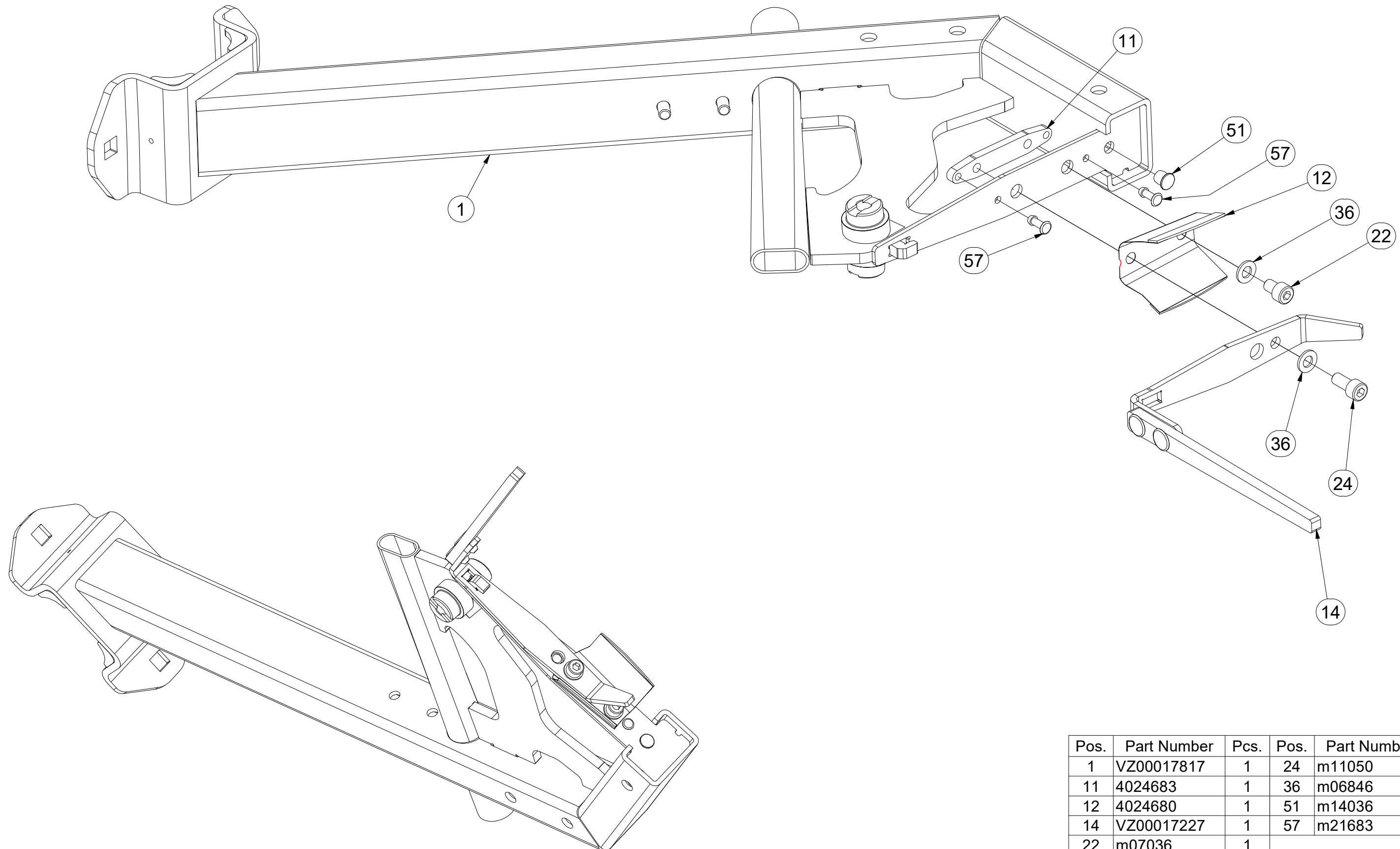
| Pos. | Part Number | Pcs. |
|------|-------------|------|
| 136 | m09627 | 1 |
| 137 | m09629 | 2 |
| 138 | m07645 | 5 |
| 139 | m04033 | 3 |
| 140 | m07646 | 1 |
| 141 | m07364 | 5 |
| 143 | m15154 | 2 |
| 144 | m04181 | 2 |
| 145 | m11125 | 1 |
| 147 | m07909 | 1 |

CZ SECÍ BOTKA KRÁTKÁ
 D KURZE AUSSAATSCHAR
 F SABOT DE SEMIS COURTE

GB SEEDING SHOE SHORT
 RU СОШНИК КОРОТКИЙ
 PL REDLICZKA SIEWNA KRÓTKA

Farmet

VZ00017816



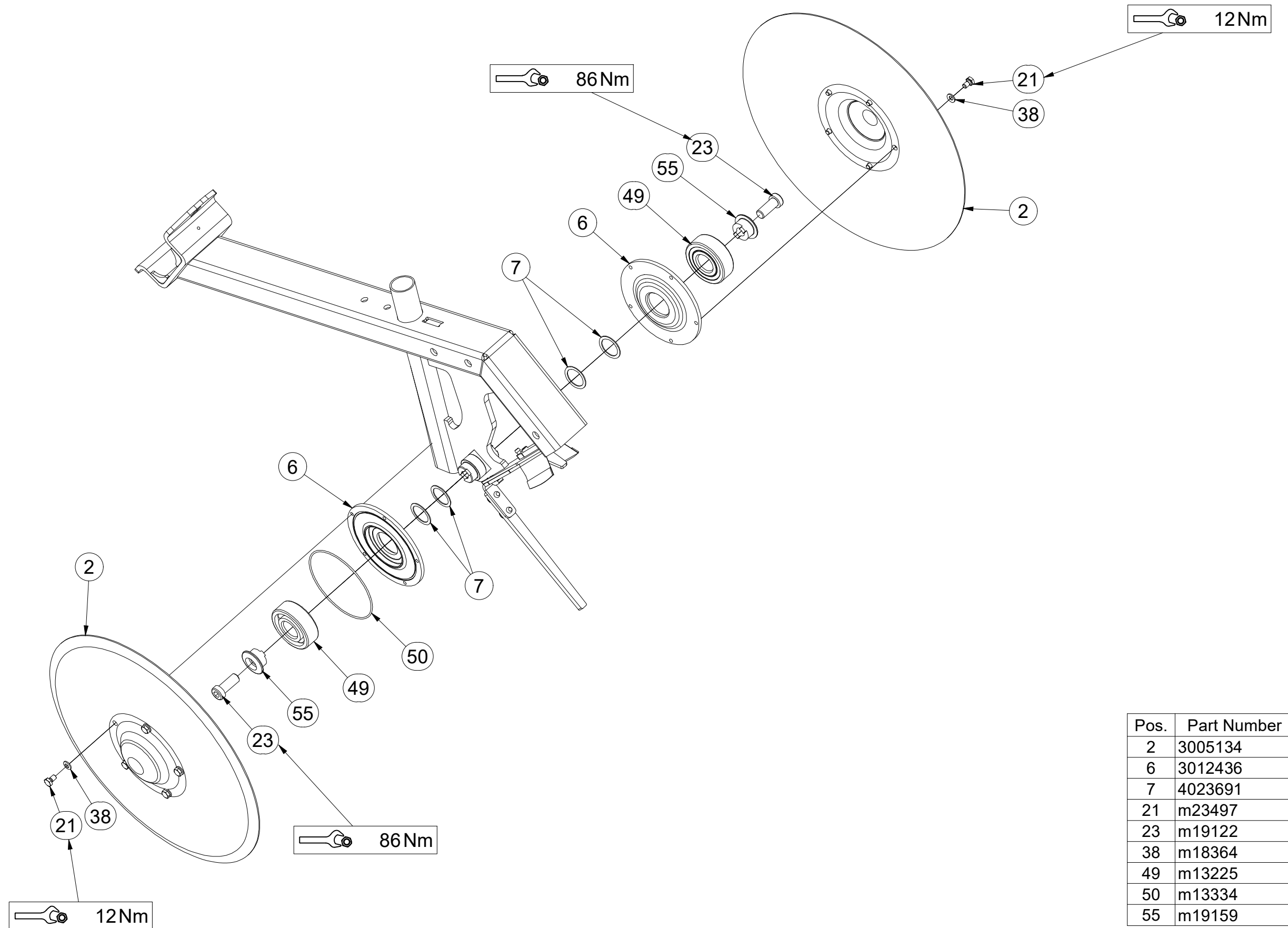
| Pos. | Part Number | Pcs. | Pos. | Part Number | Pcs. |
|------|-------------|------|------|-------------|------|
| 1 | VZ00017817 | 1 | 24 | m11050 | 1 |
| 11 | 4024683 | 1 | 36 | m06846 | 2 |
| 12 | 4024680 | 1 | 51 | m14036 | 1 |
| 14 | VZ00017227 | 1 | 57 | m21683 | 2 |
| 22 | m07036 | 1 | | | |

(CZ) SECÍ BOTKA KRÁTKÁ
 (D) KURZE AUSSAATSCHAR
 (F) SABOT DE SEMIS COURTE

(GB) SEEDING SHOE SHORT
 (RU) СОШНИК КОРОТКИЙ
 (PL) REDLICZKA SIEWNA KRÓTKA

Farmet

VZ00017816



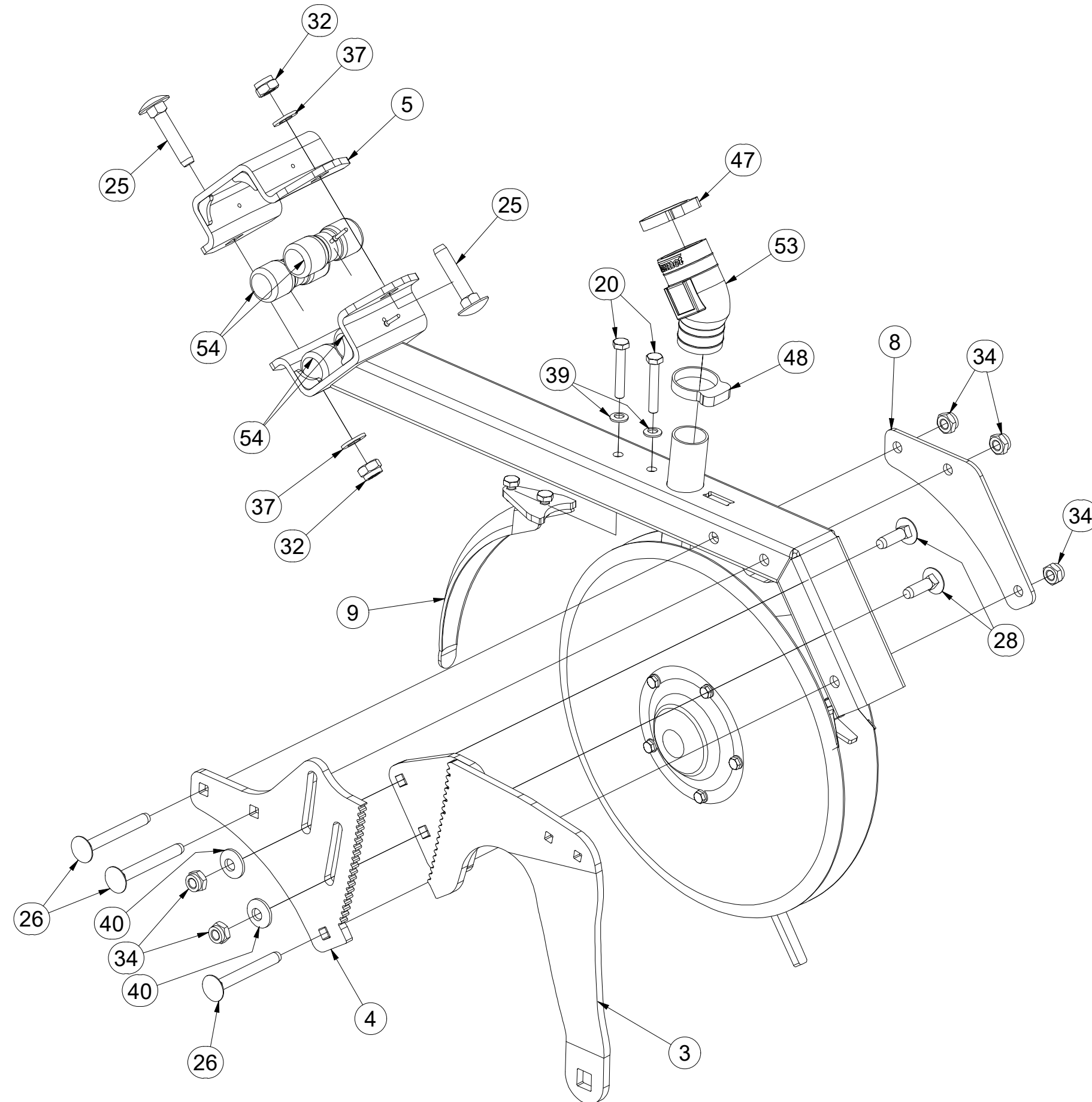
| Pos. | Part Number | Pcs. |
|------|-------------|------|
| 2 | 3005134 | 2 |
| 6 | 3012436 | 2 |
| 7 | 4023691 | 4 |
| 21 | m23497 | 10 |
| 23 | m19122 | 2 |
| 38 | m18364 | 10 |
| 49 | m13225 | 2 |
| 50 | m13334 | 2 |
| 55 | m19159 | 2 |

- Ⓒ SECÍ BOTKA KRÁTKÁ
- Ⓓ KURZE AUSSAATSCHAR
- Ⓕ SABOT DE SEMIS COURTE

- Ⓖ SEEDING SHOE SHORT
- Ⓡ СОШНИК КОРОТКИЙ
- Ⓟ REDLICZKA SIEWNA KRÓTKA



VZ00017816



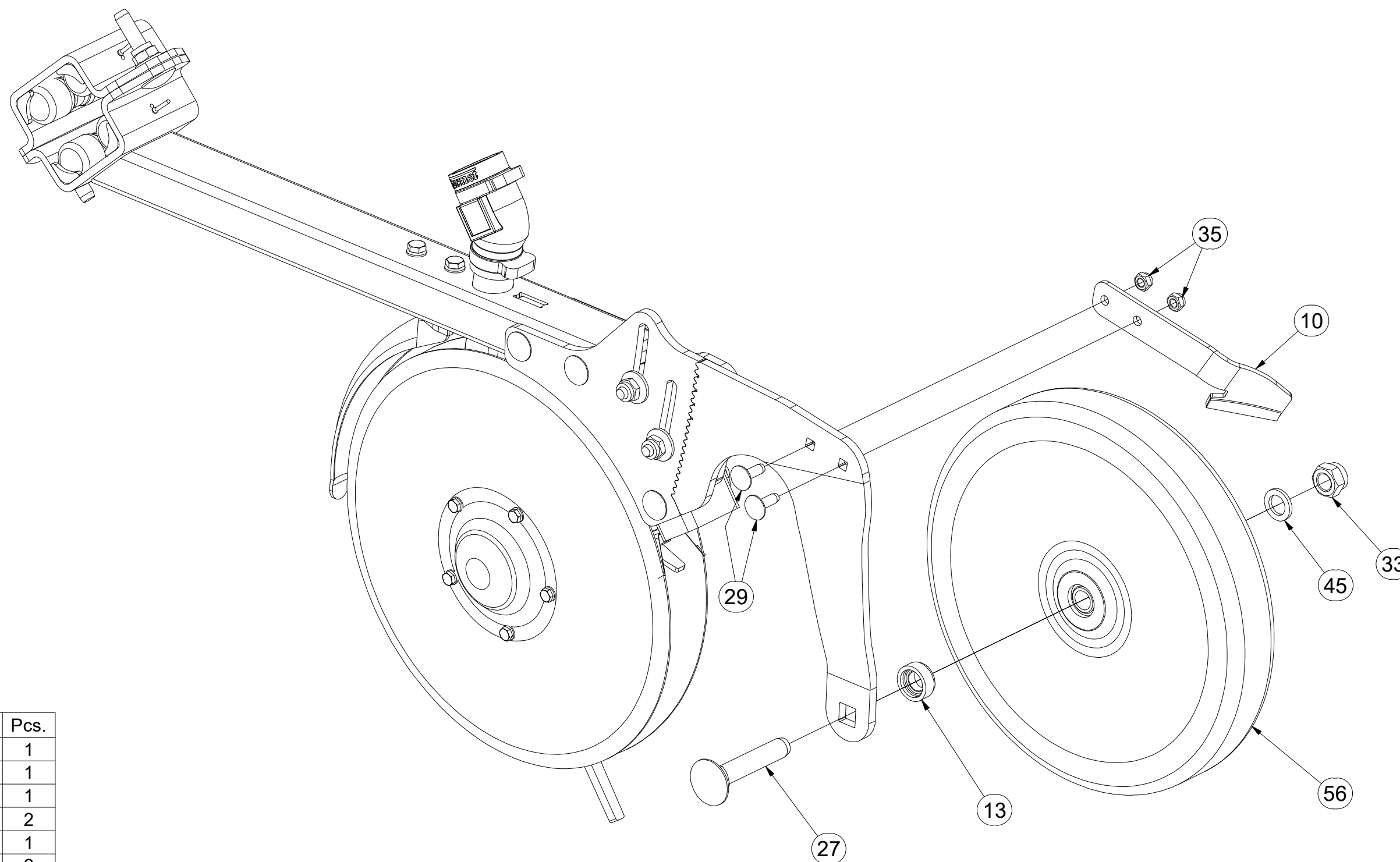
| Pos. | Part Number | Pcs. |
|------|-------------|------|
| 3 | VZ00018455 | 1 |
| 4 | VZ00018337 | 1 |
| 5 | VZ00033608 | 1 |
| 8 | 4024675 | 1 |
| 9 | 4024685 | 1 |
| 20 | m09296 | 2 |
| 25 | m19827 | 2 |
| 26 | m19229 | 3 |
| 28 | m21932 | 2 |
| 32 | m21001 | 2 |
| 34 | m03775 | 5 |
| 37 | m01214 | 2 |
| 39 | m19156 | 2 |
| 40 | m19157 | 2 |
| 47 | m18762 | 1 |
| 48 | m18761 | 1 |
| 53 | m18492 | 1 |
| 54 | m23854 | 4 |

CZ SECÍ BOTKA KRÁTKÁ
 D KURZE AUSSAATSCHAR
 F SABOT DE SEMIS COURTE

GB SEEDING SHOE SHORT
 RU СОШНИК КОРОТКИЙ
 PL REDLICZKA SIEWNA KRÓTKA

Farmet

VZ00017816



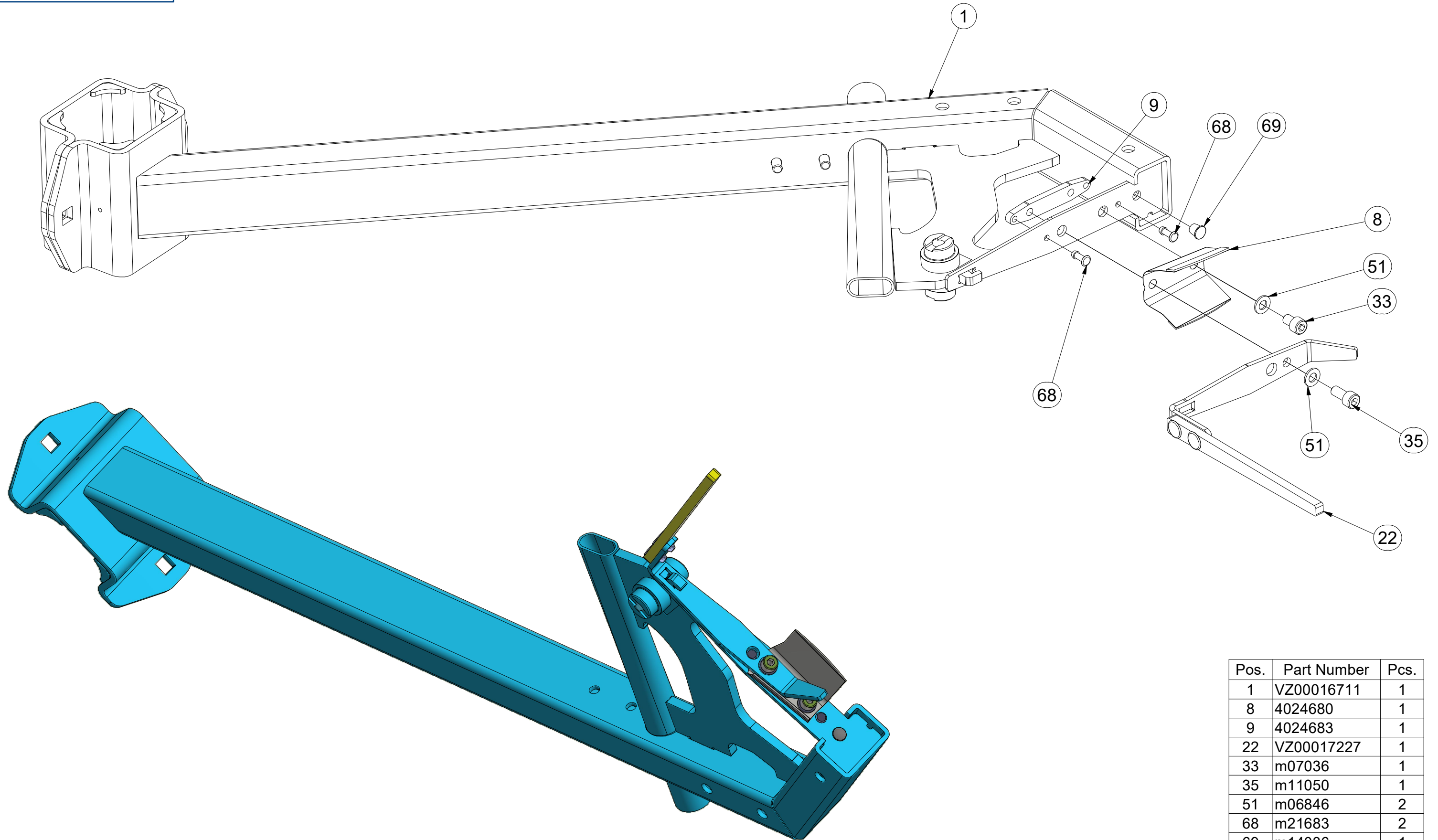
| Pos. | Part Number | Pcs. |
|------|-------------|------|
| 10 | VZ00001555 | 1 |
| 13 | VZ00001265 | 1 |
| 27 | m20044 | 1 |
| 29 | m19152 | 2 |
| 33 | m03683 | 1 |
| 35 | m04503 | 2 |
| 45 | 4023295 | 1 |
| 56 | m19846 | 1 |

CZ SECÍ BOTKA DLOUHÁ
 D LÄNGE AUSSAATSCHAR
 F SABOT DE SEMIS LONG

GB SEEDING SHOE, LONG
 RU СОШНИК ДЛИННЫЙ
 PL REDLICZKA SIEWNA DŁUGA



VZ00017215



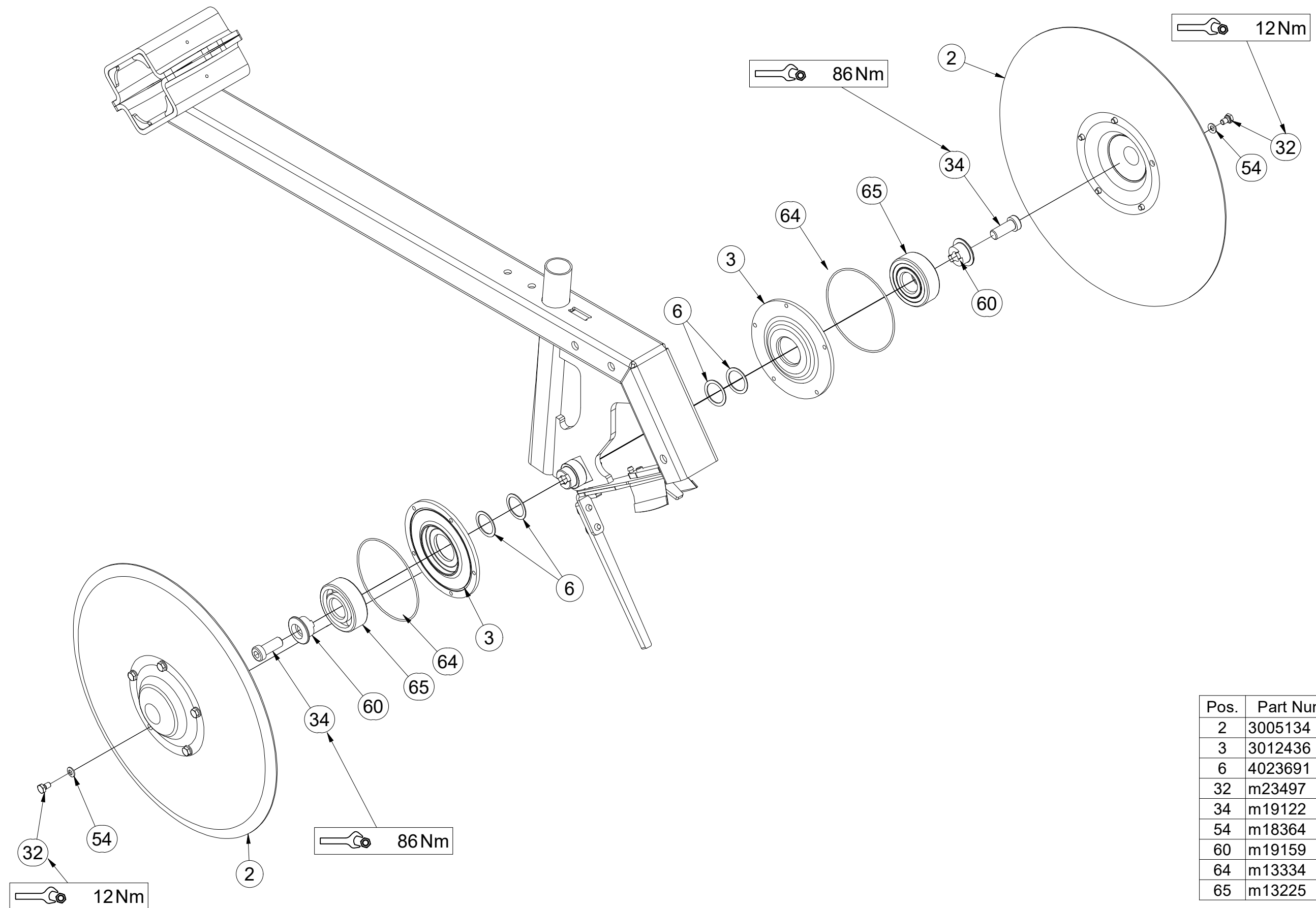
| Pos. | Part Number | Pcs. |
|------|-------------|------|
| 1 | VZ00016711 | 1 |
| 8 | 4024680 | 1 |
| 9 | 4024683 | 1 |
| 22 | VZ00017227 | 1 |
| 33 | m07036 | 1 |
| 35 | m11050 | 1 |
| 51 | m06846 | 2 |
| 68 | m21683 | 2 |
| 69 | m14036 | 1 |

(CZ) SECÍ BOTKA DLOUHÁ
 (D) LÄNGE AUSSAATSCHAR
 (F) SABOT DE SEMIS LONG

(GB) SEEDING SHOE, LONG
 (RU) СОШНИК ДЛИННЫЙ
 (PL) REDLICZKA SIEWNA DŁUGA



VZ00017215



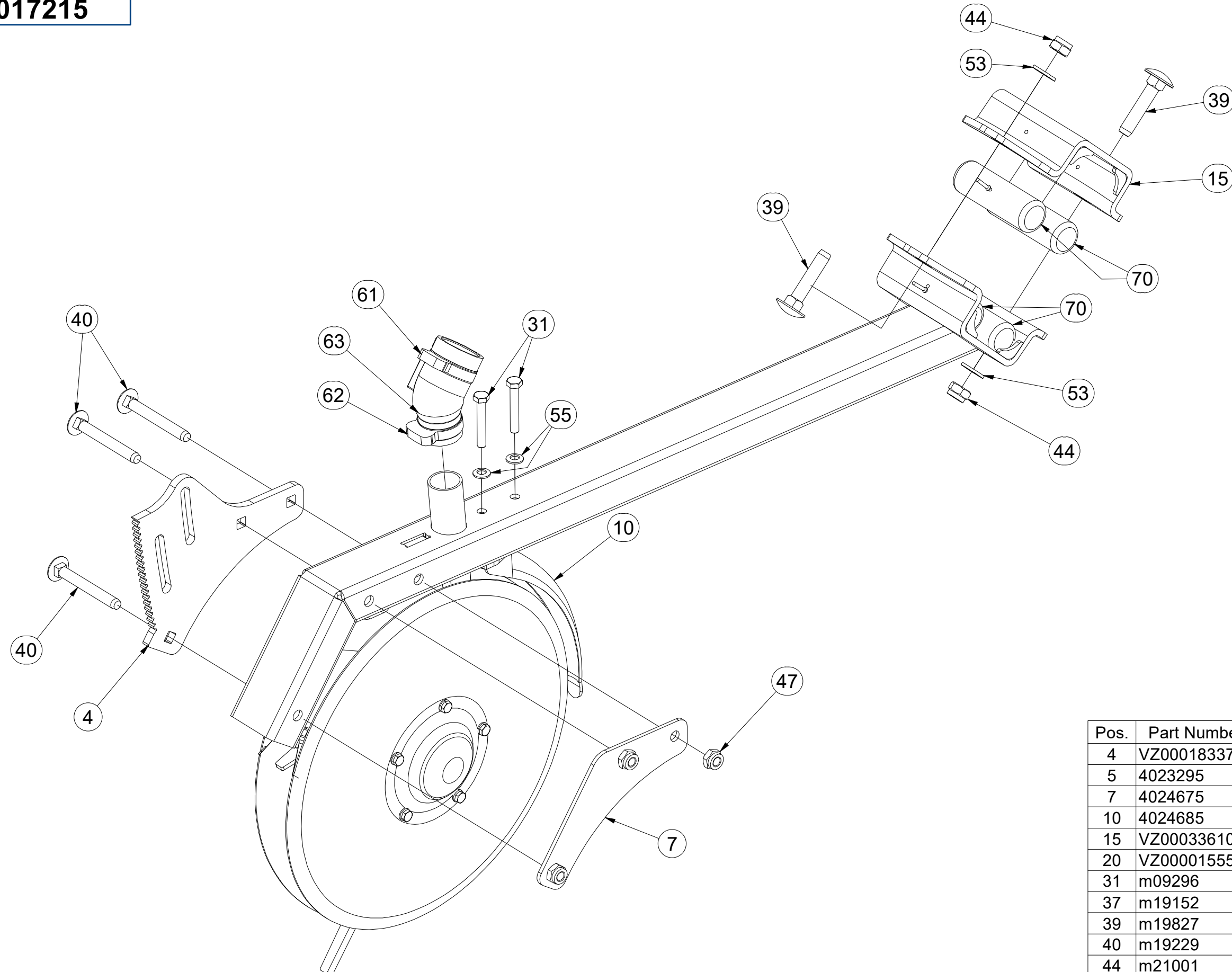
| Pos. | Part Number | Pcs. |
|------|-------------|------|
| 2 | 3005134 | 2 |
| 3 | 3012436 | 2 |
| 6 | 4023691 | 4 |
| 32 | m23497 | 10 |
| 34 | m19122 | 2 |
| 54 | m18364 | 10 |
| 60 | m19159 | 2 |
| 64 | m13334 | 2 |
| 65 | m13225 | 2 |

CZ SECÍ BOTKA DLOUHÁ
 D LÄNGE AUSSAATSCHAR
 F SABOT DE SEMIS LONG

GB SEEDING SHOE, LONG
 RU СОШНИК ДЛИННЫЙ
 PL REDLICZKA SIEWNA DŁUGA



VZ00017215



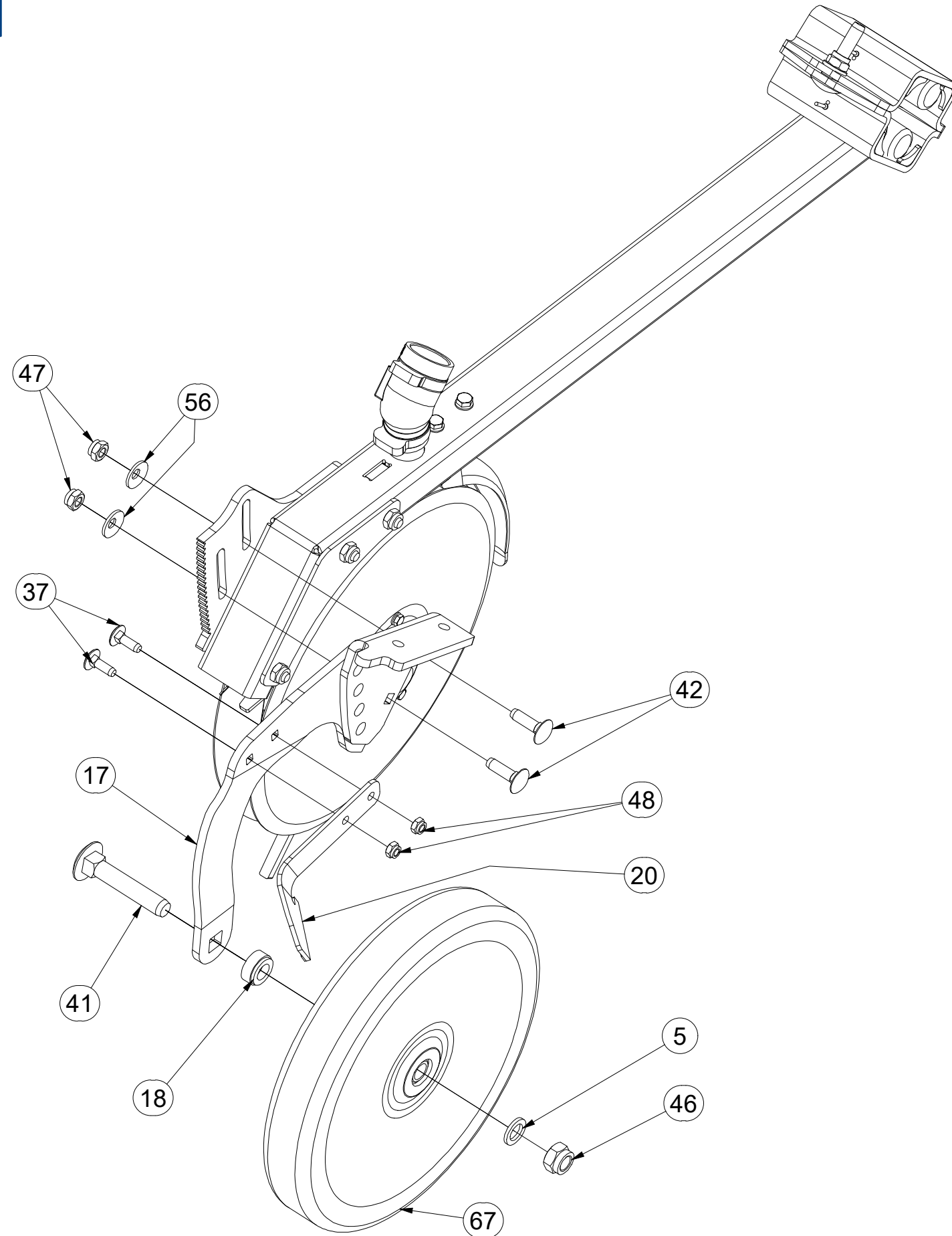
| Pos. | Part Number | Pcs. | Pos. | Part Number | Pcs. |
|------|-------------|------|------|-------------|------|
| 4 | VZ00018337 | 1 | 46 | m03683 | 1 |
| 5 | 4023295 | 1 | 47 | m03775 | 8 |
| 7 | 4024675 | 1 | 48 | m04503 | 2 |
| 10 | 4024685 | 1 | 53 | m01214 | 2 |
| 15 | VZ00033610 | 1 | 55 | m19156 | 2 |
| 20 | VZ00001555 | 1 | 56 | m19157 | 2 |
| 31 | m09296 | 2 | 61 | m18762 | 1 |
| 37 | m19152 | 2 | 62 | m18761 | 1 |
| 39 | m19827 | 2 | 63 | m18492 | 1 |
| 40 | m19229 | 3 | 67 | m19846 | 1 |
| 44 | m21001 | 2 | 70 | m23855 | 4 |

- Ⓒ SECÍ BOTKA DLOUHÁ
- Ⓓ LÄNGE AUSSAATSCHAR
- Ⓕ SABOT DE SEMIS LONG

- Ⓖ SEEDING SHOE, LONG
- Ⓡ СОШНИК ДЛИННЫЙ
- Ⓟ REDLICZKA SIEWNA DŁUGA



VZ00017215



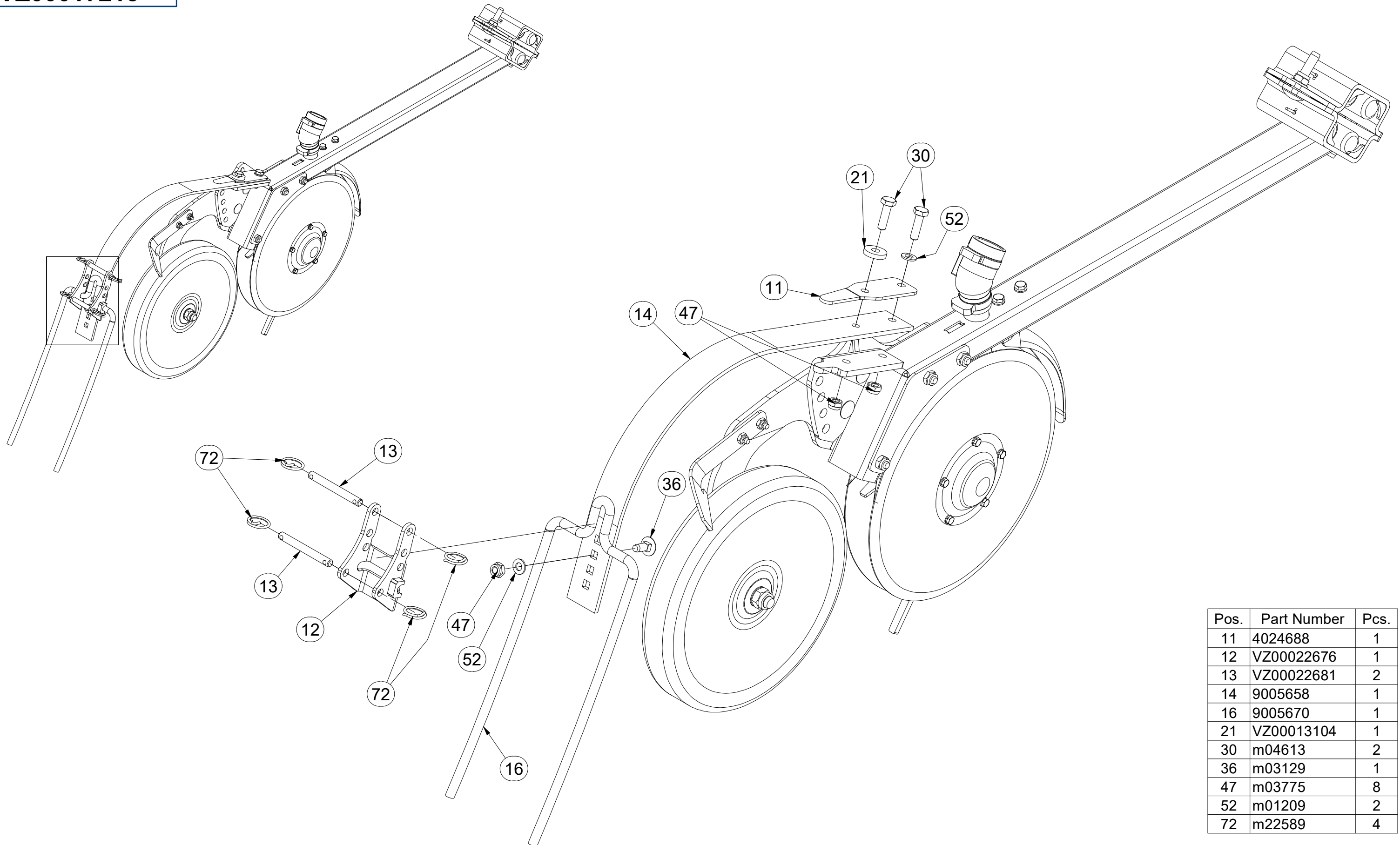
| Pos. | Part Number | Pcs. |
|------|-------------|------|
| 5 | 4023295 | 1 |
| 17 | VZ00018439 | 1 |
| 18 | VZ00001265 | 1 |
| 20 | VZ00001555 | 1 |
| 37 | m19152 | 2 |
| 41 | m20044 | 1 |
| 42 | m21932 | 2 |
| 46 | m03683 | 1 |
| 47 | m03775 | 8 |
| 48 | m04503 | 2 |
| 56 | m19157 | 2 |
| 67 | m19846 | 1 |

CZ SECÍ BOTKA DLOUHÁ
 D LÄNGE AUSSAATSCHAR
 F SABOT DE SEMIS LONG

GB SEEDING SHOE, LONG
 RU СОШНИК ДЛИННЫЙ
 PL REDLICZKA SIEWNA DŁUGA



VZ00017215



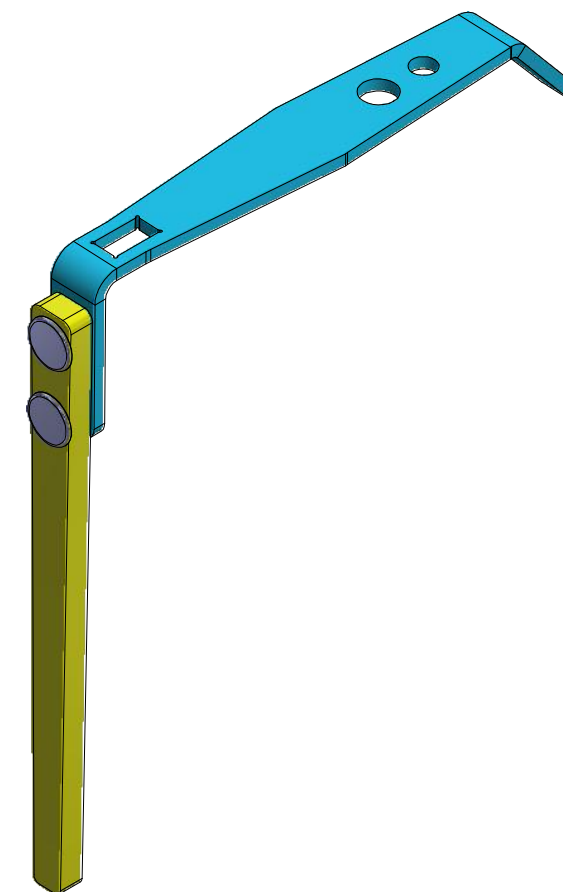
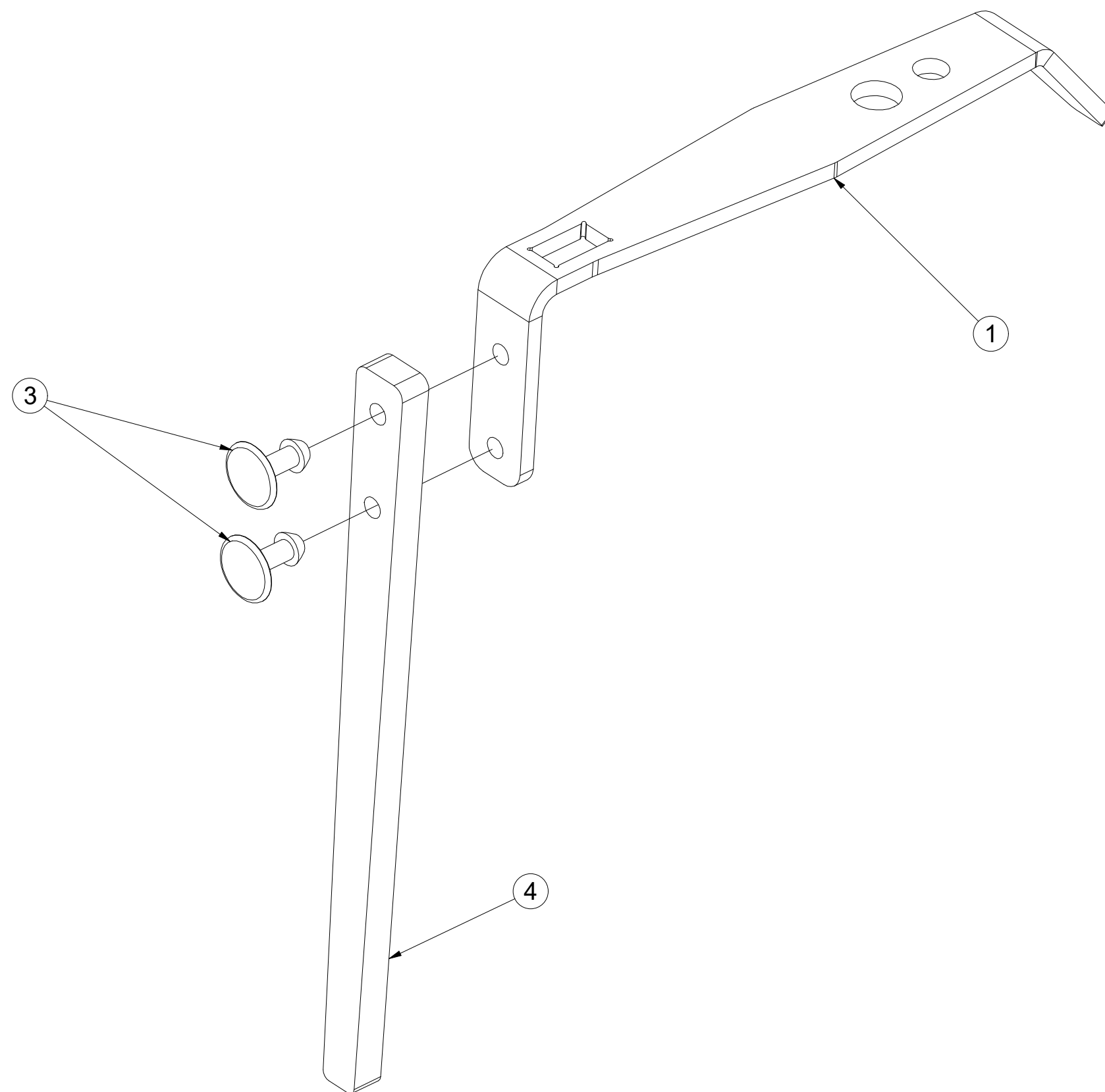
| Pos. | Part Number | Pcs. |
|------|-------------|------|
| 11 | 4024688 | 1 |
| 12 | VZ00022676 | 1 |
| 13 | VZ00022681 | 2 |
| 14 | 9005658 | 1 |
| 16 | 9005670 | 1 |
| 21 | VZ00013104 | 1 |
| 30 | m04613 | 2 |
| 36 | m03129 | 1 |
| 47 | m03775 | 8 |
| 52 | m01209 | 2 |
| 72 | m22589 | 4 |

Ⓒ DEFLEKTOR
Ⓓ DEFLEKTOR
Ⓕ DÉFLECTEUR

Ⓖ DEFLECTOR
Ⓔ ДЕФЛЕКТОР
Ⓗ DEFLEKTOR



VZ00017227

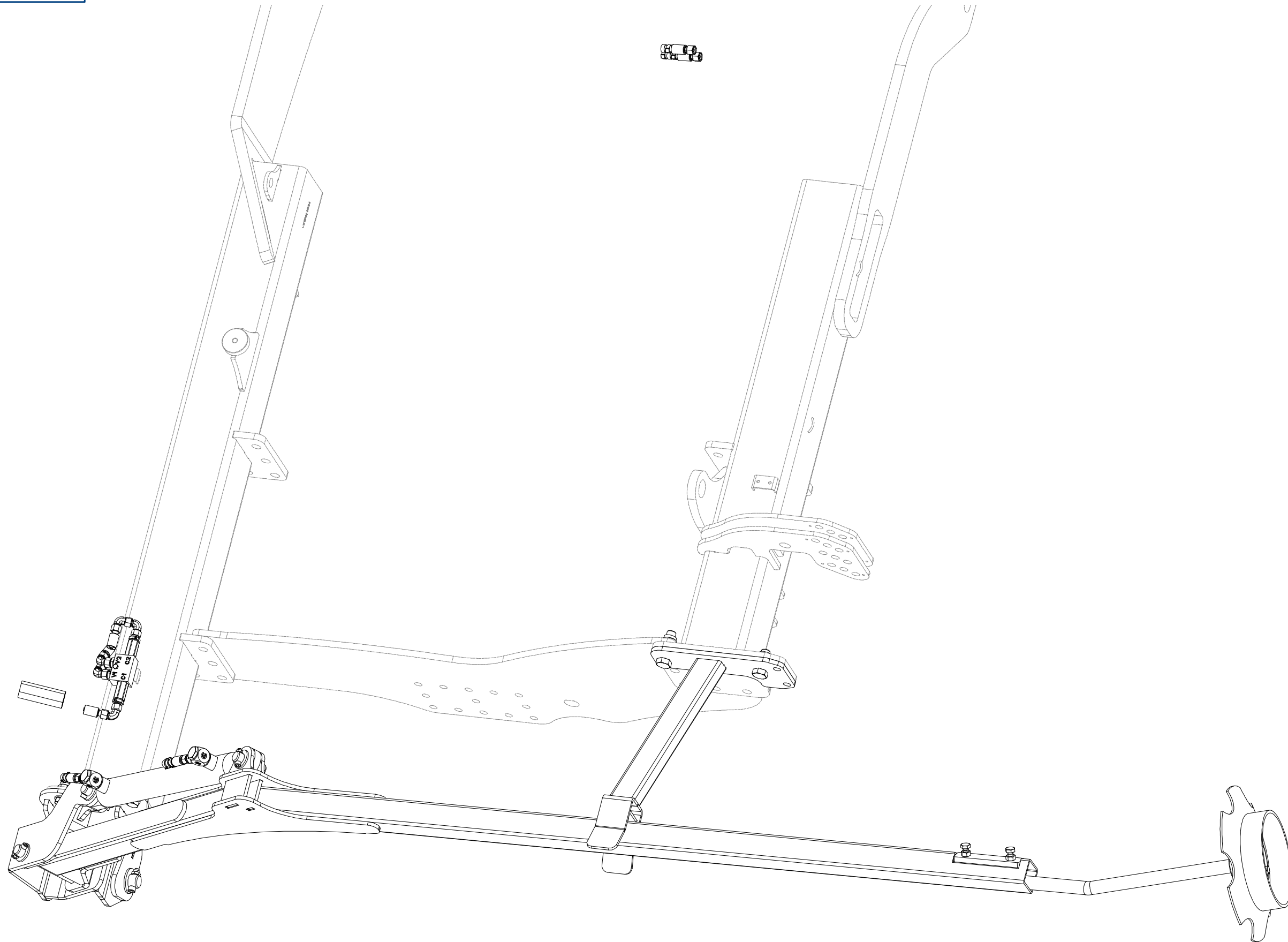


| Pos. | Part Number | Pcs. |
|------|-------------|------|
| 1 | VZ00016716 | 1 |
| 3 | m22069 | 2 |
| 4 | m21842 | 1 |

Ⓒ ZNAMENÁK LEVÝ
Ⓓ SPURREISSER LINKS
Ⓕ MARQUEUR GAUCHE

Ⓖ MARKER LEFT
Ⓔ МАРКЕР ЛЕВЫЙ
Ⓟ ZNACZNIK LEWY

VZ00014917

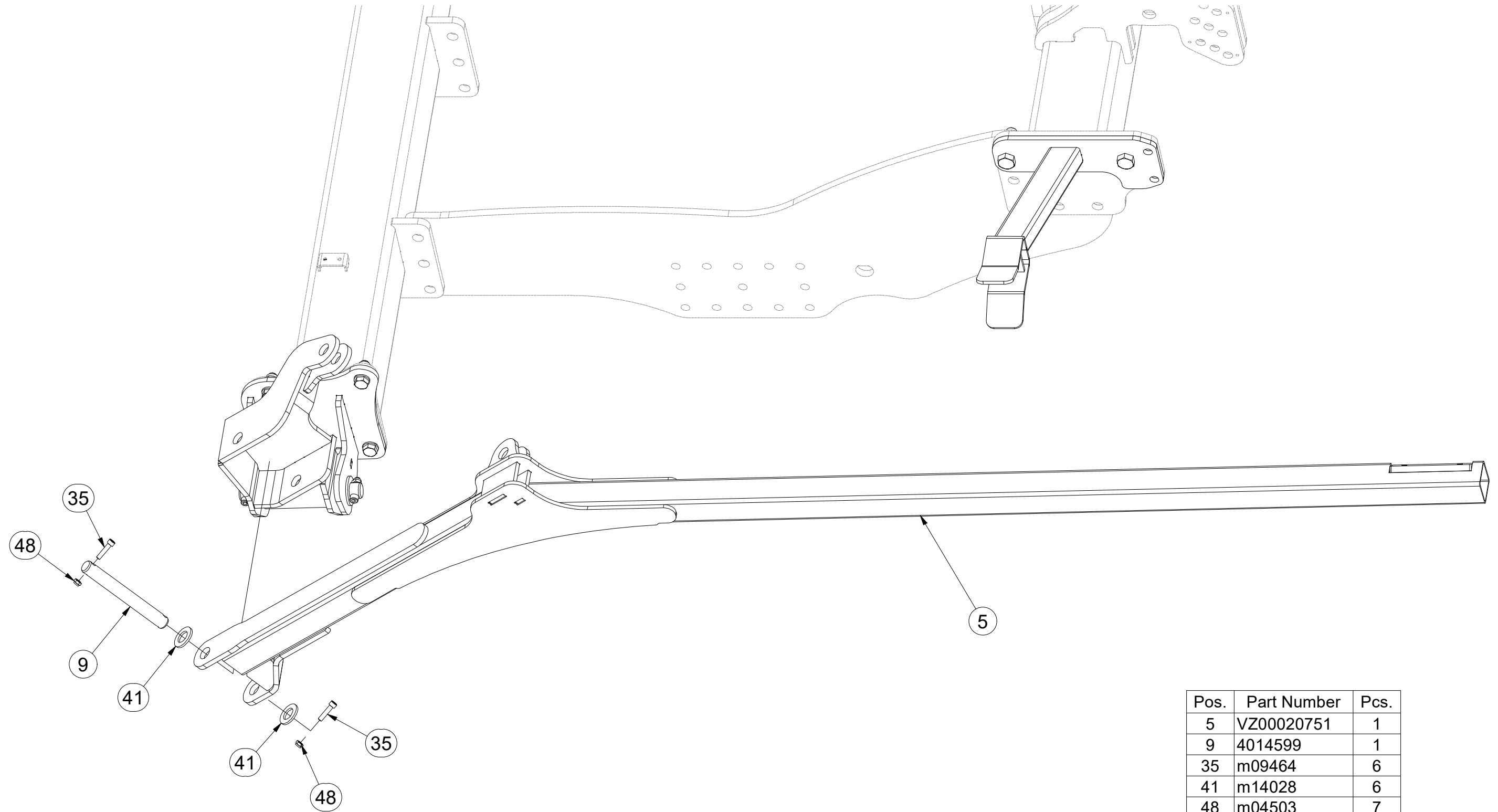


CZ ZNAMENÁK LEVÝ
 D SPURREISSER LINKS
 F MARQUEUR GAUCHE

GB MARKER LEFT
 RU МАРКЕР ЛЕВЫЙ
 PL ZNACZNIK LEWY



VZ00014917



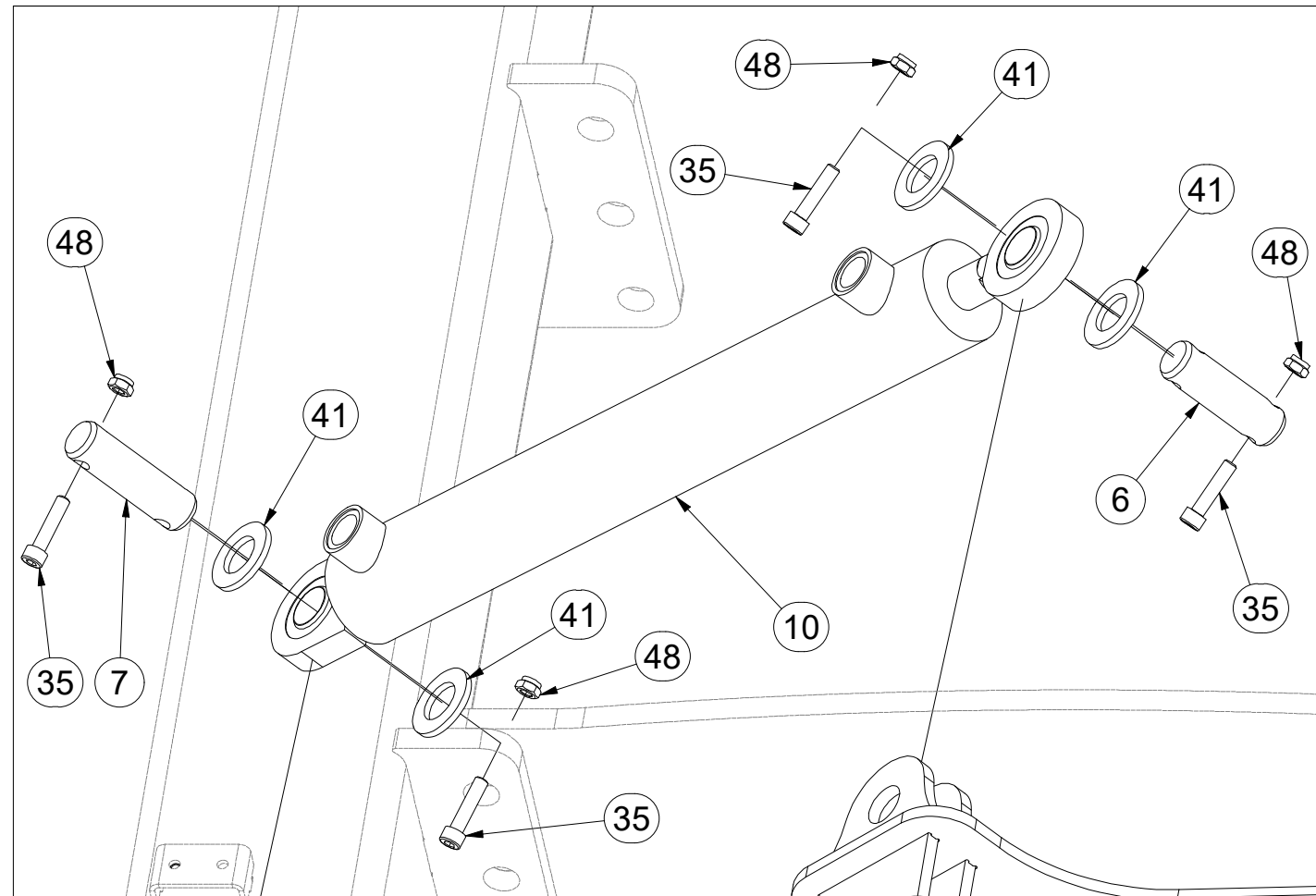
| Pos. | Part Number | Pcs. |
|------|-------------|------|
| 5 | VZ00020751 | 1 |
| 9 | 4014599 | 1 |
| 35 | m09464 | 6 |
| 41 | m14028 | 6 |
| 48 | m04503 | 7 |

CZ ZNAMENÁK LEVÝ
 D SPURREISSER LINKS
 F MARQUEUR GAUCHE

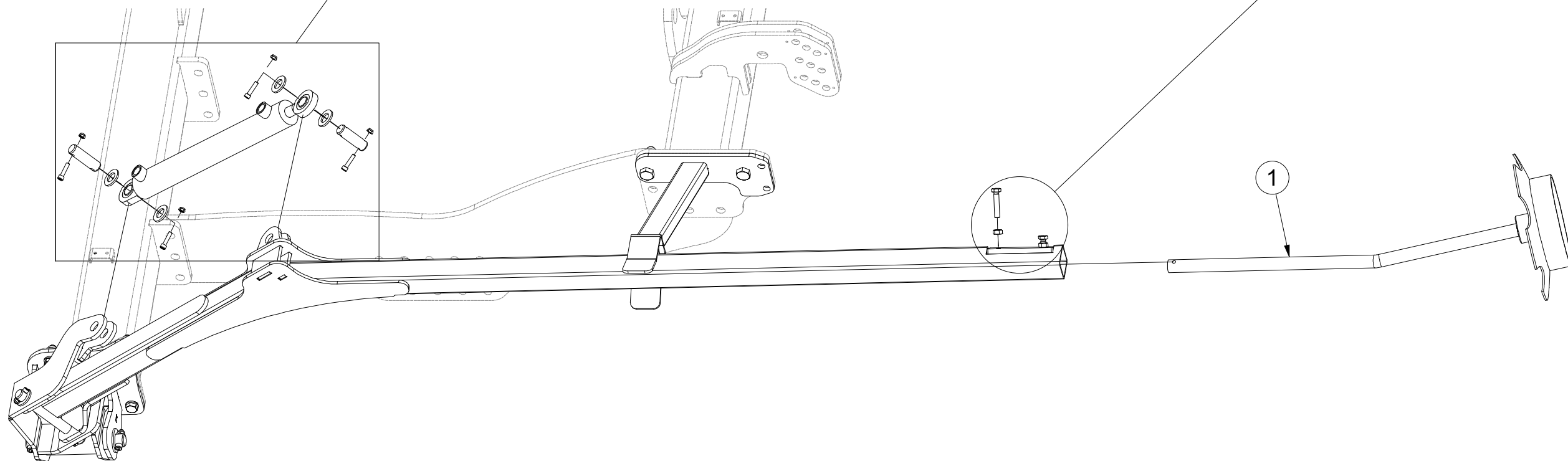
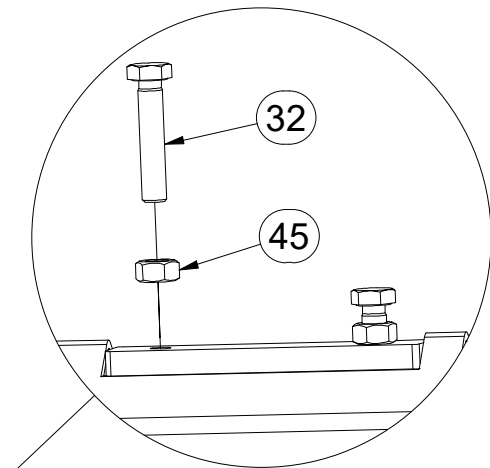
GB MARKER LEFT
 RU МАРКЕР ЛЕВЫЙ
 PL ZNACZNIK LEWY



VZ00014917



| Pos. | Part Number | Pcs. |
|------|-------------|------|
| 1 | 3005022 | 1 |
| 6 | 4007638 | 1 |
| 7 | 4010390 | 1 |
| 10 | 9001889 | 1 |
| 32 | m07963 | 2 |
| 35 | m09464 | 6 |
| 41 | m14028 | 6 |
| 45 | m01305 | 2 |
| 48 | m04503 | 7 |



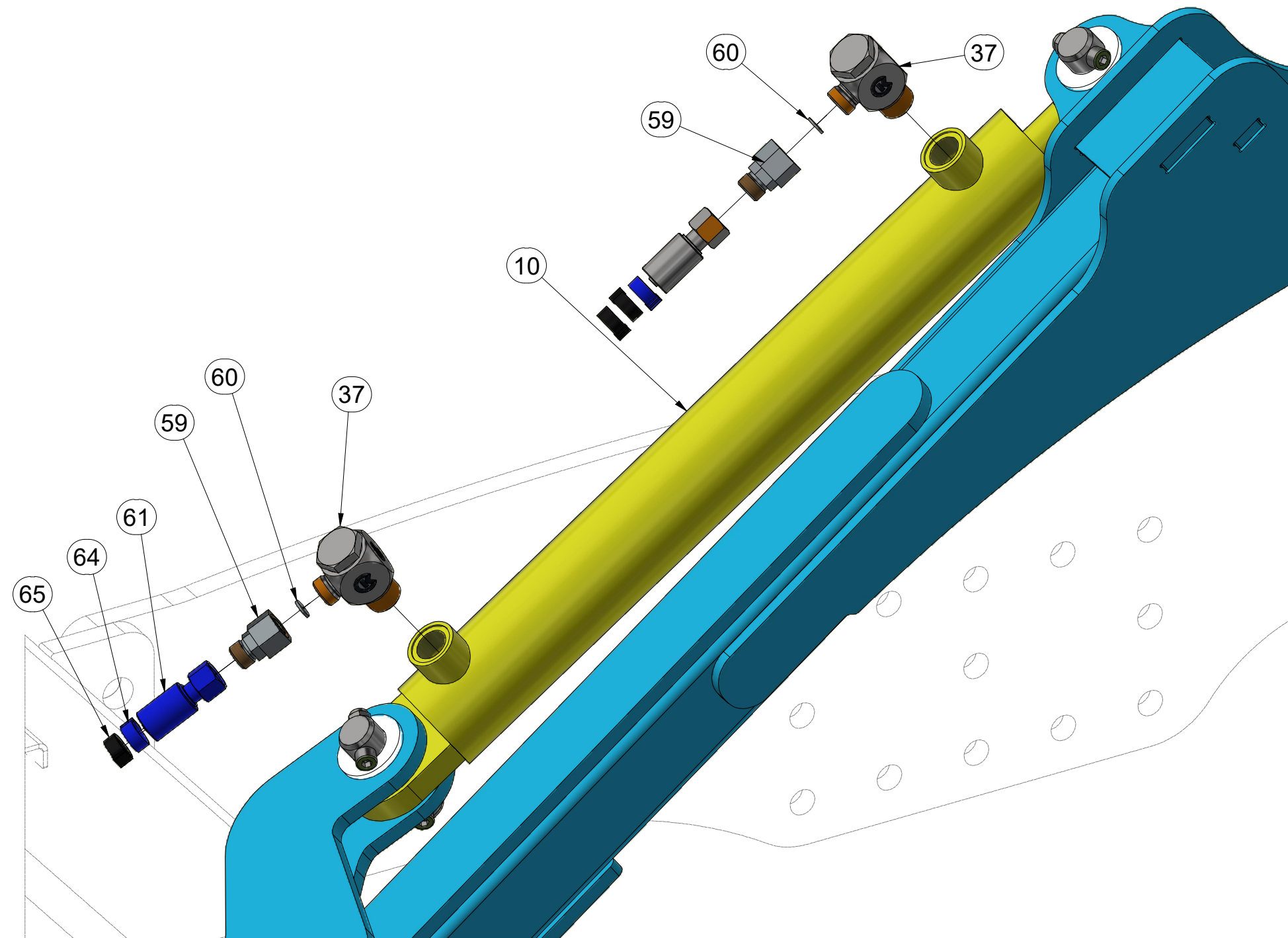
(CZ) ZNAMENÁK LEVÝ
 (D) SPURREISSER LINKS
 (F) MARQUEUR GAUCHE

(GB) MARKER LEFT
 (RU) МАРКЕР ЛЕВЫЙ
 (PL) ZNACZNIK LEWY



VZ00014917

| Pos. | Part Number | Pcs. |
|------|-------------|------|
| 10 | 9001889 | 1 |
| 37 | m20912 | 2 |
| 38 | m04641 | 1 |
| 50 | m05560 | 1 |
| 55 | m06528 | 4 |
| 57 | m06803 | 5 |
| 59 | m09986 | 2 |
| 60 | m10775 | 2 |
| 61 | m04761 | 1 |
| 62 | m04669 | 1 |
| 64 | m11253 | 4 |
| 65 | m05566 | 6 |

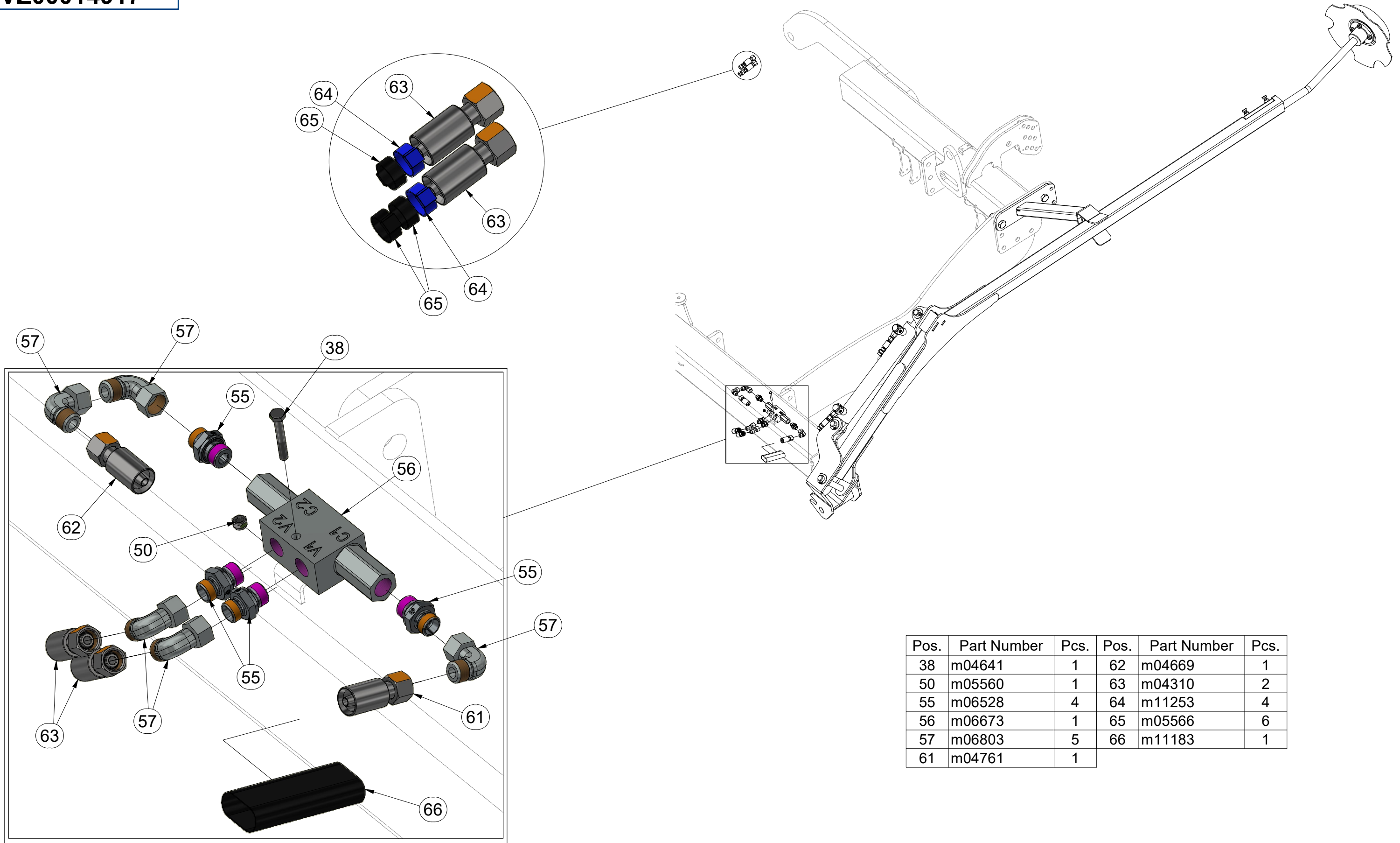


CZ ZNAMENÁK LEVÝ
 D SPURREISSER LINKS
 F MARQUEUR GAUCHE

GB MARKER LEFT
 RU МАРКЕР ЛЕВЫЙ
 PL ZNACZNIK LEWY



VZ00014917



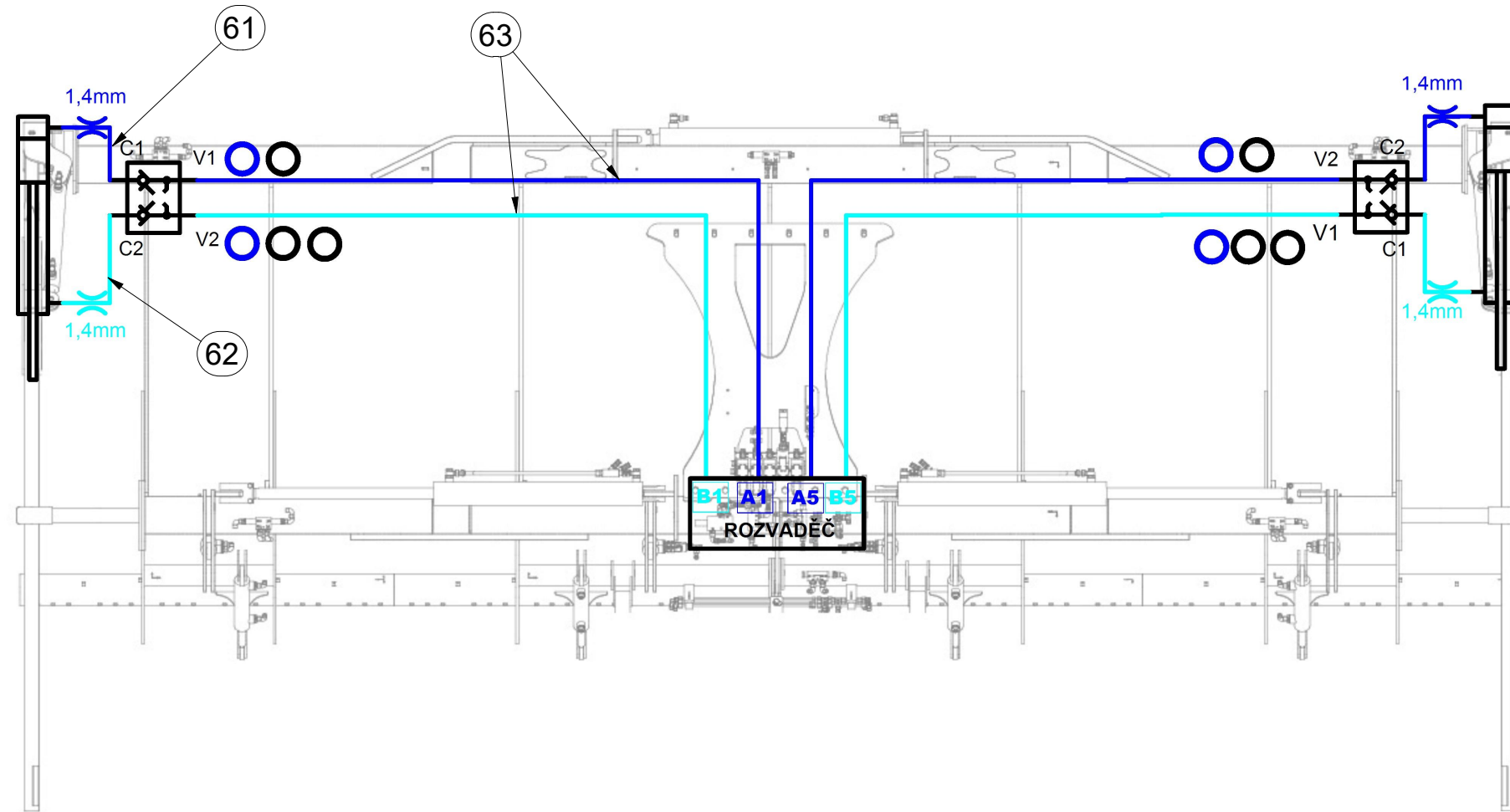
| Pos. | Part Number | Pcs. | Pos. | Part Number | Pcs. |
|------|-------------|------|------|-------------|------|
| 38 | m04641 | 1 | 62 | m04669 | 1 |
| 50 | m05560 | 1 | 63 | m04310 | 2 |
| 55 | m06528 | 4 | 64 | m11253 | 4 |
| 56 | m06673 | 1 | 65 | m05566 | 6 |
| 57 | m06803 | 5 | 66 | m11183 | 1 |
| 61 | m04761 | 1 | | | |

(CZ) ZNAMENÁK LEVÝ
 (D) SPURREISSER LINKS
 (F) MARQUEUR GAUCHE

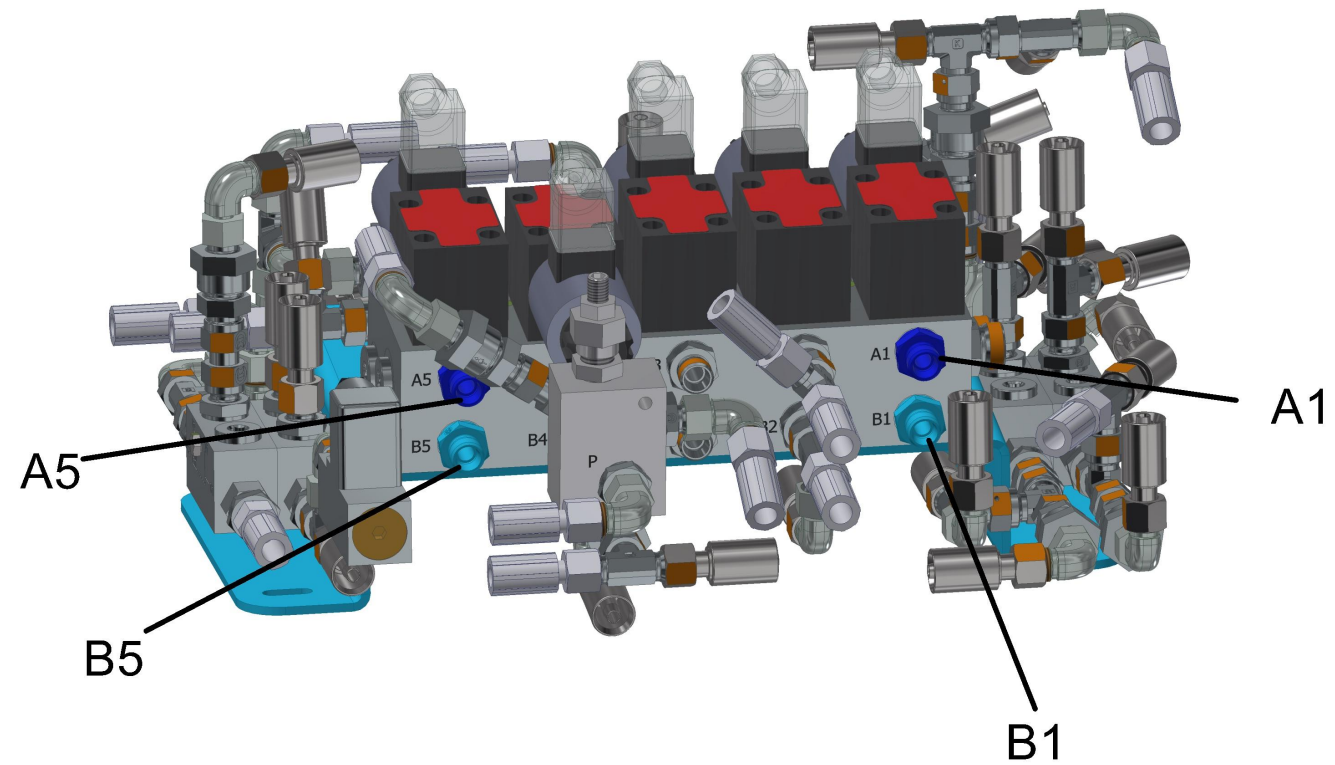
(GB) MARKER LEFT
 (RU) МАРКЕР ЛЕВЫЙ
 (PL) ZNACZNIK LEWY



VZ00014917



| Pos. | Part Number | Pcs. |
|------|-------------|------|
| 61 | m04761 | 1 |
| 62 | m04669 | 1 |
| 63 | m04310 | 2 |



Ⓒ ZNAMENÁK FA6 PRAVÝ

Ⓓ SPURREISSER FA6 RECHTS

Ⓕ MARQUEUR FA6 DROIT

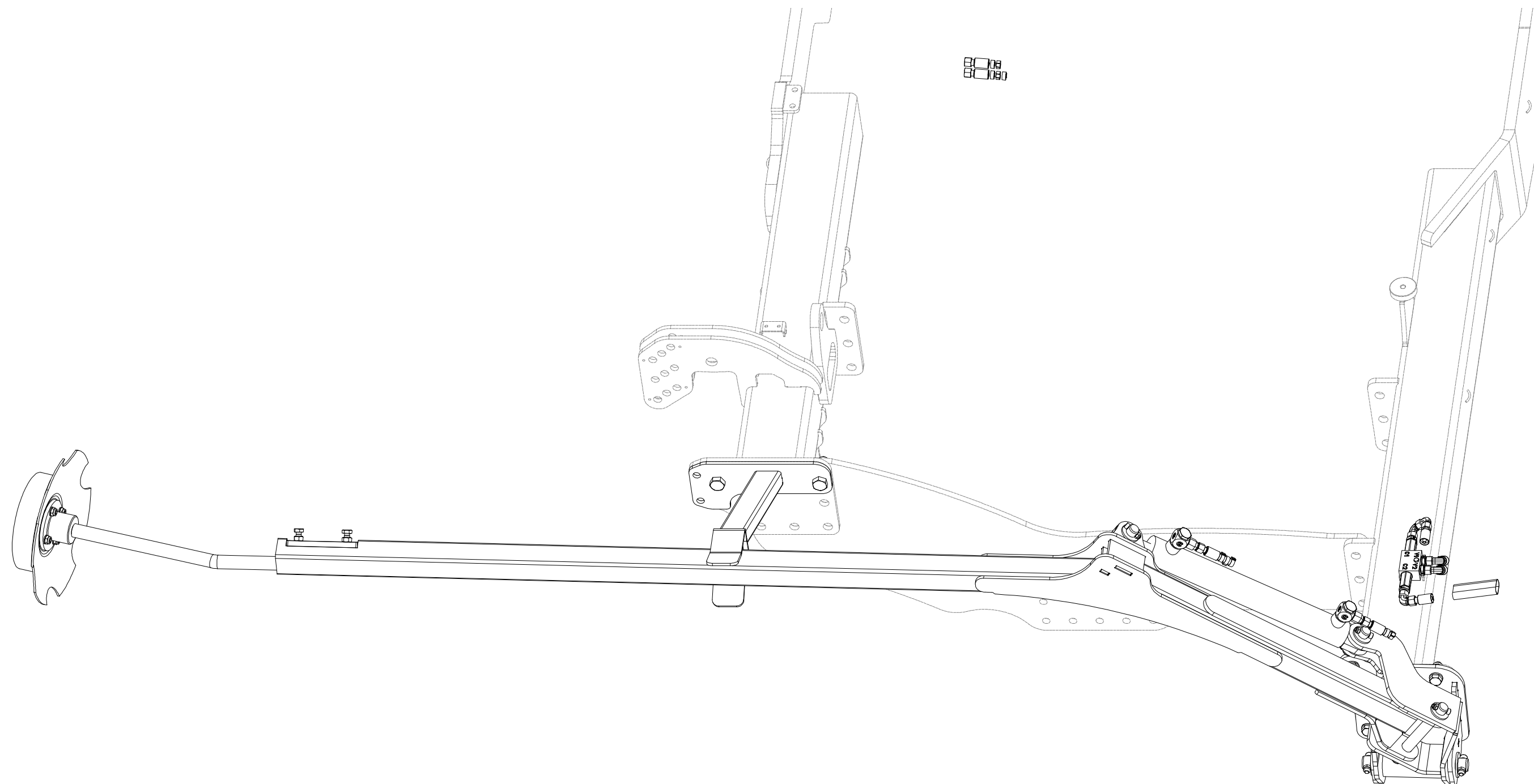
Ⓖ MARKER FA6 RIGHT

Ⓡ MARKER ПРАВЫЙ FA6

Ⓣ ZNACZNIK FA6 PRAWY

Farmet

VZ00014918



Ⓒ ZNAMENÁK FA6 PRAVÝ

Ⓓ SPURREISSER FA6 RECHTS

Ⓕ MARQUEUR FA6 DROIT

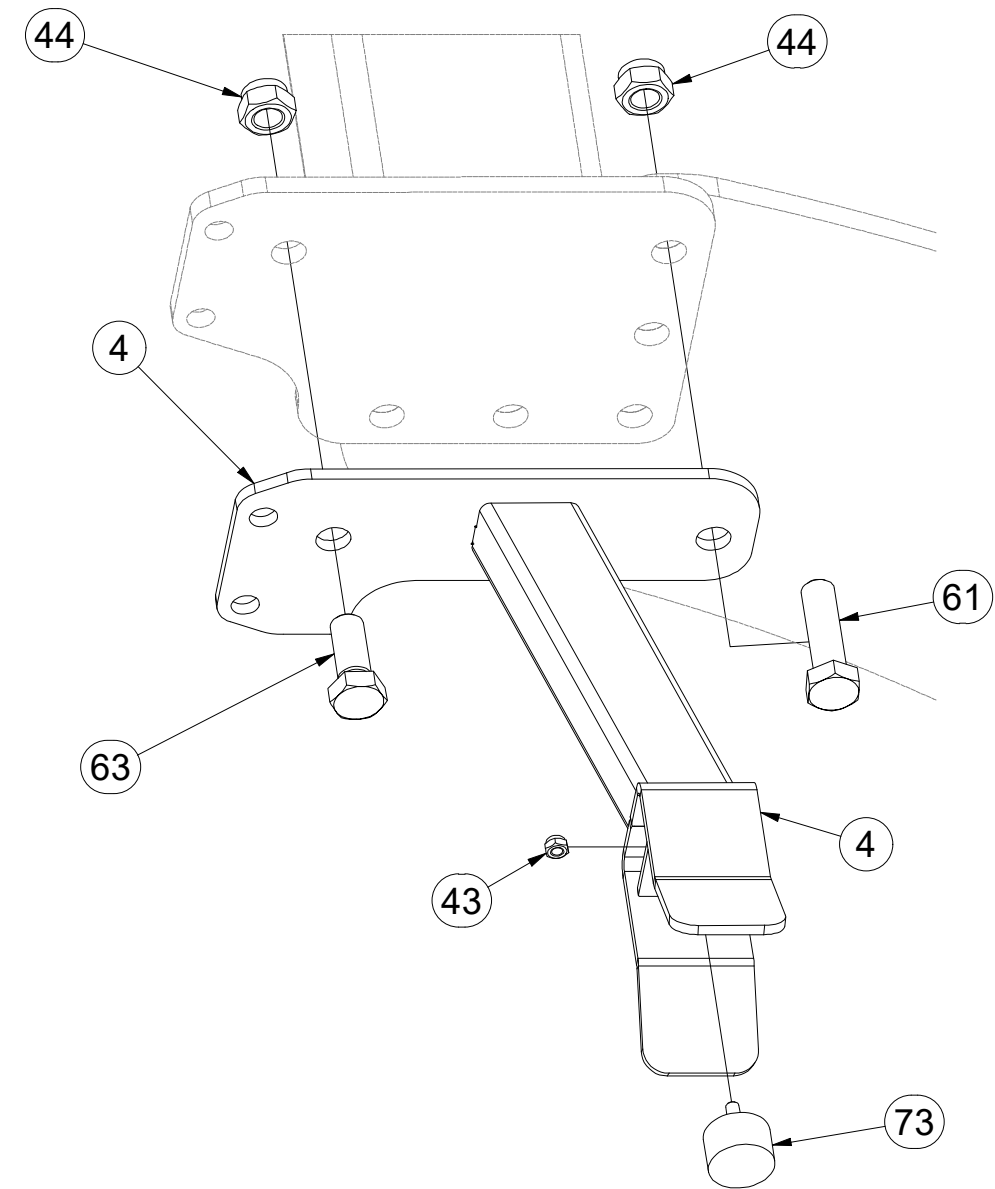
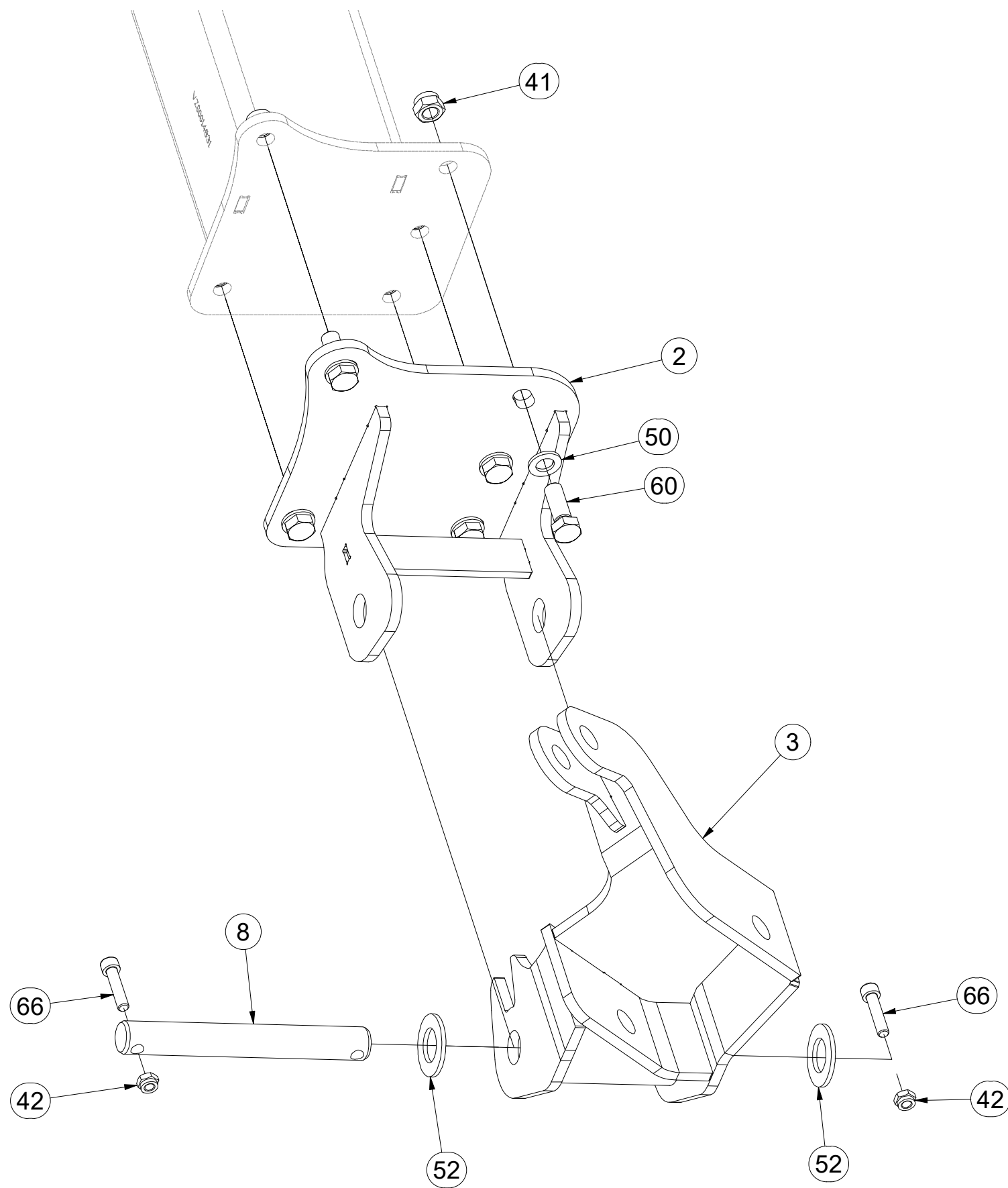
Ⓖ MARKER FA6 RIGHT

Ⓡ MARKER ПРАВЫЙ FA6

Ⓟ ZNACZNIK FA6 PRAWY



VZ00014918



| Pos. | Part Number | Pcs. | Pos. | Part Number | Pcs. |
|------|-------------|------|------|-------------|------|
| 2 | 3006835 | 1 | 50 | m01219 | 5 |
| 3 | 3006841 | 1 | 52 | m14029 | 2 |
| 4 | VZ00027958 | 1 | 60 | m02254 | 5 |
| 8 | 4014597 | 1 | 61 | m03115 | 1 |
| 41 | m03683 | 5 | 63 | m08378 | 1 |
| 42 | m03775 | 2 | 66 | m14143 | 2 |
| 43 | m04503 | 7 | 73 | m08098 | 1 |
| 44 | m05648 | 2 | | | |

Ⓒ ZNAMENÁK FA6 PRAVÝ

Ⓓ SPURREISSER FA6 RECHTS

Ⓕ MARQUEUR FA6 DROIT

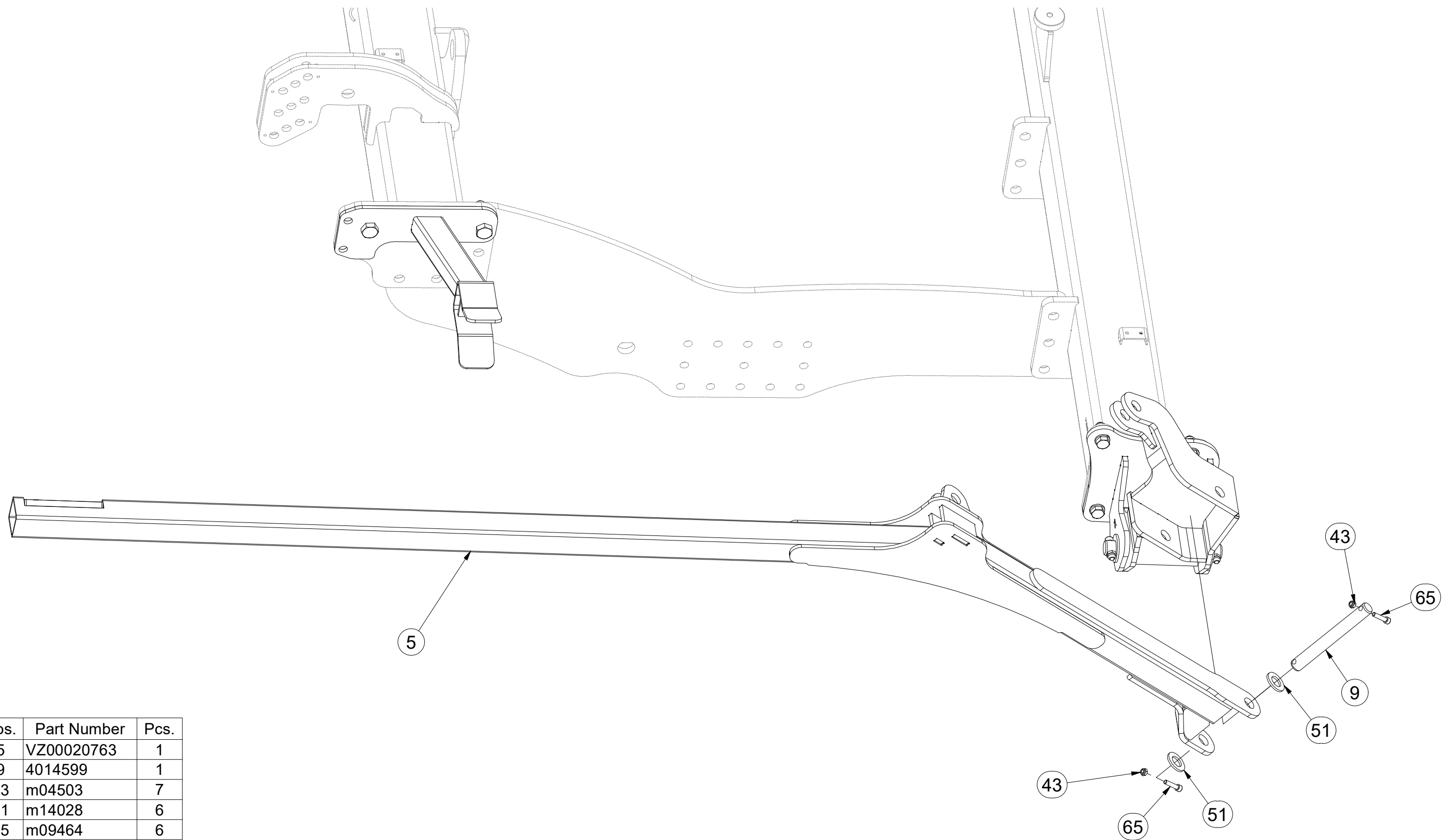
Ⓖ MARKER FA6 RIGHT

Ⓡ MARKER ПРАВЫЙ FA6

Ⓣ ZNACZNIK FA6 PRAWY



VZ00014918



| Pos. | Part Number | Pcs. |
|------|-------------|------|
| 5 | VZ00020763 | 1 |
| 9 | 4014599 | 1 |
| 43 | m04503 | 7 |
| 51 | m14028 | 6 |
| 65 | m09464 | 6 |

Ⓒ ZNAMENÁK FA6 PRAVÝ

Ⓓ SPURREISSER FA6 RECHTS

Ⓕ MARQUEUR FA6 DROIT

Ⓖ MARKER FA6 RIGHT

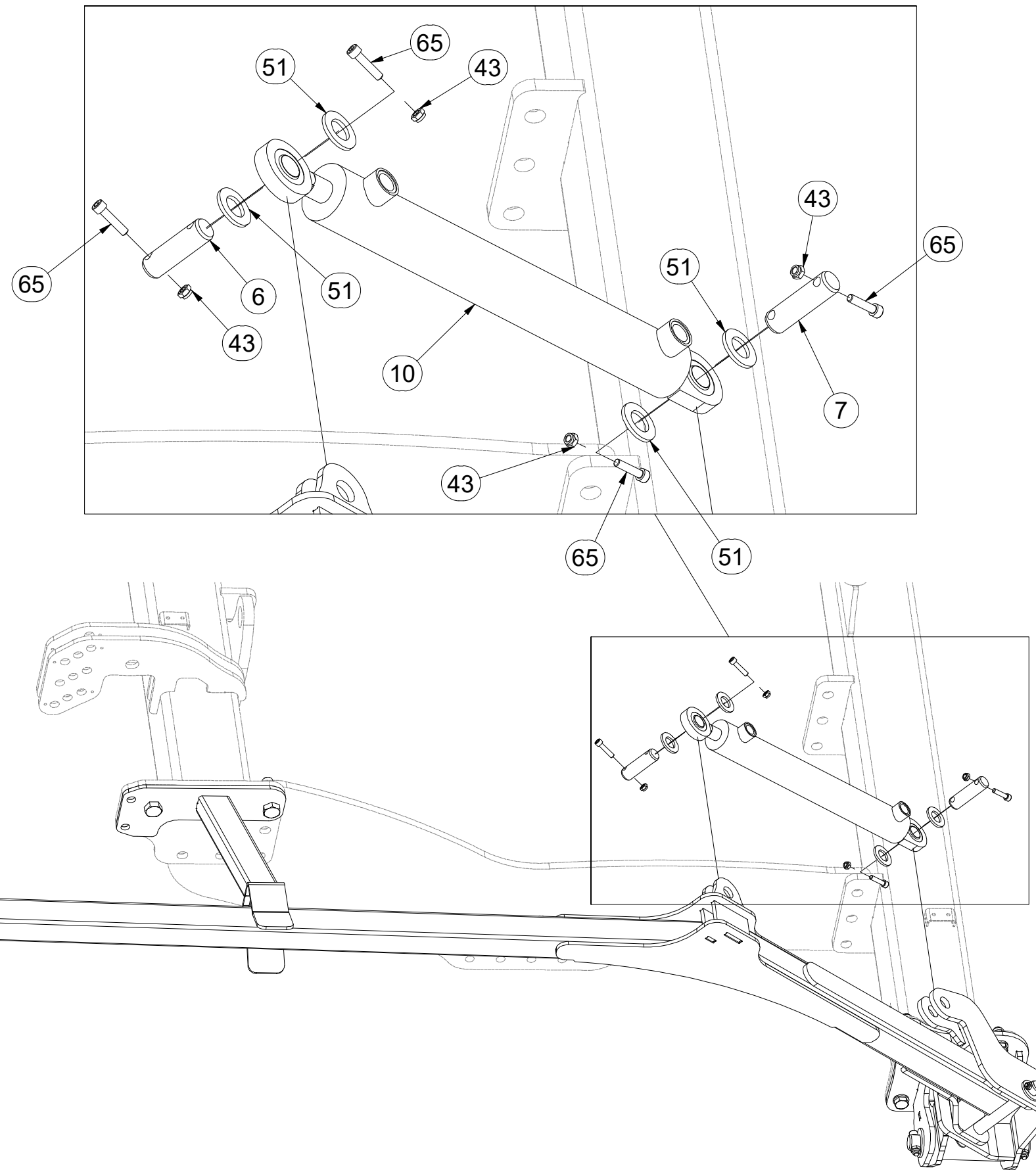
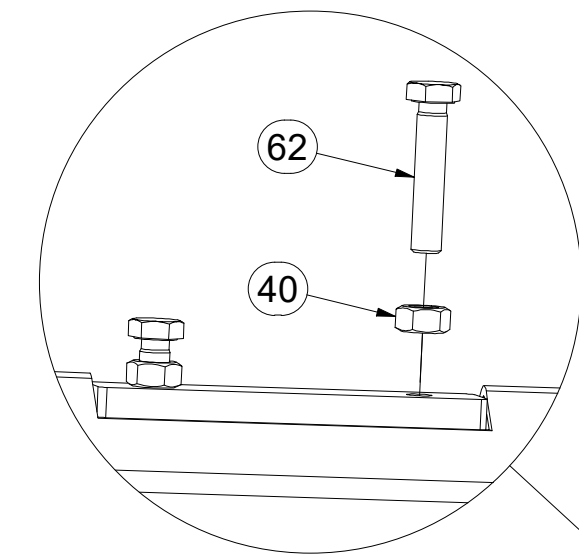
Ⓒ МАРКЕР ПРАВЫЙ FA6

Ⓔ ZNACZNIK FA6 PRAWY



VZ00014918

| Pos. | Part Number | Pcs. |
|------|-------------|------|
| 1 | 3005022 | 1 |
| 6 | 4007638 | 1 |
| 7 | 4010390 | 1 |
| 10 | 9001889 | 1 |
| 40 | m01305 | 2 |
| 43 | m04503 | 7 |
| 51 | m14028 | 6 |
| 62 | m07963 | 2 |
| 65 | m09464 | 6 |



Ⓒ ZNAMENÁK FA6 PRAVÝ

Ⓓ SPURREISSER FA6 RECHTS

Ⓔ MARQUEUR FA6 DROIT

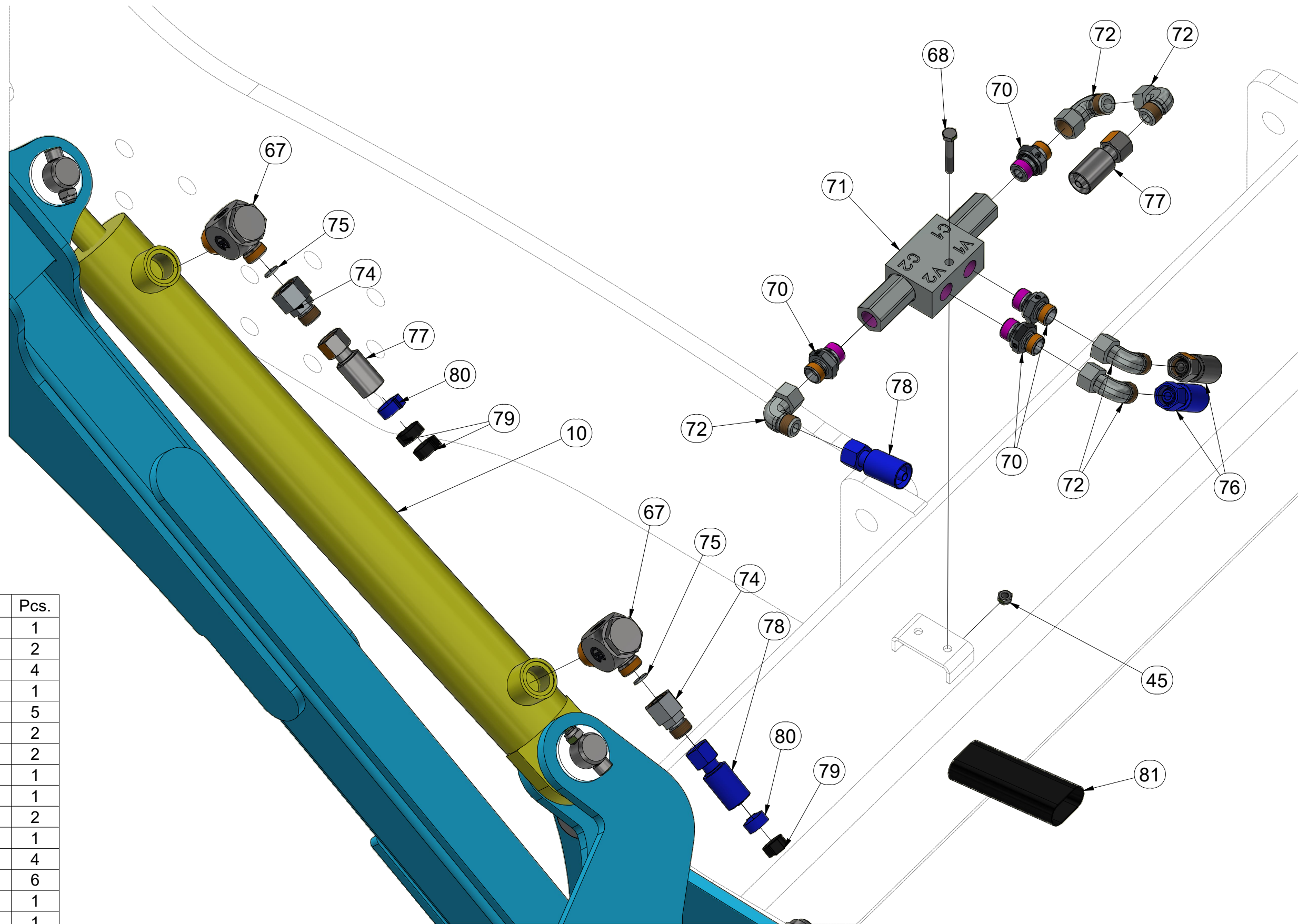
Ⓖ MARKER FA6 RIGHT

Ⓡ MARKER ПРАВЫЙ FA6

Ⓢ ZNACZNIK FA6 PRAWY



VZ00014918



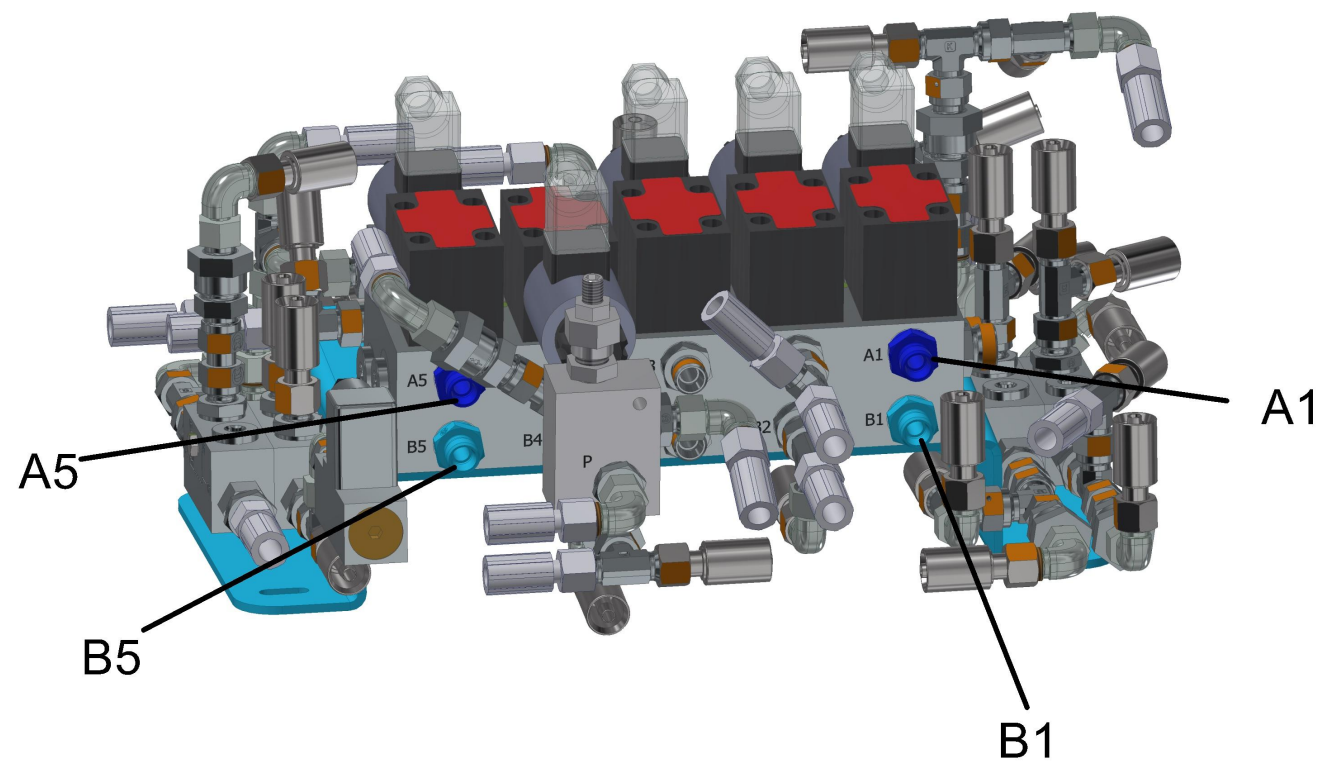
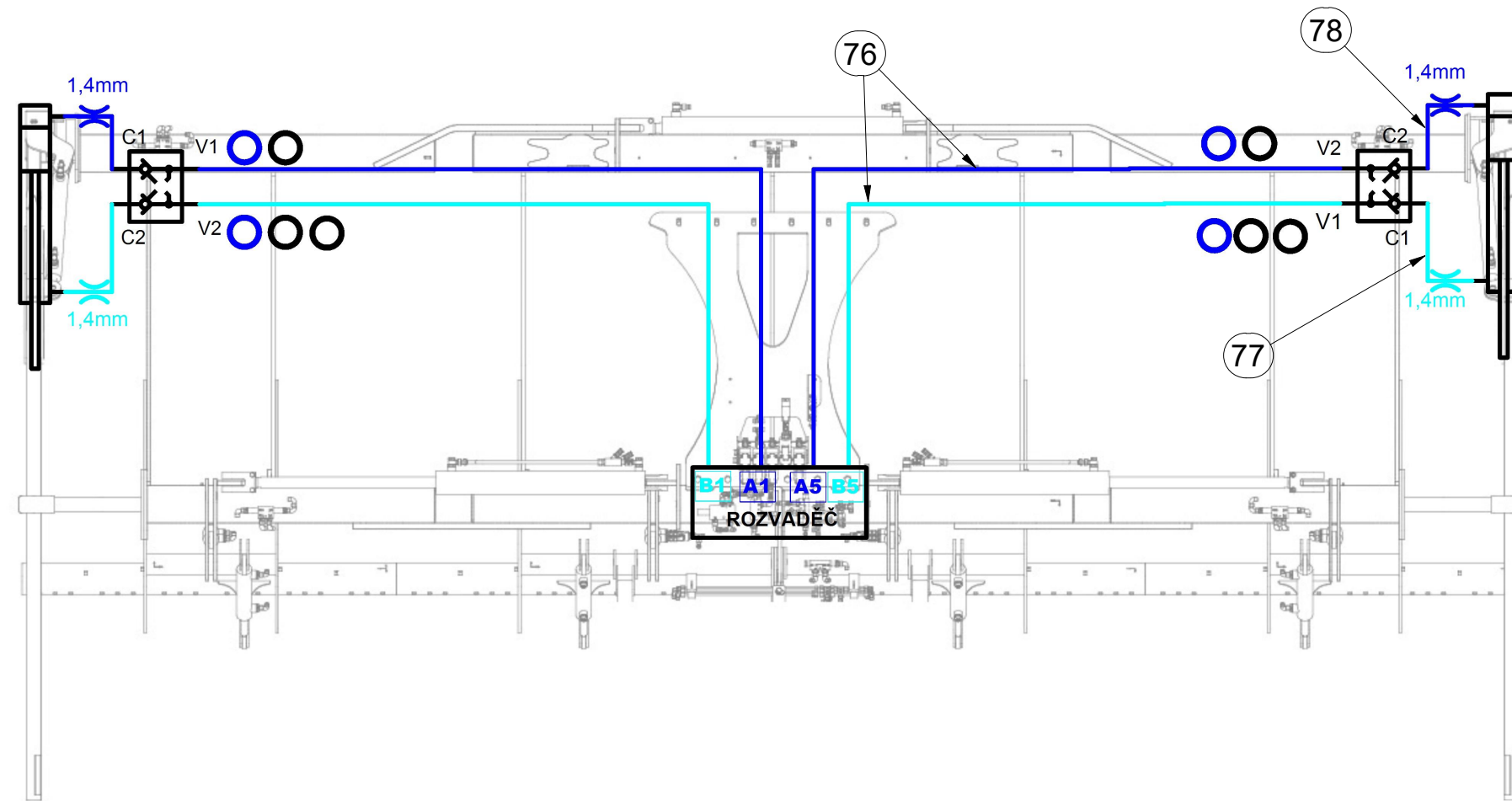
| Pos. | Part Number | Pcs. |
|------|-------------|------|
| 10 | 9001889 | 1 |
| 67 | m20912 | 2 |
| 70 | m06528 | 4 |
| 71 | m06673 | 1 |
| 72 | m06803 | 5 |
| 74 | m09986 | 2 |
| 75 | m10775 | 2 |
| 45 | m05560 | 1 |
| 68 | m04641 | 1 |
| 76 | m04310 | 2 |
| 77 | m04669 | 1 |
| 80 | m11253 | 4 |
| 79 | m05566 | 6 |
| 78 | m04761 | 1 |
| 81 | m11183 | 1 |

- Ⓒ ZNAMENÁK FA6 PRAVÝ
- Ⓓ SPURREISSER FA6 RECHTS
- Ⓕ MARQUEUR FA6 DROIT

- Ⓖ MARKER FA6 RIGHT
- Ⓡ MARKER ПРАВЫЙ FA6
- Ⓣ ZNACZNIK FA6 PRAWY



VZ00014918



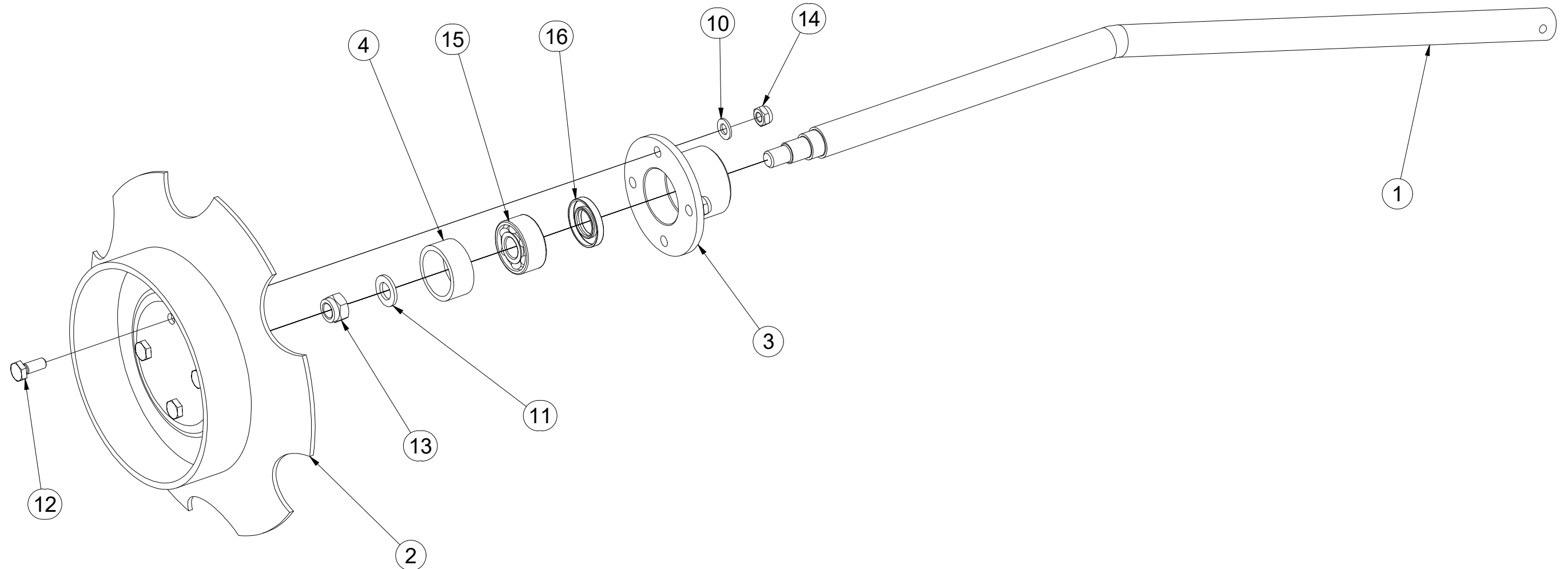
| Pos. | Part Number | Pcs. |
|------|-------------|------|
| 76 | m04310 | 2 |
| 77 | m04669 | 1 |
| 78 | m04761 | 1 |

CZ NÁSTAVEC ZNAČENÍ KOMPLET
 D AUFBAU MARKIERUNG KOMPLETT
 F RALLONGE DE MARQUAGE COMPLÈTE

GB MARKING ATTACHMENT ASSEMBLY
 RU НАСАДКА МАРКИРОВКИ КОМПЛЕКТ
 PL PRZEDŁUŻENIE ZNACZENIA KOMPLET



3005022



| Pos. | Part Number | Pcs. |
|------|-------------|------|
| 1 | 3002493 | 1 |
| 2 | 4013218 | 1 |
| 3 | 3002492 | 1 |
| 4 | 4004296 | 1 |
| 10 | m01209 | 4 |
| 11 | m01219 | 1 |
| 12 | m03681 | 4 |
| 13 | m03683 | 1 |
| 14 | m03775 | 4 |
| 15 | m09405 | 1 |
| 16 | m09406 | 1 |

Ⓒ SADA ROZDĚLOVAČŮ OSIVA

Ⓓ SAATGUTVERTEILERSATZ

Ⓕ ENSEMBLE DE DISTRIBUTEURS DE SEMENCES

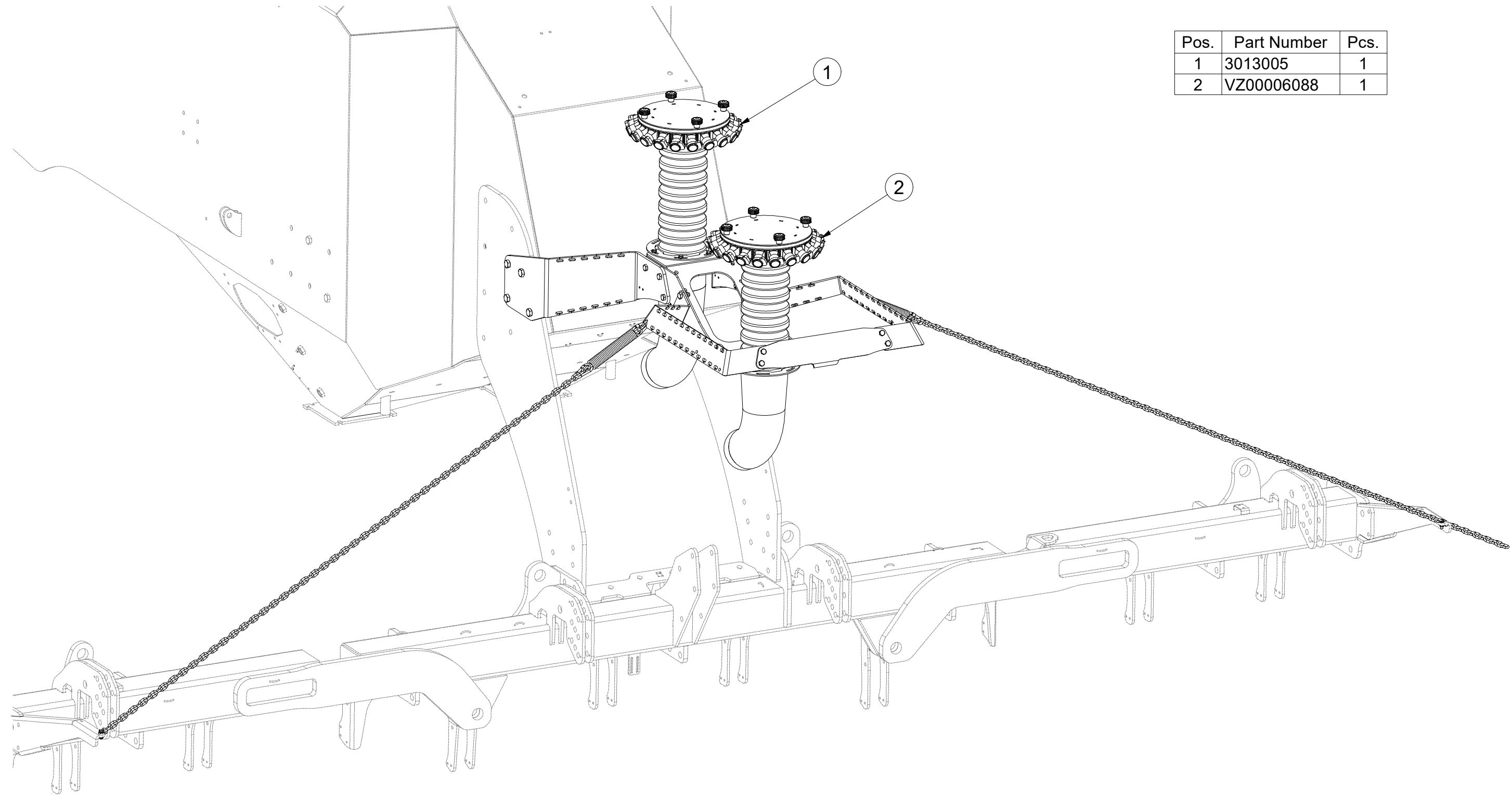
Ⓖ SET OF SEED DISTRIBUTORS

Ⓡ КОМПЛЕКТ РАСПРЕДЕЛИТЕЛЕЙ СЕМЯН

Ⓟ ZESTAW DYSTRYBUTORÓW NASION



VZ00008492



| Pos. | Part Number | Pcs. |
|------|-------------|------|
| 1 | 3013005 | 1 |
| 2 | VZ00006088 | 1 |

ⒸZ SADA ROZDĚLOVAČŮ OSIVA

Ⓓ SAATGUTVERTEILERSATZ

Ⓕ ENSEMBLE DE DISTRIBUTEURS DE SEMENCES

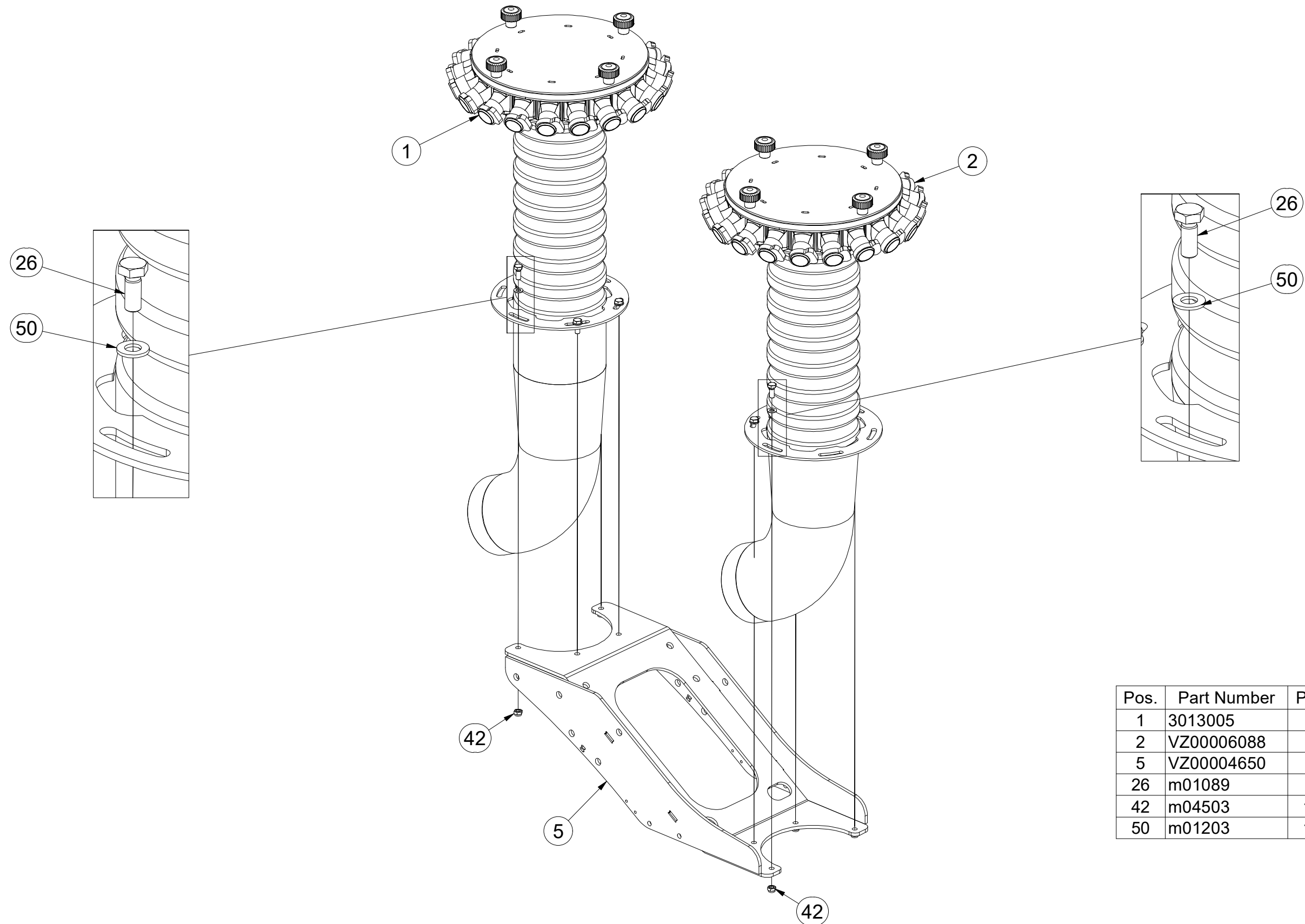
ⒼB SET OF SEED DISTRIBUTORS

ⒺU КОМПЛЕКТ РАСПРЕДЕЛИТЕЛЕЙ СЕМЯН

ⒽL ZESTAW DYSTRYBUTORÓW NASION

Farmet

VZ00008492



| Pos. | Part Number | Pcs. |
|------|-------------|------|
| 1 | 3013005 | 1 |
| 2 | VZ00006088 | 1 |
| 5 | VZ00004650 | 1 |
| 26 | m01089 | 8 |
| 42 | m04503 | 10 |
| 50 | m01203 | 10 |

Ⓒ SADA ROZDĚLOVAČŮ OSIVA

Ⓓ SAATGUTVERTEILERSATZ

Ⓕ ENSEMBLE DE DISTRIBUTEURS DE SEMENCES

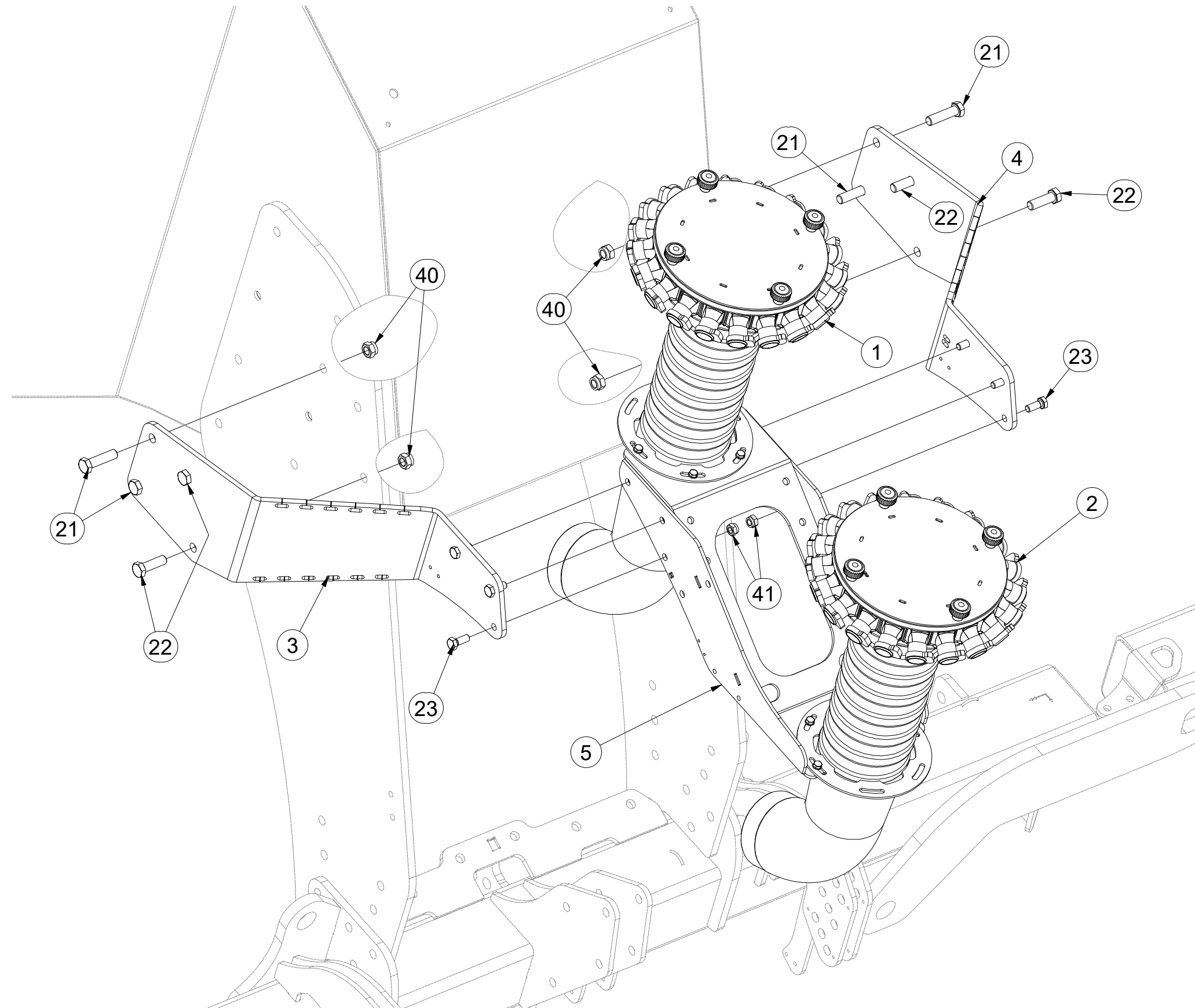
Ⓖ SET OF SEED DISTRIBUTORS

Ⓡ КОМПЛЕКТ РАСПРЕДЕЛИТЕЛЕЙ СЕМЯН

Ⓟ ZESTAW DYSTRYBUTORÓW NASION

Farmet

VZ00008492



| Pos. | Part Number | Pcs. |
|------|-------------|------|
| 1 | 3013005 | 1 |
| 2 | VZ00006088 | 1 |
| 3 | VZ00004668 | 1 |
| 4 | VZ00004675 | 1 |
| 5 | VZ00004650 | 1 |
| 21 | m00619 | 4 |
| 22 | m04355 | 4 |
| 23 | m04039 | 10 |
| 40 | m03683 | 8 |
| 41 | m04301 | 10 |

Ⓒ SADA ROZDĚLOVAČŮ OSIVA

Ⓓ SAATGUTVERTEILERSATZ

Ⓕ ENSEMBLE DE DISTRIBUTEURS DE SEMENCES

Ⓖ SET OF SEED DISTRIBUTORS

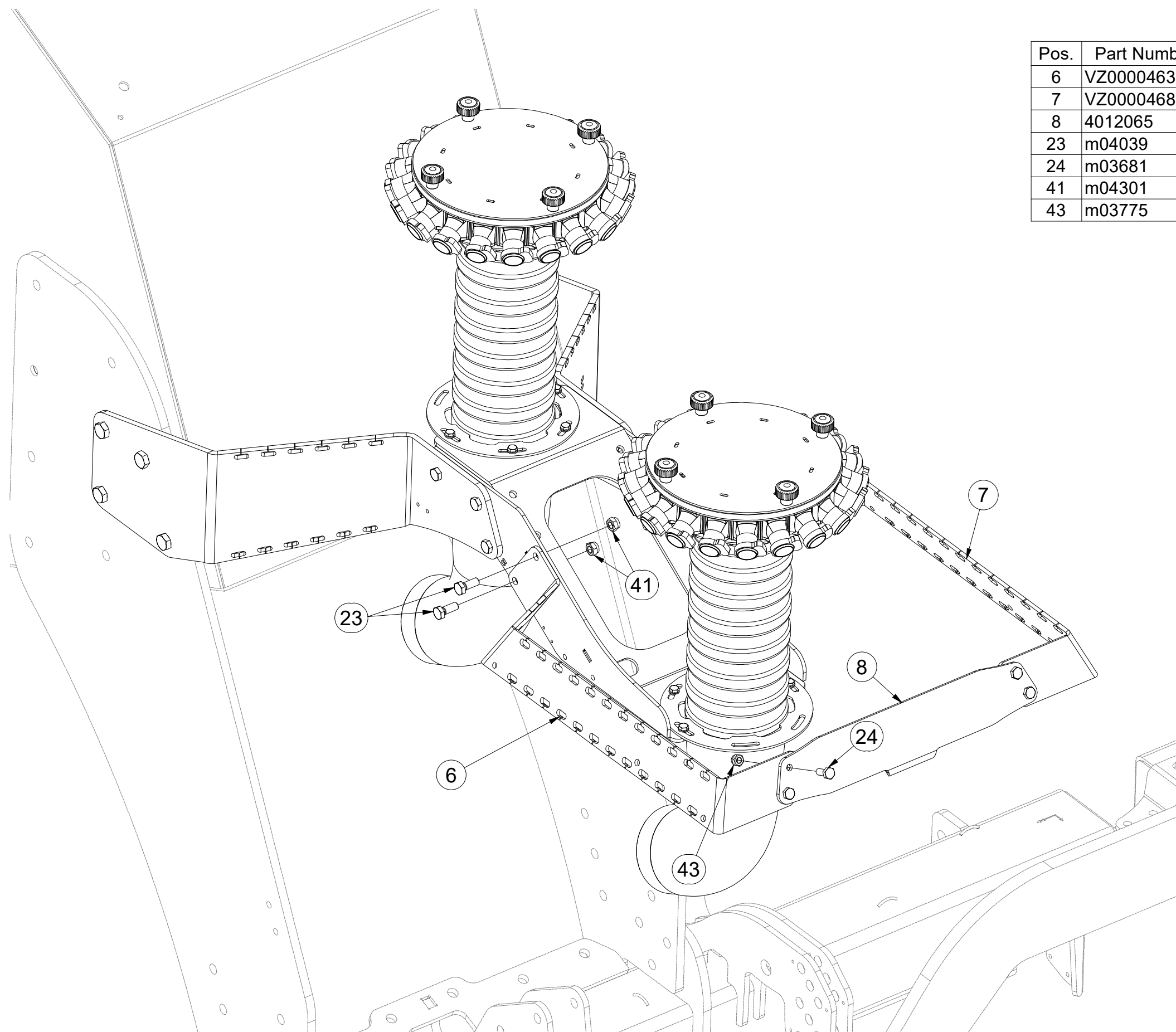
Ⓔ КОМПЛЕКТ РАСПРЕДЕЛИТЕЛЕЙ СЕМЯН

Ⓗ ZESTAW DYSTRYBUTORÓW NASION



VZ00008492

| Pos. | Part Number | Pcs. |
|------|-------------|------|
| 6 | VZ00004636 | 1 |
| 7 | VZ00004681 | 1 |
| 8 | 4012065 | 1 |
| 23 | m04039 | 10 |
| 24 | m03681 | 4 |
| 41 | m04301 | 10 |
| 43 | m03775 | 4 |



Ⓒ SADA ROZDĚLOVAČŮ OSIVA

Ⓓ SAATGUTVERTEILERSATZ

Ⓕ ENSEMBLE DE DISTRIBUTEURS DE SEMENCES

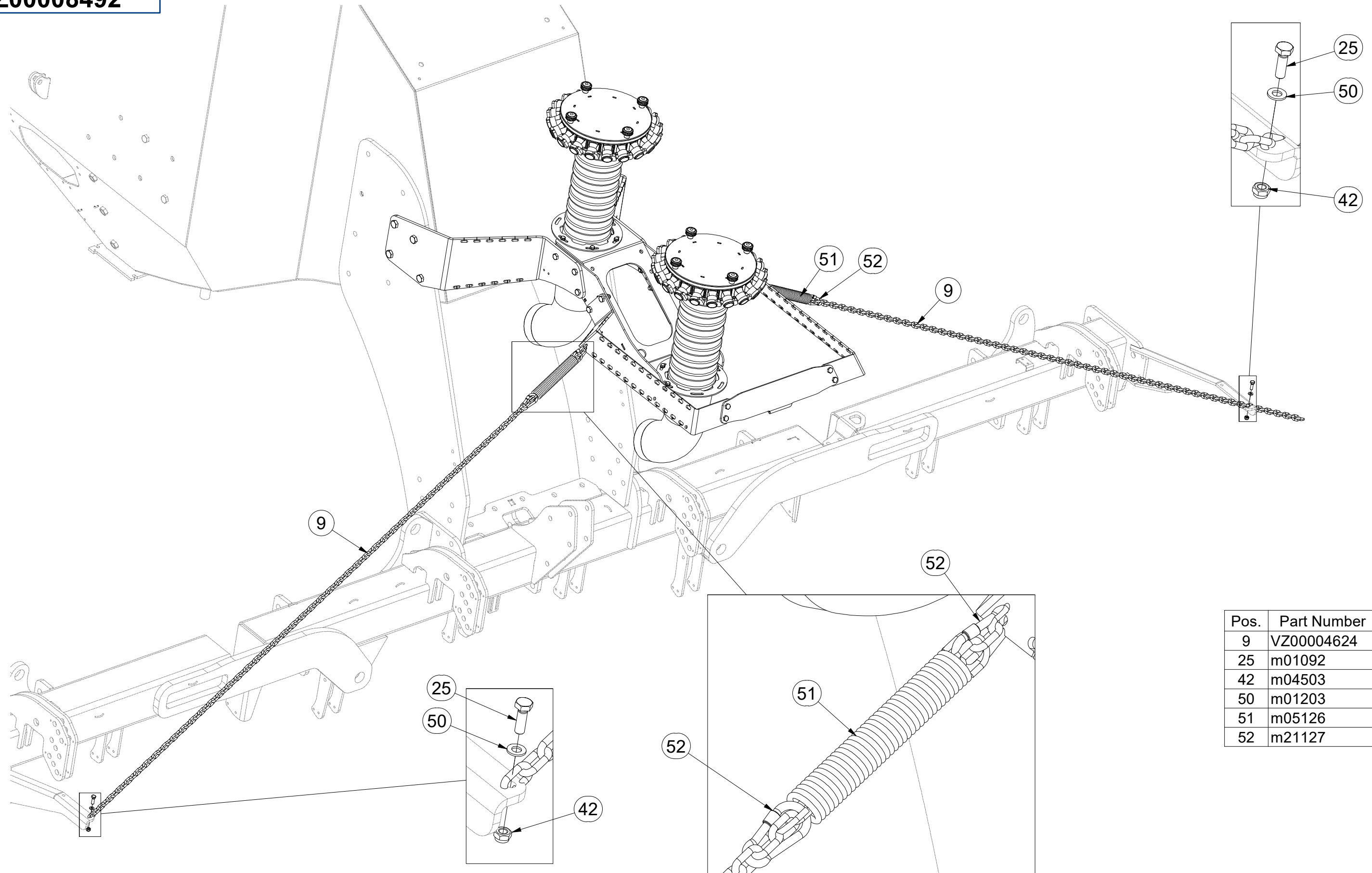
Ⓖ SET OF SEED DISTRIBUTORS

Ⓡ КОМПЛЕКТ РАСПРЕДЕЛИТЕЛЕЙ СЕМЯН

Ⓟ ZESTAW DYSTRYBUTORÓW NASION

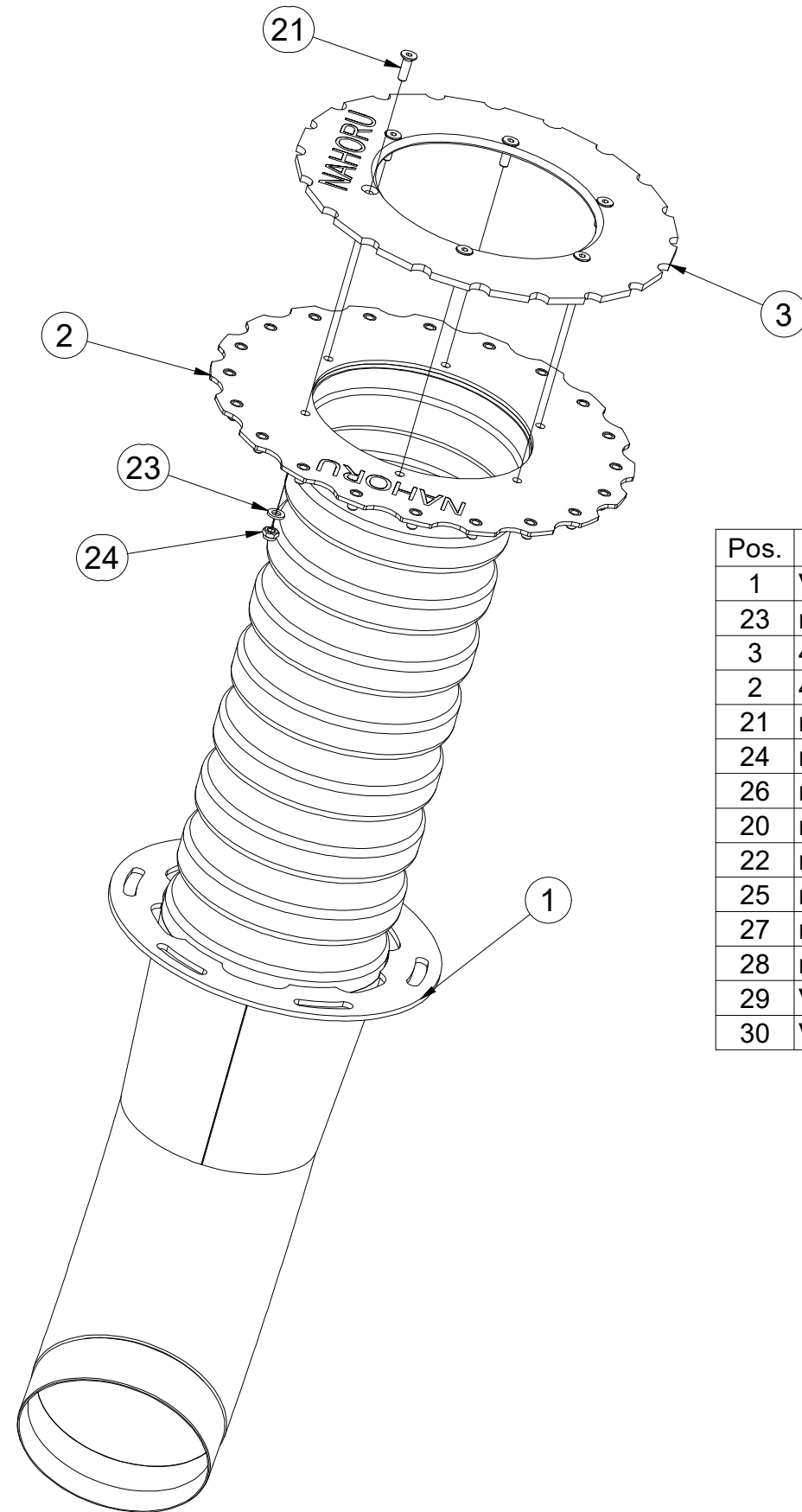
Farmet

VZ00008492



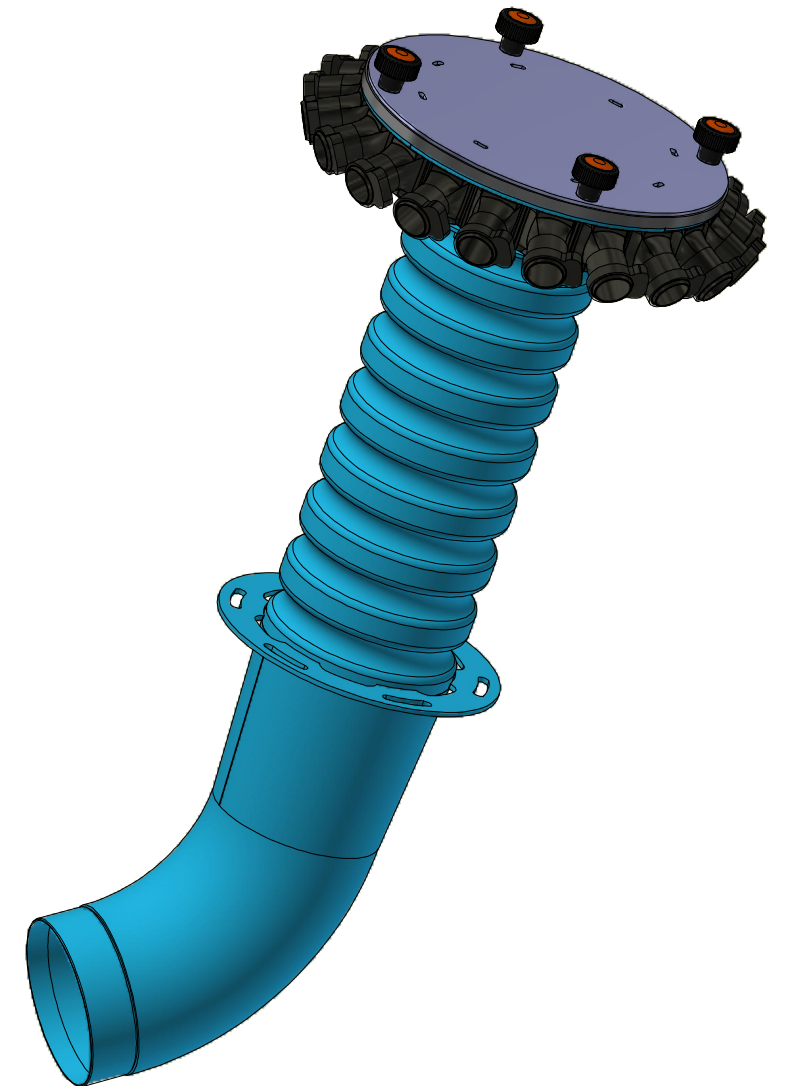
| Pos. | Part Number | Pcs. |
|------|-------------|------|
| 9 | VZ00004624 | 2 |
| 25 | m01092 | 2 |
| 42 | m04503 | 10 |
| 50 | m01203 | 10 |
| 51 | m05126 | 2 |
| 52 | m21127 | 4 |

VZ00006088



1.

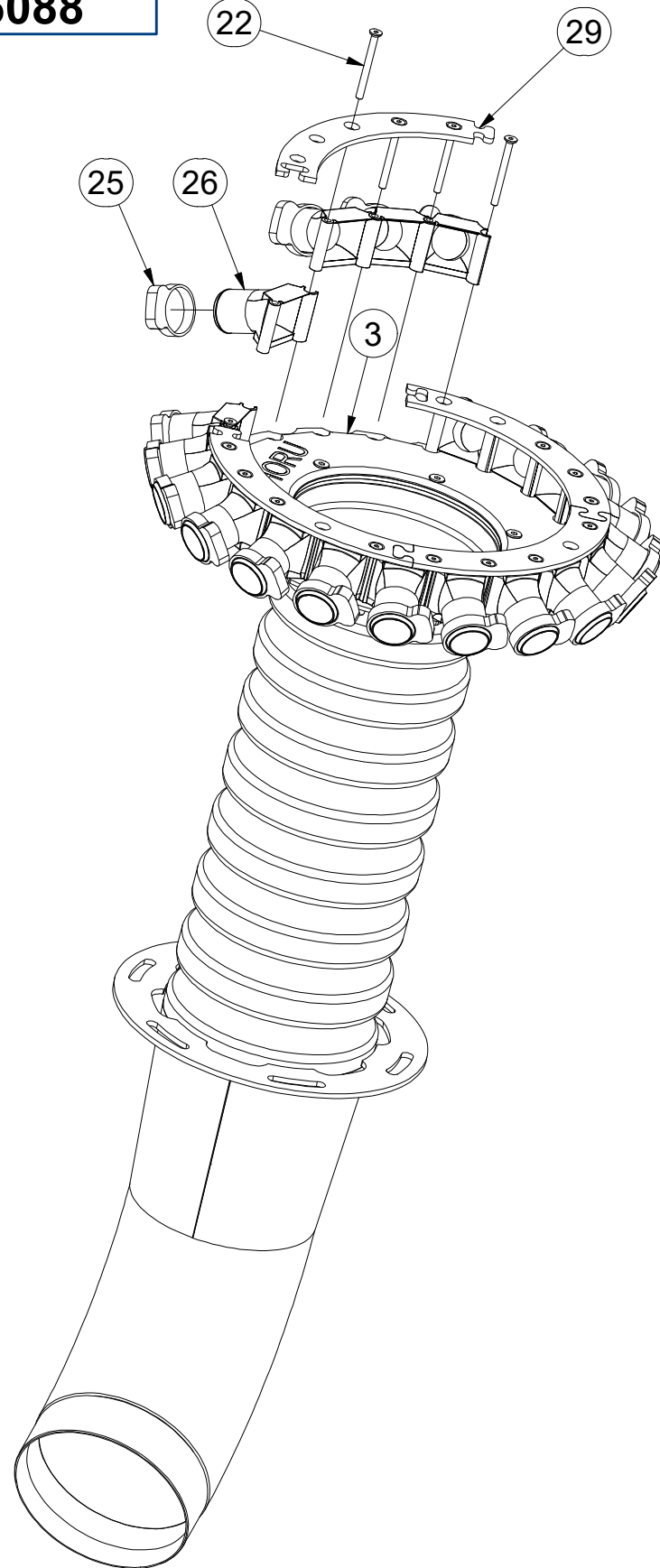
| Pos. | Part Number | Pcs. |
|------|-------------|------|
| 1 | VZ00004822 | 1 |
| 23 | m06847 | 6 |
| 3 | 4026568 | 1 |
| 2 | 4026566 | 1 |
| 21 | m16413 | 6 |
| 24 | m10819 | 6 |
| 26 | m19589 | 20 |
| 20 | m19716 | 4 |
| 22 | m19469 | 16 |
| 25 | m19099 | 20 |
| 27 | m19471 | 4 |
| 28 | m19629 | 1 |
| 29 | VZ00019609 | 4 |
| 30 | VZ00030254 | 1 |



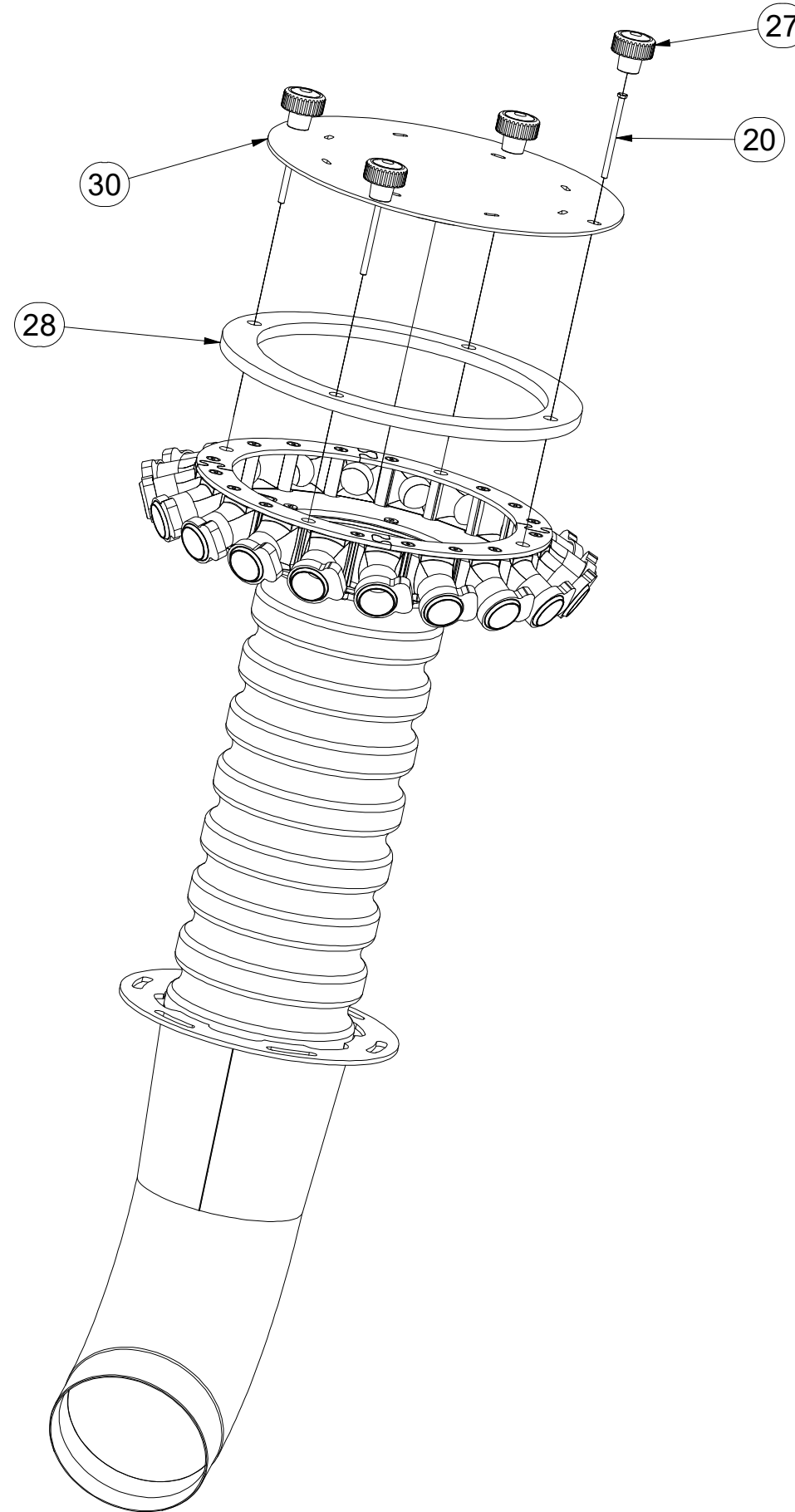
| Pos. | Part Number | Pcs. |
|------|-------------|------|
| 1 | VZ00004822 | 1 |
| 2 | 4026566 | 1 |
| 3 | 4026568 | 1 |
| 21 | m16413 | 6 |
| 23 | m06847 | 6 |
| 24 | m10819 | 6 |

VZ00006088

2.



3.



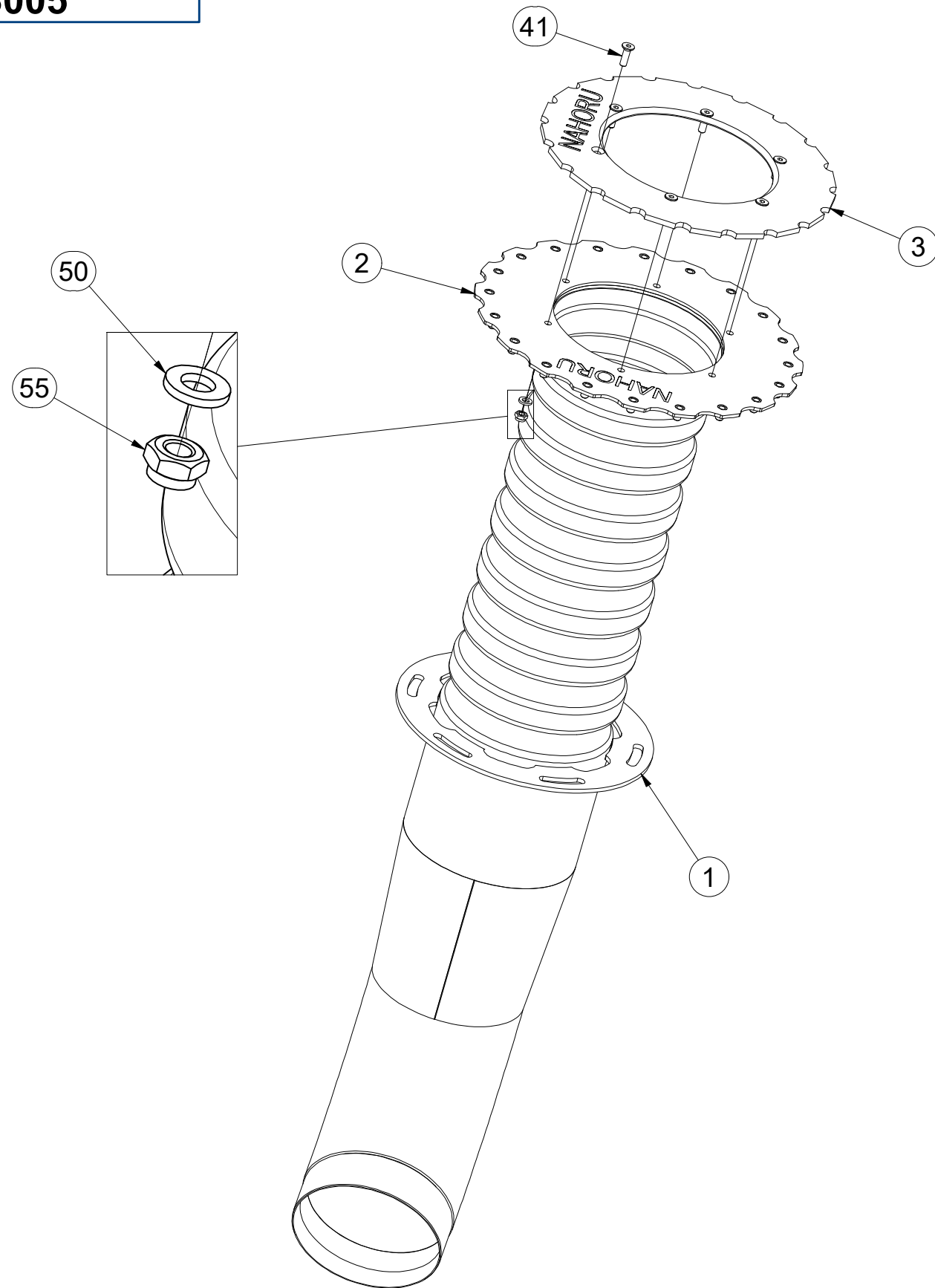
| Pos. | Part Number | Pcs. |
|------|-------------|------|
| 3 | 4026568 | 1 |
| 25 | m19099 | 20 |
| 22 | m19469 | 16 |
| 20 | m19716 | 4 |
| 26 | m19589 | 20 |
| 27 | m19471 | 4 |
| 28 | m19629 | 1 |
| 29 | VZ00019609 | 4 |
| 30 | VZ00030254 | 1 |

CZ KOMÍN
 D SCHACHT
 F CHEMINÉE

GB CHIMNEY STACK
 RU ТРУБА
 PL KOMIN



3013005



| Pos. | Part Number | Pcs. |
|------|-------------|------|
| 1 | VZ00004821 | 1 |
| 2 | 4026566 | 1 |
| 3 | 4026568 | 1 |
| 41 | m16413 | 6 |
| 50 | m06847 | 6 |
| 55 | m10819 | 6 |

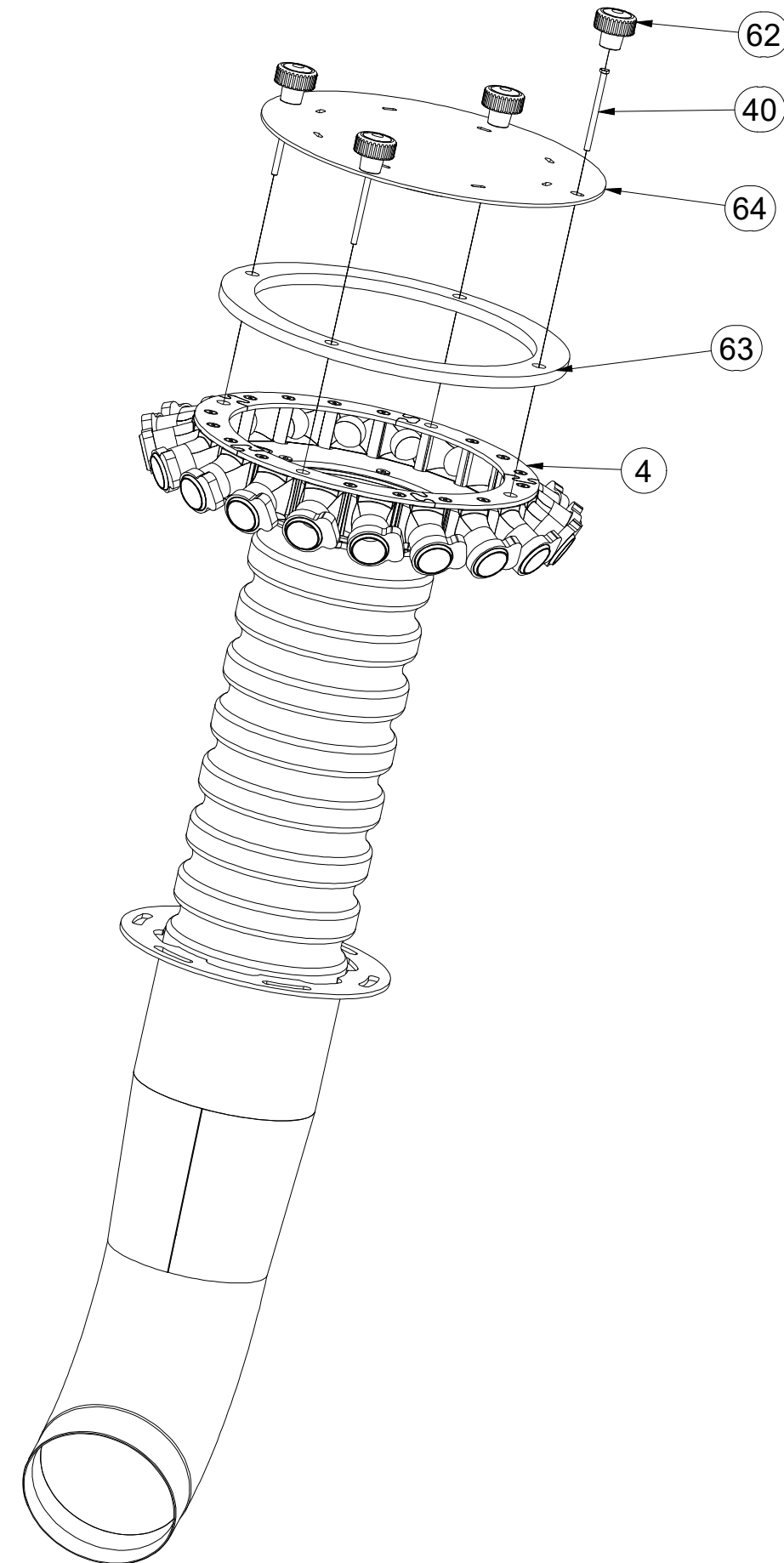
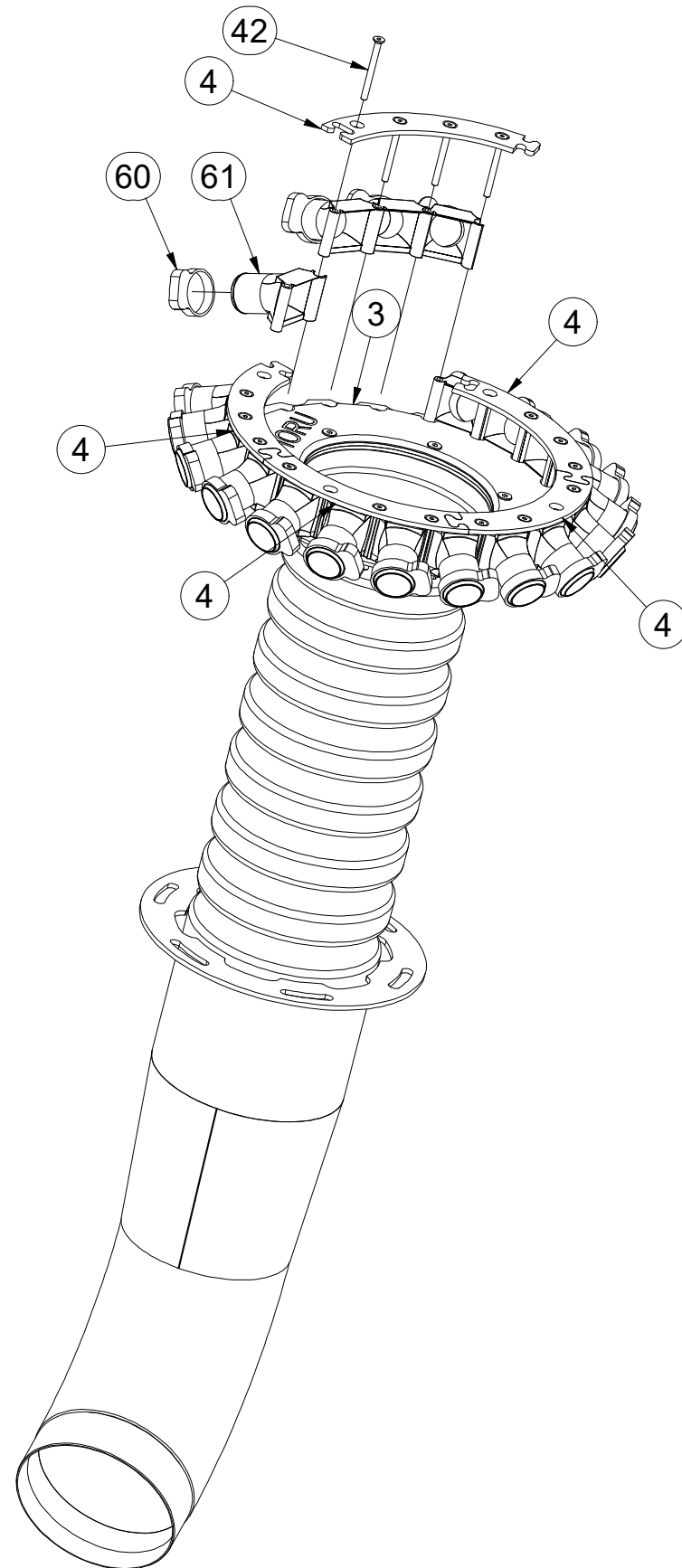
CZ KOMÍN
 D SCHACHT
 F CHEMINÉE

3013005

GB CHIMNEY STACK

RU ТРУБА

PL KOMIN



| Pos. | Part Number | Pcs. |
|------|-------------|------|
| 3 | 4026568 | 1 |
| 4 | 4026569 | 5 |
| 40 | m19716 | 4 |
| 42 | m19469 | 16 |
| 60 | m19099 | 20 |
| 61 | m19589 | 20 |
| 62 | m19471 | 4 |
| 63 | m19629 | 1 |
| 64 | VZ00030254 | 1 |

ⒸZ SADA VZDUCHOVÝCH KLAPEK

Ⓓ SATZ LUFTKLAPPEN

Ⓕ ENSEMBLE DE REGISTRES D'AIR

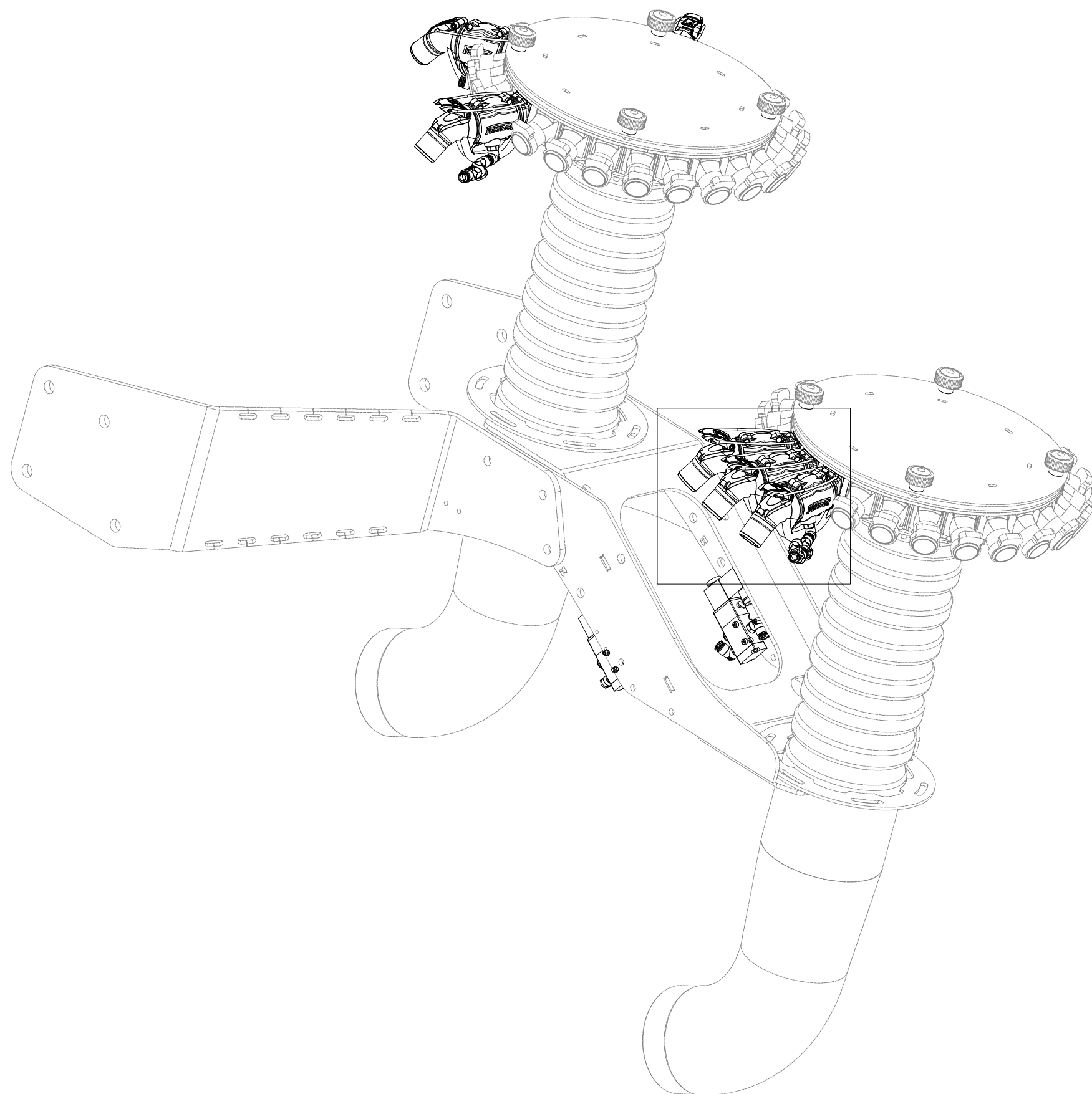
ⒸB SET OF AIR DAMPERS

ⒸU КОМПЛЕКТ ВОЗДУШНЫХ ЗАСЛОНОК

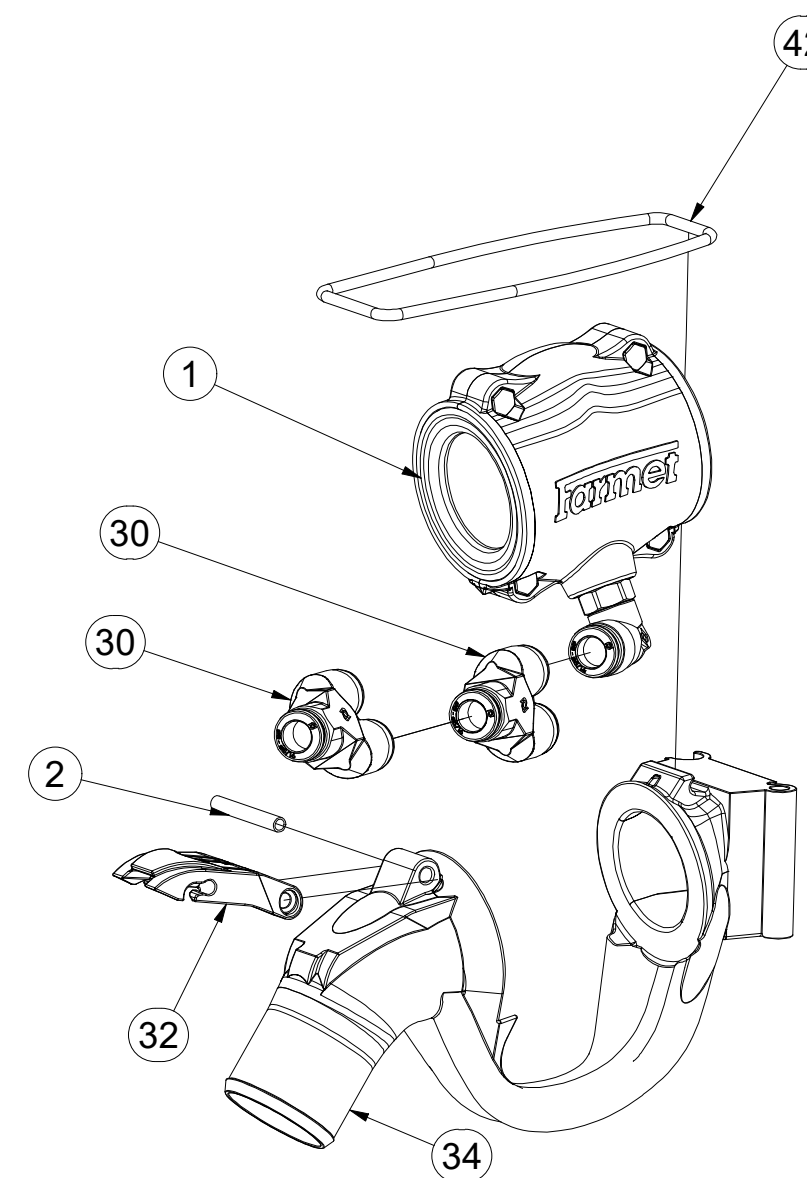
ⒸL ZESTAW PRZEPUSTNIC POWIETRZA



VZ00002449



| Pos. | Part Number | Pcs. |
|------|-------------|------|
| 1 | VZ00002919 | 6 |
| 2 | VZ00002923 | 6 |
| 30 | m12704 | 4 |
| 32 | m19287 | 6 |
| 34 | m19590 | 6 |
| 42 | m19943 | 6 |



Ⓒ SADA VZDUCHOVÝCH KLAPEK

Ⓓ SATZ LUFTKLAPPEN

Ⓕ ENSEMBLE DE REGISTRES D'AIR

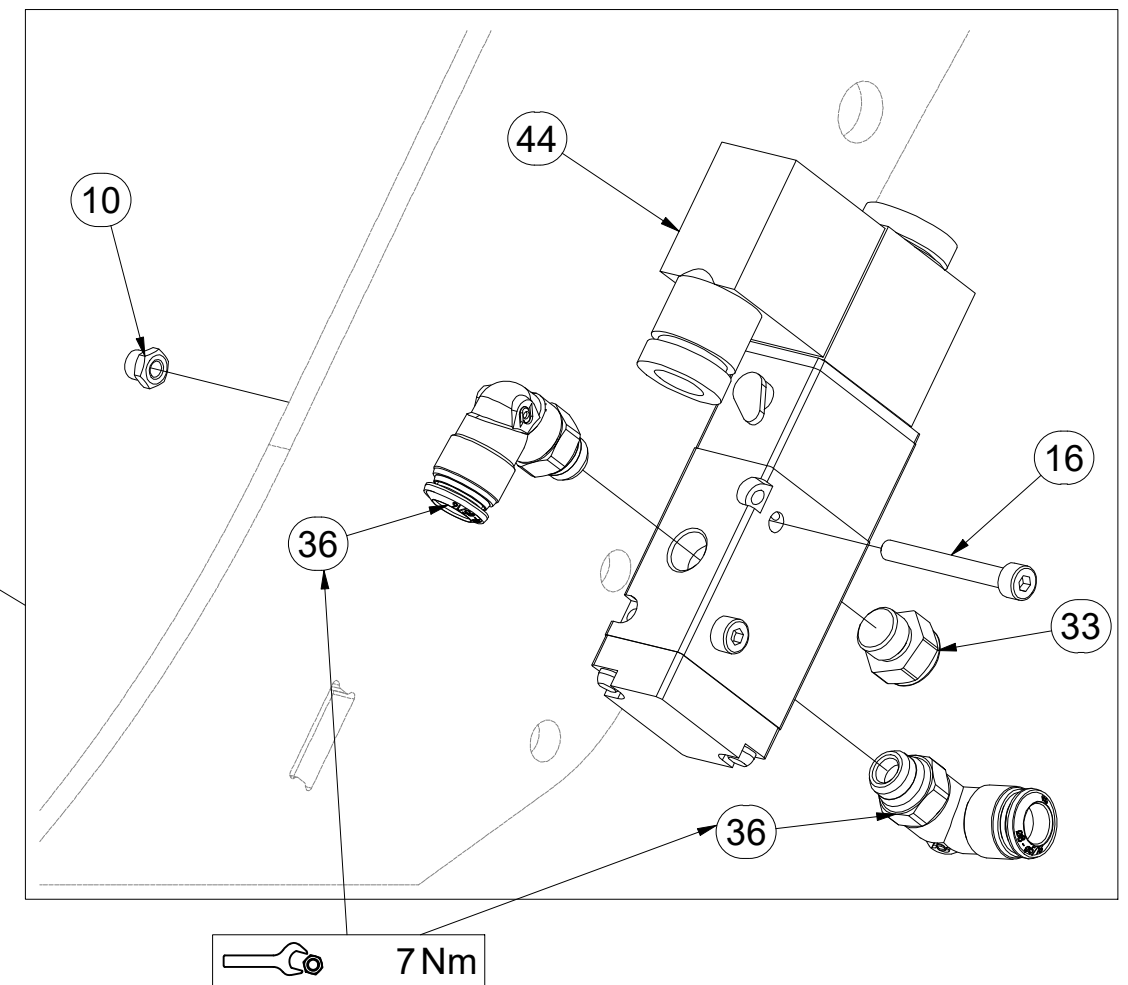
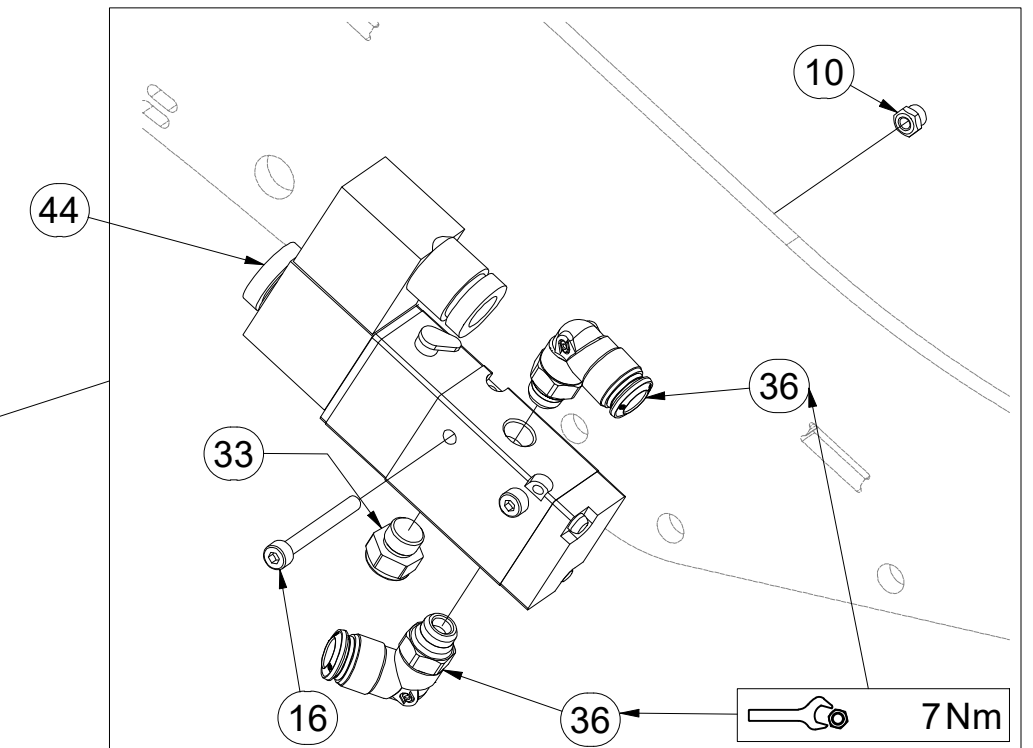
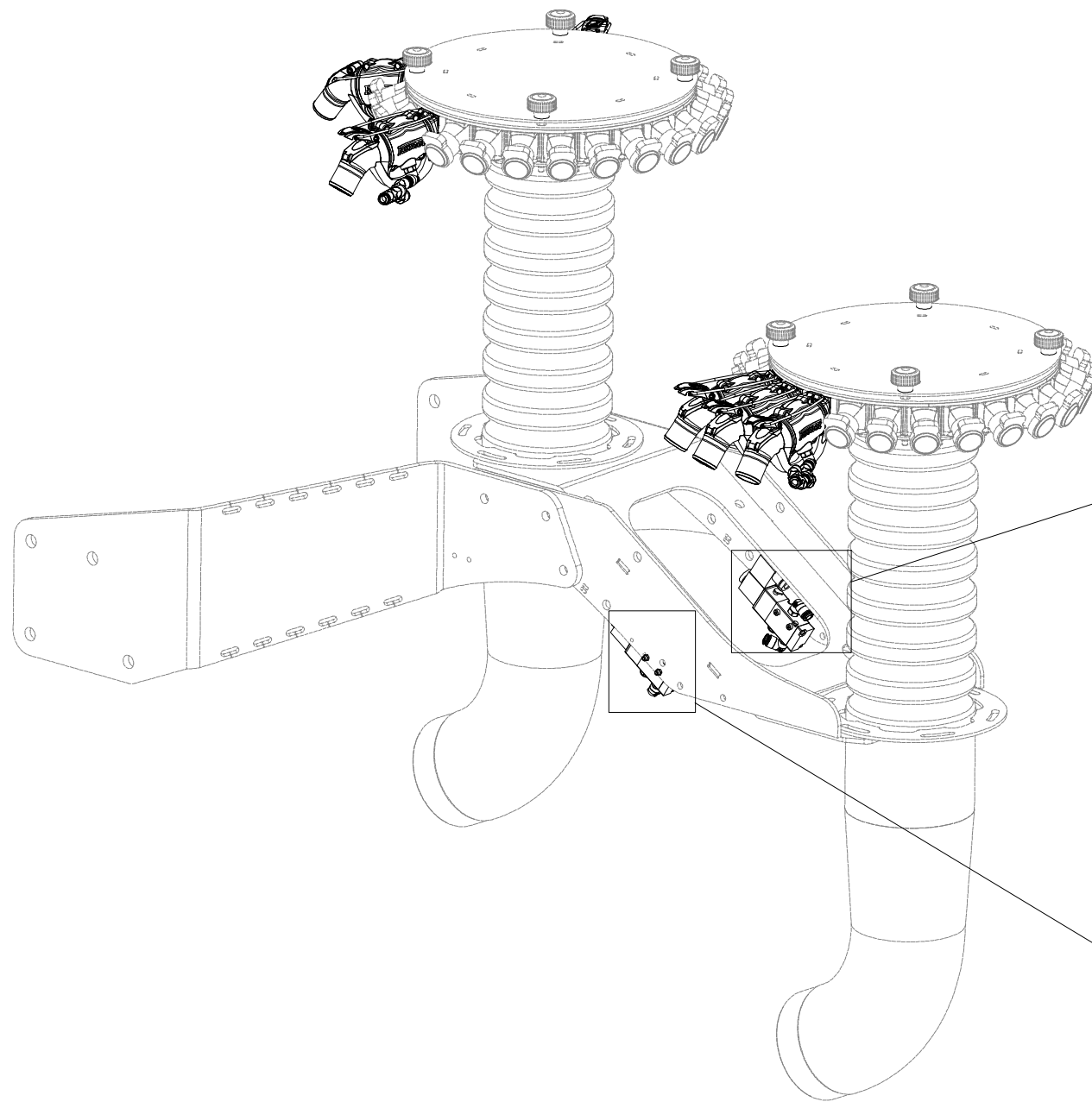
Ⓖ SET OF AIR DAMPERS

Ⓡ КОМПЛЕКТ ВОЗДУШНЫХ ЗАСЛОНОК

Ⓟ ZESTAW PRZEPUSTNIC POWIETRZA



VZ00002449



| Pos. | Part Number | Pcs. |
|------|-------------|------|
| 10 | m05562 | 4 |
| 16 | m16114 | 4 |
| 33 | m19504 | 2 |
| 36 | m19879 | 4 |
| 44 | m22549 | 2 |

Ⓒ SADA VZDUCHOVÝCH KLAPEK

Ⓓ SATZ LUFTKLAPPEN

Ⓕ ENSEMBLE DE REGISTRES D'AIR

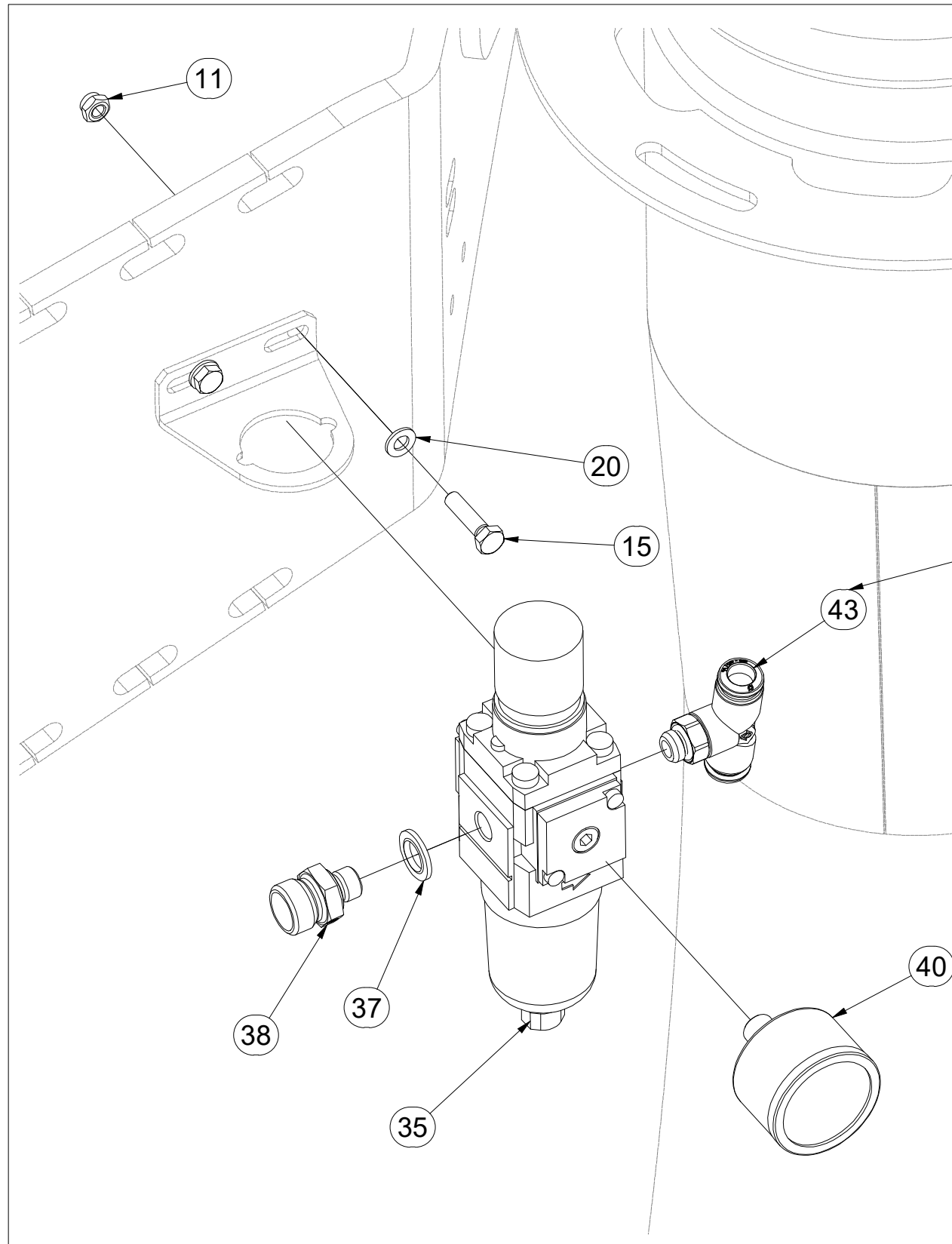
Ⓖ SET OF AIR DAMPERS

Ⓡ КОМПЛЕКТ ВОЗДУШНЫХ ЗАСЛОНОК

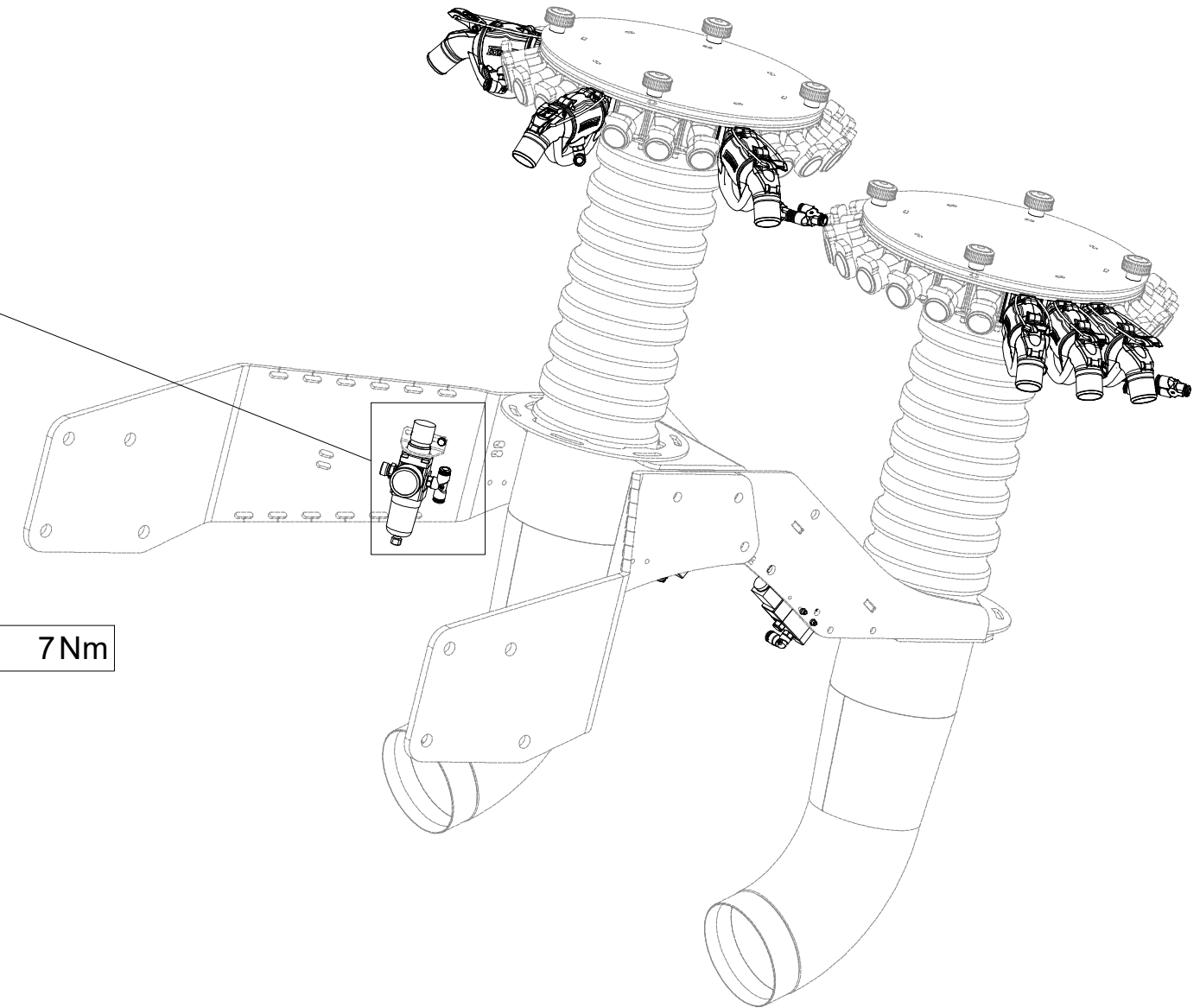
Ⓣ ZESTAW PRZEPUSTNIC POWIETRZA



VZ00002449



7Nm



| Pos. | Part Number | Pcs. |
|------|-------------|------|
| 11 | m06886 | 2 |
| 15 | m06842 | 2 |
| 20 | m06944 | 2 |
| 35 | m22548 | 1 |
| 37 | m19880 | 1 |
| 38 | m19881 | 1 |
| 40 | m19922 | 1 |
| 43 | m20978 | 1 |

Ⓒ SADA ZAPOJENÍ KLAPEK

Ⓓ DÄMPFERANSCHLUSS EINGESTELLT

Ⓕ KIT DE RACCORDEMENT DE REGISTRE

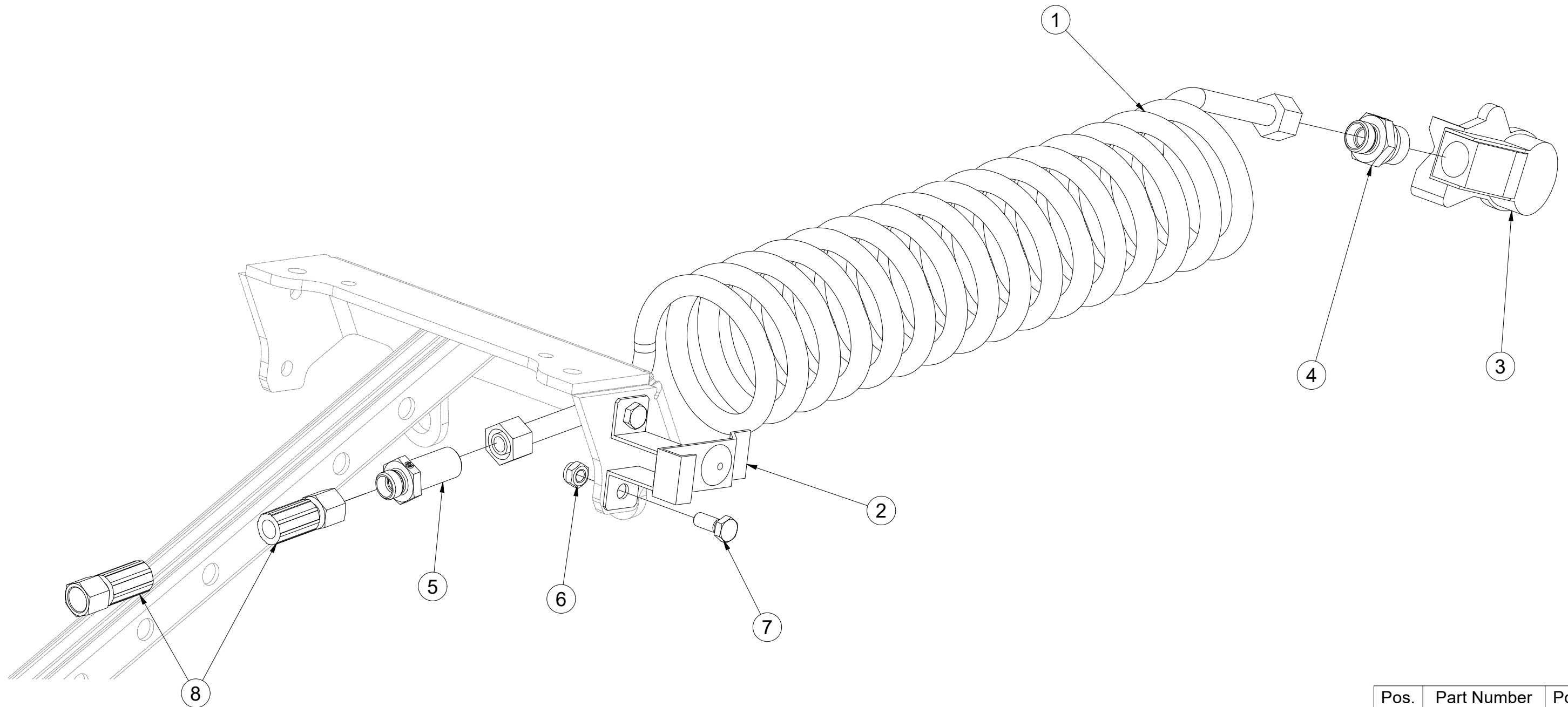
Ⓖ DAMPER CONNECTION SET

Ⓡ КОМПЛЕКТ ПОДКЛЮЧЕНИЯ ДЕМПФЕРА

Ⓟ ZESTAW PRZYŁĄCZENIOWY PRZEPUSTNICY



VZ00002429



| Pos. | Part Number | Pcs. |
|------|-------------|------|
| 1 | m09949 | 1 |
| 2 | m09789 | 1 |
| 3 | m11735 | 1 |
| 4 | m08261 | 1 |
| 6 | m04503 | 2 |
| 7 | m01089 | 2 |
| 8 | m19506 | 1 |
| 5 | m24100 | 1 |

ⒸZ ADAPTÉR

Ⓓ ADAPTER

Ⓕ ADAPTER

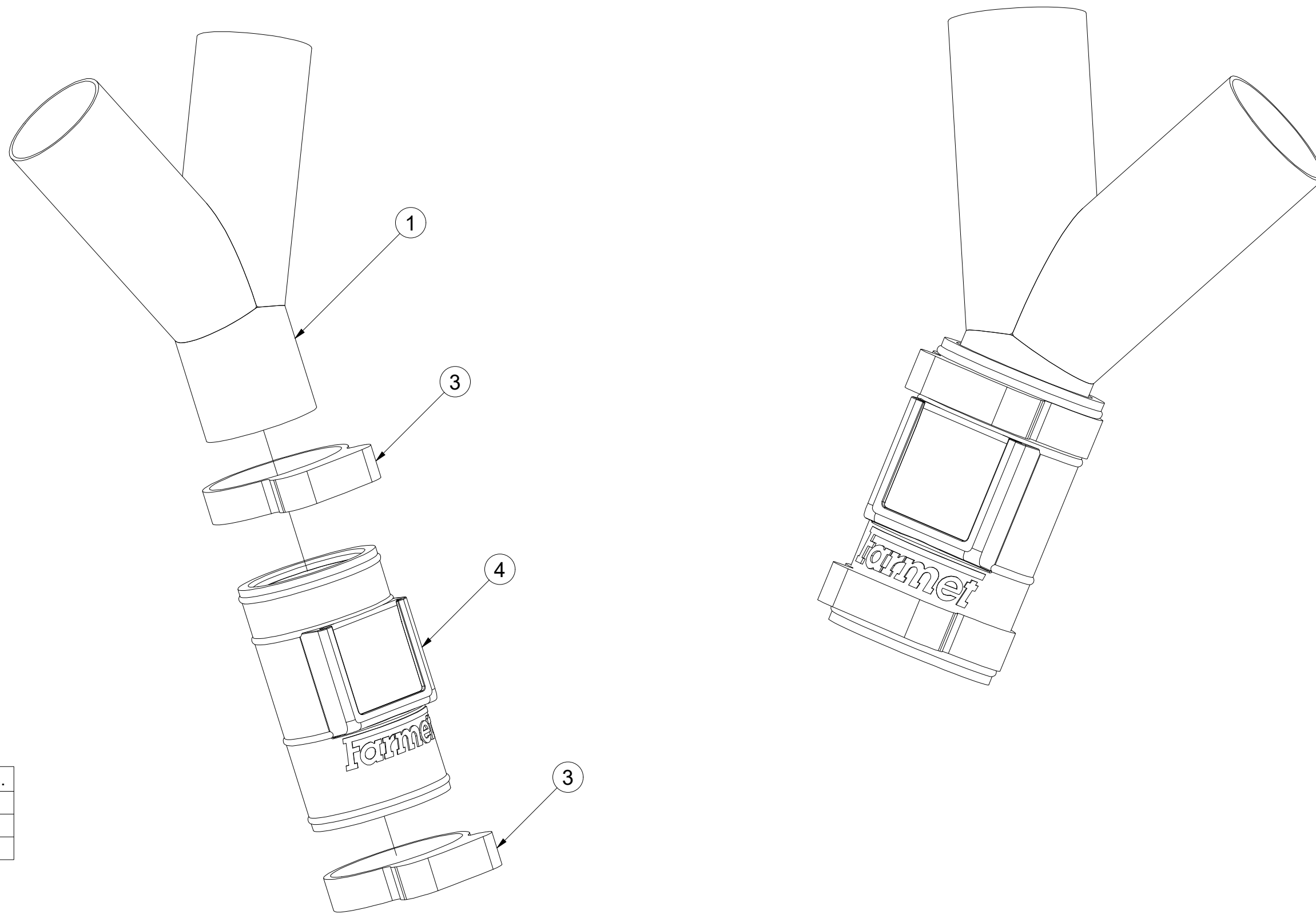
ⒸB ADAPTER

ⒸR АДАПТЕР

ⒸL ADAPTER



VZ00023036



| Pos. | Part Number | Pcs. |
|------|-------------|------|
| 1 | VZ00012646 | 1 |
| 3 | m18761 | 2 |
| 4 | m20759 | 1 |

ⒸZ HYDRAULIKA STROJE

Ⓓ HYDRAULIK DER MASCHINE

Ⓕ HYDRAULIQUE DE LA MACHINE

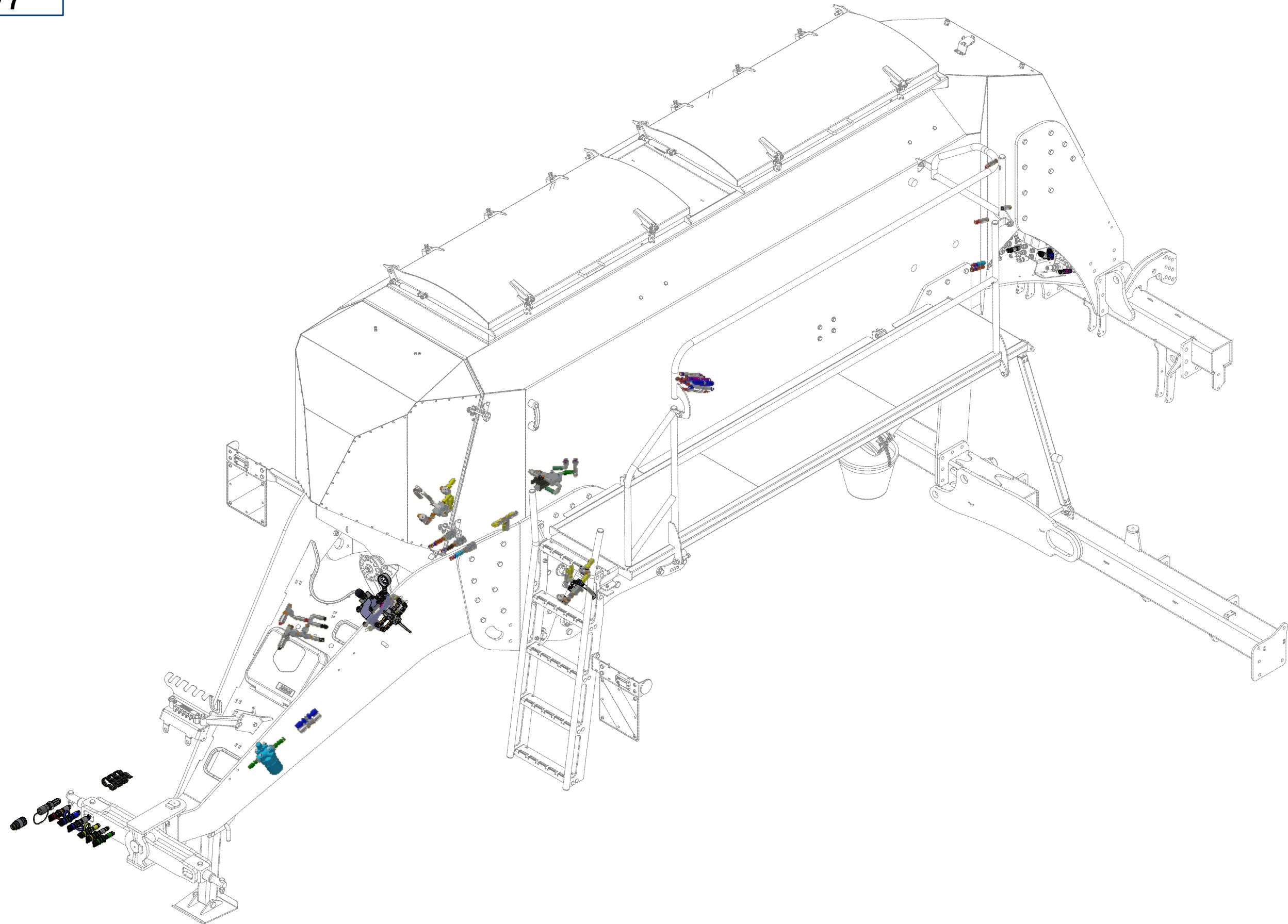
ⒸB MACHINE HYDRAULICS

ⒸR ГИДРАВЛИКА МАШИНЫ

ⒸL HYDRAULIKA MASZYN



VZ00024277



Ⓒ HYDRAULIKA STROJE

Ⓓ HYDRAULIK DER MASCHINE

Ⓕ HYDRAULIQUE DE LA MACHINE

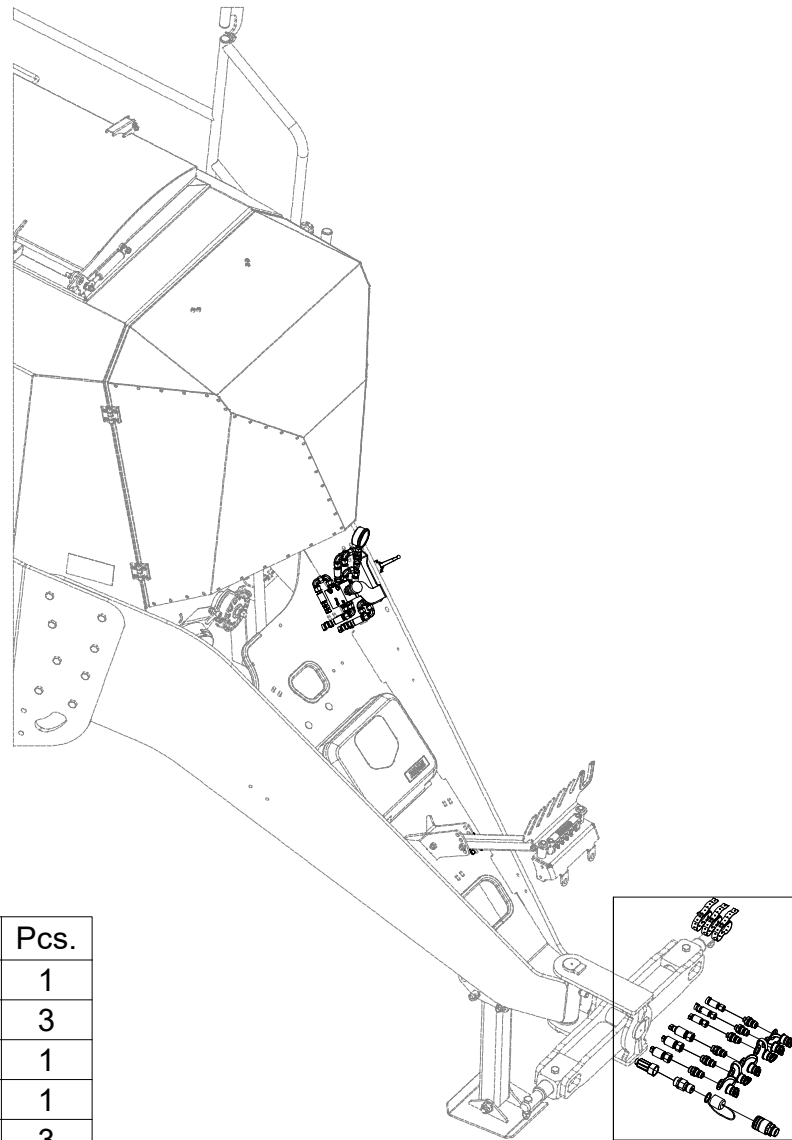
Ⓖ MACHINE HYDRAULICS

Ⓡ ГИДРАВЛИКА МАШИНЫ

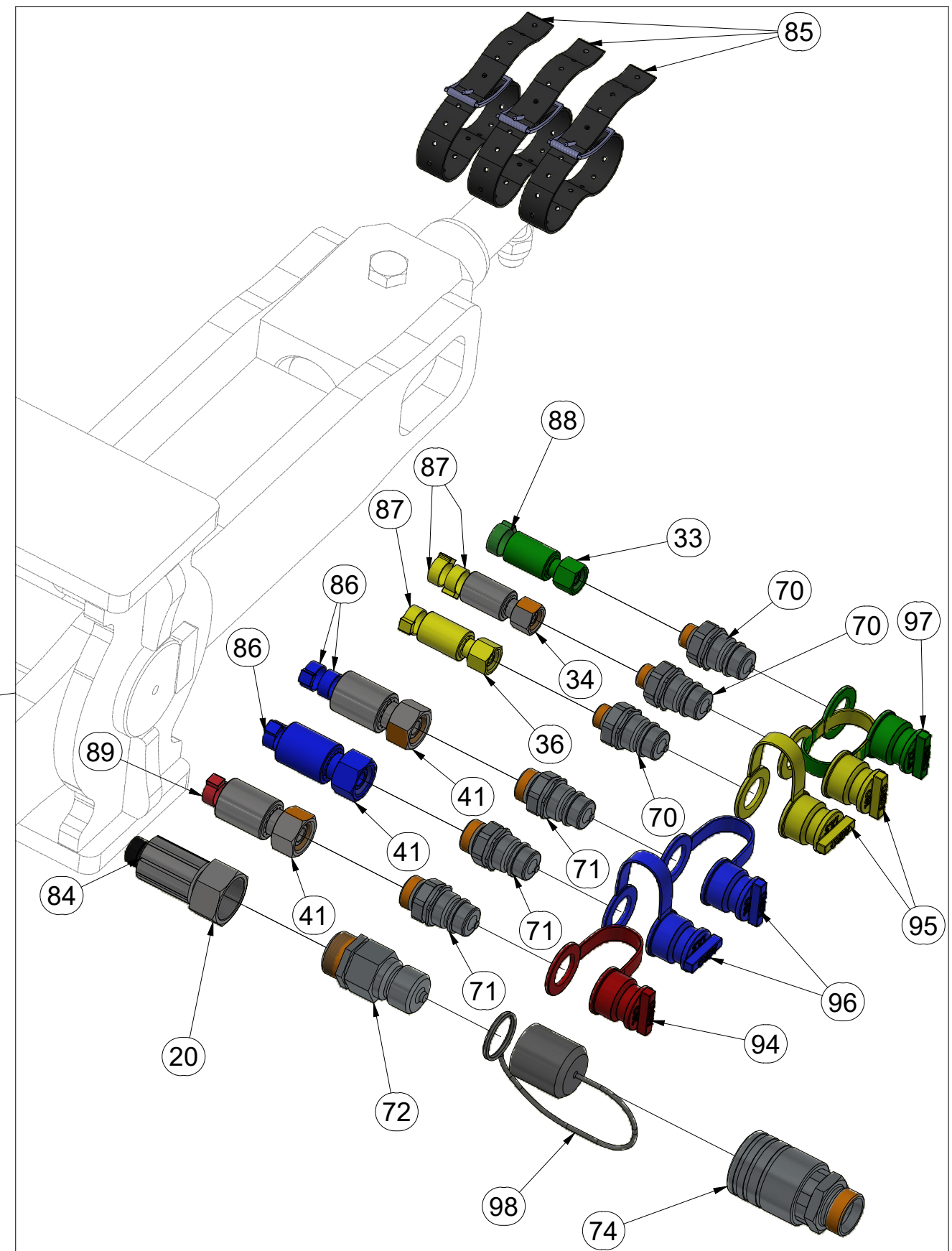
Ⓟ HYDRAULIKA MASZYN



VZ00024277



| Pos. | Part Number | Pcs. |
|------|-------------|------|
| 20 | m07911 | 1 |
| 33 | m17445 | 3 |
| 34 | m18092 | 1 |
| 36 | m16455 | 1 |
| 41 | m07986 | 3 |
| 70 | m03849 | 3 |
| 71 | m04189 | 3 |
| 72 | m06108 | 1 |
| 74 | m06109 | 1 |
| 84 | m05566 | 16 |
| 85 | m20319 | 3 |
| 86 | m11253 | 30 |
| 87 | m11289 | 16 |
| 88 | m11282 | 3 |
| 89 | m11294 | 40 |
| 94 | m04022 | 1 |
| 95 | m04023 | 2 |
| 96 | m03743 | 2 |
| 97 | m04098 | 1 |
| 98 | m07448 | 1 |



Ⓒ HYDRAULIKA STROJE

Ⓓ HYDRAULIK DER MASCHINE

Ⓕ HYDRAULIQUE DE LA MACHINE

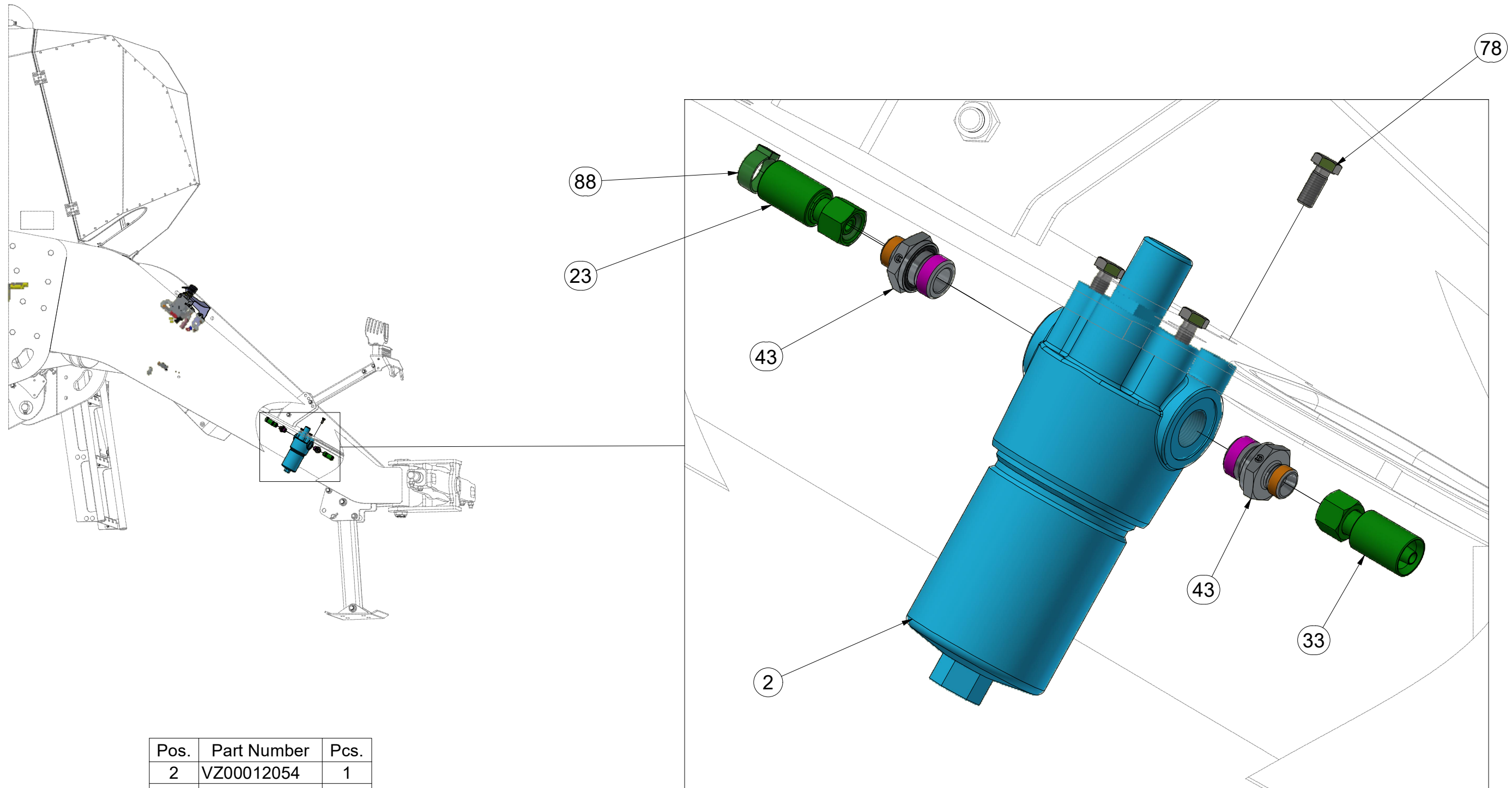
Ⓖ MACHINE HYDRAULICS

Ⓡ ГИДРАВЛИКА МАШИНЫ

Ⓟ HYDRAULIKA MASZYNY



VZ00024277



| Pos. | Part Number | Pcs. |
|------|-------------|------|
| 2 | VZ00012054 | 1 |
| 23 | m07650 | 2 |
| 33 | m17445 | 3 |
| 43 | m04560 | 4 |
| 78 | m01089 | 4 |
| 88 | m11282 | 3 |

Ⓒ HYDRAULIKA STROJE

Ⓓ HYDRAULIK DER MASCHINE

Ⓕ HYDRAULIQUE DE LA MACHINE

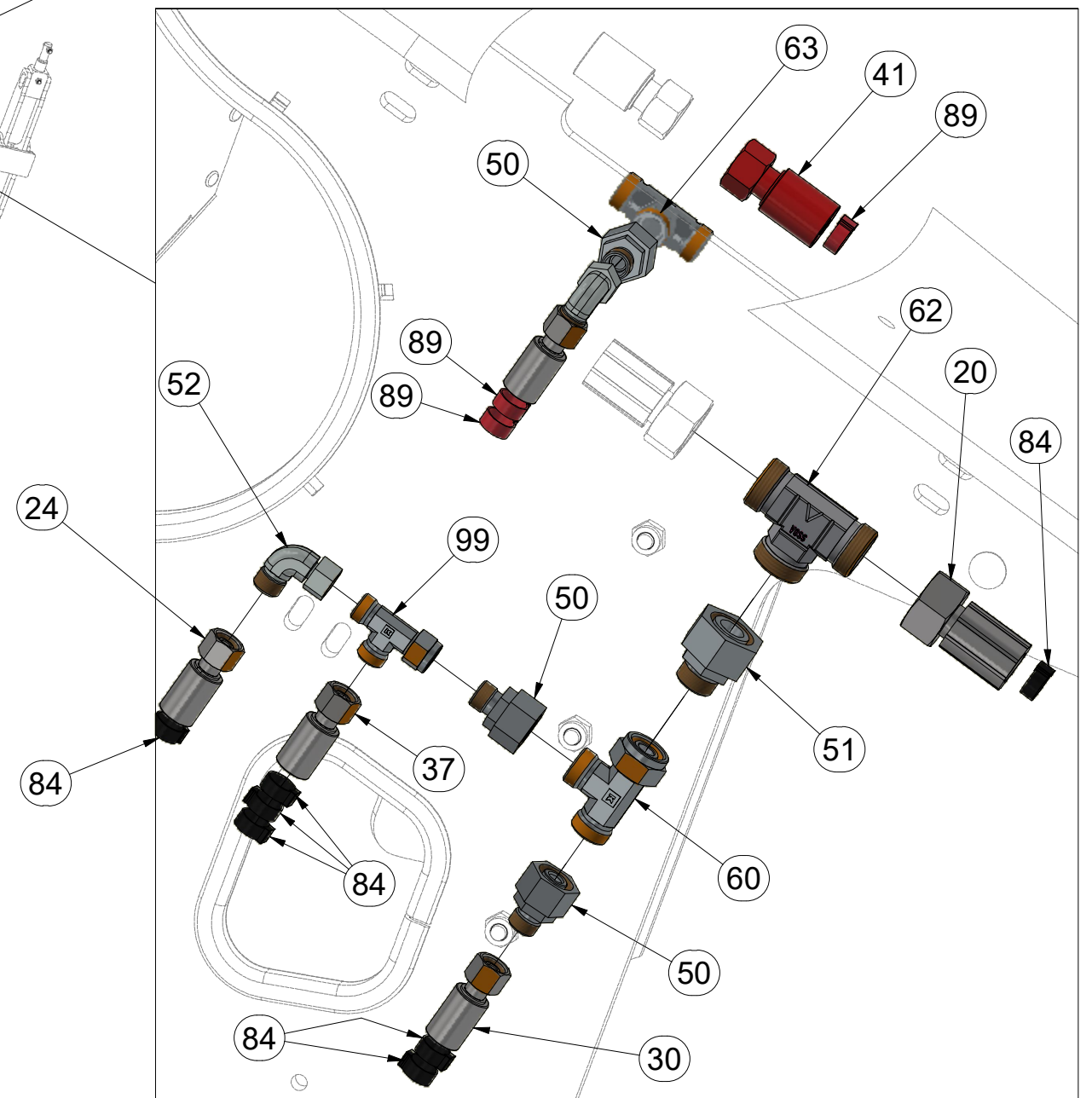
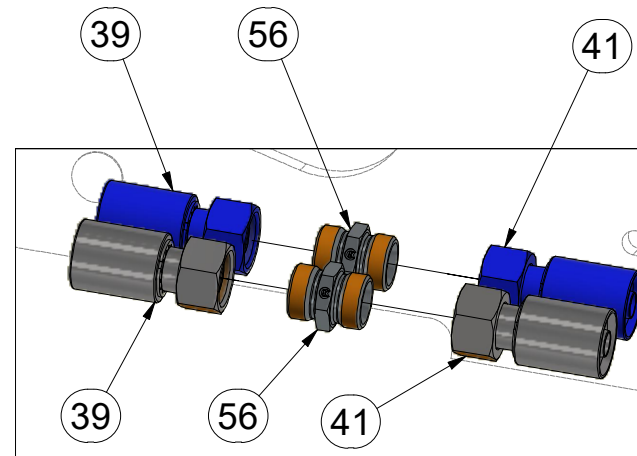
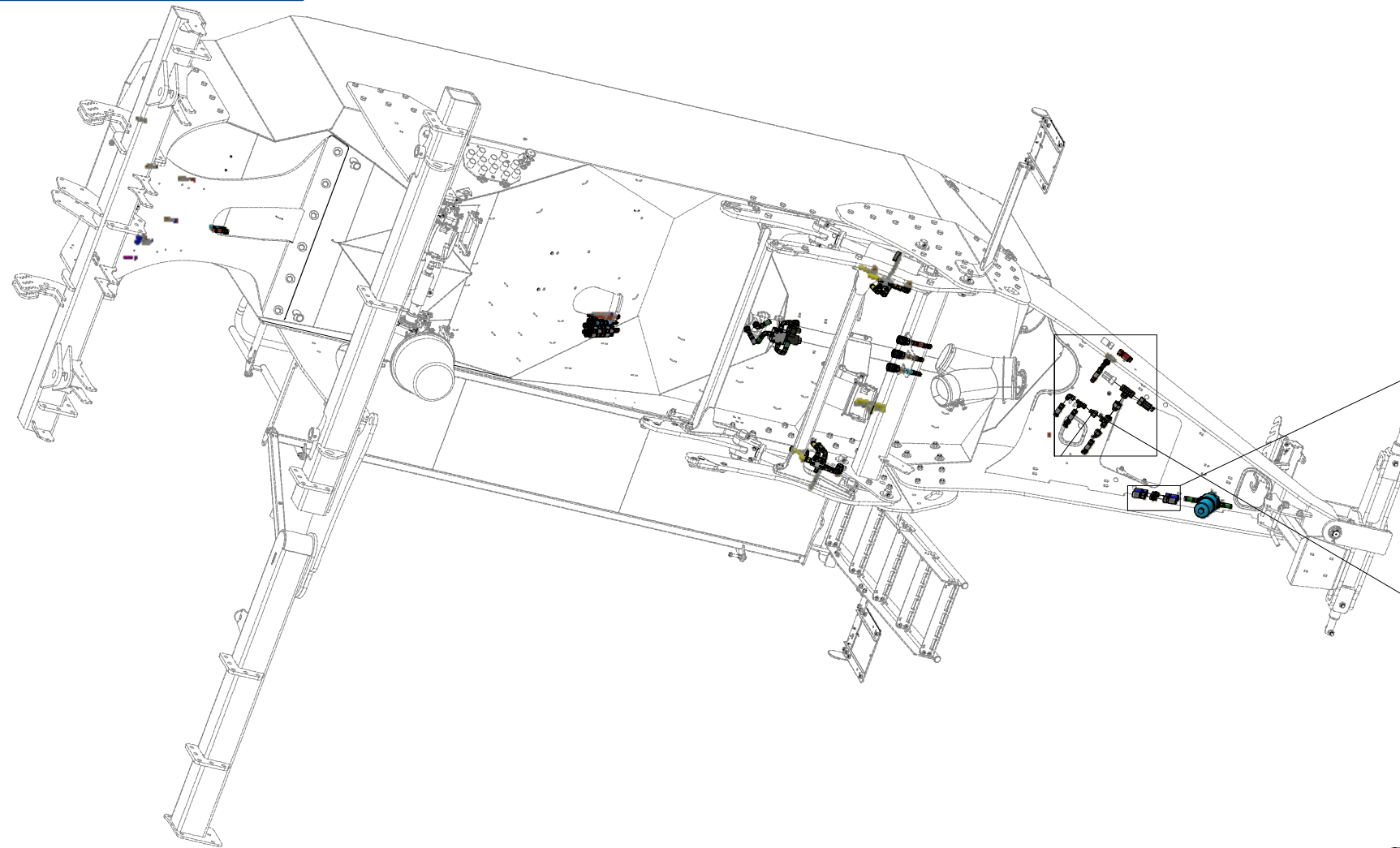
Ⓖ MACHINE HYDRAULICS

Ⓡ ГИДРАВЛИКА МАШИНЫ

Ⓟ HYDRAULIKA MASZYN



VZ00024277



| Pos. | Part Number | Pcs. |
|------|-------------|------|
| 20 | m07911 | 1 |
| 24 | m05763 | 4 |
| 30 | m07361 | 3 |
| 37 | m04761 | 1 |
| 39 | m21008 | 2 |
| 41 | m07986 | 3 |
| 50 | m08533 | 3 |
| 51 | m07992 | 1 |
| 52 | m06803 | 24 |
| 56 | m04428 | 4 |
| 60 | m06881 | 1 |
| 62 | m22551 | 1 |
| 63 | m03244 | 1 |
| 84 | m05566 | 16 |
| 89 | m11294 | 40 |
| 99 | m07568 | 2 |

Ⓒ HYDRAULIKA STROJE

Ⓓ HYDRAULIK DER MASCHINE

Ⓕ HYDRAULIQUE DE LA MACHINE

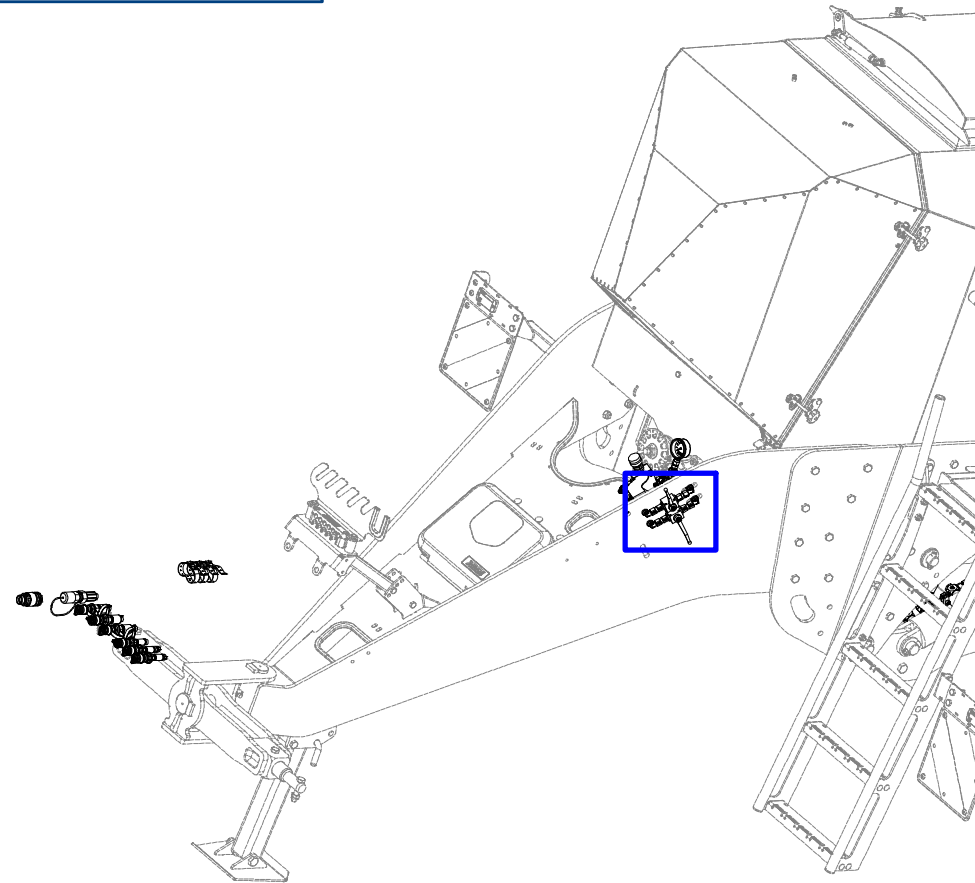
Ⓖ MACHINE HYDRAULICS

Ⓡ ГИДРАВЛИКА МАШИНЫ

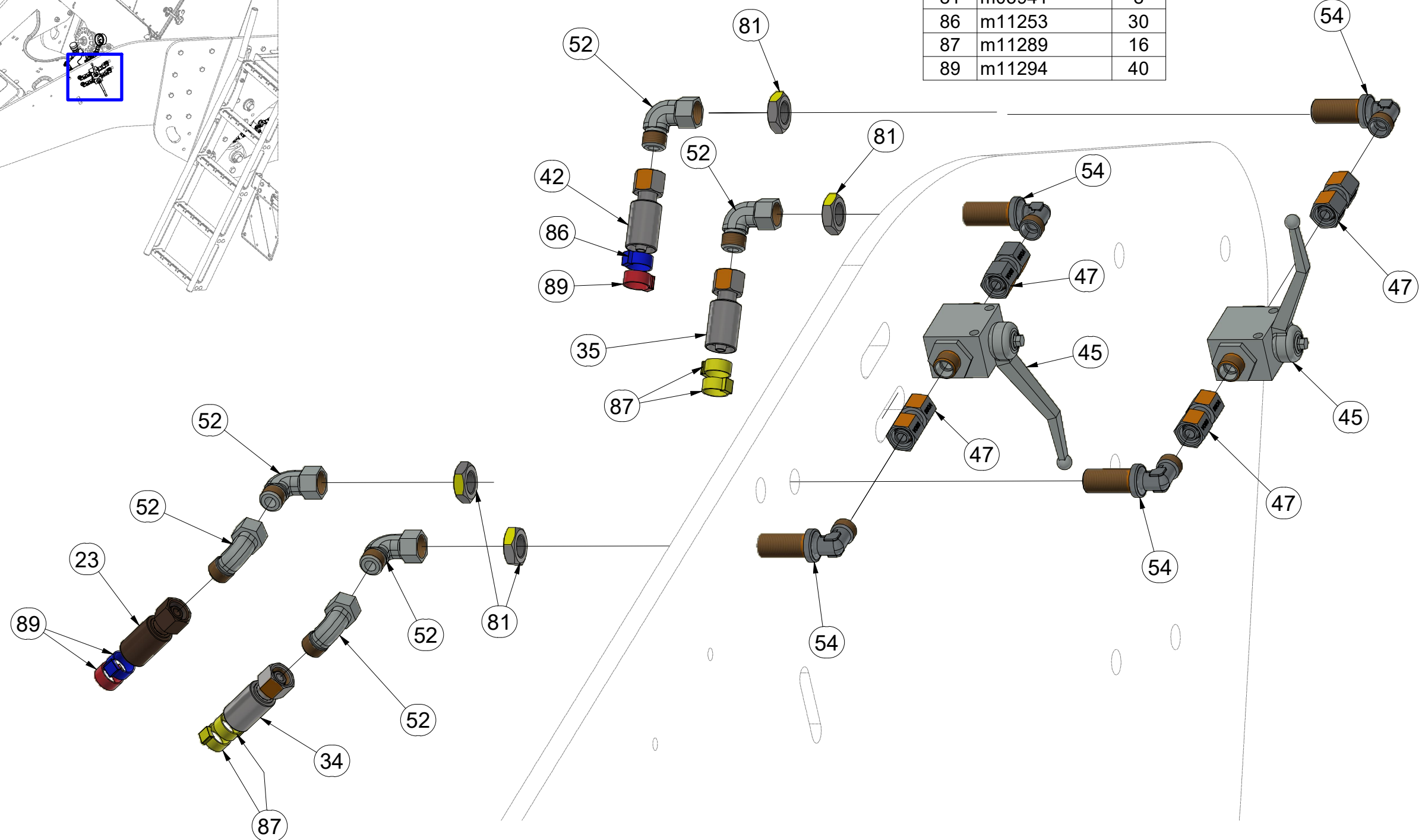
Ⓟ HYDRAULIKA MASZYN



VZ00024277



| Pos. | Part Number | Pcs. |
|------|-------------|------|
| 23 | m07650 | 2 |
| 34 | m18092 | 1 |
| 35 | m18177 | 1 |
| 42 | m08526 | 2 |
| 45 | m04623 | 2 |
| 47 | m22305 | 5 |
| 52 | m06803 | 24 |
| 54 | m08391 | 4 |
| 81 | m03941 | 8 |
| 86 | m11253 | 30 |
| 87 | m11289 | 16 |
| 89 | m11294 | 40 |



Ⓒ HYDRAULIKA STROJE

Ⓓ HYDRAULIK DER MASCHINE

Ⓕ HYDRAULIQUE DE LA MACHINE

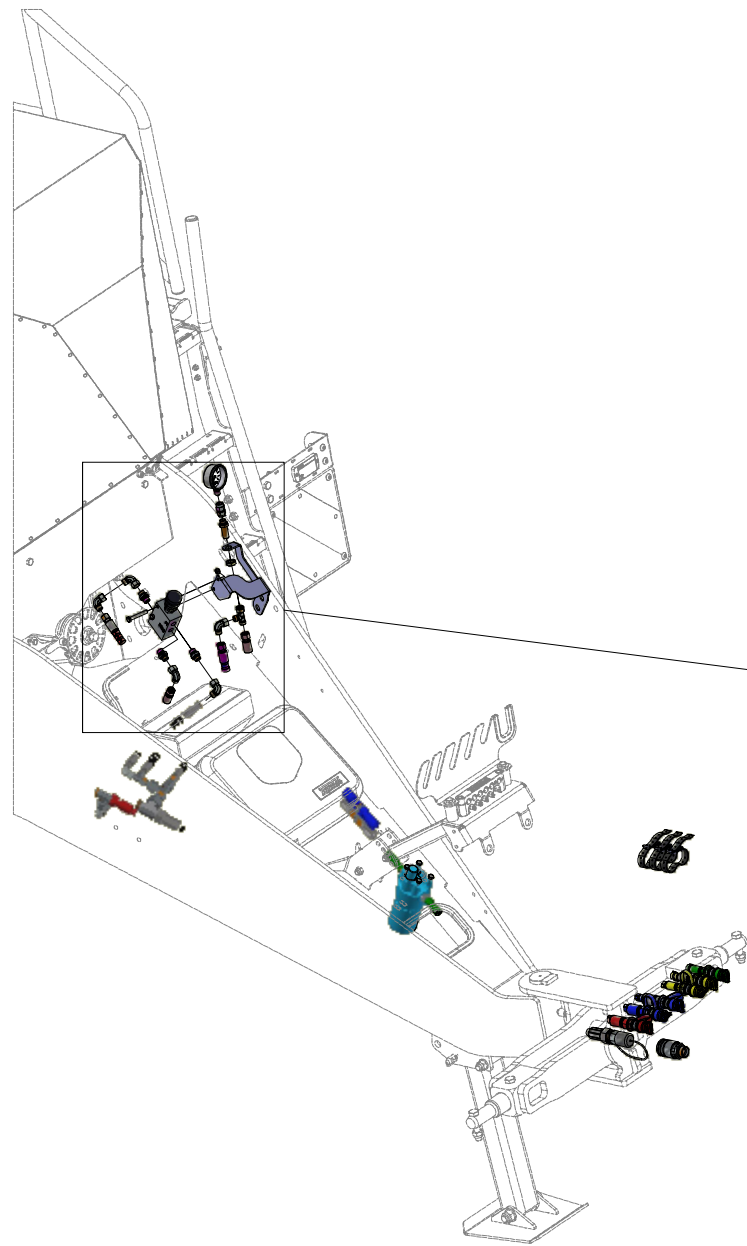
Ⓖ MACHINE HYDRAULICS

Ⓡ ГИДРАВЛИКА МАШИНЫ

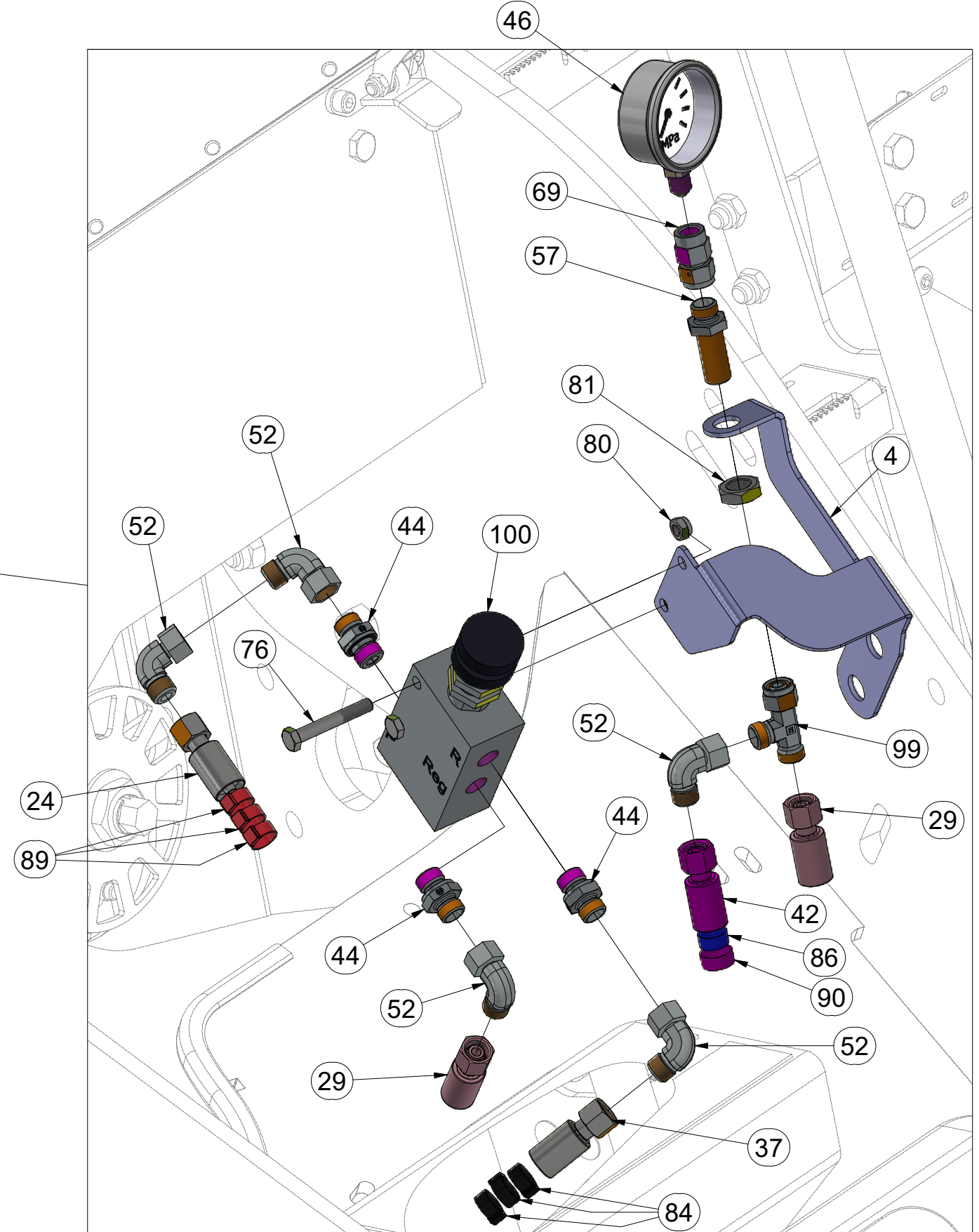
Ⓟ HYDRAULIKA MASZYN



VZ00024277



| Pos. | Part Number | Pcs. |
|------|-------------|------|
| 4 | VZ00030068 | 1 |
| 24 | m05763 | 4 |
| 29 | m18195 | 1 |
| 37 | m04761 | 1 |
| 42 | m08526 | 2 |
| 44 | m06528 | 10 |
| 46 | m09400 | 1 |
| 52 | m06803 | 24 |
| 57 | m11768 | 1 |
| 69 | m10579 | 1 |
| 76 | m10593 | 2 |
| 80 | m04503 | 2 |
| 81 | m03941 | 8 |
| 84 | m05566 | 16 |
| 86 | m11253 | 30 |
| 89 | m11294 | 40 |
| 90 | m21372 | 4 |
| 99 | m07568 | 2 |
| 100 | m13964 | 1 |



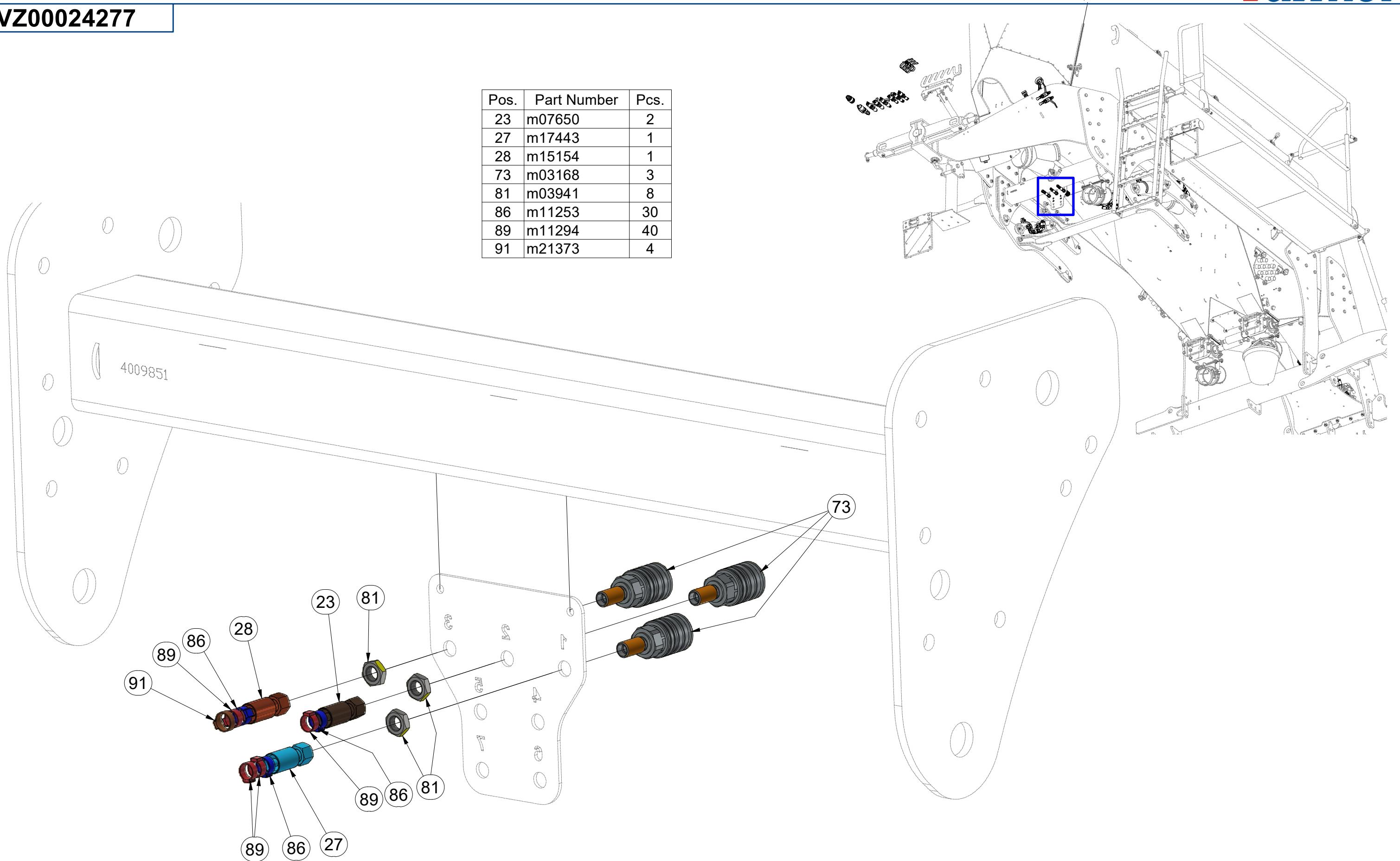
CZ HYDRAULIKA STROJE
 D HYDRAULIK DER MASCHINE
 F HYDRAULIQUE DE LA MACHINE

GB MACHINE HYDRAULICS
 RU ГИДРАВЛИКА МАШИНЫ
 PL HYDRAULIKA MASZYNY



VZ00024277

| Pos. | Part Number | Pcs. |
|------|-------------|------|
| 23 | m07650 | 2 |
| 27 | m17443 | 1 |
| 28 | m15154 | 1 |
| 73 | m03168 | 3 |
| 81 | m03941 | 8 |
| 86 | m11253 | 30 |
| 89 | m11294 | 40 |
| 91 | m21373 | 4 |



Ⓒ HYDRAULIKA STROJE

Ⓓ HYDRAULIK DER MASCHINE

Ⓕ HYDRAULIQUE DE LA MACHINE

Ⓖ MACHINE HYDRAULICS

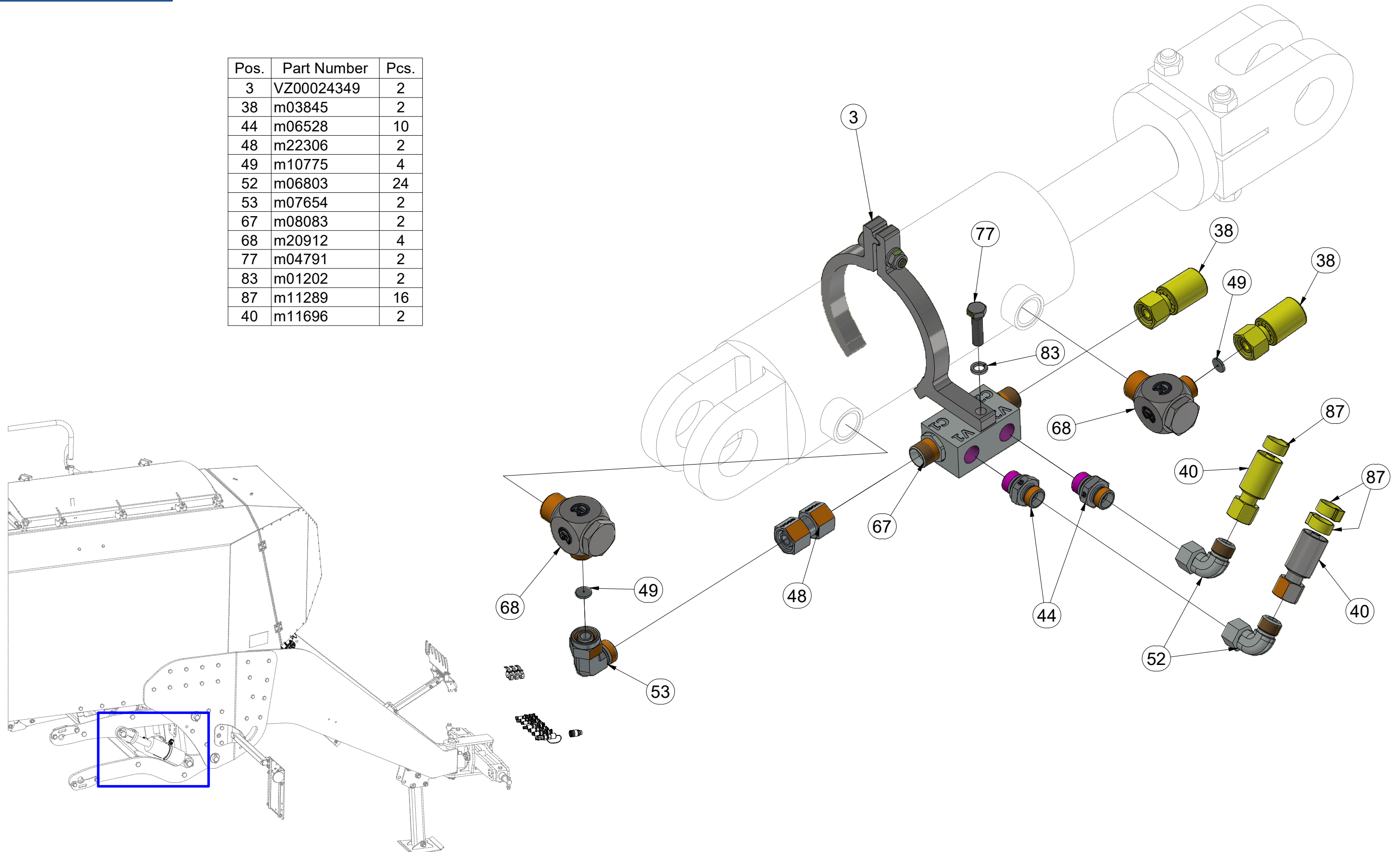
Ⓡ ГИДРАВЛИКА МАШИНЫ

Ⓟ HYDRAULIKA MASZYN

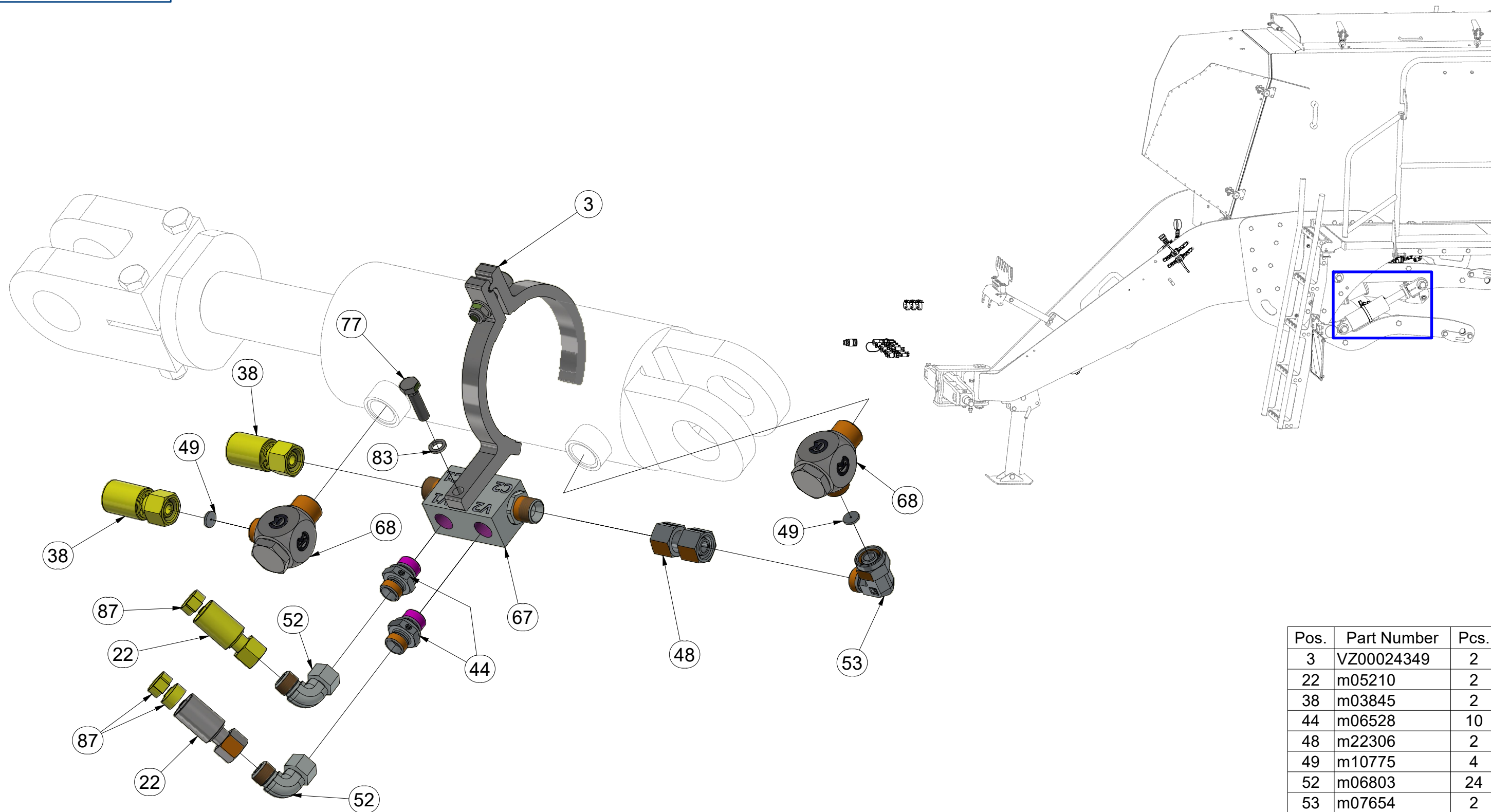


VZ00024277

| Pos. | Part Number | Pcs. |
|------|-------------|------|
| 3 | VZ00024349 | 2 |
| 38 | m03845 | 2 |
| 44 | m06528 | 10 |
| 48 | m22306 | 2 |
| 49 | m10775 | 4 |
| 52 | m06803 | 24 |
| 53 | m07654 | 2 |
| 67 | m08083 | 2 |
| 68 | m20912 | 4 |
| 77 | m04791 | 2 |
| 83 | m01202 | 2 |
| 87 | m11289 | 16 |
| 40 | m11696 | 2 |



VZ00024277



| Pos. | Part Number | Pcs. |
|------|-------------|------|
| 3 | VZ00024349 | 2 |
| 22 | m05210 | 2 |
| 38 | m03845 | 2 |
| 44 | m06528 | 10 |
| 48 | m22306 | 2 |
| 49 | m10775 | 4 |
| 52 | m06803 | 24 |
| 53 | m07654 | 2 |
| 67 | m08083 | 2 |
| 68 | m20912 | 4 |
| 77 | m04791 | 2 |
| 83 | m01202 | 2 |
| 87 | m11289 | 16 |

Ⓒ HYDRAULIKA STROJE

Ⓓ HYDRAULIK DER MASCHINE

Ⓕ HYDRAULIQUE DE LA MACHINE

Ⓖ MACHINE HYDRAULICS

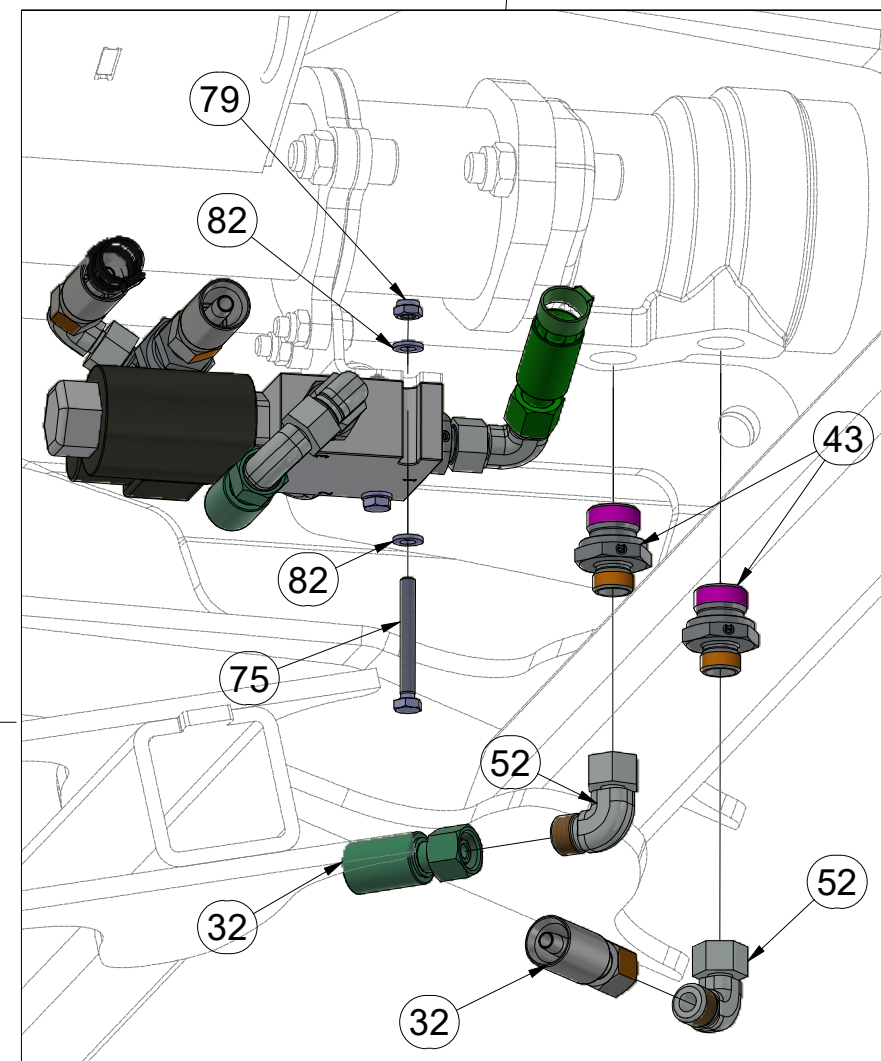
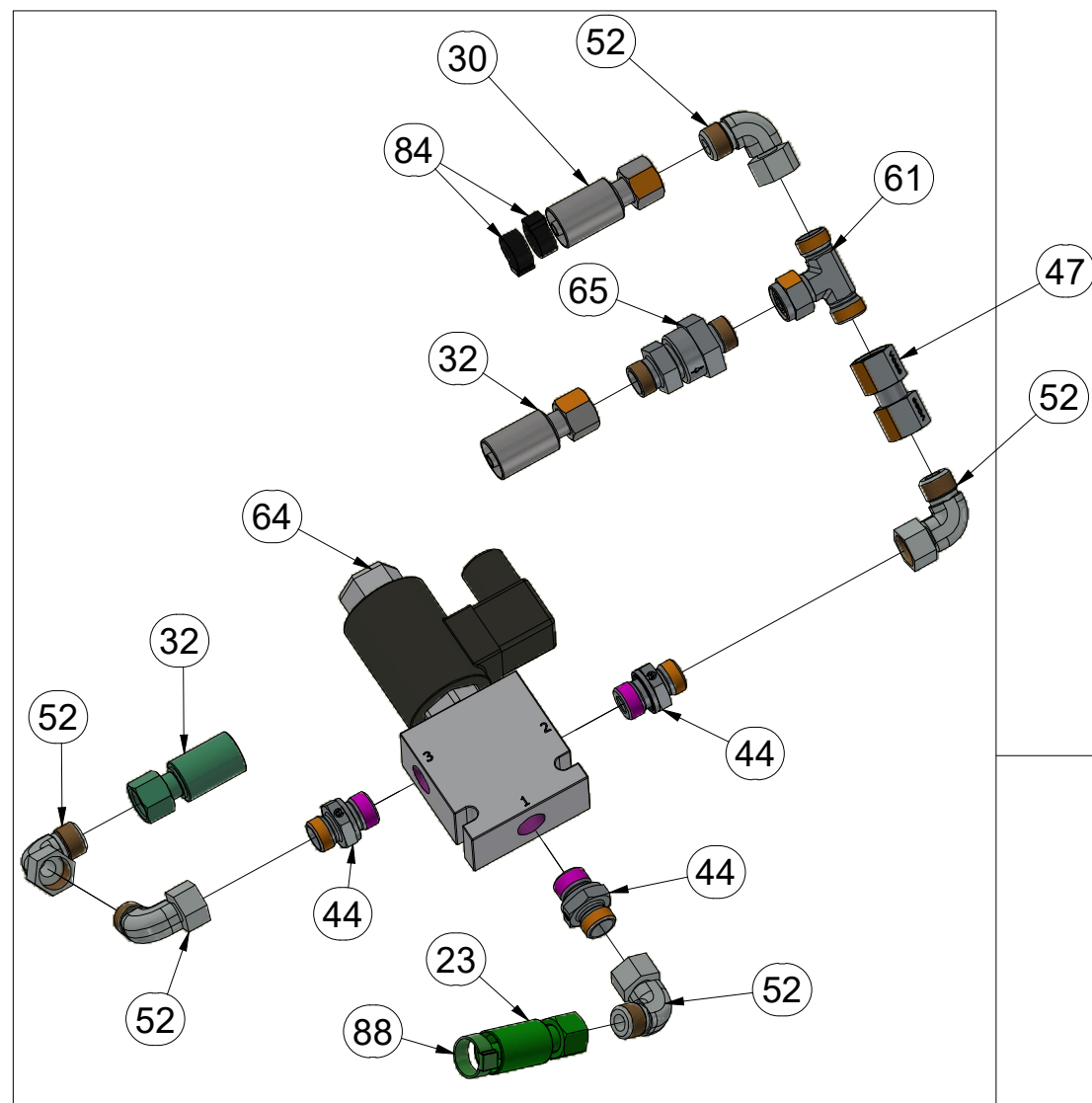
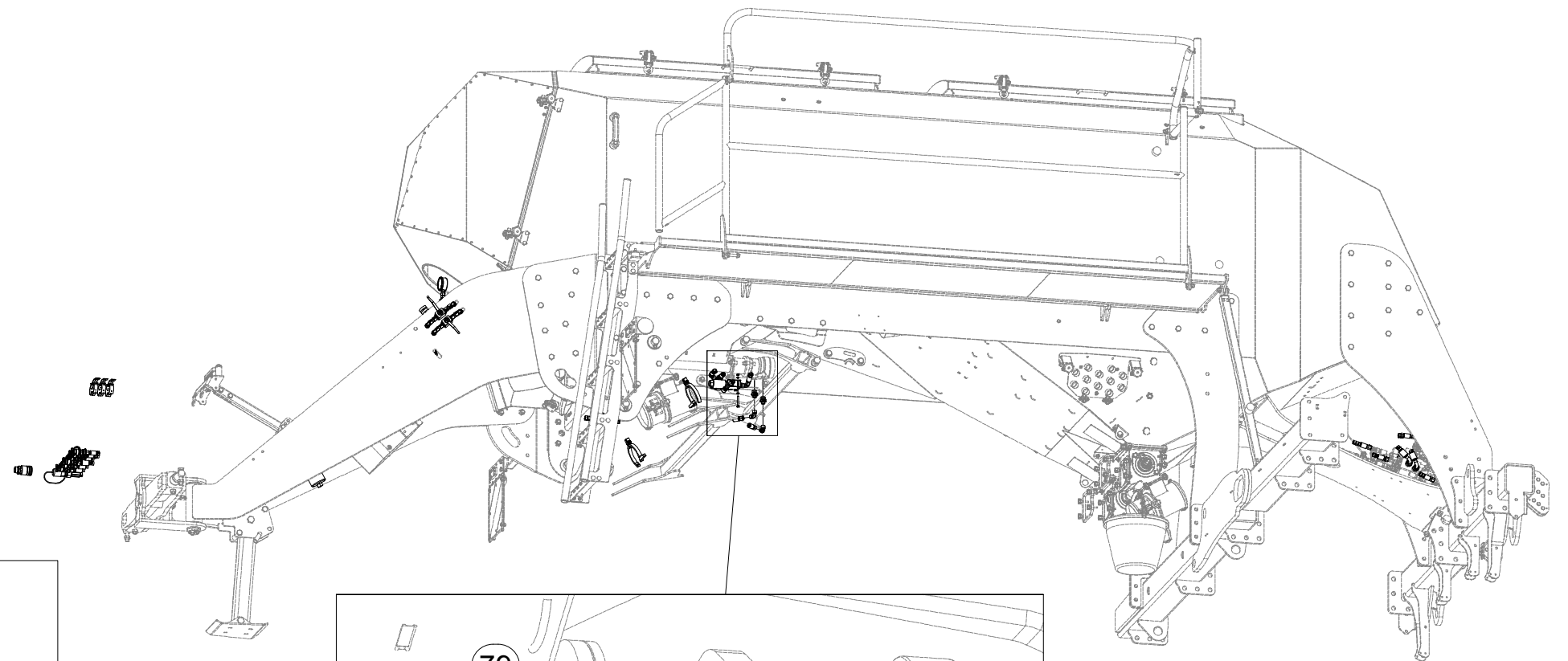
Ⓡ ГИДРАВЛИКА МАШИНЫ

Ⓟ HYDRAULIKA MASZYN



VZ00024277

| Pos. | Part Number | Pcs. | Pos. | Part Number | Pcs. |
|------|-------------|------|------|-------------|------|
| 23 | m07650 | 2 | 64 | m16302 | 1 |
| 30 | m07361 | 3 | 65 | m09565 | 1 |
| 32 | m04026 | 2 | 75 | m19851 | 2 |
| 43 | m04560 | 4 | 79 | m10819 | 2 |
| 44 | m06528 | 10 | 82 | m06847 | 4 |
| 47 | m22305 | 5 | 84 | m05566 | 16 |
| 52 | m06803 | 24 | 88 | m11282 | 3 |
| 61 | m07567 | 1 | | | |



ⒸZ HYDRAULIKA STROJE

Ⓓ HYDRAULIK DER MASCHINE

Ⓕ HYDRAULIQUE DE LA MACHINE

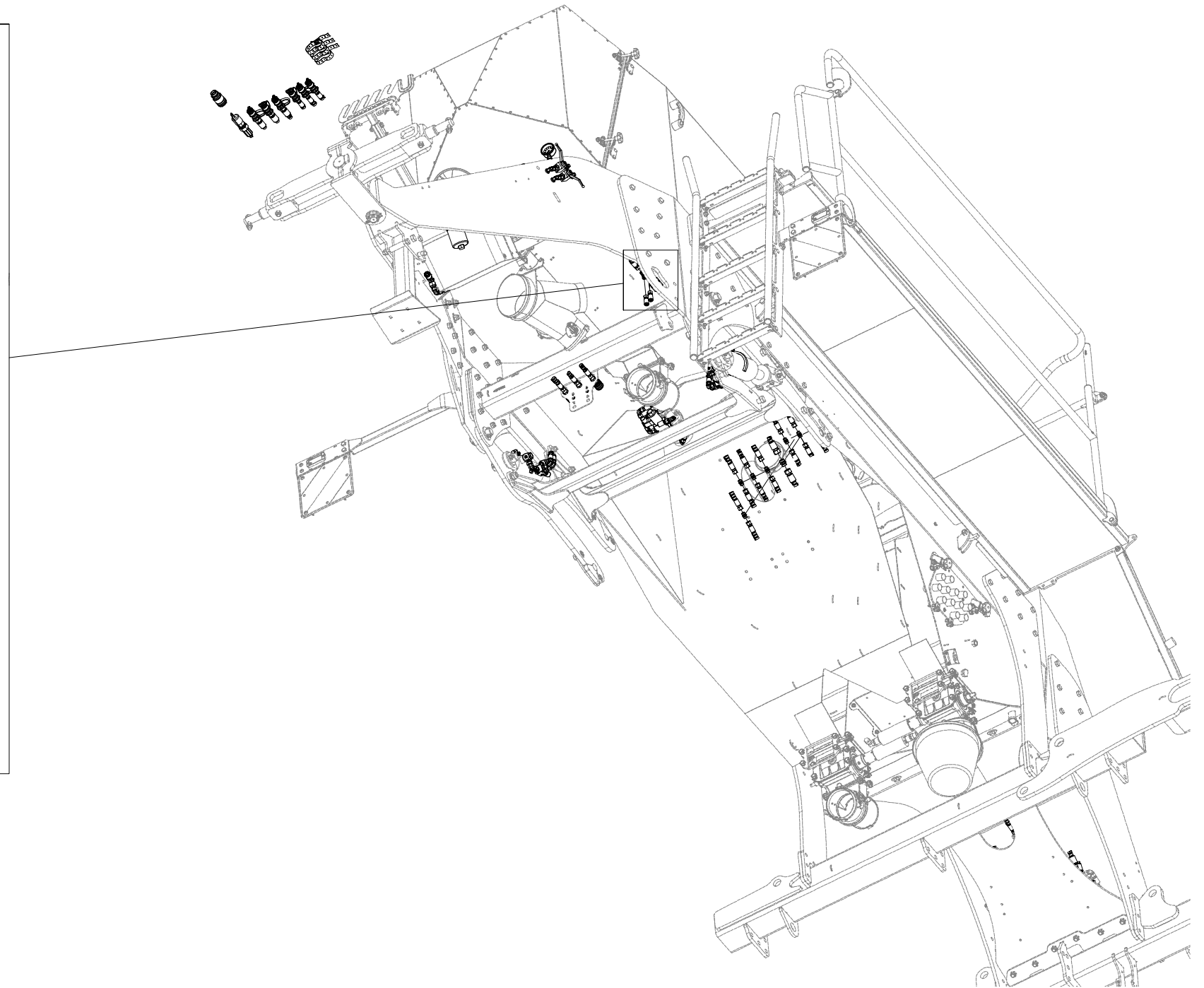
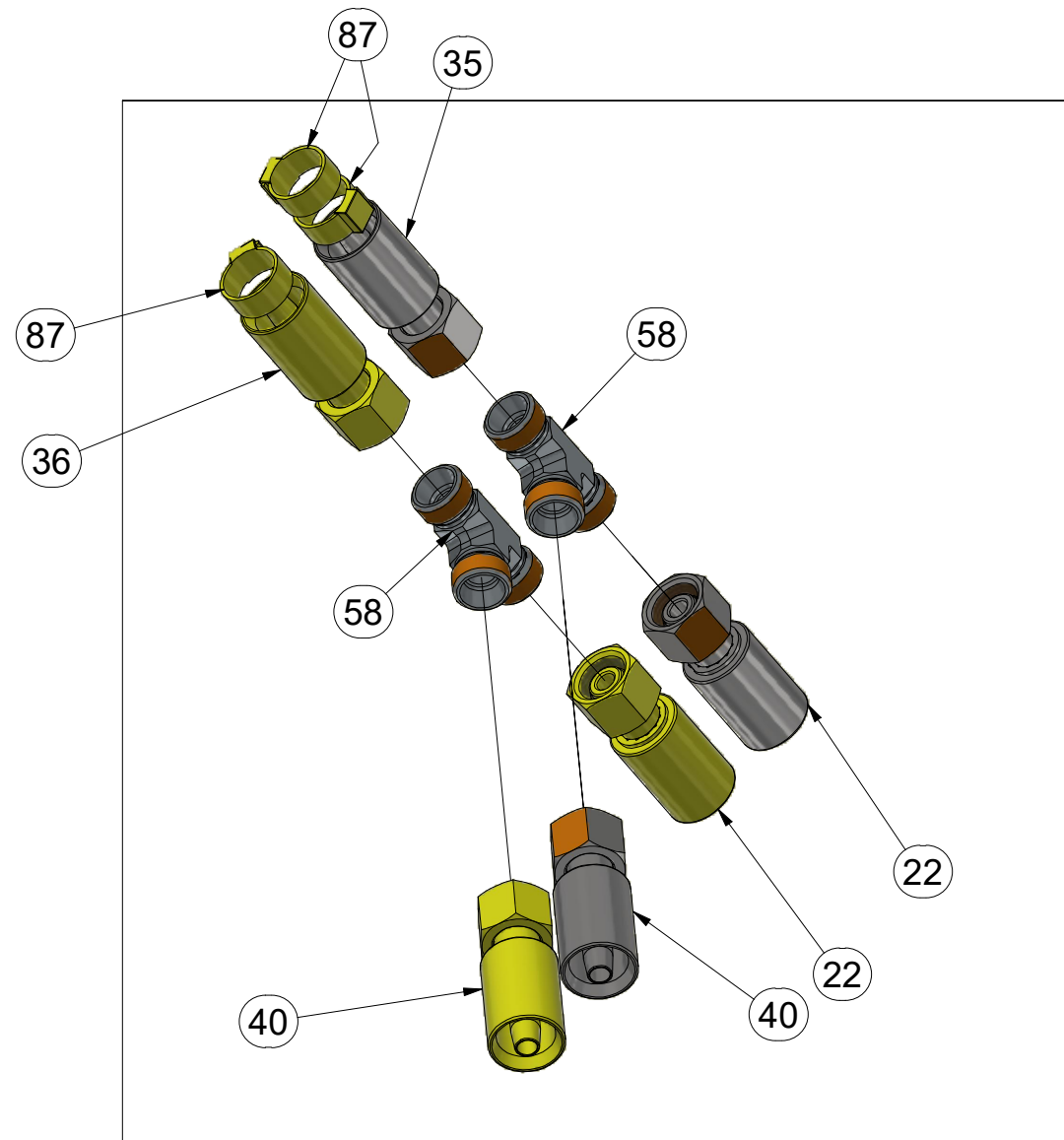
ⒸB MACHINE HYDRAULICS

ⒸR ГИДРАВЛИКА МАШИНЫ

ⒸL HYDRAULIKA MASZYN



VZ00024277



| Pos. | Part Number | Pcs. |
|------|-------------|------|
| 22 | m05210 | 2 |
| 35 | m18177 | 1 |
| 36 | m16455 | 1 |
| 40 | m11696 | 2 |
| 58 | m03889 | 2 |
| 87 | m11289 | 16 |

Ⓒ HYDRAULIKA STROJE

Ⓓ HYDRAULIK DER MASCHINE

Ⓕ HYDRAULIQUE DE LA MACHINE

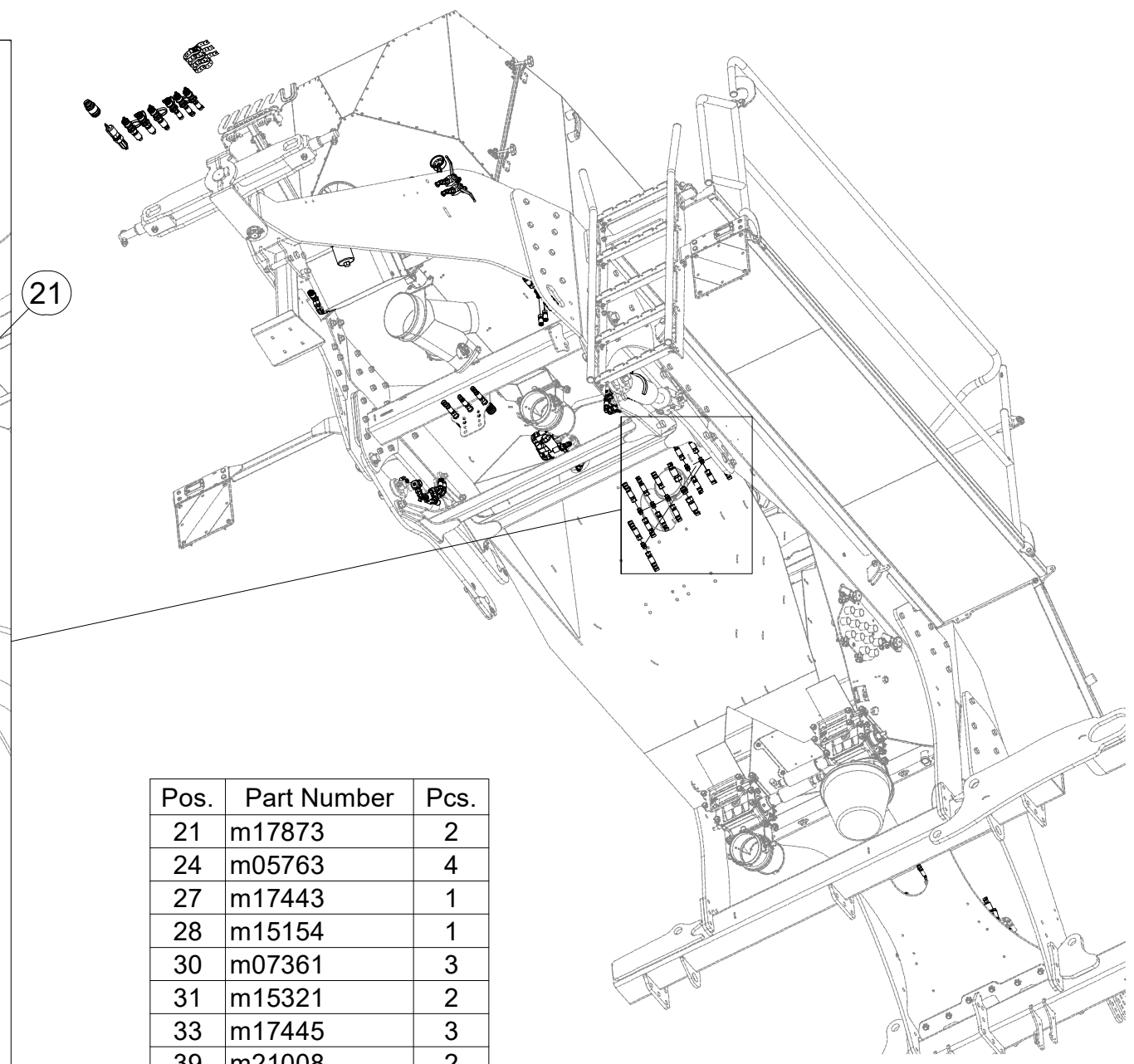
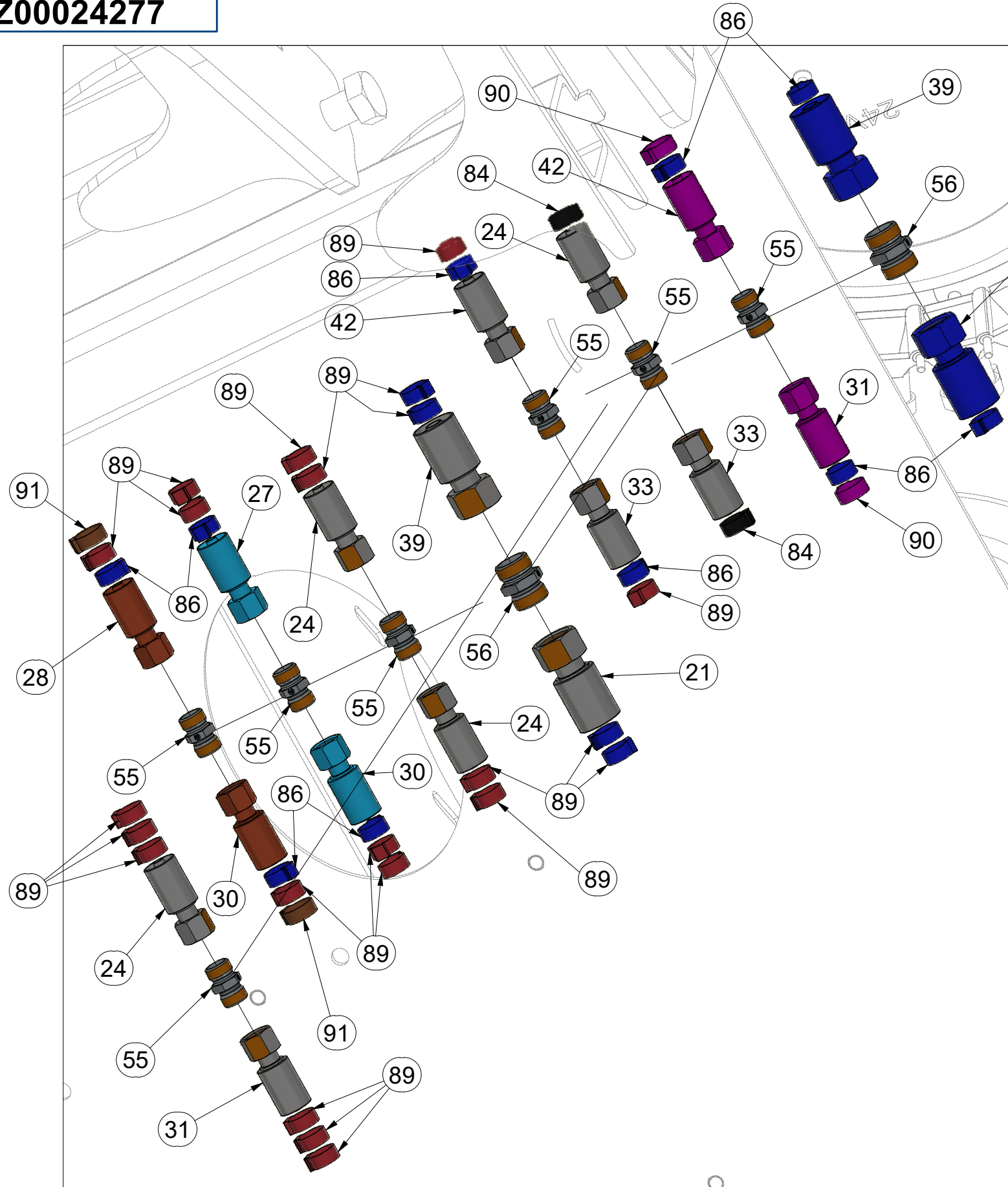
Ⓖ MACHINE HYDRAULICS

Ⓡ ГИДРАВЛИКА МАШИНЫ

Ⓟ HYDRAULIKA MASZYN



VZ00024277



| Pos. | Part Number | Pcs. |
|------|-------------|------|
| 21 | m17873 | 2 |
| 24 | m05763 | 4 |
| 27 | m17443 | 1 |
| 28 | m15154 | 1 |
| 30 | m07361 | 3 |
| 31 | m15321 | 2 |
| 33 | m17445 | 3 |
| 39 | m21008 | 2 |
| 42 | m08526 | 2 |
| 55 | m03213 | 7 |
| 56 | m04428 | 4 |
| 84 | m05566 | 16 |
| 86 | m11253 | 30 |
| 89 | m11294 | 40 |
| 90 | m21372 | 4 |
| 91 | m21373 | 4 |

Ⓒ HYDRAULIKA STROJE

Ⓓ HYDRAULIK DER MASCHINE

Ⓕ HYDRAULIQUE DE LA MACHINE

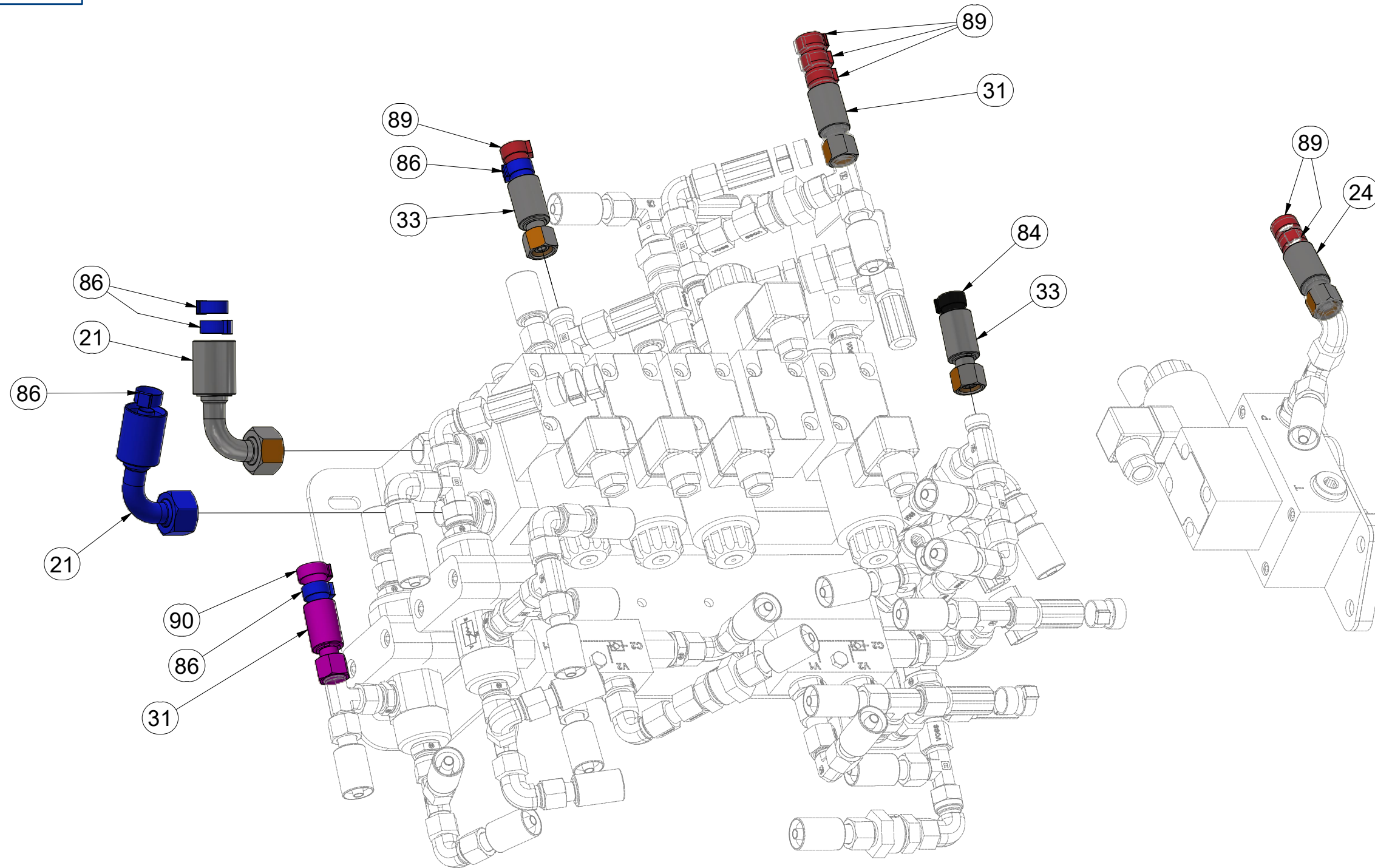
Ⓖ MACHINE HYDRAULICS

Ⓡ ГИДРАВЛИКА МАШИНЫ

Ⓟ HYDRAULIKA MASZYNY

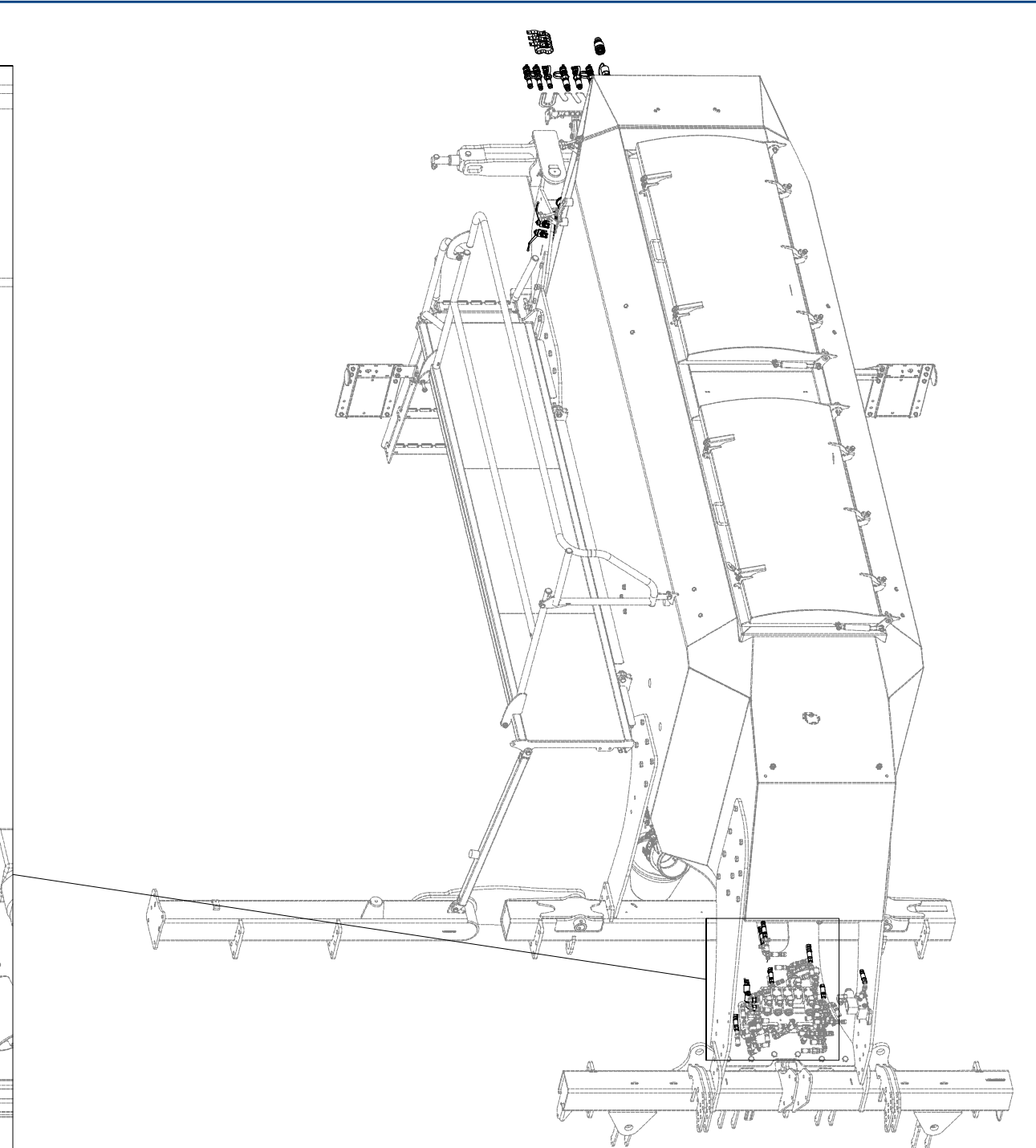


VZ00024277



| Pos. | Part Number | Pcs. |
|------|-------------|------|
| 21 | m17873 | 2 |
| 24 | m05763 | 4 |
| 31 | m15321 | 2 |
| 33 | m17445 | 3 |
| 84 | m05566 | 16 |
| 86 | m11253 | 30 |
| 89 | m11294 | 40 |
| 90 | m21372 | 4 |

VZ00024277



| Pos. | Part Number | Pcs. |
|------|-------------|------|
| 30 | m07361 | 3 |
| 86 | m11253 | 30 |
| 89 | m11294 | 40 |
| 91 | m21373 | 4 |

☉ HYDRAULIKA STROJE

Ⓧ HYDRAULIK DER MASCHINE

Ⓧ HYDRAULIQUE DE LA MACHINE

Ⓧ MACHINE HYDRAULICS

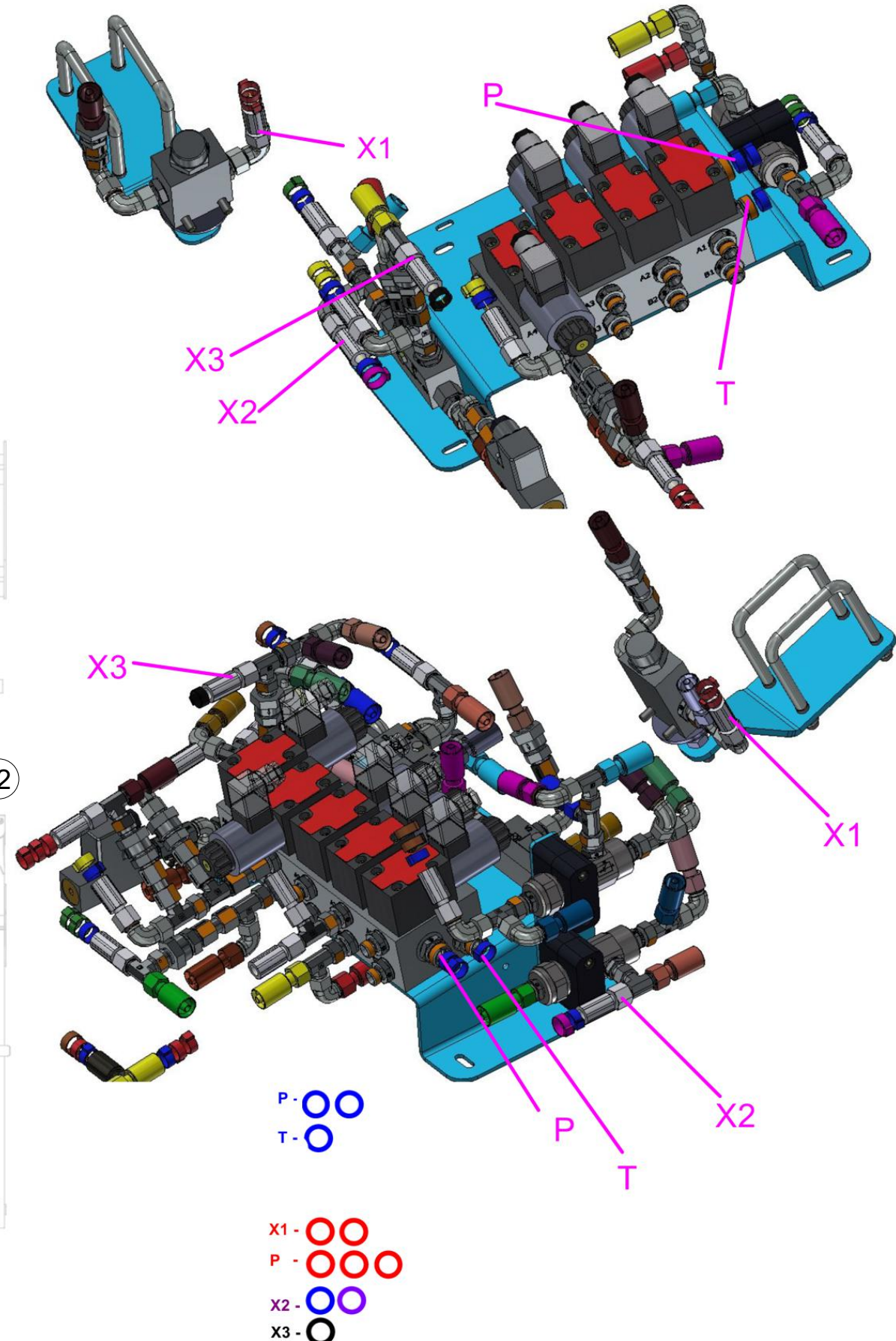
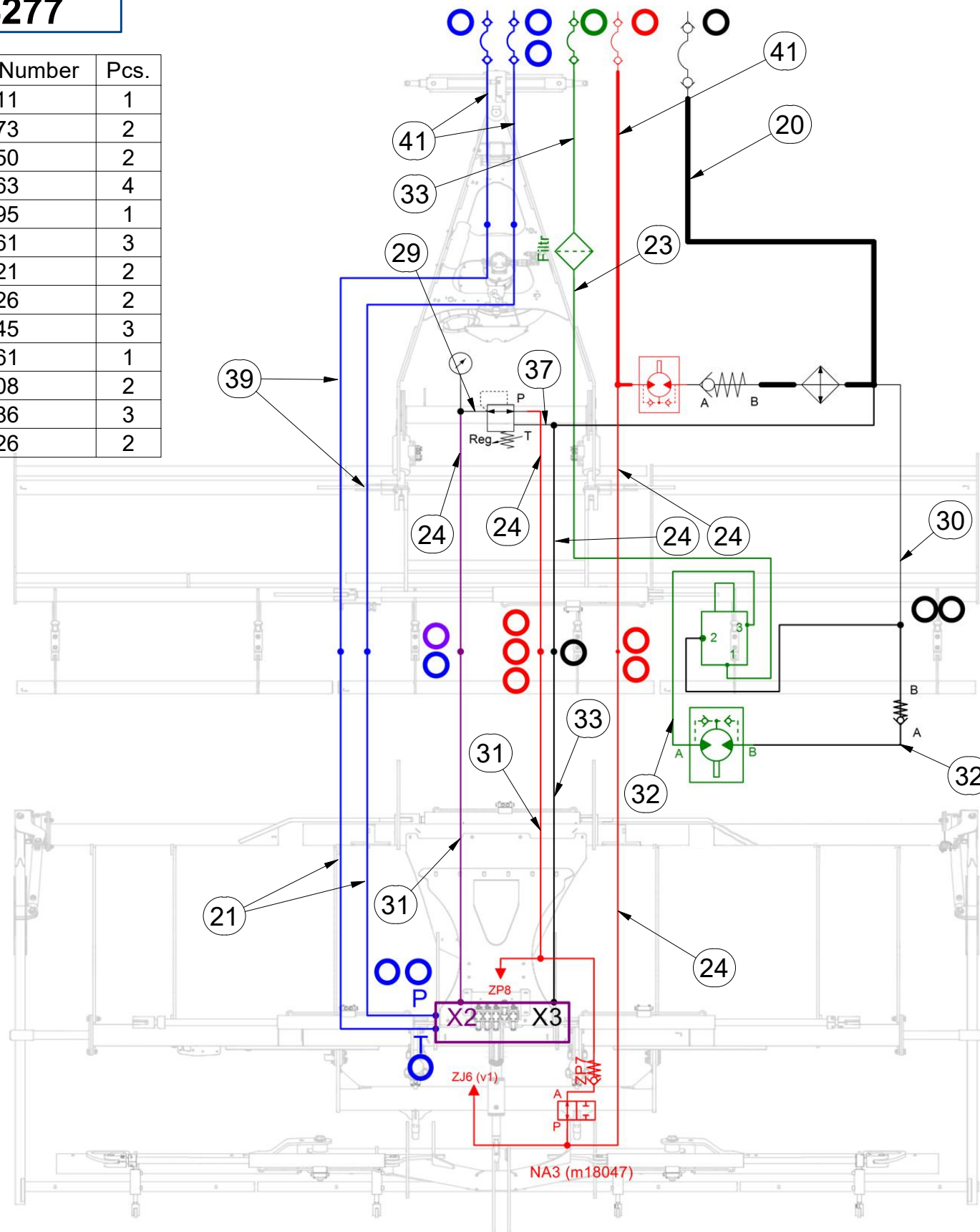
Ⓧ ГИДРАВЛИКА МАШИНЫ

Ⓧ HYDRAULIKA MASZYN



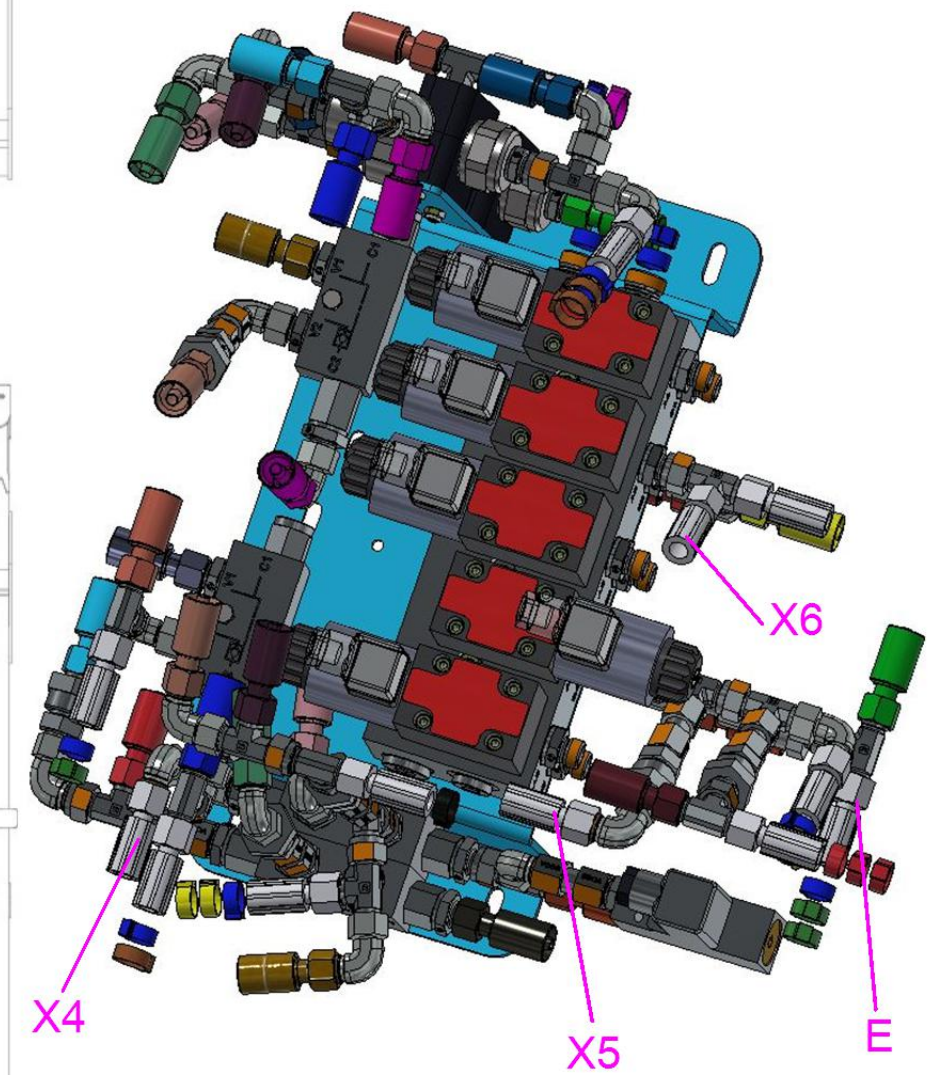
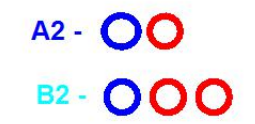
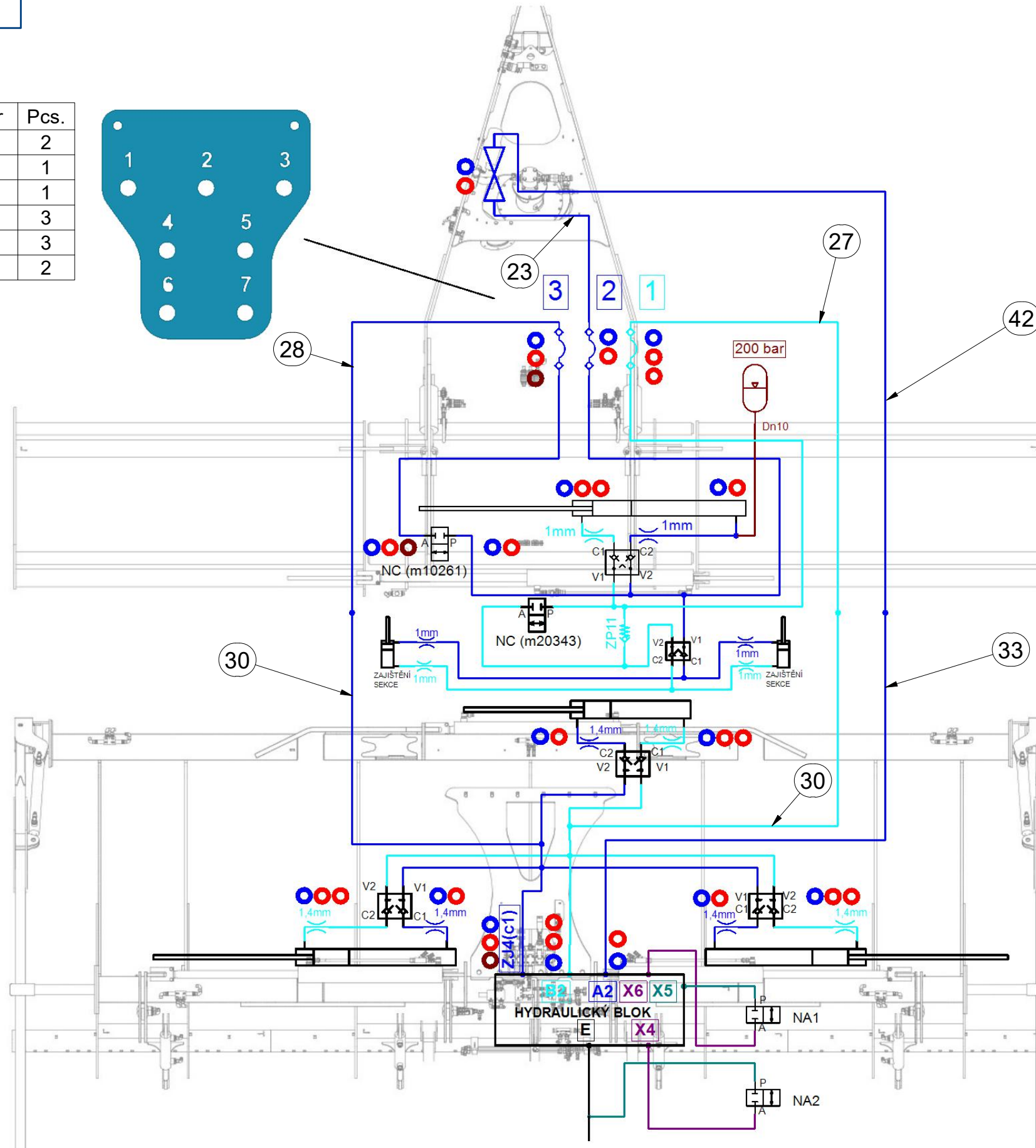
VZ00024277

| Pos. | Part Number | Pcs. |
|------|-------------|------|
| 20 | m07911 | 1 |
| 21 | m17873 | 2 |
| 23 | m07650 | 2 |
| 24 | m05763 | 4 |
| 29 | m18195 | 1 |
| 30 | m07361 | 3 |
| 31 | m15321 | 2 |
| 32 | m04026 | 2 |
| 33 | m17445 | 3 |
| 37 | m04761 | 1 |
| 39 | m21008 | 2 |
| 41 | m07986 | 3 |
| 42 | m08526 | 2 |



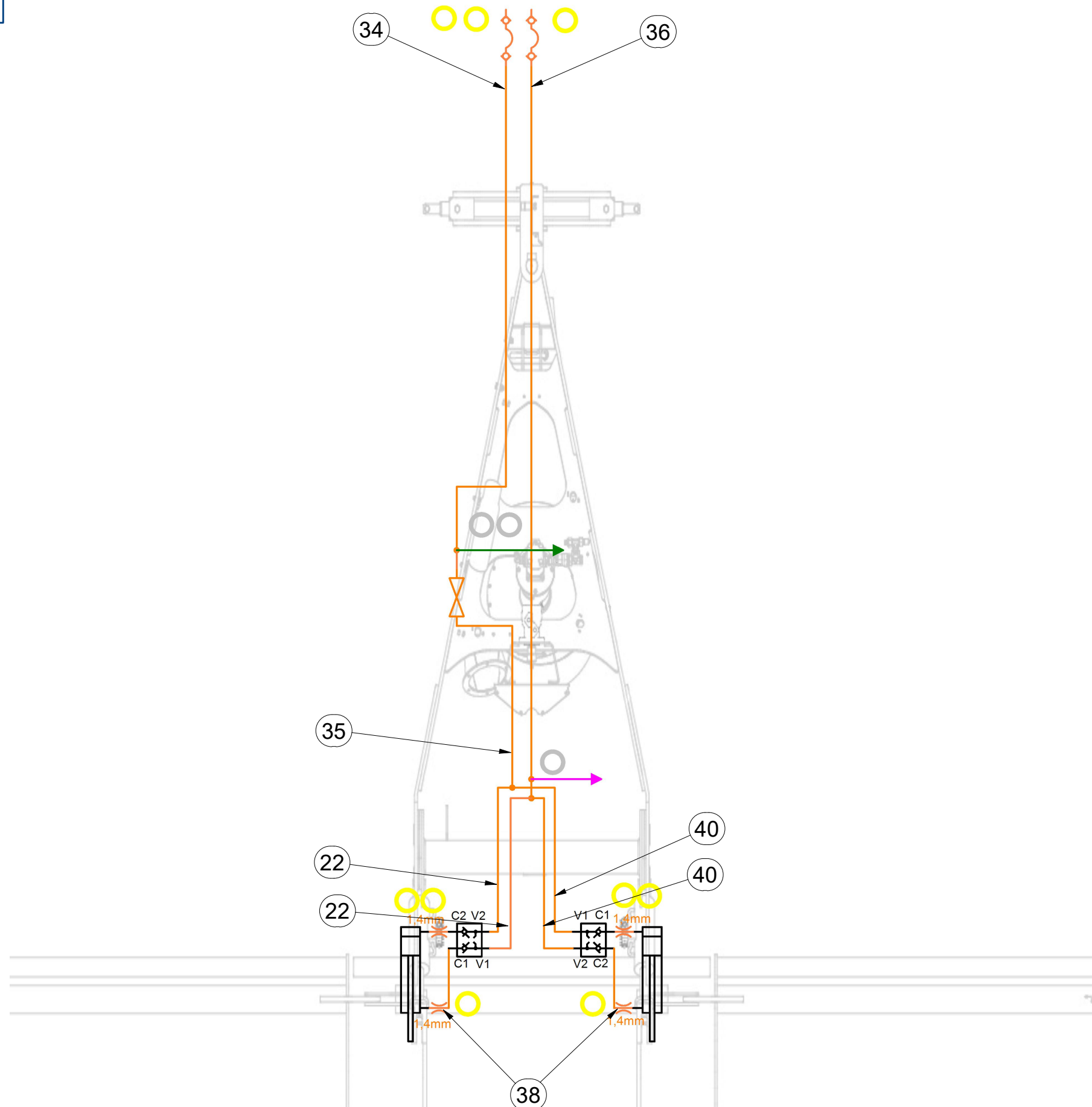
VZ00024277

| Pos. | Part Number | Pcs. |
|------|-------------|------|
| 23 | m07650 | 2 |
| 27 | m17443 | 1 |
| 28 | m15154 | 1 |
| 30 | m07361 | 3 |
| 33 | m17445 | 3 |
| 42 | m08526 | 2 |



VZ00024277

| Pos. | Part Number | Pcs. |
|------|-------------|------|
| 22 | m05210 | 2 |
| 34 | m18092 | 1 |
| 35 | m18177 | 1 |
| 36 | m16455 | 1 |
| 38 | m03845 | 2 |
| 40 | m11696 | 2 |



☉ HYDRAULIKA STROJE

☉ HYDRAULIK DER MASCHINE

☉ HYDRAULIQUE DE LA MACHINE

☉ MACHINE HYDRAULICS

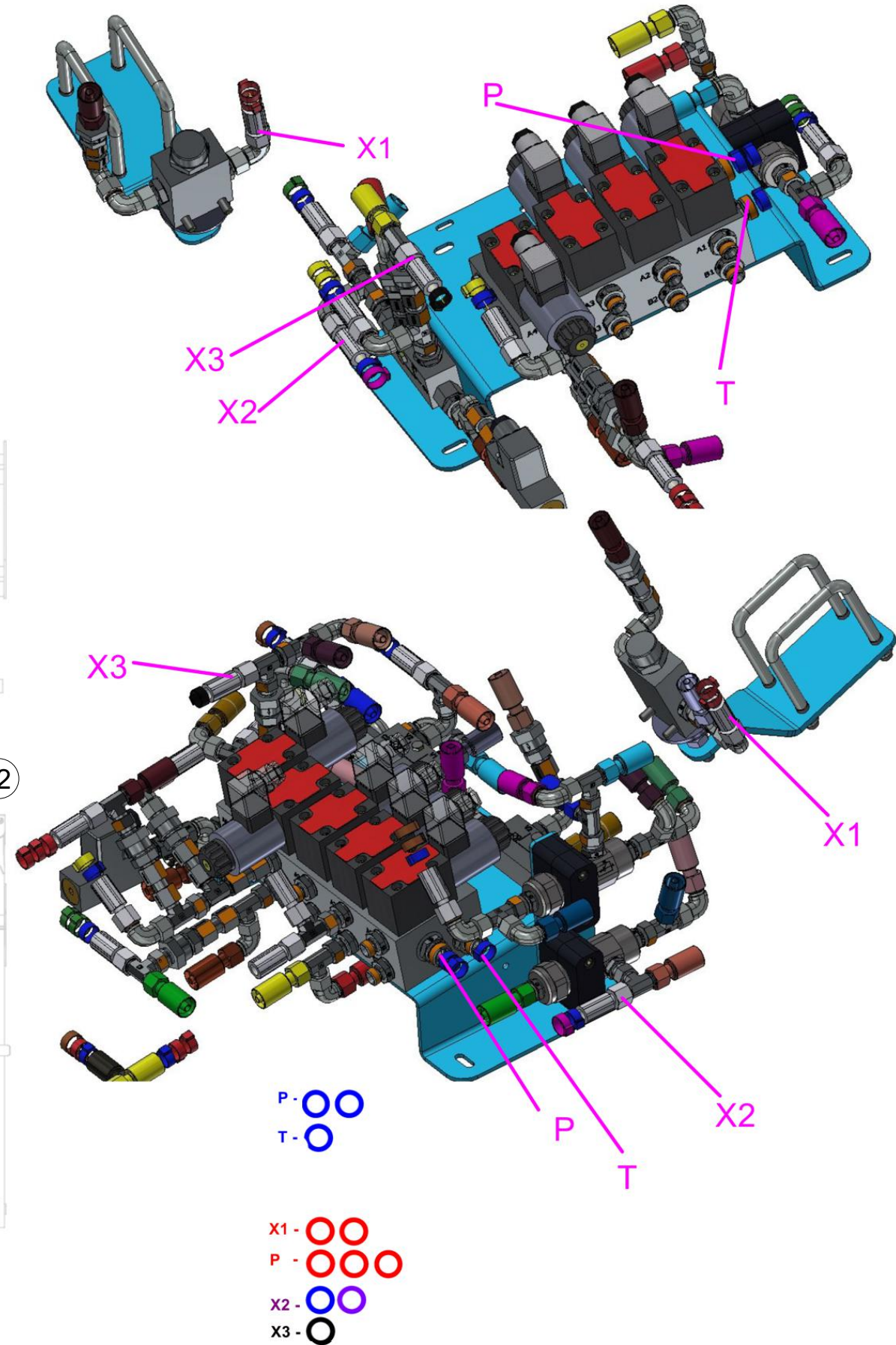
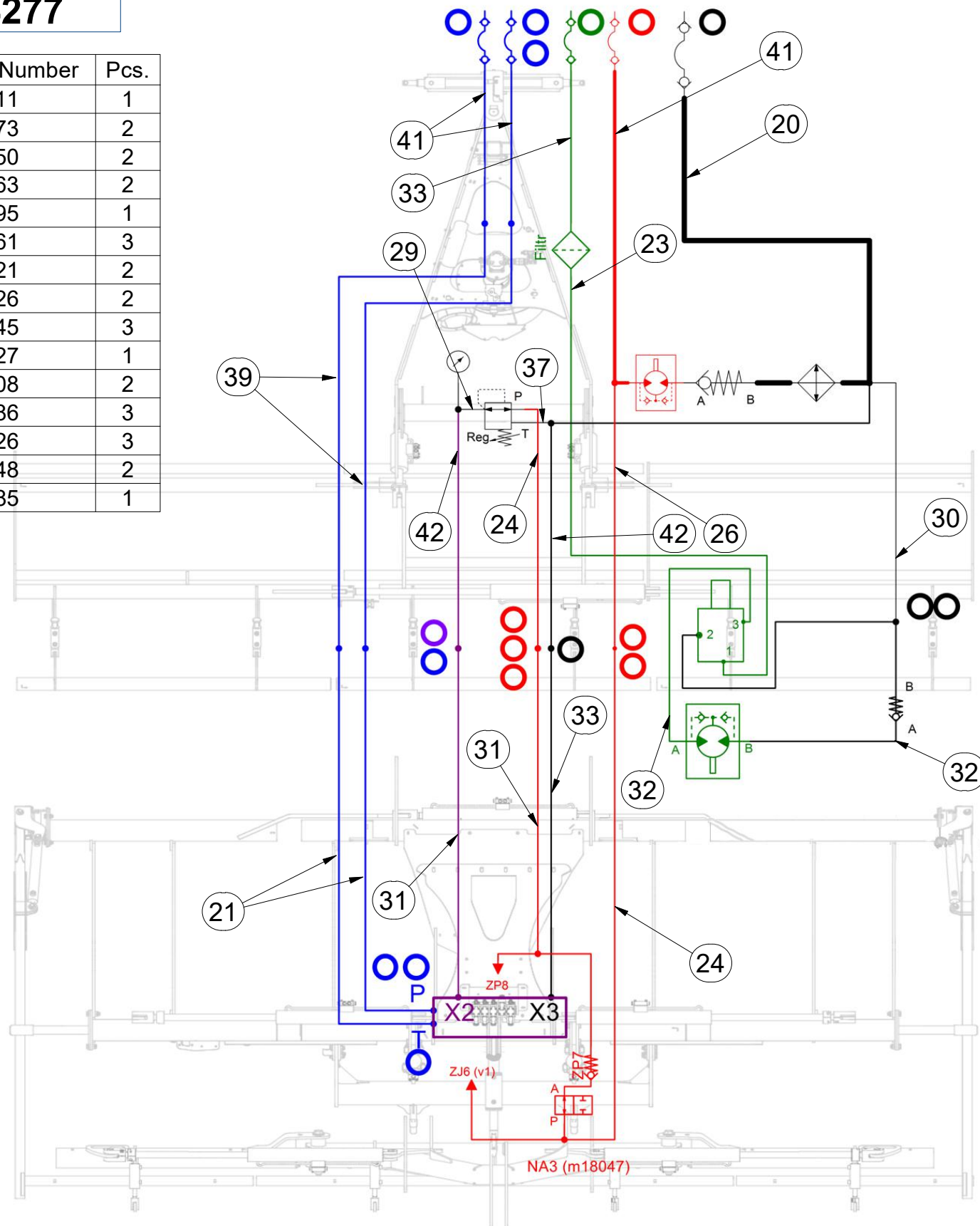
☉ ГИДРАВЛИКА МАШИНЫ

☉ HYDRAULIKA MASZYNY



VZ00024277

| Pos. | Part Number | Pcs. |
|------|-------------|------|
| 20 | m07911 | 1 |
| 21 | m17873 | 2 |
| 23 | m07650 | 2 |
| 24 | m05763 | 2 |
| 29 | m18195 | 1 |
| 30 | m07361 | 3 |
| 31 | m15321 | 2 |
| 32 | m04026 | 2 |
| 33 | m17445 | 3 |
| 37 | m04827 | 1 |
| 39 | m21008 | 2 |
| 41 | m07986 | 3 |
| 42 | m08526 | 3 |
| 25 | m07648 | 2 |
| 26 | m11385 | 1 |



Ⓒ HYDRAULIKA STROJE

Ⓓ HYDRAULIK DER MASCHINE

Ⓕ HYDRAULIQUE DE LA MACHINE

Ⓖ MACHINE HYDRAULICS

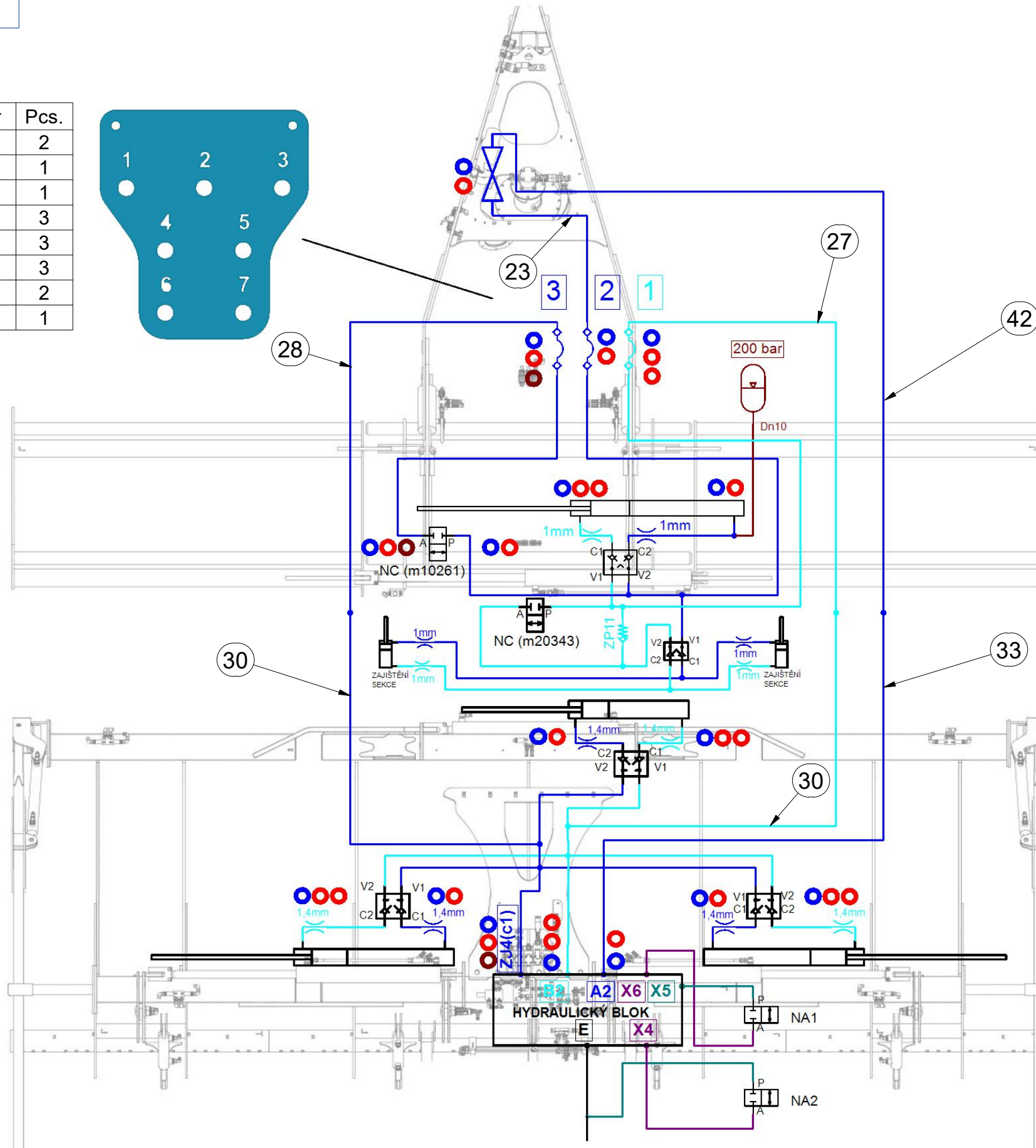
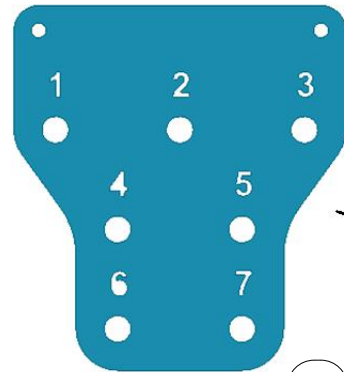
Ⓡ ГИДРАВЛИКА МАШИНЫ

Ⓟ HYDRAULIKA MASZYN



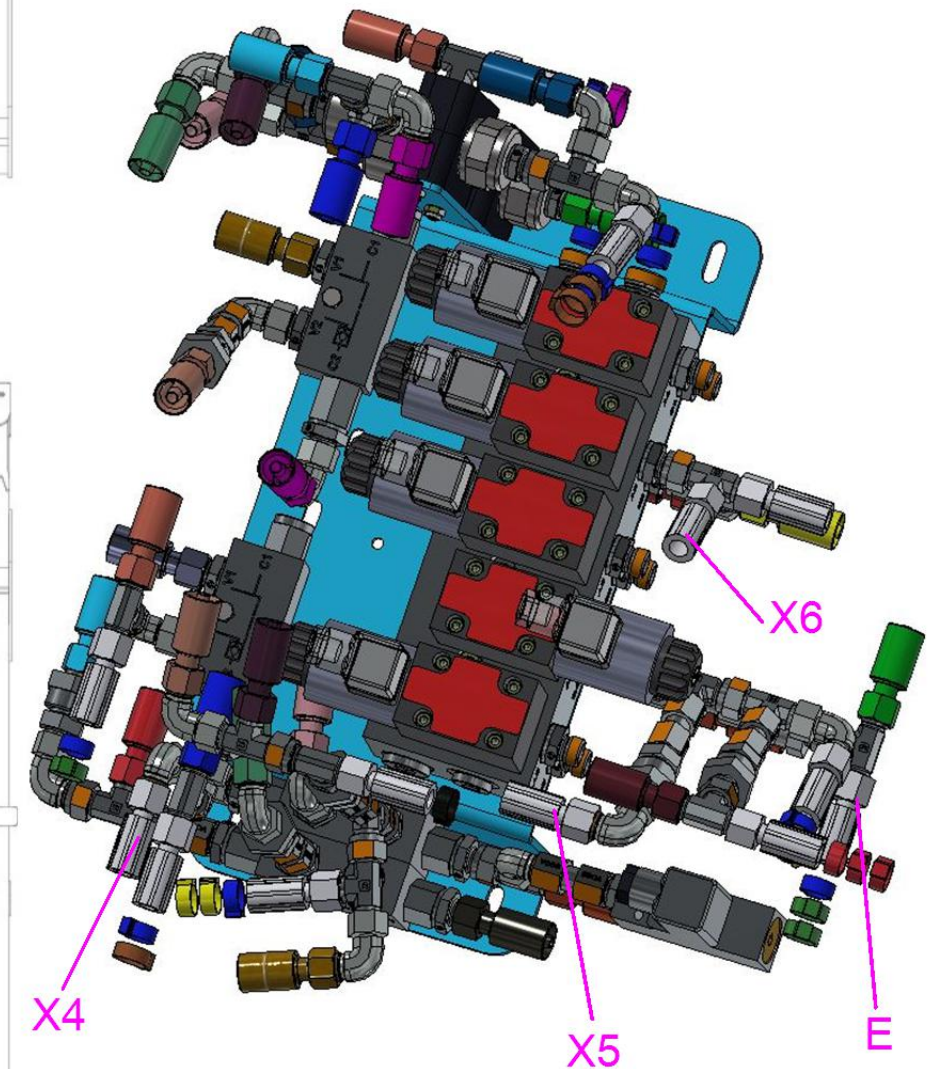
VZ00024277

| Pos. | Part Number | Pcs. |
|------|-------------|------|
| 23 | m07650 | 2 |
| 27 | m17443 | 1 |
| 28 | m15154 | 1 |
| 30 | m07361 | 3 |
| 33 | m17445 | 3 |
| 42 | m08526 | 3 |
| 25 | m07648 | 2 |
| 26 | m11385 | 1 |



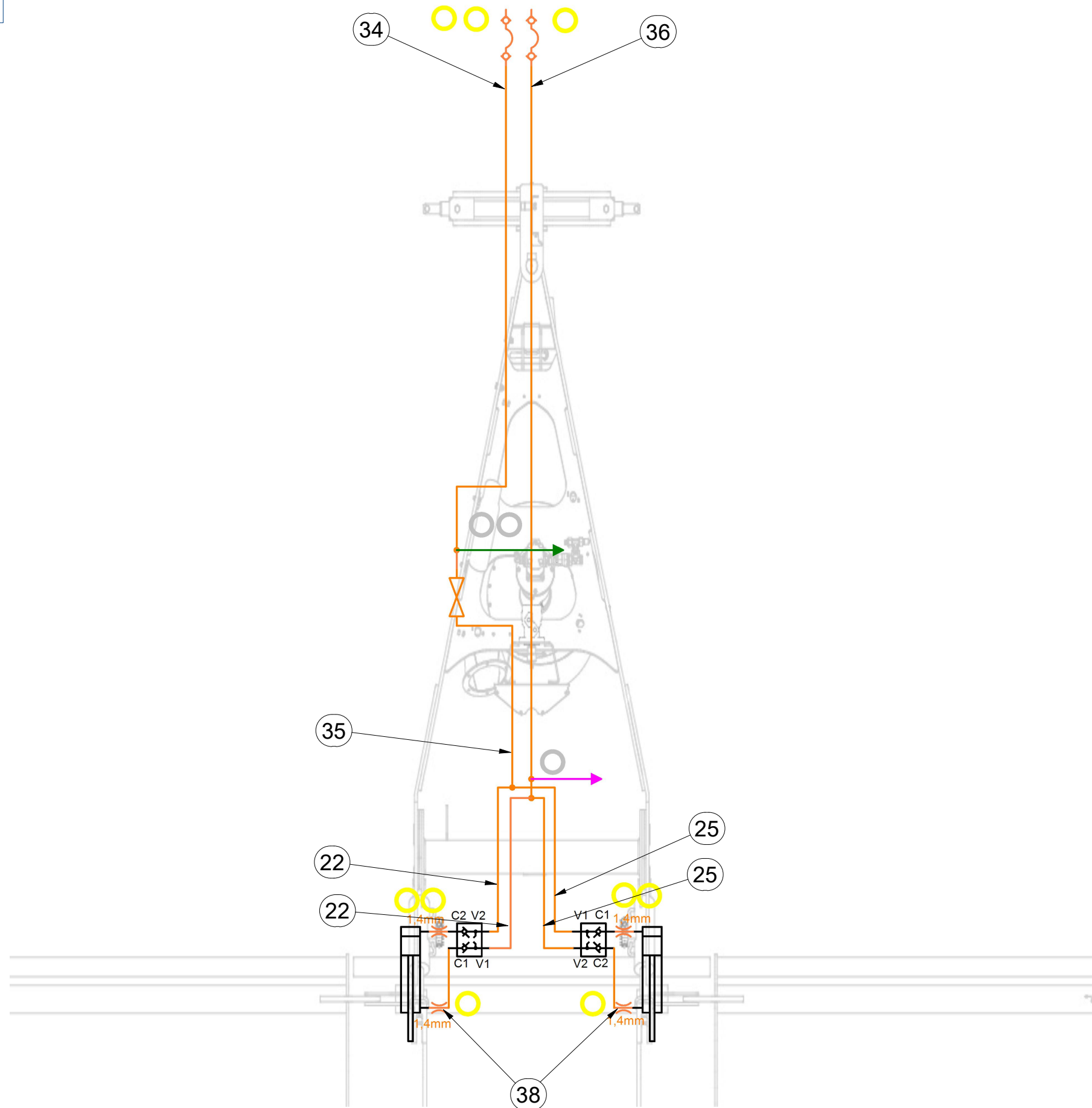
A2 -

B2 -



VZ00024277

| Pos. | Part Number | Pcs. |
|------|-------------|------|
| 22 | m05210 | 2 |
| 34 | m18092 | 1 |
| 35 | m18177 | 1 |
| 36 | m16455 | 1 |
| 38 | m03845 | 2 |
| 25 | m07648 | 2 |
| 26 | m11385 | 1 |

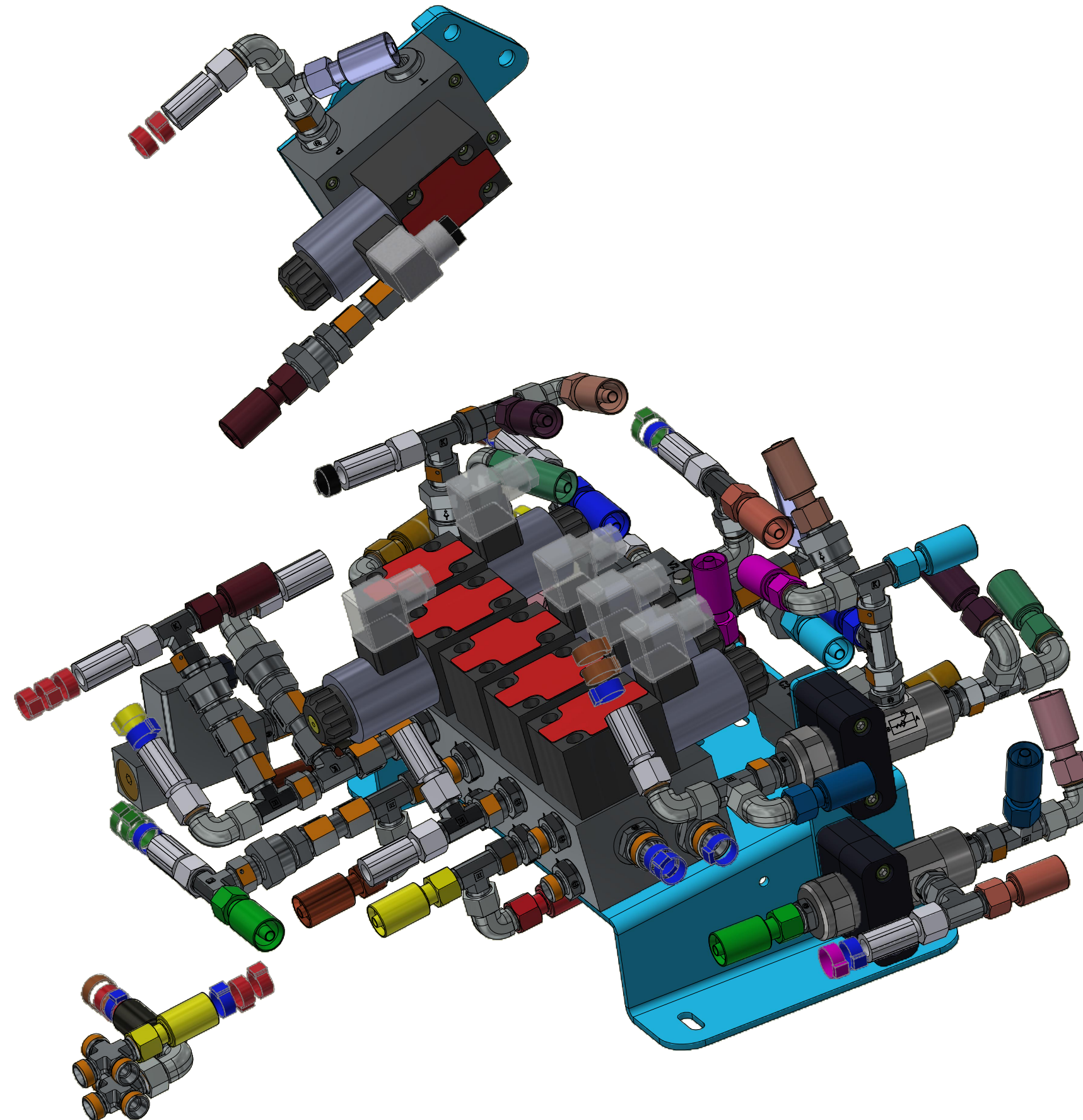


ⒸZ HYDRAULICKÝ ROZVOD SECÍCH STROJŮ
Ⓓ HYDRAULIKKREISLAUF DER SÄMASCHINEN
Ⓕ DISTRIBUTION HYDRAULIQUE DES SEMOIRS

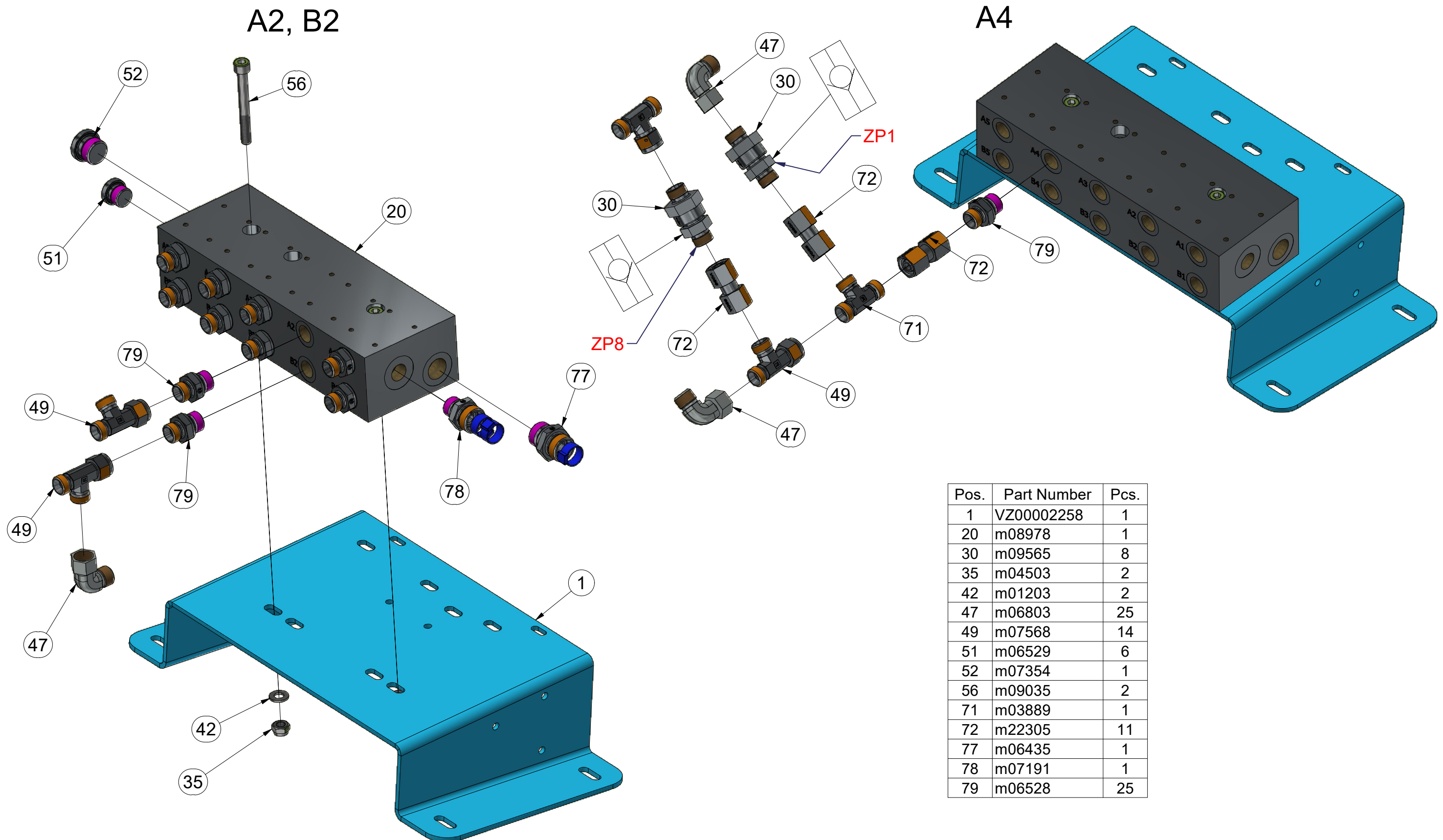
ⒸB HYDRAULIC SEED DRILL DISTRIBUTION
ⒸR ГИДРАВЛИЧЕСКОЕ РАСПРЕДЕЛЕНИЕ СЕЯЛОК
ⒸL HYDRAULICZNE ROZPROWADZENIE SIEWNIKÓW

Farmet

VZ00030169



VZ00030169



| Pos. | Part Number | Pcs. |
|------|-------------|------|
| 1 | VZ00002258 | 1 |
| 20 | m08978 | 1 |
| 30 | m09565 | 8 |
| 35 | m04503 | 2 |
| 42 | m01203 | 2 |
| 47 | m06803 | 25 |
| 49 | m07568 | 14 |
| 51 | m06529 | 6 |
| 52 | m07354 | 1 |
| 56 | m09035 | 2 |
| 71 | m03889 | 1 |
| 72 | m22305 | 11 |
| 77 | m06435 | 1 |
| 78 | m07191 | 1 |
| 79 | m06528 | 25 |

Ⓒ HYDRAULICKÝ ROZVOD SECÍCH STROJŮ

Ⓓ HYDRAULIKKREISLAUF DER SÄMASCHINEN

Ⓕ DISTRIBUTION HYDRAULIQUE DES SEMOIRS

Ⓖ HYDRAULIC SEED DRILL DISTRIBUTION

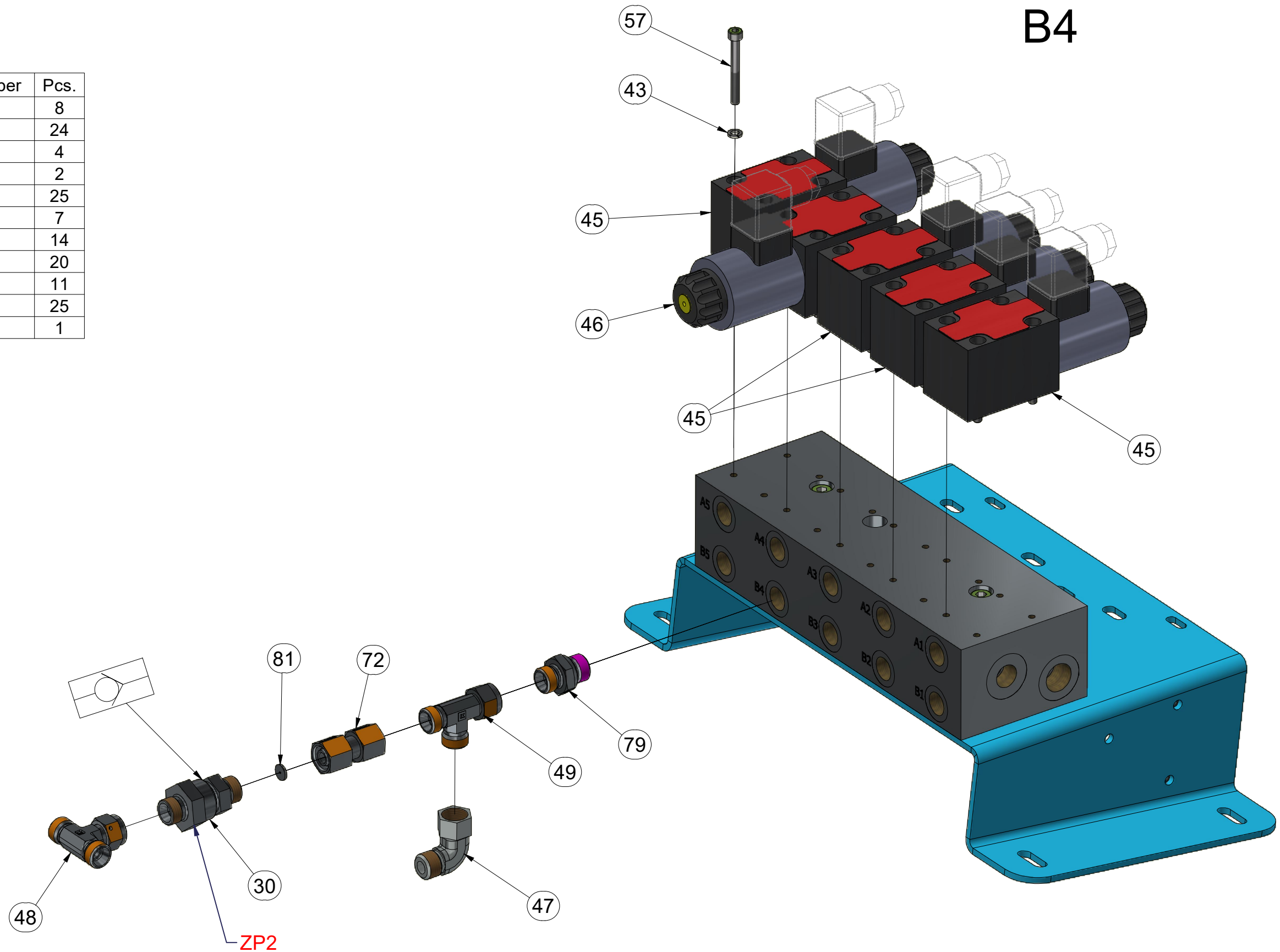
Ⓡ ГИДРАВЛИЧЕСКОЕ РАСПРЕДЕЛЕНИЕ СЕЯЛОК

Ⓟ HYDRAULICZNE ROZPROWADZENIE SIEWNIKÓW



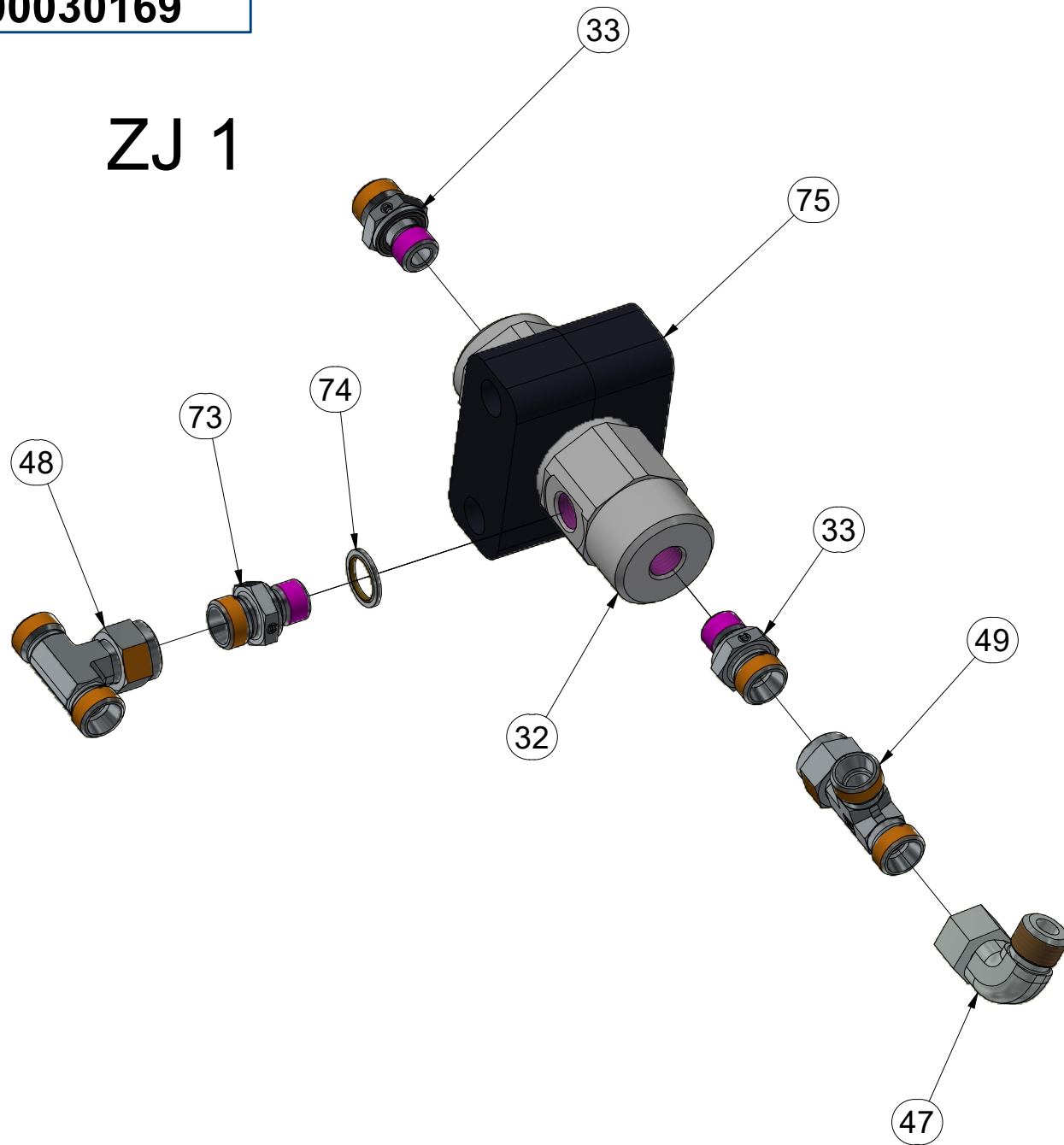
VZ00030169

| Pos. | Part Number | Pcs. |
|------|-------------|------|
| 30 | m09565 | 8 |
| 43 | m01197 | 24 |
| 45 | m07798 | 4 |
| 46 | m13697 | 2 |
| 47 | m06803 | 25 |
| 48 | m07567 | 7 |
| 49 | m07568 | 14 |
| 57 | m08349 | 20 |
| 72 | m22305 | 11 |
| 79 | m06528 | 25 |
| 81 | m10772 | 1 |



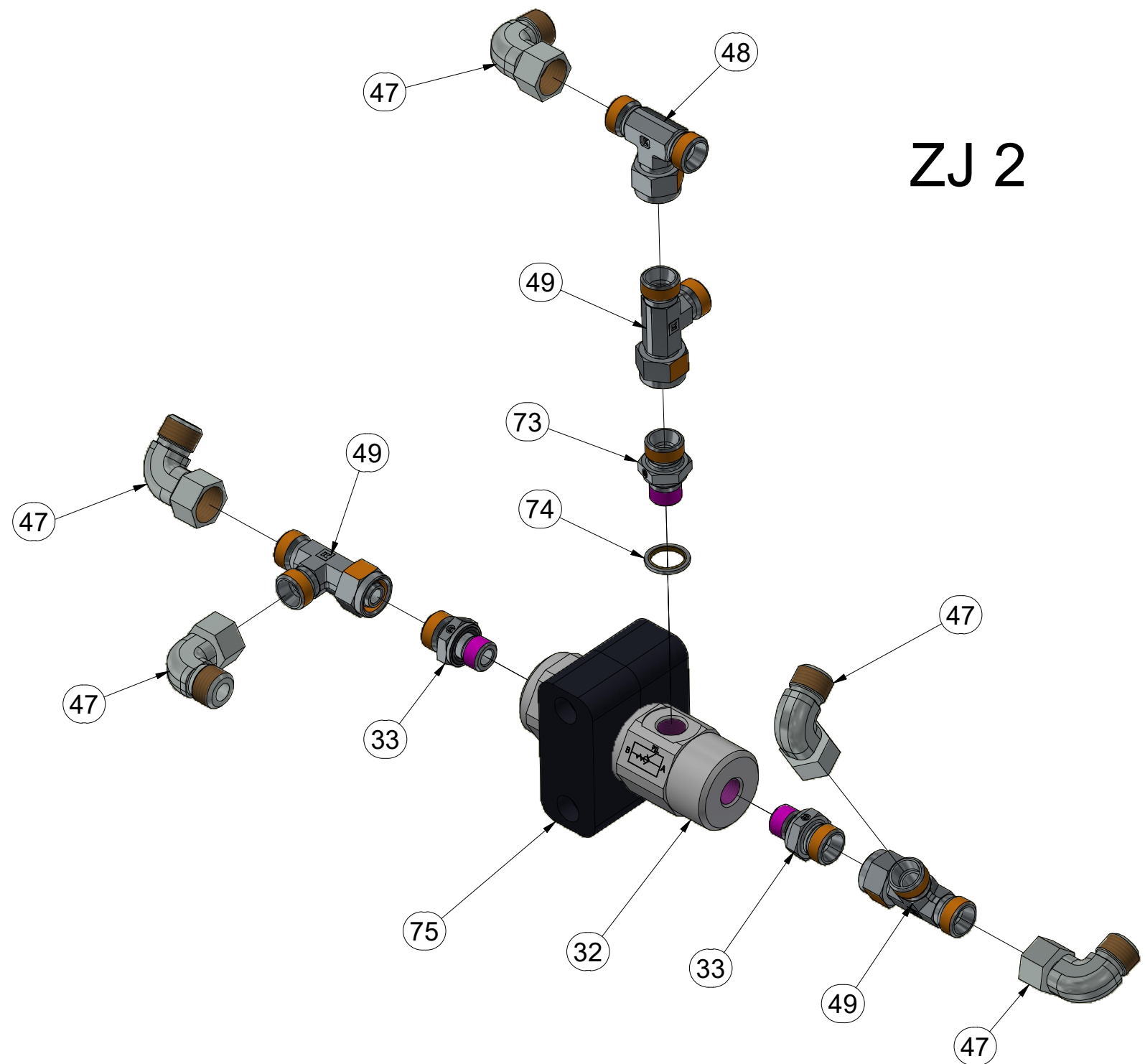
VZ00030169

ZJ 1



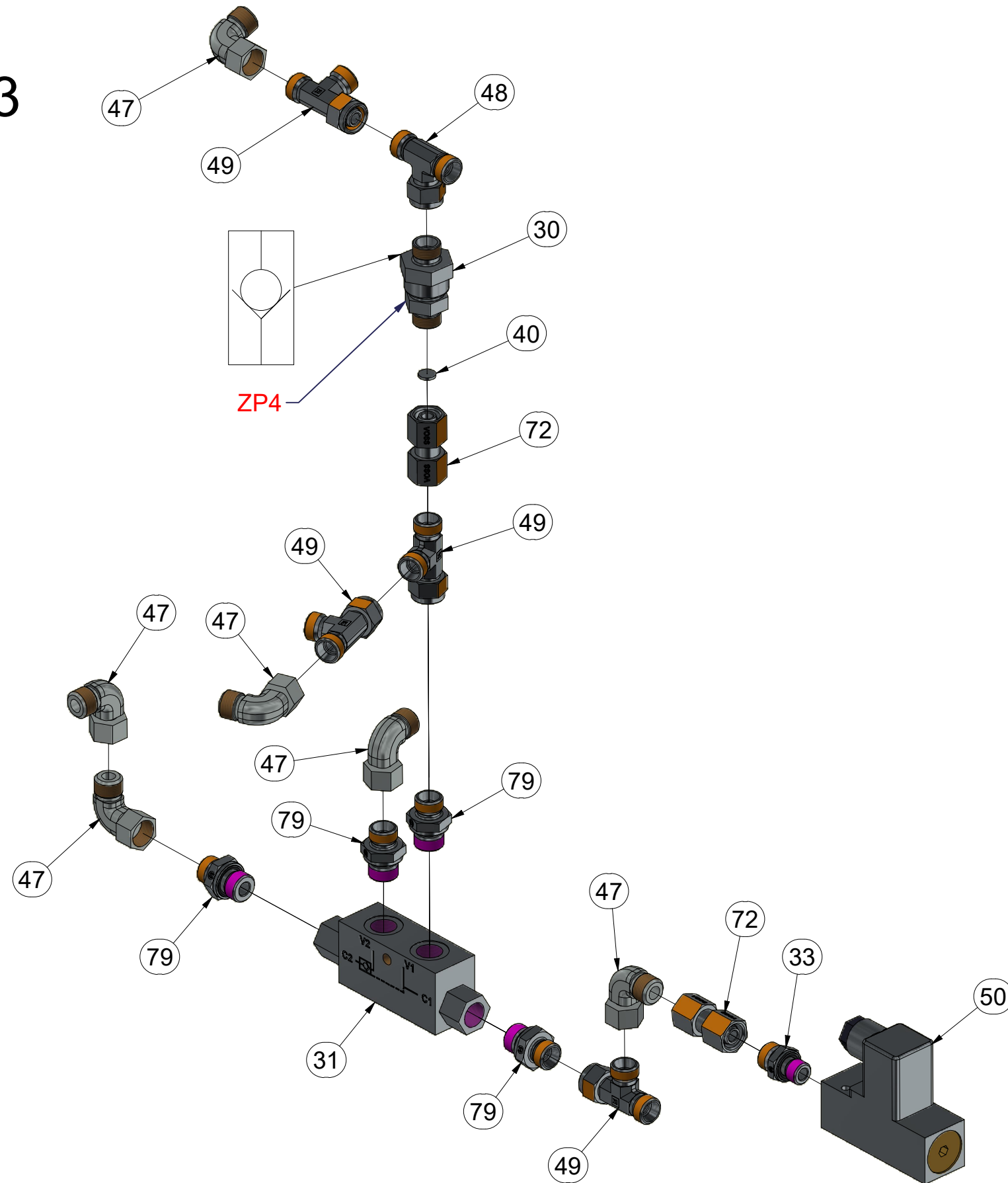
| Pos. | Part Number | Pcs. |
|------|-------------|------|
| 32 | m23330 | 2 |
| 33 | m07470 | 5 |
| 47 | m06803 | 25 |
| 48 | m07567 | 7 |
| 49 | m07568 | 14 |
| 73 | m03851 | 2 |
| 74 | m12419 | 2 |
| 75 | m23334 | 2 |

ZJ 2



VZ00030169

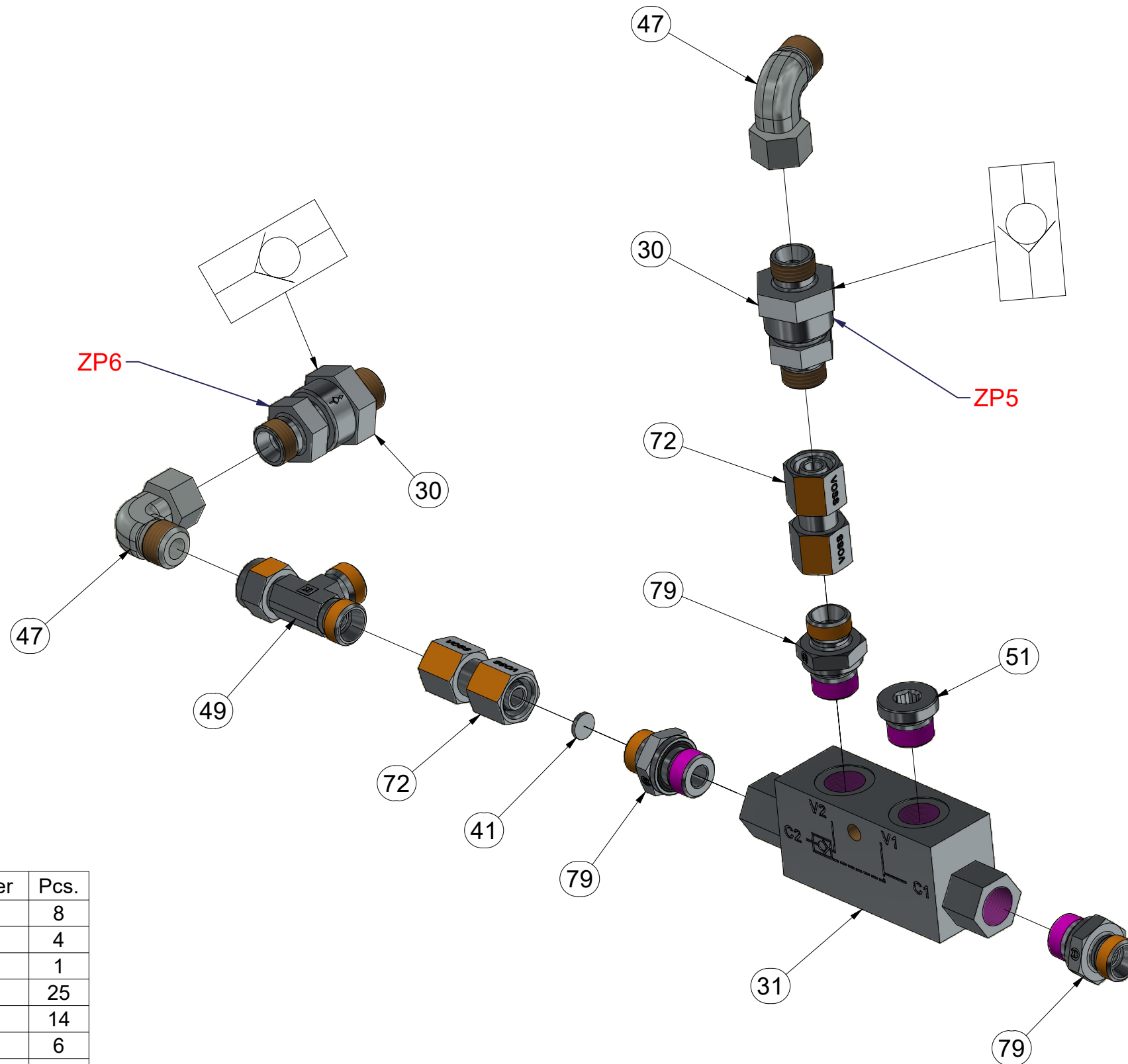
ZJ 3



| Pos. | Part Number | Pcs. |
|------|-------------|------|
| 30 | m09565 | 8 |
| 31 | m11103 | 4 |
| 33 | m07470 | 5 |
| 40 | m10431 | 1 |
| 47 | m06803 | 25 |
| 48 | m07567 | 7 |
| 49 | m07568 | 14 |
| 50 | m10190 | 1 |
| 72 | m22305 | 11 |
| 79 | m06528 | 25 |

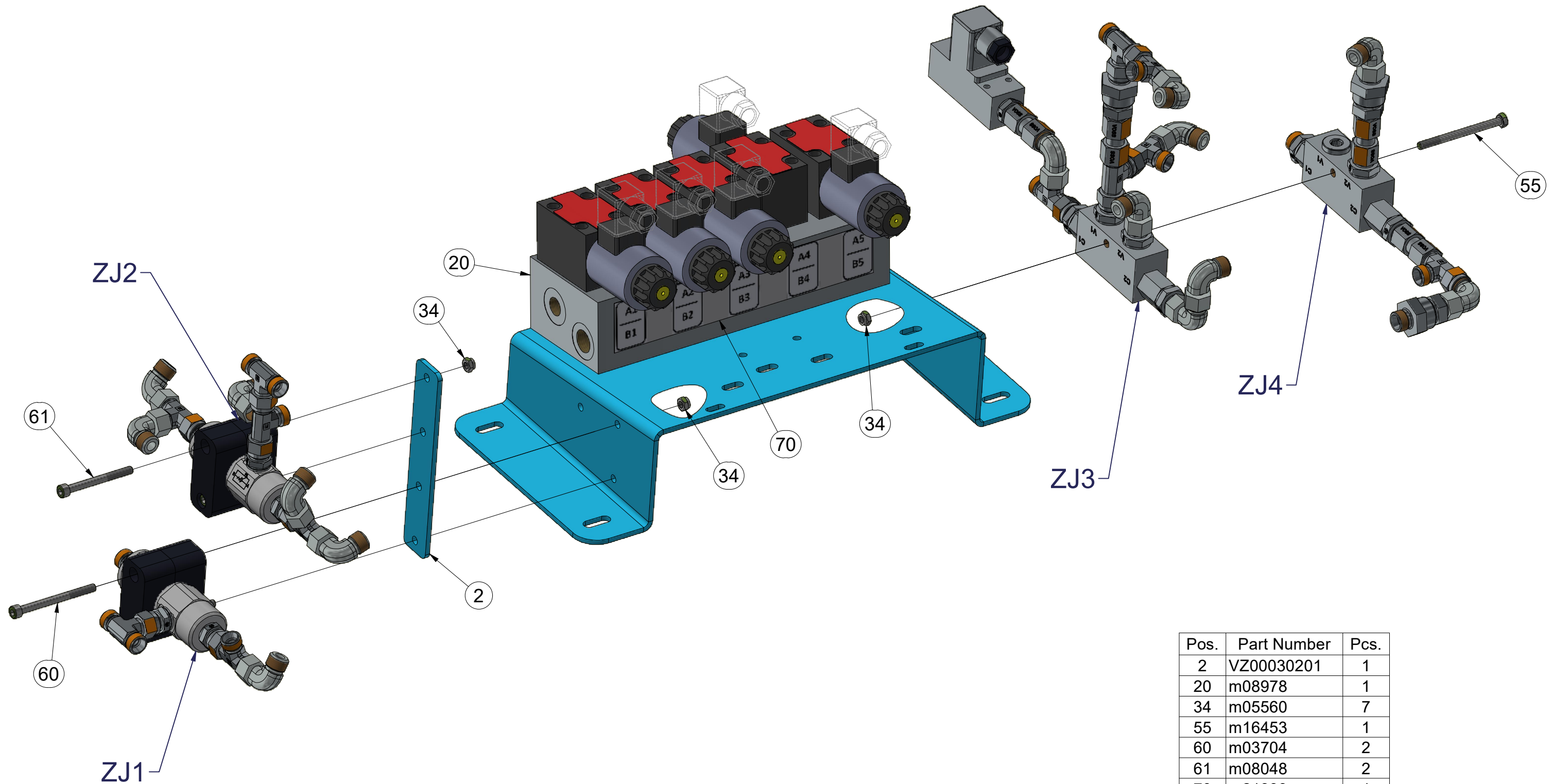
VZ00030169

ZJ 4



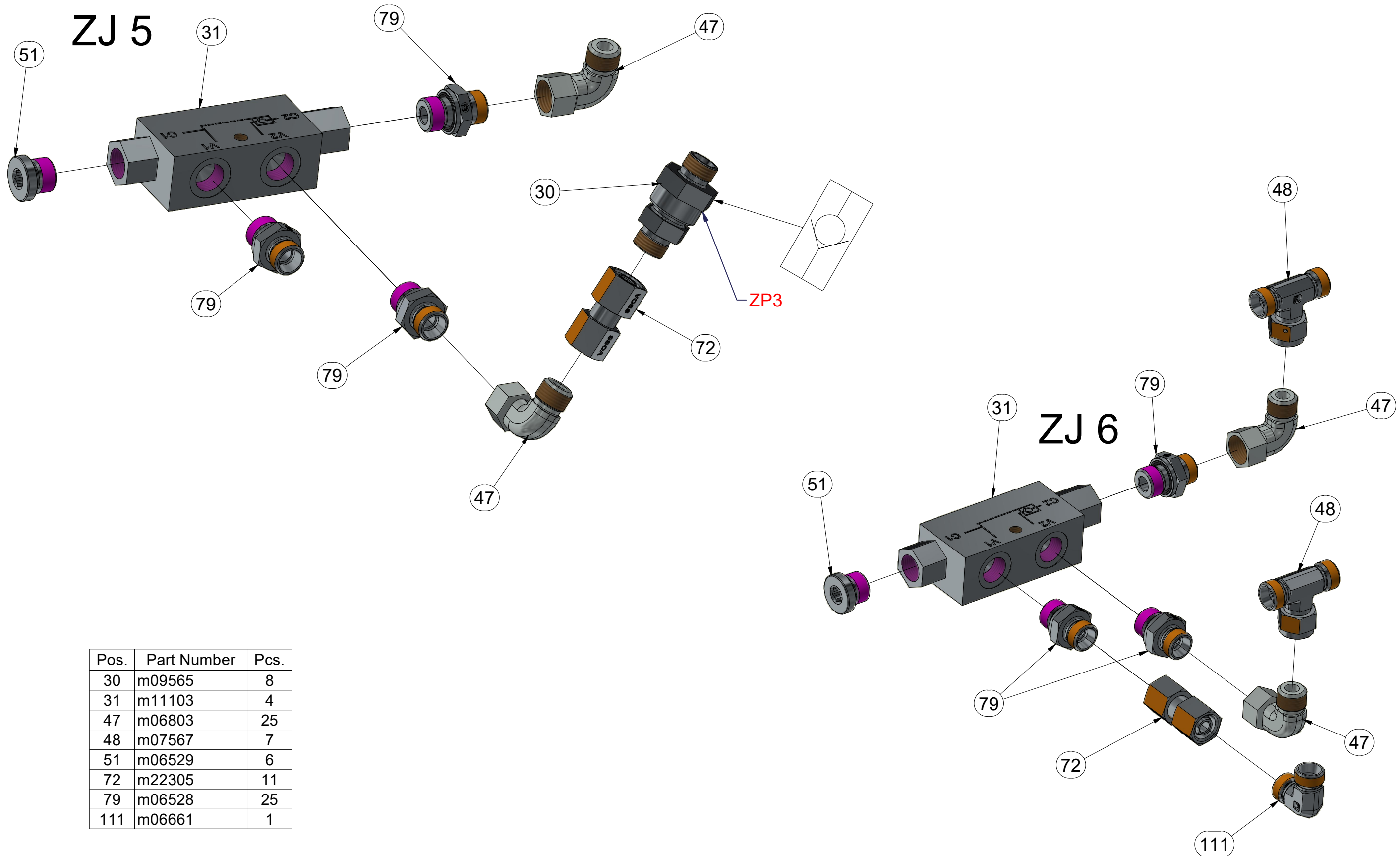
| Pos. | Part Number | Pcs. |
|------|-------------|------|
| 30 | m09565 | 8 |
| 31 | m11103 | 4 |
| 41 | m10782 | 1 |
| 47 | m06803 | 25 |
| 49 | m07568 | 14 |
| 51 | m06529 | 6 |
| 72 | m22305 | 11 |
| 79 | m06528 | 25 |

VZ00030169



| Pos. | Part Number | Pcs. |
|------|-------------|------|
| 2 | VZ00030201 | 1 |
| 20 | m08978 | 1 |
| 34 | m05560 | 7 |
| 55 | m16453 | 1 |
| 60 | m03704 | 2 |
| 61 | m08048 | 2 |
| 70 | m21399 | 1 |

VZ00030169



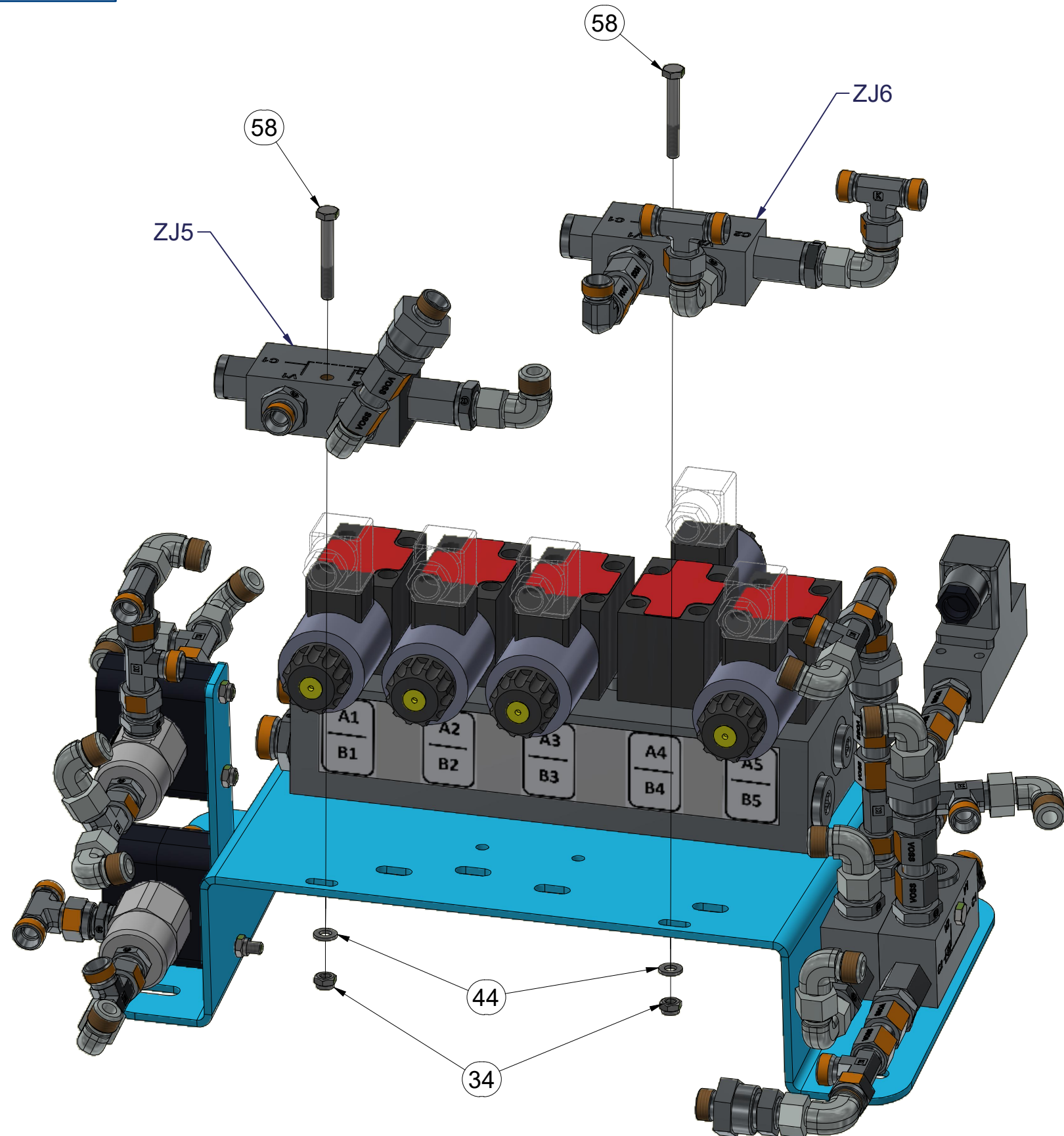
| Pos. | Part Number | Pcs. |
|------|-------------|------|
| 30 | m09565 | 8 |
| 31 | m11103 | 4 |
| 47 | m06803 | 25 |
| 48 | m07567 | 7 |
| 51 | m06529 | 6 |
| 72 | m22305 | 11 |
| 79 | m06528 | 25 |
| 111 | m06661 | 1 |

CZ HYDRAULICKÝ ROZVOD SECÍCH STROJŮ
 D HYDRAULIKKREISLAUF DER SÄMASCHINEN
 F DISTRIBUTION HYDRAULIQUE DES SEMOIRS

GB HYDRAULIC SEED DRILL DISTRIBUTION
 RU ГИДРАВЛИЧЕСКОЕ РАСПРЕДЕЛЕНИЕ СЕЯЛОК
 PL HYDRAULICZNE ROZPROWADZENIE SIEWNIKÓW

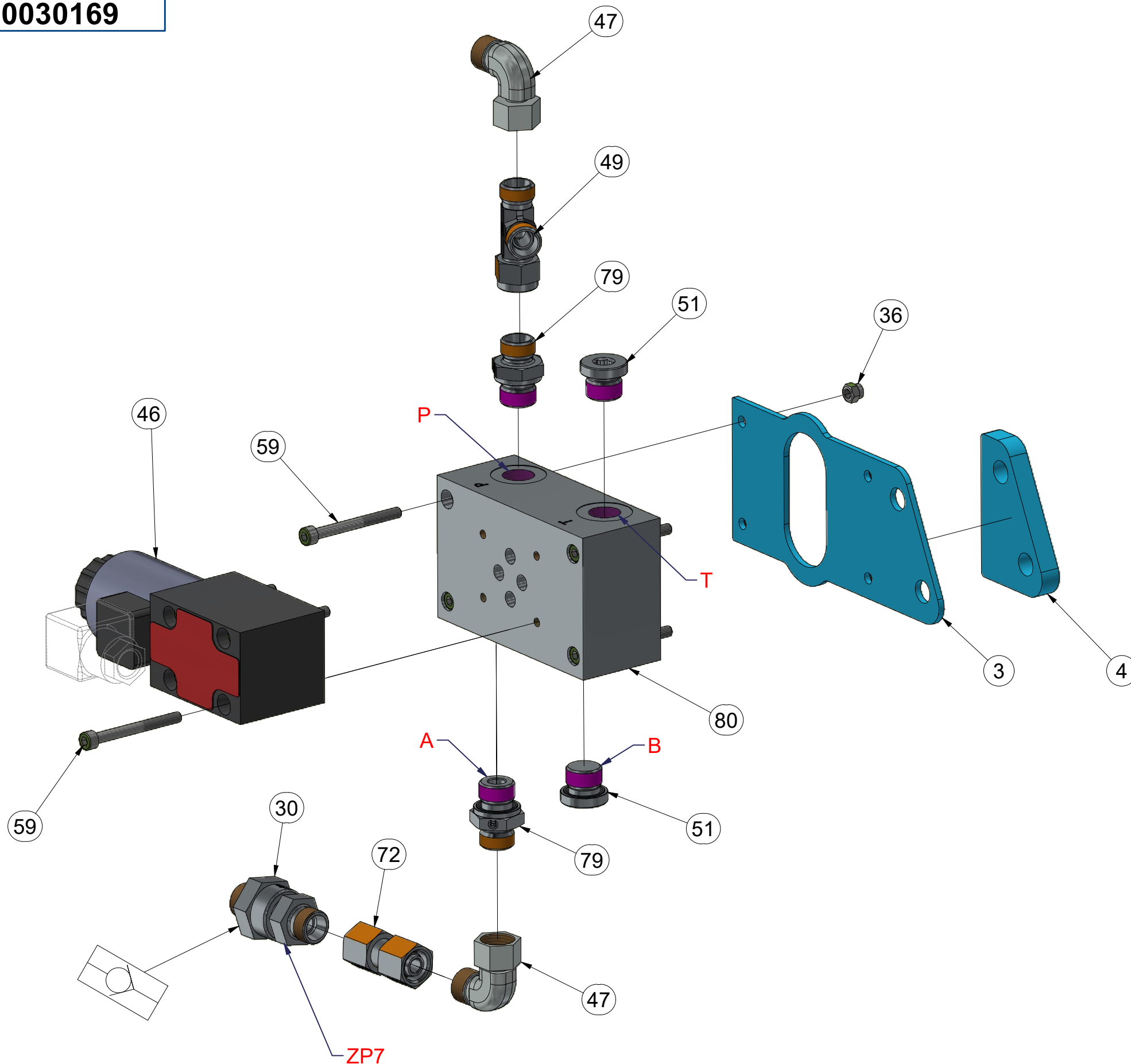


VZ00030169



| Pos. | Part Number | Pcs. |
|------|-------------|------|
| 34 | m05560 | 7 |
| 44 | m01199 | 2 |
| 58 | m05561 | 2 |

VZ00030169



| Pos. | Part Number | Pcs. |
|------|-------------|------|
| 3 | VZ00031150 | 1 |
| 4 | VZ00031152 | 1 |
| 30 | m09565 | 8 |
| 36 | m06236 | 4 |
| 46 | m13697 | 2 |
| 47 | m06803 | 25 |
| 49 | m07568 | 14 |
| 51 | m06529 | 6 |
| 59 | m07166 | 8 |
| 72 | m22305 | 11 |
| 79 | m06528 | 25 |
| 80 | m23443 | 1 |

Ⓒ HYDRAULICKÝ ROZVOD SECÍCH STROJŮ

Ⓓ HYDRAULIKKREISLAUF DER SÄMASCHINEN

Ⓕ DISTRIBUTION HYDRAULIQUE DES SEMOIRS

Ⓖ HYDRAULIC SEED DRILL DISTRIBUTION

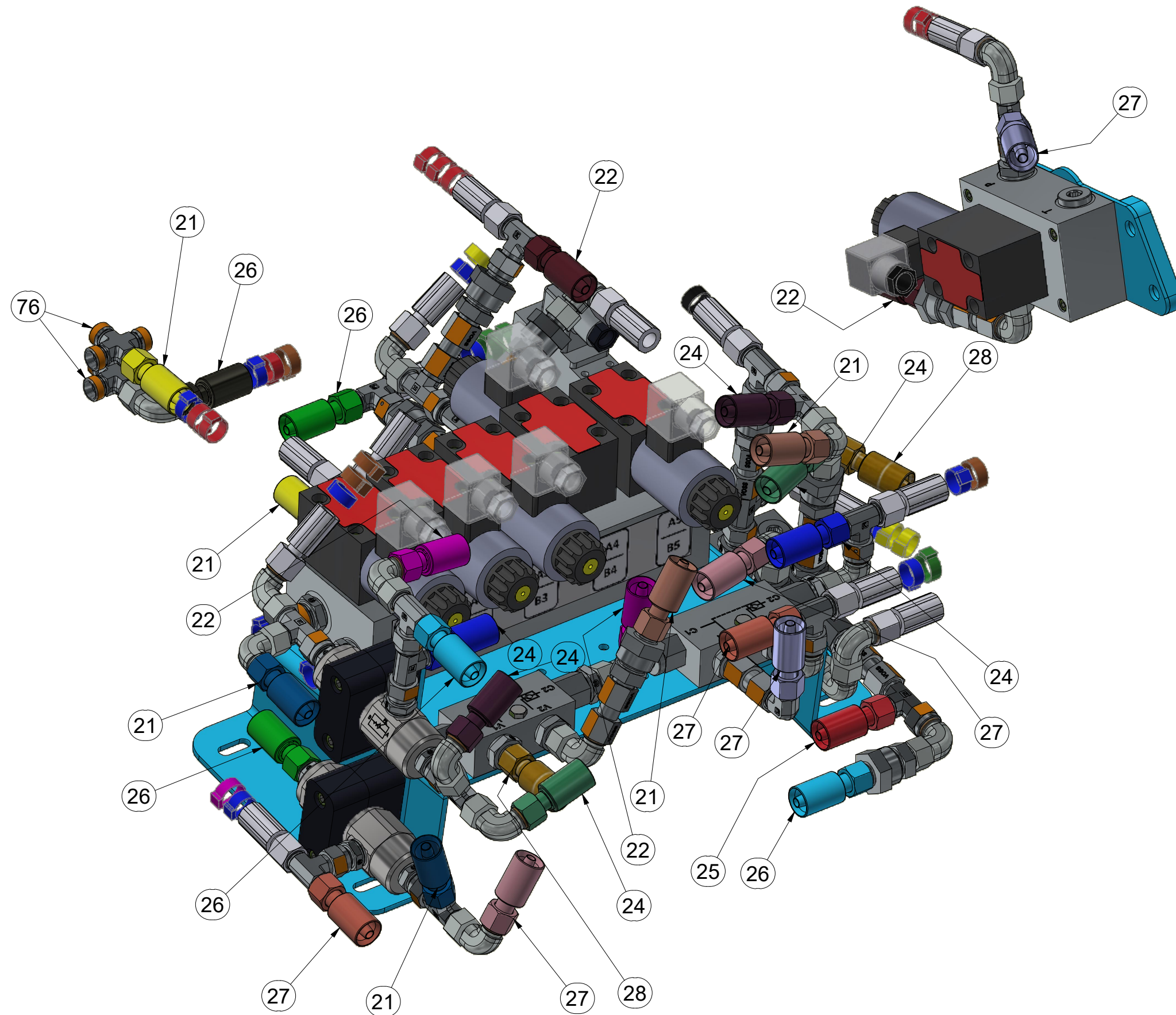
Ⓡ ГИДРАВЛИЧЕСКОЕ РАСПРЕДЕЛЕНИЕ СЕЯЛОК

Ⓣ HYDRAULICZNE ROZPROWADZENIE SIEWNIKÓW



VZ00030169

| Pos. | Part Number | Pcs. |
|------|-------------|------|
| 21 | m05322 | 3 |
| 22 | m04026 | 2 |
| 24 | m09627 | 3 |
| 25 | m11000 | 1 |
| 26 | m17441 | 3 |
| 27 | m04827 | 3 |
| 28 | m09628 | 1 |
| 76 | m08328 | 2 |



ⒸZ HYDRAULICKÝ ROZVOD SECÍCH STROJŮ

Ⓓ HYDRAULIKKREISLAUF DER SÄMASCHINEN

Ⓕ DISTRIBUTION HYDRAULIQUE DES SEMOIRS

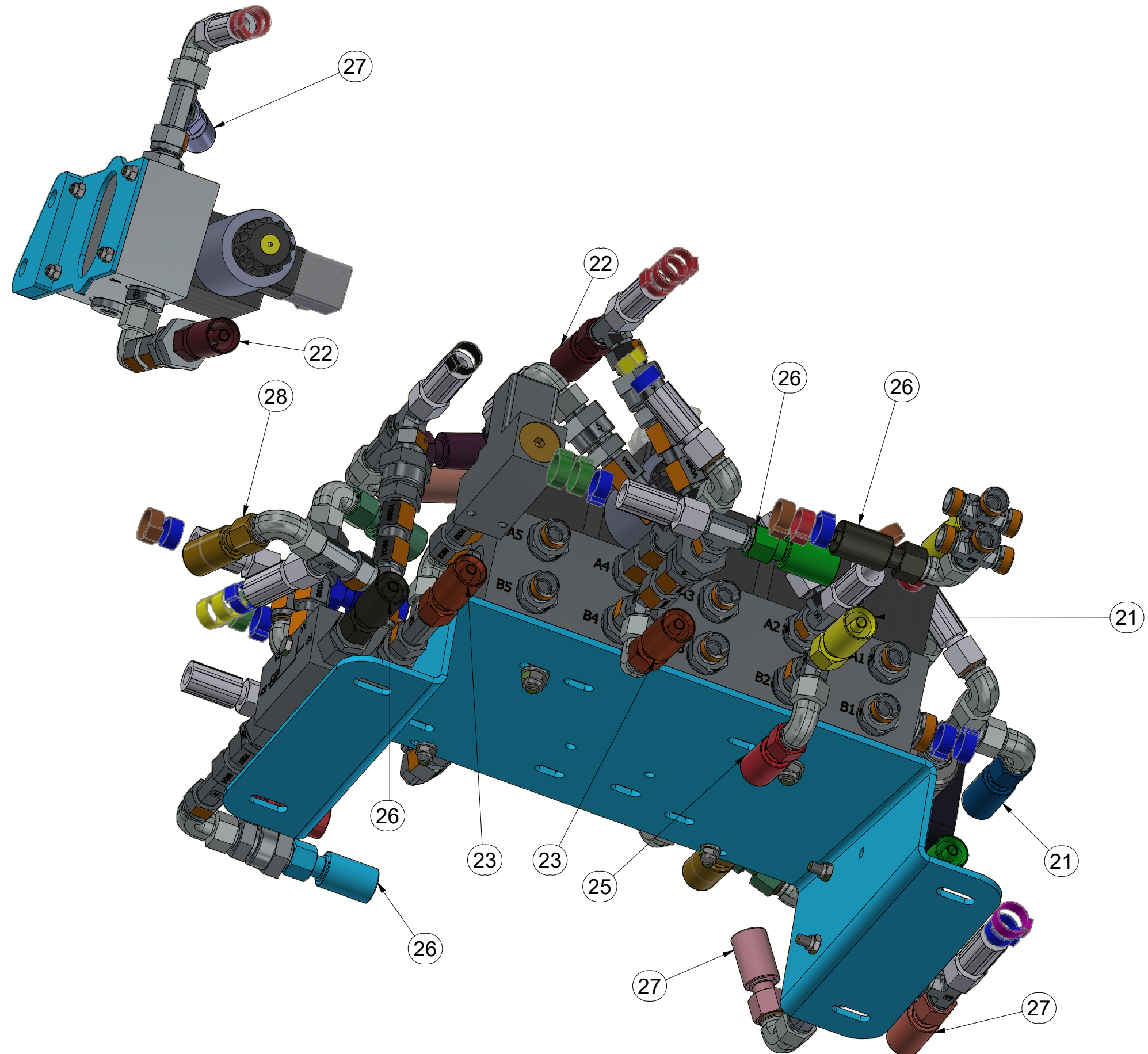
ⒸB HYDRAULIC SEED DRILL DISTRIBUTION

ⒸR ГИДРАВЛИЧЕСКОЕ РАСПРЕДЕЛЕНИЕ СЕЯЛОК

ⒸL HYDRAULICZNE ROZPROWADZENIE SIEWNIKÓW

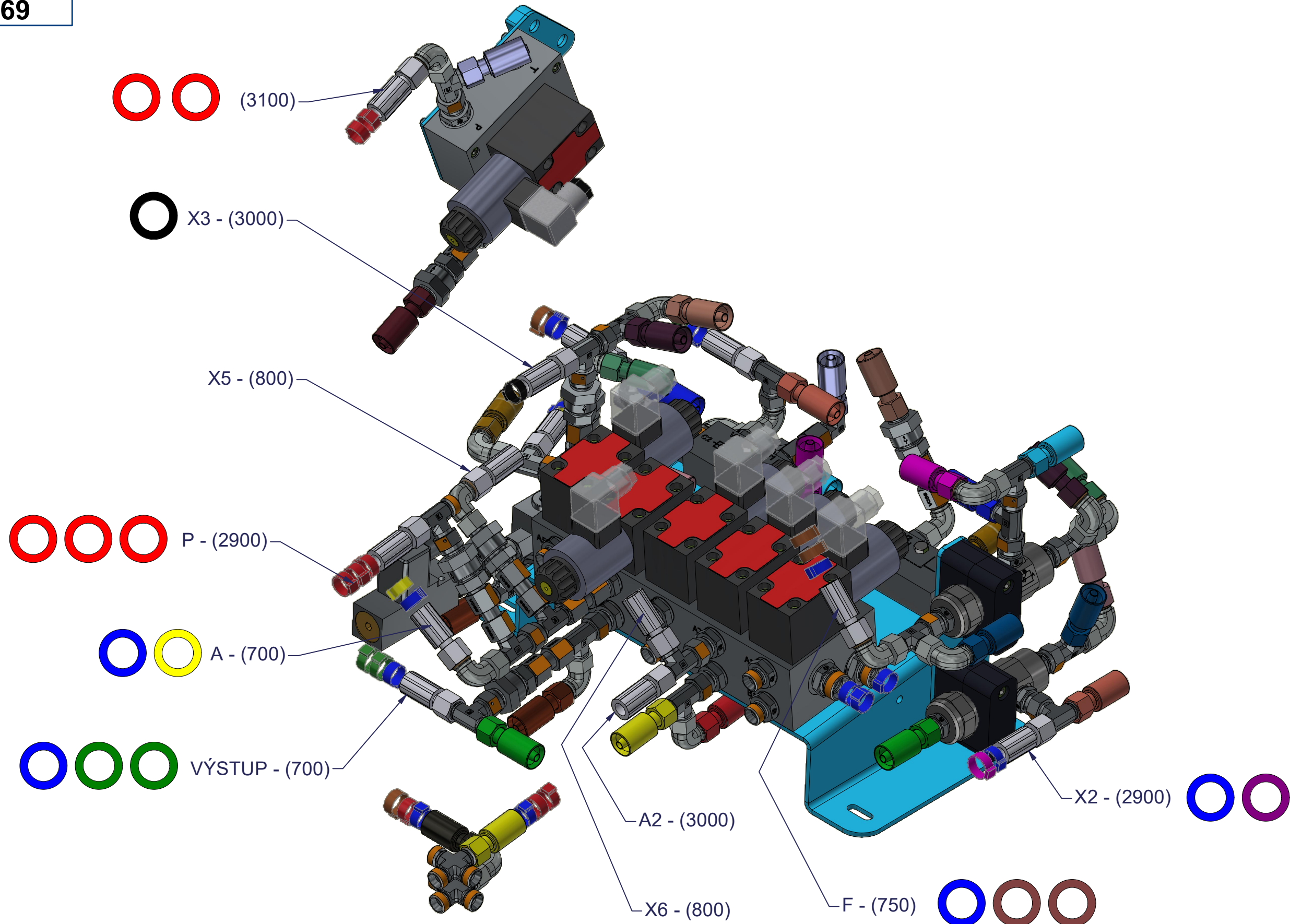
Farmet

VZ00030169



| Pos. | Part Number | Pcs. |
|------|-------------|------|
| 21 | m05322 | 3 |
| 22 | m04026 | 2 |
| 23 | m18087 | 1 |
| 25 | m11000 | 1 |
| 26 | m17441 | 3 |
| 27 | m04827 | 3 |
| 28 | m09628 | 1 |

VZ00030169

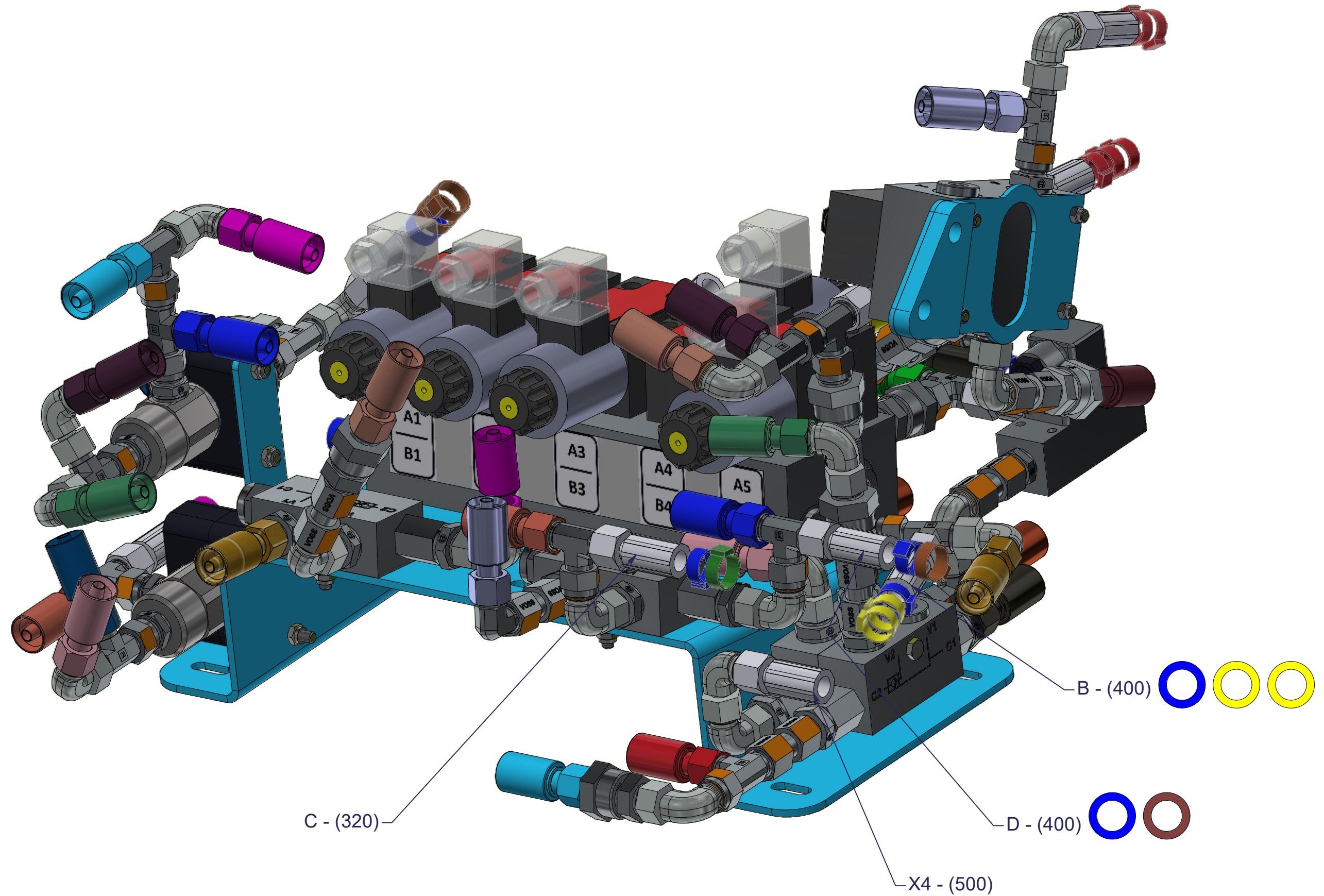


ⒸZ HYDRAULICKÝ ROZVOD SECÍCH STROJŮ
Ⓓ HYDRAULIKKREISLAUF DER SÄMASCHINEN
Ⓔ DISTRIBUTION HYDRAULIQUE DES SEMOIRS

ⒸB HYDRAULIC SEED DRILL DISTRIBUTION
ⒸR ГИДРАВЛИЧЕСКОЕ РАСПРЕДЕЛЕНИЕ СЕЯЛОК
ⒸL HYDRAULICZNE ROZPROWADZENIE SIEWNIKÓW



VZ00030169



ⒸZ SOUPRAVA TĚSNIVA PÍSTNIC

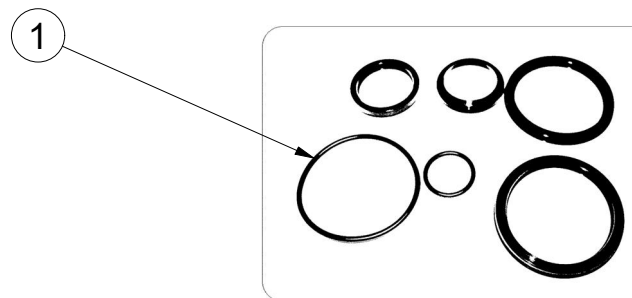
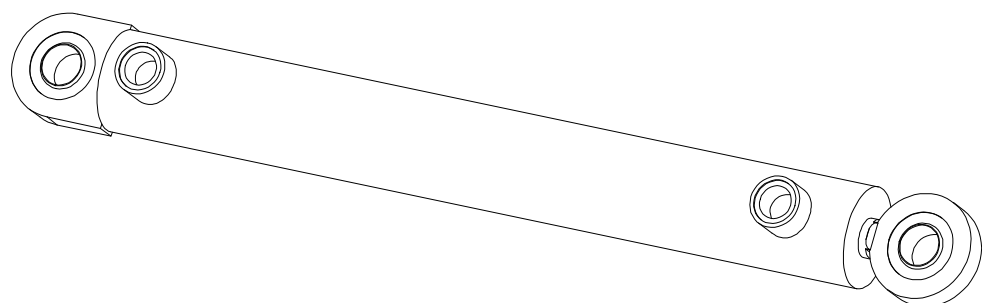
Ⓓ KOLBENSTANGENDICHTUNGSMITTELSATZ

Ⓕ SET DE GARNITURE DES TIGES DE PISTON

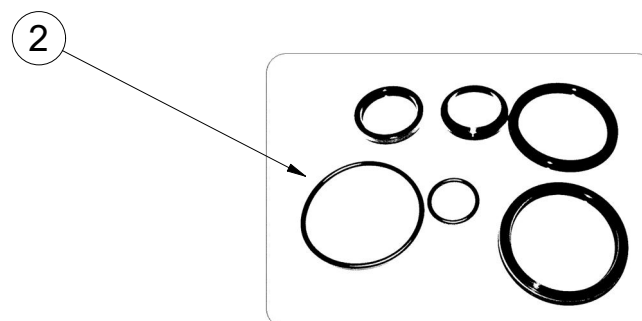
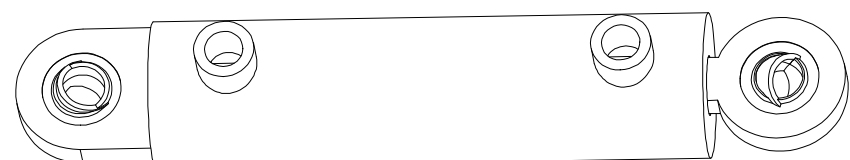
ⒼB SEALING SET FOR PISTON RODS

ⒺU КОМПЛЕКТ ПРОКЛАДОК ЦИЛИНДРОВ

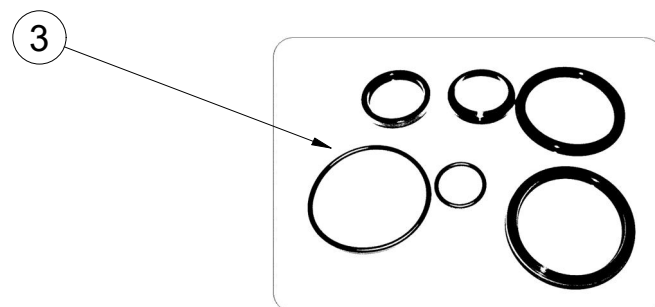
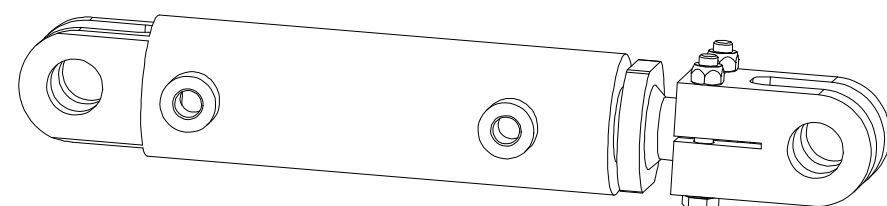
ⒻL ZESTAW USZCZELEK TRZPIENIA TŁOKA



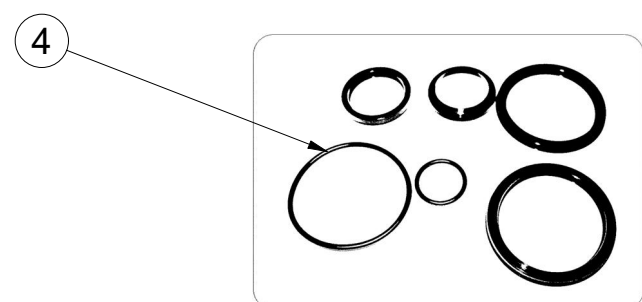
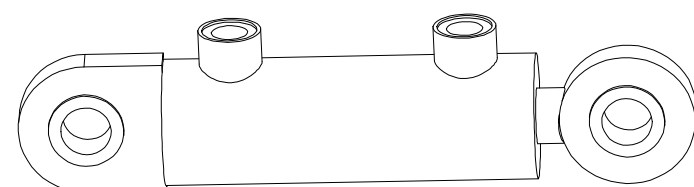
| 9001889 - $\varnothing 50/\varnothing 25-400$ | | |
|---|-------------|-----|
| Pos | Part number | Pcs |
| 1 | m08750 | 2 |



| VZ00032258 - $\varnothing 63/\varnothing 23-200/385$ | | |
|--|-------------|-----|
| Pos | Part number | Pcs |
| 2 | | 2 |



| VZ00024007 - $\varnothing 63/\varnothing 32-125/310$ | | |
|--|-------------|-----|
| Pos | Part number | Pcs |
| 3 | | 2 |



| 9001890 - $\varnothing 63/\varnothing 40-22/063$ | | |
|--|-------------|-----|
| Pos | Part number | Pcs |
| 3 | m20706 | 2 |

Ⓒ SOUPRAVA TĚSNIVA PÍSTNIC

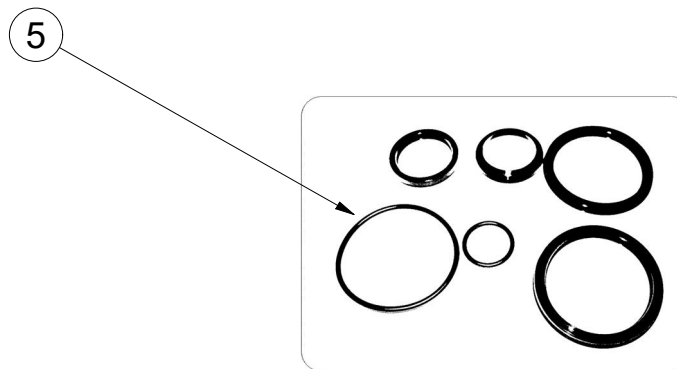
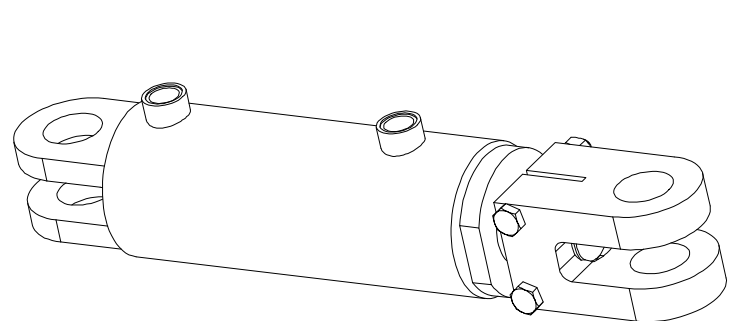
Ⓓ KOLBENSTANGENDICHTUNGSMITTELSATZ

Ⓕ SET DE GARNITURE DES TIGES DE PISTON

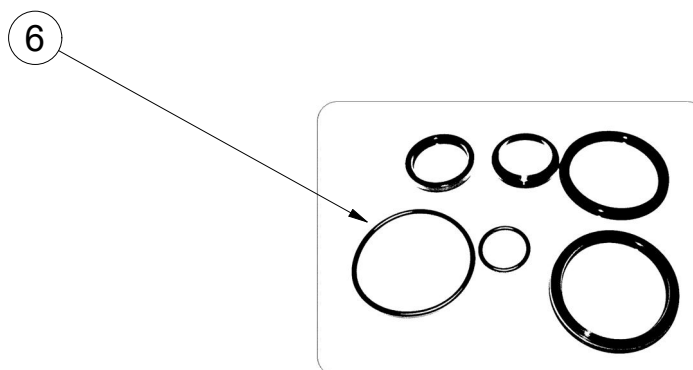
Ⓖ SEALING SET FOR PISTON RODS

Ⓡ КОМПЛЕКТ ПРОКЛАДОК ЦИЛИНДРОВ

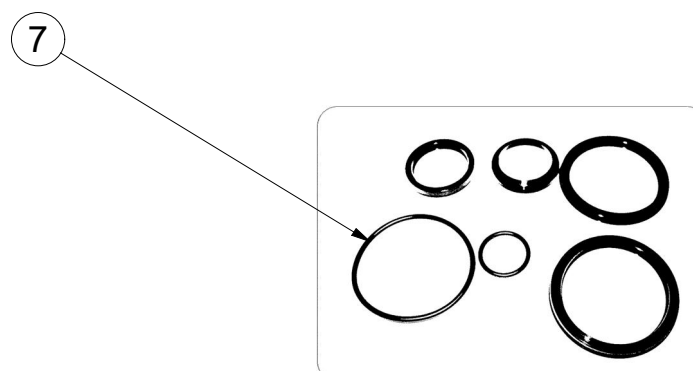
Ⓟ ZESTAW USZCZELEK TRZPIENIA TŁOKA



| m18040 - $\varnothing 90/\varnothing 45-130$ | | |
|--|-------------|-----|
| Pos | Part number | Pcs |
| 5 | m15374 | 2 |



| m21527 - $\varnothing 80/\varnothing 45-700$ | | |
|--|-------------|-----|
| Pos | Part number | Pcs |
| 6 | m22885 | 2 |



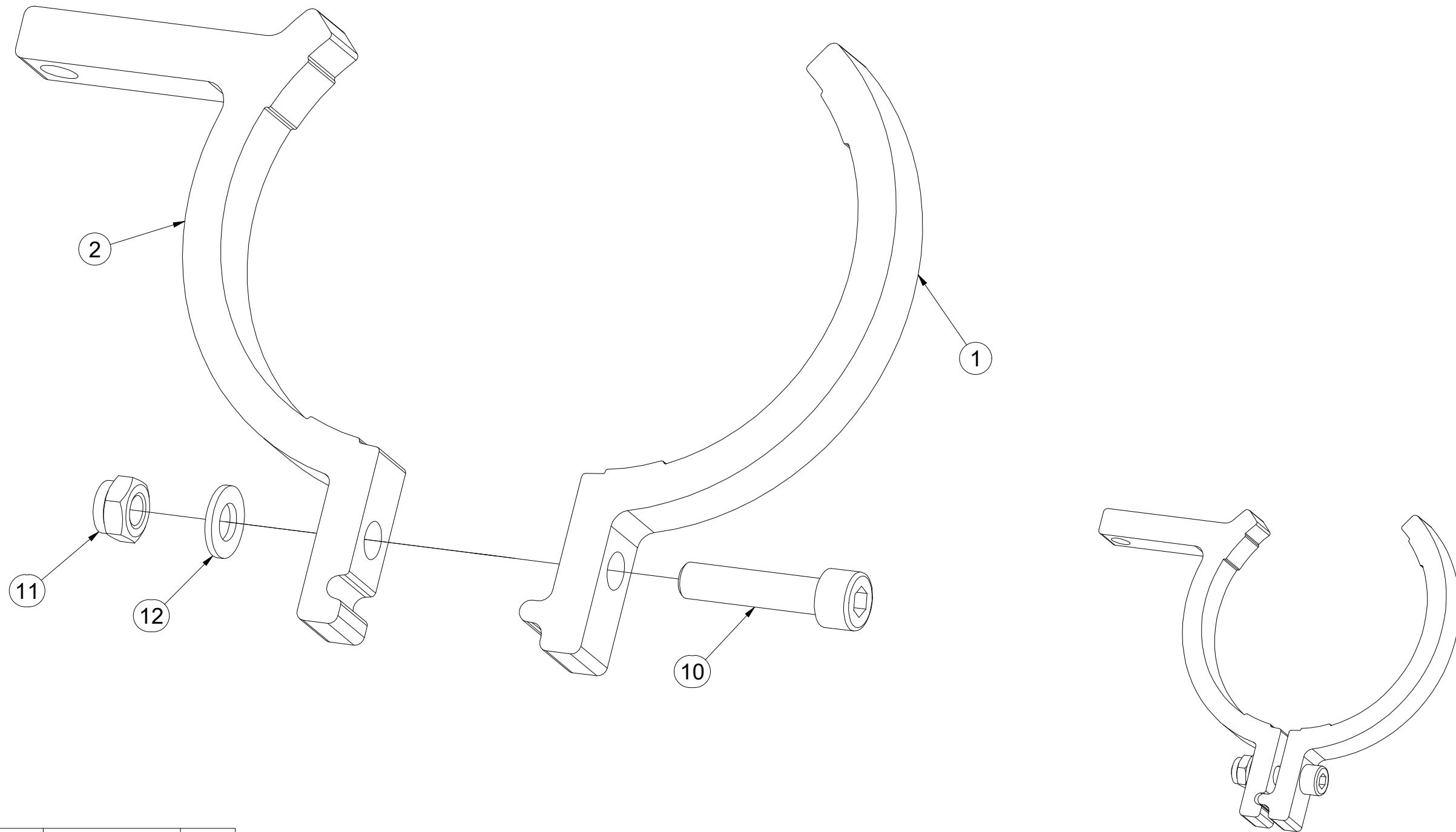
| m21882 - $\varnothing 80/\varnothing 45-830$ | | |
|--|-------------|-----|
| Pos | Part number | Pcs |
| 7 | | 2 |

Ⓒ DRŽÁK
Ⓓ HALTER
Ⓕ SUPPORT

Ⓖ HOLDER
Ⓔ ДЕРЖАТЕЛЬ
Ⓗ UCHWYT



VZ00024349



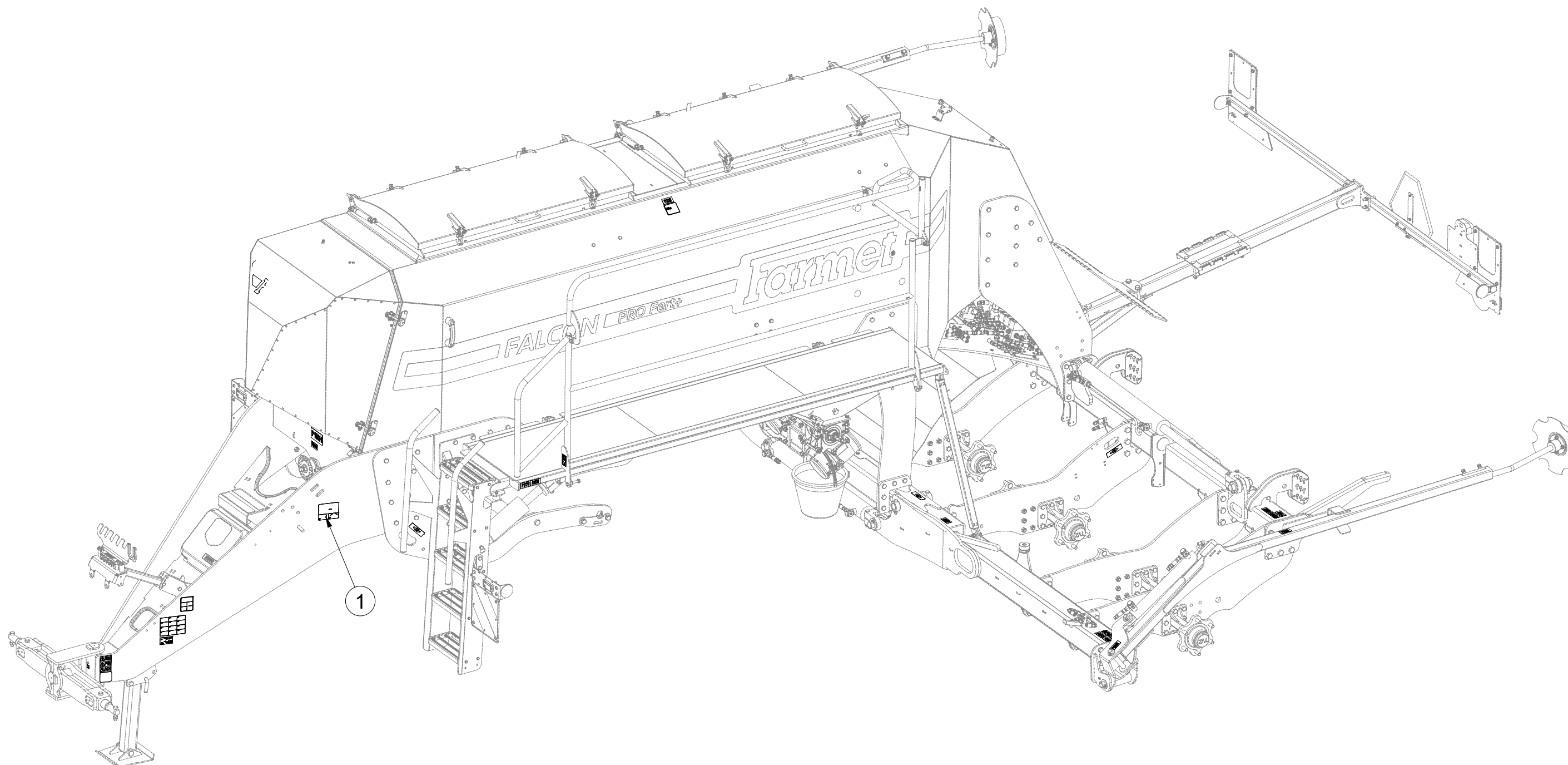
| Pos. | Part Number | Pcs. |
|------|-------------|------|
| 1 | VZ00024350 | 1 |
| 2 | VZ00024351 | 1 |
| 10 | m09464 | 1 |
| 11 | m04503 | 1 |
| 12 | m01203 | 1 |

- Ⓒ SAMOLEPKY STROJE
- Ⓓ AUFKLEBER MASCHINEN
- Ⓕ VOITURE MACHINES

- Ⓖ STICKERS MACHINES
- Ⓡ СТИКЕРЫ МАШИНЫ
- Ⓟ NAKLEJKI MASZYNY



VZ00024363



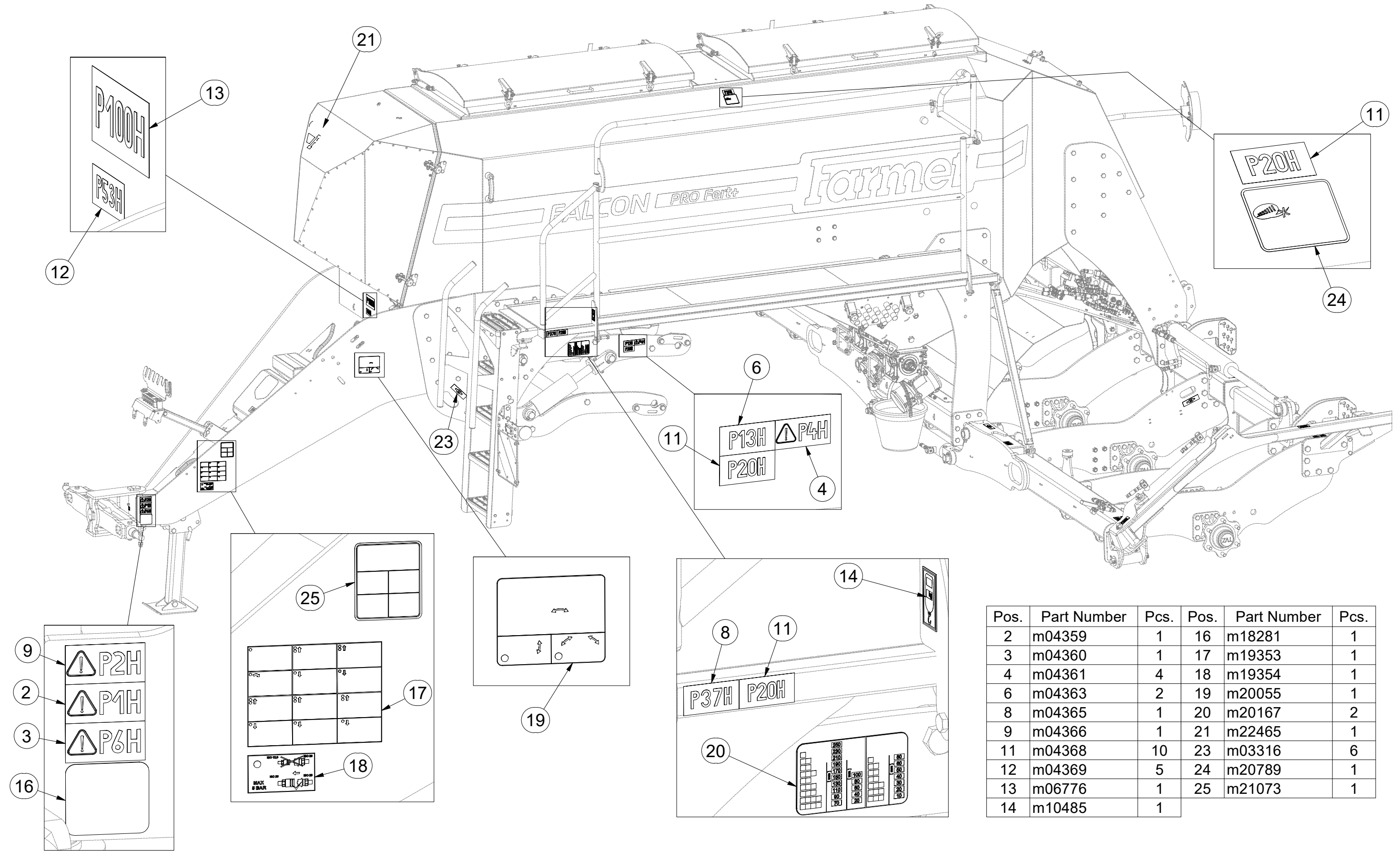
| Pos. | Part Number | Pcs. |
|------|-------------|------|
| 1 | m22679 | 1 |

- Ⓒ SAMOLEPKY STROJE
- Ⓓ AUFKLEBER MASCHINEN
- Ⓕ VOITURE MACHINES

- Ⓖ STICKERS MACHINES
- Ⓔ СТИКЕРЫ МАШИНЫ
- Ⓗ NAKLEJKI MASZYNY

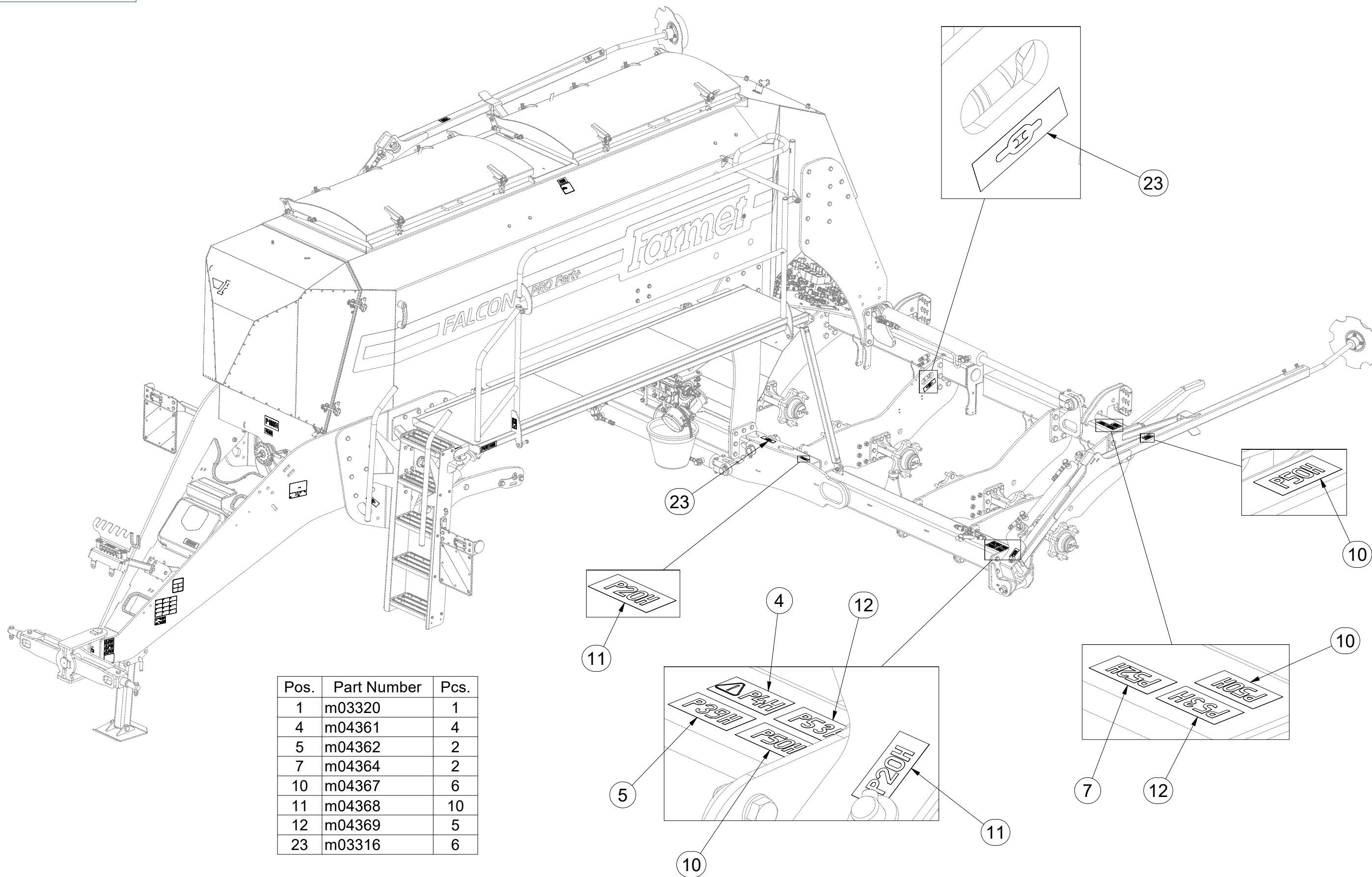


m22679



| Pos. | Part Number | Pcs. | Pos. | Part Number | Pcs. |
|------|-------------|------|------|-------------|------|
| 2 | m04359 | 1 | 16 | m18281 | 1 |
| 3 | m04360 | 1 | 17 | m19353 | 1 |
| 4 | m04361 | 4 | 18 | m19354 | 1 |
| 6 | m04363 | 2 | 19 | m20055 | 1 |
| 8 | m04365 | 1 | 20 | m20167 | 2 |
| 9 | m04366 | 1 | 21 | m22465 | 1 |
| 11 | m04368 | 10 | 23 | m03316 | 6 |
| 12 | m04369 | 5 | 24 | m20789 | 1 |
| 13 | m06776 | 1 | 25 | m21073 | 1 |
| 14 | m10485 | 1 | | | |

m22679



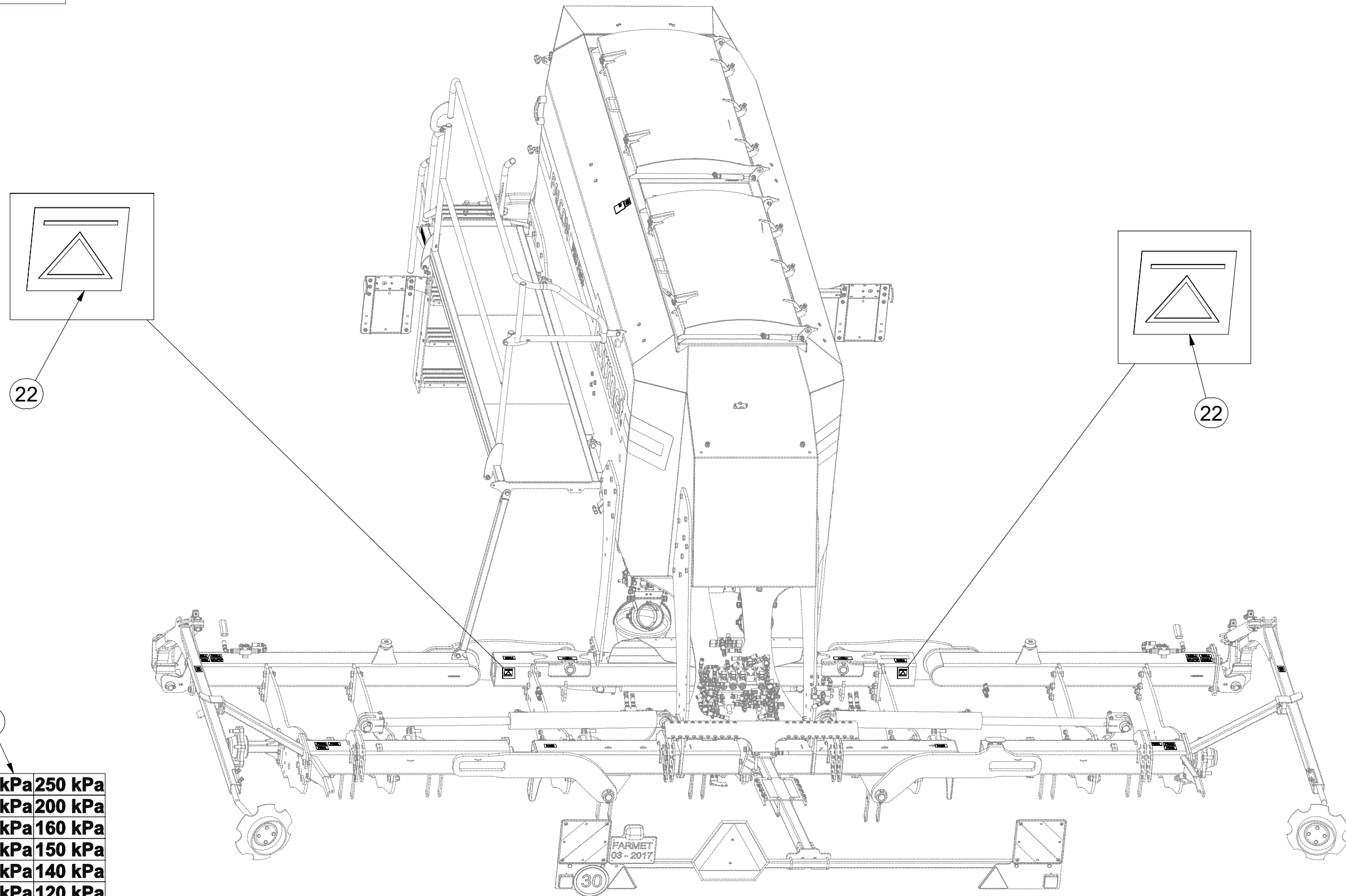
| Pos. | Part Number | Pcs. |
|------|-------------|------|
| 1 | m03320 | 1 |
| 4 | m04361 | 4 |
| 5 | m04362 | 2 |
| 7 | m04364 | 2 |
| 10 | m04367 | 6 |
| 11 | m04368 | 10 |
| 12 | m04369 | 5 |
| 23 | m03316 | 6 |

- Ⓒ SAMOLEPKY STROJE
- Ⓓ AUFKLEBER MASCHINEN
- Ⓕ VOITURE MACHINES

- Ⓖ STICKERS MACHINES
- Ⓔ СТИКЕРЫ МАШИНЫ
- Ⓗ NAKLEJKI MASZYNY



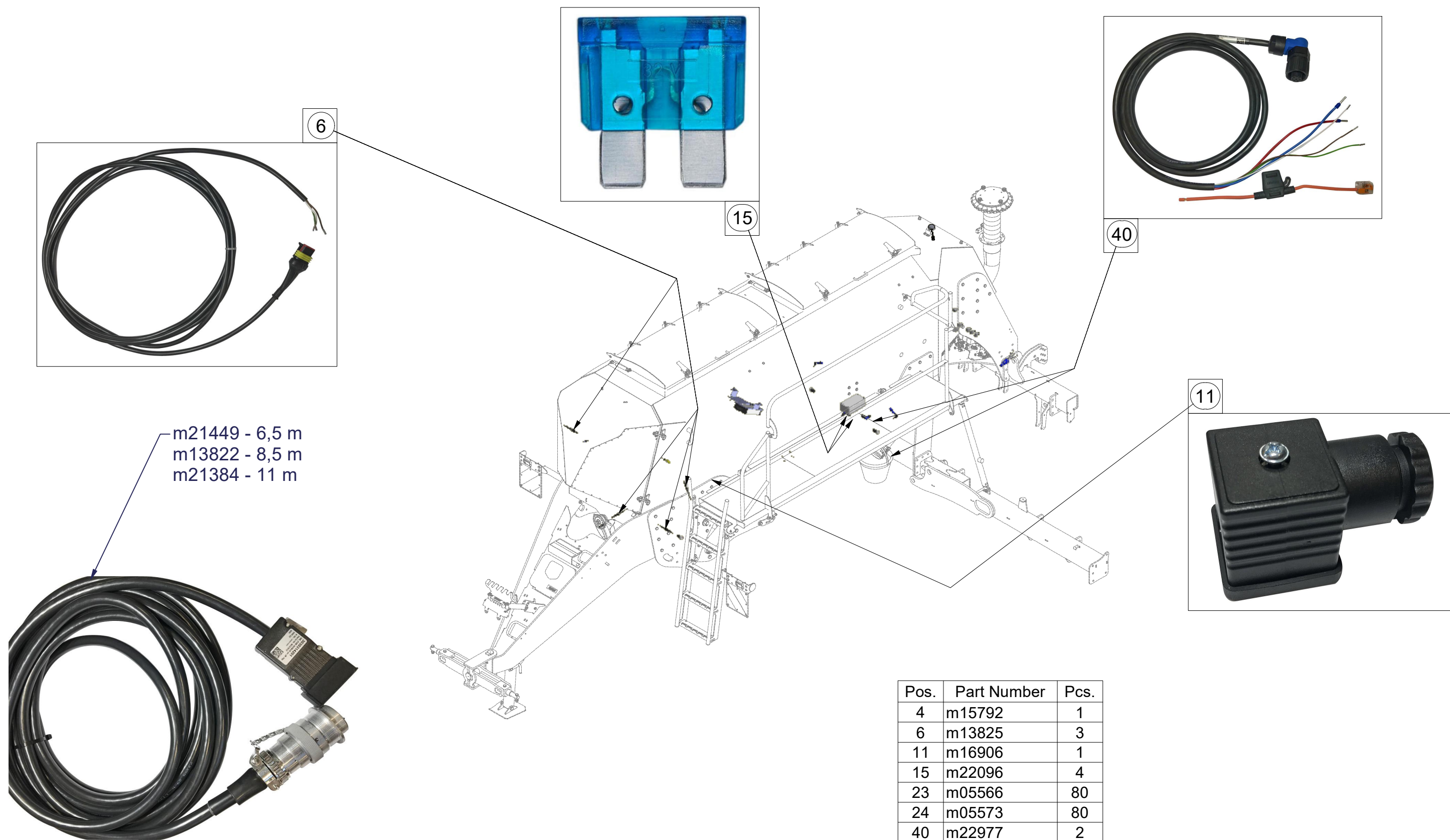
m22679



| | | |
|---------|---------|---------|
| 250 kPa | 250 kPa | 250 kPa |
| 200 kPa | 200 kPa | 200 kPa |
| 160 kPa | 160 kPa | 160 kPa |
| 150 kPa | 150 kPa | 150 kPa |
| 140 kPa | 140 kPa | 140 kPa |
| 120 kPa | 120 kPa | 120 kPa |
| 100 kPa | 100 kPa | 100 kPa |
| 80 kPa | 80 kPa | 80 kPa |
| ① | ① | ② |
| ② | ② | ③ |
| ③ | ③ | ③ |

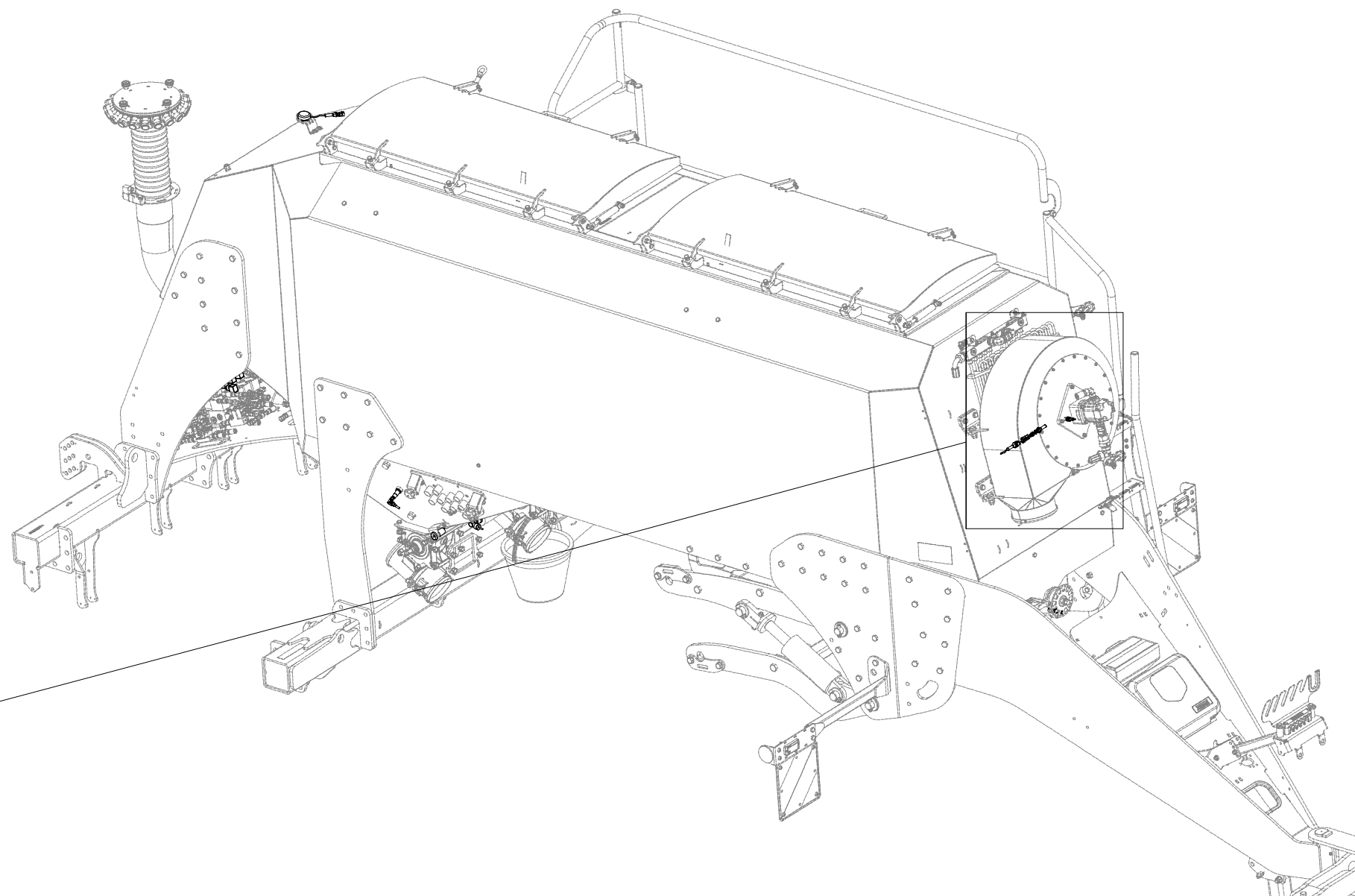
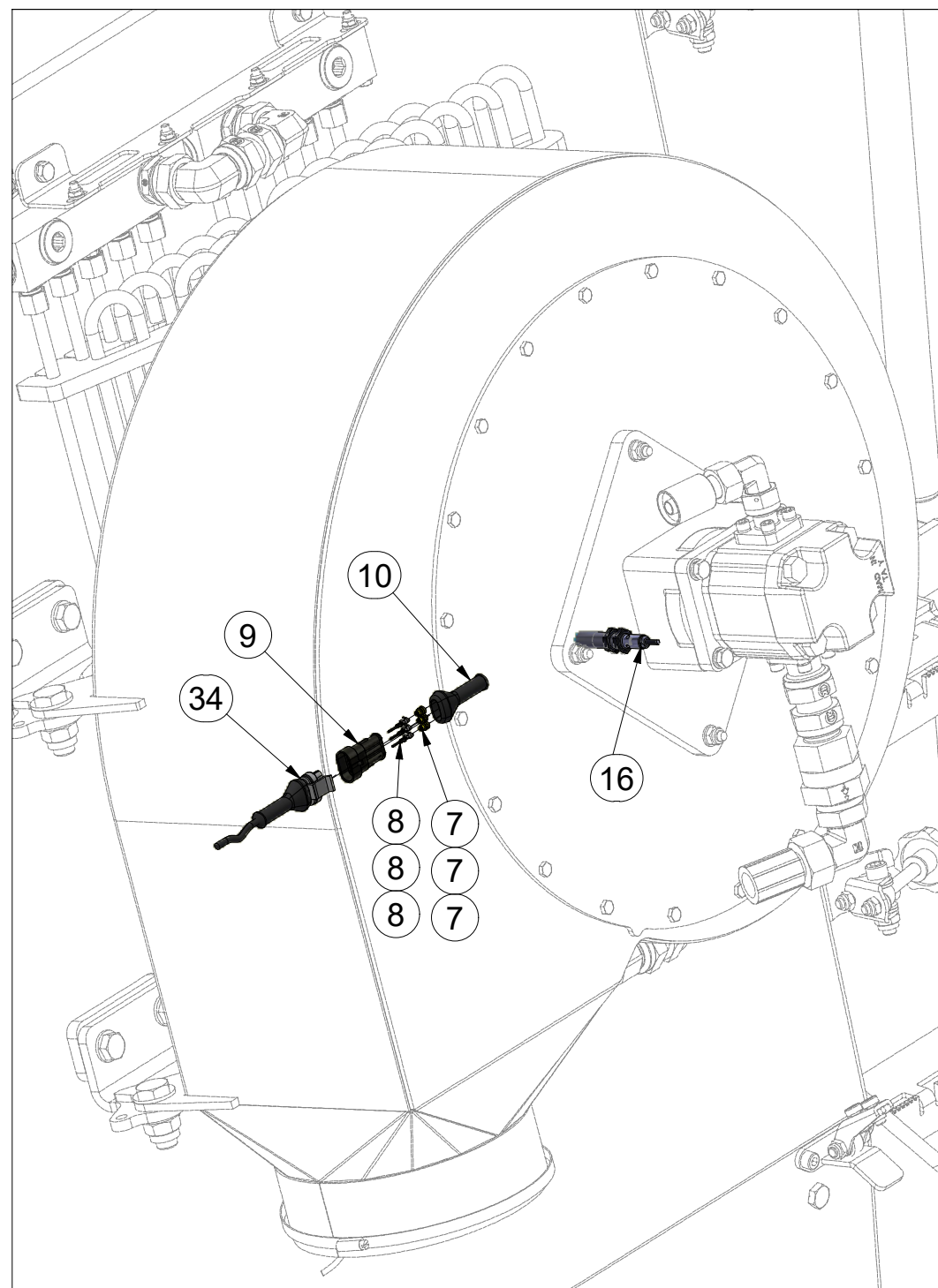
| Pos. | Part Number | Pcs. |
|------|-------------|------|
| 15 | m16229 | 1 |
| 22 | m03512 | 2 |

VZ00024521



| Pos. | Part Number | Pcs. |
|------|-------------|------|
| 4 | m15792 | 1 |
| 6 | m13825 | 3 |
| 11 | m16906 | 1 |
| 15 | m22096 | 4 |
| 23 | m05566 | 80 |
| 24 | m05573 | 80 |
| 40 | m22977 | 2 |

VZ00024521



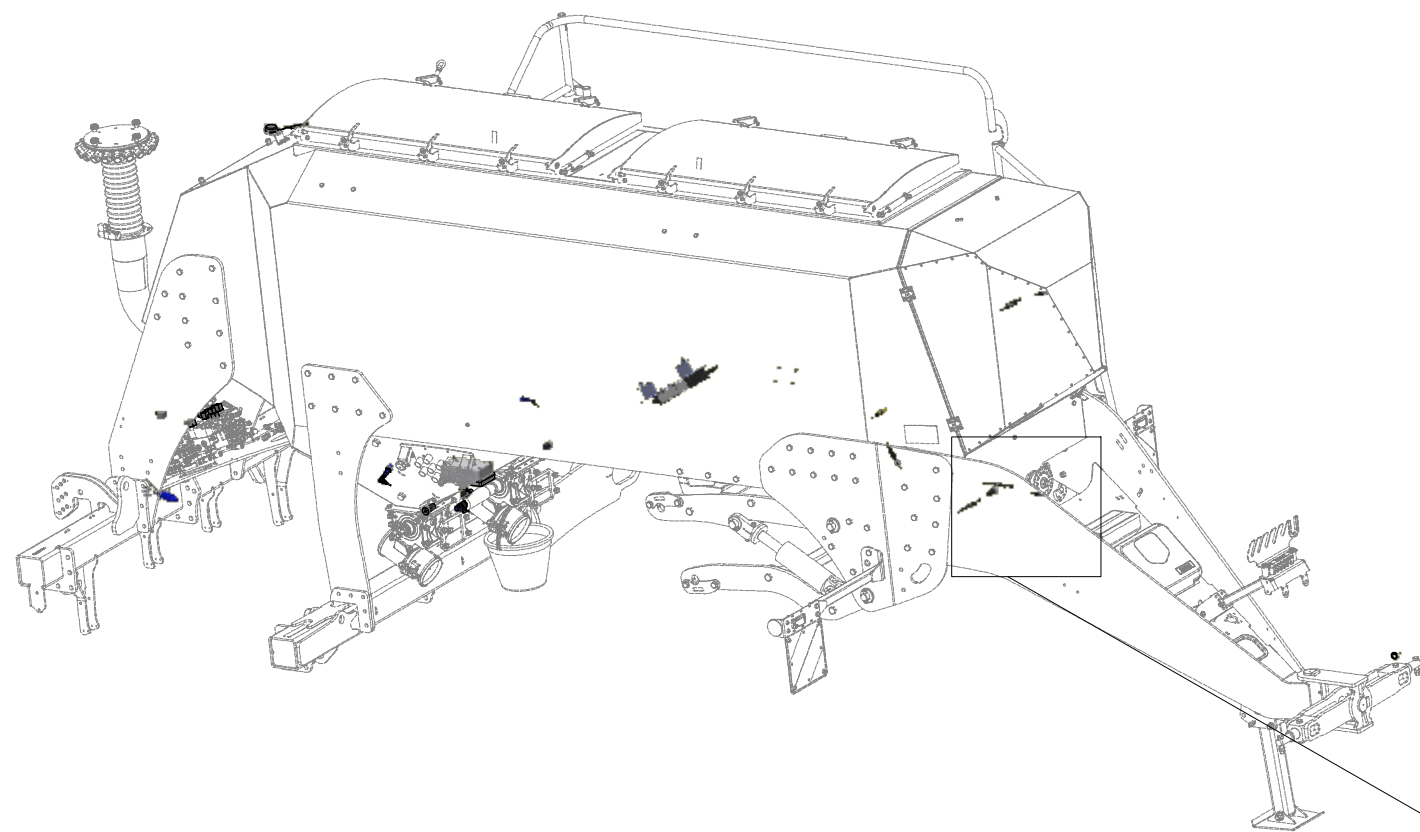
| Pos. | Part Number | Pcs. |
|------|-------------|------|
| 7 | m20071 | 12 |
| 8 | m20073 | 12 |
| 9 | m20079 | 4 |
| 10 | m21510 | 4 |
| 16 | m22608 | 2 |
| 34 | m22704 | 1 |

CZ SADA ELEKTRONIKY
 D ELEKTRONIKSATZ
 F KIT D'ELECTRONIQUE

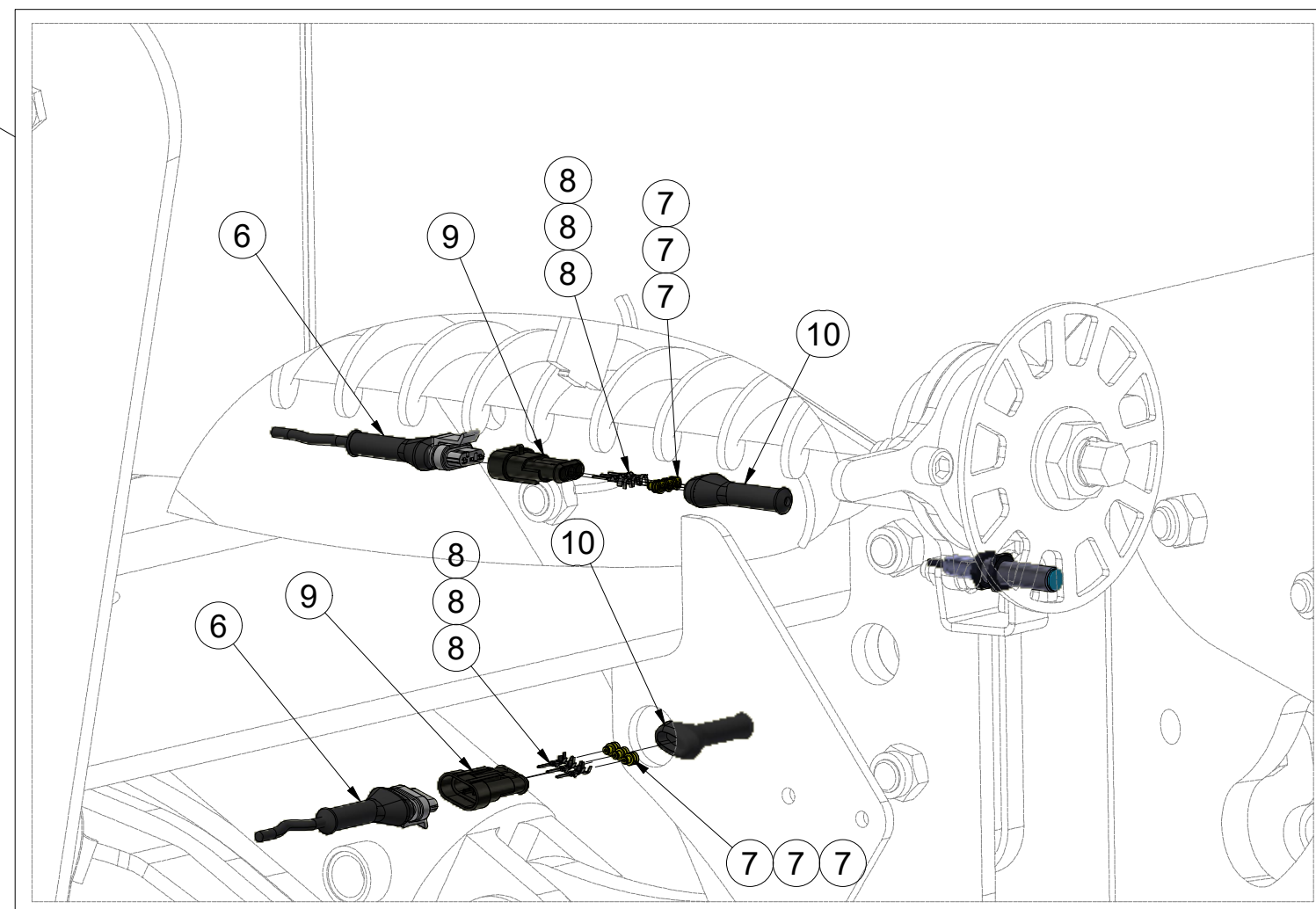
GB ELEKTRONICS SET
 RU КОМПЛЕКТ ЭЛЕКТРОНИКИ
 PL ZESTAW ELEKTRONIKI



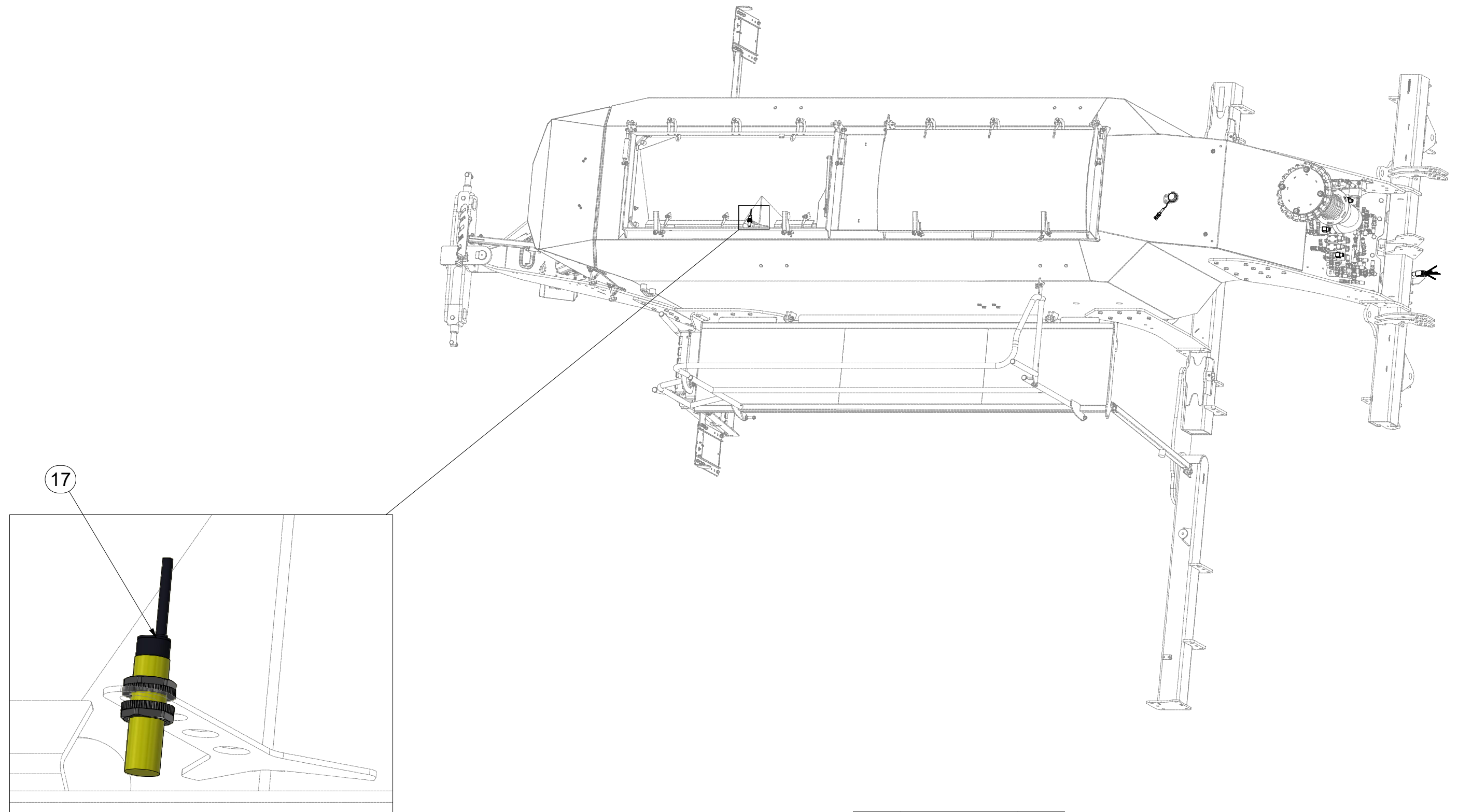
VZ00024521



| Pos. | Part Number | Pcs. |
|------|-------------|------|
| 6 | m13825 | 3 |
| 7 | m20071 | 12 |
| 8 | m20073 | 12 |
| 9 | m20079 | 4 |
| 10 | m21510 | 4 |



VZ00024521



| Pos. | Part Number | Pcs. |
|------|-------------|------|
| 17 | m13834 | 1 |

Ⓒ SADA ELEKTRONIKY

Ⓓ ELEKTRONIKSATZ

Ⓕ KIT D'ELECTRONIQUE

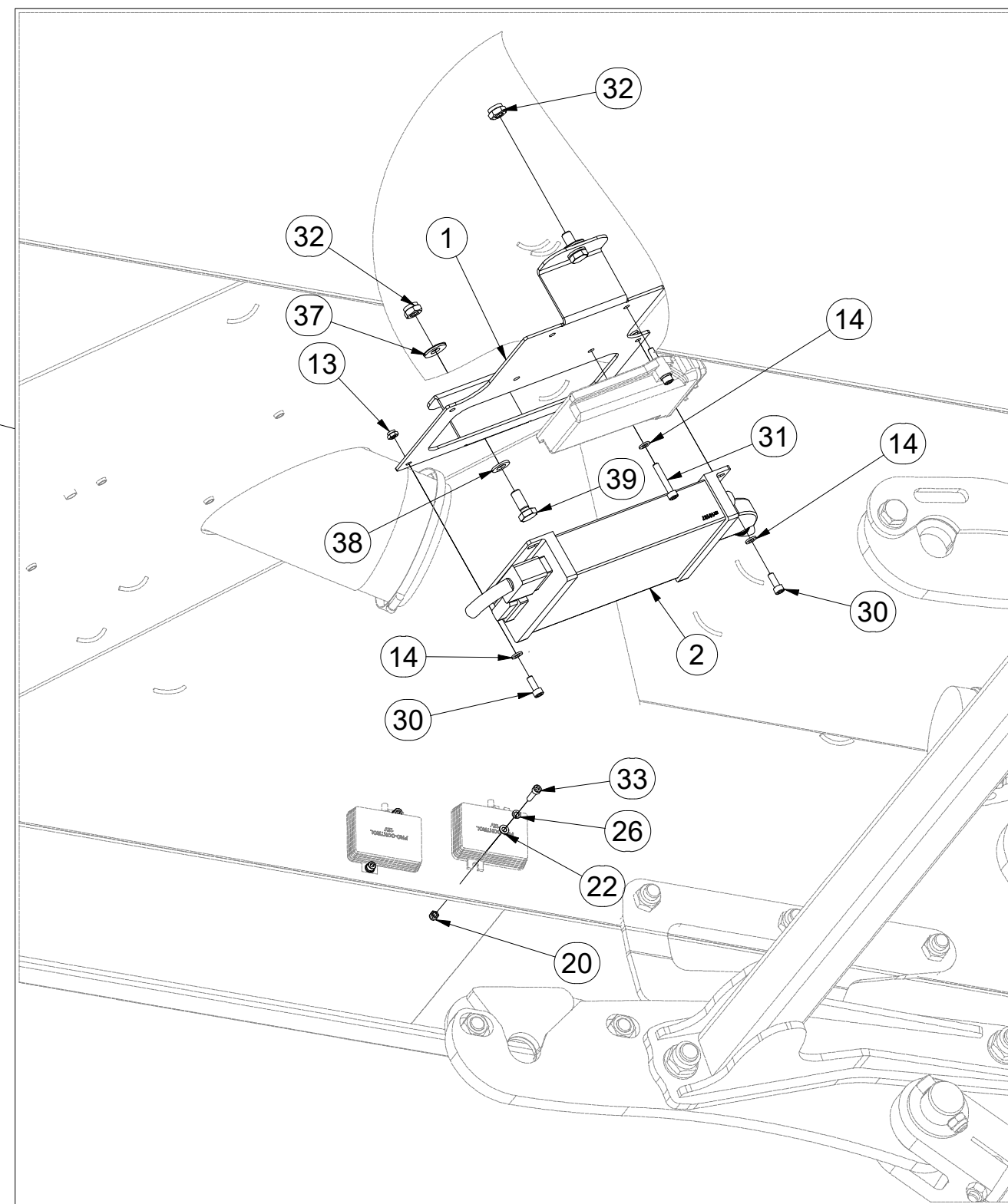
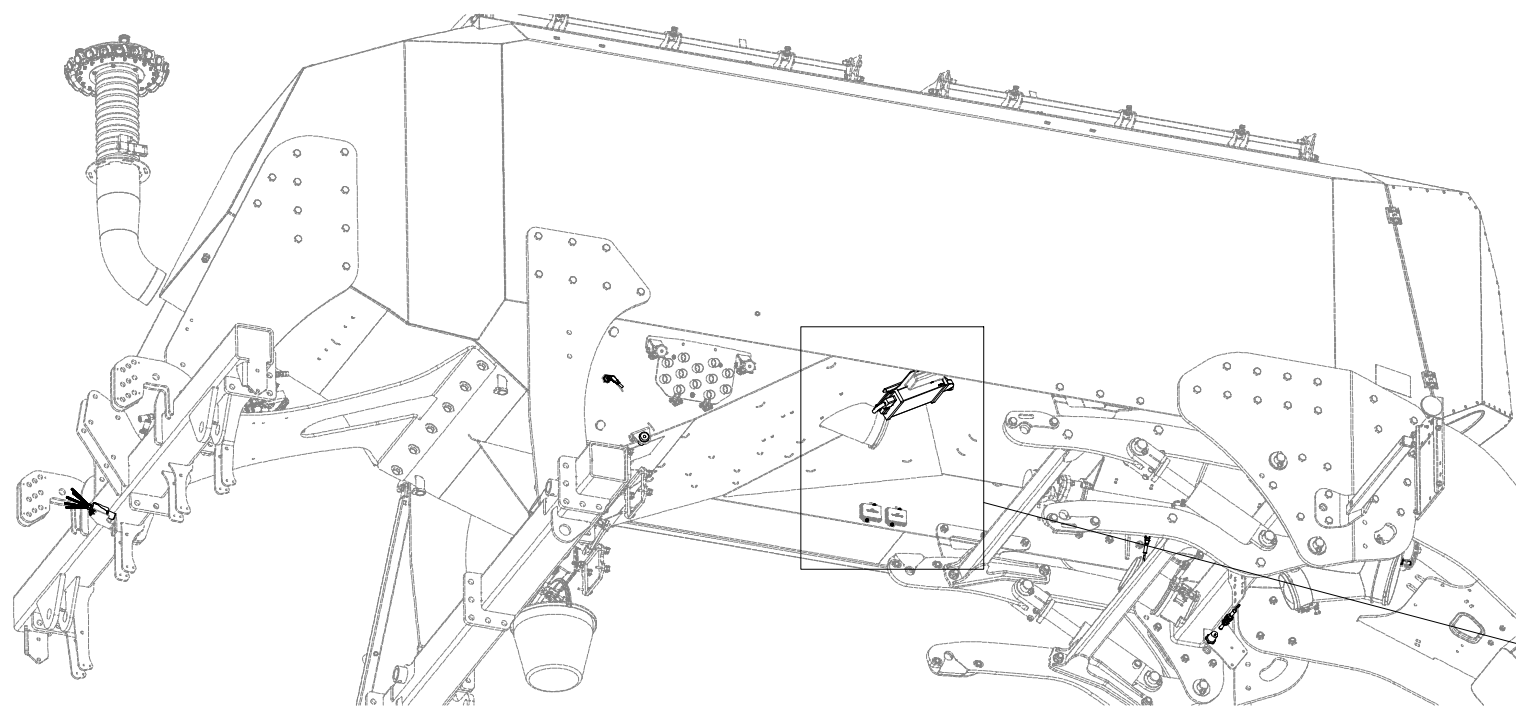
Ⓖ ELEKTRONICS SET

Ⓡ КОМПЛЕКТ ЭЛЕКТРОНИКИ

Ⓟ ZESTAW ELEKTRONIKI



VZ00024521



| Pos. | Part Number | Pcs. |
|------|-------------|------|
| 1 | VZ00023667 | 1 |
| 2 | m18107 | 1 |
| 13 | m05560 | 8 |
| 14 | m01199 | 4 |
| 20 | m06236 | 6 |
| 22 | m04164 | 6 |
| 26 | m01197 | 4 |
| 30 | m05303 | 2 |
| 31 | m06102 | 2 |
| 32 | m13617 | 2 |
| 33 | m10591 | 4 |
| 37 | m20312 | 2 |
| 38 | m06859 | 2 |
| 39 | m19695 | 2 |

Ⓒ SADA ELEKTRONIKY

Ⓓ ELEKTRONIKSATZ

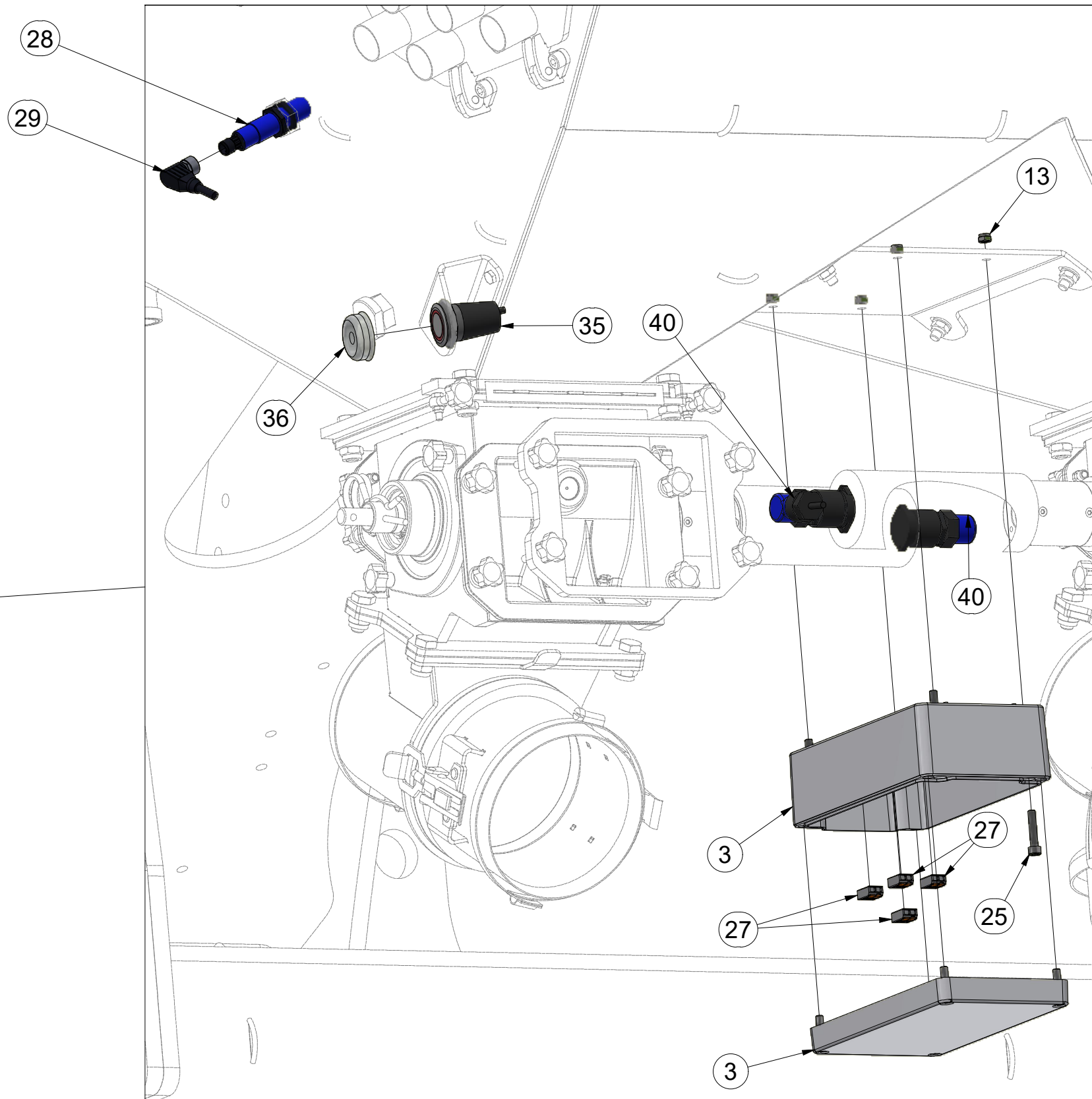
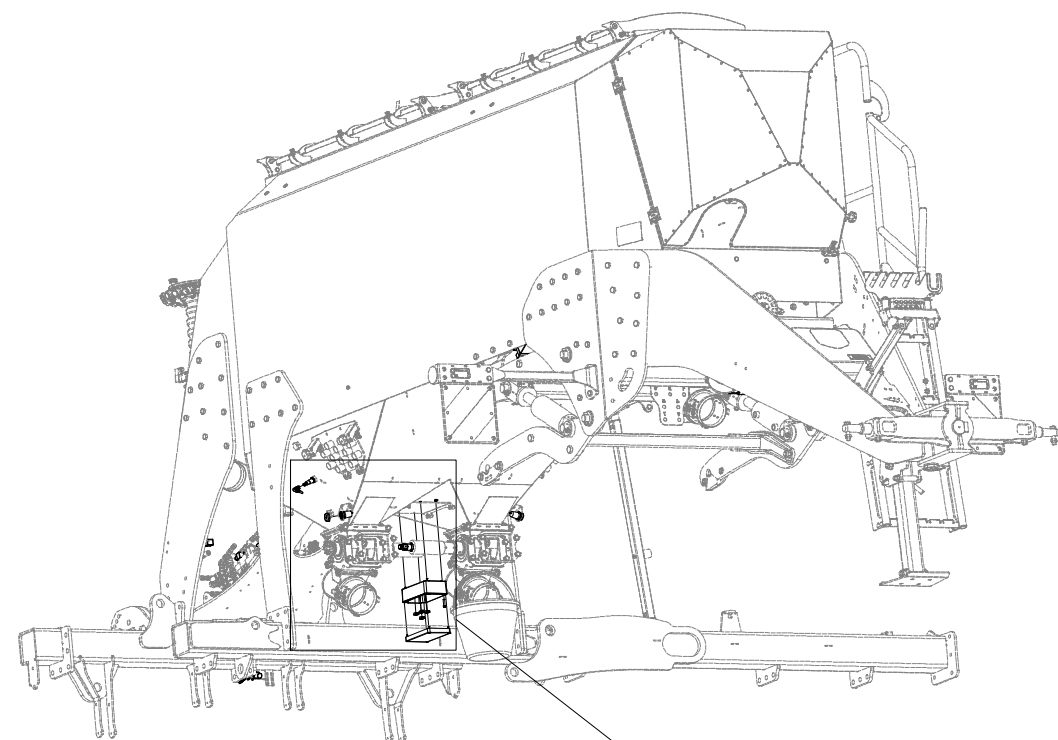
Ⓕ KIT D'ELECTRONIQUE

VZ00024521

Ⓖ ELEKTRONICS SET

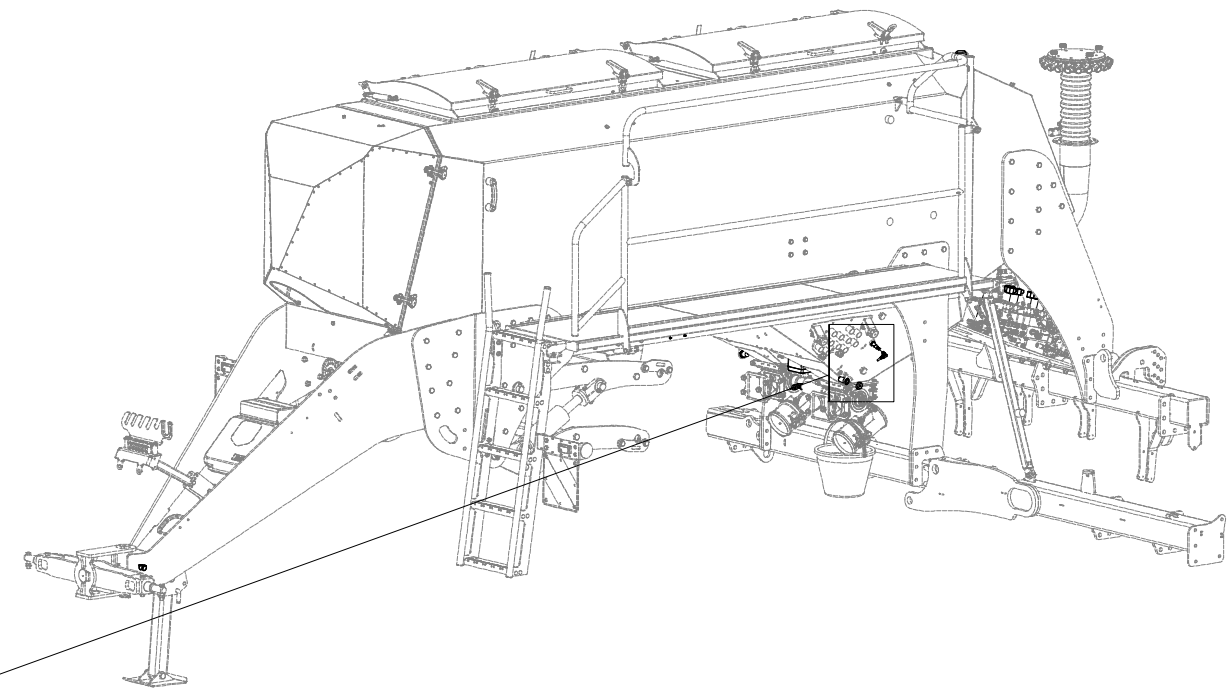
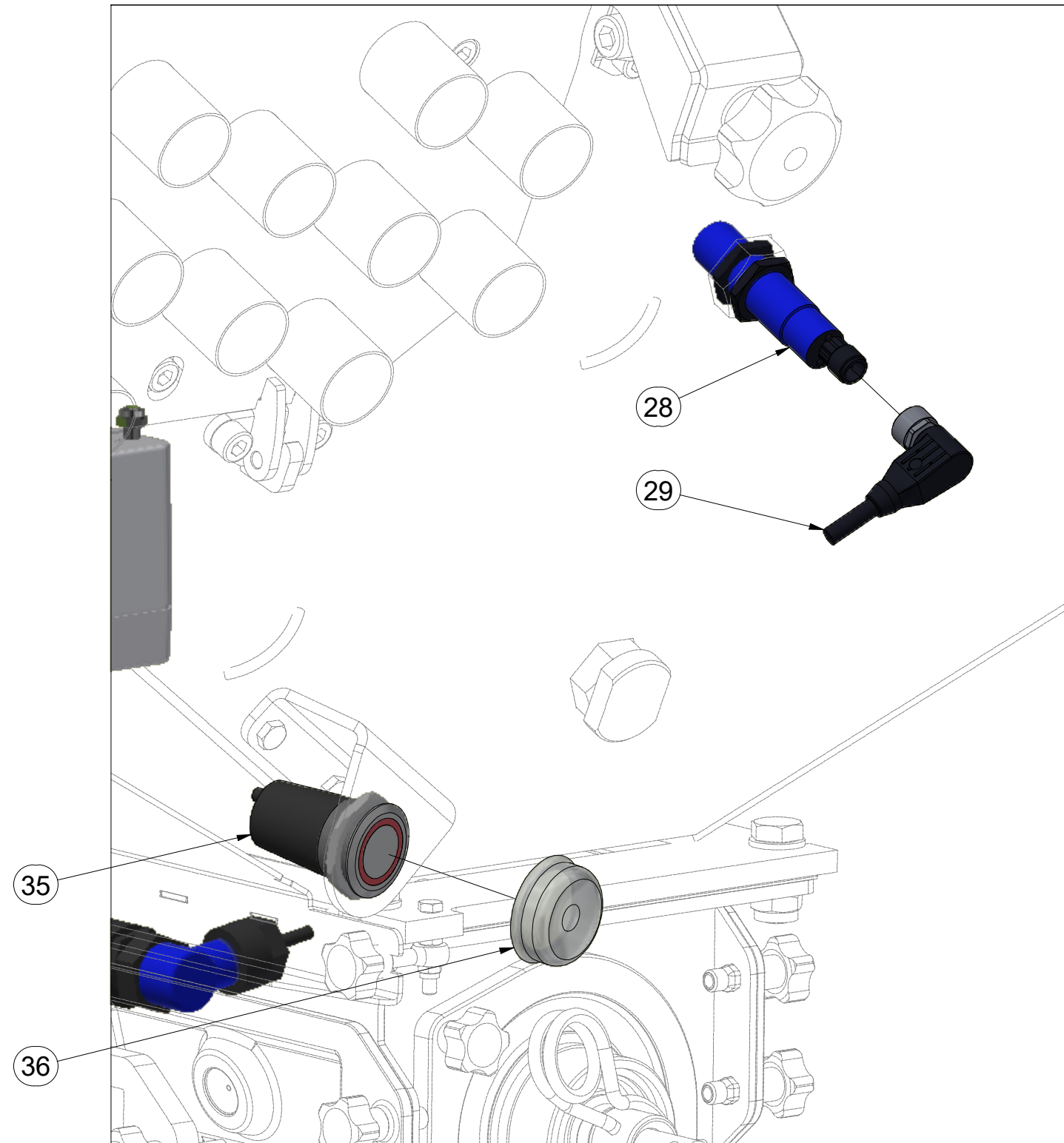
Ⓡ КОМПЛЕКТ ЭЛЕКТРОНИКИ

Ⓢ ZESTAW ELEKTRONIKI



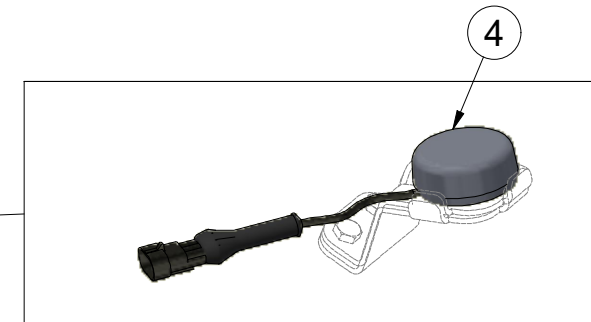
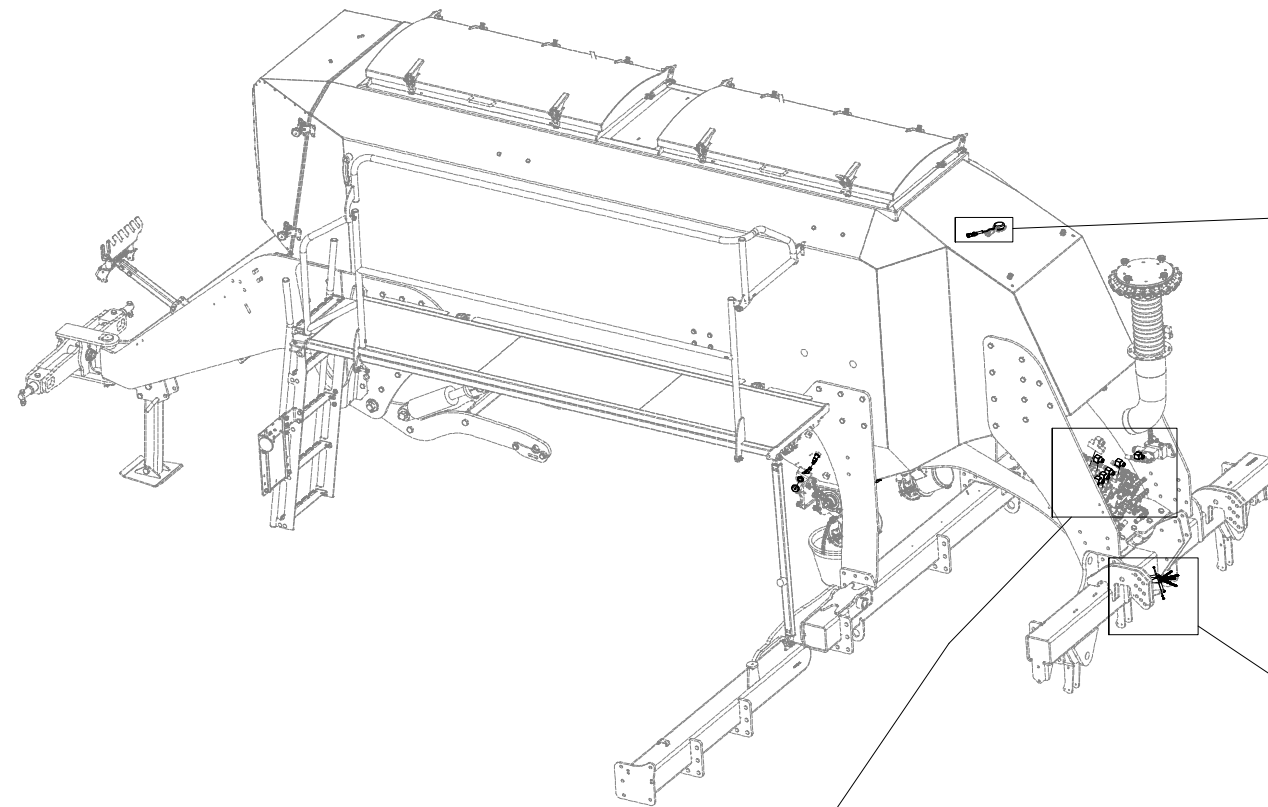
| Pos. | Part Number | Pcs. |
|------|-------------|------|
| 3 | m21131 | 1 |
| 13 | m05560 | 8 |
| 25 | m06101 | 4 |
| 27 | m20803 | 4 |
| 28 | m22669 | 2 |
| 29 | m22670 | 2 |
| 35 | m22773 | 3 |
| 36 | m22768 | 3 |
| 40 | m22977 | 2 |

VZ00024521

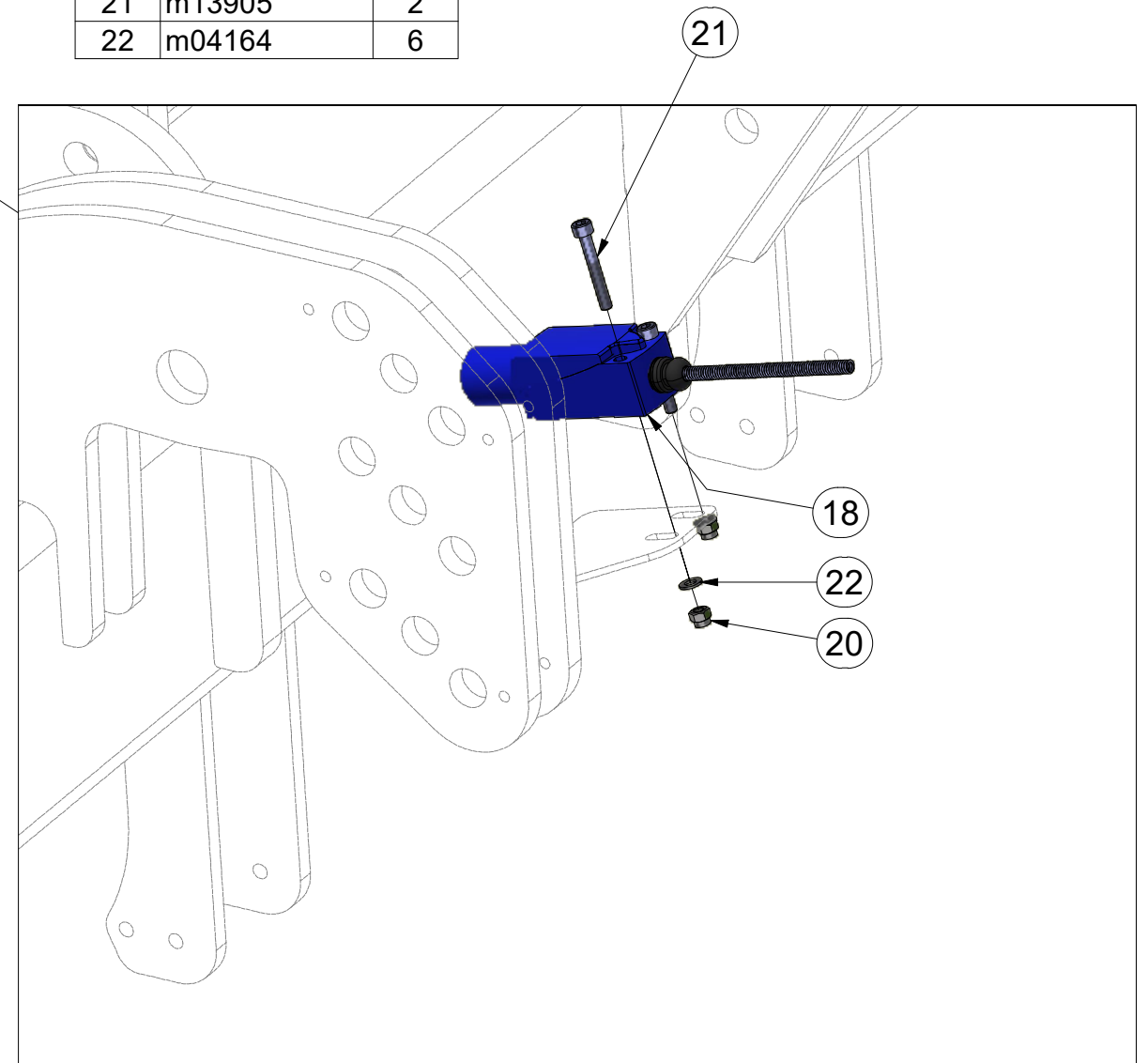
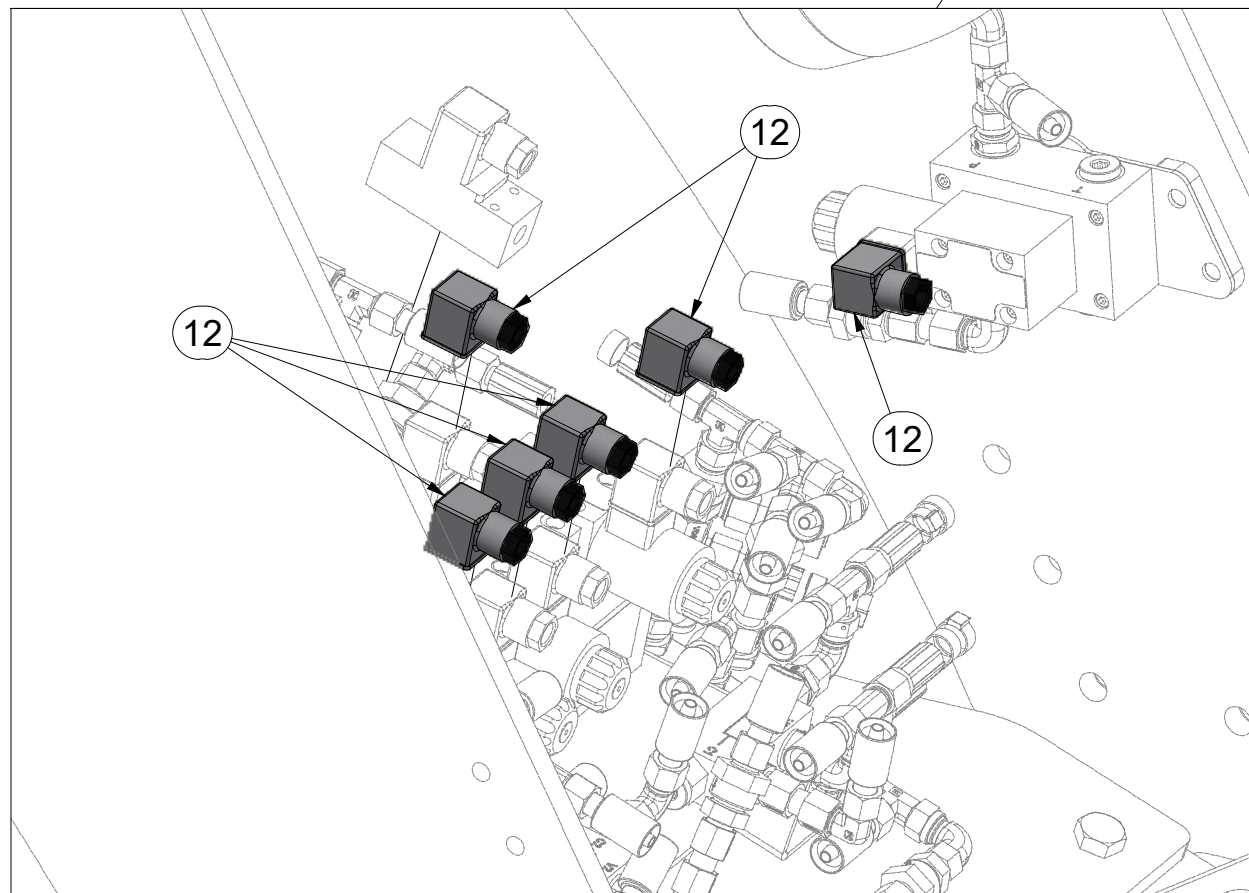


| Pos. | Part Number | Pcs. |
|------|-------------|------|
| 28 | m22669 | 2 |
| 29 | m22670 | 2 |
| 35 | m22773 | 3 |
| 36 | m22768 | 3 |

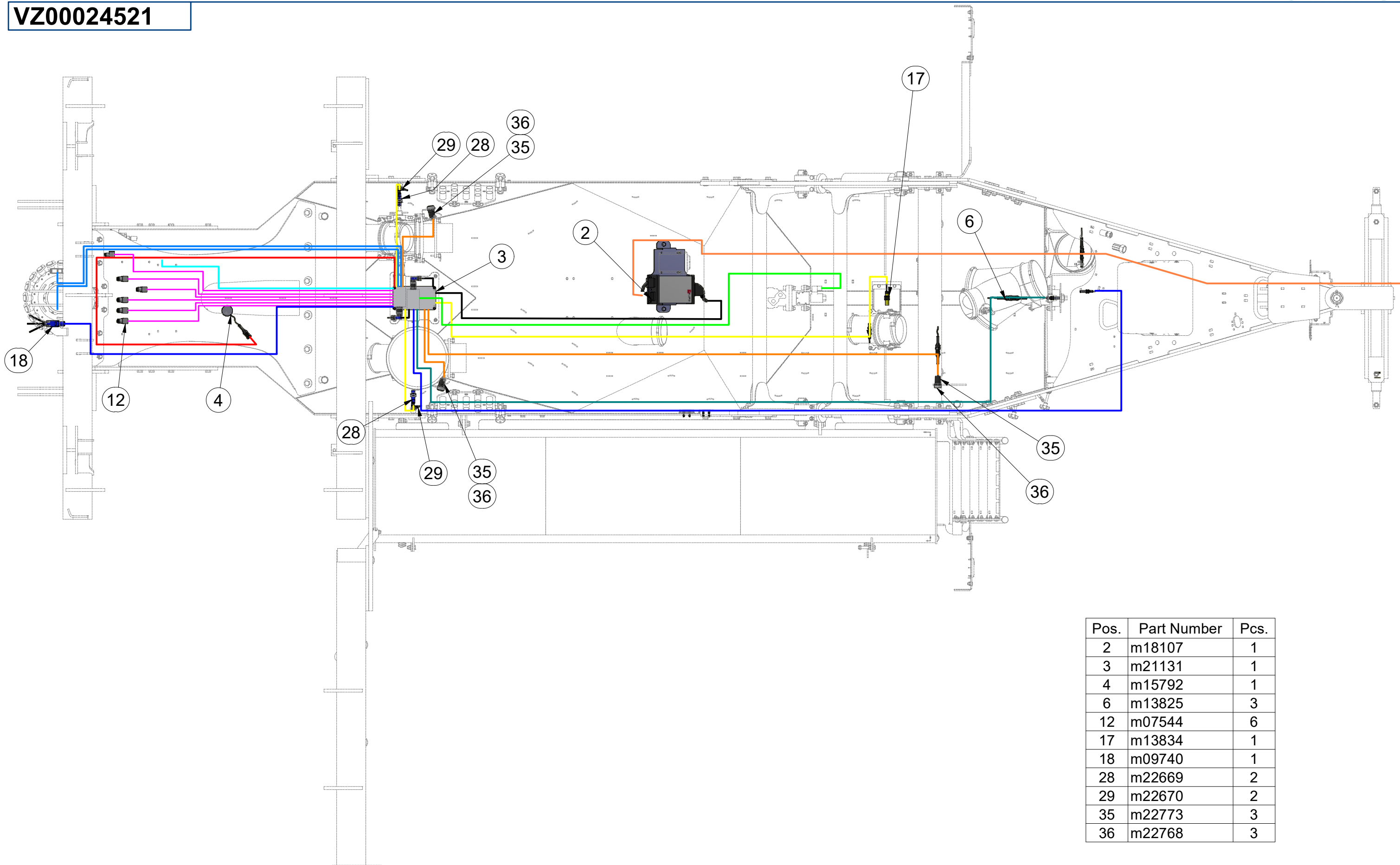
VZ00024521



| Pos. | Part Number | Pcs. |
|------|-------------|------|
| 4 | m15792 | 1 |
| 12 | m07544 | 6 |
| 18 | m09740 | 1 |
| 20 | m06236 | 6 |
| 21 | m13905 | 2 |
| 22 | m04164 | 6 |

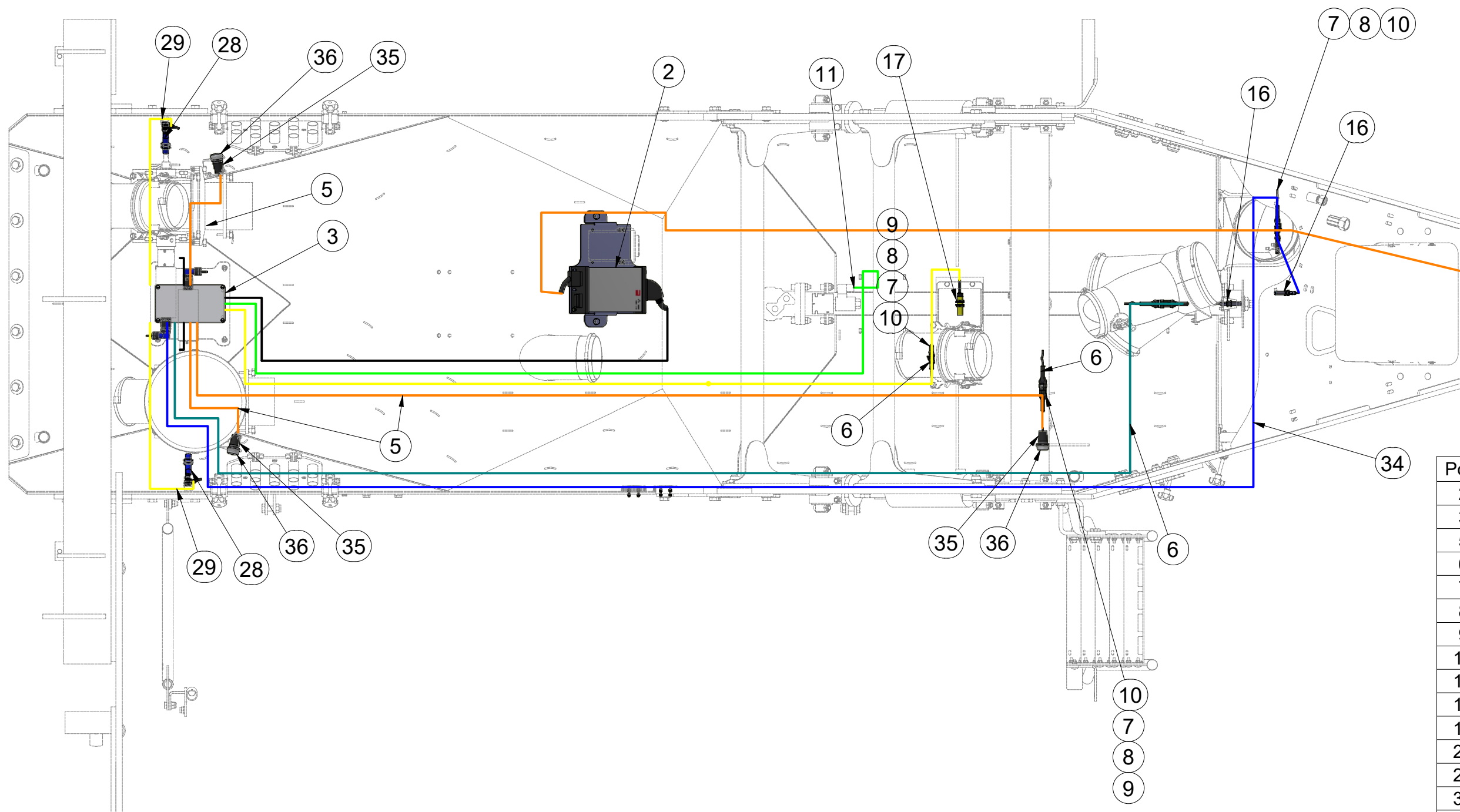


VZ00024521



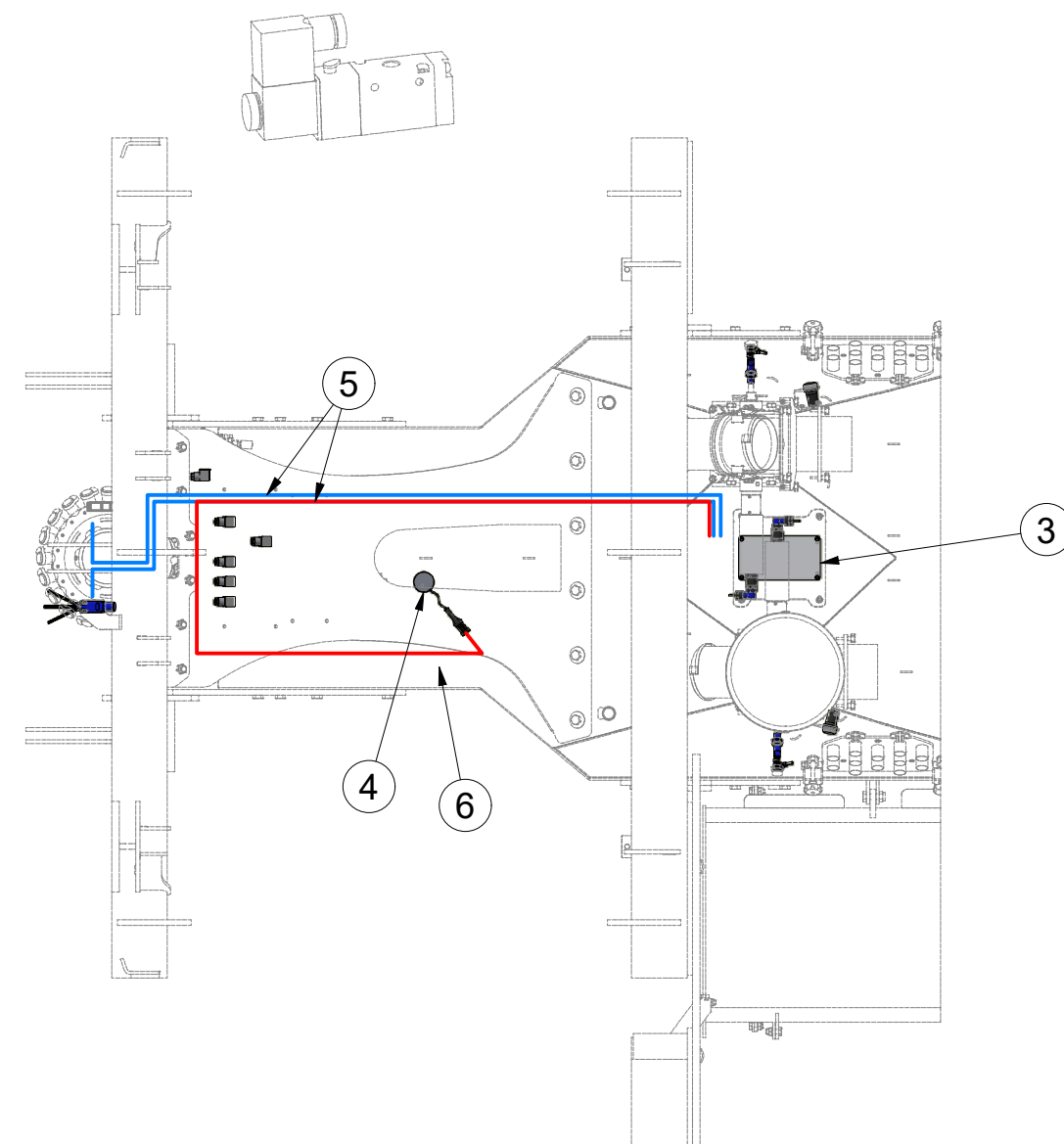
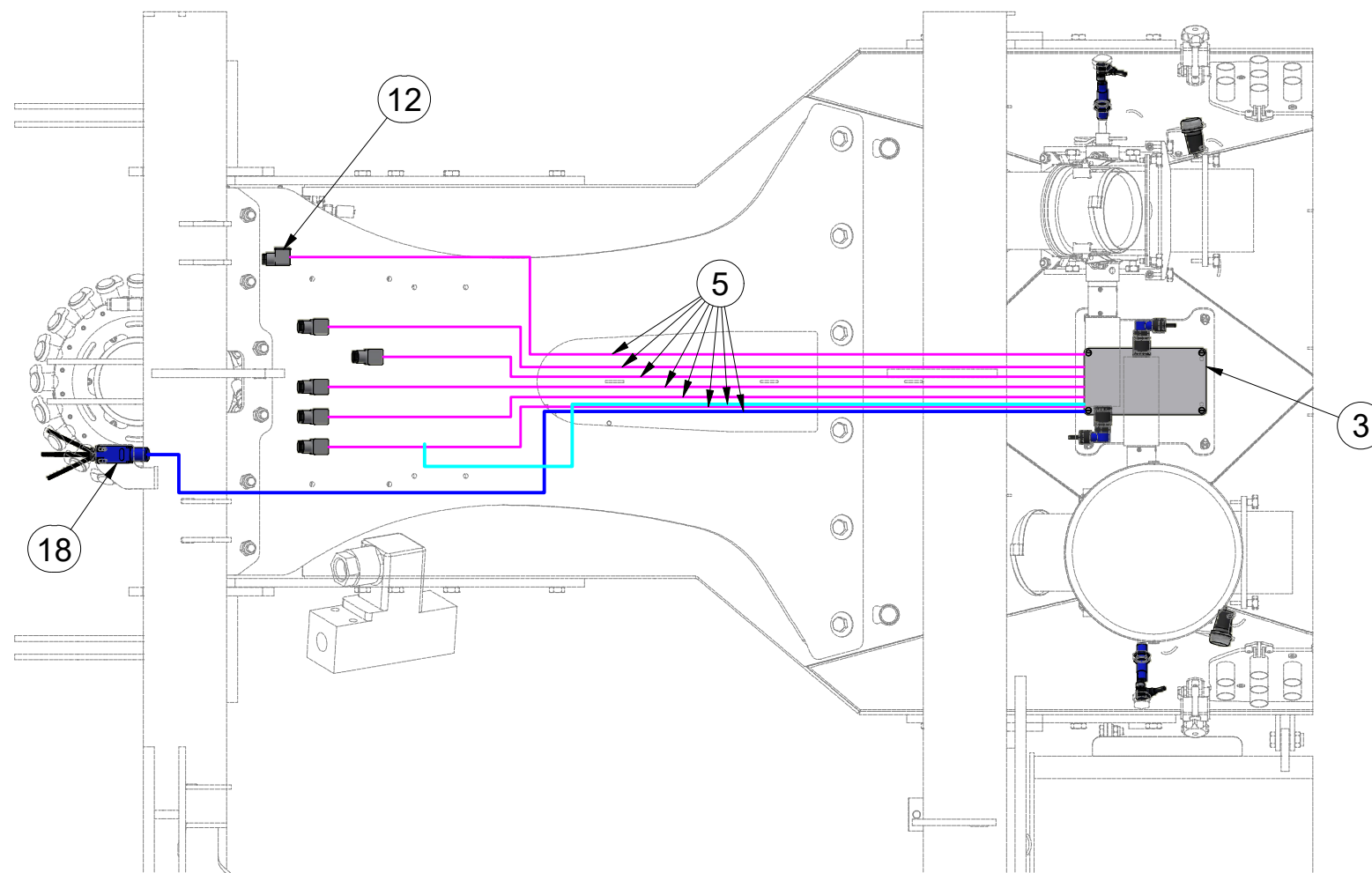
| Pos. | Part Number | Pcs. |
|------|-------------|------|
| 2 | m18107 | 1 |
| 3 | m21131 | 1 |
| 4 | m15792 | 1 |
| 6 | m13825 | 3 |
| 12 | m07544 | 6 |
| 17 | m13834 | 1 |
| 18 | m09740 | 1 |
| 28 | m22669 | 2 |
| 29 | m22670 | 2 |
| 35 | m22773 | 3 |
| 36 | m22768 | 3 |

VZ00024521

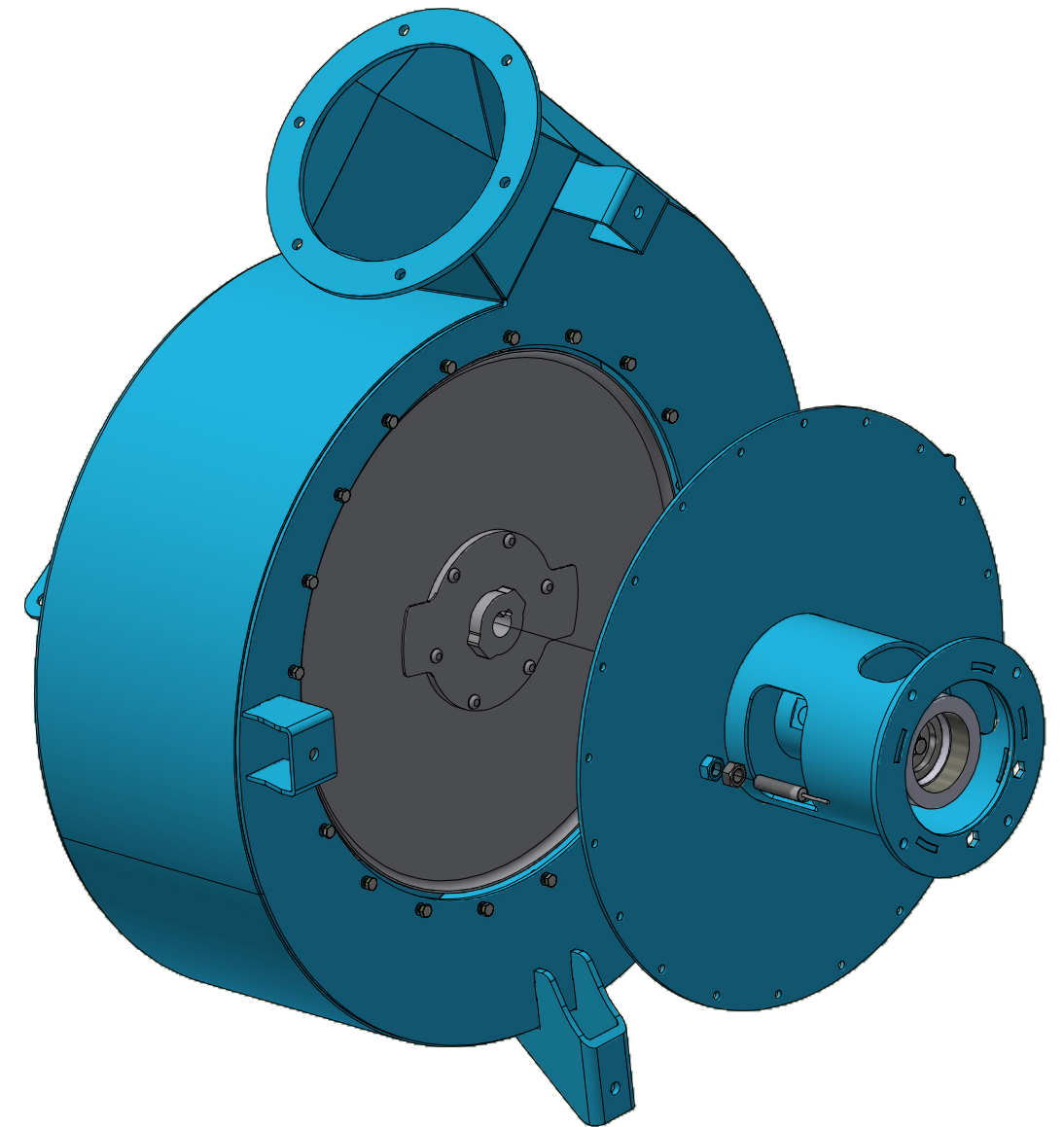
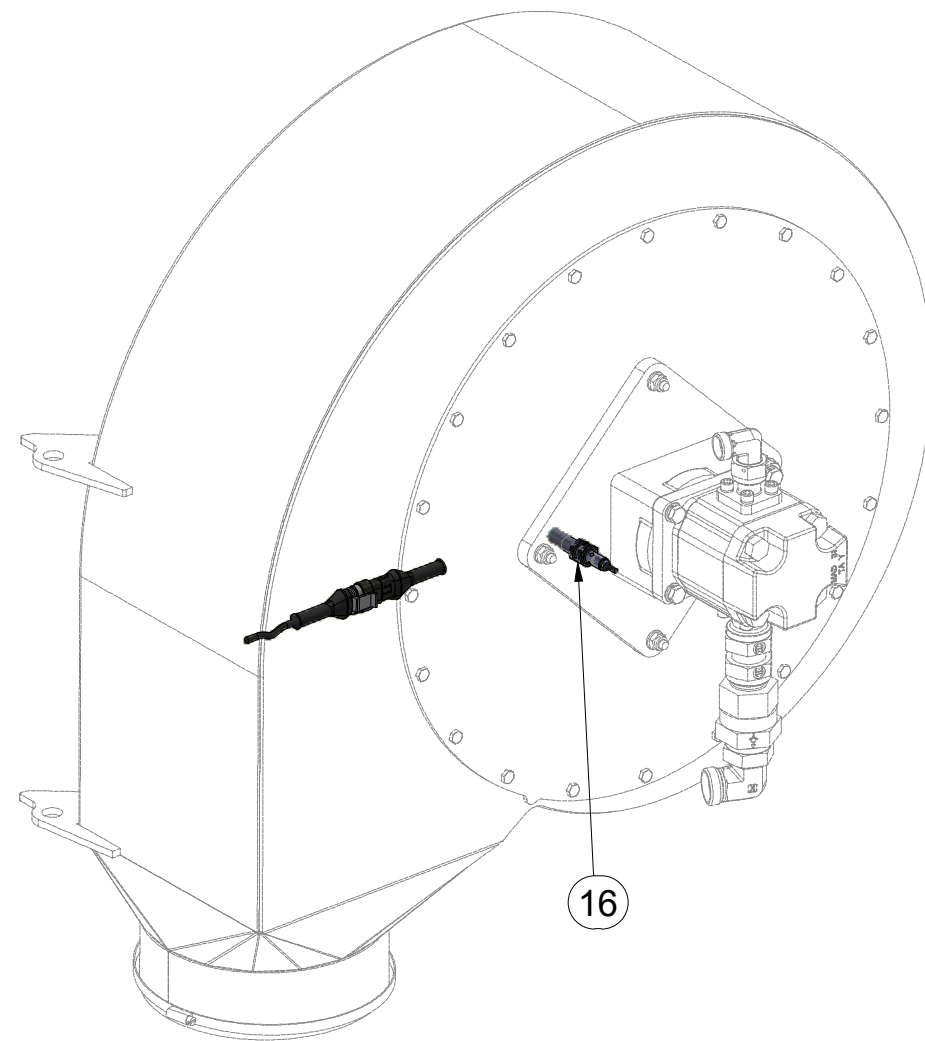


| Pos. | Part Number | Pcs. |
|------|-------------|---------|
| 2 | m18107 | 1 |
| 3 | m21131 | 1 |
| 5 | m05047 | 50,00 m |
| 6 | m13825 | 3 |
| 7 | m20071 | 12 |
| 8 | m20073 | 12 |
| 9 | m20079 | 4 |
| 10 | m21510 | 4 |
| 11 | m16906 | 1 |
| 16 | m22608 | 2 |
| 17 | m13834 | 1 |
| 28 | m22669 | 2 |
| 29 | m22670 | 2 |
| 34 | m22704 | 1 |
| 35 | m22773 | 3 |
| 36 | m22768 | 3 |

VZ00024521

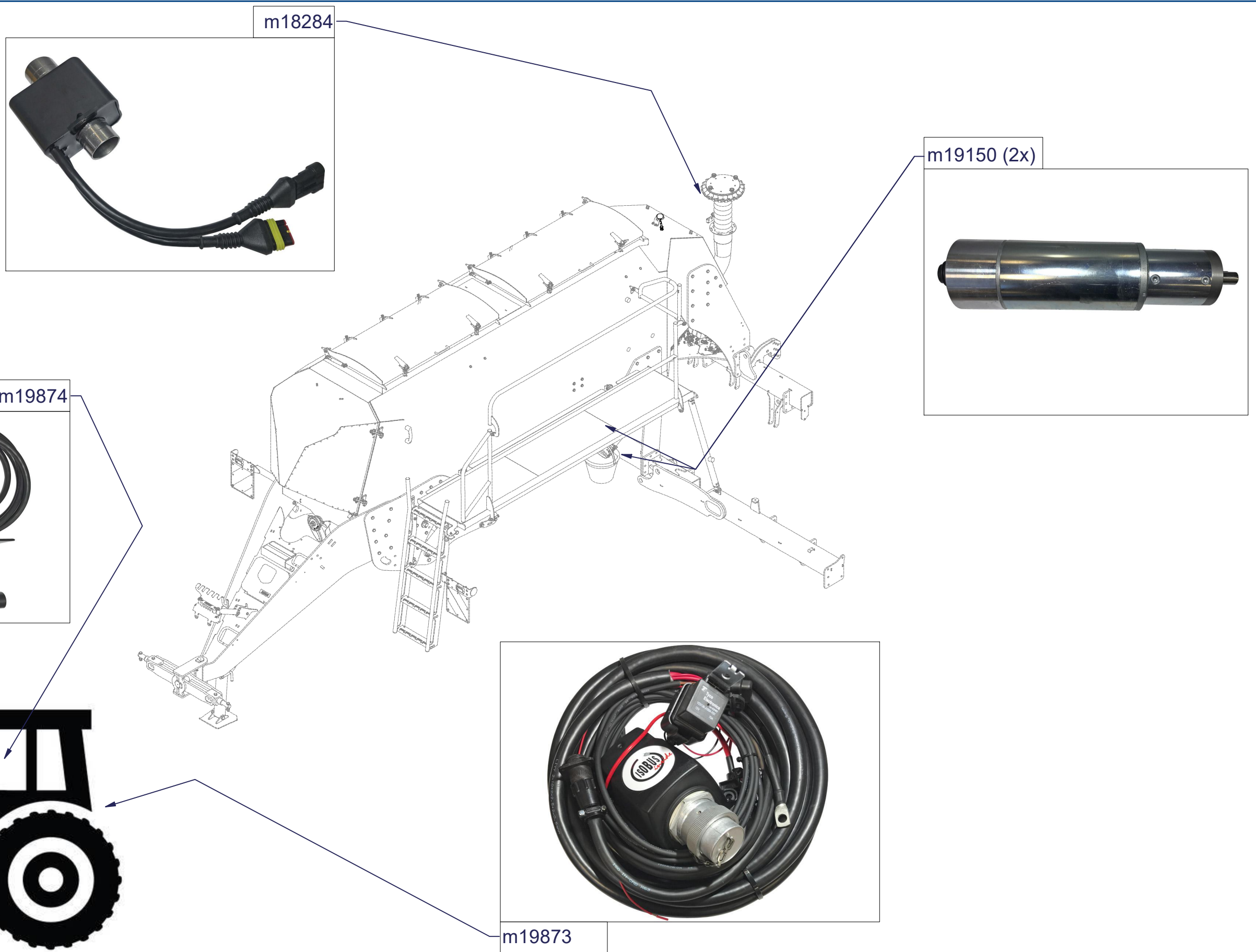


| Pos. | Part Number | Pcs. |
|------|-------------|---------|
| 3 | m21131 | 1 |
| 4 | m15792 | 1 |
| 5 | m05047 | 50,00 m |
| 6 | m13825 | 3 |
| 12 | m07544 | 6 |
| 18 | m09740 | 1 |



| Pos. | Part Number | Pcs. |
|------|-------------|------|
| 16 | m22608 | 2 |

VZ00024521



- Ⓒ UTAHOVACÍ MOMENTY ŠROUBŮ
 Ⓓ ANZUGMOMENTE VON SCHRAUBEN
 Ⓕ COUPLES DE SERRAGE DES VIS

- Ⓒ SCREW TIGHTENING TORQUE
 Ⓓ МОМЕНТЫ ЗАЖАТИЯ БОЛТОВ
 Ⓕ MOMENTY DOKRĘCANIA ŚRUB



| P | | 5.8 | 8.8 | 10.9 | 12.9 | Z | |
|-----|------|------|------|-------|-------|----------|-----------|
| D | R | Mu | Mu | Mu | Mu | DIN 7991 | ISO 10642 |
| mm | mm | Nm | Nm | Nm | Nm | Nm | Nm |
| M6 | 1 | 6 | 9 | 13 | 15 | 7,2 | 7,9 |
| M8 | 1,25 | 14 | 22 | 32 | 38 | 17 | 19 |
| M10 | 1,5 | 29 | 44 | 64 | 75 | 35 | 38 |
| M12 | 1,75 | 49 | 76 | 111 | 130 | 58 | 65 |
| M14 | 2 | 79 | 120 | 176 | 206 | 93 | 100 |
| M16 | 2 | 123 | 188 | 276 | 323 | 144 | 158 |
| M18 | 2,5 | 169 | 257 | 378 | 443 | - | 220 |
| M20 | 2,5 | 239 | 365 | 536 | 628 | - | 310 |
| M22 | 2,5 | 329 | 529 | 738 | 864 | - | 420 |
| M24 | 3 | 413 | 629 | 924 | 1082 | - | 530 |
| M27 | 3 | 613 | 934 | 1372 | 1606 | - | - |
| M30 | 3,5 | 832 | 1267 | 1862 | 2179 | - | - |
| M33 | 3,5 | 1130 | 1723 | 2530 | 2961 | - | - |
| M36 | 4 | 1451 | 2210 | 3246 | 3799 | - | - |
| M39 | 4 | 1885 | 2872 | 4217 | 4936 | - | - |
| M42 | 4,5 | 2322 | 3538 | 5196 | 6080 | - | - |
| M45 | 4,5 | 2909 | 4433 | 6511 | 7619 | - | - |
| M48 | 5 | 3513 | 535 | 7862 | 9200 | - | - |
| M52 | 5 | 4524 | 6895 | 10123 | 11849 | - | - |
| M56 | 5,5 | 5636 | 8589 | 12614 | 14761 | - | - |

- Mu - Ⓒ UTAHOVACÍ MOMENT
 Ⓓ ANZUGMOMENTE
 Ⓕ COUPLE DE SERRAGE
 Ⓒ TIGHTENING TORQUE
 Ⓓ МОМЕНТ ЗАЖАТИЯ
 Ⓕ MOMENT DOKRĘCANIA
- D - Ⓒ JMENOVITÝ PRŮMĚR
 Ⓓ NENNDURCHMESSER
 Ⓕ DIAMETRE NOMINAL
 Ⓒ NOMINAL DIAMETER
 Ⓓ НОМИНАЛЬНЫЙ ДИАМЕТР
 Ⓕ ŚREDNICA NOMINALNA
- R - Ⓒ ROZTEČ ZÁVITU - STOUPÁNÍ
 Ⓓ GEWINDESTEIGUNG
 Ⓕ PAS DE FILET - PAS
 Ⓒ SCREW PITCH – LEAD
 Ⓓ ШАГ РЕЗЬБЫ
 Ⓕ ROZSTAW GWINTU - SKOKI
- P - Ⓒ PEVNOST
 Ⓓ FESTIGKEIT
 Ⓕ RÉSISTANCE
 Ⓒ STRENGTH
 Ⓓ ПРОЧНОСТЬ
 Ⓕ WYTRZYMA OŚĆ
- Z - Ⓒ ZÁPUSTNÉ ŠROUBY
 Ⓓ SENKKOPFSCHRAUBEN
 Ⓕ VIS A TETE FRAISEE
 Ⓒ COUNTERSUNK SCREWS
 Ⓓ БОЛТЫ С УТОПЛЕННОЙ ГОЛОВКОЙ
 Ⓕ ŚRUBY Z ŁBEM STOŻKOWYM PŁASKIM

- Ⓒ Hodnoty momentů jsou poníženy o -10% oproti tabulkovým hodnotám. Šroubové spoje utahujte dle vyznačeného utahovacího momentu v dokumentaci. Pokud není utahovací moment v dokumentaci vyznačen, utahujte dle obecné tabulky. Pokud je v dokumentaci definován spoj šroubu a matice o různých pevnostech, vždy utahujte na moment komponenty nižší.
- Ⓓ Die Werte der Anzugsmomente sind um 10 % gegenüber den Tabellenwerten verringert. Ziehen Sie die Schraubverbindungen gemäß dem in der Dokumentation festgeschriebenen Anzugsmoment an. Sofern das Anzugsmoment nicht in der Dokumentation aufgeführt ist, ziehen Sie sie gemäß der allgemeinen Tabelle an. Wenn in der Dokumentation eine Verbindung von Schraube und Mutter mit verschiedene Festigkeiten definiert ist, wird immer mit dem Moment des Bauteils mit der geringeren Festigkeit angezogen.
- Ⓕ Les valeurs des couples de serrage sont baissées de 10% par rapport aux valeurs de tableau. Serrez les raccords à vis selon le couple de serrage indiqué dans les documents. Si le couple de serrage n'est pas indiqué dans les documents, serrez selon le tableau général. Si les documents définissent un assemblage par boulon de diverses résistances, serrez toujours au moment de la composante avec résistance inférieure.
- Ⓒ The torque values are reduced by 10% compared to the table values. Tighten the screw joints according to the tightening torque stated in the documentation. If the tightening torque is not stated in the documentation, tighten according to the general table. If there is a joint with a screw and a nut at different strengths in the documentation, always tighten to the torque of the component with lower strength.
- Ⓓ Значения моментов затяжки уменьшены на 10% по сравнению с данными в таблице. Резьбовые соединения зажимайте с установленным в документации моментом зажатия. Если в документации не указан момент зажатия, то зажимайте по действующей в общем таблице. Если в документации установлено соединение из болта и гайки различной прочности, всегда зажимайте с моментом для компонента с меньшей прочностью.
- Ⓕ Wartości momentów dokręcania są obniżone o 10% w stosunku do wartości z tabeli. Połączenia śrubowe należy dokręcać zgodnie z momentem obrotowym w dokumentacji. Jeśli w dokumentacji nie ma podanego momentu obrotowego, należy dokręcać zgodnie z ogólną tabelą. Jeśli w dokumentacji zdefiniowane jest połączenie ze śrubą nakrętką różnych wytrzymałościach, zawsze należy dokręcać zachowując moment dokręcania komponentu z niższą wytrzymałością.

- Ⓒ UTAHOVACÍ MOMENTY ŠROUBŮ
 Ⓓ ANZUGMOMENTE VON SCHRAUBEN
 Ⓕ COUPLES DE SERRAGE DES VIS

- Ⓖ SCREW TIGHTENING TORQUE
 Ⓡ MOMENTЫ ЗАЖАТИЯ БОЛТОВ
 Ⓟ MOMENTY DOKRĘCANIA ŚRUB



- Ⓒ **OBECNÝ PŘEDPIS UTAHOVÁNÍ ZAJIŠTĚNÍ ČEPOVÝCH SPOJŮ:**
 Ⓓ **ALLGEMEINE VORSCHRIFT FÜR DAS ANZIEHEN VON BOLZENVERBINDUNGEN:**
 Ⓕ **CONSIGNE GENERALE POUR LE SERRAGE DES ARTICULATIONS CYLINDRIQUES:**
 Ⓖ **GENERAL INSTRUCTION FOR TIGHTENING THE SECURING OF PIN JOINTS:**
 Ⓡ **ОБЩЕЕ ОПИСАНИЕ ЗАЖАТИЯ ПРЕДОХРАНЕНИЯ СОЕДИНЕНИЙ ПАЛЬЦАМИ:**
 Ⓟ **OGÓLNE ZASADY DOKRĘCANIA ZABEZPIECZENIA POŁĄCZEŃ CZOPEM:**



X

M8, M10, M12

M14

M

09-15Nm

15-25Nm

- X - Ⓒ ROZMĚR ŠROUBU
 Ⓓ SCHRAUBENGRÖSSE
 Ⓕ DIMENSIONS DE LA VIS

- Ⓖ BOLT DIMENSION
 Ⓡ РАЗМЕР БОЛТА
 Ⓟ ROZMIAR ŚRUBY

- M - Ⓒ ORIENTAČNÍ MOMENT
 Ⓓ ANZUGSMOMENT
 Ⓕ COUPLE D'ORIENTATION

- Ⓖ ORIENTATION TORQUE
 Ⓡ ОРИЕНТАЦИОННЫЙ МОМЕНТ
 Ⓟ ORIENTACYJNY MOMENT

- Ⓒ Tyto spoje není nutné ověřovat kontrolou momentovým klíčem = stačí vizuálně kontrolovat sešroubování.
 Ⓓ Diese Verbindungen müssen nicht mit einem Drehmomentschlüssel überprüft werden = es genügt, die Verschraubung visuell zu kontrollieren.
 Ⓕ Il n'est pas nécessaire de contrôler le serrage à l'aide d'une clé dynamométrique = un contrôle visuel de l'assemblage suffit.
 Ⓖ These joints do not have to be verified by checking with a torque wrench = visual inspection of bolting is sufficient.
 Ⓡ Эти соединения не нужно контролировать динамометрическим ключом = достаточно визуально проверять прикручивание.
 Ⓟ Nie trzeba sprawdzać tych połączeń kluczem dynamometrycznym = wystarczy wizualnie skontrolować dokręcenie.