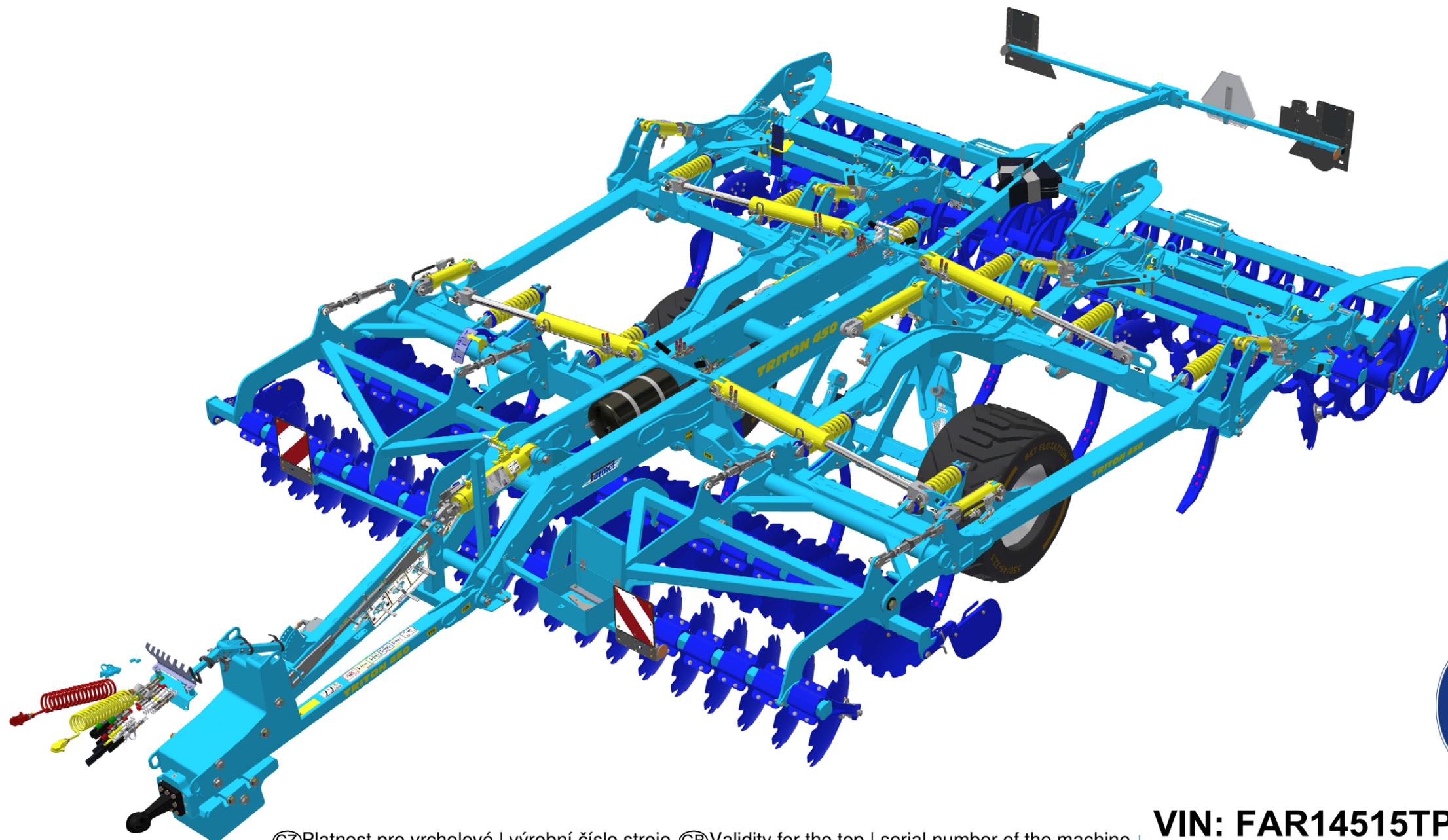


ⒸZ KATALOG NÁHRADNÍCH DÍLŮ ⒸB CATALOGUE OF SPARE PARTS ⒸD ERSATZTEILLISTE  
ⒸRU КАТАЛОГ ЗАПАСНЫХ ЧАСТЕЙ ⒸF CATALOGUE DES PIÈCES DE RECHANGE ⒸPL KATALOG CZĘŚCI ZAMIENNYCH

# TRITON 450 PS



ⒸZ Platnost pro vrcholové | výrobní číslo stroje ⒸB Validity for the top | serial number of the machine  
ⒸD Gültigkeit für die Haupt- | Herstellungsnummer der Maschine ⒸRU Действительно для главного | заводского номера машины  
ⒸF Validité du numéro de référence | de série de la machine ⒸPL Obowiązuje dla numeru głównego | seryjnego maszyny

**VIN: FAR14515TP0001225**  
**9325079 | 2023/1225**

ⒸZ NAVIGACE STROJE

Ⓓ NAVIGATION DER MASCHINE

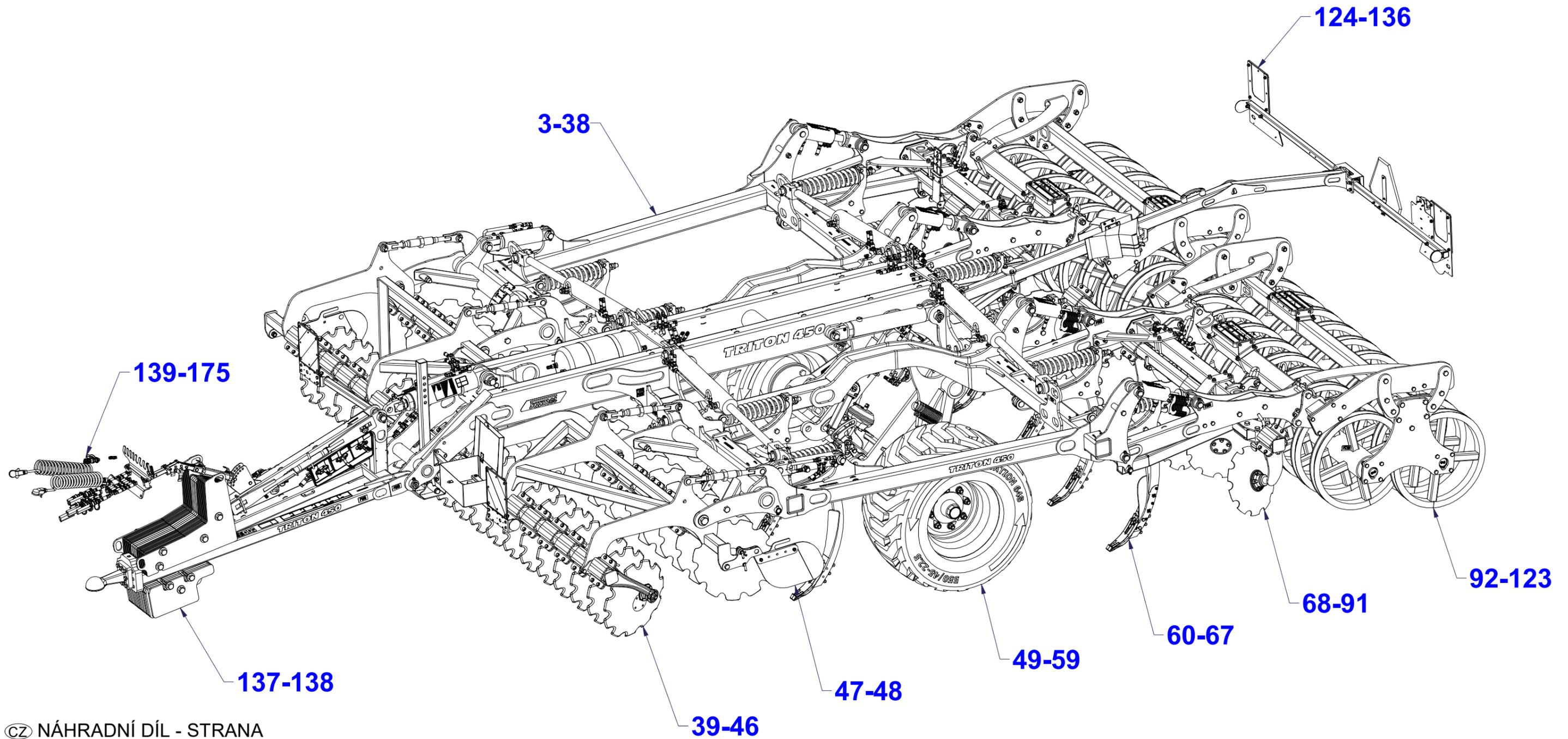
Ⓕ NAVIGATION DE LA MACHINE

ⒸB NAVIGATION OF THE MACHINE

ⒸU НАВИГАЦИЯ МАШИНЫ

ⒸL NAWIGACJA MASZYNY

**Farmet**



ⒸZ NÁHRADNÍ DÍL - STRANA

ⒸB SPARE PART - PAGE

Ⓓ ERSATZTEILE - SEITE

ⒸU ЗАПЧАСТЬ - СТРАНИЦА

Ⓕ PIÈCE DE RECHANGE - PAGE

ⒸL CZĘŚCI ZAMIENNE - STRONA

Ⓒ ZÁKLAD STROJE

Ⓓ UNTERBAU DER MASCHINE

Ⓕ BÂTI DE LA MACHINE

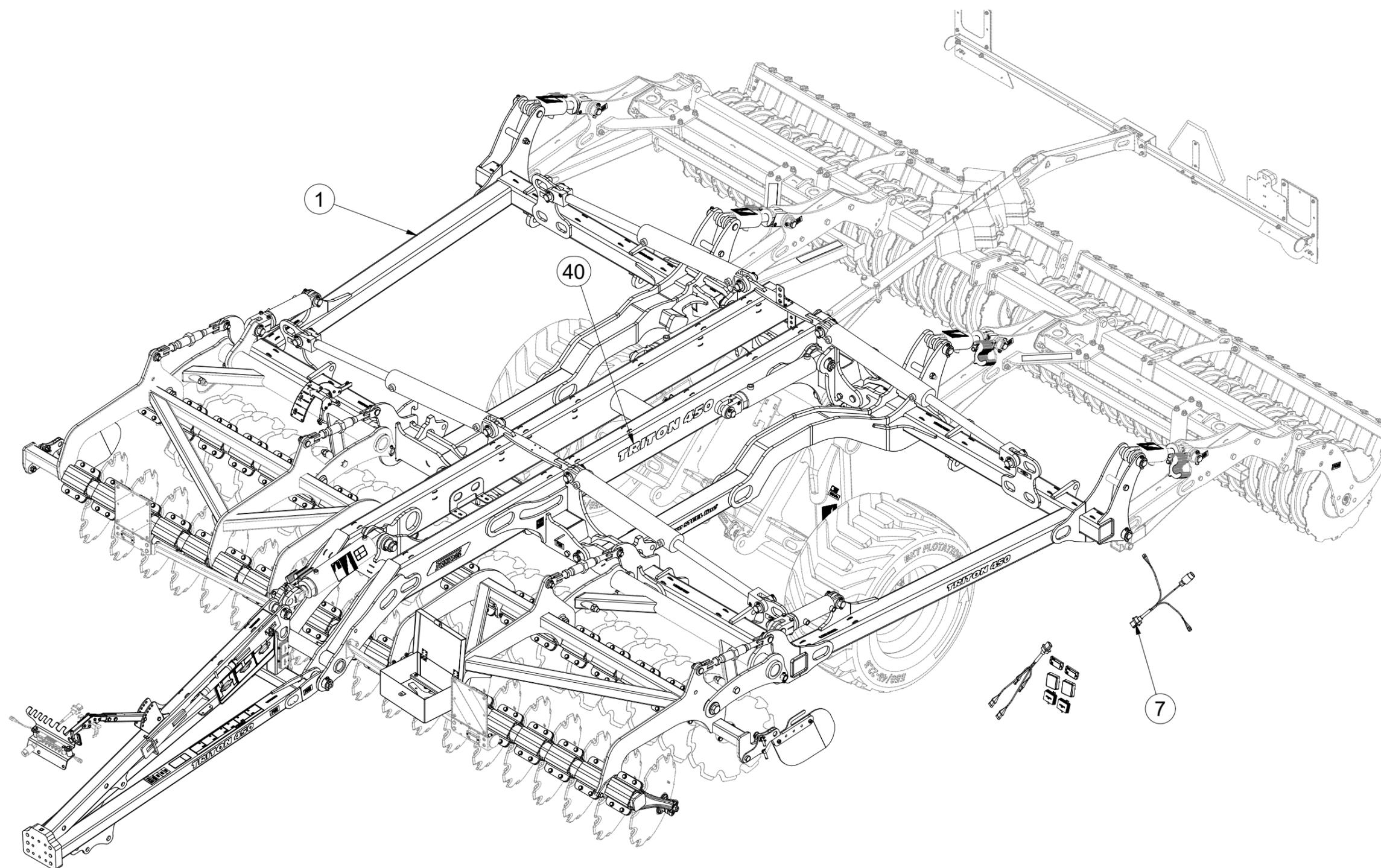
Ⓖ FOOTING OF THE MACHINE

Ⓡ ОСНОВАНИЕ МАШИНЫ

Ⓢ PODSTAWA MASZINY

**Farmet**

**VZ00016214**



| Pos. | Part Number | Pcs. |
|------|-------------|------|
| 1    | VZ00016211  | 1    |
| 7    | VZ00016543  | 1    |
| 40   | m21324      | 1    |

Ⓒ ZÁKLAD STROJE

Ⓓ UNTERBAU DER MASCHINE

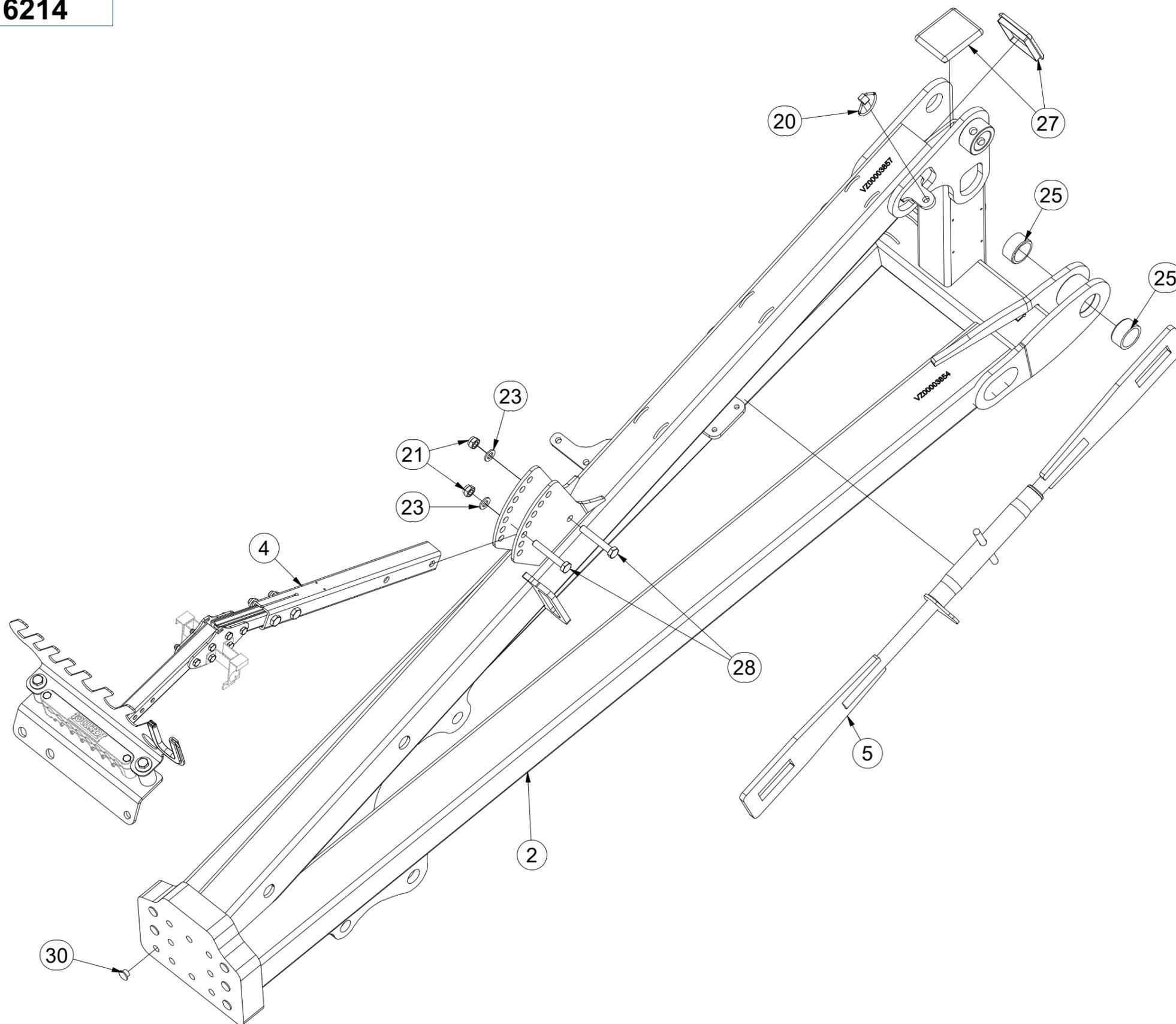
Ⓕ BÂTI DE LA MACHINE

**VZ00016214**

Ⓖ FOOTING OF THE MACHINE

Ⓡ ОСНОВАНИЕ МАШИНЫ

Ⓢ PODSTAWA MASZYNY



| Pos. | Part Number | Pcs. |
|------|-------------|------|
| 2    | VZ00003851  | 1    |
| 4    | VZ00014349  | 1    |
| 5    | VZ00013311  | 1    |
| 20   | m02505      | 1    |
| 21   | m04301      | 3    |
| 23   | m01214      | 2    |
| 25   | m15002      | 4    |
| 27   | m12166      | 2    |
| 28   | m12493      | 2    |
| 30   | m12433      | 6    |

Ⓒ ZÁKLAD STROJE

Ⓓ UNTERBAU DER MASCHINE

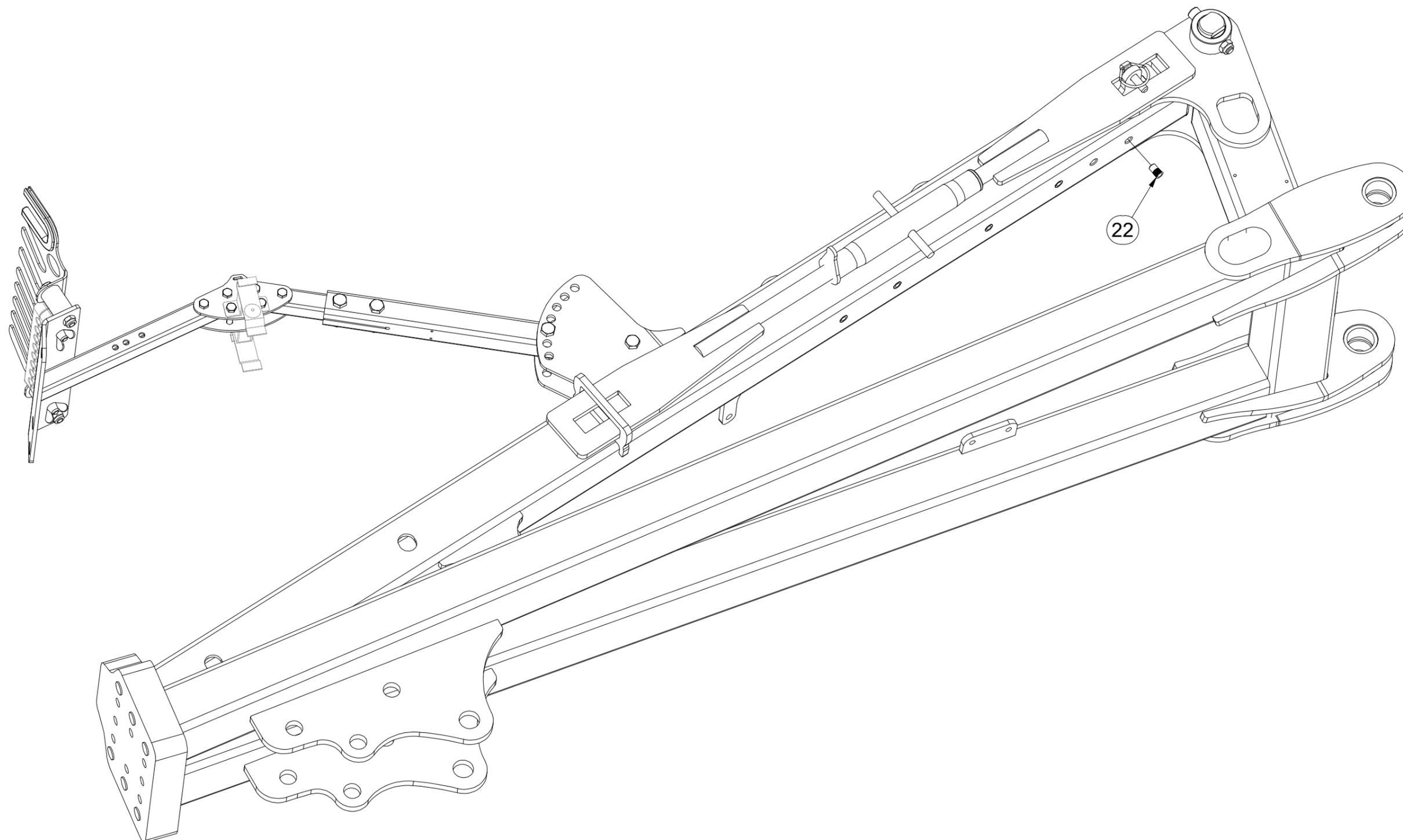
Ⓕ BÂTI DE LA MACHINE

**VZ00016214**

Ⓖ FOOTING OF THE MACHINE

Ⓡ ОСНОВАНИЕ МАШИНЫ

Ⓢ PODSTAWA MASZYNY



| Pos. | Part Number | Pcs. |
|------|-------------|------|
| 22   | m19633      | 5    |

Ⓒ ZÁKLAD STROJE

Ⓓ UNTERBAU DER MASCHINE

Ⓕ BÂTI DE LA MACHINE

Ⓖ FOOTING OF THE MACHINE

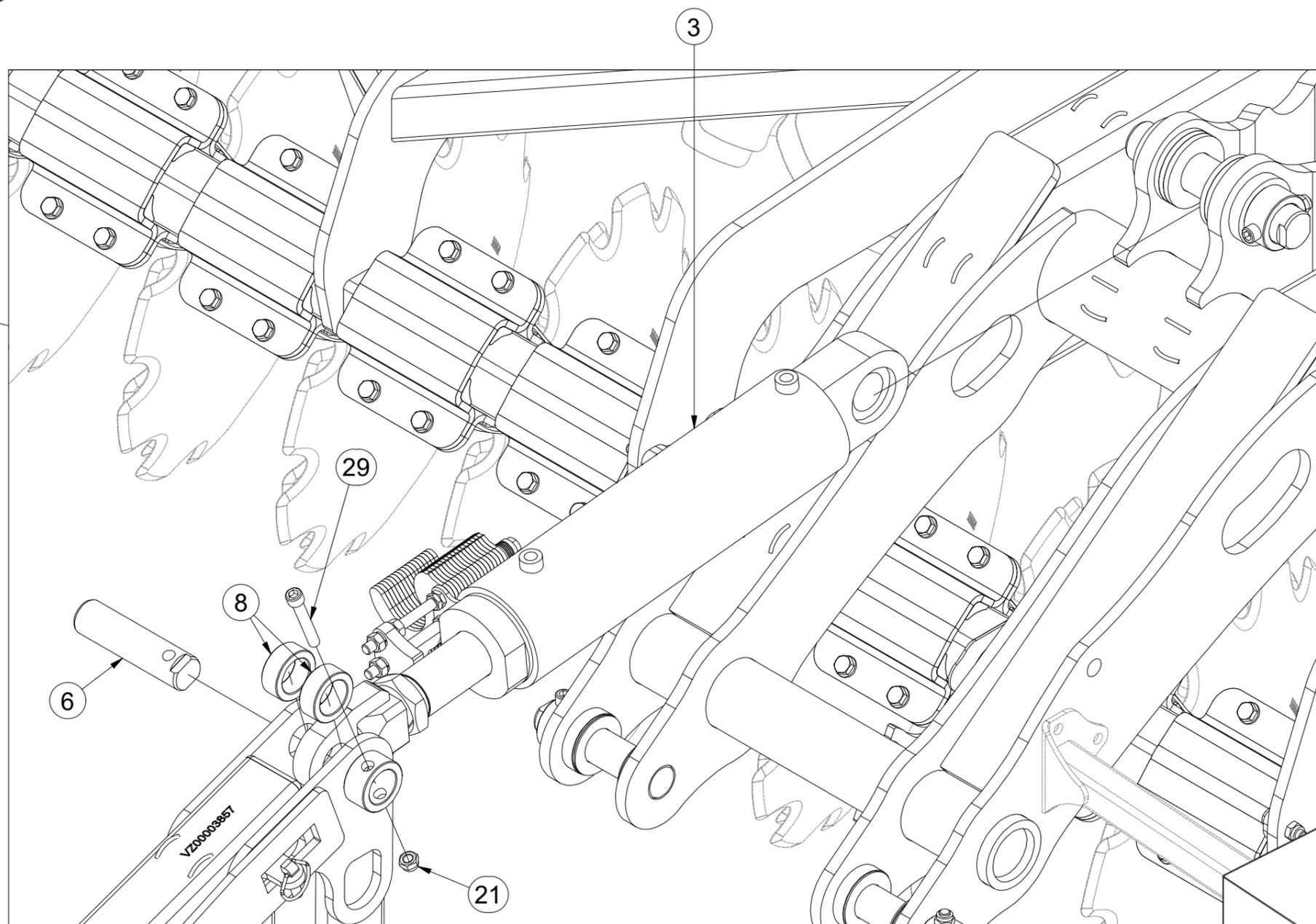
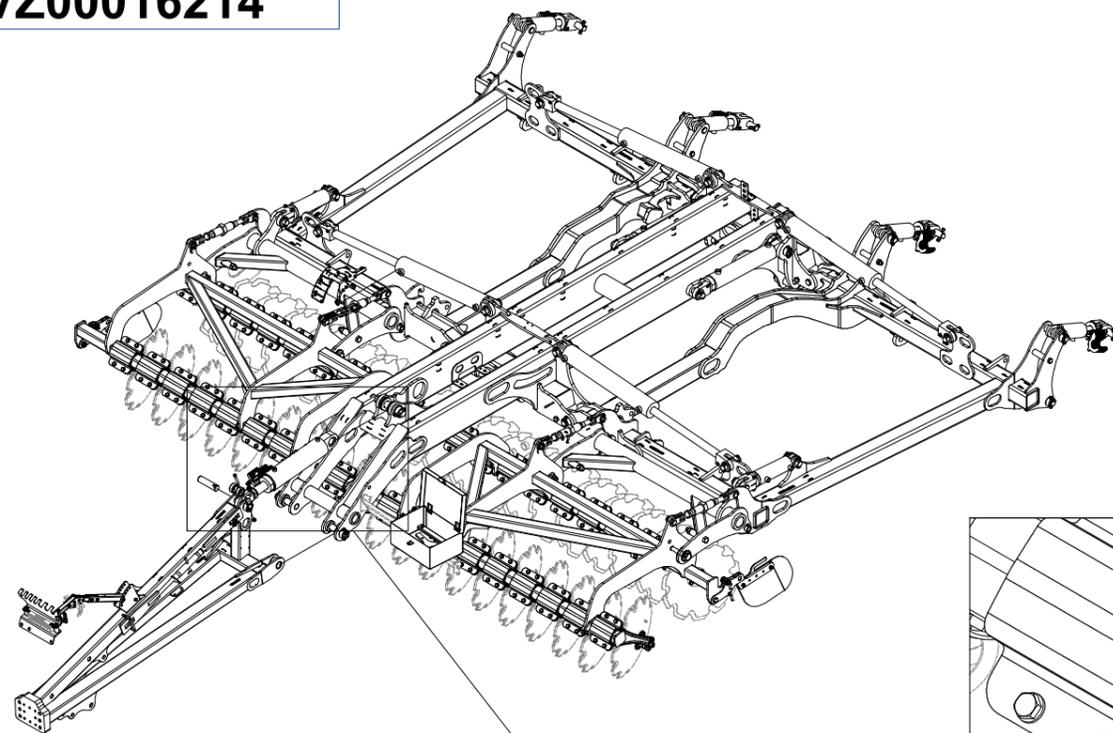
Ⓡ ОСНОВАНИЕ МАШИНЫ

Ⓟ PODSTAWA MASZyny



**VZ00016214**

| Pos. | Part Number | Pcs. |
|------|-------------|------|
| 3    | VZ00003894  | 1    |
| 6    | VZ00004586  | 1    |
| 8    | 4026452     | 2    |
| 21   | m04301      | 3    |
| 29   | m13033      | 1    |



Ⓒ ZÁKLAD STROJE

Ⓓ UNTERBAU DER MASCHINE

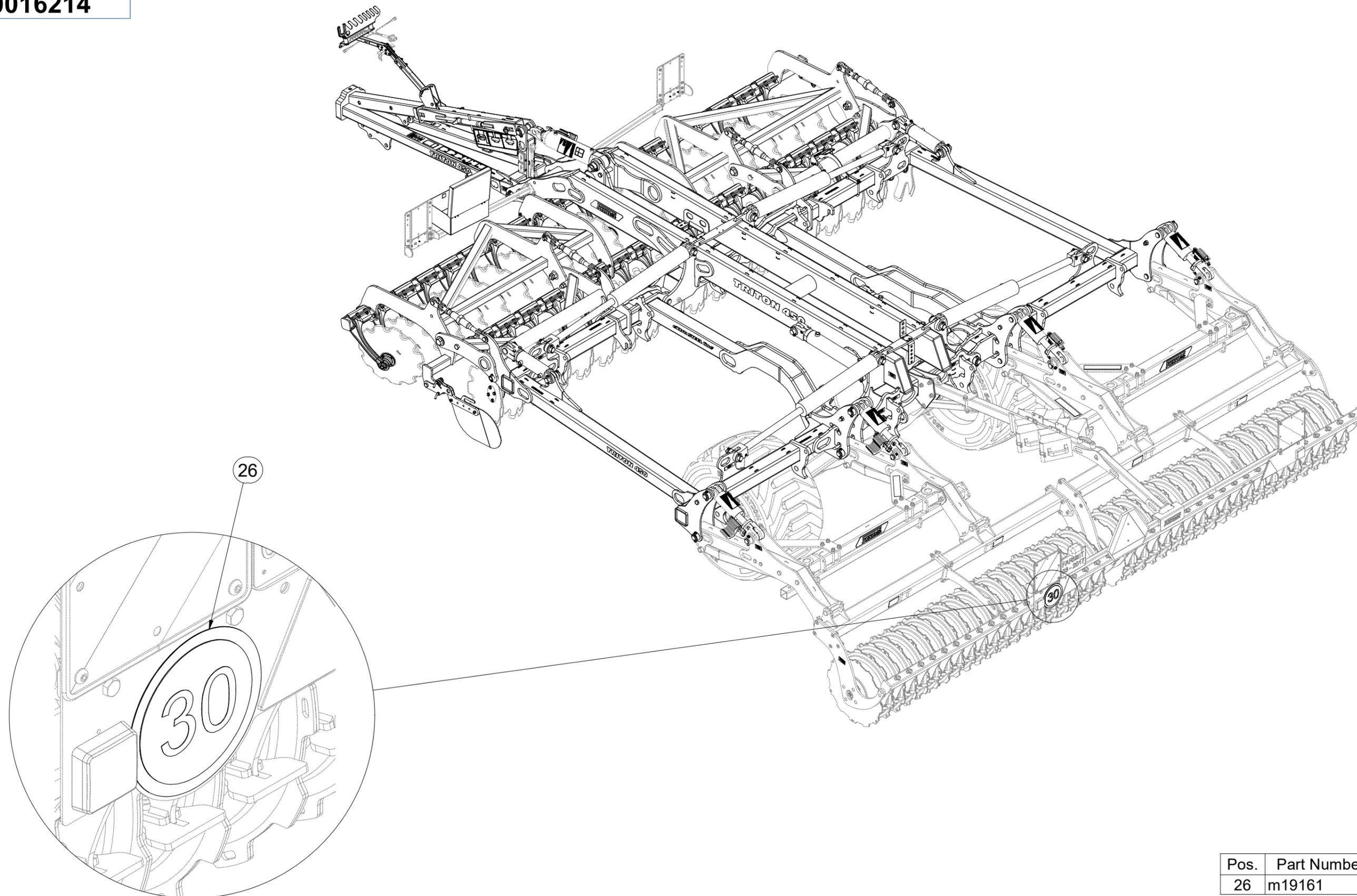
Ⓕ BÂTI DE LA MACHINE

VZ00016214

Ⓖ FOOTING OF THE MACHINE

Ⓡ ОСНОВАНИЕ МАШИНЫ

Ⓢ PODSTAWA MASZYN



| Pos. | Part Number | Pcs. |
|------|-------------|------|
| 26   | m19161      | 1    |

Ⓒ SAMOLEPKY STROJE

Ⓓ AUFKLEBER MASCHINEN

Ⓕ VOITURE MACHINES

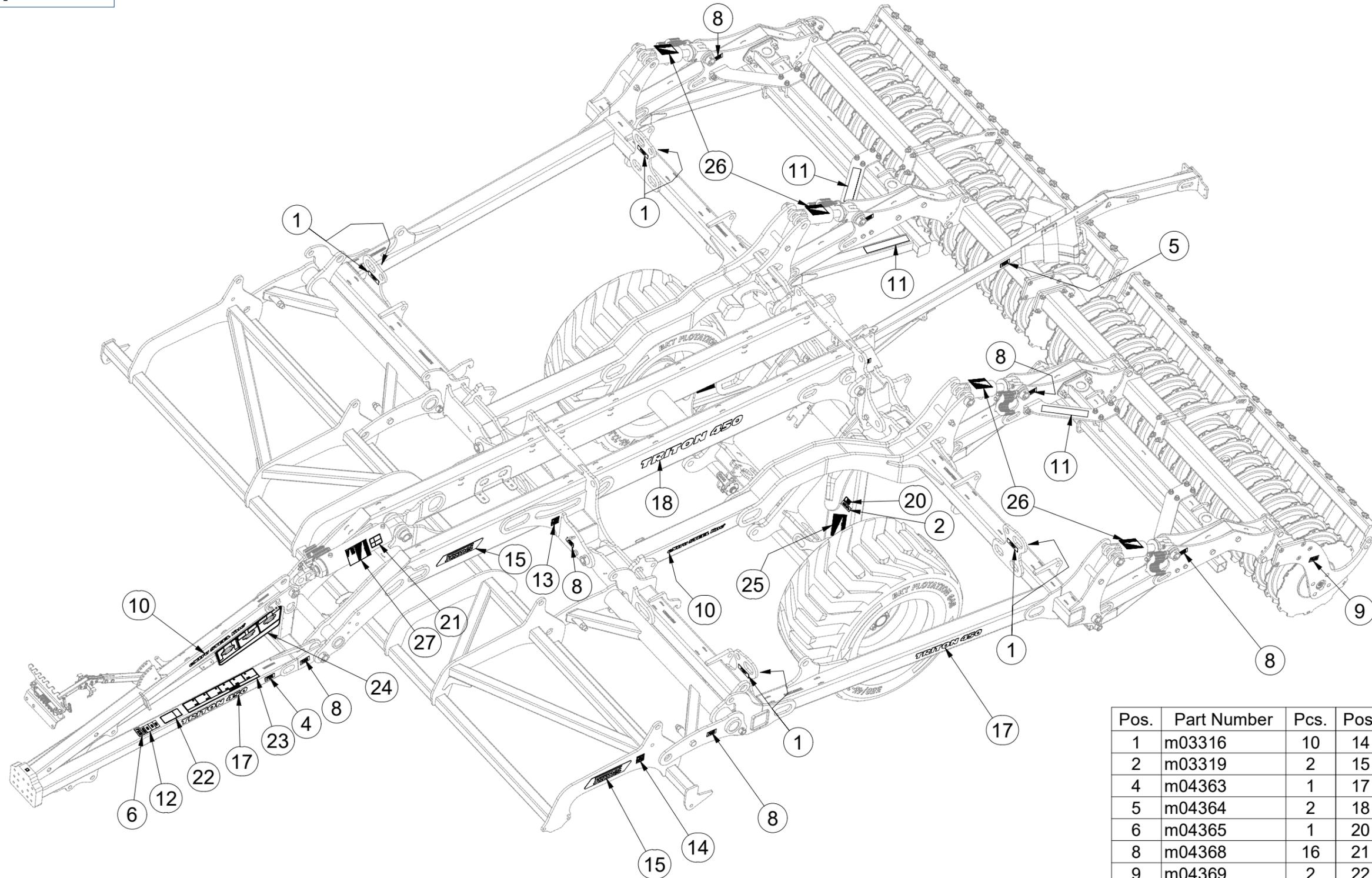
Ⓖ STICKERS MACHINES

Ⓡ СТИКЕРЫ МАШИНЫ

Ⓢ NAKLEJKI MASZYNY



**m21324**



| Pos. | Part Number | Pcs. | Pos. | Part Number | Pcs. |
|------|-------------|------|------|-------------|------|
| 1    | m03316      | 10   | 14   | m11297      | 2    |
| 2    | m03319      | 2    | 15   | m13117      | 6    |
| 4    | m04363      | 1    | 17   | m17176      | 4    |
| 5    | m04364      | 2    | 18   | m17177      | 2    |
| 6    | m04365      | 1    | 20   | m19731      | 2    |
| 8    | m04368      | 16   | 21   | m20561      | 1    |
| 9    | m04369      | 2    | 22   | m20774      | 1    |
| 10   | m10353      | 4    | 23   | m21325      | 1    |
| 11   | m11147      | 4    | 24   | m21326      | 1    |
| 12   | m11295      | 1    | 25   | m21698      | 2    |
| 13   | m11296      | 2    | 26   | m21707      | 4    |
|      |             |      | 27   | m21708      | 1    |



☉ SAMOLEPKY STROJE

☉ AUFKLEBER MASCHINEN

☉ VOITURE MACHINES

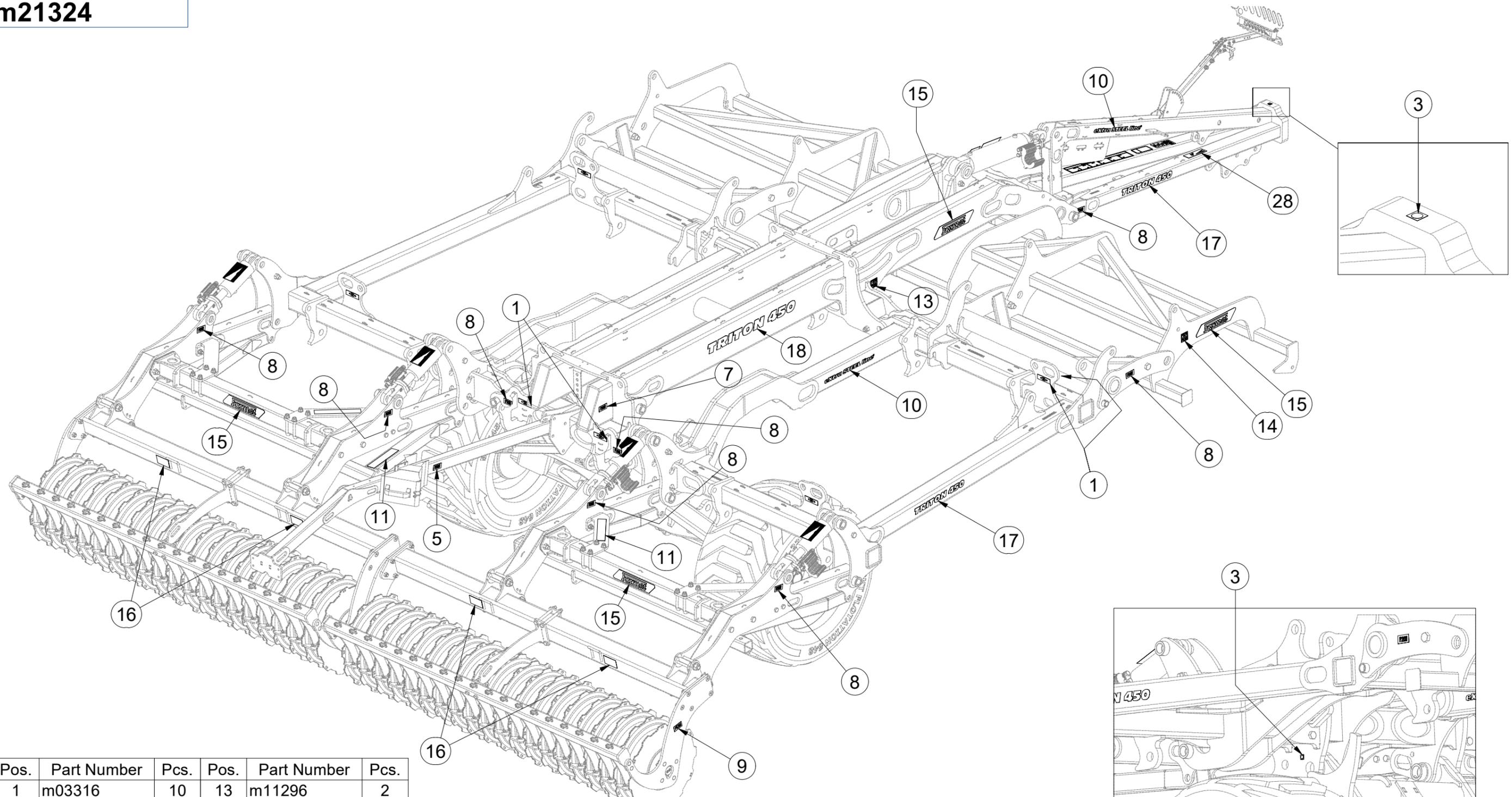
☉ STICKERS MACHINES

☉ СТИКЕРЫ МАШИНЫ

☉ NAKLEJKI MASZYN



**m21324**



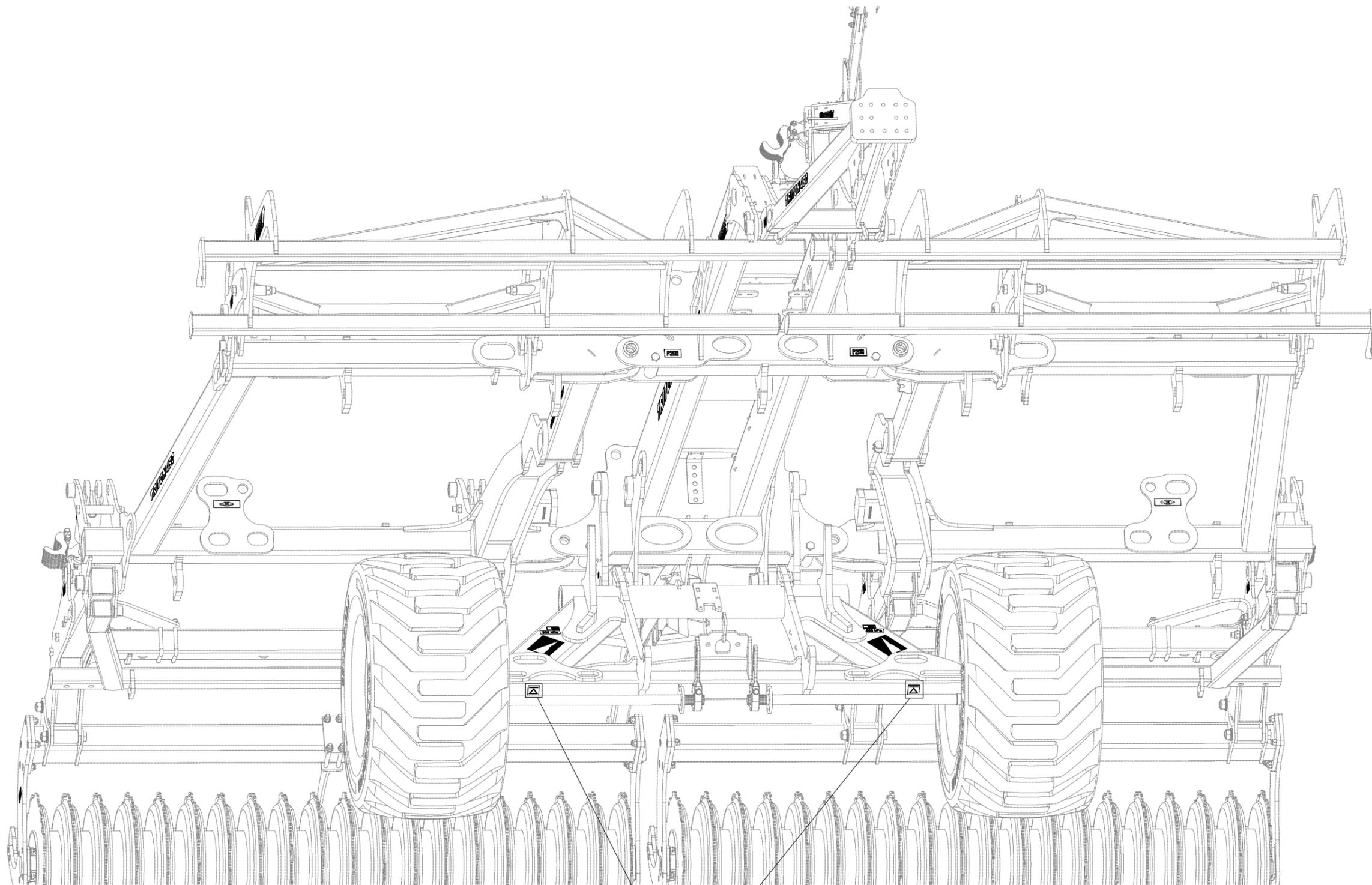
| Pos. | Part Number | Pcs. | Pos. | Part Number | Pcs. |
|------|-------------|------|------|-------------|------|
| 1    | m03316      | 10   | 13   | m11296      | 2    |
| 3    | m03320      | 3    | 14   | m11297      | 2    |
| 5    | m04364      | 2    | 15   | m13117      | 6    |
| 7    | m04367      | 2    | 16   | m16795      | 4    |
| 8    | m04368      | 16   | 17   | m17176      | 4    |
| 9    | m04369      | 2    | 18   | m17177      | 2    |
| 10   | m10353      | 4    | 28   | m03314      | 1    |
| 11   | m11147      | 4    |      |             |      |

- Ⓒ SAMOLEPKY STROJE
- Ⓓ AUFKLEBER MASCHINEN
- Ⓕ VOITURE MACHINES

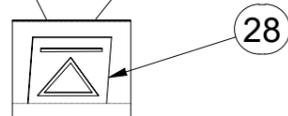
- Ⓖ STICKERS MACHINES
- Ⓡ СТИКЕРЫ МАШИНЫ
- Ⓟ NAKLEJKI MASZYNY



**m21324**



| Pos. | Part Number | Pcs. |
|------|-------------|------|
| 28   | m03512      | 2    |



Ⓒ ZÁKLAD STROJE

Ⓓ UNTERBAU DER MASCHINE

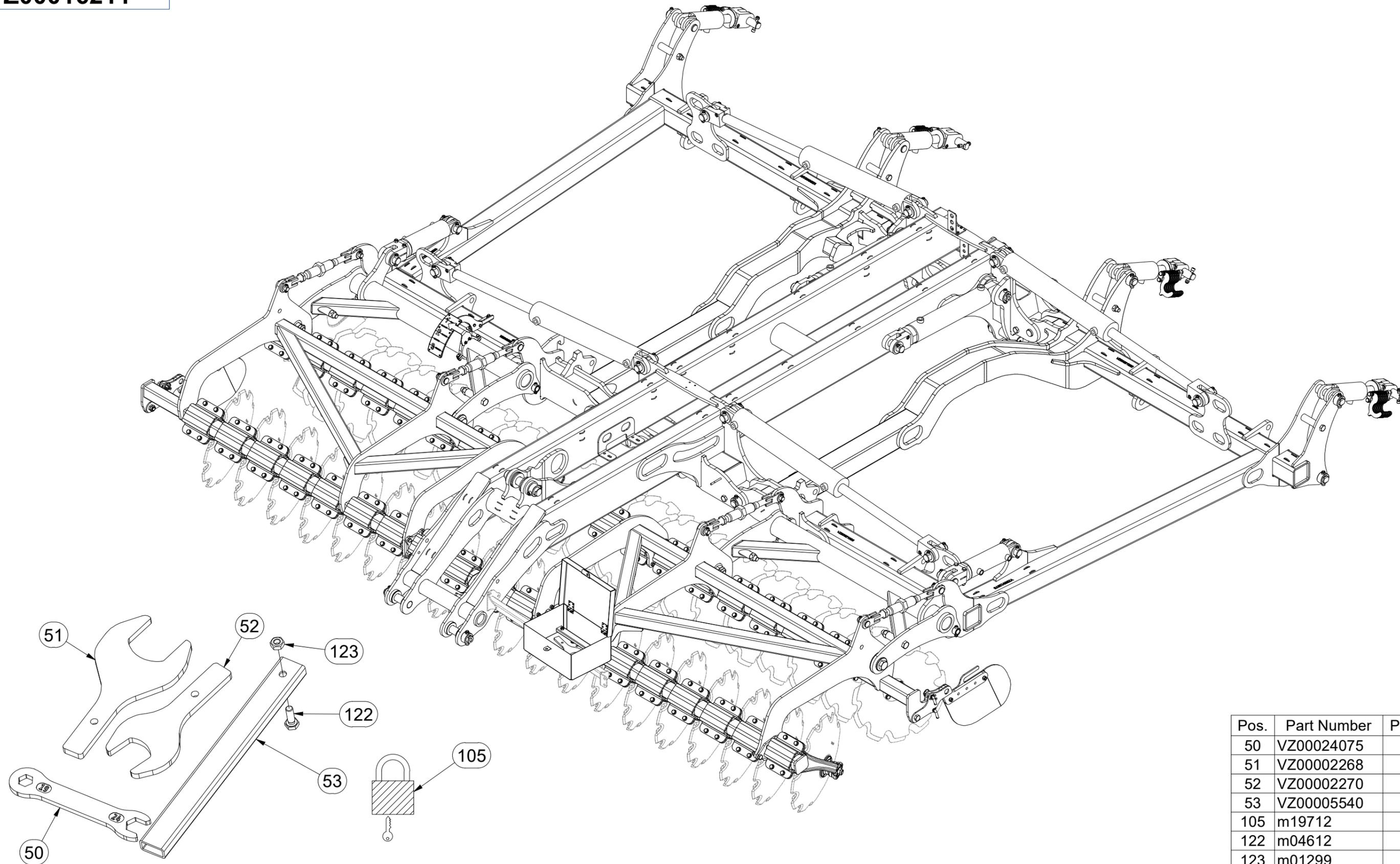
Ⓕ BÂTI DE LA MACHINE

**VZ00016211**

Ⓖ FOOTING OF THE MACHINE

Ⓡ ОСНОВАНИЕ МАШИНЫ

Ⓢ PODSTAWA MASZYNY



| Pos. | Part Number | Pcs. |
|------|-------------|------|
| 50   | VZ00024075  | 1    |
| 51   | VZ00002268  | 1    |
| 52   | VZ00002270  | 1    |
| 53   | VZ00005540  | 1    |
| 105  | m19712      | 1    |
| 122  | m04612      | 1    |
| 123  | m01299      | 1    |

Ⓒ ZÁKLAD STROJE

Ⓓ UNTERBAU DER MASCHINE

Ⓕ BÂTI DE LA MACHINE

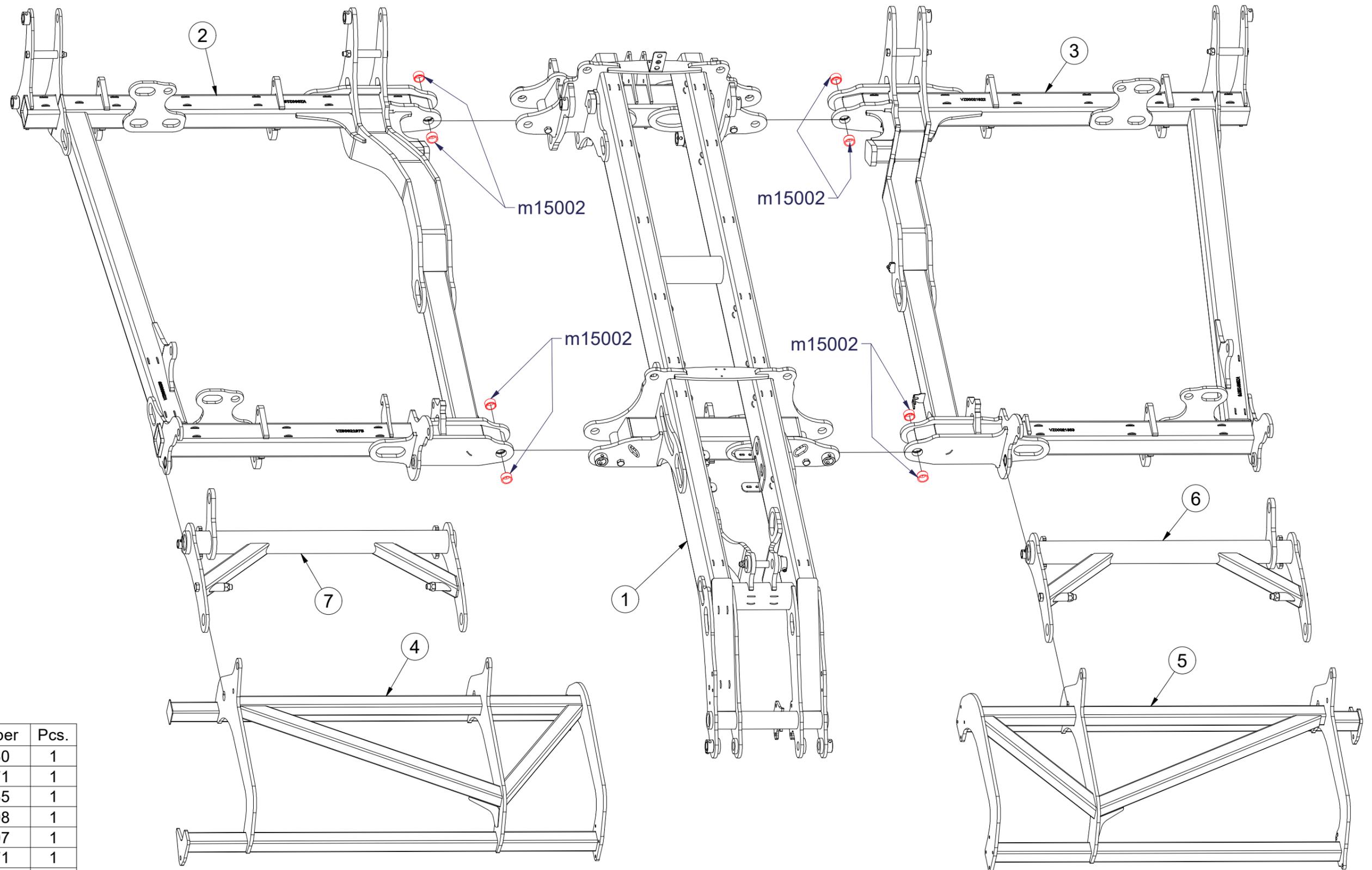
Ⓖ FOOTING OF THE MACHINE

Ⓡ ОСНОВАНИЕ МАШИНЫ

Ⓟ PODSTAWA MASZYNY



**VZ00016211**



| Pos. | Part Number | Pcs. |
|------|-------------|------|
| 1    | VZ00013130  | 1    |
| 2    | VZ00021971  | 1    |
| 3    | VZ00021835  | 1    |
| 4    | VZ00018708  | 1    |
| 5    | VZ00018707  | 1    |
| 6    | VZ00012871  | 1    |
| 7    | VZ00013100  | 1    |

Ⓒ ZÁKLAD STROJE

Ⓓ UNTERBAU DER MASCHINE

Ⓕ BÂTI DE LA MACHINE

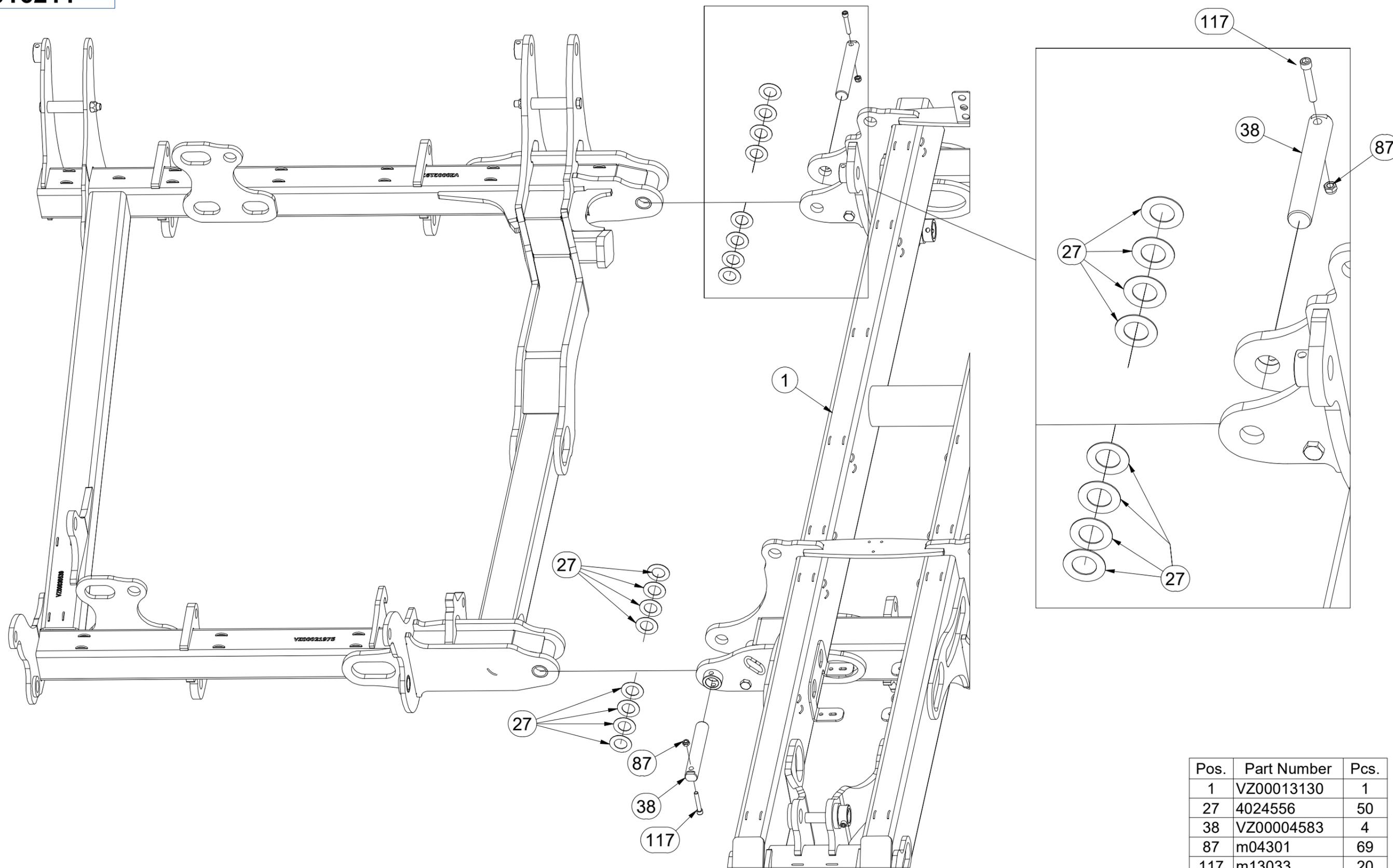
Ⓖ FOOTING OF THE MACHINE

Ⓡ ОСНОВАНИЕ МАШИНЫ

Ⓟ PODSTAWA MASZyny



**VZ00016211**



| Pos. | Part Number | Pcs. |
|------|-------------|------|
| 1    | VZ00013130  | 1    |
| 27   | 4024556     | 50   |
| 38   | VZ00004583  | 4    |
| 87   | m04301      | 69   |
| 117  | m13033      | 20   |

Ⓒ ZÁKLAD STROJE

Ⓓ UNTERBAU DER MASCHINE

Ⓕ BÂTI DE LA MACHINE

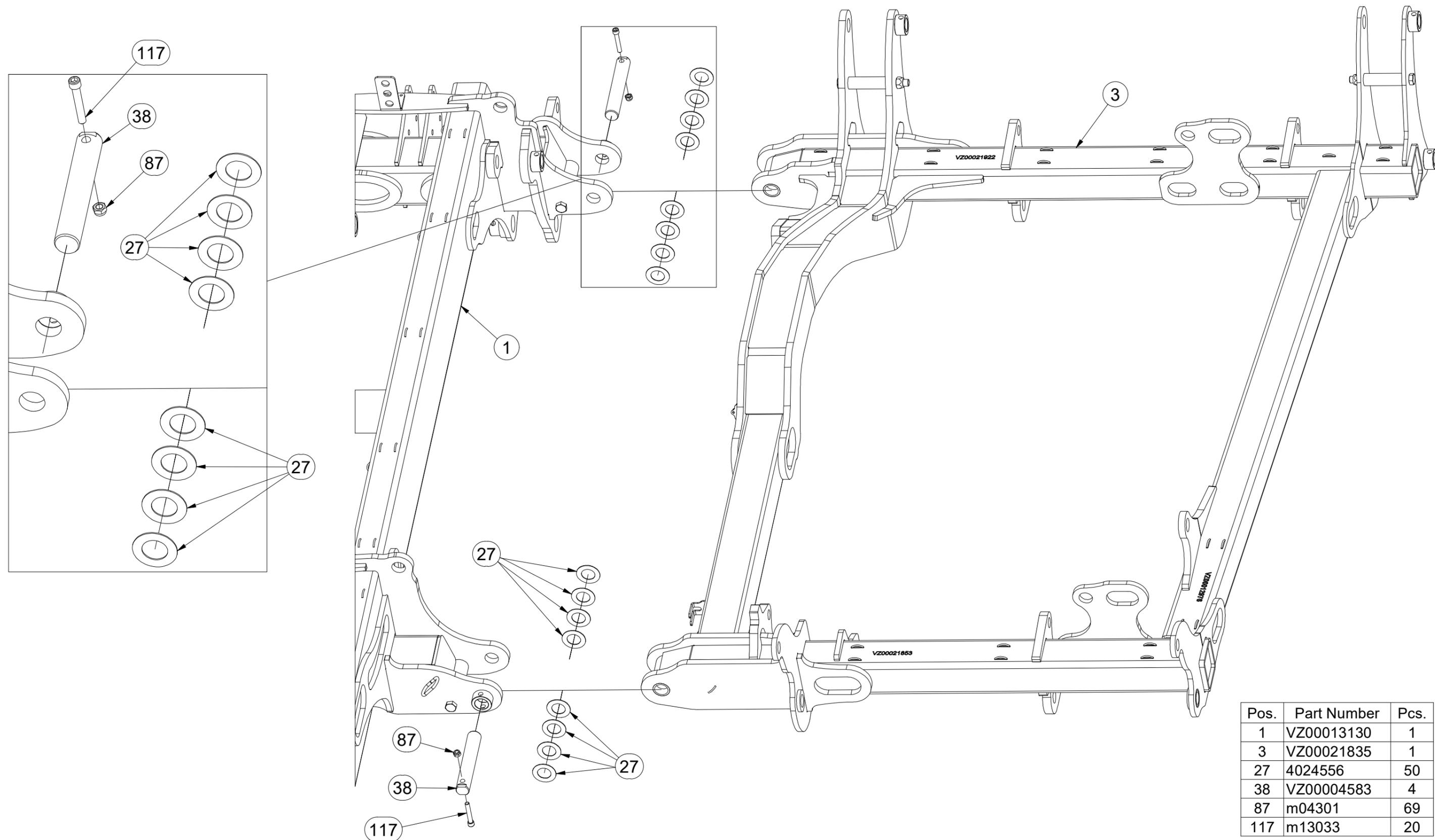
Ⓖ FOOTING OF THE MACHINE

Ⓡ ОСНОВАНИЕ МАШИНЫ

Ⓟ PODSTAWA MASZYNY



**VZ00016211**



| Pos. | Part Number | Pcs. |
|------|-------------|------|
| 1    | VZ00013130  | 1    |
| 3    | VZ00021835  | 1    |
| 27   | 4024556     | 50   |
| 38   | VZ00004583  | 4    |
| 87   | m04301      | 69   |
| 117  | m13033      | 20   |

Ⓒ ZÁKLAD STROJE

Ⓓ UNTERBAU DER MASCHINE

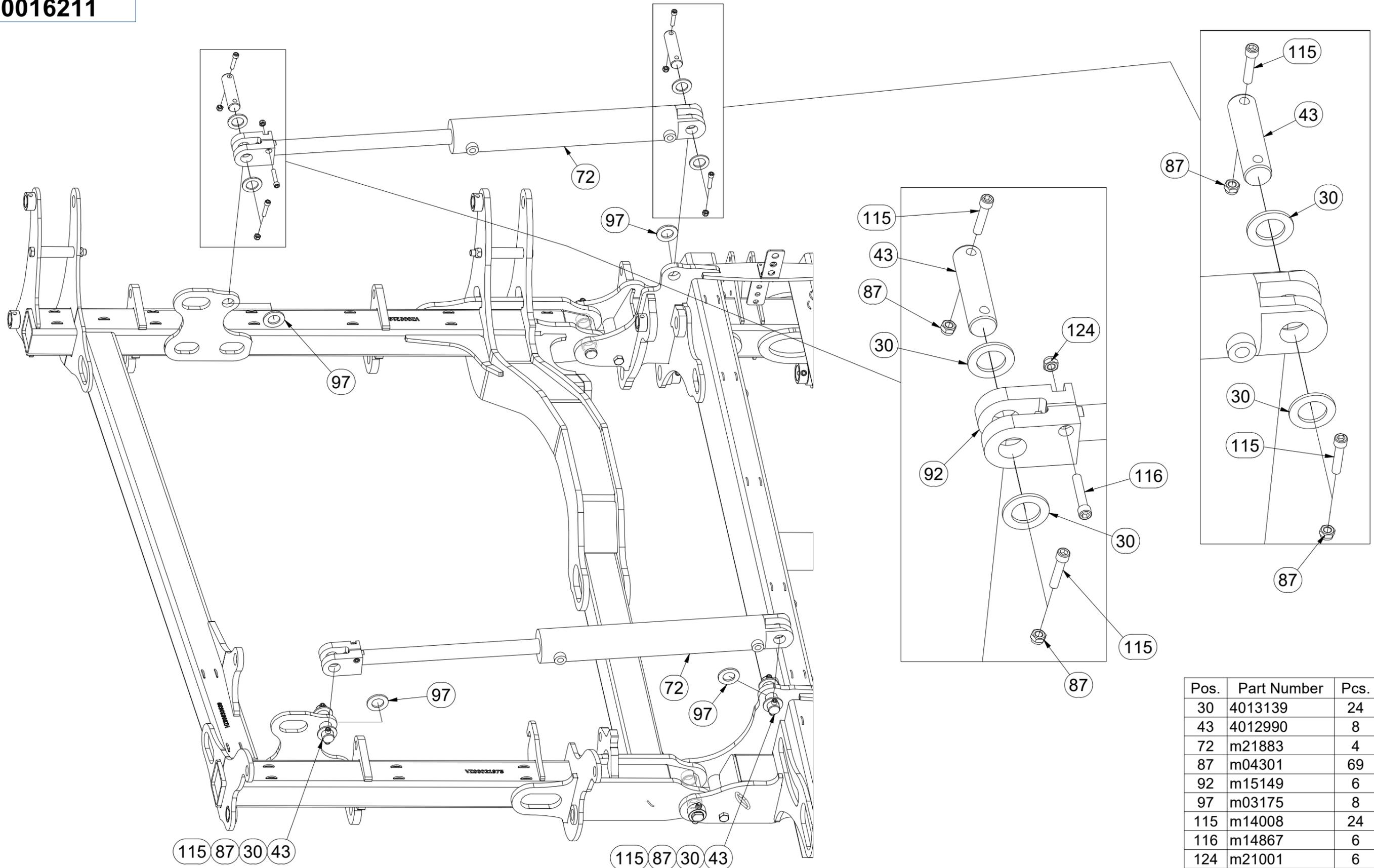
Ⓕ BÂTI DE LA MACHINE

**VZ00016211**

Ⓖ FOOTING OF THE MACHINE

Ⓡ ОСНОВАНИЕ МАШИНЫ

Ⓢ PODSTAWA MASZINY



| Pos. | Part Number | Pcs. |
|------|-------------|------|
| 30   | 4013139     | 24   |
| 43   | 4012990     | 8    |
| 72   | m21883      | 4    |
| 87   | m04301      | 69   |
| 92   | m15149      | 6    |
| 97   | m03175      | 8    |
| 115  | m14008      | 24   |
| 116  | m14867      | 6    |
| 124  | m21001      | 6    |

Ⓒ ZÁKLAD STROJE

Ⓓ UNTERBAU DER MASCHINE

Ⓕ BÂTI DE LA MACHINE

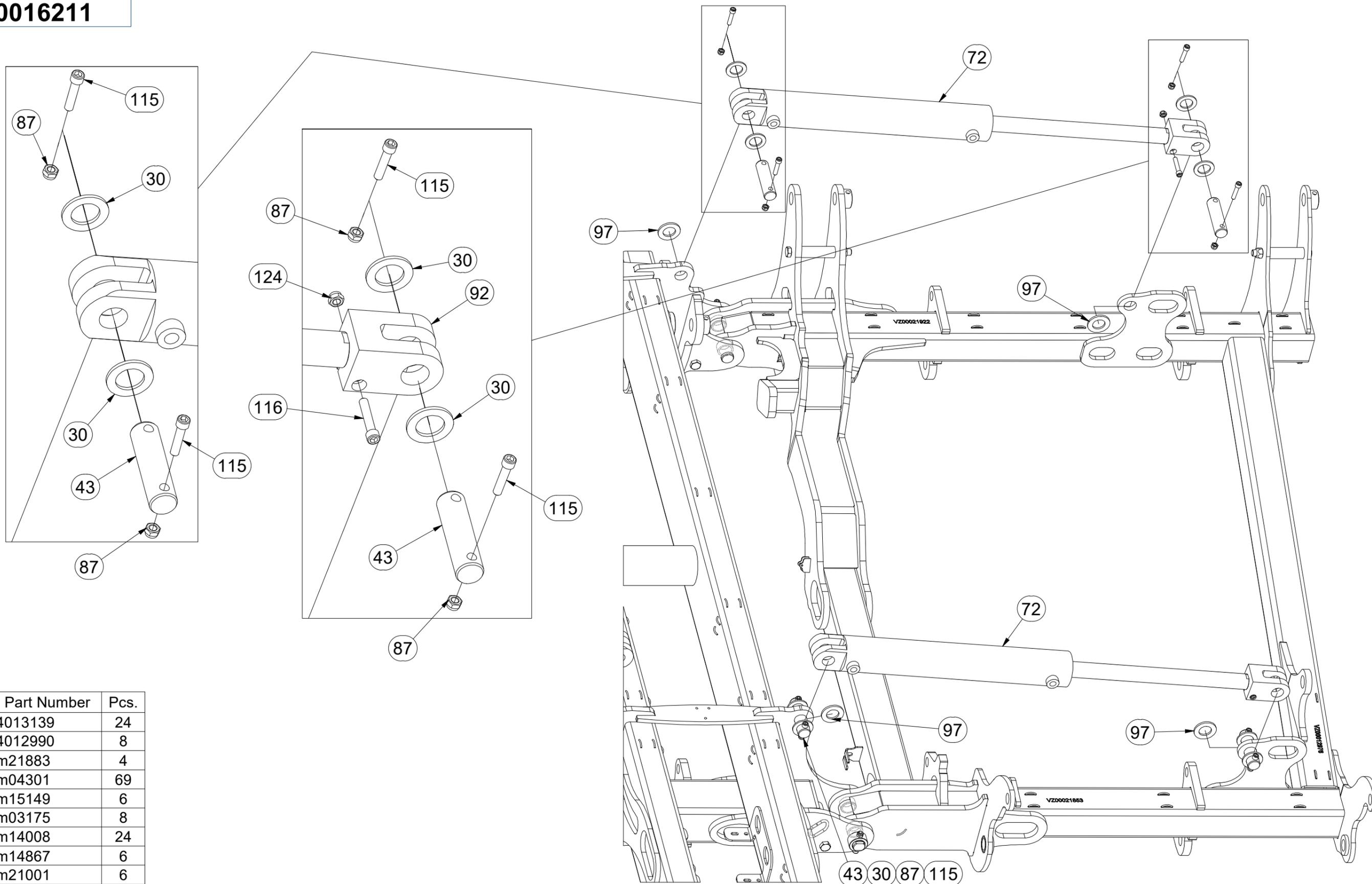
Ⓖ FOOTING OF THE MACHINE

Ⓡ ОСНОВАНИЕ МАШИНЫ

Ⓢ PODSTAWA MASZYNY



**VZ00016211**



| Pos. | Part Number | Pcs. |
|------|-------------|------|
| 30   | 4013139     | 24   |
| 43   | 4012990     | 8    |
| 72   | m21883      | 4    |
| 87   | m04301      | 69   |
| 92   | m15149      | 6    |
| 97   | m03175      | 8    |
| 115  | m14008      | 24   |
| 116  | m14867      | 6    |
| 124  | m21001      | 6    |



Ⓒ ZÁKLAD STROJE

Ⓓ UNTERBAU DER MASCHINE

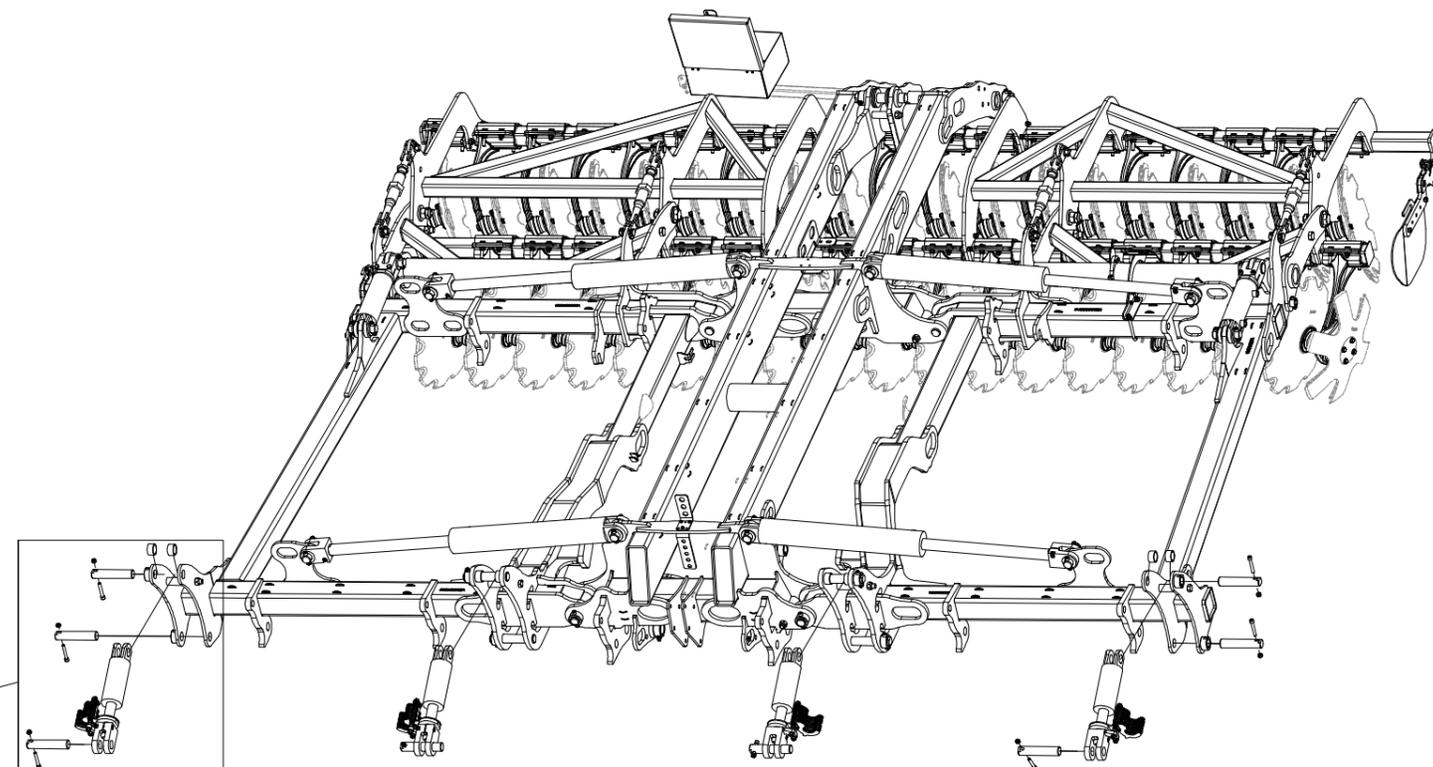
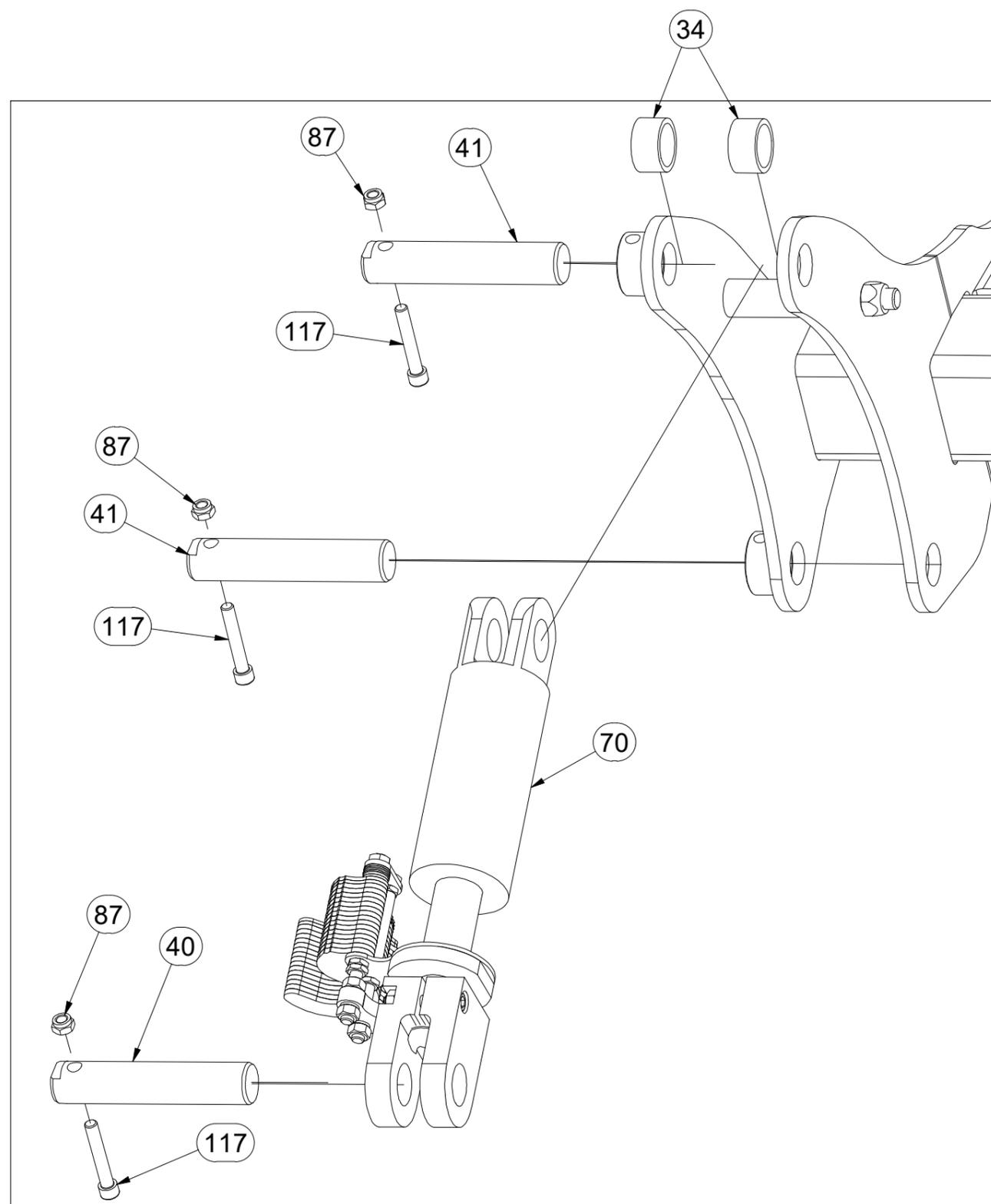
Ⓕ BÂTI DE LA MACHINE

**VZ00016211**

Ⓖ FOOTING OF THE MACHINE

Ⓡ ОСНОВАНИЕ МАШИНЫ

Ⓢ PODSTAWA MASZYNY



| Pos. | Part Number | Pcs. |
|------|-------------|------|
| 34   | 9004544     | 8    |
| 40   | 4017591     | 4    |
| 41   | 4024176     | 4    |
| 70   | VZ00004750  | 2    |
| 87   | m04301      | 69   |
| 117  | m13033      | 20   |

Ⓒ ZÁKLAD STROJE

Ⓓ UNTERBAU DER MASCHINE

Ⓕ BÂTI DE LA MACHINE

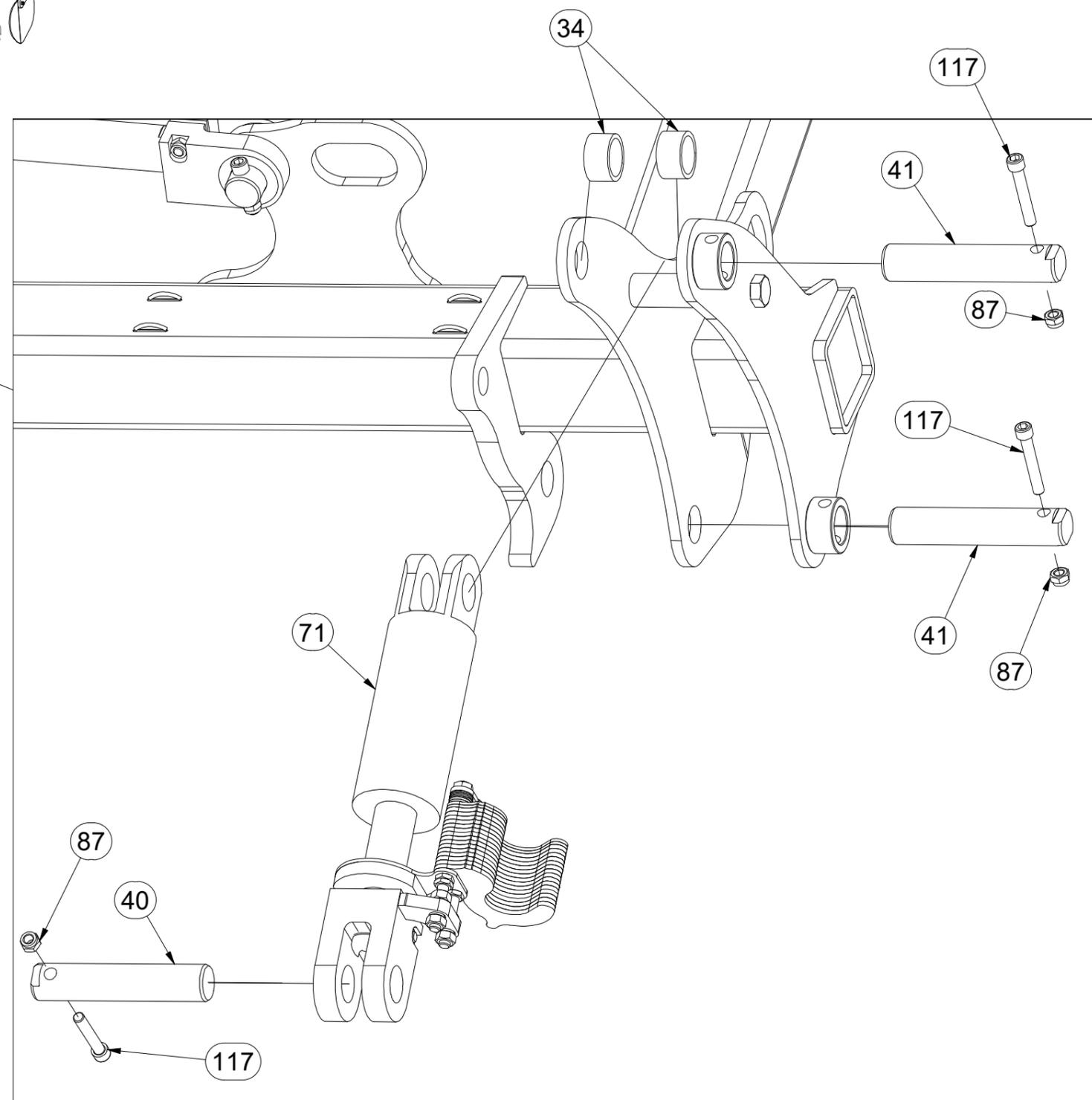
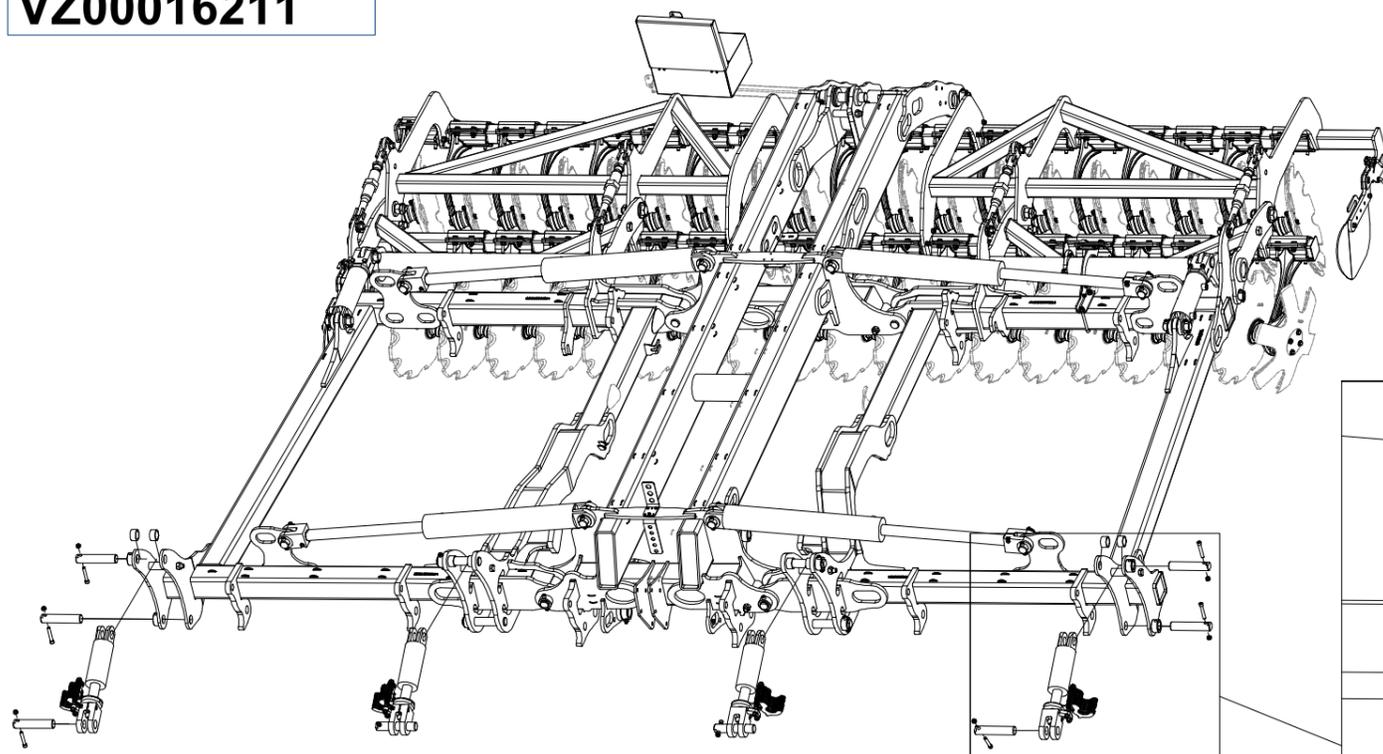
Ⓖ FOOTING OF THE MACHINE

Ⓡ ОСНОВАНИЕ МАШИНЫ

Ⓢ PODSTAWA MASZYNY



**VZ00016211**



| Pos. | Part Number | Pcs. |
|------|-------------|------|
| 34   | 9004544     | 8    |
| 40   | 4017591     | 4    |
| 41   | 4024176     | 4    |
| 71   | VZ00004751  | 2    |
| 87   | m04301      | 69   |
| 117  | m13033      | 20   |

Ⓒ ZÁKLAD STROJE

Ⓓ UNTERBAU DER MASCHINE

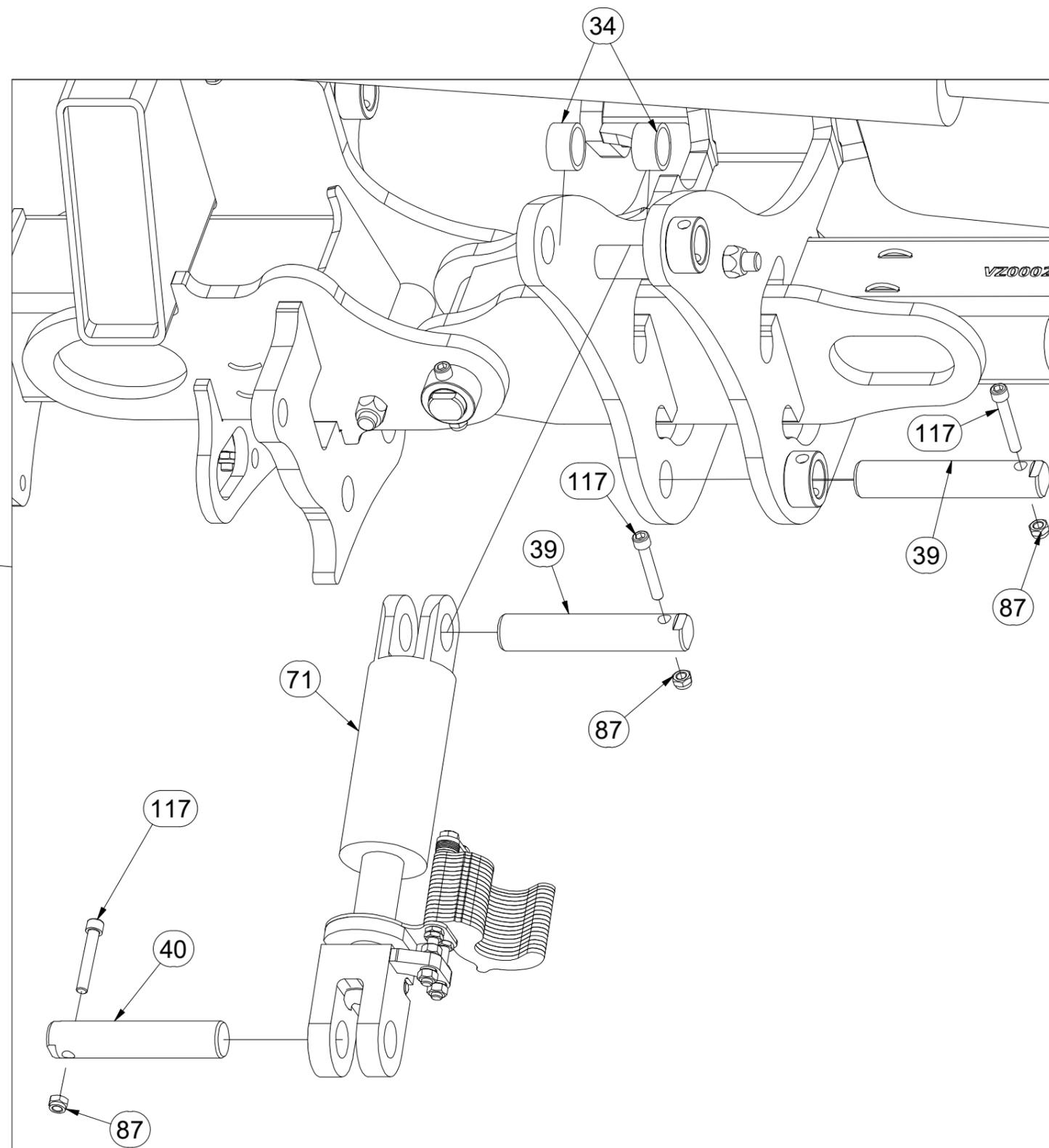
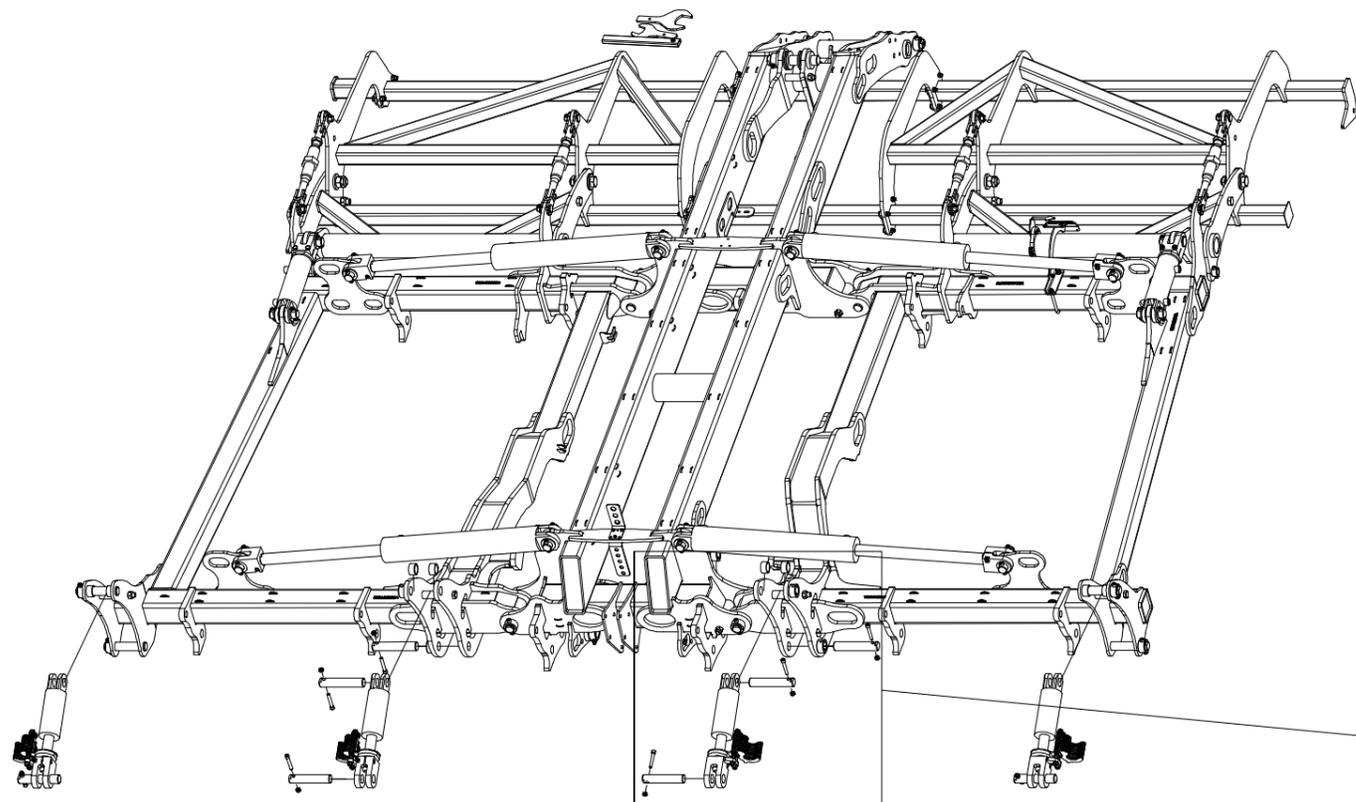
Ⓕ BÂTI DE LA MACHINE

**VZ00016211**

Ⓖ FOOTING OF THE MACHINE

Ⓡ ОСНОВАНИЕ МАШИНЫ

Ⓢ PODSTAWA MASZYNY



| Pos. | Part Number | Pcs. |
|------|-------------|------|
| 34   | 9004544     | 8    |
| 40   | 4017591     | 4    |
| 39   | 4017598     | 4    |
| 71   | VZ00004751  | 2    |
| 87   | m04301      | 69   |
| 117  | m13033      | 20   |

Ⓒ ZÁKLAD STROJE

Ⓓ UNTERBAU DER MASCHINE

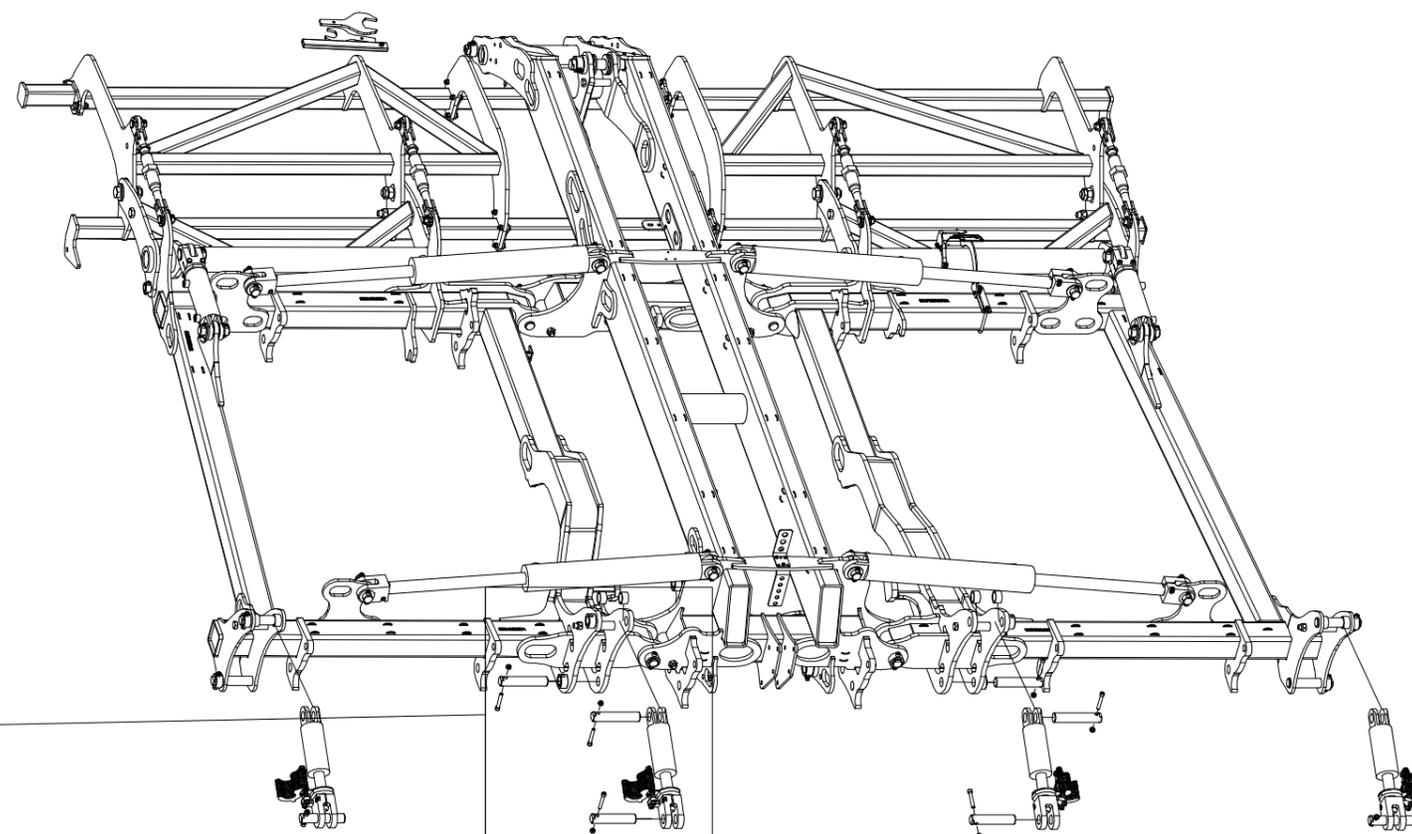
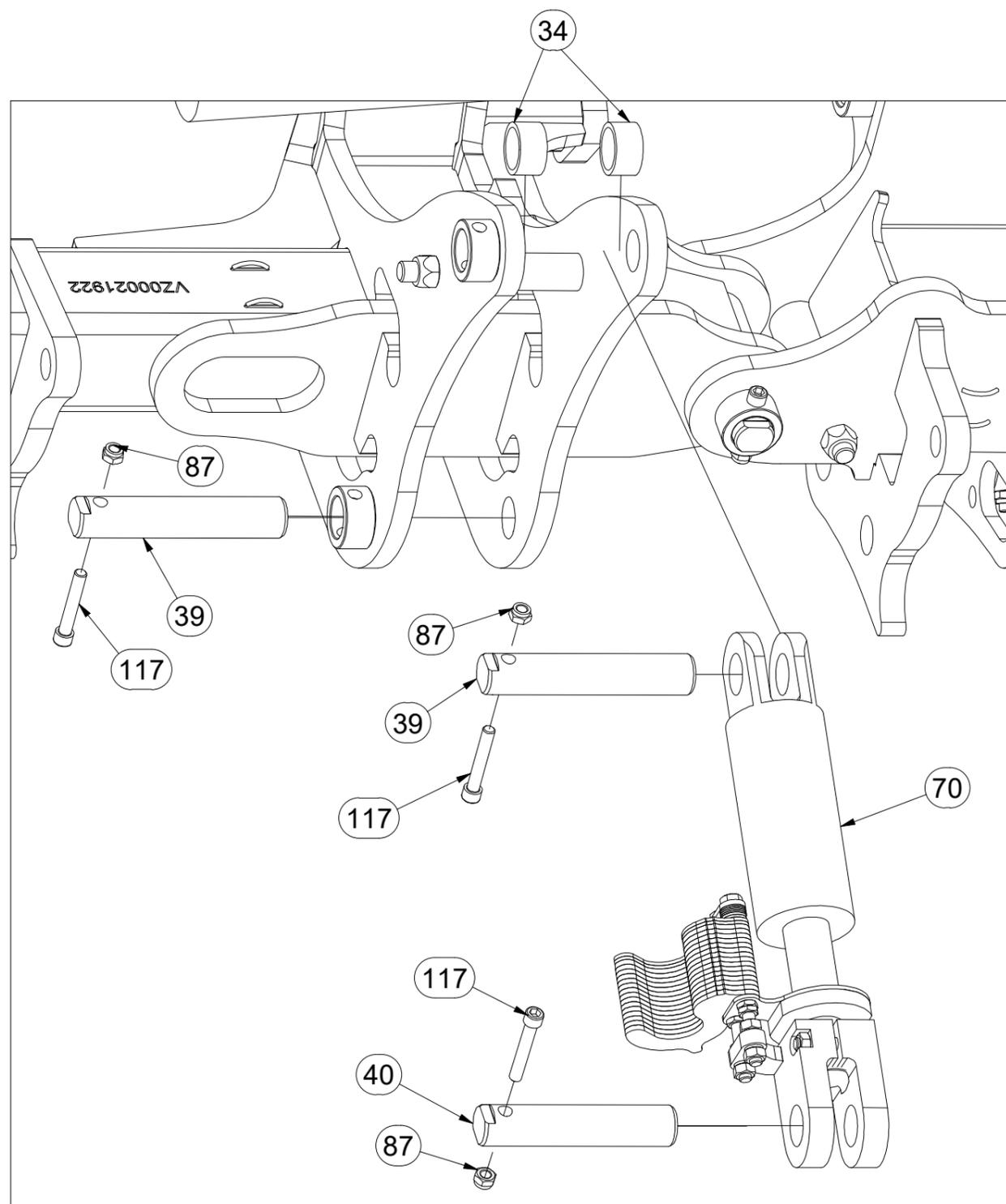
Ⓕ BÂTI DE LA MACHINE

**VZ00016211**

Ⓖ FOOTING OF THE MACHINE

Ⓡ ОСНОВАНИЕ МАШИНЫ

Ⓢ PODSTAWA MASZYNY



| Pos. | Part Number | Pcs. |
|------|-------------|------|
| 34   | 9004544     | 8    |
| 40   | 4017591     | 4    |
| 39   | 4017598     | 4    |
| 70   | VZ00004750  | 2    |
| 87   | m04301      | 69   |
| 117  | m13033      | 20   |

Ⓒ ZÁKLAD STROJE

Ⓓ UNTERBAU DER MASCHINE

Ⓕ BÂTI DE LA MACHINE

Ⓖ FOOTING OF THE MACHINE

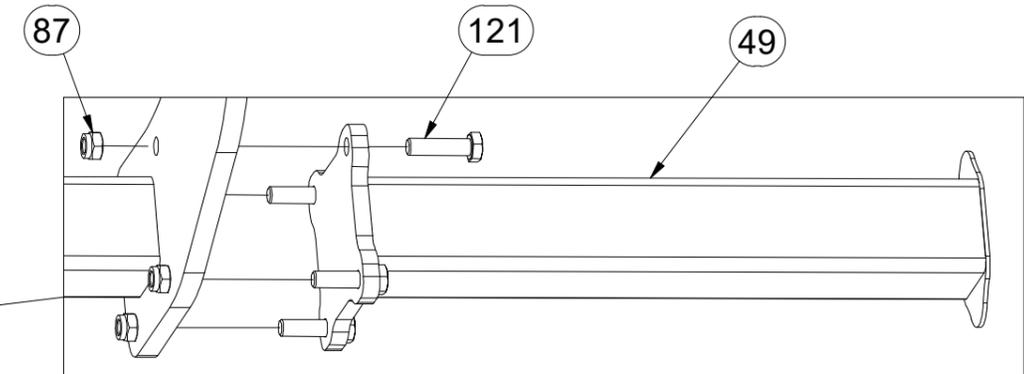
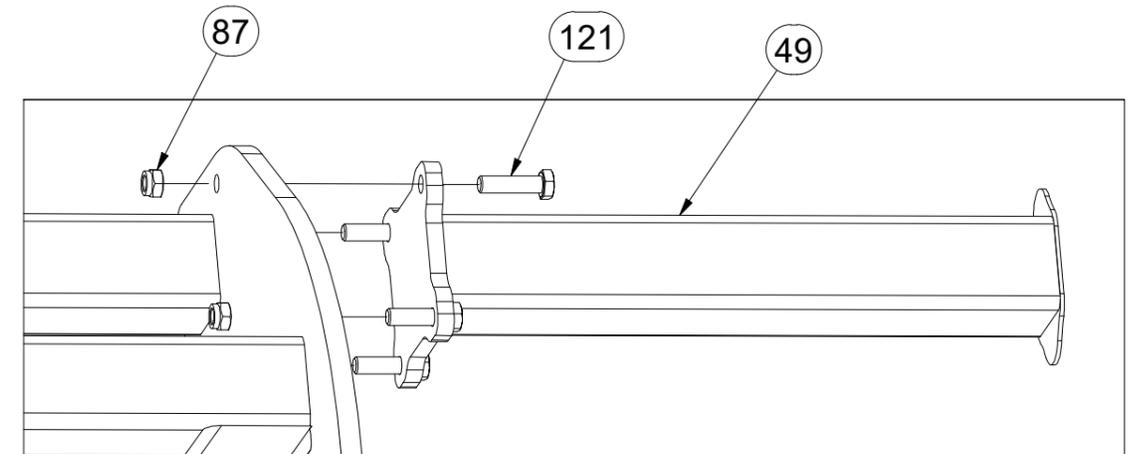
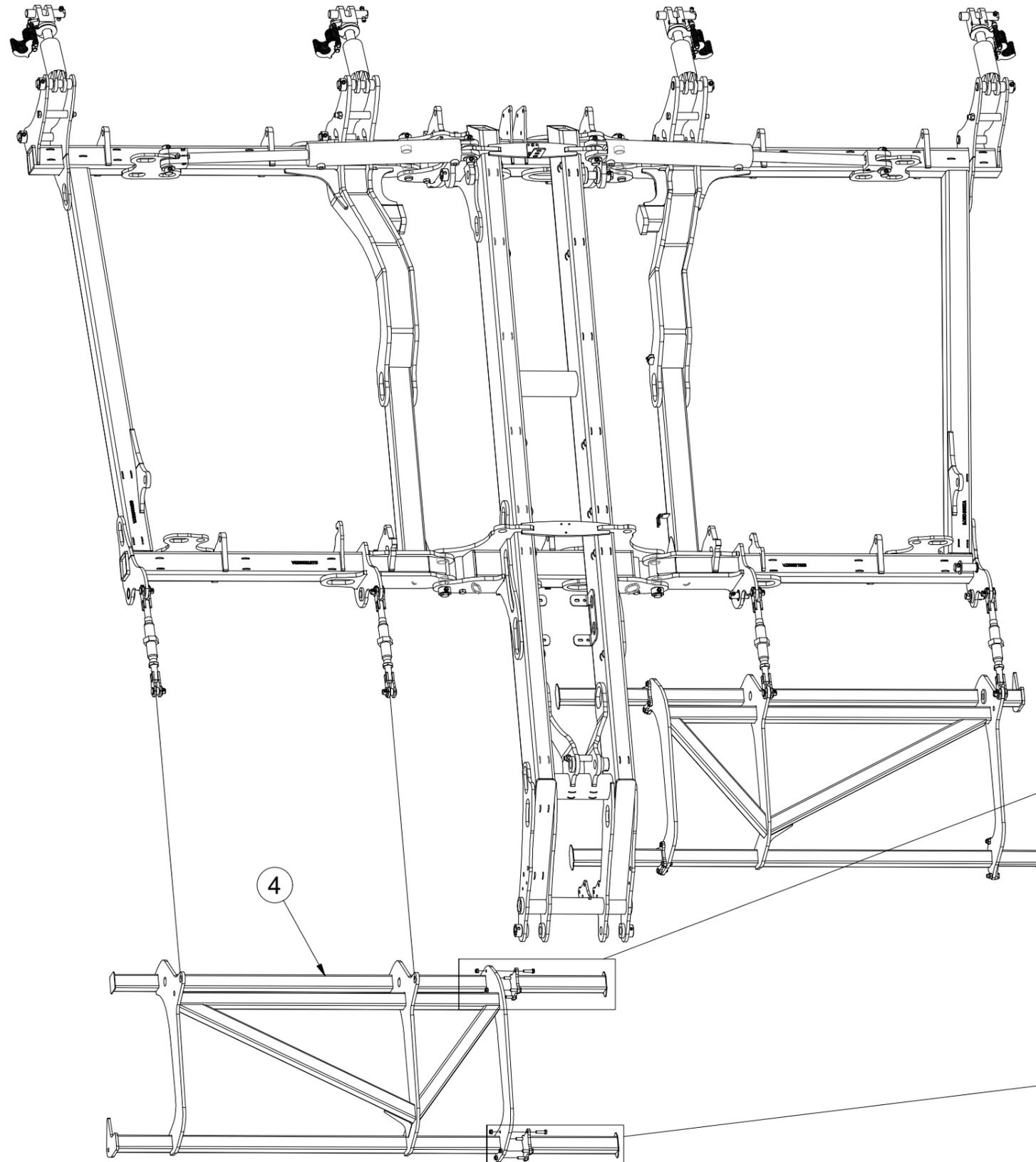
Ⓡ ОСНОВАНИЕ МАШИНЫ

Ⓟ PODSTAWA MASZYNY



**VZ00016211**

| Pos. | Part Number | Pcs. |
|------|-------------|------|
| 4    | VZ00018708  | 1    |
| 49   | VZ00014819  | 4    |
| 87   | m04301      | 69   |
| 121  | m06077      | 16   |



Ⓒ ZÁKLAD STROJE

Ⓓ UNTERBAU DER MASCHINE

Ⓕ BÂTI DE LA MACHINE

Ⓖ FOOTING OF THE MACHINE

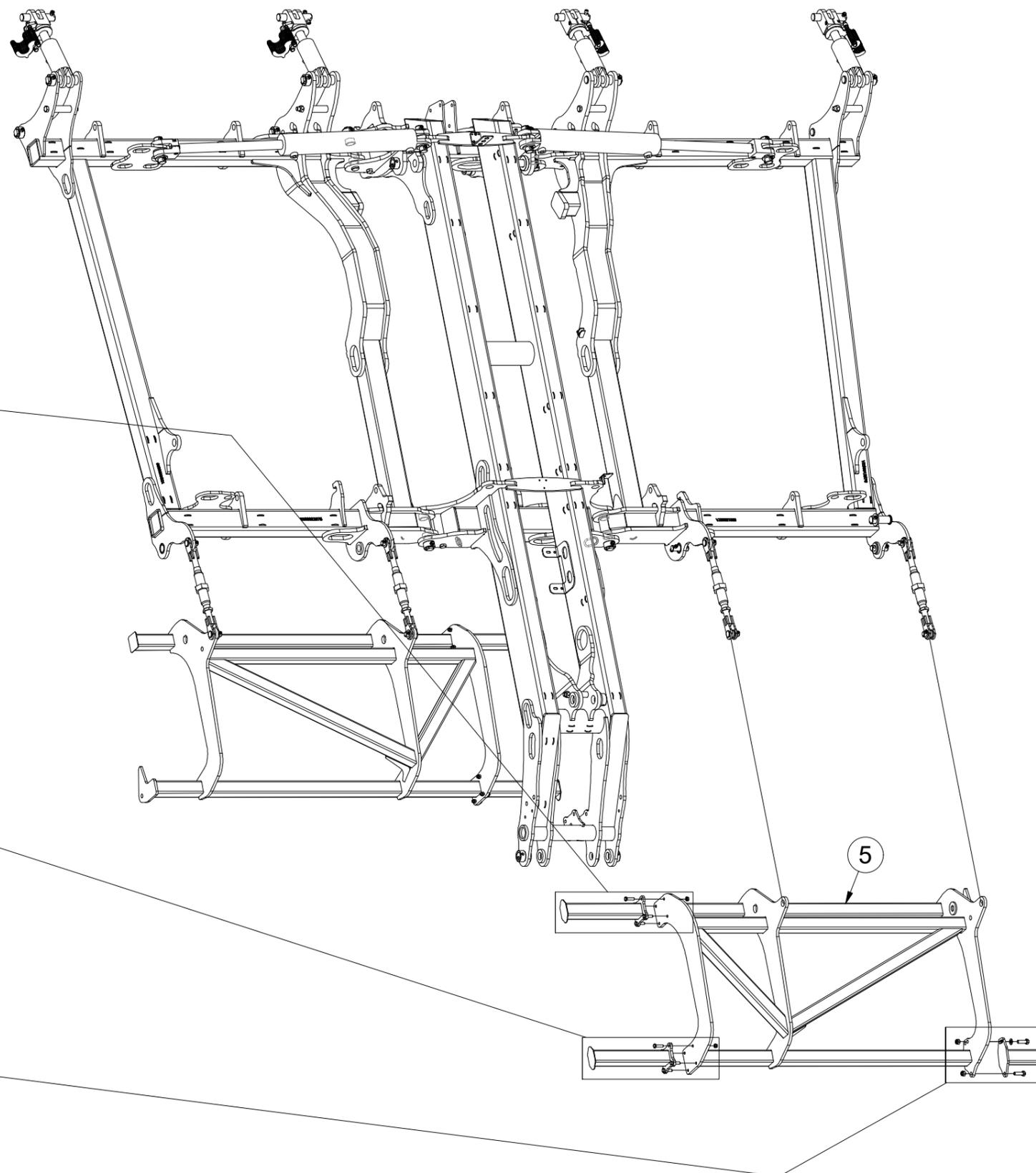
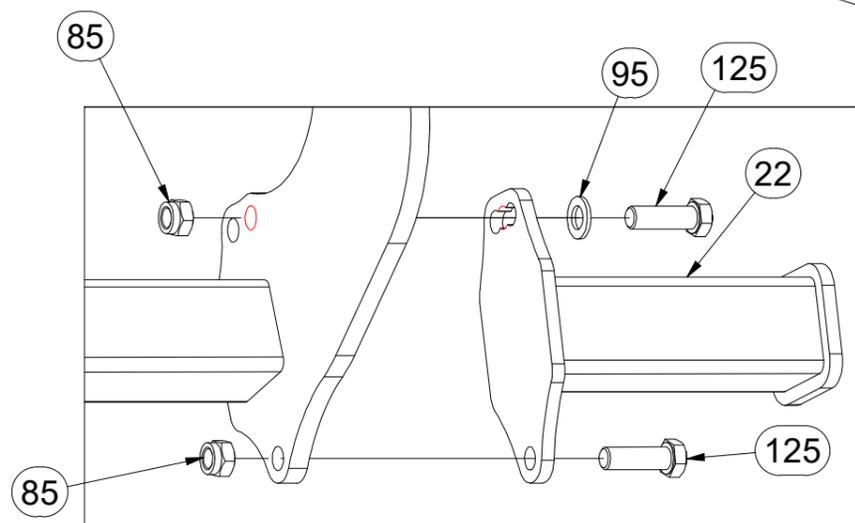
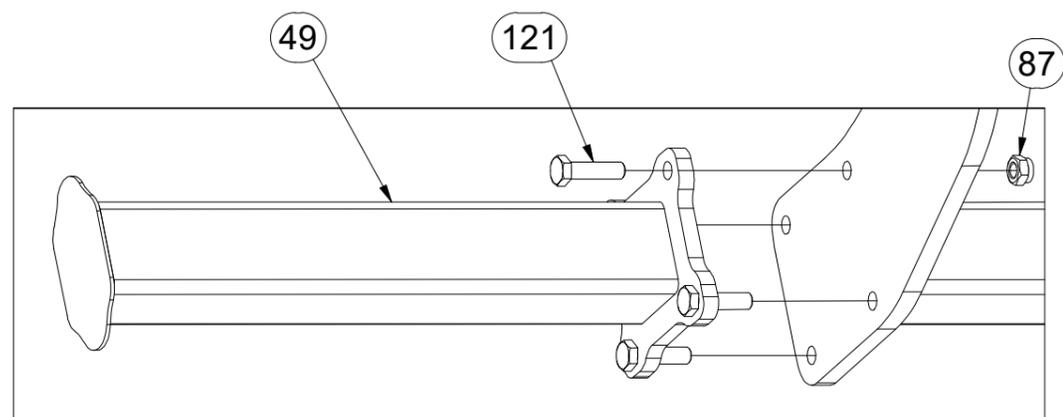
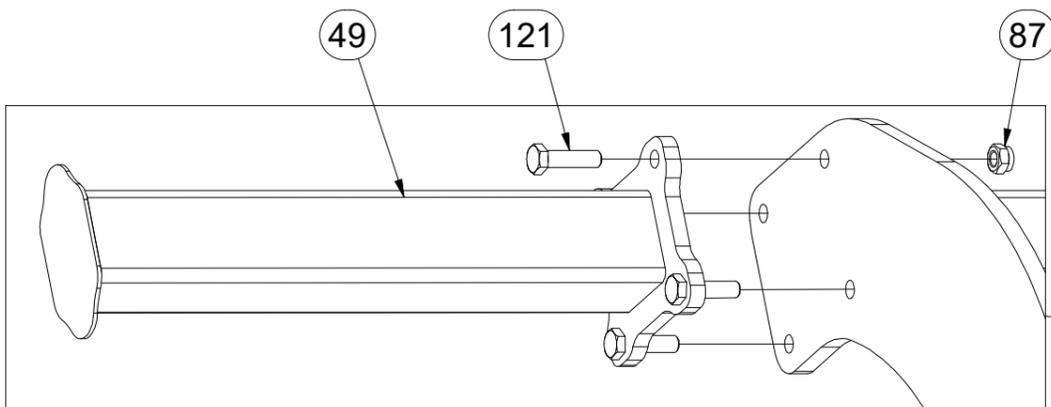
Ⓡ ОСНОВАНИЕ МАШИНЫ

Ⓢ PODSTAWA MASZYNY



### VZ00016211

| Pos. | Part Number | Pcs. | Pos. | Part Number | Pcs. |
|------|-------------|------|------|-------------|------|
| 5    | VZ00018707  | 1    | 87   | m04301      | 69   |
| 22   | 3007071     | 1    | 95   | m01219      | 1    |
| 49   | VZ00014819  | 4    | 121  | m06077      | 16   |
| 85   | m03683      | 2    | 125  | m04355      | 2    |



Ⓒ ZÁKLAD STROJE

Ⓓ UNTERBAU DER MASCHINE

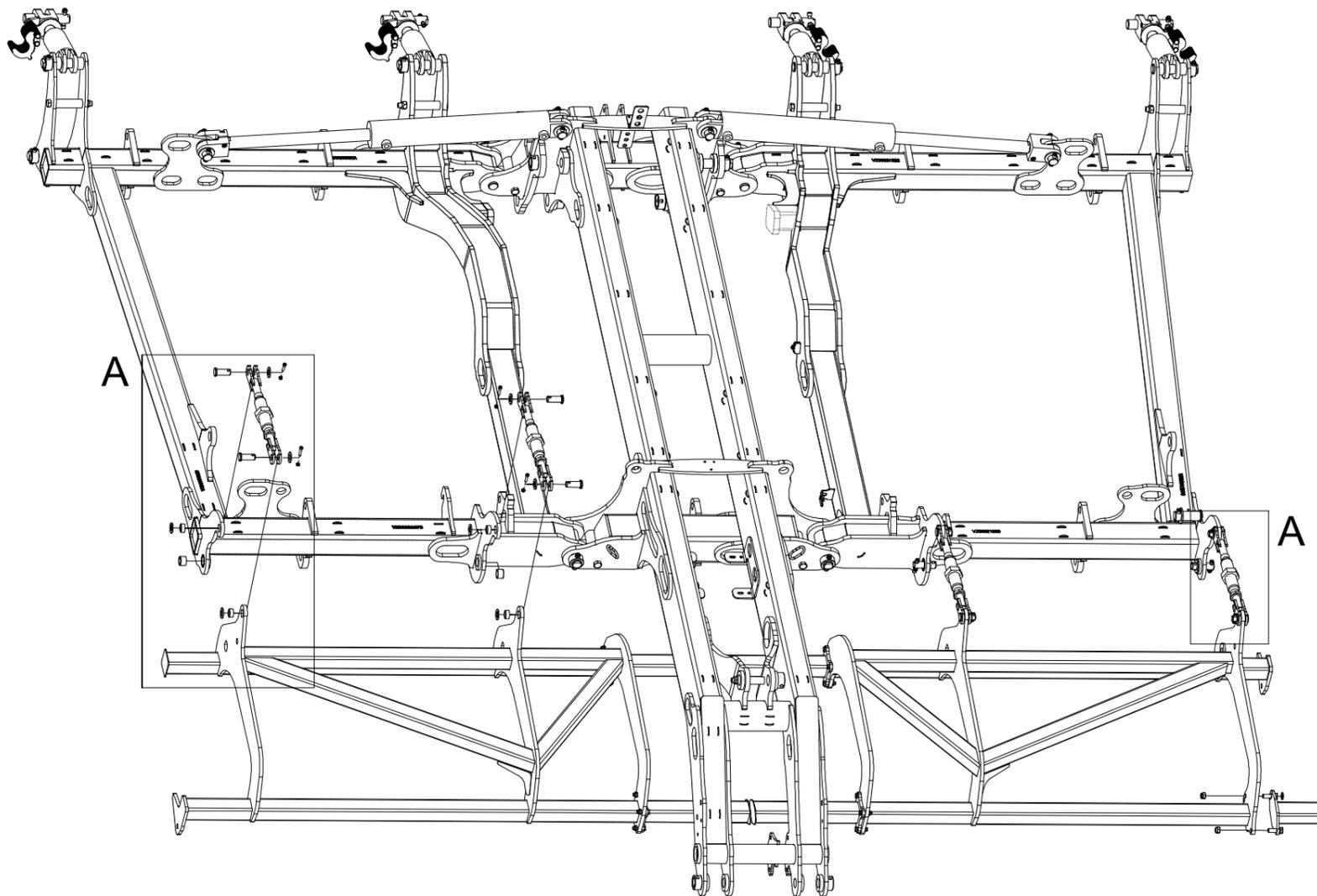
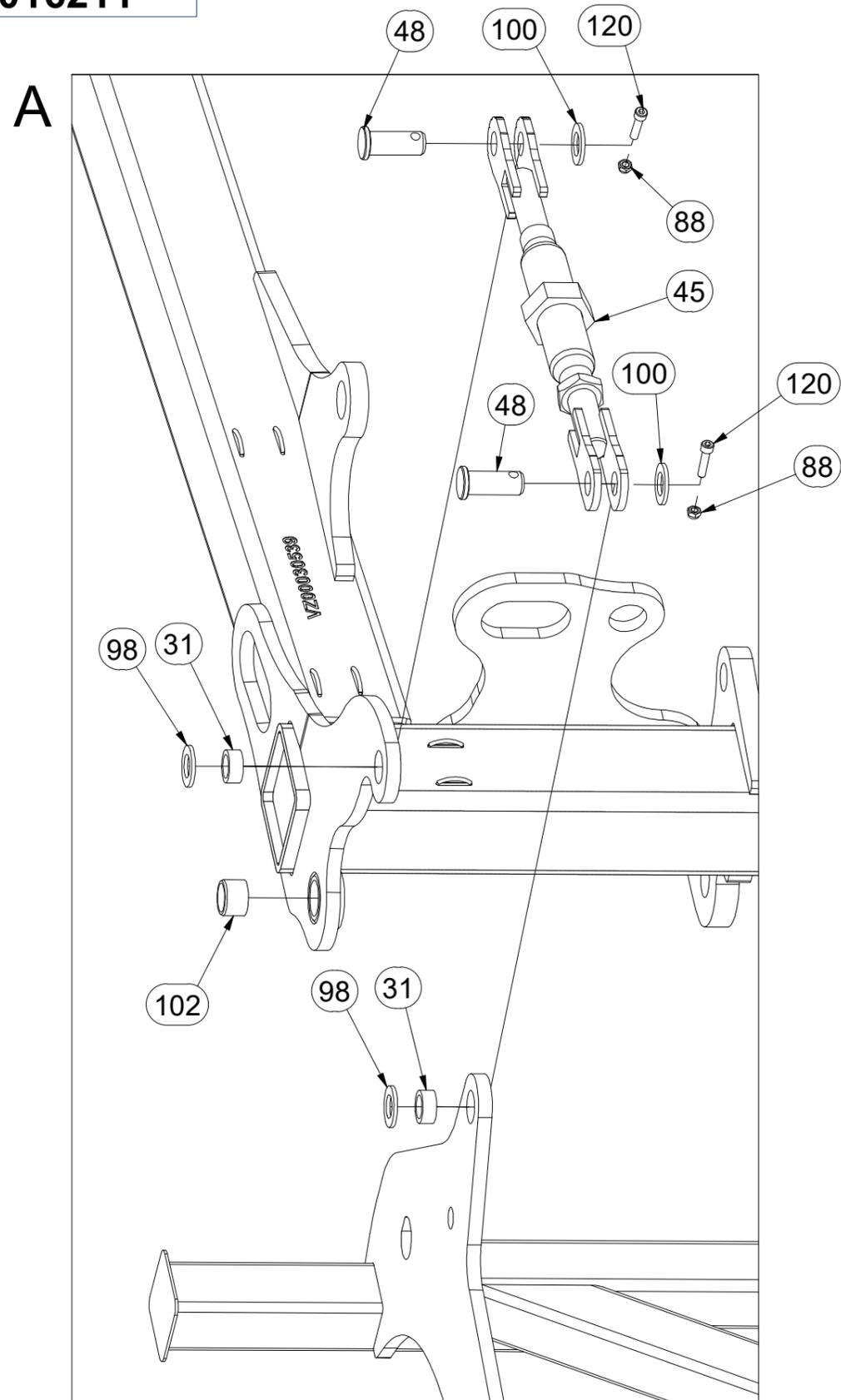
Ⓕ BÂTI DE LA MACHINE

VZ00016211

Ⓖ FOOTING OF THE MACHINE

Ⓡ ОСНОВАНИЕ МАШИНЫ

Ⓢ PODSTAWA MASZYNY



| Pos. | Part Number | Pcs. |
|------|-------------|------|
| 31   | 4018100     | 8    |
| 45   | VZ00031166  | 4    |
| 48   | VZ00031993  | 8    |
| 88   | m04503      | 14   |
| 98   | m03718      | 8    |
| 100  | m14028      | 8    |
| 102  | m15982      | 4    |
| 120  | m09464      | 8    |

Ⓒ ZÁKLAD STROJE

Ⓓ UNTERBAU DER MASCHINE

Ⓕ BÂTI DE LA MACHINE

VZ00016211

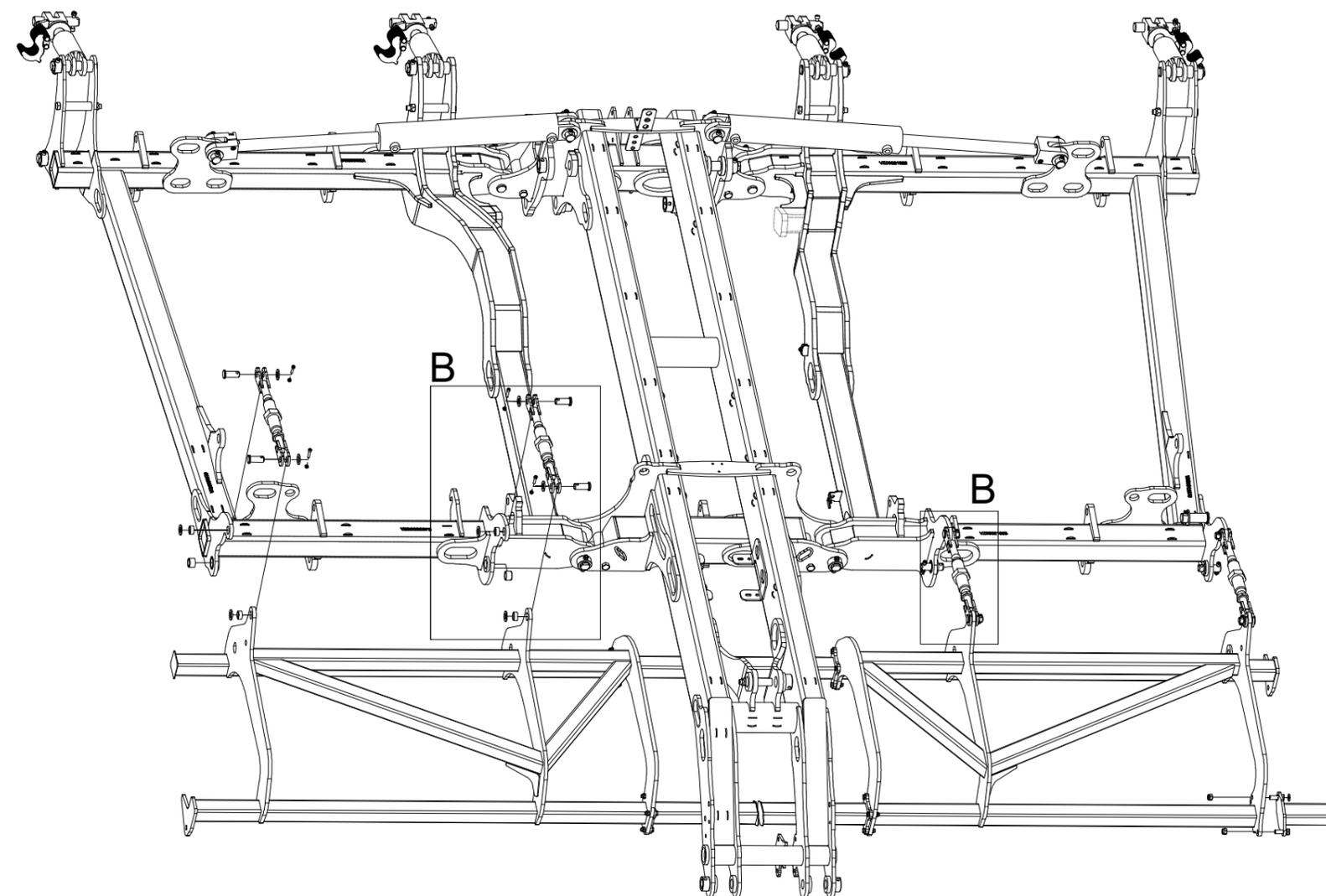
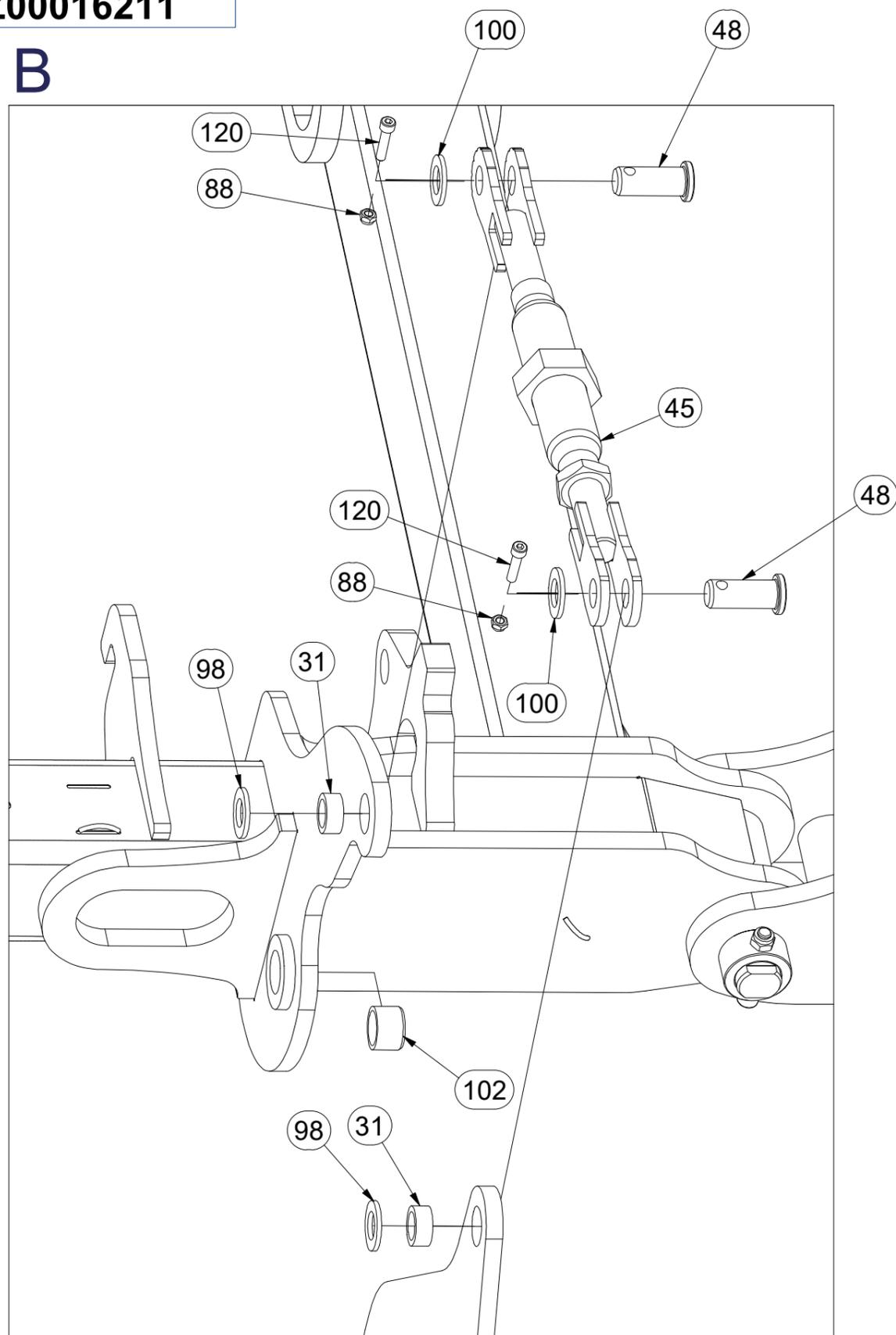
Ⓖ FOOTING OF THE MACHINE

Ⓡ ОСНОВАНИЕ МАШИНЫ

Ⓢ PODSTAWA MASZYNY



B



| Pos. | Part Number | Pcs. |
|------|-------------|------|
| 31   | 4018100     | 8    |
| 45   | VZ00031166  | 4    |
| 48   | VZ00031993  | 8    |
| 88   | m04503      | 14   |
| 98   | m03718      | 8    |
| 100  | m14028      | 8    |
| 102  | m15982      | 4    |
| 120  | m09464      | 8    |



Ⓒ ZÁKLAD STROJE

Ⓓ UNTERBAU DER MASCHINE

Ⓕ BÂTI DE LA MACHINE

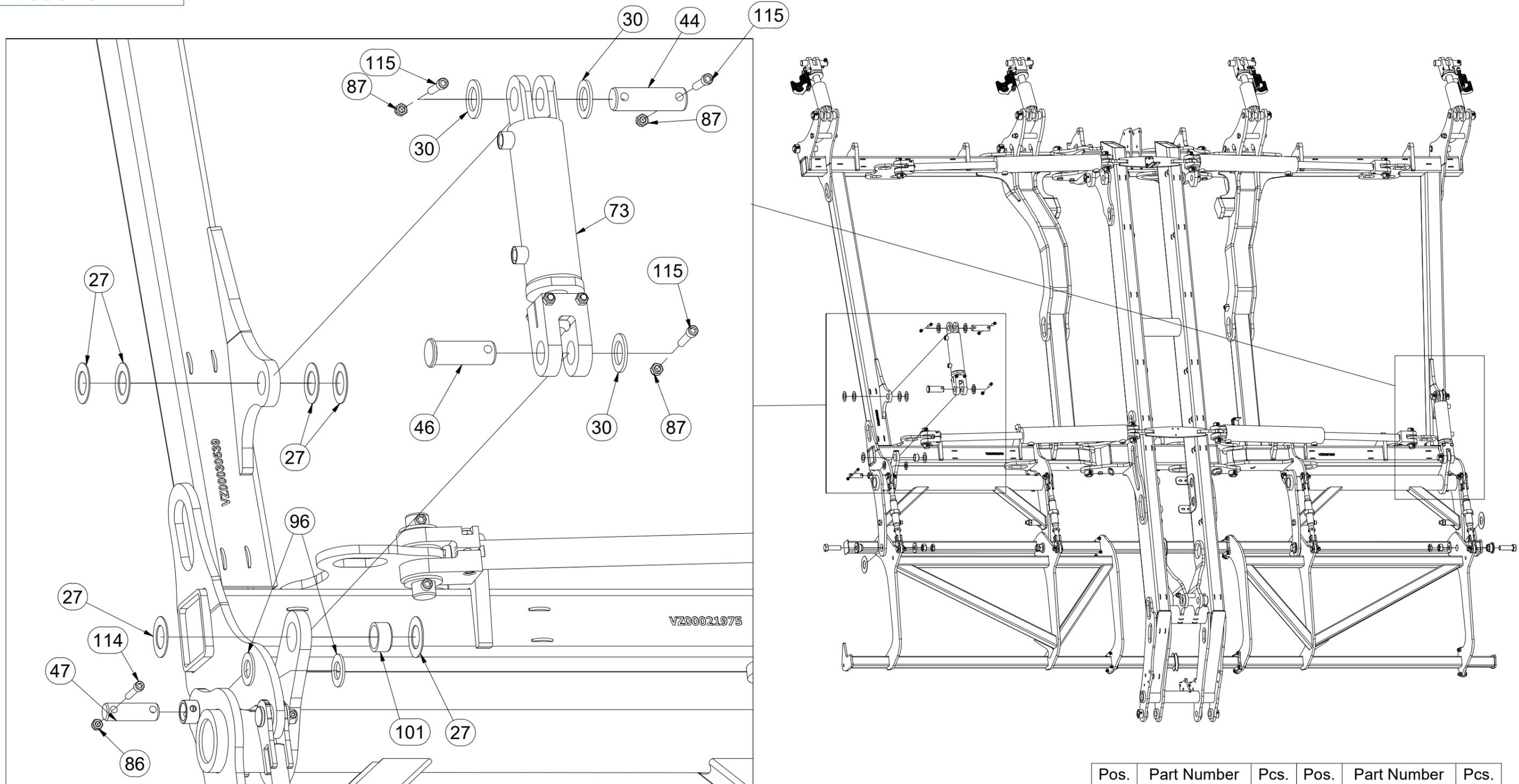
Ⓖ FOOTING OF THE MACHINE

Ⓡ ОСНОВАНИЕ МАШИНЫ

Ⓢ PODSTAWA MASZyny



**VZ00016211**



| Pos. | Part Number | Pcs. | Pos. | Part Number | Pcs. |
|------|-------------|------|------|-------------|------|
| 27   | 4024556     | 50   | 86   | m03775      | 4    |
| 30   | 4013139     | 24   | 87   | m04301      | 69   |
| 44   | 4007816     | 2    | 96   | m02866      | 8    |
| 46   | VZ00015991  | 4    | 101  | m15002      | 2    |
| 47   | 4007640     | 4    | 114  | m14863      | 4    |
| 73   | m19872      | 2    | 115  | m14008      | 24   |

Ⓒ ZÁKLAD STROJE

Ⓓ UNTERBAU DER MASCHINE

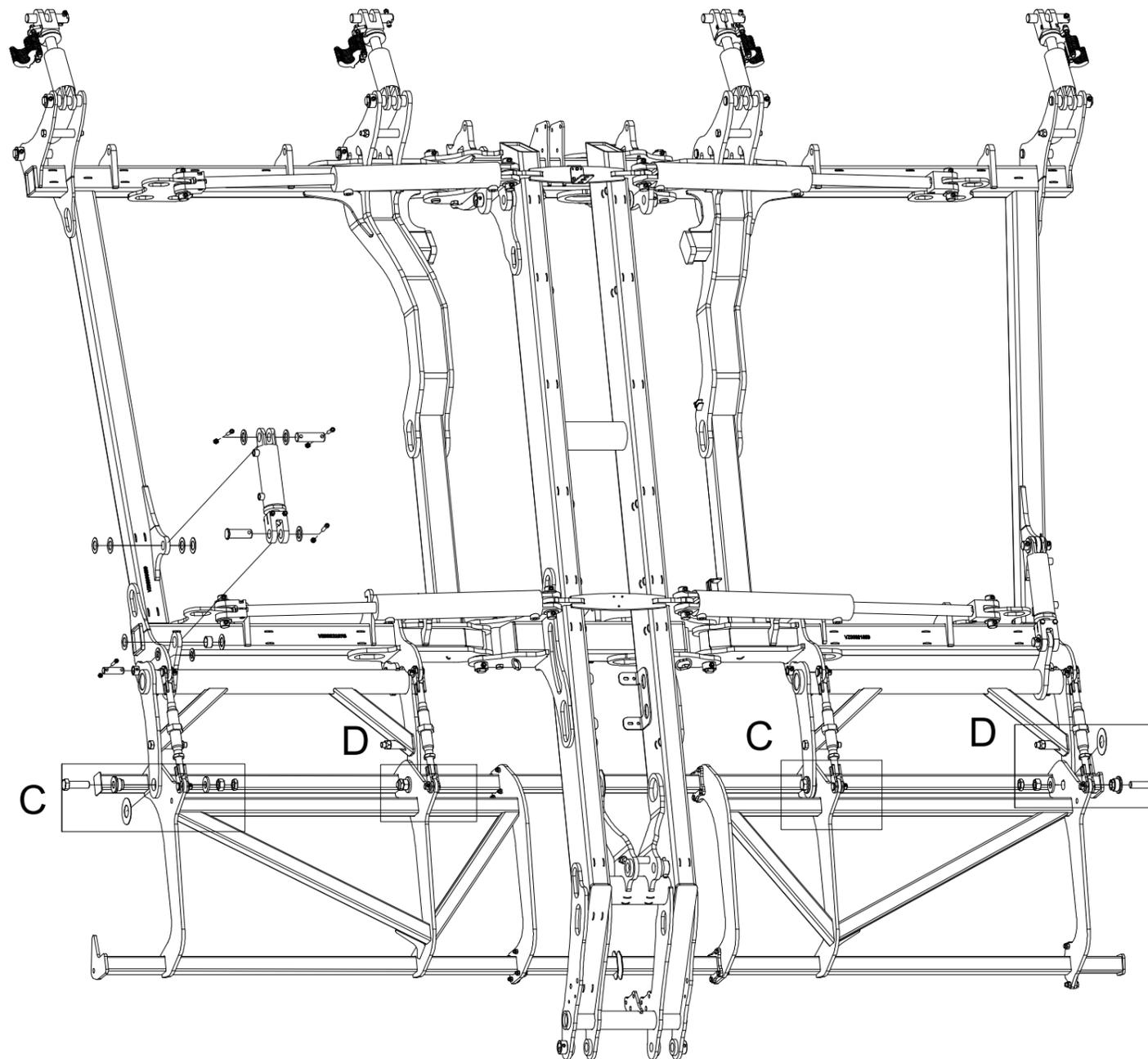
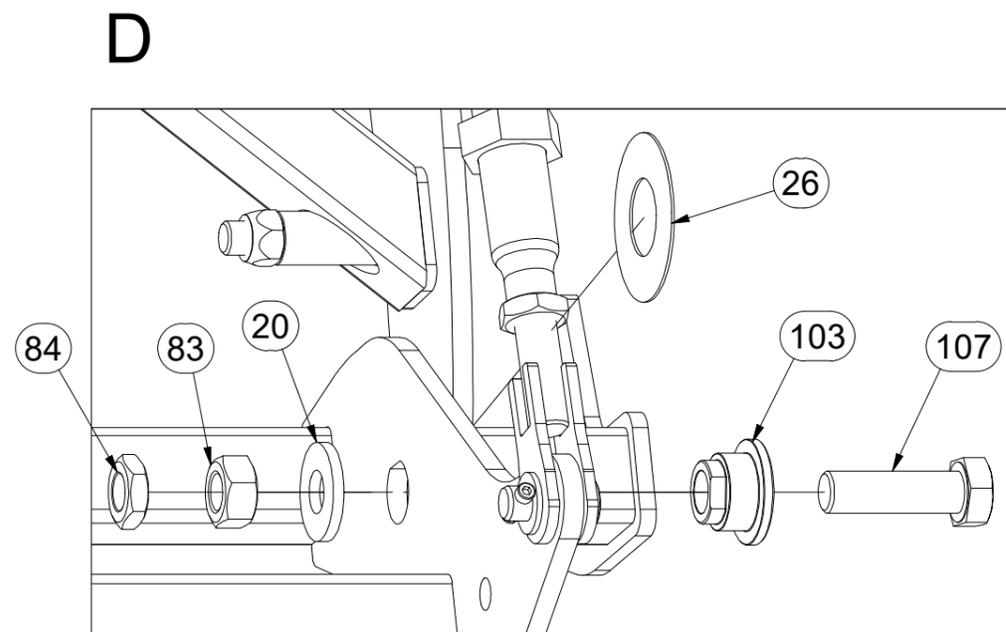
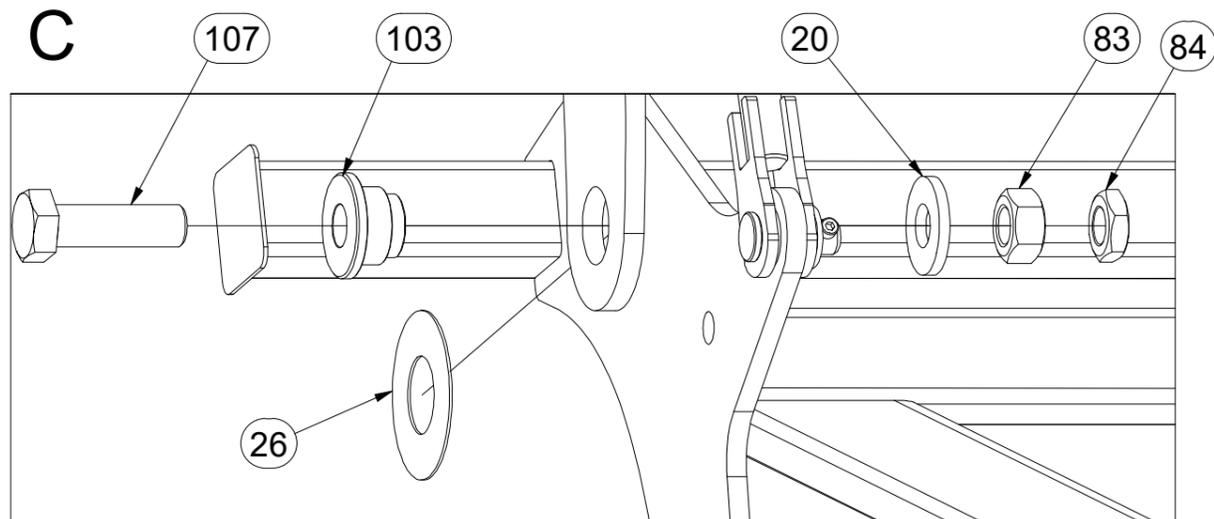
Ⓕ BÂTI DE LA MACHINE

VZ00016211

Ⓖ FOOTING OF THE MACHINE

Ⓡ ОСНОВАНИЕ МАШИНЫ

Ⓢ PODSTAWA MASZYNY



| Pos. | Part Number | Pcs. | Pos. | Part Number | Pcs. |
|------|-------------|------|------|-------------|------|
| 20   | VZ00008373  | 4    | 84   | m04043      | 4    |
| 26   | VZ00013188  | 4    | 103  | m16156      | 4    |
| 83   | m18821      | 4    | 107  | m00008      | 4    |

Ⓒ ZÁKLAD STROJE

Ⓓ UNTERBAU DER MASCHINE

Ⓕ BÂTI DE LA MACHINE

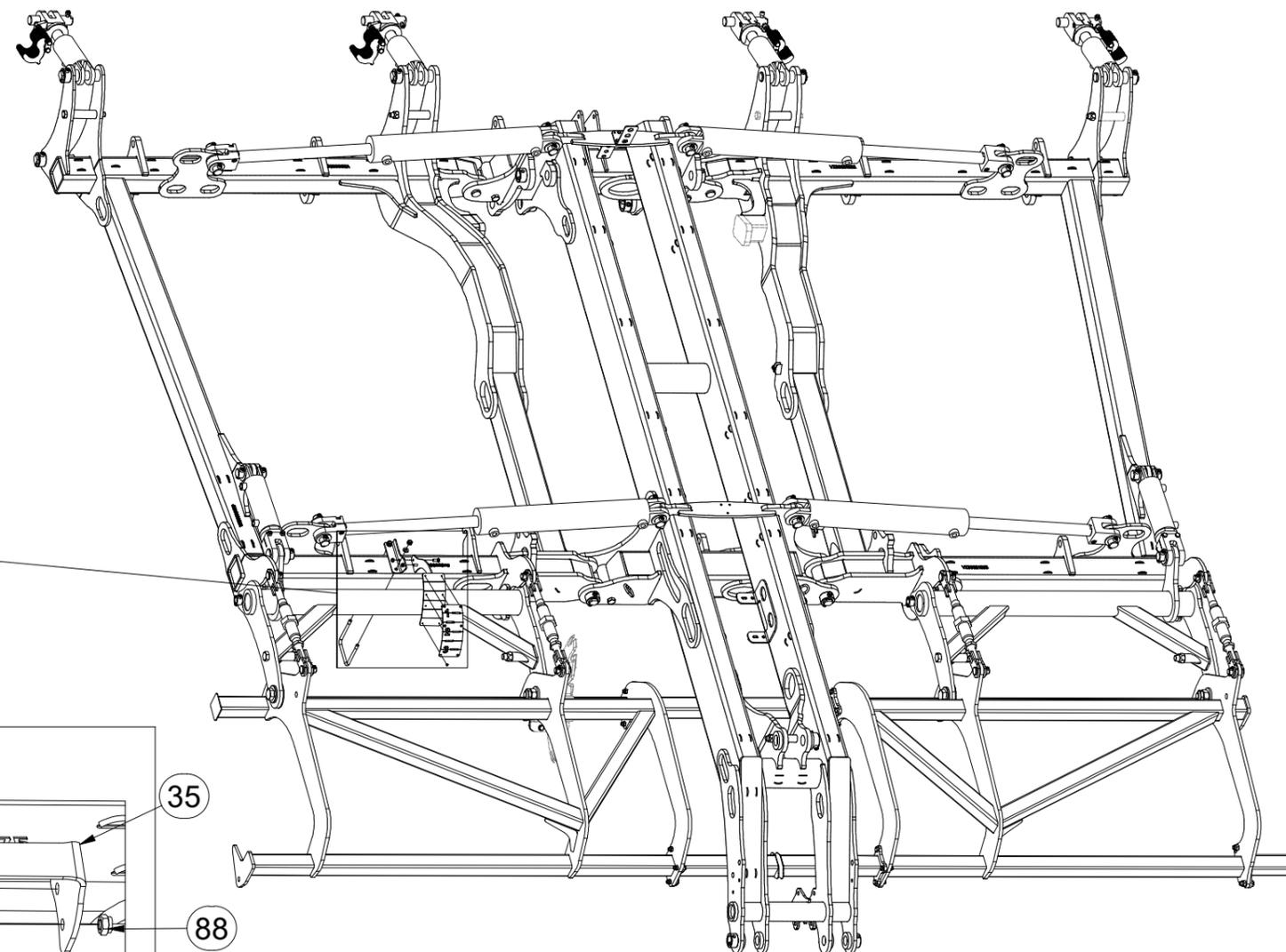
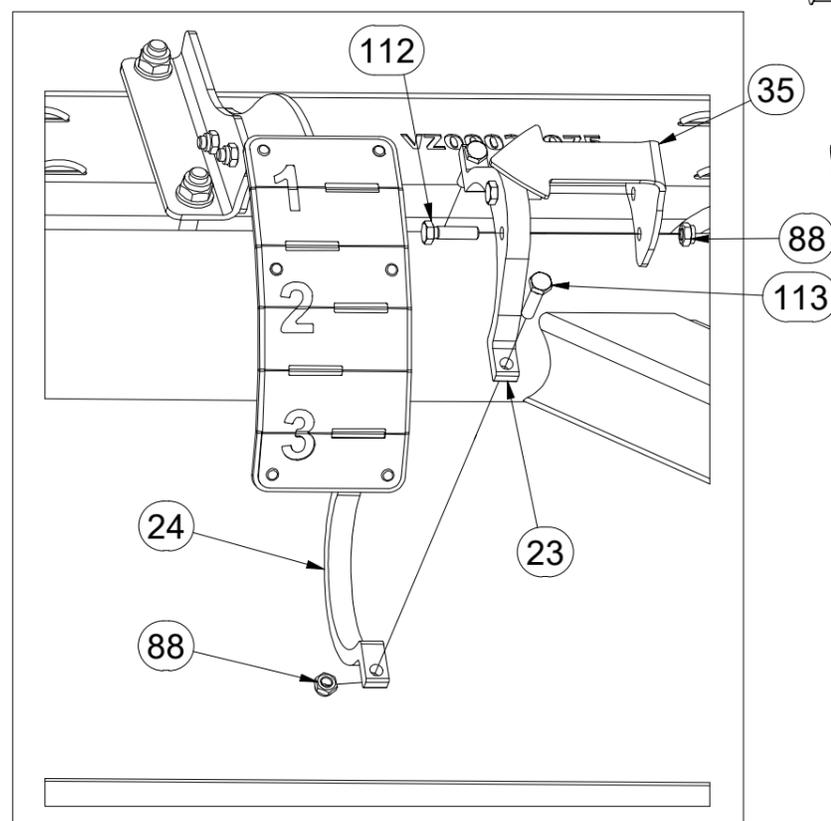
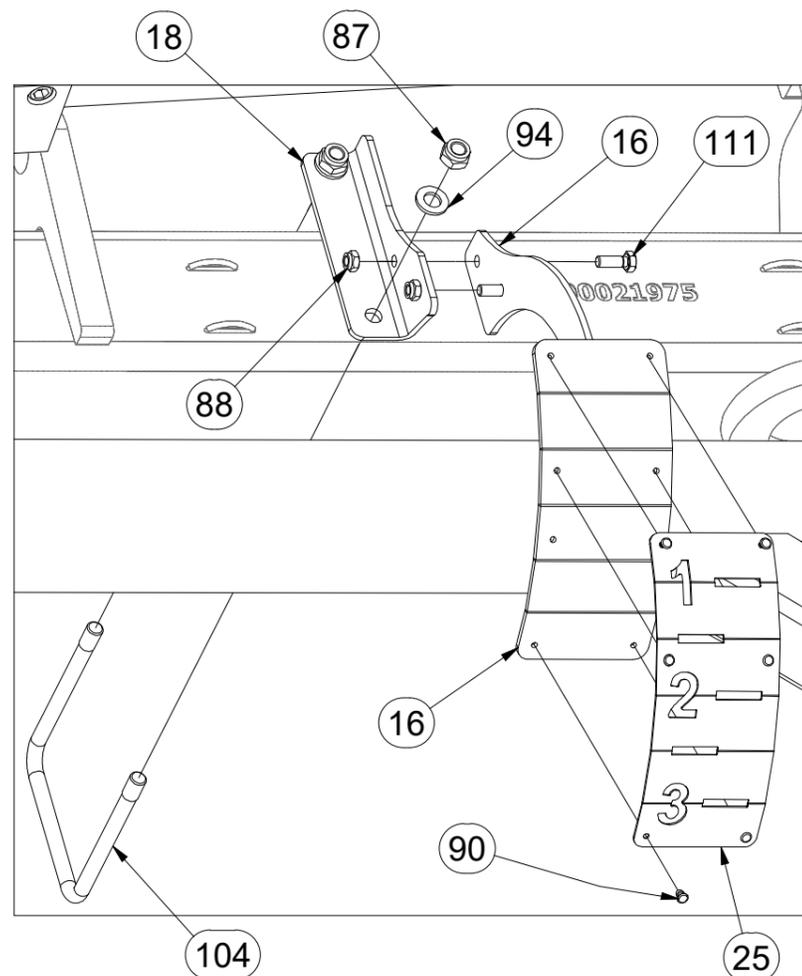
Ⓖ FOOTING OF THE MACHINE

Ⓡ ОСНОВАНИЕ МАШИНЫ

Ⓢ PODSTAWA MASZYNY



**VZ00016211**



| Pos. | Part Number | Pcs. | Pos. | Part Number | Pcs. |
|------|-------------|------|------|-------------|------|
| 16   | VZ00013477  | 1    | 88   | m04503      | 14   |
| 18   | 4022686     | 1    | 90   | m11334      | 6    |
| 23   | VZ00013427  | 1    | 94   | m01214      | 10   |
| 24   | VZ00013428  | 1    | 104  | m10096      | 1    |
| 25   | VZ00016472  | 1    | 111  | m01090      | 2    |
| 35   | VZ00013407  | 1    | 112  | m04791      | 2    |
| 87   | m04301      | 69   | 113  | m01096      | 2    |

Ⓒ ZÁKLAD STROJE

Ⓓ UNTERBAU DER MASCHINE

Ⓕ BÂTI DE LA MACHINE

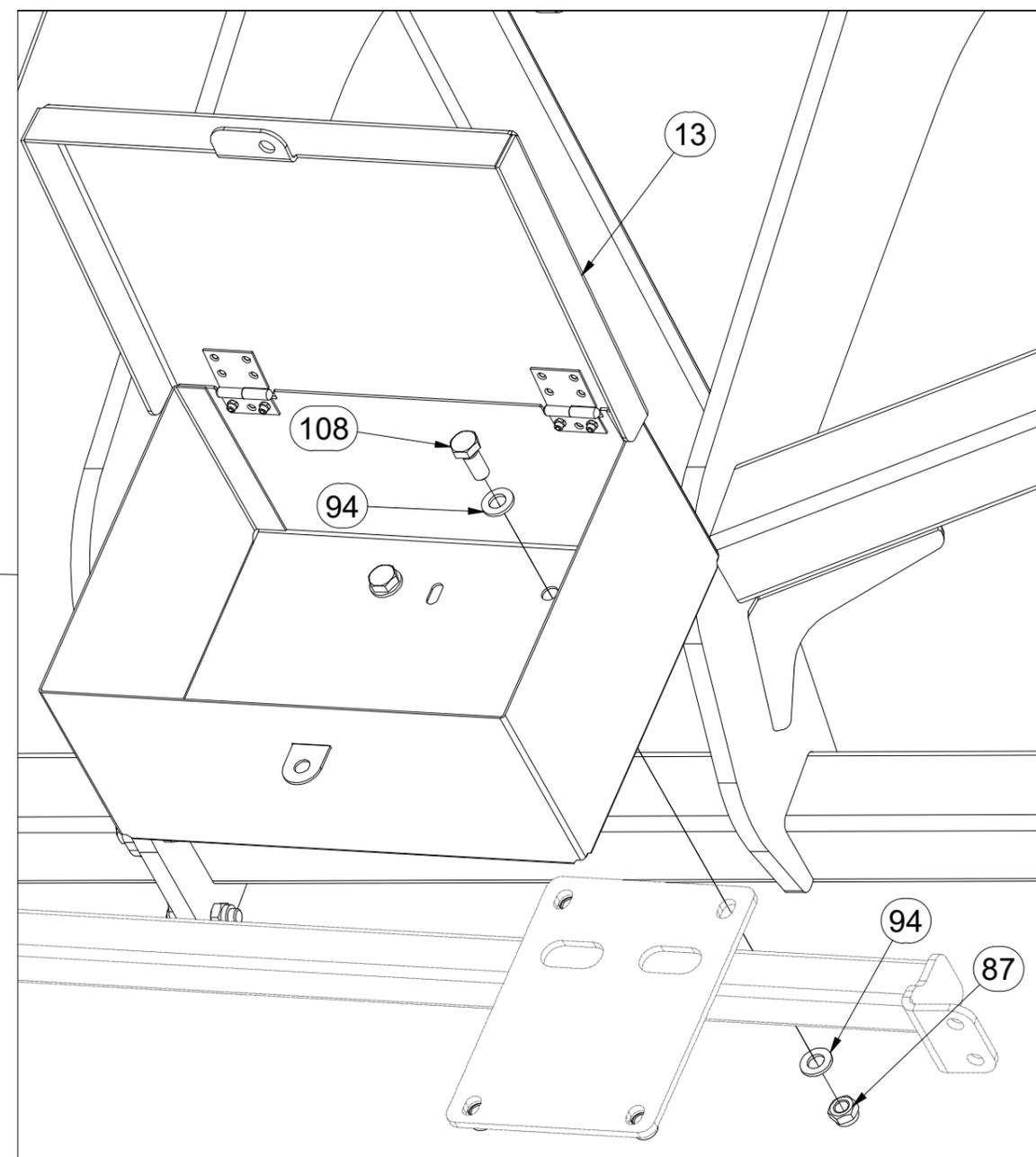
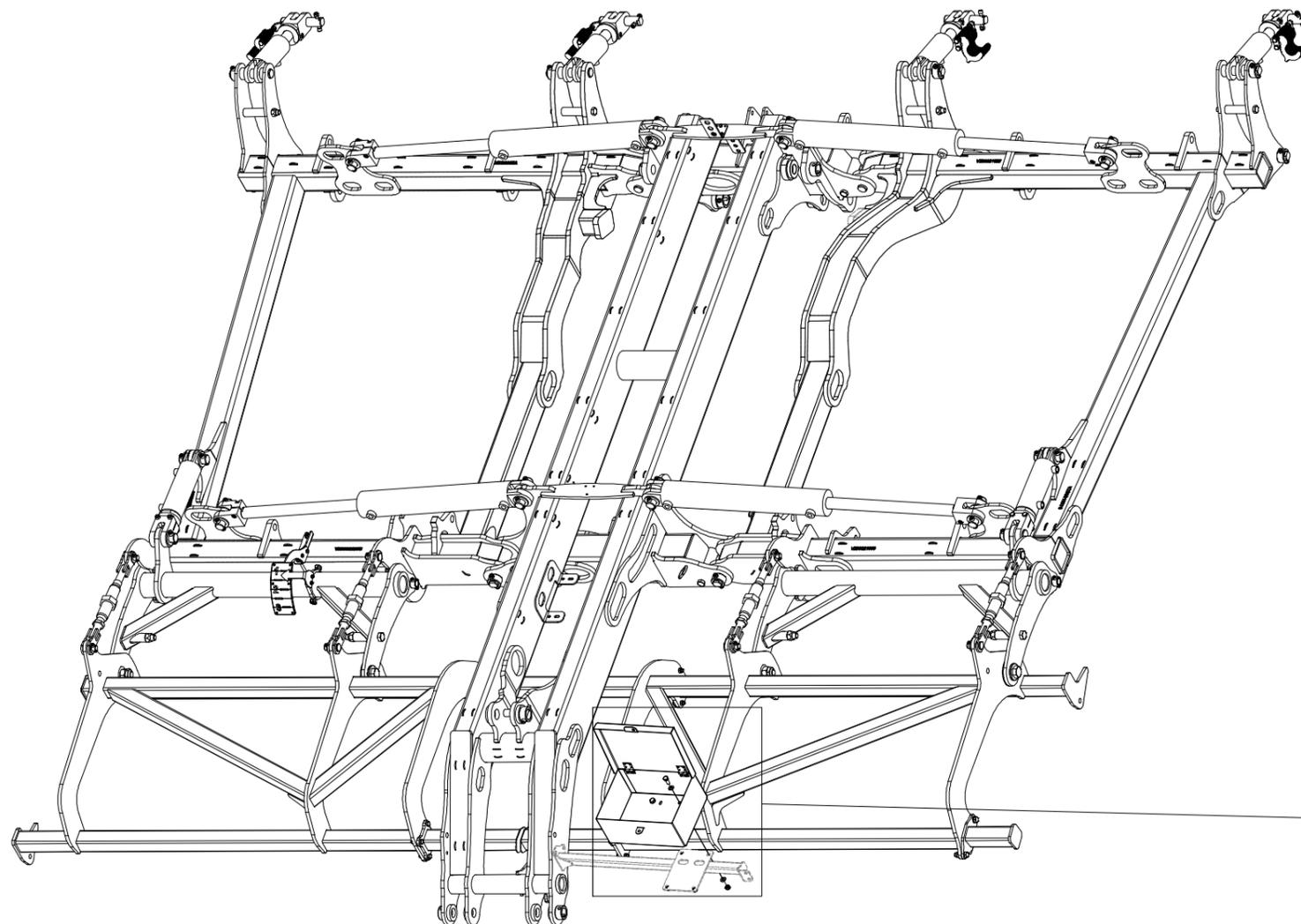
Ⓖ FOOTING OF THE MACHINE

Ⓡ ОСНОВАНИЕ МАШИНЫ

Ⓢ PODSTAWA MASZyny



**VZ00016211**



| Pos. | Part Number | Pcs. |
|------|-------------|------|
| 13   | VZ00009949  | 1    |
| 87   | m04301      | 69   |
| 94   | m01214      | 10   |
| 108  | m04039      | 4    |

Ⓒ ZÁKLAD STROJE

Ⓓ UNTERBAU DER MASCHINE

Ⓕ BÂTI DE LA MACHINE

Ⓖ FOOTING OF THE MACHINE

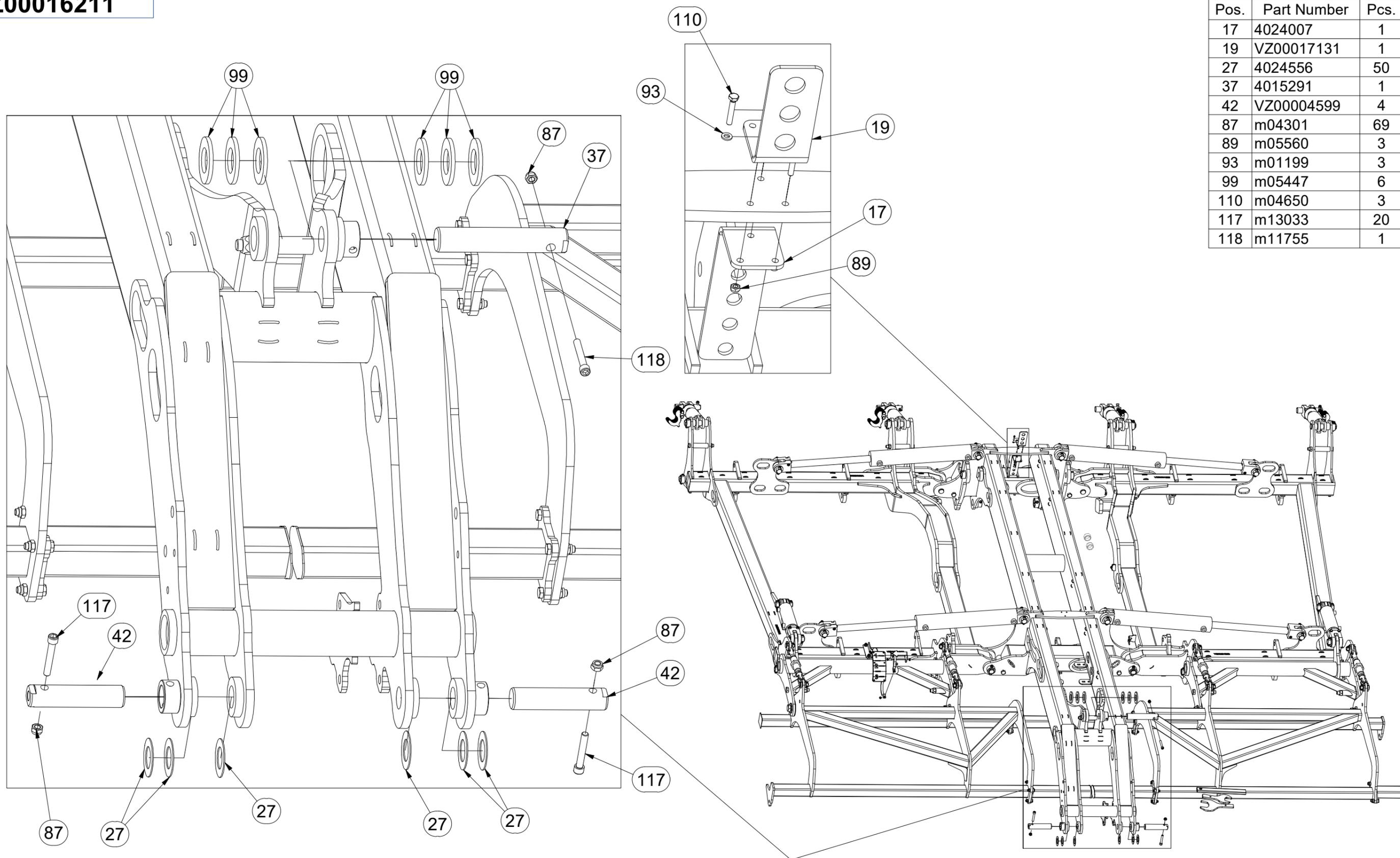
Ⓡ ОСНОВАНИЕ МАШИНЫ

Ⓟ PODSTAWA MASZYNY



**VZ00016211**

| Pos. | Part Number | Pcs. |
|------|-------------|------|
| 17   | 4024007     | 1    |
| 19   | VZ00017131  | 1    |
| 27   | 4024556     | 50   |
| 37   | 4015291     | 1    |
| 42   | VZ00004599  | 4    |
| 87   | m04301      | 69   |
| 89   | m05560      | 3    |
| 93   | m01199      | 3    |
| 99   | m05447      | 6    |
| 110  | m04650      | 3    |
| 117  | m13033      | 20   |
| 118  | m11755      | 1    |



Ⓒ ZÁKLAD STROJE

Ⓓ UNTERBAU DER MASCHINE

Ⓕ BÂTI DE LA MACHINE

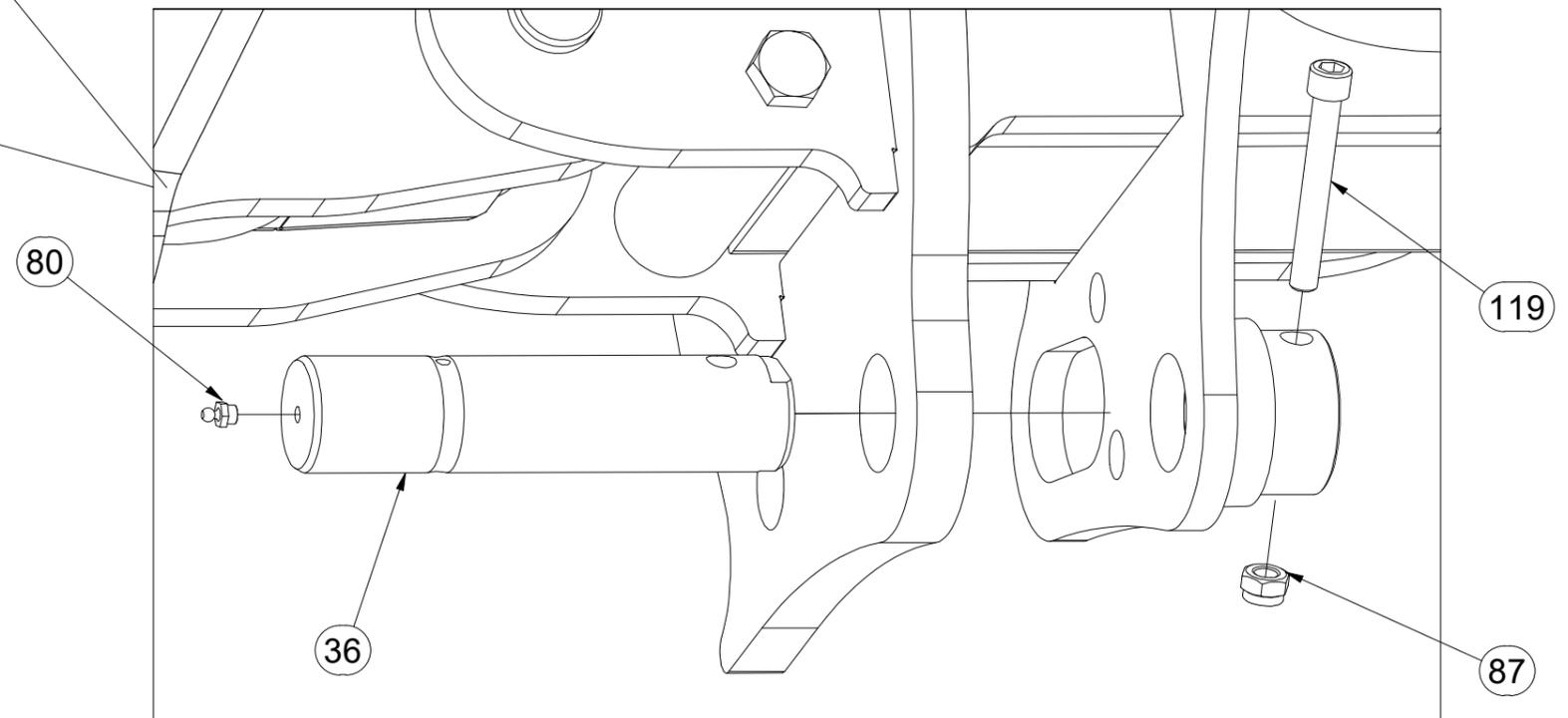
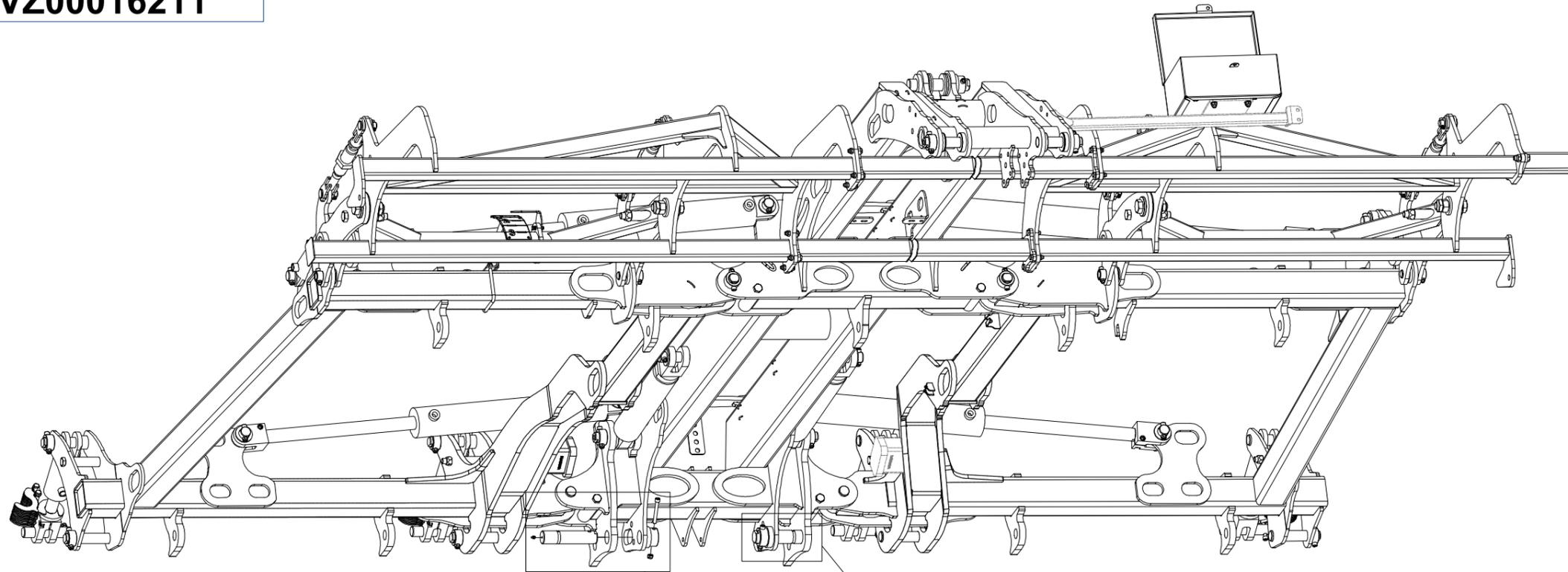
Ⓖ FOOTING OF THE MACHINE

Ⓡ ОСНОВАНИЕ МАШИНЫ

Ⓢ PODSTAWA MASZYNY

**Farmet**

**VZ00016211**



| Pos. | Part Number | Pcs. |
|------|-------------|------|
| 36   | VZ00005473  | 2    |
| 80   | m05698      | 2    |
| 87   | m04301      | 69   |
| 119  | m11032      | 2    |

Ⓒ ZÁKLAD STROJE

Ⓓ UNTERBAU DER MASCHINE

Ⓕ BÂTI DE LA MACHINE

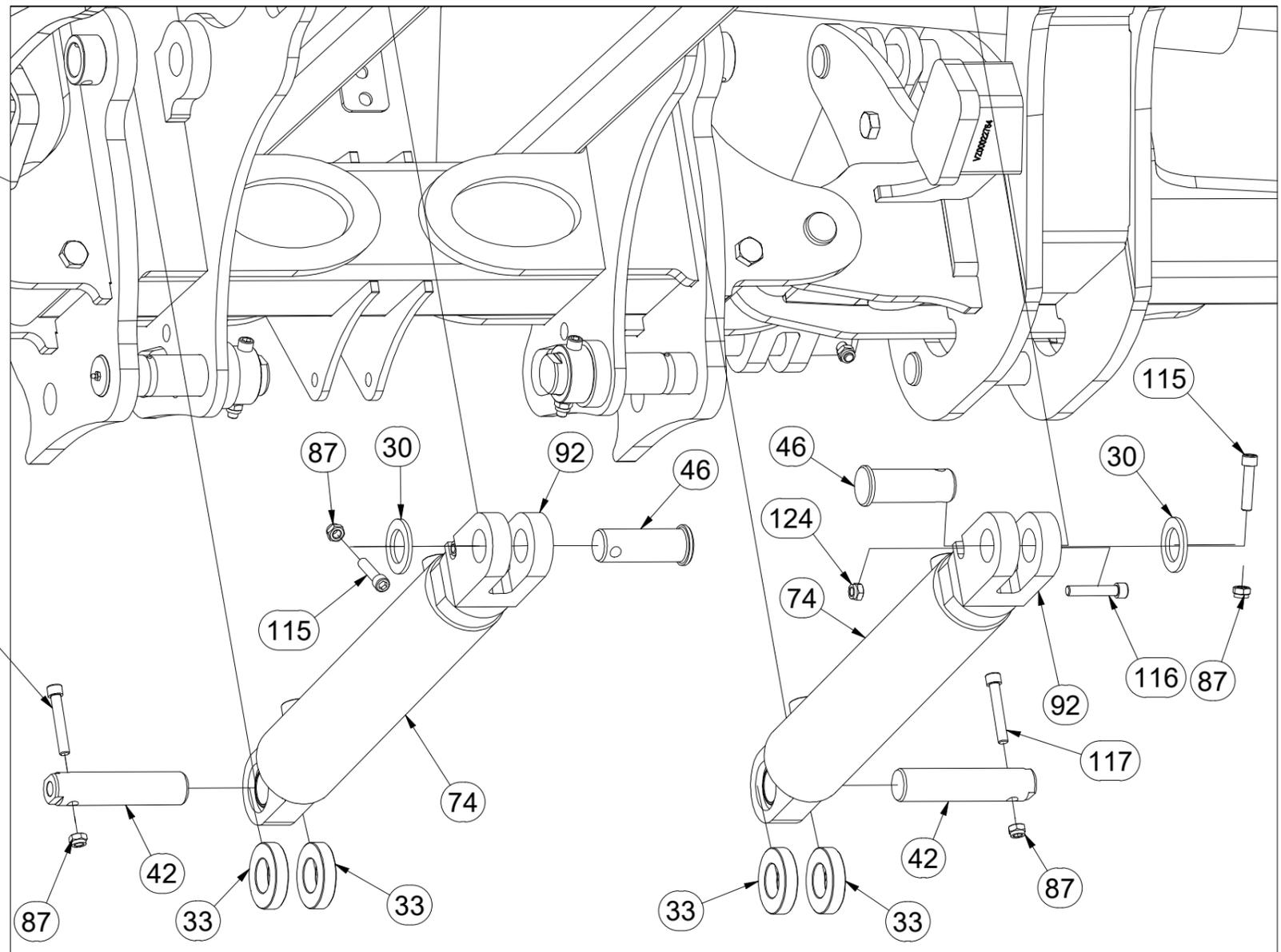
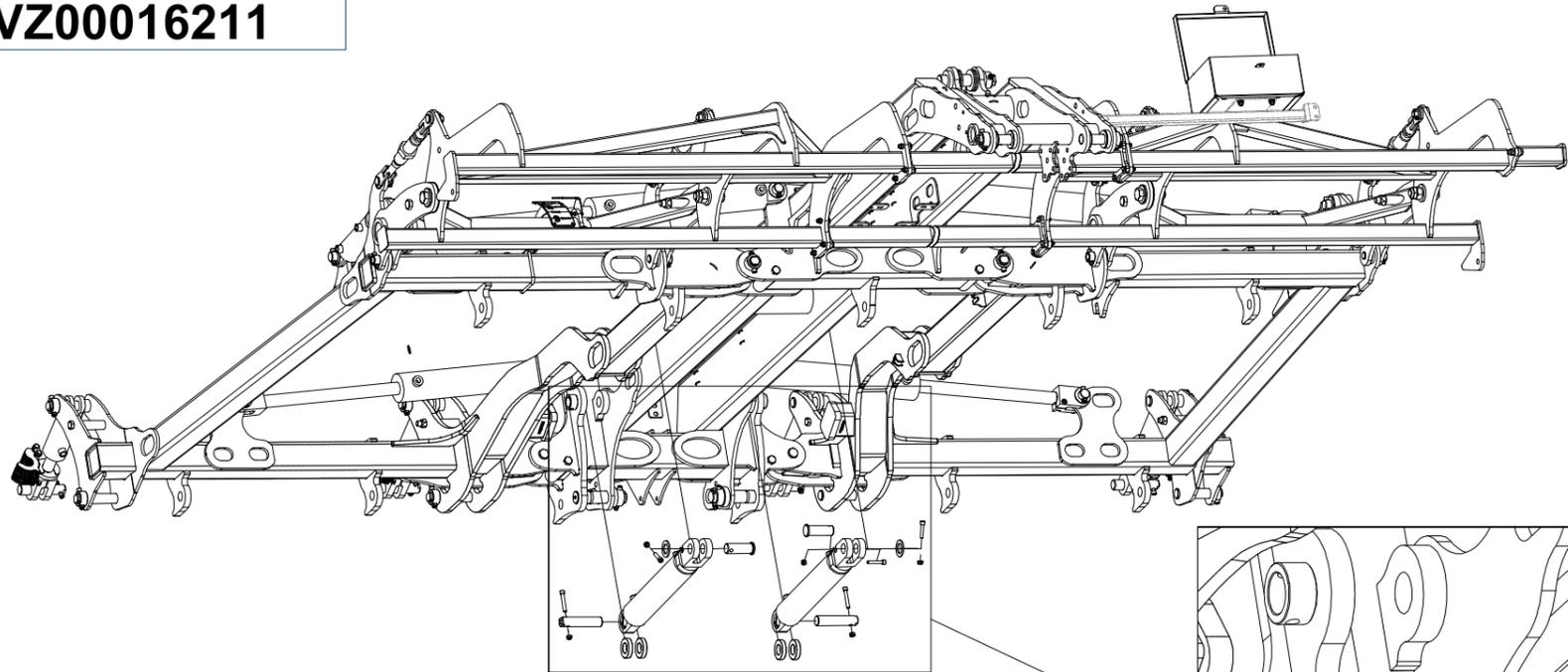
Ⓖ FOOTING OF THE MACHINE

Ⓡ ОСНОВАНИЕ МАШИНЫ

Ⓢ PODSTAWA MASZyny



**VZ00016211**



| Pos. | Part Number | Pcs. |
|------|-------------|------|
| 30   | 4013139     | 24   |
| 33   | VZ00004609  | 4    |
| 42   | VZ00004599  | 4    |
| 46   | VZ00015991  | 4    |
| 74   | m22148      | 2    |
| 87   | m04301      | 69   |
| 92   | m15149      | 6    |
| 115  | m14008      | 24   |
| 116  | m14867      | 6    |
| 117  | m13033      | 20   |
| 124  | m21001      | 6    |

Ⓒ ZÁKLAD STROJE

Ⓓ UNTERBAU DER MASCHINE

Ⓕ BÂTI DE LA MACHINE

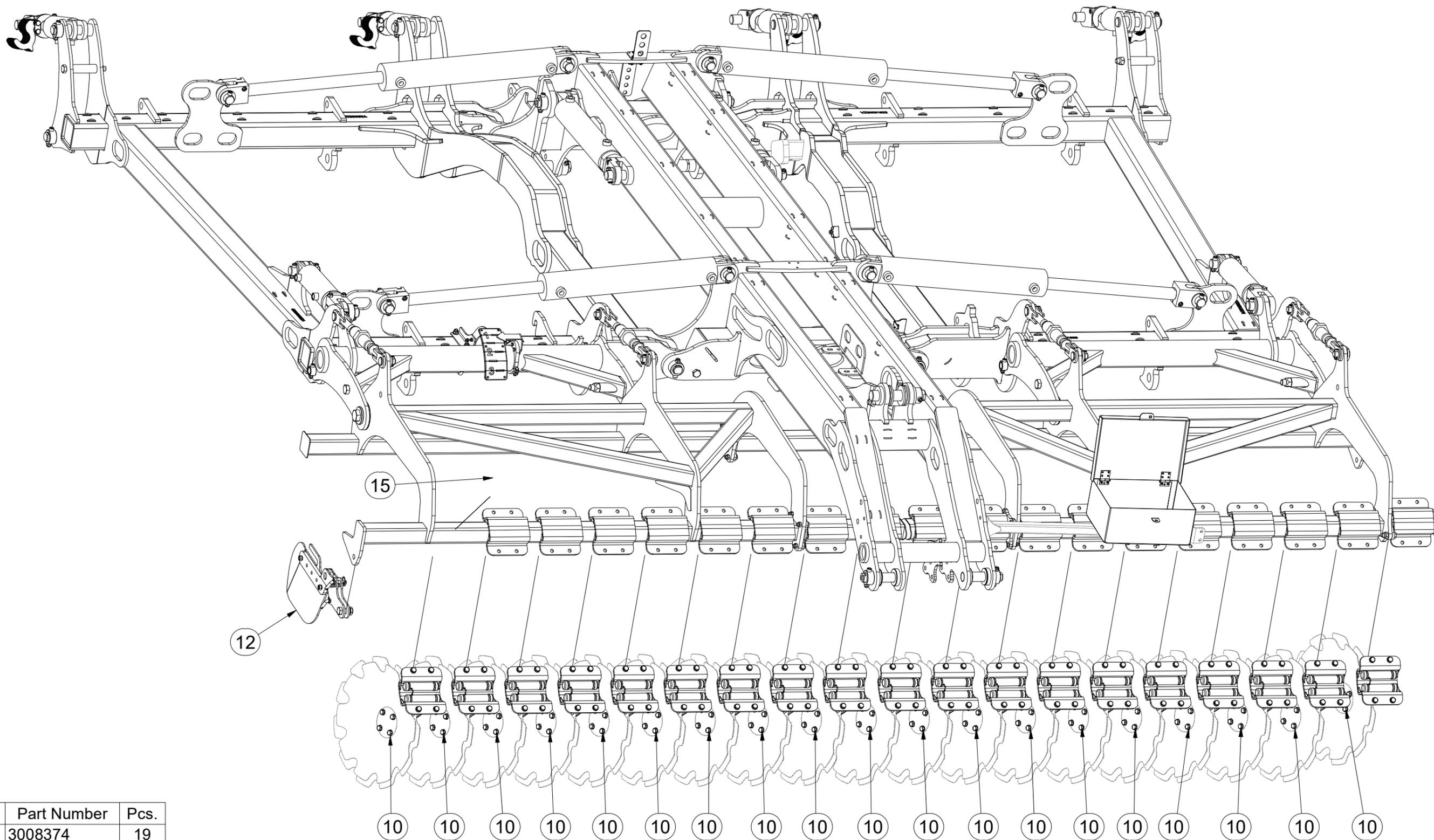
Ⓖ FOOTING OF THE MACHINE

Ⓡ ОСНОВАНИЕ МАШИНЫ

Ⓢ PODSTAWA MASZyny



VZ00016211



| Pos. | Part Number | Pcs. |
|------|-------------|------|
| 10   | 3008374     | 19   |
| 12   | 3011707     | 1    |
| 15   | 9004269     | 37   |



Ⓒ ZÁKLAD STROJE

Ⓓ UNTERBAU DER MASCHINE

Ⓕ BÂTI DE LA MACHINE

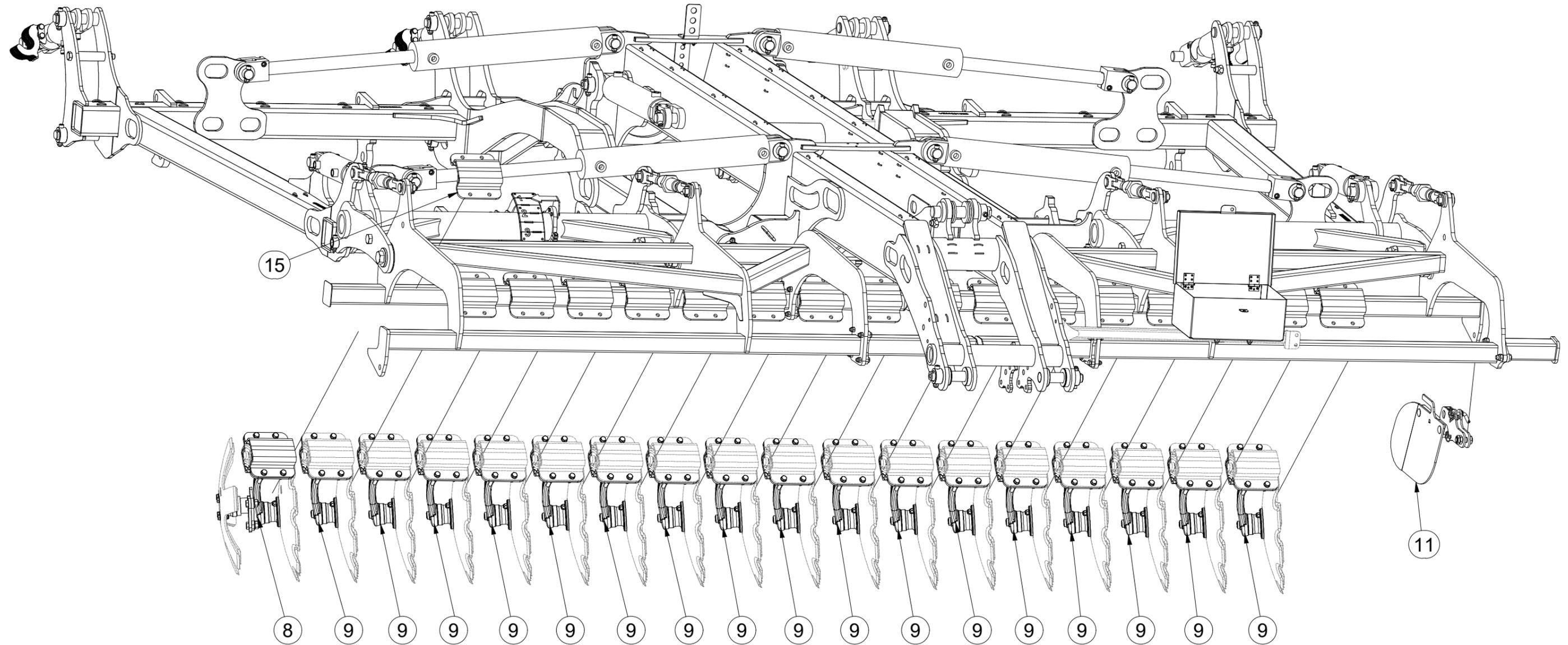
Ⓖ FOOTING OF THE MACHINE

Ⓡ ОСНОВАНИЕ МАШИНЫ

Ⓢ PODSTAWA MASZYNY



**VZ00016211**



| Pos. | Part Number | Pcs. |
|------|-------------|------|
| 8    | VZ00019560  | 1    |
| 9    | 3008375     | 17   |
| 11   | 3011705     | 1    |
| 15   | 9004269     | 37   |

☉ TÁHLO

Ⓧ STANGE

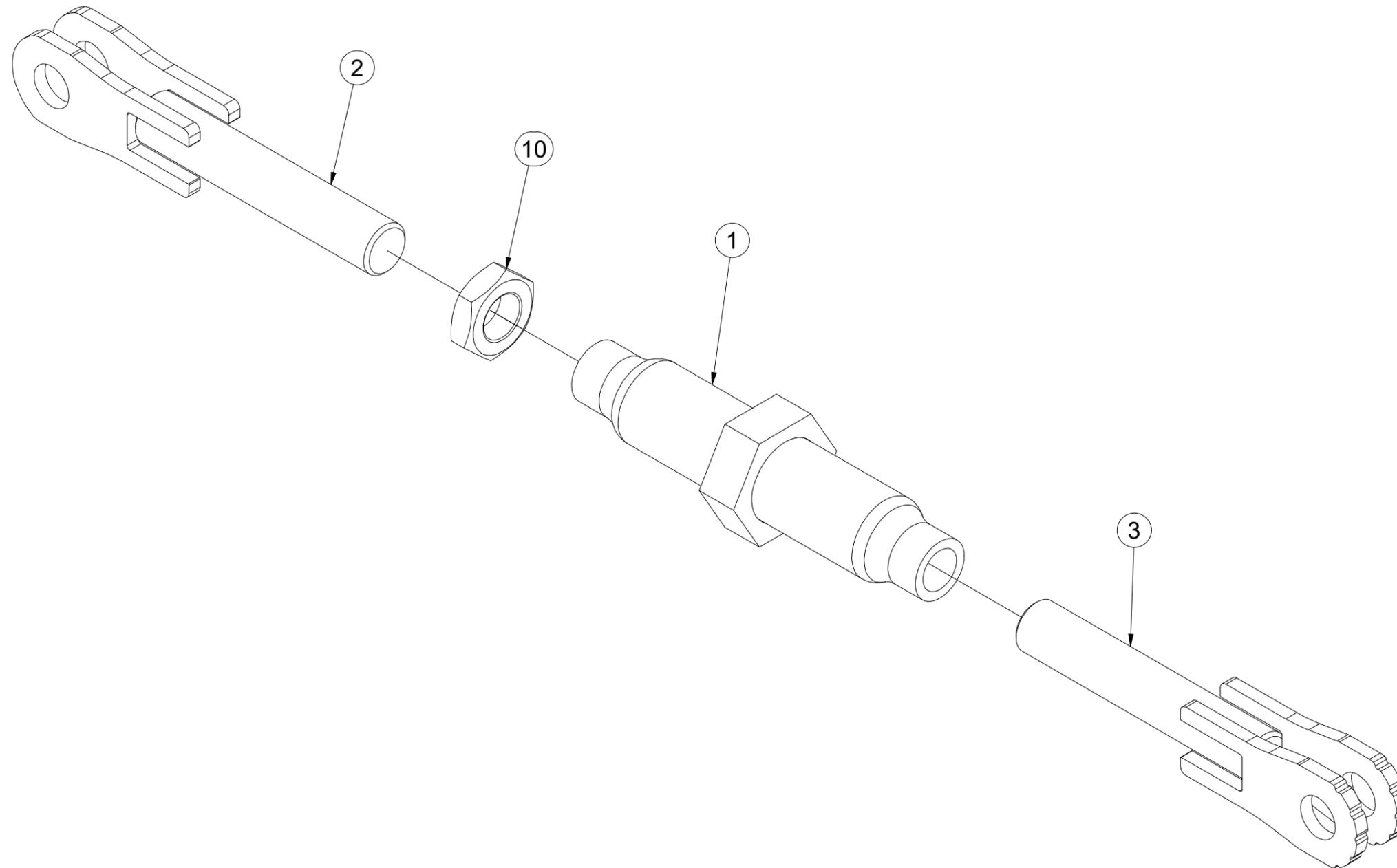
Ⓧ TIGE DE TRACTION

**VZ00031166**

Ⓧ DRAWBAR

Ⓧ ТЯГА

Ⓧ PRĘT



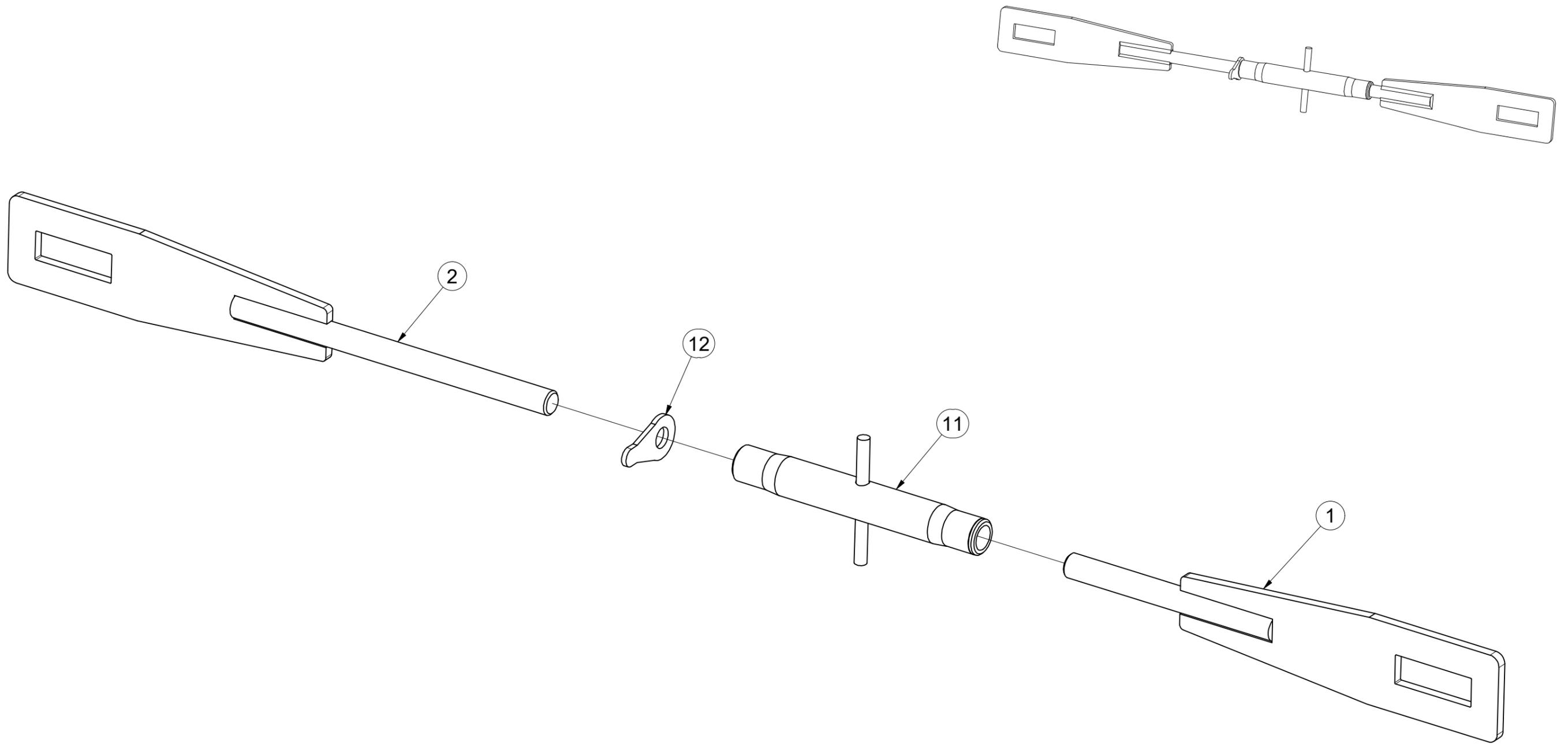
| Pos. | Part Number | Pcs. |
|------|-------------|------|
| 1    | 4018633     | 1    |
| 2    | VZ00031162  | 1    |
| 3    | VZ00031164  | 1    |
| 10   | m04043      | 1    |

(CZ) TÁHLO  
 (D) STANGE  
 (F) TIGE DE TRACTION

(GB) DRAWBAR  
 (RU) ТЯГА  
 (PL) PRĘT



**VZ00013311**



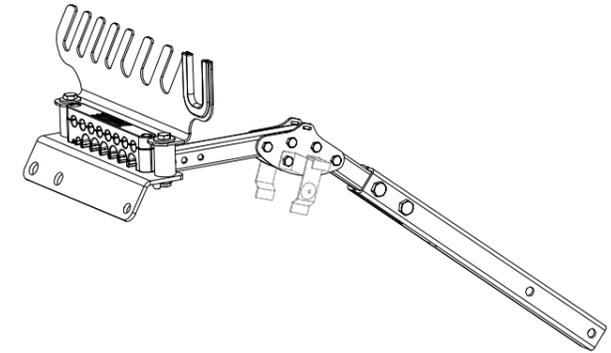
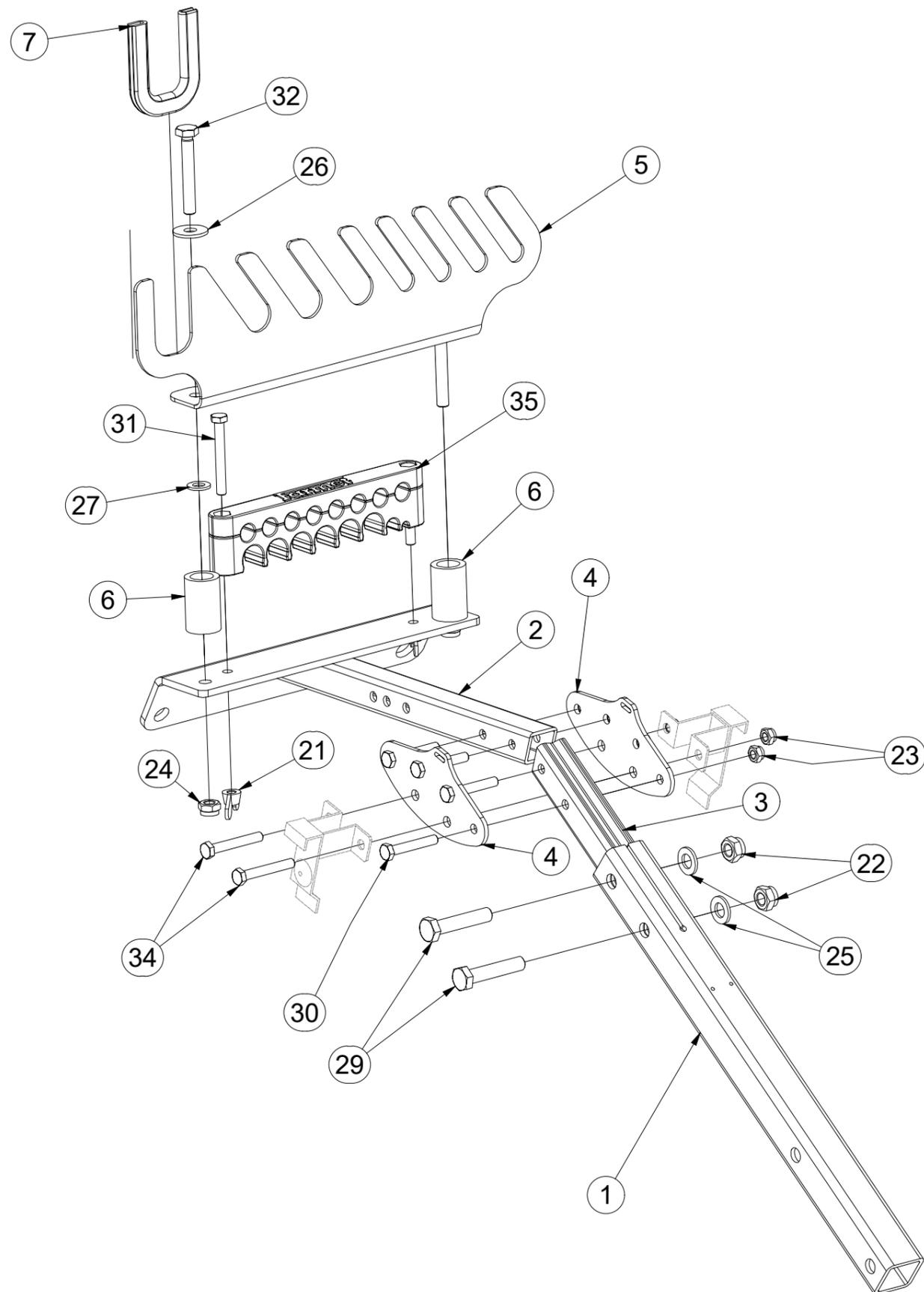
| Pos. | Part Number | Pcs. |
|------|-------------|------|
| 1    | 4020295     | 1    |
| 2    | VZ00013315  | 1    |
| 11   | m08880      | 1    |
| 12   | m08881      | 1    |

- Ⓒ DRŽÁK
- Ⓓ HALTER
- Ⓕ SUPPORT

- Ⓖ HOLDER
- Ⓡ ДЕРЖАТЕЛЬ
- Ⓢ UCHWYT



**VZ00014349**



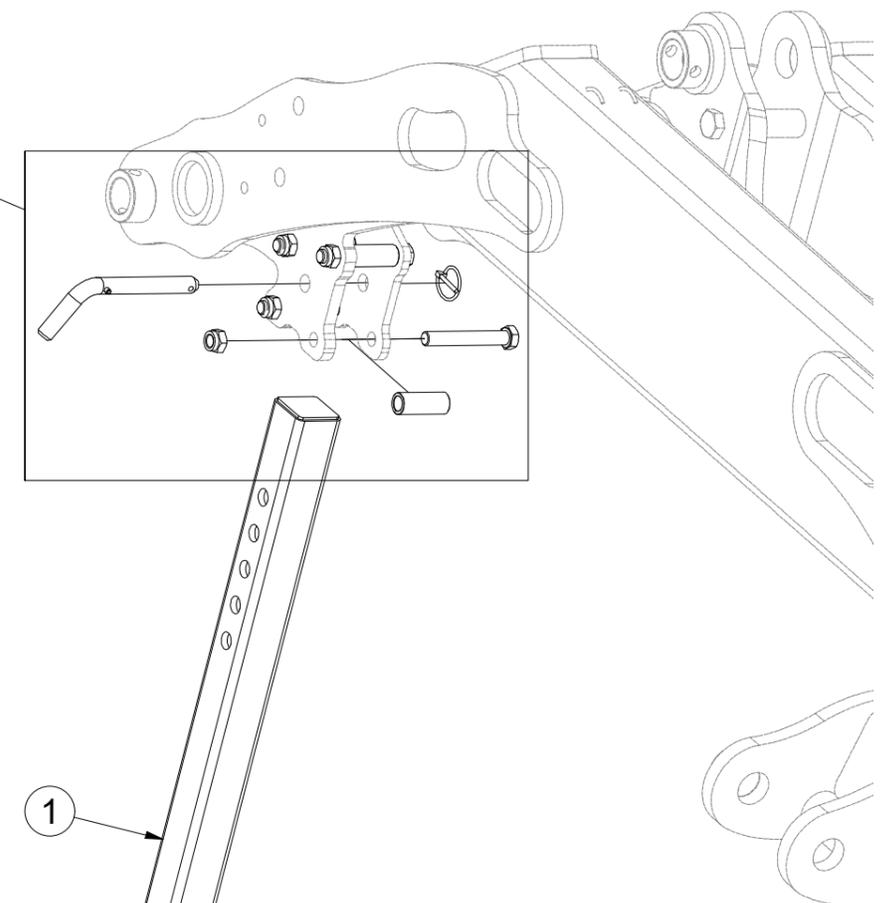
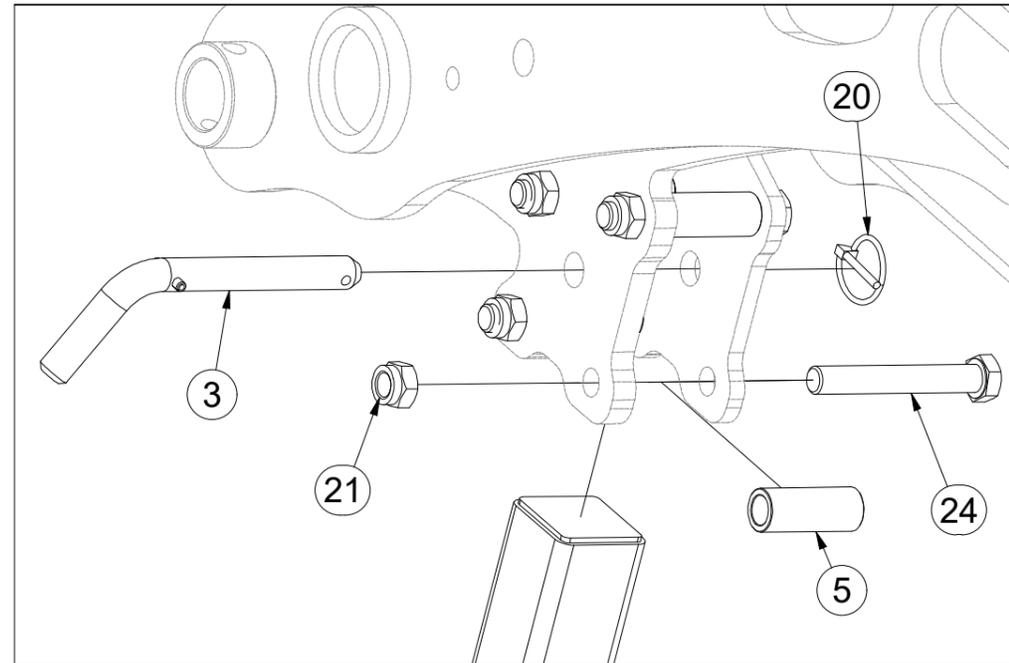
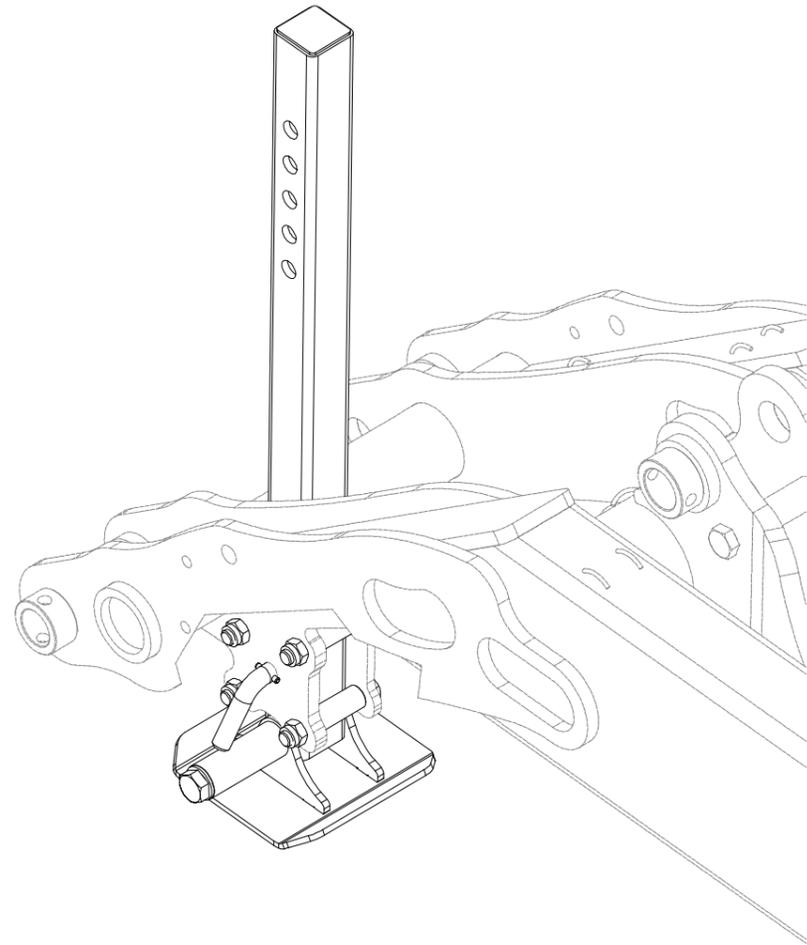
| Pos. | Part Number | Pcs. |
|------|-------------|------|
| 1    | VZ00014376  | 1    |
| 2    | VZ00014351  | 1    |
| 3    | VZ00008594  | 1    |
| 4    | VZ00008595  | 2    |
| 5    | VZ00014353  | 1    |
| 6    | VZ00010943  | 2    |
| 7    | VZ00010979  | 1    |
| 21   | m01316      | 2    |
| 22   | m04301      | 2    |
| 23   | m04503      | 6    |
| 24   | m13617      | 2    |
| 25   | m01214      | 2    |
| 26   | m14035      | 2    |
| 27   | m06859      | 2    |
| 29   | m01131      | 2    |
| 30   | m09296      | 4    |
| 31   | m03931      | 2    |
| 32   | m09319      | 2    |
| 34   | m10593      | 2    |
| 35   | m21464      | 1    |

CZ OPĚRNÁ NOHA  
 D STÜTZFUß  
 F LA JAMBE DE SUPPORT

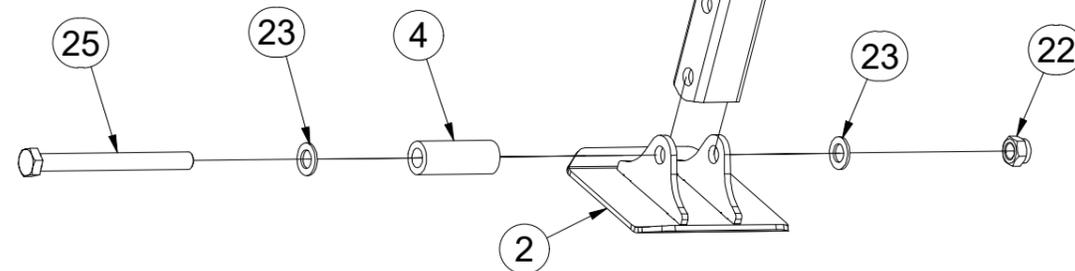
GB SUPPORT LEG  
 RU ОПОРА  
 PL NOGA PODPOROWA



**VZ00016389**



| Pos. | Part Number | Pcs. | Pos. | Part Number | Pcs. |
|------|-------------|------|------|-------------|------|
| 1    | VZ00017160  | 1    | 21   | m03683      | 4    |
| 2    | VZ00017163  | 1    | 22   | m05648      | 1    |
| 3    | 4012205     | 1    | 23   | m03768      | 2    |
| 4    | VZ00017165  | 1    | 24   | m02970      | 4    |
| 5    | VZ00005257  | 4    | 25   | m17543      | 1    |
| 20   | m10454      | 1    |      |             |      |



Ⓒ SADA TAŽNÉHO OKA

Ⓓ ZUGÖSESATZ

Ⓕ KIT DE L'ŒILLET DE TRACTION

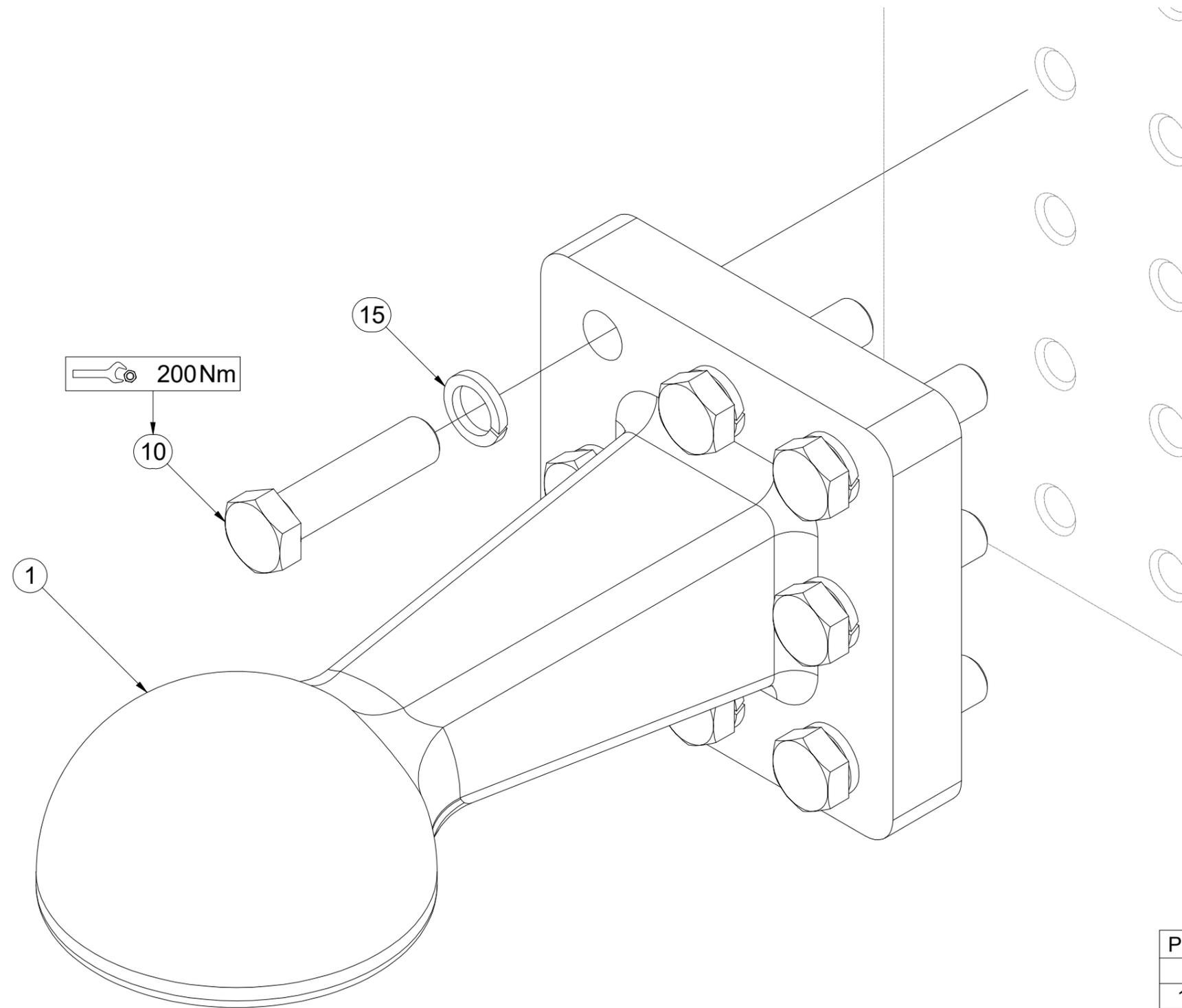
Ⓖ TOWING LUG SET

Ⓡ КОМПЛЕКТ ТЯГОВОГО ДЫШЛА

Ⓟ ZESTAW UCHA HOLOWNICZEGO



**4013531**



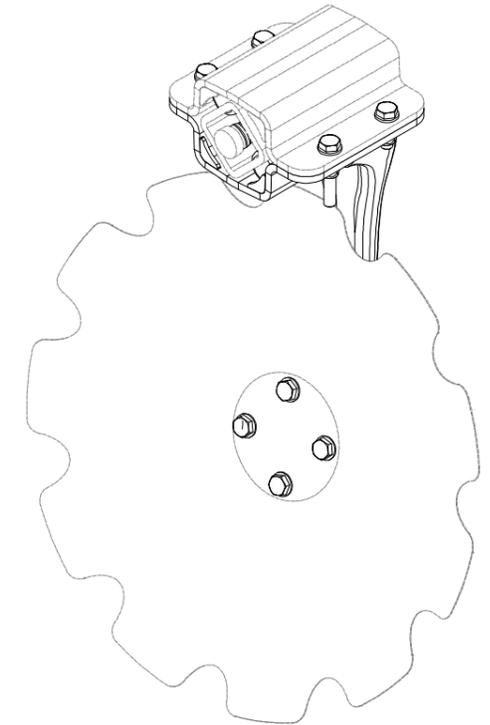
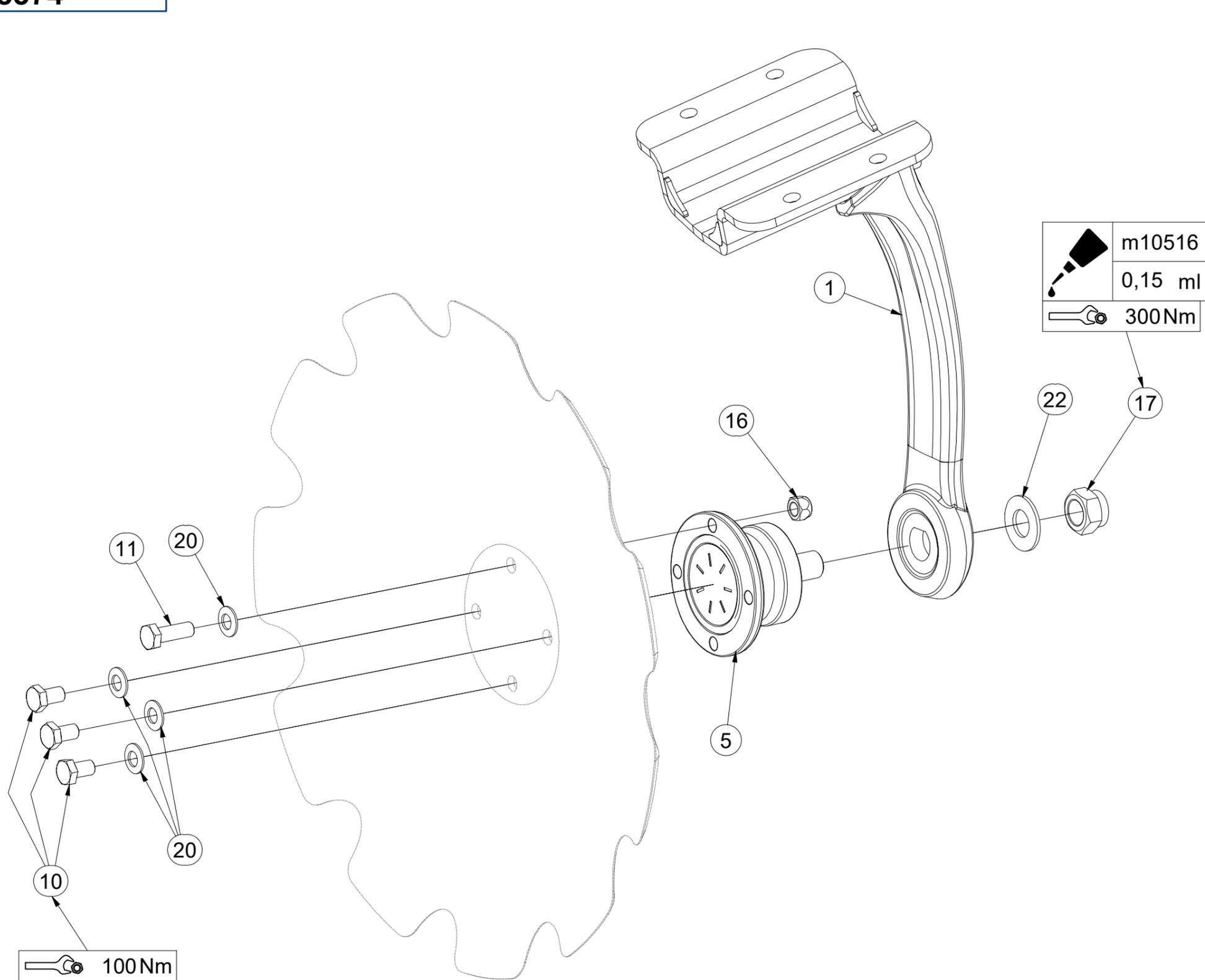
| Pos. | Part Number | Pcs. |
|------|-------------|------|
| 1    | m13262      | 1    |
| 10   | m21355      | 8    |
| 15   | m02157      | 8    |

CZ PŘEDNÍ DISK  
 D SCHEIBE, VORDERE  
 F DISQUE AVANT

GB FRONT DISC  
 RU ДИСК ПЕРЕДНИЙ  
 PL TALERZ PRZEDNI



**3008374**



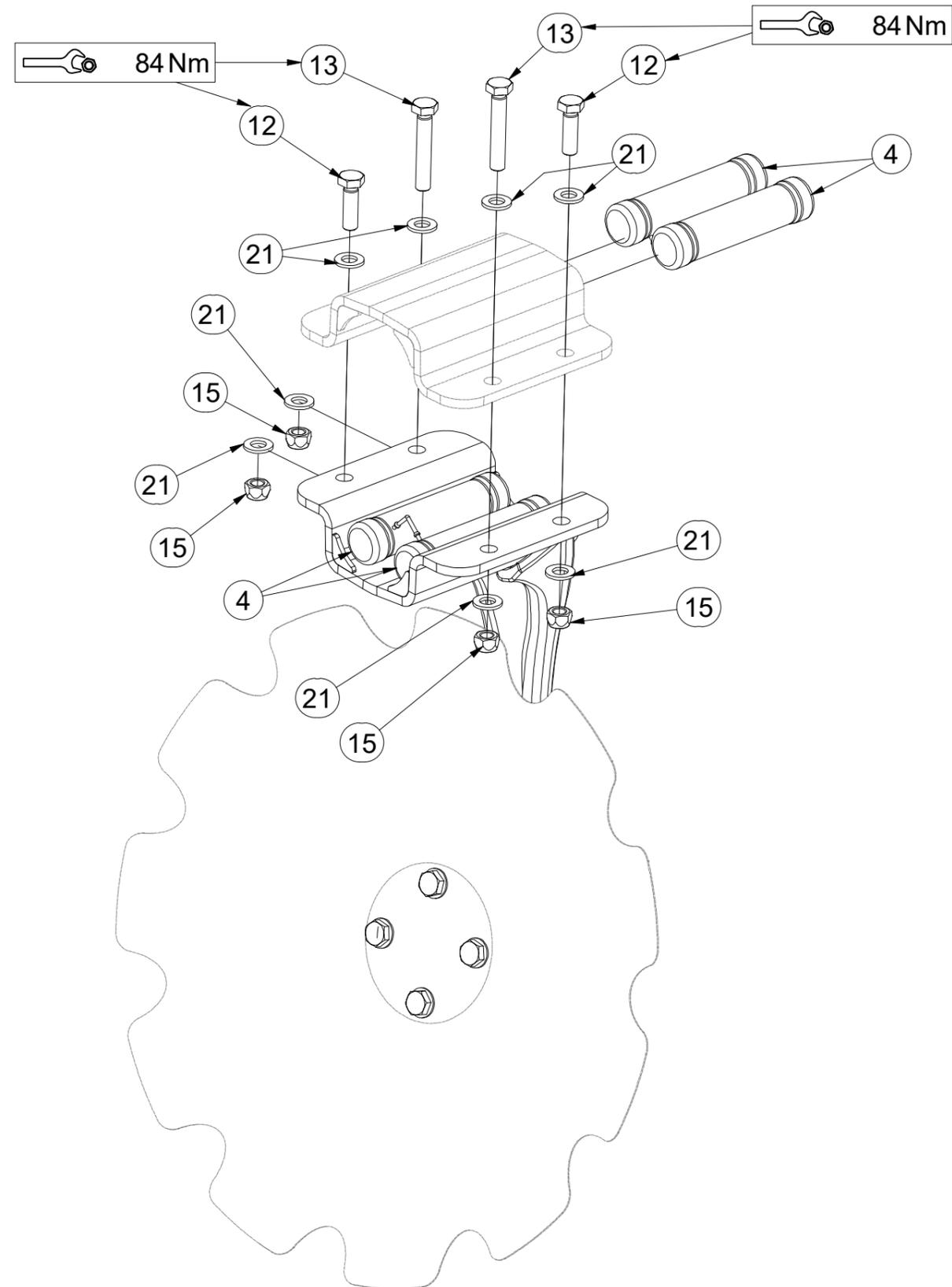
| Pos. | Part Number | Pcs. |
|------|-------------|------|
| 1    | 3008382     | 1    |
| 5    | m11308      | 1    |
| 10   | m11309      | 3    |
| 11   | m11559      | 1    |
| 16   | m11560      | 1    |
| 17   | m11313      | 1    |
| 20   | m17545      | 4    |
| 22   | VZ00011395  | 1    |

CZ PŘEDNÍ DISK  
 D SCHEIBE, VORDERE  
 F DISQUE AVANT

GB FRONT DISC  
 RU ДИСК ПЕРЕДНИЙ  
 PL TALERZ PRZEDNI



**3008374**



| Pos. | Part Number | Pcs. |
|------|-------------|------|
| 4    | VZ00003901  | 4    |
| 12   | m17657      | 2    |
| 13   | m17653      | 2    |
| 15   | m12134      | 4    |
| 21   | m17741      | 8    |

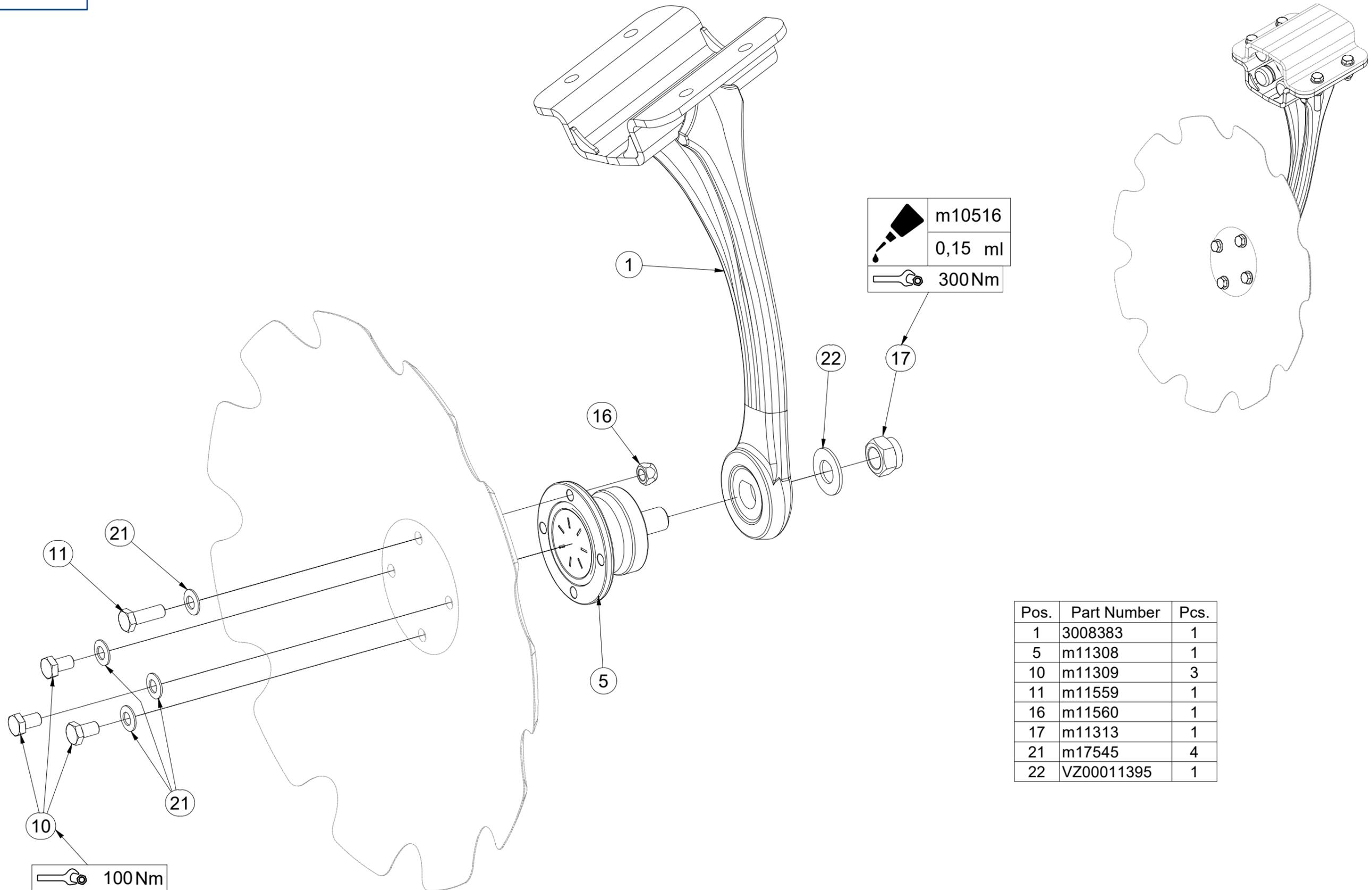


CZ ZADNÍ DISK  
 D SCHEIBE, HINTERE  
 F DISQUE ARRIÈRE

GB REAR DISC  
 RU ДИСК ЗАДНИЙ  
 PL TALERZ TYLNY



**3008375**



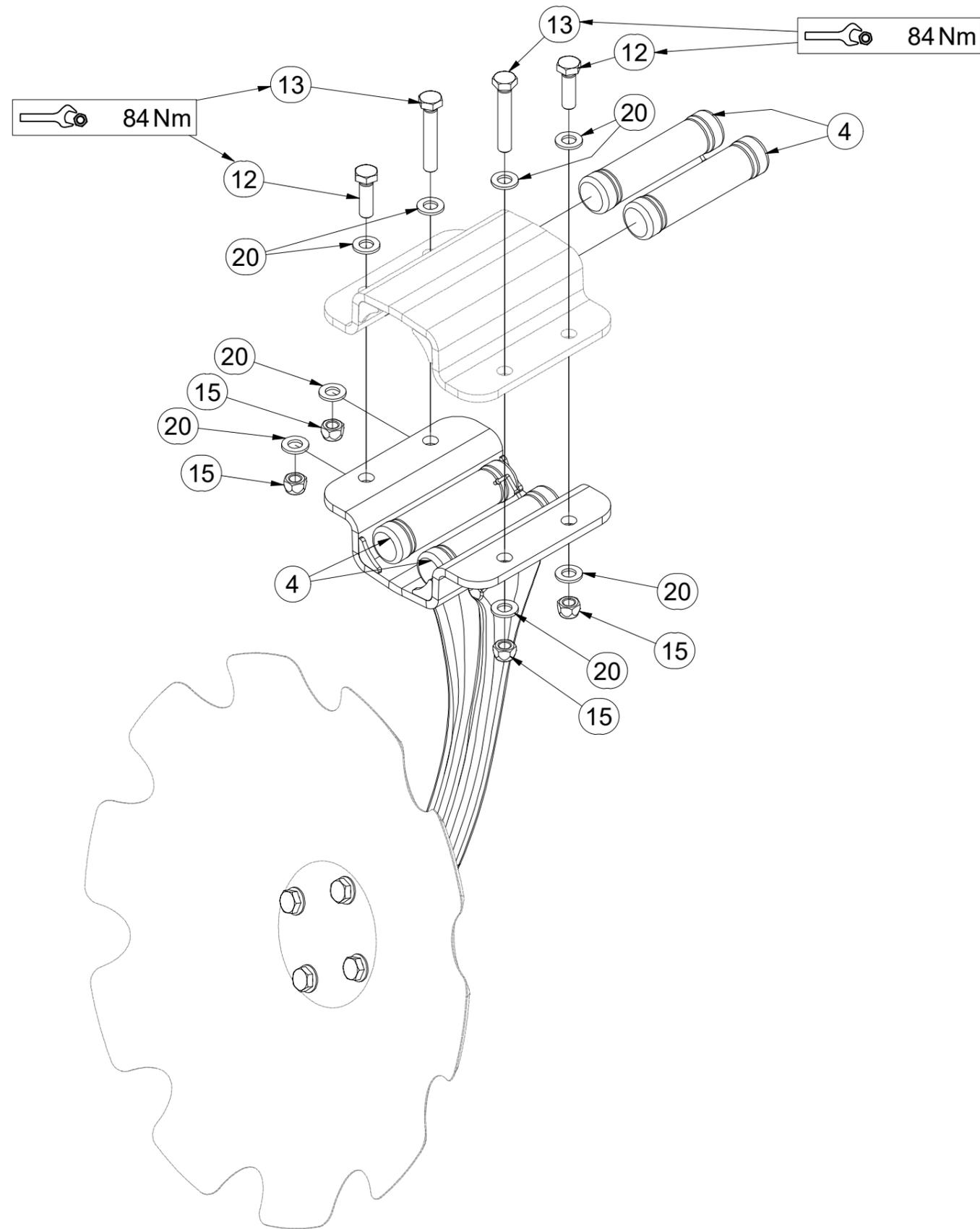
| Pos. | Part Number | Pcs. |
|------|-------------|------|
| 1    | 3008383     | 1    |
| 5    | m11308      | 1    |
| 10   | m11309      | 3    |
| 11   | m11559      | 1    |
| 16   | m11560      | 1    |
| 17   | m11313      | 1    |
| 21   | m17545      | 4    |
| 22   | VZ00011395  | 1    |

(CZ) ZADNÍ DISK  
 (D) SCHEIBE, HINTERE  
 (F) DISQUE ARRIÈRE

(GB) REAR DISC  
 (RU) ДИСК ЗАДНИЙ  
 (PL) TALERZ TYLNY



**3008375**



| Pos. | Part Number | Pcs. |
|------|-------------|------|
| 4    | VZ00003901  | 4    |
| 12   | m17657      | 2    |
| 13   | m17653      | 2    |
| 15   | m12134      | 4    |
| 20   | m17741      | 8    |

Ⓒ ZADNÍ DVOUDISK

Ⓓ DUPLEXSCHEIBE, HINTERE

Ⓕ ARRIÈRE DISQUE DOUBLE

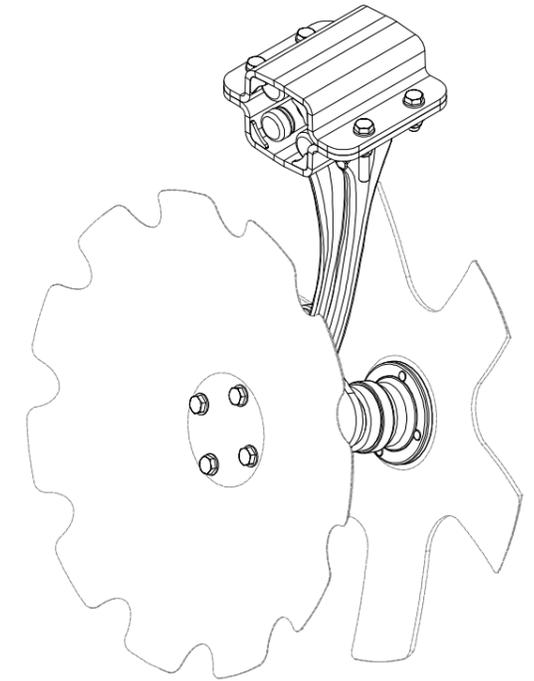
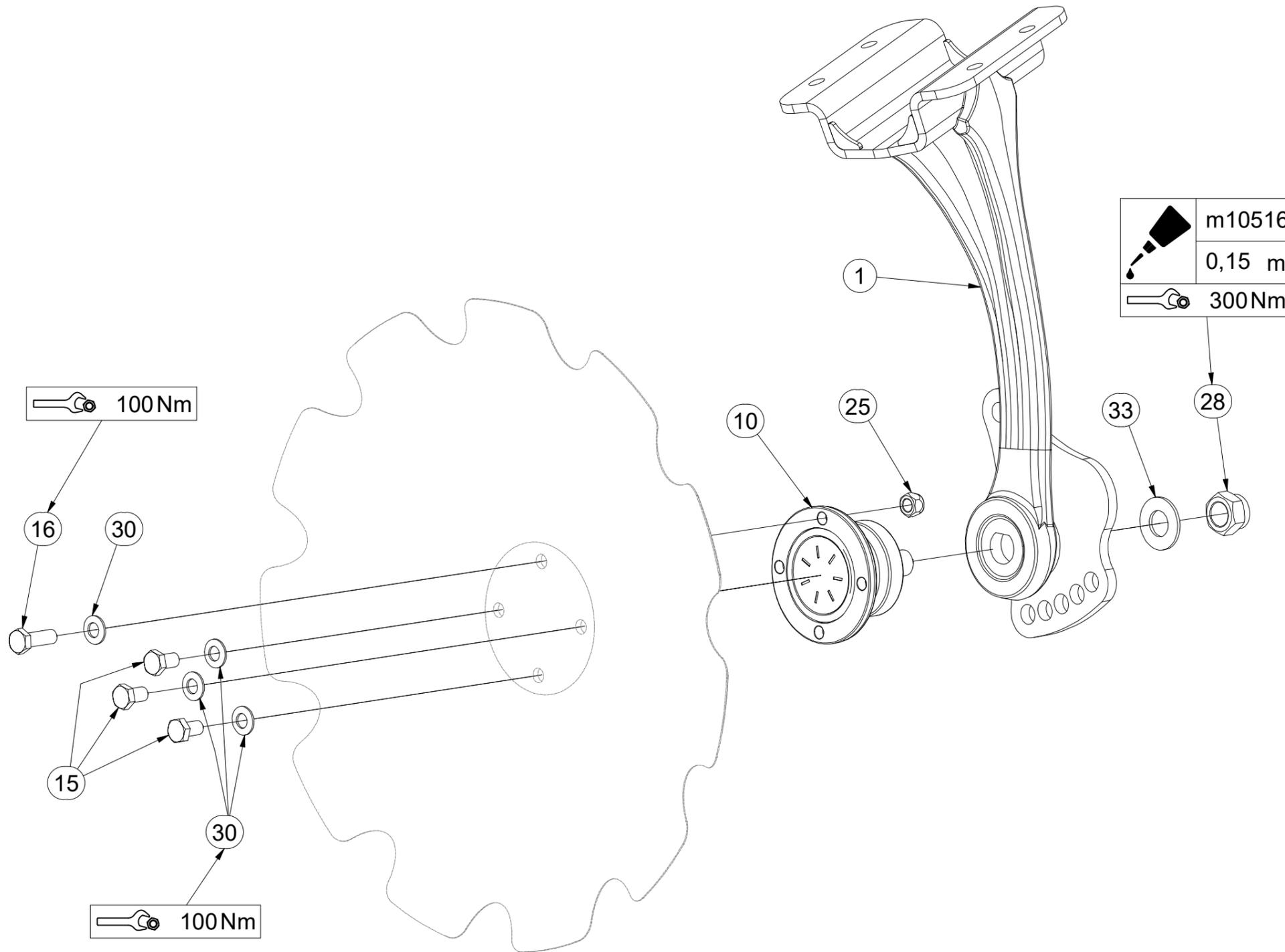
Ⓖ REAR TWIN DISC

Ⓡ ДВОЙНОЙ ДИСК ЗАДНИЙ

Ⓟ TALERZ PODWÓJNY TYLNY



**VZ00019560**



| Pos. | Part Number | Pcs. |
|------|-------------|------|
| 1    | 3008384     | 1    |
| 10   | m11308      | 2    |
| 15   | m11309      | 6    |
| 16   | m11559      | 2    |
| 25   | m11560      | 2    |
| 28   | m11313      | 2    |
| 30   | m17545      | 8    |
| 33   | VZ00011395  | 2    |

Ⓒ ZADNÍ DVOUDISK

Ⓓ DUPLEXSCHEIBE, HINTERE

Ⓕ ARRIÈRE DISQUE DOUBLE

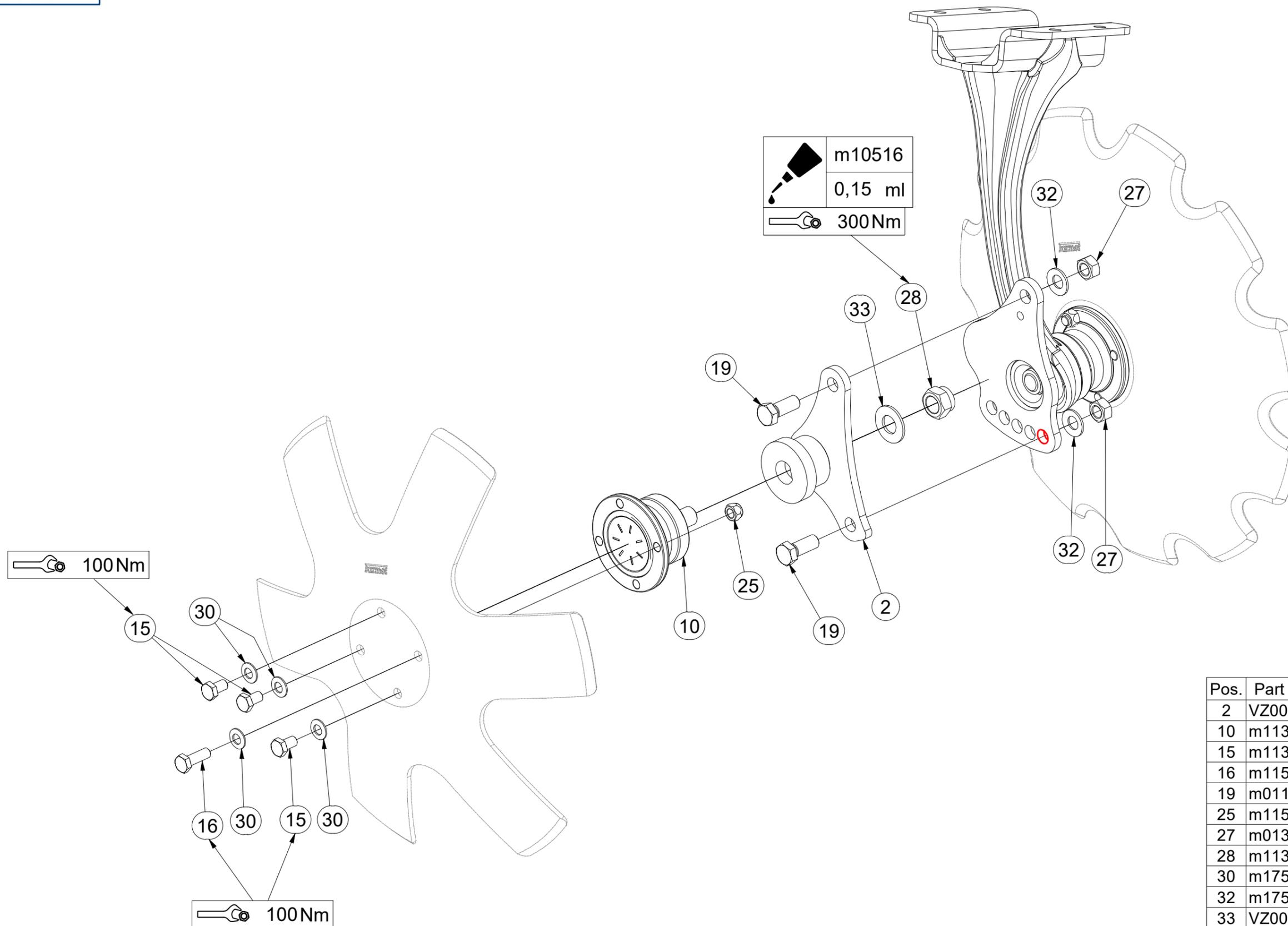
Ⓒ REAR TWIN DISC

Ⓔ ДВОЙНОЙ ДИСК ЗАДНИЙ

Ⓖ TALERZ PODWÓJNY TYLNY



**VZ00019560**



| Pos. | Part Number | Pcs. |
|------|-------------|------|
| 2    | VZ00019243  | 1    |
| 10   | m11308      | 2    |
| 15   | m11309      | 6    |
| 16   | m11559      | 2    |
| 19   | m01129      | 2    |
| 25   | m11560      | 2    |
| 27   | m01306      | 2    |
| 28   | m11313      | 2    |
| 30   | m17545      | 8    |
| 32   | m17584      | 2    |
| 33   | VZ00011395  | 2    |

Ⓒ ZADNÍ DVOUDISK

Ⓓ DUPLEXSCHEIBE, HINTERE

Ⓕ ARRIÈRE DISQUE DOUBLE

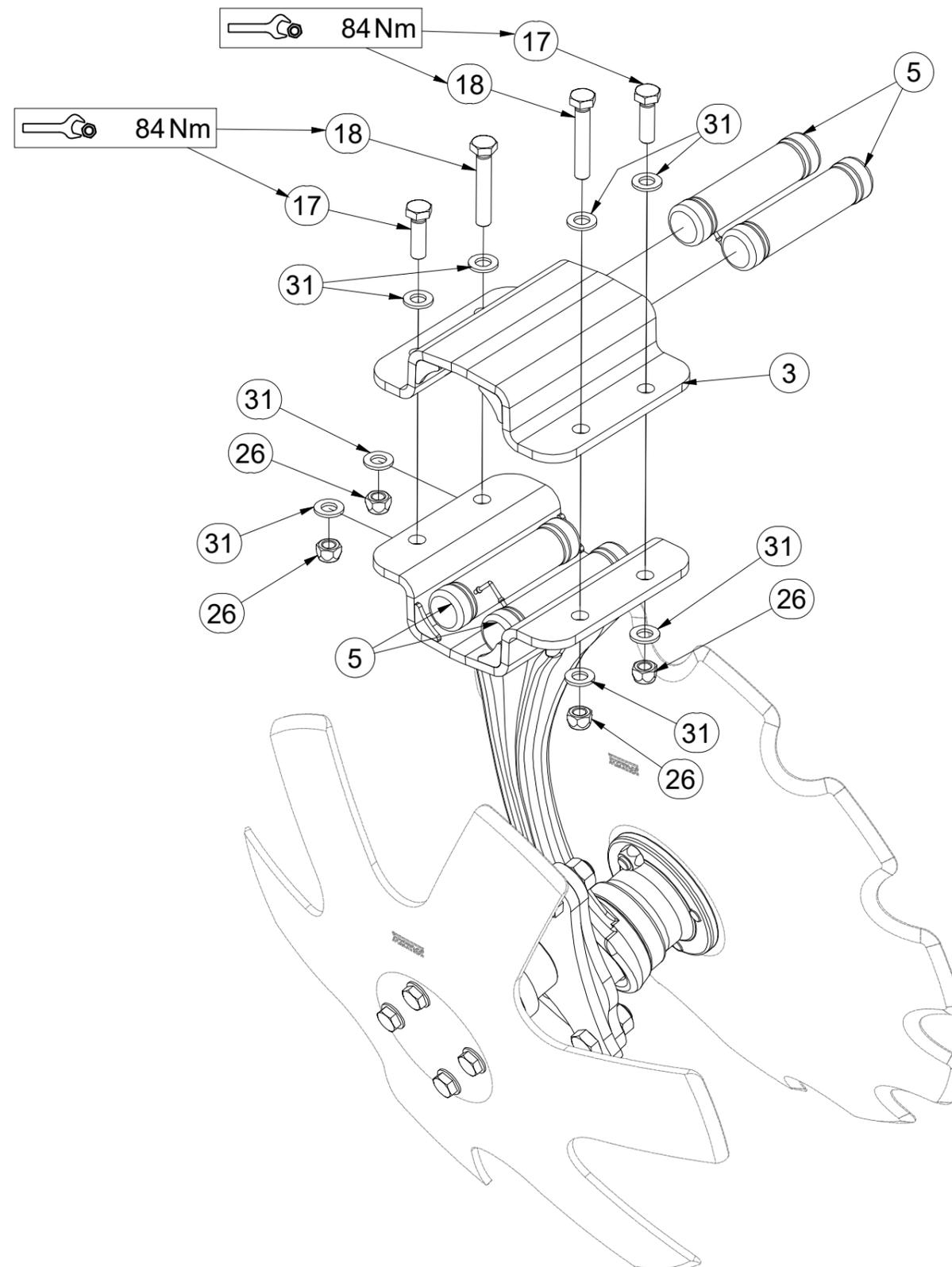
Ⓖ REAR TWIN DISC

Ⓔ ДВОЙНОЙ ДИСК ЗАДНИЙ

Ⓟ TALERZ PODWÓJNY TYLNY



**VZ00019560**



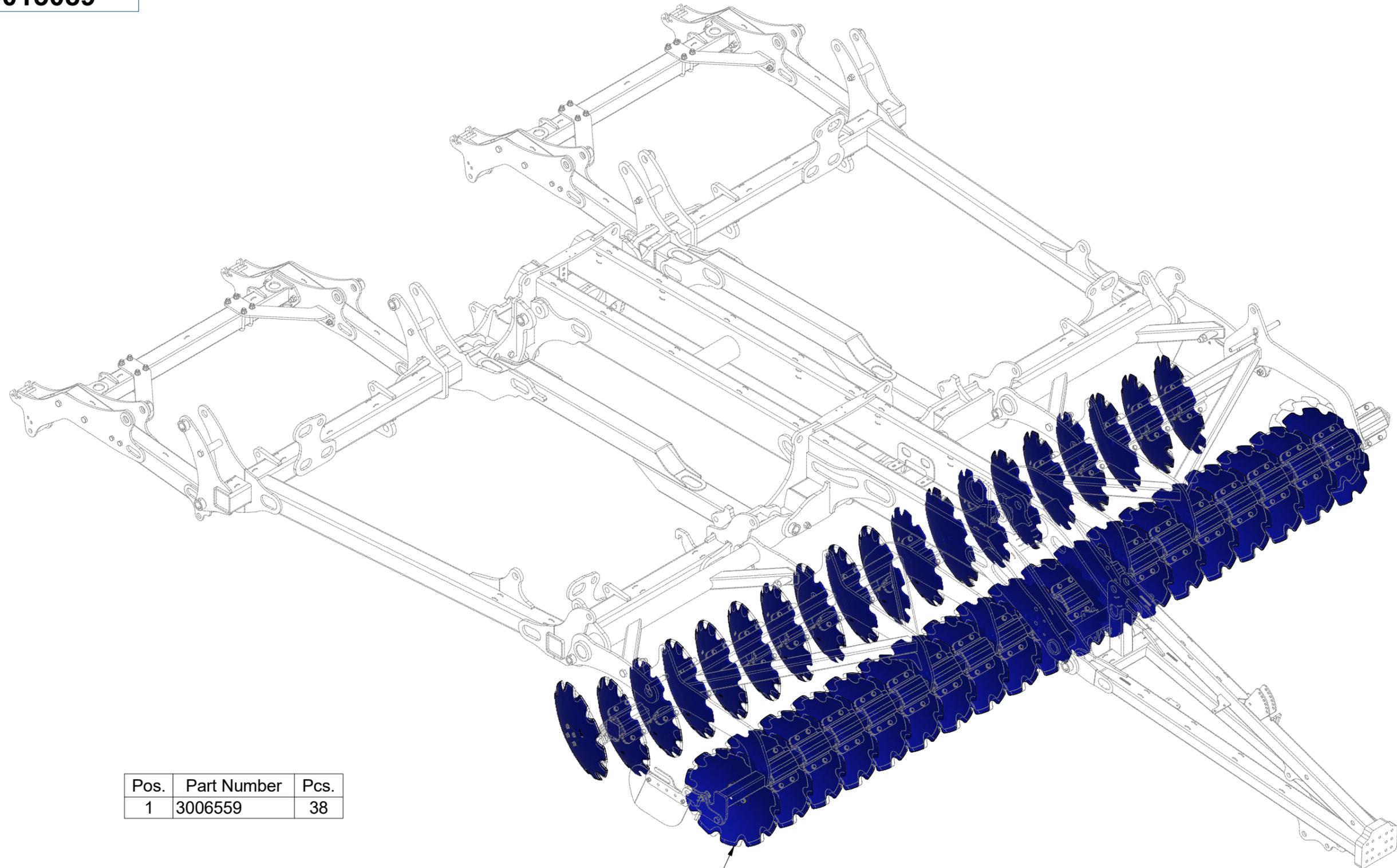
| Pos. | Part Number | Pcs. |
|------|-------------|------|
| 3    | 9004269     | 1    |
| 5    | VZ00003901  | 4    |
| 17   | m17657      | 2    |
| 18   | m17653      | 2    |
| 26   | m12134      | 4    |
| 31   | m17741      | 8    |

Ⓒ SADA DISKŮ  
Ⓓ SCHEIBENSATZ  
Ⓕ KIT DE DISQUES

Ⓖ DISC SET  
Ⓔ КОМПЛЕКТ ДИСКОВ  
Ⓗ ZESTAW TALERZY



**VZ00013089**



| Pos. | Part Number | Pcs. |
|------|-------------|------|
| 1    | 3006559     | 38   |

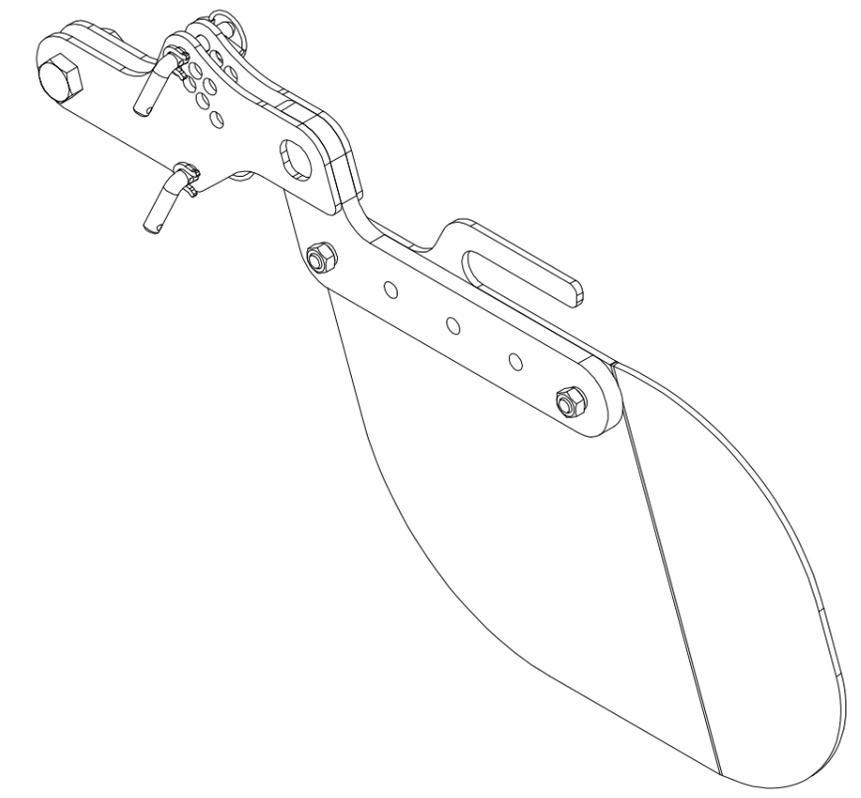
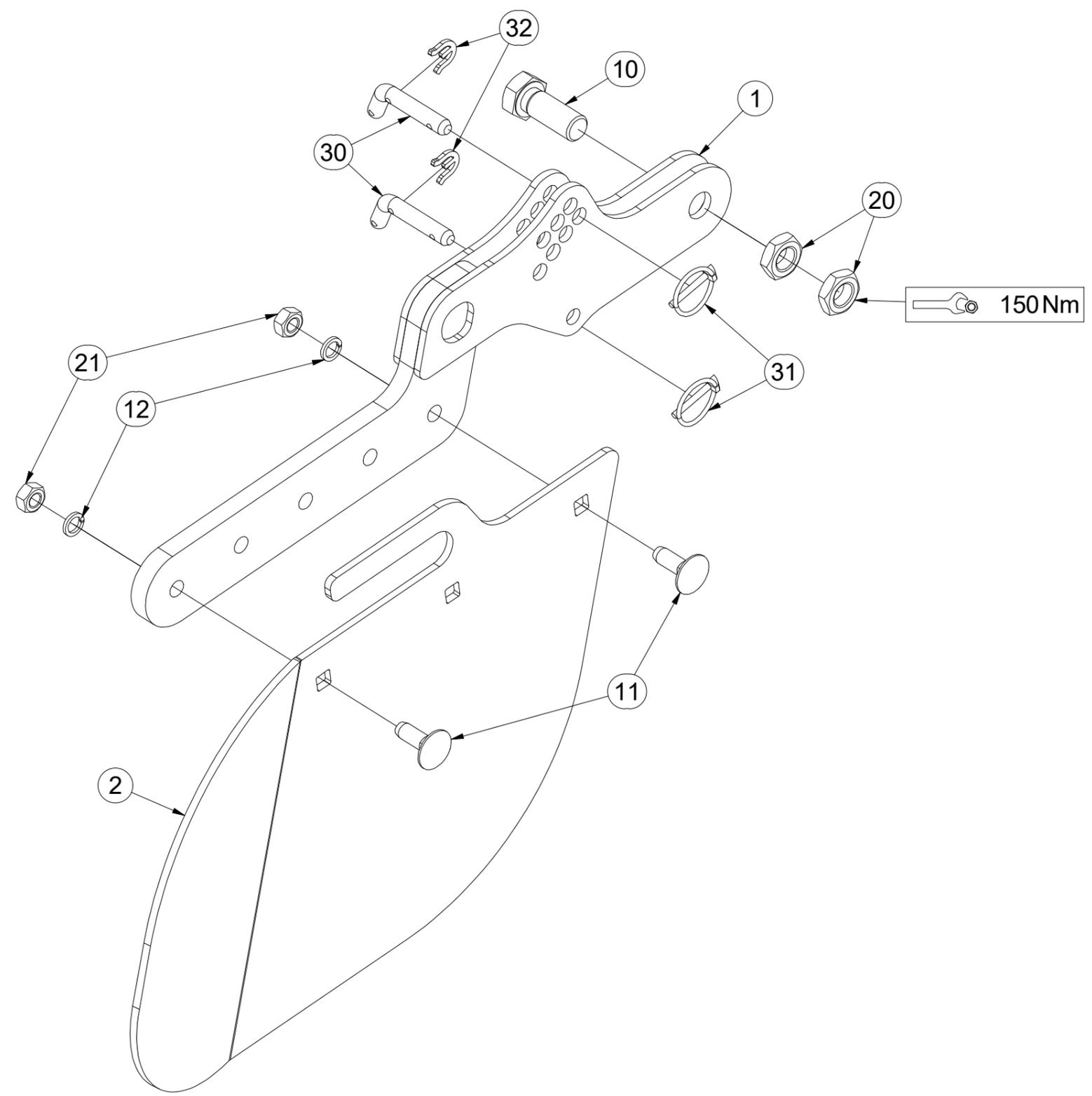
1

- Ⓒ DEFLEKTOR LEVÝ
- Ⓓ DEFLEKTOR, LINKER
- Ⓕ DÉFLECTEUR GAUCHE

- Ⓖ DEFLECTOR LEFT
- Ⓡ ДЕФЛЕКТОР ЛЕВЫЙ
- Ⓟ DEFLEKTOR LEWY



**3011705**



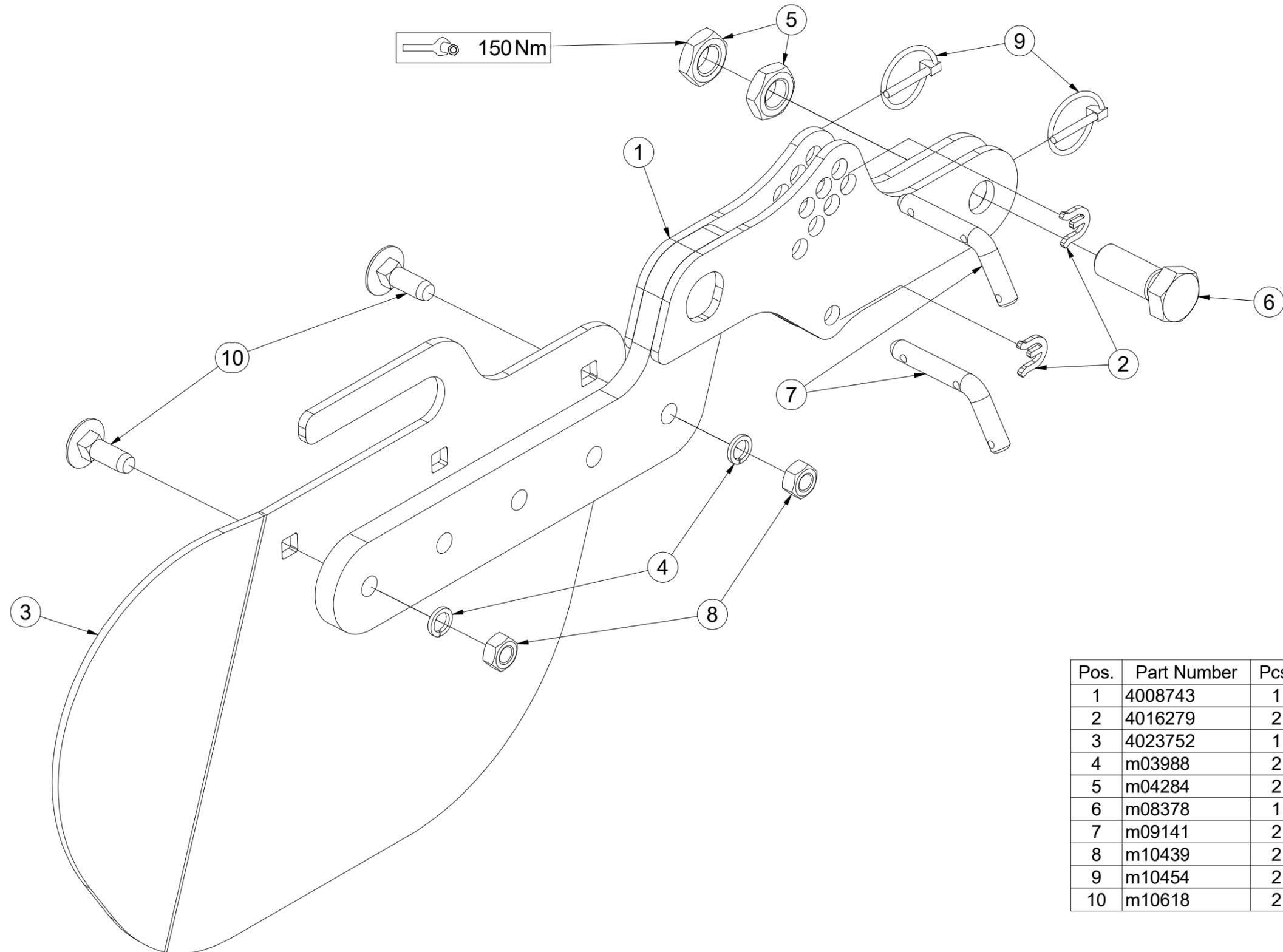
| Pos. | Part Number | Pcs. |
|------|-------------|------|
| 1    | 4008743     | 1    |
| 2    | 4023748     | 1    |
| 10   | m08378      | 1    |
| 11   | m10618      | 2    |
| 12   | m03988      | 2    |
| 20   | m04284      | 2    |
| 21   | m10439      | 2    |
| 30   | m09141      | 2    |
| 31   | m10454      | 2    |
| 32   | 4016279     | 2    |

CZ DEFLEKTOR PRAVÝ  
 D DEFLEKTOR, RECHTER  
 F DÉFLECTEUR DROIT

GB DEFLECTOR RIGHT  
 RU ДЕФЛЕКТОР ПРАВЫЙ  
 PL DEFLEKTOR PRAWY



**3011707**



| Pos. | Part Number | Pcs. |
|------|-------------|------|
| 1    | 4008743     | 1    |
| 2    | 4016279     | 2    |
| 3    | 4023752     | 1    |
| 4    | m03988      | 2    |
| 5    | m04284      | 2    |
| 6    | m08378      | 1    |
| 7    | m09141      | 2    |
| 8    | m10439      | 2    |
| 9    | m10454      | 2    |
| 10   | m10618      | 2    |

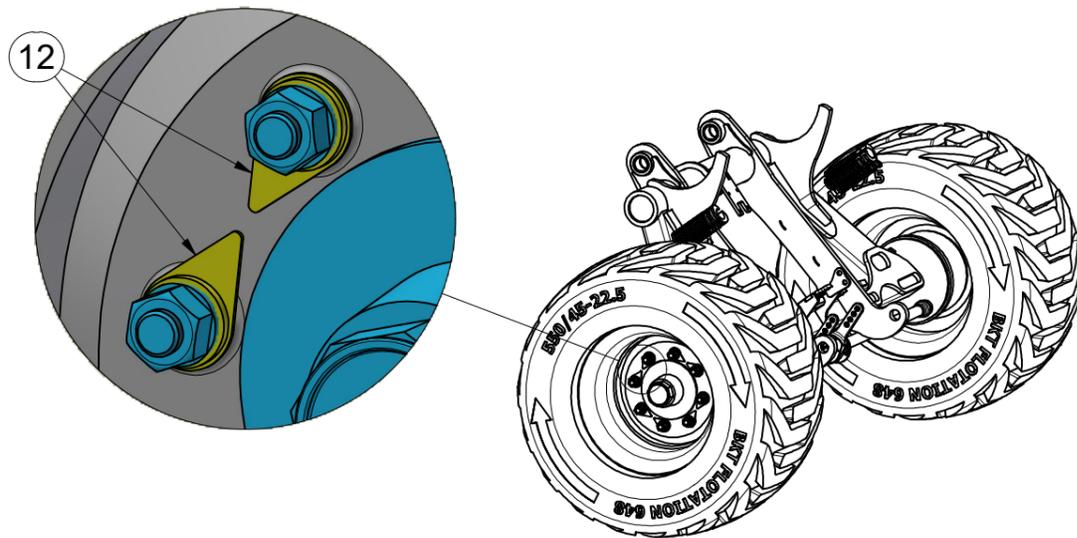
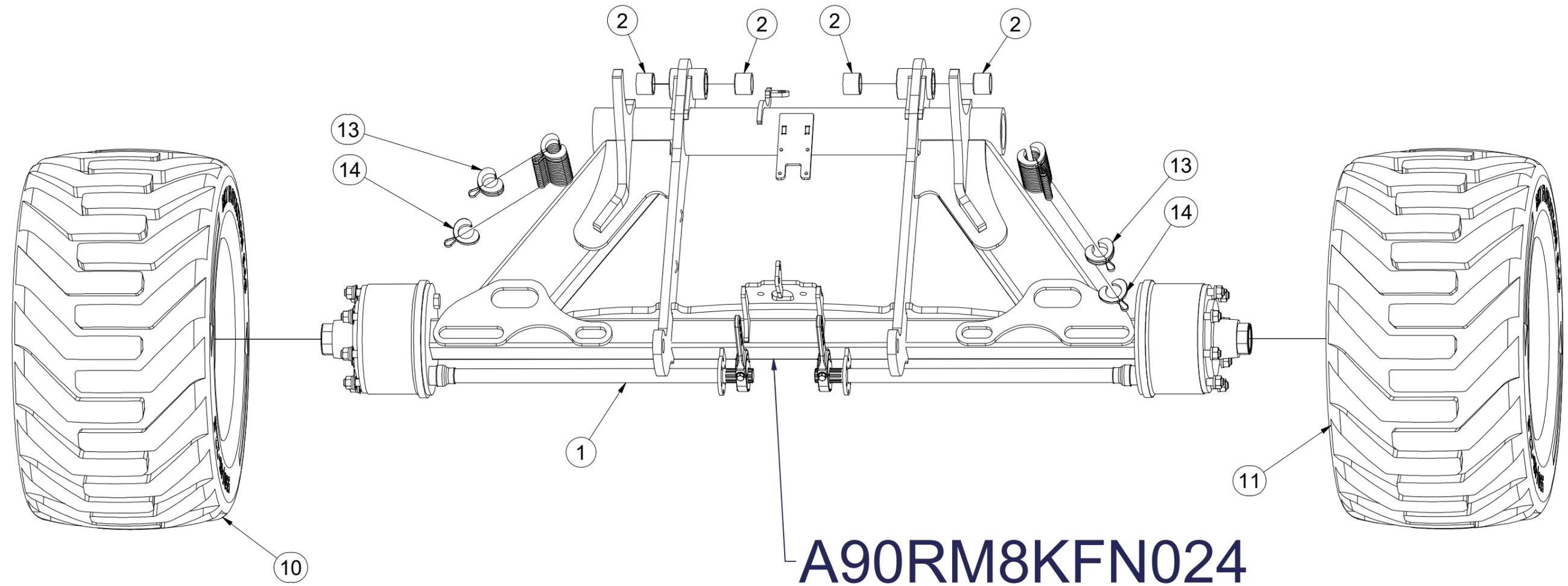


- Ⓒ SADA NÁPRAVY
- Ⓓ SATZ AUFHÄNGUNG
- Ⓕ KIT DE L'ESSIEU

- Ⓖ AXLE SET
- Ⓡ КОМПЛЕКТ ОСИ КОЛЁС
- Ⓟ ZESTAW OSI



**VZ00013460**



|   |               |
|---|---------------|
|  | M20x1,5-343Nm |
|   | 350 kPa       |

| Pos. | Part Number | Pcs. |
|------|-------------|------|
| 1    | VZ00022052  | 1    |
| 2    | VZ00004595  | 4    |
| 10   | m20196      | 1    |
| 11   | m20202      | 1    |
| 12   | m19658      | 16   |
| 13   | m11335      | 4    |
| 14   | 9002586     | 32   |

Ⓒ NÁPRAVA

Ⓓ ACHSE

Ⓕ ESSIEU

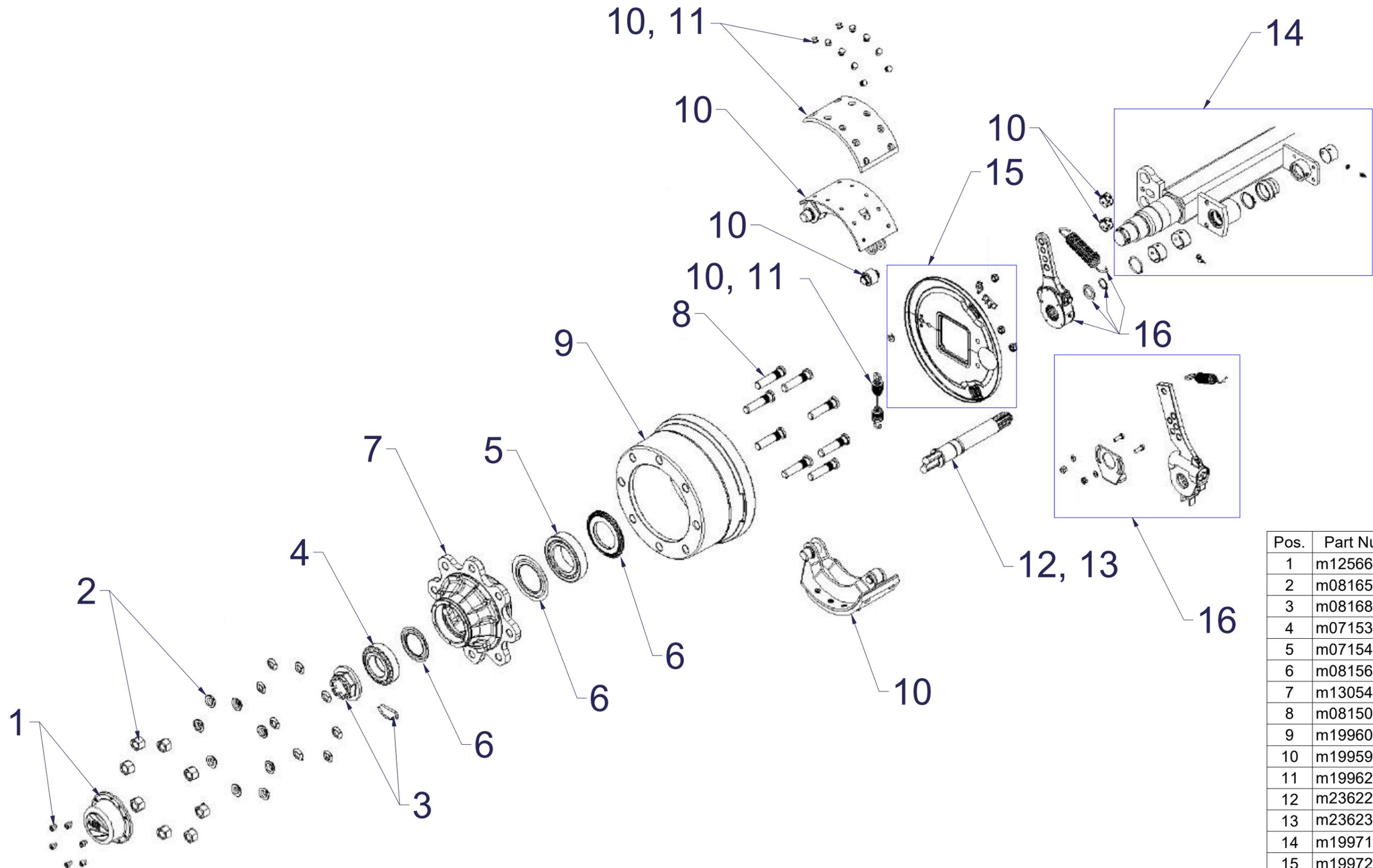
Ⓖ AXLE

Ⓡ OCB

Ⓟ OS



**A90RM8KFN024**



| Pos. | Part Number    | Pcs. |
|------|----------------|------|
| 1    | m12566         | 2    |
| 2    | m08165         | 16   |
| 3    | m08168         | 2    |
| 4    | m07153         | 2    |
| 5    | m07154         | 2    |
| 6    | m08156         | 2    |
| 7    | m13054         | 2    |
| 8    | m08150         | 16   |
| 9    | m19960         | 2    |
| 10   | m19959         | 2    |
| 11   | m19962         | 2    |
| 12   | m23622 (right) | 2    |
| 13   | m23623 (left)  | 2    |
| 14   | m19971         | 2    |
| 15   | m19972         | 2    |
| 16   | m19975         | 2    |

Ⓒ SADA BRZDOVÁ

Ⓓ BREMSENSATZ

Ⓕ JEU DE FREINS

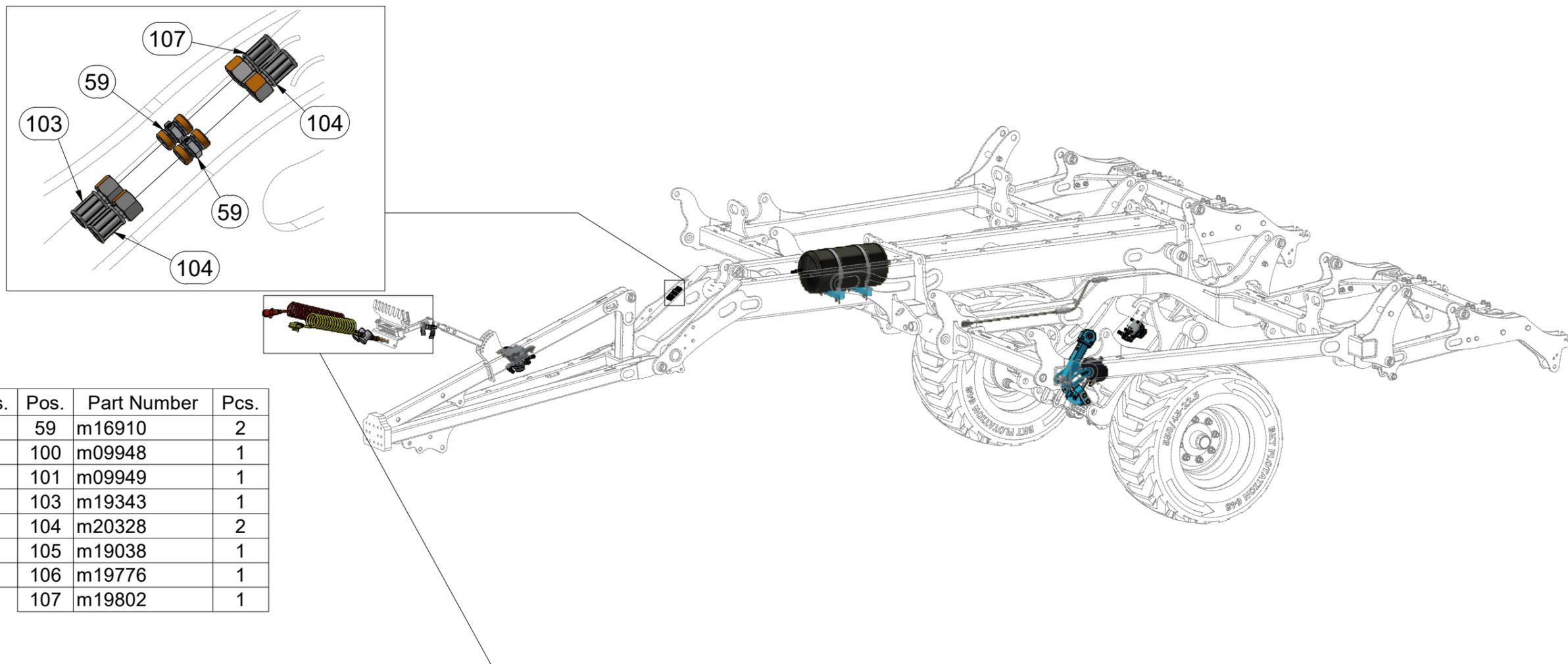
Ⓖ BRAKE SET

Ⓡ ТОРМОЗНОЙ КОМПЛЕКТ

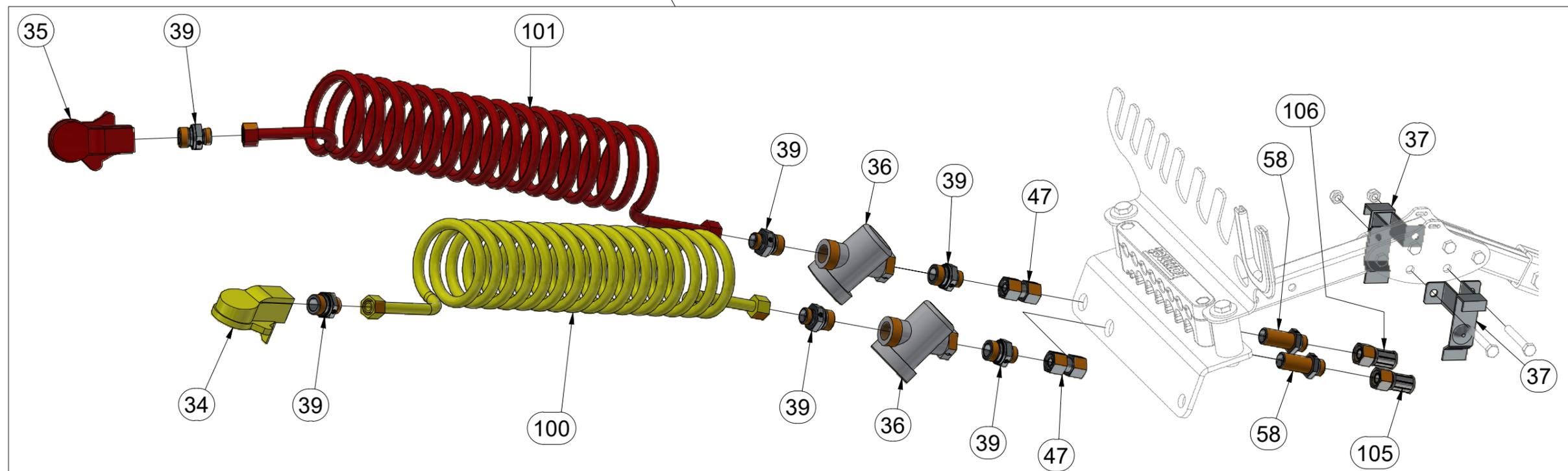
Ⓢ ZESTAW HAMULCOWY



**VZ00013105**



| Pos. | Part Number | Pcs. | Pos. | Part Number | Pcs. |
|------|-------------|------|------|-------------|------|
| 34   | m11734      | 1    | 59   | m16910      | 2    |
| 35   | m11735      | 1    | 100  | m09948      | 1    |
| 36   | m11733      | 2    | 101  | m09949      | 1    |
| 37   | m09789      | 4    | 103  | m19343      | 1    |
| 39   | m08261      | 8    | 104  | m20328      | 2    |
| 47   | m22306      | 2    | 105  | m19038      | 1    |
| 58   | m19023      | 2    | 106  | m19776      | 1    |
|      |             |      | 107  | m19802      | 1    |



Ⓒ SADA BRZDOVÁ

Ⓓ BREMSENSATZ

Ⓕ JEU DE FREINS

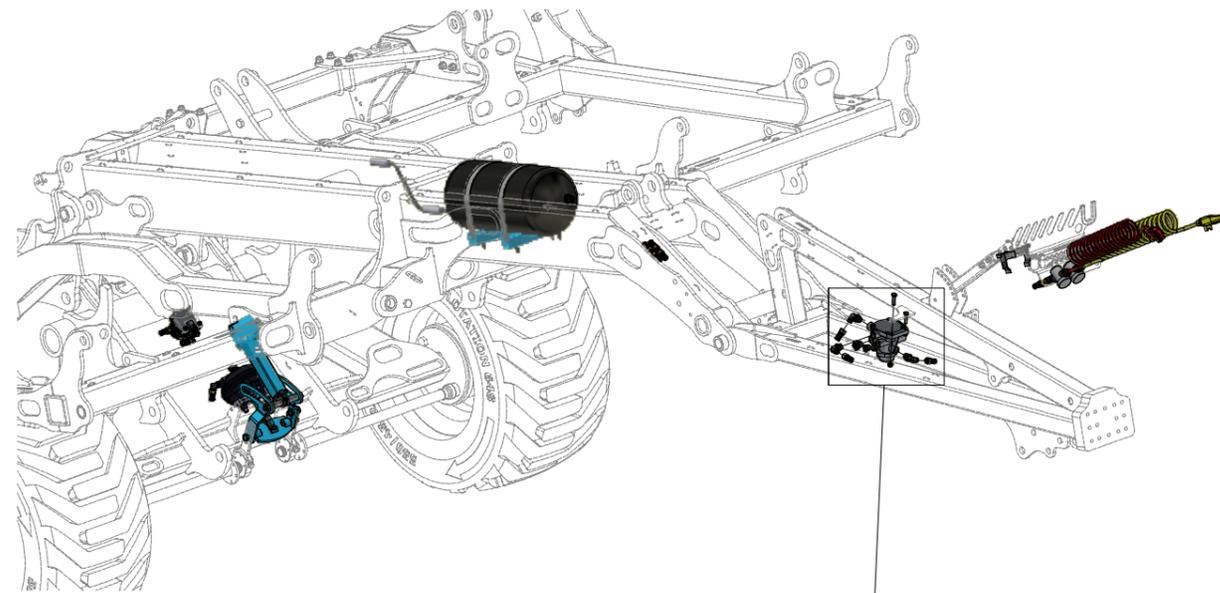
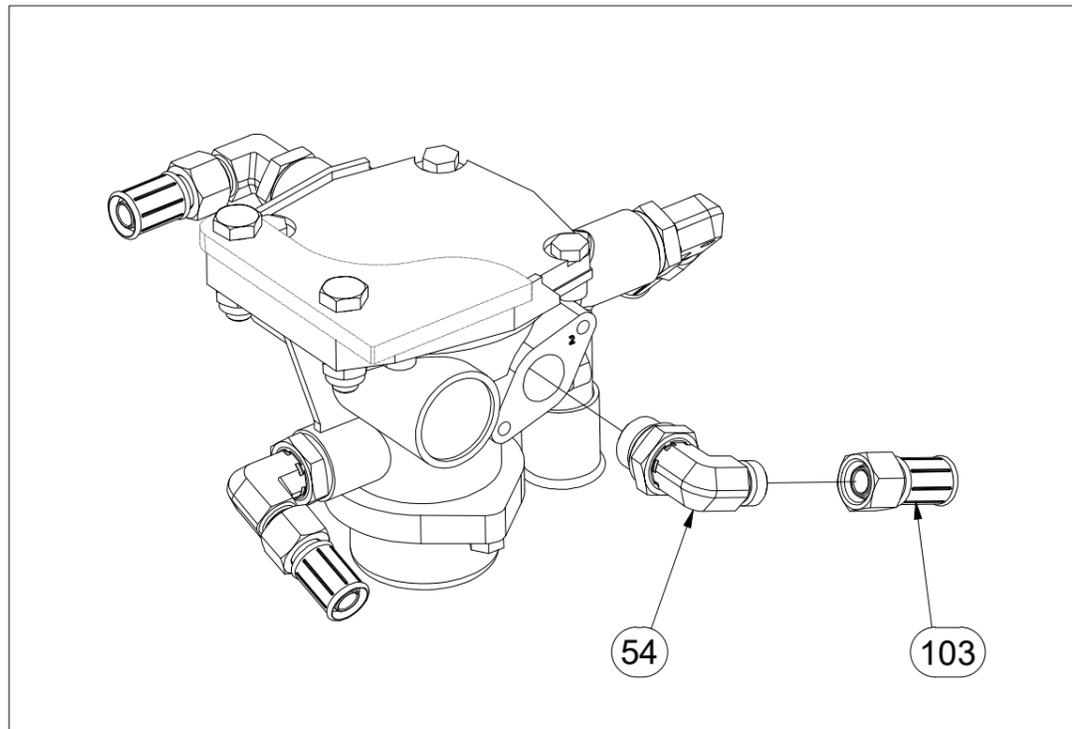
Ⓖ BRAKE SET

Ⓡ ТОРМОЗНОЙ КОМПЛЕКТ

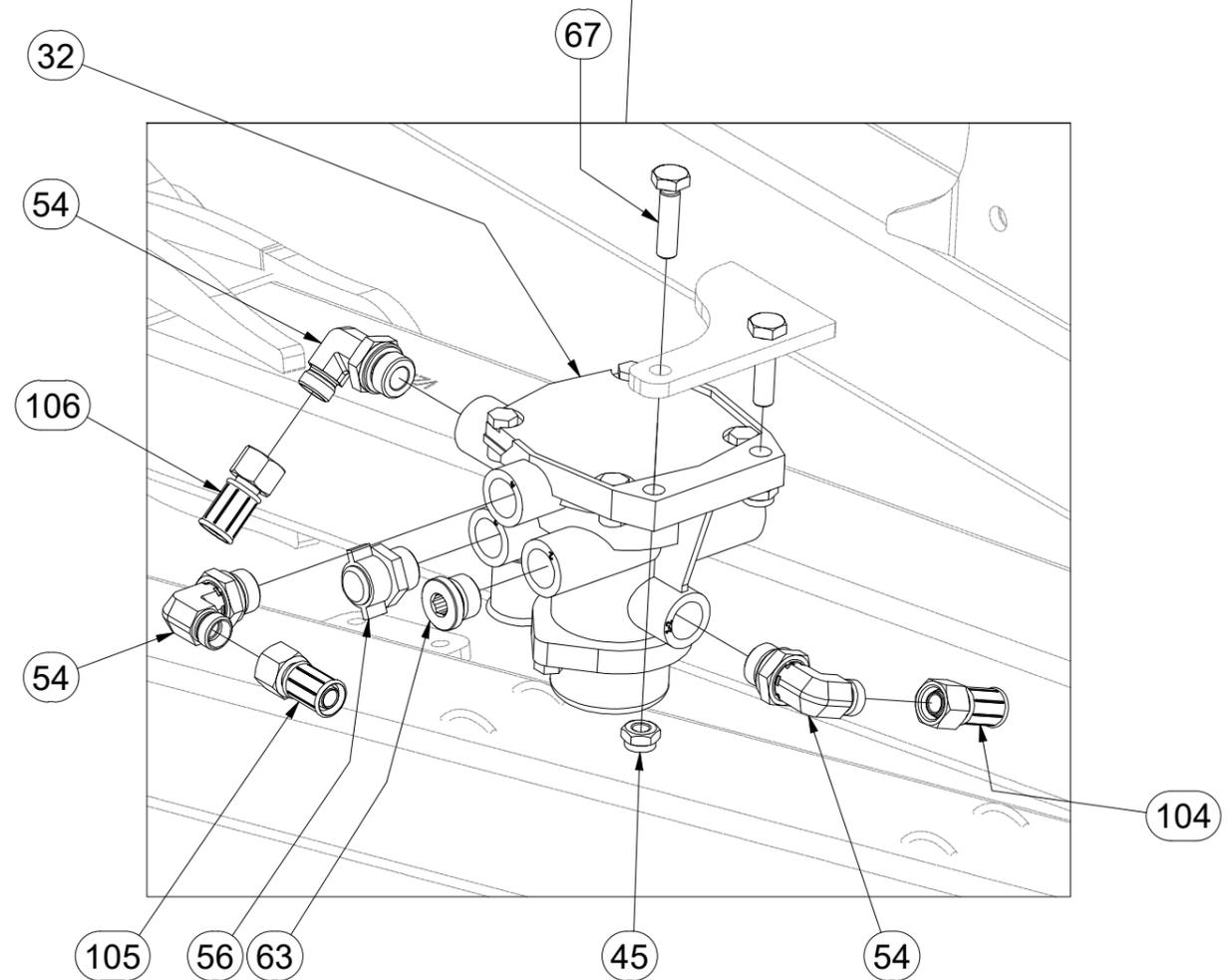
Ⓢ ZESTAW HAMULCOWY



**VZ00013105**



| Pos. | Part Number | Pcs. |
|------|-------------|------|
| 32   | m10608      | 1    |
| 45   | m03775      | 6    |
| 54   | m02633      | 4    |
| 56   | m09816      | 2    |
| 63   | m04855      | 2    |
| 67   | m01111      | 2    |
| 103  | m19343      | 1    |
| 104  | m20328      | 2    |
| 105  | m19038      | 1    |
| 106  | m19776      | 1    |



Ⓒ SADA BRZDOVÁ

Ⓓ BREMSENSATZ

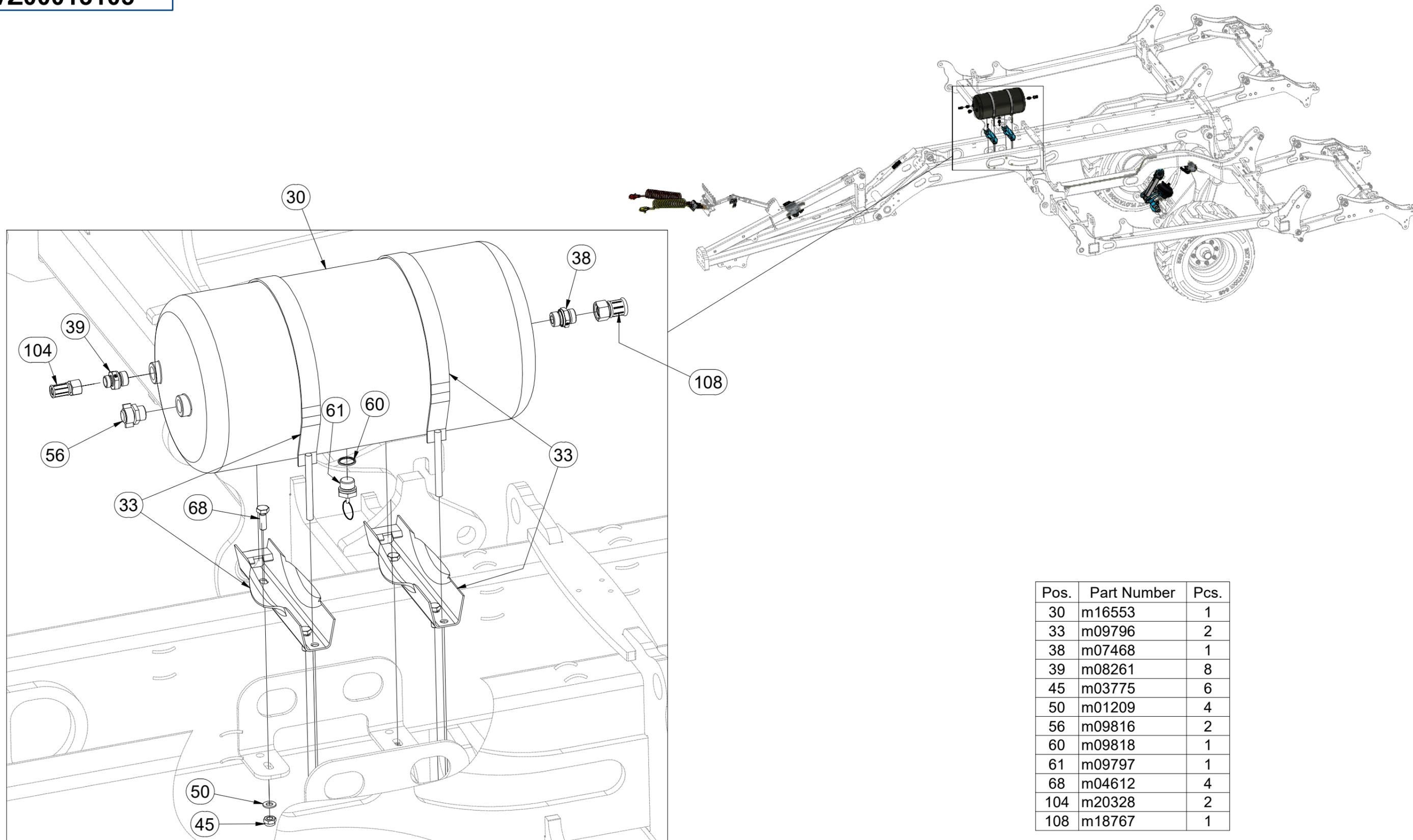
Ⓕ JEU DE FREINS

**VZ00013105**

Ⓖ BRAKE SET

Ⓡ ТОРМОЗНОЙ КОМПЛЕКТ

Ⓢ ZESTAW HAMULCOWY



| Pos. | Part Number | Pcs. |
|------|-------------|------|
| 30   | m16553      | 1    |
| 33   | m09796      | 2    |
| 38   | m07468      | 1    |
| 39   | m08261      | 8    |
| 45   | m03775      | 6    |
| 50   | m01209      | 4    |
| 56   | m09816      | 2    |
| 60   | m09818      | 1    |
| 61   | m09797      | 1    |
| 68   | m04612      | 4    |
| 104  | m20328      | 2    |
| 108  | m18767      | 1    |

ⒸZ SADA BRZDOVÁ

Ⓓ BREMSENSATZ

Ⓕ JEU DE FREINS

ⒸB BRAKE SET

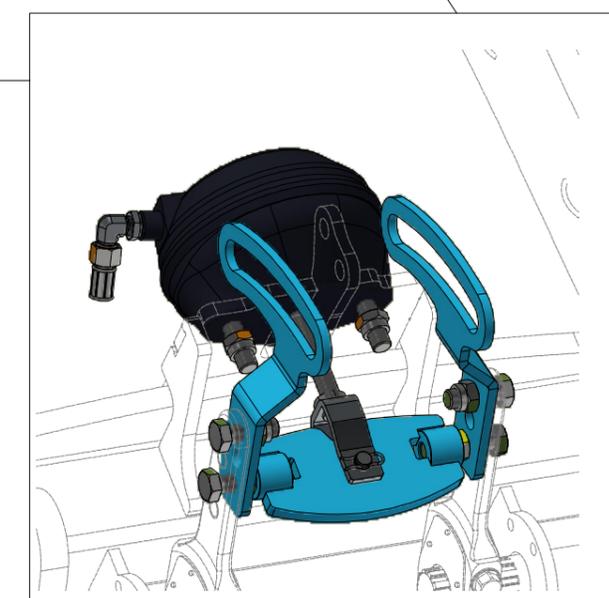
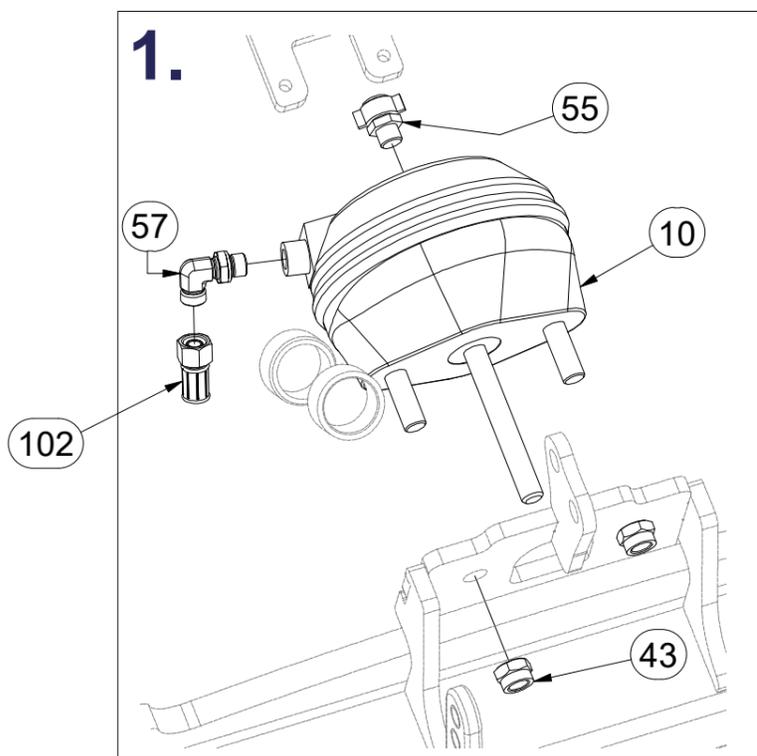
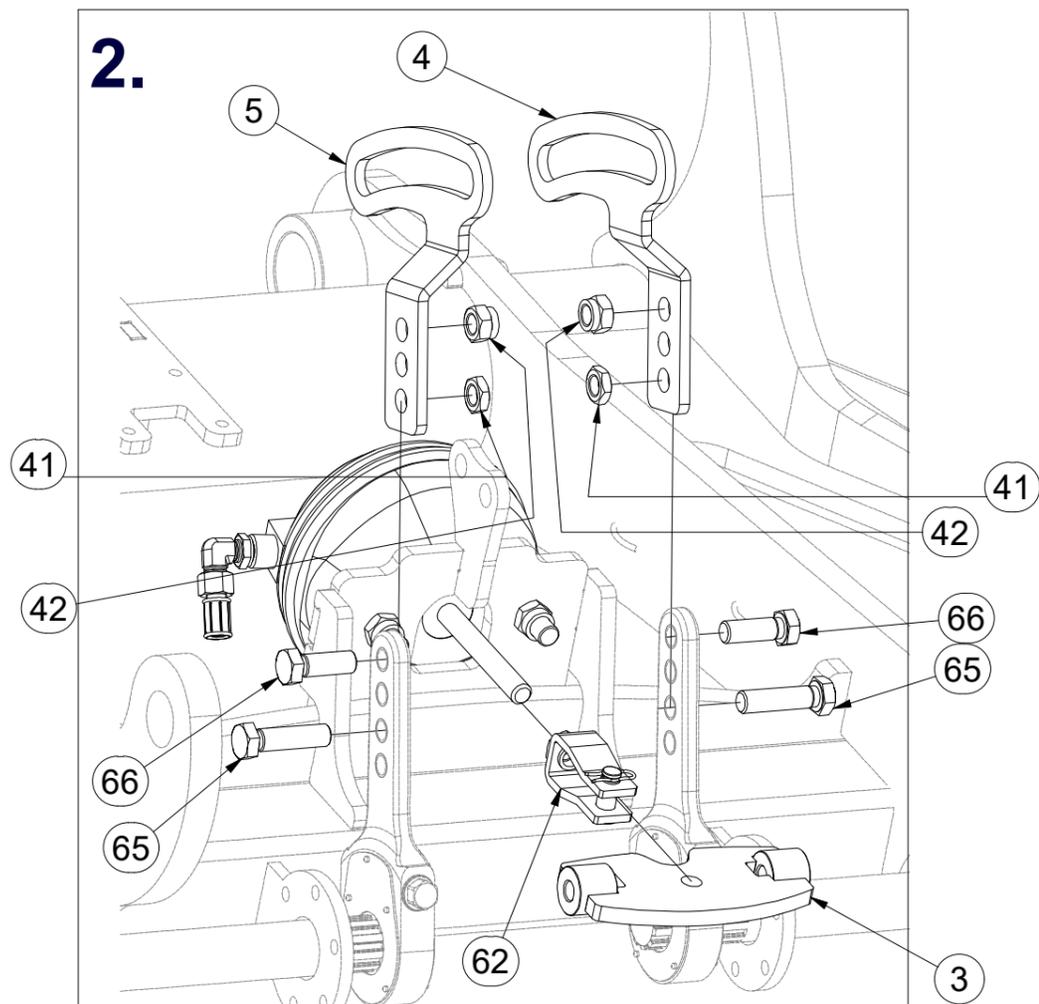
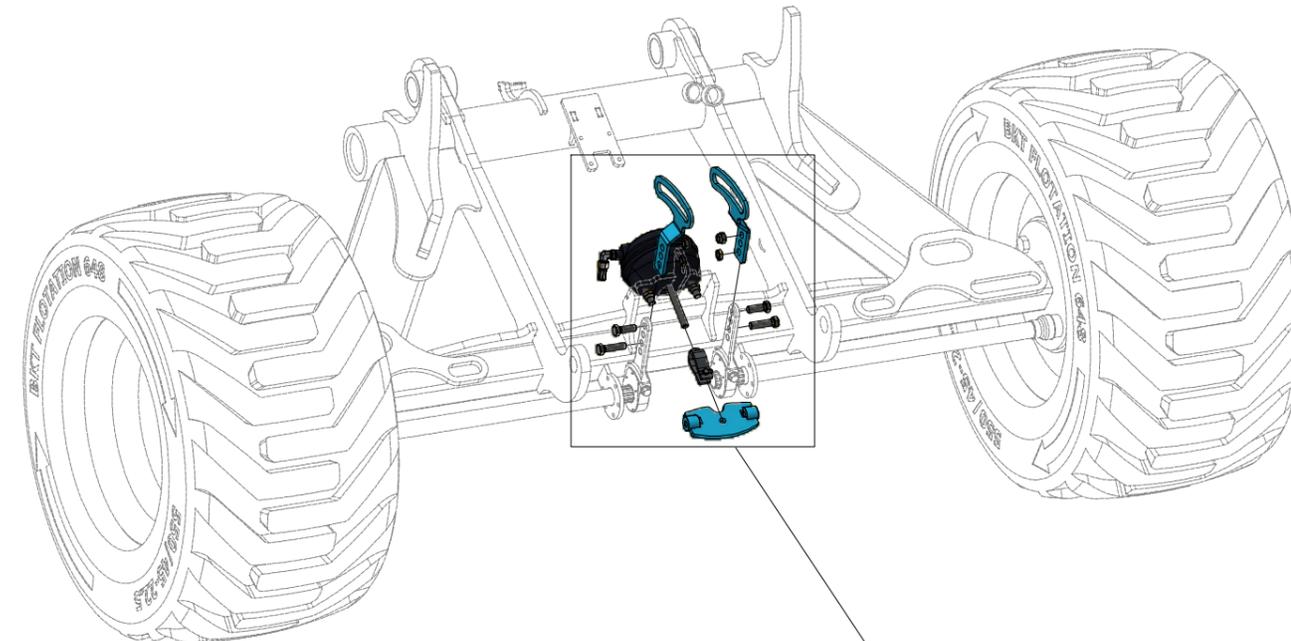
Ⓔ ТОРМОЗНОЙ КОМПЛЕКТ

Ⓗ ZESTAW HAMULCOWY



**VZ00013105**

| Pos. | Part Number | Pcs. |
|------|-------------|------|
| 3    | 3012994     | 1    |
| 4    | VZ00021366  | 1    |
| 5    | VZ00021367  | 1    |
| 10   | VZ00021533  | 1    |
| 41   | m04285      | 2    |
| 42   | m03683      | 4    |
| 43   | m18478      | 2    |
| 55   | m09815      | 1    |
| 57   | m18899      | 2    |
| 62   | m09793      | 1    |
| 65   | m13662      | 2    |
| 66   | m02254      | 3    |
| 102  | m20179      | 1    |



ⒸZ SADA BRZDOVÁ

Ⓓ BREMSENSATZ

Ⓕ JEU DE FREINS

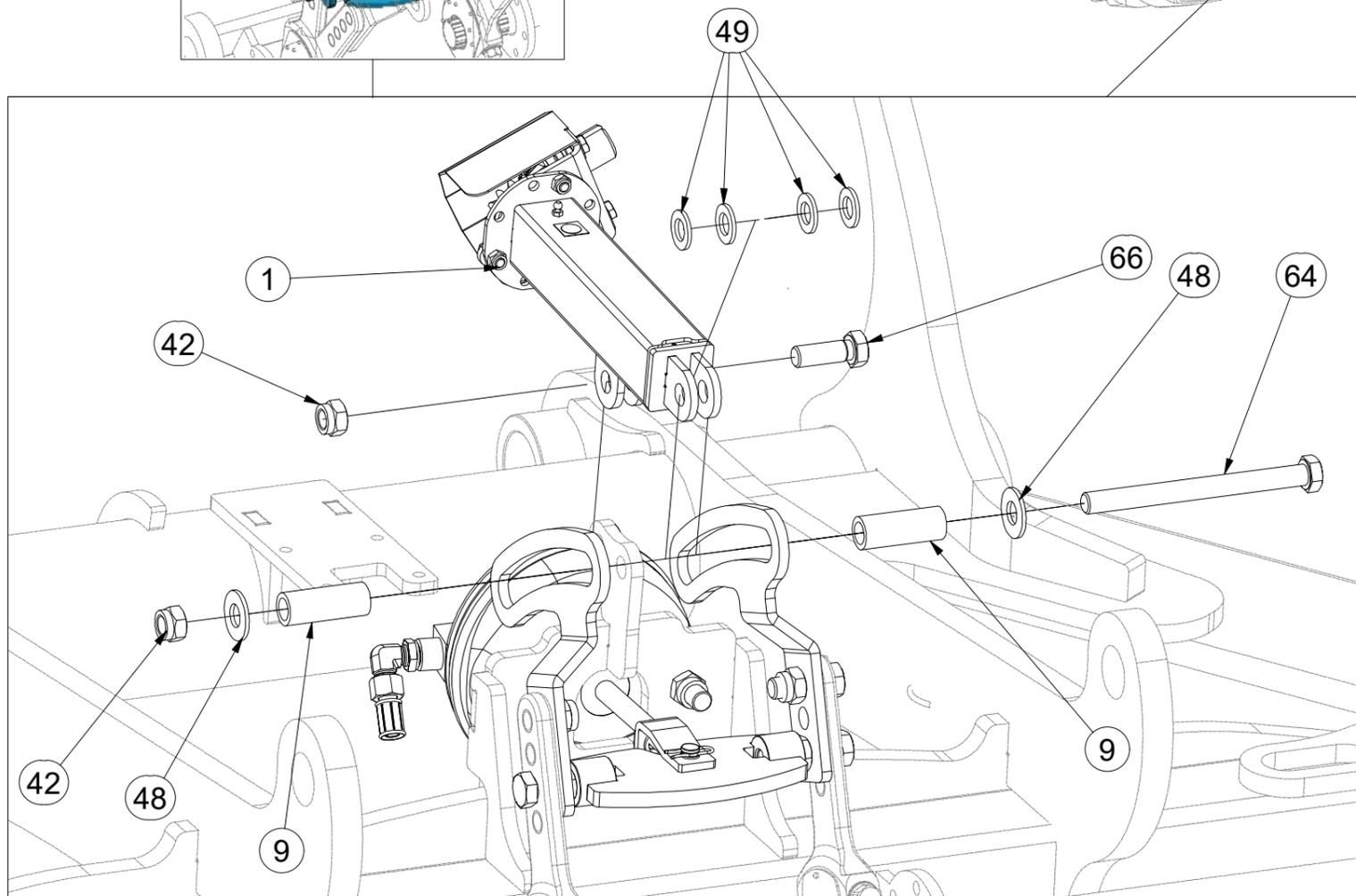
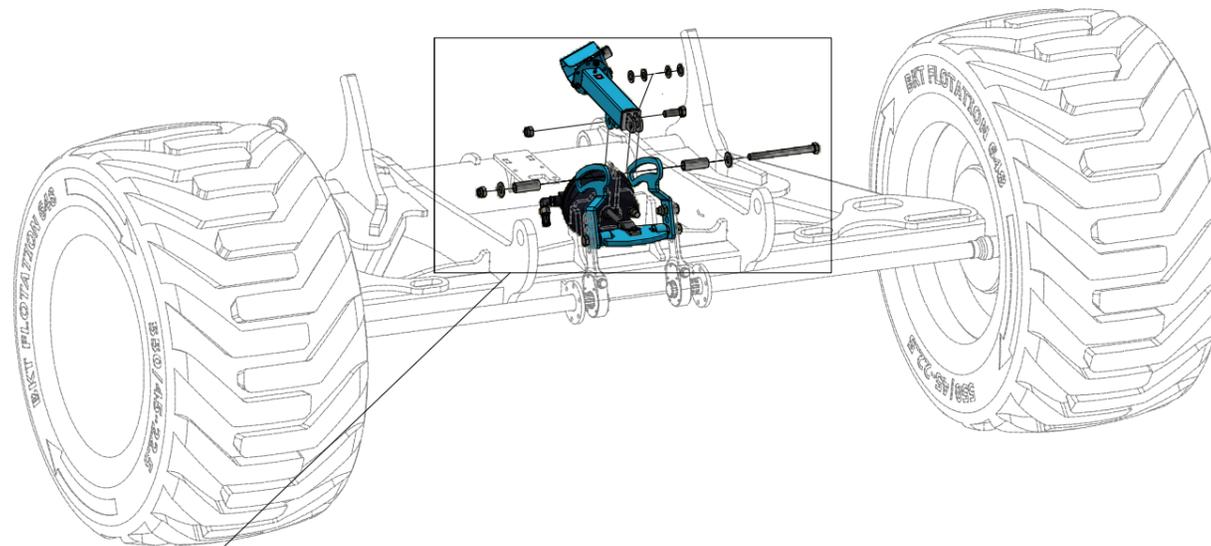
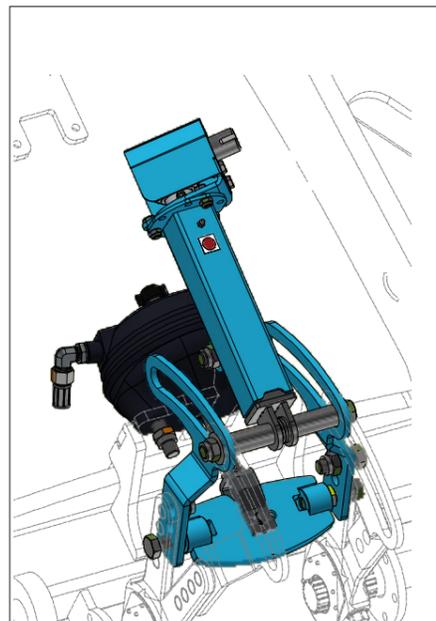
ⒸB BRAKE SET

ⒸU ТОРМОЗНОЙ КОМПЛЕКТ

ⒸL ZESTAW HAMULCOWY



**VZ00013105**



| Pos. | Part Number | Pcs. |
|------|-------------|------|
| 1    | VZ00021334  | 1    |
| 9    | VZ00013479  | 2    |
| 42   | m03683      | 4    |
| 48   | m05651      | 2    |
| 49   | m01219      | 5    |
| 64   | m13816      | 1    |
| 66   | m02254      | 3    |
| 47   | m22306      | 2    |

Ⓒ SADA BRZDOVÁ

Ⓓ BREMSENSATZ

Ⓕ JEU DE FREINS

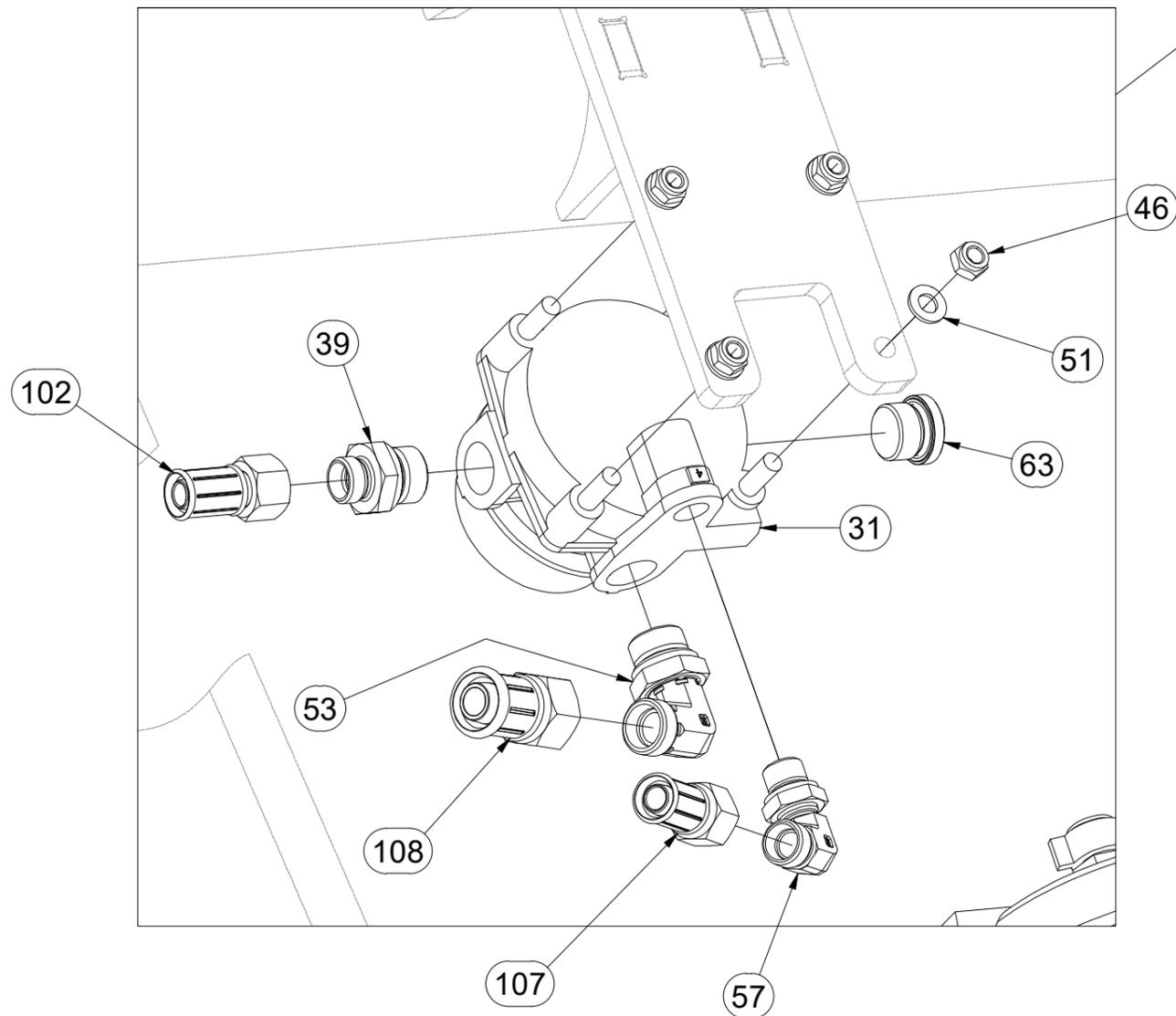
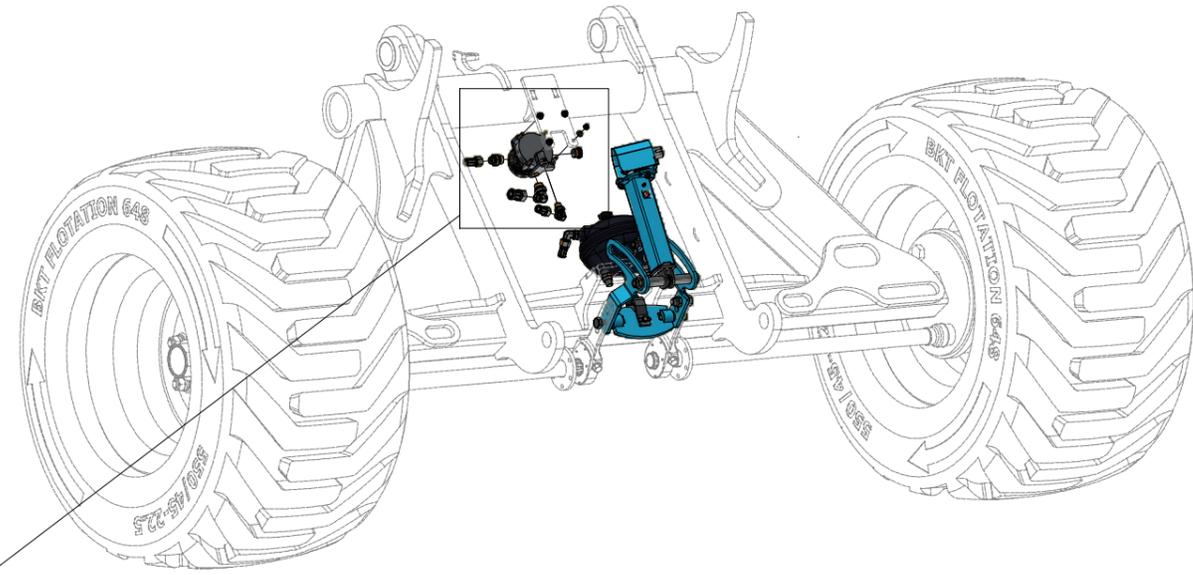
Ⓖ BRAKE SET

Ⓡ ТОРМОЗНОЙ КОМПЛЕКТ

Ⓢ ZESTAW HAMULCOWY



**VZ00013105**



| Pos. | Part Number | Pcs. |
|------|-------------|------|
| 31   | m09790      | 1    |
| 39   | m08261      | 8    |
| 46   | m04503      | 4    |
| 51   | m01203      | 4    |
| 53   | m03896      | 1    |
| 57   | m18899      | 2    |
| 63   | m04855      | 2    |
| 102  | m20179      | 1    |
| 107  | m19802      | 1    |
| 108  | m18767      | 1    |



Ⓒ SADA BRZDOVÁ

Ⓓ BREMSENSATZ

Ⓕ JEU DE FREINS

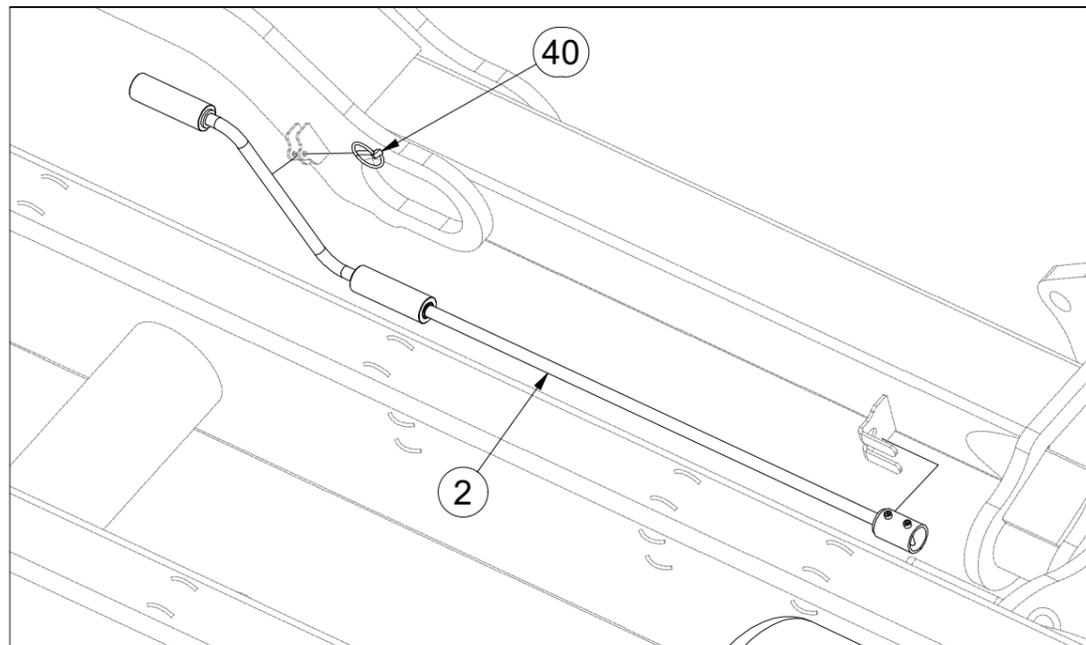
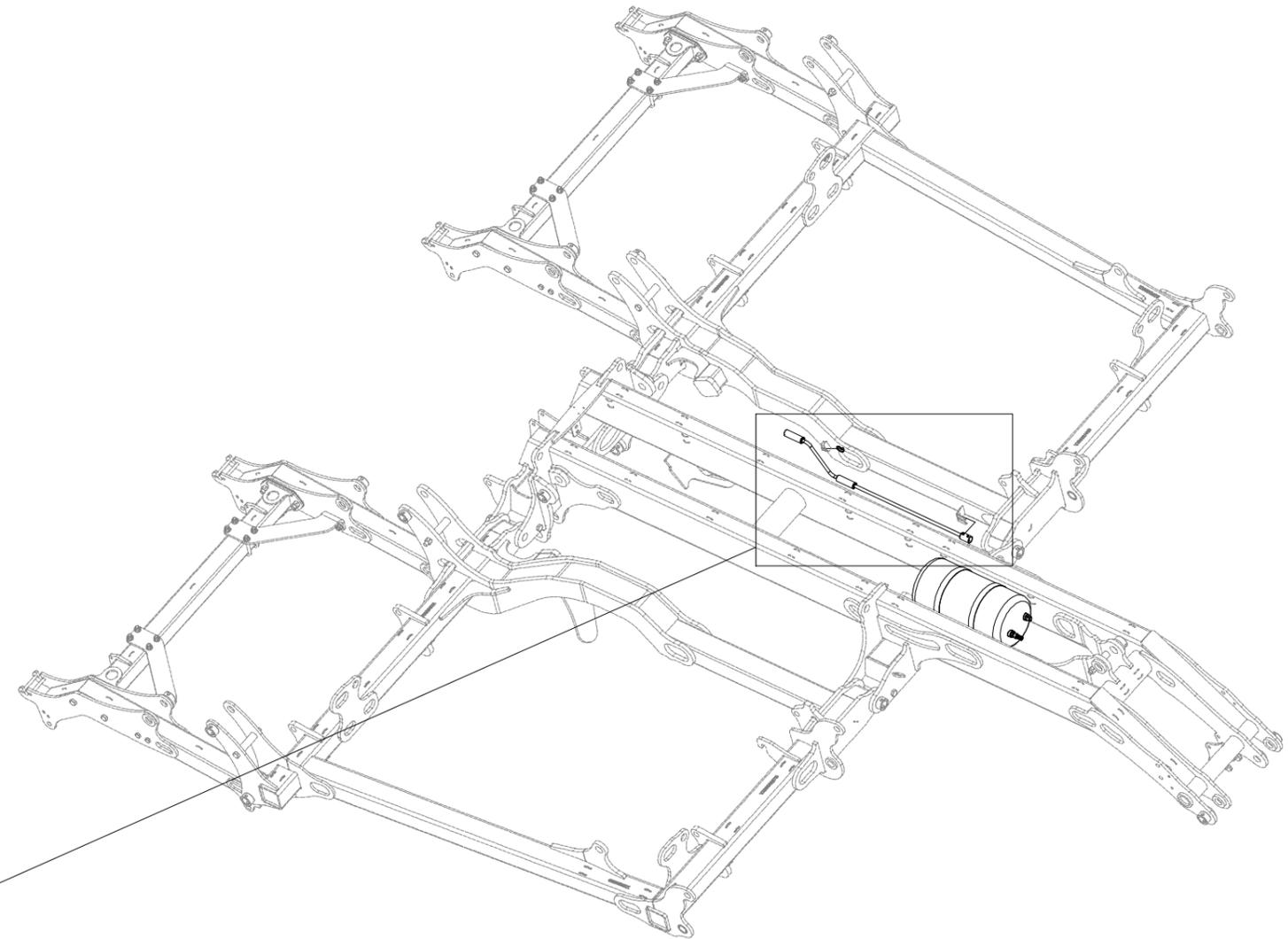
**VZ00013105**

Ⓖ BRAKE SET

Ⓡ ТОРМОЗНОЙ КОМПЛЕКТ

Ⓢ ZESTAW HAMULCOWY

**Farmet**



| Pos. | Part Number | Pcs. |
|------|-------------|------|
| 2    | VZ00015488  | 1    |
| 40   | m10454      | 1    |

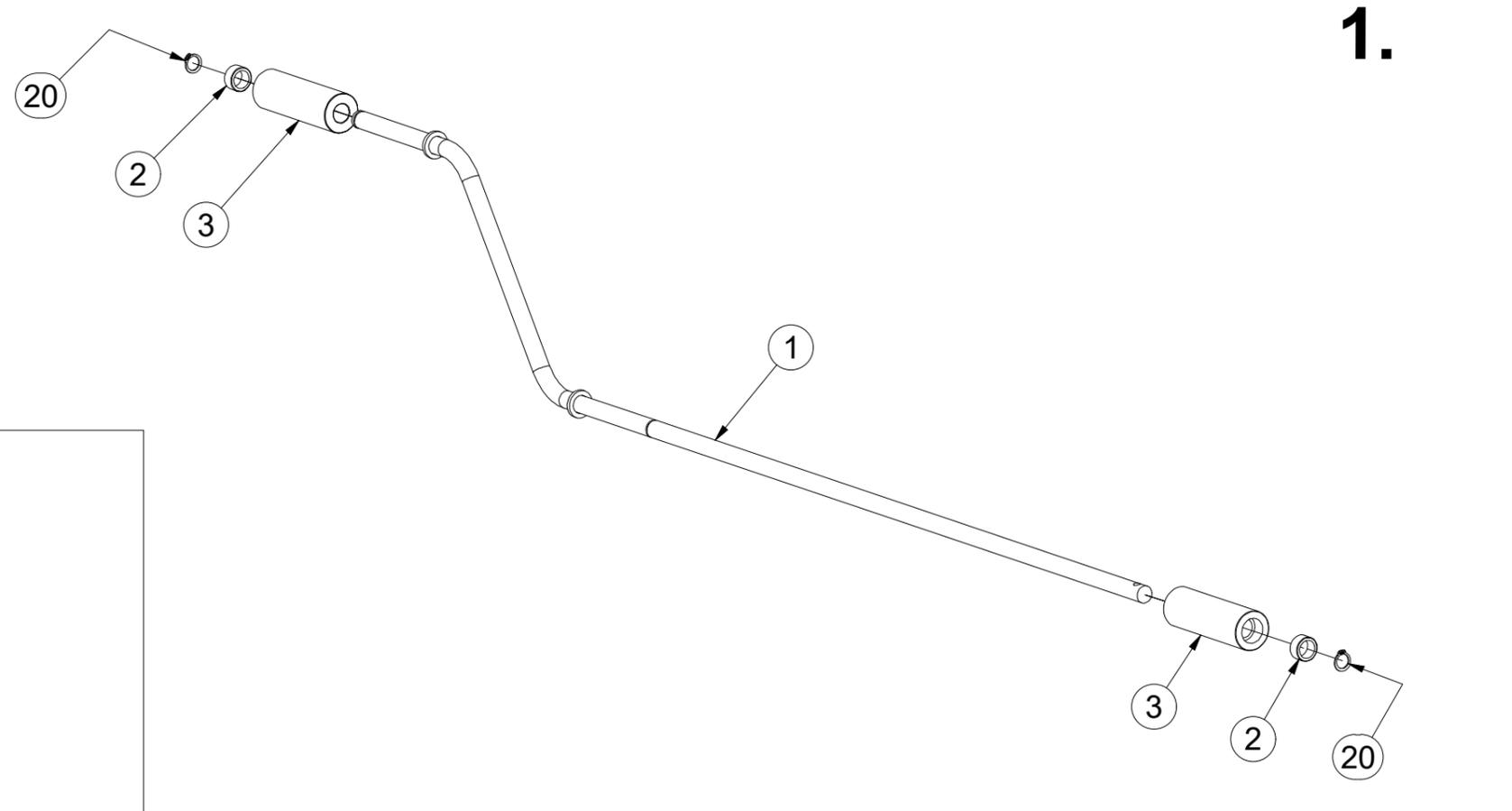
- Ⓒ KLIKA
- Ⓓ KURBEL
- Ⓕ MANIVELLE

- Ⓖ HANDLE
- Ⓡ РУКОЯТКА
- Ⓟ KORBA



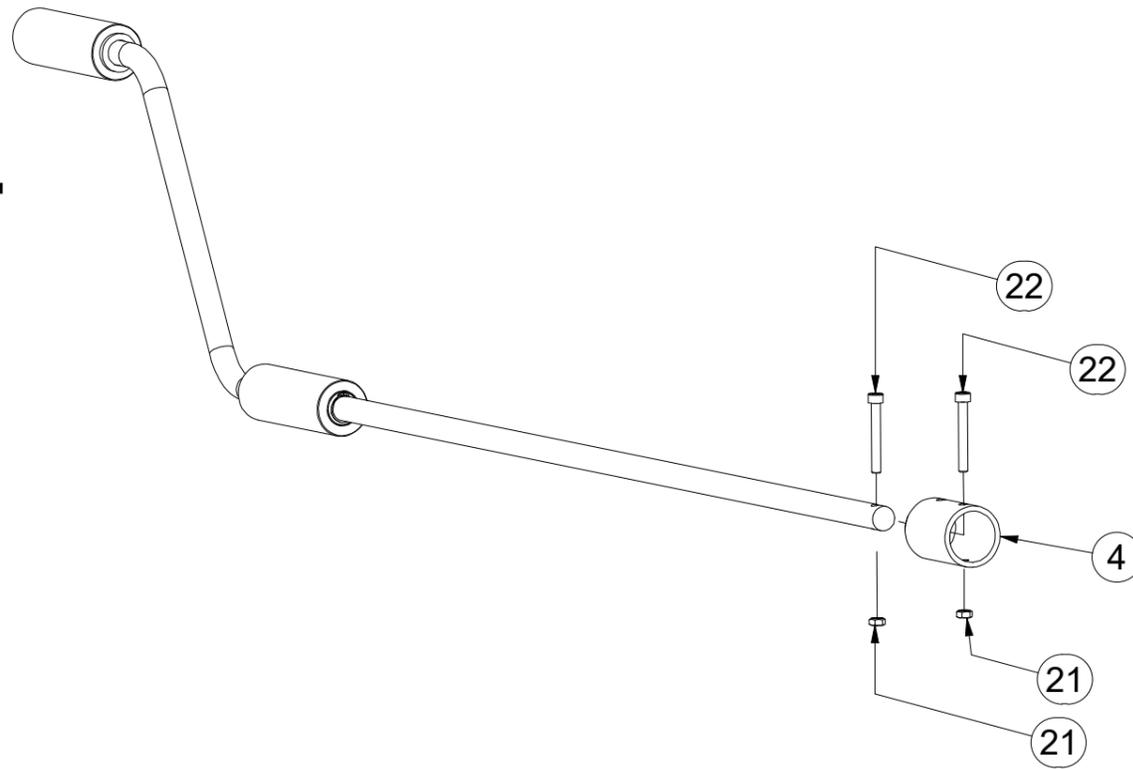
**VZ00015488**

| Pos. | Part Number | Pcs. |
|------|-------------|------|
| 1    | VZ00015479  | 1    |
| 2    | VZ00015518  | 2    |
| 3    | VZ00015663  | 2    |
| 20   | m04075      | 2    |



**1.**

**2.**



| Pos. | Part Number | Pcs. |
|------|-------------|------|
| 4    | VZ00016120  | 1    |
| 21   | m14051      | 2    |
| 22   | m18872      | 2    |

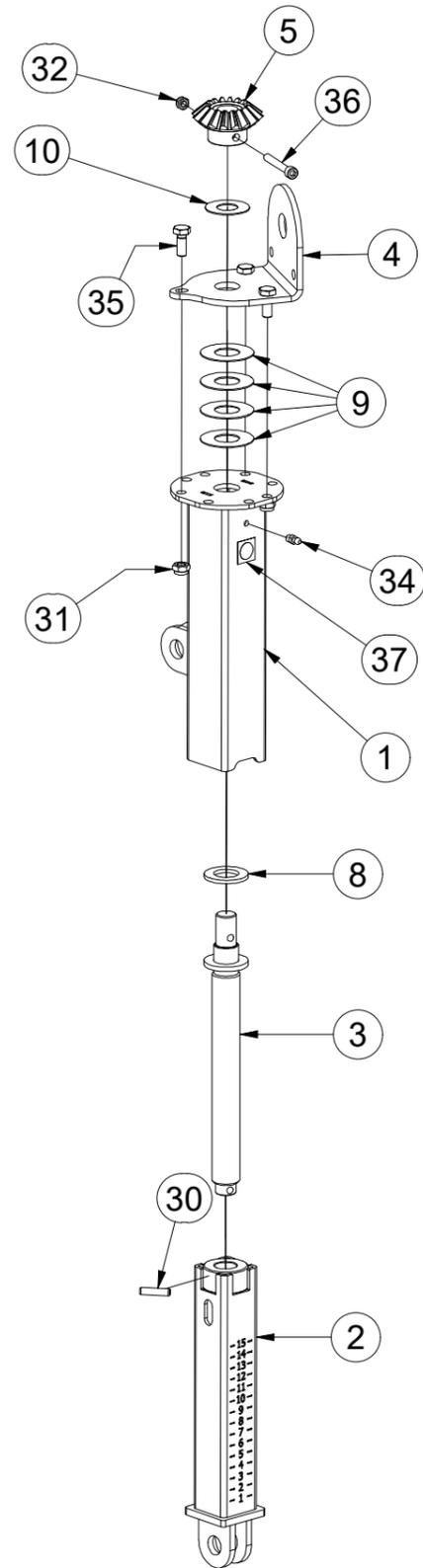
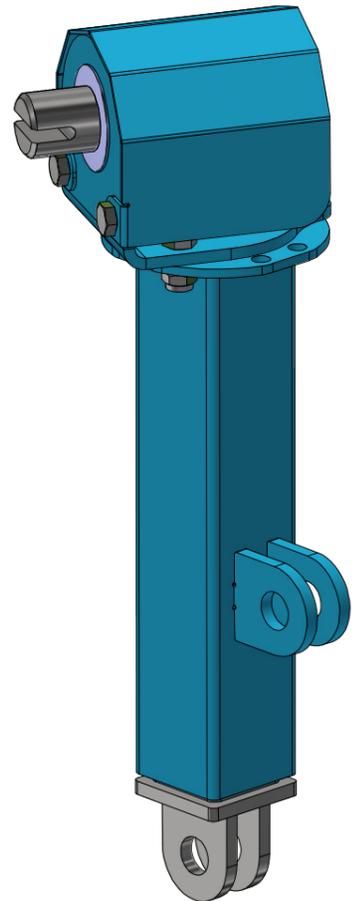


Ⓒ HEVER

Ⓓ HEBEWINDE

Ⓕ JACK

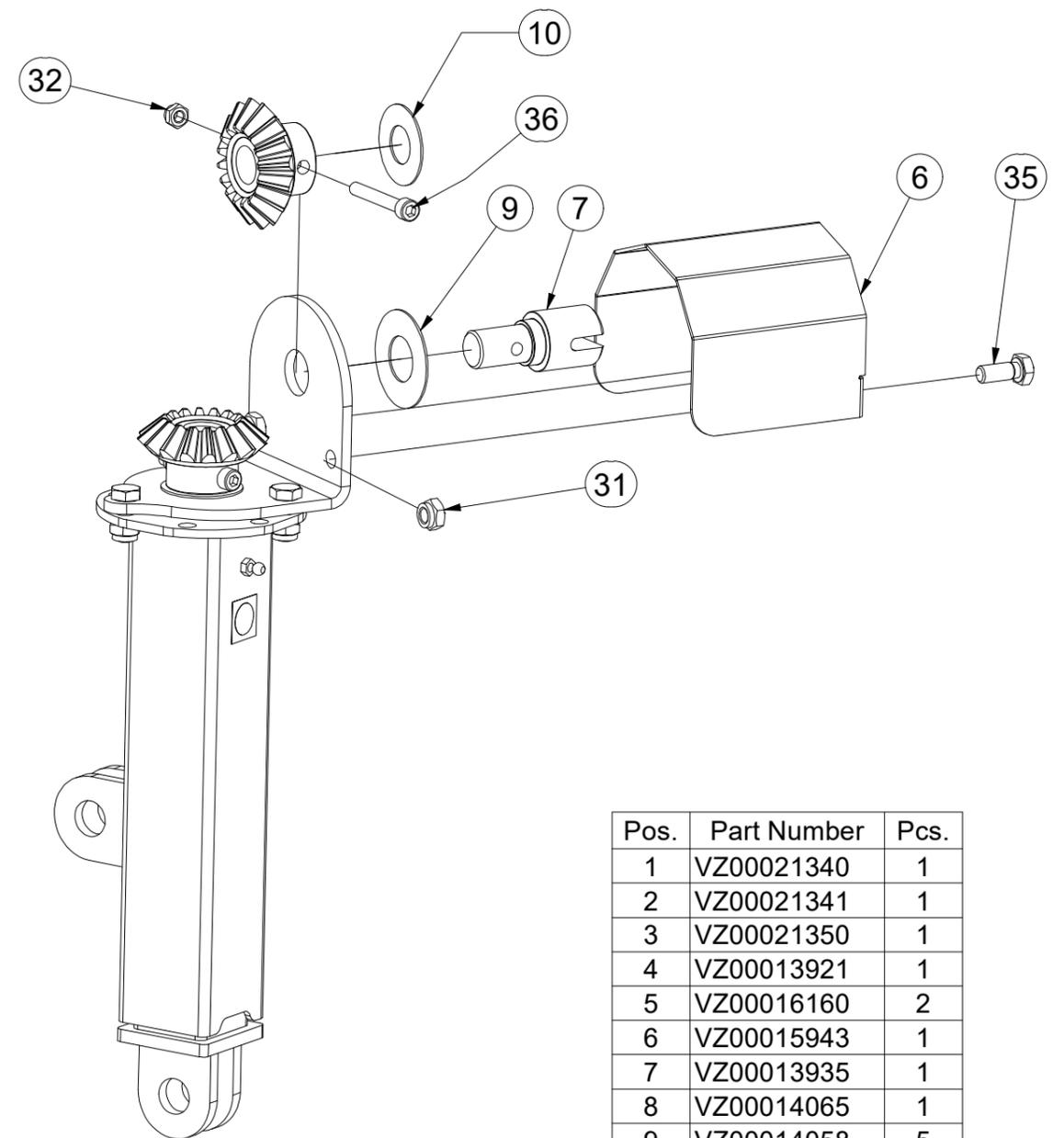
**VZ00021334**



Ⓖ JACK

Ⓡ РАЗЪЕМ

Ⓟ JACEK



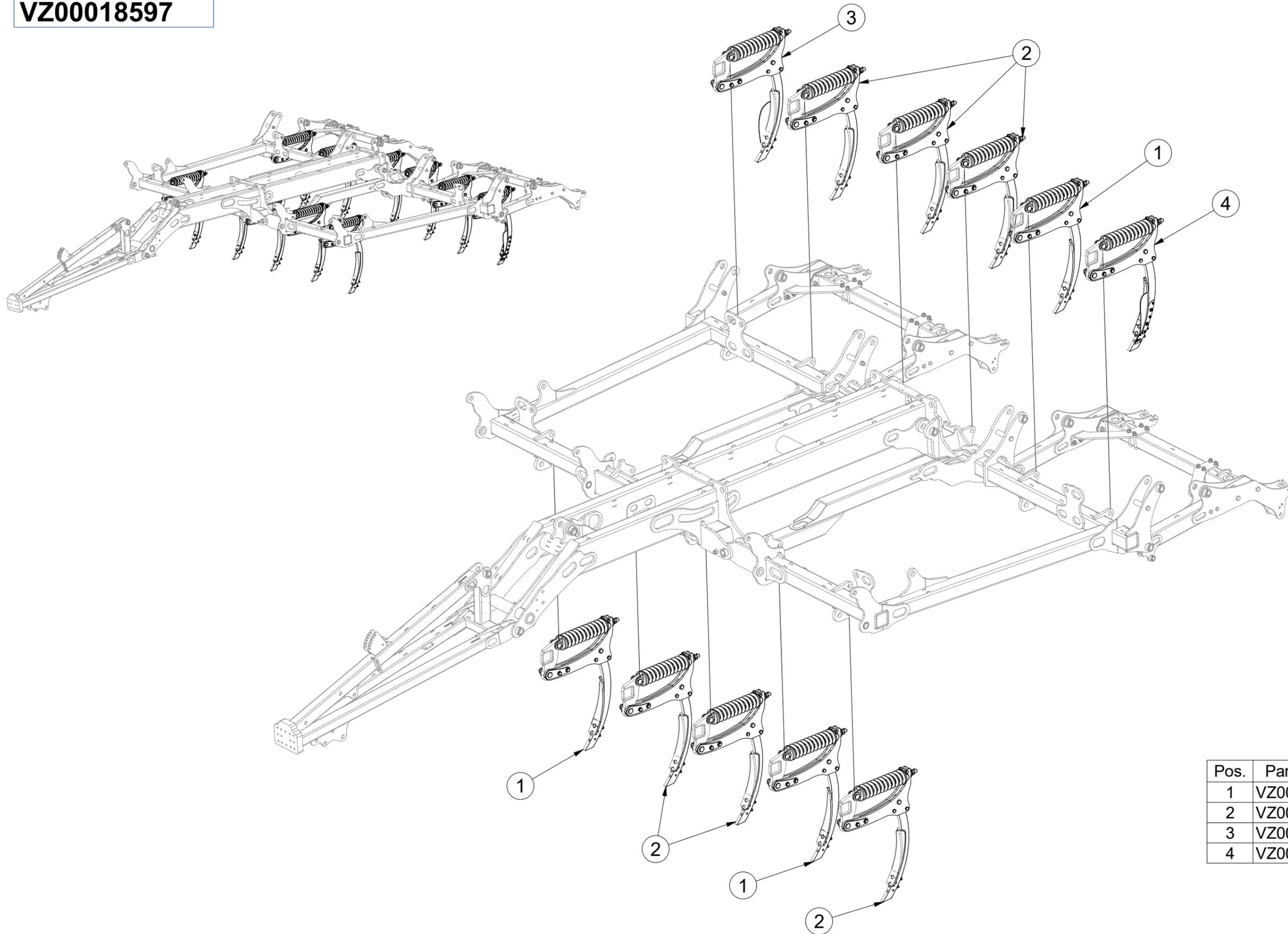
| Pos. | Part Number | Pcs. |
|------|-------------|------|
| 1    | VZ00021340  | 1    |
| 2    | VZ00021341  | 1    |
| 3    | VZ00021350  | 1    |
| 4    | VZ00013921  | 1    |
| 5    | VZ00016160  | 2    |
| 6    | VZ00015943  | 1    |
| 7    | VZ00013935  | 1    |
| 8    | VZ00014065  | 1    |
| 9    | VZ00014058  | 5    |
| 10   | VZ00014061  | 2    |
| 30   | m11505      | 1    |
| 31   | m04503      | 5    |
| 32   | m05560      | 2    |
| 34   | m01725      | 1    |
| 35   | m01089      | 5    |
| 36   | m09935      | 2    |
| 37   | m03320      | 1    |

CZ SADA JIŠTĚNÍ  
 D SICHERUNGSATZ  
 F KIT DE PROTECTION

GB SET OF PROTECTION  
 RU КОМПЛЕКТ ПРЕДОХРАНЕНИЕ  
 PL ZESTAW ZABEZPIECZENIE



**VZ00018597**



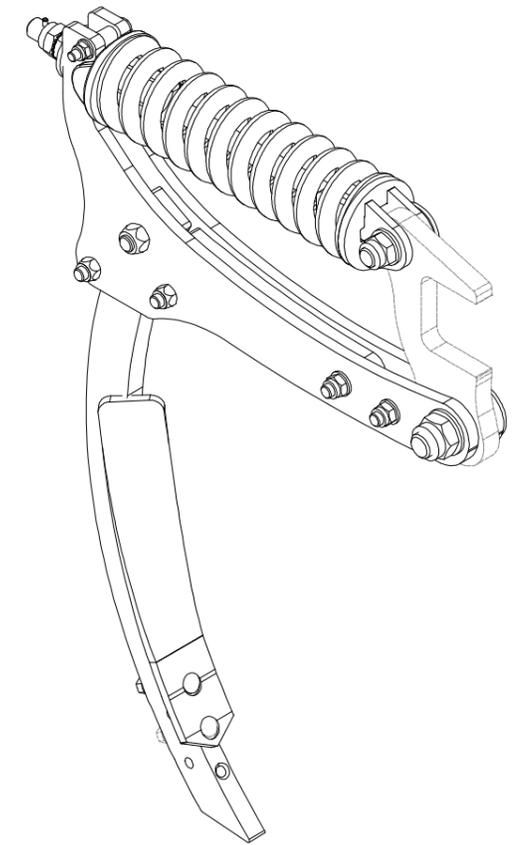
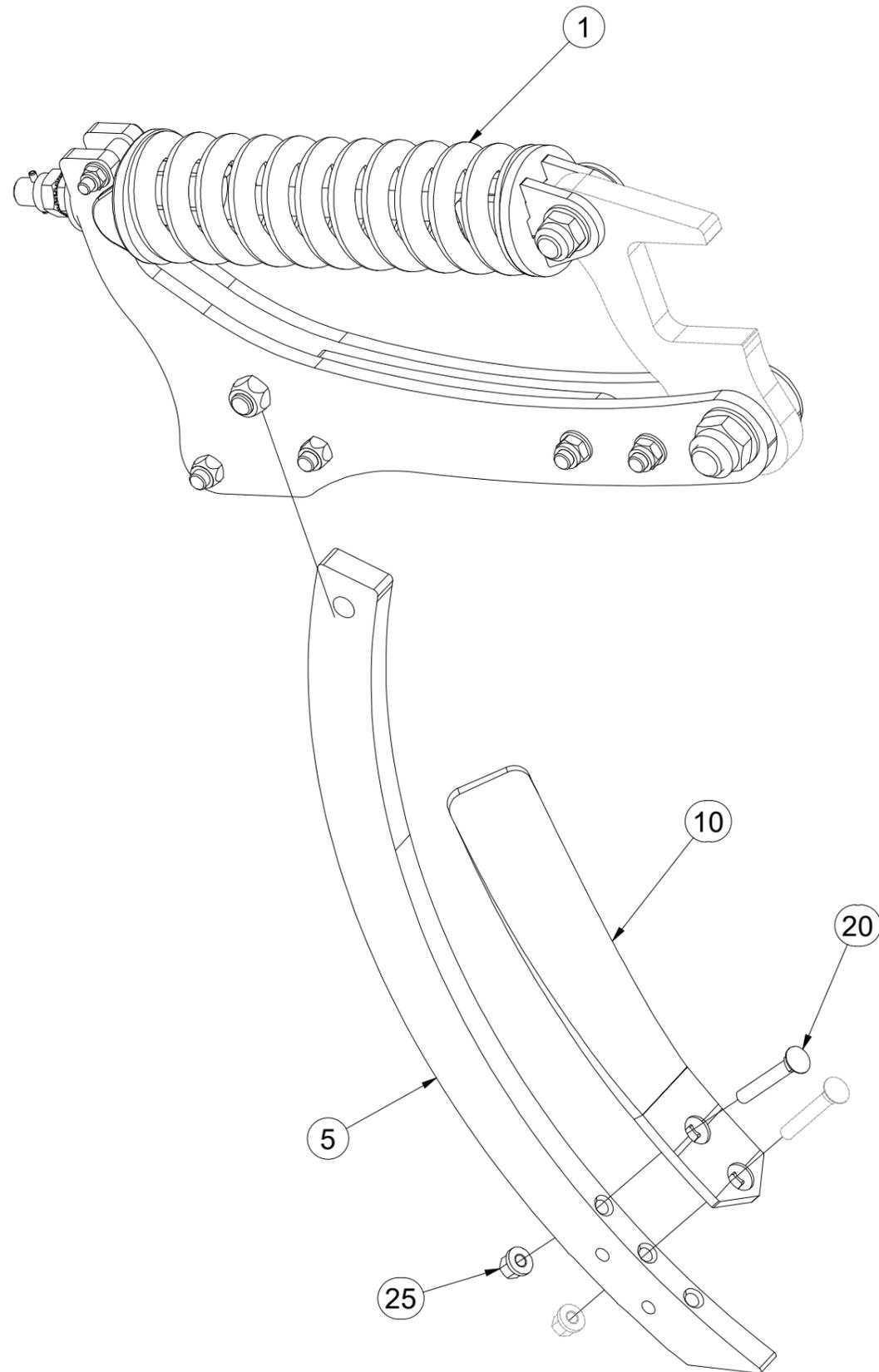
| Pos. | Part Number | Pcs. |
|------|-------------|------|
| 1    | VZ00016366  | 3    |
| 2    | VZ00016367  | 6    |
| 3    | VZ00016368  | 1    |
| 4    | VZ00016369  | 1    |

(CZ) JIŠTĚNÍ LEVÉ  
 (D) SICHERUNG LINKE  
 (F) PROTECTION GAUCHE

(GB) LEFT PROTECTION  
 (RU) ПРЕДОХРАНЕНИЕ ЛЕВОЕ  
 (PL) ZABEZPIECZENIE LEWE



**VZ00016366**



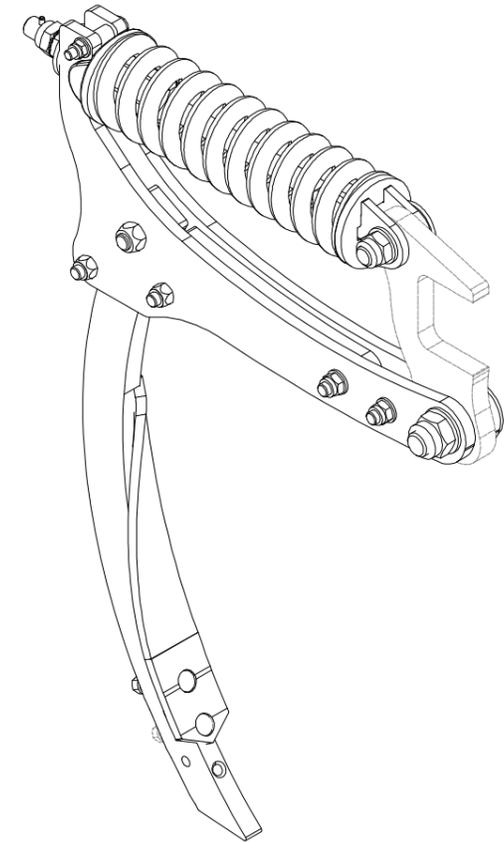
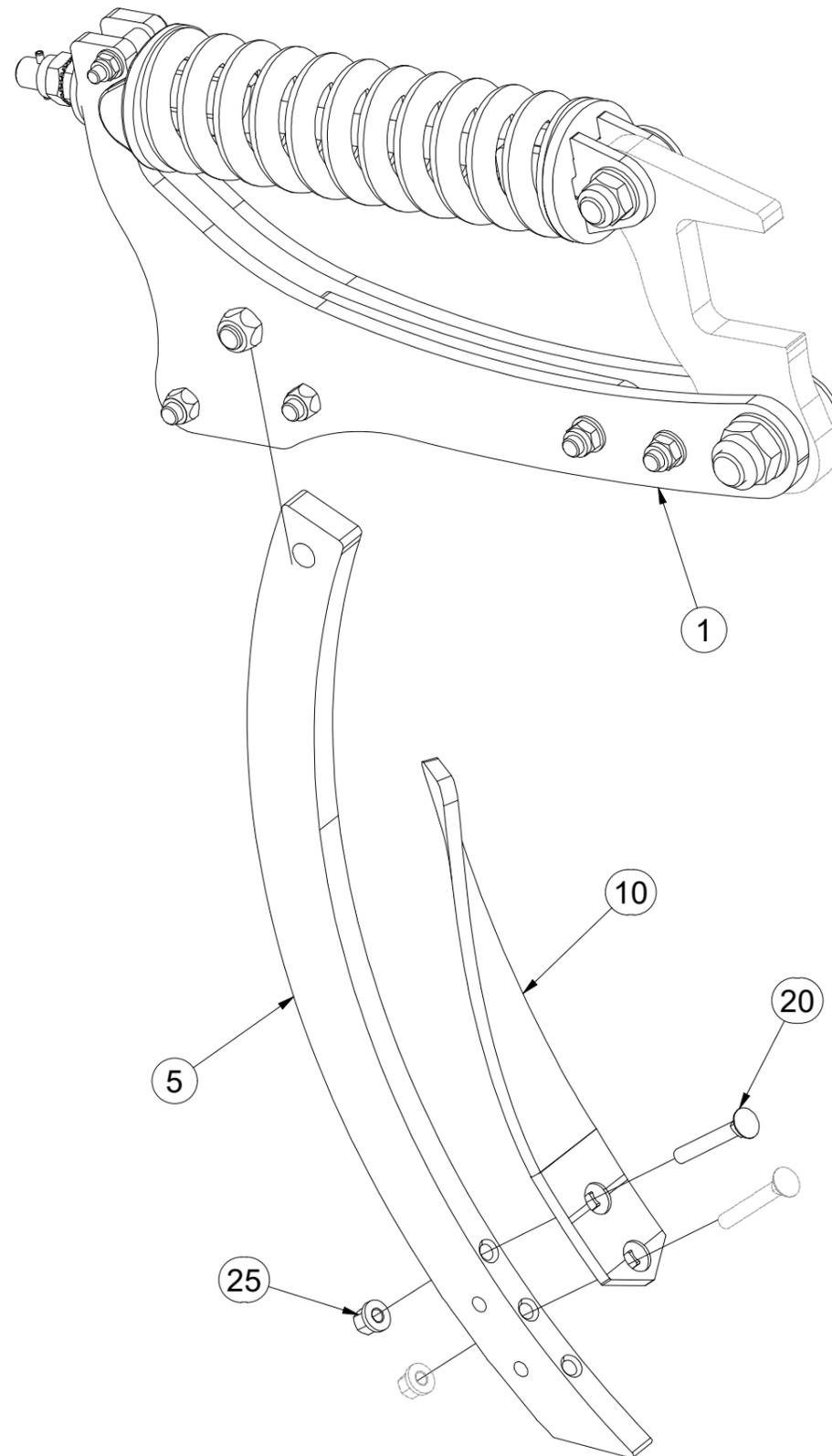
| Pos. | Part Number | Pcs. |
|------|-------------|------|
| 1    | VZ00016365  | 1    |
| 5    | VZ00011920  | 1    |
| 10   | VZ00027395  | 1    |
| 20   | m08764      | 1    |
| 25   | m21201      | 1    |

CZ JIŠTĚNÍ PRAVÉ  
 D SICHERUNG RECHTE  
 F PROTECTION DROITE

GB RIGHT PROTECTION  
 RU ПРЕДОХРАНЕНИЕ ПРАВОЕ  
 PL ZABEZPIECZENIE PRAWO



**VZ00016367**



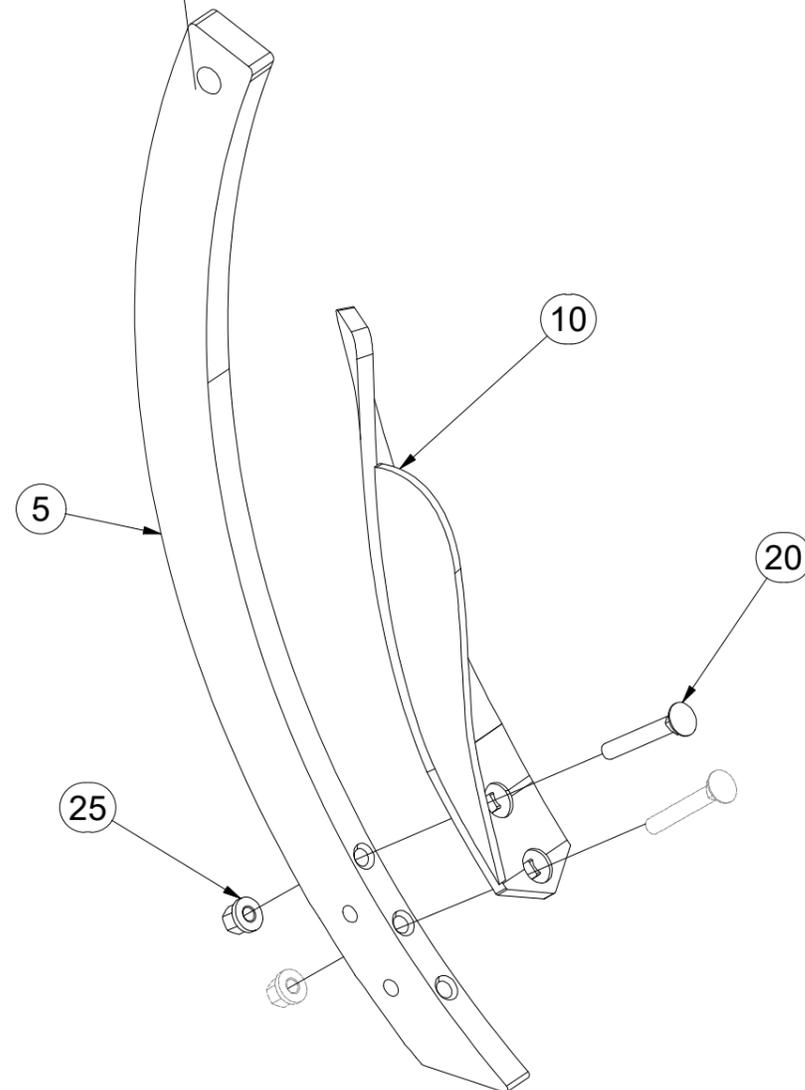
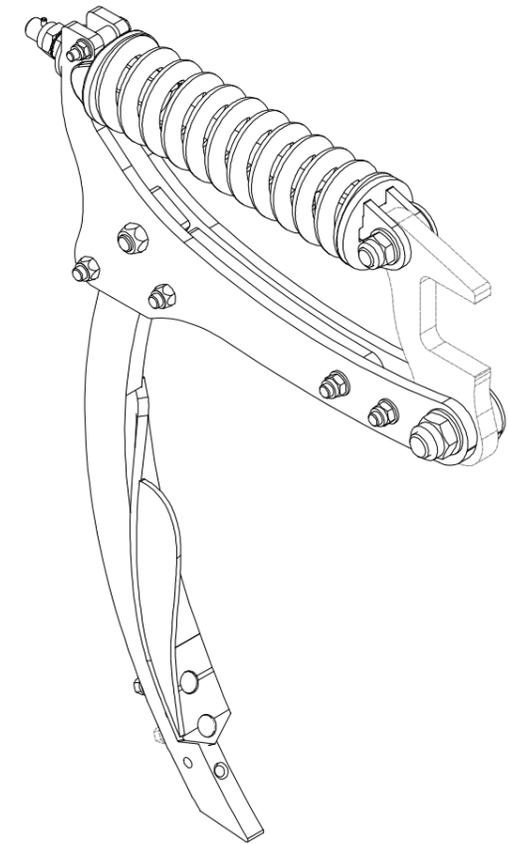
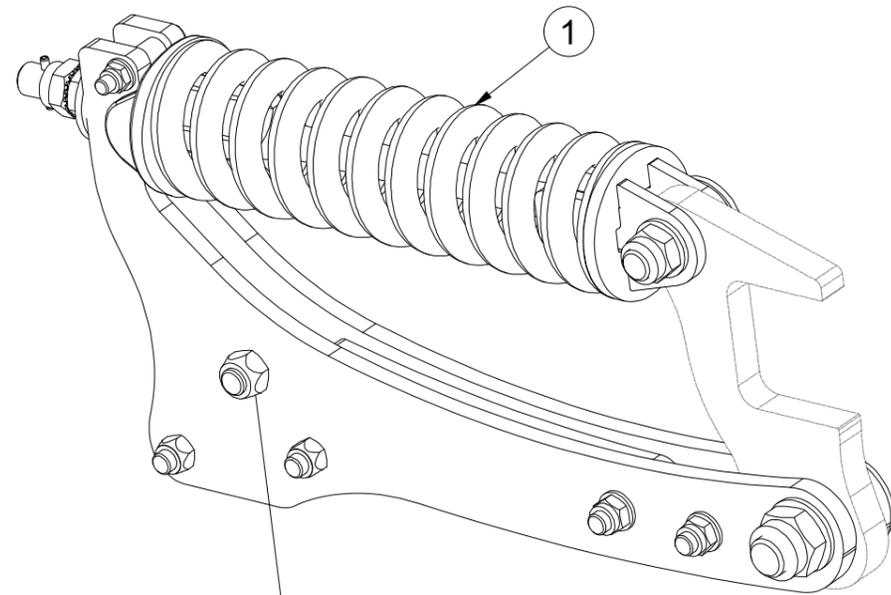
| Pos. | Part Number | Pcs. |
|------|-------------|------|
| 1    | VZ00016365  | 1    |
| 5    | VZ00011920  | 1    |
| 10   | VZ00027396  | 1    |
| 20   | m08764      | 1    |
| 25   | m21201      | 1    |

CZ JIŠTĚNÍ PRAVÉ - DEFLEKTOR  
 D SICHERUNG RECHTE - DEFLEKTOR  
 F PROTECTION DROITE - DÉFLECTEUR

GB RIGHT PROTECTION - DEFLECTOR  
 RU ПРЕДОХРАНЕНИЕ ПРАВОЕ - ДЕФЛЕКТОР  
 PL ZABEZPIECZENIE PRAWO - DEFLEKTOR



**VZ00016368**



| Pos. | Part Number | Pcs. |
|------|-------------|------|
| 1    | VZ00016365  | 1    |
| 5    | VZ00011920  | 1    |
| 10   | VZ00027398  | 1    |
| 20   | m08764      | 1    |
| 25   | m21201      | 1    |

ⒸZ JIŠTĚNÍ LEVÉ-DEFLEKTOR

Ⓓ SICHERUNG LINKE - DEFLEKTOR

Ⓕ PROTECTION GAUCHE - DÉFLECTEUR

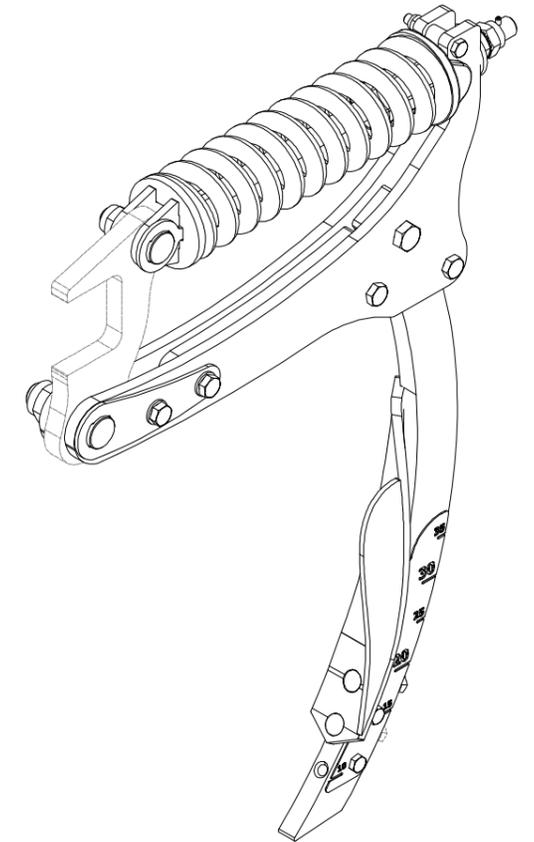
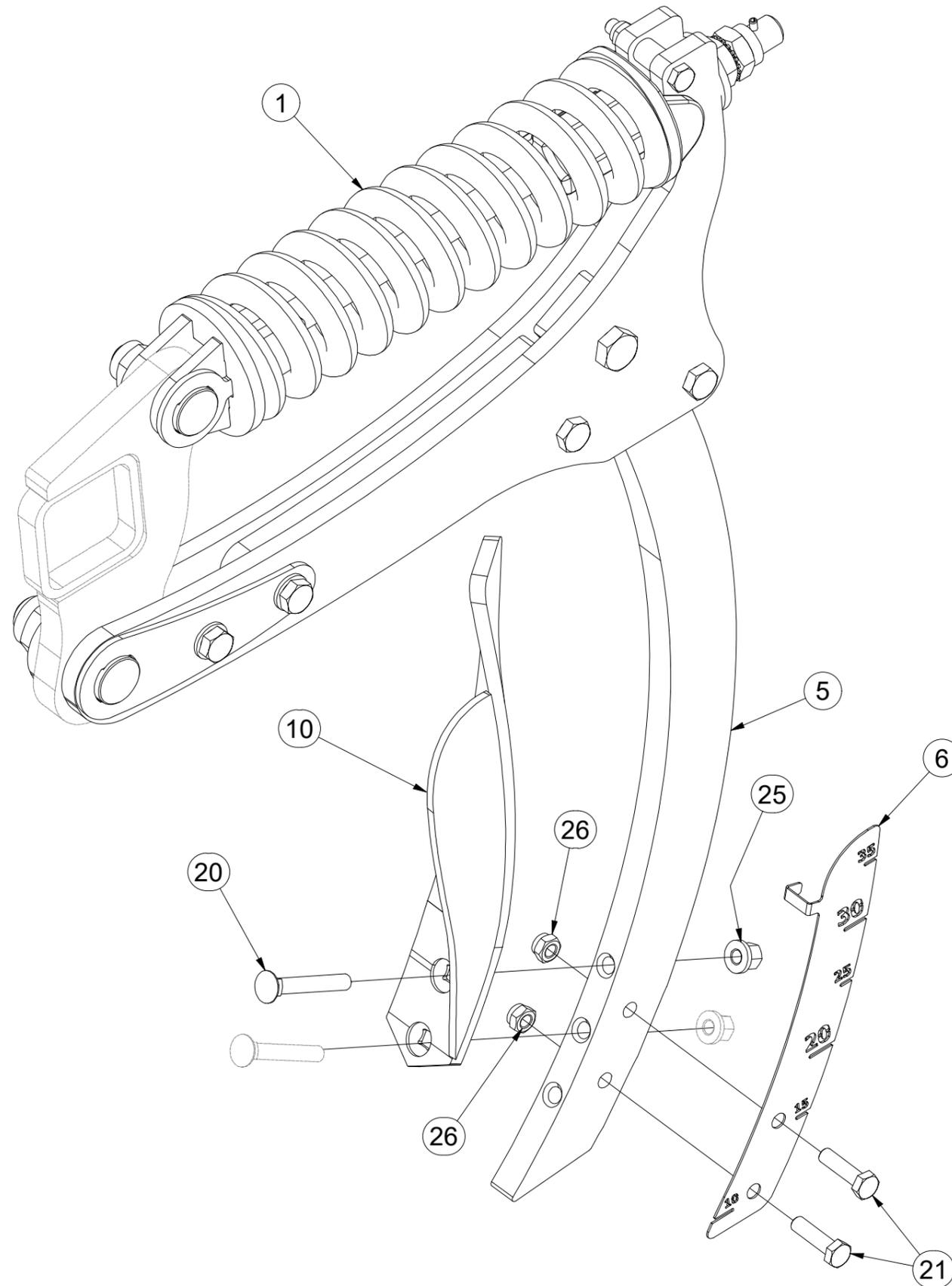
ⒼB LEFT PROTECTION - DEFLECTOR

Ⓔ RU ПРЕДОХРАНЕНИЕ ЛЕВОЕ - ДЕФЛЕКТОР

Ⓗ PL ZABEZPIECZENIE LEWE - DEFLEKTOR

**Farmet**

**VZ00016369**



| Pos. | Part Number | Pcs. |
|------|-------------|------|
| 1    | VZ00016365  | 1    |
| 5    | VZ00011920  | 1    |
| 6    | VZ00004550  | 1    |
| 10   | VZ00027397  | 1    |
| 20   | m08764      | 1    |
| 21   | m06077      | 2    |
| 25   | m21201      | 1    |
| 26   | m04301      | 2    |



Ⓒ JIŠTĚNÍ

Ⓓ SICHERUNG

Ⓕ PROTECTION

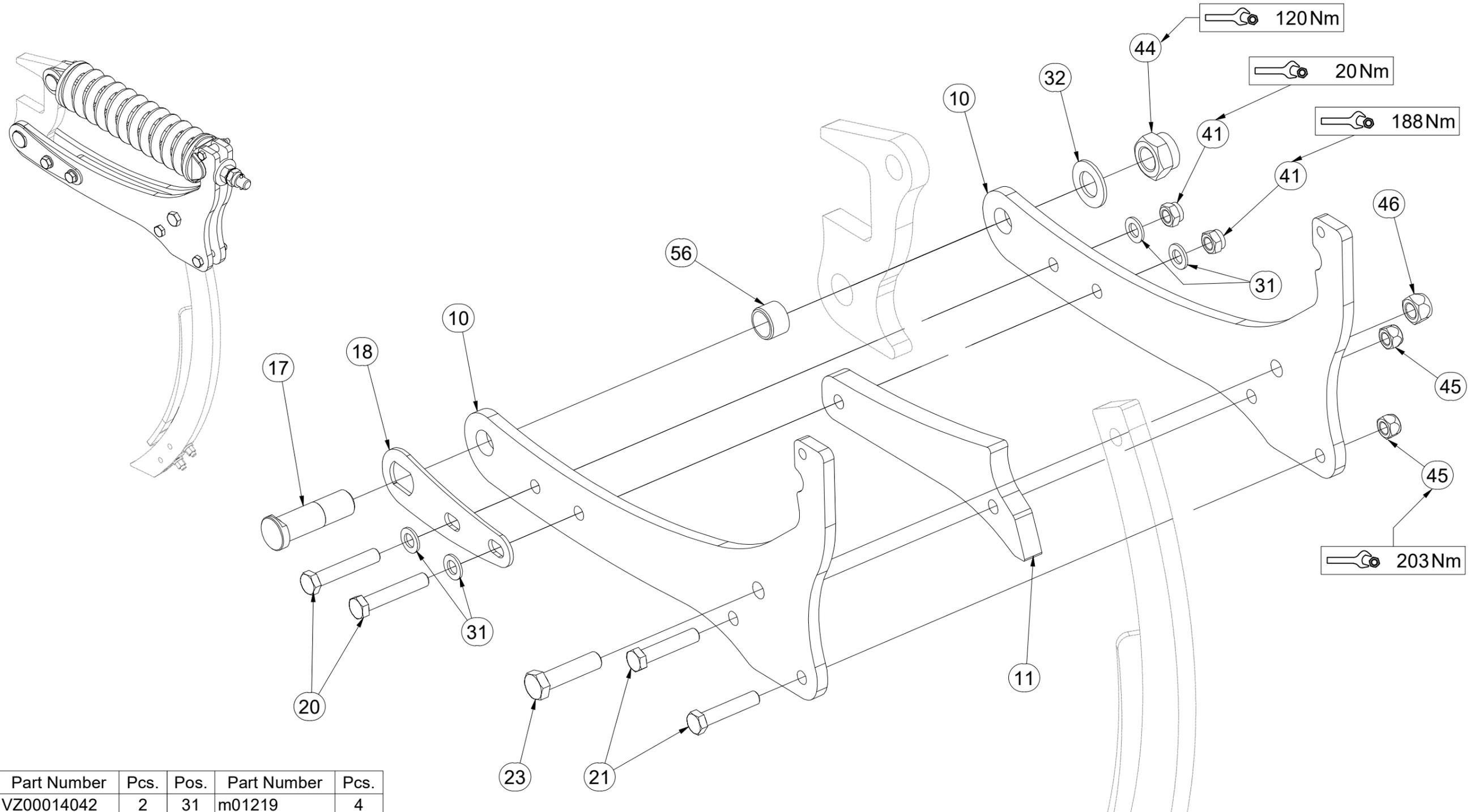
Ⓖ PROTECTION

Ⓡ ПРЕДОХРАНЕНИЕ

Ⓢ ZABEZPIECZENIE



**VZ00016365**



| Pos. | Part Number | Pcs. | Pos. | Part Number | Pcs. |
|------|-------------|------|------|-------------|------|
| 10   | VZ00014042  | 2    | 31   | m01219      | 4    |
| 11   | VZ00008241  | 1    | 32   | m02866      | 1    |
| 17   | 4003686     | 1    | 41   | m03683      | 2    |
| 18   | VZ00008648  | 1    | 44   | m08036      | 1    |
| 20   | m03215      | 2    | 45   | m13846      | 2    |
| 21   | m03767      | 2    | 46   | m11169      | 1    |
| 23   | m05647      | 1    | 56   | m15982      | 1    |

Ⓒ JIŠTĚNÍ

Ⓓ SICHERUNG

Ⓕ PROTECTION

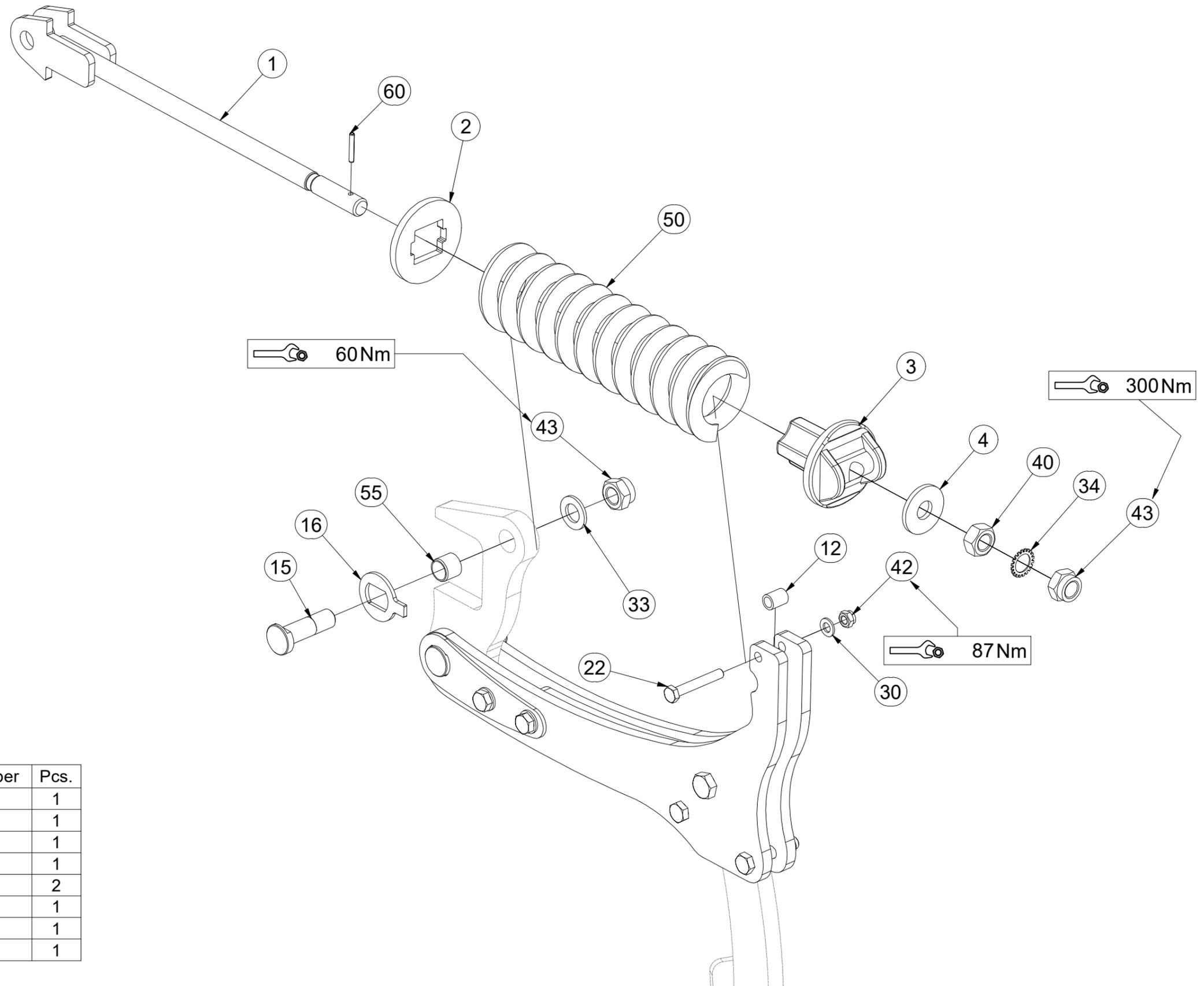
Ⓖ PROTECTION

Ⓡ ПРЕДОХРАНЕНИЕ

Ⓟ ZABEZPIECZENIE



**VZ00016365**



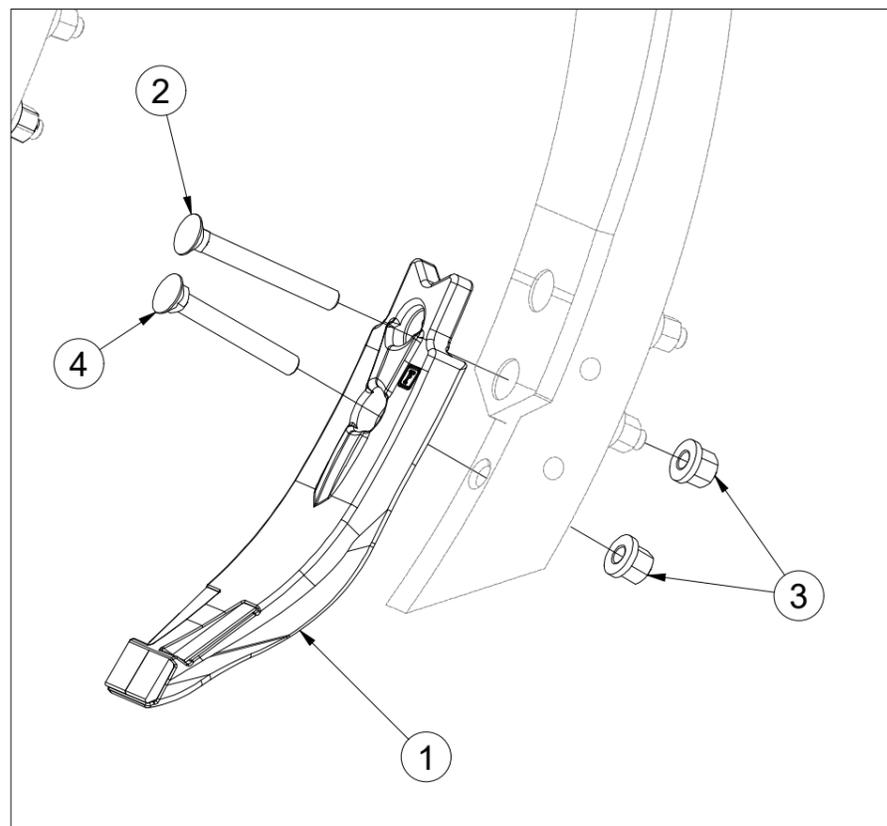
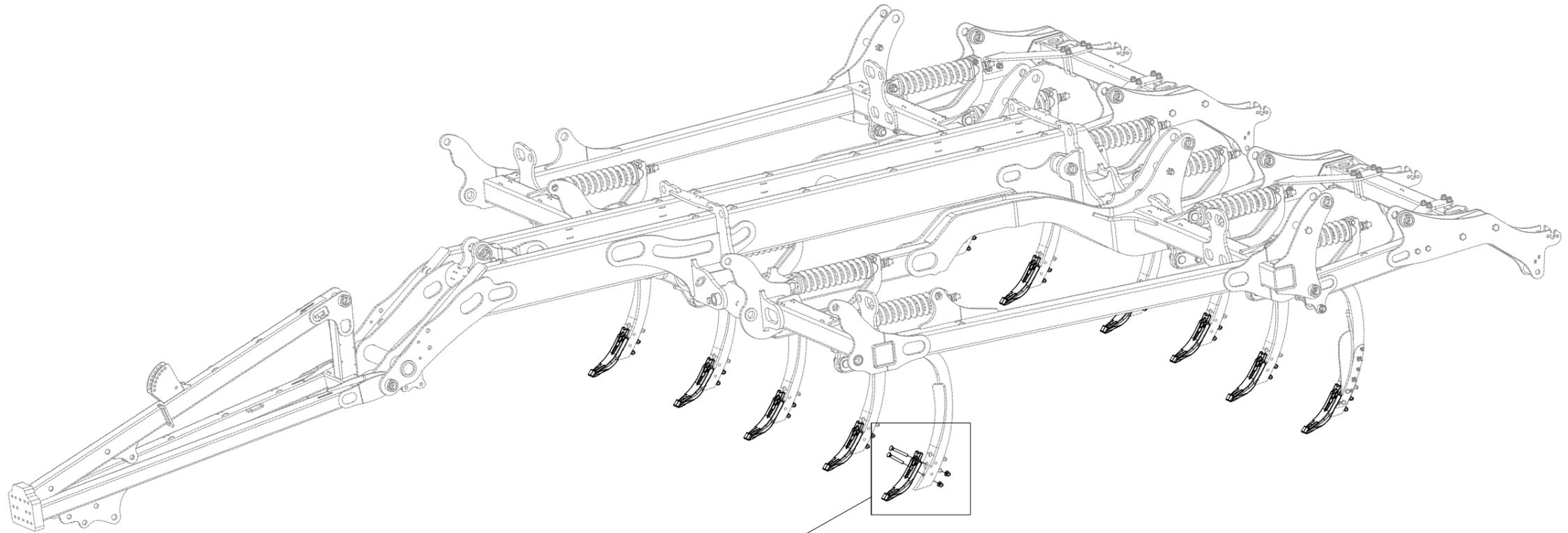
| Pos. | Part Number | Pcs. | Pos. | Part Number | Pcs. |
|------|-------------|------|------|-------------|------|
| 1    | 3002198     | 1    | 33   | m03718      | 1    |
| 2    | 4003539     | 1    | 34   | m08765      | 1    |
| 3    | 4003691     | 1    | 40   | m01308      | 1    |
| 4    | 4003544     | 1    | 42   | m04301      | 1    |
| 12   | 9001720     | 1    | 43   | m07147      | 2    |
| 15   | 4003685     | 1    | 50   | m08022      | 1    |
| 16   | 4003687     | 1    | 55   | m15981      | 1    |
| 22   | m07787      | 1    | 60   | m07048      | 1    |
| 30   | m01214      | 1    |      |             |      |

CZ SADA DLÁT  
 D MIESSSELSTZ  
 F KIT DE CISEAU

GB SET OF CHISEL  
 RU КОМПЛЕКТ ДОЛОТОВ  
 PL ZESTAW DŁUTÓW



**VZ00025750**



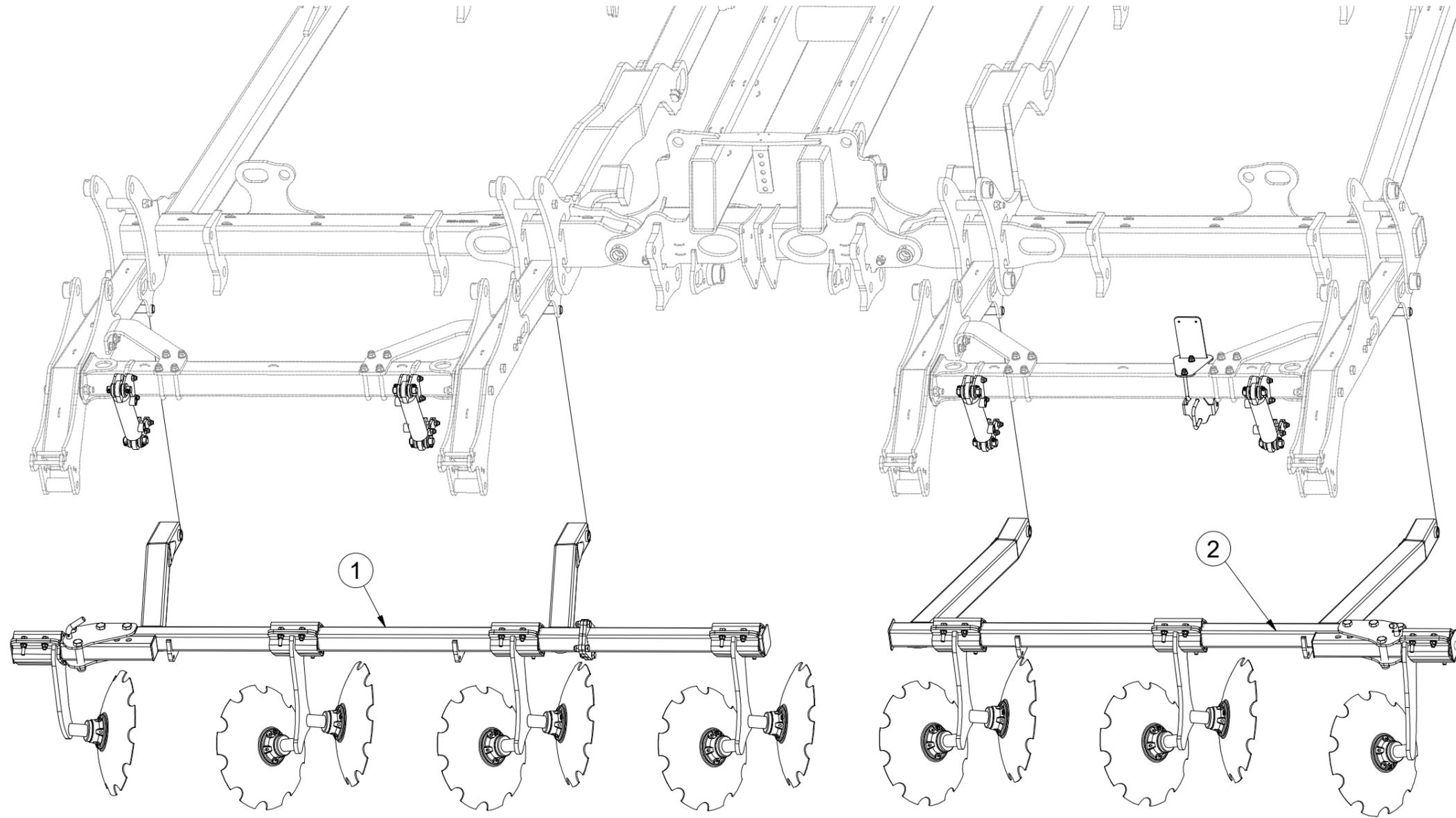
| Pos. | Part Number | Pcs. |
|------|-------------|------|
| 1    | VZ00013778  | 11   |
| 2    | m22194      | 11   |
| 3    | m21201      | 22   |
| 4    | m12040      | 11   |

CZ SADA DISKŮ  
 D SCHEIBENSATZ  
 F KIT DE DISQUES

GB DISC SET  
 RU КОМПЛЕКТ ДИСКОВ  
 PL ZESTAW TALERZY



**VZ00013036**



| Pos. | Part Number | Pcs. |
|------|-------------|------|
| 1    | VZ00013546  | 1    |
| 2    | VZ00005443  | 1    |

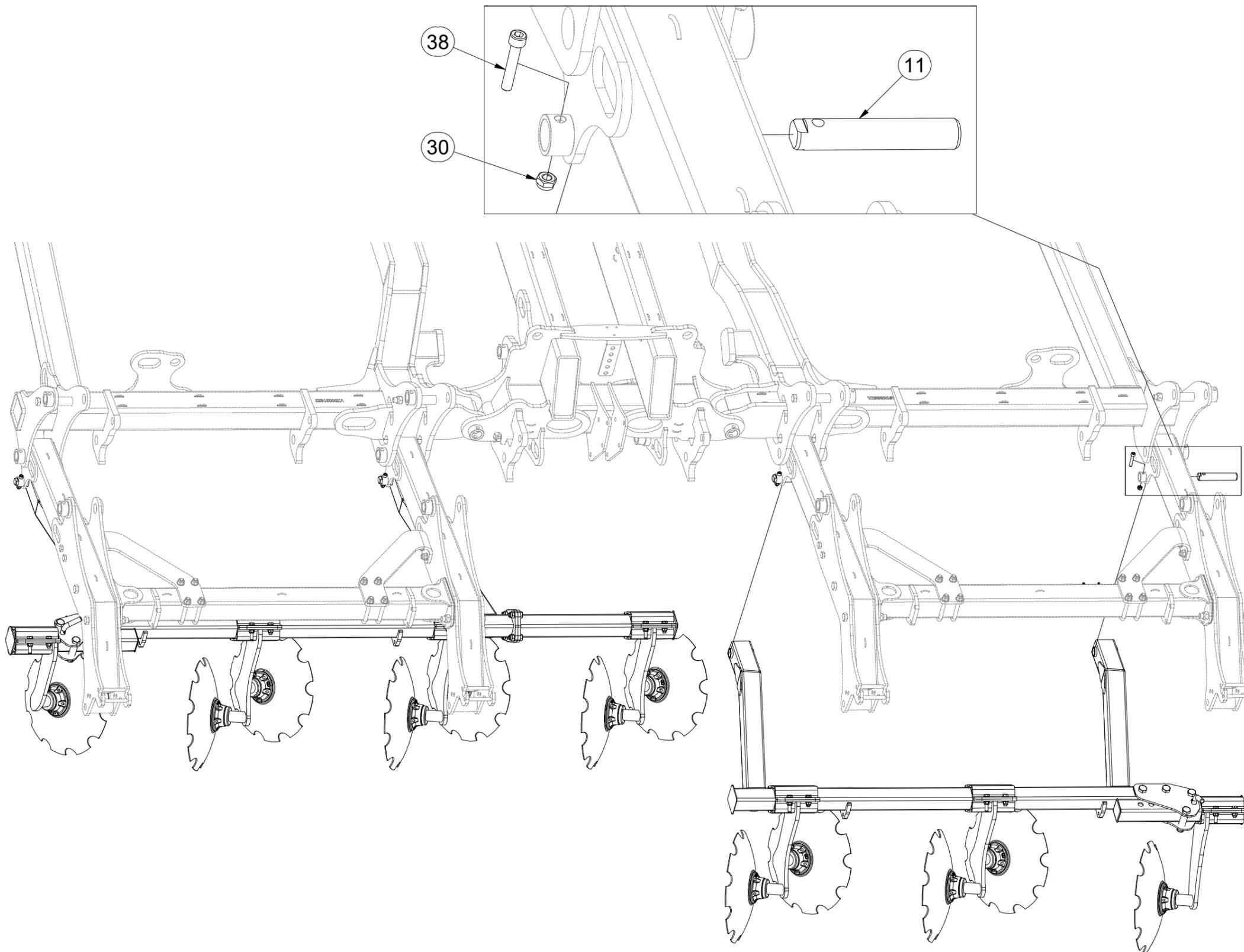
- Ⓒ SADA DISKŮ
- Ⓓ SCHEIBENSATZ
- Ⓕ KIT DE DISQUES

- Ⓖ DISC SET
- Ⓡ КОМПЛЕКТ ДИСКОВ
- Ⓟ ZESTAW TALERZY



**VZ00013036**

| Pos. | Part Number | Pcs. |
|------|-------------|------|
| 11   | 4024177     | 4    |
| 30   | m03775      | 4    |
| 38   | m14863      | 4    |

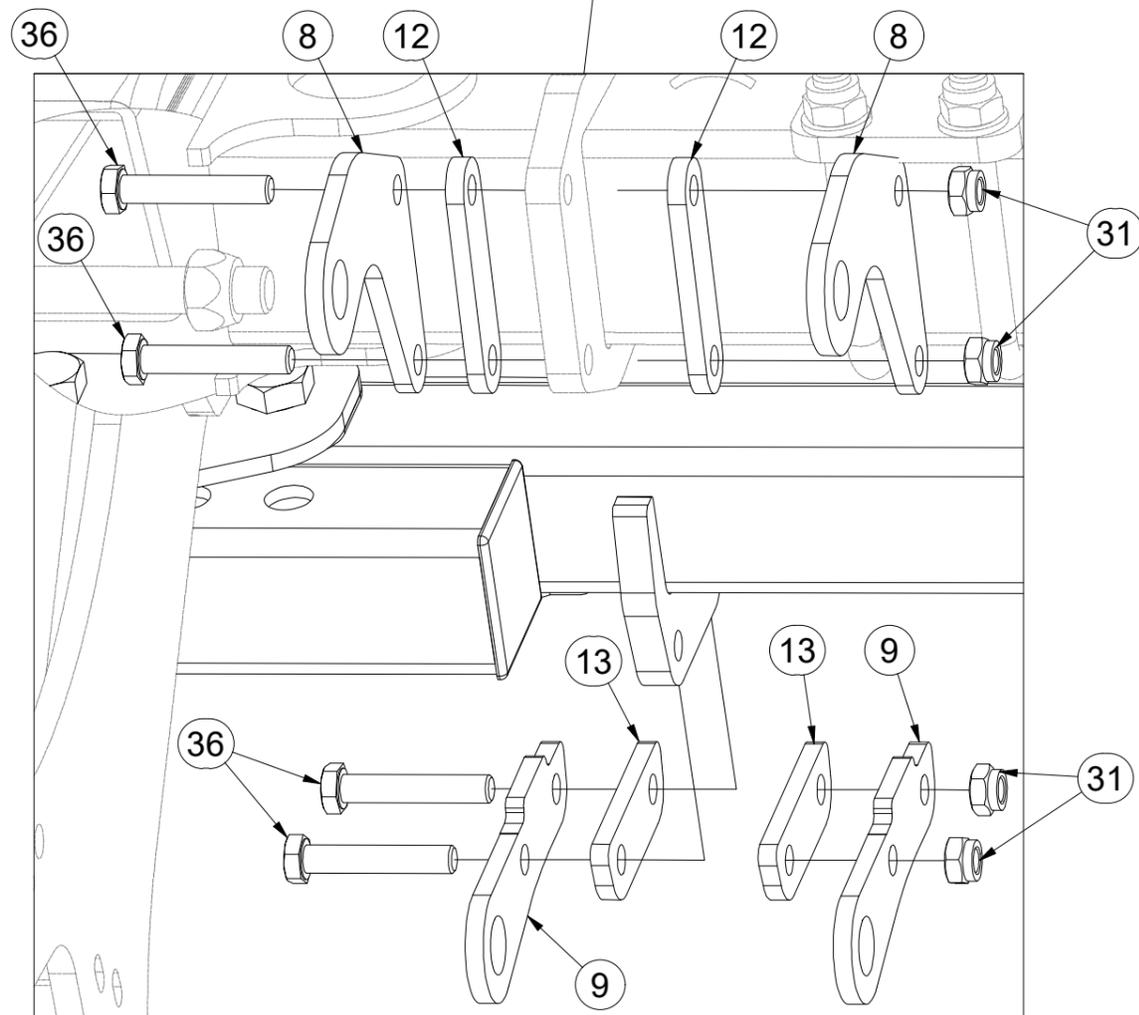
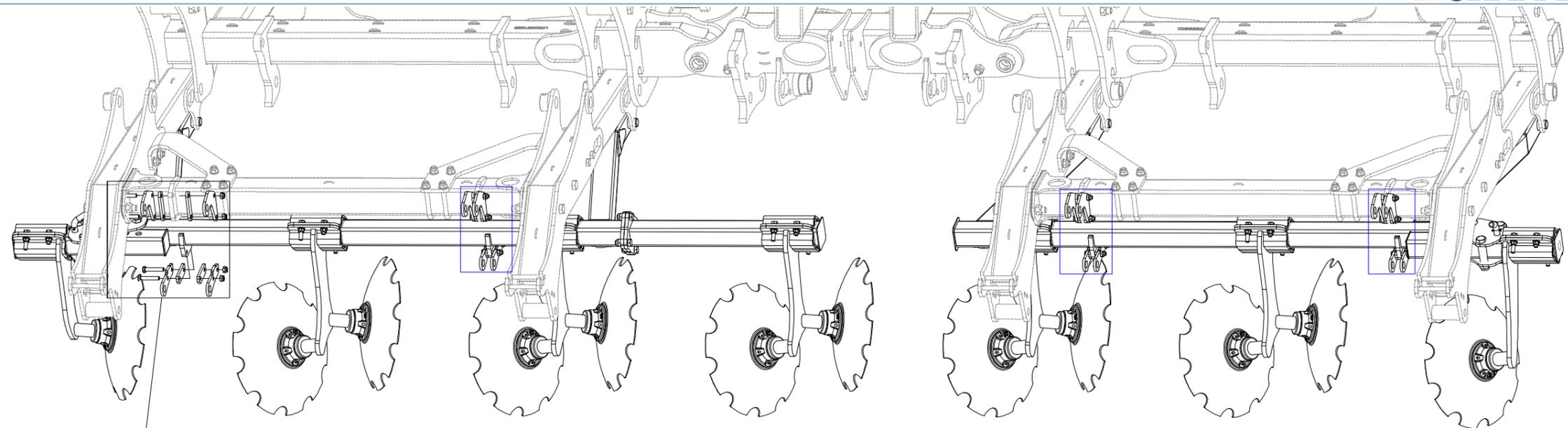


- Ⓒ SADA DISKŮ
- Ⓓ SCHEIBENSATZ
- Ⓕ KIT DE DISQUES

- Ⓖ DISC SET
- Ⓡ КОМПЛЕКТ ДИСКОВ
- Ⓟ ZESTAW TALERZY



**VZ00013036**



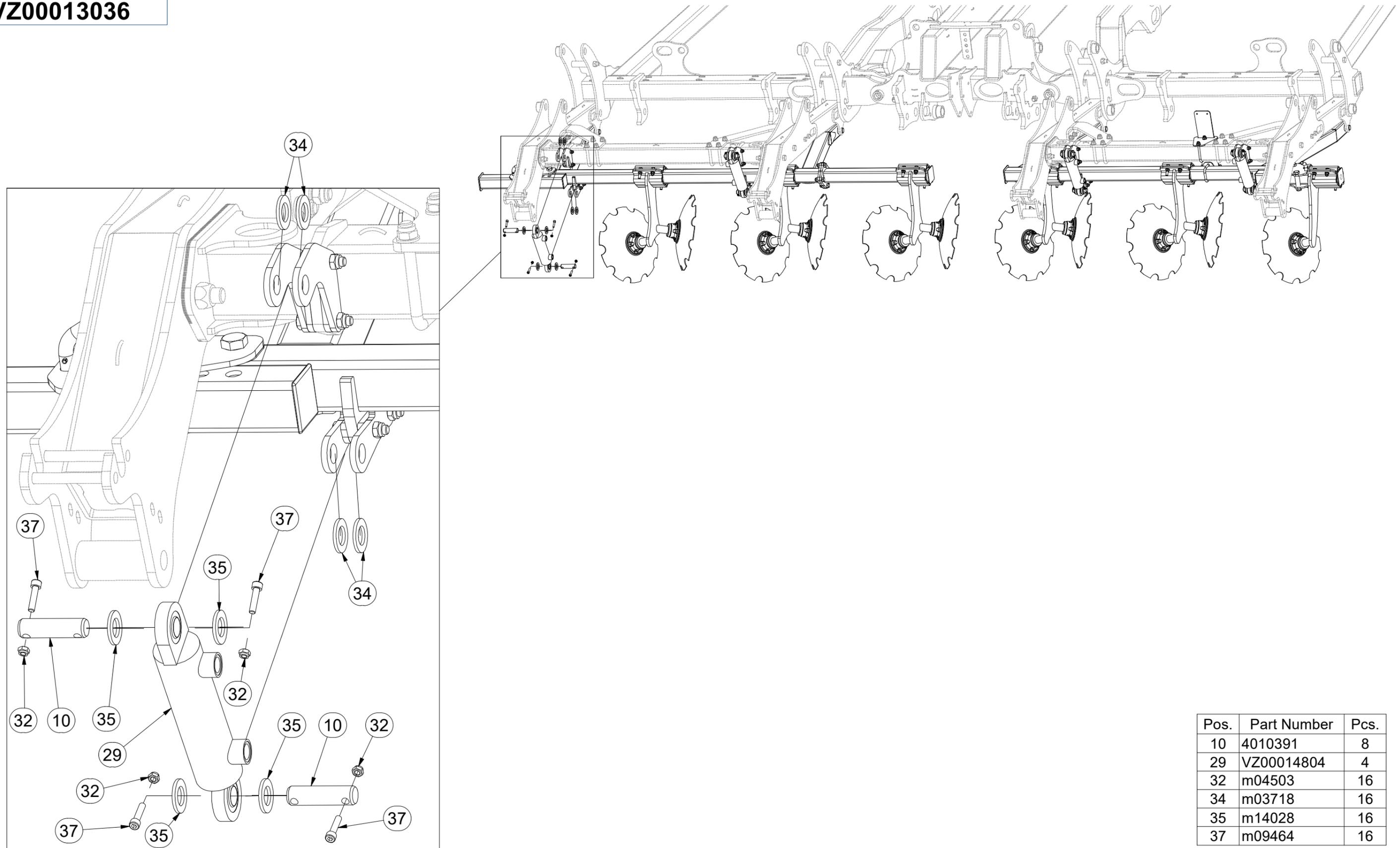
| Pos. | Part Number | Pcs. |
|------|-------------|------|
| 8    | VZ00005285  | 8    |
| 9    | VZ00005294  | 8    |
| 12   | VZ00005299  | 8    |
| 13   | VZ00005302  | 8    |
| 31   | m04301      | 20   |
| 36   | m05898      | 16   |

CZ SADA DISKŮ  
 D SCHEIBENSATZ  
 F KIT DE DISQUES

GB DISC SET  
 RU КОМПЛЕКТ ДИСКОВ  
 PL ZESTAW TALERZY



**VZ00013036**



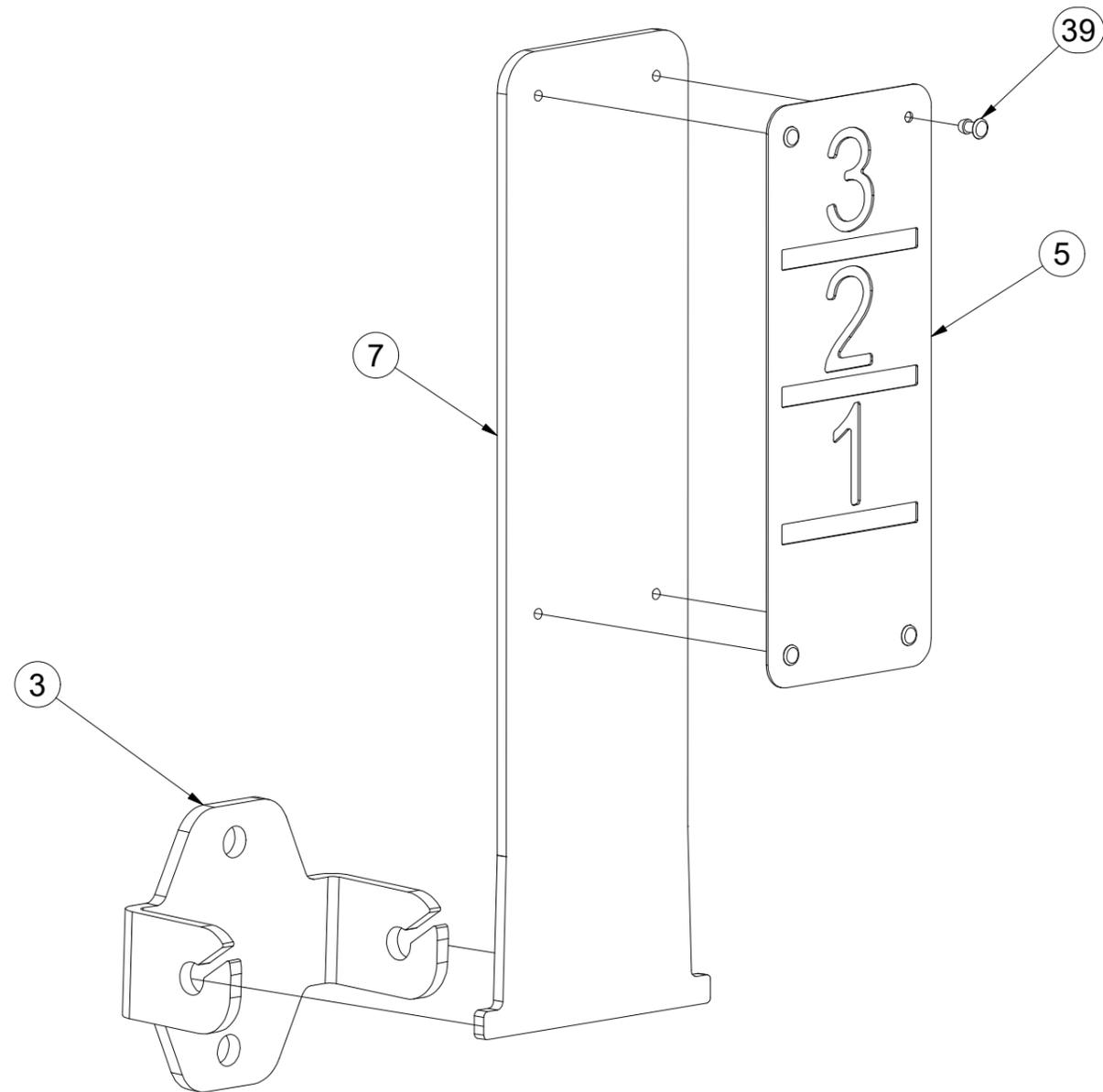
| Pos. | Part Number | Pcs. |
|------|-------------|------|
| 10   | 4010391     | 8    |
| 29   | VZ00014804  | 4    |
| 32   | m04503      | 16   |
| 34   | m03718      | 16   |
| 35   | m14028      | 16   |
| 37   | m09464      | 16   |

Ⓒ SADA DISKŮ  
Ⓓ SCHEIBENSATZ  
Ⓕ KIT DE DISQUES

Ⓖ DISC SET  
Ⓡ КОМПЛЕКТ ДИСКОВ  
Ⓟ ZESTAW TALERZY



**VZ00013036**



| Pos. | Part Number | Pcs. |
|------|-------------|------|
| 3    | 4022918     | 1    |
| 5    | 4020403     | 1    |
| 7    | VZ00005383  | 1    |
| 39   | m05776      | 4    |

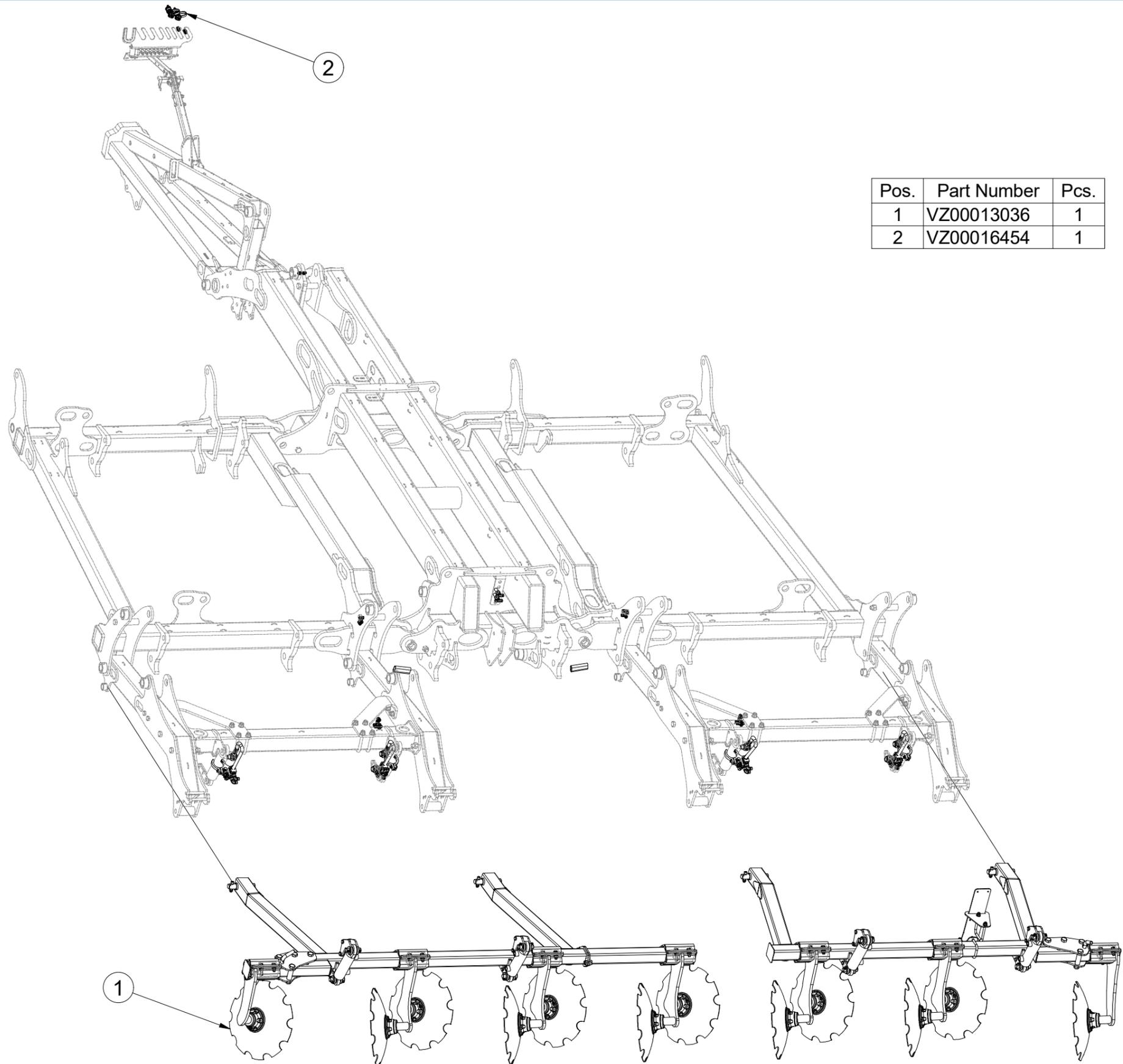


- ⒸZ SADA DISKŮ
- Ⓓ SCHEIBENSATZ
- Ⓕ KIT DE DISQUES

- ⒼB DISC SET
- ⒺR KOMПЛЕКТ ДИСКОВ
- ⒼL ZESTAW TALERZY



**VZ00016458**



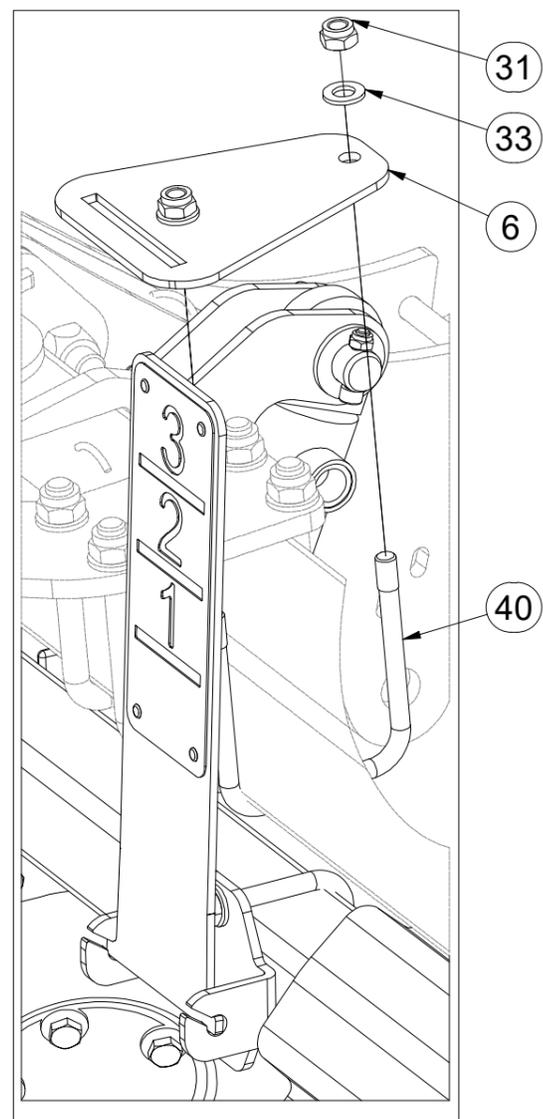
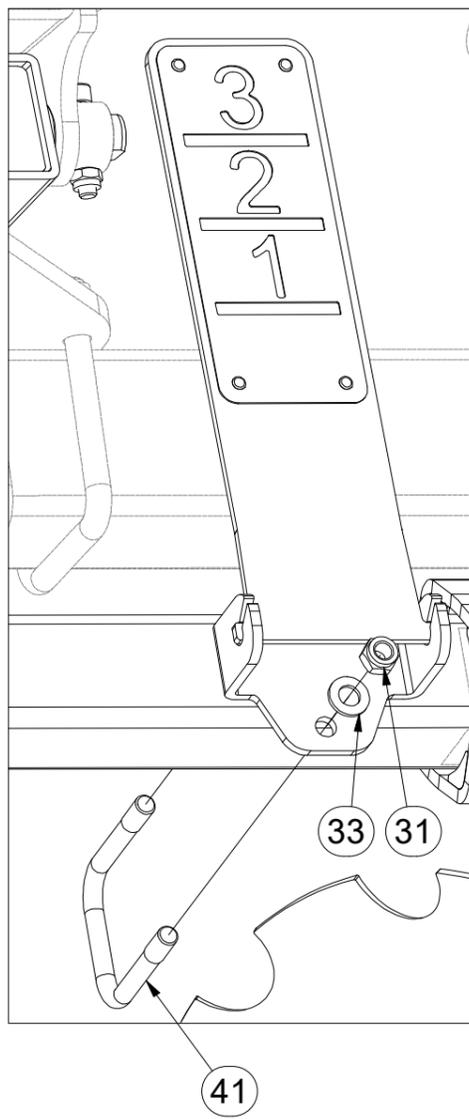
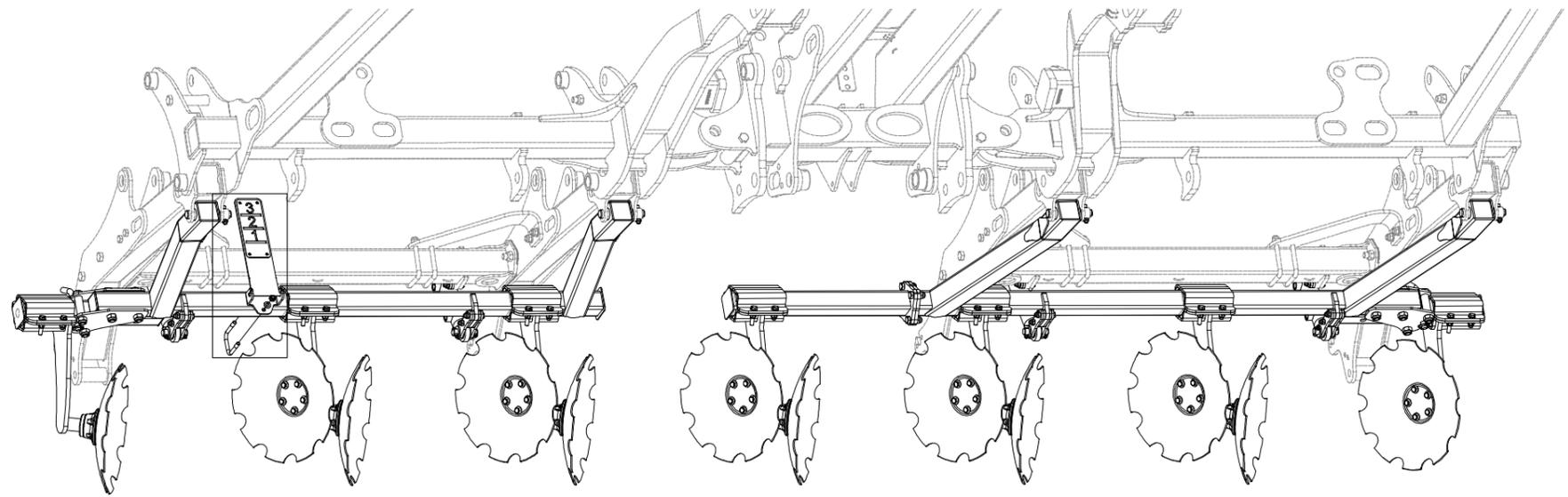
| Pos. | Part Number | Pcs. |
|------|-------------|------|
| 1    | VZ00013036  | 1    |
| 2    | VZ00016454  | 1    |

- ⒸZ SADA DISKŮ
- Ⓓ SCHEIBENSATZ
- Ⓕ KIT DE DISQUES

- ⒼB DISC SET
- ⒺU КОМПЛЕКТ ДИСКОВ
- ⒼL ZESTAW TALERZY



**VZ00013036**



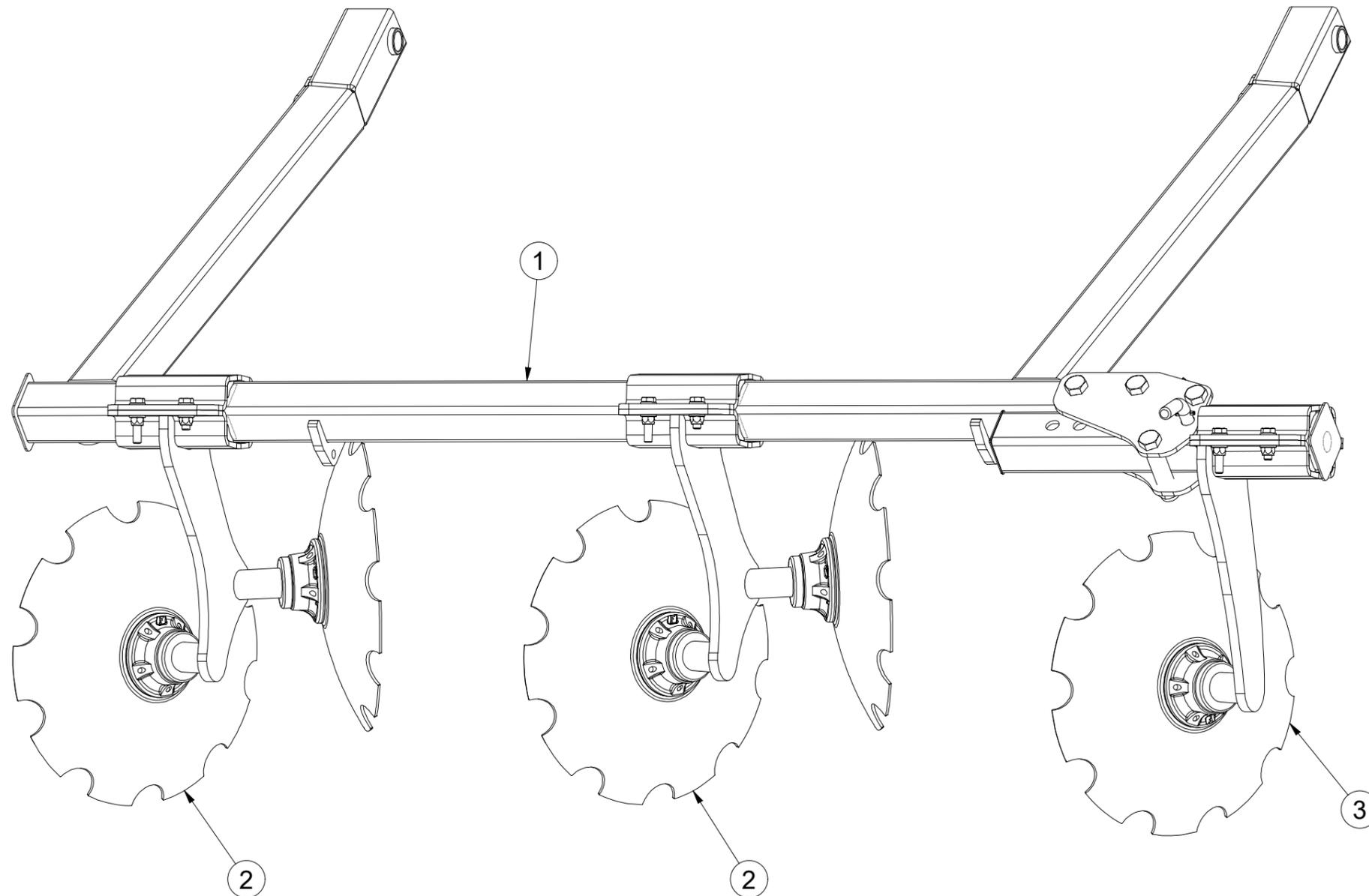
| Pos. | Part Number | Pcs. |
|------|-------------|------|
| 6    | 4020411     | 1    |
| 31   | m04301      | 20   |
| 33   | m01214      | 4    |
| 40   | m10074      | 1    |
| 41   | m17233      | 1    |

Ⓒ SADA DISKŮ  
Ⓓ SCHEIBENSATZ  
Ⓕ KIT DE DISQUES

Ⓖ DISC SET  
Ⓔ КОМПЛЕКТ ДИСКОВ  
Ⓗ ZESTAW TALERZY



**VZ00005443**



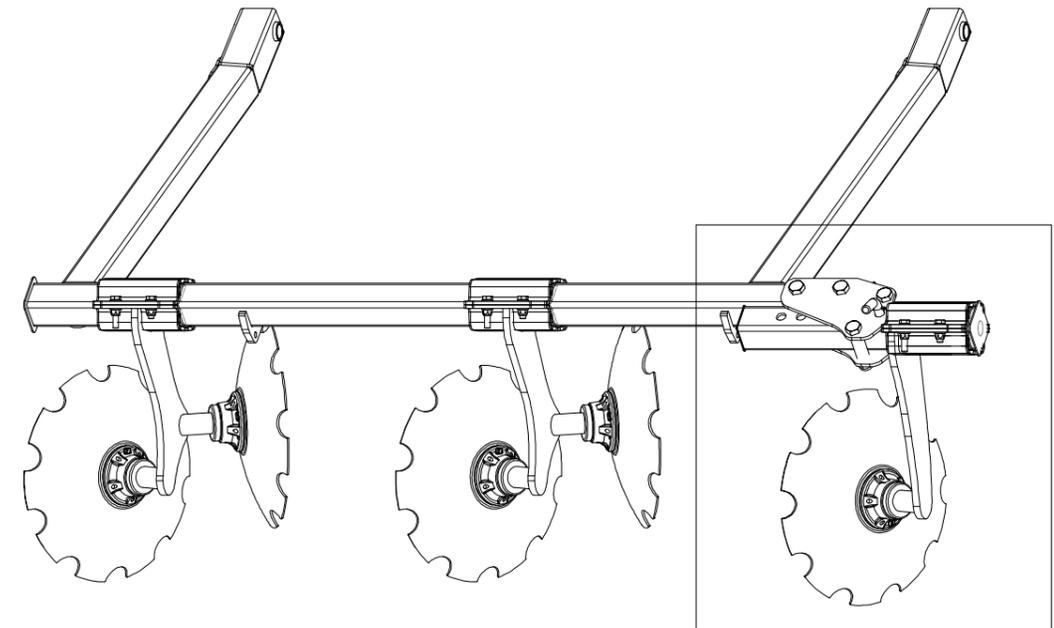
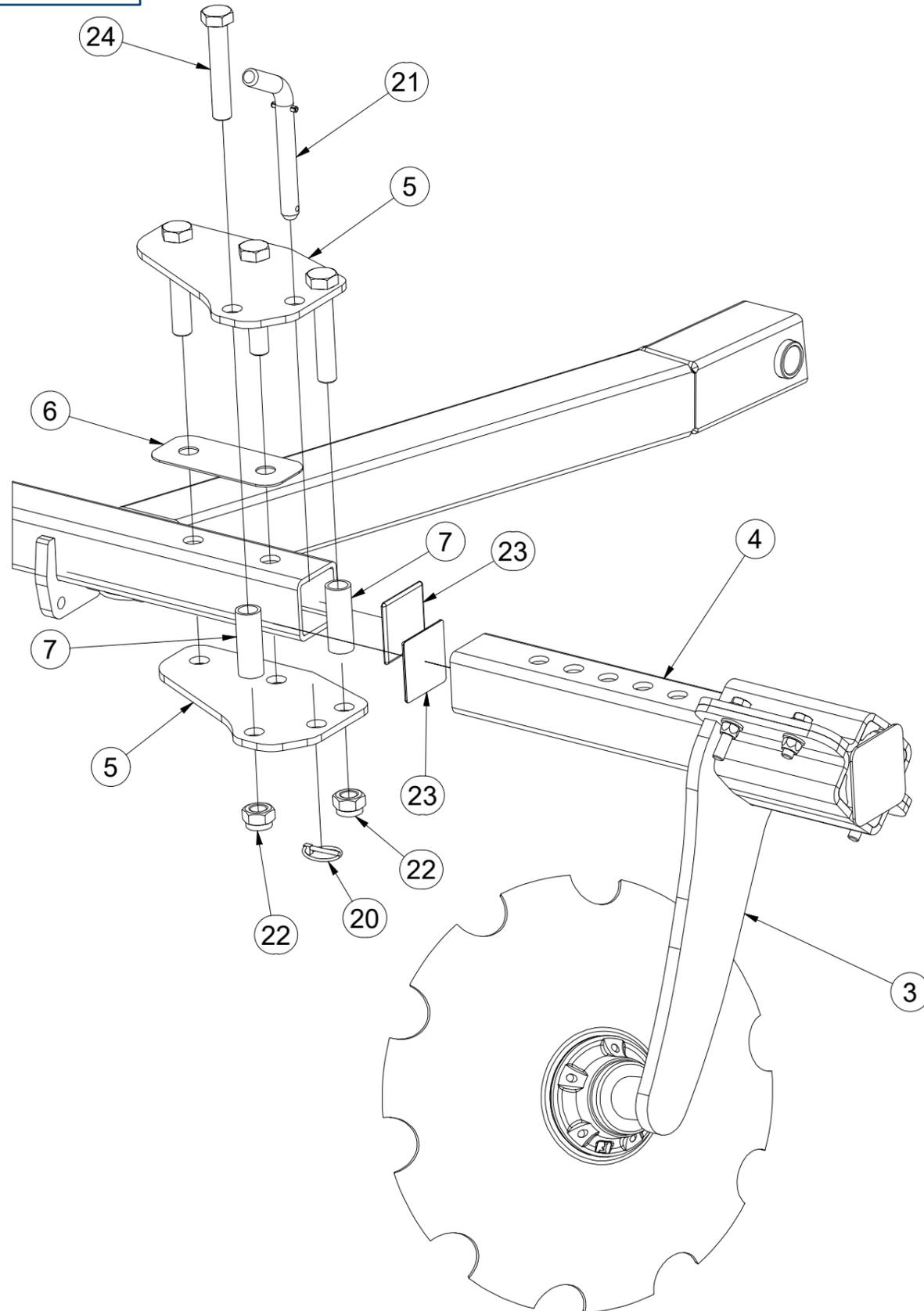
| Pos. | Part Number | Pcs. |
|------|-------------|------|
| 1    | VZ00005444  | 1    |
| 2    | 3008544     | 2    |
| 3    | VZ00031317  | 1    |

CZ SADA DISKŮ  
 D SCHEIBENSATZ  
 F KIT DE DISQUES

GB DISC SET  
 RU КОМПЛЕКТ ДИСКОВ  
 PL ZESTAW TALERZY



**VZ0005443**



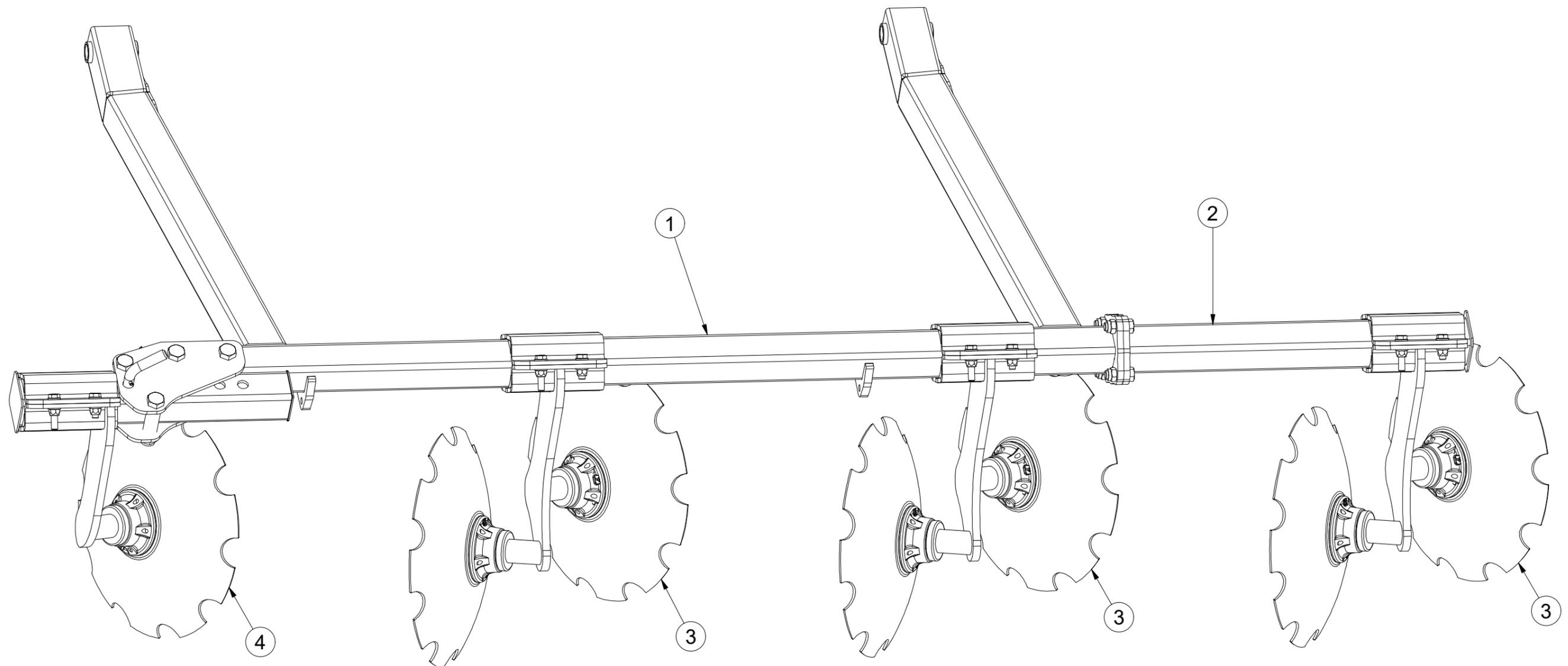
| Pos. | Part Number | Pcs. |
|------|-------------|------|
| 3    | VZ00031317  | 1    |
| 4    | VZ00031312  | 1    |
| 5    | VZ00013184  | 2    |
| 6    | VZ00005248  | 1    |
| 7    | VZ00005215  | 2    |
| 20   | m10454      | 1    |
| 21   | 4012205     | 1    |
| 22   | m05648      | 4    |
| 23   | m07550      | 2    |
| 24   | m09641      | 4    |

Ⓒ SADA DISKŮ  
Ⓓ SCHEIBENSATZ  
Ⓕ KIT DE DISQUES

Ⓖ DISC SET  
Ⓡ КОМПЛЕКТ ДИСКОВ  
Ⓢ ZESTAW TALERZY



**VZ00013546**



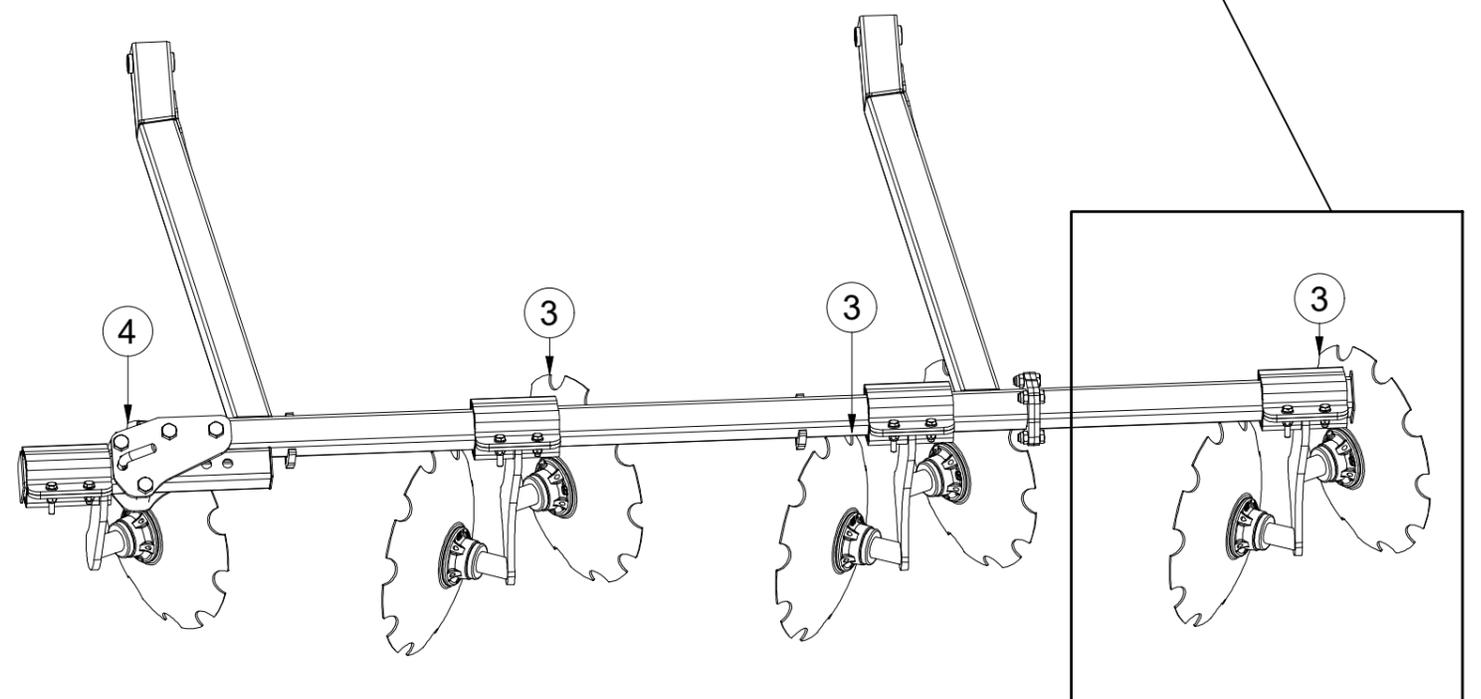
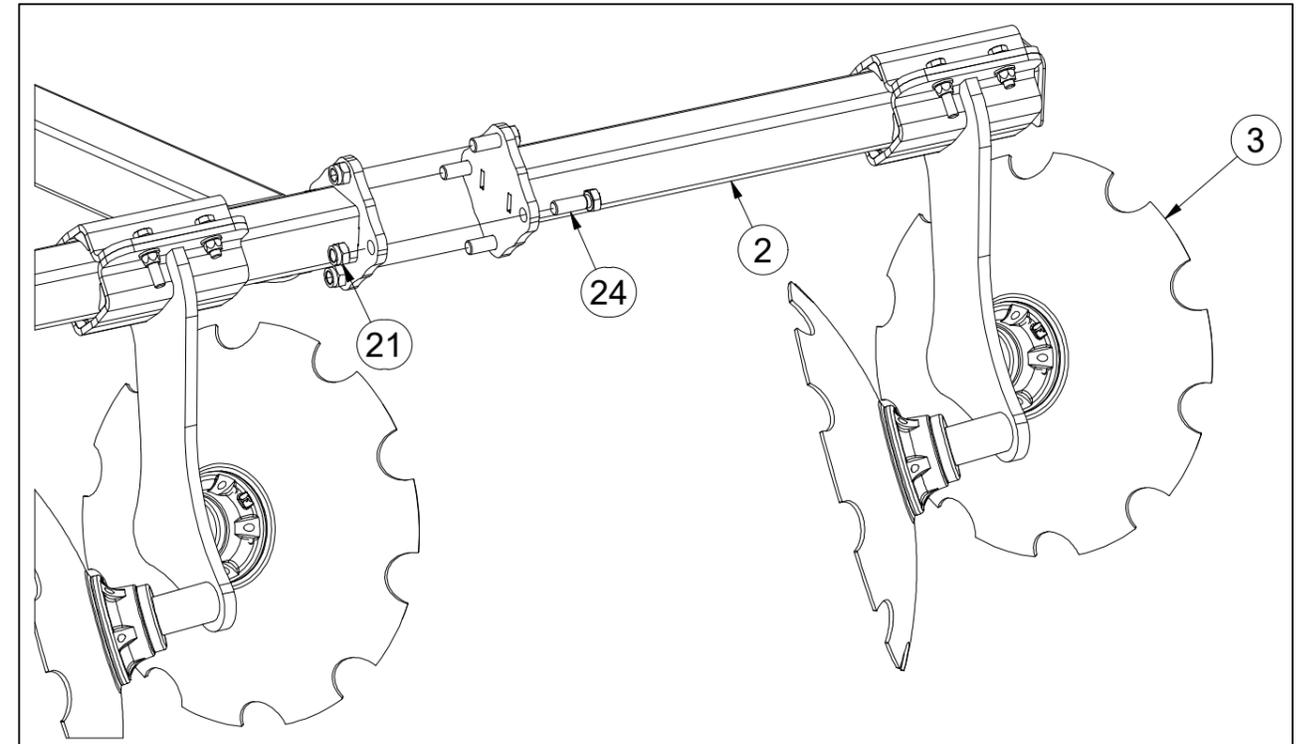
| Pos. | Part Number | Pcs. |
|------|-------------|------|
| 1    | VZ00013547  | 1    |
| 2    | VZ00013556  | 1    |
| 3    | 3008544     | 3    |
| 4    | VZ00031328  | 1    |

CZ SADA DISKŮ  
 D SCHEIBENSATZ  
 F KIT DE DISQUES

GB DISC SET  
 RU КОМПЛЕКТ ДИСКОВ  
 PL ZESTAW TALERZY



**VZ00013546**



| Pos. | Part Number | Pcs. |
|------|-------------|------|
| 2    | VZ00013556  | 1    |
| 3    | 3008544     | 3    |
| 4    | VZ00031328  | 1    |
| 21   | m03683      | 4    |
| 24   | m02254      | 4    |

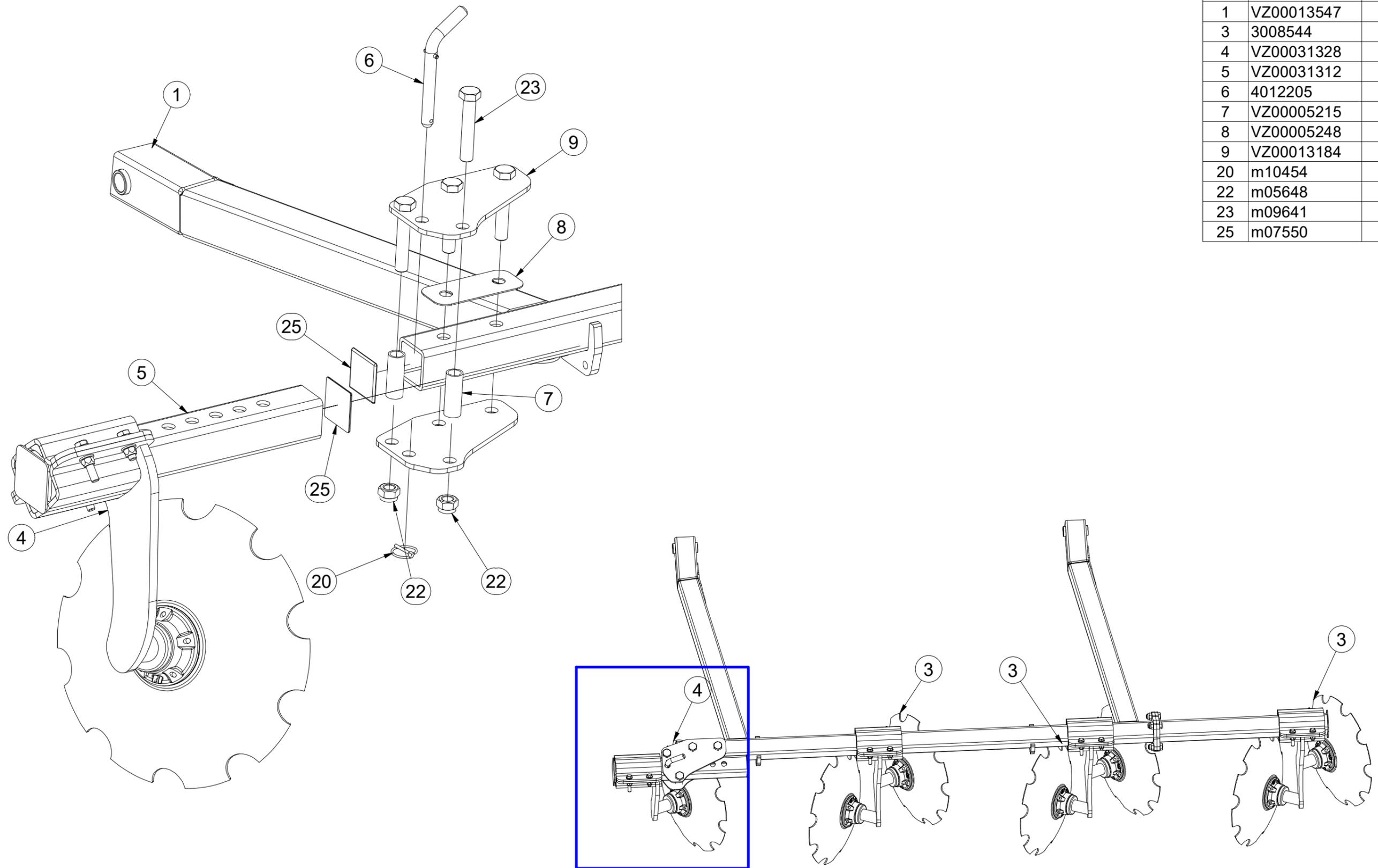
CZ SADA DISKŮ  
 D SCHEIBENSATZ  
 F KIT DE DISQUES

GB DISC SET  
 RU КОМПЛЕКТ ДИСКОВ  
 PL ZESTAW TALERZY



**VZ00013546**

| Pos. | Part Number | Pcs. |
|------|-------------|------|
| 1    | VZ00013547  | 1    |
| 3    | 3008544     | 3    |
| 4    | VZ00031328  | 1    |
| 5    | VZ00031312  | 1    |
| 6    | 4012205     | 1    |
| 7    | VZ00005215  | 2    |
| 8    | VZ00005248  | 1    |
| 9    | VZ00013184  | 2    |
| 20   | m10454      | 1    |
| 22   | m05648      | 4    |
| 23   | m09641      | 4    |
| 25   | m07550      | 2    |



Ⓒ DVOJDISK

Ⓓ DUPLEXSCHEIBE

Ⓕ DISQUE DOUBLE

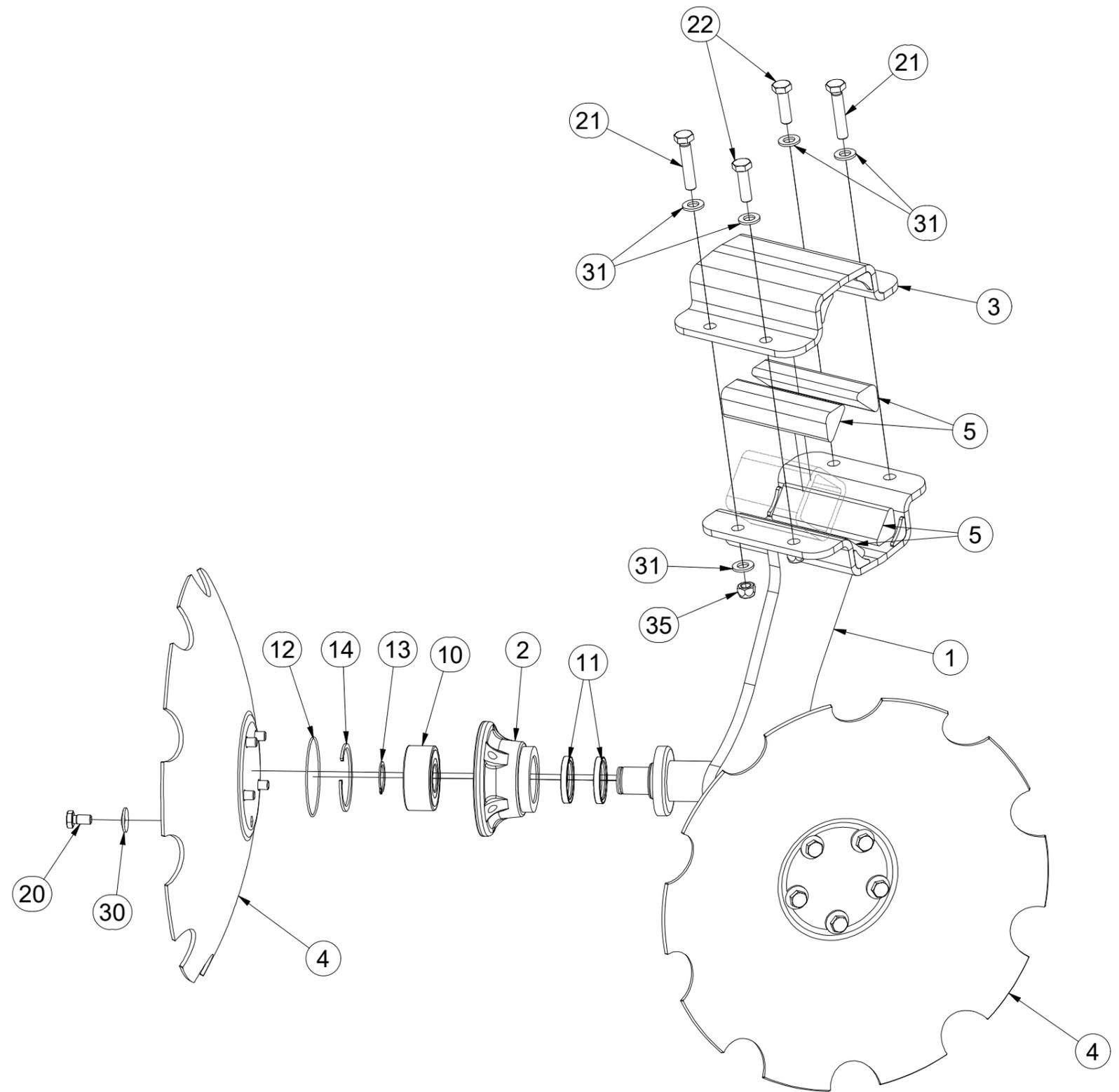
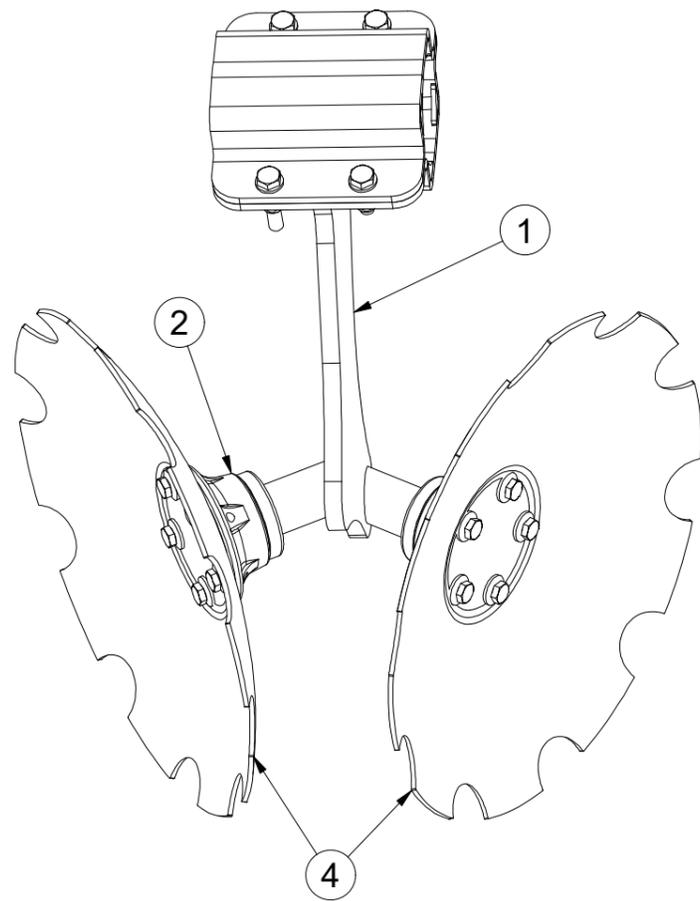
Ⓒ TWIN DISC

Ⓓ ДВОЙНОЙ ДИСК

Ⓕ TALERZ PODWÓJNY



**3008544**



| Pos. | Part Number | Pcs. | Pos. | Part Number | Pcs. |
|------|-------------|------|------|-------------|------|
| 1    | 3008423     | 1    | 13   | m03705      | 2    |
| 2    | 3008166     | 2    | 14   | m04250      | 2    |
| 3    | 9004269     | 1    | 20   | m00120      | 10   |
| 4    | 3003144     | 2    | 21   | m07963      | 2    |
| 5    | 9004286     | 4    | 22   | m03926      | 2    |
| 10   | m14552      | 2    | 30   | m19157      | 10   |
| 11   | m11160      | 4    | 31   | m01214      | 8    |
| 12   | m11159      | 2    | 35   | m12134      | 4    |

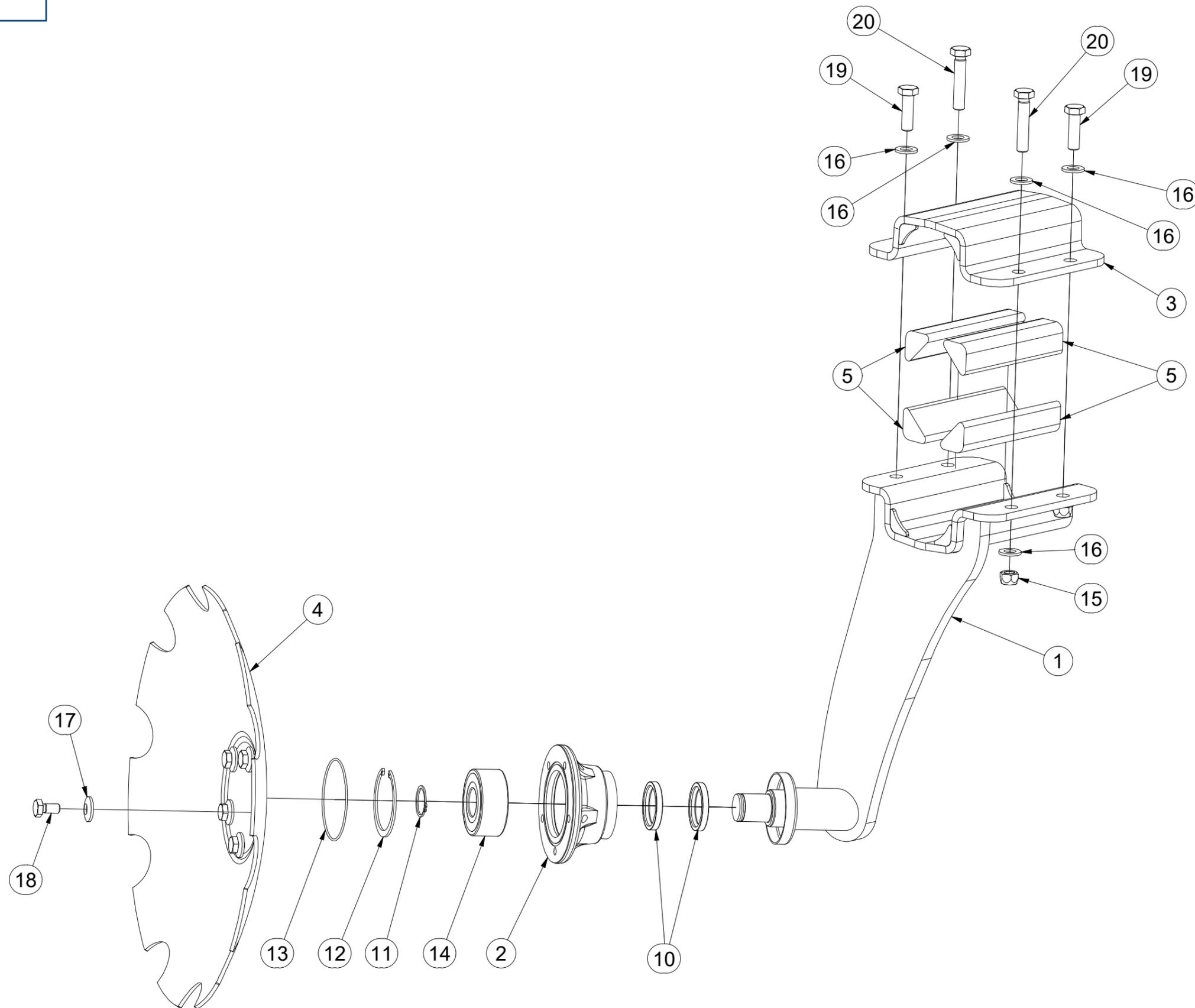


CZ DISK PRAVÝ  
 D SCHEIBE, RECHTE  
 F DISQUE DROITE

GB RIGHT DISC  
 RU ДИСК ПРАВЫЙ  
 PL TALERZ PRAWY



**VZ00031317**



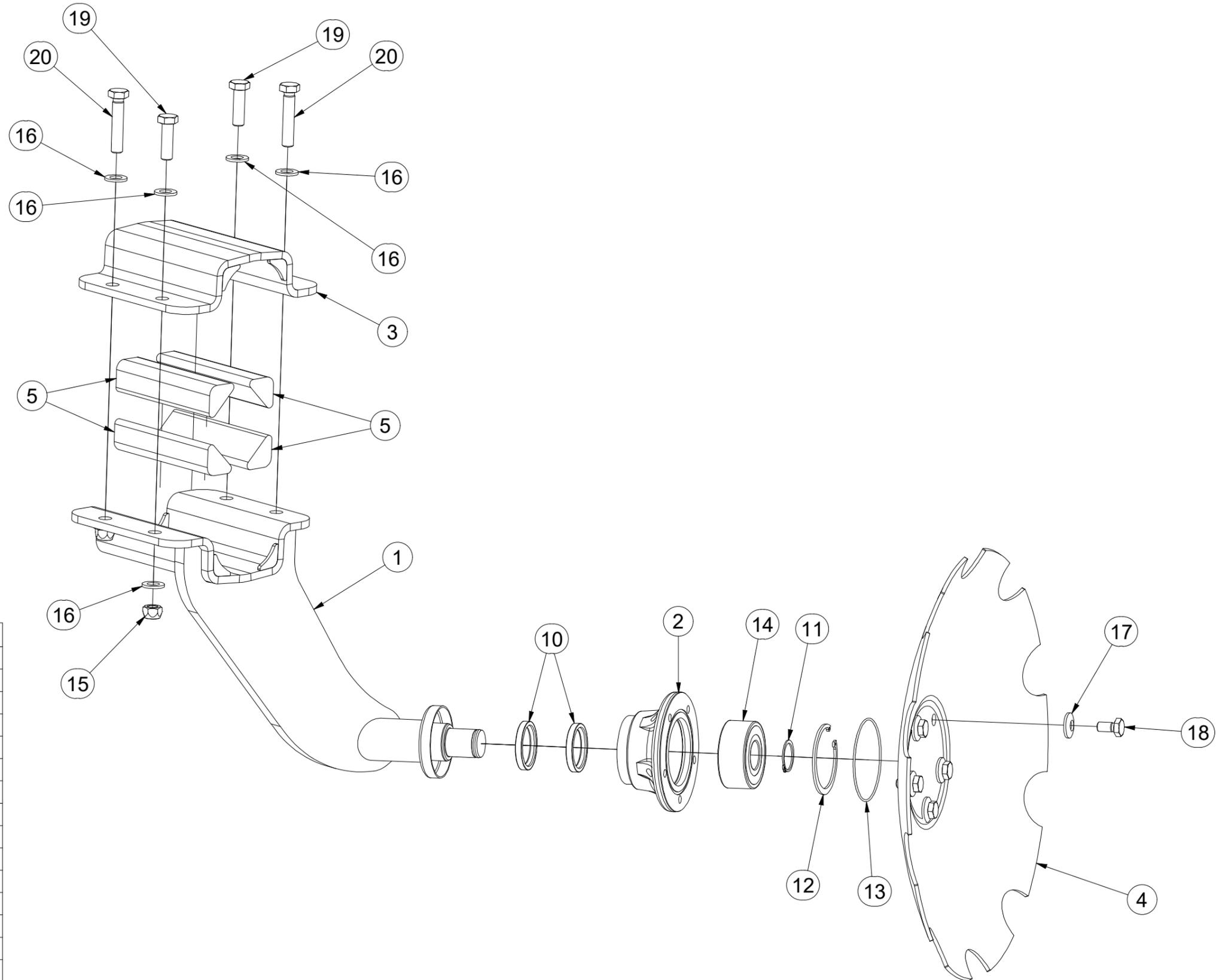
| Pos. | Part Number | Pcs. |
|------|-------------|------|
| 1    | VZ00031268  | 1    |
| 2    | 3008166     | 1    |
| 3    | 9004269     | 1    |
| 4    | 3003144     | 1    |
| 5    | 9004286     | 4    |
| 10   | m11160      | 2    |
| 11   | m03705      | 1    |
| 12   | m04250      | 1    |
| 13   | m11159      | 1    |
| 14   | m14552      | 1    |
| 15   | m12134      | 4    |
| 16   | m01214      | 8    |
| 17   | m19157      | 5    |
| 18   | m00120      | 5    |
| 19   | m03926      | 2    |
| 20   | m07963      | 2    |

(CZ) DISK LEVÝ  
 (D) SCHEIBE, LINKE  
 (F) DISQUE GAUCHE

(GB) LEFT DISC  
 (RU) ДИСК ЛЕВЫЙ  
 (PL) TALERZ LEWY



**VZ00031328**



| Pos. | Part Number | Pcs. |
|------|-------------|------|
| 1    | VZ00031292  | 1    |
| 2    | 3008166     | 1    |
| 3    | 9004269     | 1    |
| 4    | 3003144     | 1    |
| 5    | 9004286     | 4    |
| 10   | m11160      | 2    |
| 11   | m03705      | 1    |
| 12   | m04250      | 1    |
| 13   | m11159      | 1    |
| 14   | m14552      | 1    |
| 15   | m12134      | 4    |
| 16   | m01214      | 8    |
| 17   | m19157      | 5    |
| 18   | m00120      | 5    |
| 19   | m03926      | 2    |
| 20   | m07963      | 2    |

ⒸZ HYDRAULIKA STROJE

Ⓓ HYDRAULIK DER MASCHINE

Ⓕ HYDRAULIQUE DE LA MACHINE

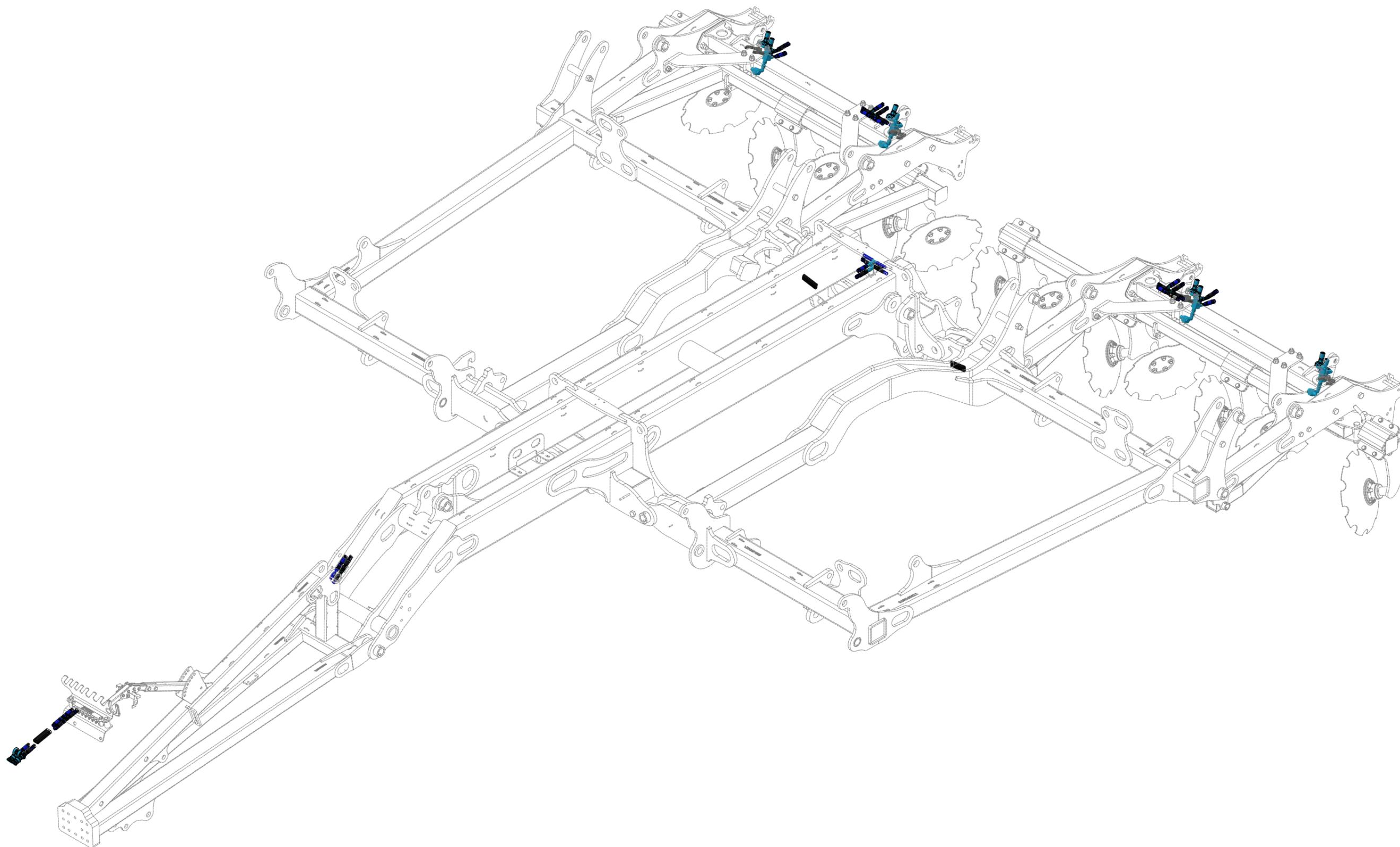
ⒸB MACHINE HYDRAULICS

ⒸR ГИДРАВЛИКА МАШИНЫ

ⒸL HYDRAULIKA MASZYN



**VZ00016454**



Ⓒ HYDRAULIKA STROJE

Ⓓ HYDRAULIK DER MASCHINE

Ⓕ HYDRAULIQUE DE LA MACHINE

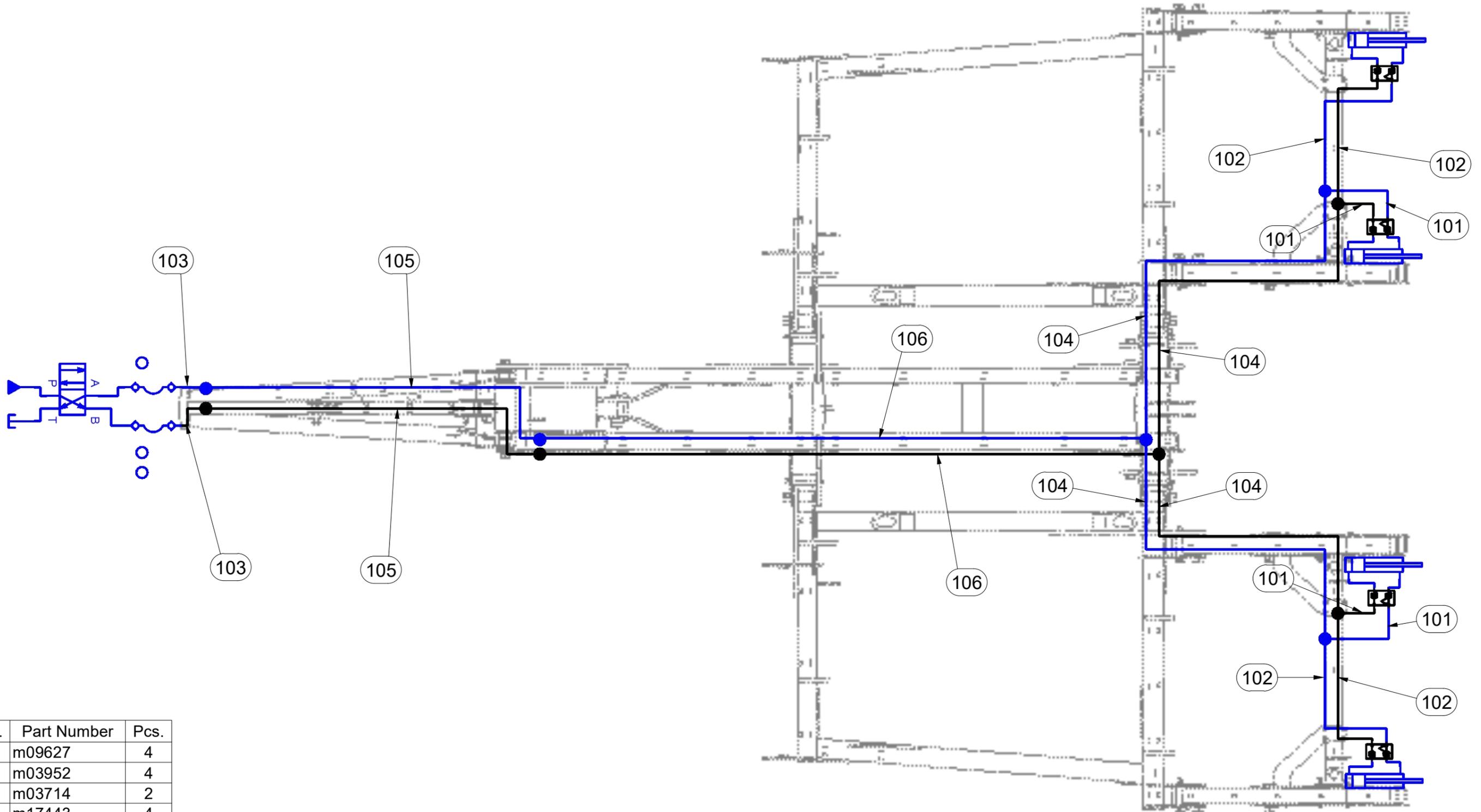
Ⓖ MACHINE HYDRAULICS

Ⓡ ГИДРАВЛИКА МАШИНЫ

Ⓟ HYDRAULIKA MASZYN



**VZ00016454**



| Pos. | Part Number | Pcs. |
|------|-------------|------|
| 101  | m09627      | 4    |
| 102  | m03952      | 4    |
| 103  | m03714      | 2    |
| 104  | m17443      | 4    |
| 105  | m15154      | 2    |
| 106  | m18092      | 2    |

Ⓒ HYDRAULIKA STROJE

Ⓓ HYDRAULIK DER MASCHINE

Ⓕ HYDRAULIQUE DE LA MACHINE

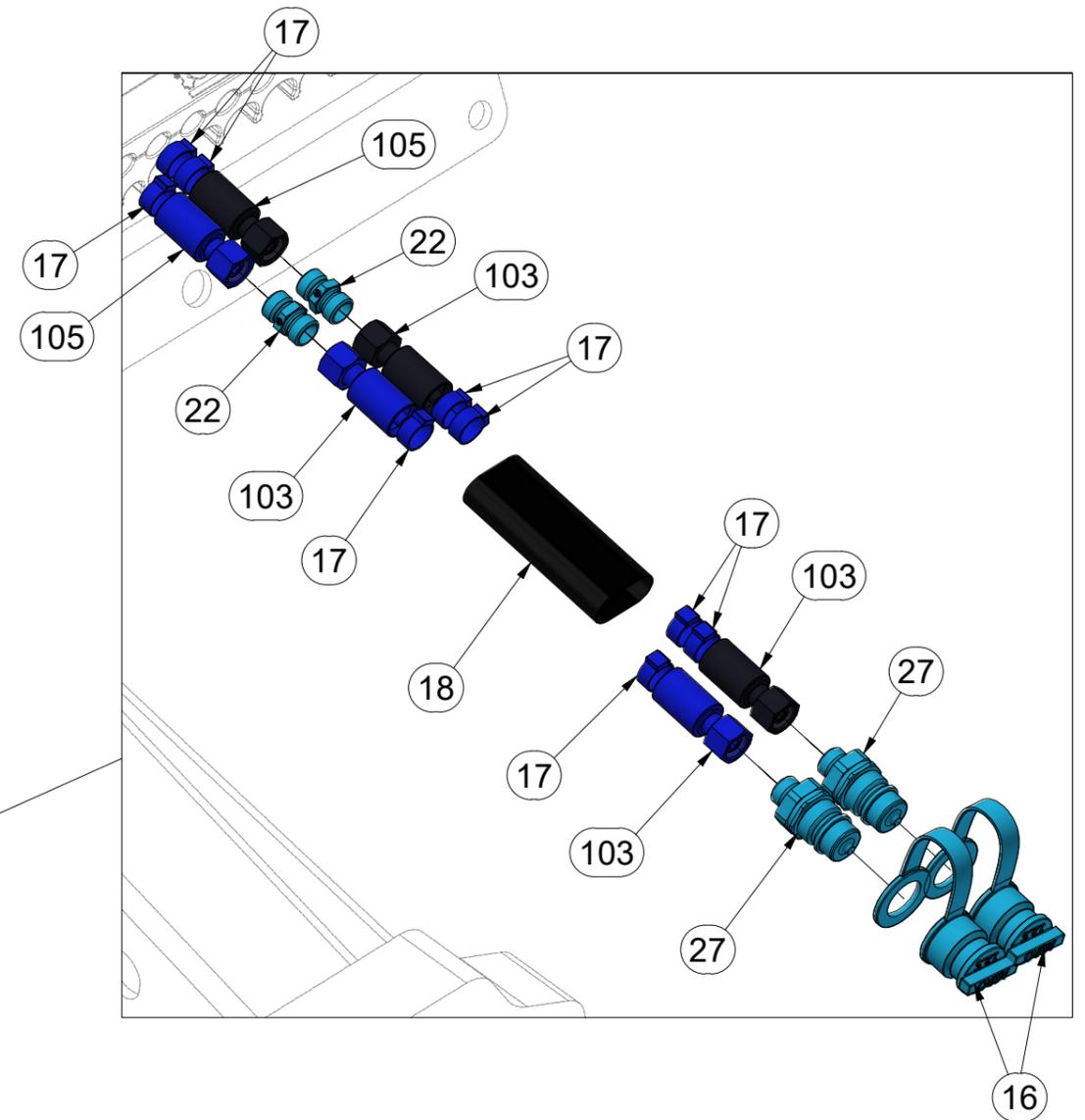
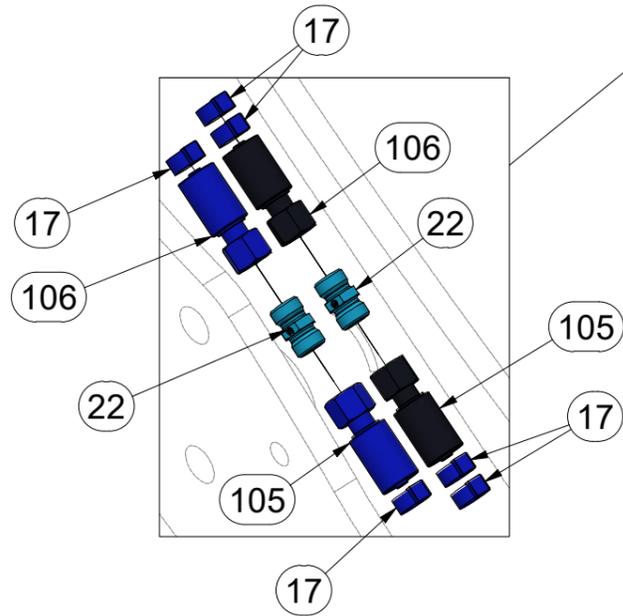
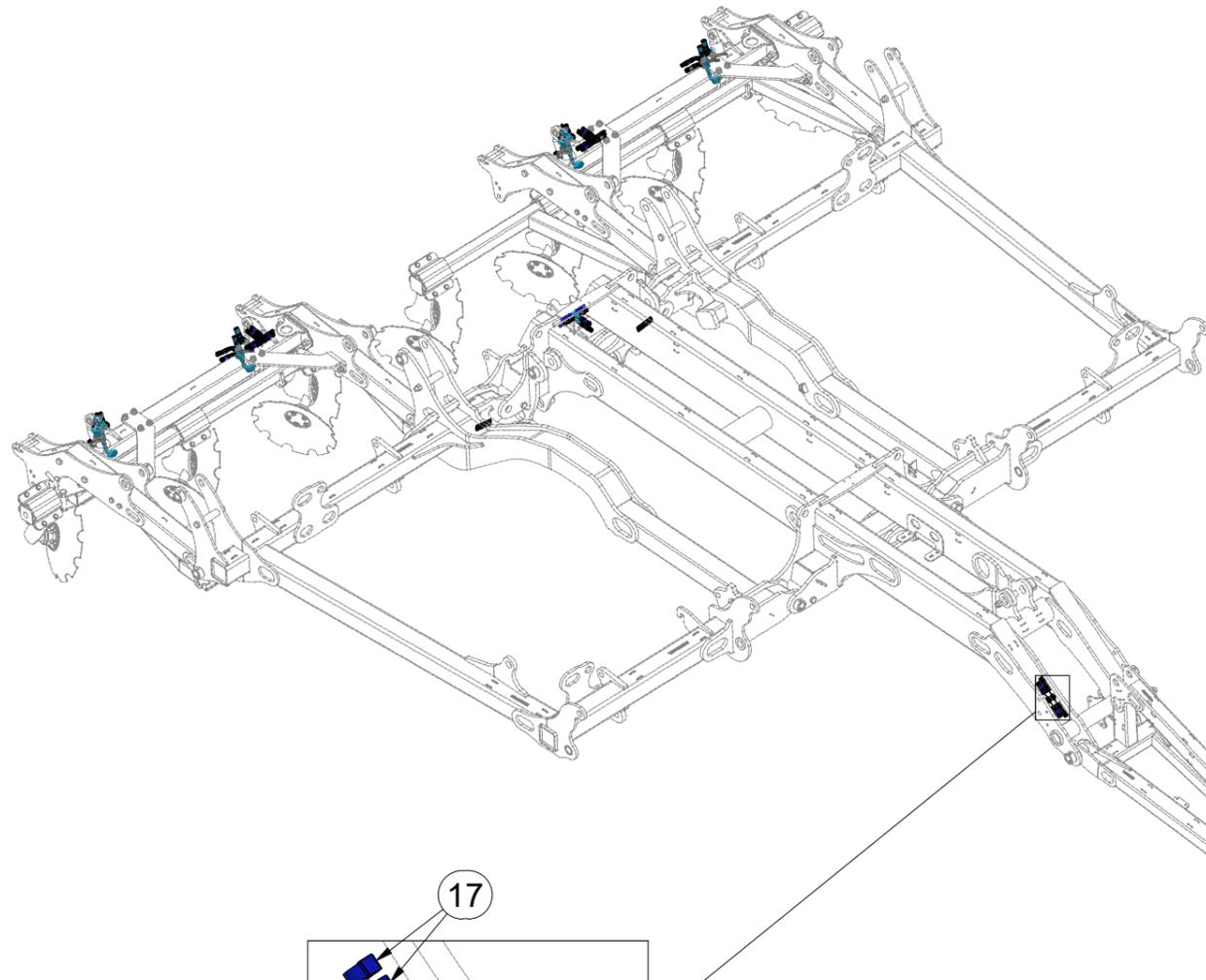
Ⓖ MACHINE HYDRAULICS

Ⓡ ГИДРАВЛИКА МАШИНЫ

Ⓟ HYDRAULIKA MASZYN



**VZ00016454**



| Pos. | Part Number | Pcs. |
|------|-------------|------|
| 16   | m03743      | 2    |
| 17   | m11253      | 104  |
| 18   | m11183      | 3    |
| 22   | m03213      | 4    |
| 27   | m03849      | 2    |
| 103  | m03714      | 2    |
| 105  | m15154      | 2    |
| 106  | m18092      | 2    |

Ⓒ HYDRAULIKA STROJE

Ⓓ HYDRAULIK DER MASCHINE

Ⓕ HYDRAULIQUE DE LA MACHINE

Ⓖ MACHINE HYDRAULICS

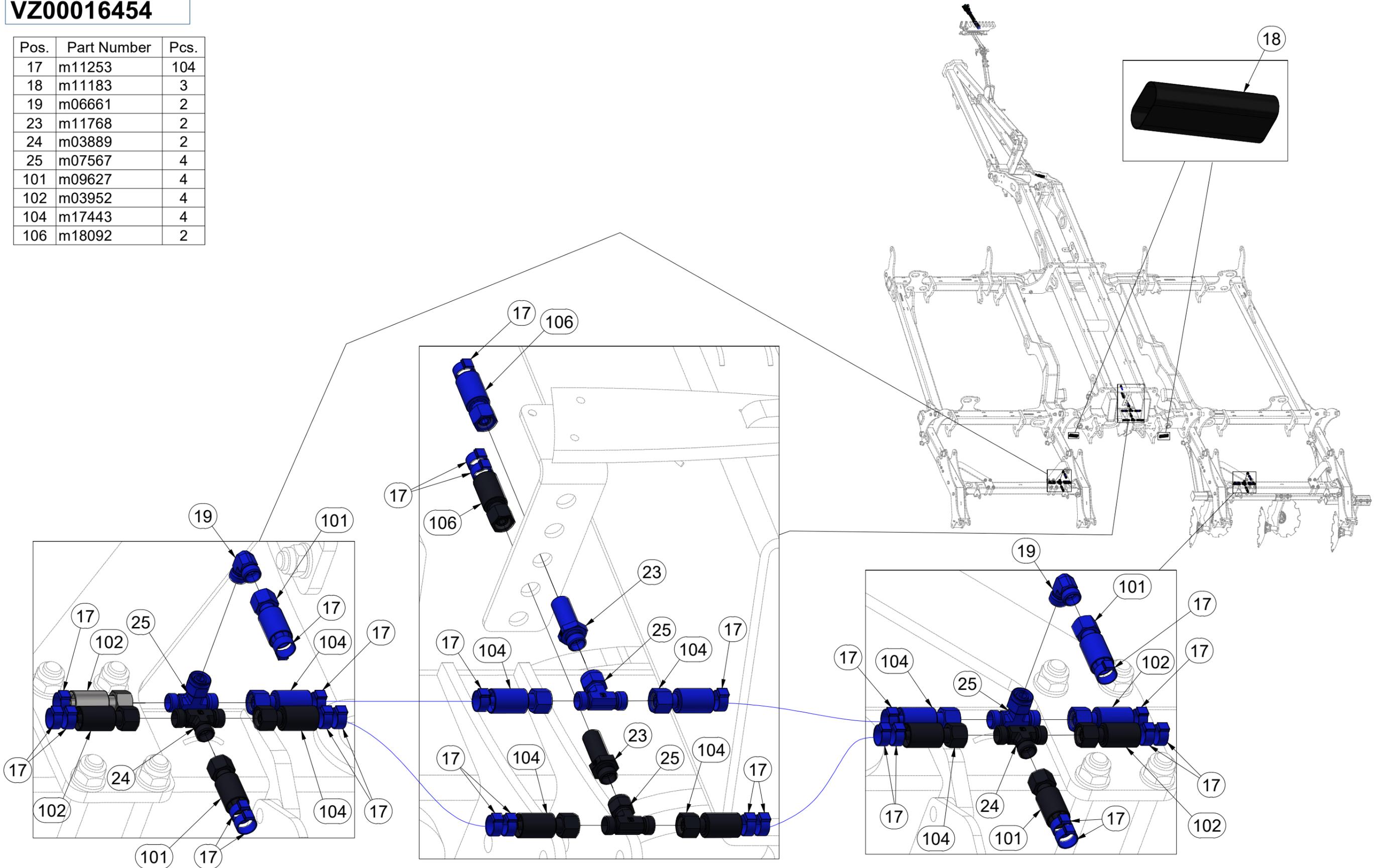
Ⓡ ГИДРАВЛИКА МАШИНЫ

Ⓟ HYDRAULIKA MASZYN

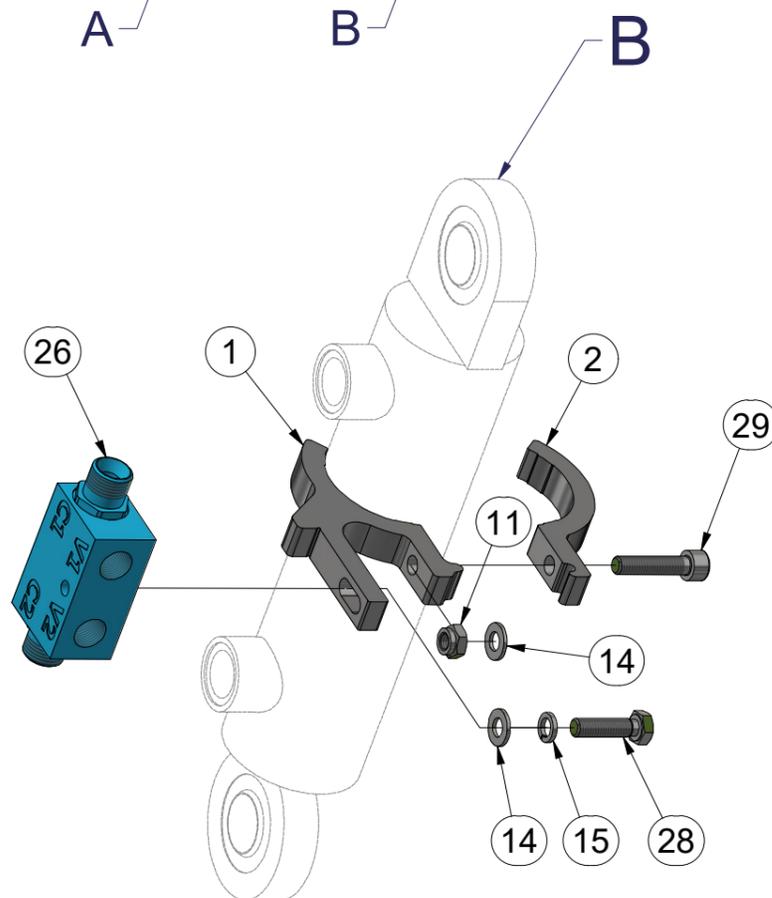
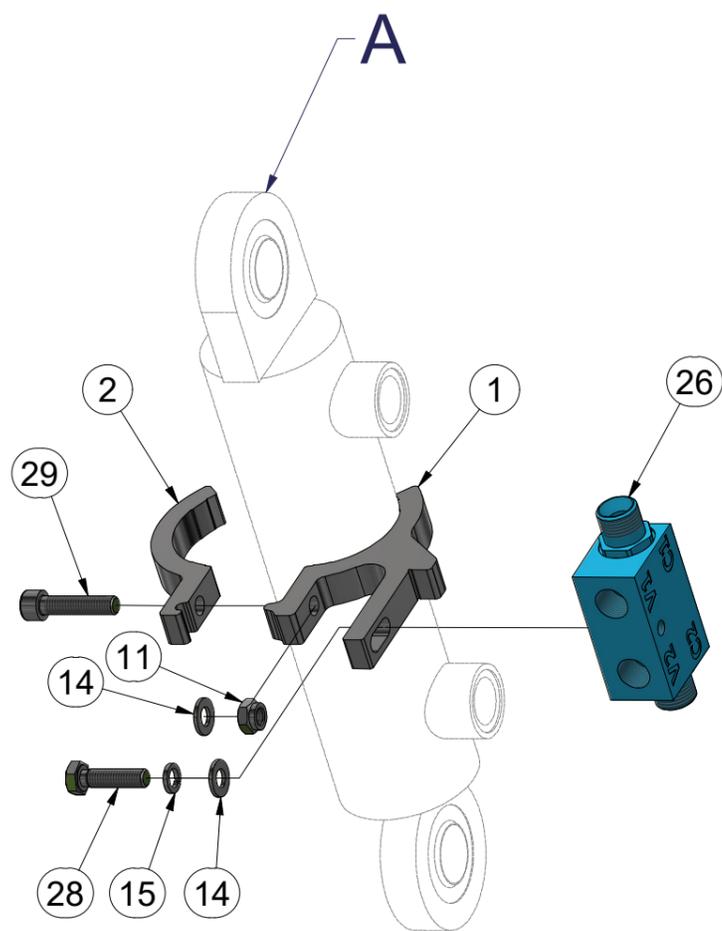
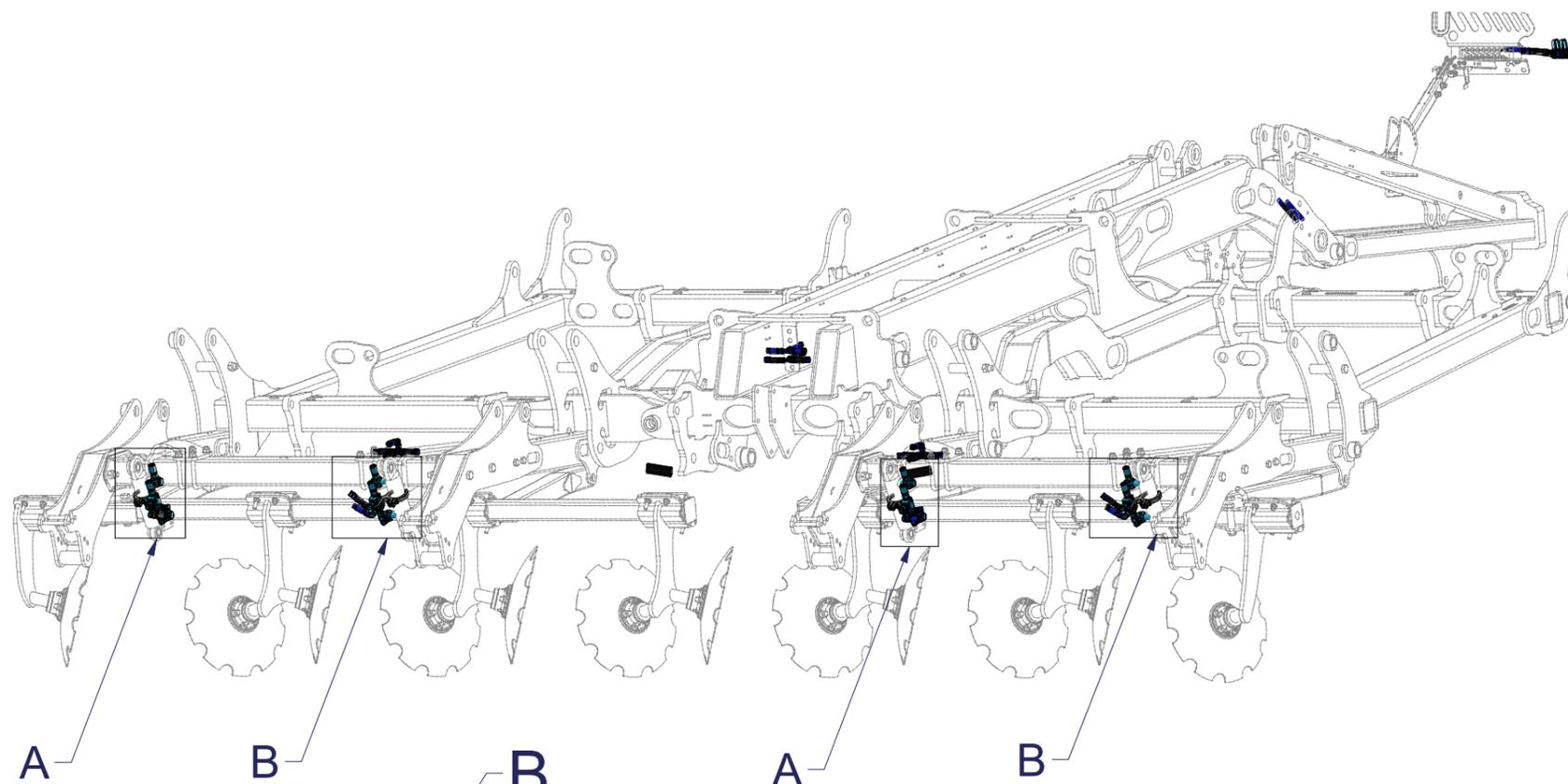


### VZ00016454

| Pos. | Part Number | Pcs. |
|------|-------------|------|
| 17   | m11253      | 104  |
| 18   | m11183      | 3    |
| 19   | m06661      | 2    |
| 23   | m11768      | 2    |
| 24   | m03889      | 2    |
| 25   | m07567      | 4    |
| 101  | m09627      | 4    |
| 102  | m03952      | 4    |
| 104  | m17443      | 4    |
| 106  | m18092      | 2    |



**VZ00016454**



| Pos. | Part Number | Pcs. |
|------|-------------|------|
| 1    | VZ00007257  | 4    |
| 2    | VZ00007363  | 4    |
| 11   | m04503      | 4    |
| 14   | m01203      | 8    |
| 15   | m01202      | 4    |
| 26   | m08083      | 4    |
| 28   | m04791      | 4    |
| 29   | m09464      | 4    |

Ⓒ HYDRAULIKA STROJE

Ⓓ HYDRAULIK DER MASCHINE

Ⓕ HYDRAULIQUE DE LA MACHINE

Ⓖ MACHINE HYDRAULICS

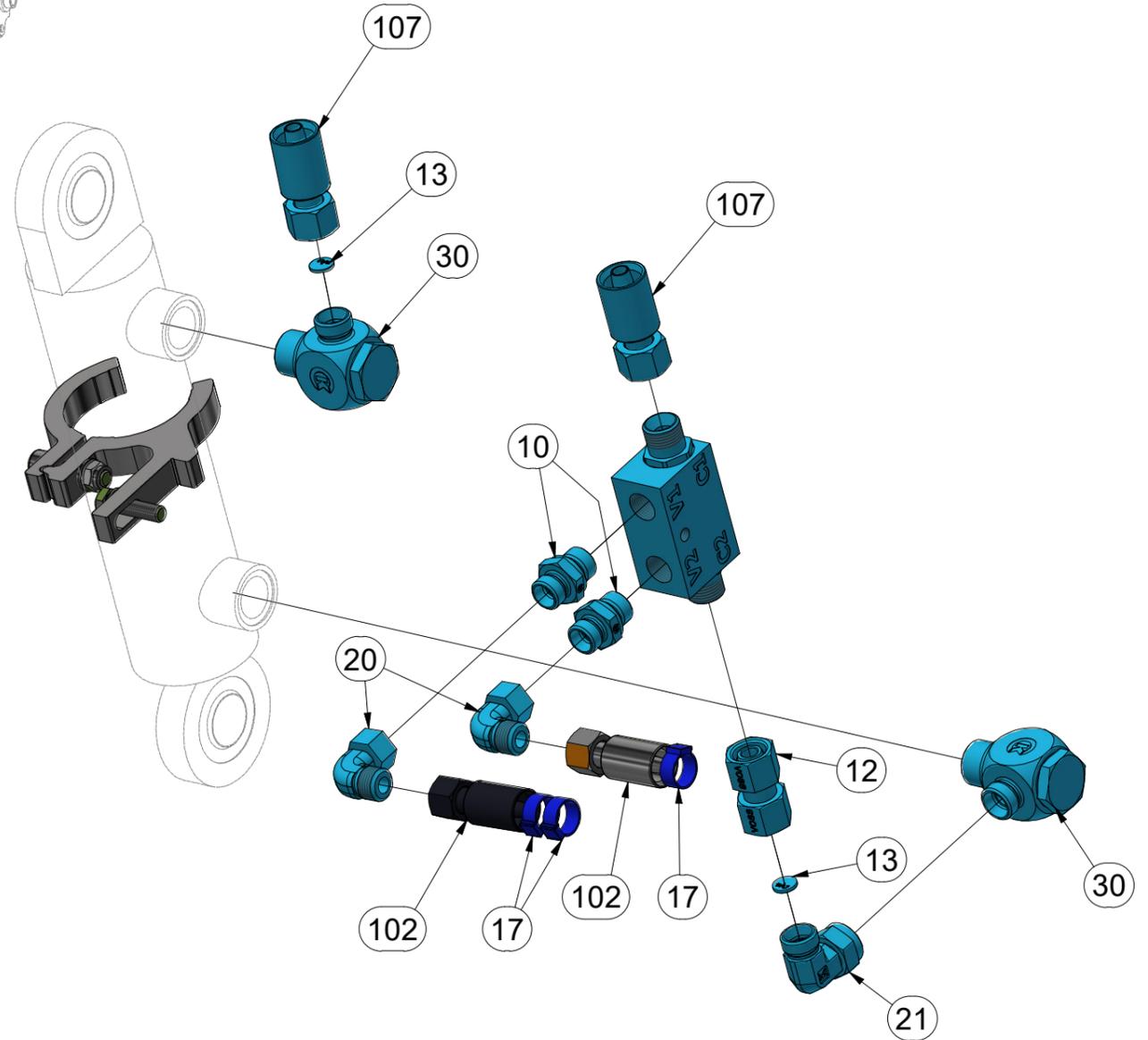
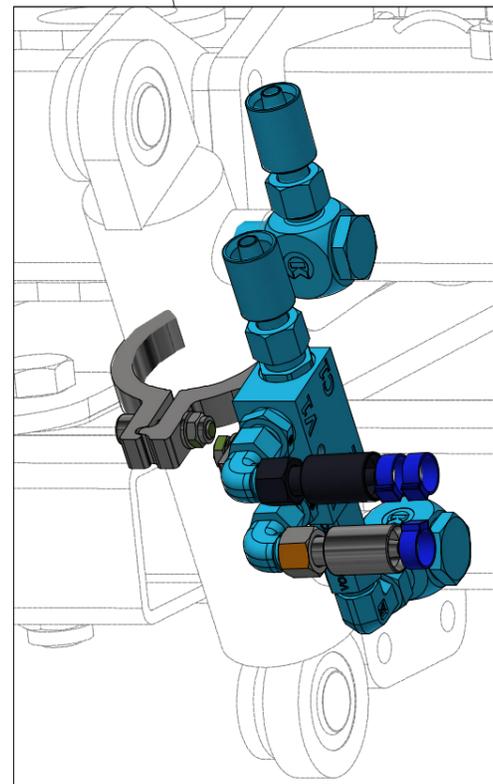
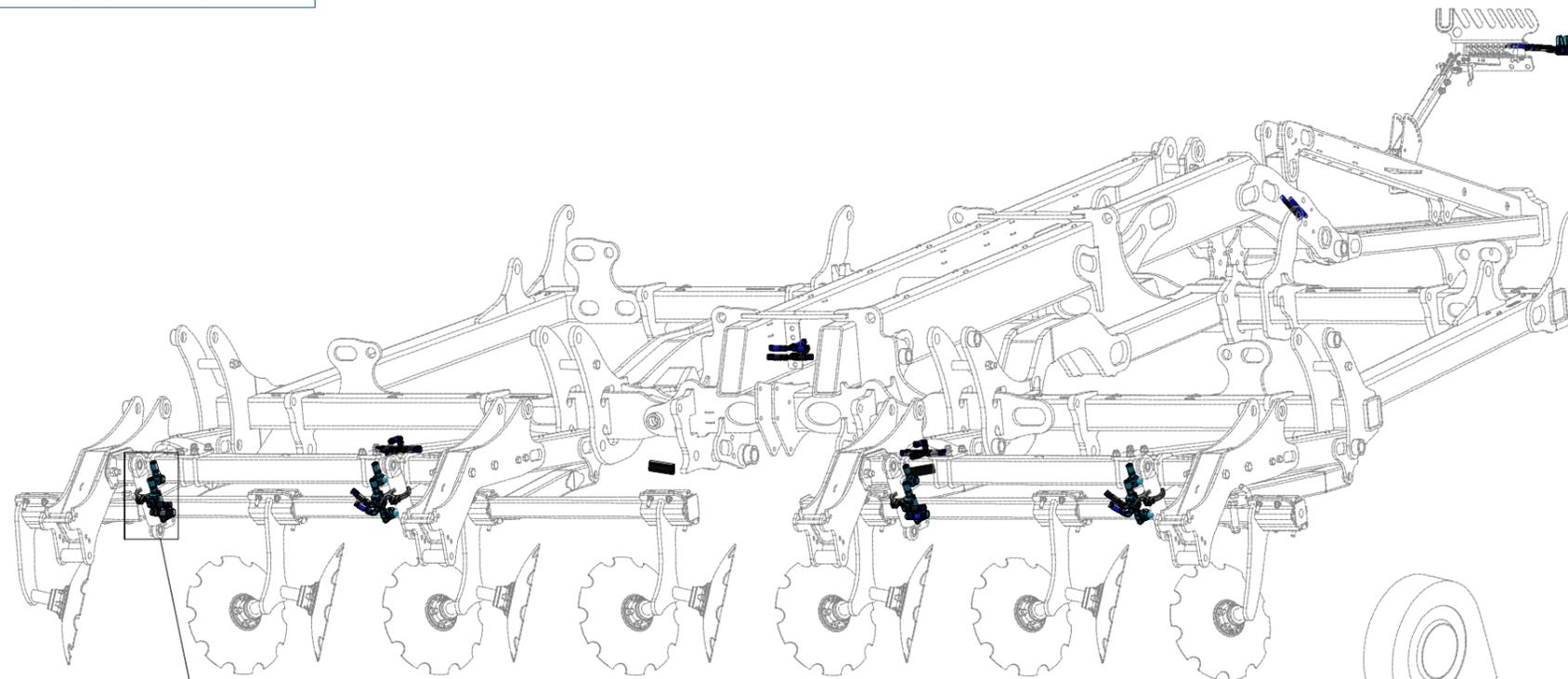
Ⓡ ГИДРАВЛИКА МАШИНЫ

Ⓟ HYDRAULIKA MASZYNY



**VZ00016454**

| Pos. | Part Number | Pcs. |
|------|-------------|------|
| 10   | m06528      | 8    |
| 12   | m22306      | 4    |
| 13   | m10649      | 8    |
| 17   | m11253      | 104  |
| 20   | m06803      | 8    |
| 21   | m07654      | 4    |
| 30   | m20912      | 8    |
| 102  | m03952      | 4    |
| 107  | m13237      | 4    |





Ⓒ HYDRAULIKA STROJE

Ⓓ HYDRAULIK DER MASCHINE

Ⓕ HYDRAULIQUE DE LA MACHINE

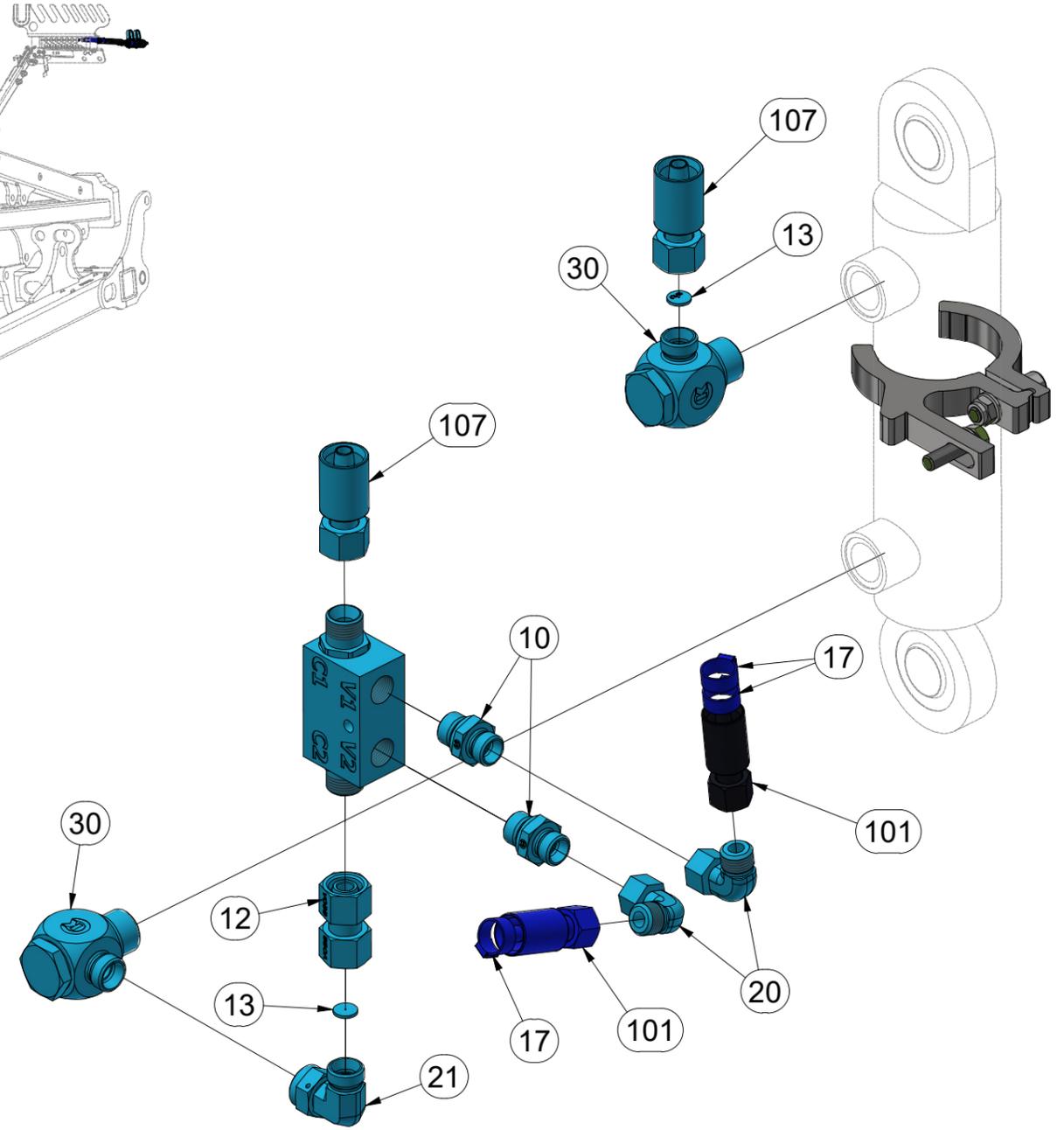
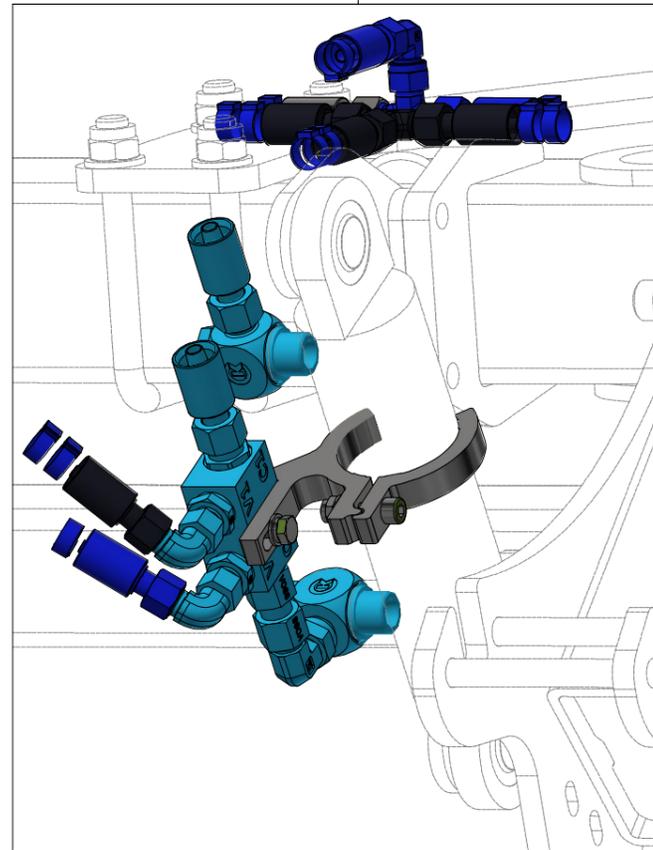
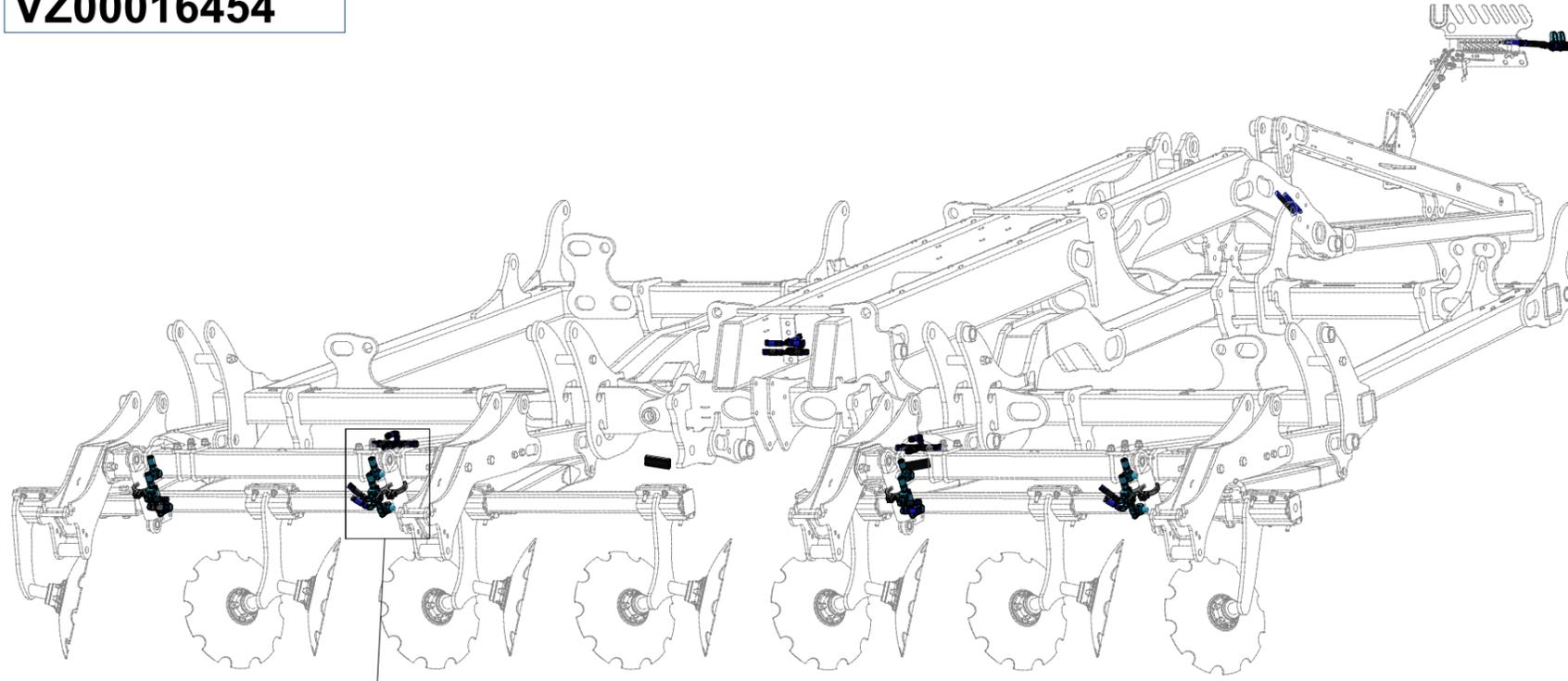
Ⓖ MACHINE HYDRAULICS

Ⓡ ГИДРАВЛИКА МАШИНЫ

Ⓟ HYDRAULIKA MASZYN



**VZ00016454**



| Pos. | Part Number | Pcs. |
|------|-------------|------|
| 10   | m06528      | 8    |
| 12   | m22306      | 4    |
| 13   | m10649      | 8    |
| 17   | m11253      | 104  |
| 20   | m06803      | 8    |
| 21   | m07654      | 4    |
| 30   | m20912      | 8    |
| 101  | m09627      | 4    |
| 107  | m13237      | 4    |

ⒸZ HYDRAULIKA STROJE

Ⓓ HYDRAULIK DER MASCHINE

Ⓕ HYDRAULIQUE DE LA MACHINE

ⒸB MACHINE HYDRAULICS

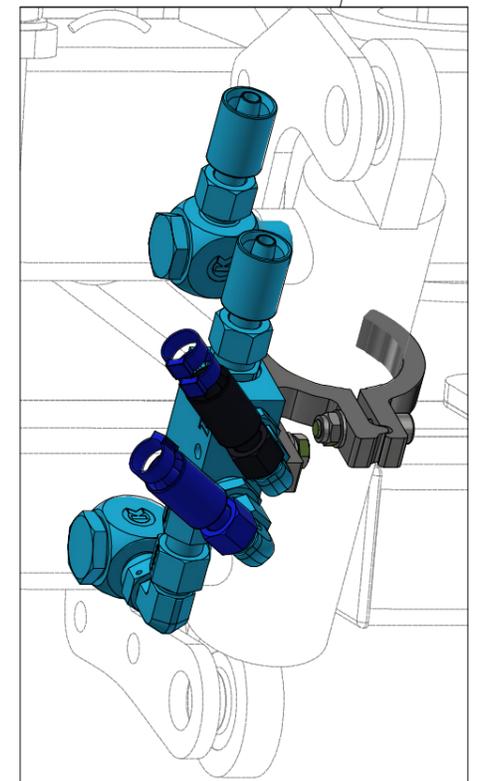
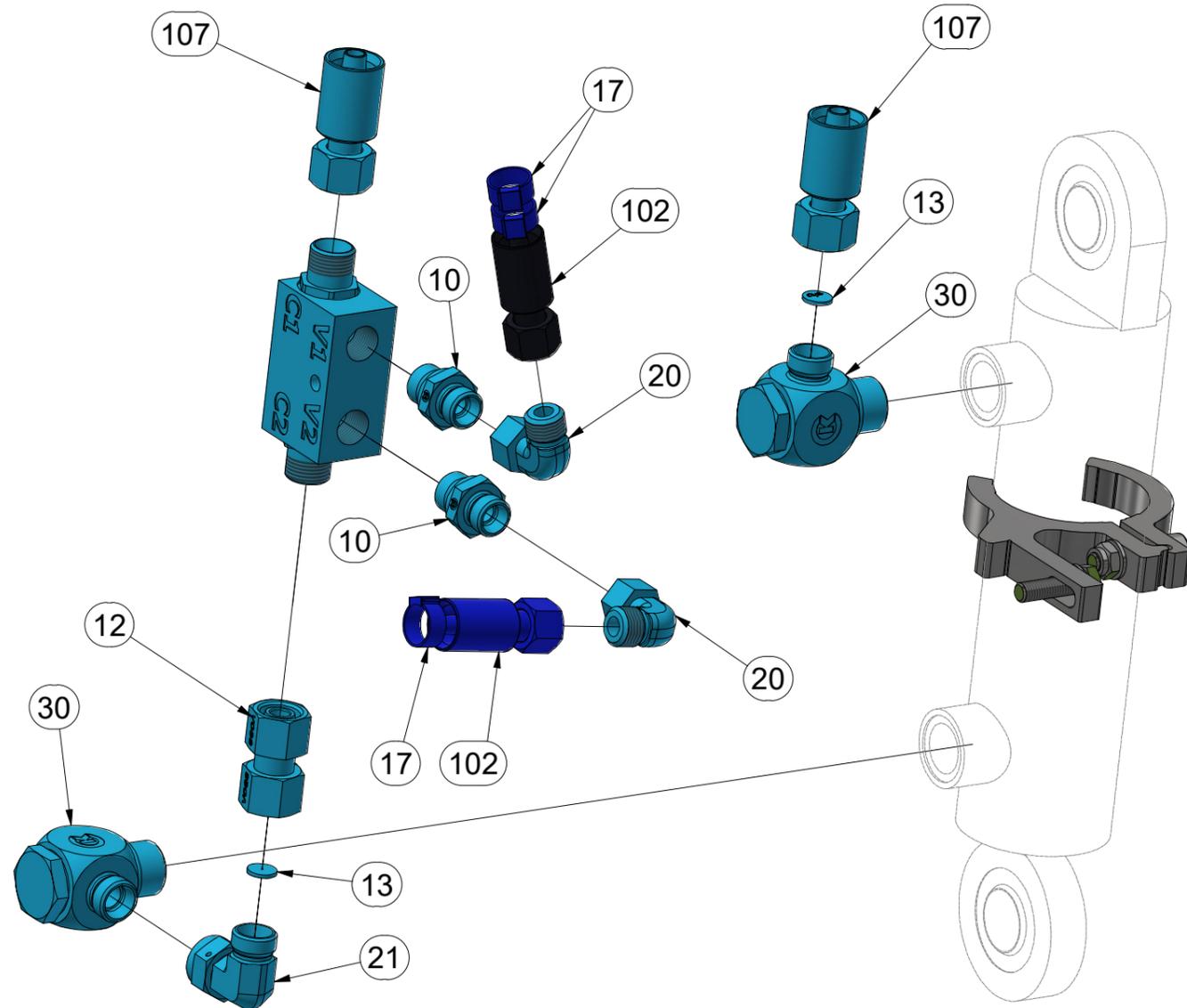
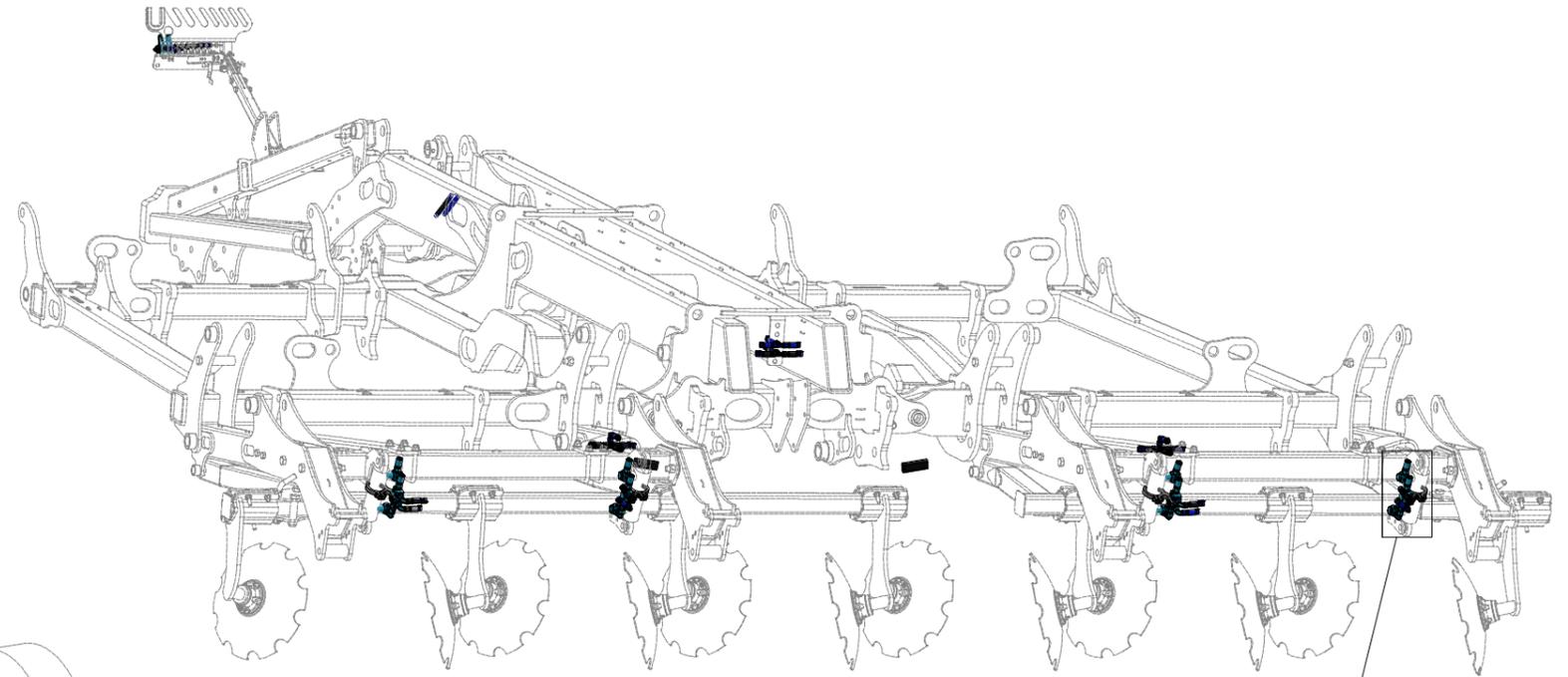
ⒸR ГИДРАВЛИКА МАШИНЫ

ⒸL HYDRAULIKA MASZYNY



### VZ00016454

| Pos. | Part Number | Pcs. |
|------|-------------|------|
| 10   | m06528      | 8    |
| 12   | m22306      | 4    |
| 13   | m10649      | 8    |
| 17   | m11253      | 104  |
| 20   | m06803      | 8    |
| 21   | m07654      | 4    |
| 30   | m20912      | 8    |
| 102  | m03952      | 4    |
| 107  | m13237      | 4    |



ⒸZ HYDRAULIKA STROJE

Ⓓ HYDRAULIK DER MASCHINE

Ⓕ HYDRAULIQUE DE LA MACHINE

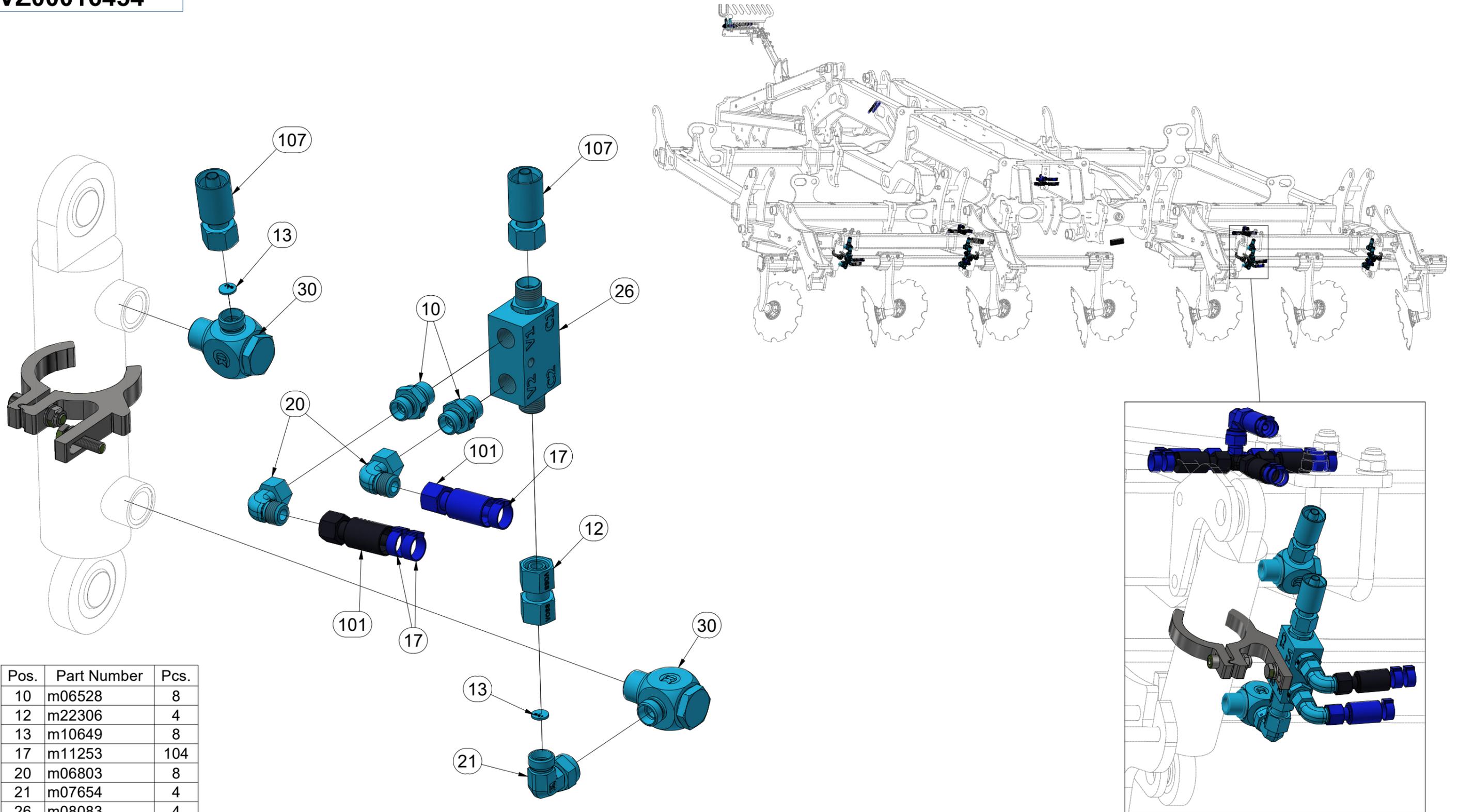
ⒼB MACHINE HYDRAULICS

ⒺU ГИДРАВЛИКА МАШИНЫ

ⒽL HYDRAULIKA MASZYN



**VZ00016454**



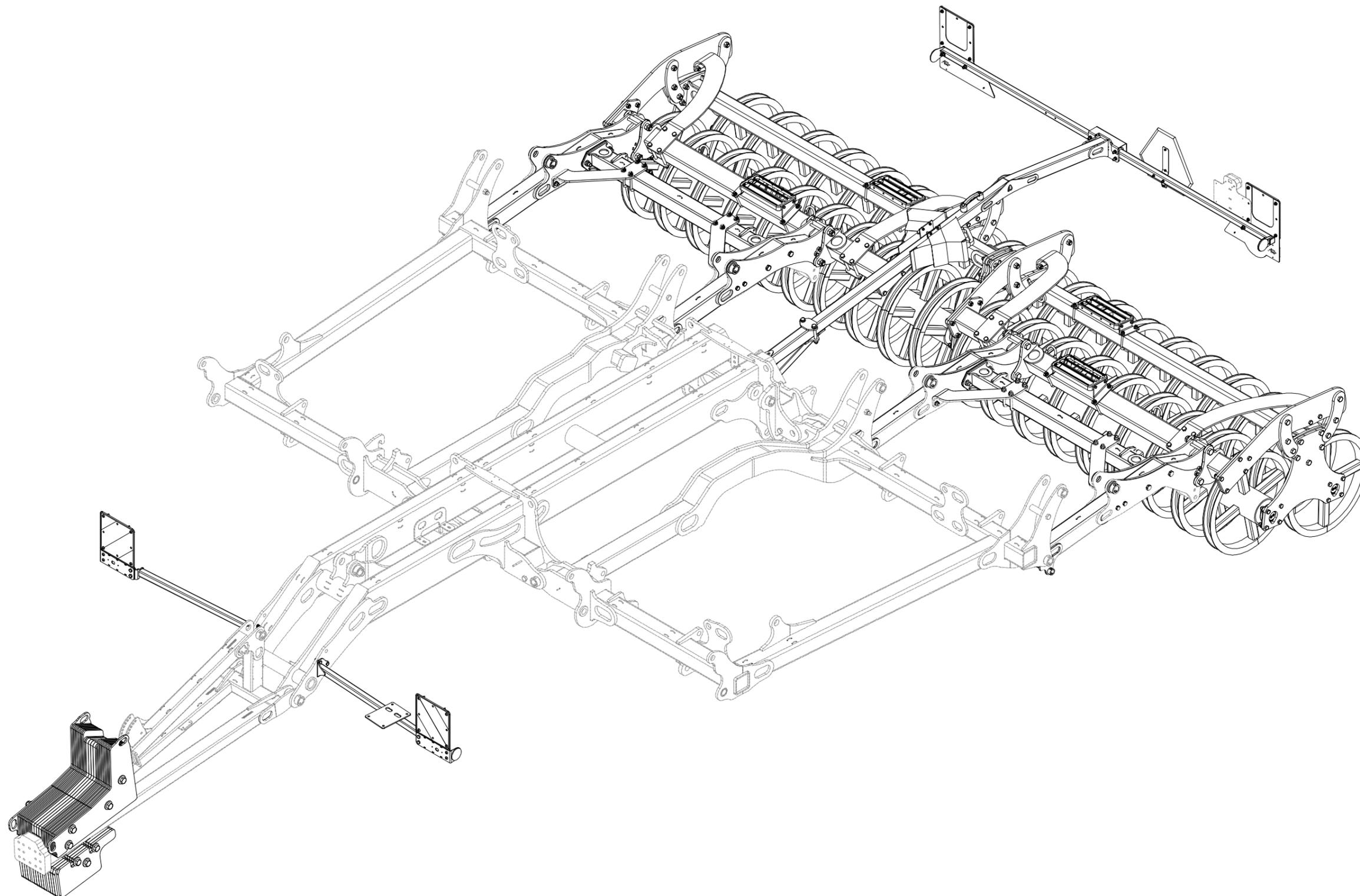
| Pos. | Part Number | Pcs. |
|------|-------------|------|
| 10   | m06528      | 8    |
| 12   | m22306      | 4    |
| 13   | m10649      | 8    |
| 17   | m11253      | 104  |
| 20   | m06803      | 8    |
| 21   | m07654      | 4    |
| 26   | m08083      | 4    |
| 30   | m20912      | 8    |
| 101  | m09627      | 4    |
| 107  | m13237      | 4    |

- Ⓒ SADA ZADNÍCH VÁLCŮ
- Ⓓ SATZ HINTERE WALZEN
- Ⓕ KIT DE ROULEAUX ARRIÈRE

**VZ00025731**

- Ⓖ SET OF REAR ROLLERS
- Ⓡ КОМПЛЕКТ ЗАДНИХ КАТКОВ
- Ⓟ ZESTAW TYLNYCH WAŁÓW

**Farmet**

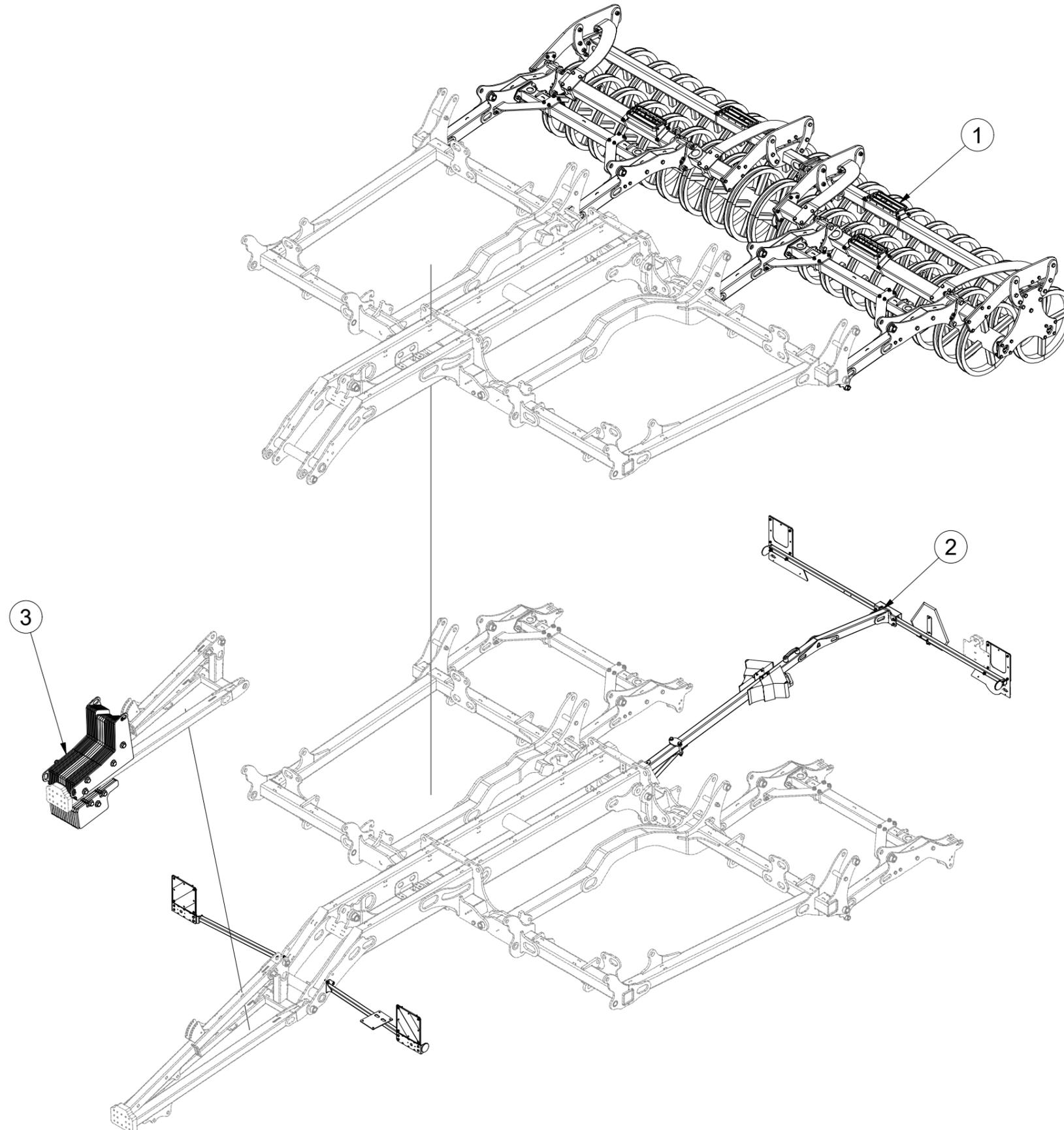


- Ⓒ SADA ZADNÍCH VÁLCŮ
- Ⓓ SATZ HINTERE WALZEN
- Ⓕ KIT DE ROULEAUX ARRIÈRE

- Ⓖ SET OF REAR ROLLERS
- Ⓡ КОМПЛЕКТ ЗАДНИХ КАТКОВ
- Ⓟ ZESTAW TYLNYCH WAŁÓW



**VZ00025731**



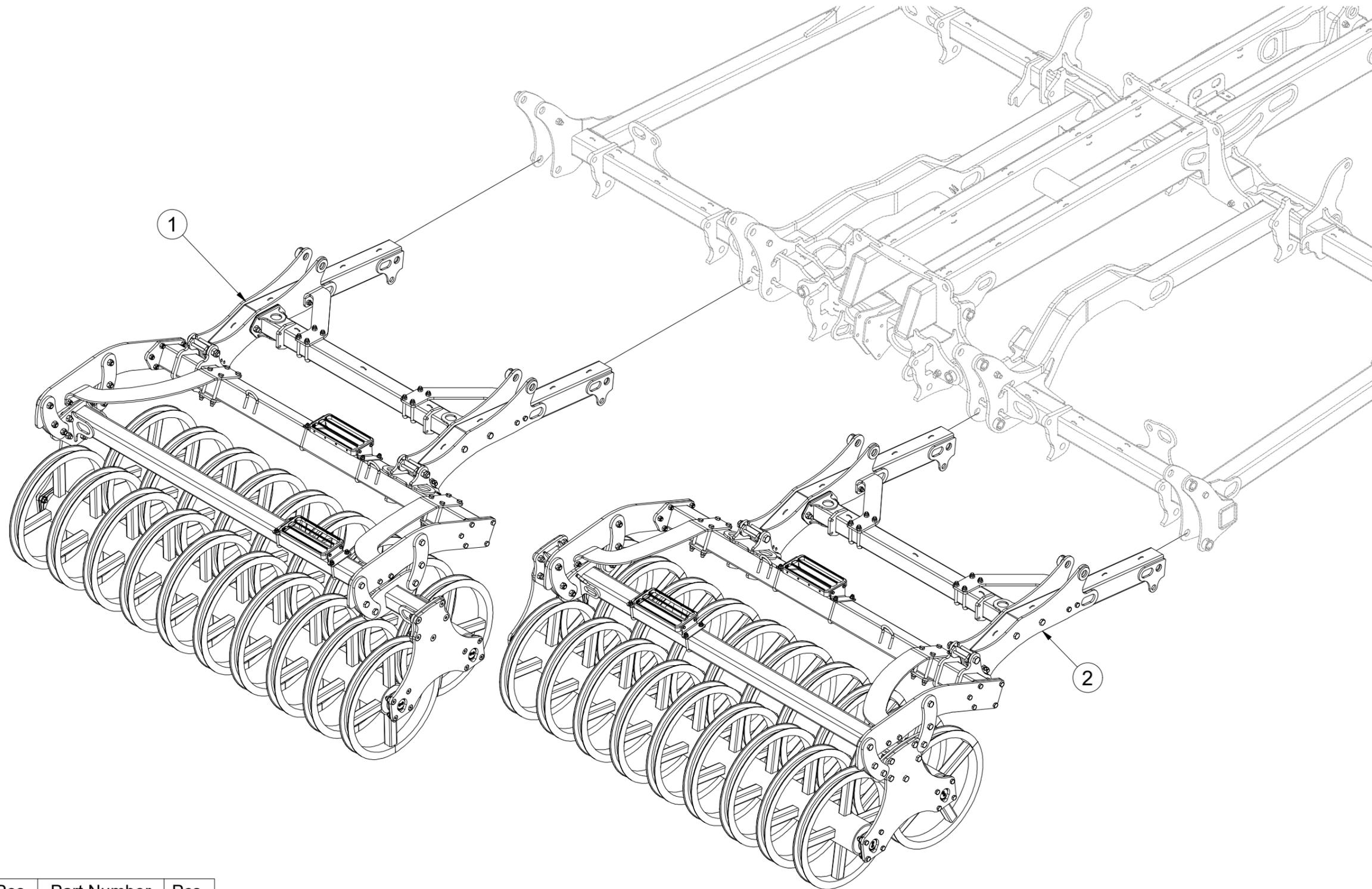
| Pos. | Part Number | Pcs. |
|------|-------------|------|
| 1    | VZ00025737  | 1    |
| 2    | VZ00017091  | 1    |
| 3    | VZ00019575  | 1    |

CZ SADA ZADNÍCH VÁLCŮ  
 D SATZ HINTERE WALZEN  
 F KIT DE ROULEAUX ARRIÈRE

GB SET OF REAR ROLLERS  
 RU КОМПЛЕКТ ЗАДНИХ КАТКОВ  
 PL ZESTAW TYLNYCH WAŁÓW



**VZ00025737**



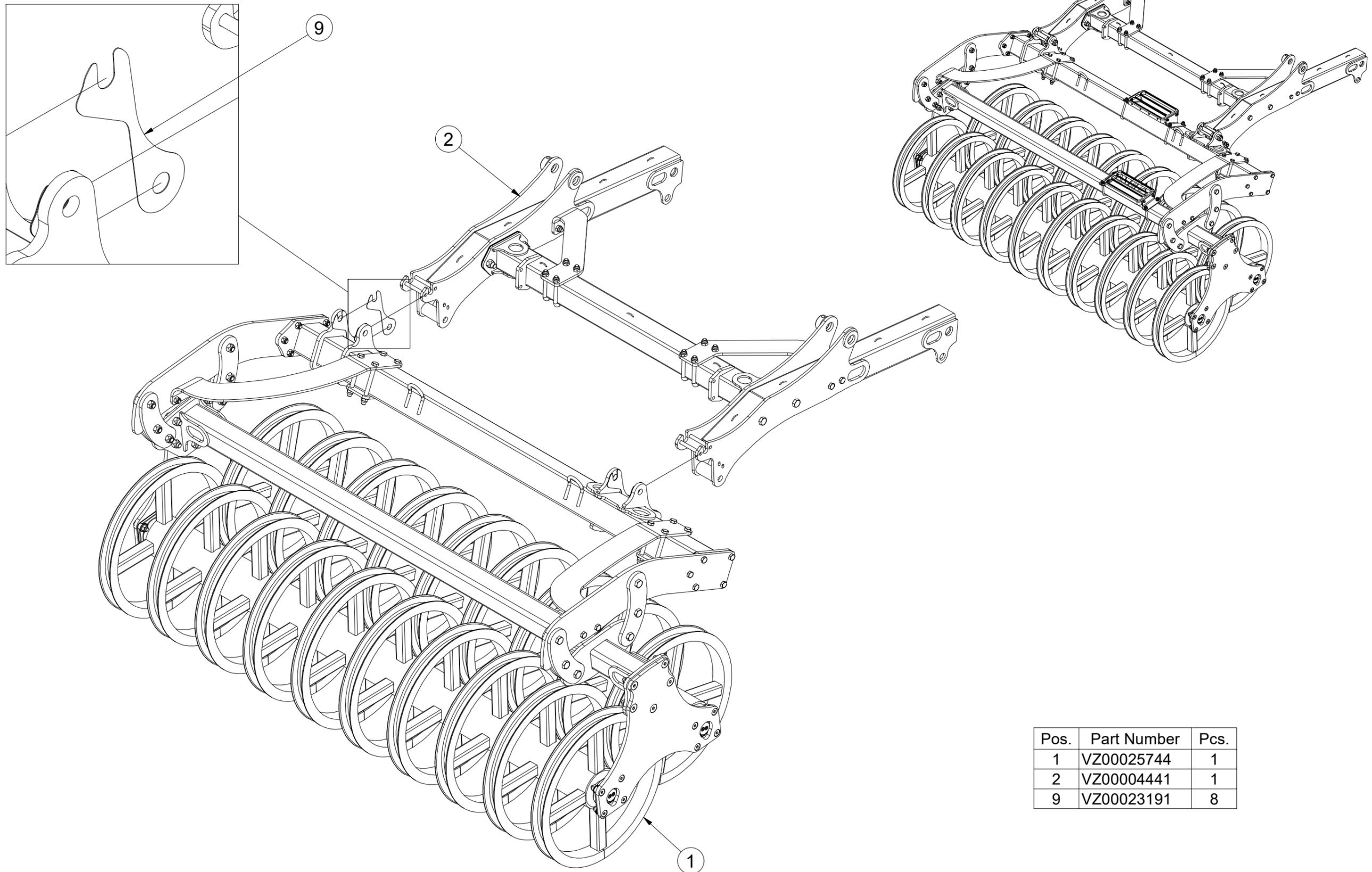
| Pos. | Part Number | Pcs. |
|------|-------------|------|
| 1    | VZ00025740  | 1    |
| 2    | VZ00025742  | 1    |

CZ SADA ZADNÍCH VÁLCŮ  
 D SATZ HINTERE WALZEN  
 F KIT DE ROULEAUX ARRIÈRE

GB SET OF REAR ROLLERS  
 RU КОМПЛЕКТ ЗАДНИХ КАТКОВ  
 PL ZESTAW TYLNYCH WAŁÓW



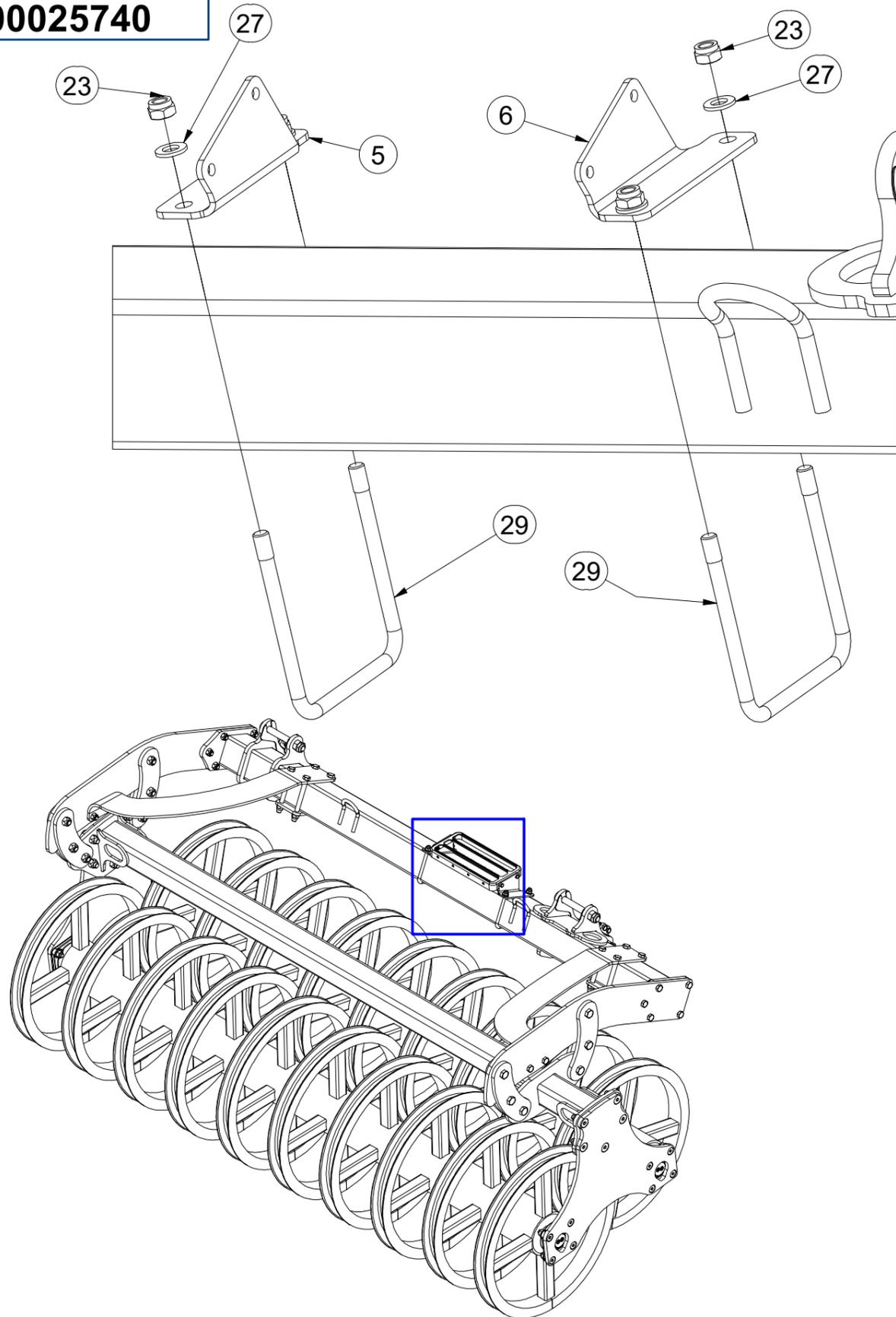
**VZ00025740**



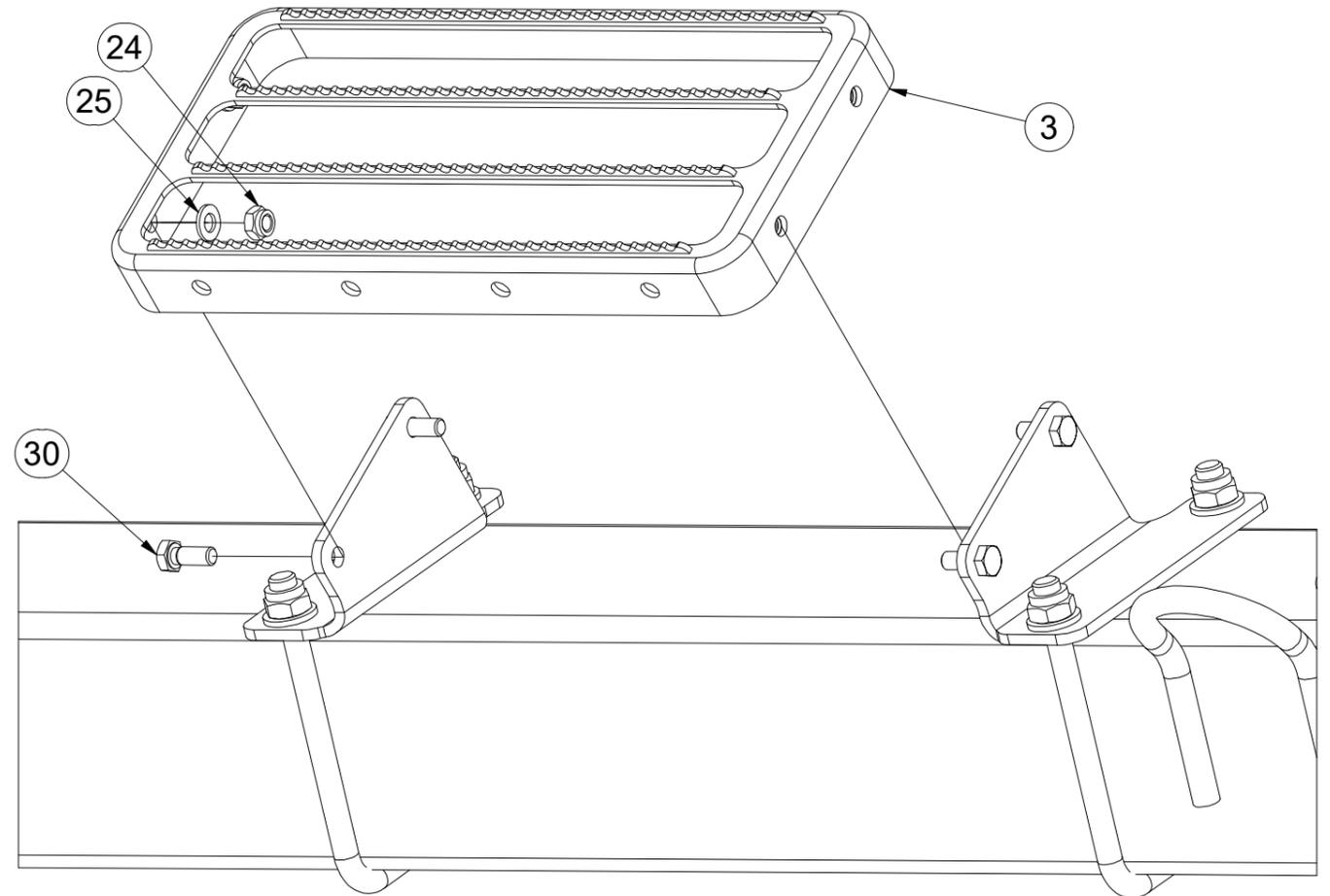
| Pos. | Part Number | Pcs. |
|------|-------------|------|
| 1    | VZ00025744  | 1    |
| 2    | VZ00004441  | 1    |
| 9    | VZ00023191  | 8    |

- Ⓒ SADA ZADNÍCH VÁLCŮ
- Ⓓ SATZ HINTERE WALZEN
- Ⓕ KIT DE ROULEAUX ARRIÈRE

**VZ00025740**



- Ⓖ SET OF REAR ROLLERS
- Ⓡ КОМПЛЕКТ ЗАДНИХ КАТКОВ
- Ⓟ ZESTAW TYLNYCH WAŁÓW



| Pos. | Part Number | Pcs. |
|------|-------------|------|
| 3    | VZ00003189  | 2    |
| 5    | VZ00014329  | 1    |
| 6    | VZ00014330  | 1    |
| 23   | m04301      | 8    |
| 24   | m04503      | 8    |
| 25   | m01203      | 8    |
| 27   | m01214      | 8    |
| 29   | m10096      | 2    |
| 30   | m01089      | 8    |

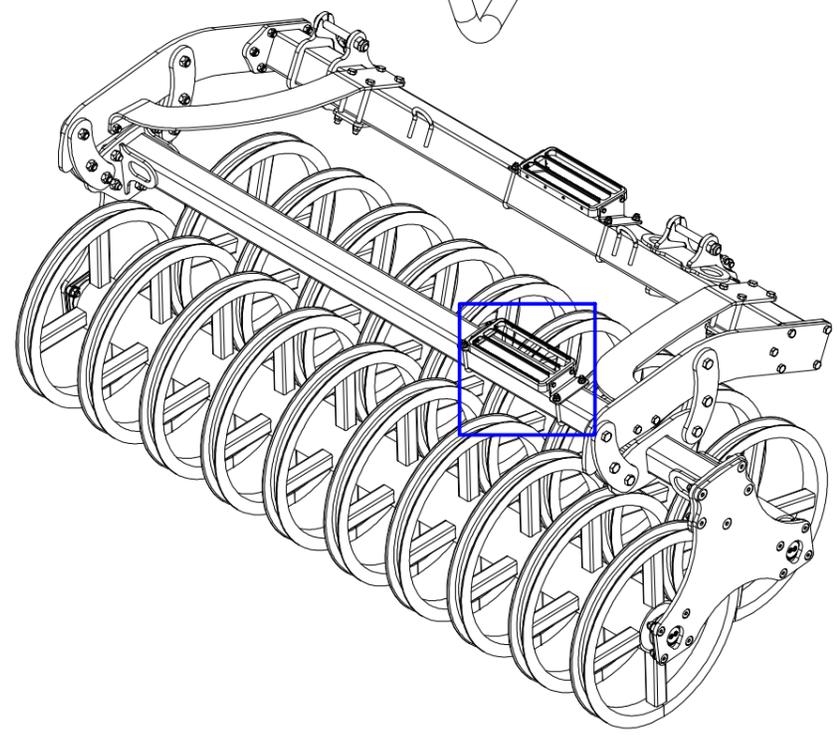
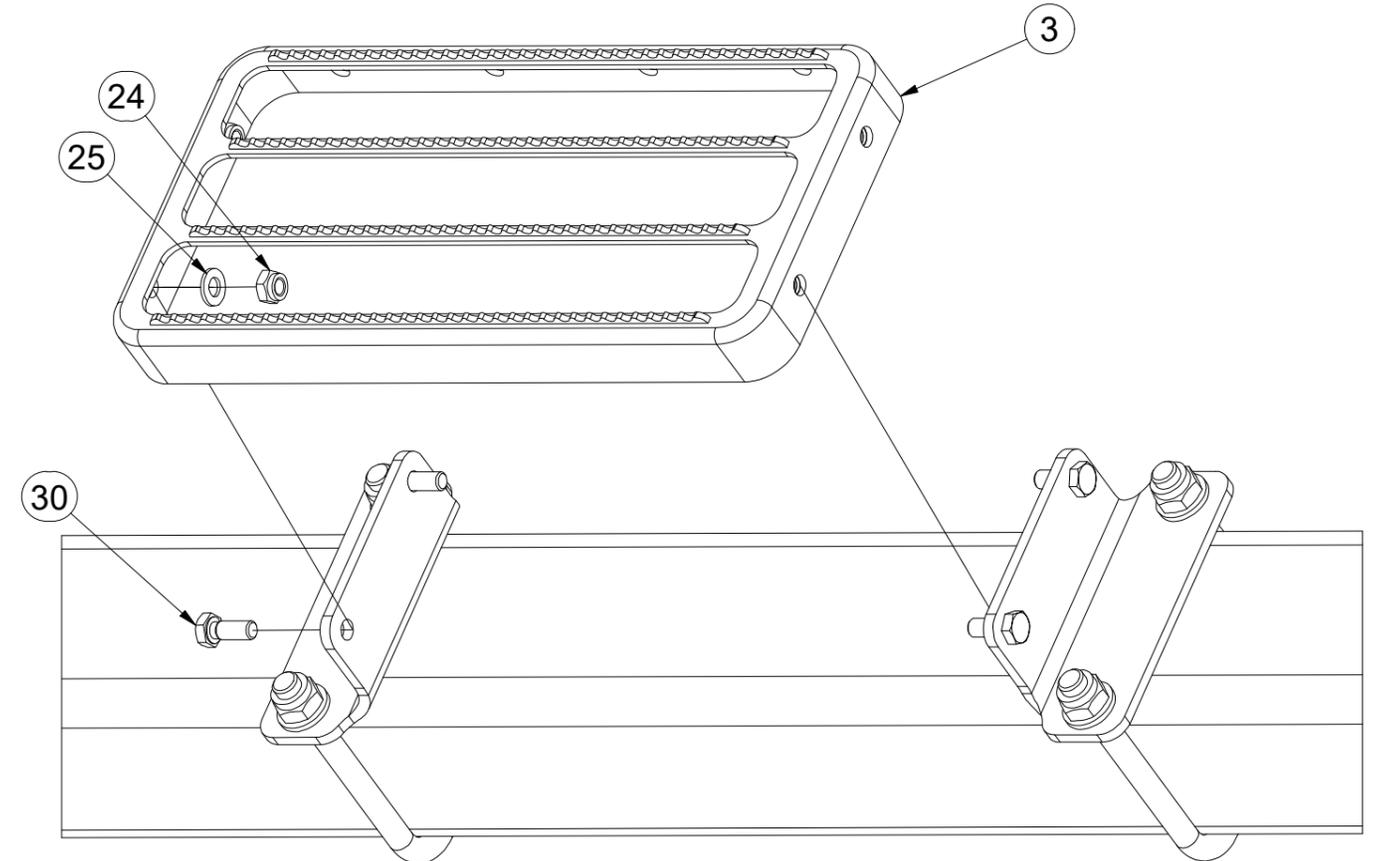
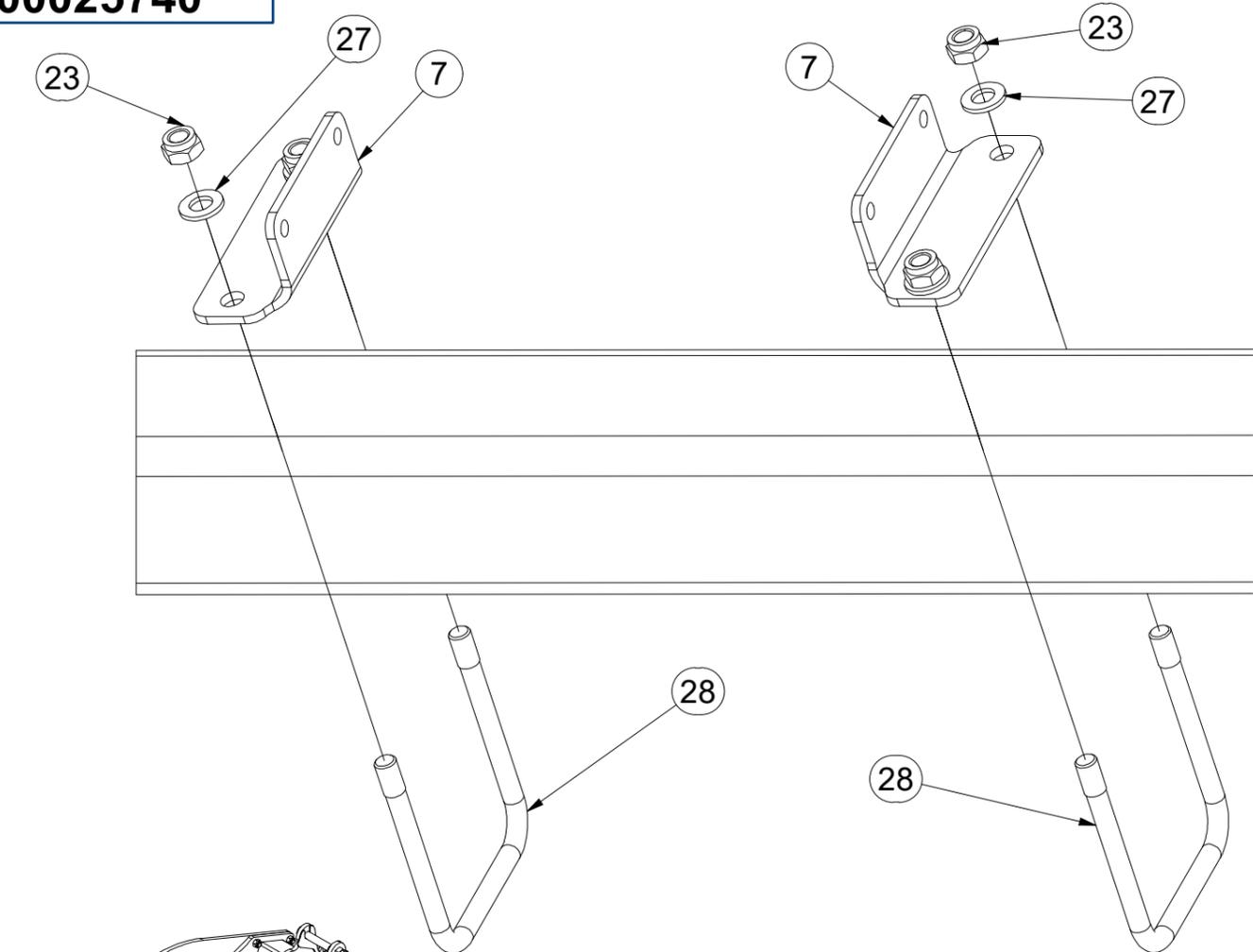


CZ SADA ZADNÍCH VÁLČŮ  
 D SATZ HINTERE WALZEN  
 F KIT DE ROULEAUX ARRIÈRE

GB SET OF REAR ROLLERS  
 RU КОМПЛЕКТ ЗАДНИХ КАТКОВ  
 PL ZESTAW TYLNYCH WAŁÓW



**VZ00025740**



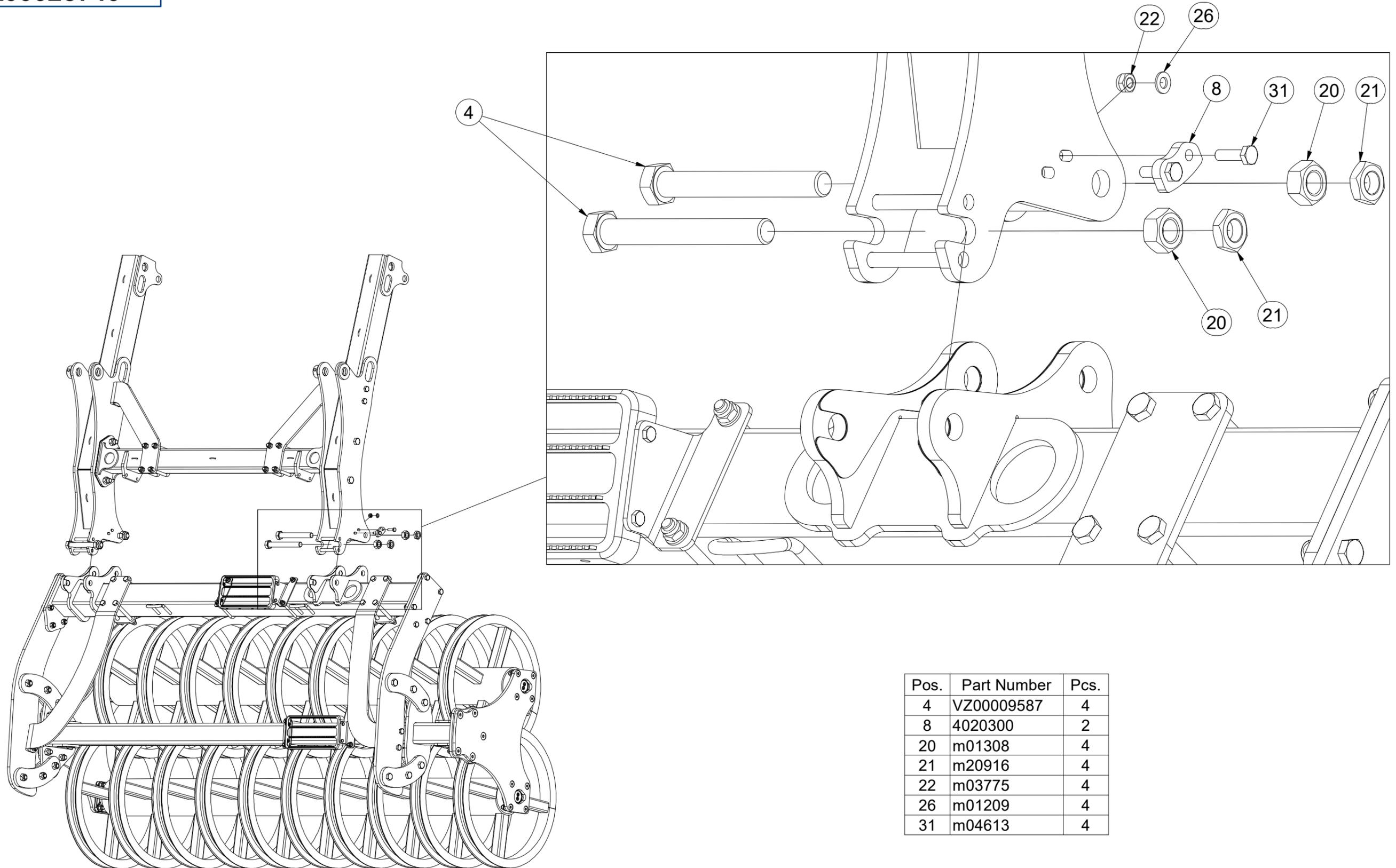
| Pos. | Part Number | Pcs. |
|------|-------------|------|
| 3    | VZ00003189  | 2    |
| 7    | VZ00014324  | 2    |
| 23   | m04301      | 8    |
| 24   | m04503      | 8    |
| 25   | m01203      | 8    |
| 27   | m01214      | 8    |
| 28   | m10074      | 2    |
| 30   | m01089      | 8    |

- Ⓒ SADA ZADNÍCH VÁLČŮ
- Ⓓ SATZ HINTERE WALZEN
- Ⓕ KIT DE ROULEAUX ARRIÈRE

- Ⓖ SET OF REAR ROLLERS
- Ⓡ КОМПЛЕКТ ЗАДНИХ КАТКОВ
- Ⓟ ZESTAW TYLNYCH WAŁÓW



**VZ00025740**



| Pos. | Part Number | Pcs. |
|------|-------------|------|
| 4    | VZ00009587  | 4    |
| 8    | 4020300     | 2    |
| 20   | m01308      | 4    |
| 21   | m20916      | 4    |
| 22   | m03775      | 4    |
| 26   | m01209      | 4    |
| 31   | m04613      | 4    |

ⒸZ SADA ZADNÍCH VÁLCŮ

Ⓓ SATZ HINTERE WALZEN

Ⓕ KIT DE ROULEAUX ARRIÈRE

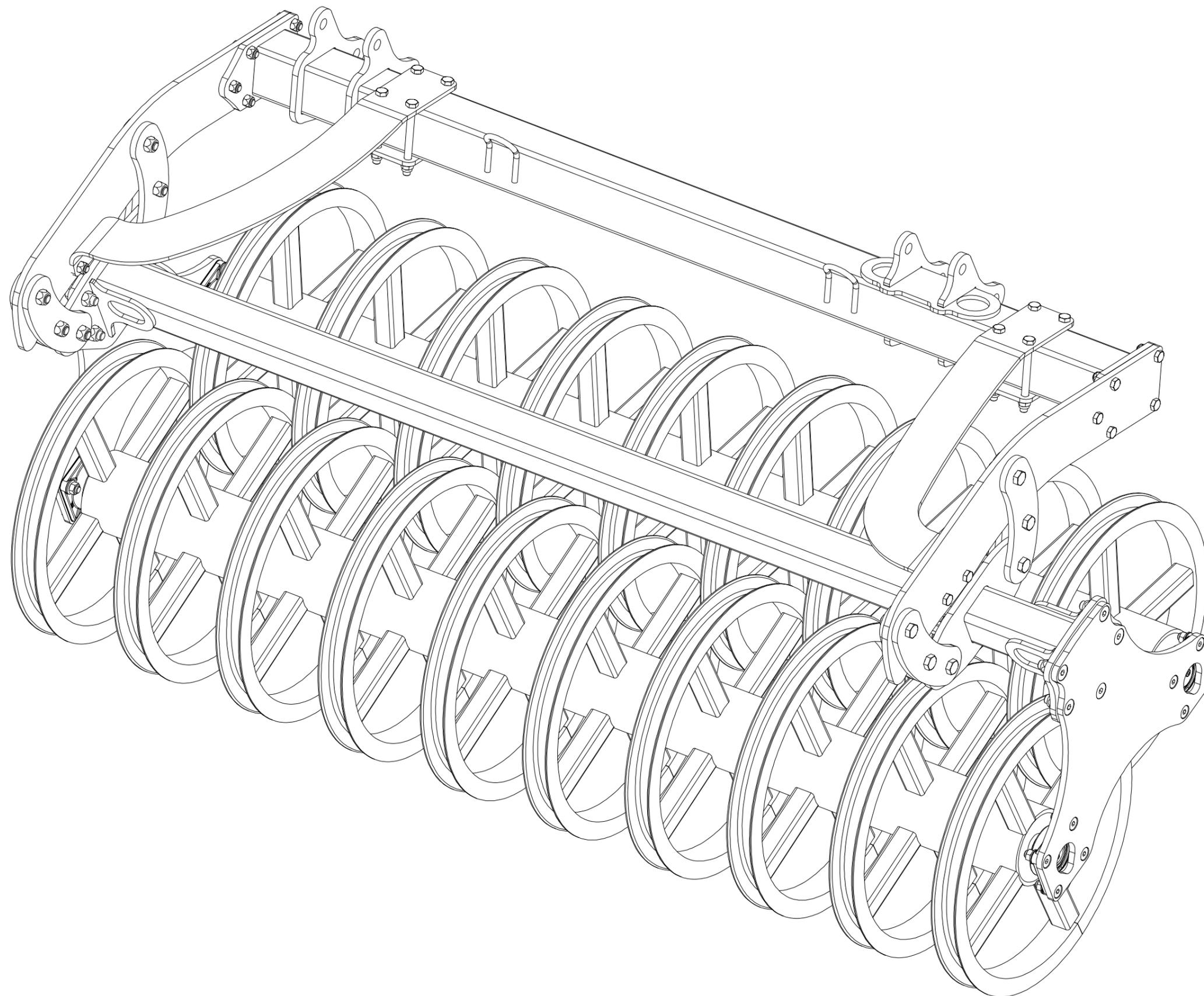
**VZ00025744**

ⒸB SET OF REAR ROLLERS

Ⓔ КОМПЛЕКТ ЗАДНИХ КАТКОВ

Ⓐ ZESTAW TYLNYCH WAŁÓW

**Farmet**



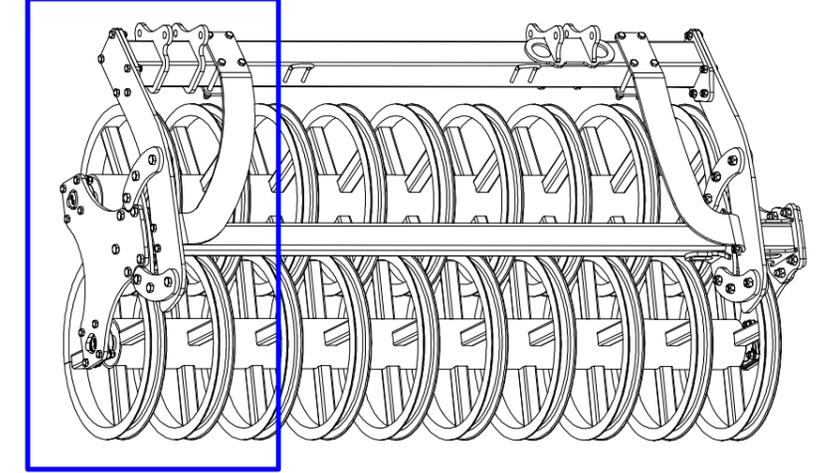
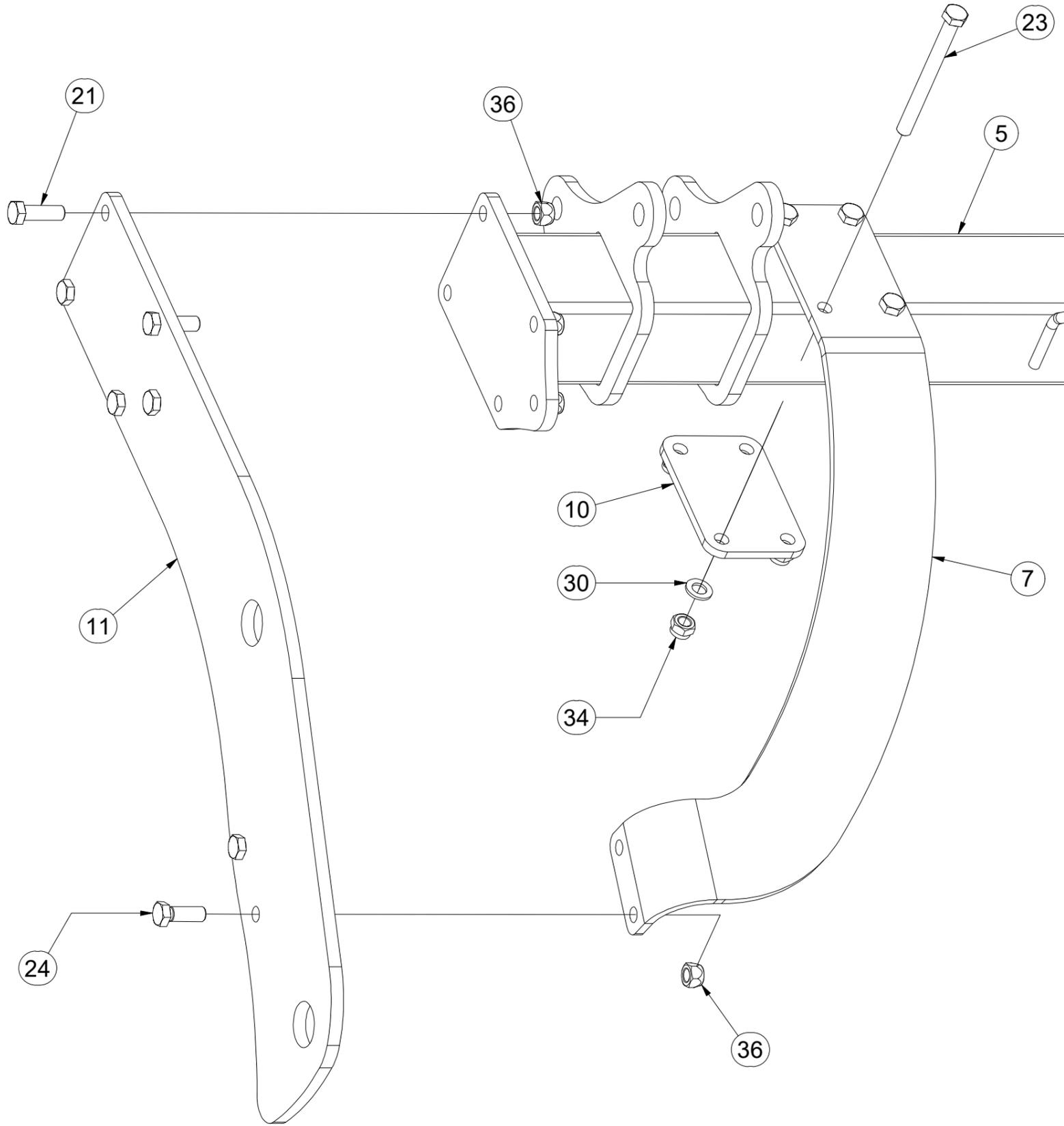
(CZ) SADA ZADNÍCH VÁLČŮ  
 (D) SATZ HINTERE WALZEN  
 (F) KIT DE ROULEAUX ARRIÈRE

(GB) SET OF REAR ROLLERS  
 (RU) КОМПЛЕКТ ЗАДНИХ КАТКОВ  
 (PL) ZESTAW TYLNYCH WAŁÓW



**VZ00025744**

1.



| Pos. | Part Number | Pcs. |
|------|-------------|------|
| 5    | VZ00003845  | 1    |
| 6    | VZ00000160  | 1    |
| 7    | VZ00000339  | 1    |
| 10   | 4026262     | 2    |
| 11   | 4026265     | 2    |
| 21   | m10849      | 10   |
| 23   | m13041      | 8    |
| 24   | m13647      | 4    |
| 30   | m01219      | 8    |
| 34   | m03683      | 8    |
| 36   | m13846      | 14   |

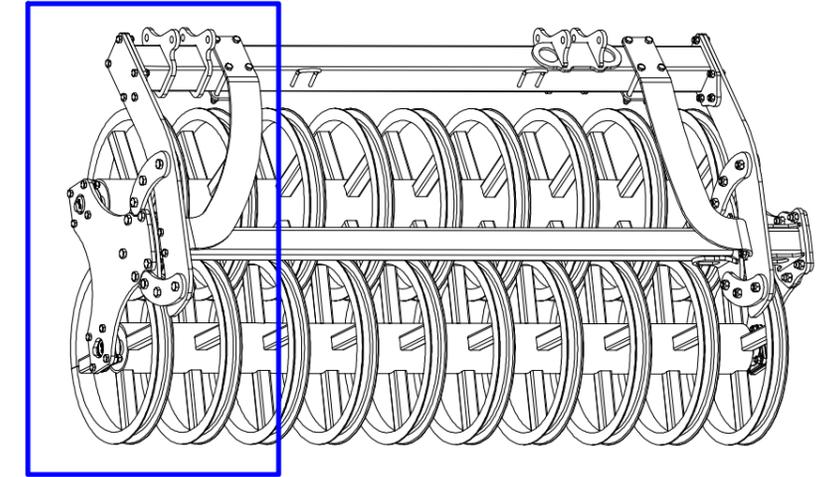
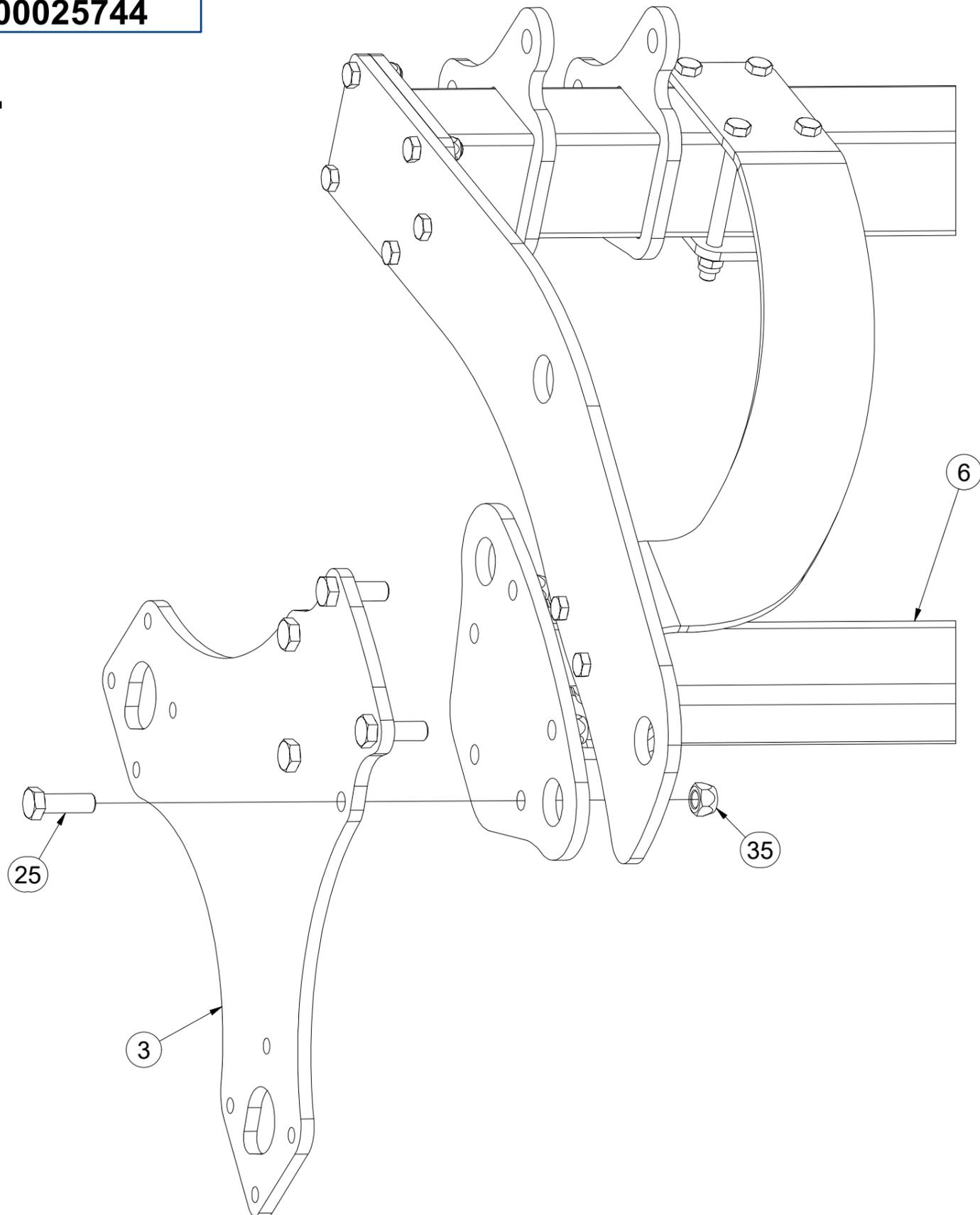
- Ⓒ SADA ZADNÍCH VÁLCŮ
- Ⓓ SATZ HINTERE WALZEN
- Ⓕ KIT DE ROULEAUX ARRIÈRE

- Ⓖ SET OF REAR ROLLERS
- Ⓡ КОМПЛЕКТ ЗАДНИХ КАТКОВ
- Ⓟ ZESTAW TYLNYCH WAŁÓW



**VZ00025744**

**2.**



| Pos. | Part Number | Pcs. |
|------|-------------|------|
| 3    | 3013003     | 1    |
| 6    | VZ00000160  | 1    |
| 25   | m14496      | 5    |
| 35   | m11169      | 22   |

Ⓒ SADA ZADNÍCH VÁLCŮ

Ⓓ SATZ HINTERE WALZEN

Ⓕ KIT DE ROULEAUX ARRIÈRE

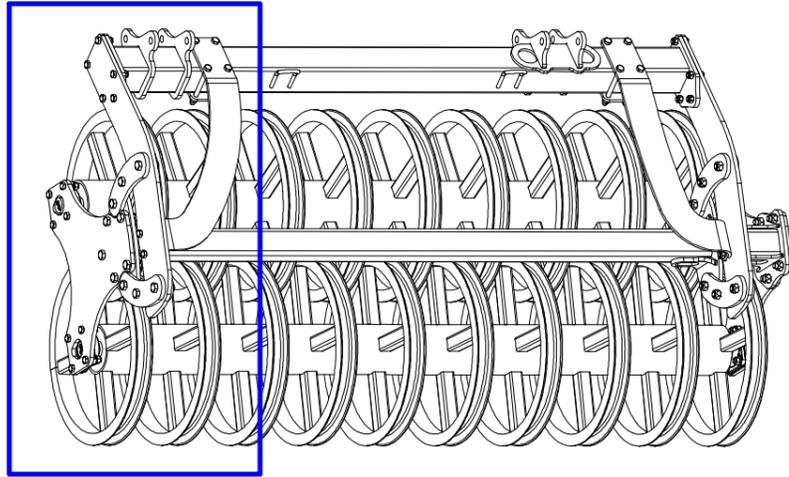
Ⓖ SET OF REAR ROLLERS

Ⓡ КОМПЛЕКТ ЗАДНИХ КАТКОВ

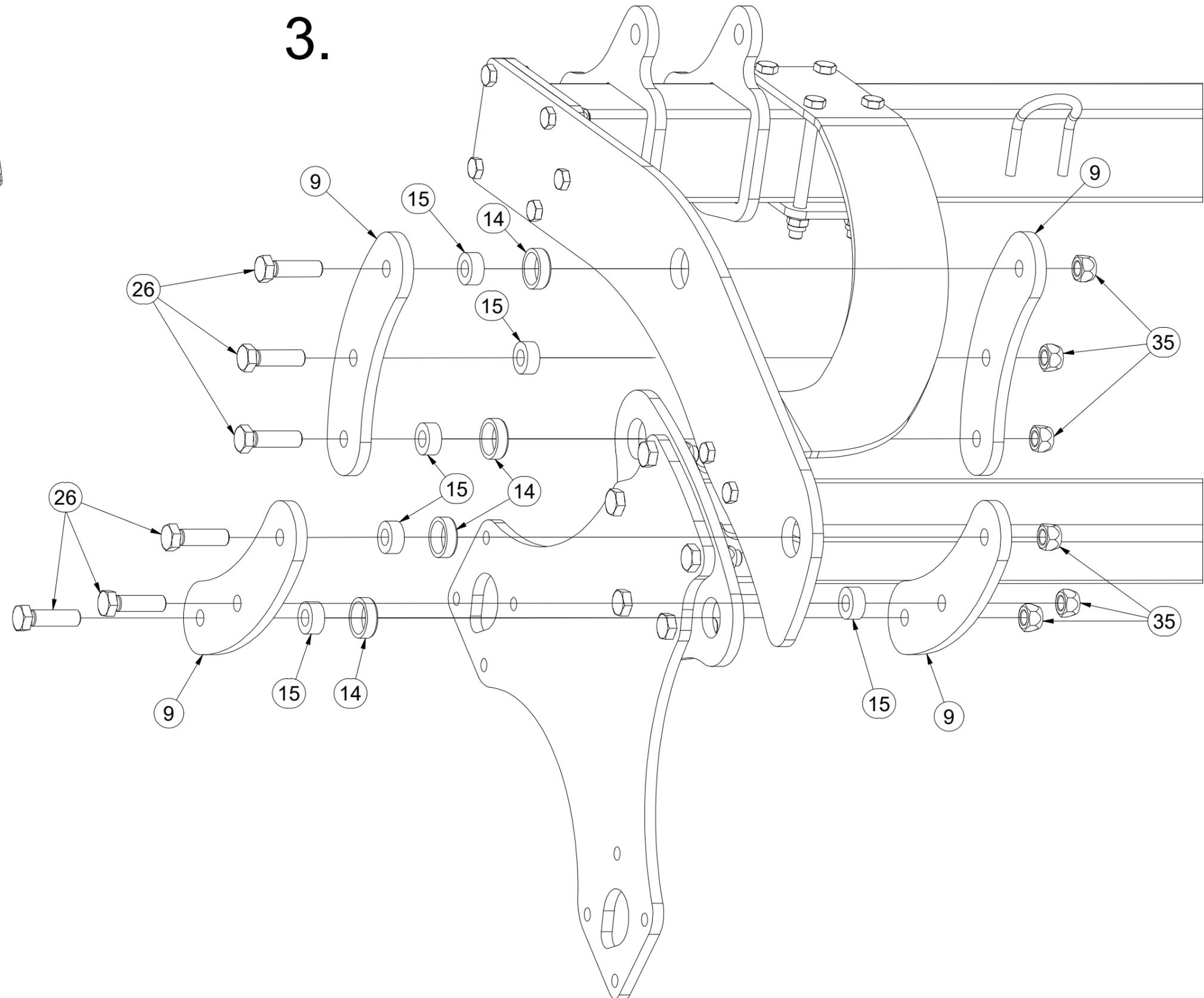
Ⓟ ZESTAW TYLNYCH WAŁÓW



**VZ00025744**



3.



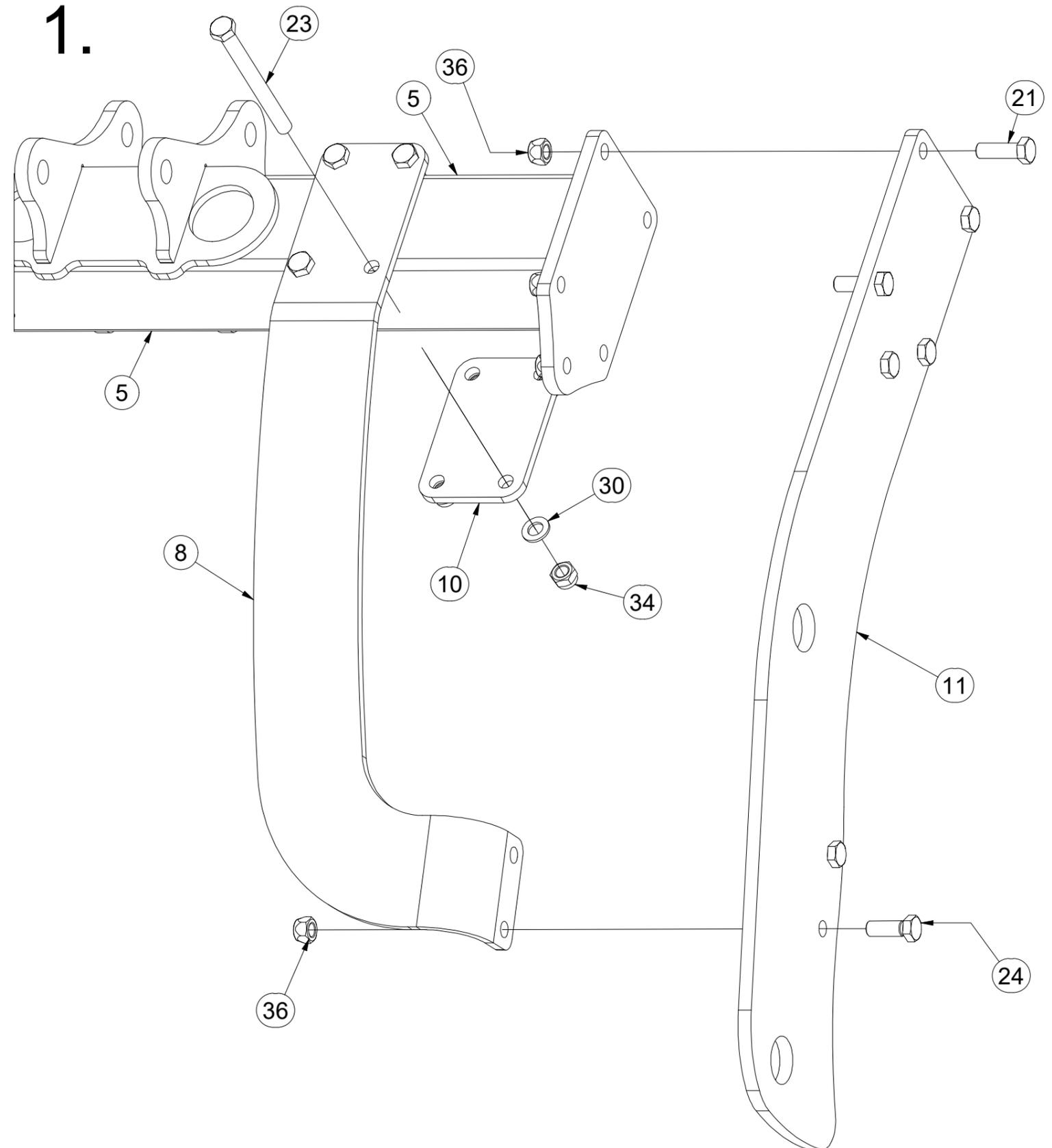
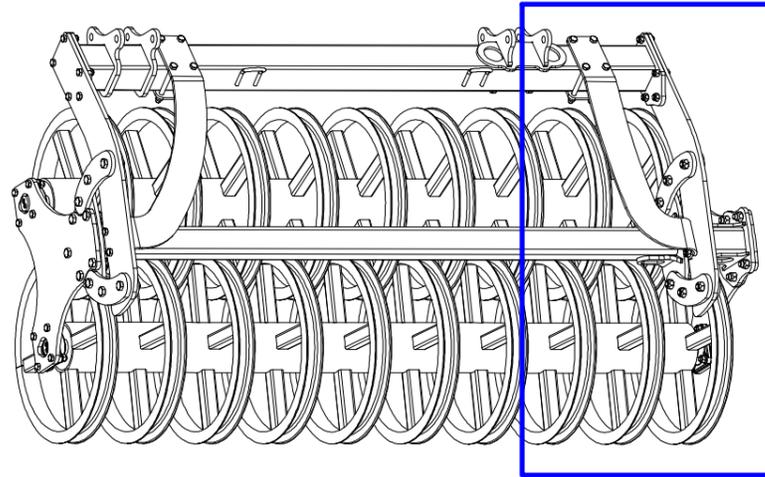
| Pos. | Part Number | Pcs. |
|------|-------------|------|
| 9    | 4026574     | 8    |
| 14   | 4026582     | 8    |
| 15   | 4026394     | 12   |
| 26   | m17009      | 12   |
| 35   | m11169      | 22   |

CZ SADA ZADNÍCH VÁLCŮ  
 D SATZ HINTERE WALZEN  
 F KIT DE ROULEAUX ARRIÈRE

GB SET OF REAR ROLLERS  
 RU КОМПЛЕКТ ЗАДНИХ КАТКОВ  
 PL ZESTAW TYLNYCH WAŁÓW



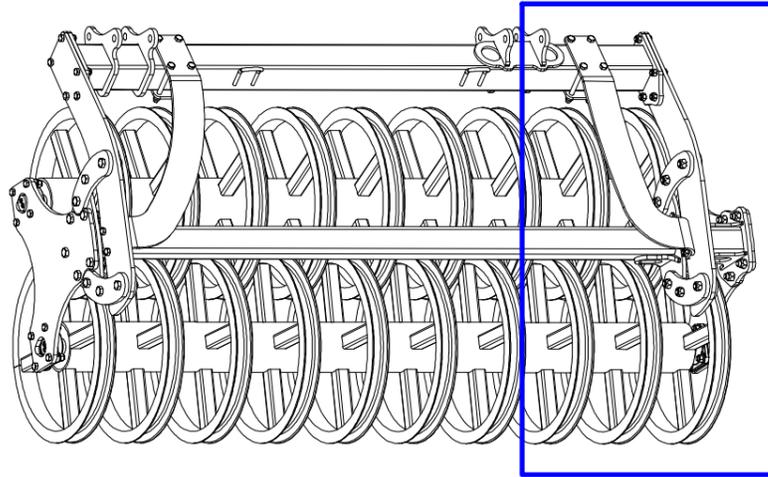
**VZ00025744**



| Pos. | Part Number | Pcs. |
|------|-------------|------|
| 5    | VZ00003845  | 1    |
| 8    | VZ00000342  | 1    |
| 10   | 4026262     | 2    |
| 11   | 4026265     | 2    |
| 21   | m10849      | 10   |
| 23   | m13041      | 8    |
| 24   | m13647      | 4    |
| 30   | m01219      | 8    |
| 34   | m03683      | 8    |
| 36   | m13846      | 14   |

- Ⓒ SADA ZADNÍCH VÁLCŮ
- Ⓓ SATZ HINTERE WALZEN
- Ⓕ KIT DE ROULEAUX ARRIÈRE

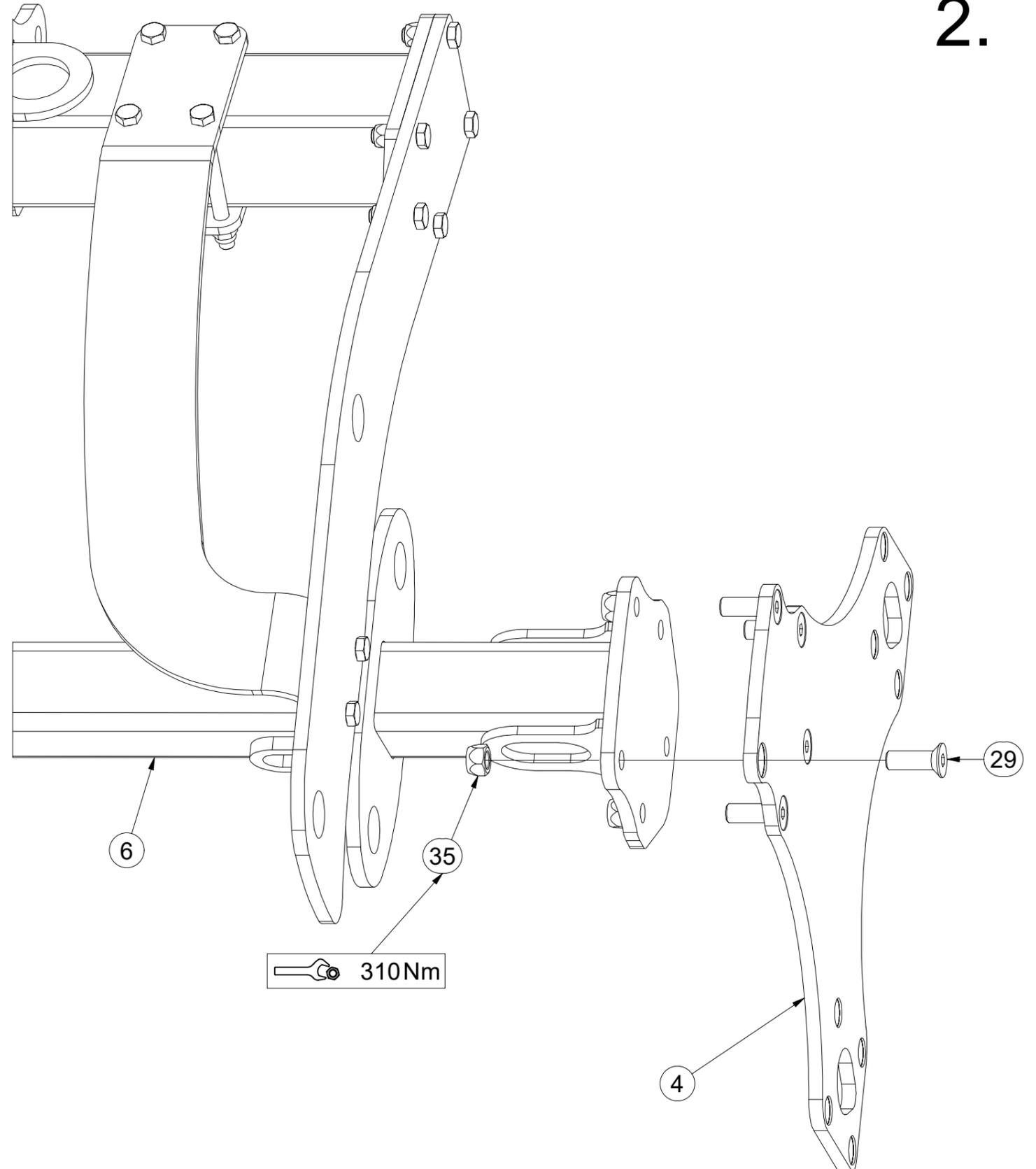
**VZ00025744**



- Ⓖ SET OF REAR ROLLERS
- Ⓡ КОМПЛЕКТ ЗАДНИХ КАТКОВ
- Ⓟ ZESTAW TYLNYCH WAŁÓW



2.



| Pos. | Part Number | Pcs. |
|------|-------------|------|
| 4    | 3013006     | 1    |
| 6    | VZ00000160  | 1    |
| 29   | m16919      | 5    |
| 35   | m11169      | 22   |



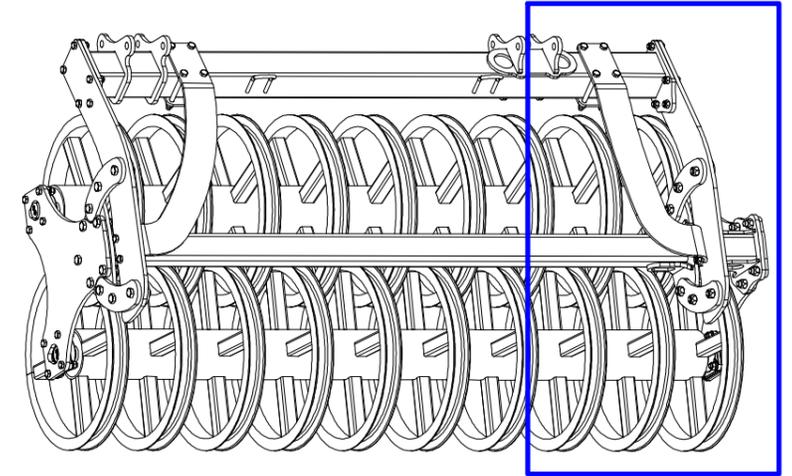
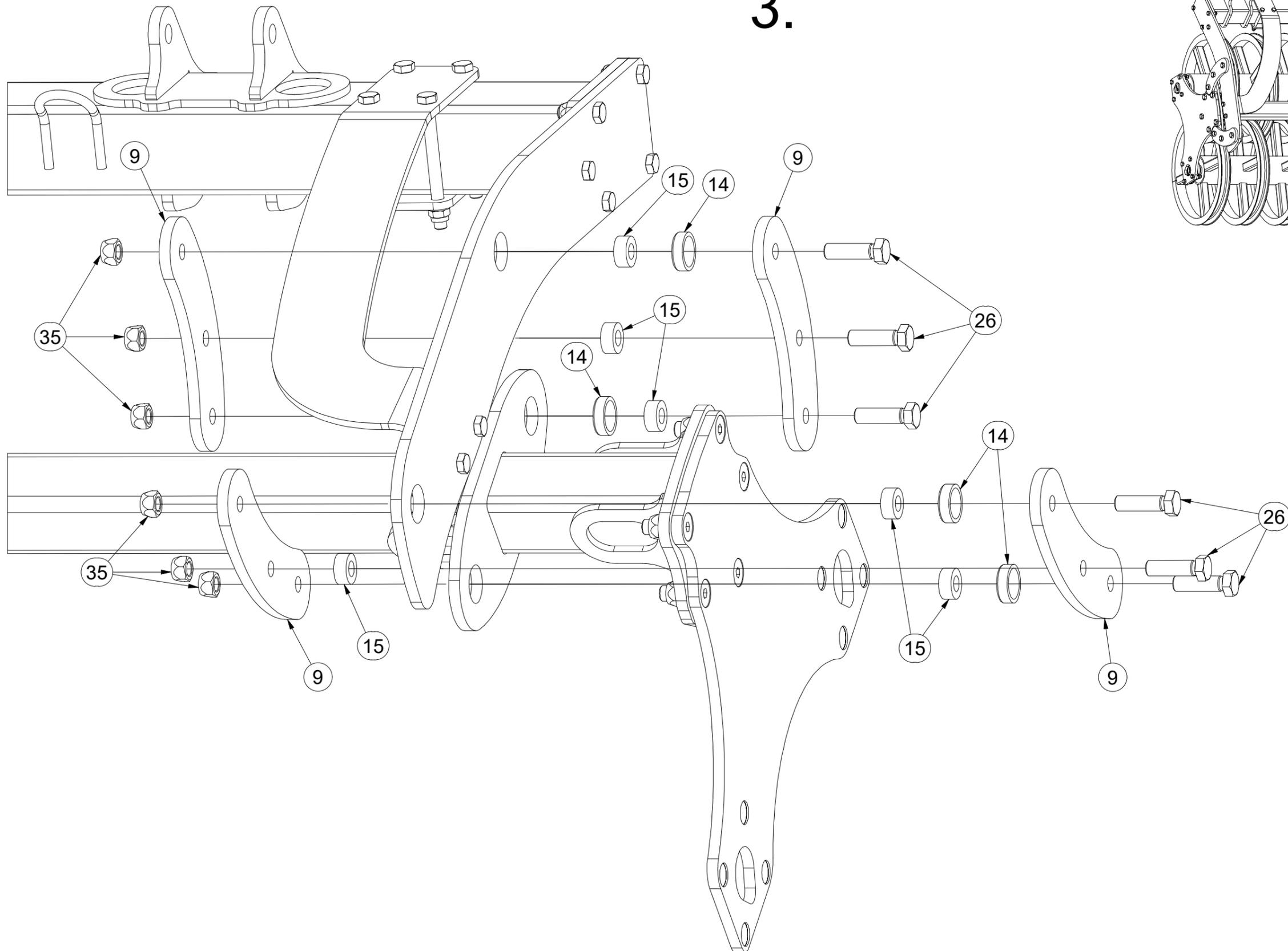
CZ SADA ZADNÍCH VÁLČŮ  
 D SATZ HINTERE WALZEN  
 F KIT DE ROULEAUX ARRIÈRE

GB SET OF REAR ROLLERS  
 RU КОМПЛЕКТ ЗАДНИХ КАТКОВ  
 PL ZESTAW TYLNYCH WAŁÓW



**VZ00025744**

**3.**



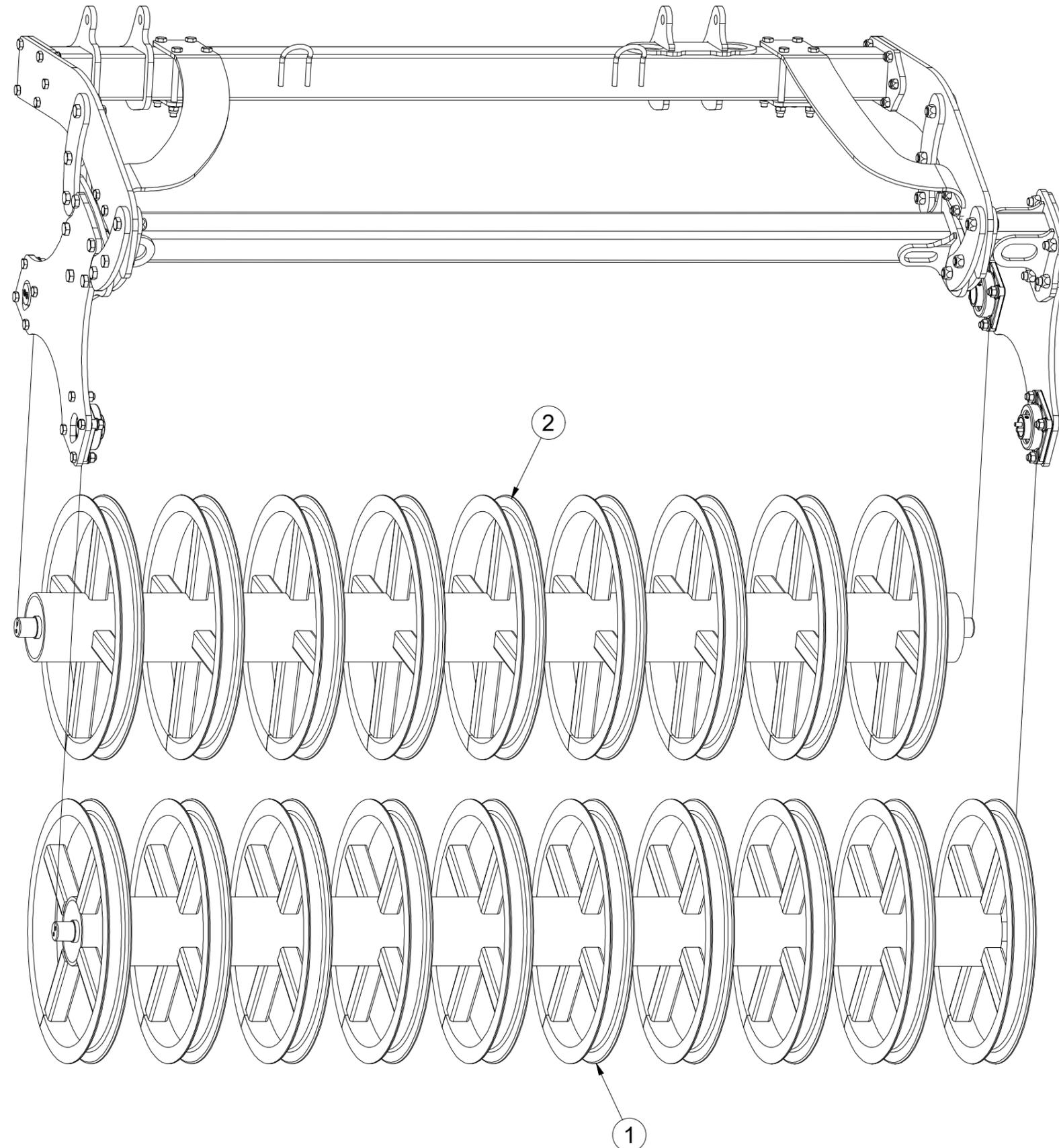
| Pos. | Part Number | Pcs. |
|------|-------------|------|
| 9    | 4026574     | 8    |
| 14   | 4026582     | 8    |
| 15   | 4026394     | 12   |
| 26   | m17009      | 12   |
| 35   | m11169      | 22   |

- Ⓒ SADA ZADNÍCH VÁLCŮ
- Ⓓ SATZ HINTERE WALZEN
- Ⓕ KIT DE ROULEAUX ARRIÈRE

- Ⓖ SET OF REAR ROLLERS
- Ⓡ КОМПЛЕКТ ЗАДНИХ КАТКОВ
- Ⓟ ZESTAW TYLNYCH WAŁÓW



**VZ00025744**



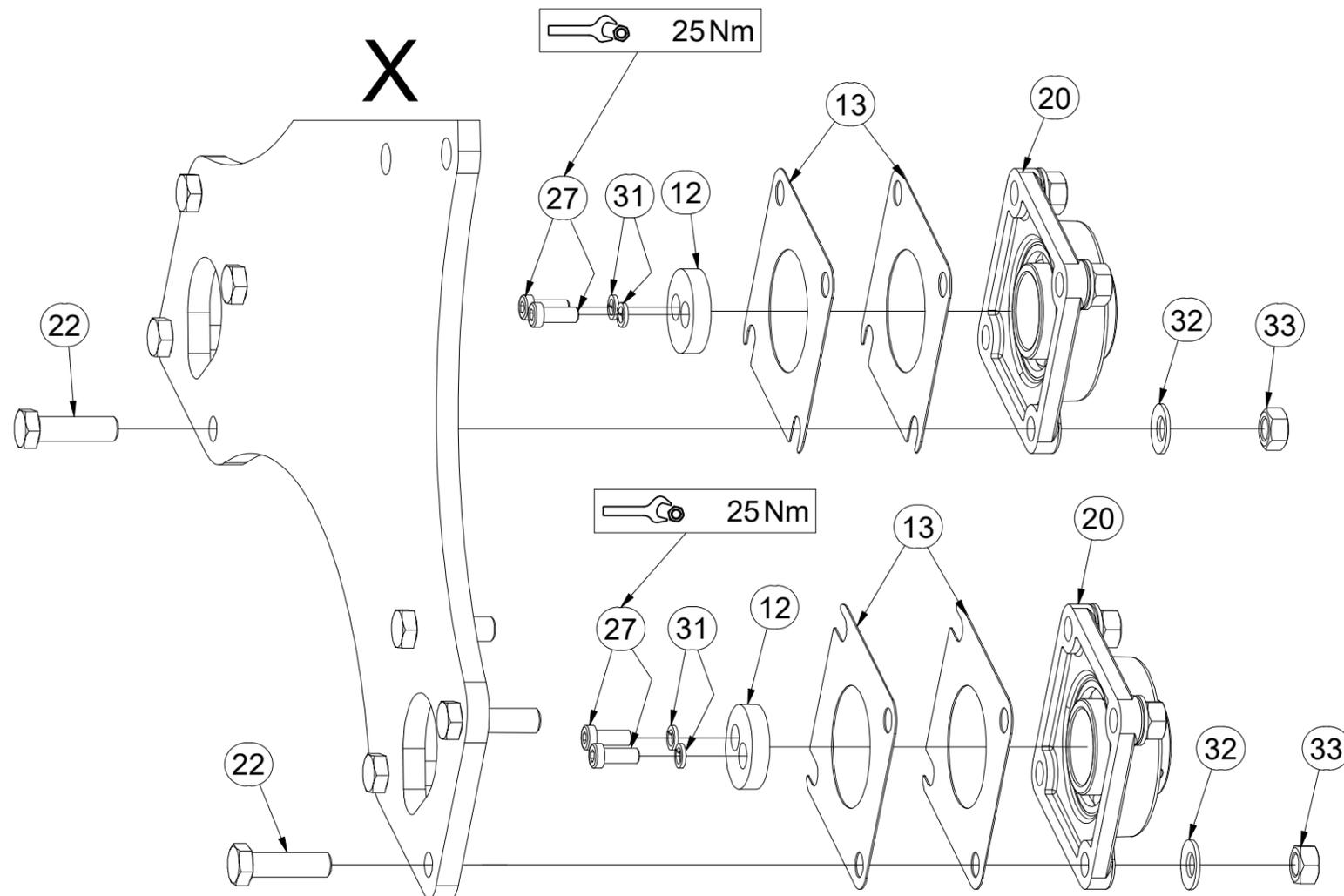
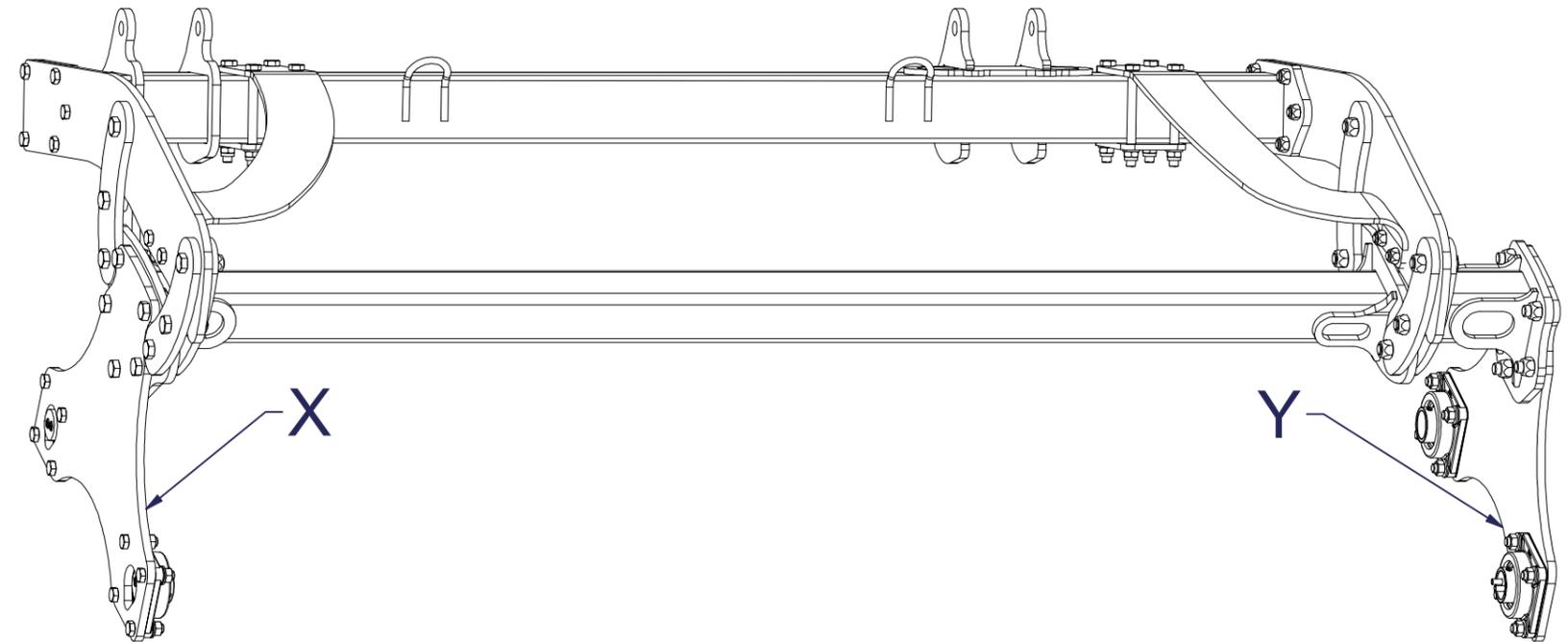
| Pos. | Part Number | Pcs. |
|------|-------------|------|
| 1    | VZ00002783  | 1    |
| 2    | VZ00002786  | 1    |

- ⒸZ SADA ZADNÍCH VÁLČŮ
- Ⓓ SATZ HINTERE WALZEN
- Ⓕ KIT DE ROULEAUX ARRIÈRE

- ⒼB SET OF REAR ROLLERS
- ⒶR КОМПЛЕКТ ЗАДНИХ КАТКОВ
- ⒶL ZESTAW TYLNYCH WAŁÓW



**VZ00025744**



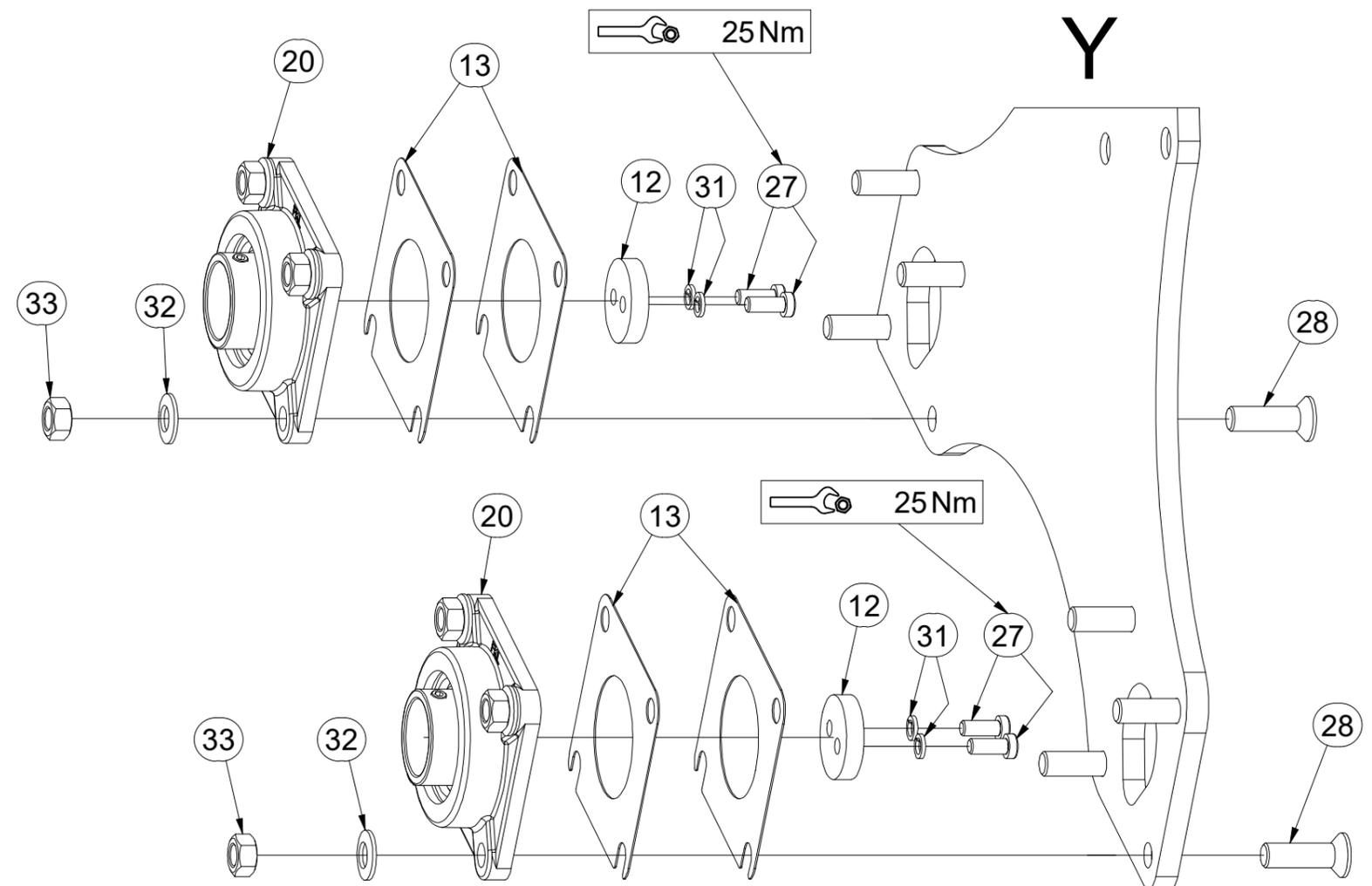
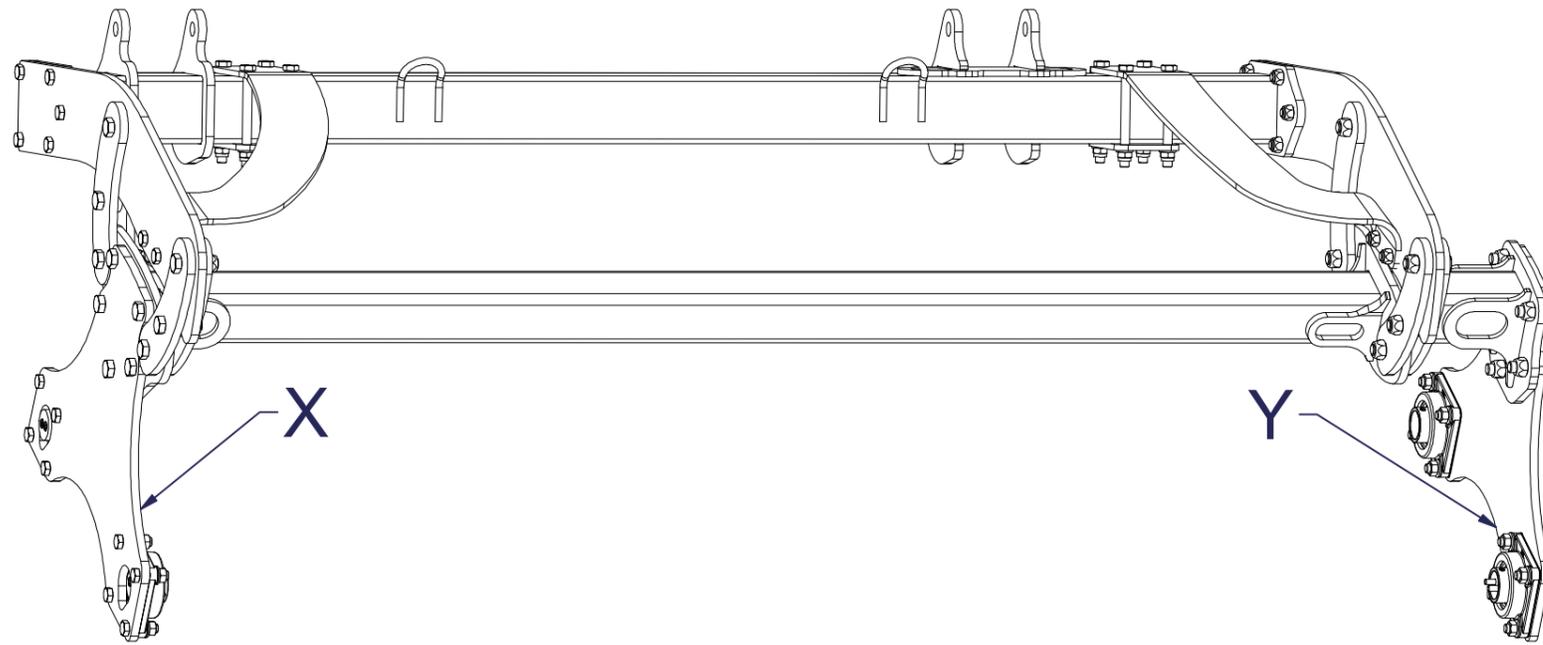
| Pos. | Part Number | Pcs. |
|------|-------------|------|
| 12   | 4017124     | 4    |
| 13   | VZ00034112  | 8    |
| 20   | m21967      | 4    |
| 22   | m11724      | 8    |
| 27   | m17638      | 8    |
| 31   | m01208      | 8    |
| 32   | m17584      | 16   |
| 33   | m01306      | 16   |

- Ⓒ SADA ZADNÍCH VÁLCŮ
- Ⓓ SATZ HINTERE WALZEN
- Ⓕ KIT DE ROULEAUX ARRIÈRE

- Ⓖ SET OF REAR ROLLERS
- Ⓡ КОМПЛЕКТ ЗАДНИХ КАТКОВ
- Ⓟ ZESTAW TYLNYCH WAŁÓW



**VZ00025744**



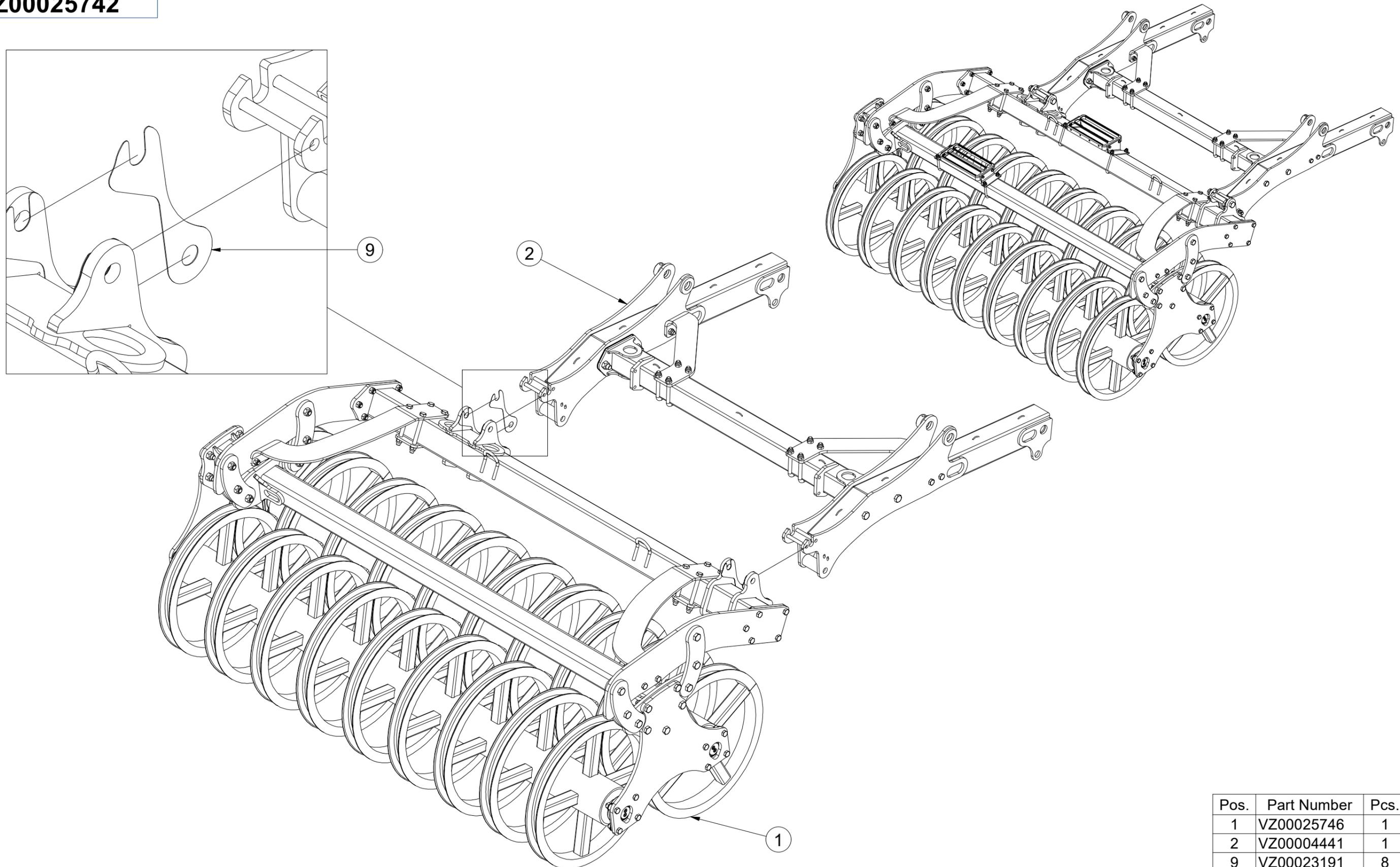
| Pos. | Part Number | Pcs. |
|------|-------------|------|
| 12   | 4017124     | 4    |
| 13   | VZ00034112  | 8    |
| 20   | m21967      | 4    |
| 27   | m17638      | 8    |
| 28   | m15813      | 8    |
| 31   | m01208      | 8    |
| 32   | m17584      | 16   |
| 33   | m01306      | 16   |

CZ SADA ZADNÍCH VÁLCŮ  
 D SATZ HINTERE WALZEN  
 F KIT DE ROULEAUX ARRIÈRE

GB SET OF REAR ROLLERS  
 RU КОМПЛЕКТ ЗАДНИХ КАТКОВ  
 PL ZESTAW TYLNYCH WAŁÓW



**VZ00025742**



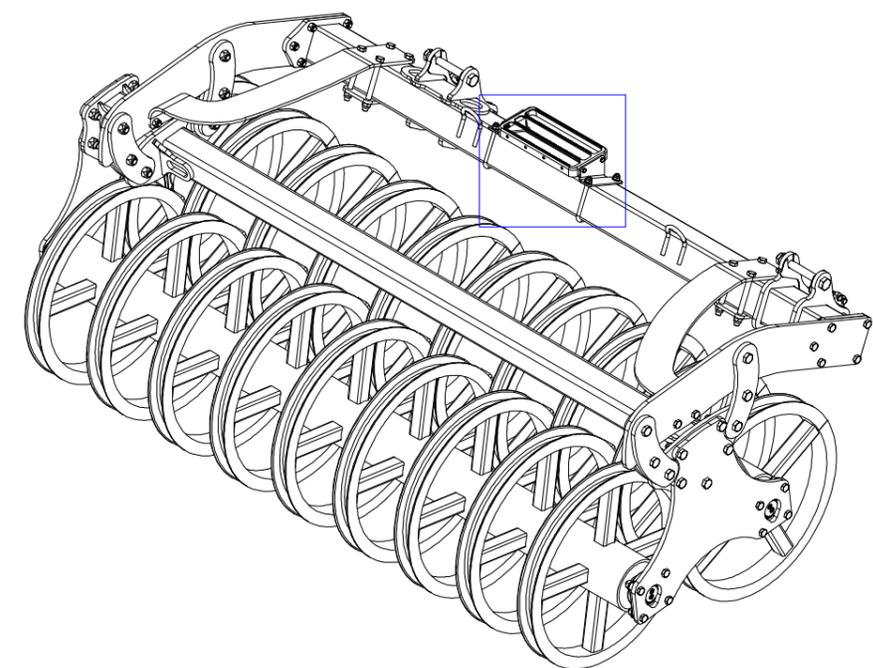
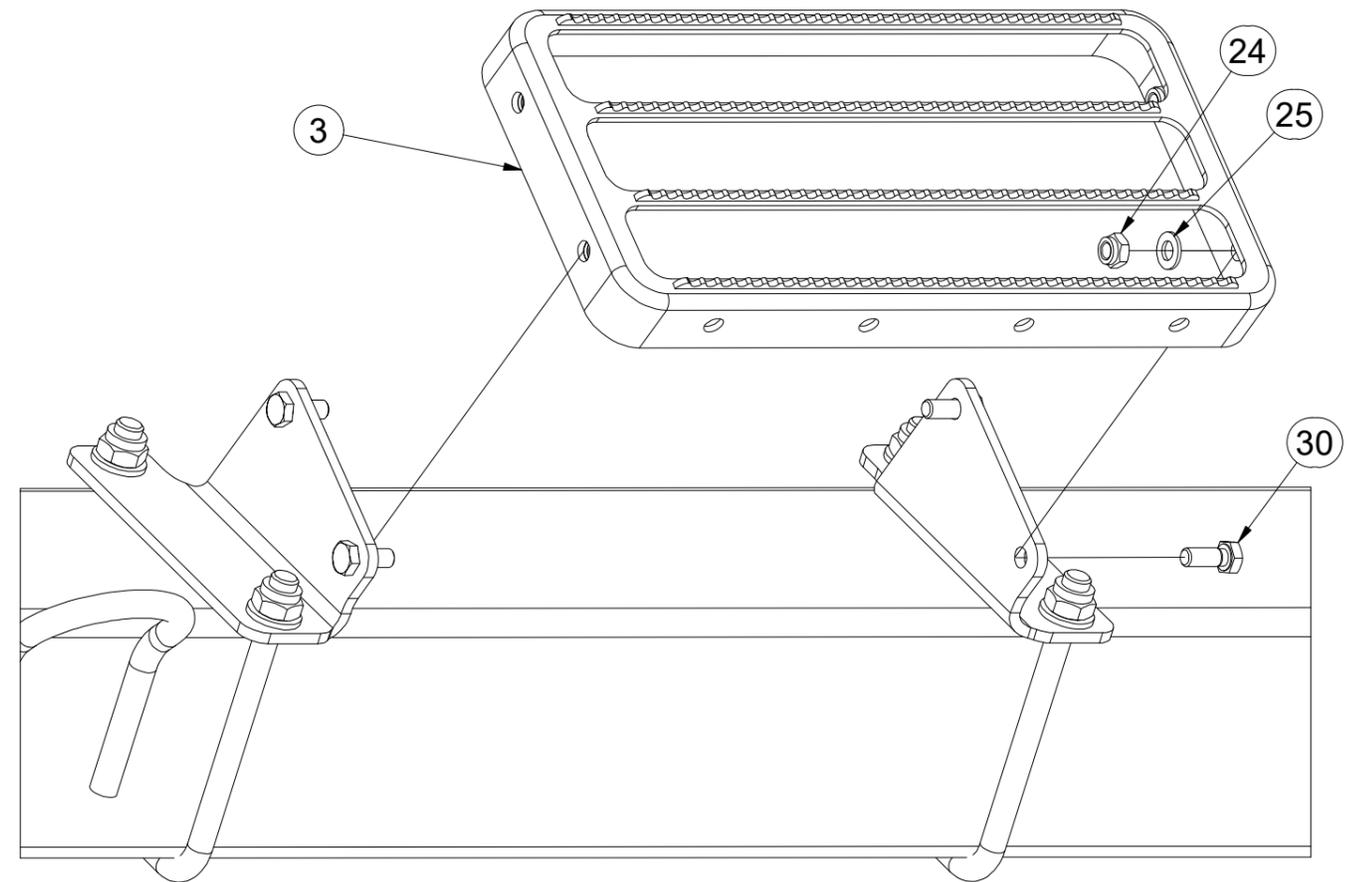
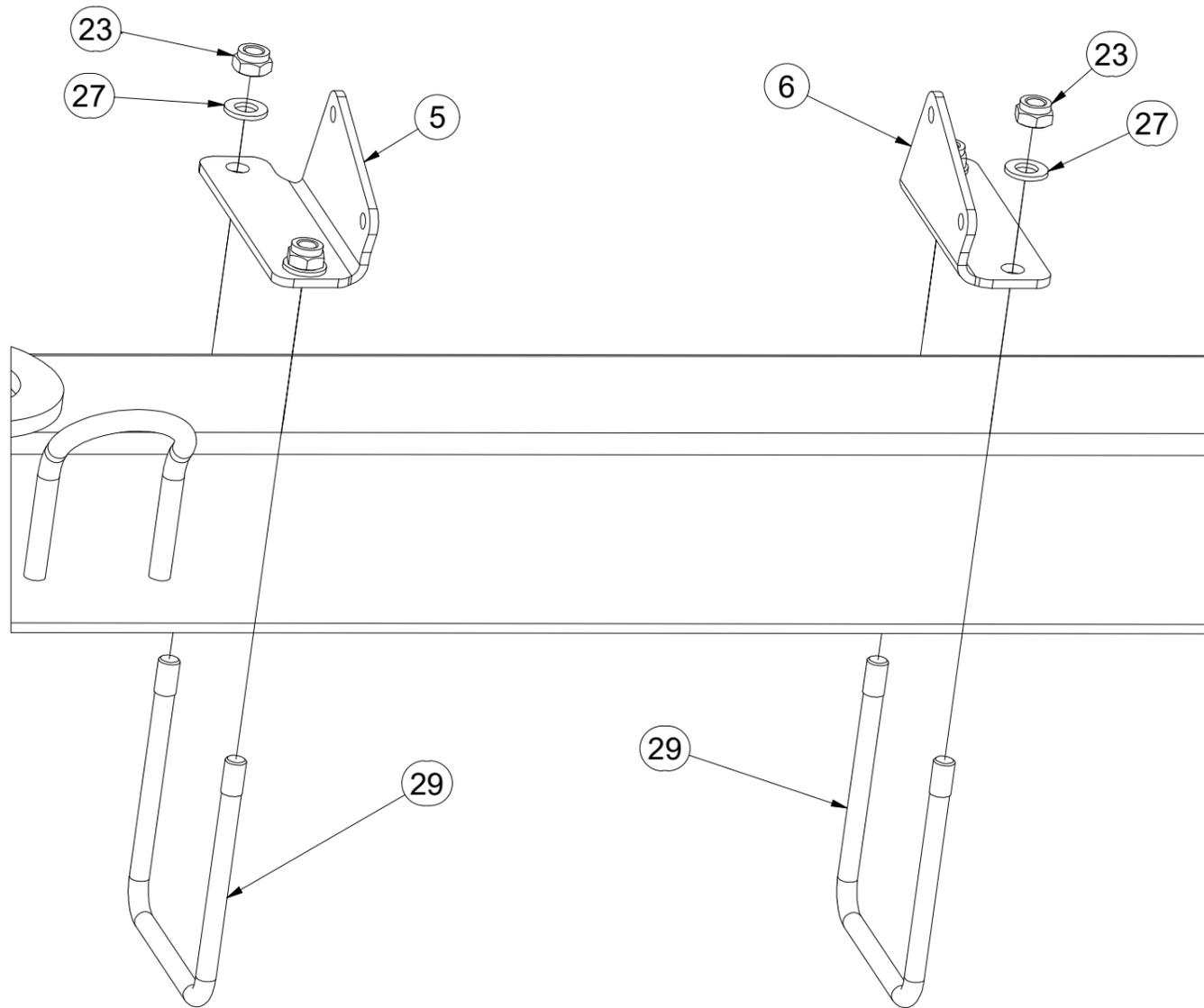
| Pos. | Part Number | Pcs. |
|------|-------------|------|
| 1    | VZ00025746  | 1    |
| 2    | VZ00004441  | 1    |
| 9    | VZ00023191  | 8    |

CZ SADA ZADNÍCH VÁLCŮ  
 D SATZ HINTERE WALZEN  
 F KIT DE ROULEAUX ARRIÈRE

GB SET OF REAR ROLLERS  
 RU КОМПЛЕКТ ЗАДНИХ КАТКОВ  
 PL ZESTAW TYLNYCH WAŁÓW



**VZ00025742**



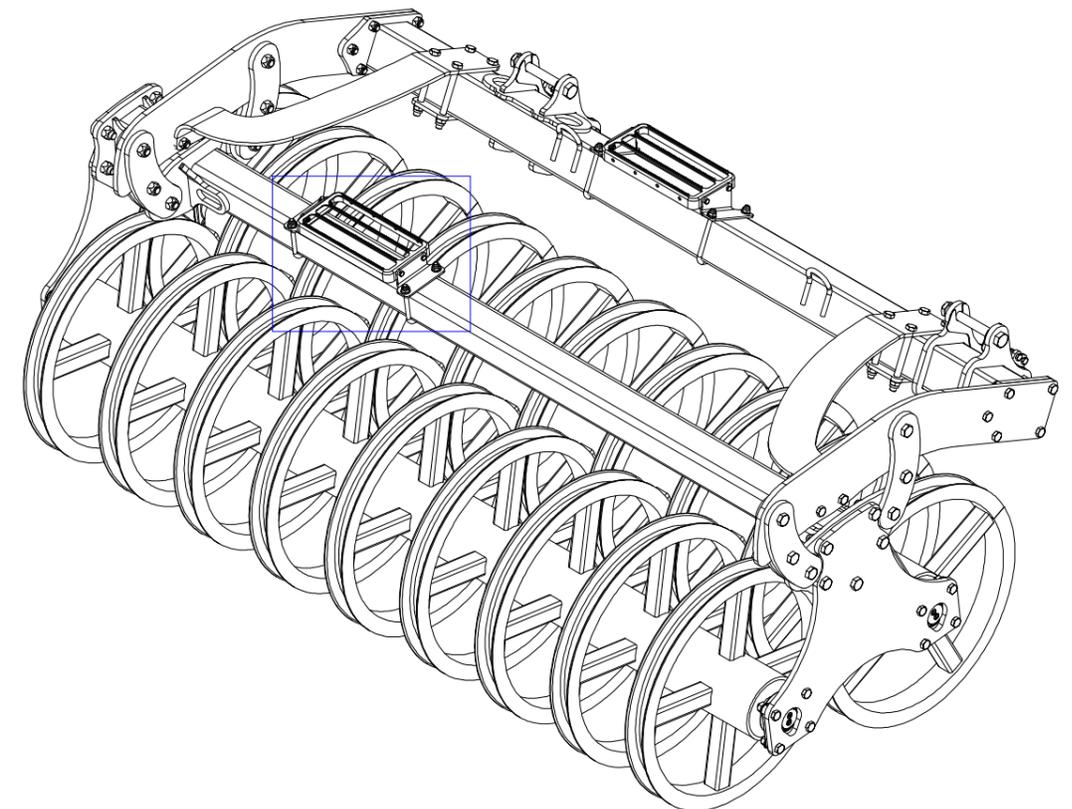
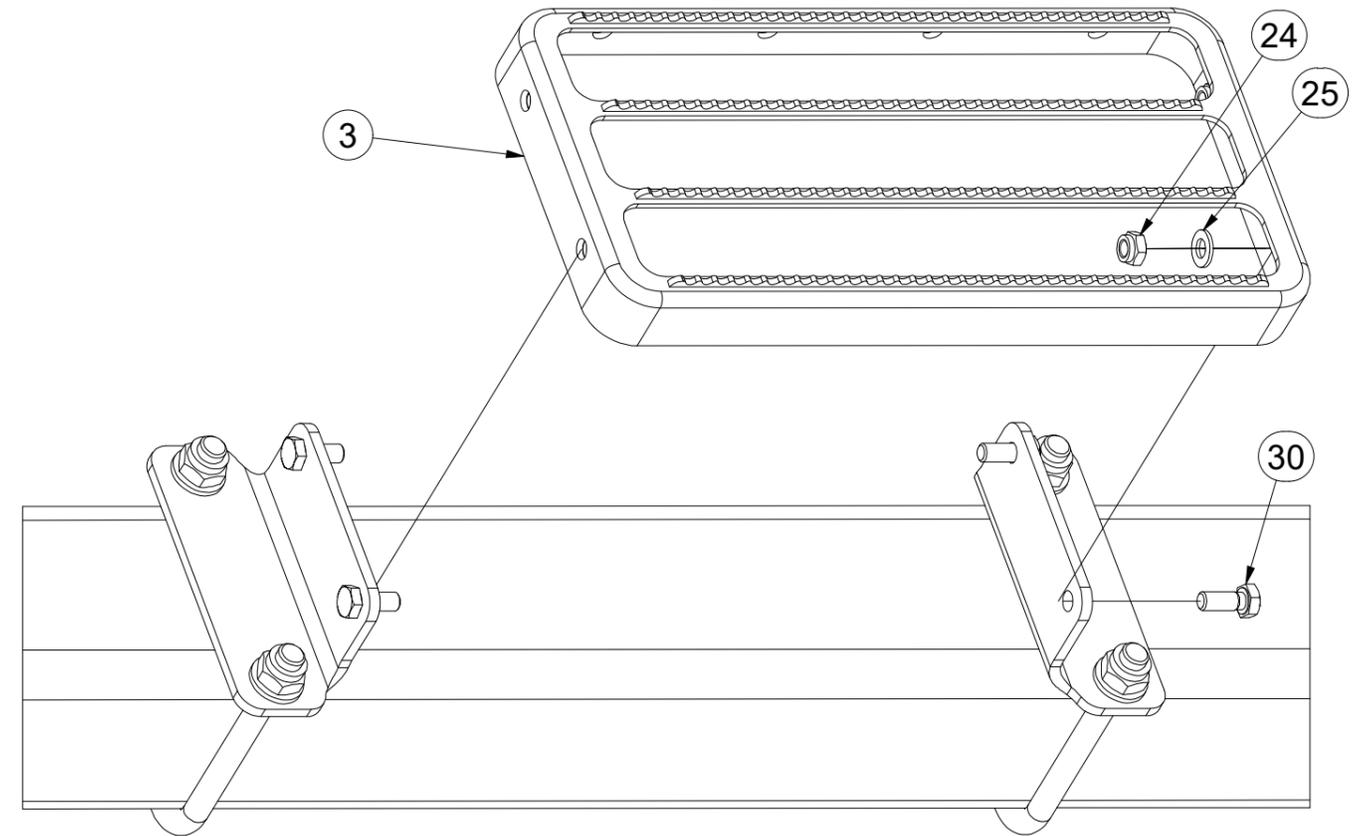
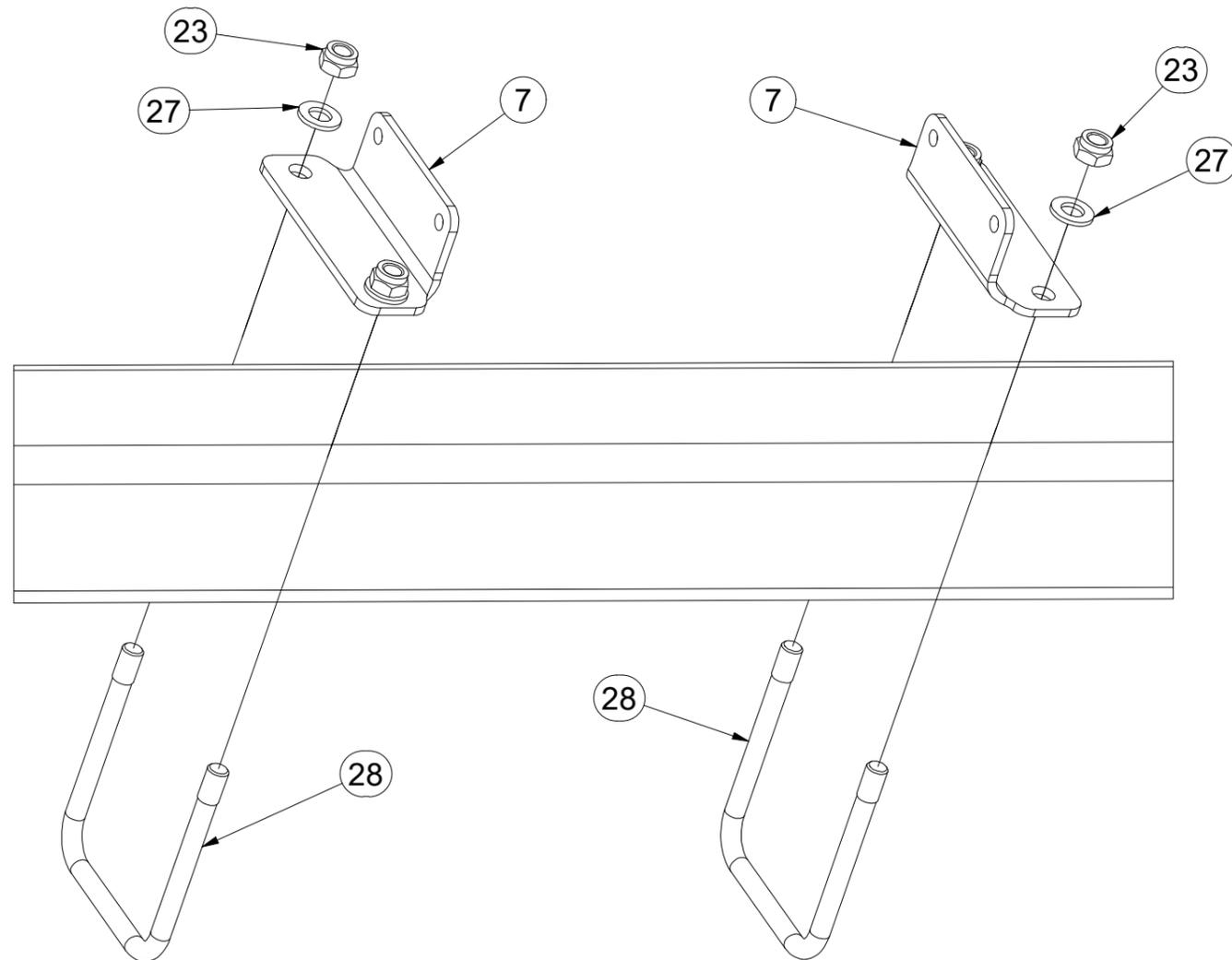
| Pos. | Part Number | Pcs. |
|------|-------------|------|
| 3    | VZ00003189  | 2    |
| 5    | VZ00014329  | 1    |
| 6    | VZ00014330  | 1    |
| 23   | m04301      | 8    |
| 24   | m04503      | 8    |
| 25   | m01203      | 8    |
| 27   | m01214      | 8    |
| 29   | m10096      | 2    |
| 30   | m01089      | 8    |

- Ⓒ SADA ZADNÍCH VÁLCŮ
- Ⓓ SATZ HINTERE WALZEN
- Ⓕ KIT DE ROULEAUX ARRIÈRE

- Ⓖ SET OF REAR ROLLERS
- Ⓡ КОМПЛЕКТ ЗАДНИХ КАТКОВ
- Ⓟ ZESTAW TYLNYCH WAŁÓW



**VZ00025742**



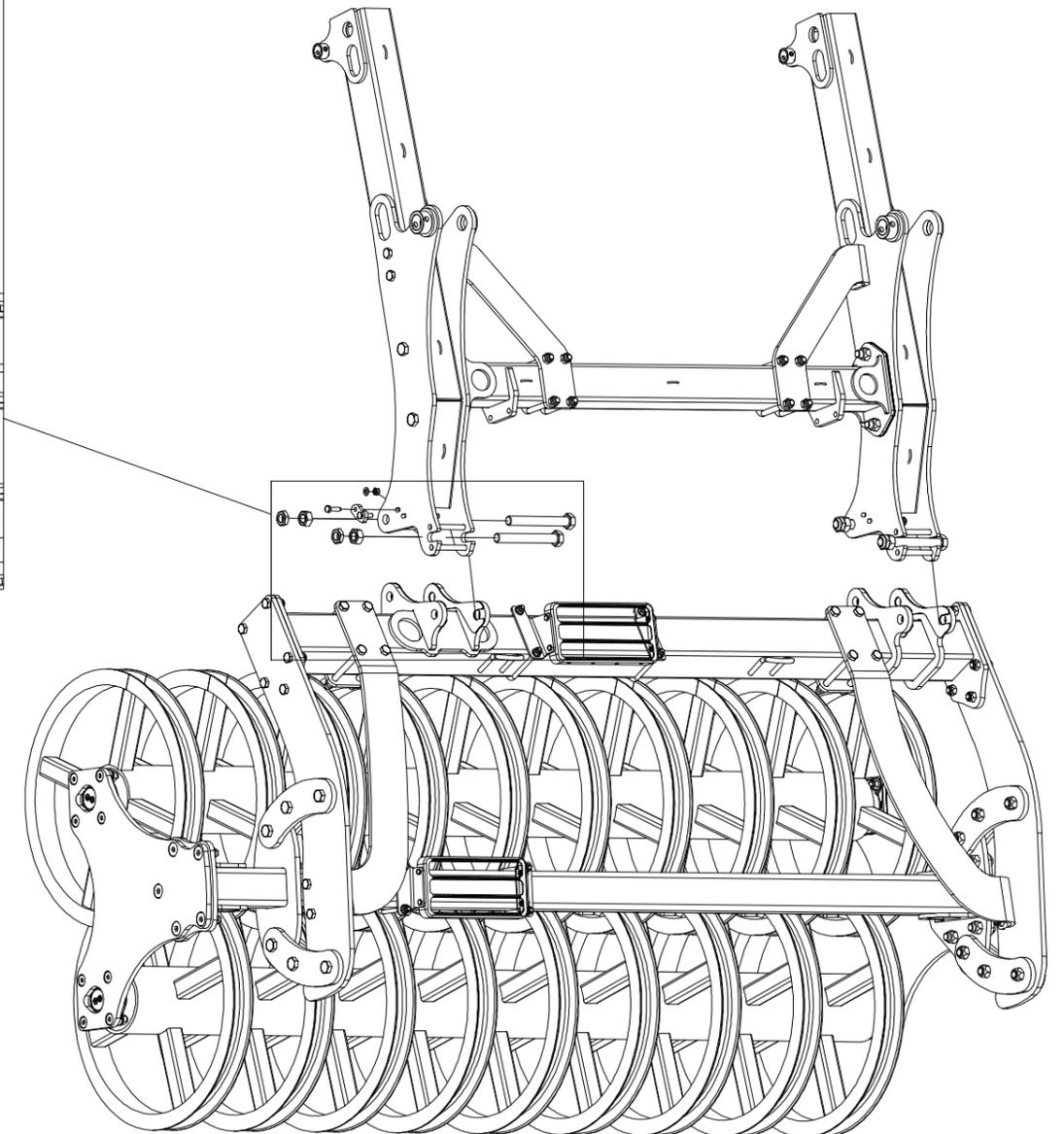
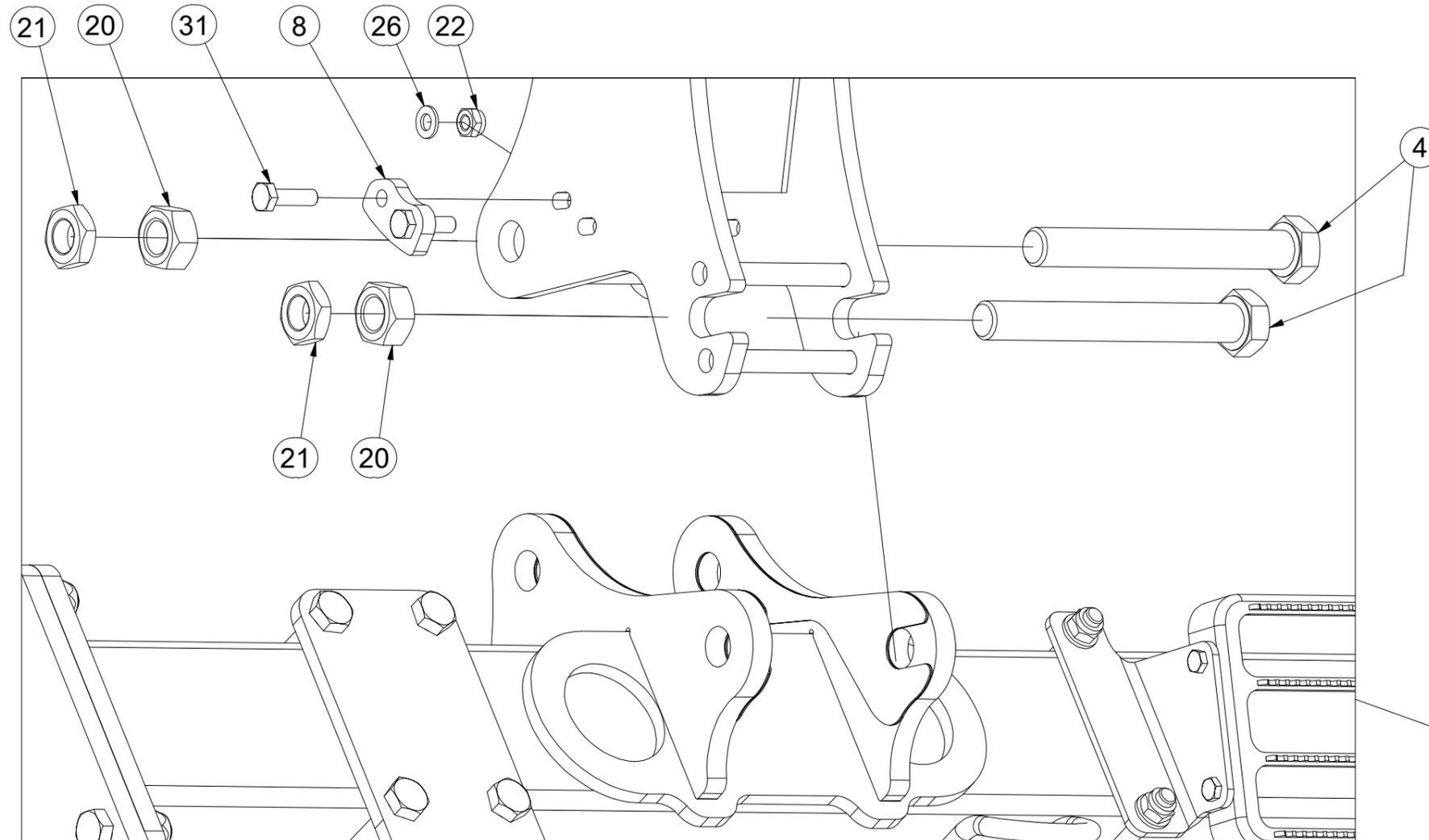
| Pos. | Part Number | Pcs. |
|------|-------------|------|
| 3    | VZ00003189  | 2    |
| 7    | VZ00014324  | 2    |
| 23   | m04301      | 8    |
| 24   | m04503      | 8    |
| 25   | m01203      | 8    |
| 27   | m01214      | 8    |
| 28   | m10074      | 2    |
| 30   | m01089      | 8    |

CZ SADA ZADNÍCH VÁLCŮ  
 D SATZ HINTERE WALZEN  
 F KIT DE ROULEAUX ARRIÈRE

GB SET OF REAR ROLLERS  
 RU КОМПЛЕКТ ЗАДНИХ КАТКОВ  
 PL ZESTAW TYLNYCH WAŁÓW



**VZ00025742**



| Pos. | Part Number | Pcs. |
|------|-------------|------|
| 4    | VZ00009587  | 4    |
| 8    | 4020300     | 2    |
| 20   | m01308      | 4    |
| 21   | m20916      | 4    |
| 22   | m03775      | 4    |
| 26   | m01209      | 4    |
| 31   | m04613      | 4    |



ⒸZ SADA ZADNÍCH VÁLCŮ

Ⓓ SATZ HINTERE WALZEN

Ⓕ KIT DE ROULEAUX ARRIÈRE

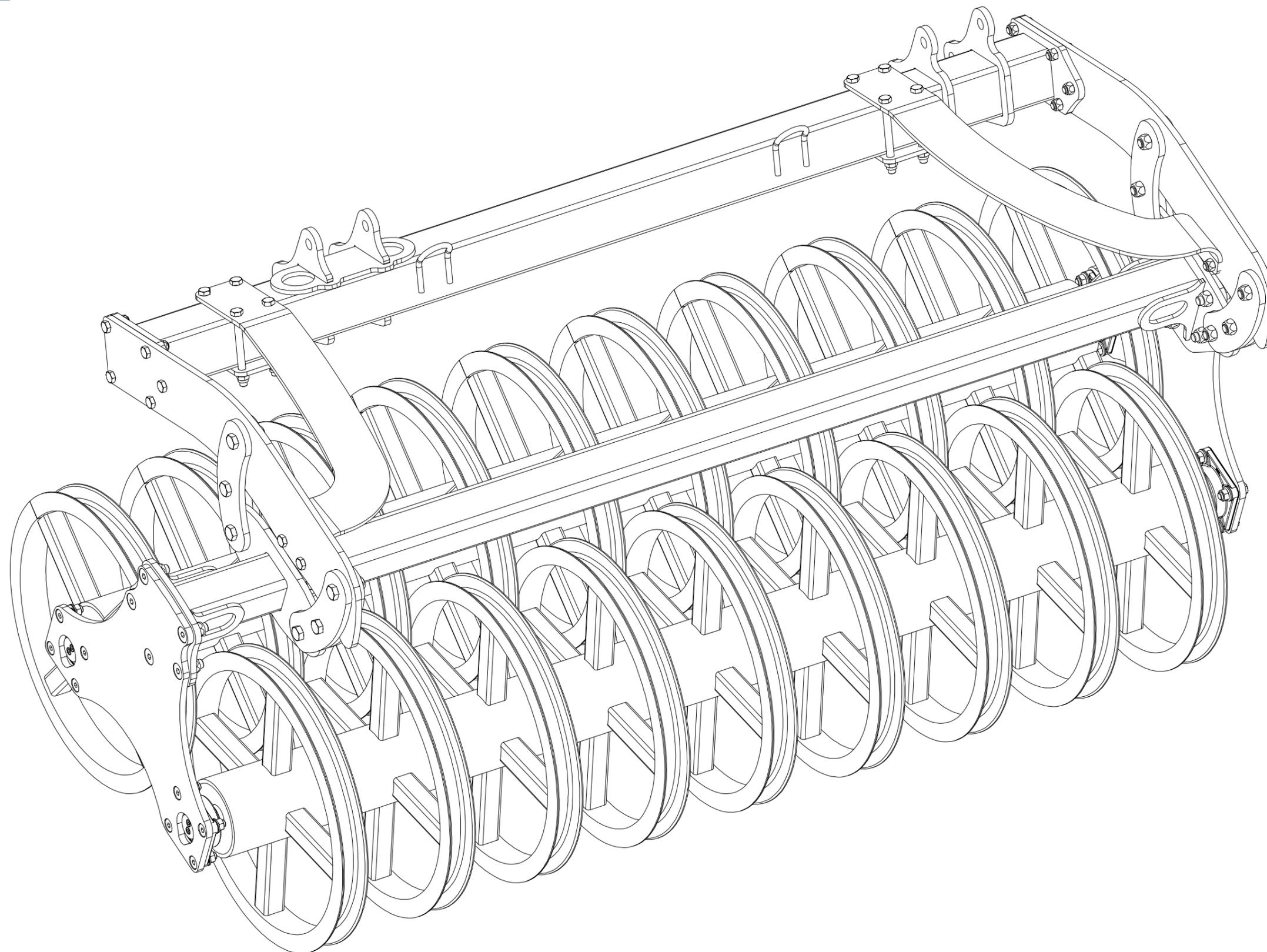
**VZ00025746**

ⒸGB SET OF REAR ROLLERS

ⒸRU КОМПЛЕКТ ЗАДНИХ КАТКОВ

ⒸPL ZESTAW TYLNYCH WAŁÓW

**Farmet**



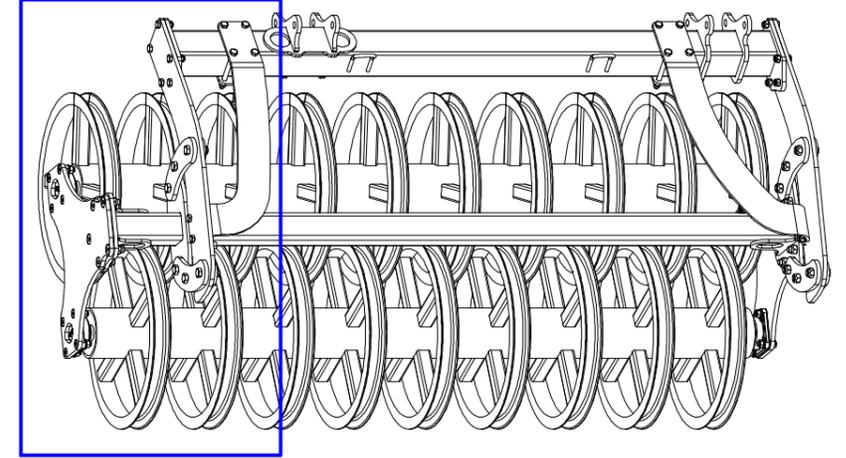
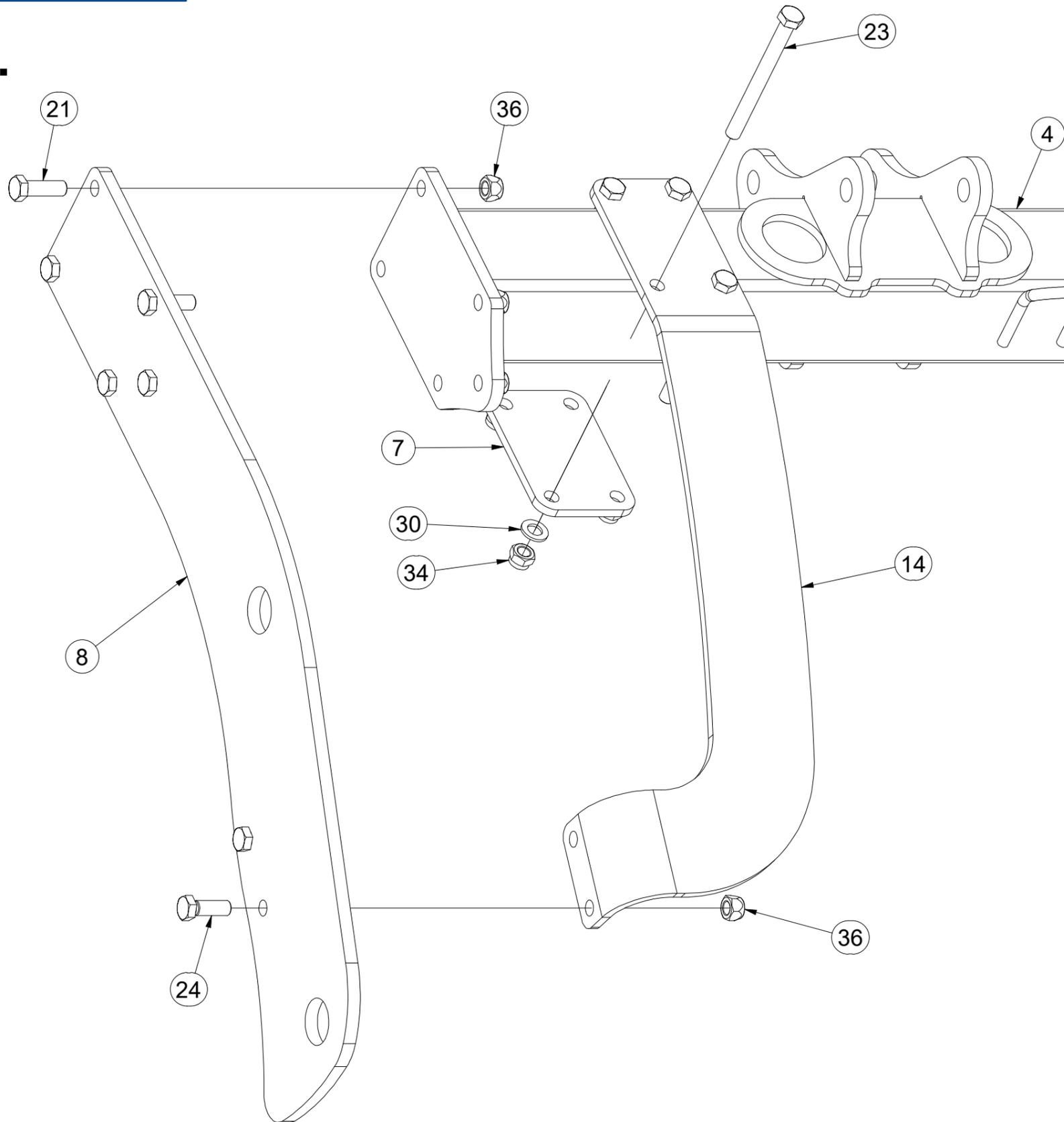
CZ SADA ZADNÍCH VÁLČŮ  
 D SATZ HINTERE WALZEN  
 F KIT DE ROULEAUX ARRIÈRE

GB SET OF REAR ROLLERS  
 RU КОМПЛЕКТ ЗАДНИХ КАТКОВ  
 PL ZESTAW TYLNYCH WAŁÓW



**VZ00025746**

1.



| Pos. | Part Number | Pcs. |
|------|-------------|------|
| 3    | VZ00000160  | 1    |
| 4    | VZ00003848  | 1    |
| 7    | 4026262     | 2    |
| 8    | 4026265     | 2    |
| 14   | VZ00000340  | 1    |
| 21   | m10849      | 10   |
| 23   | m13041      | 8    |
| 24   | m13647      | 4    |
| 30   | m01219      | 8    |
| 34   | m03683      | 8    |
| 36   | m13846      | 14   |

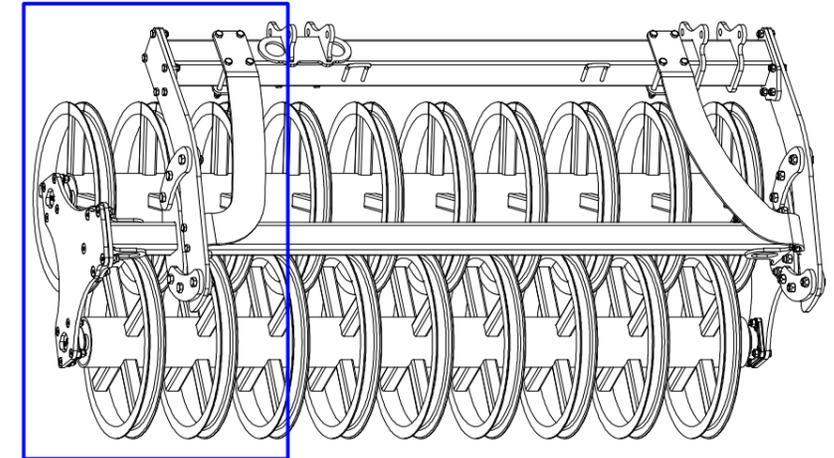
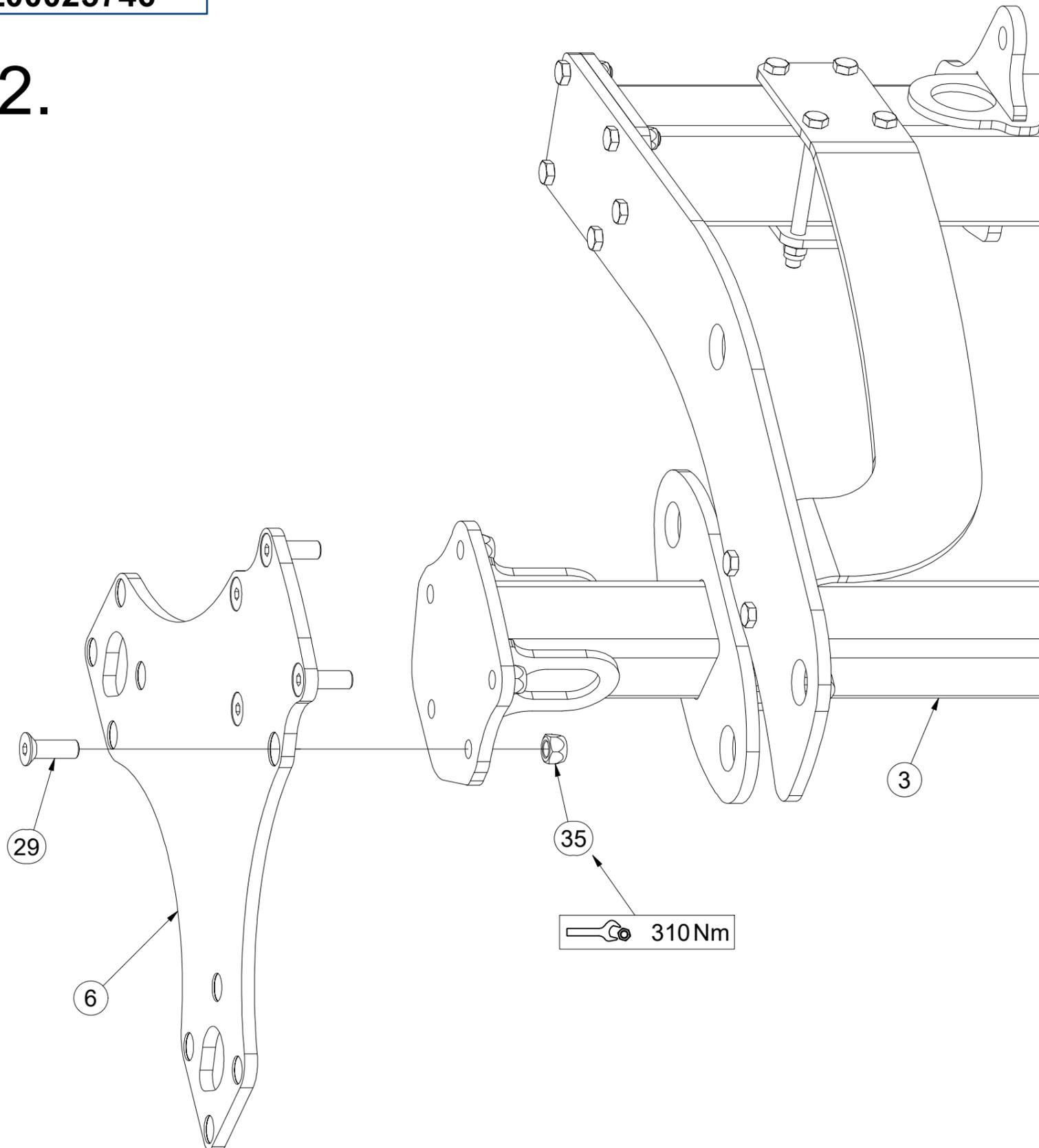
- Ⓒ SADA ZADNÍCH VÁLČŮ
- Ⓓ SATZ HINTERE WALZEN
- Ⓕ KIT DE ROULEAUX ARRIÈRE

- Ⓖ SET OF REAR ROLLERS
- Ⓡ КОМПЛЕКТ ЗАДНИХ КАТКОВ
- Ⓟ ZESTAW TYLNYCH WAŁÓW



**VZ00025746**

2.



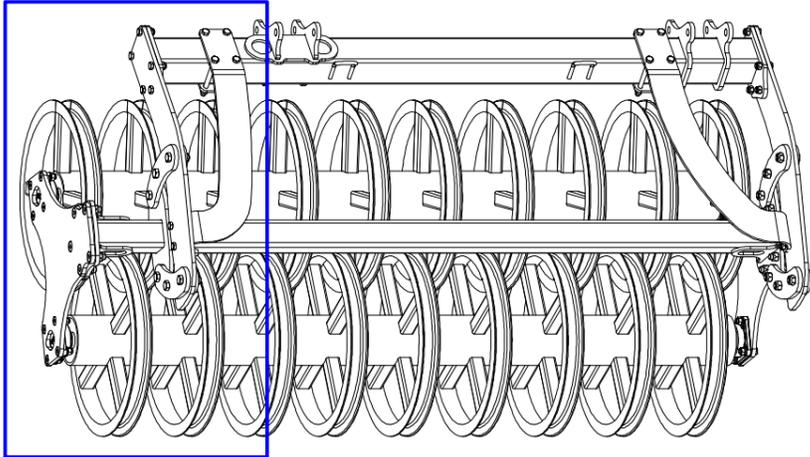
| Pos. | Part Number | Pcs. |
|------|-------------|------|
| 3    | VZ00000160  | 1    |
| 6    | 3013006     | 1    |
| 29   | m16919      | 5    |
| 35   | m11169      | 22   |

CZ SADA ZADNÍCH VÁLČŮ  
 D SATZ HINTERE WALZEN  
 F KIT DE ROULEAUX ARRIÈRE

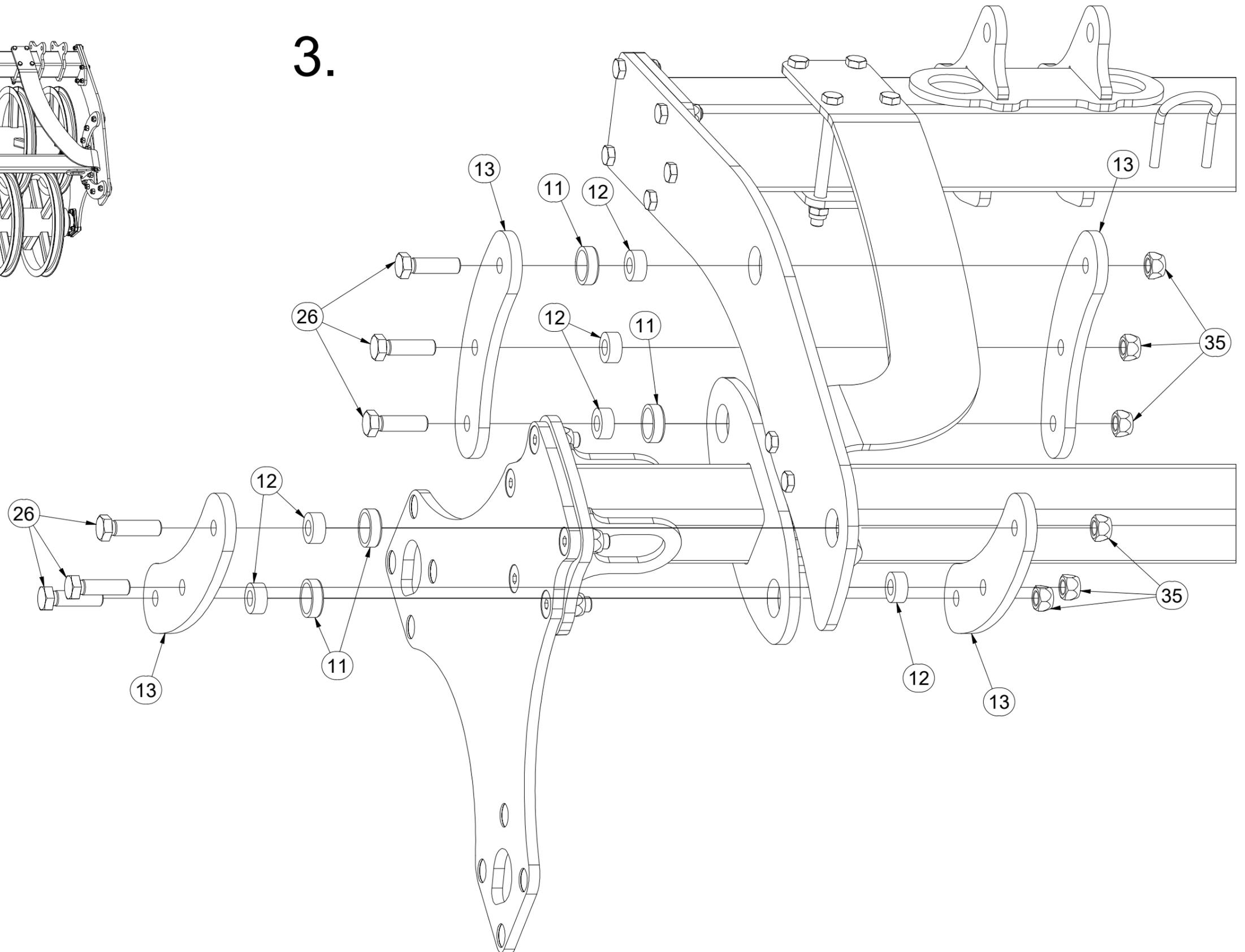
GB SET OF REAR ROLLERS  
 RU КОМПЛЕКТ ЗАДНИХ КАТКОВ  
 PL ZESTAW TYLNYCH WAŁÓW



**VZ00025746**



**3.**



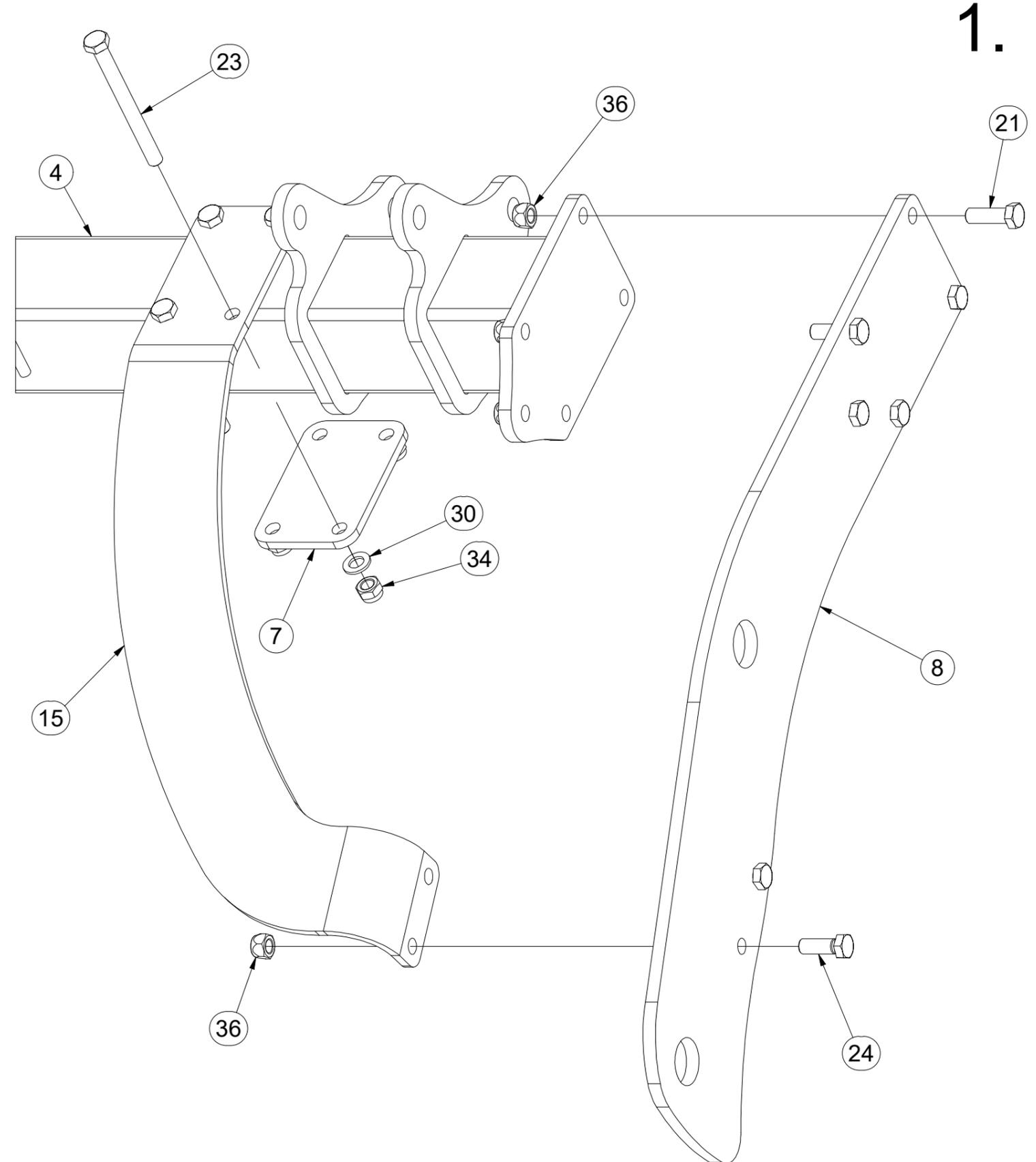
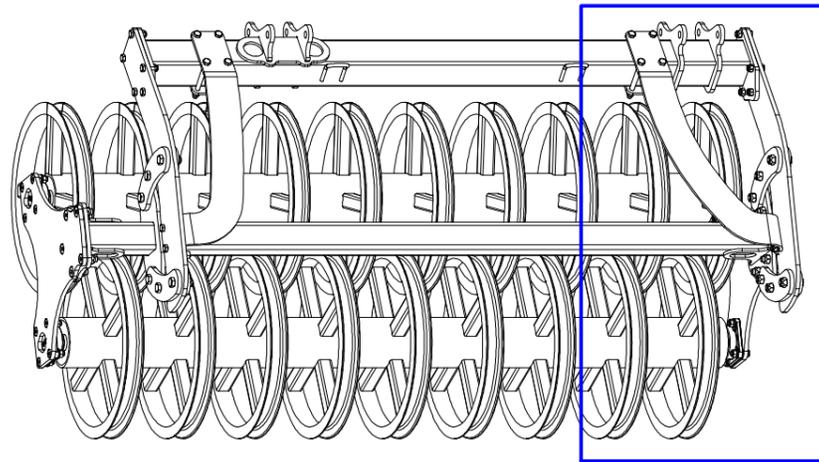
| Pos. | Part Number | Pcs. |
|------|-------------|------|
| 11   | 4026582     | 8    |
| 12   | 4026394     | 12   |
| 13   | 4026574     | 8    |
| 26   | m17009      | 12   |
| 35   | m11169      | 22   |

CZ SADA ZADNÍCH VÁLCŮ  
 D SATZ HINTERE WALZEN  
 F KIT DE ROULEAUX ARRIÈRE

GB SET OF REAR ROLLERS  
 RU КОМПЛЕКТ ЗАДНИХ КАТКОВ  
 PL ZESTAW TYLNYCH WAŁÓW



**VZ00025746**



1.

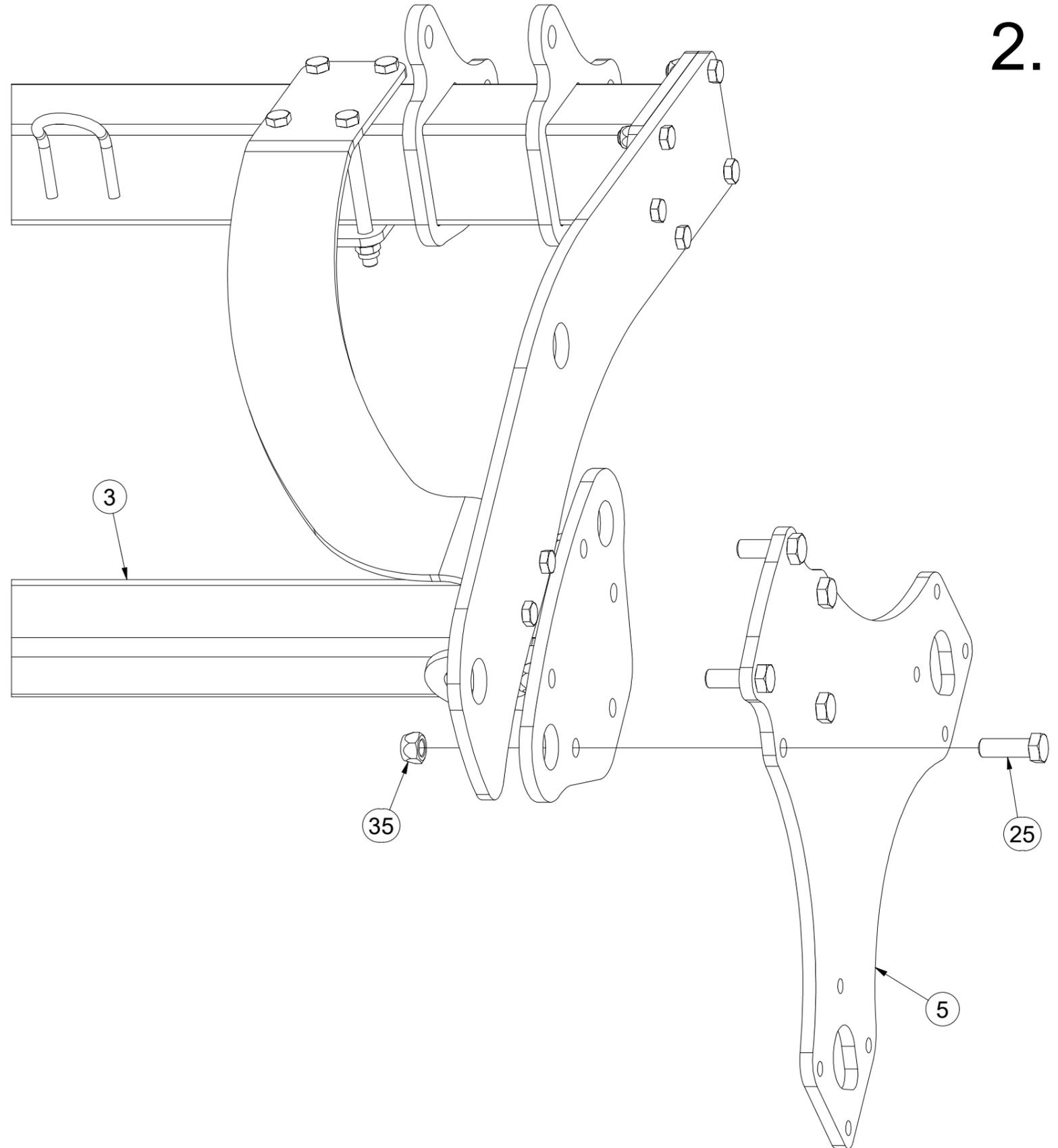
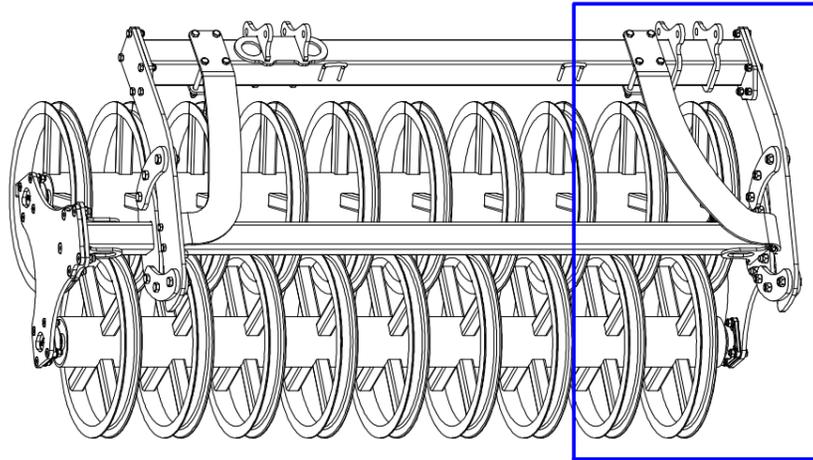
| Pos. | Part Number | Pcs. |
|------|-------------|------|
| 4    | VZ00003848  | 1    |
| 7    | 4026262     | 2    |
| 8    | 4026265     | 2    |
| 15   | VZ00000343  | 1    |
| 21   | m10849      | 10   |
| 23   | m13041      | 8    |
| 24   | m13647      | 4    |
| 30   | m01219      | 8    |
| 34   | m03683      | 8    |
| 36   | m13846      | 14   |

- Ⓒ SADA ZADNÍCH VÁLCŮ
- Ⓓ SATZ HINTERE WALZEN
- Ⓕ KIT DE ROULEAUX ARRIÈRE

- Ⓒ SET OF REAR ROLLERS
- Ⓓ КОМПЛЕКТ ЗАДНИХ КАТКОВ
- Ⓕ ZESTAW TYLNYCH WAŁÓW



**VZ00025746**



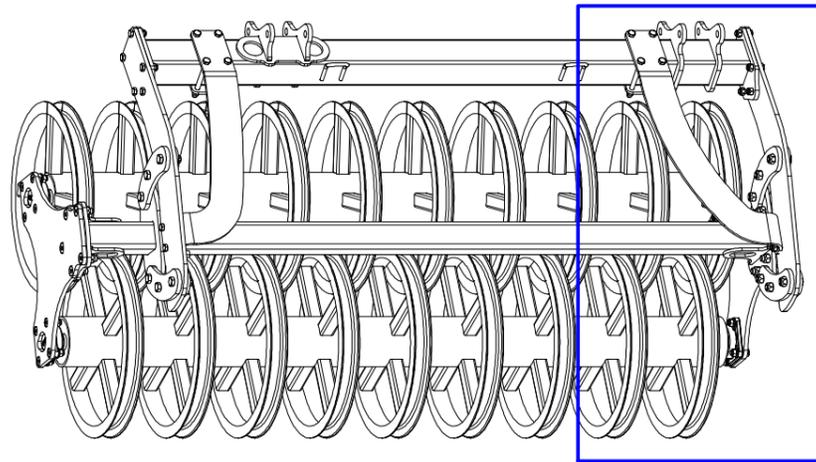
| Pos. | Part Number | Pcs. |
|------|-------------|------|
| 3    | VZ00000160  | 1    |
| 5    | 3013003     | 1    |
| 25   | m14496      | 5    |
| 35   | m11169      | 22   |

- Ⓒ SADA ZADNÍCH VÁLČŮ
- Ⓓ SATZ HINTERE WALZEN
- Ⓕ KIT DE ROULEAUX ARRIÈRE

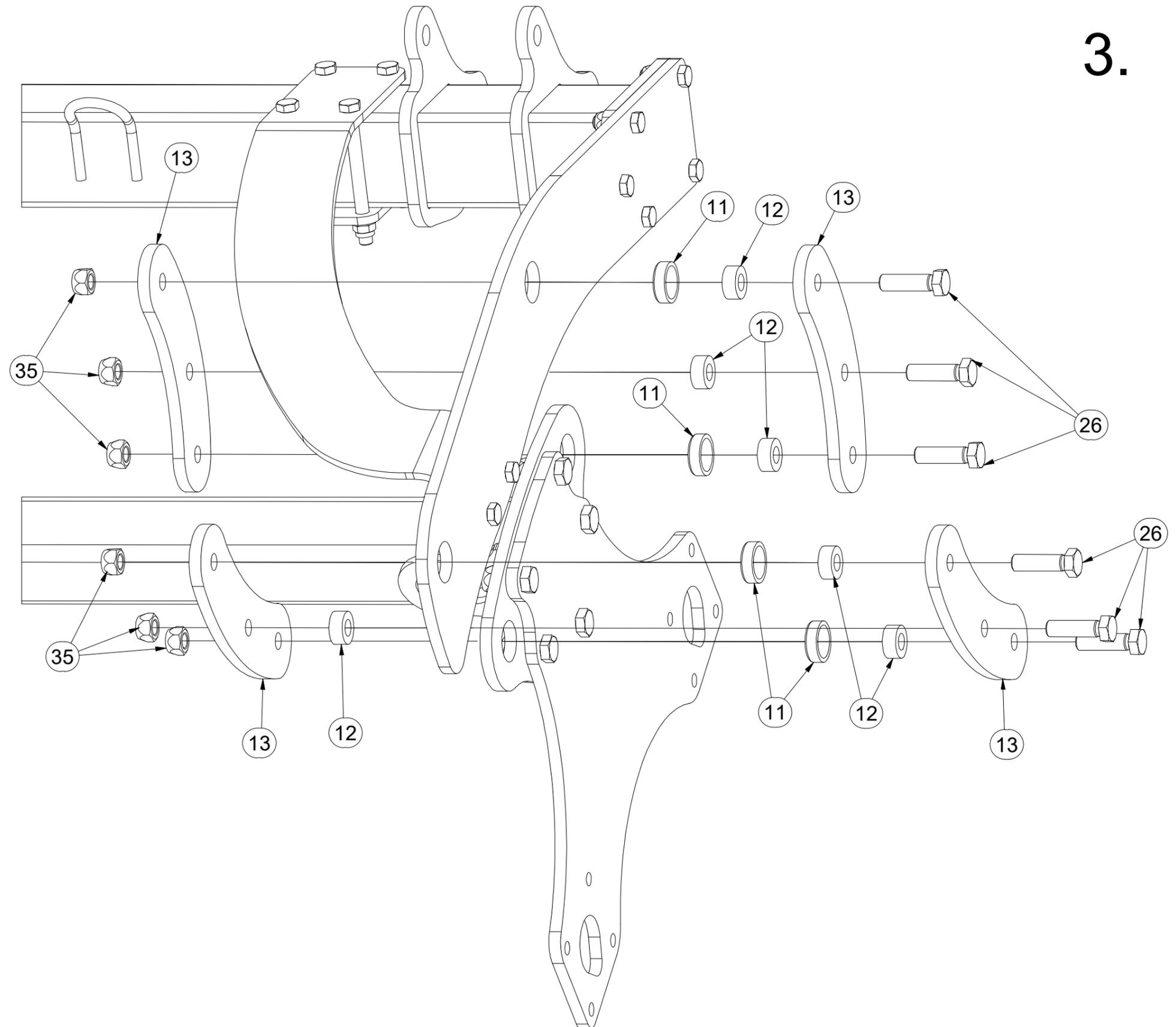
- Ⓒ SET OF REAR ROLLERS
- Ⓓ КОМПЛЕКТ ЗАДНИХ КАТКОВ
- Ⓕ ZESTAW TYLNYCH WAŁÓW



**VZ00025746**



3.



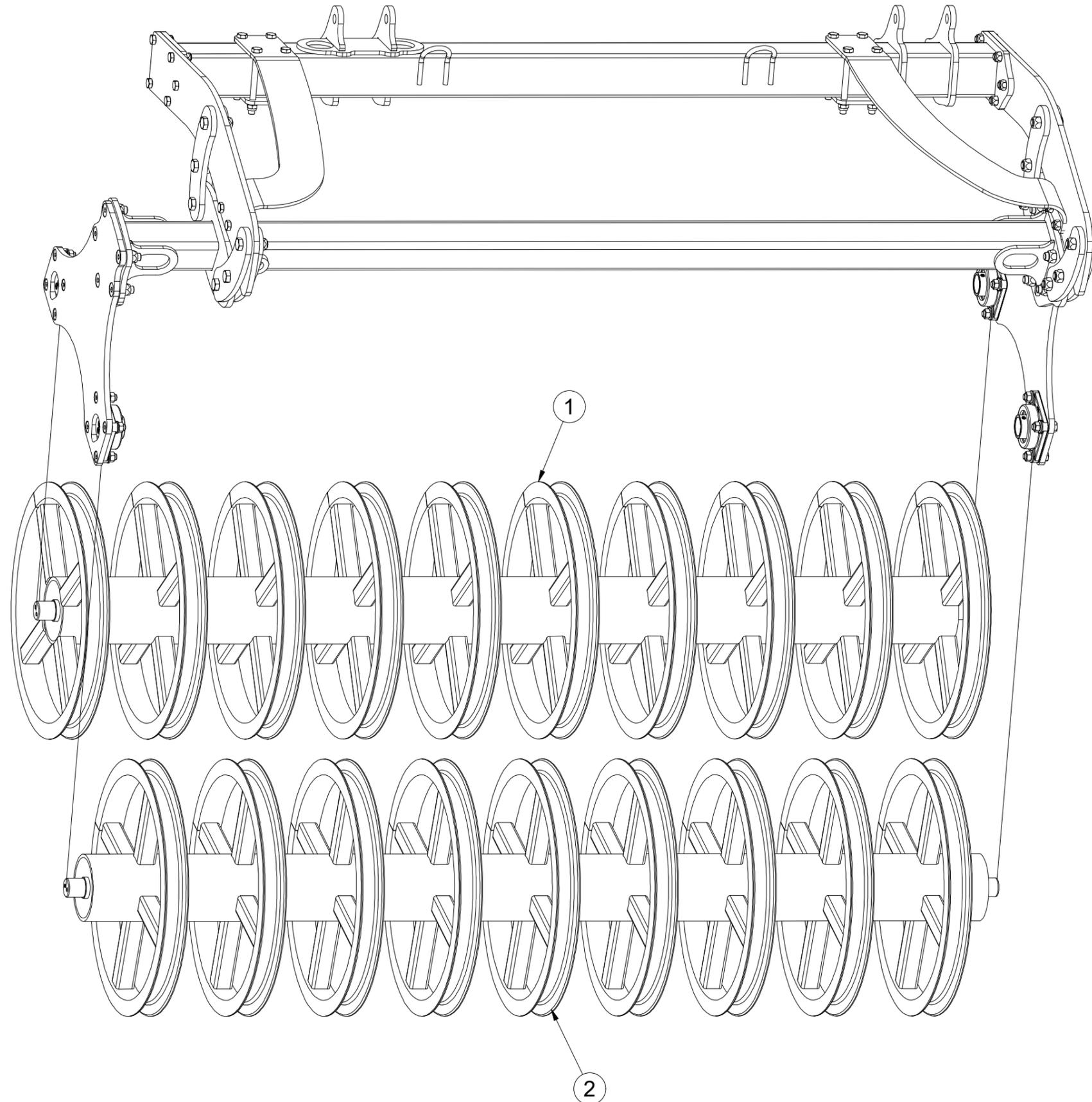
| Pos. | Part Number | Pcs. |
|------|-------------|------|
| 11   | 4026582     | 8    |
| 12   | 4026394     | 12   |
| 13   | 4026574     | 8    |
| 26   | m17009      | 12   |
| 35   | m11169      | 22   |

- Ⓒ SADA ZADNÍCH VÁLCŮ
- Ⓓ SATZ HINTERE WALZEN
- Ⓕ KIT DE ROULEAUX ARRIÈRE

- Ⓖ SET OF REAR ROLLERS
- Ⓡ КОМПЛЕКТ ЗАДНИХ КАТКОВ
- Ⓟ ZESTAW TYLNYCH WAŁÓW



**VZ00025746**



| Pos. | Part Number | Pcs. |
|------|-------------|------|
| 1    | VZ00002783  | 1    |
| 2    | VZ00002786  | 1    |

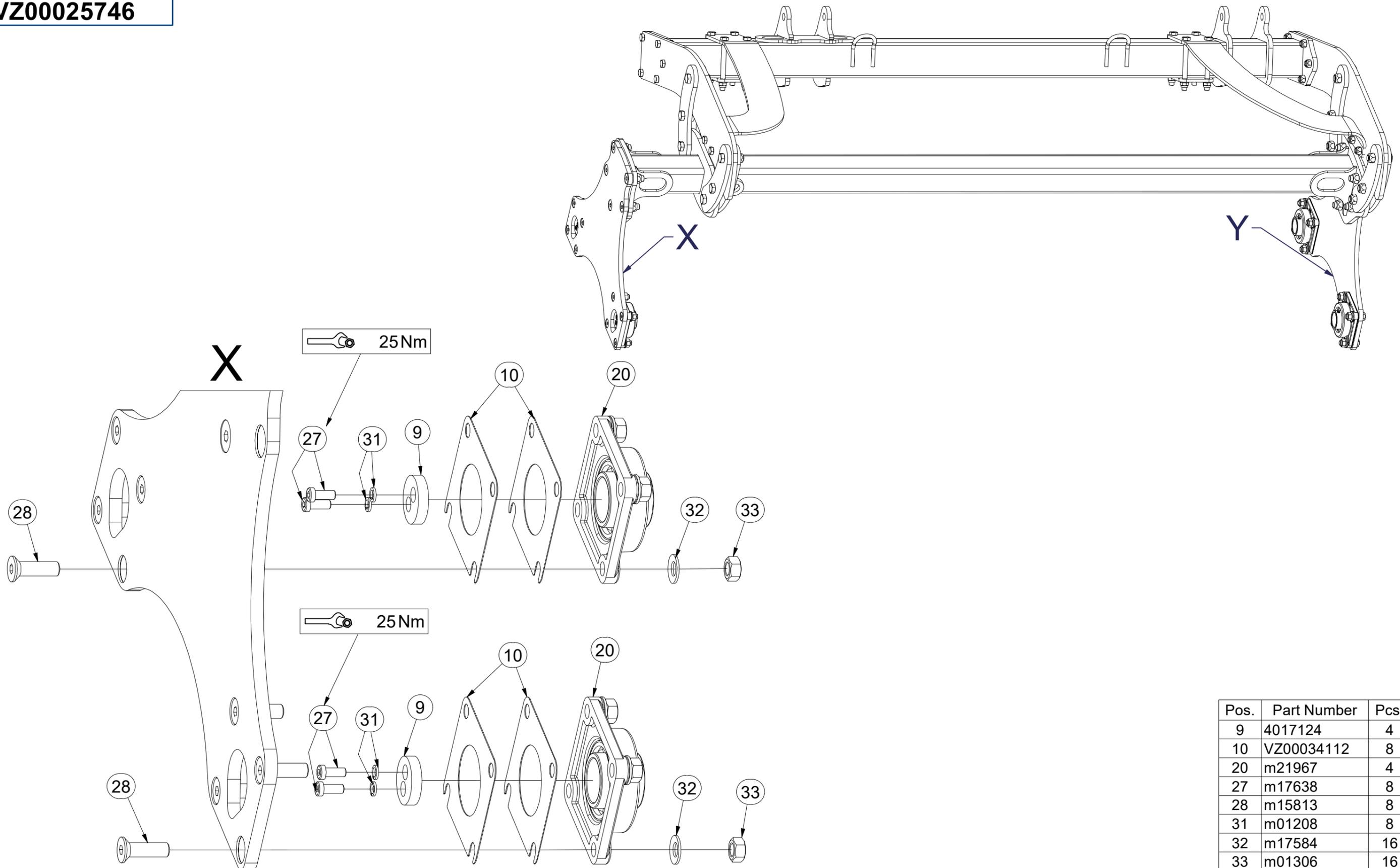


CZ SADA ZADNÍCH VÁLČŮ  
 D SATZ HINTERE WALZEN  
 F KIT DE ROULEAUX ARRIÈRE

GB SET OF REAR ROLLERS  
 RU КОМПЛЕКТ ЗАДНИХ КАТКОВ  
 PL ZESTAW TYLNYCH WAŁÓW



**VZ00025746**



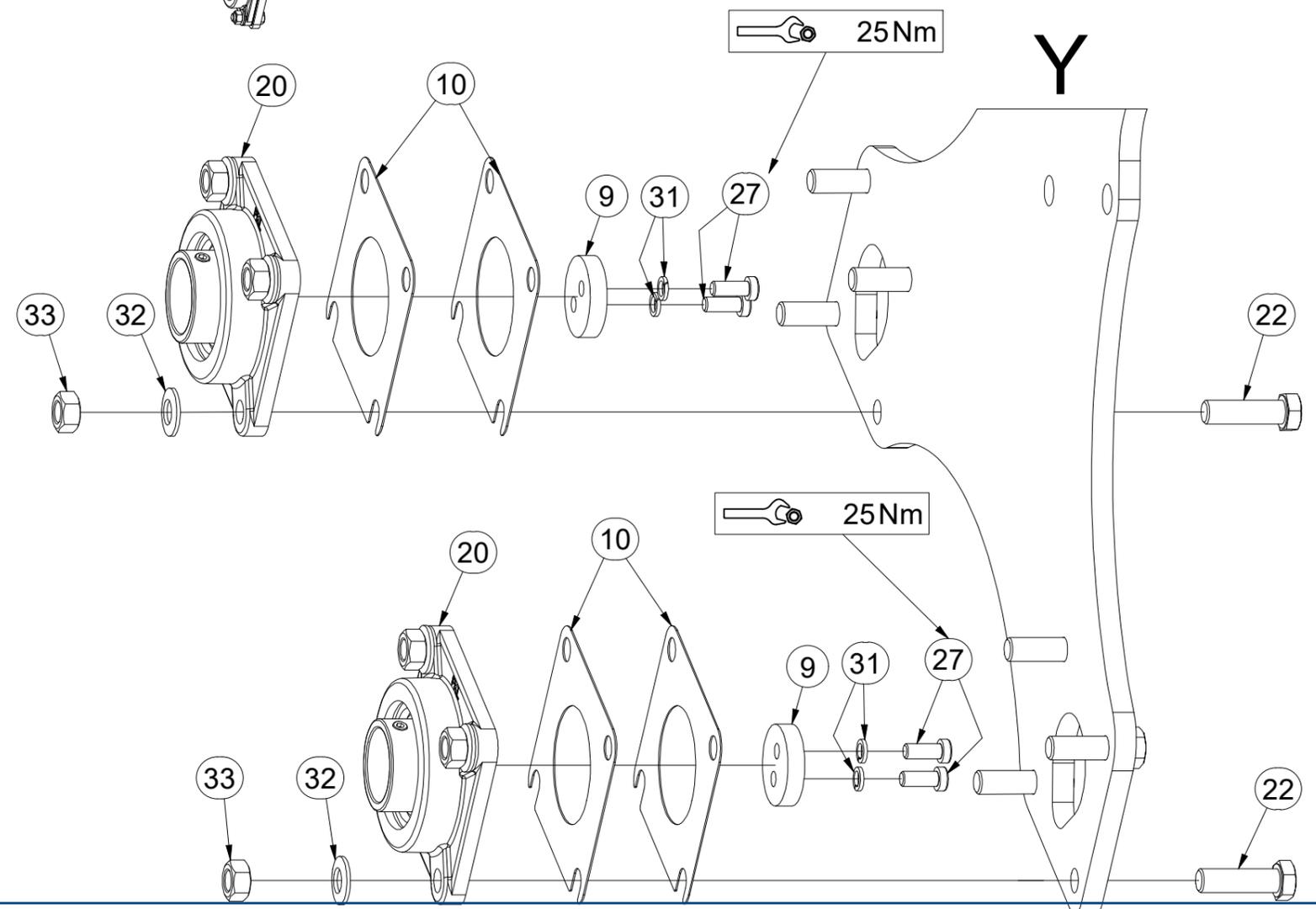
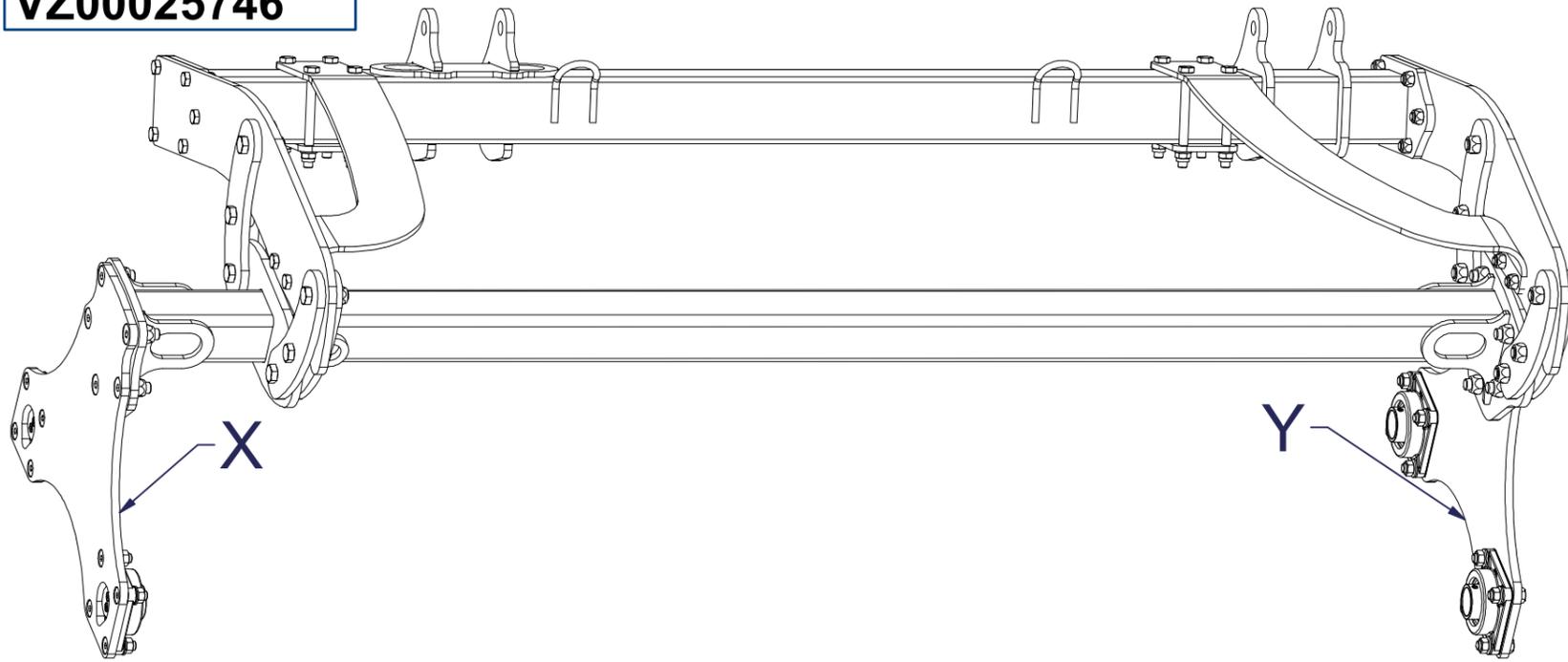
| Pos. | Part Number | Pcs. |
|------|-------------|------|
| 9    | 4017124     | 4    |
| 10   | VZ00034112  | 8    |
| 20   | m21967      | 4    |
| 27   | m17638      | 8    |
| 28   | m15813      | 8    |
| 31   | m01208      | 8    |
| 32   | m17584      | 16   |
| 33   | m01306      | 16   |

CZ SADA ZADNÍCH VÁLČŮ  
 D SATZ HINTERE WALZEN  
 F KIT DE ROULEAUX ARRIÈRE

GB SET OF REAR ROLLERS  
 RU КОМПЛЕКТ ЗАДНИХ КАТКОВ  
 PL ZESTAW TYLNYCH WAŁÓW



**VZ00025746**



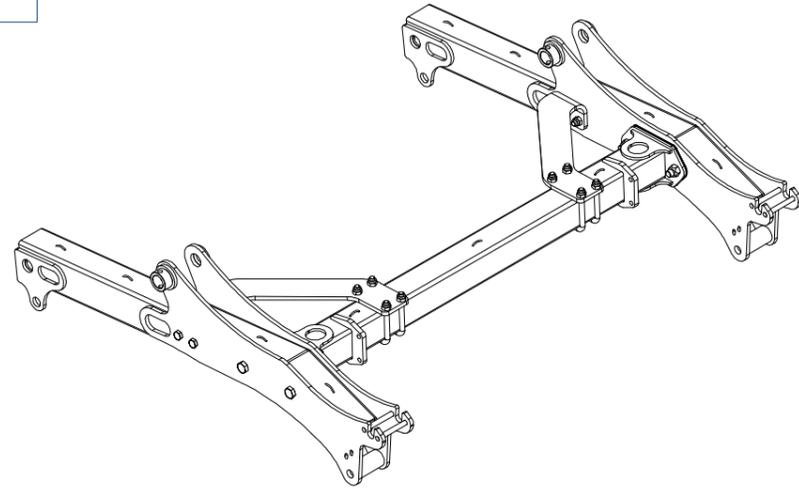
| Pos. | Part Number | Pcs. |
|------|-------------|------|
| 9    | 4017124     | 4    |
| 10   | VZ00034112  | 8    |
| 20   | m21967      | 4    |
| 22   | m11724      | 8    |
| 27   | m17638      | 8    |
| 31   | m01208      | 8    |
| 32   | m17584      | 16   |
| 33   | m01306      | 16   |

- Ⓒ RÁM VÁLCE
- Ⓓ RAHMEN DER WALZE
- Ⓕ CHÂSSIS DU ROULEAU

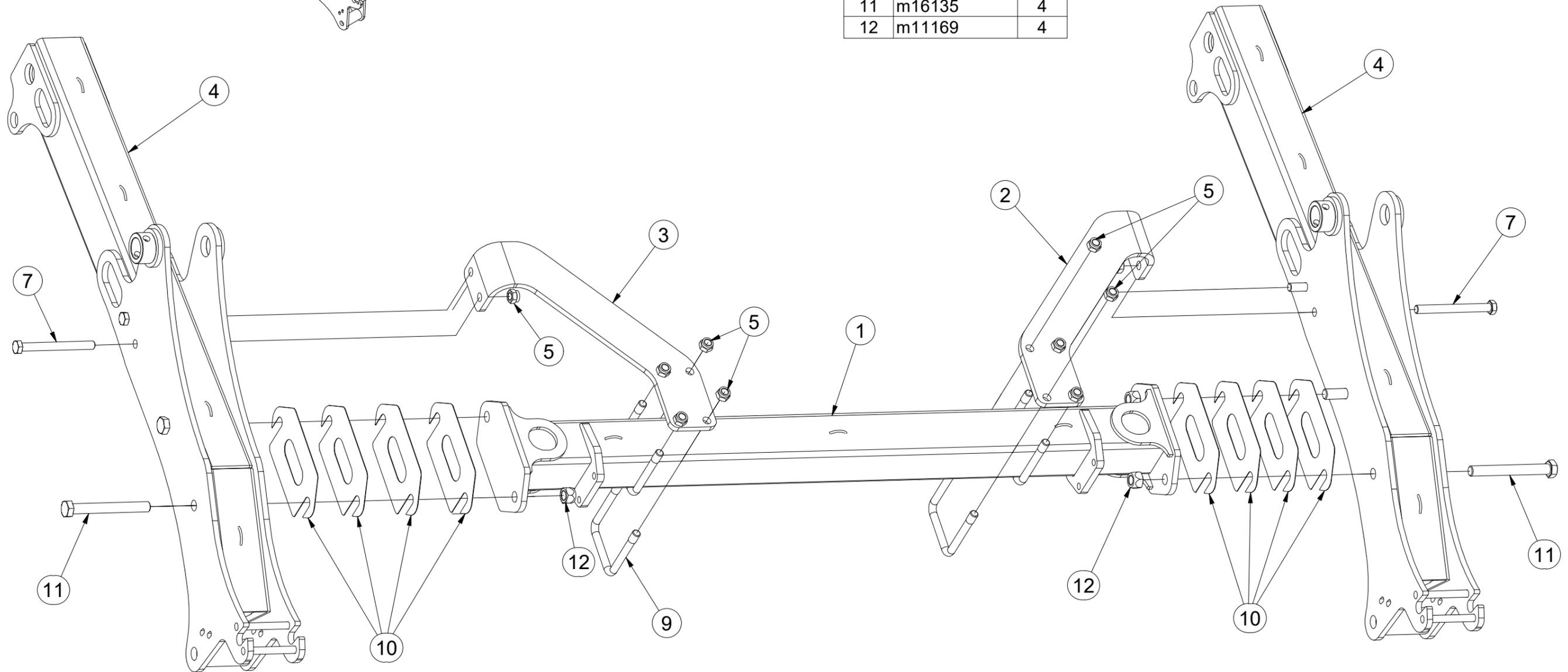
- Ⓖ ROLLER FRAME
- Ⓔ ПАМА КАТКА
- Ⓟ РАМА ВАЛА



**VZ00004441**



| Pos. | Part Number | Pcs. |
|------|-------------|------|
| 1    | VZ00004132  | 1    |
| 2    | VZ00004255  | 1    |
| 3    | VZ00004256  | 1    |
| 4    | VZ00004440  | 2    |
| 5    | m03683      | 12   |
| 7    | m05724      | 4    |
| 9    | m10294      | 4    |
| 10   | VZ00019762  | 8    |
| 11   | m16135      | 4    |
| 12   | m11169      | 4    |

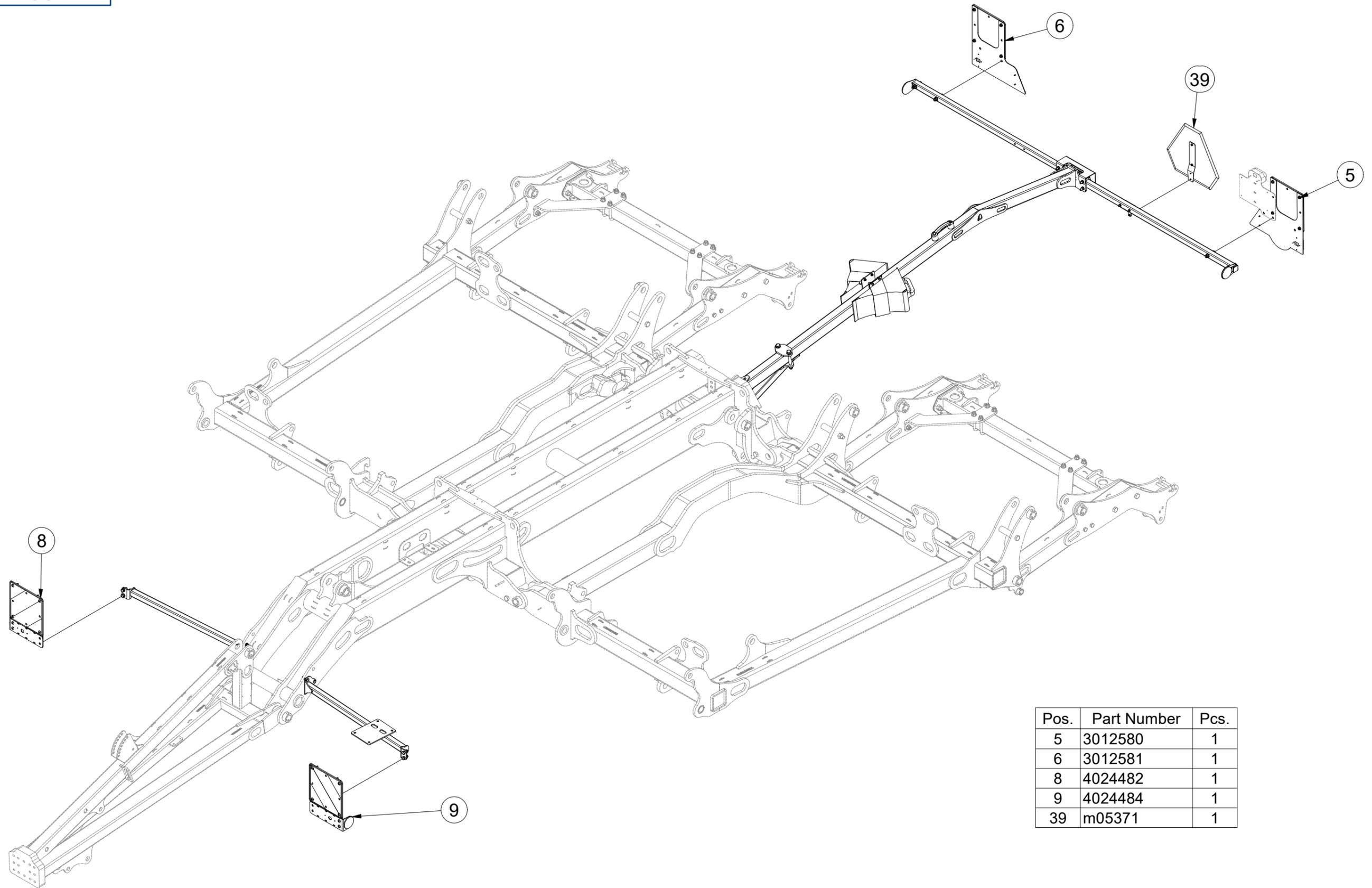


CZ TERČE  
 D SCHEIBE  
 F CIBLES

GB DISCS  
 RU ЩИТКИ  
 PL TARCZE



VZ00017091



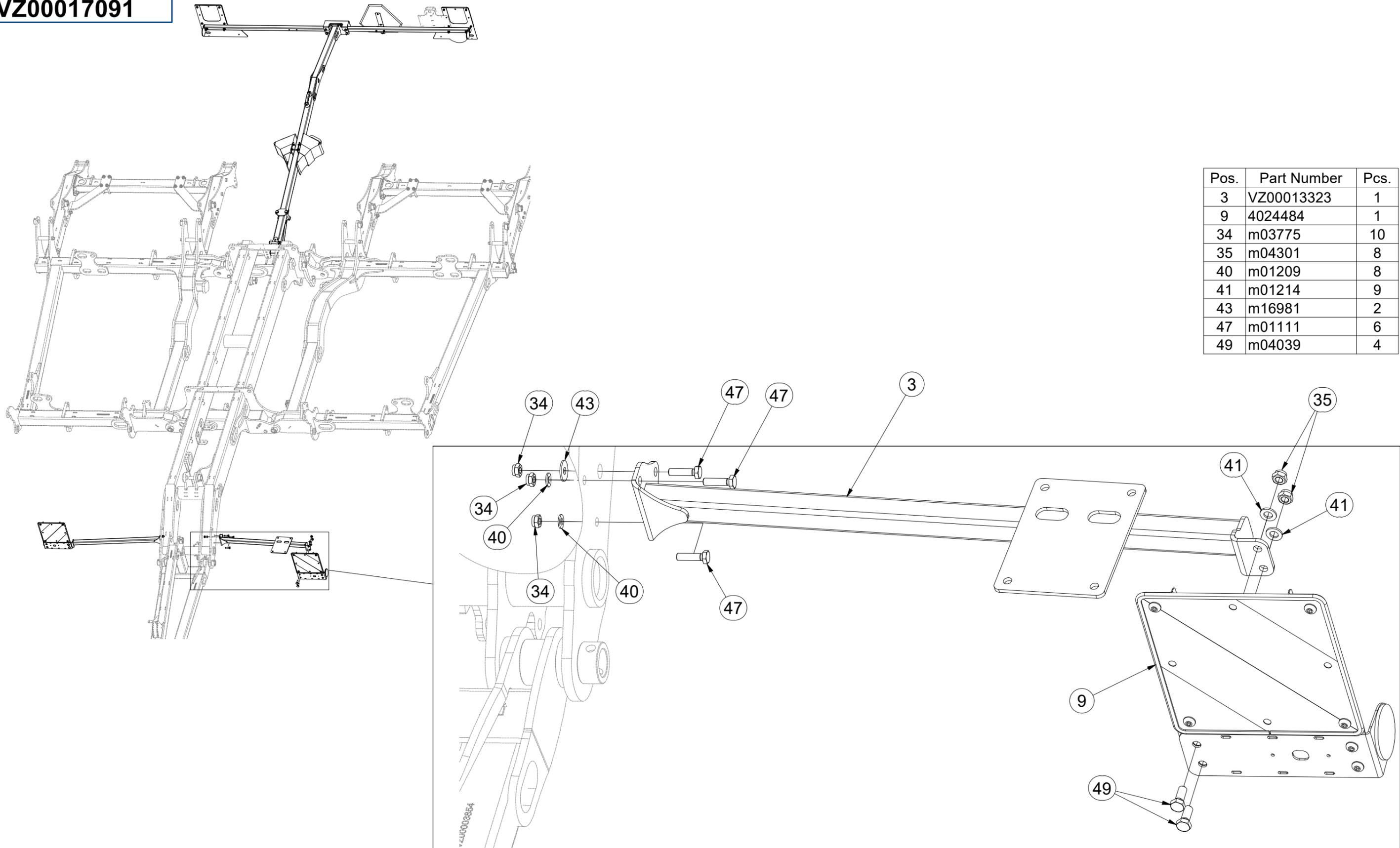
| Pos. | Part Number | Pcs. |
|------|-------------|------|
| 5    | 3012580     | 1    |
| 6    | 3012581     | 1    |
| 8    | 4024482     | 1    |
| 9    | 4024484     | 1    |
| 39   | m05371      | 1    |

- Ⓒ TERČE
- Ⓓ SCHEIBE
- Ⓕ CIBLES

- Ⓖ DISCS
- Ⓡ ЩИТКИ
- Ⓟ TARCZE



**VZ00017091**



| Pos. | Part Number | Pcs. |
|------|-------------|------|
| 3    | VZ00013323  | 1    |
| 9    | 4024484     | 1    |
| 34   | m03775      | 10   |
| 35   | m04301      | 8    |
| 40   | m01209      | 8    |
| 41   | m01214      | 9    |
| 43   | m16981      | 2    |
| 47   | m01111      | 6    |
| 49   | m04039      | 4    |

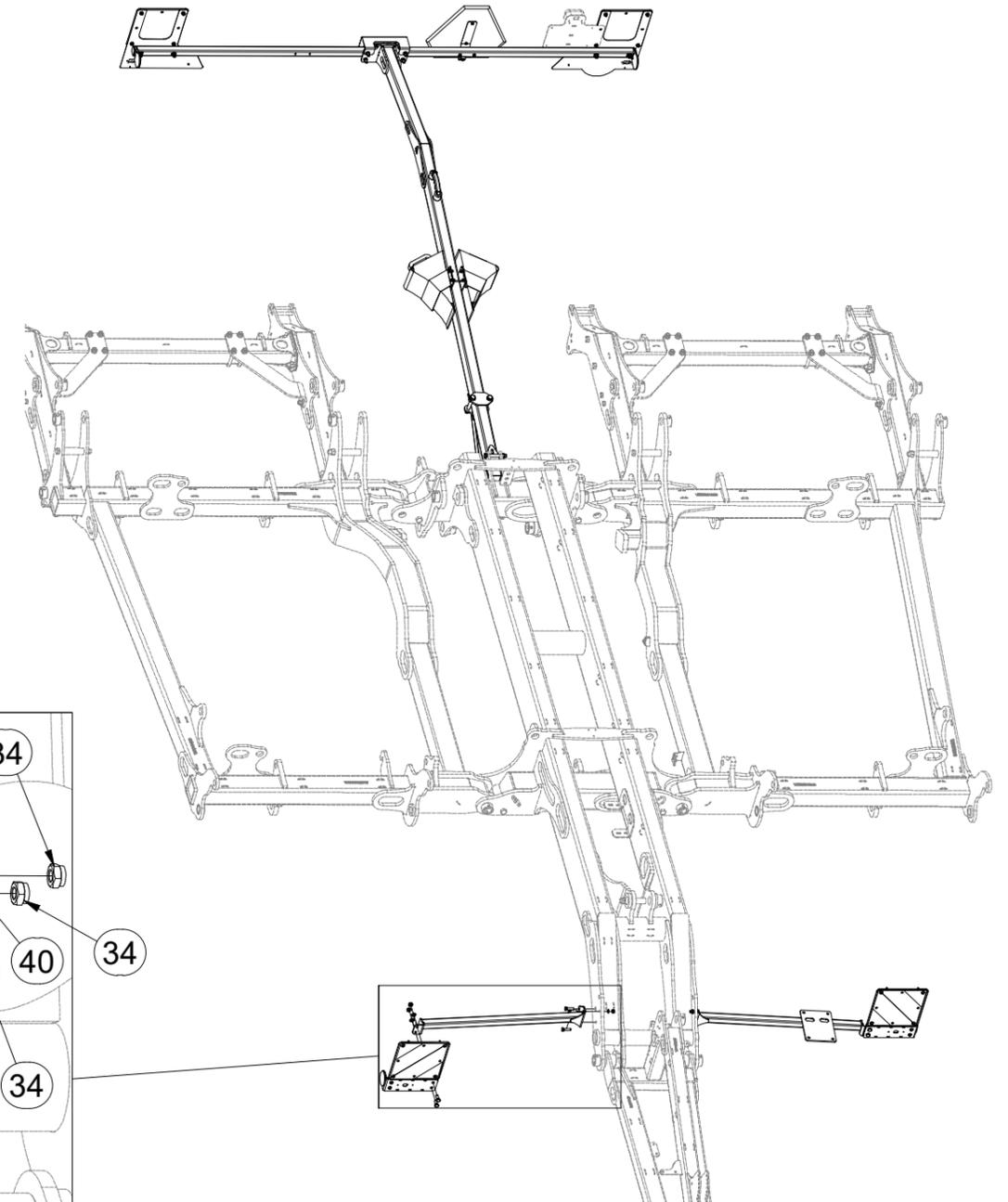
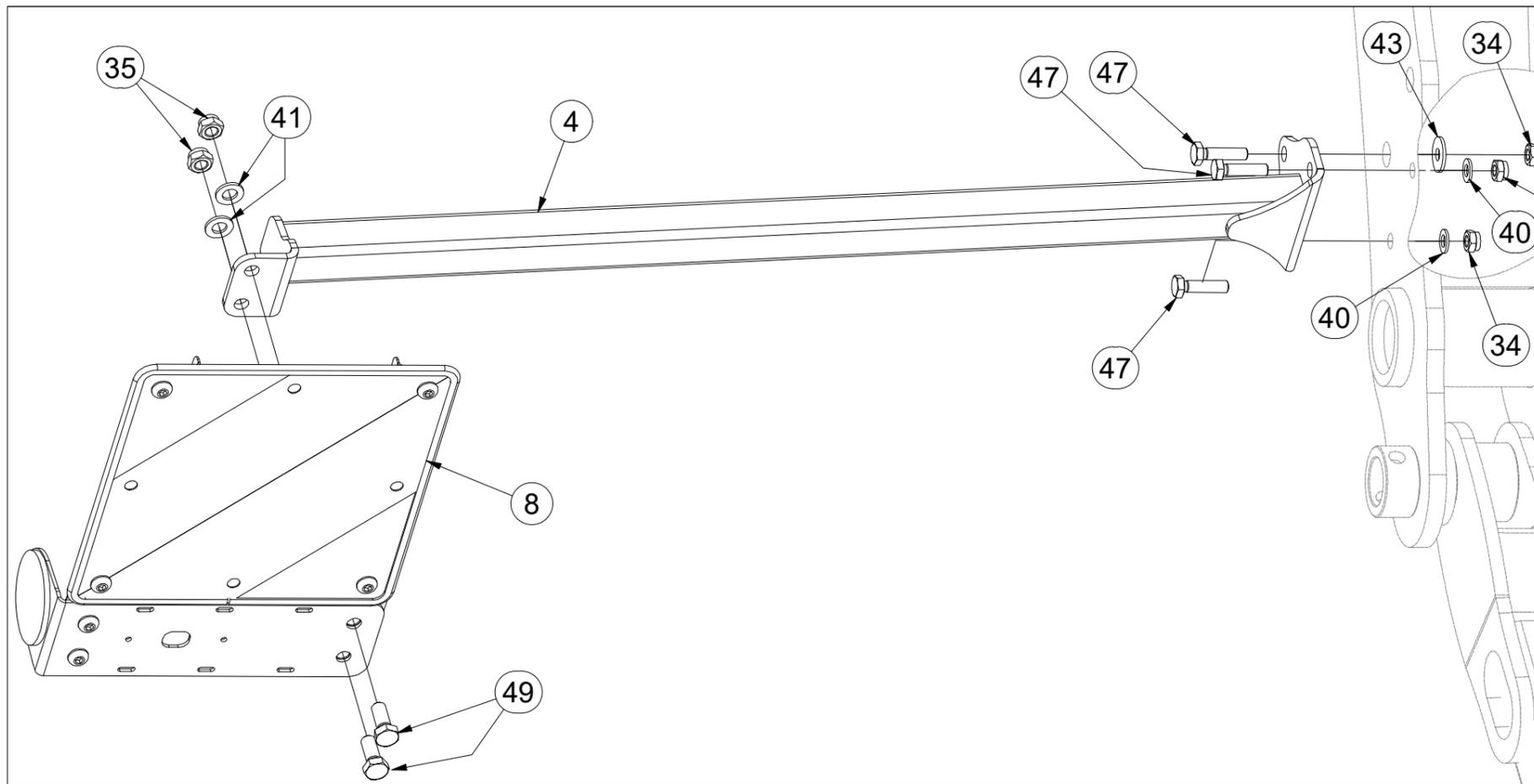
CZ TERČE  
 D SCHEIBE  
 F CIBLES

GB DISCS  
 RU ЩИТКИ  
 PL TARCZE



**VZ00017091**

| Pos. | Part Number | Pcs. | Pos. | Part Number | Pcs. |
|------|-------------|------|------|-------------|------|
| 4    | VZ00013383  | 1    | 41   | m01214      | 9    |
| 8    | 4024482     | 1    | 43   | m16981      | 2    |
| 34   | m03775      | 10   | 47   | m01111      | 6    |
| 35   | m04301      | 8    | 49   | m04039      | 4    |
| 40   | m01209      | 8    |      |             |      |



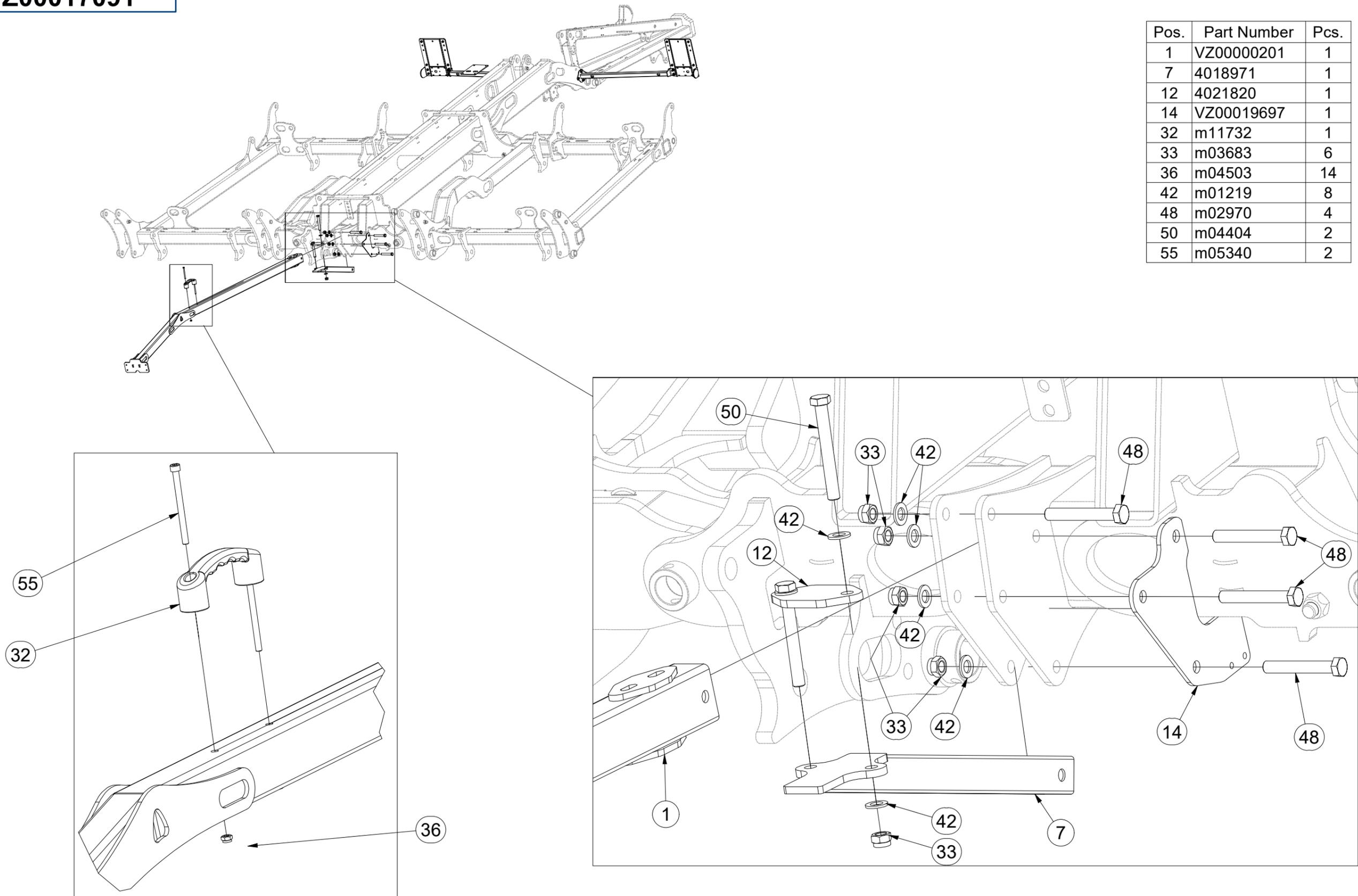
CZ TERČE  
 D SCHEIBE  
 F CIBLES

GB DISCS  
 RU ЩИТКИ  
 PL TARCZE



**VZ00017091**

| Pos. | Part Number | Pcs. |
|------|-------------|------|
| 1    | VZ00000201  | 1    |
| 7    | 4018971     | 1    |
| 12   | 4021820     | 1    |
| 14   | VZ00019697  | 1    |
| 32   | m11732      | 1    |
| 33   | m03683      | 6    |
| 36   | m04503      | 14   |
| 42   | m01219      | 8    |
| 48   | m02970      | 4    |
| 50   | m04404      | 2    |
| 55   | m05340      | 2    |



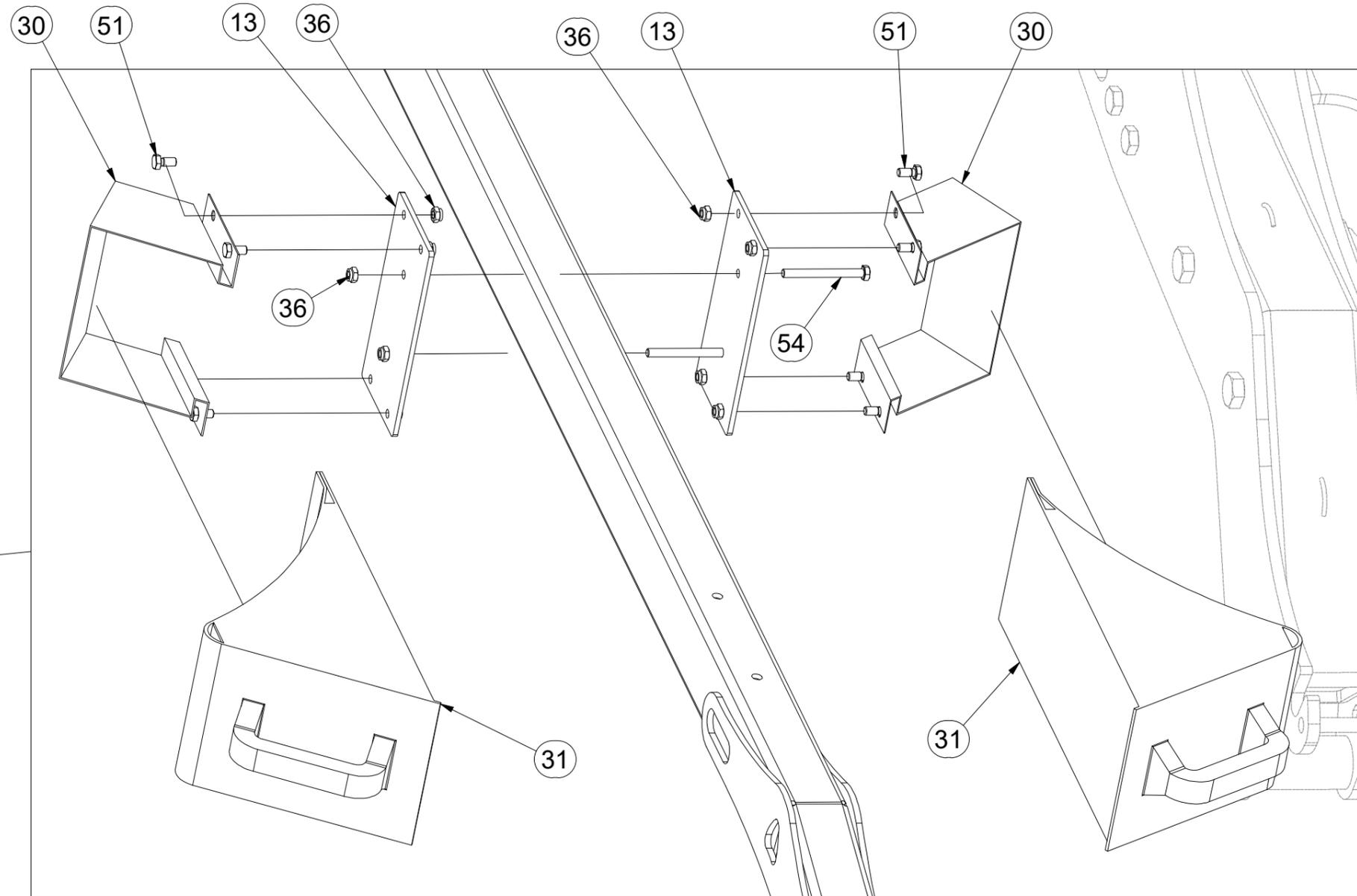
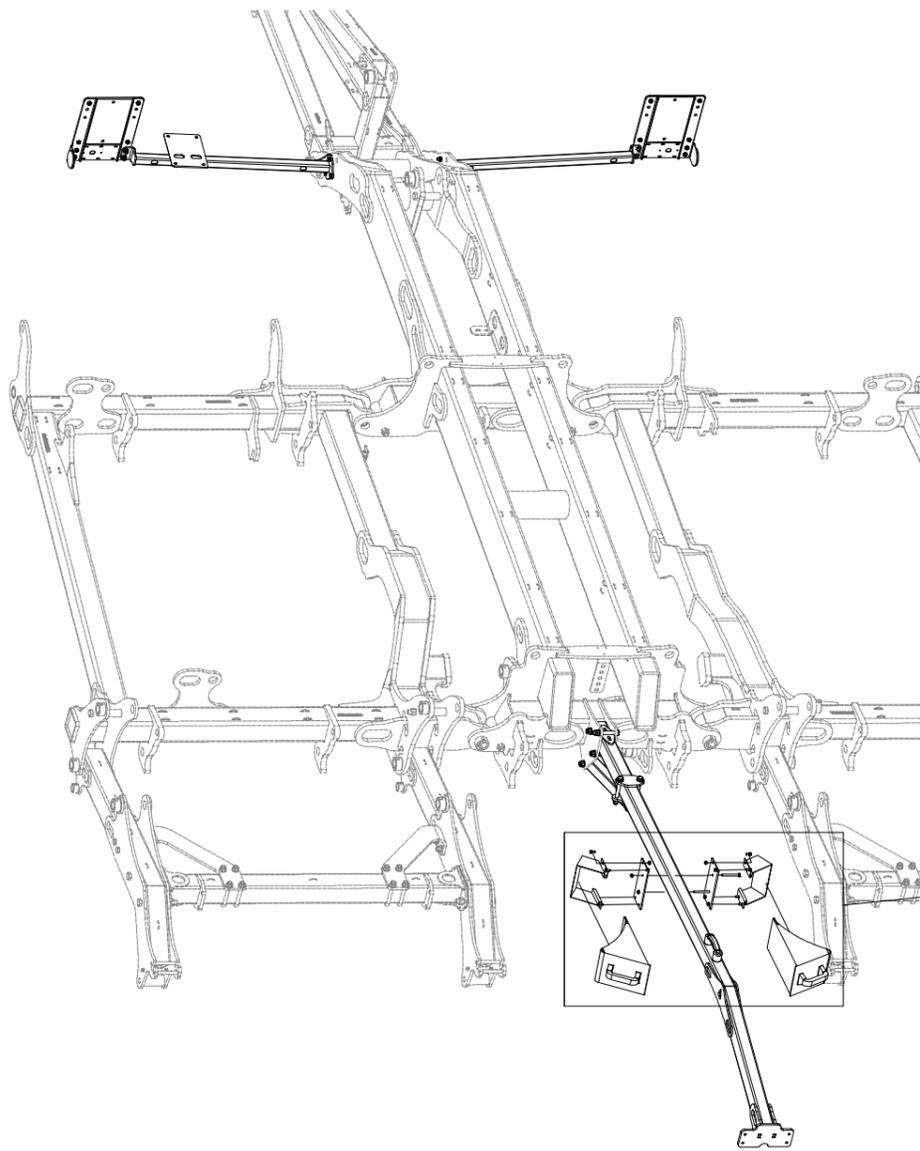
CZ TERČE  
 D SCHEIBE  
 F CIBLES

GB DISCS  
 RU ЩИТКИ  
 PL TARCZE



**VZ00017091**

| Pos. | Part Number | Pcs. |
|------|-------------|------|
| 13   | VZ00013344  | 2    |
| 30   | m12572      | 2    |
| 31   | m16186      | 2    |
| 36   | m04503      | 14   |
| 51   | m04553      | 8    |
| 54   | m16923      | 2    |



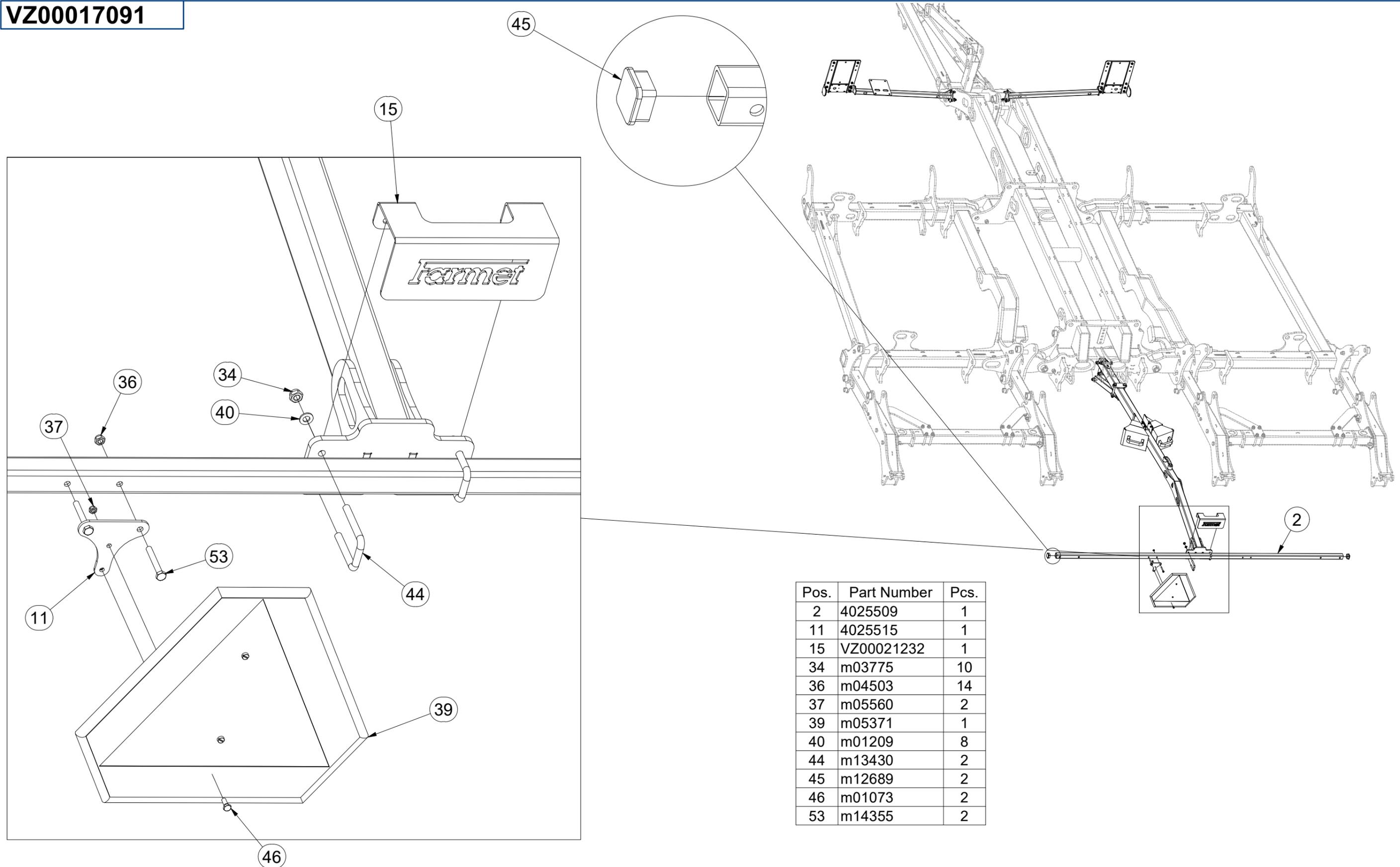


CZ TERČE  
 D SCHEIBE  
 F CIBLES

GB DISCS  
 RU ЩИТКИ  
 PL TARCZE



**VZ00017091**



| Pos. | Part Number | Pcs. |
|------|-------------|------|
| 2    | 4025509     | 1    |
| 11   | 4025515     | 1    |
| 15   | VZ00021232  | 1    |
| 34   | m03775      | 10   |
| 36   | m04503      | 14   |
| 37   | m05560      | 2    |
| 39   | m05371      | 1    |
| 40   | m01209      | 8    |
| 44   | m13430      | 2    |
| 45   | m12689      | 2    |
| 46   | m01073      | 2    |
| 53   | m14355      | 2    |

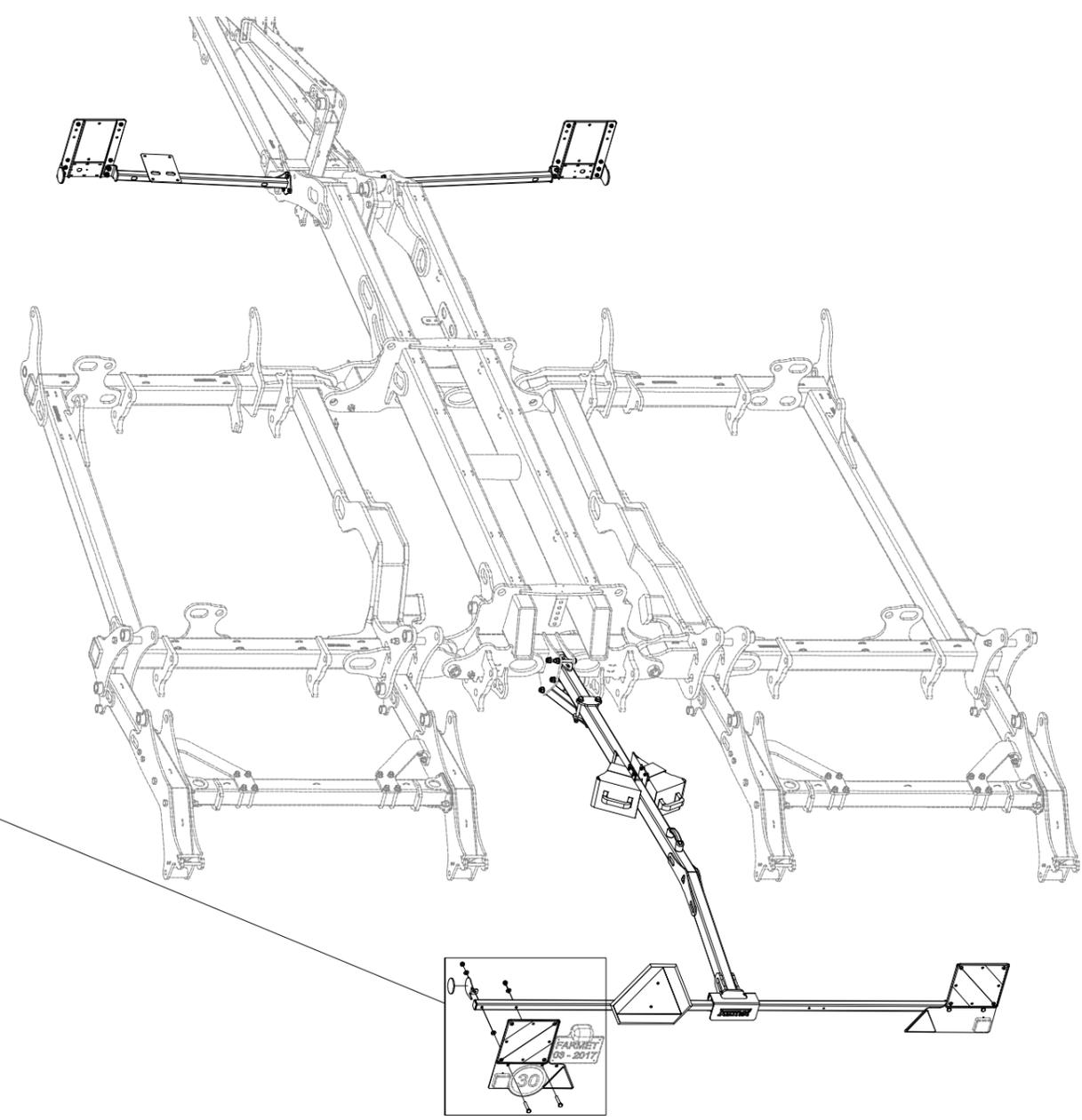
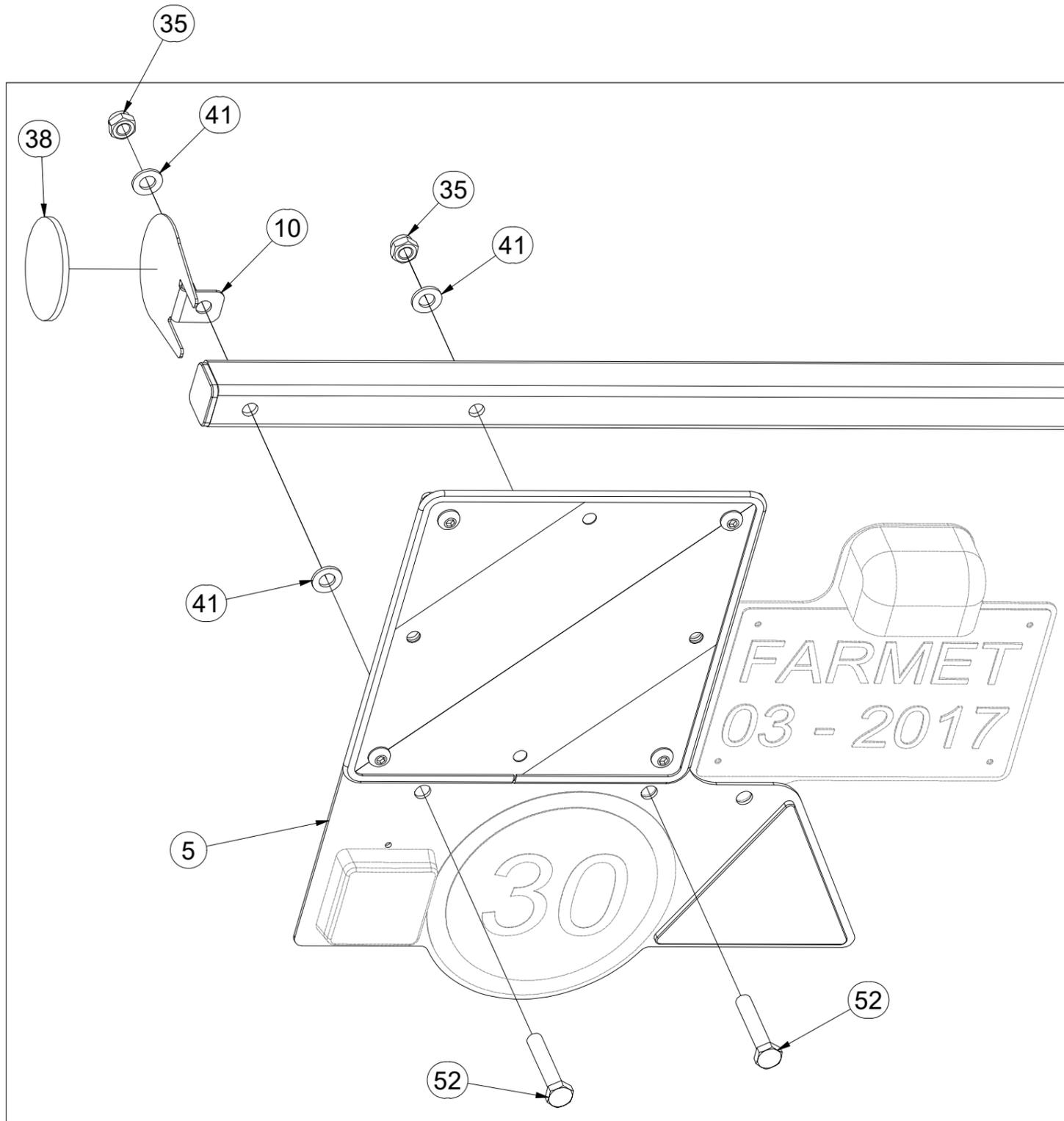
- ⒸZ TERČE
- Ⓓ SCHEIBE
- Ⓕ CIBLES

- ⒼB DISCS
- ⒺЩИТКИ
- ⒽL TARCZE



**VZ00017091**

| Pos. | Part Number | Pcs. |
|------|-------------|------|
| 5    | 3012580     | 1    |
| 10   | 4024926     | 2    |
| 35   | m04301      | 8    |
| 38   | m02579      | 2    |
| 41   | m01214      | 9    |
| 52   | m05898      | 4    |

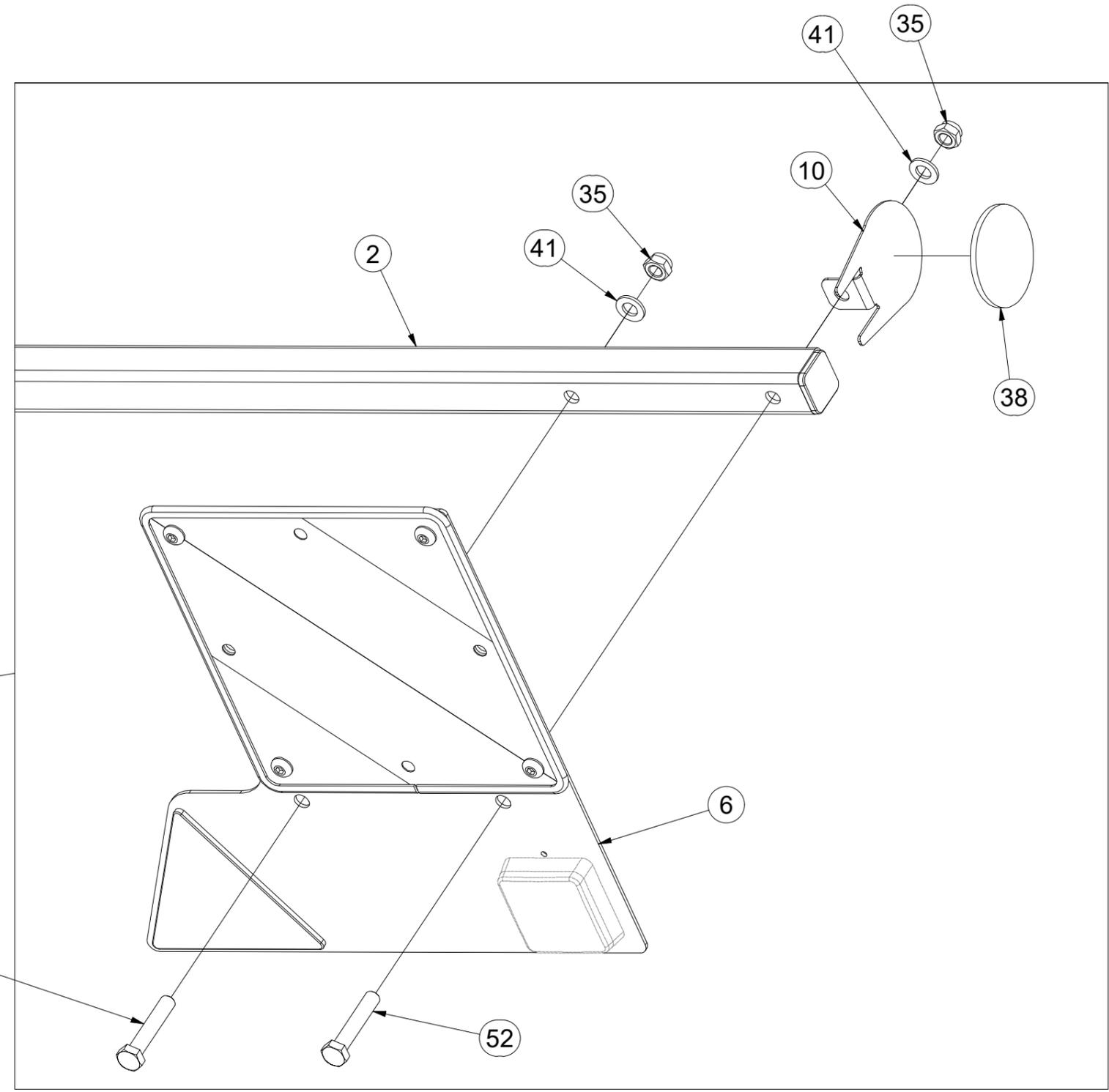
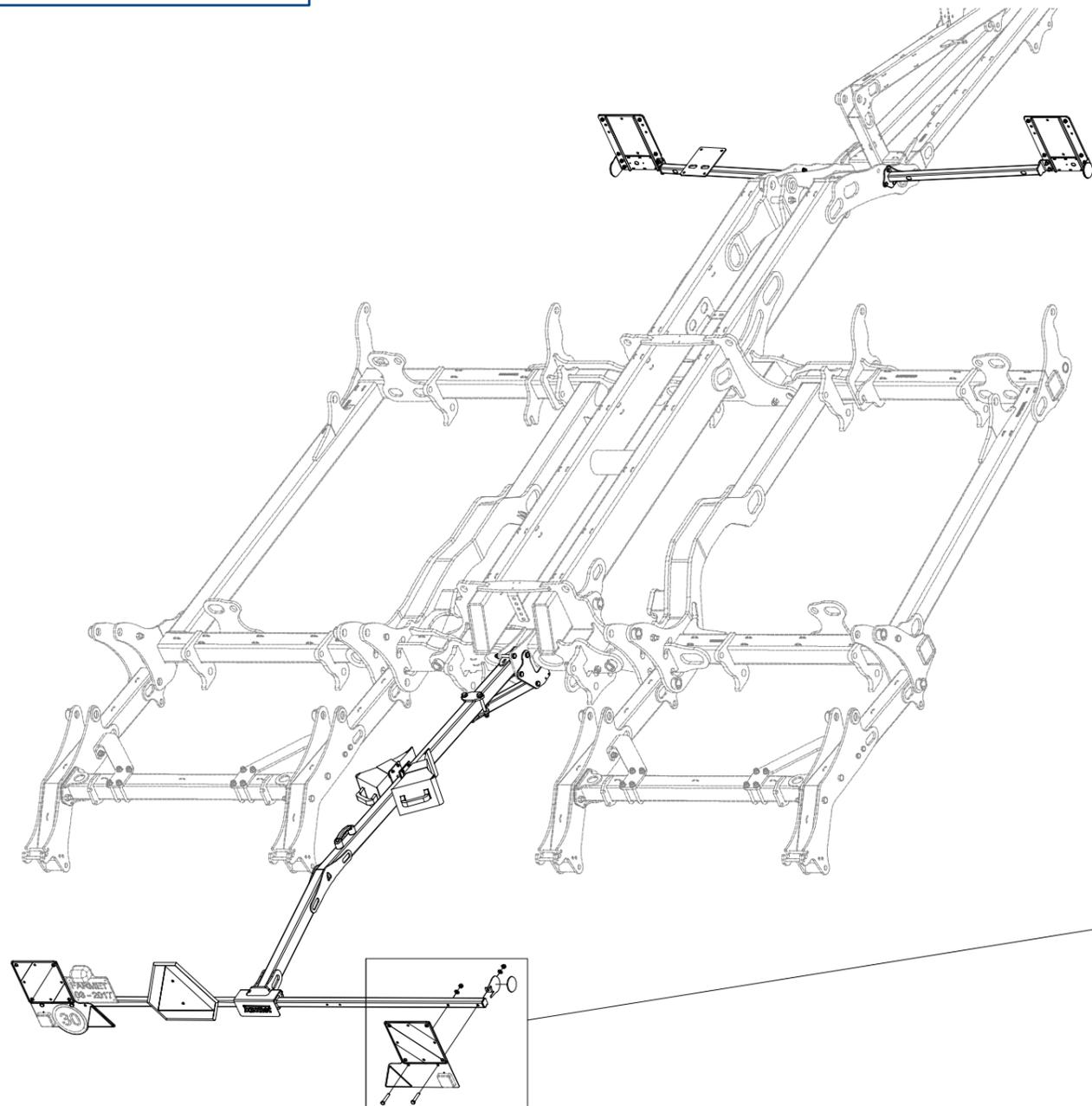


CZ TERČE  
 D SCHEIBE  
 F CIBLES

GB DISCS  
 RU ЩИТКИ  
 PL TARCZE



**VZ00017091**



| Pos. | Part Number | Pcs. | Pos. | Part Number | Pcs. |
|------|-------------|------|------|-------------|------|
| 2    | 4025509     | 1    | 38   | m02579      | 2    |
| 6    | 3012581     | 1    | 41   | m01214      | 9    |
| 10   | 4024926     | 2    | 52   | m05898      | 4    |
| 35   | m04301      | 8    |      |             |      |

ⒸZ TERČ ZADNÍ LEVÝ

Ⓓ SCHILD, HINTERES, LINKES

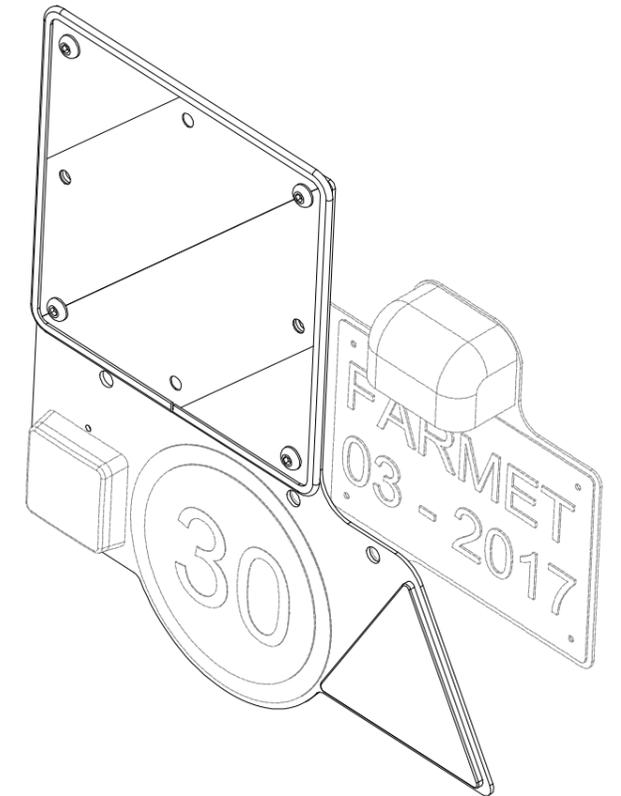
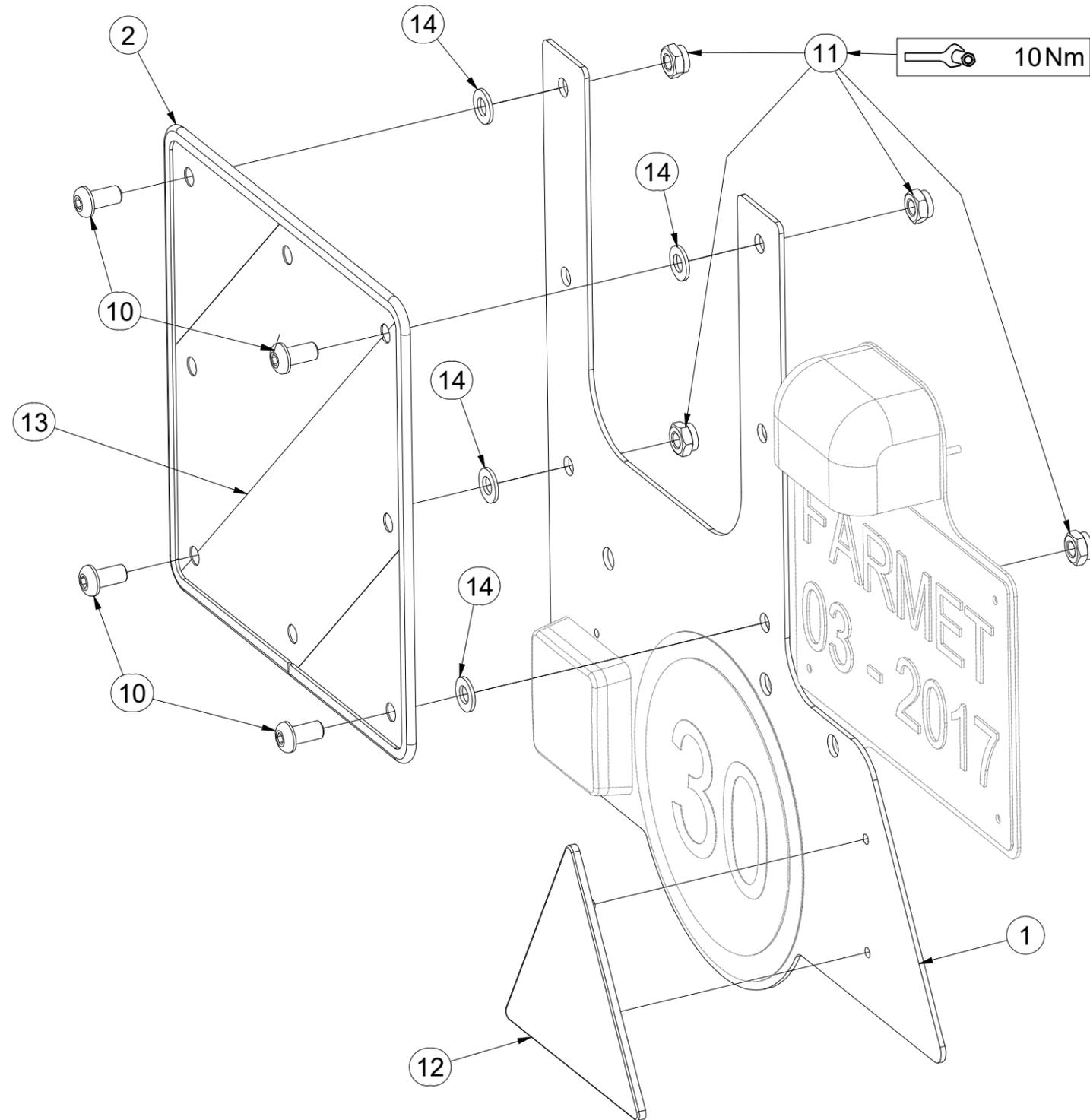
Ⓕ CIBLE ARRIÈRE GAUCHE

**3012580**

ⒼB LEFT REAR DISC

ⒺЩИТОК ЗАДНИЙ ЛЕВЫЙ

ⒽL TARCZA TYLNA LEWA



| Pos. | Part Number | Pcs. |
|------|-------------|------|
| 1    | 4024978     | 1    |
| 2    | 9005707     | 1    |
| 10   | m16637      | 4    |
| 11   | m03775      | 4    |
| 12   | m02497      | 1    |
| 13   | m18855      | 1    |
| 14   | m01209      | 4    |

ⒸZ TERČ ZADNÍ PRAVÝ

Ⓓ SCHILD, HINTERES, RECHTES

Ⓕ CIBLE ARRIÈRE DROITE

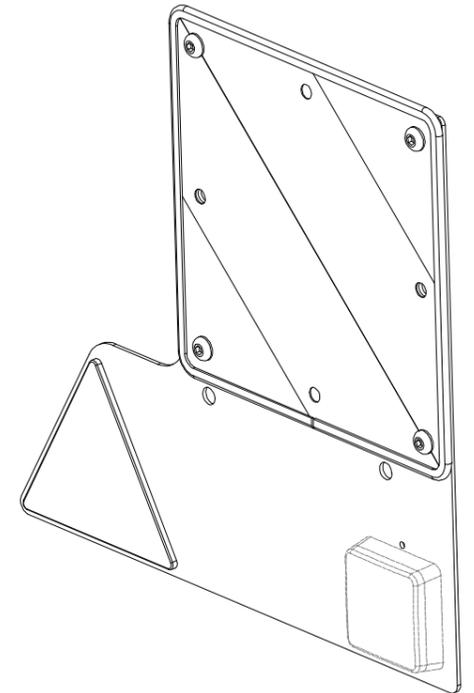
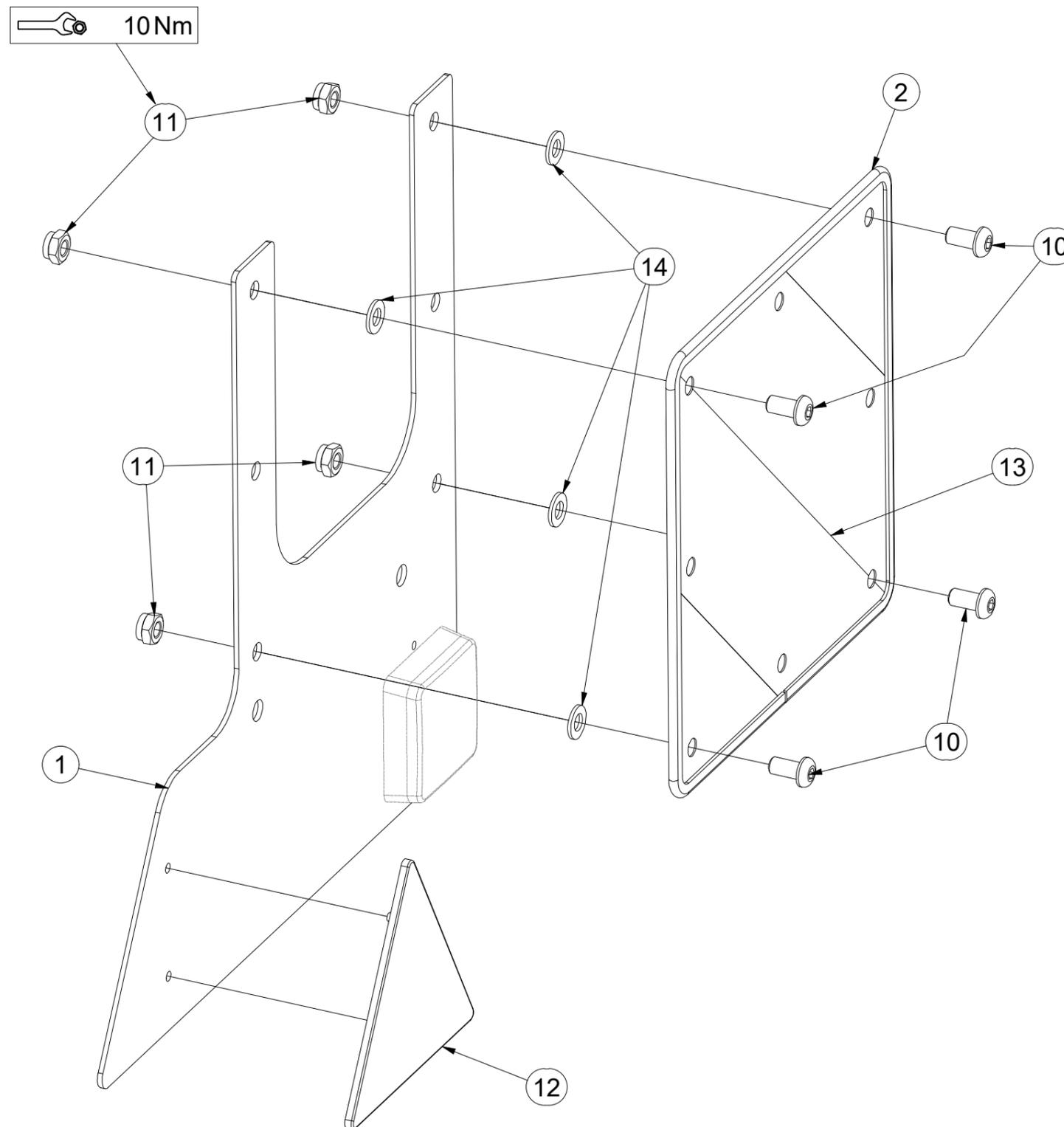
ⒼB RIGHT REAR DISC

ⒺЩИТОК ЗАДНИЙ ПРАВЫЙ

ⒽL TARCZA TYLNA PRAWA

**Farmet**

**3012581**



| Pos. | Part Number | Pcs. |
|------|-------------|------|
| 1    | 4024980     | 1    |
| 2    | 9005707     | 1    |
| 10   | m16637      | 4    |
| 11   | m03775      | 4    |
| 12   | m02497      | 1    |
| 13   | m18855      | 1    |
| 14   | m01209      | 4    |

ⒸZ TERČ PŘEDNÍ PRAVÝ

Ⓓ SCHILD, VORDERES, RECHTES

Ⓕ CIBLE AVANT DROITE

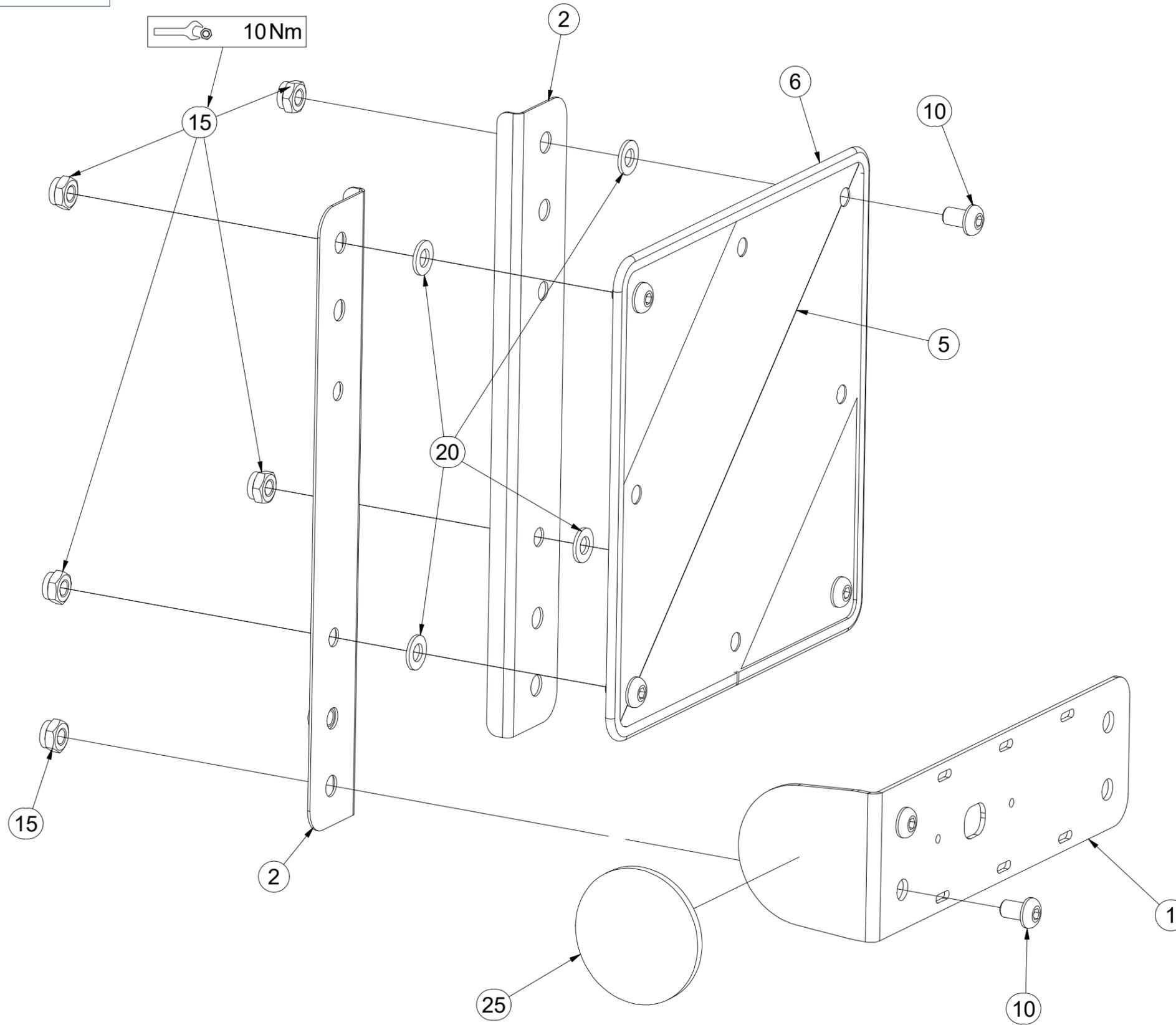
ⒸB RIGHT FRONT DISC

ⒺЩИТОК ПЕРЕДНИЙ ПРАВЫЙ

Ⓐ PL TARCZA PRZEDNIA PRAWA



4024482



| Pos. | Part Number | Pcs. |
|------|-------------|------|
| 1    | 4024481     | 1    |
| 2    | 4024491     | 2    |
| 5    | m18855      | 1    |
| 6    | 9005707     | 1    |
| 10   | m16687      | 6    |
| 15   | m03775      | 6    |
| 20   | m01209      | 4    |
| 25   | m02579      | 1    |

ⒸZ TERČ PŘEDNÍ LEVÝ

Ⓓ SCHILD, VORDERES, LINKES

Ⓕ CIBLE AVANT GAUCHE

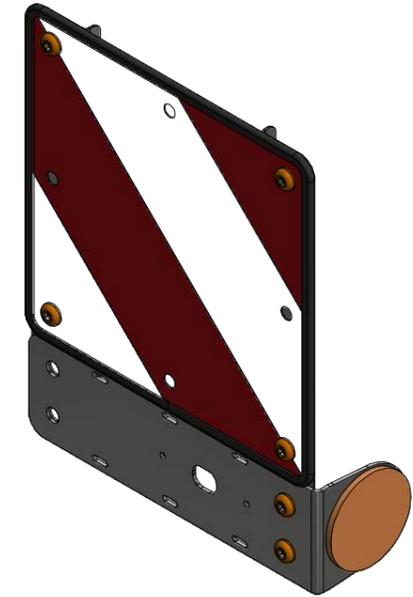
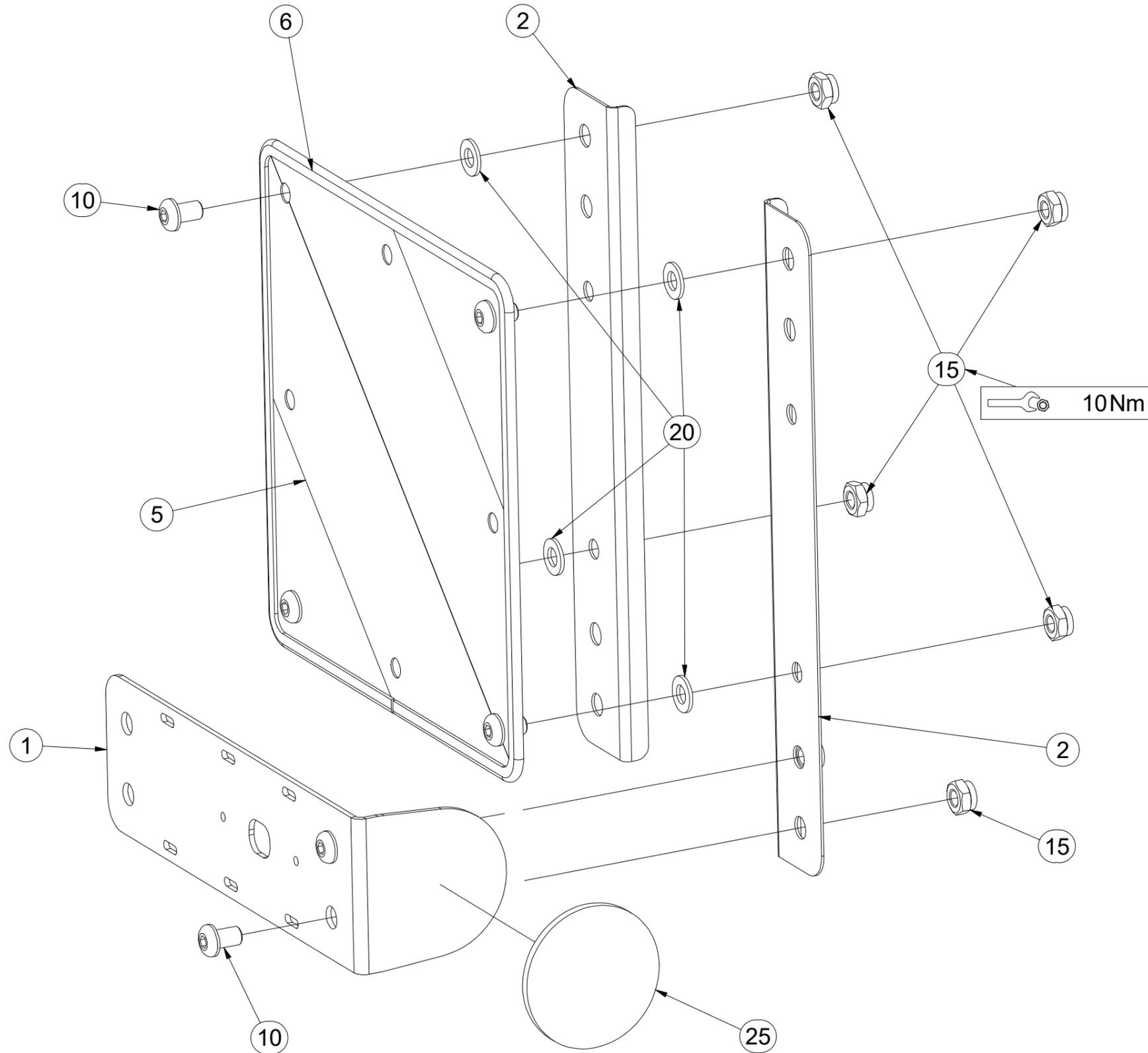
ⒸB LEFT FRONT DISC

ⒶЩИТОК ПЕРЕДНИЙ ЛЕВЫЙ

Ⓐ TARCZA PRZEDNIA LEWA



4024484



| Pos. | Part Number | Pcs. |
|------|-------------|------|
| 1    | 4024481     | 1    |
| 2    | 4024491     | 2    |
| 5    | m18855      | 1    |
| 6    | 9005707     | 1    |
| 10   | m16687      | 6    |
| 15   | m03775      | 6    |
| 20   | m01209      | 4    |
| 25   | m02579      | 1    |

ⒸZ TERČ ZADNÍ LEVÝ - HOMOLOGACE

Ⓓ SCHILD, HINTERES, LINKES - HOMOLOGATION

Ⓕ CIBLE ARRIÈRE GAUCHE - HOMOLOGATION

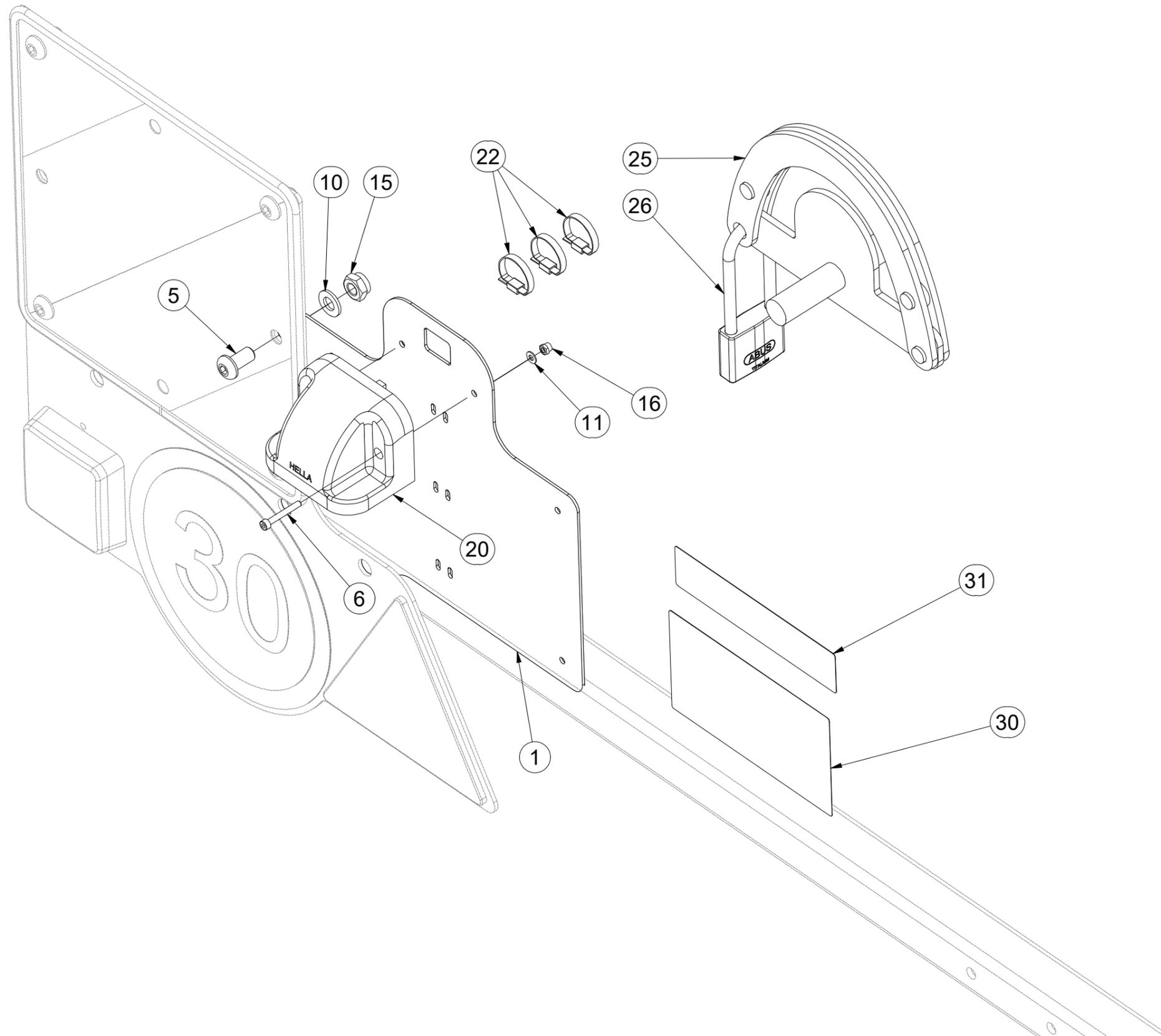
ⒸB LEFT REAR DISC - HOMOLOGATION

ⒸU ЩИТОК ЗАДНИЙ ЛЕВЫЙ - УТВЕРЖДЕНИЯ

ⒸL TARCZA TYLNA LEWA - HOMOLOGACJA

**Farmet**

**3012825**



| Pos. | Part Number | Pcs. |
|------|-------------|------|
| 1    | 4026442     | 1    |
| 5    | m16637      | 1    |
| 6    | m16861      | 2    |
| 10   | m01209      | 1    |
| 11   | m05597      | 2    |
| 15   | m03775      | 1    |
| 16   | m05562      | 2    |
| 20   | m18862      | 1    |
| 22   | m05566      | 3    |
| 25   | m19084      | 1    |
| 26   | m18814      | 1    |
| 30   | m19045      | 1    |
| 31   | m19046      | 1    |



Ⓒ ZÁVAŽÍ

Ⓓ GEWICHT

Ⓕ CONTREPOIDS

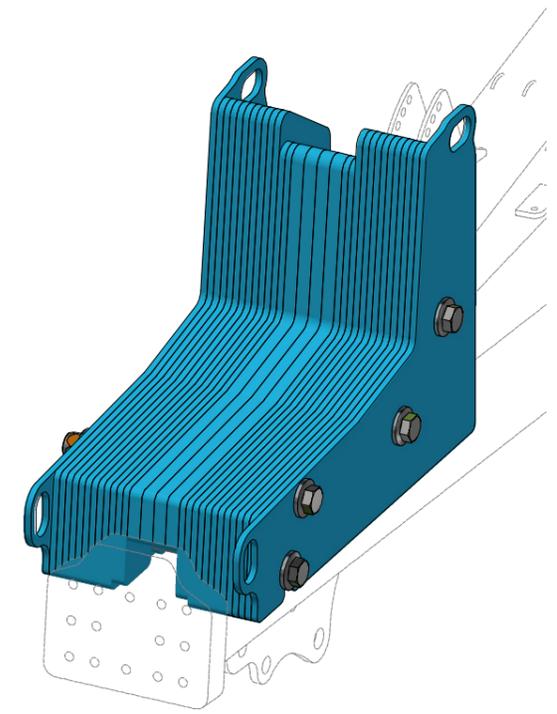
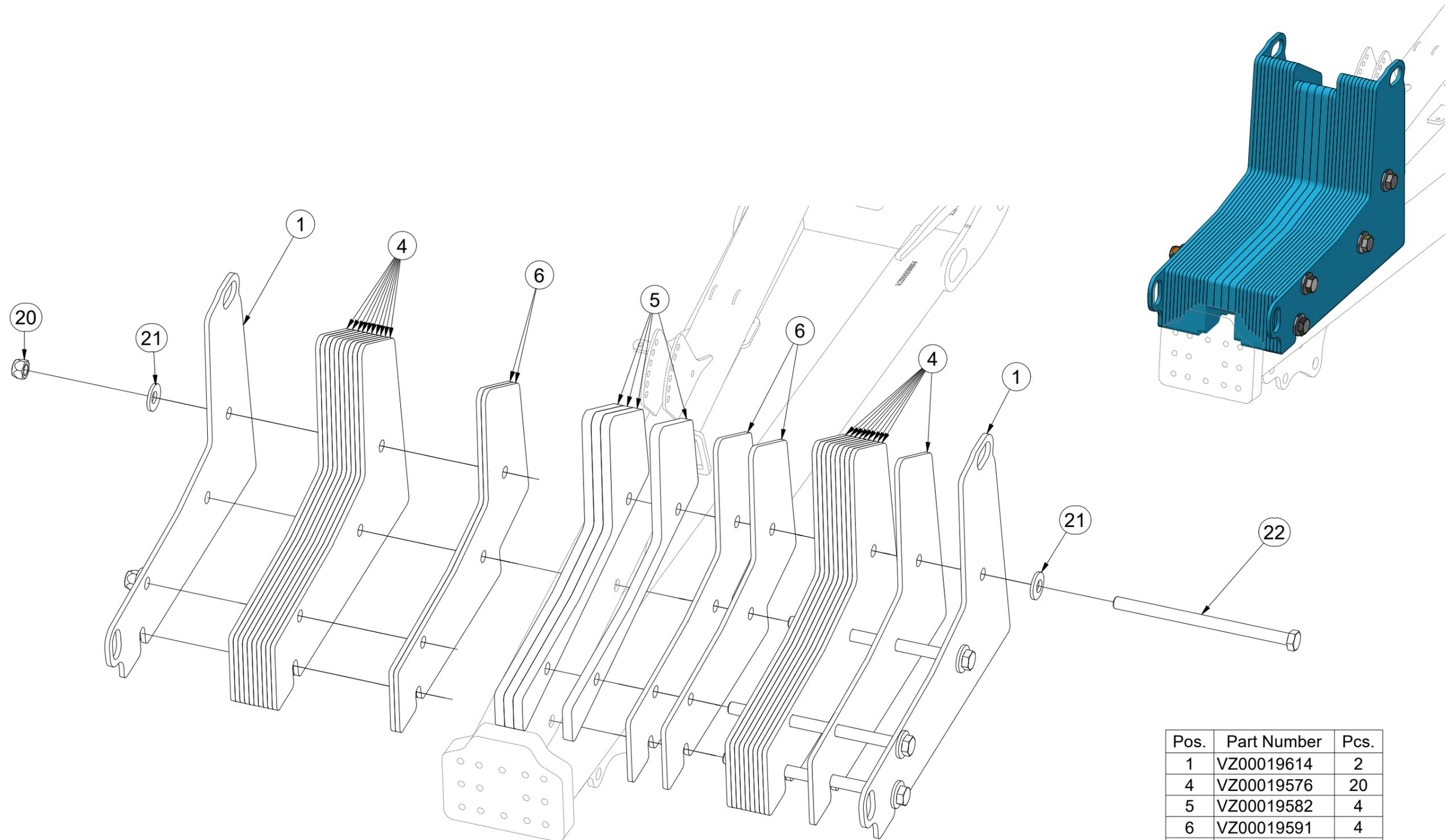
Ⓒ WEIGHT

Ⓓ ГРУЗ

Ⓕ ОБЦІАЖНИК



VZ00019575



| Pos. | Part Number | Pcs. |
|------|-------------|------|
| 1    | VZ00019614  | 2    |
| 4    | VZ00019576  | 20   |
| 5    | VZ00019582  | 4    |
| 6    | VZ00019591  | 4    |
| 20   | m18565      | 7    |
| 21   | m15823      | 14   |
| 22   | VZ00020353  | 7    |

Ⓒ ZÁVAŽÍ

Ⓓ GEWICHT

Ⓕ CONTREPOIDS

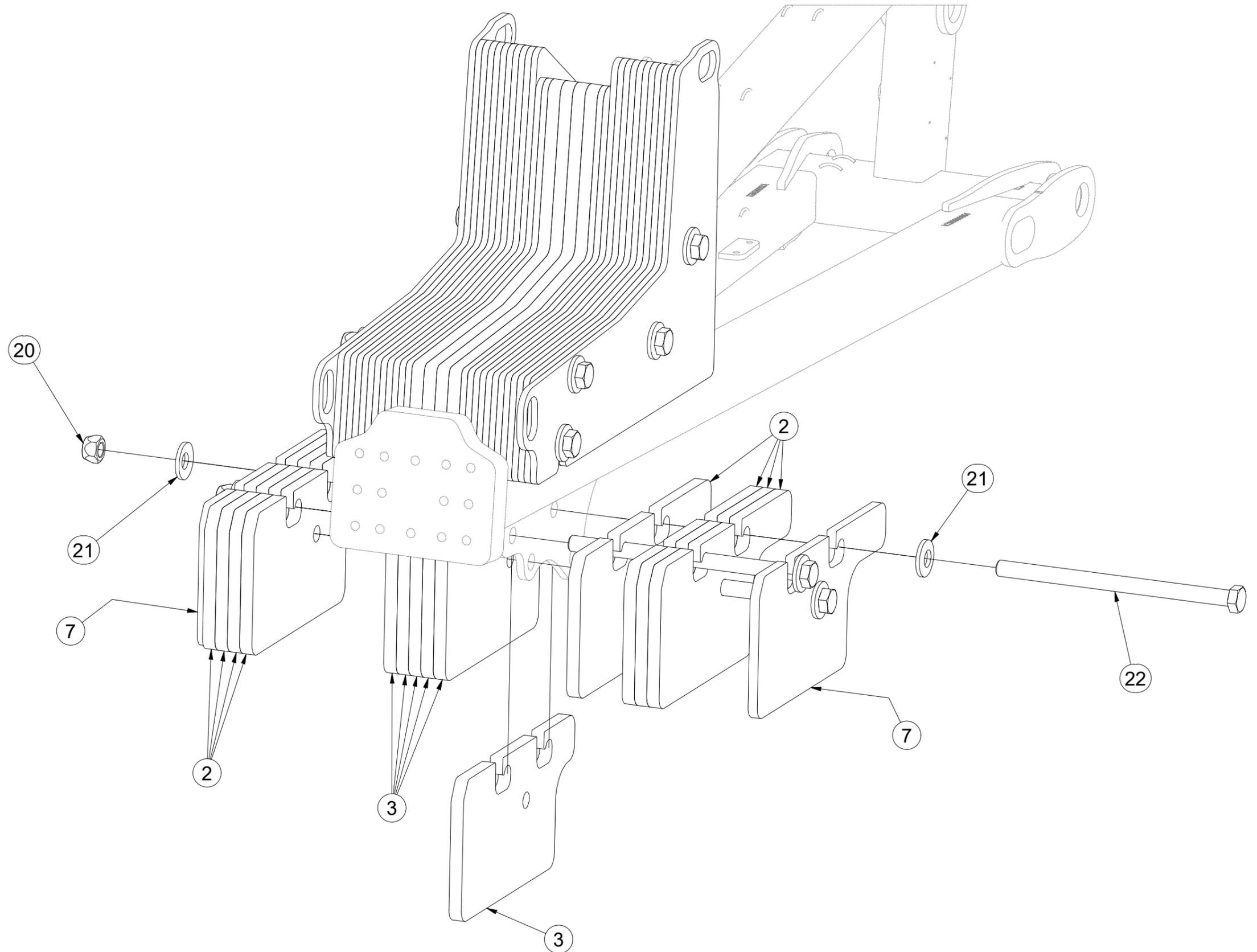
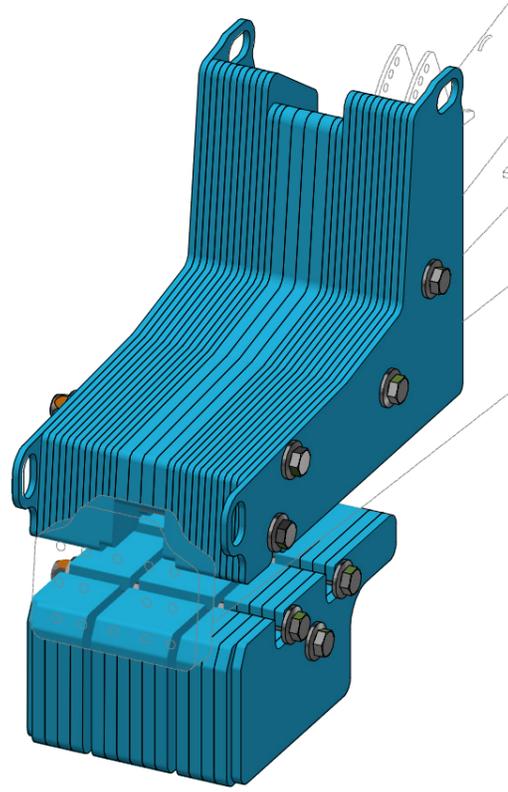
Ⓖ WEIGHT

Ⓡ ГРУЗ

Ⓟ OBCIĄŻNIK

**Farmet**

**VZ00019575**



| Pos. | Part Number | Pcs. |
|------|-------------|------|
| 2    | VZ00005483  | 8    |
| 3    | VZ00005484  | 6    |
| 7    | VZ00020359  | 2    |
| 20   | m18565      | 7    |
| 21   | m15823      | 14   |
| 22   | VZ00020353  | 7    |

ⒸZ HYDRAULIKA STROJE

Ⓓ HYDRAULIK DER MASCHINE

Ⓕ HYDRAULIQUE DE LA MACHINE

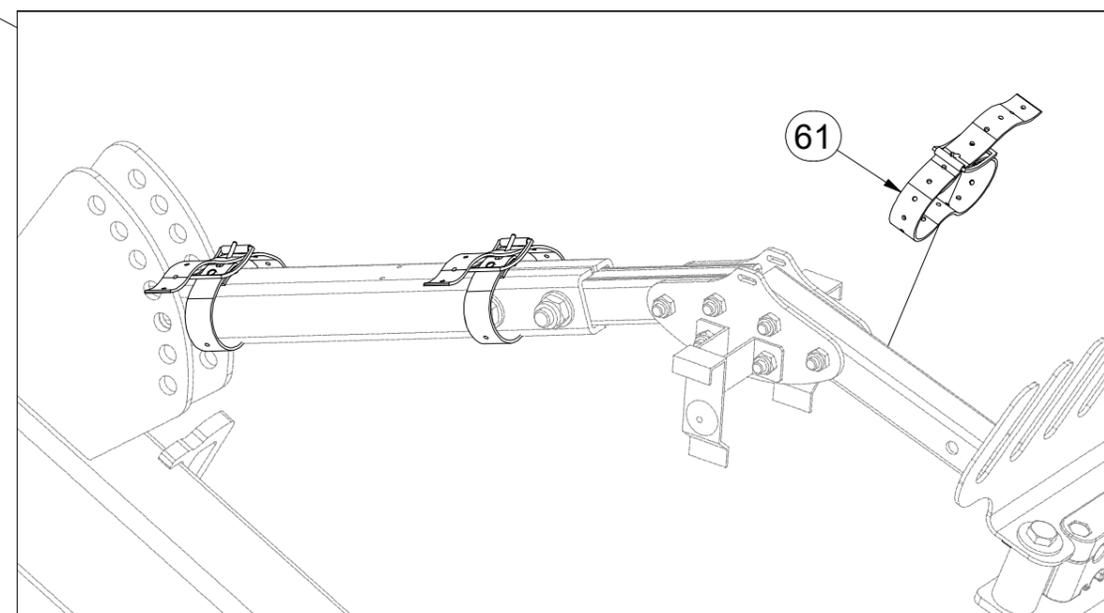
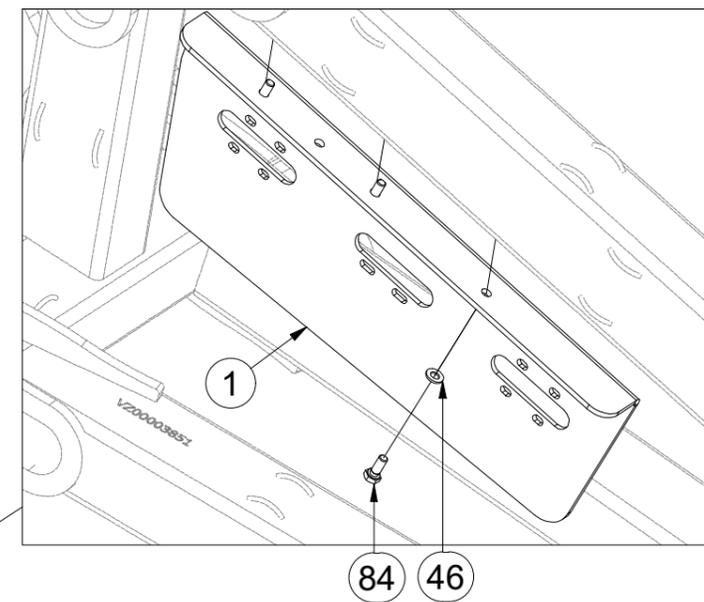
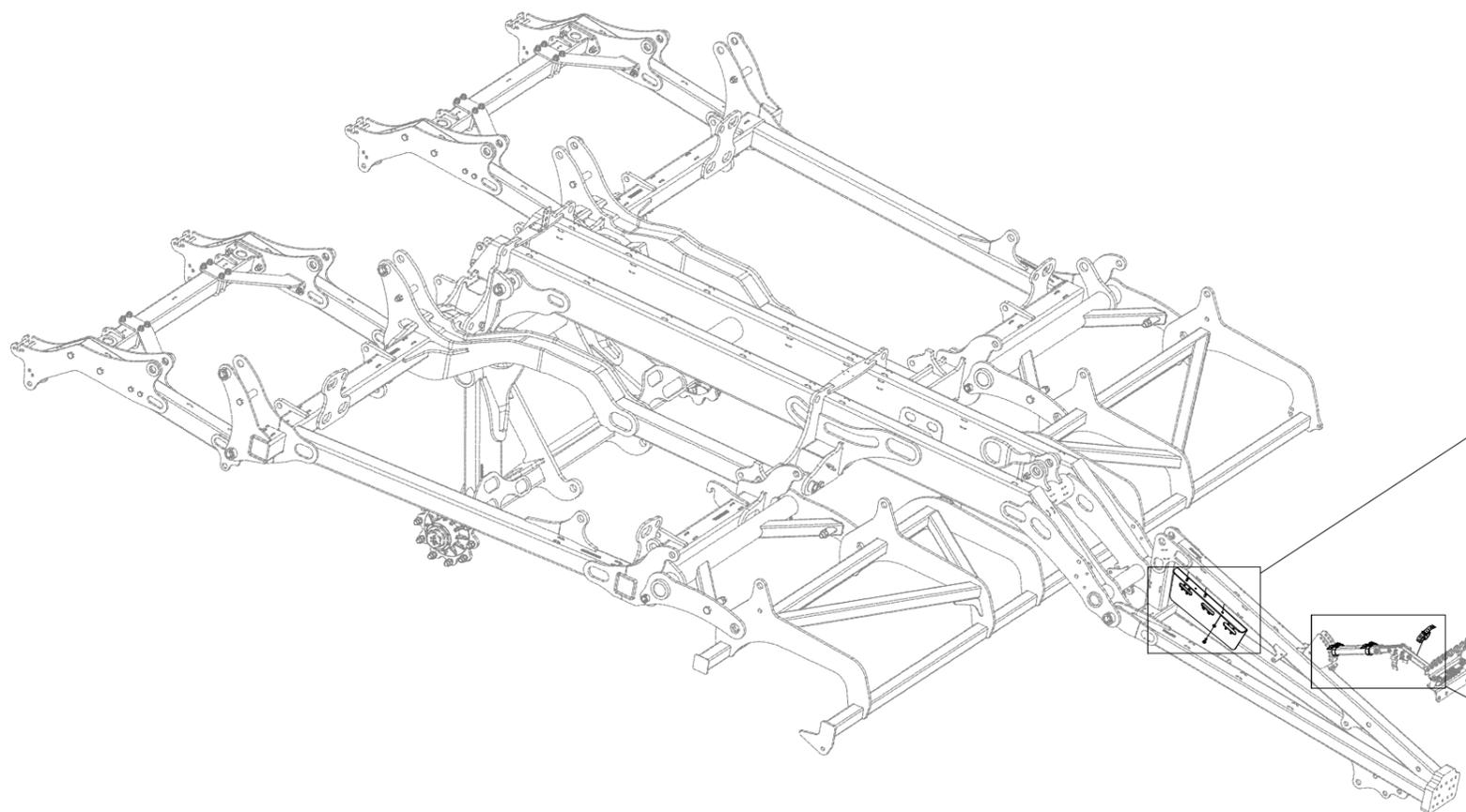
ⒸB MACHINE HYDRAULICS

ⒸR ГИДРАВЛИКА МАШИНЫ

ⒸL HYDRAULIKA MASZYN



**VZ00016556**



| Pos. | Part Number | Pcs. |
|------|-------------|------|
| 1    | VZ00013279  | 1    |
| 46   | m01203      | 7    |
| 61   | m20319      | 4    |
| 84   | m01089      | 3    |

Ⓒ HYDRAULIKA STROJE

Ⓓ HYDRAULIK DER MASCHINE

Ⓕ HYDRAULIQUE DE LA MACHINE

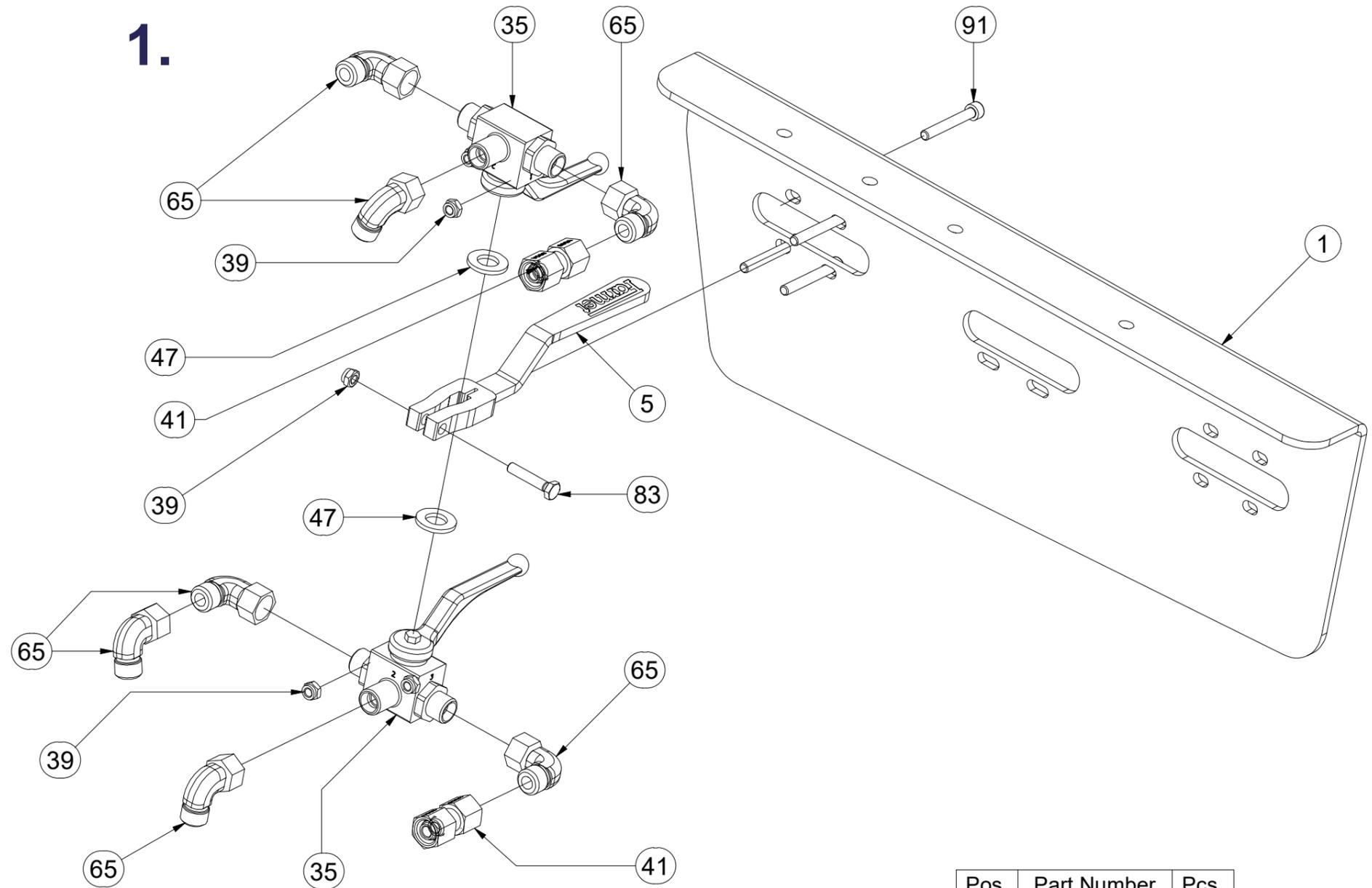
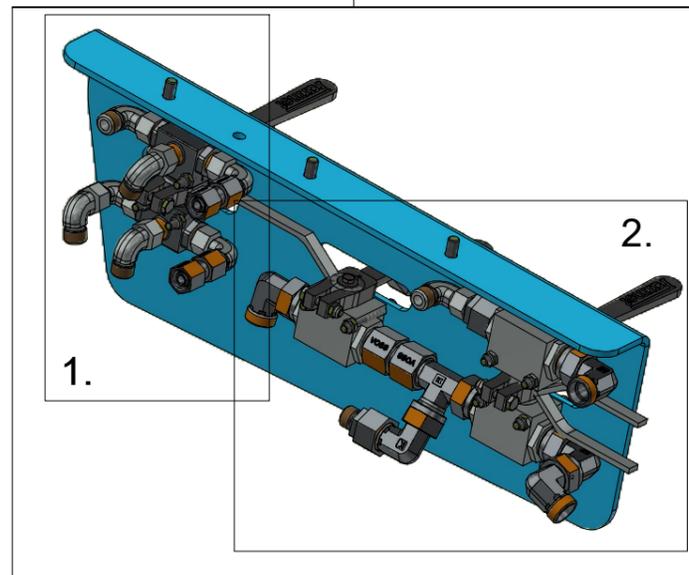
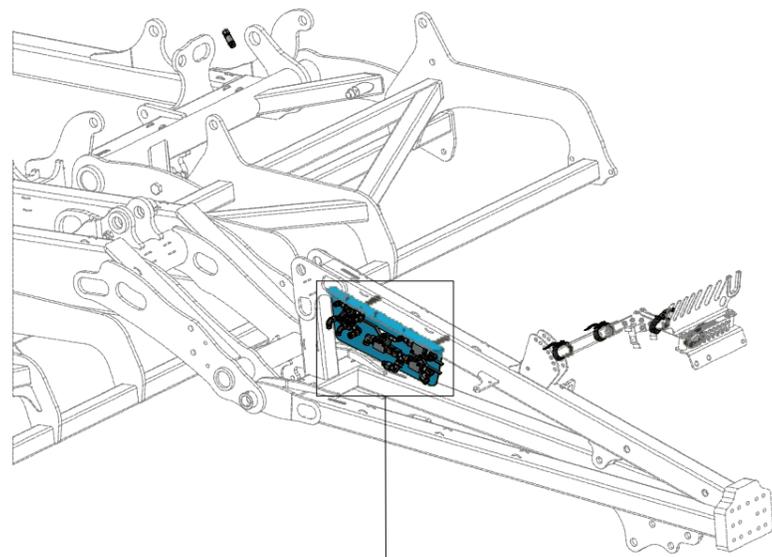
Ⓖ MACHINE HYDRAULICS

Ⓡ ГИДРАВЛИКА МАШИНЫ

Ⓟ HYDRAULIKA MASZYN

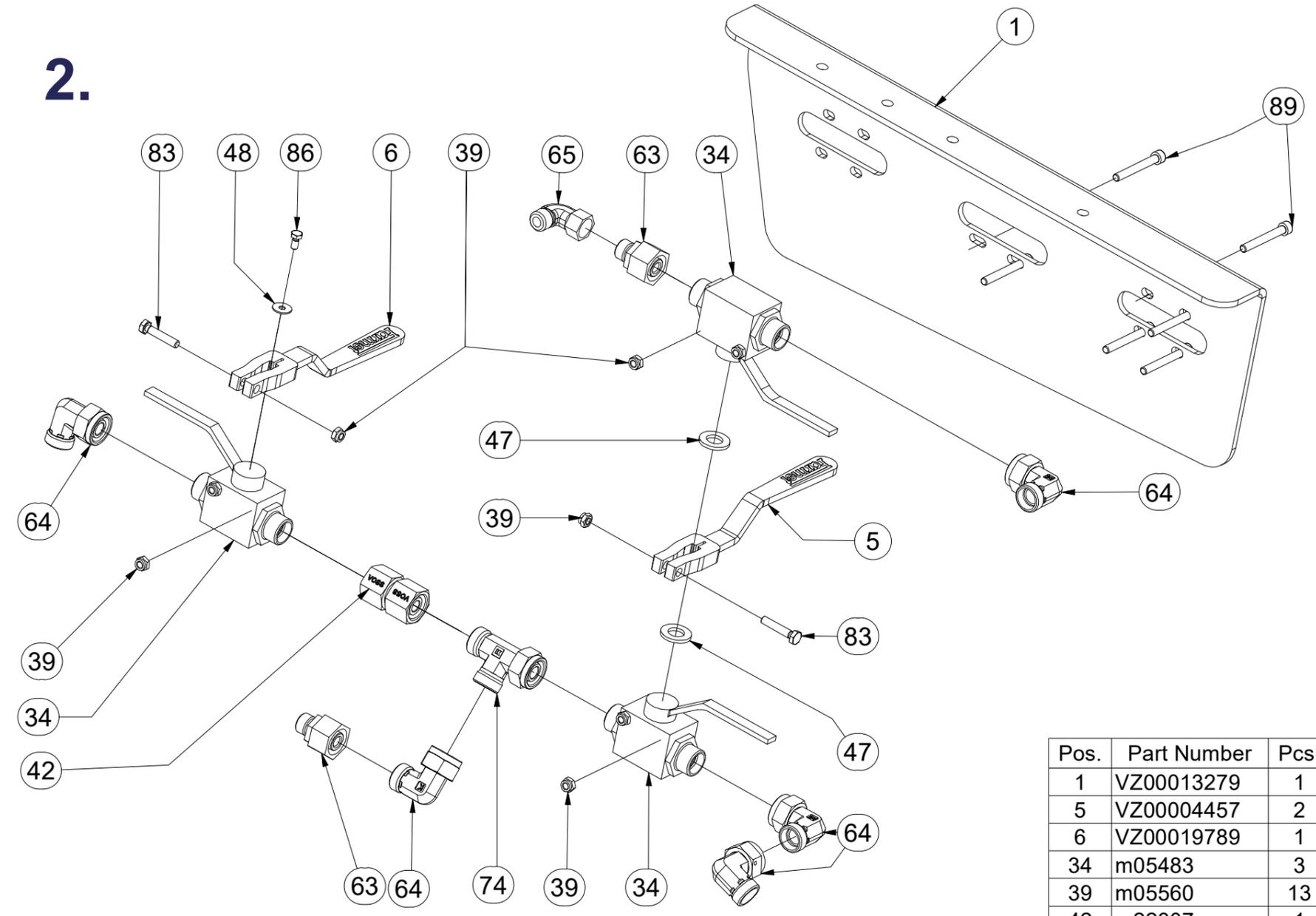
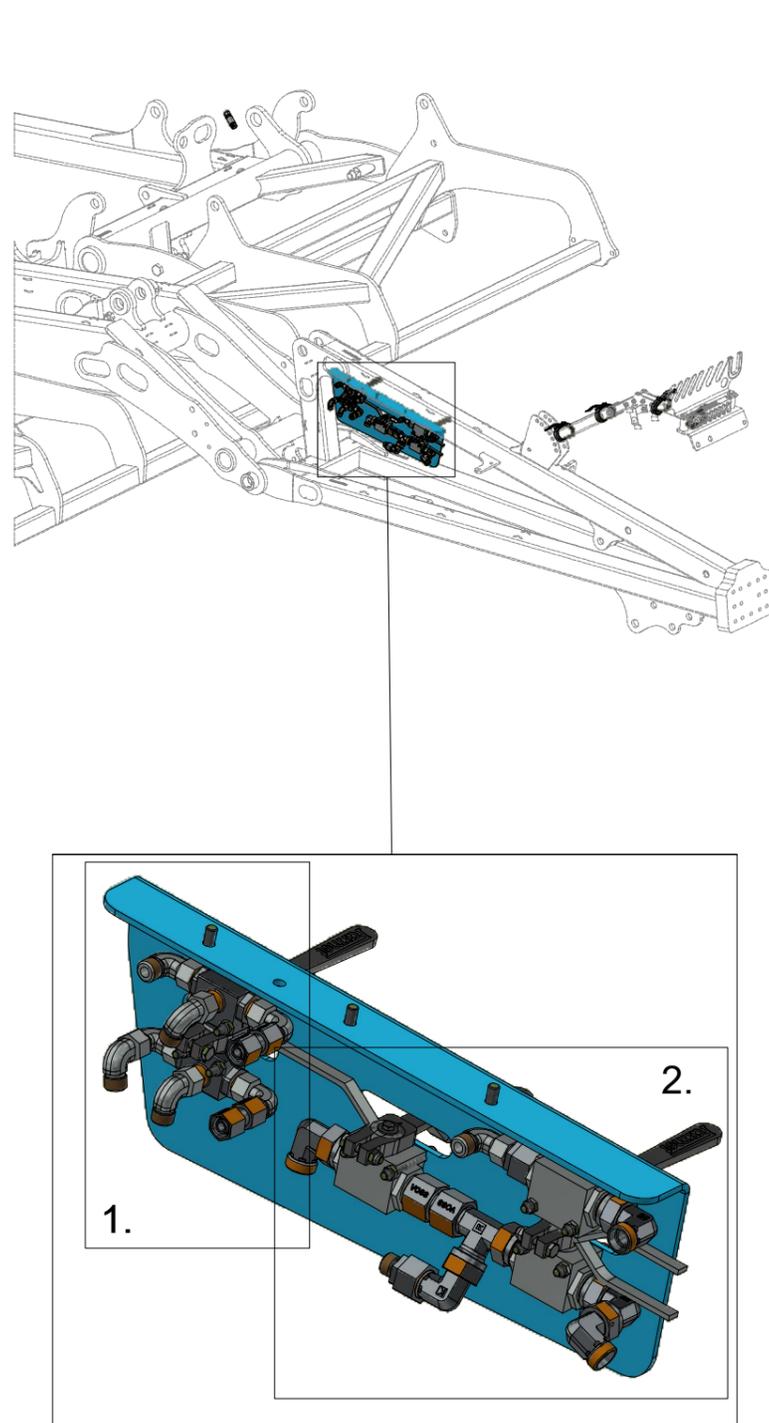


**VZ00016556**



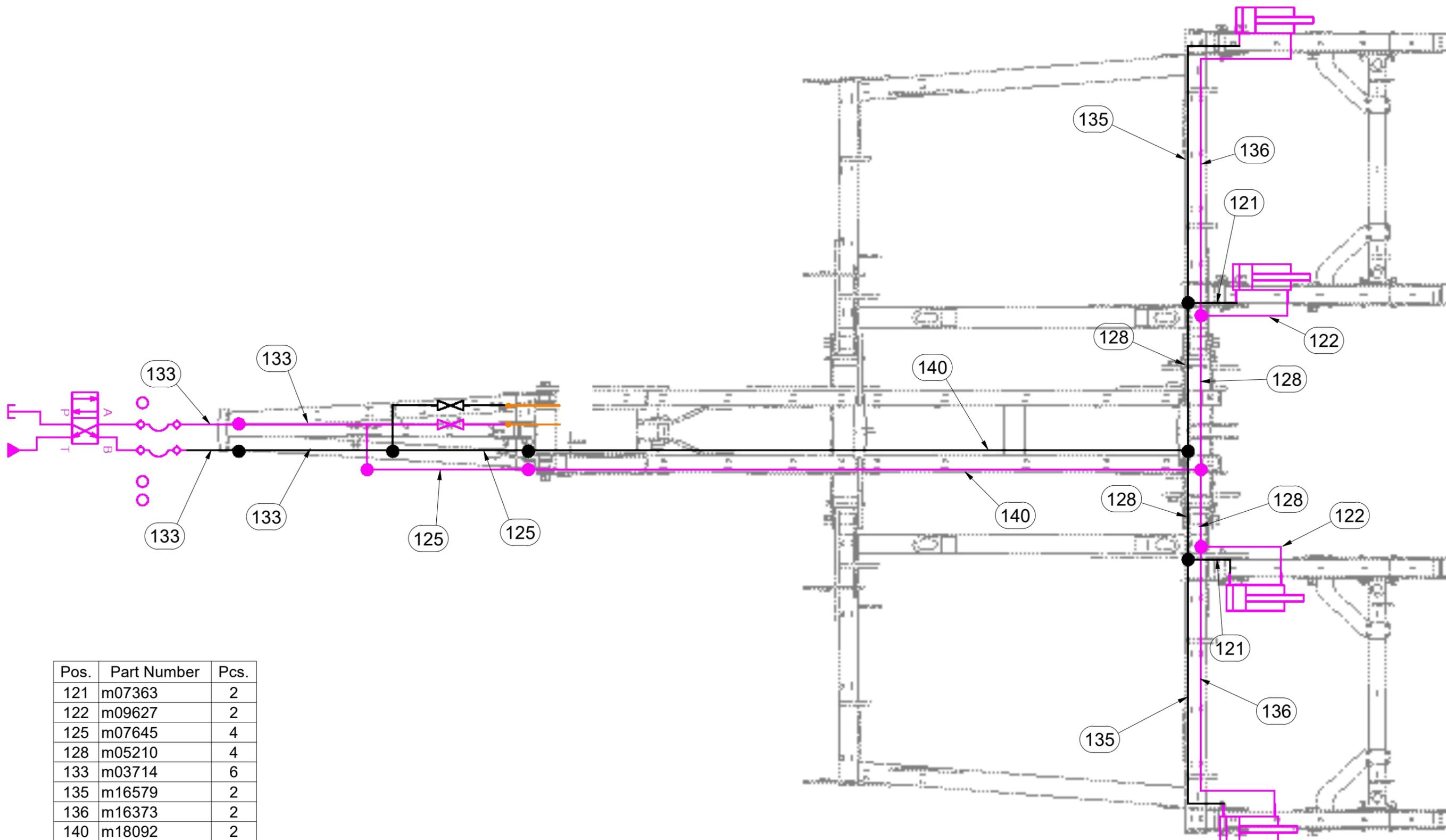
| Pos. | Part Number | Pcs. |
|------|-------------|------|
| 1    | VZ00013279  | 1    |
| 5    | VZ00004457  | 2    |
| 35   | m08390      | 2    |
| 39   | m05560      | 13   |
| 41   | m22305      | 3    |
| 47   | m01214      | 4    |
| 65   | m06803      | 26   |
| 83   | m01077      | 3    |
| 91   | m09935      | 4    |

**VZ00016556**



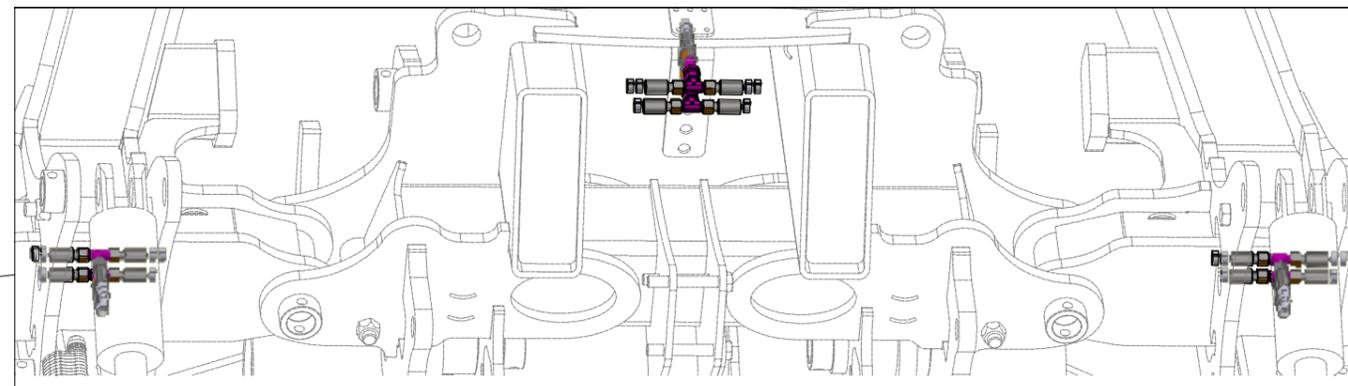
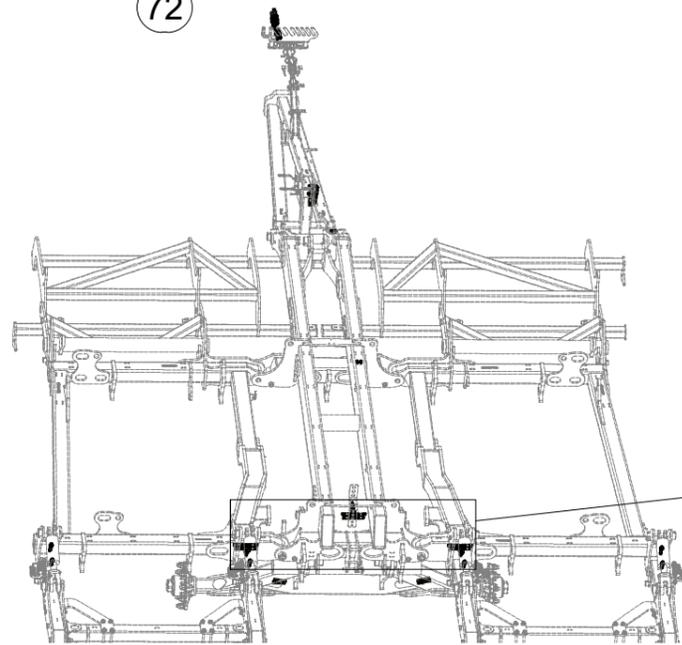
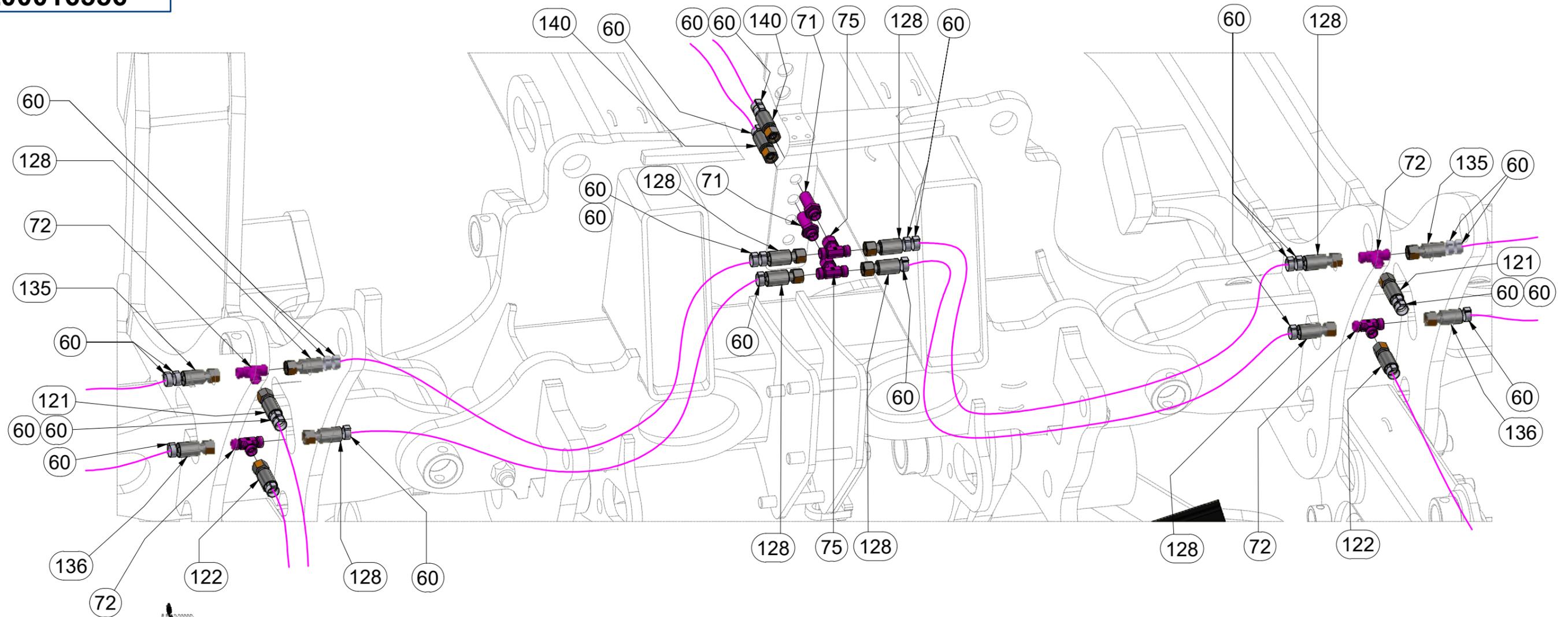
| Pos. | Part Number | Pcs. |
|------|-------------|------|
| 1    | VZ00013279  | 1    |
| 5    | VZ00004457  | 2    |
| 6    | VZ00019789  | 1    |
| 34   | m05483      | 3    |
| 39   | m05560      | 13   |
| 42   | m22307      | 1    |
| 47   | m01214      | 4    |
| 48   | m10438      | 1    |
| 63   | m08533      | 2    |
| 64   | m06114      | 5    |
| 65   | m06803      | 26   |
| 74   | m06881      | 1    |
| 83   | m01077      | 3    |
| 86   | m07634      | 1    |
| 89   | m07998      | 6    |

**VZ00016556**



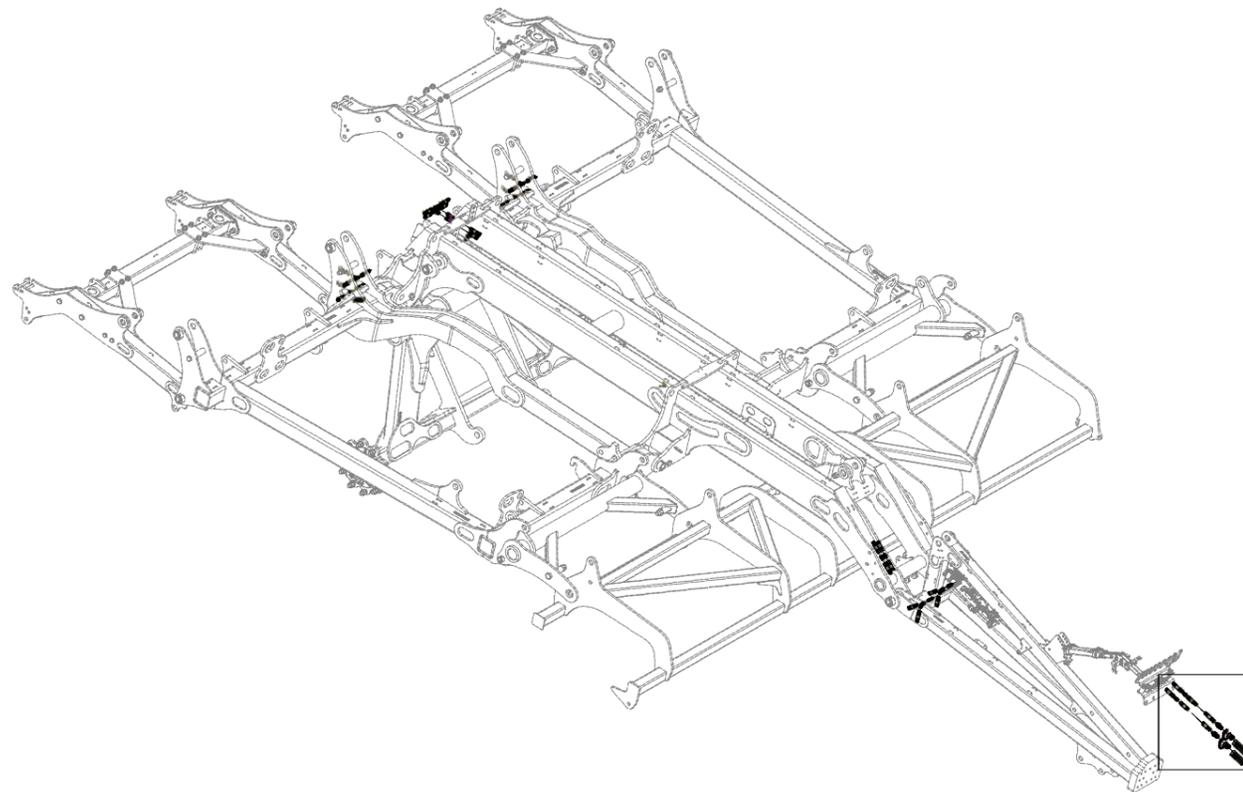
| Pos. | Part Number | Pcs. |
|------|-------------|------|
| 121  | m07363      | 2    |
| 122  | m09627      | 2    |
| 125  | m07645      | 4    |
| 128  | m05210      | 4    |
| 133  | m03714      | 6    |
| 135  | m16579      | 2    |
| 136  | m16373      | 2    |
| 140  | m18092      | 2    |

**VZ00016556**

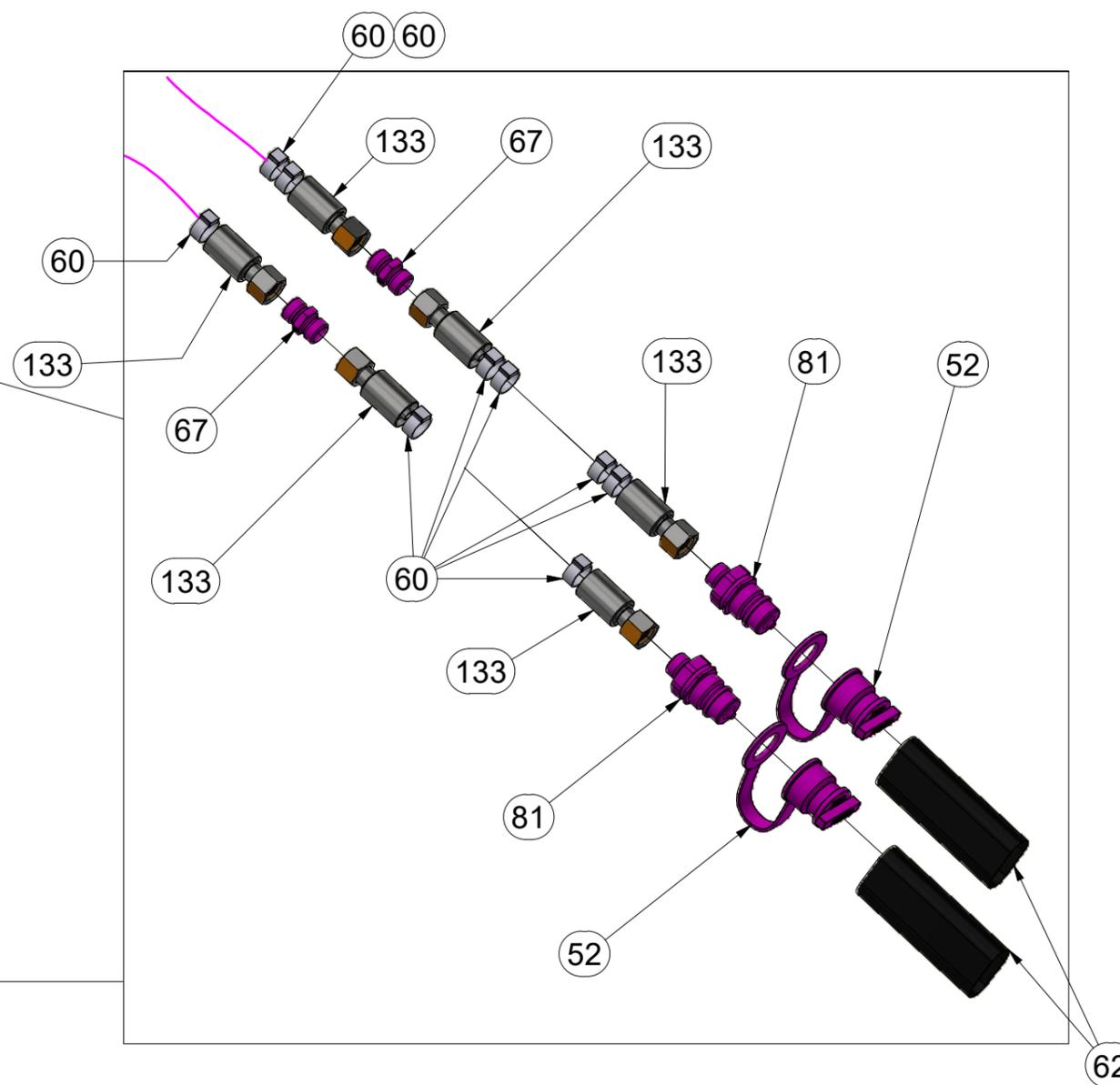
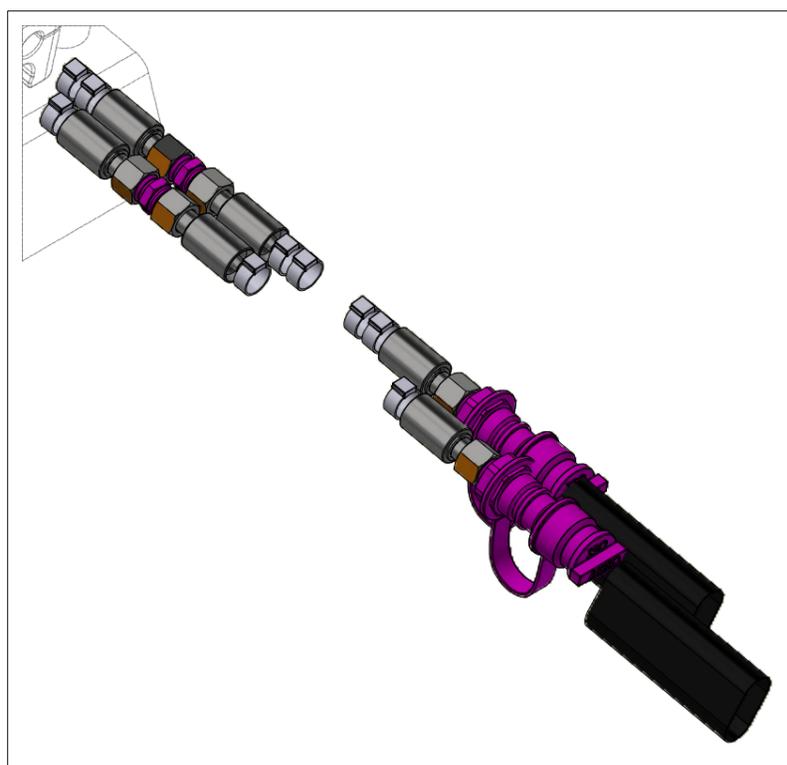


| Pos. | Part Number | Pcs. |
|------|-------------|------|
| 60   | m11691      | 70   |
| 71   | m11768      | 2    |
| 72   | m03889      | 12   |
| 75   | m07567      | 2    |
| 121  | m07363      | 2    |
| 122  | m09627      | 2    |
| 128  | m05210      | 4    |
| 135  | m16579      | 2    |
| 136  | m16373      | 2    |
| 140  | m18092      | 2    |

**VZ00016556**

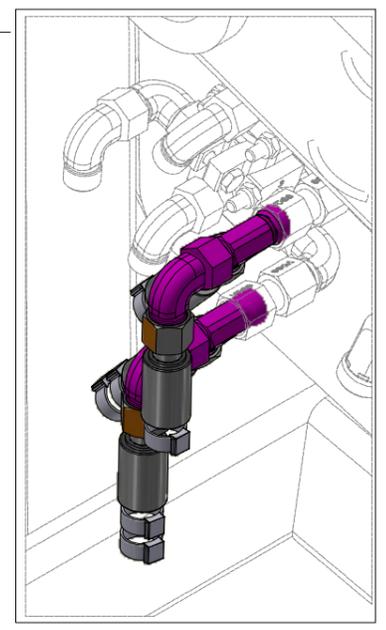
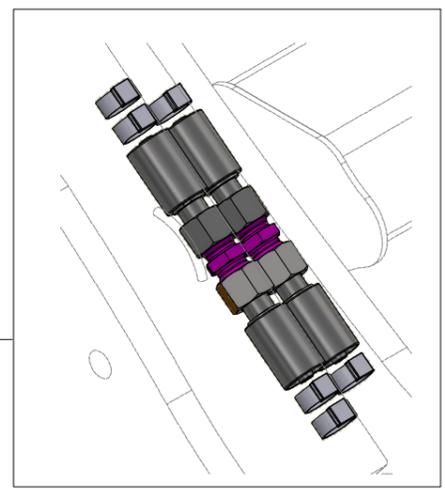
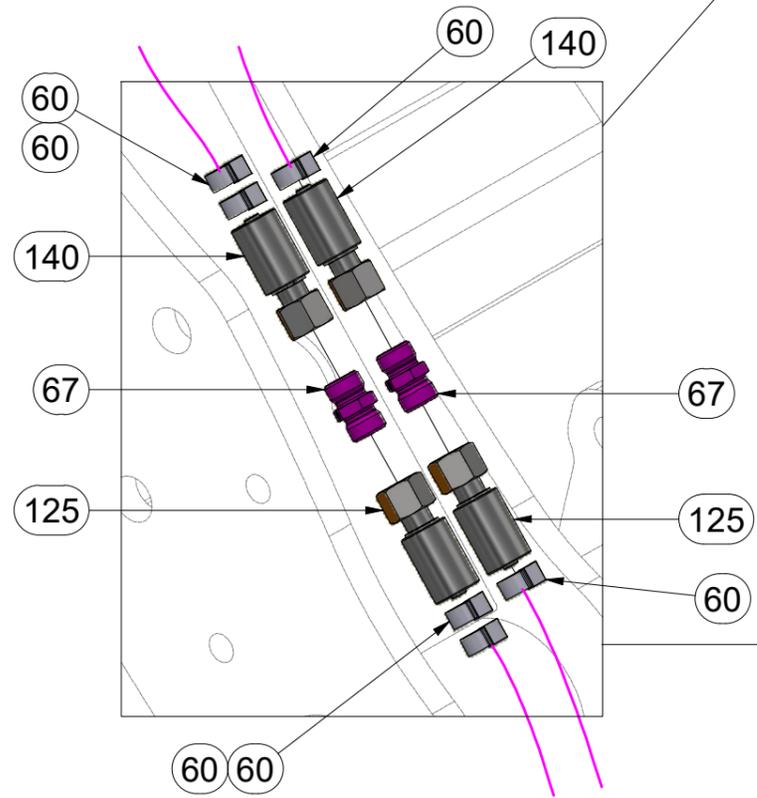
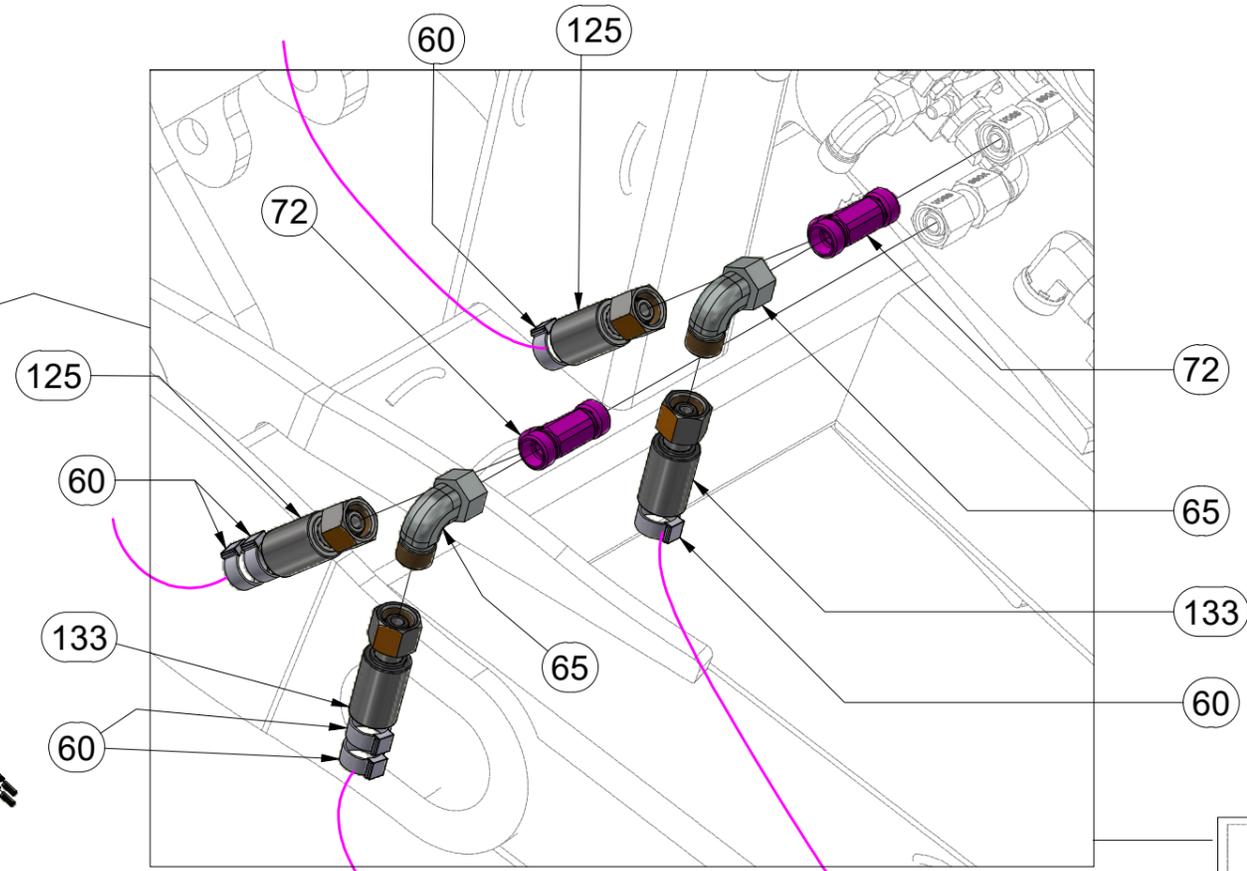
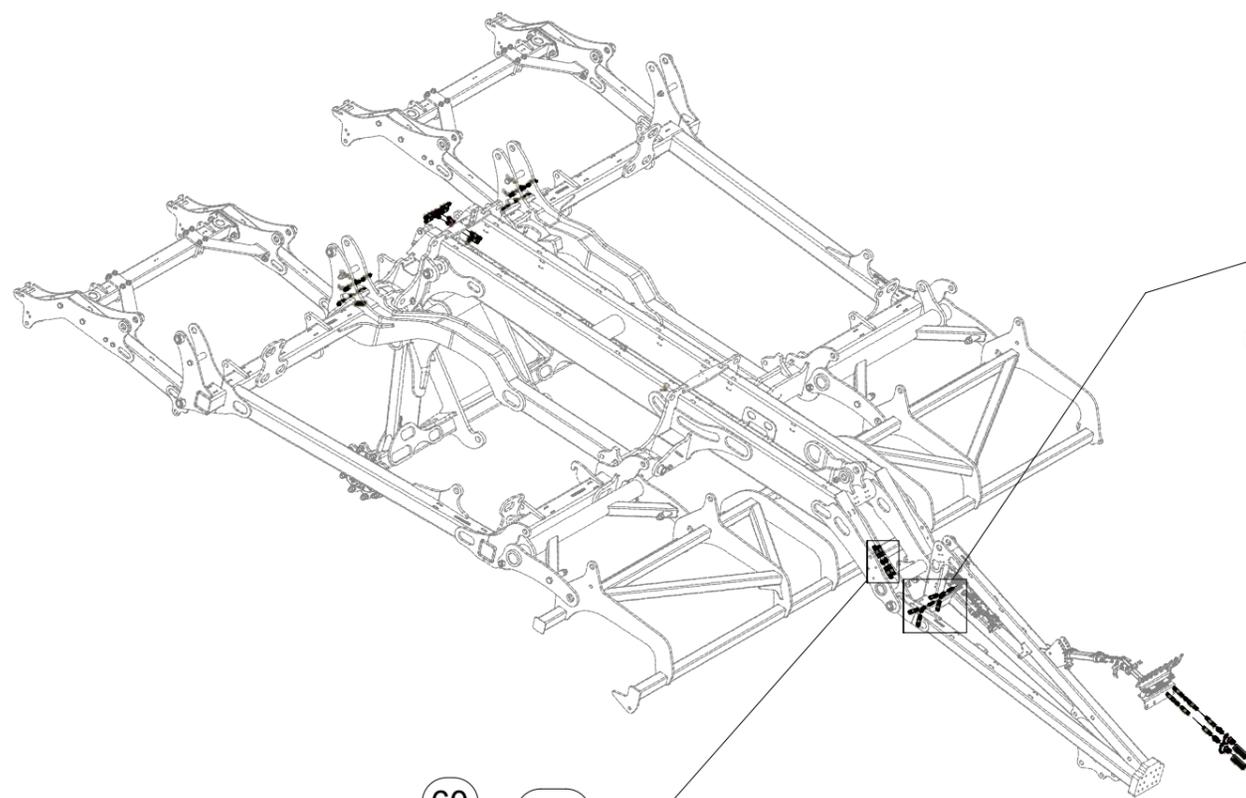


| Pos. | Part Number | Pcs. |
|------|-------------|------|
| 52   | m04034      | 2    |
| 60   | m11691      | 70   |
| 62   | m11183      | 16   |
| 67   | m03213      | 11   |
| 81   | m03849      | 4    |
| 133  | m03714      | 6    |



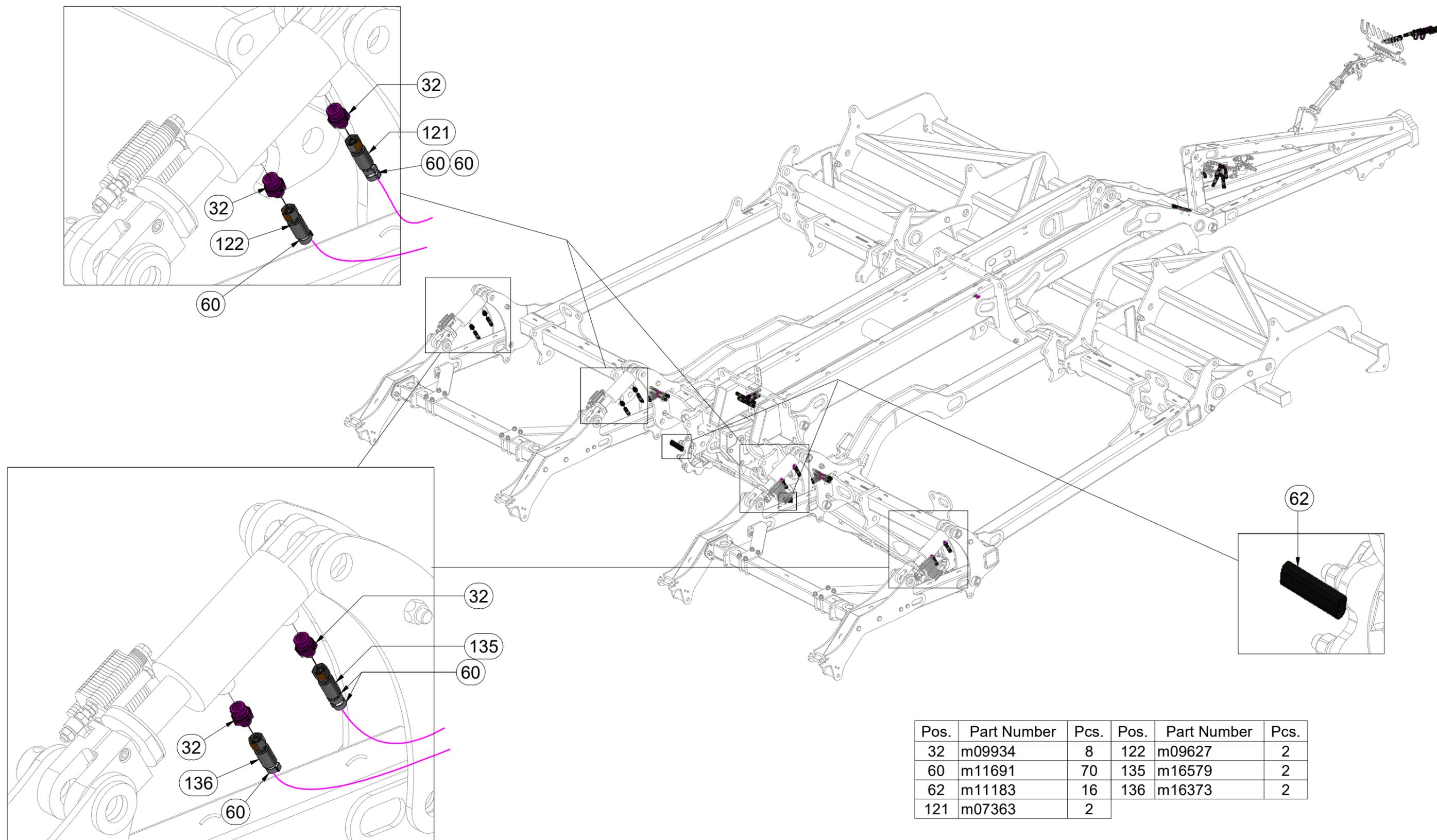


**VZ00016556**



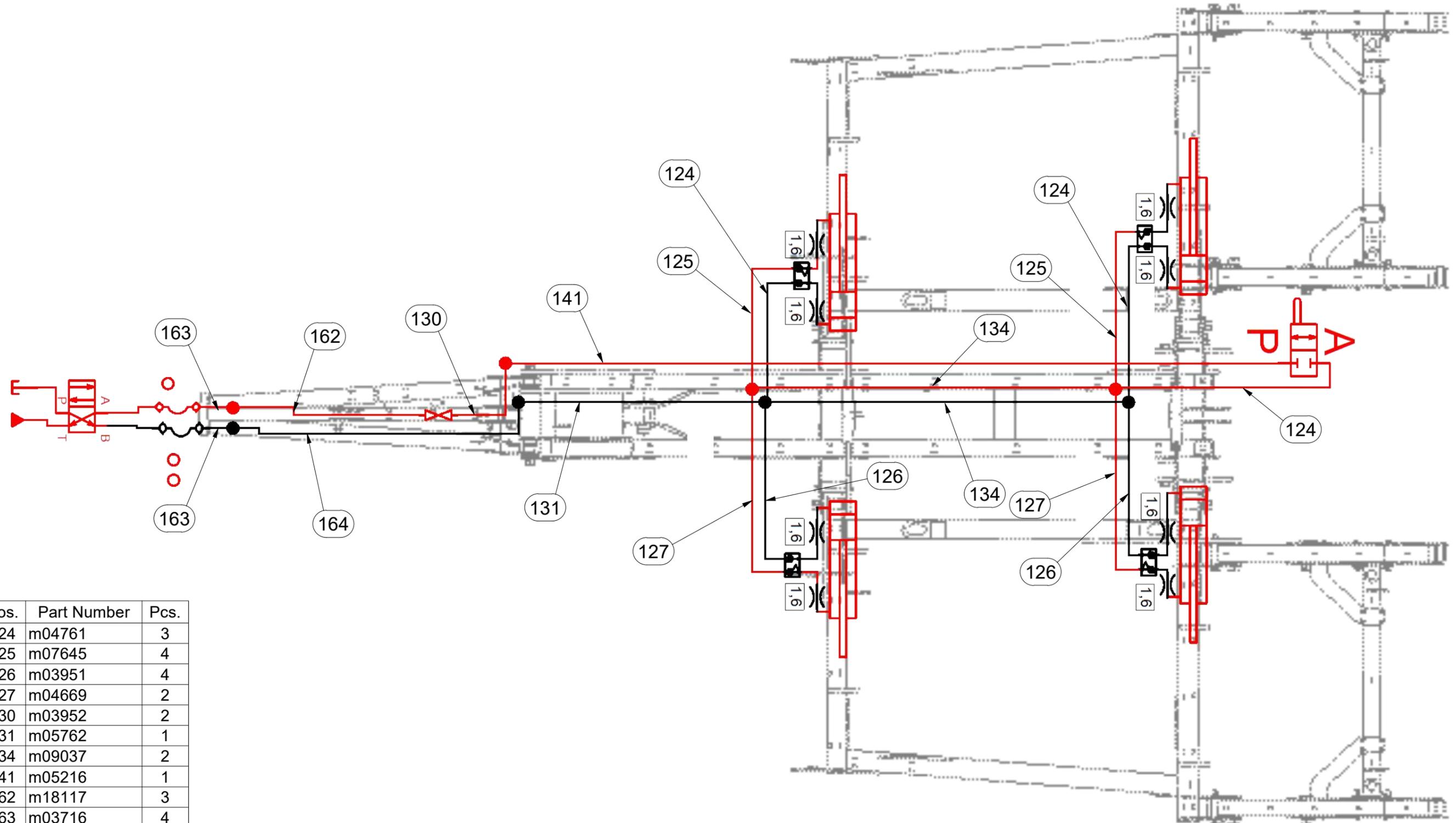
| Pos. | Part Number | Pcs. |
|------|-------------|------|
| 60   | m11691      | 70   |
| 65   | m06803      | 26   |
| 67   | m03213      | 11   |
| 72   | m03889      | 12   |
| 125  | m07645      | 4    |
| 133  | m03714      | 6    |
| 140  | m18092      | 2    |

**VZ00016556**



| Pos. | Part Number | Pcs. | Pos. | Part Number | Pcs. |
|------|-------------|------|------|-------------|------|
| 32   | m09934      | 8    | 122  | m09627      | 2    |
| 60   | m11691      | 70   | 135  | m16579      | 2    |
| 62   | m11183      | 16   | 136  | m16373      | 2    |
| 121  | m07363      | 2    |      |             |      |

**VZ00016556**



| Pos. | Part Number | Pcs. |
|------|-------------|------|
| 124  | m04761      | 3    |
| 125  | m07645      | 4    |
| 126  | m03951      | 4    |
| 127  | m04669      | 2    |
| 130  | m03952      | 2    |
| 131  | m05762      | 1    |
| 134  | m09037      | 2    |
| 141  | m05216      | 1    |
| 162  | m18117      | 3    |
| 163  | m03716      | 4    |
| 164  | m04182      | 1    |

Ⓒ HYDRAULIKA STROJE

Ⓓ HYDRAULIK DER MASCHINE

Ⓕ HYDRAULIQUE DE LA MACHINE

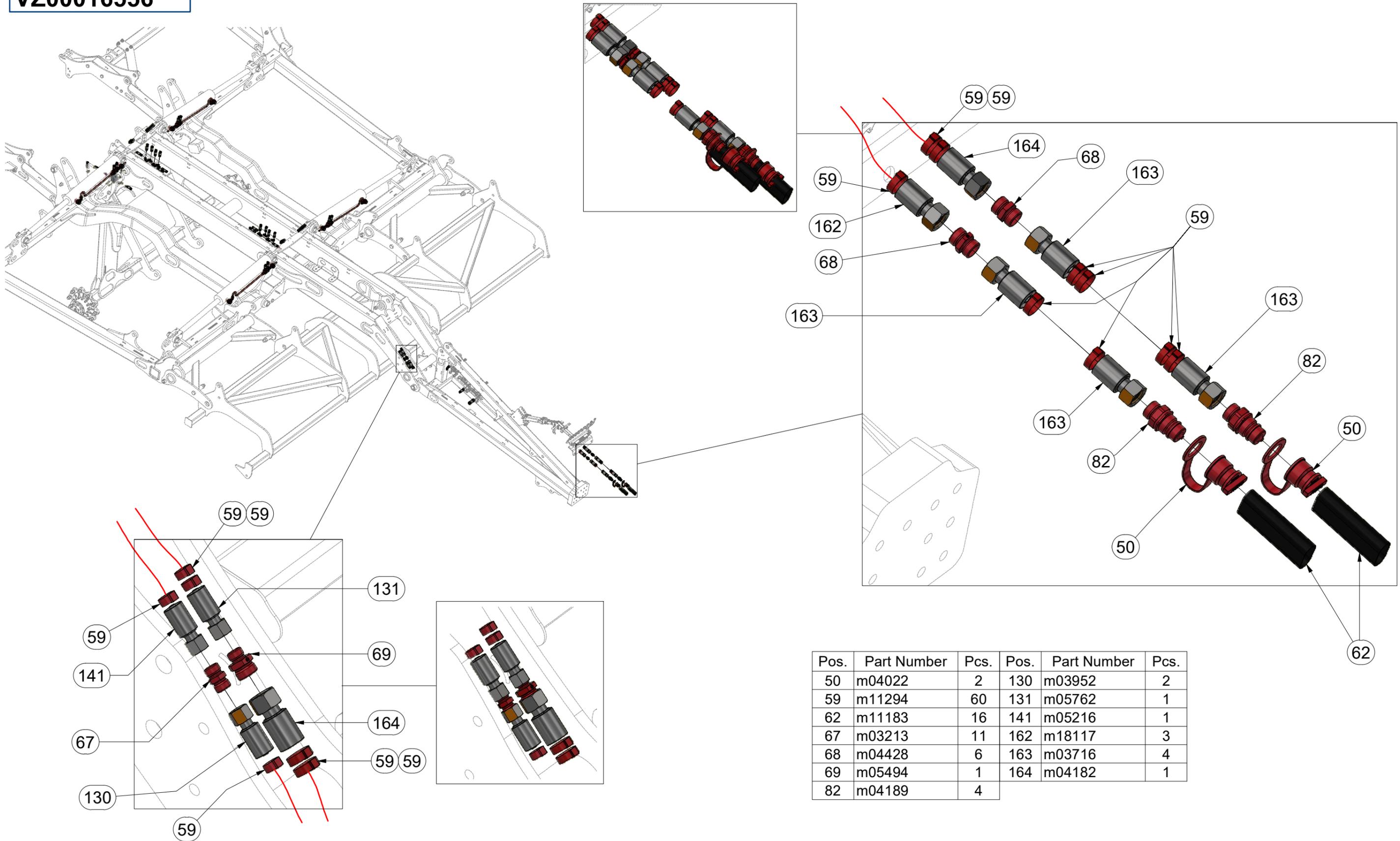
Ⓖ MACHINE HYDRAULICS

Ⓡ ГИДРАВЛИКА МАШИНЫ

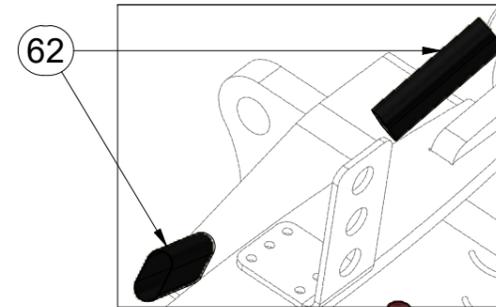
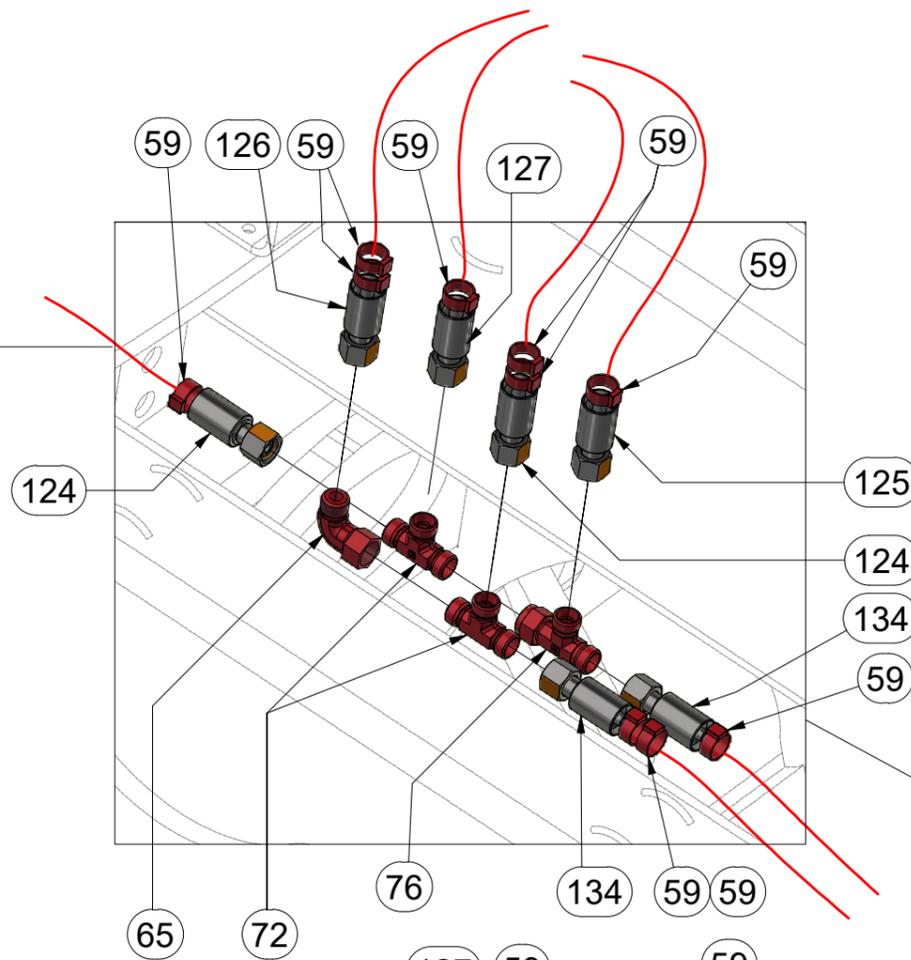
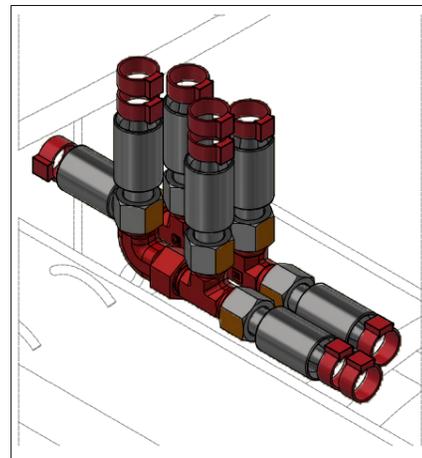
Ⓟ HYDRAULIKA MASZYNY



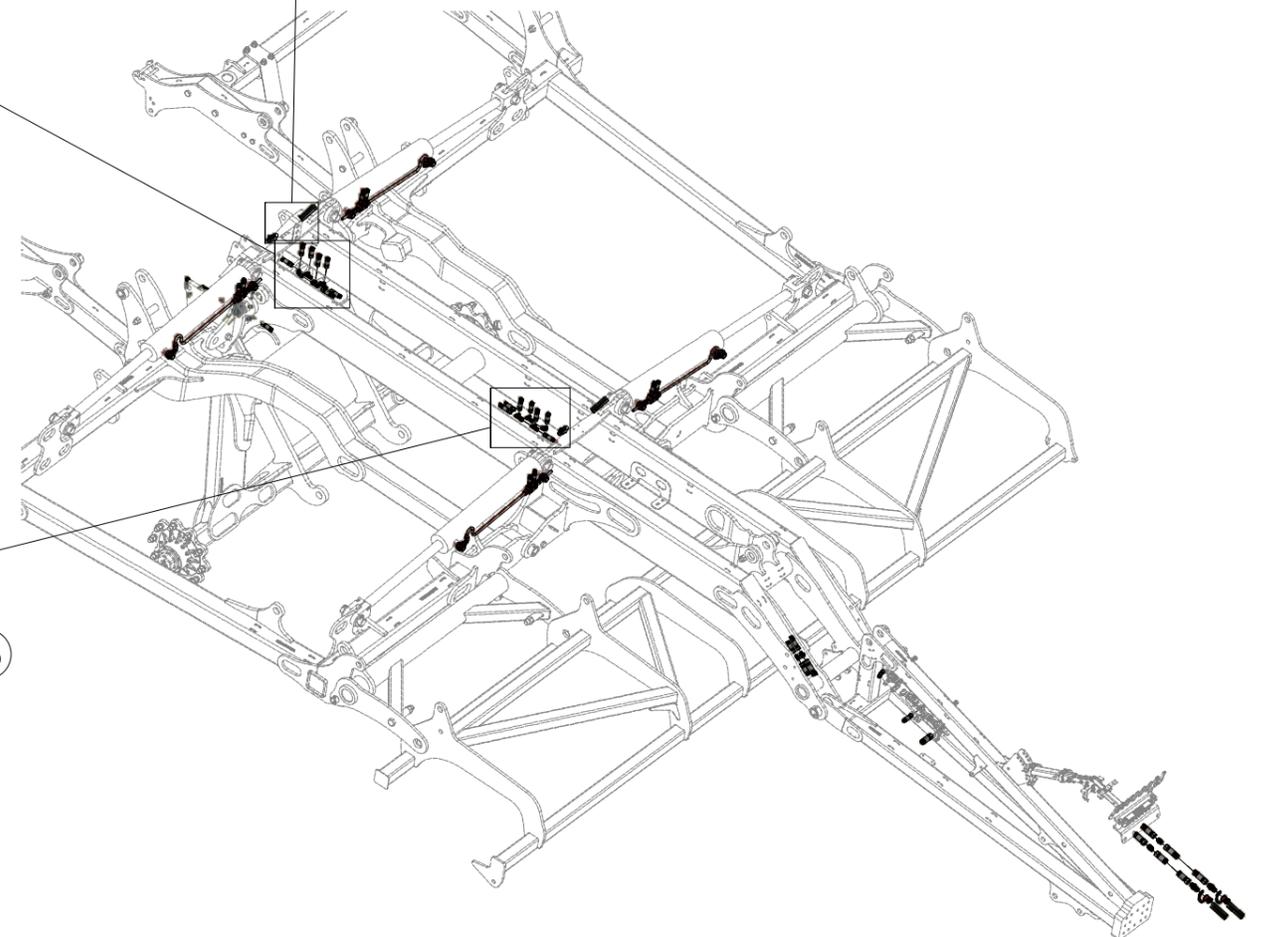
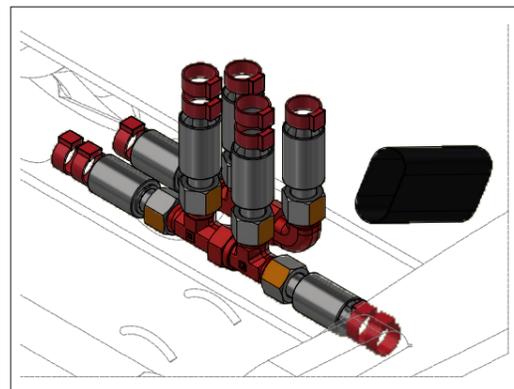
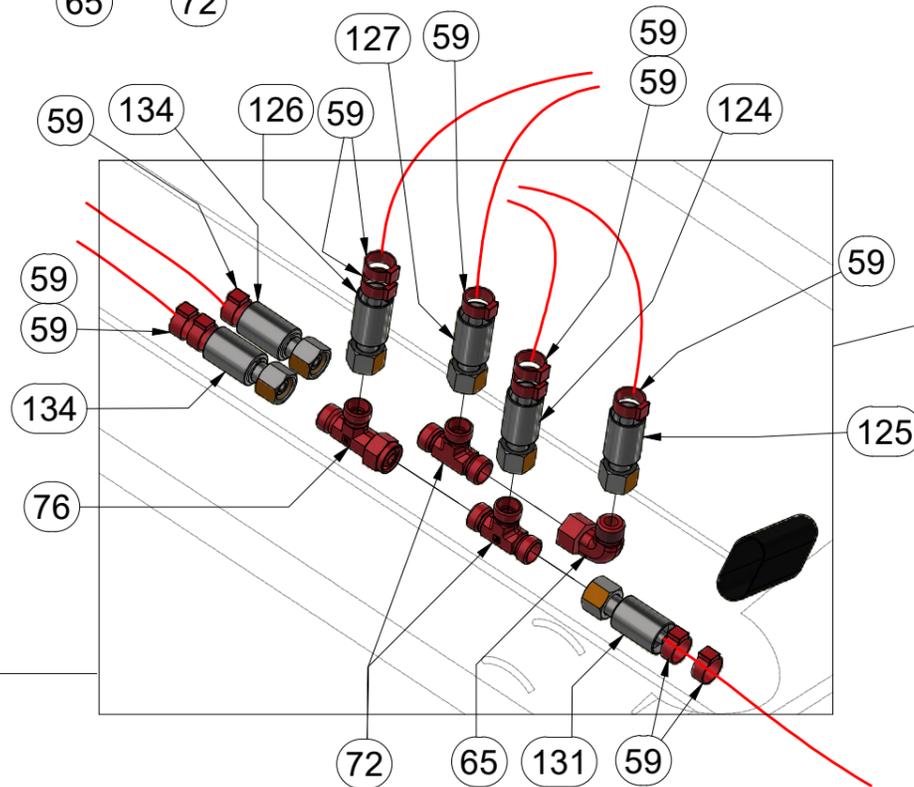
**VZ00016556**



**VZ00016556**



| Pos. | Part Number | Pcs. |
|------|-------------|------|
| 59   | m11294      | 60   |
| 62   | m11183      | 16   |
| 65   | m06803      | 26   |
| 72   | m03889      | 12   |
| 76   | m07568      | 2    |
| 124  | m04761      | 3    |
| 125  | m07645      | 4    |
| 126  | m03951      | 4    |
| 127  | m04669      | 2    |
| 131  | m05762      | 1    |
| 134  | m09037      | 2    |

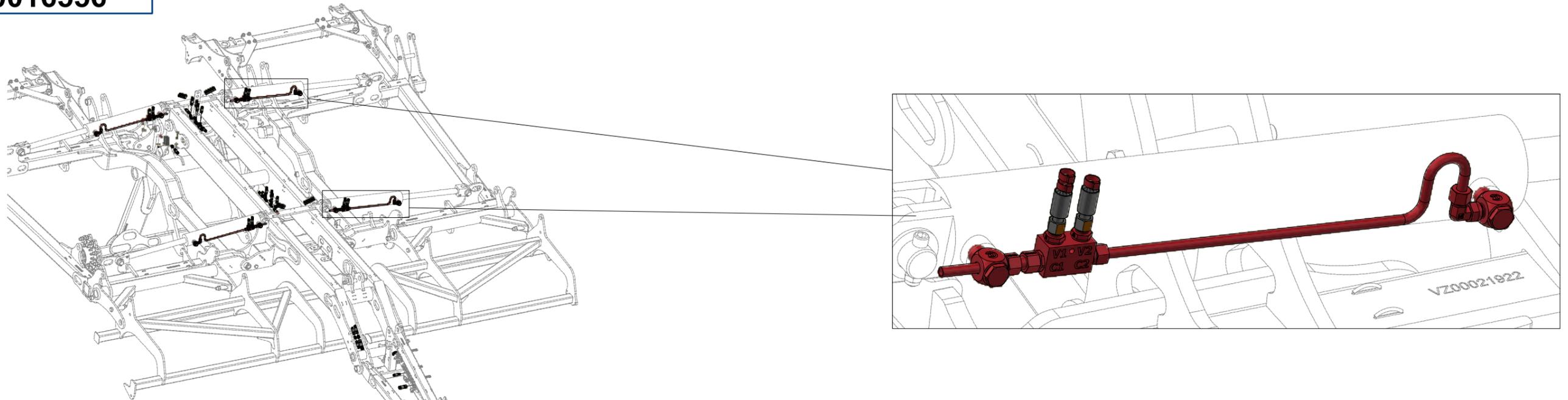


CZ HYDRAULIKA STROJE  
 D HYDRAULIK DER MASCHINE  
 F HYDRAULIQUE DE LA MACHINE

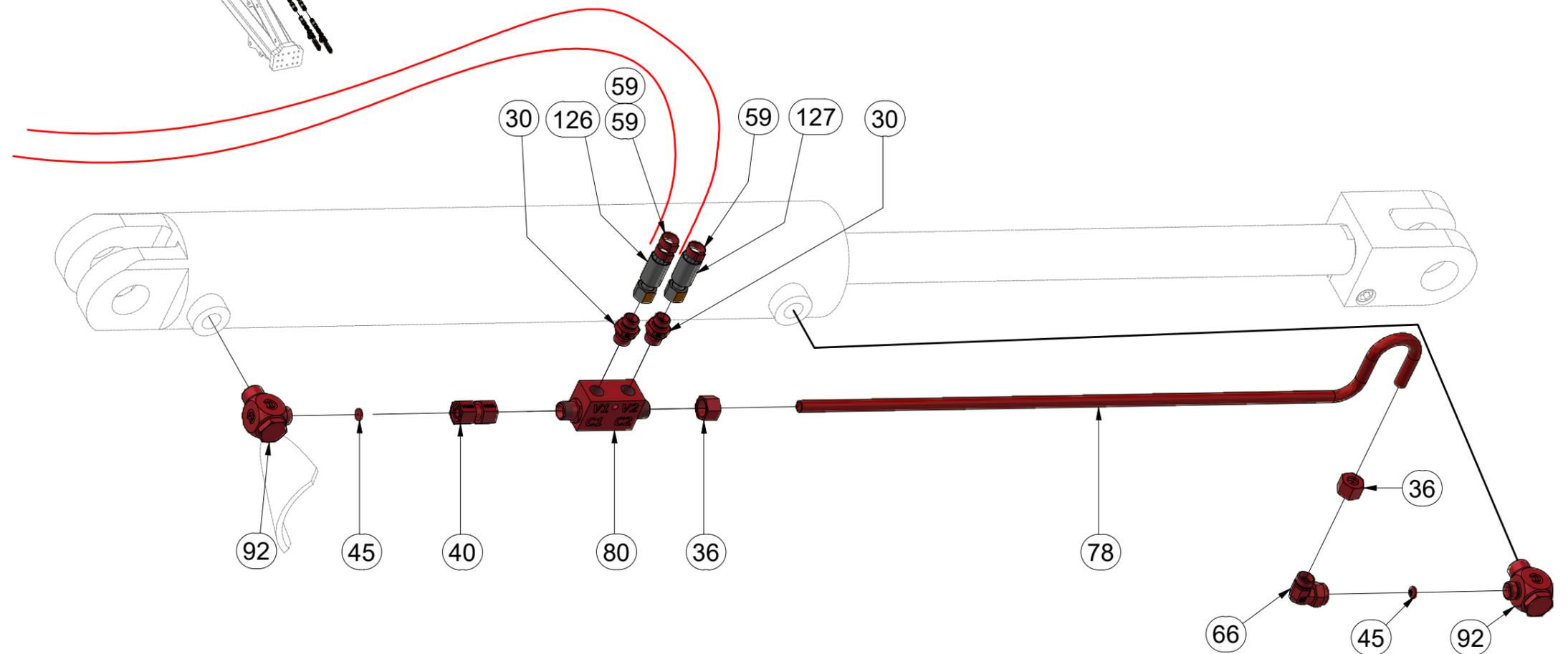
GB MACHINE HYDRAULICS  
 RU ГИДРАВЛИКА МАШИНЫ  
 PL HYDRAULIKA MASZYNY



**VZ00016556**



| Pos. | Part Number | Pcs. |
|------|-------------|------|
| 30   | m06528      | 16   |
| 36   | m17321      | 8    |
| 40   | m22306      | 9    |
| 45   | m10776      | 8    |
| 59   | m11294      | 60   |
| 66   | m07654      | 7    |
| 78   | m16714      | 4    |
| 80   | m08083      | 9    |
| 92   | m20912      | 16   |
| 126  | m03951      | 4    |
| 127  | m04669      | 2    |



ⒸZ HYDRAULIKA STROJE

Ⓓ HYDRAULIK DER MASCHINE

Ⓕ HYDRAULIQUE DE LA MACHINE

ⒼB MACHINE HYDRAULICS

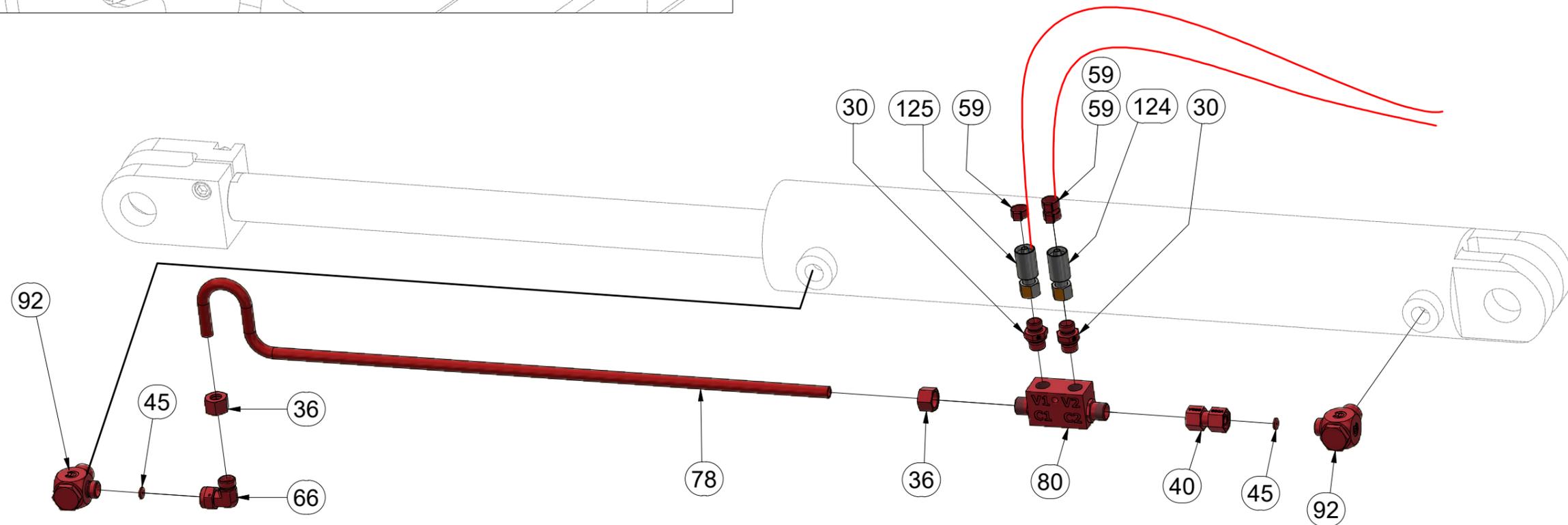
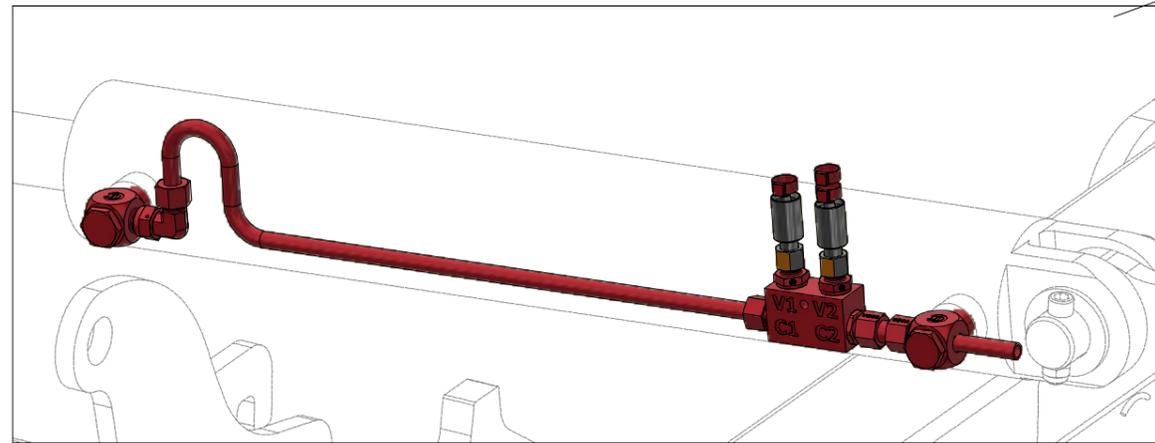
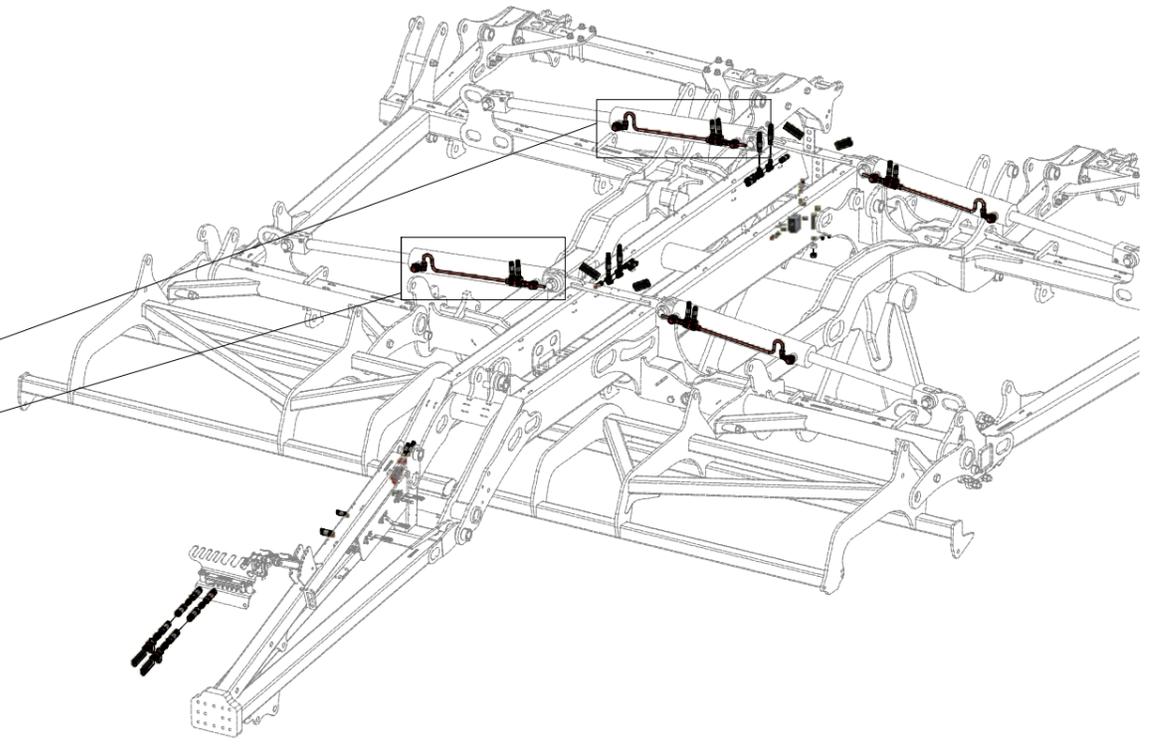
Ⓔ RU ГИДРАВЛИКА МАШИНЫ

Ⓗ PL HYDRAULIKA MASZYN

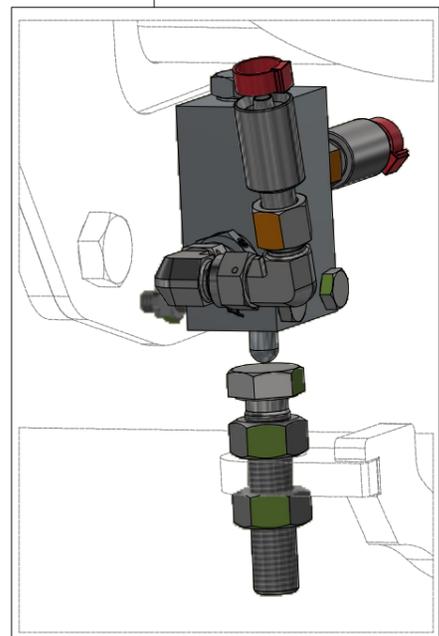
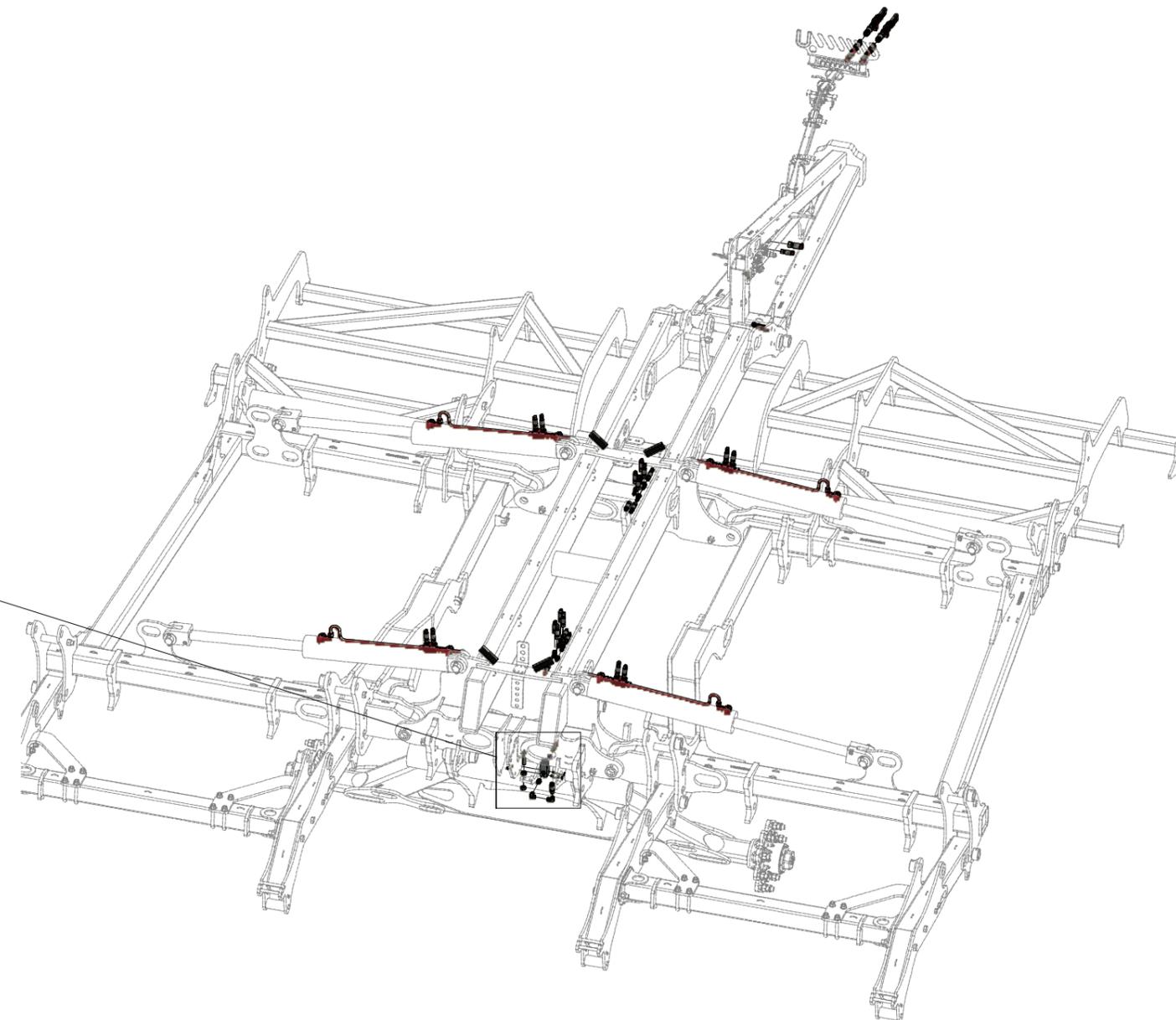
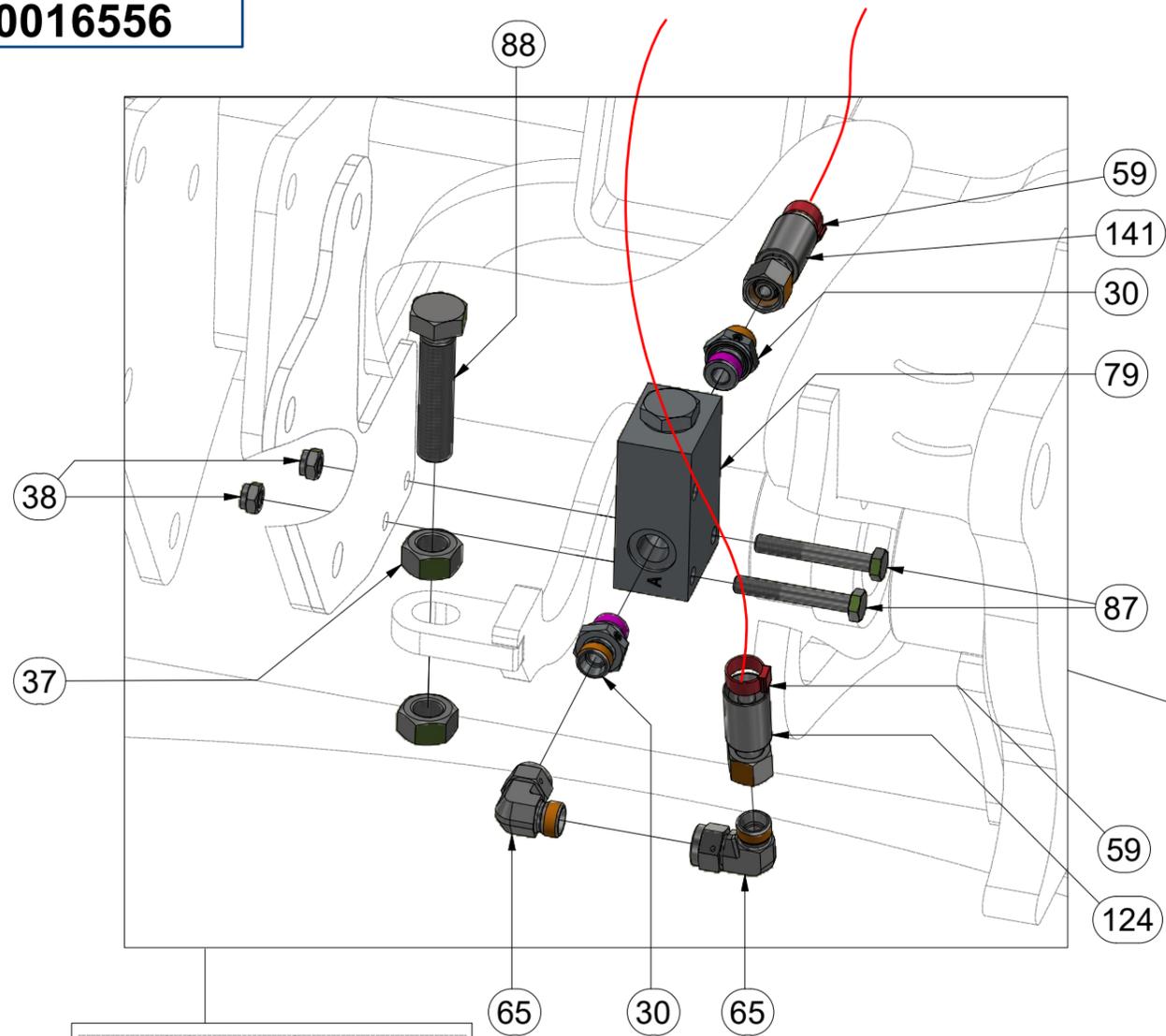


**VZ00016556**

| Pos. | Part Number | Pcs. | Pos. | Part Number | Pcs. |
|------|-------------|------|------|-------------|------|
| 30   | m06528      | 16   | 78   | m16714      | 4    |
| 36   | m17321      | 8    | 80   | m08083      | 9    |
| 40   | m22306      | 9    | 92   | m20912      | 16   |
| 45   | m10776      | 8    | 124  | m04761      | 3    |
| 59   | m11294      | 60   | 125  | m07645      | 4    |
| 66   | m07654      | 7    |      |             |      |



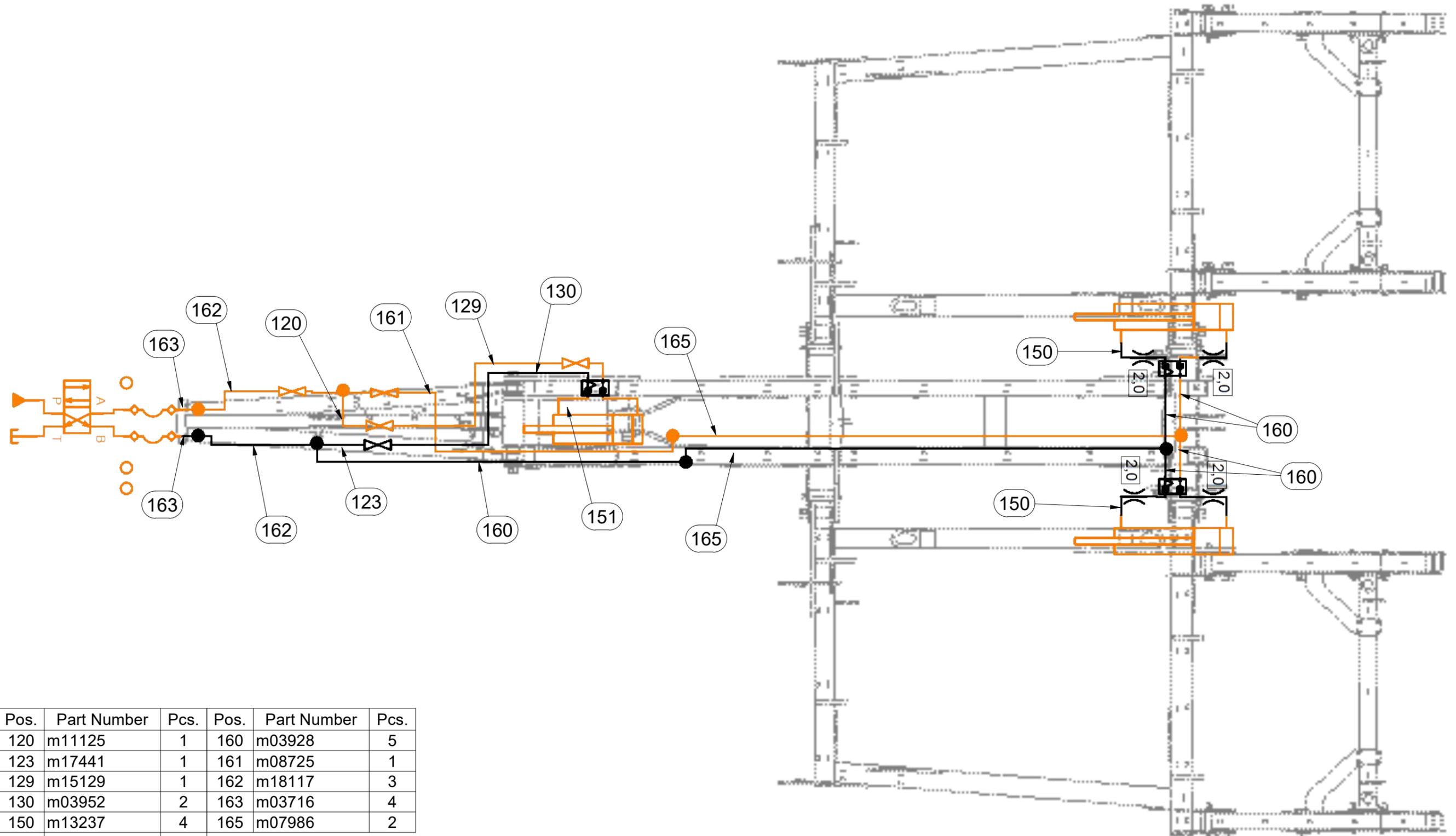
**VZ00016556**



| Pos. | Part Number | Pcs. | Pos. | Part Number | Pcs. |
|------|-------------|------|------|-------------|------|
| 30   | m06528      | 16   | 79   | m10261      | 1    |
| 37   | m01306      | 2    | 87   | m10593      | 2    |
| 38   | m04503      | 4    | 88   | m00626      | 1    |
| 59   | m11294      | 60   | 124  | m04761      | 3    |
| 65   | m06803      | 26   | 141  | m05216      | 1    |



**VZ00016556**



| Pos. | Part Number | Pcs. | Pos. | Part Number | Pcs. |
|------|-------------|------|------|-------------|------|
| 120  | m11125      | 1    | 160  | m03928      | 5    |
| 123  | m17441      | 1    | 161  | m08725      | 1    |
| 129  | m15129      | 1    | 162  | m18117      | 3    |
| 130  | m03952      | 2    | 163  | m03716      | 4    |
| 150  | m13237      | 4    | 165  | m07986      | 2    |
| 151  | m03845      | 1    |      |             |      |

Ⓒ HYDRAULIKA STROJE

Ⓓ HYDRAULIK DER MASCHINE

Ⓕ HYDRAULIQUE DE LA MACHINE

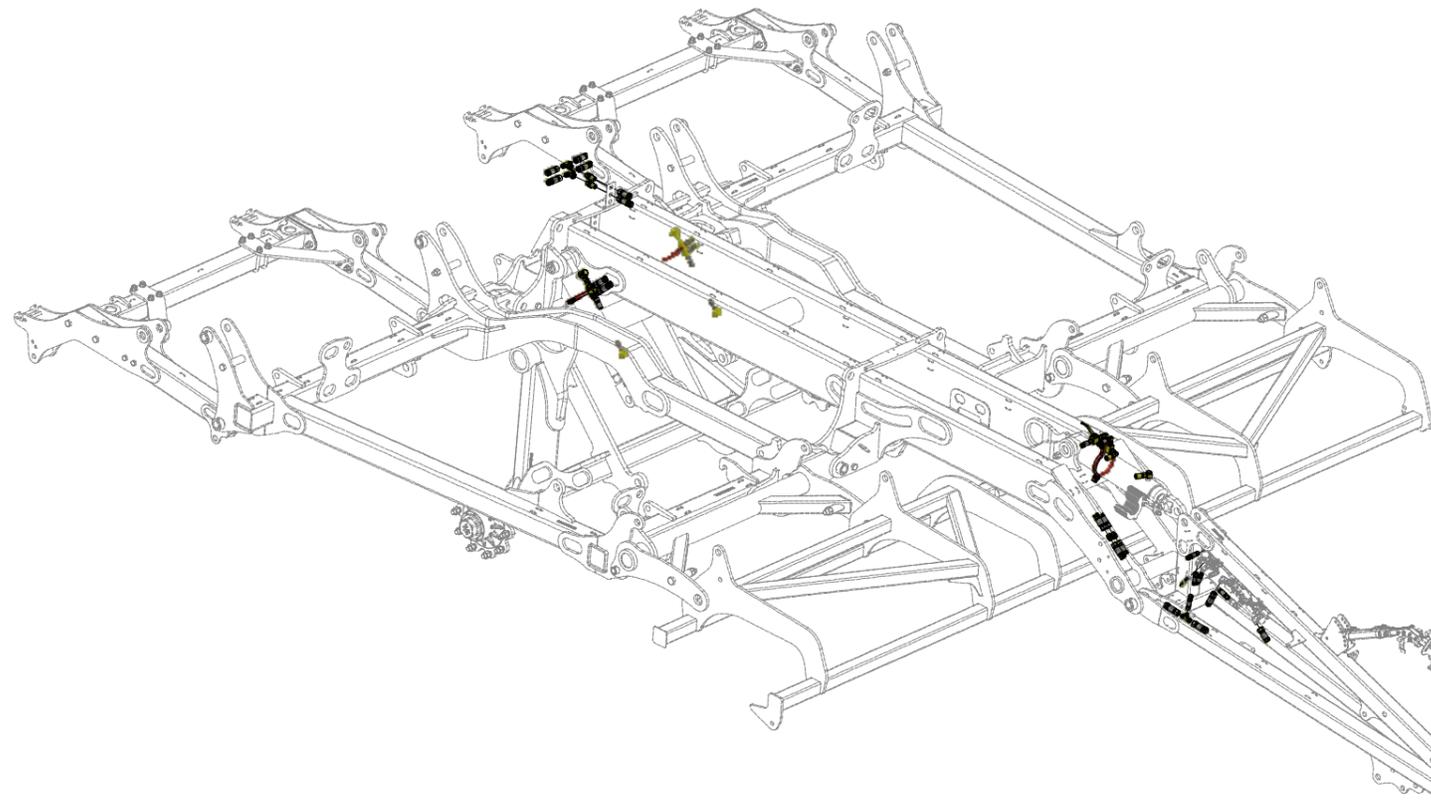
Ⓖ MACHINE HYDRAULICS

Ⓡ ГИДРАВЛИКА МАШИНЫ

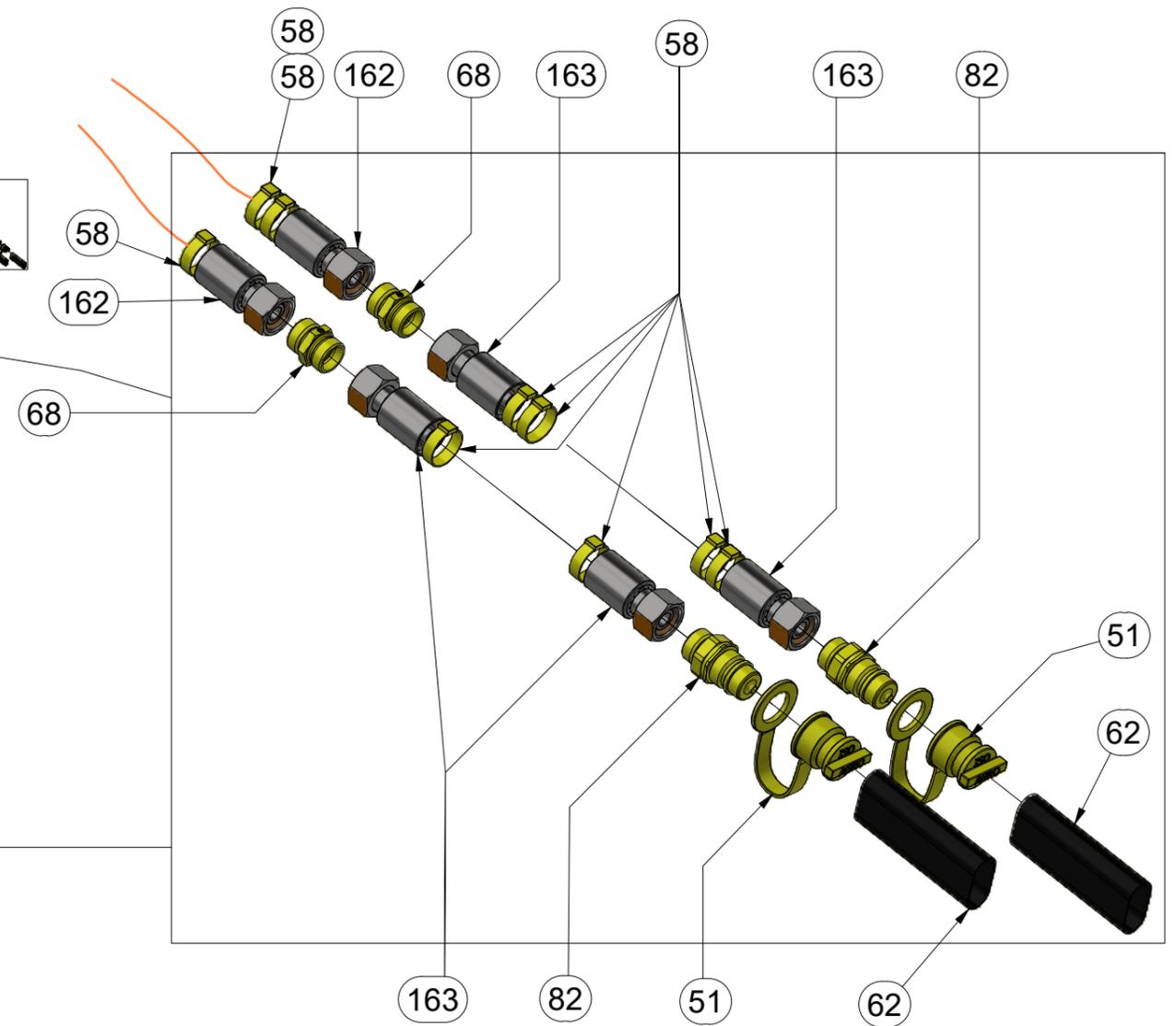
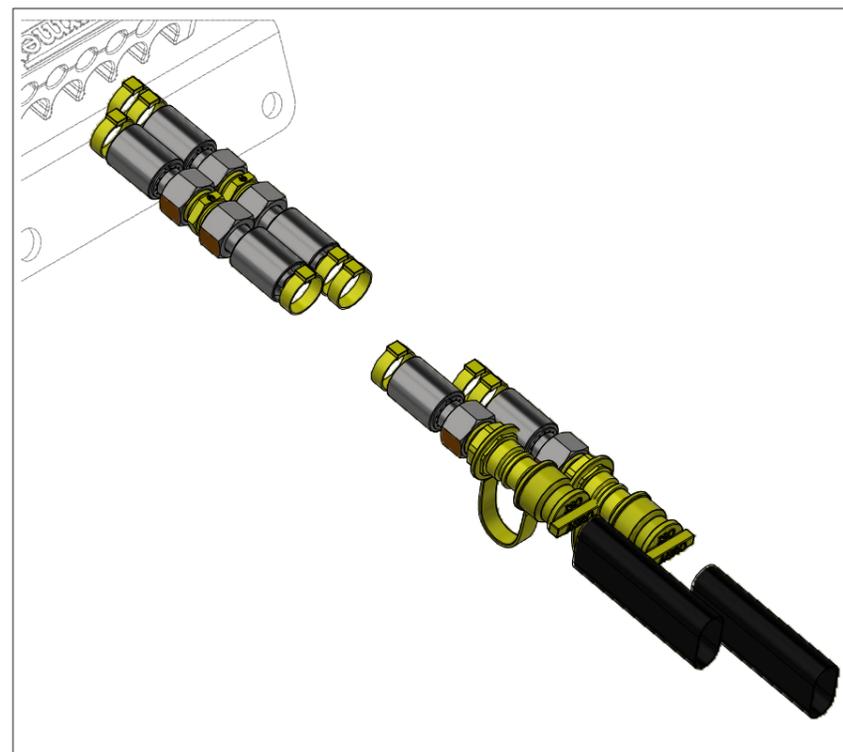
Ⓟ HYDRAULIKA MASZYN



**VZ00016556**



| Pos. | Part Number | Pcs. |
|------|-------------|------|
| 51   | m04023      | 2    |
| 58   | m11289      | 60   |
| 62   | m11183      | 16   |
| 68   | m04428      | 6    |
| 82   | m04189      | 4    |
| 162  | m18117      | 3    |
| 163  | m03716      | 4    |

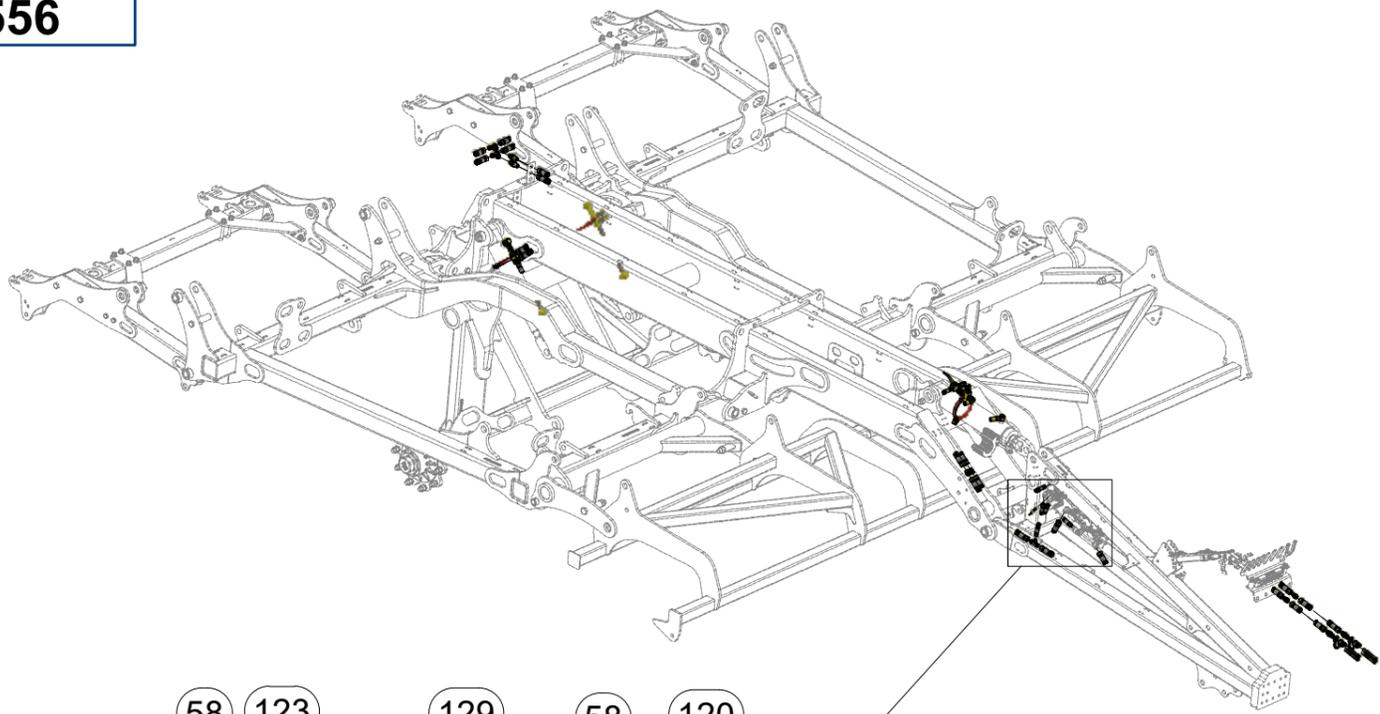


CZ HYDRAULIKA STROJE  
 D HYDRAULIK DER MASCHINE  
 F HYDRAULIQUE DE LA MACHINE

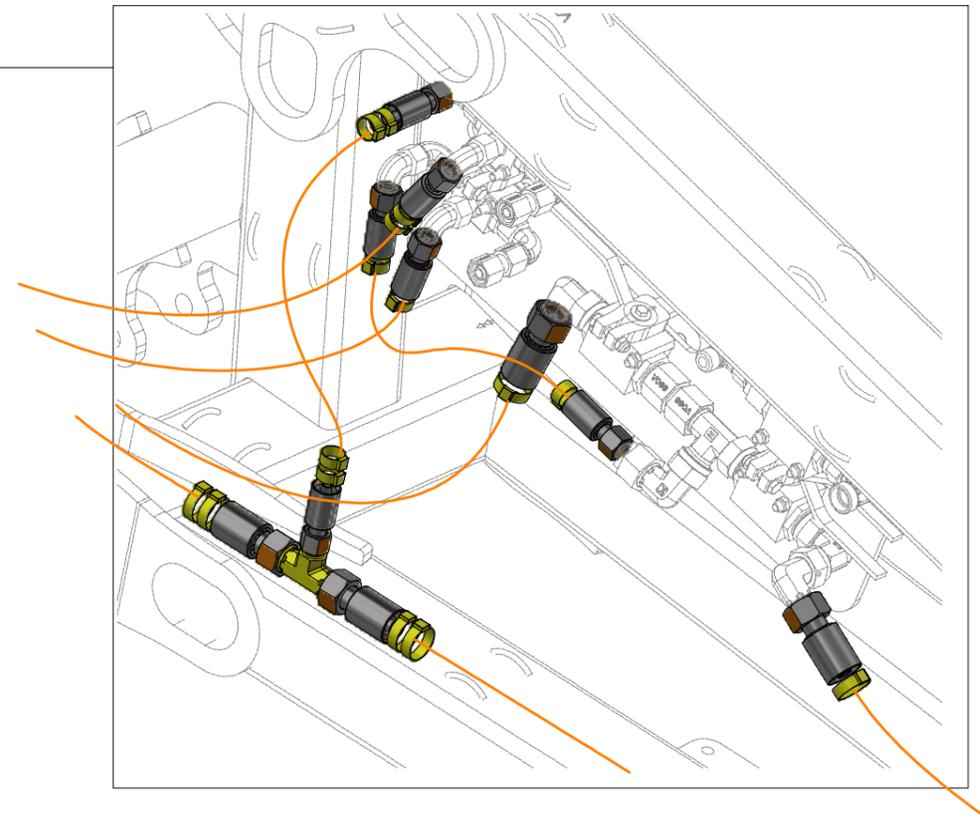
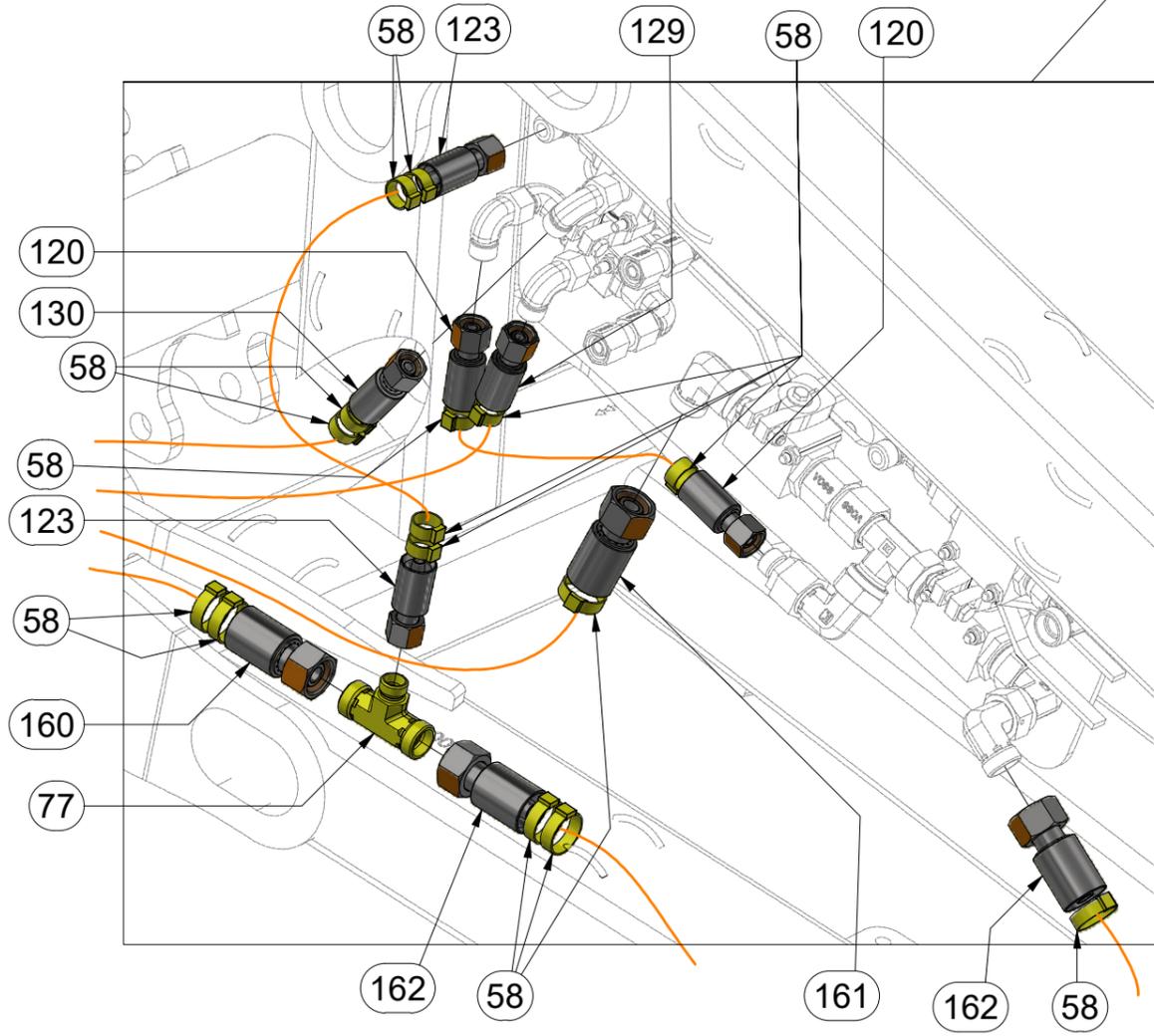
GB MACHINE HYDRAULICS  
 RU ГИДРАВЛИКА МАШИНЫ  
 PL HYDRAULIKA MASZYNY



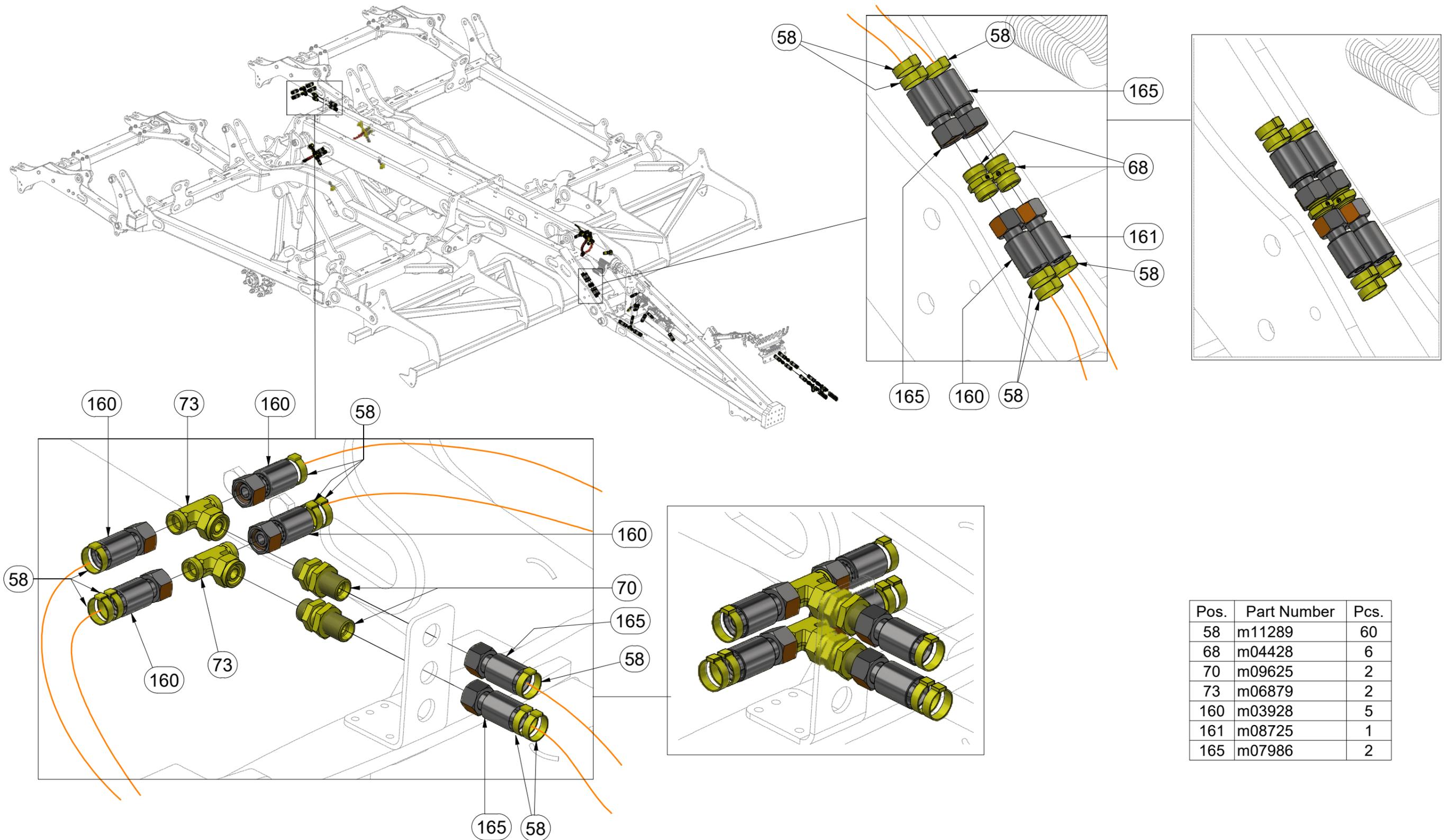
**VZ00016556**



| Pos. | Part Number | Pcs. |
|------|-------------|------|
| 58   | m11289      | 60   |
| 77   | m08468      | 1    |
| 120  | m11125      | 1    |
| 123  | m17441      | 1    |
| 129  | m15129      | 1    |
| 130  | m03952      | 2    |
| 160  | m03928      | 5    |
| 161  | m08725      | 1    |
| 162  | m18117      | 3    |



**VZ00016556**



| Pos. | Part Number | Pcs. |
|------|-------------|------|
| 58   | m11289      | 60   |
| 68   | m04428      | 6    |
| 70   | m09625      | 2    |
| 73   | m06879      | 2    |
| 160  | m03928      | 5    |
| 161  | m08725      | 1    |
| 165  | m07986      | 2    |

Ⓒ HYDRAULIKA STROJE

Ⓓ HYDRAULIK DER MASCHINE

Ⓕ HYDRAULIQUE DE LA MACHINE

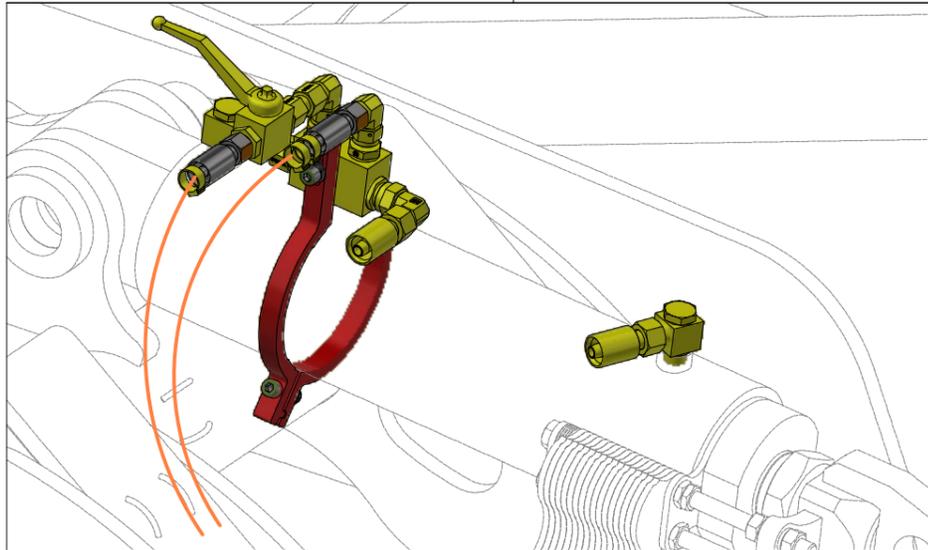
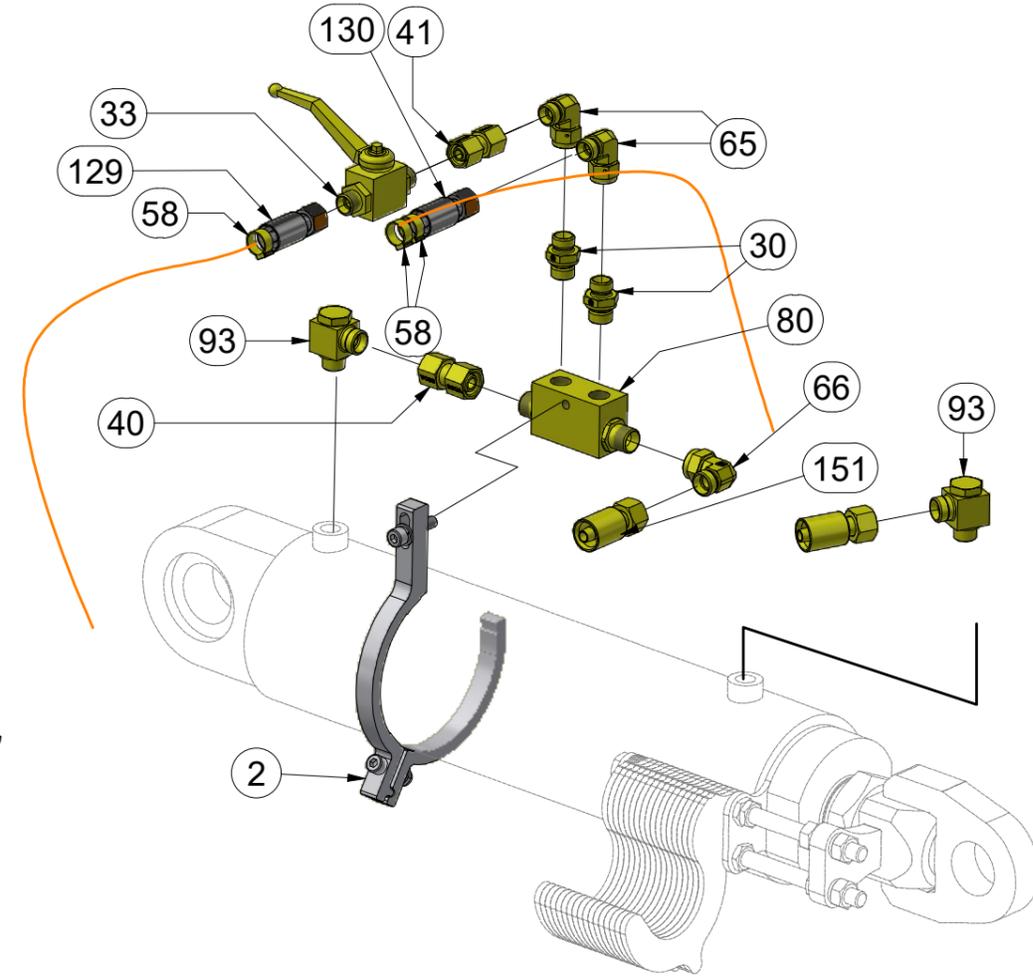
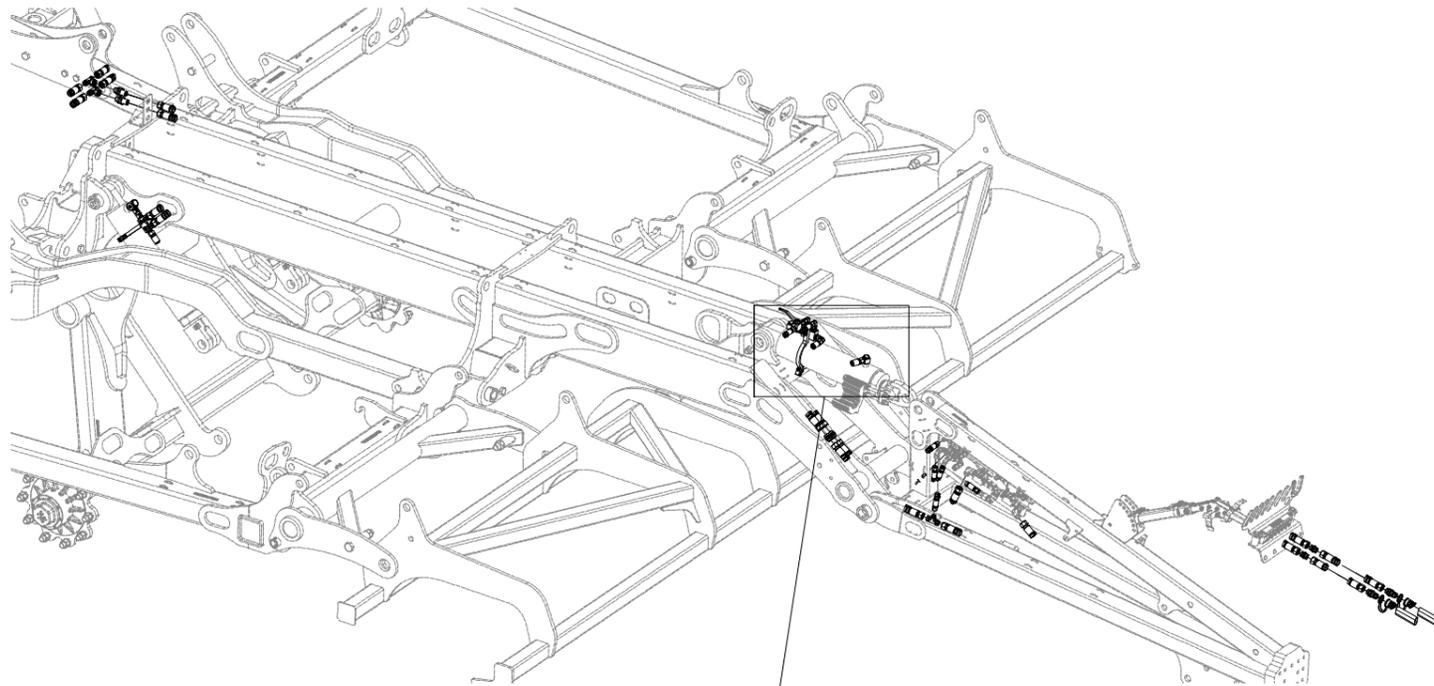
Ⓖ MACHINE HYDRAULICS

Ⓡ ГИДРАВЛИКА МАШИНЫ

Ⓟ HYDRAULIKA MASZYN



**VZ00016556**



| Pos. | Part Number | Pcs. | Pos. | Part Number | Pcs. |
|------|-------------|------|------|-------------|------|
| 2    | VZ00010112  | 1    | 65   | m06803      | 26   |
| 30   | m06528      | 16   | 66   | m07654      | 7    |
| 33   | m19385      | 1    | 80   | m08083      | 9    |
| 40   | m22306      | 9    | 93   | m20882      | 2    |
| 41   | m22305      | 3    | 129  | m15129      | 1    |
| 58   | m11289      | 60   | 130  | m03952      | 2    |
|      |             |      | 151  | m03845      | 1    |

ⒸZ HYDRAULIKA STROJE

Ⓓ HYDRAULIK DER MASCHINE

Ⓕ HYDRAULIQUE DE LA MACHINE

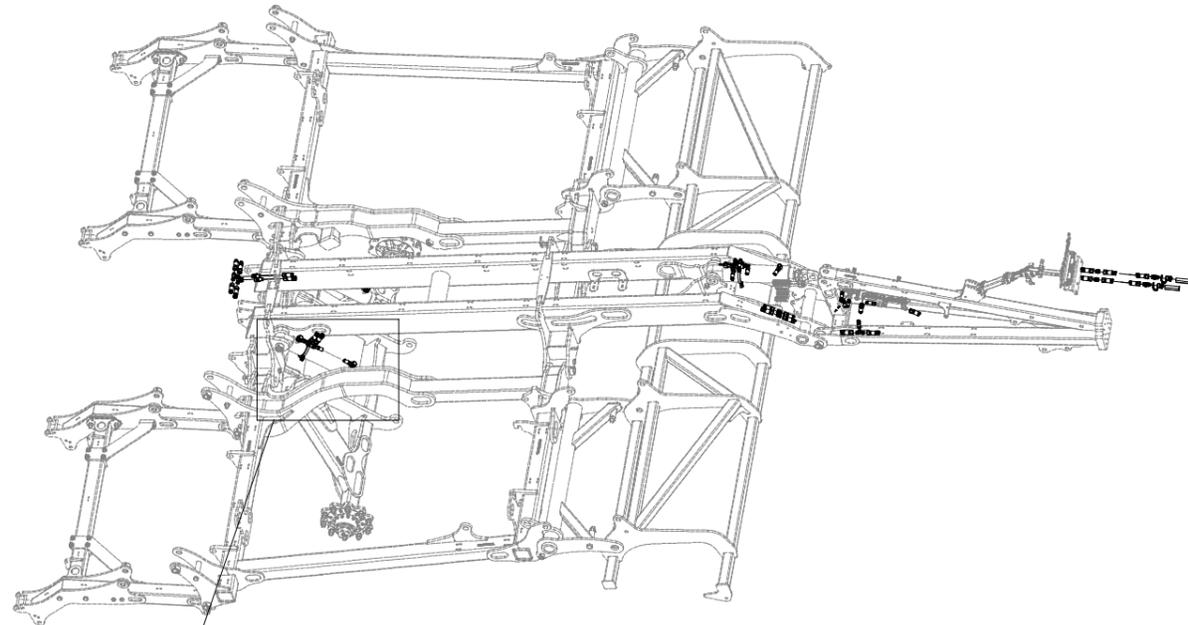
ⒸB MACHINE HYDRAULICS

ⒸR ГИДРАВЛИКА МАШИНЫ

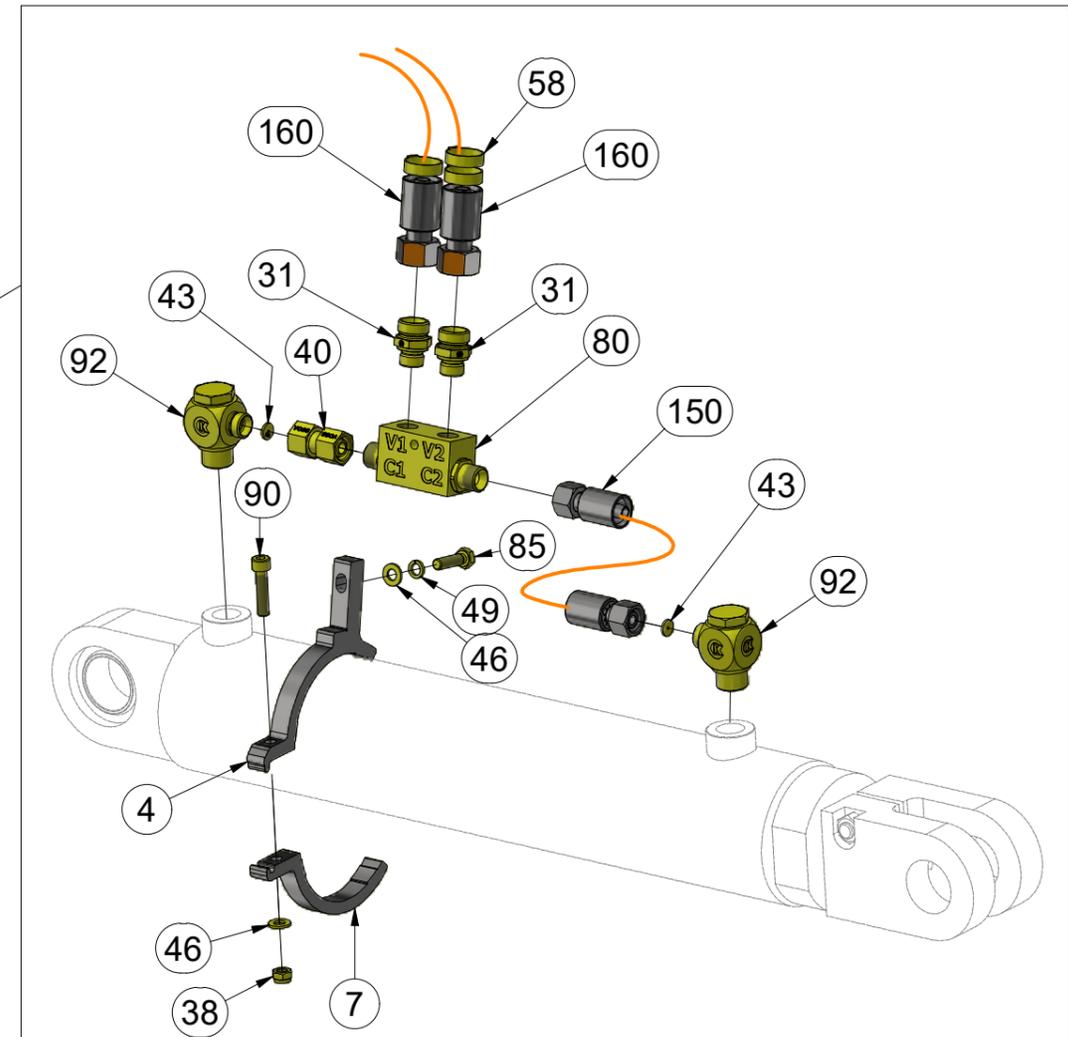
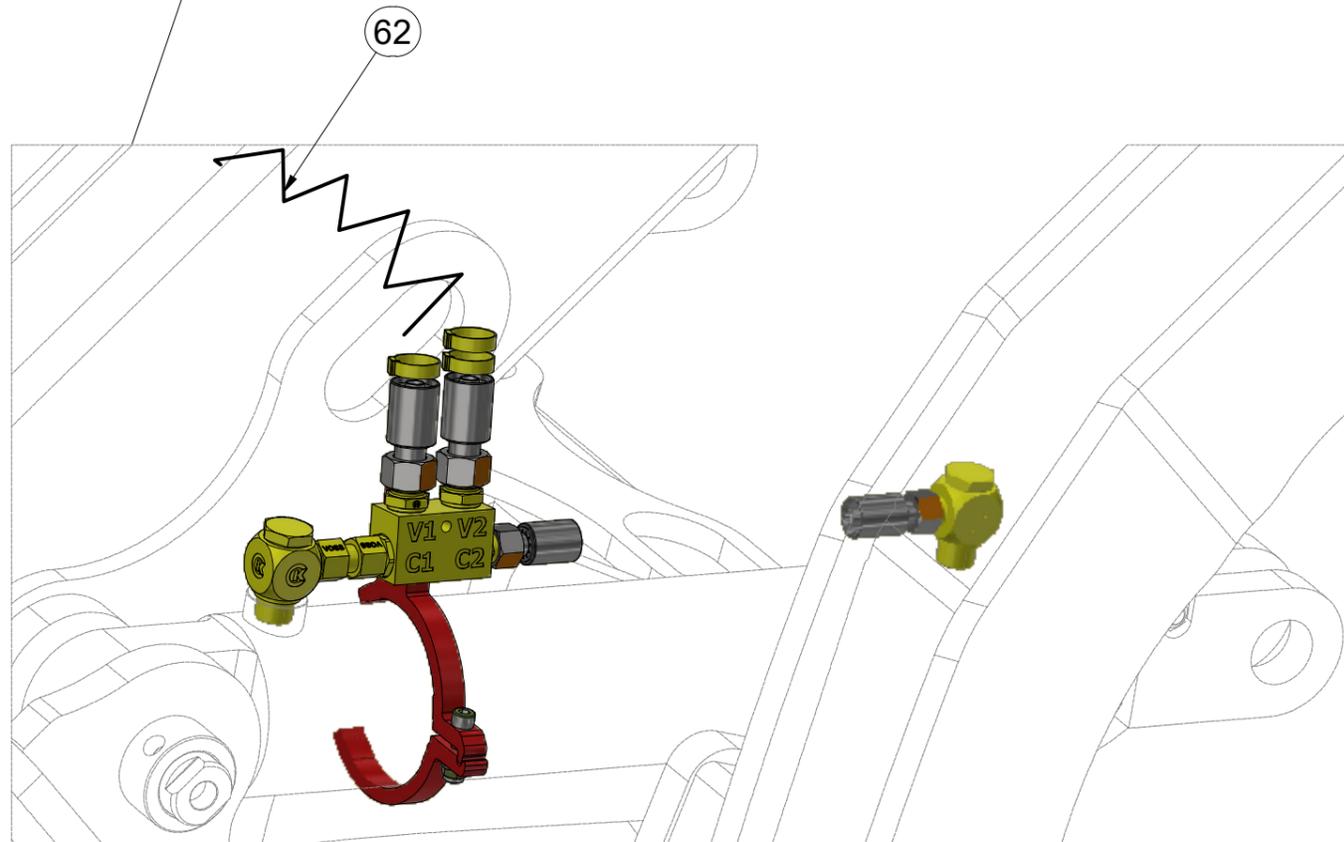
ⒸL HYDRAULIKA MASZYN



**VZ00016556**



| Pos. | Part Number | Pcs. | Pos. | Part Number | Pcs. |
|------|-------------|------|------|-------------|------|
| 4    | VZ00023312  | 2    | 58   | m11289      | 60   |
| 7    | VZ00004629  | 2    | 62   | m11183      | 16   |
| 31   | m07191      | 4    | 80   | m08083      | 9    |
| 38   | m04503      | 4    | 85   | m04791      | 2    |
| 40   | m22306      | 9    | 90   | m09464      | 2    |
| 43   | m10762      | 4    | 92   | m20912      | 16   |
| 46   | m01203      | 7    | 150  | m13237      | 4    |
| 49   | m01202      | 2    | 160  | m03928      | 5    |



ⒸZ HYDRAULIKA STROJE

ⒸD HYDRAULIK DER MASCHINE

ⒸF HYDRAULIQUE DE LA MACHINE

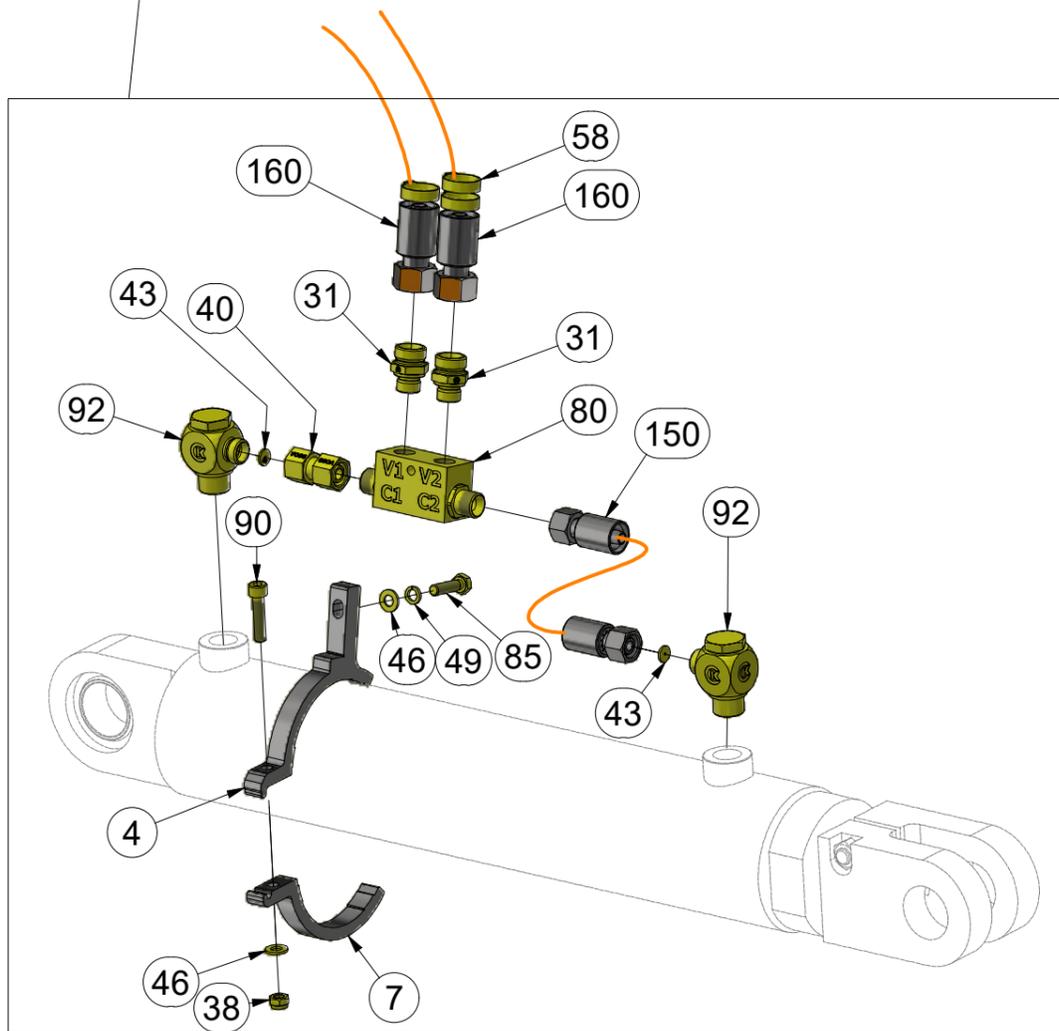
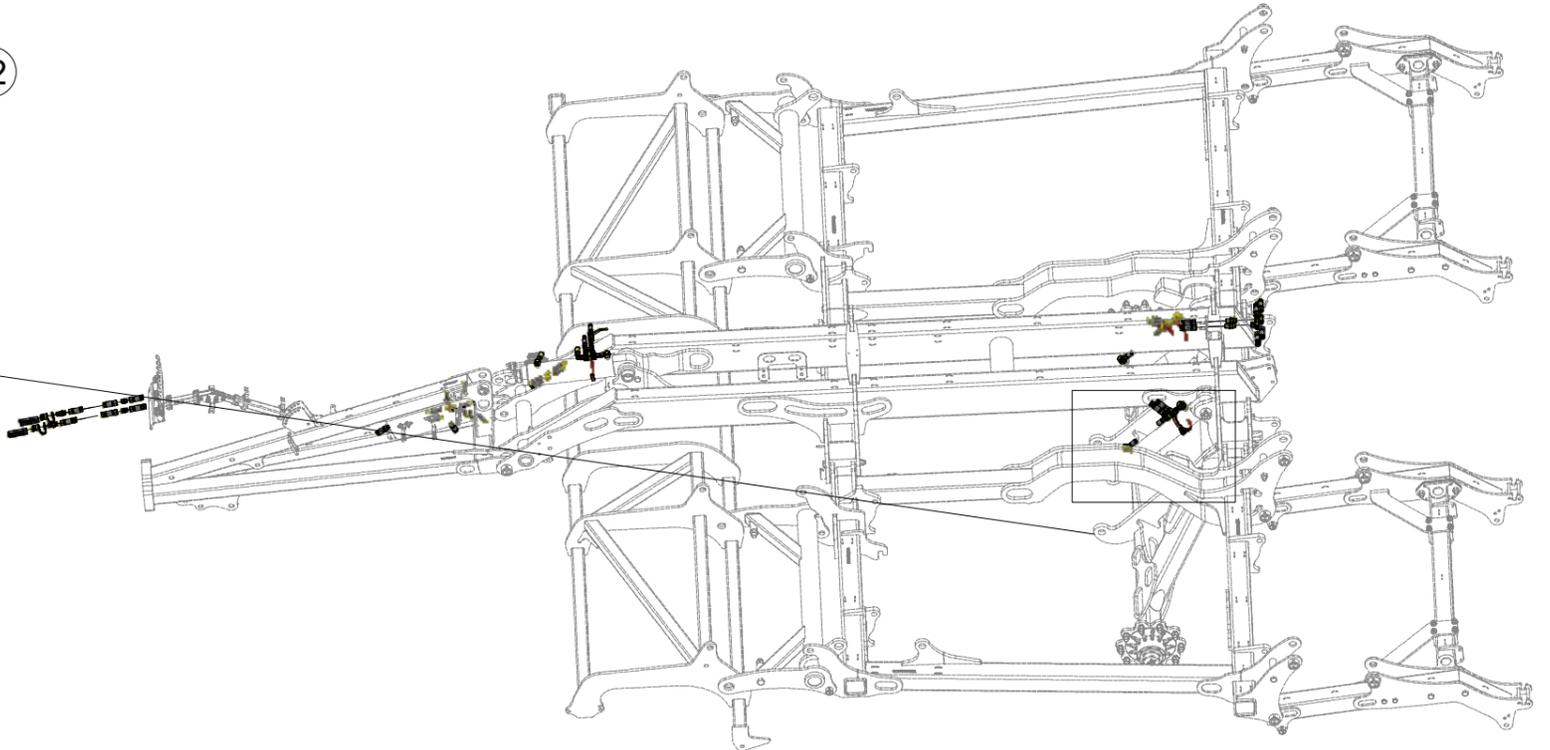
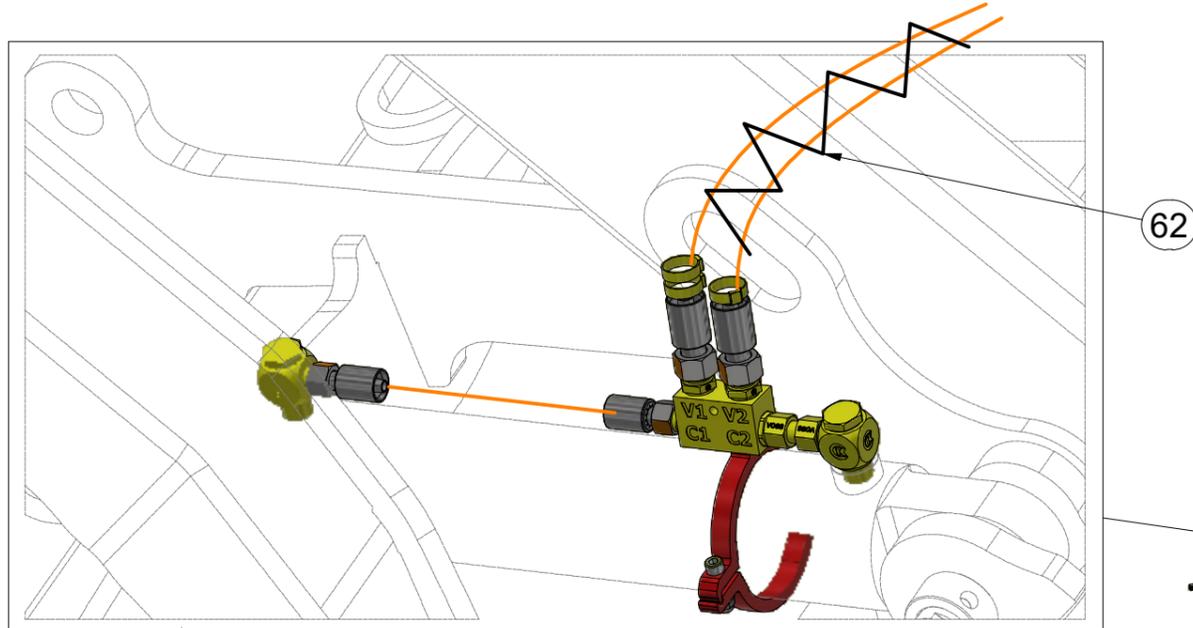
ⒸGB MACHINE HYDRAULICS

ⒸRU ГИДРАВЛИКА МАШИНЫ

ⒸPL HYDRAULIKA MASZYNY

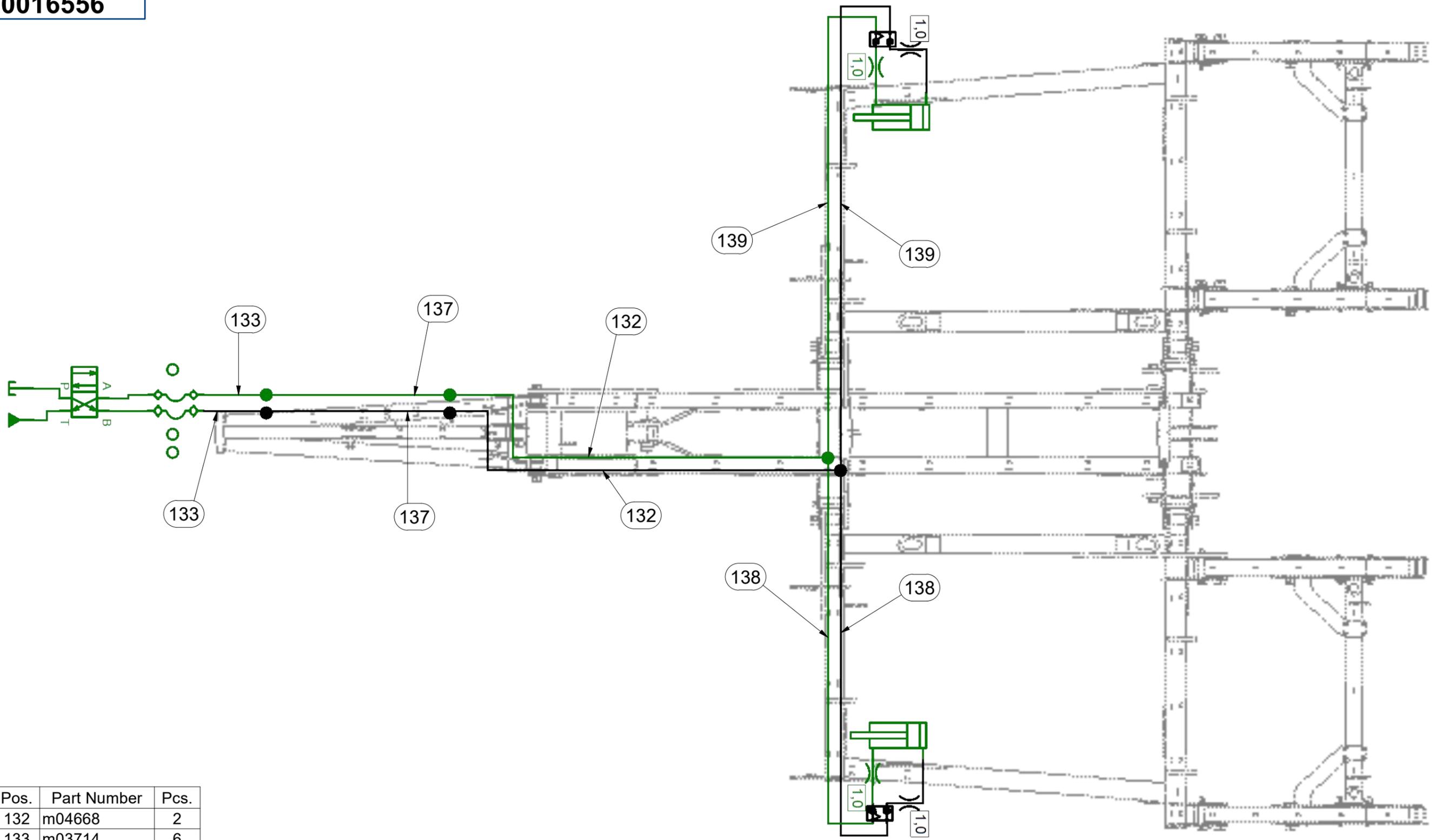


**VZ00016556**



| Pos. | Part Number | Pcs. | Pos. | Part Number | Pcs. |
|------|-------------|------|------|-------------|------|
| 4    | VZ00023312  | 2    | 58   | m11289      | 60   |
| 7    | VZ00004629  | 2    | 62   | m11183      | 16   |
| 31   | m07191      | 4    | 80   | m08083      | 9    |
| 38   | m04503      | 4    | 85   | m04791      | 2    |
| 40   | m22306      | 9    | 90   | m09464      | 2    |
| 43   | m10762      | 4    | 92   | m20912      | 16   |
| 46   | m01203      | 7    | 150  | m13237      | 4    |
| 49   | m01202      | 2    | 160  | m03928      | 5    |

**VZ00016556**



| Pos. | Part Number | Pcs. |
|------|-------------|------|
| 132  | m04668      | 2    |
| 133  | m03714      | 6    |
| 137  | m15154      | 2    |
| 138  | m07650      | 2    |
| 139  | m17445      | 2    |



Ⓒ HYDRAULIKA STROJE

Ⓓ HYDRAULIK DER MASCHINE

Ⓕ HYDRAULIQUE DE LA MACHINE

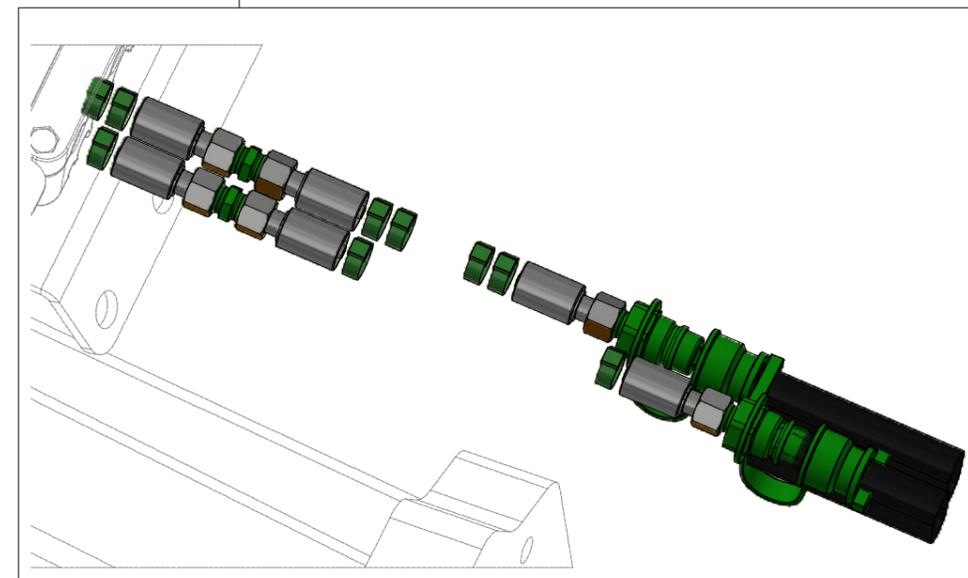
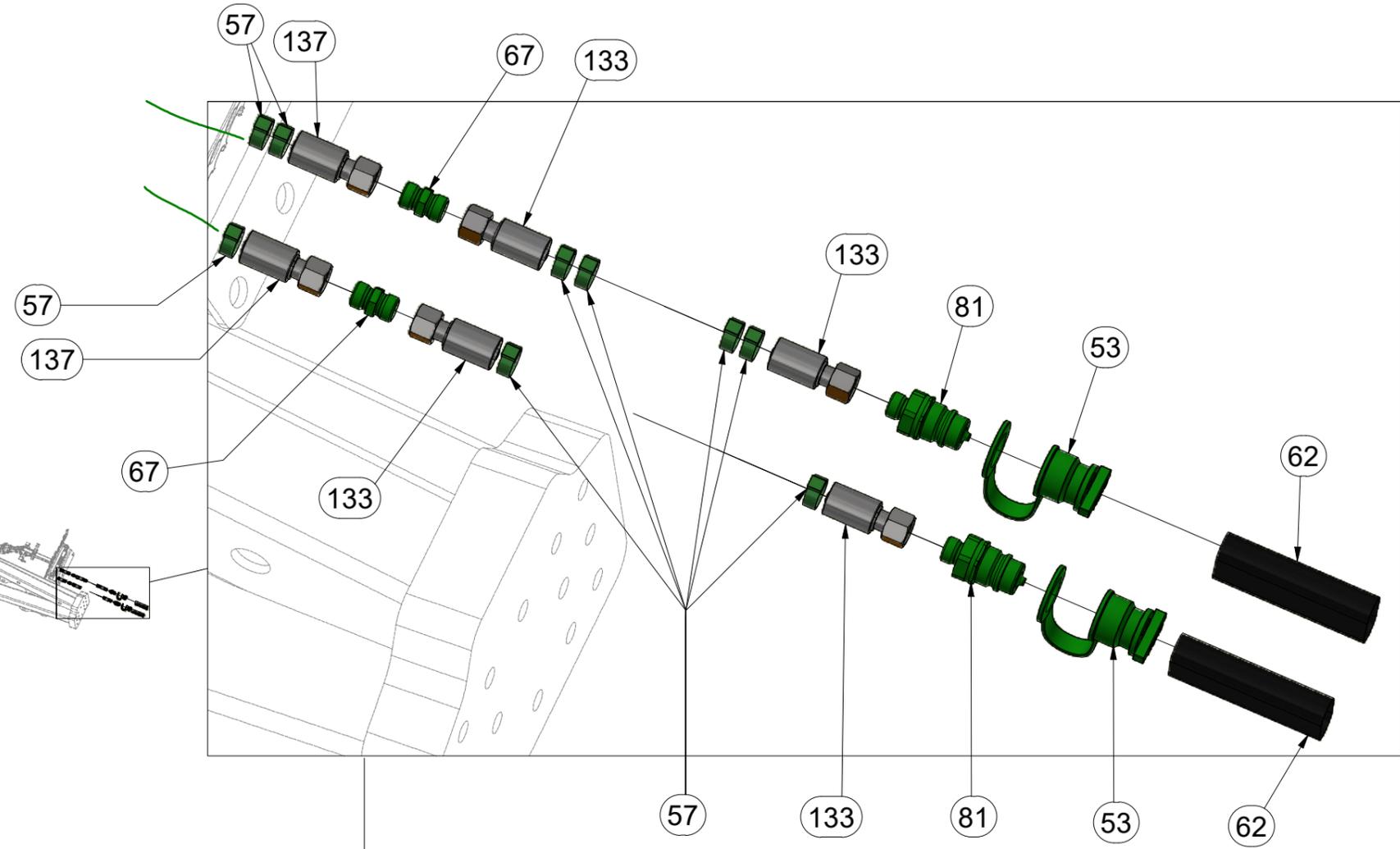
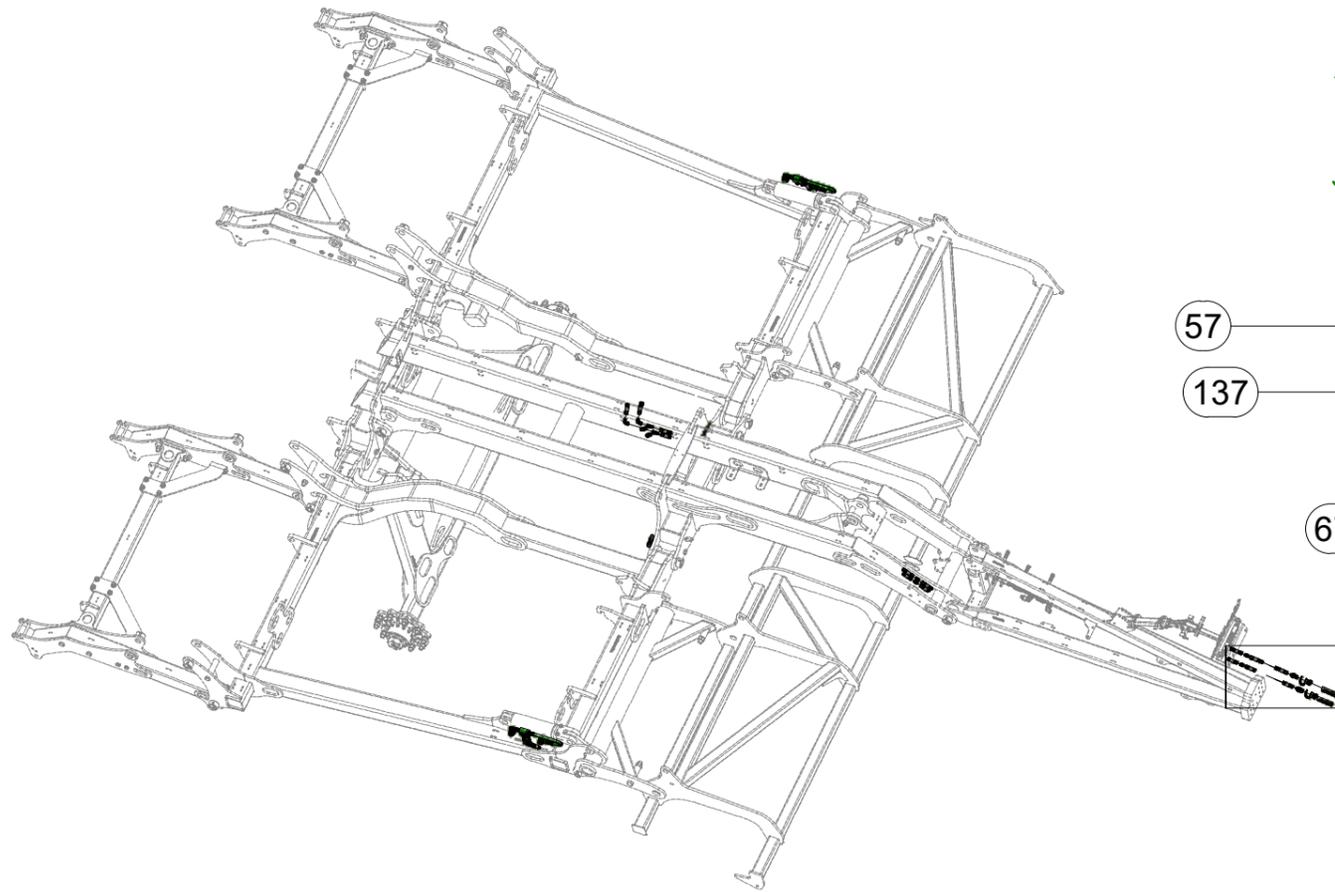
Ⓖ MACHINE HYDRAULICS

Ⓡ ГИДРАВЛИКА МАШИНЫ

Ⓟ HYDRAULIKA MASZYN



**VZ00016556**



| Pos. | Part Number | Pcs. |
|------|-------------|------|
| 53   | m04098      | 2    |
| 57   | m11282      | 40   |
| 62   | m11183      | 16   |
| 67   | m03213      | 11   |
| 81   | m03849      | 4    |
| 133  | m03714      | 6    |
| 137  | m15154      | 2    |

Ⓒ HYDRAULIKA STROJE

Ⓓ HYDRAULIK DER MASCHINE

Ⓕ HYDRAULIQUE DE LA MACHINE

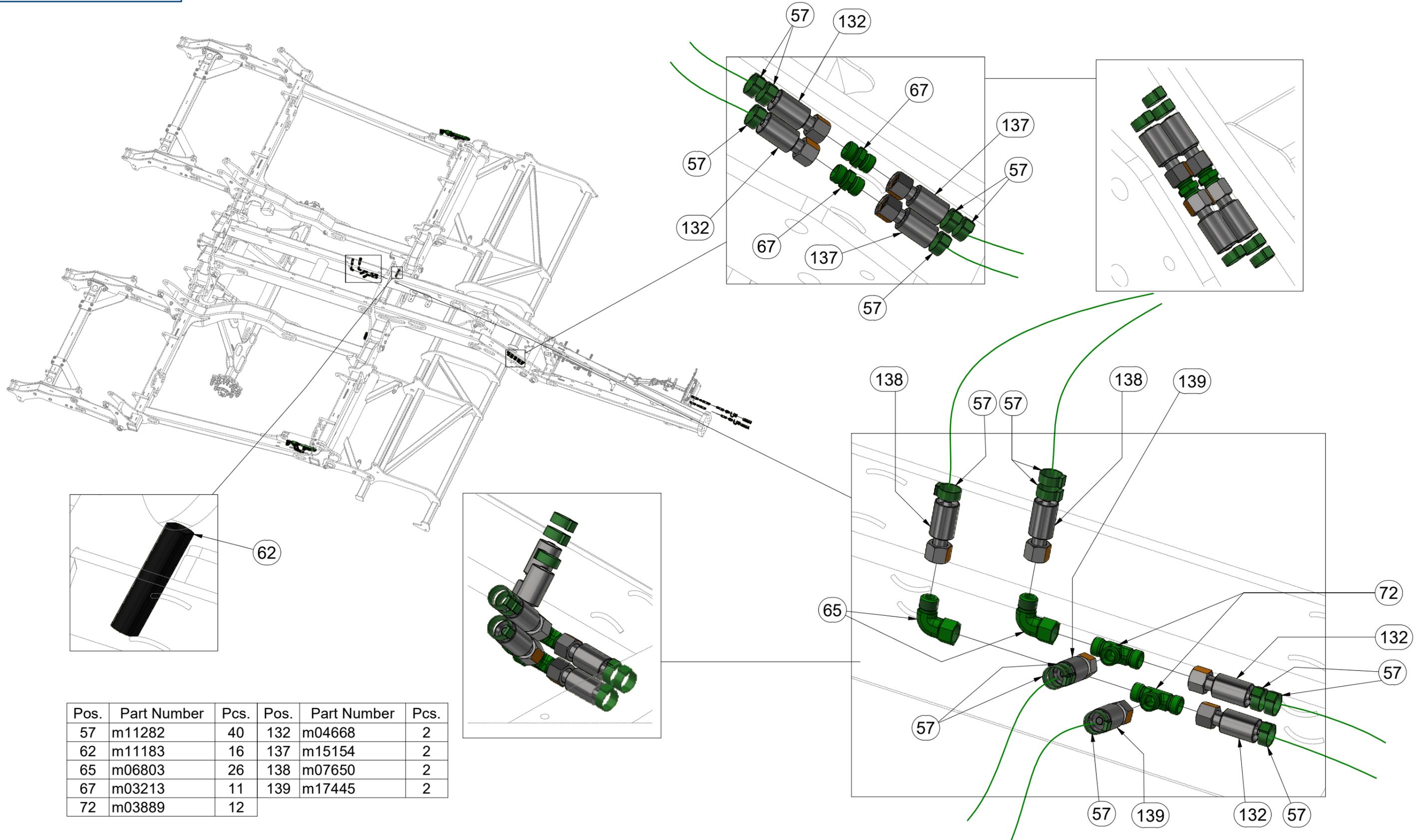
Ⓖ MACHINE HYDRAULICS

Ⓡ ГИДРАВЛИКА МАШИНЫ

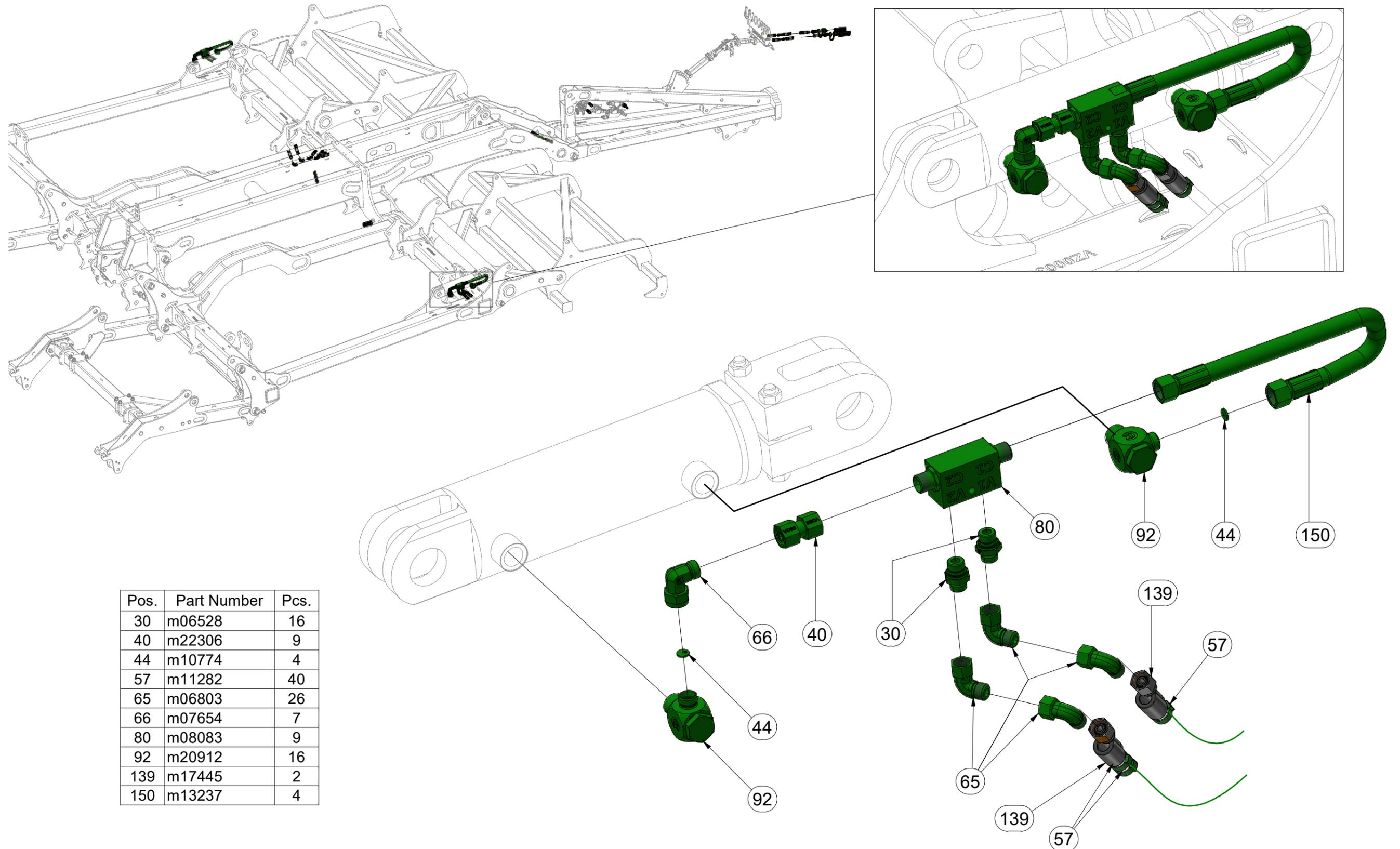
Ⓟ HYDRAULIKA MASZYNY



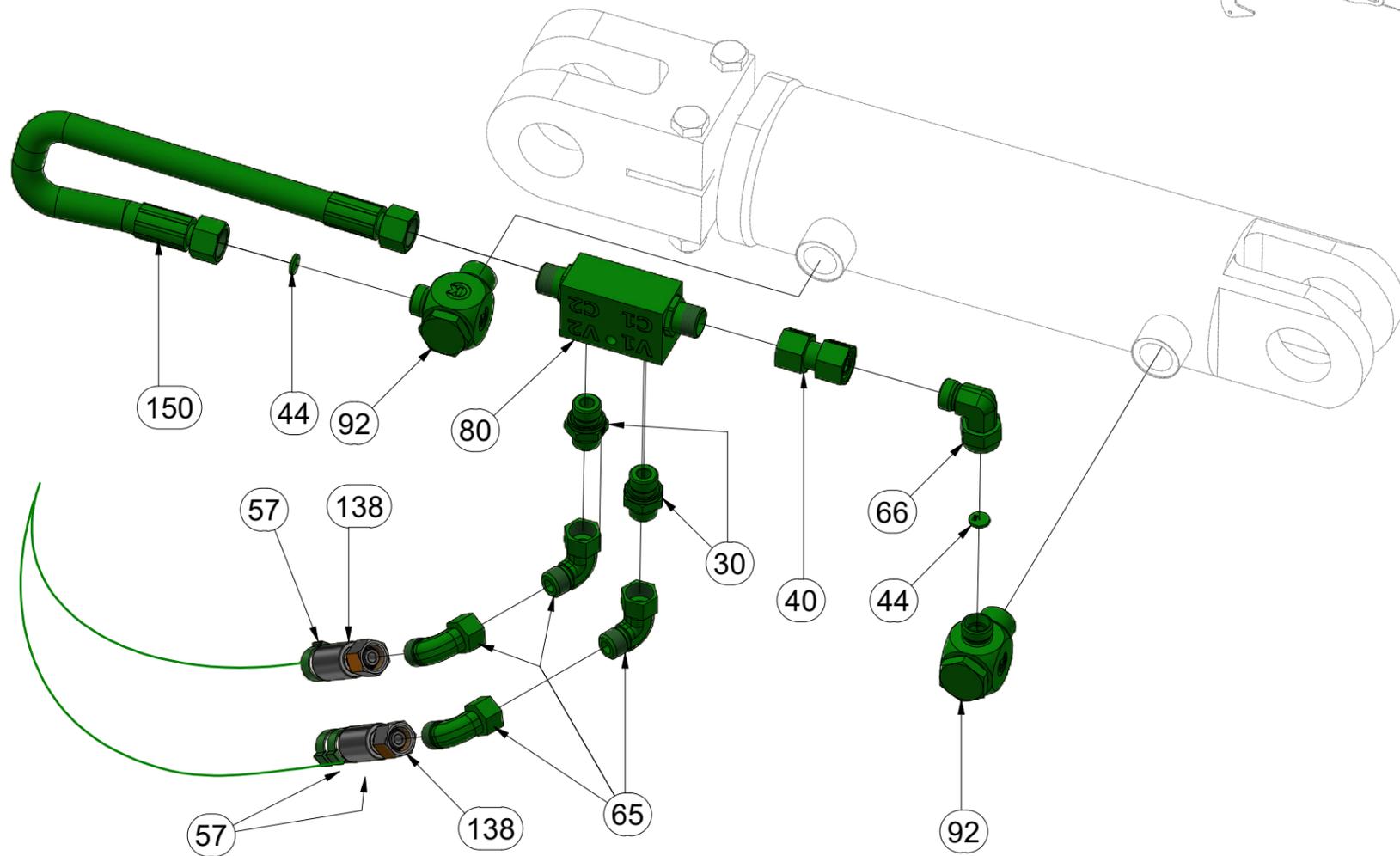
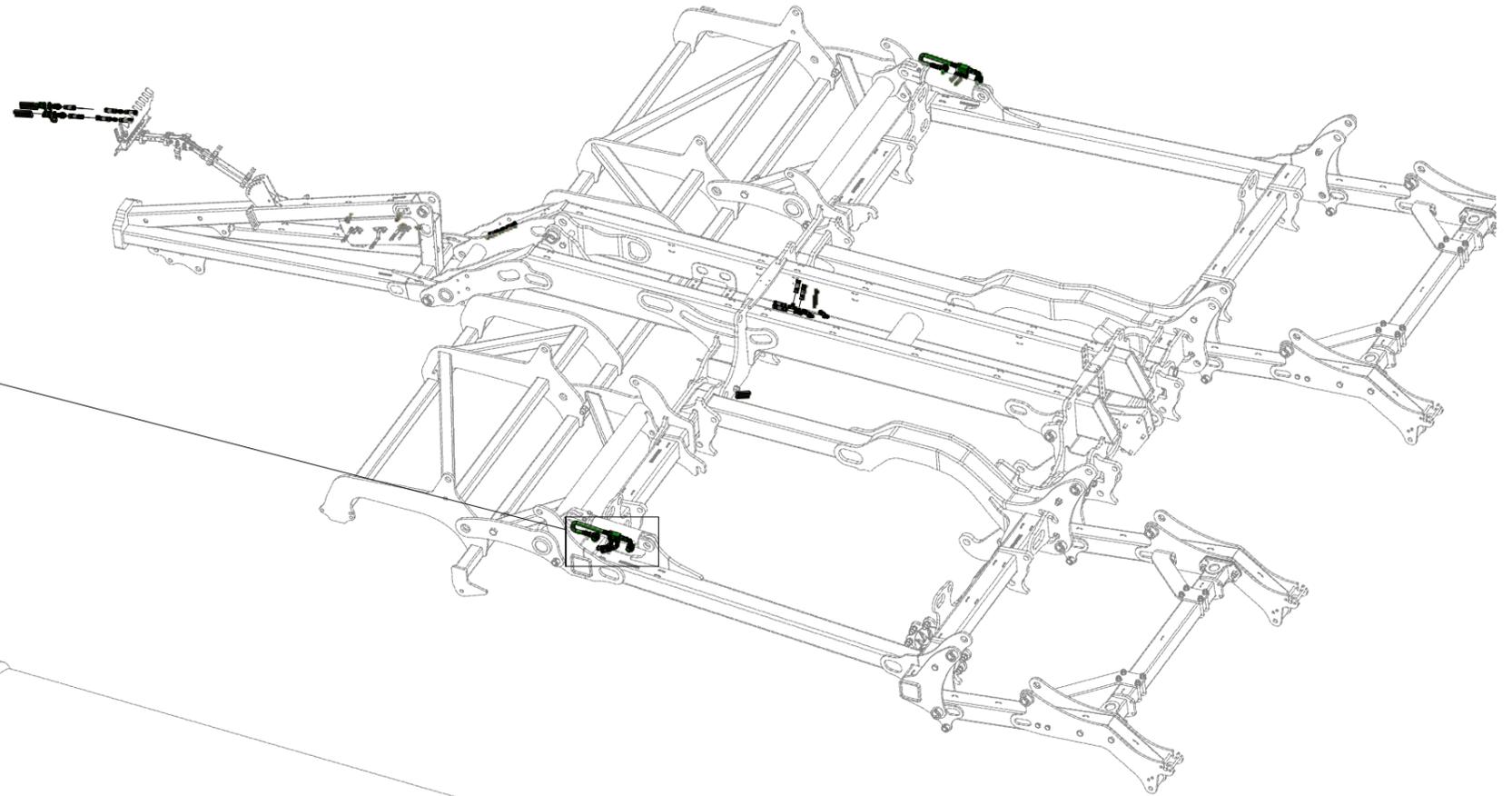
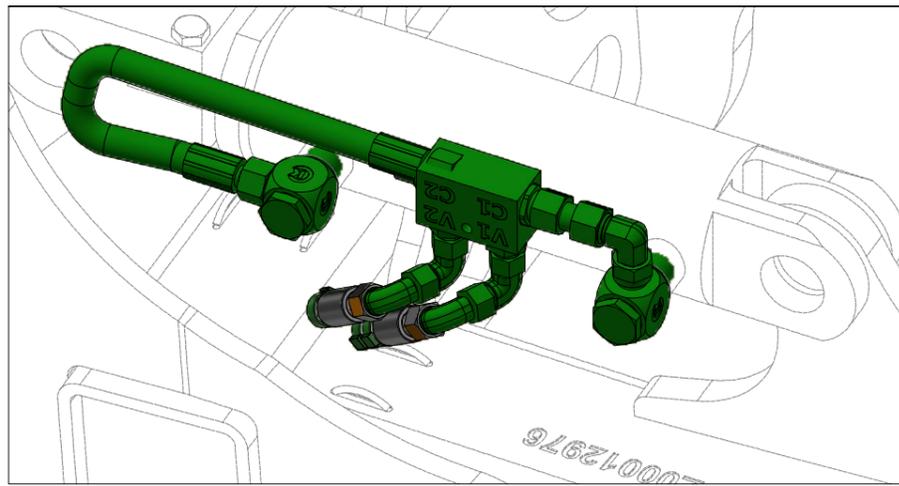
**VZ00016556**



**VZ00016556**

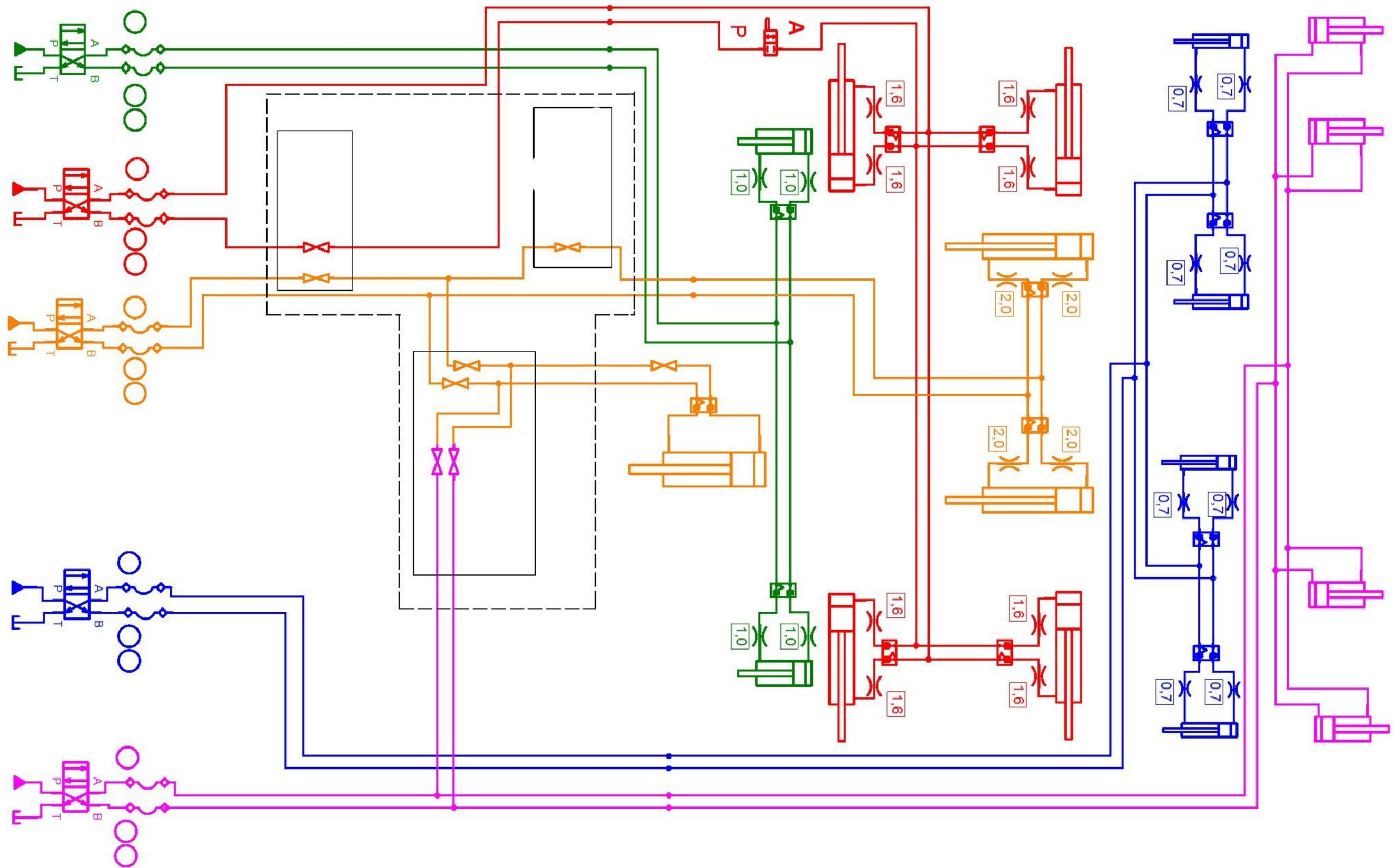


**VZ00016556**



| Pos. | Part Number | Pcs. |
|------|-------------|------|
| 30   | m06528      | 16   |
| 40   | m22306      | 9    |
| 44   | m10774      | 4    |
| 57   | m11282      | 40   |
| 65   | m06803      | 26   |
| 66   | m07654      | 7    |
| 80   | m08083      | 9    |
| 92   | m20912      | 16   |
| 138  | m07650      | 2    |
| 150  | m13237      | 4    |

VZ00016556

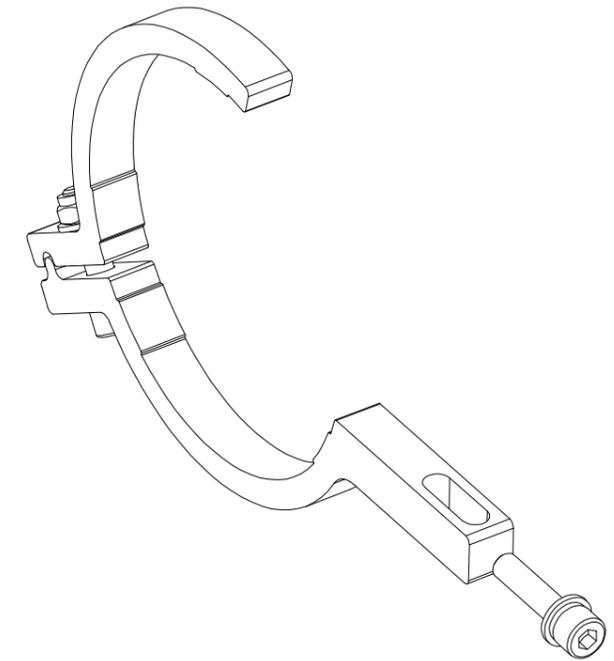
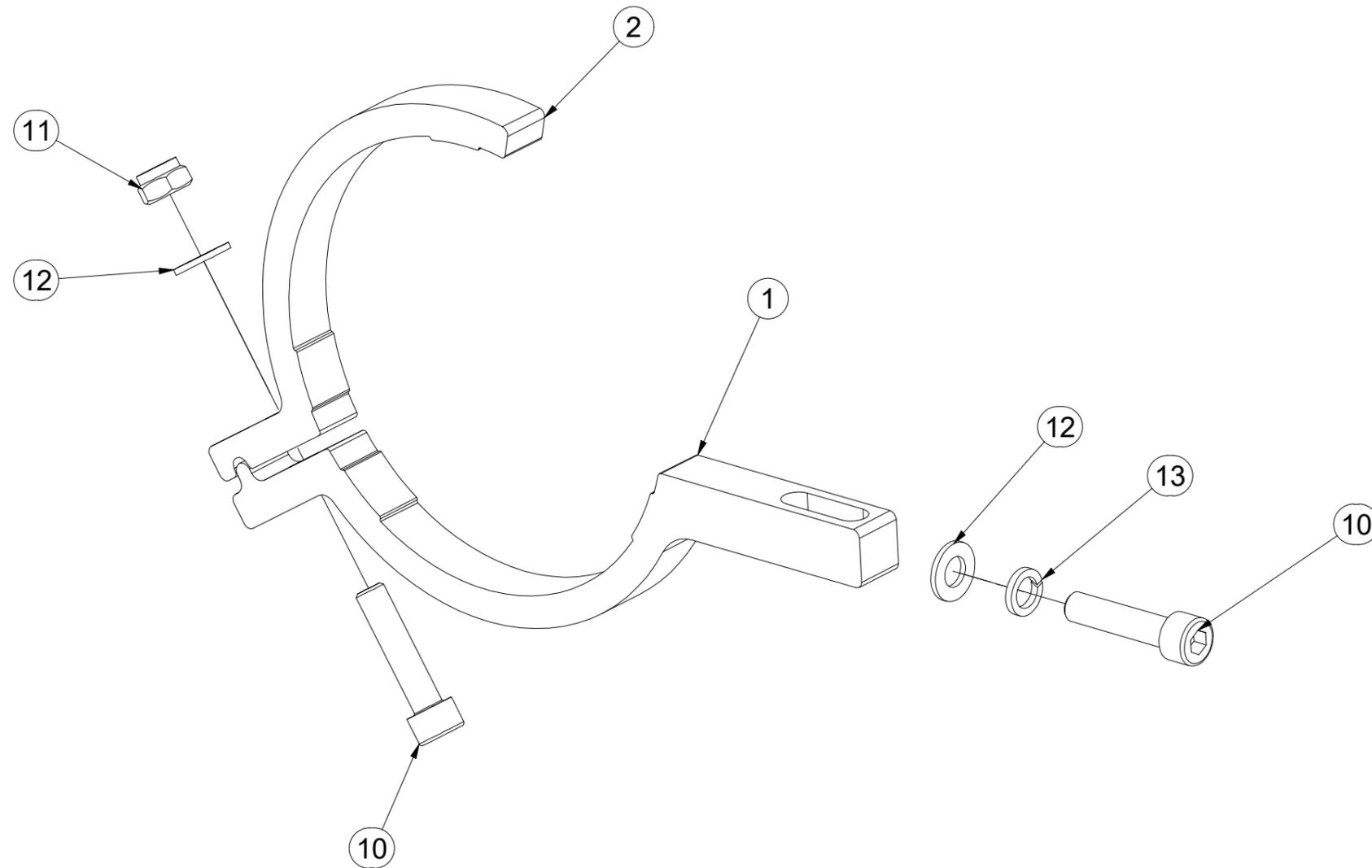


CZ DRŽÁK  
 D HALTER  
 F SUPPORT

GB HOLDER  
 RU ДЕРЖАТЕЛЬ  
 PL UCHWYT



**VZ00010112**



| Pos. | Part Number | Pcs. |
|------|-------------|------|
| 1    | VZ00010113  | 1    |
| 2    | VZ00010114  | 1    |
| 10   | m09464      | 2    |
| 11   | m04503      | 1    |
| 12   | m01203      | 2    |
| 13   | m01202      | 1    |

Ⓒ PÍSTNICE 110/56-100

Ⓓ KOLBENSTANGE 110/56-100

Ⓕ TIGE DE PISTON 110/56-100

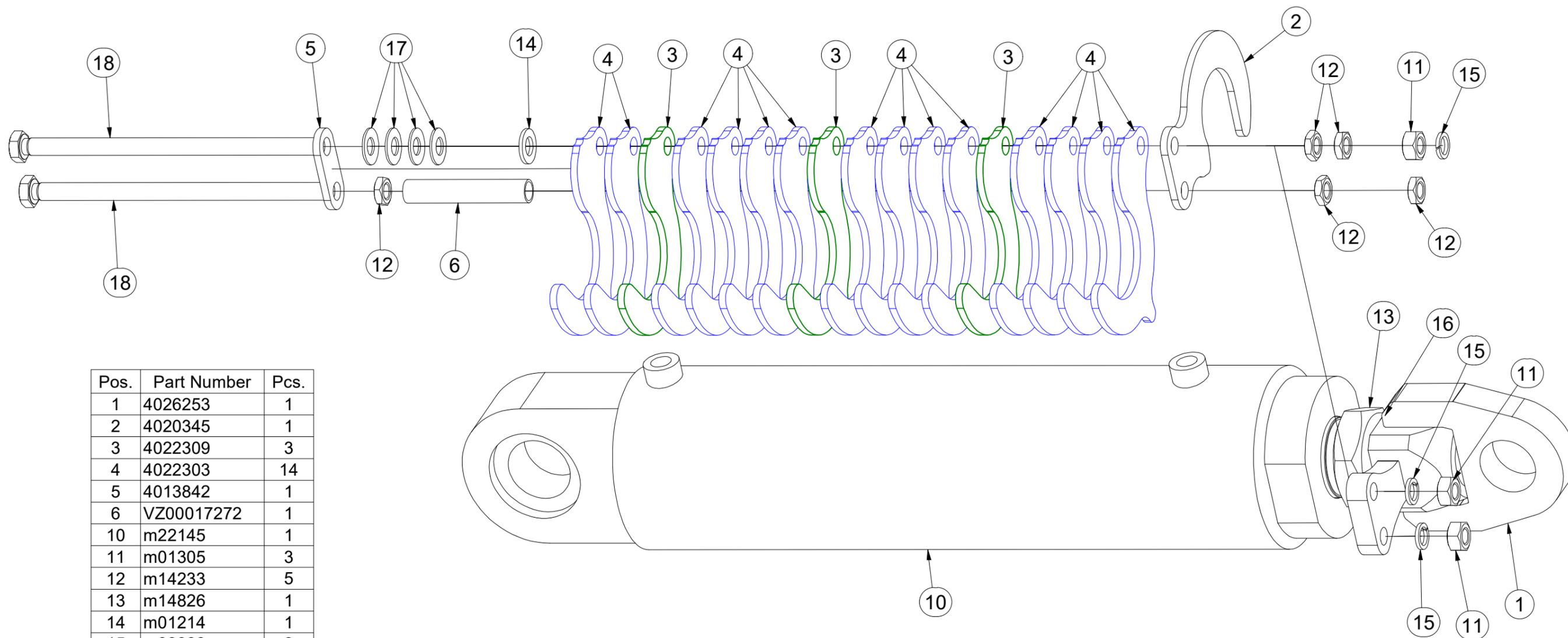
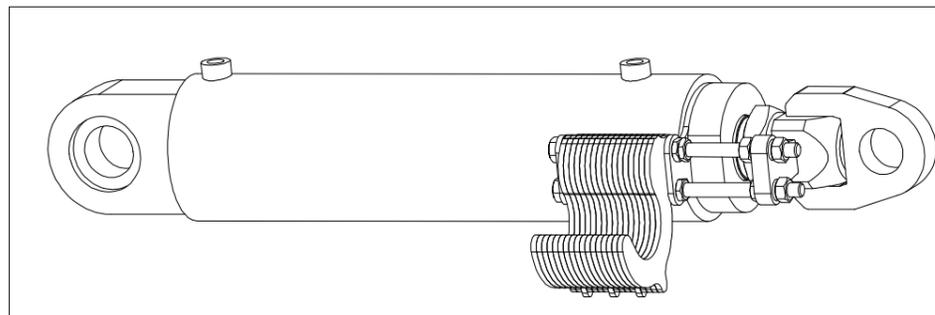
Ⓖ PISTON ROD 110/56-100

Ⓡ ЦИЛИНДР 110/56-100

Ⓟ TRZPIEŃ TŁOKA 110/56-100



**VZ00003894**



| Pos. | Part Number | Pcs. |
|------|-------------|------|
| 1    | 4026253     | 1    |
| 2    | 4020345     | 1    |
| 3    | 4022309     | 3    |
| 4    | 4022303     | 14   |
| 5    | 4013842     | 1    |
| 6    | VZ00017272  | 1    |
| 10   | m22145      | 1    |
| 11   | m01305      | 3    |
| 12   | m14233      | 5    |
| 13   | m14826      | 1    |
| 14   | m01214      | 1    |
| 15   | m03988      | 3    |
| 16   | m16751      | 1    |
| 17   | m17728      | 4    |
| 18   | m14267      | 2    |

Ⓒ PÍSTNICE 80/45-85

Ⓓ KOLBENSTANGE 80/45-85

Ⓕ TIGE DE PISTON 80/45-85

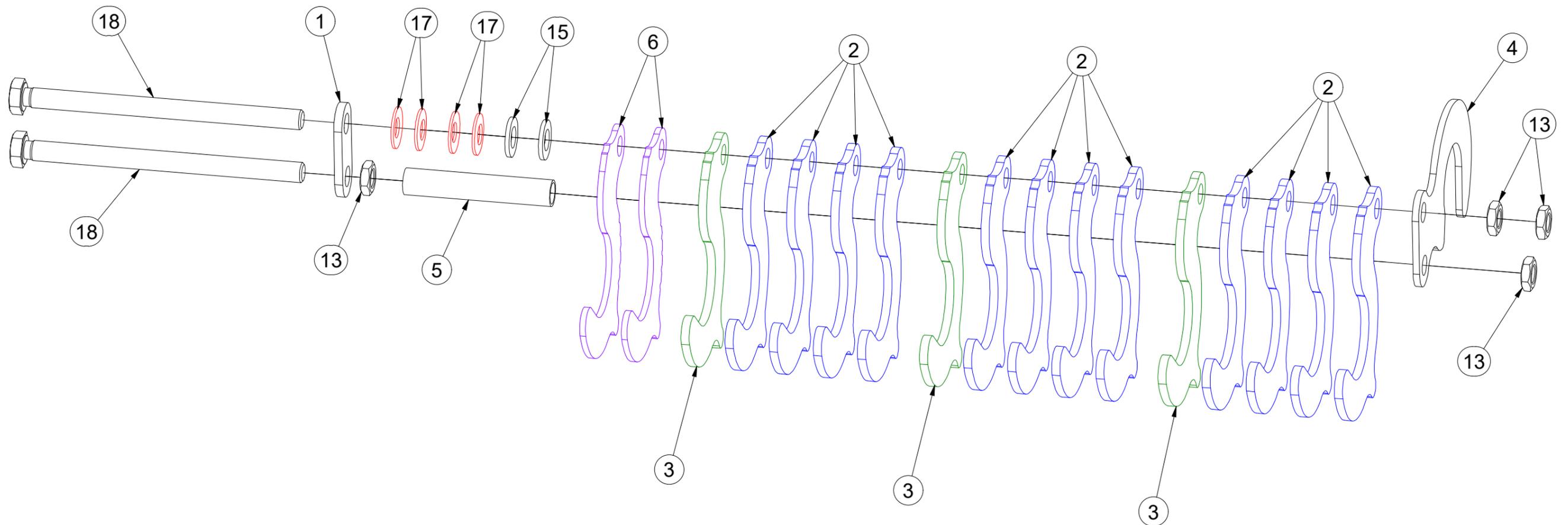
Ⓖ PISTON ROD 80/45-85

Ⓡ ЦИЛИНДР 80/45-85

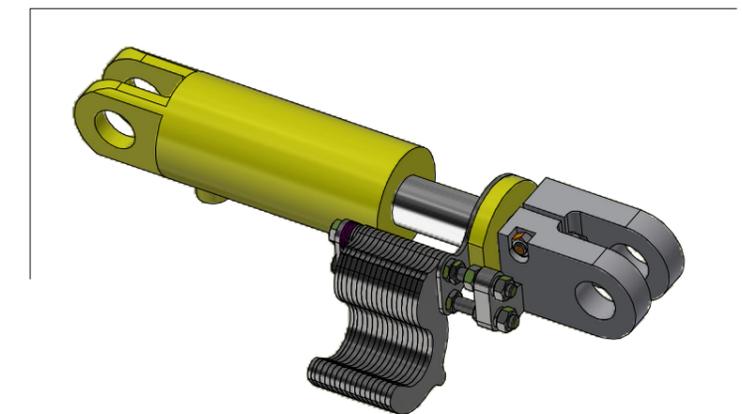
Ⓟ TRZPIEŃ TŁOKA 80/45-85



**VZ00004750**



| Pos. | Part Number | Pcs. |
|------|-------------|------|
| 1    | 4013842     | 1    |
| 2    | 4019322     | 12   |
| 3    | 4019323     | 3    |
| 4    | 4020339     | 1    |
| 5    | VZ00017272  | 1    |
| 6    | VZ00039084  | 2    |
| 13   | m14233      | 5    |
| 15   | m01214      | 2    |
| 17   | m17728      | 4    |
| 18   | m15919      | 2    |





Ⓒ PÍSTNICE 80/45-85

Ⓓ KOLBENSTANGE 80/45-85

Ⓕ TIGE DE PISTON 80/45-85

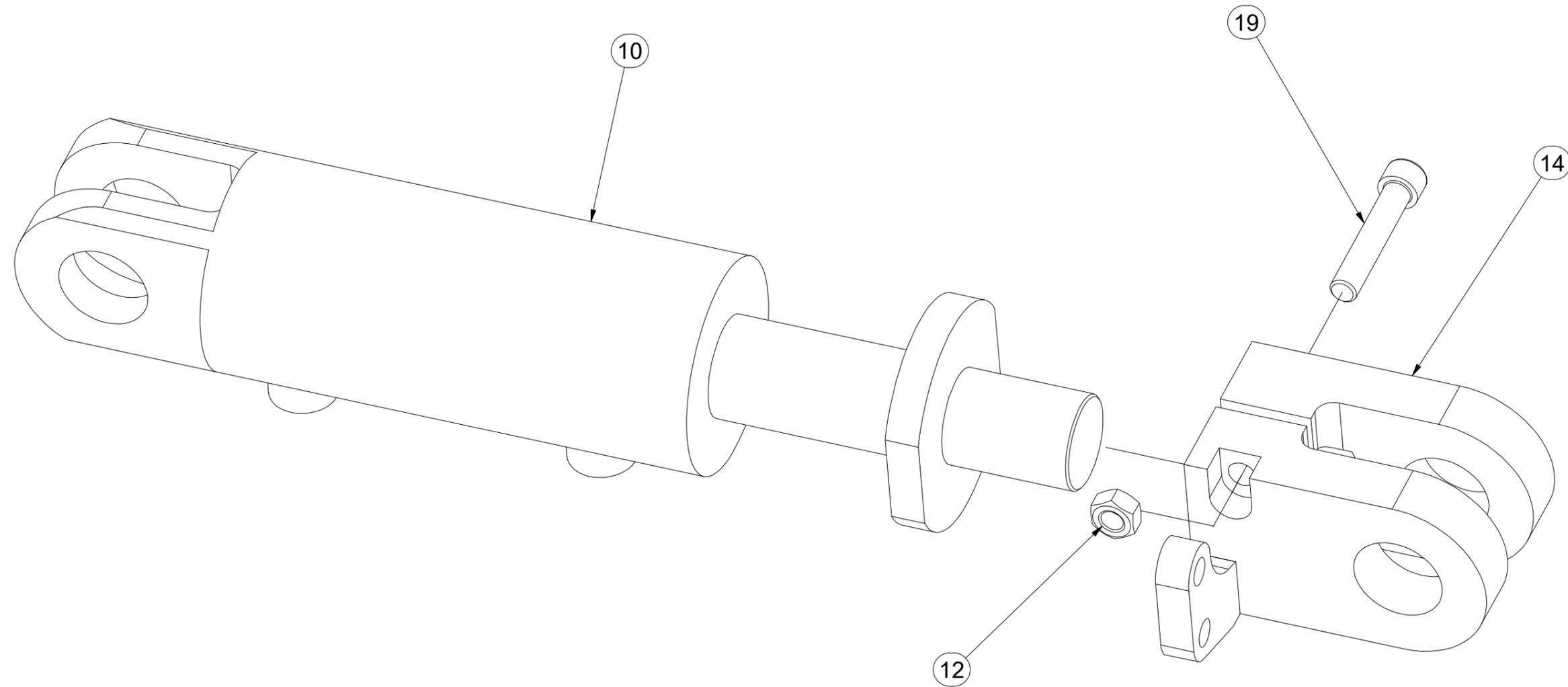
Ⓖ PISTON ROD 80/45-85

Ⓡ ЦИЛИНДР 80/45-85

Ⓟ TRZPIEŃ TŁOKA 80/45-85

**Farmet**

**VZ00004750**



| Pos. | Part Number | Pcs. |
|------|-------------|------|
| 10   | m20157      | 1    |
| 12   | m10439      | 1    |
| 14   | m20347      | 1    |
| 19   | m14867      | 1    |

Ⓒ PÍSTNICE 80/45-85

Ⓓ KOLBENSTANGE 80/45-85

Ⓕ TIGE DE PISTON 80/45-85

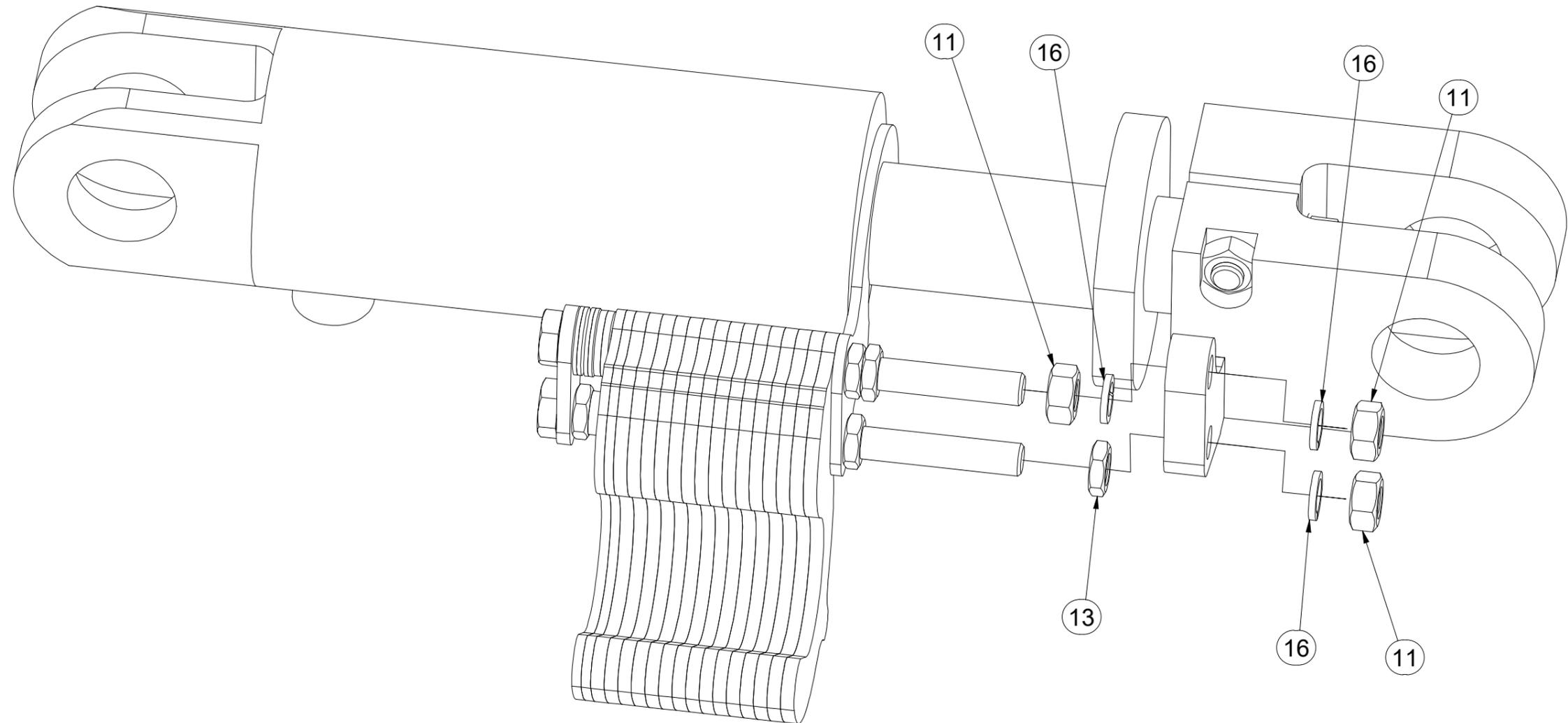
Ⓖ PISTON ROD 80/45-85

Ⓔ ЦИЛИНДР 80/45-85

Ⓗ TRZPIEŃ TŁOKA 80/45-85



**VZ00004750**



| Pos. | Part Number | Pcs. |
|------|-------------|------|
| 11   | m01305      | 3    |
| 13   | m14233      | 5    |
| 16   | m03988      | 3    |

Ⓒ PÍSTNICE 80/45-85

Ⓓ KOLBENSTANGE 80/45-85

Ⓕ TIGE DE PISTON 80/45-85

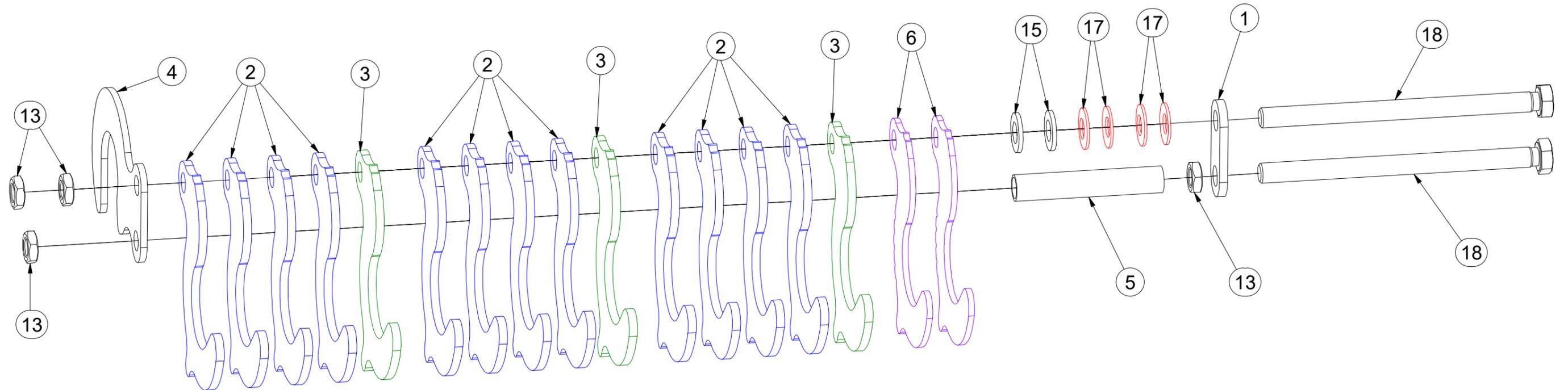
Ⓖ PISTON ROD 80/45-85

Ⓡ ЦИЛИНДР 80/45-85

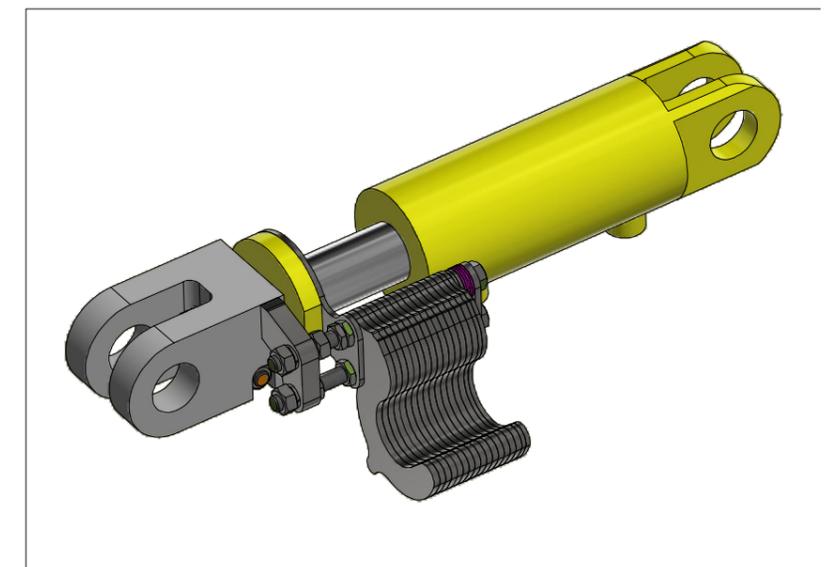
Ⓟ TRZPIEŃ TŁOKA 80/45-85



**VZ0004751**



| Pos. | Part Number | Pcs. |
|------|-------------|------|
| 1    | 4013842     | 1    |
| 2    | 4019322     | 12   |
| 3    | 4019323     | 3    |
| 4    | 4020339     | 1    |
| 5    | VZ00017272  | 1    |
| 6    | VZ00039084  | 2    |
| 13   | m14233      | 5    |
| 15   | m01214      | 2    |
| 17   | m17728      | 4    |
| 18   | m15919      | 2    |



Ⓒ PÍSTNICE 80/45-85

Ⓓ KOLBENSTANGE 80/45-85

Ⓕ TIGE DE PISTON 80/45-85

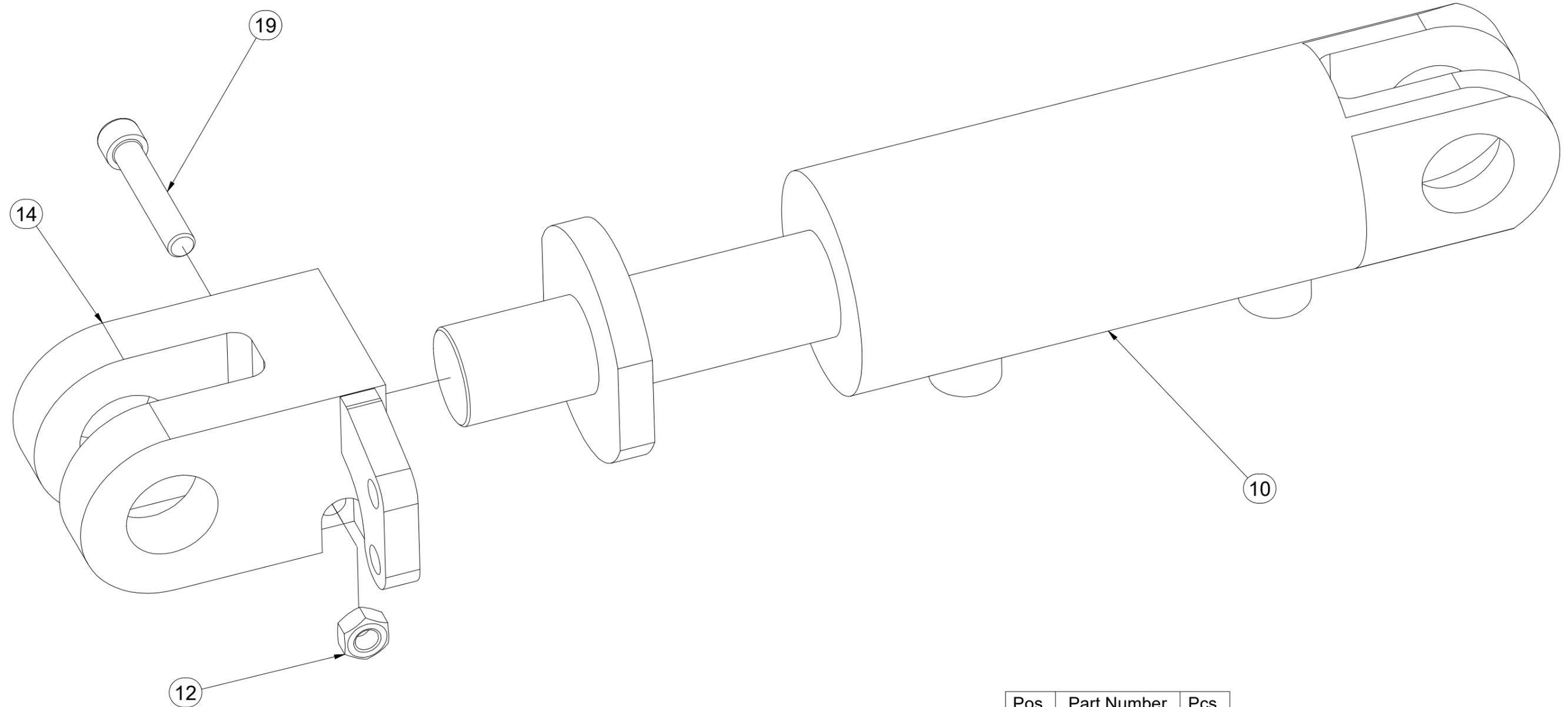
Ⓖ PISTON ROD 80/45-85

Ⓡ ЦИЛИНДР 80/45-85

Ⓟ TRZPIEŃ TŁOKA 80/45-85

**Farmet**

**VZ00004751**



| Pos. | Part Number | Pcs. |
|------|-------------|------|
| 10   | m20157      | 1    |
| 12   | m10439      | 1    |
| 14   | m20347      | 1    |
| 19   | m14867      | 1    |

Ⓒ PÍSTNICE 80/45-85

Ⓓ KOLBENSTANGE 80/45-85

Ⓕ TIGE DE PISTON 80/45-85

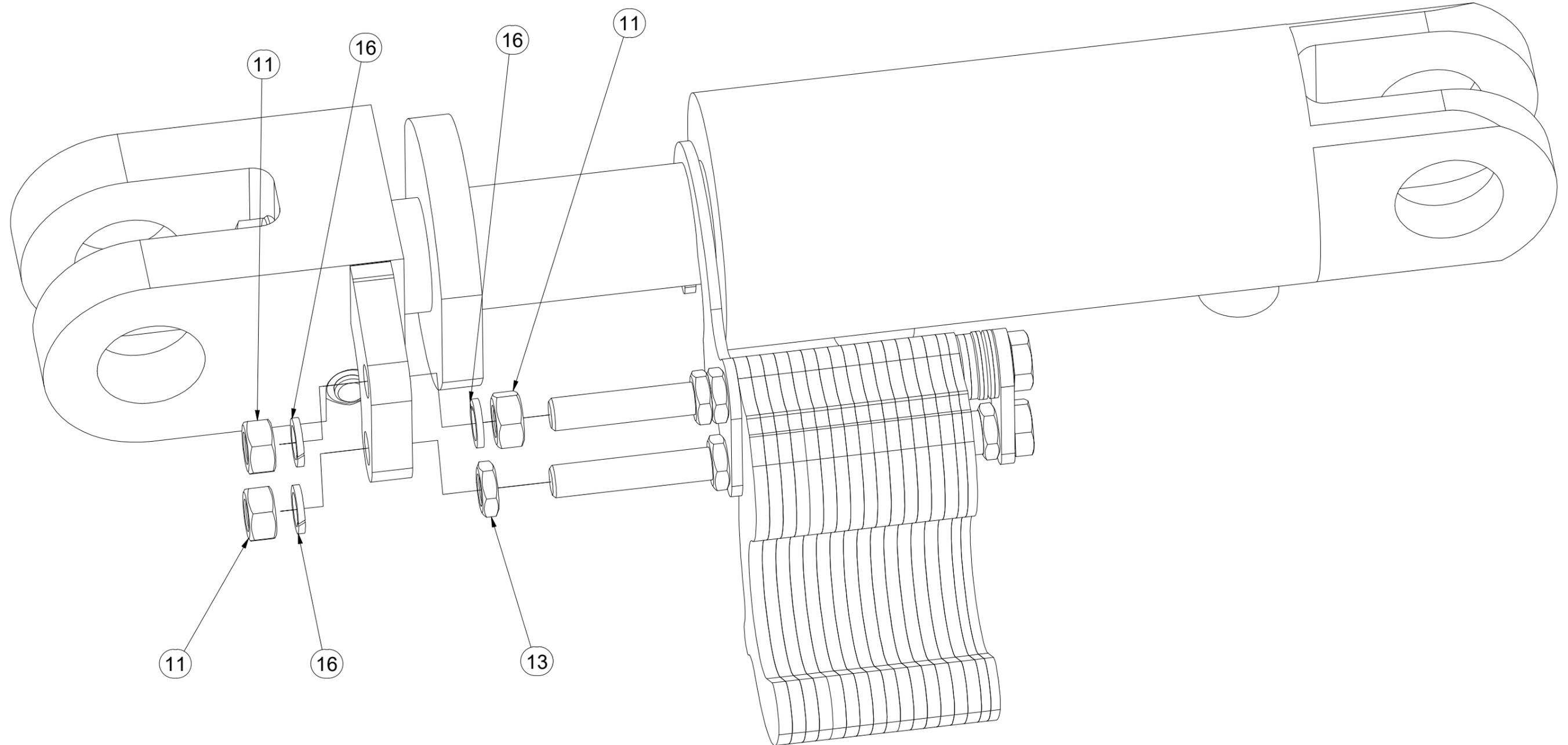
Ⓖ PISTON ROD 80/45-85

Ⓒ ЦИЛИНДР 80/45-85

Ⓗ TRZPIEŃ TŁOKA 80/45-85

**Farmet**

**VZ00004751**



| Pos. | Part Number | Pcs. |
|------|-------------|------|
| 11   | m01305      | 3    |
| 13   | m14233      | 5    |
| 16   | m03988      | 3    |

ⒸZ SOUPRAVA TĚSNIVA PÍSTNIC

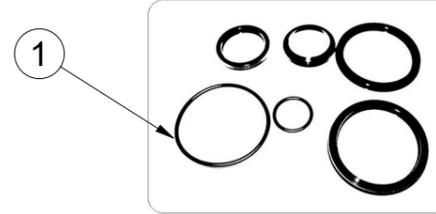
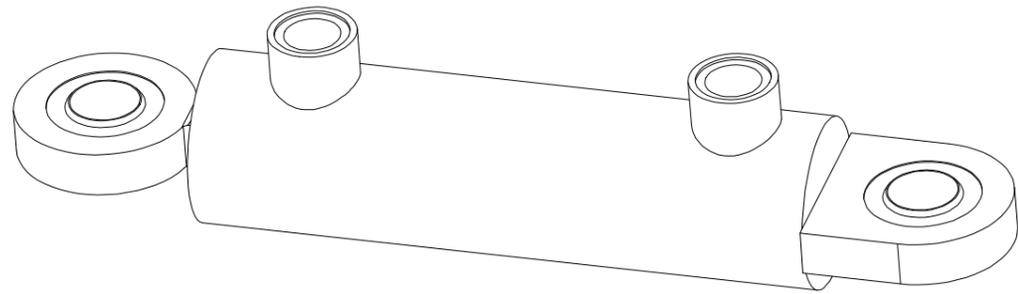
Ⓓ KOLBENSTANGENDICHTUNGSMITTELSATZ

Ⓕ SET DE GARNITURE DES TIGES DE PISTON

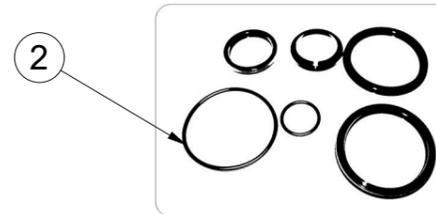
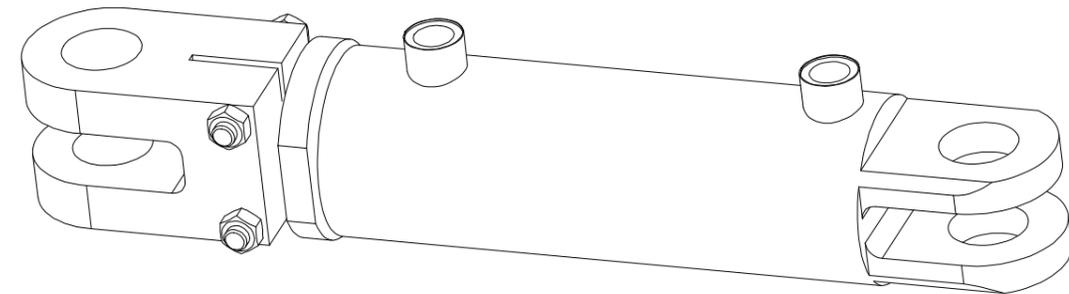
ⒼB SEALING SET FOR PISTON RODS

ⒺU КОМПЛЕКТ ПРОКЛАДОК ЦИЛИНДРОВ

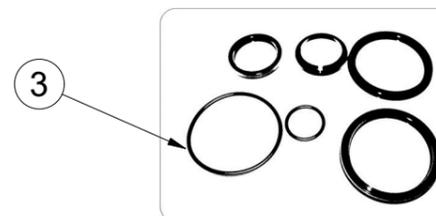
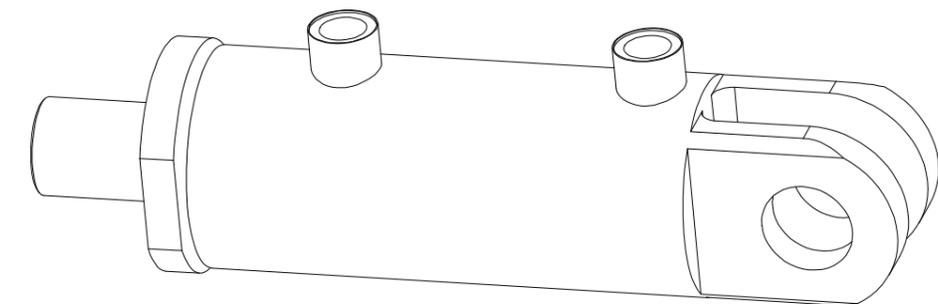
ⒼL ZESTAW USZCZELEK TRZPIENIA TŁOKA



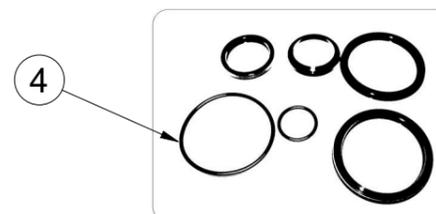
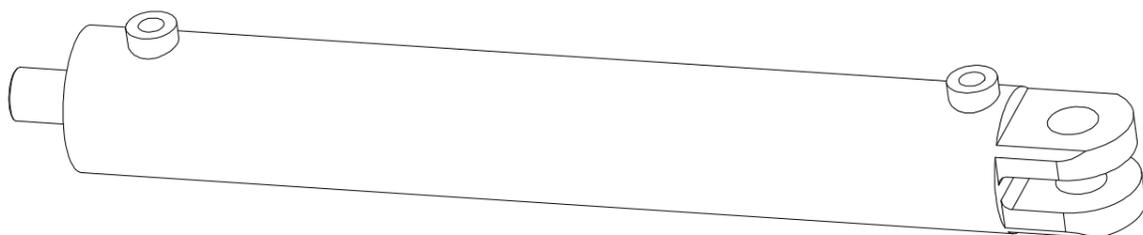
| VZ00014804 - Ø50/Ø25-125 |             |     |
|--------------------------|-------------|-----|
| Pos                      | Part number | Pcs |
| 1                        | m21161      | 4   |



| m19872 - Ø80/Ø45-150 |             |     |
|----------------------|-------------|-----|
| Pos                  | Part number | Pcs |
| 2                    | m15373      | 2   |



| m20157 - Ø80/Ø45-85 |             |     |
|---------------------|-------------|-----|
| Pos                 | Part number | Pcs |
| 3                   | m15373      | 4   |



| m21883 - Ø100/Ø50-600 |             |     |
|-----------------------|-------------|-----|
| Pos                   | Part number | Pcs |
| 4                     | m15375      | 4   |

ⒸZ SOUPRAVA TĚSNIVA PÍSTNIC

Ⓓ KOLBENSTANGENDICHTUNGSMITTELSATZ

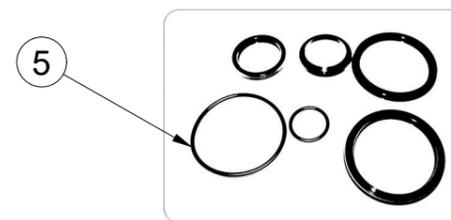
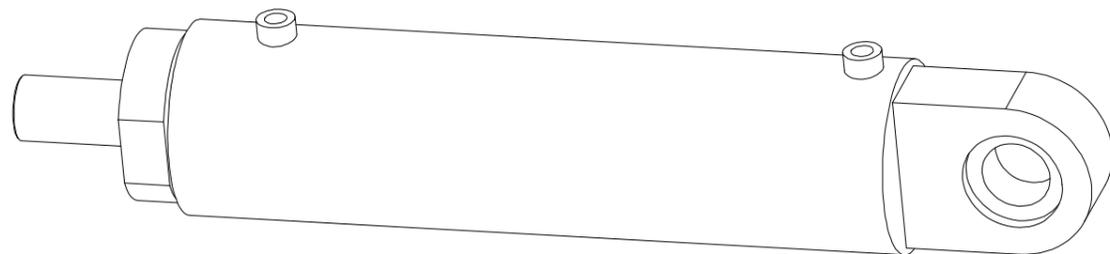
Ⓕ SET DE GARNITURE DES TIGES DE PISTON

ⒼB SEALING SET FOR PISTON RODS

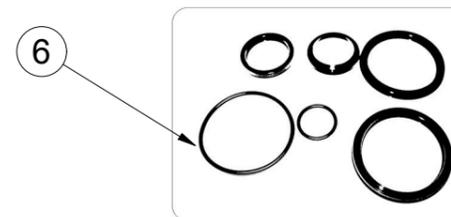
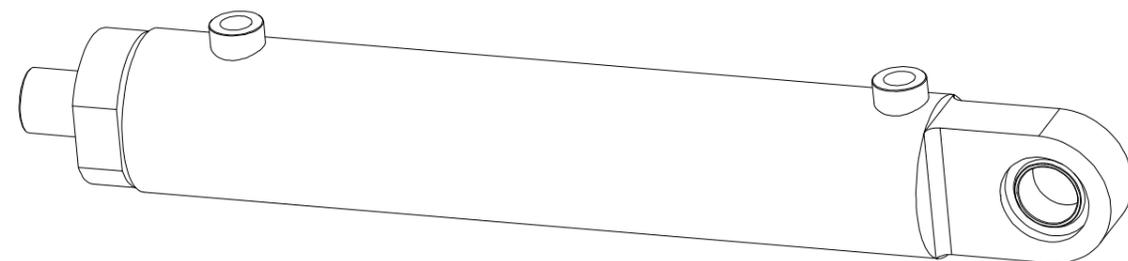
ⒺU КОМПЛЕКТ ПРОКЛАДОК ЦИЛИНДРОВ

ⒼL ZESTAW USZCZELEK TRZPIENIA TŁOKA

**Farmet**



| m22145 - $\varnothing 110/\varnothing 56-160$ |             |     |
|---|-------------|-----|
| Pos   | Part number | Pcs |
| 5   | m15376      | 1   |



| m22148 - $\varnothing 90/\varnothing 45-400$ |             |     |
|--|-------------|-----|
| Pos  | Part number | Pcs |
| 6  | m15374      | 2   |

Ⓒ SVĚTELNÁ SADA

Ⓓ LEUCHTENSATZ

Ⓕ KIT LUMINEUX

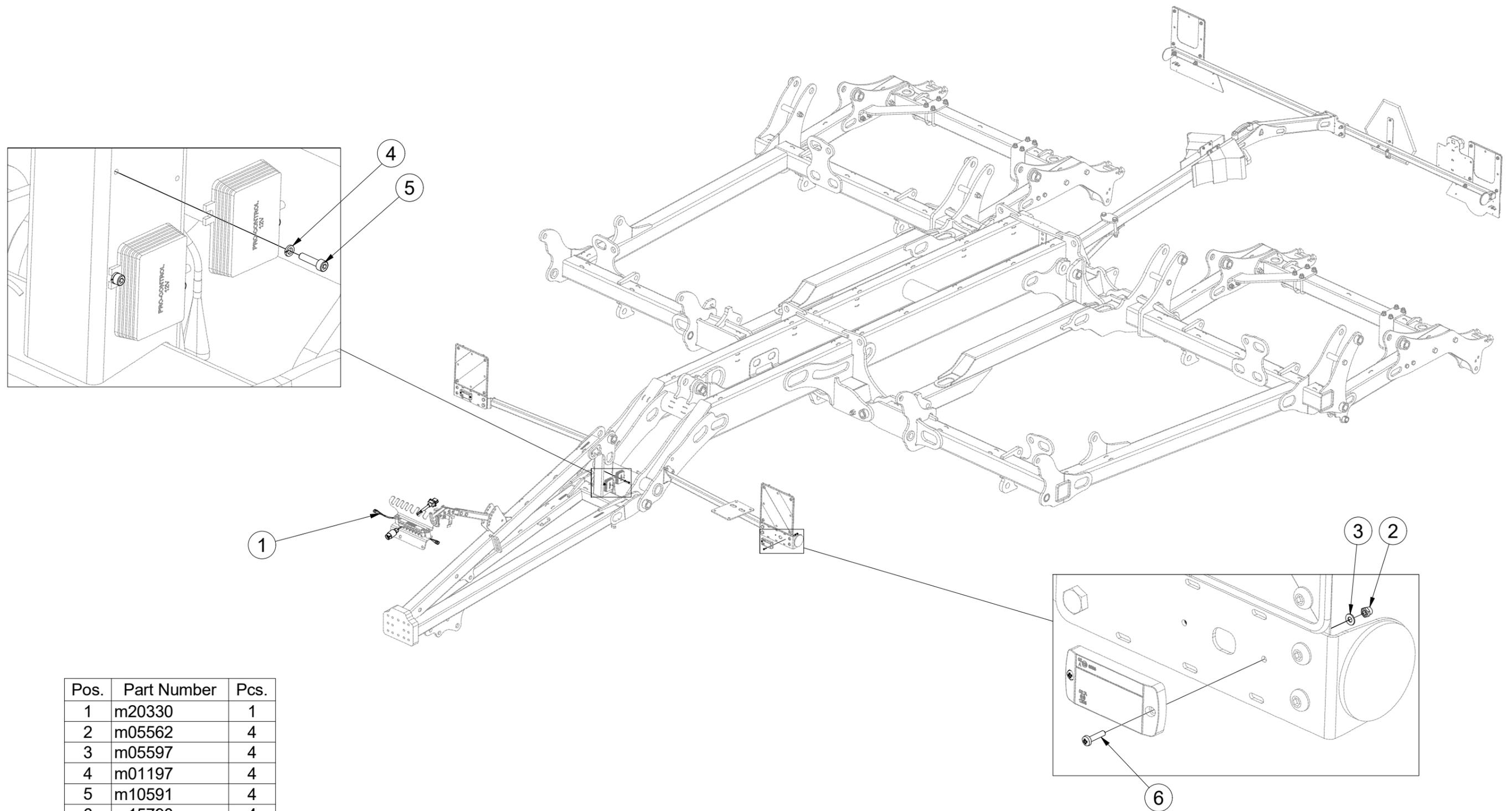
**VZ00016543**

Ⓒ LIGHTING SET

Ⓓ ОСВЕТИТЕЛЬНЫЙ КОМПЛЕКТ

Ⓕ ZESTAW OŚWIETLENIA

**Farmet**



| Pos. | Part Number | Pcs. |
|------|-------------|------|
| 1    | m20330      | 1    |
| 2    | m05562      | 4    |
| 3    | m05597      | 4    |
| 4    | m01197      | 4    |
| 5    | m10591      | 4    |
| 6    | m15790      | 4    |



Ⓒ SVĚTELNÁ SADA

Ⓓ LEUCHTENSATZ

Ⓕ KIT LUMINEUX

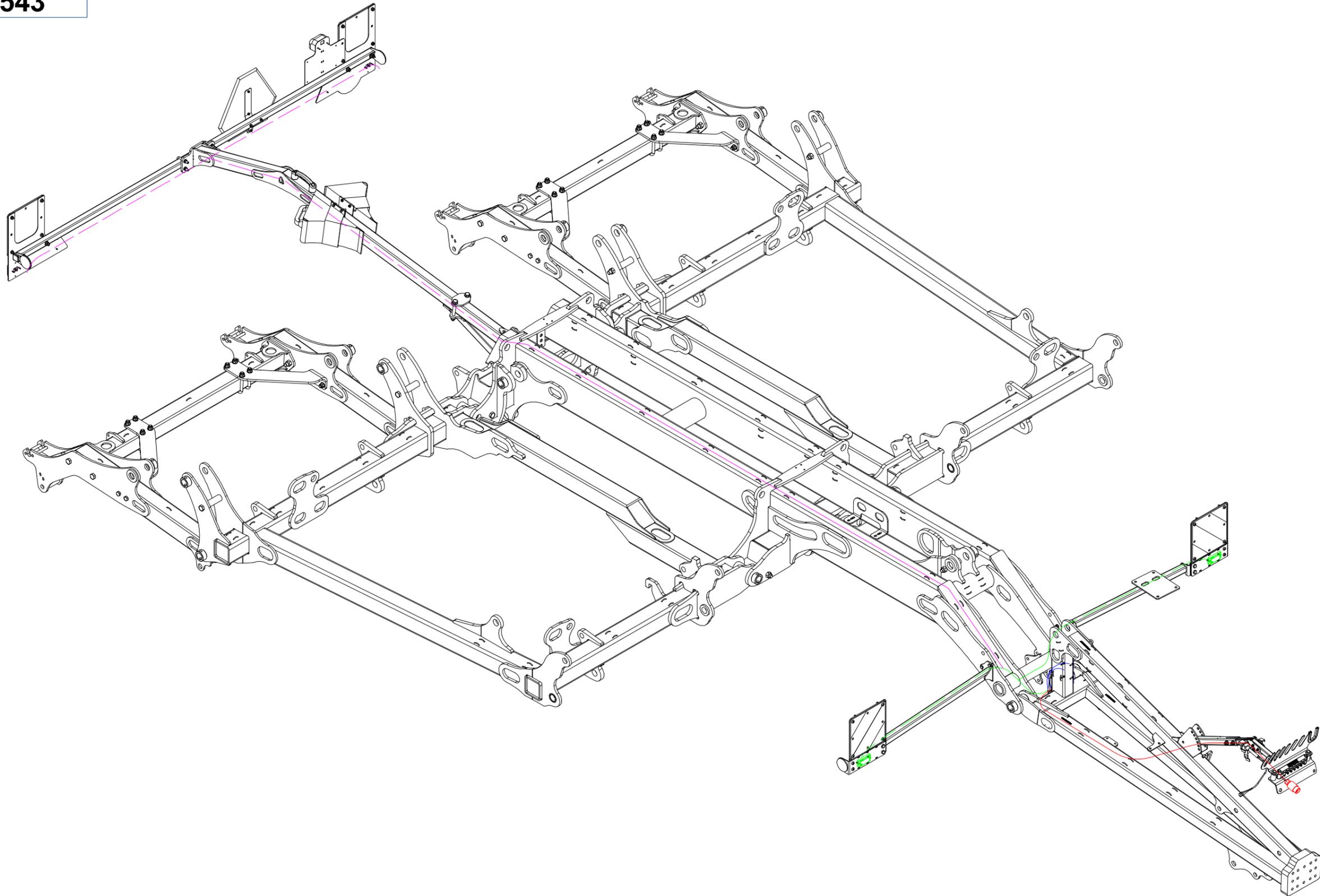
**VZ00016543**

Ⓖ LIGHTING SET

Ⓡ ОСВЕТИТЕЛЬНЫЙ КОМПЛЕКТ

Ⓢ ZESTAW OŚWIETLENIA

**Farmet**



Ⓒ SVĚTELNÁ SADA

Ⓓ LEUCHTENSATZ

Ⓕ KIT LUMINEUX

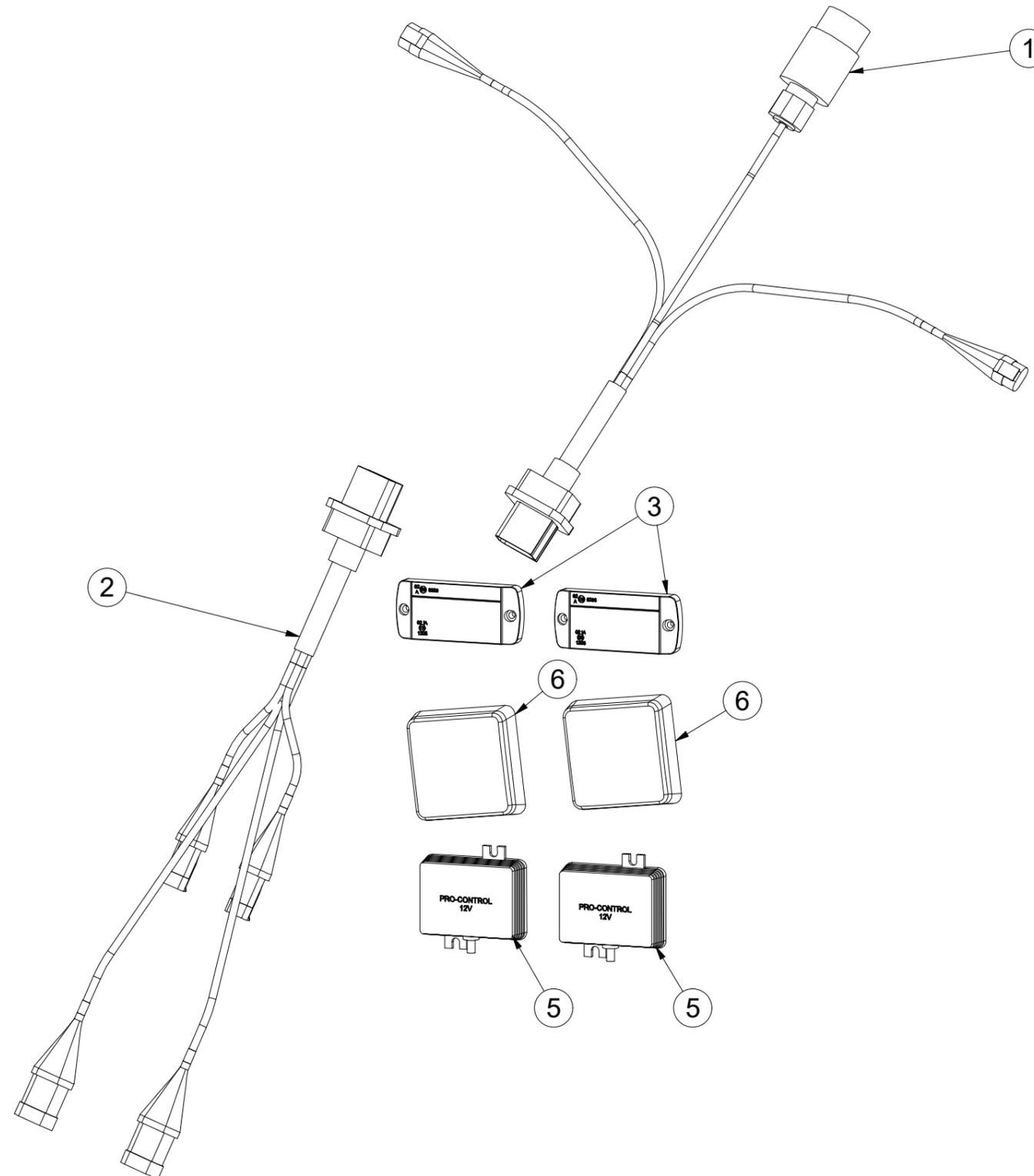
**m20330**

Ⓒ LIGHTING SET

Ⓓ ОСВЕТИТЕЛЬНЫЙ КОМПЛЕКТ

Ⓕ ZESTAW OŚWIETLENIA

**Farmet**



| Pos. | Part Number | Pcs. |
|------|-------------|------|
| 1    | m14779      | 1    |
| 2    | m14778      | 1    |
| 3    | m14776      | 2    |
| 5    | m14777      | 2    |
| 6    | m19044      | 2    |

- Ⓒ UTAHOVACÍ MOMENTY ŠROUBŮ  
 Ⓓ ANZUGMOMENTE VON SCHRAUBEN  
 Ⓕ COUPLES DE SERRAGE DES VIS

- Ⓖ SCREW TIGHTENING TORQUE  
 Ⓔ МОМЕНТЫ ЗАЖАТИЯ БОЛТОВ  
 Ⓗ MOMENTY DOKRĘCANIA ŚRUB



| P   |      | 5.8  | 8.8  | 10.9  | 12.9  | Z        |           |
|-----|------|------|------|-------|-------|----------|-----------|
| D   | R    | Mu   | Mu   | Mu    | Mu    | DIN 7991 | ISO 10642 |
| mm  | mm   | Nm   | Nm   | Nm    | Nm    | Nm       | Nm        |
| M6  | 1    | 6    | 9    | 13    | 15    | 7,2      | 7,9       |
| M8  | 1,25 | 14   | 22   | 32    | 38    | 17       | 19        |
| M10 | 1,5  | 29   | 44   | 64    | 75    | 35       | 38        |
| M12 | 1,75 | 49   | 76   | 111   | 130   | 58       | 65        |
| M14 | 2    | 79   | 120  | 176   | 206   | 93       | 100       |
| M16 | 2    | 123  | 188  | 276   | 323   | 144      | 158       |
| M18 | 2,5  | 169  | 257  | 378   | 443   | -        | 220       |
| M20 | 2,5  | 239  | 365  | 536   | 628   | -        | 310       |
| M22 | 2,5  | 329  | 529  | 738   | 864   | -        | 420       |
| M24 | 3    | 413  | 629  | 924   | 1082  | -        | 530       |
| M27 | 3    | 613  | 934  | 1372  | 1606  | -        | -         |
| M30 | 3,5  | 832  | 1267 | 1862  | 2179  | -        | -         |
| M33 | 3,5  | 1130 | 1723 | 2530  | 2961  | -        | -         |
| M36 | 4    | 1451 | 2210 | 3246  | 3799  | -        | -         |
| M39 | 4    | 1885 | 2872 | 4217  | 4936  | -        | -         |
| M42 | 4,5  | 2322 | 3538 | 5196  | 6080  | -        | -         |
| M45 | 4,5  | 2909 | 4433 | 6511  | 7619  | -        | -         |
| M48 | 5    | 3513 | 535  | 7862  | 9200  | -        | -         |
| M52 | 5    | 4524 | 6895 | 10123 | 11849 | -        | -         |
| M56 | 5,5  | 5636 | 8589 | 12614 | 14761 | -        | -         |

- Mu - Ⓒ UTAHOVACÍ MOMENT  
 Ⓓ ANZUGMOMENTE  
 Ⓕ COUPLE DE SERRAGE  
 Ⓖ TIGHTENING TORQUE  
 Ⓔ МОМЕНТ ЗАЖАТИЯ  
 Ⓗ MOMENT DOKRĘCANIA
- D - Ⓒ JMENOVITÝ PRŮMĚR  
 Ⓓ NENNDURCHMESSER  
 Ⓕ DIAMETRE NOMINAL  
 Ⓖ NOMINAL DIAMETER  
 Ⓔ НОМИНАЛЬНЫЙ ДИАМЕТР  
 Ⓗ ŚREDNICA NOMINALNA
- R - Ⓒ ROZTEČ ZÁVITU - STOUPÁNÍ  
 Ⓓ GEWINDESTEIGUNG  
 Ⓕ PAS DE FILET - PAS  
 Ⓖ SCREW PITCH – LEAD  
 Ⓔ ШАГ РЕЗЬБЫ  
 Ⓗ ROZSTAW GWINTU - SKOKI
- P - Ⓒ PEVNOST  
 Ⓓ FESTIGKEIT  
 Ⓕ RÉSISTANCE  
 Ⓖ STRENGTH  
 Ⓔ ПРОЧНОСТЬ  
 Ⓗ WYTRZYMA OŚĆ
- Z - Ⓒ ZÁPUSTNÉ ŠROUBY  
 Ⓓ SENKKOPFSCHRAUBEN  
 Ⓕ VIS A TETE FRAISEE  
 Ⓖ COUNTERSUNK SCREWS  
 Ⓔ БОЛТЫ С УТОПЛЕННОЙ ГОЛОВКОЙ  
 Ⓗ ŚRUBY Z ŁBEM STOŻKOWYM PŁASKIM

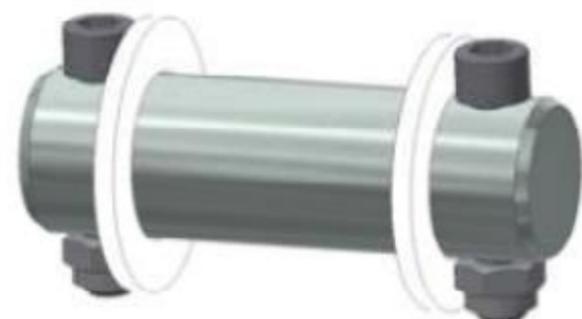
- Ⓒ Hodnoty momentů jsou poníženy o -10% oproti tabulkovým hodnotám. Šroubové spoje utahujte dle vyznačeného utahovacího momentu v dokumentaci. Pokud není utahovací moment v dokumentaci vyznačen, utahujte dle obecné tabulky. Pokud je v dokumentaci definován spoj šroubu a matice o různých pevnostech, vždy utahujte na moment komponenty nižší.
- Ⓓ Die Werte der Anzugsmomente sind um 10 % gegenüber den Tabellenwerten verringert. Ziehen Sie die Schraubverbindungen gemäß dem in der Dokumentation festgeschriebenen Anzugsmoment an. Sofern das Anzugsmoment nicht in der Dokumentation aufgeführt ist, ziehen Sie sie gemäß der allgemeinen Tabelle an. Wenn in der Dokumentation eine Verbindung von Schraube und Mutter mit verschiedene Festigkeiten definiert ist, wird immer mit dem Moment des Bauteils mit der geringeren Festigkeit angezogen.
- Ⓕ Les valeurs des couples de serrage sont baissées de 10% par rapport aux valeurs de tableau. Serrez les raccords à vis selon le couple de serrage indiqué dans les documents. Si le couple de serrage n'est pas indiqué dans les documents, serrez selon le tableau général. Si les documents définissent un assemblage par boulon de diverses résistances, serrez toujours au moment de la composante avec résistance inférieure.
- Ⓖ The torque values are reduced by 10% compared to the table values. Tighten the screw joints according to the tightening torque stated in the documentation. If the tightening torque is not stated in the documentation, tighten according to the general table. If there is a joint with a screw and a nut at different strengths in the documentation, always tighten to the torque of the component with lower strength.
- Ⓔ Значения моментов затяжки уменьшены на 10% по сравнению с данными в таблице. Резьбовые соединения зажимайте с установленным в документации моментом зажатия. Если в документации не указан момент зажатия, то зажимайте по действующей в общем таблице. Если в документации установлено соединение из болта и гайки различной прочности, всегда зажимайте с моментом для компонента с меньшей прочностью.
- Ⓗ Wartości momentów dokręcania są obniżone o 10% w stosunku do wartości z tabeli. Połączenia śrubowe należy dokręcać zgodnie z momentem obrotowym w dokumentacji. Jeśli w dokumentacji nie ma podanego momentu obrotowego, należy dokręcać zgodnie z ogólną tabelą. Jeśli w dokumentacji zdefiniowane jest połączenie ze śrubą nakrętką różnych wytrzymałościach, zawsze należy dokręcać zachowując moment dokręcania komponentu z niższą wytrzymałością.

- Ⓒ UTAHOVACÍ MOMENTY ŠROUBŮ  
 Ⓓ ANZUGMOMENTE VON SCHRAUBEN  
 Ⓕ COUPLES DE SERRAGE DES VIS

- Ⓖ SCREW TIGHTENING TORQUE  
 Ⓡ MOMENTY ZAJATIA BOLTOB  
 Ⓟ MOMENTY DOKRĘCANIA ŚRUB



- Ⓒ **OBECNÝ PŘEDPIS UTAHOVÁNÍ ZAJIŠTĚNÍ ČEPOVÝCH SPOJŮ:**  
 Ⓓ **ALLGEMEINE VORSCHRIFT FÜR DAS ANZIEHEN VON BOLZENVERBINDUNGEN:**  
 Ⓕ **CONSIGNE GENERALE POUR LE SERRAGE DES ARTICULATIONS CYLINDRIQUES:**  
 Ⓖ **GENERAL INSTRUCTION FOR TIGHTENING THE SECURING OF PIN JOINTS:**  
 Ⓡ **ОБЩЕЕ ОПИСАНИЕ ЗАЖАТИЯ ПРЕДОХРАНЕНИЯ СОЕДИНЕНИЙ ПАЛЬЦАМИ:**  
 Ⓟ **OGÓLNE ZASADY DOKRĘCANIA ZABEZPIECZENIA POŁĄCZEŃ CZOPEM:**



**X**

M8, M10, M12

M14

**M**

09-15Nm

15-25Nm

- X - Ⓒ ROZMĚR ŠROUBU  
 Ⓓ SCHRAUBENGRÖSSE  
 Ⓕ DIMENSIONS DE LA VIS

- Ⓖ BOLT DIMENSION  
 Ⓡ РАЗМЕР БОЛТА  
 Ⓟ ROZMIAR ŚRUBY

- M - Ⓒ ORIENTAČNÍ MOMENT  
 Ⓓ ANZUGSMOMENT  
 Ⓕ COUPLE D'ORIENTATION

- Ⓖ ORIENTATION TORQUE  
 Ⓡ ОРИЕНТАЦИОННЫЙ МОМЕНТ  
 Ⓟ ORIENTACYJNY MOMENT

- Ⓒ Tyto spoje není nutné ověřovat kontrolou momentovým klíčem = stačí vizuálně kontrolovat sešroubování.  
 Ⓓ Diese Verbindungen müssen nicht mit einem Drehmomentschlüssel überprüft werden = es genügt, die Verschraubung visuell zu kontrollieren.  
 Ⓕ Il n'est pas nécessaire de contrôler le serrage à l'aide d'une clé dynamométrique = un contrôle visuel de l'assemblage suffit.  
 Ⓖ These joints do not have to be verified by checking with a torque wrench = visual inspection of bolting is sufficient.  
 Ⓡ Эти соединения не нужно контролировать динамометрическим ключом = достаточно визуально проверять прикручивание.  
 Ⓟ Nie trzeba sprawdzać tych połączeń kluczem dynamometrycznym = wystarczy wizualnie skontrolować dokręcenie.