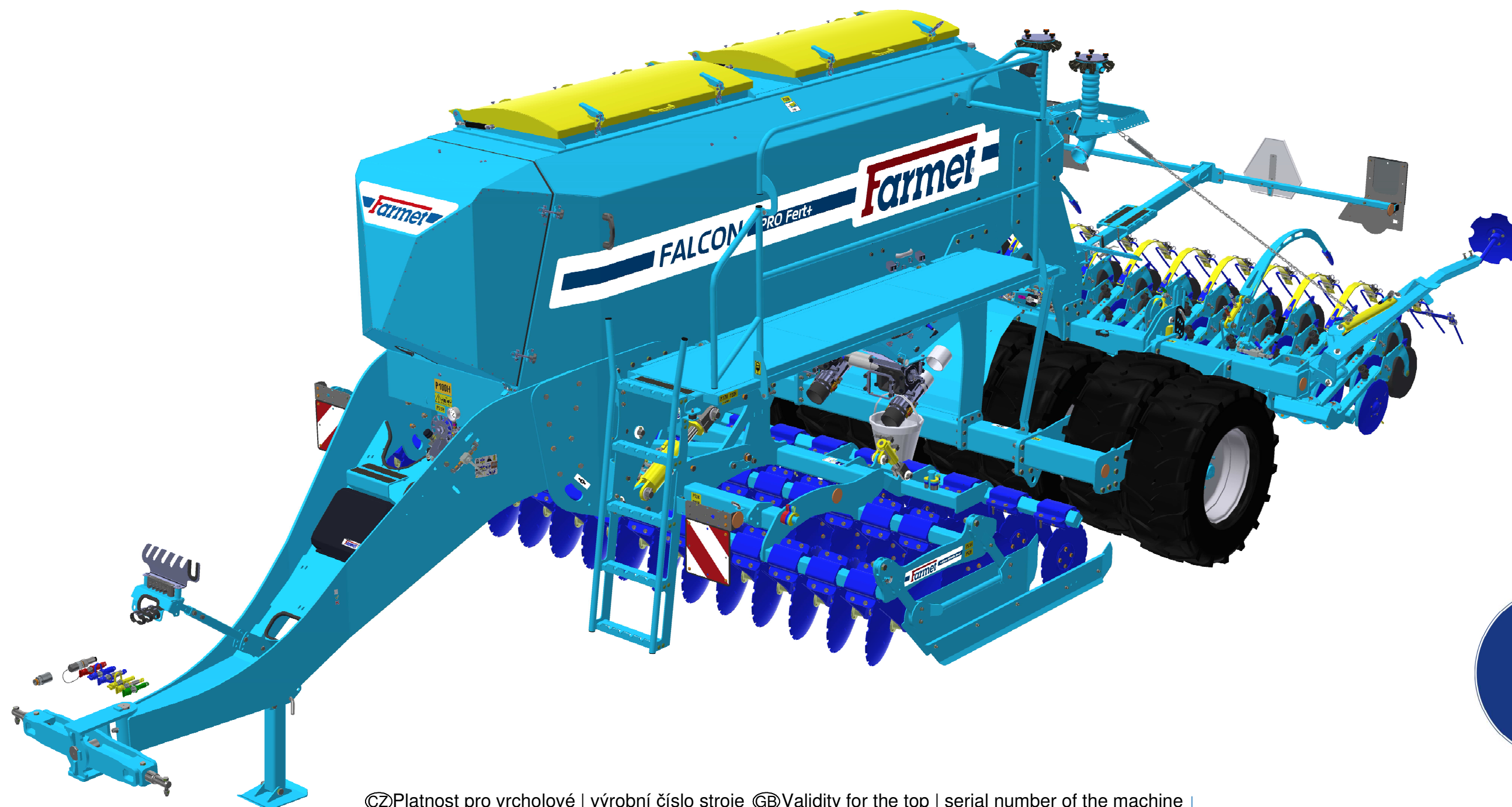


The effective technology and complex services

Farmet

ⒸZ KATALOG NÁHRADNÍCH DÍLŮ ⒸB CATALOGUE OF SPARE PARTS ⒸD ERSATZTEILLISTE
ⒸRU КАТАЛОГ ЗАПАСНЫХ ЧАСТЕЙ ⒸF CATALOGUE DES PIÈCES DE RECHANGE ⒸPL KATALOG CZĘŚCI ZAMIENNYCH

FALCON 4 PRO FERT+ FIX



ⒸZ Platnost pro vrcholové | výrobní číslo stroje ⒸB Validity for the top | serial number of the machine
ⒸD Gültigkeit für die Haupt- | Herstellungsnummer der Maschine ⒸRU Действительно для главного | заводского номера машины
ⒸF Validité du numéro de référence | de série de la machine ⒸPL Obowiązuje dla numeru głównego | seryjnego maszyny

9317725 | 2023/1145

Farmet a. s.
Jiřinková 276
552 03 Česká Skalice, CZ

phone: +420 491 450 111
GSM: +420 774 715 738

Id. No.: 46504931
Tax Id. No.: CZ46504931

web: www.farmet.eu
e-mail: dzt@farmet.cz

ⒸZ NAVIGACE STROJE

ⒸD NAVIGATION DER MASCHINE

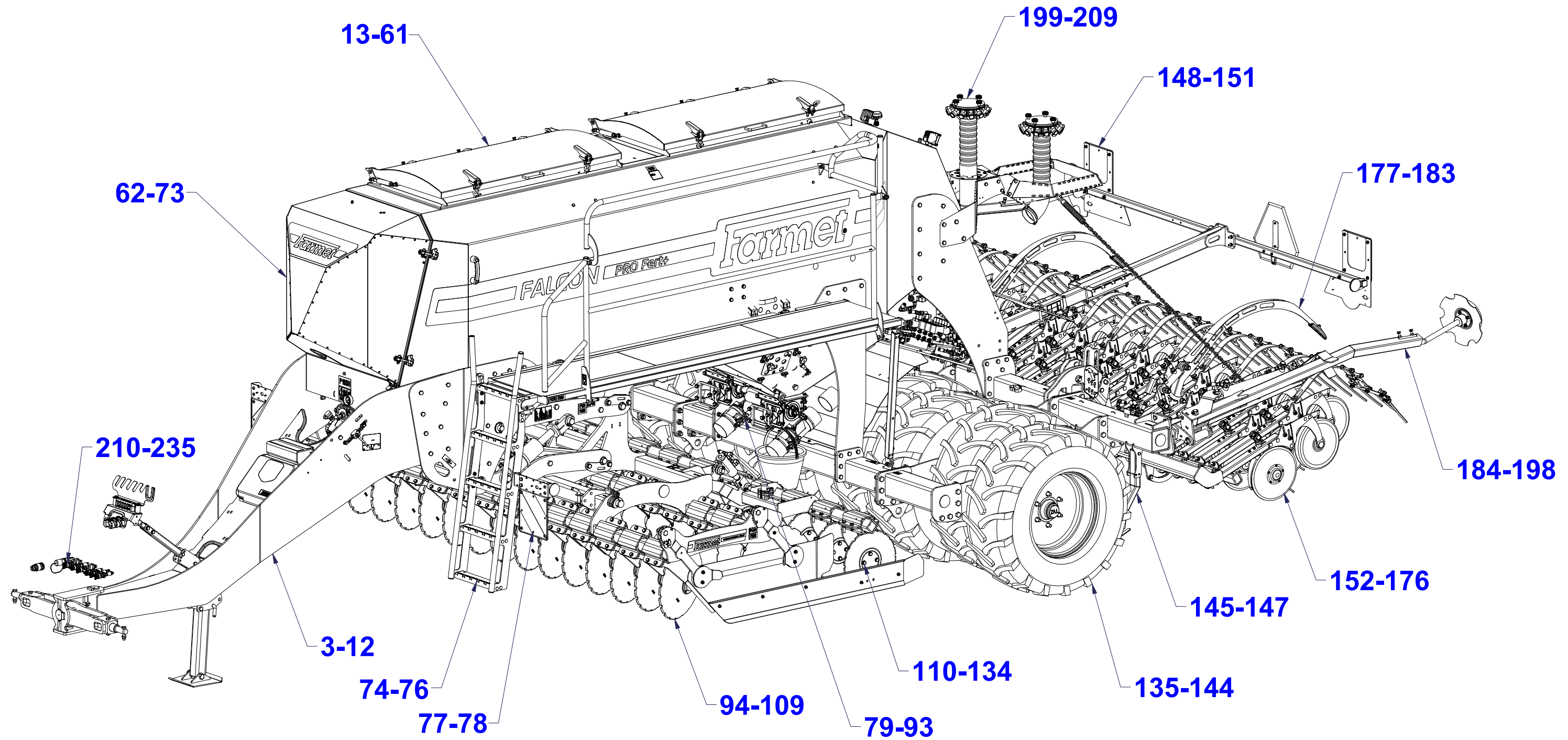
ⒸF NAVIGATION DE LA MACHINE

ⒸGB NAVIGATION OF THE MACHINE

ⒸRU НАВИГАЦИЯ МАШИНЫ

ⒸPL NAWIGACJA MASZYN

Farmet



ⒸZ NÁHRADNÍ DÍL - STRANA

ⒸGB SPARE PART - PAGE

ⒸD ERSATZTEILE - SEITE

ⒸRU ЗАПЧАСТЬ - СТРАНИЦА

ⒸF PIÈCE DE RECHANGE - PAGE

ⒸPL CZĘŚCI ZAMIENNE - STRONA

ⒸZ OJ MONT

Ⓓ DEICHSEL MONTIERT

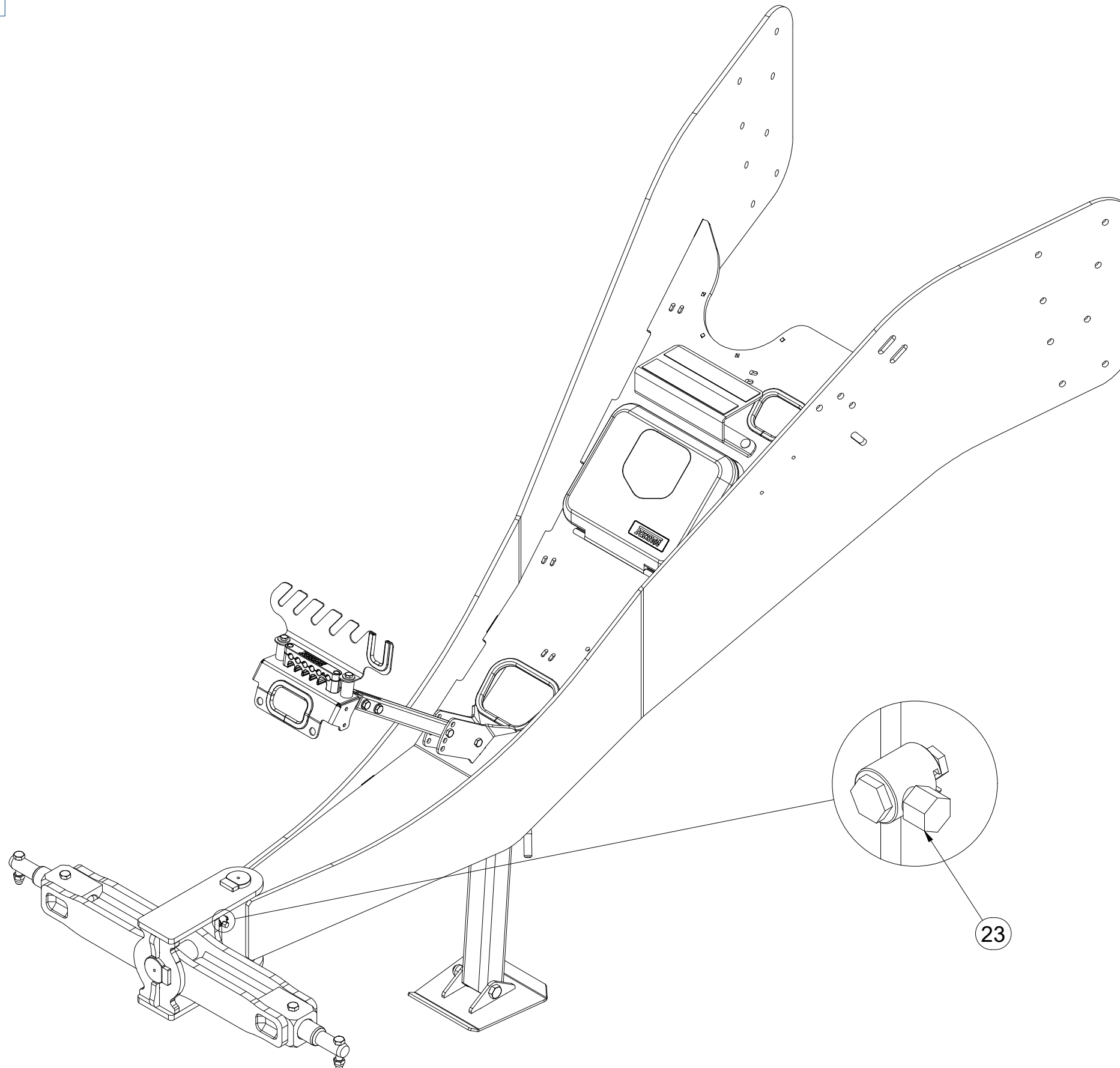
Ⓕ TIMON MONTÉ

VZ00039813

ⒼB MONT DRAWBAR

Ⓔ RU ДЫШЛО МОНТ

ⒼL DYSZEL MONT



| Pos. | Part Number | Pcs. |
|------|-------------|------|
| 23 | 9002395 | 1 |

ⒸZ OJ MONT

Ⓓ DEICHSEL MONTIERT

Ⓕ TIMON MONTÉ

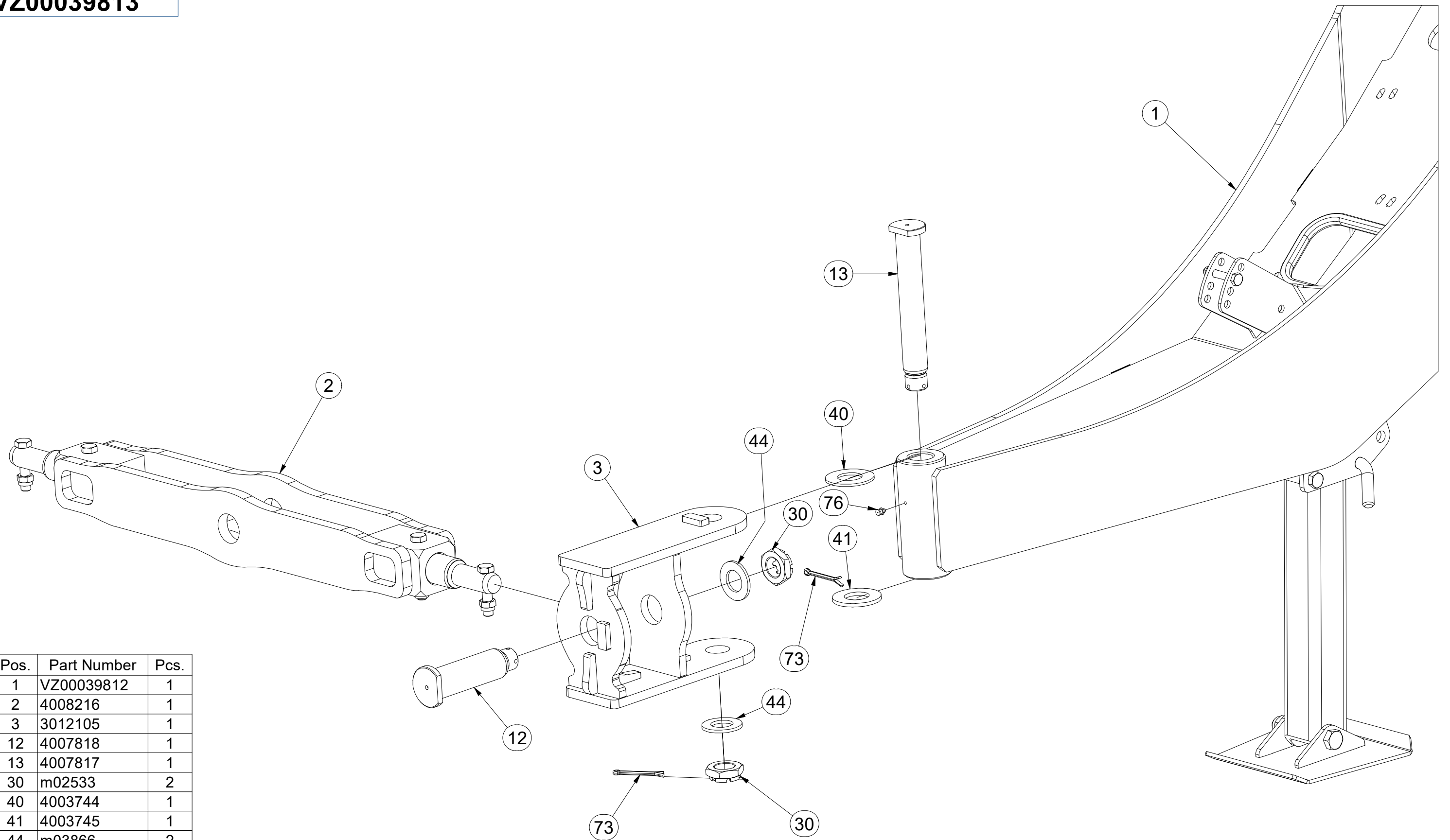
ⒼB MONT DRAWBAR

Ⓔ RU ДЫШЛО МОНТ

ⒼL DYSZEL MONT



VZ00039813



| Pos. | Part Number | Pcs. |
|------|-------------|------|
| 1 | VZ00039812 | 1 |
| 2 | 4008216 | 1 |
| 3 | 3012105 | 1 |
| 12 | 4007818 | 1 |
| 13 | 4007817 | 1 |
| 30 | m02533 | 2 |
| 40 | 4003744 | 1 |
| 41 | 4003745 | 1 |
| 44 | m03866 | 2 |
| 73 | m04139 | 2 |
| 76 | m10451 | 1 |

ⒸZ OJ MONT

Ⓓ DEICHSEL MONTIERT

Ⓕ TIMON MONTÉ

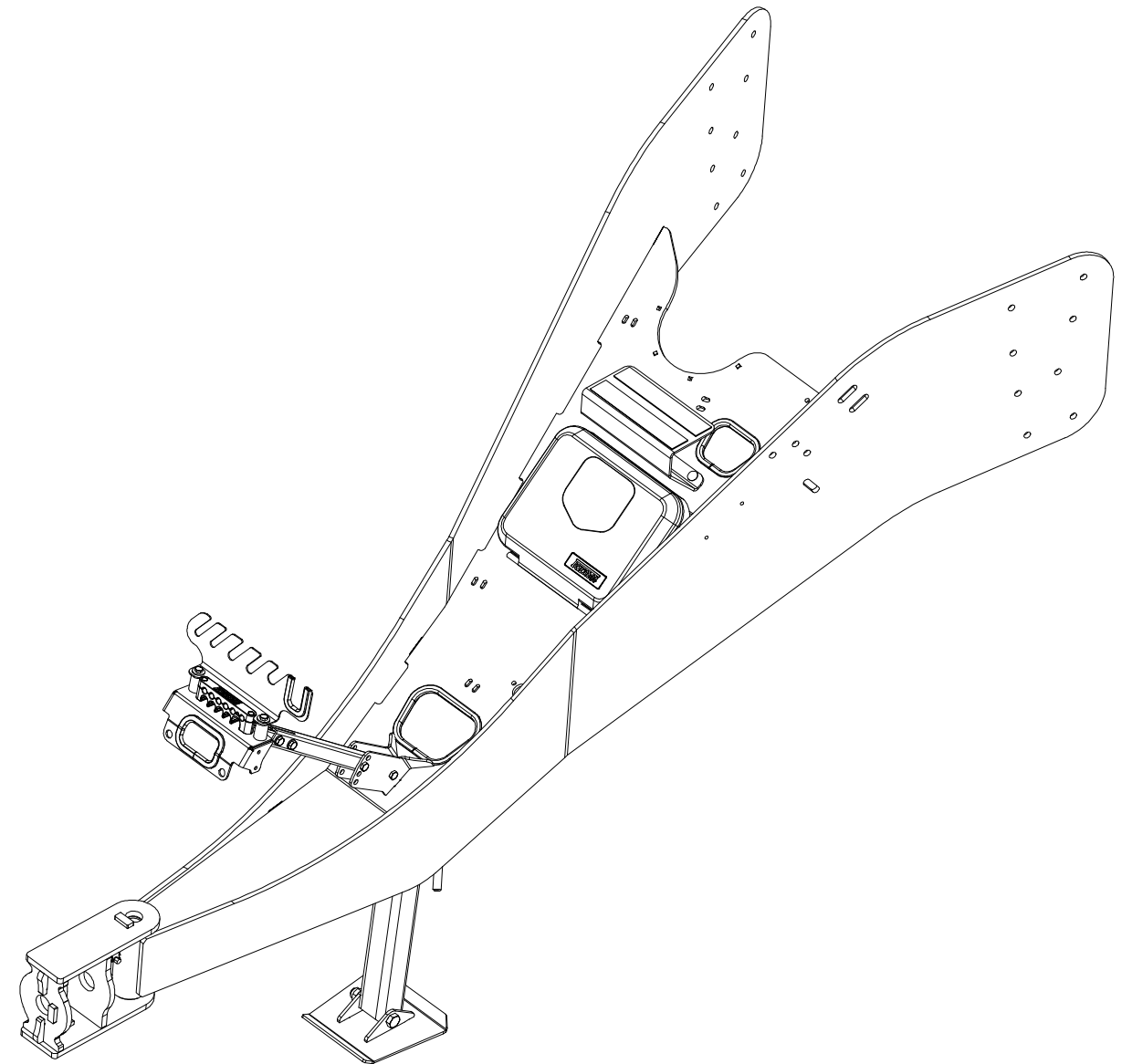
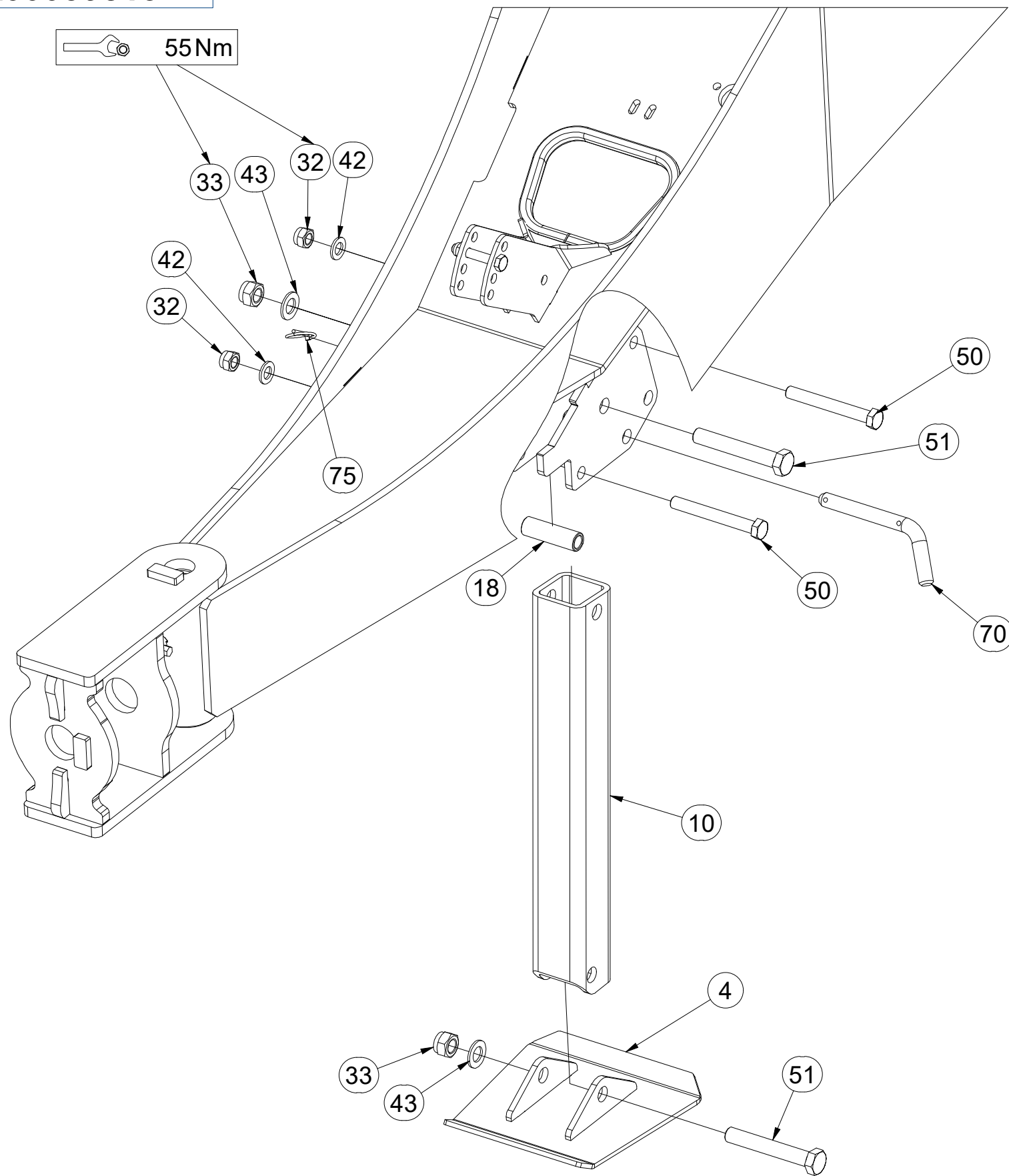
ⒼB MONT DRAWBAR

Ⓔ RU ДЫШЛО МОНТ

ⒼL DYSZEL MONT



VZ00039813



| Pos. | Part Number | Pcs. |
|------|-------------|------|
| 4 | 4007000 | 1 |
| 10 | 4022713 | 1 |
| 18 | 4004007 | 1 |
| 32 | m03683 | 2 |
| 33 | m05648 | 2 |
| 42 | m01219 | 2 |
| 43 | m03768 | 2 |
| 50 | m04404 | 2 |
| 51 | m05465 | 2 |
| 70 | m08386 | 1 |
| 75 | m10454 | 1 |

ⒸZ OJ MONT

Ⓓ DEICHSEL MONTIERT

Ⓕ TIMON MONTÉ

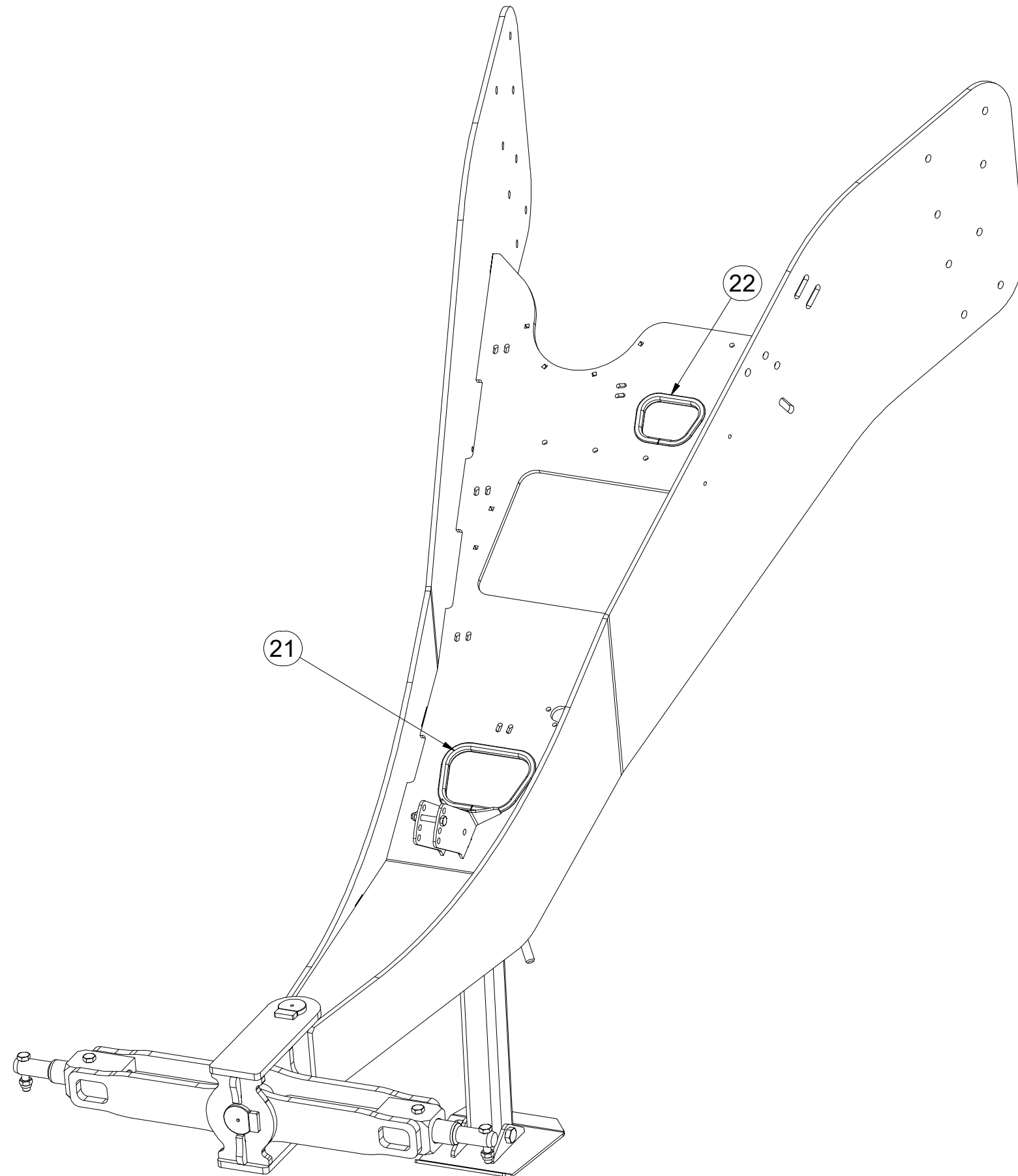
ⒼB MONT DRAWBAR

Ⓔ RU ДЫШЛО МОНТ

Ⓗ PL DYSZEL MONT



VZ00039813



| Pos. | Part Number | Pcs. |
|------|-------------|------|
| 21 | VZ00025780 | 1 |
| 22 | VZ00025787 | 1 |

ⒸZ OJ MONT

Ⓓ DEICHSEL MONTIERT

Ⓕ TIMON MONTÉ

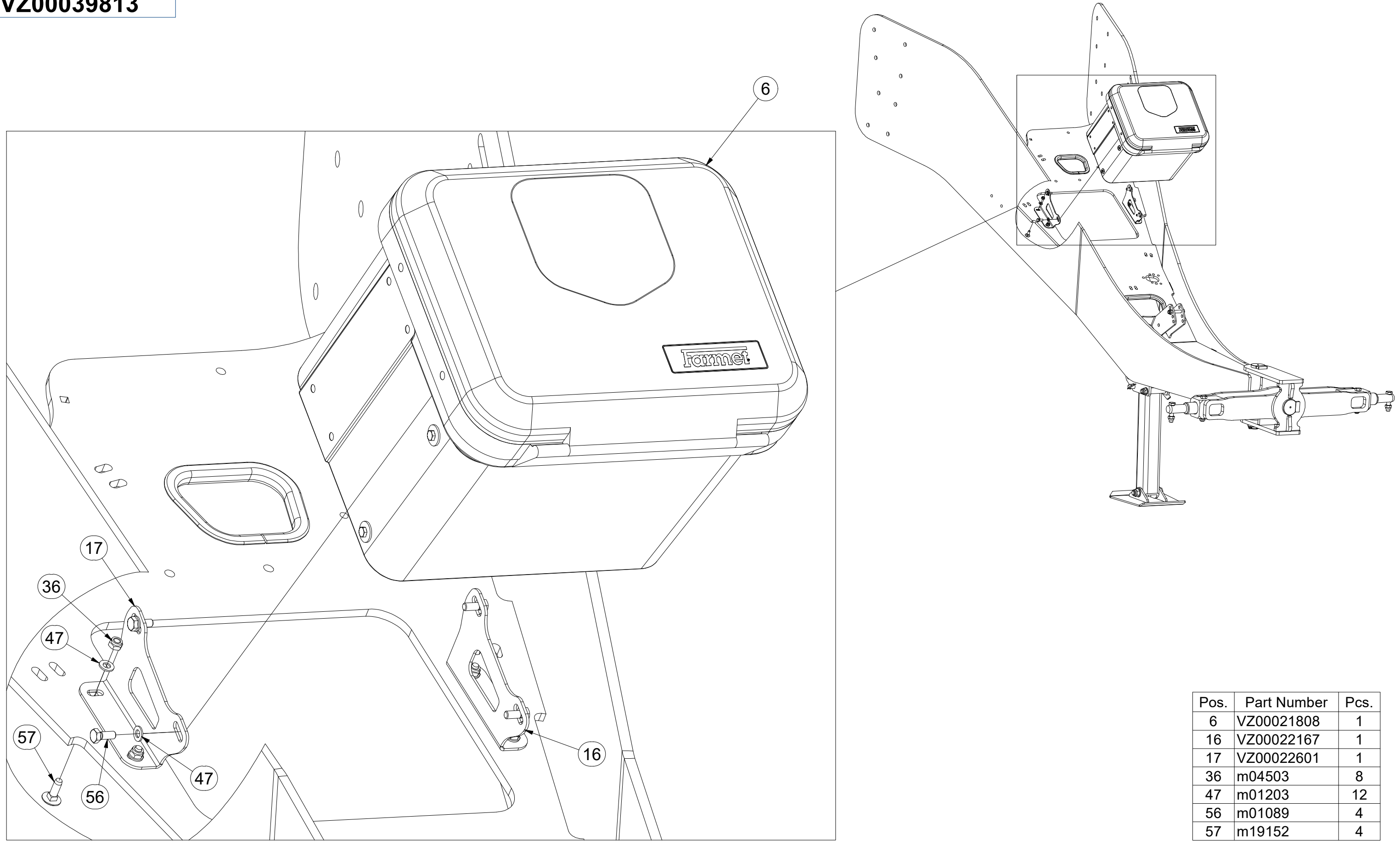
ⒼB MONT DRAWBAR

ⒺU ДЫШЛО МОНТ

ⒼL DYSZEL MONT



VZ00039813



| Pos. | Part Number | Pcs. |
|------|-------------|------|
| 6 | VZ00021808 | 1 |
| 16 | VZ00022167 | 1 |
| 17 | VZ00022601 | 1 |
| 36 | m04503 | 8 |
| 47 | m01203 | 12 |
| 56 | m01089 | 4 |
| 57 | m19152 | 4 |

ⒸZ OJ MONT

Ⓓ DEICHSEL MONTIERT

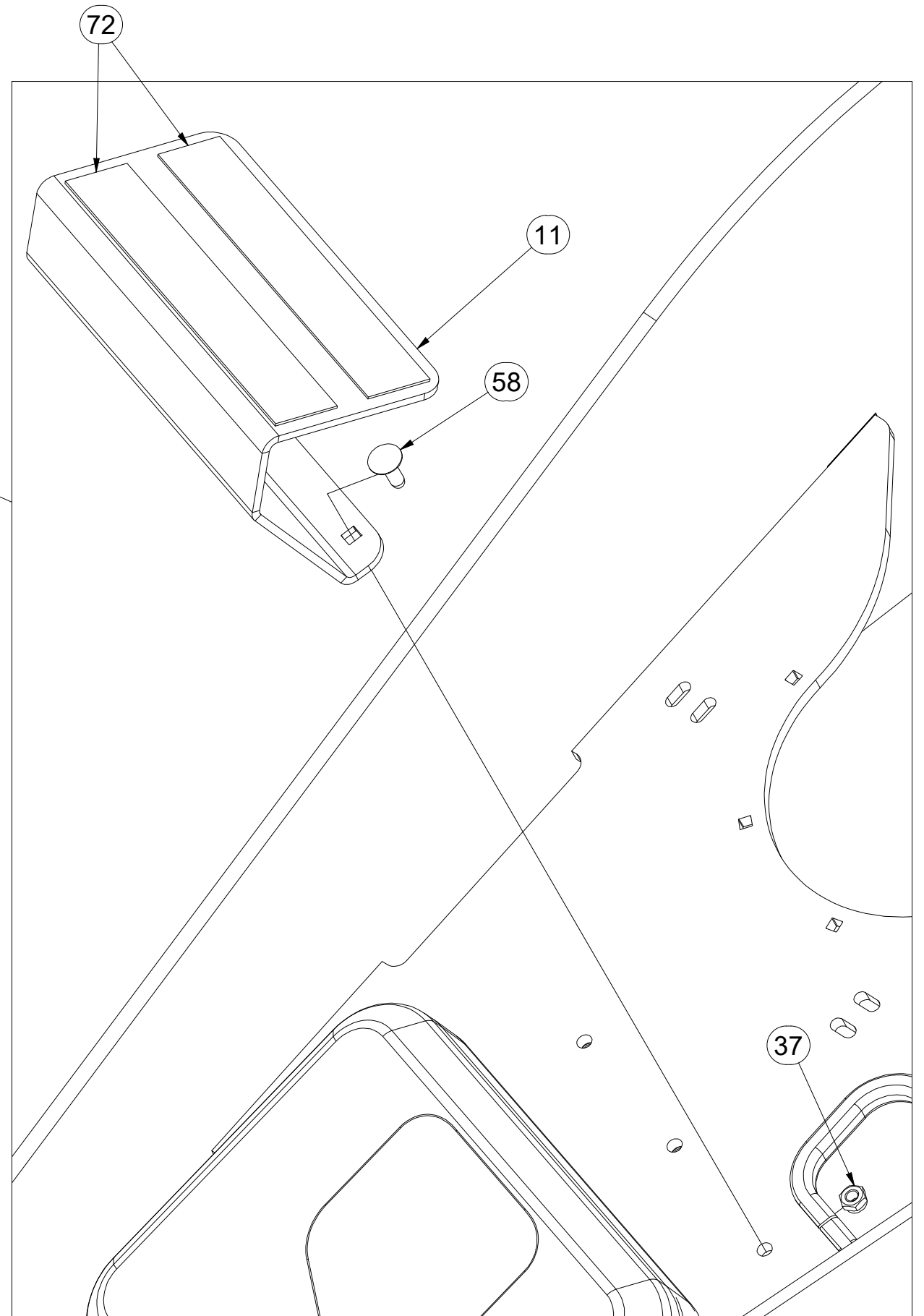
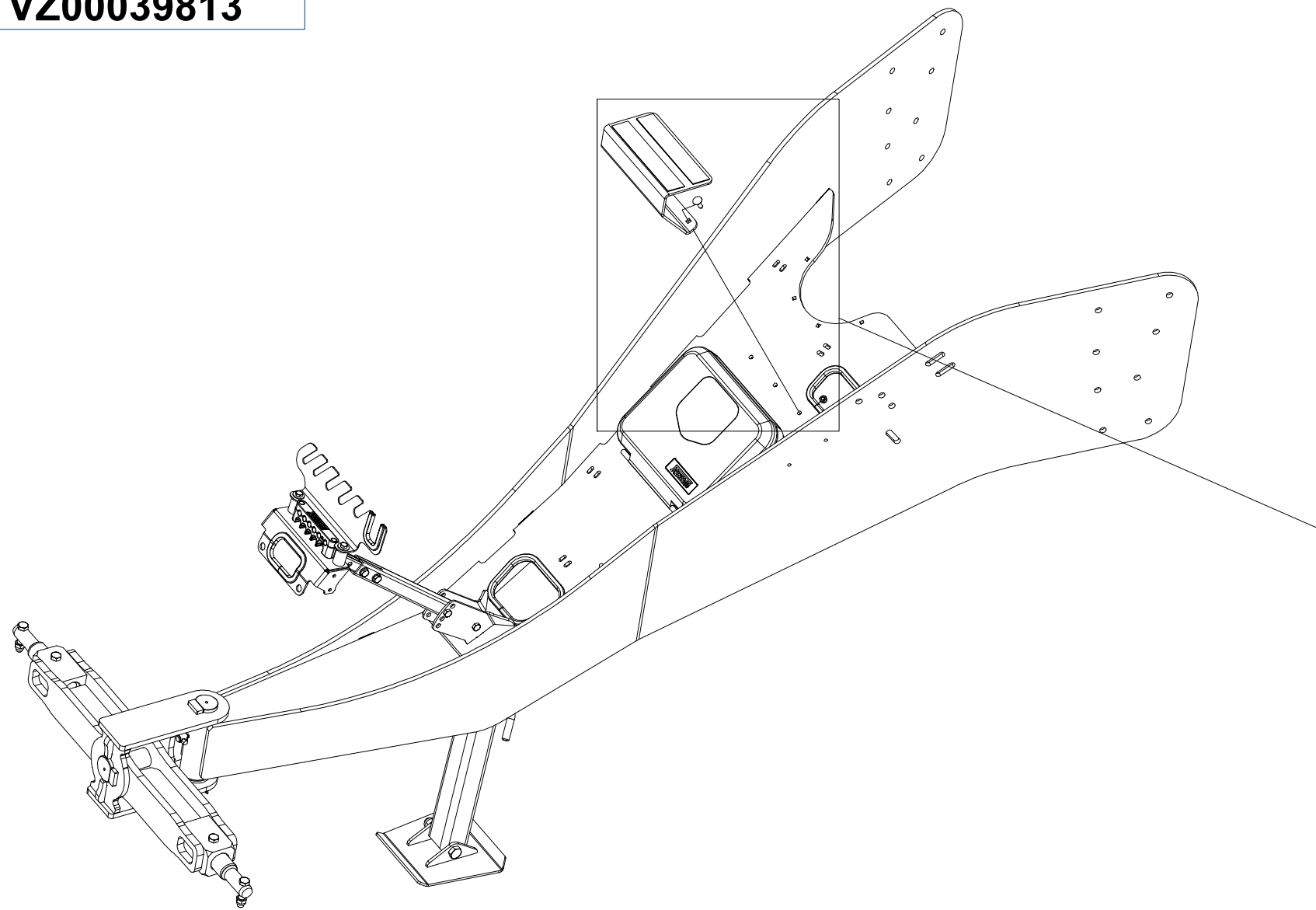
Ⓕ TIMON MONTÉ

VZ00039813

ⒼB MONT DRAWBAR

Ⓔ RU ДЫШЛО МОНТ

ⒼL DYSZEL MONT



| Pos. | Part Number | Pcs. |
|------|-------------|------|
| 11 | VZ00022801 | 1 |
| 37 | m03775 | 3 |
| 58 | m19153 | 3 |
| 72 | m11147 | 2 |

ⒸZ OJ MONT

Ⓓ DEICHSEL MONTIERT

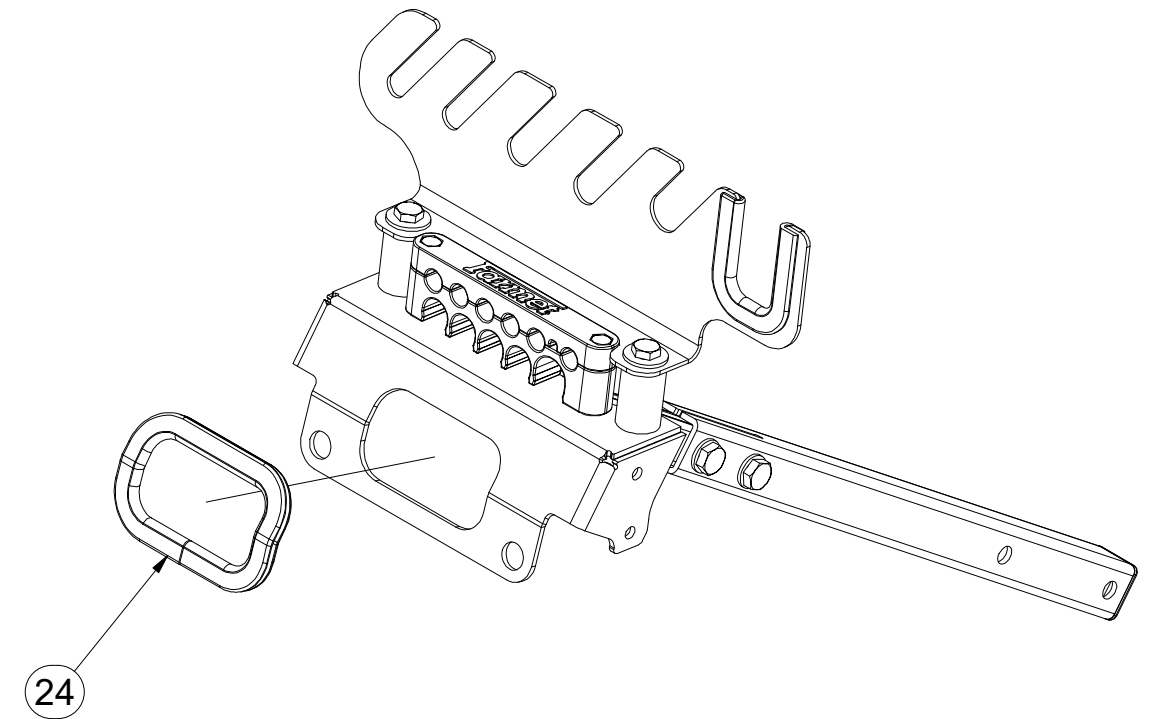
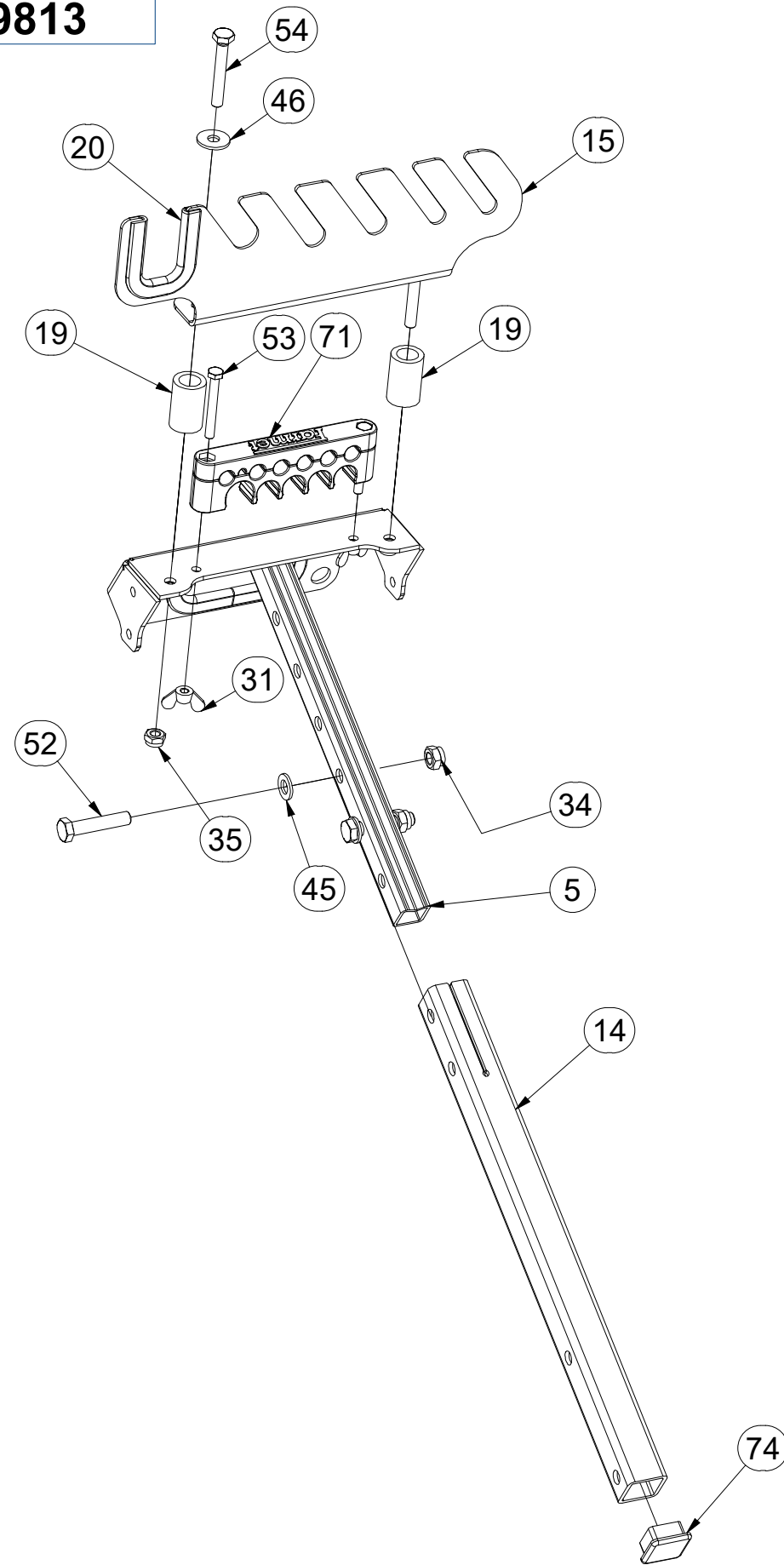
Ⓕ TIMON MONTÉ

VZ00039813

ⒼB MONT DRAWBAR

ⒺU ДЫШЛО МОНТ

ⒽL DYSZEL MONT



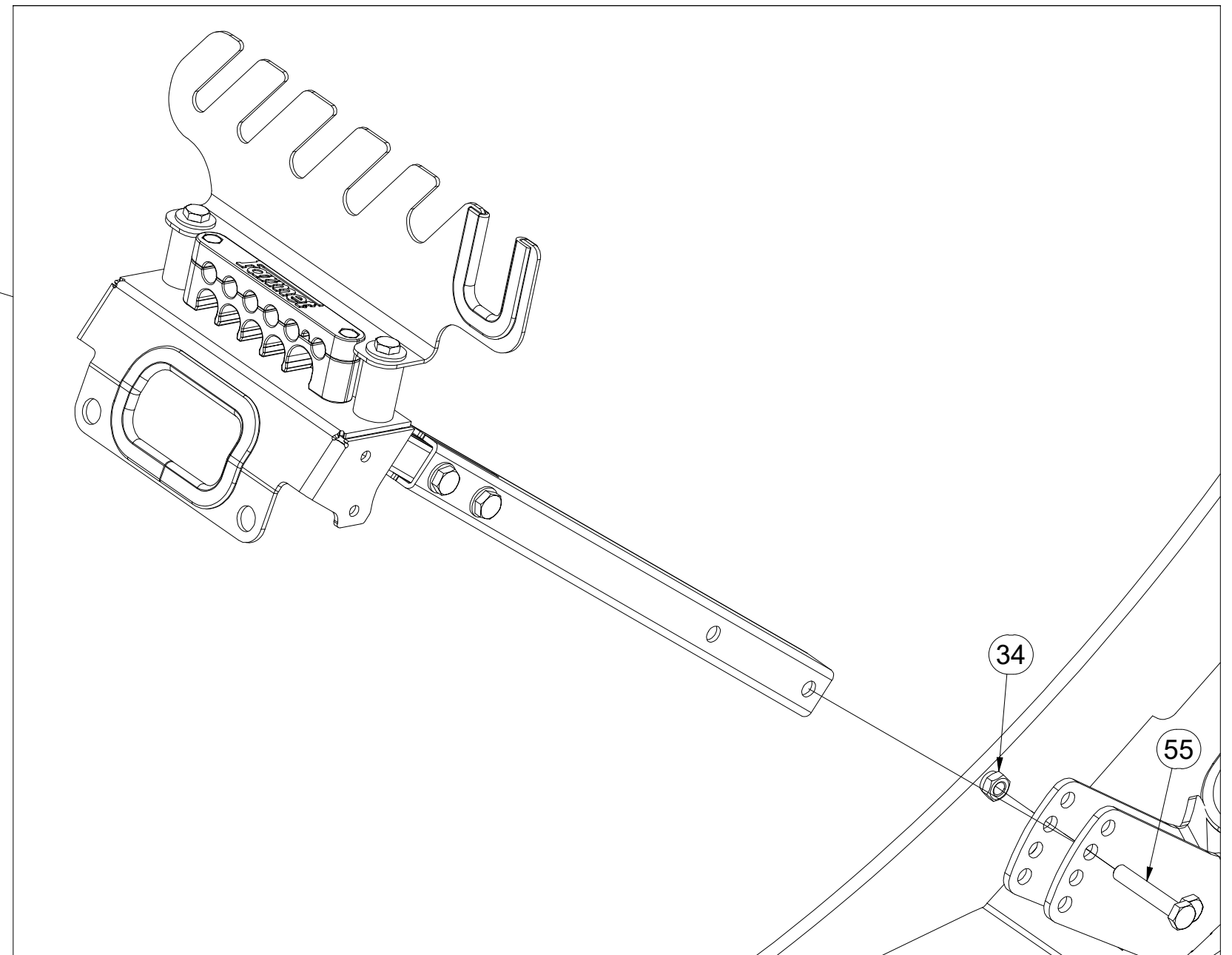
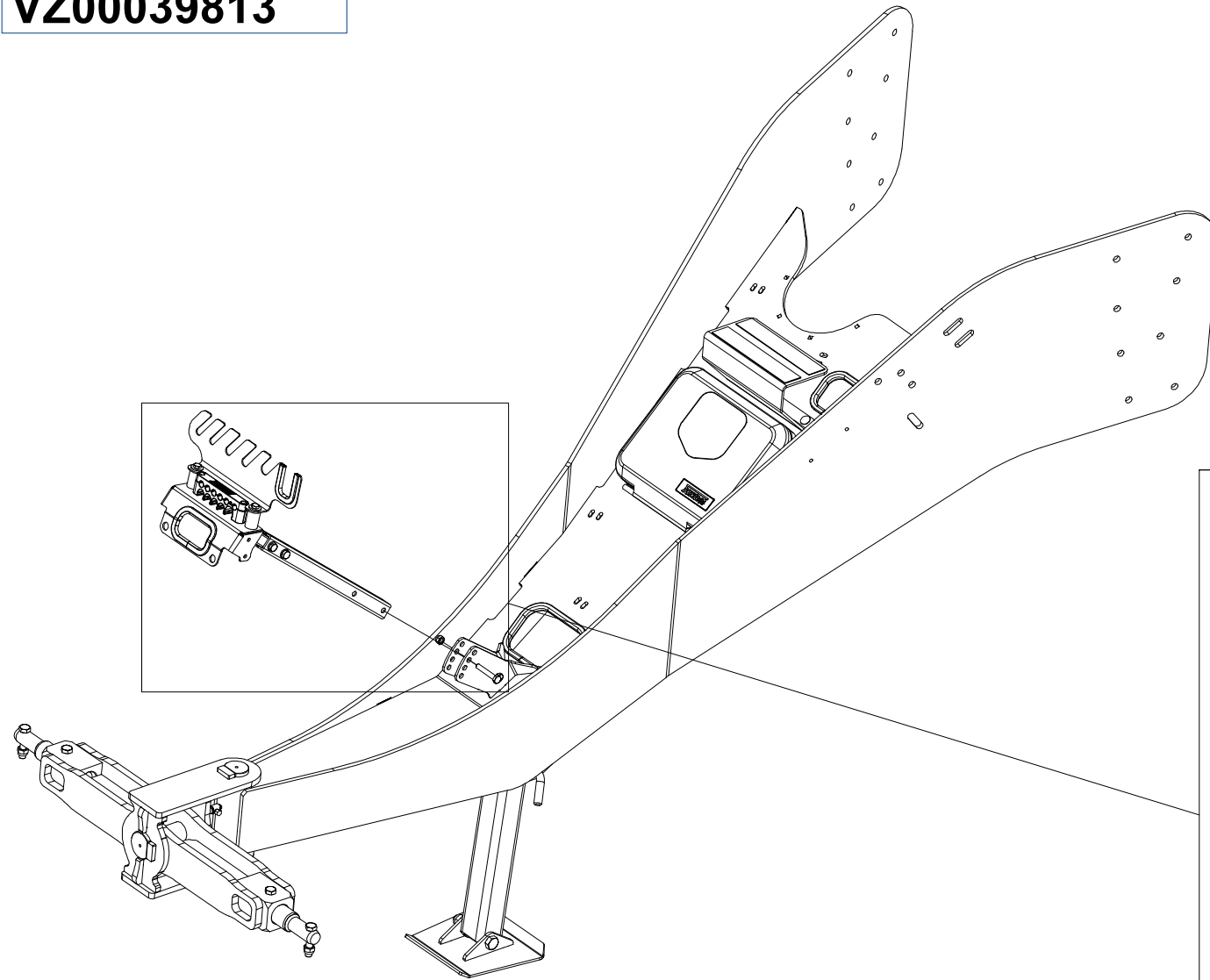
| Pos. | Part Number | Pcs. | Pos. | Part Number | Pcs. |
|------|-------------|------|------|-------------|------|
| 5 | VZ00012386 | 1 | 35 | m13617 | 2 |
| 14 | 4023719 | 1 | 45 | m01214 | 2 |
| 15 | VZ00010942 | 1 | 46 | m14035 | 2 |
| 19 | VZ00010943 | 2 | 52 | m01131 | 2 |
| 20 | VZ00010979 | 1 | 53 | m03931 | 2 |
| 24 | VZ00038550 | 1 | 54 | m09319 | 2 |
| 31 | m01316 | 2 | 71 | m18857 | 1 |
| 34 | m04301 | 4 | 74 | m18847 | 1 |

- ⒸZ OJ MONT
- Ⓓ DEICHSEL MONTIERT
- Ⓕ TIMON MONTÉ

- ⒼB MONT DRAWBAR
- ⒺU ДЫШЛО МОНТ
- ⒼL DYSZEL MONT



VZ00039813



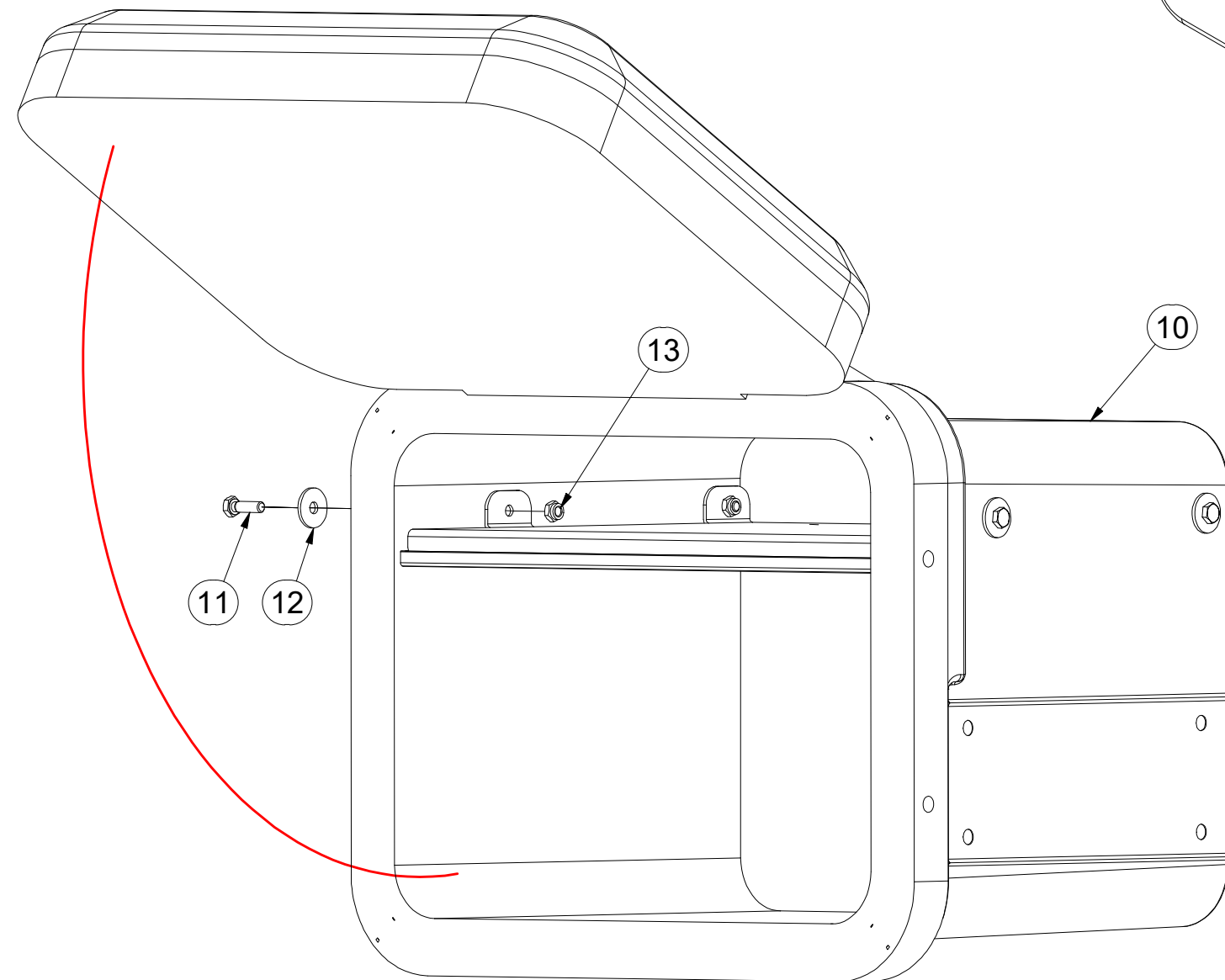
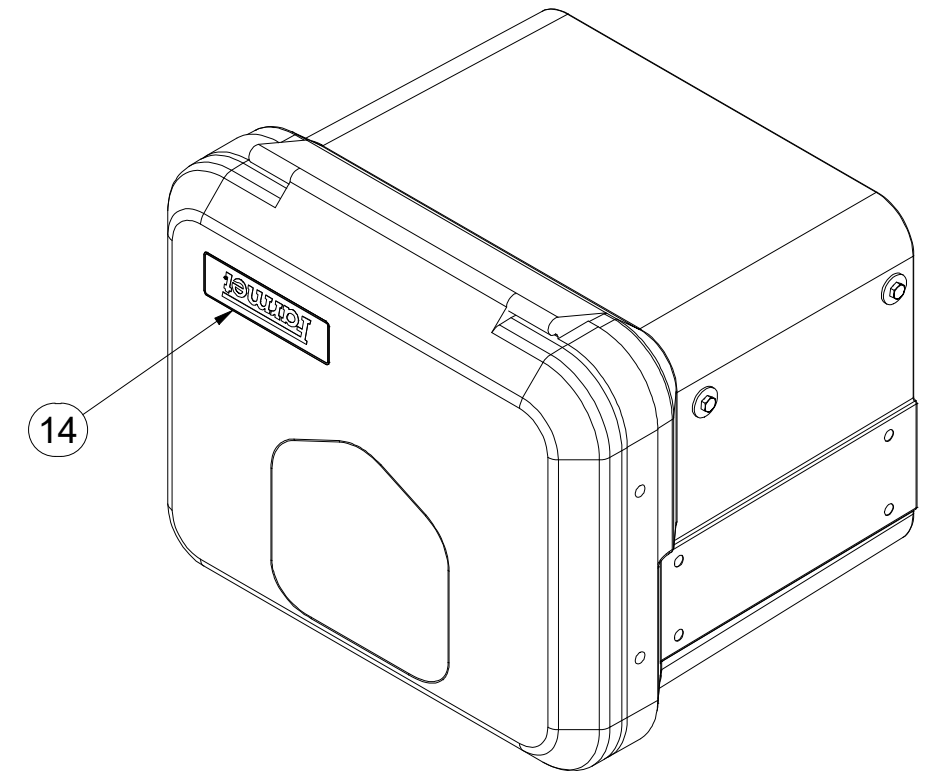
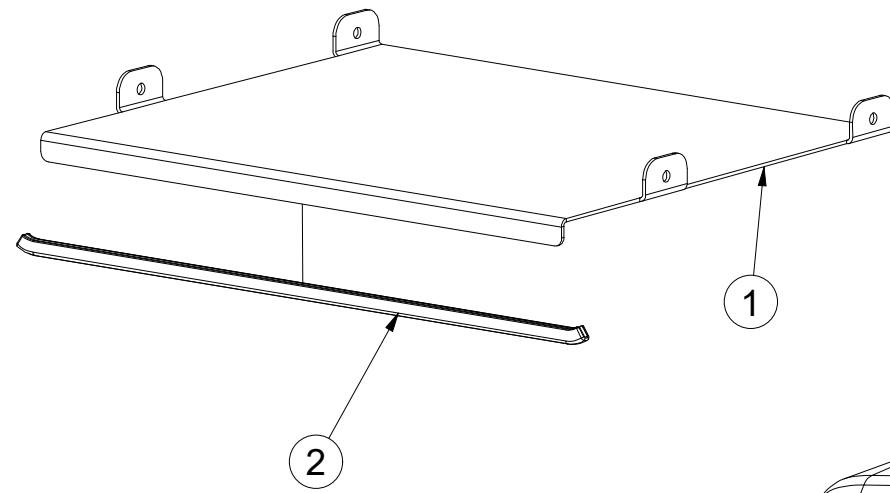
| Pos. | Part Number | Pcs. |
|------|-------------|------|
| 34 | m04301 | 4 |
| 55 | m14266 | 2 |

CZ BEDNA NA NÁŘADÍ
 D WERKZEUGKASTEN
 F BOÎTE À OUTILS

GB TOOL BOX
 RU ЯЩИК ДЛЯ ИНСТРУМЕНТОВ
 PL SKRZYŃNIA NA NARZĘDZIE



VZ00021808



| Pos. | Part Number | Pcs. |
|------|-------------|------|
| 1 | VZ00020059 | 1 |
| 2 | VZ00010932 | 1 |
| 10 | m20980 | 1 |
| 11 | m01074 | 4 |
| 12 | m16612 | 4 |
| 13 | m05560 | 4 |
| 14 | m19707 | 1 |

Ⓒ ZÁVĚSNÁ TYČ T3

Ⓓ KÖNIGSSTANGE T3

Ⓕ TIGE DE SUSPENSION T3

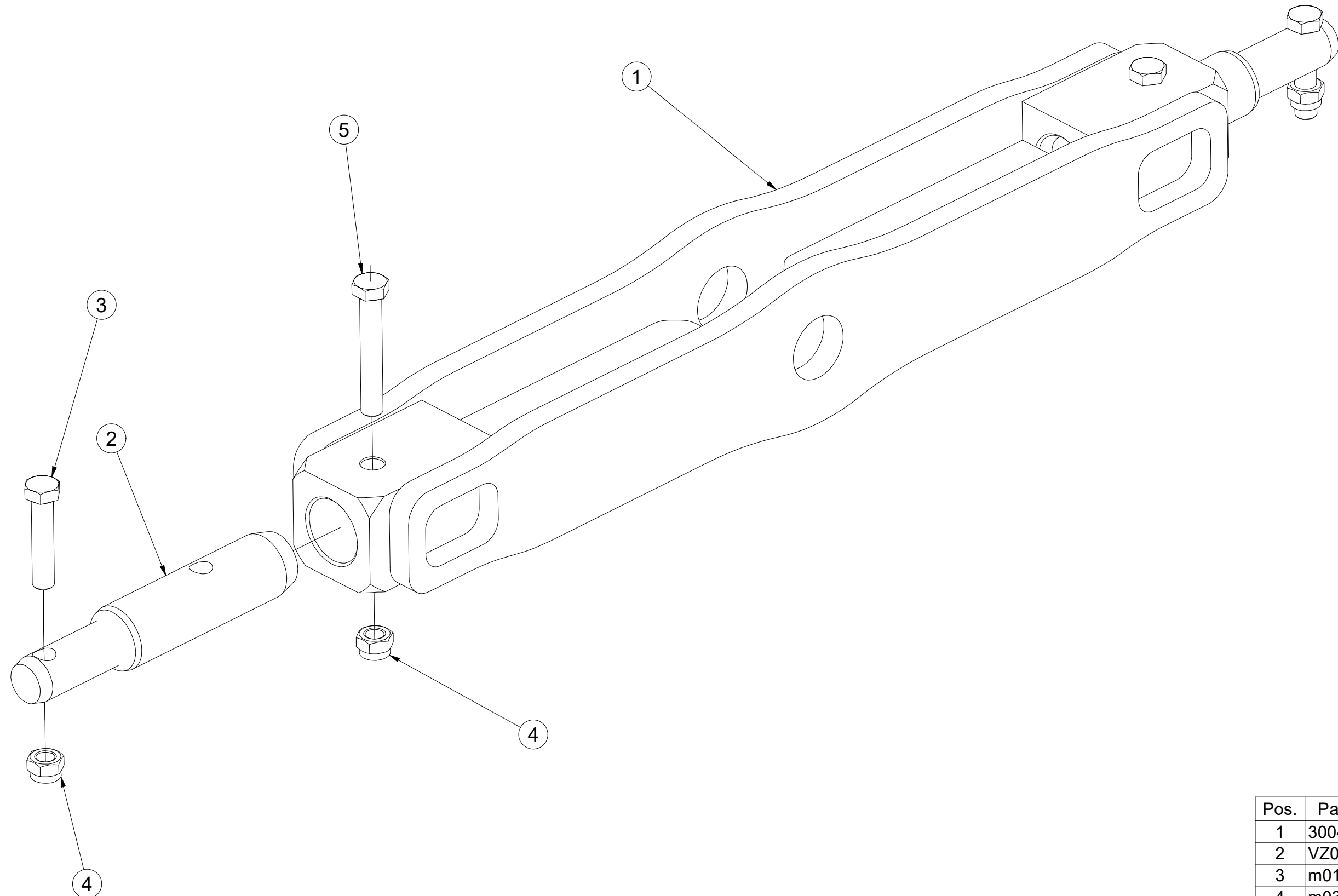
Ⓖ DRAWBAR T3

Ⓡ ПОДВЕСНАЯ ШТАНГА T3

Ⓟ PRĘT ZAWIESZANY T3

Farmet

4008216



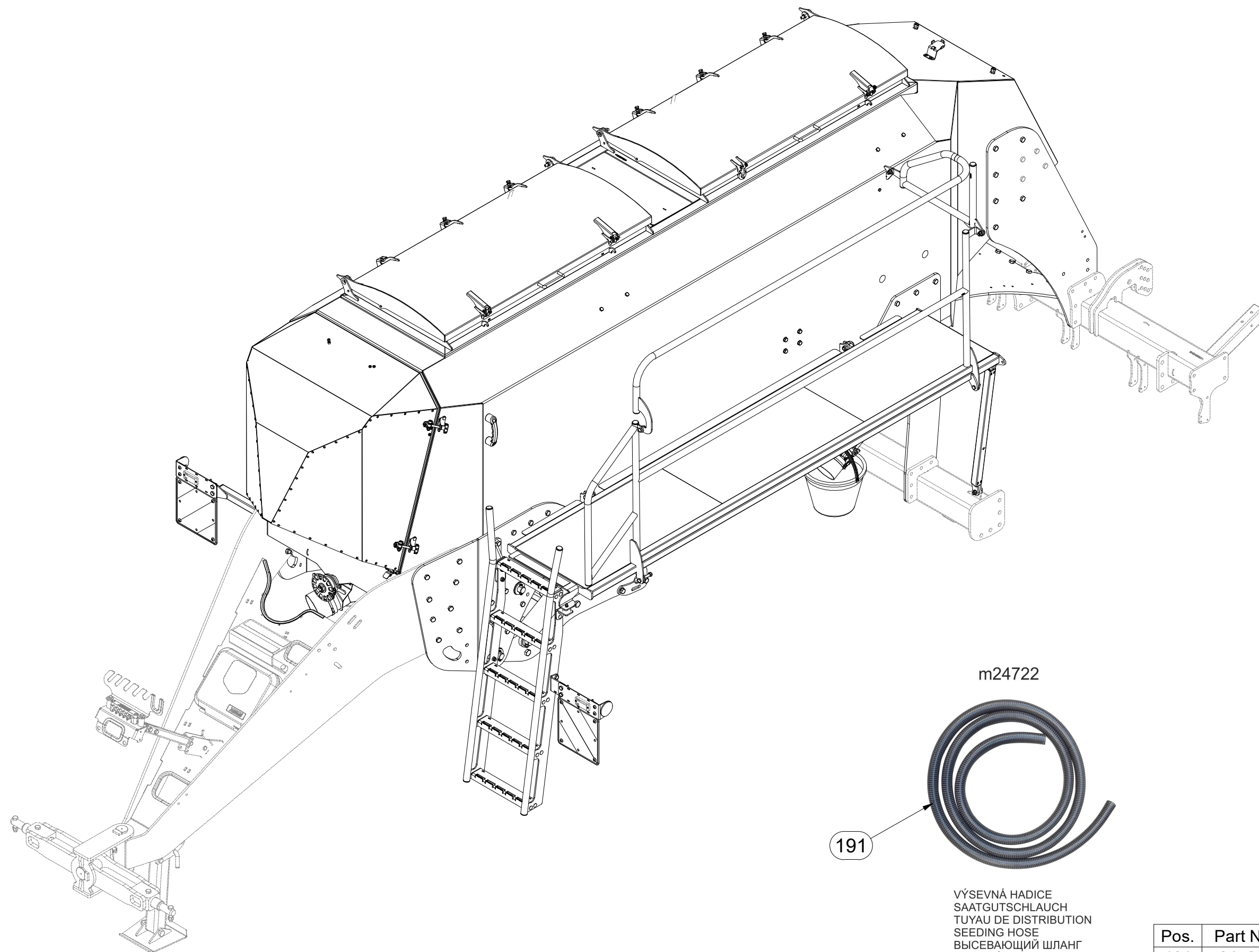
| Pos. | Part Number | Pcs. |
|------|-------------|------|
| 1 | 3004315 | 1 |
| 2 | VZ00022883 | 2 |
| 3 | m01133 | 2 |
| 4 | m03683 | 4 |
| 5 | m05304 | 2 |

- Ⓒ NÁSYPKA
- Ⓓ FÜLLTRICHTER
- Ⓕ TRÉMIE

- Ⓖ HOPPER
- Ⓡ БУНКЕР
- Ⓟ LEJ



VZ00032413



m24722

191

VÝSEVNÁ HADICE
 SAATGUTSCHLAUCH
 TUYAU DE DISTRIBUTION
 SEEDING HOSE
 ВЫСЕВАЮЩИЙ ШЛАНГ
 PRZEWÓD WYSIEWU

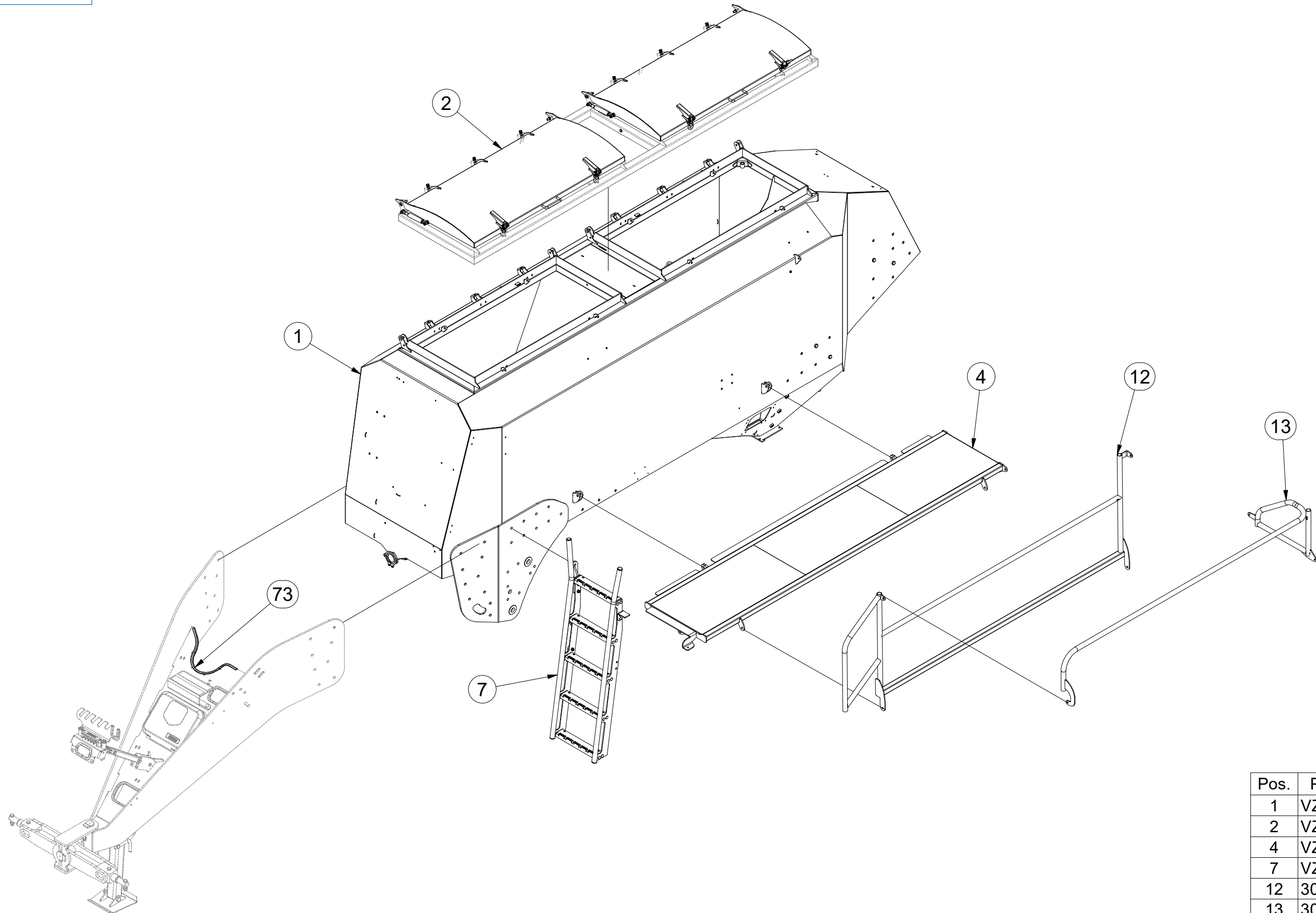
| Pos. | Part Number | Pcs. |
|------|-------------|---------|
| 191 | m24722 | 7,000 m |

CZ NÁSYPKA
 D FÜLLTRICHTER
 F TRÉMIE

GB HOPPER
 RU БУНКЕР
 PL LEJ



VZ00032413



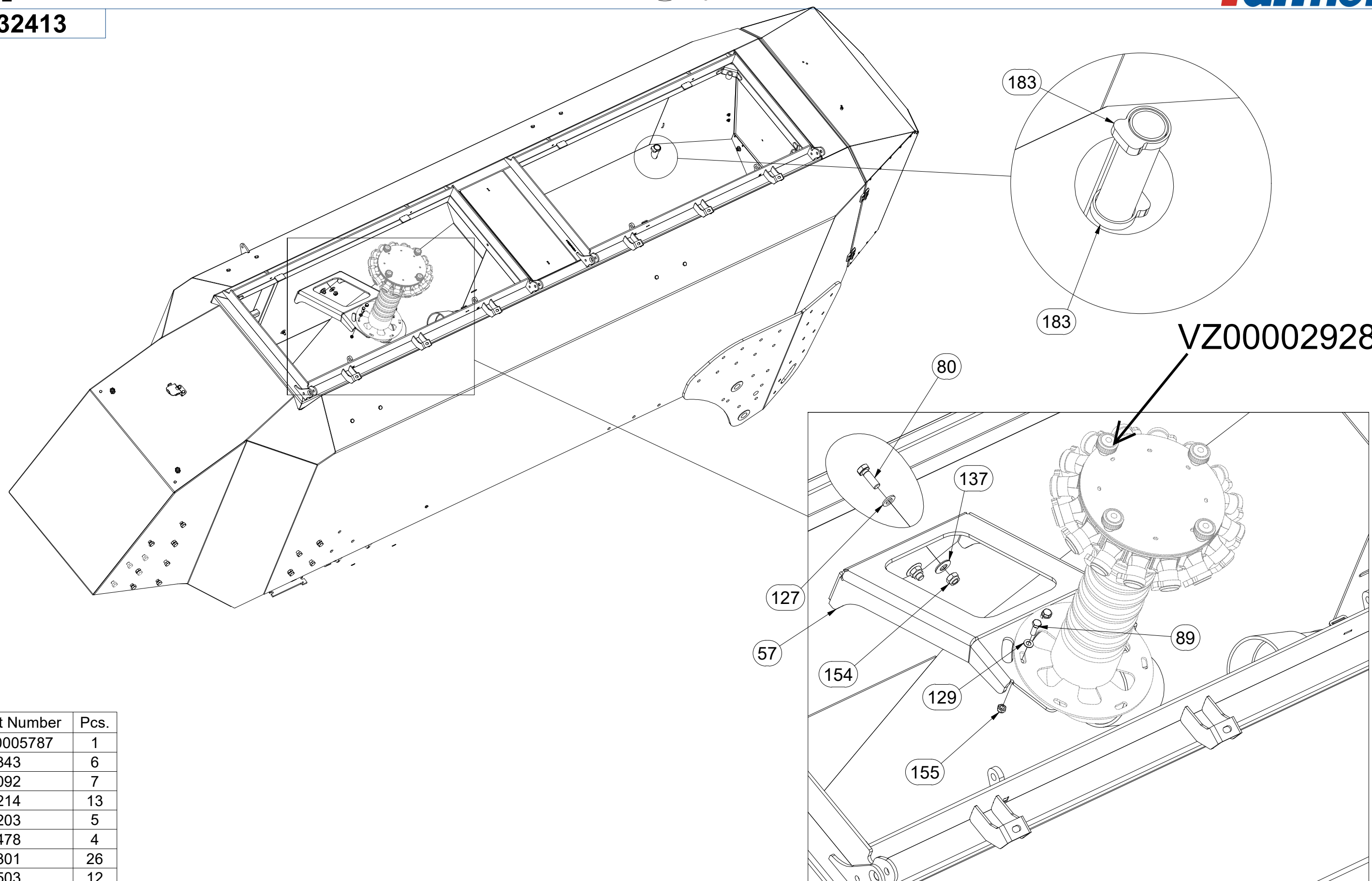
| Pos. | Part Number | Pcs. |
|------|-------------|------|
| 1 | VZ00030277 | 1 |
| 2 | VZ00025881 | 1 |
| 4 | VZ00003026 | 1 |
| 7 | VZ00032391 | 1 |
| 12 | 3009182 | 1 |
| 13 | 3008940 | 1 |
| 73 | VZ00025788 | 1 |

CZ NÁSYPKA
 D FÜLLTRICHTER
 F TRÉMIE

GB HOPPER
 RU БУНКЕР
 PL LEJ

Farmet

VZ00032413



| Pos. | Part Number | Pcs. |
|------|-------------|------|
| 57 | VZ00005787 | 1 |
| 80 | m04343 | 6 |
| 89 | m01092 | 7 |
| 127 | m01214 | 13 |
| 129 | m01203 | 5 |
| 137 | m20478 | 4 |
| 154 | m04301 | 26 |
| 155 | m04503 | 12 |
| 183 | m19099 | 25 |

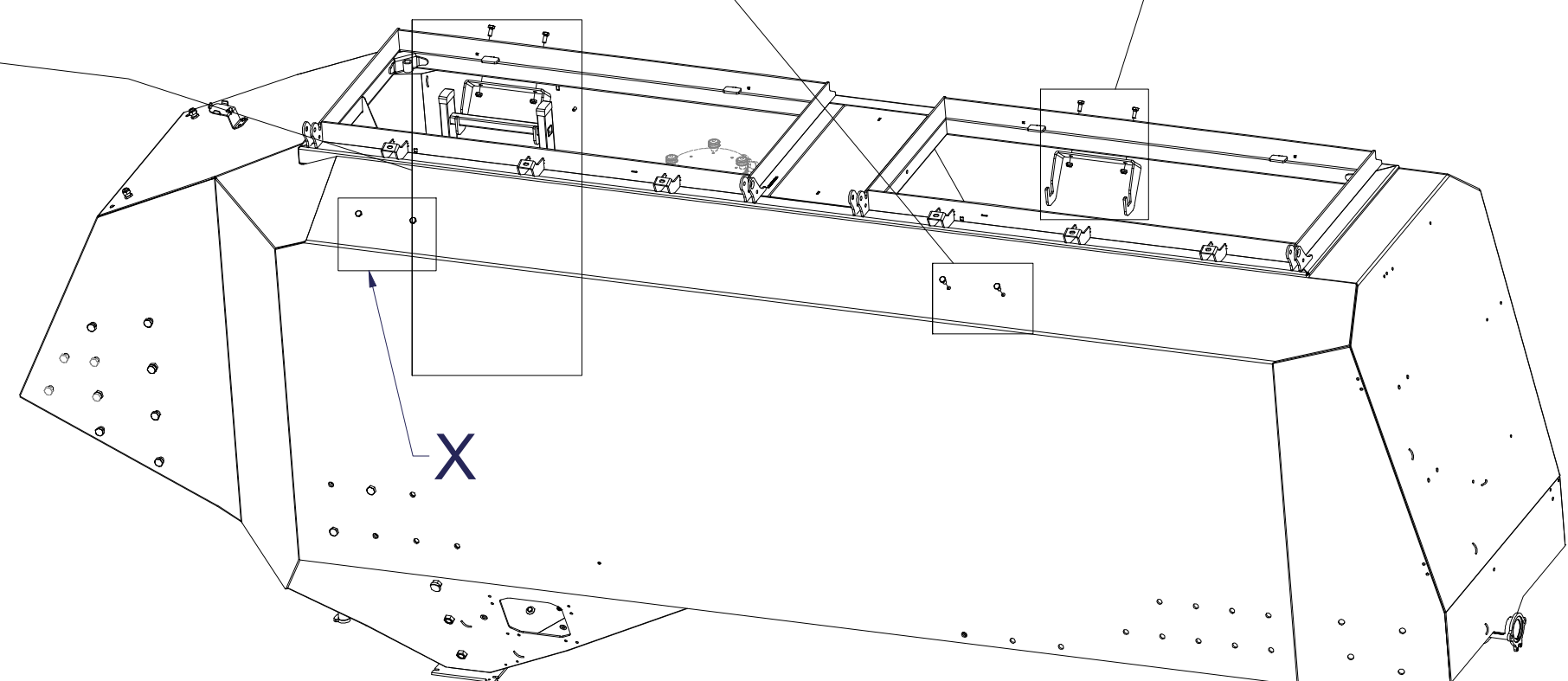
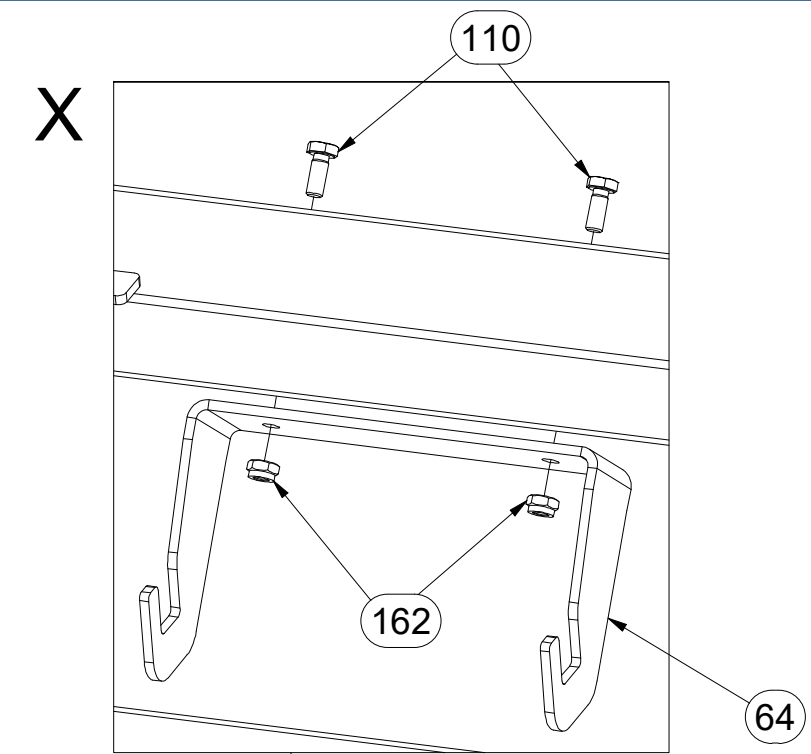
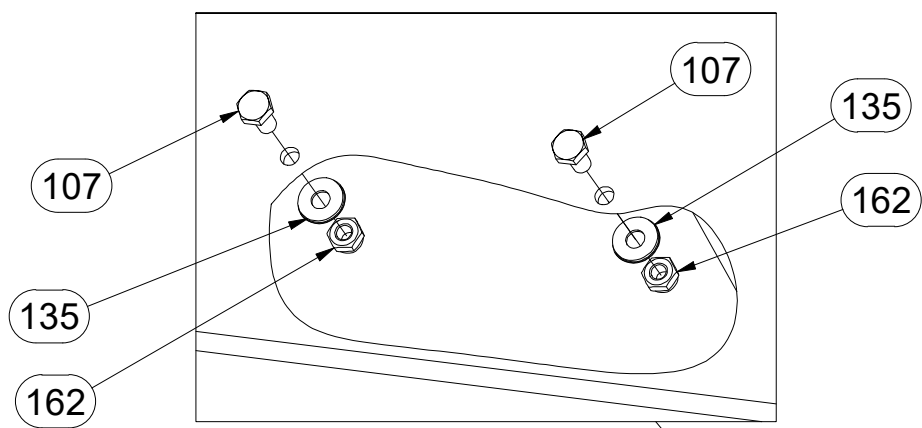
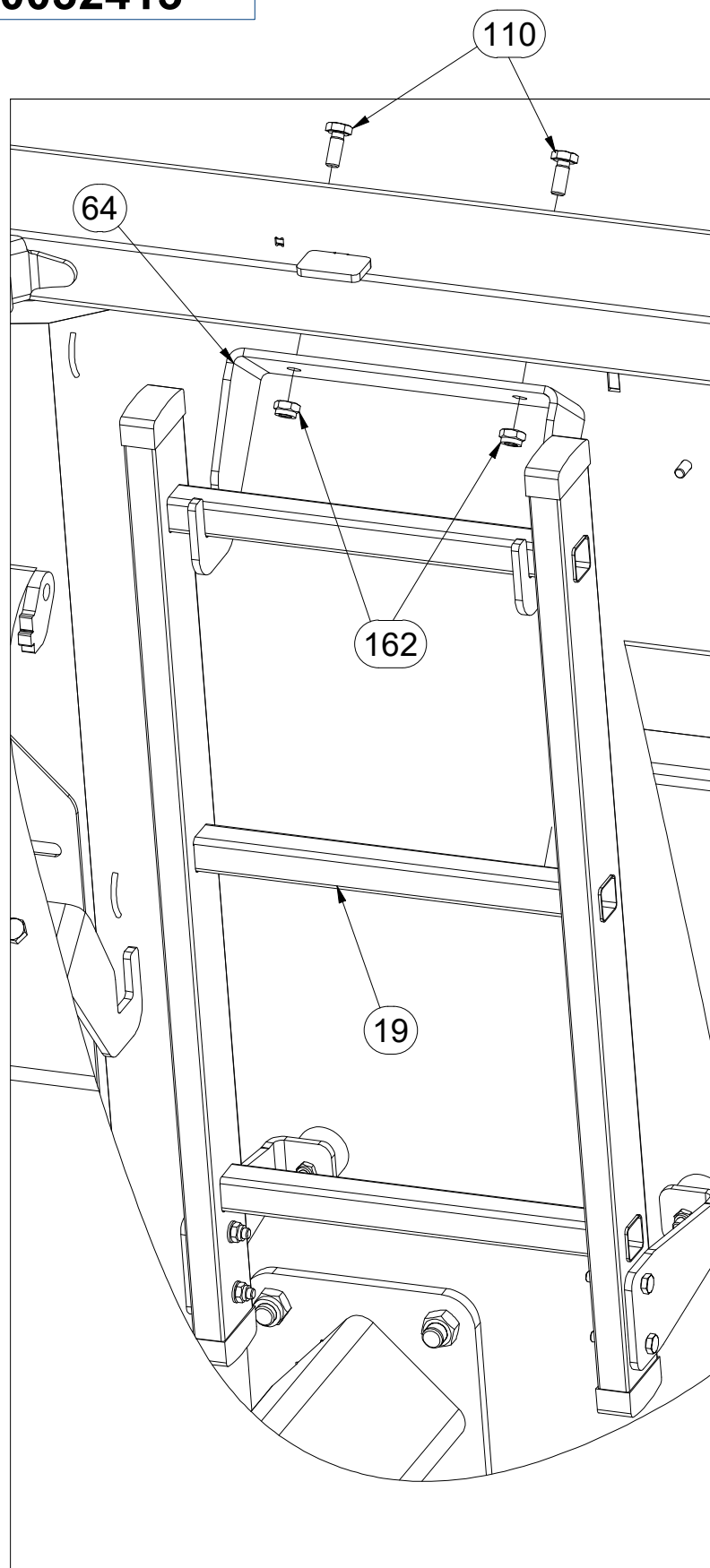
CZ NÁSYPKA
 D FÜLLTRICHTER
 F TRÉMIE

GB HOPPER
 RU БУНКЕР
 PL LEJ



VZ00032413

| Pos. | Part Number | Pcs. |
|------|-------------|------|
| 19 | VZ00022606 | 1 |
| 64 | VZ00005403 | 3 |
| 107 | m08944 | 4 |
| 110 | m19695 | 6 |
| 135 | m20312 | 4 |
| 162 | m13617 | 16 |

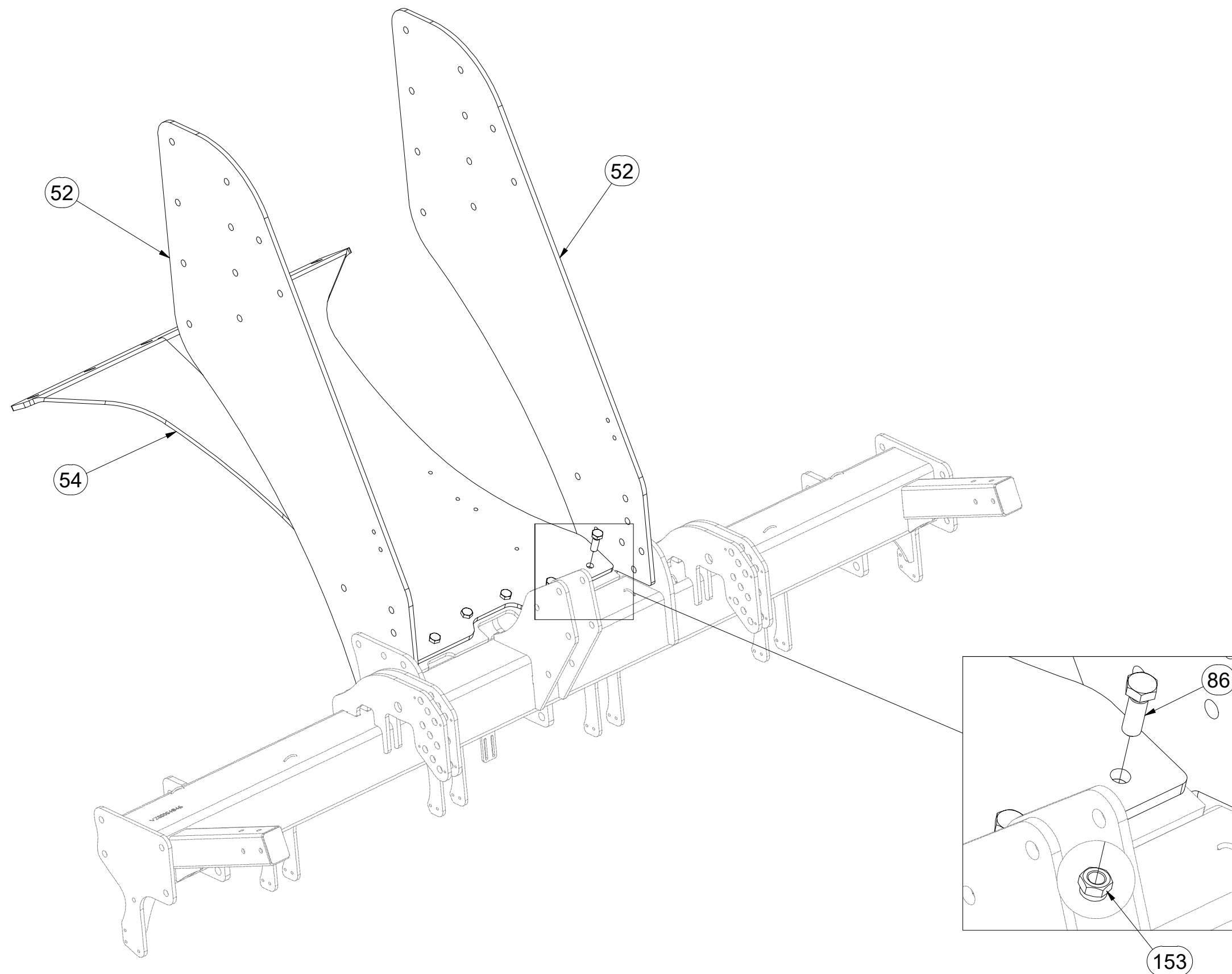


- Ⓒ NÁŠYPKA
- Ⓓ FÜLLTRICHTER
- Ⓕ TRÉMIE

- Ⓖ HOPPER
- Ⓡ БУНКЕР
- Ⓟ LEJ



VZ00032413



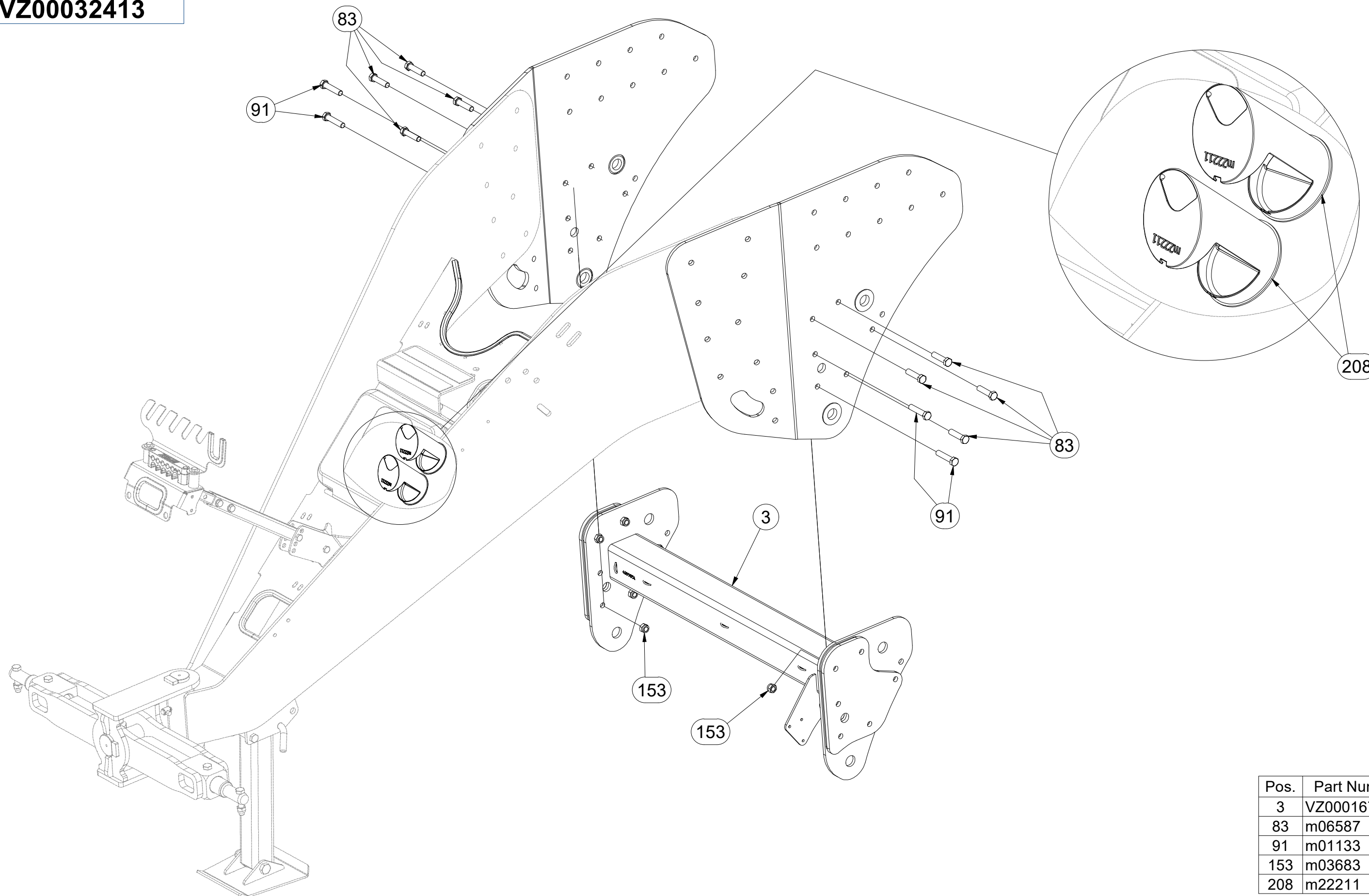
| Pos. | Part Number | Pcs. |
|------|-------------|------|
| 52 | VZ00002298 | 2 |
| 54 | VZ00001391 | 1 |
| 86 | m02254 | 12 |
| 153 | m03683 | 76 |

CZ NÁŠYPKA
 D FÜLLTRICHTER
 F TRÉMIE

GB HOPPER
 RU БУНКЕР
 PL LEJ



VZ00032413



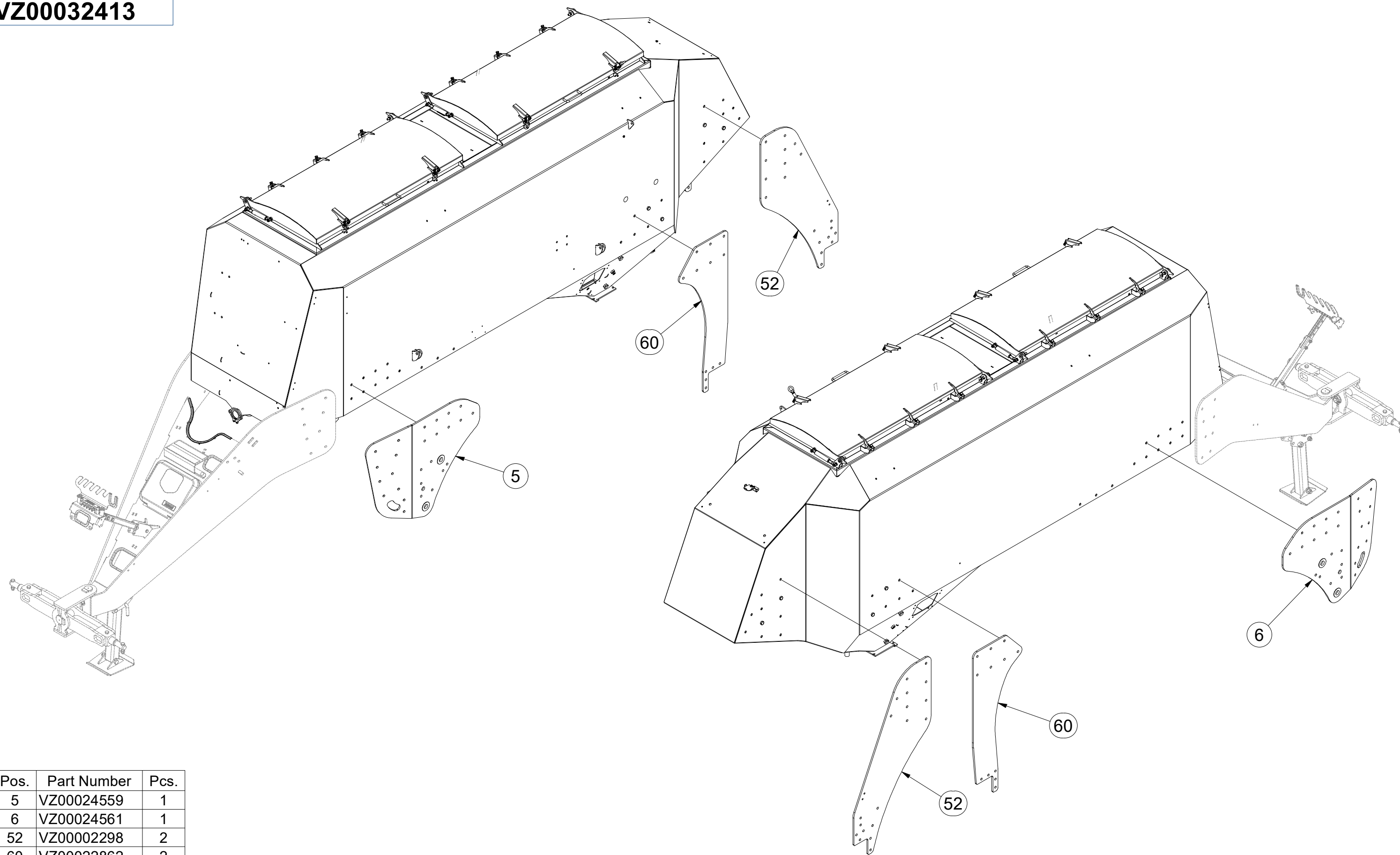
| Pos. | Part Number | Pcs. |
|------|-------------|------|
| 3 | VZ00016709 | 1 |
| 83 | m06587 | 8 |
| 91 | m01133 | 4 |
| 153 | m03683 | 76 |
| 208 | m22211 | 2 |

CZ NÁSYPKA
 D FÜLLTRICHTER
 F TRÉMIE

GB HOPPER
 RU БУНКЕР
 PL LEJ

Farmet

VZ00032413



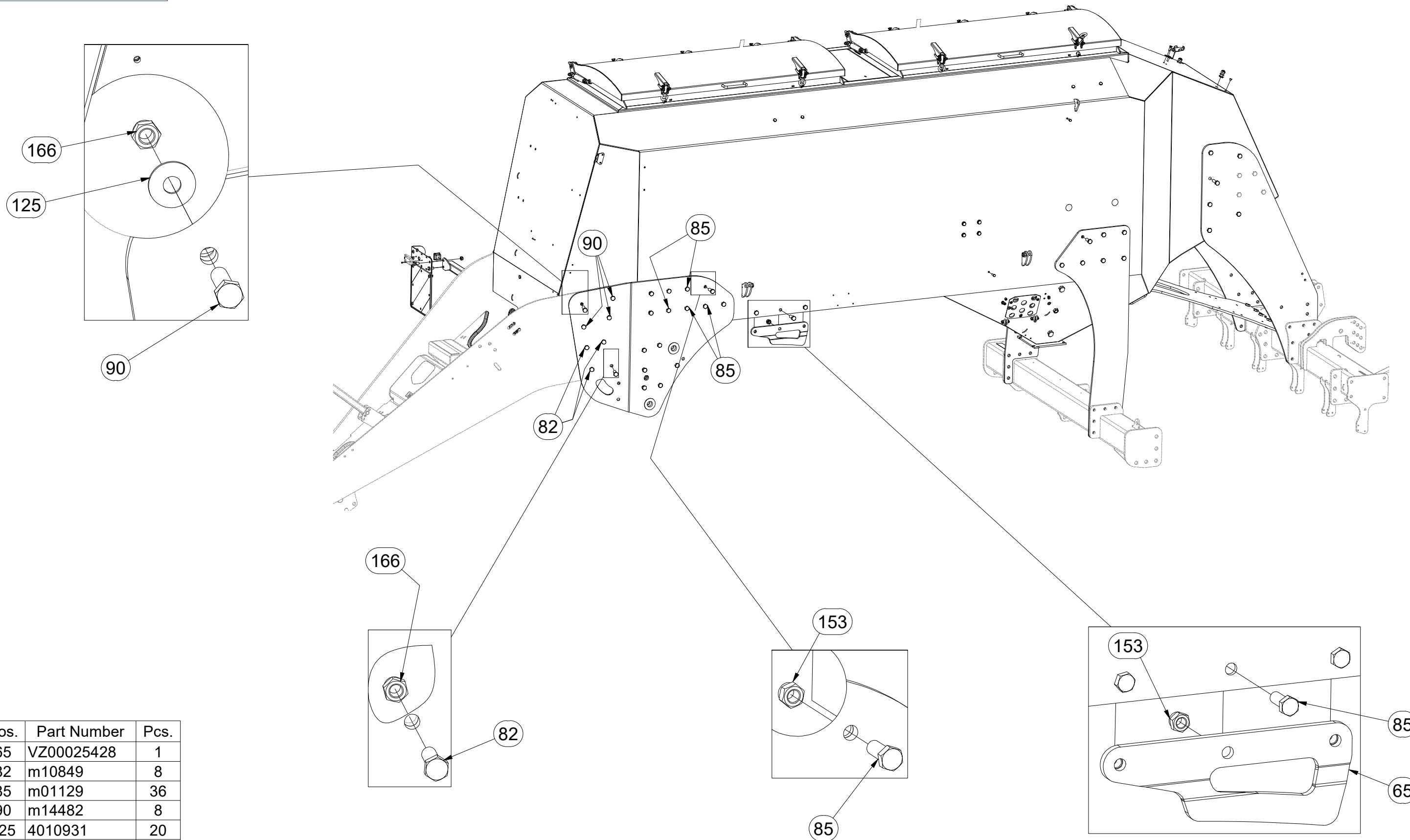
| Pos. | Part Number | Pcs. |
|------|-------------|------|
| 5 | VZ00024559 | 1 |
| 6 | VZ00024561 | 1 |
| 52 | VZ00002298 | 2 |
| 60 | VZ00022862 | 2 |

- Ⓒ NÁSYPKA
- Ⓓ FÜLLTRICHTER
- Ⓕ TRÉMIE

- Ⓖ HOPPER
- Ⓡ БУНКЕР
- Ⓟ LEJ



VZ00032413



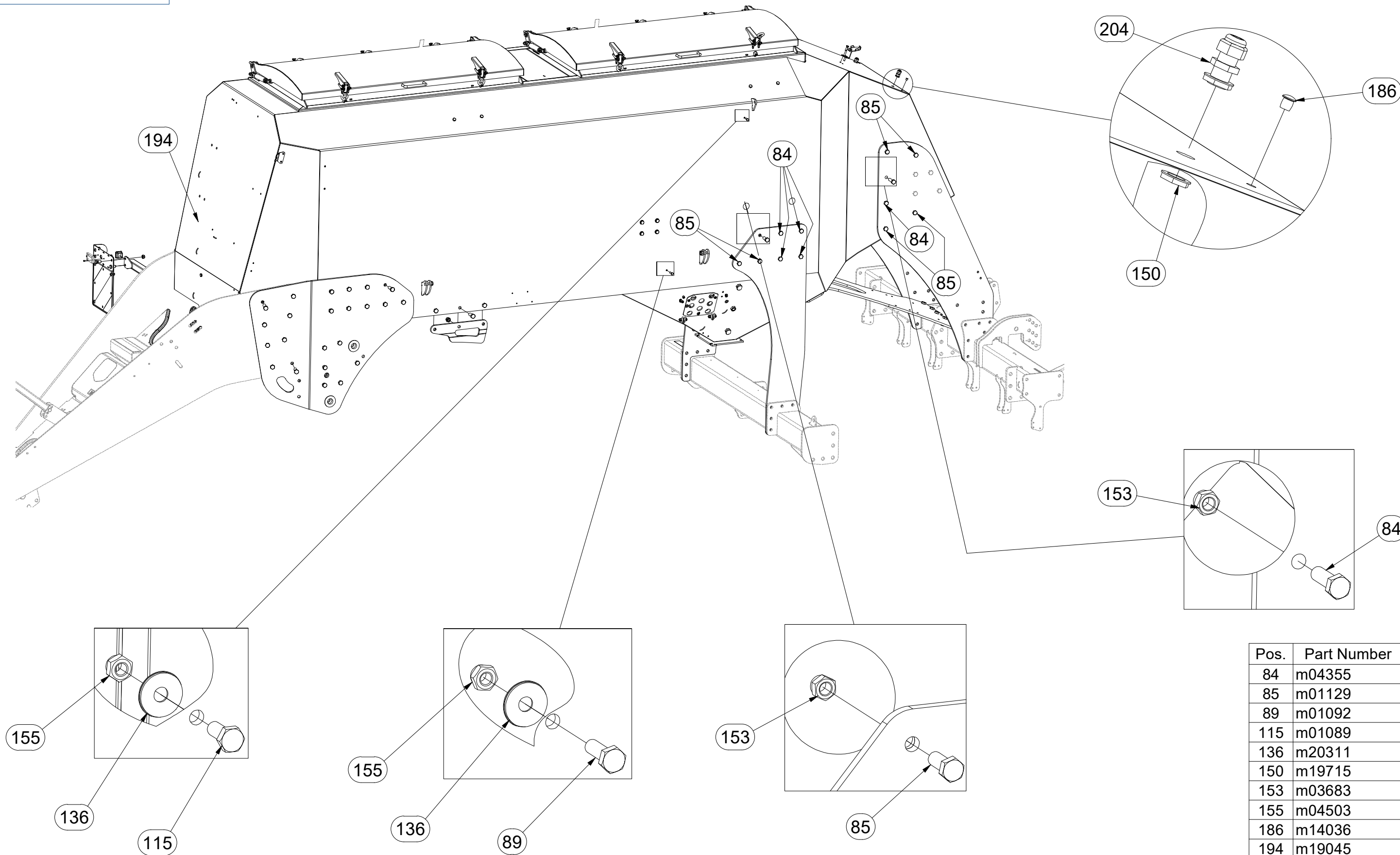
| Pos. | Part Number | Pcs. |
|------|-------------|------|
| 65 | VZ00025428 | 1 |
| 82 | m10849 | 8 |
| 85 | m01129 | 36 |
| 90 | m14482 | 8 |
| 125 | 4010931 | 20 |
| 153 | m03683 | 76 |
| 166 | m20385 | 16 |

- Ⓒ NÁŠYPKA
- Ⓓ FÜLLTRICHTER
- Ⓕ TRÉMIE

- Ⓖ HOPPER
- Ⓡ БУНКЕР
- Ⓟ LEJ



VZ00032413



| Pos. | Part Number | Pcs. |
|------|-------------|------|
| 84 | m04355 | 16 |
| 85 | m01129 | 36 |
| 89 | m01092 | 7 |
| 115 | m01089 | 1 |
| 136 | m20311 | 11 |
| 150 | m19715 | 6 |
| 153 | m03683 | 76 |
| 155 | m04503 | 12 |
| 186 | m14036 | 8 |
| 194 | m19045 | 1 |
| 204 | m19713 | 6 |

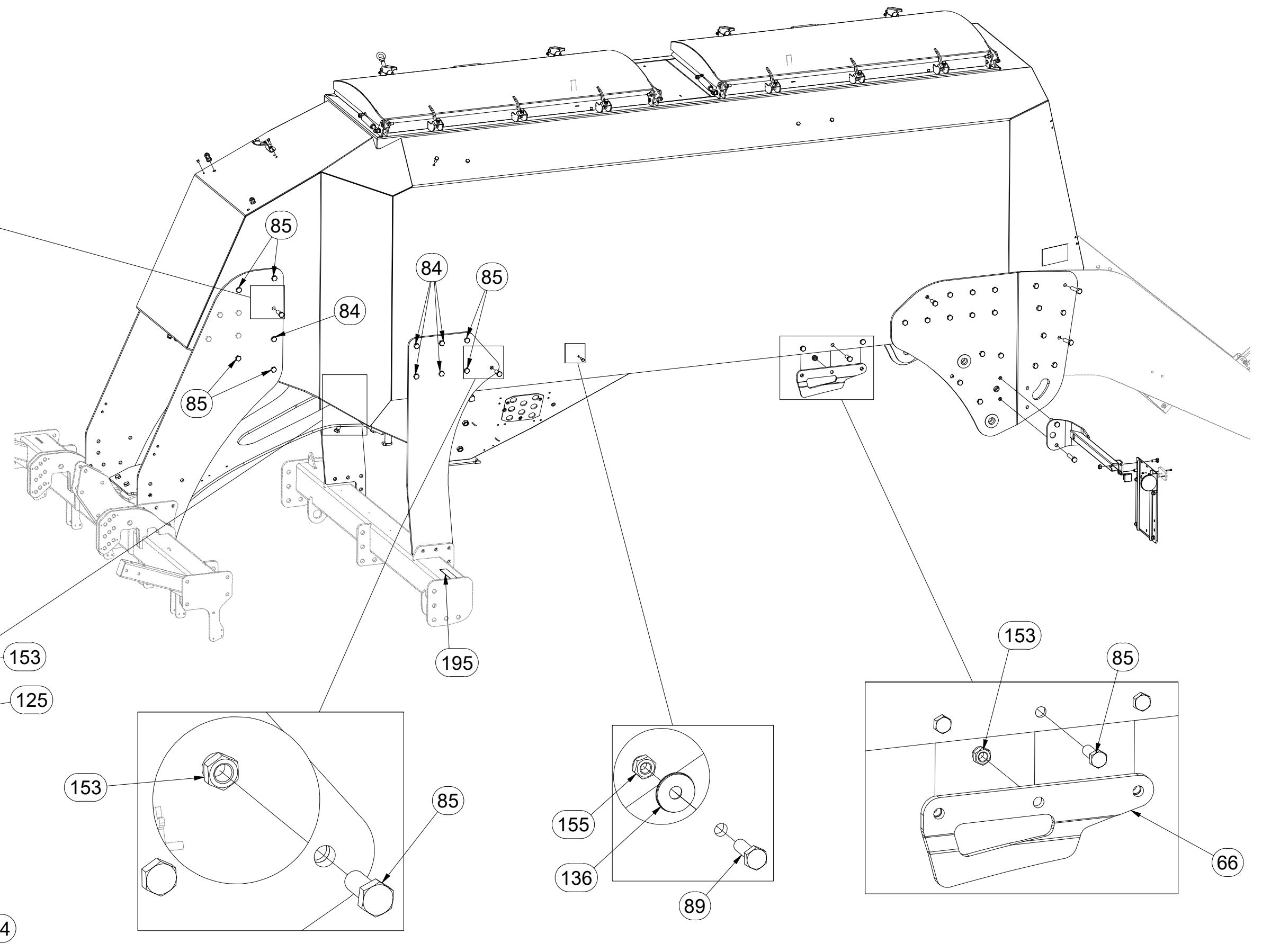
- Ⓒ NÁŠYPKA
- Ⓓ FÜLLTRICHTER
- Ⓕ TRÉMIE

- Ⓖ HOPPER
- Ⓡ БУНКЕР
- Ⓟ LEJ



VZ00032413

| Pos. | Part Number | Pcs. |
|------|-------------|------|
| 54 | VZ00001391 | 1 |
| 66 | VZ00025431 | 1 |
| 84 | m04355 | 16 |
| 85 | m01129 | 36 |
| 86 | m02254 | 12 |
| 89 | m01092 | 7 |
| 125 | 4010931 | 20 |
| 136 | m20311 | 11 |
| 153 | m03683 | 76 |
| 155 | m04503 | 12 |
| 195 | m19046 | 1 |

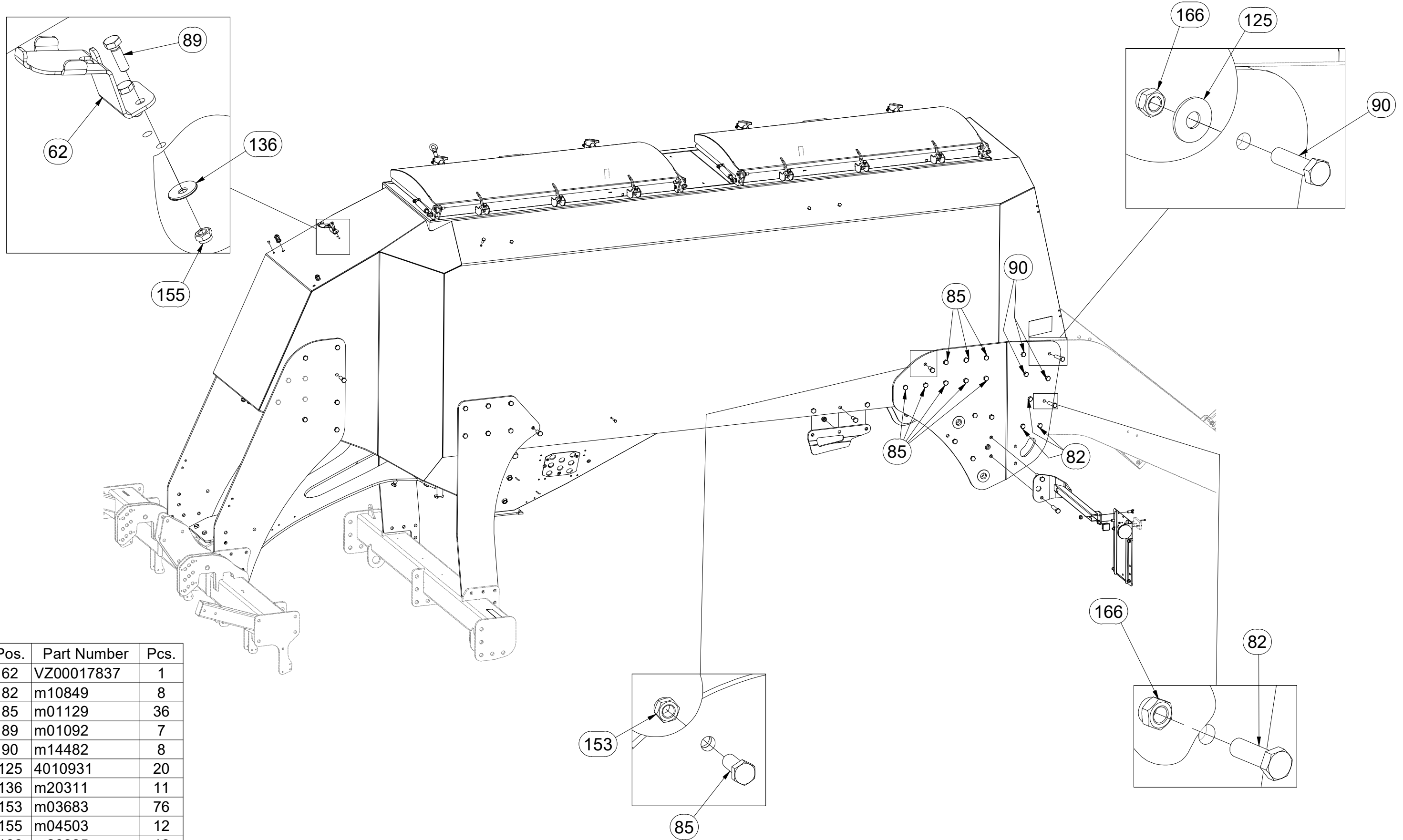


- Ⓒ NÁSYPKA
- Ⓓ FÜLLTRICHTER
- Ⓕ TRÉMIE

- Ⓖ HOPPER
- Ⓡ БУНКЕР
- Ⓟ LEJ



VZ00032413



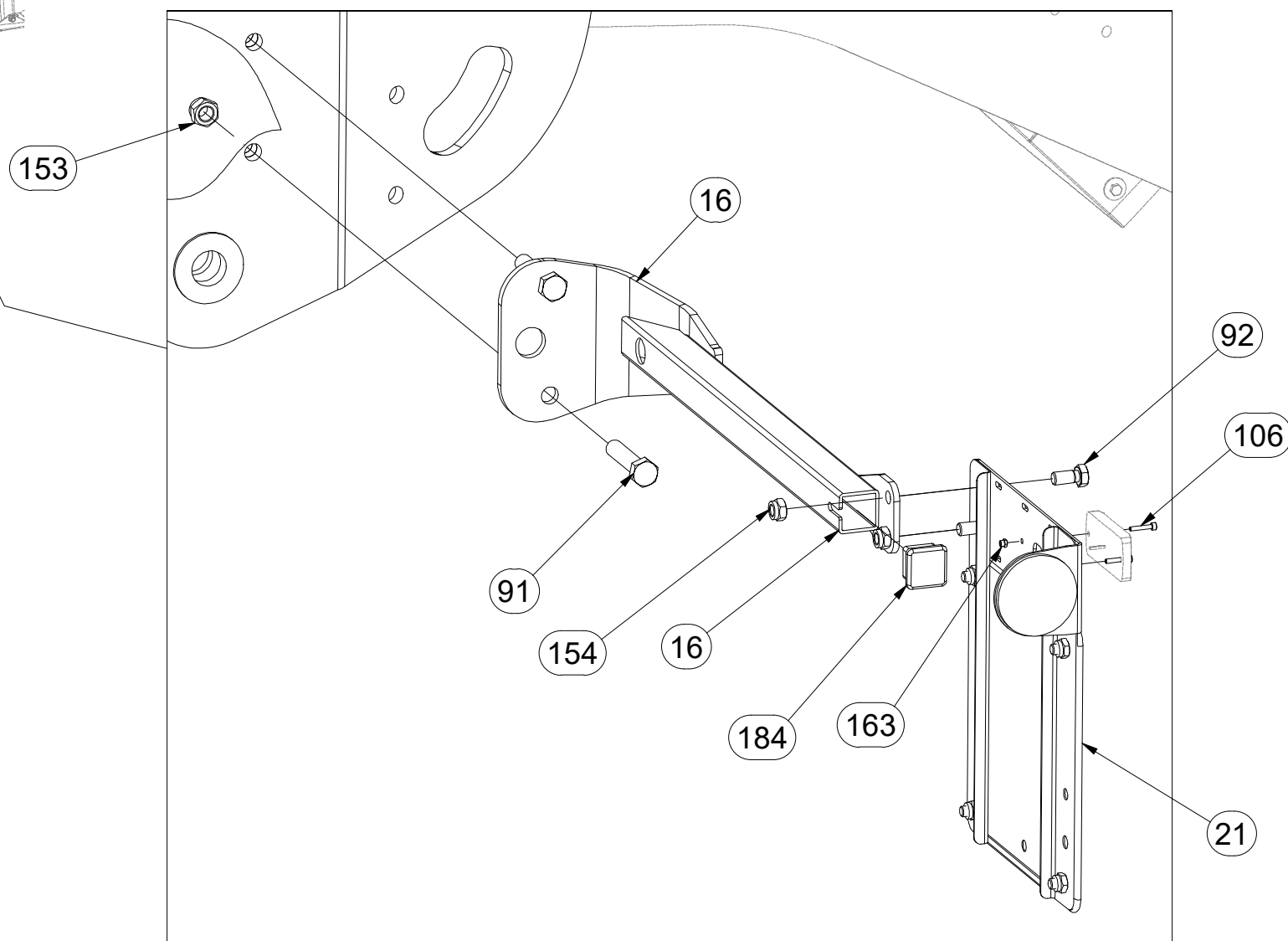
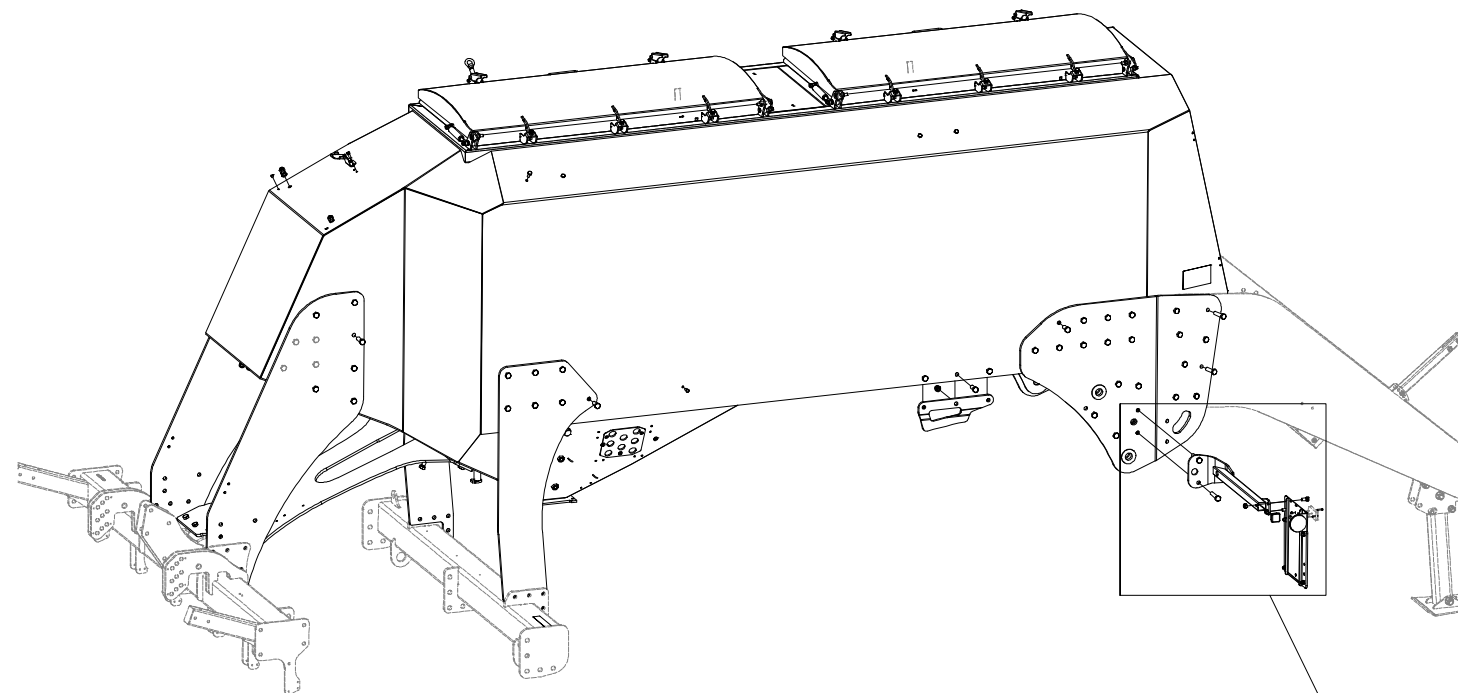
| Pos. | Part Number | Pcs. |
|------|-------------|------|
| 62 | VZ00017837 | 1 |
| 82 | m10849 | 8 |
| 85 | m01129 | 36 |
| 89 | m01092 | 7 |
| 90 | m14482 | 8 |
| 125 | 4010931 | 20 |
| 136 | m20311 | 11 |
| 153 | m03683 | 76 |
| 155 | m04503 | 12 |
| 166 | m20385 | 16 |

CZ NÁSYPKA
 D FÜLLTRICHTER
 F TRÉMIE

GB HOPPER
 RU БУНКЕР
 PL LEJ



VZ00032413



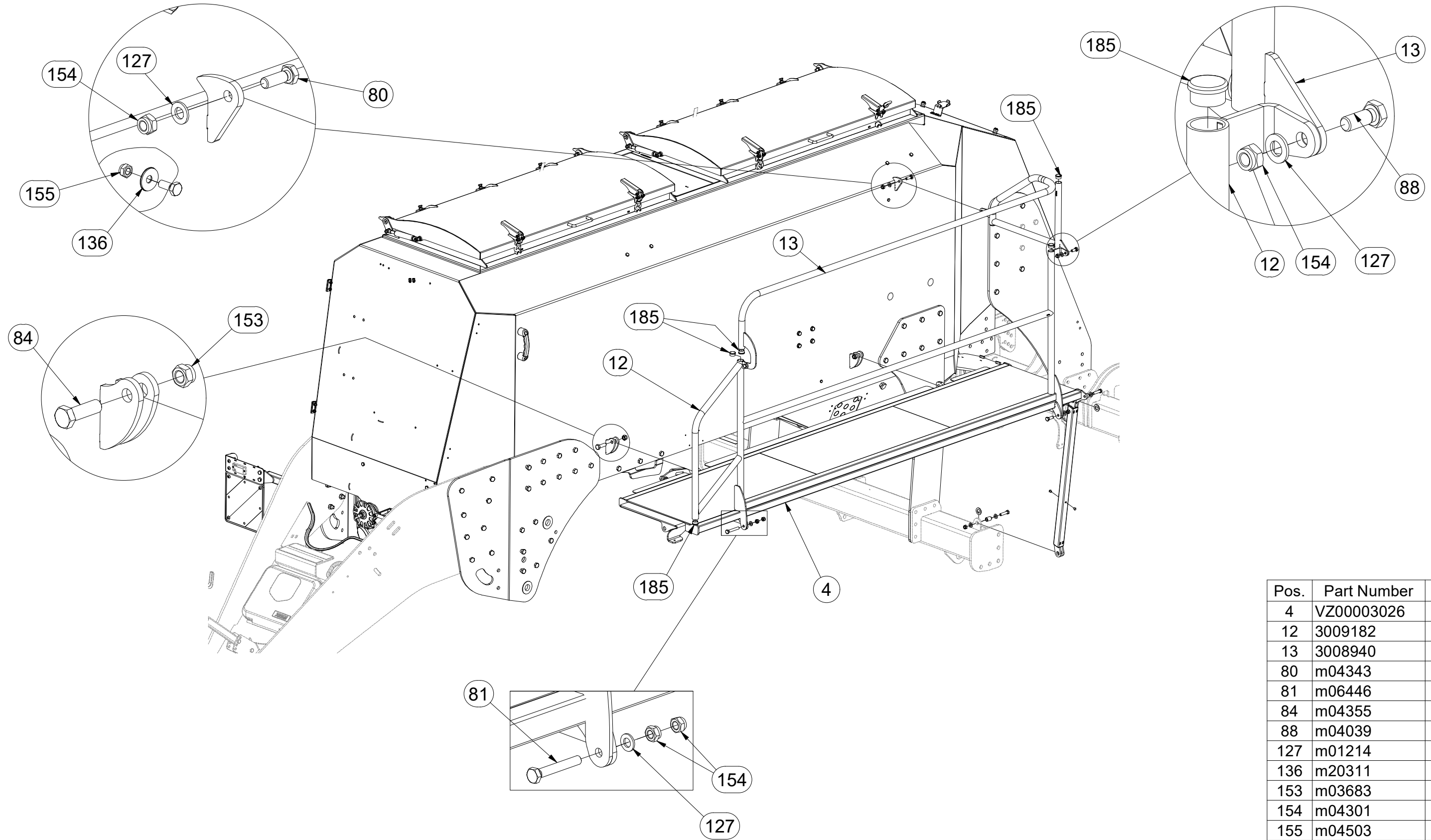
| Pos. | Part Number | Pcs. |
|------|-------------|------|
| 16 | 4012186 | 1 |
| 21 | 4025025 | 1 |
| 91 | m01133 | 4 |
| 92 | m08549 | 4 |
| 106 | m16936 | 4 |
| 153 | m03683 | 76 |
| 154 | m04301 | 26 |
| 163 | m05562 | 4 |
| 184 | m08682 | 1 |

CZ NÁSYPKA
 D FÜLLTRICHTER
 F TRÉMIE

GB HOPPER
 RU БУНКЕР
 PL LEJ



VZ00032413



| Pos. | Part Number | Pcs. |
|------|-------------|------|
| 4 | VZ00003026 | 1 |
| 12 | 3009182 | 1 |
| 13 | 3008940 | 1 |
| 80 | m04343 | 6 |
| 81 | m06446 | 1 |
| 84 | m04355 | 16 |
| 88 | m04039 | 4 |
| 127 | m01214 | 13 |
| 136 | m20311 | 11 |
| 153 | m03683 | 76 |
| 154 | m04301 | 26 |
| 155 | m04503 | 12 |
| 185 | m13947 | 6 |

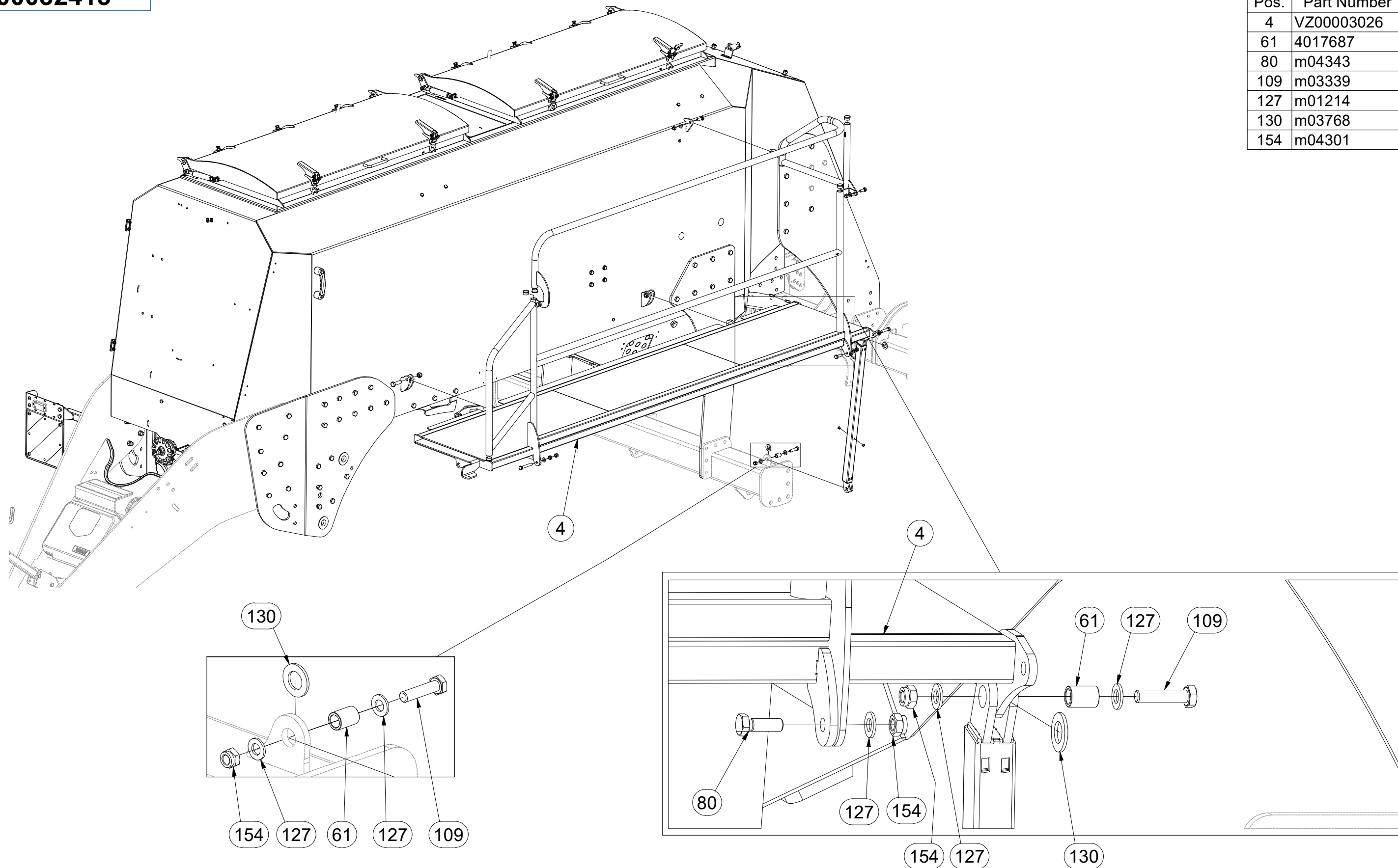
- Ⓒ NÁŠYPKA
- Ⓓ FÜLLTRICHTER
- Ⓕ TRÉMIE

- Ⓖ HOPPER
- Ⓡ БУНКЕР
- Ⓟ LEJ



VZ00032413

| Pos. | Part Number | Pcs. |
|------|-------------|------|
| 4 | VZ00003026 | 1 |
| 61 | 4017687 | 2 |
| 80 | m04343 | 6 |
| 109 | m03339 | 2 |
| 127 | m01214 | 13 |
| 130 | m03768 | 10 |
| 154 | m04301 | 26 |



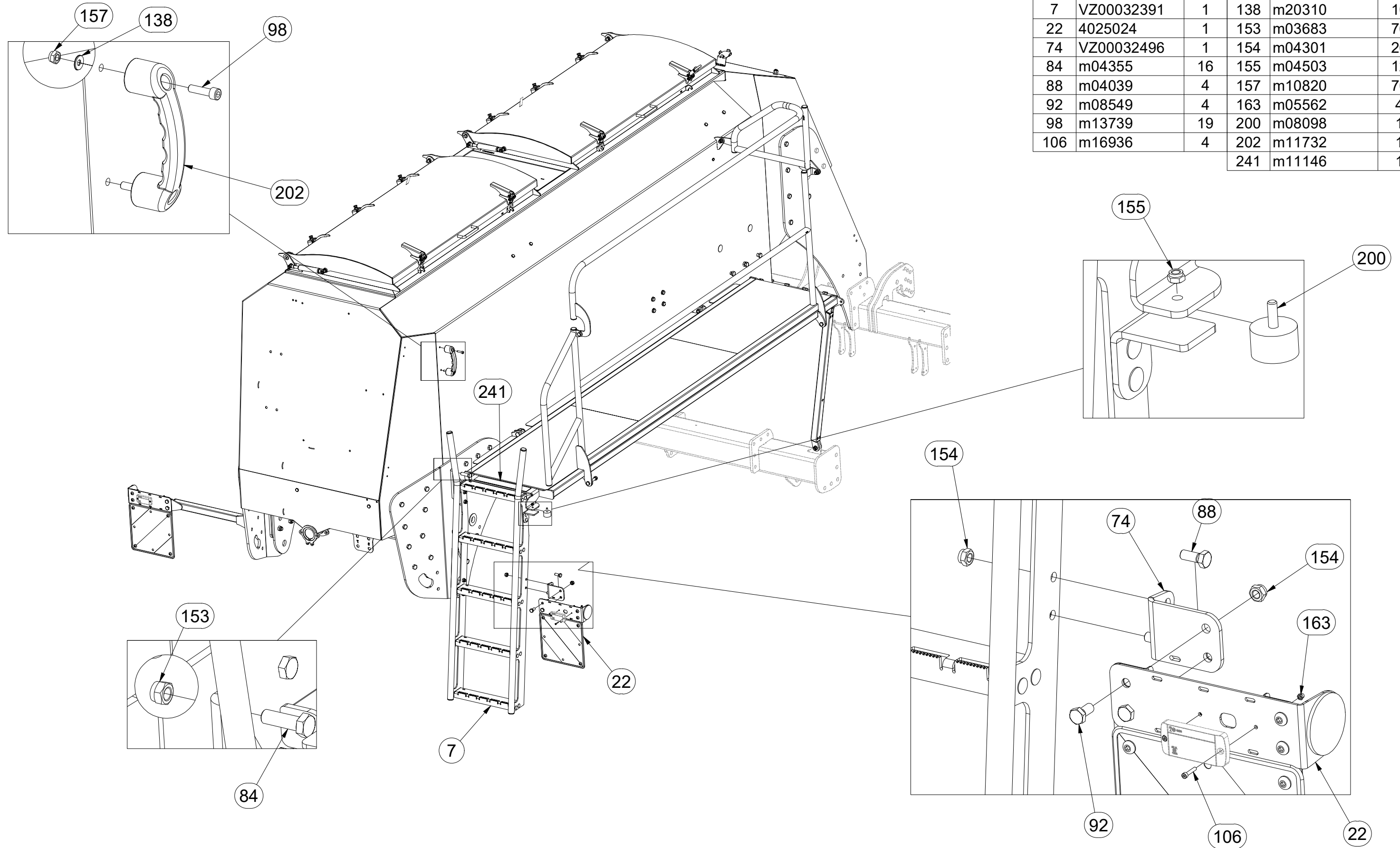
CZ NÁŠYPKA
 D FÜLLTRICHTER
 F TRÉMIE

GB HOPPER
 RU БУНКЕР
 PL LEJ



VZ00032413

| Pos. | Part Number | Pcs. | Pos. | Part Number | Pcs. |
|------|-------------|------|------|-------------|------|
| 7 | VZ00032391 | 1 | 138 | m20310 | 10 |
| 22 | 4025024 | 1 | 153 | m03683 | 76 |
| 74 | VZ00032496 | 1 | 154 | m04301 | 26 |
| 84 | m04355 | 16 | 155 | m04503 | 12 |
| 88 | m04039 | 4 | 157 | m10820 | 70 |
| 92 | m08549 | 4 | 163 | m05562 | 4 |
| 98 | m13739 | 19 | 200 | m08098 | 1 |
| 106 | m16936 | 4 | 202 | m11732 | 1 |
| | | | 241 | m11146 | 1 |



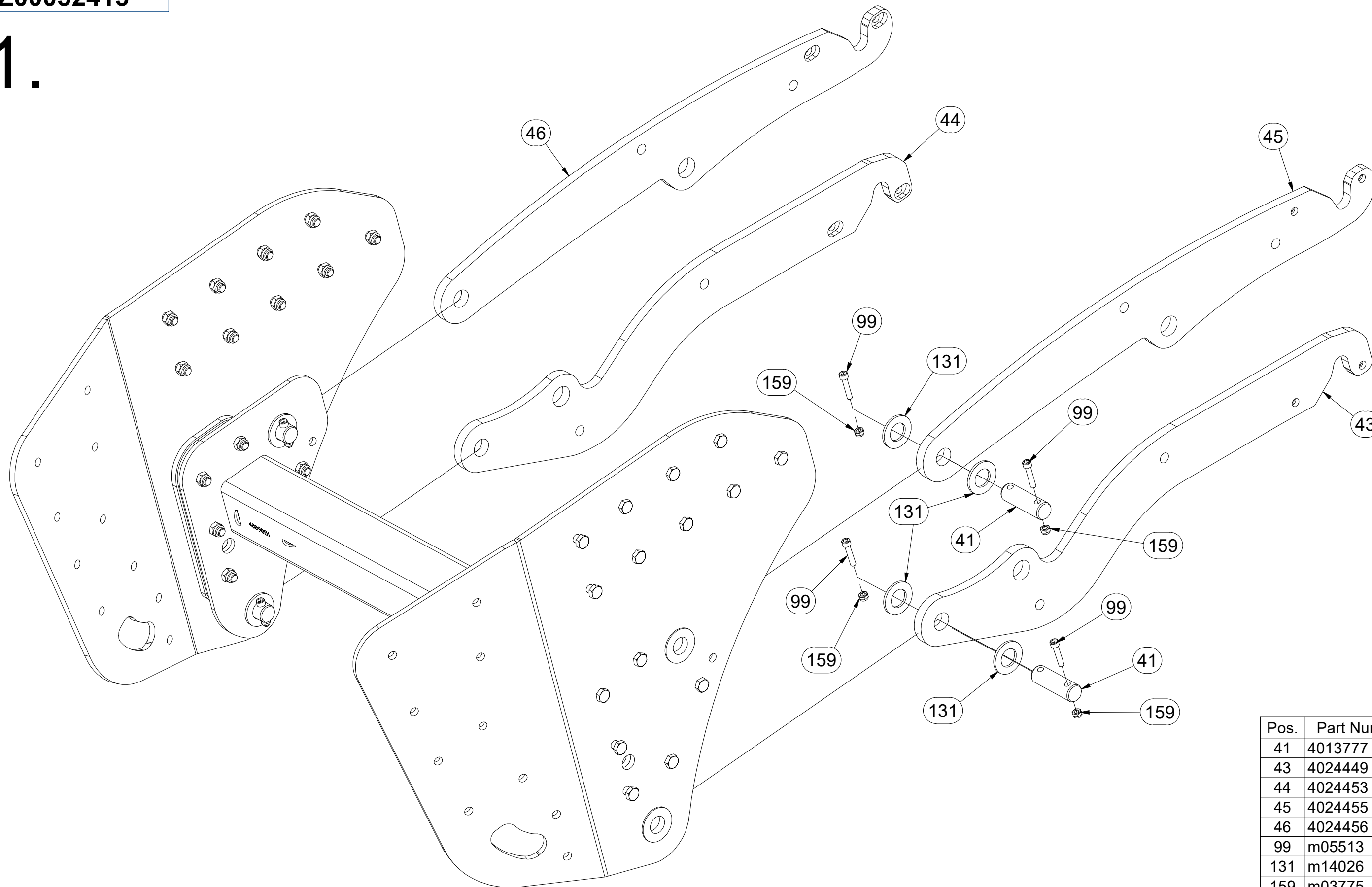
CZ NÁSYPKA
 D FÜLLTRICHTER
 F TRÉMIE

GB HOPPER
 RU БУНКЕР
 PL LEJ



VZ00032413

1.



| Pos. | Part Number | Pcs. |
|------|-------------|------|
| 41 | 4013777 | 4 |
| 43 | 4024449 | 1 |
| 44 | 4024453 | 1 |
| 45 | 4024455 | 1 |
| 46 | 4024456 | 1 |
| 99 | m05513 | 8 |
| 131 | m14026 | 8 |
| 159 | m03775 | 8 |

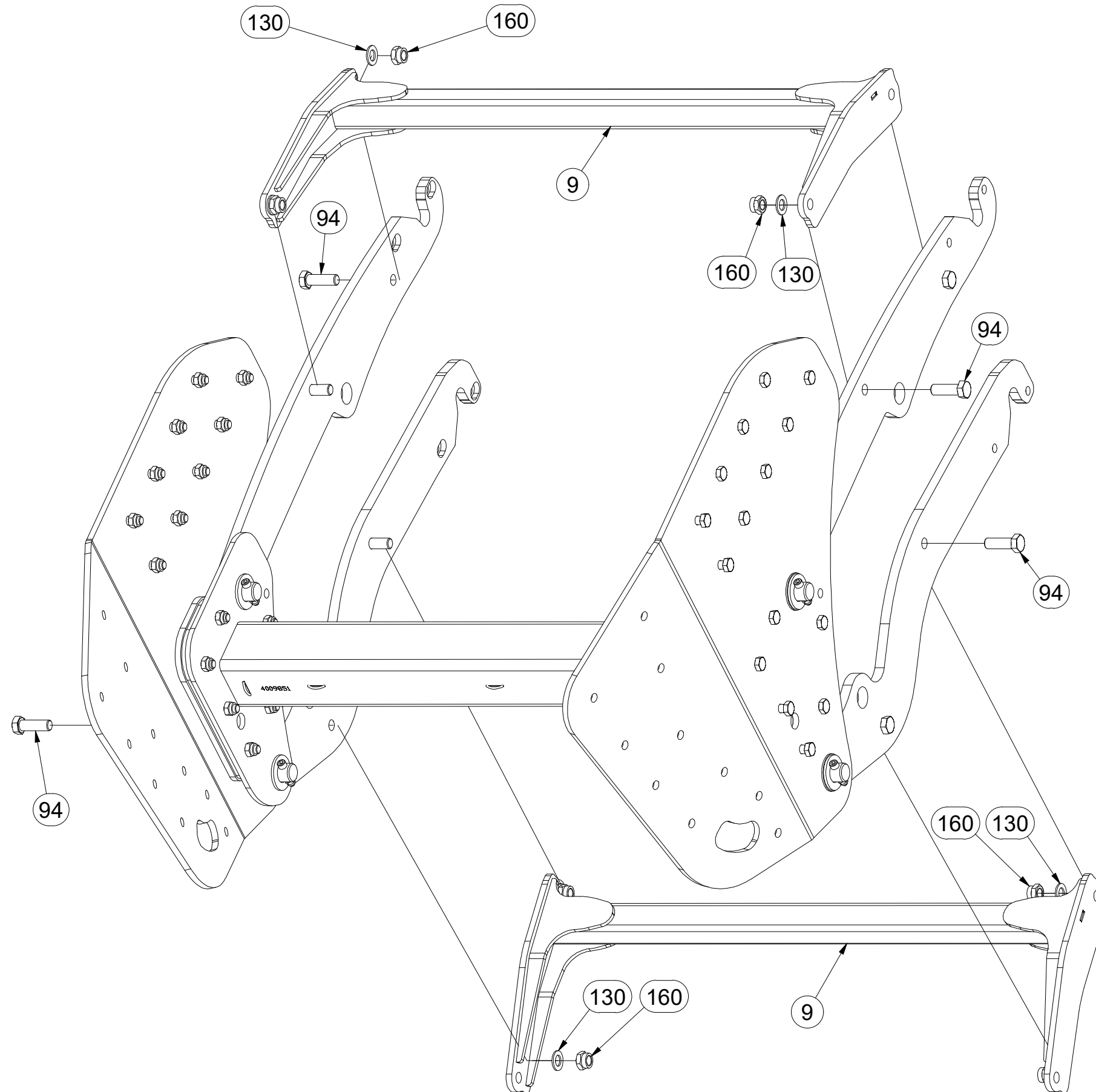
- Ⓒ NÁŠYPKA
- Ⓓ FÜLLTRICHTER
- Ⓕ TRÉMIE

- Ⓖ HOPPER
- Ⓡ БУНКЕР
- Ⓟ LEJ



VZ00032413

2.



| Pos. | Part Number | Pcs. |
|------|-------------|------|
| 9 | VZ00027078 | 2 |
| 94 | m14496 | 8 |
| 130 | m03768 | 10 |
| 160 | m21660 | 8 |

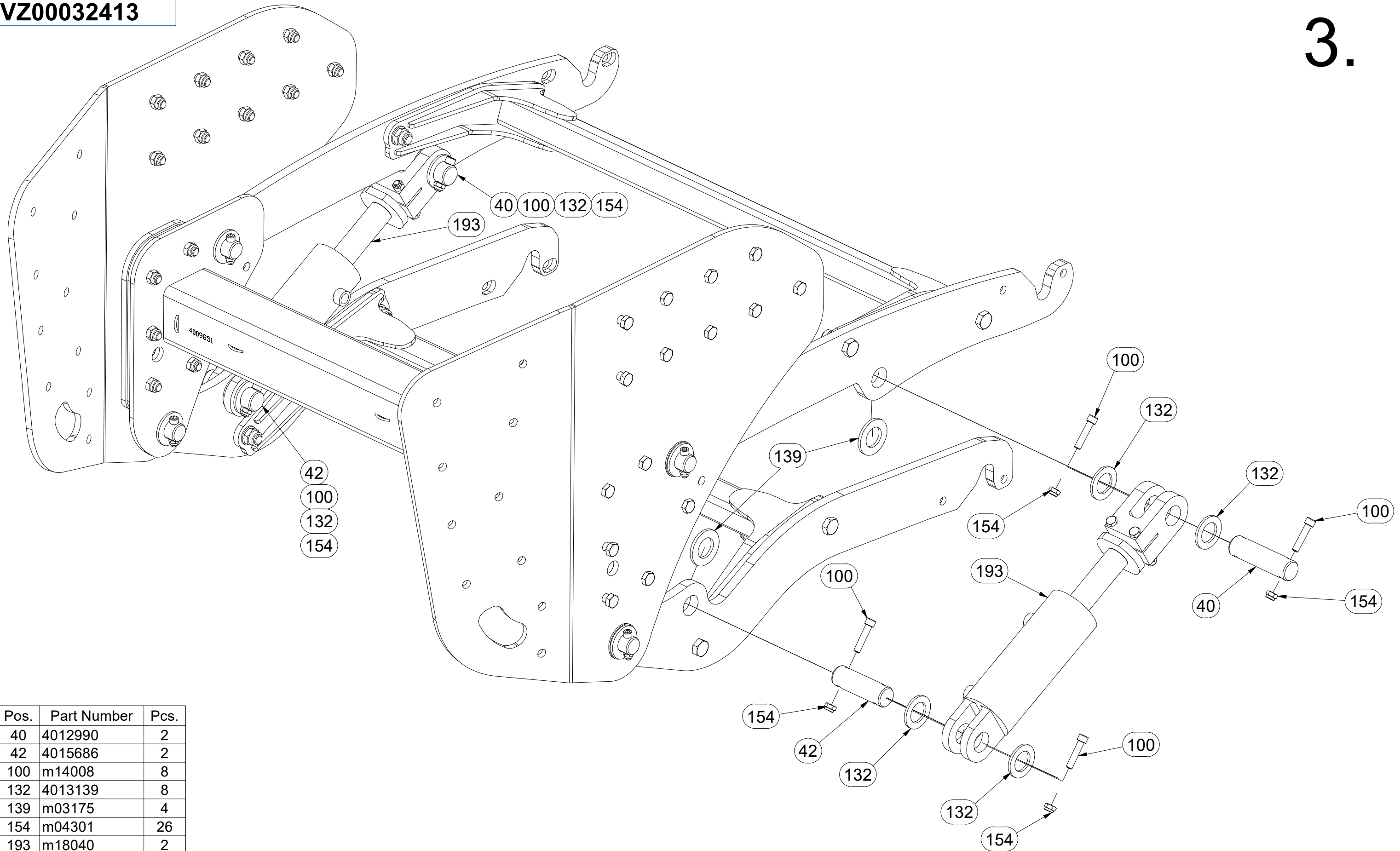
CZ NÁSYPKA
 D FÜLLTRICHTER
 F TRÉMIE

GB HOPPER
 RU БУНКЕР
 PL LEJ



VZ00032413

3.



| Pos. | Part Number | Pcs. |
|------|-------------|------|
| 40 | 4012990 | 2 |
| 42 | 4015686 | 2 |
| 100 | m14008 | 8 |
| 132 | 4013139 | 8 |
| 139 | m03175 | 4 |
| 154 | m04301 | 26 |
| 193 | m18040 | 2 |

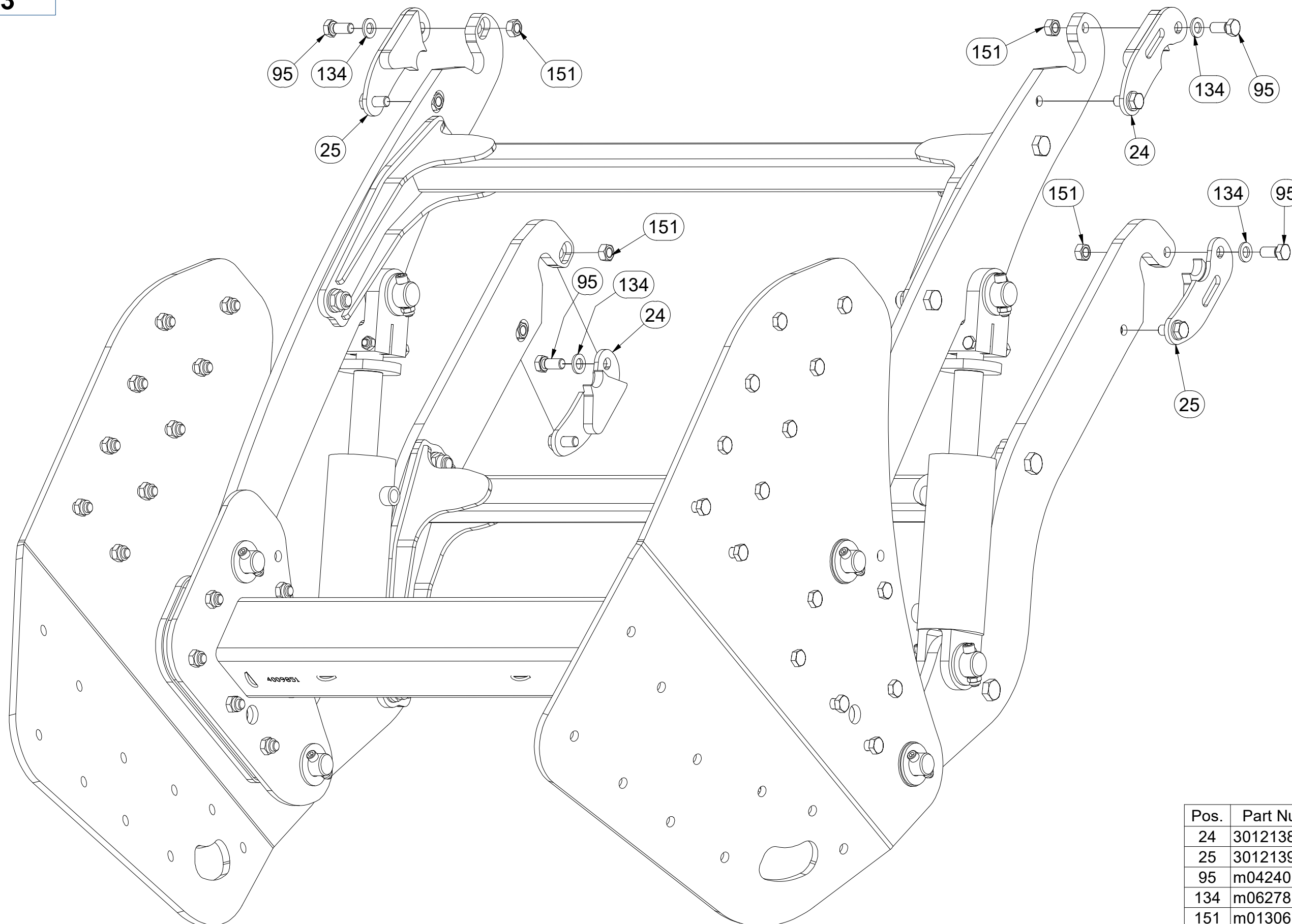
- Ⓒ NÁŠYPKA
- Ⓓ FÜLLTRICHTER
- Ⓕ TRÉMIE

- Ⓖ HOPPER
- Ⓡ БУНКЕР
- Ⓟ LEJ



VZ00032413

4.



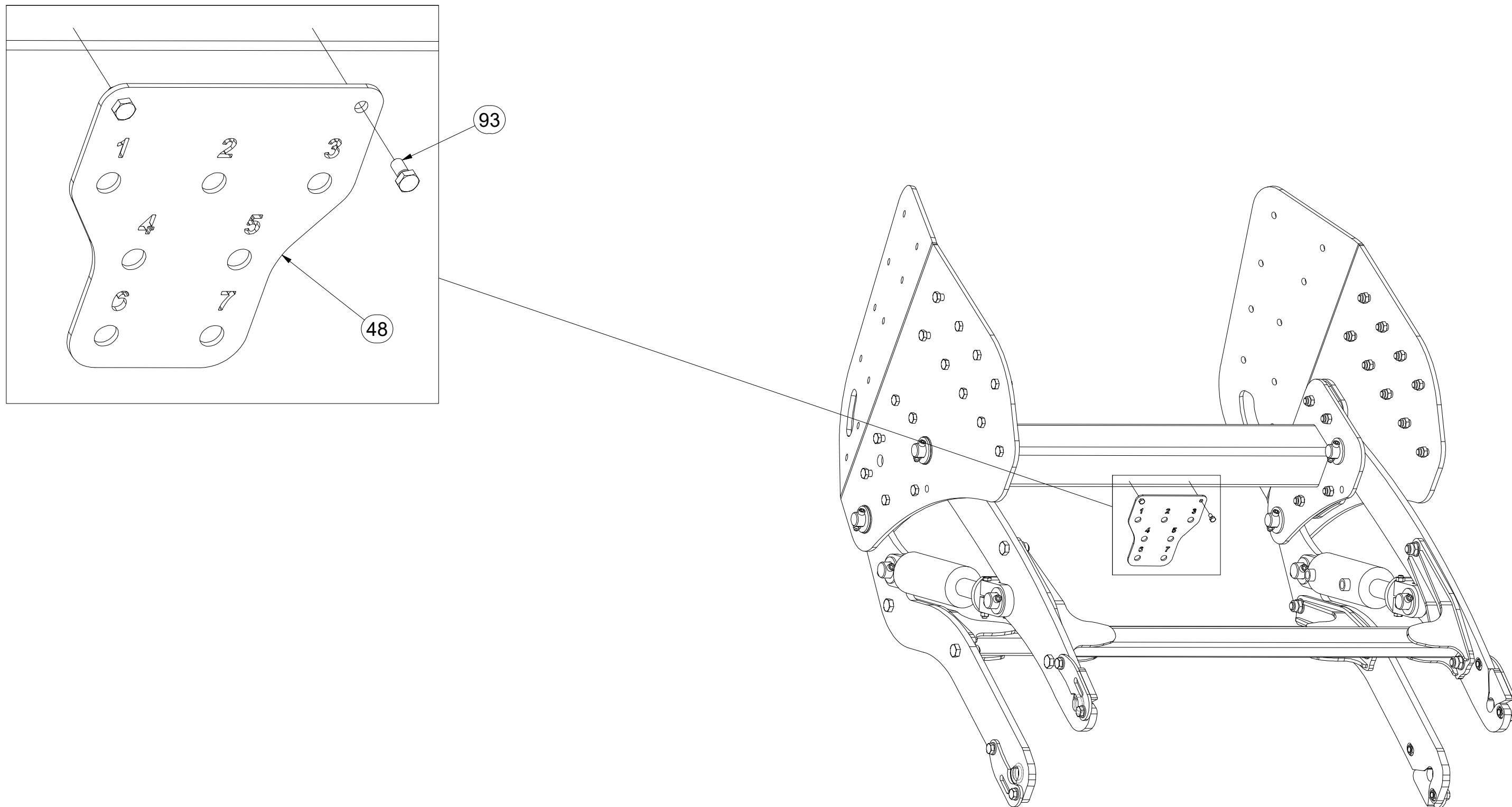
| Pos. | Part Number | Pcs. |
|------|-------------|------|
| 24 | 3012138 | 2 |
| 25 | 3012139 | 2 |
| 95 | m04240 | 8 |
| 134 | m06278 | 8 |
| 151 | m01306 | 8 |

- ⒸZ NÁŠYPKA
- Ⓓ FÜLLTRICHTER
- Ⓕ TRÉMIE

- ⒼB HOPPER
- ⒹU БУНКЕР
- ⒹL LEJ



VZ00032413



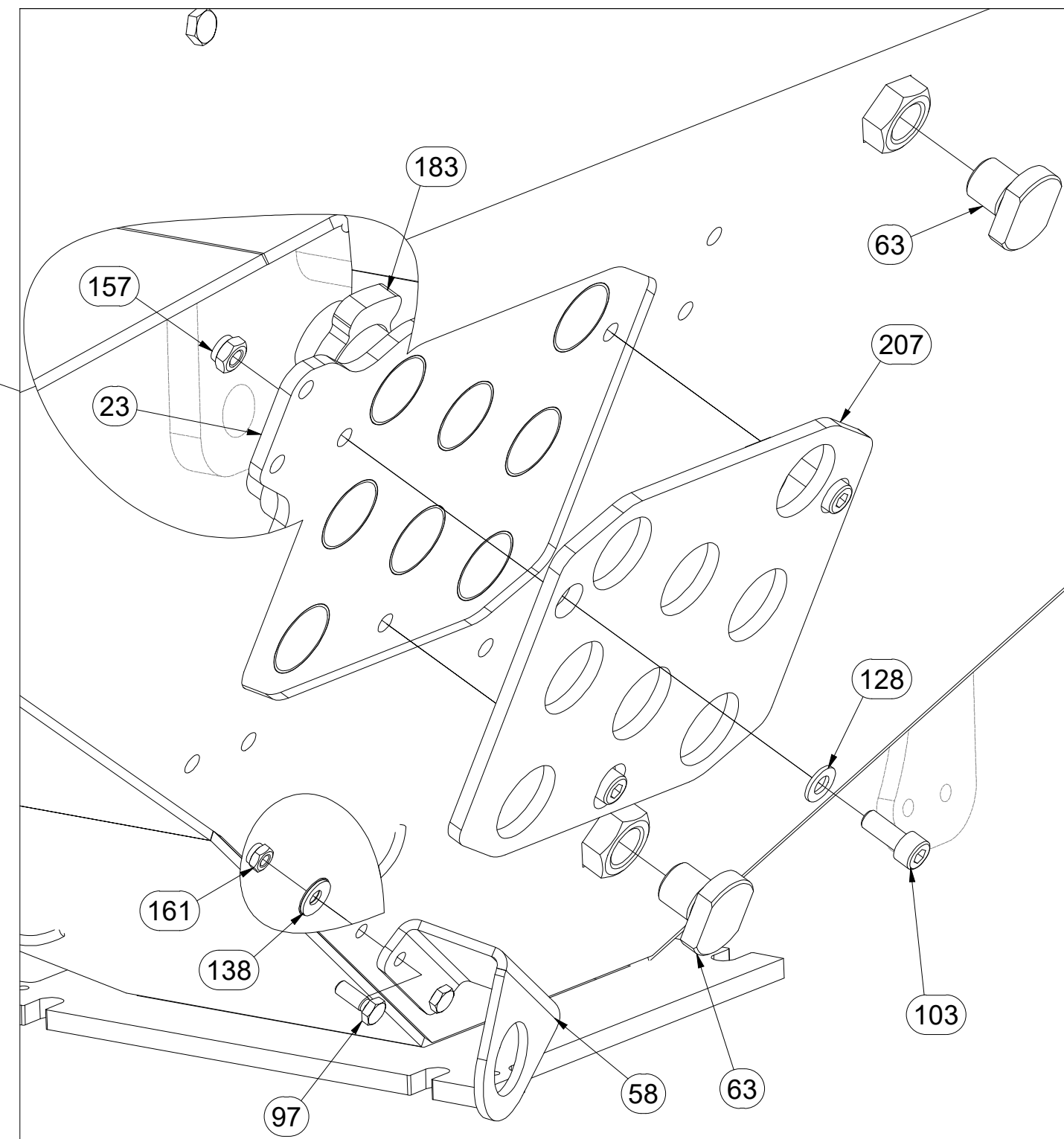
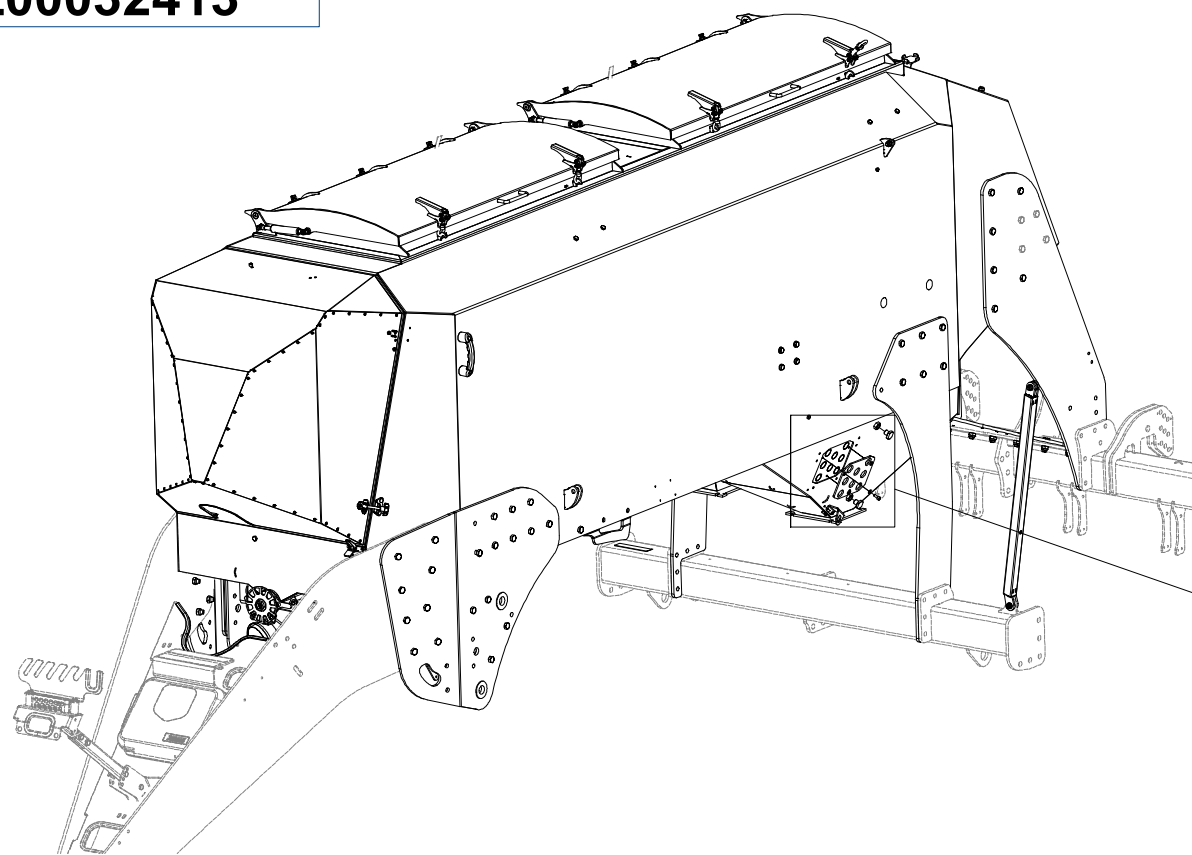
| Pos. | Part Number | Pcs. |
|------|-------------|------|
| 48 | VZ00010144 | 1 |
| 93 | m04553 | 2 |

- Ⓒ NÁŠYPKA
- Ⓓ FÜLLTRICHTER
- Ⓕ TRÉMIE

- Ⓖ HOPPER
- Ⓡ БУНКЕР
- Ⓟ LEJ



VZ00032413



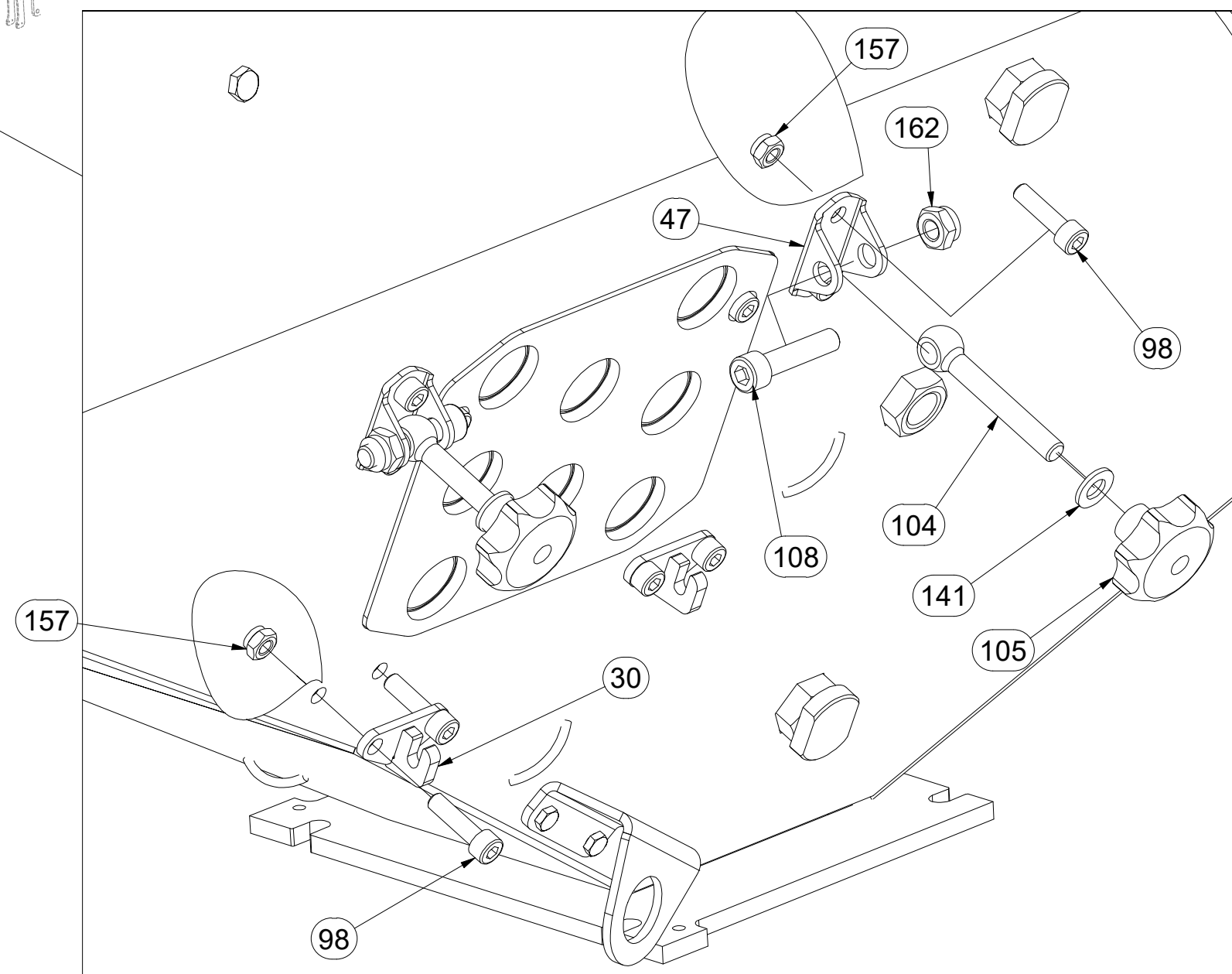
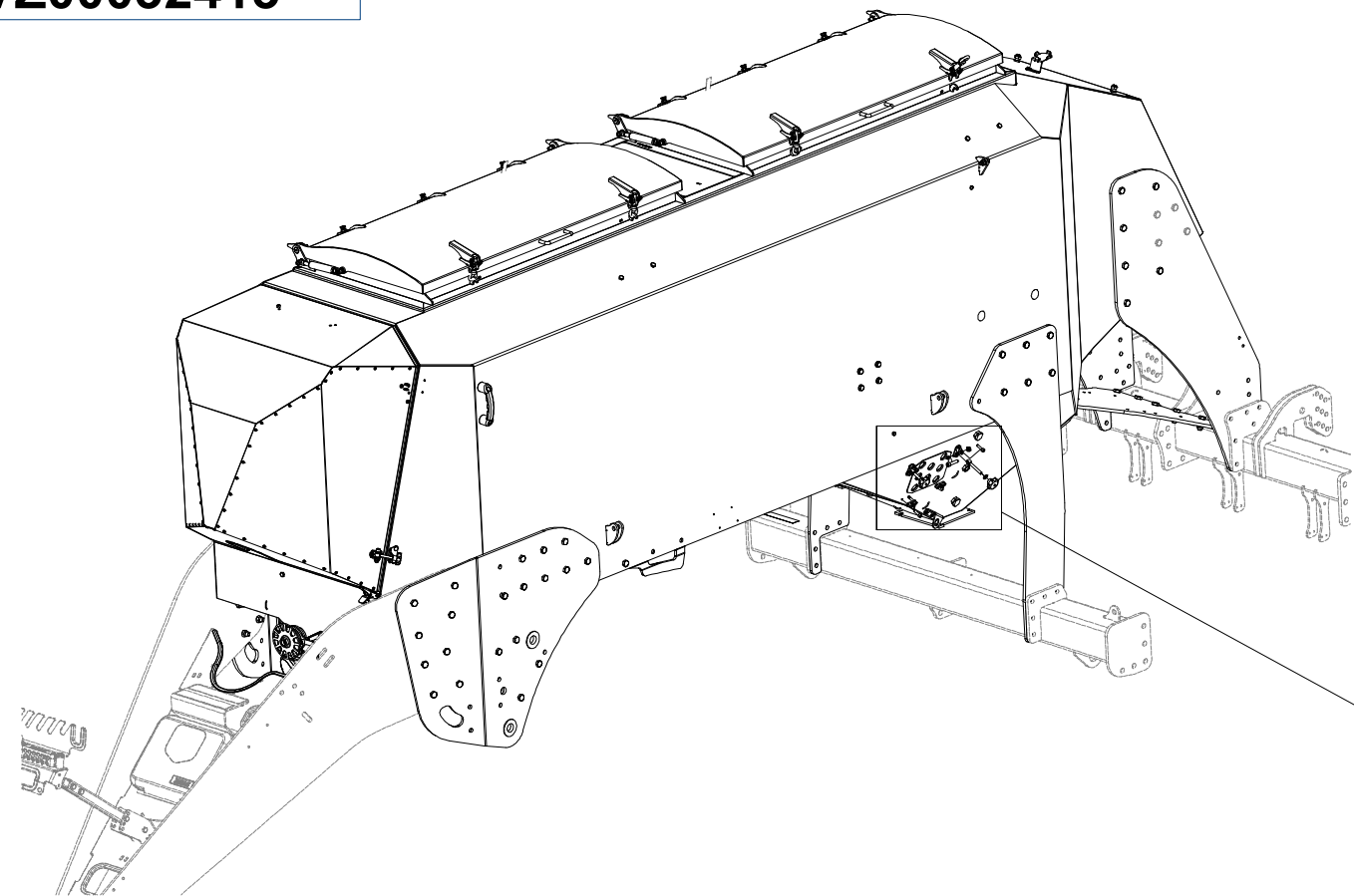
| Pos. | Part Number | Pcs. |
|------|-------------|------|
| 23 | VZ00016048 | 2 |
| 58 | VZ00016938 | 2 |
| 63 | VZ00021442 | 4 |
| 97 | m01073 | 4 |
| 103 | m13585 | 10 |
| 128 | m06846 | 26 |
| 138 | m20310 | 10 |
| 157 | m10820 | 70 |
| 161 | m05560 | 4 |
| 183 | m19099 | 25 |
| 207 | m21691 | 2 |

- Ⓒ NÁŠYPKA
- Ⓓ FÜLLTRICHTER
- Ⓕ TRÉMIE

- Ⓖ HOPPER
- Ⓡ БУНКЕР
- Ⓟ LEJ



VZ00032413



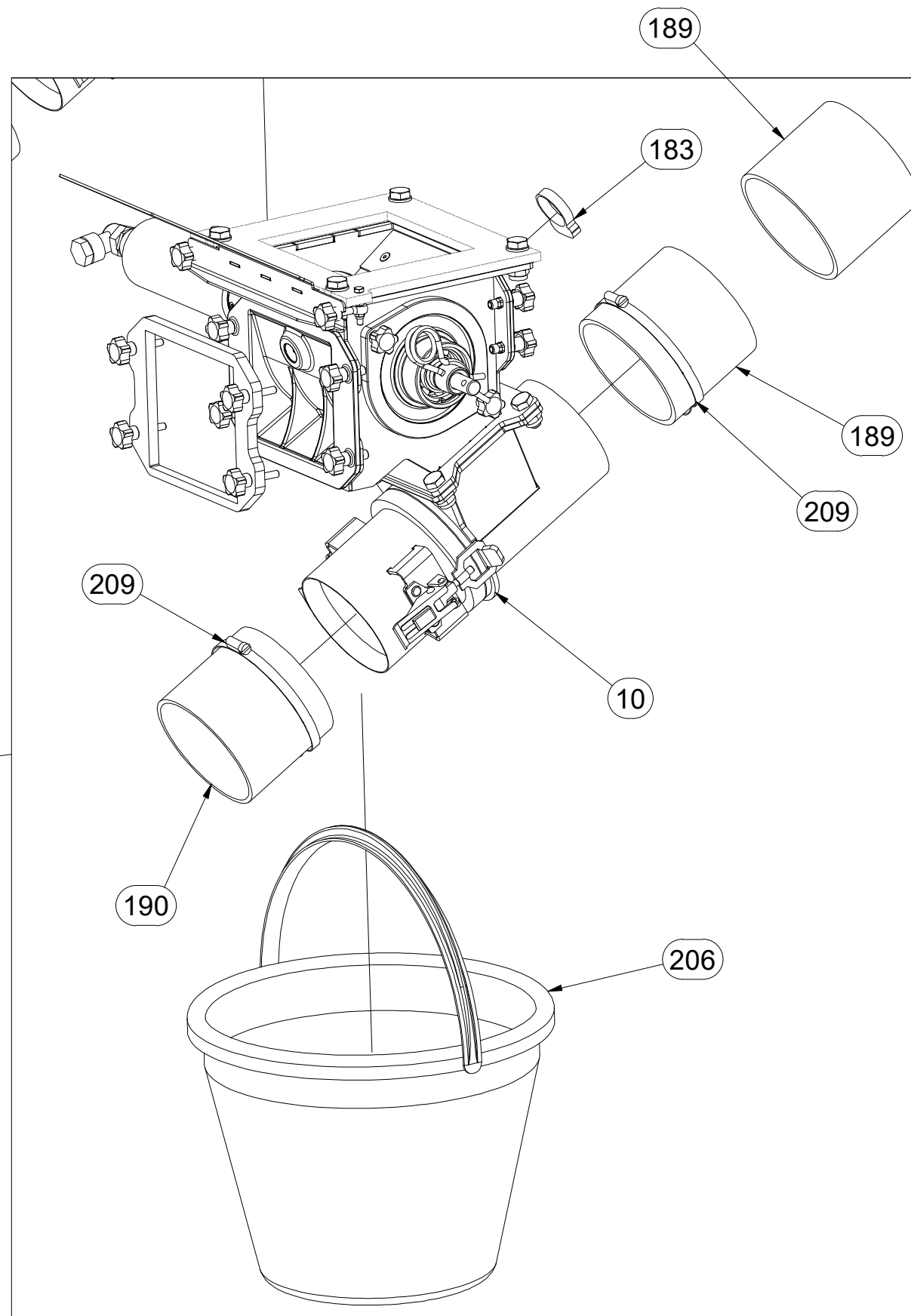
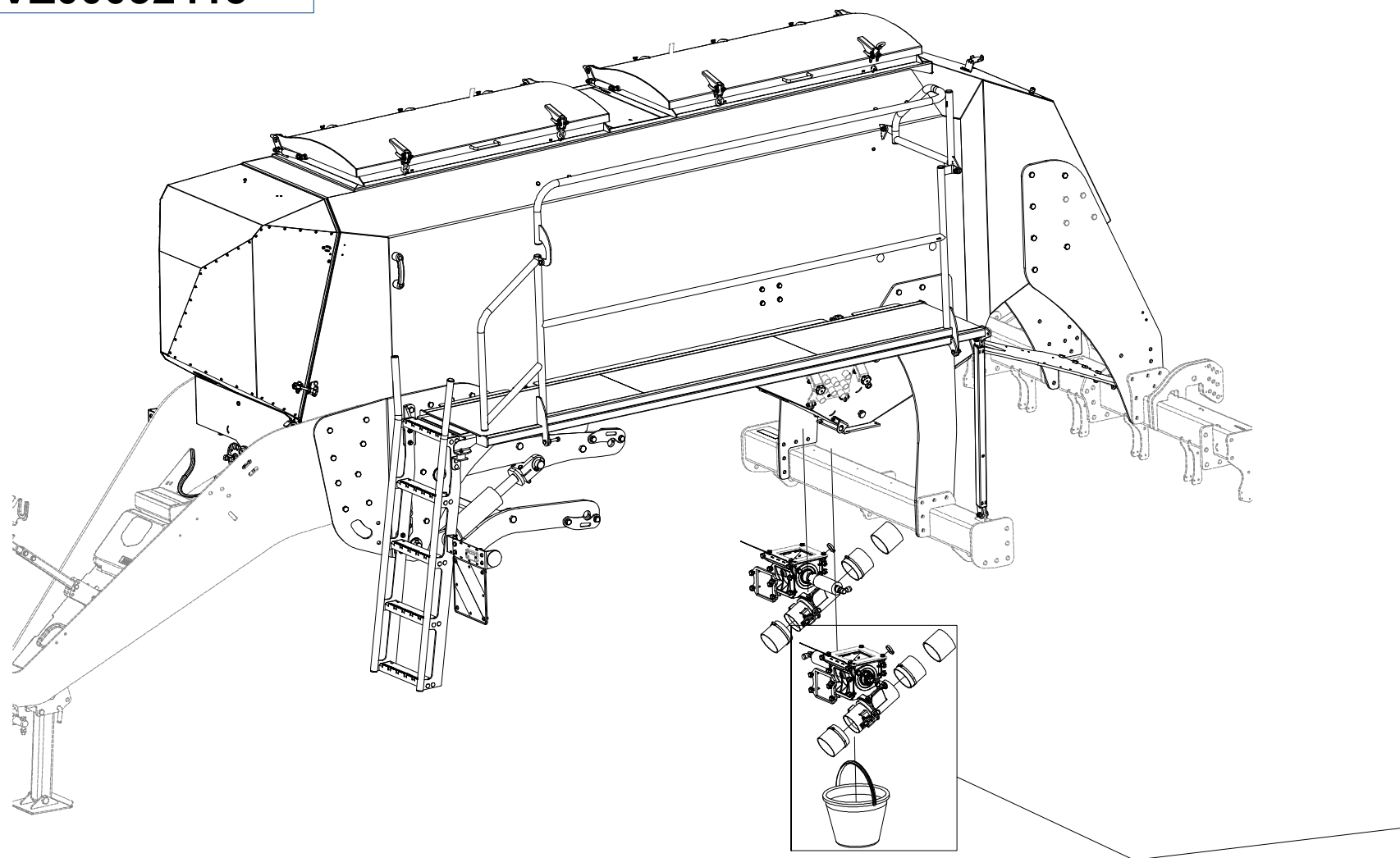
| Pos. | Part Number | Pcs. |
|------|-------------|------|
| 30 | VZ00015995 | 4 |
| 47 | 4025551 | 6 |
| 141 | m06859 | 14 |
| 98 | m13739 | 19 |
| 108 | m16788 | 6 |
| 104 | m16912 | 6 |
| 105 | m16913 | 6 |
| 157 | m10820 | 70 |
| 162 | m13617 | 16 |

CZ NÁSYPKA
 D FÜLLTRICHTER
 F TRÉMIE

GB HOPPER
 RU БУНКЕР
 PL LEJ

Farmet

VZ00032413



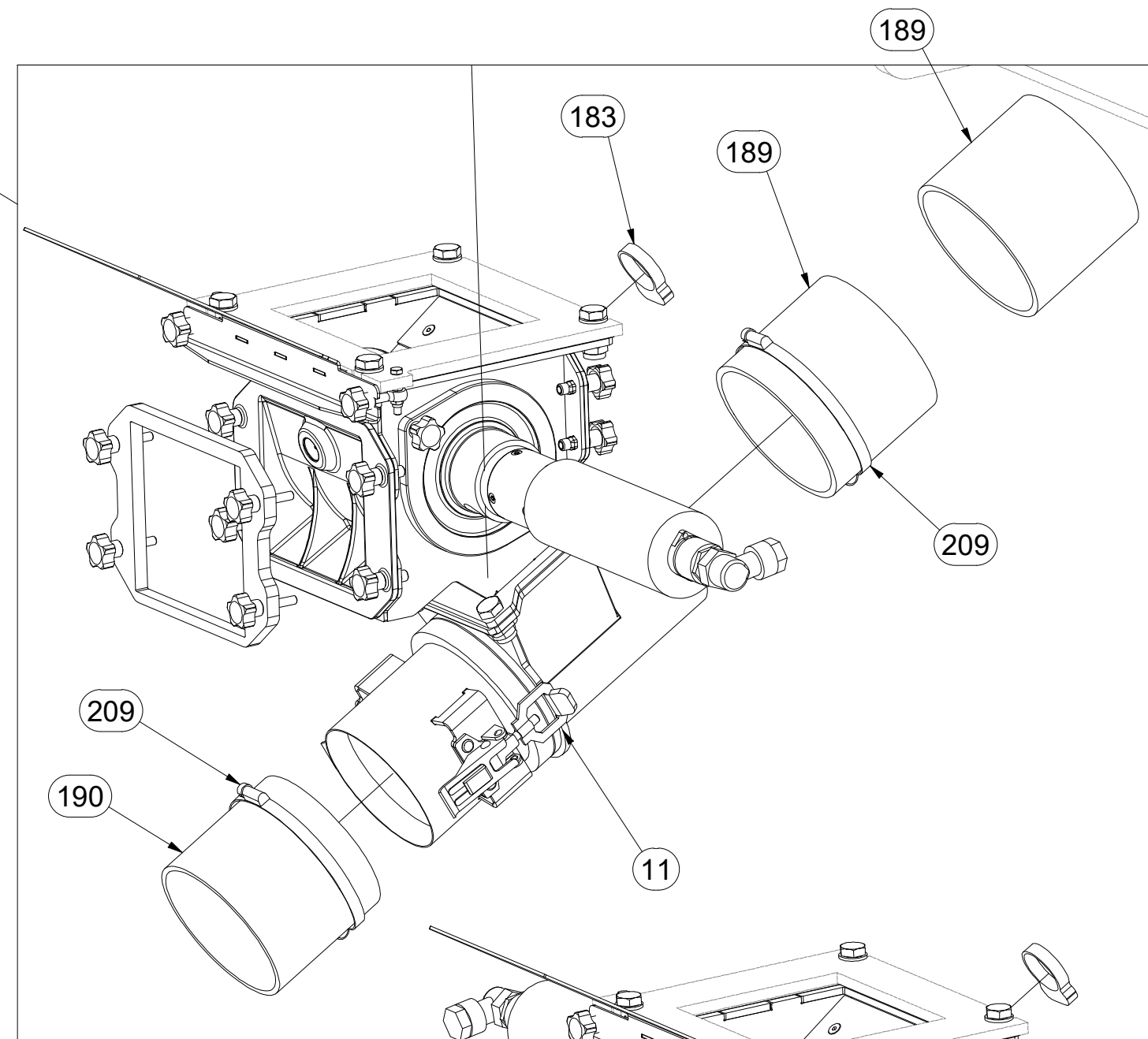
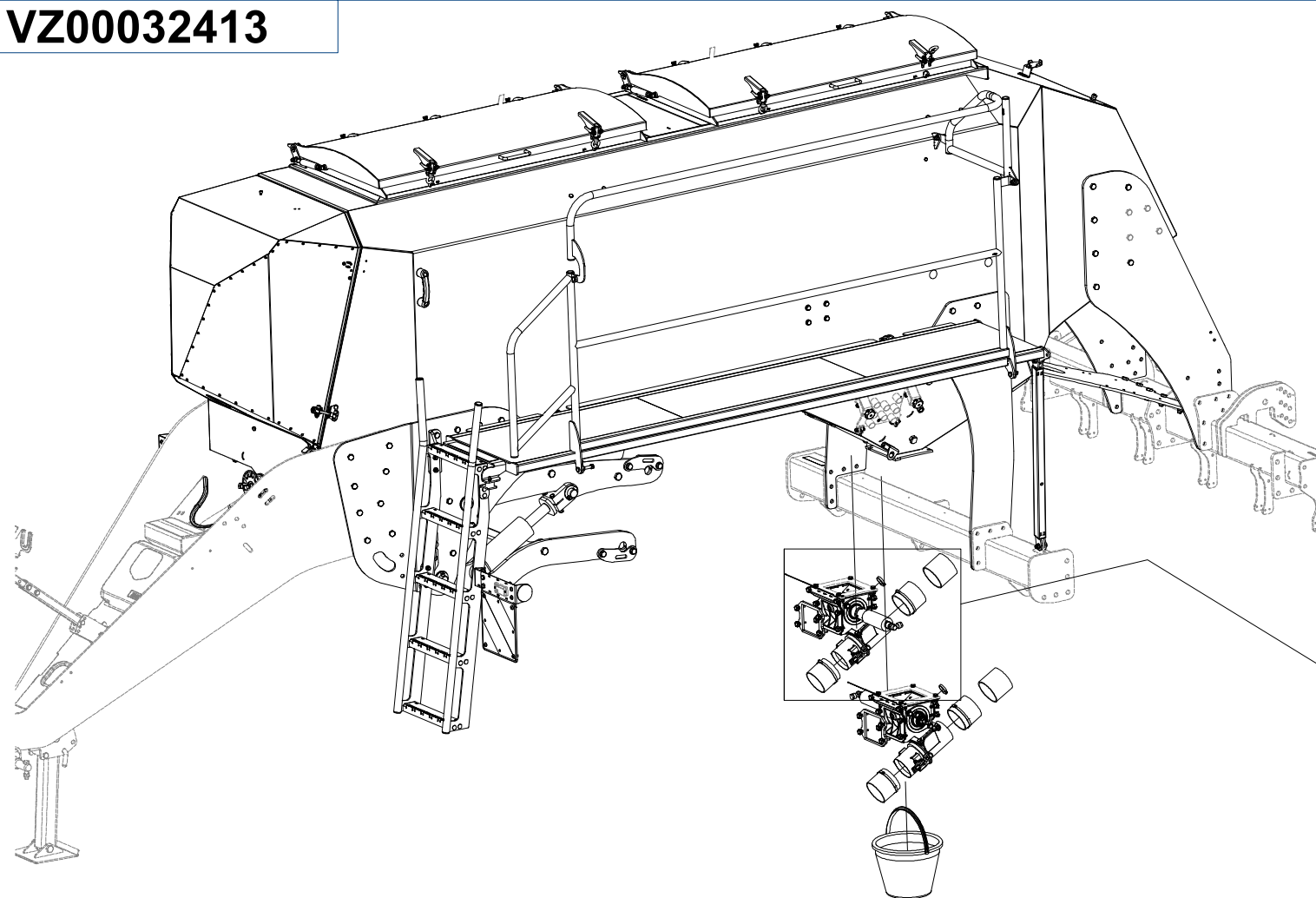
| Pos. | Part Number | Pcs. |
|------|-------------|---------|
| 10 | VZ00012094 | 1 |
| 183 | m19099 | 25 |
| 189 | m22569 | 7,000 m |
| 190 | m23798 | 9,000 m |
| 206 | m20504 | 1 |
| 209 | m22575 | 12 |

- Ⓒ NÁŠYPKA
- Ⓓ FÜLLTRICHTER
- Ⓕ TRÉMIE

- Ⓖ HOPPER
- Ⓡ БУНКЕР
- Ⓟ LEJ



VZ00032413



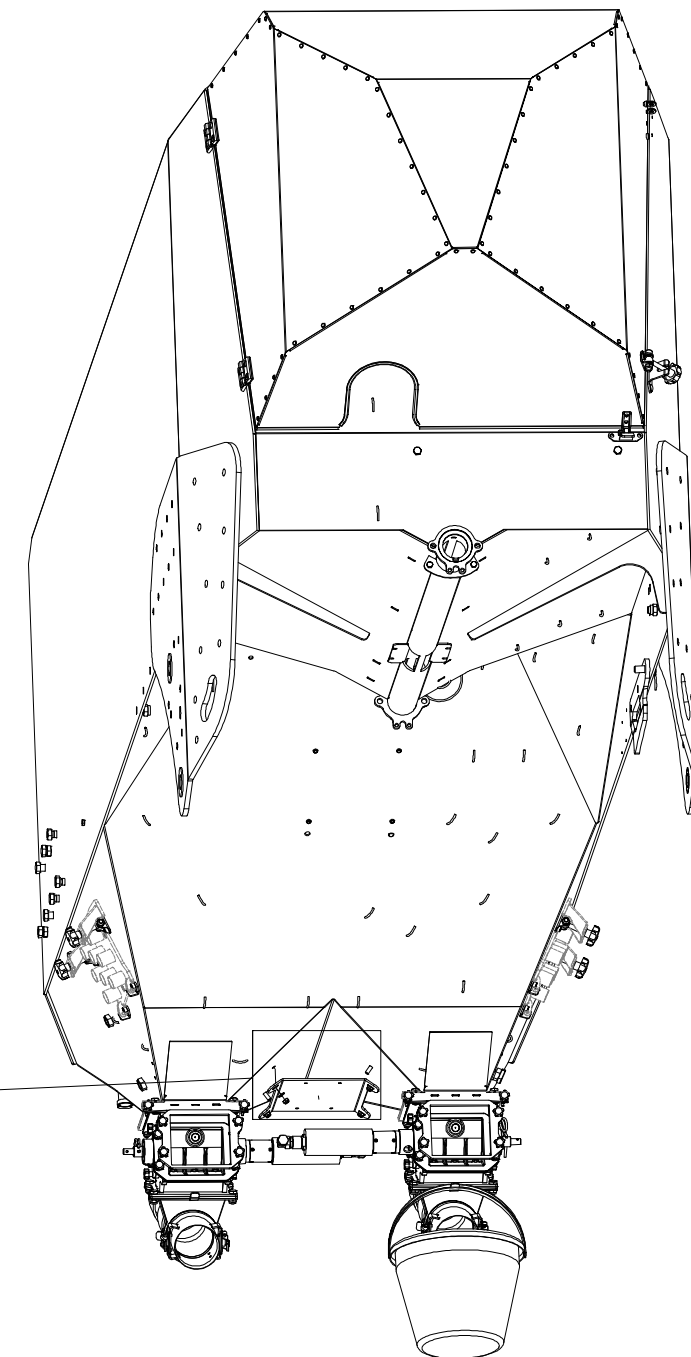
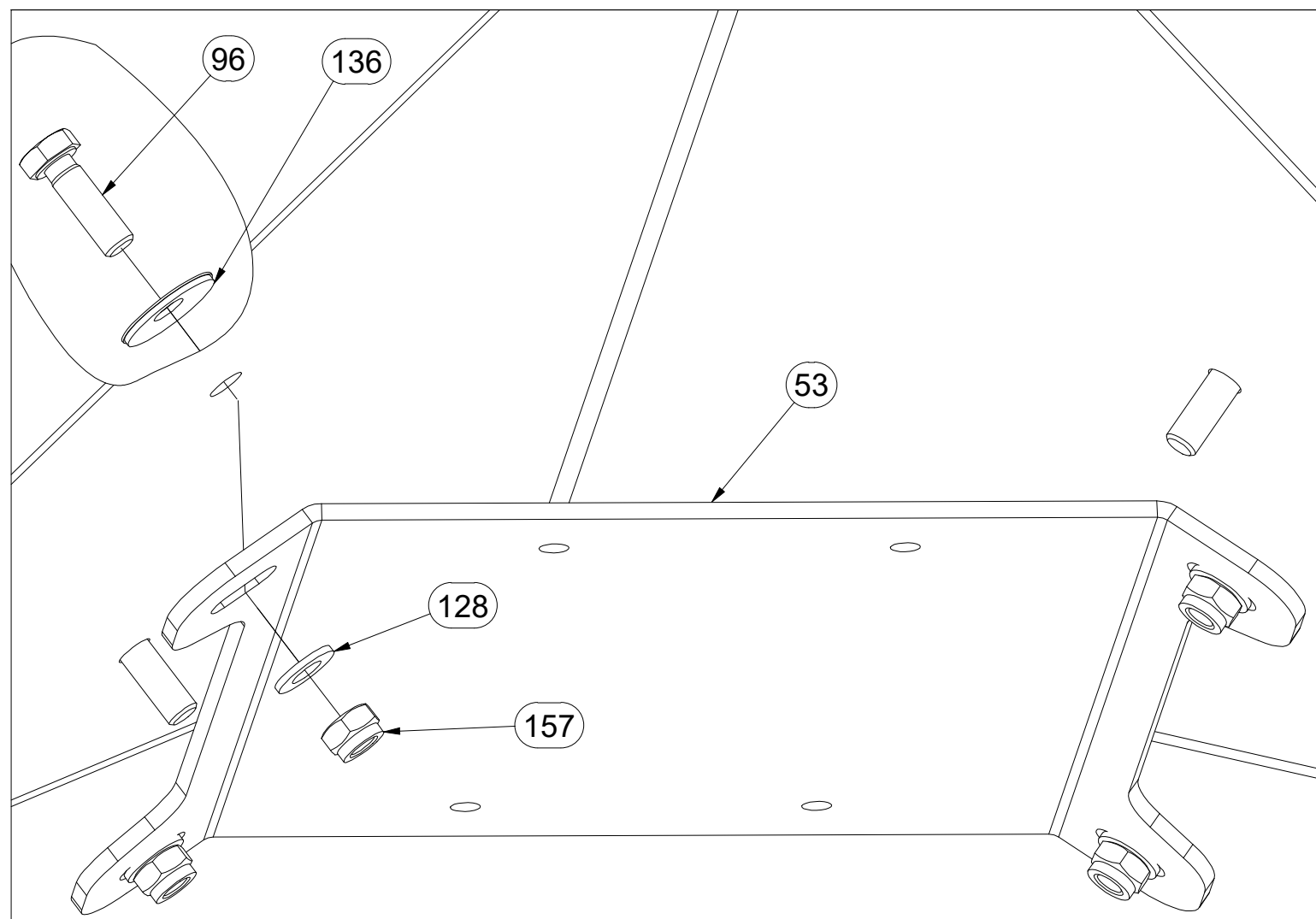
| Pos. | Part Number | Pcs. |
|------|-------------|---------|
| 11 | VZ00012096 | 1 |
| 189 | m22569 | 7,000 m |
| 190 | m23798 | 9,000 m |
| 183 | m19099 | 25 |
| 209 | m22575 | 12 |

- Ⓒ NÁŠYPKA
- Ⓓ FÜLLTRICHTER
- Ⓕ TRÉMIE

- Ⓖ HOPPER
- Ⓡ БУНКЕР
- Ⓟ LEJ



VZ00032413



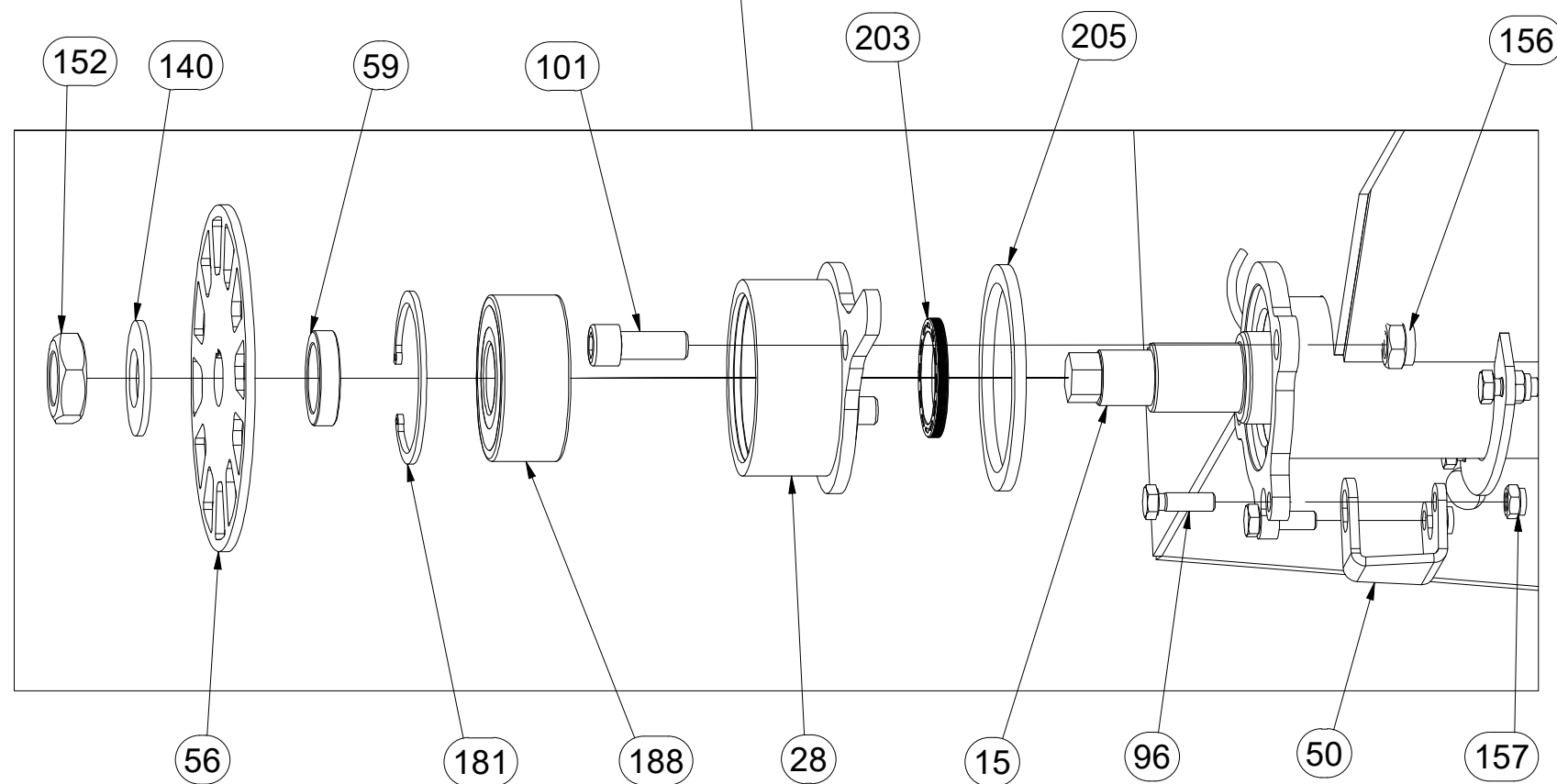
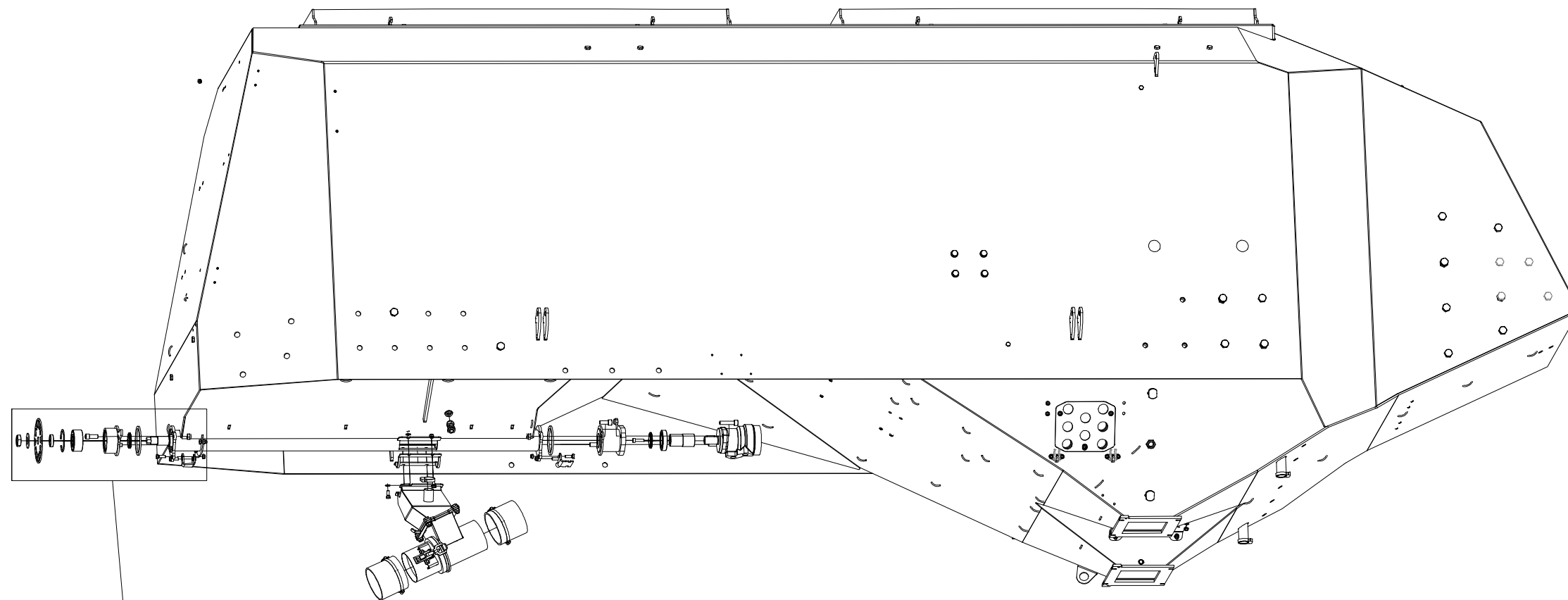
| Pos. | Part Number | Pcs. |
|------|-------------|------|
| 53 | VZ00001383 | 1 |
| 96 | m06850 | 16 |
| 128 | m06846 | 26 |
| 136 | m20311 | 11 |
| 157 | m10820 | 70 |

CZ NÁSYPKA
 D FÜLLTRICHTER
 F TRÉMIE

GB HOPPER
 RU БУНКЕР
 PL LEJ



VZ00032413



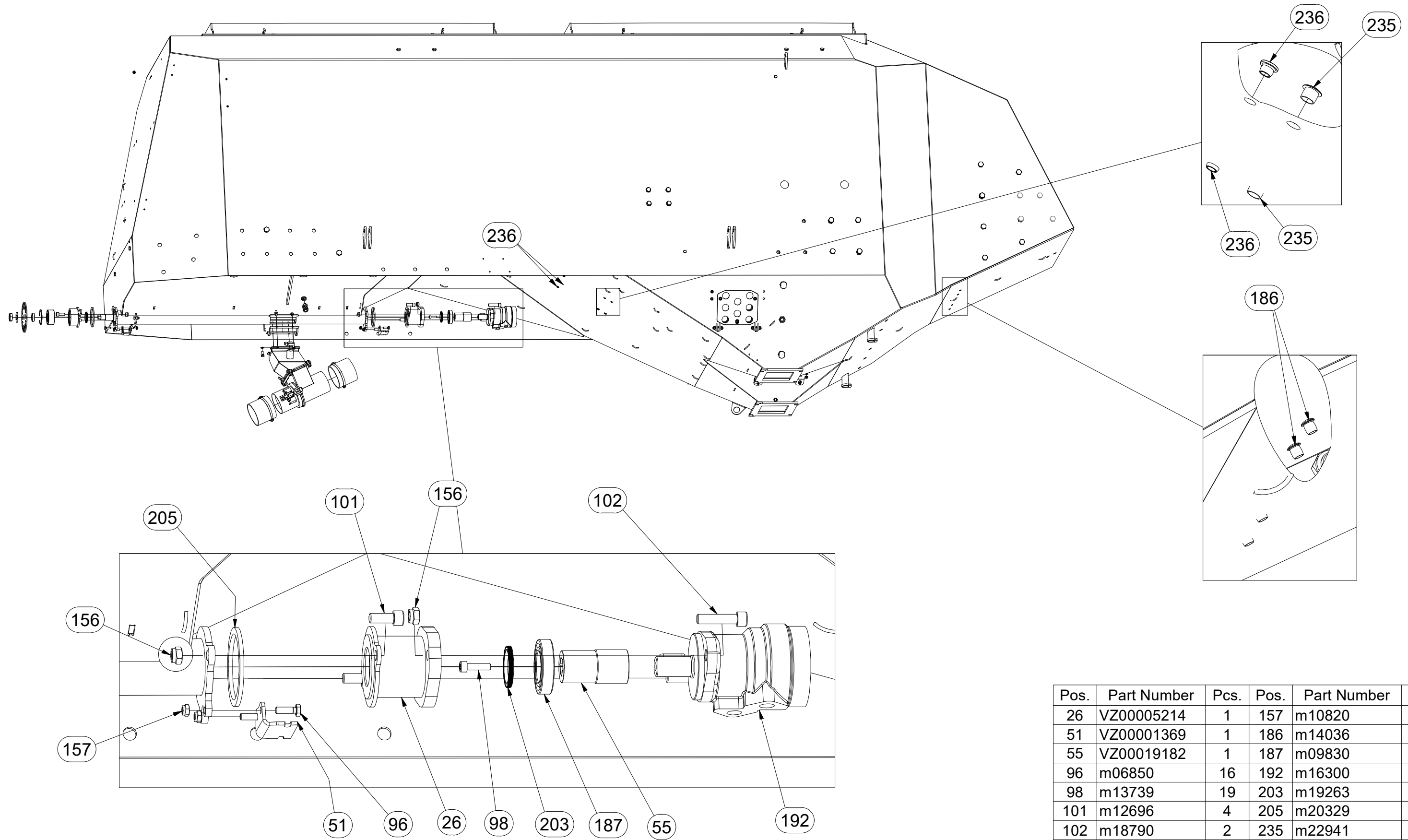
| Pos. | Part Number | Pcs. |
|------|-------------|------|
| 15 | VZ00017243 | 1 |
| 28 | VZ00001918 | 1 |
| 50 | VZ00001311 | 1 |
| 56 | VZ00005122 | 1 |
| 59 | VZ00017245 | 1 |
| 96 | m06850 | 16 |
| 101 | m12696 | 4 |
| 140 | m21685 | 1 |
| 152 | m20236 | 1 |
| 156 | m13618 | 6 |
| 157 | m10820 | 70 |
| 181 | m04250 | 1 |
| 188 | m14552 | 1 |
| 203 | m19263 | 2 |
| 205 | m20329 | 2 |

CZ NÁSYPKA
 D FÜLLTRICHTER
 F TRÉMIE

GB HOPPER
 RU БУНКЕР
 PL LEJ



VZ00032413



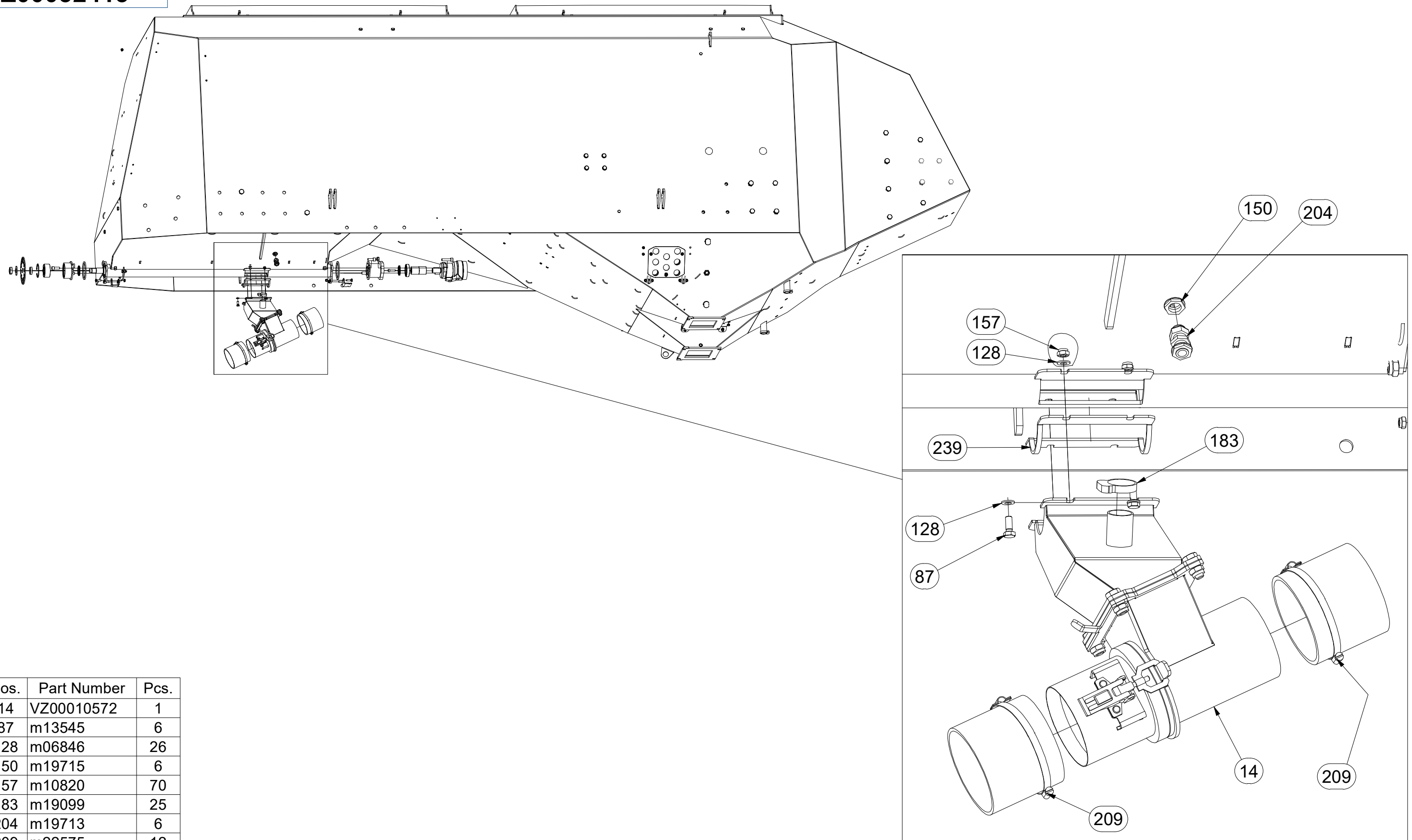
| Pos. | Part Number | Pcs. | Pos. | Part Number | Pcs. |
|------|-------------|------|------|-------------|------|
| 26 | VZ00005214 | 1 | 157 | m10820 | 70 |
| 51 | VZ00001369 | 1 | 186 | m14036 | 8 |
| 55 | VZ00019182 | 1 | 187 | m09830 | 1 |
| 96 | m06850 | 16 | 192 | m16300 | 1 |
| 98 | m13739 | 19 | 203 | m19263 | 2 |
| 101 | m12696 | 4 | 205 | m20329 | 2 |
| 102 | m18790 | 2 | 235 | m22941 | 2 |
| 156 | m13618 | 6 | 236 | m18534 | 4 |

CZ NÁŠYPKA
 D FÜLLTRICHTER
 F TRÉMIE

GB HOPPER
 RU БУНКЕР
 PL LEJ



VZ00032413



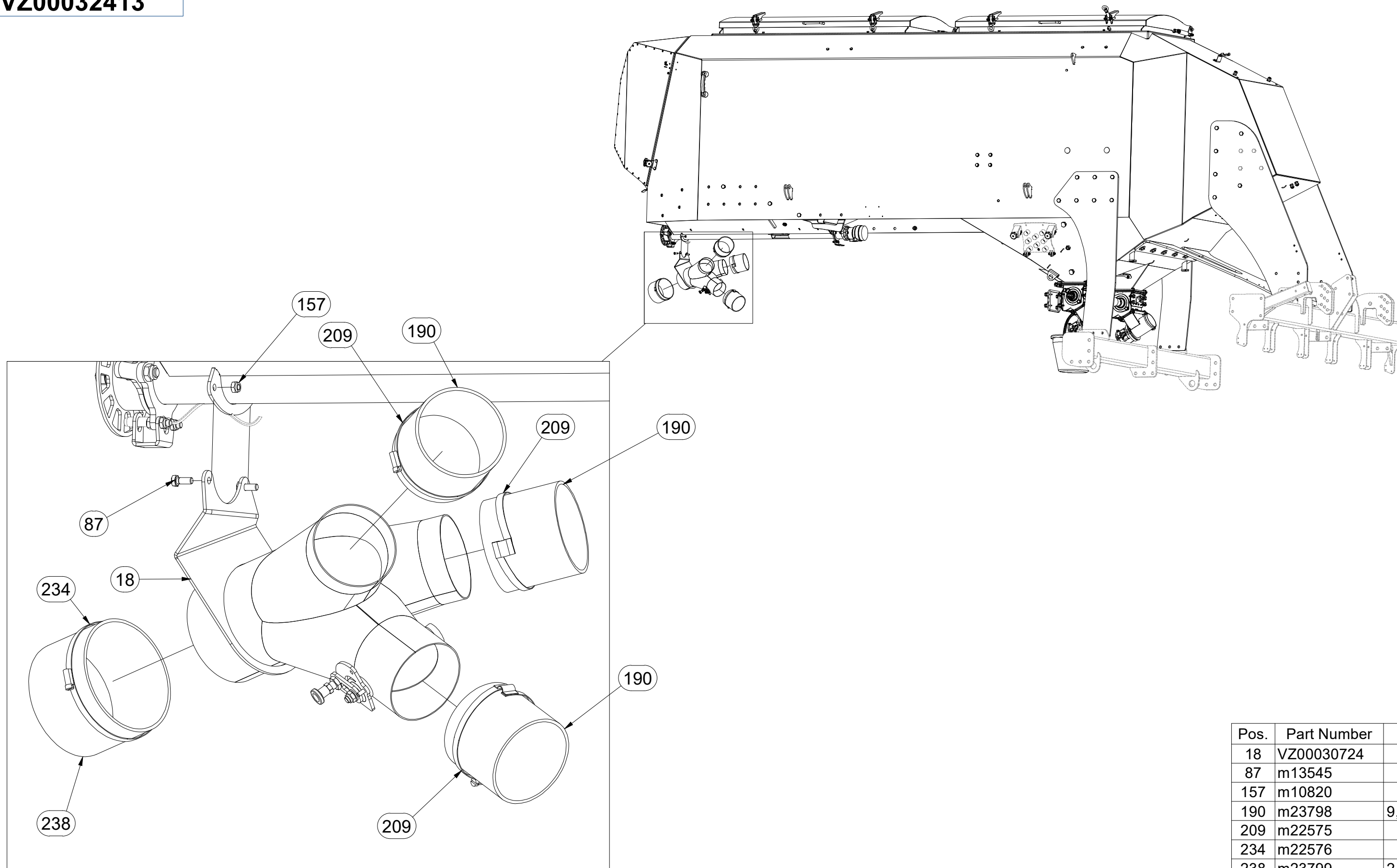
| Pos. | Part Number | Pcs. |
|------|-------------|------|
| 14 | VZ00010572 | 1 |
| 87 | m13545 | 6 |
| 128 | m06846 | 26 |
| 150 | m19715 | 6 |
| 157 | m10820 | 70 |
| 183 | m19099 | 25 |
| 204 | m19713 | 6 |
| 209 | m22575 | 12 |
| 239 | m23412 | 1 |

- Ⓒ NÁŠYPKA
- Ⓓ FÜLLTRICHTER
- Ⓕ TRÉMIE

- Ⓖ HOPPER
- Ⓡ БУНКЕР
- Ⓟ LEJ



VZ00032413



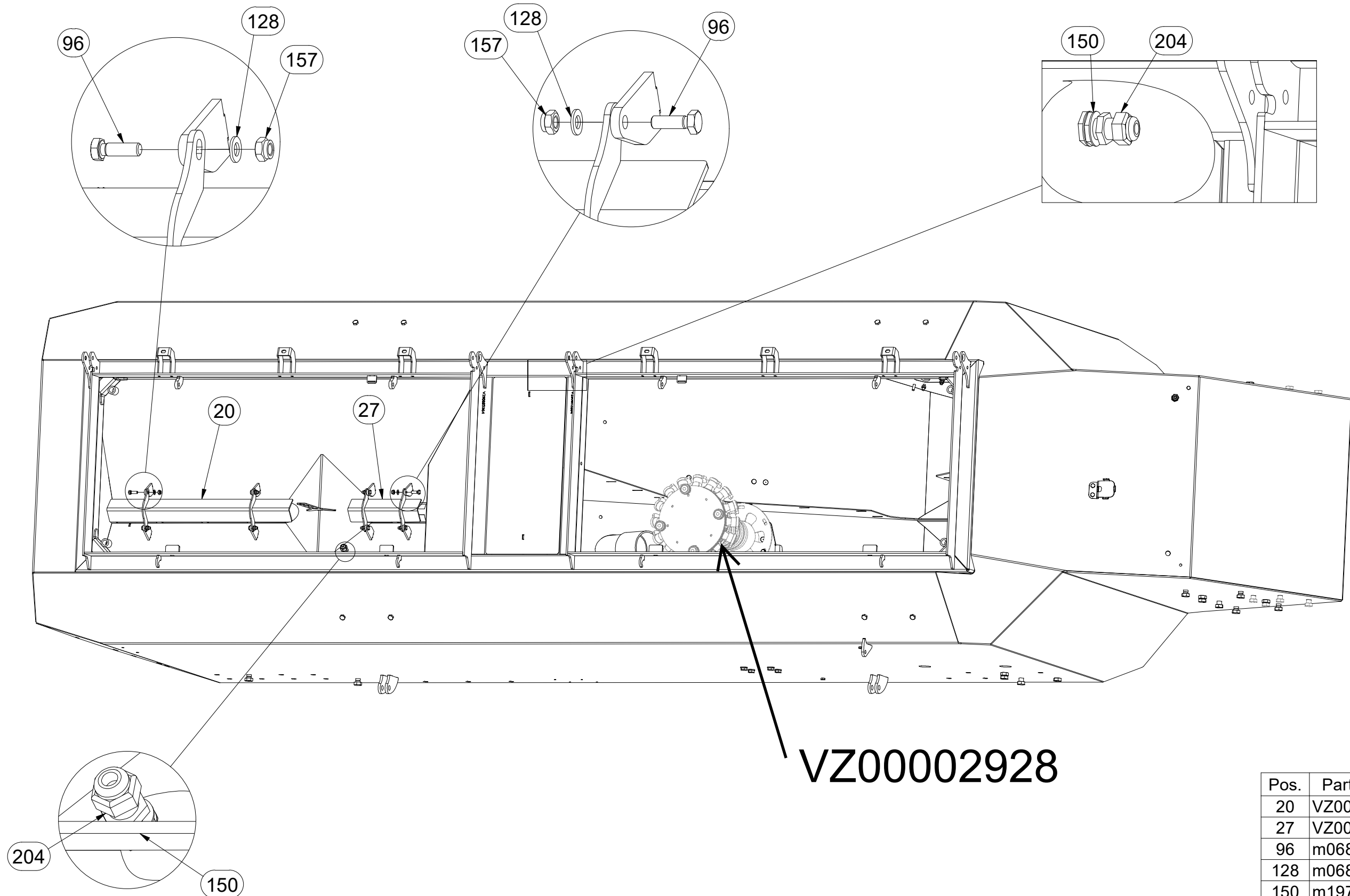
| Pos. | Part Number | Pcs. |
|------|-------------|---------|
| 18 | VZ00030724 | 1 |
| 87 | m13545 | 6 |
| 157 | m10820 | 70 |
| 190 | m23798 | 9,000 m |
| 209 | m22575 | 12 |
| 234 | m22576 | 2 |
| 238 | m23799 | 2,000 m |

CZ NÁSYPKA
 D FÜLLTRICHTER
 F TRÉMIE

GB HOPPER
 RU БУНКЕР
 PL LEJ



VZ00032413



VZ00002928

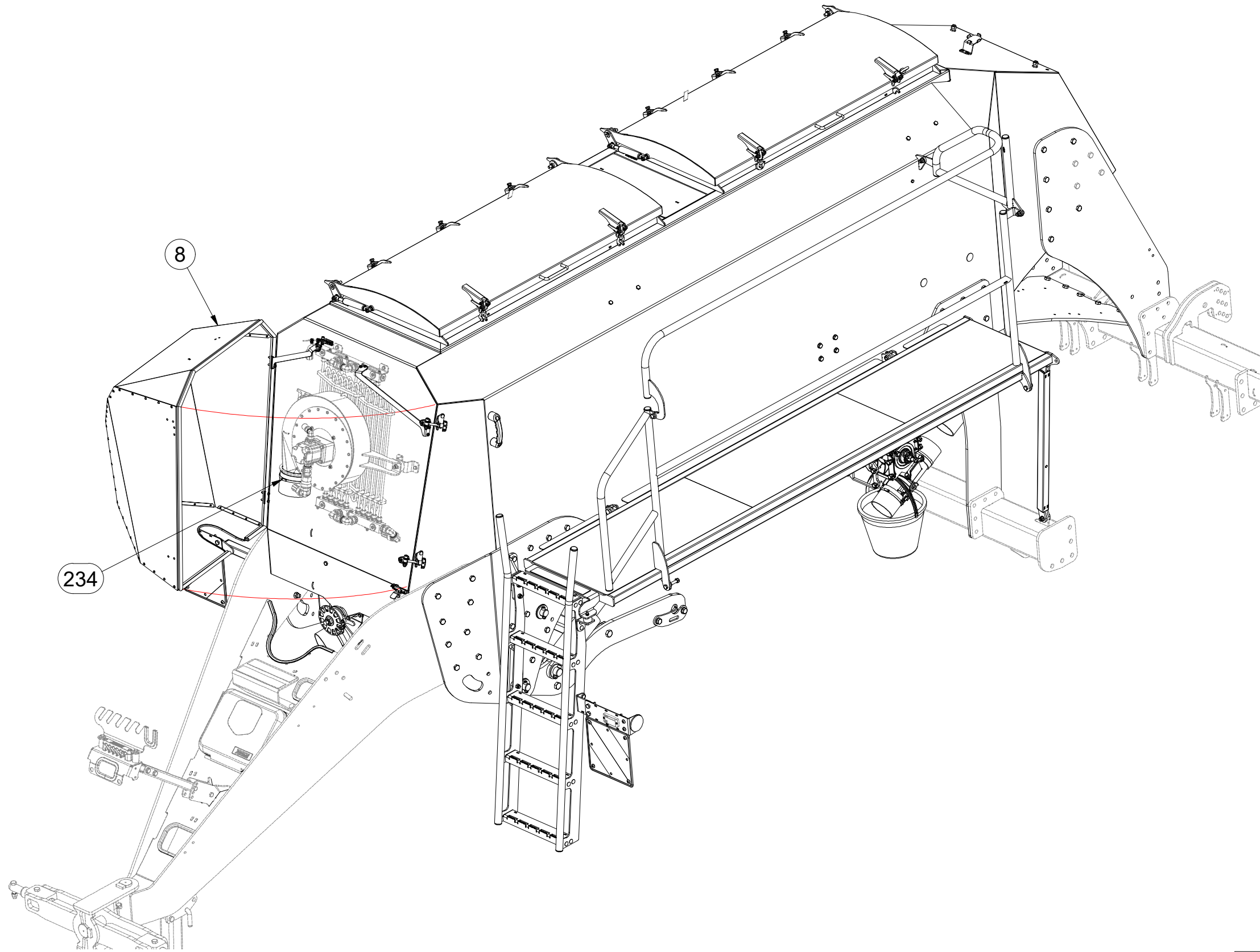
| Pos. | Part Number | Pcs. |
|------|-------------|------|
| 20 | VZ00002158 | 1 |
| 27 | VZ00002165 | 1 |
| 96 | m06850 | 16 |
| 128 | m06846 | 26 |
| 150 | m19715 | 6 |
| 157 | m10820 | 70 |
| 204 | m19713 | 6 |

- Ⓒ NÁŠYPKA
- Ⓓ FÜLLTRICHTER
- Ⓕ TRÉMIE

- Ⓖ HOPPER
- Ⓡ БУНКЕР
- Ⓟ LEJ



VZ00032413



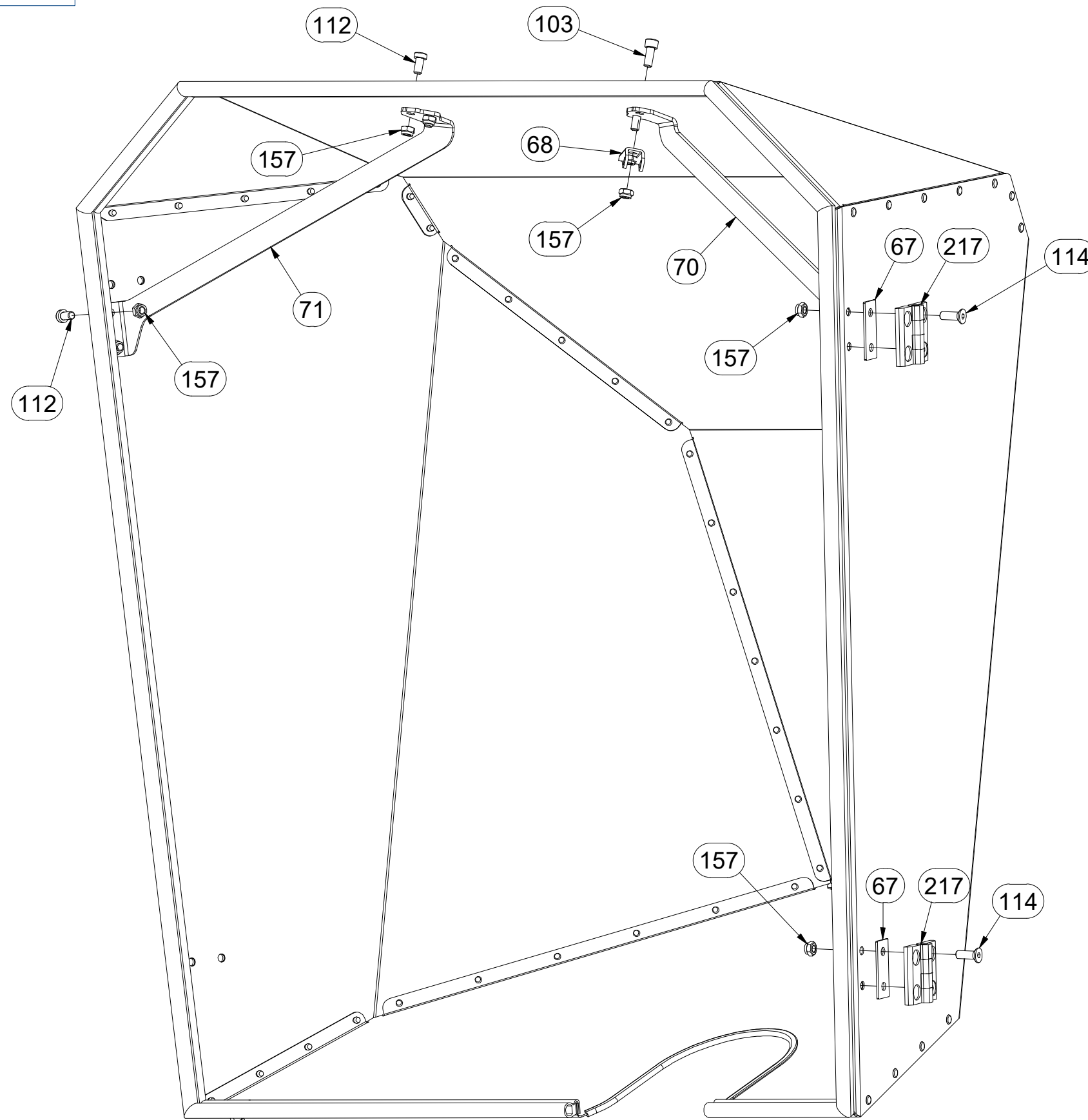
| Pos. | Part Number | Pcs. |
|------|-------------|------|
| 8 | VZ00029616 | 1 |
| 234 | m22576 | 2 |

- Ⓒ NÁŠYPKA
- Ⓓ FÜLLTRICHTER
- Ⓕ TRÉMIE

- Ⓖ HOPPER
- Ⓡ БУНКЕР
- Ⓟ LEJ



VZ00032413



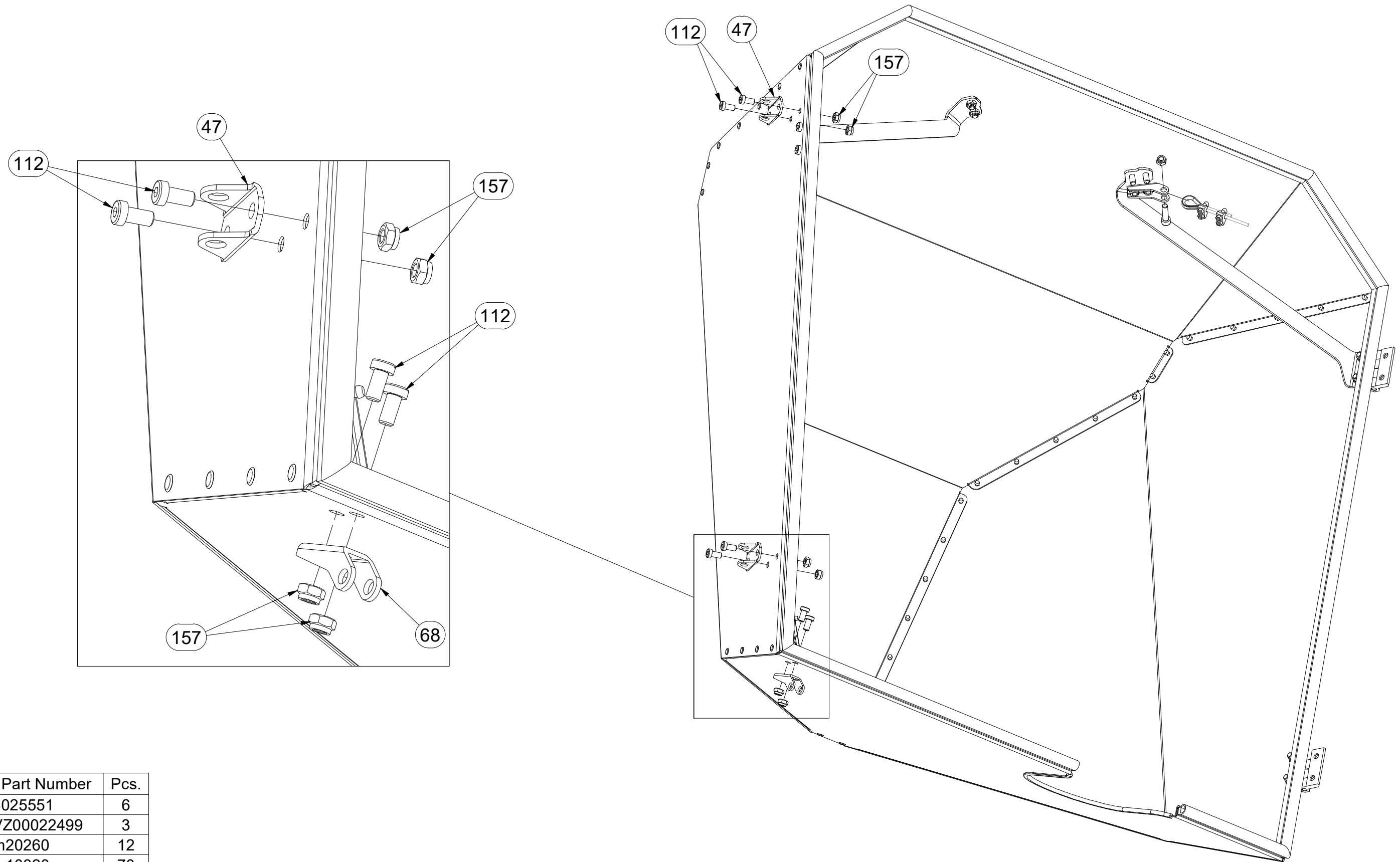
| Pos. | Part Number | Pcs. |
|------|-------------|------|
| 67 | VZ00022838 | 2 |
| 68 | VZ00022499 | 3 |
| 70 | VZ00025316 | 1 |
| 71 | VZ00025573 | 1 |
| 103 | m13585 | 10 |
| 112 | m20260 | 12 |
| 114 | m19789 | 8 |
| 157 | m10820 | 70 |
| 217 | m22680 | 2 |

CZ NÁSYPKA
 D FÜLLTRICHTER
 F TRÉMIE

GB HOPPER
 RU БУНКЕР
 PL LEJ



VZ00032413



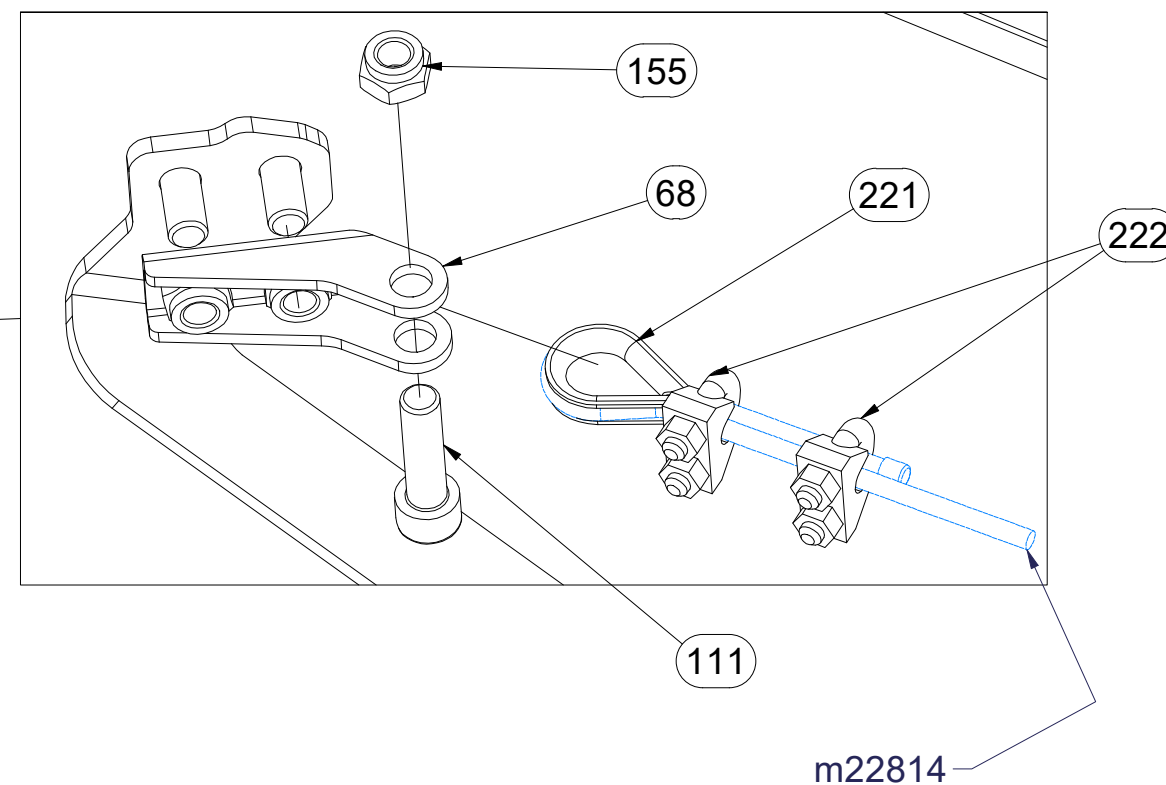
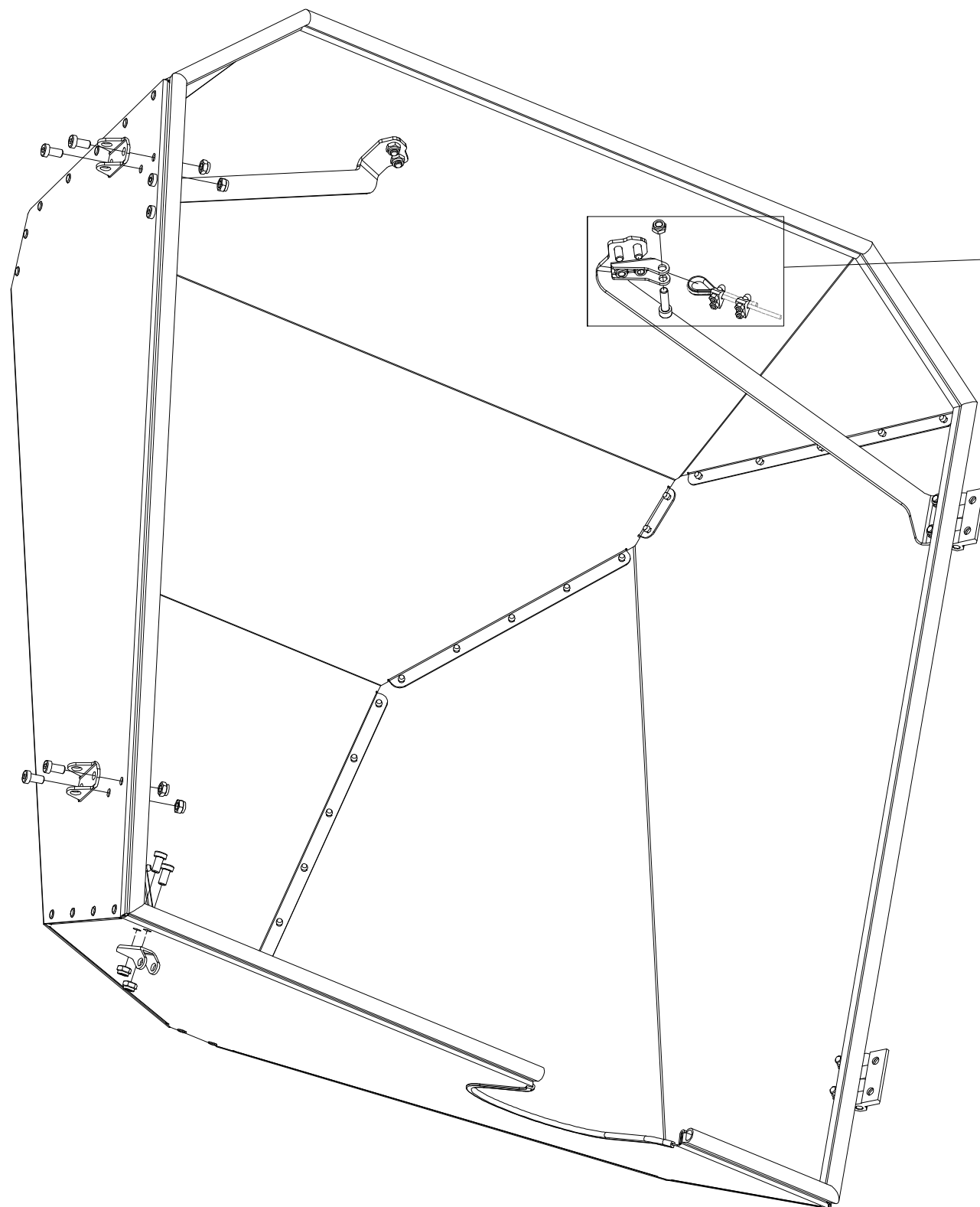
| Pos. | Part Number | Pcs. |
|------|-------------|------|
| 47 | 4025551 | 6 |
| 68 | VZ00022499 | 3 |
| 112 | m20260 | 12 |
| 157 | m10820 | 70 |

- Ⓒ NÁŠYPKA
- Ⓓ FÜLLTRICHTER
- Ⓕ TRÉMIE

- Ⓖ HOPPER
- Ⓡ БУНКЕР
- Ⓟ LEJ



VZ00032413



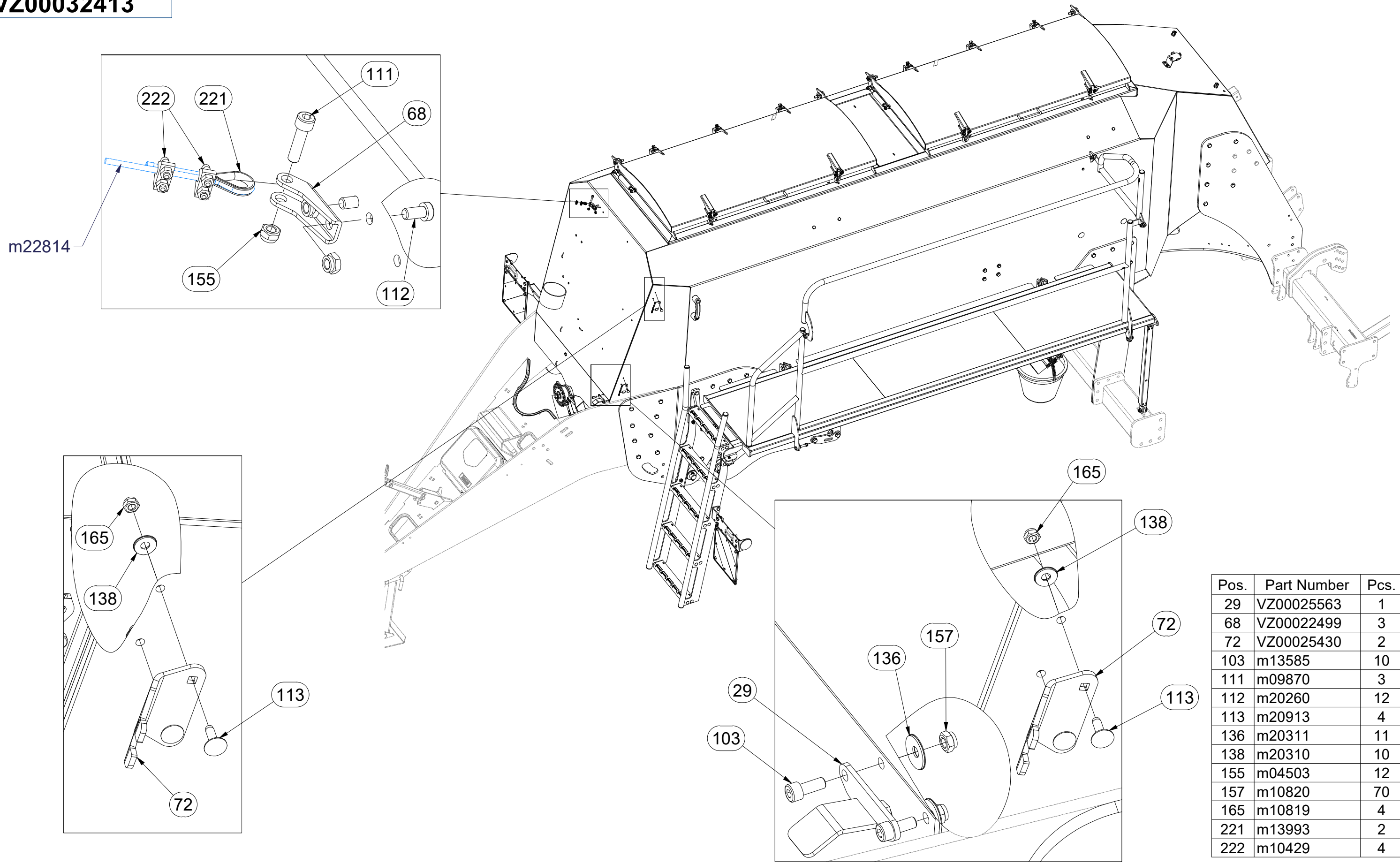
| Pos. | Part Number | Pcs. |
|------|-------------|---------|
| 68 | VZ00022499 | 3 |
| 111 | m09870 | 3 |
| 155 | m04503 | 12 |
| 220 | m22814 | 0,900 m |
| 221 | m13993 | 2 |
| 222 | m10429 | 4 |

- Ⓒ NÁŠYPKA
- Ⓓ FÜLLTRICHTER
- Ⓕ TRÉMIE

- Ⓖ HOPPER
- Ⓔ БУНКЕР
- Ⓗ LEJ



VZ00032413



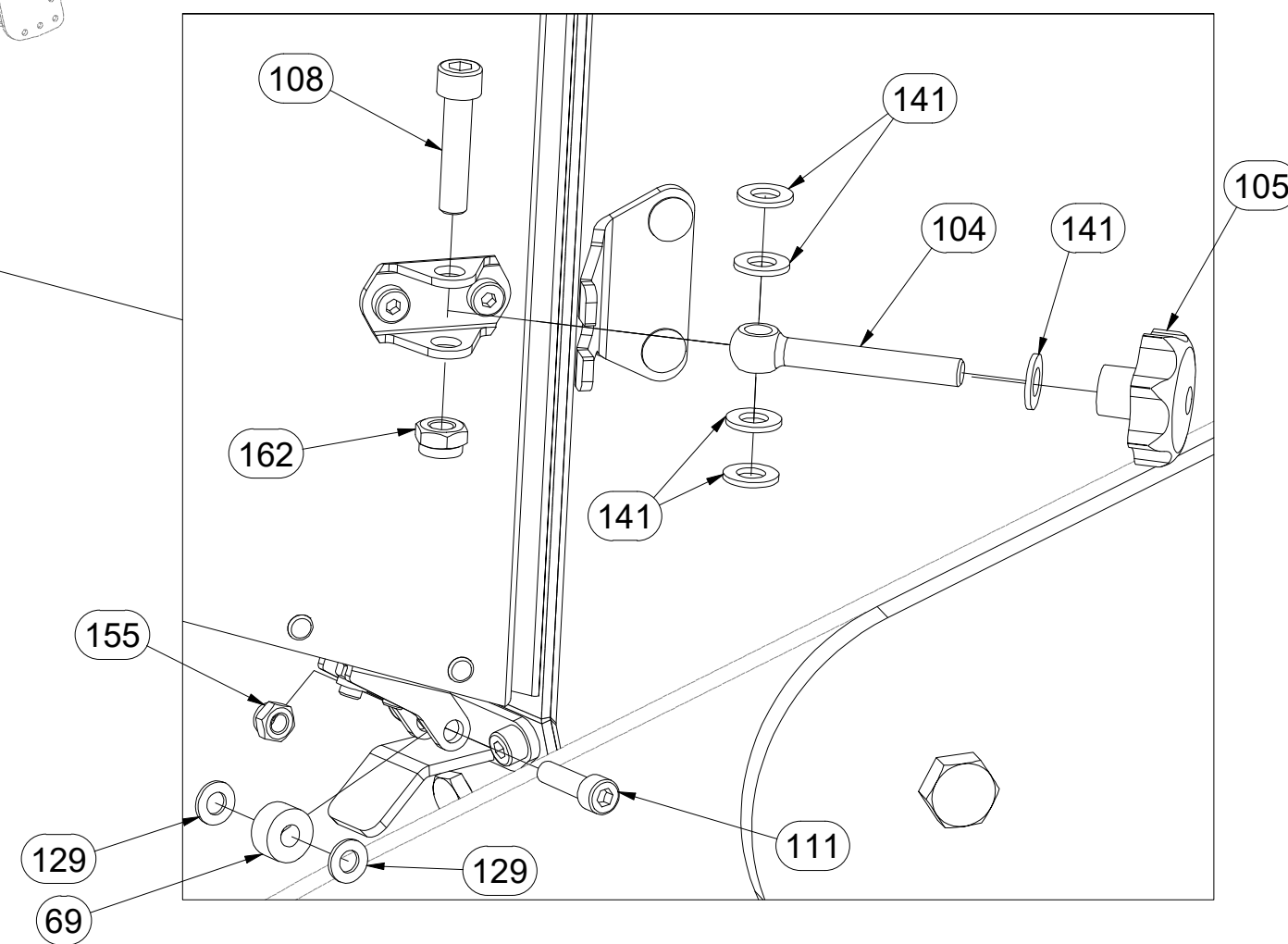
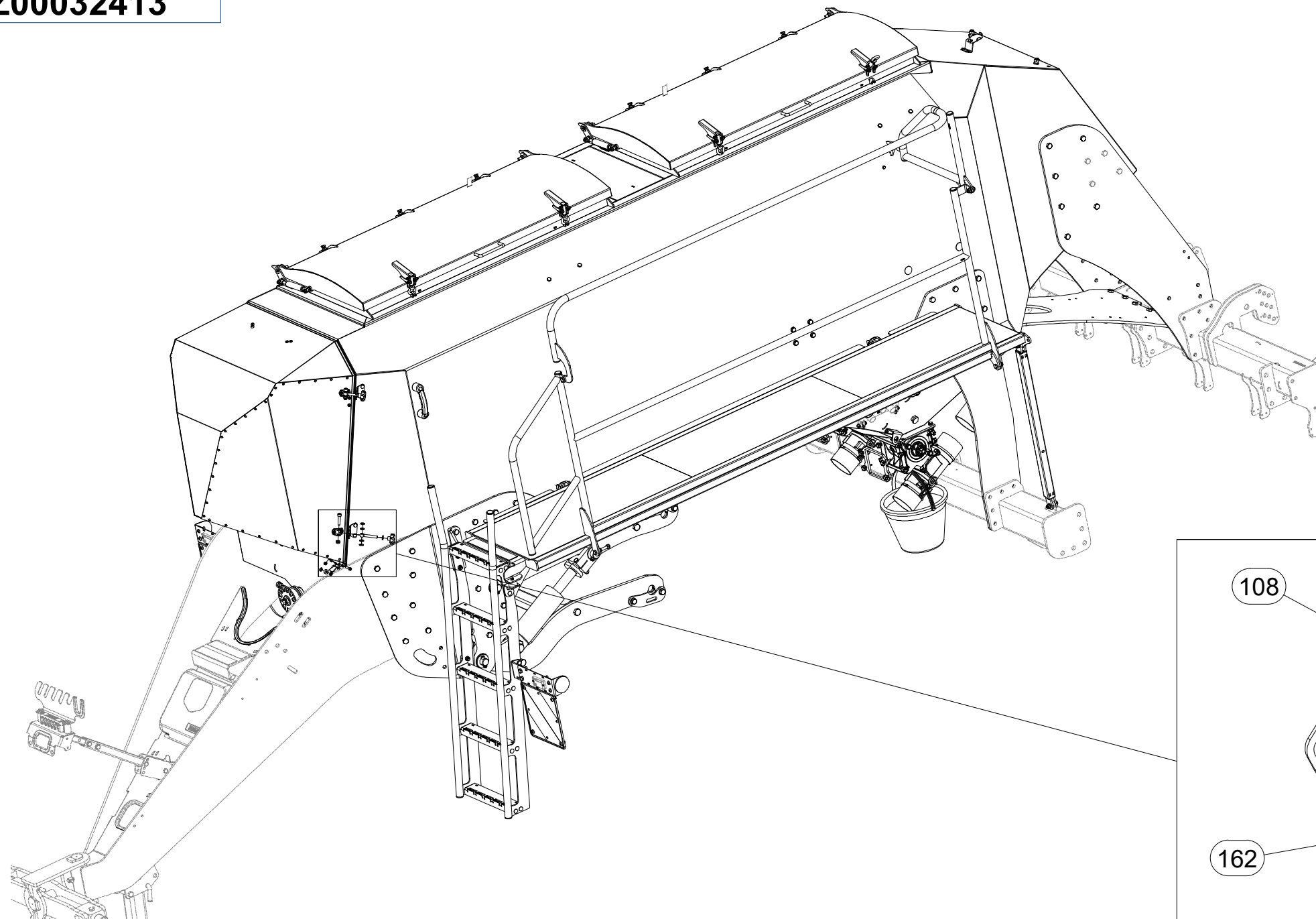
| Pos. | Part Number | Pcs. |
|------|-------------|------|
| 29 | VZ00025563 | 1 |
| 68 | VZ00022499 | 3 |
| 72 | VZ00025430 | 2 |
| 103 | m13585 | 10 |
| 111 | m09870 | 3 |
| 112 | m20260 | 12 |
| 113 | m20913 | 4 |
| 136 | m20311 | 11 |
| 138 | m20310 | 10 |
| 155 | m04503 | 12 |
| 157 | m10820 | 70 |
| 165 | m10819 | 4 |
| 221 | m13993 | 2 |
| 222 | m10429 | 4 |

CZ NÁŠYPKA
 D FÜLLTRICHTER
 F TRÉMIE

GB HOPPER
 RU БУНКЕР
 PL LEJ



VZ00032413



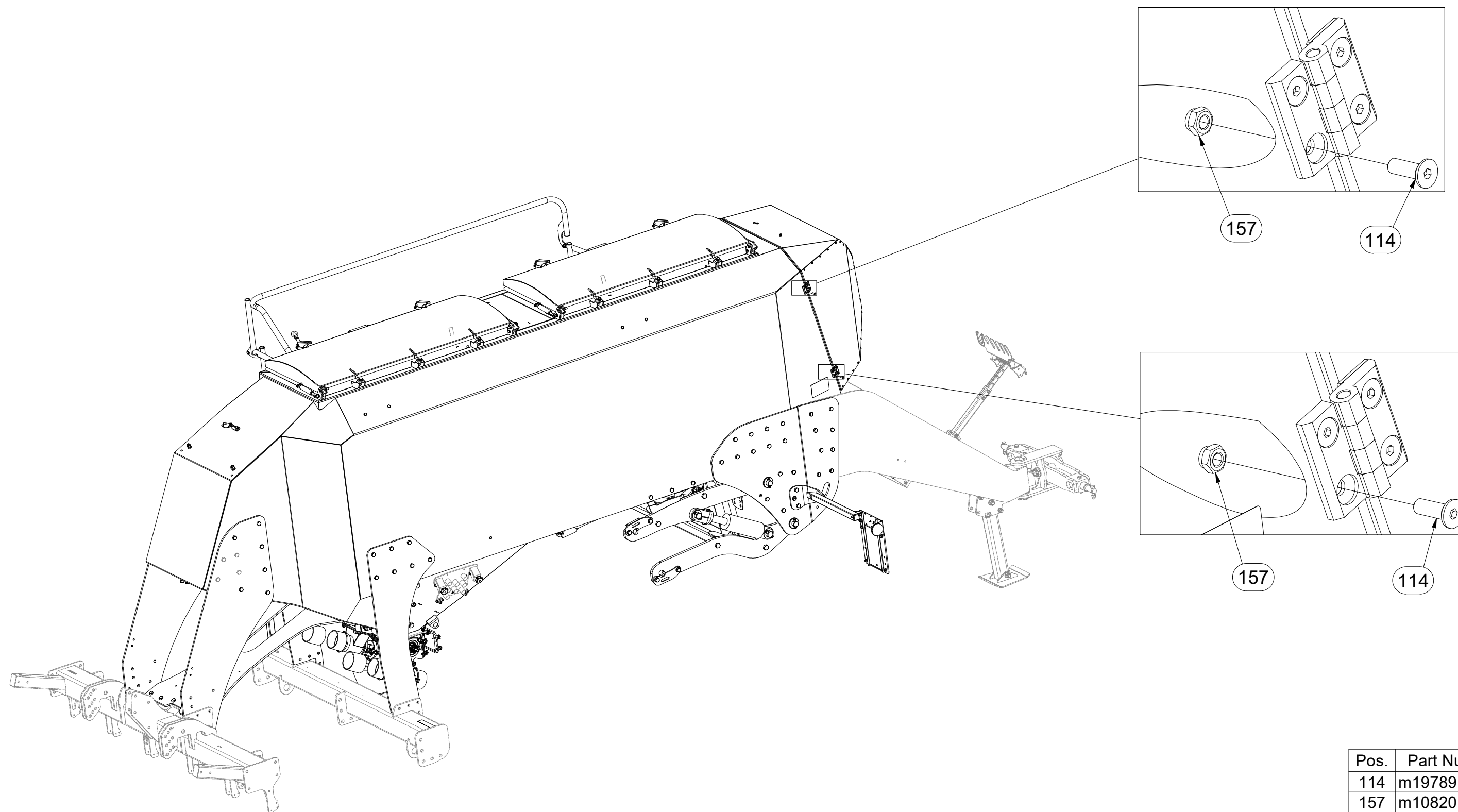
| Pos. | Part Number | Pcs. |
|------|-------------|------|
| 69 | VZ00022509 | 1 |
| 104 | m16912 | 6 |
| 105 | m16913 | 6 |
| 108 | m16788 | 6 |
| 111 | m09870 | 3 |
| 129 | m01203 | 5 |
| 141 | m06859 | 14 |
| 155 | m04503 | 12 |
| 162 | m13617 | 16 |

CZ NÁSYPKA
 D FÜLLTRICHTER
 F TRÉMIE

GB HOPPER
 RU БУНКЕР
 PL LEJ



VZ00032413



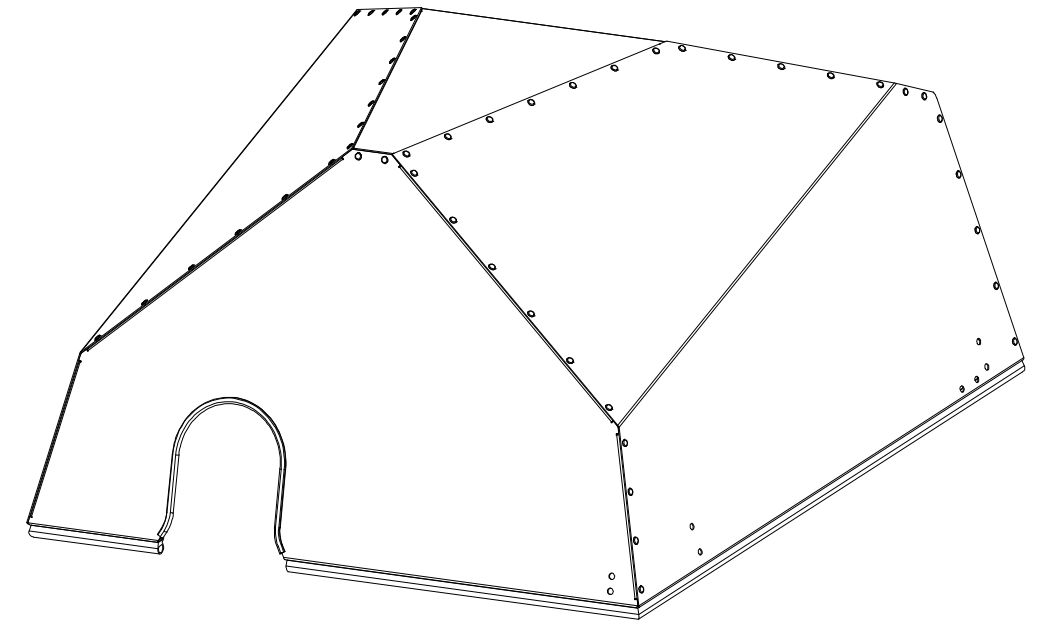
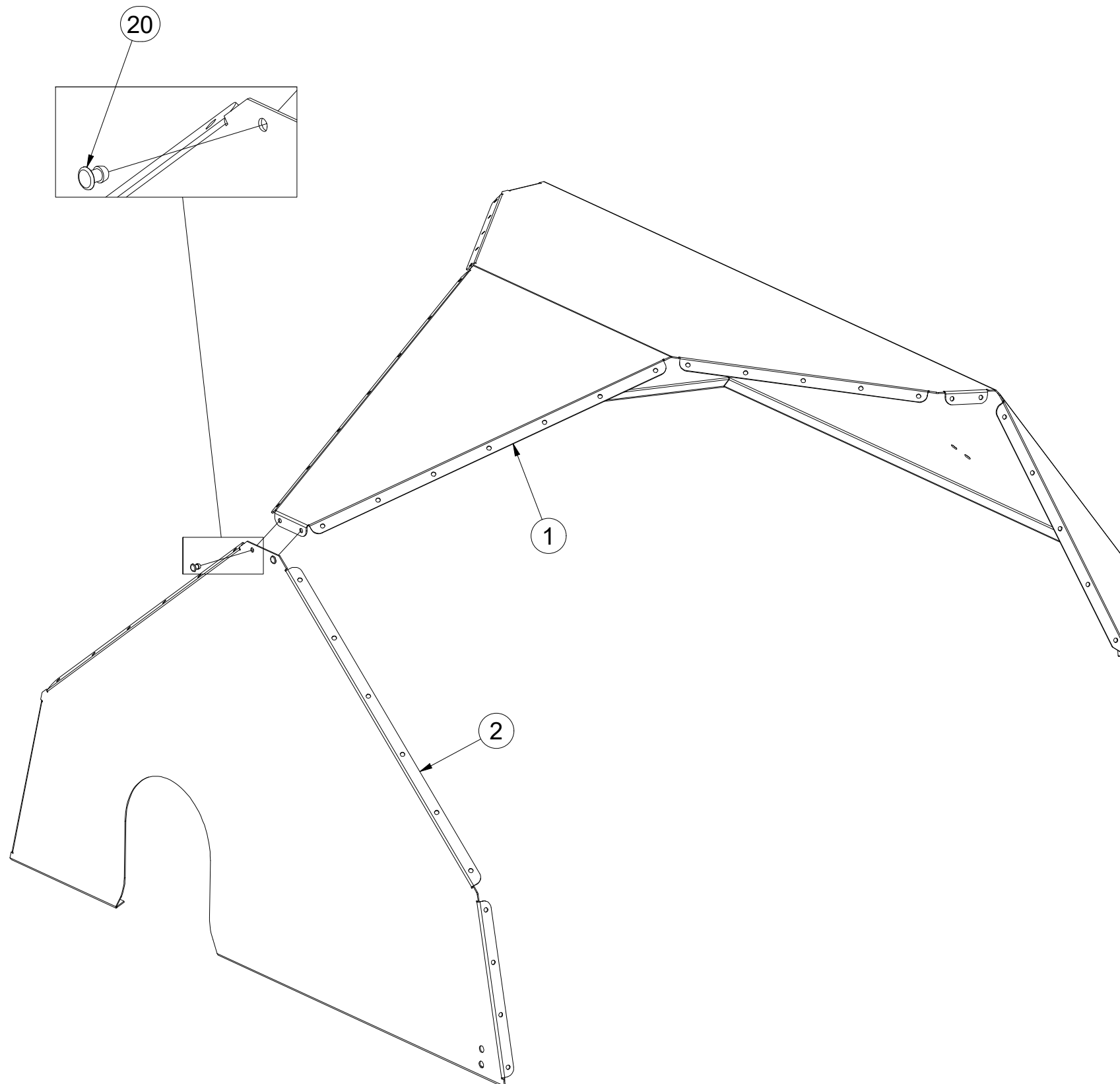
| Pos. | Part Number | Pcs. |
|------|-------------|------|
| 114 | m19789 | 8 |
| 157 | m10820 | 70 |

(CZ) KRYT VENTILÁTORU
 (D) LÜFTERABDECKUNG
 (F) COUVERCLE DU VENTILATEUR

(GB) VENTILATOR COVER
 (RU) КРЫШКА ВЕНТИЛЯТОРА
 (PL) POKRYWA WENTYLATORA



VZ00029616



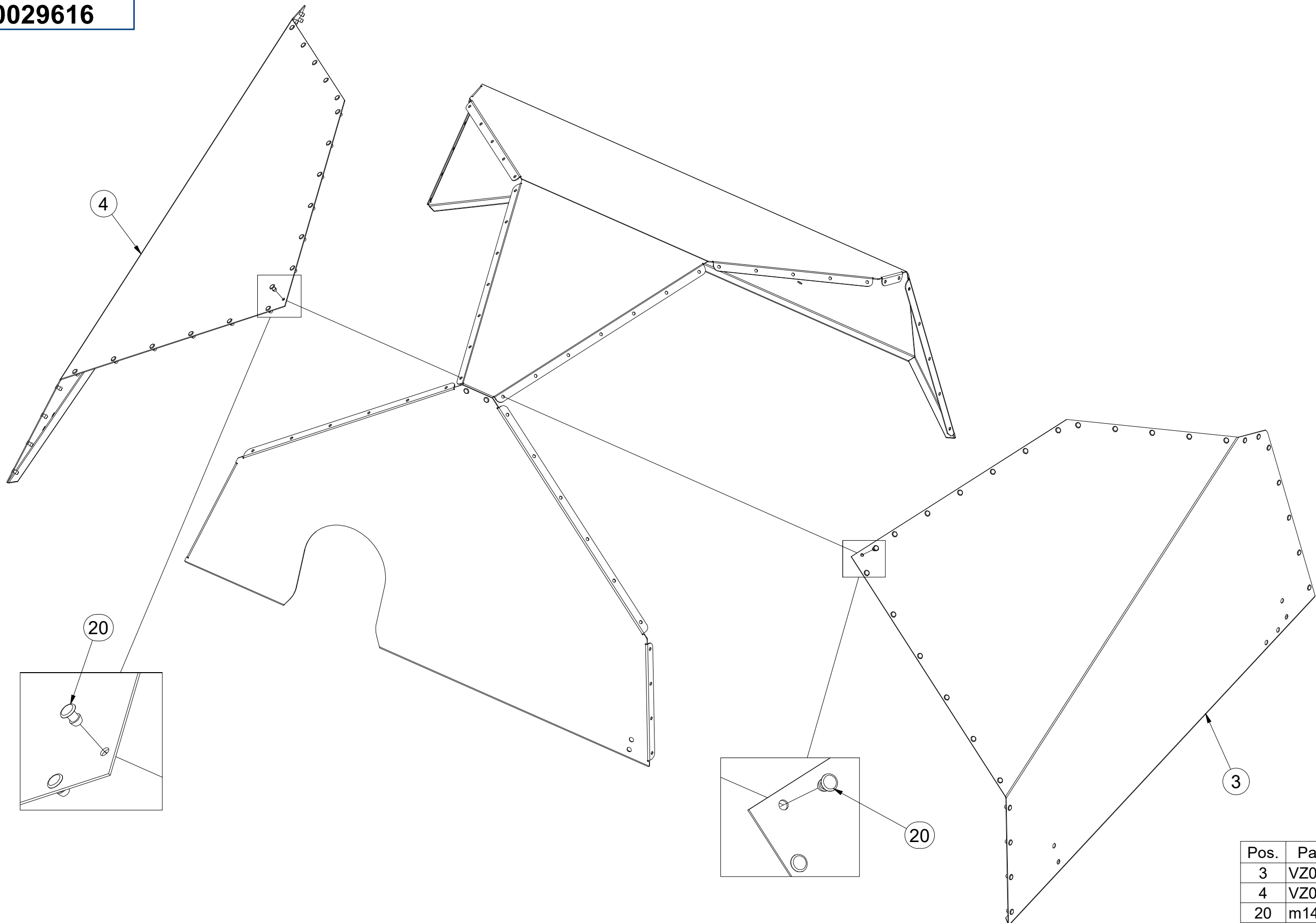
| Pos. | Part Number | Pcs. |
|------|-------------|------|
| 1 | VZ00021571 | 1 |
| 2 | VZ00029617 | 1 |
| 20 | m14604 | 60 |

(CZ) KRYT VENTILÁTORU
 (D) LÜFTERABDECKUNG
 (F) COUVERCLE DU VENTILATEUR

(GB) VENTILATOR COVER
 (RU) КРЫШКА ВЕНТИЛЯТОРА
 (PL) POKRYWA WENTYLATORA



VZ00029616



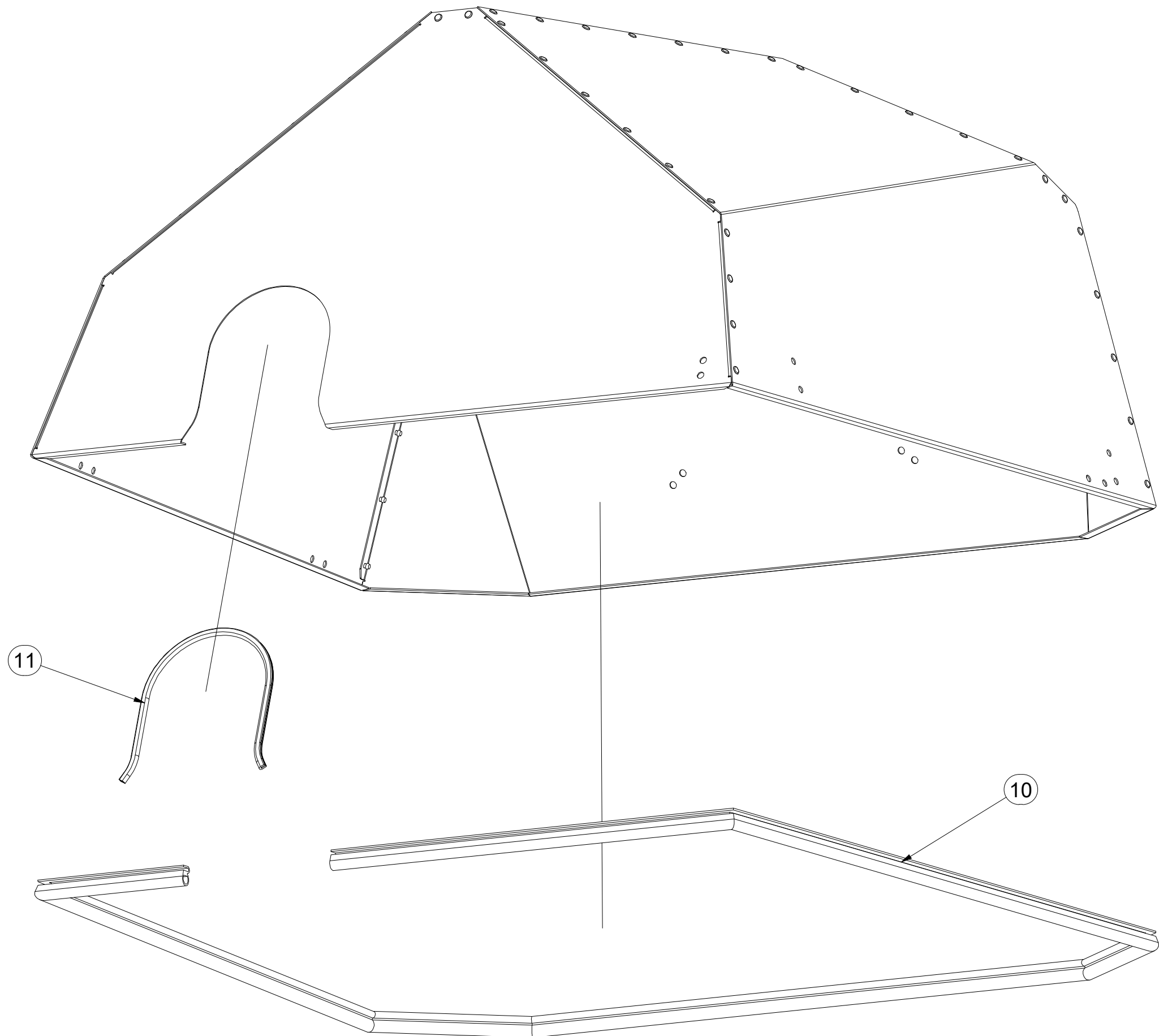
| Pos. | Part Number | Pcs. |
|------|-------------|------|
| 3 | VZ00022431 | 1 |
| 4 | VZ00021570 | 1 |
| 20 | m14604 | 60 |

(CZ) KRYT VENTILÁTORU
 (D) LÜFTERABDECKUNG
 (F) COUVERCLE DU VENTILATEUR

(GB) VENTILATOR COVER
 (RU) КРЫШКА ВЕНТИЛЯТОРА
 (PL) POKRYWA WENTYLATORA



VZ00029616



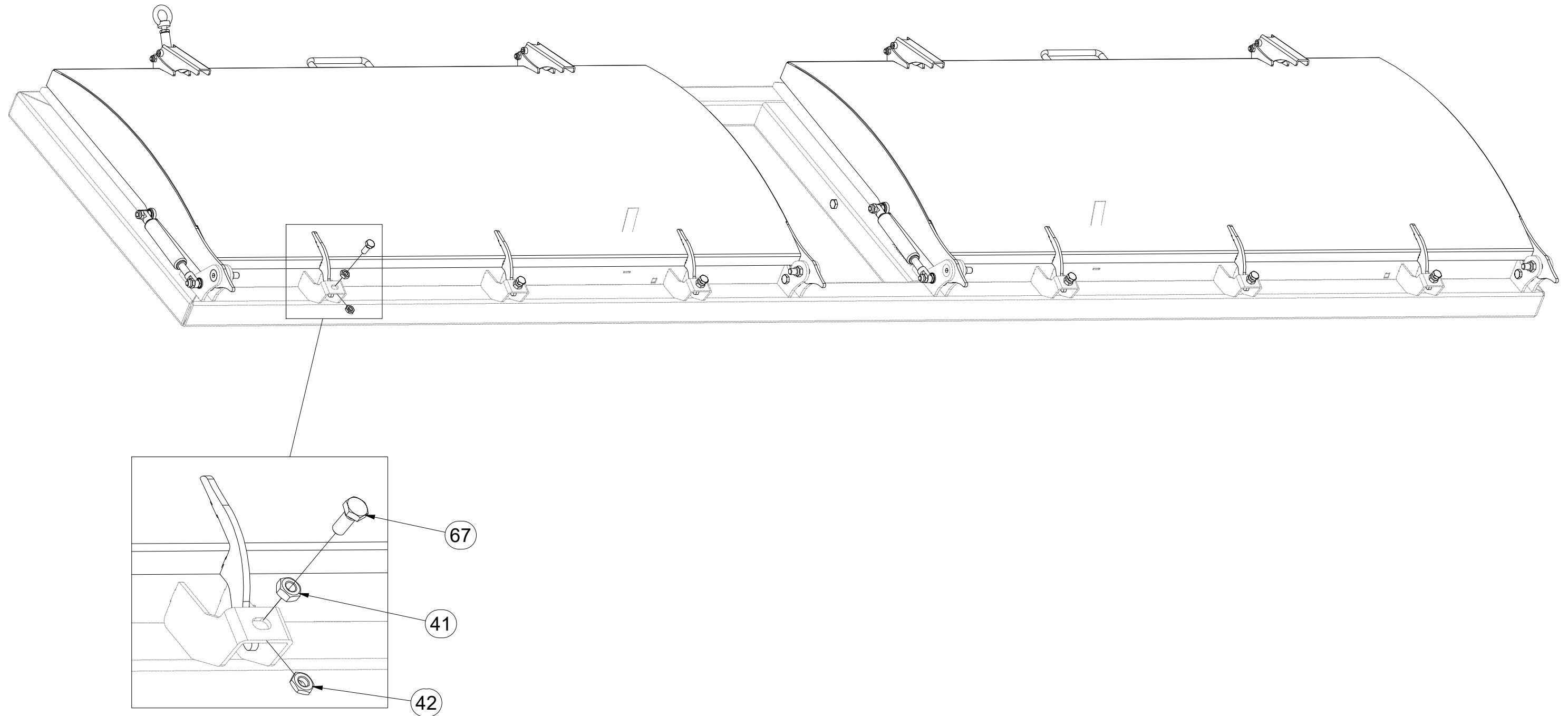
| Pos. | Part Number | Pcs. |
|------|-------------|------|
| 10 | VZ00029628 | 1 |
| 11 | VZ00029627 | 1 |

CZ VÍKO NÁSYPKY
 D TRICHTERDECKEL
 F COUVERCLE DE TRÉMITE

GB HOPPER LID
 RU КРЫШКА БУНКЕРА
 PL POKRYWA ZASOBNIKA



VZ00025881



| Pos. | Part Number | Pcs. |
|------|-------------|------|
| 42 | m19799 | 16 |
| 41 | m06853 | 12 |
| 67 | m19695 | 6 |

ⒸZ VÍKO NÁSYPKY

Ⓓ TRICHTERDECKEL

Ⓕ COUVERCLE DE TRÉMITE

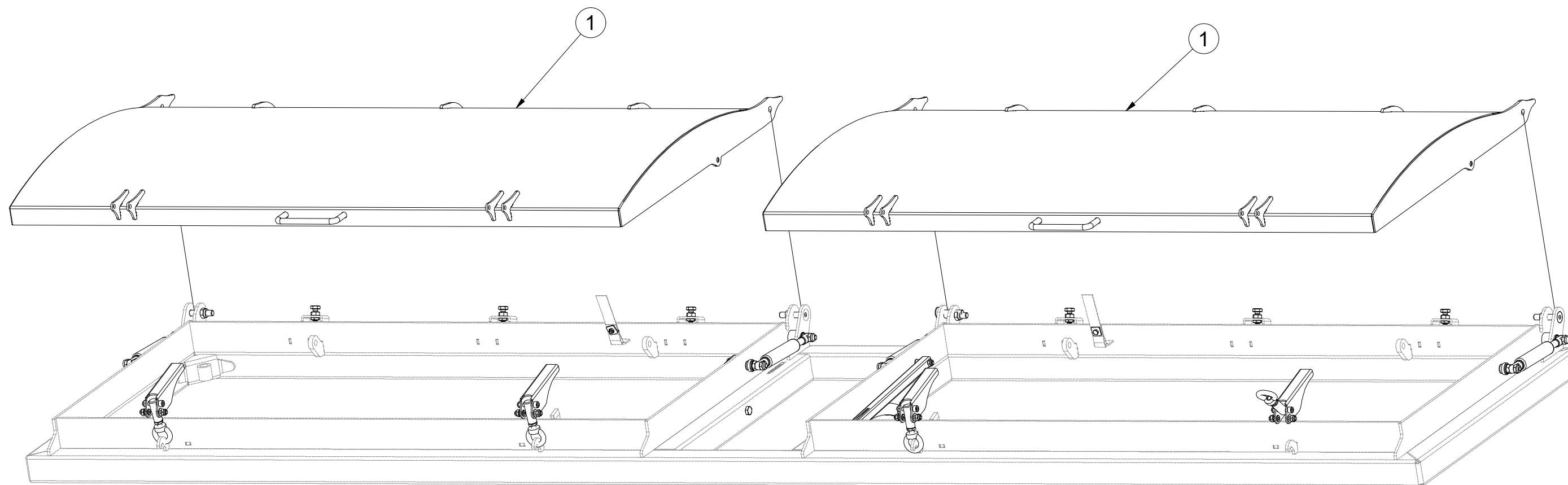
VZ00025881

ⒼB HOPPER LID

Ⓔ КРЫШКА БУНКЕРА

ⒽL POKRYWA ZASOBNIKA

Farmet



| Pos. | Part Number | Pcs. |
|------|-------------|------|
| 1 | VZ00009448 | 2 |

Ⓒ VÍKO NÁSYPKY

Ⓓ TRICHTERDECKEL

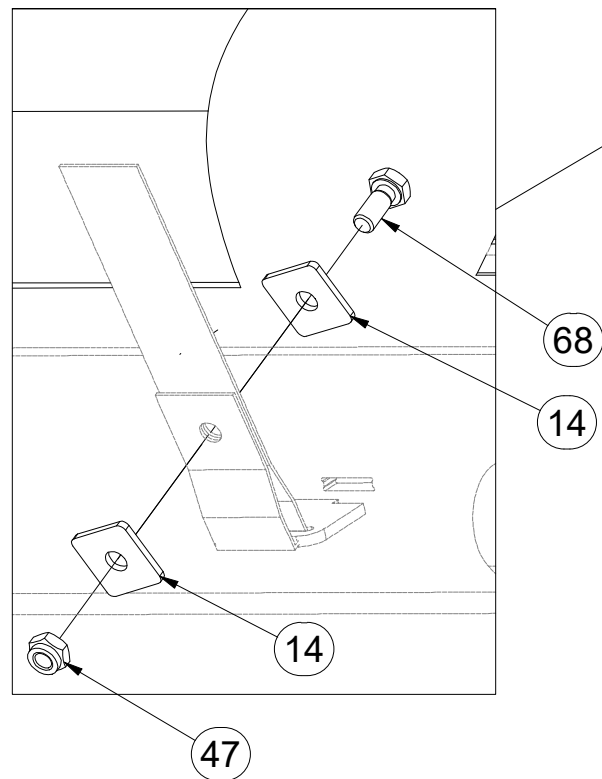
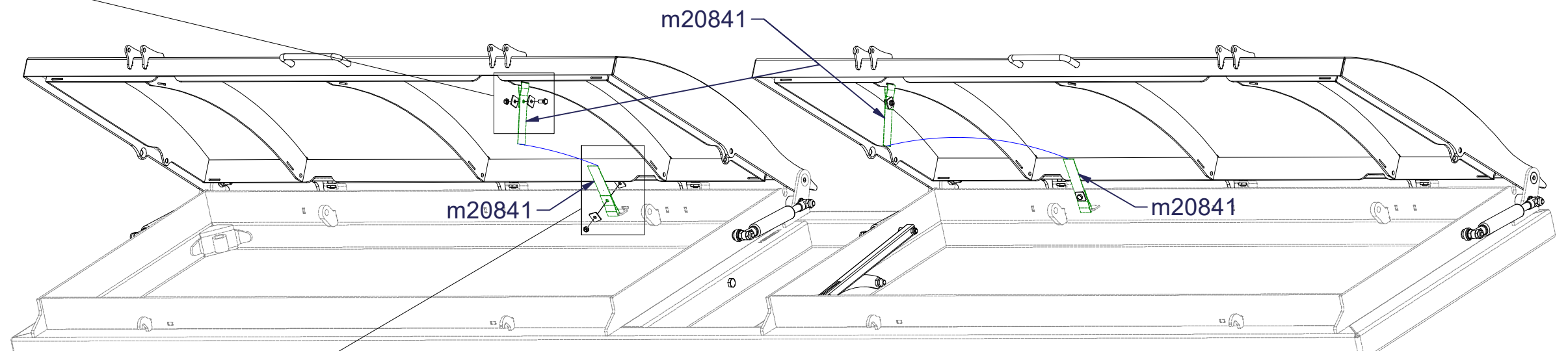
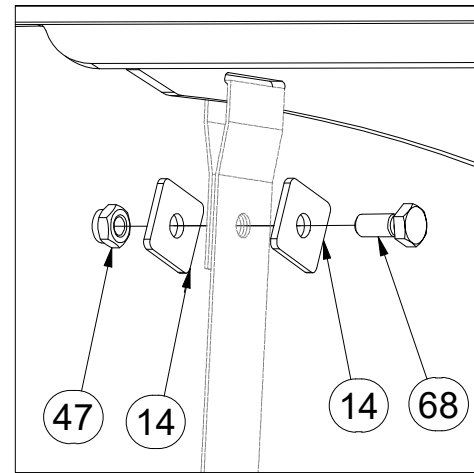
Ⓕ COUVERCLE DE TRÉMITE

VZ00025881

Ⓖ HOPPER LID

Ⓡ КРЫШКА БУНКЕРА

Ⓢ POKRYWA ZASOBNIKA



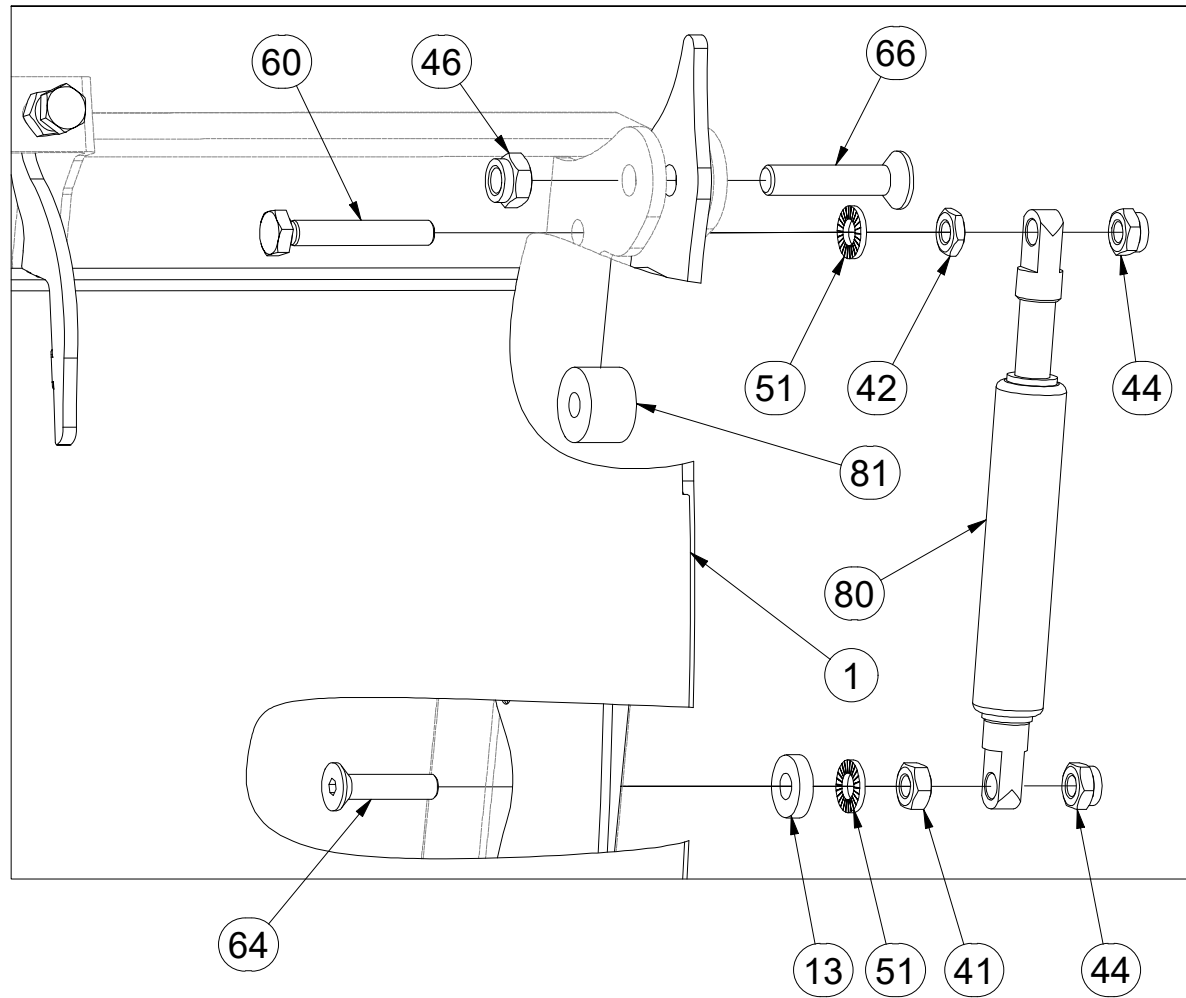
| Pos. | Part Number | Pcs. |
|------|-------------|---------|
| 14 | VZ00004895 | 8 |
| 47 | m10819 | 4 |
| 68 | m10463 | 4 |
| 83 | m20841 | 2,600 m |

CZ VÍKO NÁSYPKY
 D TRICHTERDECKEL
 F COUVERCLE DE TRÉMITE

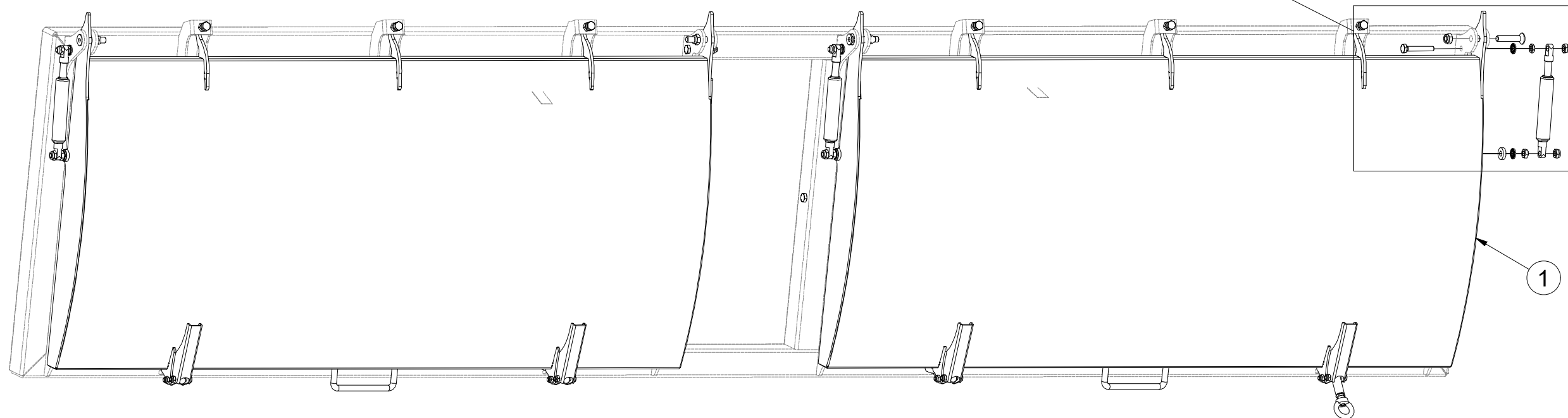
GB HOPPER LID
 RU КРЫШКА БУНКЕРА
 PL POKRYWA ZASOBNIKA



VZ00025881



| Pos. | Part Number | Pcs. |
|------|-------------|------|
| 1 | VZ00009448 | 2 |
| 13 | VZ00005121 | 4 |
| 41 | m06853 | 12 |
| 42 | m19799 | 16 |
| 44 | m13617 | 13 |
| 46 | m13618 | 4 |
| 51 | m06543 | 8 |
| 60 | m19798 | 4 |
| 64 | m19791 | 4 |
| 66 | m19800 | 5 |
| 80 | m19704 | 4 |
| 81 | m20566 | 4 |



Ⓒ VÍKO NÁSYPKY

Ⓓ TRICHTERDECKEL

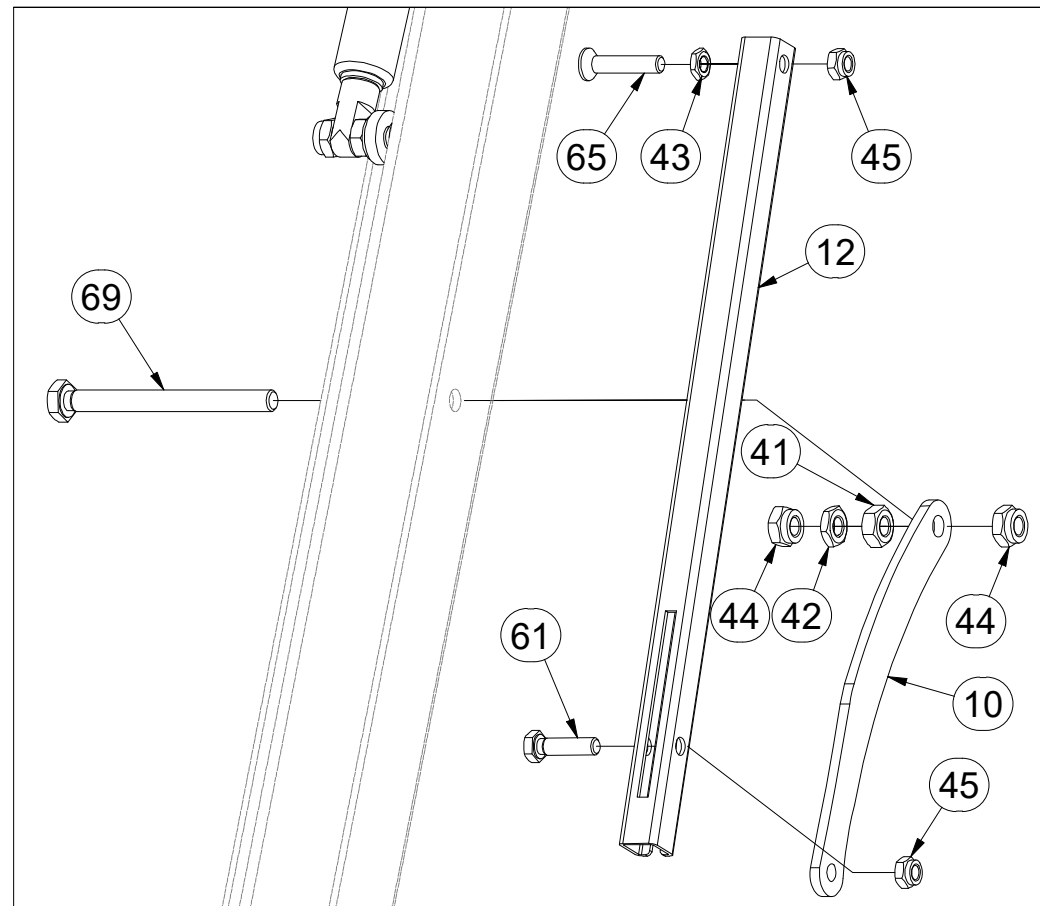
Ⓕ COUVERCLE DE TRÉMITE

VZ0002581

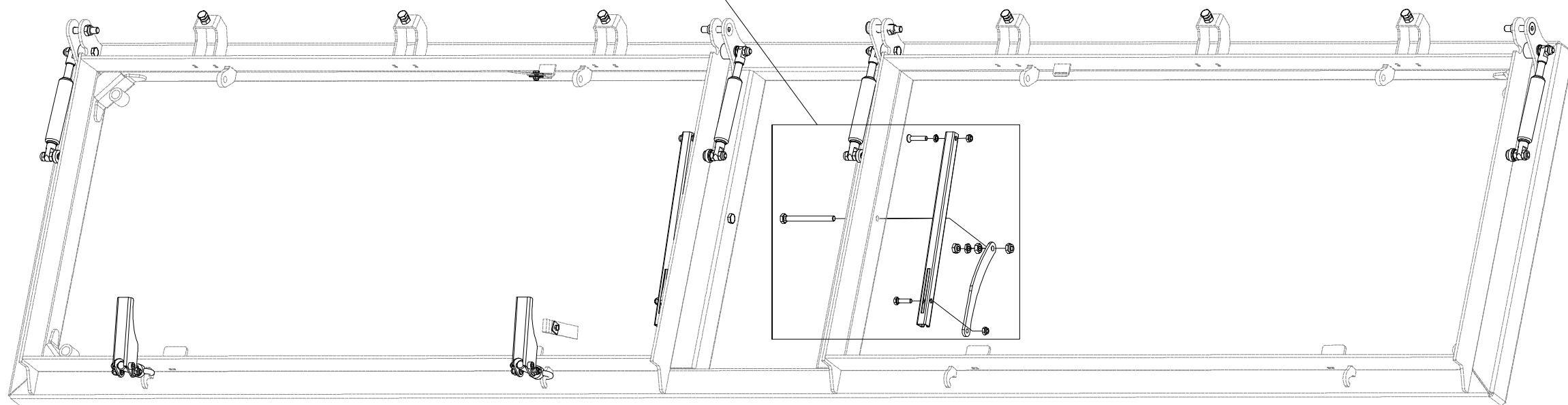
Ⓖ HOPPER LID

Ⓔ КРЫШКА БУНКЕРА

Ⓗ POKRYWA ZASOBNIKA



| Pos. | Part Number | Pcs. |
|------|-------------|------|
| 10 | VZ00000440 | 2 |
| 12 | VZ00004915 | 2 |
| 41 | m06853 | 12 |
| 42 | m19799 | 16 |
| 43 | m19790 | 2 |
| 44 | m13617 | 13 |
| 45 | m10820 | 16 |
| 61 | m06855 | 2 |
| 65 | m20229 | 2 |
| 69 | m22830 | 2 |



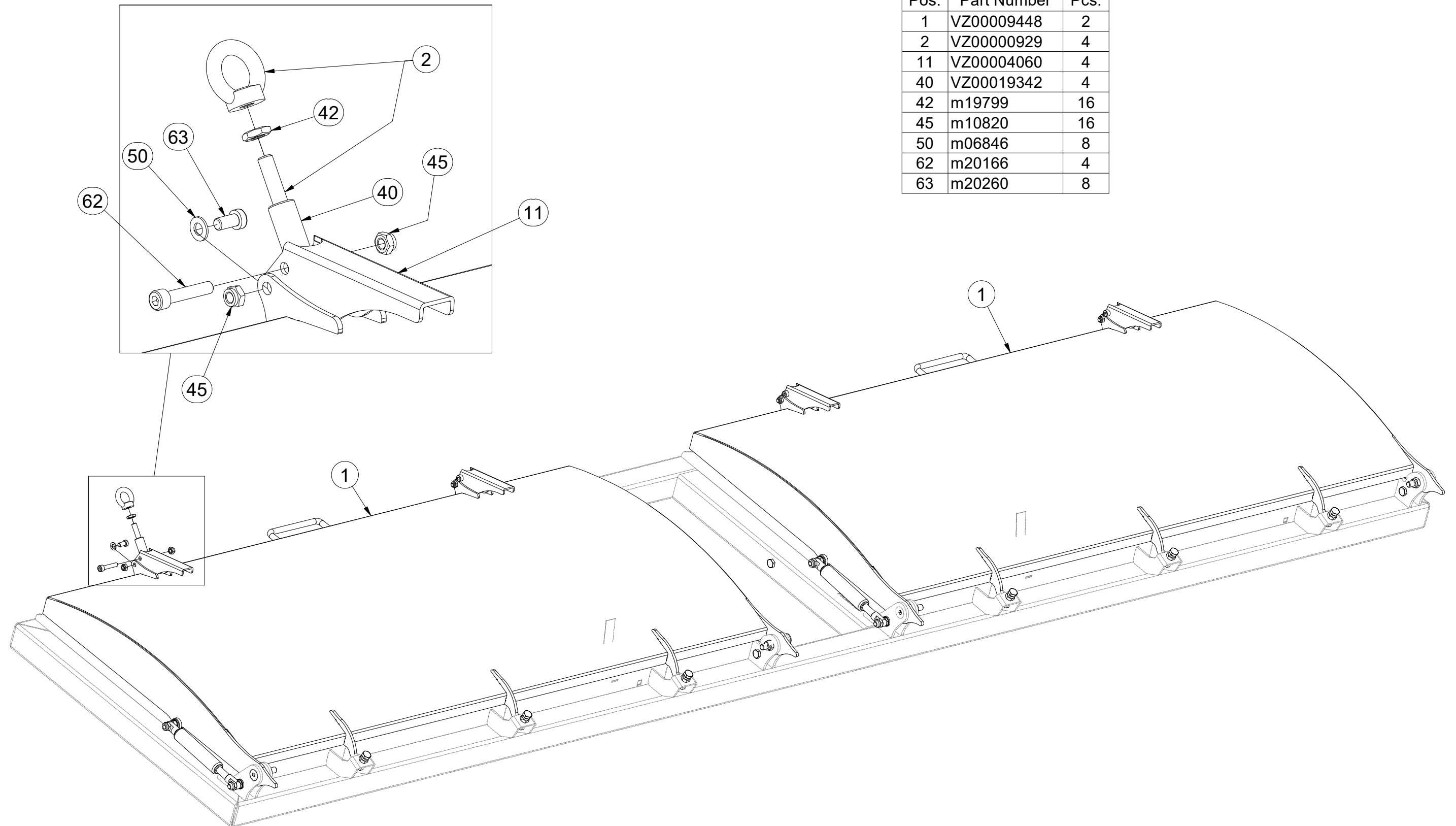
CZ VÍKO NÁSYPKY
 D TRICHTERDECKEL
 F COUVERCLE DE TRÉMITE

GB HOPPER LID
 RU КРЫШКА БУНКЕРА
 PL POKRYWA ZASOBNIKA



VZ00025881

| Pos. | Part Number | Pcs. |
|------|-------------|------|
| 1 | VZ00009448 | 2 |
| 2 | VZ00000929 | 4 |
| 11 | VZ00004060 | 4 |
| 40 | VZ00019342 | 4 |
| 42 | m19799 | 16 |
| 45 | m10820 | 16 |
| 50 | m06846 | 8 |
| 62 | m20166 | 4 |
| 63 | m20260 | 8 |

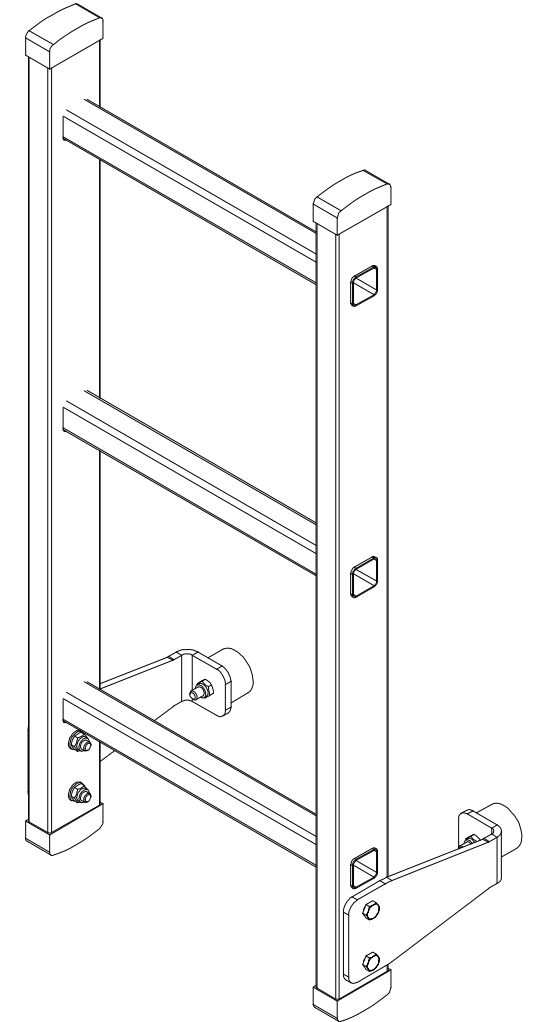
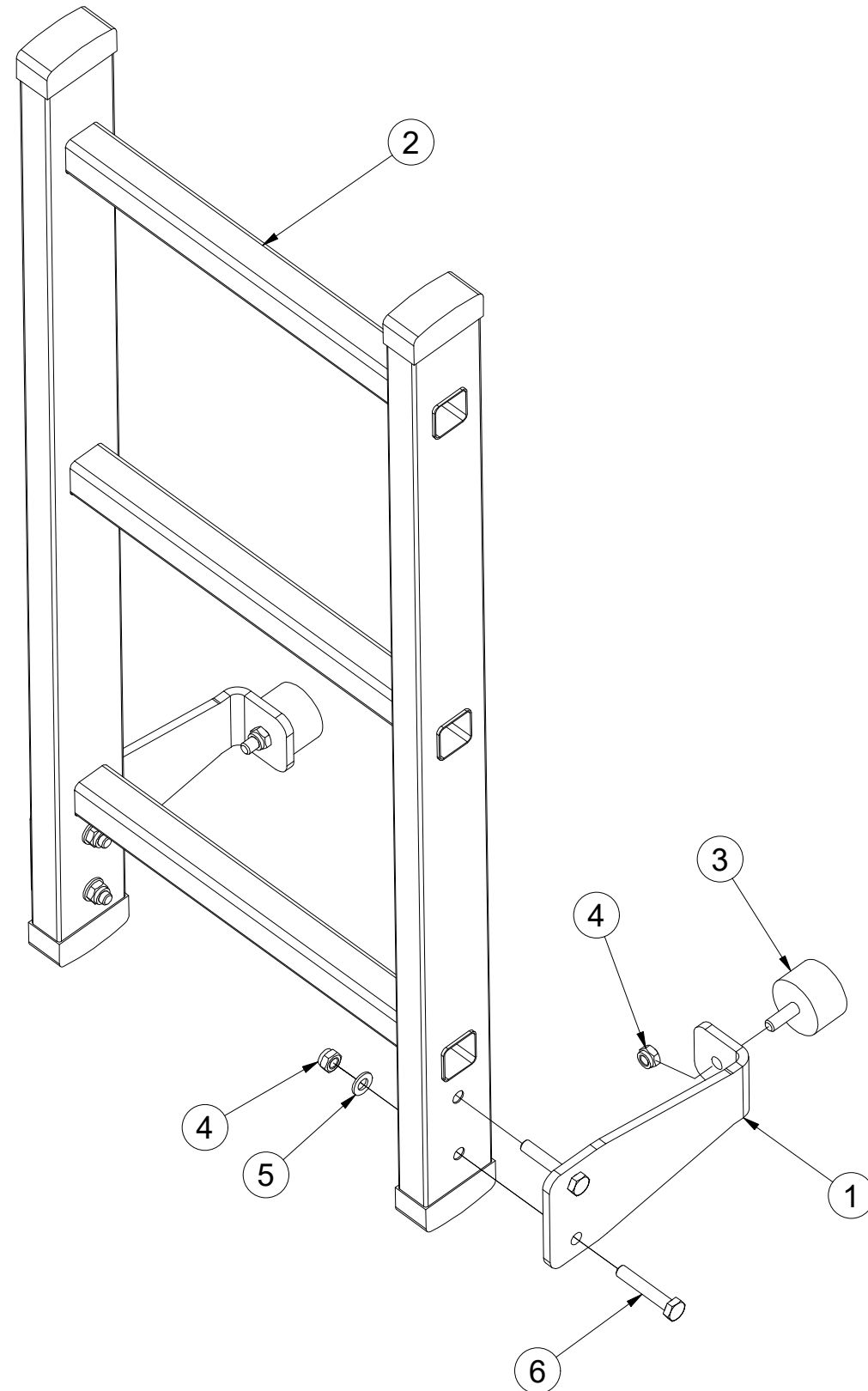


CZ ŽEBŘÍK
 D LEITER
 F ÉCHELLE

GB FOOTBRIDGE
 RU ЛЕСЕНКА
 PL DRABINKA



VZ00022606



| Pos. | Part Number | Pcs. |
|------|-------------|------|
| 1 | VZ00005406 | 2 |
| 2 | VZ00024355 | 1 |
| 3 | m08098 | 2 |
| 4 | m04503 | 6 |
| 5 | m01203 | 4 |
| 6 | m07789 | 4 |

Ⓒ PŘEPÁŽKA

Ⓓ PARTITION

Ⓕ CLOISON

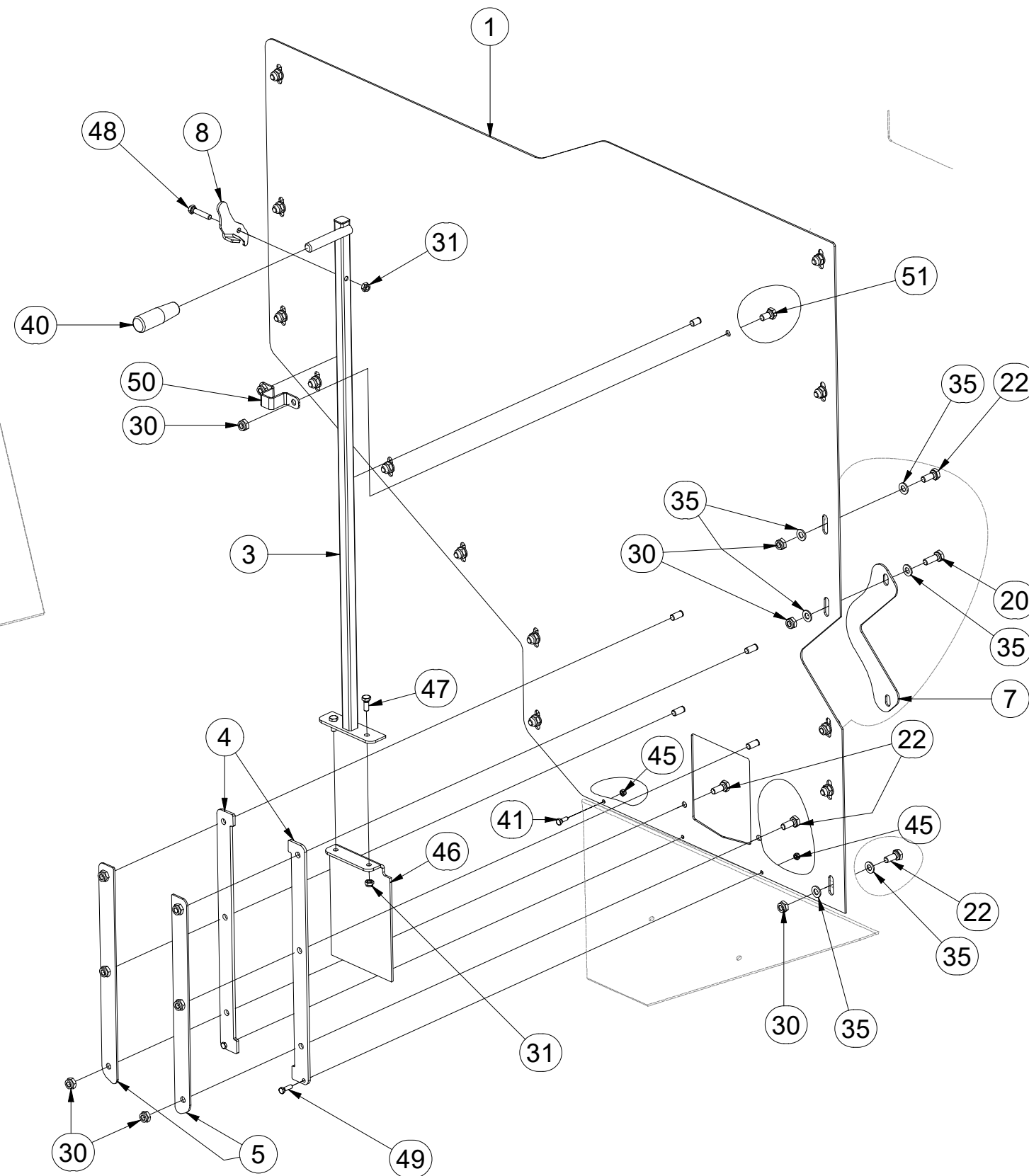
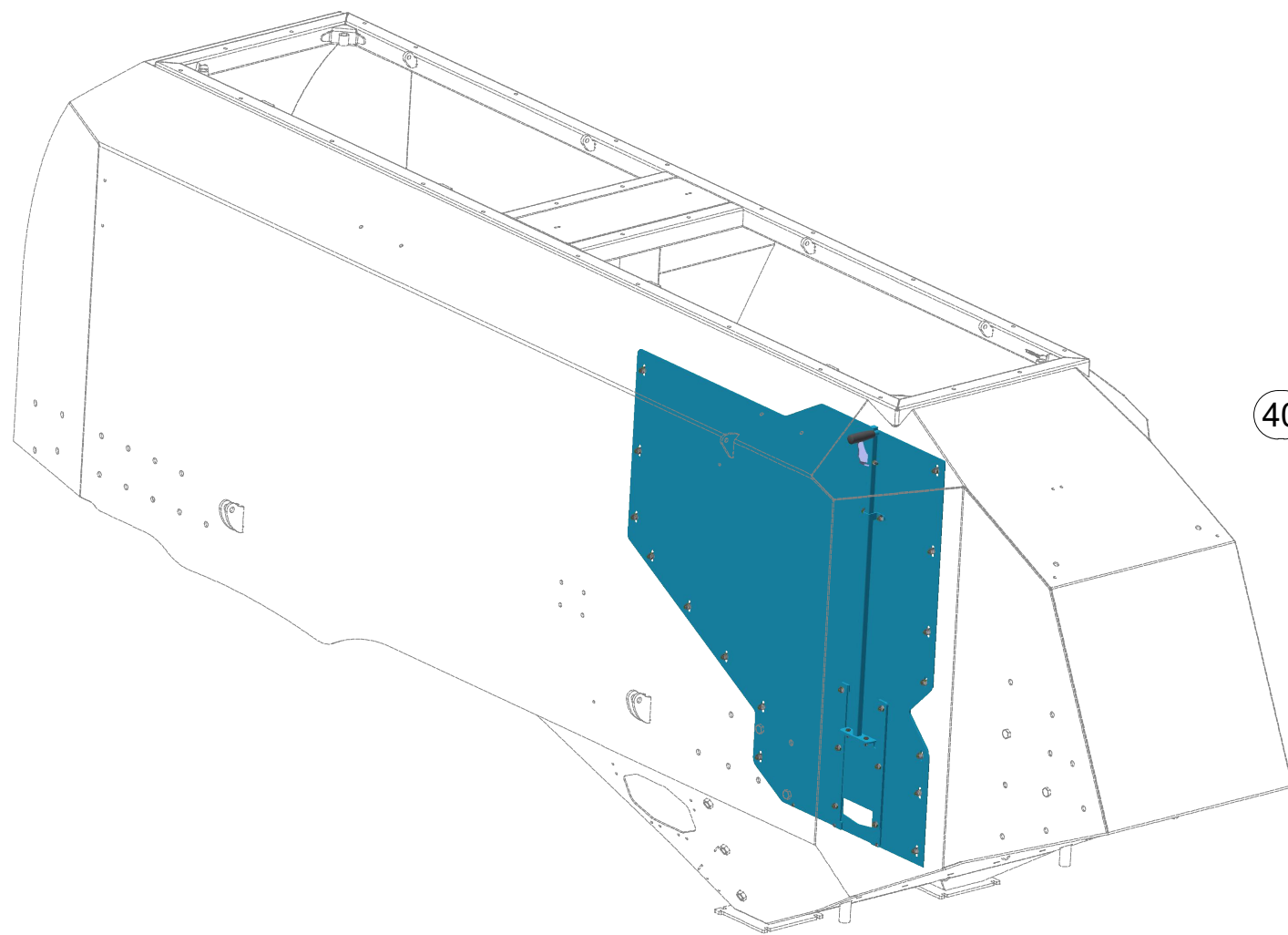
Ⓖ PARTITION

Ⓡ РАЗДЕЛ

Ⓟ PRZEGRODA



VZ00022654



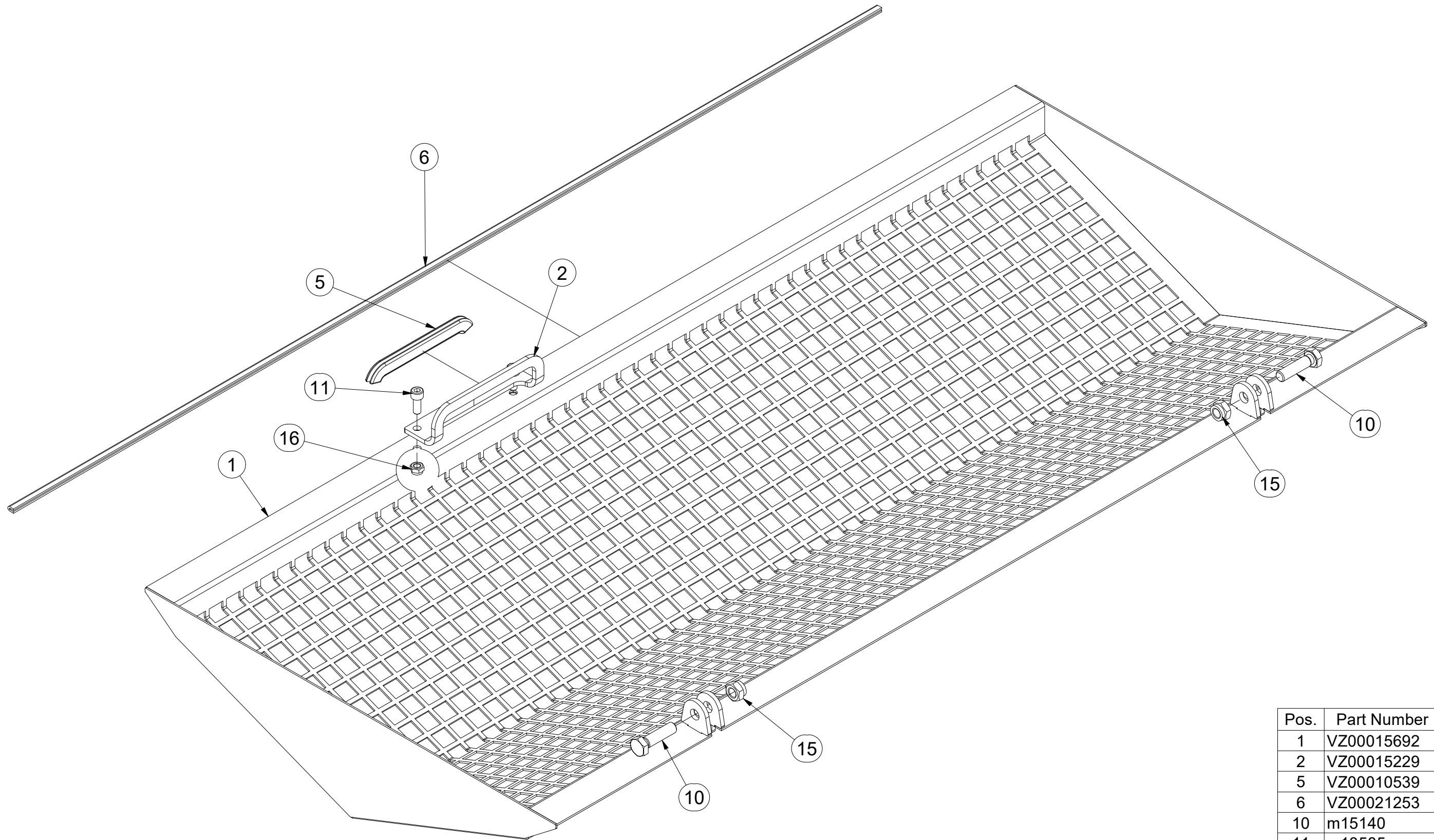
| Pos. | Part Number | Pcs. | Pos. | Part Number | Pcs. |
|------|-------------|------|------|-------------|------|
| 1 | VZ00022655 | 1 | 35 | m01209 | 30 |
| 3 | VZ00022634 | 1 | 40 | m17698 | 1 |
| 4 | VZ00022656 | 2 | 41 | m01073 | 1 |
| 5 | VZ00022657 | 2 | 45 | m05560 | 3 |
| 7 | VZ00012919 | 1 | 46 | VZ00022600 | 1 |
| 8 | VZ00022734 | 1 | 47 | m01089 | 2 |
| 20 | m04612 | 2 | 48 | m01097 | 1 |
| 22 | m03681 | 19 | 49 | m01074 | 2 |
| 30 | m03775 | 23 | 50 | VZ00023034 | 1 |
| 31 | m04503 | 3 | 51 | m00120 | 2 |

CZ SÍTO NÁSYPKY
 D TRICHTERSIEB
 F TAMIS DE TRÉMIE

GB HOPPER SIEVE
 RU БУНКЕРНОЕ СИТО
 PL SITO LEJOWE



VZ00015691



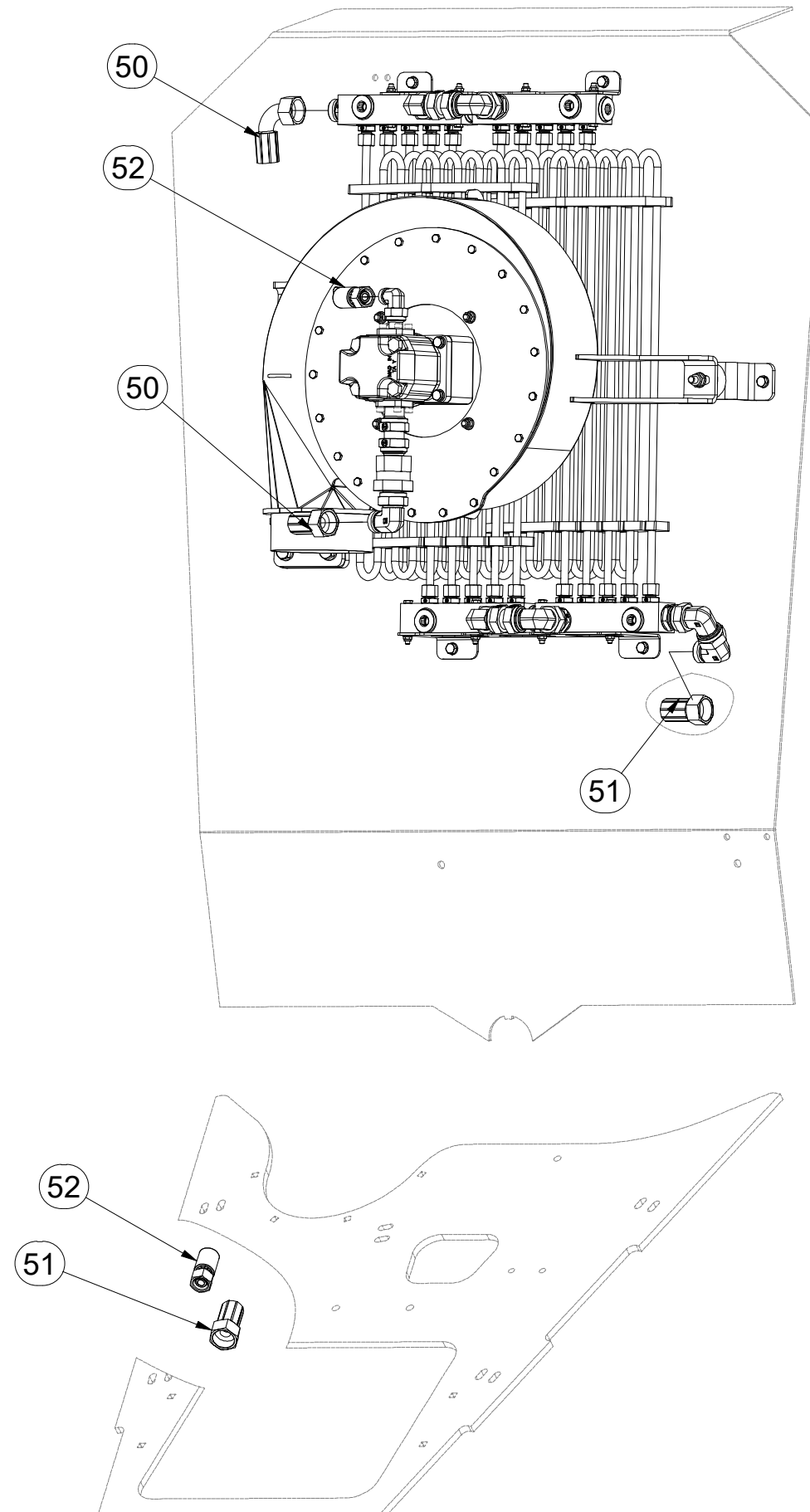
| Pos. | Part Number | Pcs. |
|------|-------------|------|
| 1 | VZ00015692 | 1 |
| 2 | VZ00015229 | 1 |
| 5 | VZ00010539 | 1 |
| 6 | VZ00021253 | 1 |
| 10 | m15140 | 2 |
| 11 | m13585 | 2 |
| 15 | m13618 | 2 |
| 16 | m10820 | 2 |

(CZ) VENTILÁTOR S HYDROPOHONEM
 (D) GEBLÄSE MIT HYDRAULIKANTRIEB
 (F) VENTILATEUR À MOTEUR HYDRAULIQUE

(GB) VENTILATOR WITH HYDRAULIC DRIVE
 (RU) ВЕНТИЛЯТОР С ГИДРОПРИВОДОМ
 (PL) WENTYLATOR Z HYDRO-NAPĘDEM



VZ00024413



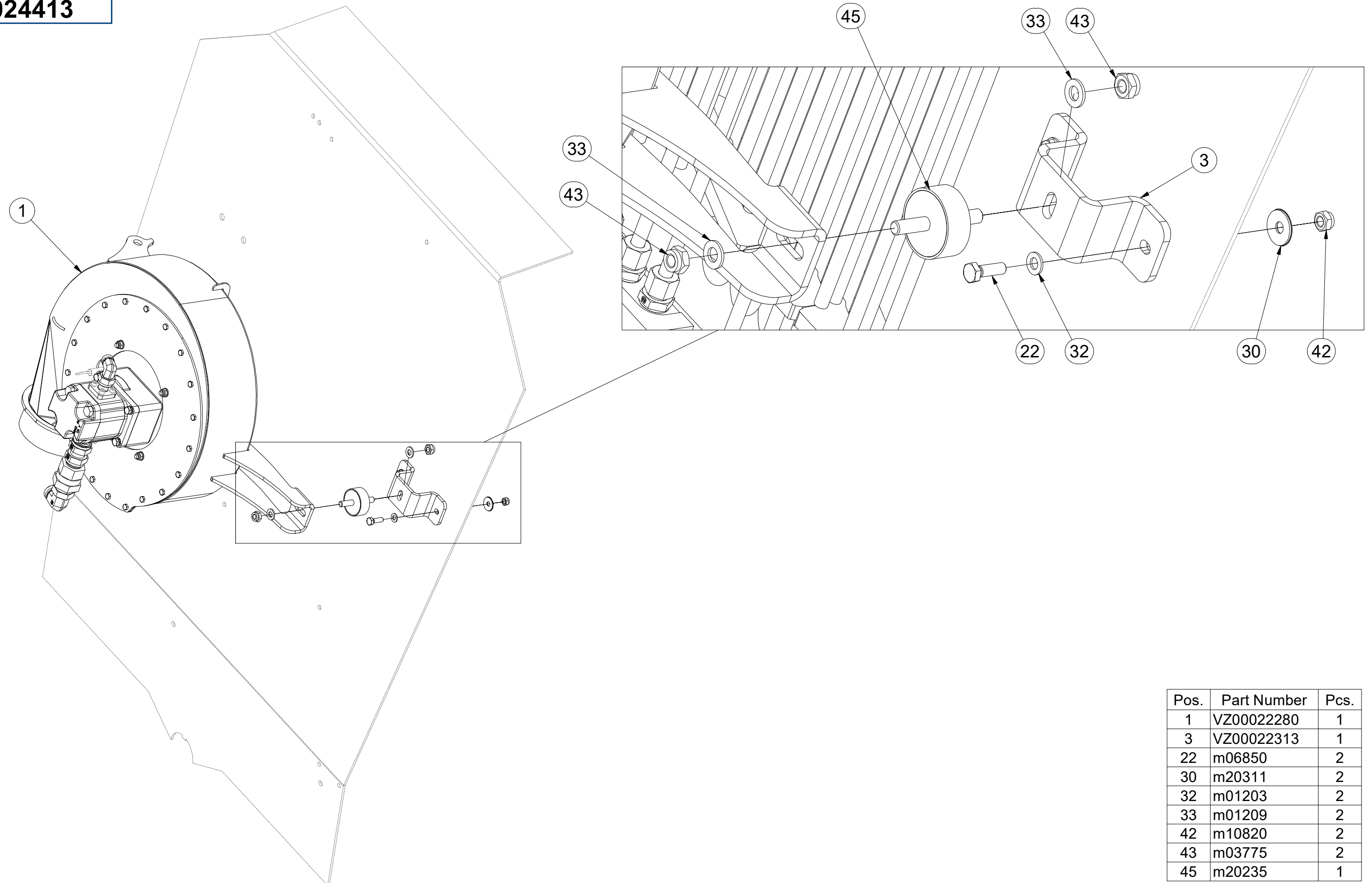
| Pos. | Part Number | Pcs. |
|------|-------------|------|
| 50 | m22823 | 1 |
| 51 | m23036 | 1 |
| 52 | m03716 | 1 |

(CZ) VENTILÁTOR S HYDROPOHONEM
 (D) GEBLÄSE MIT HYDRAULIKANTRIEB
 (F) VENTILATEUR À MOTEUR HYDRAULIQUE

(GB) VENTILATOR WITH HYDRAULIC DRIVE
 (RU) ВЕНТИЛЯТОР С ГИДРОПРИВОДОМ
 (PL) WENTYLATOR Z HYDRO-NAPĘDEM



VZ00024413



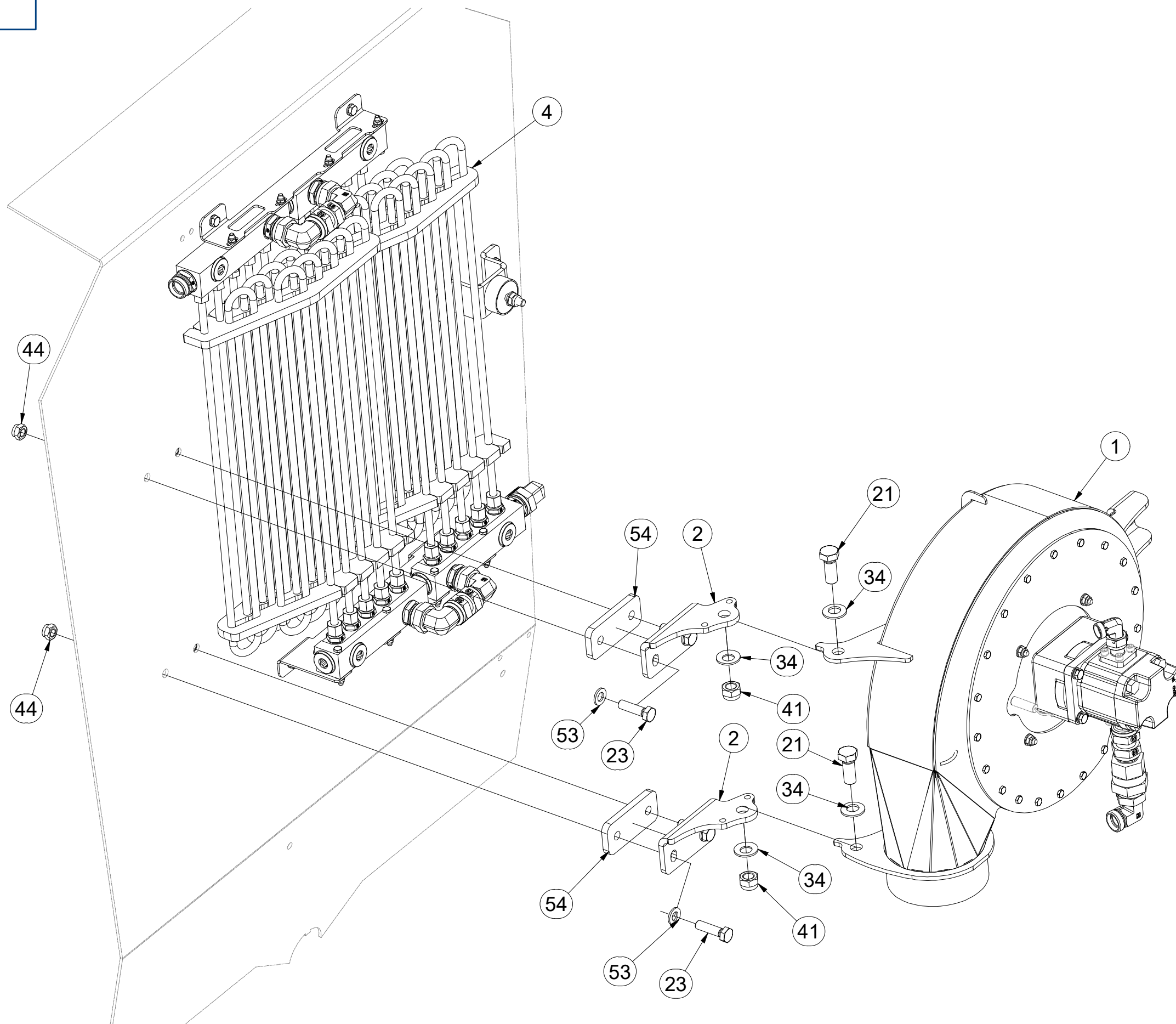
| Pos. | Part Number | Pcs. |
|------|-------------|------|
| 1 | VZ00022280 | 1 |
| 3 | VZ00022313 | 1 |
| 22 | m06850 | 2 |
| 30 | m20311 | 2 |
| 32 | m01203 | 2 |
| 33 | m01209 | 2 |
| 42 | m10820 | 2 |
| 43 | m03775 | 2 |
| 45 | m20235 | 1 |

CZ VENTILÁTOR S HYDROPOHONEM
 D GEBLÄSE MIT HYDRAULIKANTRIEB
 F VENTILATEUR À MOTEUR HYDRAULIQUE

GB VENTILATOR WITH HYDRAULIC DRIVE
 RU ВЕНТИЛЯТОР С ГИДРОПРИВОДОМ
 PL WENTYLATOR Z HYDRO-NAPĘDEM



VZ00024413



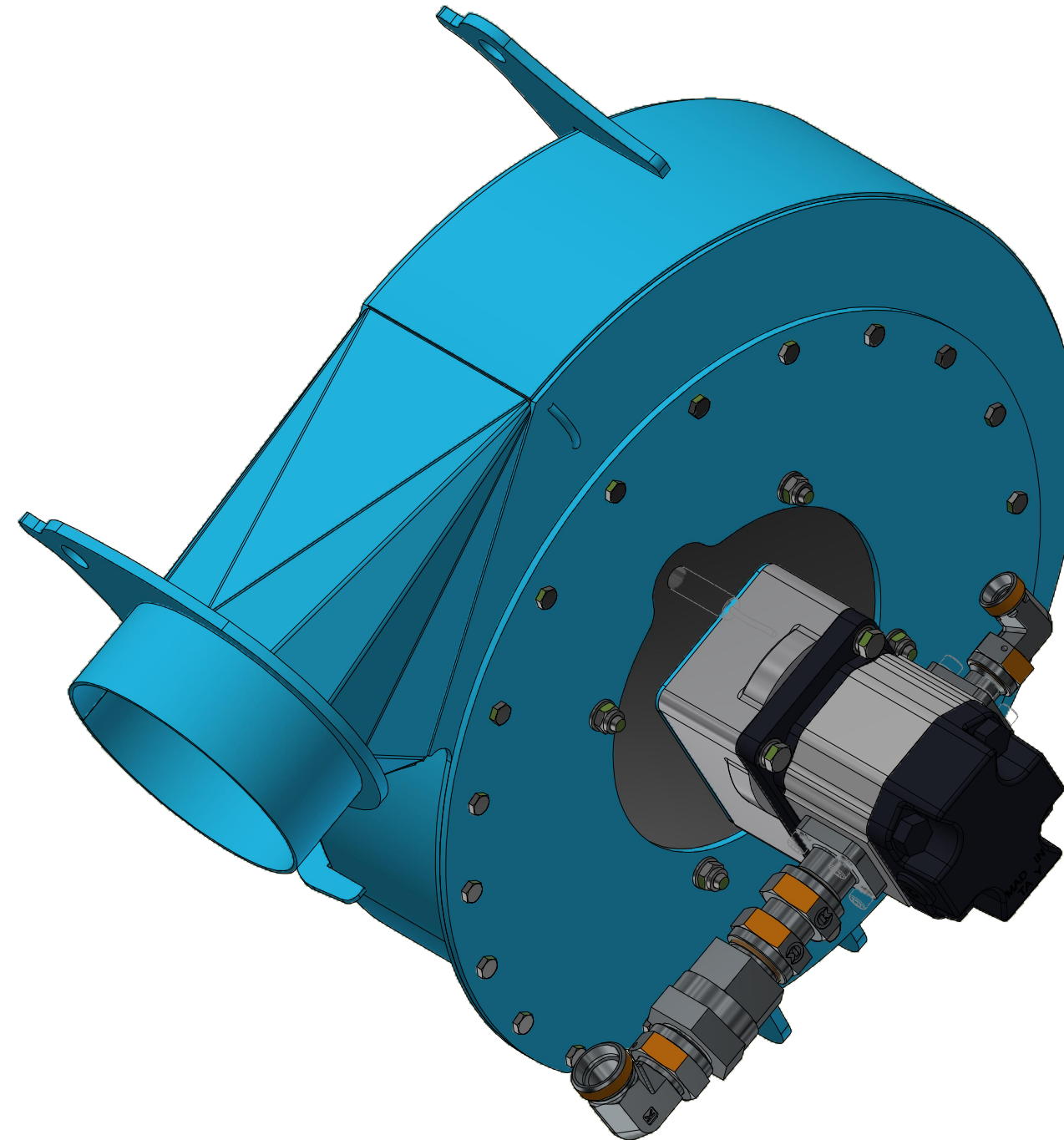
| Pos. | Part Number | Pcs. |
|------|-------------|------|
| 1 | VZ00022280 | 1 |
| 2 | VZ00022166 | 2 |
| 4 | VZ00023998 | 1 |
| 21 | m01129 | 2 |
| 23 | m15140 | 4 |
| 34 | m17584 | 4 |
| 41 | m03683 | 2 |
| 44 | m13618 | 4 |
| 53 | m01214 | 4 |
| 54 | m22778 | 2 |

ⒸZ VENTILÁTOR S HYDROPOHONEM
Ⓓ GEBLÄSE MIT HYDRAULIKANTRIEB
Ⓕ VENTILATEUR À MOTEUR HYDRAULIQUE

ⒸGB VENTILATOR WITH HYDRAULIC DRIVE
ⒸRU ВЕНТИЛЯТОР С ГИДРОПРИВОДОМ
ⒸPL WENTYLATOR Z HYDRO-NAPĘDEM



VZ00022280

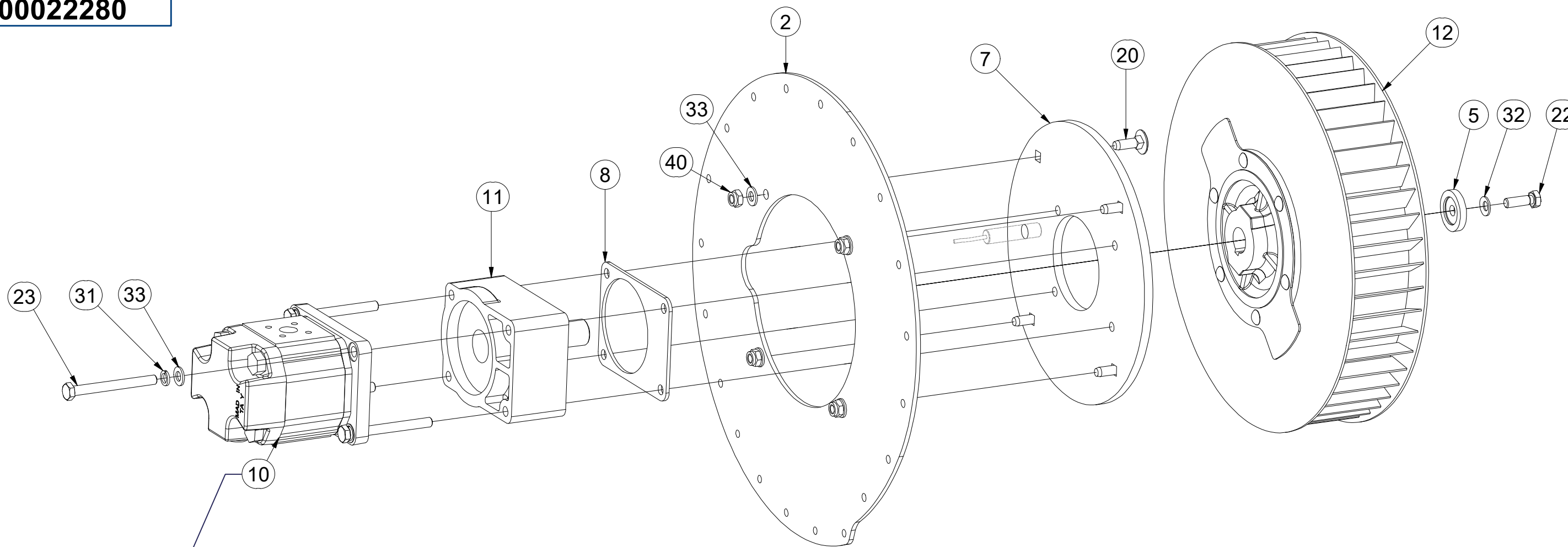


(CZ) VENTILÁTOR S HYDROPOHONEM
 (D) GEBLÄSE MIT HYDRAULIKANTRIEB
 (F) VENTILATEUR À MOTEUR HYDRAULIQUE

(GB) VENTILATOR WITH HYDRAULIC DRIVE
 (RU) ВЕНТИЛЯТОР С ГИДРОПРИВОДОМ
 (PL) WENTYLATOR Z HYDRO-NAPĘDEM



VZ0002280



m13039



TĚSNĚNÍ HYDROMOTORU
 HYDRAULIKMOTORDICHTUNG
 JOINT DE MOTEUR HYDRAULIQUE
 HYDRAULIC MOTOR SEAL
 УПЛОТНЕНИЕ ГИДРАВЛИЧЕСКОГО ДВИГАТЕЛЯ
 UCZELKA SILNIKA HYDRAULICZNEGO

| Pos. | Part Number | Pcs. |
|------|-------------|------|
| 2 | VZ00022318 | 1 |
| 5 | VZ00024076 | 1 |
| 7 | VZ00024386 | 1 |
| 8 | VZ00024397 | 1 |
| 10 | m12900 | 1 |
| 11 | m21629 | 1 |
| 12 | m22621 | 1 |
| 20 | m19152 | 4 |
| 22 | m01092 | 1 |
| 23 | m16923 | 4 |
| 31 | m01202 | 4 |
| 32 | m19156 | 1 |
| 33 | m01203 | 8 |
| 40 | m04503 | 4 |

Ⓒ VENTILÁTOR S HYDROPOHONEM

Ⓓ GEBLÄSE MIT HYDRAULIKANTRIEB

Ⓕ VENTILATEUR À MOTEUR HYDRAULIQUE

Ⓖ VENTILATOR WITH HYDRAULIC DRIVE

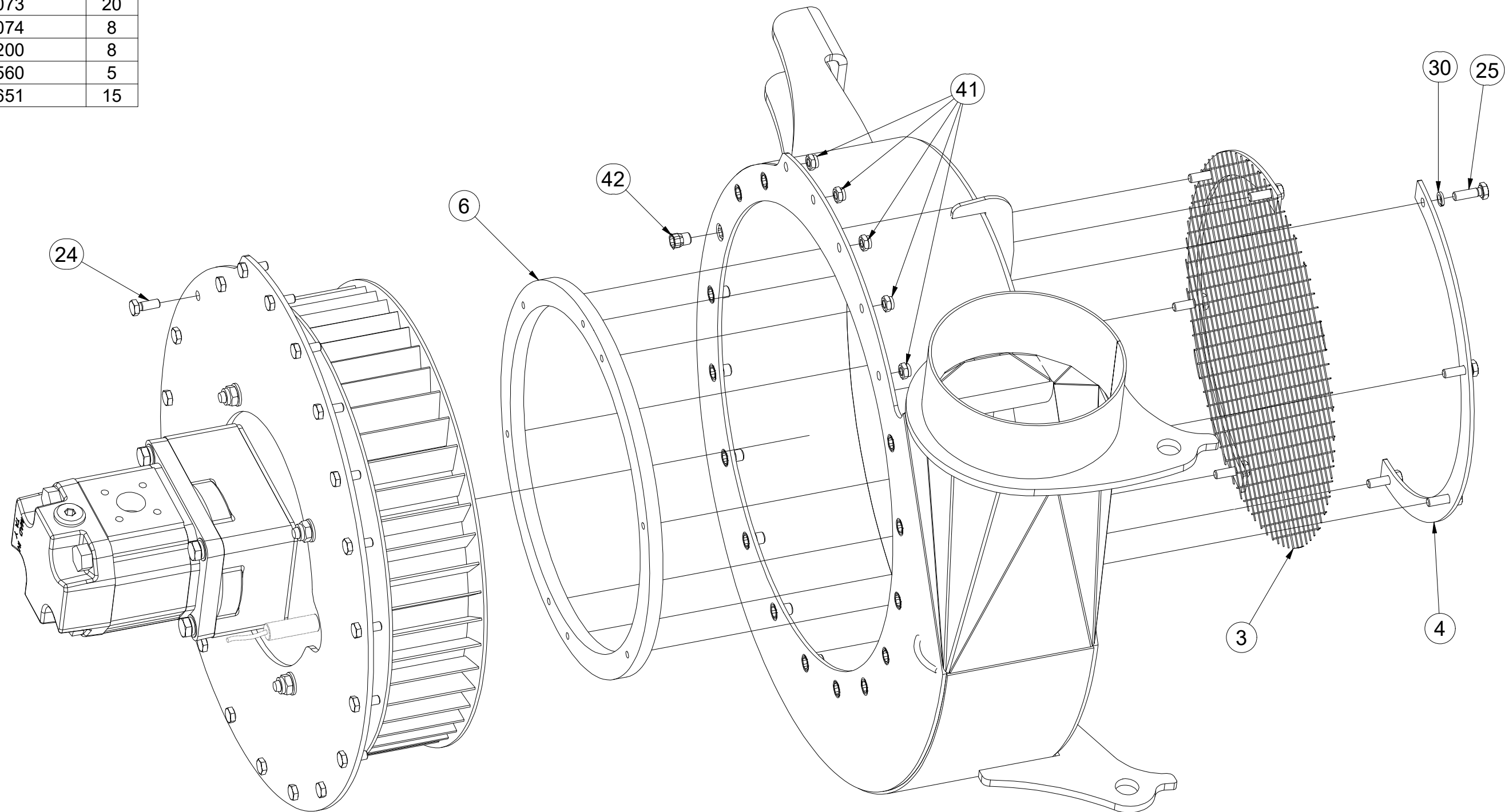
Ⓔ ВЕНТИЛЯТОР С ГИДРОПРИВОДОМ

Ⓟ WENTYLATOR Z HYDRO-NAPĘDEM



VZ00022280

| Pos. | Part Number | Pcs. |
|------|-------------|------|
| 3 | VZ00022333 | 1 |
| 4 | VZ00022335 | 2 |
| 6 | VZ00024123 | 1 |
| 24 | m01073 | 20 |
| 25 | m01074 | 8 |
| 30 | m01200 | 8 |
| 41 | m05560 | 5 |
| 42 | m19651 | 15 |

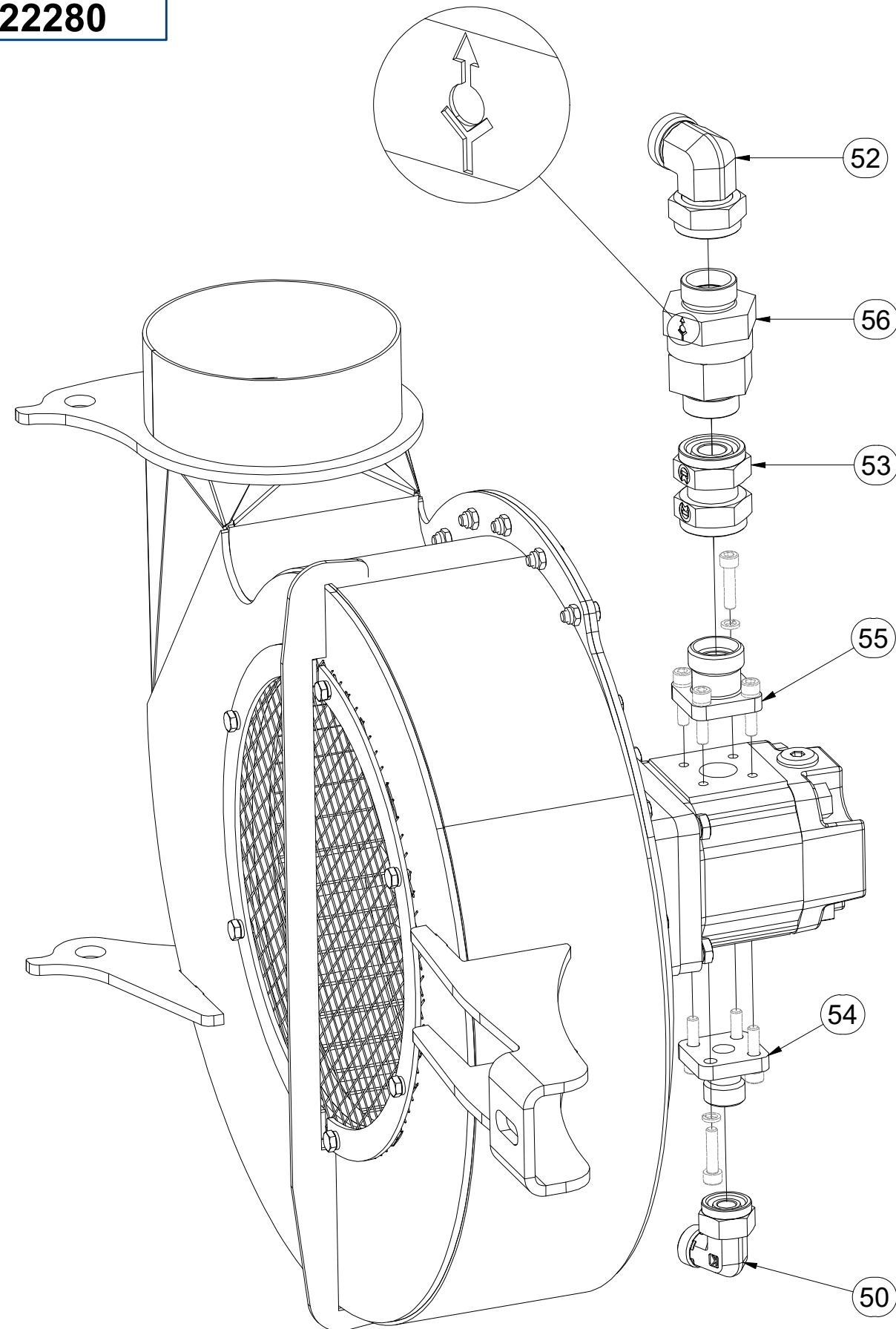


(CZ) VENTILÁTOR S HYDROPOHONEM
 (D) GEBLÄSE MIT HYDRAULIKANTRIEB
 (F) VENTILATEUR À MOTEUR HYDRAULIQUE

(GB) VENTILATOR WITH HYDRAULIC DRIVE
 (RU) ВЕНТИЛЯТОР С ГИДРОПРИВОДОМ
 (PL) WENTYLATOR Z HYDRO-NAPĘDEM



VZ00022280



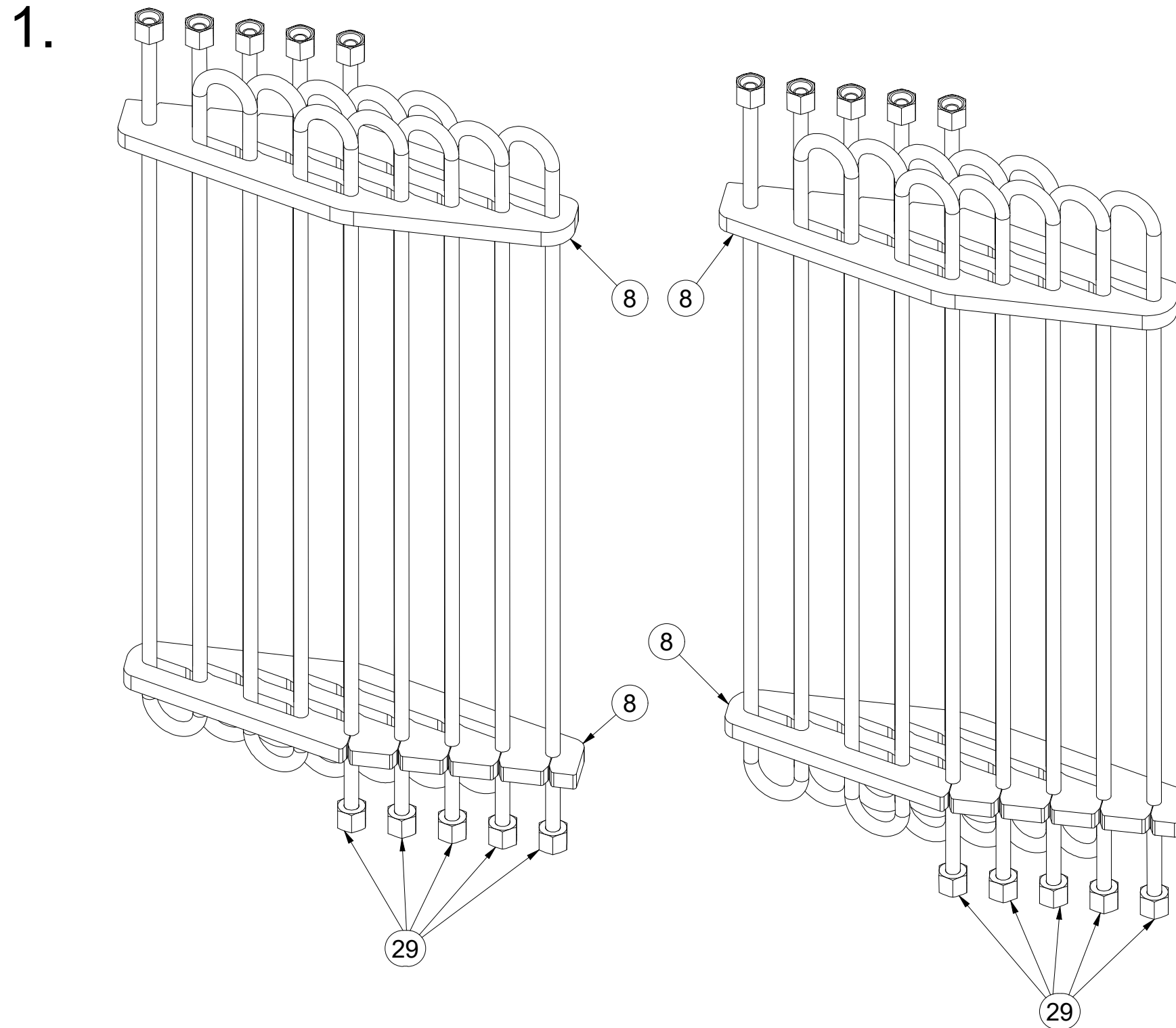
| Pos. | Part Number | Pcs. |
|------|-------------|------|
| 30 | m01200 | 8 |
| 50 | m06114 | 1 |
| 52 | m07745 | 1 |
| 53 | m06438 | 1 |
| 54 | m07987 | 1 |
| 55 | m07988 | 1 |
| 56 | m11300 | 1 |

(CZ) CHLADIČ TRUBKOVÝ HYDRAULICKÝ
 (D) HYDRAULISCHER ROHRHEIZKÖRPER
 (F) RADIATEUR TUBULAIRE HYDRAULIQUE

(GB) HYDRAULIC TUBULAR RADIATOR
 (RU) ГИДРАВЛИЧЕСКИЙ ТРУБЧАТЫЙ РАДИАТОР
 (PL) HYDRAULICZNY GRZEJNIK RUROWY



VZ00023998



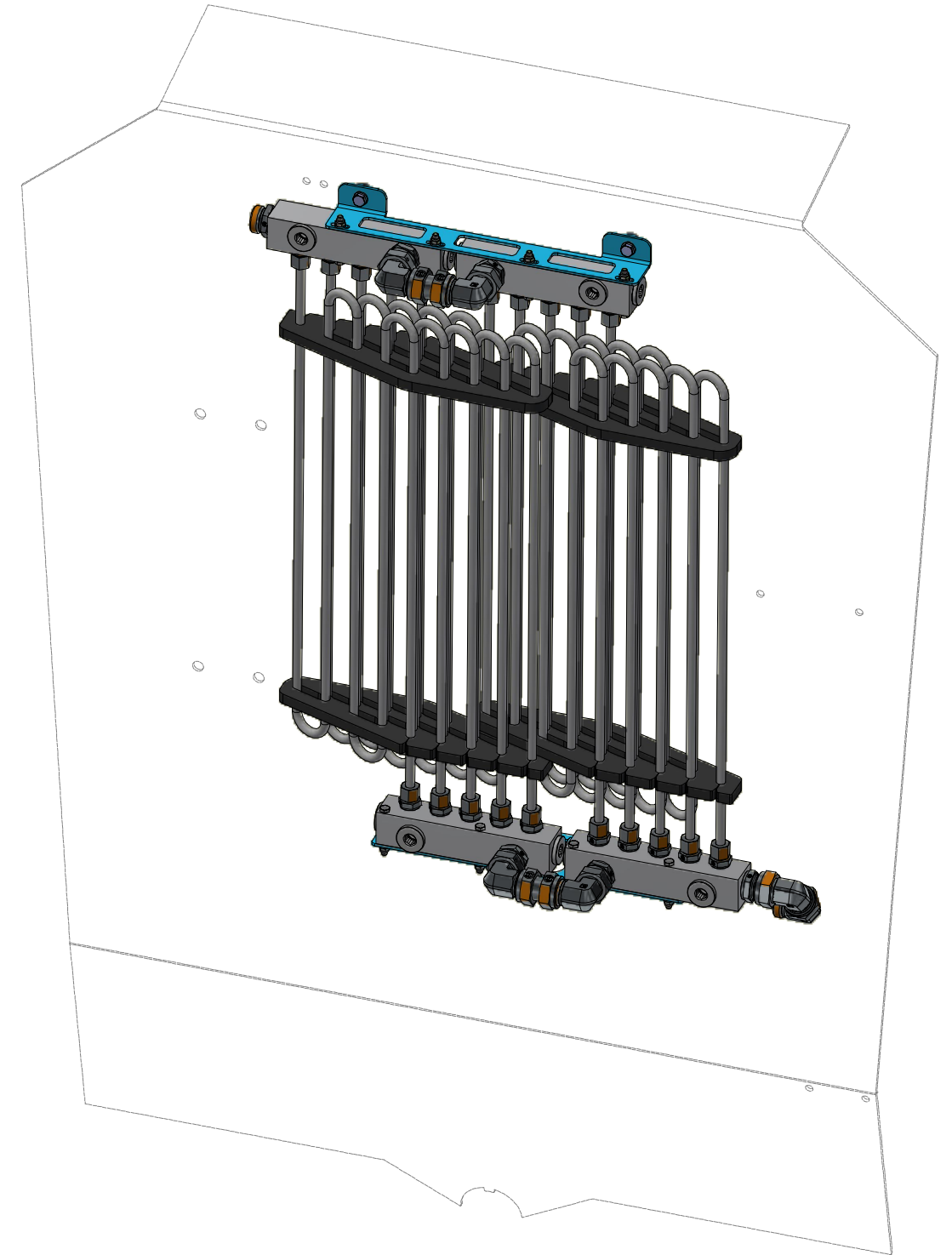
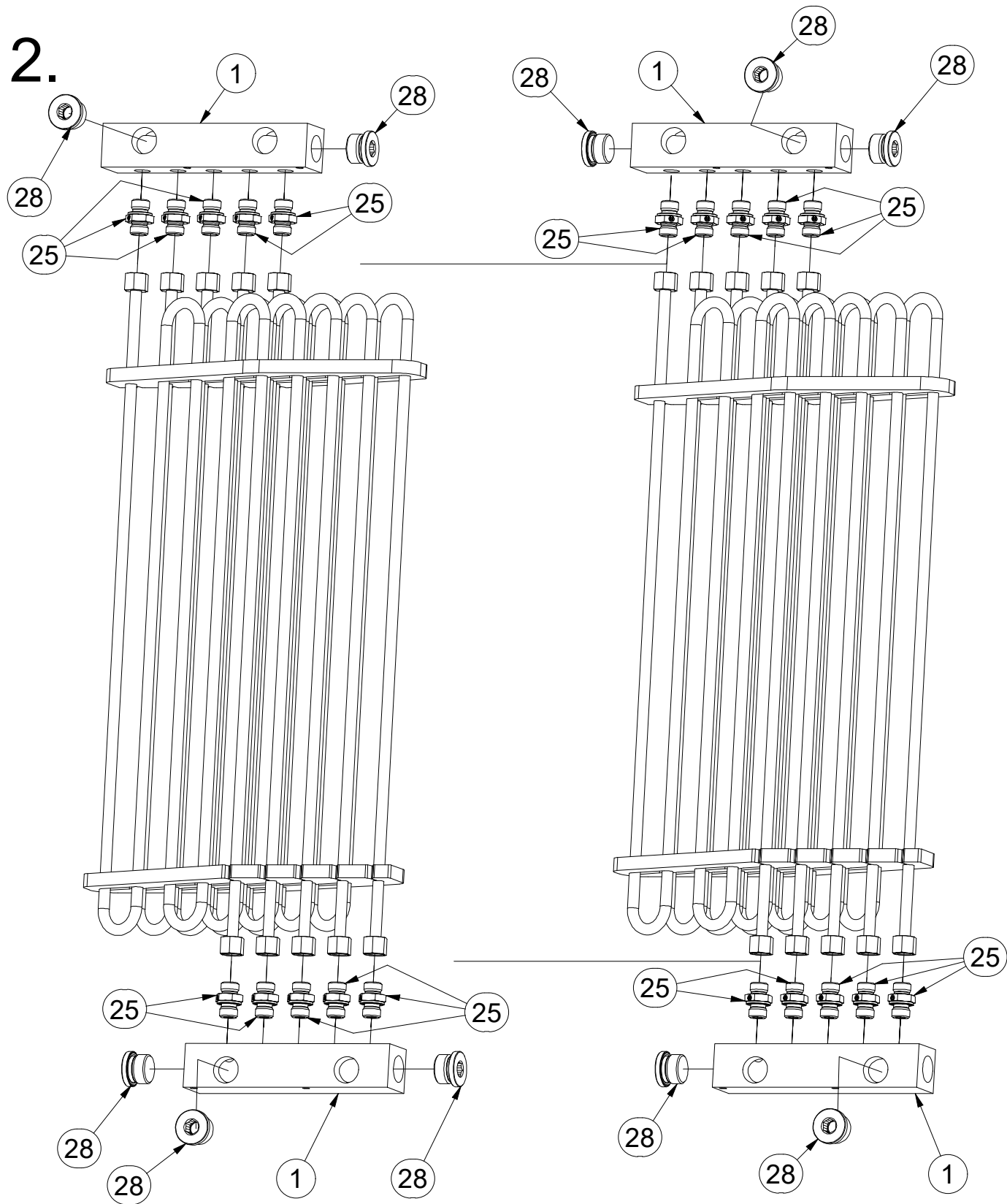
| Pos. | Part Number | Pcs. |
|------|-------------|------|
| 8 | m22856 | 4 |
| 29 | m22360 | 10 |

CZ CHLADIČ TRUBKOVÝ HYDRAULICKÝ
 D HYDRAULISCHER ROHRHEIZKÖRPER
 F RADIATEUR TUBULAIRE HYDRAULIQUE

GB HYDRAULIC TUBULAR RADIATOR
 RU ГИДРАВЛИЧЕСКИЙ ТРУБЧАТЫЙ РАДИАТОР
 PL HYDRAULICZNY GRZEJNIK RUROWY



VZ00023998



| Pos. | Part Number | Pcs. |
|------|-------------|------|
| 1 | VZ00022141 | 4 |
| 25 | m07906 | 20 |
| 28 | m18845 | 10 |

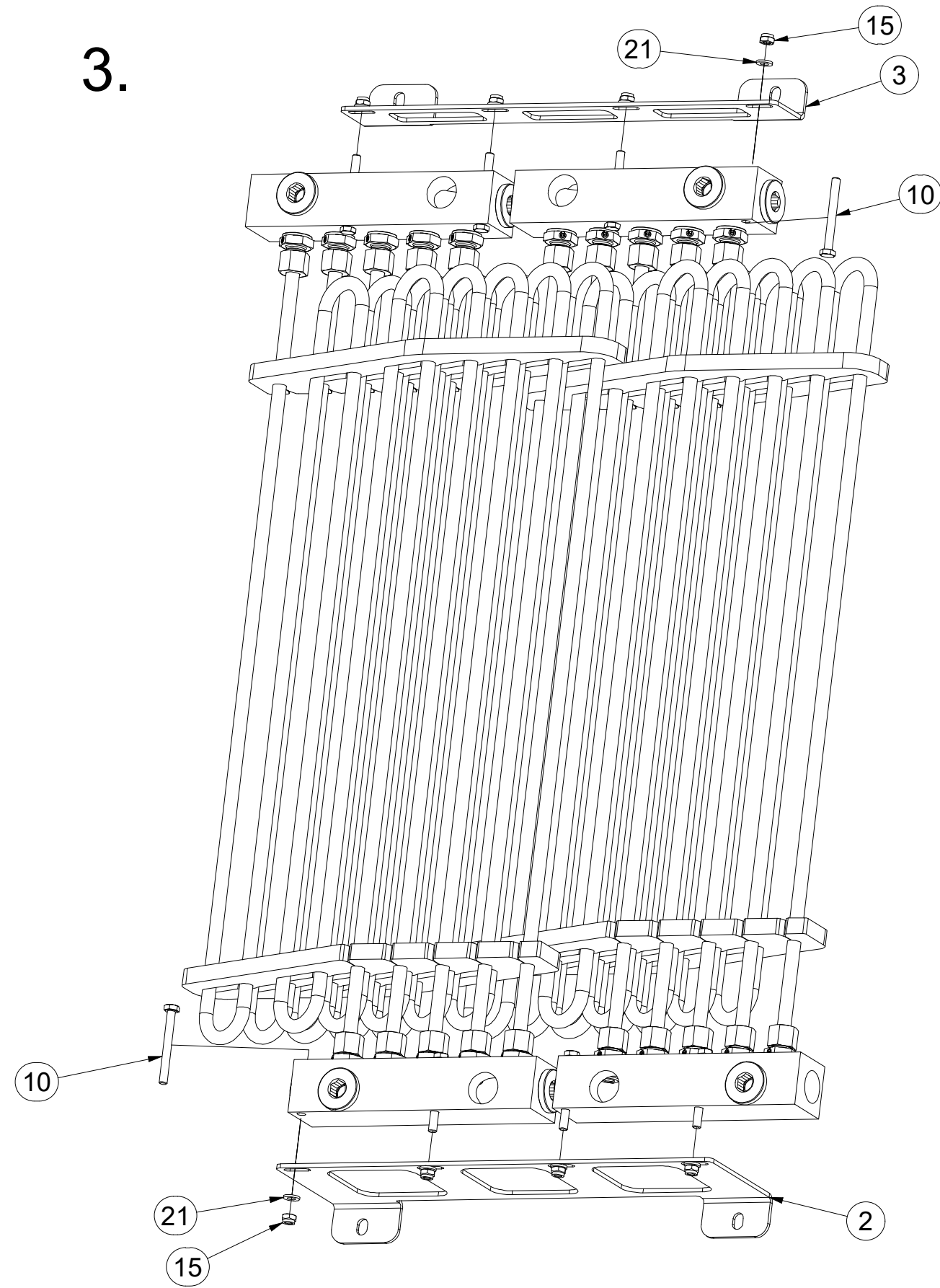
(CZ) CHLADIČ TRUBKOVÝ HYDRAULICKÝ
 (D) HYDRAULISCHER ROHRHEIZKÖRPER
 (F) RADIATEUR TUBULAIRE HYDRAULIQUE

(GB) HYDRAULIC TUBULAR RADIATOR
 (RU) ГИДРАВЛИЧЕСКИЙ ТРУБЧАТЫЙ РАДИАТОР
 (PL) HYDRAULICZNY GRZEJNIK RUROWY



VZ00023998

3.



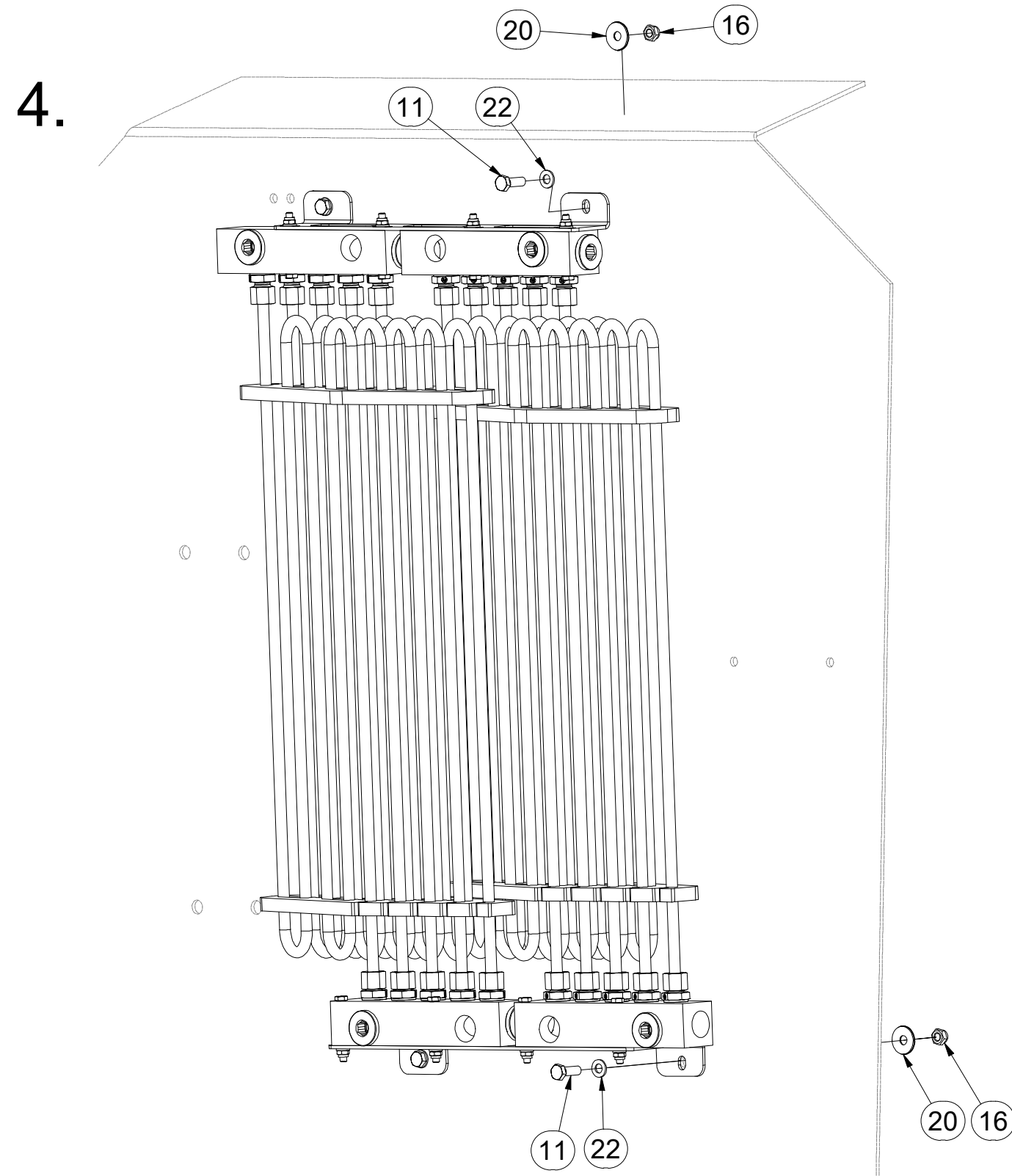
| Pos. | Part Number | Pcs. |
|------|-------------|------|
| 2 | VZ00023040 | 1 |
| 3 | VZ00022213 | 1 |
| 10 | m16903 | 8 |
| 15 | m05560 | 8 |
| 21 | m01199 | 8 |

(CZ) CHLADIČ TRUBKOVÝ HYDRAULICKÝ
 (D) HYDRAULISCHER ROHRHEIZKÖRPER
 (F) RADIATEUR TUBULAIRE HYDRAULIQUE

(GB) HYDRAULIC TUBULAR RADIATOR
 (RU) ГИДРАВЛИЧЕСКИЙ ТРУБЧАТЫЙ РАДИАТОР
 (PL) HYDRAULICZNY GRZEJNIK RUROWY



VZ00023998



| Pos. | Part Number | Pcs. |
|------|-------------|------|
| 11 | m06850 | 4 |
| 16 | m10820 | 4 |
| 20 | m20311 | 4 |
| 22 | m01203 | 4 |

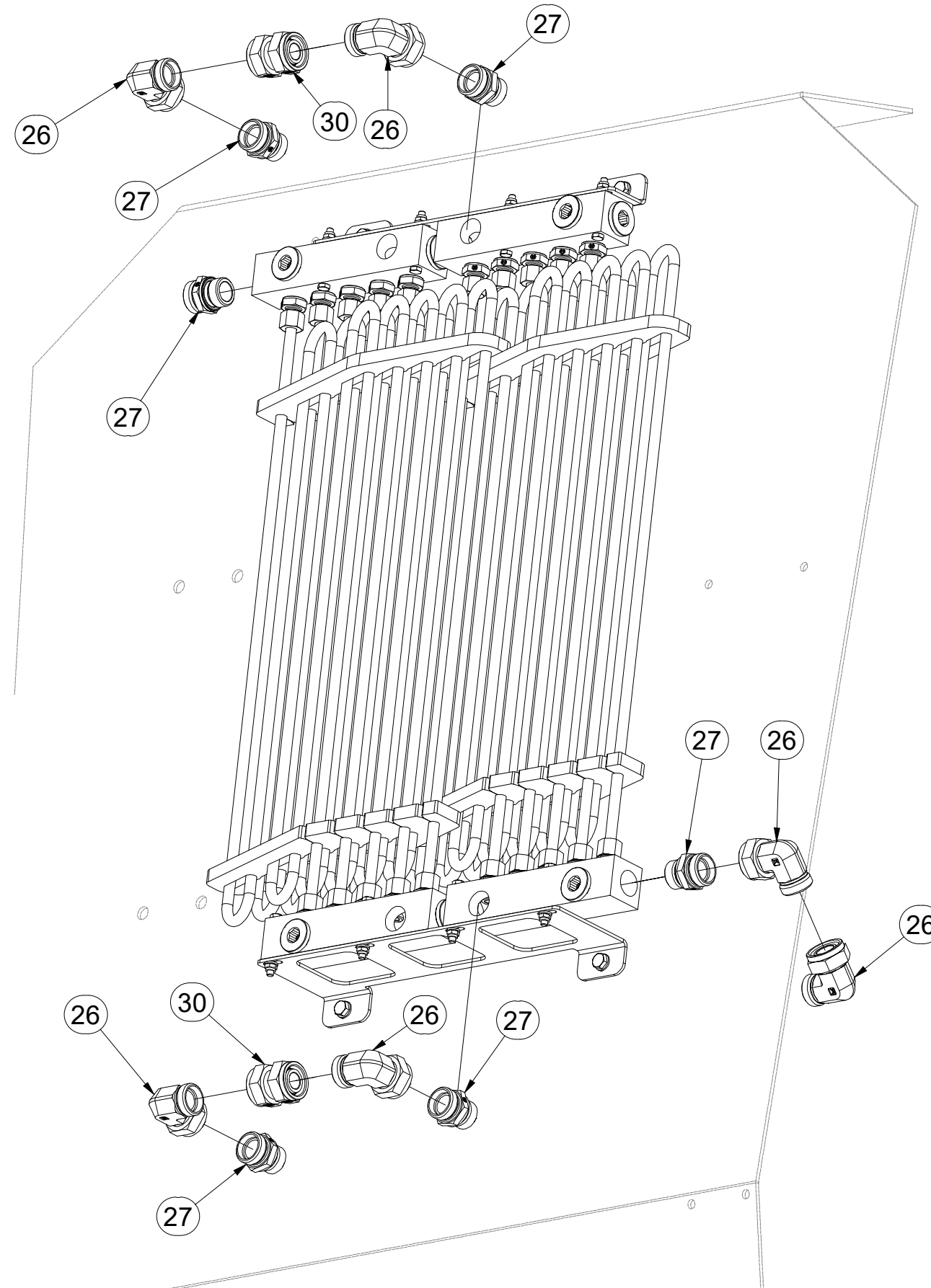
ⒸZ CHLADIČ TRUBKOVÝ HYDRAULICKÝ
 Ⓓ HYDRAULISCHER ROHRHEIZKÖRPER
 Ⓕ RADIATEUR TUBULAIRE HYDRAULIQUE

ⒸB HYDRAULIC TUBULAR RADIATOR
 ⒹU ГИДРАВЛИЧЕСКИЙ ТРУБЧАТЫЙ РАДИАТОР
 ⒹL HYDRAULICZNY GRZEJNIK RUROWY



VZ00023998

5.



| Pos. | Part Number | Pcs. |
|------|-------------|------|
| 26 | m07745 | 6 |
| 27 | m07983 | 6 |
| 30 | m06438 | 2 |

Ⓒ ŽEBŘÍK LÁVKY

Ⓓ LEITER BÜHNE

Ⓕ ÉCHELLE DE LA PASSERELLE

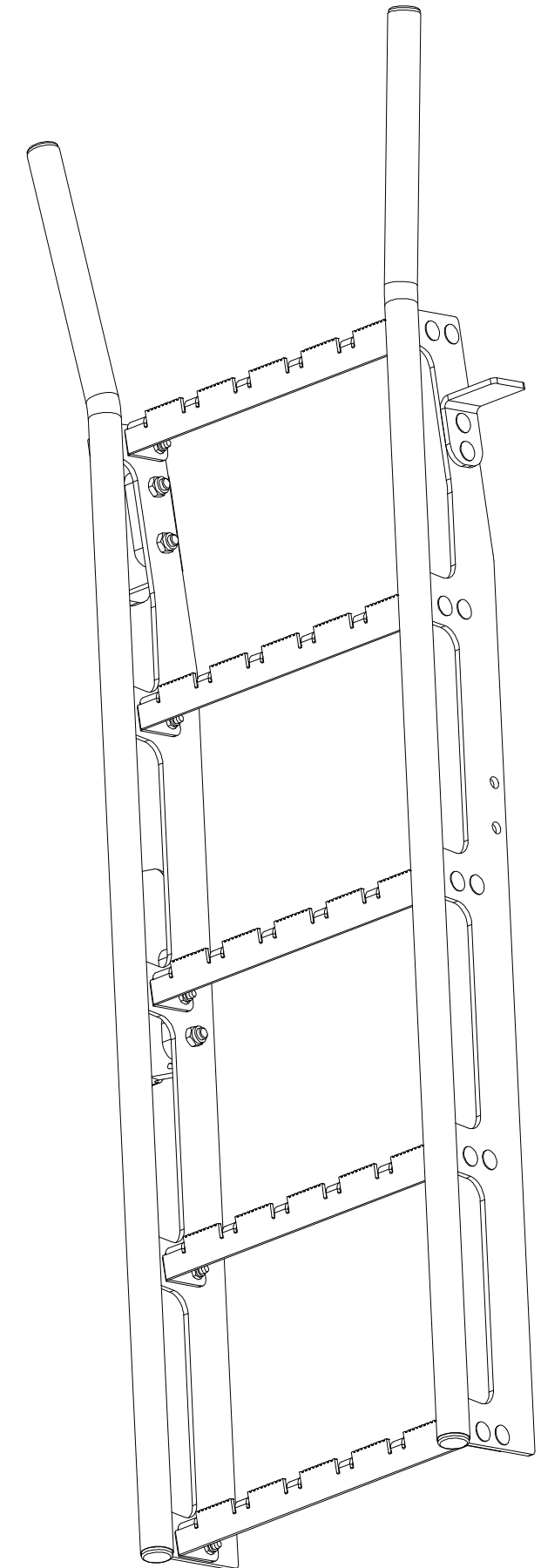
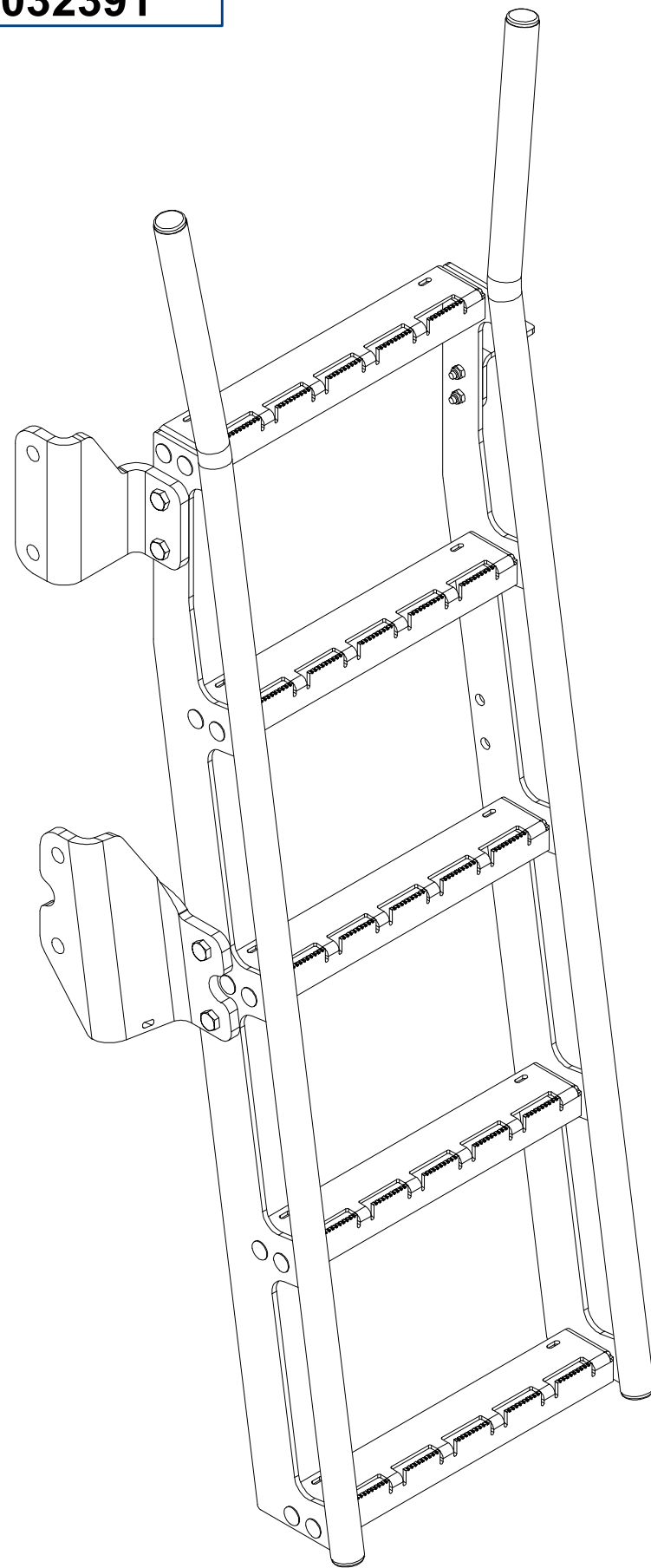
VZ00032391

Ⓖ FOOTBRIDGE LADDER

Ⓡ ЛЕСЕНКА ПЛОЩАДКИ

Ⓟ DRABINKA ŁAWKI

Farmet



Ⓒ ŽEBŘÍK LÁVKY

Ⓓ LEITER BÜHNE

Ⓕ ÉCHELLE DE LA PASSERELLE

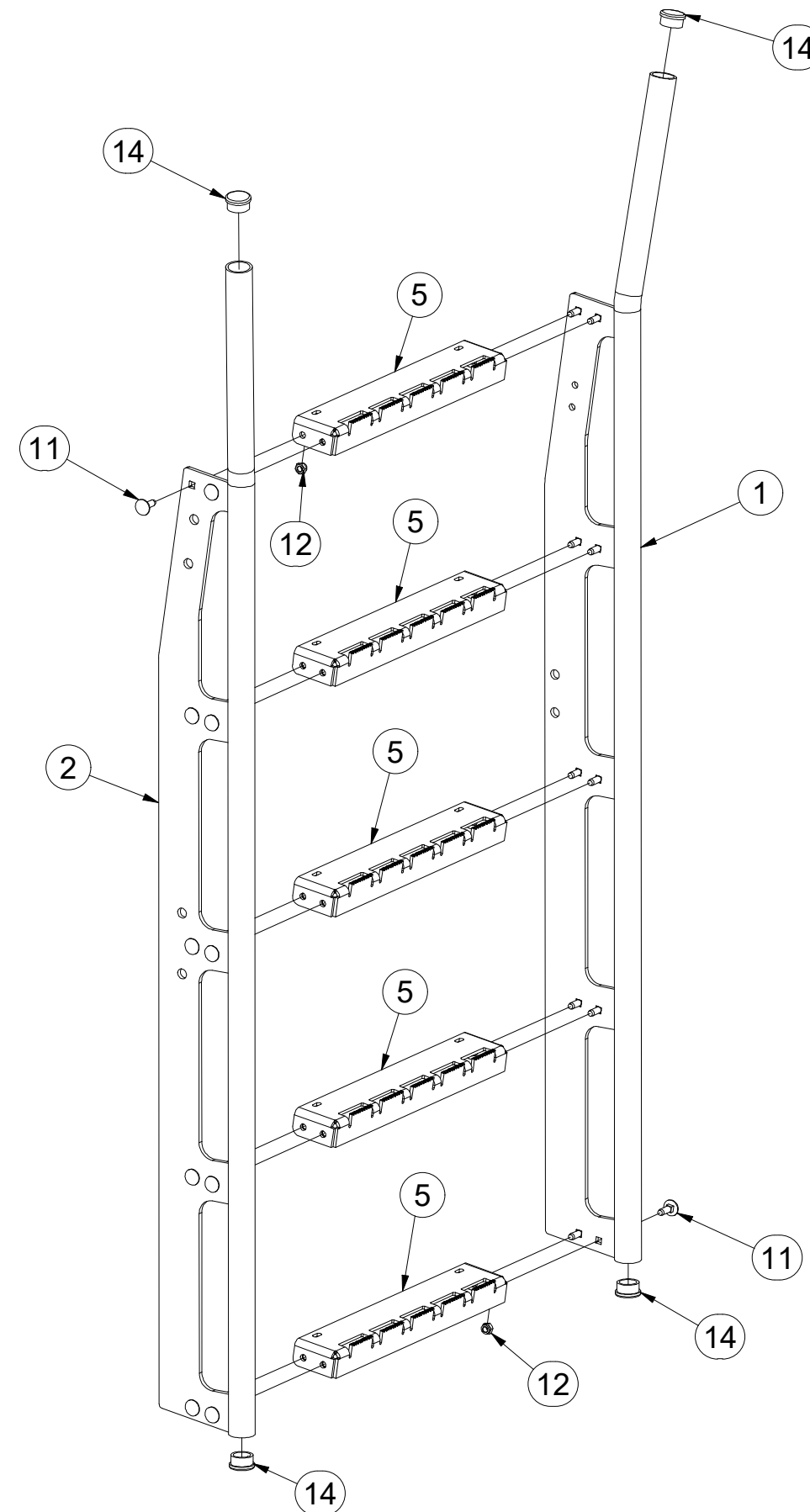
VZ00032391

Ⓖ FOOTBRIDGE LADDER

Ⓡ ЛЕСЕНКА ПЛОЩАДКИ

Ⓟ DRABINKA ŁAWKI

Farmet



| Pos. | Part Number | Pcs. |
|------|-------------|------|
| 1 | VZ00032404 | 1 |
| 2 | VZ00032402 | 1 |
| 5 | VZ00032384 | 5 |
| 11 | m19152 | 22 |
| 12 | m04503 | 22 |
| 14 | m13947 | 4 |

Ⓒ ŽEBŘÍK LÁVKY

Ⓓ LEITER BÜHNE

Ⓕ ÉCHELLE DE LA PASSERELLE

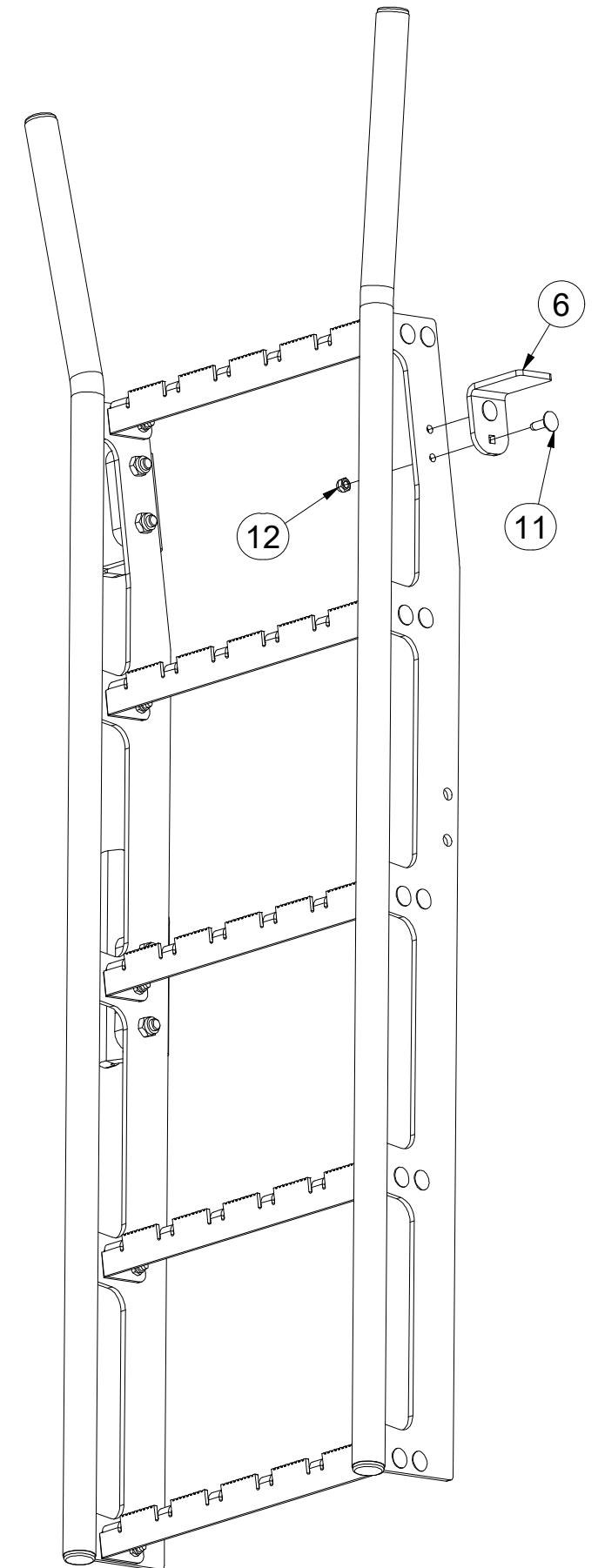
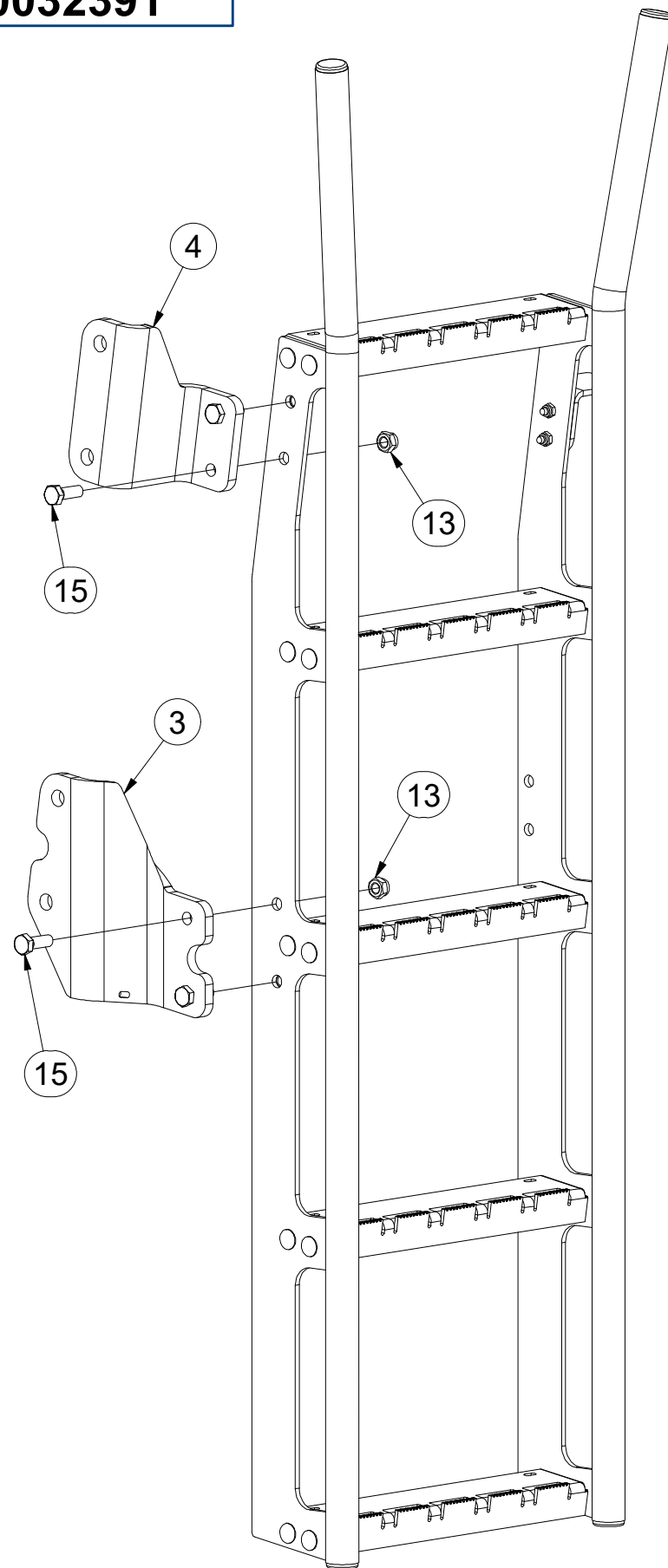
VZ00032391

Ⓖ FOOTBRIDGE LADDER

Ⓡ ЛЕСЕНКА ПЛОЩАДКИ

Ⓟ DRABINKA ŁAWKI

Farmet



| Pos. | Part Number | Pcs. |
|------|-------------|------|
| 3 | VZ00032484 | 1 |
| 4 | VZ00032475 | 1 |
| 6 | VZ00032470 | 1 |
| 11 | m19152 | 22 |
| 12 | m04503 | 22 |
| 13 | m04301 | 4 |
| 15 | m17035 | 4 |

ⒸZ TERČ PŘEDNÍ PRAVÝ

Ⓓ SCHILD, VORDERES, RECHTES

Ⓕ CIBLE AVANT DROITE

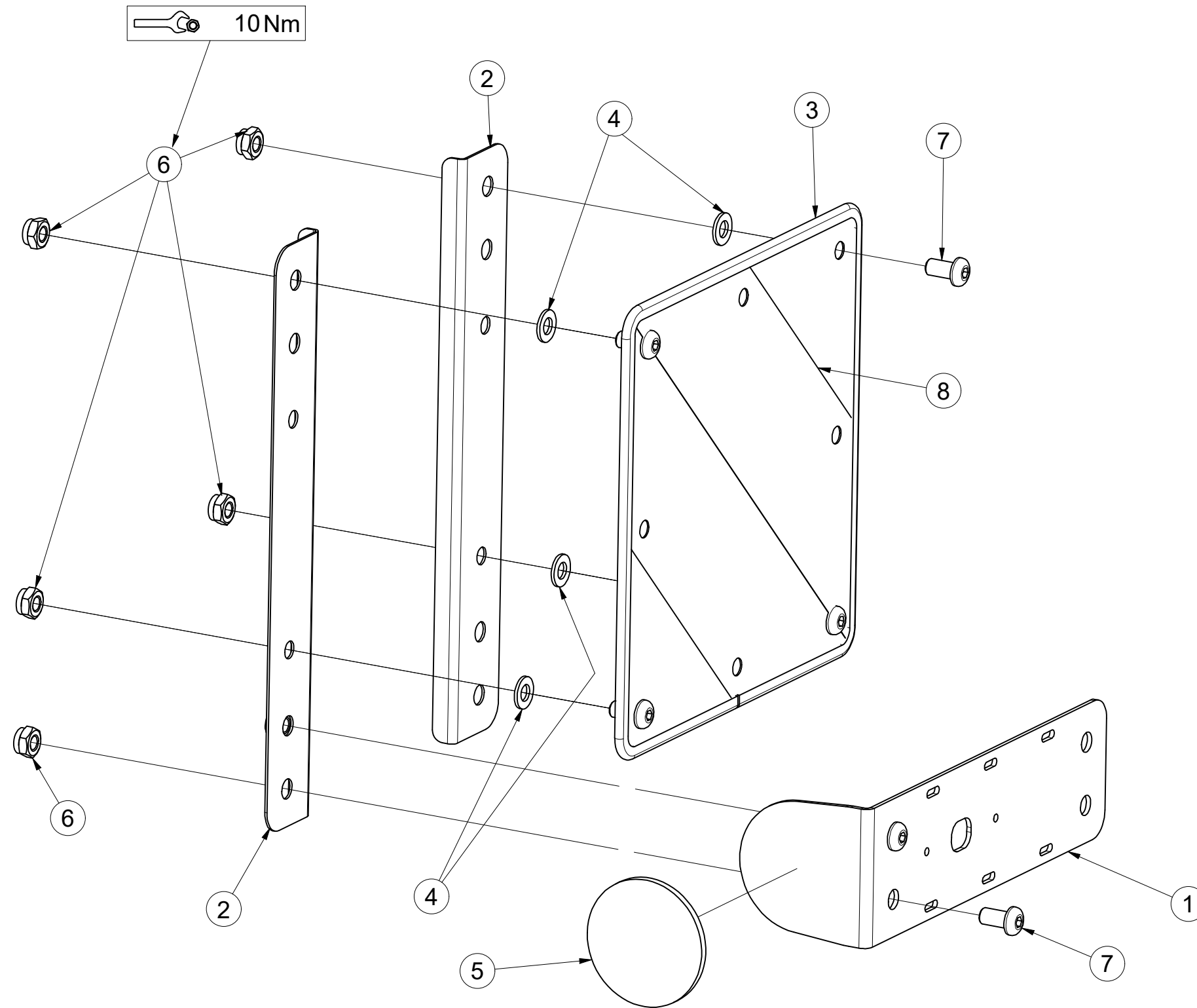
ⒸB RIGHT FRONT DISC

ⒶЩИТОК ПЕРЕДНИЙ ПРАВЫЙ

Ⓐ TARCZA PRZEDNIA PRAWA



4025024



| Pos. | Part Number | Pcs. |
|------|-------------|------|
| 1 | 4024481 | 1 |
| 2 | 4024491 | 2 |
| 3 | 9005707 | 1 |
| 4 | m01209 | 4 |
| 5 | m02579 | 1 |
| 6 | m03775 | 6 |
| 7 | m16637 | 6 |
| 8 | m18855 | 1 |

Ⓒ CZ TERČ PŘEDNÍ LEVÝ

Ⓓ D SCHILD, VORDERES, LINKES

Ⓕ F CIBLE AVANT GAUCHE

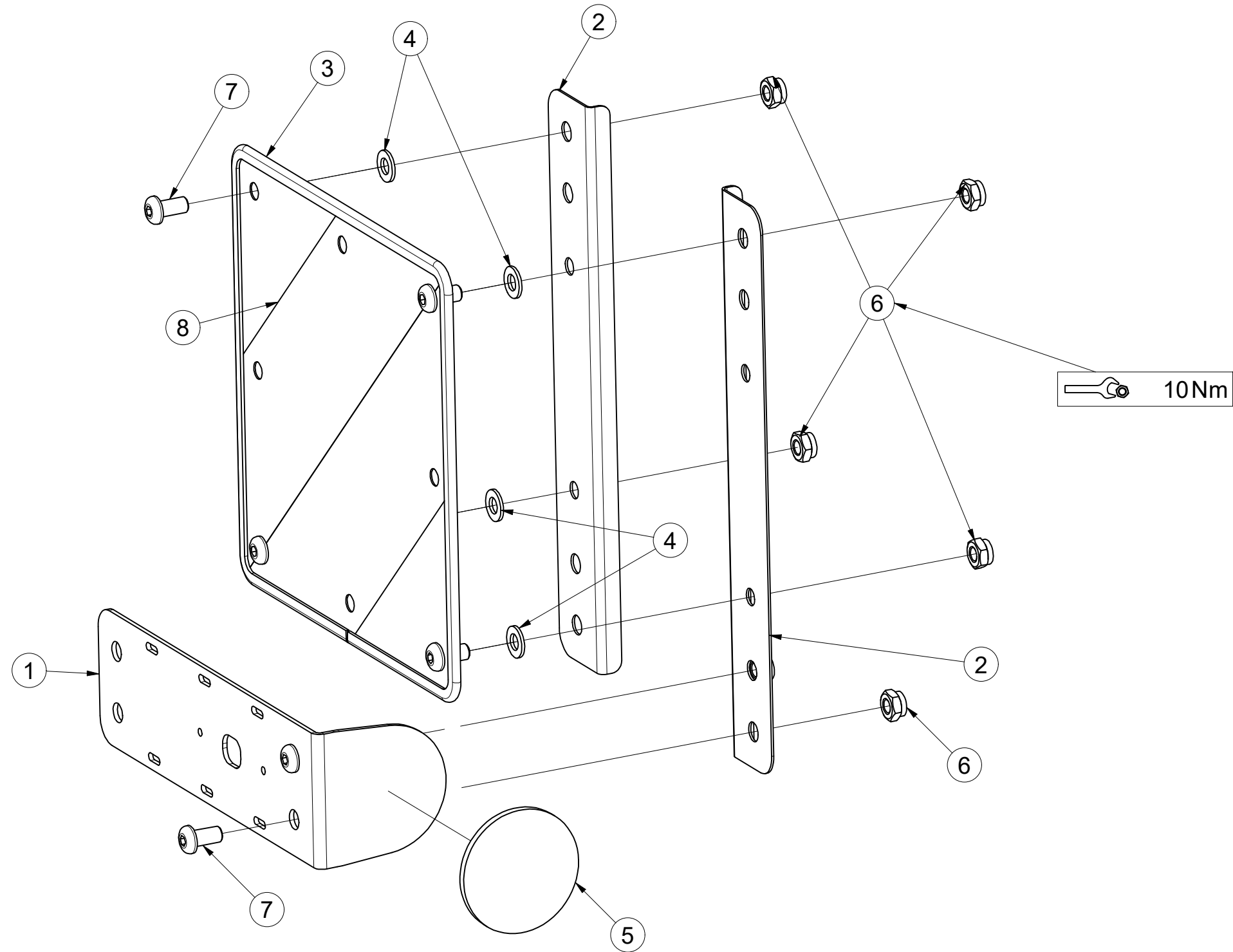
Ⓒ GB LEFT FRONT DISC

Ⓓ RU ЩИТОК ПЕРЕДНИЙ ЛЕВЫЙ

Ⓕ PL TARCZA PRZEDNIA LEWA



4025025



| Pos. | Part Number | Pcs. |
|------|-------------|------|
| 1 | 4024481 | 1 |
| 2 | 4024491 | 2 |
| 3 | 9005707 | 1 |
| 4 | m01209 | 4 |
| 5 | m02579 | 1 |
| 6 | m03775 | 6 |
| 7 | m16637 | 6 |
| 8 | m18855 | 1 |

Ⓒ VÝSEVNÉ ÚSTROJÍ LEVÉ

Ⓓ AUSSAATMECHANISMUS LINKS

Ⓕ DISPOSITIF DE SEMIS À GAUCHE

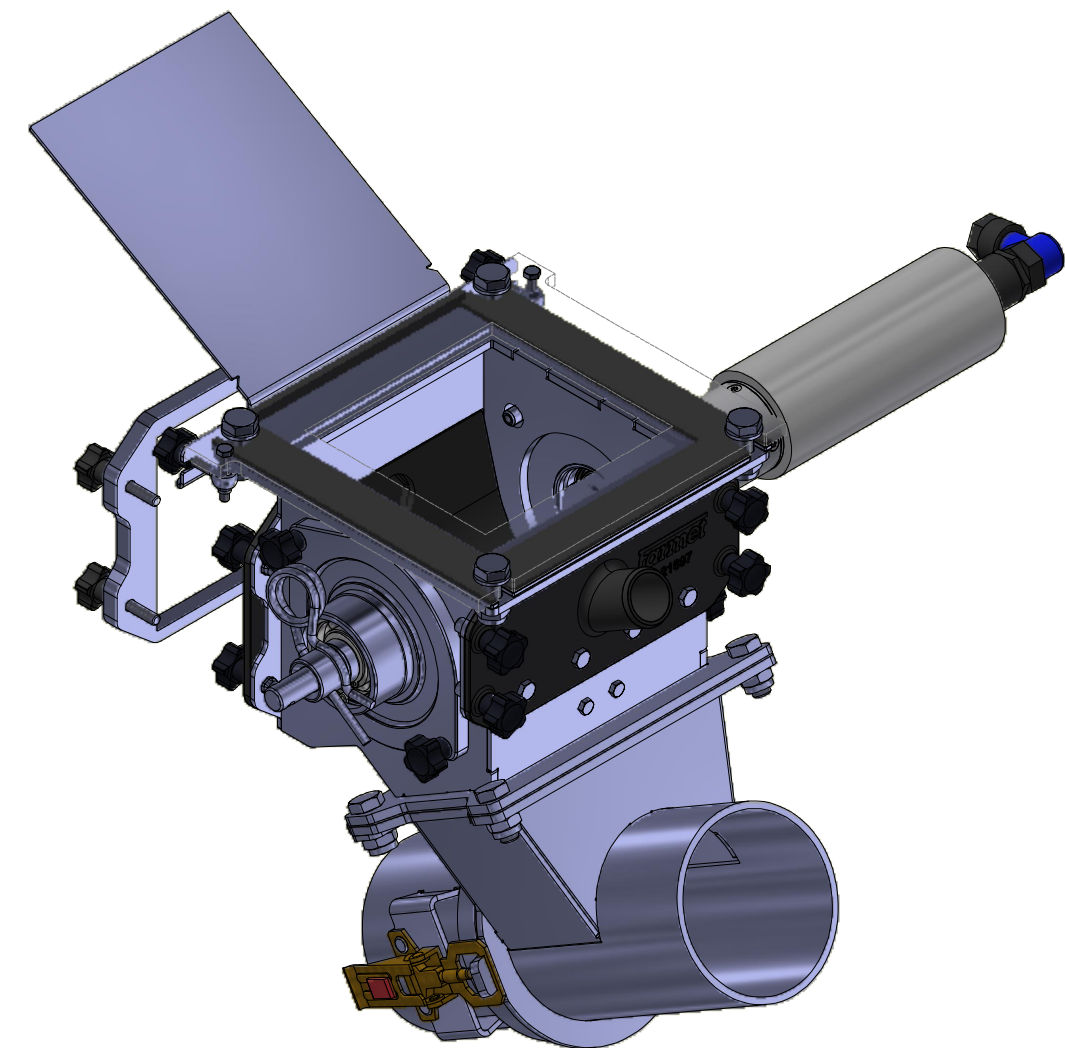
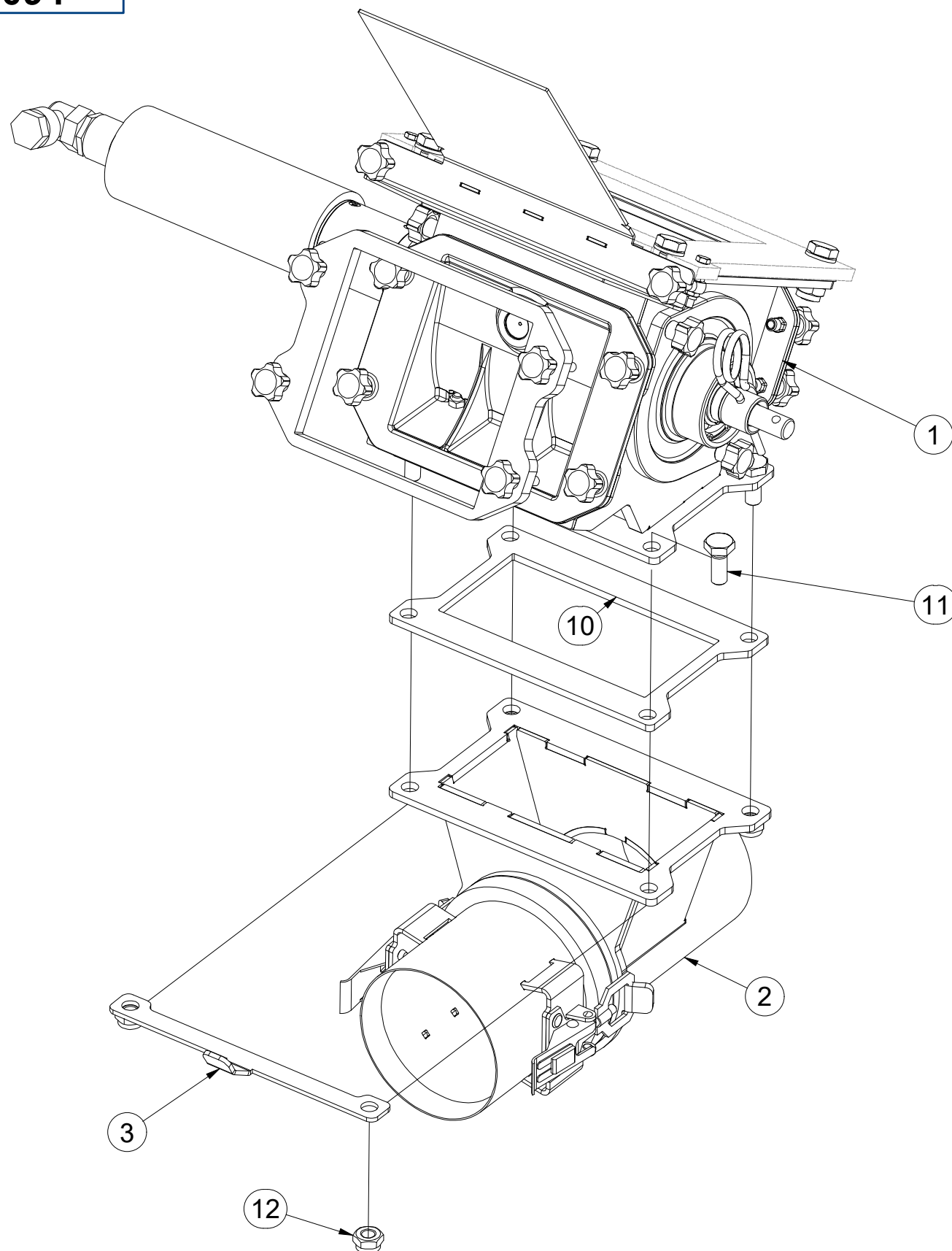
VZ00012094

Ⓖ SEEDING APPARATUS LEFT

Ⓡ ВЫСЕВАЮЩИЙ МЕХАНИЗМ СЛЕВА

Ⓟ MECHANIZM SIEWNY W LEWO

Farmet



| Pos. | Part Number | Pcs. |
|------|-------------|------|
| 1 | VZ00017649 | 1 |
| 2 | VZ00010562 | 1 |
| 3 | VZ00006924 | 1 |
| 10 | m21152 | 1 |
| 11 | m19695 | 4 |
| 12 | m13617 | 4 |

Ⓒ VÝSEVNÉ ÚSTROJÍ PRO NÁSYPKU

Ⓓ AUSSAATMECHANISMUS FÜR DEN FÜLLTRICHTER

Ⓕ DISPOSITIF DE SEMIS POUR LA TRÉMIE

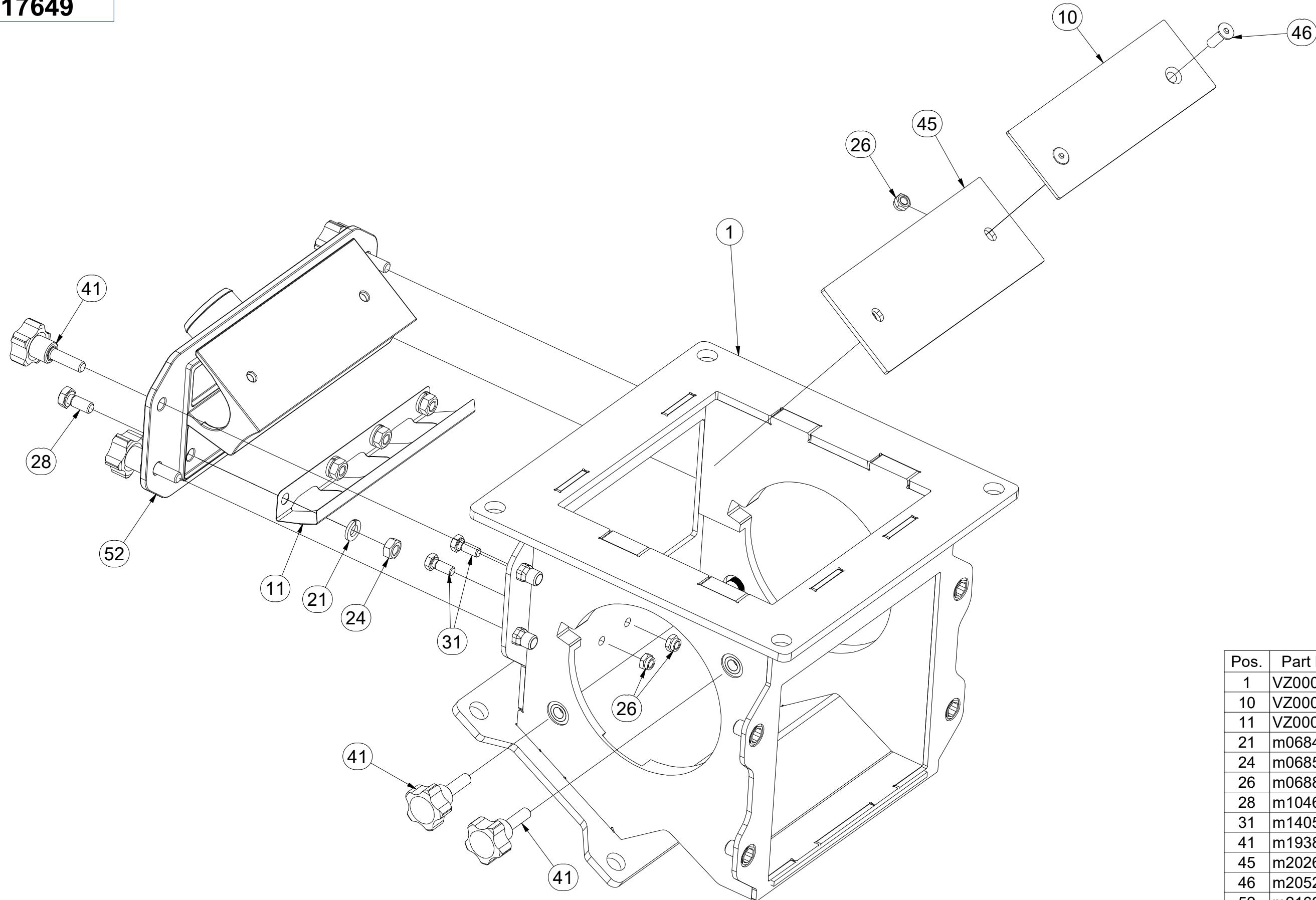
Ⓖ SEEDING APPARATUS FOR THE HOPPER

Ⓡ ВЫСЕВАЮЩИЙ МЕХАНИЗМ ДЛЯ БУНКЕРА

Ⓟ MECHANIZM SIEWNY DO LEJA

Farmet

VZ00017649



| Pos. | Part Number | Pcs. |
|------|-------------|------|
| 1 | VZ00017646 | 1 |
| 10 | VZ00005384 | 1 |
| 11 | VZ00018483 | 1 |
| 21 | m06844 | 4 |
| 24 | m06854 | 7 |
| 26 | m06886 | 6 |
| 28 | m10463 | 4 |
| 31 | m14053 | 2 |
| 41 | m19381 | 12 |
| 45 | m20269 | 1 |
| 46 | m20521 | 2 |
| 52 | m21697 | 1 |

Ⓒ VÝSEVNÉ ÚSTROJÍ PRO NÁSYPKU

Ⓓ AUSSAATMECHANISMUS FÜR DEN FÜLLTRICHTER

Ⓕ DISPOSITIF DE SEMIS POUR LA TRÉMIE

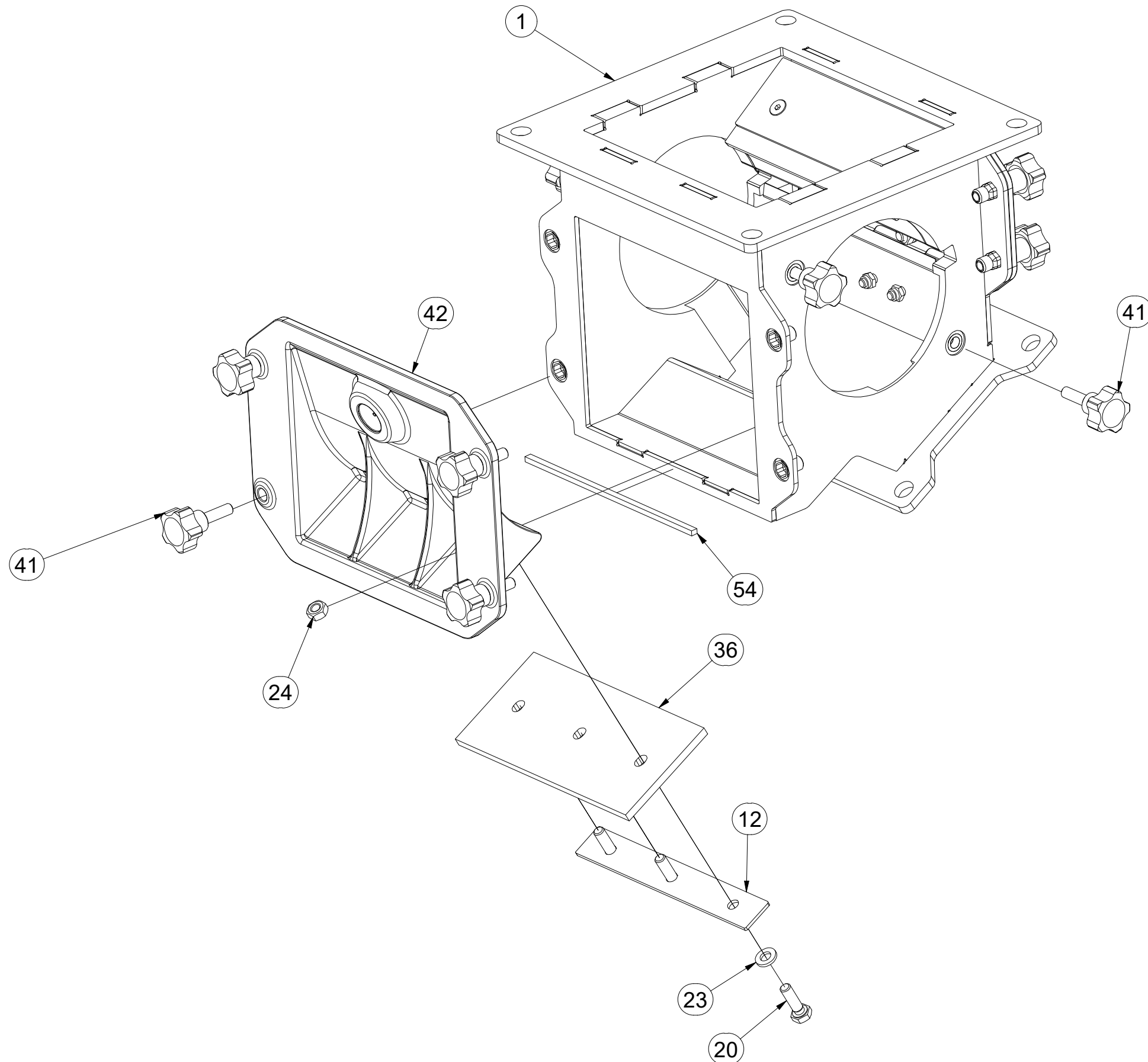
Ⓖ SEEDING APPARATUS FOR THE HOPPER

Ⓡ ВЫСЕВАЮЩИЙ МЕХАНИЗМ ДЛЯ БУНКЕРА

Ⓟ MECHANIZM SIEWNY DO LEJA

Farmet

VZ00017649



| Pos. | Part Number | Pcs. |
|------|-------------|------|
| 1 | VZ00017646 | 1 |
| 12 | 4026095 | 1 |
| 20 | m06840 | 3 |
| 23 | m06847 | 3 |
| 24 | m06854 | 7 |
| 36 | m19264 | 1 |
| 41 | m19381 | 12 |
| 42 | m19727 | 1 |
| 54 | m22249 | 1 |

ⒸZ VÝSEVNÉ ÚSTROJÍ PRO NÁSYPKU

Ⓓ AUSSAATMECHANISMUS FÜR DEN FÜLLTRICHTER

Ⓕ DISPOSITIF DE SEMIS POUR LA TRÉMIE

ⒼB SEEDING APPARATUS FOR THE HOPPER

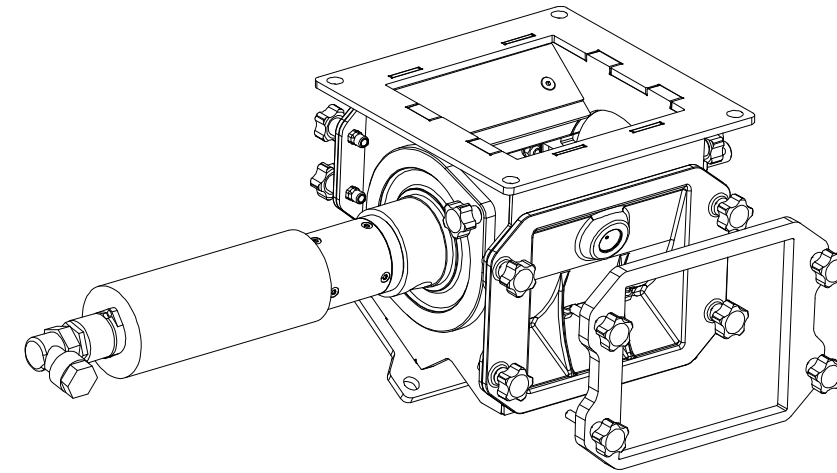
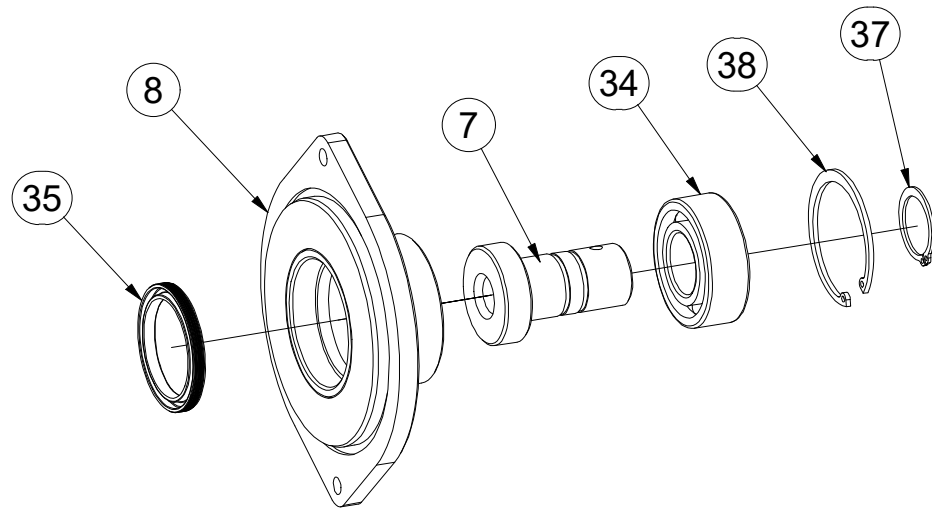
Ⓔ RU ВЫСЕВАЮЩИЙ МЕХАНИЗМ ДЛЯ БУНКЕРА

ⒼL MECHANIZM SIEWNY DO LEJA

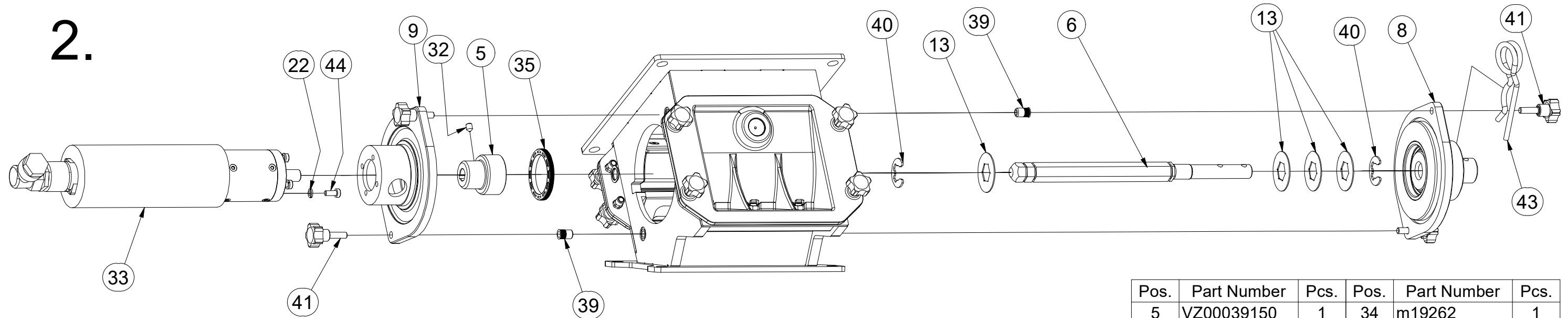


VZ00017649

1.



2.



| Pos. | Part Number | Pcs. | Pos. | Part Number | Pcs. |
|------|-------------|------|------|-------------|------|
| 5 | VZ00039150 | 1 | 34 | m19262 | 1 |
| 6 | VZ00011815 | 1 | 35 | m19263 | 2 |
| 7 | VZ00011814 | 1 | 37 | m19375 | 1 |
| 8 | VZ00011793 | 1 | 38 | m19376 | 1 |
| 9 | VZ00011788 | 1 | 39 | m19377 | 4 |
| 13 | 4026075 | 6 | 40 | m19378 | 2 |
| 22 | m06845 | 4 | 41 | m19381 | 12 |
| 32 | m24614 | 1 | 43 | m19740 | 1 |
| 33 | m19150 | 1 | 44 | m19751 | 4 |

ⒸZ VÝSEVNÉ ÚSTROJÍ PRO NÁSYPKU

Ⓓ AUSSAATMECHANISMUS FÜR DEN FÜLLTRICHTER

Ⓕ DISPOSITIF DE SEMIS POUR LA TRÉMIE

ⒸGB SEEDING APPARATUS FOR THE HOPPER

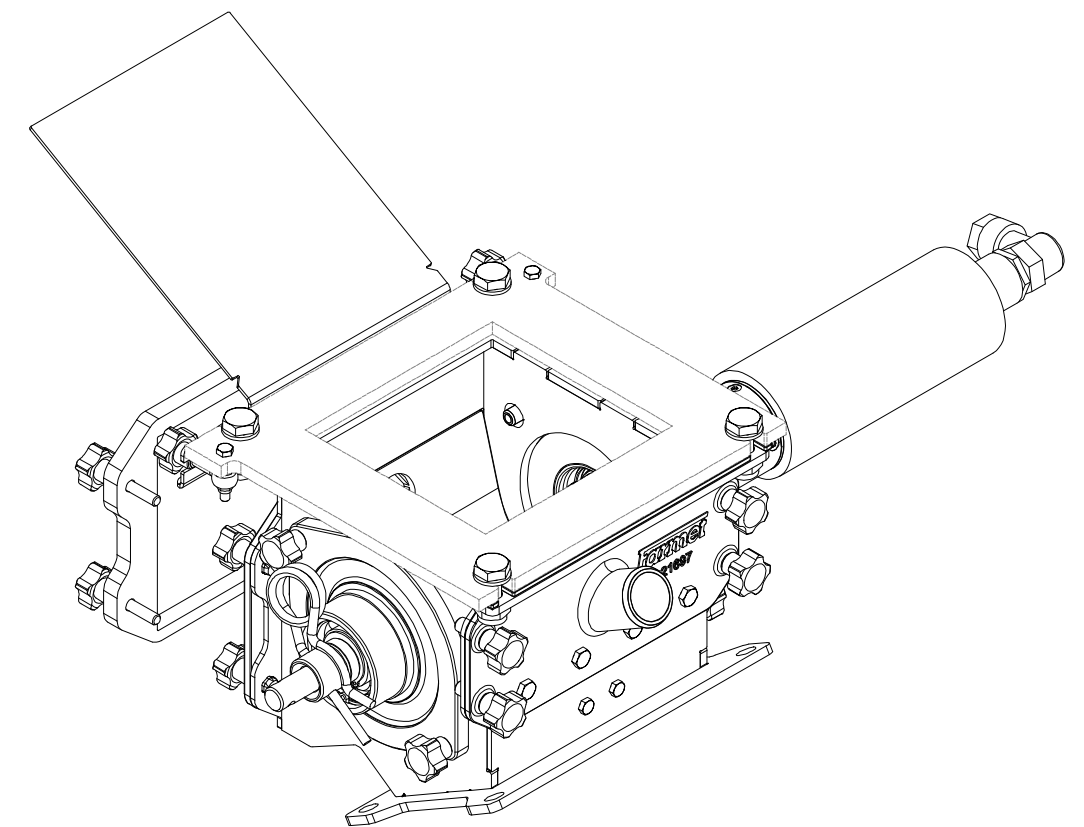
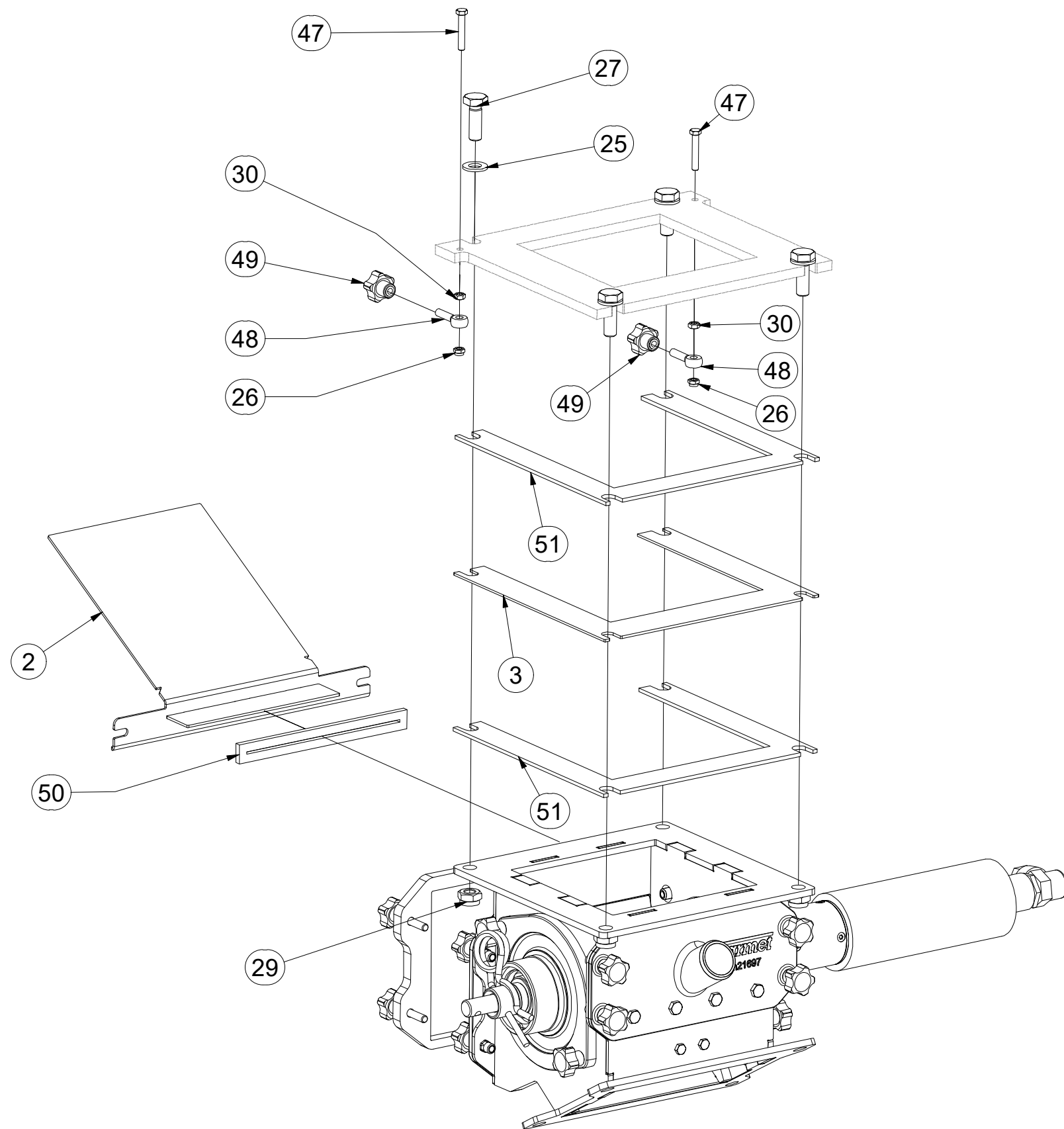
ⒸRU ВЫСЕВАЮЩИЙ МЕХАНИЗМ ДЛЯ БУНКЕРА

ⒸPL MECHANIZM SIEWNY DO LEJA



VZ00017649

| Pos. | Part Number | Pcs. |
|------|-------------|------|
| 2 | VZ00016826 | 1 |
| 3 | VZ00016810 | 1 |
| 25 | m06859 | 4 |
| 26 | m06886 | 6 |
| 27 | m07092 | 4 |
| 29 | m13617 | 4 |
| 30 | m14051 | 2 |
| 47 | m21686 | 2 |
| 48 | m21687 | 2 |
| 49 | m21688 | 2 |
| 50 | m21694 | 1 |
| 51 | m21695 | 2 |



Ⓒ VÝSEVNÉ ÚSTROJÍ PRAVÉ

Ⓓ AUSSAATMECHANISMUS RECHTS

Ⓔ DISPOSITIF DE SEMIS À DROITE

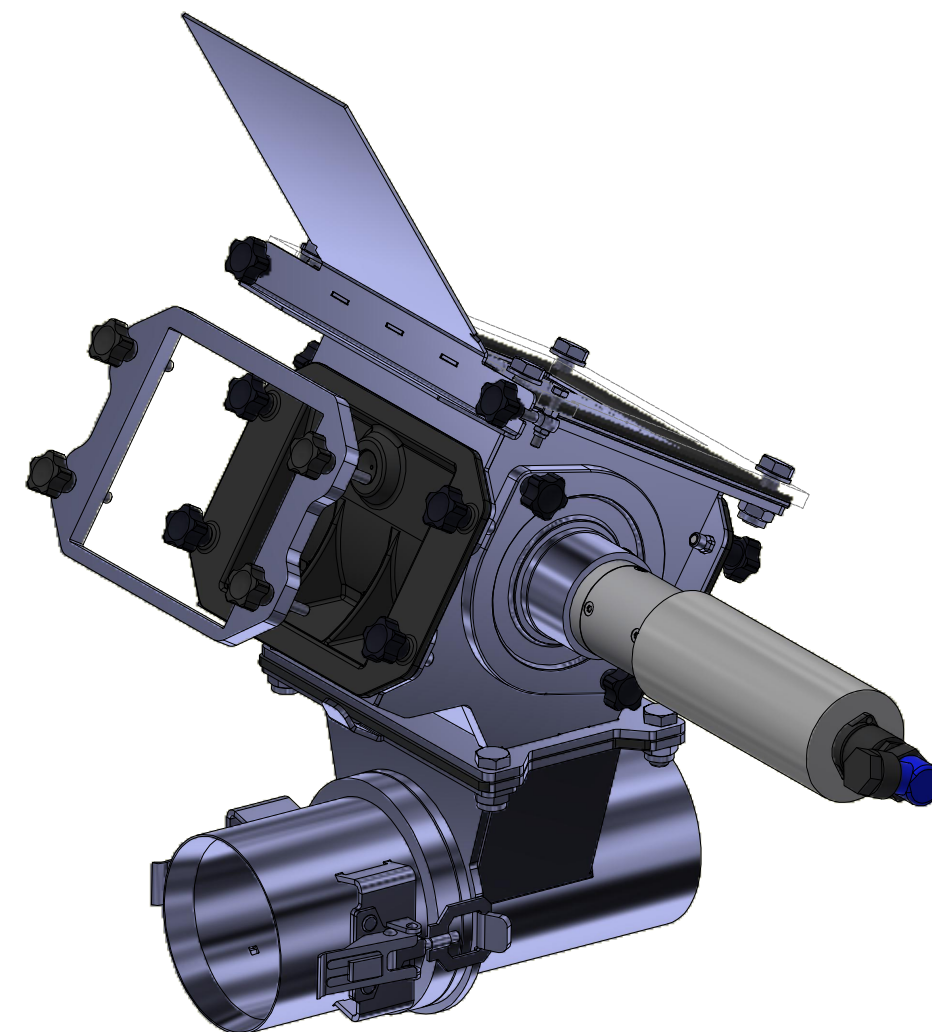
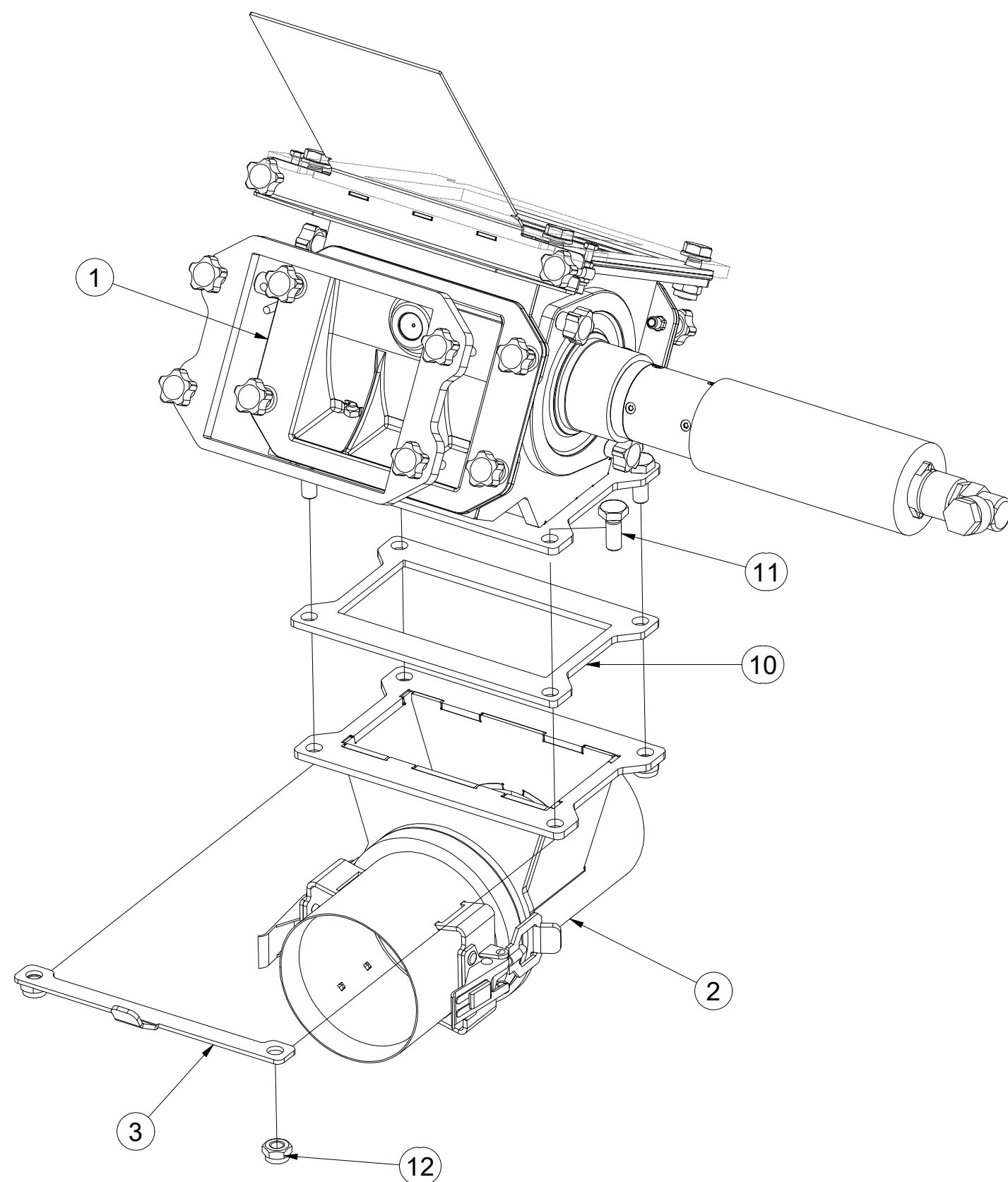
VZ00012096

Ⓖ SEEDING APPARATUS RIGHT

Ⓡ ВЫСЕВАЮЩИЙ МЕХАНИЗМ ПРАВИЙ

Ⓟ MECHANIZM SIEWNY PRAWY

Farmet



| Pos. | Part Number | Pcs. |
|------|-------------|------|
| 1 | VZ00017652 | 1 |
| 2 | VZ00010562 | 1 |
| 3 | VZ00006924 | 1 |
| 10 | m21152 | 1 |
| 11 | m19695 | 4 |
| 12 | m13617 | 4 |

ⒸZ VÝSEVNÉ ÚSTROJÍ PRO NÁSYPKU

Ⓓ AUSSAATMECHANISMUS FÜR DEN FÜLLTRICHTER

Ⓕ DISPOSITIF DE SEMIS POUR LA TRÉMIE

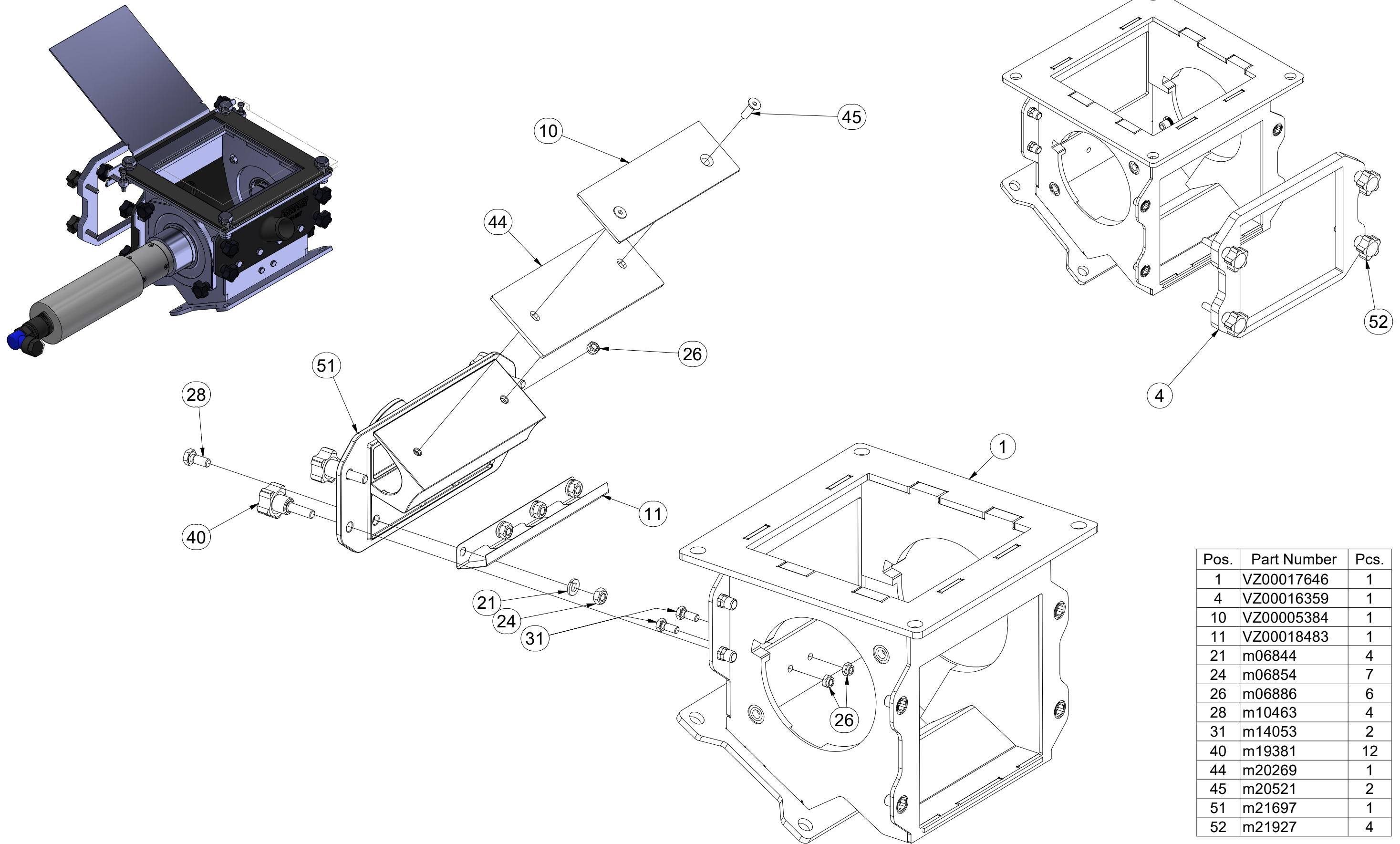
ⒸB SEEDING APPARATUS FOR THE HOPPER

Ⓔ ВЫСЕВАЮЩИЙ МЕХАНИЗМ ДЛЯ БУНКЕРА

Ⓗ MECHANIZM SIEWNY DO LEJA



VZ00017652



| Pos. | Part Number | Pcs. |
|------|-------------|------|
| 1 | VZ00017646 | 1 |
| 4 | VZ00016359 | 1 |
| 10 | VZ00005384 | 1 |
| 11 | VZ00018483 | 1 |
| 21 | m06844 | 4 |
| 24 | m06854 | 7 |
| 26 | m06886 | 6 |
| 28 | m10463 | 4 |
| 31 | m14053 | 2 |
| 40 | m19381 | 12 |
| 44 | m20269 | 1 |
| 45 | m20521 | 2 |
| 51 | m21697 | 1 |
| 52 | m21927 | 4 |

Ⓒ VÝSEVNÉ ÚSTROJÍ PRO NÁSYPKU

Ⓓ AUSSAATMECHANISMUS FÜR DEN FÜLLTRICHTER

Ⓕ DISPOSITIF DE SEMIS POUR LA TRÉMIE

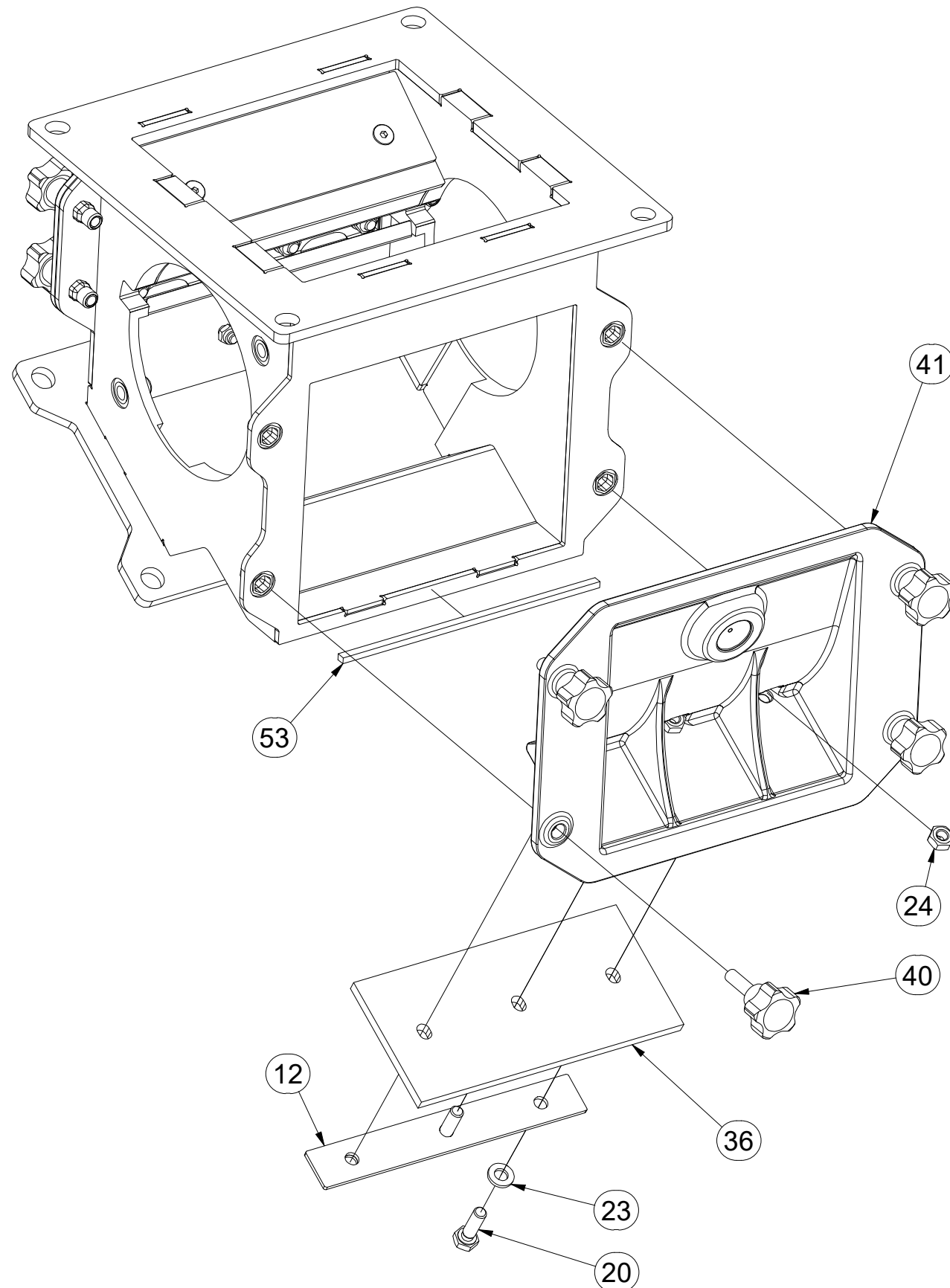
VZ00017652

Ⓖ SEEDING APPARATUS FOR THE HOPPER

Ⓡ ВЫСЕВАЮЩИЙ МЕХАНИЗМ ДЛЯ БУНКЕРА

Ⓟ MECHANIZM SIEWNY DO LEJA

Farmet



| Pos. | Part Number | Pcs. |
|------|-------------|------|
| 12 | 4026095 | 1 |
| 20 | m06840 | 3 |
| 23 | m06847 | 3 |
| 24 | m06854 | 7 |
| 36 | m19264 | 1 |
| 40 | m19381 | 12 |
| 41 | m19727 | 1 |
| 53 | m22249 | 1 |

ⒸZ VÝSEVNÉ ÚSTROJÍ PRO NÁSYPKU

Ⓓ AUSSAATMECHANISMUS FÜR DEN FÜLLTRICHTER

Ⓕ DISPOSITIF DE SEMIS POUR LA TRÉMIE

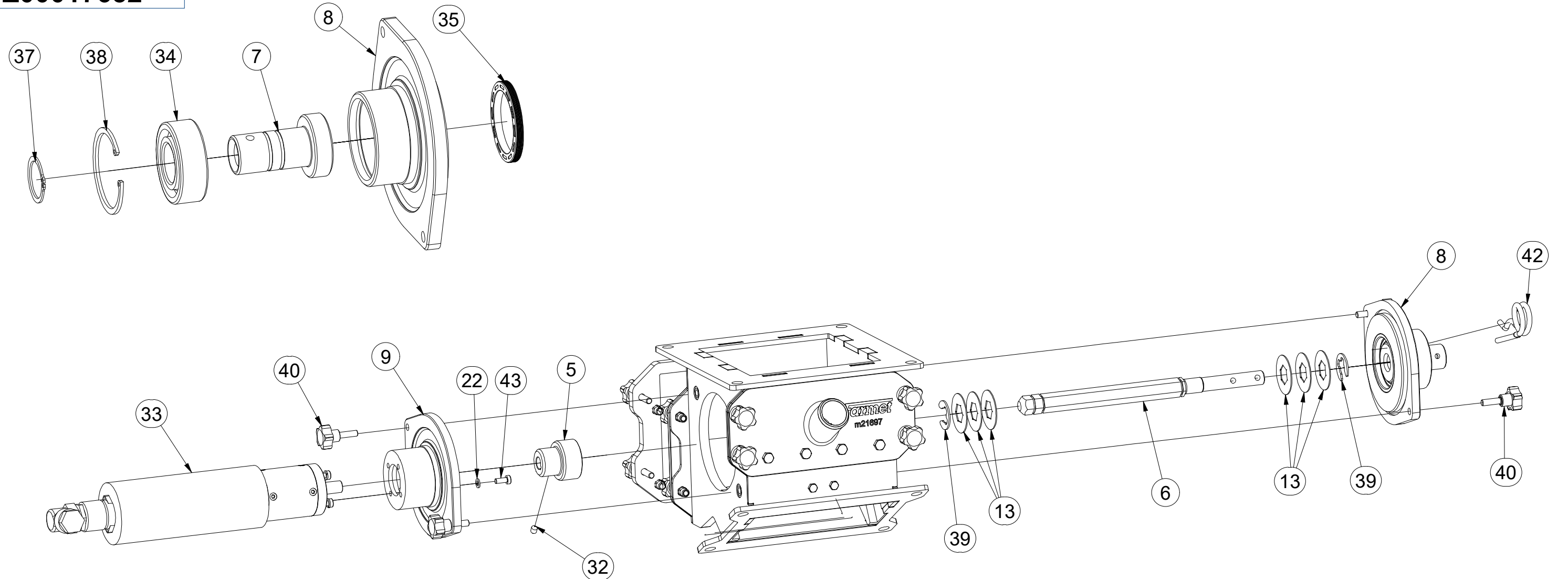
ⒸB SEEDING APPARATUS FOR THE HOPPER

ⒸU ВЫСЕВАЮЩИЙ МЕХАНИЗМ ДЛЯ БУНКЕРА

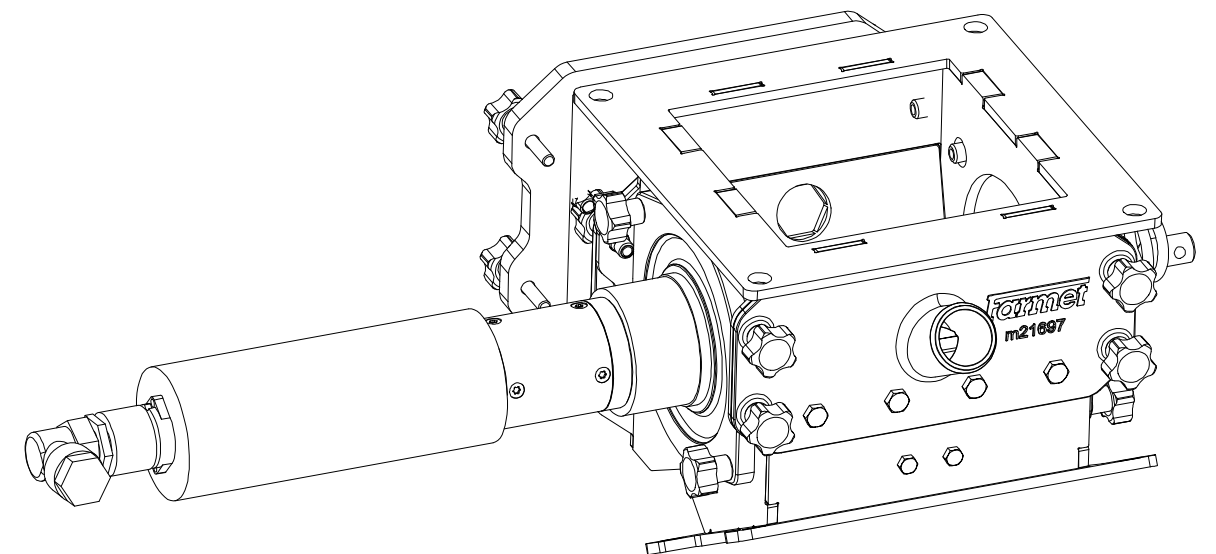
ⒸL MECHANIZM SIEWNY DO LEJA



VZ00017652



| Pos. | Part Number | Pcs. | Pos. | Part Number | Pcs. |
|------|-------------|------|------|-------------|------|
| 5 | VZ00039150 | 1 | 34 | m19262 | 1 |
| 6 | VZ00011815 | 1 | 35 | m19263 | 2 |
| 7 | VZ00011814 | 1 | 37 | m19375 | 1 |
| 8 | VZ00011793 | 1 | 38 | m19376 | 1 |
| 9 | VZ00011788 | 1 | 39 | m19378 | 2 |
| 13 | 4026075 | 6 | 40 | m19381 | 12 |
| 22 | m06845 | 4 | 42 | m19740 | 1 |
| 32 | m24614 | 1 | 43 | m19751 | 4 |
| 33 | m19150 | 1 | | | |



Ⓒ VÝSEVNÉ ÚSTROJÍ PRO NÁSYPKU

Ⓓ AUSSAATMECHANISMUS FÜR DEN FÜLLTRICHTER

Ⓕ DISPOSITIF DE SEMIS POUR LA TRÉMIE

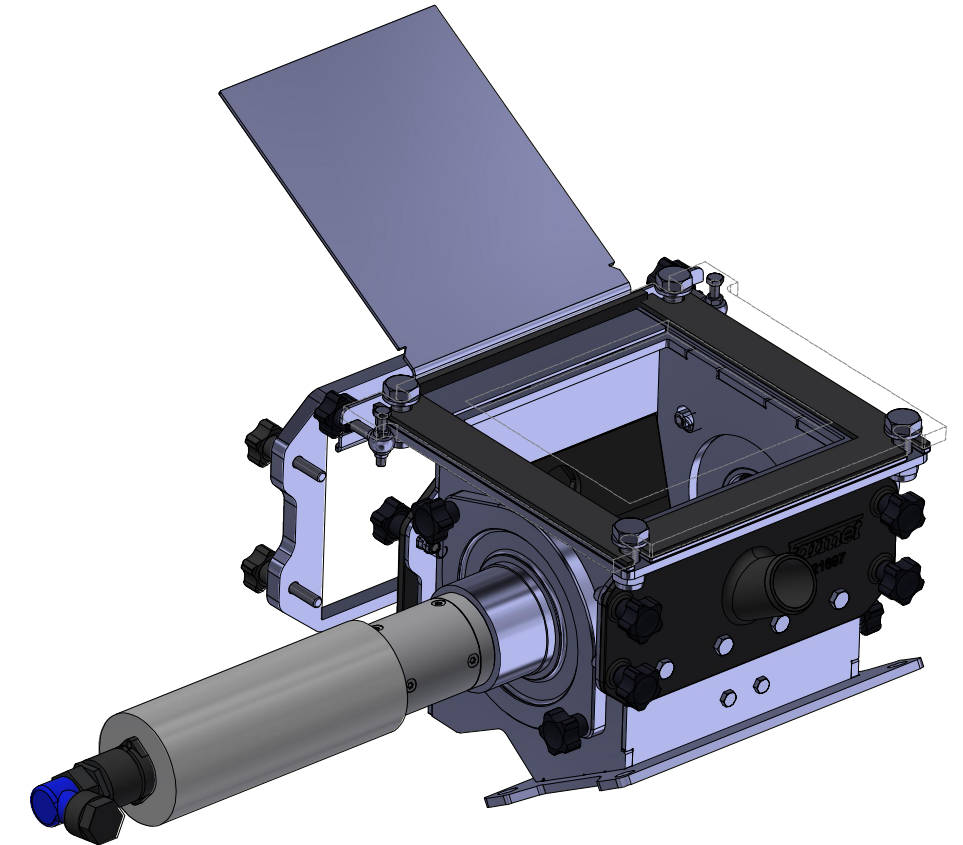
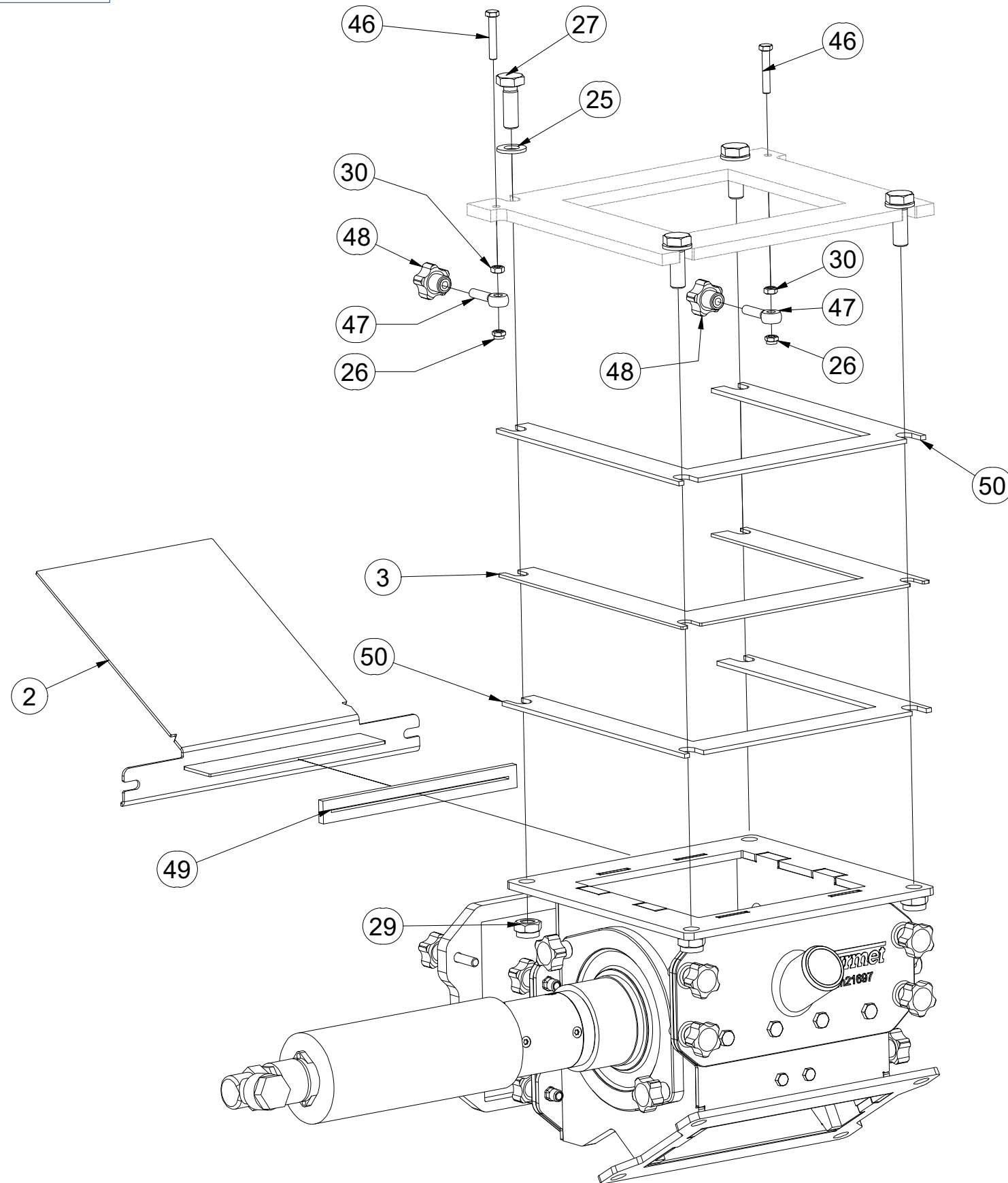
Ⓖ SEEDING APPARATUS FOR THE HOPPER

Ⓡ ВЫСЕВАЮЩИЙ МЕХАНИЗМ ДЛЯ БУНКЕРА

Ⓟ MECHANIZM SIEWNY DO LEJA

Farmet

VZ00017652



| Pos. | Part Number | Pcs. |
|------|-------------|------|
| 2 | VZ00016826 | 1 |
| 3 | VZ00016810 | 1 |
| 25 | m06859 | 4 |
| 26 | m06886 | 6 |
| 27 | m07092 | 4 |
| 29 | m13617 | 4 |
| 30 | m14051 | 2 |
| 46 | m21686 | 2 |
| 47 | m21687 | 2 |
| 48 | m21688 | 2 |
| 49 | m21694 | 1 |
| 50 | m21695 | 2 |

Ⓒ DÁVKOVAČ

Ⓓ DOSIEREINRICHTUNG

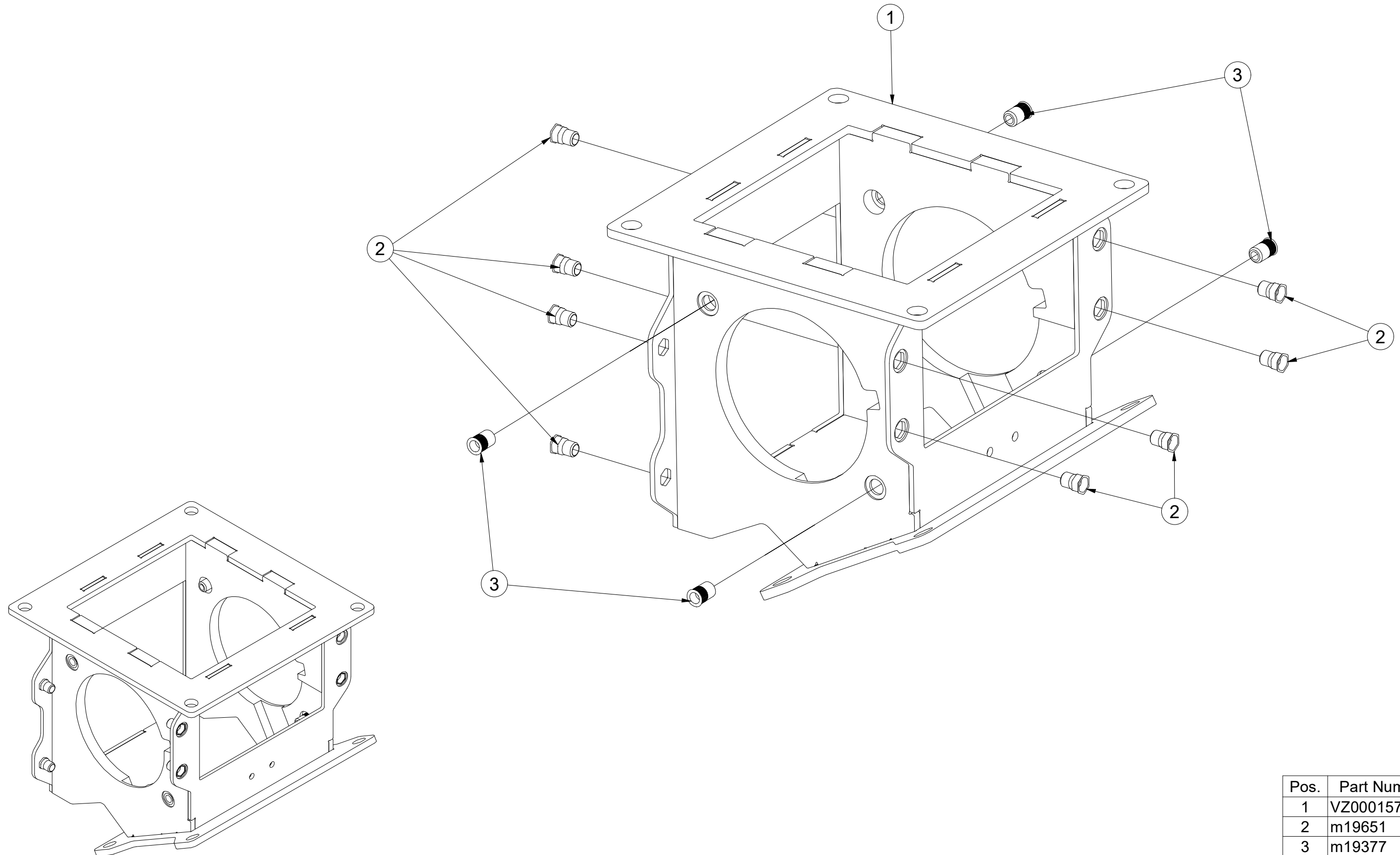
Ⓕ ÉQUIPEMENT DE DOSAGE

VZ00017646

Ⓖ DOSING EQUIPMENT

Ⓡ ДОЗИРУЮЩЕЕ ОБОРУДОВАНИЕ

Ⓟ SPRZĘT DOZUJĄCY



| Pos. | Part Number | Pcs. |
|------|-------------|------|
| 1 | VZ00015770 | 1 |
| 2 | m19651 | 8 |
| 3 | m19377 | 4 |

Ⓒ SMĚŠOVAČ

Ⓓ MISCHER

Ⓕ MÉLANGEUR

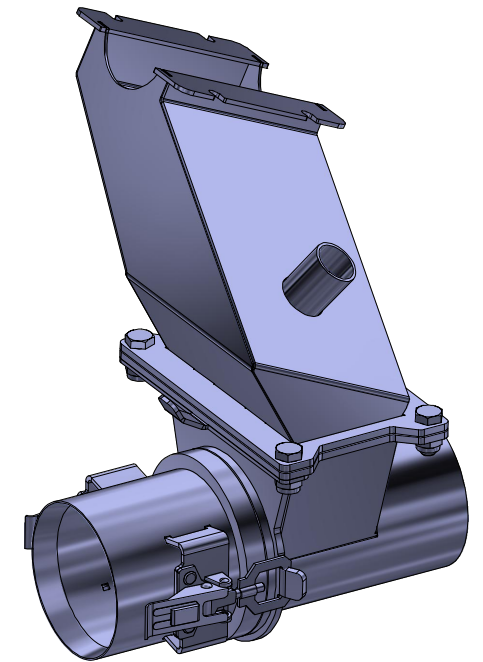
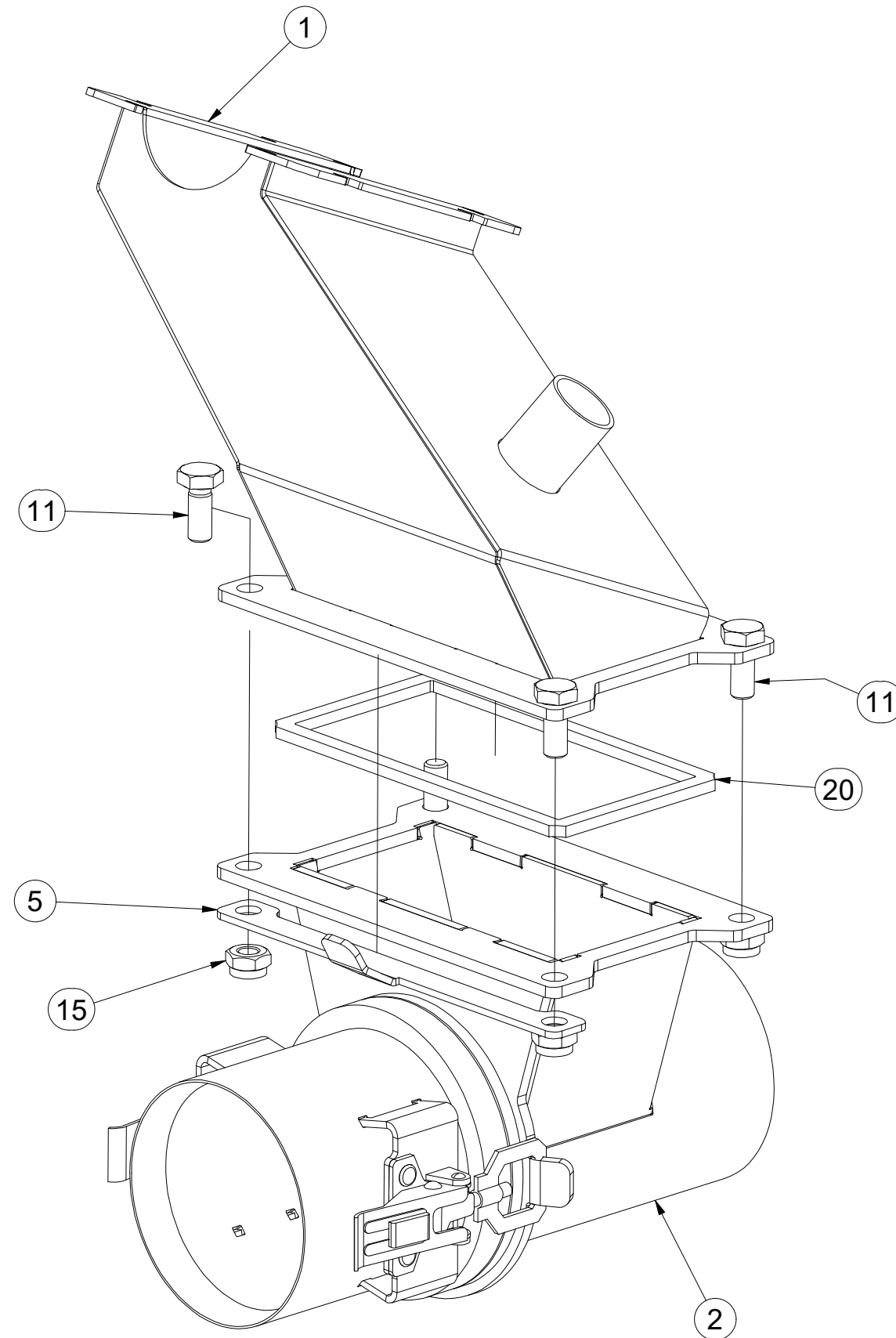
VZ00010572

Ⓖ MIXER

Ⓡ СМЕСИТЕЛЬ

Ⓟ MIESZALNIK

Farmet



| Pos. | Part Number | Pcs. |
|------|-------------|------|
| 1 | VZ00017239 | 1 |
| 2 | VZ00010562 | 1 |
| 5 | VZ00006924 | 1 |
| 11 | m19695 | 4 |
| 15 | m13617 | 4 |
| 20 | m21152 | 1 |

Ⓒ SMĚŠOVAČ

Ⓓ MISCHER

Ⓕ MÉLANGEUR

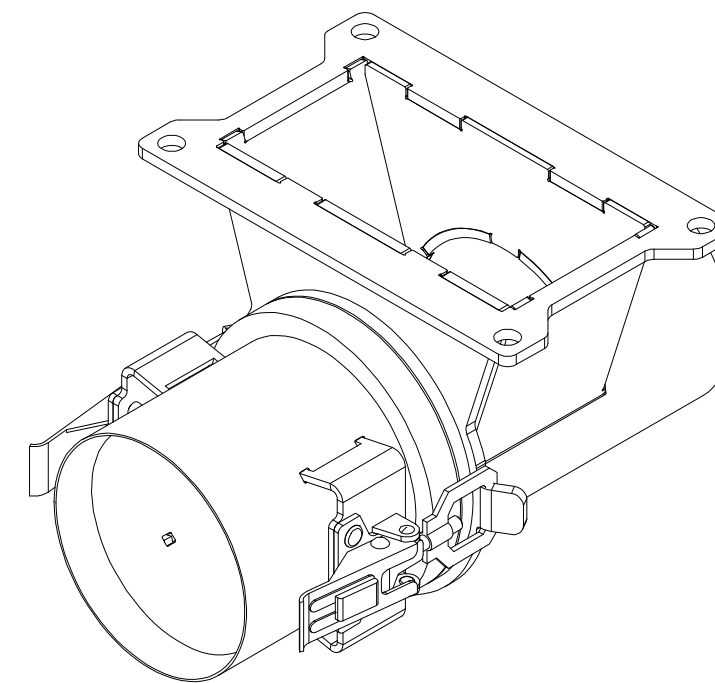
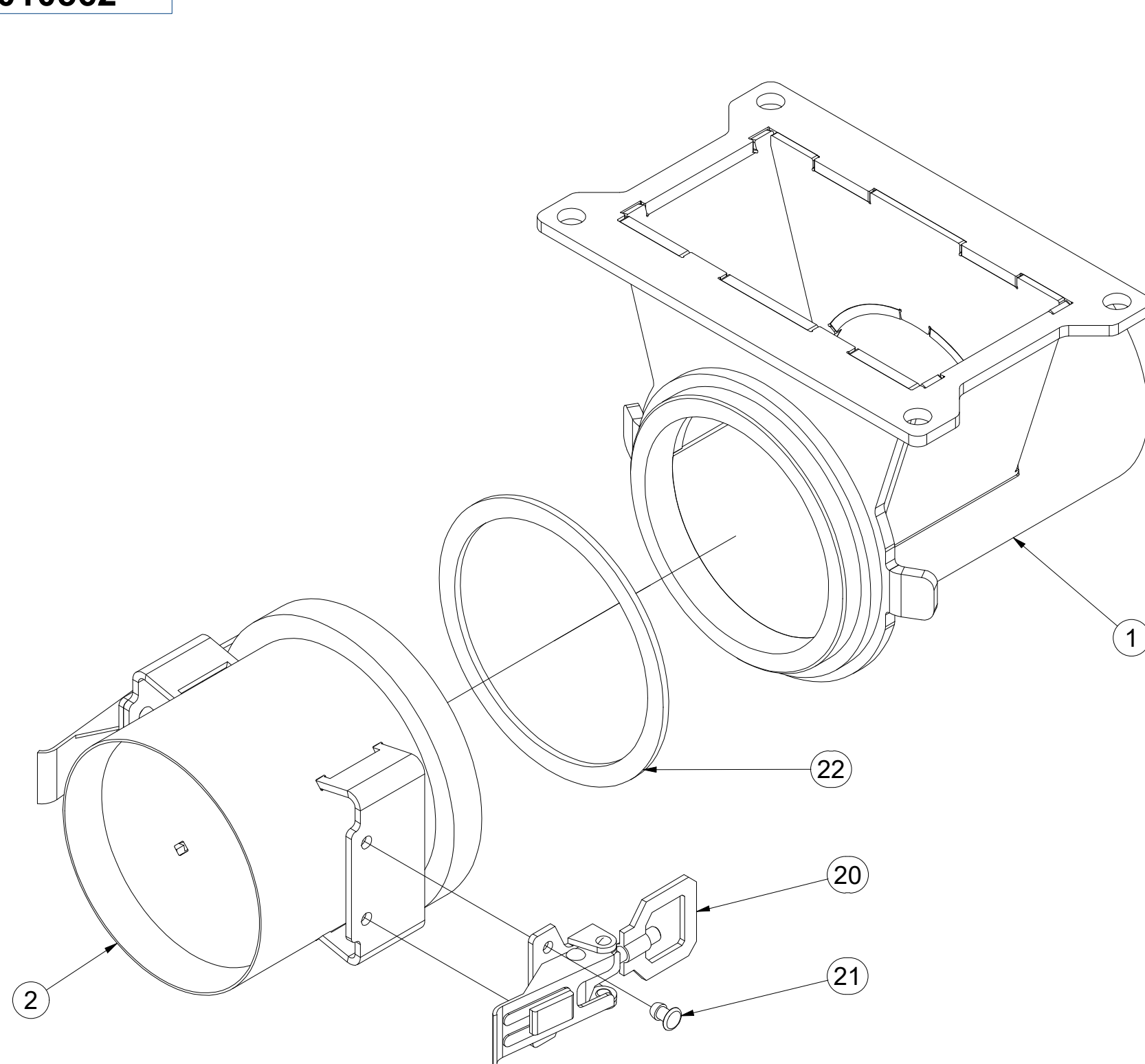
VZ00010562

Ⓖ MIXER

Ⓡ СМЕСИТЕЛЬ

Ⓟ MIESZALNIK

Farmet



| Pos. | Part Number | Pcs. |
|------|-------------|------|
| 1 | VZ00010540 | 1 |
| 2 | VZ00010559 | 1 |
| 20 | m20503 | 2 |
| 21 | m14604 | 4 |
| 22 | m21174 | 1 |

Ⓒ TRUBA S KLAPKOU

Ⓓ ROHR MIT KLAPPE

Ⓕ TUYAU AVEC VOLET

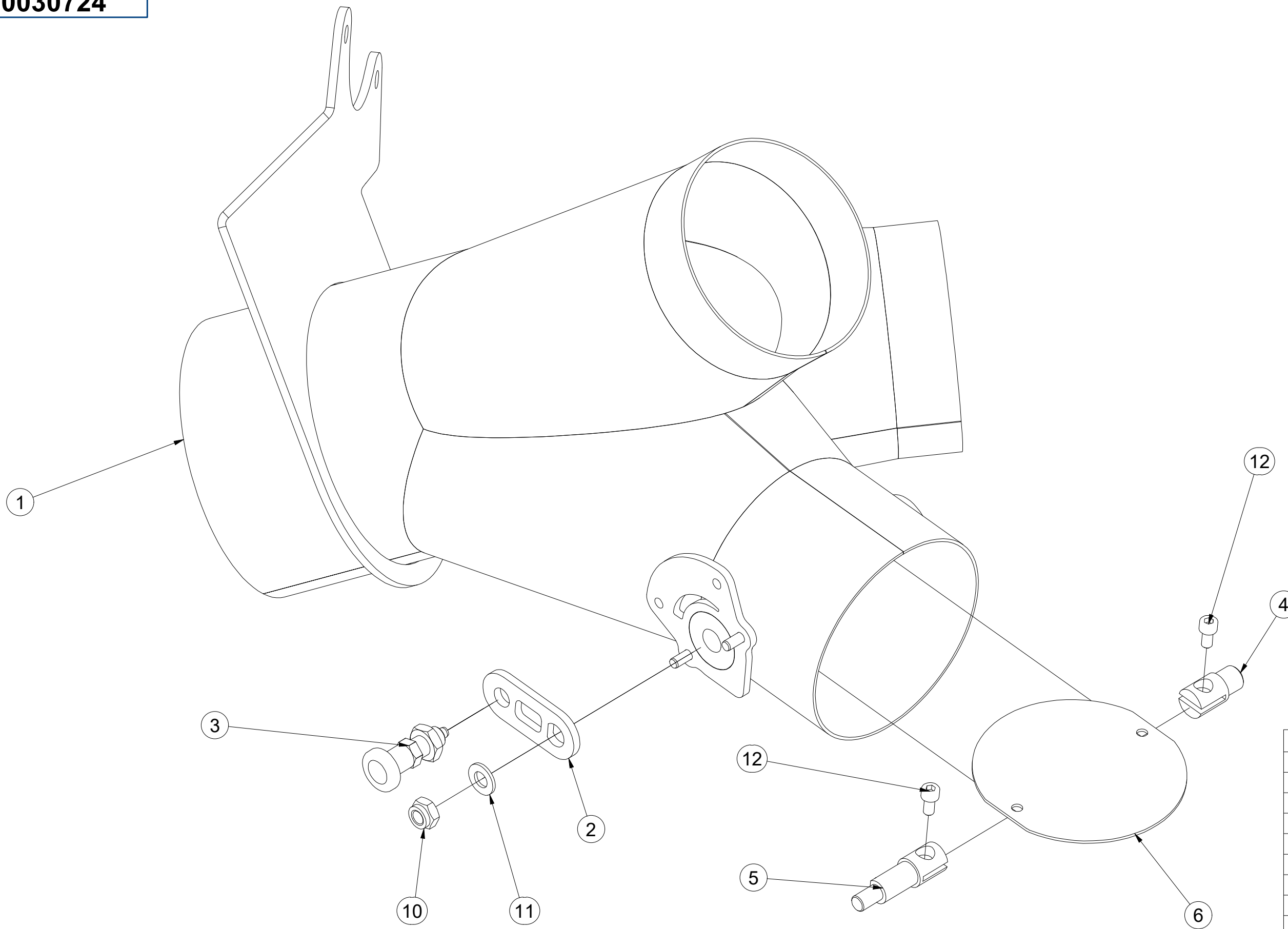
Ⓖ PIPE WITH FLAP

Ⓡ ТРУБА С ЗАСЛОНКОЙ

Ⓟ RURA Z KLAPKĄ



VZ00030724



| Pos. | Part Number | Pcs. |
|------|-------------|------|
| 1 | VZ00030725 | 1 |
| 2 | VZ00002618 | 1 |
| 3 | m17677 | 1 |
| 4 | 4026100 | 1 |
| 5 | 3012834 | 1 |
| 6 | VZ00002543 | 1 |
| 10 | m10820 | 1 |
| 11 | m06846 | 1 |
| 12 | m09907 | 2 |

ⒸZ SADA KAPACITNÍCH SNÍMAČŮ DÁVKOVAČE

Ⓓ DOSIERGERÄT KAPAZITIVER SENSOR SATZ

Ⓕ ENSEMBLE DE CAPTEURS CAPACITIFS DU DOSEUR

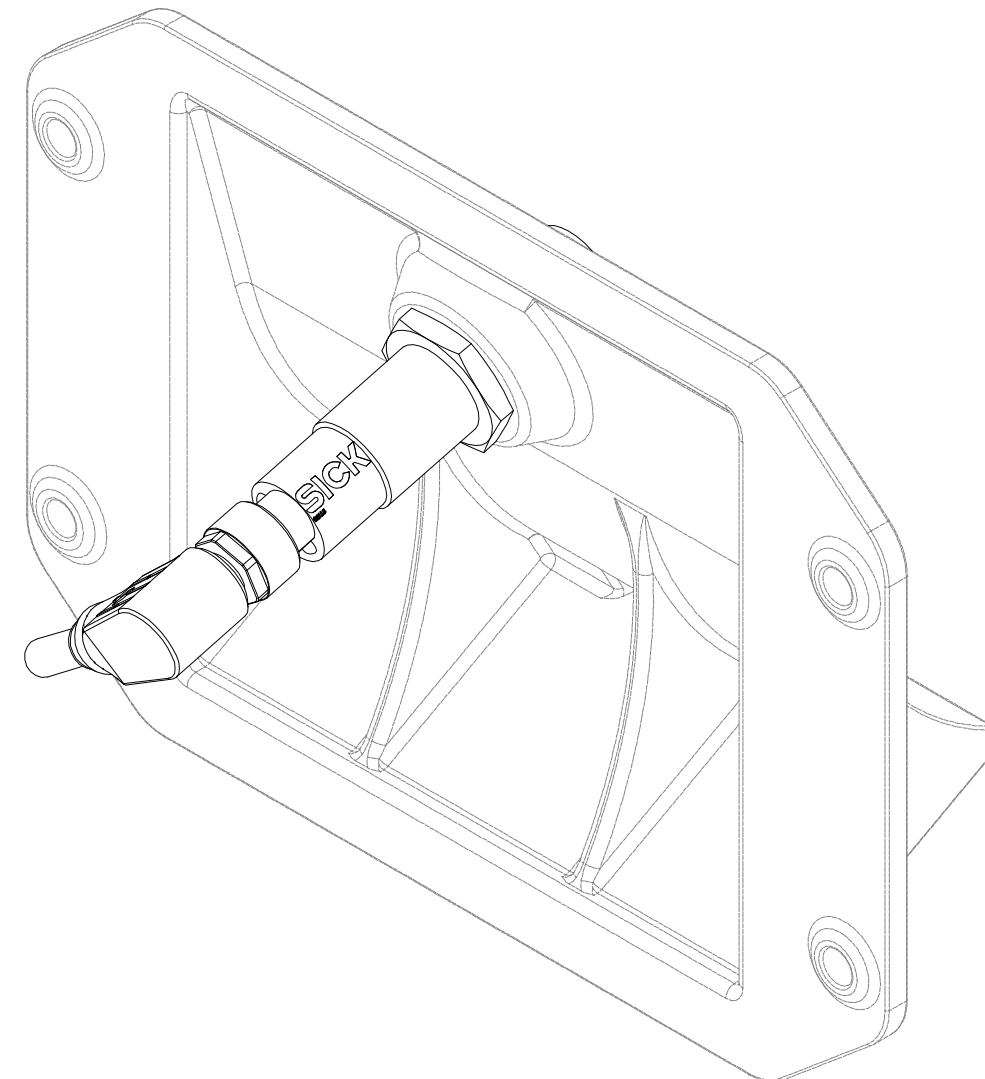
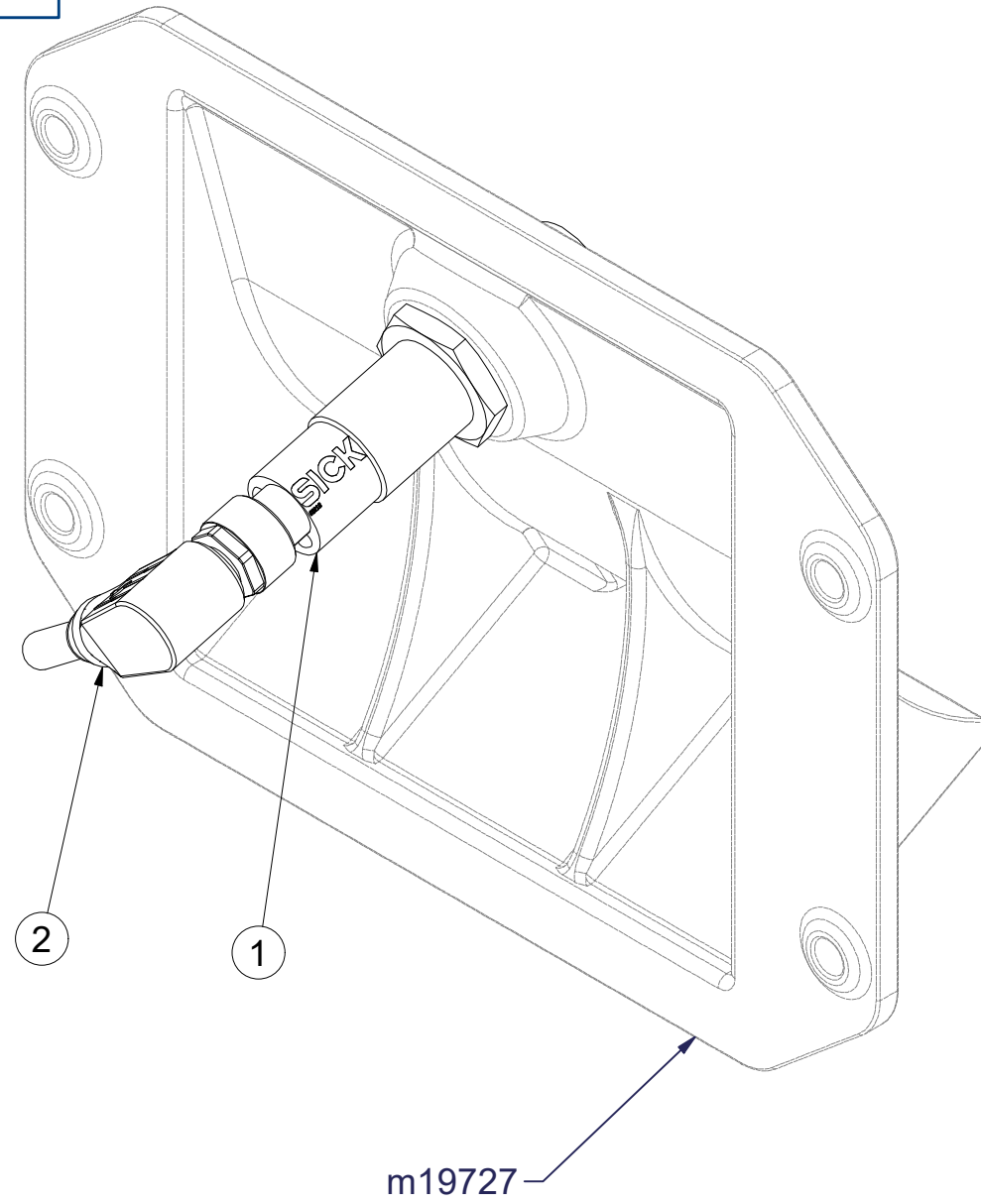
ⒸB DISPENSER CAPACITIVE SENSOR SET

ⒸU КОМПЛЕКТ ЕМКОСТНЫХ ДАТЧИКОВ ДОЗАТОРА

ⒸL ZESTAW CZUJNIKÓW POJEMNOŚCIOWYCH DOSERA



VZ00024726



| Pos. | Part Number | Pcs. |
|------|-------------|------|
| 1 | m22669 | 2 |
| 2 | m22670 | 2 |

ⒸZ SEKCE PRACOVNÍ PŘEDZPRACUJÍCÍ

Ⓓ ARBEITSABSCHNITT VORVERARBEITUNG

Ⓕ SECTION DE TRAVAIL DE PRÉTRAITEMENT

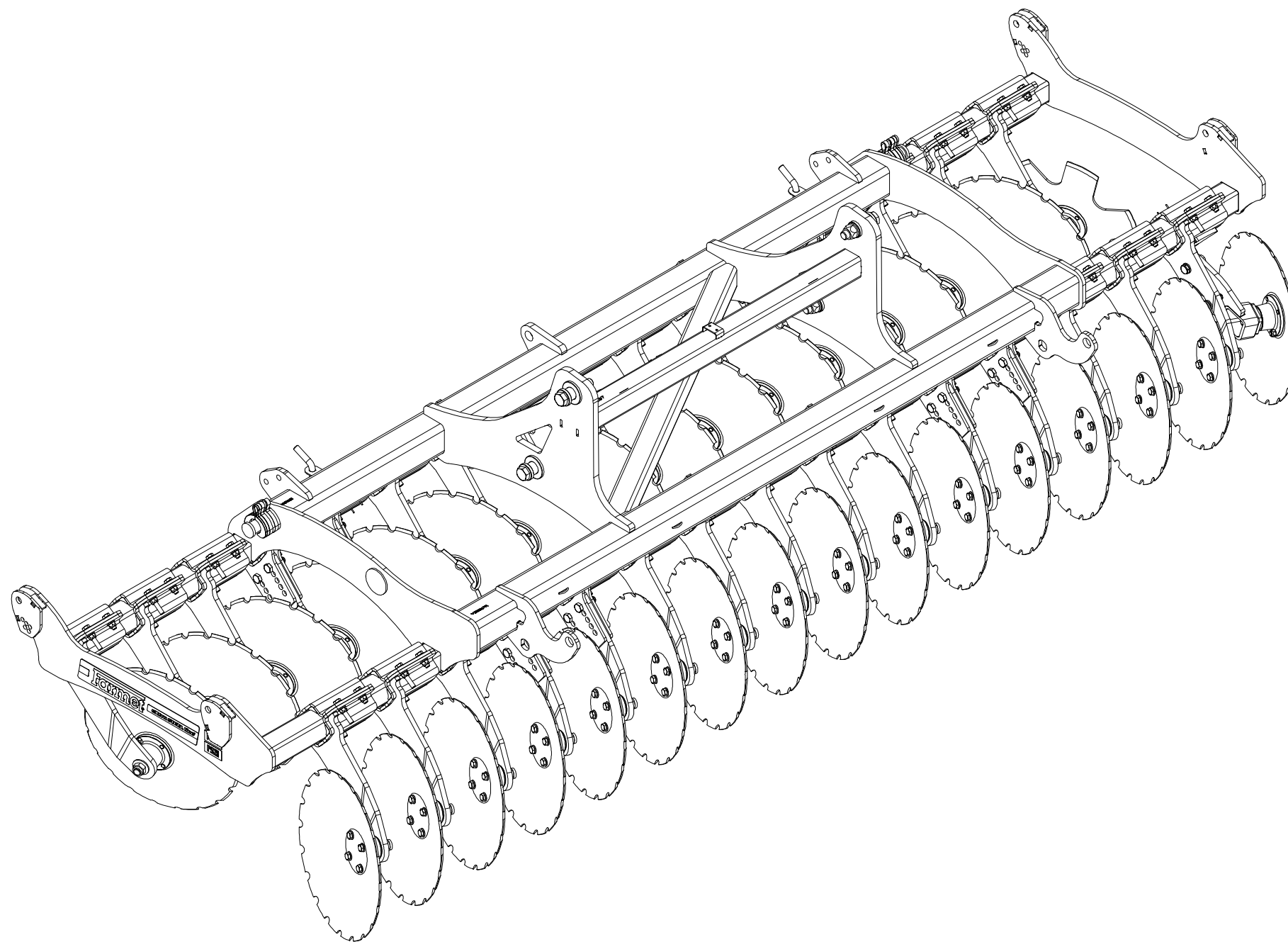
ⒸGB PREPROCESSING WORK SECTION

ⒸRU СЕКЦИЯ ПРЕДВАРИТЕЛЬНОЙ ОБРАБОТКИ

ⒸPL SEKCJA PRAC PRZYGOTOWAWCZYCH

Farmet

VZ00001784

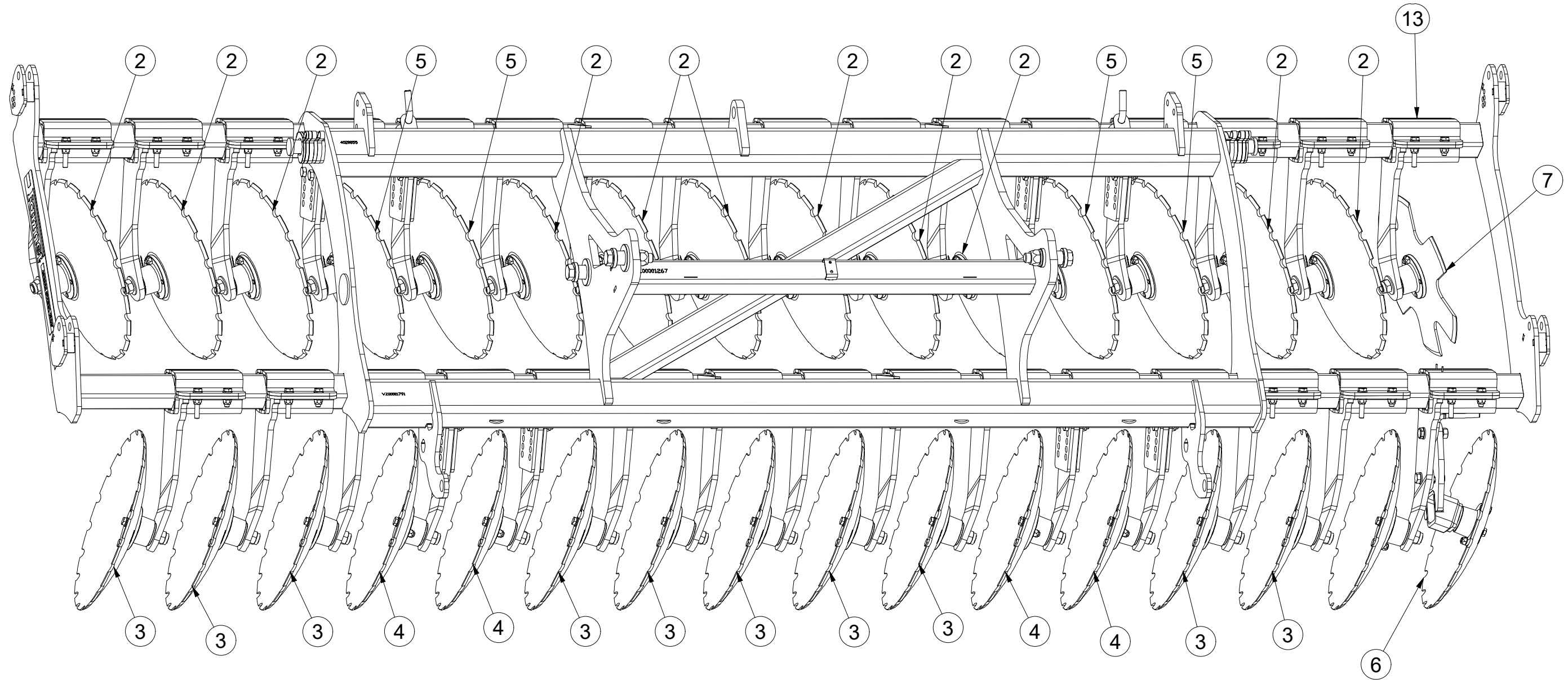


CZ SEKCE PRACOVNÍ PŘEDZPRACUJÍCÍ
 D ARBEITSABSCHNITT VORVERARBEITUNG
 F SECTION DE TRAVAIL DE PRÉTRAITEMENT

GB PREPROCESSING WORK SECTION
 RU СЕКЦИЯ ПРЕДВАРИТЕЛЬНОЙ ОБРАБОТКИ
 PL SEKCJA PRAC PRZYGOTOWAWCZYCH



VZ00001784



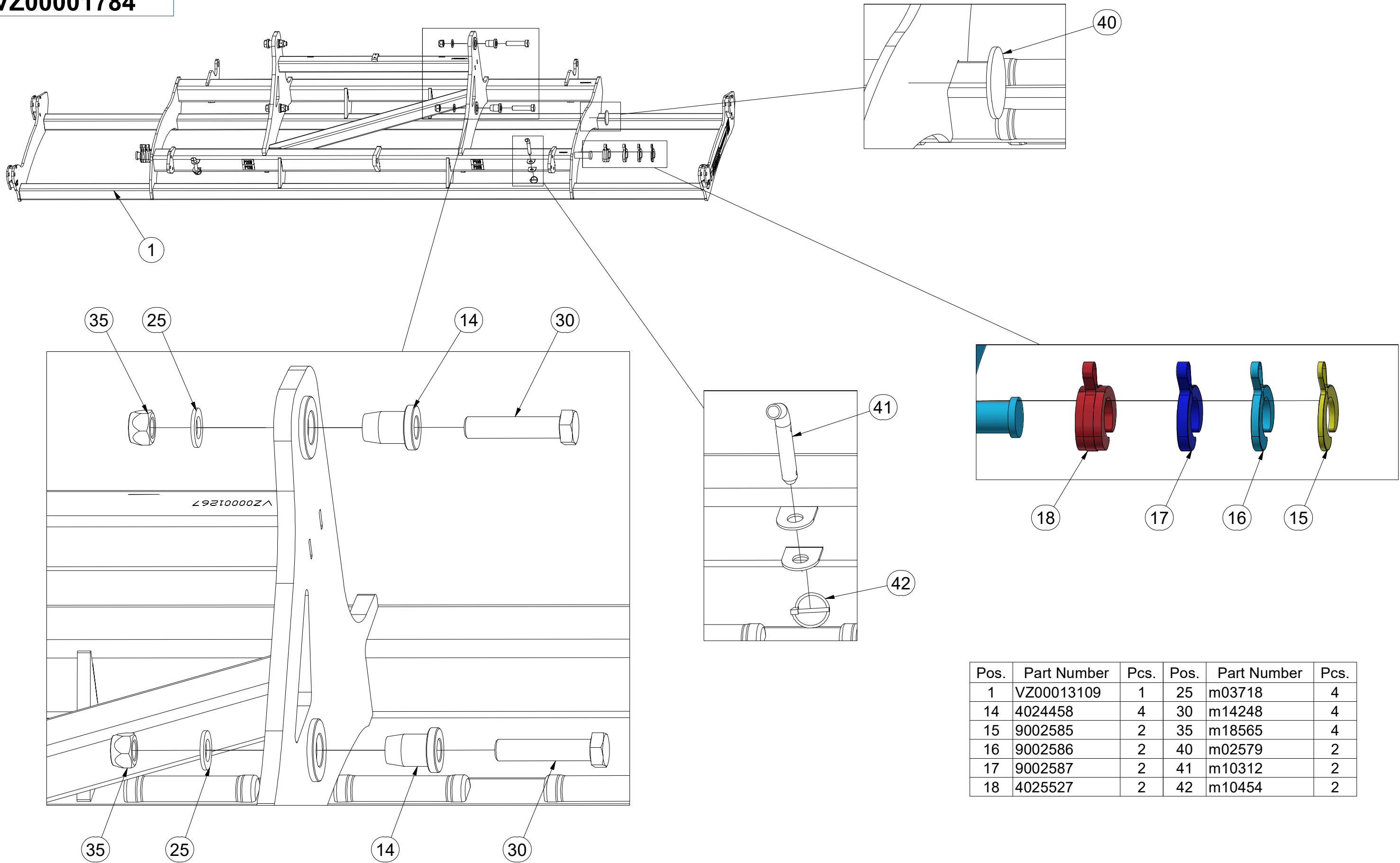
| Pos. | Part Number | Pcs. | Pos. | Part Number | Pcs. |
|------|-------------|------|------|-------------|------|
| 2 | 3005016 | 11 | 6 | 3005414 | 1 |
| 3 | 3005018 | 10 | 7 | 3006475 | 1 |
| 4 | 3005197 | 4 | 13 | 9004269 | 30 |
| 5 | 3005198 | 4 | | | |

(CZ) SEKCE PRACOVNÍ PŘEDZPRACUJÍCÍ
 (D) ARBEITSABSCHNITT VORVERARBEITUNG
 (F) SECTION DE TRAVAIL DE PRÉTRAITEMENT

(GB) PREPROCESSING WORK SECTION
 (RU) СЕКЦИЯ ПРЕДВАРИТЕЛЬНОЙ ОБРАБОТКИ
 (PL) SEKCJA PRAC PRZYGOTOWAWCZYCH



VZ0001784



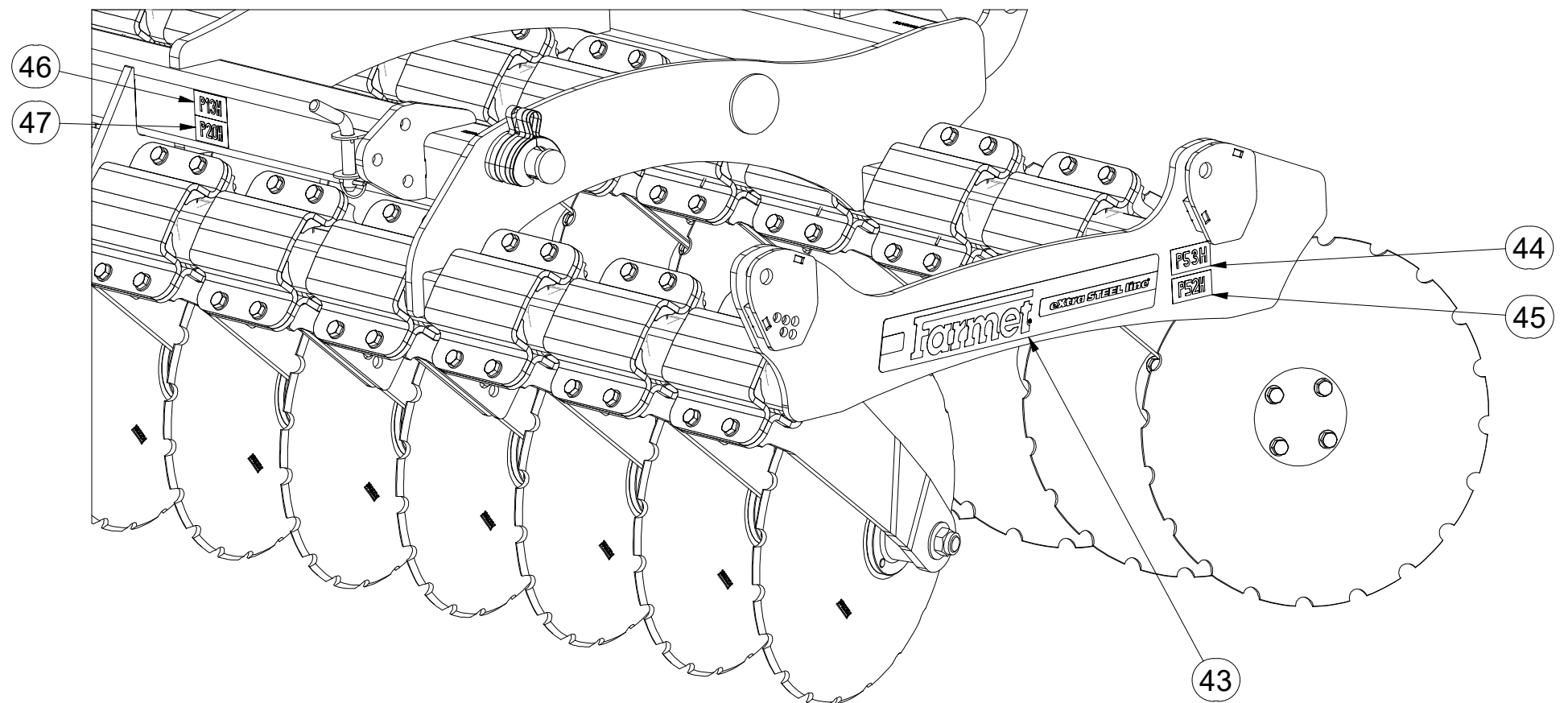
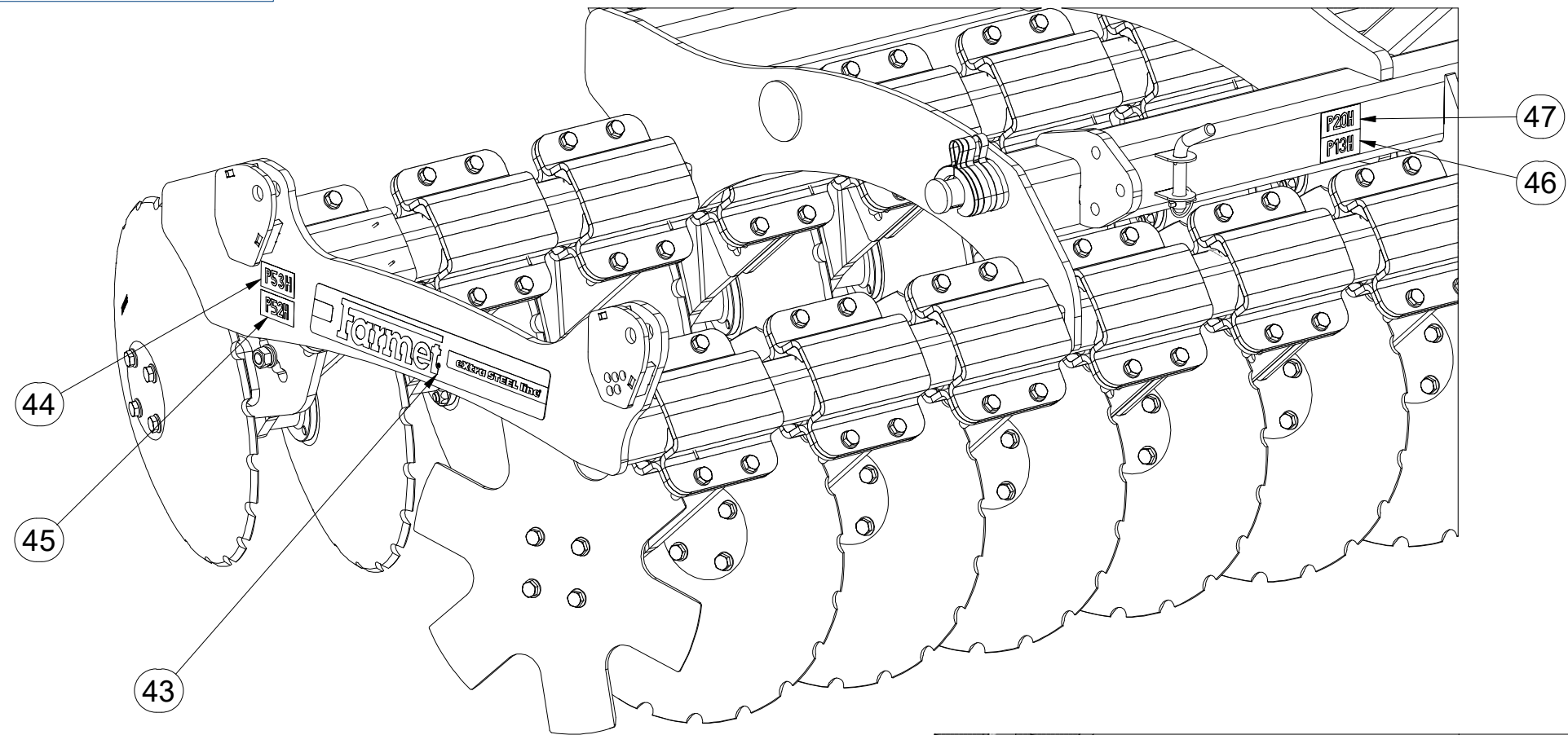
| Pos. | Part Number | Pcs. | Pos. | Part Number | Pcs. |
|------|-------------|------|------|-------------|------|
| 1 | VZ00013109 | 1 | 25 | m03718 | 4 |
| 14 | 4024458 | 4 | 30 | m14248 | 4 |
| 15 | 9002585 | 2 | 35 | m18565 | 4 |
| 16 | 9002586 | 2 | 40 | m02579 | 2 |
| 17 | 9002587 | 2 | 41 | m10312 | 2 |
| 18 | 4025527 | 2 | 42 | m10454 | 2 |

CZ SEKCE PRACOVNÍ PŘEDZPRACUJÍCÍ
 D ARBEITSABSCHNITT VORVERARBEITUNG
 F SECTION DE TRAVAIL DE PRÉTRAITEMENT

GB PREPROCESSING WORK SECTION
 RU СЕКЦИЯ ПРЕДВАРИТЕЛЬНОЙ ОБРАБОТКИ
 PL SEKCJA PRAC PRZYGOTOWAWCZYCH



VZ00001784



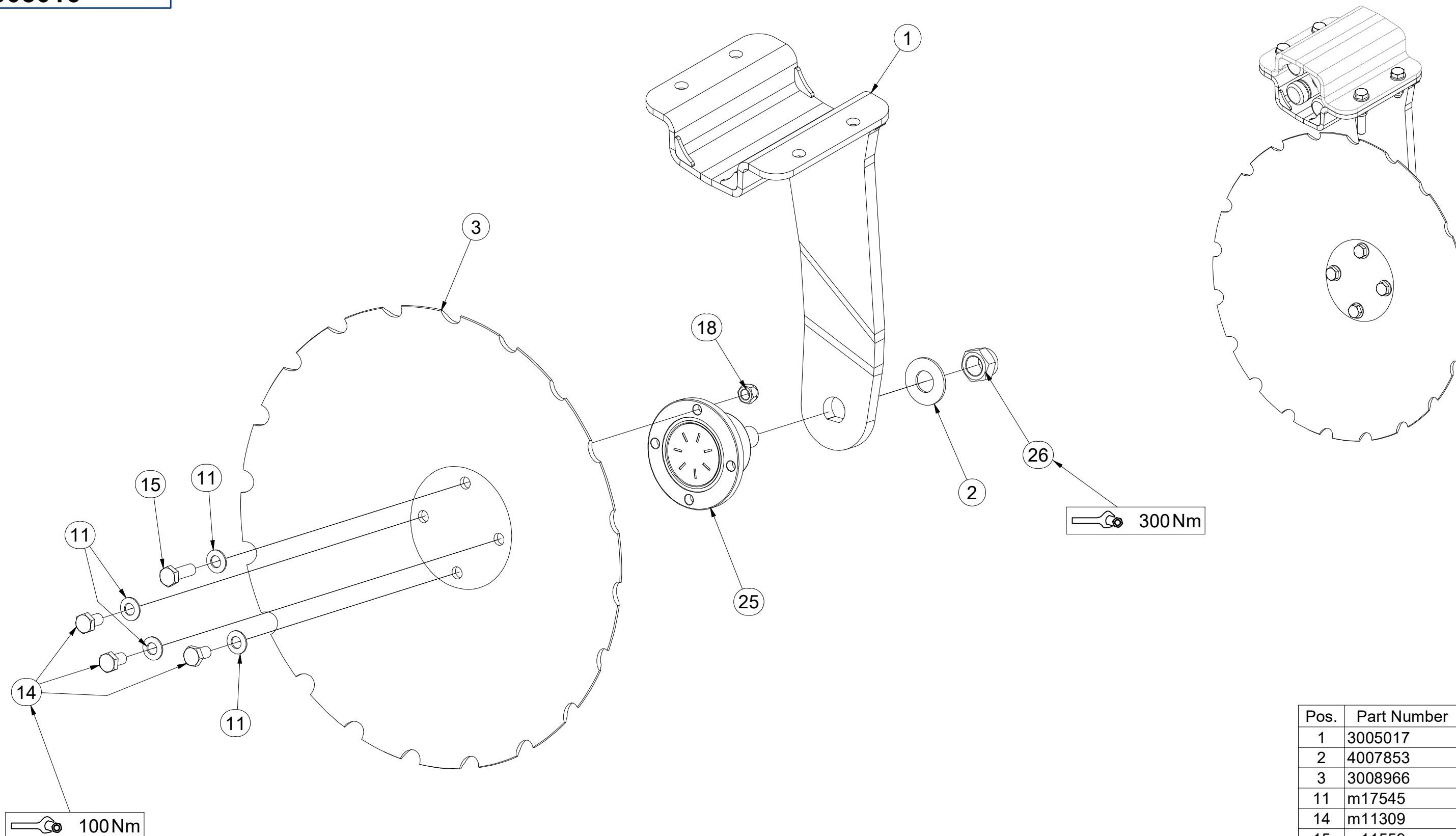
| Pos. | Part Number | Pcs. |
|------|-------------|------|
| 43 | m19414 | 2 |
| 44 | m04369 | 2 |
| 45 | m04364 | 2 |
| 46 | m04363 | 2 |
| 47 | m04368 | 2 |

CZ PŘEDNÍ DISK
 D SCHEIBE, VORDERE
 F DISQUE AVANT

GB FRONT DISC
 RU ДИСК ПЕРЕДНИЙ
 PL TALERZ PRZEDNI



3005016



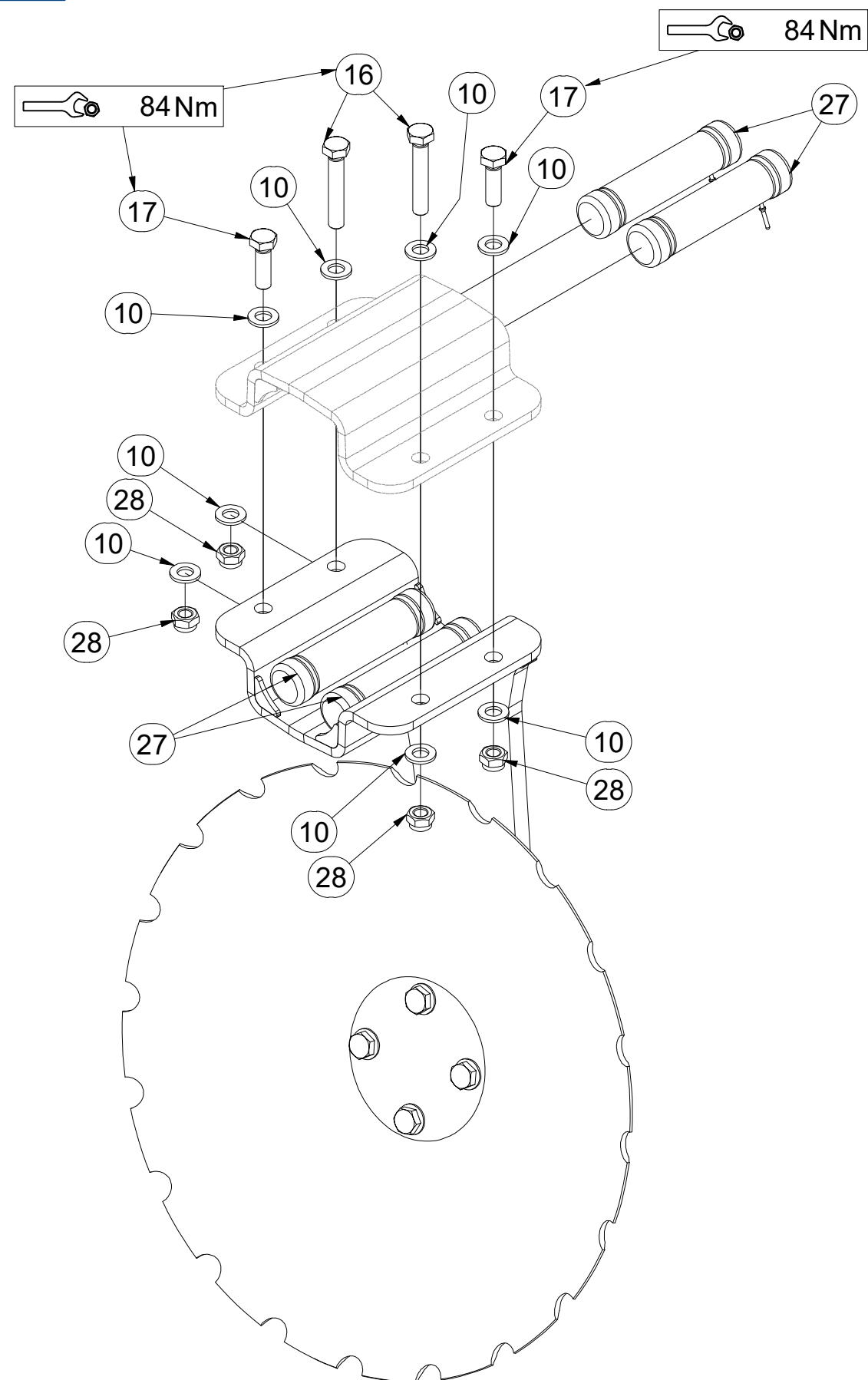
| Pos. | Part Number | Pcs. |
|------|-------------|------|
| 1 | 3005017 | 1 |
| 2 | 4007853 | 1 |
| 3 | 3008966 | 1 |
| 11 | m17545 | 4 |
| 14 | m11309 | 3 |
| 15 | m11559 | 1 |
| 18 | m11560 | 1 |
| 25 | m19008 | 1 |
| 26 | m11313 | 1 |

(CZ) PŘEDNÍ DISK
 (D) SCHEIBE, VORDERE
 (F) DISQUE AVANT

(GB) FRONT DISC
 (RU) ДИСК ПЕРЕДНИЙ
 (PL) TALERZ PRZEDNI



3005016



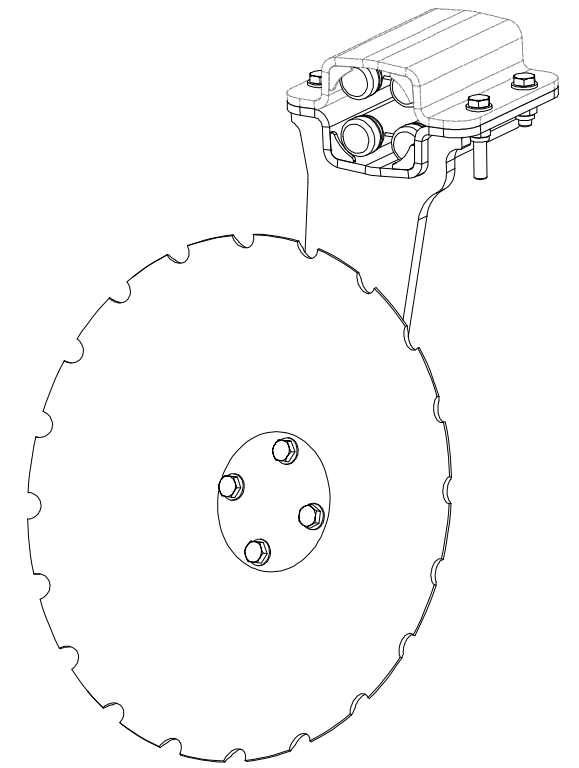
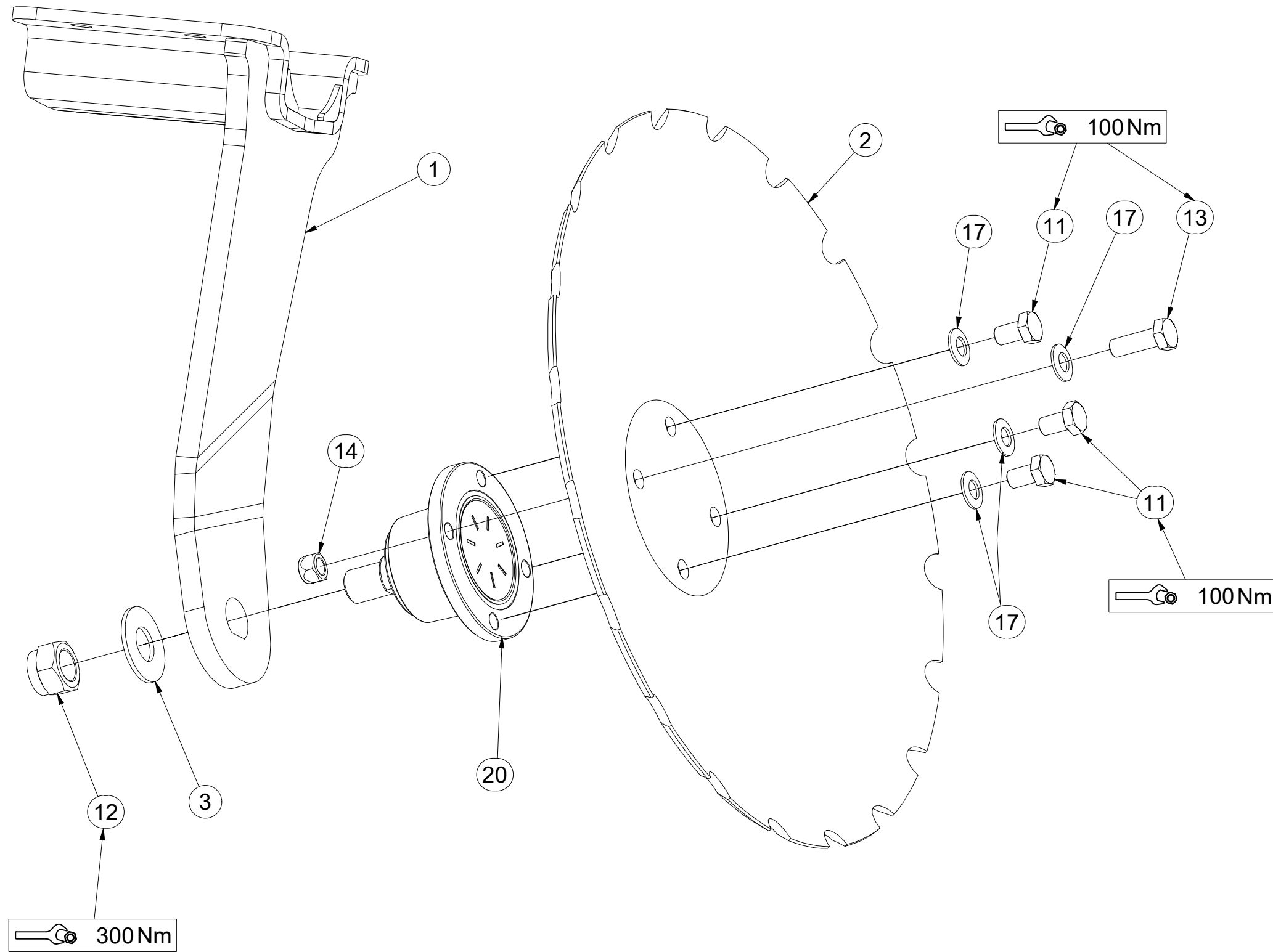
| Pos. | Part Number | Pcs. |
|------|-------------|------|
| 10 | m01214 | 8 |
| 16 | m17653 | 2 |
| 17 | m17657 | 2 |
| 27 | m21514 | 4 |
| 28 | m21001 | 4 |

CZ ZADNÍ DISK
 D SCHEIBE, HINTERE
 F DISQUE ARRIÈRE

GB REAR DISC
 RU ДИСК ЗАДНИЙ
 PL TALERZ TYLNY



3005018



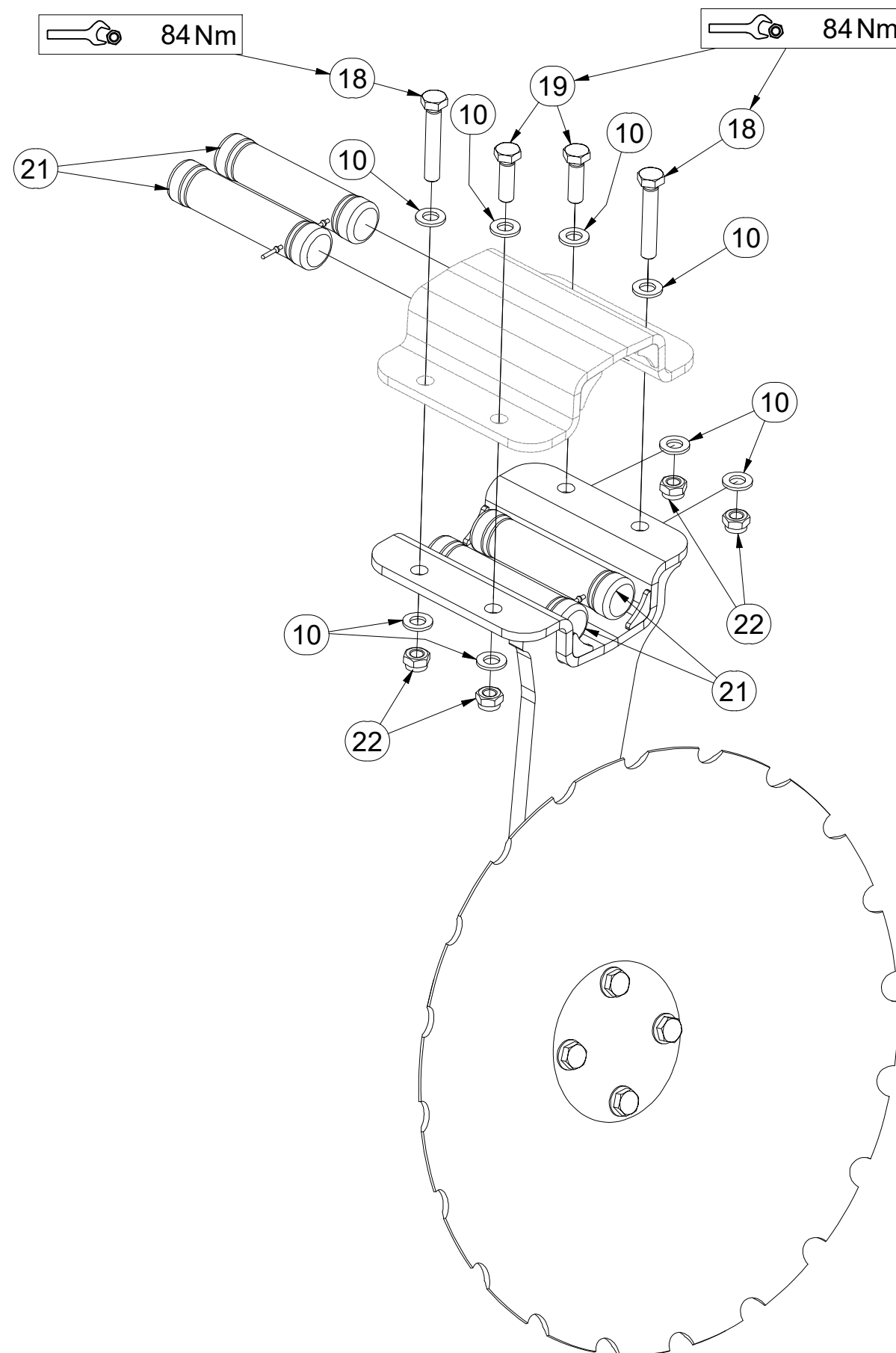
| Pos. | Part Number | Pcs. |
|------|-------------|------|
| 1 | 3005019 | 1 |
| 2 | 3008966 | 1 |
| 3 | 4007853 | 1 |
| 11 | m11309 | 3 |
| 12 | m11313 | 1 |
| 13 | m11559 | 1 |
| 14 | m11560 | 1 |
| 17 | m17545 | 4 |
| 20 | m19008 | 1 |

CZ ZADNÍ DISK
 D SCHEIBE, HINTERE
 F DISQUE ARRIÈRE

GB REAR DISC
 RU ДИСК ЗАДНИЙ
 PL TALERZ TYLNY



3005018



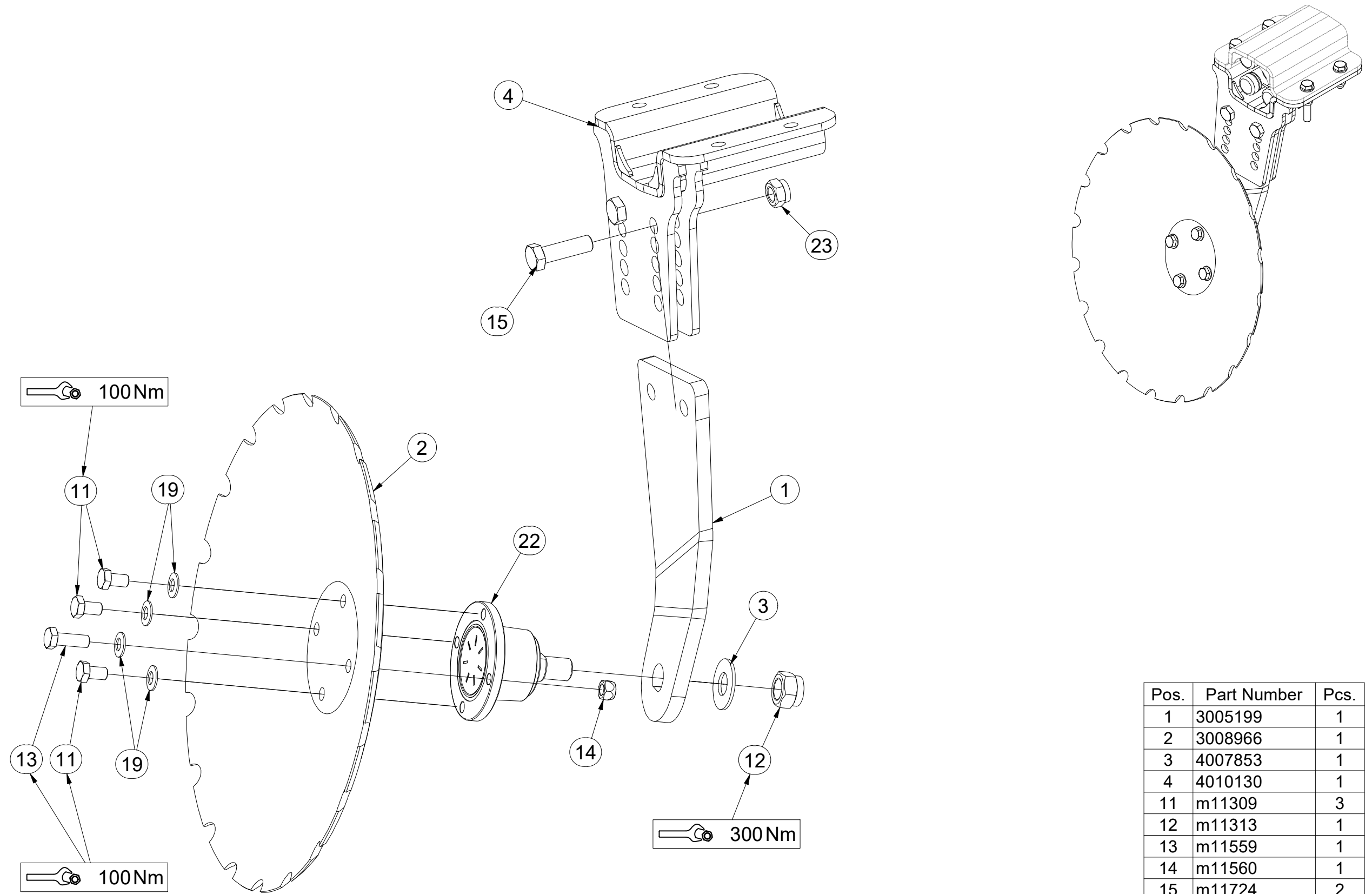
| Pos. | Part Number | Pcs. |
|------|-------------|------|
| 10 | m01214 | 8 |
| 18 | m17653 | 2 |
| 19 | m17657 | 2 |
| 21 | m21514 | 4 |
| 22 | m21001 | 4 |

CZ ZADNÍ DISK
 D SCHEIBE, HINTERE
 F DISQUE ARRIÈRE

GB REAR DISC
 RU ДИСК ЗАДНИЙ
 PL TALERZ TYLNY



3005197



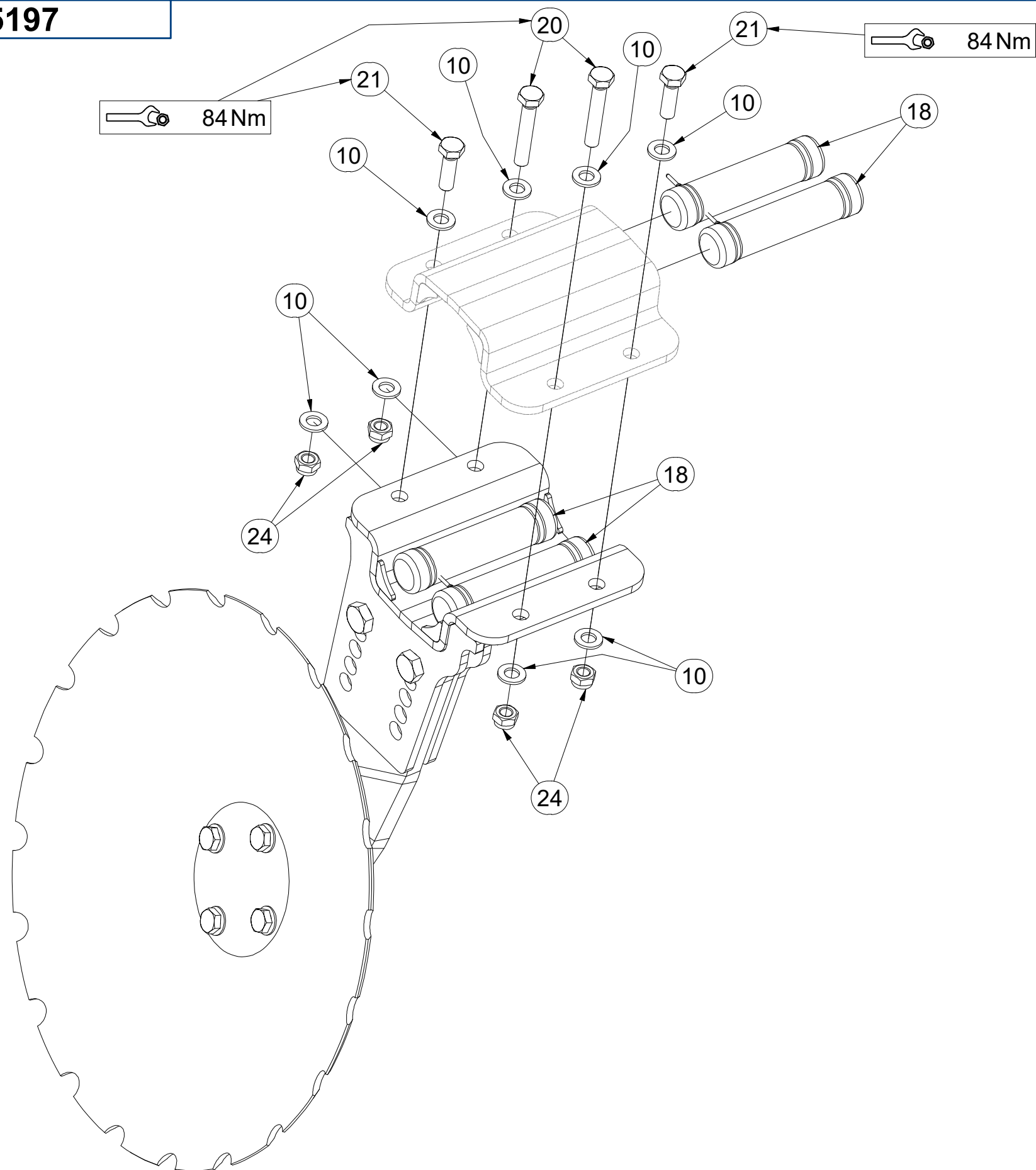
| Pos. | Part Number | Pcs. |
|------|-------------|------|
| 1 | 3005199 | 1 |
| 2 | 3008966 | 1 |
| 3 | 4007853 | 1 |
| 4 | 4010130 | 1 |
| 11 | m11309 | 3 |
| 12 | m11313 | 1 |
| 13 | m11559 | 1 |
| 14 | m11560 | 1 |
| 15 | m11724 | 2 |
| 19 | m17545 | 4 |
| 22 | m19008 | 1 |
| 23 | m20385 | 2 |

CZ ZADNÍ DISK
 D SCHEIBE, HINTERE
 F DISQUE ARRIÈRE

GB REAR DISC
 RU ДИСК ЗАДНИЙ
 PL TALERZ TYLNY



3005197



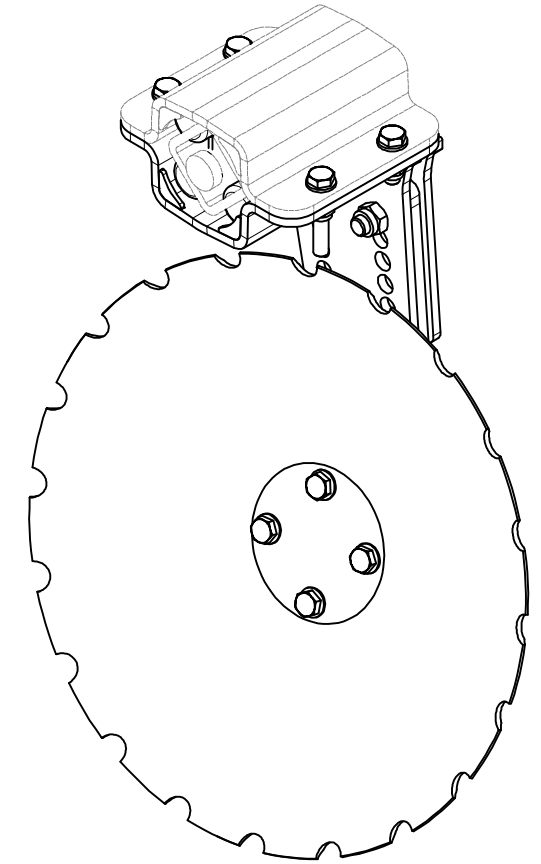
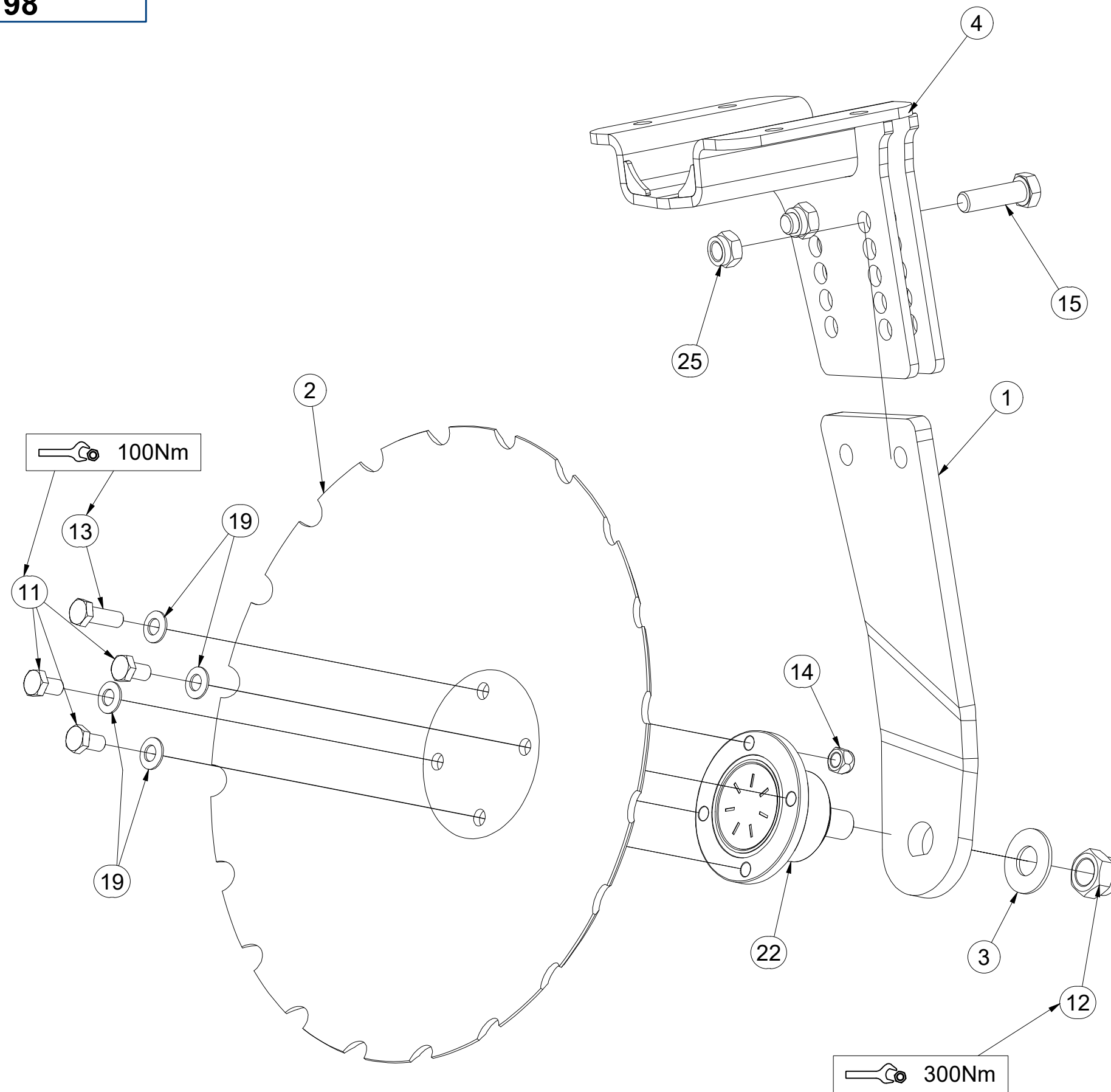
| Pos. | Part Number | Pcs. |
|------|-------------|------|
| 10 | m01214 | 8 |
| 18 | m21514 | 4 |
| 20 | m17653 | 2 |
| 21 | m17657 | 2 |
| 24 | m21001 | 4 |

CZ PŘEDNÍ DISK
 D SCHEIBE, VORDERE
 F DISQUE AVANT

GB FRONT DISC
 RU ДИСК ПЕРЕДНИЙ
 PL TALERZ PRZEDNI



3005198



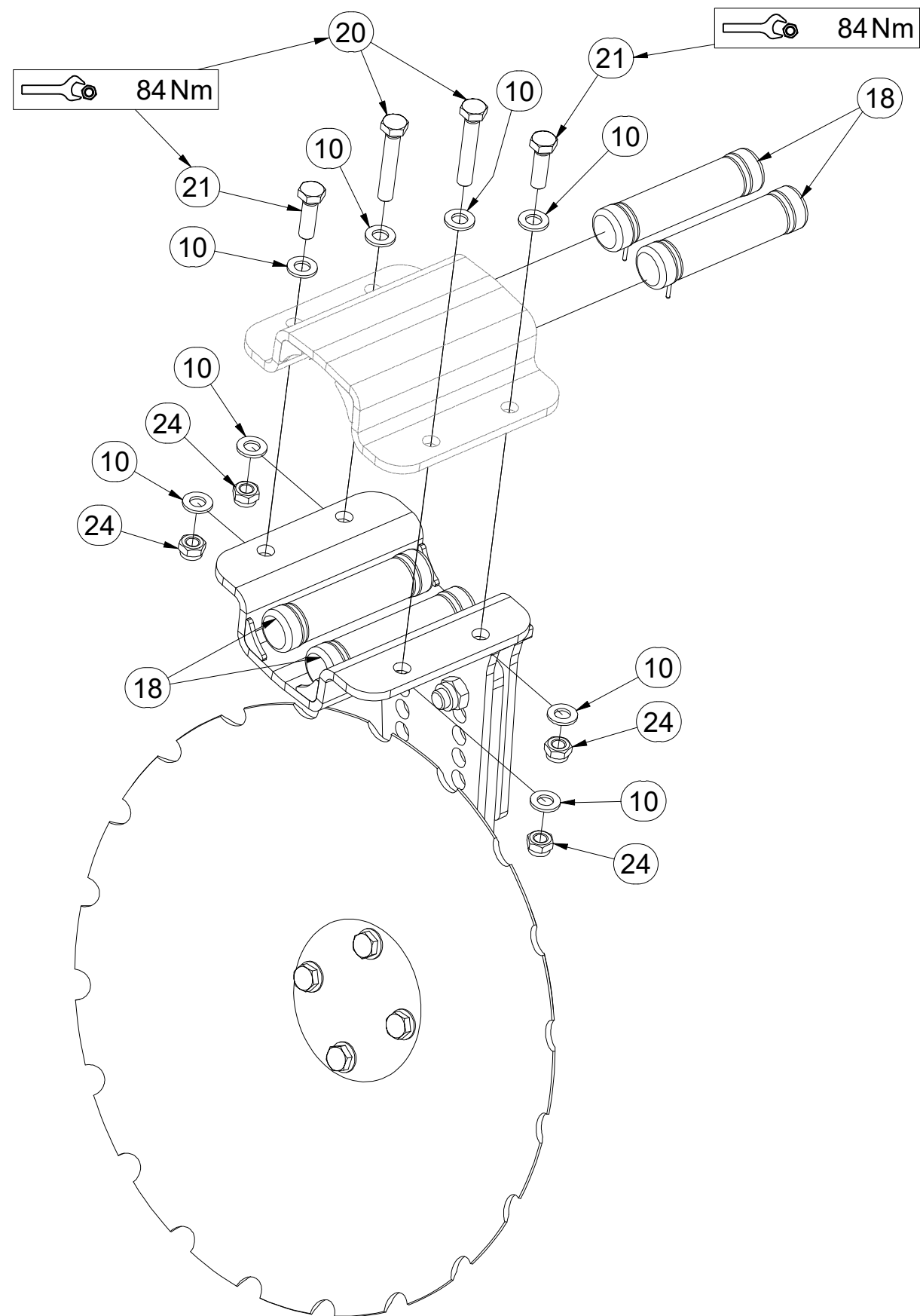
| Pos. | Part Number | Pcs. |
|------|-------------|------|
| 1 | 3005200 | 1 |
| 2 | 3008966 | 1 |
| 3 | 4007853 | 1 |
| 4 | 4010130 | 1 |
| 11 | m11309 | 3 |
| 12 | m11313 | 1 |
| 13 | m11559 | 1 |
| 14 | m11560 | 1 |
| 15 | m11724 | 2 |
| 19 | m17545 | 4 |
| 22 | m19008 | 1 |
| 25 | m20385 | 2 |

CZ PŘEDNÍ DISK
 D SCHEIBE, VORDERE
 F DISQUE AVANT

GB FRONT DISC
 RU ДИСК ПЕРЕДНИЙ
 PL TALERZ PRZEDNI



3005198



| Pos. | Part Number | Pcs. |
|------|-------------|------|
| 10 | m01214 | 8 |
| 18 | m21514 | 4 |
| 20 | m17653 | 2 |
| 21 | m17657 | 2 |
| 24 | m21001 | 4 |

Ⓒ ZADNÍ DISK - KRAJNÍ

Ⓓ RANDSCHEIBE, HINTERE

Ⓕ DISQUE ARRIÈRE - LIMITE

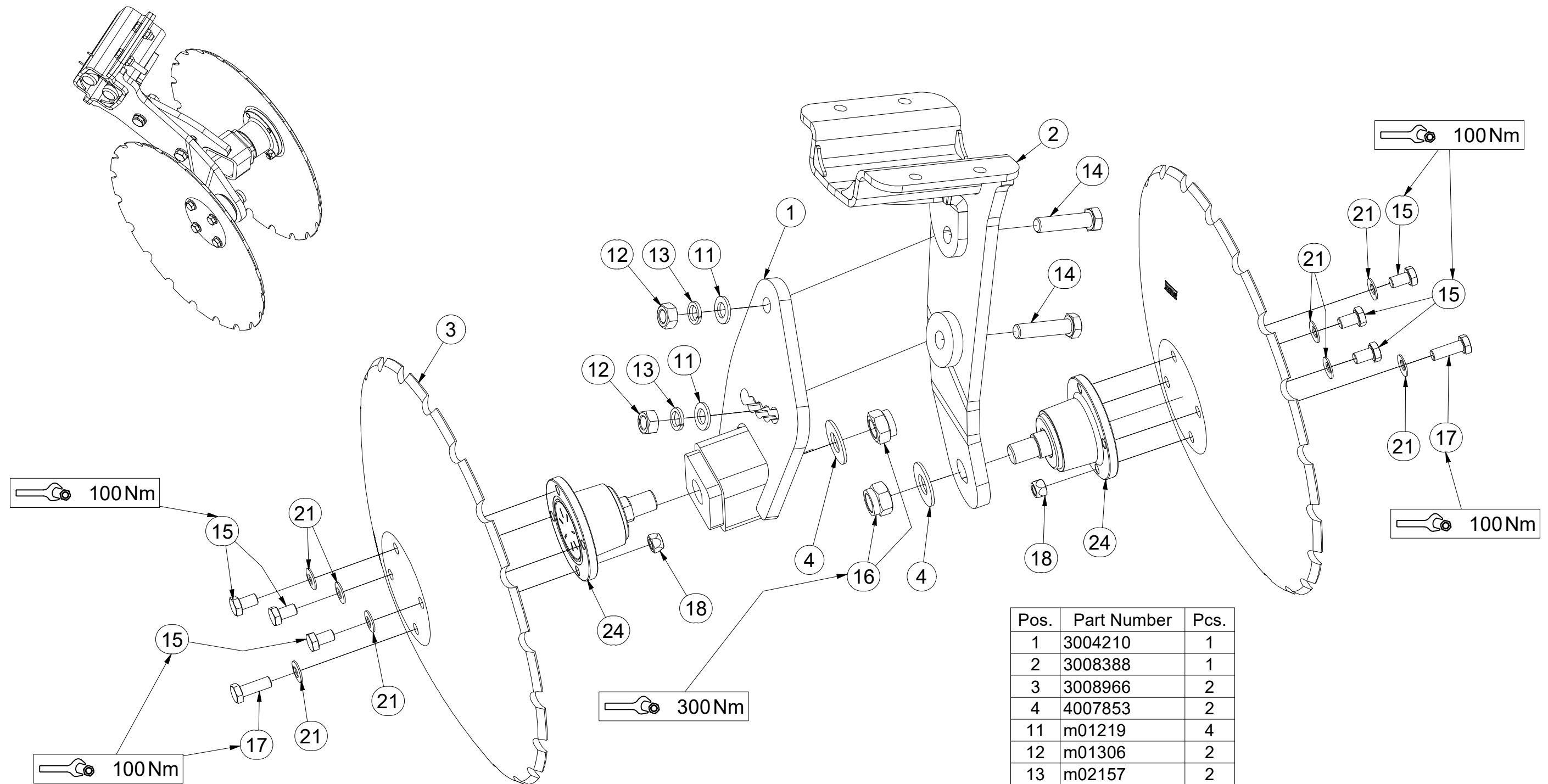
Ⓖ REAR DISC - OUTSIDE

Ⓡ ДИСК ЗАДНИЙ - КРАЙНИЙ

Ⓟ TALERZ TYLNY - SKRAJNY



3005414



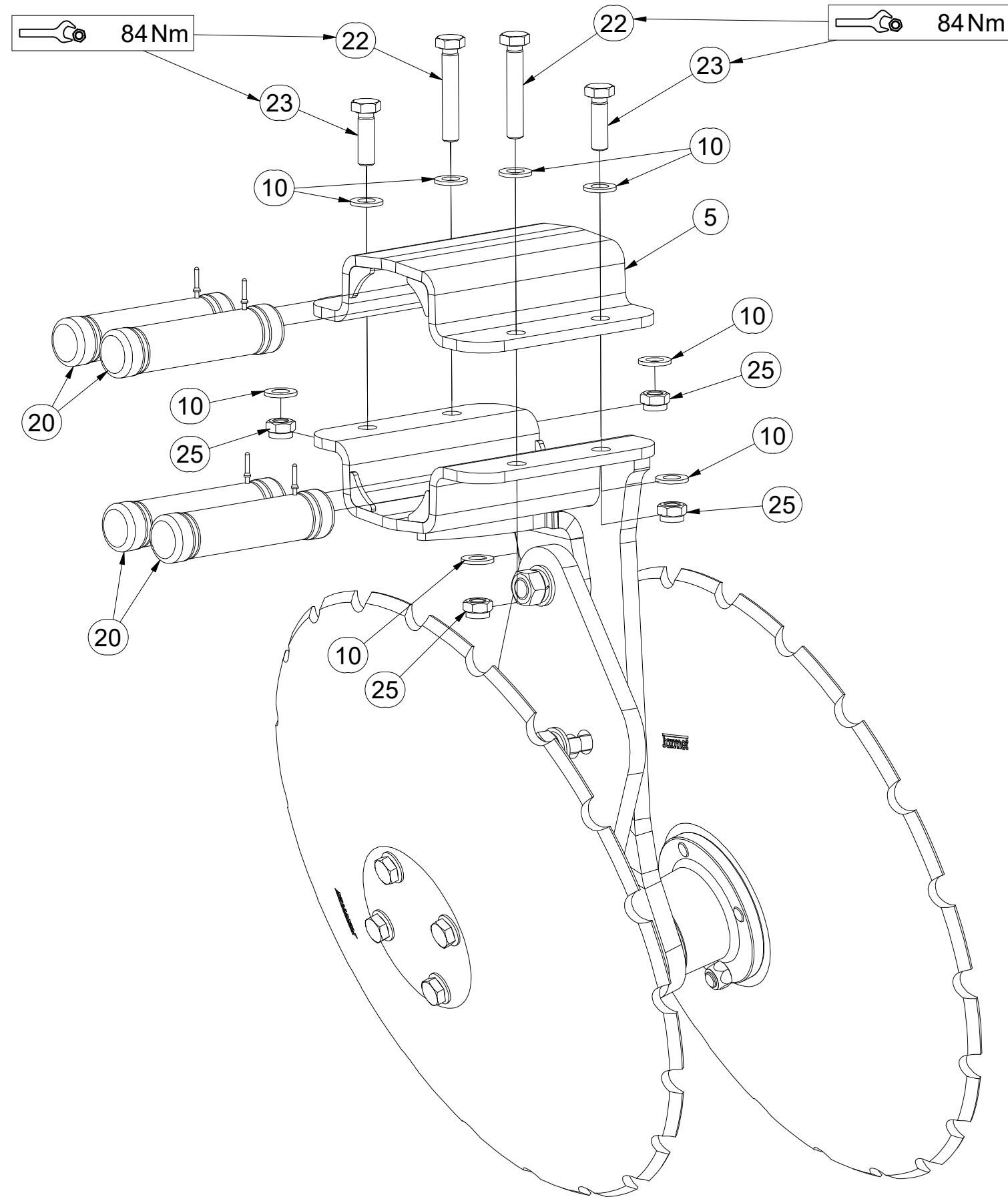
| Pos. | Part Number | Pcs. |
|------|-------------|------|
| 1 | 3004210 | 1 |
| 2 | 3008388 | 1 |
| 3 | 3008966 | 2 |
| 4 | 4007853 | 2 |
| 11 | m01219 | 4 |
| 12 | m01306 | 2 |
| 13 | m02157 | 2 |
| 14 | m06587 | 2 |
| 15 | m11309 | 6 |
| 16 | m11313 | 2 |
| 17 | m11559 | 2 |
| 18 | m11560 | 2 |
| 21 | m17545 | 8 |
| 24 | m19008 | 2 |

Ⓒ ZADNÍ DISK - KRAJNÍ
 Ⓓ RANDSCHEIBE, HINTERE
 Ⓕ DISQUE ARRIÈRE - LIMITE

Ⓖ REAR DISC - OUTSIDE
 Ⓔ ДИСК ЗАДНИЙ - КРАЙНИЙ
 Ⓗ TALERZ TYLNY - SKRAJNY



3005414



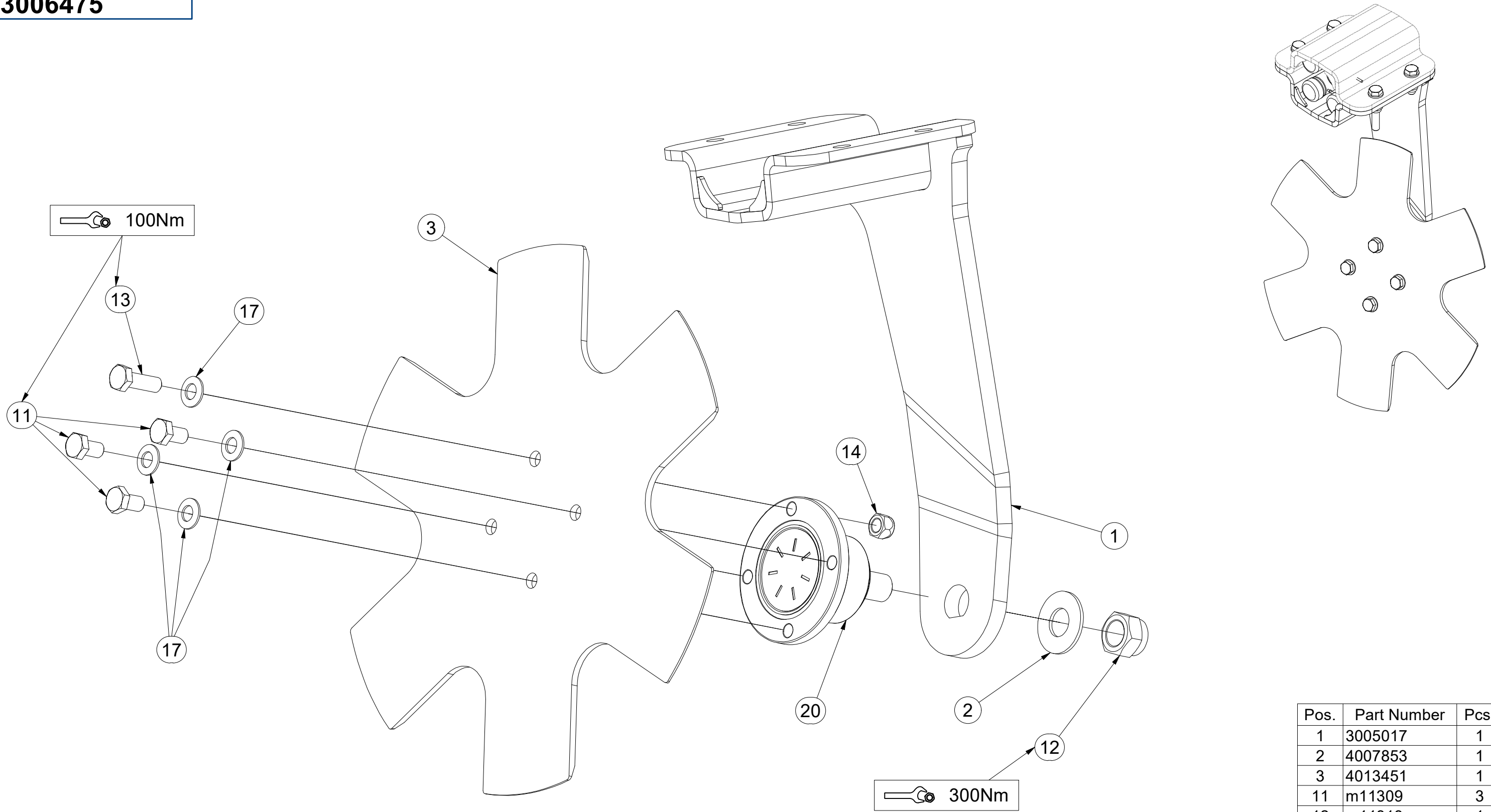
| Pos. | Part Number | Pcs. |
|------|-------------|------|
| 5 | 9004269 | 1 |
| 10 | m01214 | 8 |
| 20 | m21514 | 4 |
| 22 | m17653 | 2 |
| 23 | m17657 | 2 |
| 25 | m21001 | 4 |

CZ PŘEDNÍ DISK
 D SCHEIBE, VORDERE
 F DISQUE AVANT

GB FRONT DISC
 RU ДИСК ПЕРЕДНИЙ
 PL TALERZ PRZEDNI



3006475



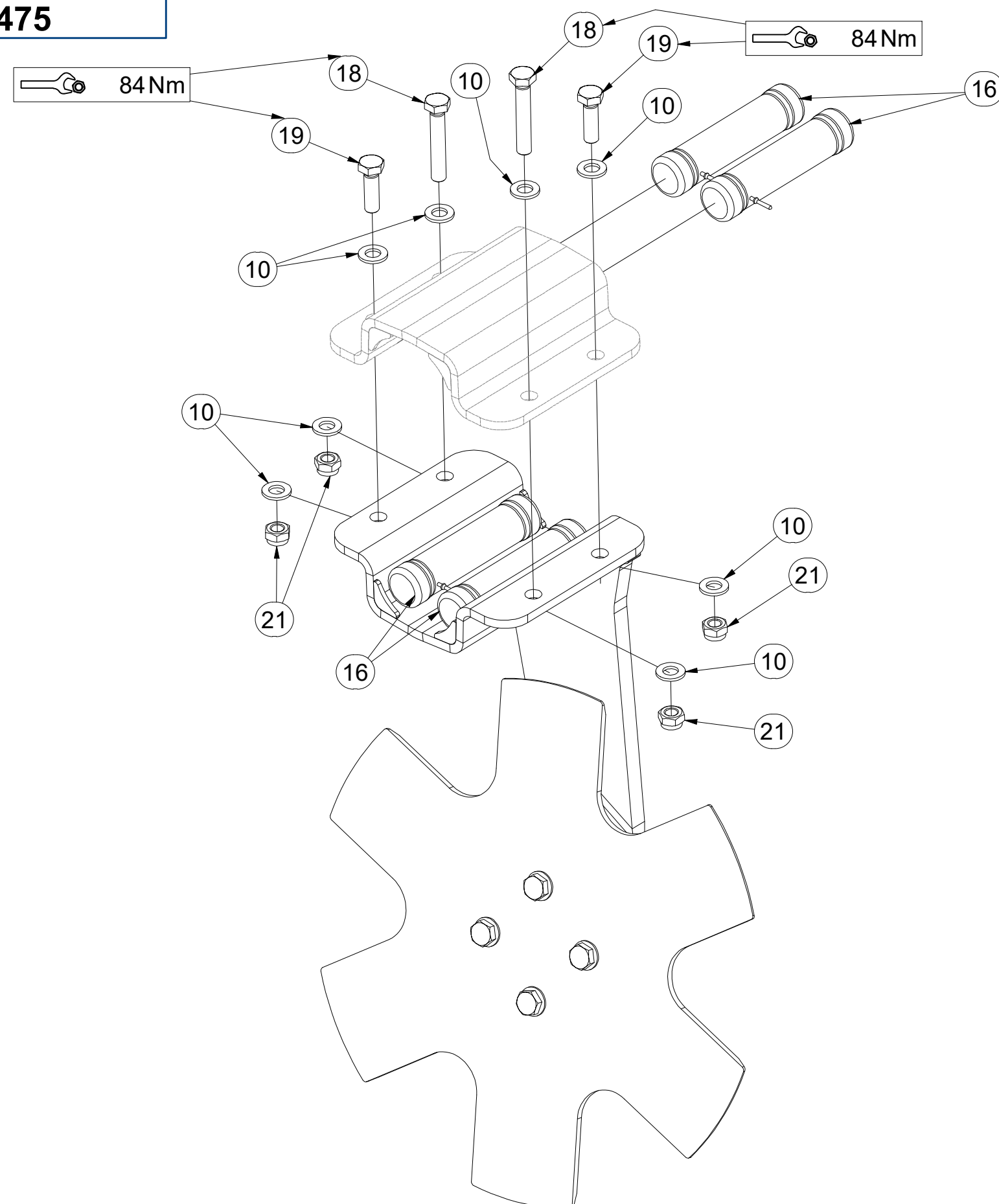
| Pos. | Part Number | Pcs. |
|------|-------------|------|
| 1 | 3005017 | 1 |
| 2 | 4007853 | 1 |
| 3 | 4013451 | 1 |
| 11 | m11309 | 3 |
| 12 | m11313 | 1 |
| 13 | m11559 | 1 |
| 14 | m11560 | 1 |
| 17 | m17545 | 4 |
| 20 | m19008 | 1 |

CZ PŘEDNÍ DISK
 D SCHEIBE, VORDERE
 F DISQUE AVANT

GB FRONT DISC
 RU ДИСК ПЕРЕДНИЙ
 PL TALERZ PRZEDNI



3006475



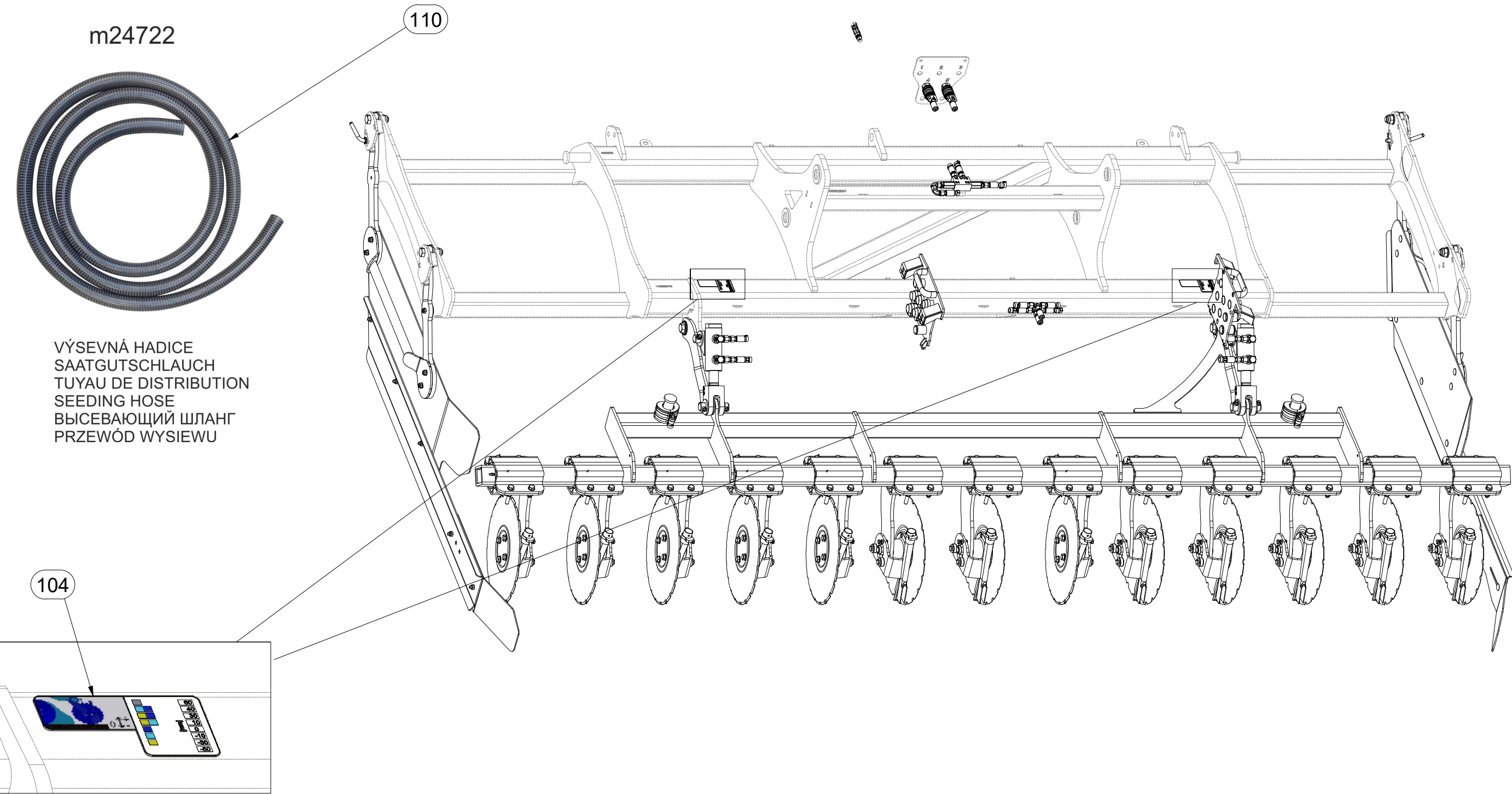
| Pos. | Part Number | Pcs. |
|------|-------------|------|
| 10 | m01214 | 8 |
| 16 | m21514 | 4 |
| 18 | m17653 | 2 |
| 19 | m17657 | 2 |
| 21 | m21001 | 4 |

- Ⓒ SADA DISKŮ S PŘIHNOJENÍM
- Ⓓ SCHEIBENSATZ MIT BEFRUCHTUNG
- Ⓕ KIT DE DISQUES AVEC FERTILISATION

- Ⓖ DISC SET WITH FERTILIZATION
- Ⓡ КОМПЛЕКТ ДИСКОВ С ВНЕСЕНИЕМ УДОБРЕНИЙ
- Ⓟ ZESTAW TALERZY Z NAWOŻENIEM



VZ00001773



VÝSEVNÁ HADICE
 SAATGUTSCHLAUCH
 TUYAU DE DISTRIBUTION
 SEEDING HOSE
 ВЫСЕВАЮЩИЙ ШЛАНГ
 PRZEWÓD WYSIEWU

| Pos. | Part Number | Pcs. |
|------|-------------|----------|
| 104 | m19282 | 2 |
| 110 | m24722 | 50,000 m |

ⒸZ SADA DISKŮ S PŘIHNŮJENÍM

Ⓓ SCHEIBENSATZ MIT BEFRUCHTUNG

Ⓕ KIT DE DISQUES AVEC FERTILISATION

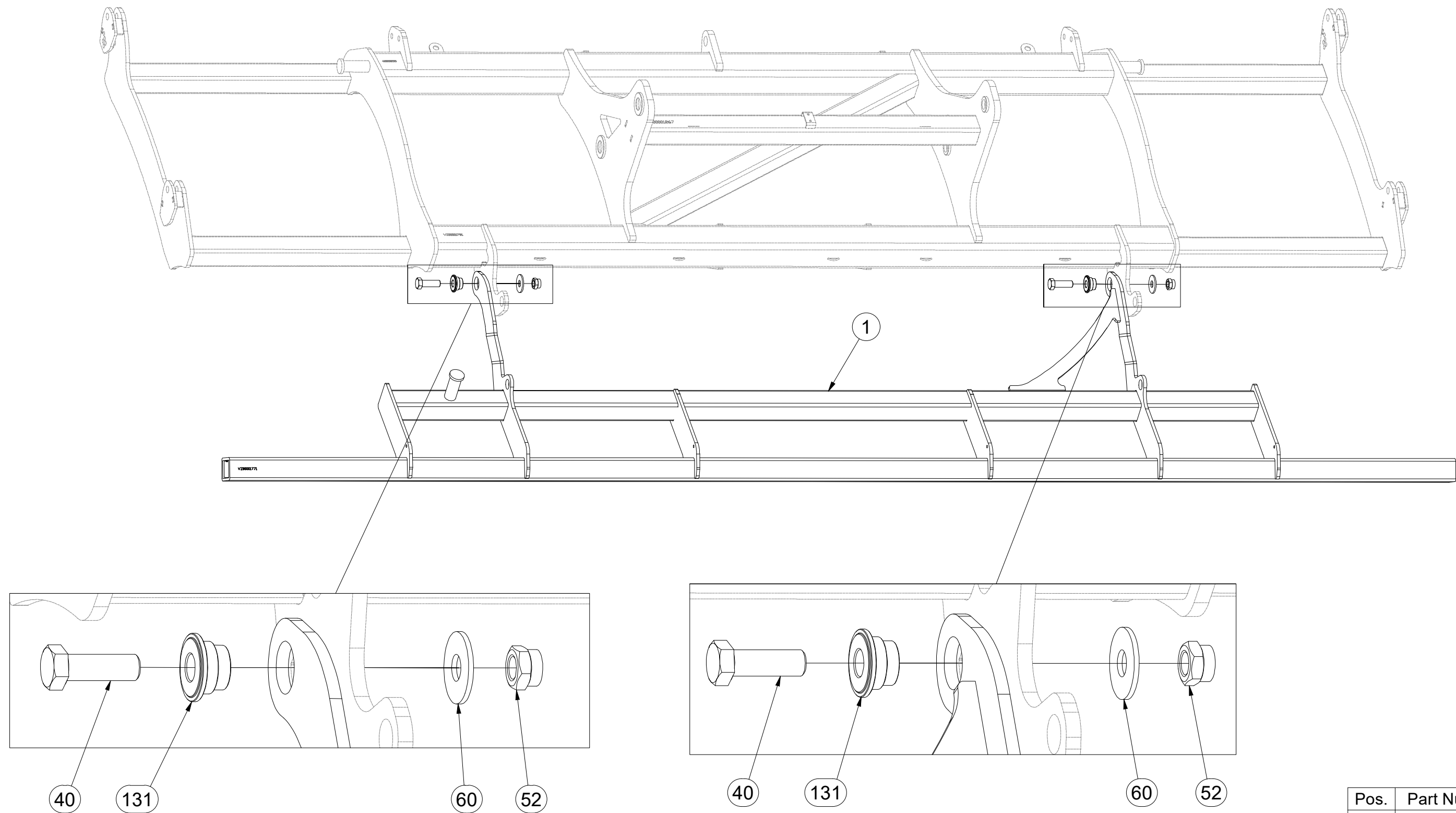
ⒸB DISC SET WITH FERTILIZATION

ⒸU КОМПЛЕКТ ДИСКОВ С ВНЕСЕНИЕМ УДОБРЕНИЙ

ⒸL ZESTAW TALERZY Z NAWOŻENIEM



VZ0001773



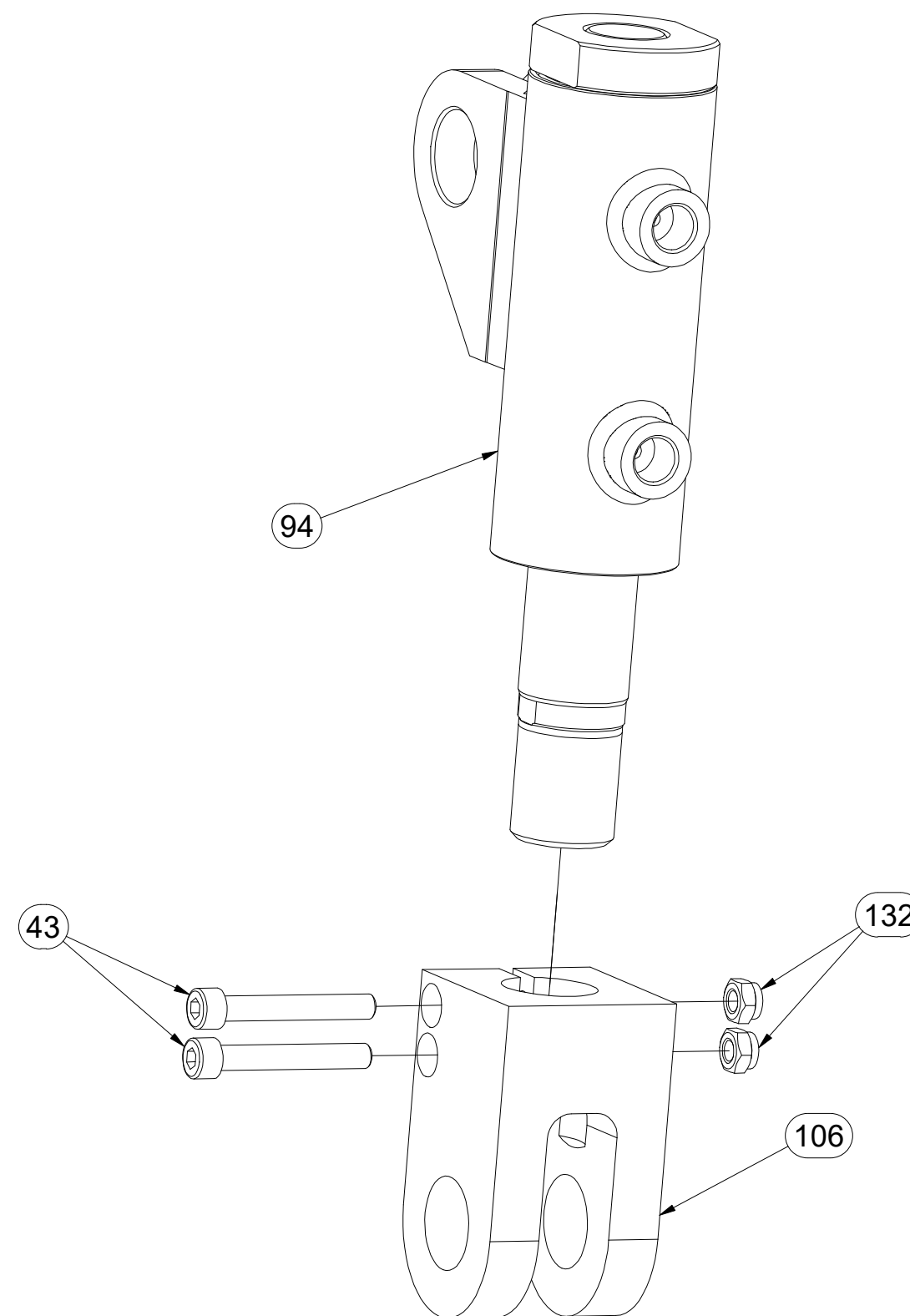
| Pos. | Part Number | Pcs. |
|------|-------------|------|
| 1 | VZ00013629 | 1 |
| 40 | m14496 | 2 |
| 52 | m21660 | 2 |
| 60 | 4022688 | 2 |
| 131 | m18242 | 2 |

- Ⓒ SADA DISKŮ S PŘIHNŮJENÍM
- Ⓓ SCHEIBENSATZ MIT BEFRUCHTUNG
- Ⓕ KIT DE DISQUES AVEC FERTILISATION

- Ⓖ DISC SET WITH FERTILIZATION
- Ⓡ КОМПЛЕКТ ДИСКОВ С ВНЕСЕНИЕМ УДОБРЕНИЙ
- Ⓟ ZESTAW TALERZY Z NAWOŻENIEM



VZ00001773



| Pos. | Part Number | Pcs. |
|------|-------------|------|
| 43 | m22402 | 4 |
| 94 | m21336 | 2 |
| 106 | m21684 | 2 |
| 132 | m04503 | 4 |

Ⓒ SADA DISKŮ S PŘIHNOJENÍM

Ⓓ SCHEIBENSATZ MIT BEFRUCHTUNG

Ⓕ KIT DE DISQUES AVEC FERTILISATION

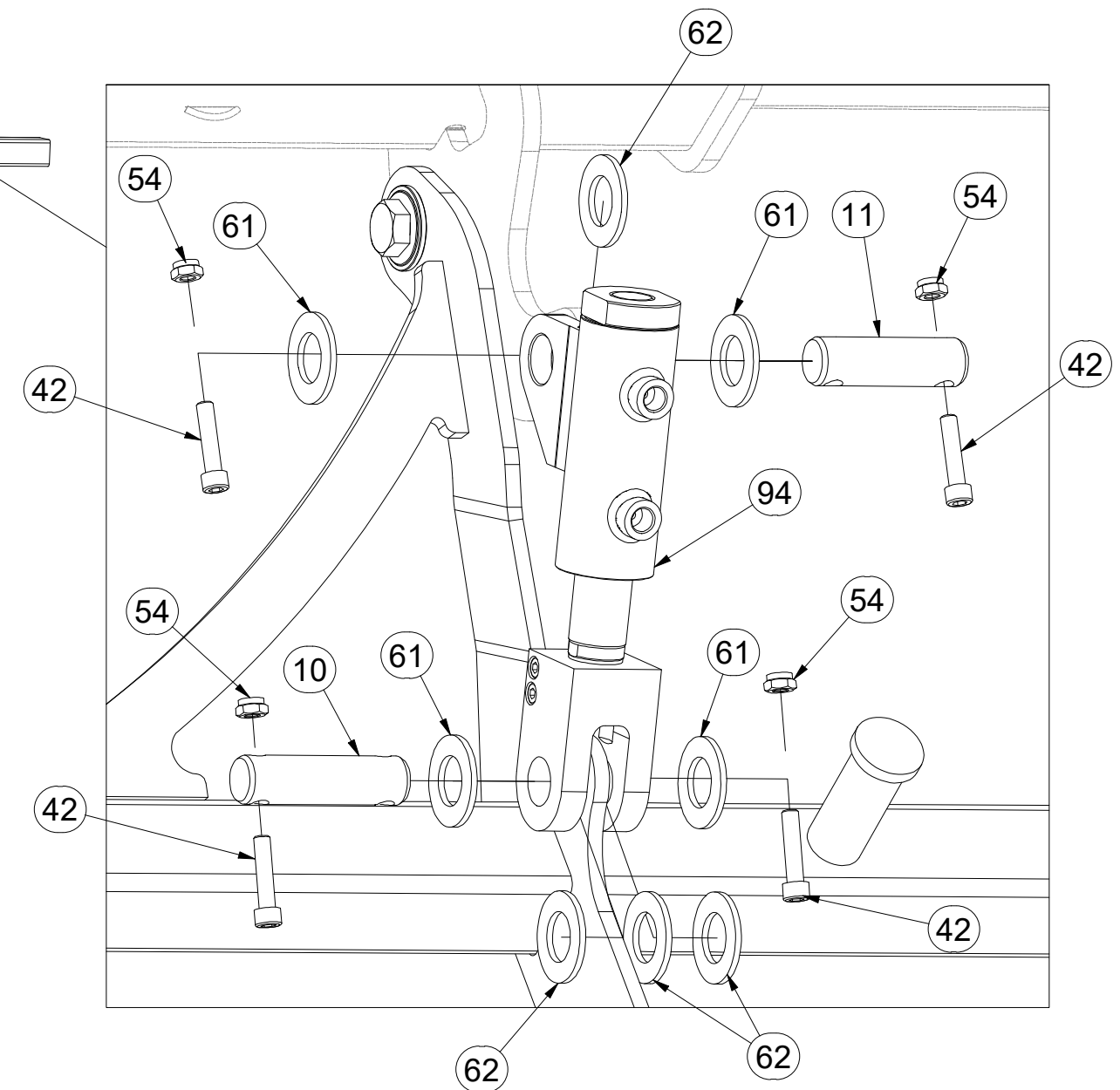
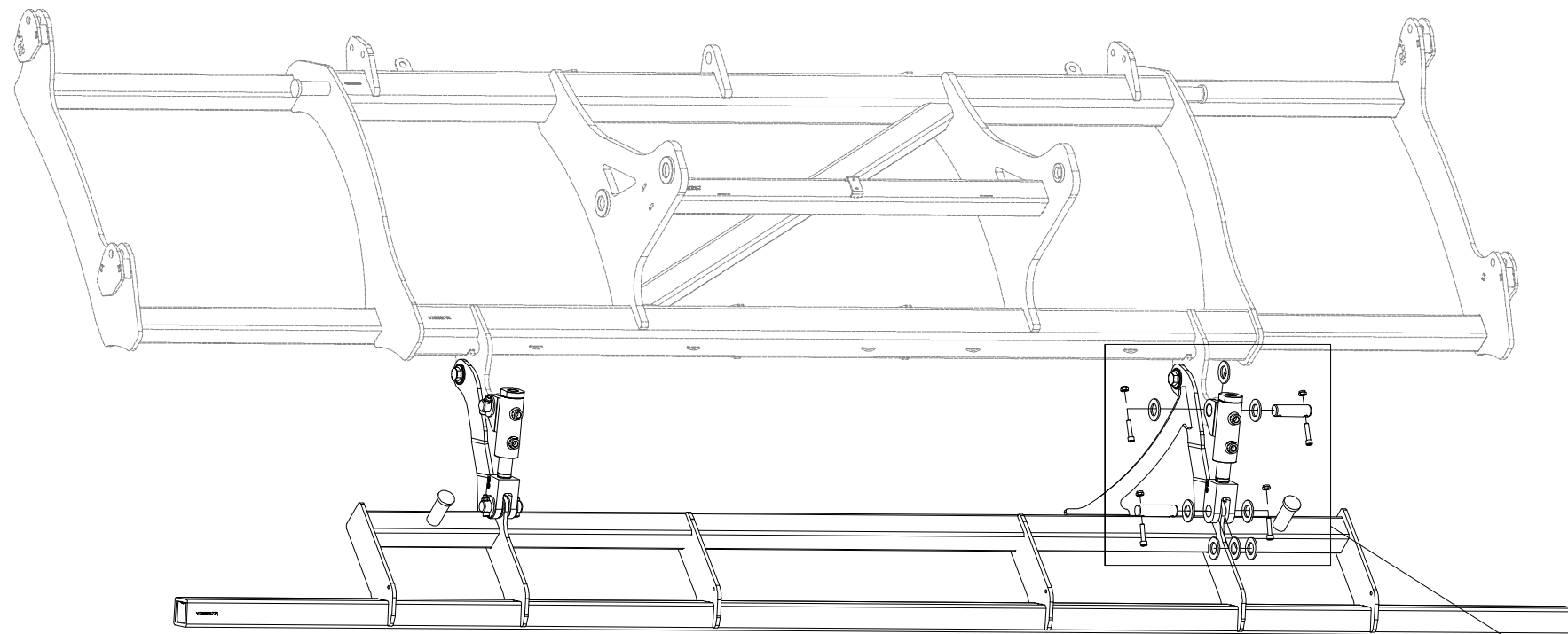
Ⓖ DISC SET WITH FERTILIZATION

Ⓡ КОМПЛЕКТ ДИСКОВ С ВНЕСЕНИЕМ УДОБРЕНИЙ

Ⓟ ZESTAW TALERZY Z NAWOŻENIEM



VZ00001773



| Pos. | Part Number | Pcs. |
|------|-------------|------|
| 10 | 4015763 | 2 |
| 11 | 4008234 | 2 |
| 42 | m14143 | 8 |
| 54 | m03775 | 8 |
| 61 | m14029 | 8 |
| 62 | m02866 | 8 |
| 94 | m21336 | 2 |

ⒸZ SADA DISKŮ S PŘIHNŮJENÍM

Ⓓ SCHEIBENSATZ MIT BEFRUCHTUNG

Ⓕ KIT DE DISQUES AVEC FERTILISATION

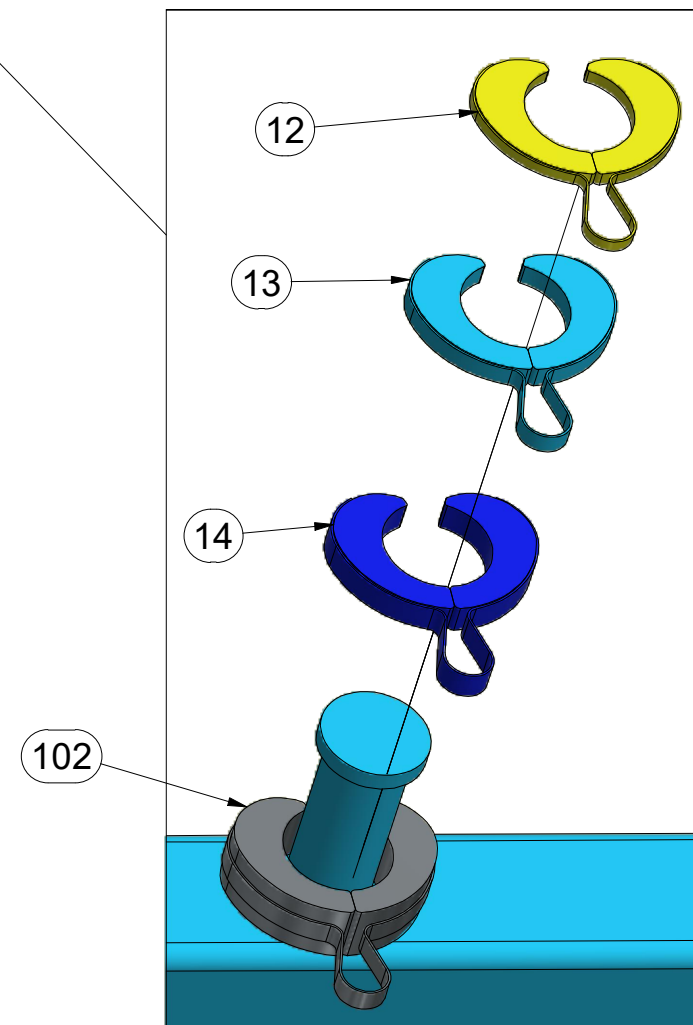
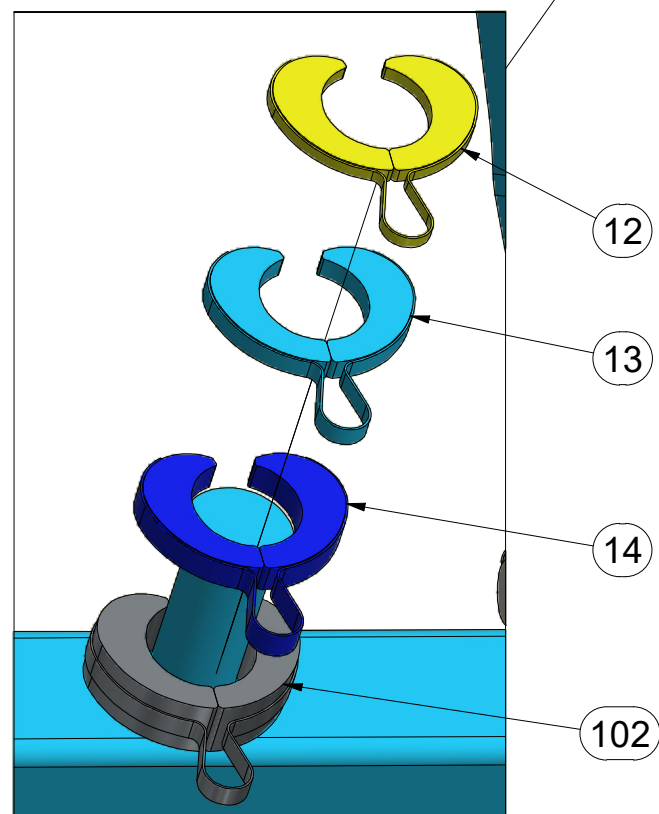
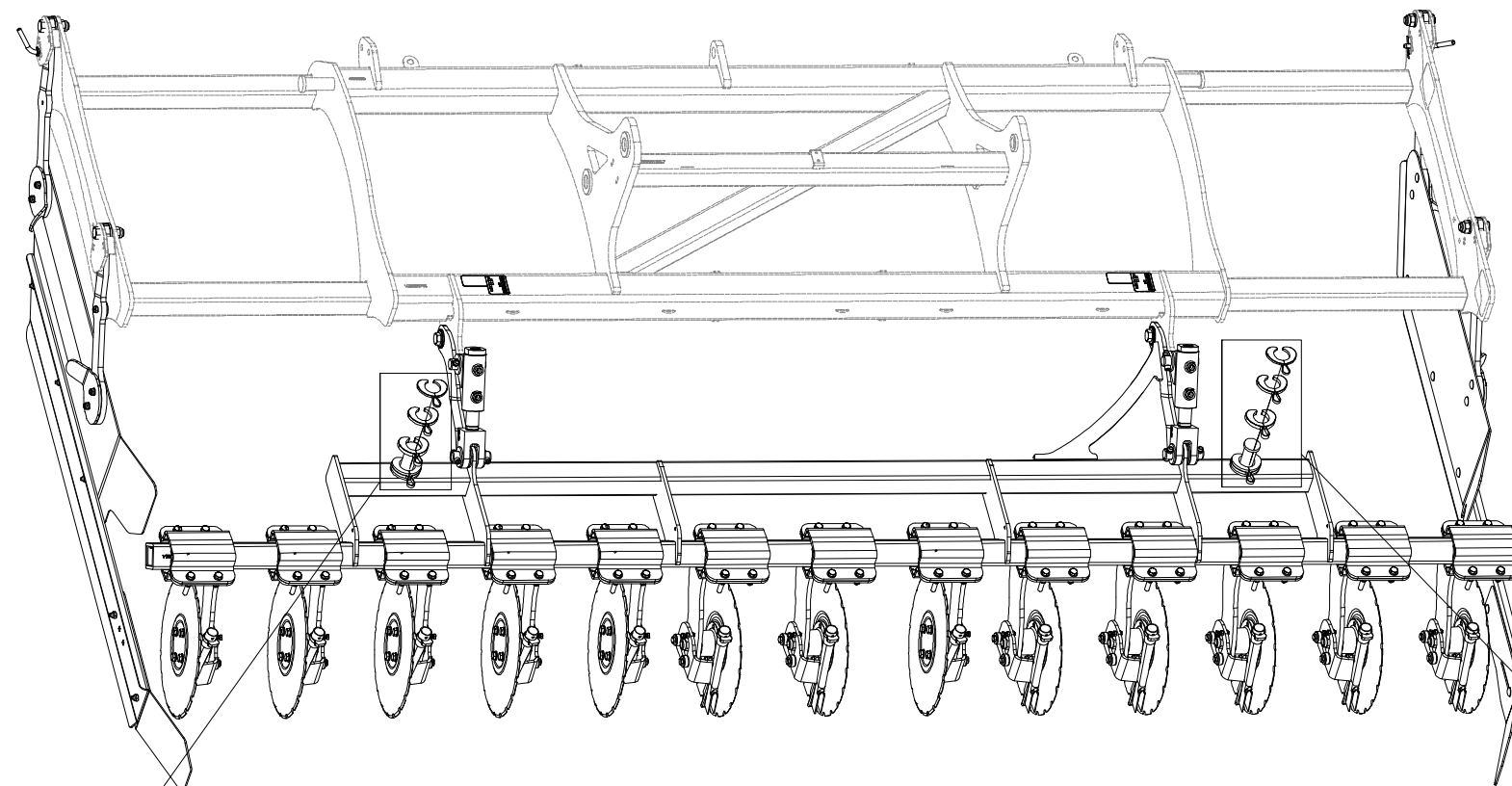
ⒸB DISC SET WITH FERTILIZATION

ⒸU КОМПЛЕКТ ДИСКОВ С ВНЕСЕНИЕМ УДОБРЕНИЙ

ⒸL ZESTAW TALERZY Z NAWOŻENIEM



VZ00001773



| Pos. | Part Number | Pcs. |
|------|-------------|------|
| 12 | 9002585 | 2 |
| 13 | 9002586 | 2 |
| 14 | 9002587 | 2 |
| 102 | m19408 | 2 |

ⒸZ SADA DISKŮ S PŘIHNOJENÍM

Ⓓ SCHEIBENSATZ MIT BEFRUCHTUNG

Ⓕ KIT DE DISQUES AVEC FERTILISATION

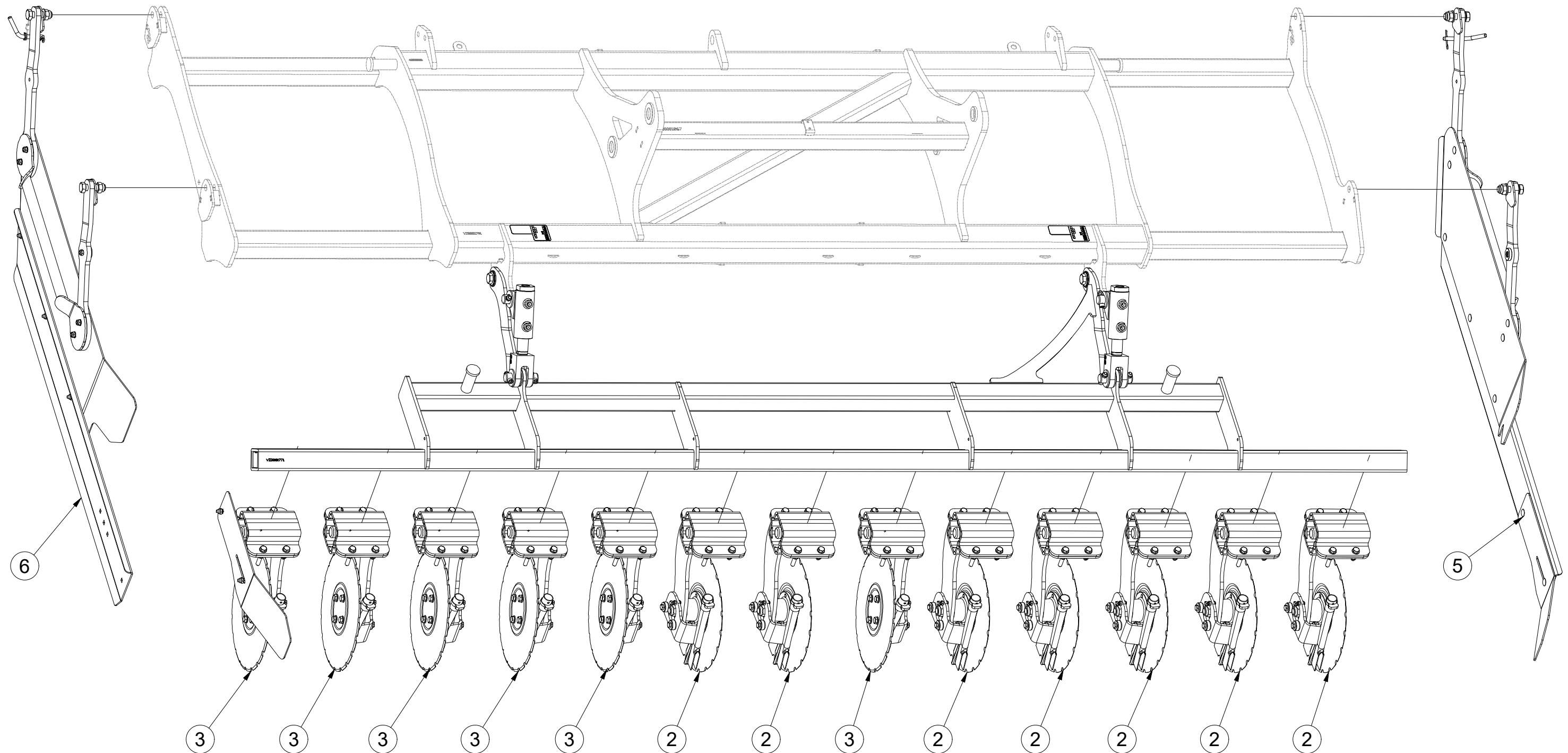
ⒸB DISC SET WITH FERTILIZATION

ⒸR КОМПЛЕКТ ДИСКОВ С ВНЕСЕНИЕМ УДОБРЕНИЙ

ⒸL ZESTAW TALERZY Z NAWOŻENIEM



VZ0001773



| Pos. | Part Number | Pcs. |
|------|-------------|------|
| 2 | VZ00011759 | 7 |
| 3 | VZ00011662 | 6 |
| 5 | VZ00033624 | 1 |
| 6 | VZ00034150 | 1 |

ⒸZ SADA DISKŮ S PŘIHNŮJENÍM

Ⓓ SCHEIBENSATZ MIT BEFRUCHTUNG

Ⓕ KIT DE DISQUES AVEC FERTILISATION

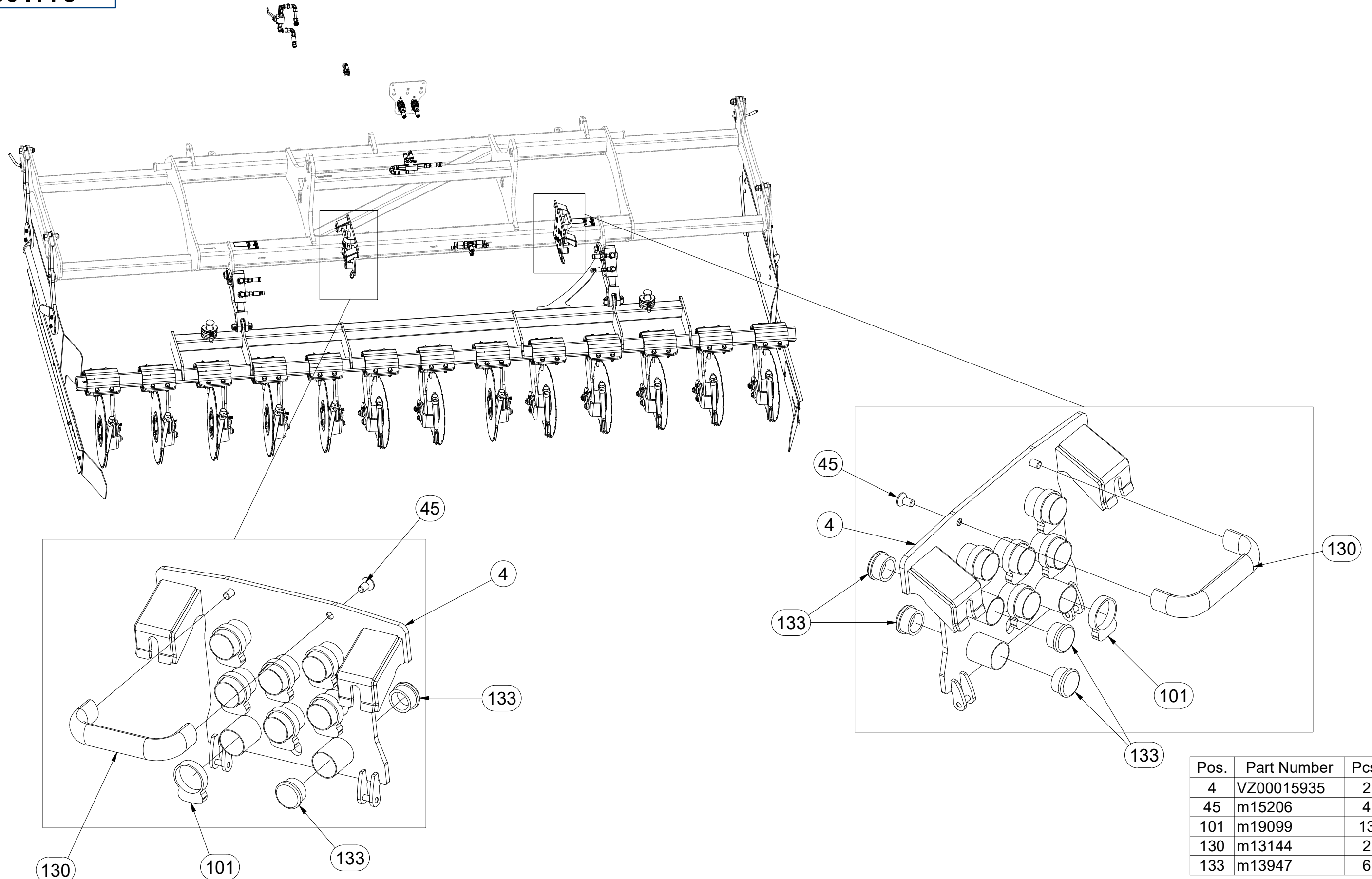
ⒸB DISC SET WITH FERTILIZATION

ⒸU КОМПЛЕКТ ДИСКОВ С ВНЕСЕНИЕМ УДОБРЕНИЙ

ⒸL ZESTAW TALERZY Z NAWOŻENIEM



VZ00001773



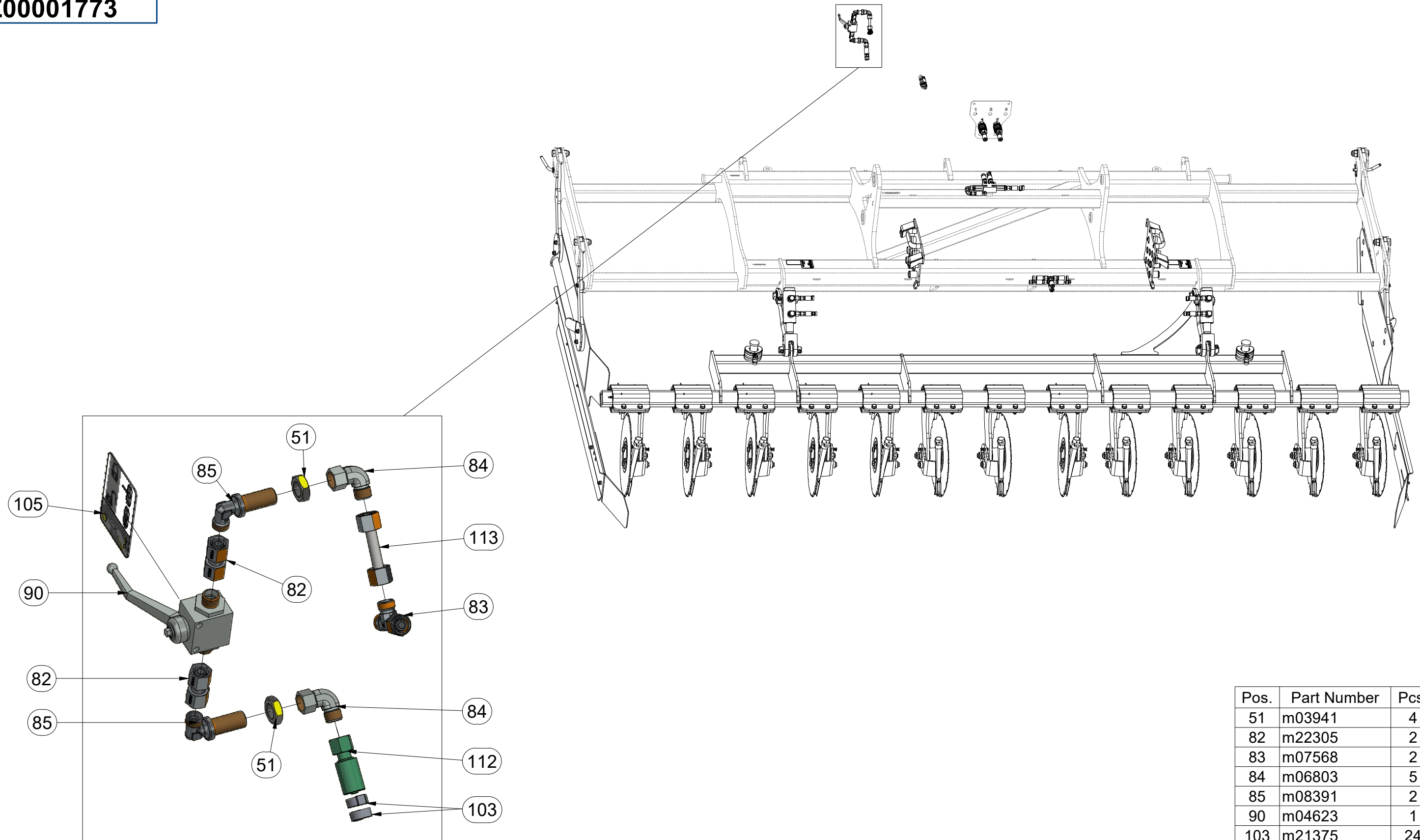
| Pos. | Part Number | Pcs. |
|------|-------------|------|
| 4 | VZ00015935 | 2 |
| 45 | m15206 | 4 |
| 101 | m19099 | 13 |
| 130 | m13144 | 2 |
| 133 | m13947 | 6 |

- Ⓒ SADA DISKŮ S PŘIHNOJENÍM
- Ⓓ SCHEIBENSATZ MIT BEFRUCHTUNG
- Ⓕ KIT DE DISQUES AVEC FERTILISATION

- Ⓖ DISC SET WITH FERTILIZATION
- Ⓡ КОМПЛЕКТ ДИСКОВ С ВНЕСЕНИЕМ УДОБРЕНИЙ
- Ⓟ ZESTAW TALERZY Z NAWOŻENIEM



VZ00001773



| Pos. | Part Number | Pcs. |
|------|-------------|------|
| 51 | m03941 | 4 |
| 82 | m22305 | 2 |
| 83 | m07568 | 2 |
| 84 | m06803 | 5 |
| 85 | m08391 | 2 |
| 90 | m04623 | 1 |
| 103 | m21375 | 24 |
| 105 | m21558 | 1 |
| 112 | m15154 | 1 |
| 113 | m21393 | 1 |

ⒸZ SADA DISKŮ S PŘIHNŮJENÍM

Ⓓ SCHEIBENSATZ MIT BEFRUCHTUNG

Ⓕ KIT DE DISQUES AVEC FERTILISATION

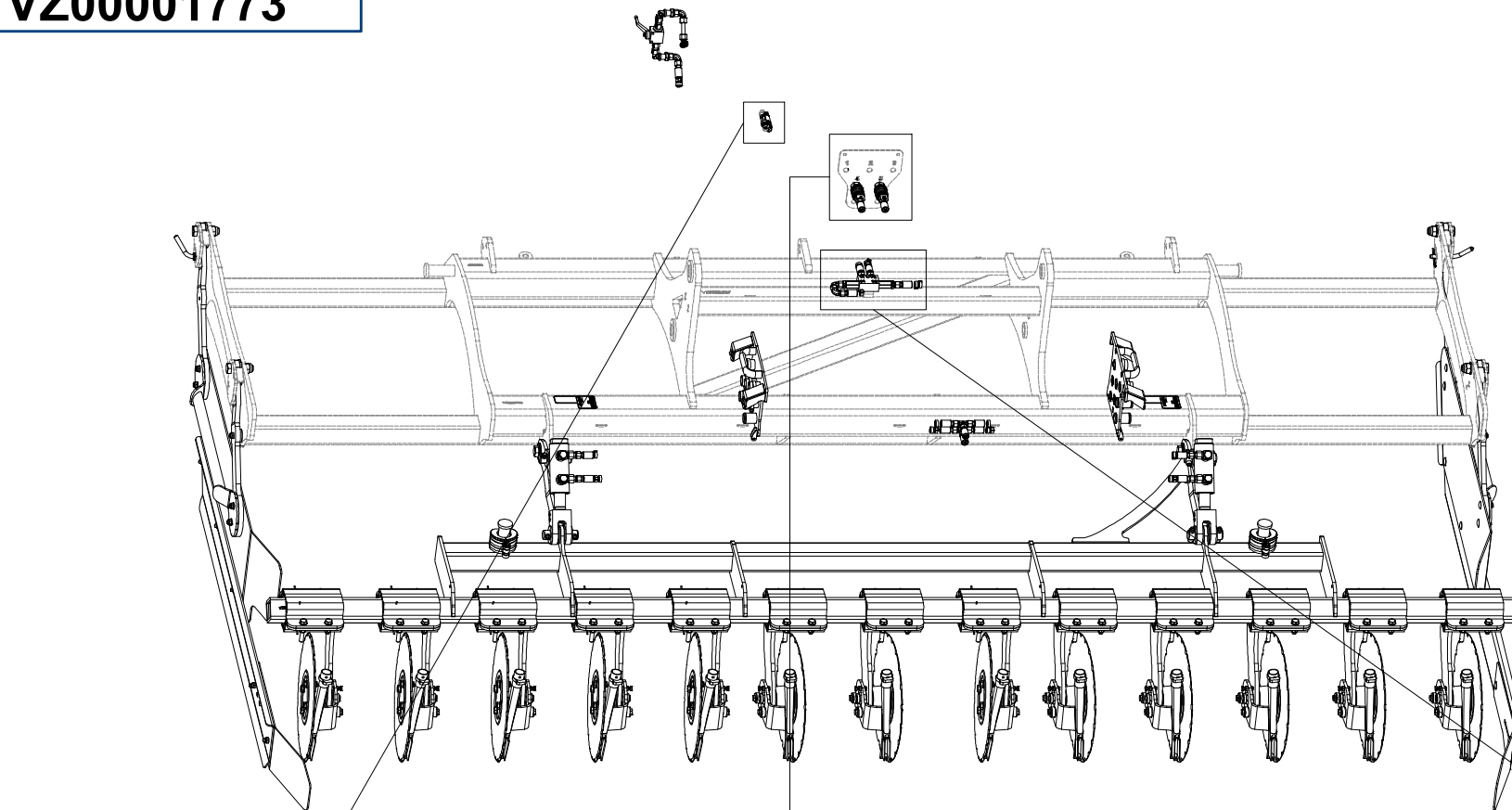
ⒸB DISC SET WITH FERTILIZATION

ⒸU КОМПЛЕКТ ДИСКОВ С ВНЕСЕНИЕМ УДОБРЕНИЙ

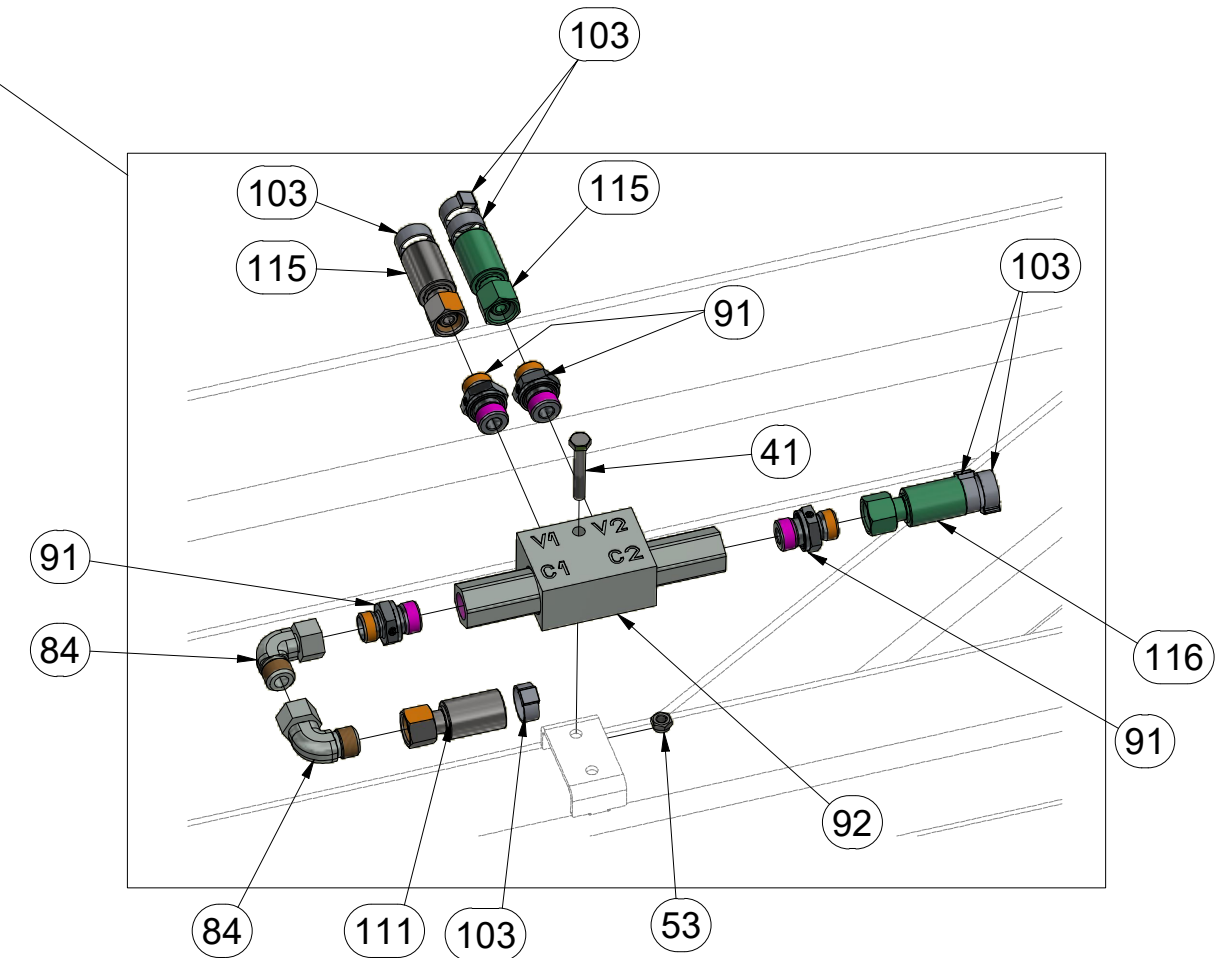
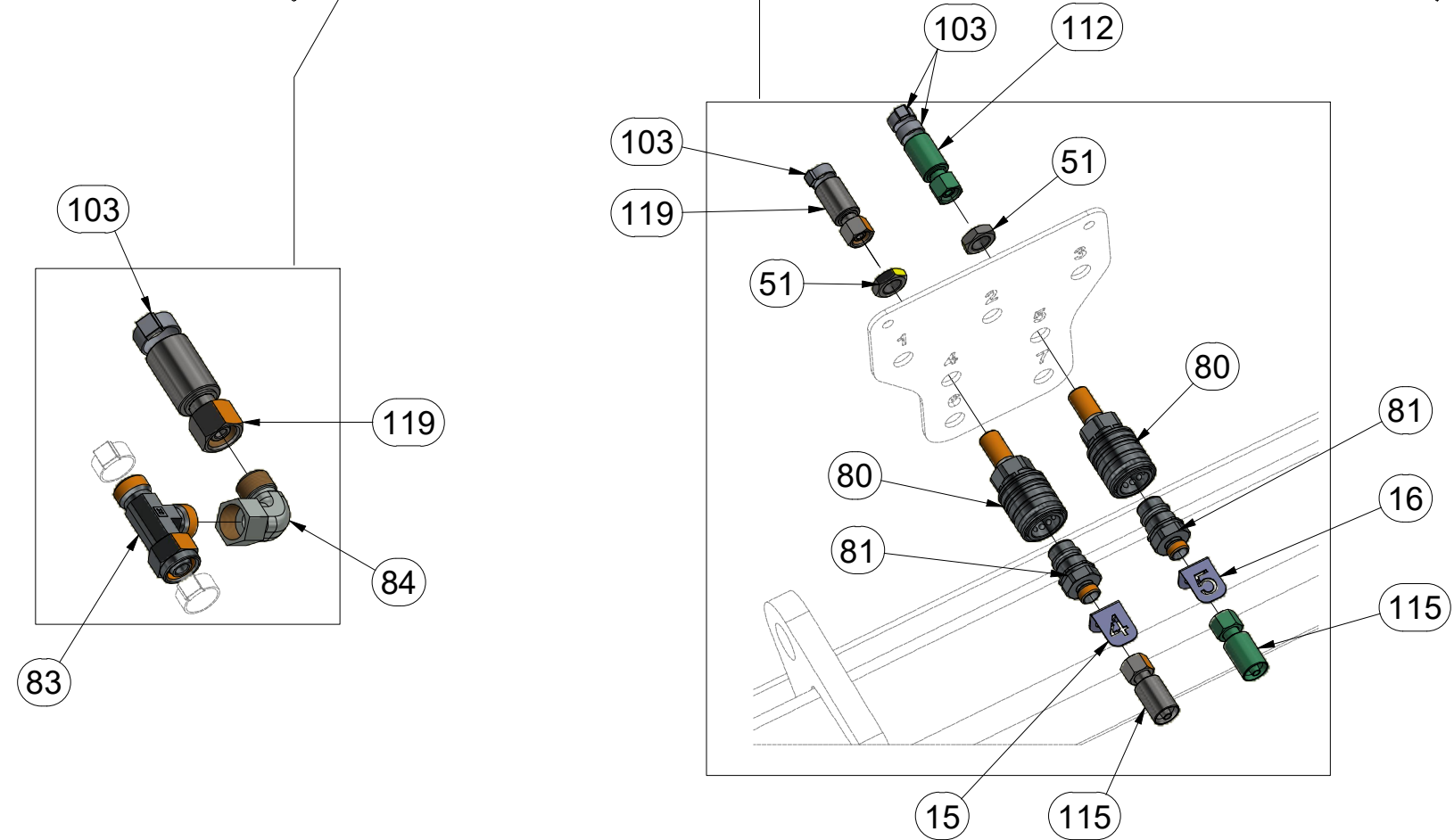
ⒸL ZESTAW TALERZY Z NAWOŻENIEM



VZ00001773



| Pos. | Part Number | Pcs. |
|------|-------------|------|
| 15 | VZ00015422 | 1 |
| 16 | VZ00015423 | 1 |
| 41 | m04641 | 1 |
| 51 | m03941 | 4 |
| 53 | m05560 | 1 |
| 80 | m03168 | 2 |
| 81 | m03849 | 2 |
| 83 | m07568 | 2 |
| 84 | m06803 | 5 |
| 91 | m06528 | 4 |
| 92 | m06673 | 1 |
| 103 | m21375 | 24 |
| 111 | m07364 | 1 |
| 112 | m15154 | 1 |
| 115 | m17043 | 2 |
| 116 | m07645 | 1 |
| 119 | m05210 | 2 |



Ⓒ SADA DISKŮ S PŘIHNOJENÍM

Ⓓ SCHEIBENSATZ MIT BEFRUCHTUNG

Ⓕ KIT DE DISQUES AVEC FERTILISATION

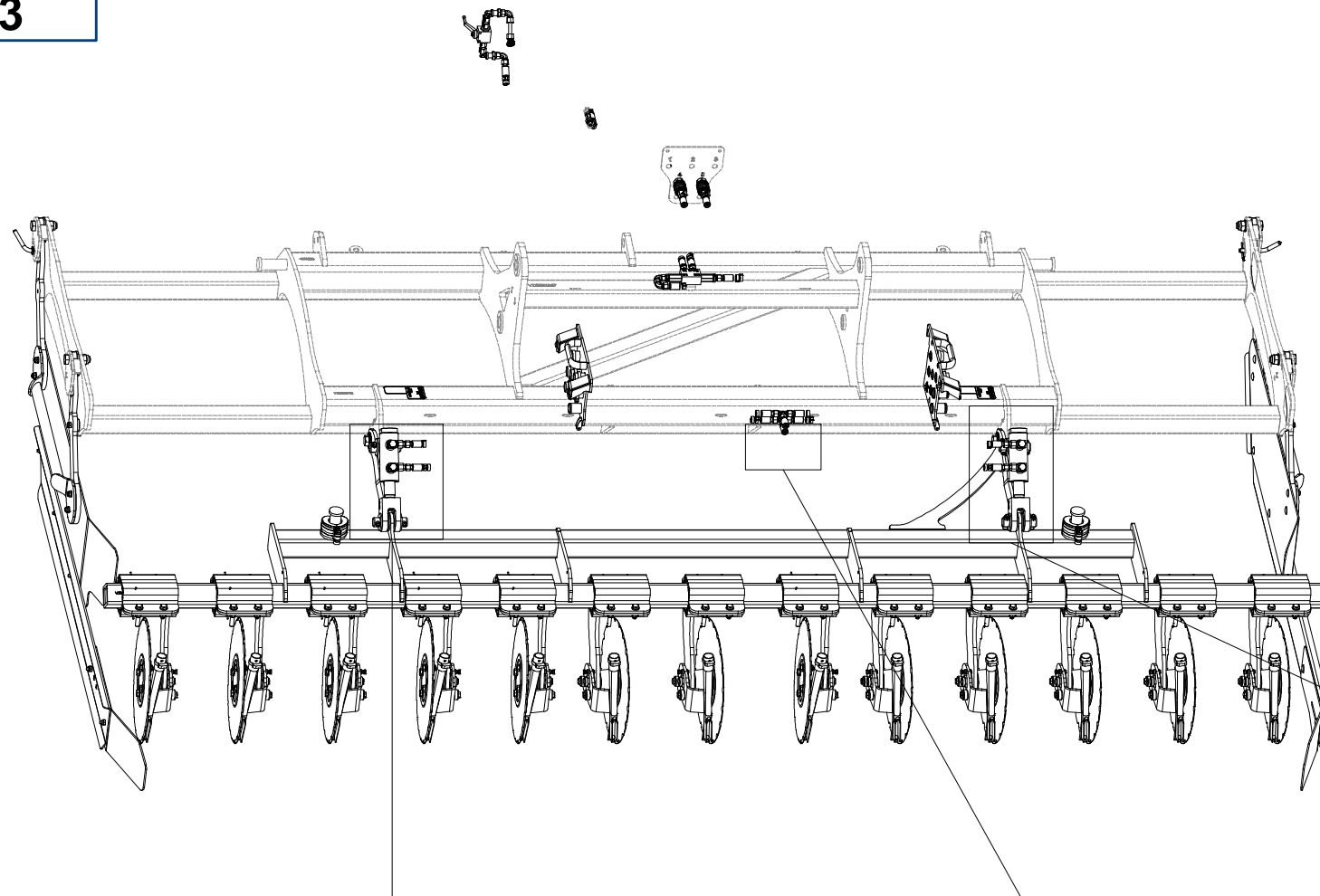
Ⓖ DISC SET WITH FERTILIZATION

Ⓡ КОМПЛЕКТ ДИСКОВ С ВНЕСЕНИЕМ УДОБРЕНИЙ

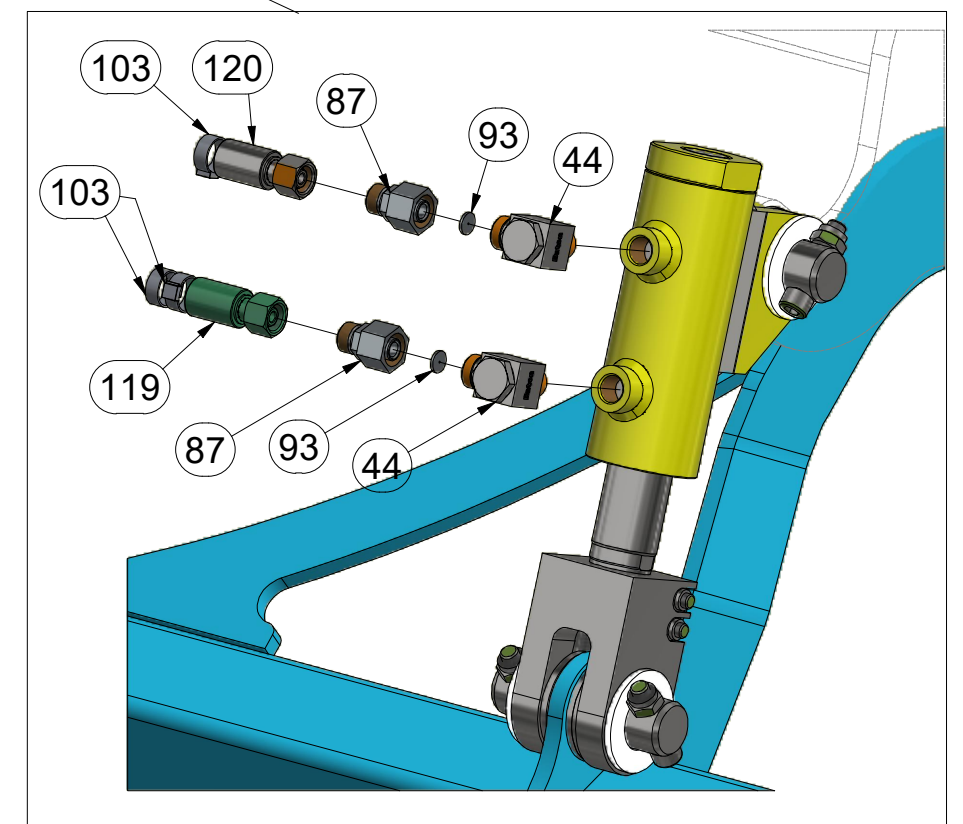
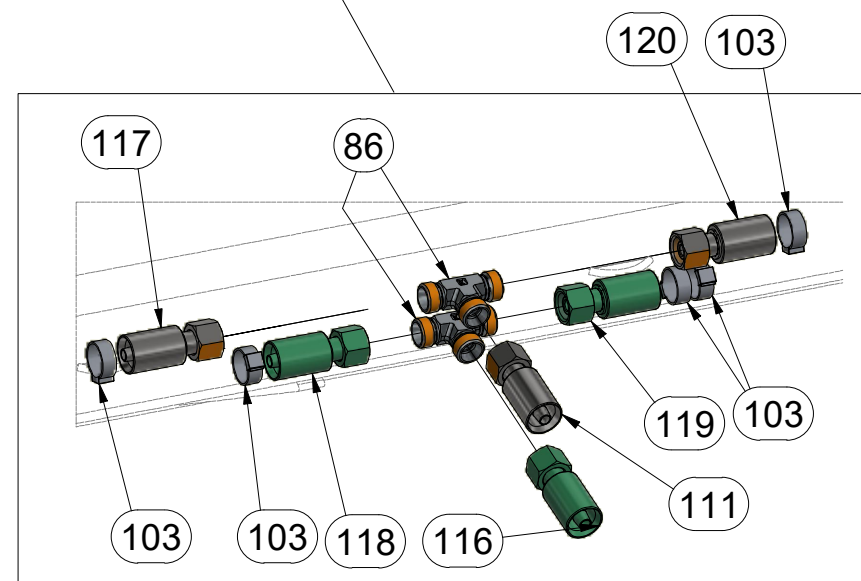
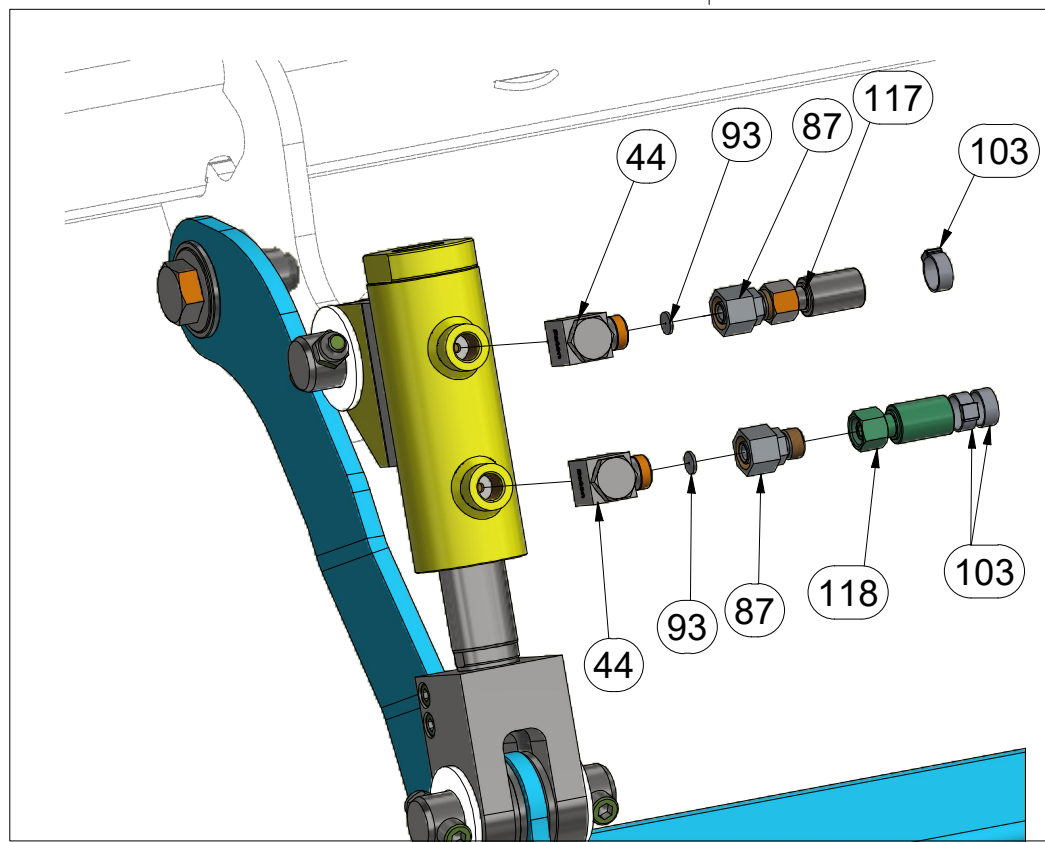
Ⓟ ZESTAW TALERZY Z NAWOŻENIEM



VZ00001773



| Pos. | Part Number | Pcs. |
|------|-------------|------|
| 44 | m20882 | 4 |
| 86 | m03889 | 2 |
| 87 | m09986 | 4 |
| 93 | m10774 | 4 |
| 103 | m21375 | 24 |
| 111 | m07364 | 1 |
| 116 | m07645 | 1 |
| 117 | m07648 | 1 |
| 118 | m11696 | 1 |
| 119 | m05210 | 2 |
| 120 | m04669 | 1 |

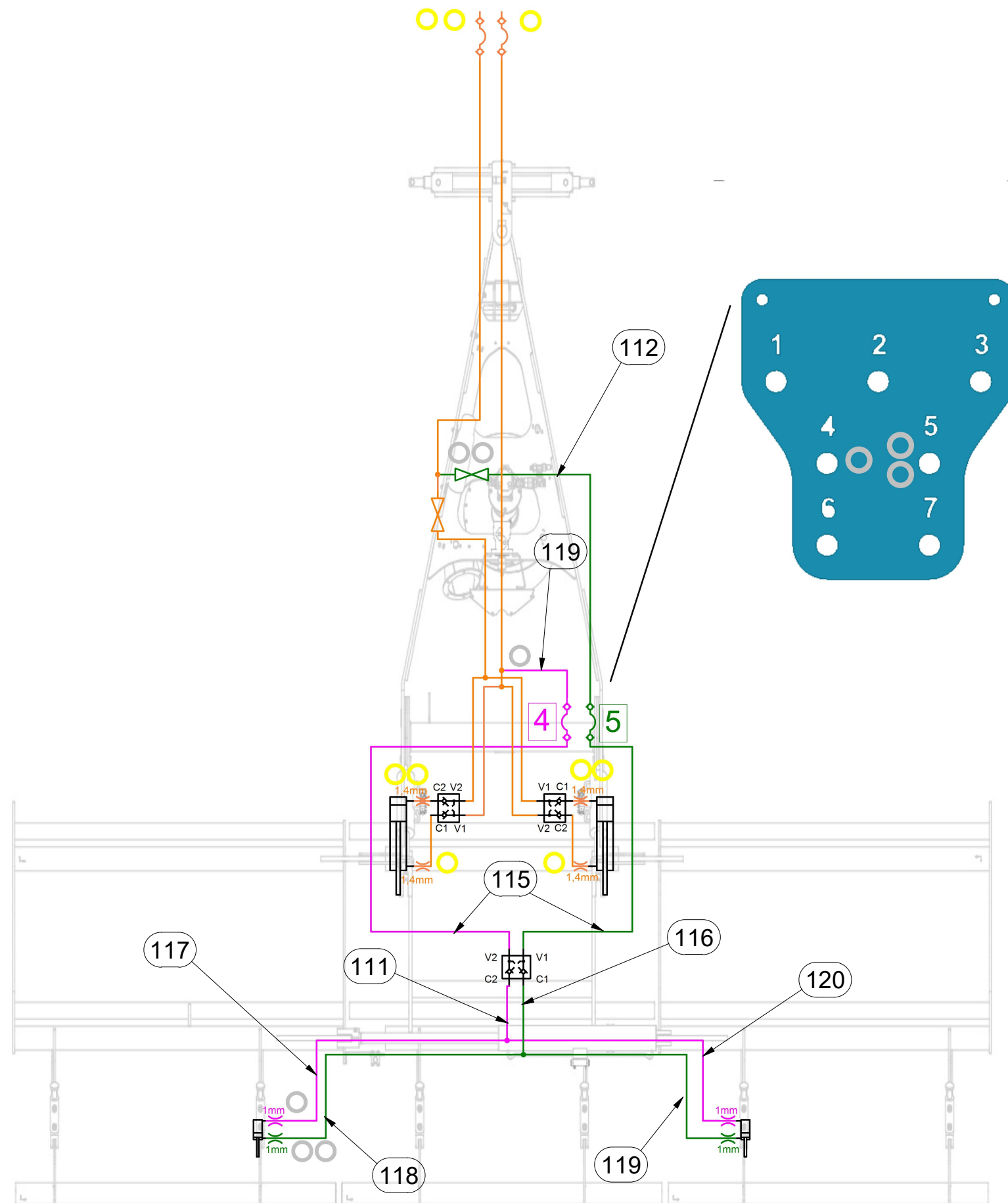


- Ⓒ SADA DISKŮ S PŘIHNŮJENÍM
- Ⓓ SCHEIBENSATZ MIT BEFRUCHTUNG
- Ⓕ KIT DE DISQUES AVEC FERTILISATION

- Ⓒ DISC SET WITH FERTILIZATION
- Ⓓ КОМПЛЕКТ ДИСКОВ С ВНЕСЕНИЕМ УДОБРЕНИЙ
- Ⓕ ZESTAW TALERZY Z NAWOŻENIEM



VZ00001773



| Pos. | Part Number | Pcs. |
|------|-------------|------|
| 111 | m07364 | 1 |
| 112 | m15154 | 1 |
| 115 | m17043 | 2 |
| 116 | m07645 | 1 |
| 117 | m07648 | 1 |
| 118 | m11696 | 1 |
| 119 | m05210 | 2 |
| 120 | m04669 | 1 |

Ⓒ JEDNOTKA PRACOVNÍ PŘIHNŮJOVACÍ - LEVÁ

Ⓓ DÜNGER-ARBEITSAGGREGAT - LINKS

Ⓕ UNITÉ DE TRAVAIL D'ENGRAIS - GAUCHE

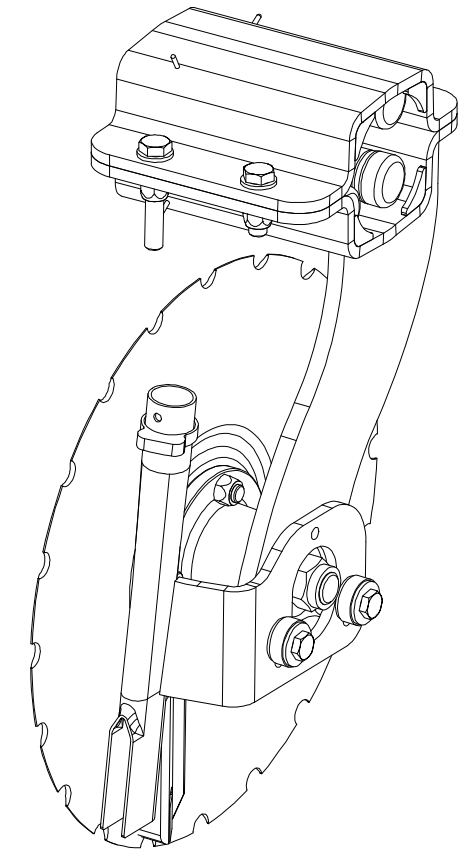
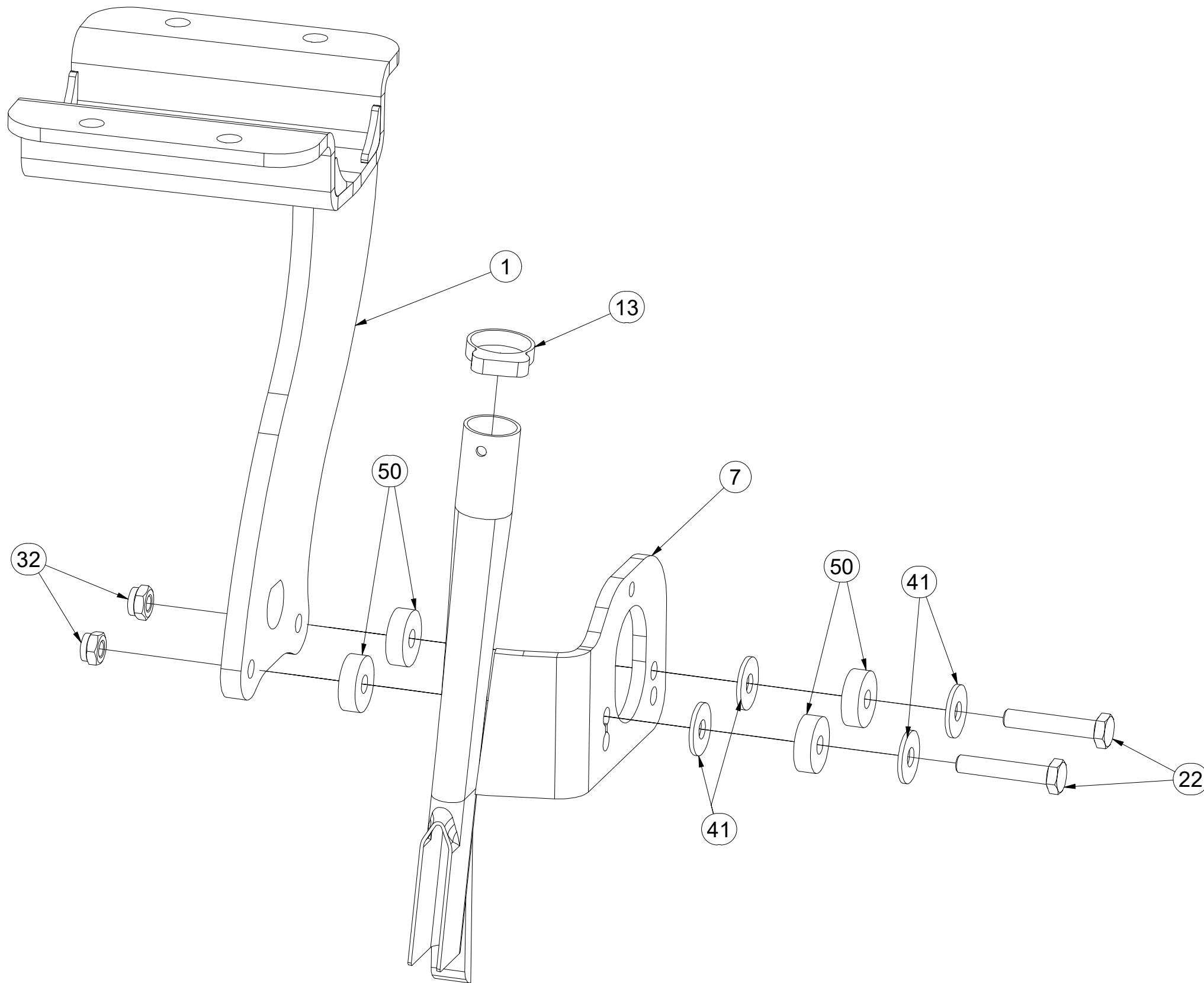
Ⓖ FERTILIZER WORKING UNIT - LEFT

Ⓒ РАБОЧИЙ ОРГАН УДОБРЕНИЙ - ЛЕВЫЙ

Ⓔ ZESPÓŁ ROBOCZY NAWOZU - LEWY

Farmet

VZ00011662



| Pos. | Part Number | Pcs. |
|------|-------------|------|
| 1 | VZ00011665 | 1 |
| 3 | 9004269 | 1 |
| 7 | VZ00013420 | 1 |
| 11 | m21514 | 4 |
| 13 | m19099 | 1 |
| 20 | m17657 | 2 |
| 22 | m06253 | 2 |
| 24 | m17653 | 2 |
| 30 | m12134 | 4 |
| 32 | m03775 | 2 |
| 41 | m14035 | 4 |
| 42 | m01214 | 8 |
| 50 | m21515 | 4 |

Ⓒ JEDNOTKA PRACOVNÍ PŘIHNŮJOVACÍ - LEVÁ

Ⓓ DÜNGER-ARBEITSAGGREGAT - LINKS

Ⓕ UNITÉ DE TRAVAIL D'ENGRAIS - GAUCHE

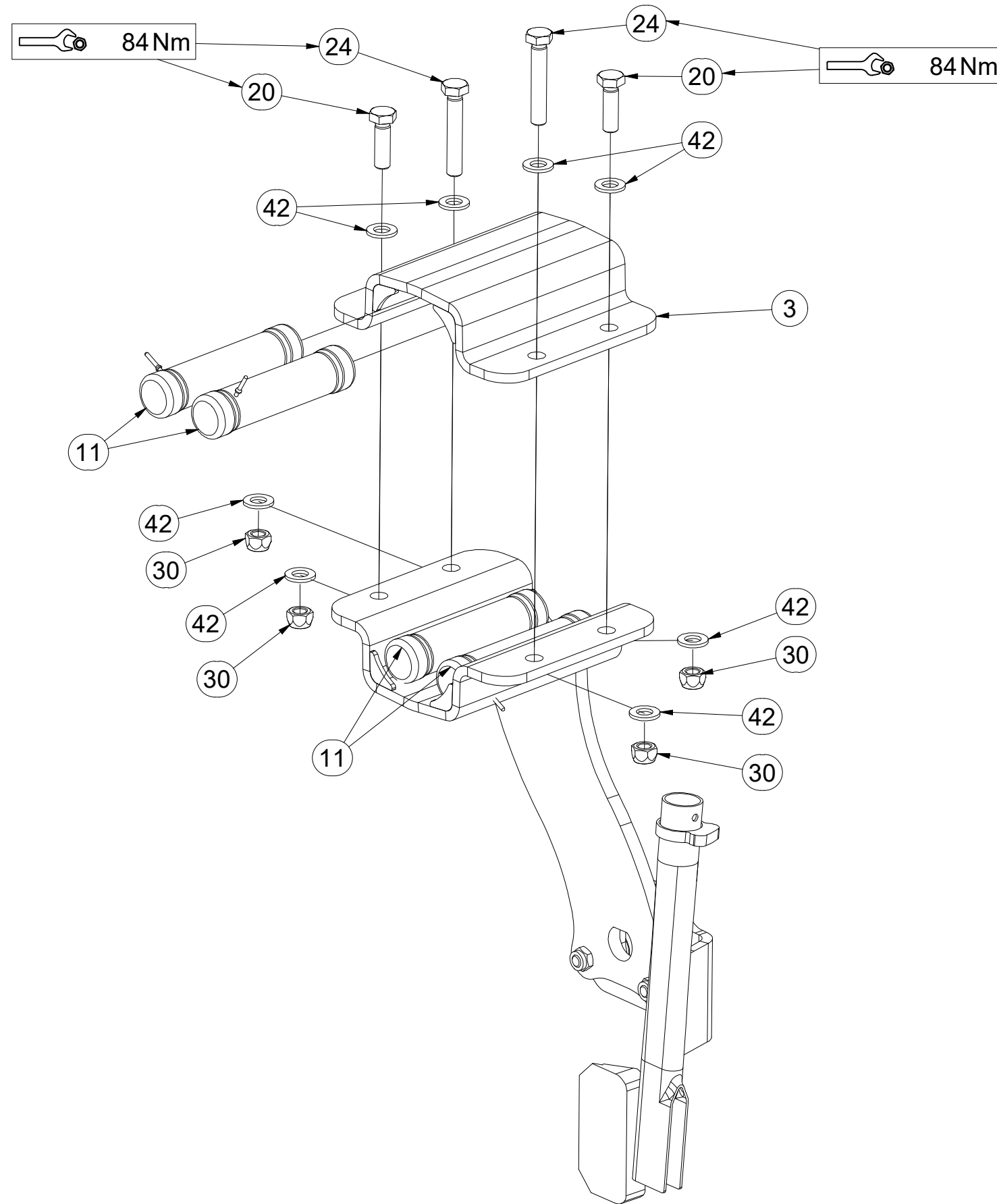
Ⓖ FERTILIZER WORKING UNIT - LEFT

Ⓡ РАБОЧИЙ ОРГАН УДОБРЕНИЙ - ЛЕВЫЙ

Ⓣ ZESPÓŁ ROBOCZY NAWOZU - LEWY



VZ00011662



| Pos. | Part Number | Pcs. |
|------|-------------|------|
| 3 | 9004269 | 1 |
| 11 | m21514 | 4 |
| 20 | m17657 | 2 |
| 24 | m17653 | 2 |
| 30 | m12134 | 4 |
| 42 | m01214 | 8 |

Ⓒ JEDNOTKA PRACOVNÍ PŘIHNŮJOVACÍ - LEVÁ

Ⓓ DÜNGER-ARBEITSAGGREGAT - LINKS

Ⓕ UNITÉ DE TRAVAIL D'ENGRAIS - GAUCHE

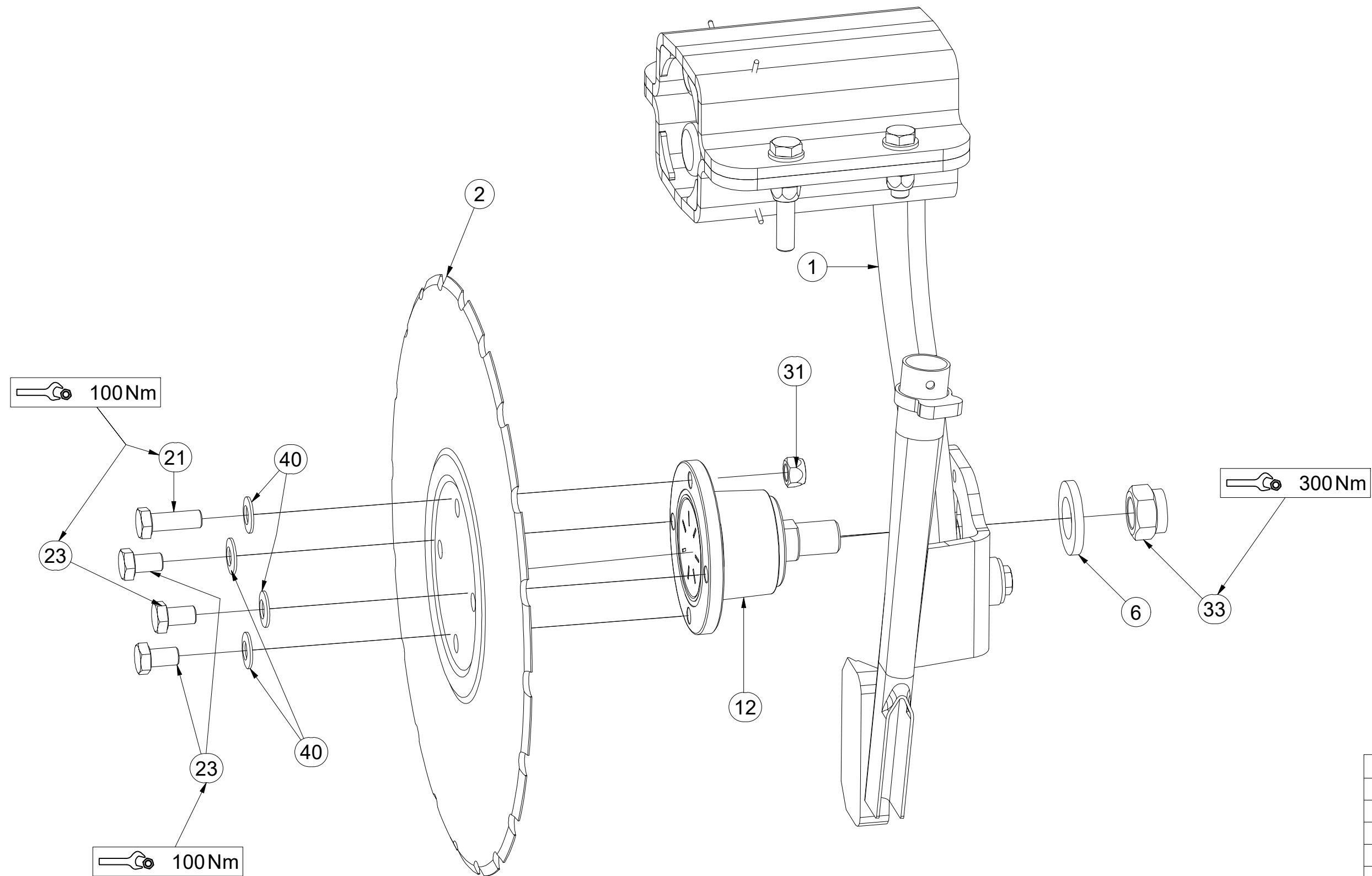
Ⓖ FERTILIZER WORKING UNIT - LEFT

Ⓔ РАБОЧИЙ ОРГАН УДОБРЕНИЙ - ЛЕВЫЙ

Ⓗ ZESPÓŁ ROBOCZY NAWOZU - LEWY



VZ00011662



| Pos. | Part Number | Pcs. |
|------|-------------|------|
| 1 | VZ00011665 | 1 |
| 2 | VZ00025192 | 1 |
| 6 | VZ00011672 | 1 |
| 12 | m19008 | 1 |
| 21 | m11559 | 1 |
| 23 | m11309 | 3 |
| 31 | m11560 | 1 |
| 33 | m11313 | 1 |
| 40 | m17545 | 4 |

Ⓒ JEDNOTKA PRACOVNÍ PŘIHNŮJOVACÍ - LEVÁ

Ⓓ DÜNGER-ARBEITSAGGREGAT - LINKS

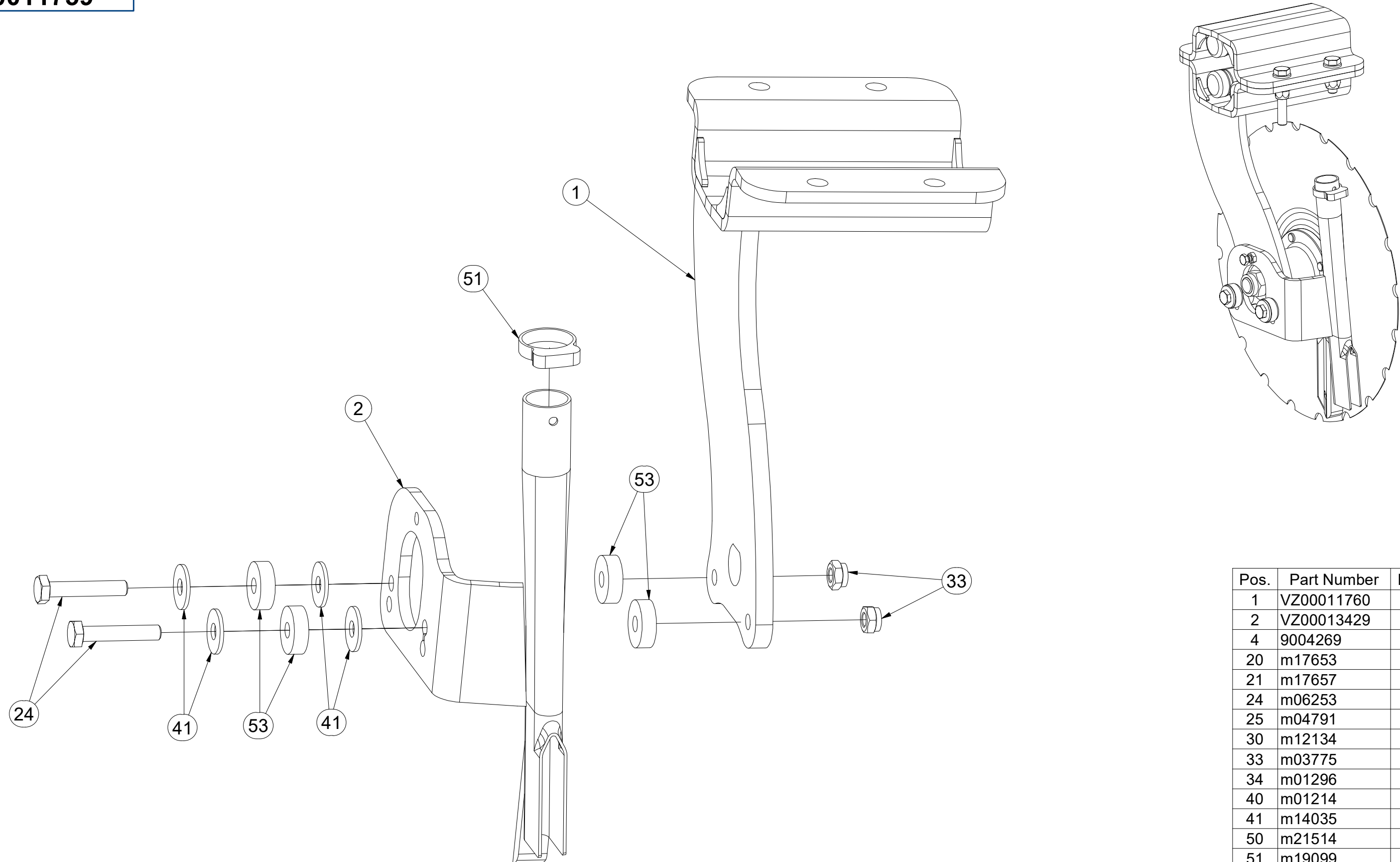
Ⓕ UNITÉ DE TRAVAIL D'ENGRAIS - GAUCHE

VZ00011759

Ⓖ FERTILIZER WORKING UNIT - LEFT

Ⓡ РАБОЧИЙ ОРГАН УДОБРЕНИЙ - ЛЕВЫЙ

Ⓢ ZESPÓŁ ROBOCZY NAWOZU - LEWY



| Pos. | Part Number | Pcs. |
|------|-------------|------|
| 1 | VZ00011760 | 1 |
| 2 | VZ00013429 | 1 |
| 4 | 9004269 | 1 |
| 20 | m17653 | 2 |
| 21 | m17657 | 2 |
| 24 | m06253 | 2 |
| 25 | m04791 | 1 |
| 30 | m12134 | 4 |
| 33 | m03775 | 2 |
| 34 | m01296 | 2 |
| 40 | m01214 | 8 |
| 41 | m14035 | 4 |
| 50 | m21514 | 4 |
| 51 | m19099 | 1 |
| 53 | m21515 | 4 |

Ⓒ JEDNOTKA PRACOVNÍ PŘIHNŮJOVACÍ - LEVÁ

Ⓓ DÜNGER-ARBEITSAGGREGAT - LINKS

Ⓕ UNITÉ DE TRAVAIL D'ENGRAIS - GAUCHE

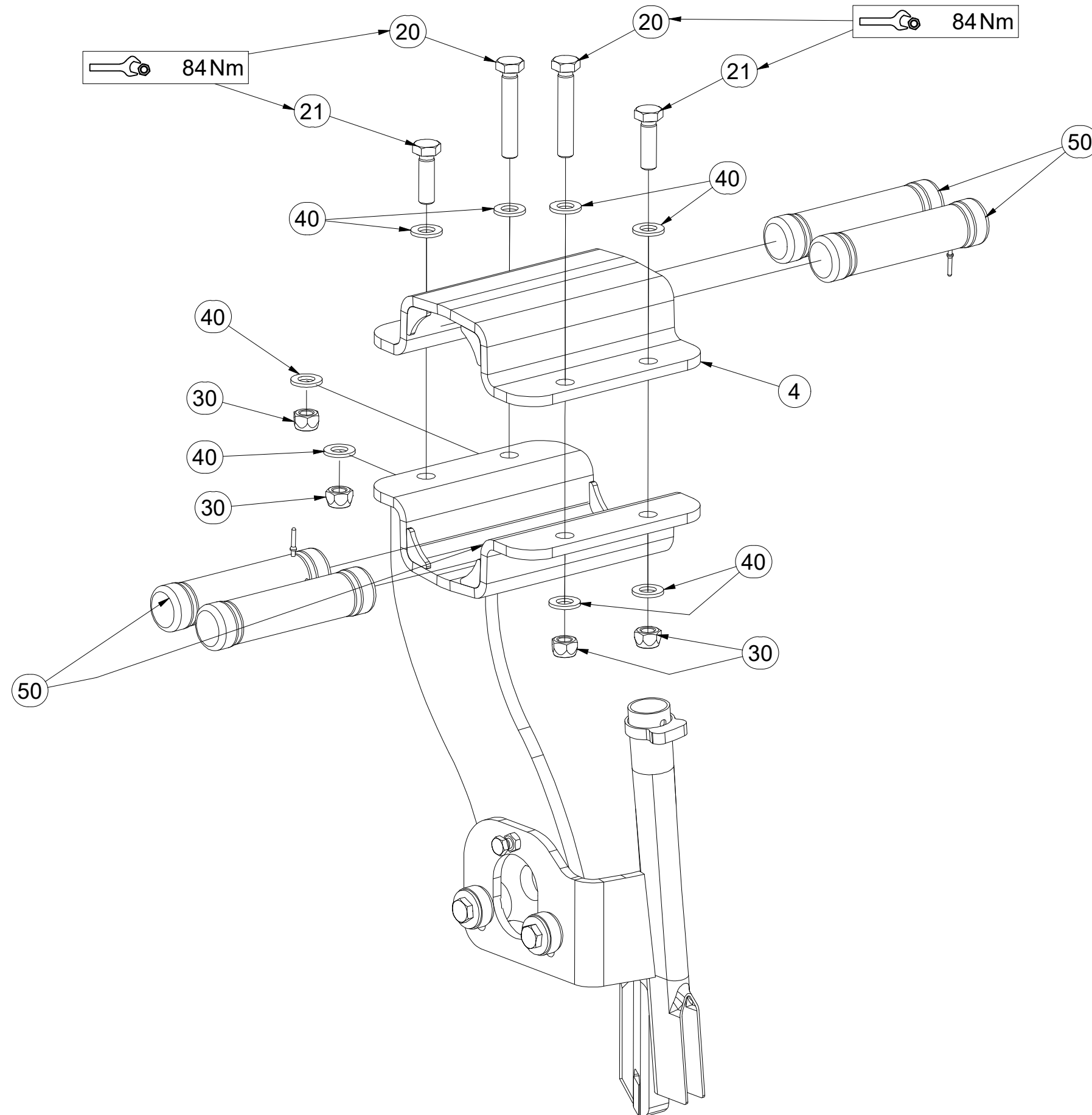
Ⓖ FERTILIZER WORKING UNIT - LEFT

Ⓡ РАБОЧИЙ ОРГАН УДОБРЕНИЙ - ЛЕВЫЙ

Ⓣ ZESPÓŁ ROBOCZY NAWOZU - LEWY



VZ00011759



| Pos. | Part Number | Pcs. |
|------|-------------|------|
| 4 | 9004269 | 1 |
| 20 | m17653 | 2 |
| 21 | m17657 | 2 |
| 30 | m12134 | 4 |
| 40 | m01214 | 8 |
| 50 | m21514 | 4 |

Ⓒ JEDNOTKA PRACOVNÍ PŘIHNŮJOVACÍ - LEVÁ

Ⓓ DÜNGER-ARBEITSAGGREGAT - LINKS

Ⓕ UNITÉ DE TRAVAIL D'ENGRAIS - GAUCHE

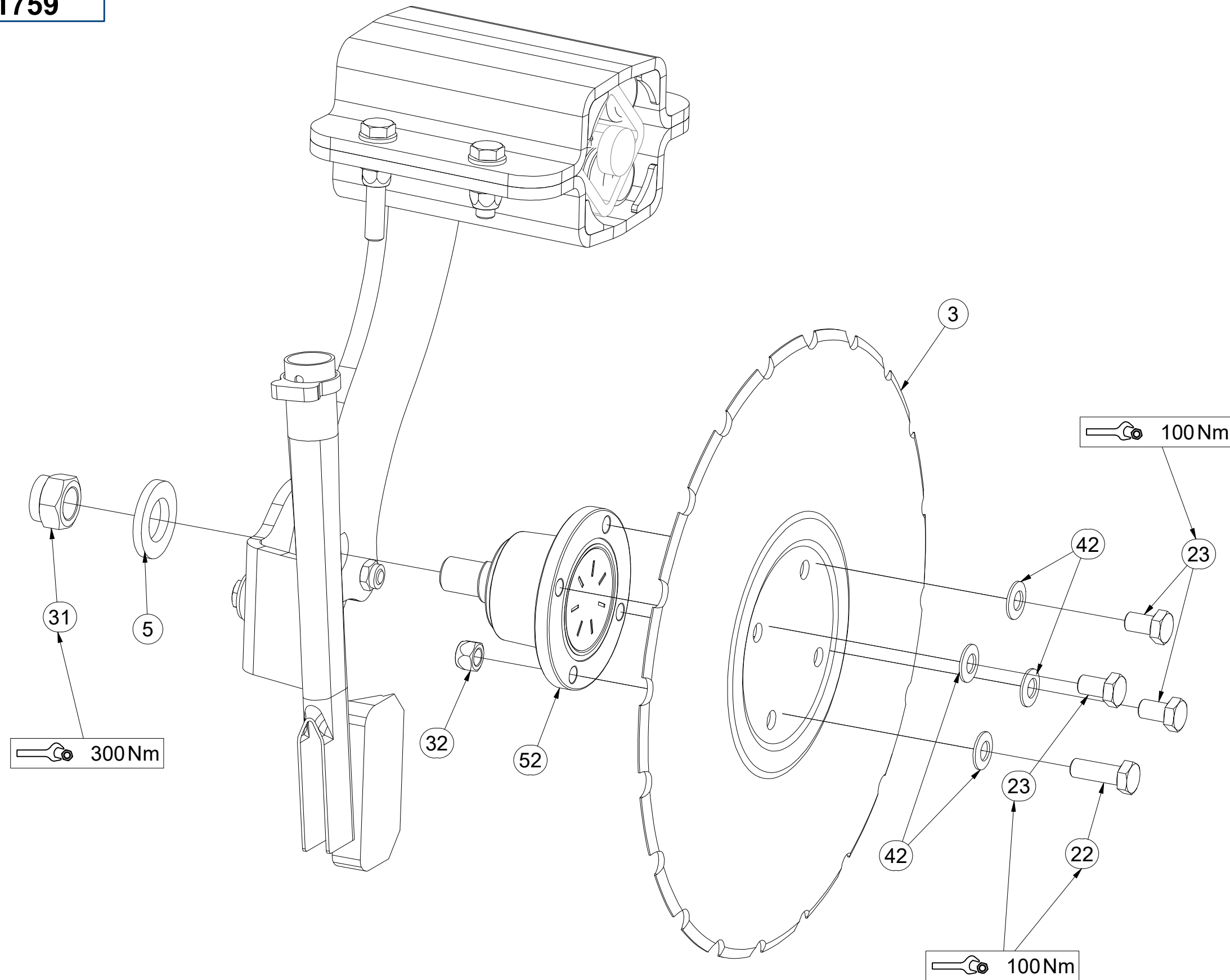
Ⓒ FERTILIZER WORKING UNIT - LEFT

Ⓓ РАБОЧИЙ ОРГАН УДОБРЕНИЙ - ЛЕВЫЙ

Ⓕ ZESPÓŁ ROBOCZY NAWOZU - LEWY



VZ00011759



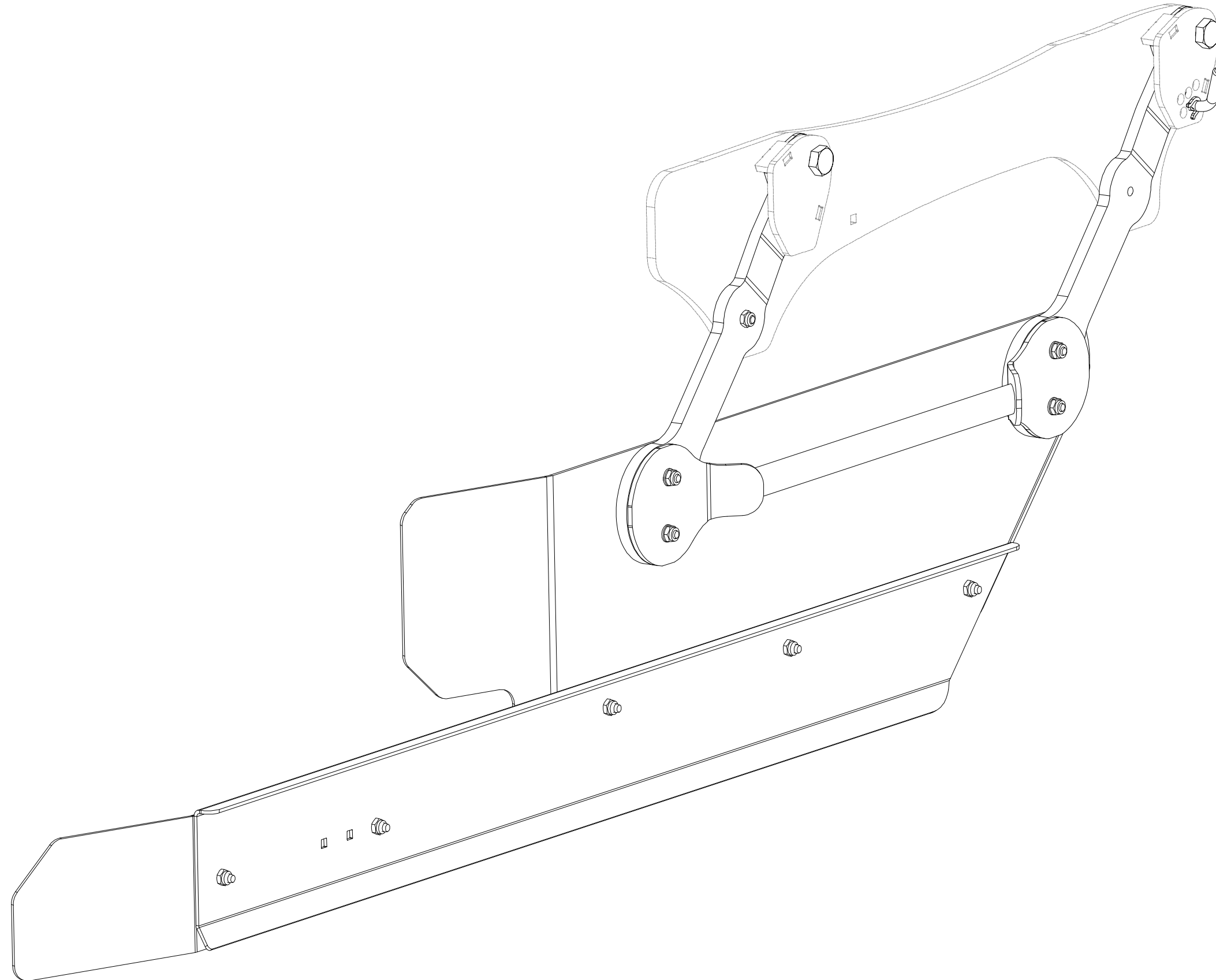
| Pos. | Part Number | Pcs. |
|------|-------------|------|
| 3 | VZ00025192 | 1 |
| 5 | VZ00011672 | 1 |
| 22 | m11559 | 1 |
| 23 | m11309 | 3 |
| 31 | m11313 | 1 |
| 32 | m11560 | 1 |
| 42 | m17545 | 4 |
| 52 | m19008 | 1 |

ⒸZ DEFLEKTOR PRAVÝ
Ⓓ DEFLEKTOR, RECHTER
Ⓕ D'EFLECTEUR DROIT

ⒸGB DEFLECTOR RIGHT
ⒸRU ДЕФЛЕКТОР ПРАВЫЙ
ⒸPL DEFLEKTOR PRAWY

Farmet

VZ00033624

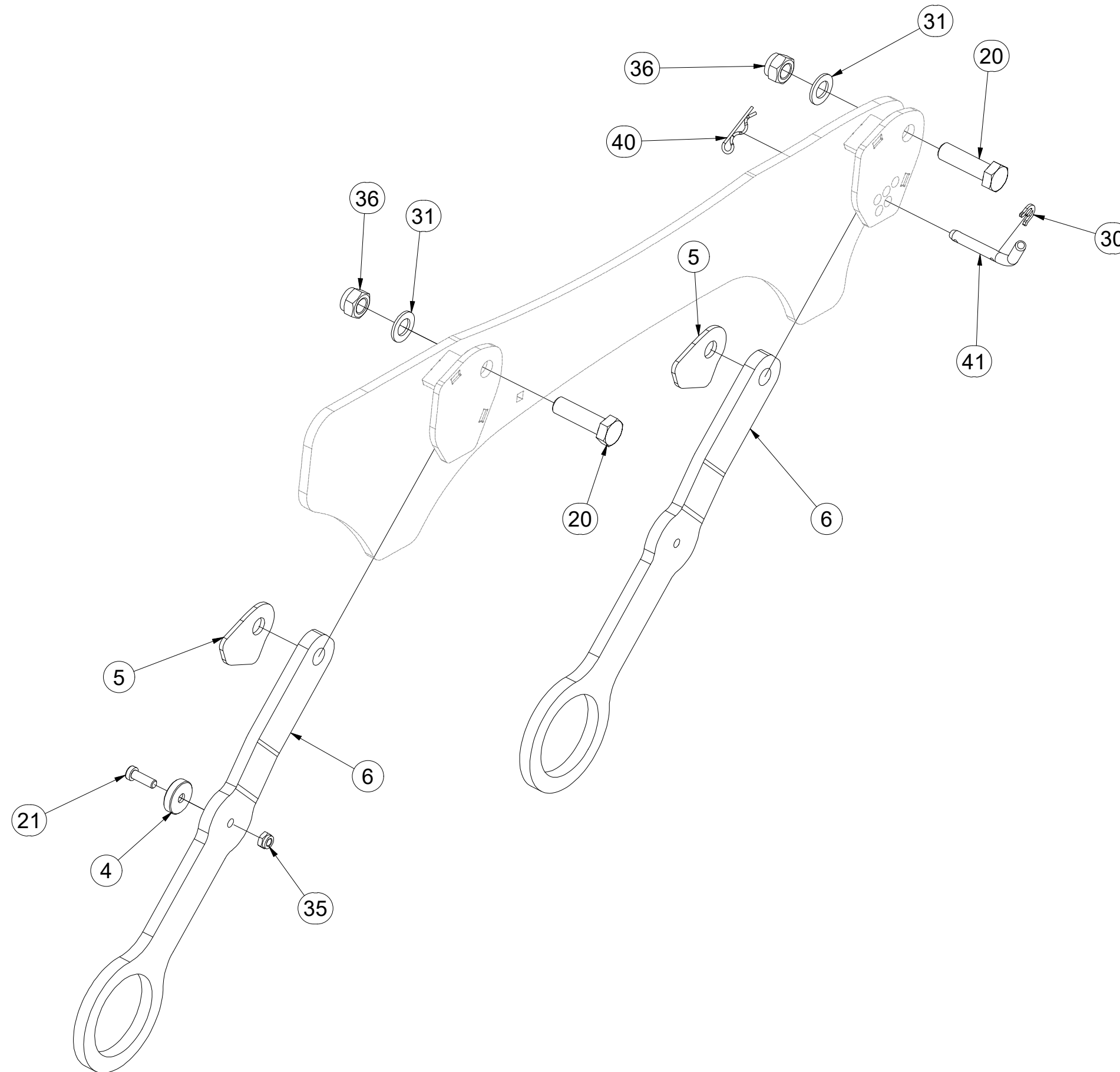


CZ DEFLEKTOR PRAVÝ
 D DEFLEKTOR, RECHTER
 F DÉFLECTEUR DROIT

GB DEFLECTOR RIGHT
 RU ДЕФЛЕКТОР ПРАВЫЙ
 PL DEFLEKTOR PRAWY



VZ00033624



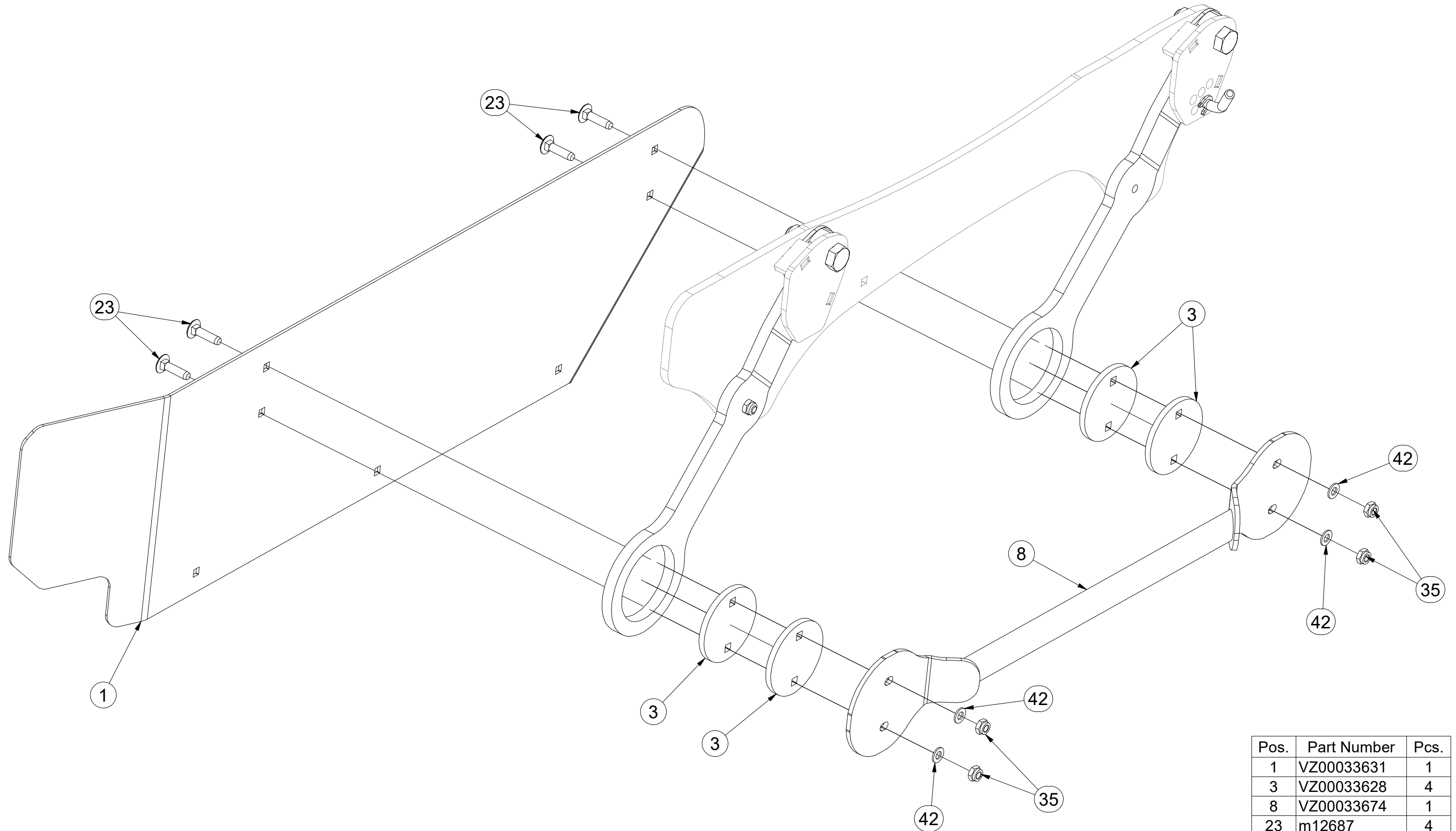
| Pos. | Part Number | Pcs. |
|------|-------------|------|
| 4 | VZ00022709 | 1 |
| 5 | VZ00033626 | 2 |
| 6 | VZ00033625 | 2 |
| 20 | m03115 | 2 |
| 21 | m23775 | 1 |
| 30 | 4016279 | 1 |
| 31 | m03768 | 2 |
| 35 | m03775 | 10 |
| 36 | m05648 | 2 |
| 40 | m08049 | 1 |
| 41 | m08886 | 1 |

CZ DEFLEKTOR PRAVÝ
 D DEFLEKTOR, RECHTER
 F DÉFLECTEUR DROIT

GB DEFLECTOR RIGHT
 RU ДЕФЛЕКТОР ПРАВЫЙ
 PL DEFLEKTOR PRAWY



VZ00033624



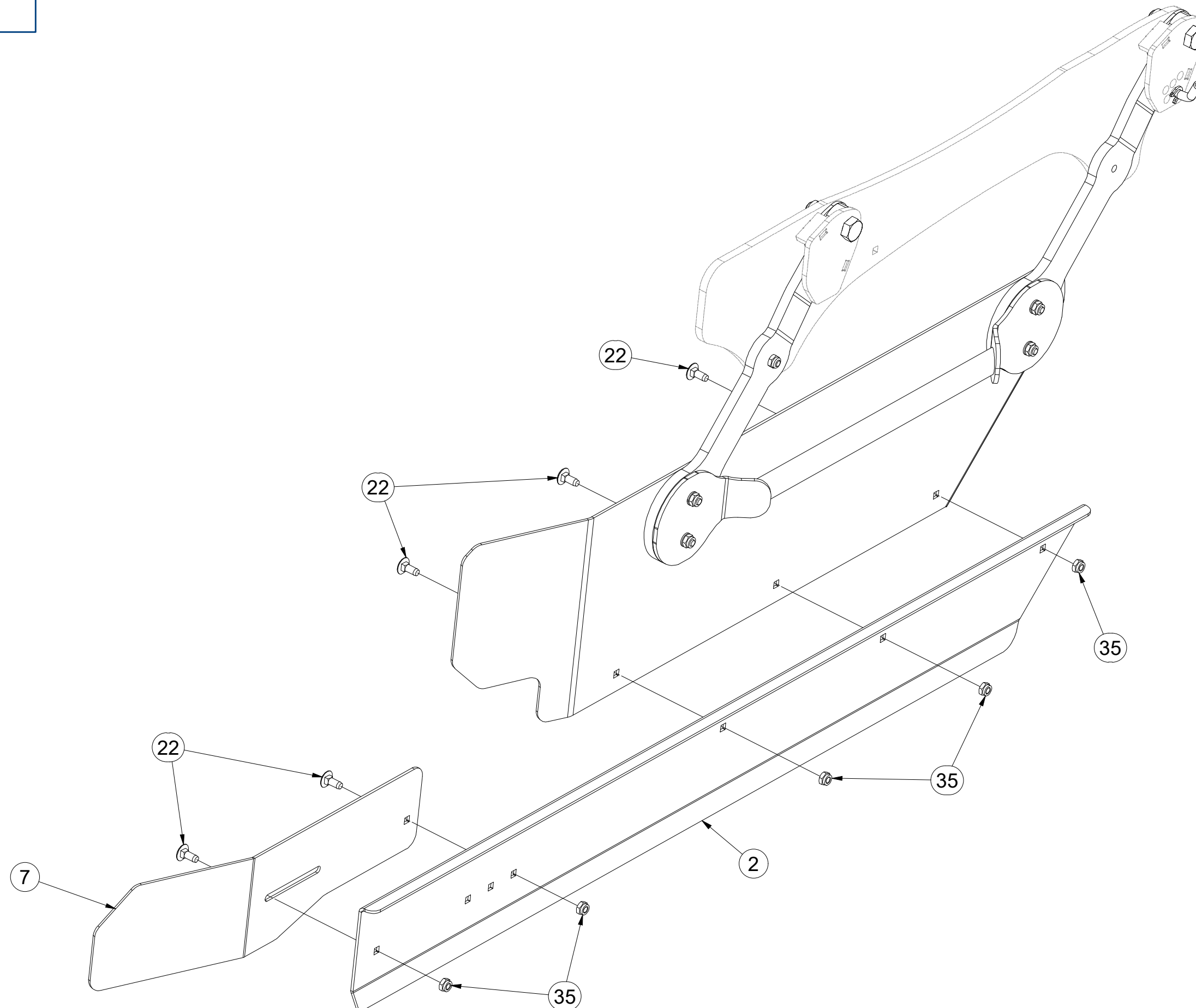
| Pos. | Part Number | Pcs. |
|------|-------------|------|
| 1 | VZ00033631 | 1 |
| 3 | VZ00033628 | 4 |
| 8 | VZ00033674 | 1 |
| 23 | m12687 | 4 |
| 35 | m03775 | 10 |
| 42 | m01209 | 4 |

CZ DEFLEKTOR PRAVÝ
 D DEFLEKTOR, RECHTER
 F DÉFLECTEUR DROIT

GB DEFLECTOR RIGHT
 RU ДЕФЛЕКТОР ПРАВЫЙ
 PL DEFLEKTOR PRAWY



VZ00033624



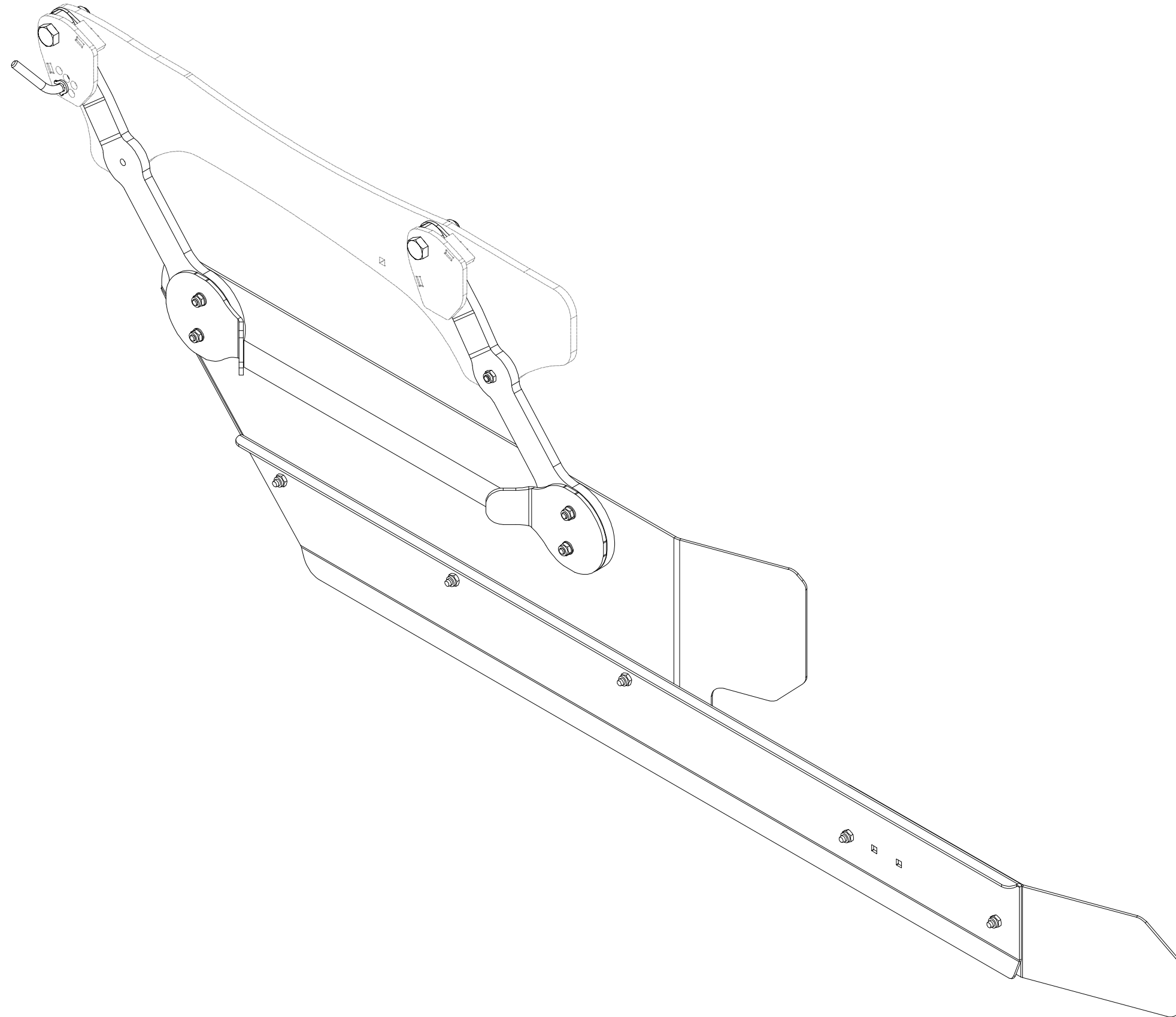
| Pos. | Part Number | Pcs. |
|------|-------------|------|
| 2 | VZ00033632 | 1 |
| 7 | VZ00033644 | 1 |
| 22 | m03129 | 5 |
| 35 | m03775 | 10 |

Ⓒ DEFLEKTOR LEVÝ
Ⓓ DEFLEKTOR, LINKER
Ⓕ DÉFLECTEUR GAUCHE

Ⓖ DEFLECTOR LEFT
Ⓡ ДЕФЛЕКТОР ЛЕВЫЙ
Ⓟ DEFLEKTOR LEWY



VZ00034150

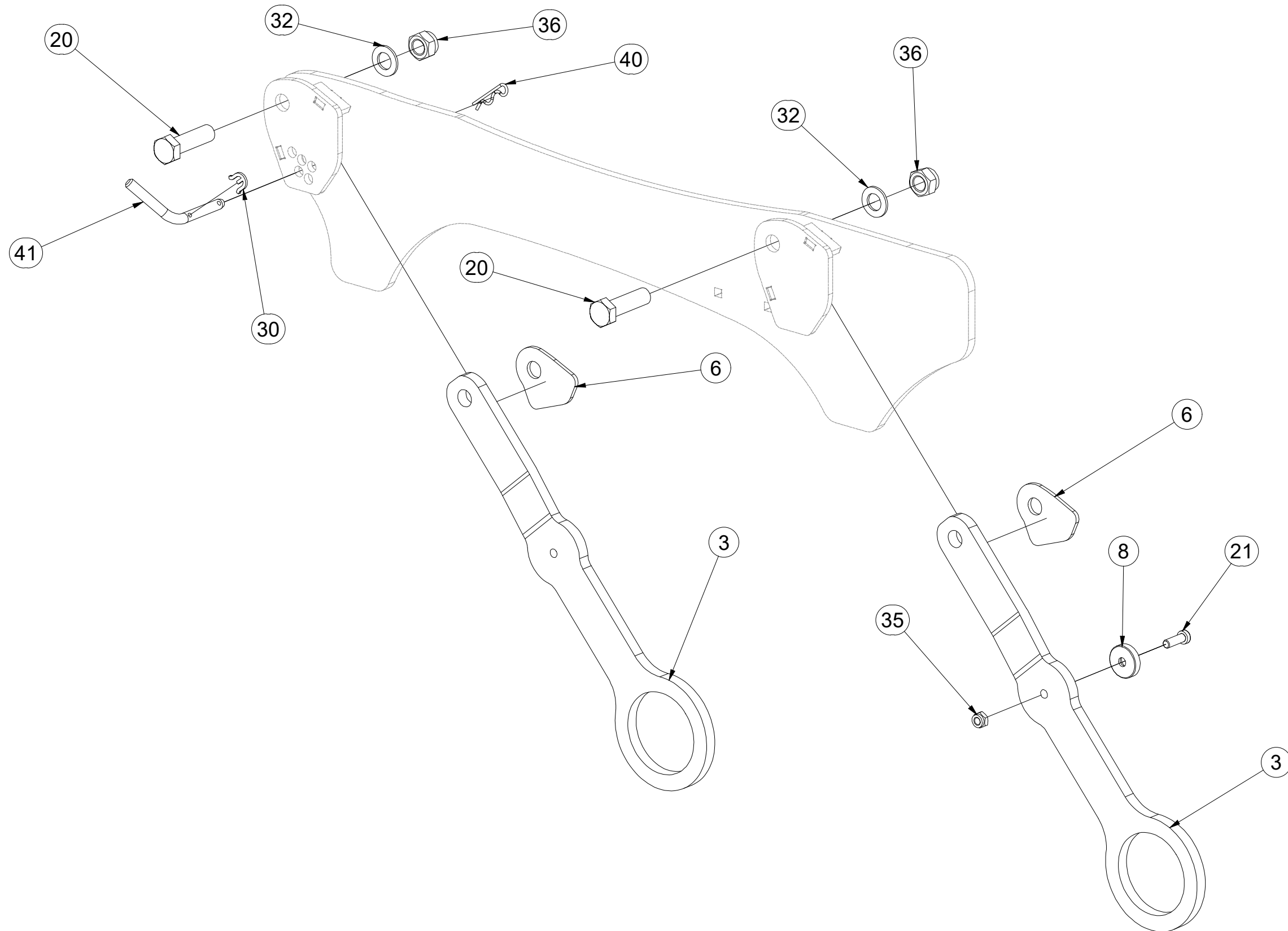


CZ DEFLEKTOR LEVÝ
 D DEFLEKTOR, LINKER
 F DÉFLECTEUR GAUCHE

GB DEFLECTOR LEFT
 RU ДЕФЛЕКТОР ЛЕВЫЙ
 PL DEFLEKTOR LEWY



VZ00034150



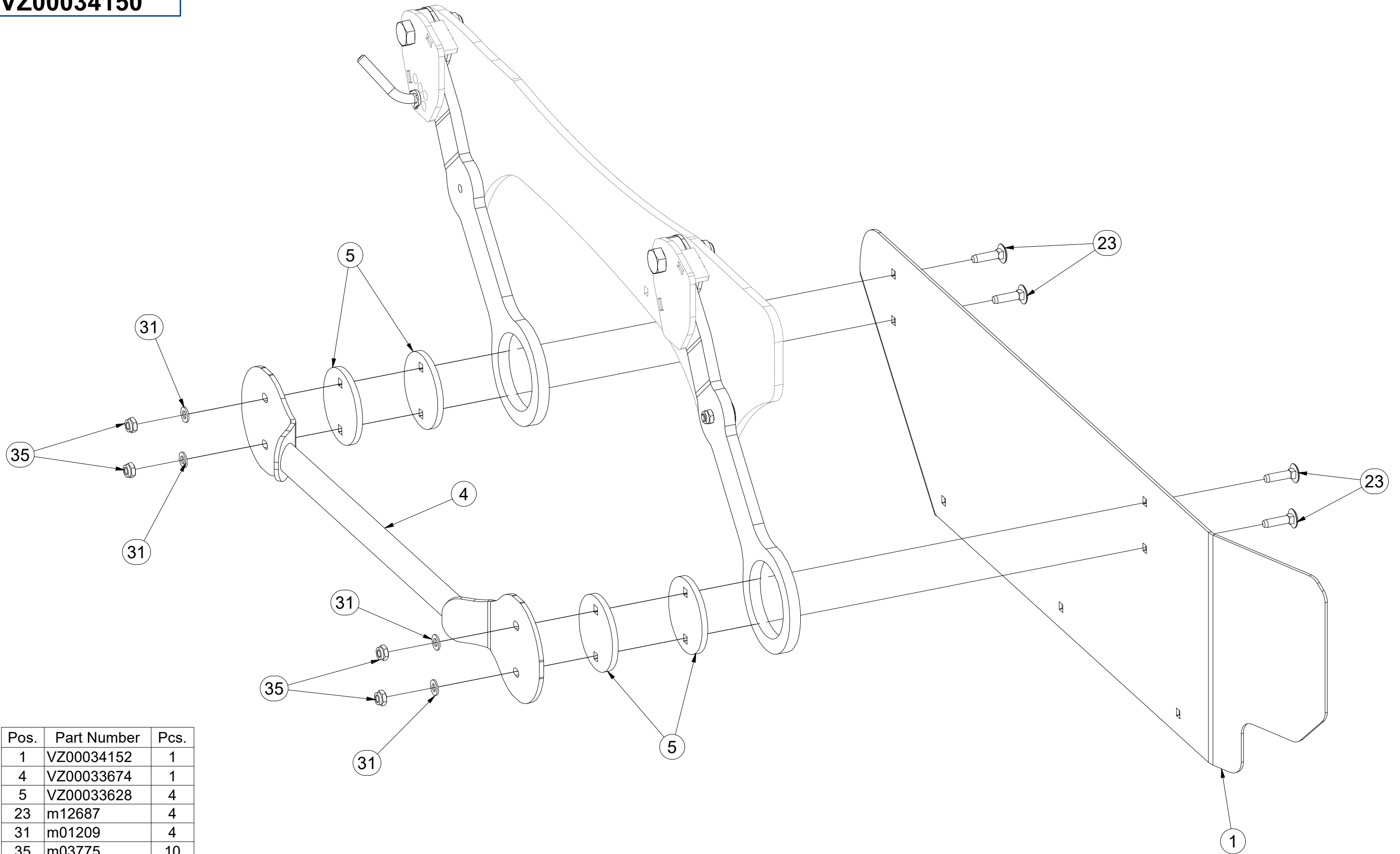
| Pos. | Part Number | Pcs. |
|------|-------------|------|
| 3 | VZ00033625 | 2 |
| 6 | VZ00033626 | 2 |
| 8 | VZ00022709 | 1 |
| 20 | m03115 | 2 |
| 21 | m23775 | 1 |
| 30 | 4016279 | 1 |
| 32 | m03768 | 2 |
| 35 | m03775 | 10 |
| 36 | m05648 | 2 |
| 40 | m08049 | 1 |
| 41 | m08886 | 1 |

CZ DEFLEKTOR LEVÝ
 D DEFLEKTOR, LINKER
 F DÉFLECTEUR GAUCHE

GB DEFLECTOR LEFT
 RU ДЕФЛЕКТОР ЛЕВЫЙ
 PL DEFLEKTOR LEWY



VZ00034150



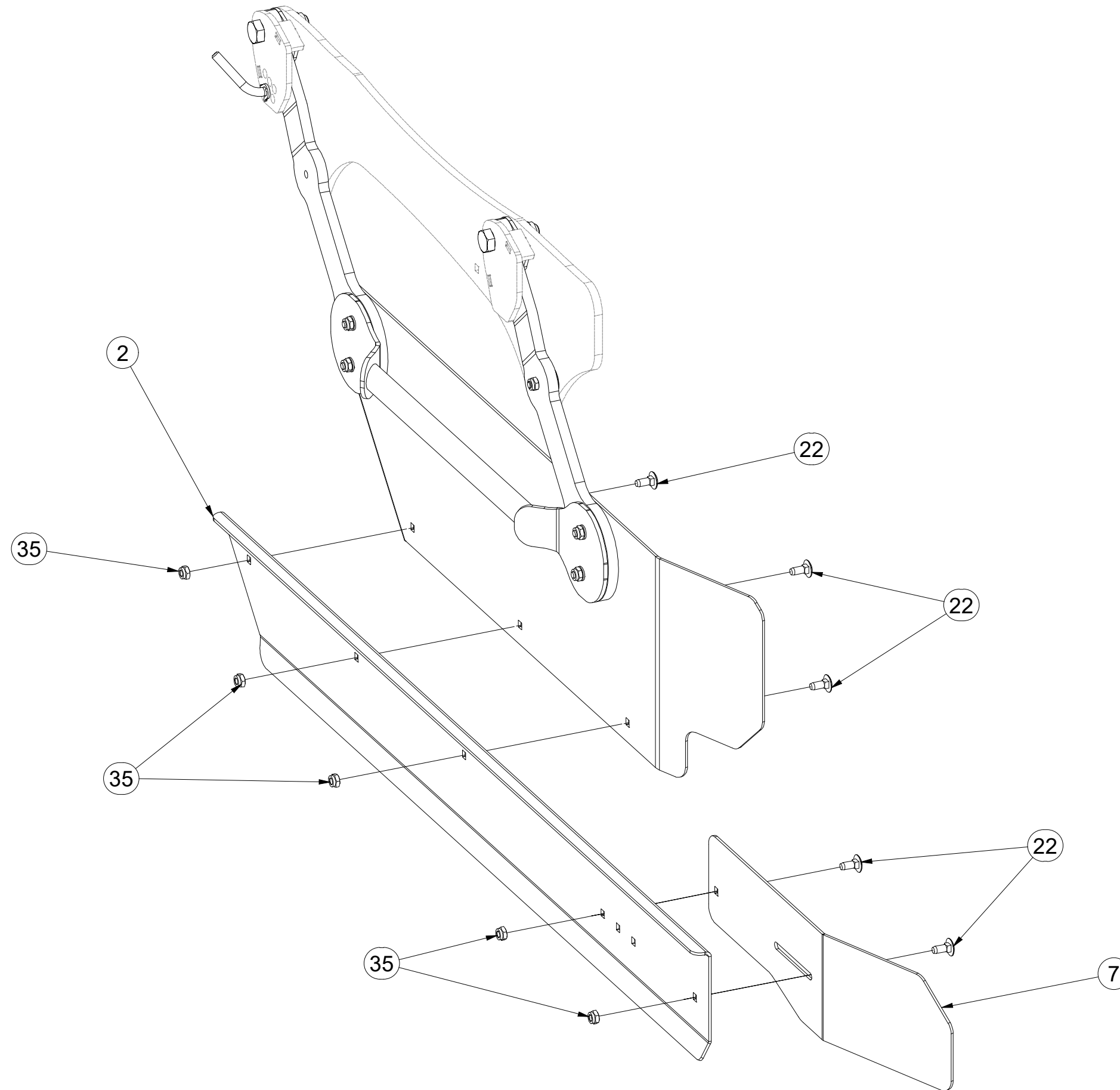
| Pos. | Part Number | Pcs. |
|------|-------------|------|
| 1 | VZ00034152 | 1 |
| 4 | VZ00033674 | 1 |
| 5 | VZ00033628 | 4 |
| 23 | m12687 | 4 |
| 31 | m01209 | 4 |
| 35 | m03775 | 10 |

CZ DEFLEKTOR LEVÝ
 D DEFLEKTOR, LINKER
 F DÉFLECTEUR GAUCHE

GB DEFLECTOR LEFT
 RU ДЕФЛЕКТОР ЛЕВЫЙ
 PL DEFLEKTOR LEWY



VZ00034150



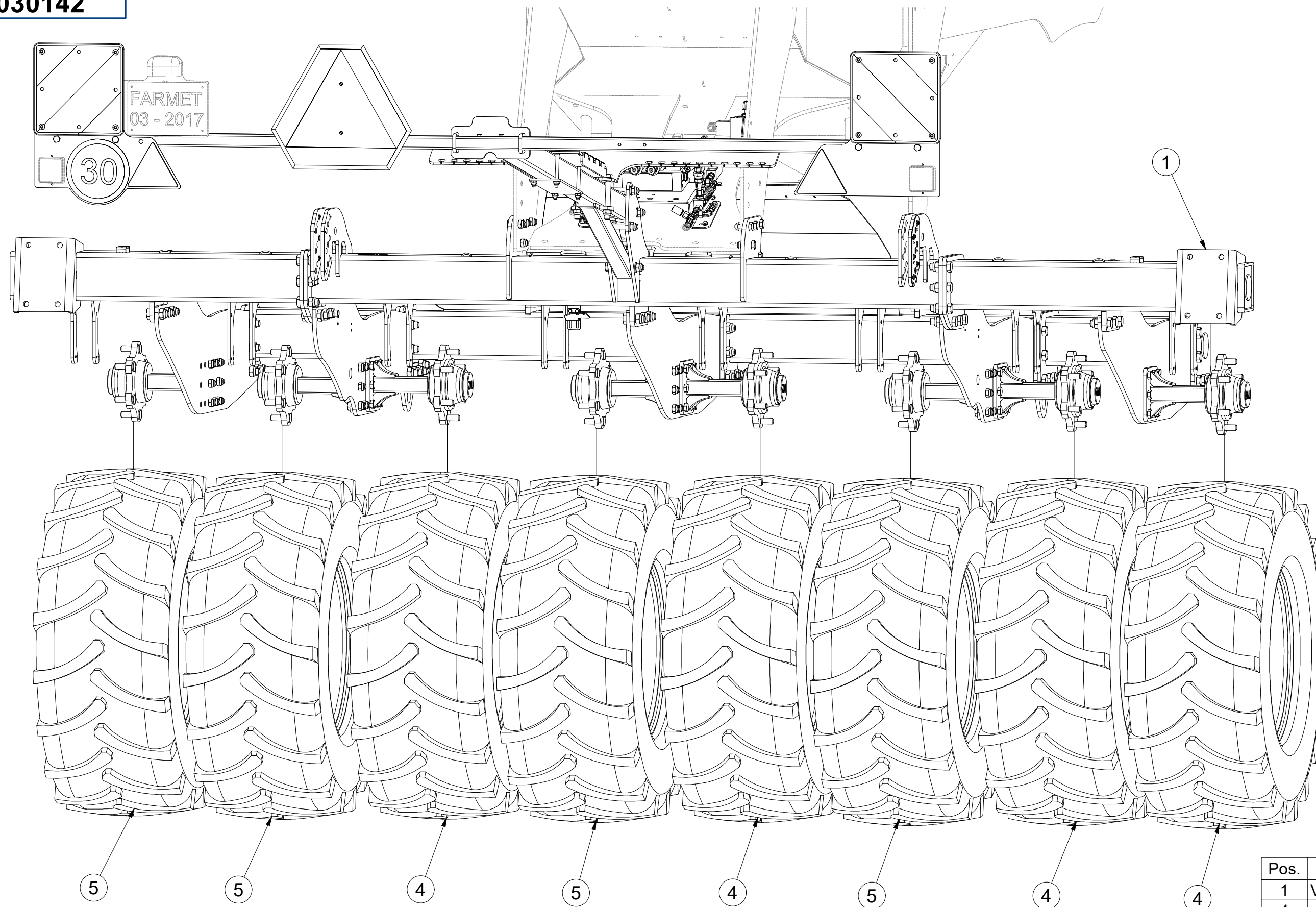
| Pos. | Part Number | Pcs. |
|------|-------------|------|
| 2 | VZ00034151 | 1 |
| 7 | VZ00034153 | 1 |
| 22 | m03129 | 5 |
| 35 | m03775 | 10 |

- Ⓒ VÁLEC SADA
- Ⓓ ZYLINDER SET
- Ⓕ ROULEAU KIT

- Ⓒ ROLLER SET
- Ⓓ КАТОК КОМПЛЕКТ
- Ⓕ WAŁ ZESTAW



VZ00030142



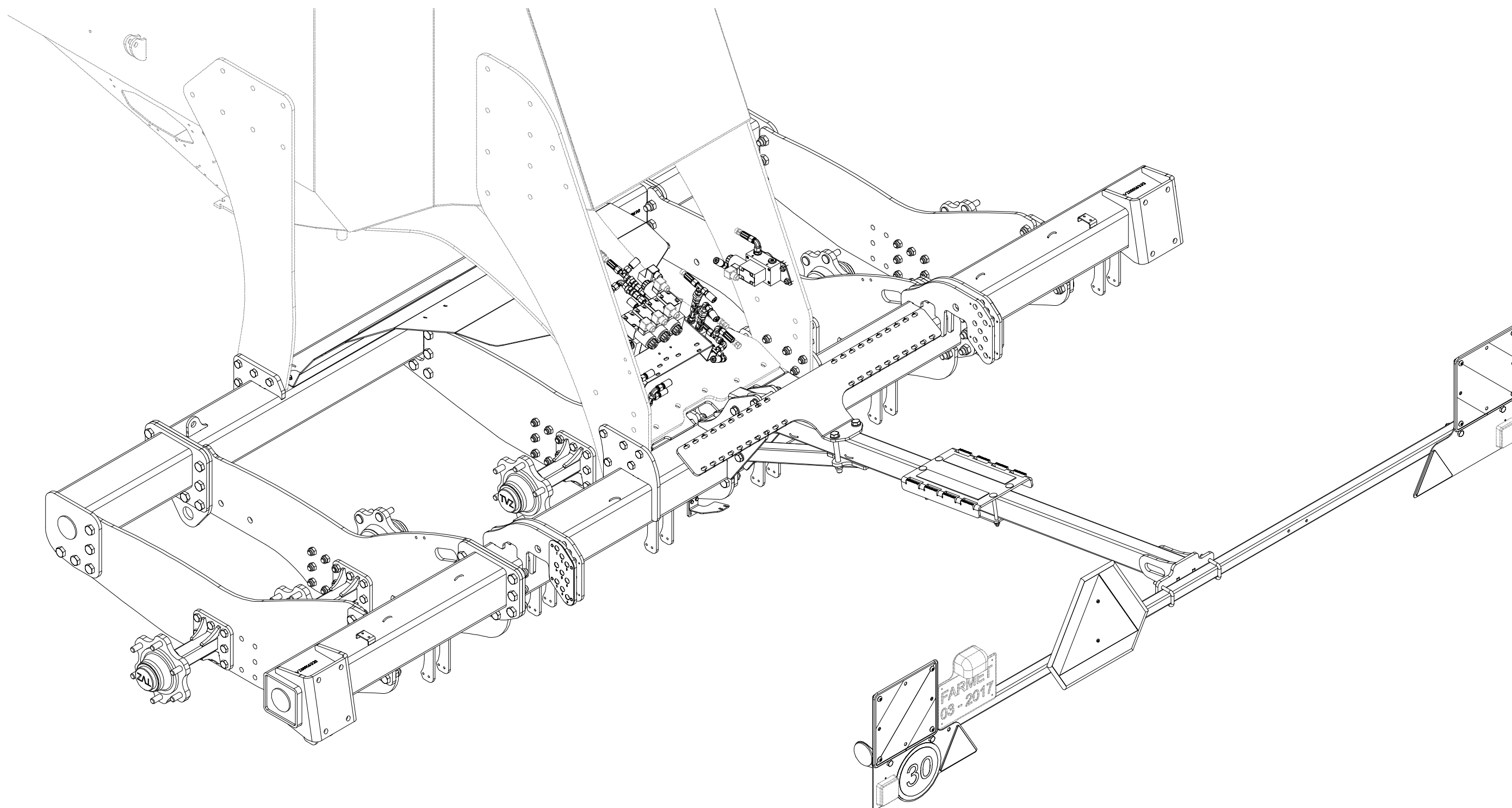
| Pos. | Part Number | Pcs. |
|------|-------------|------|
| 1 | VZ00030143 | 1 |
| 4 | m19683 | 4 |
| 5 | m19682 | 4 |

- Ⓒ SADA ZADNÍCH VÁLČŮ
- Ⓓ SATZ HINTERE WALZEN
- Ⓕ KIT DE ROULEAUX ARRIÈRE

- Ⓖ SET OF REAR ROLLERS
- Ⓔ КОМПЛЕКТ ЗАДНИХ КАТКОВ
- Ⓗ ZESTAW TYLNYCH WAŁÓW



VZ00030143

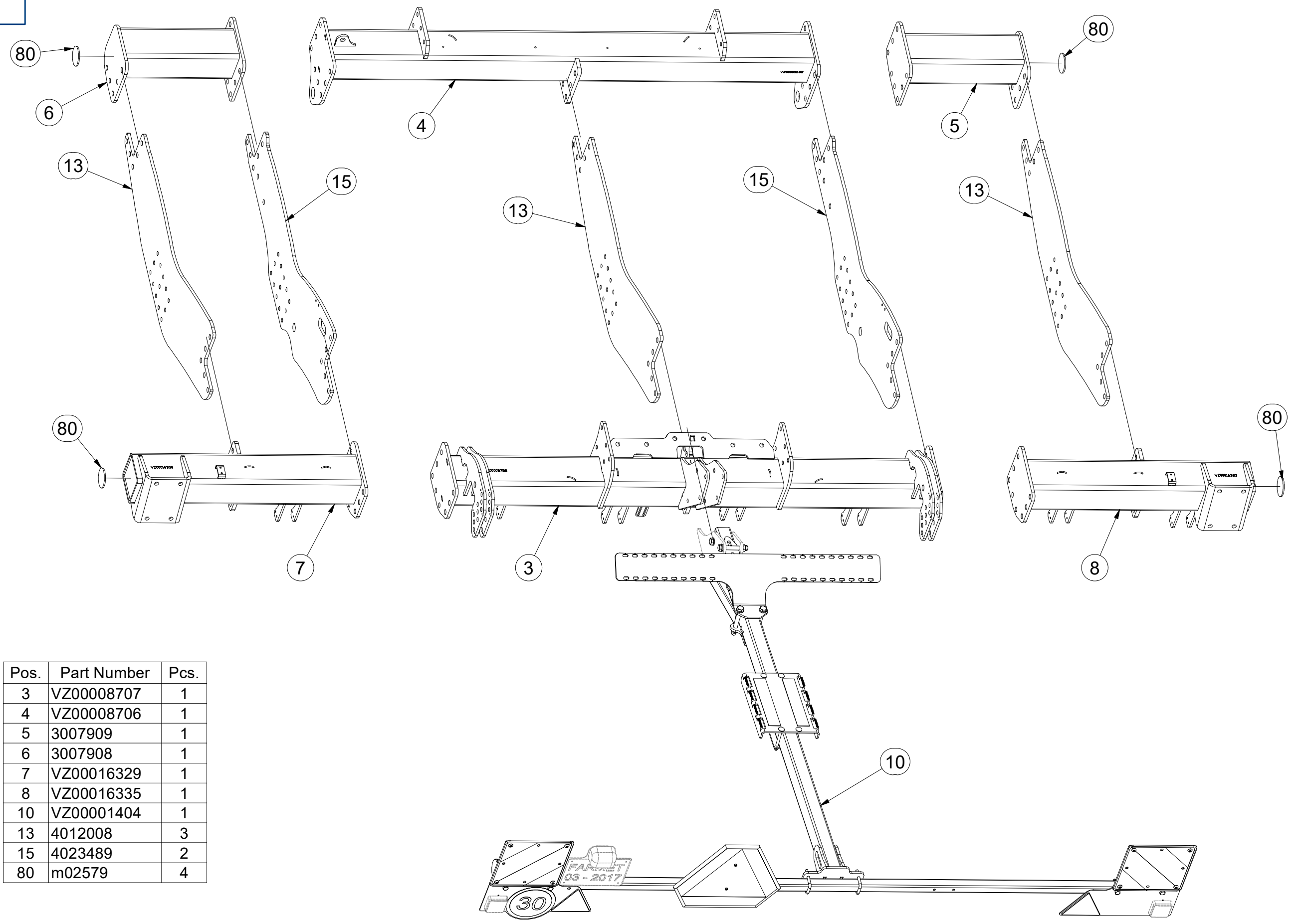


CZ SADA ZADNÍCH VÁLČŮ
 D SATZ HINTERE WALZEN
 F KIT DE ROULEAUX ARRIÈRE

GB SET OF REAR ROLLERS
 RU КОМПЛЕКТ ЗАДНИХ КАТКОВ
 PL ZESTAW TYLNYCH WAŁÓW



VZ00030143



| Pos. | Part Number | Pcs. |
|------|-------------|------|
| 3 | VZ00008707 | 1 |
| 4 | VZ00008706 | 1 |
| 5 | 3007909 | 1 |
| 6 | 3007908 | 1 |
| 7 | VZ00016329 | 1 |
| 8 | VZ00016335 | 1 |
| 10 | VZ00001404 | 1 |
| 13 | 4012008 | 3 |
| 15 | 4023489 | 2 |
| 80 | m02579 | 4 |

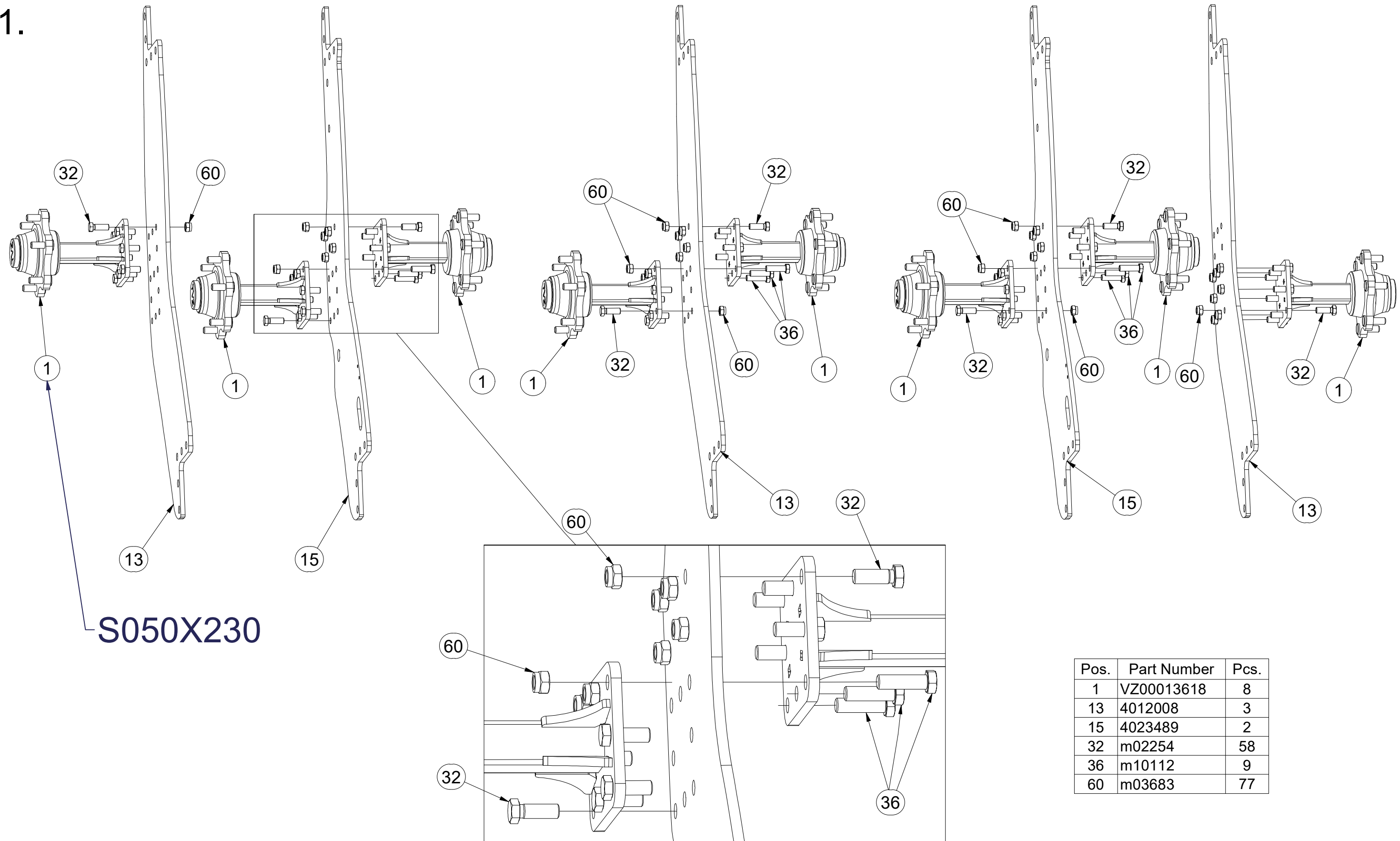
(CZ) SADA ZADNÍCH VÁLCŮ
 (D) SATZ HINTERE WALZEN
 (F) KIT DE ROULEAUX ARRIÈRE

(GB) SET OF REAR ROLLERS
 (RU) КОМПЛЕКТ ЗАДНИХ КАТКОВ
 (PL) ZESTAW TYLNYCH WAŁÓW



VZ00030143

1.



| Pos. | Part Number | Pcs. |
|------|-------------|------|
| 1 | VZ00013618 | 8 |
| 13 | 4012008 | 3 |
| 15 | 4023489 | 2 |
| 32 | m02254 | 58 |
| 36 | m10112 | 9 |
| 60 | m03683 | 77 |

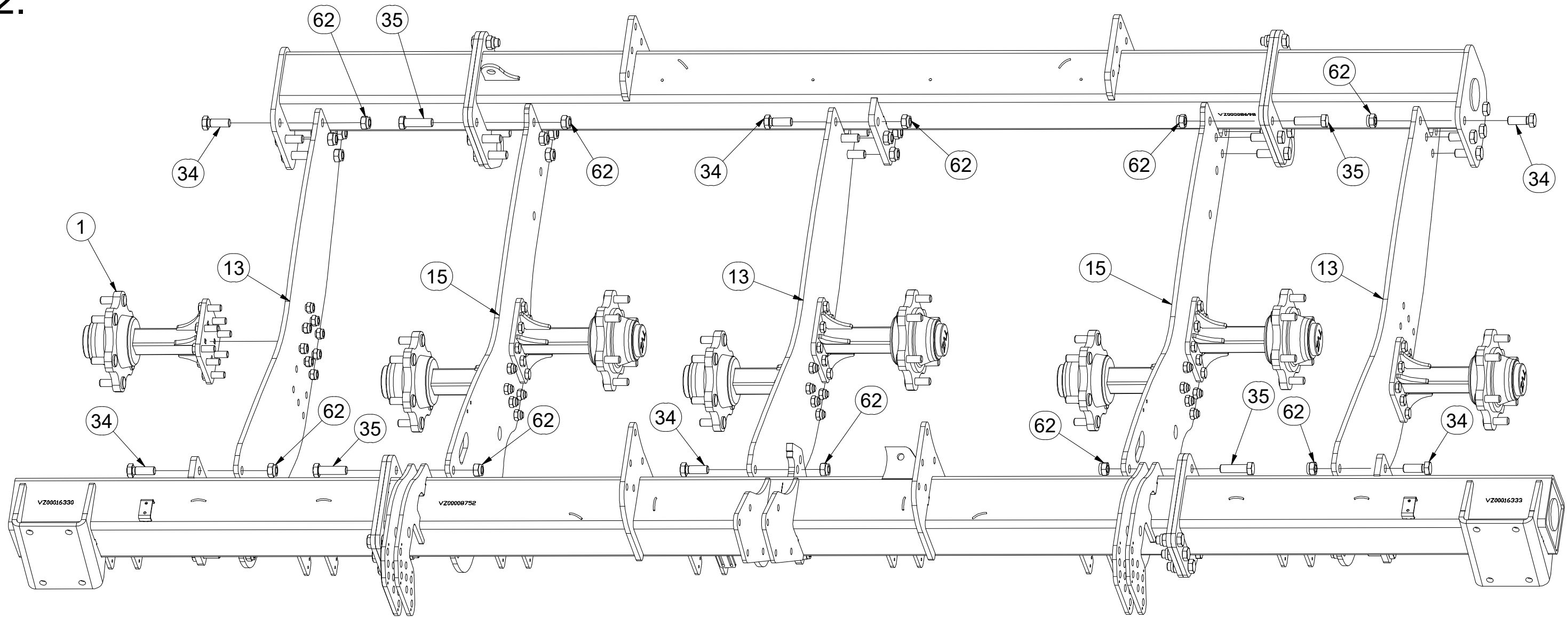
- Ⓒ SADA ZADNÍCH VÁLČŮ
 Ⓓ SATZ HINTERE WALZEN
 Ⓕ KIT DE ROULEAUX ARRIÈRE

- Ⓖ SET OF REAR ROLLERS
 Ⓡ КОМПЛЕКТ ЗАДНИХ КАТКОВ
 Ⓟ ZESTAW TYLNYCH WAŁÓW



VZ00030143

2.



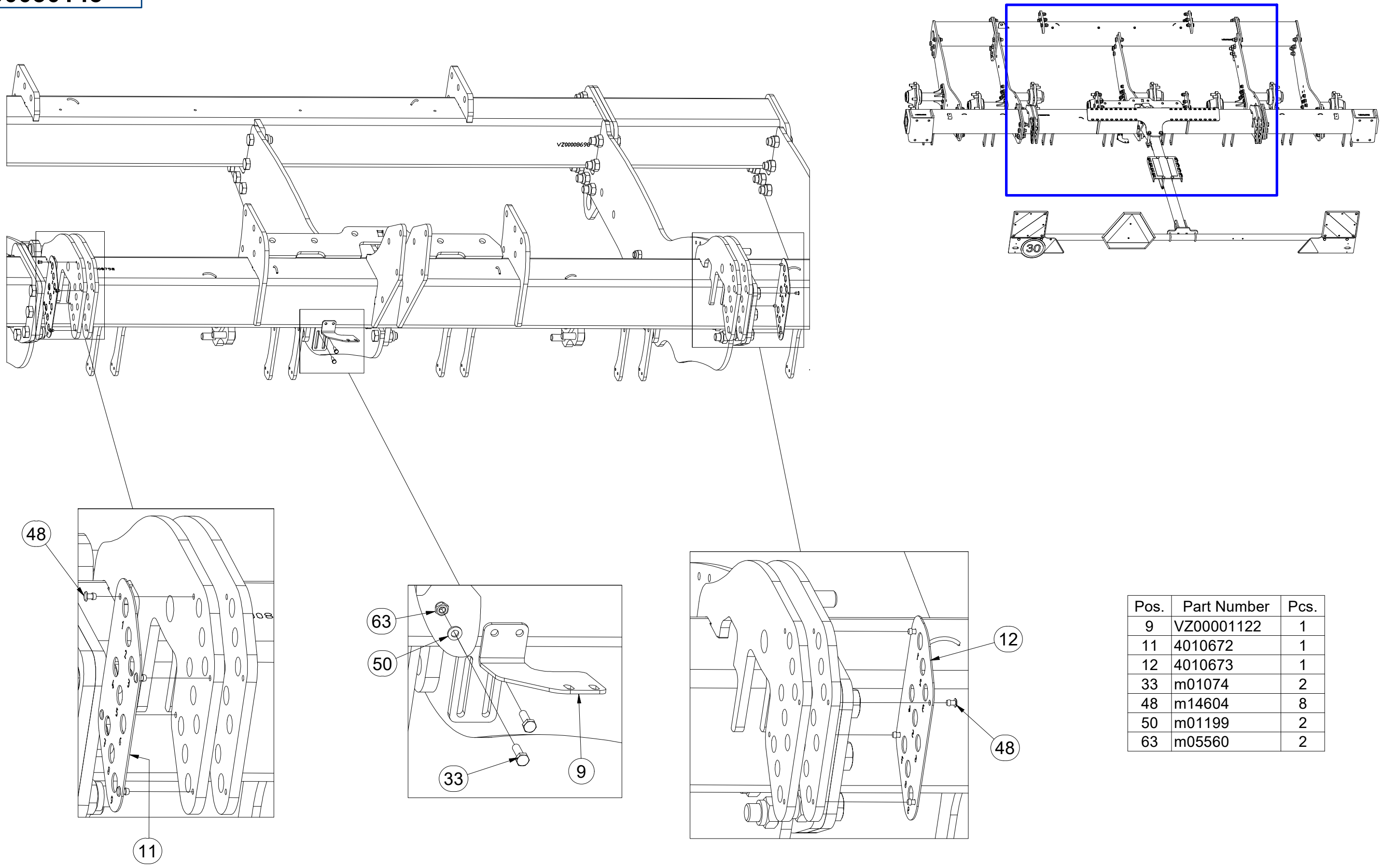
| Pos. | Part Number | Pcs. |
|------|-------------|------|
| 1 | VZ00013618 | 8 |
| 13 | 4012008 | 3 |
| 15 | 4023489 | 2 |
| 34 | m12771 | 42 |
| 35 | m03115 | 20 |
| 62 | m05648 | 62 |

- Ⓒ SADA ZADNÍCH VÁLČŮ
- Ⓓ SATZ HINTERE WALZEN
- Ⓕ KIT DE ROULEAUX ARRIÈRE

- Ⓖ SET OF REAR ROLLERS
- Ⓡ КОМПЛЕКТ ЗАДНИХ КАТКОВ
- Ⓟ ZESTAW TYLNYCH WAŁÓW



VZ00030143



| Pos. | Part Number | Pcs. |
|------|-------------|------|
| 9 | VZ00001122 | 1 |
| 11 | 4010672 | 1 |
| 12 | 4010673 | 1 |
| 33 | m01074 | 2 |
| 48 | m14604 | 8 |
| 50 | m01199 | 2 |
| 63 | m05560 | 2 |

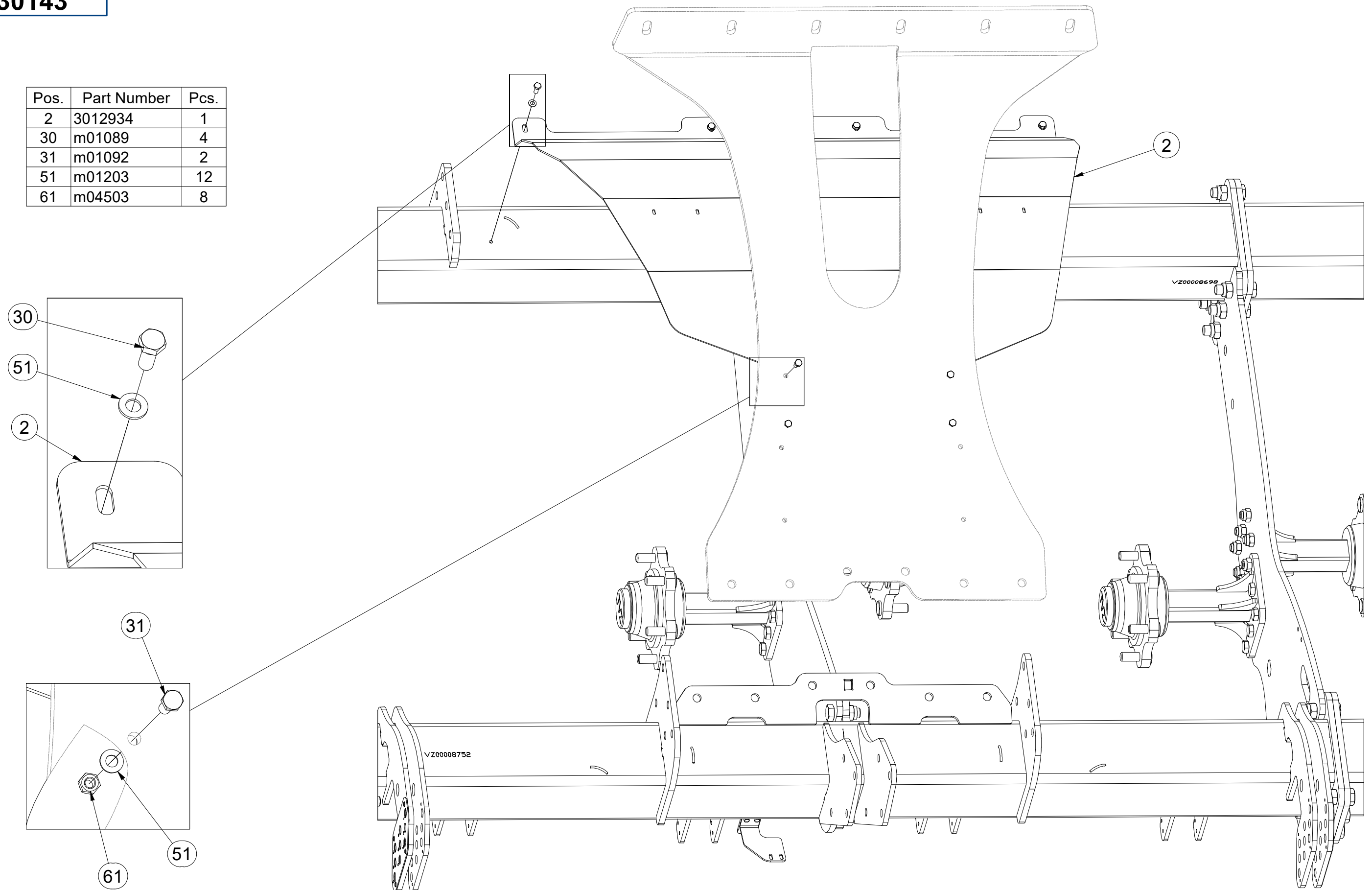
- Ⓒ SADA ZADNÍCH VÁLČŮ
- Ⓓ SATZ HINTERE WALZEN
- Ⓕ KIT DE ROULEAUX ARRIÈRE

- Ⓖ SET OF REAR ROLLERS
- Ⓡ КОМПЛЕКТ ЗАДНИХ КАТКОВ
- Ⓟ ZESTAW TYLNYCH WAŁÓW



VZ00030143

| Pos. | Part Number | Pcs. |
|------|-------------|------|
| 2 | 3012934 | 1 |
| 30 | m01089 | 4 |
| 31 | m01092 | 2 |
| 51 | m01203 | 12 |
| 61 | m04503 | 8 |

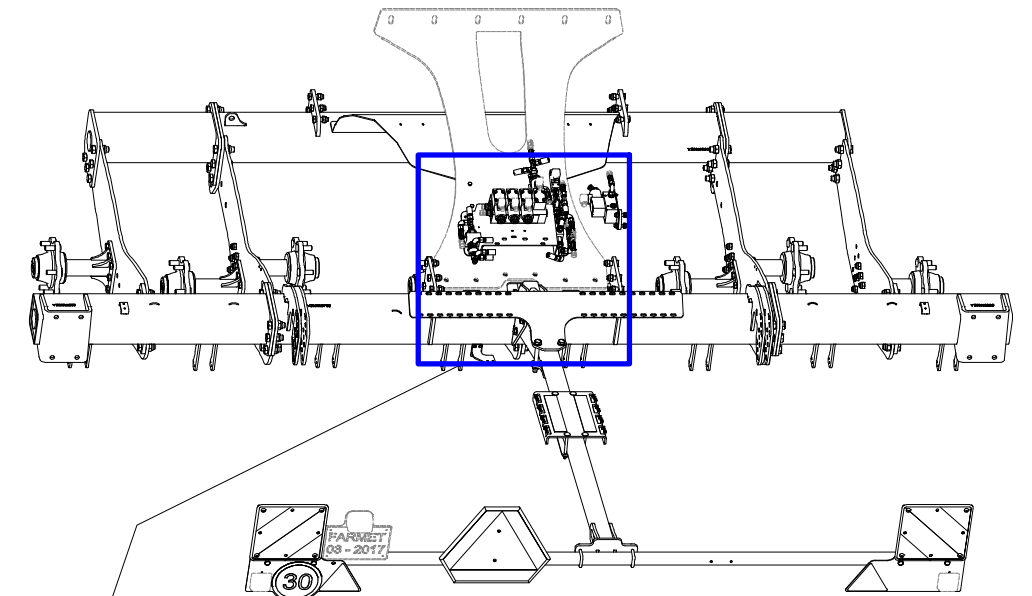
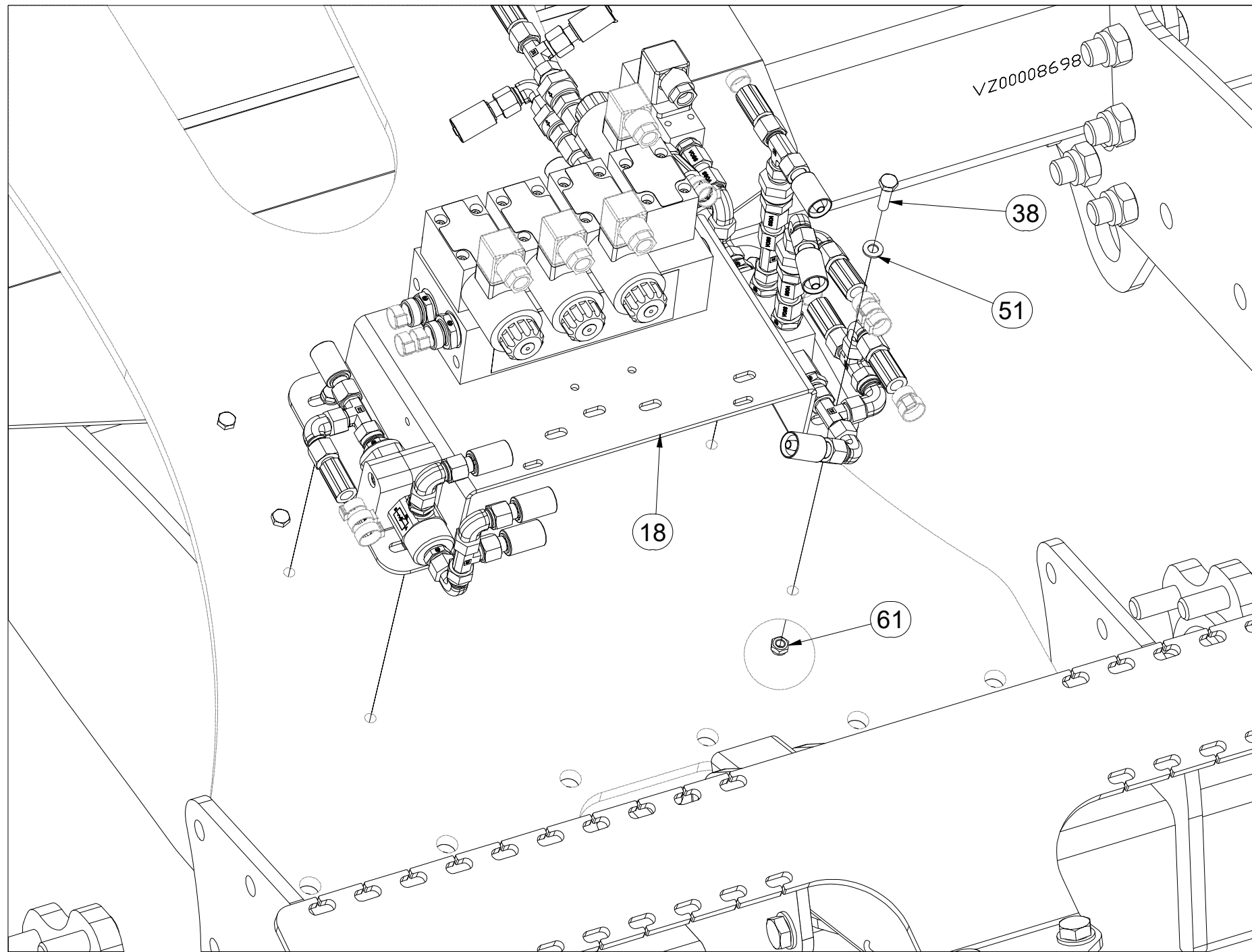


- Ⓒ SADA ZADNÍCH VÁLČŮ
- Ⓓ SATZ HINTERE WALZEN
- Ⓕ KIT DE ROULEAUX ARRIÈRE

- Ⓖ SET OF REAR ROLLERS
- Ⓡ КОМПЛЕКТ ЗАДНИХ КАТКОВ
- Ⓟ ZESTAW TYLNYCH WAŁÓW



VZ00030143



| Pos. | Part Number | Pcs. |
|------|-------------|------|
| 18 | VZ00030067 | 1 |
| 38 | m04791 | 6 |
| 51 | m01203 | 12 |
| 61 | m04503 | 8 |

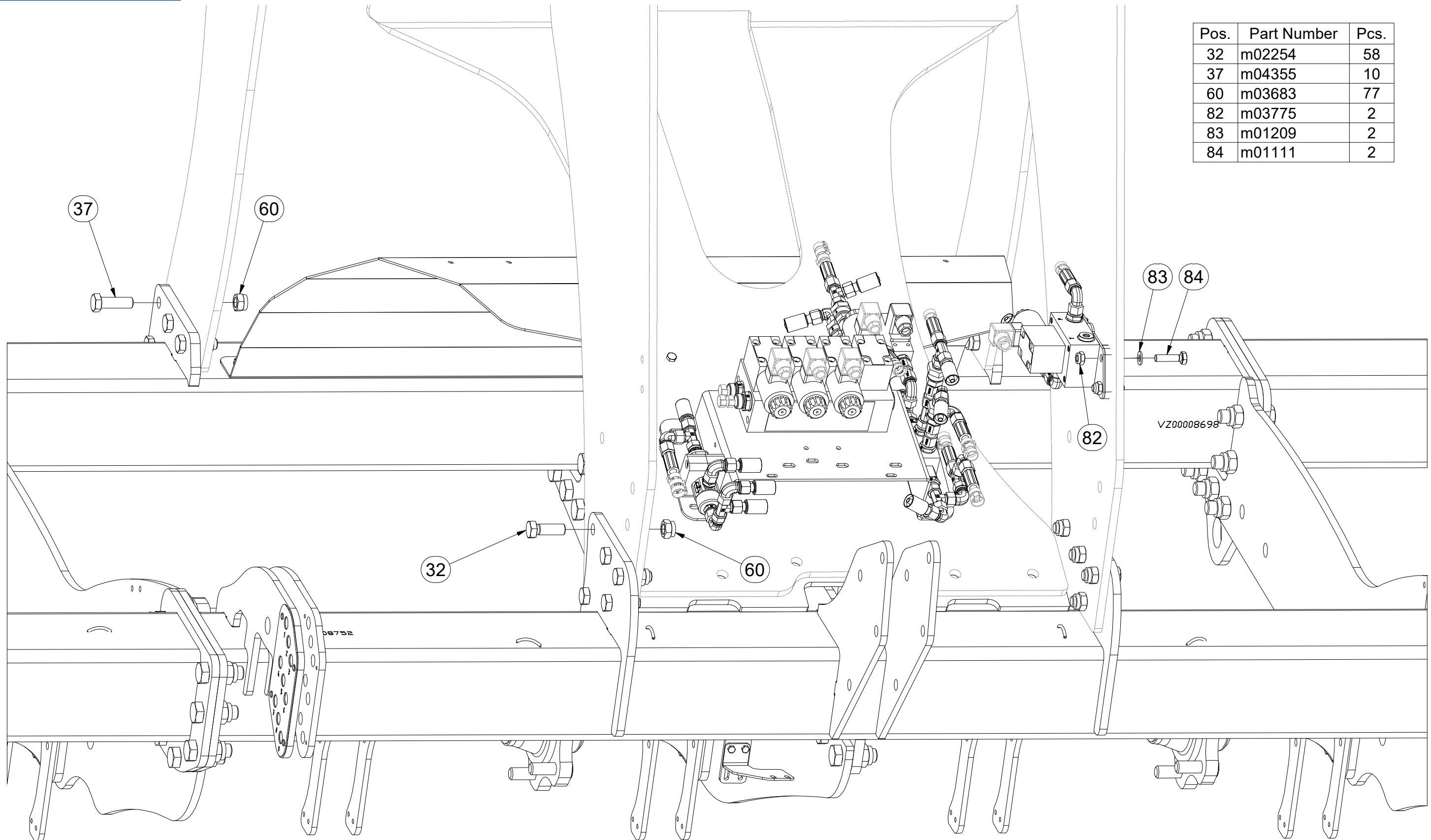
CZ SADA ZADNÍCH VÁLČŮ
 D SATZ HINTERE WALZEN
 F KIT DE ROULEAUX ARRIÈRE

GB SET OF REAR ROLLERS
 RU КОМПЛЕКТ ЗАДНИХ КАТКОВ
 PL ZESTAW TYLNYCH WAŁÓW



VZ00030143

| Pos. | Part Number | Pcs. |
|------|-------------|------|
| 32 | m02254 | 58 |
| 37 | m04355 | 10 |
| 60 | m03683 | 77 |
| 82 | m03775 | 2 |
| 83 | m01209 | 2 |
| 84 | m01111 | 2 |



ⒸZ NÁPRAVA

Ⓓ ACHSE

Ⓕ ESSIEU

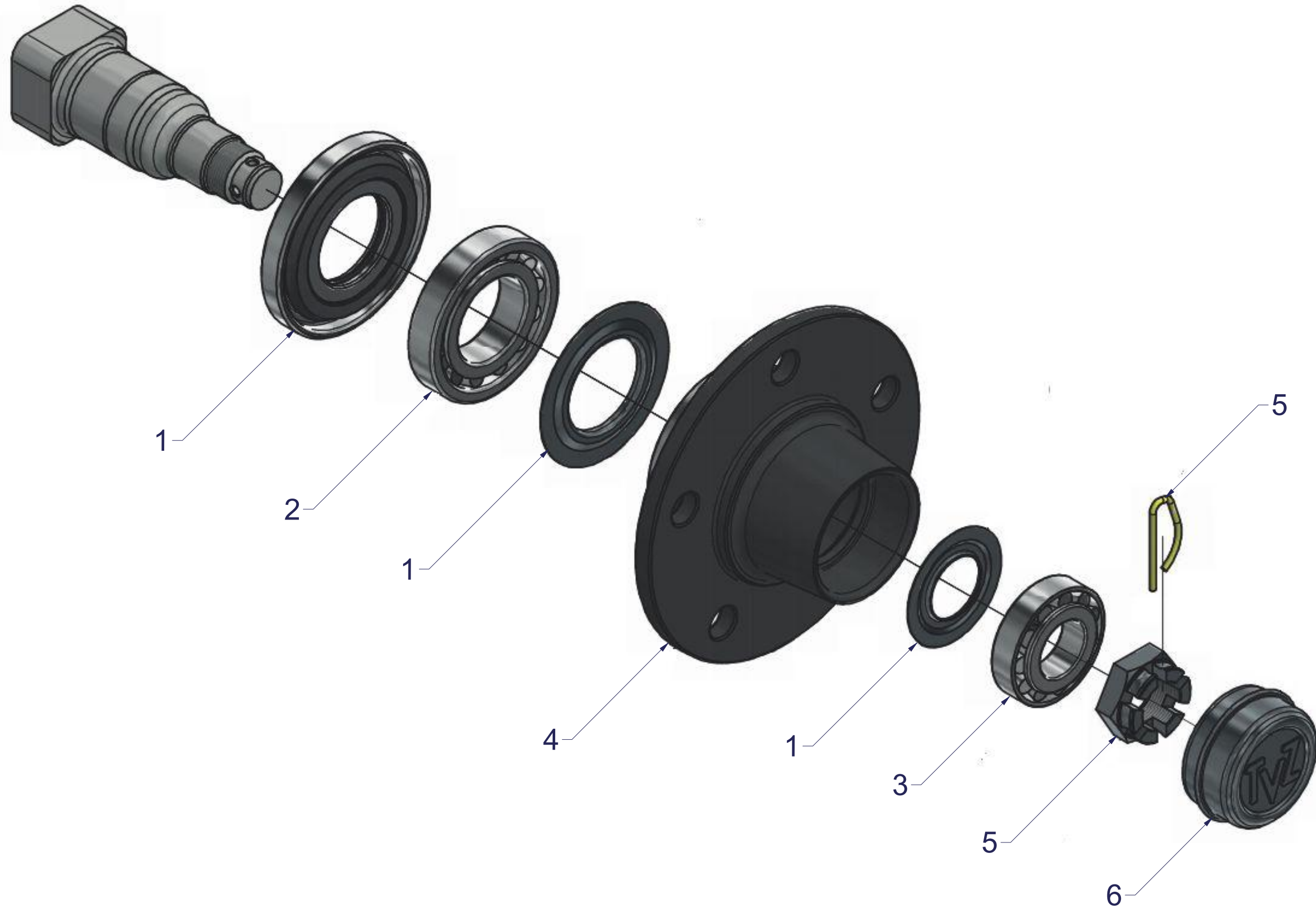
ⒸB AXLE

ⒸU OCB

ⒸL OS



S050X230



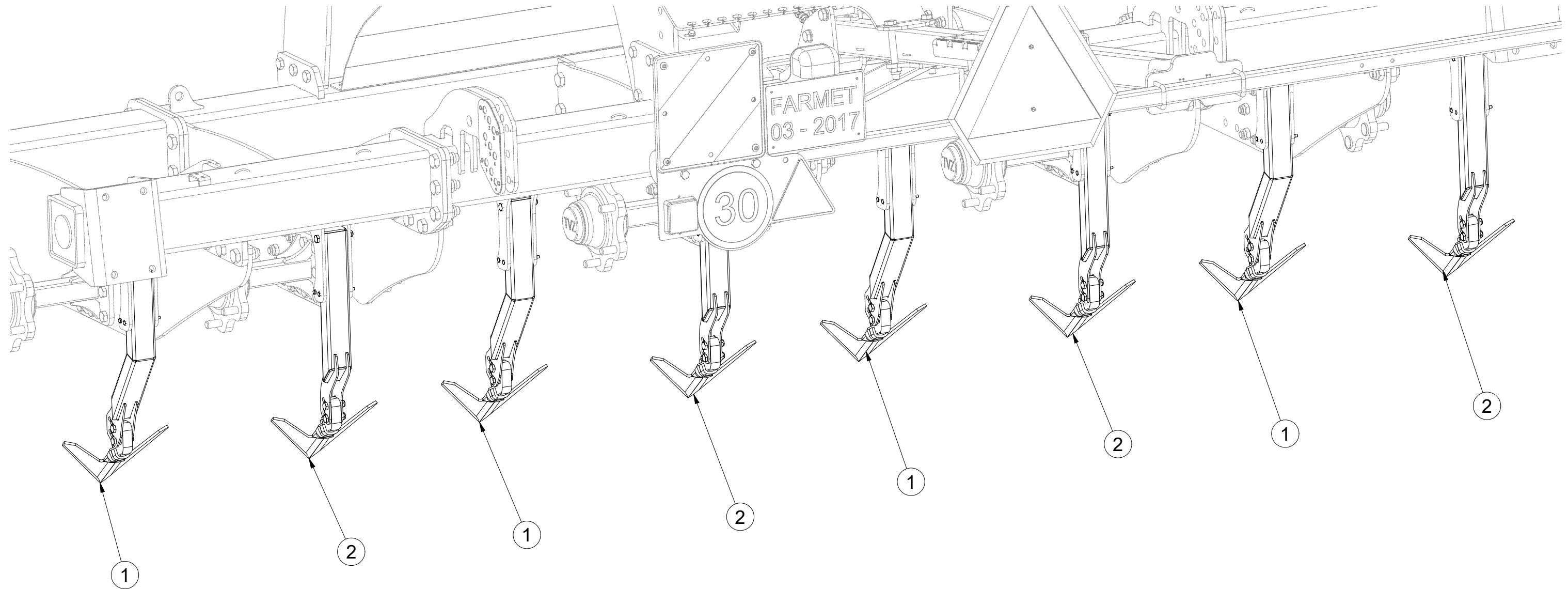
| Pos. | Part Number | Pcs. |
|------|-------------|------|
| 1 | m22189 | 1 |
| 2 | m05624 | 2 |
| 3 | m03223 | 2 |
| 4 | m22190 | 1 |
| 5 | m22188 | 1 |
| 6 | m22191 | 1 |

☉ SADA ŠKRABEK
☉ SET ABSTREIFER
☉ KIT DE RACLOIRS

☉ SET OF SCRAPERS
☉ КОМПЛЕКТ СКРЕБКОВ
☉ ZESTAW ZGARNIAREK



3007533



| Pos. | Part Number | Pcs. |
|------|-------------|------|
| 1 | 3006444 | 4 |
| 2 | VZ00008686 | 4 |

Ⓒ ŠKRABKA VZDÁLENĚJŠÍHO KOLA DELŠÍ

Ⓓ ABSTREIFER DES ENTFERNTEREN RADS LÄNGER

Ⓕ RACLOIR DE LA ROUE LA PLUS ÉLOIGNÉE - PLUS LONG

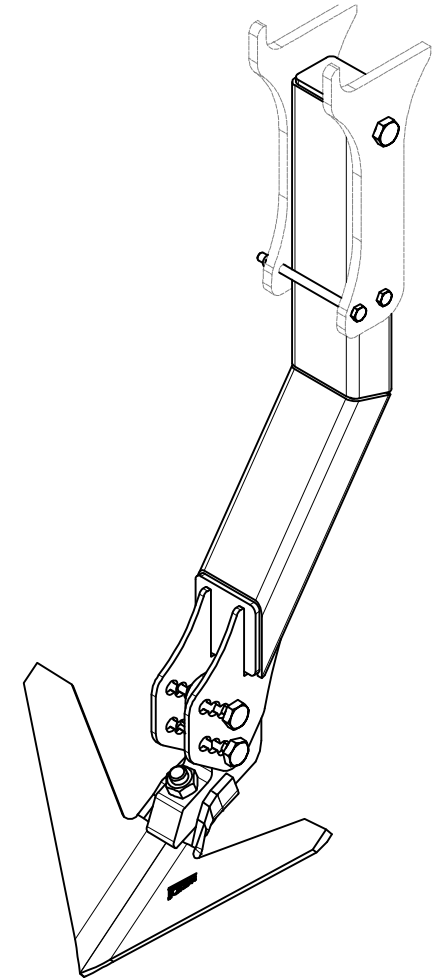
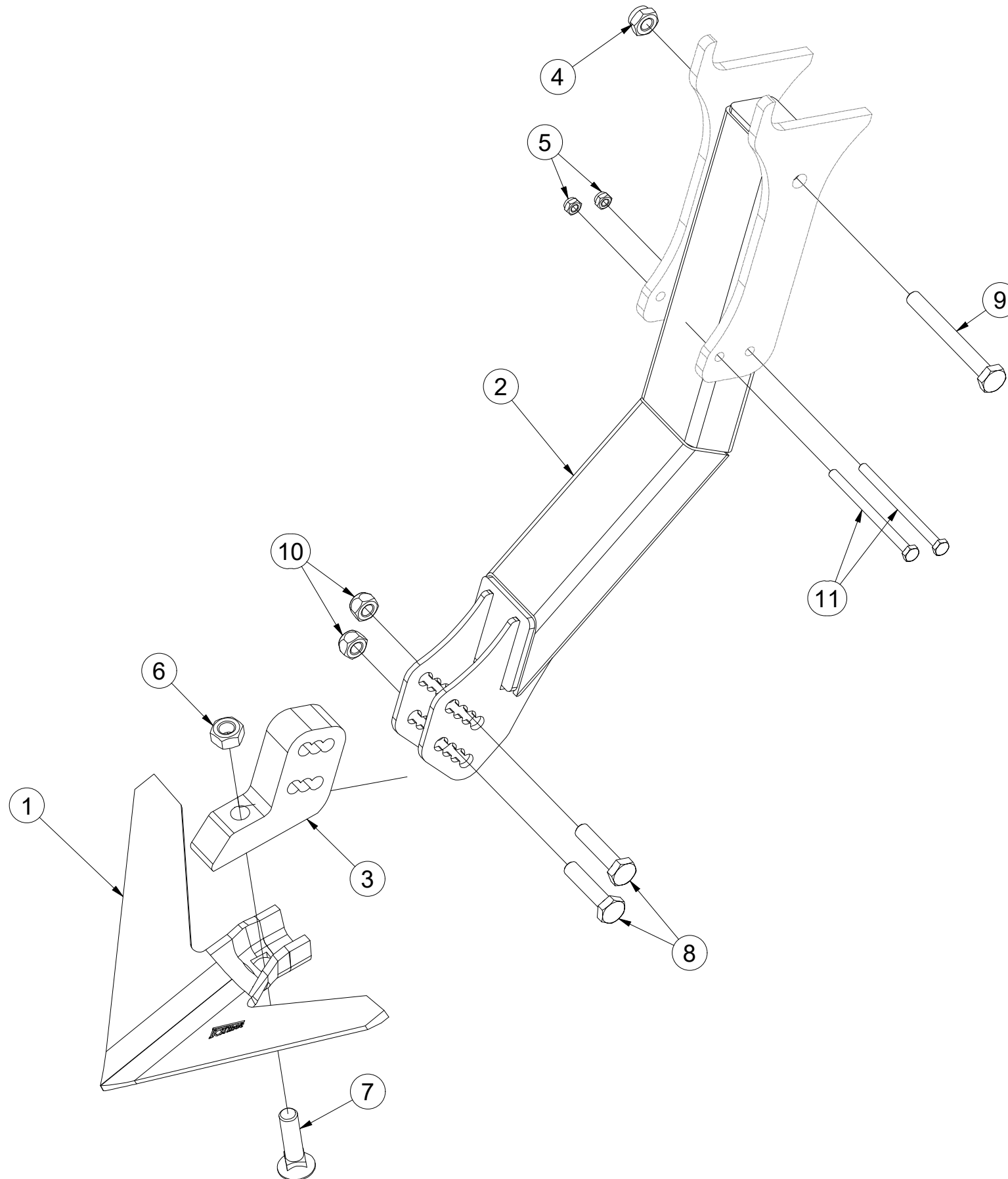
Ⓖ SCRAPER OF THE FAR WHEEL, LONGER

Ⓡ СКРЕБОК ДАЛЬНЕГО КОЛЕСА ДЛИННЫЙ

Ⓟ ZGARNIARKA DALSZEGO KOŁA DALSZA

Farmet

3006444



| Pos. | Part Number | Pcs. |
|------|-------------|------|
| 1 | 3000236-KOO | 1 |
| 2 | VZ00017300 | 1 |
| 3 | 4012922 | 1 |
| 4 | m03775 | 1 |
| 5 | m05560 | 2 |
| 6 | m10439 | 1 |
| 7 | m10440 | 1 |
| 8 | m10444 | 2 |
| 9 | m10555 | 1 |
| 10 | m11530 | 2 |
| 11 | m13891 | 2 |

Ⓒ ŠKRABKA BLIŽŠÍHO KOLA DELŠÍ

Ⓓ ABSTREIFER DES NÄHEREN RADS LÄNGER

Ⓕ RACLOIR DE LA ROUE LA PLUS PROCHE - PLUS LONG

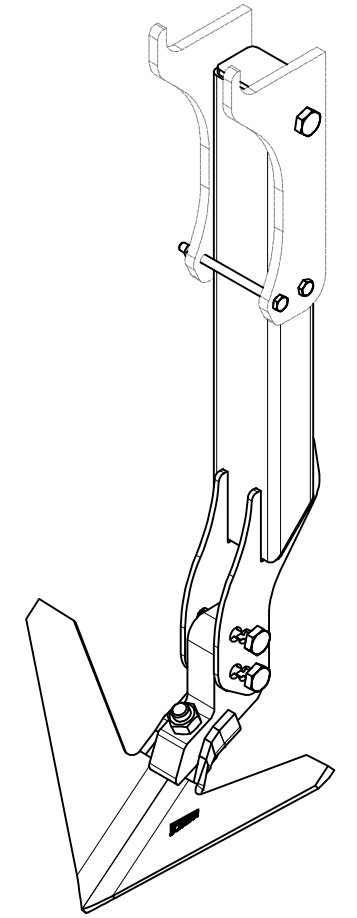
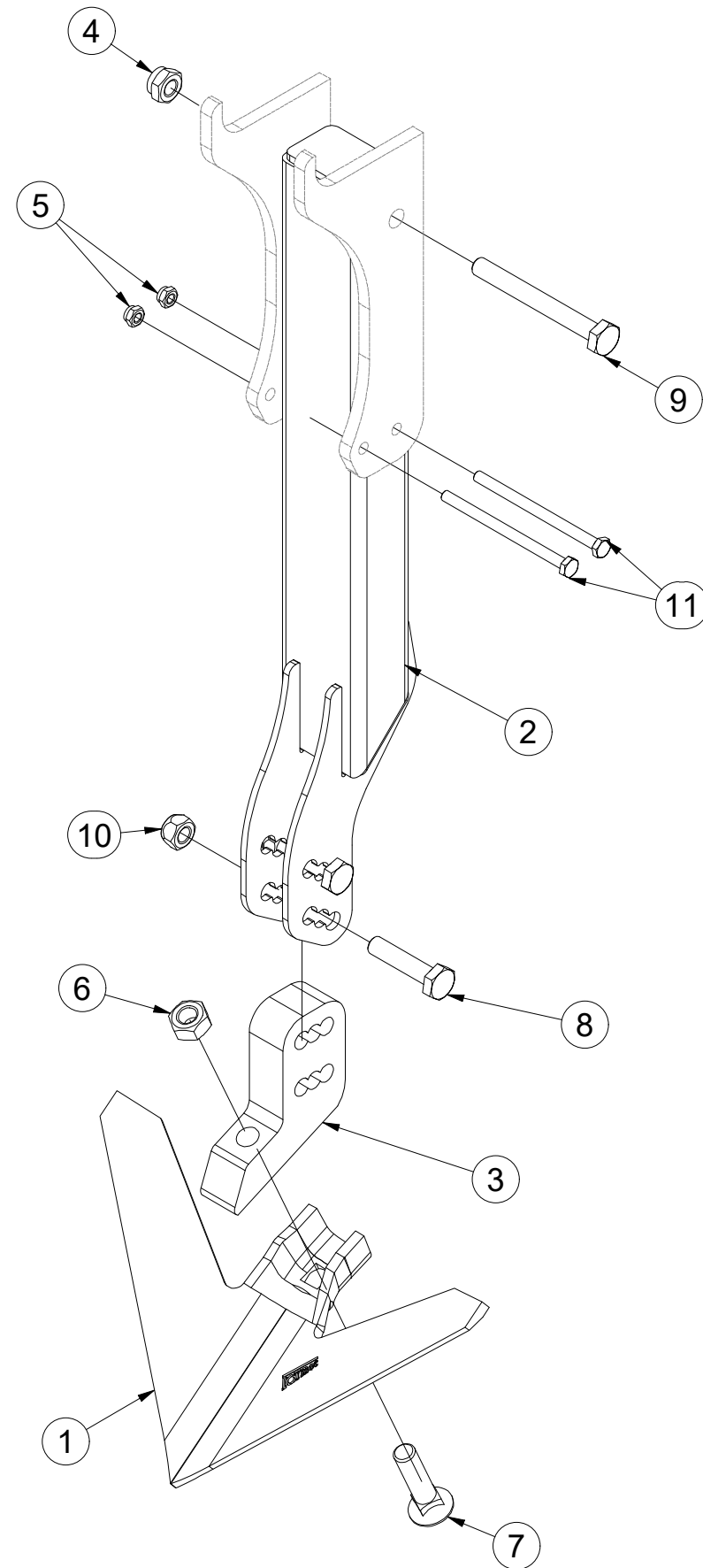
Ⓖ SCRAPER OF THE NEAR WHEEL, LONGER

Ⓡ СКРЕБОК БЛИЖНЕГО КОЛЕСА ДЛИННЫЙ

Ⓢ ZGARNIARKA BLIŻSZEGO KOŁA DALSZA

Farmet

VZ00008686



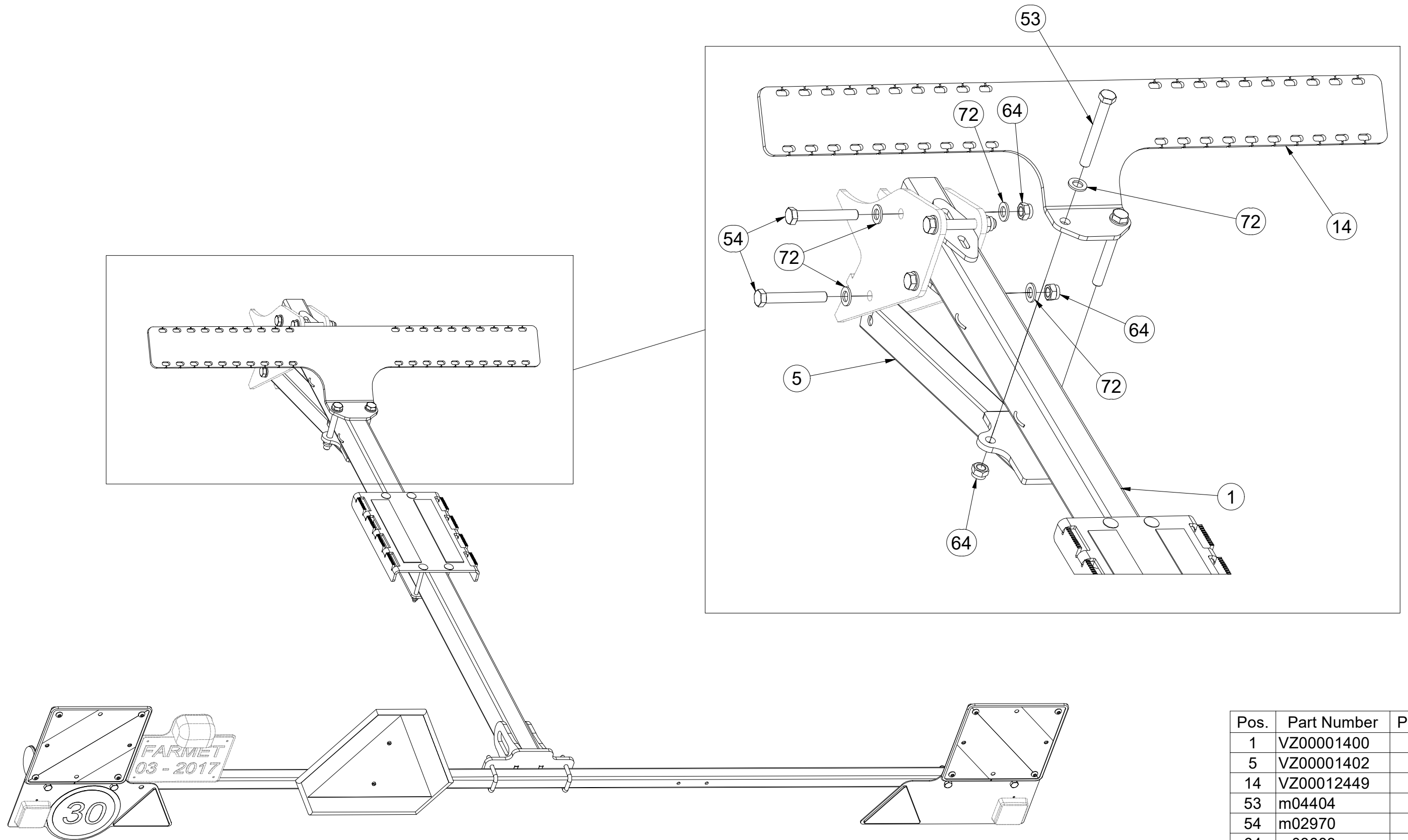
| Pos. | Part Number | Pcs. |
|------|-------------|------|
| 1 | 3000236-KOO | 1 |
| 2 | VZ00008687 | 1 |
| 3 | 4012922 | 1 |
| 4 | m03775 | 1 |
| 5 | m05560 | 2 |
| 6 | m10439 | 1 |
| 7 | m10440 | 1 |
| 8 | m10444 | 2 |
| 9 | m10555 | 1 |
| 10 | m11530 | 2 |
| 11 | m13891 | 2 |

CZ TERČE
 D SCHEIBE
 F CIBLES

GB DISCS
 RU ЩИТКИ
 PL TARCZE



VZ00001404



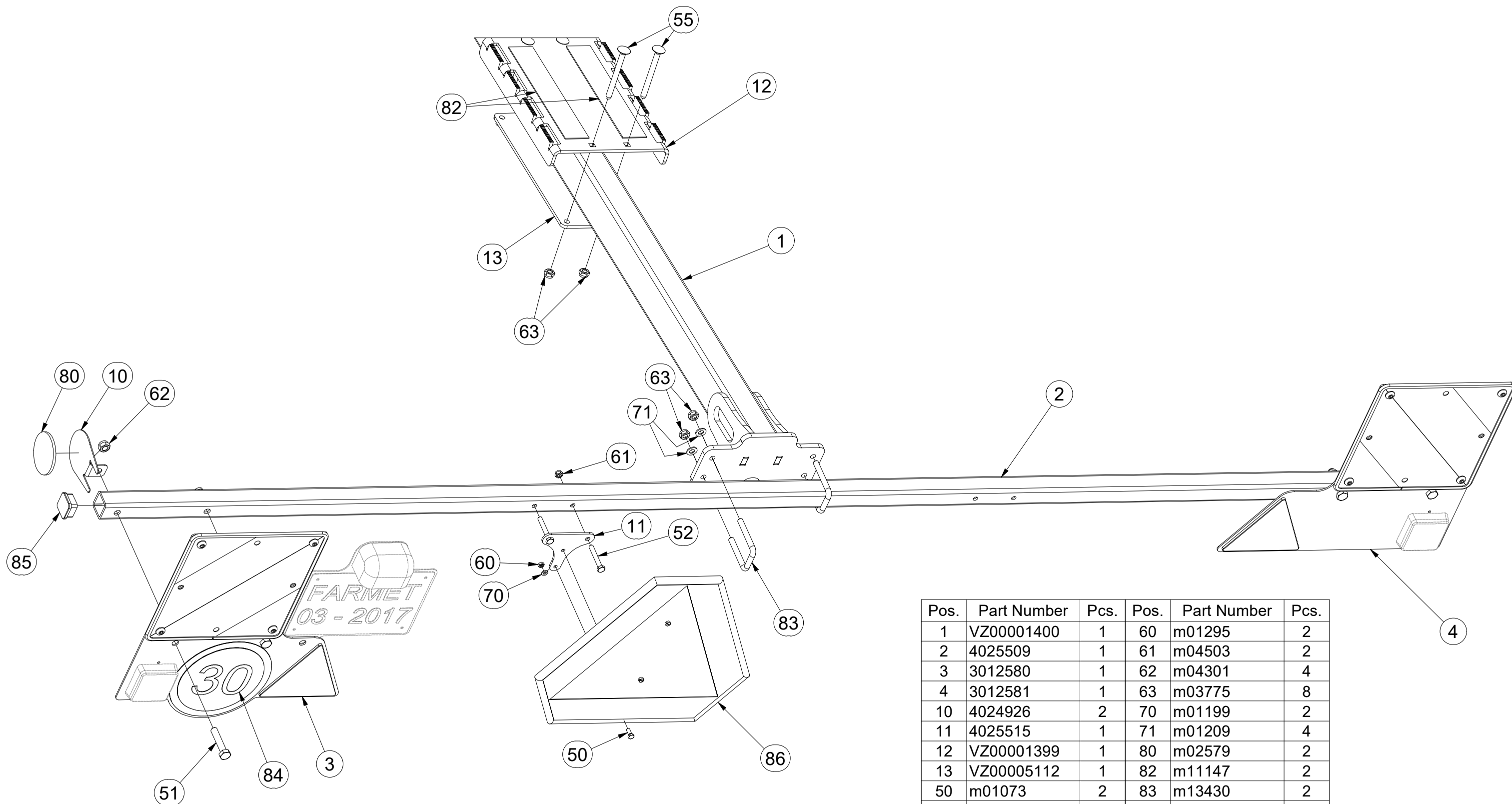
| Pos. | Part Number | Pcs. |
|------|-------------|------|
| 1 | VZ00001400 | 1 |
| 5 | VZ00001402 | 1 |
| 14 | VZ00012449 | 1 |
| 53 | m04404 | 2 |
| 54 | m02970 | 4 |
| 64 | m03683 | 6 |
| 72 | m01219 | 10 |

CZ TERČE
 D SCHEIBE
 F CIBLES

GB DISCS
 RU ЩИТКИ
 PL TARCZE



VZ00001404



| Pos. | Part Number | Pcs. | Pos. | Part Number | Pcs. |
|------|-------------|------|------|-------------|------|
| 1 | VZ00001400 | 1 | 60 | m01295 | 2 |
| 2 | 4025509 | 1 | 61 | m04503 | 2 |
| 3 | 3012580 | 1 | 62 | m04301 | 4 |
| 4 | 3012581 | 1 | 63 | m03775 | 8 |
| 10 | 4024926 | 2 | 70 | m01199 | 2 |
| 11 | 4025515 | 1 | 71 | m01209 | 4 |
| 12 | VZ00001399 | 1 | 80 | m02579 | 2 |
| 13 | VZ00005112 | 1 | 82 | m11147 | 2 |
| 50 | m01073 | 2 | 83 | m13430 | 2 |
| 51 | m01131 | 4 | 84 | m19161 | 1 |
| 52 | m10593 | 2 | 85 | m12689 | 2 |
| 55 | m20234 | 4 | 86 | m05371 | 1 |

ⒸZ TERČ ZADNÍ LEVÝ

Ⓓ SCHILD, HINTERES, LINKES

Ⓕ CIBLE ARRIÈRE GAUCHE

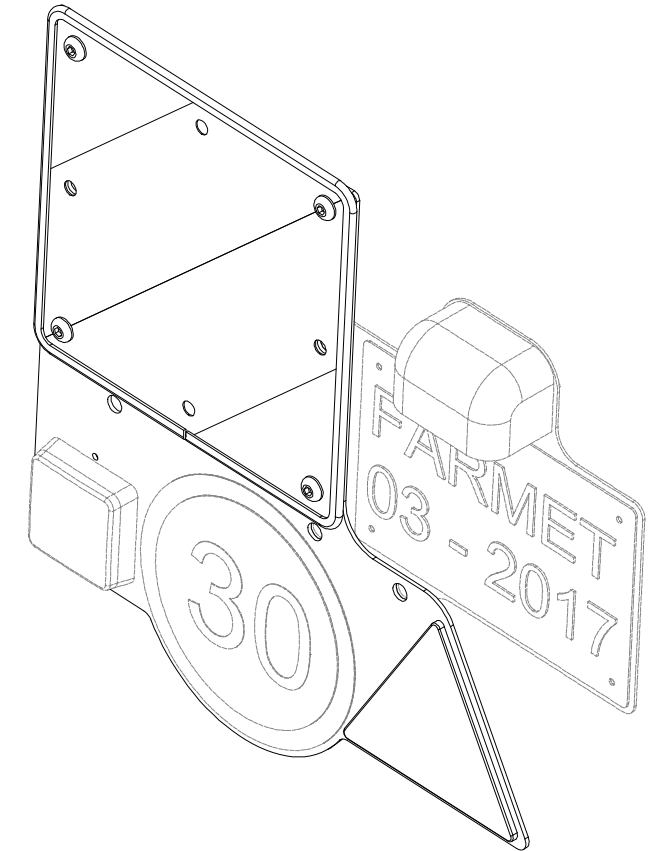
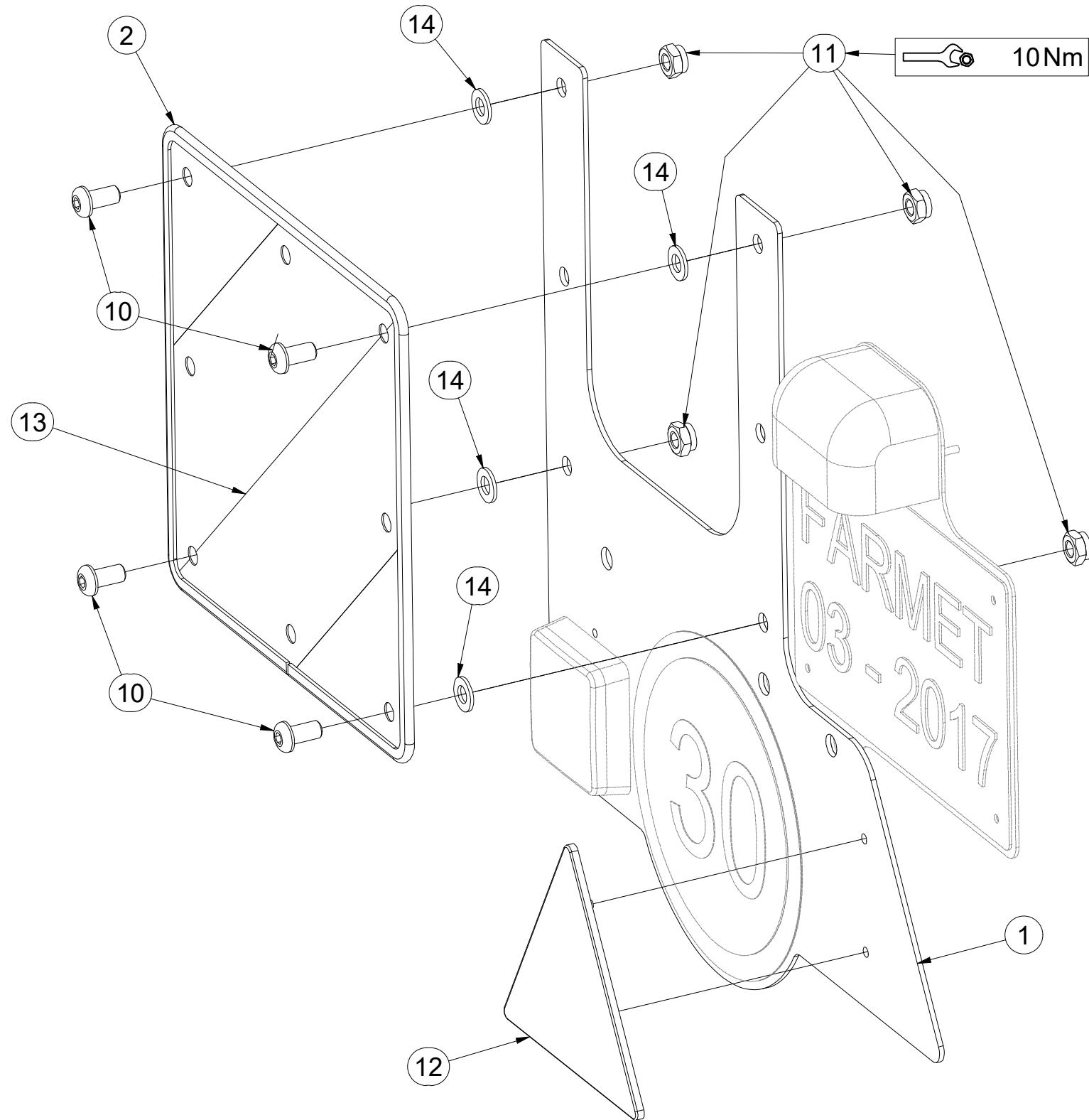
ⒼB LEFT REAR DISC

ⒺЩИТОК ЗАДНИЙ ЛЕВЫЙ

ⒽL TARCZA TYLNA LEWA



3012580



| Pos. | Part Number | Pcs. |
|------|-------------|------|
| 1 | 4024978 | 1 |
| 2 | 9005707 | 1 |
| 10 | m16637 | 4 |
| 11 | m03775 | 4 |
| 12 | m02497 | 1 |
| 13 | m18855 | 1 |
| 14 | m01209 | 4 |

ⒸZ TERČ ZADNÍ PRAVÝ

Ⓓ SCHILD, HINTERES, RECHTES

Ⓕ CIBLE ARRIÈRE DROITE

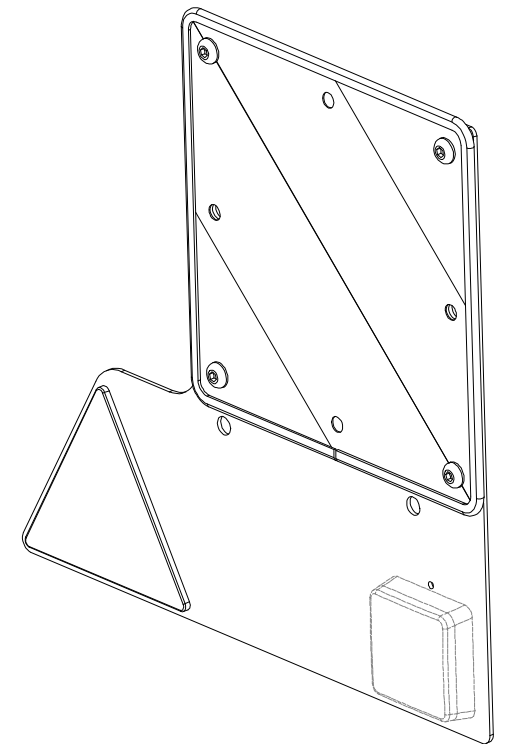
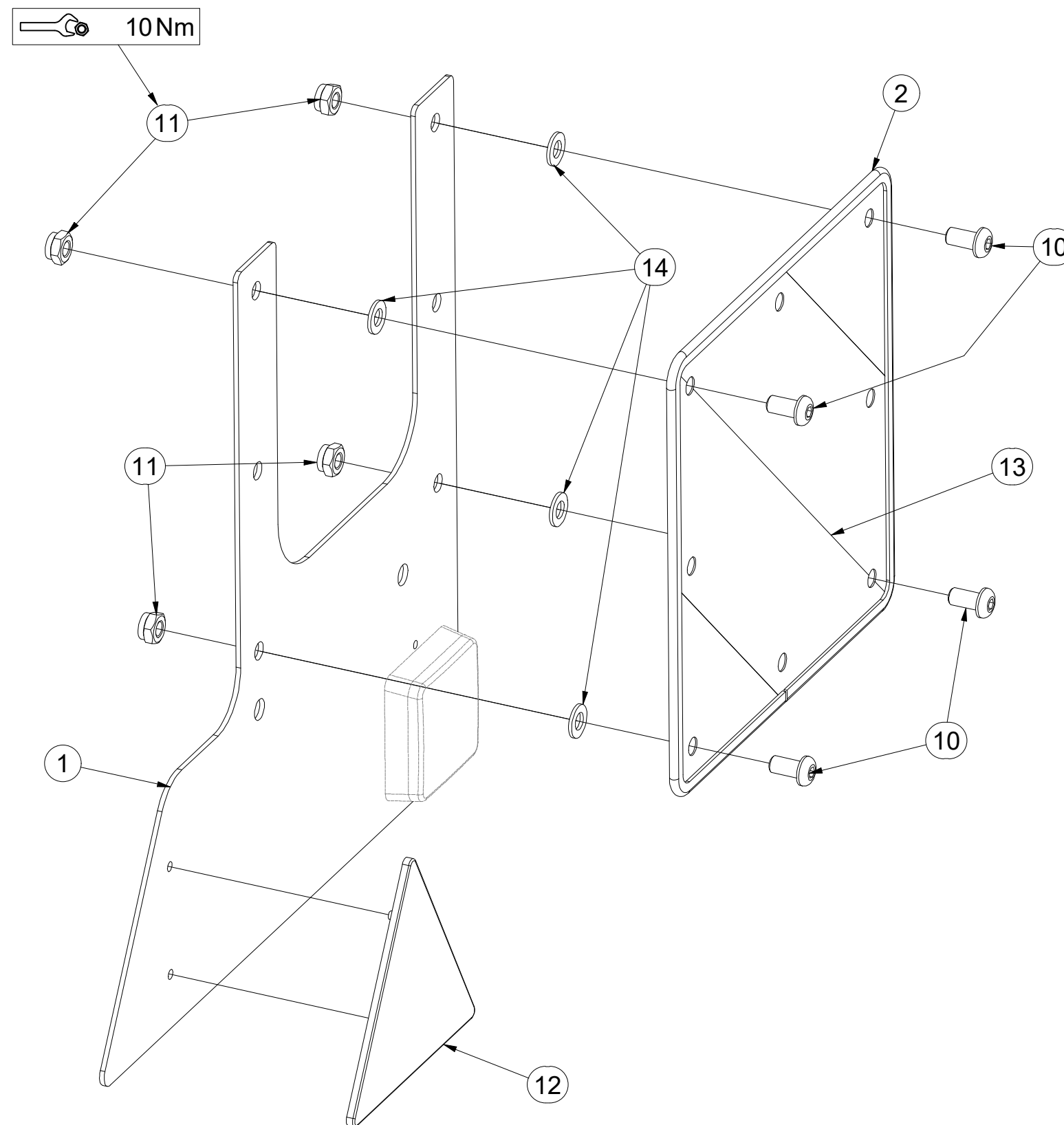
ⒼB RIGHT REAR DISC

ⒺЩИТОК ЗАДНИЙ ПРАВЫЙ

ⒽL TARCZA TYLNA PRAWA

Farmet

3012581



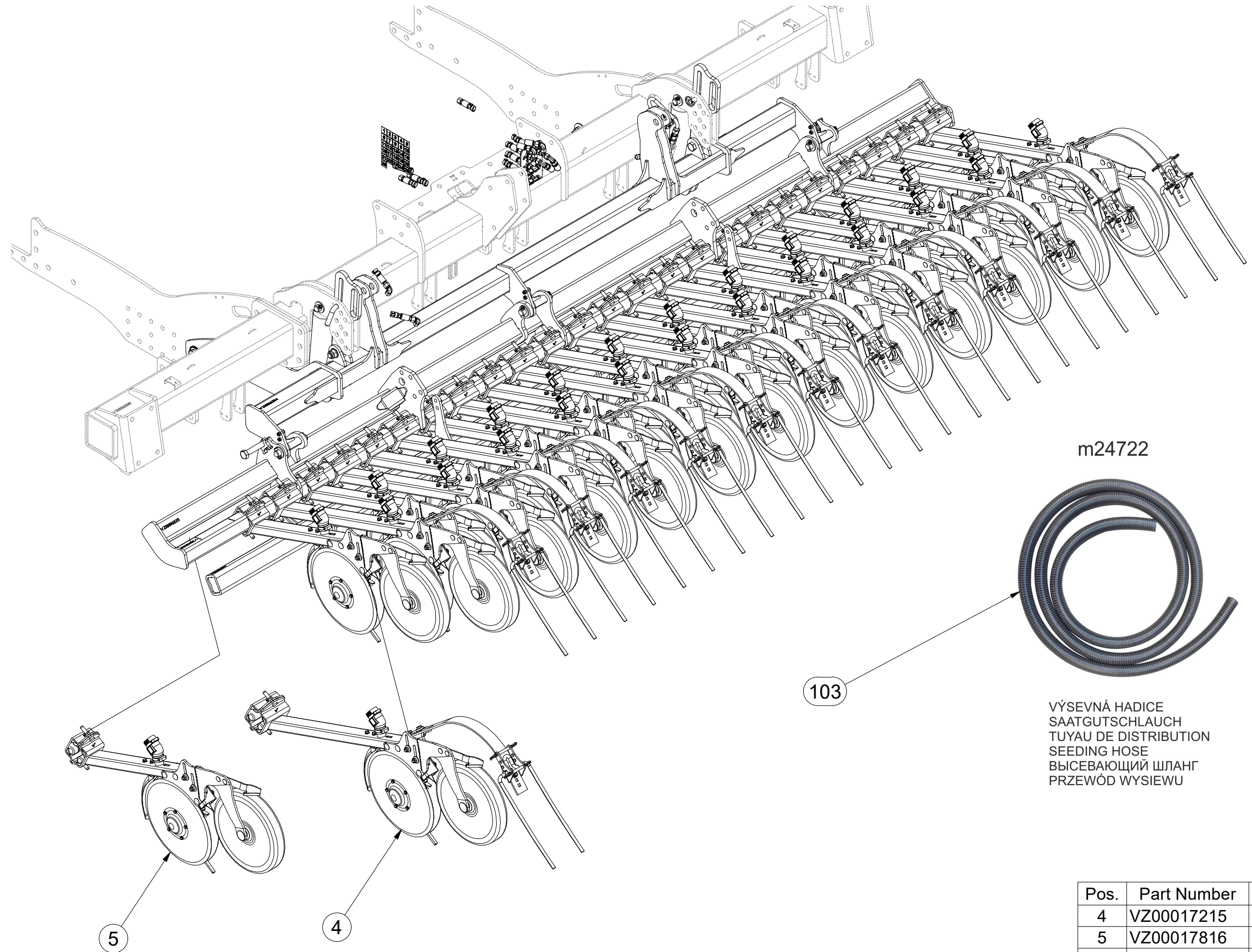
| Pos. | Part Number | Pcs. |
|------|-------------|------|
| 1 | 4024980 | 1 |
| 2 | 9005707 | 1 |
| 10 | m16637 | 4 |
| 11 | m03775 | 4 |
| 12 | m02497 | 1 |
| 13 | m18855 | 1 |
| 14 | m01209 | 4 |

(CZ) SEKCE PRACOVNÍ SECÍ
 (D) ARBEITSSEKTION AUSSAAT
 (F) SECTION DE TRAVAIL - SEMIS

(GB) WORKING SECTION - SOWING
 (RU) СЕКЦИЯ РАБОЧАЯ ВЫСЕВАЮЩАЯ
 (PL) SEKCJA SIEWU ROBOCZEGO



VZ00032047



m24722

103

VÝSEVNÁ HADICE
 SAATGUTSCHLAUCH
 TUYAU DE DISTRIBUTION
 SEEDING HOSE
 ВЫСЕВАЮЩИЙ ШЛАНГ
 PRZEWÓD WYSIEWU

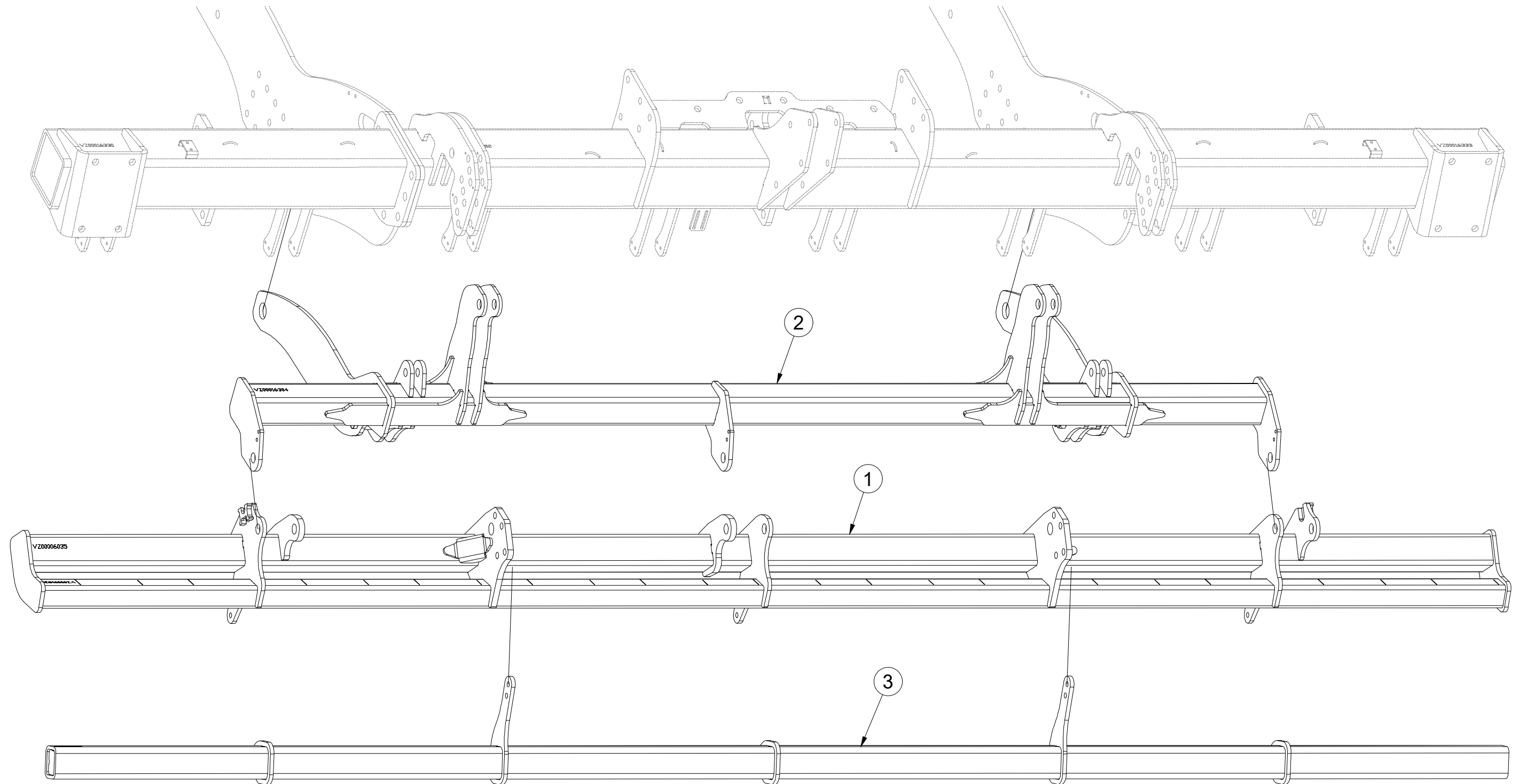
| Pos. | Part Number | Pcs. |
|------|-------------|----------|
| 4 | VZ00017215 | 13 |
| 5 | VZ00017816 | 13 |
| 103 | m24722 | 90,000 m |

CZ SEKCE PRACOVNÍ SECÍ
 D ARBEITSSEKTION AUSSAAT
 F SECTION DE TRAVAIL - SEMIS

GB WORKING SECTION - SOWING
 RU СЕКЦИЯ РАБОЧАЯ ВЫСЕВАЮЩАЯ
 PL SEKCJA SIEWU ROBOCZEGO



VZ00032047



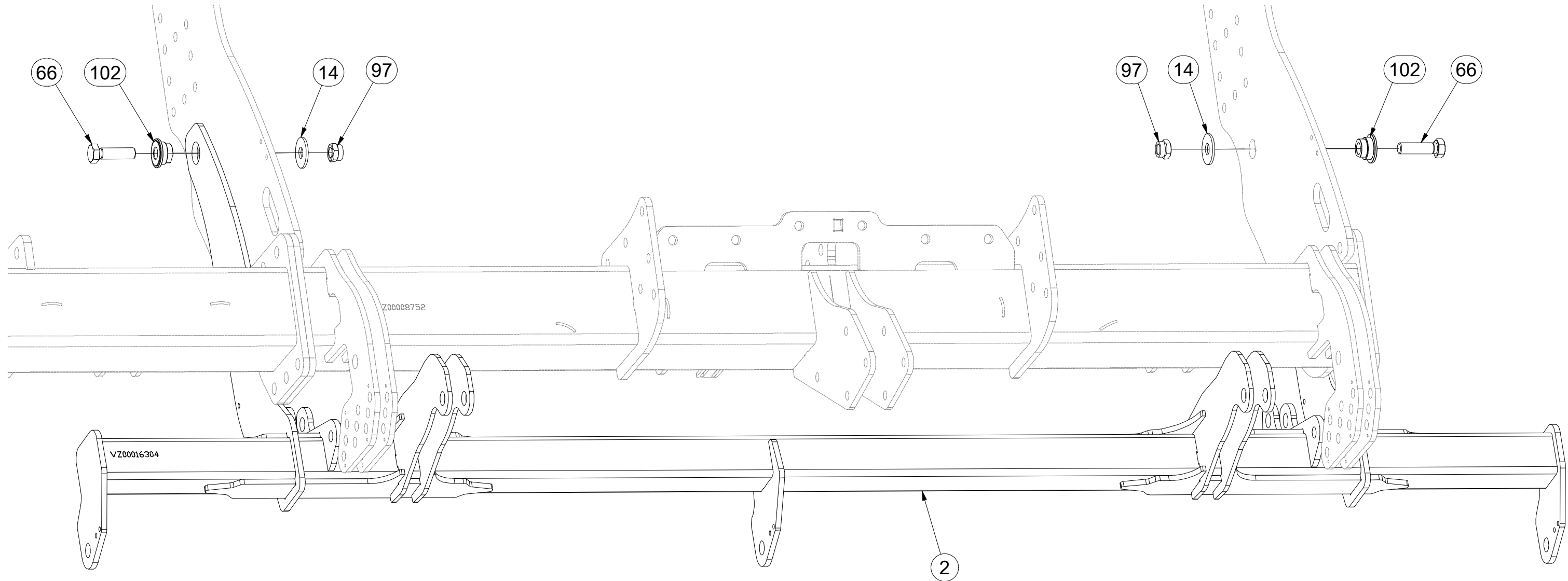
| Pos. | Part Number | Pcs. |
|------|-------------|------|
| 1 | VZ00015887 | 1 |
| 2 | VZ00032296 | 1 |
| 3 | VZ00006018 | 1 |

CZ SEKCE PRACOVNÍ SECÍ
 D ARBEITSSEKTION AUSSAAT
 F SECTION DE TRAVAIL - SEMIS

GB WORKING SECTION - SOWING
 RU СЕКЦИЯ РАБОЧАЯ ВЫСЕВАЮЩАЯ
 PL SEKCJA SIEWU ROBOCZEGO



VZ00032047



| Pos. | Part Number | Pcs. |
|------|-------------|------|
| 2 | VZ00032296 | 1 |
| 14 | 4022688 | 2 |
| 66 | m17009 | 2 |
| 97 | m21660 | 2 |
| 102 | m18242 | 2 |

Ⓒ SEKCE PRACOVNÍ SECÍ

Ⓓ ARBEITSSEKTION AUSSAAT

Ⓕ SECTION DE TRAVAIL - SEMIS

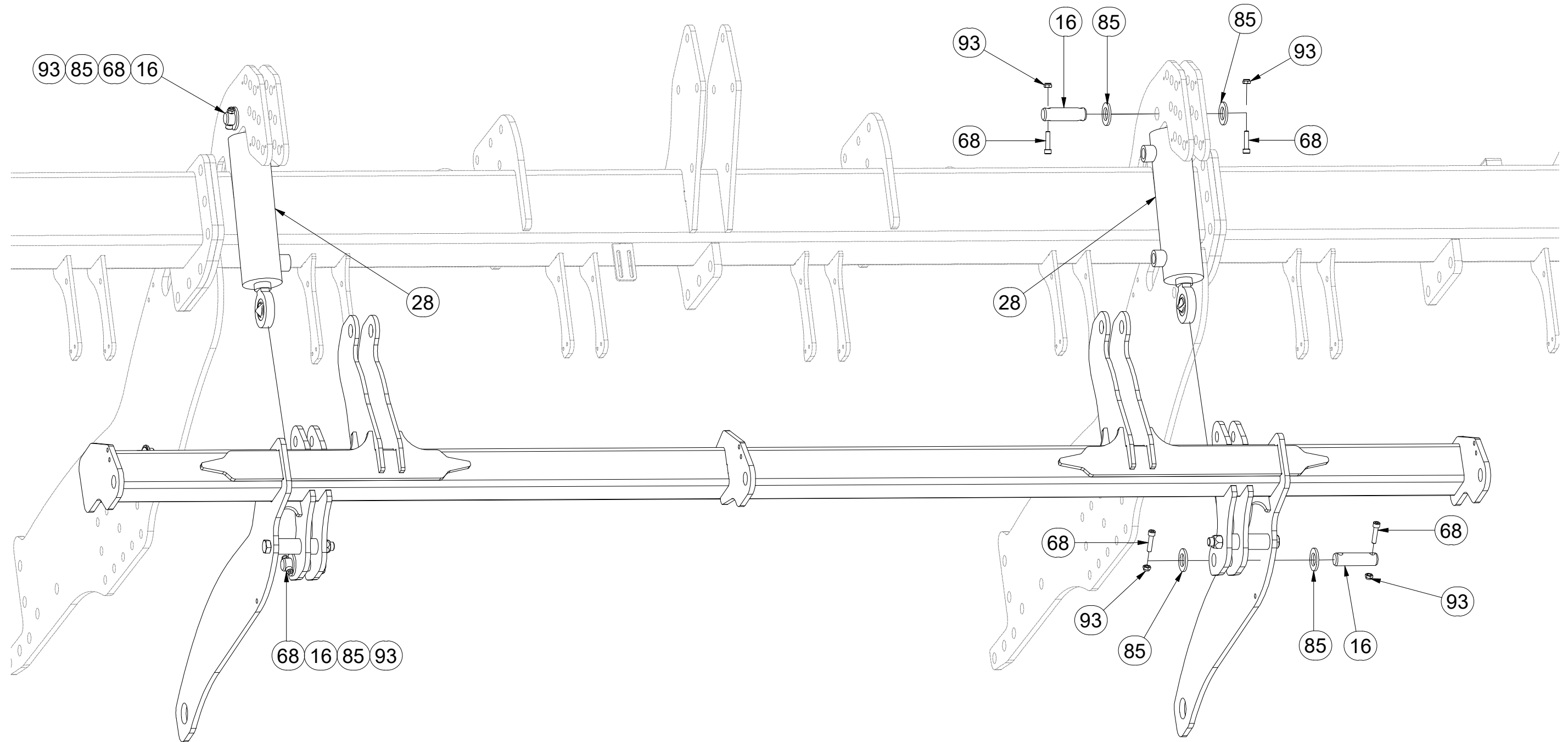
Ⓖ WORKING SECTION - SOWING

Ⓡ СЕКЦИЯ РАБОЧАЯ ВЫСЕВАЮЩАЯ

Ⓟ SEKCJA SIEWU ROBOCZEGO



VZ00032047



| Pos. | Part Number | Pcs. |
|------|-------------|------|
| 16 | 4010390 | 4 |
| 28 | VZ00032258 | 2 |
| 68 | m09464 | 14 |
| 85 | m14028 | 8 |
| 93 | m04503 | 28 |

Ⓒ SEKCE PRACOVNÍ SECÍ

Ⓓ ARBEITSSEKTION AUSSAAT

Ⓕ SECTION DE TRAVAIL - SEMIS

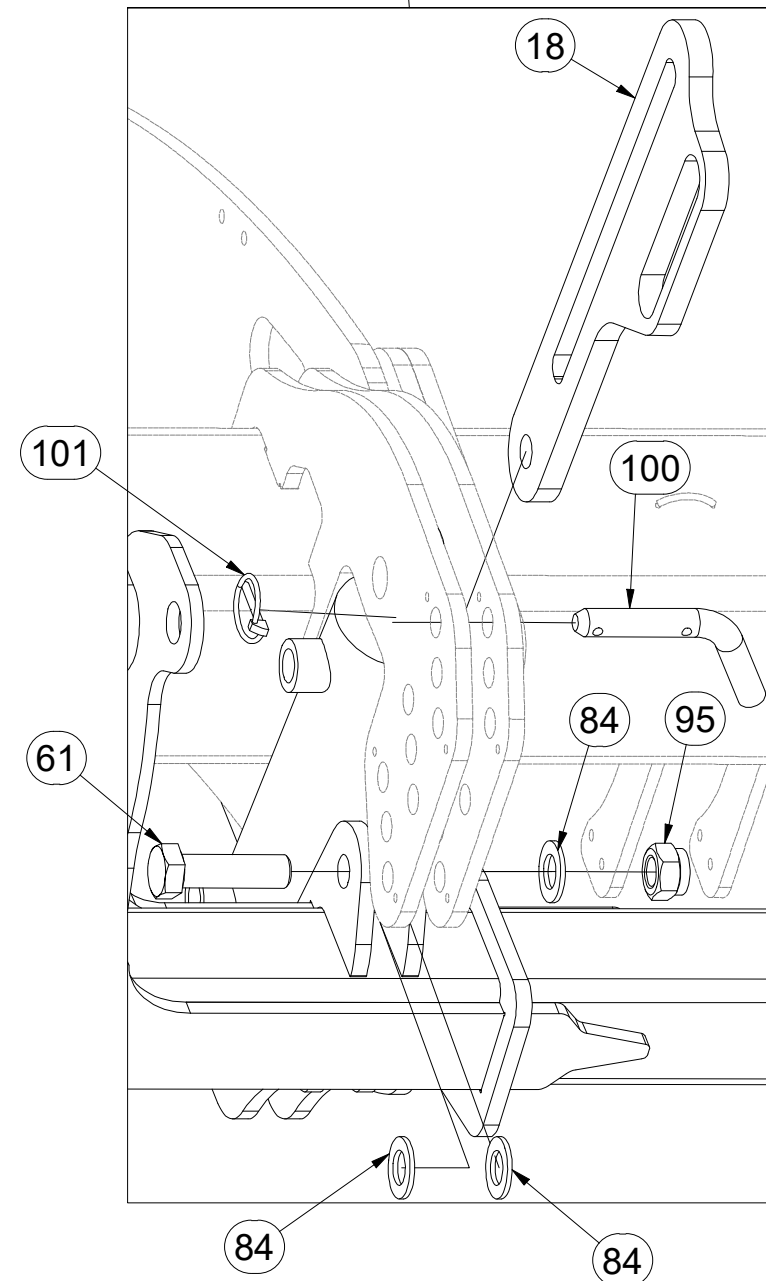
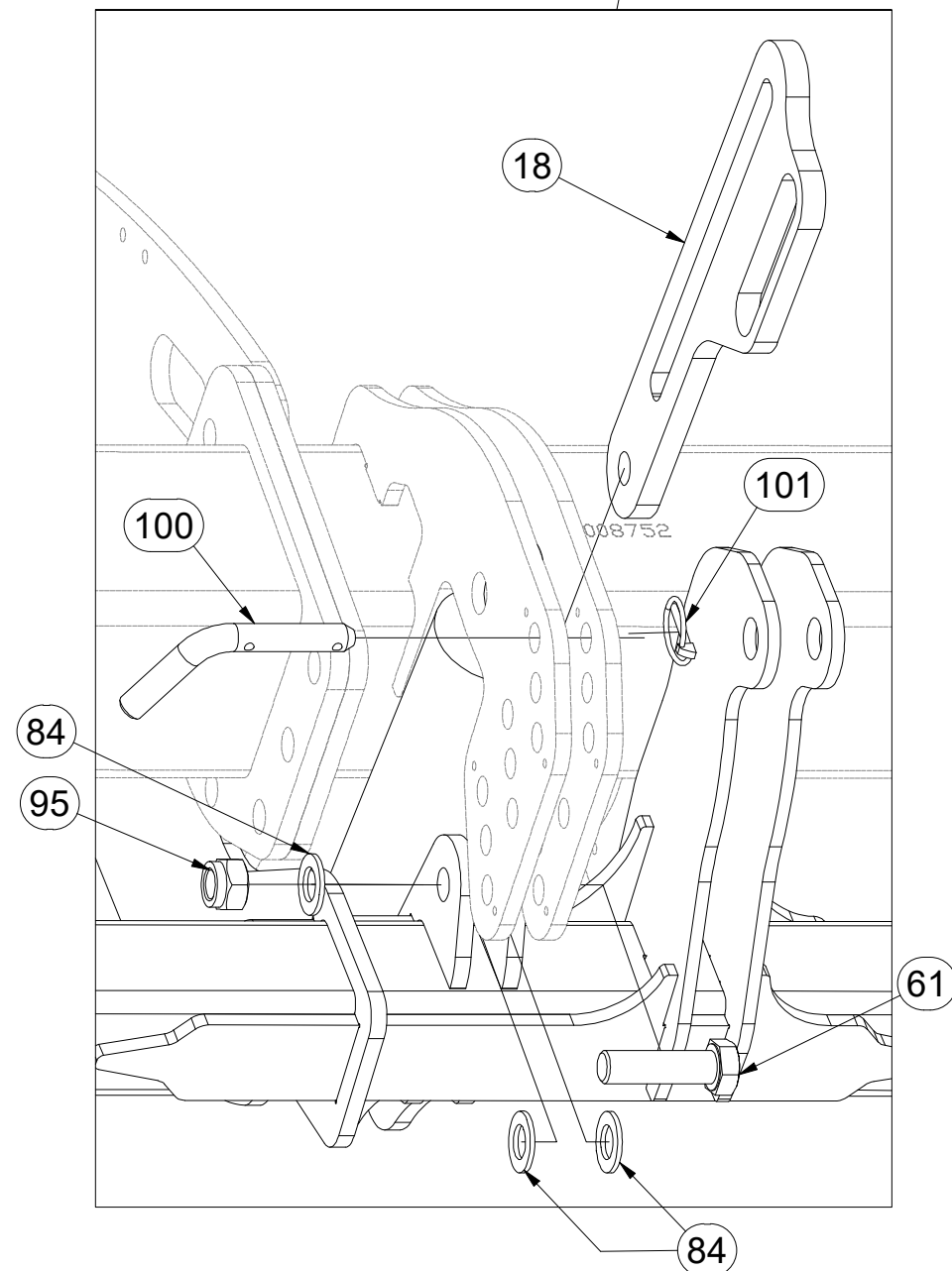
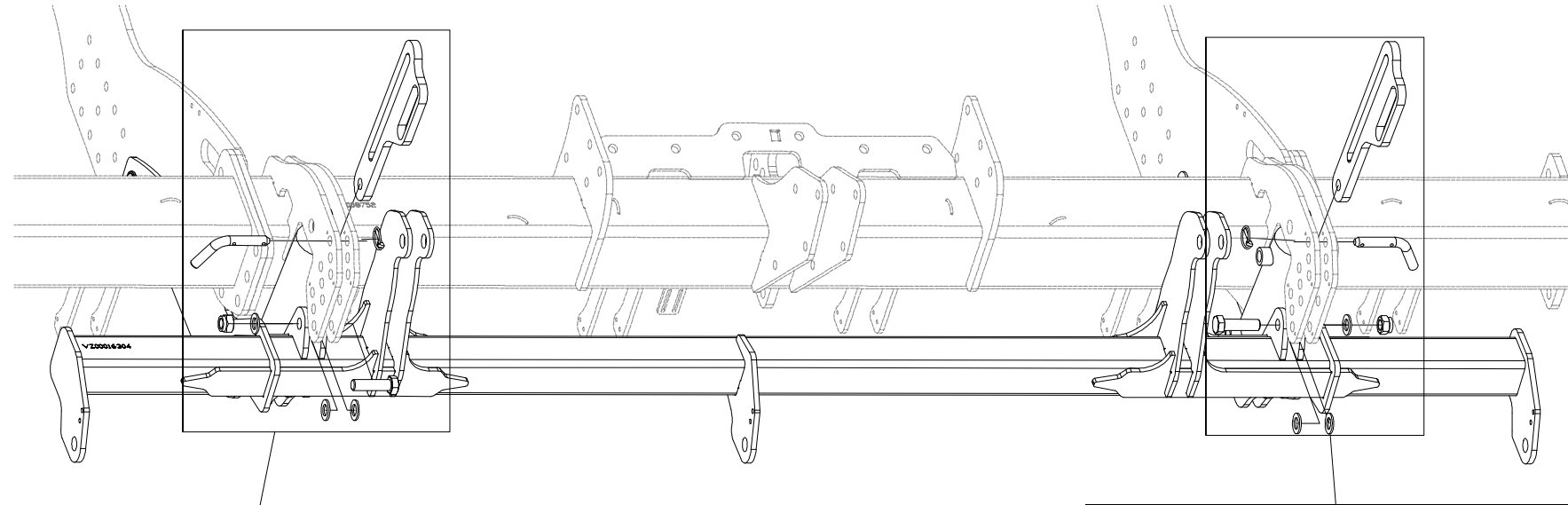
Ⓒ WORKING SECTION - SOWING

Ⓓ СЕКЦИЯ РАБОЧАЯ ВЫСЕВАЮЩАЯ

Ⓕ SEKCJA SIEWU ROBOCZEGO



VZ00032047



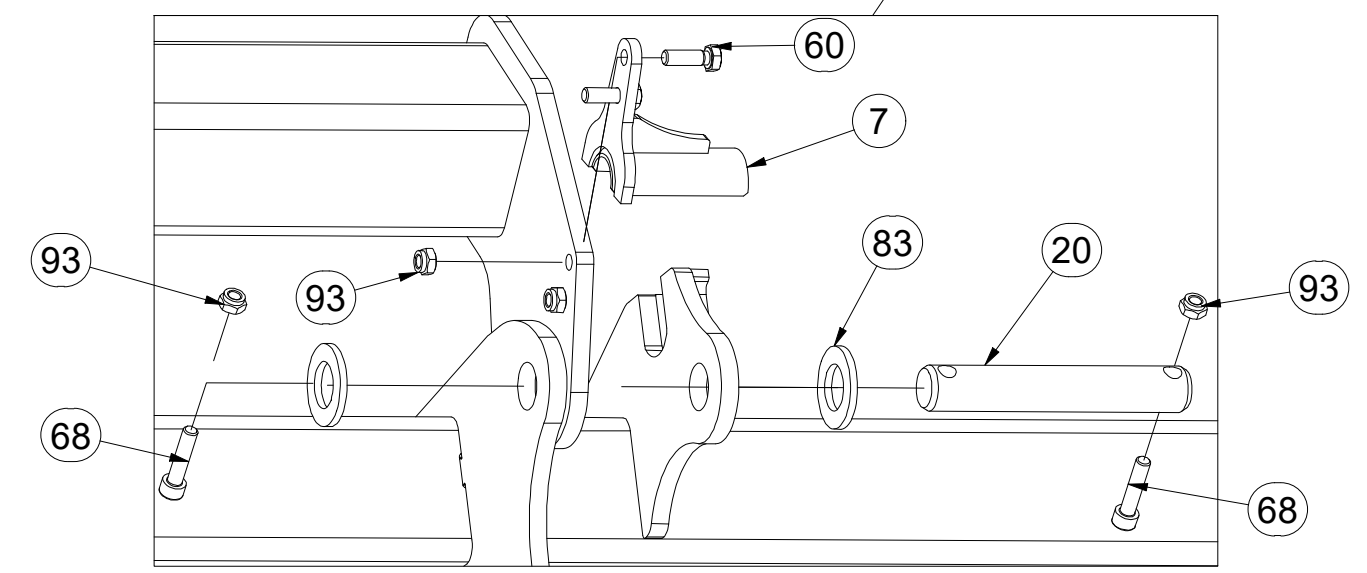
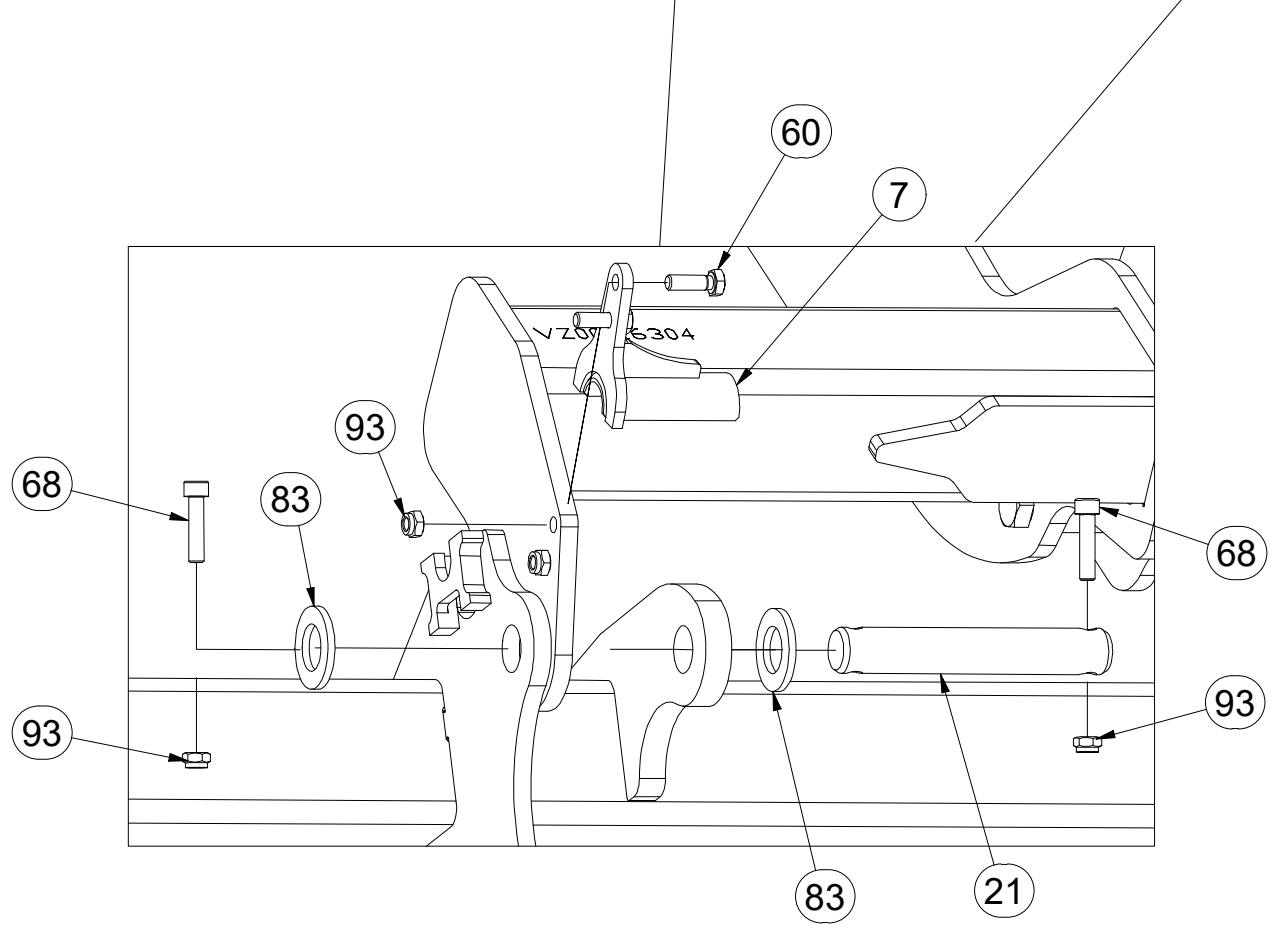
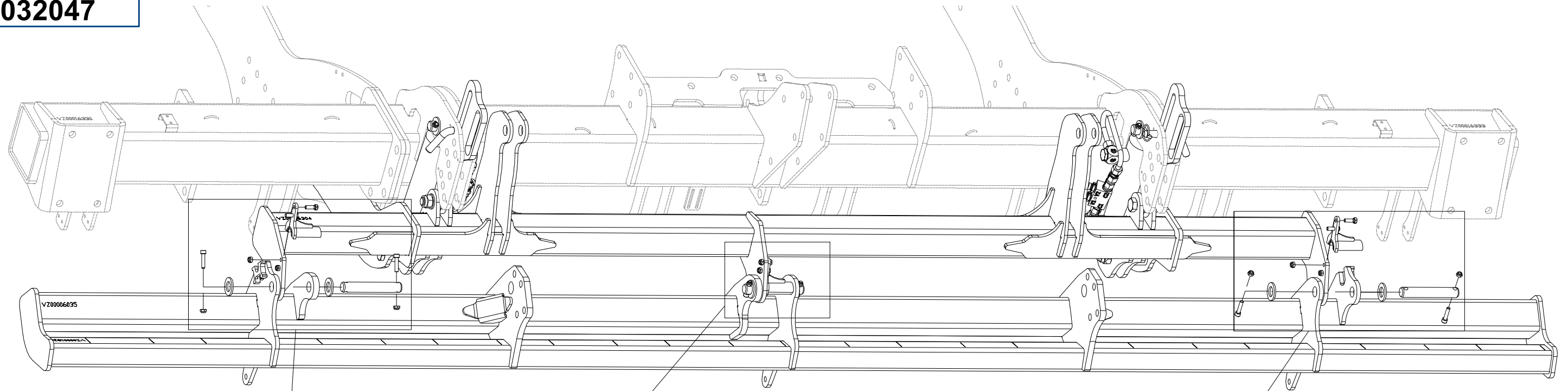
| Pos. | Part Number | Pcs. |
|------|-------------|------|
| 18 | 4010444 | 2 |
| 61 | m03115 | 2 |
| 84 | m03768 | 6 |
| 95 | m05648 | 2 |
| 100 | m10312 | 2 |
| 101 | m10454 | 2 |

CZ SEKCE PRACOVNÍ SECÍ
 D ARBEITSSEKTION AUSSAAT
 F SECTION DE TRAVAIL - SEMIS

GB WORKING SECTION - SOWING
 RU СЕКЦИЯ РАБОЧАЯ ВЫСЕВАЮЩАЯ
 PL SEKCJA SIEWU ROBOCZEGO



VZ00032047



| Pos. | Part Number | Pcs. |
|------|-------------|------|
| 7 | VZ00001968 | 3 |
| 20 | 4015250 | 1 |
| 21 | 4017040 | 2 |
| 60 | m01092 | 6 |
| 68 | m09464 | 14 |
| 83 | m03718 | 6 |
| 93 | m04503 | 28 |

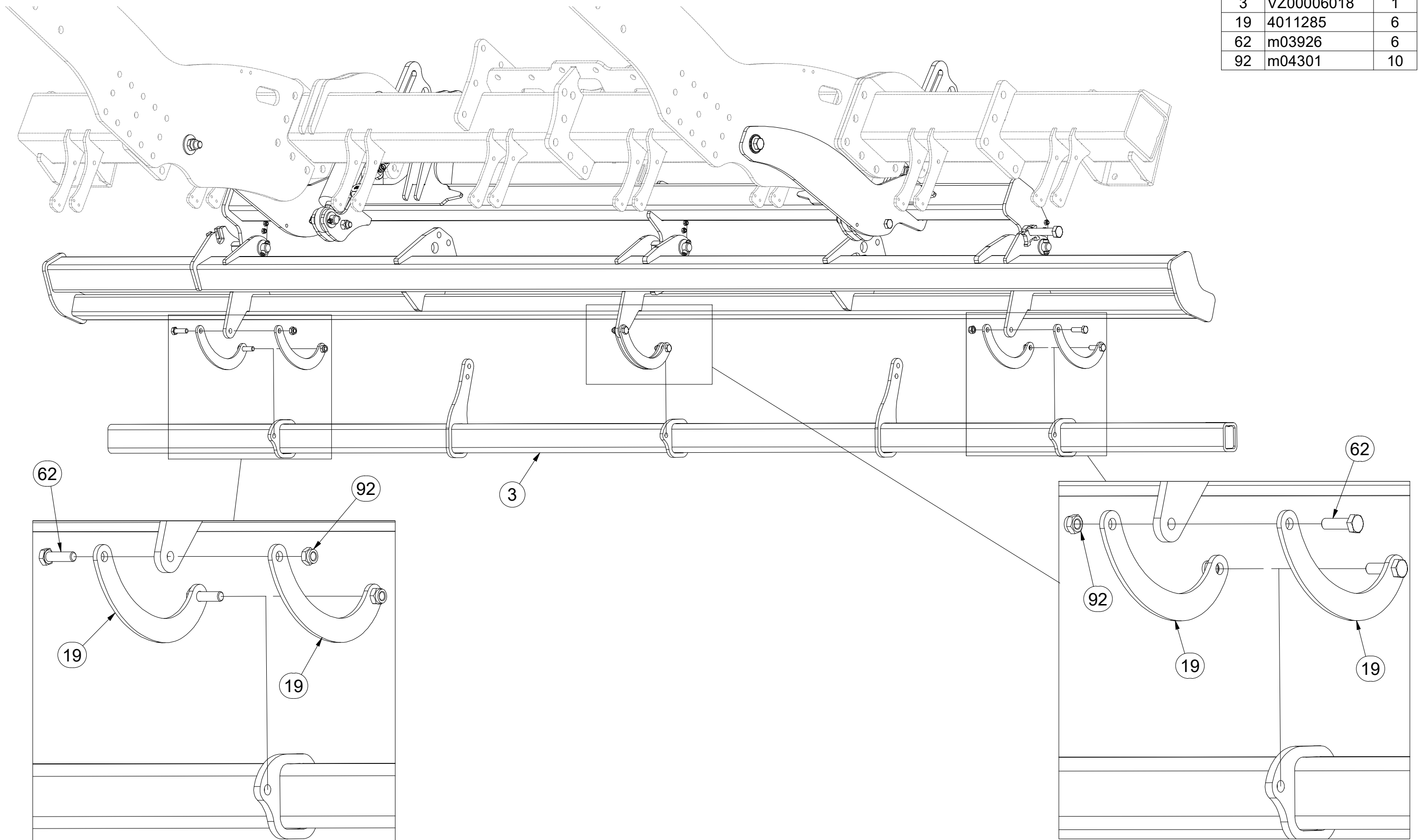
CZ SEKCE PRACOVNÍ SECÍ
 D ARBEITSSEKTION AUSSAAT
 F SECTION DE TRAVAIL - SEMIS

GB WORKING SECTION - SOWING
 RU СЕКЦИЯ РАБОЧАЯ ВЫСЕВАЮЩАЯ
 PL SEKCJA SIEWU ROBOCZEGO



VZ00032047

| Pos. | Part Number | Pcs. |
|------|-------------|------|
| 3 | VZ00006018 | 1 |
| 19 | 4011285 | 6 |
| 62 | m03926 | 6 |
| 92 | m04301 | 10 |

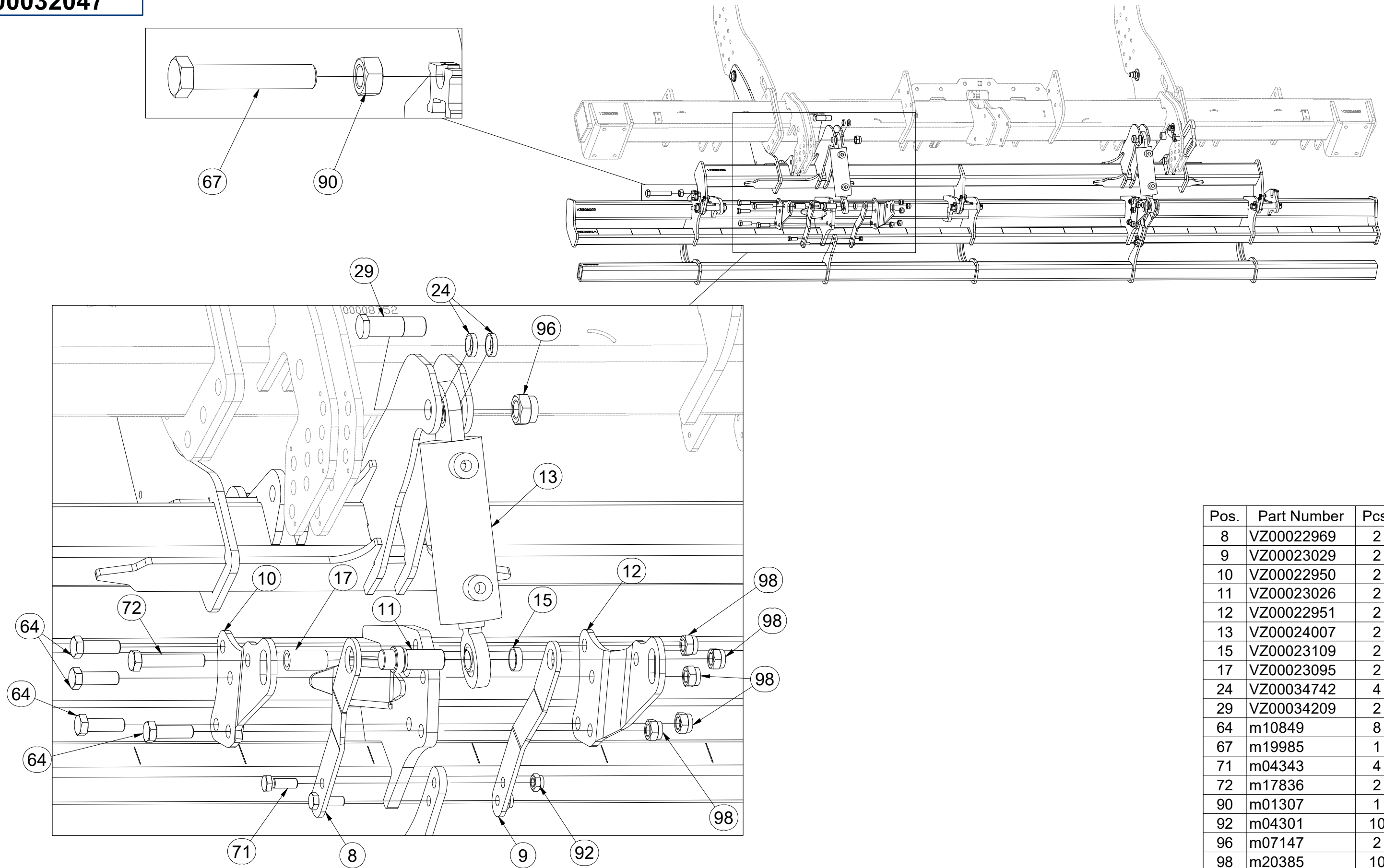


CZ SEKCE PRACOVNÍ SECÍ
 D ARBEITSSEKTION AUSSAAT
 F SECTION DE TRAVAIL - SEMIS

GB WORKING SECTION - SOWING
 RU СЕКЦИЯ РАБОЧАЯ ВЫСЕВАЮЩАЯ
 PL SEKCJA SIEWU ROBOCZEGO



VZ00032047



| Pos. | Part Number | Pcs. |
|------|-------------|------|
| 8 | VZ00022969 | 2 |
| 9 | VZ00023029 | 2 |
| 10 | VZ00022950 | 2 |
| 11 | VZ00023026 | 2 |
| 12 | VZ00022951 | 2 |
| 13 | VZ00024007 | 2 |
| 15 | VZ00023109 | 2 |
| 17 | VZ00023095 | 2 |
| 24 | VZ00034742 | 4 |
| 29 | VZ00034209 | 2 |
| 64 | m10849 | 8 |
| 67 | m19985 | 1 |
| 71 | m04343 | 4 |
| 72 | m17836 | 2 |
| 90 | m01307 | 1 |
| 92 | m04301 | 10 |
| 96 | m07147 | 2 |
| 98 | m20385 | 10 |

Ⓒ SEKCE PRACOVNÍ SECÍ

Ⓓ ARBEITSSEKTION AUSSAAT

Ⓕ SECTION DE TRAVAIL - SEMIS

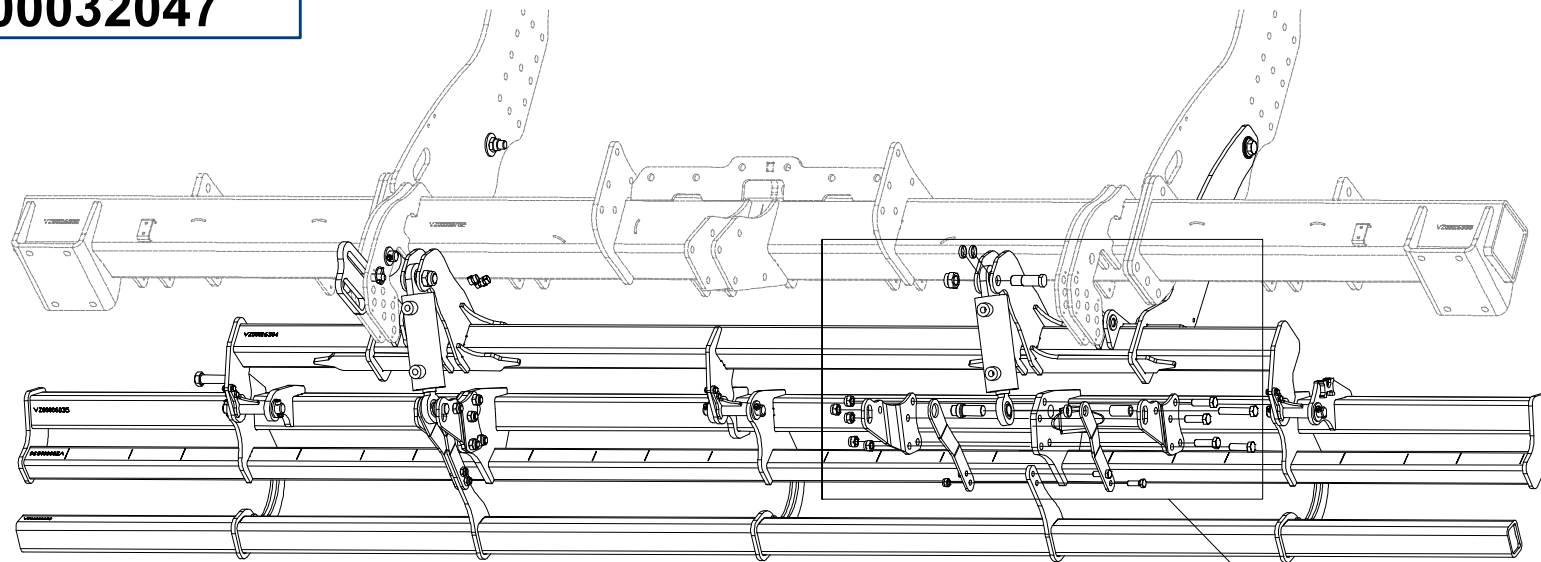
Ⓖ WORKING SECTION - SOWING

Ⓔ СЕКЦИЯ РАБОЧАЯ ВЫСЕВАЮЩАЯ

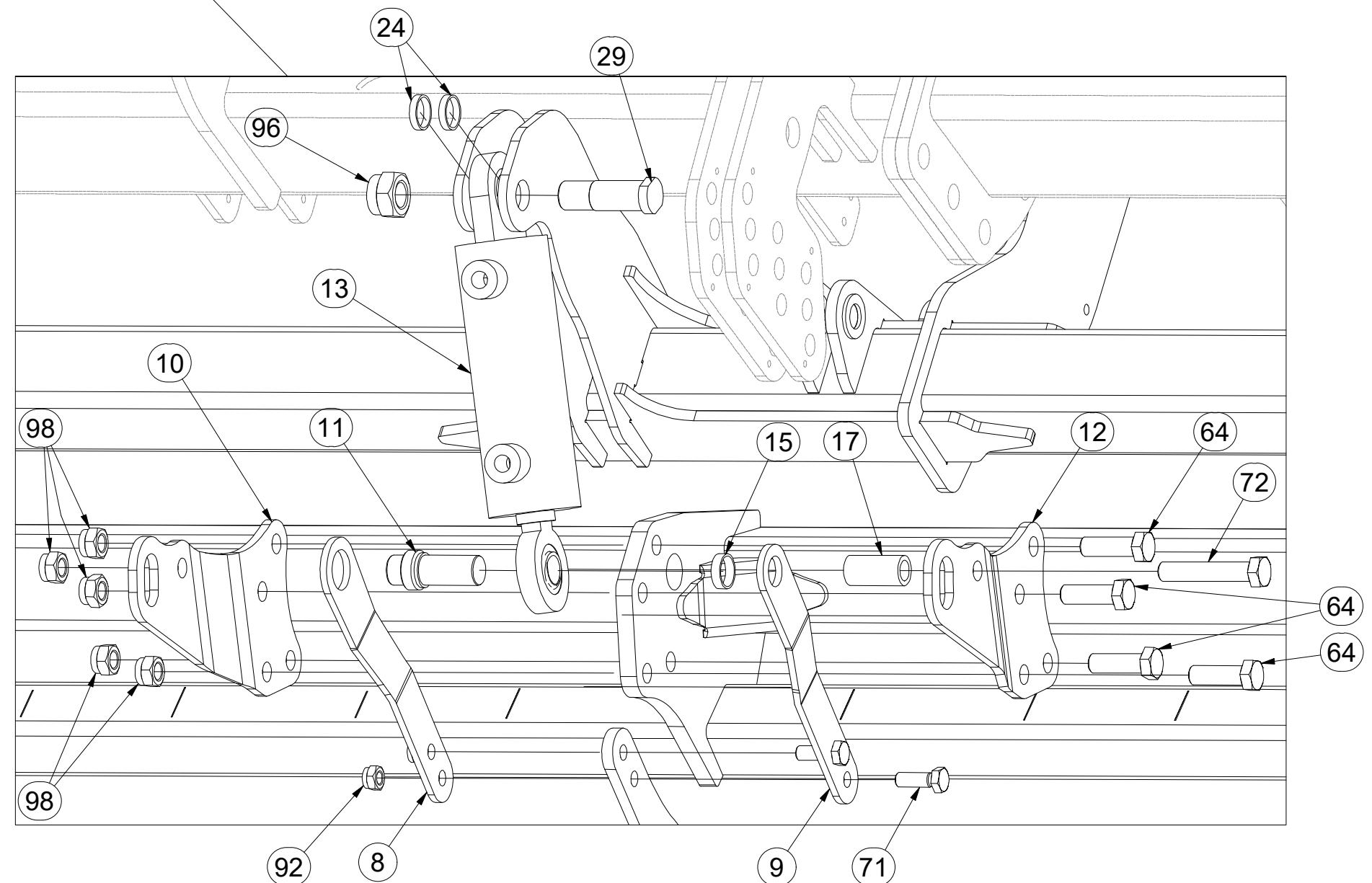
Ⓗ SEKCJA SIEWU ROBOCZEGO



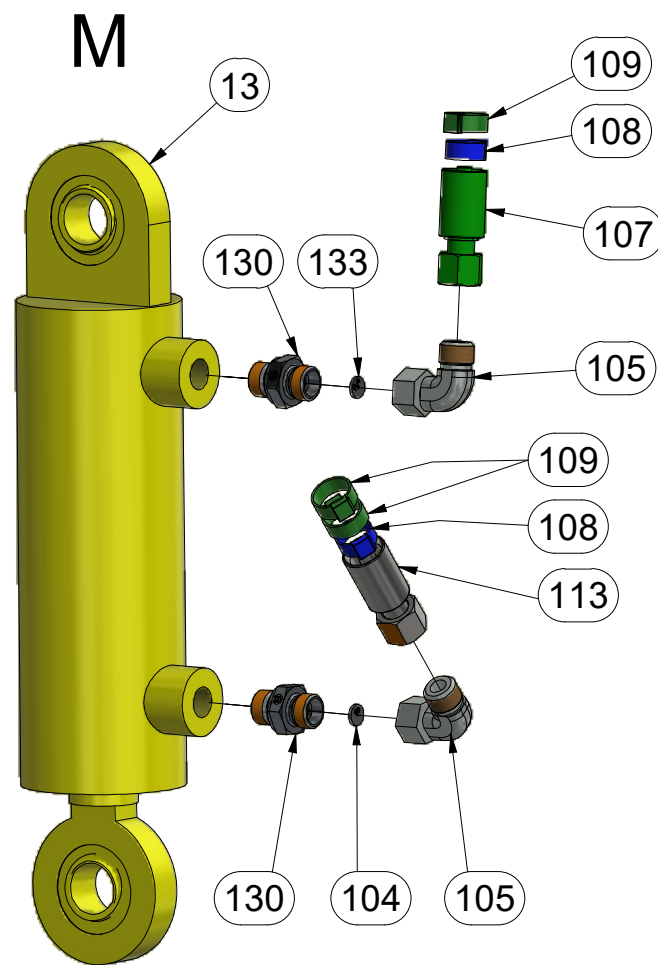
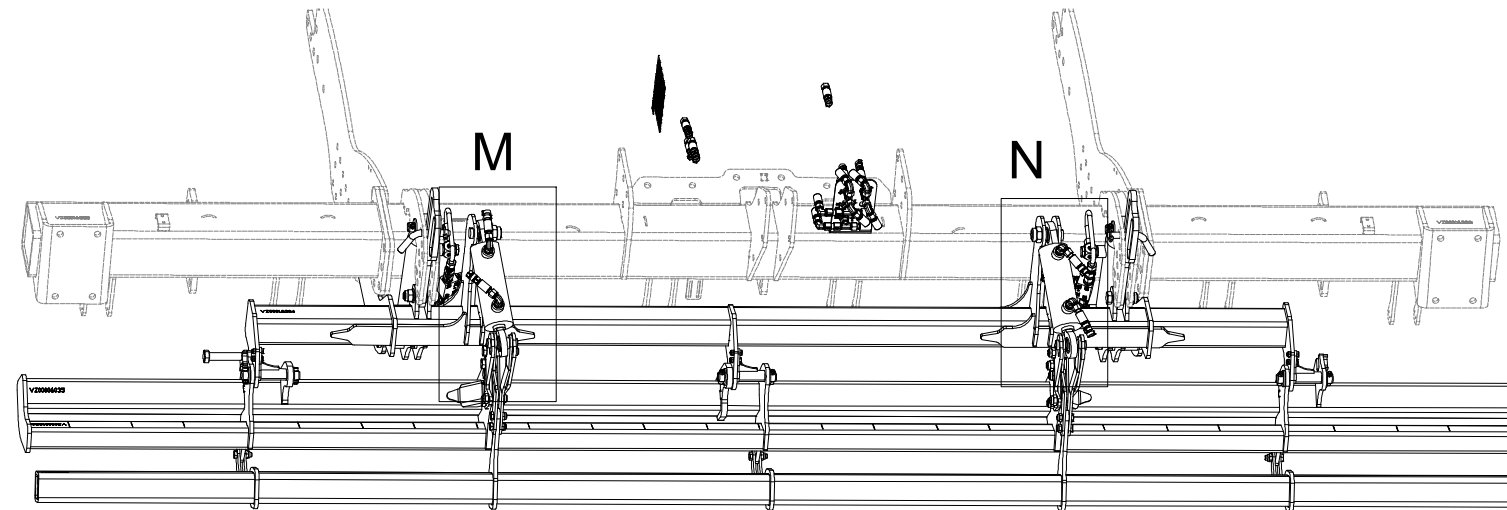
VZ00032047



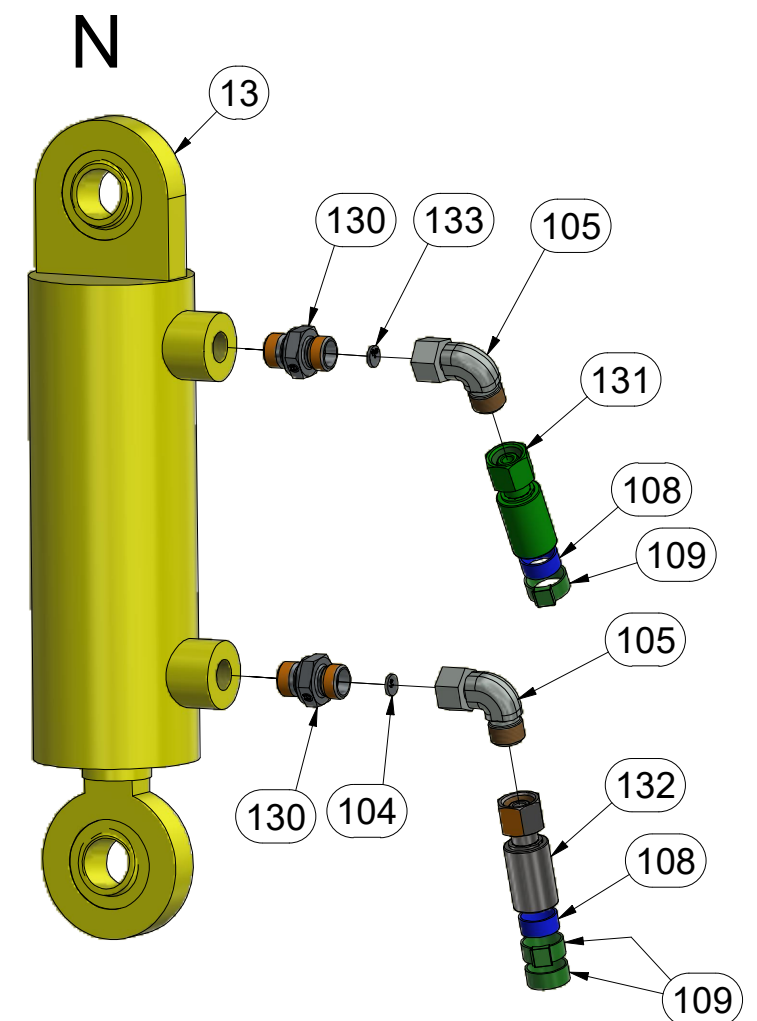
| Pos. | Part Number | Pcs. | Pos. | Part Number | Pcs. |
|------|-------------|------|------|-------------|------|
| 8 | VZ00022969 | 2 | 24 | VZ00034742 | 4 |
| 9 | VZ00023029 | 2 | 29 | VZ00034209 | 2 |
| 10 | VZ00022950 | 2 | 64 | m10849 | 8 |
| 11 | VZ00023026 | 2 | 71 | m04343 | 4 |
| 12 | VZ00022951 | 2 | 72 | m17836 | 2 |
| 13 | VZ00024007 | 2 | 92 | m04301 | 10 |
| 15 | VZ00023109 | 2 | 96 | m07147 | 2 |
| 17 | VZ00023095 | 2 | 98 | m20385 | 10 |



VZ00032047



| Pos. | Part Number | Pcs. |
|------|-------------|------|
| 3 | VZ00006018 | 1 |
| 13 | VZ00024007 | 2 |
| 104 | m10780 | 2 |
| 105 | m06803 | 8 |
| 107 | m07360 | 1 |
| 108 | m11253 | 16 |
| 109 | m11282 | 12 |
| 113 | m18177 | 1 |
| 130 | m07906 | 4 |
| 131 | m17222 | 1 |
| 132 | m05210 | 1 |
| 133 | m10772 | 2 |

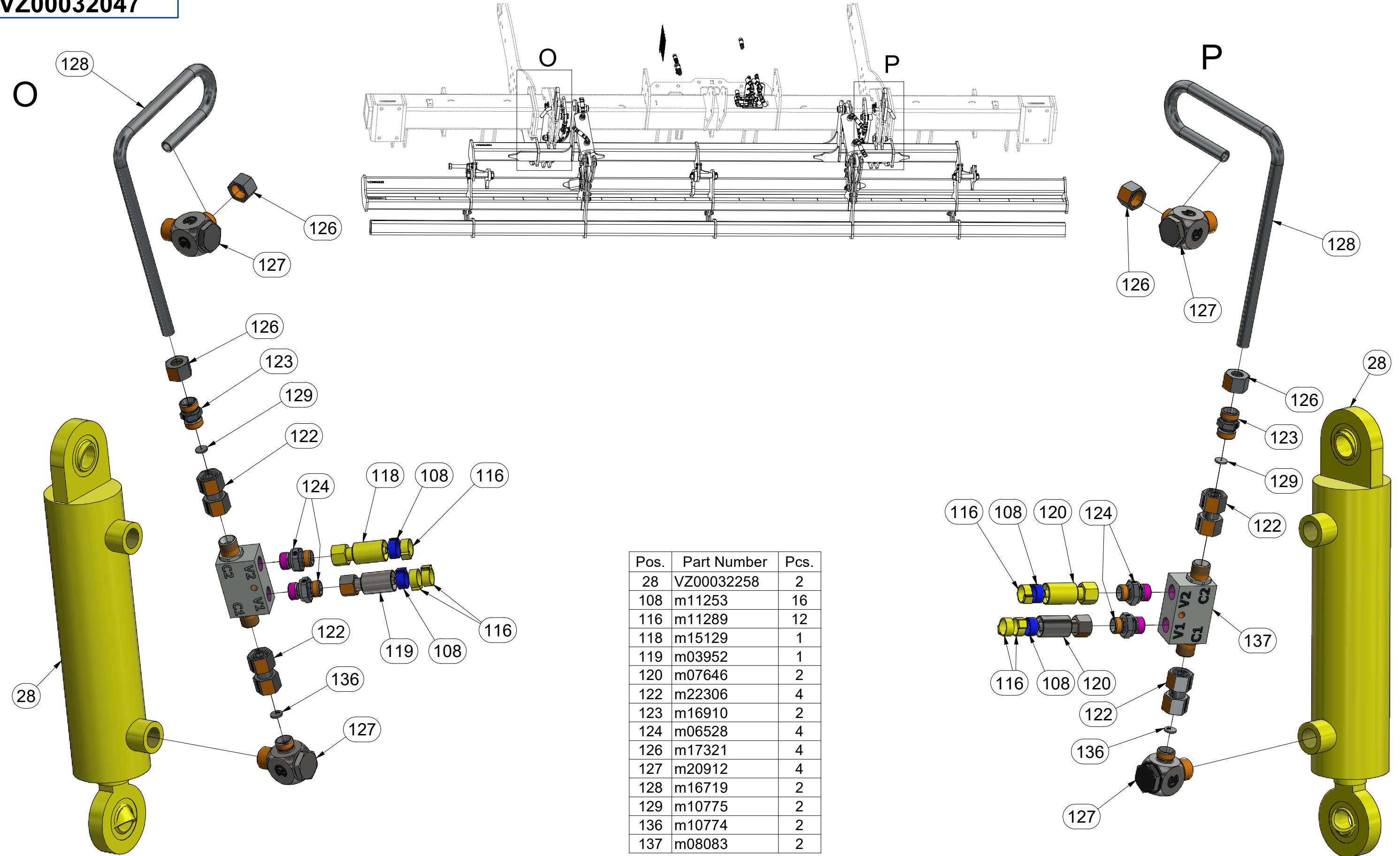


CZ SEKCE PRACOVNÍ SECÍ
 D ARBEITSSEKTION AUSSAAT
 E SECTION DE TRAVAIL - SEMIS

GB WORKING SECTION - SOWING
 RU СЕКЦИЯ РАБОЧАЯ ВЫСЕВАЮЩАЯ
 PL SEKCJA SIEWU ROBOCZEGO



VZ00032047

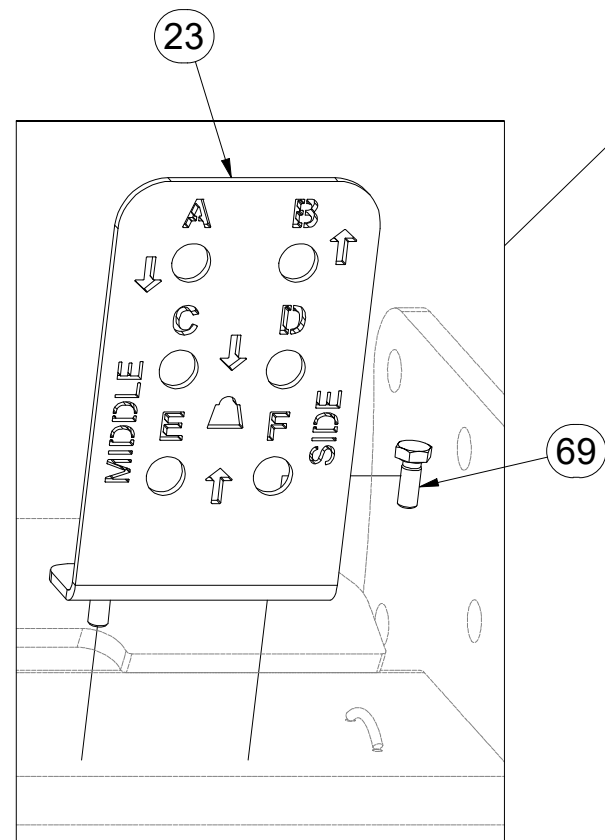
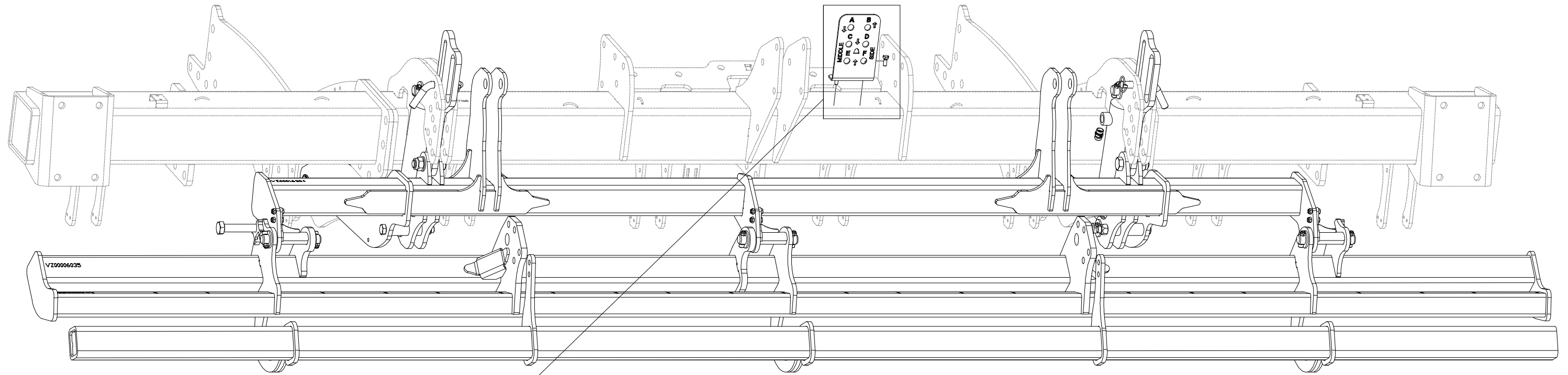


CZ SEKCE PRACOVNÍ SECÍ
 D ARBEITSSEKTION AUSSAAT
 F SECTION DE TRAVAIL - SEMIS

GB WORKING SECTION - SOWING
 RU СЕКЦИЯ РАБОЧАЯ ВЫСЕВАЮЩАЯ
 PL SEKCJA SIEWU ROBOCZEGO



VZ00032047



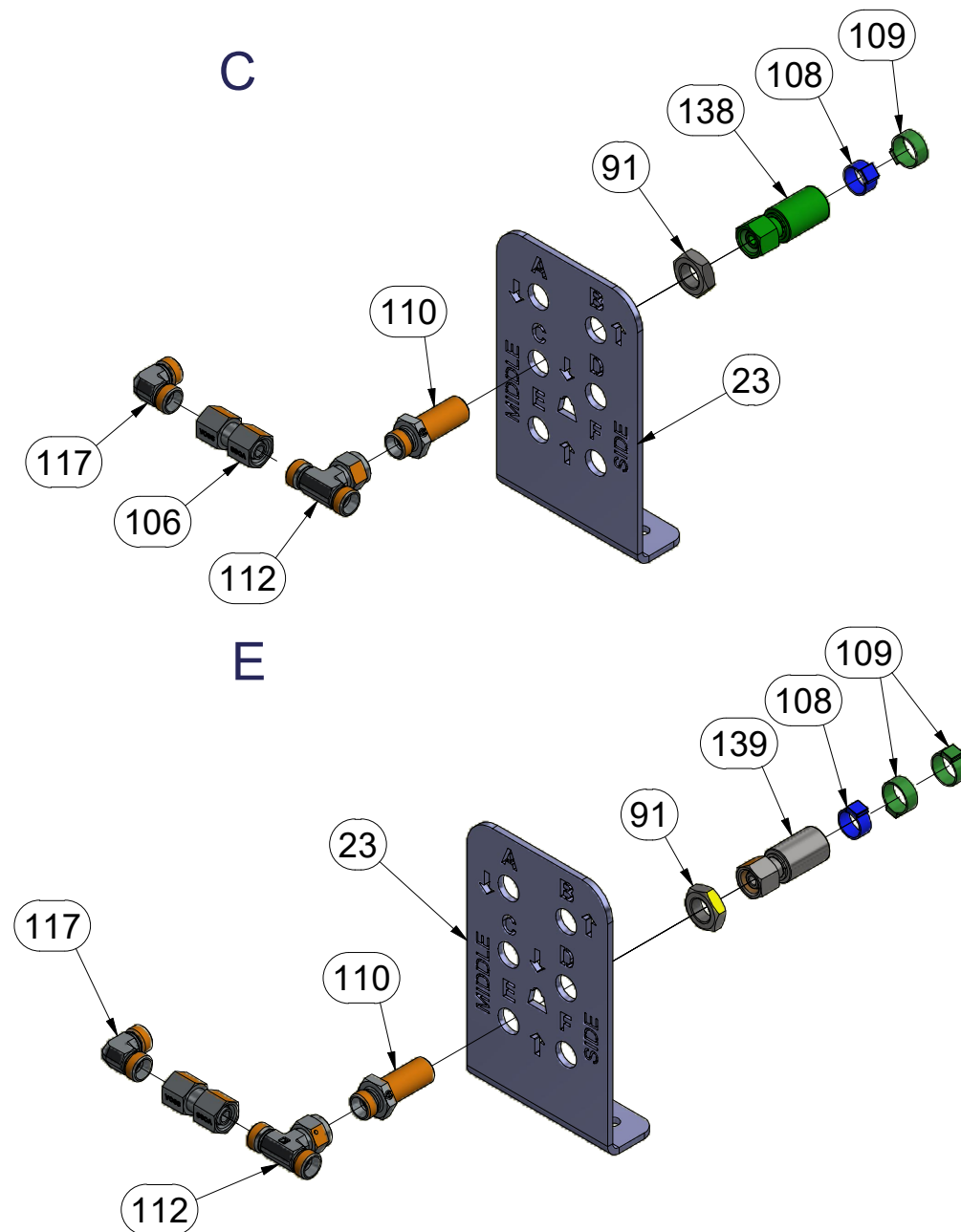
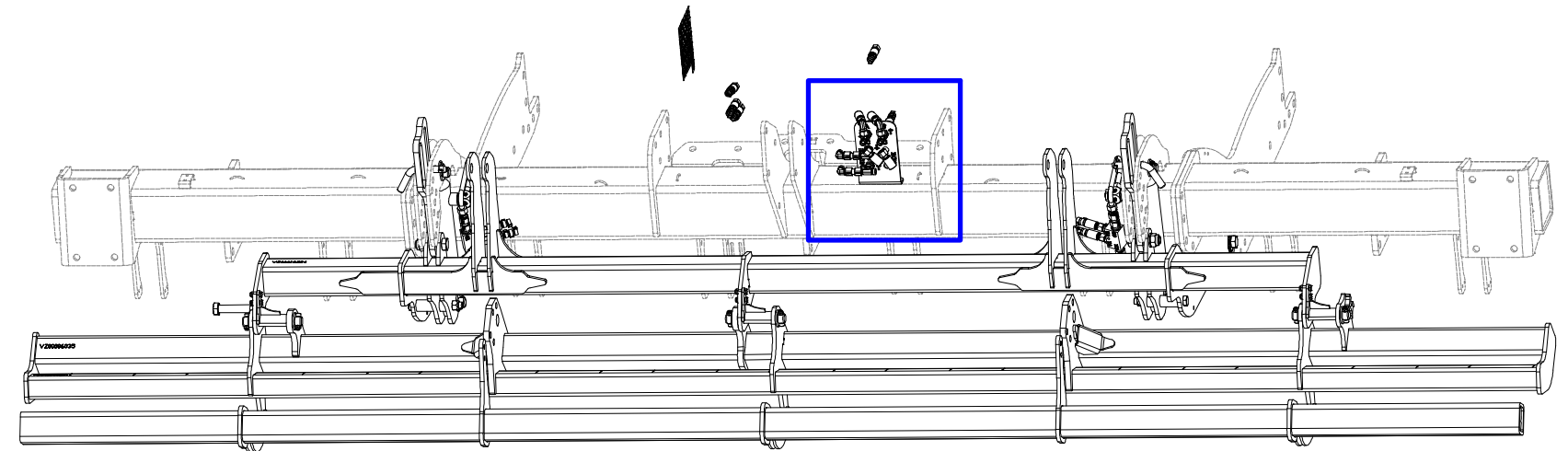
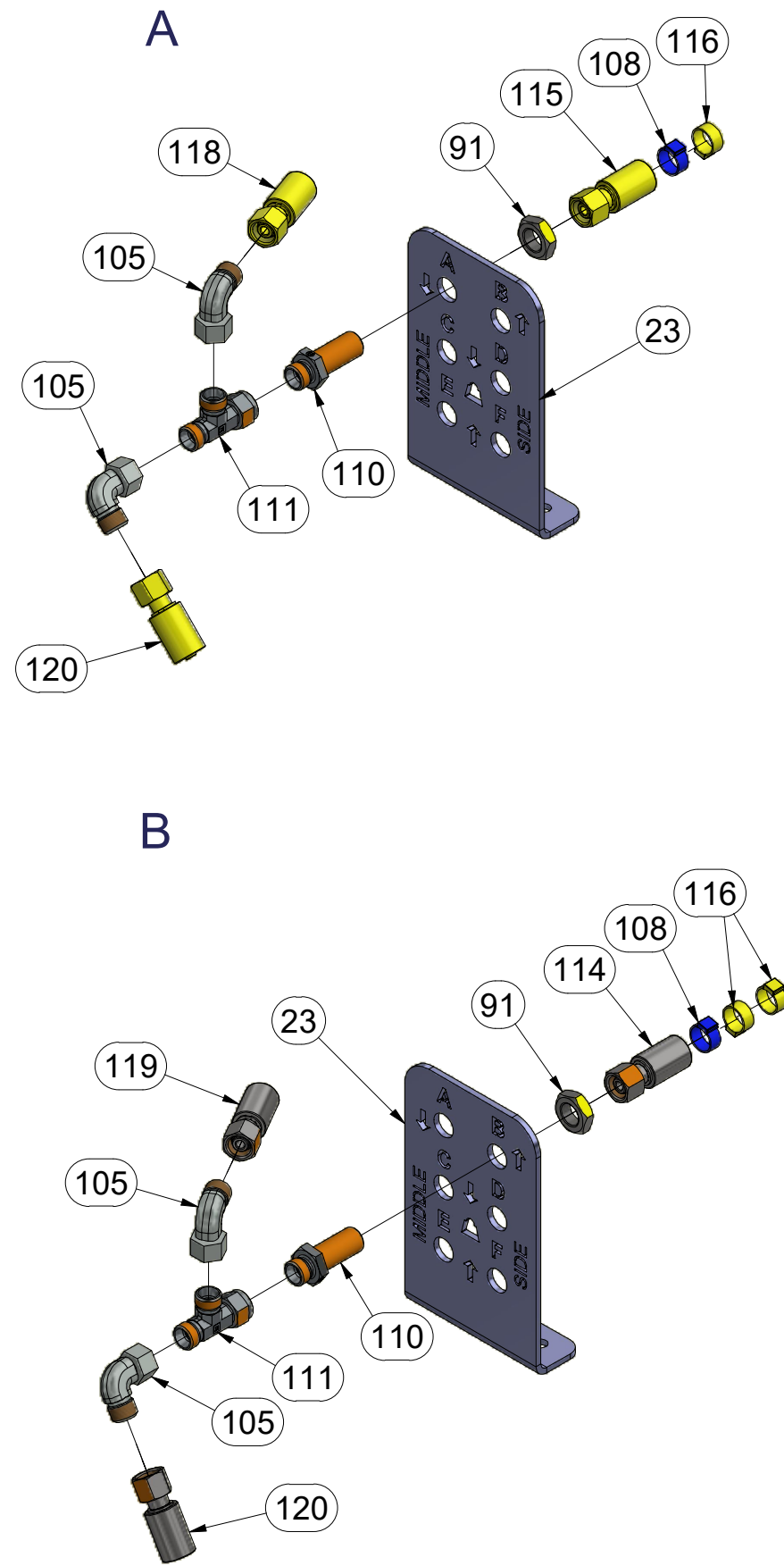
| Pos. | Part Number | Pcs. |
|------|-------------|------|
| 23 | VZ00014425 | 1 |
| 69 | m01089 | 2 |

CZ SEKCE PRACOVNÍ SECÍ
 D ARBEITSSEKTION AUSSAAT
 E SECTION DE TRAVAIL - SEMIS

GB WORKING SECTION - SOWING
 RU СЕКЦИЯ РАБОЧАЯ ВЫСЕВАЮЩАЯ
 PL SEKCJA SIEWU ROBOCZEGO



VZ00032047



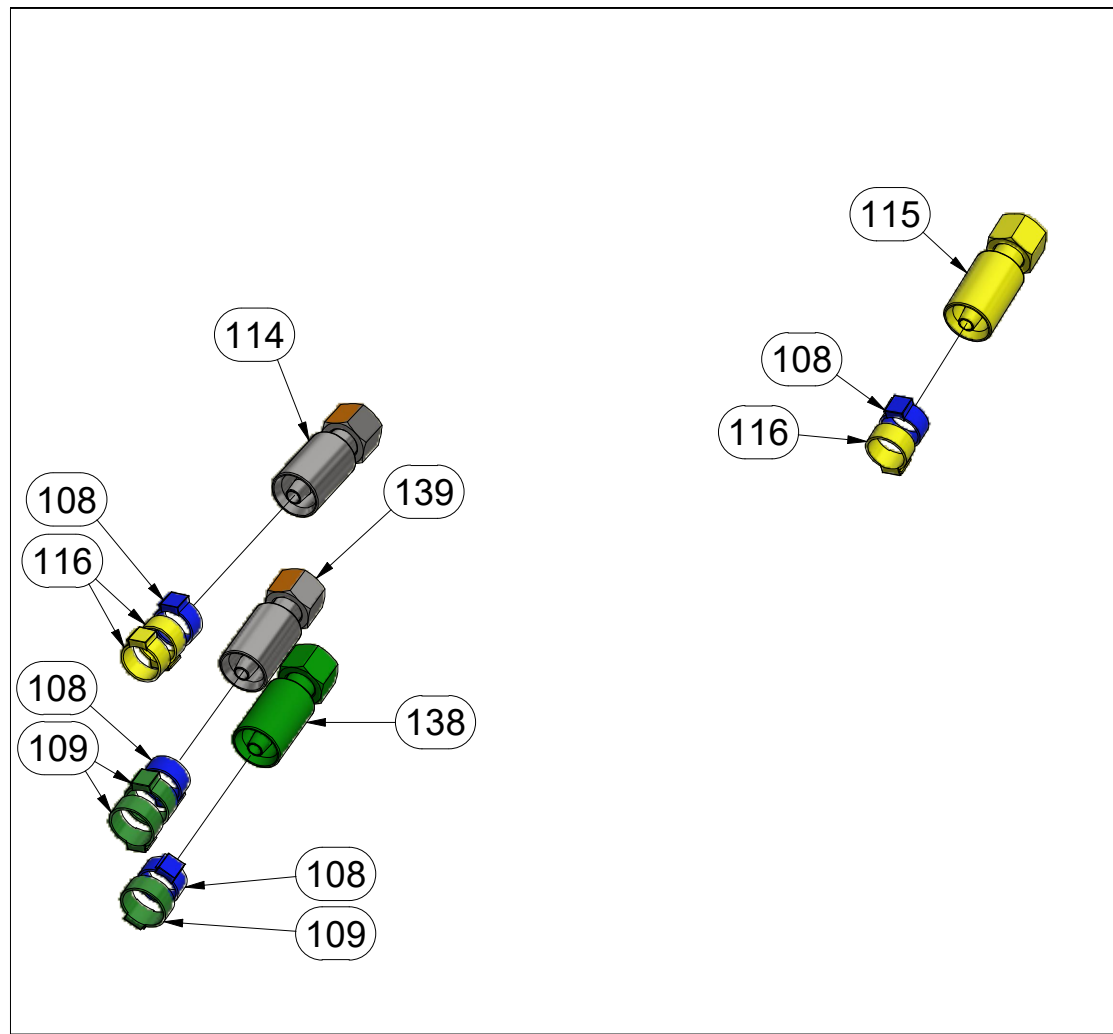
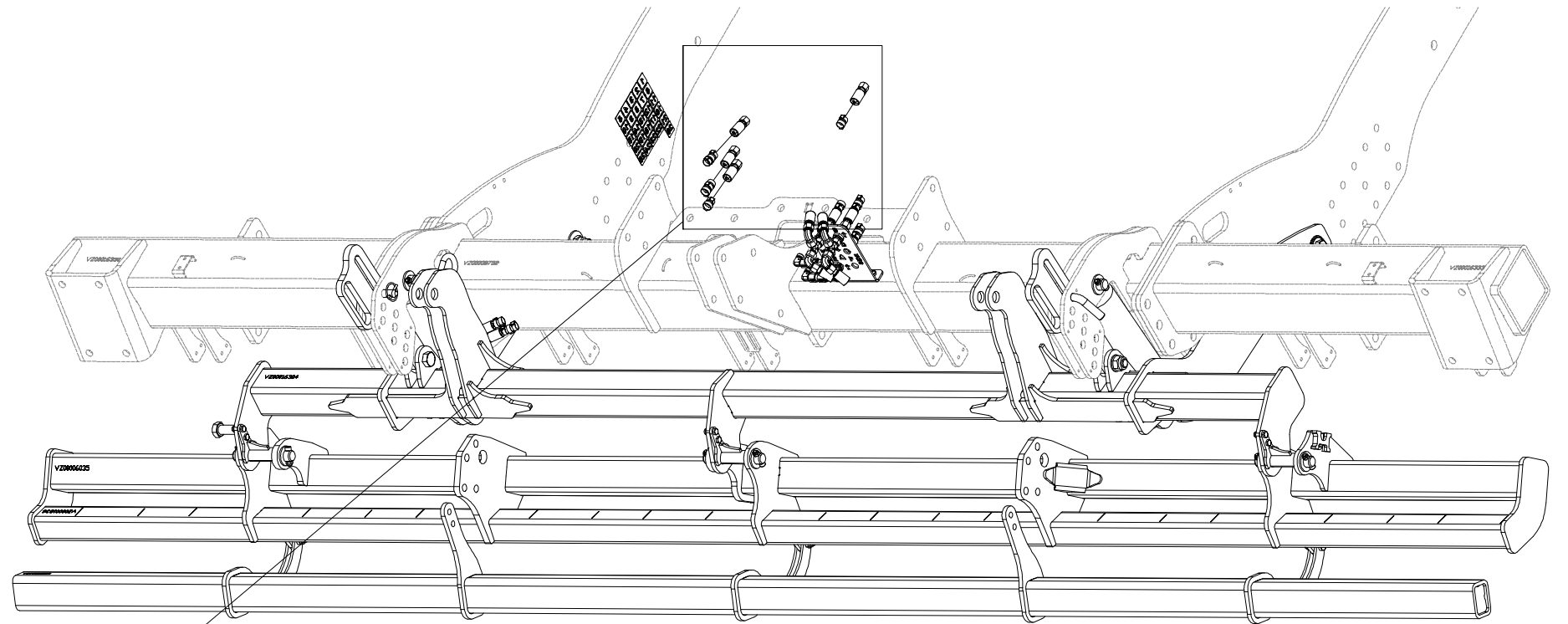
| Pos. | Part Number | Pcs. |
|------|-------------|------|
| 23 | VZ00014425 | 1 |
| 91 | m03941 | 4 |
| 105 | m06803 | 8 |
| 106 | m22305 | 2 |
| 108 | m11253 | 16 |
| 109 | m11282 | 12 |
| 110 | m11768 | 4 |
| 111 | m07568 | 2 |
| 112 | m07567 | 2 |
| 114 | m18087 | 1 |
| 115 | m11126 | 1 |
| 116 | m11289 | 12 |
| 117 | m06661 | 2 |
| 118 | m15129 | 1 |
| 119 | m03952 | 1 |
| 120 | m07646 | 2 |
| 138 | m07362 | 1 |
| 139 | m09629 | 1 |

CZ SEKCE PRACOVNÍ SECÍ
 D ARBEITSSEKTION AUSSAAT
 F SECTION DE TRAVAIL - SEMIS

GB WORKING SECTION - SOWING
 RU СЕКЦИЯ РАБОЧАЯ ВЫСЕВАЮЩАЯ
 PL SEKCJA SIEWU ROBOCZEGO



VZ00032047



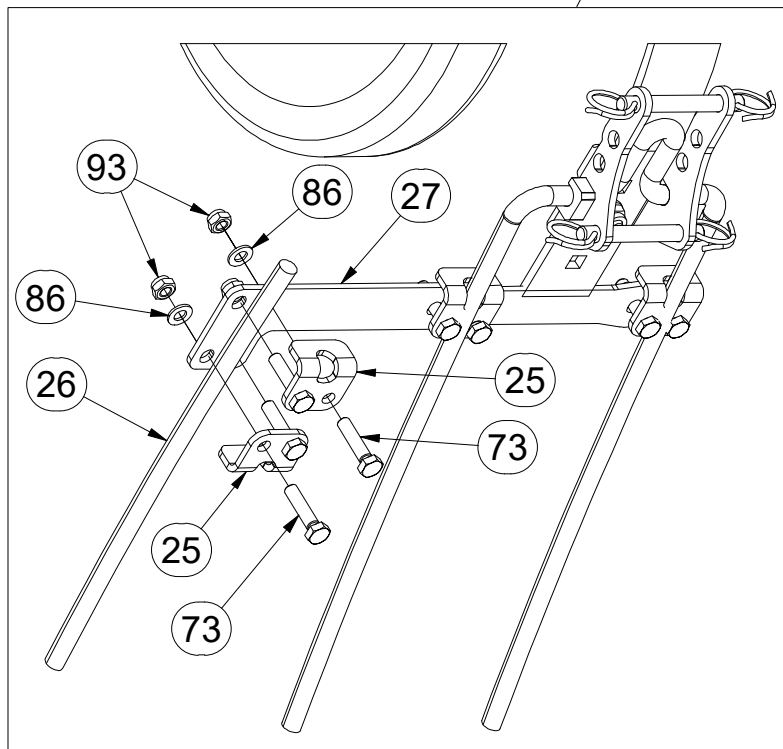
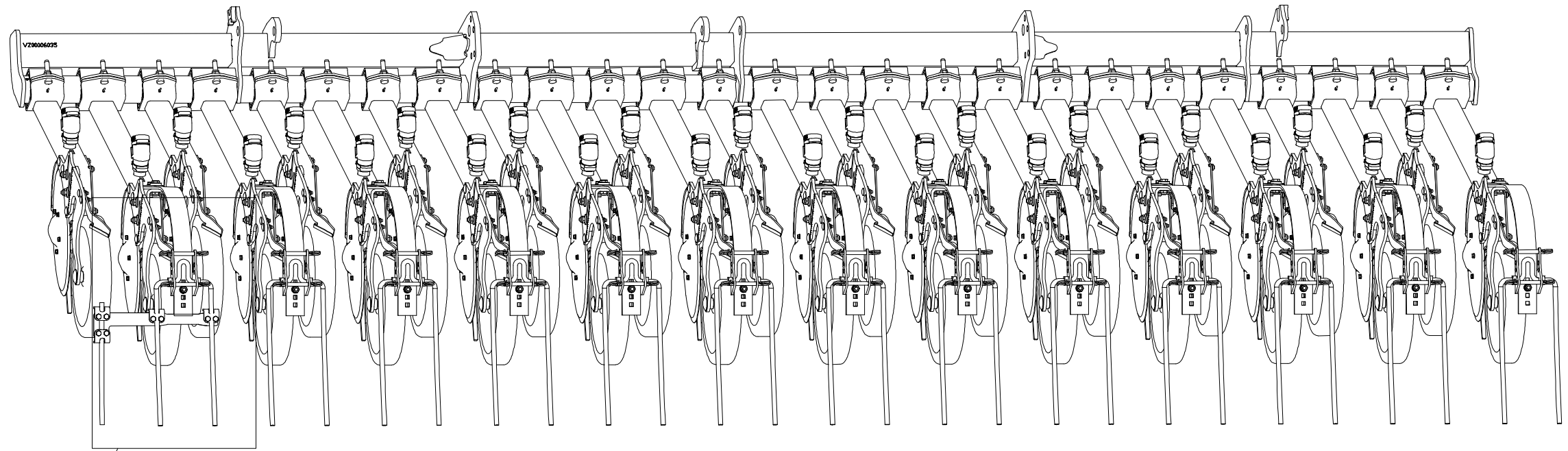
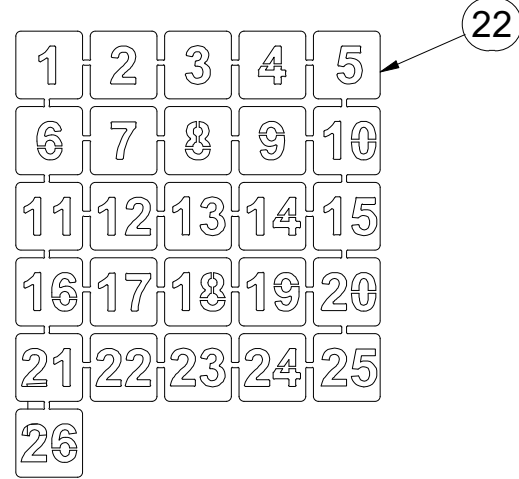
| Pos. | Part Number | Pcs. |
|------|-------------|------|
| 108 | m11253 | 16 |
| 109 | m11282 | 12 |
| 114 | m18087 | 1 |
| 115 | m11126 | 1 |
| 116 | m11289 | 12 |
| 138 | m07362 | 1 |
| 139 | m09629 | 1 |

CZ SEKCE PRACOVNÍ SECÍ
 D ARBEITSSEKTION AUSSAAT
 F SECTION DE TRAVAIL - SEMIS

GB WORKING SECTION - SOWING
 RU СЕКЦИЯ РАБОЧАЯ ВЫСЕВАЮЩАЯ
 PL SEKCJA SIEWU ROBOCZEGO

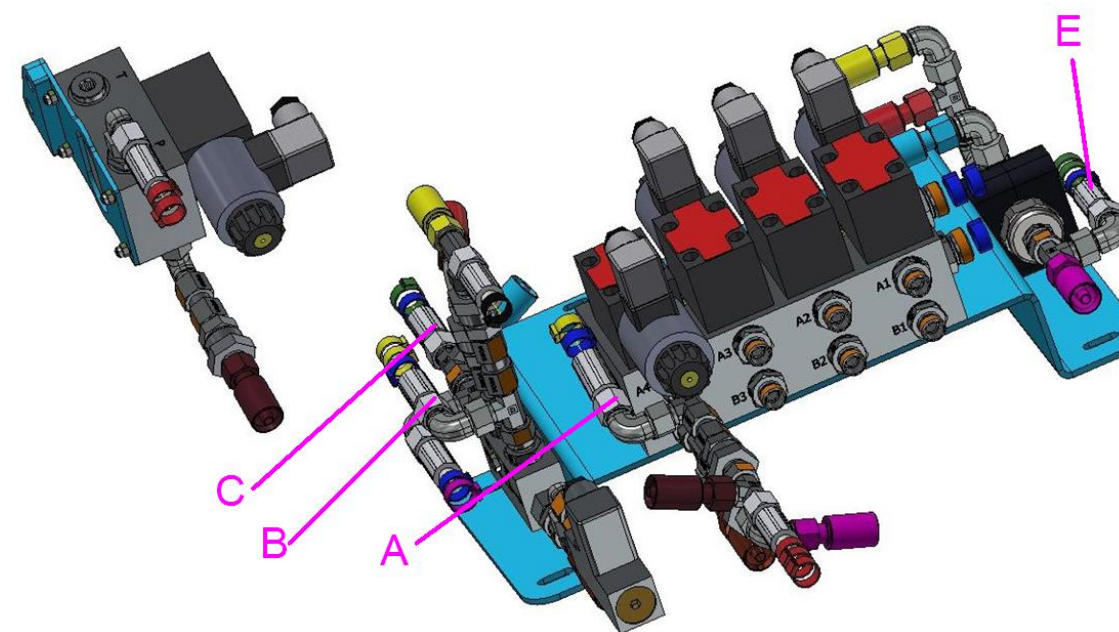
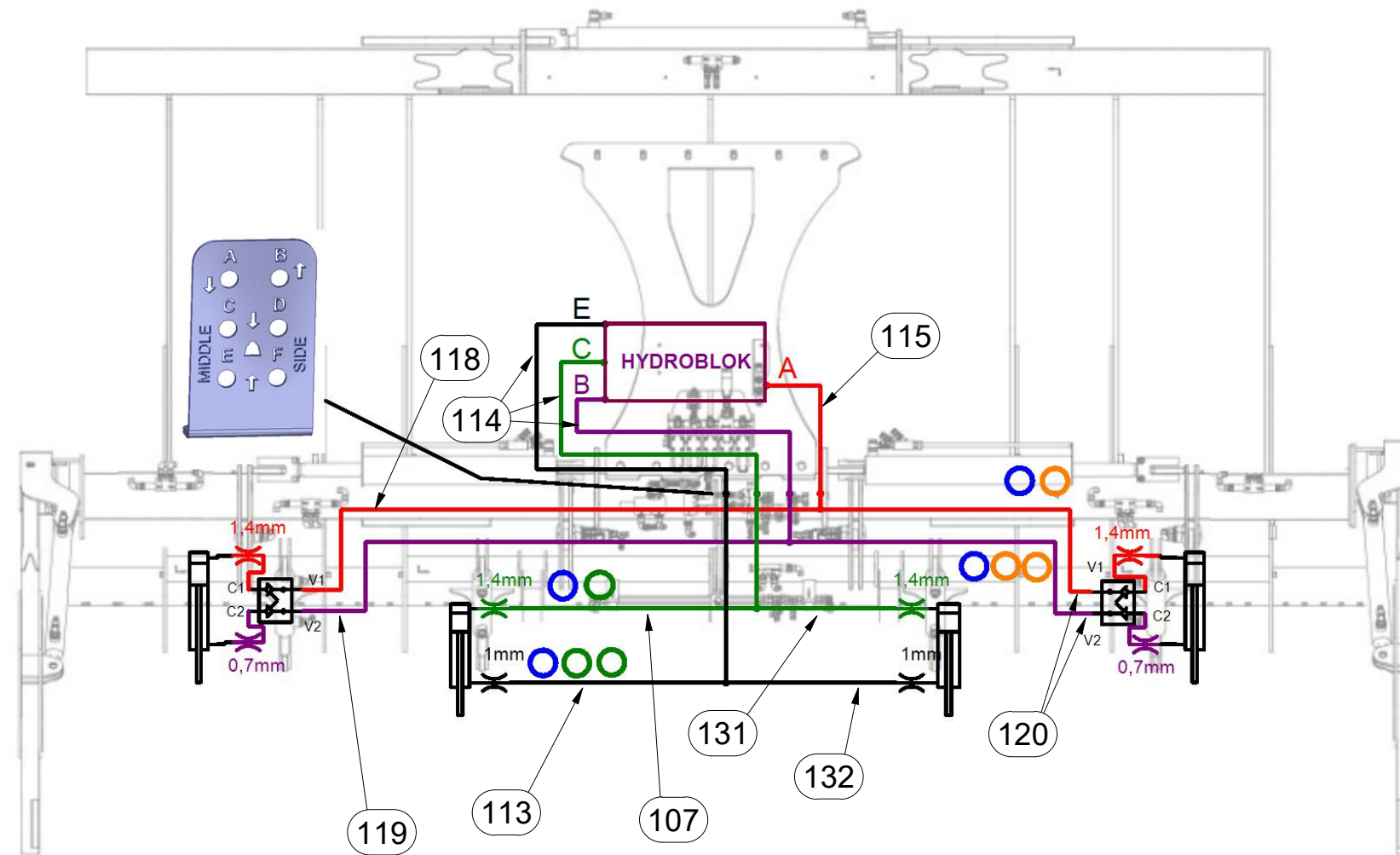


VZ00032047



| Pos. | Part Number | Pcs. |
|------|-------------|------|
| 1 | VZ00015887 | 1 |
| 22 | VZ00002094 | 1 |
| 25 | VZ00021252 | 4 |
| 26 | VZ00004829 | 1 |
| 27 | VZ00026396 | 1 |
| 73 | m01096 | 8 |
| 86 | m01203 | 8 |
| 93 | m04503 | 28 |

VZ00032047



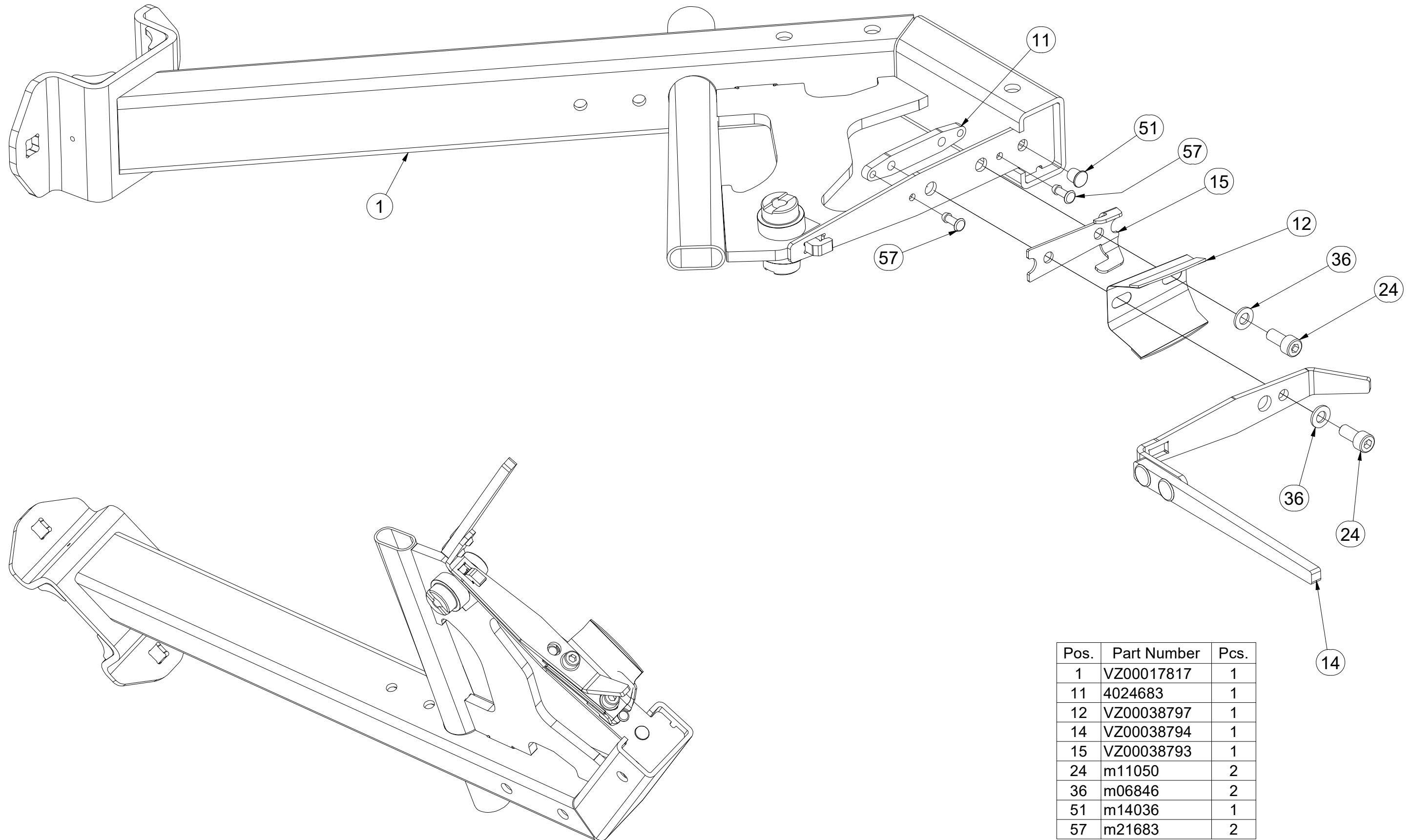
| Pos. | Part Number | Pcs. |
|------|-------------|------|
| 107 | m07360 | 1 |
| 113 | m18177 | 1 |
| 114 | m18087 | 1 |
| 115 | m11126 | 1 |
| 118 | m15129 | 1 |
| 119 | m03952 | 1 |
| 120 | m07646 | 2 |
| 131 | m17222 | 1 |
| 132 | m05210 | 1 |

CZ SECÍ BOTKA KRÁTKÁ
 D KURZE AUSSAATSCHAR
 F SABOT DE SEMIS COURTE

GB SEEDING SHOE SHORT
 RU СОШНИК КОРОТКИЙ
 PL REDLICZKA SIEWNA KRÓTKA

Farmet

VZ00017816



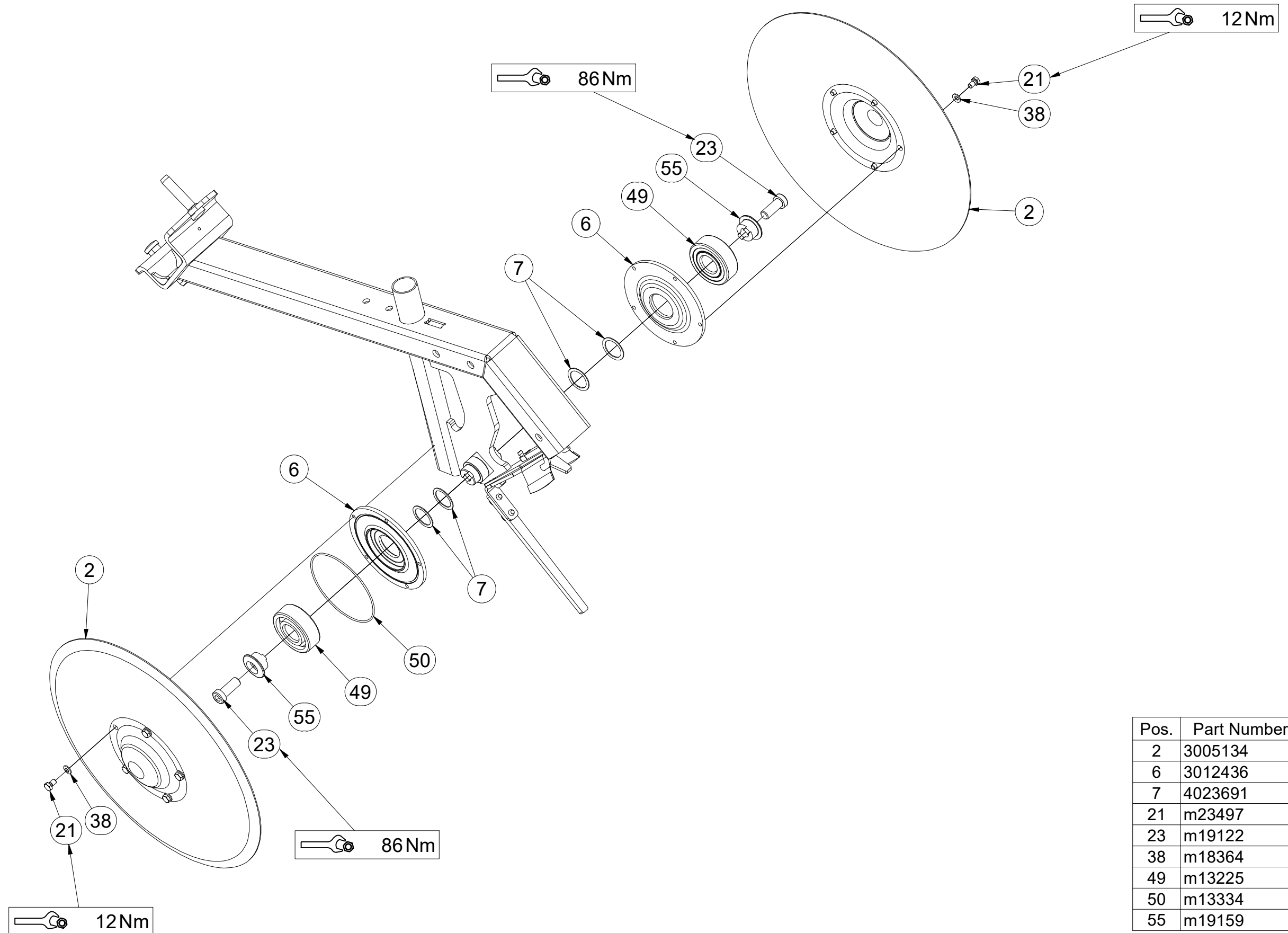
| Pos. | Part Number | Pcs. |
|------|-------------|------|
| 1 | VZ00017817 | 1 |
| 11 | 4024683 | 1 |
| 12 | VZ00038797 | 1 |
| 14 | VZ00038794 | 1 |
| 15 | VZ00038793 | 1 |
| 24 | m11050 | 2 |
| 36 | m06846 | 2 |
| 51 | m14036 | 1 |
| 57 | m21683 | 2 |

(CZ) SECÍ BOTKA KRÁTKÁ
 (D) KURZE AUSSAATSCHAR
 (F) SABOT DE SEMIS COURTE

(GB) SEEDING SHOE SHORT
 (RU) СОШНИК КОРОТКИЙ
 (PL) REDLICZKA SIEWNA KRÓTKA

Farmet

VZ00017816



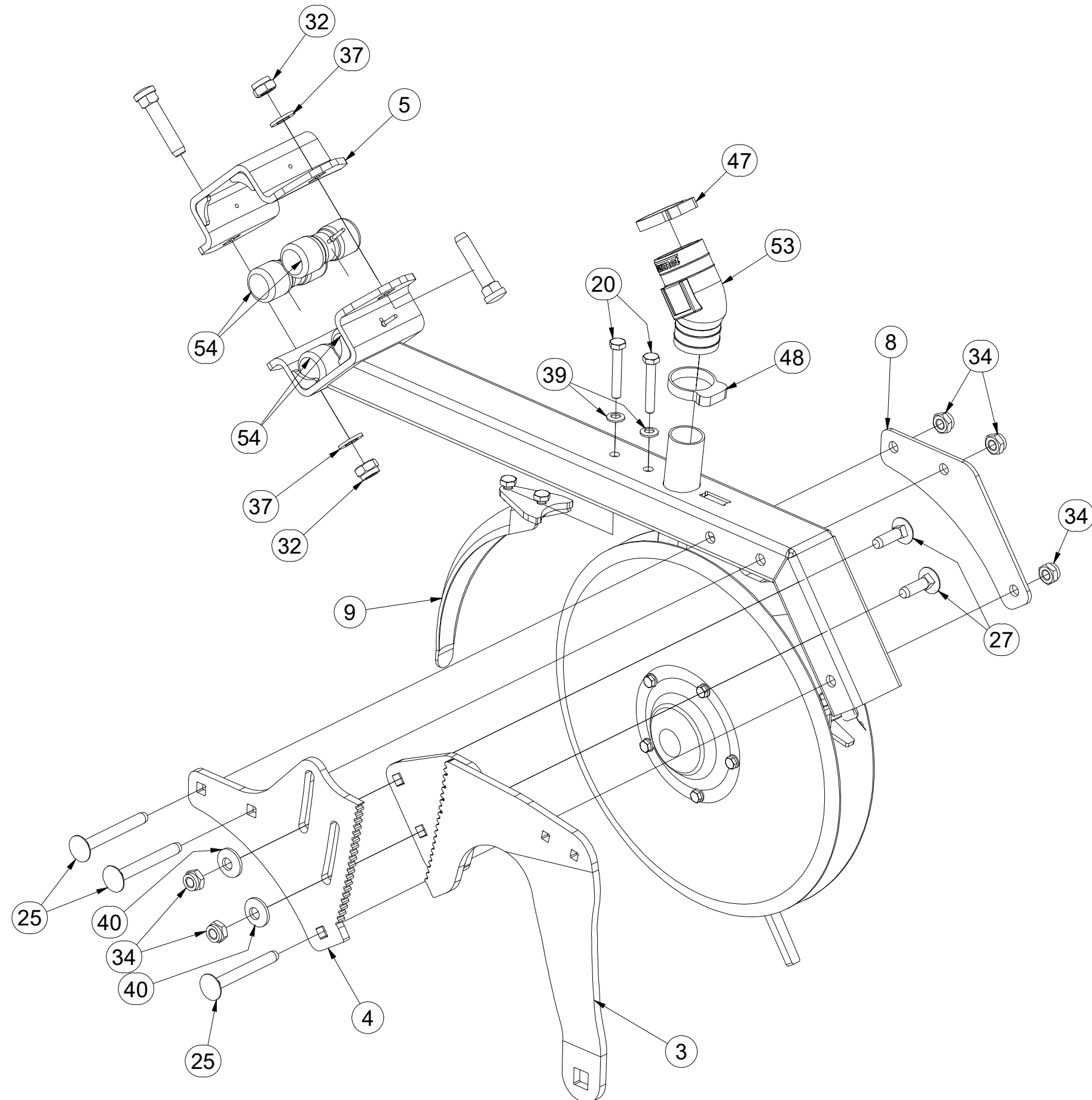
| Pos. | Part Number | Pcs. |
|------|-------------|------|
| 2 | 3005134 | 2 |
| 6 | 3012436 | 2 |
| 7 | 4023691 | 4 |
| 21 | m23497 | 10 |
| 23 | m19122 | 2 |
| 38 | m18364 | 10 |
| 49 | m13225 | 2 |
| 50 | m13334 | 2 |
| 55 | m19159 | 2 |

- Ⓒ SECÍ BOTKA KRÁTKÁ
- Ⓓ KURZE AUSSAATSCHAR
- Ⓕ SABOT DE SEMIS COURTE

- Ⓖ SEEDING SHOE SHORT
- Ⓡ СОШНИК КОРОТКИЙ
- Ⓟ REDLICZKA SIEWNA KRÓTKA



VZ00017816



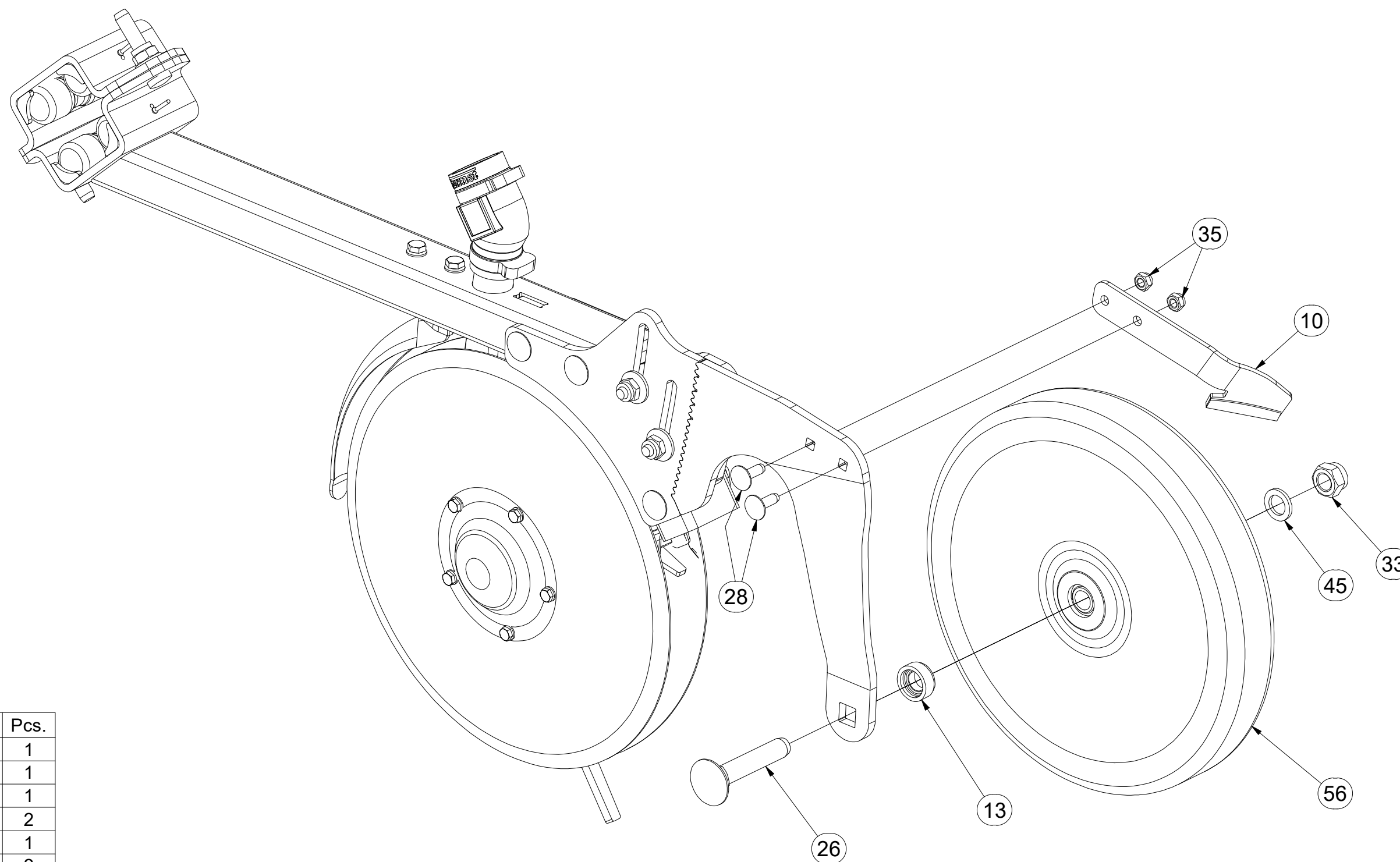
| Pos. | Part Number | Pcs. |
|------|-------------|------|
| 3 | VZ00018455 | 1 |
| 4 | VZ00018337 | 1 |
| 5 | VZ00033608 | 1 |
| 8 | 4024675 | 1 |
| 9 | 4024685 | 1 |
| 20 | m09296 | 2 |
| 25 | m19229 | 3 |
| 27 | m21932 | 2 |
| 32 | m21001 | 2 |
| 34 | m03775 | 5 |
| 37 | m01214 | 2 |
| 39 | m19156 | 2 |
| 40 | m19157 | 2 |
| 47 | m18762 | 1 |
| 48 | m18761 | 1 |
| 53 | m18492 | 1 |
| 54 | m23854 | 4 |

CZ SECÍ BOTKA KRÁTKÁ
 D KURZE AUSSAATSCHAR
 F SABOT DE SEMIS COURTE

GB SEEDING SHOE SHORT
 RU СОШНИК КОРОТКИЙ
 PL REDLICZKA SIEWNA KRÓTKA

Farmet

VZ00017816



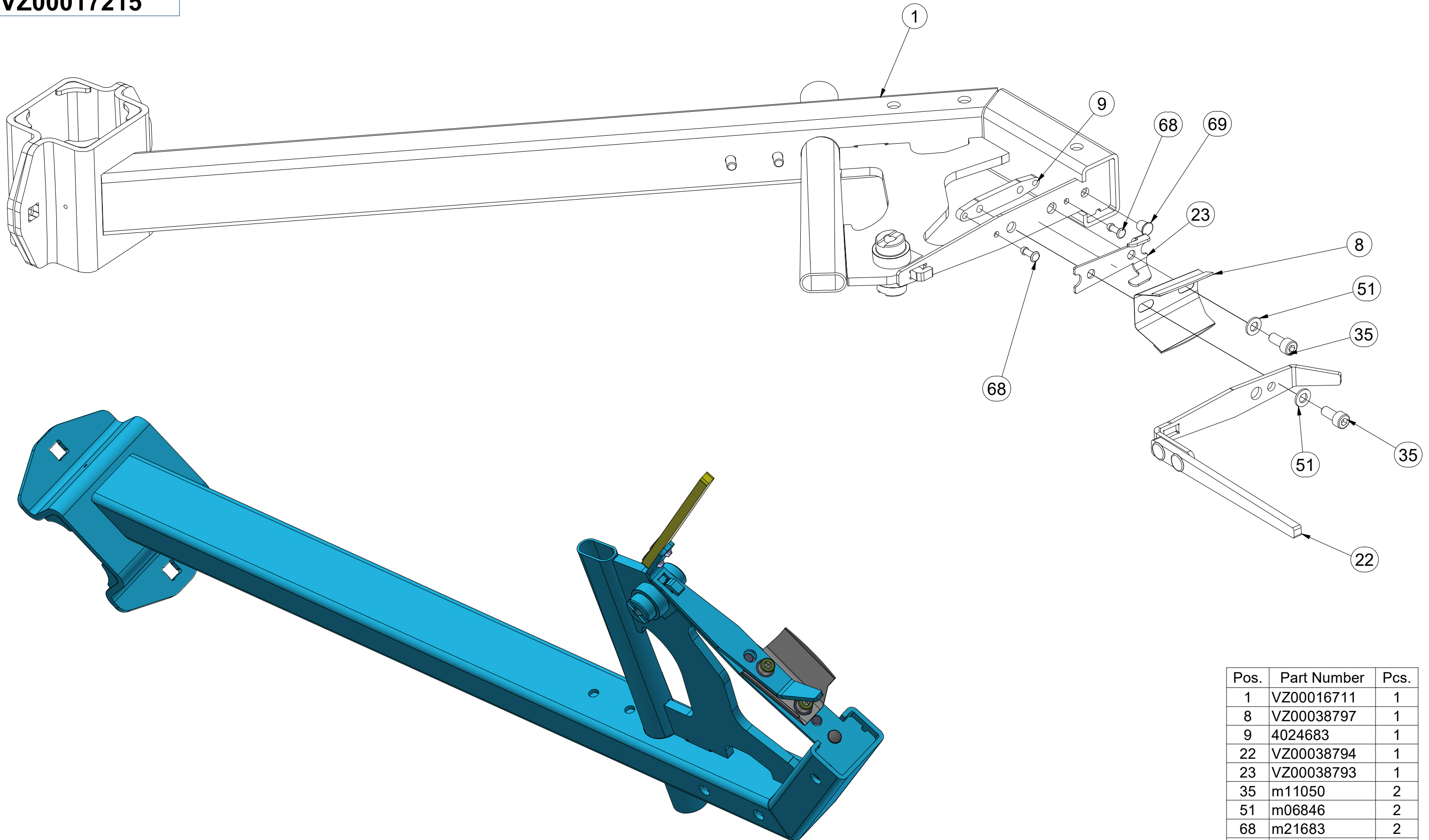
| Pos. | Part Number | Pcs. |
|------|-------------|------|
| 10 | VZ00001555 | 1 |
| 13 | VZ00001265 | 1 |
| 26 | m20044 | 1 |
| 28 | m19152 | 2 |
| 33 | m03683 | 1 |
| 35 | m04503 | 2 |
| 45 | 4023295 | 1 |
| 56 | m19846 | 1 |

CZ SECÍ BOTKA DLOUHÁ
 D LÄNGE AUSSAATSCHAR
 F SABOT DE SEMIS LONG

GB SEEDING SHOE, LONG
 RU СОШНИК ДЛИННЫЙ
 PL REDLICZKA SIEWNA DŁUGA



VZ00017215



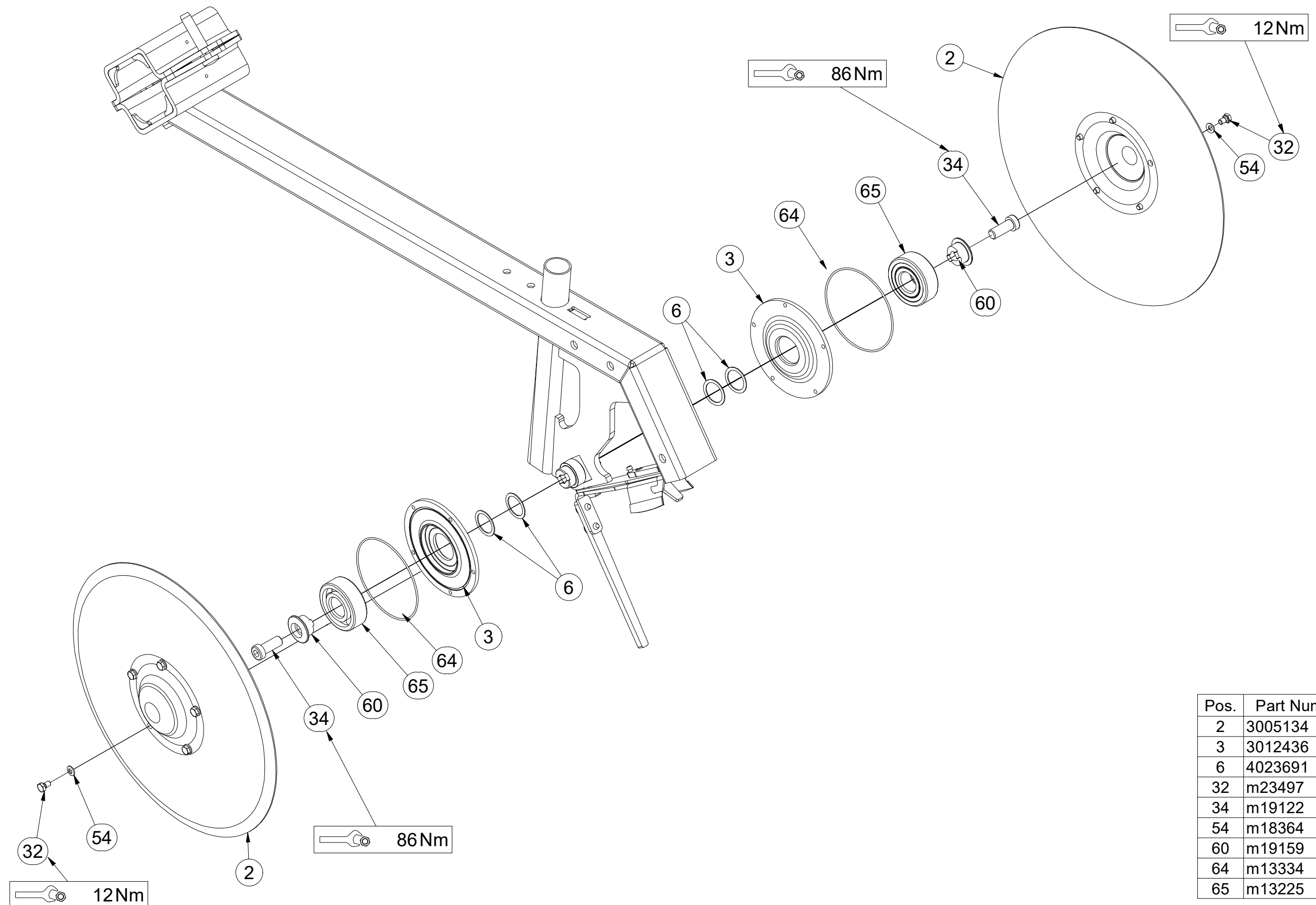
| Pos. | Part Number | Pcs. |
|------|-------------|------|
| 1 | VZ00016711 | 1 |
| 8 | VZ00038797 | 1 |
| 9 | 4024683 | 1 |
| 22 | VZ00038794 | 1 |
| 23 | VZ00038793 | 1 |
| 35 | m11050 | 2 |
| 51 | m06846 | 2 |
| 68 | m21683 | 2 |
| 69 | m14036 | 1 |

CZ SECÍ BOTKA DLOUHÁ
 D LÄNGE AUSSAATSCHAR
 F SABOT DE SEMIS LONG

GB SEEDING SHOE, LONG
 RU СОШНИК ДЛИННЫЙ
 PL REDLICZKA SIEWNA DŁUGA



VZ00017215



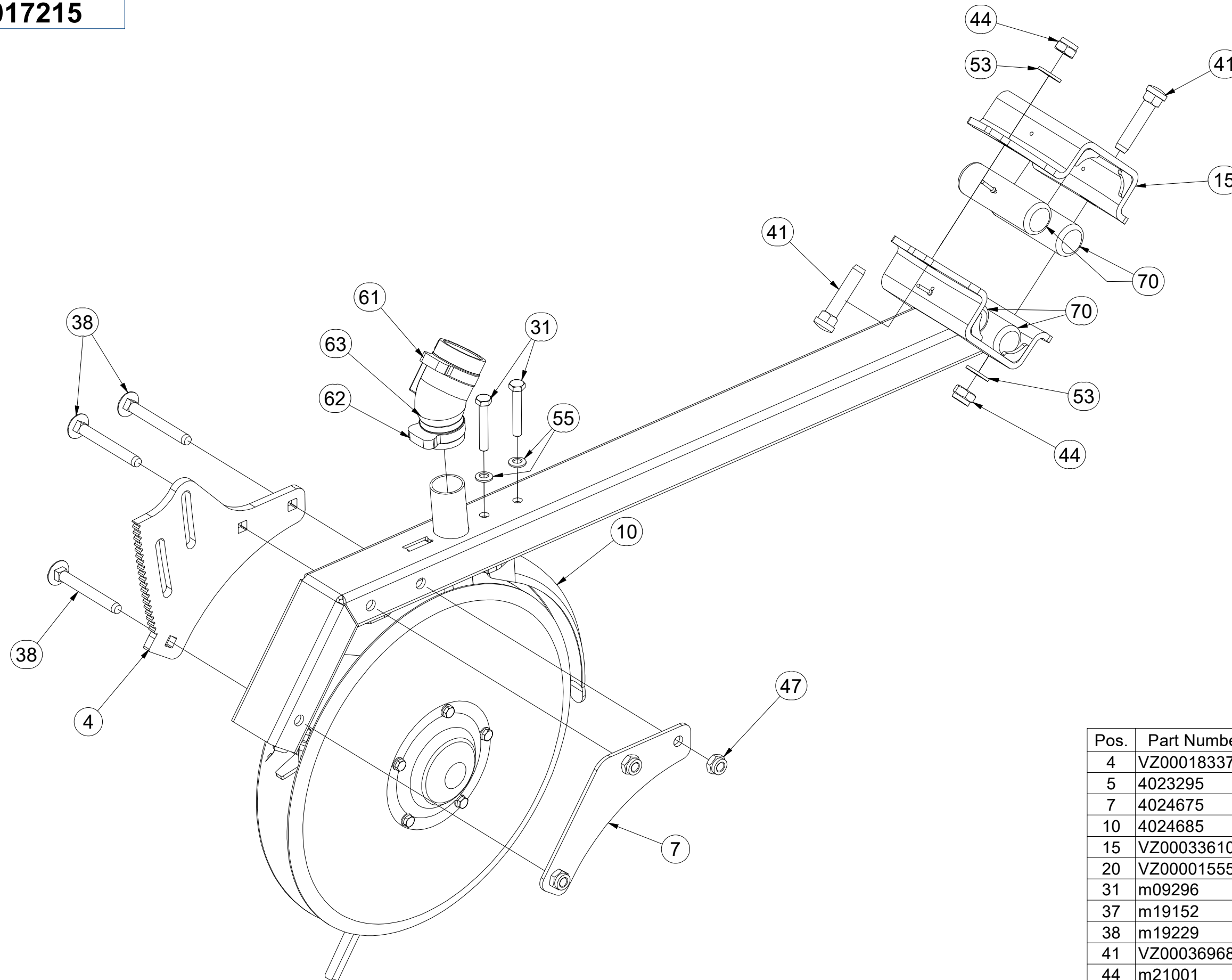
| Pos. | Part Number | Pcs. |
|------|-------------|------|
| 2 | 3005134 | 2 |
| 3 | 3012436 | 2 |
| 6 | 4023691 | 4 |
| 32 | m23497 | 10 |
| 34 | m19122 | 2 |
| 54 | m18364 | 10 |
| 60 | m19159 | 2 |
| 64 | m13334 | 2 |
| 65 | m13225 | 2 |

(CZ) SECÍ BOTKA DLOUHÁ
 (D) LÄNGE AUSSAATSCHAR
 (F) SABOT DE SEMIS LONG

(GB) SEEDING SHOE, LONG
 (RU) СОШНИК ДЛИННЫЙ
 (PL) REDLICZKA SIEWNA DŁUGA



VZ00017215



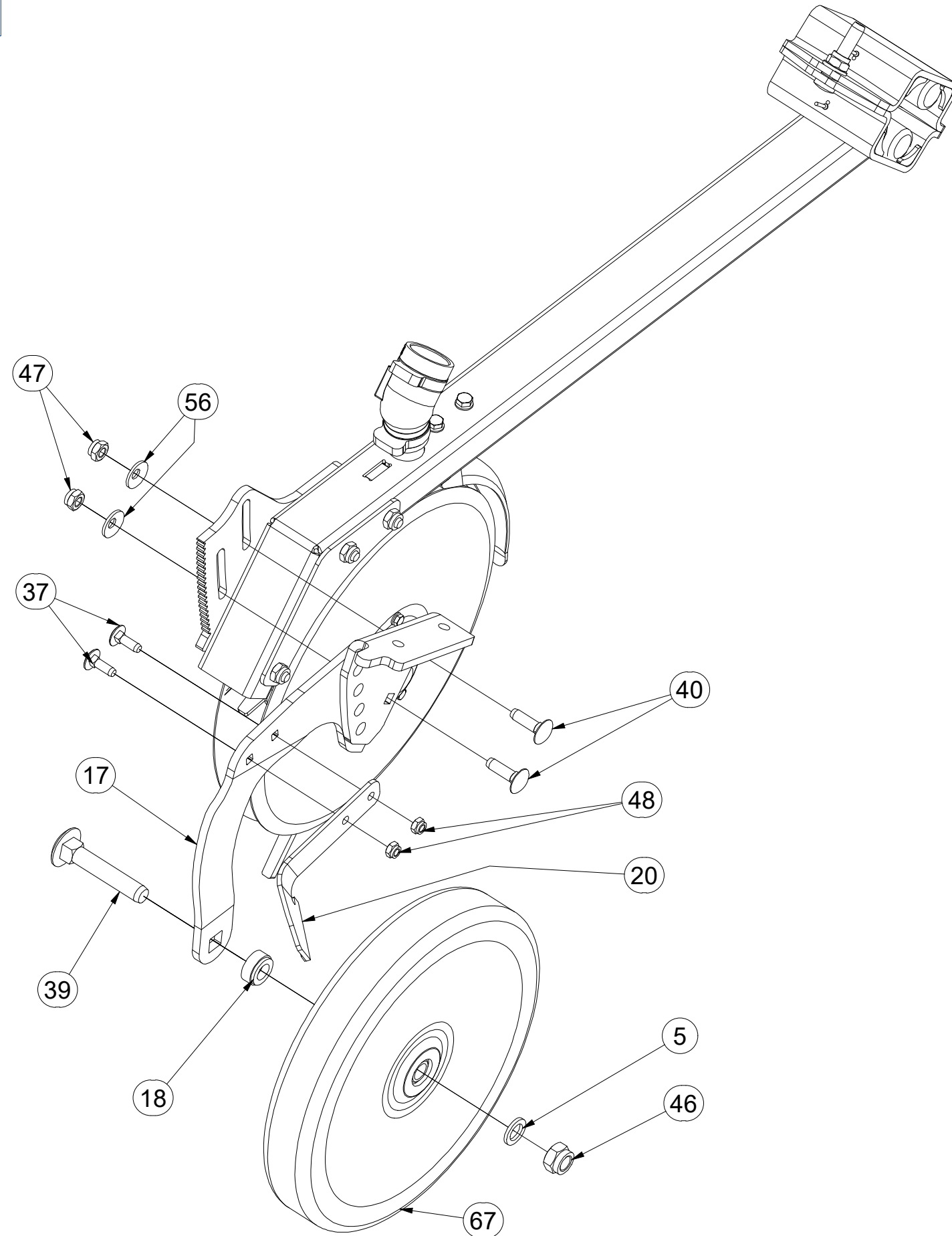
| Pos. | Part Number | Pcs. | Pos. | Part Number | Pcs. |
|------|-------------|------|------|-------------|------|
| 4 | VZ00018337 | 1 | 46 | m03683 | 1 |
| 5 | 4023295 | 1 | 47 | m03775 | 8 |
| 7 | 4024675 | 1 | 48 | m04503 | 2 |
| 10 | 4024685 | 1 | 53 | m01214 | 2 |
| 15 | VZ00033610 | 1 | 55 | m19156 | 2 |
| 20 | VZ00001555 | 1 | 56 | m19157 | 2 |
| 31 | m09296 | 2 | 61 | m18762 | 1 |
| 37 | m19152 | 2 | 62 | m18761 | 1 |
| 38 | m19229 | 3 | 63 | m18492 | 1 |
| 41 | VZ00036968 | 2 | 67 | m19846 | 1 |
| 44 | m21001 | 2 | 70 | m23855 | 4 |

- Ⓒ SECÍ BOTKA DLOUHÁ
- Ⓓ LÄNGE AUSSAATSCHAR
- Ⓕ SABOT DE SEMIS LONG

- Ⓖ SEEDING SHOE, LONG
- Ⓡ СОШНИК ДЛИННЫЙ
- Ⓟ REDLICZKA SIEWNA DŁUGA



VZ00017215



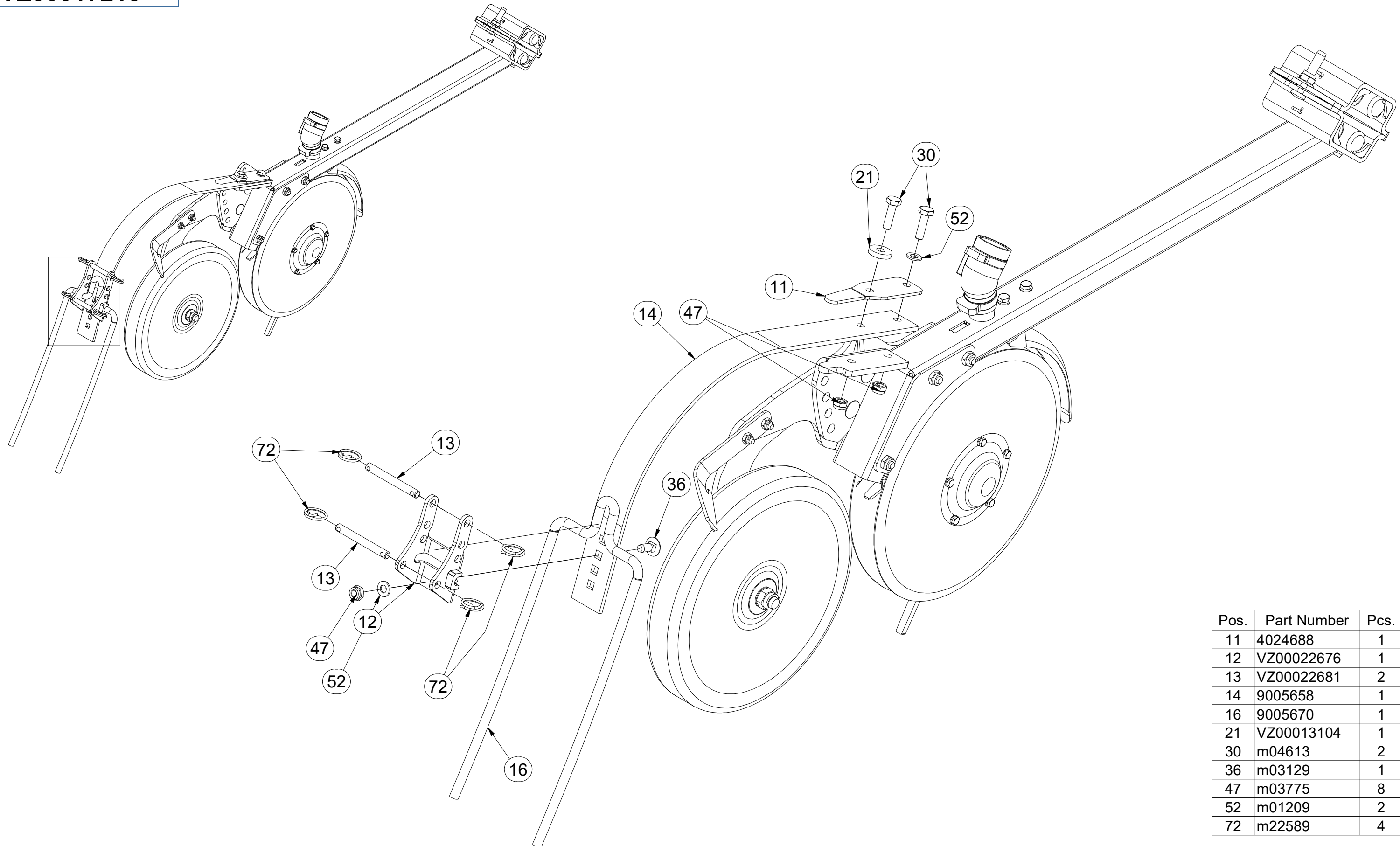
| Pos. | Part Number | Pcs. |
|------|-------------|------|
| 5 | 4023295 | 1 |
| 17 | VZ00018439 | 1 |
| 18 | VZ00001265 | 1 |
| 20 | VZ00001555 | 1 |
| 37 | m19152 | 2 |
| 39 | m20044 | 1 |
| 40 | m21932 | 2 |
| 46 | m03683 | 1 |
| 47 | m03775 | 8 |
| 48 | m04503 | 2 |
| 56 | m19157 | 2 |
| 67 | m19846 | 1 |

CZ SECÍ BOTKA DLOUHÁ
 D LÄNGE AUSSAATSCHAR
 F SABOT DE SEMIS LONG

GB SEEDING SHOE, LONG
 RU СОШНИК ДЛИННЫЙ
 PL REDLICZKA SIEWNA DŁUGA



VZ00017215



| Pos. | Part Number | Pcs. |
|------|-------------|------|
| 11 | 4024688 | 1 |
| 12 | VZ00022676 | 1 |
| 13 | VZ00022681 | 2 |
| 14 | 9005658 | 1 |
| 16 | 9005670 | 1 |
| 21 | VZ00013104 | 1 |
| 30 | m04613 | 2 |
| 36 | m03129 | 1 |
| 47 | m03775 | 8 |
| 52 | m01209 | 2 |
| 72 | m22589 | 4 |

Ⓒ JEDNOTKA PRACOVNÍ - PREEMERGENTNÍ ZNAČENÍ

Ⓓ ARBEITSEINHEIT - VORAUFLAUFKENNZEICHNUNG

Ⓕ UNITÉ DE TRAVAIL - ÉTIQUETAGE DE PRÉ-ÉMERGENCE

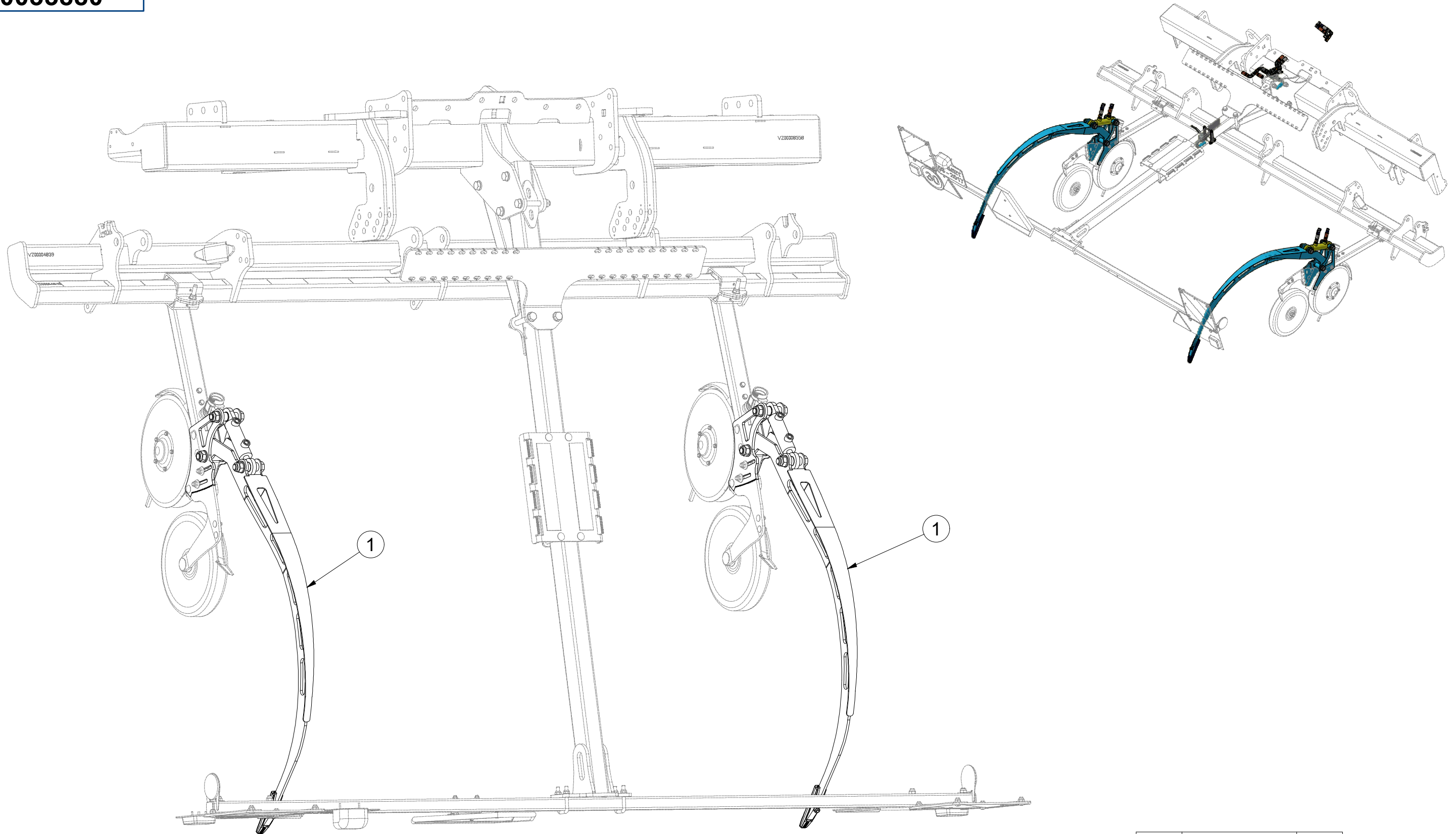
Ⓖ WORKING LEVELLER - PRE-EMERGENCE LABELING

Ⓔ РАБОЧИЙ УЗЕЛ - МАРКИРОВКА ДО ПОЯВЛЕНИЯ

Ⓗ JEDNOSTKA ROBOCZA - ZNAKOWANIE PRZEDWSCHODOWE



VZ00033880



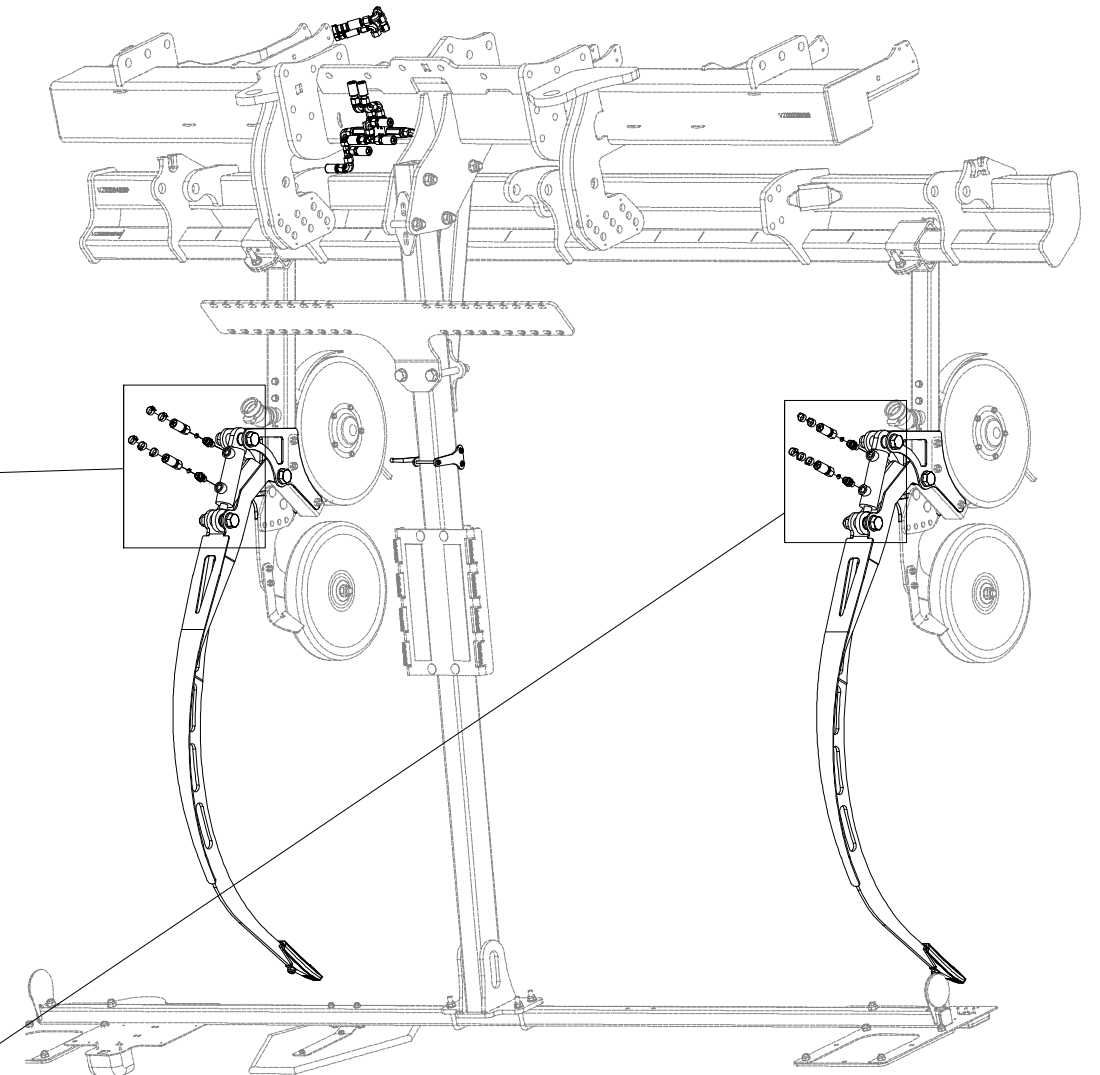
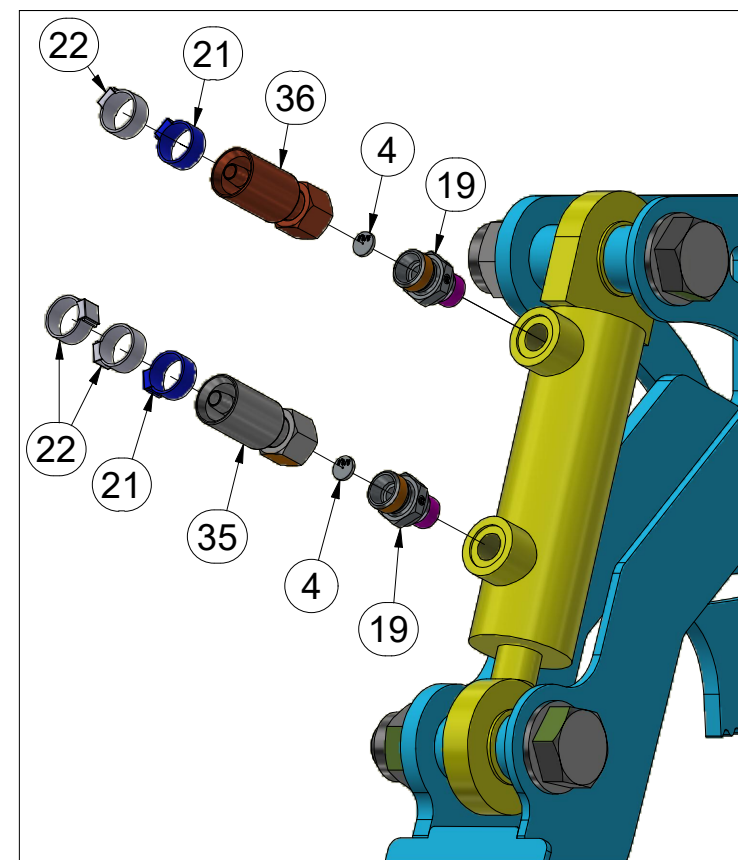
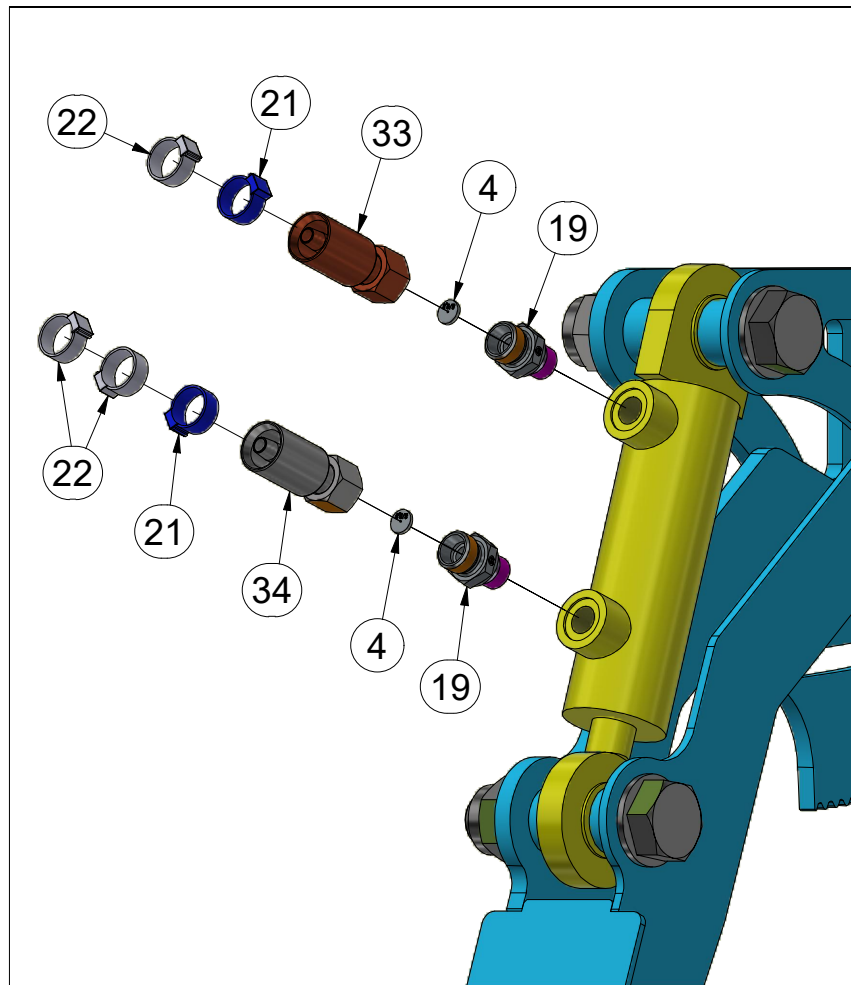
| Pos. | Part Number | Pcs. |
|------|-------------|------|
| 1 | VZ00033816 | 2 |

(CZ) JEDNOTKA PRACOVNÍ - PREEMERGENTNÍ ZNAČENÍ
 (D) ARBEITSEINHEIT - VORAUFLAUFKENNZEICHNUNG
 (F) UNITÉ DE TRAVAIL - ÉTIQUETAGE DE PRÉ-ÉMERGENCE

(GB) WORKING LEVELLER - PRE-EMERGENCE LABELING
 (RU) РАБОЧИЙ УЗЕЛ - МАРКИРОВКА ДО ПОЯВЛЕНИЯ
 (PL) JEDNOSTKA ROBOCZA - ZNAKOWANIE PRZEDWSCHODOWE



VZ00033880



| Pos. | Part Number | Pcs. |
|------|-------------|------|
| 4 | m10781 | 4 |
| 19 | m07470 | 4 |
| 21 | m11253 | 6 |
| 22 | m11691 | 9 |
| 33 | m07648 | 1 |
| 34 | m11696 | 1 |
| 35 | m17443 | 1 |
| 36 | m15154 | 1 |

Ⓒ JEDNOTKA PRACOVNÍ - PREEMERGENTNÍ ZNAČENÍ

Ⓓ ARBEITSEINHEIT - VORAUFLAUFKENNZEICHNUNG

Ⓕ UNITÉ DE TRAVAIL - ÉTIQUETAGE DE PRÉ-ÉMERGENCE

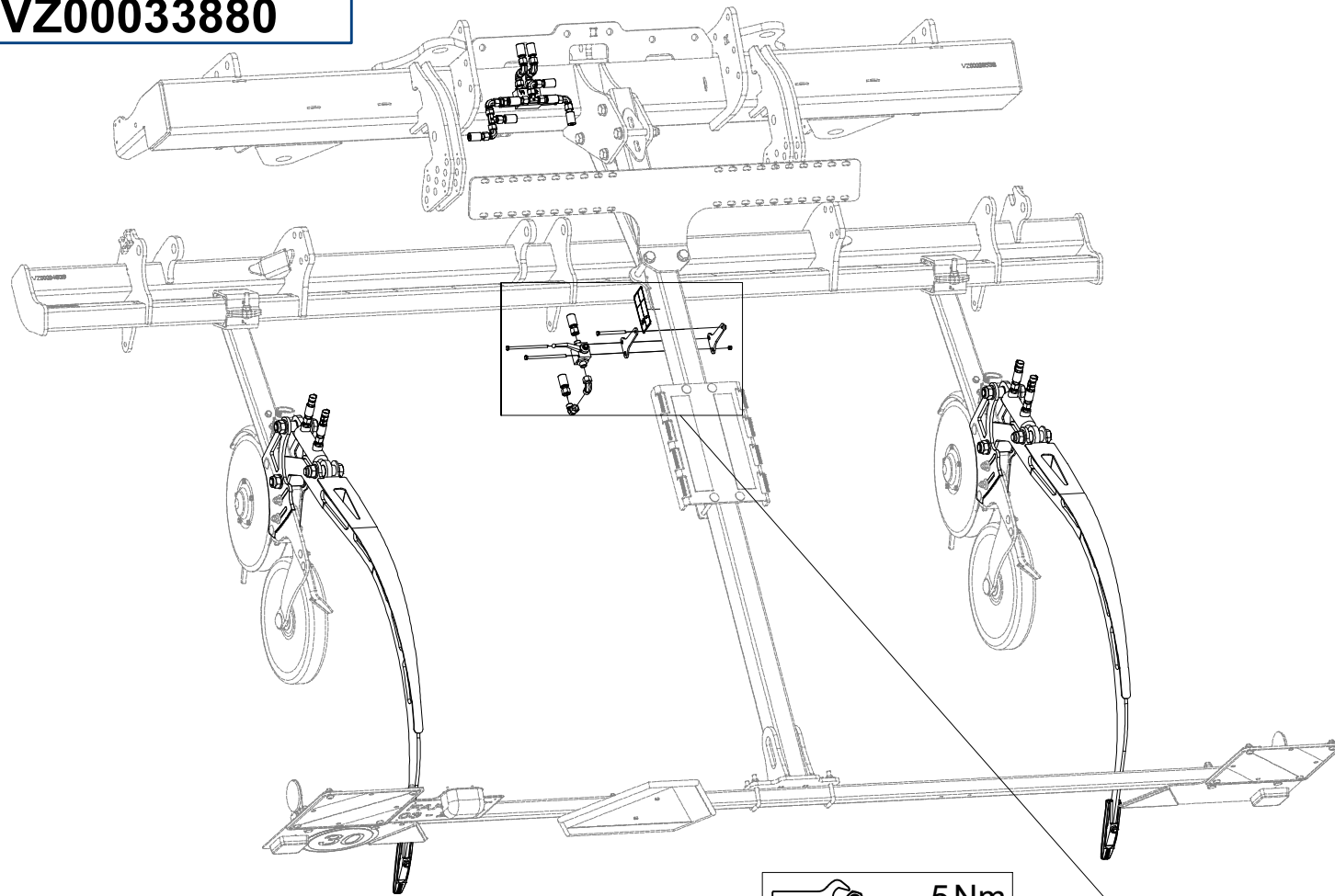
Ⓒ WORKING LEVELLER - PRE-EMERGENCE LABELING

Ⓓ РАБОЧИЙ УЗЕЛ - МАРКИРОВКА ДО ПОЯВЛЕНИЯ

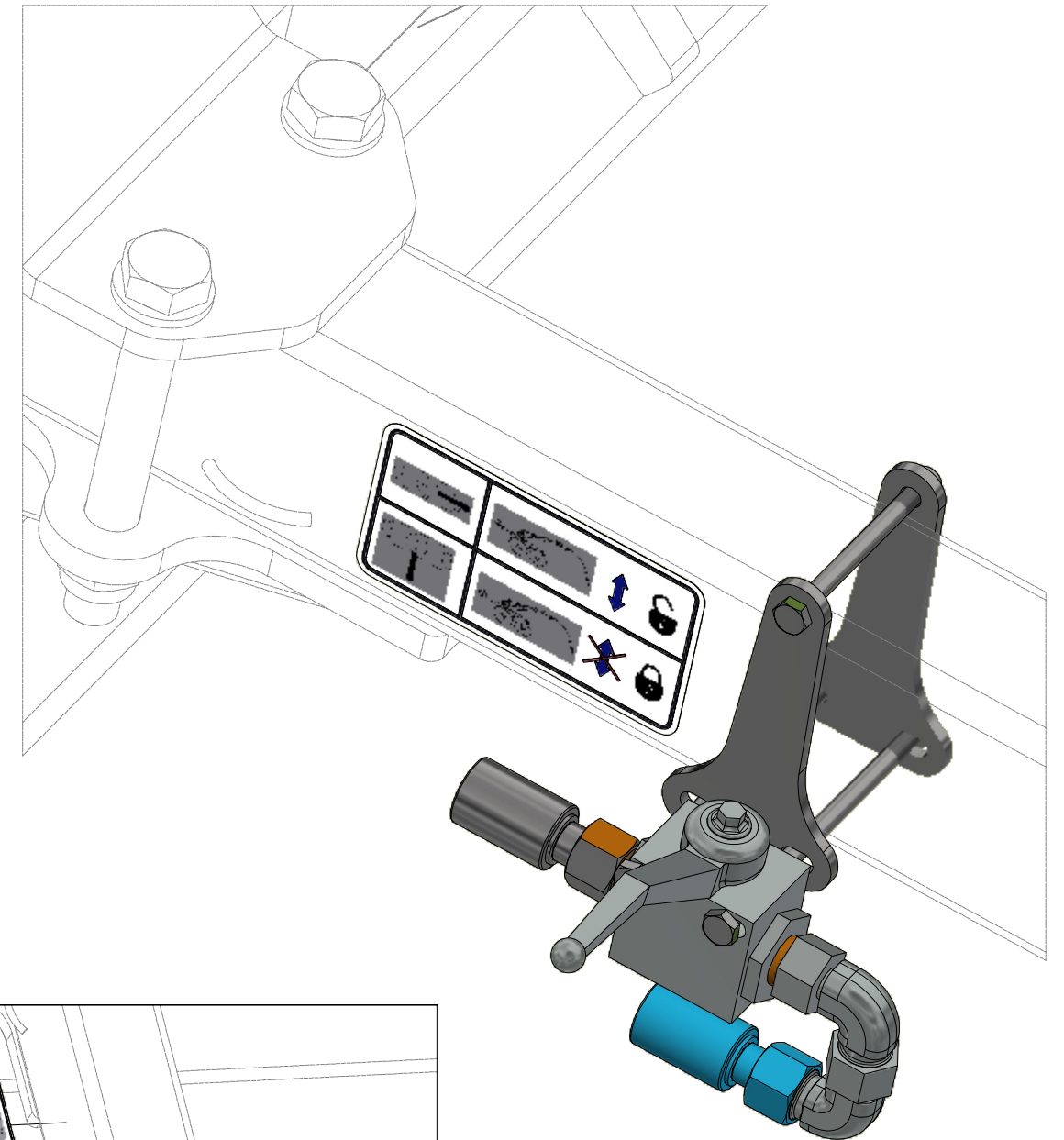
Ⓕ JEDNOSTKA ROBOCZA - ZNAKOWANIE PRZEDWSCHODOWE



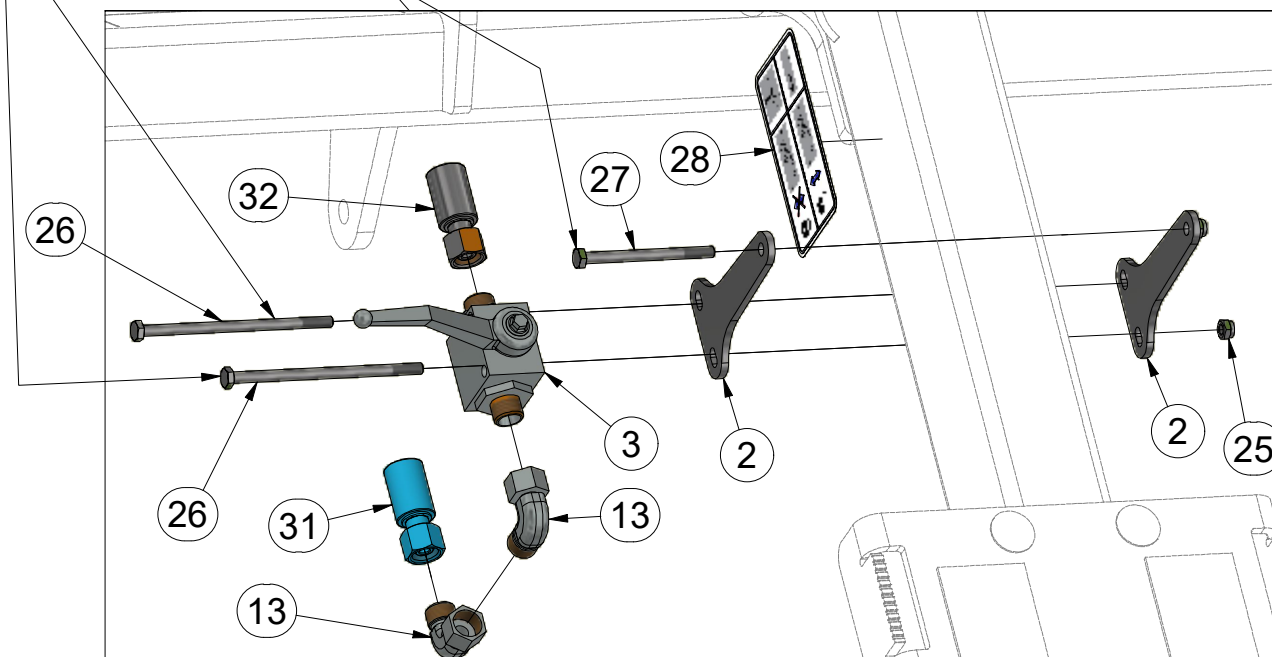
VZ00033880



5Nm



| Pos. | Part Number | Pcs. |
|------|-------------|------|
| 2 | VZ00014070 | 2 |
| 3 | m04623 | 1 |
| 13 | m06803 | 12 |
| 25 | m05560 | 3 |
| 26 | m21793 | 2 |
| 27 | m16453 | 1 |
| 28 | m21410 | 1 |
| 31 | m04033 | 3 |
| 32 | m07646 | 1 |



Ⓒ JEDNOTKA PRACOVNÍ - PREEMERGENTNÍ ZNAČENÍ

Ⓓ ARBEITSEINHEIT - VORAUFLAUFKENNZEICHNUNG

Ⓕ UNITÉ DE TRAVAIL - ÉTIQUETAGE DE PRÉ-ÉMERGENCE

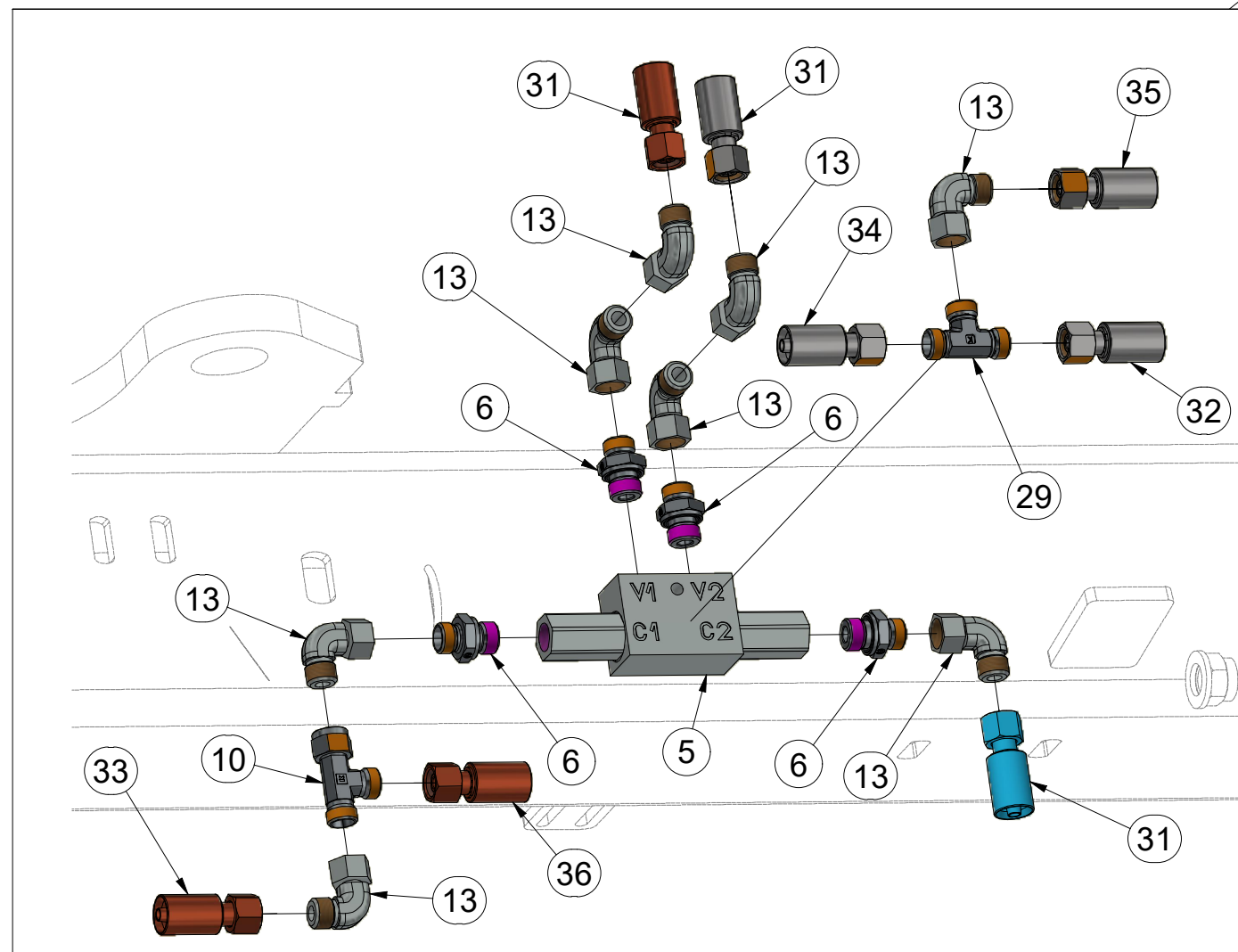
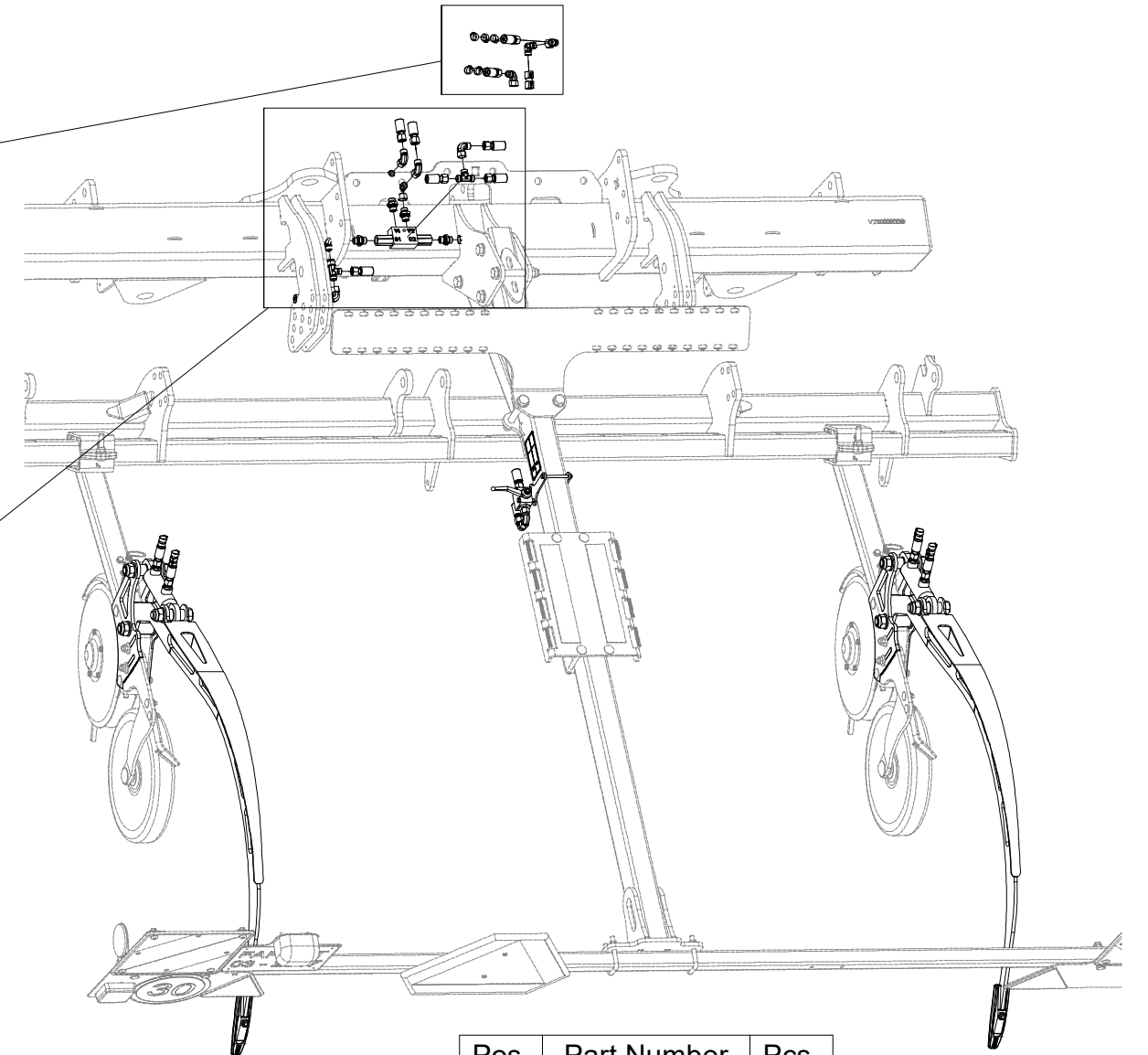
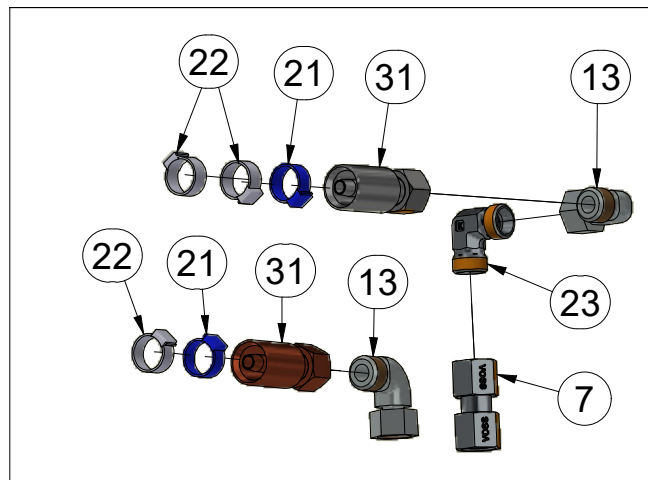
Ⓒ WORKING LEVELLER - PRE-EMERGENCE LABELING

Ⓓ РАБОЧИЙ УЗЕЛ - МАРКИРОВКА ДО ПОЯВЛЕНИЯ

Ⓕ JEDNOSTKA ROBOCZA - ZNAKOWANIE PRZEDWSCHODOWE



VZ00033880



| Pos. | Part Number | Pcs. |
|------|-------------|------|
| 5 | m06673 | 1 |
| 6 | m06528 | 4 |
| 7 | m22305 | 1 |
| 10 | m07568 | 1 |
| 13 | m06803 | 12 |
| 21 | m11253 | 6 |
| 22 | m11691 | 9 |
| 23 | m06661 | 1 |
| 29 | m03889 | 1 |
| 31 | m04033 | 3 |
| 32 | m07646 | 1 |
| 33 | m07648 | 1 |
| 34 | m11696 | 1 |
| 35 | m17443 | 1 |
| 36 | m15154 | 1 |

Ⓒ JEDNOTKA PRACOVNÍ - PREEMERGENTNÍ ZNAČENÍ

Ⓓ ARBEITSEINHEIT - VORAUFLAUFKENNZEICHNUNG

Ⓕ UNITÉ DE TRAVAIL - ÉTIQUETAGE DE PRÉ-ÉMERGENCE

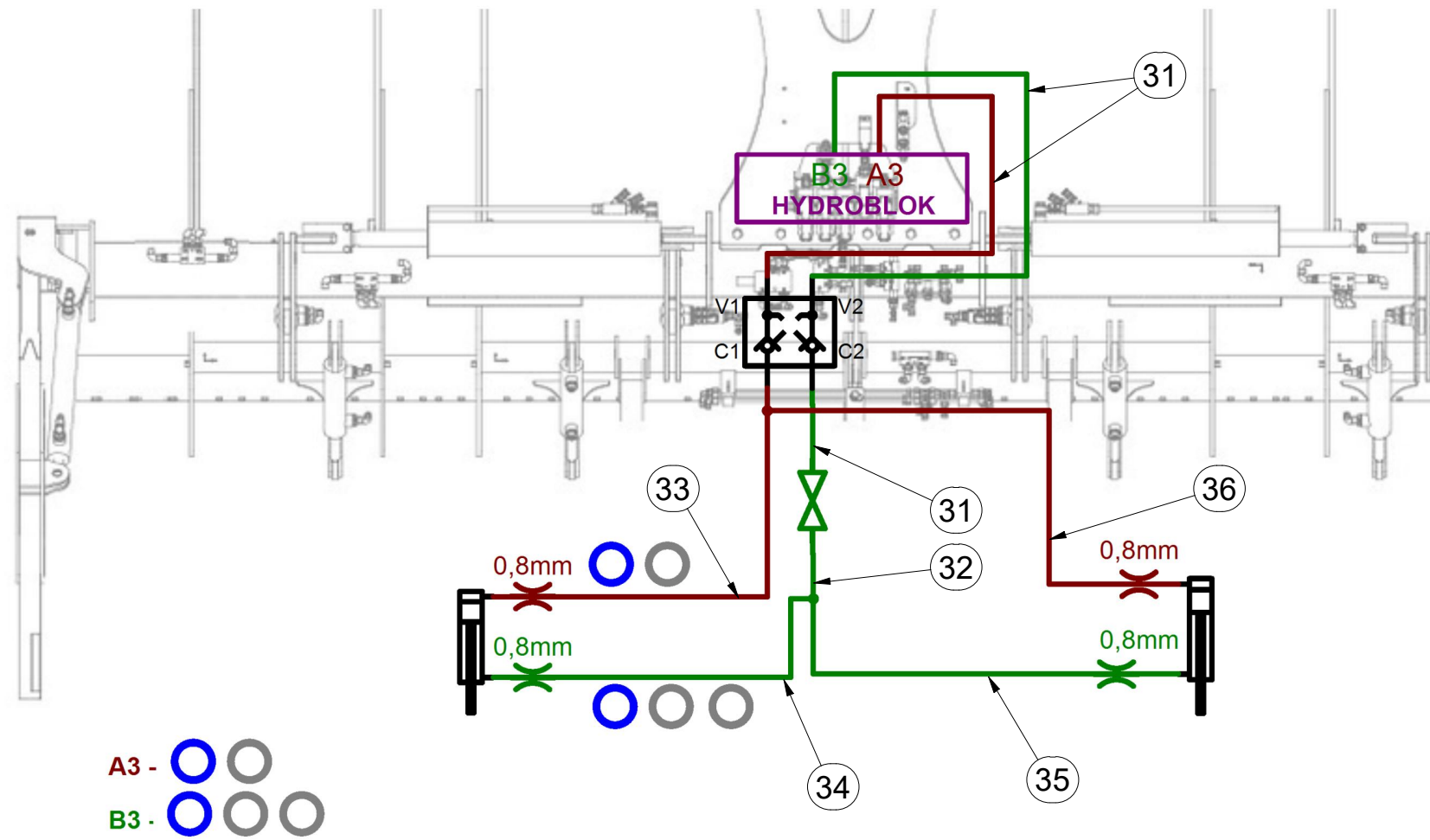
Ⓖ WORKING LEVELLER - PRE-EMERGENCE LABELING

Ⓔ РАБОЧИЙ УЗЕЛ - МАРКИРОВКА ДО ПОЯВЛЕНИЯ

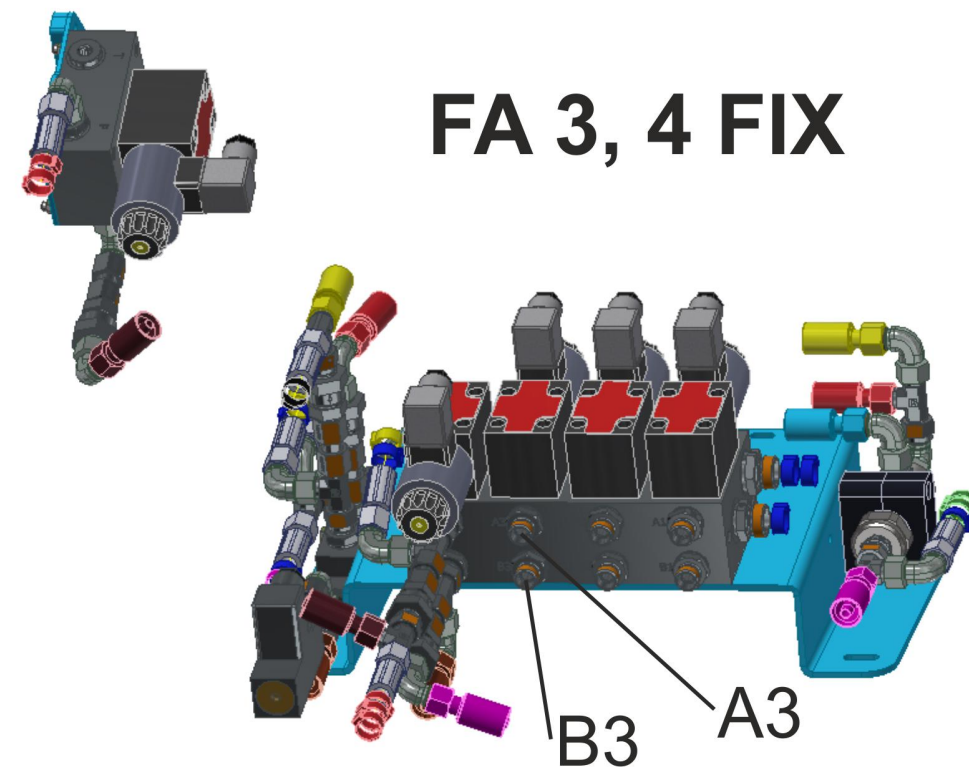
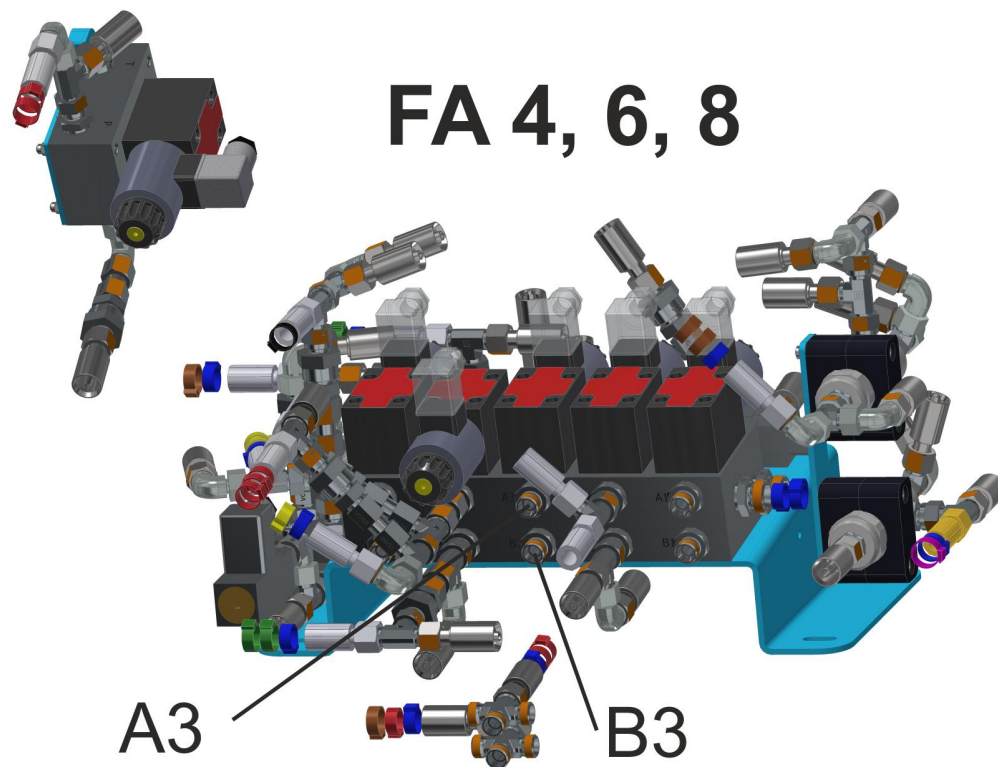
Ⓗ JEDNOSTKA ROBOCZA - ZNAKOWANIE PRZEDWSCHODOWE



VZ00033880



| Pos. | Part Number | Pcs. |
|------|-------------|------|
| 31 | m04033 | 3 |
| 32 | m07646 | 1 |
| 33 | m07648 | 1 |
| 34 | m11696 | 1 |
| 35 | m17443 | 1 |
| 36 | m15154 | 1 |



Ⓒ JEDNOTKA PRACOVNÍ - PREEMERGENTNÍ ZNAČENÍ

Ⓓ ARBEITSEINHEIT - VORAUFLAUFKENNZEICHNUNG

Ⓕ UNITÉ DE TRAVAIL - ÉTIQUETAGE DE PRÉ-ÉMERGENCE

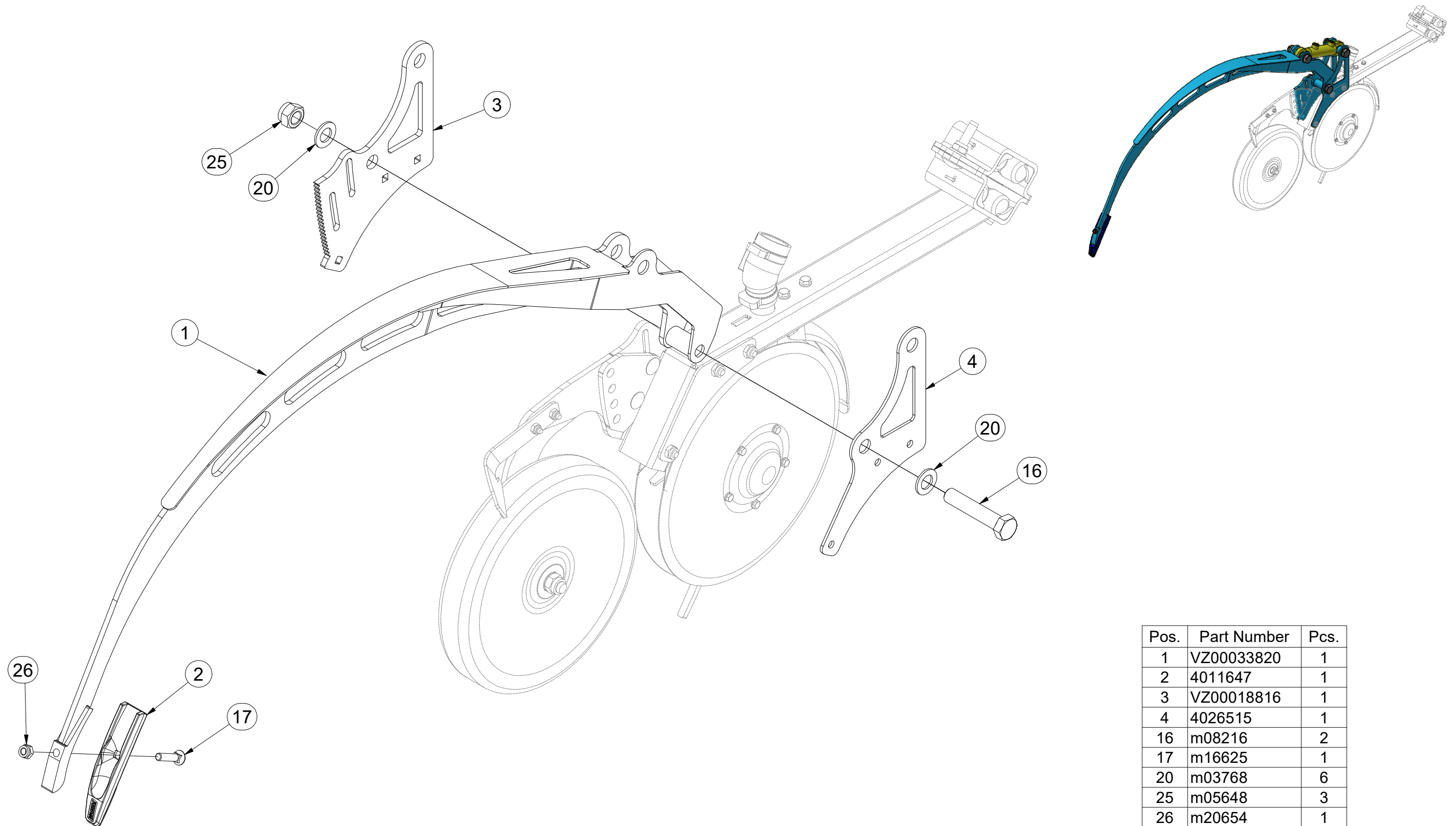
Ⓖ WORKING LEVELLER - PRE-EMERGENCE LABELING

Ⓡ РАБОЧИЙ УЗЕЛ - МАРКИРОВКА ДО ПОЯВЛЕНИЯ

Ⓟ JEDNOSTKA ROBOCZA - ZNAKOWANIE PRZEDWSCHODOWE



VZ00033816



| Pos. | Part Number | Pcs. |
|------|-------------|------|
| 1 | VZ00033820 | 1 |
| 2 | 4011647 | 1 |
| 3 | VZ00018816 | 1 |
| 4 | 4026515 | 1 |
| 16 | m08216 | 2 |
| 17 | m16625 | 1 |
| 20 | m03768 | 6 |
| 25 | m05648 | 3 |
| 26 | m20654 | 1 |

Ⓒ JEDNOTKA PRACOVNÍ - PREEMERGENTNÍ ZNAČENÍ

Ⓓ ARBEITSEINHEIT - VORAUFLAUFKENNZEICHNUNG

Ⓕ UNITÉ DE TRAVAIL - ÉTIQUETAGE DE PRÉ-ÉMERGENCE

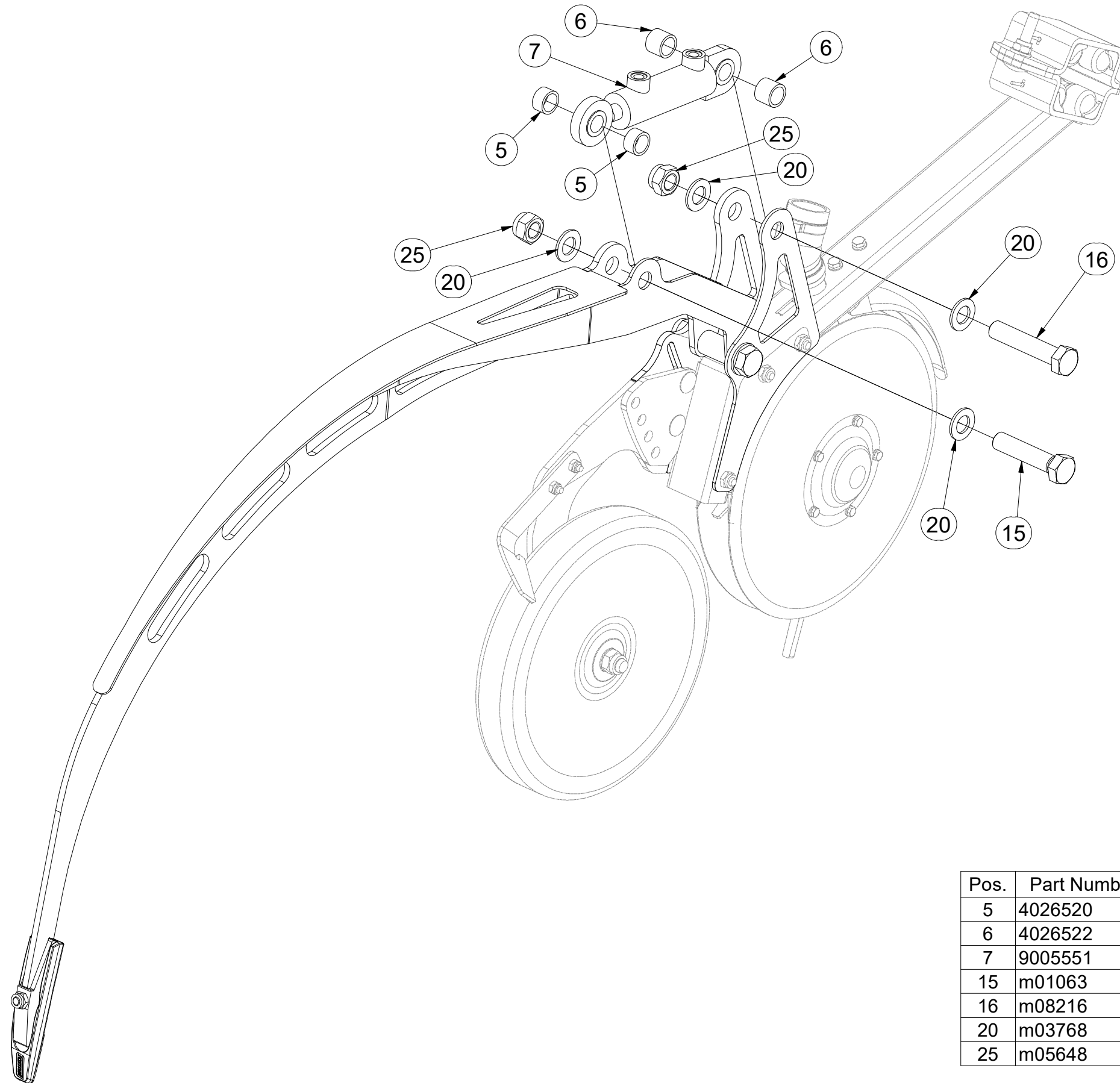
Ⓖ WORKING LEVELLER - PRE-EMERGENCE LABELING

Ⓡ РАБОЧИЙ УЗЕЛ - МАРКИРОВКА ДО ПОЯВЛЕНИЯ

Ⓣ JEDNOSTKA ROBOCZA - ZNAKOWANIE PRZEDWSCHODOWE



VZ00033816



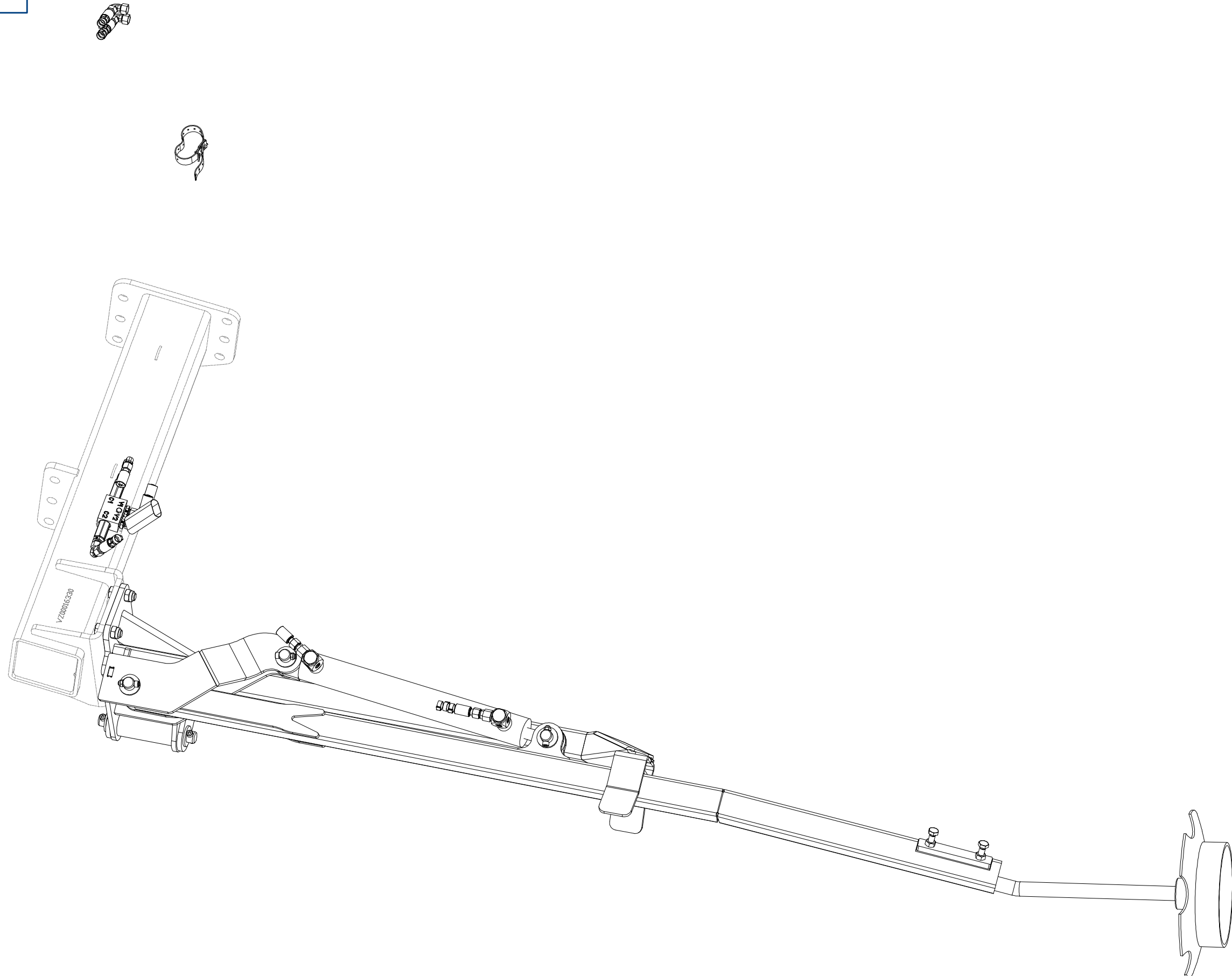
| Pos. | Part Number | Pcs. |
|------|-------------|------|
| 5 | 4026520 | 2 |
| 6 | 4026522 | 2 |
| 7 | 9005551 | 1 |
| 15 | m01063 | 1 |
| 16 | m08216 | 2 |
| 20 | m03768 | 6 |
| 25 | m05648 | 3 |

- Ⓒ ZNAMENÁK FA4 LEVÝ
- Ⓓ SPURREISSER FA4 LINKS
- Ⓕ MARQUEUR FA4 GAUCHE

- Ⓖ MARKER FA4 LEFT
- Ⓔ МАРКЕР ЛЕВЫЙ FA4
- Ⓟ ZNACZNIK FA4 LEWY



VZ00014674



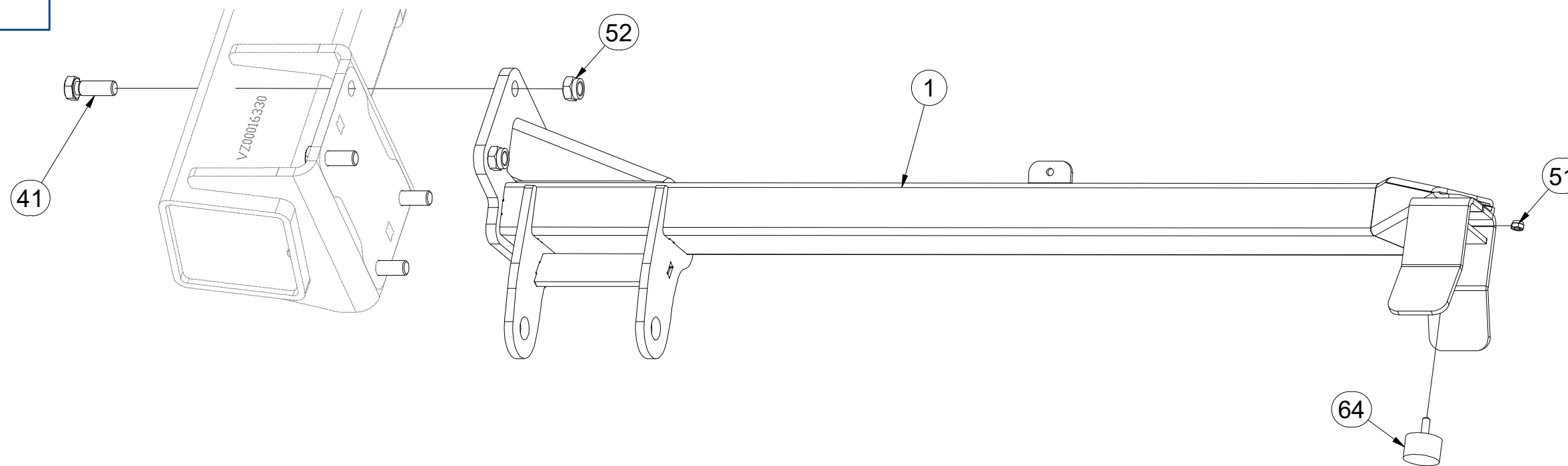
CZ ZNAMENÁK FA4 LEVÝ
 D SPURREISSER FA4 LINKS
 F MARQUEUR FA4 GAUCHE

GB MARKER FA4 LEFT
 RU МАРКЕР ЛЕВЫЙ FA4
 PL ZNACZNIK FA4 LEWY

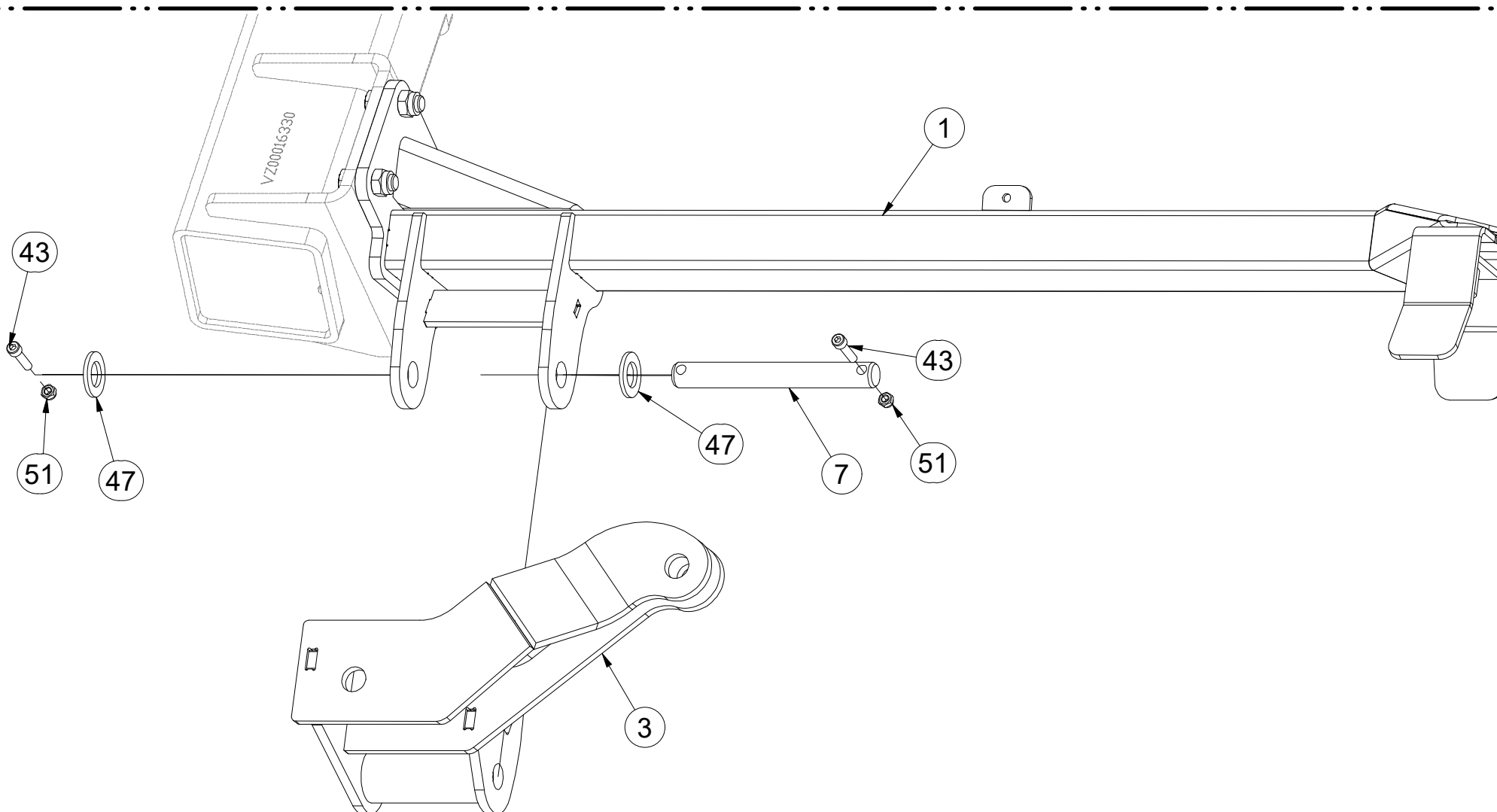


VZ00014674

1.



2.



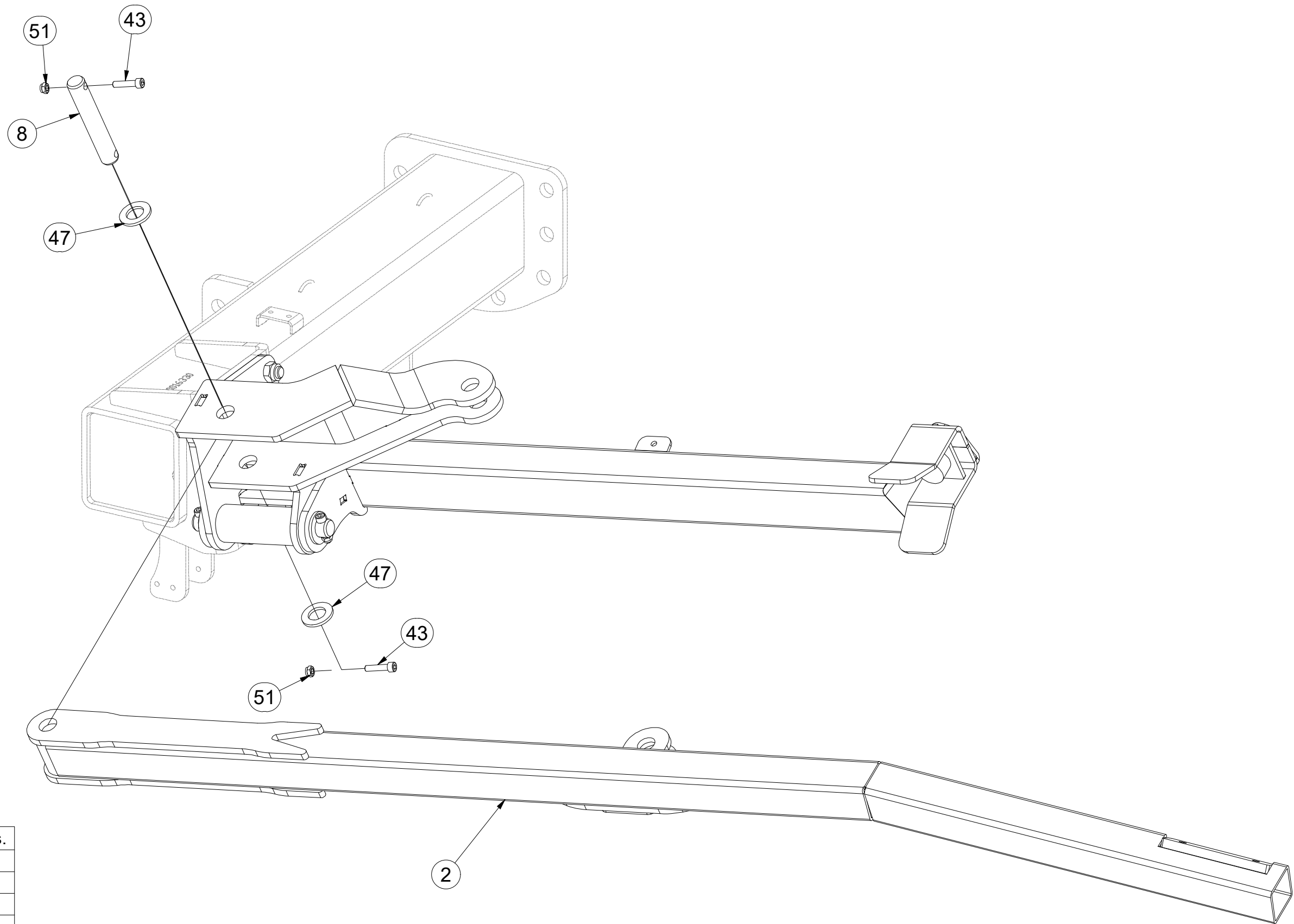
| Pos. | Part Number | Pcs. |
|------|-------------|------|
| 1 | VZ00030329 | 1 |
| 3 | VZ00019467 | 1 |
| 7 | 4014599 | 1 |
| 41 | m02254 | 4 |
| 43 | m09464 | 8 |
| 47 | m14028 | 8 |
| 51 | m04503 | 9 |
| 52 | m03683 | 4 |
| 64 | m08098 | 1 |

- Ⓒ ZNAMENÁK FA4 LEVÝ
- Ⓓ SPURREISSER FA4 LINKS
- Ⓕ MARQUEUR FA4 GAUCHE

- Ⓖ MARKER FA4 LEFT
- Ⓡ МАРКЕР ЛЕВЫЙ FA4
- Ⓟ ZNACZNIK FA4 LEWY



VZ00014674



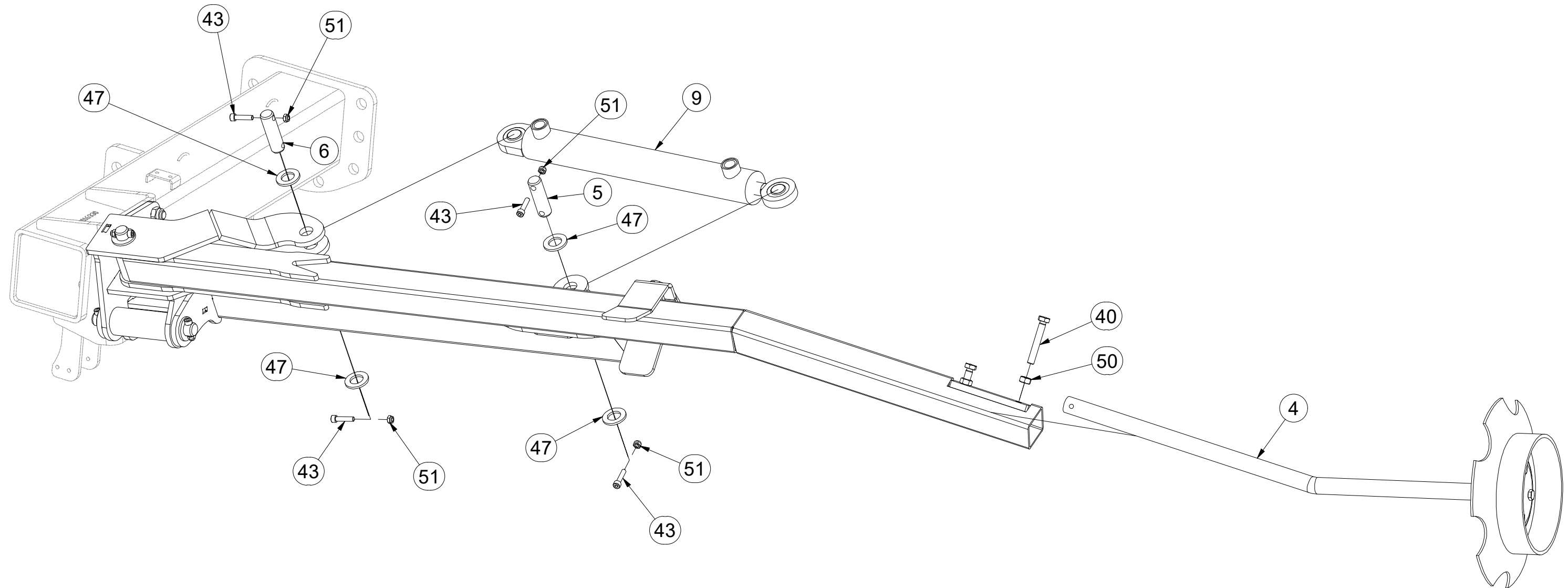
| Pos. | Part Number | Pcs. |
|------|-------------|------|
| 2 | VZ00005307 | 1 |
| 8 | 4020195 | 1 |
| 43 | m09464 | 8 |
| 47 | m14028 | 8 |
| 51 | m04503 | 9 |

CZ ZNAMENÁK FA4 LEVÝ
 D SPURREISSER FA4 LINKS
 F MARQUEUR FA4 GAUCHE

GB MARKER FA4 LEFT
 RU МАРКЕР ЛЕВЫЙ FA4
 PL ZNACZNIK FA4 LEWY



VZ00014674



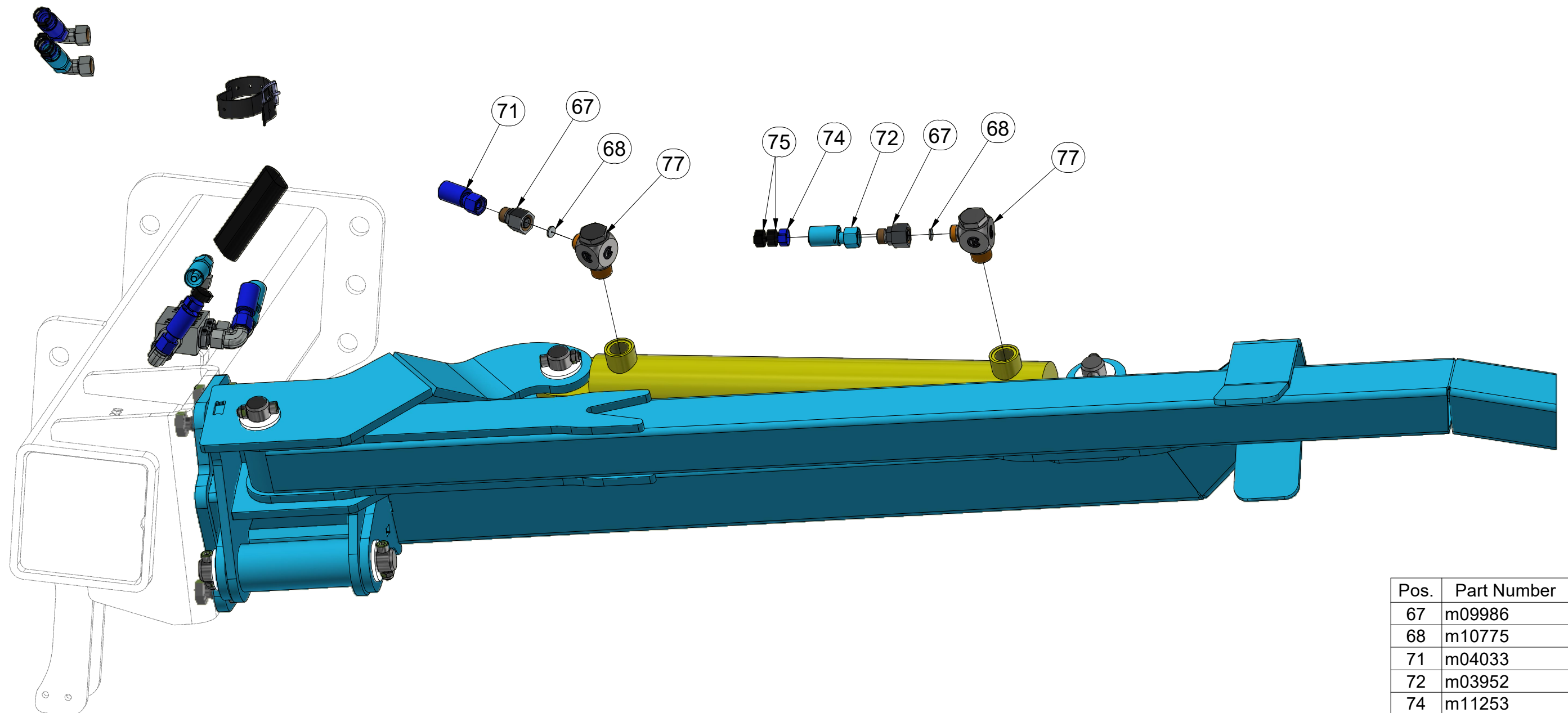
| Pos. | Part Number | Pcs. |
|------|-------------|------|
| 4 | 3005022 | 1 |
| 5 | 4007638 | 1 |
| 6 | 4010390 | 1 |
| 9 | 9001889 | 1 |
| 40 | m06446 | 2 |
| 43 | m09464 | 8 |
| 47 | m14028 | 8 |
| 50 | m01305 | 2 |
| 51 | m04503 | 9 |

CZ ZNAMENÁK FA4 LEVÝ
 D SPURREISSER FA4 LINKS
 F MARQUEUR FA4 GAUCHE

GB MARKER FA4 LEFT
 RU МАРКЕР ЛЕВЫЙ FA4
 PL ZNACZNIK FA4 LEWY



VZ00014674



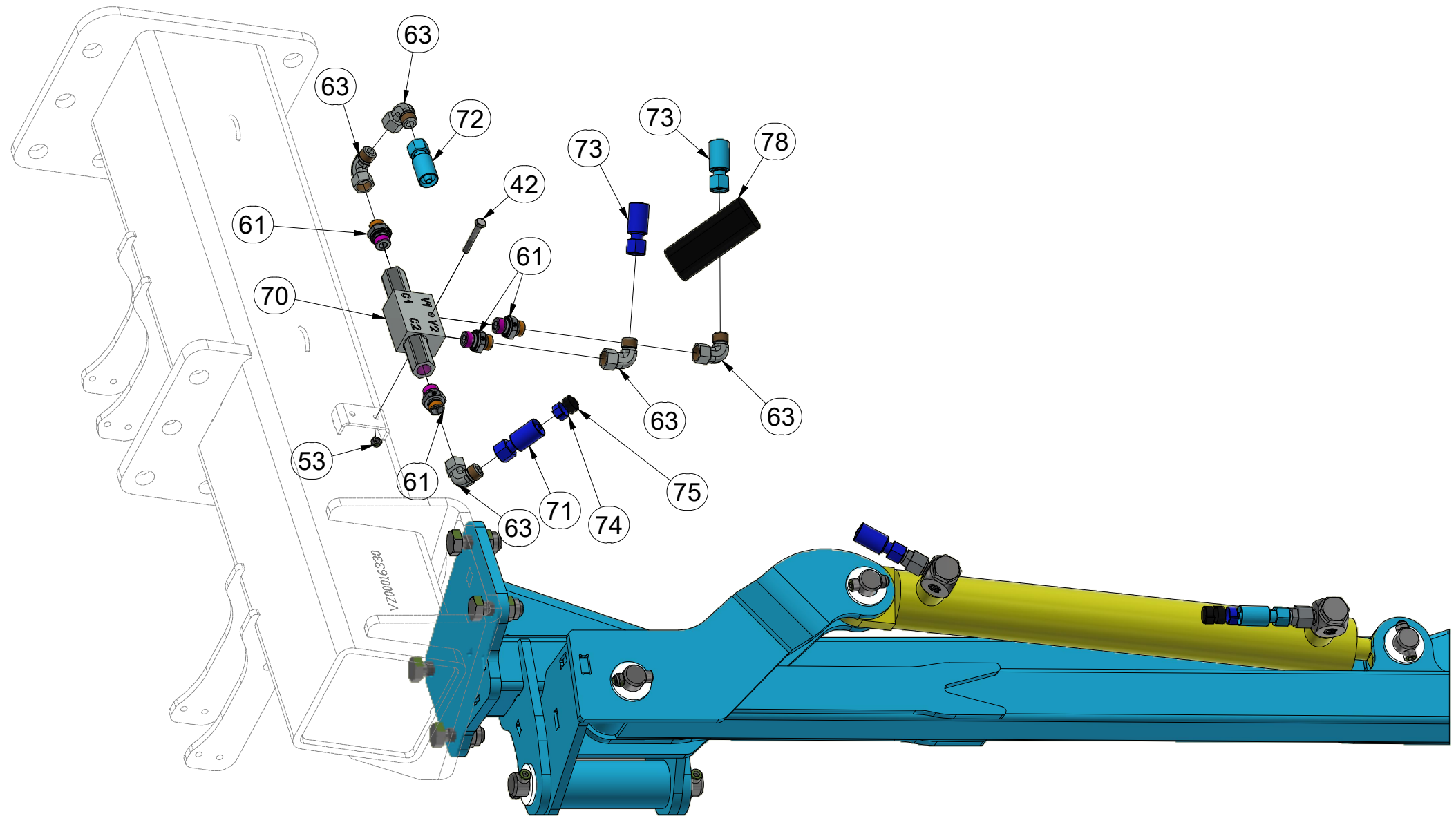
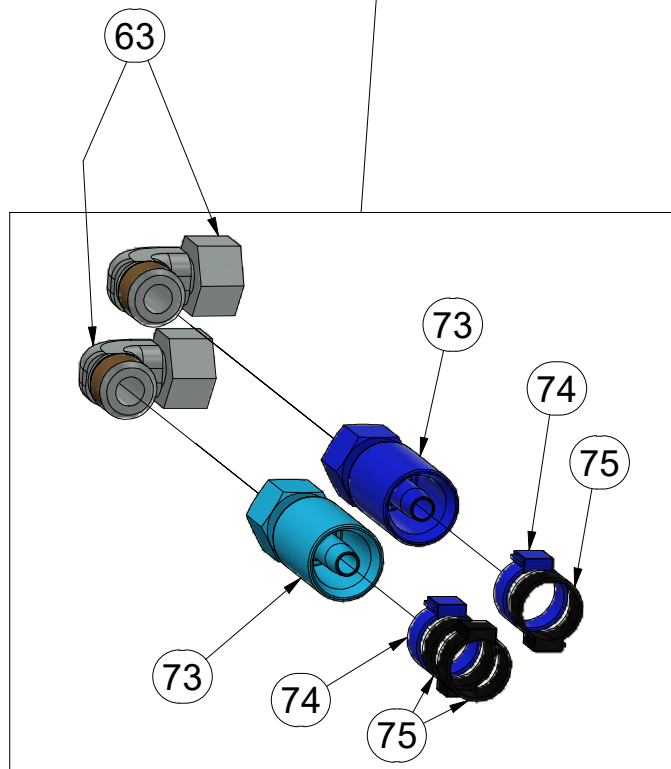
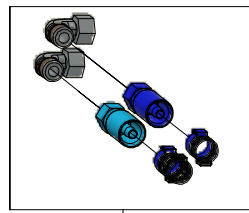
| Pos. | Part Number | Pcs. |
|------|-------------|------|
| 67 | m09986 | 2 |
| 68 | m10775 | 2 |
| 71 | m04033 | 1 |
| 72 | m03952 | 1 |
| 74 | m11253 | 4 |
| 75 | m05566 | 6 |
| 77 | m20912 | 2 |

- Ⓒ ZNAMENÁK FA4 LEVÝ
- Ⓓ SPURREISSER FA4 LINKS
- Ⓕ MARQUEUR FA4 GAUCHE

- Ⓖ MARKER FA4 LEFT
- Ⓡ МАРКЕР ЛЕВЫЙ FA4
- Ⓟ ZNACZNIK FA4 LEWY



VZ00014674



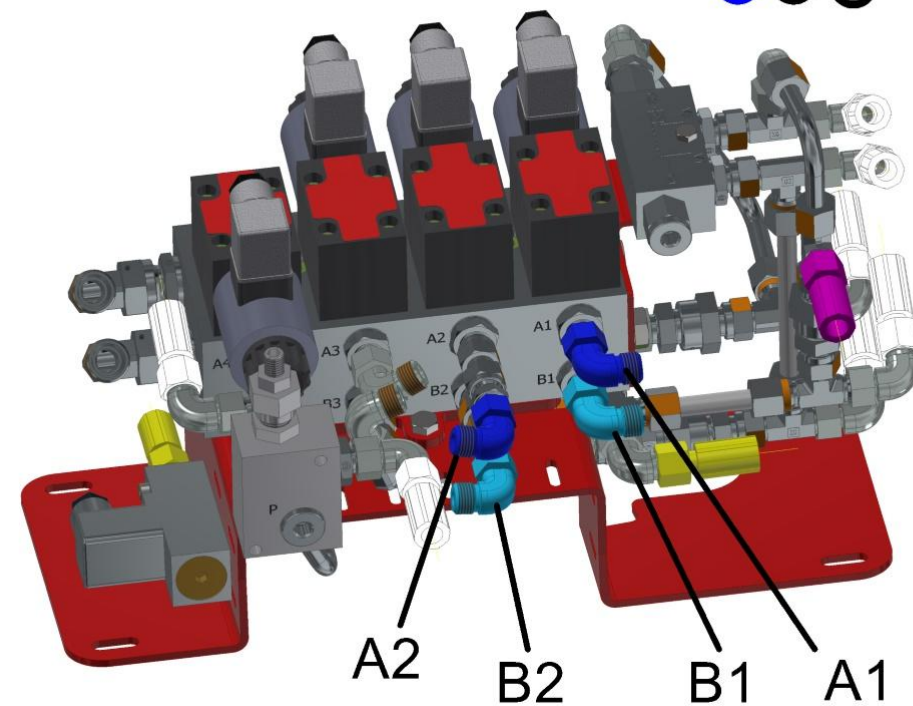
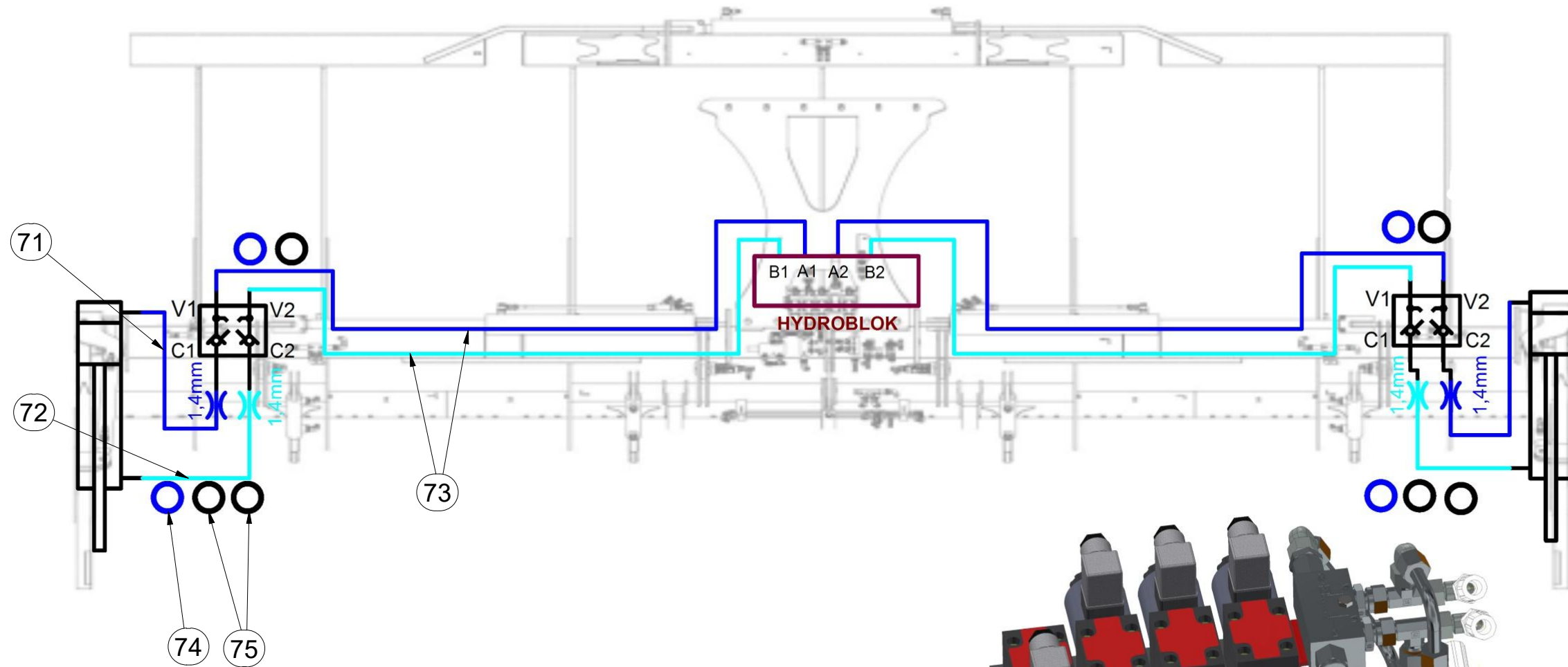
| Pos. | Part Number | Pcs. |
|------|-------------|------|
| 42 | m04641 | 1 |
| 53 | m05560 | 1 |
| 61 | m06528 | 4 |
| 63 | m06803 | 7 |
| 70 | m06673 | 1 |
| 71 | m04033 | 1 |
| 72 | m03952 | 1 |
| 73 | m18090 | 2 |
| 74 | m11253 | 4 |
| 75 | m05566 | 6 |
| 76 | m20319 | 1 |
| 78 | m11183 | 1 |

- Ⓒ ZNAMENÁK FA4 LEVÝ
- Ⓓ SPURREISSER FA4 LINKS
- Ⓔ MARQUEUR FA4 GAUCHE

- Ⓖ MARKER FA4 LEFT
- Ⓡ МАРКЕР ЛЕВЫЙ FA4
- Ⓟ ZNACZNIK FA4 LEWY



VZ00014674



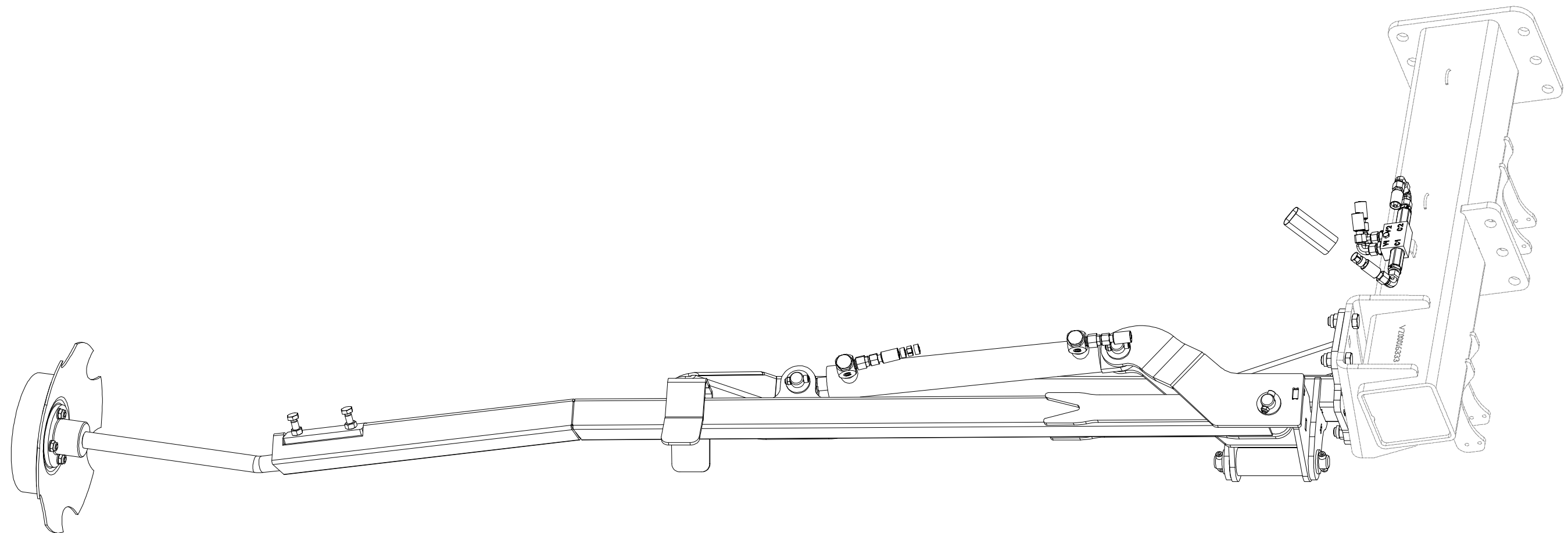
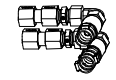
| Pos. | Part Number | Pcs. |
|------|-------------|------|
| 71 | m04033 | 1 |
| 72 | m03952 | 1 |
| 73 | m18090 | 2 |
| 74 | m11253 | 4 |
| 75 | m05566 | 6 |

Ⓒ ZNAMENÁK PRAVÝ
Ⓓ SPURREISSER RECHTS
Ⓕ MARQUEUR DROIT

Ⓖ MARKER RIGHT
Ⓔ МАРКЕР ПРАВЫЙ
Ⓟ ZNACZNIK PRAWY



VZ00014675



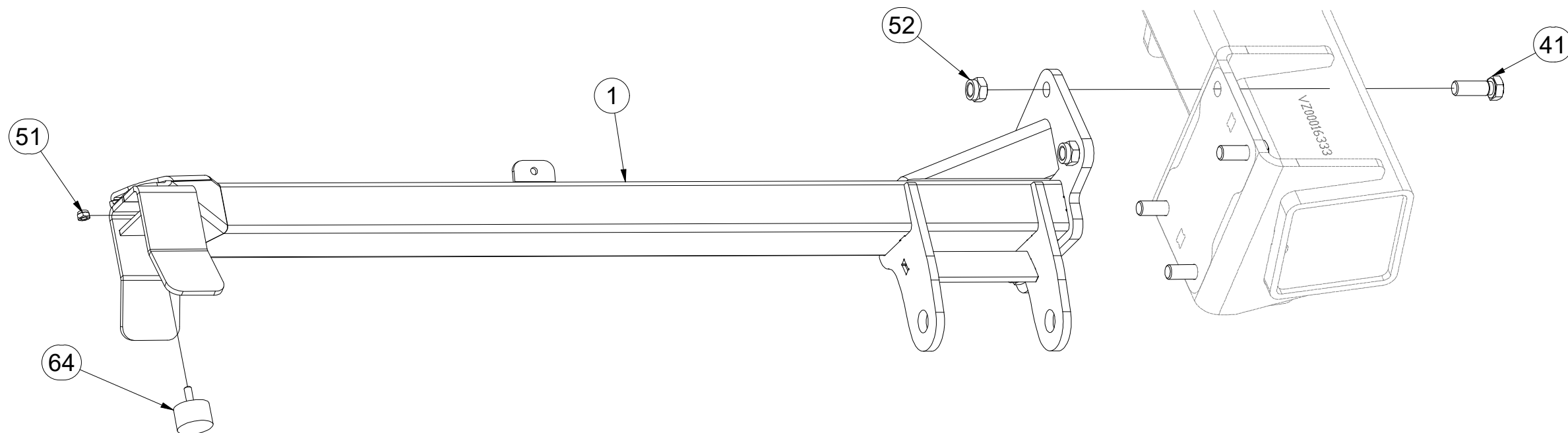
(CZ) ZNAMENÁK PRAVÝ
 (D) SPURREISSER RECHTS
 (F) MARQUEUR DROIT

(GB) MARKER RIGHT
 (RU) МАРКЕР ПРАВЫЙ
 (PL) ZNACZNIK PRAWY

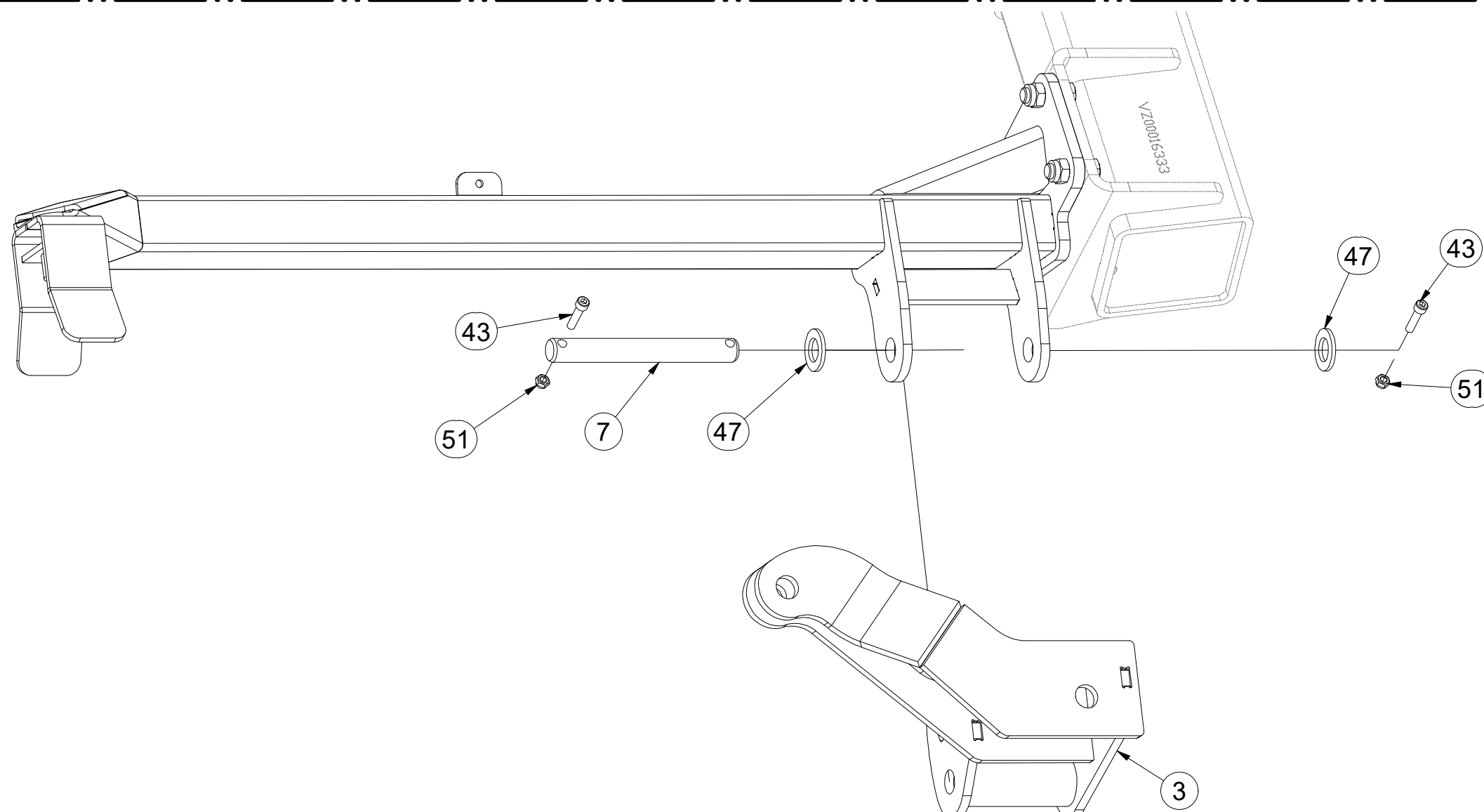


VZ00014675

1.



2.



| Pos. | Part Number | Pcs. |
|------|-------------|------|
| 1 | VZ00030339 | 1 |
| 3 | VZ00019638 | 1 |
| 7 | 4014599 | 1 |
| 41 | m02254 | 4 |
| 43 | m09464 | 8 |
| 47 | m14028 | 8 |
| 51 | m04503 | 9 |
| 52 | m03683 | 4 |
| 64 | m08098 | 1 |

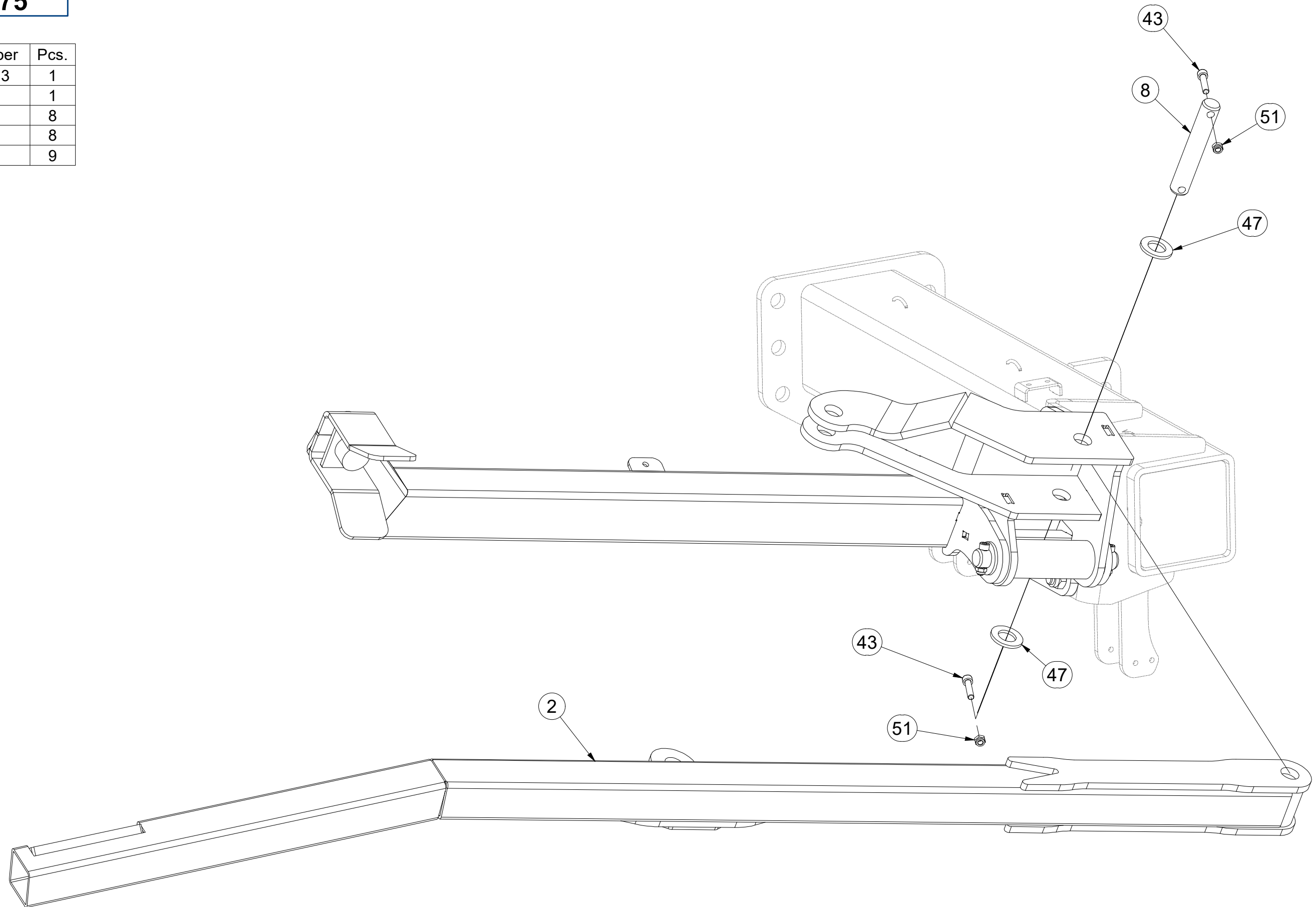
Ⓒ ZNAMENÁK PRAVÝ
Ⓓ SPURREISSER RECHTS
Ⓔ MARQUEUR DROIT

Ⓖ MARKER RIGHT
Ⓡ MARKER ПРАВЫЙ
Ⓣ ZNACZNIK PRAWY



VZ00014675

| Pos. | Part Number | Pcs. |
|------|-------------|------|
| 2 | VZ00005313 | 1 |
| 8 | 4020195 | 1 |
| 43 | m09464 | 8 |
| 47 | m14028 | 8 |
| 51 | m04503 | 9 |



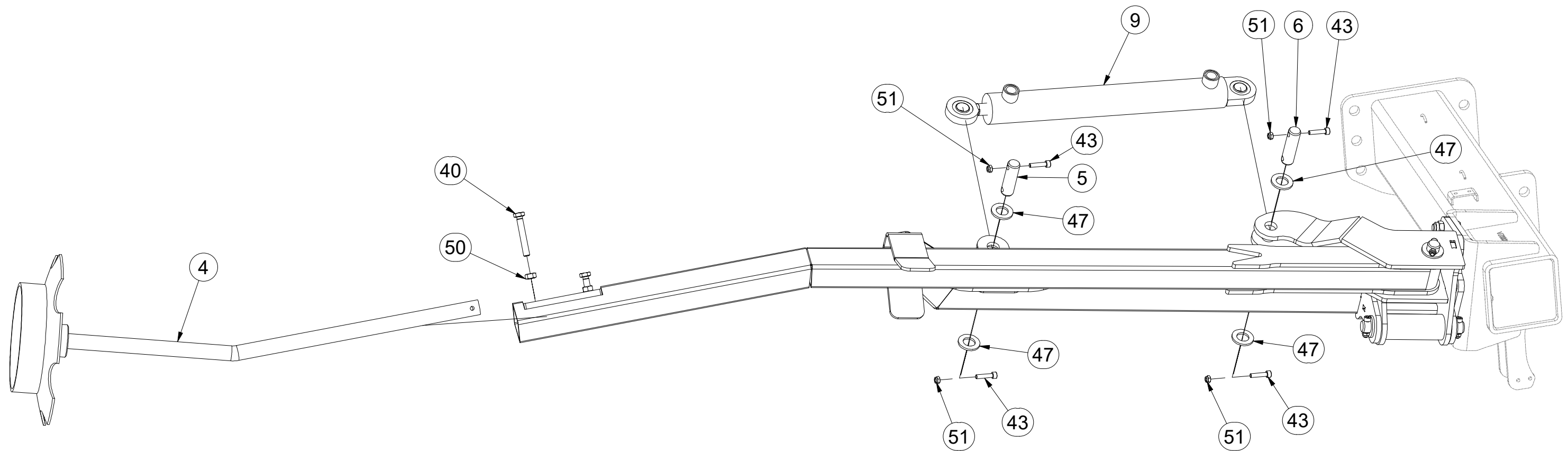
CZ ZNAMENÁK PRAVÝ
 D SPURREISSER RECHTS
 F MARQUEUR DROIT

GB MARKER RIGHT
 RU МАРКЕР ПРАВЫЙ
 PL ZNACZNIK PRAWY



VZ00014675

| Pos. | Part Number | Pcs. |
|------|-------------|------|
| 4 | 3005022 | 1 |
| 5 | 4007638 | 1 |
| 6 | 4010390 | 1 |
| 9 | 9001889 | 1 |
| 40 | m06446 | 2 |
| 43 | m09464 | 8 |
| 47 | m14028 | 8 |
| 50 | m01305 | 2 |
| 51 | m04503 | 9 |



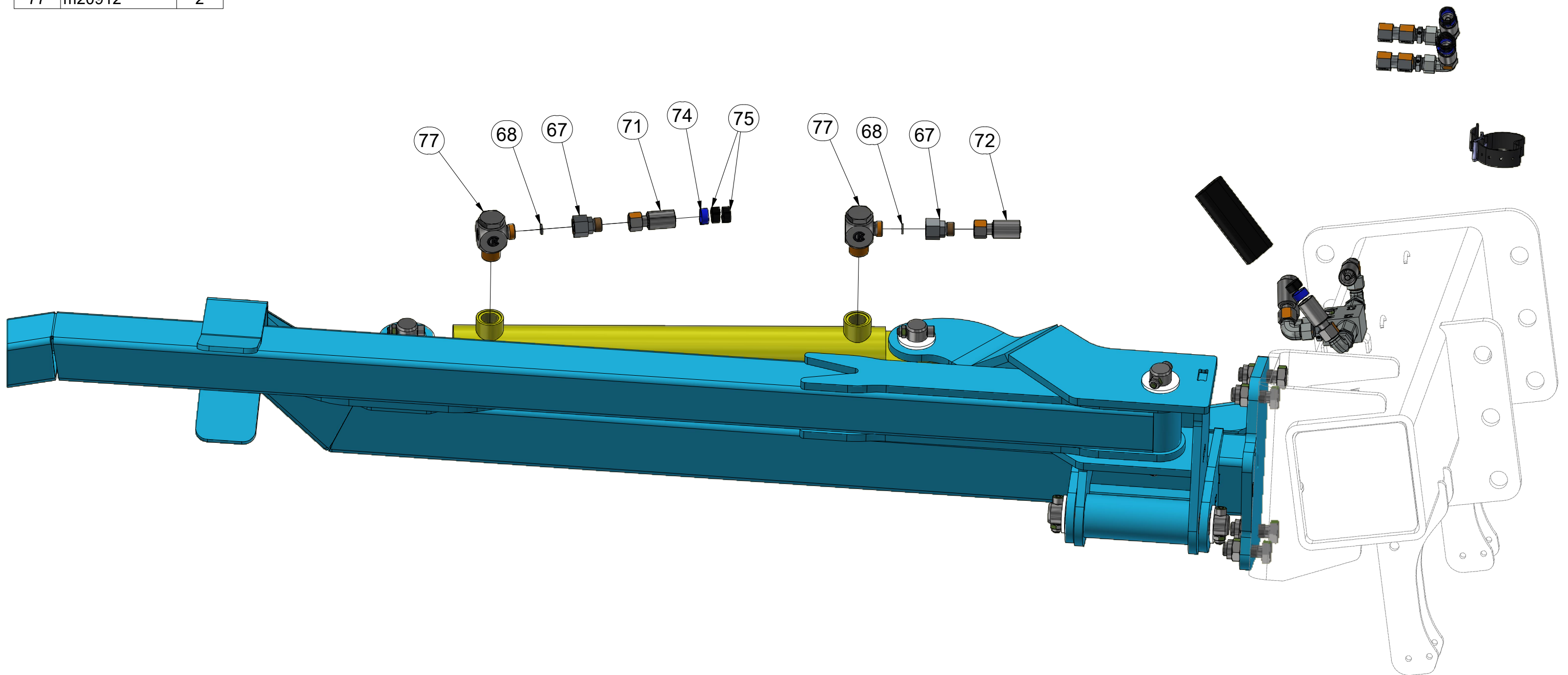
(CZ) ZNAMENÁK PRAVÝ
 (D) SPURREISSER RECHTS
 (F) MARQUEUR DROIT

(GB) MARKER RIGHT
 (RU) МАРКЕР ПРАВЫЙ
 (PL) ZNACZNIK PRAWY



VZ00014675

| Pos. | Part Number | Pcs. |
|------|-------------|------|
| 68 | m10775 | 2 |
| 67 | m09986 | 2 |
| 71 | m03952 | 1 |
| 72 | m04033 | 1 |
| 74 | m11253 | 4 |
| 75 | m05566 | 6 |
| 77 | m20912 | 2 |



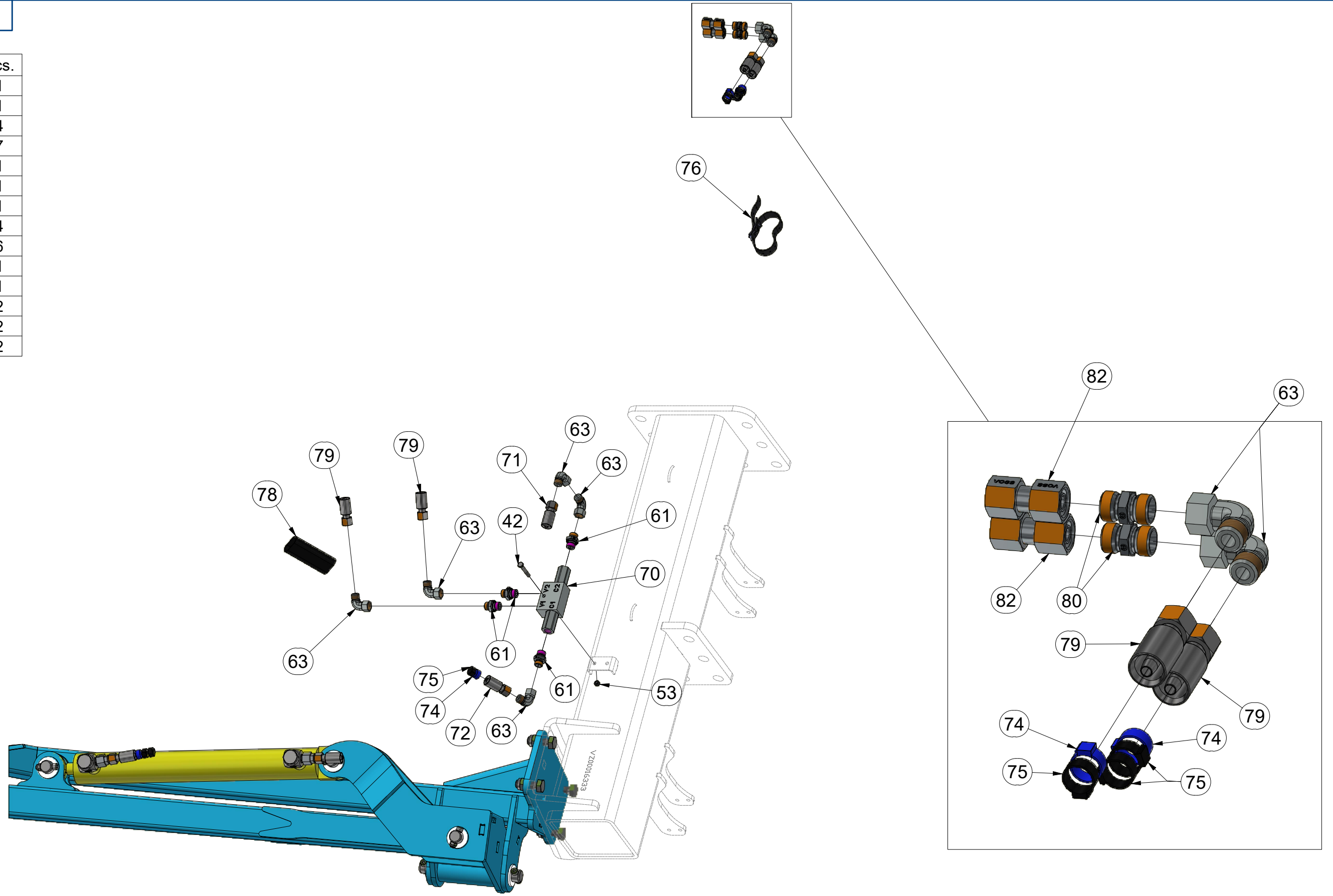
(CZ) ZNAMENÁK PRAVÝ
 (D) SPURREISSER RECHTS
 (F) MARQUEUR DROIT

(GB) MARKER RIGHT
 (RU) МАРКЕР ПРАВЫЙ
 (PL) ZNACZNIK PRAWY

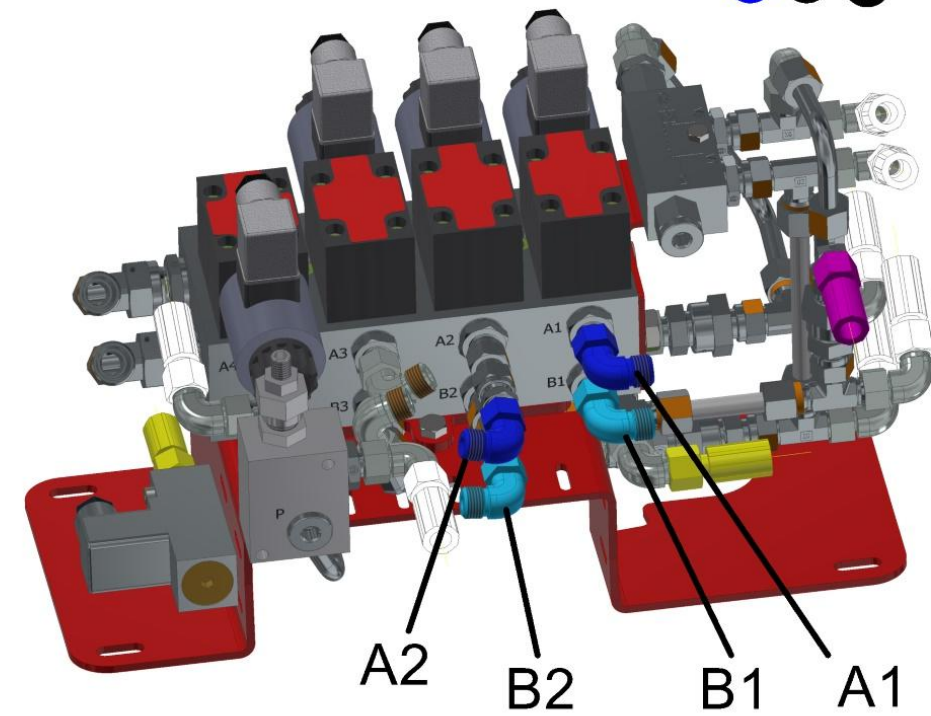
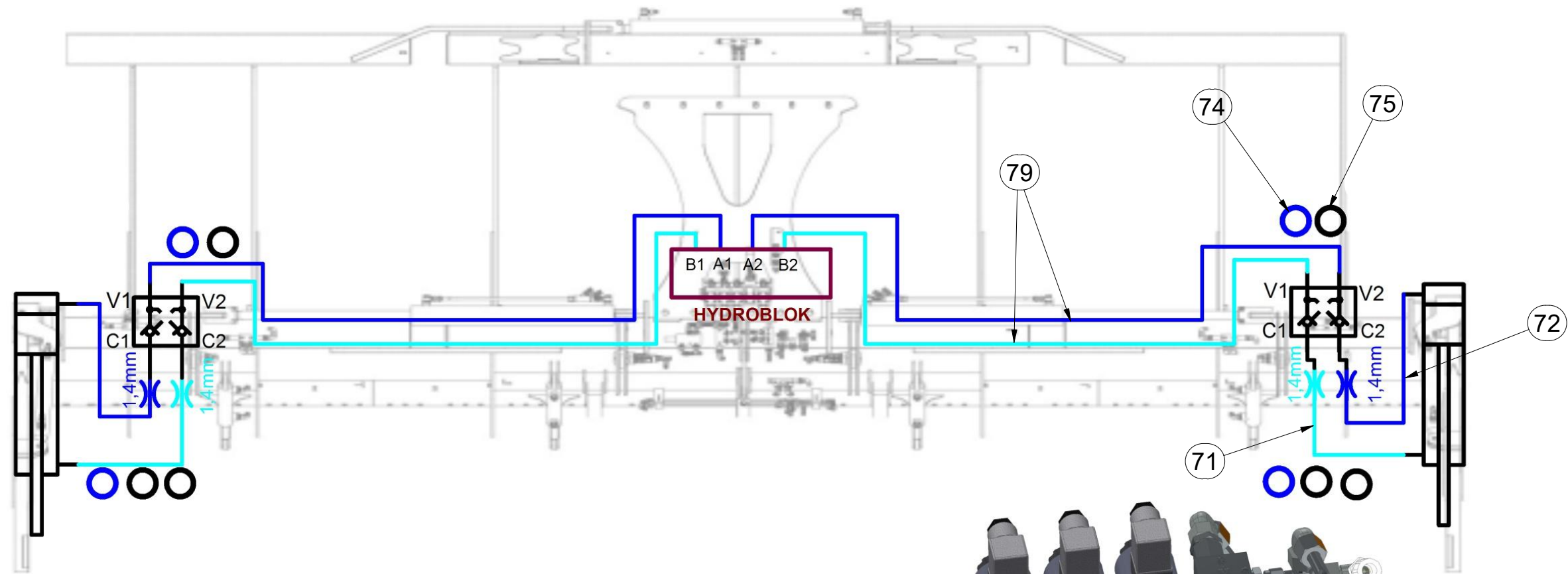


VZ00014675

| Pos. | Part Number | Pcs. |
|------|-------------|------|
| 42 | m04641 | 1 |
| 53 | m05560 | 1 |
| 61 | m06528 | 4 |
| 63 | m06803 | 7 |
| 70 | m06673 | 1 |
| 71 | m03952 | 1 |
| 72 | m04033 | 1 |
| 74 | m11253 | 4 |
| 75 | m05566 | 6 |
| 76 | m20319 | 1 |
| 78 | m11183 | 1 |
| 79 | m03714 | 2 |
| 80 | m03213 | 2 |
| 82 | m22305 | 2 |



VZ00014675



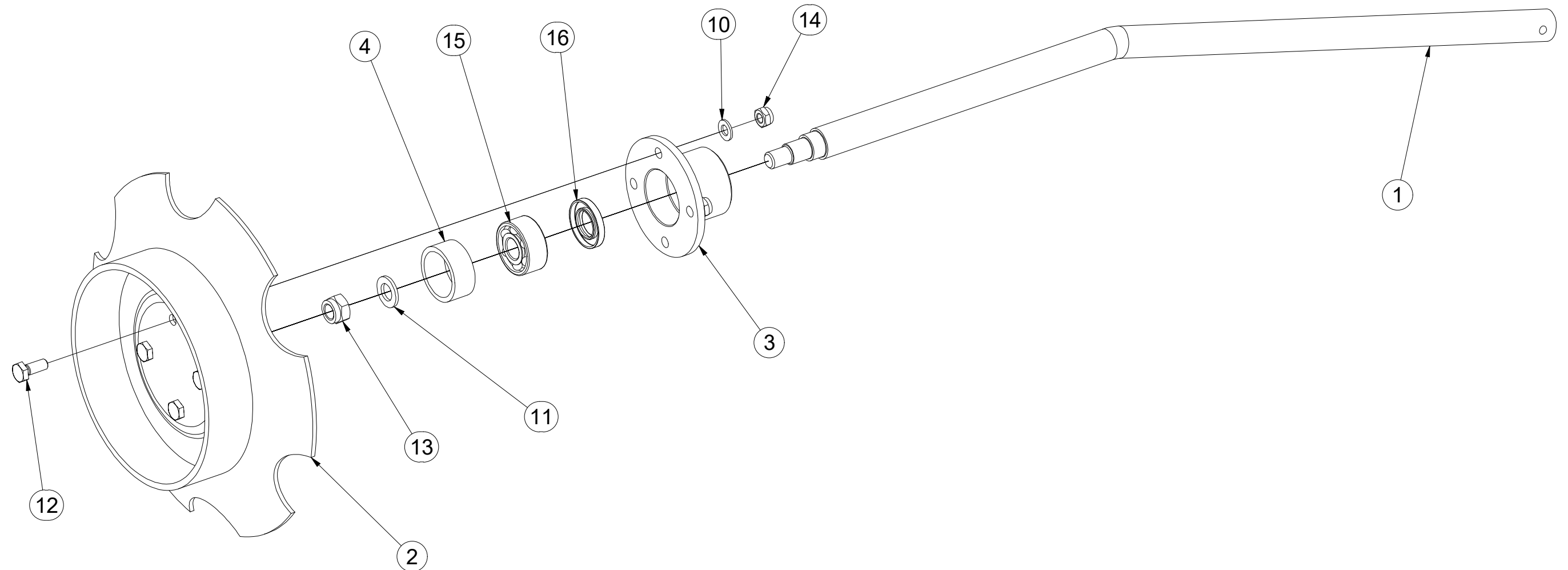
| Pos. | Part Number | Pcs. |
|------|-------------|------|
| 71 | m03952 | 1 |
| 72 | m04033 | 1 |
| 74 | m11253 | 4 |
| 75 | m05566 | 6 |
| 79 | m03714 | 2 |

CZ NÁSTAVEC ZNAČENÍ KOMPLET
 D AUFBAU MARKIERUNG KOMPLETT
 F RALLONGE DE MARQUAGE COMPLÈTE

GB MARKING ATTACHMENT ASSEMBLY
 RU НАСАДКА МАРКИРОВКИ КОМПЛЕКТ
 PL PRZEDŁUŻENIE ZNACZENIA KOMPLET



3005022



| Pos. | Part Number | Pcs. |
|------|-------------|------|
| 1 | 3002493 | 1 |
| 2 | 4013218 | 1 |
| 3 | 3002492 | 1 |
| 4 | 4004296 | 1 |
| 10 | m01209 | 4 |
| 11 | m01219 | 1 |
| 12 | m03681 | 4 |
| 13 | m03683 | 1 |
| 14 | m03775 | 4 |
| 15 | m09405 | 1 |
| 16 | m09406 | 1 |

Ⓒ SADA ROZDĚLOVAČŮ OSIVA

Ⓓ SAATGUTVERTEILERSATZ

Ⓕ ENSEMBLE DE DISTRIBUTEURS DE SEMENCES

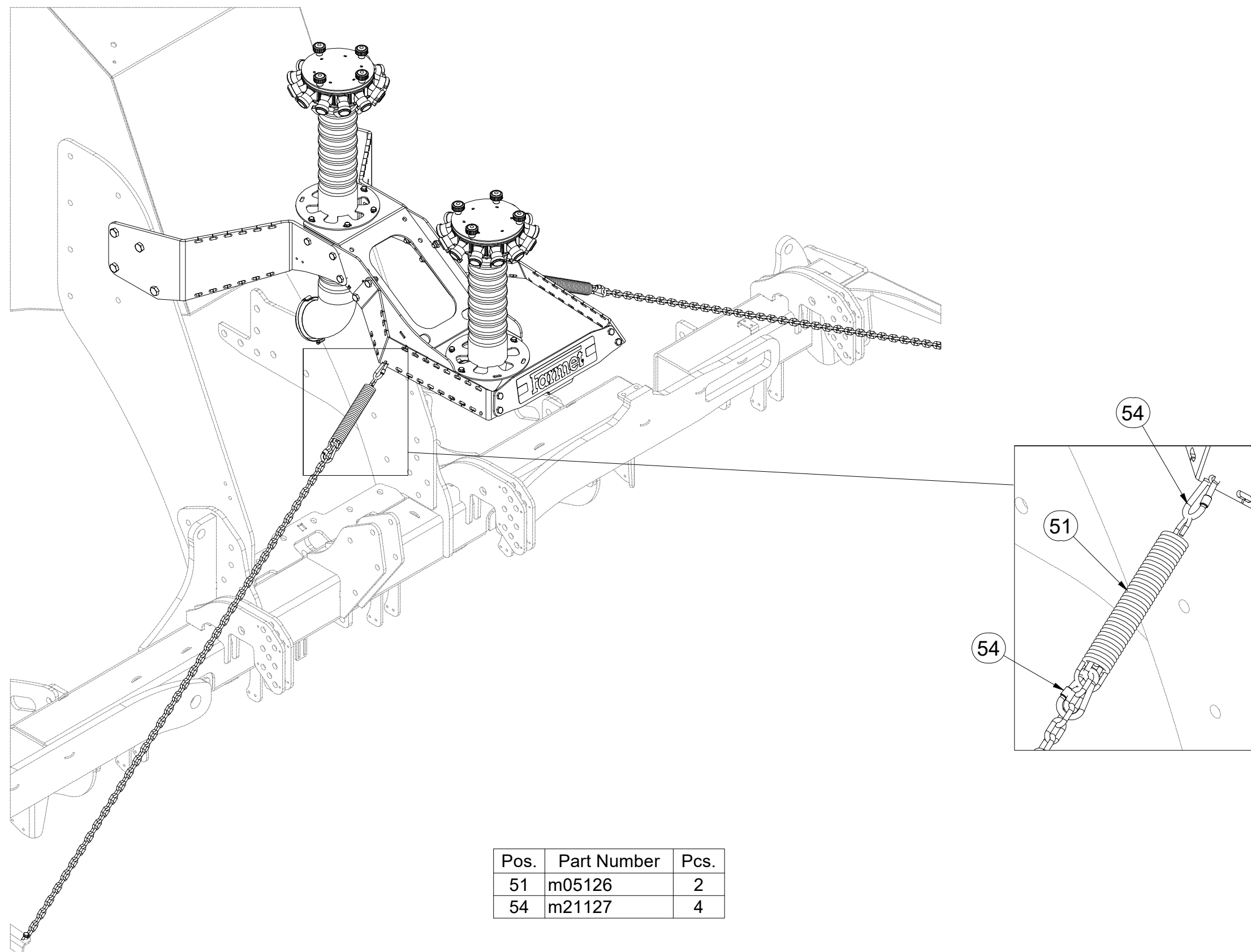
Ⓖ SET OF SEED DISTRIBUTORS

Ⓡ КОМПЛЕКТ РАСПРЕДЕЛИТЕЛЕЙ СЕМЯН

Ⓟ ZESTAW DYSTRYBUTORÓW NASION



VZ00013350



| Pos. | Part Number | Pcs. |
|------|-------------|------|
| 51 | m05126 | 2 |
| 54 | m21127 | 4 |

Ⓒ SADA ROZDĚLOVAČŮ OSIVA

Ⓓ SAATGUTVERTEILERSATZ

Ⓕ ENSEMBLE DE DISTRIBUTEURS DE SEMENCES

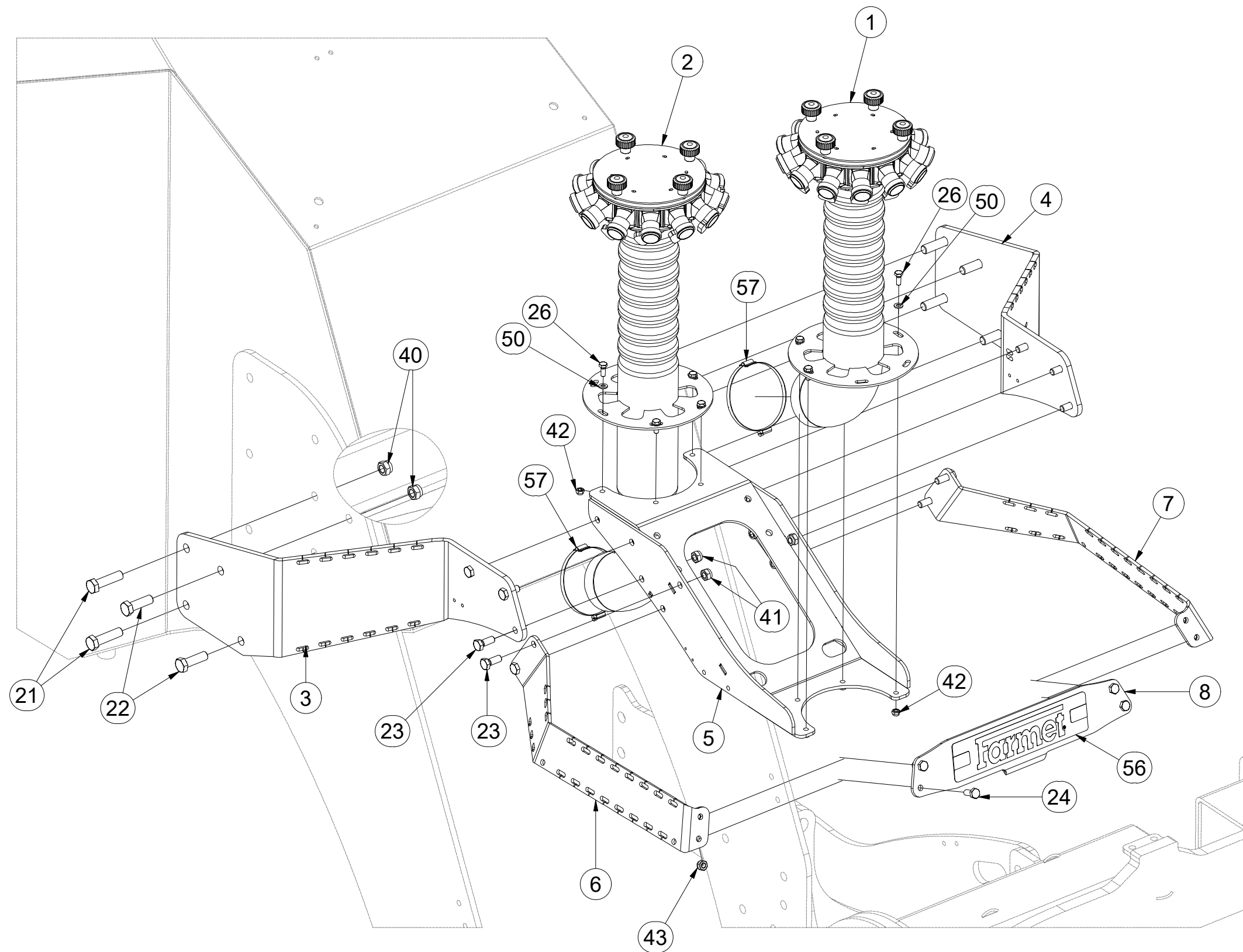
Ⓖ SET OF SEED DISTRIBUTORS

Ⓔ КОМПЛЕКТ РАСПРЕДЕЛИТЕЛЕЙ СЕМЯН

Ⓗ ZESTAW DYSTRYBUTORÓW NASION



VZ00013350



| Pos. | Part Number | Pcs. |
|------|-------------|------|
| 1 | VZ00002928 | 1 |
| 2 | VZ00002927 | 1 |
| 3 | VZ00004668 | 1 |
| 4 | VZ00004675 | 1 |
| 5 | VZ00004650 | 1 |
| 6 | VZ00013328 | 1 |
| 7 | VZ00013346 | 1 |
| 8 | 4012065 | 1 |
| 21 | m00619 | 4 |
| 22 | m04355 | 4 |
| 23 | m04039 | 10 |
| 24 | m03681 | 4 |
| 26 | m01089 | 8 |
| 40 | m03683 | 8 |
| 41 | m04301 | 10 |
| 42 | m04503 | 10 |
| 43 | m03775 | 4 |
| 50 | m01203 | 10 |
| 56 | m19415 | 1 |
| 57 | m22575 | 2 |

Ⓒ SADA ROZDĚLOVAČŮ OSIVA

Ⓓ SAATGUTVERTEILERSATZ

Ⓕ ENSEMBLE DE DISTRIBUTEURS DE SEMENCES

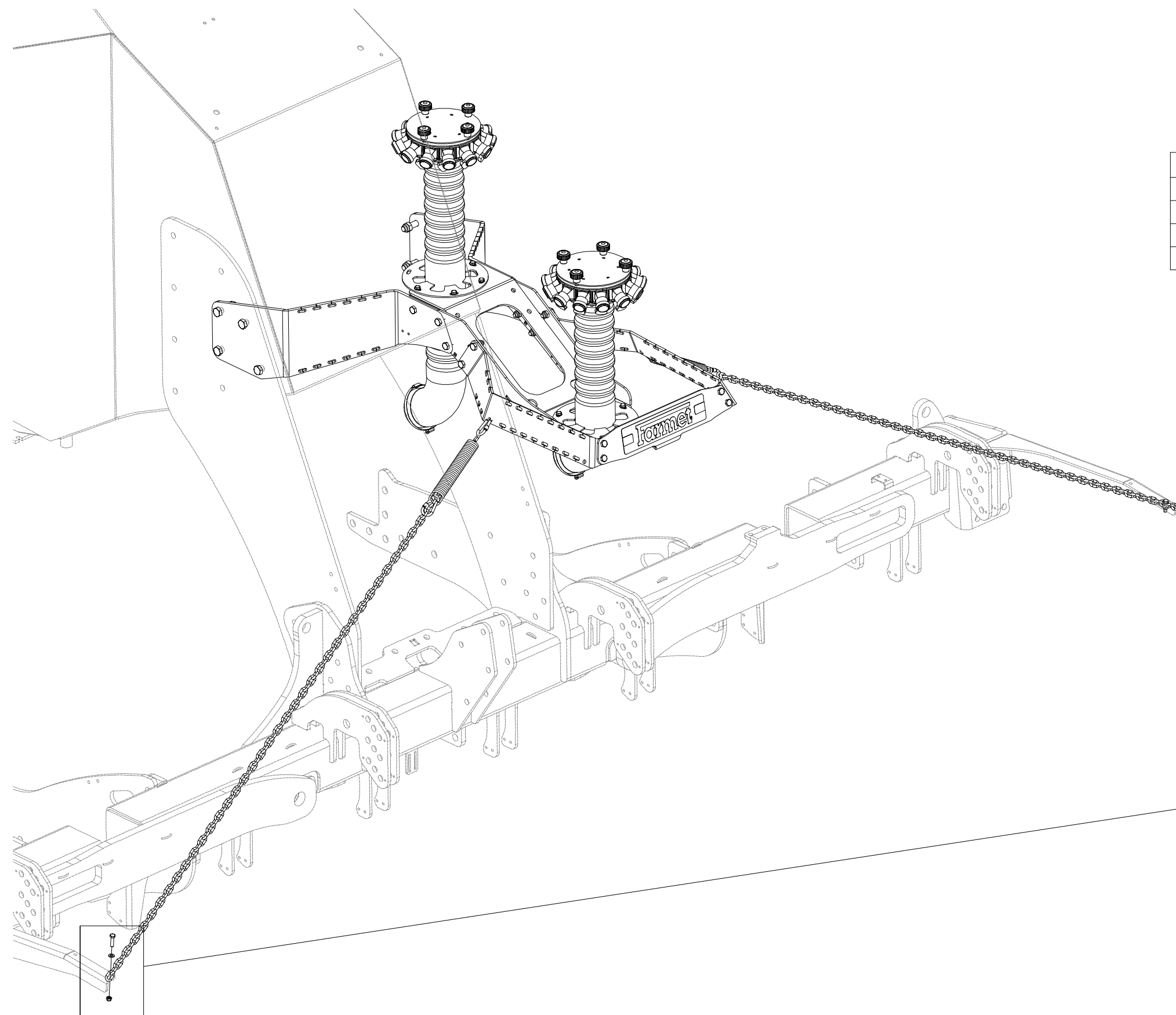
Ⓖ SET OF SEED DISTRIBUTORS

Ⓡ КОМПЛЕКТ РАСПРЕДЕЛИТЕЛЕЙ СЕМЯН

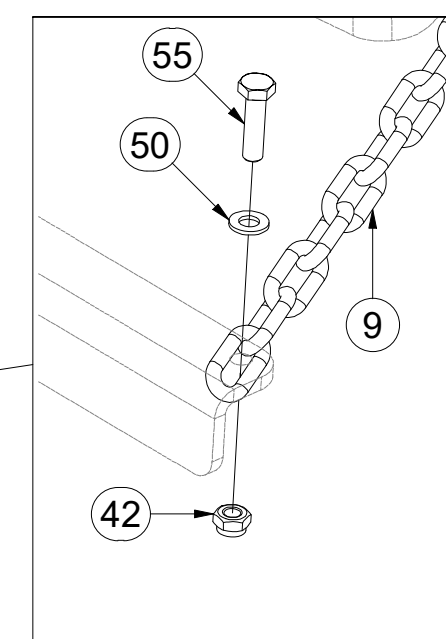
Ⓟ ZESTAW DYSTRYBUTORÓW NASION



VZ00013350



| Pos. | Part Number | Pcs. |
|------|-------------|------|
| 9 | 4010183 | 2 |
| 42 | m04503 | 10 |
| 50 | m01203 | 10 |
| 55 | m07788 | 2 |

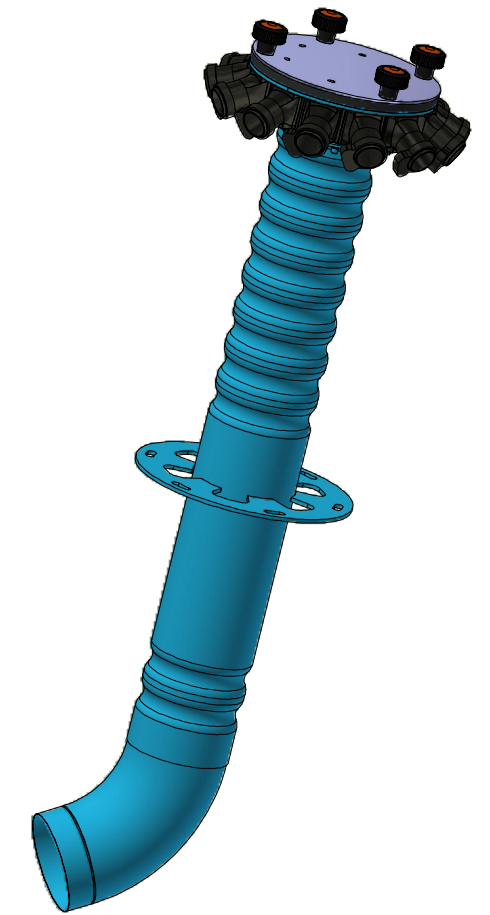
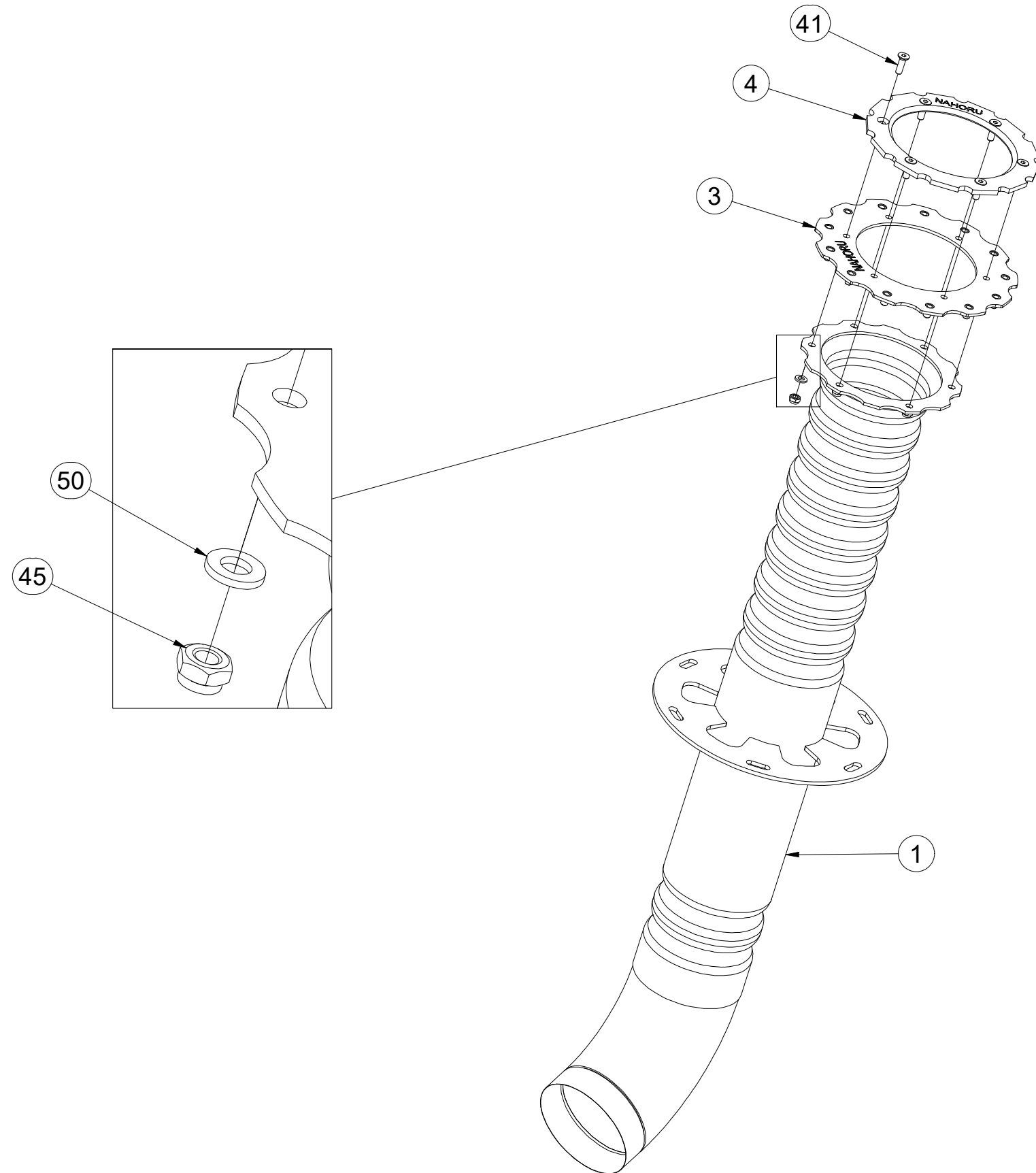


(CZ) KOMÍN
 (D) SCHACHT
 (F) CHEMINÉE

(GB) CHIMNEY STACK
 (RU) ТРУБА
 (PL) KOMIN



VZ00002927



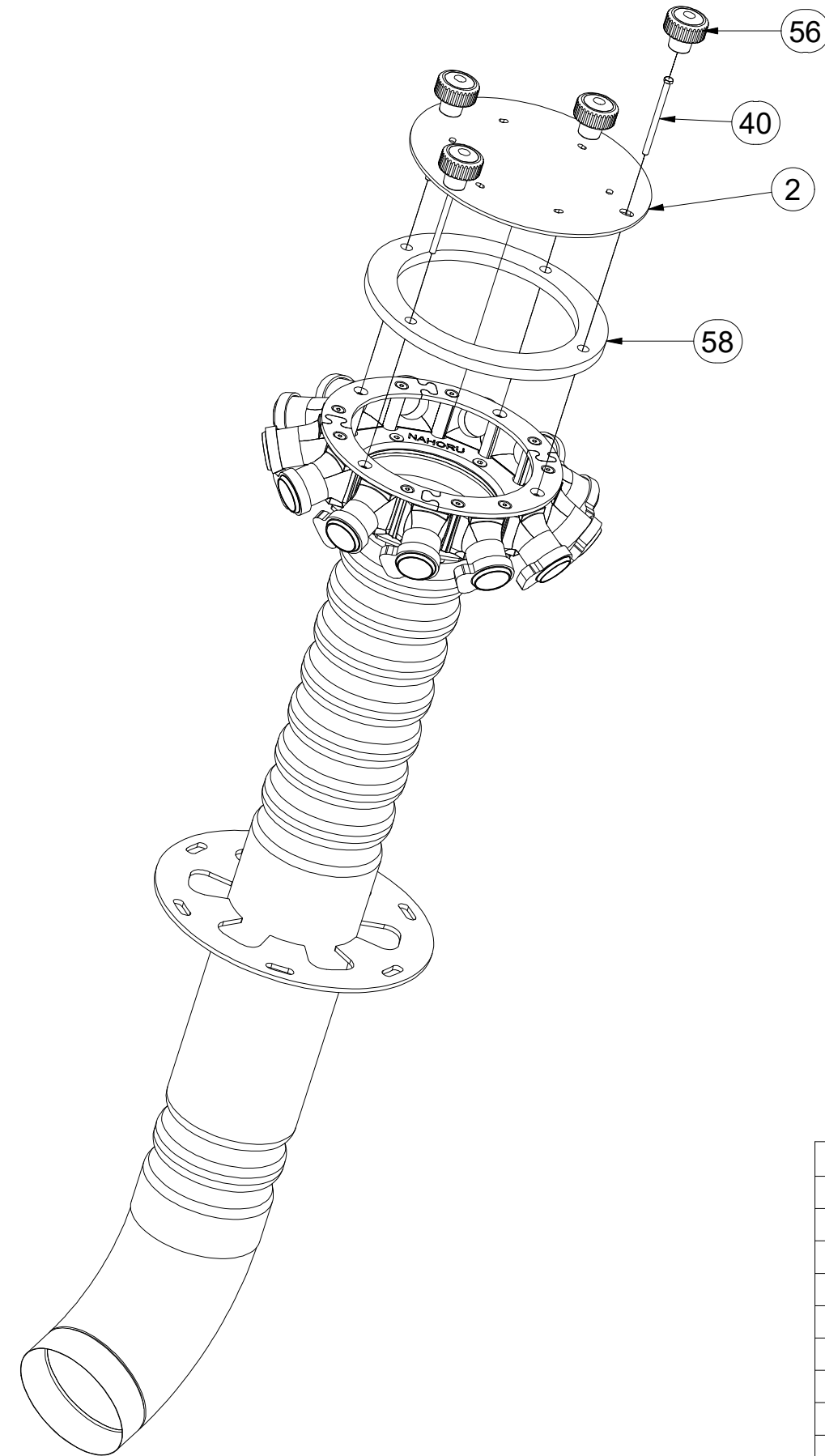
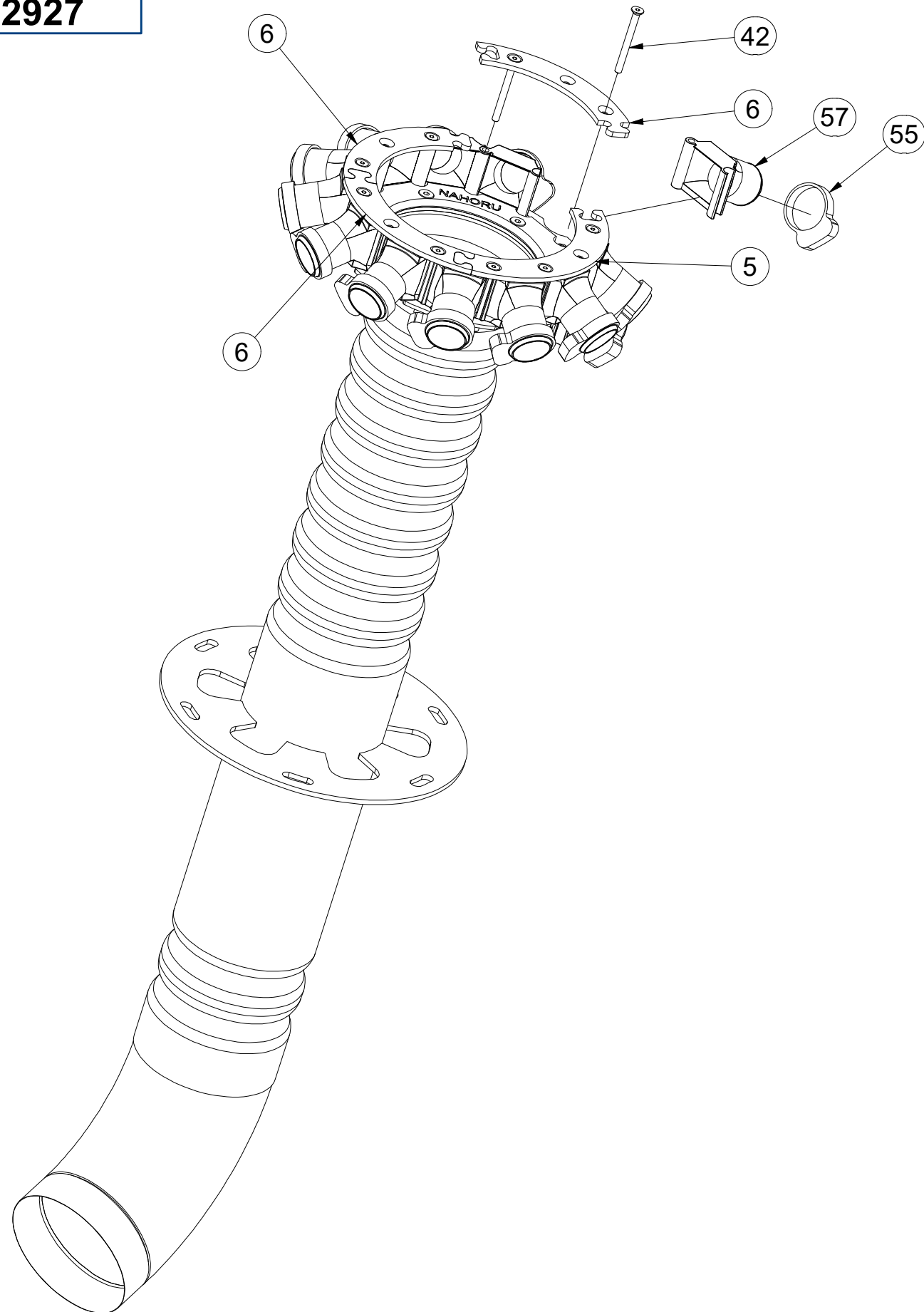
| Pos. | Part Number | Pcs. |
|------|-------------|------|
| 1 | VZ00006472 | 1 |
| 3 | VZ00002930 | 1 |
| 4 | VZ00002931 | 1 |
| 41 | m16413 | 6 |
| 45 | m10819 | 6 |
| 50 | m06847 | 6 |

CZ KOMÍN
 D SCHACHT
 F CHEMINÉE

GB CHIMNEY STACK
 RU ТРУБА
 PL KOMIN



VZ00002927



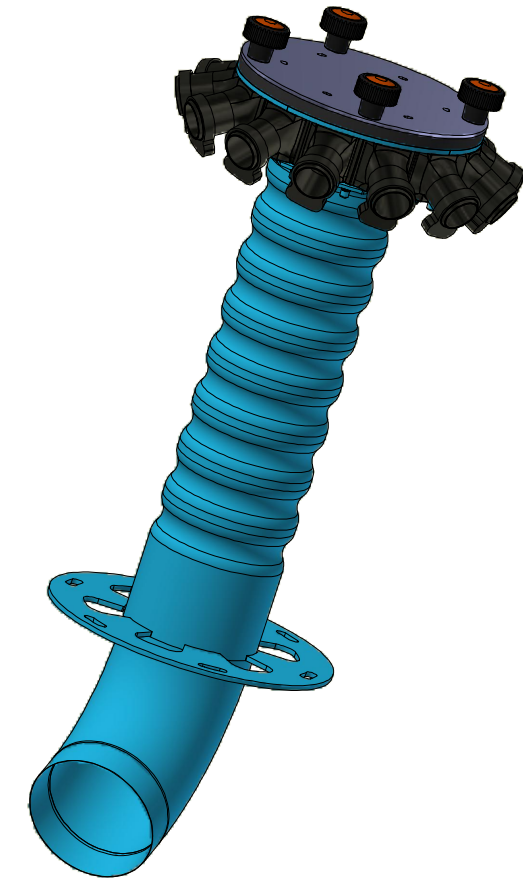
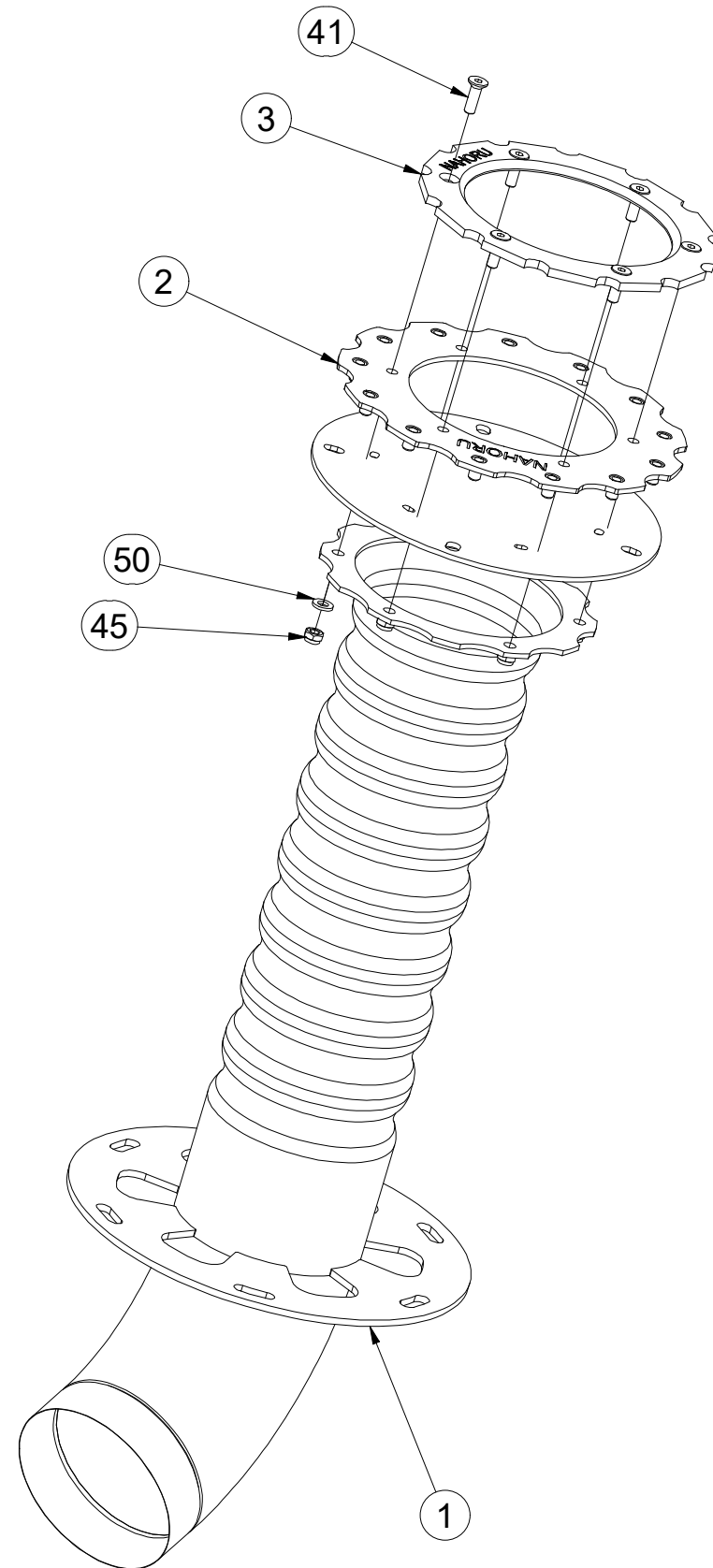
| Pos. | Part Number | Pcs. |
|------|-------------|------|
| 2 | VZ00030331 | 1 |
| 5 | VZ00002937 | 1 |
| 6 | VZ00002936 | 3 |
| 40 | m19716 | 4 |
| 42 | m19469 | 9 |
| 55 | m19099 | 13 |
| 56 | m19471 | 4 |
| 57 | m19589 | 13 |
| 58 | m19946 | 1 |

CZ KOMÍN
 D SCHACHT
 F CHEMINÉE

GB CHIMNEY STACK
 RU ТРУБА
 PL KOMIN



VZ00002928



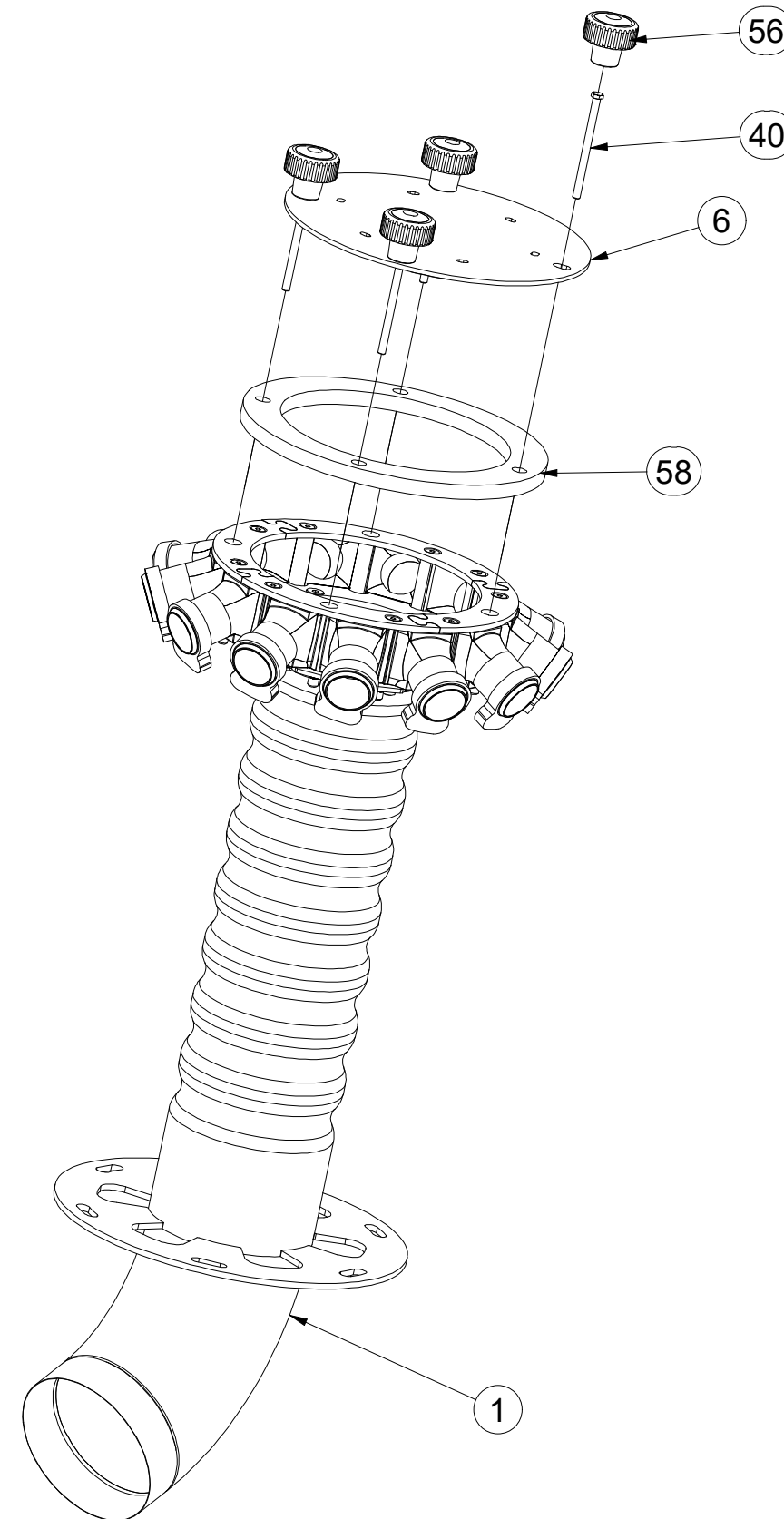
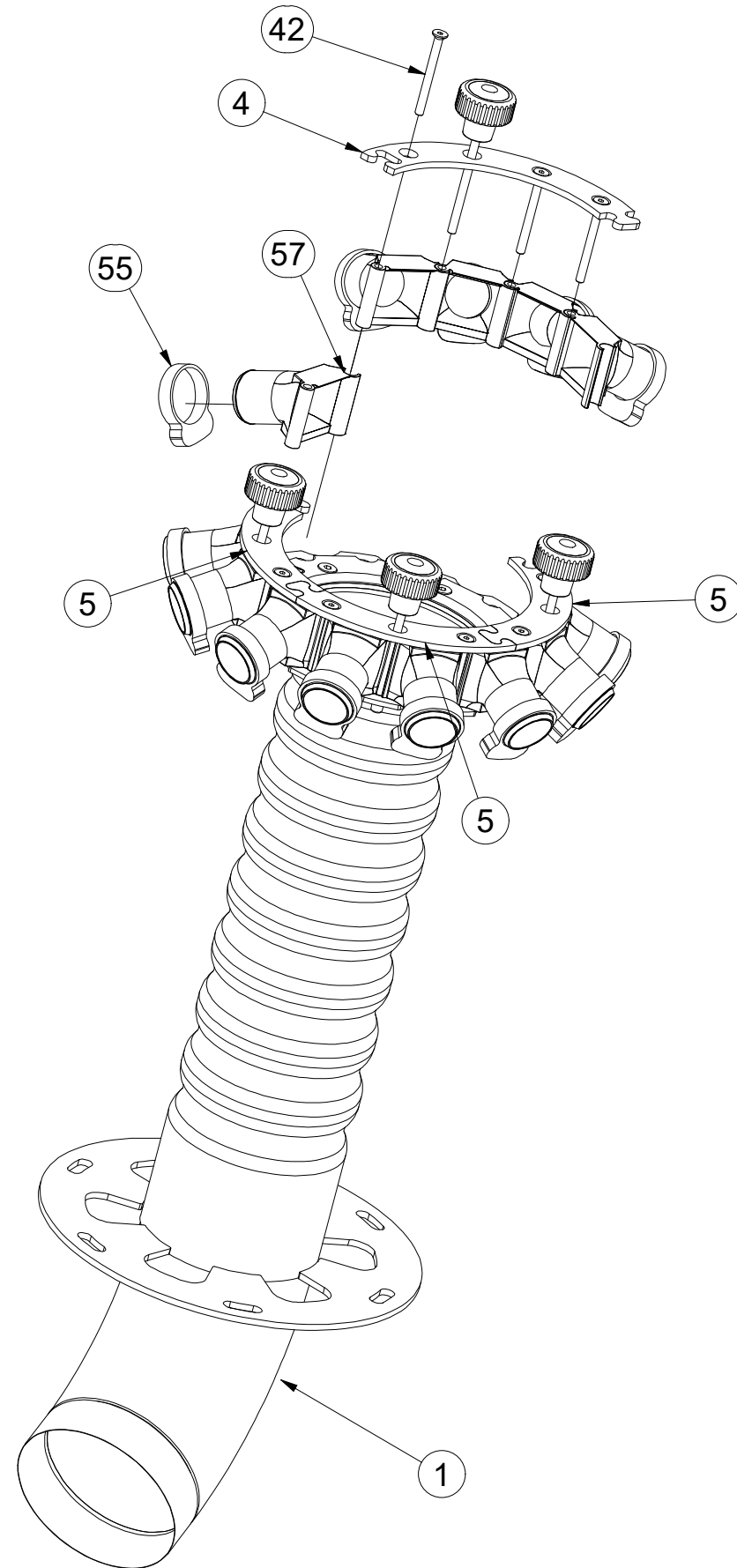
| Pos. | Part Number | Pcs. |
|------|-------------|------|
| 1 | VZ00004873 | 1 |
| 2 | VZ00002930 | 1 |
| 3 | VZ00002931 | 1 |
| 41 | m16413 | 6 |
| 45 | m10819 | 6 |
| 50 | m06847 | 6 |

CZ KOMÍN
 D SCHACHT
 F CHEMINÉE

GB CHIMNEY STACK
 RU ТРУБА
 PL KOMIN



VZ00002928



| Pos. | Part Number | Pcs. |
|------|-------------|------|
| 1 | VZ00004873 | 1 |
| 4 | VZ00002937 | 1 |
| 5 | VZ00002936 | 3 |
| 6 | VZ00030331 | 1 |
| 40 | m19716 | 4 |
| 42 | m19469 | 9 |
| 55 | m19099 | 13 |
| 56 | m19471 | 4 |
| 57 | m19589 | 13 |
| 58 | m19946 | 1 |

ⒸZ SADA VZDUCHOVÝCH KLAPEK

Ⓓ SATZ LUFTKLAPPEN

Ⓕ ENSEMBLE DE REGISTRES D'AIR

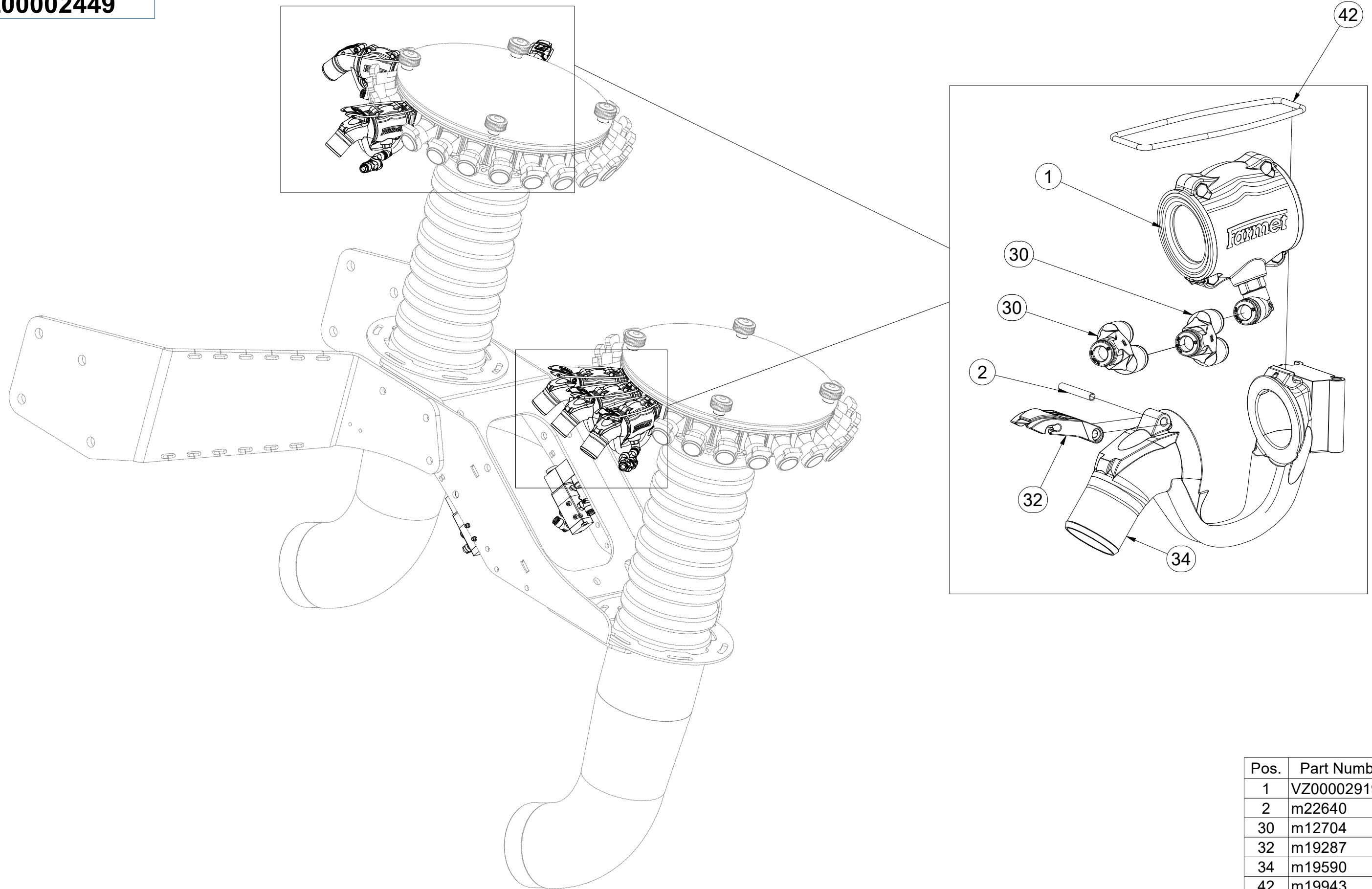
ⒸGB SET OF AIR DAMPERS

ⒸRU КОМПЛЕКТ ВОЗДУШНЫХ ЗАСЛОНОК

ⒸPL ZESTAW PRZEPUSTNIC POWIETRZA



VZ00002449



| Pos. | Part Number | Pcs. |
|------|-------------|------|
| 1 | VZ00002919 | 6 |
| 2 | m22640 | 6 |
| 30 | m12704 | 4 |
| 32 | m19287 | 6 |
| 34 | m19590 | 6 |
| 42 | m19943 | 6 |

ⒸZ SADA VZDUCHOVÝCH KLAPEK

Ⓓ SATZ LUFTKLAPPEN

Ⓕ ENSEMBLE DE REGISTRES D'AIR

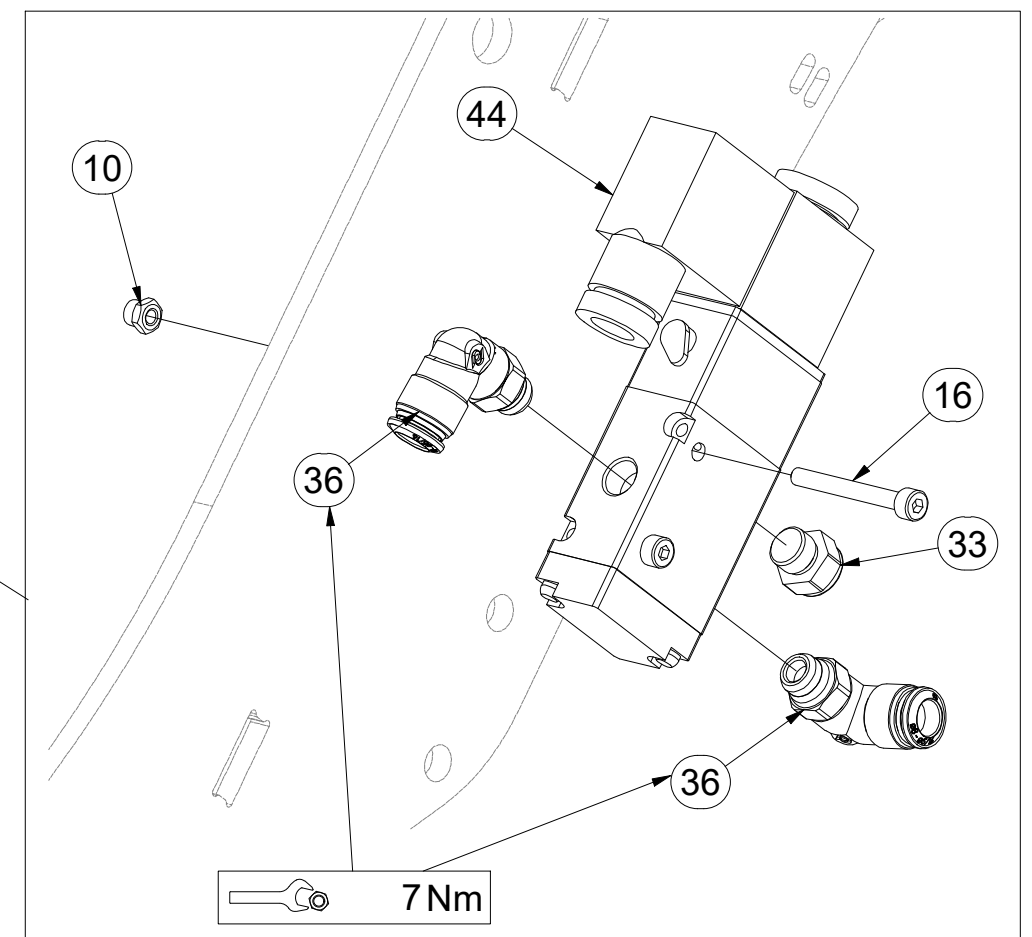
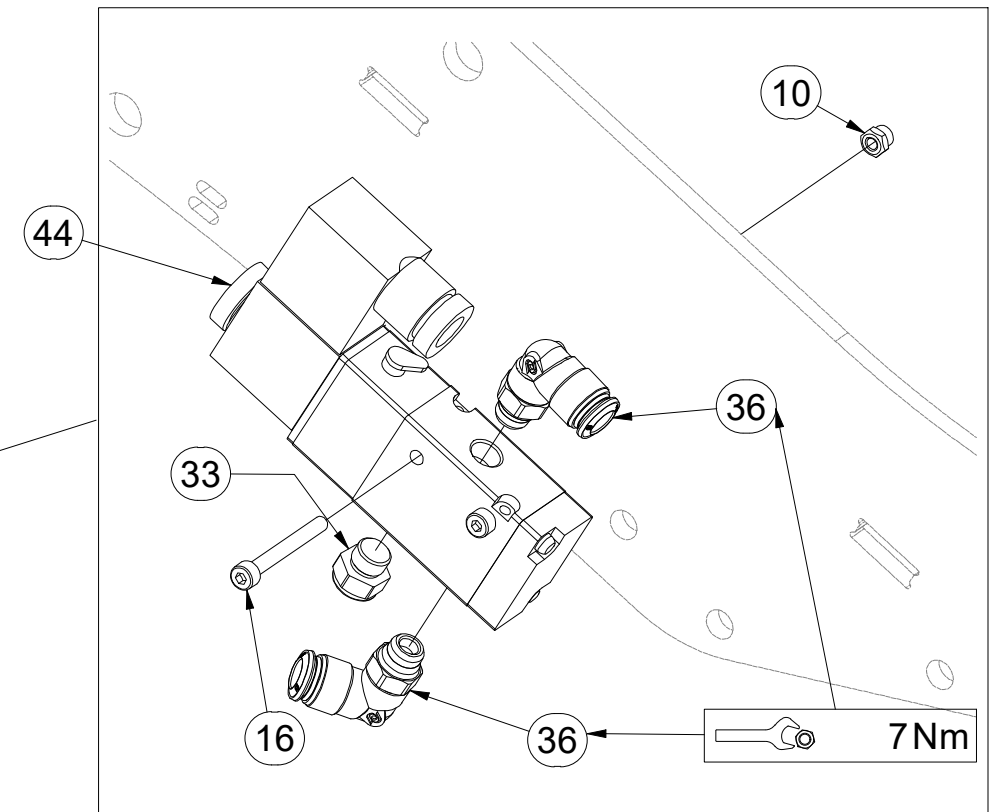
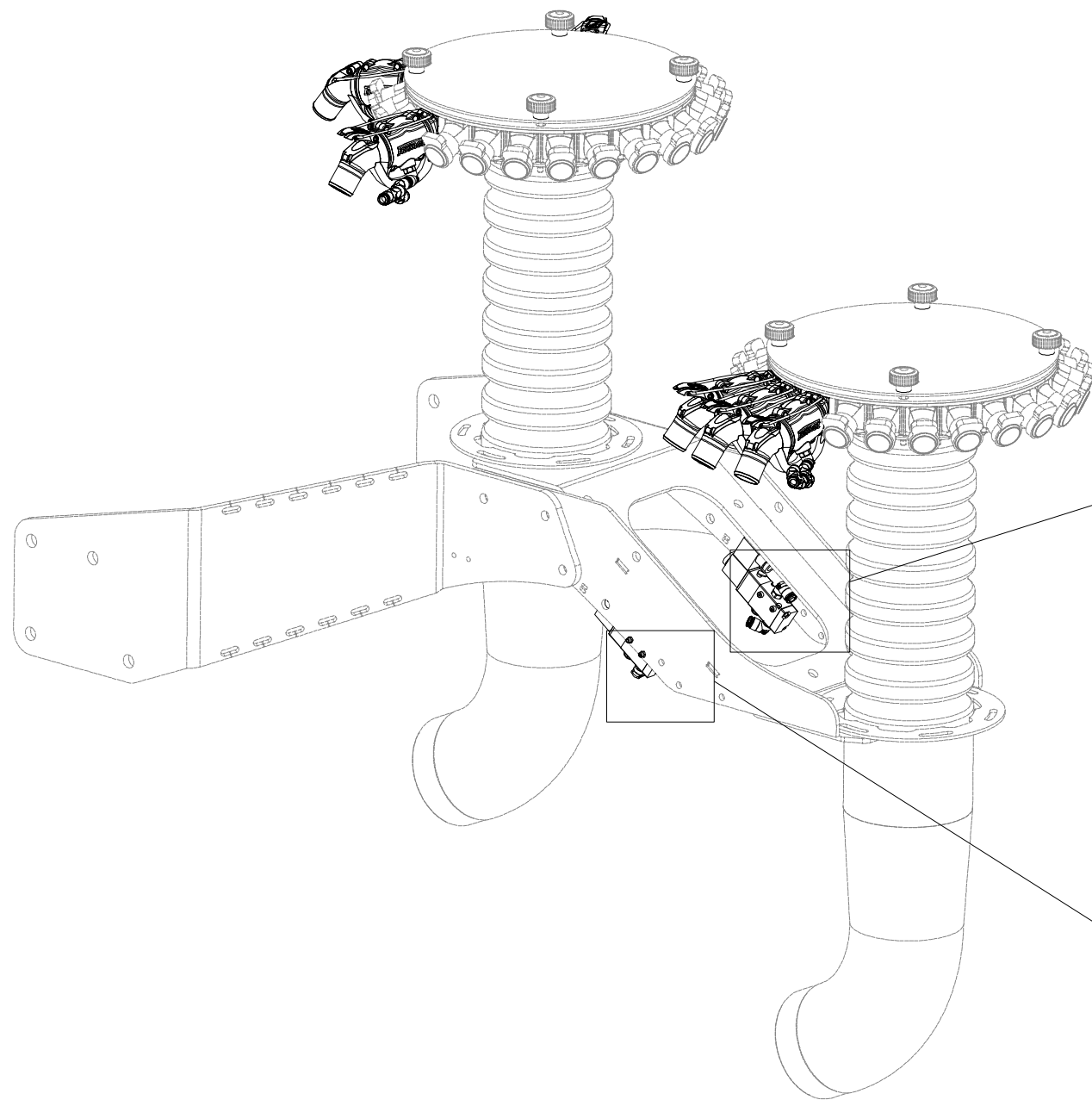
ⒼB SET OF AIR DAMPERS

ⒺU КОМПЛЕКТ ВОЗДУШНЫХ ЗАСЛОНОК

ⒽL ZESTAW PRZEPUSTNIC POWIETRZA



VZ00002449



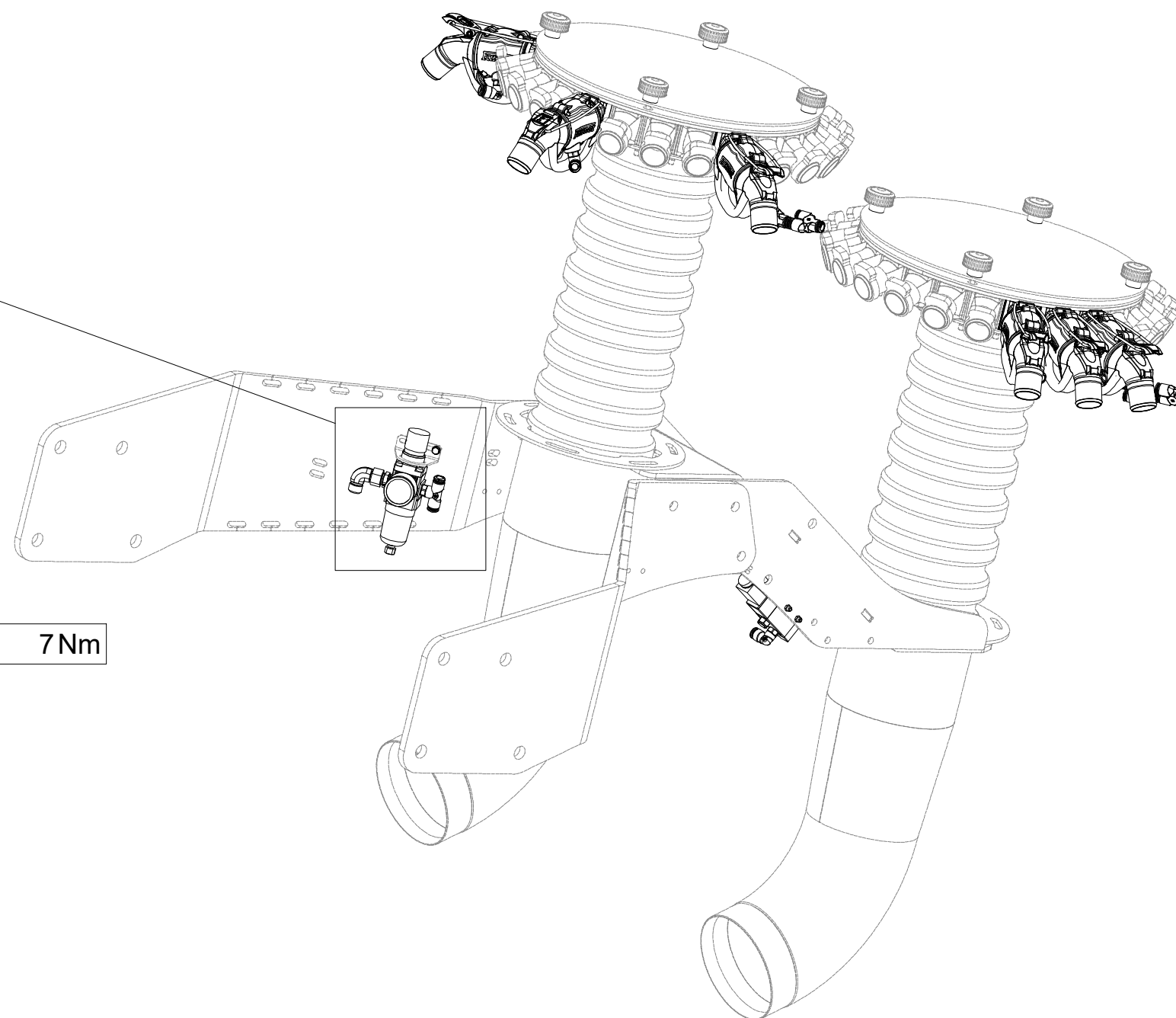
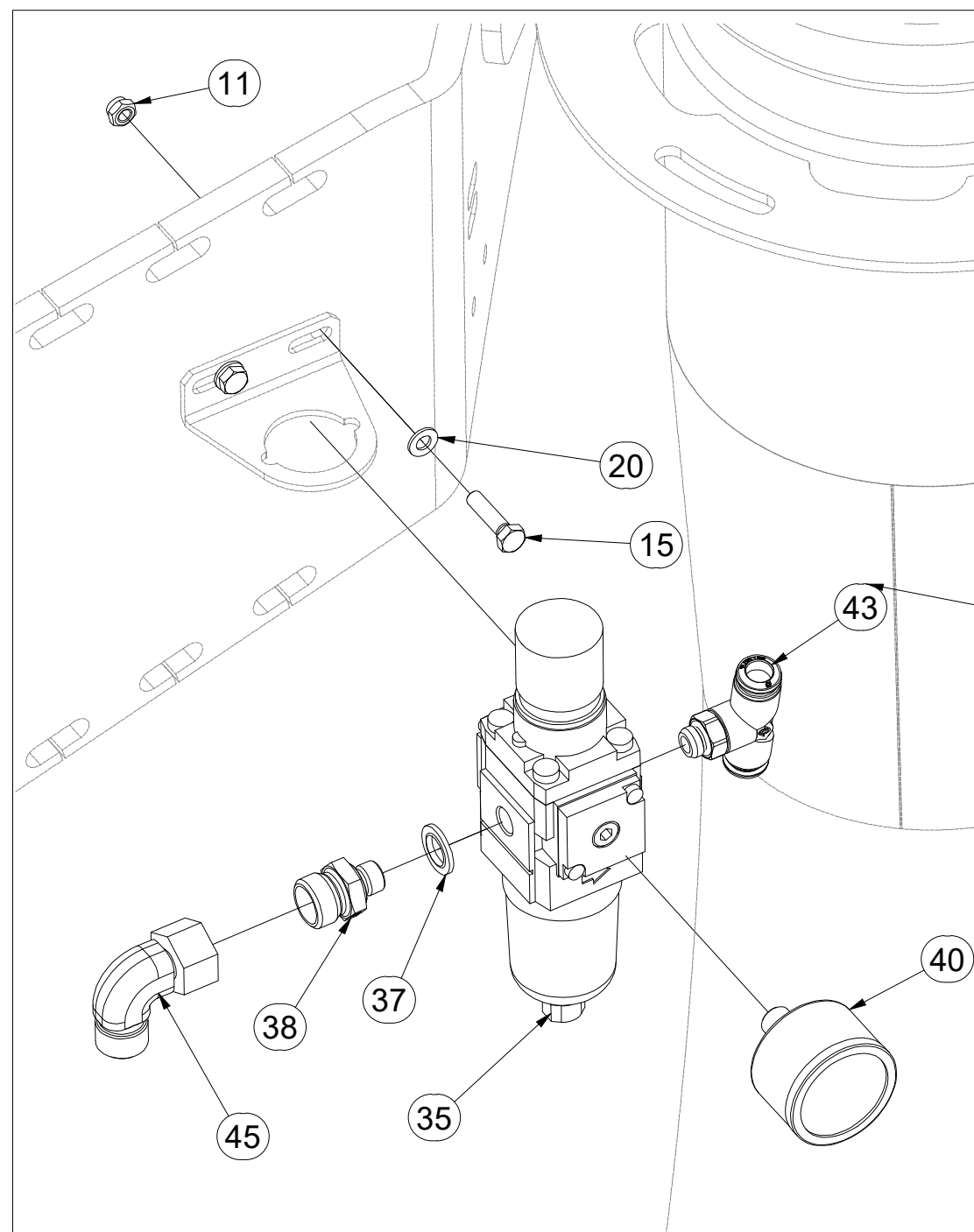
| Pos. | Part Number | Pcs. |
|------|-------------|------|
| 10 | m05562 | 4 |
| 16 | m16114 | 4 |
| 33 | m19504 | 2 |
| 36 | m19879 | 4 |
| 44 | m22549 | 2 |

- ⒸZ SADA VZDUCHOVÝCH KLAPEK
- Ⓓ SATZ LUFTKLAPPEN
- Ⓕ ENSEMBLE DE REGISTRES D'AIR

- ⒸB SET OF AIR DAMPERS
- ⒹU КОМПЛЕКТ ВОЗДУШНЫХ ЗАСЛОНОК
- ⒹL ZESTAW PRZEPUSTNIC POWIETRZA



VZ00002449



| Pos. | Part Number | Pcs. |
|------|-------------|------|
| 11 | m06886 | 2 |
| 15 | m06842 | 2 |
| 20 | m06944 | 2 |
| 35 | m22548 | 1 |
| 37 | m19880 | 1 |
| 38 | m19881 | 1 |
| 40 | m19922 | 1 |
| 43 | m20978 | 1 |
| 45 | m06803 | 1 |

Ⓒ SADA ZAPOJENÍ KLAPEK

Ⓓ DÄMPFERANSCHLUSS EINGESTELLT

Ⓕ KIT DE RACCORDEMENT DE REGISTRE

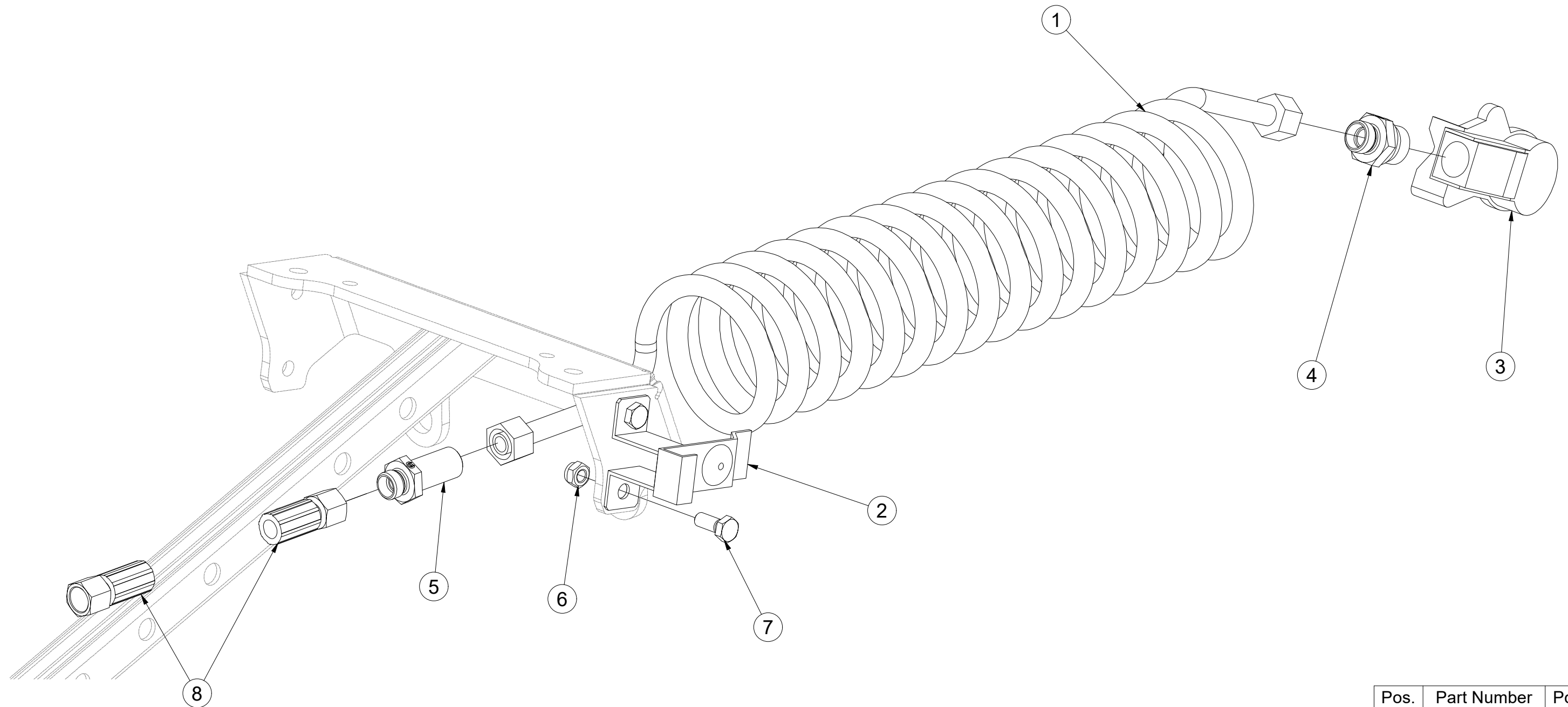
Ⓖ DAMPER CONNECTION SET

Ⓡ КОМПЛЕКТ ПОДКЛЮЧЕНИЯ ДЕМПФЕРА

Ⓟ ZESTAW PRZYŁĄCZENIOWY PRZEPUSTNICY



VZ00002429



| Pos. | Part Number | Pcs. |
|------|-------------|------|
| 1 | m09949 | 1 |
| 2 | m09789 | 1 |
| 3 | m11735 | 1 |
| 4 | m08261 | 1 |
| 6 | m04503 | 2 |
| 7 | m01089 | 2 |
| 8 | m19506 | 1 |
| 5 | m24100 | 1 |

ⒸZ HYDRAULIKA STROJE

Ⓓ HYDRAULIK DER MASCHINE

Ⓕ HYDRAULIQUE DE LA MACHINE

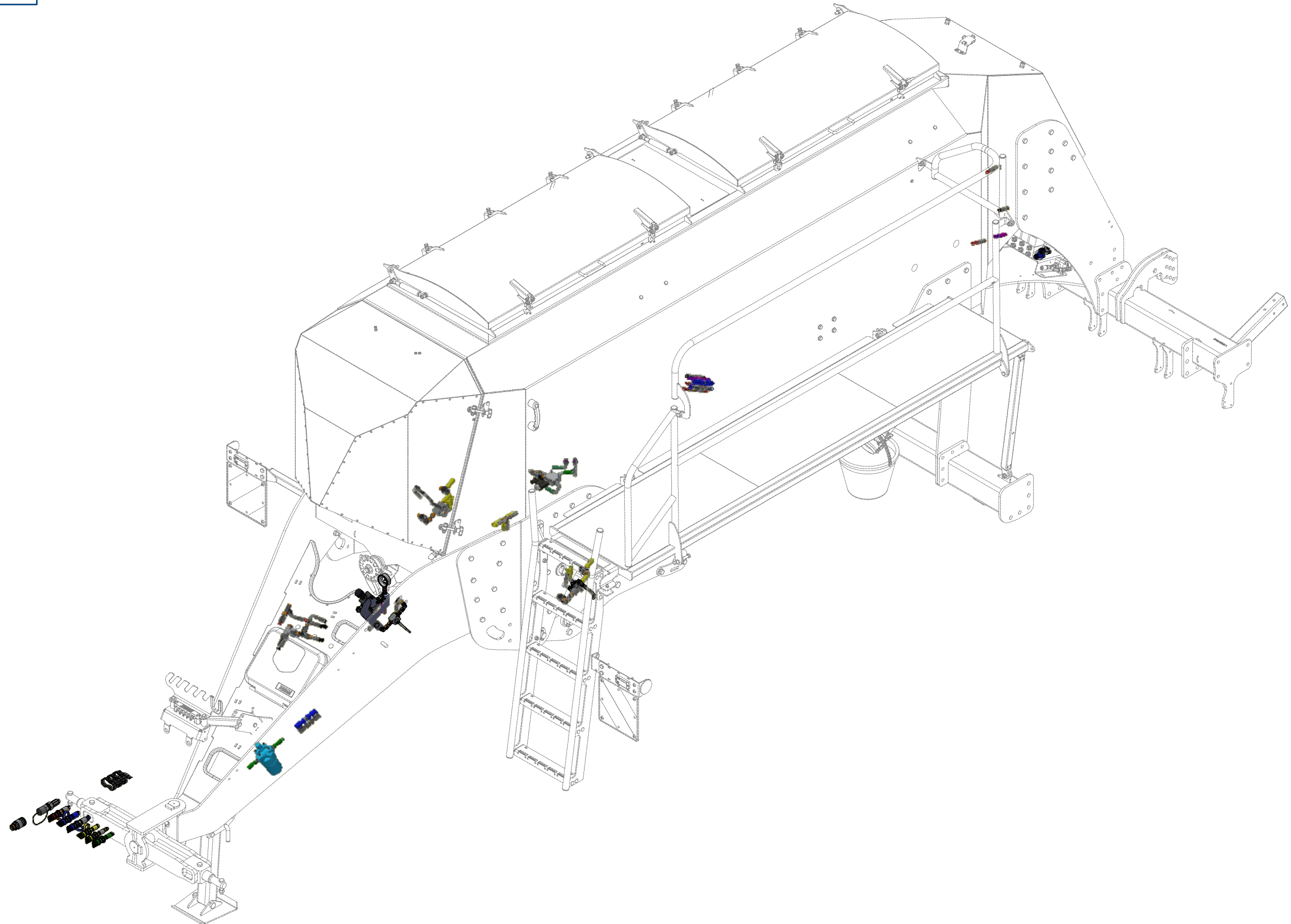
ⒸB MACHINE HYDRAULICS

ⒸR ГИДРАВЛИКА МАШИНЫ

ⒸL HYDRAULIKA MASZYN



VZ00032412



Ⓒ HYDRAULIKA STROJE

Ⓓ HYDRAULIK DER MASCHINE

Ⓕ HYDRAULIQUE DE LA MACHINE

Ⓖ MACHINE HYDRAULICS

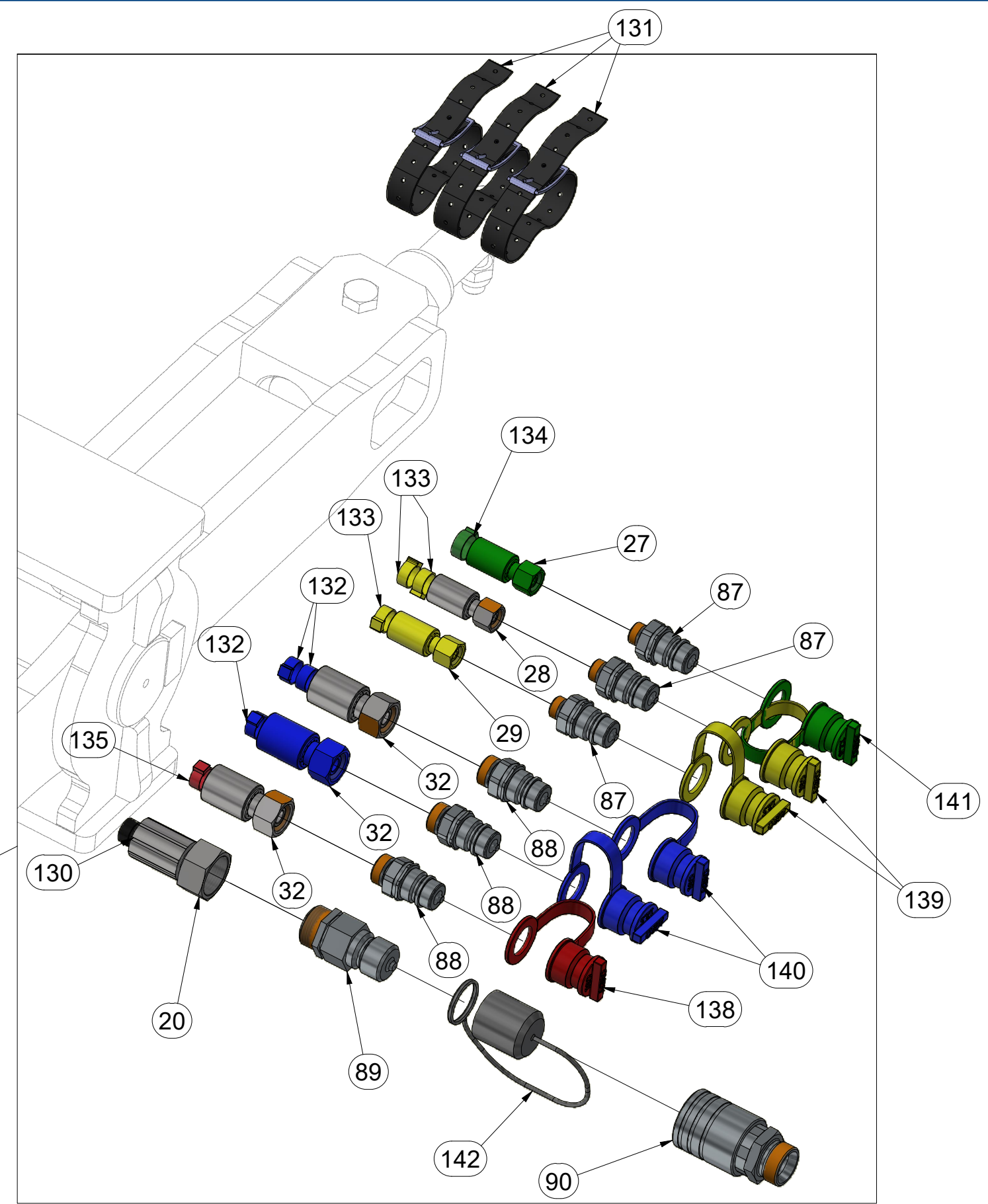
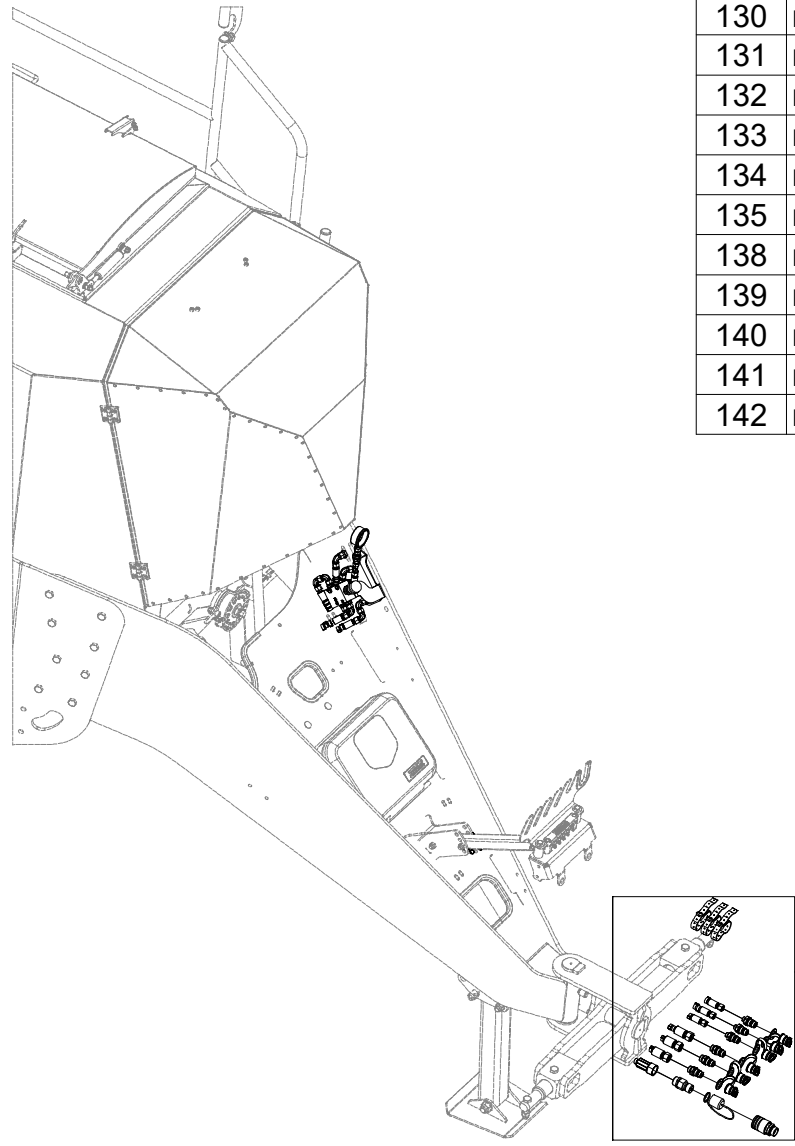
Ⓡ ГИДРАВЛИКА МАШИНЫ

Ⓟ HYDRAULIKA MASZYN

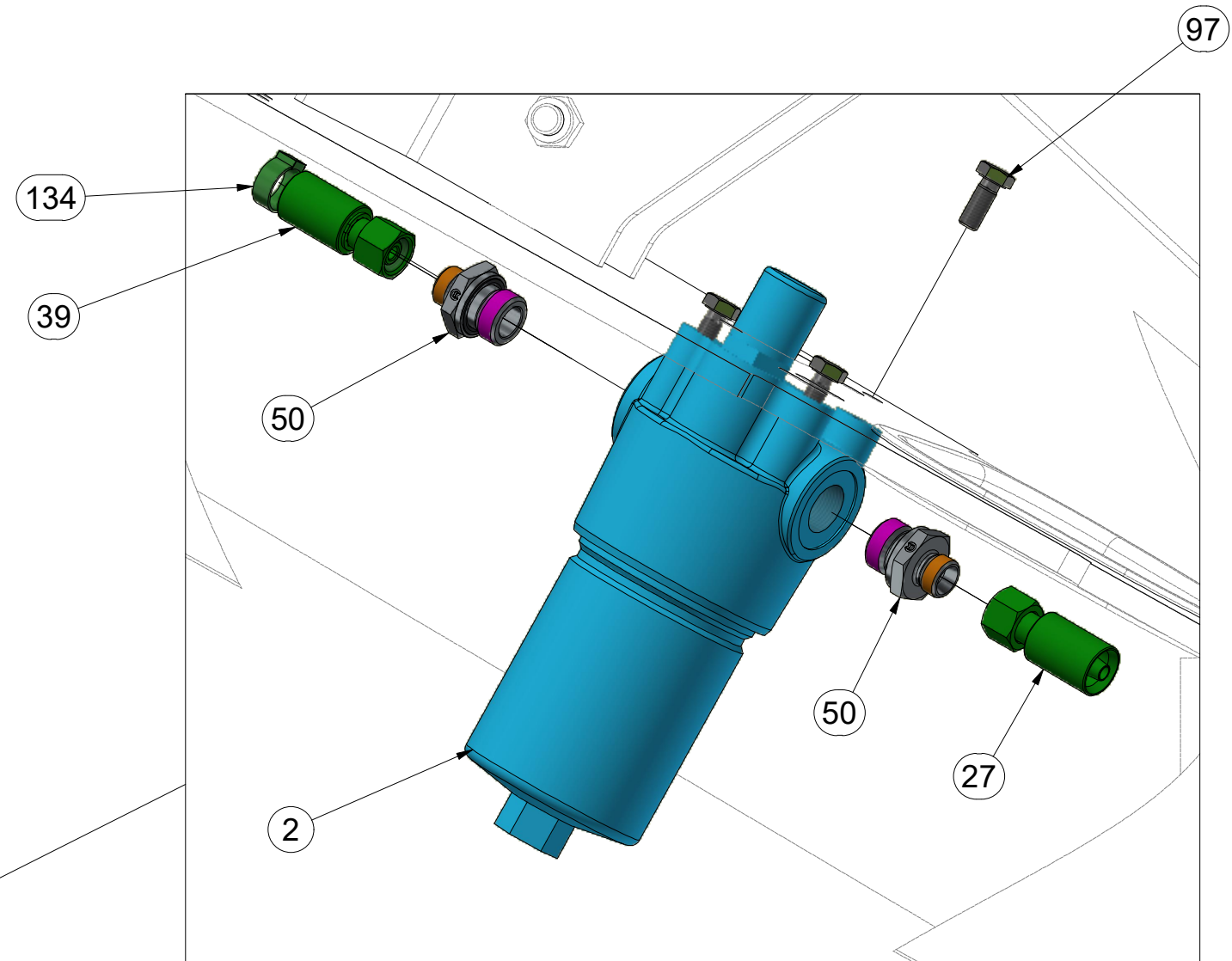
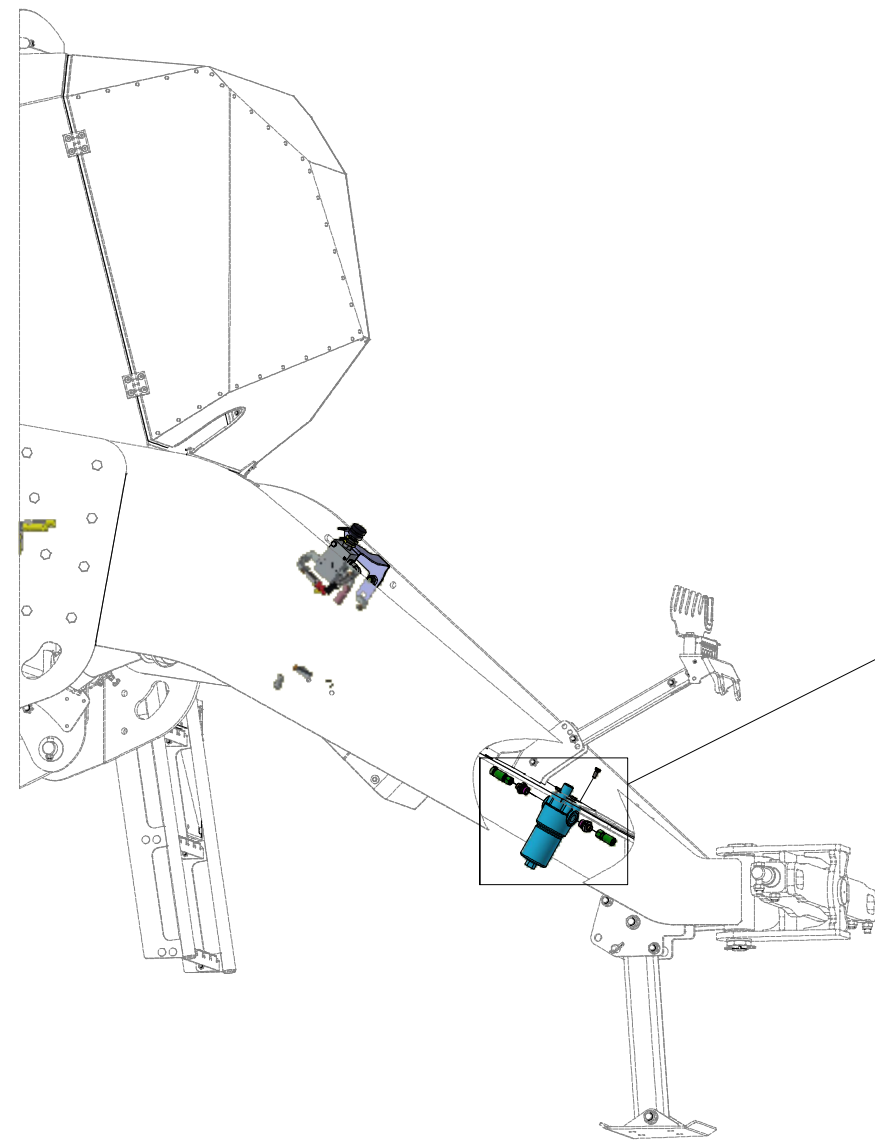


VZ00032412

| Pos. | Part Number | Pcs. |
|------|-------------|------|
| 20 | m07911 | 1 |
| 27 | m17445 | 2 |
| 28 | m18092 | 1 |
| 29 | m16455 | 1 |
| 32 | m07986 | 3 |
| 87 | m03849 | 3 |
| 88 | m04189 | 3 |
| 89 | m06108 | 1 |
| 90 | m06109 | 1 |
| 130 | m05566 | 16 |
| 131 | m20319 | 3 |
| 132 | m11253 | 16 |
| 133 | m11289 | 16 |
| 134 | m11282 | 3 |
| 135 | m11294 | 22 |
| 138 | m04022 | 1 |
| 139 | m04023 | 2 |
| 140 | m03743 | 2 |
| 141 | m04098 | 1 |
| 142 | m07448 | 1 |



VZ00032412



| Pos. | Part Number | Pcs. |
|------|-------------|------|
| 2 | VZ00012054 | 1 |
| 27 | m17445 | 2 |
| 39 | m07650 | 1 |
| 50 | m04560 | 4 |
| 97 | m01089 | 4 |
| 134 | m11282 | 3 |

Ⓒ HYDRAULIKA STROJE

Ⓓ HYDRAULIK DER MASCHINE

Ⓕ HYDRAULIQUE DE LA MACHINE

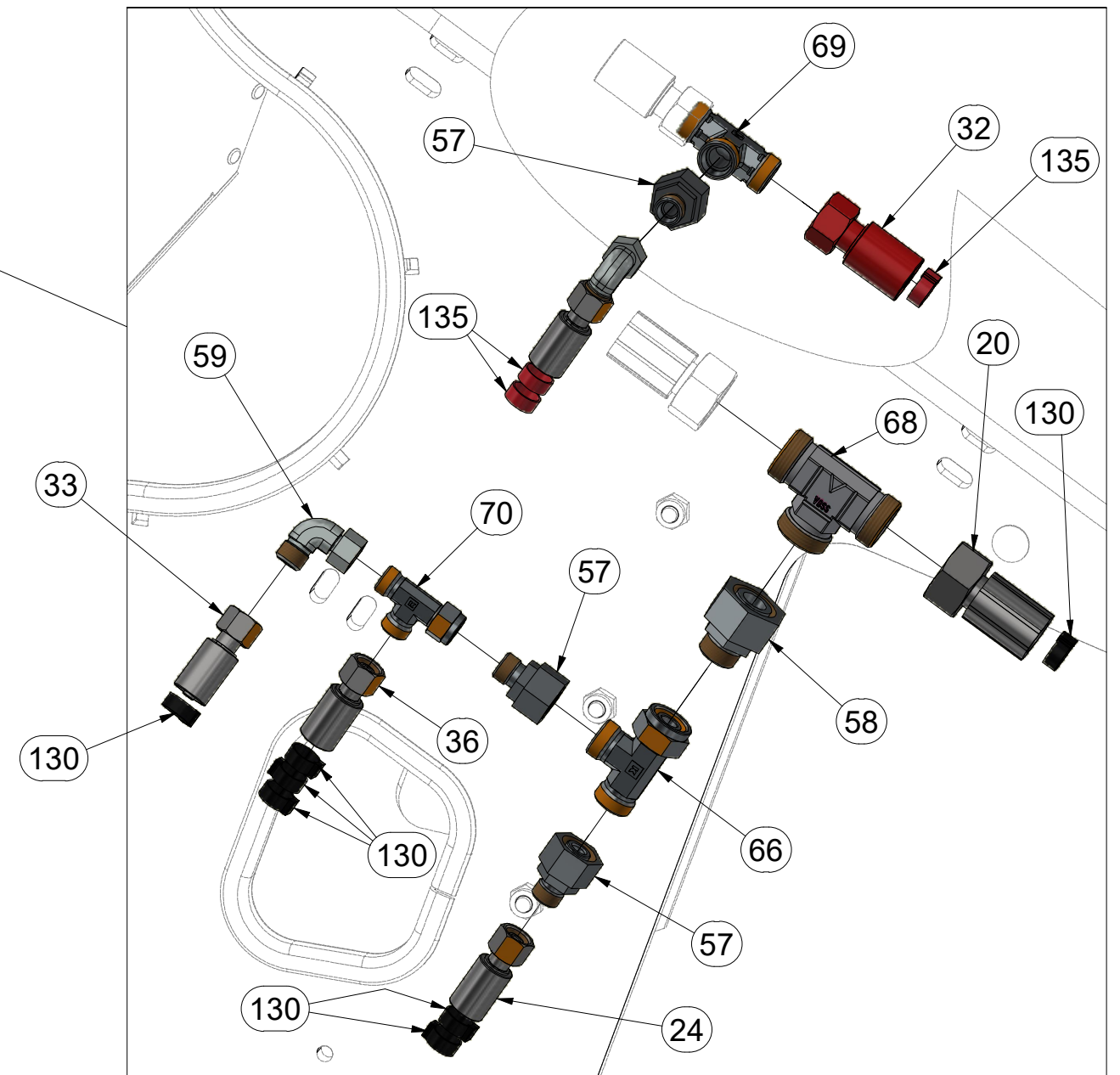
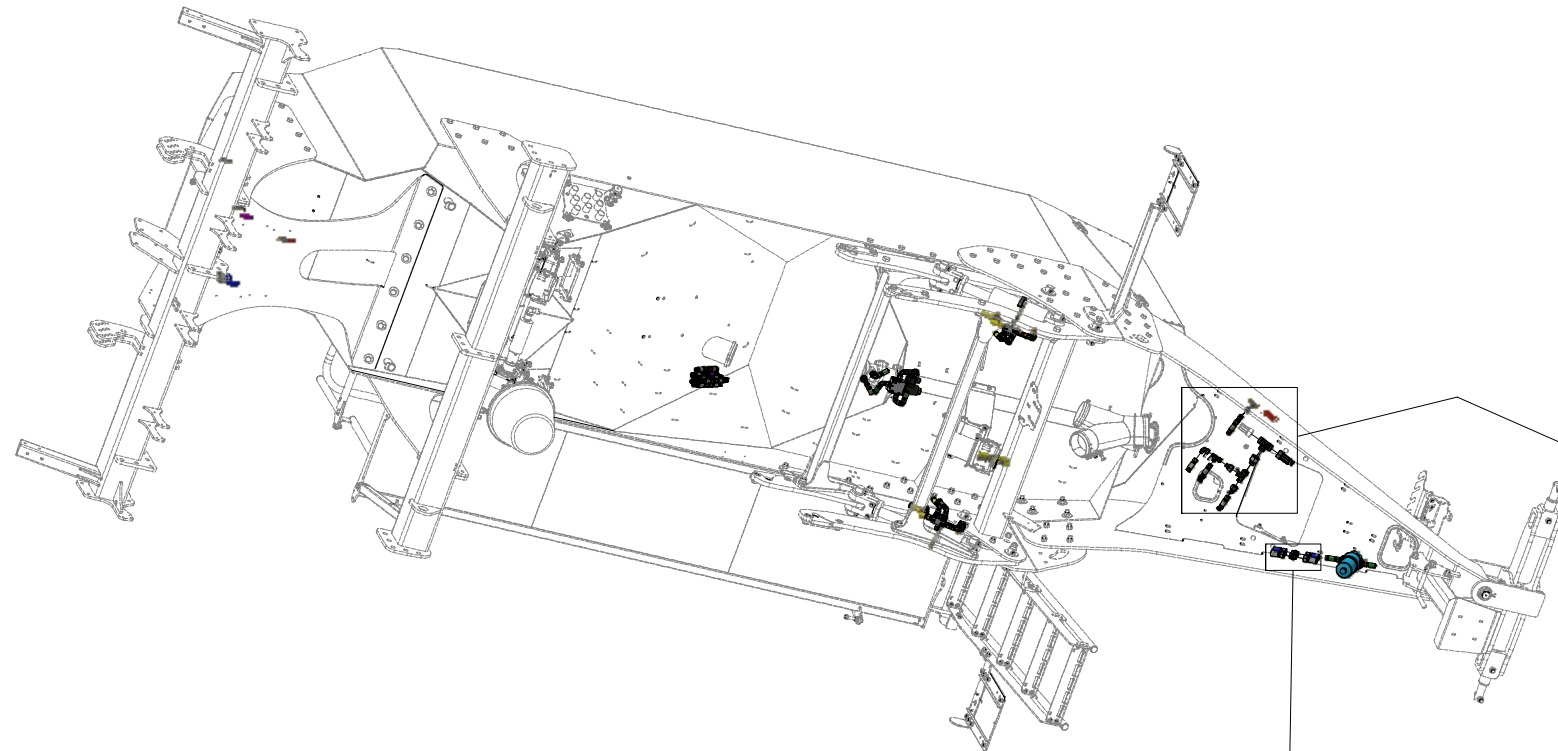
Ⓖ MACHINE HYDRAULICS

Ⓡ ГИДРАВЛИКА МАШИНЫ

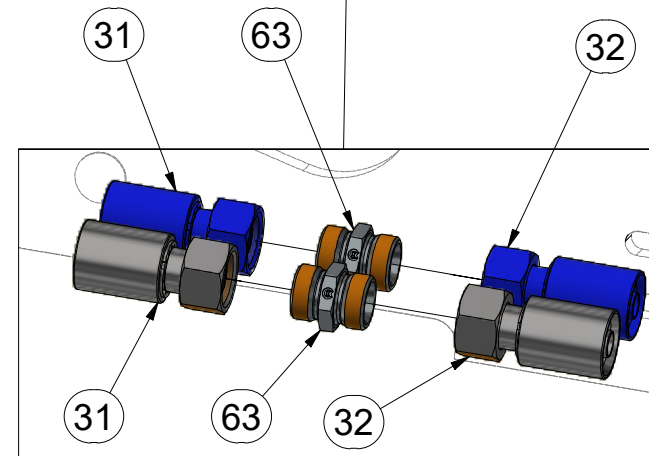
Ⓟ HYDRAULIKA MASZYN



VZ00032412



| Pos. | Part Number | Pcs. |
|------|-------------|------|
| 20 | m07911 | 1 |
| 24 | m07361 | 1 |
| 31 | m21008 | 2 |
| 32 | m07986 | 3 |
| 33 | m08526 | 2 |
| 36 | m04827 | 1 |
| 57 | m08533 | 3 |
| 58 | m07992 | 1 |
| 59 | m06803 | 21 |
| 63 | m04428 | 4 |
| 66 | m06881 | 1 |
| 68 | m22551 | 1 |
| 69 | m03244 | 1 |
| 70 | m07568 | 2 |
| 130 | m05566 | 16 |
| 135 | m11294 | 22 |



Ⓒ HYDRAULIKA STROJE

Ⓓ HYDRAULIK DER MASCHINE

Ⓕ HYDRAULIQUE DE LA MACHINE

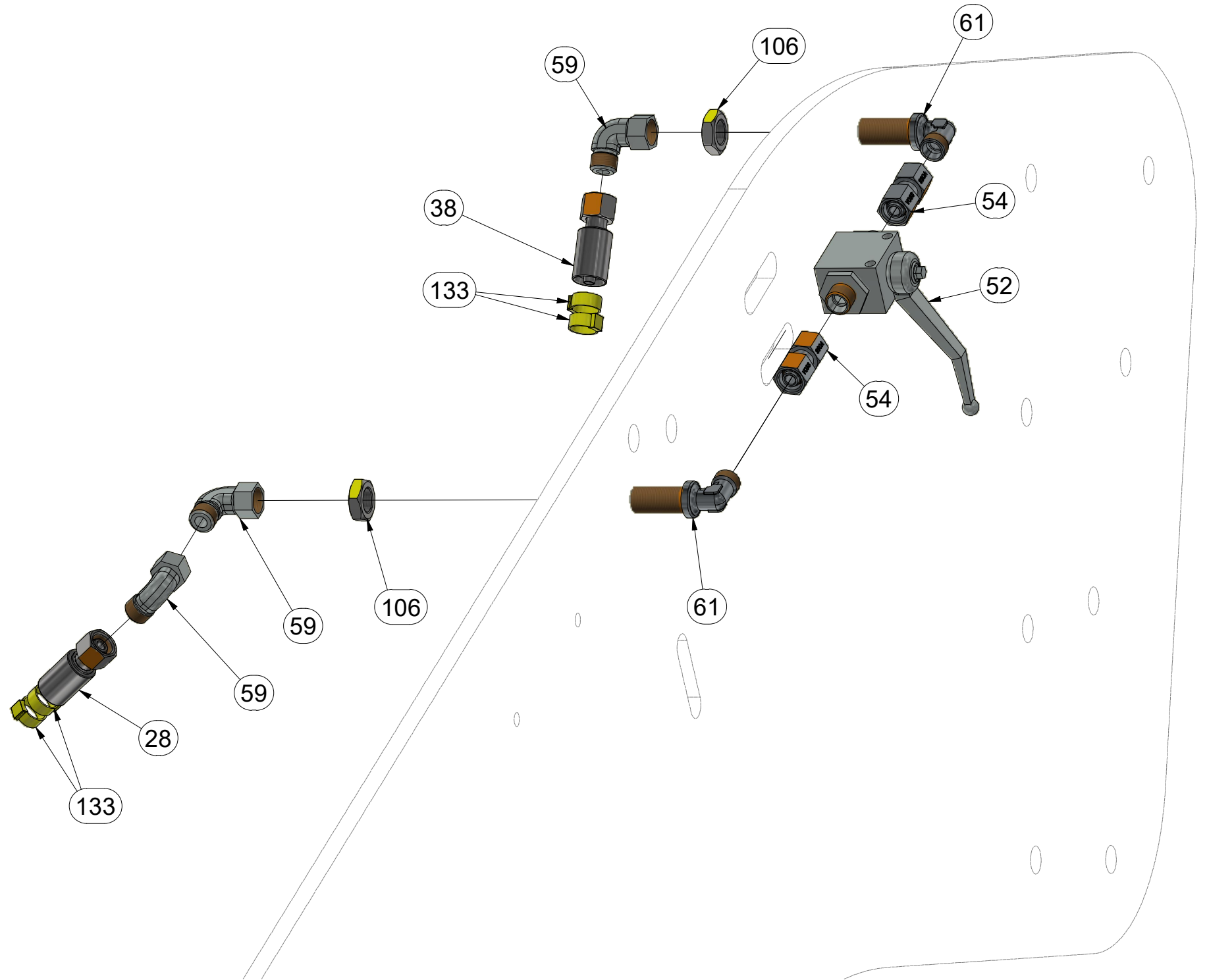
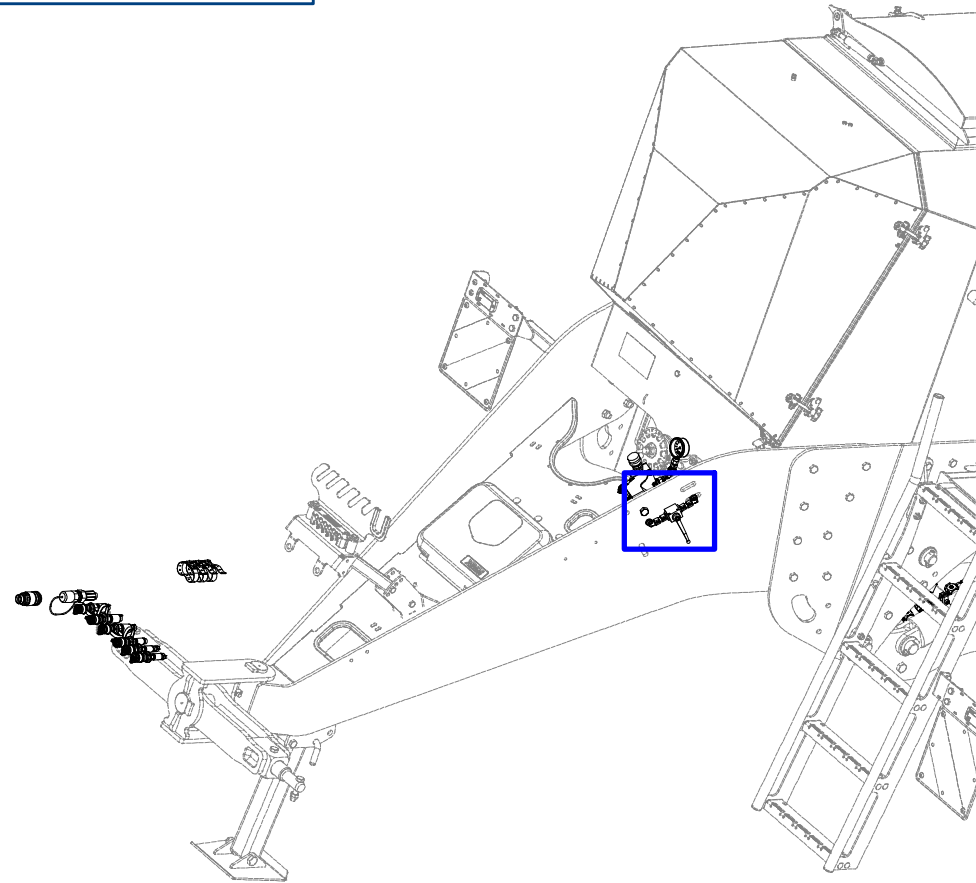
Ⓖ MACHINE HYDRAULICS

Ⓡ ГИДРАВЛИКА МАШИНЫ

Ⓟ HYDRAULIKA MASZYN



VZ00032412



| Pos. | Part Number | Pcs. |
|------|-------------|------|
| 28 | m18092 | 1 |
| 38 | m18177 | 1 |
| 52 | m04623 | 1 |
| 54 | m22305 | 3 |
| 59 | m06803 | 21 |
| 61 | m08391 | 2 |
| 106 | m03941 | 3 |
| 133 | m11289 | 16 |

Ⓒ HYDRAULIKA STROJE

Ⓓ HYDRAULIK DER MASCHINE

Ⓕ HYDRAULIQUE DE LA MACHINE

Ⓖ MACHINE HYDRAULICS

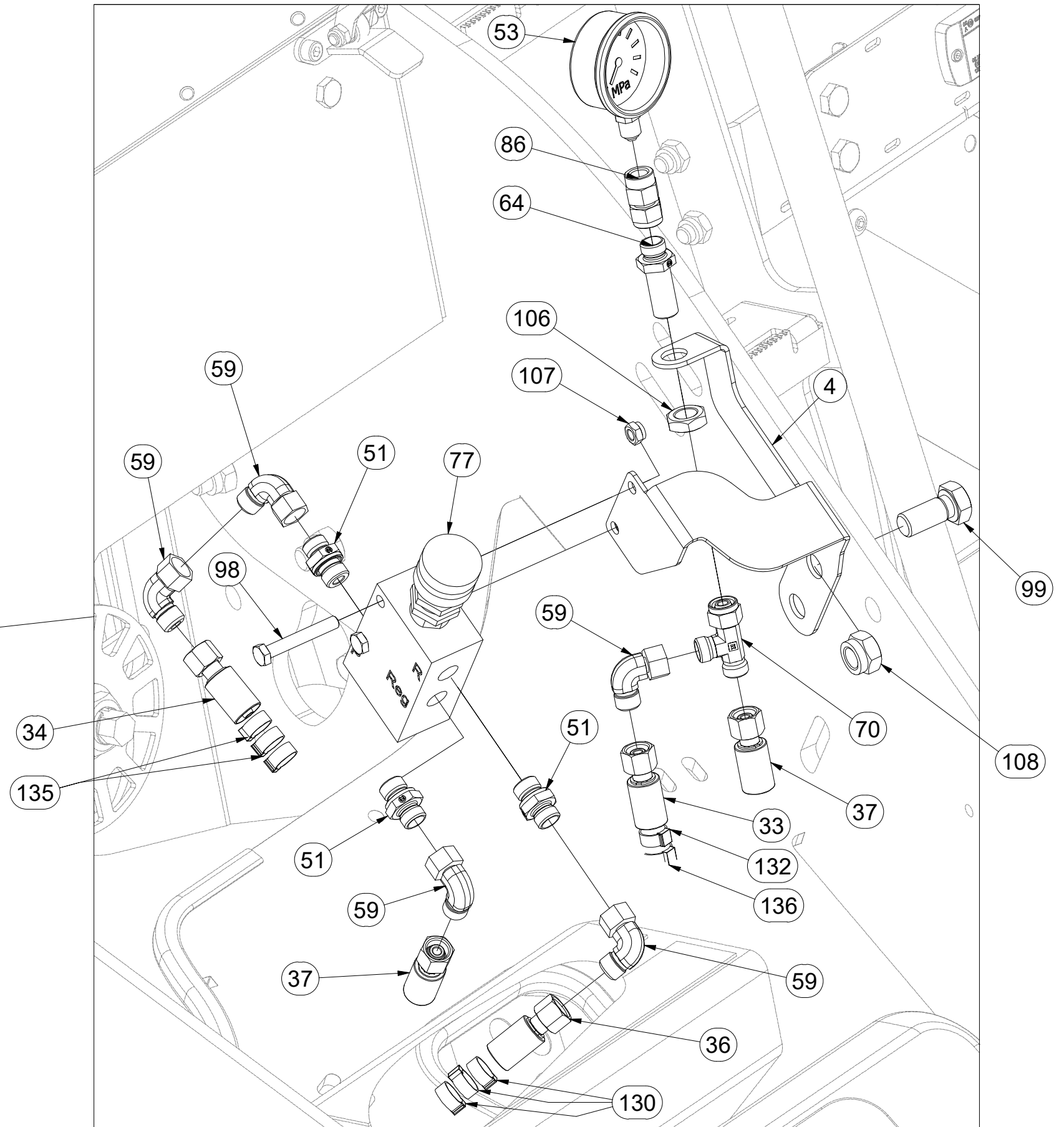
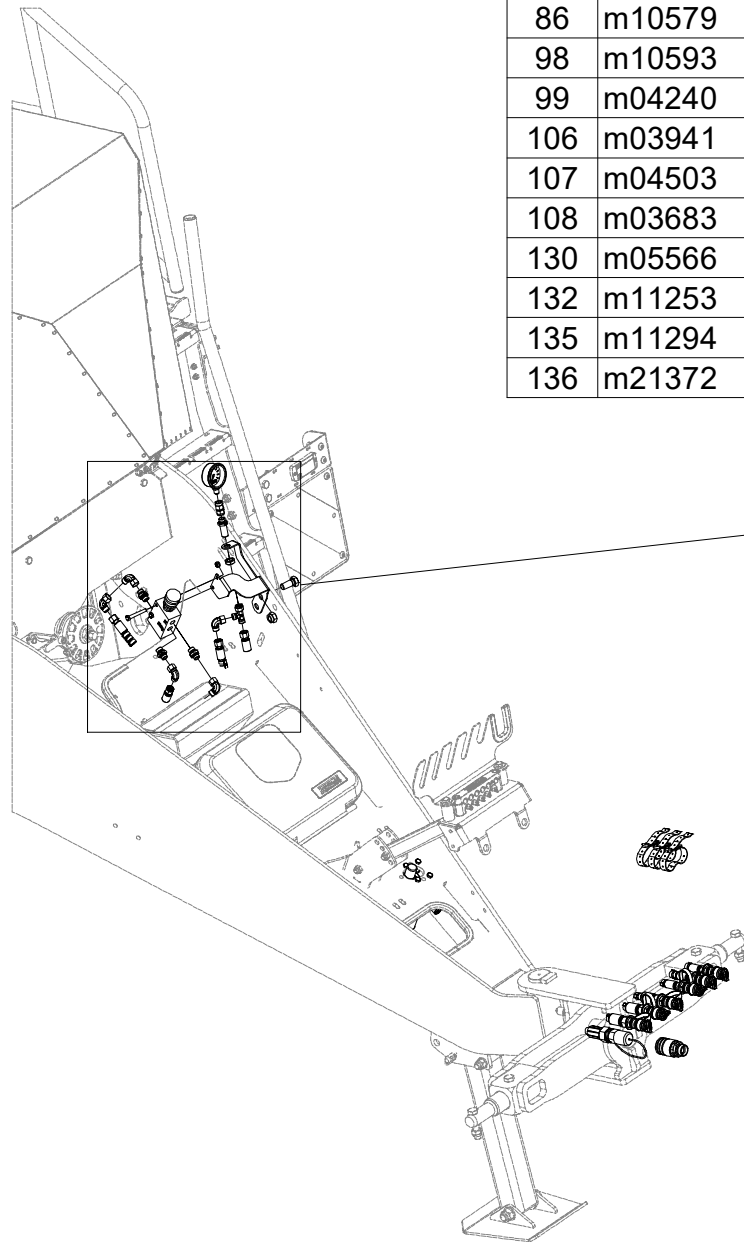
Ⓡ ГИДРАВЛИКА МАШИНЫ

Ⓟ HYDRAULIKA MASZYN



VZ00032412

| Pos. | Part Number | Pcs. |
|------|-------------|------|
| 4 | VZ00030068 | 1 |
| 33 | m08526 | 2 |
| 34 | m05763 | 2 |
| 36 | m04827 | 1 |
| 37 | m18195 | 1 |
| 51 | m06528 | 10 |
| 53 | m09400 | 1 |
| 59 | m06803 | 21 |
| 64 | m11768 | 1 |
| 70 | m07568 | 2 |
| 77 | m13964 | 1 |
| 86 | m10579 | 1 |
| 98 | m10593 | 2 |
| 99 | m04240 | 1 |
| 106 | m03941 | 3 |
| 107 | m04503 | 2 |
| 108 | m03683 | 1 |
| 130 | m05566 | 16 |
| 132 | m11253 | 16 |
| 135 | m11294 | 22 |
| 136 | m21372 | 4 |



Ⓒ HYDRAULIKA STROJE

Ⓓ HYDRAULIK DER MASCHINE

Ⓕ HYDRAULIQUE DE LA MACHINE

Ⓖ MACHINE HYDRAULICS

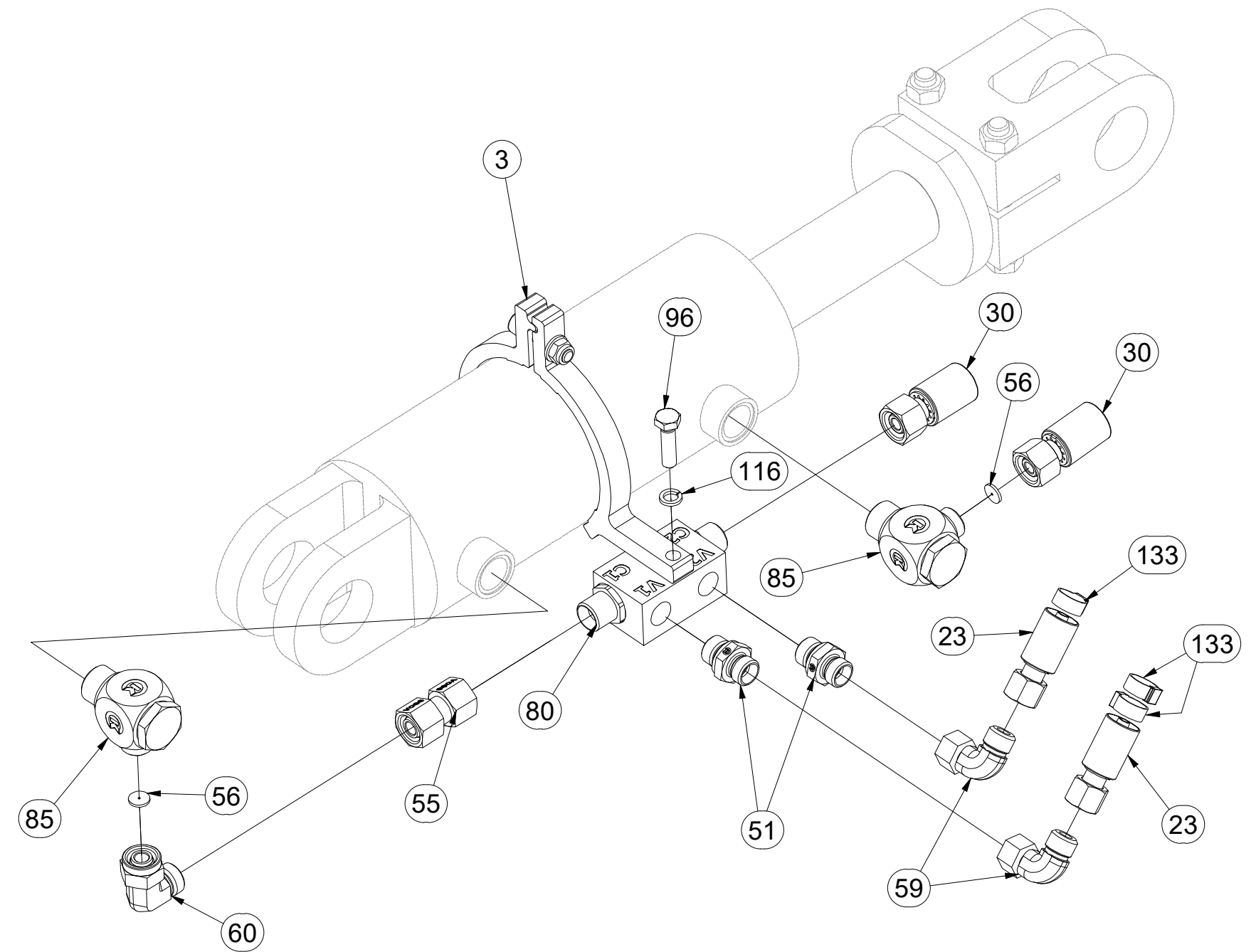
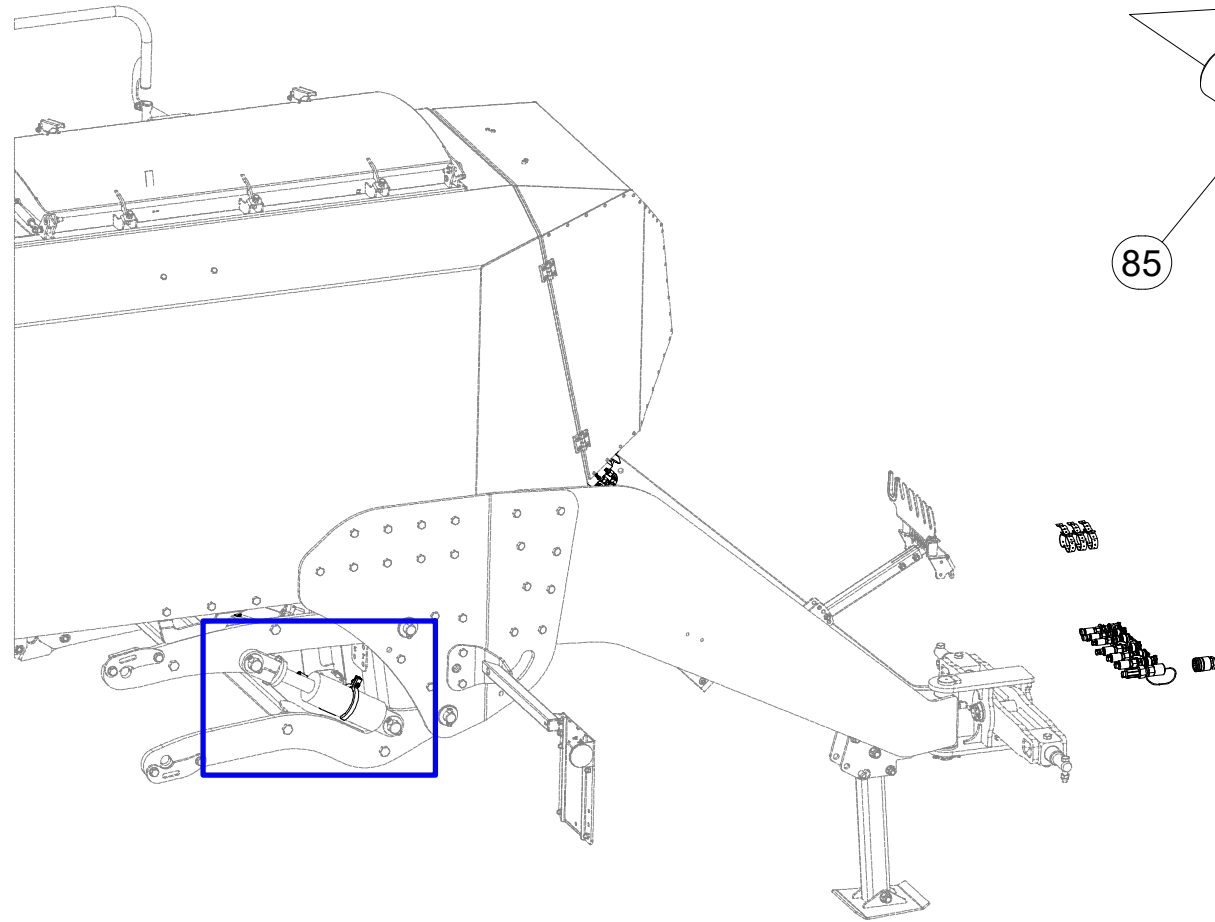
Ⓡ ГИДРАВЛИКА МАШИНЫ

Ⓟ HYDRAULIKA MASZYN



VZ00032412

| Pos. | Part Number | Pcs. |
|------|-------------|------|
| 3 | VZ00024349 | 2 |
| 23 | m07648 | 2 |
| 30 | m03845 | 2 |
| 51 | m06528 | 10 |
| 55 | m22306 | 2 |
| 56 | m10775 | 4 |
| 59 | m06803 | 21 |
| 60 | m07654 | 2 |
| 80 | m08083 | 2 |
| 85 | m20912 | 4 |
| 96 | m04791 | 2 |
| 116 | m01202 | 2 |
| 133 | m11289 | 16 |



Ⓒ HYDRAULIKA STROJE

Ⓓ HYDRAULIK DER MASCHINE

Ⓕ HYDRAULIQUE DE LA MACHINE

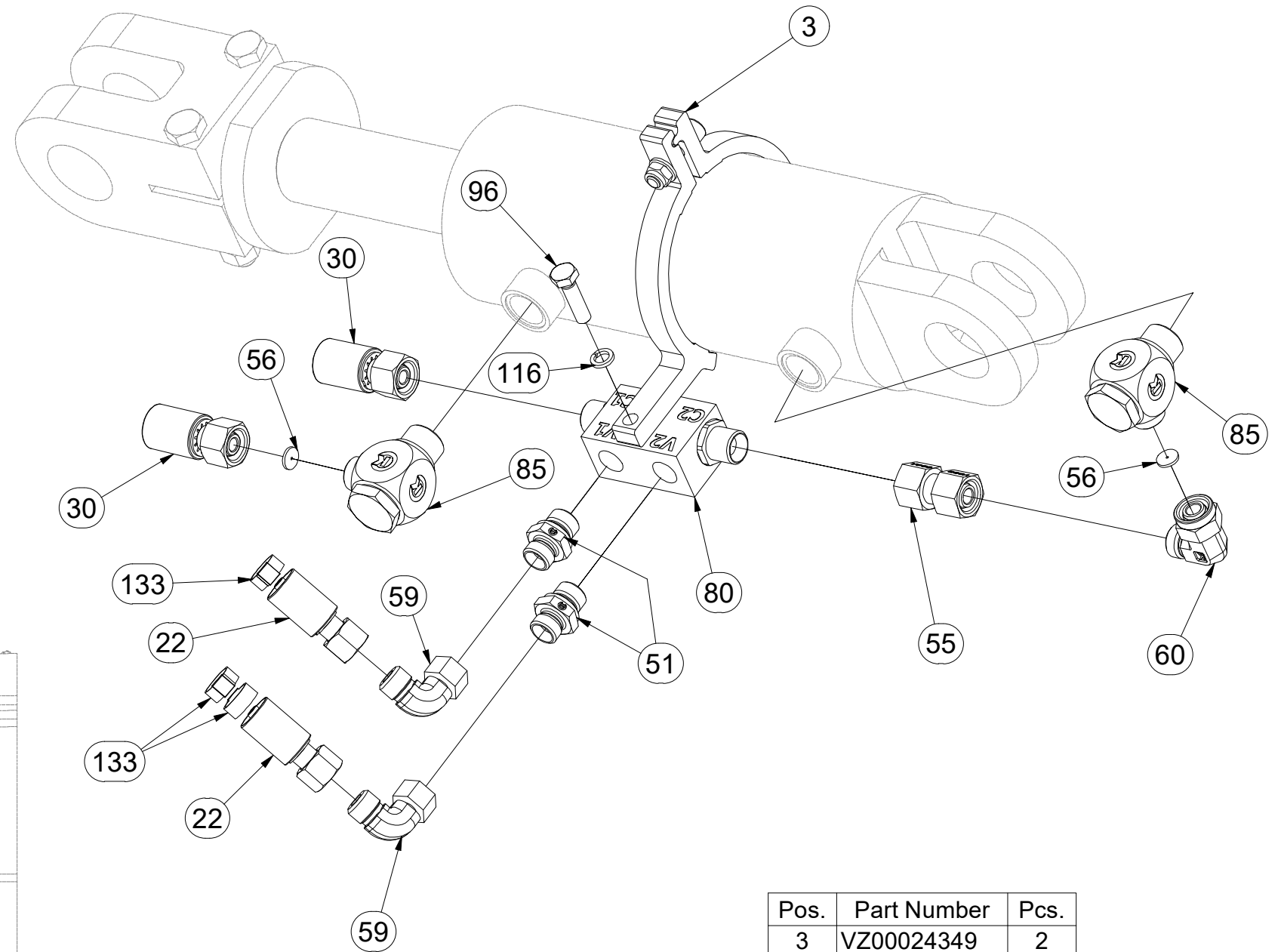
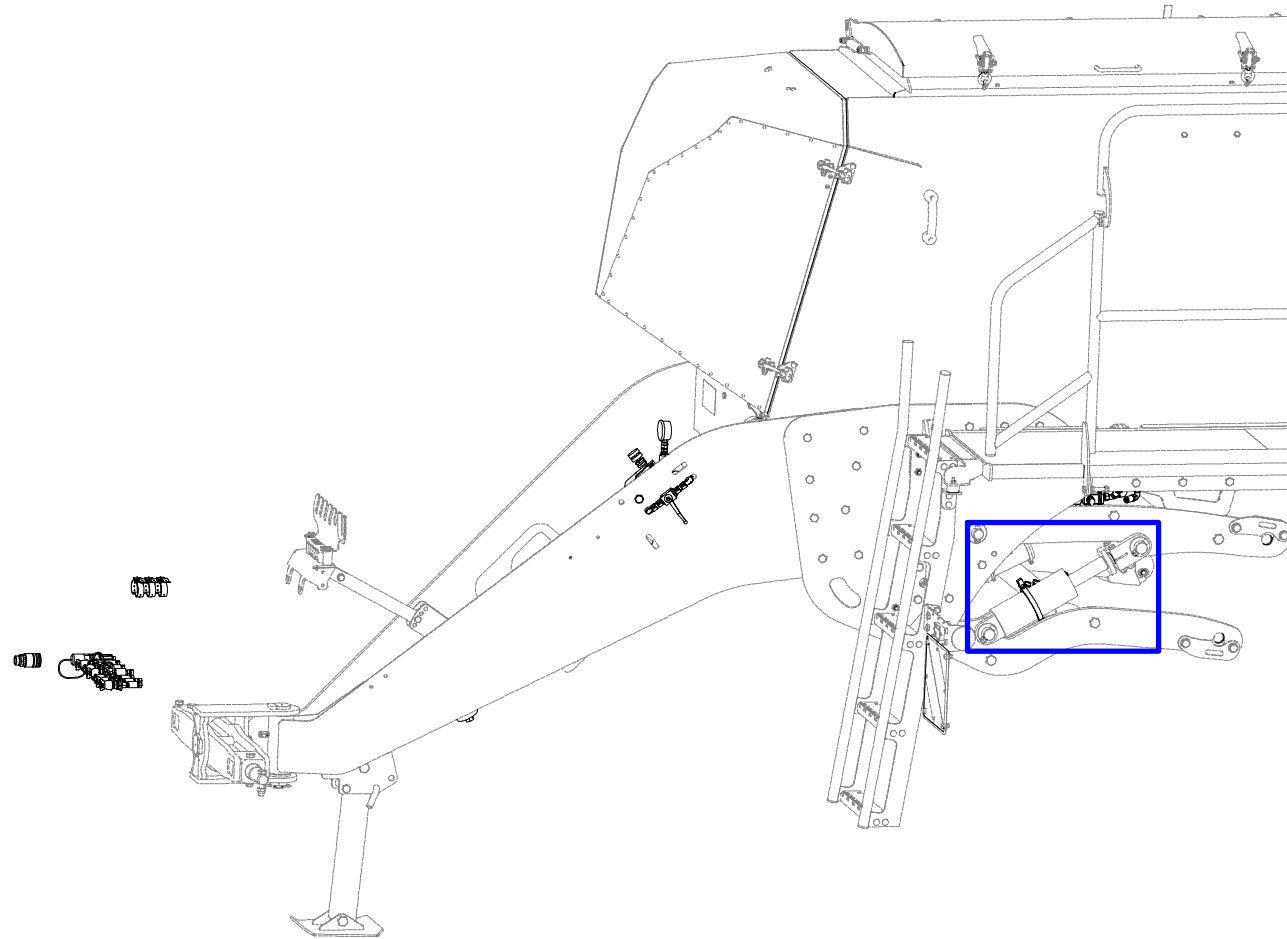
Ⓖ MACHINE HYDRAULICS

Ⓡ ГИДРАВЛИКА МАШИНЫ

Ⓟ HYDRAULIKA MASZYN



VZ00032412



| Pos. | Part Number | Pcs. |
|------|-------------|------|
| 3 | VZ00024349 | 2 |
| 22 | m05210 | 2 |
| 30 | m03845 | 2 |
| 51 | m06528 | 10 |
| 55 | m22306 | 2 |
| 56 | m10775 | 4 |
| 59 | m06803 | 21 |
| 60 | m07654 | 2 |
| 80 | m08083 | 2 |
| 85 | m20912 | 4 |
| 96 | m04791 | 2 |
| 116 | m01202 | 2 |
| 133 | m11289 | 16 |

Ⓒ HYDRAULIKA STROJE

Ⓓ HYDRAULIK DER MASCHINE

Ⓕ HYDRAULIQUE DE LA MACHINE

Ⓖ MACHINE HYDRAULICS

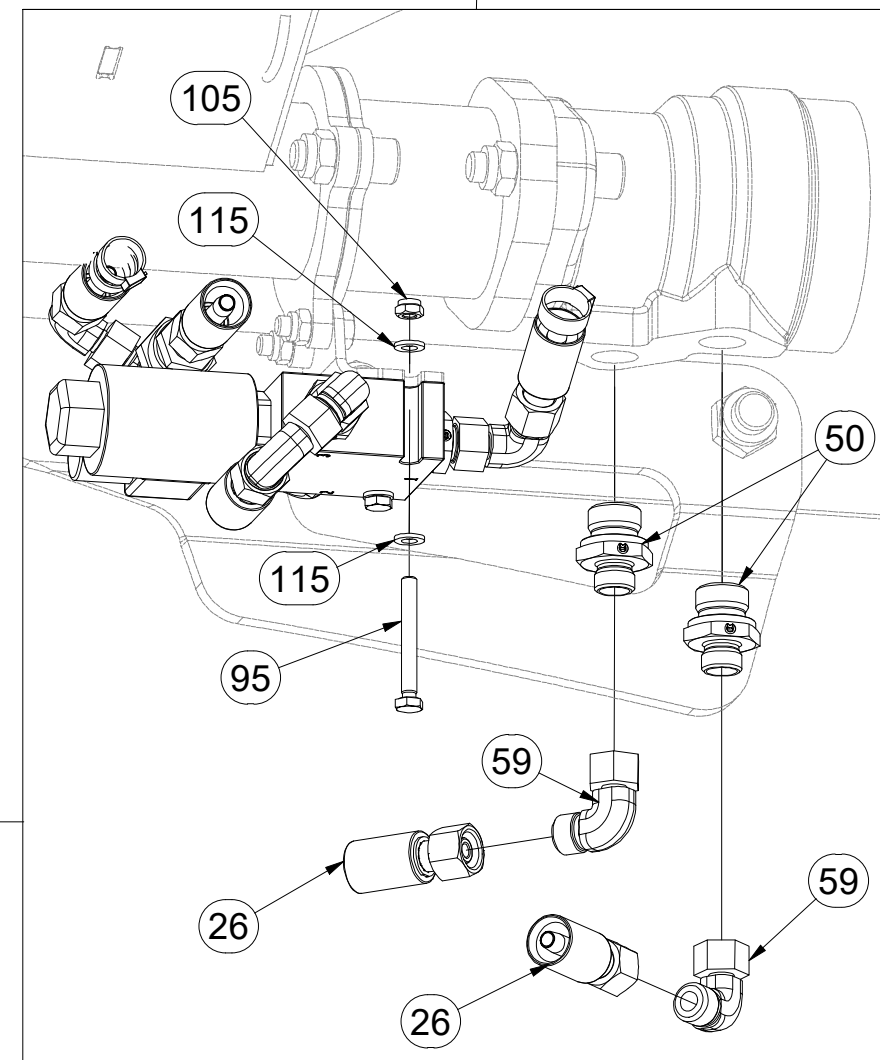
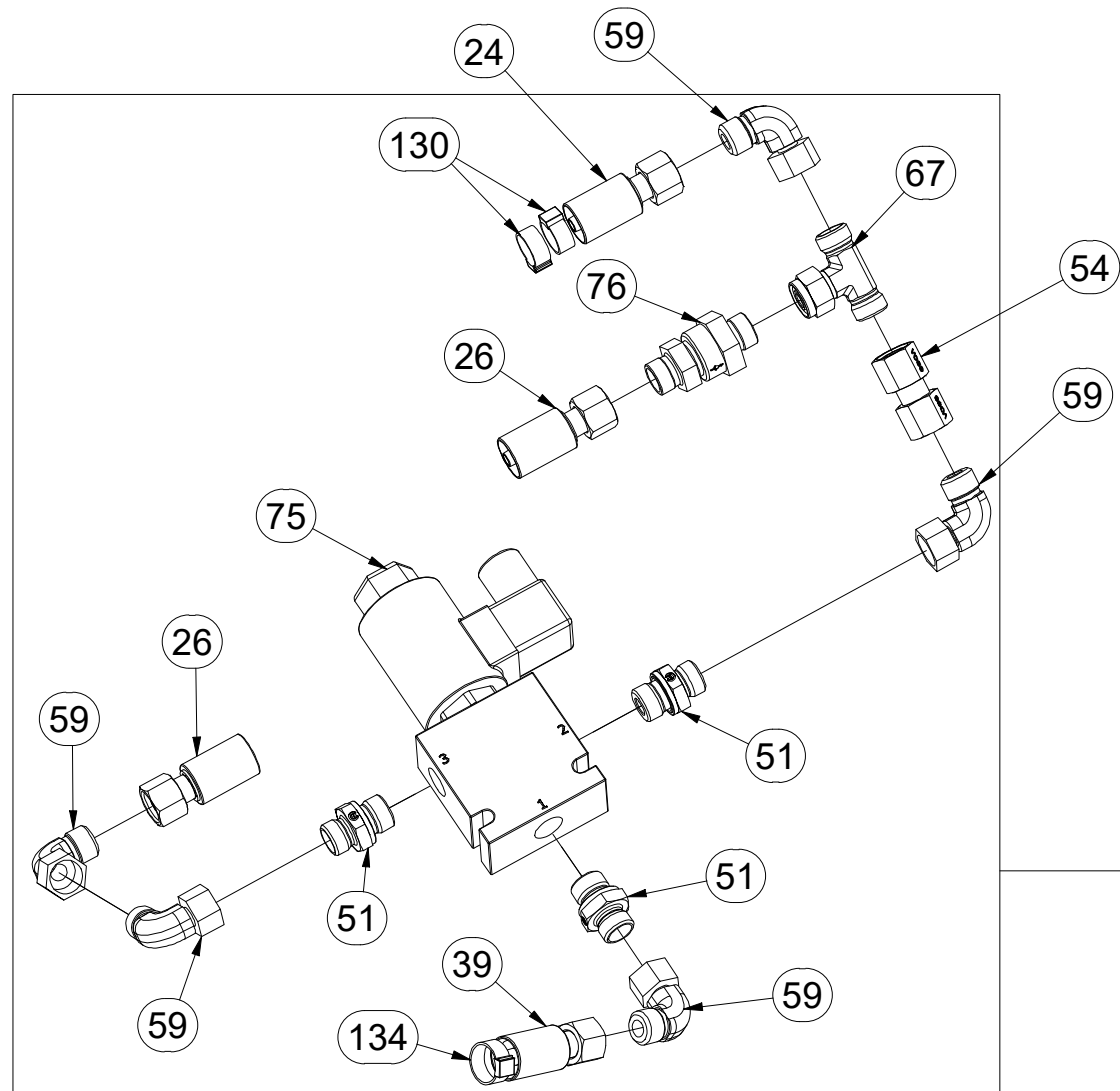
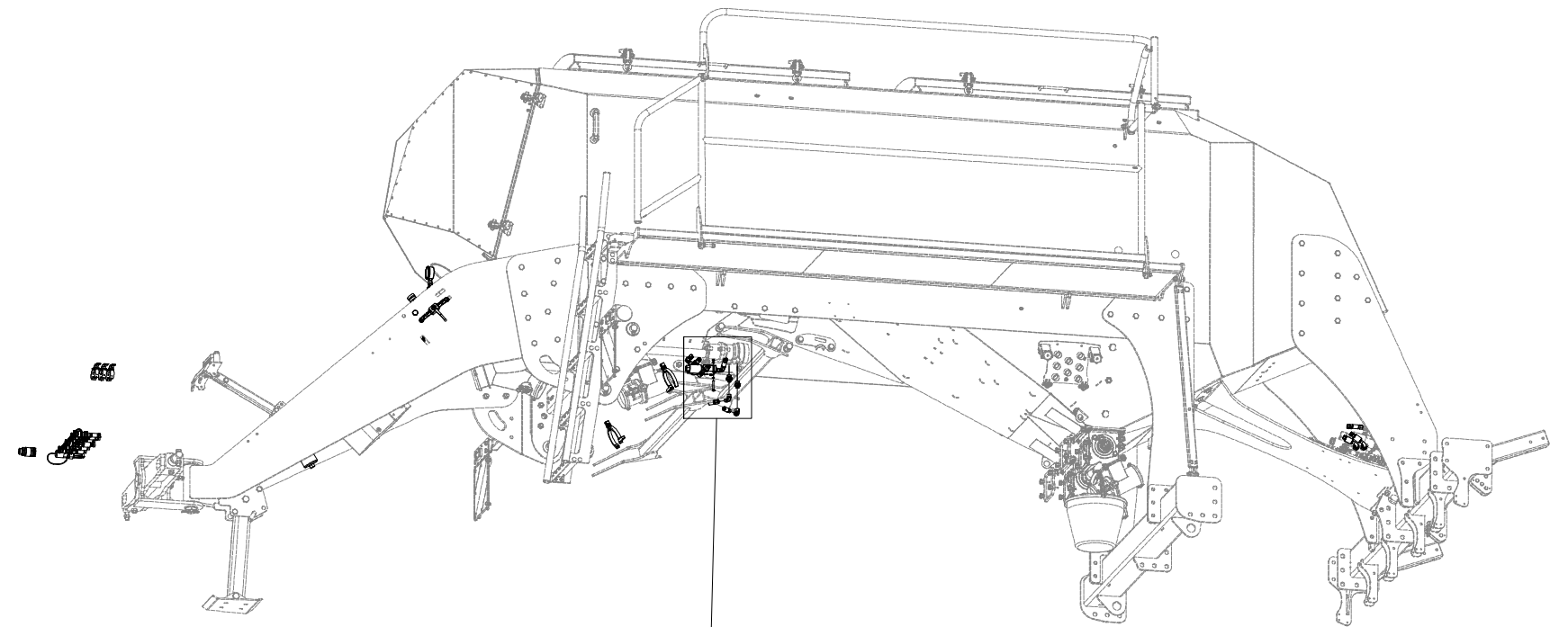
Ⓡ ГИДРАВЛИКА МАШИНЫ

Ⓟ HYDRAULIKA MASZYNY



VZ00032412

| Pos. | Part Number | Pcs. |
|------|-------------|------|
| 24 | m07361 | 1 |
| 26 | m04026 | 2 |
| 39 | m07650 | 1 |
| 50 | m04560 | 4 |
| 51 | m06528 | 10 |
| 54 | m22305 | 3 |
| 59 | m06803 | 21 |
| 67 | m07567 | 1 |
| 75 | m16302 | 1 |
| 76 | m09565 | 1 |
| 95 | m19851 | 2 |
| 105 | m10819 | 2 |
| 115 | m06847 | 4 |
| 130 | m05566 | 16 |
| 134 | m11282 | 3 |



ⒸZ HYDRAULIKA STROJE

Ⓓ HYDRAULIK DER MASCHINE

Ⓕ HYDRAULIQUE DE LA MACHINE

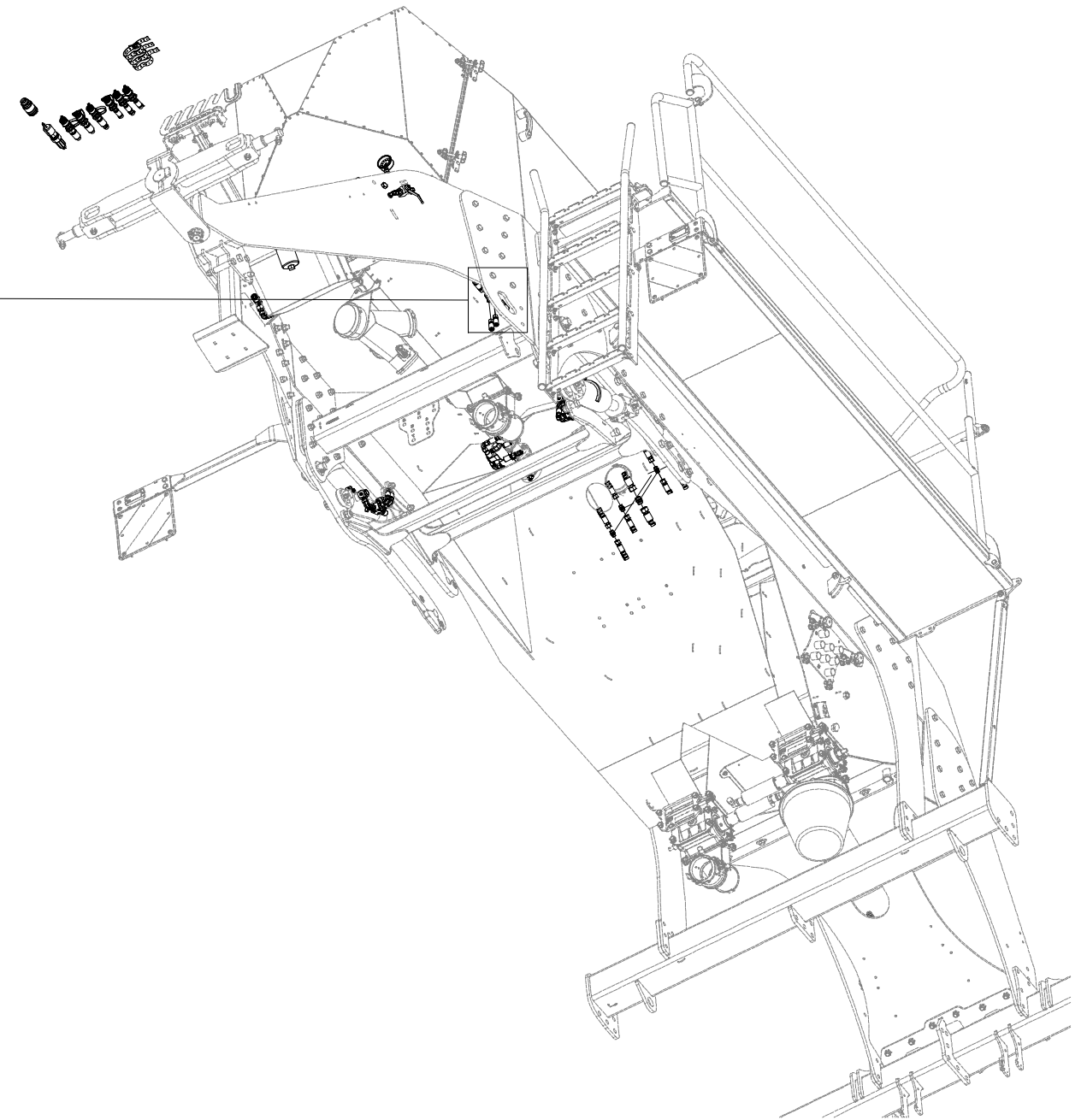
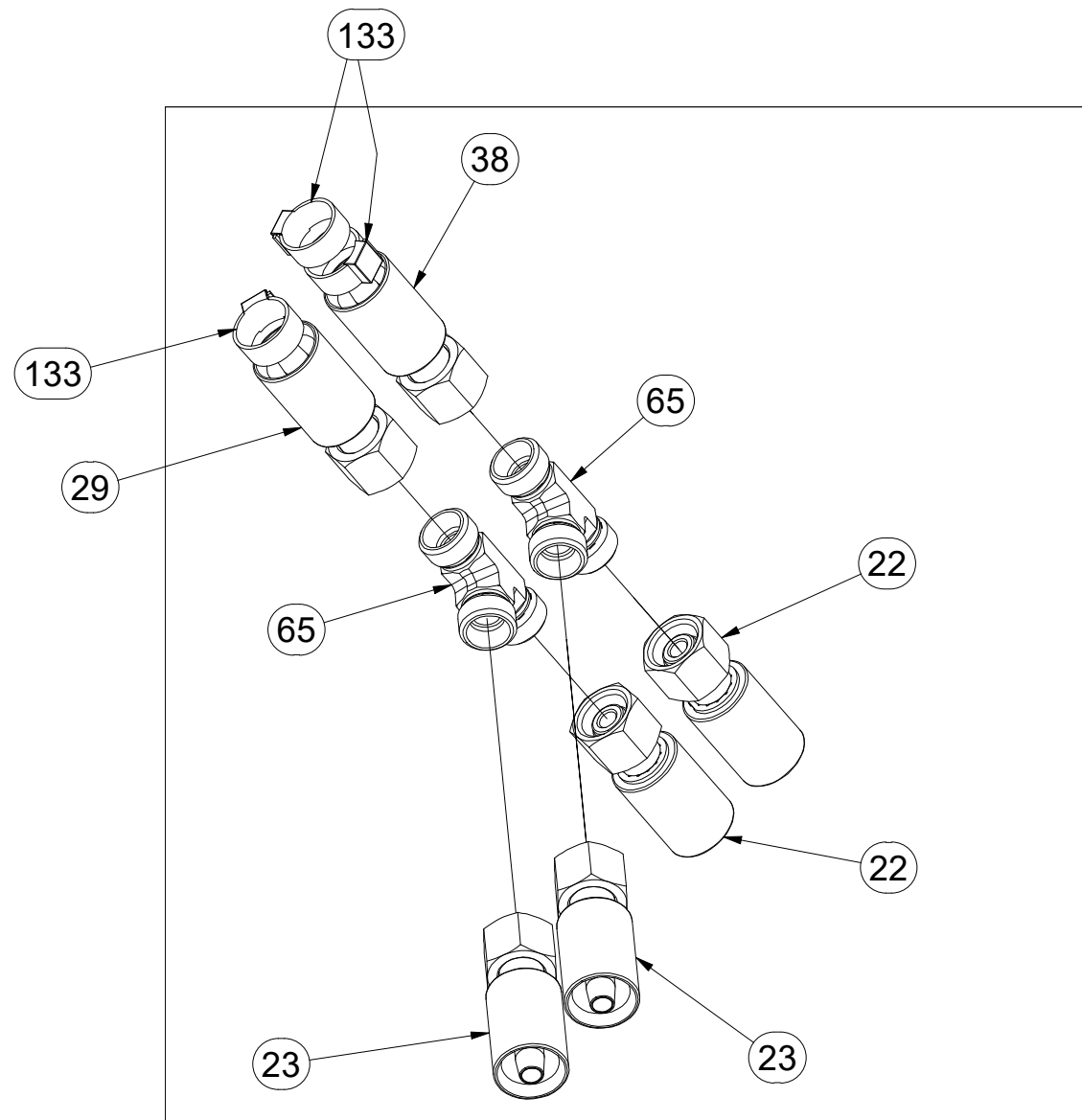
ⒼB MACHINE HYDRAULICS

Ⓔ RU ГИДРАВЛИКА МАШИНЫ

Ⓗ PL HYDRAULIKA MASZYN

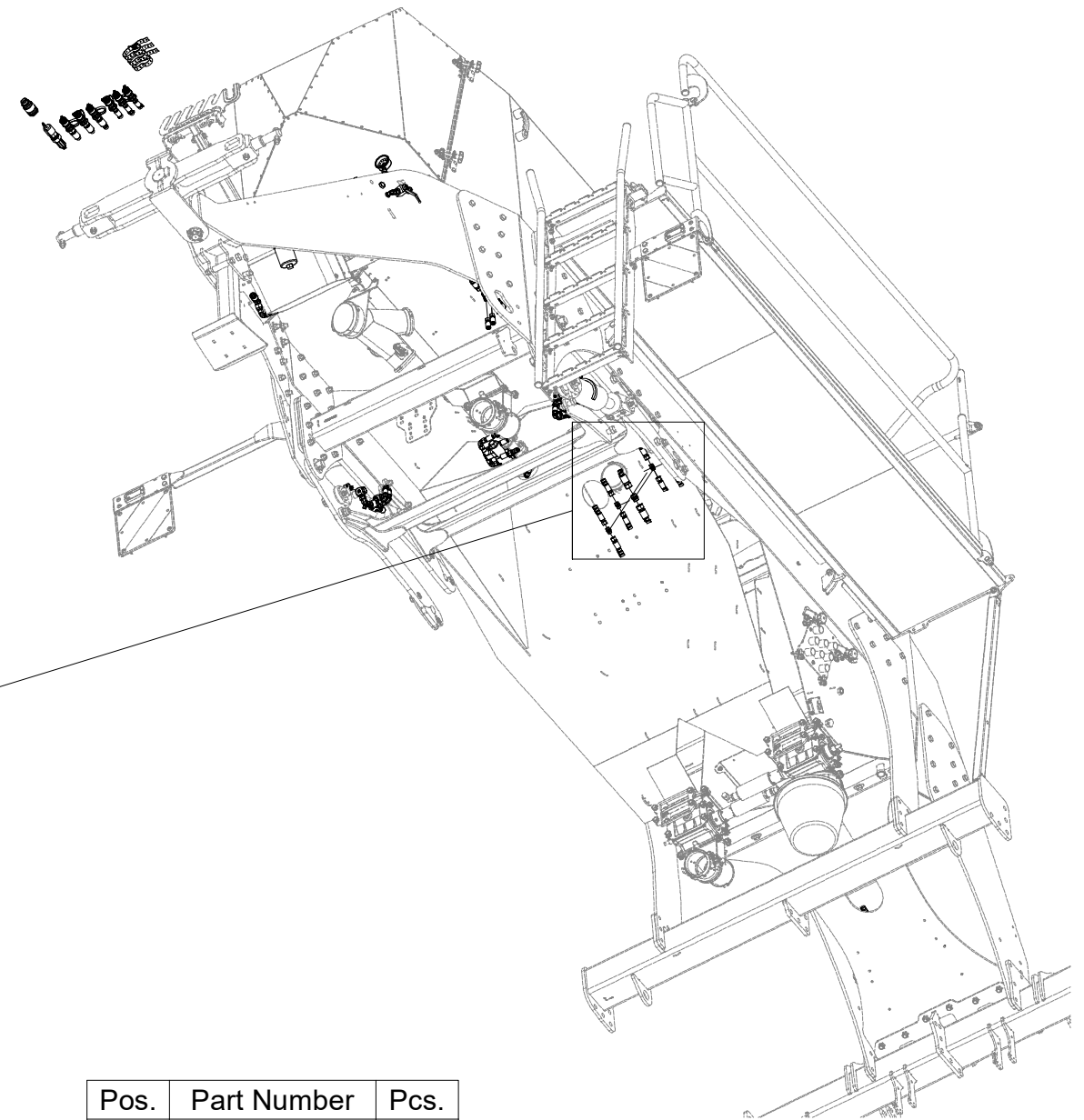
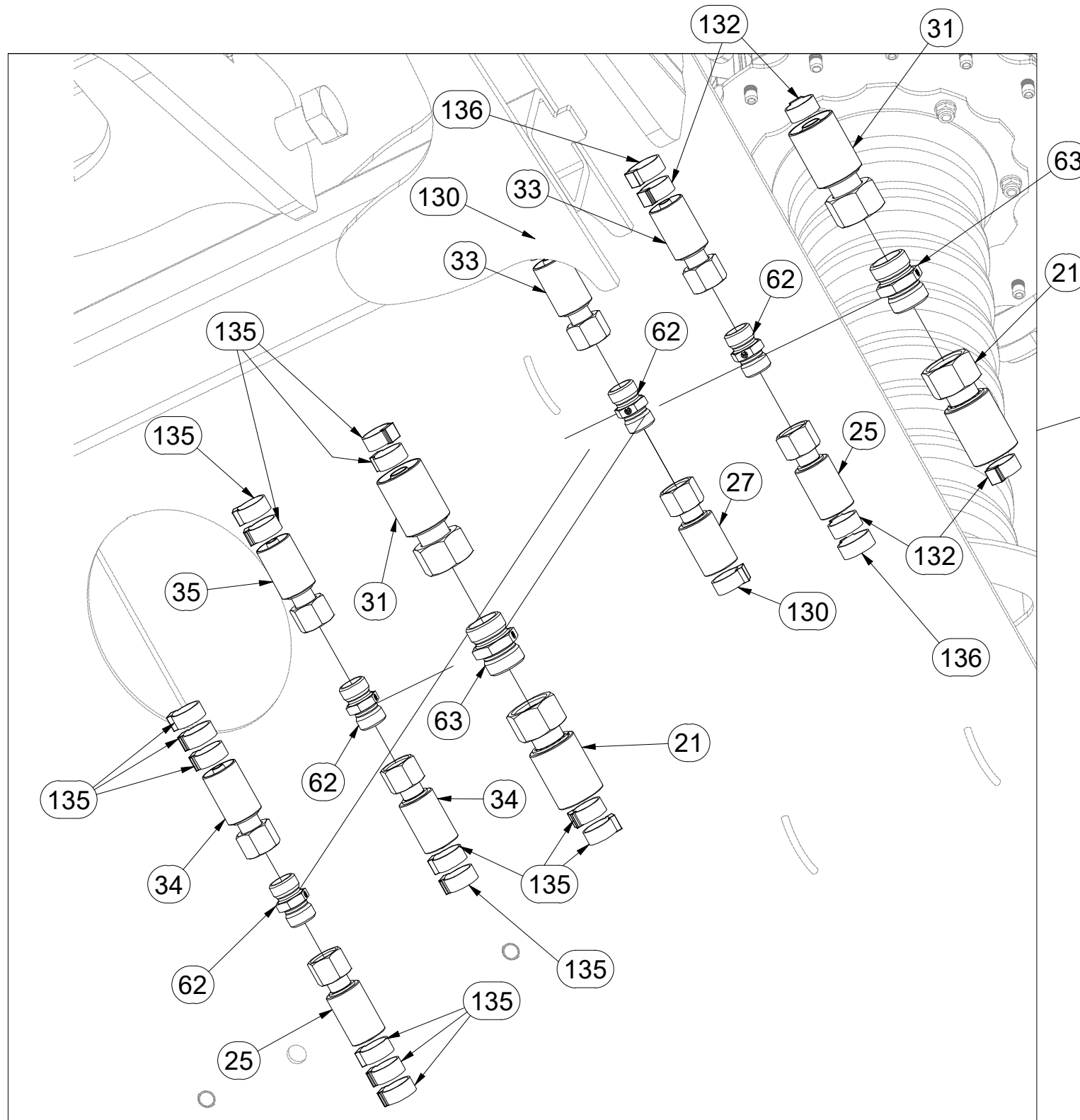


VZ00032412



| Pos. | Part Number | Pcs. |
|------|-------------|------|
| 22 | m05210 | 2 |
| 23 | m07648 | 2 |
| 29 | m16455 | 1 |
| 38 | m18177 | 1 |
| 65 | m03889 | 2 |
| 133 | m11289 | 16 |

VZ00032412



| Pos. | Part Number | Pcs. |
|------|-------------|------|
| 21 | m17873 | 2 |
| 25 | m15321 | 2 |
| 27 | m17445 | 2 |
| 31 | m21008 | 2 |
| 33 | m08526 | 2 |
| 34 | m05763 | 2 |
| 35 | m11385 | 1 |
| 62 | m03213 | 4 |
| 63 | m04428 | 4 |
| 130 | m05566 | 16 |
| 132 | m11253 | 16 |
| 135 | m11294 | 22 |
| 136 | m21372 | 4 |

ⒸZ HYDRAULIKA STROJE

Ⓓ HYDRAULIK DER MASCHINE

Ⓕ HYDRAULIQUE DE LA MACHINE

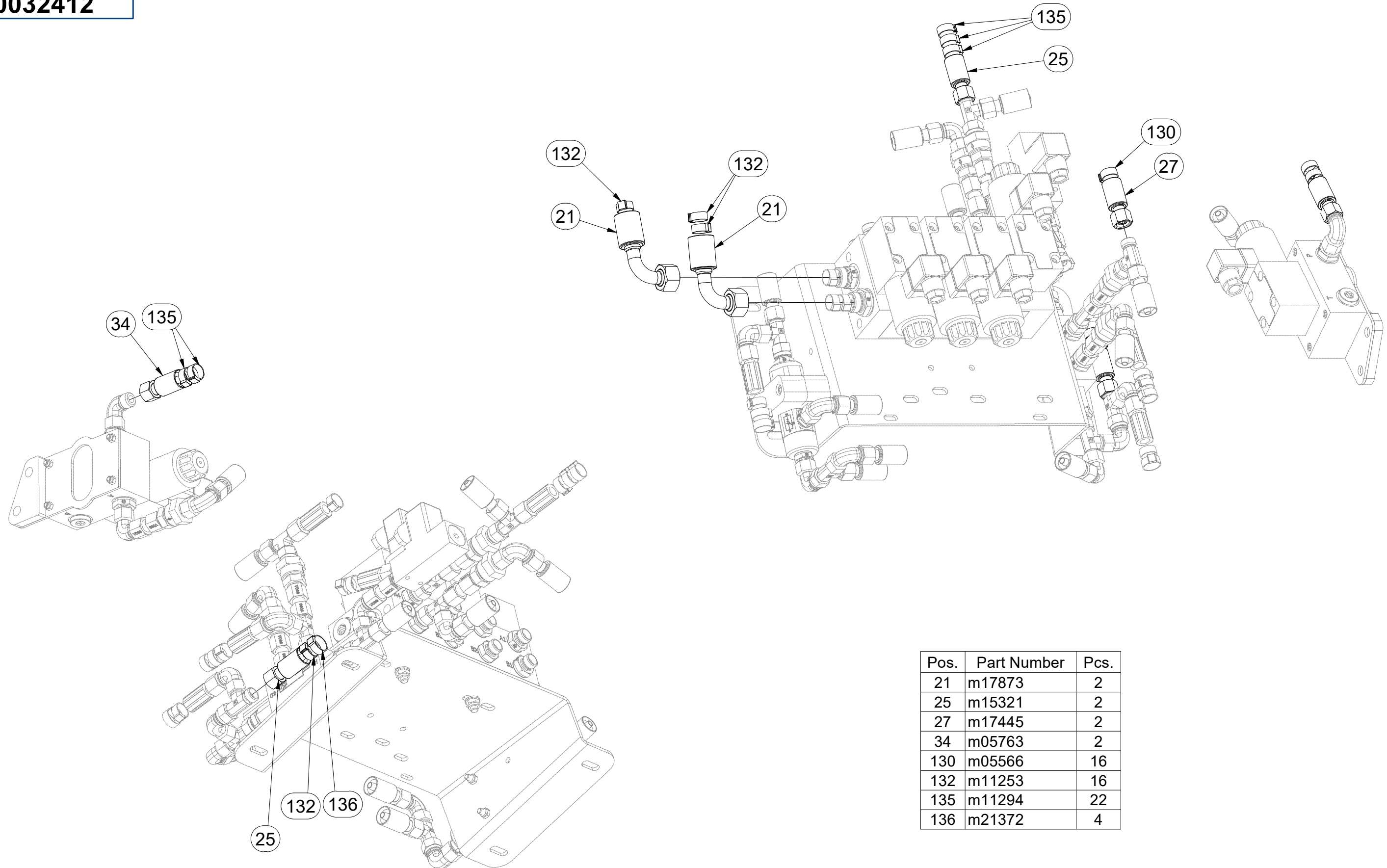
ⒼB MACHINE HYDRAULICS

Ⓔ RU ГИДРАВЛИКА МАШИНЫ

Ⓗ PL HYDRAULIKA MASZYN



VZ00032412



| Pos. | Part Number | Pcs. |
|------|-------------|------|
| 21 | m17873 | 2 |
| 25 | m15321 | 2 |
| 27 | m17445 | 2 |
| 34 | m05763 | 2 |
| 130 | m05566 | 16 |
| 132 | m11253 | 16 |
| 135 | m11294 | 22 |
| 136 | m21372 | 4 |

☉ HYDRAULIKA STROJE

Ⓧ HYDRAULIK DER MASCHINE

Ⓧ HYDRAULIQUE DE LA MACHINE

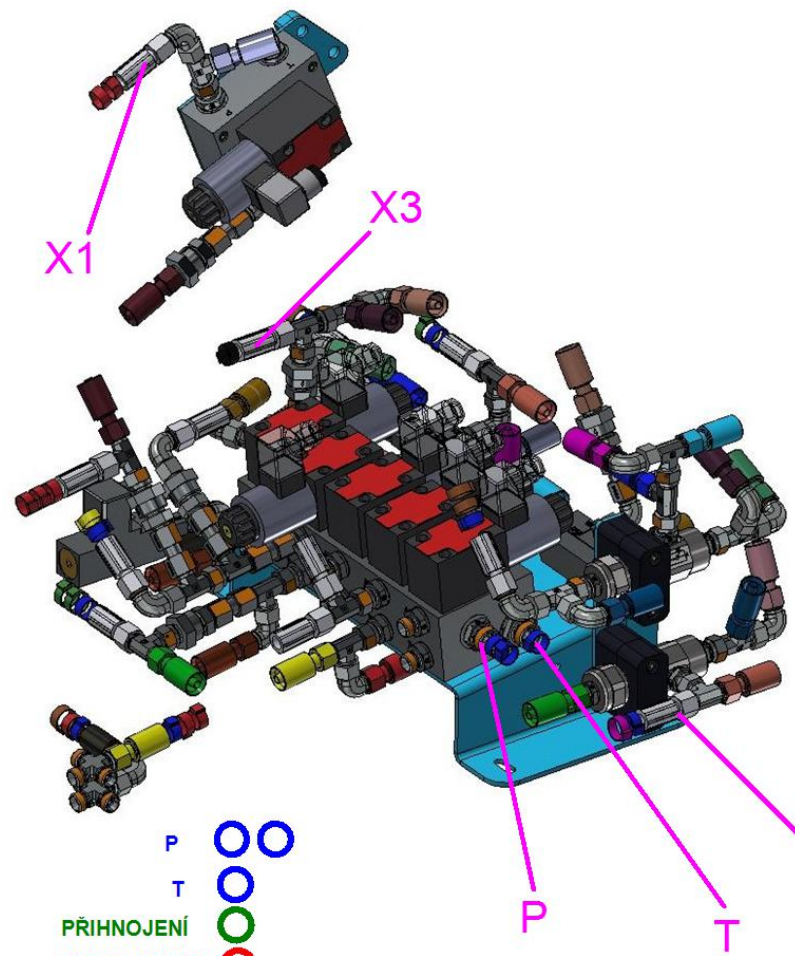
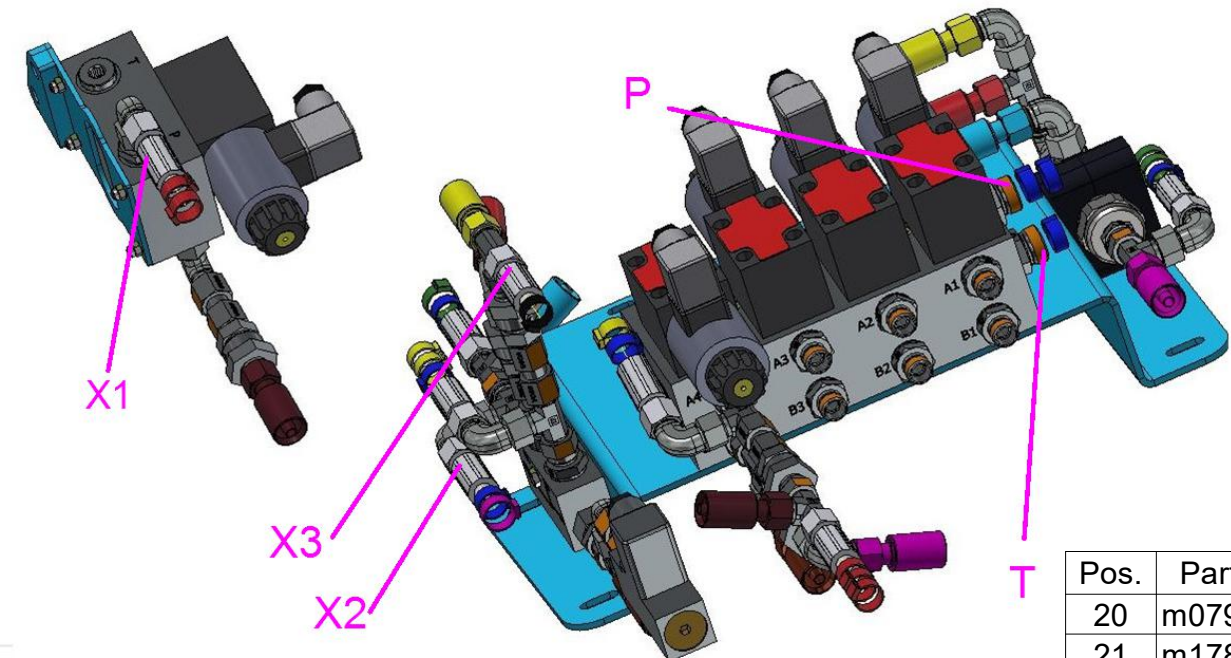
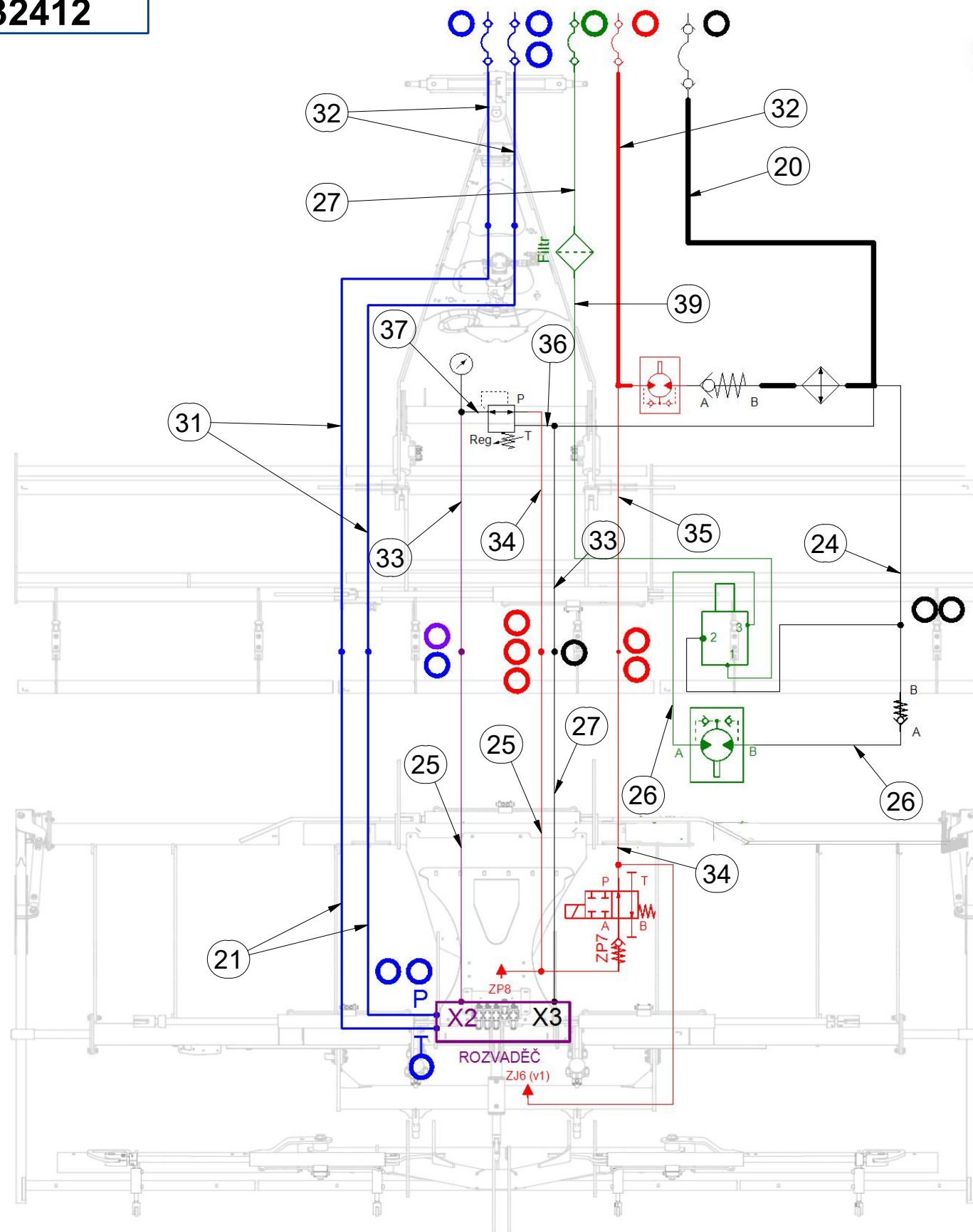
Ⓧ MACHINE HYDRAULICS

Ⓧ ГИДРАВЛИКА МАШИНЫ

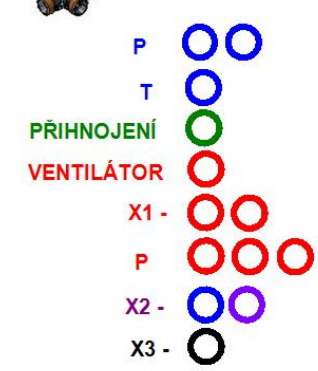
Ⓧ HYDRAULIKA MASZYNY



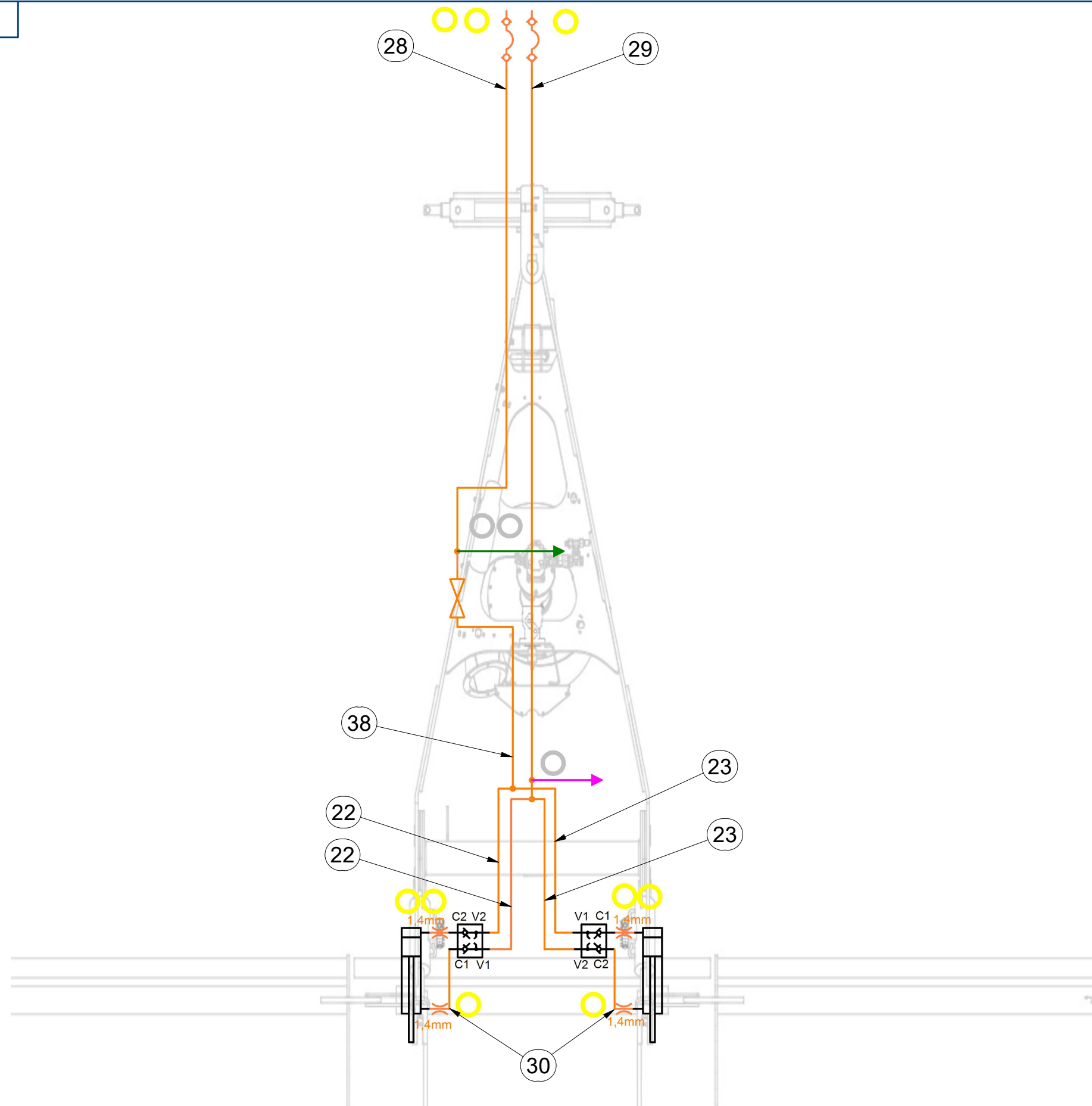
VZ00032412



| Pos. | Part Number | Pcs. |
|------|-------------|------|
| 20 | m07911 | 1 |
| 21 | m17873 | 2 |
| 24 | m07361 | 1 |
| 25 | m15321 | 2 |
| 26 | m04026 | 2 |
| 27 | m17445 | 2 |
| 31 | m21008 | 2 |
| 32 | m07986 | 3 |
| 33 | m08526 | 2 |
| 34 | m05763 | 2 |
| 35 | m11385 | 1 |
| 36 | m04827 | 1 |
| 37 | m18195 | 1 |
| 39 | m07650 | 1 |



VZ00032412



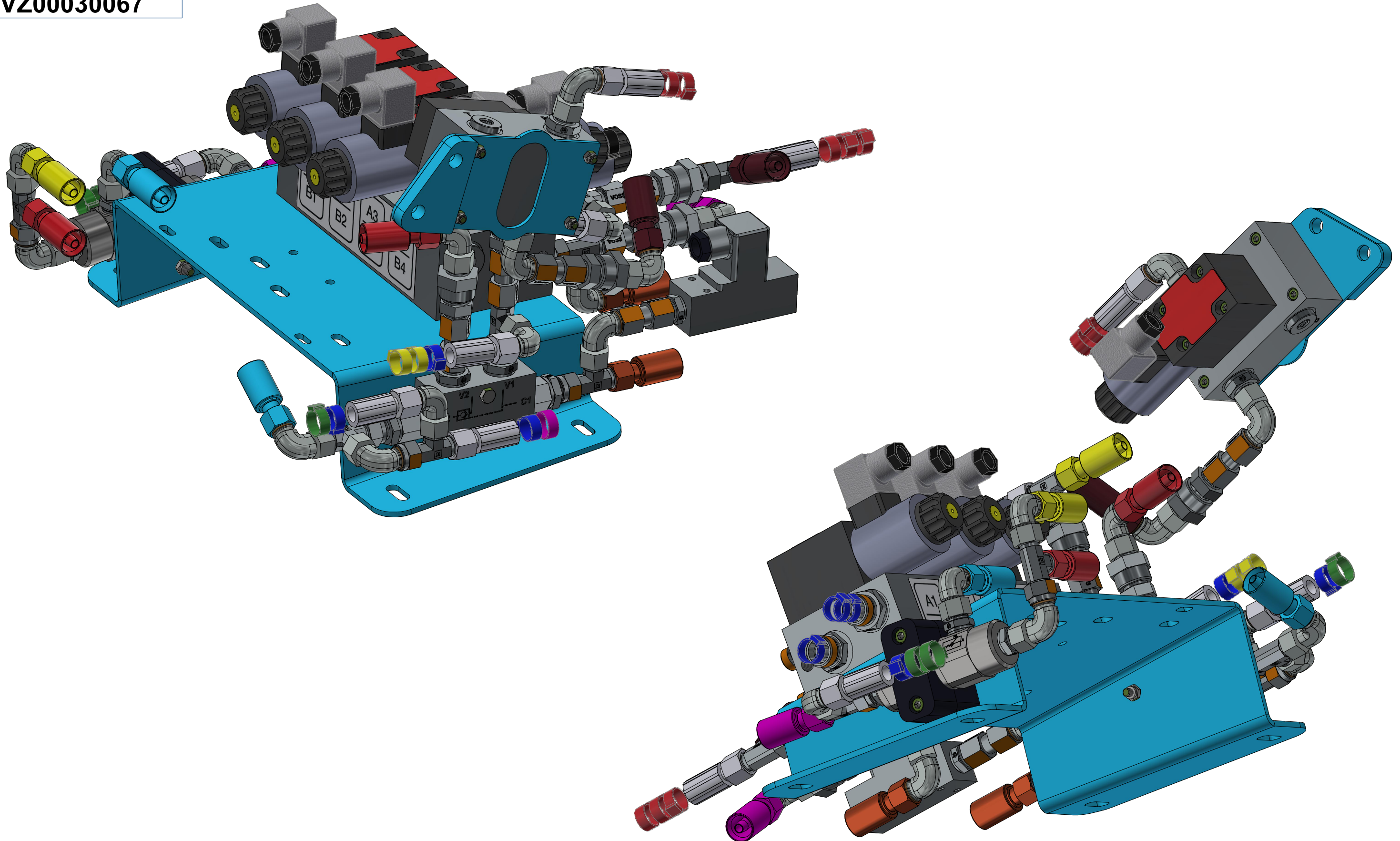
| Pos. | Part Number | Pcs. |
|------|-------------|------|
| 22 | m05210 | 2 |
| 23 | m07648 | 2 |
| 28 | m18092 | 1 |
| 29 | m16455 | 1 |
| 30 | m03845 | 2 |
| 38 | m18177 | 1 |

ⒸZ HYDRAULICKÝ ROZVOD SECÍCH STROJŮ
Ⓓ HYDRAULIKKREISLAUF DER SÄMASCHINEN
Ⓕ DISTRIBUTION HYDRAULIQUE DES SEMOIRS

ⒸB HYDRAULIC SEED DRILL DISTRIBUTION
ⒸR ГИДРАВЛИЧЕСКОЕ РАСПРЕДЕЛЕНИЕ СЕЯЛОК
ⒸL HYDRAULICZNE ROZPROWADZENIE SIEWNIKÓW

Farmet

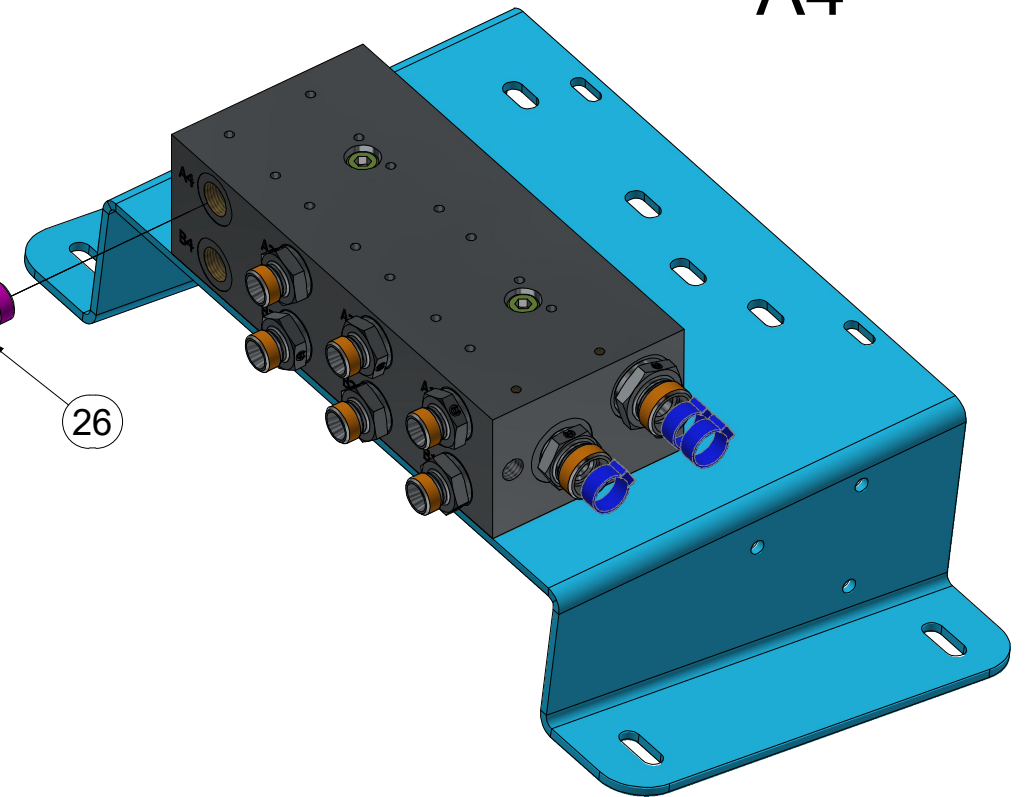
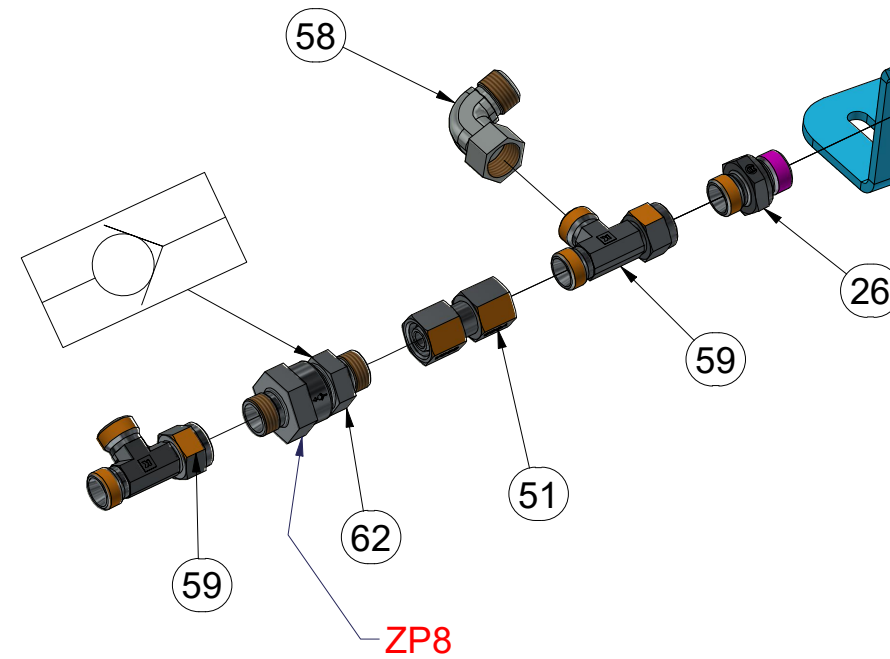
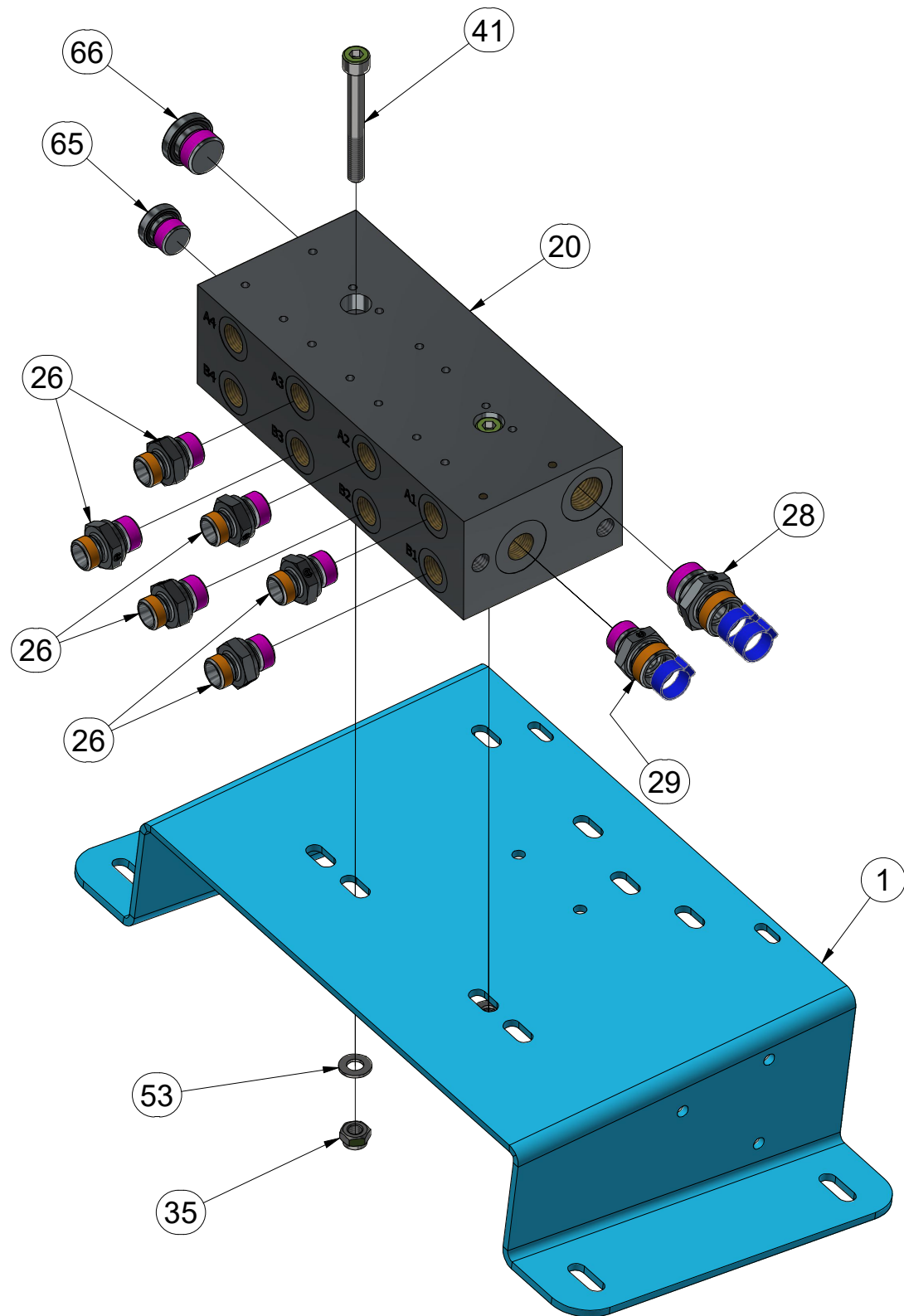
VZ00030067



VZ00030067

A1, A2, A3,
B1, B2, B3

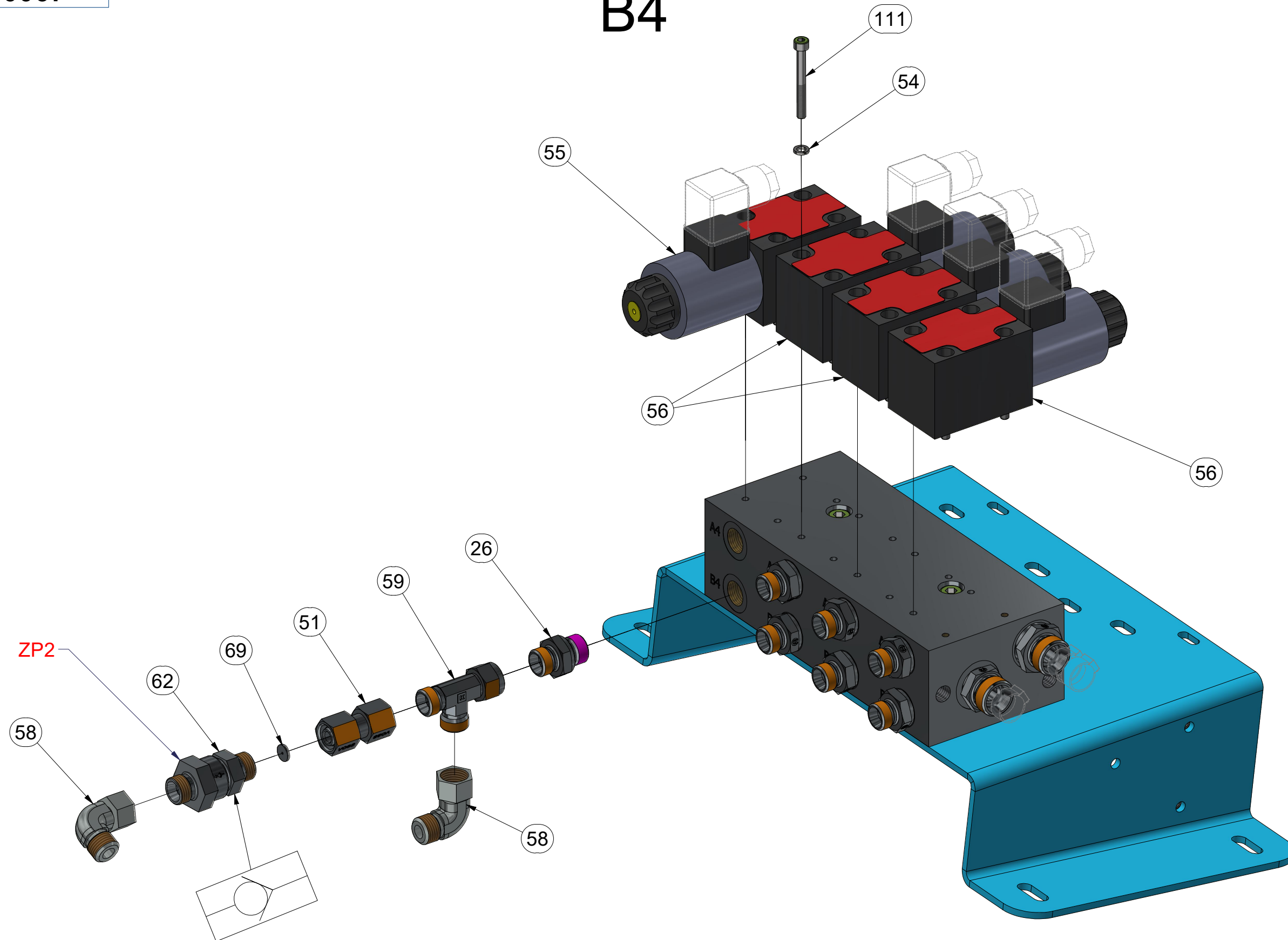
A4



| Pos. | Part Number | Pcs. | Pos. | Part Number | Pcs. |
|------|-------------|------|------|-------------|------|
| 1 | VZ00002258 | 1 | 51 | m22305 | 6 |
| 20 | m07799 | 1 | 53 | m01203 | 2 |
| 26 | m06528 | 14 | 58 | m06803 | 16 |
| 28 | m06435 | 1 | 59 | m07568 | 9 |
| 29 | m07191 | 1 | 62 | m09565 | 5 |
| 35 | m04503 | 2 | 65 | m06529 | 3 |
| 41 | m09035 | 2 | 66 | m07354 | 1 |

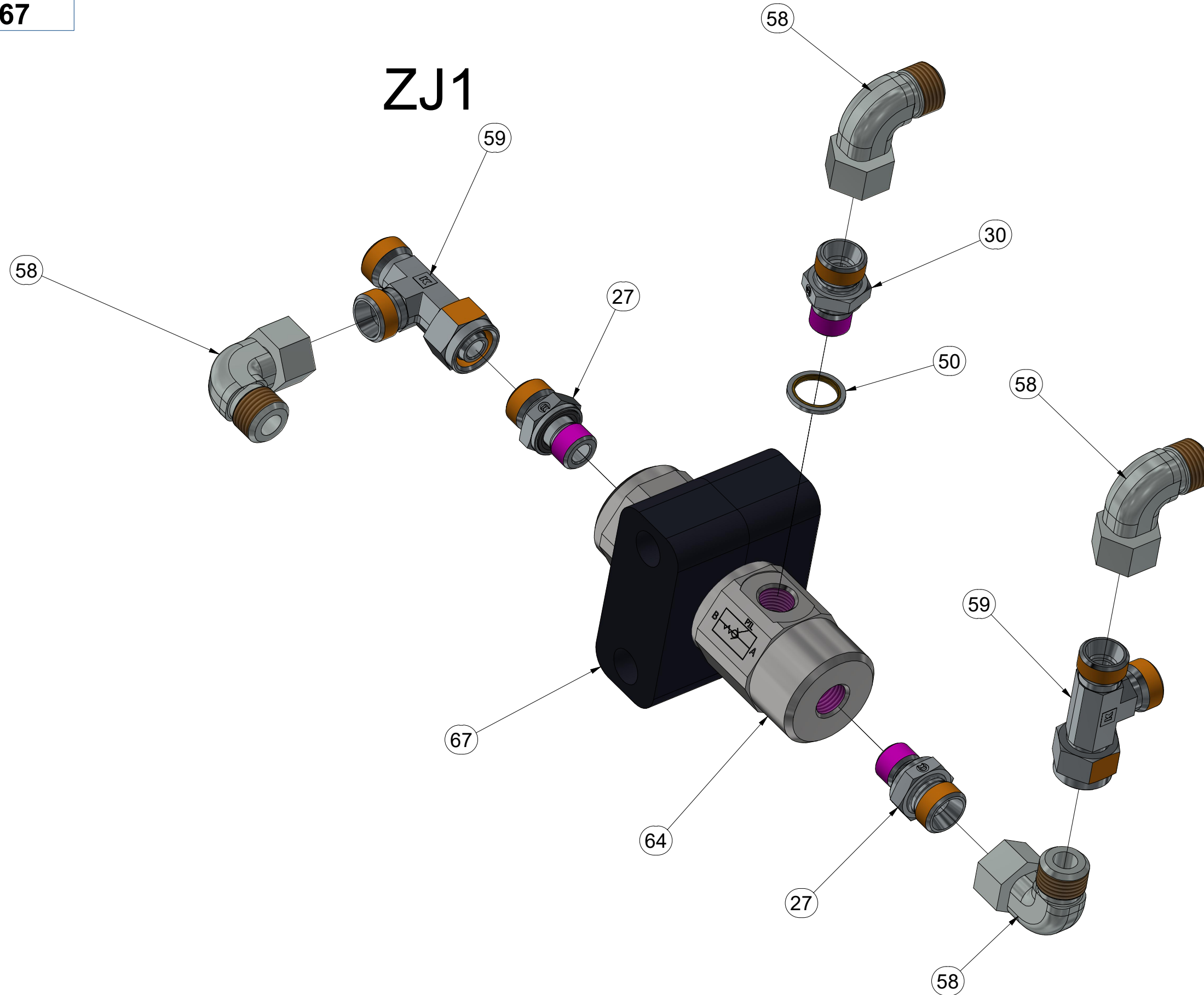
VZ00030067

B4



| Pos. | Part Number | Pcs. |
|------|-------------|------|
| 26 | m06528 | 14 |
| 51 | m22305 | 6 |
| 54 | m01197 | 20 |
| 55 | m13697 | 2 |
| 56 | m07798 | 3 |
| 58 | m06803 | 16 |
| 59 | m07568 | 9 |
| 62 | m09565 | 5 |
| 69 | m10772 | 1 |
| 111 | m08349 | 20 |

VZ00030067



| Pos. | Part Number | Pcs. |
|------|-------------|------|
| 27 | m07470 | 3 |
| 30 | m03851 | 1 |
| 50 | m12419 | 1 |
| 58 | m06803 | 16 |
| 59 | m07568 | 9 |
| 64 | m23330 | 1 |
| 67 | m23334 | 1 |

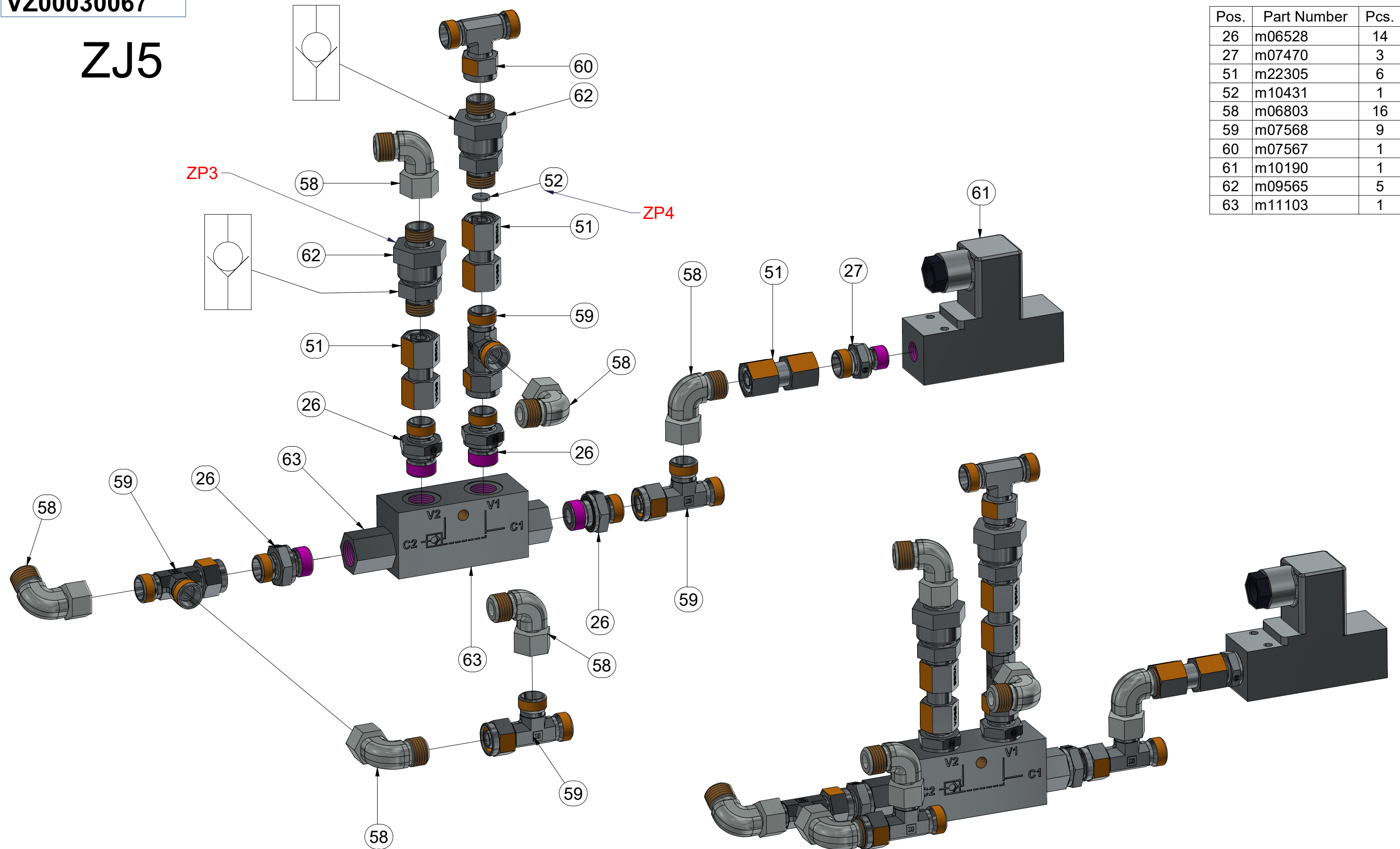
CZ HYDRAULICKÝ ROZVOD SECÍCH STROJŮ
 D HYDRAULIKKREISLAUF DER SÄMASCHINEN
 F DISTRIBUTION HYDRAULIQUE DES SEMOIRS

GB HYDRAULIC SEED DRILL DISTRIBUTION
 RU ГИДРАВЛИЧЕСКОЕ РАСПРЕДЕЛЕНИЕ СЕЯЛОК
 PL HYDRAULICZNE ROZPROWADZENIE SIEWNIKÓW

Farmet

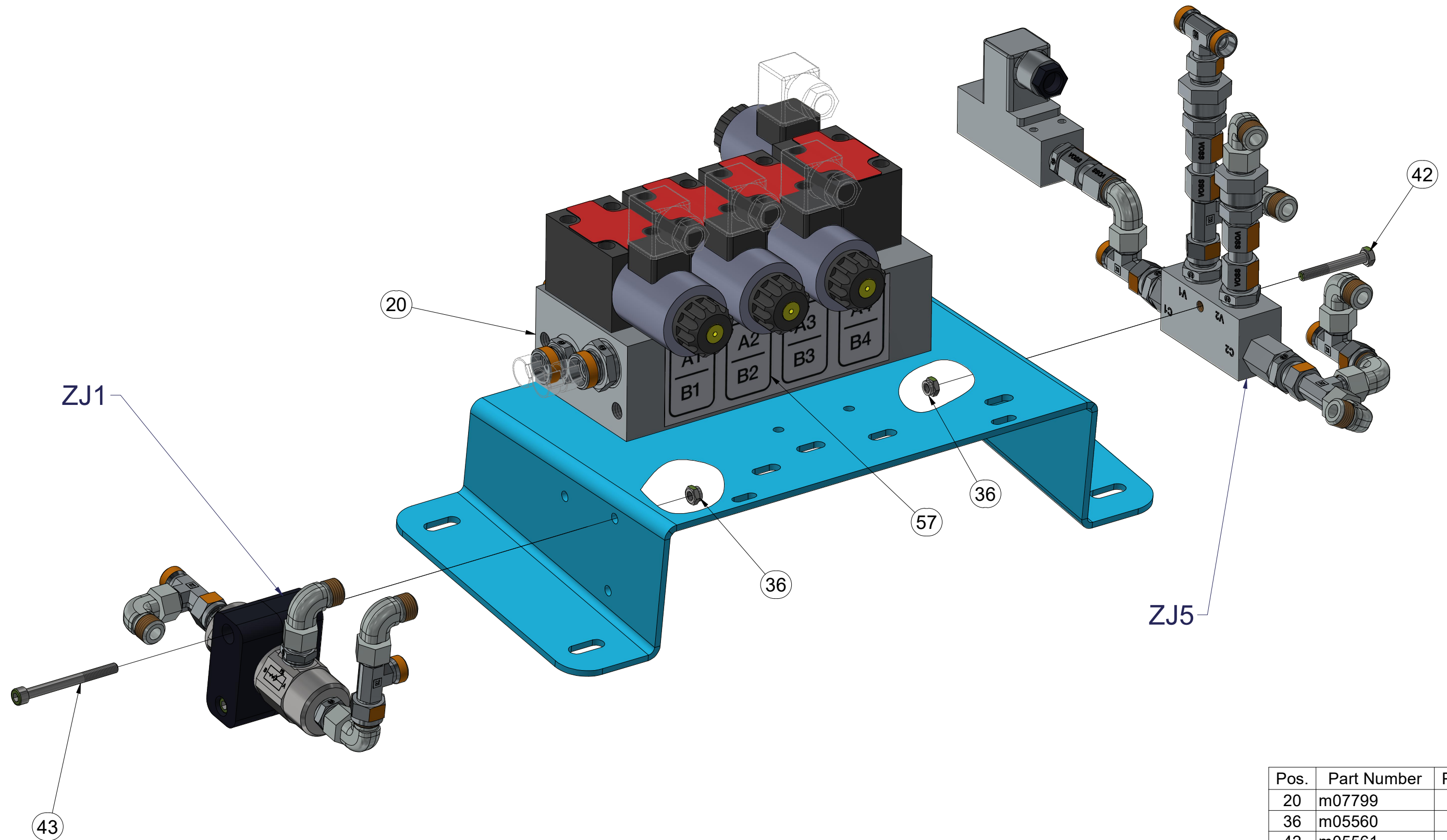
VZ00030067

ZJ5



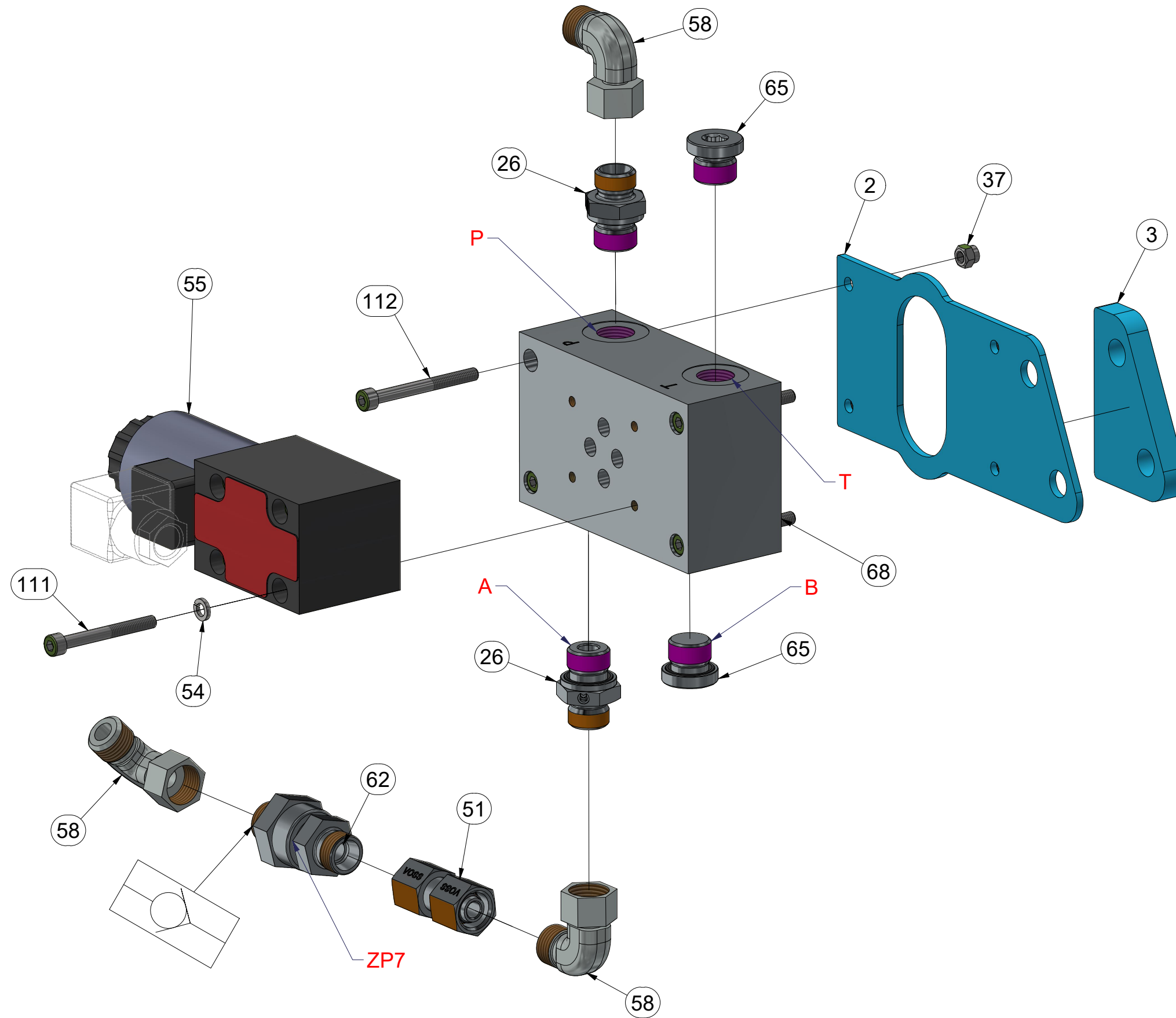
| Pos. | Part Number | Pcs. |
|------|-------------|------|
| 26 | m06528 | 14 |
| 27 | m07470 | 3 |
| 51 | m22305 | 6 |
| 52 | m10431 | 1 |
| 58 | m06803 | 16 |
| 59 | m07568 | 9 |
| 60 | m07567 | 1 |
| 61 | m10190 | 1 |
| 62 | m09565 | 5 |
| 63 | m11103 | 1 |

VZ00030067



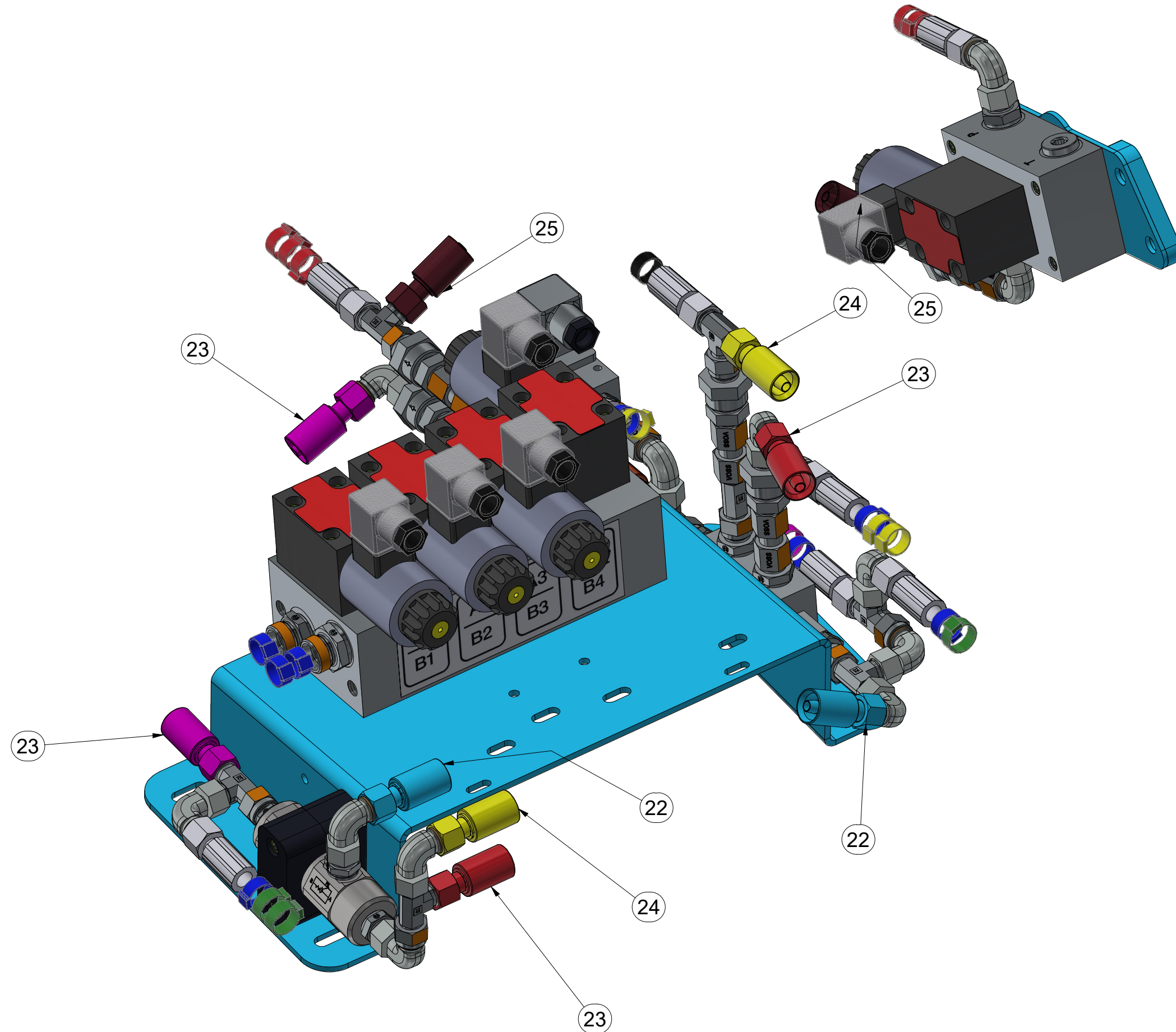
| Pos. | Part Number | Pcs. |
|------|-------------|------|
| 20 | m07799 | 1 |
| 36 | m05560 | 3 |
| 42 | m05561 | 1 |
| 43 | m12143 | 2 |
| 57 | m21398 | 1 |

VZ00030067



| Pos. | Part Number | Pcs. |
|------|-------------|------|
| 2 | VZ00031150 | 1 |
| 3 | VZ00031152 | 1 |
| 26 | m06528 | 14 |
| 37 | m06236 | 4 |
| 51 | m22305 | 6 |
| 54 | m01197 | 20 |
| 55 | m13697 | 2 |
| 58 | m06803 | 16 |
| 62 | m09565 | 5 |
| 65 | m06529 | 3 |
| 68 | m23443 | 1 |
| 111 | m08349 | 20 |
| 112 | m07166 | 4 |

VZ00030067



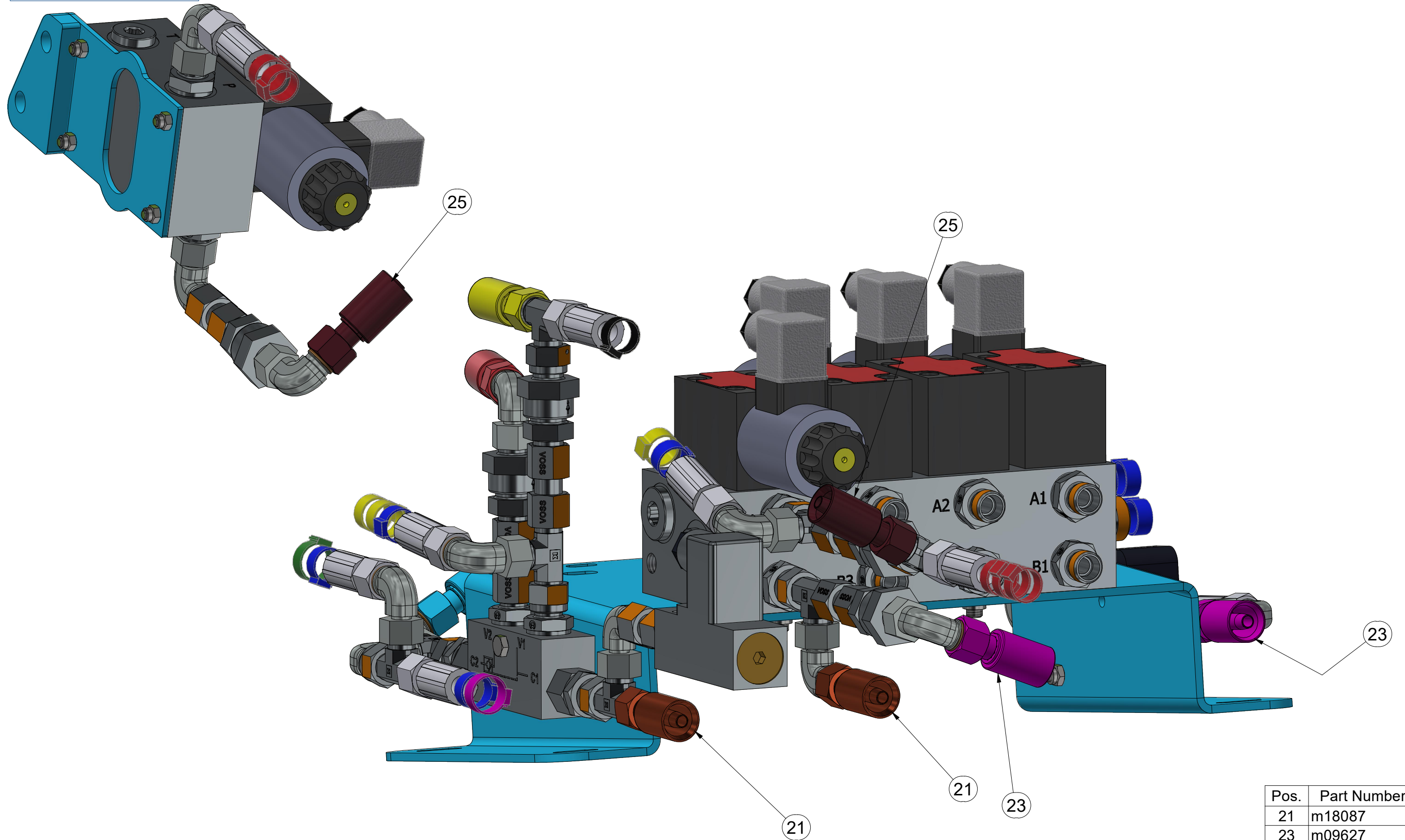
| Pos. | Part Number | Pcs. |
|------|-------------|------|
| 22 | m07363 | 1 |
| 23 | m09627 | 2 |
| 24 | m11000 | 1 |
| 25 | m04026 | 1 |

CZ HYDRAULICKÝ ROZVOD SECÍCH STROJŮ
 D HYDRAULIKKREISLAUF DER SÄMASCHINEN
 F DISTRIBUTION HYDRAULIQUE DES SEMOIRS

GB HYDRAULIC SEED DRILL DISTRIBUTION
 RU ГИДРАВЛИЧЕСКОЕ РАСПРЕДЕЛЕНИЕ СЕЯЛОК
 PL HYDRAULICZNE ROZPROWADZENIE SIEWNIKÓW



VZ00030067



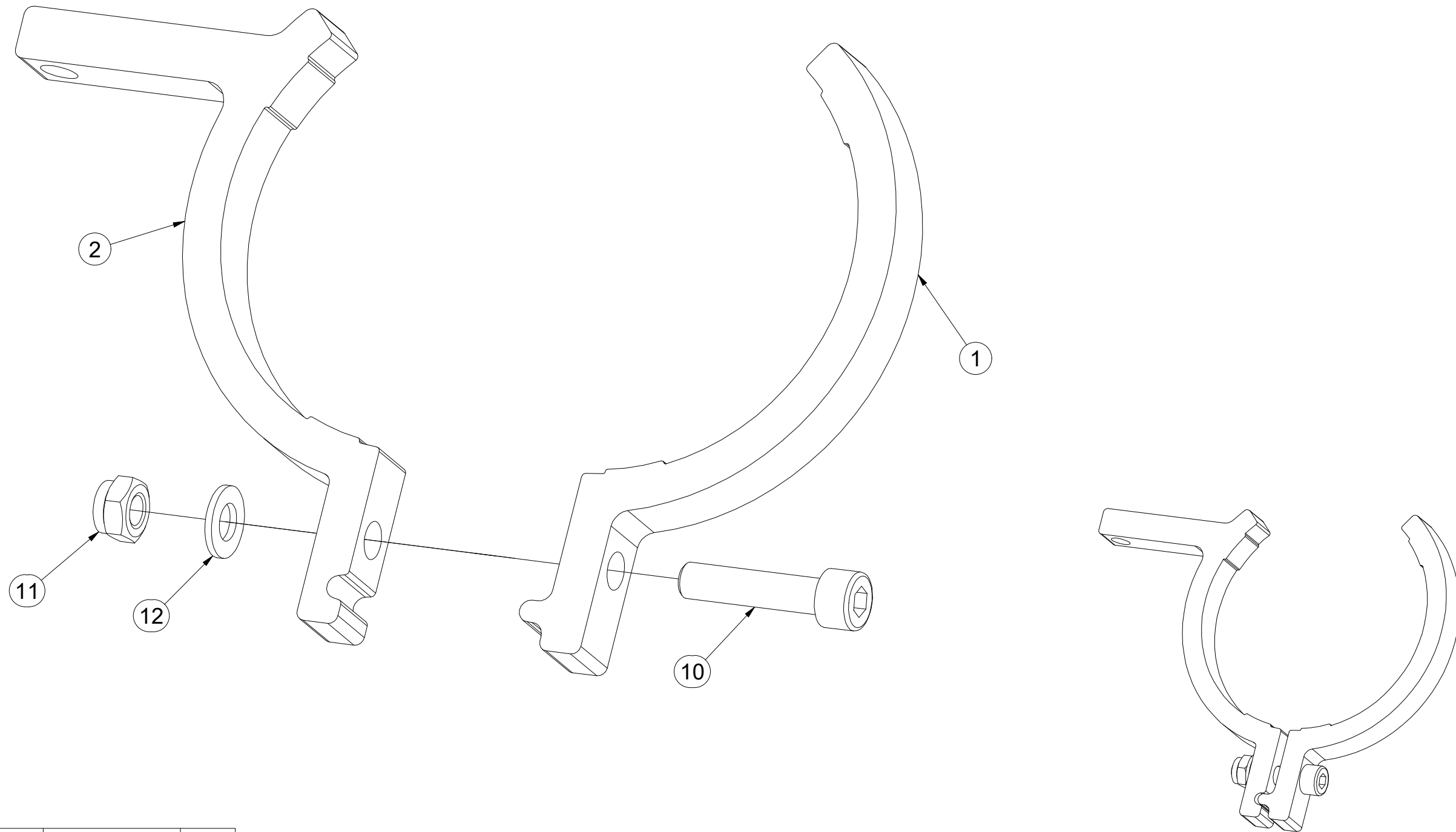
| Pos. | Part Number | Pcs. |
|------|-------------|------|
| 21 | m18087 | 1 |
| 23 | m09627 | 2 |
| 25 | m04026 | 1 |

Ⓒ DRŽÁK
Ⓓ HALTER
Ⓕ SUPPORT

Ⓖ HOLDER
Ⓔ ДЕРЖАТЕЛЬ
Ⓖ UCHWYT



VZ00024349



| Pos. | Part Number | Pcs. |
|------|-------------|------|
| 1 | VZ00024350 | 1 |
| 2 | VZ00024351 | 1 |
| 10 | m09464 | 1 |
| 11 | m04503 | 1 |
| 12 | m01203 | 1 |

ⒸZ SOUPRAVA TĚSNIVA PÍSTNIC

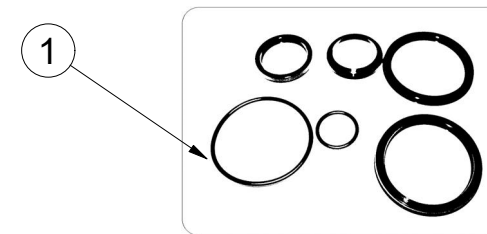
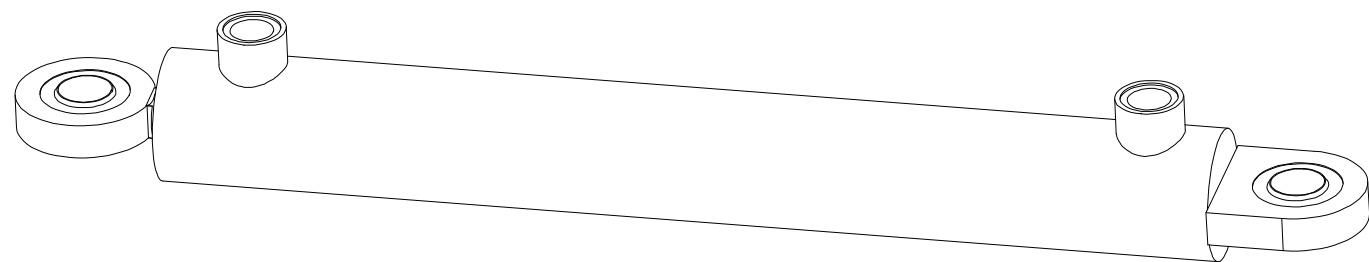
Ⓓ KOLBENSTANGENDICHTUNGSMITTELSATZ

Ⓕ SET DE GARNITURE DES TIGES DE PISTON

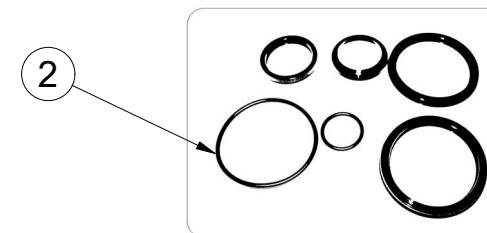
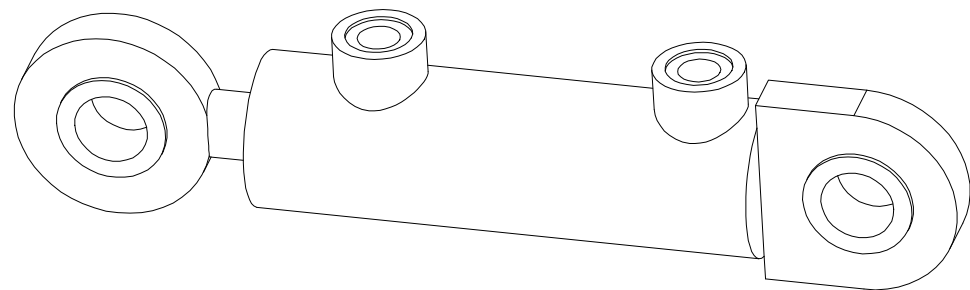
ⒼB SEALING SET FOR PISTON RODS

ⒺU КОМПЛЕКТ ПРОКЛАДОК ЦИЛИНДРОВ

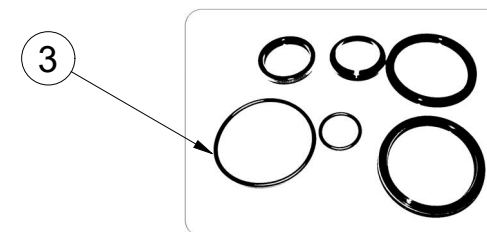
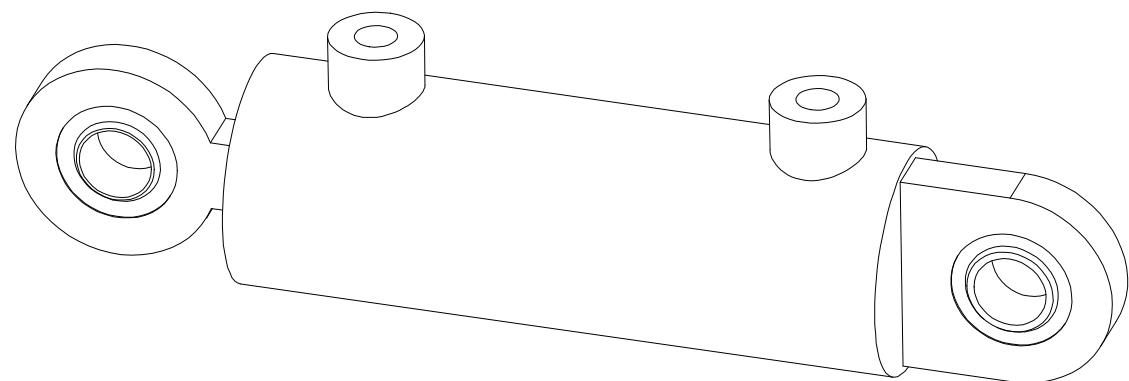
ⒼL ZESTAW USZCZELEK TRZPIENIA TŁOKA



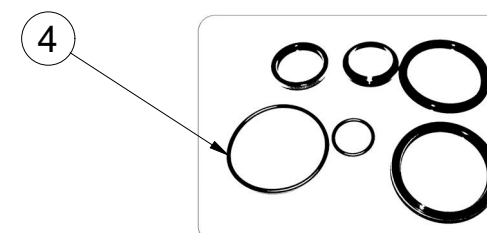
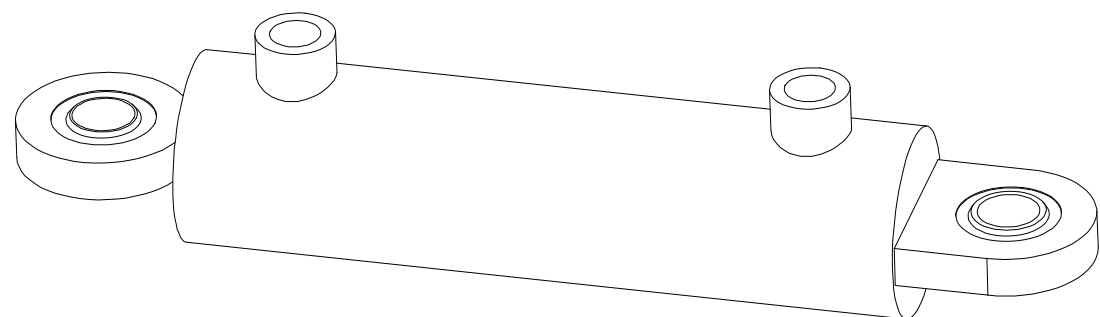
| 9001889 - $\varnothing 50/\varnothing 25-400$ | | |
|---|-------------|-----|
| Pos | Part number | Pcs |
| 1 | m21161 | 2 |



| 9005551 - $\varnothing 32/\varnothing 18-50$ | | |
|--|-------------|-----|
| Pos | Part number | Pcs |
| 2 | | 2 |



| VZ00024007 - $\varnothing 63/\varnothing 32-125/310$ | | |
|--|-------------|-----|
| Pos | Part number | Pcs |
| 3 | m22613 | 2 |



| VZ00032258 - $\varnothing 63/\varnothing 32-200/385$ | | |
|--|-------------|-----|
| Pos | Part number | Pcs |
| 4 | m22613 | 2 |

ⒸZ SOUPRAVA TĚSNIVA PÍSTNIC

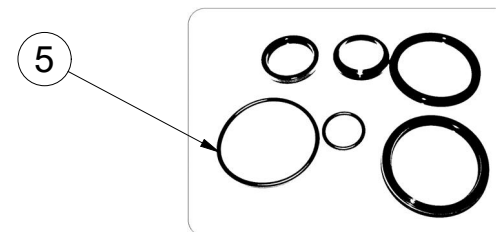
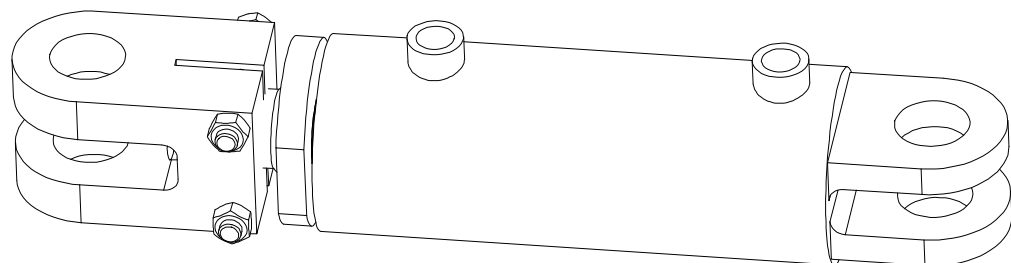
Ⓓ KOLBENSTANGENDICHTUNGSMITTELSATZ

Ⓕ SET DE GARNITURE DES TIGES DE PISTON

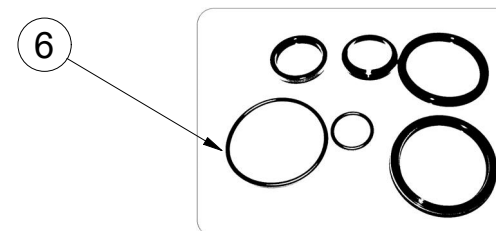
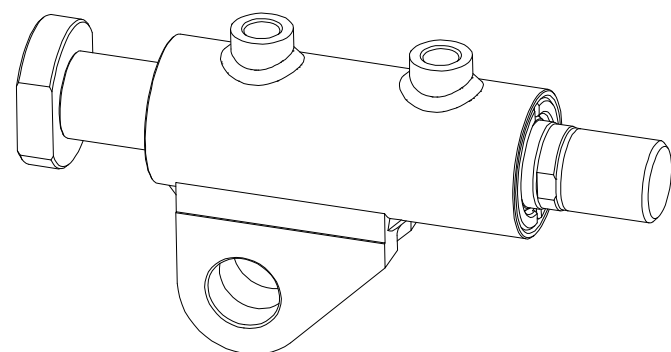
ⒼB SEALING SET FOR PISTON RODS

ⒺU КОМПЛЕКТ ПРОКЛАДОК ЦИЛИНДРОВ

ⒼL ZESTAW USZCZELEK TRZPIENIA TŁOKA

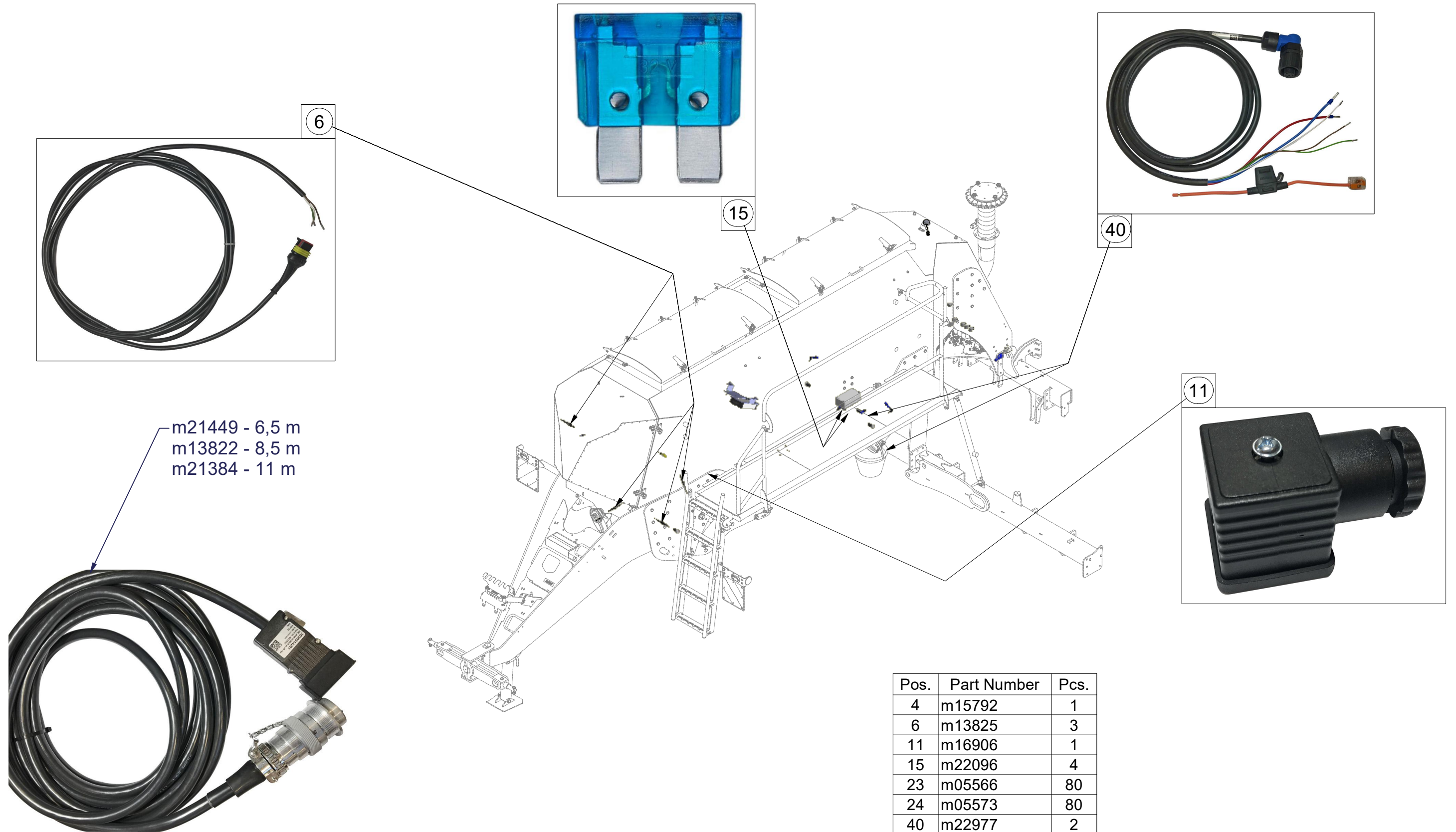


| m18040 - $\varnothing 90/\varnothing 45-130$ | | |
|--|-------------|-----|
| Pos | Part number | Pcs |
| 5 | m15374 | 2 |



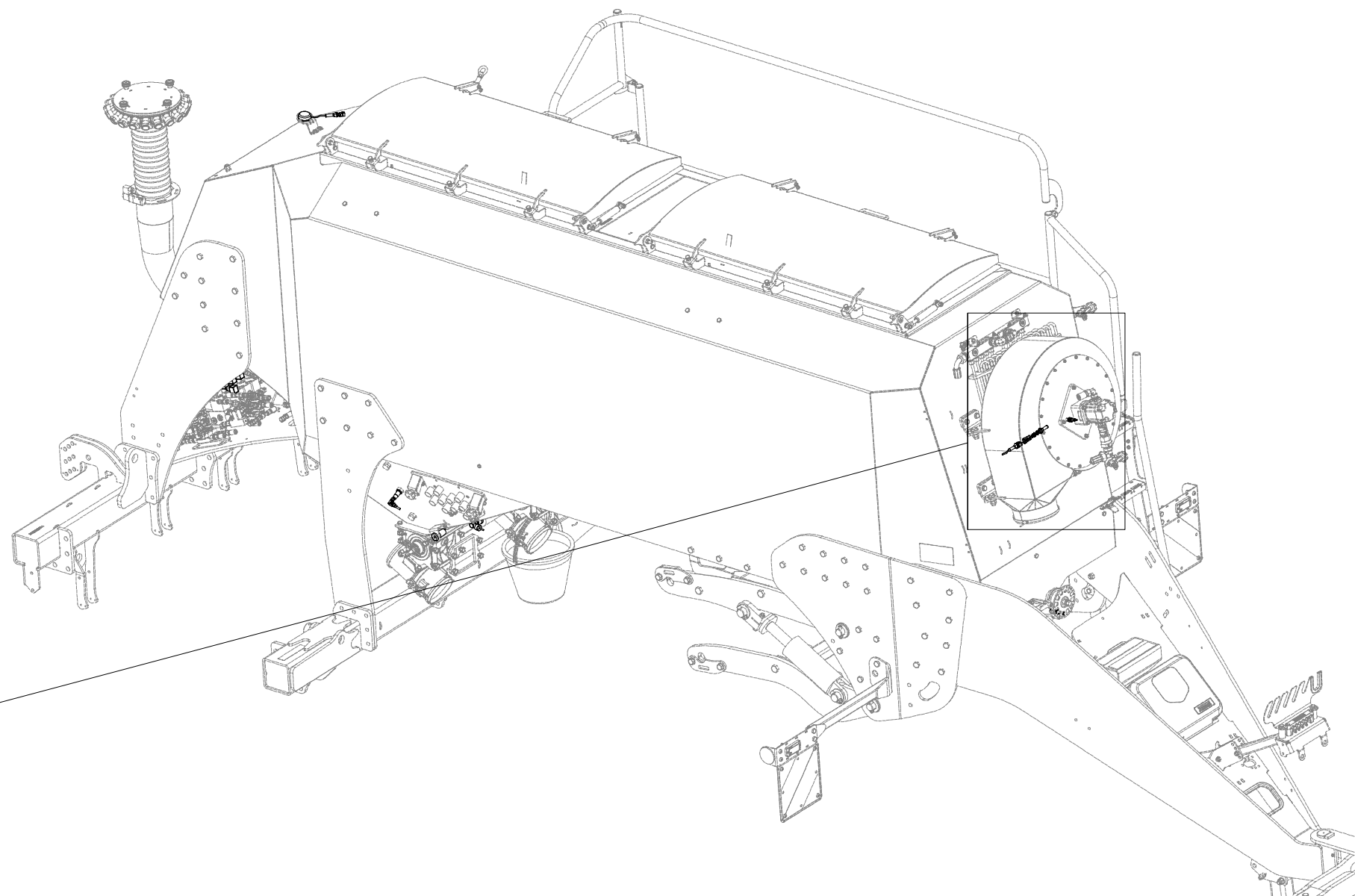
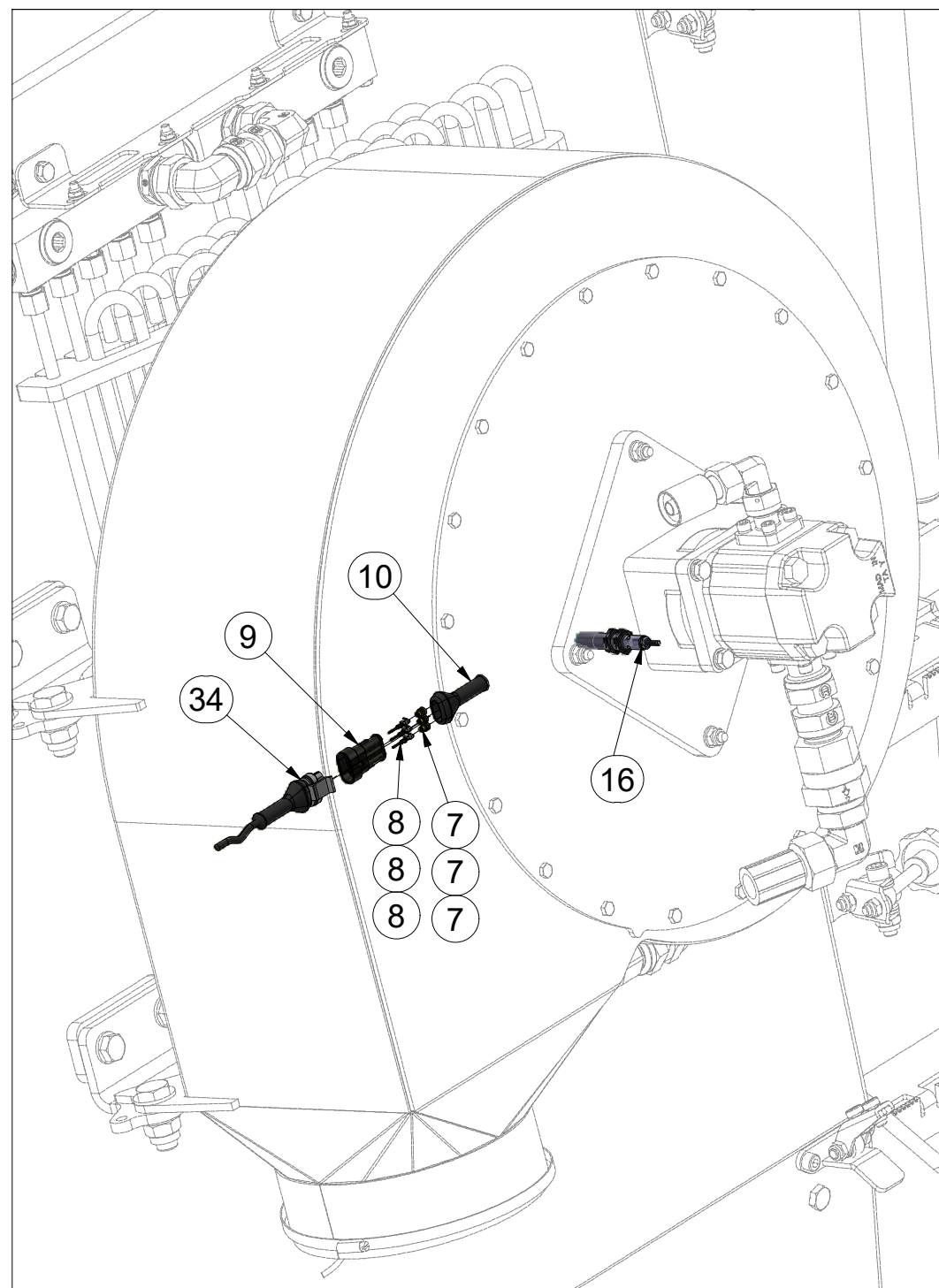
| m21336 - $\varnothing 50/\varnothing 35-40$ | | |
|---|-------------|-----|
| Pos | Part number | Pcs |
| 6 | m22712 | 2 |

VZ00024521



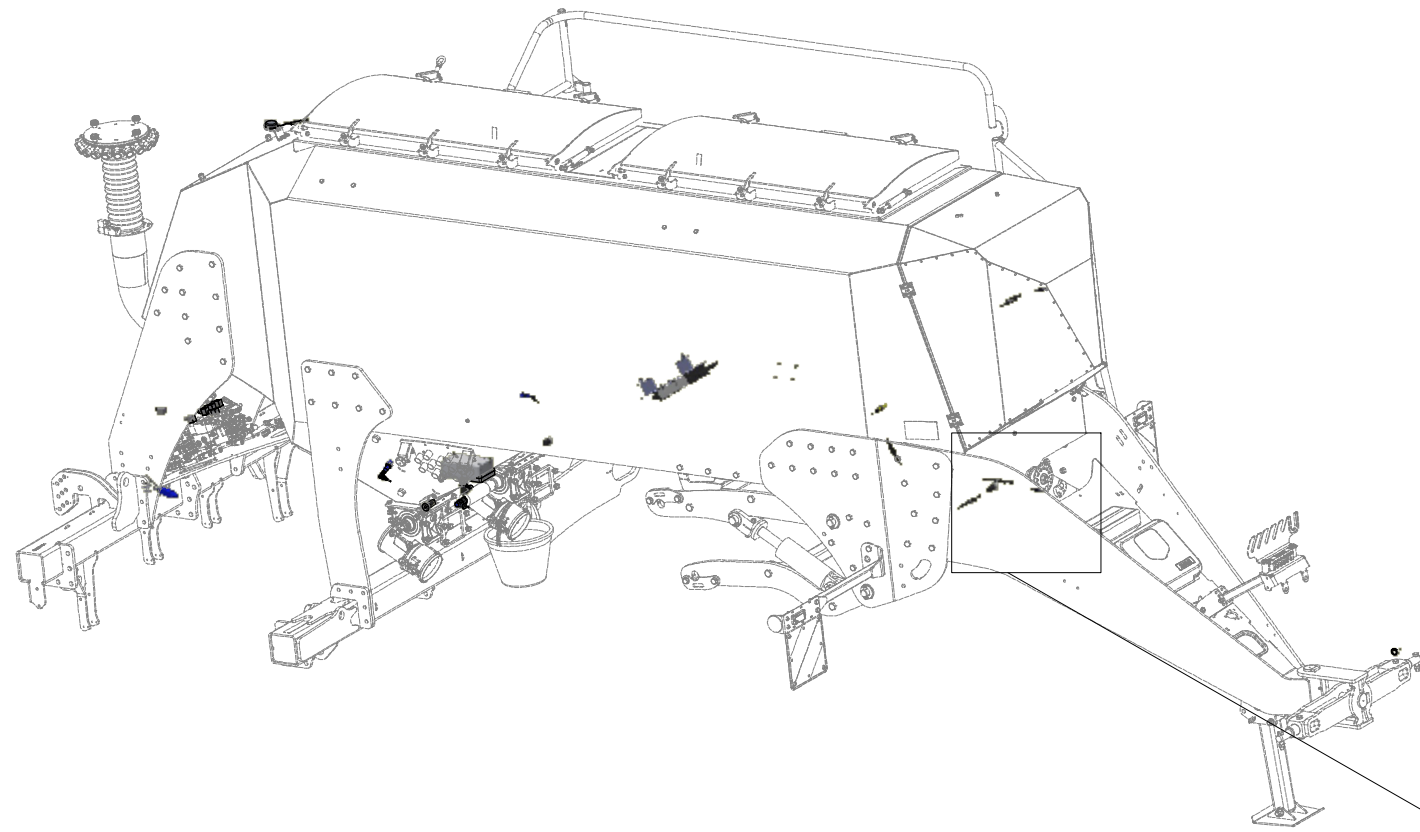
| Pos. | Part Number | Pcs. |
|------|-------------|------|
| 4 | m15792 | 1 |
| 6 | m13825 | 3 |
| 11 | m16906 | 1 |
| 15 | m22096 | 4 |
| 23 | m05566 | 80 |
| 24 | m05573 | 80 |
| 40 | m22977 | 2 |

VZ00024521

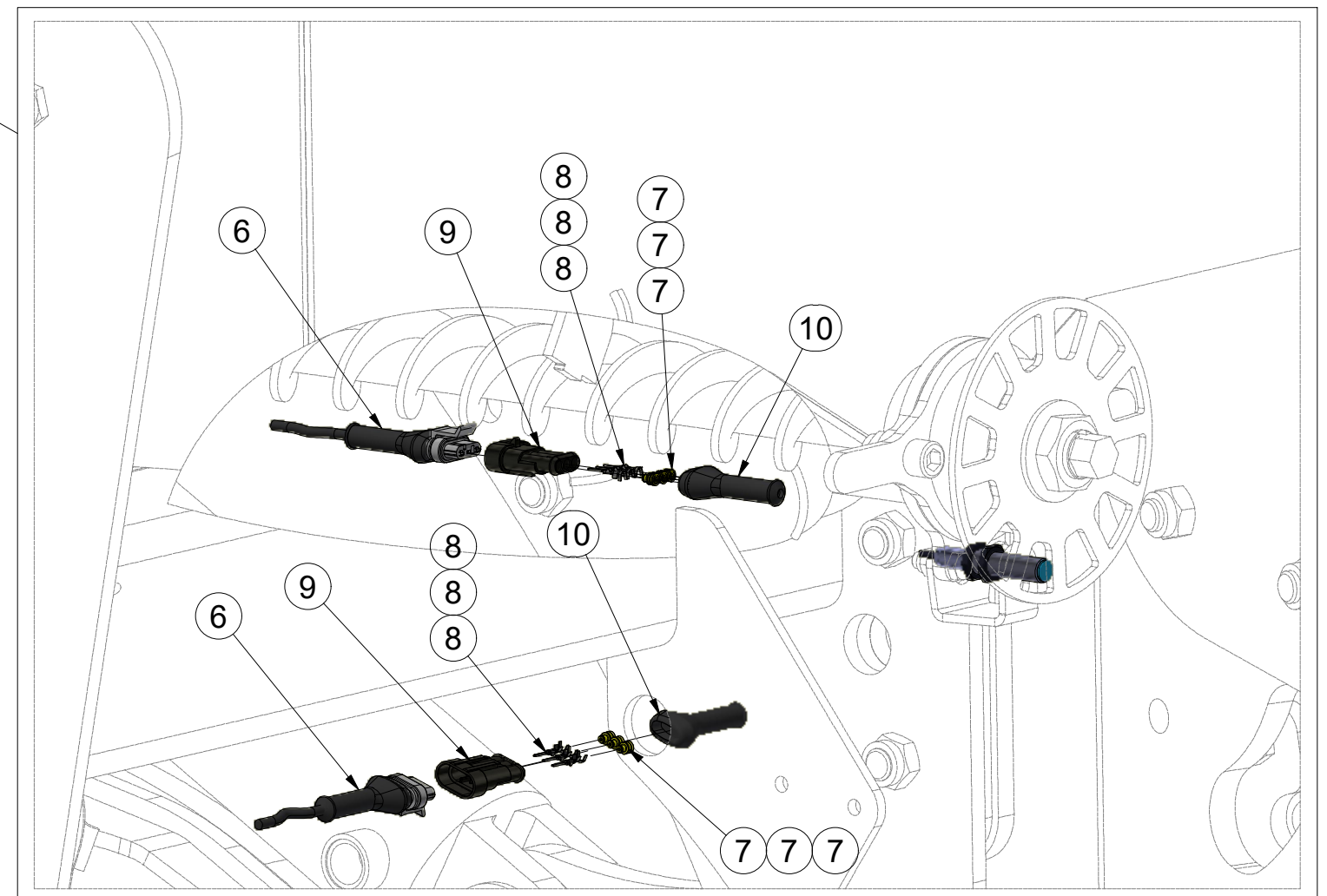


| Pos. | Part Number | Pcs. |
|------|-------------|------|
| 7 | m20071 | 12 |
| 8 | m20073 | 12 |
| 9 | m20079 | 4 |
| 10 | m21510 | 4 |
| 16 | m22608 | 2 |
| 34 | m22704 | 1 |

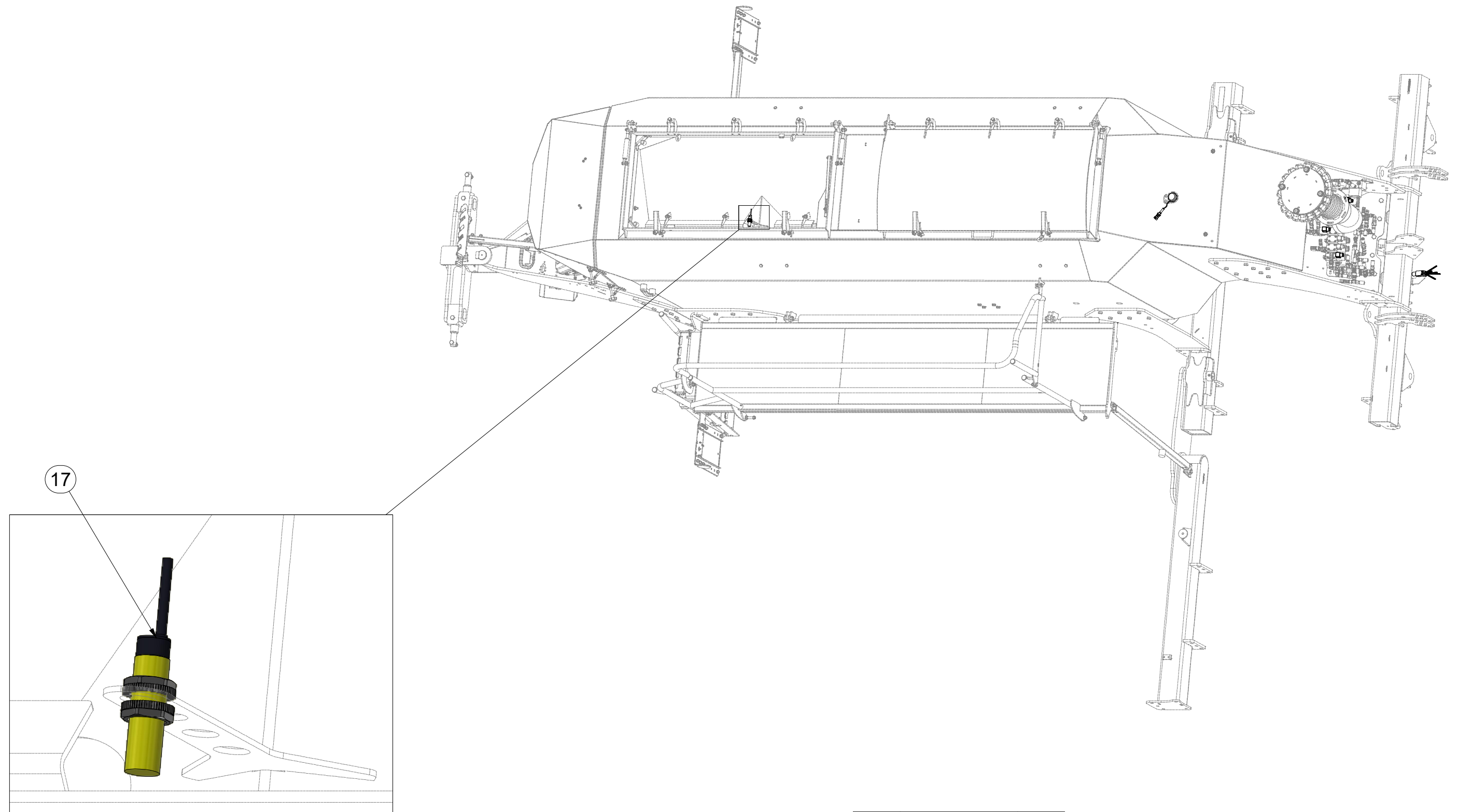
VZ00024521



| Pos. | Part Number | Pcs. |
|------|-------------|------|
| 6 | m13825 | 3 |
| 7 | m20071 | 12 |
| 8 | m20073 | 12 |
| 9 | m20079 | 4 |
| 10 | m21510 | 4 |



VZ00024521



| Pos. | Part Number | Pcs. |
|------|-------------|------|
| 17 | m13834 | 1 |

Ⓒ SADA ELEKTRONIKY

Ⓓ ELEKTRONIKSATZ

Ⓕ KIT D'ELECTRONIQUE

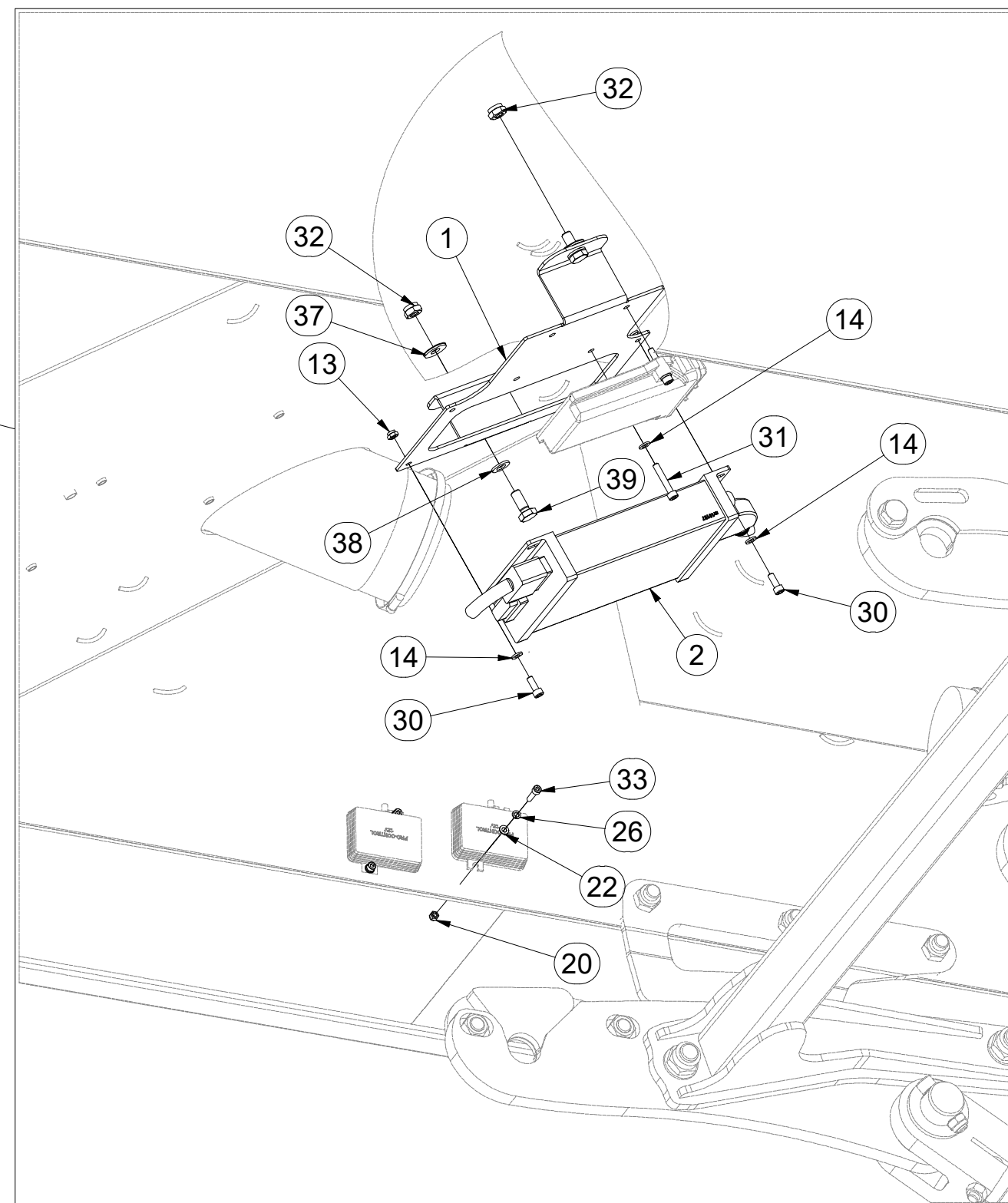
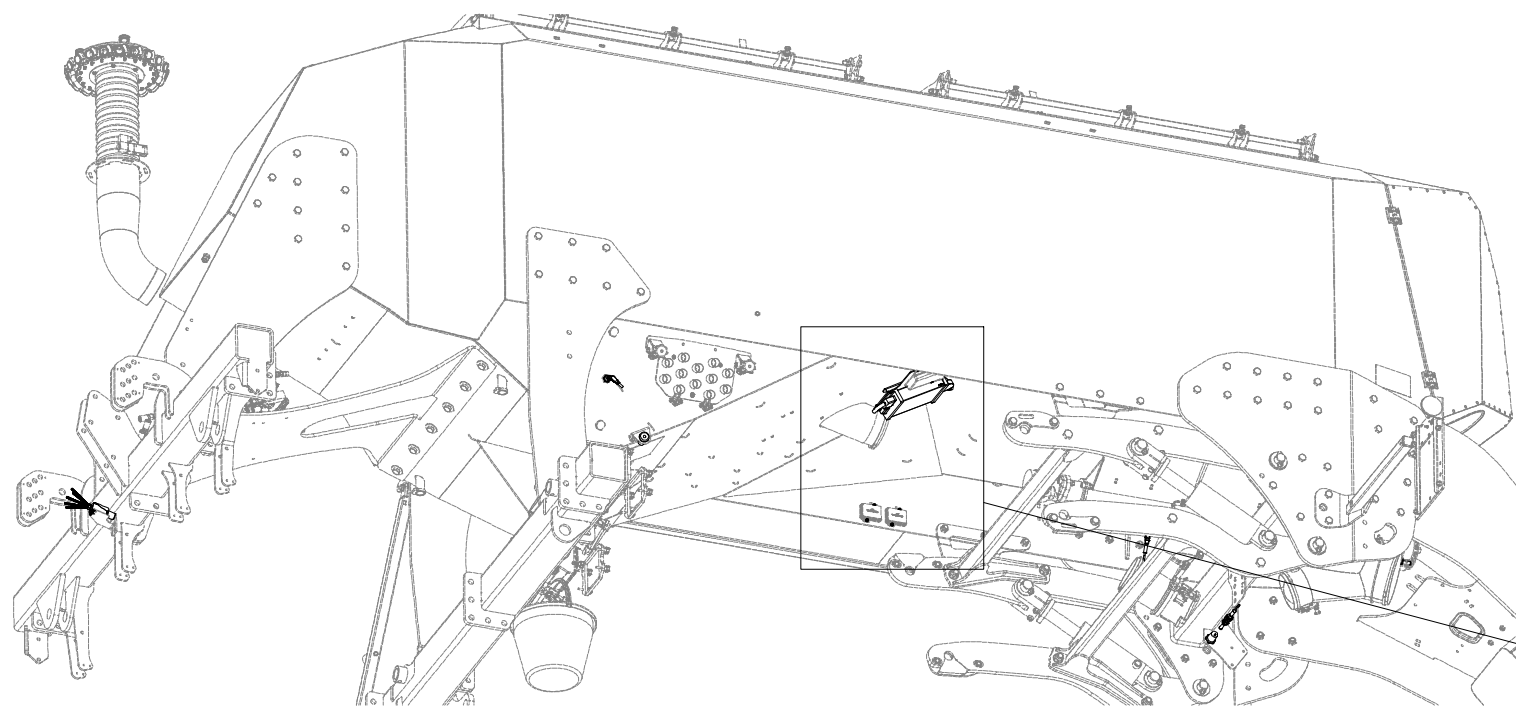
Ⓖ ELEKTRONICS SET

Ⓡ КОМПЛЕКТ ЭЛЕКТРОНИКИ

Ⓟ ZESTAW ELEKTRONIKI



VZ00024521



| Pos. | Part Number | Pcs. |
|------|-------------|------|
| 1 | VZ00023667 | 1 |
| 2 | m18107 | 1 |
| 13 | m05560 | 8 |
| 14 | m01199 | 4 |
| 20 | m06236 | 6 |
| 22 | m04164 | 6 |
| 26 | m01197 | 4 |
| 30 | m05303 | 2 |
| 31 | m06102 | 2 |
| 32 | m13617 | 2 |
| 33 | m10591 | 4 |
| 37 | m20312 | 2 |
| 38 | m06859 | 2 |
| 39 | m19695 | 2 |

Ⓒ SADA ELEKTRONIKY

Ⓓ ELEKTRONIKSATZ

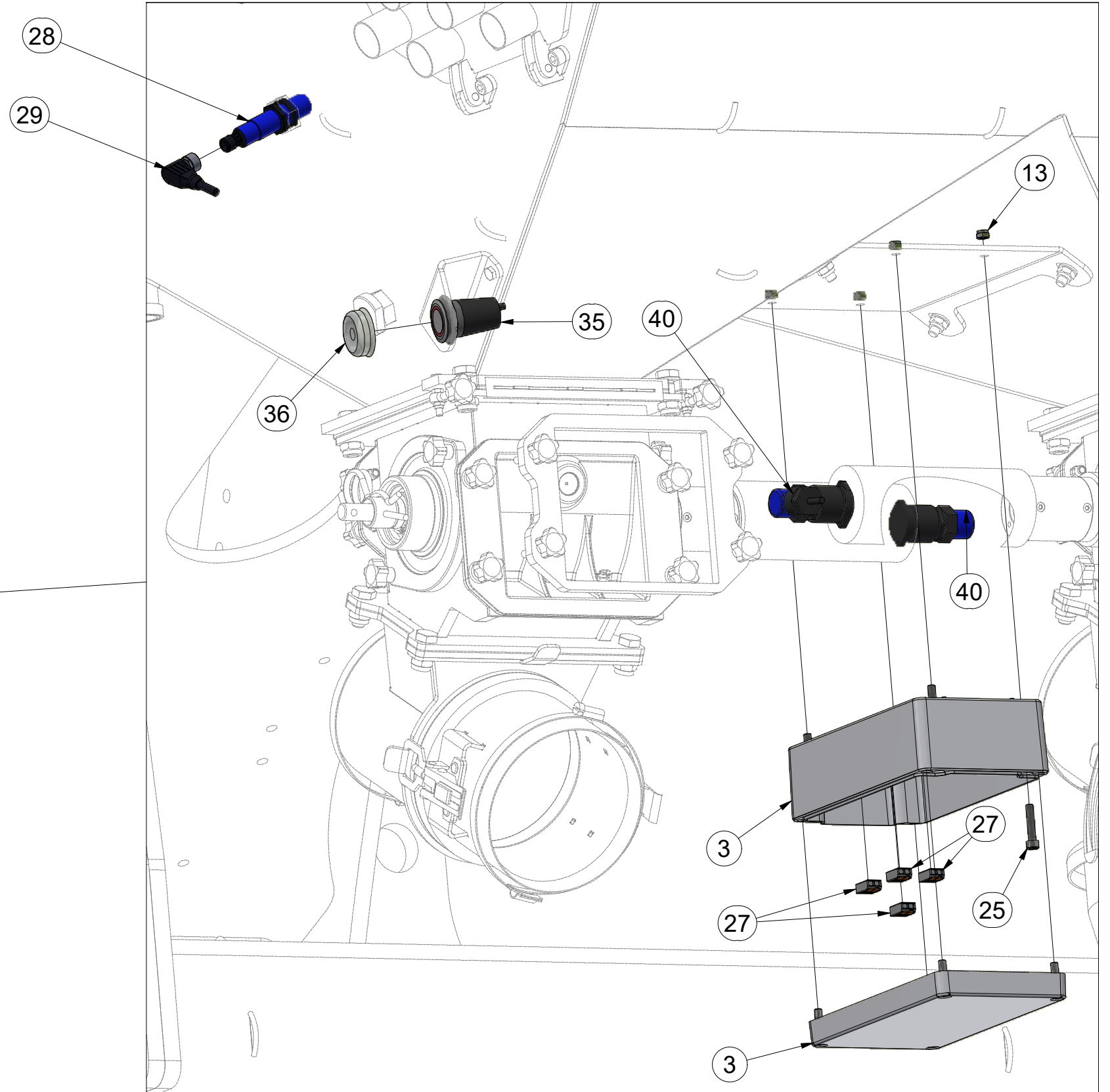
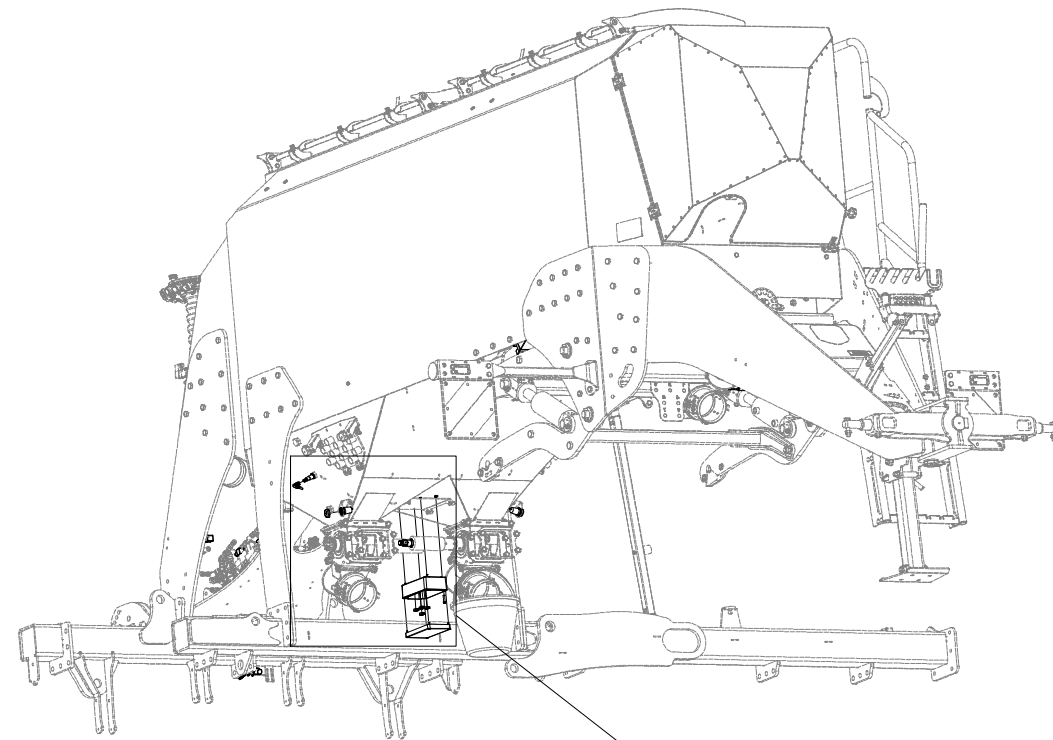
Ⓕ KIT D'ELECTRONIQUE

VZ00024521

Ⓖ ELEKTRONICS SET

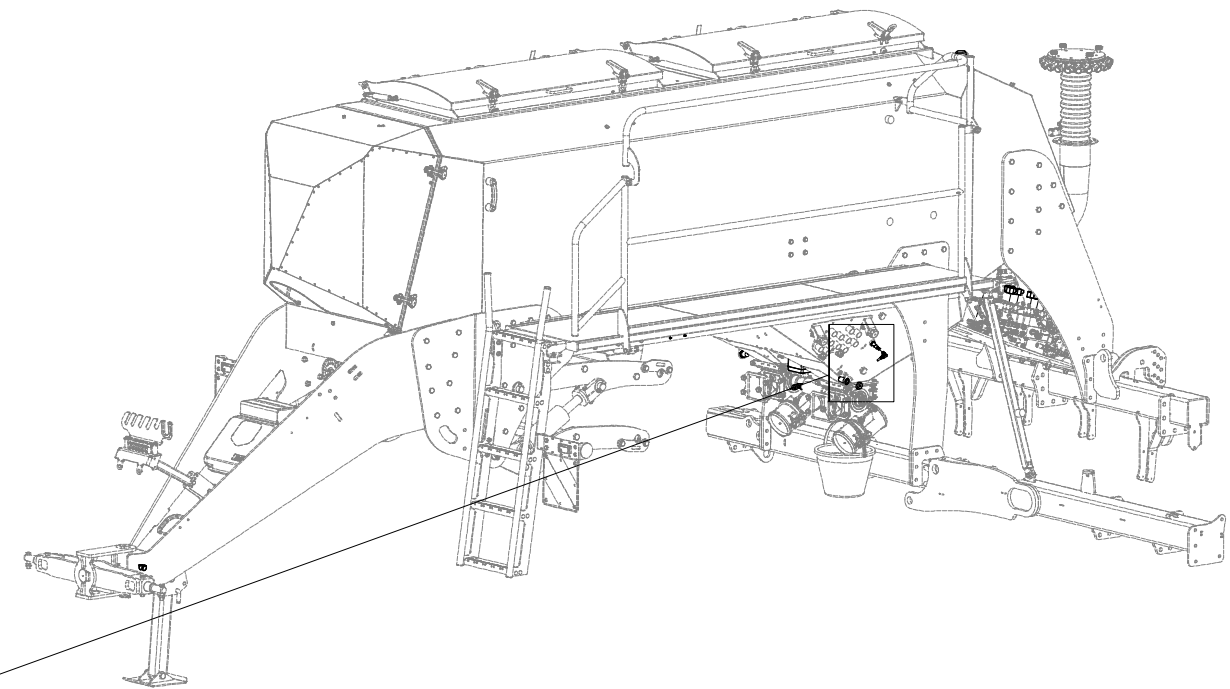
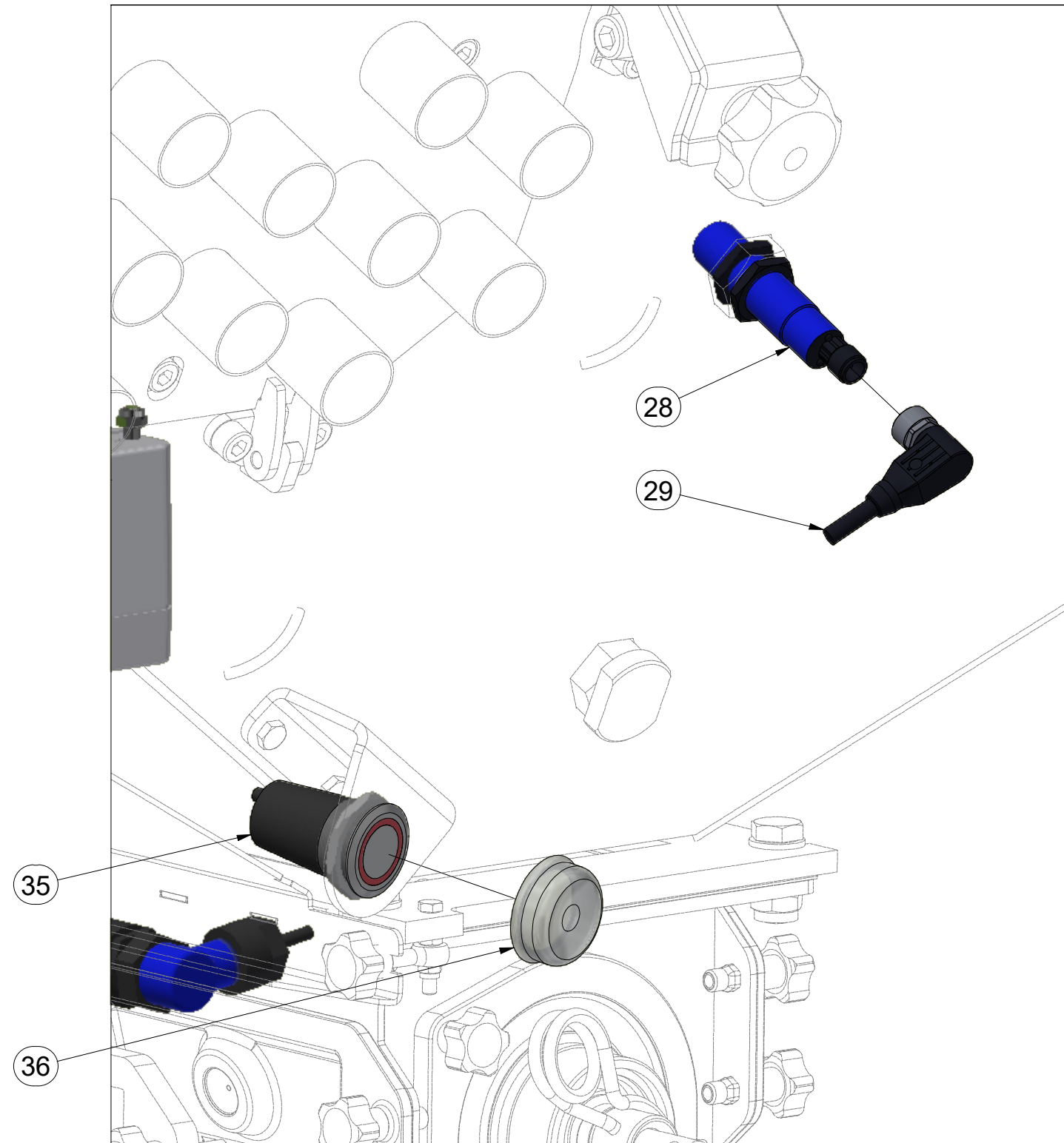
Ⓡ КОМПЛЕКТ ЭЛЕКТРОНИКИ

Ⓢ ZESTAW ELEKTRONIKI



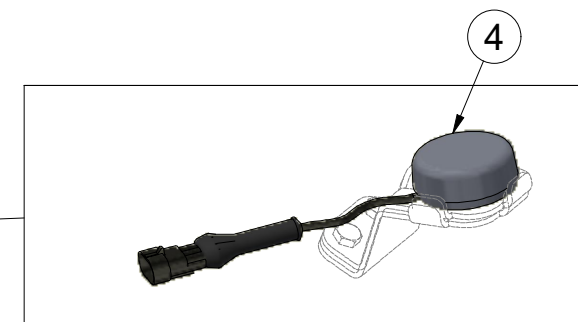
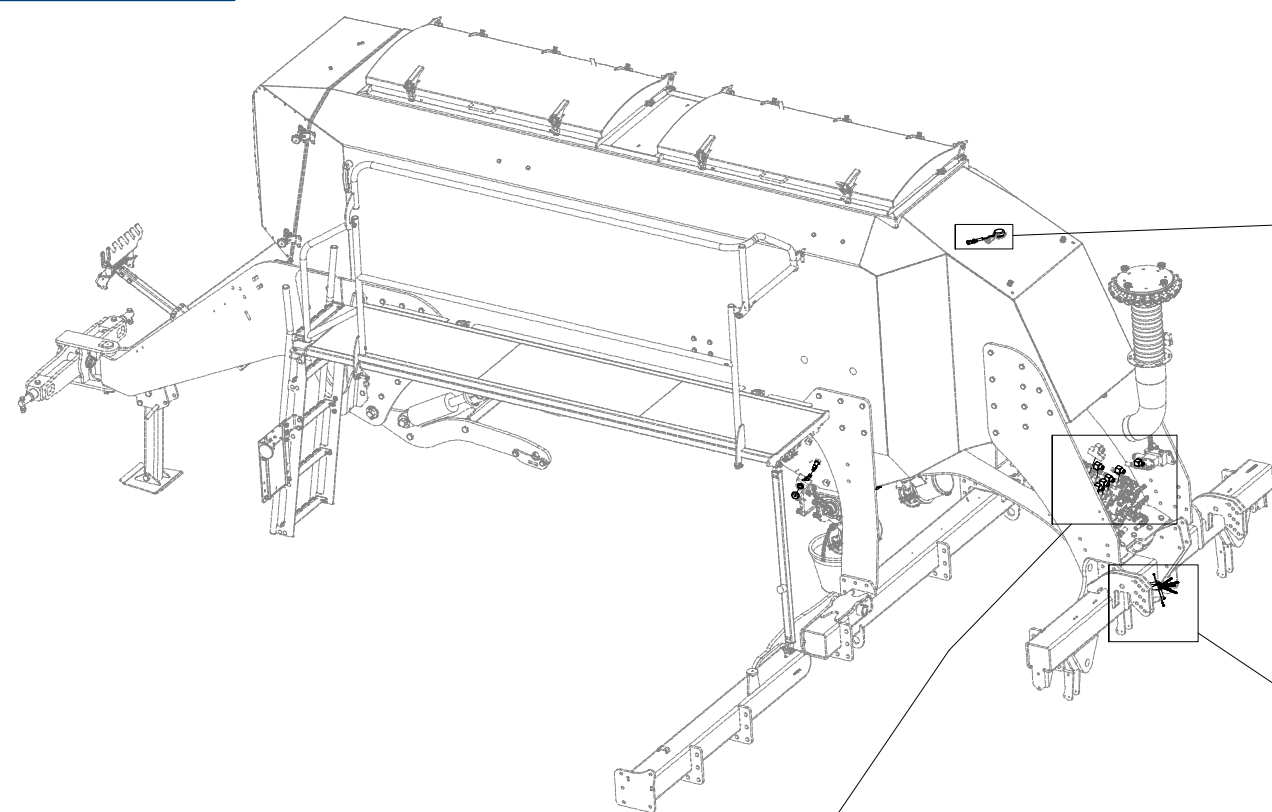
| Pos. | Part Number | Pcs. |
|------|-------------|------|
| 3 | m21131 | 1 |
| 13 | m05560 | 8 |
| 25 | m06101 | 4 |
| 27 | m20803 | 4 |
| 28 | m22669 | 2 |
| 29 | m22670 | 2 |
| 35 | m22773 | 3 |
| 36 | m22768 | 3 |
| 40 | m22977 | 2 |

VZ00024521

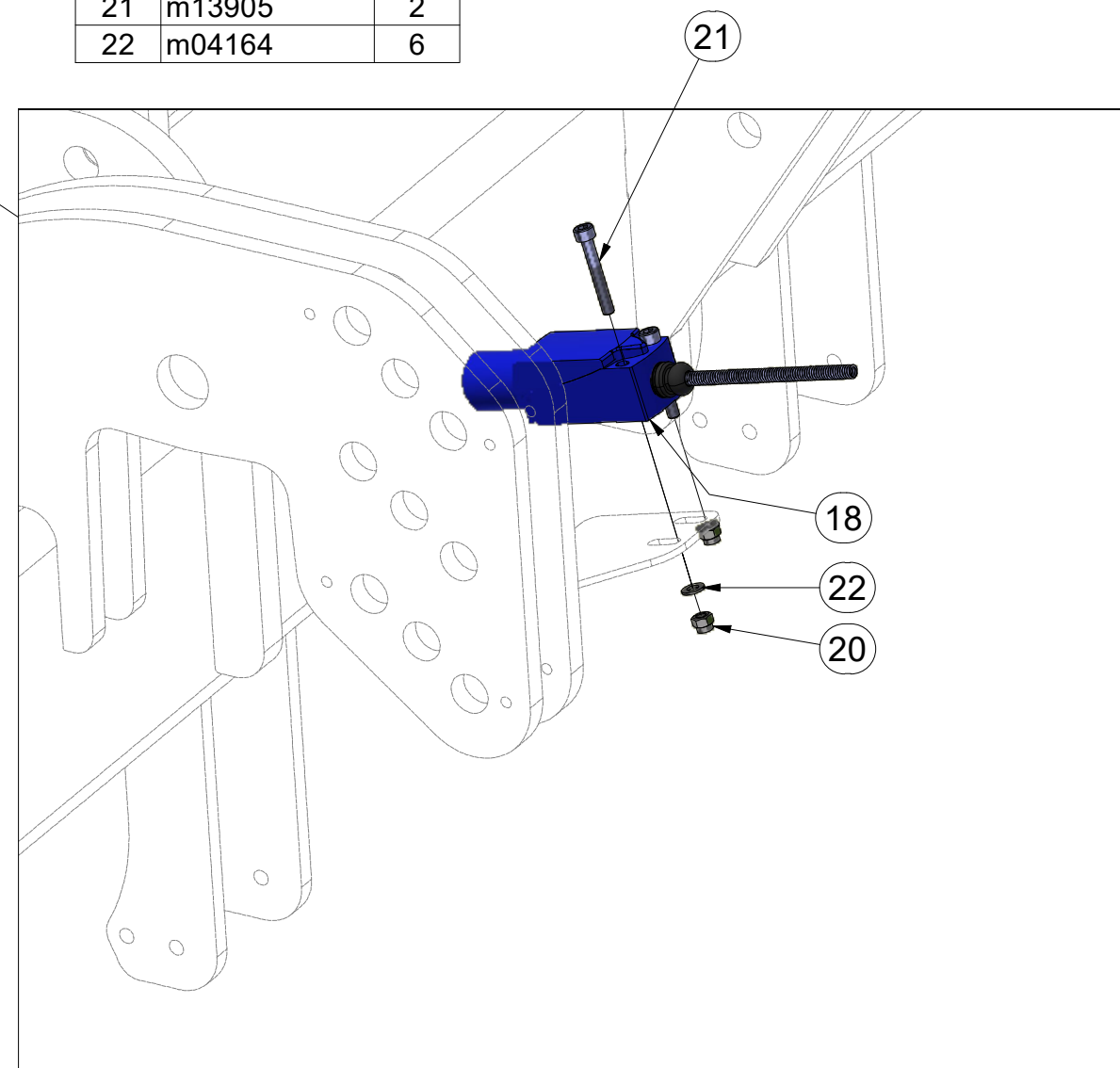
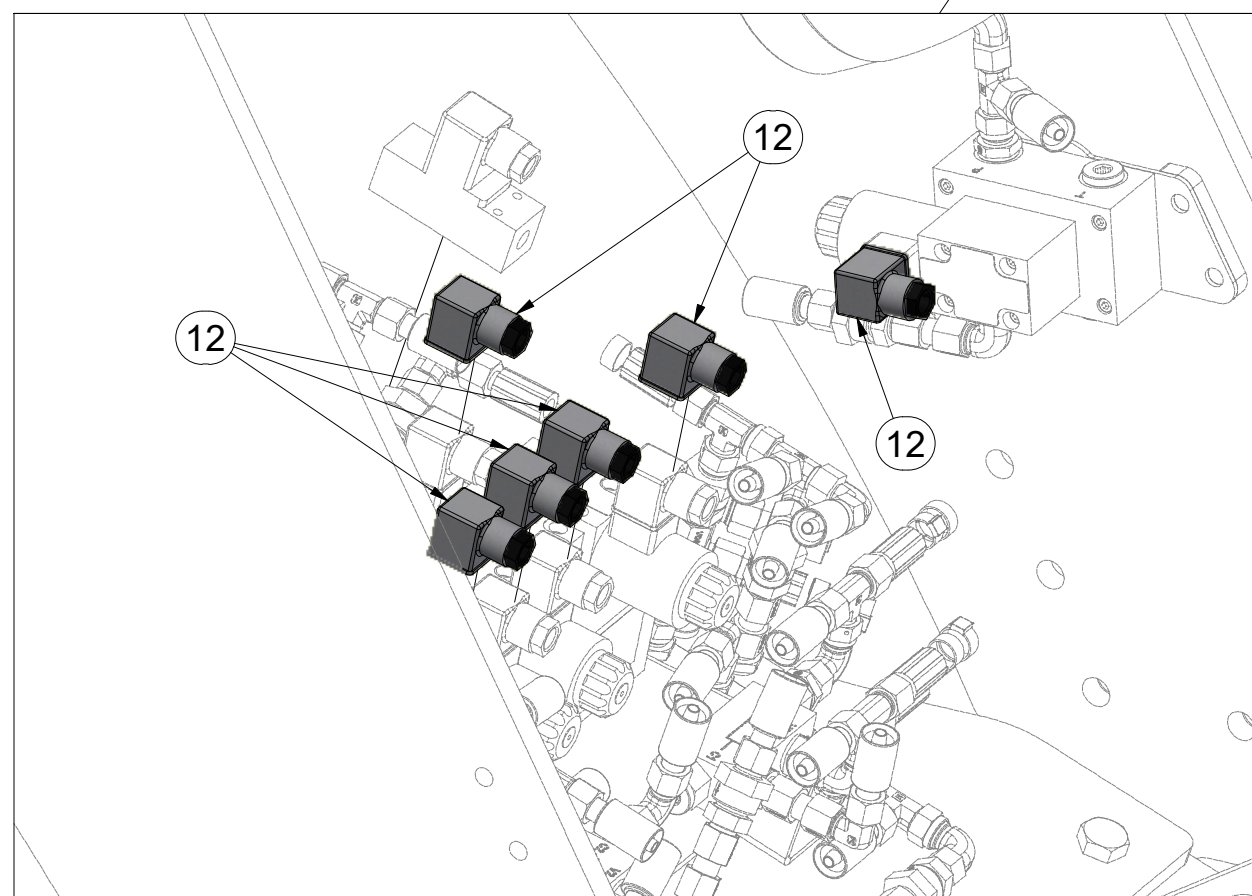


| Pos. | Part Number | Pcs. |
|------|-------------|------|
| 28 | m22669 | 2 |
| 29 | m22670 | 2 |
| 35 | m22773 | 3 |
| 36 | m22768 | 3 |

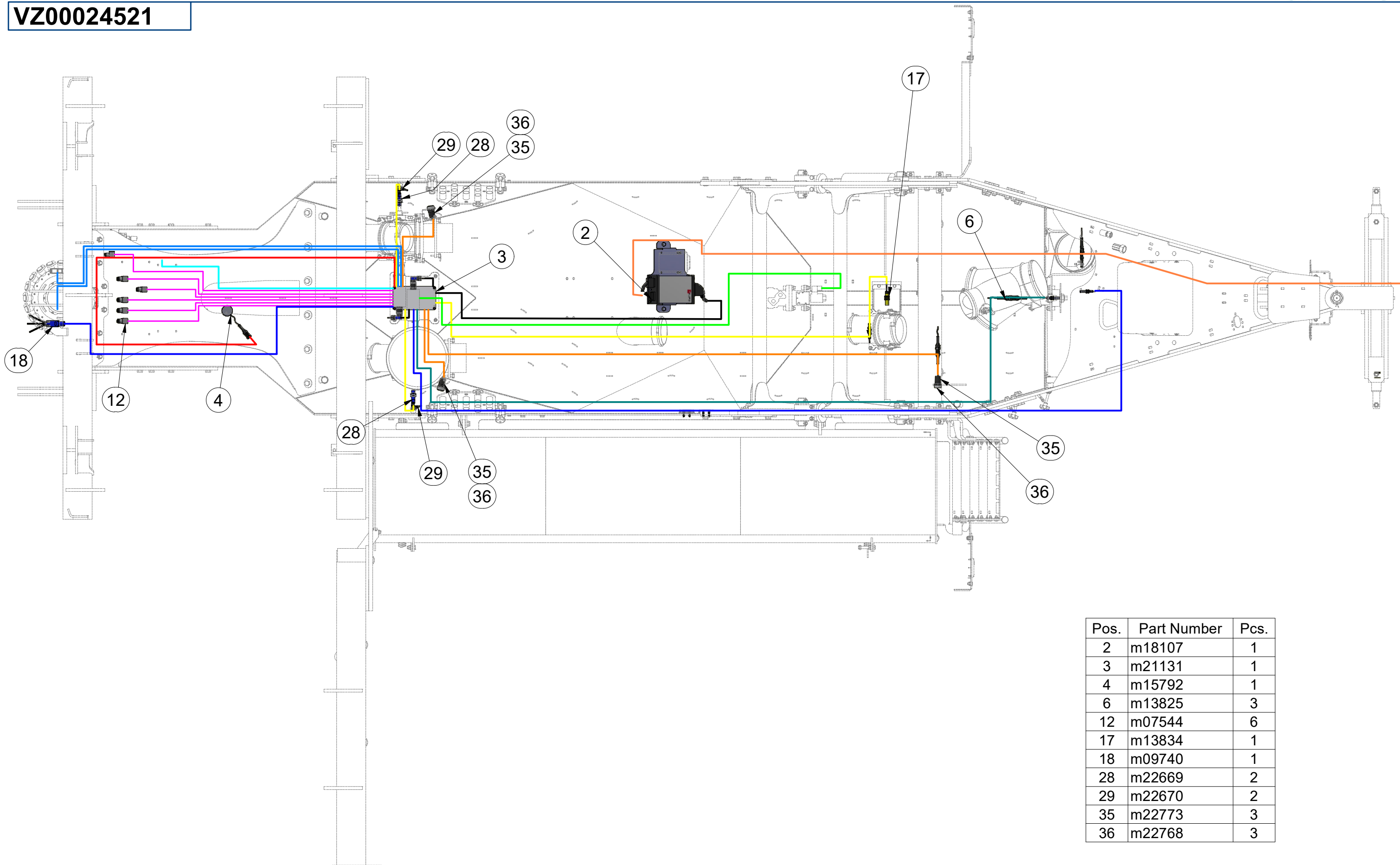
VZ00024521



| Pos. | Part Number | Pcs. |
|------|-------------|------|
| 4 | m15792 | 1 |
| 12 | m07544 | 6 |
| 18 | m09740 | 1 |
| 20 | m06236 | 6 |
| 21 | m13905 | 2 |
| 22 | m04164 | 6 |

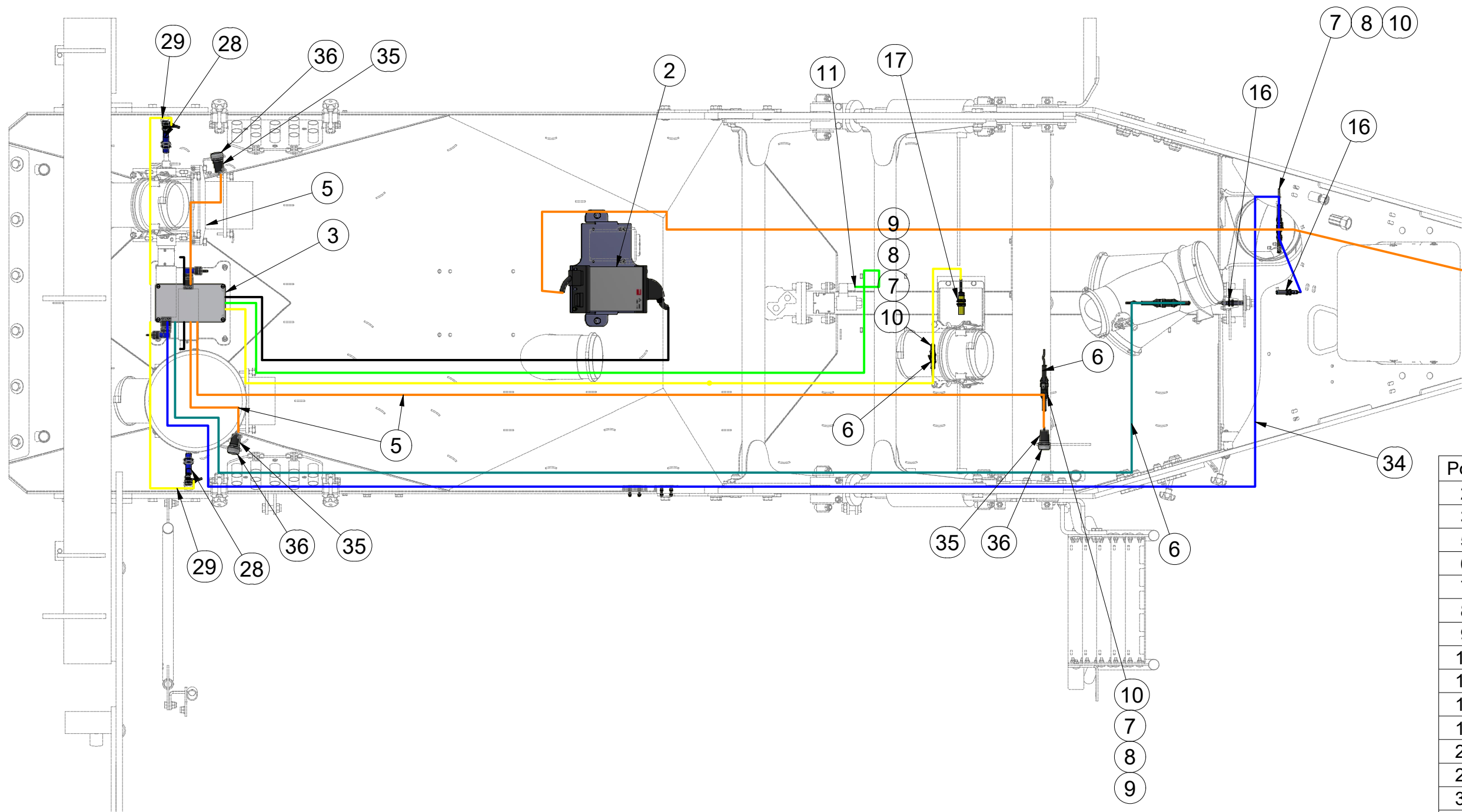


VZ00024521



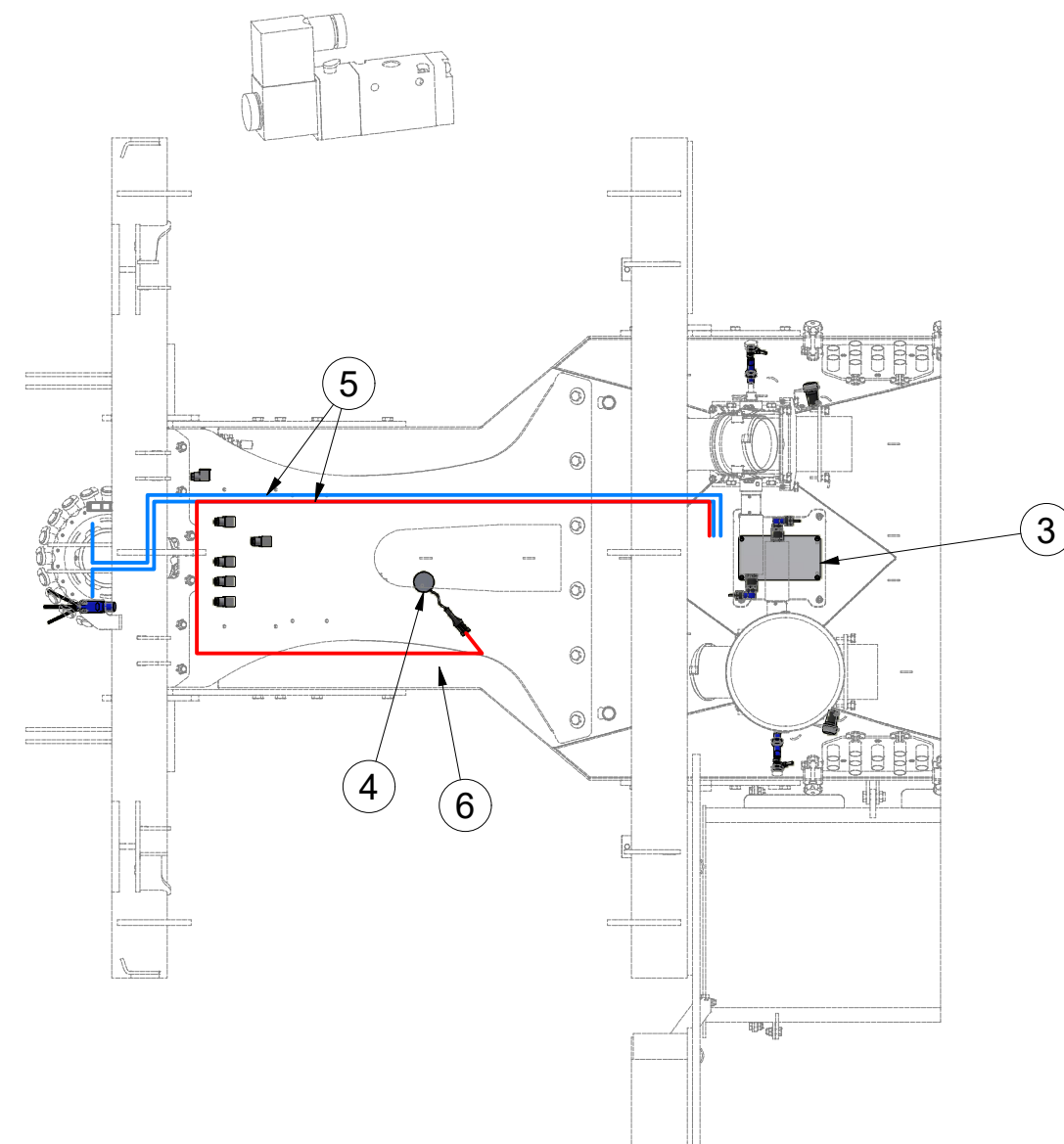
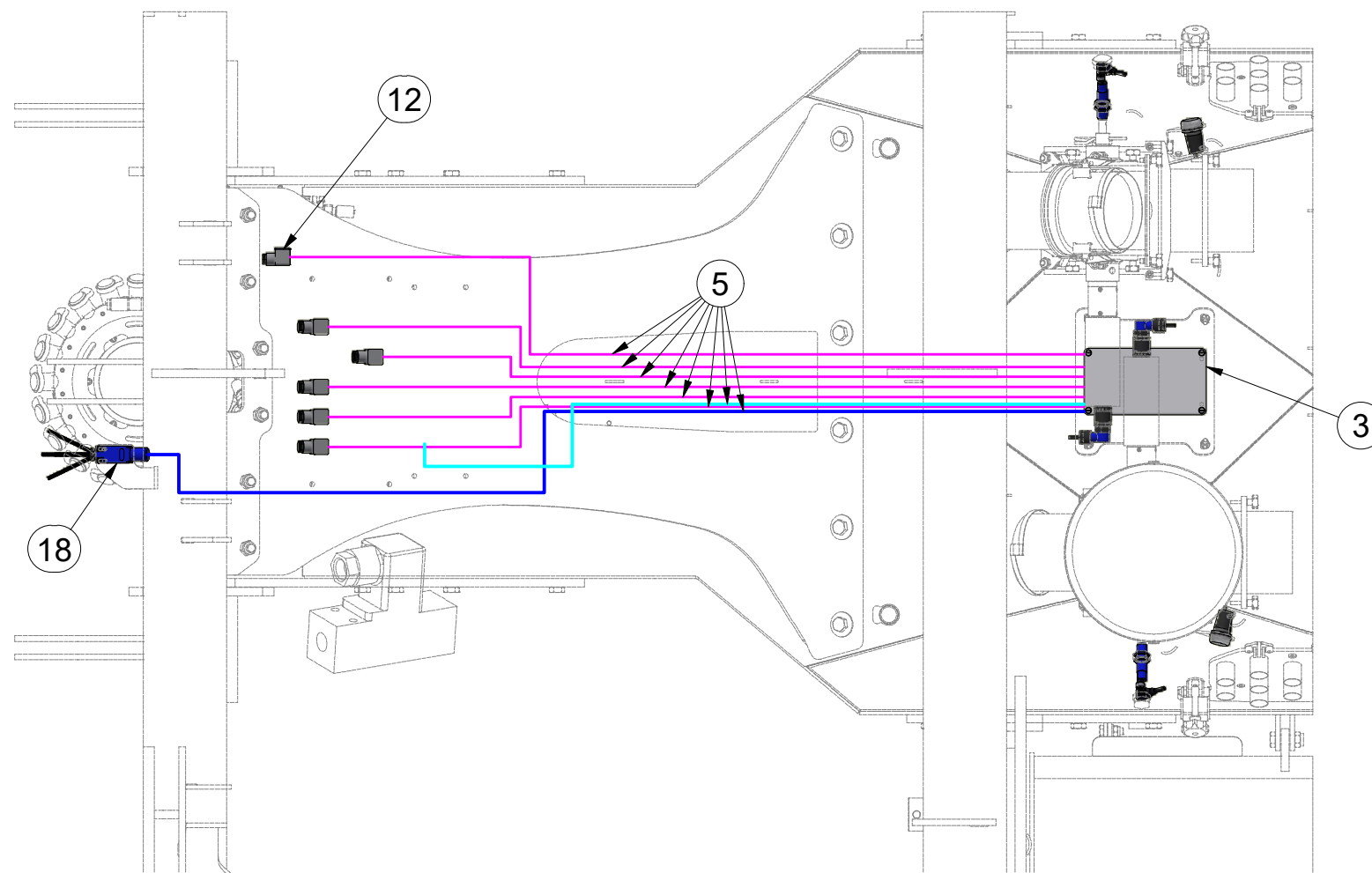
| Pos. | Part Number | Pcs. |
|------|-------------|------|
| 2 | m18107 | 1 |
| 3 | m21131 | 1 |
| 4 | m15792 | 1 |
| 6 | m13825 | 3 |
| 12 | m07544 | 6 |
| 17 | m13834 | 1 |
| 18 | m09740 | 1 |
| 28 | m22669 | 2 |
| 29 | m22670 | 2 |
| 35 | m22773 | 3 |
| 36 | m22768 | 3 |

VZ00024521

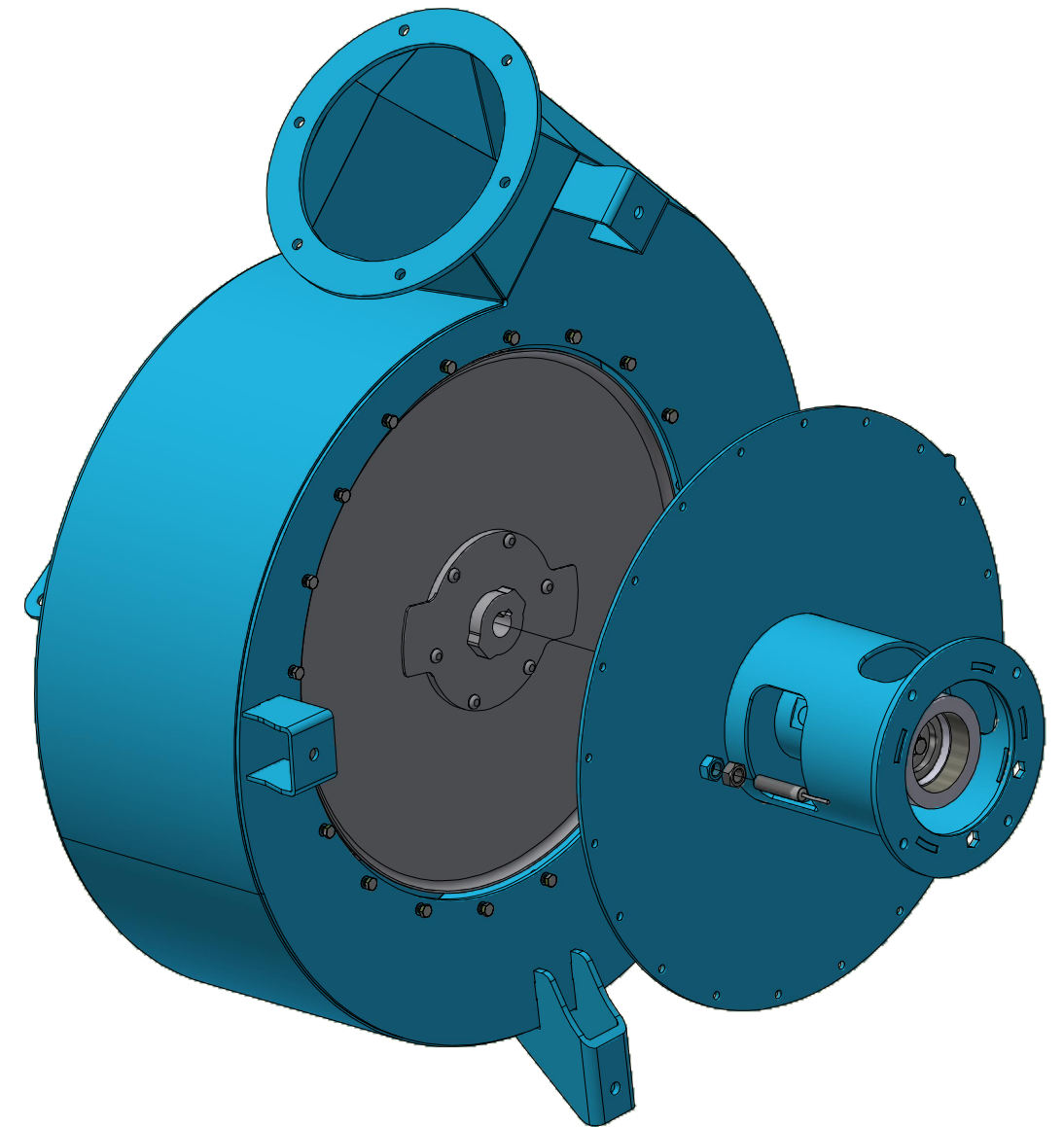
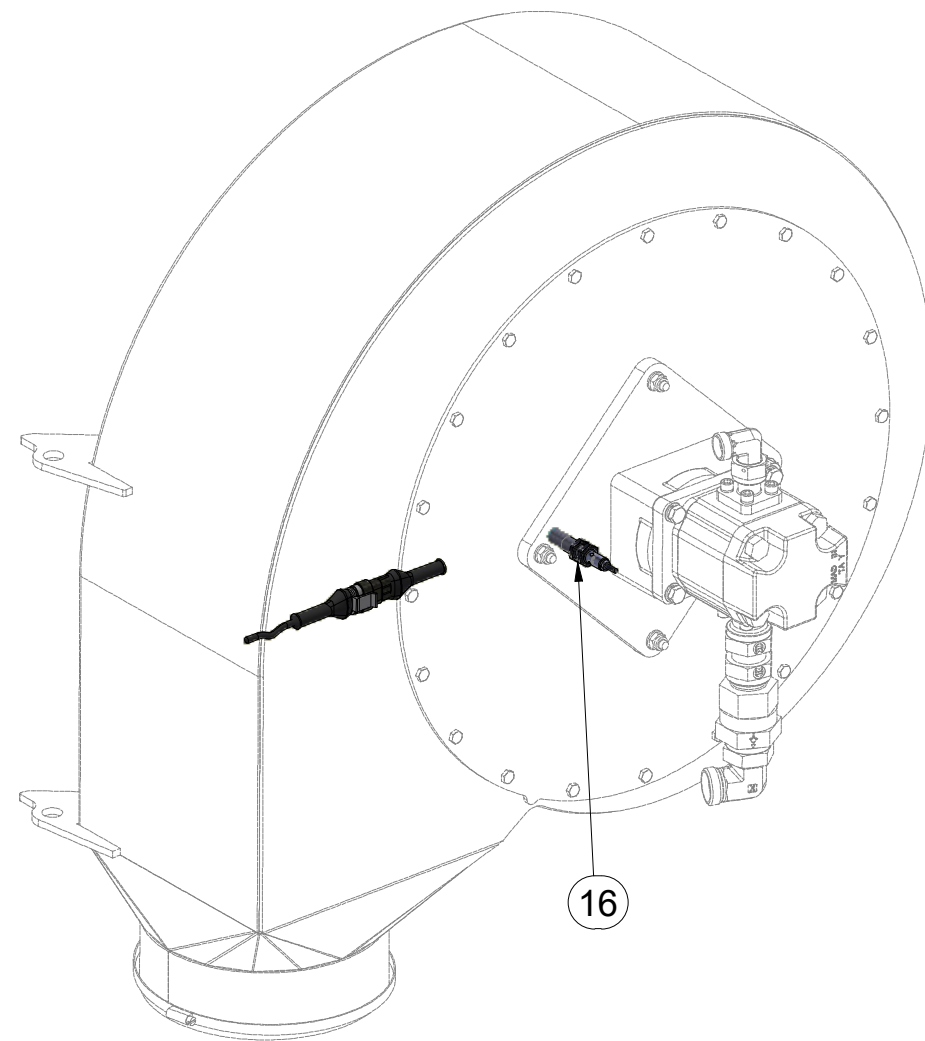


| Pos. | Part Number | Pcs. |
|------|-------------|---------|
| 2 | m18107 | 1 |
| 3 | m21131 | 1 |
| 5 | m05047 | 50,00 m |
| 6 | m13825 | 3 |
| 7 | m20071 | 12 |
| 8 | m20073 | 12 |
| 9 | m20079 | 4 |
| 10 | m21510 | 4 |
| 11 | m16906 | 1 |
| 16 | m22608 | 2 |
| 17 | m13834 | 1 |
| 28 | m22669 | 2 |
| 29 | m22670 | 2 |
| 34 | m22704 | 1 |
| 35 | m22773 | 3 |
| 36 | m22768 | 3 |

VZ00024521

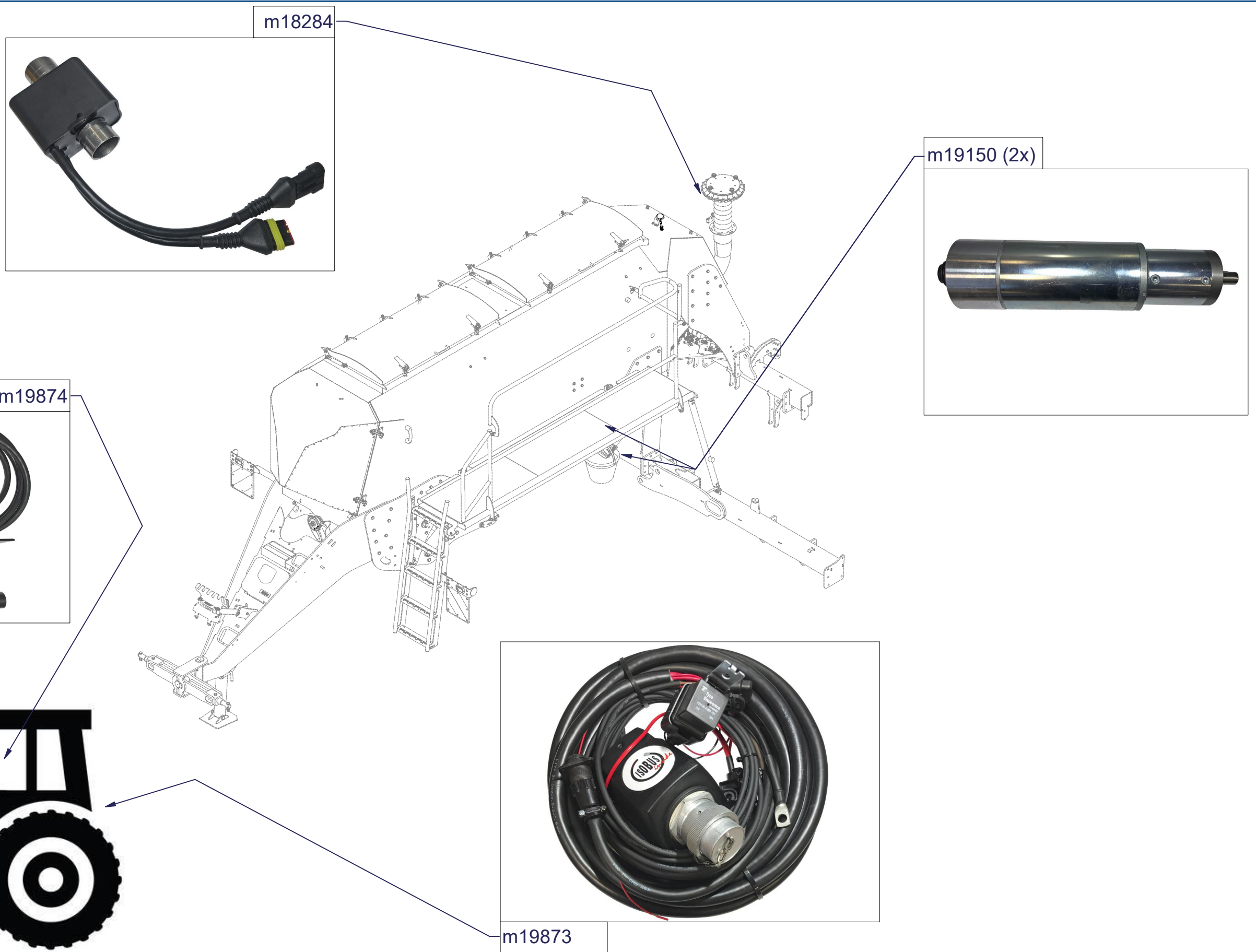


| Pos. | Part Number | Pcs. |
|------|-------------|---------|
| 3 | m21131 | 1 |
| 4 | m15792 | 1 |
| 5 | m05047 | 50,00 m |
| 6 | m13825 | 3 |
| 12 | m07544 | 6 |
| 18 | m09740 | 1 |



| Pos. | Part Number | Pcs. |
|------|-------------|------|
| 16 | m22608 | 2 |

VZ00024521



Ⓒ SVĚTELNÁ SADA

Ⓓ LEUCHTENSATZ

Ⓕ KIT LUMINEUX

Ⓖ LIGHTING SET

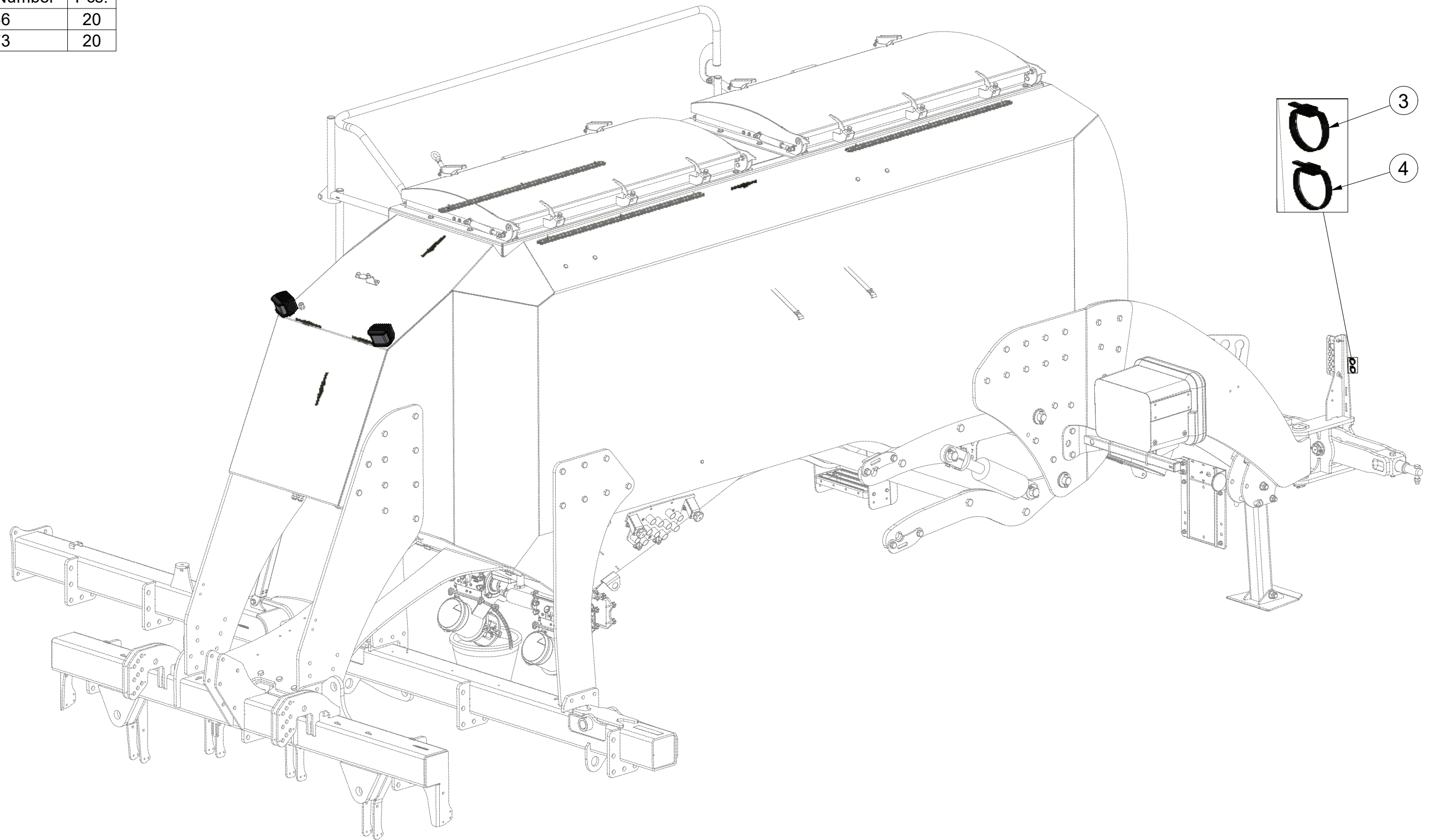
Ⓡ ОСВЕТИТЕЛЬНЫЙ КОМПЛЕКТ

Ⓟ ZESTAW OŚWIETLENIA

Farmet

VZ00021056

| Pos. | Part Number | Pcs. |
|------|-------------|------|
| 3 | m05566 | 20 |
| 4 | m05573 | 20 |



Ⓒ SVĚTELNÁ SADA

Ⓓ LEUCHTENSATZ

Ⓕ KIT LUMINEUX

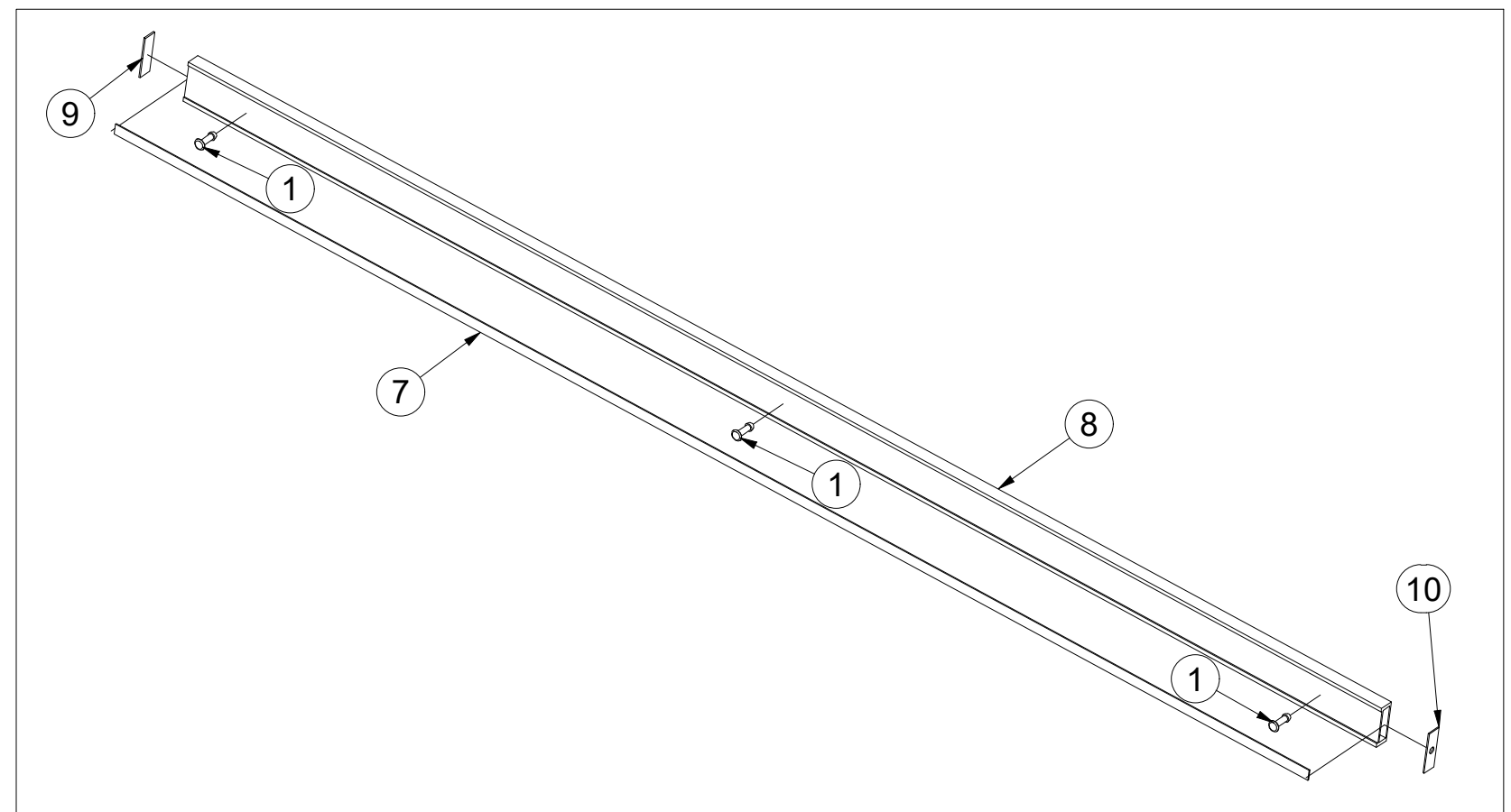
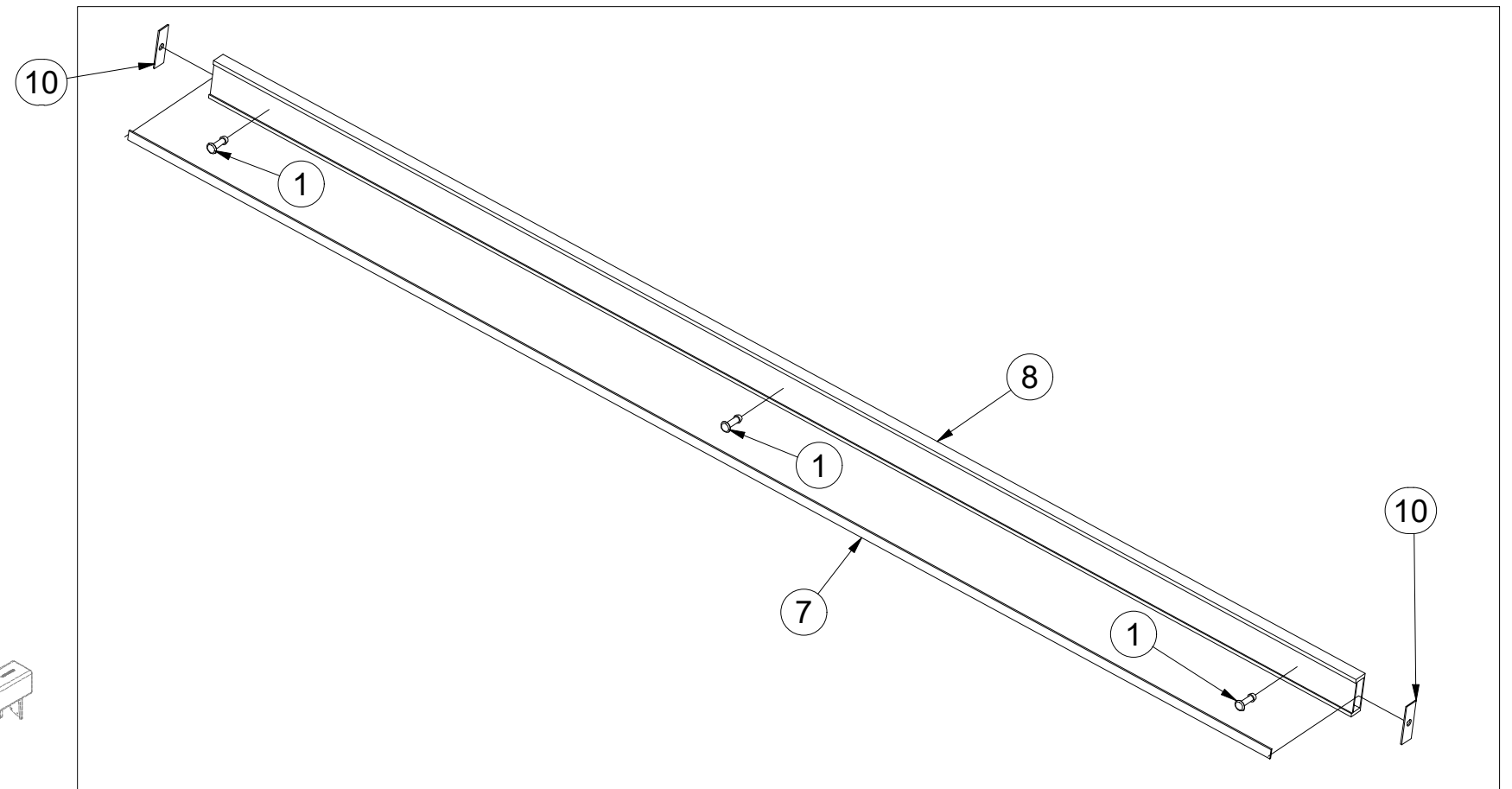
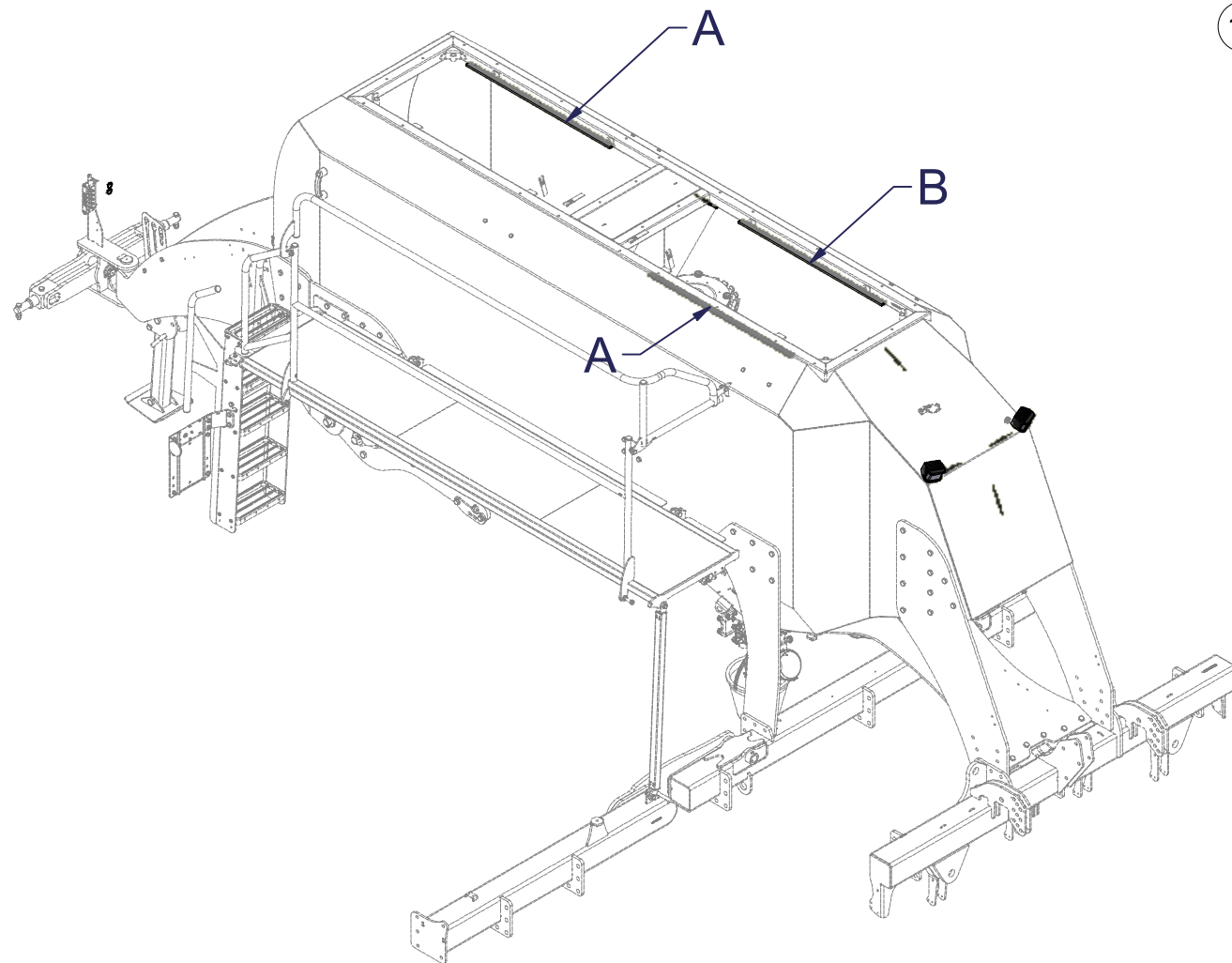
VZ00021056

Ⓖ LIGHTING SET

Ⓡ ОСВЕТИТЕЛЬНЫЙ КОМПЛЕКТ

Ⓢ ZESTAW OŚWIETLENIA

Farmet



| Pos. | Part Number | Pcs. |
|------|-------------|---------|
| 1 | m04558 | 9 |
| 7 | m14298 | 3.000 m |
| 8 | m18515 | 3 |
| 9 | m18516 | 2 |
| 10 | m18517 | 4 |

Ⓒ SVĚTELNÁ SADA

Ⓓ LEUCHTENSATZ

Ⓕ KIT LUMINEUX

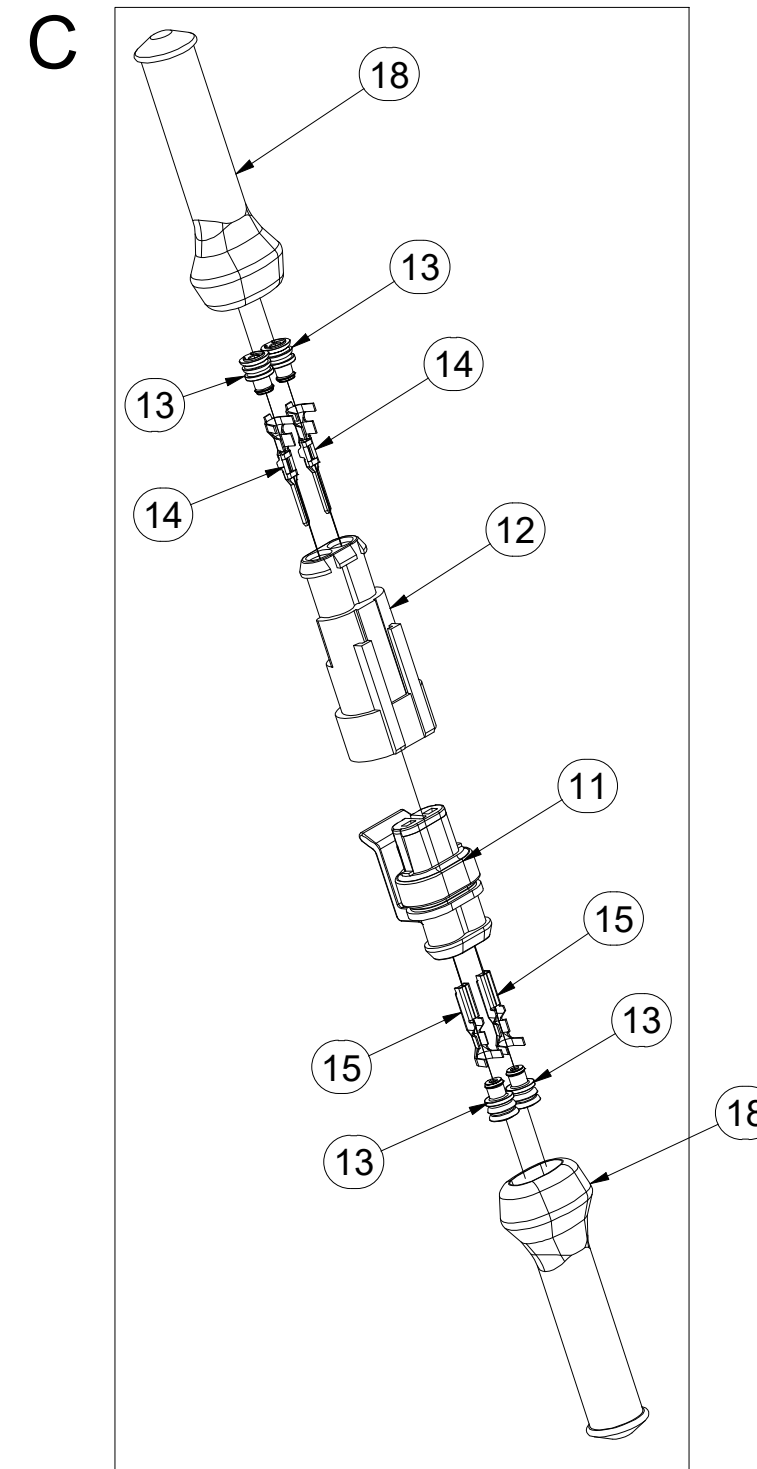
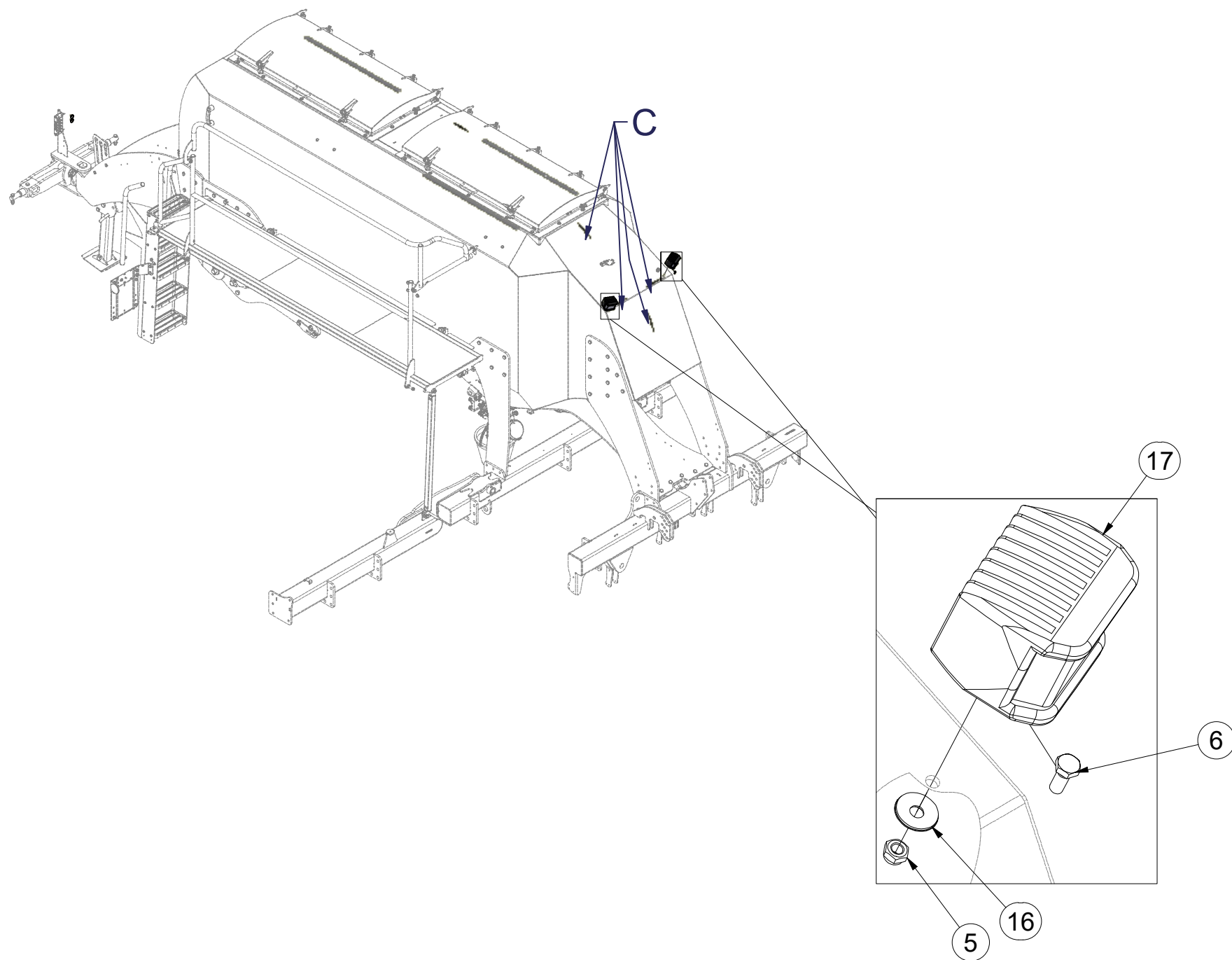
Ⓒ LIGHTING SET

Ⓓ ОСВЕТИТЕЛЬНЫЙ КОМПЛЕКТ

Ⓓ ZESTAW OŚWIETLENIA



VZ00021056



| Pos. | Part Number | Pcs. | Pos. | Part Number | Pcs. |
|------|-------------|------|------|-------------|------|
| 5 | m10820 | 2 | 14 | m20073 | 10 |
| 6 | m13545 | 2 | 15 | m20074 | 10 |
| 11 | m20069 | 5 | 16 | m20311 | 2 |
| 12 | m20070 | 5 | 17 | m21361 | 1 |
| 13 | m20071 | 20 | 18 | m21509 | 10 |

Ⓒ SVĚTELNÁ SADA

Ⓓ LEUCHTENSATZ

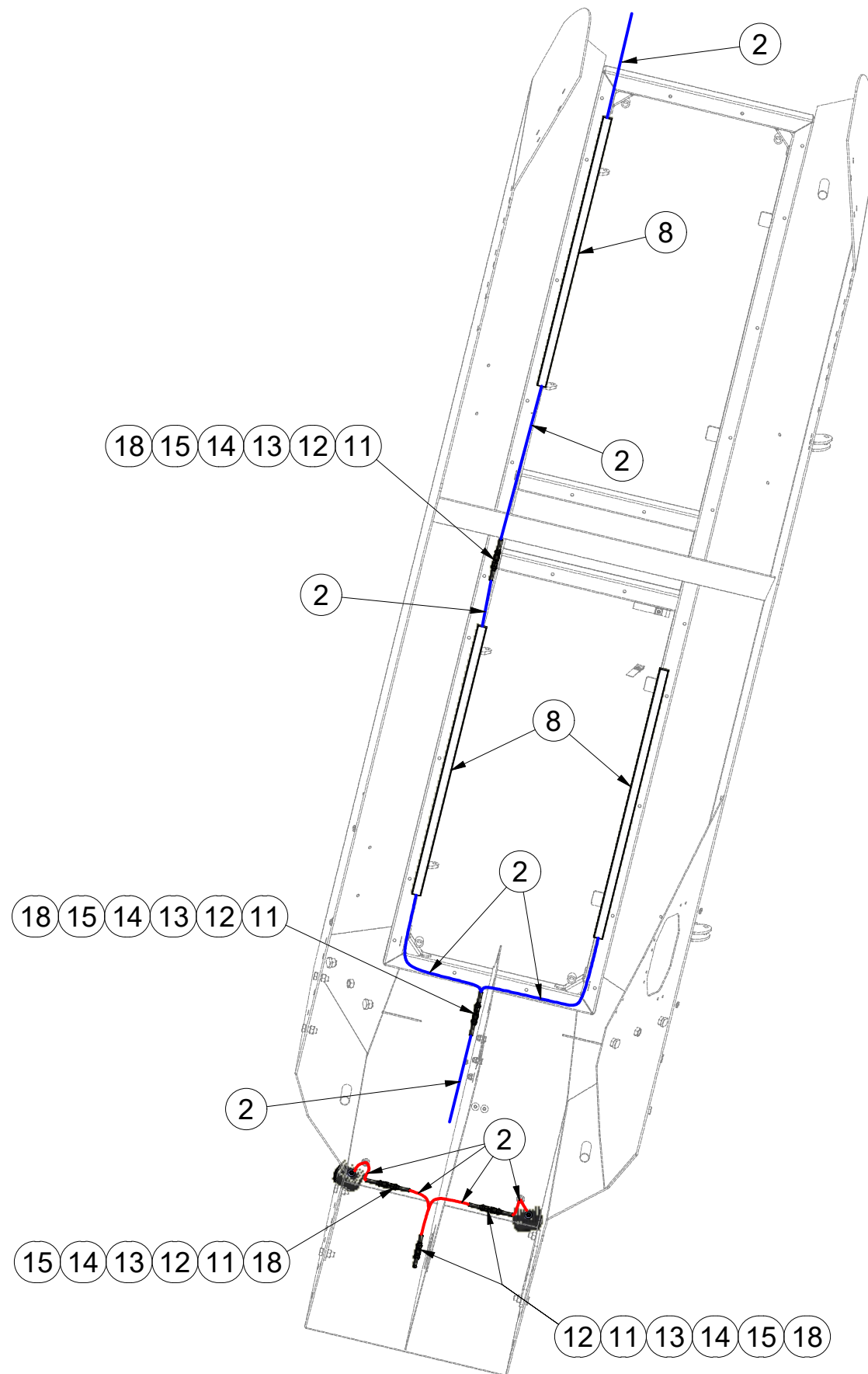
Ⓕ KIT LUMINEUX

VZ00021056

Ⓖ LIGHTING SET

Ⓡ ОСВЕТИТЕЛЬНЫЙ КОМПЛЕКТ

Ⓟ ZESTAW OŚWIETLENIA



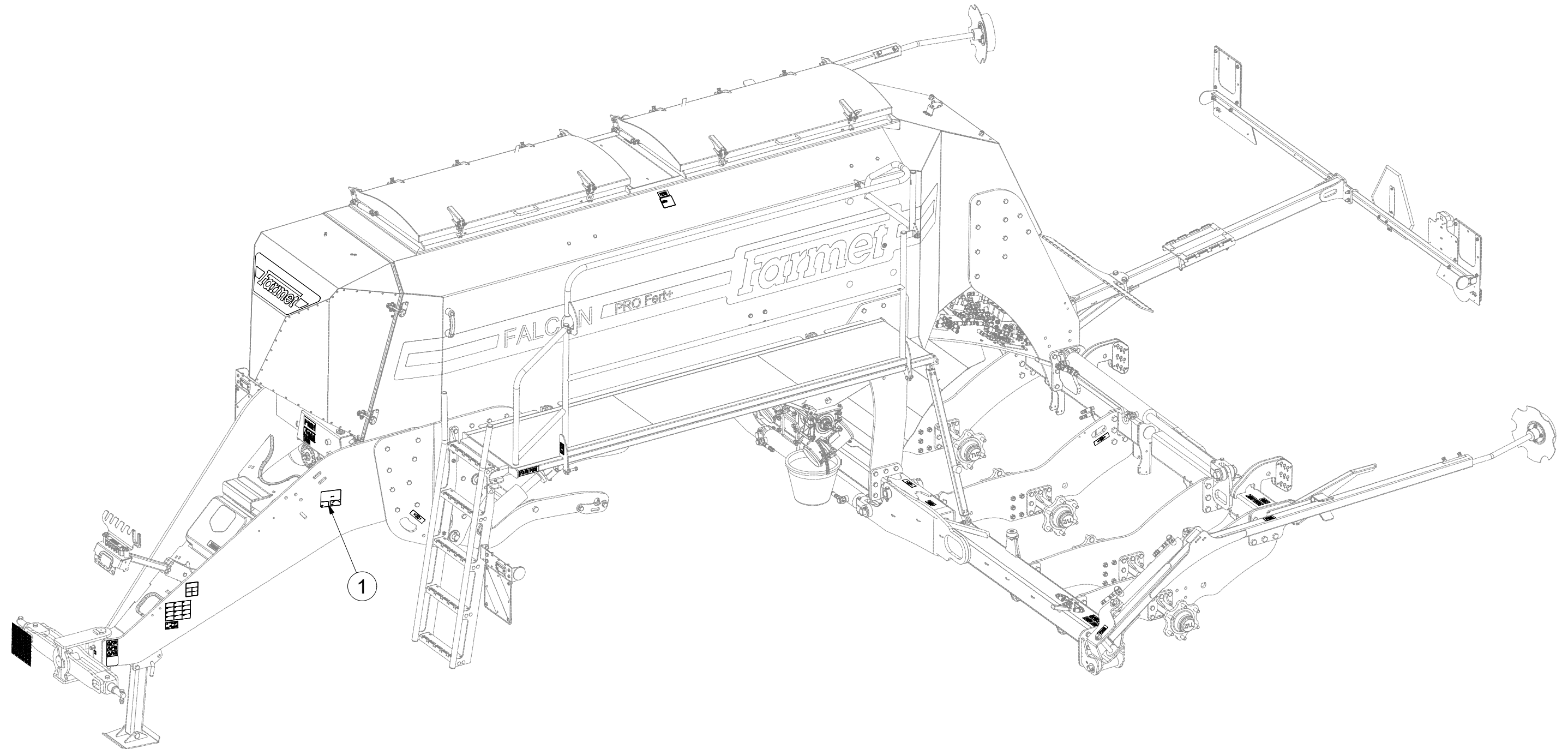
| Pos. | Part Number | Pcs. |
|------|-------------|----------|
| 2 | m05047 | 15.000 m |
| 8 | m18515 | 3 |
| 10 | m18517 | 4 |
| 11 | m20069 | 5 |
| 12 | m20070 | 5 |
| 13 | m20071 | 20 |
| 14 | m20073 | 10 |
| 15 | m20074 | 10 |
| 18 | m21509 | 10 |

Ⓒ SAMOLEPKY STROJE
Ⓓ AUFKLEBER MASCHINEN
Ⓕ VOITURE MACHINES

Ⓖ STICKERS MACHINES
Ⓔ СТИКЕРЫ МАШИНЫ
Ⓟ NAKLEJKI MASZYNY



VZ00024363



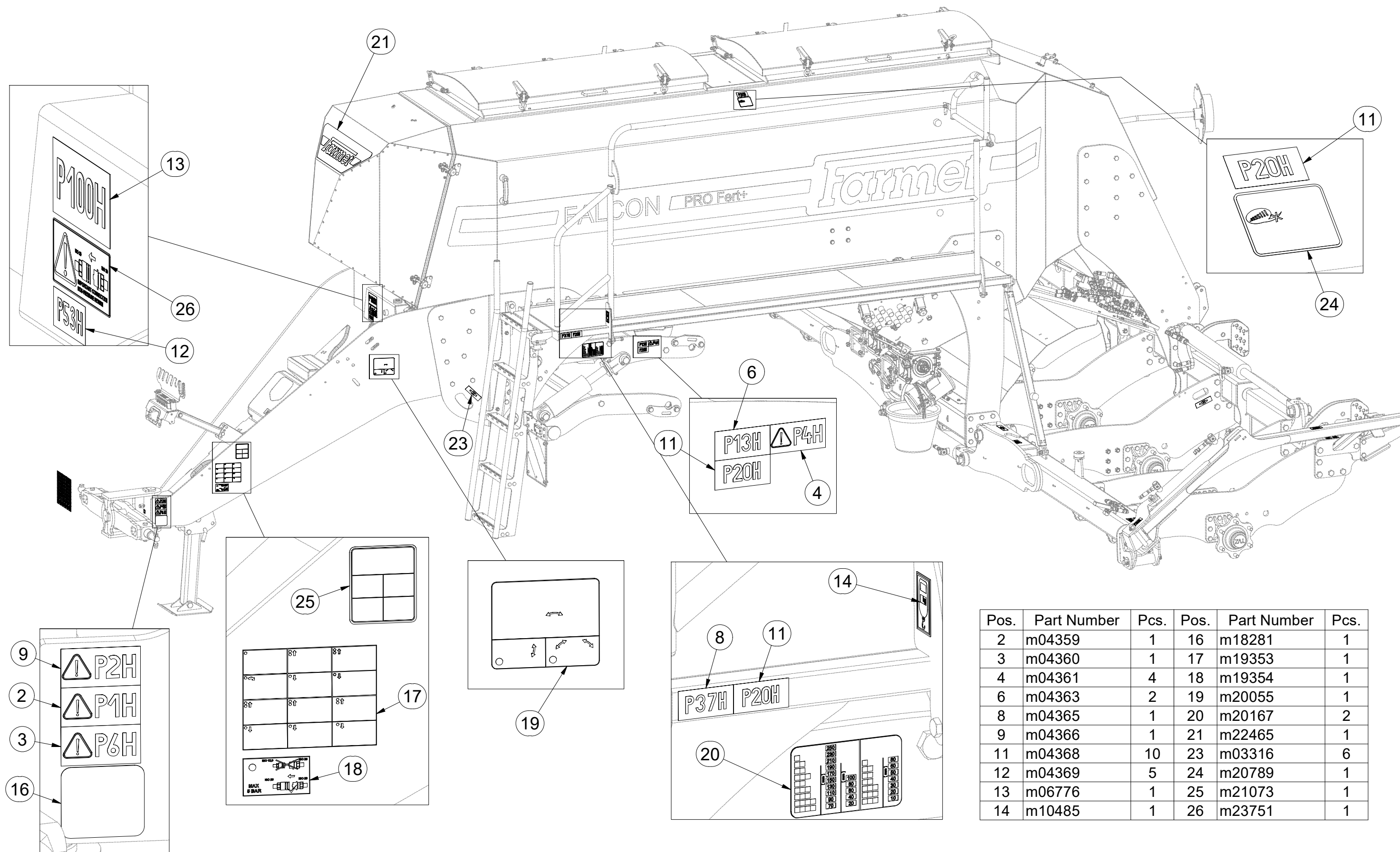
| Pos. | Part Number | Pcs. |
|------|-------------|------|
| 1 | m22679 | 1 |

- Ⓒ SAMOLEPKY STROJE
- Ⓓ AUFKLEBER MASCHINEN
- Ⓕ VOITURE MACHINES

- Ⓖ STICKERS MACHINES
- Ⓡ СТИКЕРЫ МАШИНЫ
- Ⓟ NAKLEJKI MASZYNY



m22679



| Pos. | Part Number | Pcs. | Pos. | Part Number | Pcs. |
|------|-------------|------|------|-------------|------|
| 2 | m04359 | 1 | 16 | m18281 | 1 |
| 3 | m04360 | 1 | 17 | m19353 | 1 |
| 4 | m04361 | 4 | 18 | m19354 | 1 |
| 6 | m04363 | 2 | 19 | m20055 | 1 |
| 8 | m04365 | 1 | 20 | m20167 | 2 |
| 9 | m04366 | 1 | 21 | m22465 | 1 |
| 11 | m04368 | 10 | 23 | m03316 | 6 |
| 12 | m04369 | 5 | 24 | m20789 | 1 |
| 13 | m06776 | 1 | 25 | m21073 | 1 |
| 14 | m10485 | 1 | 26 | m23751 | 1 |

☉ SAMOLEPKY STROJE

☉ AUFKLEBER MASCHINEN

☉ VOITURE MACHINES

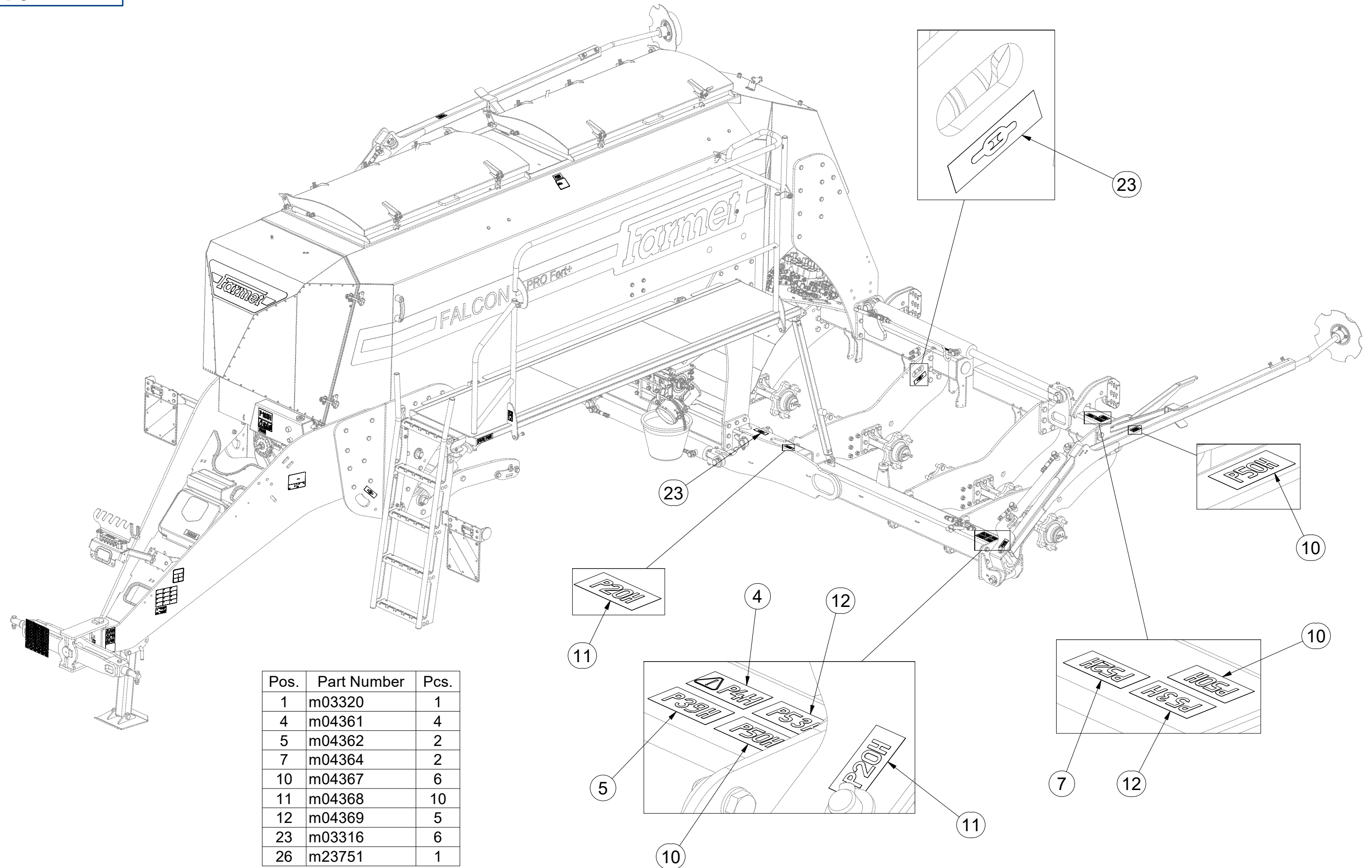
☉ STICKERS MACHINES

☉ СТИКЕРЫ МАШИНЫ

☉ NAKLEJKI MASZYNY



m22679



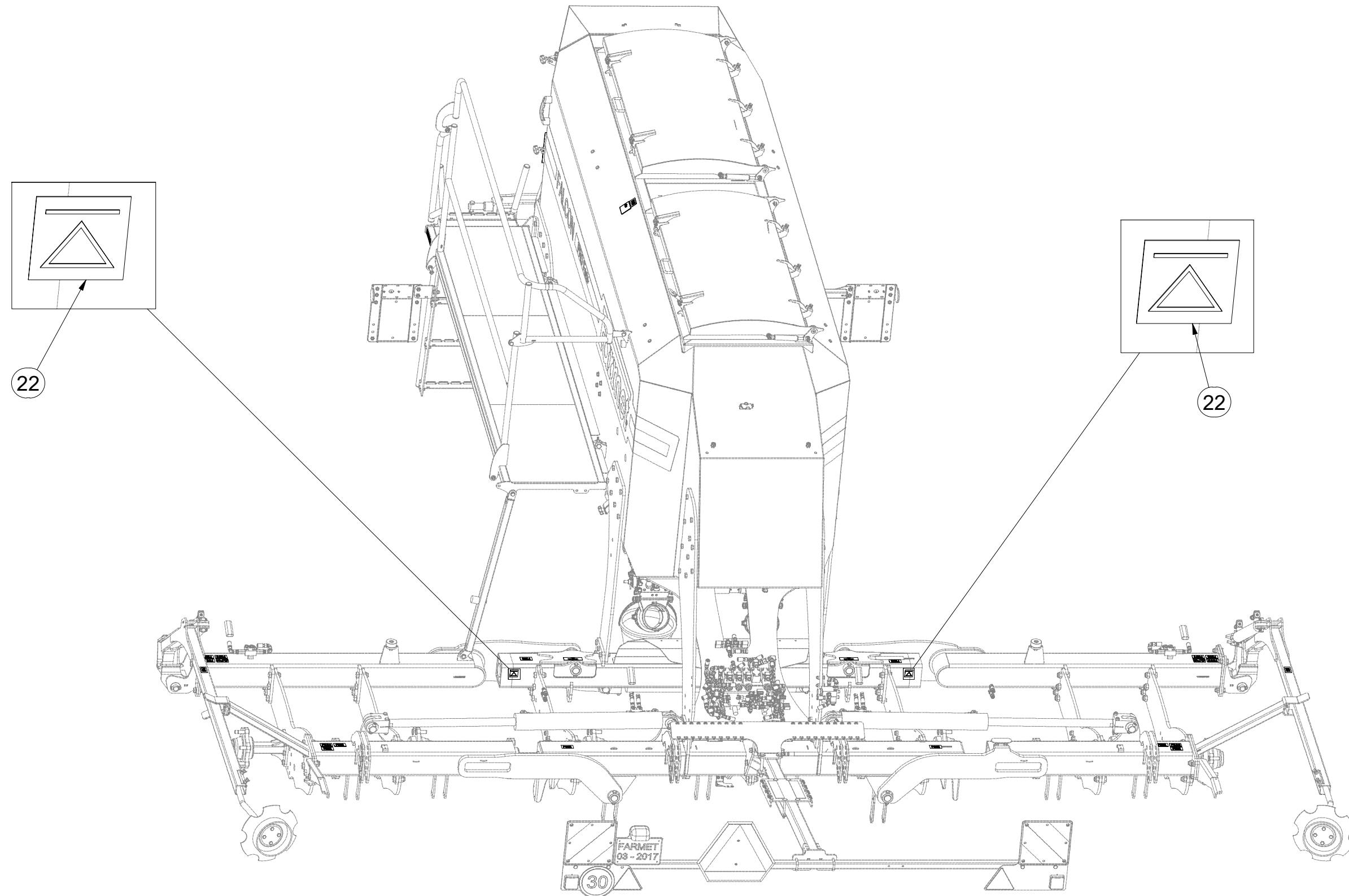
| Pos. | Part Number | Pcs. |
|------|-------------|------|
| 1 | m03320 | 1 |
| 4 | m04361 | 4 |
| 5 | m04362 | 2 |
| 7 | m04364 | 2 |
| 10 | m04367 | 6 |
| 11 | m04368 | 10 |
| 12 | m04369 | 5 |
| 23 | m03316 | 6 |
| 26 | m23751 | 1 |

Ⓒ SAMOLEPKY STROJE
Ⓓ AUFKLEBER MASCHINEN
Ⓕ VOITURE MACHINES

Ⓖ STICKERS MACHINES
Ⓔ СТИКЕРЫ МАШИНЫ
Ⓗ NAKLEJKI MASZYNY



m22679



| Pos. | Part Number | Pcs. |
|------|-------------|------|
| 22 | m03512 | 2 |

- Ⓒ UTAHOVACÍ MOMENTY ŠROUBŮ
 Ⓓ ANZUGMOMENTE VON SCHRAUBEN
 Ⓕ COUPLES DE SERRAGE DES VIS

- Ⓖ SCREW TIGHTENING TORQUE
 Ⓔ МОМЕНТЫ ЗАЖАТИЯ БОЛТОВ
 Ⓗ MOMENTY DOKRĘCANIA ŚRUB



| P | | 5.8 | 8.8 | 10.9 | 12.9 | Z | |
|-----|------|------|------|-------|-------|----------|-----------|
| D | R | Mu | Mu | Mu | Mu | DIN 7991 | ISO 10642 |
| mm | mm | Nm | Nm | Nm | Nm | Nm | Nm |
| M6 | 1 | 6 | 9 | 13 | 15 | 7,2 | 7,9 |
| M8 | 1,25 | 14 | 22 | 32 | 38 | 17 | 19 |
| M10 | 1,5 | 29 | 44 | 64 | 75 | 35 | 38 |
| M12 | 1,75 | 49 | 76 | 111 | 130 | 58 | 65 |
| M14 | 2 | 79 | 120 | 176 | 206 | 93 | 100 |
| M16 | 2 | 123 | 188 | 276 | 323 | 144 | 158 |
| M18 | 2,5 | 169 | 257 | 378 | 443 | - | 220 |
| M20 | 2,5 | 239 | 365 | 536 | 628 | - | 310 |
| M22 | 2,5 | 329 | 529 | 738 | 864 | - | 420 |
| M24 | 3 | 413 | 629 | 924 | 1082 | - | 530 |
| M27 | 3 | 613 | 934 | 1372 | 1606 | - | - |
| M30 | 3,5 | 832 | 1267 | 1862 | 2179 | - | - |
| M33 | 3,5 | 1130 | 1723 | 2530 | 2961 | - | - |
| M36 | 4 | 1451 | 2210 | 3246 | 3799 | - | - |
| M39 | 4 | 1885 | 2872 | 4217 | 4936 | - | - |
| M42 | 4,5 | 2322 | 3538 | 5196 | 6080 | - | - |
| M45 | 4,5 | 2909 | 4433 | 6511 | 7619 | - | - |
| M48 | 5 | 3513 | 535 | 7862 | 9200 | - | - |
| M52 | 5 | 4524 | 6895 | 10123 | 11849 | - | - |
| M56 | 5,5 | 5636 | 8589 | 12614 | 14761 | - | - |

- Mu - Ⓒ UTAHOVACÍ MOMENT
 Ⓓ ANZUGMOMENTE
 Ⓕ COUPLE DE SERRAGE
 Ⓖ TIGHTENING TORQUE
 Ⓔ МОМЕНТ ЗАЖАТИЯ
 Ⓗ MOMENT DOKRĘCANIA
- D - Ⓒ JMENOVITÝ PRŮMĚR
 Ⓓ NENNDURCHMESSER
 Ⓕ DIAMETRE NOMINAL
 Ⓖ NOMINAL DIAMETER
 Ⓔ НОМИНАЛЬНЫЙ ДИАМЕТР
 Ⓗ ŚREDNICA NOMINALNA
- R - Ⓒ ROZTEČ ZÁVITU - STOUPÁNÍ
 Ⓓ GEWINDESTEIFUNG
 Ⓕ PAS DE FILET - PAS
 Ⓖ SCREW PITCH – LEAD
 Ⓔ ШАГ РЕЗЬБЫ
 Ⓗ ROZSTAW GWINTU - SKOKI
- P - Ⓒ PEVNOST
 Ⓓ FESTIGKEIT
 Ⓕ RÉSISTANCE
 Ⓖ STRENGTH
 Ⓔ ПРОЧНОСТЬ
 Ⓗ WYTRZYMA OŚĆ
- Z - Ⓒ ZÁPUSTNÉ ŠROUBY
 Ⓓ SENKKOPFSCHRAUBEN
 Ⓕ VIS A TETE FRAISEE
 Ⓖ COUNTERSUNK SCREWS
 Ⓔ БОЛТЫ С УТОПЛЕННОЙ ГОЛОВКОЙ
 Ⓗ ŚRUBY Z ŁBEM STOŻKOWYM PŁASKIM

- Ⓒ Hodnoty momentů jsou poníženy o -10% oproti tabulkovým hodnotám. Šroubové spoje utahujte dle vyznačeného utahovacího momentu v dokumentaci. Pokud není utahovací moment v dokumentaci vyznačen, utahujte dle obecné tabulky. Pokud je v dokumentaci definován spoj šroubu a matice o různých pevnostech, vždy utahujte na moment komponenty nižší.
- Ⓓ Die Werte der Anzugsmomente sind um 10 % gegenüber den Tabellenwerten verringert. Ziehen Sie die Schraubverbindungen gemäß dem in der Dokumentation festgeschriebenen Anzugsmoment an. Sofern das Anzugsmoment nicht in der Dokumentation aufgeführt ist, ziehen Sie sie gemäß der allgemeinen Tabelle an. Wenn in der Dokumentation eine Verbindung von Schraube und Mutter mit verschiedene Festigkeiten definiert ist, wird immer mit dem Moment des Bauteils mit der geringeren Festigkeit angezogen.
- Ⓕ Les valeurs des couples de serrage sont baissées de 10% par rapport aux valeurs de tableau. Serrez les raccords à vis selon le couple de serrage indiqué dans les documents. Si le couple de serrage n'est pas indiqué dans les documents, serrez selon le tableau général. Si les documents définissent un assemblage par boulon de diverses résistances, serrez toujours au moment de la composante avec résistance inférieure.
- Ⓖ The torque values are reduced by 10% compared to the table values. Tighten the screw joints according to the tightening torque stated in the documentation. If the tightening torque is not stated in the documentation, tighten according to the general table. If there is a joint with a screw and a nut at different strengths in the documentation, always tighten to the torque of the component with lower strength.
- Ⓔ Значения моментов затяжки уменьшены на 10% по сравнению с данными в таблице. Резьбовые соединения зажимайте с установленным в документации моментом зажатия. Если в документации не указан момент зажатия, то зажимайте по действующей в общей таблице. Если в документации установлено соединение из болта и гайки различной прочности, всегда зажимайте с моментом для компонента с меньшей прочностью.
- Ⓗ Wartości momentów dokręcania są obniżone o 10% w stosunku do wartości z tabeli. Połączenia śrubowe należy dokręcać zgodnie z momentem obrotowym w dokumentacji. Jeśli w dokumentacji nie ma podanego momentu obrotowego, należy dokręcać zgodnie z ogólną tabelą. Jeśli w dokumentacji zdefiniowane jest połączenie ze śrubą nakrętką różnych wytrzymałościach, zawsze należy dokręcać zachowując moment dokręcania komponentu z niższą wytrzymałością.

- Ⓒ UTAHOVACÍ MOMENTY ŠROUBŮ
 Ⓓ ANZUGMOMENTE VON SCHRAUBEN
 Ⓕ COUPLES DE SERRAGE DES VIS

- Ⓖ SCREW TIGHTENING TORQUE
 Ⓡ MOMENTY ZAJATIA BOLTOB
 Ⓟ MOMENTY DOKRĘCANIA ŚRUB



- Ⓒ **OBECNÝ PŘEDPIS UTAHOVÁNÍ ZAJIŠTĚNÍ ČEPOVÝCH SPOJŮ:**
 Ⓓ **ALLGEMEINE VORSCHRIFT FÜR DAS ANZIEHEN VON BOLZENVERBINDUNGEN:**
 Ⓕ **CONSIGNE GENERALE POUR LE SERRAGE DES ARTICULATIONS CYLINDRIQUES:**
 Ⓖ **GENERAL INSTRUCTION FOR TIGHTENING THE SECURING OF PIN JOINTS:**
 Ⓡ **ОБЩЕЕ ОПИСАНИЕ ЗАЖАТИЯ ПРЕДОХРАНЕНИЯ СОЕДИНЕНИЙ ПАЛЬЦАМИ:**
 Ⓟ **OGÓLNE ZASADY DOKRĘCANIA ZABEZPIECZENIA POŁĄCZEŃ CZOPEM:**



X

M8, M10, M12

M14

M

09-15Nm

15-25Nm

- X - Ⓒ ROZMĚR ŠROUBU
 Ⓓ SCHRAUBENGRÖSSE
 Ⓕ DIMENSIONS DE LA VIS

- Ⓖ BOLT DIMENSION
 Ⓡ РАЗМЕР БОЛТА
 Ⓟ ROZMIAR ŚRUBY

- M - Ⓒ ORIENTAČNÍ MOMENT
 Ⓓ ANZUGSMOMENT
 Ⓕ COUPLE D'ORIENTATION

- Ⓖ ORIENTATION TORQUE
 Ⓡ ОРИЕНТАЦИОННЫЙ МОМЕНТ
 Ⓟ ORIENTACYJNY MOMENT

- Ⓒ Tyto spoje není nutné ověřovat kontrolou momentovým klíčem = stačí vizuálně kontrolovat sešroubování.
 Ⓓ Diese Verbindungen müssen nicht mit einem Drehmomentschlüssel überprüft werden = es genügt, die Verschraubung visuell zu kontrollieren.
 Ⓕ Il n'est pas nécessaire de contrôler le serrage à l'aide d'une clé dynamométrique = un contrôle visuel de l'assemblage suffit.
 Ⓖ These joints do not have to be verified by checking with a torque wrench = visual inspection of bolting is sufficient.
 Ⓡ Эти соединения не нужно контролировать динамометрическим ключом = достаточно визуально проверять прикручивание.
 Ⓟ Nie trzeba sprawdzać tych połączeń kluczem dynamometrycznym = wystarczy wizualnie skontrolować dokręcenie.