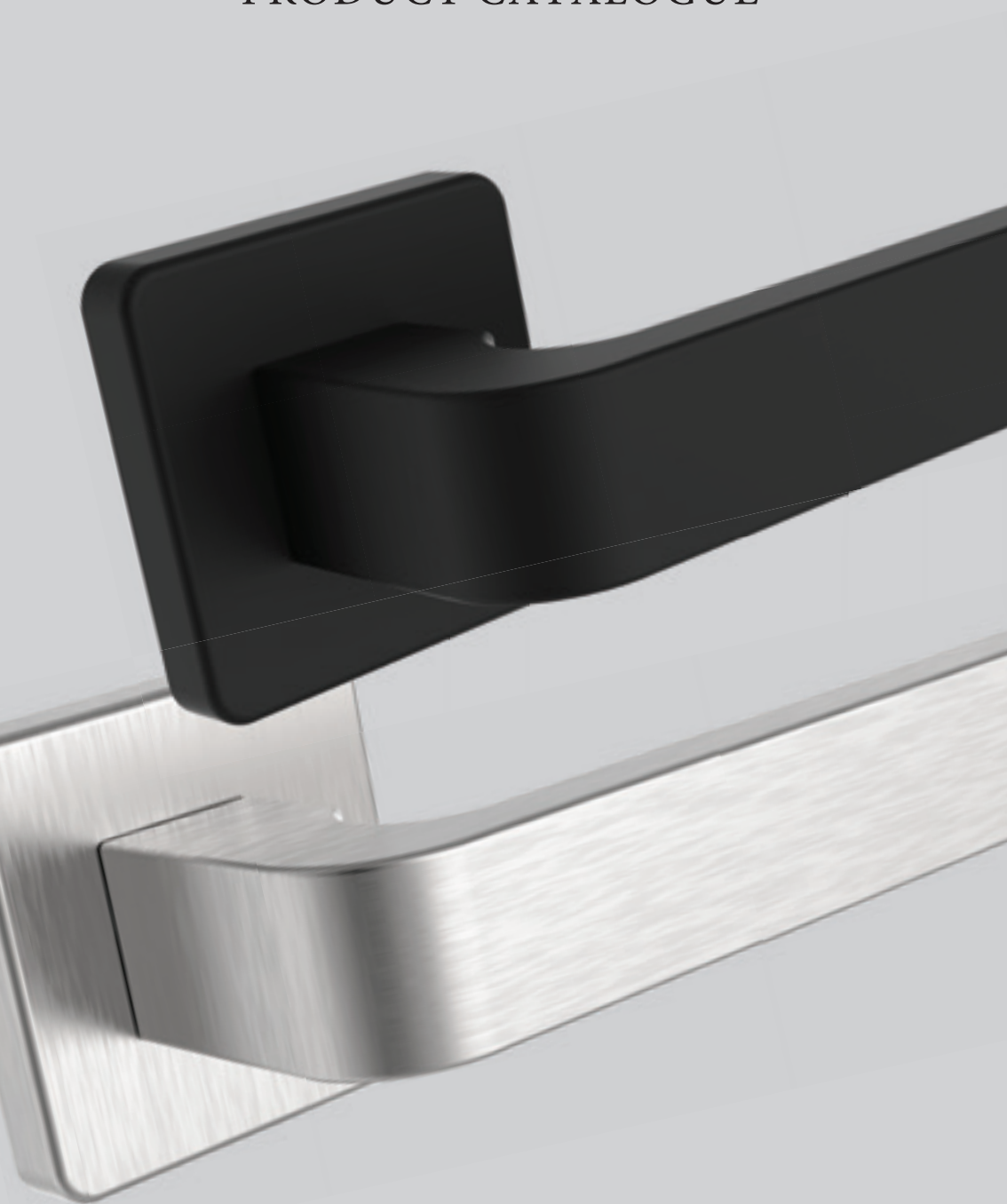




PRODUCT CATALOGUE



2024

ABOUT THE COMPANY

ROSTEX VYŠKOV, s.r.o., A CZECH MANUFACTURING COMPANY WITH A MORE THAN 90-YEAR TRADITION

In a time of its existence the ROSTEX brand has achieved a significant position on the domestic market, mostly thanks to its original technical solutions, its timeless designs, and its selection of the highest quality materials during production.

The philosophy of ROSTEX VYŠKOV, s.r.o., is to offer the customer a product with high utility value.

Our main competitive advantages are:

- Tradition and experience
- In-house development and construction
- Top product quality
- Wide assortment of constructions and finishes
- Extensive network of sales locations in the Czech and Slovak Republic
- Manufacturing capabilities - option for customers production to specifications

GUARANTEE

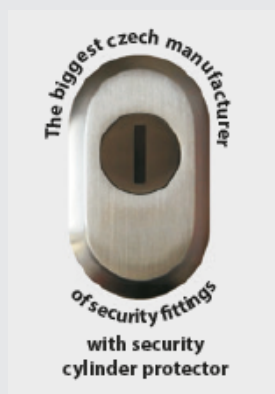
Selected finishes with a prolonged guarantee

(5 years Cr-stainless steel satin and 10 years stainless steel)



CYLINDER PROTECTOR

- tested according to EN 1906
- security grades RC3 and RC4
- with drilling resistant ring
- firmly welded to the lockplate
- made from stainless steel



SYMBOLS

BB - key hole

PZ - cylinder hole

WC - toilet knob

3 - resistant class 3

4 - resistant class 4

DIN EN 179



escape route



- design with plastic fixing inserts



- design with fixing metal attachments



- designed for high traffic doors



- strengthened construction for greater loading



- design for fire proof doors



- universal handle, for both door and security fittings



- reversible mechanism (reversible spring)



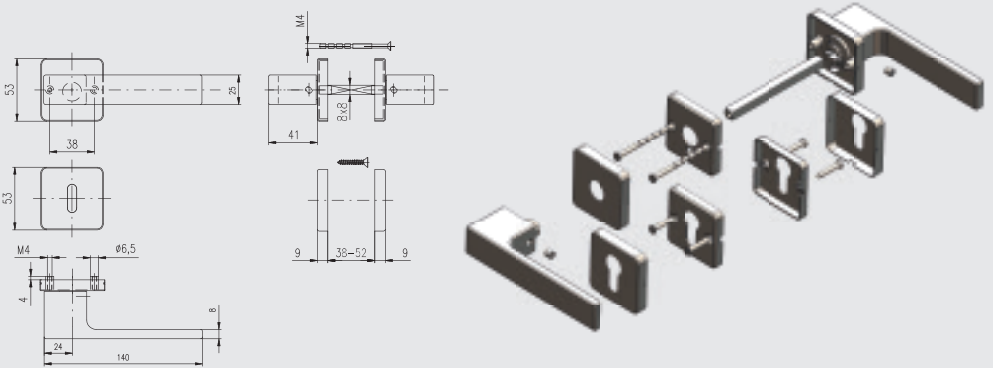
- tested to 200 000 cycles

DOOR HANDLES

- ECONOMY LINE SQUARE - DESIGN/H

- Material stainless steel
- Concealed steel under roses
- Classification acc. to EN 1906
- Stainless steel fasteners
- Door thickness 38-52 mm
- (WC version - door thickness 38-43 mm)
- Included reversible spring

Z DESIGN WITH FIXING METAL ATTACHMENTS



CASTELO/H with metal bolts

stainless steel satin



BB



PZ



WC



WC

CASTELO/H with metal bolts

black (RAL 9005)



BB



PZ



WC



WC

ECONOMY LINE

DANTE/H with metal bolts

   stainless steel satin



DANTE/H S with metal bolts

   black (RAL 9005)



EMONT/H with metal bolts

   stainless steel satin



EMONT/H with metal bolts

   black (RAL 9005)



FONDI/H with metal bolts

    stainless steel satin



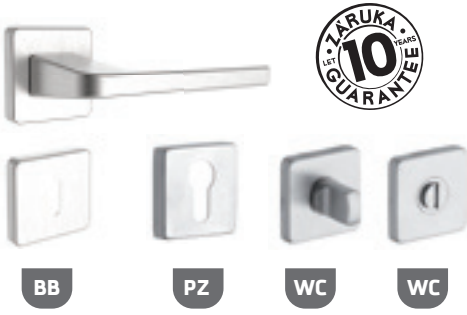
FONDI/H with metal bolts

    black (RAL 9005)



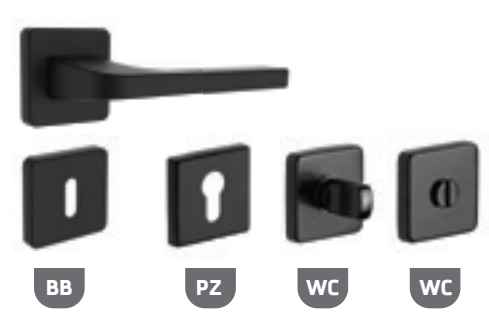
PORTO/H with metal bolts

   stainless steel satin



PORTO/H with metal bolts

   black (RAL 9005)



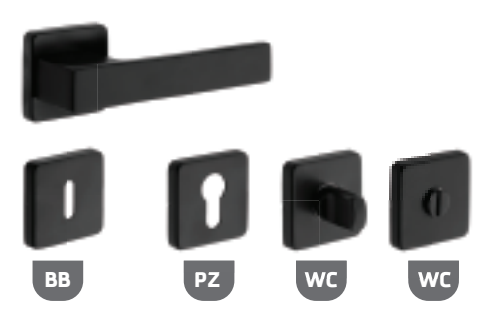
RAVENA/H with metal bolts

    stainless steel satin



RAVENA/H with metal bolts

   anthracite (RAL 7016)



RAVENA/H with metal bolts

    black (RAL 9005)



RAVENA/H with metal bolts

   white (RAL 9016)



ECONOMY LINE

SAVONA/H with metal bolts

    stainless steel satin



BB



PZ



WC



WC

SAVONA/H with metal bolts

    black (RAL 9005)



BB



PZ



WC



WC

VICENZA/H with metal bolts

   stainless steel satin



BB



PZ



WC



WC

VICENZA/H with metal bolts

   black (RAL 9005)



BB



PZ



WC



WC

ROSANO/H with metal bolts

   stainless steel satin



BB



PZ



WC



WC

DOOR HANDLES

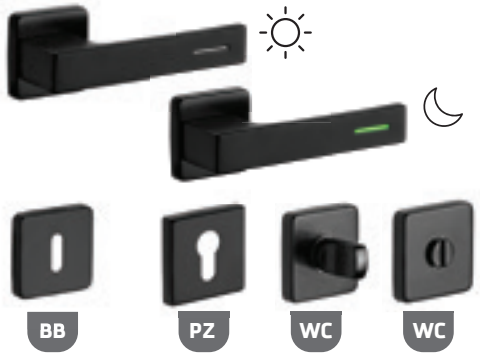
- ECONOMY LINE SQUARE - DESIGN/H LUMINO

FONDI/H LUMINO

   black (RAL 9005)



   black (RAL 9005)



FONDI/H LUMINO



RAVENA/H LUMINO



LUMINO HANDLES

- Lumino handles incorporate glass capillary filled with tritium gas
- Material stainless steel
- Concealed steel under roses
- Classification acc. to EN 1906
- Stainless steel fasteners
- Door thickness 38-52 mm (WC version - door thickness 38-43 mm)

- Included reversible spring
- Self-luminous lever handle
- Visible up to 15 m in the dark
- Maintenance-free, without external energy source
- 15 years of operational life
- Suitable for outdoor use

ECONOMY LINE

WC escutcheons DESIGN/H

- stainless steel, white, black, anthracite



Escutcheons DESIGN/H

- stainless steel satin, white, black, anthracite



K5 knob DESIGN/H

- stainless steel satin, black, white, anthracite

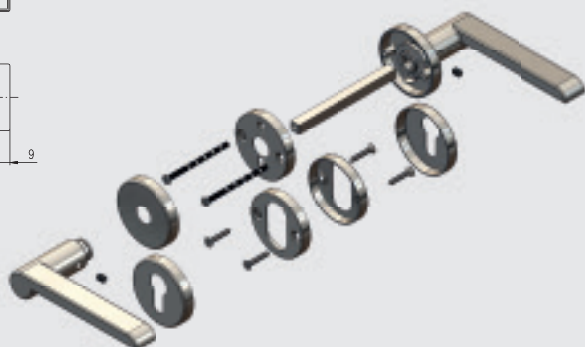
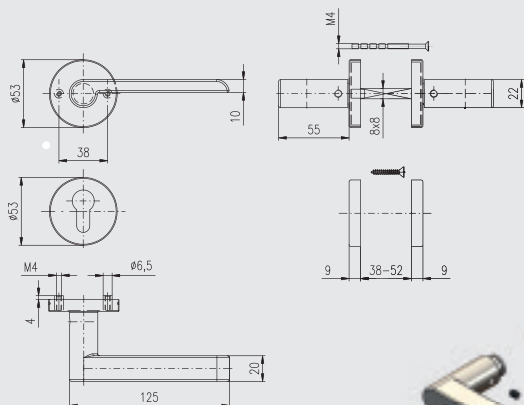


DOOR HANDLES

- ECONOMY LINE ROUND - DESIGN/N

- Material stainless steel
- Concealed steel under roses
- Classification acc. to EN 1906
- Stainless steel fasteners
- Door thickness 38-52 mm (WC version - door thickness 38-43 mm)
- Included reversible spring

Z DESIGN WITH FIXING METAL ATTACHMENTS



MESINA/N

   stainless steel satin



MESINA/N

   black (RAL 9005)



SOLDA/N with metal bolts

   stainless steel satin



SOLDA/N with metal bolts

   black (RAL 9005)



WC escutcheons round DESIGN/N
- stainless steel satin, black



K3 knob DESIGN/H
- stainless steel satin, black



Round escutcheons DESIGN/N
- stainless steel satin, black



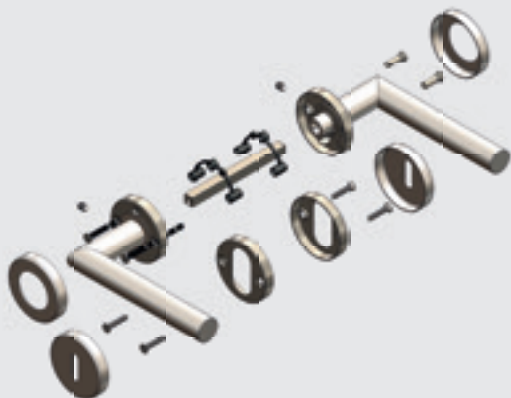
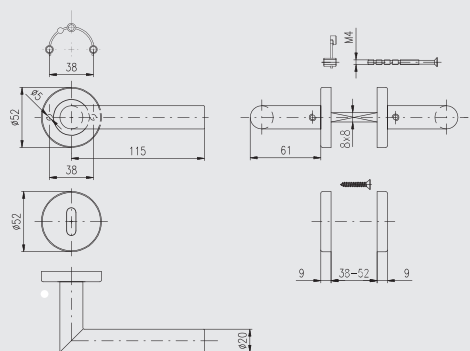
ECONOMY LINE

DOOR HANDLES ON ROUND ROSE

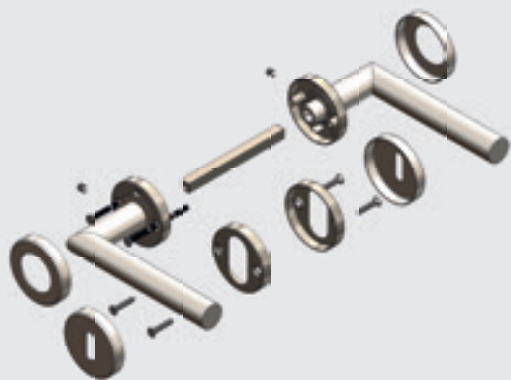
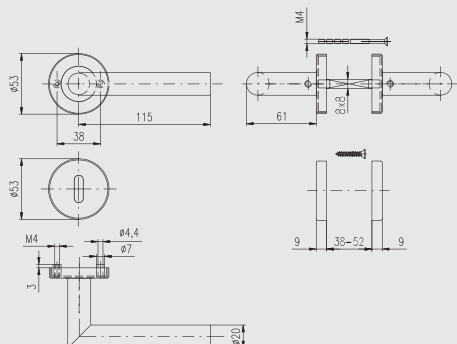
- Material stainless steel
- Concealed steel under roses
- Classification acc. to EN 1906

- Stainless steel fasteners
- Door thickness 38-52 mm (WC version - door thickness 38-43 mm)
- Included reversible spring

DESIGN WITH PLASTIC FIXING INSERTS



DESIGN WITH FIXING METAL ATTACHMENTS



ALBACETE

  stainless steel satin ●*



ALBACETE with metal bolts for greater loading

       ●*



stainless steel satin



* section of the handle

ECONOMY LINE

BERGAMO

 stainless steel satin ● *



BERGAMO with metal bolts

   stainless steel satin




BOLZANO with metal bolts

   stainless steel satin



CORNO with metal bolts

   stainless steel satin ● *



CORTINA with metal bolts

   stainless steel satin ● *



FERARA

 stainless steel satin



* section of the handle

ECONOMY LINE

MILANO with metal bolts

Z **3**   stainless steel satin



BB



PZ



WC



WC



NAPOLI

  stainless steel satin



BB



PZ



WC



WC



PALERMO with metal bolts

Z **3**  stainless steel satin ●*



BB



PZ



WC



WC



PARMA

 stainless steel satin



BB



PZ



WC



WC



VIGO

  stainless steel satin ●*



BB



PZ



WC



WC



VIGO with metal bolts

Z **3**   stainless steel satin ●*



BB



PZ



WC



WC



* section of the handle

WC escutcheons round -
stainless steel satin



Round escutcheons
- stainless steel satin



K1 ball knob



K6 Knob on rose
- moving



K8 knob-knob
- fixed or moving



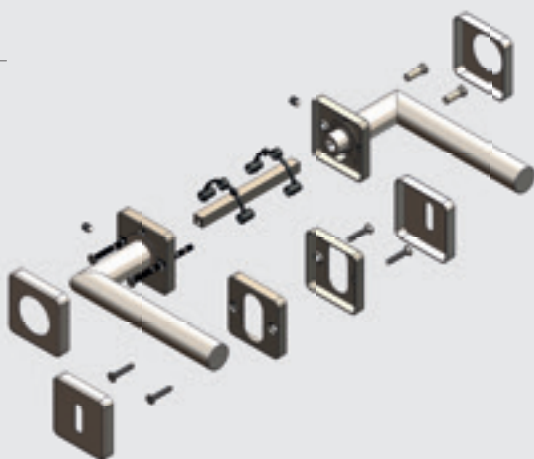
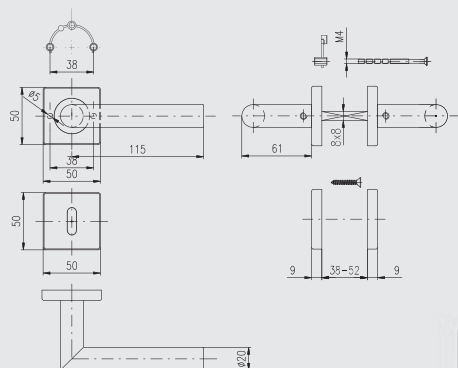
K2 round knob

ECONOMY LINE

DOOR HANDLES ON SQUARE ROSE

- Material stainless steel
- Concealed steel under rose
- Classification acc. to EN 1906
- Stainless steel fasteners
- Door thickness 38-52 mm (WC version - door thickness 38-43 mm)
- Included reversible spring

DESIGN WITH PLASTIC FIXING INSERTS



BOLOGNA/H

  stainless steel satin



MANDELO/H

  stainless steel satin



MARSIA/H

 stainless steel satin



MILANO/H

  stainless steel satin



PARMA/H

 stainless steel satin



TORINO/H

 stainless steel satin



TREVISO/H

  stainless steel satin



VIGO/H

  stainless steel satin 



* section of the handle

ECONOMY LINE

WC pair of escutcheons
- stainless steel satin



Square escutcheons
- stainless steel satin



K4 knob on rose
- stainless steel satin



SIGN PLATES

round, self-adhesive, size: Ø75 mm



SIGN PLATES

square, self-adhesive, size: 80x80 mm



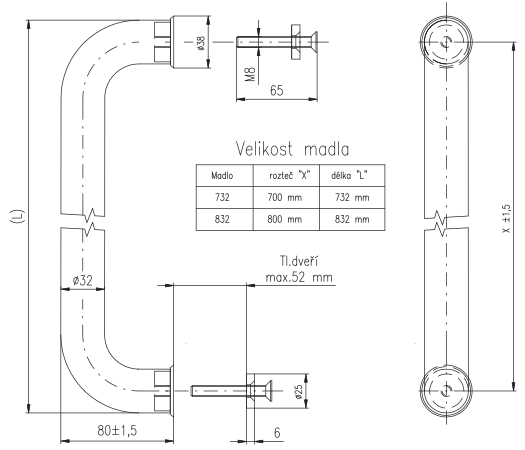
DOOR STOP K1

size: Ø30 mm

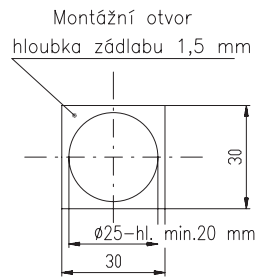
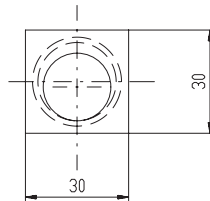
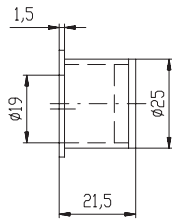


PULL HANDLE U

stainless steel satin, black



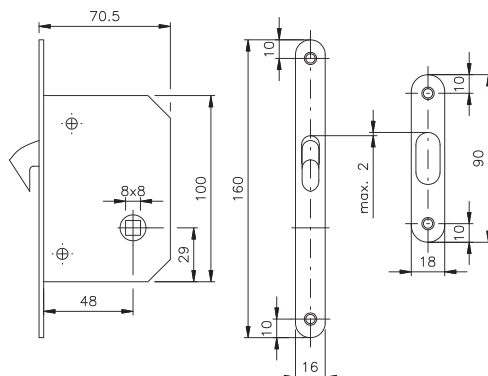
FINGER PULL - stainless steel satin, black



MORTISE LOCK

for sliding door

stainless steel satin



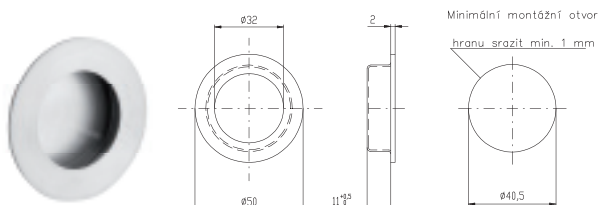
- door pull is designed to be mounted on the door using screws M8
- in order to conceal the screws the blind escutcheons are available on request
- available in stainless steel or in RAL variant acc. the sample book (pg. 51)

ECONOMY LINE

SLIDING DOOR HANDLES, FLUSH PULL HANDLES

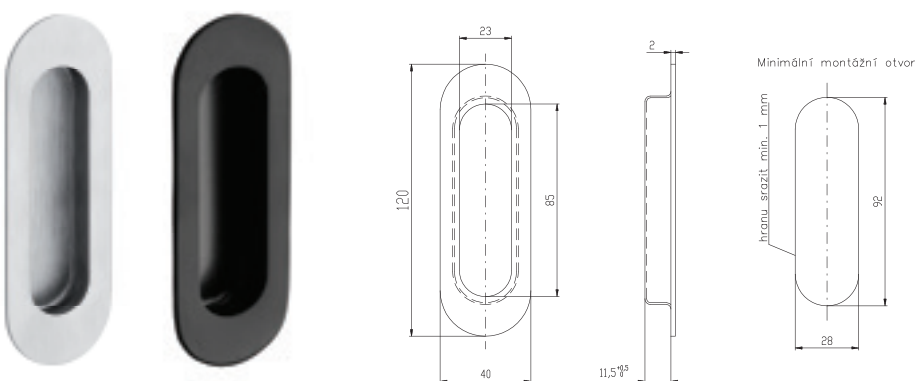
ROUND stainless steel satin, black

size: Ø50 mm



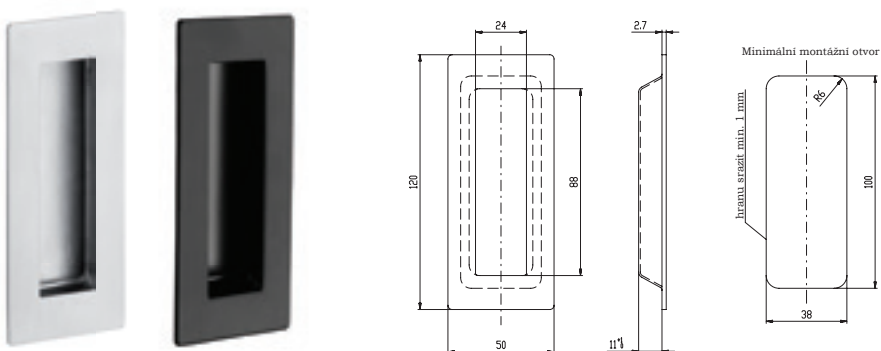
OVAL stainless steel satin, black

size: 120 mm



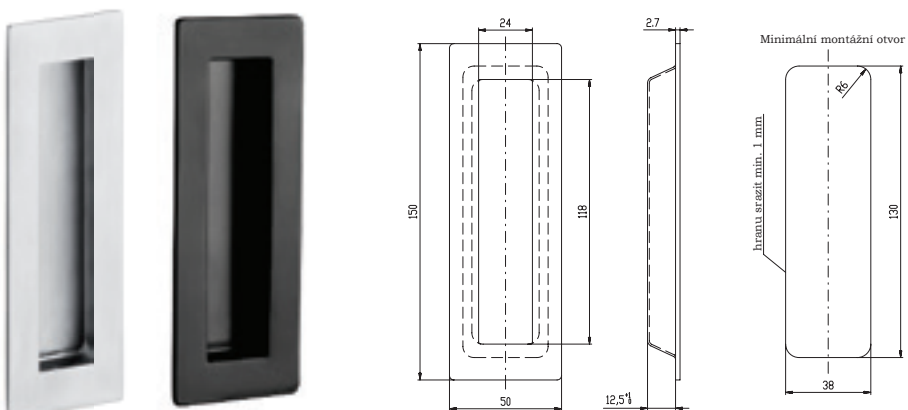
RECTANGULAR stainless steel satin, black

size: 120 mm



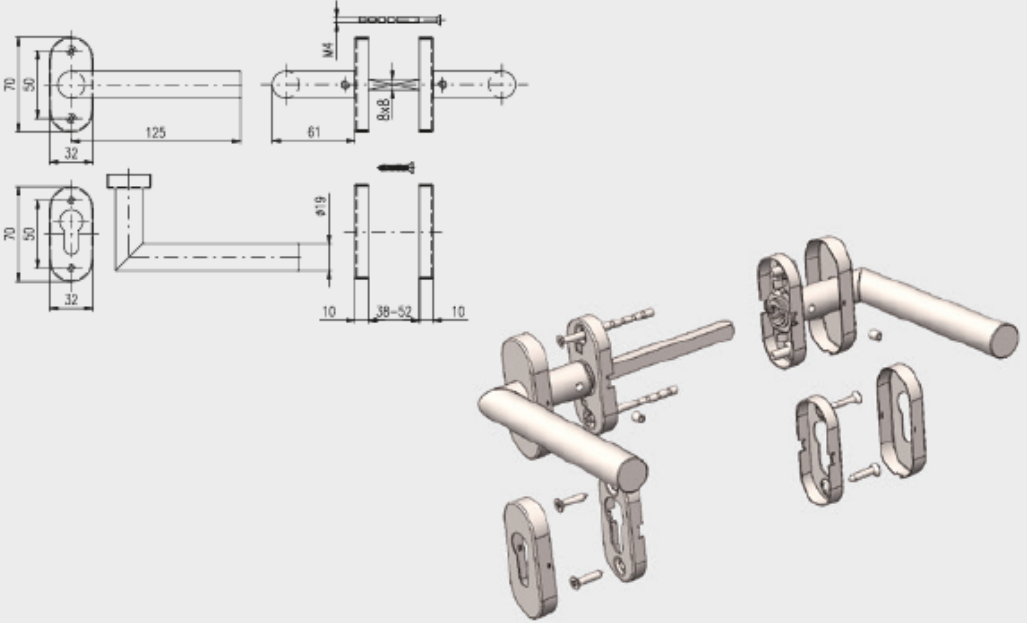
RECTANGULAR stainless steel satin, black

size: 150 mm



DOOR HANDLES OVAL

- Material stainless steel
- Concealed steel under roses
- Classification acc. to EN 1906
- Stainless steel fasteners
- Door thickness 38-52 mm
- Included reversible spring



ALBACETTE

 stainless steel satin



BB



PZ



WC

VIGO

 stainless steel satin



BB



PZ



WC

Knob oval



DOOR HANDLES

PERUN



stainless steel satin



Pitch: 72, 90, 92 mm

High durability, tested to 200 000 cycles Each handle is firmly attached to the plate Spring loaded handles (both if handle-handle)

EXCLUSIVE

stainless steel satin
stainless steel polished



knob design



804



BRIT

stainless steel
satin



knob design



MONET

stainless steel
satin



knob design



DOOR HANDLES - ON PLATES, ON ROSE

TEMPO

stainless steel satin



MONZUN

stainless steel satin



SURIVAL/30

stainless steel satin



SURIVAL/46

stainless steel satin



BRIT/SNH

stainless steel satin



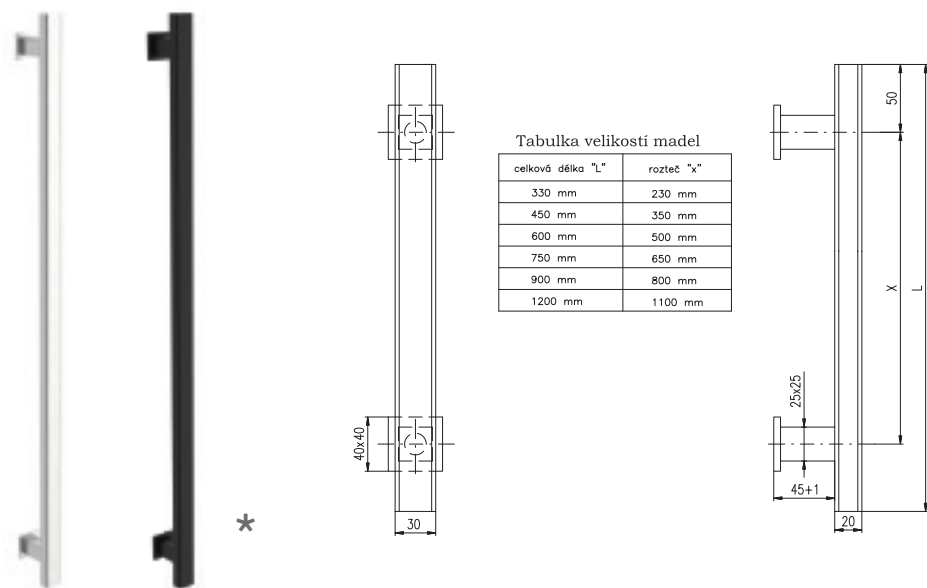
EXCLUSIVE/SNH

stainless steel satin, polished



PULL HANDLES

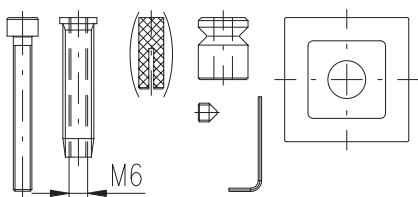
PULL HANDLE ALFA - stainless steel satin, black



Door pull is designed to be mounted on the door using screws M6. Suitable for outdoor use. Assembly material depends on mounting options below and it is not included.

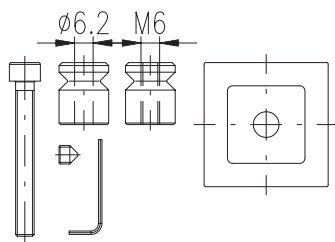
Single mounting

under 50 mm - 5088000000
over 50 mm - 5088010000



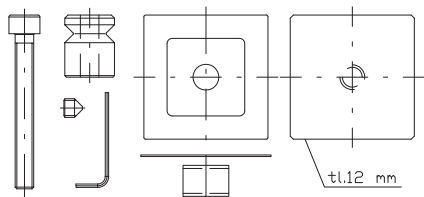
Back to back mounting

5588020000



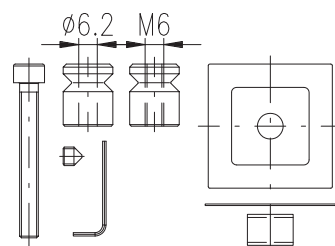
Single mounting - glass door

5588030000



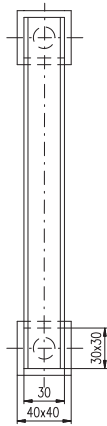
Back to back mounting - glass door

5588040000



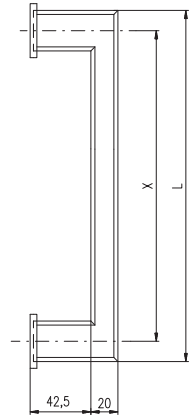
* Available in stainless steel satin or in RAL variant acc. the sample book (page 50)

PULL HANDLE BETA - stainless steel satin



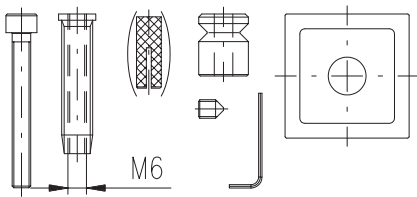
Tabulka velikostí model

celková délka "L"	rozteč "x"
260 mm	230 mm
380 mm	350 mm
530 mm	500 mm
680 mm	650 mm
830 mm	800 mm
1030 mm	1000 mm
1230 mm	1200 mm

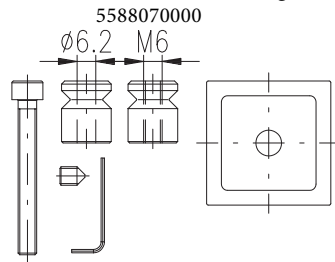


Door pull is designed to be mounted on the door using screws M6. Suitable for outdoor use. Assembly material depends on mounting option below and it is not included.

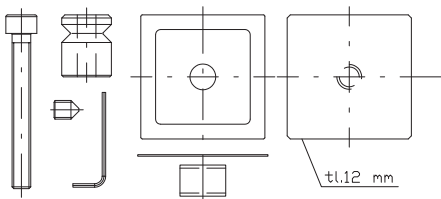
Single mounting
under 50 mm - 5088050000
over 50 mm - 5088060000



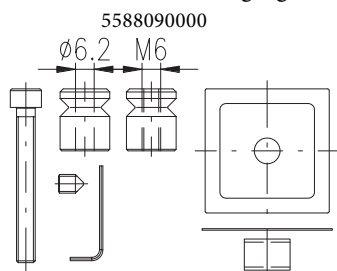
Back to back mounting



Single mounting - glass door
5588080000



Back to back mounting - glass door



Available in stainless steel satin or in RAL variand acc. the sample book (page 50)

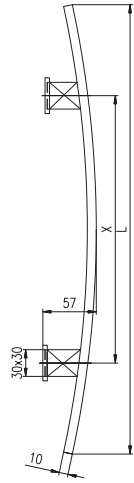
PULL HANDLES

PULL HANDLE GAMA - stainless steel satin



Tabulka velikosti model

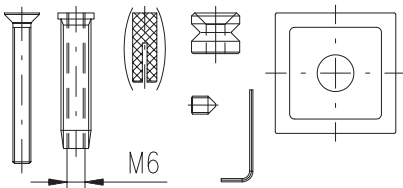
celková délka "L"	rozteč "x"
550 mm	350 mm
850 mm	650 mm
1000 mm	800 mm
1200 mm	1000 mm



Door pull is designed to be mounted on the door using screws M6. Suitable for outdoor use. Assembly material depends on mounting option below and it is not included.

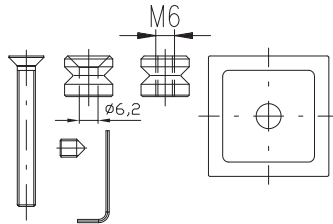
Single mounting

under 50 mm - 5088100000
over 50 mm - 5088110000



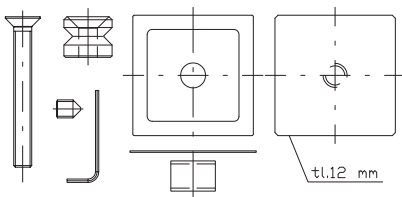
Back to back mounting

5588120000



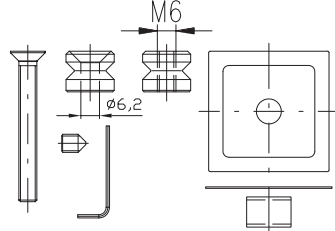
Single mounting - glass door

5588130000



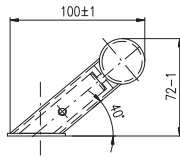
Back to back mounting - glass door

5588140000



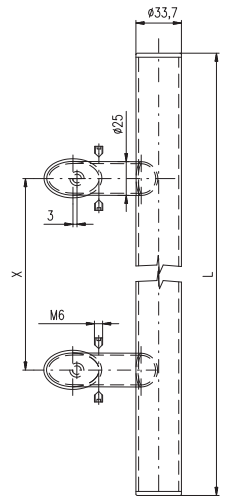
Available in stainless steel satin or in RAL variant acc. the sample book (page 50)

PULL HANDLE GAMA - stainless steel satin



Tabulka velikostí model

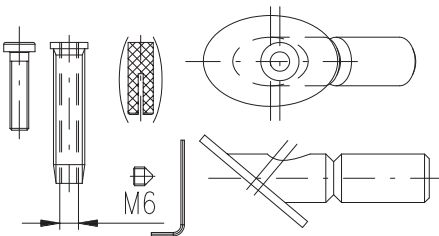
celková délka "L"	rozeř "x"
300 mm	200 mm
400 mm	300 mm
500 mm	300 mm
600 mm	400 mm
800 mm	600 mm
1000 mm	700 mm
1200 mm	900 mm
1800 mm	1400 mm



Door pull is designed to be mounted on the door using screws M6. Suitable for outdoor use. Assembly material depends on mounting option below and it is not included.

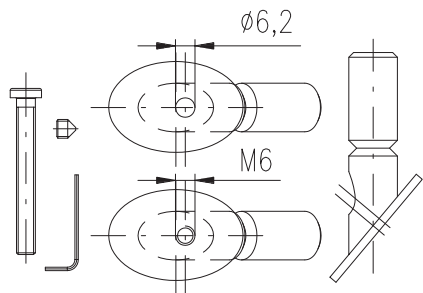
Single mounting

under 50 mm - 5088200000
over 50 mm - 5088210000



Back to back mounting

5588220000



Available in stainless steel satin or in RAL variant acc. the sample book (page 50)

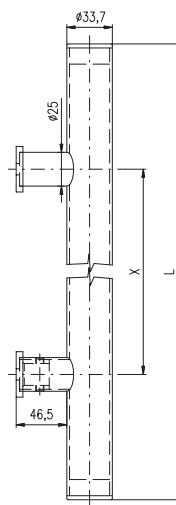
PULL HANDLES

PULL HANDLE OMEGA - stainless steel satin



Tabulka velikostí model

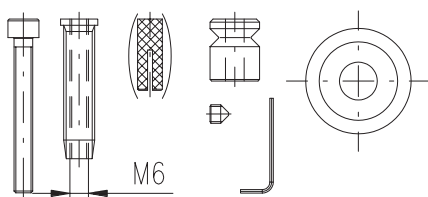
celková délka "L"	rozteč "x"
400 mm	300 mm
600 mm	400 mm
800 mm	600 mm
1000 mm	700 mm
1200 mm	900 mm
1800 mm	1400 mm



Door pull is designed to be mounted on the door using screws M6. Suitable for outdoor use. Assembly material depends on mounting option below and it is not included.

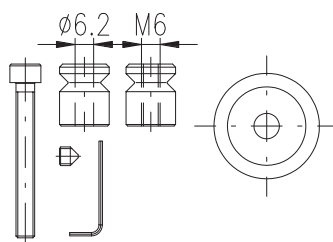
Single mounting

under 50 mm - 5088150000
over 50 mm - 5088160000



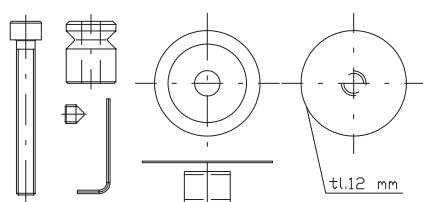
Back to back mounting

5588170000



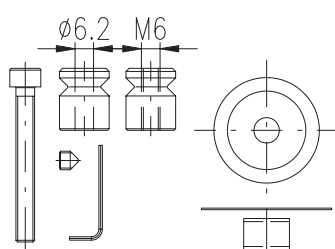
Single mounting - glass door

5588180000



Back to back mounting - glass door

5588190000



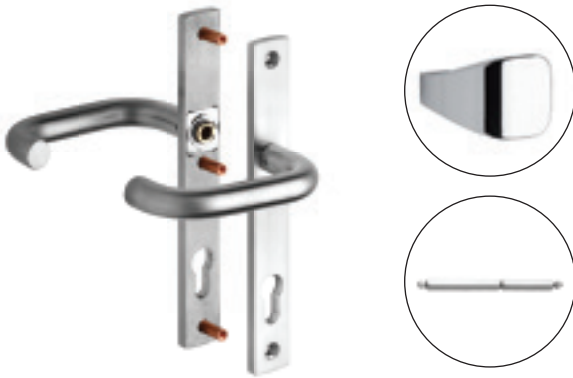
Available in stainless steel satin or in RAL variant acc. the sample book (page 50)

PANIK FITTING

Compatible with wide range of panic mortise locks. Possibility of using on escape route acc. EN 179

850 BORA/8 included split spindle - with reversible mechanism

handle-handle



DIN EN 179



Variant: left, right

Pitch: 72, 92 mm

Door thickness: 45-55 mm

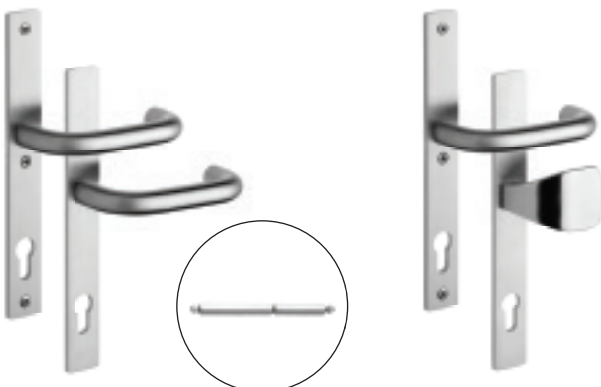
Included split spindle 8x8 and spindle reduction 9x9 mm (reduction 10x10 mm on request), two reversible mechanisms if handle-handle option

Stainless steel satin

850 BORA/5 included split spindle (without reversible mechanism)

handle-handle

handle-knob



DIN EN 179



Variant: left, right

Pitch: 72, 92 mm

Door thickness: 45-55 mm

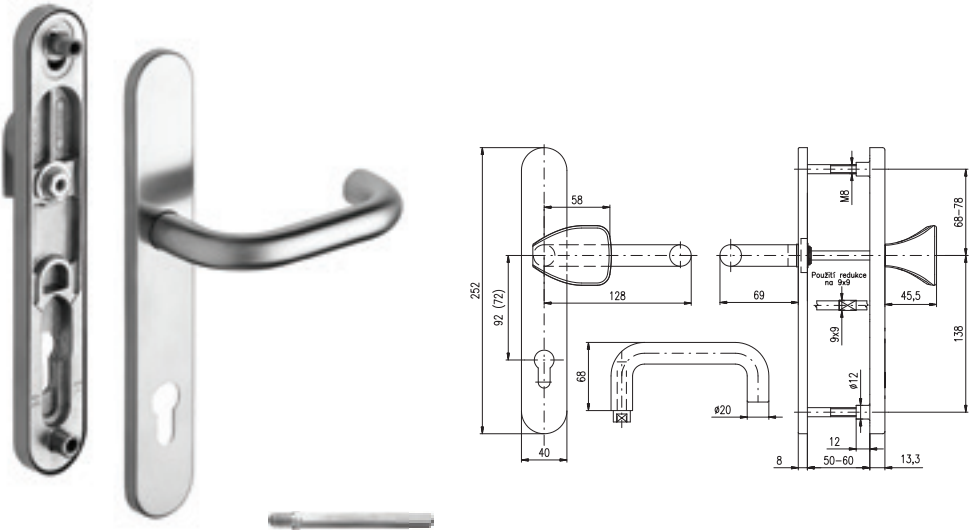
Included split spindle 8x8 (spindle reduction 9x9 and 10x10 mm on request), without reversible mechanism

Handle-handle, handle-knob

Stainless steel satin

SECURITY FITTING RX PANIK

BK RX802-40 PANIK stainless steel satin



Pitch: 72, 90, 92 mm

Door thickness: 50-60 mm

Compatible with wide range of panic mortise locks. Suitable for escape routes acc. to EN 179. With square spindle 8x8 mm, included spindle reduction 9x9 mm (10x10 on request). Lever handle-knob one spring, handle-handle two springs. Set is working only on the doors opening outside.

Note: State the orientation of lever handle L or R. Displayed set is pointing to the right.



BK RX807-40 PANIK

stainless steel satin

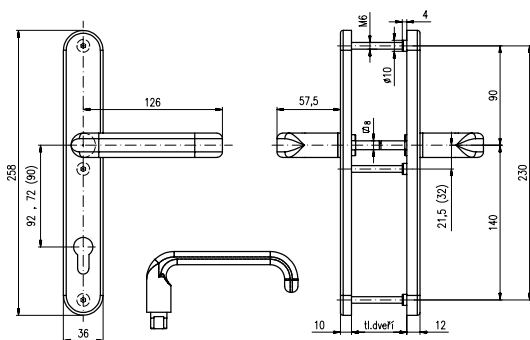


Variant handle-handle is with two springs
Square spindle 8x8 mm



SECURITY FITTING GRANDE - PANIK

BK 807 GRANDE - PANIK stainless steel satin



Pitch: 92 mm

Door thickness: 50-60 mm

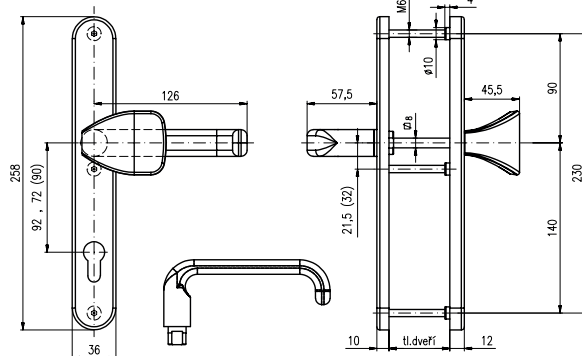
Compatible with wide range of mortise locks. Suitable for escape routes acc. to EN 179. High durability, tested to 200 000 cycles. Each handle is firmly attached to the plate. With square spindle 8x8 mm, included spindle reduction 9x9 mm (10x10 mm on request). Spring loaded handles on both sides.

Variant: right, left



SECURITY FITTING GRANDE

BK 802 GRANDE stainless steel satin



Pitch: 72, 90 mm

Door thickness: 40-50 mm

Compatible with wide range of mortise locks.

High durability, tested to 200 000 cycles. Reversible spring for handle (variant handle-handle: spring loaded handles on both sides)

Variant: right, left

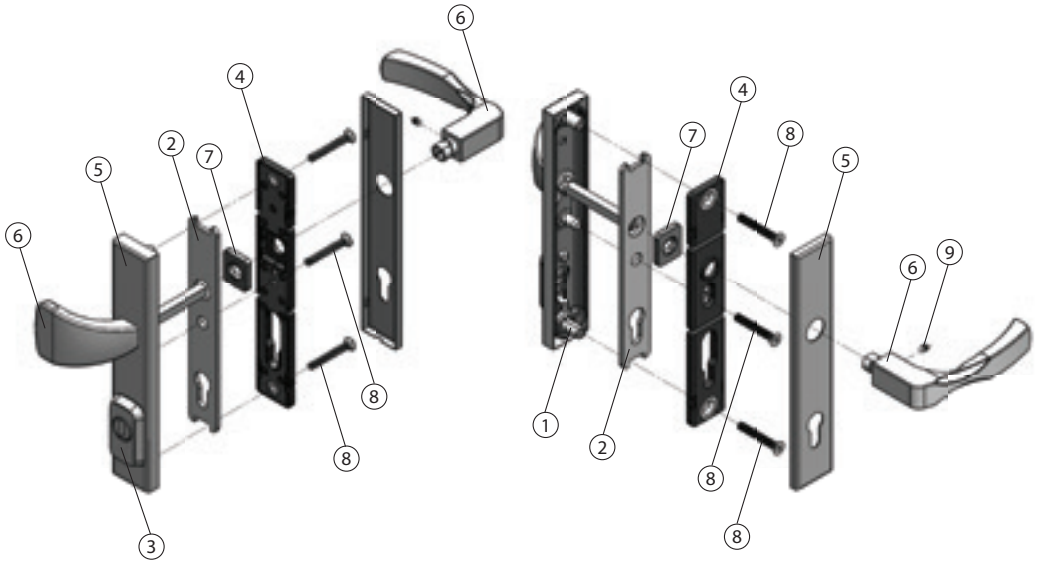


BK 807 GRANDE

stainless steel satin



DESIGN PARAMETERS RN



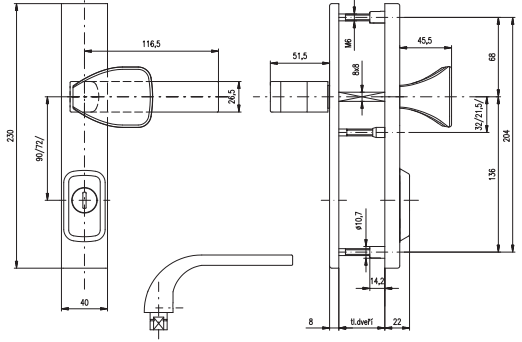
1. **Security back plate** - steel plate with three bolts
2. **Covering plate** - additional steel plate hardened up to 52 HRc
3. **Cylinder protector** - made from stainless steel casting with drilling resistant ring, hardened up to min. 50 HRc
4. **Inner plate with steel body**
5. **Front and outer shields made from stainless steel with resistant surface treatment**
6. **Stainless steel lever handle and knob**
7. **Reversible mechanism**
8. **Connection through screws M6 class 8.8** provide a tight and resistant connection of the backplates
9. **Grub screw for lever handle fixing**



Security fittings ROSTEX conforms to the requirements of EN 1906 standard for a usage in burglary resistant doors. The design of the security fittings ROSTEX meets the test parameters prescribed within the standard and fulfill security demands of the resistant class 3

SECURITY FITTING RN

BK RN1 FONDI stainless steel satin



Pitch: 72, 90, 92 mm
Door thickness: 38-50 mm
Fastening material: page 47-48
 Cylinder must not protrude above the door surface more than 15,5 mm



BK RN4 FONDI



BK RN802 FONDI



BK RN807 FONDI



BK RN1 FONDI
black (RAL 9005)



KNOB LUMINO
stainless steel satin

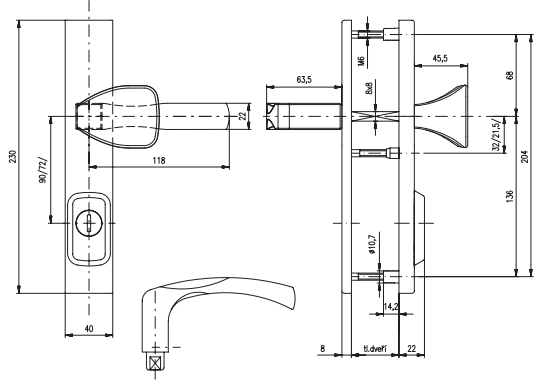


KNOB LUMINO
black (RAL 9005)



SECURITY FITTING RN

BK RN1 MANDELO stainless steel satin



Pitch: 72, 90, 92 mm

Door thickness: 38-50 mm

For thicker door, see the fastening material on page 47-48

Cylinder must not protrude above the door surface more than 15,5 mm



**BK RN4
MANDELO**



**BK RN802
MANDELO**



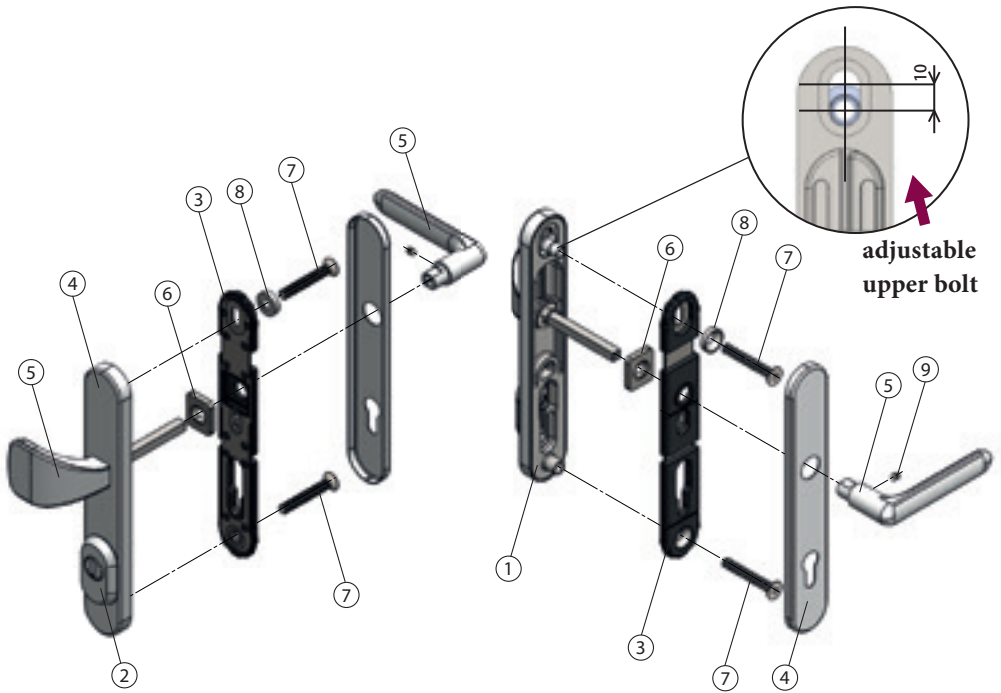
**BK RN807
MANDELO**



KNOB LUMINO



DESIGN PARAMETERS RX



ADJUSTABLE UPPER BOLT ENABLES SHIFTING ITS POSITION FROM THE RANGE 68-78 mm

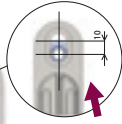
1. **Security backplate of the front shield with adjustable bolt** - massive steel casting
2. **Cylinder protector** made from stainless steel casting with drilling resistant ring, hardened up to min. 50 HRC
3. **Inner plate with steel body**
4. **Front and outer shields made from stainless steel with resistant surface treatment**
5. **Handles and knobs are made either from stainless steel or zinc alloy galvanic treatment, resistant to external environment**
6. **Reversible mechanism**
7. **High strength bolts M8 class 8.8**, provide a tight and resistant connection of the backplates
8. **Shaped washer of the upper bolt**
9. **Grub screw for lever handle fixing**



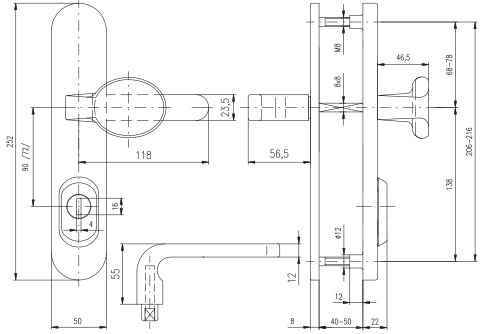
Security fittings ROSTEX conforms to the requirements of EN 1906 standard for a usage in burglary resistant doors. The design of the security fittings ROSTEX meets the test parameters prescribed within the standard and fulfill security demands of the resistant class 3

SECURITY FITTING RX

RX1-50 SOLID stainless steel satin



adjustable
upper bolt



Pitch: 72, 90, 92 mm

Door thickness: 40-50 mm

Fastening material: page 47-48

Cylinder must not protrude above the door surface more than 15,5 mm



RX4-50 SOLID



RX802-50 SOLID

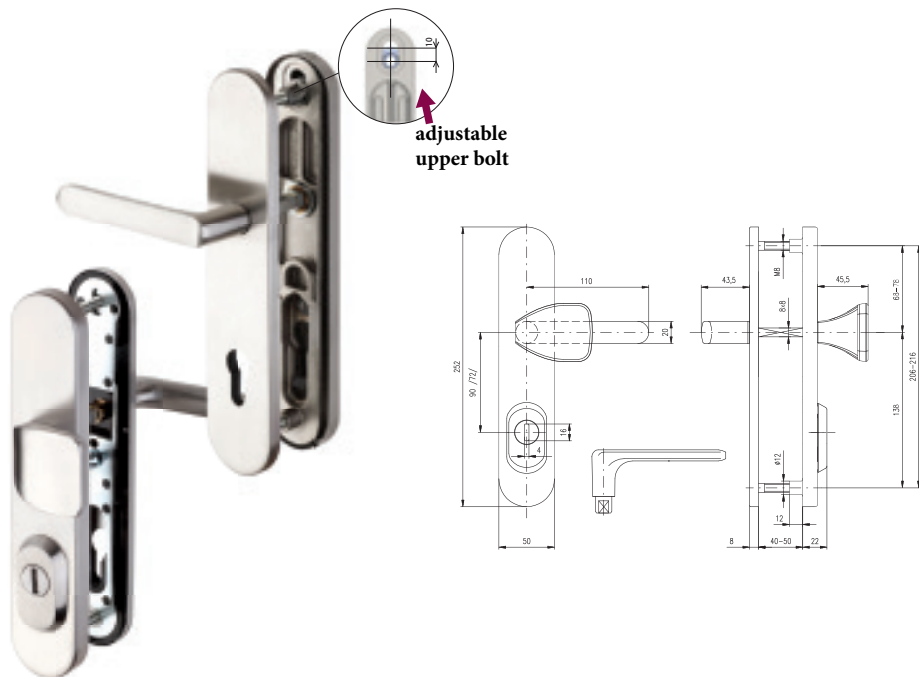


RX807-50 SOLID



SECURITY FITTING RX

RX1-50 EXCLUSIVE stainless steel satin, stainless steel polished



Pitch: 72, 90, 92 mm

Door thickness: 40-50 mm

Fastening material: page 47-48

Cylinder must not protrude above the door surface more than 15,5 mm



RX4-50 EXCLUSIVE

stainless steel satin
stainless steel polished



RX802-50 EXCLUSIVE

stainless steel satin
stainless steel polished



RX807-50 EXCLUSIVE

stainless steel satin
stainless steel polished

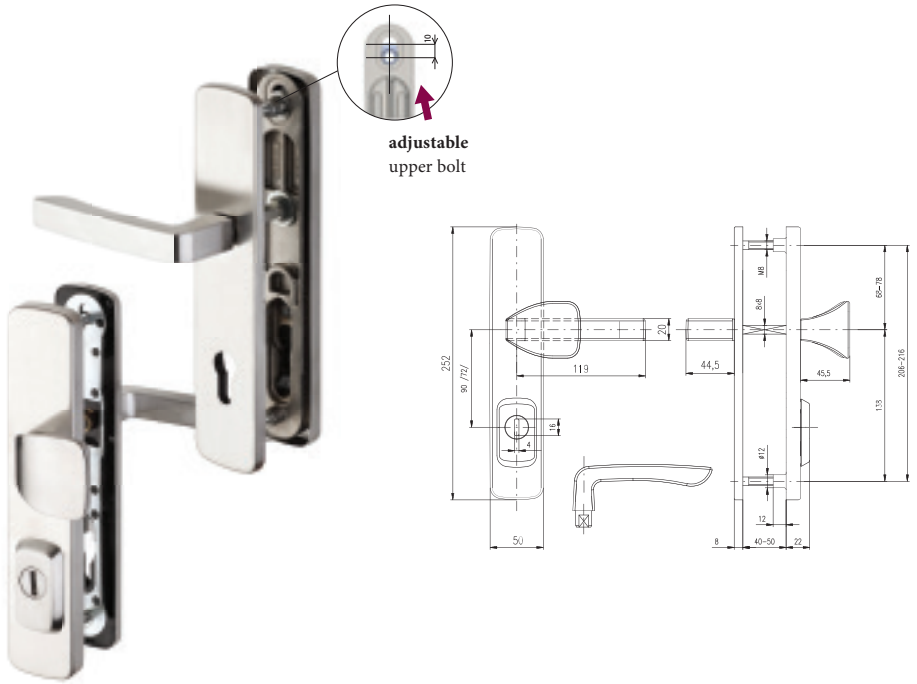


KNOB LUMINO



SECURITY FITTING RX

RX1 ASTRA stainless steel satin, stainless steel polished



Pitch: 72, 90, 92 mm

Door thickness: 40-50 mm

Fastening material: page 47-48

Cylinder must not protrude above the door surface more than 15,5 mm



RX4 ASTRA

stainless steel satin
stainless steel polished



RX802 ASTRA

stainless steel satin
stainless steel polished



RX807 ASTRA

stainless steel satin
stainless steel polished

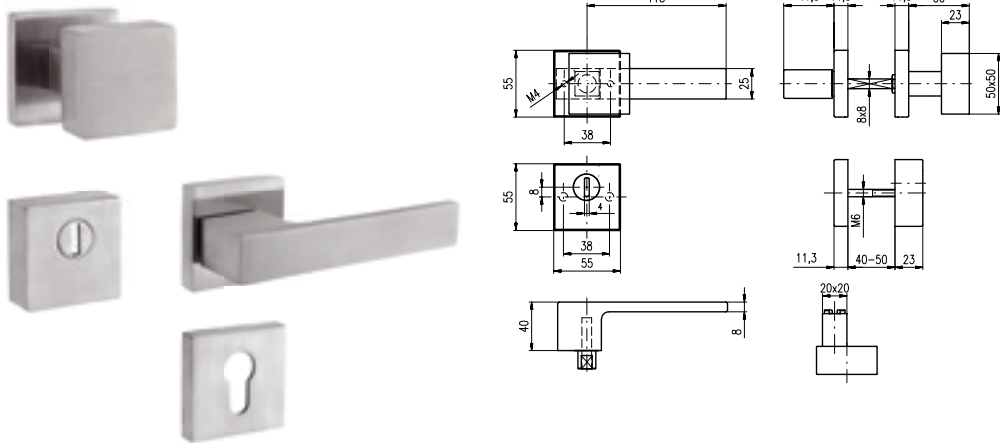


KNOB LUMINO



SECURITY FITTING RN ROSETTE

RN1/H RAVENA stainless steel satin



Door thickness: 40-50 mm

Fastening material: page 47-48

Cylinder must not protrude above the door surface more than 17 mm.

Left or right variant



RN4/H RAVENA
stainless steel satin

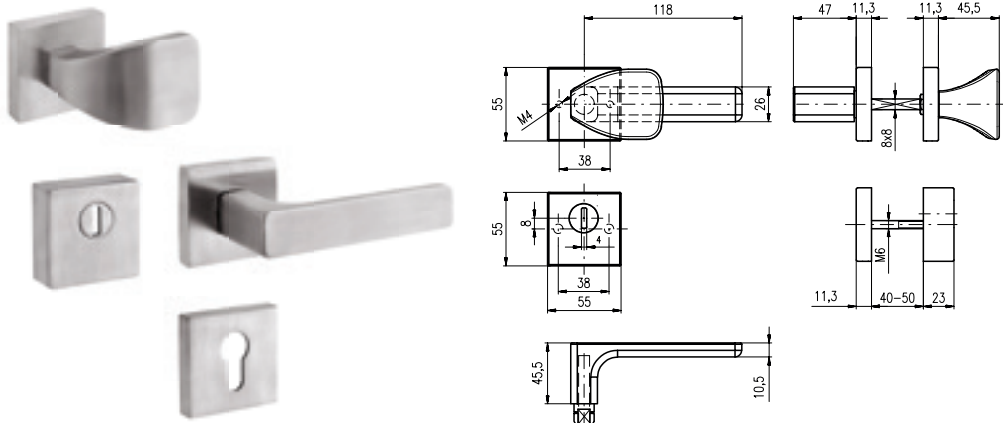


BK RN1/H RAVENA
black (RAL 9005)



SECURITY FITTING RN ROSETTE

RN1/H SAVONA stainless steel satin



Door thickness: 40-50 mm
Fastening material: page 47-48

Cylinder must not protrude above the door surface more than 17 mm
Left or right variant



RN4/H SAVONA
stainless steel satin

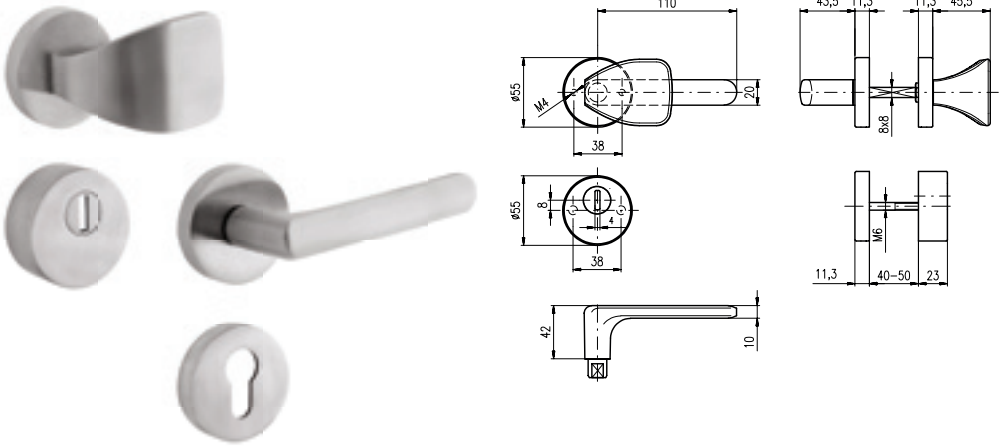


KNOB LUMINO



SECURITY FITTING RN ROSETTE

RN1/S EXCLUSIVE stainless steel satin



Door thickness: 40-50 mm
Fastening material: page 47-48

Cylinder must not protrude above the door surface more than 17 mm.
Left or right variant.



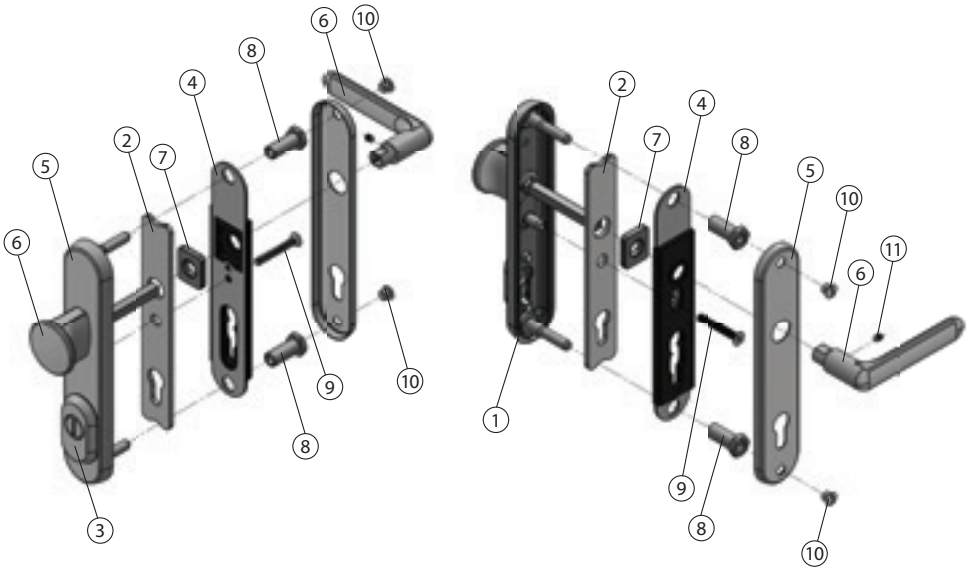
RN4/S EXCLUSIVE



MADLO LUMINO



DESIGN PARAMETERS R



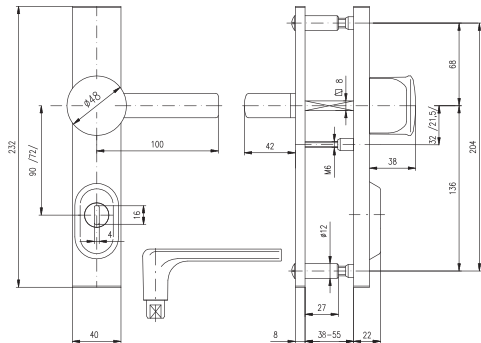
1. **Outer shield on the plate**
2. **Steel backplate** - th. 4 mm, hardened up to 52 HRc
3. **Cylinder protector** made from stainless steel casting with drilling resistant ring, hardened up to min. 50 HRc
4. **Inner plate with steel body**
5. **Inner shield made of stainless steel or brass with galvanic plating**
6. **Handles and knobs are made either from stainless steel or zinc alloy with galvanic treatment, resistant to external environment**
7. **Reversible mechanism**
8. **Connection bolts**
9. **Middle screw M6, class 8.8., provides a tight and resistant connection of the backplates**
10. **Cover screws**
11. **Grub screw for lever handle fixing**



Security fittings ROSTEX conforms to the requirements of EN 1906 standard for a usage in burglary resistant doors. The design of the security fittings ROSTEX meets the test parameters prescribed within the standard and fulfill security demands of the resistant class 3

SECURITY FITTING R

R1 stainless steel polished



Pitch: 72, 90 mm

Door thickness: 38-55 mm

Fastening material: page 47-48

Model handle-knob is also possible. Cylinder must not protrude above the door surface more than 15,5 mm



R4

stainless steel
polished



802

stainless steel
polished



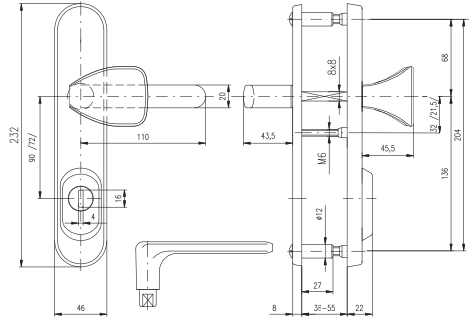
807

stainless steel
polished



SECURITY FITTING R

R1/0 EXCLUSIVE stainless steel satin, stainless steel satin



Pitch: 72, 90 mm

Door thickness: 38-55 mm

Fastening material: page 47-48

Model handle-knob is also possible. Cylinder must not protrude above the door surface more than 15,5 mm



R4/0 EXCLUSIVE

stainless steel satin
stainless steel polished



802/0 EXCLUSIVE

stainless steel satin
stainless steel polished



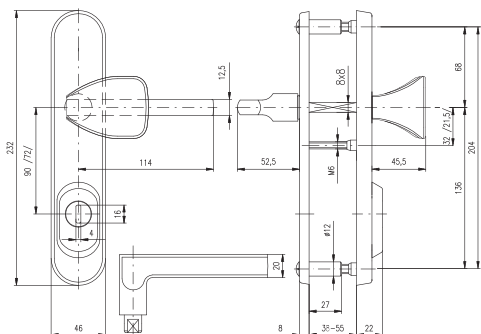
807/0 EXCLUSIVE

stainless steel satin
stainless steel polished



SECURITY FITTING R

R1/0 BRIT stainless steel satin



Pitch: 72, 90 mm

Door thickness: 38-55 mm

Fastening material: page 47-48

Cylinder must not protrude above the surface more than 15,5 mm



R4/0 BRIT
stainless steel satin



802/0 BRIT
stainless steel satin

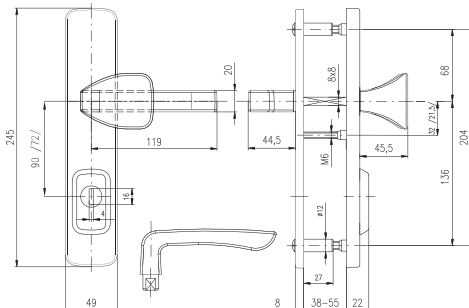


807/0 BRIT
stainless steel satin



SECURITY FITTING R

R1 ASTRA stainless steel satin, stainless steel polished



Pitch: 72, 90 mm

Door thickness: 38-55 mm

Fastening material: page 47-48

Cylinder must not protrude above the door surface more than 15,5 mm



R4 ASTRA

stainless steel satin
stainless steel polished



802 ASTRA

stainless steel satin
stainless steel polished



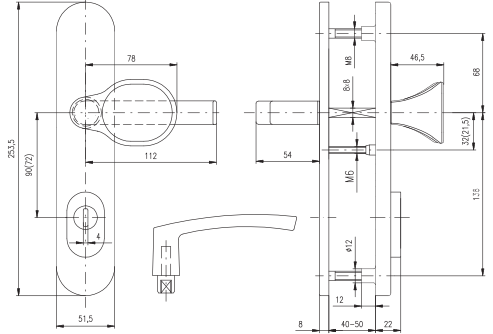
807 ASTRA

stainless steel satin
stainless steel polished



SECURITY FITTING ALUMINIUM - EL

BK EL 1 ELOX - silver



Pitch: 72, 90, (92) mm

Door thickness: 40-50 mm, (66-75 mm)

Fastening material: page 48

Aluminium security fitting with steel lockplate and hidden screws.

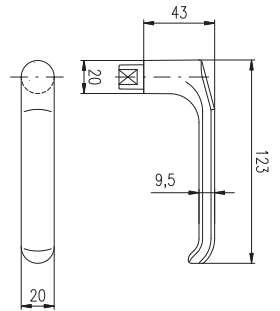
Cylinder must not protrude above the door surface more than 16 mm



BK EL 4



BK EL 1 BARYT
black (RAL 9005)



BK 802, R1



Fastenning material for 802, R1 door thickness 38-55 mm - standard. For 802, R1 door thickness 56-70 mm - further extensions per 15 mm up to 100 mm

BK 807, R4



Fastenning material for 807, R4 door thickness 38-55 mm - standard. For 807, R4 door thickness 56-70 mm - further extensions per 15 mm up to 100 mm

BK RX802, RX1



Fastenning material for RX802, RX1 door thickness 40-50 mm - standard. For RX802, RX1 door thickness 51-60 mm - further extensions per 10 up to 100 mm

BK RX807, RX4



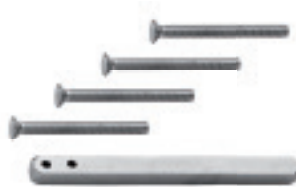
Fastenning material for RX807, RX4 door thickness 40-50 mm - standard. For RX807, RX4 door thickness 51-60 mm - further extensions per 10 up to 100 mm

BK RN1/H, RN1/S



Fastenning material for RN1/H, RN1/S door thickness 40-50 mm - standard. For RN1/H, RN1/S door thickness 51-55 mm - further extensions per 5 mm up to 100 mm

BK RN4/H, RN4/S



Fastenning material for RN4/H, RN4/S door thickness 40-50 mm - standard. For RN4/H, RN4/S door thickness 51-55 mm - further extensions per 5 mm up to 100 mm

FASTENNING MATERIAL

BK EL 1



Fastening material for EL1, door thickness 40-50 mm - standard. Fastening material for EL1, door thickness 51-60 mm/61-70 mm - further extensions per 5 mm up to 100 mm

BK EL 4



Fastening material for EL4, door thickness 40-50 mm - standard. Fastening material for EL4, door thickness 51-60 mm/61-70 mm - further extensions per 5 mm up to 100 mm

BK RN1, RN802



Fastening material for RN1, RN802, door thickness 38-50 mm - standard. Fastening material for RN1, RN802, door thickness 51-55 mm - further extensions per 5 mm up to 100 mm

BK RN4, RN807



Fastening material for RN4, RN807, door thickness 38-50 mm - standard. Fastening material for RN4, RN807, door thickness 51-55 mm - further extension per 5 mm up to 100 mm

SPINDELS FOR PANIK FITTING

Split spindle PANIK 8x8 mm



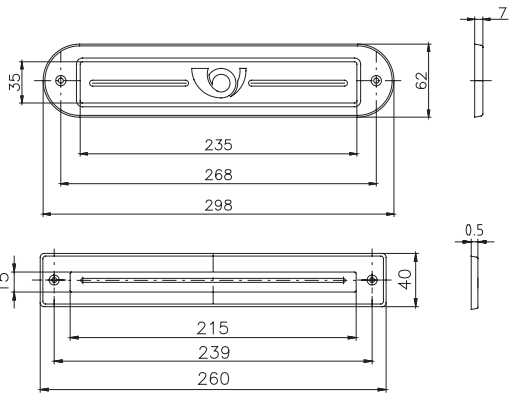
Split spindle PANIK 9x9 mm



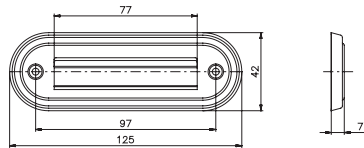
Length of the spindles: 120, 140, 160 mm

ACCESSORIES

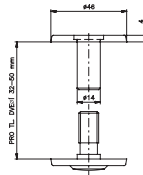
LETTER BOX stainless steel satin, stainless steel polished for entrance doors, atypical mail boxes



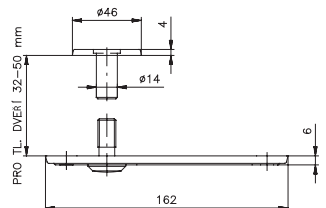
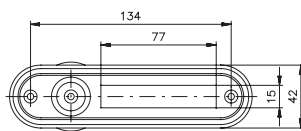
NAME PLATE ROUND



DOOR VIEWER



DOOR VIEWER WITH NAME PLATE OVAL





0100 STAINLESS STEEL POLISHED
- STAINLESS STEEL CHROMIUM (Cr)

Handles and knobs are made from zinc alloy with galvanic treatment - polished Cr
Shields, cylinder protectors and resistant rings are made from stainless steel polished



7200 STAINLESS STEEL SATIN

Handles, knobs, shields, cylinder protectors and resistant rings are made of stainless steel satin



8000 STAINLESS STEEL POLISHED GOLD

Titanium nitrid (TiN) applied on polished chrome or polished stainless steel finish in vacuum environment



8200 STAINLESS STEEL SATIN GOLD

Titanium nitrid (TiN) applied on stainless steel satin finish in vacuum environment

COLOUR FINISHES



RAL 9005 black



RAL 9016 white



RAL 7016 anthracite

Powder coating is a modern surface treatment technology, that is applied to the painted part as a free-flowing, dry powder using an electrostatic paint gun and then cured under heat. The powder is used to create a hard finish that is tougher than conventional paint makes. The main difference from conventional liquid paint, which is delivered via an evaporating solvent is, that it does not contain any volatile substances, which does not burden the environment or harm the health of workers during application.



ROSTEX VYŠKOV, s.r.o.
Dědická 190/17
682 01 Vyškov
Czech Republic

