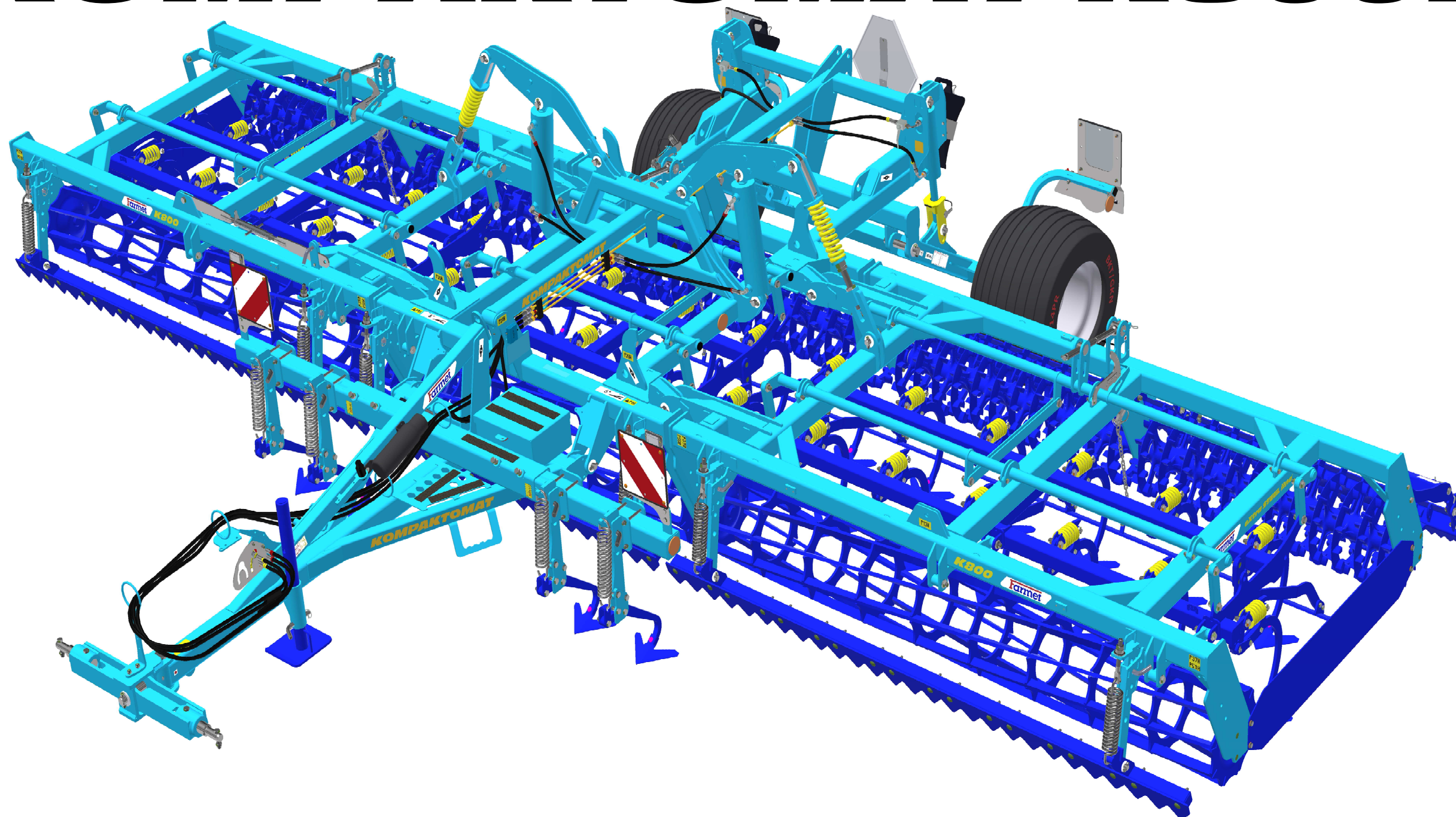


The effective technology and complex services

Farmet

Ⓒ KATALOG NÁHRADNÍCH DÍLŮ Ⓖ CATALOGUE OF SPARE PARTS Ⓓ ERSATZTEILLISTE
Ⓡ КАТАЛОГ ЗАПАСНЫХ ЧАСТЕЙ Ⓣ CATALOGUE DES PIÈCES DE RECHANGE Ⓟ KATALOG CZĘŚCI ZAMIENNYCH

КОМПАКТОМАТ K800PS



Ⓒ Platnost pro vrcholové | výrobní číslo stroje Ⓖ Validity for the top | serial number of the machine
Ⓓ Gültigkeit für die Haupt- | Herstellungsnummer der Maschine Ⓡ Действительно для главного | заводского номера машины
Ⓣ Validité du numéro de référence | de série de la machine Ⓟ Obowiązuje dla numeru głównego | seryjnego maszyny

9303981 | 2024/0381

Farmet a. s.
Jiřinková 276
552 03 Česká Skalice, CZ

phone: +420 491 450 111
GSM: +420 774 715 738

Id. No.: 46504931
Tax Id. No.: CZ46504931

web: www.farmet.eu
e-mail: dzt@farmet.cz

ⒸZ NAVIGACE STROJE

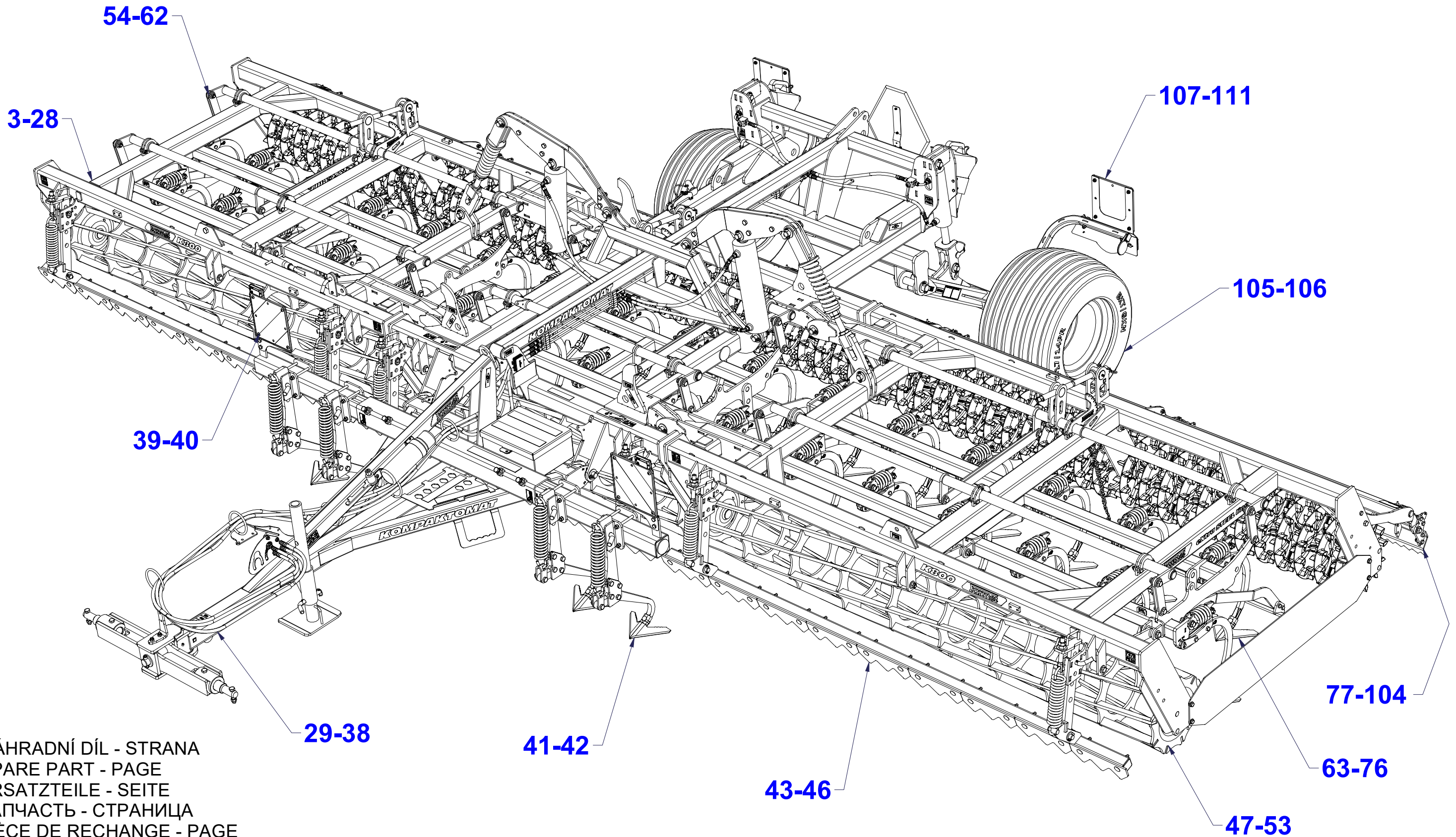
ⒸD NAVIGATION DER MASCHINE

ⒸF NAVIGATION DE LA MACHINE

ⒸGB NAVIGATION OF THE MACHINE

ⒸRU НАВИГАЦИЯ МАШИНЫ

ⒸPL NAWIGACJA MASZYN



ⒸZ NÁHRADNÍ DÍL - STRANA

ⒸGB SPARE PART - PAGE

ⒸD ERSATZTEILE - SEITE

ⒸRU ЗАПЧАСТЬ - СТРАНИЦА

ⒸF PIÈCE DE RECHANGE - PAGE

ⒸPL CZĘŚCI ZAMIENNE - STRONA

Ⓒ POLOTOVAR STROJE

Ⓓ MASCHINEN-HALBFABRIKAT

Ⓕ MACHINE - SEMI-PRODUIT

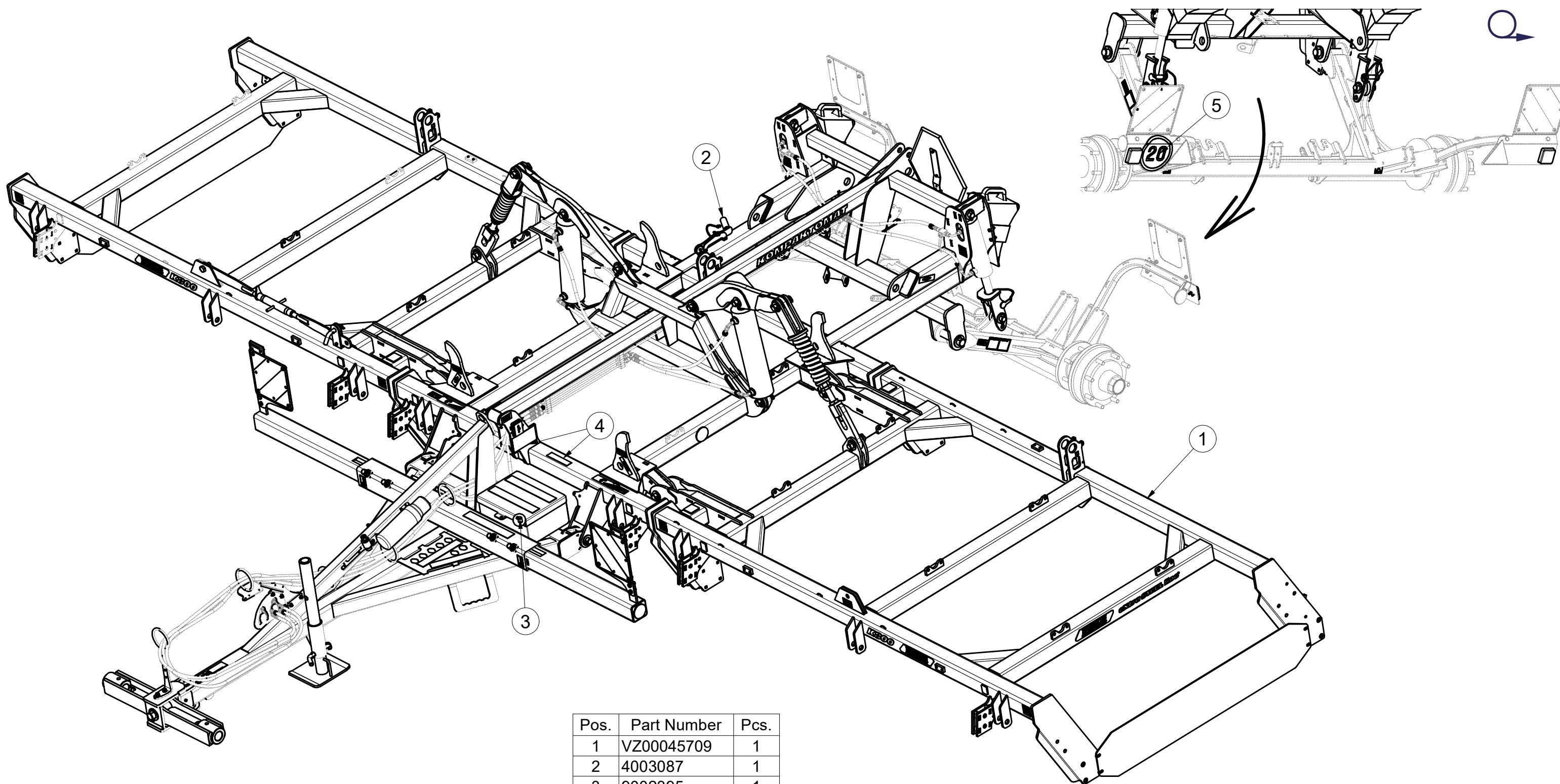
Ⓖ SEMIFINISHED MACHINE

Ⓔ ПОЛУФАБРИКАТ МАШИНЫ

Ⓟ PÓŁFABRYKAT MASZYN



VZ00019240



| Pos. | Part Number | Pcs. |
|------|-------------|------|
| 1 | VZ00045709 | 1 |
| 2 | 4003087 | 1 |
| 3 | 9002395 | 1 |
| 4 | 4025948 | 1 |
| 5 | 4026236 | 1 |

Ⓒ NASAZOVACÍ KLIKA

Ⓓ MONTAGEGRIF

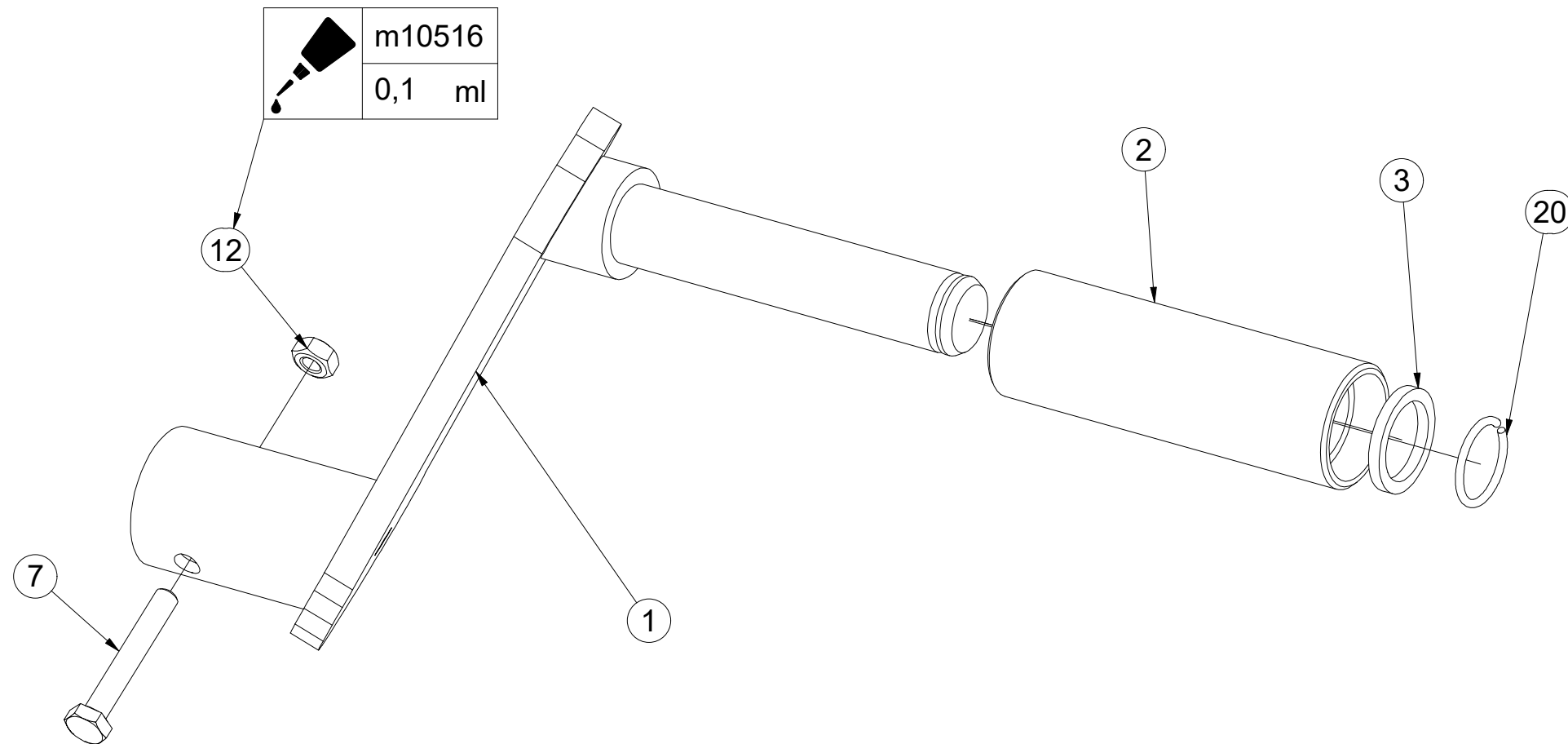
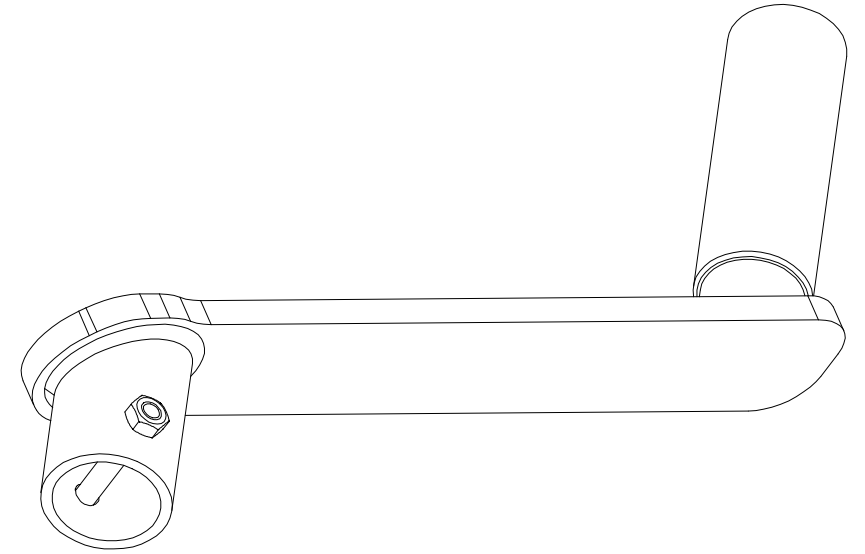
Ⓕ POIGNÉE DE MONTAGE

4003087

Ⓖ MOUNTING HANDLE

Ⓡ МОНТАЖНАЯ РУЧКА

Ⓢ UCHWYT MONTAŻOWY



| Pos. | Part Number | Pcs. |
|------|-------------|------|
| 1 | 4003092 | 1 |
| 2 | 4001533 | 1 |
| 3 | 4004828 | 1 |
| 7 | m04641 | 1 |
| 12 | m01295 | 1 |
| 20 | m06561 | 1 |
| 25 | m10516 | 0,1 |

Ⓒ POLOTOVAR STROJE

Ⓓ MASCHINEN-HALBFABRIKAT

Ⓕ MACHINE - SEMI-PRODUIT

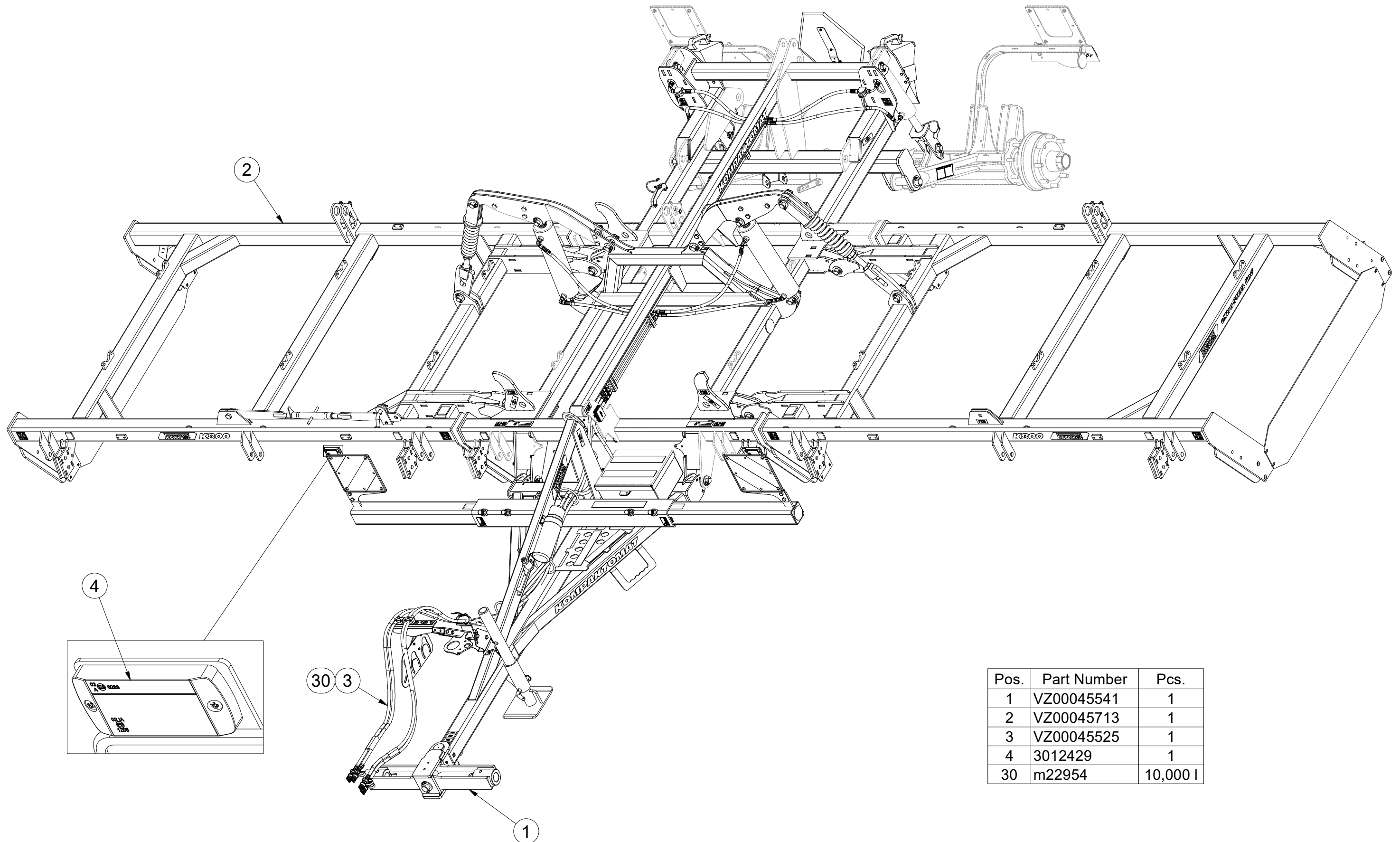
Ⓖ SEMIFINISHED MACHINE

Ⓡ ПОЛУФАБРИКАТ МАШИНЫ

Ⓢ РОЉФАБРИКАТ МАСЗЫН



VZ00045709



| Pos. | Part Number | Pcs. |
|------|-------------|----------|
| 1 | VZ00045541 | 1 |
| 2 | VZ00045713 | 1 |
| 3 | VZ00045525 | 1 |
| 4 | 3012429 | 1 |
| 30 | m22954 | 10,000 l |

Ⓒ POLOTOVAR STROJE

Ⓓ MASCHINEN-HALBFABRIKAT

Ⓕ MACHINE - SEMI-PRODUIT

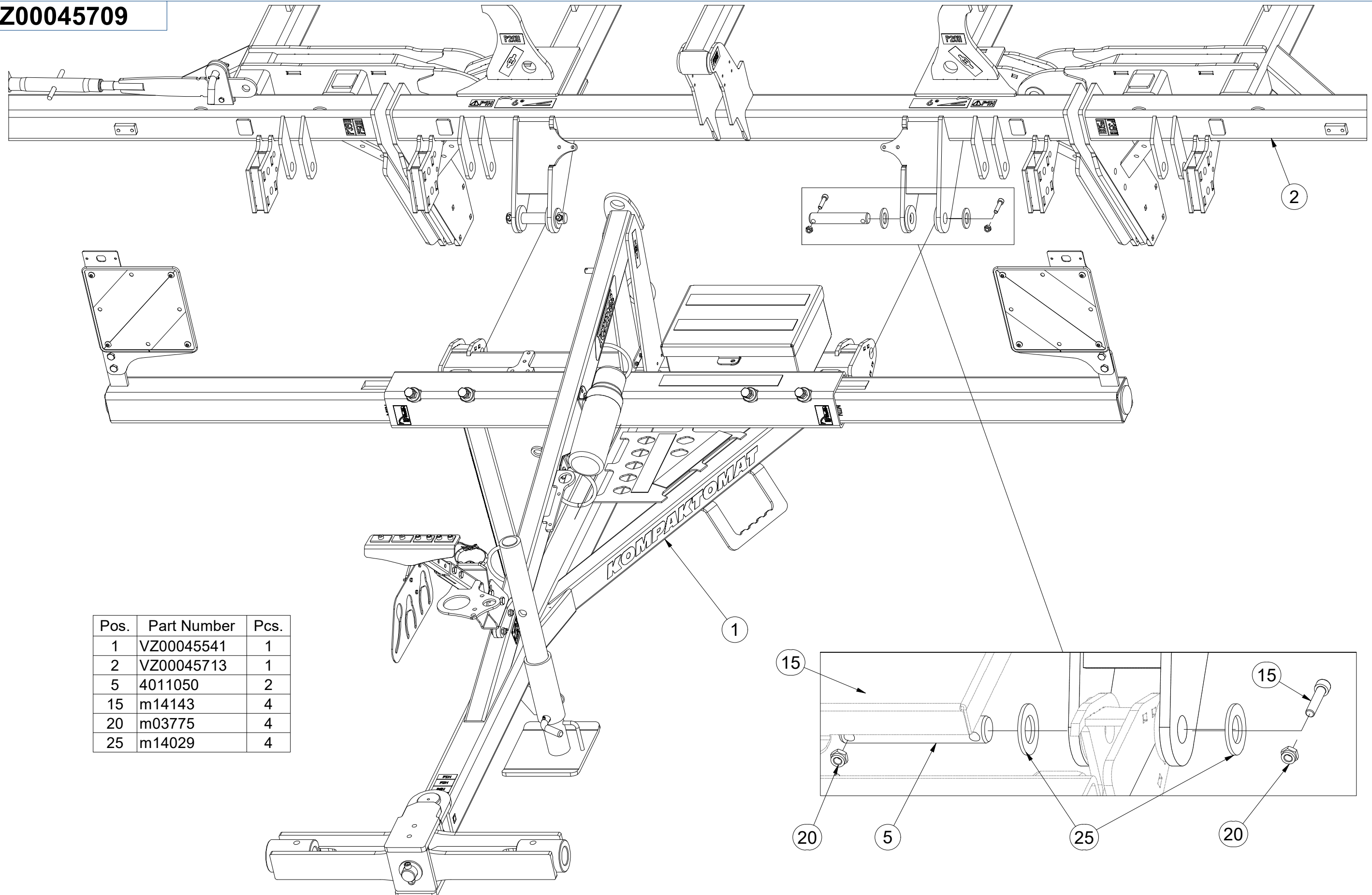
Ⓖ SEMIFINISHED MACHINE

Ⓡ ПОЛУФАБРИКАТ МАШИНЫ

Ⓢ РÓЉФАБРЫКАТ МАСЗЫНЫ



VZ00045709



| Pos. | Part Number | Pcs. |
|------|-------------|------|
| 1 | VZ00045541 | 1 |
| 2 | VZ00045713 | 1 |
| 5 | 4011050 | 2 |
| 15 | m14143 | 4 |
| 20 | m03775 | 4 |
| 25 | m14029 | 4 |

Ⓒ POLOTOVAR STROJE

Ⓓ MASCHINEN-HALBFABRIKAT

Ⓕ MACHINE - SEMI-PRODUIT

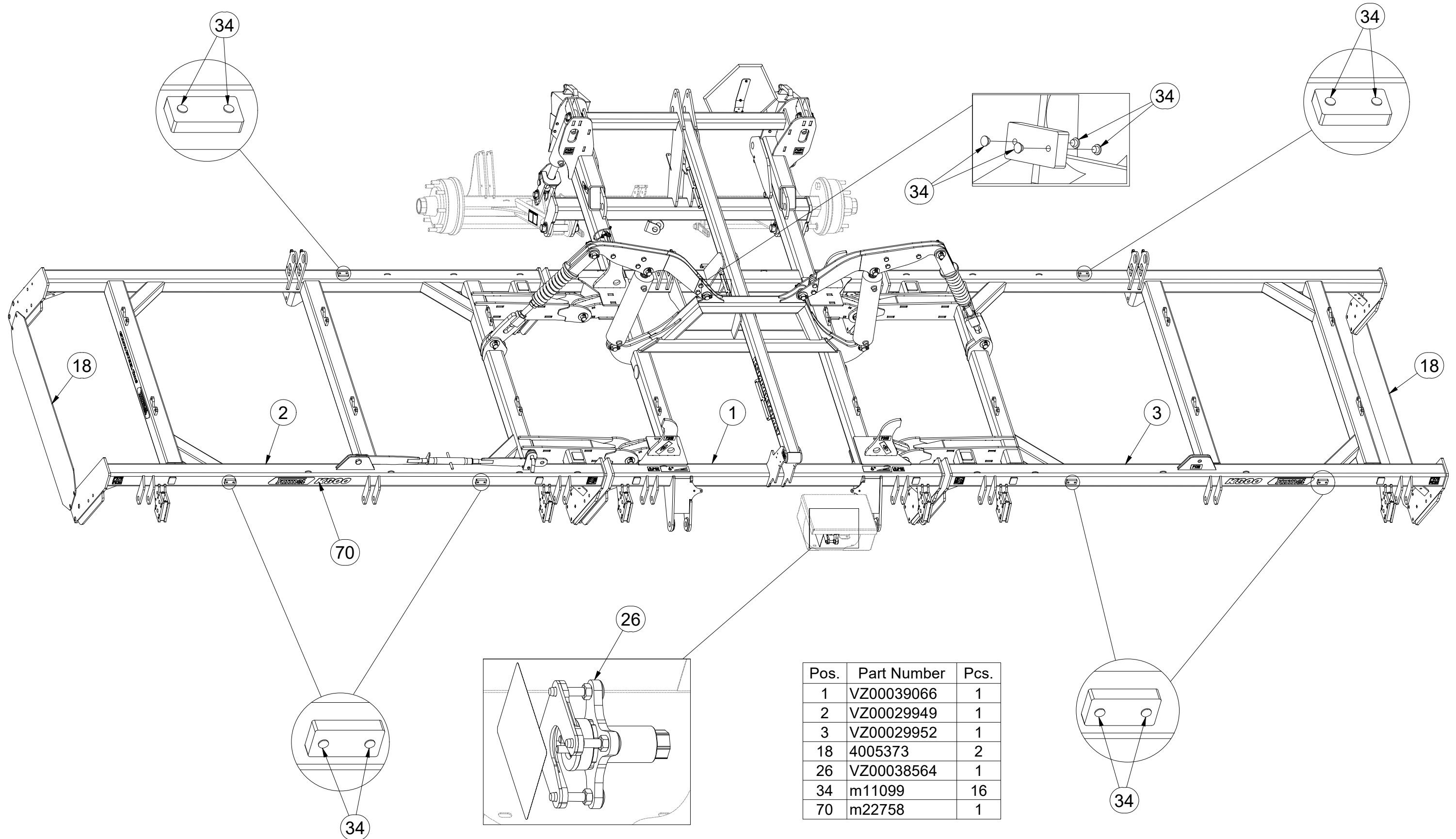
Ⓖ SEMIFINISHED MACHINE

Ⓡ ПОЛУФАБРИКАТ МАШИНЫ

Ⓟ PÓLFABRYKAT MASZYNY



VZ00045713



| Pos. | Part Number | Pcs. |
|------|-------------|------|
| 1 | VZ00039066 | 1 |
| 2 | VZ00029949 | 1 |
| 3 | VZ00029952 | 1 |
| 18 | 4005373 | 2 |
| 26 | VZ00038564 | 1 |
| 34 | m11099 | 16 |
| 70 | m22758 | 1 |

Ⓒ POLOTOVAR STROJE

Ⓓ MASCHINEN-HALBFABRIKAT

Ⓕ MACHINE - SEMI-PRODUIT

Ⓖ SEMIFINISHED MACHINE

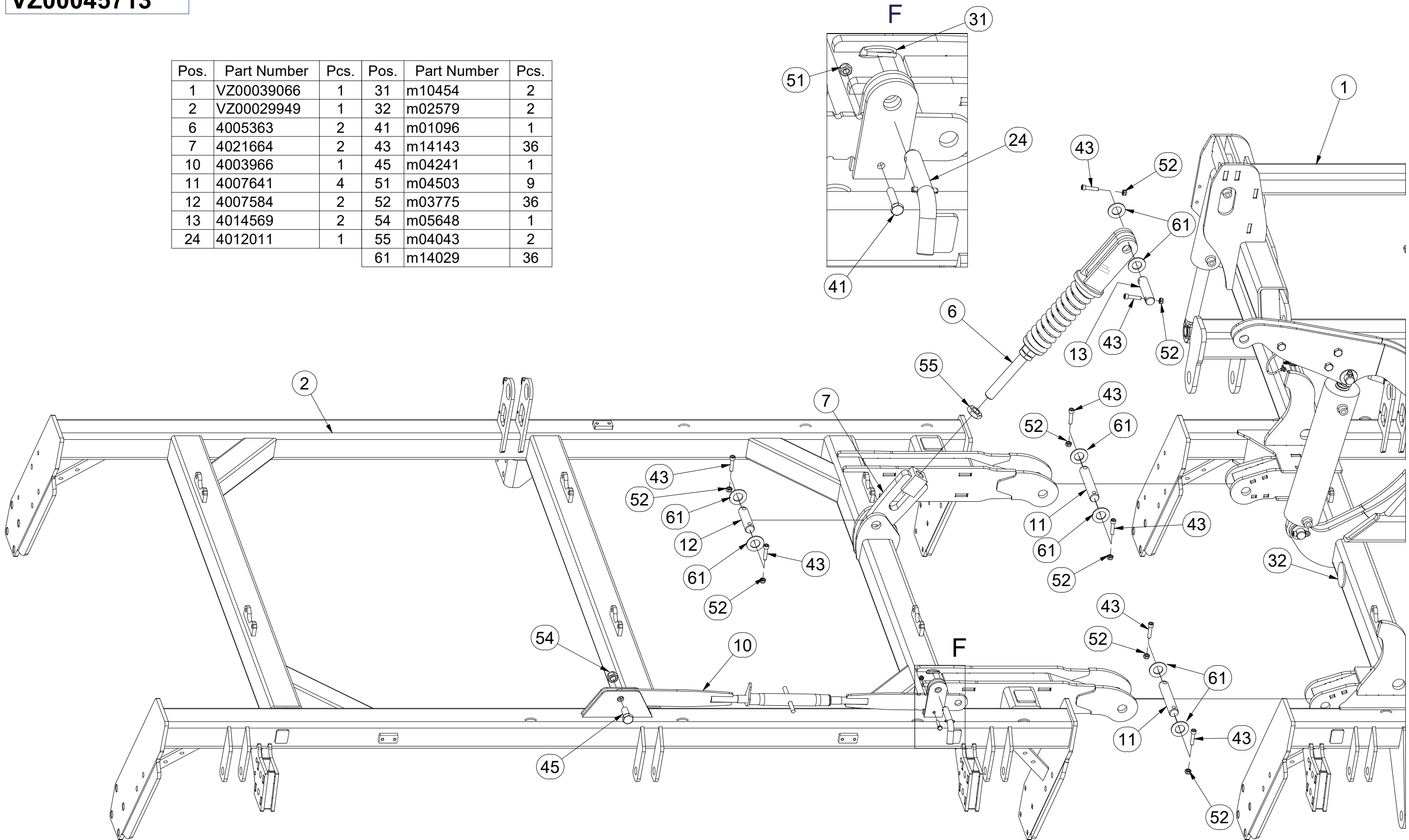
Ⓡ ПОЛУФАБРИКАТ МАШИНЫ

Ⓟ PÓLFABRYKAT MASZYNY



VZ00045713

| Pos. | Part Number | Pcs. | Pos. | Part Number | Pcs. |
|------|-------------|------|------|-------------|------|
| 1 | VZ00039066 | 1 | 31 | m10454 | 2 |
| 2 | VZ00029949 | 1 | 32 | m02579 | 2 |
| 6 | 4005363 | 2 | 41 | m01096 | 1 |
| 7 | 4021664 | 2 | 43 | m14143 | 36 |
| 10 | 4003966 | 1 | 45 | m04241 | 1 |
| 11 | 4007641 | 4 | 51 | m04503 | 9 |
| 12 | 4007584 | 2 | 52 | m03775 | 36 |
| 13 | 4014569 | 2 | 54 | m05648 | 1 |
| 24 | 4012011 | 1 | 55 | m04043 | 2 |
| | | | 61 | m14029 | 36 |



Ⓒ POLOTOVAR STROJE

Ⓓ MASCHINEN-HALBFABRIKAT

Ⓕ MACHINE - SEMI-PRODUIT

Ⓖ SEMIFINISHED MACHINE

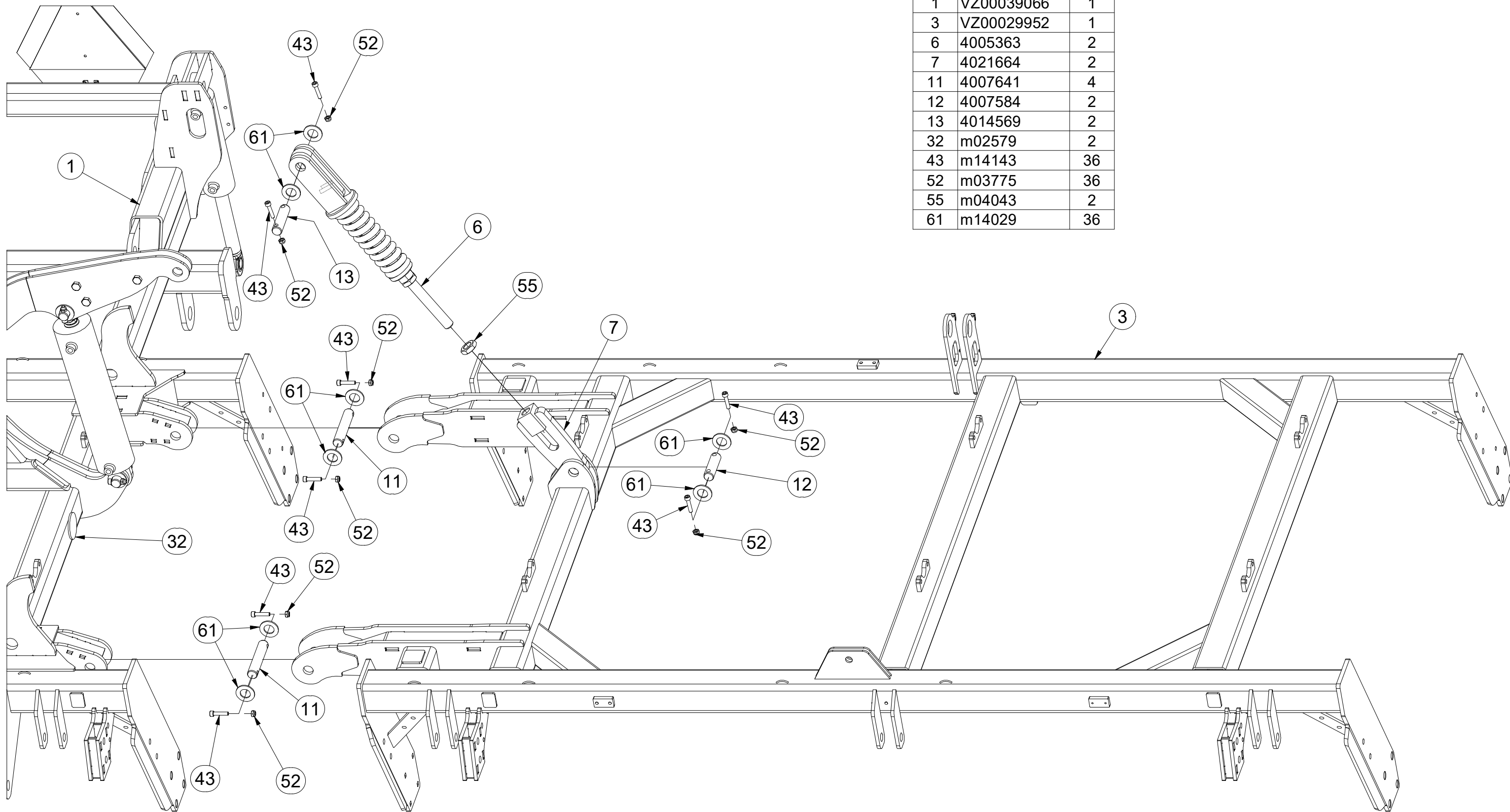
Ⓡ ПОЛУФАБРИКАТ МАШИНЫ

Ⓟ PÓŁFABRYKAT MASZYN



VZ00045713

| Pos. | Part Number | Pcs. |
|------|-------------|------|
| 1 | VZ00039066 | 1 |
| 3 | VZ00029952 | 1 |
| 6 | 4005363 | 2 |
| 7 | 4021664 | 2 |
| 11 | 4007641 | 4 |
| 12 | 4007584 | 2 |
| 13 | 4014569 | 2 |
| 32 | m02579 | 2 |
| 43 | m14143 | 36 |
| 52 | m03775 | 36 |
| 55 | m04043 | 2 |
| 61 | m14029 | 36 |



☉ POLOTOVAR STROJE

☉ MASCHINEN-HALBFABRIKAT

☉ MACHINE - SEMI-PRODUIT

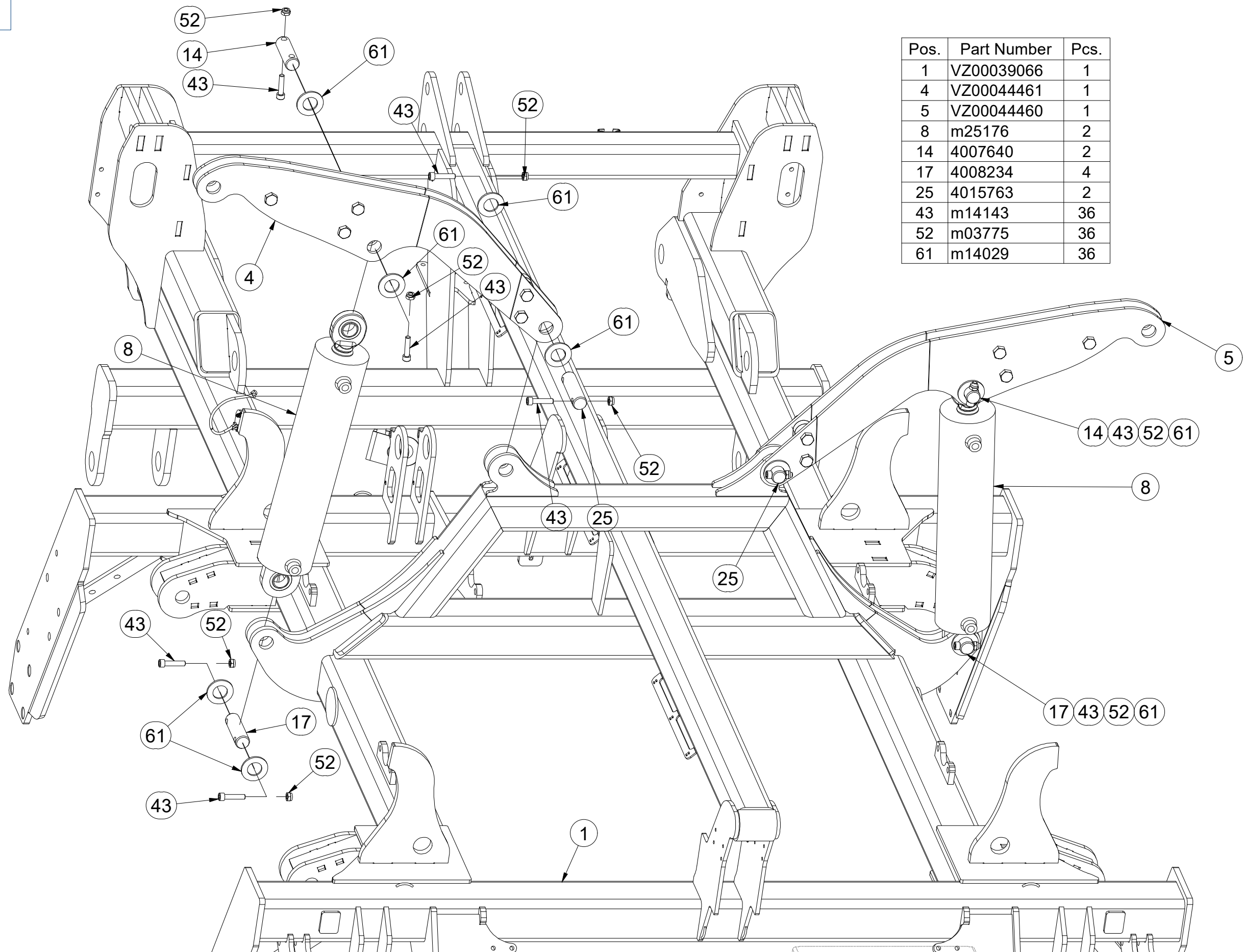
☉ SEMIFINISHED MACHINE

☉ ПОЛУФАБРИКАТ МАШИНЫ

☉ PÓLFABRYKAT MASZYNY



VZ00045713



| Pos. | Part Number | Pcs. |
|------|-------------|------|
| 1 | VZ00039066 | 1 |
| 4 | VZ00044461 | 1 |
| 5 | VZ00044460 | 1 |
| 8 | m25176 | 2 |
| 14 | 4007640 | 2 |
| 17 | 4008234 | 4 |
| 25 | 4015763 | 2 |
| 43 | m14143 | 36 |
| 52 | m03775 | 36 |
| 61 | m14029 | 36 |

Ⓒ POLOTOVAR STROJE

Ⓓ MASCHINEN-HALBFABRIKAT

Ⓕ MACHINE - SEMI-PRODUIT

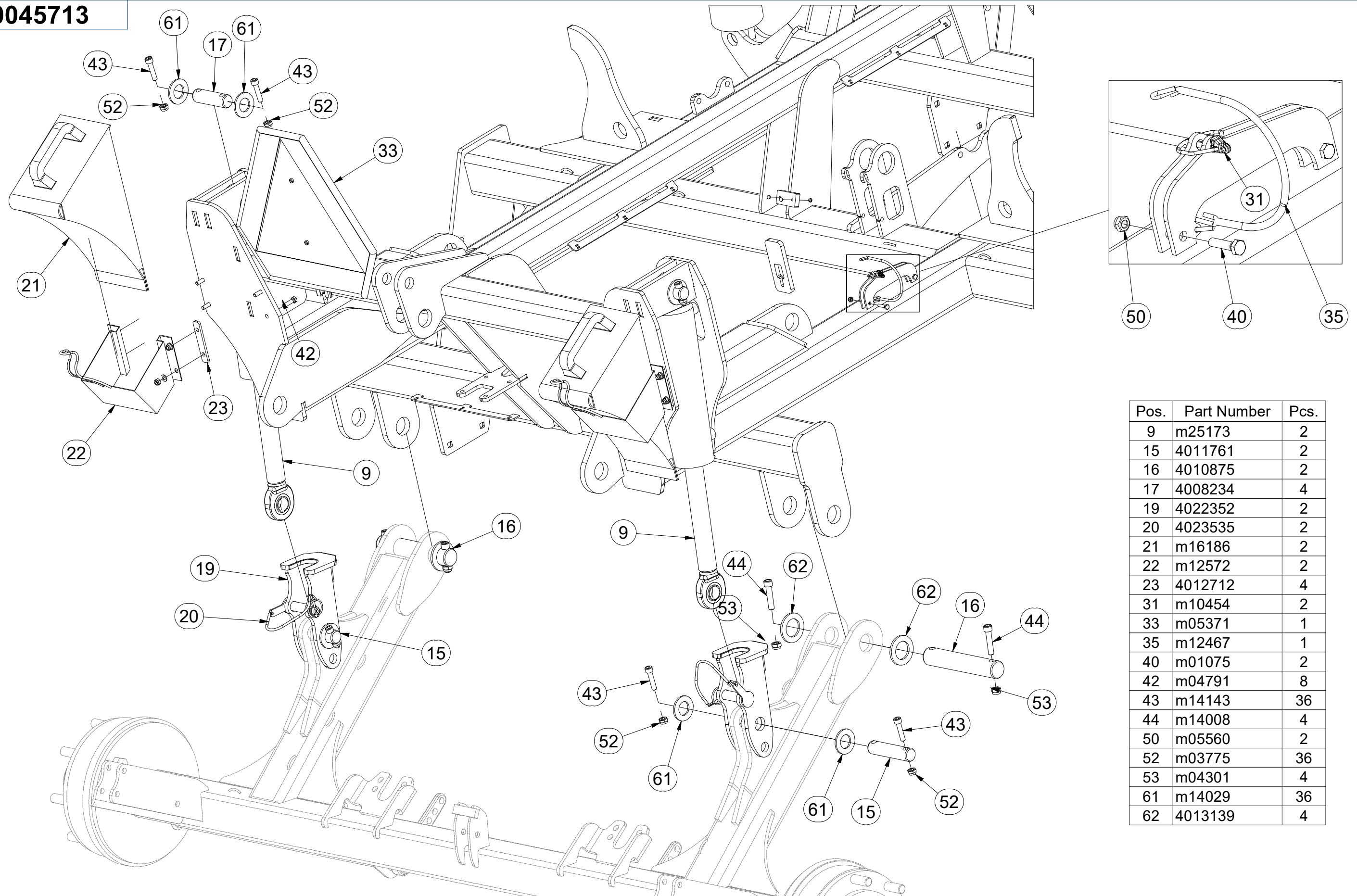
Ⓖ SEMIFINISHED MACHINE

Ⓡ ПОЛУФАБРИКАТ МАШИНЫ

Ⓢ PÓLFABRYKAT MASZYN



VZ00045713



| Pos. | Part Number | Pcs. |
|------|-------------|------|
| 9 | m25173 | 2 |
| 15 | 4011761 | 2 |
| 16 | 4010875 | 2 |
| 17 | 4008234 | 4 |
| 19 | 4022352 | 2 |
| 20 | 4023535 | 2 |
| 21 | m16186 | 2 |
| 22 | m12572 | 2 |
| 23 | 4012712 | 4 |
| 31 | m10454 | 2 |
| 33 | m05371 | 1 |
| 35 | m12467 | 1 |
| 40 | m01075 | 2 |
| 42 | m04791 | 8 |
| 43 | m14143 | 36 |
| 44 | m14008 | 4 |
| 50 | m05560 | 2 |
| 52 | m03775 | 36 |
| 53 | m04301 | 4 |
| 61 | m14029 | 36 |
| 62 | 4013139 | 4 |

Ⓒ SAMOLEPKY STROJE

Ⓓ AUFKLEBER MASCHINEN

Ⓕ VOITURE MACHINES

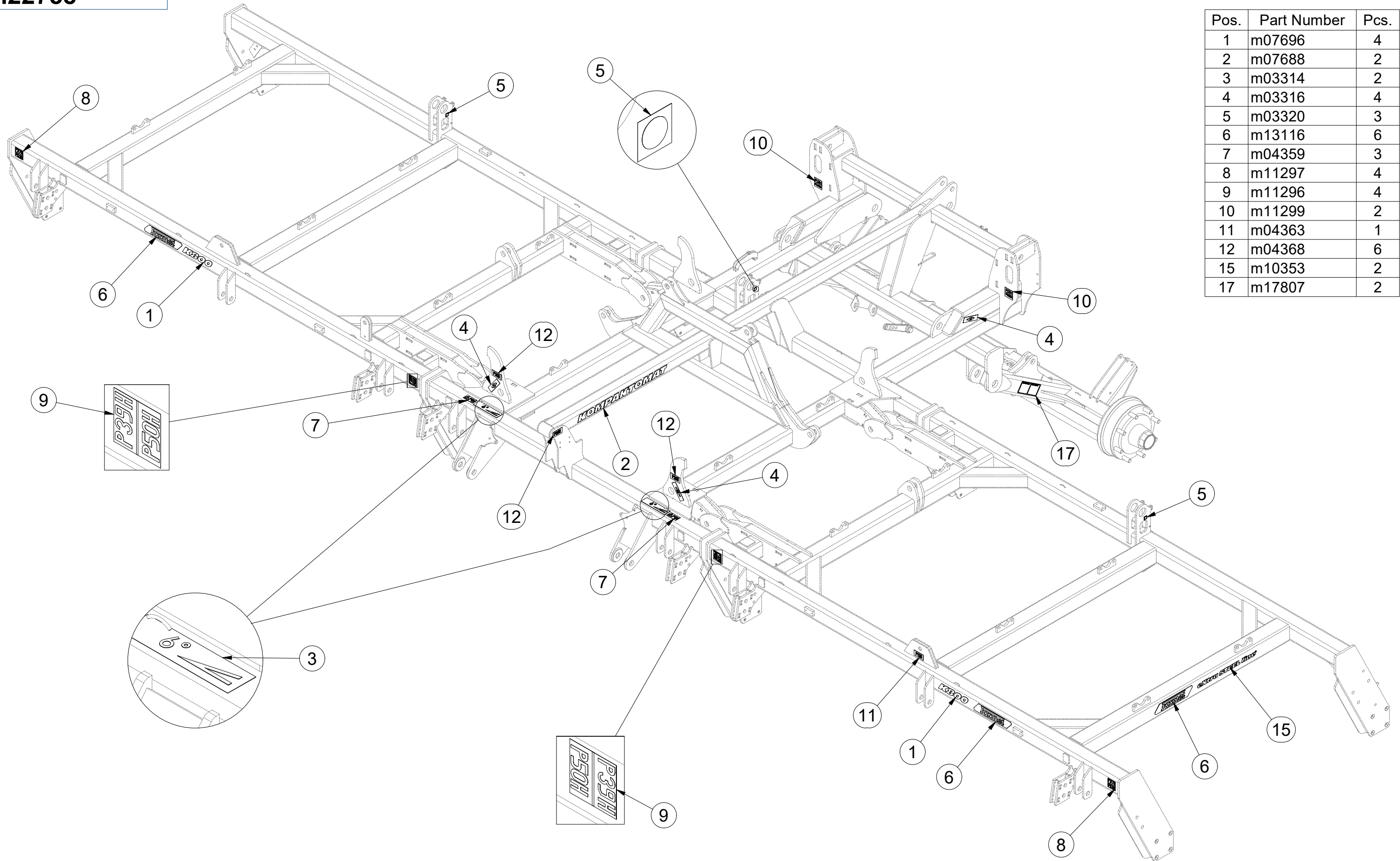
Ⓖ STICKERS MACHINES

Ⓔ СТИКЕРЫ МАШИНЫ

Ⓗ NAKLEJKI MASZYNY



m22758



| Pos. | Part Number | Pcs. |
|------|-------------|------|
| 1 | m07696 | 4 |
| 2 | m07688 | 2 |
| 3 | m03314 | 2 |
| 4 | m03316 | 4 |
| 5 | m03320 | 3 |
| 6 | m13116 | 6 |
| 7 | m04359 | 3 |
| 8 | m11297 | 4 |
| 9 | m11296 | 4 |
| 10 | m11299 | 2 |
| 11 | m04363 | 1 |
| 12 | m04368 | 6 |
| 15 | m10353 | 2 |
| 17 | m17807 | 2 |

Ⓒ SAMOLEPKY STROJE

Ⓓ AUFKLEBER MASCHINEN

Ⓕ VOITURE MACHINES

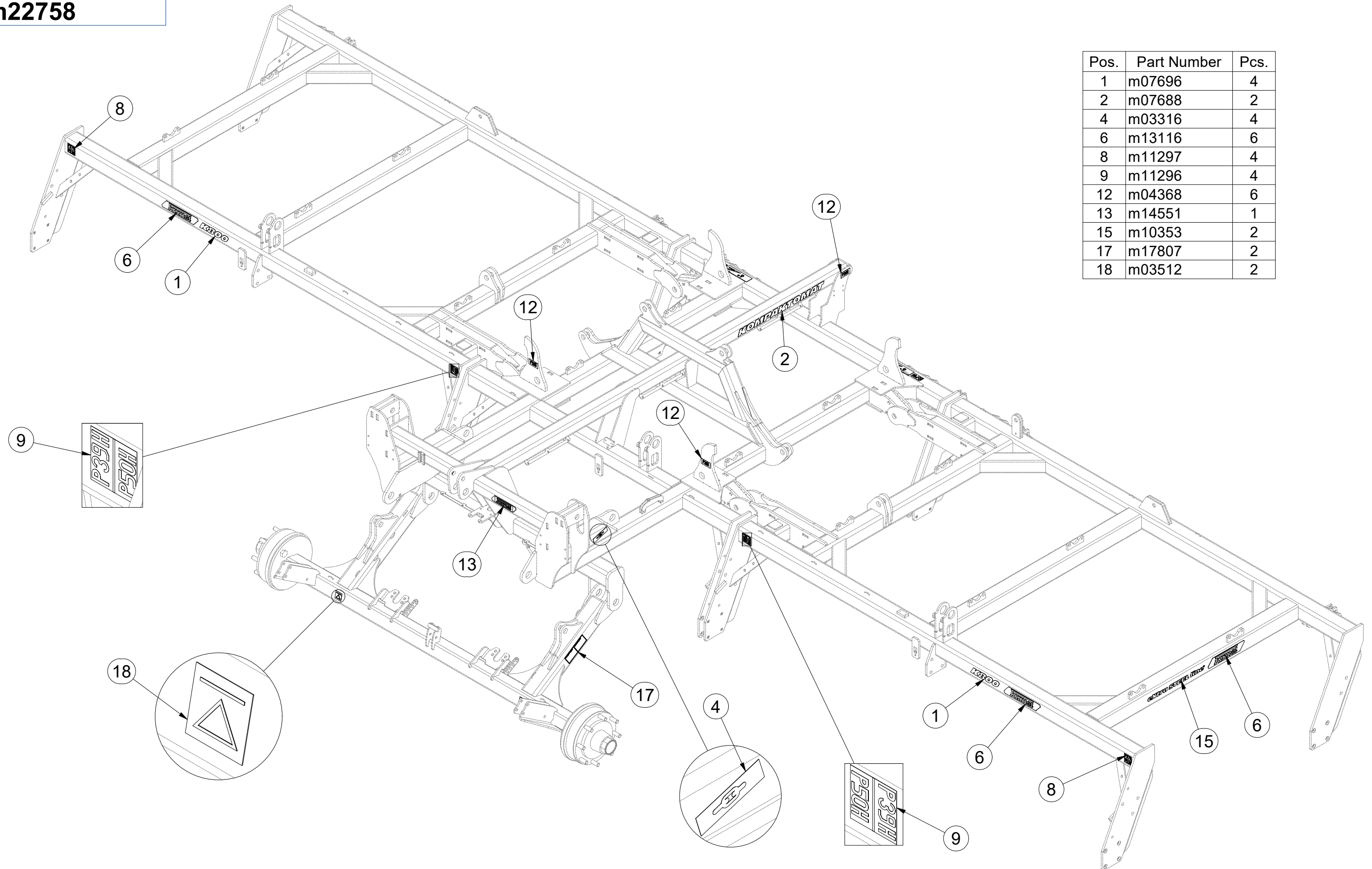
Ⓒ STICKERS MACHINES

Ⓓ СТИКЕРЫ МАШИНЫ

Ⓕ NAKLEJKI MASZYNY



m22758



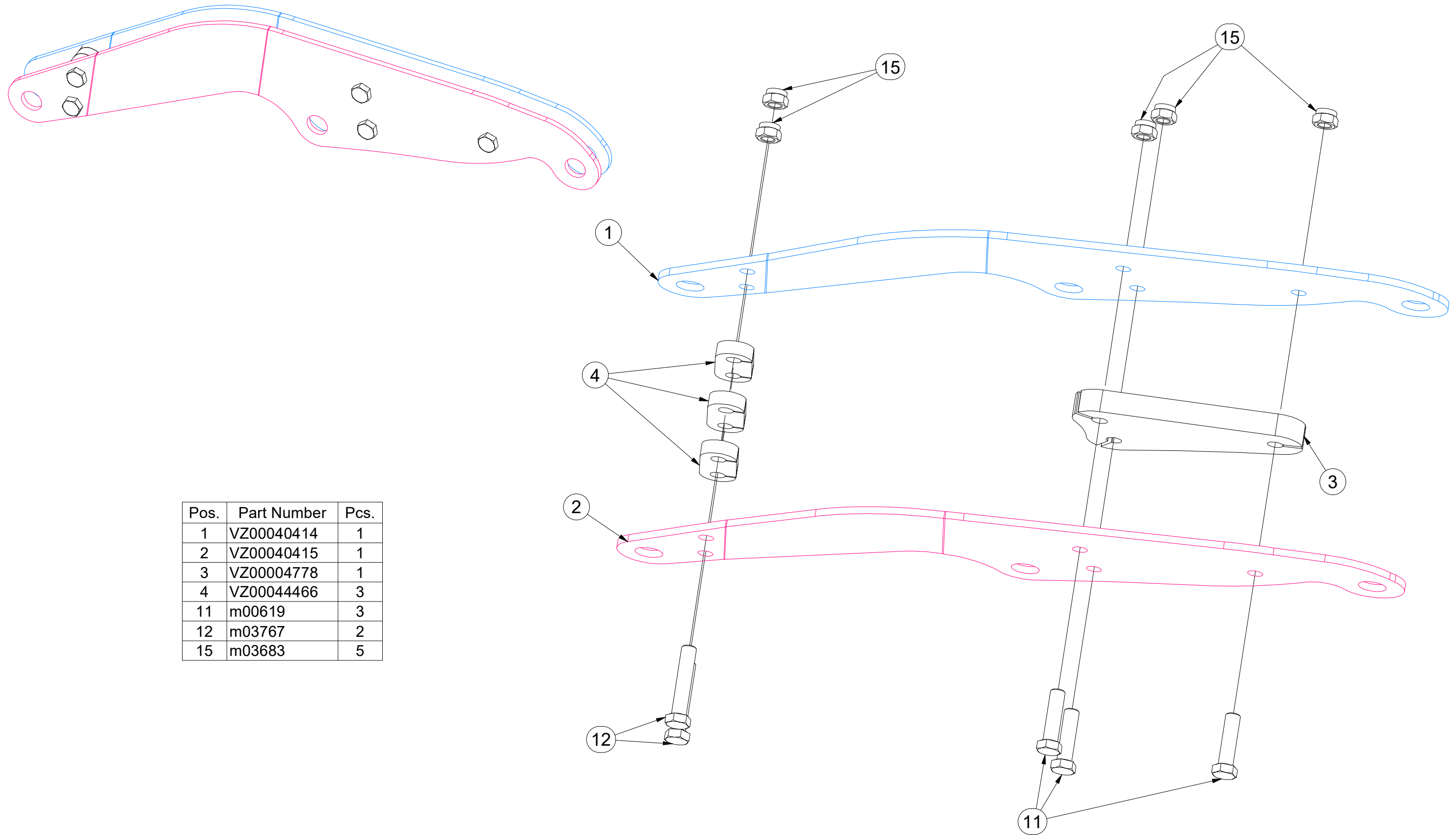
| Pos. | Part Number | Pcs. |
|------|-------------|------|
| 1 | m07696 | 4 |
| 2 | m07688 | 2 |
| 4 | m03316 | 4 |
| 6 | m13116 | 6 |
| 8 | m11297 | 4 |
| 9 | m11296 | 4 |
| 12 | m04368 | 6 |
| 13 | m14551 | 1 |
| 15 | m10353 | 2 |
| 17 | m17807 | 2 |
| 18 | m03512 | 2 |

- Ⓒ RÁM
- Ⓓ RAHMEN
- Ⓕ CHASSIS

- Ⓖ FRAME
- Ⓡ PAMA
- Ⓟ RAMA



VZ00044460



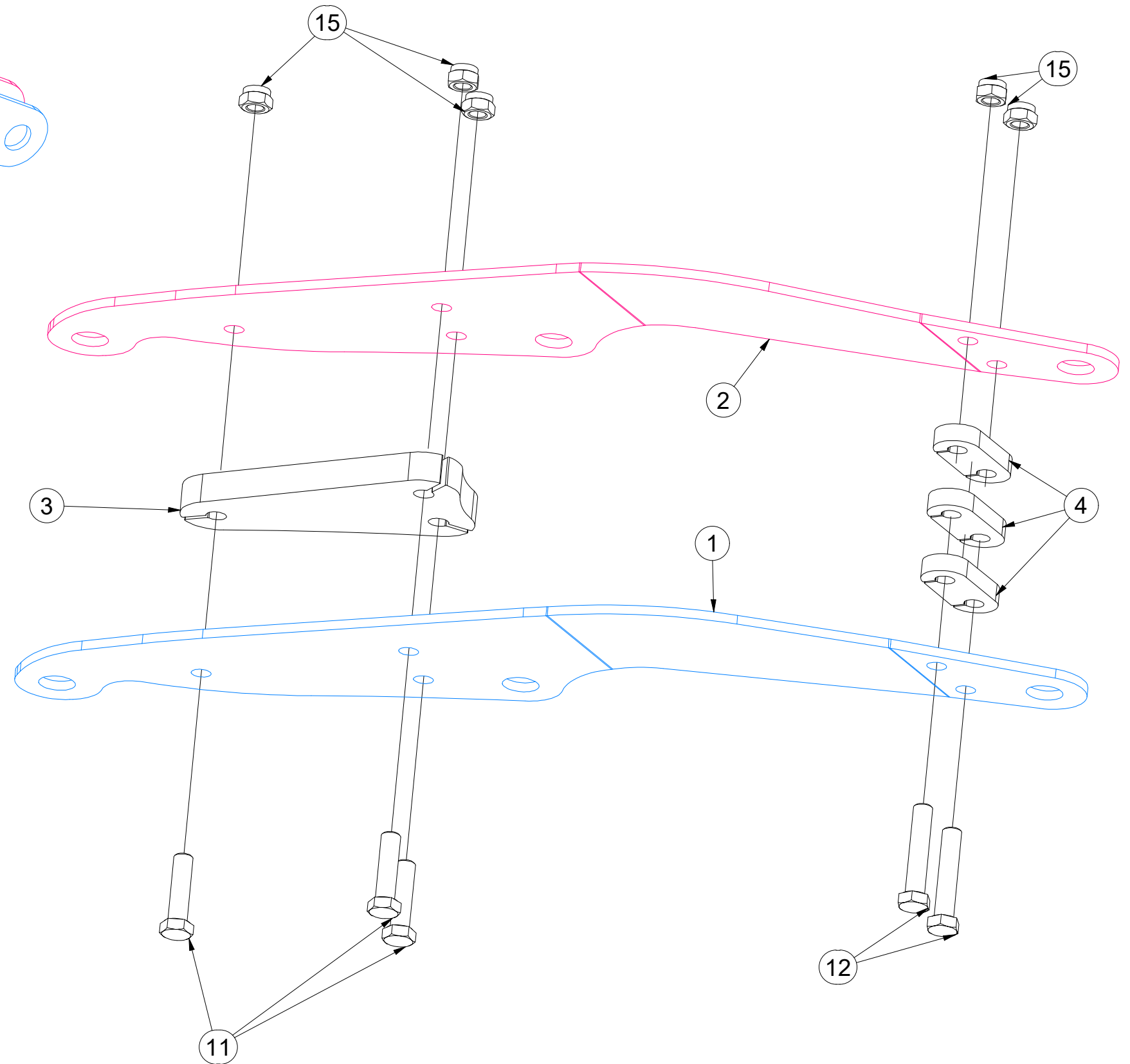
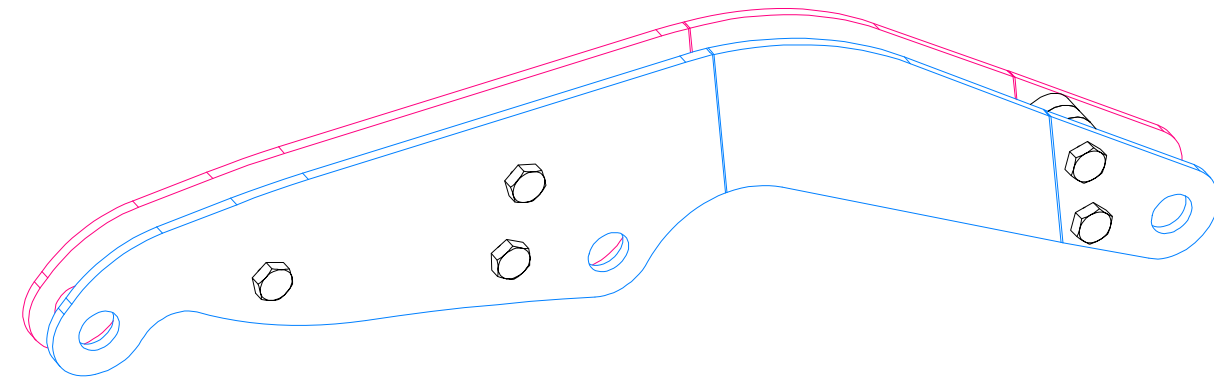
| Pos. | Part Number | Pcs. |
|------|-------------|------|
| 1 | VZ00040414 | 1 |
| 2 | VZ00040415 | 1 |
| 3 | VZ00004778 | 1 |
| 4 | VZ00044466 | 3 |
| 11 | m00619 | 3 |
| 12 | m03767 | 2 |
| 15 | m03683 | 5 |

- Ⓒ RÁM
- Ⓓ RAHMEN
- Ⓕ CHASSIS

- Ⓖ FRAME
- Ⓡ PAMA
- Ⓟ RAMA



VZ00044461



| Pos. | Part Number | Pcs. |
|------|-------------|------|
| 1 | VZ00040414 | 1 |
| 2 | VZ00040415 | 1 |
| 3 | VZ00004778 | 1 |
| 4 | VZ00044466 | 3 |
| 11 | m00619 | 3 |
| 12 | m03767 | 2 |
| 15 | m03683 | 5 |

ⒸZ HYDRAULIKA STROJE

Ⓓ HYDRAULIK DER MASCHINE

Ⓕ HYDRAULIQUE DE LA MACHINE

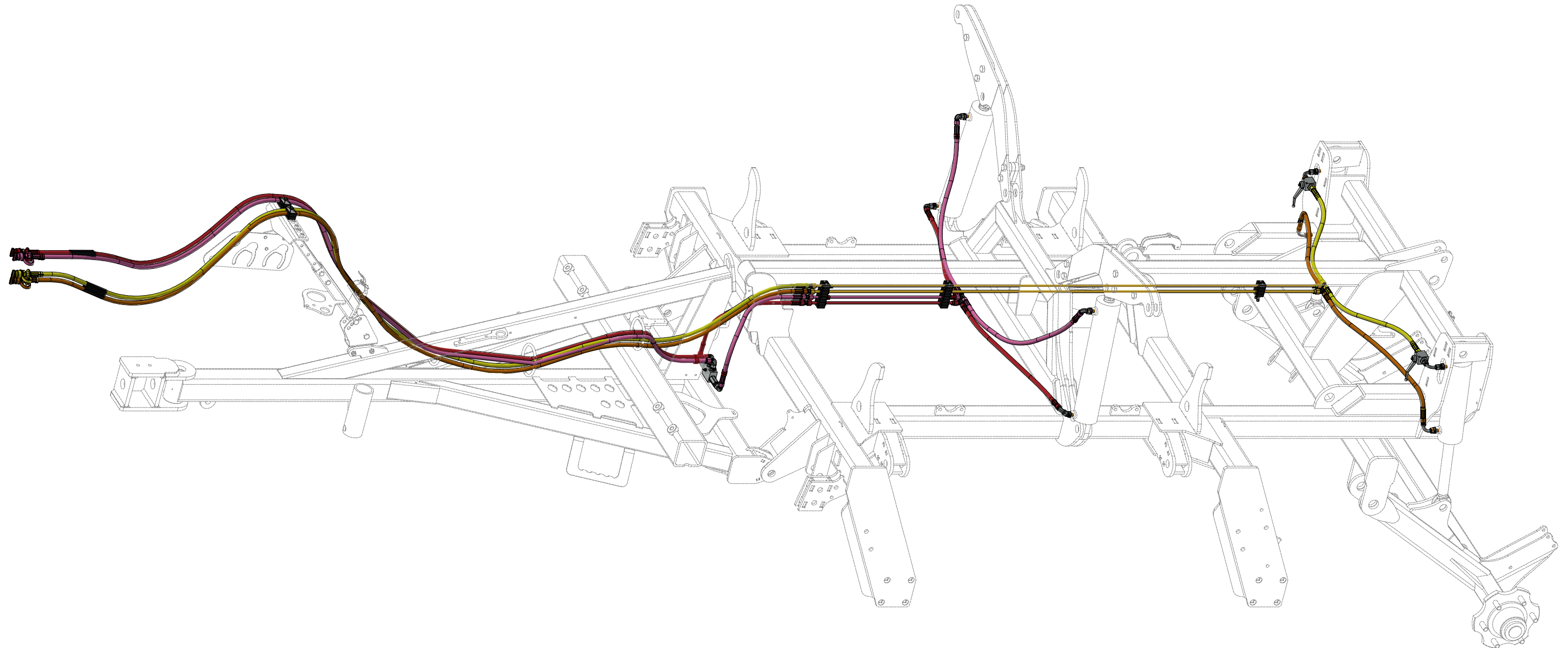
ⒸGB MACHINE HYDRAULICS

ⒸRU ГИДРАВЛИКА МАШИНЫ

ⒸPL HYDRAULIKA MASZYNY



VZ00045525



ⒸZ HYDRAULIKA STROJE

Ⓓ HYDRAULIK DER MASCHINE

Ⓕ HYDRAULIQUE DE LA MACHINE

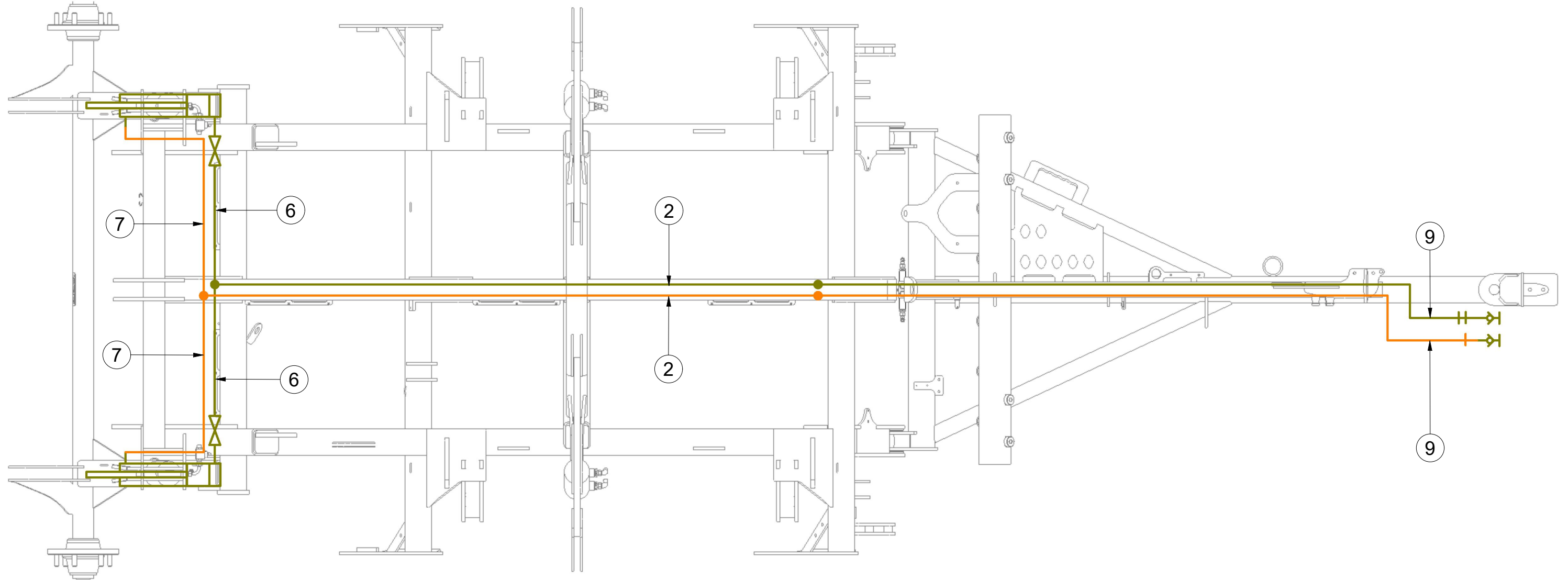
ⒼB MACHINE HYDRAULICS

Ⓔ RU ГИДРАВЛИКА МАШИНЫ

Ⓗ PL HYDRAULIKA MASZYN



VZ00045525



| Pos. | Part Number | Pcs. |
|------|-------------|------|
| 2 | m04803 | 2 |
| 6 | m03713 | 4 |
| 7 | m04033 | 2 |
| 9 | m04087 | 2 |

Ⓒ HYDRAULIKA STROJE

Ⓓ HYDRAULIK DER MASCHINE

Ⓕ HYDRAULIQUE DE LA MACHINE

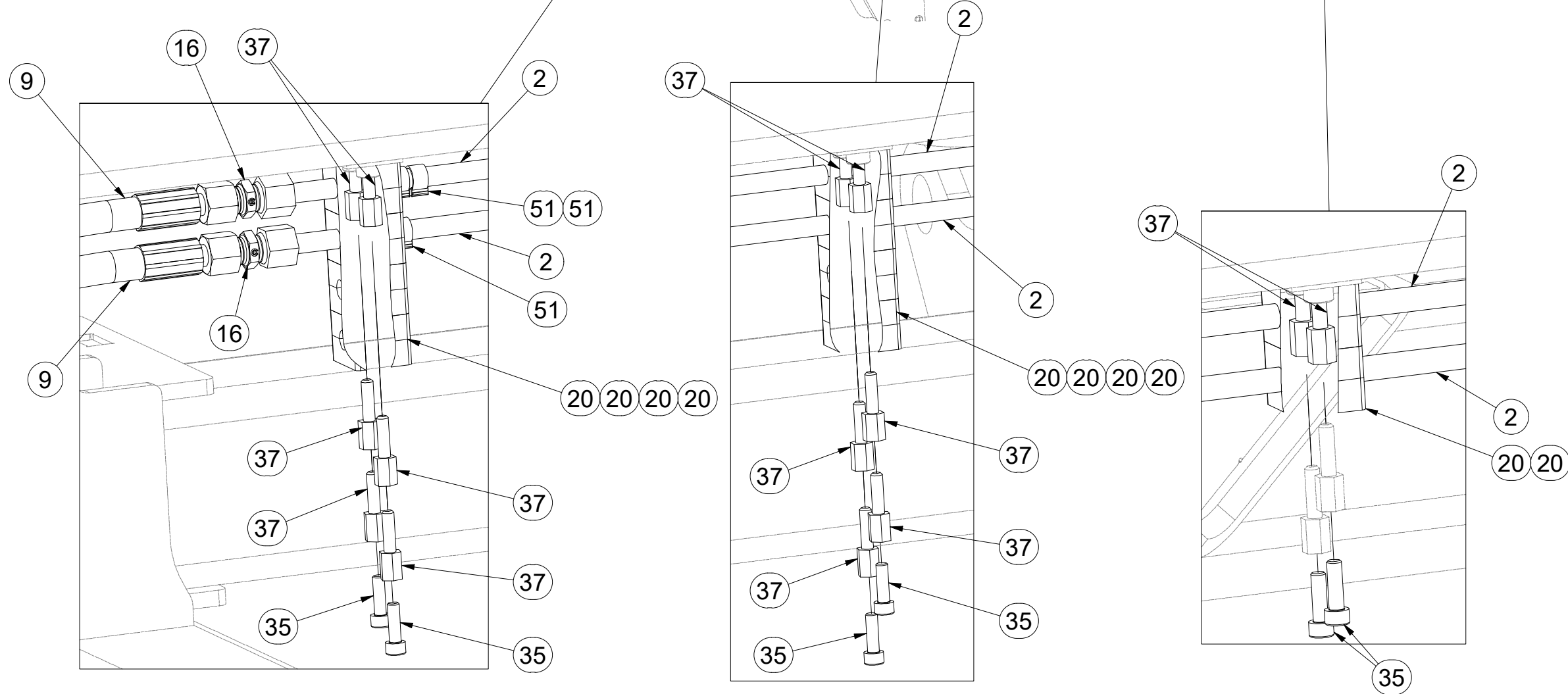
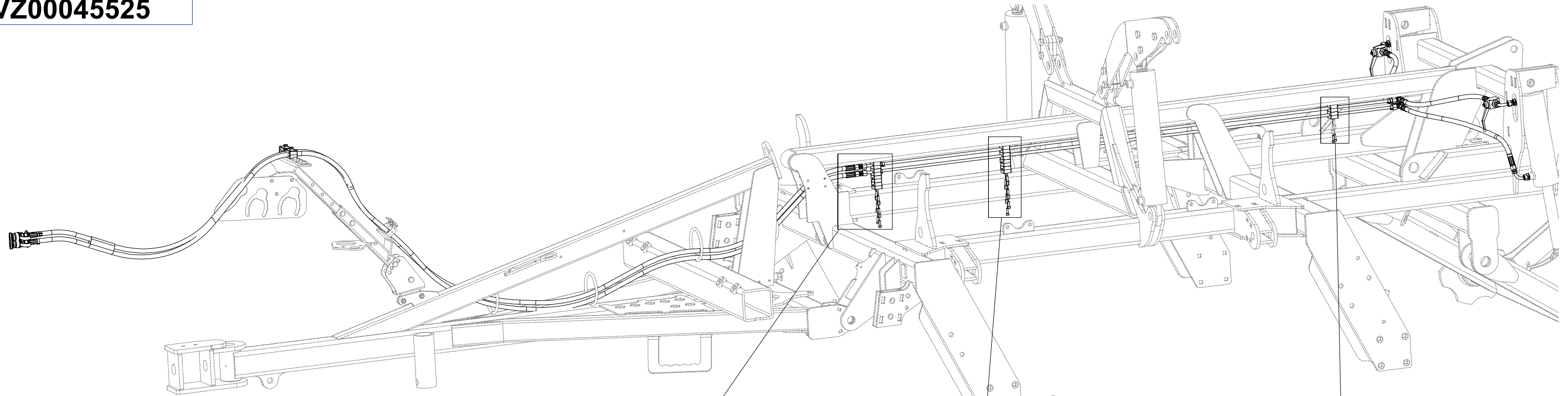
Ⓖ MACHINE HYDRAULICS

Ⓡ ГИДРАВЛИКА МАШИНЫ

Ⓟ HYDRAULIKA MASZYN



VZ00045525



| Pos. | Part Number | Pcs. |
|------|-------------|------|
| 2 | m04803 | 2 |
| 9 | m04087 | 2 |
| 16 | m03213 | 4 |
| 20 | m04009 | 10 |
| 35 | m04346 | 6 |
| 37 | m04021 | 14 |
| 51 | m11289 | 15 |

ⒸZ HYDRAULIKA STROJE

Ⓓ HYDRAULIK DER MASCHINE

Ⓕ HYDRAULIQUE DE LA MACHINE

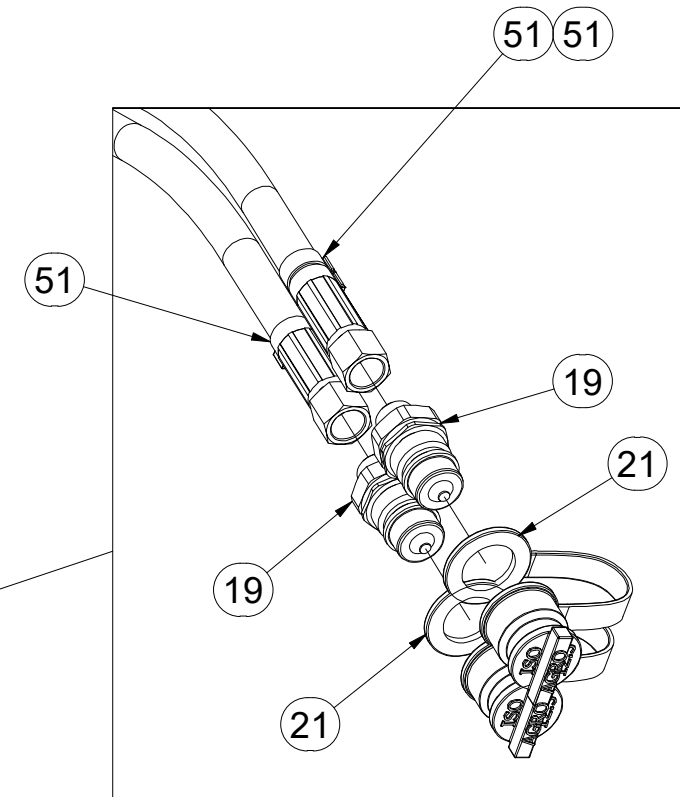
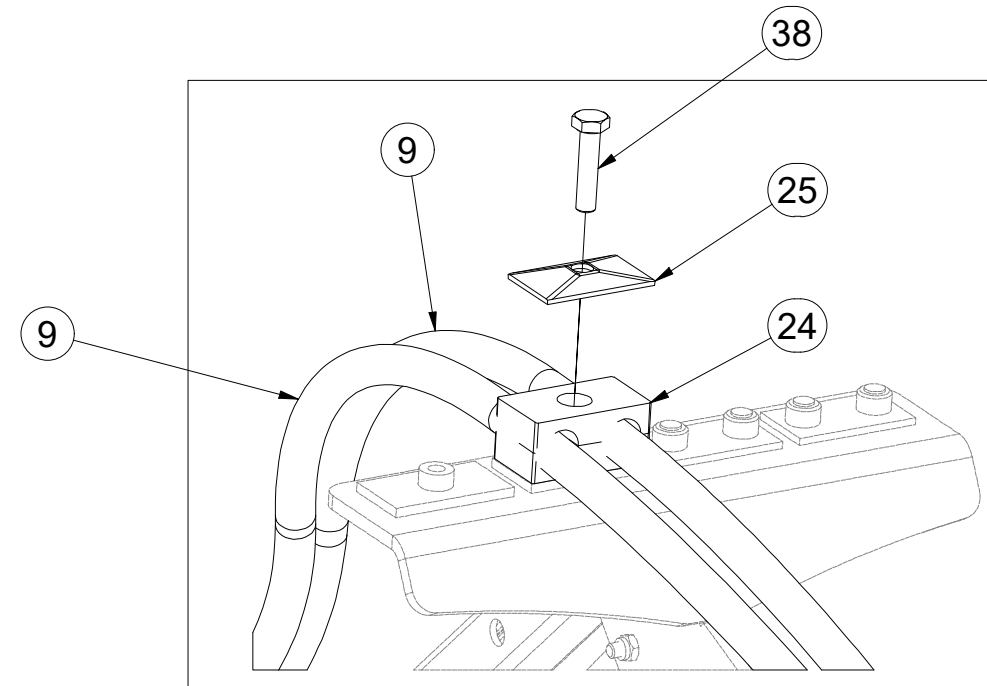
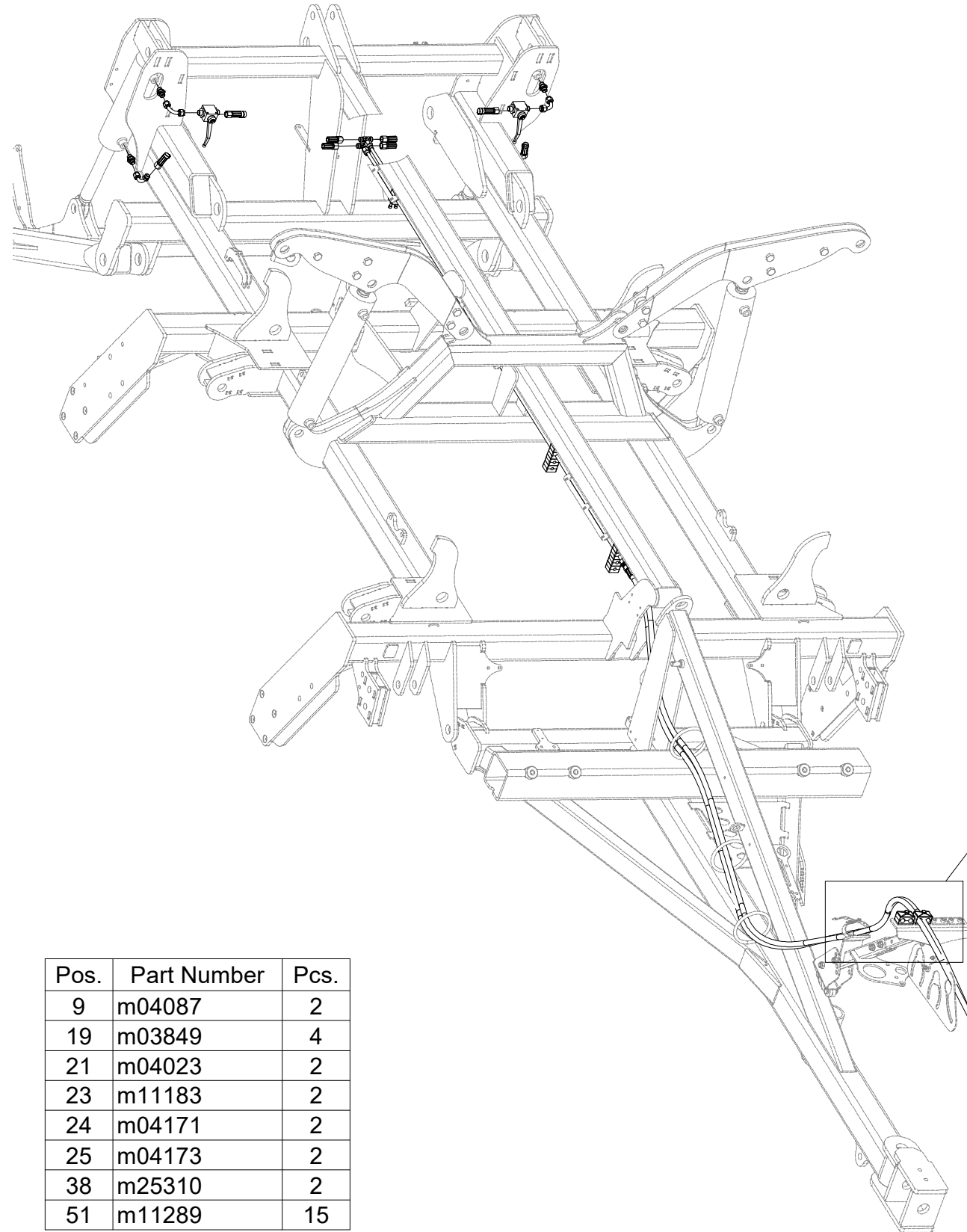
ⒸB MACHINE HYDRAULICS

ⒸR ГИДРАВЛИКА МАШИНЫ

ⒸL HYDRAULIKA MASZYNY



VZ00045525



| Pos. | Part Number | Pcs. |
|------|-------------|------|
| 9 | m04087 | 2 |
| 19 | m03849 | 4 |
| 21 | m04023 | 2 |
| 23 | m11183 | 2 |
| 24 | m04171 | 2 |
| 25 | m04173 | 2 |
| 38 | m25310 | 2 |
| 51 | m11289 | 15 |

ⒸZ HYDRAULIKA STROJE

Ⓓ HYDRAULIK DER MASCHINE

Ⓕ HYDRAULIQUE DE LA MACHINE

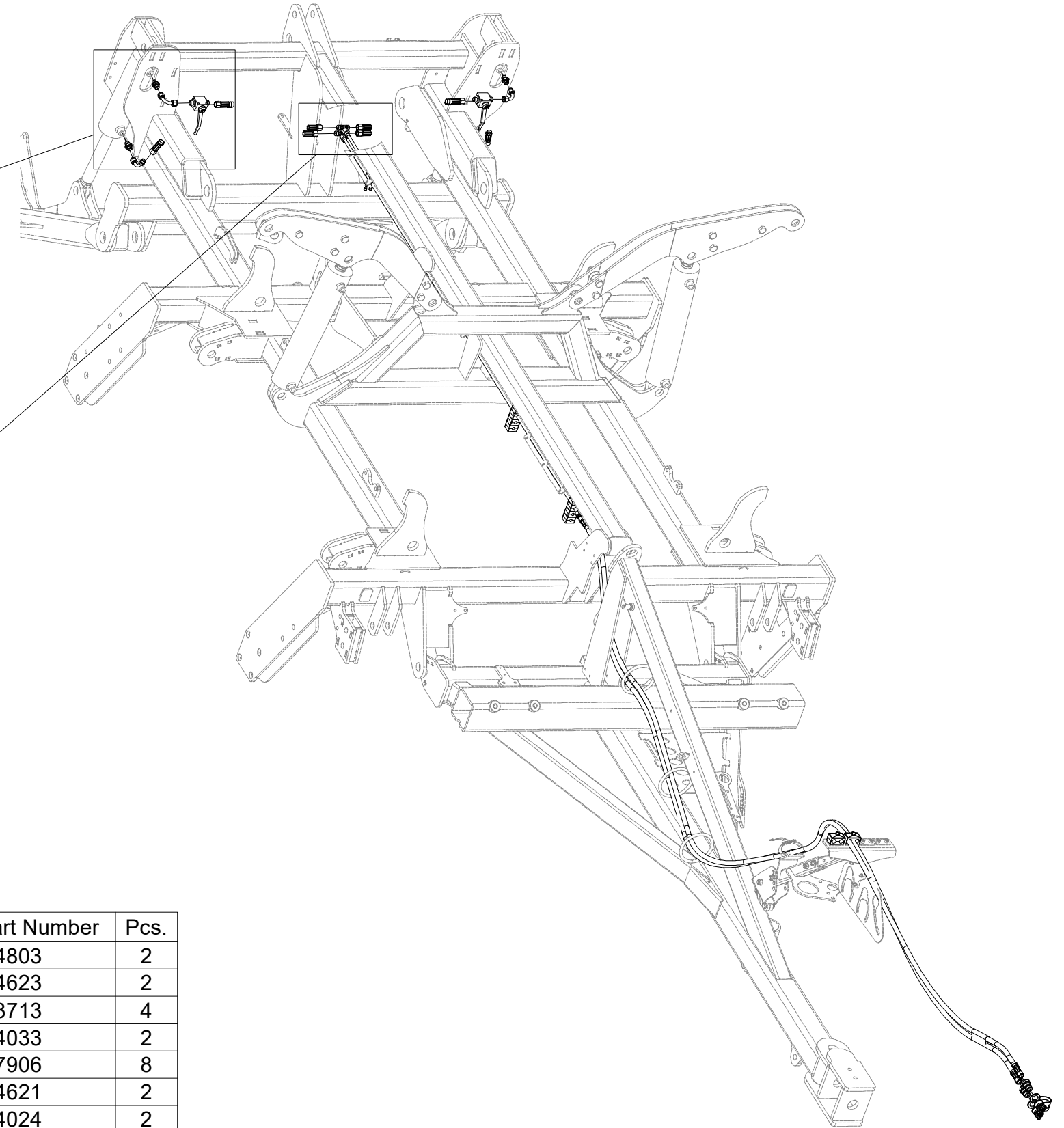
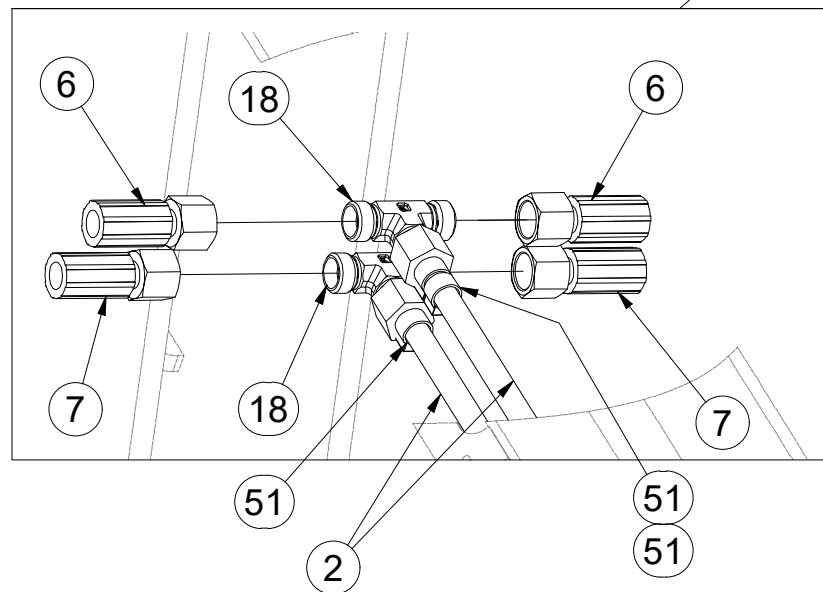
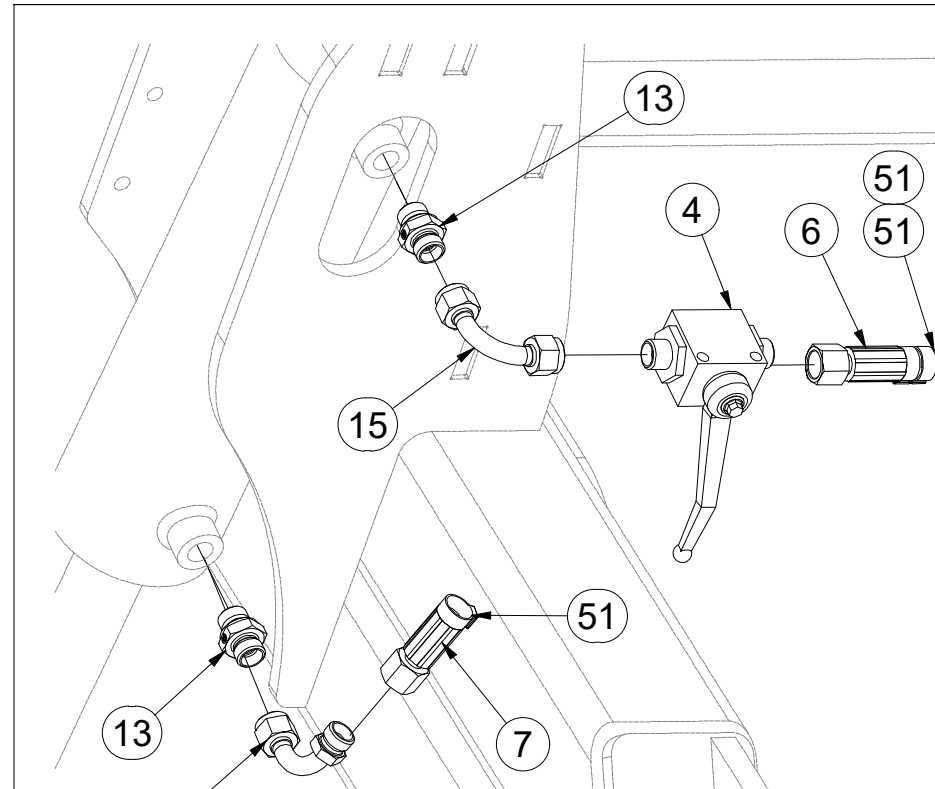
ⒼB MACHINE HYDRAULICS

Ⓔ RU ГИДРАВЛИКА МАШИНЫ

Ⓗ PL HYDRAULIKA MASZYN



VZ00045525



| Pos. | Part Number | Pcs. |
|------|-------------|------|
| 2 | m04803 | 2 |
| 4 | m04623 | 2 |
| 6 | m03713 | 4 |
| 7 | m04033 | 2 |
| 13 | m07906 | 8 |
| 15 | m04621 | 2 |
| 17 | m04024 | 2 |
| 18 | m03889 | 4 |
| 51 | m11289 | 15 |

Ⓒ HYDRAULIKA STROJE

Ⓓ HYDRAULIK DER MASCHINE

Ⓕ HYDRAULIQUE DE LA MACHINE

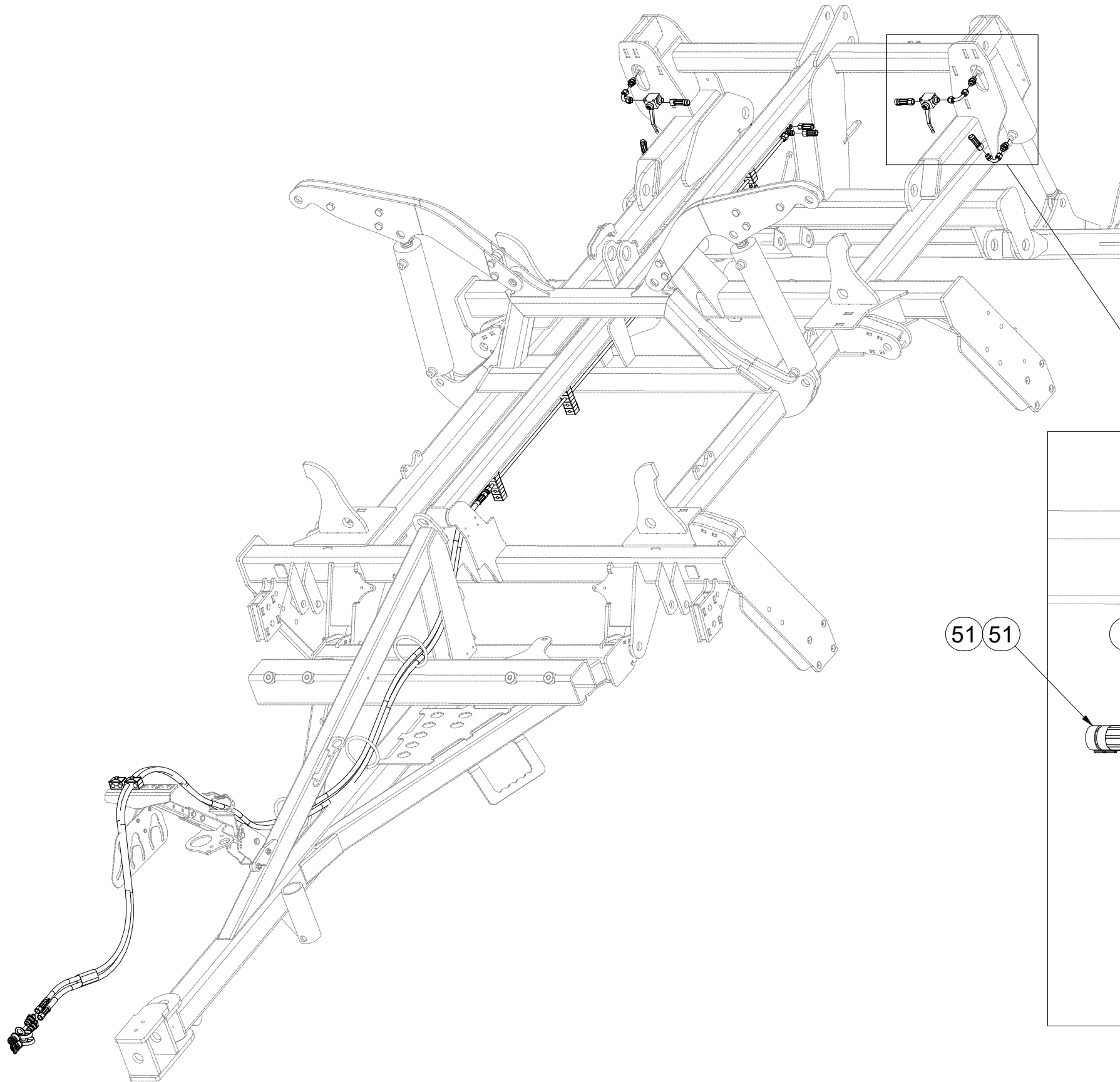
Ⓖ MACHINE HYDRAULICS

Ⓡ ГИДРАВЛИКА МАШИНЫ

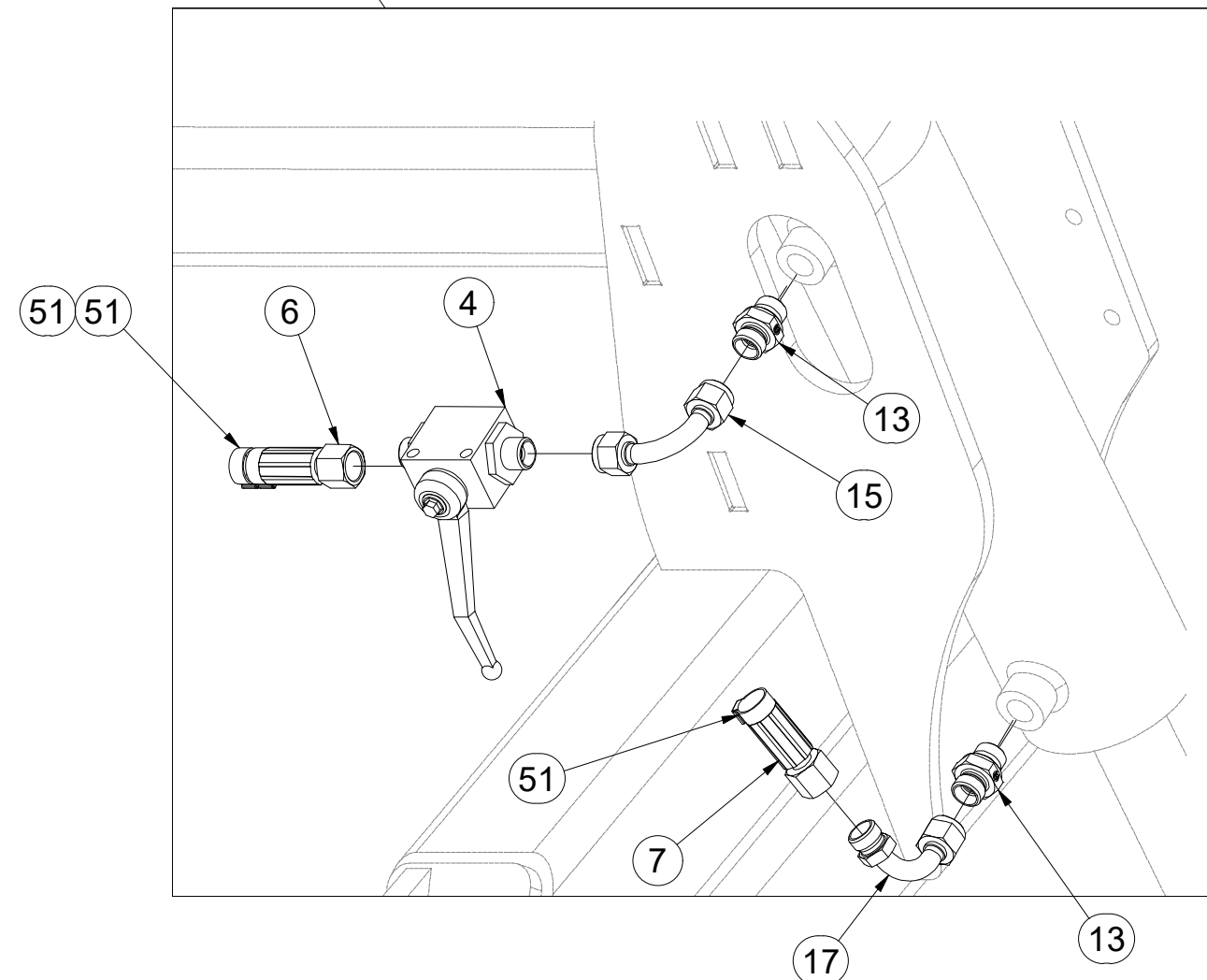
Ⓟ HYDRAULIKA MASZYNY



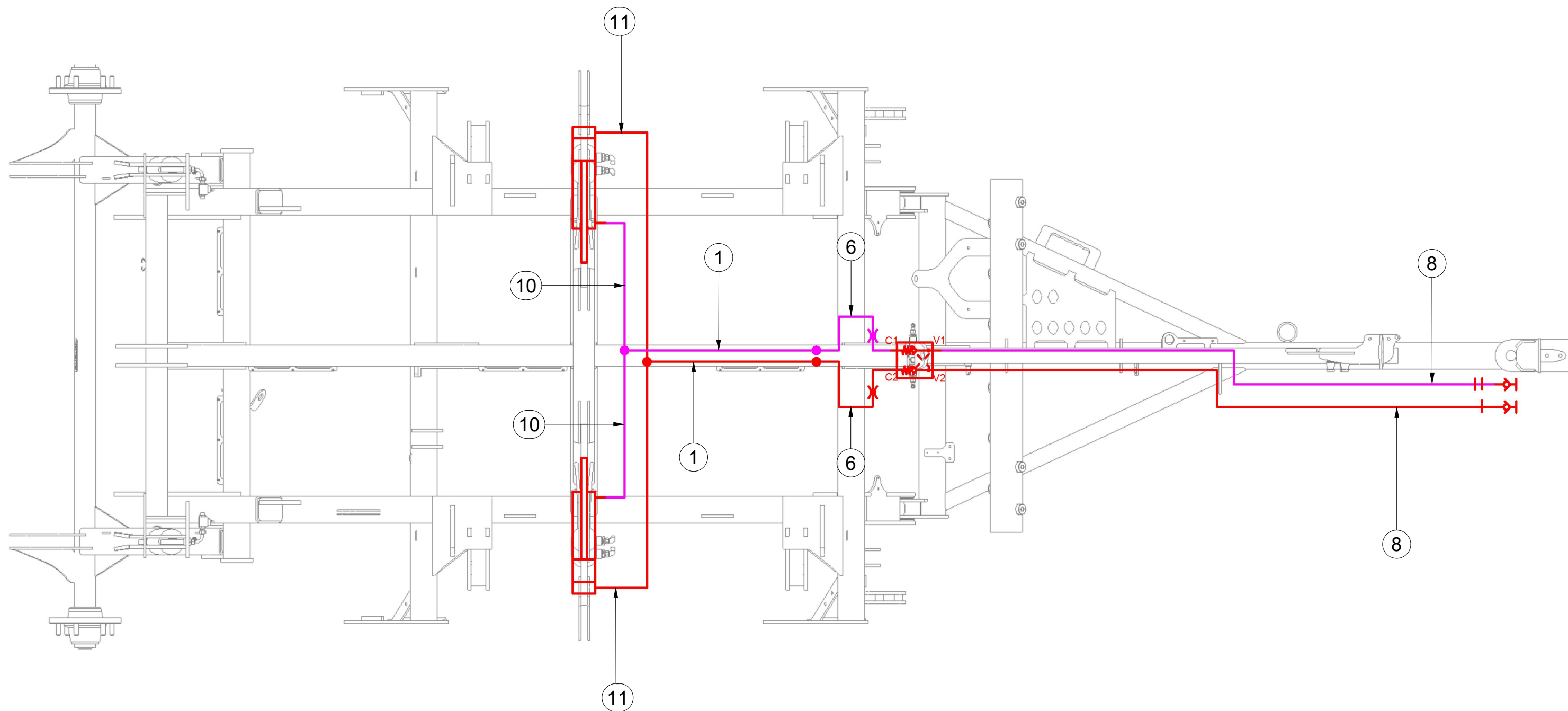
VZ00045525



| Pos. | Part Number | Pcs. |
|------|-------------|------|
| 4 | m04623 | 2 |
| 6 | m03713 | 4 |
| 7 | m04033 | 2 |
| 13 | m07906 | 8 |
| 15 | m04621 | 2 |
| 17 | m04024 | 2 |
| 51 | m11289 | 15 |



VZ00045525



| Pos. | Part Number | Pcs. |
|------|-------------|------|
| 1 | m03975 | 2 |
| 6 | m03713 | 4 |
| 8 | m18092 | 2 |
| 10 | m07646 | 2 |
| 11 | m07909 | 2 |

Ⓒ HYDRAULIKA STROJE

Ⓓ HYDRAULIK DER MASCHINE

Ⓕ HYDRAULIQUE DE LA MACHINE

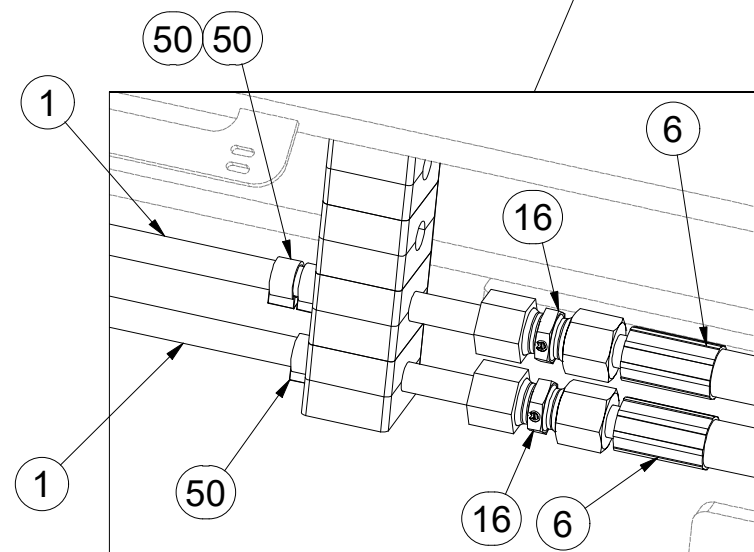
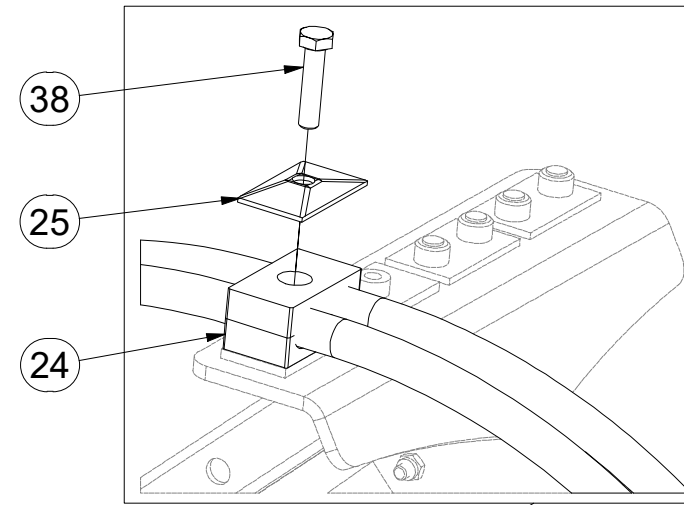
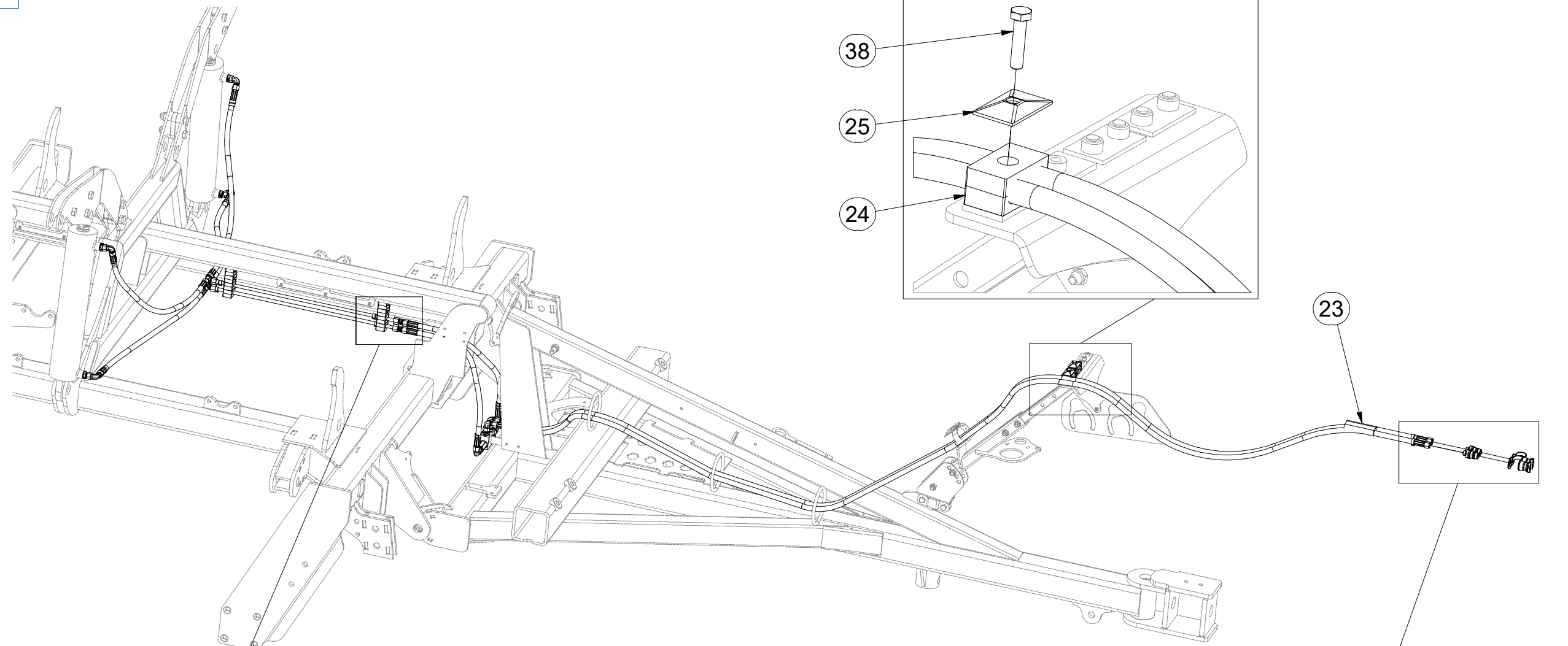
Ⓖ MACHINE HYDRAULICS

Ⓡ ГИДРАВЛИКА МАШИНЫ

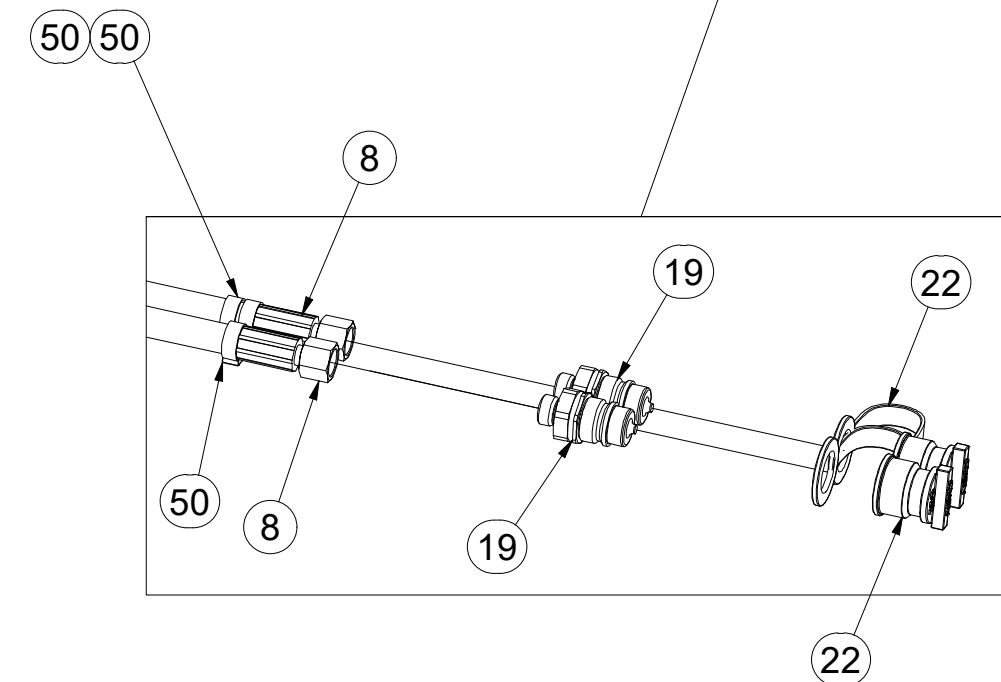
Ⓟ HYDRAULIKA MASZYNY



VZ00045525



| Pos. | Part Number | Pcs. |
|------|-------------|------|
| 1 | m03975 | 2 |
| 6 | m03713 | 4 |
| 8 | m18092 | 2 |
| 16 | m03213 | 4 |
| 19 | m03849 | 4 |
| 22 | m04022 | 2 |
| 23 | m11183 | 2 |
| 24 | m04171 | 2 |
| 25 | m04173 | 2 |
| 38 | m25310 | 2 |
| 50 | m11294 | 21 |



ⒸZ HYDRAULIKA STROJE

Ⓓ HYDRAULIK DER MASCHINE

Ⓕ HYDRAULIQUE DE LA MACHINE

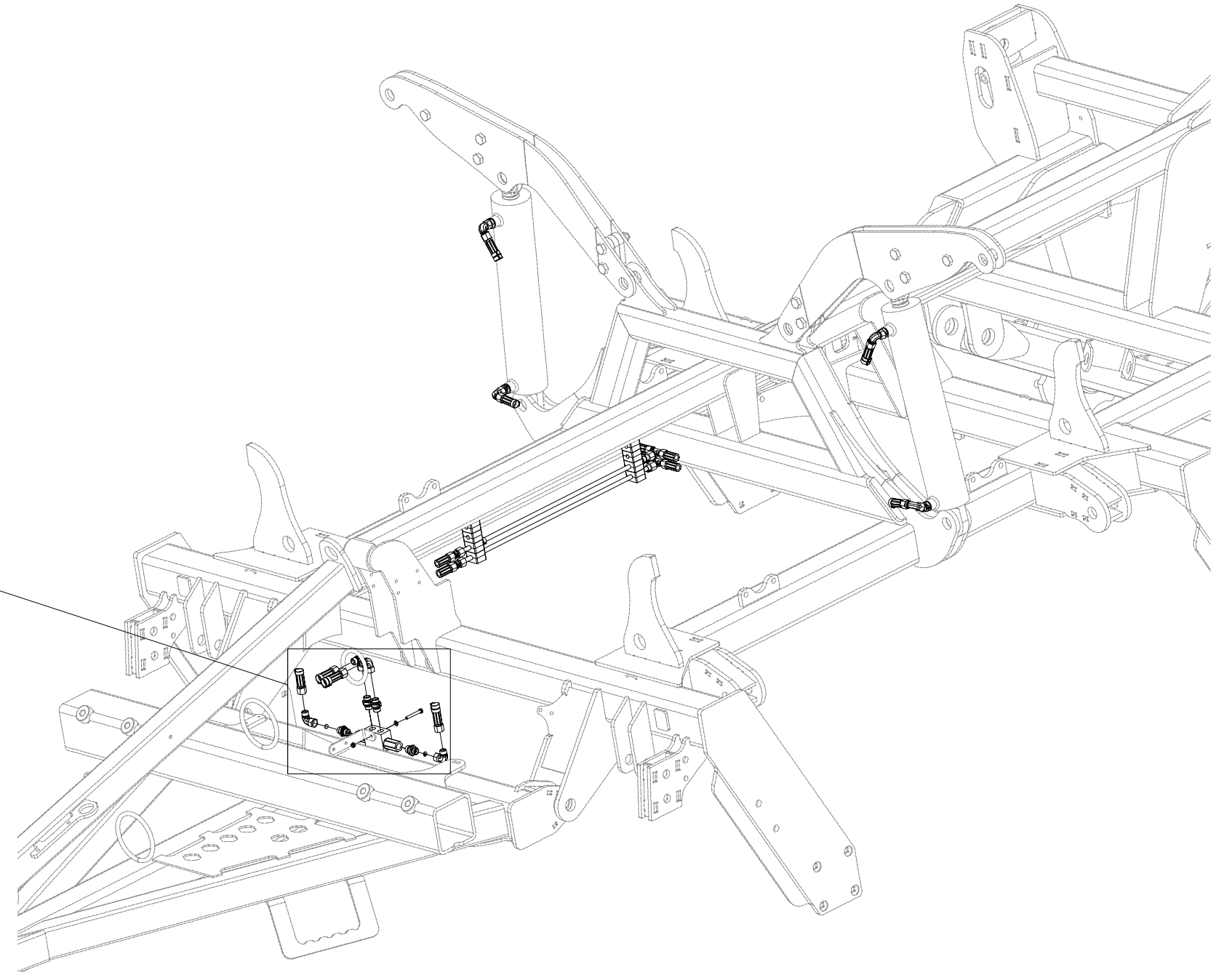
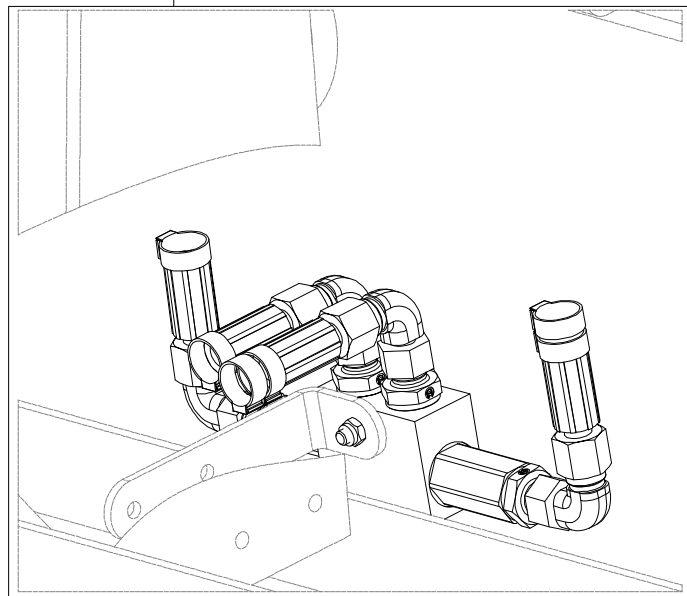
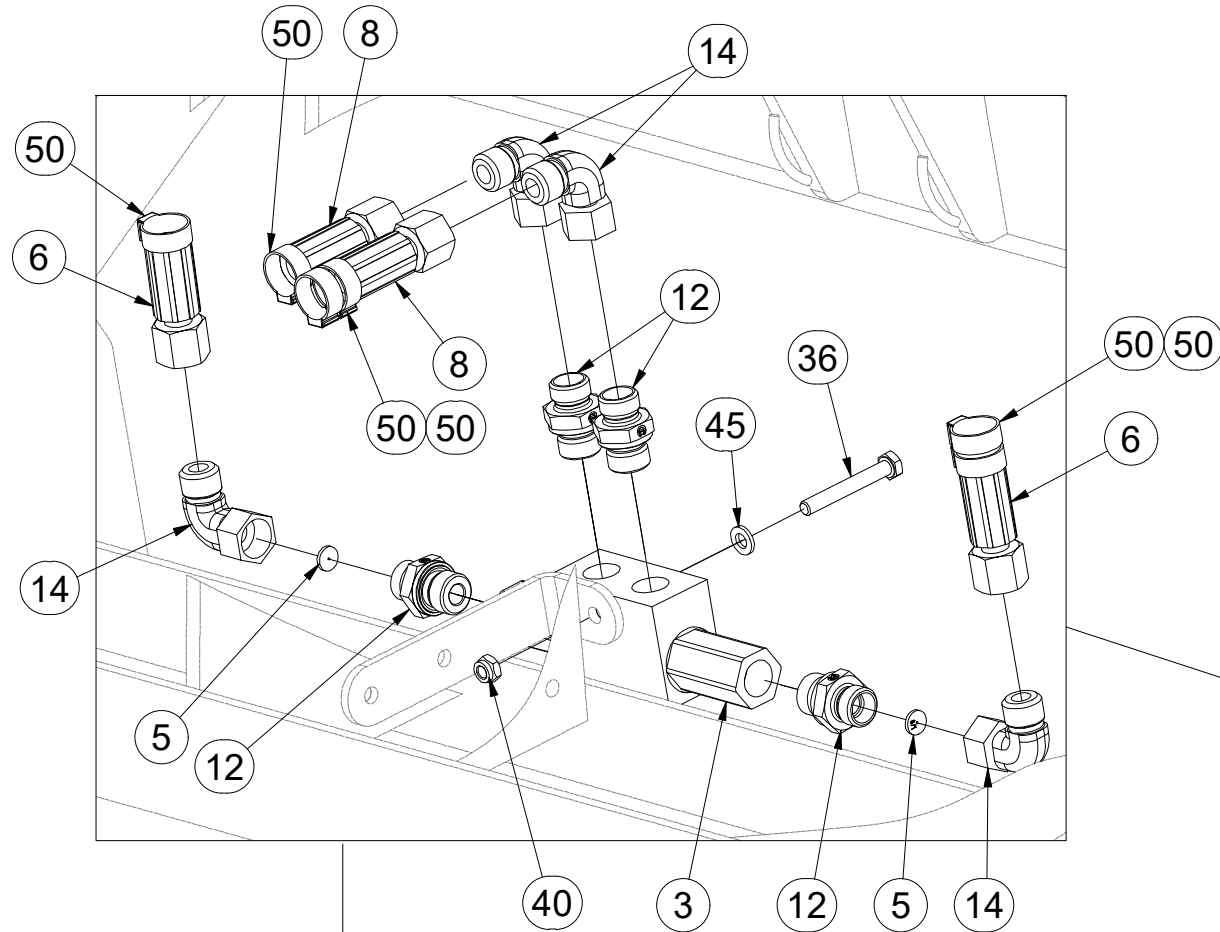
ⒼB MACHINE HYDRAULICS

ⒺU ГИДРАВЛИКА МАШИНЫ

ⒽL HYDRAULIKA MASZYN



VZ00045525



| Pos. | Part Number | Pcs. |
|------|-------------|------|
| 3 | m06673 | 1 |
| 5 | m10780 | 2 |
| 6 | m03713 | 4 |
| 8 | m18092 | 2 |
| 12 | m06528 | 4 |
| 14 | m06803 | 8 |
| 36 | m05561 | 1 |
| 40 | m05560 | 1 |
| 45 | m01199 | 1 |
| 50 | m11294 | 21 |

ⒸZ HYDRAULIKA STROJE

Ⓓ HYDRAULIK DER MASCHINE

Ⓕ HYDRAULIQUE DE LA MACHINE

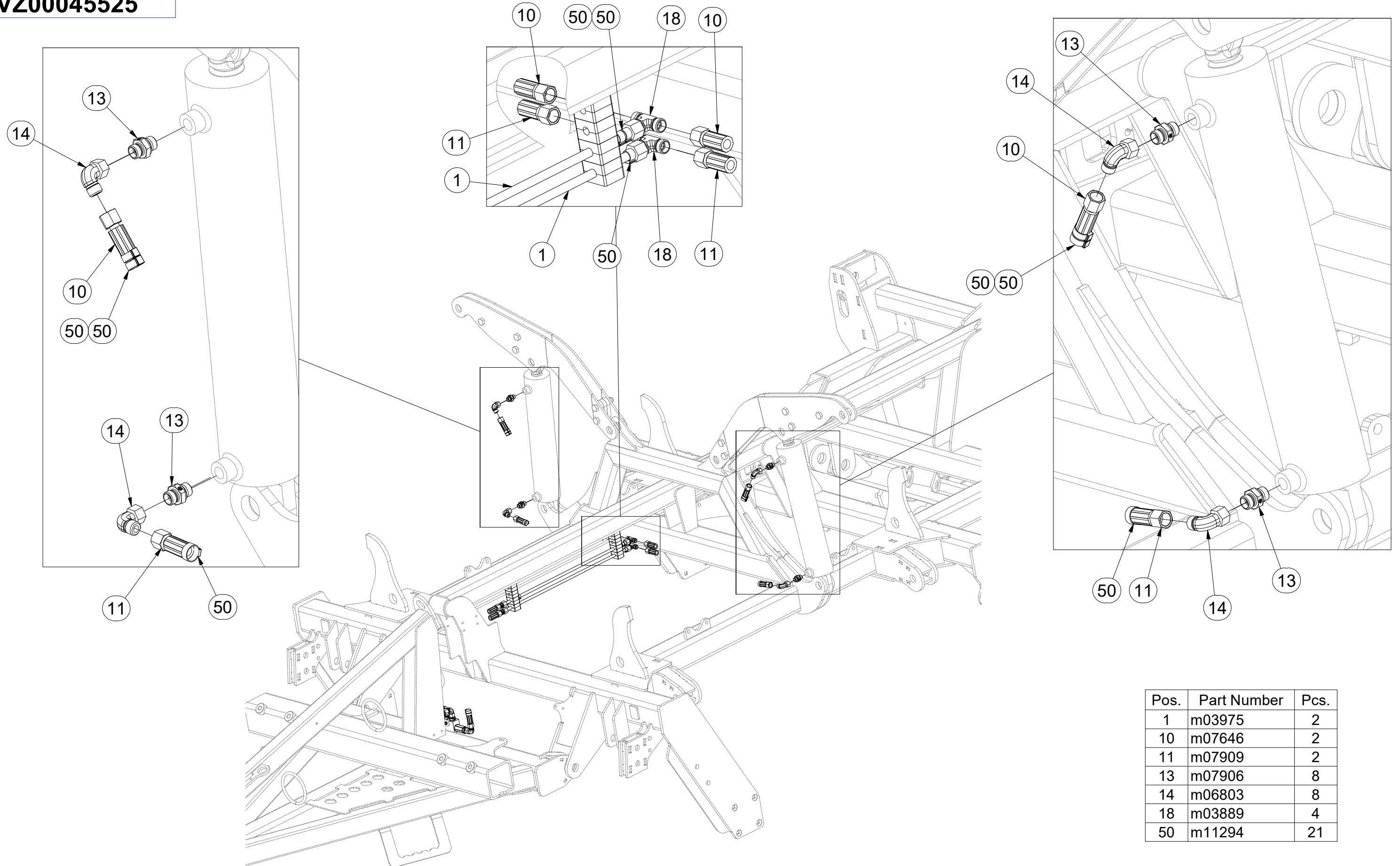
ⒼB MACHINE HYDRAULICS

Ⓔ RU ГИДРАВЛИКА МАШИНЫ

Ⓗ PL HYDRAULIKA MASZYN



VZ00045525

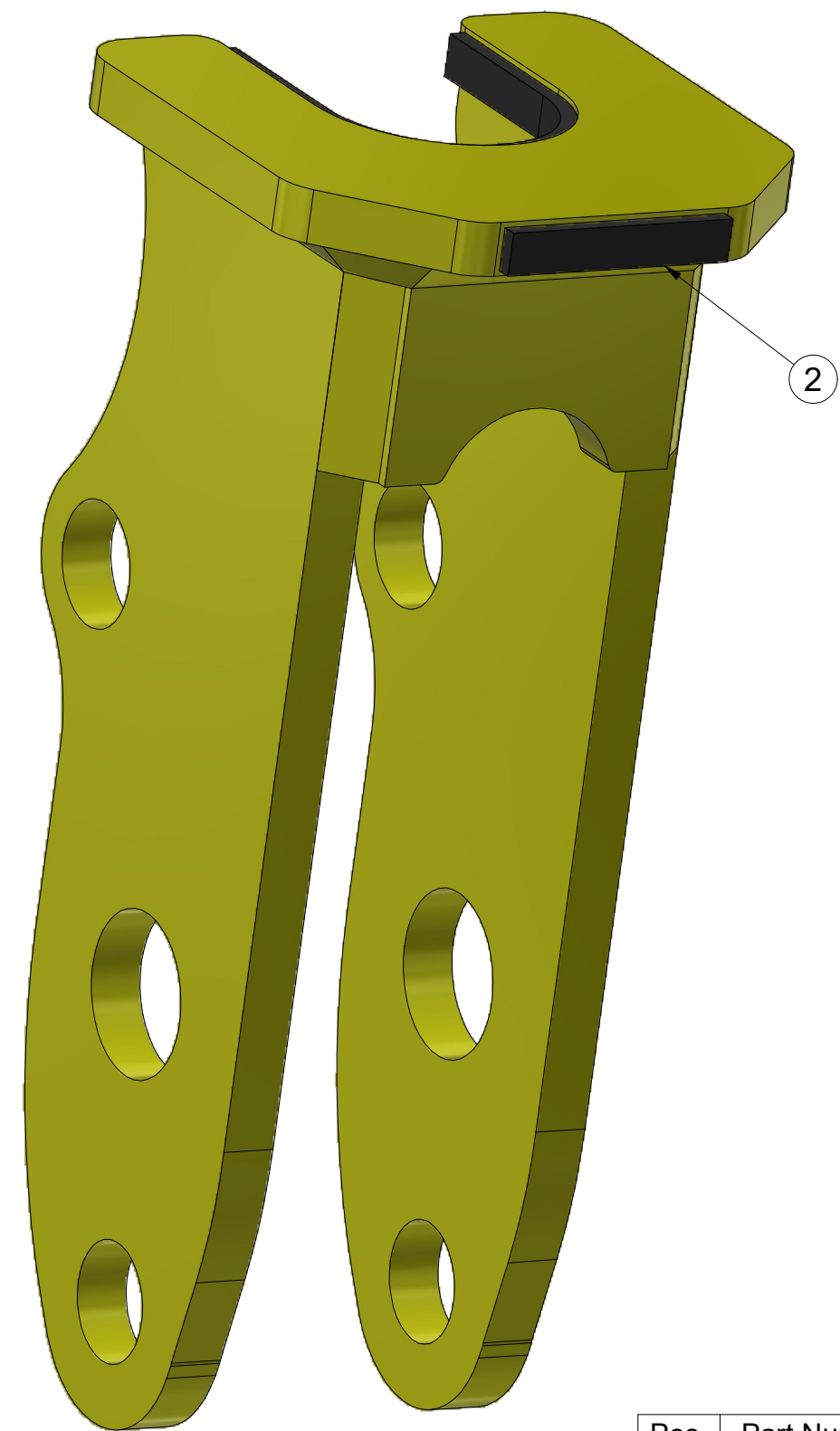
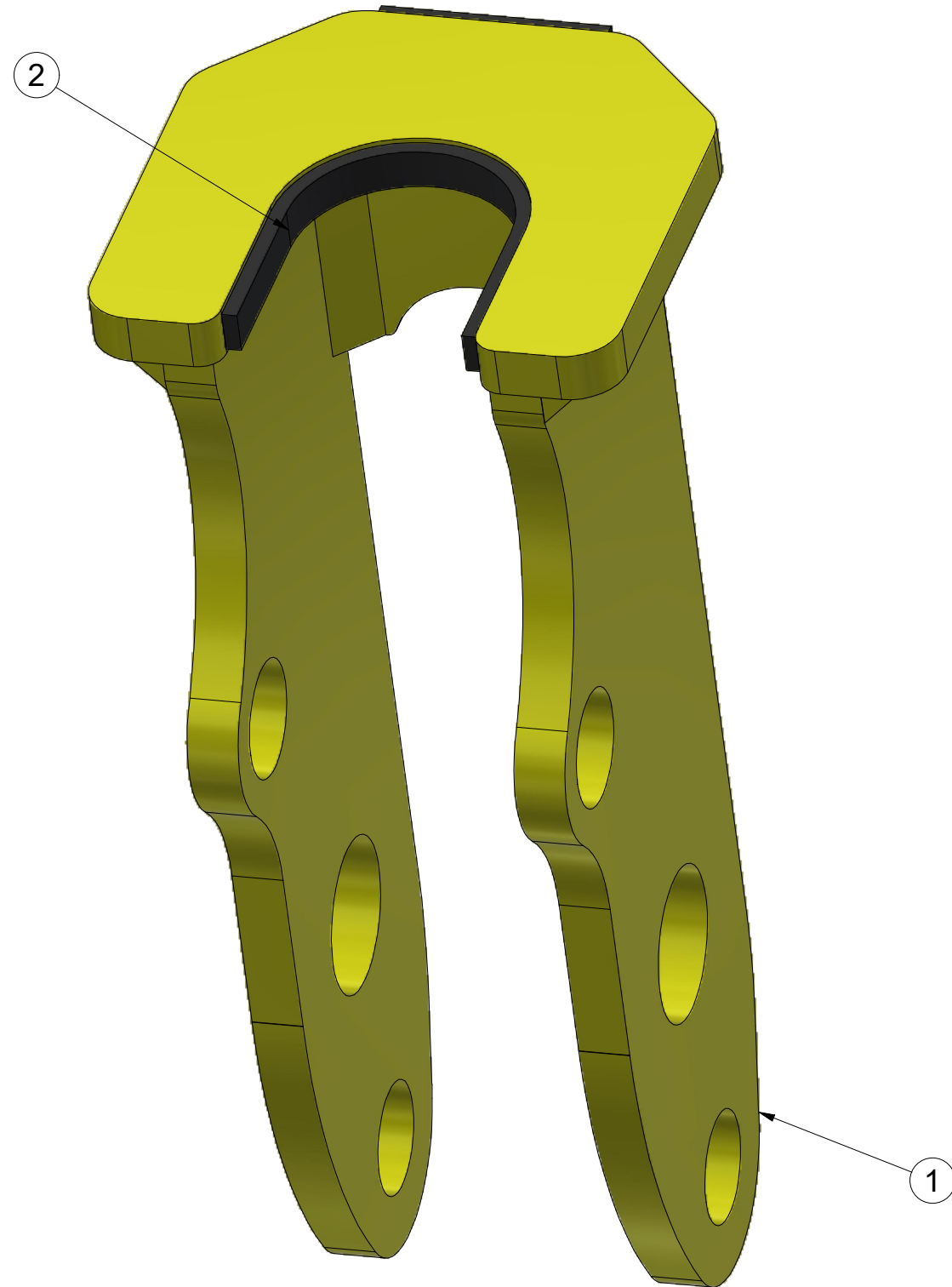


| Pos. | Part Number | Pcs. |
|------|-------------|------|
| 1 | m03975 | 2 |
| 10 | m07646 | 2 |
| 11 | m07909 | 2 |
| 13 | m07906 | 8 |
| 14 | m06803 | 8 |
| 18 | m03889 | 4 |
| 50 | m11294 | 21 |

☉ SADA DORAZŮ
☉ ANSCHLAGSATZ
☉ KIT DE BUTÉES

4022352

☉ SET OF BAR STOPS
☉ КОМПЛЕКТ УПОРОВ
☉ ZESTAW DOCISKÓW



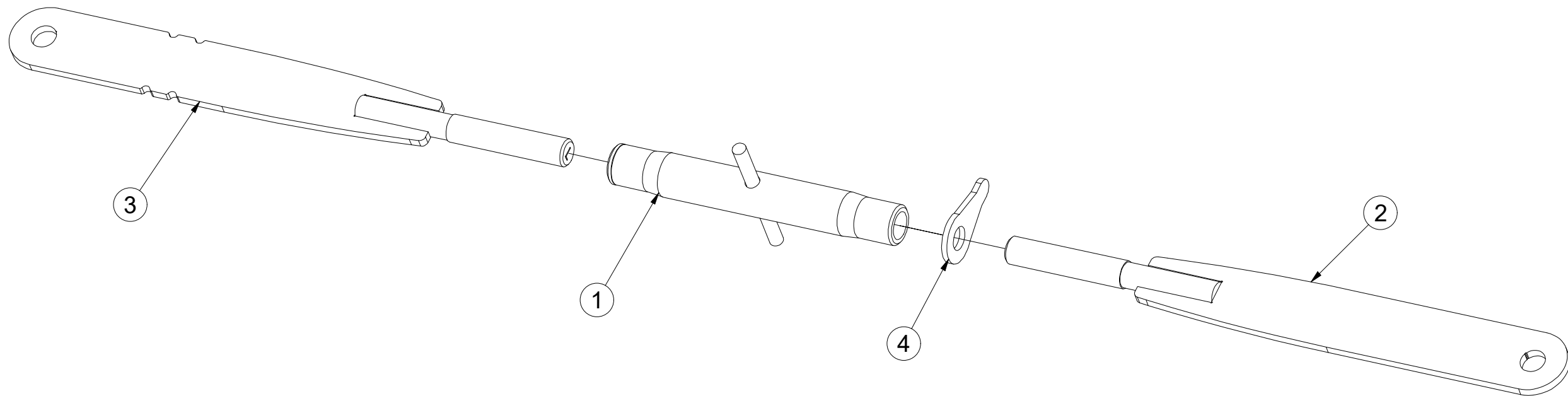
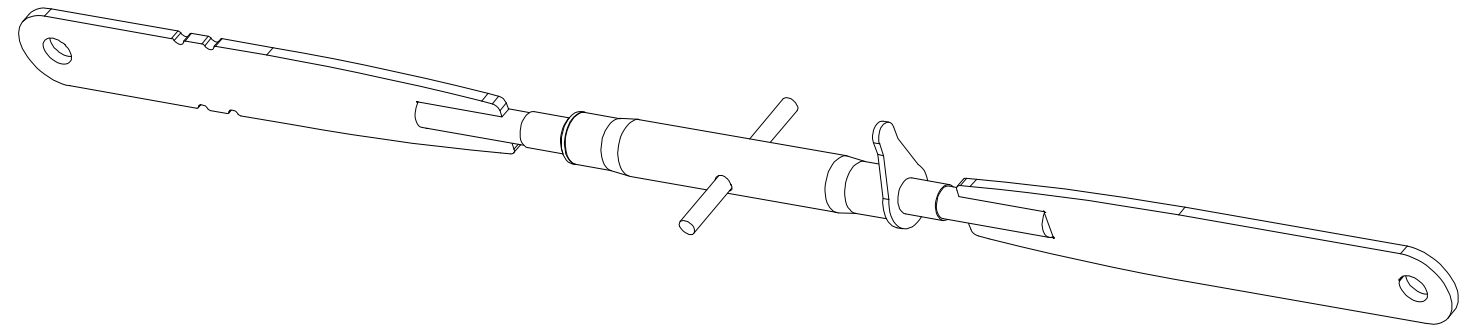
| Pos. | Part Number | Pcs. |
|------|-------------|---------|
| 1 | 3011045 | 1 |
| 2 | m09566 | 0,225 m |

Ⓒ SPOJOVACÍ TÁHLO
Ⓓ VERBINDUNGSSTANGE
Ⓕ TIGE DE RACCORDEMENT

Ⓖ CONNECTING ROD
Ⓡ СОЕДИНИТЕЛЬНАЯ ТЯГА
Ⓟ KORBOWÓD

Farmet

4003966



| Pos. | Part Number | Pcs. |
|------|-------------|------|
| 1 | m08880 | 1 |
| 2 | 4023421 | 1 |
| 3 | 4023423 | 1 |
| 4 | m08881 | 1 |

ⒸZ TÁHLO SKLÁPĚNÍ

Ⓓ ZUGSTANGE ZUR KIPPUNG

Ⓕ TIGES DE L'ESSIEU

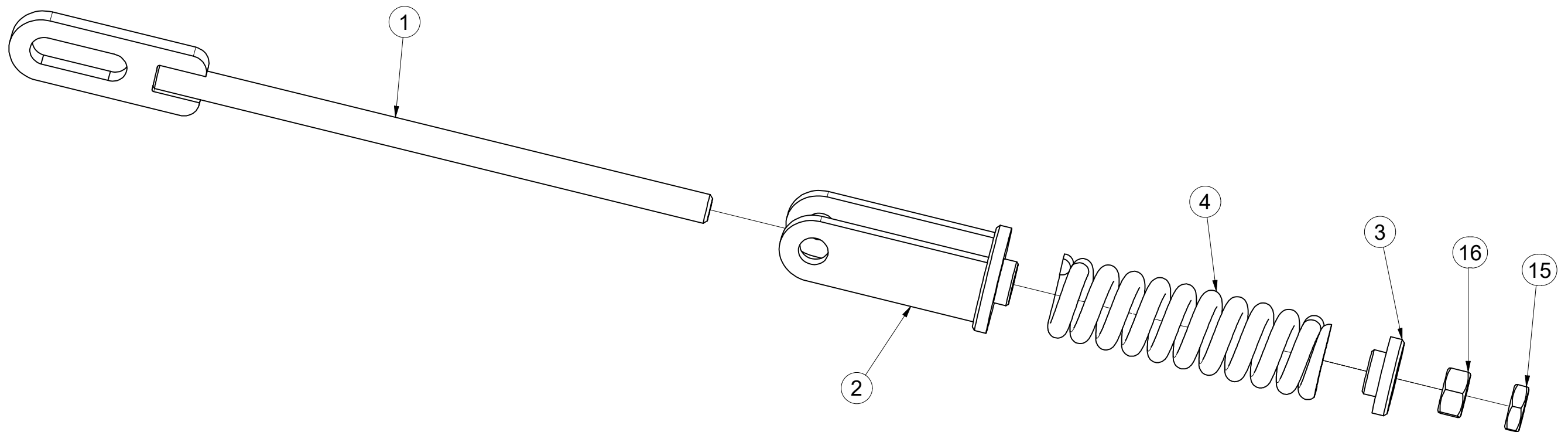
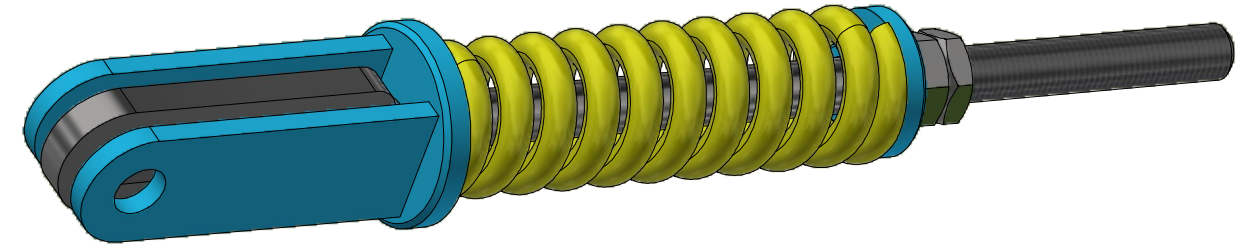
4005363

ⒼB TILTING PULL ROD

ⒺU ТЯГИ ТРАНСПОРТНОЙ ОСИ

ⒽL SPRZĘGI OSI

Farmet



| Pos. | Part Number | Pcs. |
|------|-------------|------|
| 1 | 4005358 | 1 |
| 2 | 4005361 | 1 |
| 3 | 4000023 | 1 |
| 4 | m06482 | 1 |
| 15 | m04043 | 1 |
| 16 | m01309 | 1 |

ⒸZ OJ MONT

Ⓓ DEICHSEL MONTIERT

Ⓕ TIMON MONTÉ

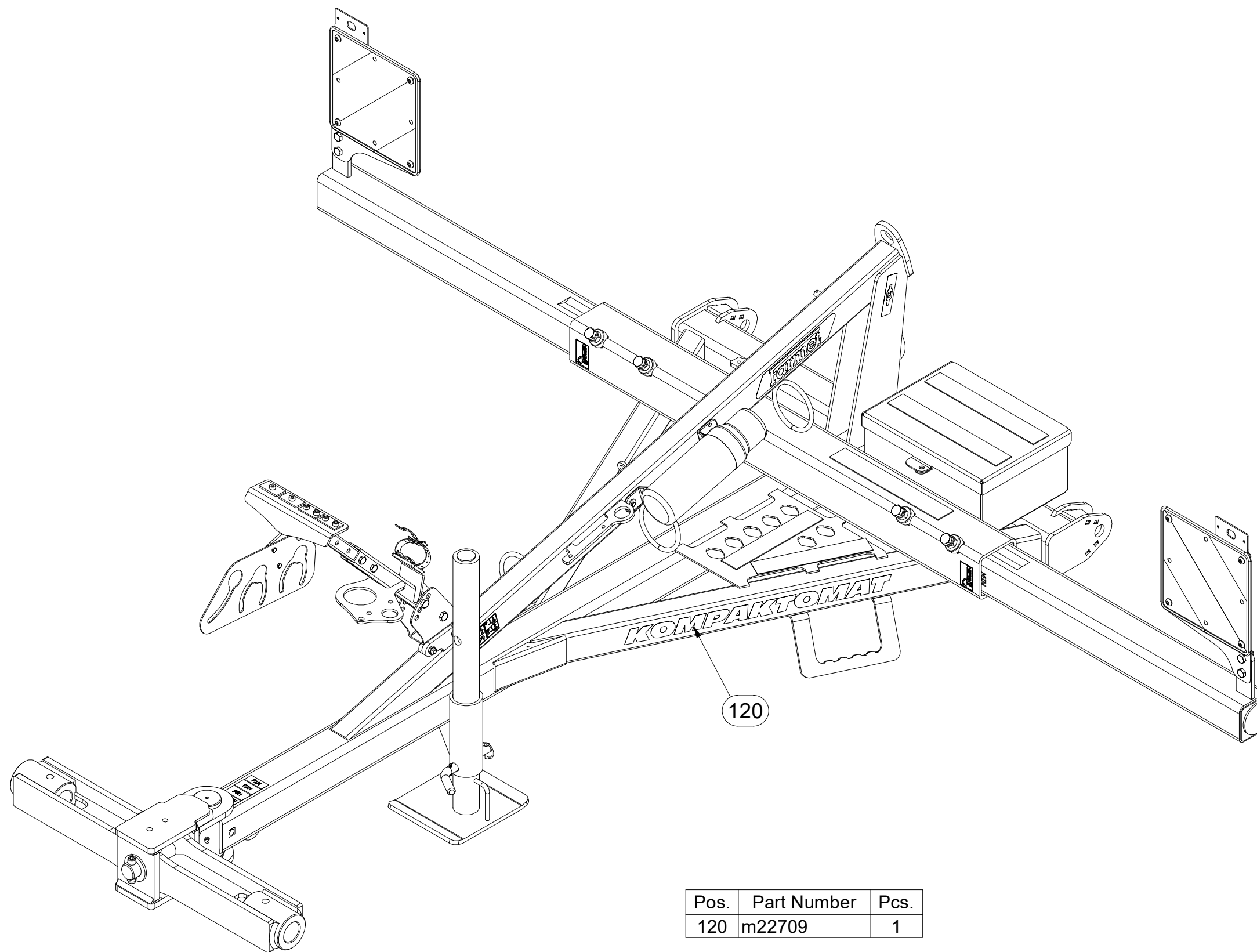
VZ00045541

ⒼB MONT DRAWBAR

Ⓔ RU ДЫШЛО МОНТ

ⒼL DYSZEL MONT

Farmet



| Pos. | Part Number | Pcs. |
|------|-------------|------|
| 120 | m22709 | 1 |

ⒸZ OJ MONT

Ⓓ DEICHSEL MONTIERT

Ⓕ TIMON MONTÉ

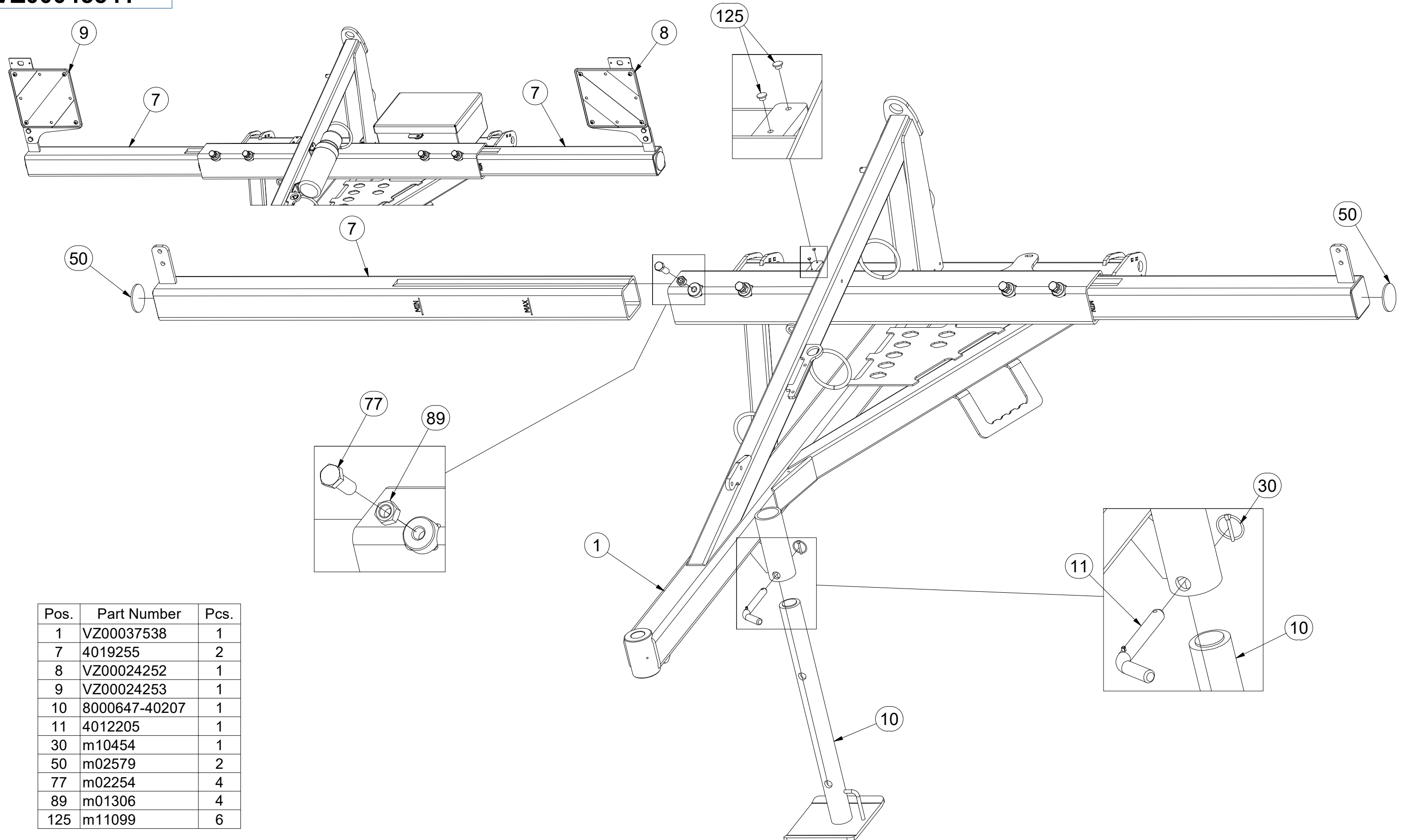
ⒼB MONT DRAWBAR

Ⓔ RU ДЫШЛО МОНТ

ⒼL DYSZEL MONT



VZ00045541



| Pos. | Part Number | Pcs. |
|------|---------------|------|
| 1 | VZ00037538 | 1 |
| 7 | 4019255 | 2 |
| 8 | VZ00024252 | 1 |
| 9 | VZ00024253 | 1 |
| 10 | 8000647-40207 | 1 |
| 11 | 4012205 | 1 |
| 30 | m10454 | 1 |
| 50 | m02579 | 2 |
| 77 | m02254 | 4 |
| 89 | m01306 | 4 |
| 125 | m11099 | 6 |

ⒸZ OJ MONT

Ⓓ DEICHSEL MONTIERT

Ⓕ TIMON MONTÉ

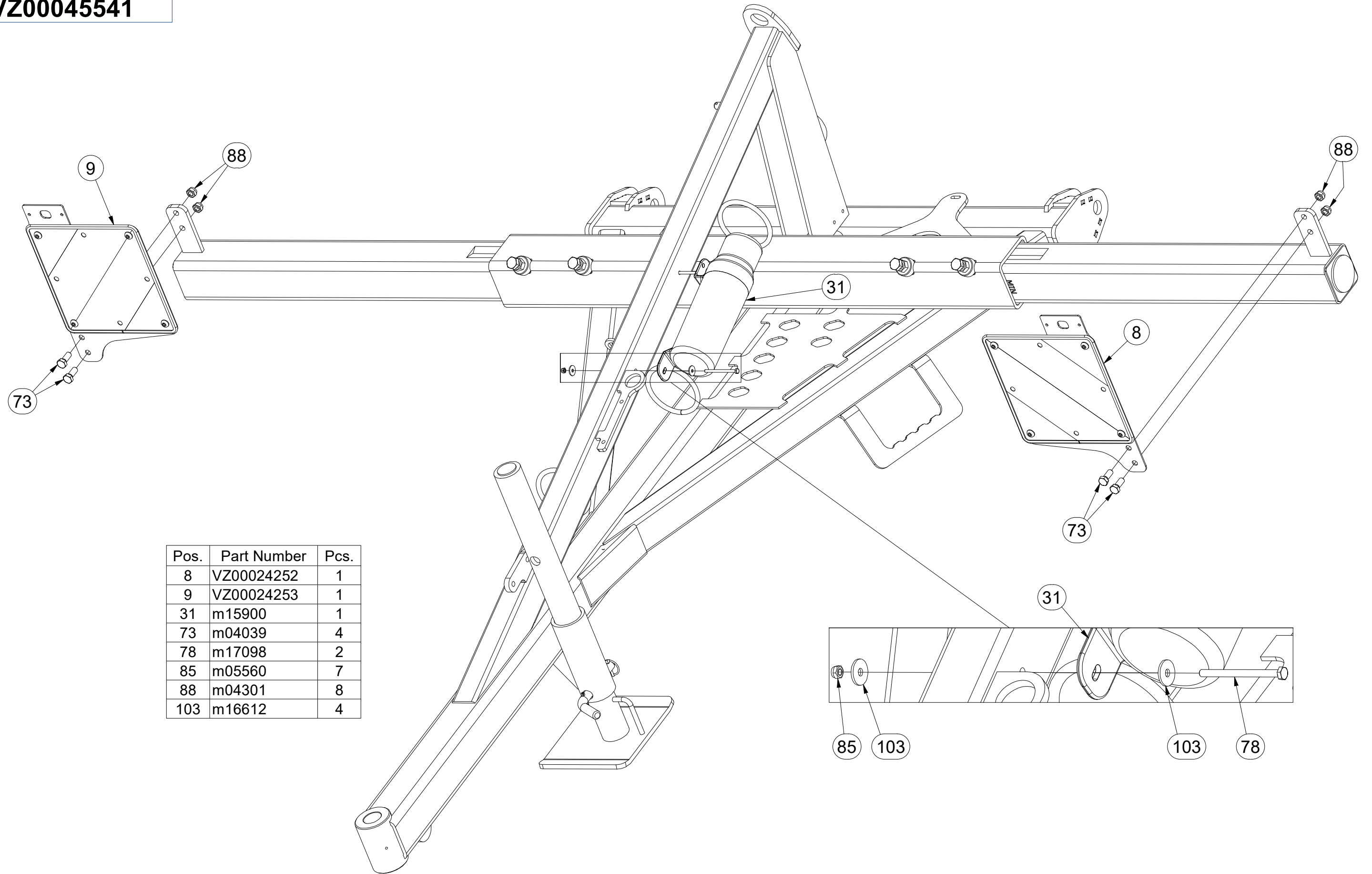
ⒼB MONT DRAWBAR

Ⓔ RU ДЫШЛО МОНТ

ⒼL DYSZEL MONT



VZ00045541



| Pos. | Part Number | Pcs. |
|------|-------------|------|
| 8 | VZ00024252 | 1 |
| 9 | VZ00024253 | 1 |
| 31 | m15900 | 1 |
| 73 | m04039 | 4 |
| 78 | m17098 | 2 |
| 85 | m05560 | 7 |
| 88 | m04301 | 8 |
| 103 | m16612 | 4 |

ⒸZ OJ MONT

Ⓓ DEICHSEL MONTIERT

Ⓕ TIMON MONTÉ

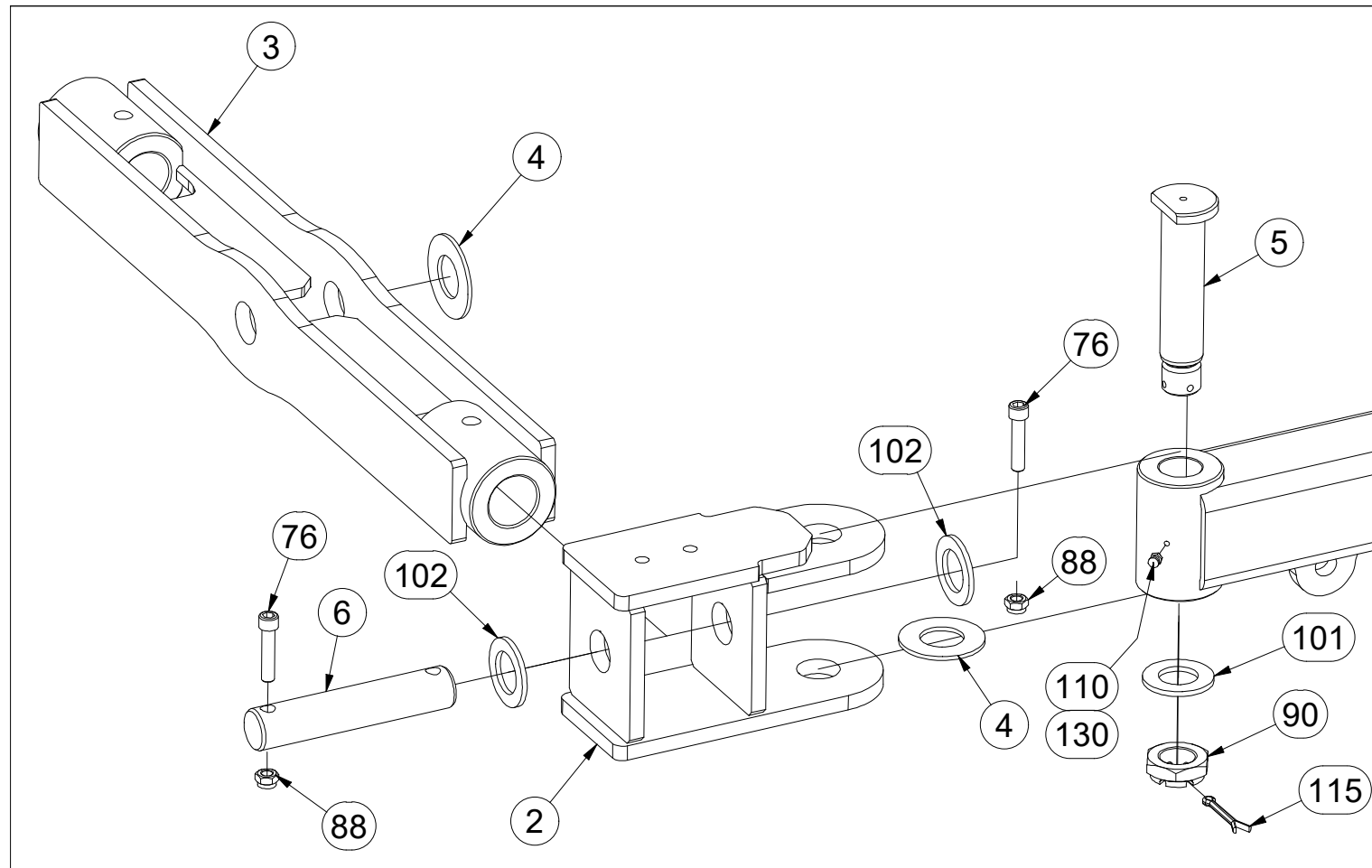
ⒼB MONT DRAWBAR

Ⓐ RU ДЫШЛО МОНТ

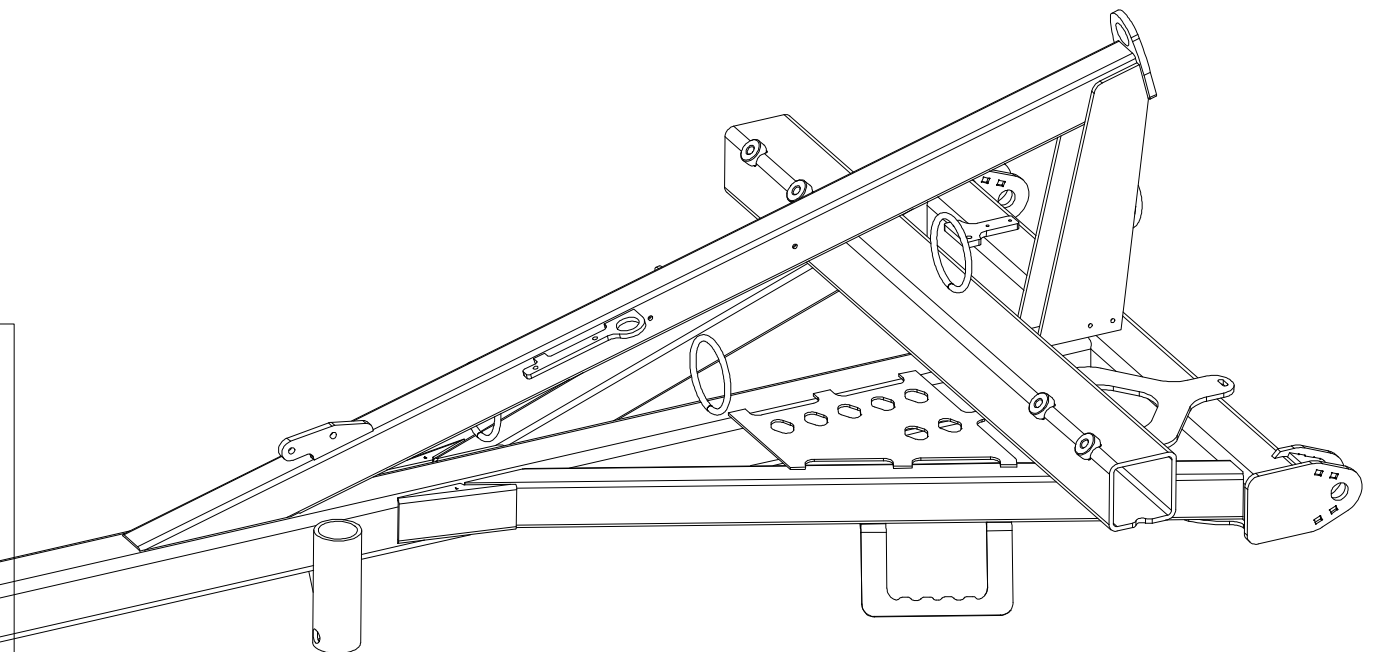
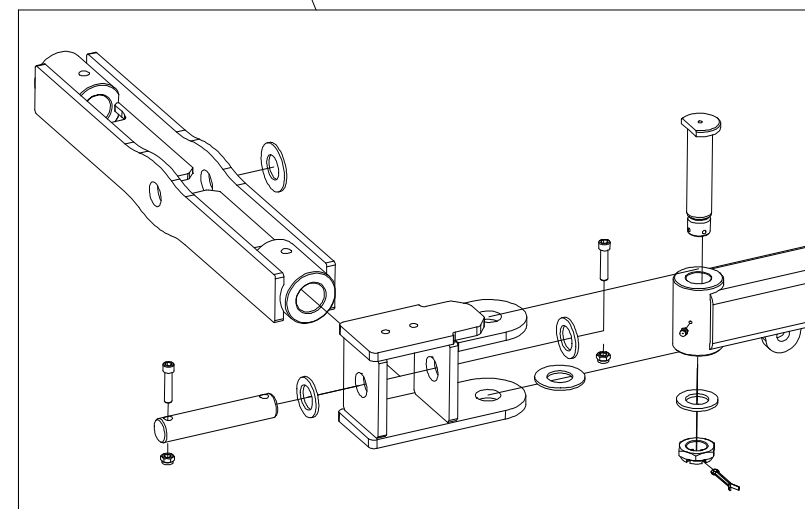
Ⓐ PL DYSZEL MONT



VZ00045541



| Pos. | Part Number | Pcs. |
|------|-------------|----------|
| 2 | 3009637 | 1 |
| 3 | 3003787 | 1 |
| 4 | 4003744 | 2 |
| 5 | 4008049 | 1 |
| 6 | 4014570 | 1 |
| 76 | m14008 | 2 |
| 88 | m04301 | 8 |
| 90 | m02533 | 1 |
| 101 | m03866 | 1 |
| 102 | 4013139 | 2 |
| 110 | m10451 | 1 |
| 115 | m03959 | 1 |
| 130 | m01999 | 0,100 kg |



ⒸZ OJ MONT

Ⓓ DEICHSEL MONTIERT

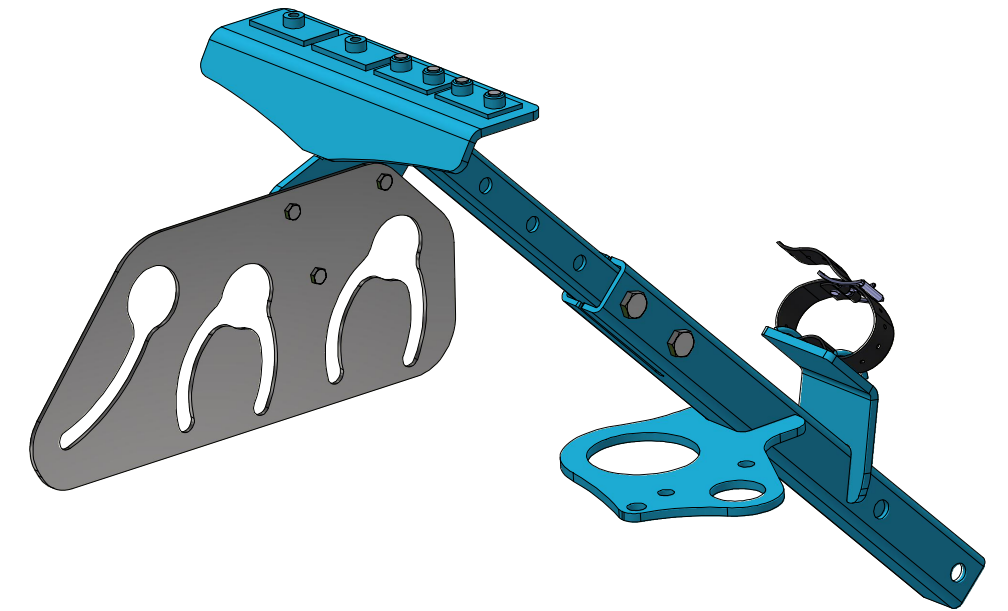
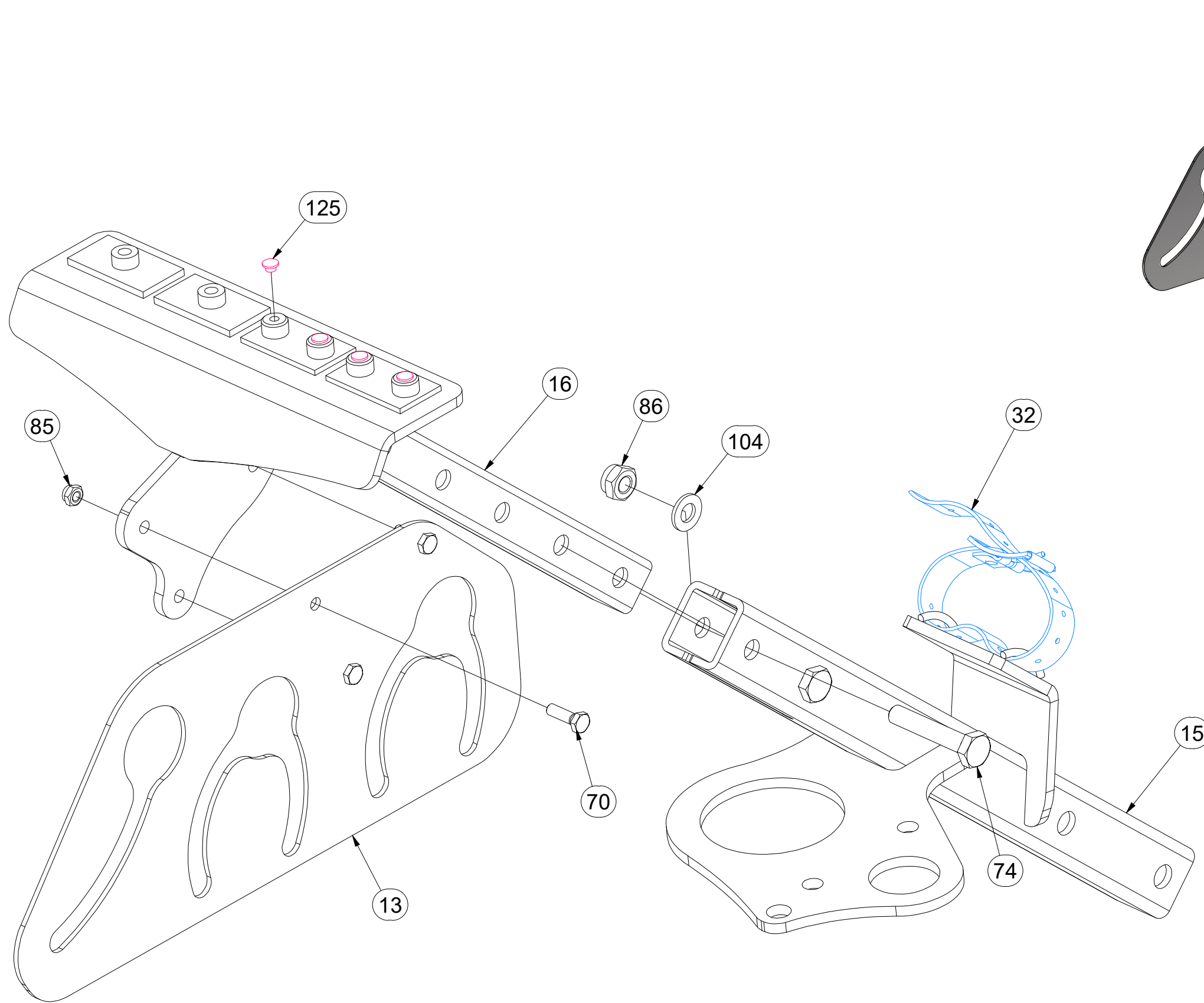
Ⓕ TIMON MONTÉ

VZ00045541

ⒼB MONT DRAWBAR

ⒺU ДЫШЛО МОНТ

ⒼL DYSZEL MONT



| Pos. | Part Number | Pcs. |
|------|-------------|------|
| 13 | VZ00044410 | 1 |
| 15 | VZ00040190 | 1 |
| 16 | VZ00040225 | 1 |
| 32 | m20319 | 1 |
| 70 | m01074 | 5 |
| 74 | m06253 | 2 |
| 85 | m05560 | 7 |
| 86 | m03775 | 4 |
| 104 | m01209 | 2 |
| 125 | m11099 | 6 |

ⒸZ OJ MONT

Ⓓ DEICHSEL MONTIERT

Ⓕ TIMON MONTÉ

VZ00045541

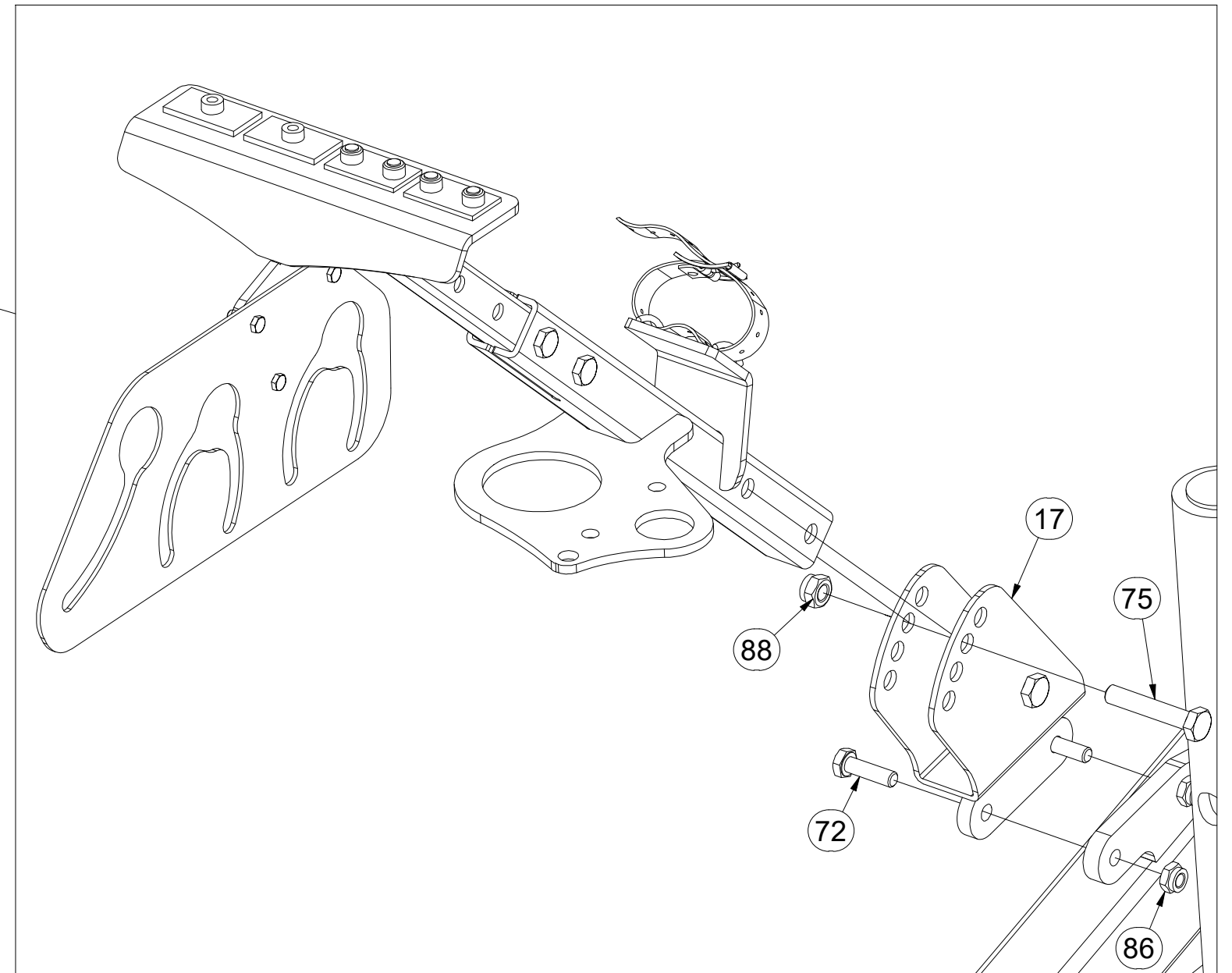
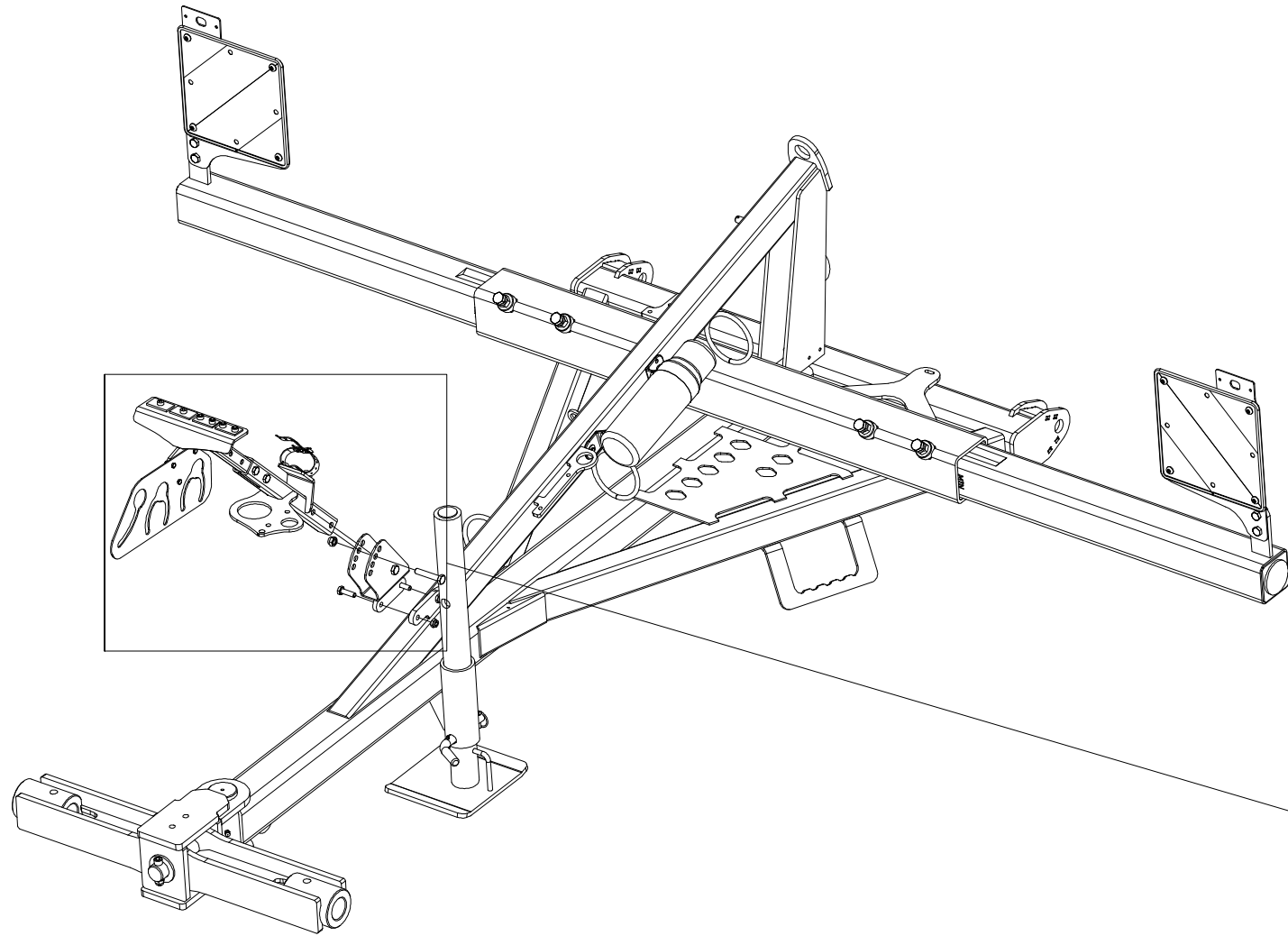
ⒸGB MONT DRAWBAR

ⒸRU ДЫШЛО МОНТ

ⒸPL DYSZEL MONT

Farmet

| Pos. | Part Number | Pcs. |
|------|-------------|------|
| 17 | VZ00040212 | 1 |
| 72 | m04613 | 2 |
| 75 | m05898 | 2 |
| 86 | m03775 | 4 |
| 88 | m04301 | 8 |



ⒸZ OJ MONT

Ⓓ DEICHSEL MONTIERT

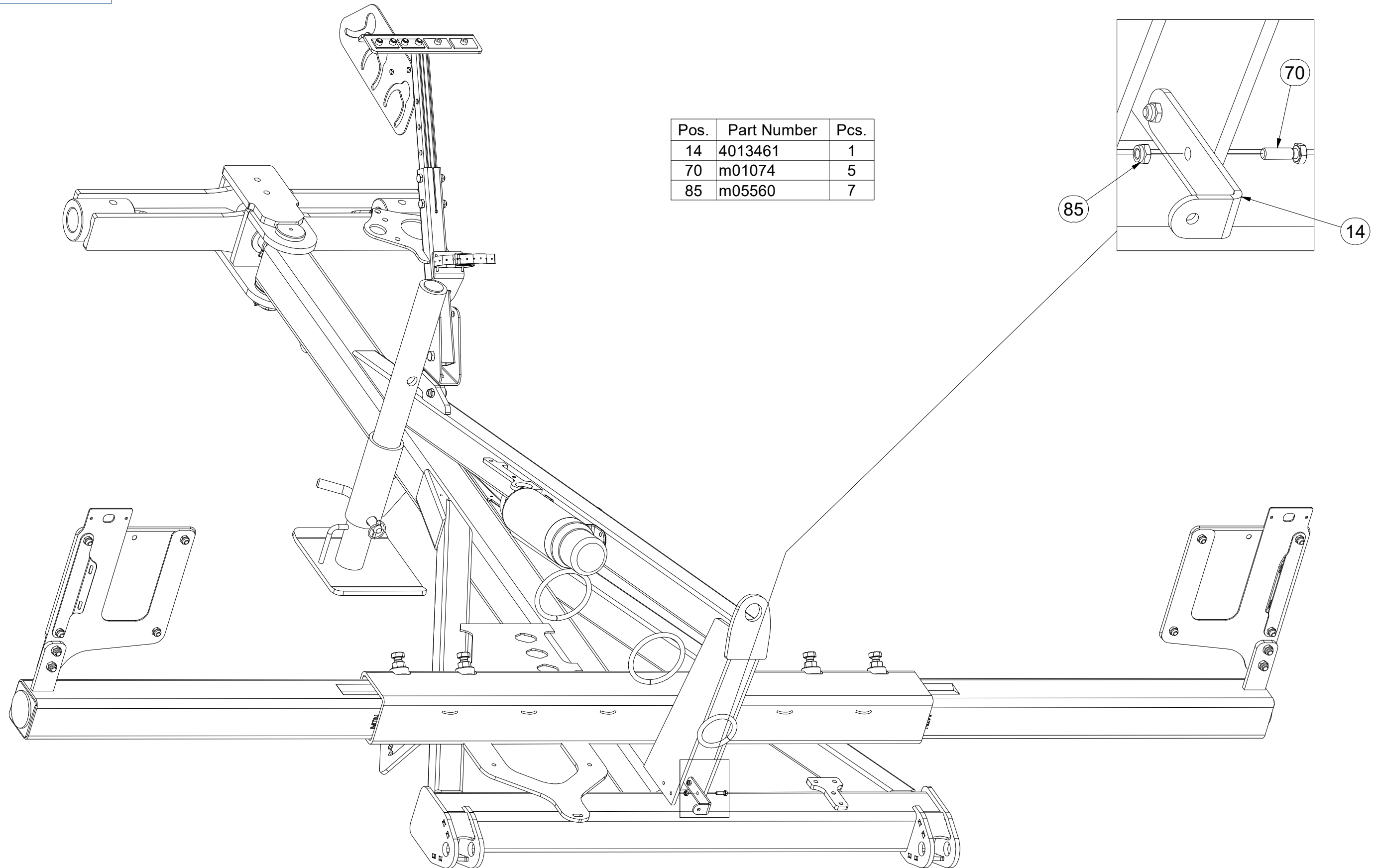
Ⓕ TIMON MONTÉ

VZ00045541

ⒼB MONT DRAWBAR

Ⓔ RU ДЫШЛО МОНТ

Ⓗ PL DYSZEL MONT



| Pos. | Part Number | Pcs. |
|------|-------------|------|
| 14 | 4013461 | 1 |
| 70 | m01074 | 5 |
| 85 | m05560 | 7 |

ⒸZ OJ MONT

Ⓓ DEICHSEL MONTIERT

Ⓕ TIMON MONTÉ

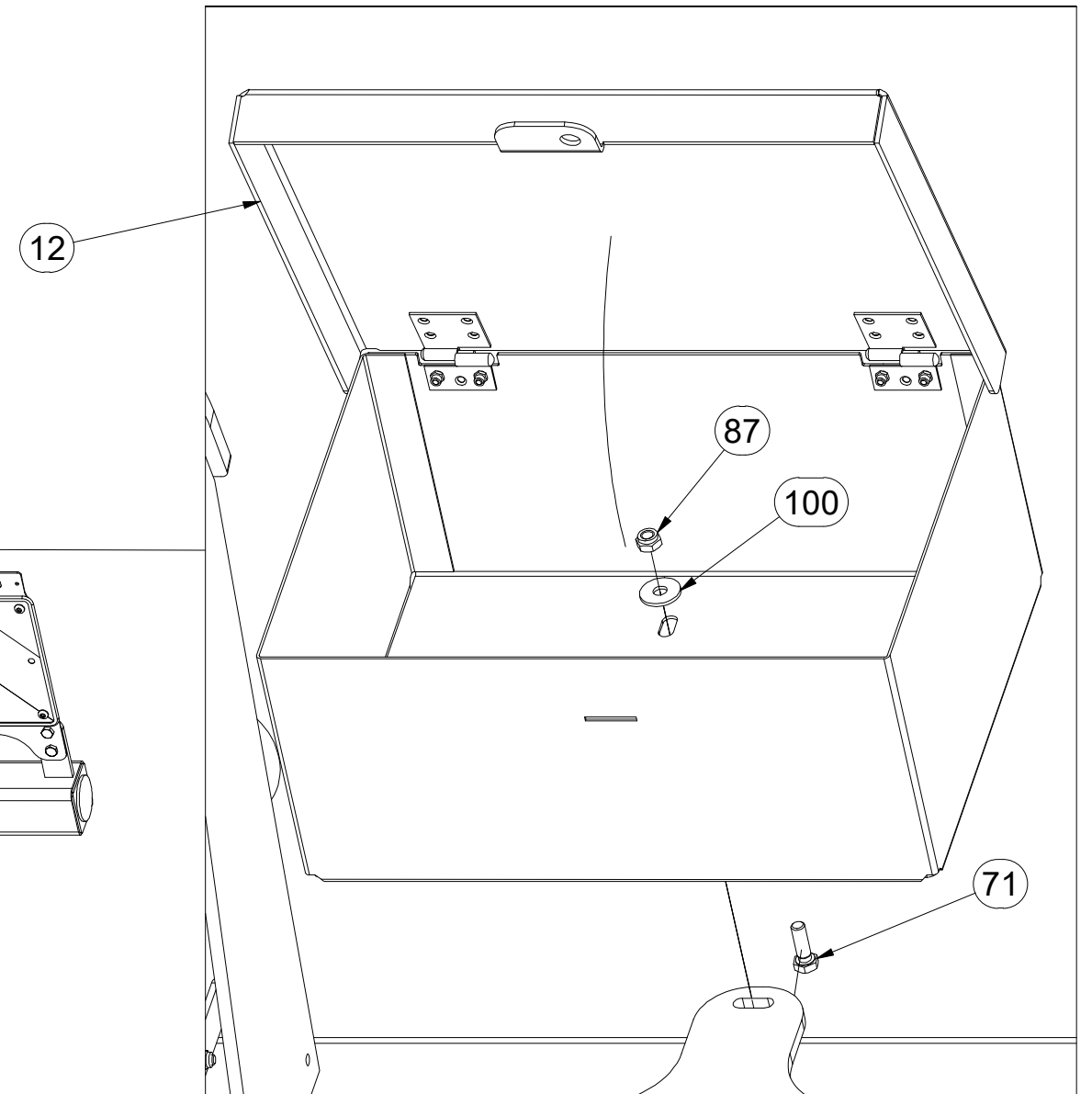
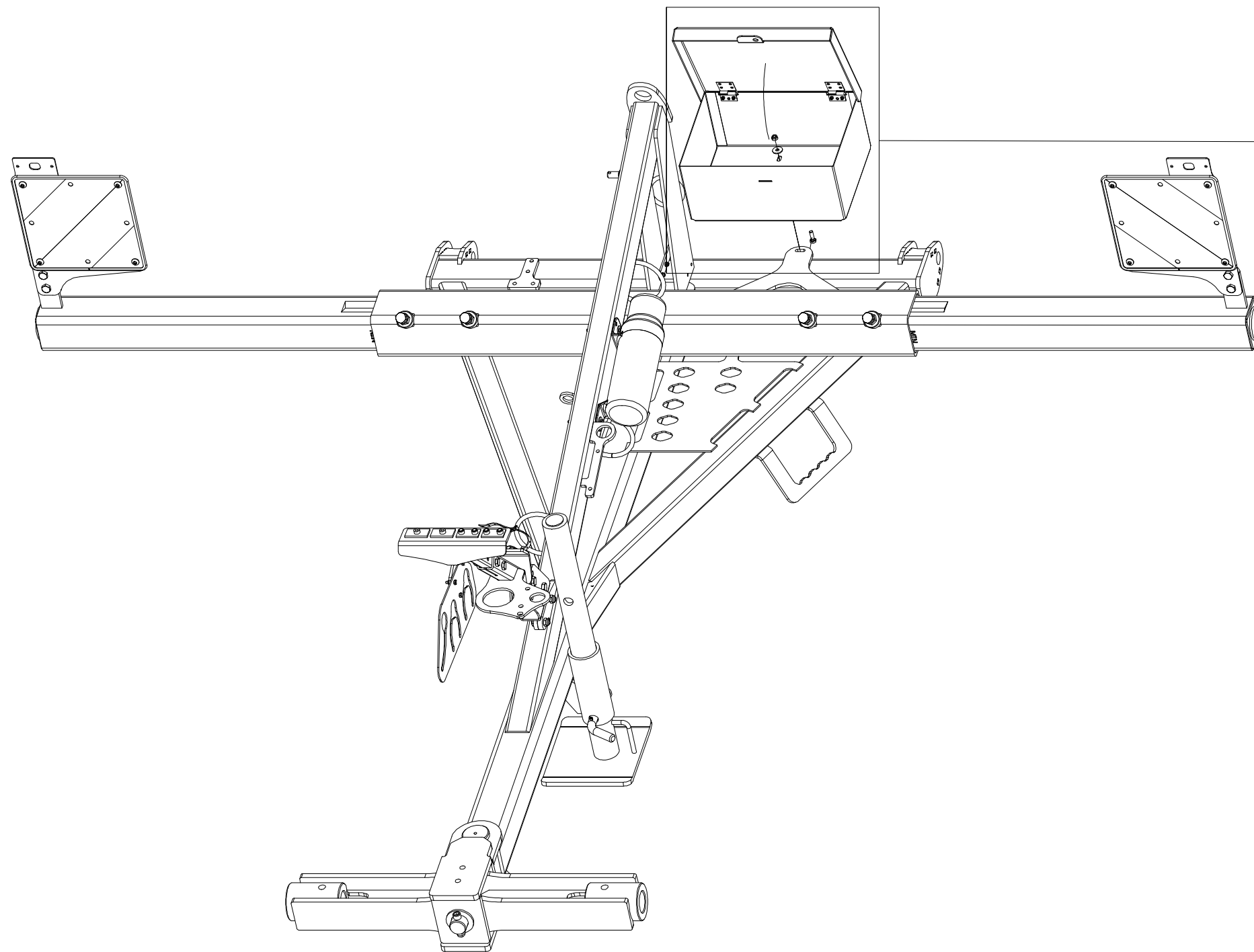
VZ00045541

ⒼB MONT DRAWBAR

ⓇU ДЫШЛО МОНТ

ⓅL DYSZEL MONT

Farmet



| Pos. | Part Number | Pcs. |
|------|-------------|------|
| 12 | m12296 | 1 |
| 71 | m01092 | 3 |
| 87 | m04503 | 3 |
| 100 | m07936 | 3 |

Ⓒ SAMOLEPKY STROJE

Ⓓ AUFKLEBER MASCHINEN

Ⓕ VOITURE MACHINES

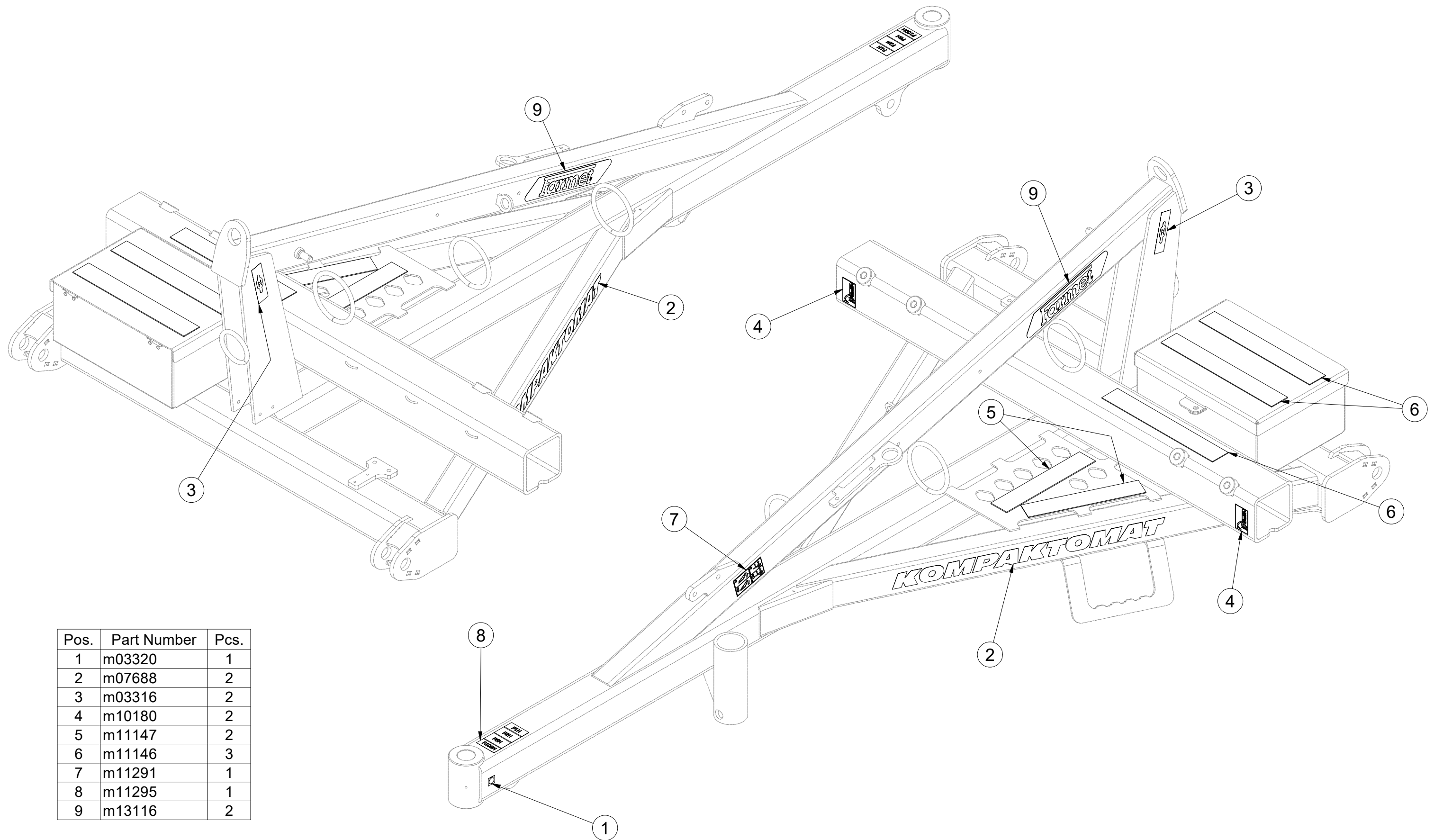
Ⓖ STICKERS MACHINES

Ⓡ СТИКЕРЫ МАШИНЫ

Ⓟ NAKLEJKI MASZYNY



m22709



| Pos. | Part Number | Pcs. |
|------|-------------|------|
| 1 | m03320 | 1 |
| 2 | m07688 | 2 |
| 3 | m03316 | 2 |
| 4 | m10180 | 2 |
| 5 | m11147 | 2 |
| 6 | m11146 | 3 |
| 7 | m11291 | 1 |
| 8 | m11295 | 1 |
| 9 | m13116 | 2 |

☉ SADA ČEPŮ TBZ 3

☉ BOLZENSATZ TBZ 3

☉ KIT D'EMBOUITS TBZ 3

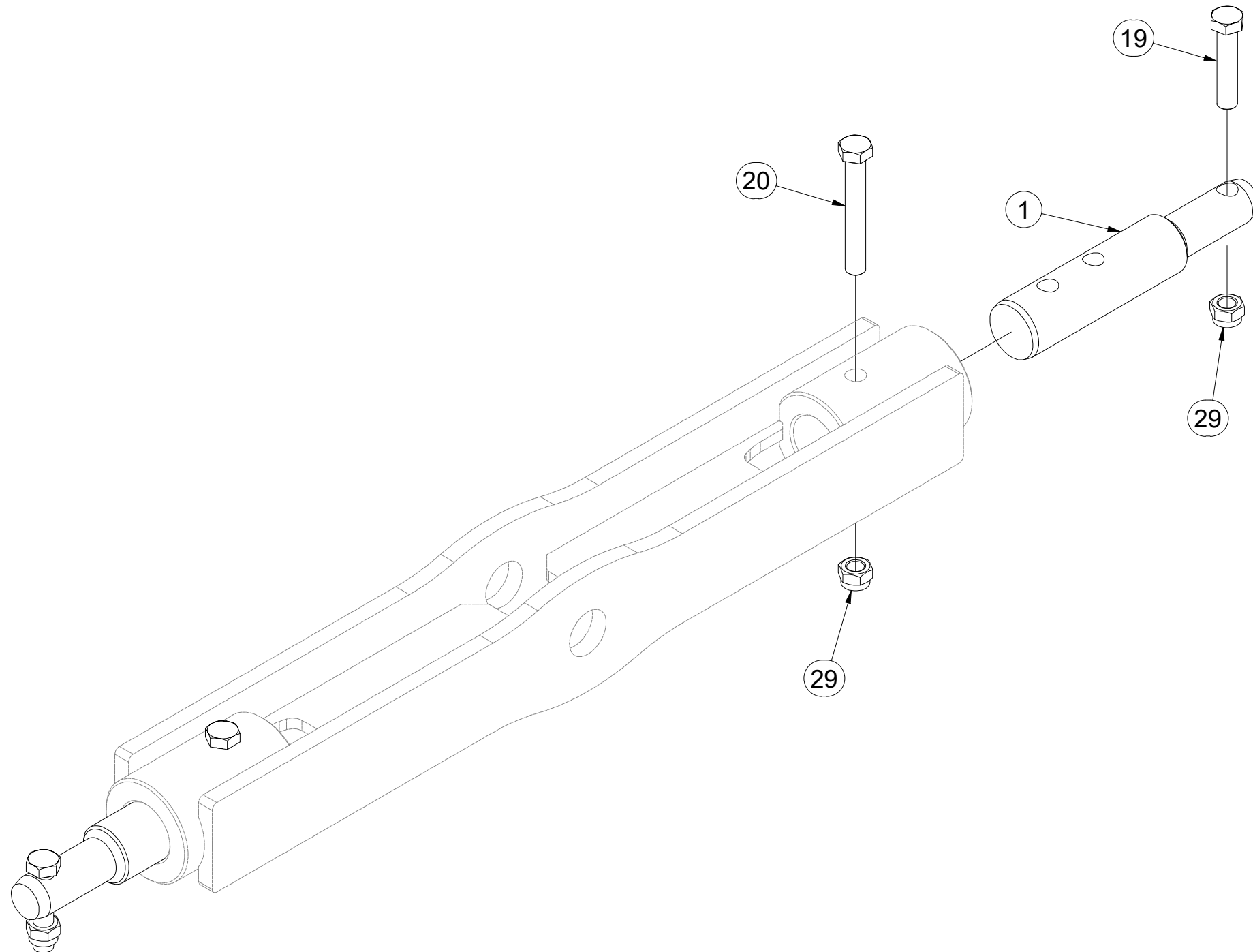
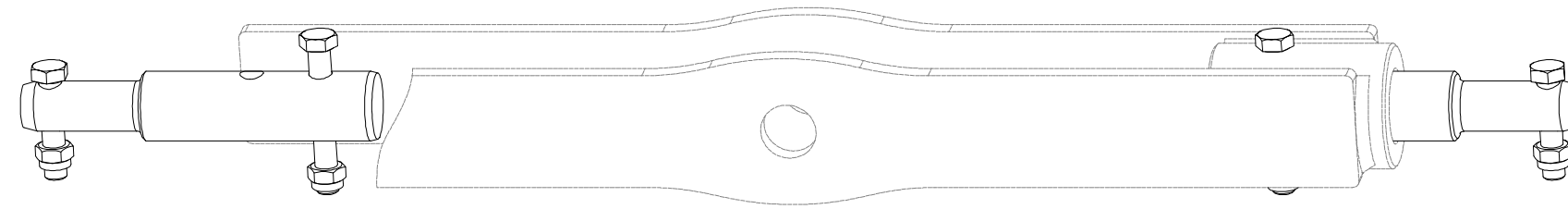
3011605

☉ SET OF TBZ 3 PINS

☉ КОМПЛЕКТ ПАЛЬЦЕВ TBZ 3

☉ ZESTAW CZOPÓW TBZ 3

Farmet



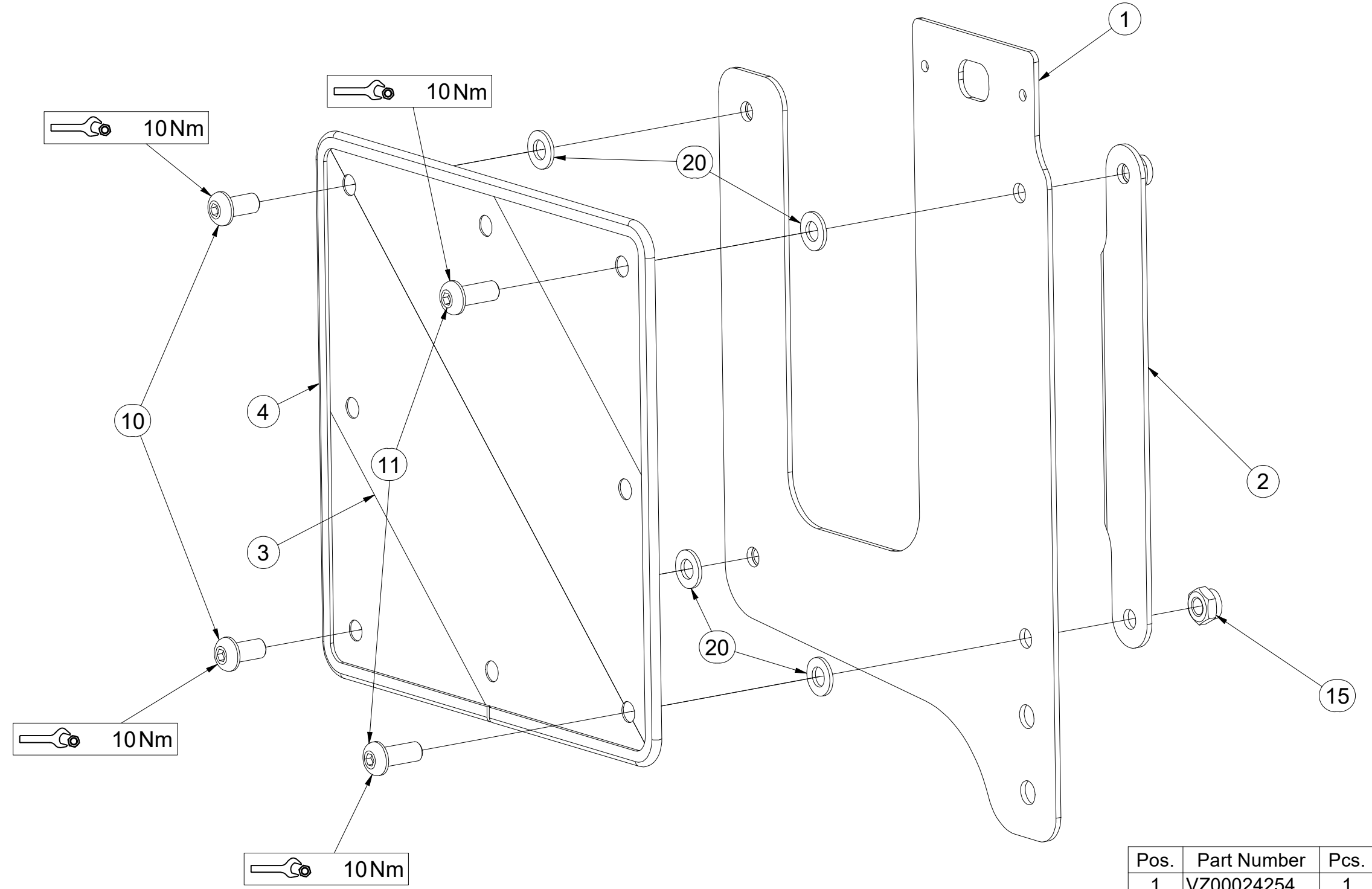
| Pos. | Part Number | Pcs. |
|------|-------------|------|
| 1 | VZ00022884 | 2 |
| 19 | m01133 | 2 |
| 20 | m02970 | 2 |
| 29 | m03683 | 4 |

CZ TERČ PŘEDNÍ LEVÝ
 D SCHILD, VORDERES, LINKES
 F CIBLE AVANT GAUCHE

GB LEFT FRONT DISC
 RU ЩИТОК ПЕРЕДНИЙ ЛЕВЫЙ
 PL TARCZA PRZEDNIA LEWA



VZ00024252



| Pos. | Part Number | Pcs. |
|------|-------------|------|
| 1 | VZ00024254 | 1 |
| 2 | VZ00024261 | 1 |
| 3 | m18855 | 1 |
| 4 | 9005707 | 1 |
| 10 | m16637 | 2 |
| 11 | m16688 | 2 |
| 15 | m03775 | 4 |
| 20 | m01209 | 4 |

Ⓒ CZ TERČ PŘEDNÍ PRAVÝ

Ⓓ D SCHILD, VORDERES, RECHTES

Ⓕ F CIBLE AVANT DROITE

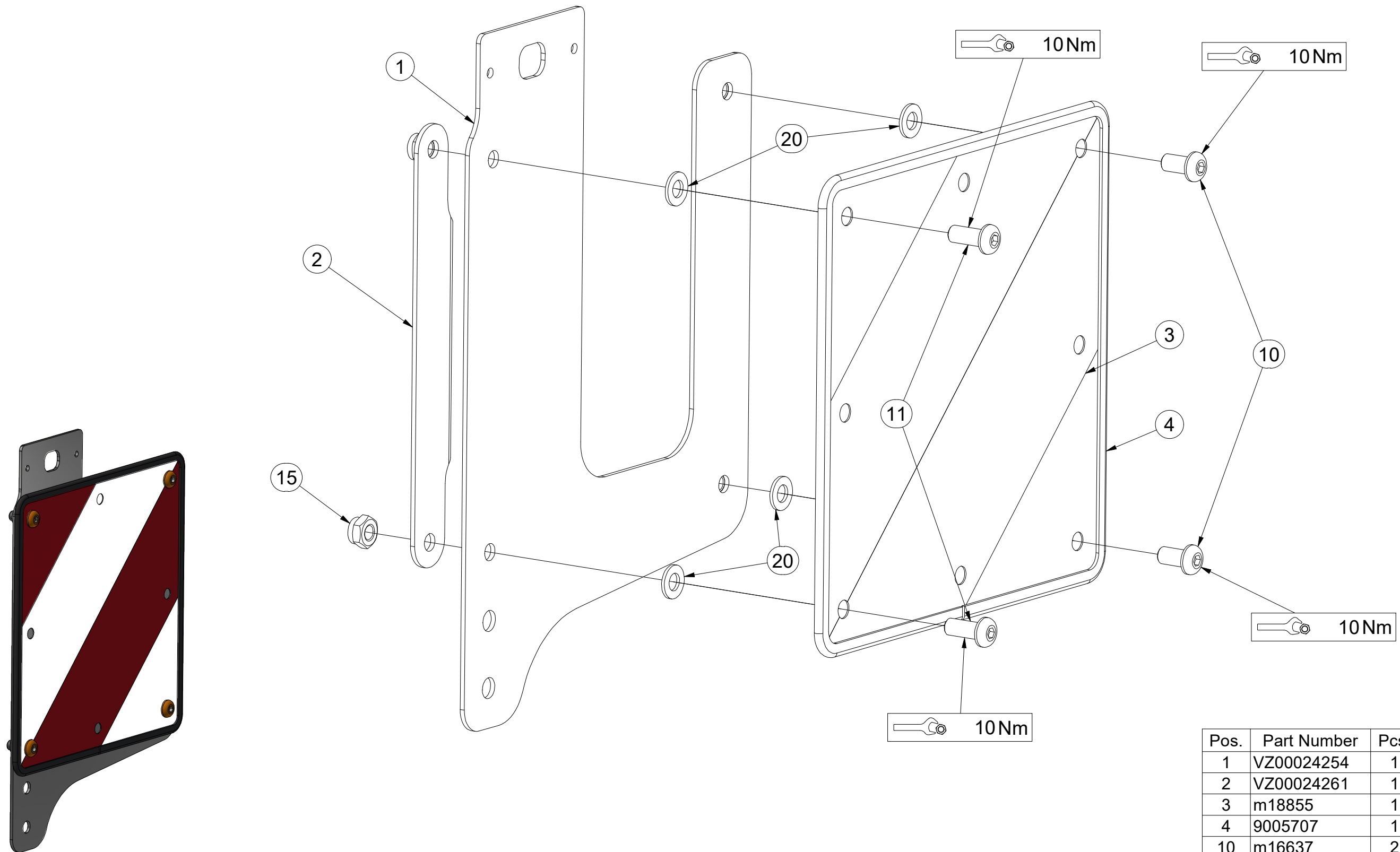
Ⓒ GB RIGHT FRONT DISC

Ⓓ RU ЩИТОК ПЕРЕДНИЙ ПРАВЫЙ

Ⓕ PL TARCZA PRZEDNIA PRAWA



VZ00024253



| Pos. | Part Number | Pcs. |
|------|-------------|------|
| 1 | VZ00024254 | 1 |
| 2 | VZ00024261 | 1 |
| 3 | m18855 | 1 |
| 4 | 9005707 | 1 |
| 10 | m16637 | 2 |
| 11 | m16688 | 2 |
| 15 | m03775 | 4 |
| 20 | m01209 | 4 |

Ⓒ SADA KYPŘIČŮ STOP

Ⓓ SPURENLOCKERERSATZ

Ⓕ KIT DE CULTIVATEURS DE TRACES

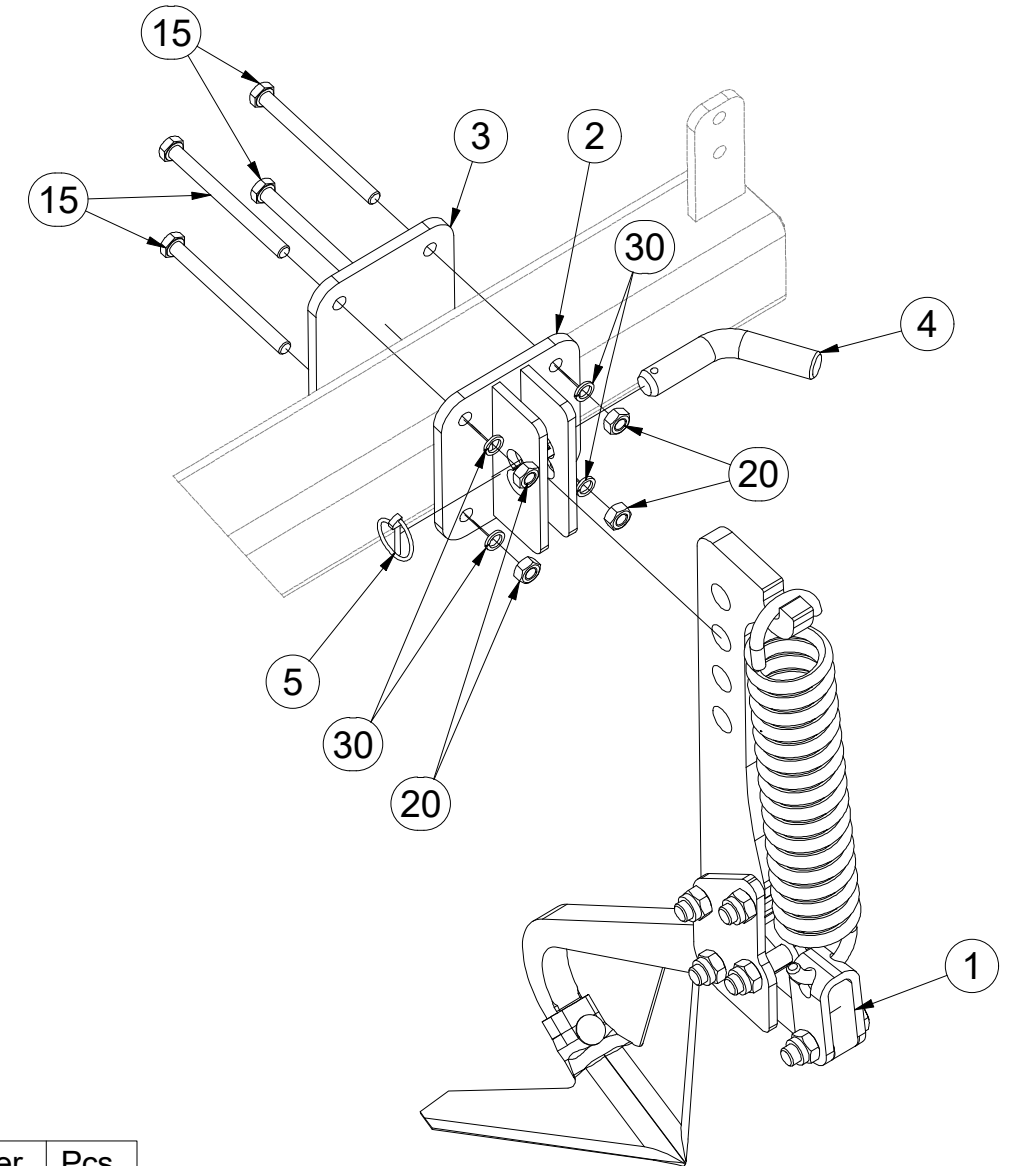
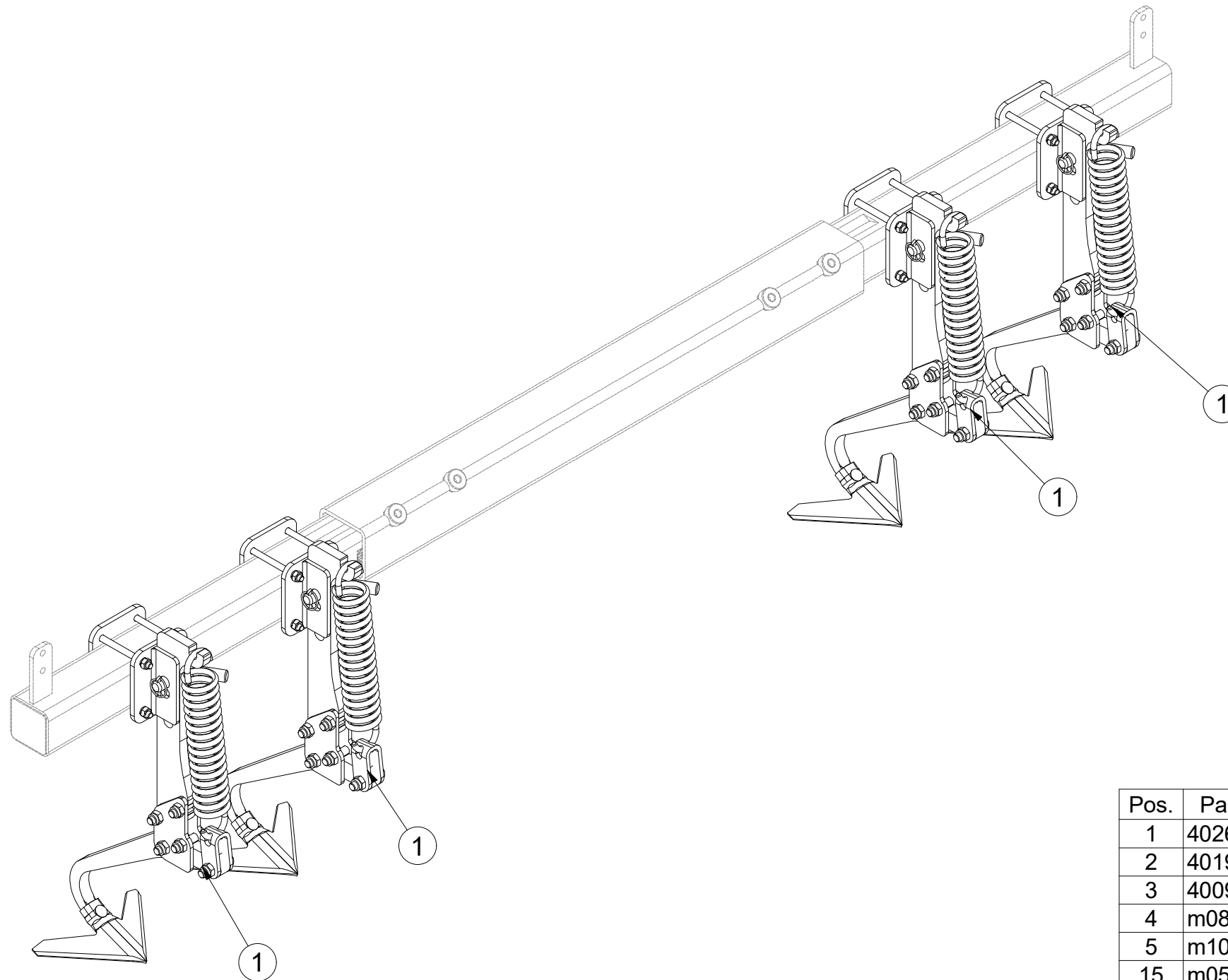
3005535

Ⓖ SET OF TRACK CULTIVATORS

Ⓡ КОМПЛЕКТ РЫХЛИТЕЛЕЙ КОЛЕИ

Ⓟ ZESTAW SPULCHNIACZY ŚLADÓW

Farmet



| Pos. | Part Number | Pcs. |
|------|-------------|------|
| 1 | 4026045 | 4 |
| 2 | 4019042 | 4 |
| 3 | 4009468 | 4 |
| 4 | m08885 | 4 |
| 5 | m10454 | 4 |
| 15 | m05946 | 16 |
| 20 | m01305 | 16 |
| 30 | m03988 | 16 |

Ⓒ KYPŘIČ STOP

Ⓓ SPURENLOCKERER

Ⓕ CULTIVATEUR DES TRACES

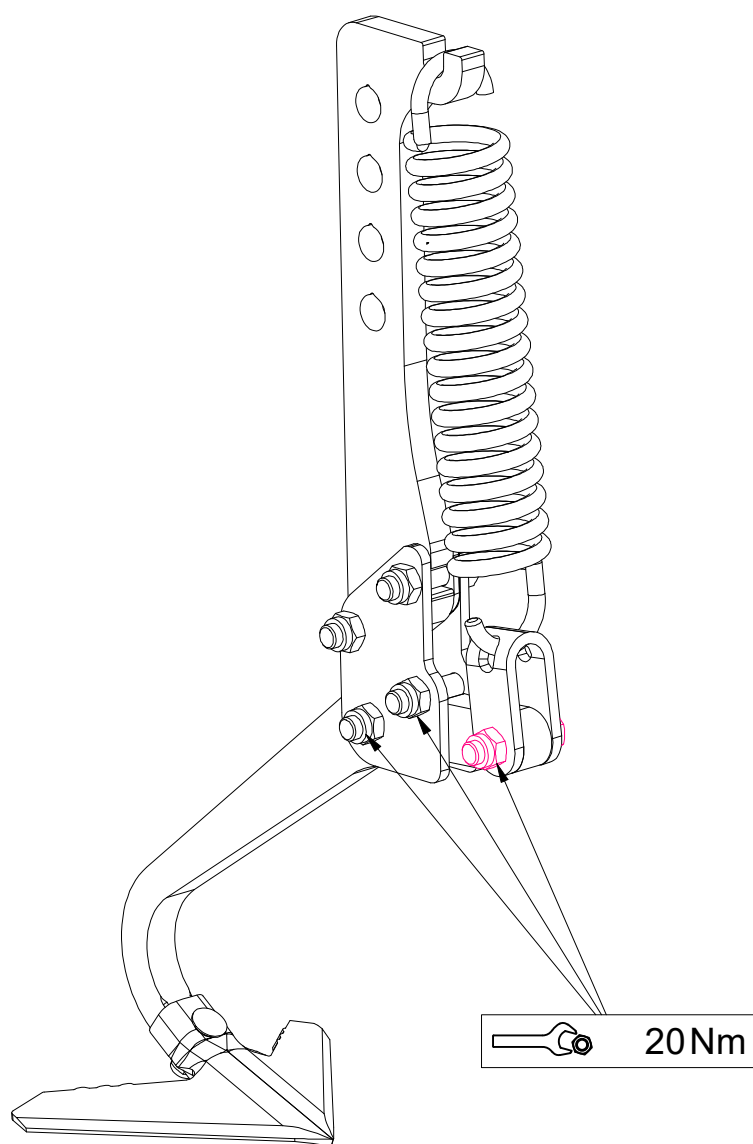
Ⓖ TRACK CULTIVATOR

Ⓡ РЫХЛИТЕЛЬ КОЛЕИ

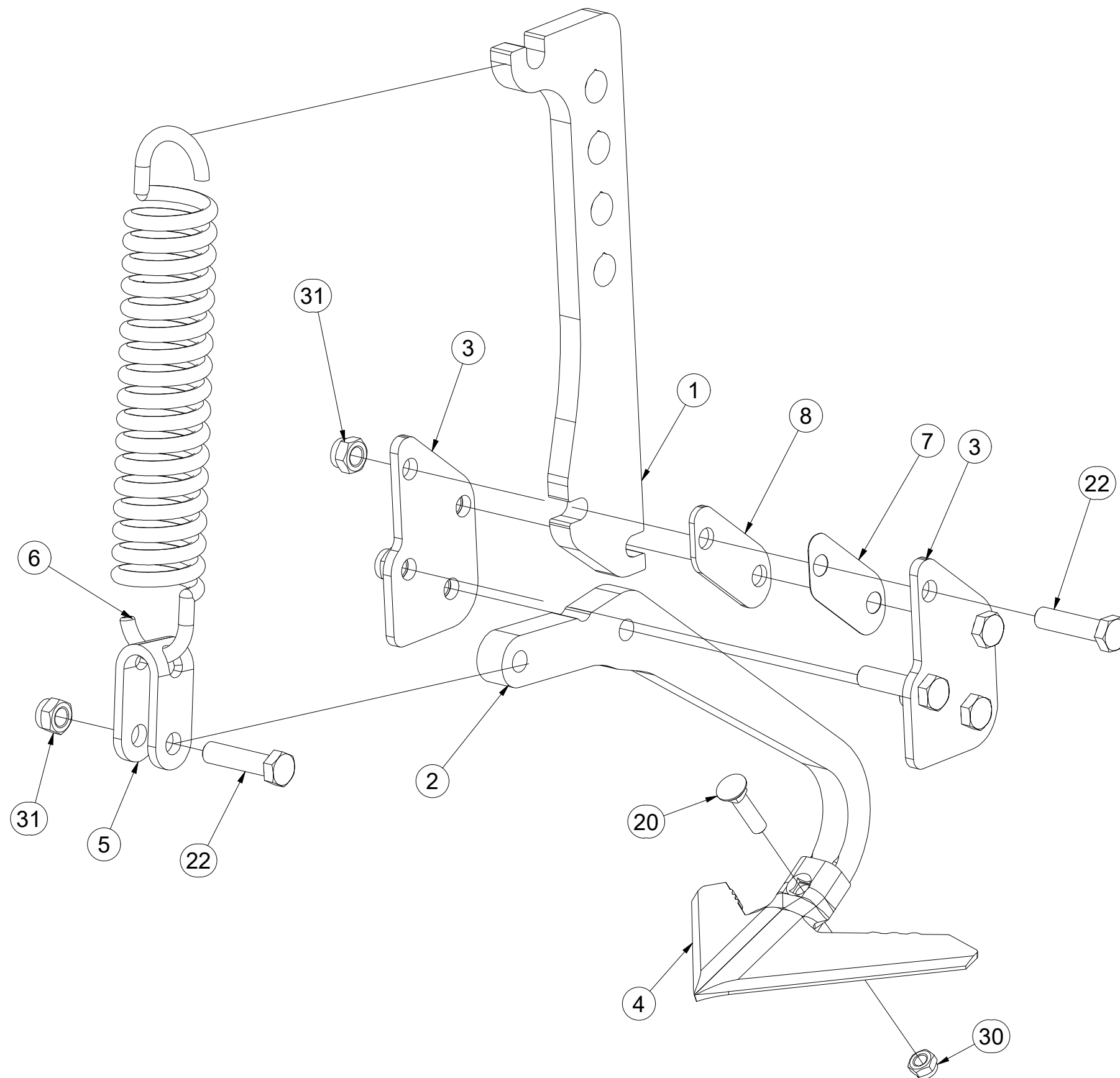
Ⓟ SPULCHNIARKA STÓP



4026045



| Pos. | Part Number | Pcs. |
|------|-------------|------|
| 1 | 4017307 | 1 |
| 2 | 4025591 | 1 |
| 3 | 4005582 | 2 |
| 4 | 3000236-KOO | 1 |
| 5 | 4005445 | 1 |
| 6 | m02597 | 1 |
| 7 | 4005591 | 1 |
| 8 | 4026202 | 1 |
| 20 | m10440 | 1 |
| 22 | m06587 | 5 |
| 30 | m21001 | 1 |
| 31 | m03683 | 5 |



ⒸZ SADA PŘEDNÍCH SMYKŮ

Ⓓ SATZ VORDERE ACKERSCHLEPPEN

Ⓕ KIT DE NIVELEURS AVANT

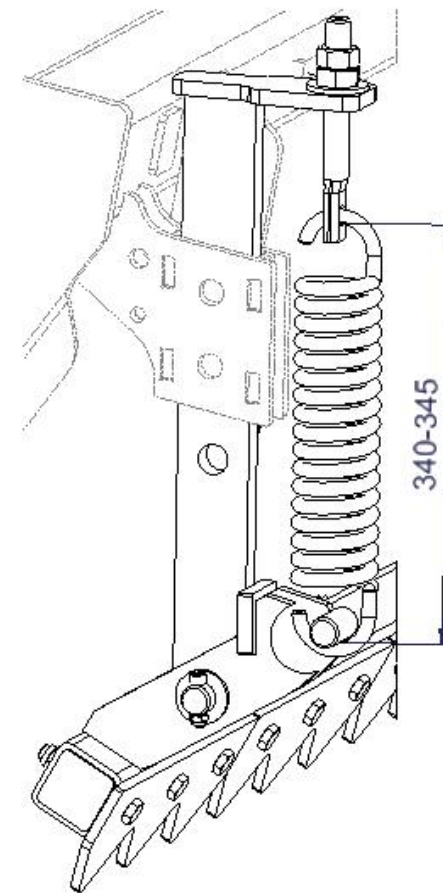
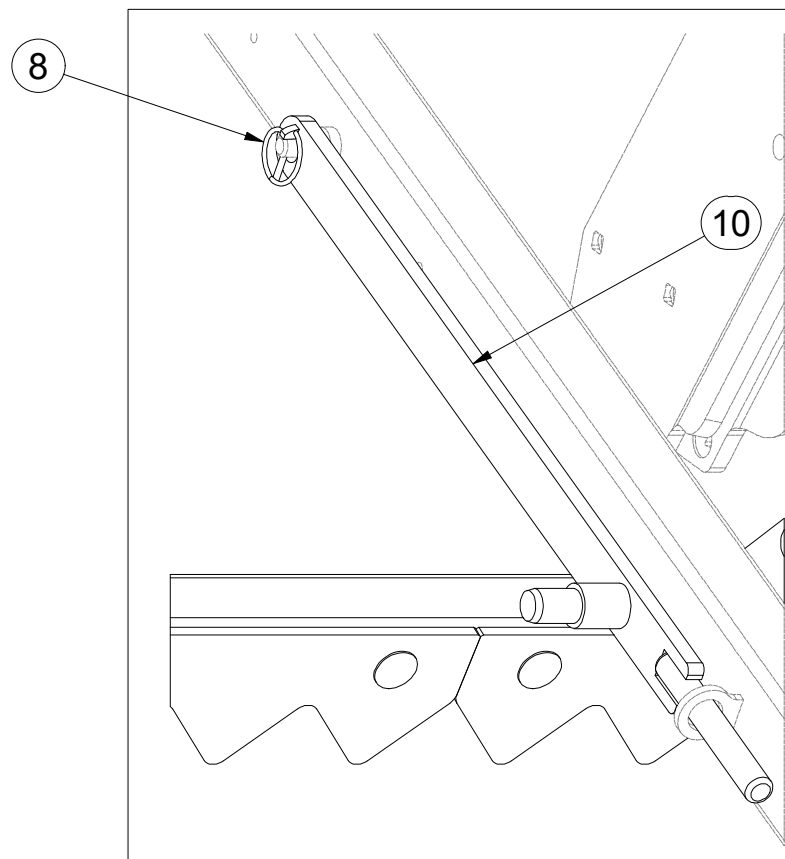
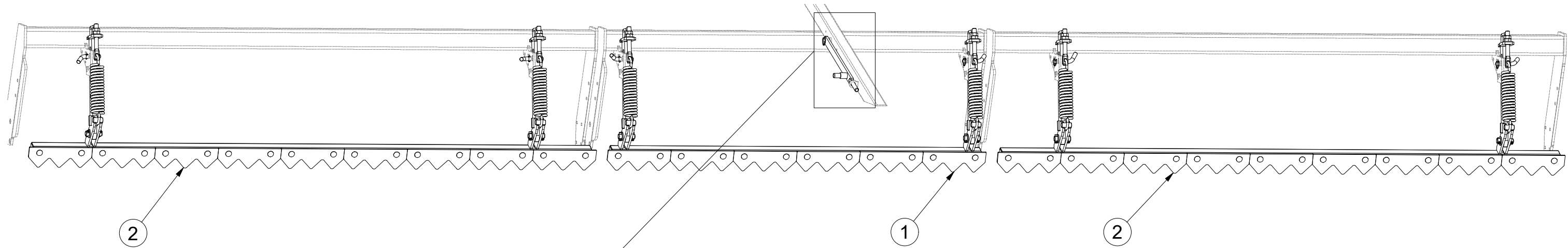
3006127

ⒸB SET OF FRONT LEVELLING BARS

Ⓔ КОМПЛЕКТ ПЕРЕДНИХ БОРОН

Ⓗ ZESTAW PRZEDNICH WŁÓK

Farmet



| Pos. | Part Number | Pcs. |
|------|-------------|------|
| 1 | VZ00003364 | 1 |
| 2 | VZ00003369 | 2 |
| 8 | m10454 | 7 |
| 10 | 4006829 | 1 |

Ⓒ SADA PŘEDNÍCH SMYKŮ

Ⓓ SATZ VORDERE ACKERSCHLEPPEN

Ⓕ KIT DE NIVELEURS AVANT

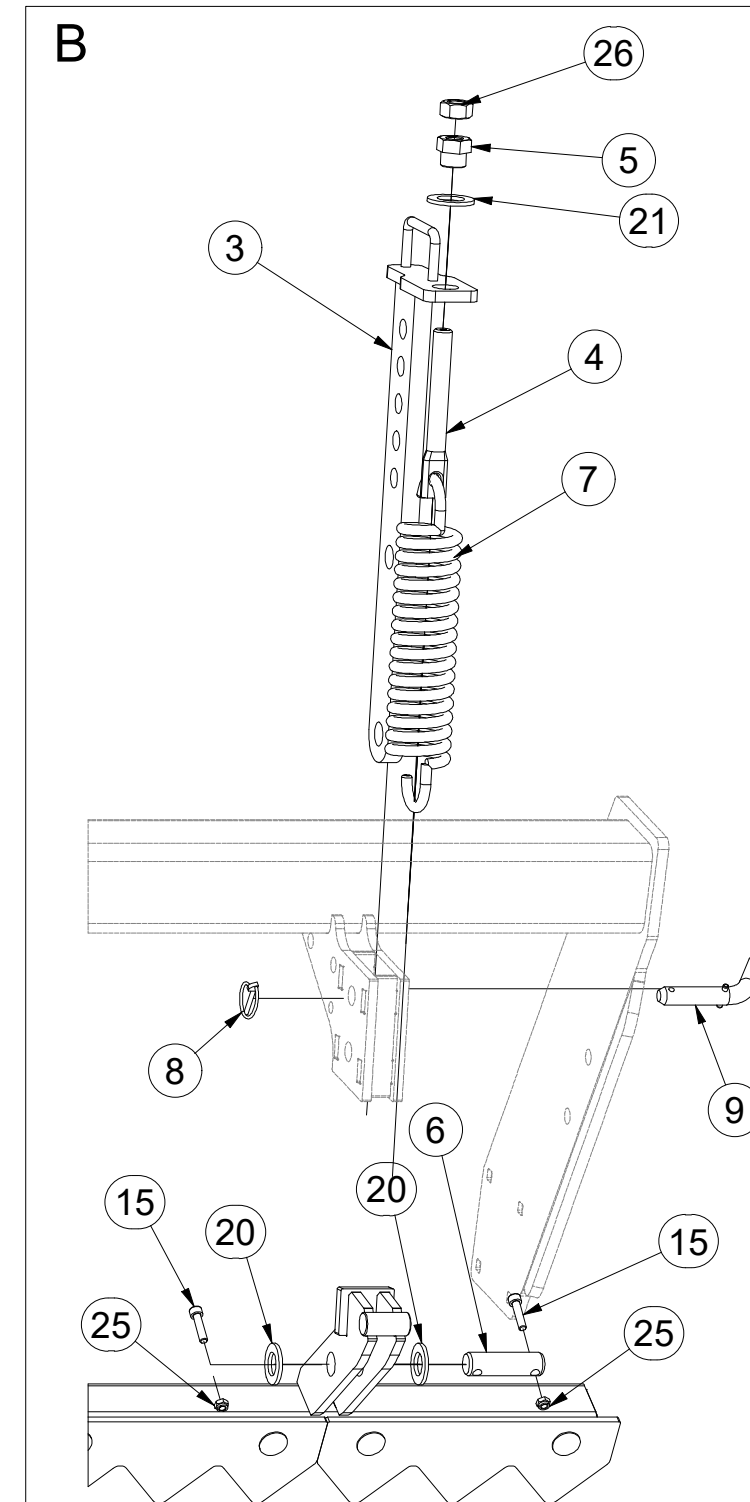
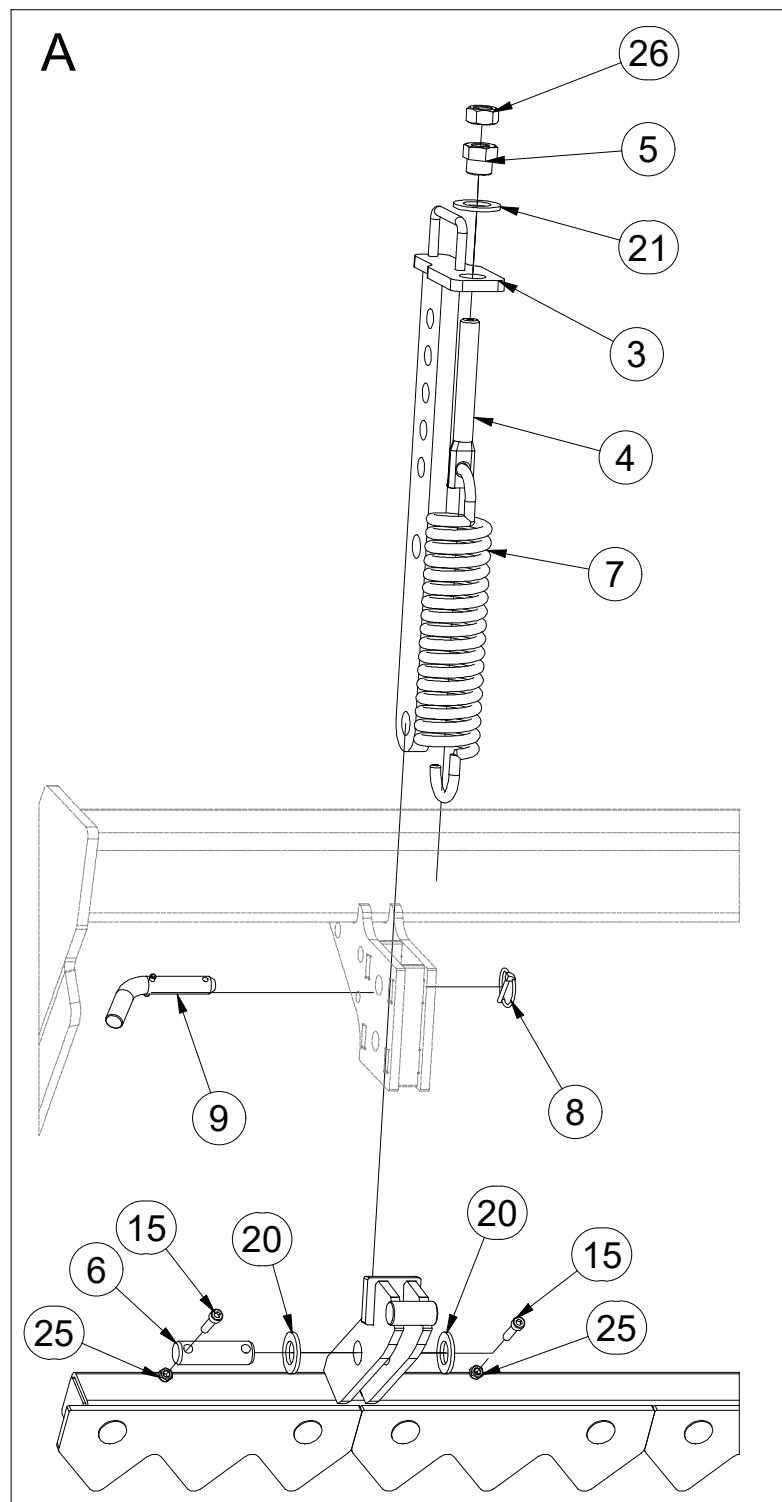
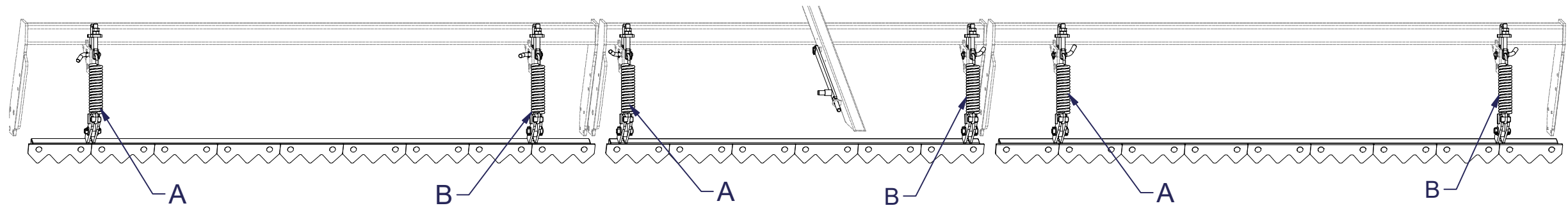
Ⓖ SET OF FRONT LEVELLING BARS

Ⓡ КОМПЛЕКТ ПЕРЕДНИХ БОРОН

Ⓟ ZESTAW PRZEDNICH WŁÓK



3006127



| Pos. | Part Number | Pcs. |
|------|-------------|------|
| 3 | 3008686 | 6 |
| 4 | 4003401 | 6 |
| 5 | 4000189 | 6 |
| 6 | 4010390 | 6 |
| 7 | m02597 | 6 |
| 8 | m10454 | 7 |
| 9 | 4012011 | 6 |
| 15 | m09464 | 12 |
| 20 | m14028 | 12 |
| 21 | m01225 | 6 |
| 25 | m04503 | 12 |
| 26 | m01307 | 6 |

Ⓒ PŘEDNÍ SMYK

Ⓓ VORDERE ACKERSCHLEIFE

Ⓕ NIVELEUR AVANT

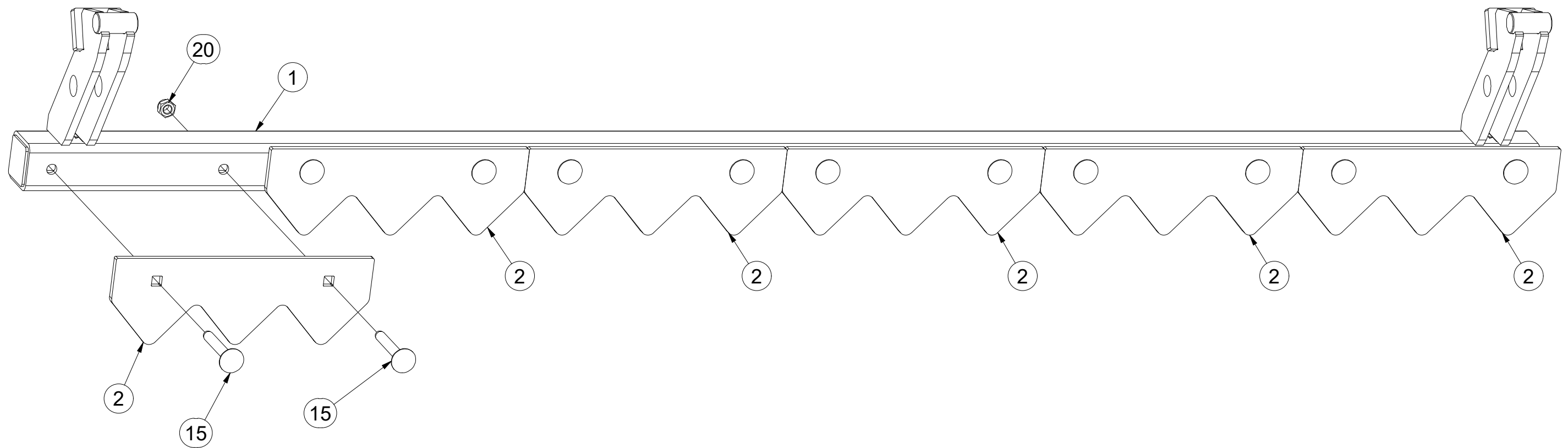
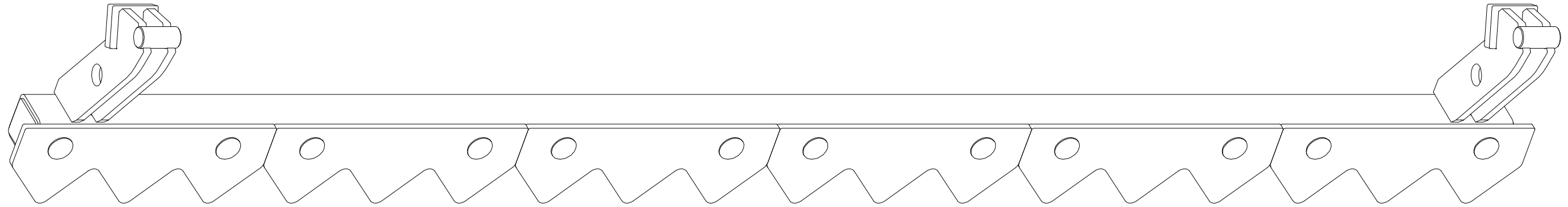
Ⓖ FRONT LEVELLER

Ⓔ ПЕРЕДНЯЯ БОРОНА

Ⓗ PRZEDNIA WŁÓKA

Farmet

VZ00003364



| Pos. | Part Number | Pcs. |
|------|-------------|------|
| 1 | VZ00003365 | 1 |
| 2 | VZ00003366 | 6 |
| 15 | m08339 | 12 |
| 20 | m04301 | 12 |

Ⓒ PŘEDNÍ SMYK

Ⓓ VORDERE ACKERSCHLEIFE

Ⓕ NIVELEUR AVANT

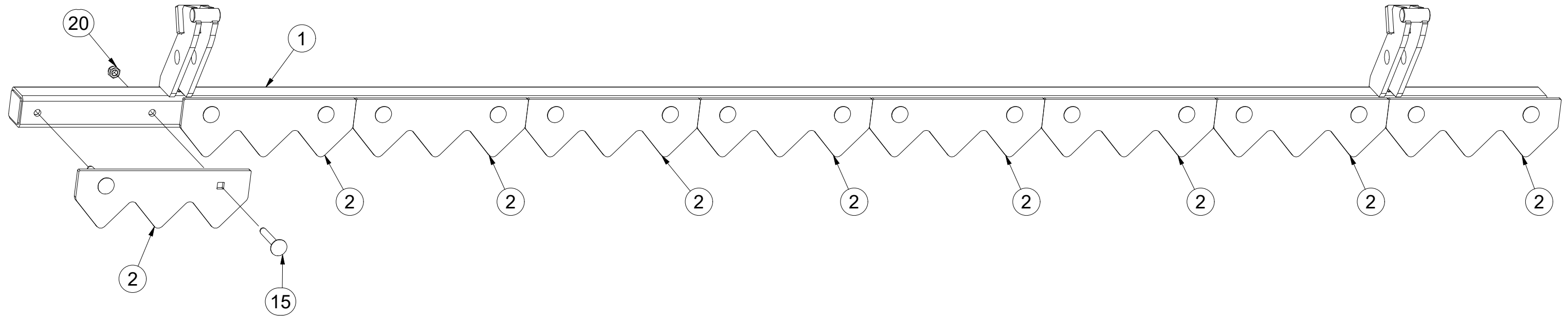
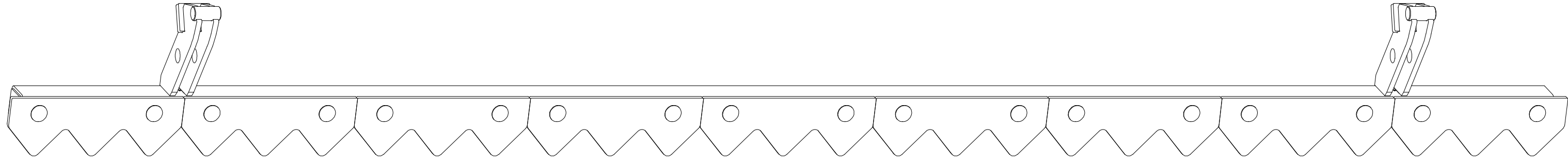
Ⓖ FRONT LEVELLER

Ⓔ ПЕРЕДНЯЯ БОРОНА

Ⓟ PRZEDNIA WŁÓKA

Farmet

VZ00003369



| Pos. | Part Number | Pcs. |
|------|-------------|------|
| 1 | VZ00003370 | 1 |
| 2 | VZ00003366 | 9 |
| 15 | m08339 | 18 |
| 20 | m04301 | 18 |

Ⓒ SADA PŘEDNÍCH VÁLCŮ

Ⓓ SATZ VORDERE WALZEN

Ⓕ KIT DE ROULEAUX AVANT

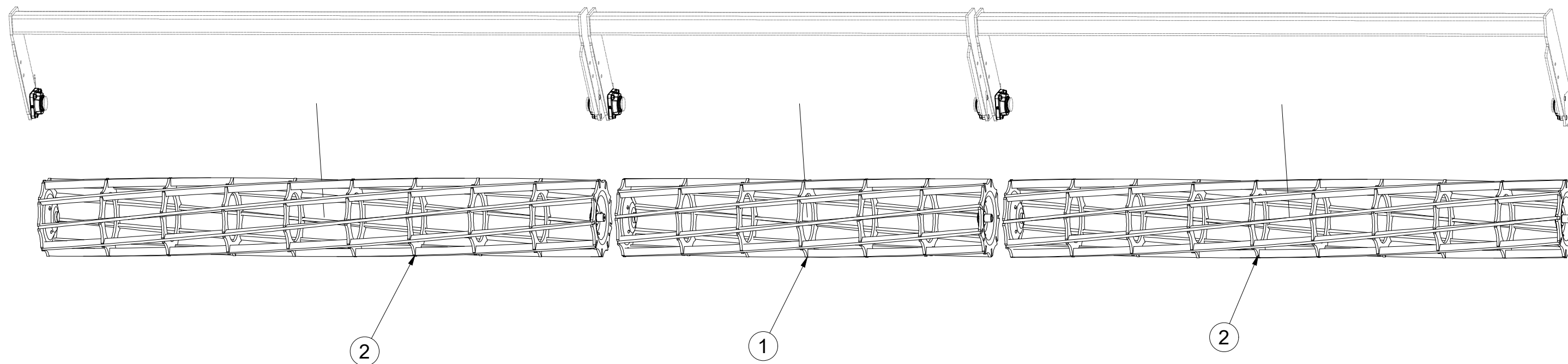
VZ00039825

Ⓖ SET OF FRONT ROLLERS

Ⓡ КОМПЛЕКТ ПЕРЕДНИХ КАТКОВ

Ⓟ ZESTAW PRZEDNICH WAŁÓW

Farmet



| Pos. | Part Number | Pcs. |
|------|-------------|------|
| 1 | VZ00037622 | 1 |
| 2 | VZ00039726 | 2 |

ⒸZ SADA PŘEDNÍCH VÁLCŮ

Ⓓ SATZ VORDERE WALZEN

Ⓕ KIT DE ROULEAUX AVANT

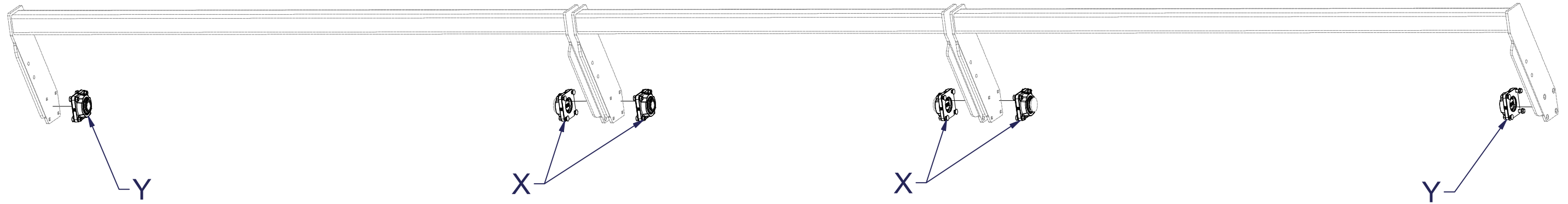
ⒸB SET OF FRONT ROLLERS

ⒸU КОМПЛЕКТ ПЕРЕДНИХ КАТКОВ

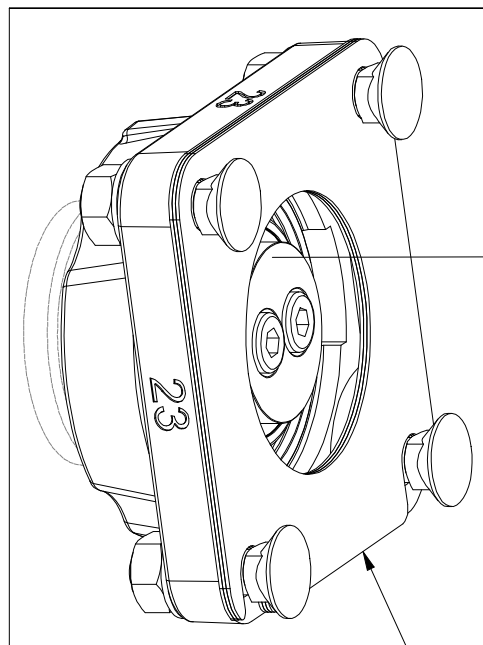
ⒸL ZESTAW PRZEDNICH WAŁÓW



VZ00039825



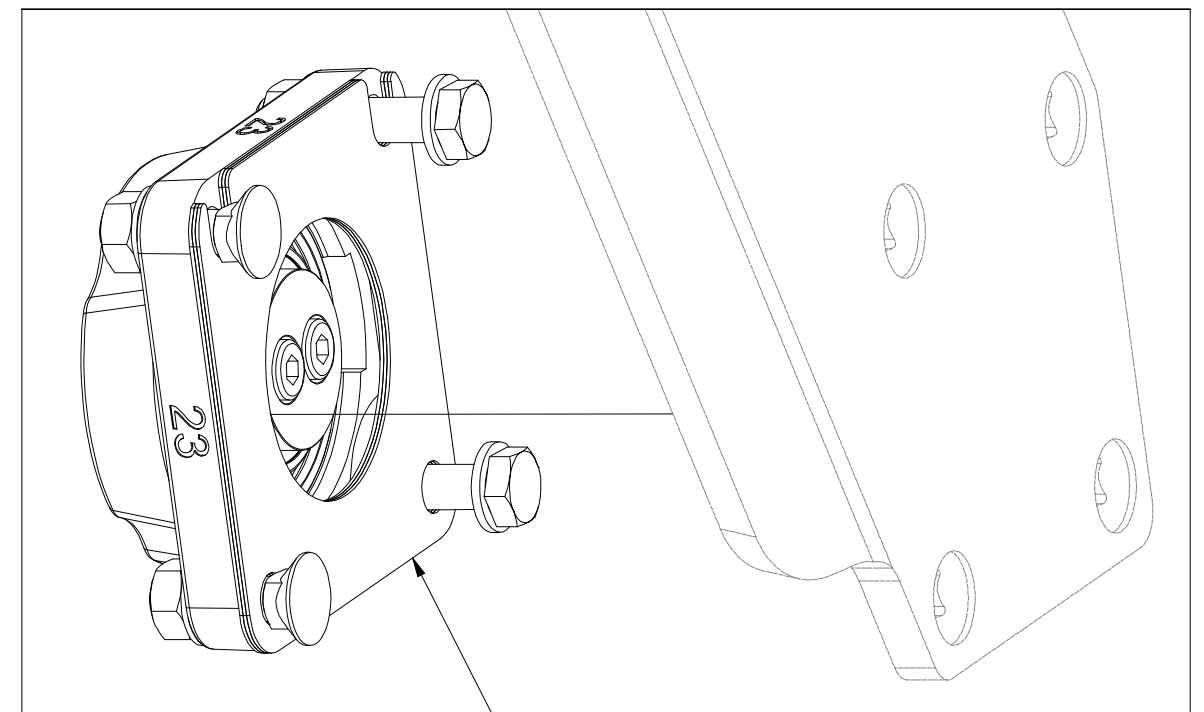
X



3

| Pos. | Part Number | Pcs. |
|------|-------------|------|
| 3 | VZ00038060 | 4 |
| 4 | VZ00039819 | 2 |

Y



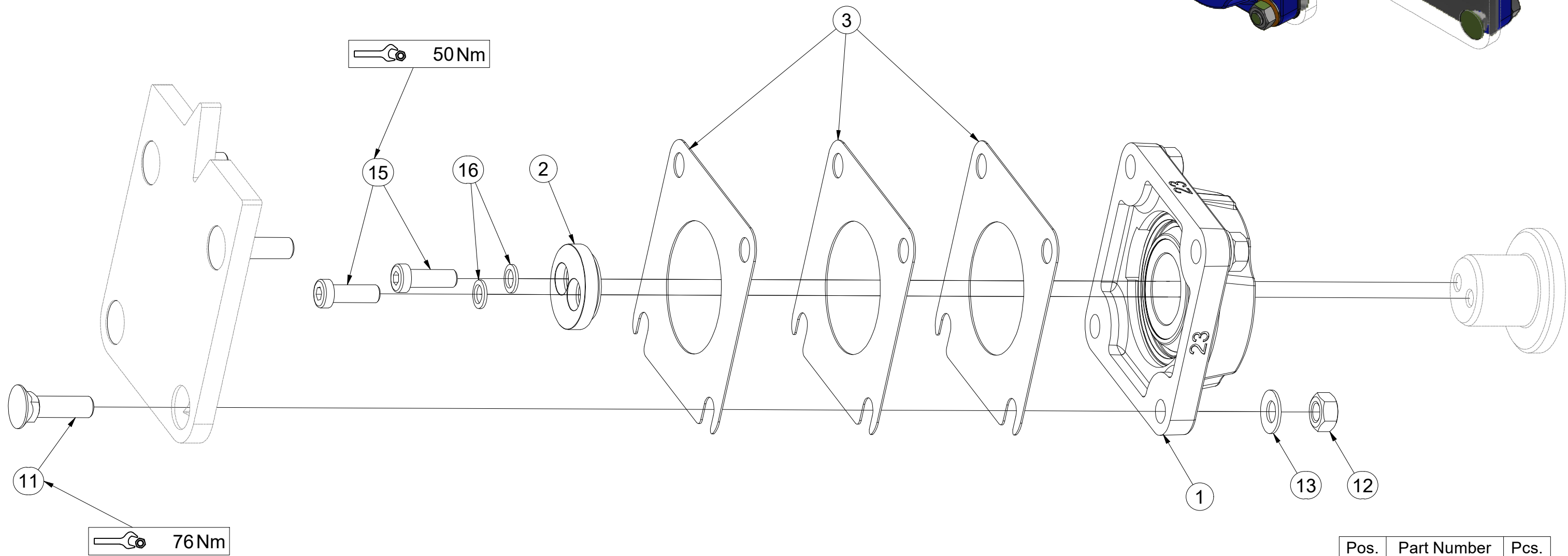
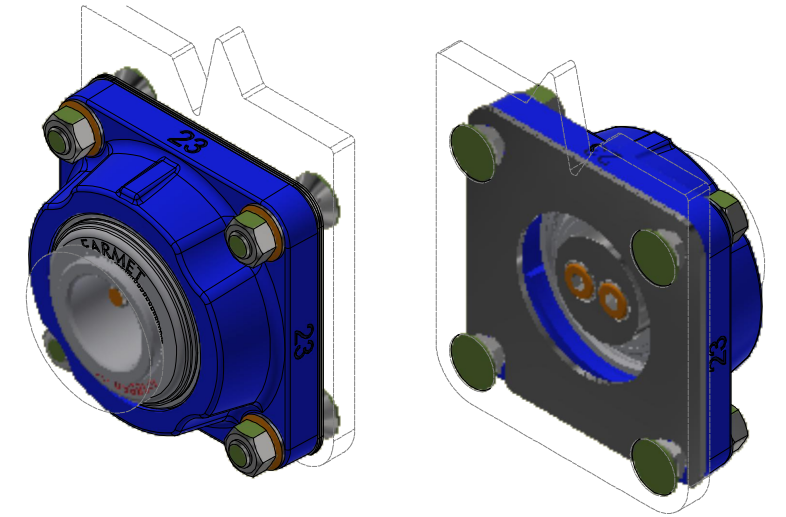
4

CZ SADA LOŽISEK
 D SATZ LAGER
 F KIT DE ROULEMENTS

GB SET OF BEARINGS
 RU КОМПЛЕКТ ПОДШИПНИКОВ
 PL ZESTAW ŁOŻYSK



VZ00038060



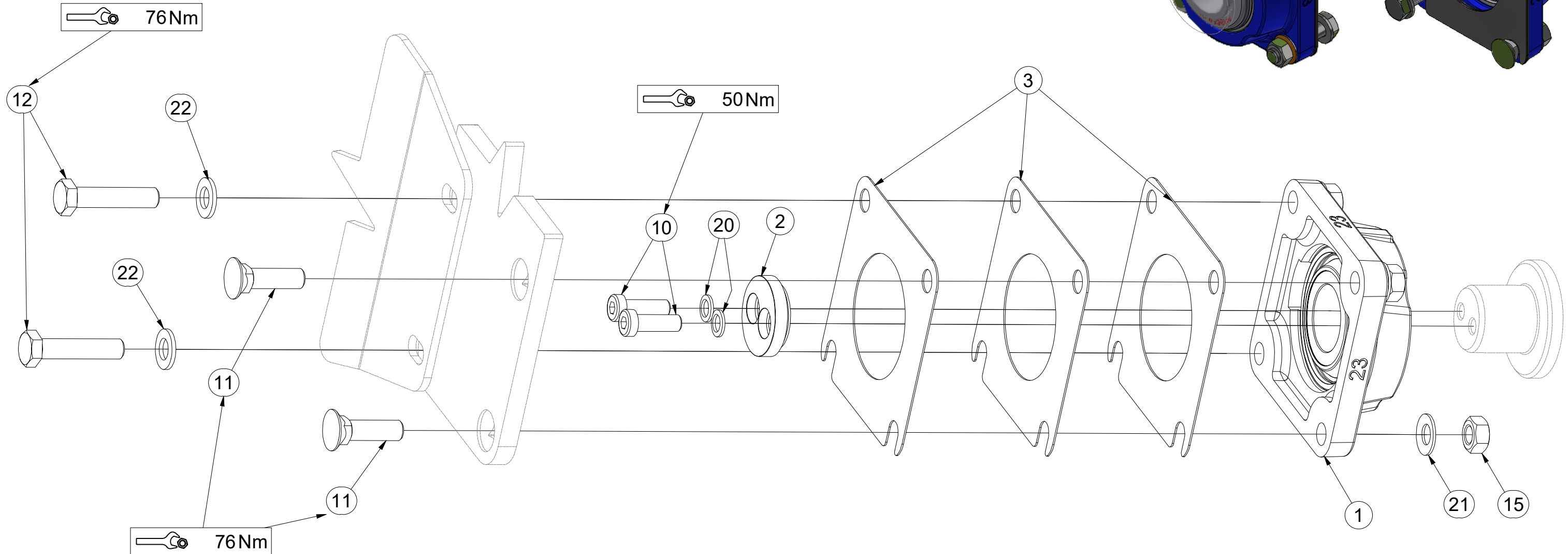
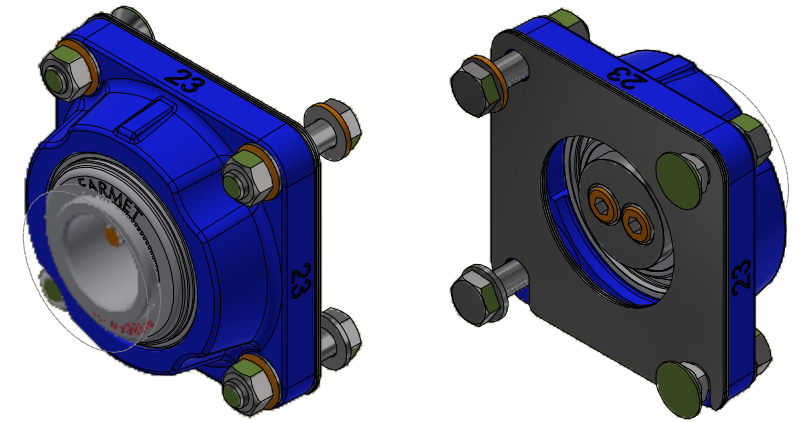
| Pos. | Part Number | Pcs. |
|------|-------------|------|
| 1 | m18650-23 | 1 |
| 2 | VZ00038211 | 1 |
| 3 | 4016809 | 3 |
| 11 | m03519 | 4 |
| 12 | m01305 | 4 |
| 13 | m17545 | 4 |
| 15 | m24320 | 2 |
| 16 | m24356 | 2 |

(CZ) SADA LOŽISEK
 (D) SATZ LAGER
 (F) KIT DE ROULEMENTS

(GB) SET OF BEARINGS
 (RU) КОМПЛЕКТ ПОДШИПНИКОВ
 (PL) ZESTAW ŁOŻYSK

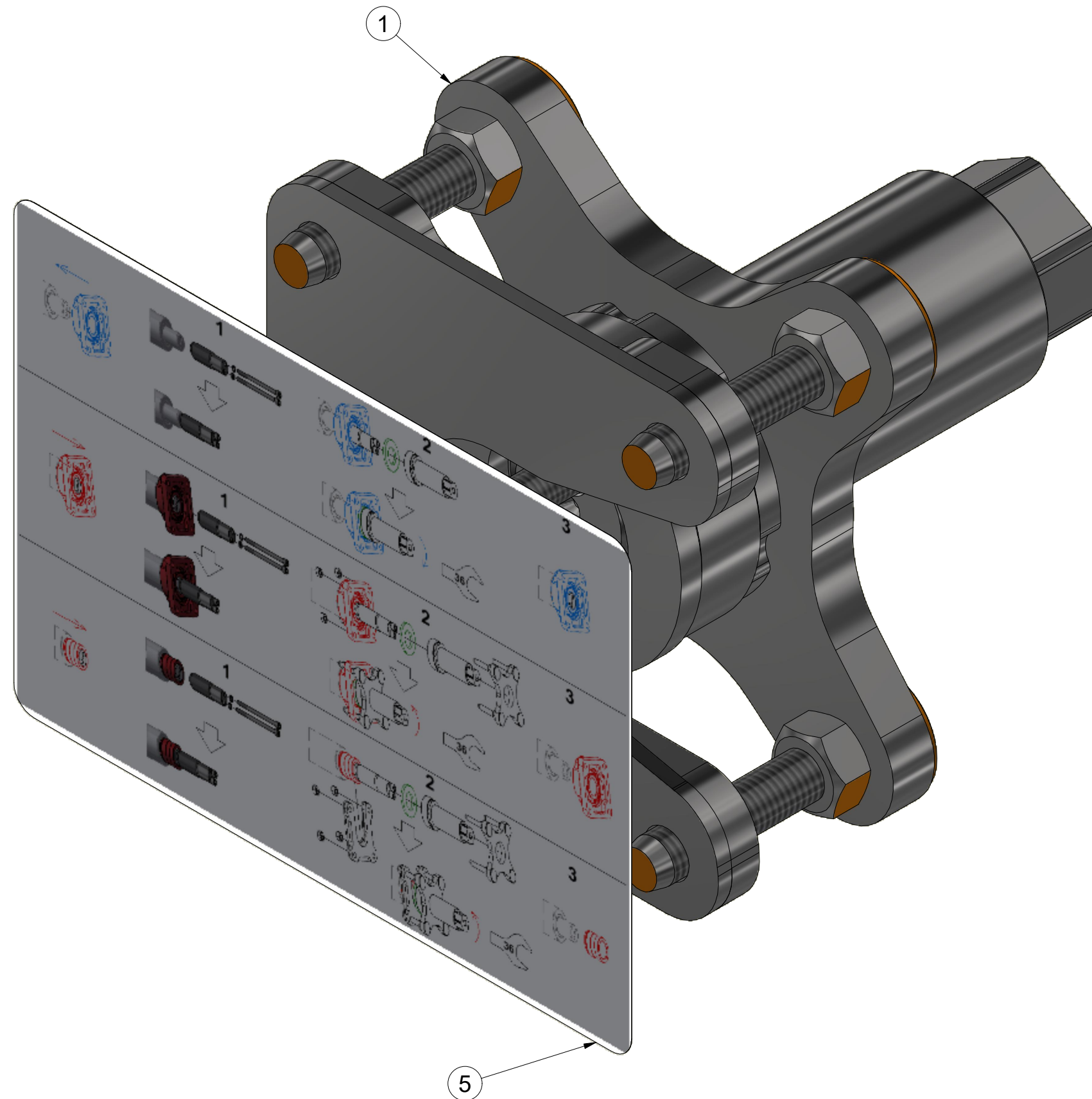


VZ00039819



| Pos. | Part Number | Pcs. |
|------|-------------|------|
| 1 | m18650-23 | 1 |
| 2 | VZ00038211 | 1 |
| 3 | 4016809 | 3 |
| 10 | m24320 | 2 |
| 11 | m03519 | 2 |
| 12 | m04412 | 2 |
| 15 | m01305 | 4 |
| 20 | m24356 | 2 |
| 21 | m17545 | 4 |
| 22 | m17741 | 2 |

VZ00038564

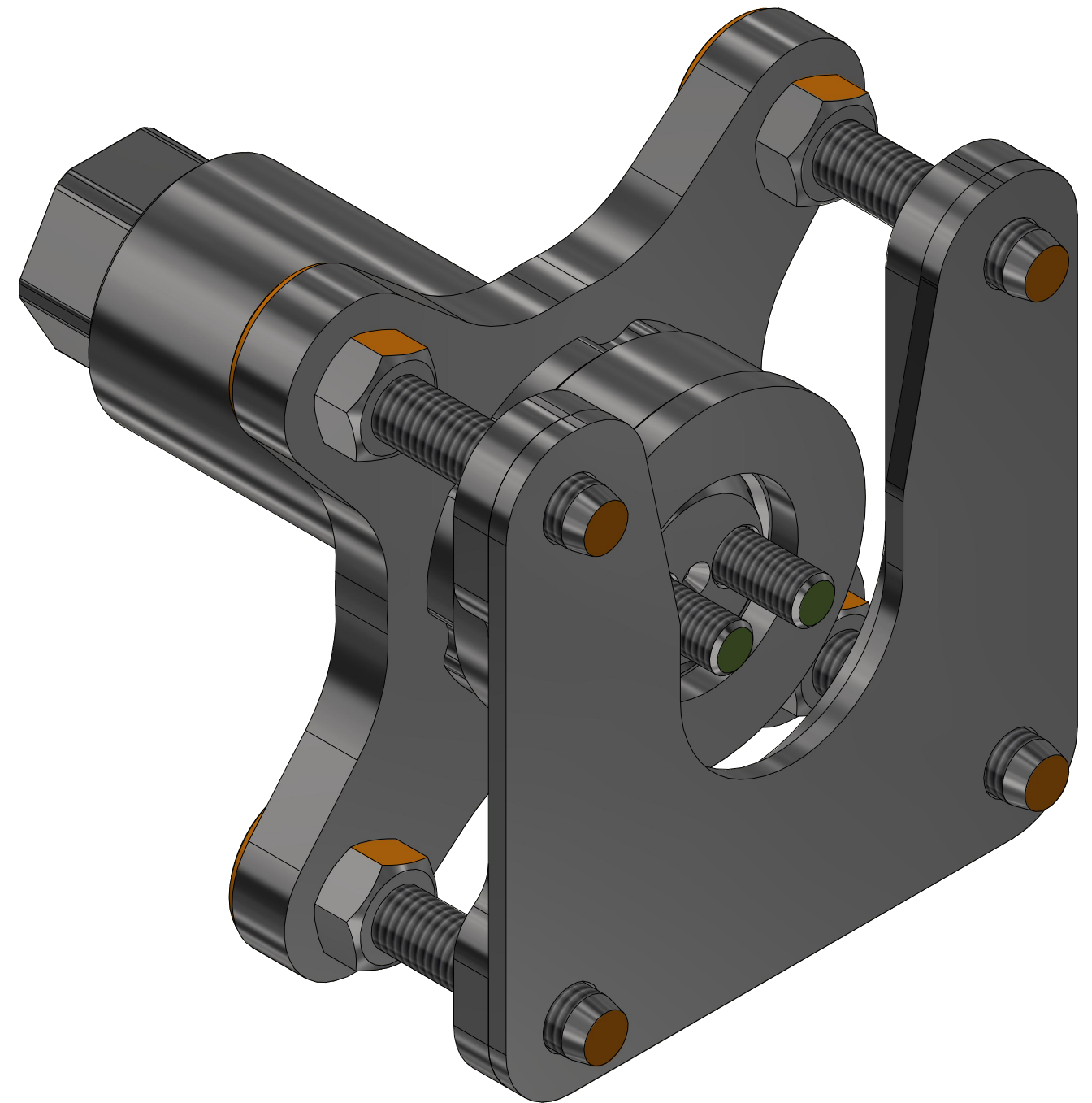
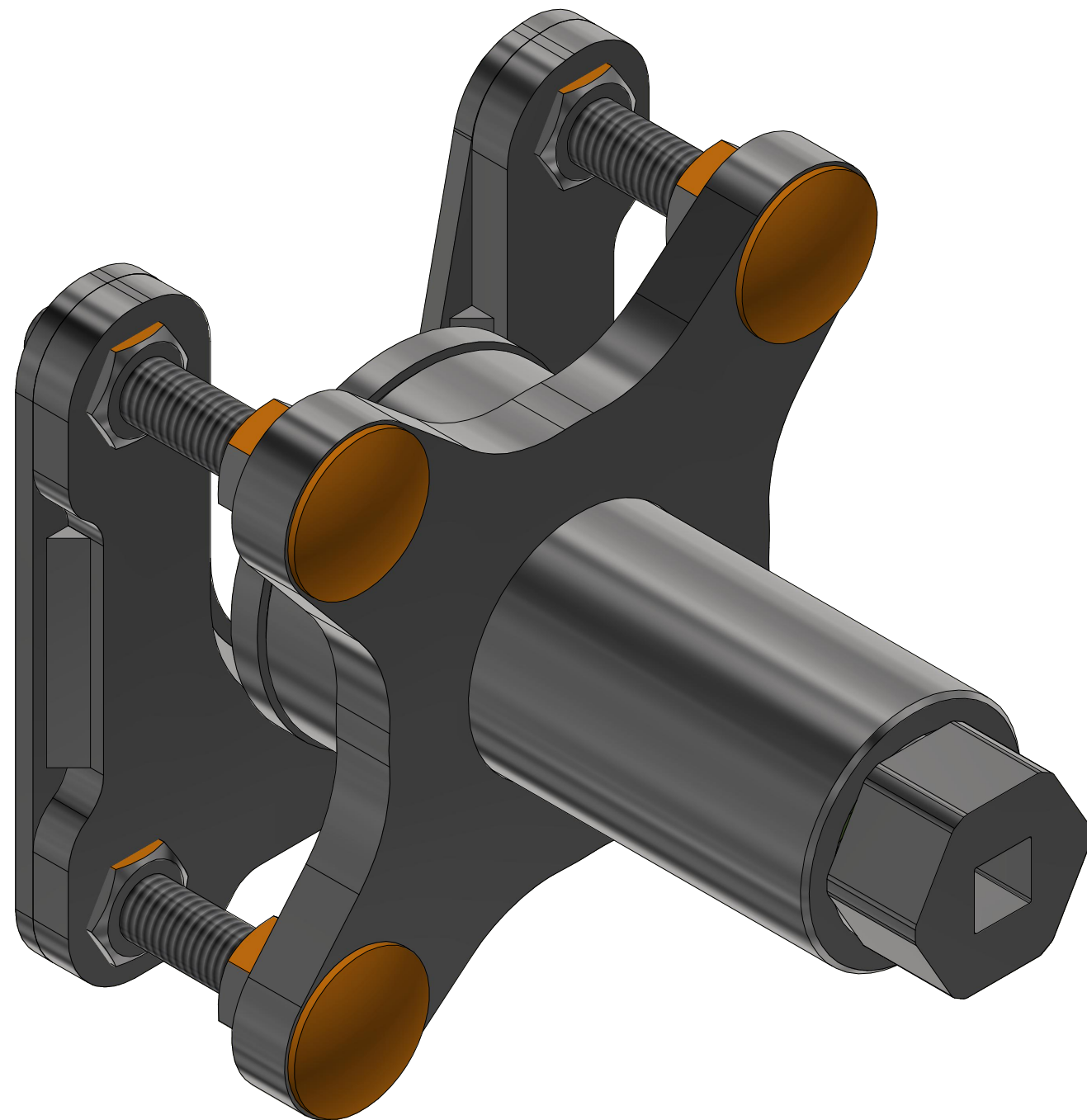


| Pos. | Part Number | Pcs. |
|------|-------------|------|
| 1 | VZ00040530 | 1 |
| 5 | m24596 | 1 |

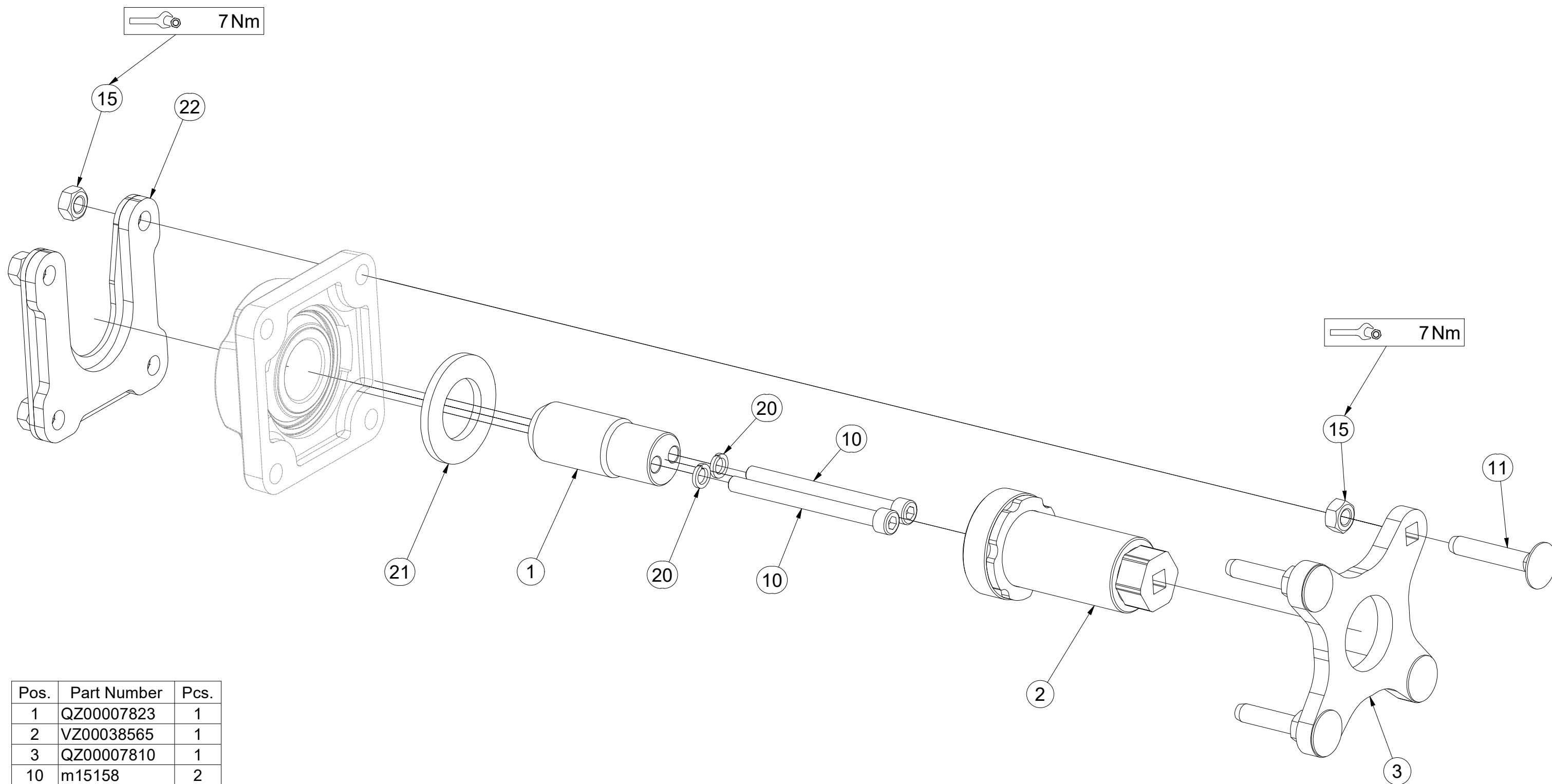
ⒸZ PŘÍPRAVEK
Ⓓ DIE VORRICHTUNG
Ⓕ APPAREIL

VZ00040530

ⒸGB FIXTURE
ⒸRU ПРИСТАВКА
ⒸPL PRZYRZĄD



VZ00040530



| Pos. | Part Number | Pcs. |
|------|-------------|------|
| 1 | QZ00007823 | 1 |
| 2 | VZ00038565 | 1 |
| 3 | QZ00007810 | 1 |
| 10 | m15158 | 2 |
| 11 | m17684 | 4 |
| 15 | m10439 | 8 |
| 20 | m01208 | 2 |
| 21 | m03636 | 1 |
| 22 | VZ00038574 | 1 |

Ⓒ SADA OVLÁDÁNÍ RADLICE

Ⓓ STEUERSATZ PFLUGSCHAR/PFLUGSCHAREN

Ⓕ KIT DE COMMANDE DU SOC/DES SOCS

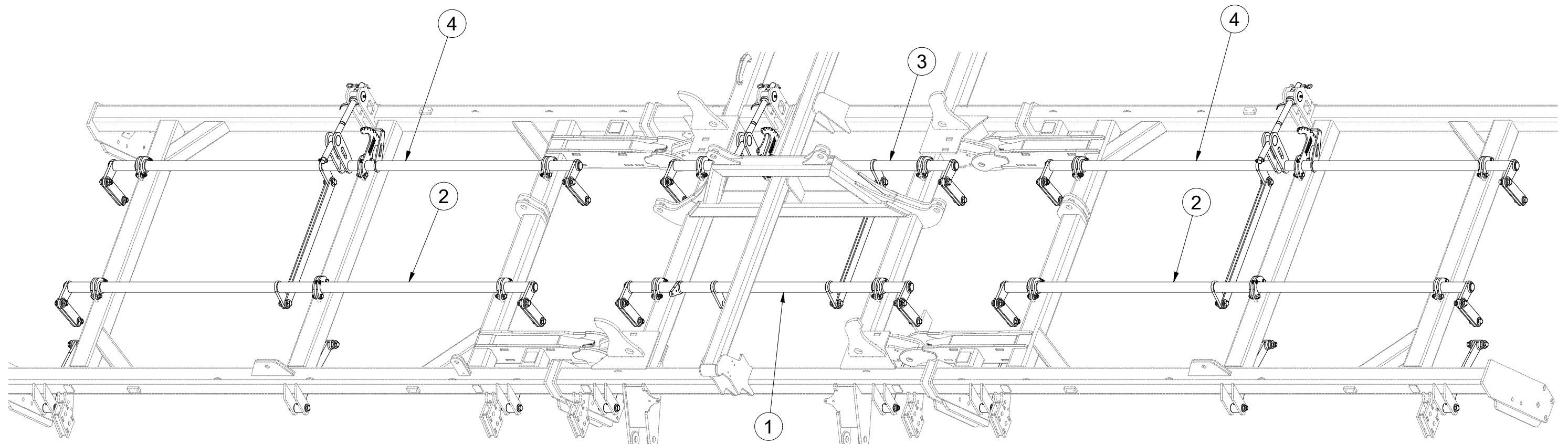
Ⓖ SET OF PLOUGHSHARE CONTROL

Ⓡ КОМПЛЕКТ УПРАВЛЕНИЯ ЛАПЫ/ЛАП

Ⓢ ZESTAW STEROWANIA REDLIĆ/RADLICAMI



VZ00038374



| Pos. | Part Number | Pcs. |
|------|-------------|------|
| 1 | VZ00007199 | 1 |
| 2 | 3002863 | 2 |
| 3 | VZ00039394 | 1 |
| 4 | 3002864 | 2 |

Ⓒ SADA OVLÁDÁNÍ RADLICE

Ⓓ STEUERSATZ PFLUGSCHAR/PFLUGSCHAREN

Ⓕ KIT DE COMMANDE DU SOC/DES SOCS

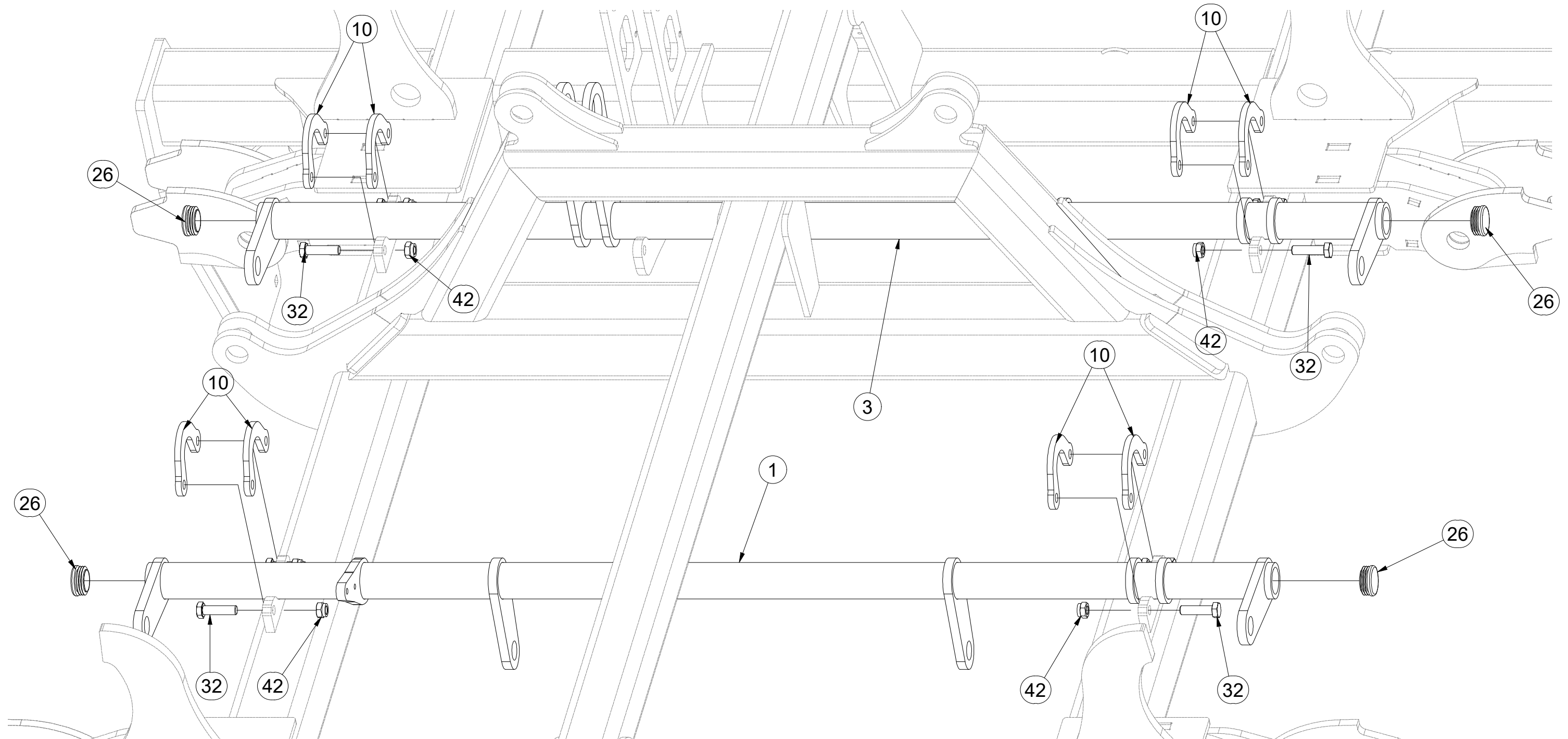
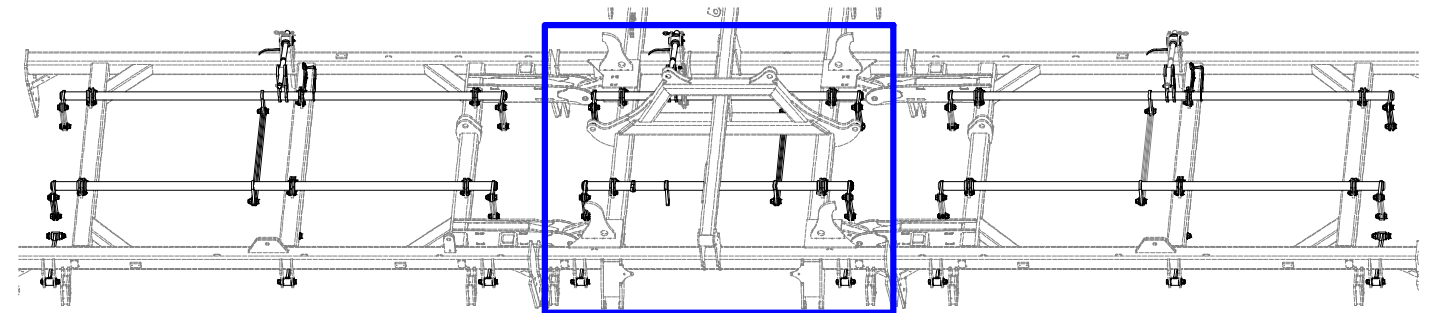
VZ00038374

| Pos. | Part Number | Pcs. |
|------|-------------|------|
| 1 | VZ00007199 | 1 |
| 3 | VZ00039394 | 1 |
| 10 | 4005332 | 24 |
| 26 | m10130 | 12 |
| 32 | m06077 | 34 |
| 42 | m04301 | 34 |

Ⓖ SET OF PLOUGHSHARE CONTROL

Ⓔ КОМПЛЕКТ УПРАВЛЕНИЯ ЛАПЫ/ЛАП

Ⓗ ZESTAW STEROWANIA REDLICA/RADLICAMI



Ⓒ SADA OVLÁDÁNÍ RADLICE

Ⓓ STEUERSATZ PFLUGSCHAR/PFLUGSCHAREN

Ⓕ KIT DE COMMANDE DU SOC/DES SOCS

Ⓖ SET OF PLOUGHSHARE CONTROL

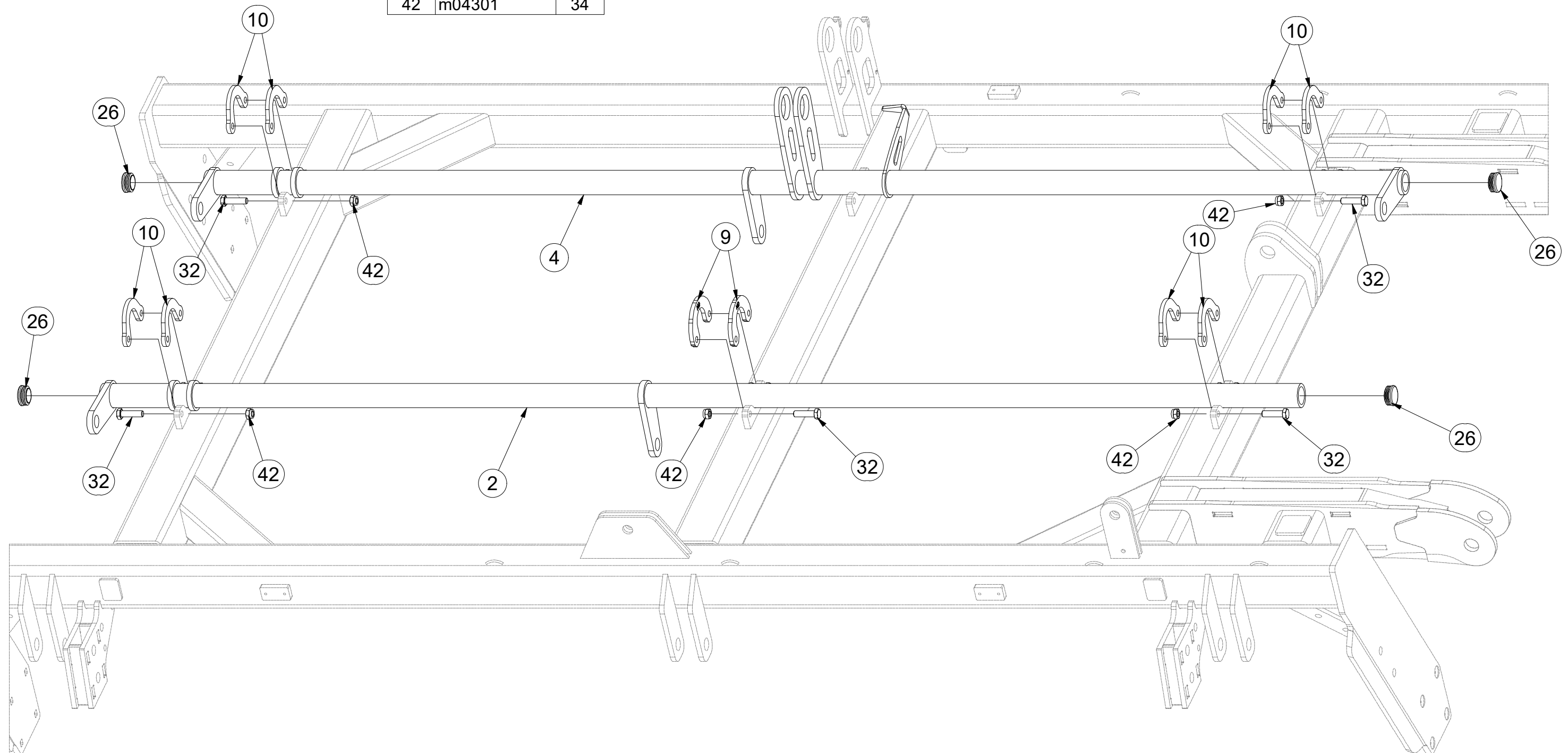
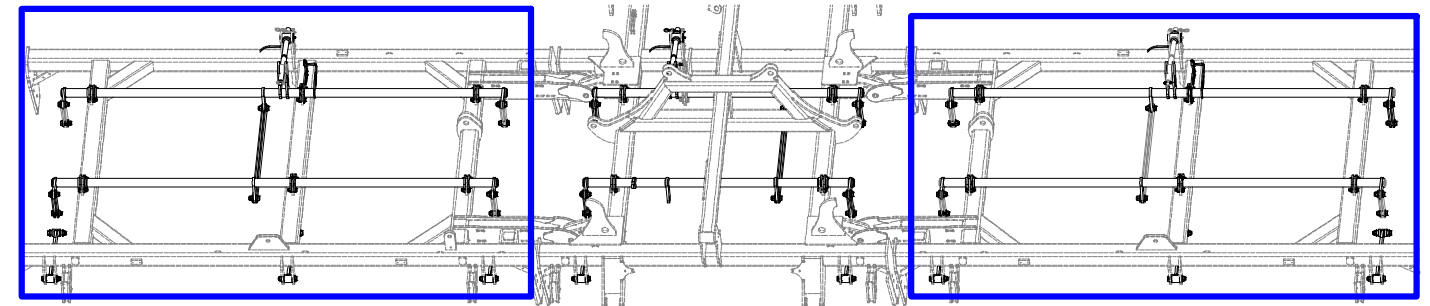
Ⓡ КОМПЛЕКТ УПРАВЛЕНИЯ ЛАПЫ/ЛАП

Ⓟ ZESTAW STEROWANIA REDLIĆ/RADLICAMI



VZ00038374

| Pos. | Part Number | Pcs. |
|------|-------------|------|
| 2 | 3002863 | 2 |
| 4 | 3002864 | 2 |
| 9 | 4022084 | 7 |
| 10 | 4005332 | 24 |
| 26 | m10130 | 12 |
| 32 | m06077 | 34 |
| 42 | m04301 | 34 |



Ⓒ SADA OVLÁDÁNÍ RADLICE

Ⓓ STEUERSATZ PFLUGSCHAR/PFLUGSCHAREN

Ⓕ KIT DE COMMANDE DU SOC/DES SOCS

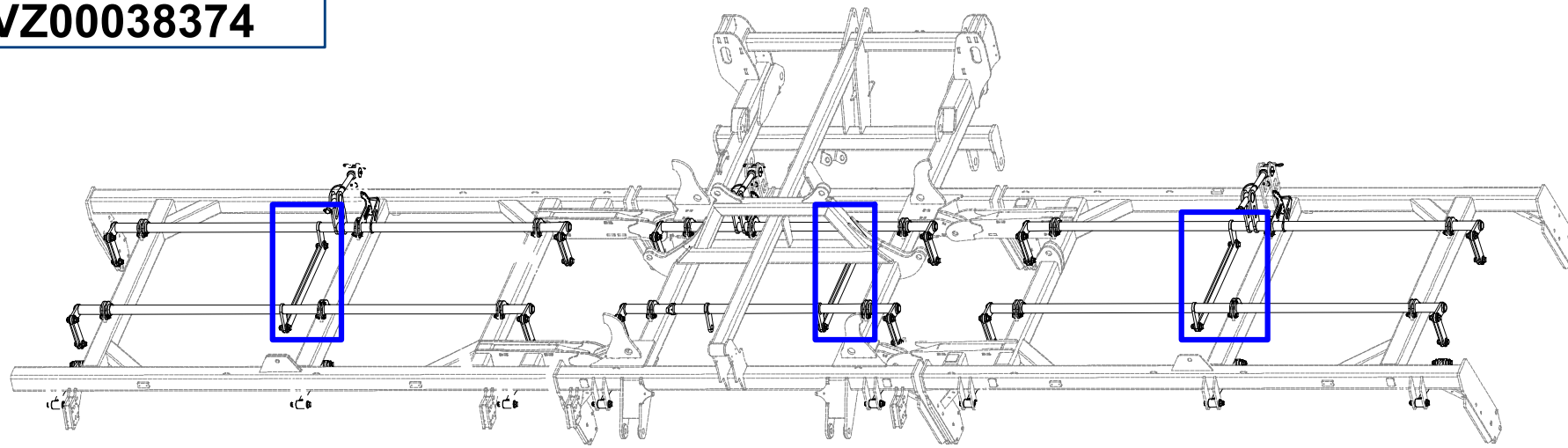
Ⓖ SET OF PLOUGHSHARE CONTROL

Ⓡ КОМПЛЕКТ УПРАВЛЕНИЯ ЛАПЫ/ЛАП

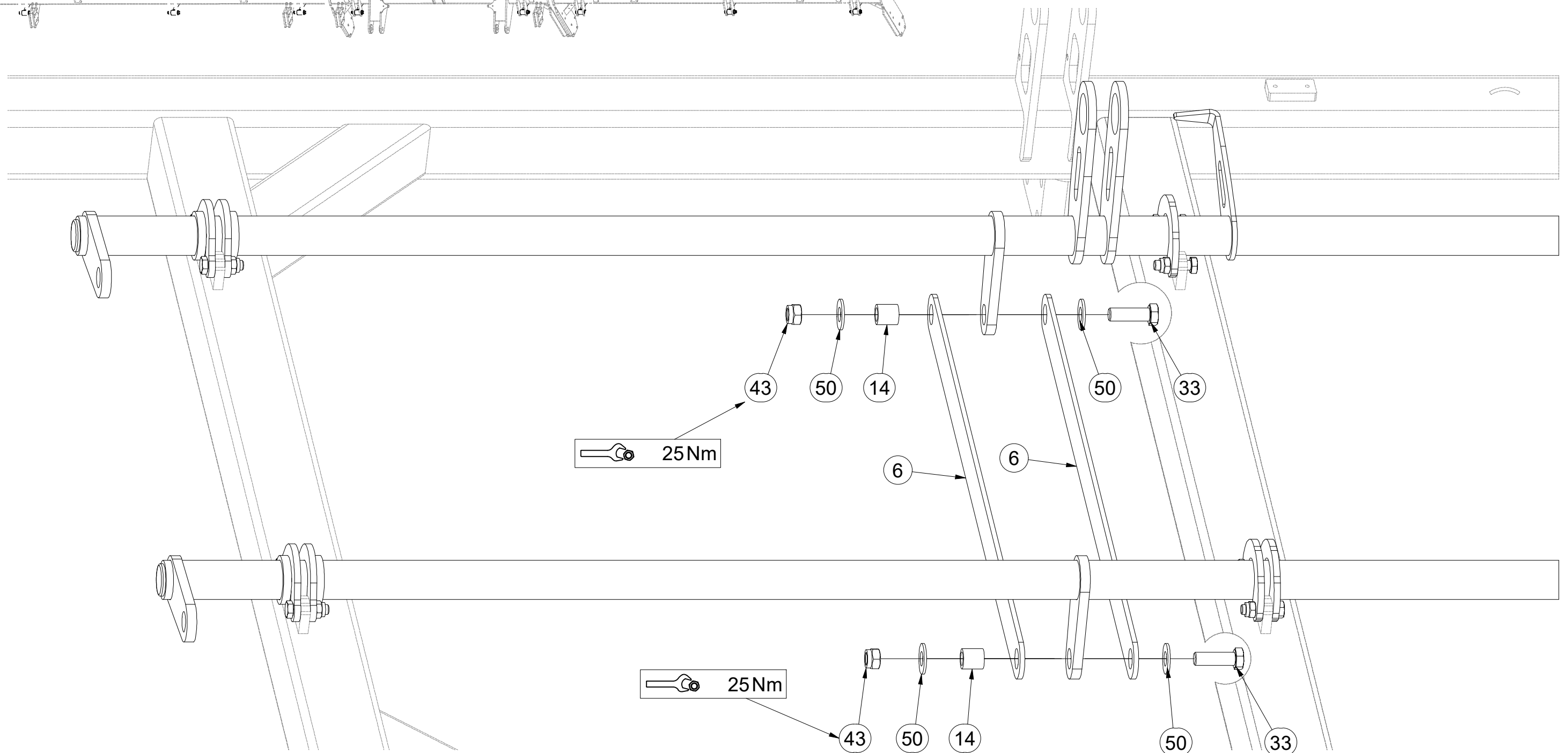
Ⓟ ZESTAW STEROWANIA REDLIĆA/RADLICAMI



VZ00038374



| Pos. | Part Number | Pcs. |
|------|-------------|------|
| 6 | 4005334 | 6 |
| 14 | 4002265 | 30 |
| 33 | m04355 | 30 |
| 43 | m03683 | 46 |
| 50 | m05651 | 92 |



ⒸZ SADA OVLÁDÁNÍ RADLICE

Ⓓ STEUERSATZ PFLUGSCHAR/PFLUGSCHAREN

Ⓕ KIT DE COMMANDE DU SOC/DES SOCS

ⒸB SET OF PLOUGHSHARE CONTROL

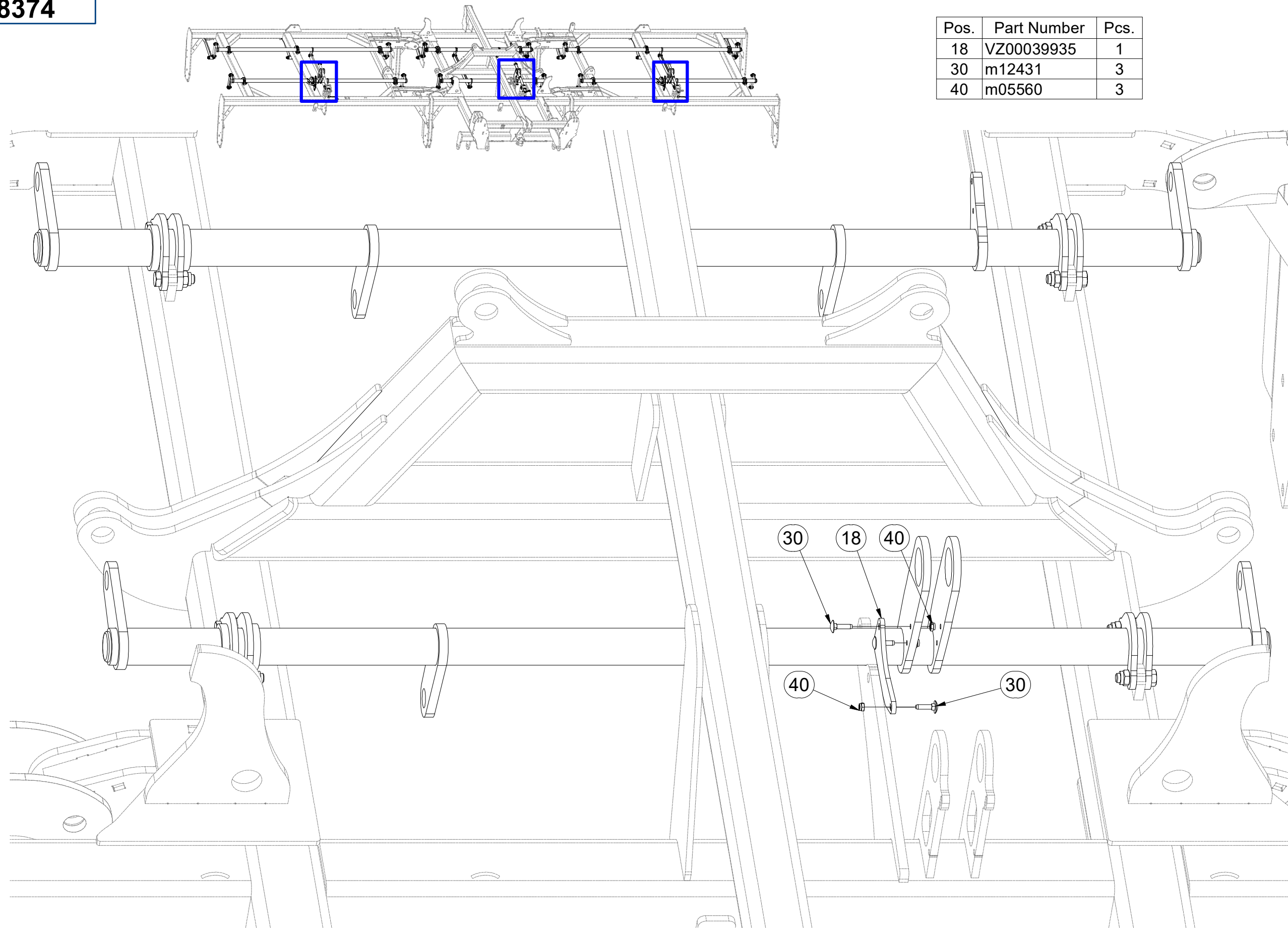
ⒸU КОМПЛЕКТ УПРАВЛЕНИЯ ЛАПЫ/ЛАП

ⒸL ZESTAW STEROWANIA REDLICA/RADLICAMI



VZ00038374

| Pos. | Part Number | Pcs. |
|------|-------------|------|
| 18 | VZ00039935 | 1 |
| 30 | m12431 | 3 |
| 40 | m05560 | 3 |



ⒸZ SADA OVLÁDÁNÍ RADLICE

Ⓓ STEUERSATZ PFLUGSCHAR/PFLUGSCHAREN

Ⓕ KIT DE COMMANDE DU SOC/DES SOCS

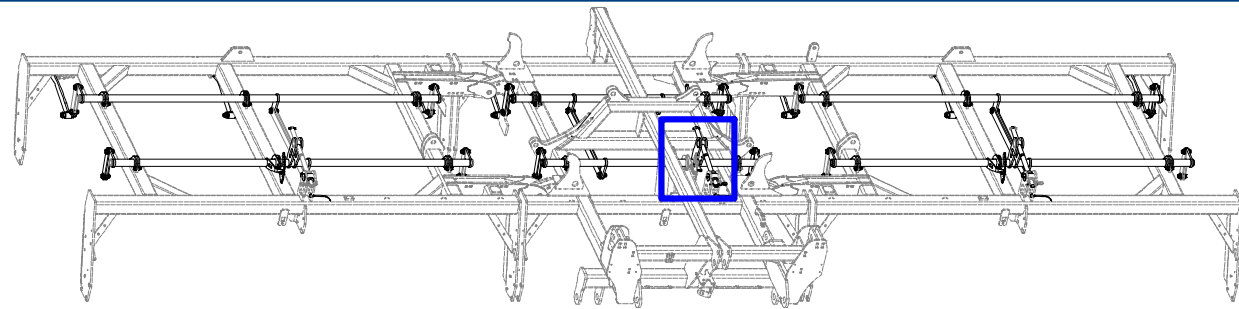
ⒼB SET OF PLOUGHSHARE CONTROL

ⒺU КОМПЛЕКТ УПРАВЛЕНИЯ ЛАПЫ/ЛАП

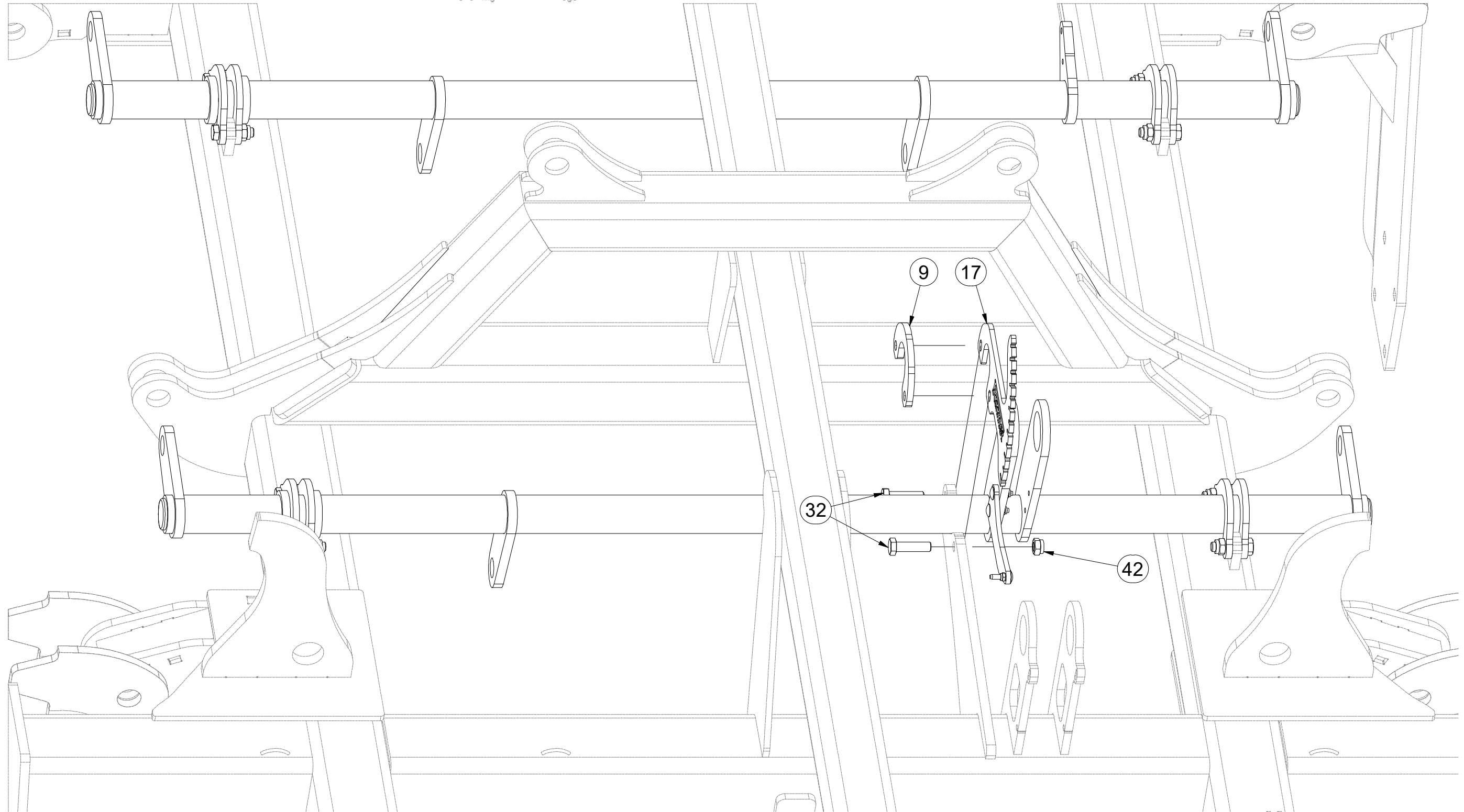
ⒼL ZESTAW STEROWANIA REDLIĆA/RADLICAMI



VZ00038374



| Pos. | Part Number | Pcs. |
|------|-------------|------|
| 9 | 4022084 | 7 |
| 17 | VZ00037139 | 3 |
| 32 | m06077 | 34 |
| 42 | m04301 | 34 |



ⒸZ SADA OVLÁDÁNÍ RADLICE

Ⓓ STEUERSATZ PFLUGSCHAR/PFLUGSCHAREN

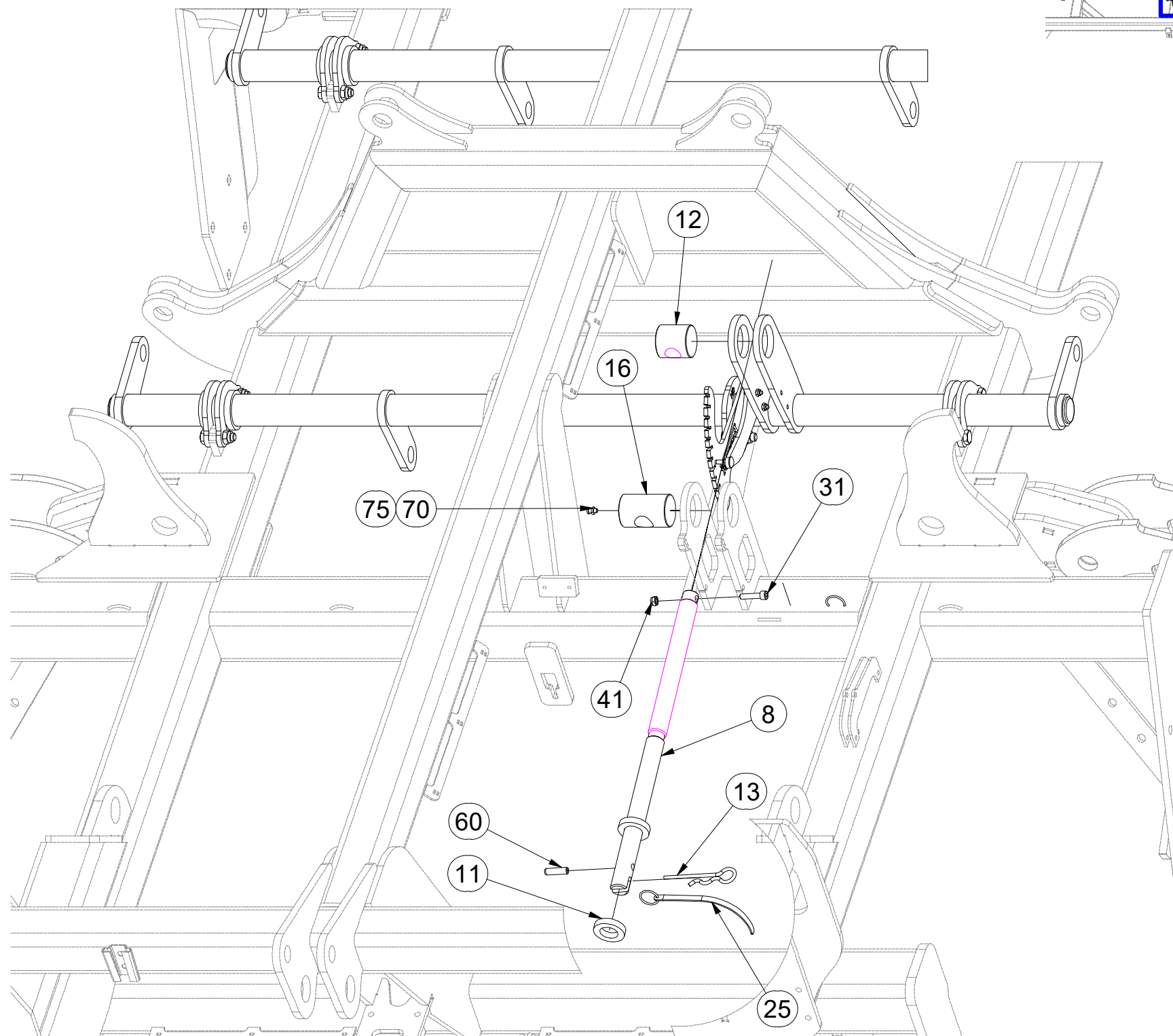
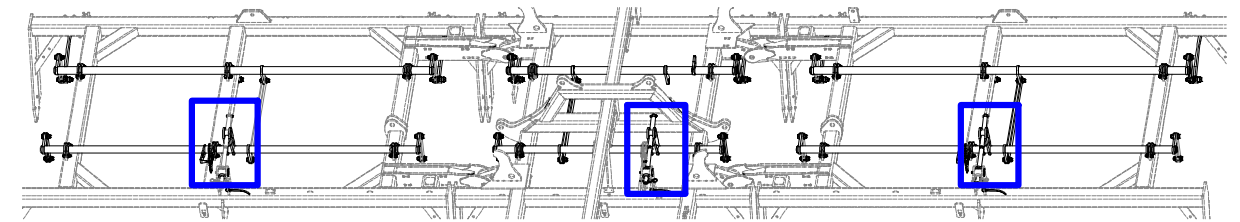
Ⓕ KIT DE COMMANDE DU SOC/DES SOCS

VZ00038374

ⒸB SET OF PLOUGHSHARE CONTROL

ⒹU КОМПЛЕКТ УПРАВЛЕНИЯ ЛАПЫ/ЛАП

ⒻL ZESTAW STEROWANIA REDLIĆA/RADLICAMI



| Pos. | Part Number | Pcs. |
|------|-------------|----------|
| 8 | 4024250 | 3 |
| 11 | 9002560 | 3 |
| 12 | 4005340 | 3 |
| 13 | m09988 | 3 |
| 16 | 9002114 | 3 |
| 25 | m12467 | 3 |
| 31 | m09464 | 3 |
| 41 | m04503 | 3 |
| 60 | m10736 | 3 |
| 70 | m10451 | 3 |
| 75 | m01999 | 0,100 kg |

☉ SADA OVLÁDÁNÍ RADLICE

☉ STEUERSATZ PFLUGSCHAR/PFLUGSCHAREN

☉ KIT DE COMMANDE DU SOC/DES SOCS

☉ SET OF PLOUGHSHARE CONTROL

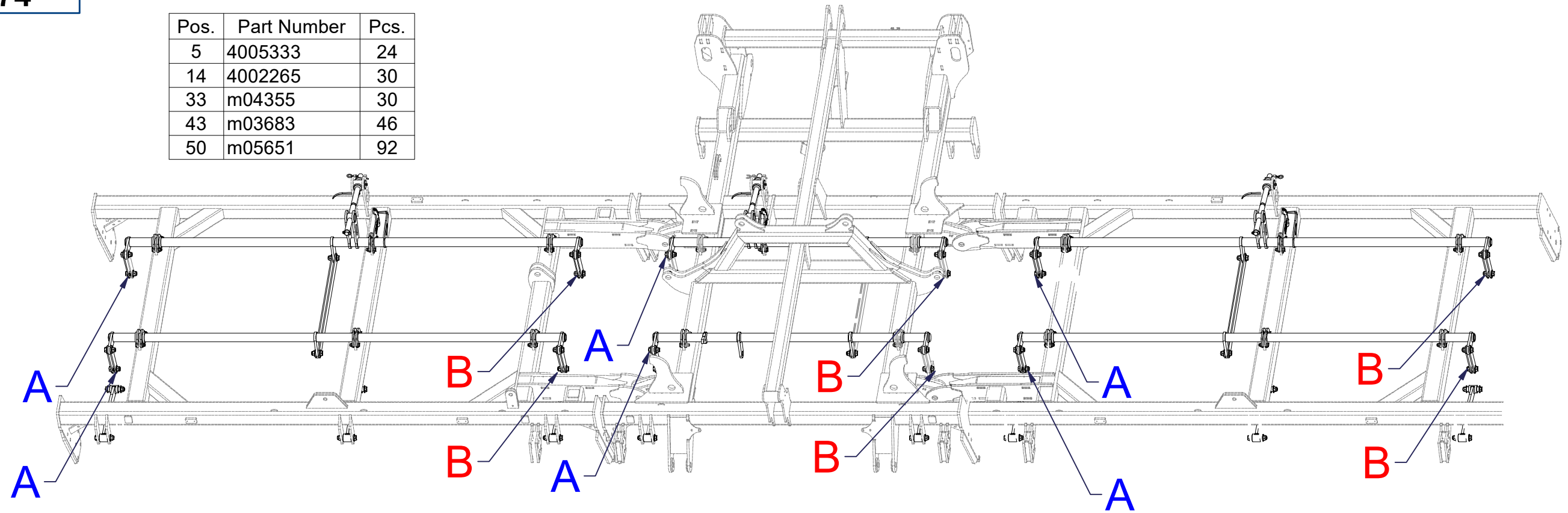
☉ КОМПЛЕКТ УПРАВЛЕНИЯ ЛАПЫ/ЛАП

☉ ZESTAW STEROWANIA REDLIĆA/RADLICAMI



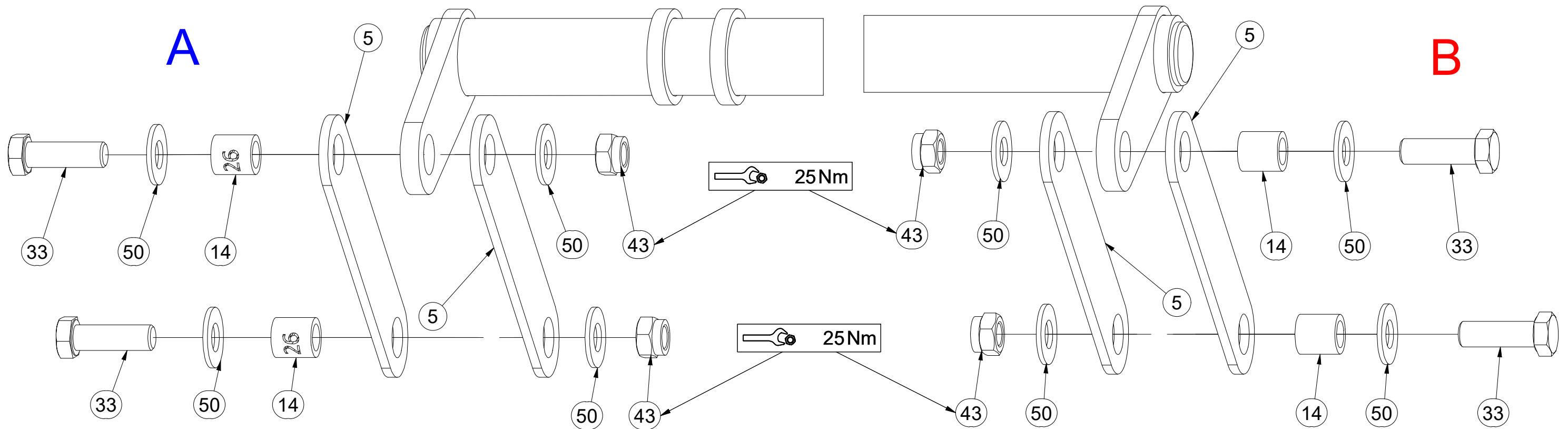
VZ00038374

| Pos. | Part Number | Pcs. |
|------|-------------|------|
| 5 | 4005333 | 24 |
| 14 | 4002265 | 30 |
| 33 | m04355 | 30 |
| 43 | m03683 | 46 |
| 50 | m05651 | 92 |



A

B



Ⓒ SADA OVLÁDÁNÍ RADLICE

Ⓓ STEUERSATZ PFLUGSCHAR/PFLUGSCHAREN

Ⓕ KIT DE COMMANDE DU SOC/DES SOCS

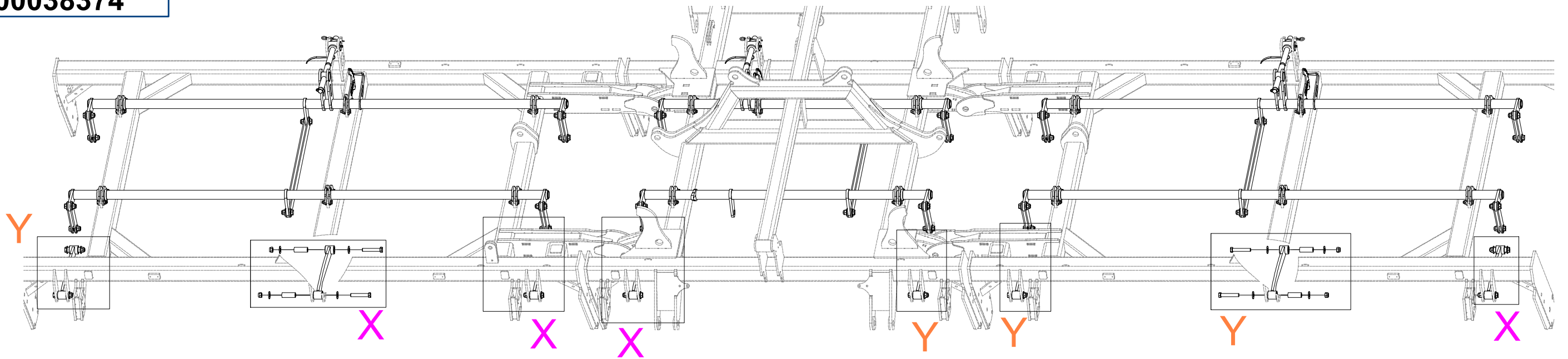
Ⓖ SET OF PLOUGHSHARE CONTROL

Ⓡ КОМПЛЕКТ УПРАВЛЕНИЯ ЛАПЫ/ЛАП

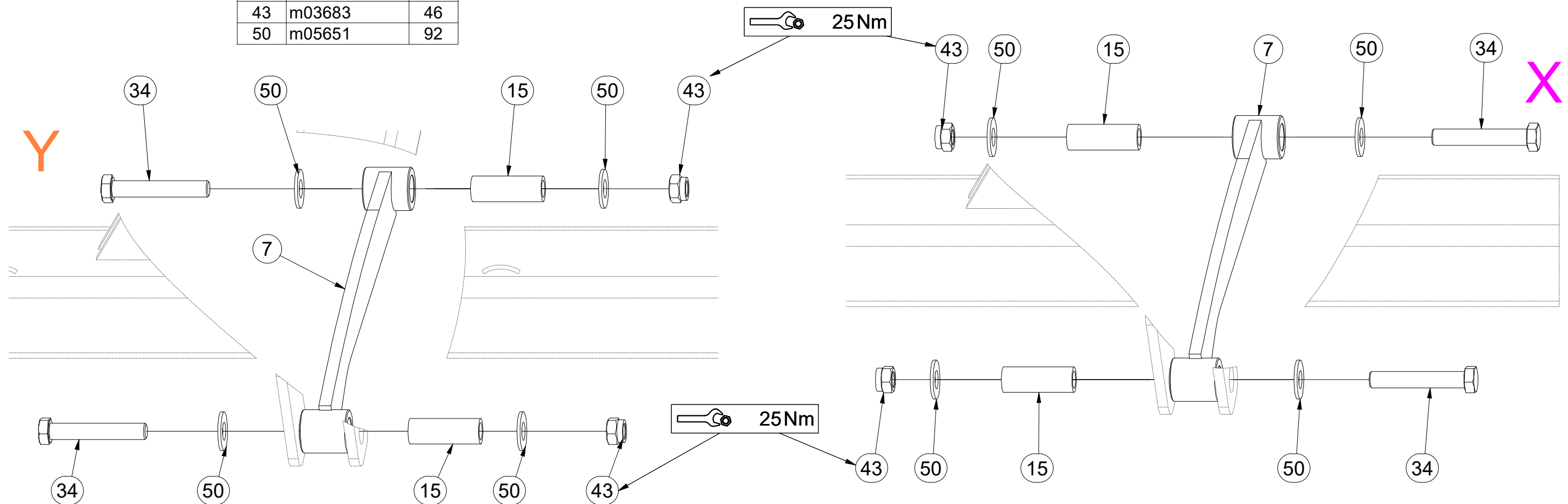
Ⓟ ZESTAW STEROWANIA REDLIĆA/RADLICAMI



VZ00038374



| Pos. | Part Number | Pcs. |
|------|-------------|------|
| 7 | VZ00003342 | 8 |
| 15 | 9001426 | 16 |
| 34 | m07673 | 16 |
| 43 | m03683 | 46 |
| 50 | m05651 | 92 |



ⒸZ SADA RADLIC

Ⓓ SCHARSATZ

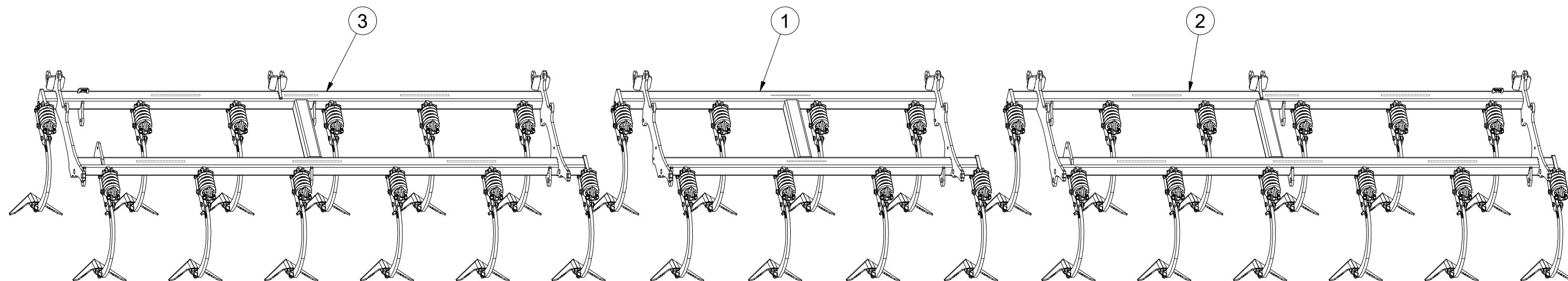
Ⓕ KIT DE SOCS

VZ00041248

ⒸGB SET OF PLOUGHSHARES

ⒸRU КОМПЛЕКТ ЛАП

ⒸPL ZESTAW REDLIC



| Pos. | Part Number | Pcs. |
|------|-------------|------|
| 1 | VZ00015183 | 1 |
| 2 | VZ00025757 | 1 |
| 3 | VZ00025755 | 1 |

ⒸZ SADA RADLIC

Ⓓ SCHARSATZ

Ⓕ KIT DE SOCS

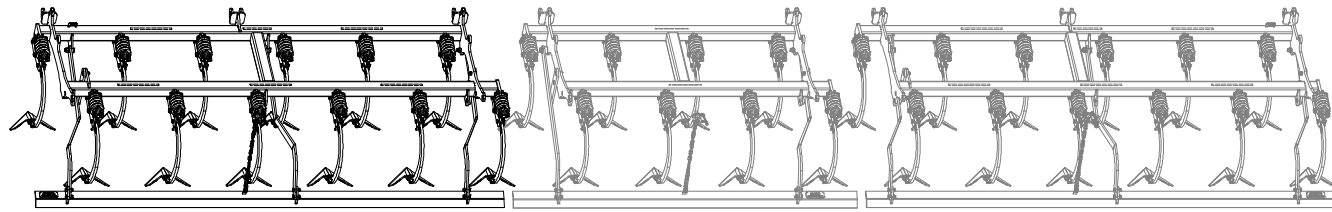
ⒼB SET OF PLOUGHSHARES

⒲U КОМПЛЕКТ ЛАП

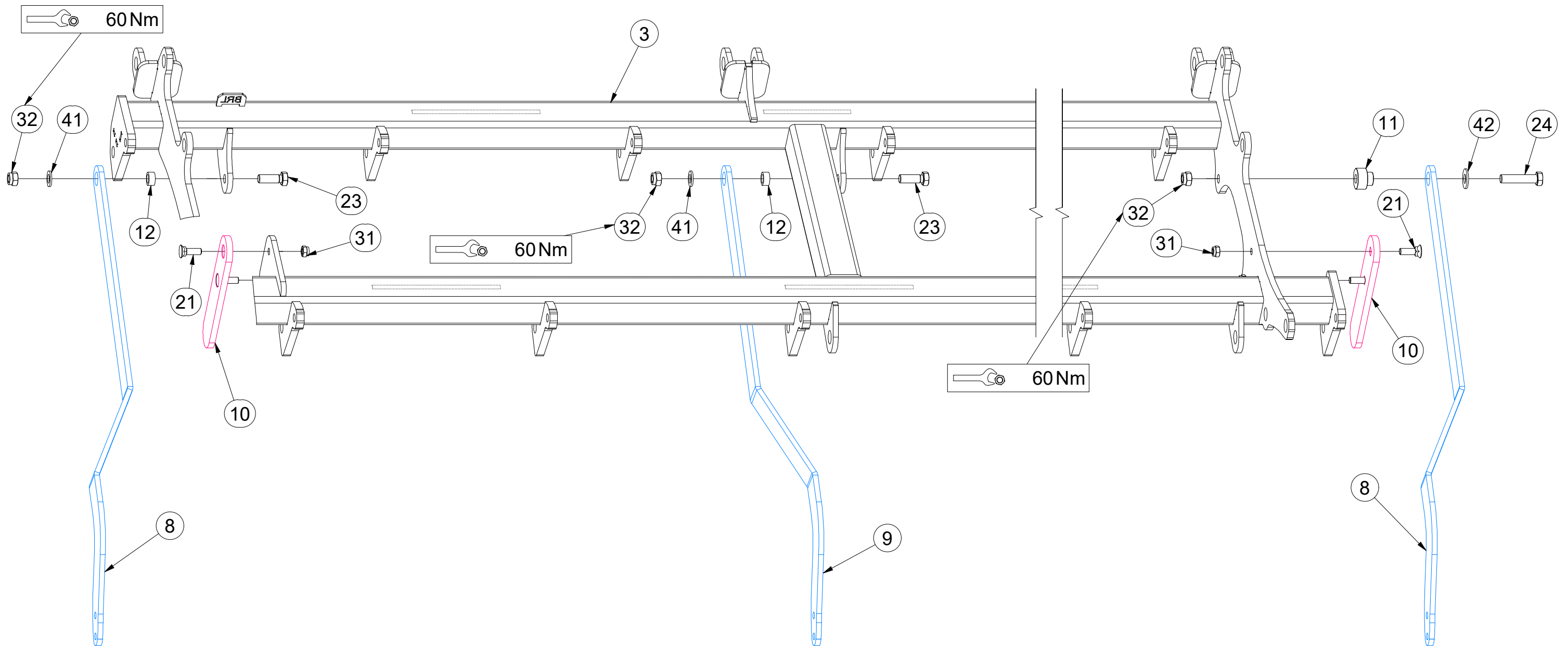
ⒶL ZESTAW REDLIC



VZ00041248



| Pos. | Part Number | Pcs. | Pos. | Part Number | Pcs. |
|------|-------------|------|------|-------------|------|
| 3 | VZ00025755 | 1 | 23 | m02254 | 4 |
| 8 | VZ00040923 | 5 | 24 | m18147 | 4 |
| 9 | VZ00040914 | 2 | 31 | m04301 | 28 |
| 10 | VZ00021526 | 6 | 32 | m03683 | 8 |
| 11 | VZ00022741 | 4 | 41 | m01219 | 4 |
| 12 | 4011041 | 4 | 42 | m05651 | 4 |
| 21 | m02491 | 12 | | | |



Ⓒ SADA RADLIC

Ⓓ SCHARSATZ

Ⓕ KIT DE SOCS

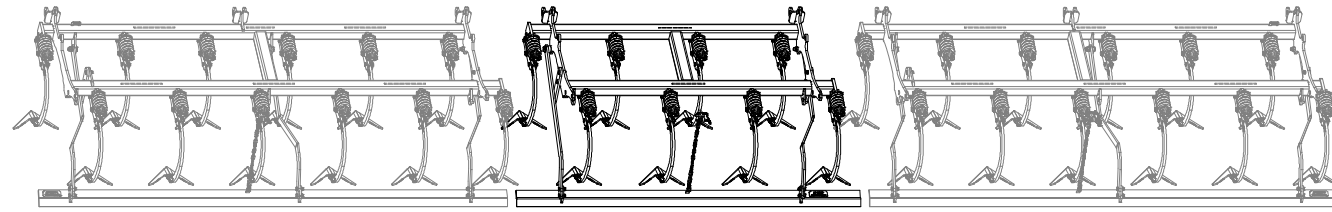
Ⓖ SET OF PLOUGHSHARES

Ⓡ КОМПЛЕКТ ЛАП

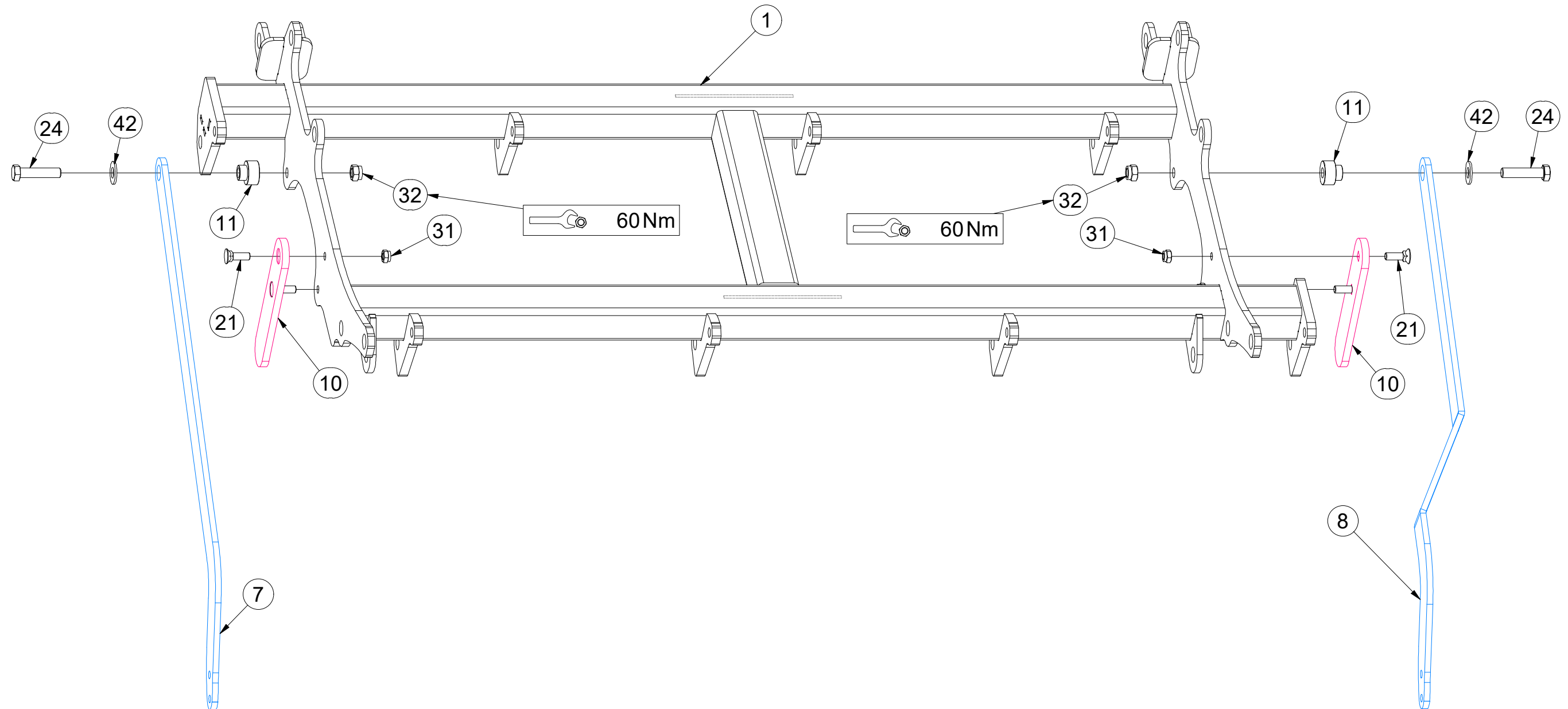
Ⓟ ZESTAW REDLIC



VZ00041248



| Pos. | Part Number | Pcs. |
|------|-------------|------|
| 1 | VZ00015183 | 1 |
| 7 | VZ00040936 | 1 |
| 8 | VZ00040923 | 5 |
| 10 | VZ00021526 | 6 |
| 11 | VZ00022741 | 4 |
| 21 | m02491 | 12 |
| 24 | m18147 | 4 |
| 31 | m04301 | 28 |
| 32 | m03683 | 8 |
| 42 | m05651 | 4 |



Ⓒ SADA RADLIC

Ⓓ SCHARSATZ

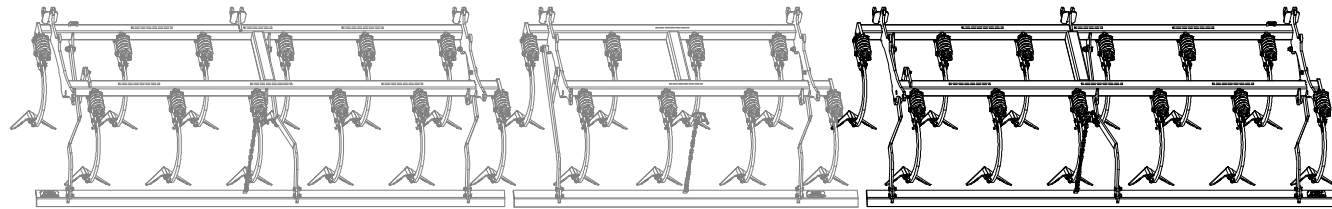
Ⓕ KIT DE SOCS

VZ00041248

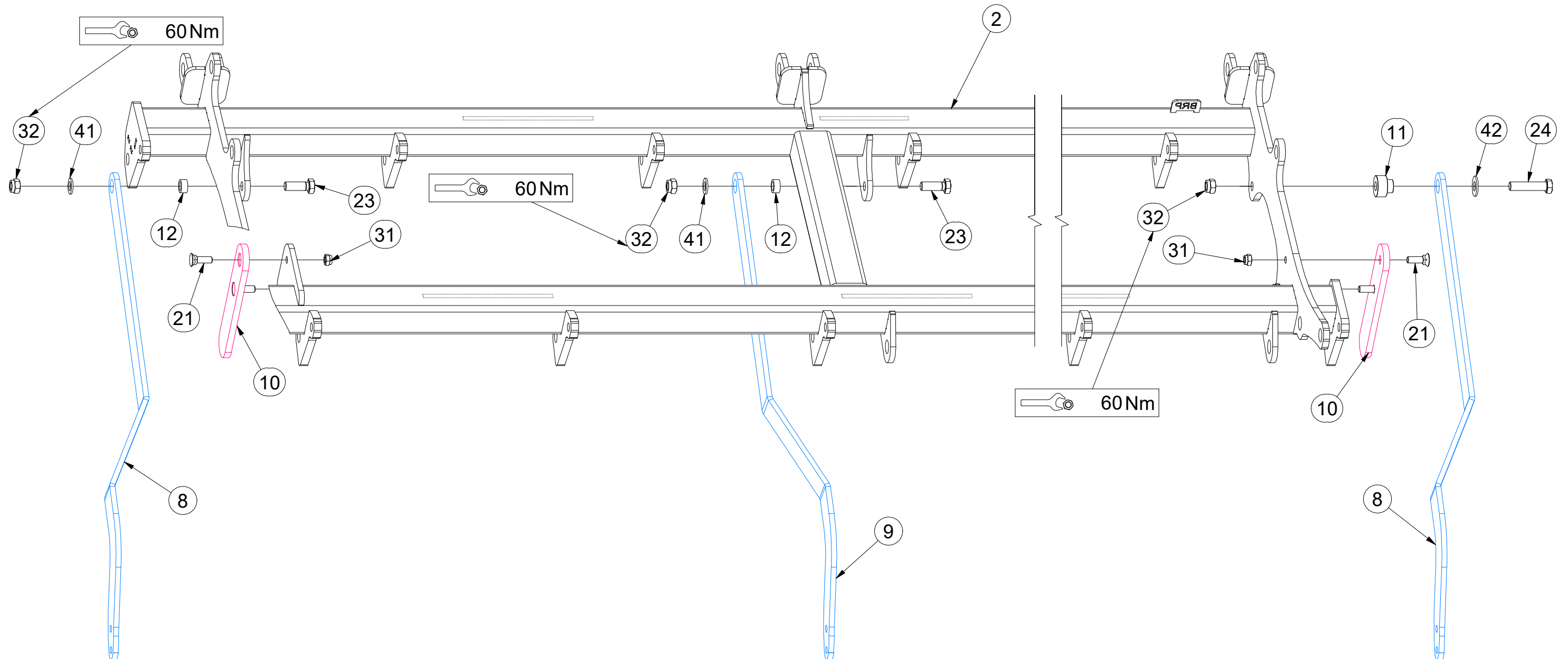
Ⓖ SET OF PLOUGHSHARES

Ⓡ КОМПЛЕКТ ЛАП

Ⓢ ZESTAW REDLIC



| Pos. | Part Number | Pcs. | Pos. | Part Number | Pcs. |
|------|-------------|------|------|-------------|------|
| 2 | VZ00025757 | 1 | 23 | m02254 | 4 |
| 8 | VZ00040923 | 5 | 24 | m18147 | 4 |
| 9 | VZ00040914 | 2 | 31 | m04301 | 28 |
| 10 | VZ00021526 | 6 | 32 | m03683 | 8 |
| 11 | VZ00022741 | 4 | 41 | m01219 | 4 |
| 12 | 4011041 | 4 | 42 | m05651 | 4 |
| 21 | m02491 | 12 | | | |



ⒸZ SADA RADLIC

Ⓓ SCHARSATZ

Ⓕ KIT DE SOCS

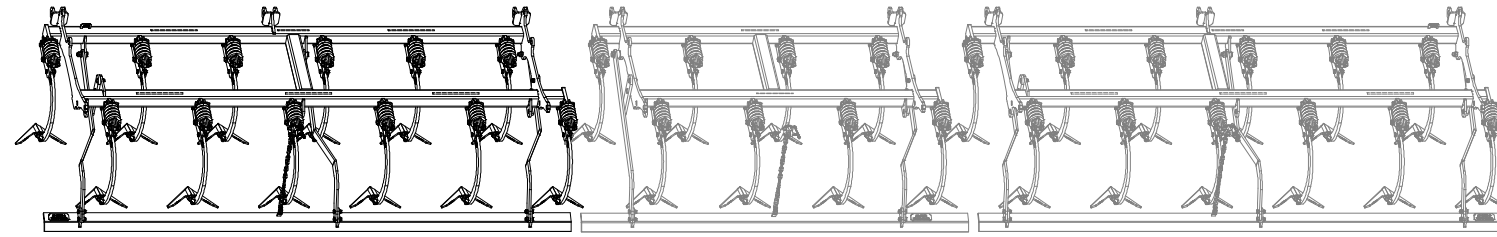
ⒸB SET OF PLOUGHSHARES

Ⓔ КОМПЛЕКТ ЛАП

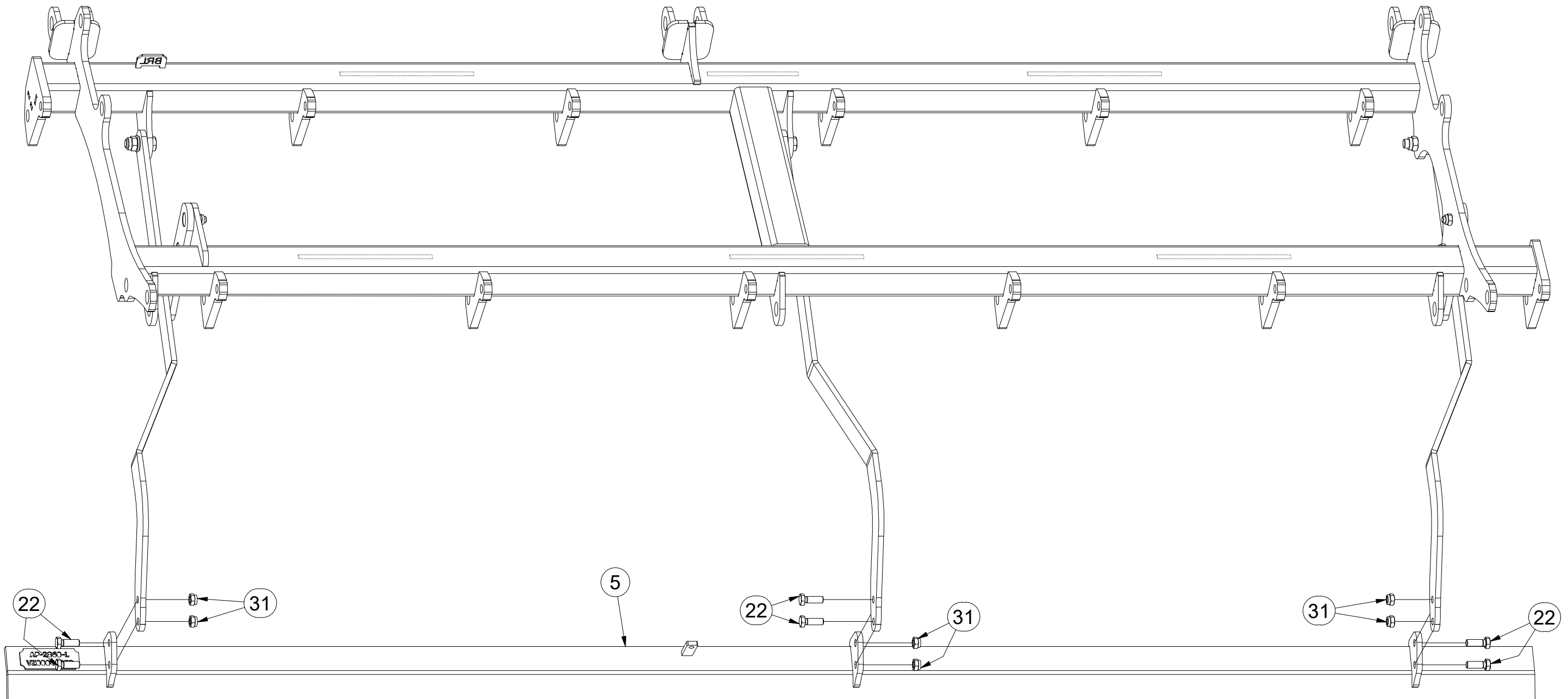
Ⓐ ZESTAW REDLIC



VZ00041248



| Pos. | Part Number | Pcs. |
|------|-------------|------|
| 5 | VZ00041258 | 1 |
| 22 | m04343 | 16 |
| 31 | m04301 | 28 |



Ⓒ CZ SADA RADLIC

Ⓓ D SCHARSATZ

Ⓕ F KIT DE SOCS

VZ00041248

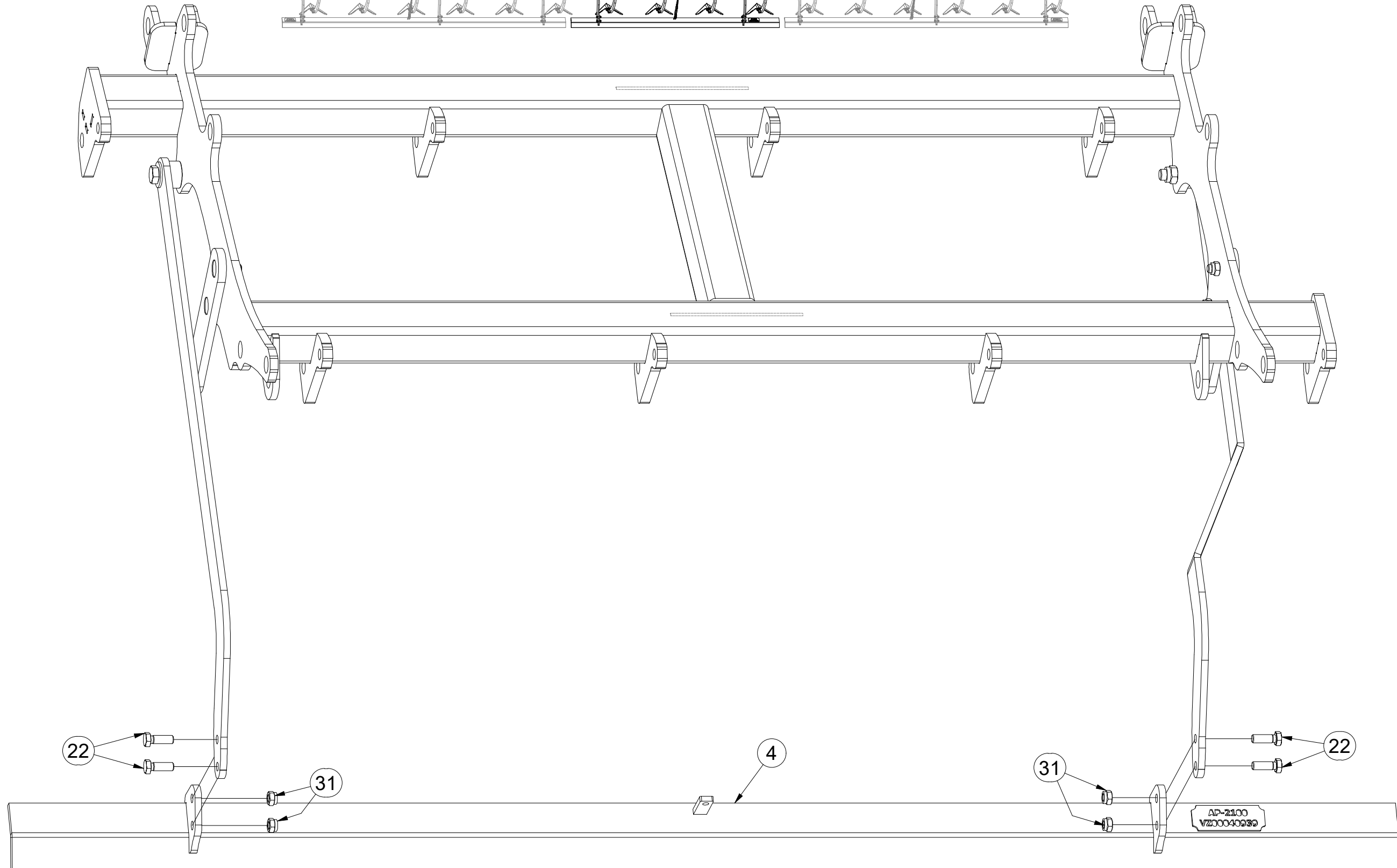
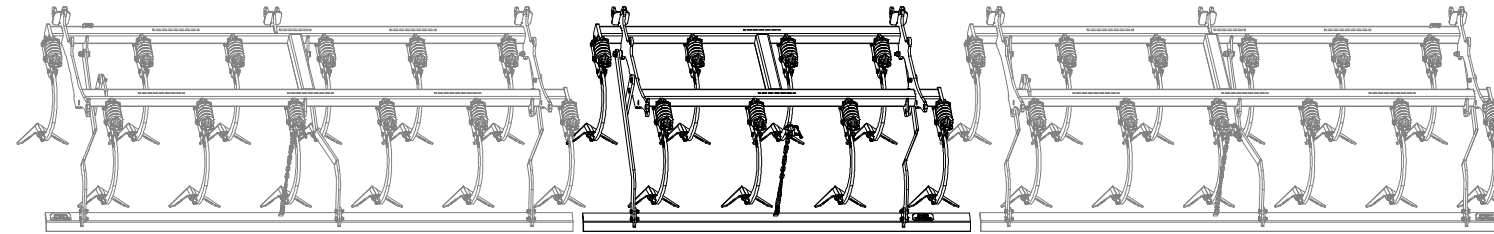
Ⓖ GB SET OF PLOUGHSHARES

Ⓡ RU КОМПЛЕКТ ЛАП

Ⓟ PL ZESTAW REDLIC



| Pos. | Part Number | Pcs. |
|------|-------------|------|
| 4 | VZ00040939 | 1 |
| 22 | m04343 | 16 |
| 31 | m04301 | 28 |



ⒸZ SADA RADLIC

Ⓓ SCHARSATZ

Ⓕ KIT DE SOCS

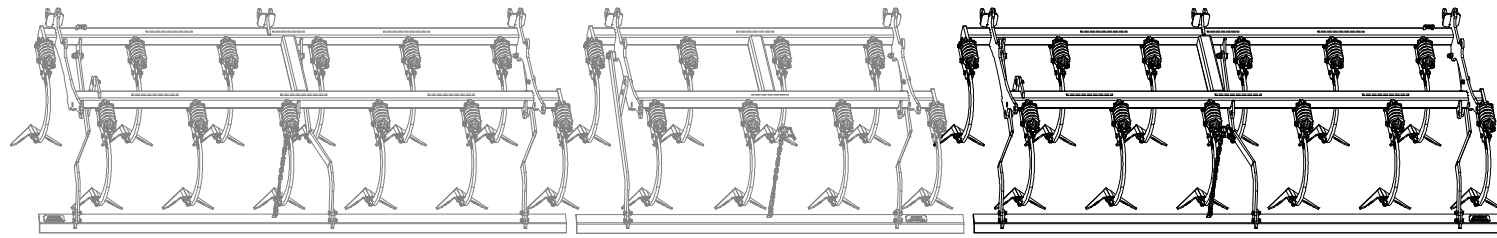
ⒼB SET OF PLOUGHSHARES

ⒶU КОМПЛЕКТ ЛАП

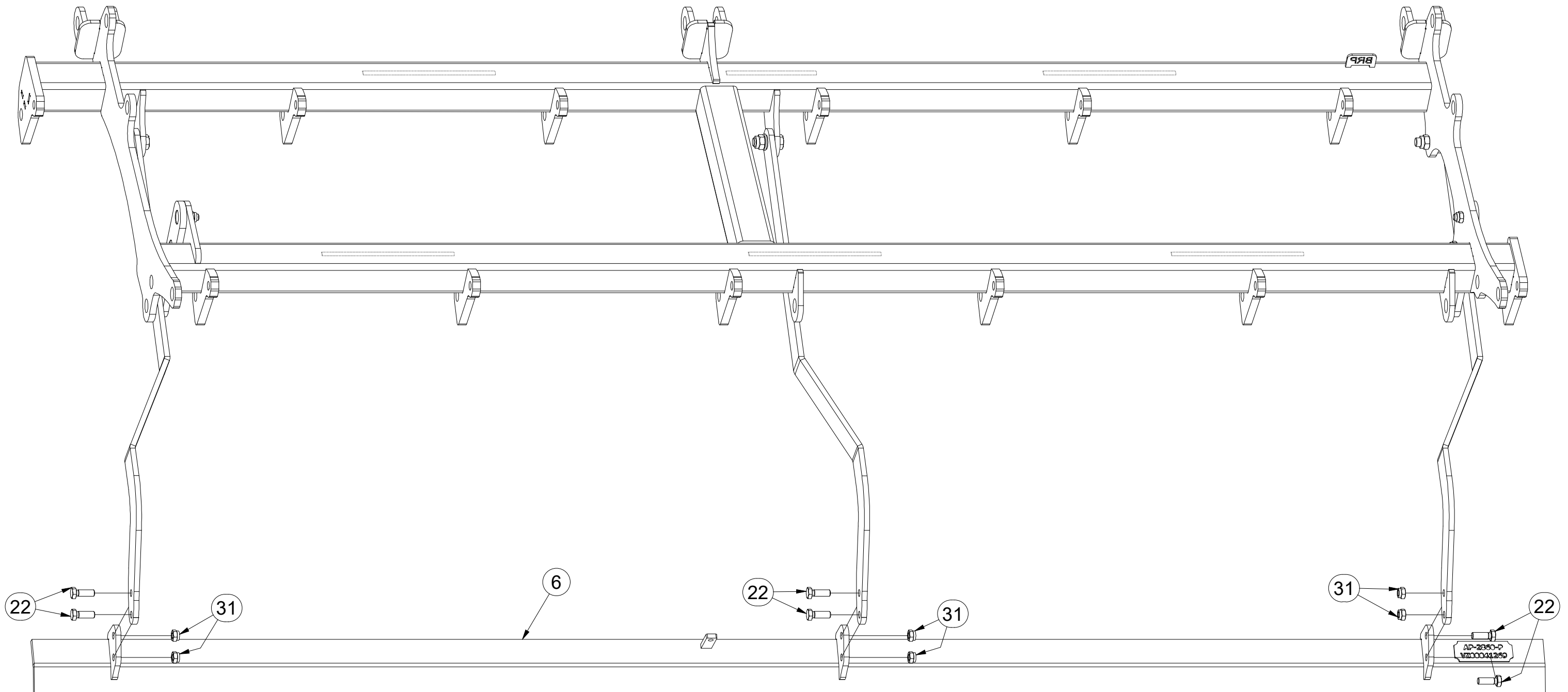
ⒶL ZESTAW REDLIC



VZ00041248



| Pos. | Part Number | Pcs. |
|------|-------------|------|
| 6 | VZ00041269 | 1 |
| 22 | m04343 | 16 |
| 31 | m04301 | 28 |



Ⓒ CZ SADA RADLIC

Ⓓ D SCHARSATZ

Ⓕ F KIT DE SOCS

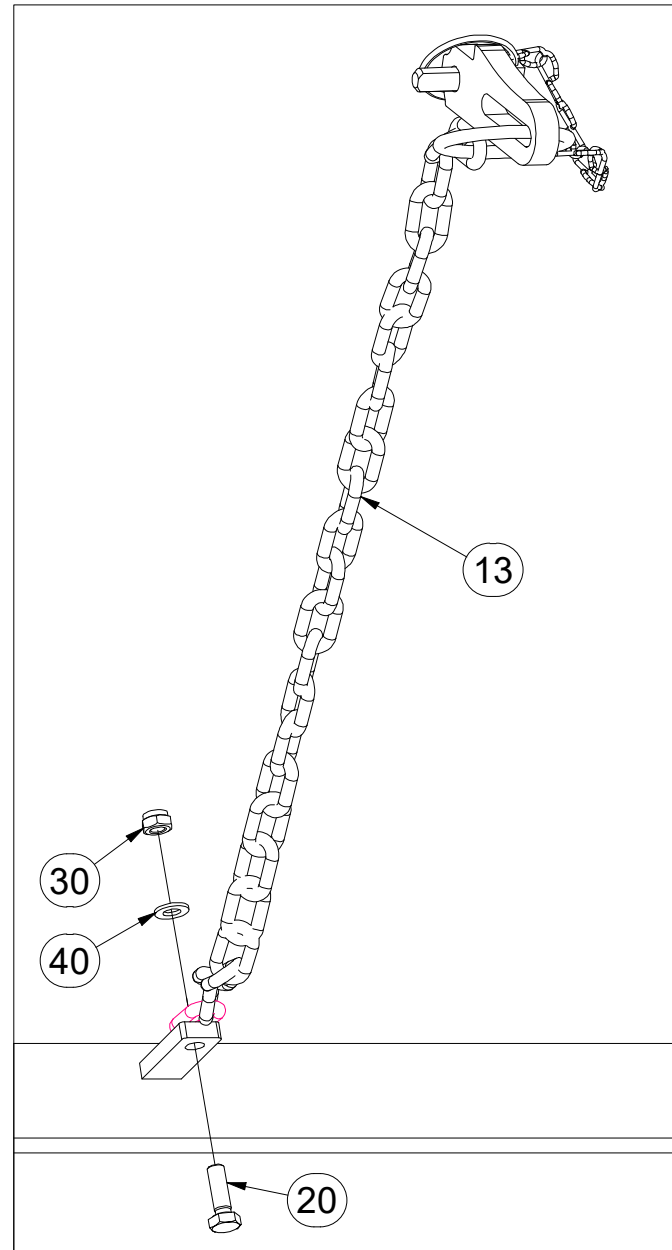
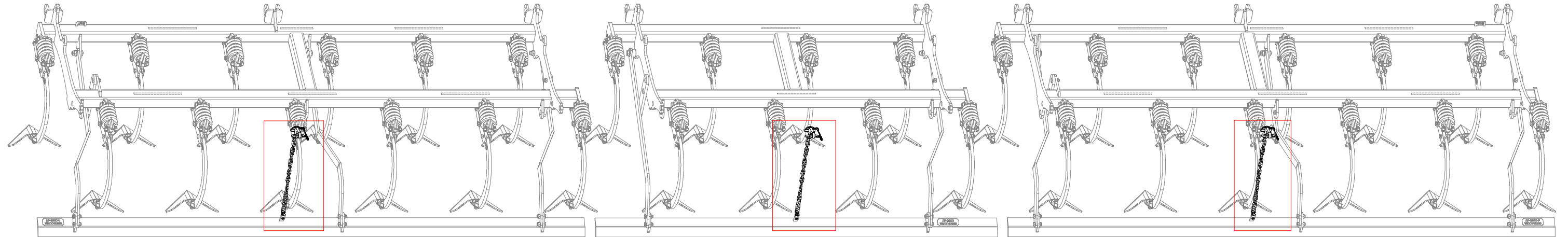
Ⓖ GB SET OF PLOUGHSHARES

Ⓡ RU КОМПЛЕКТ ЛАП

Ⓟ PL ZESTAW REDLIC



VZ00041248



| Pos. | Part Number | Pcs. |
|------|-------------|------|
| 13 | 4001641 | 3 |
| 20 | m01092 | 3 |
| 30 | m04503 | 3 |
| 40 | m01203 | 3 |

Ⓒ SADA RADLIC

Ⓓ SCHARSATZ

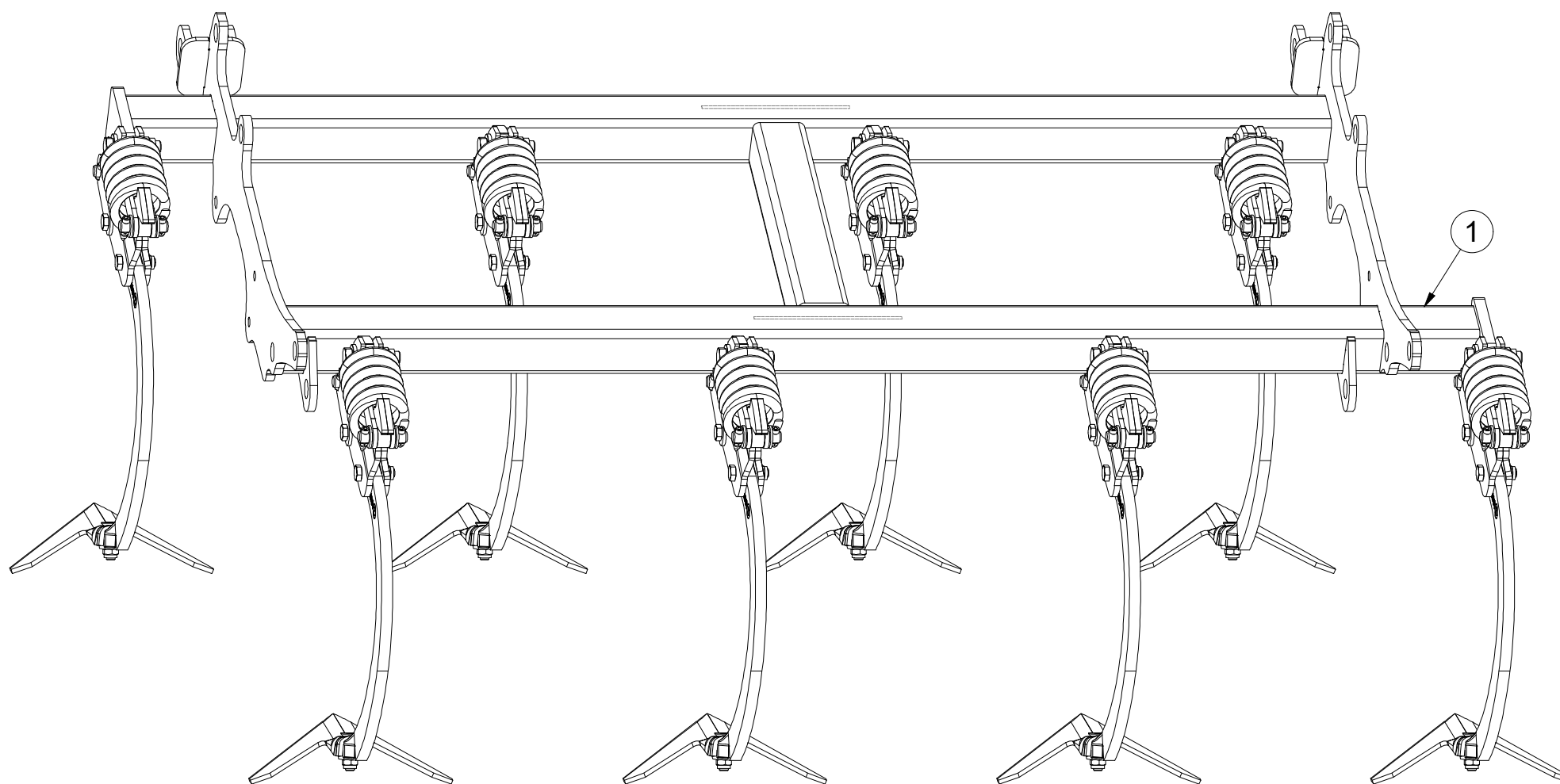
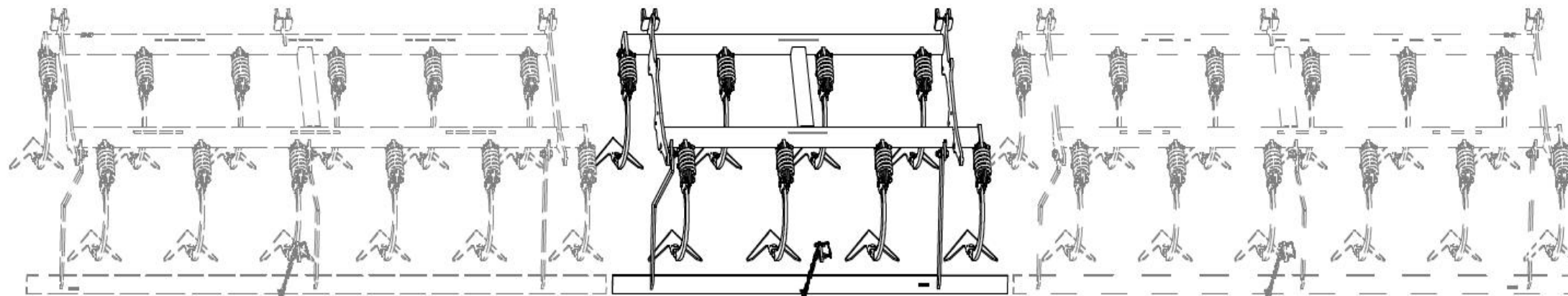
Ⓕ KIT DE SOCS

VZ00015183

Ⓖ SET OF PLOUGHSHARES

Ⓡ КОМПЛЕКТ ЛАП

Ⓟ ZESTAW REDLIC



| Pos. | Part Number | Pcs. |
|------|-------------|------|
| 1 | VZ00015184 | 1 |

Ⓒ SADA RADLIC

Ⓓ SCHARSATZ

Ⓕ KIT DE SOCS

Ⓖ SET OF PLOUGHSHARES

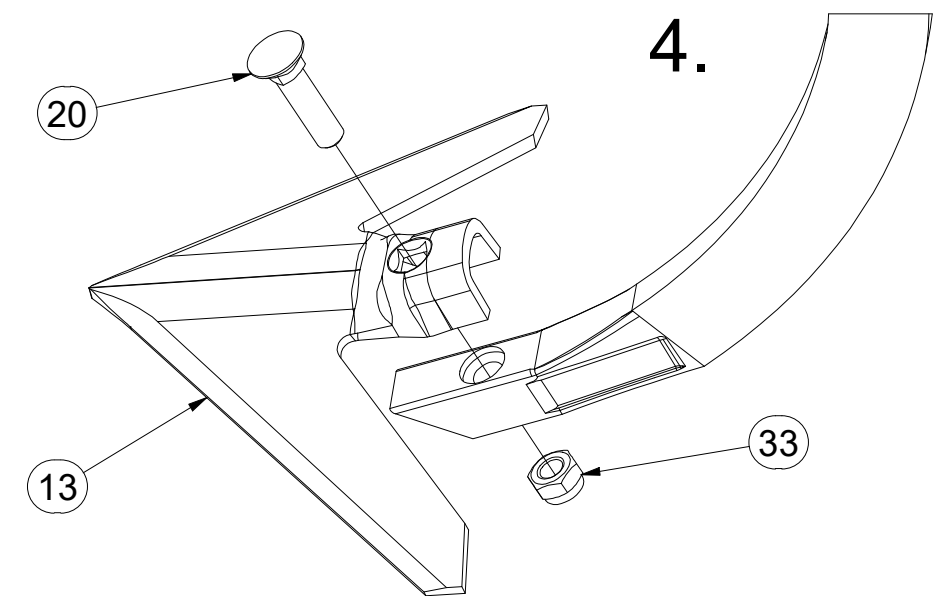
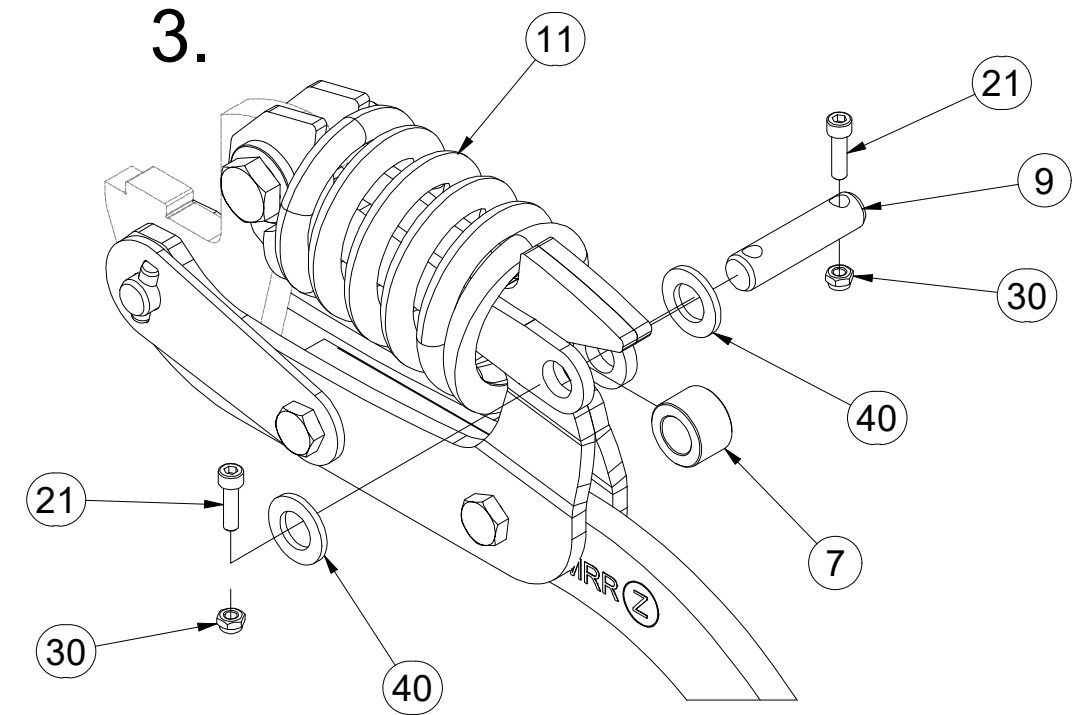
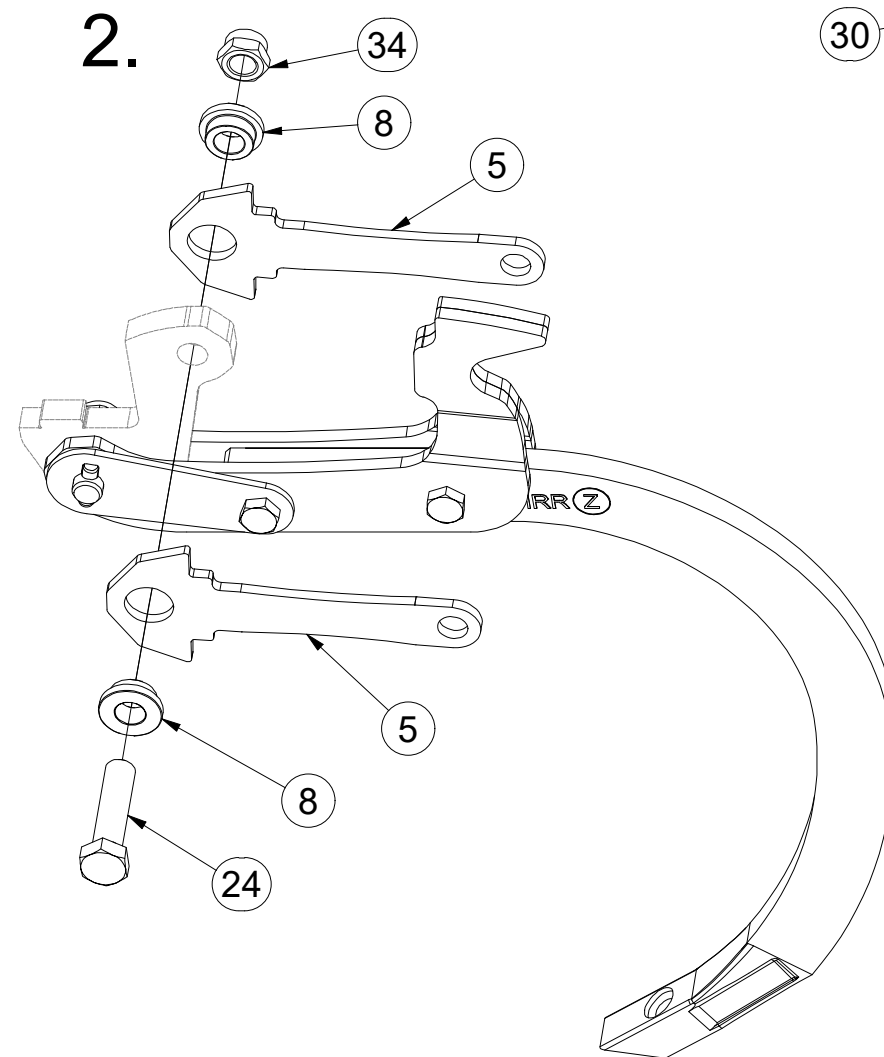
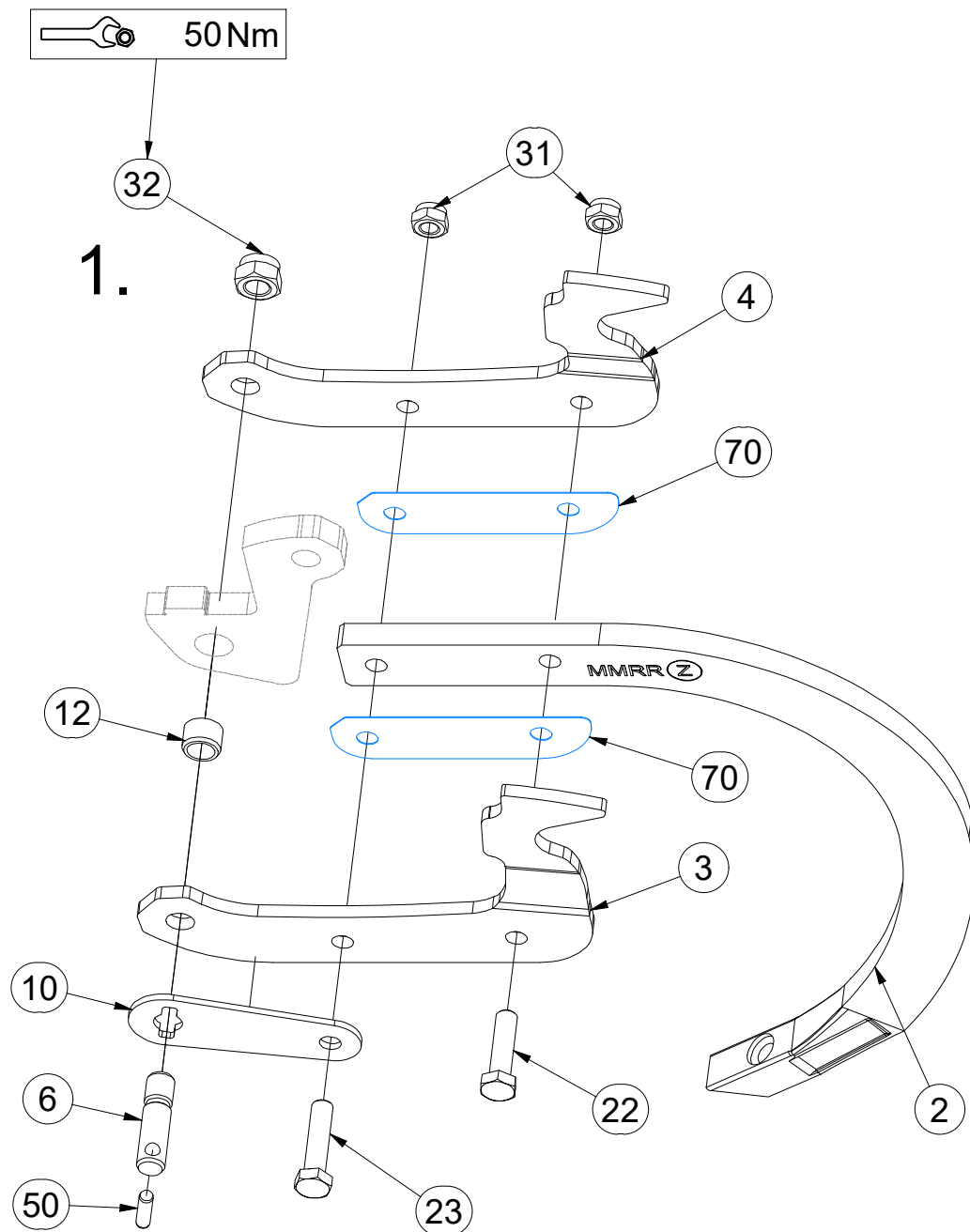
Ⓡ КОМПЛЕКТ ЛАП

Ⓟ ZESTAW REDLIC



VZ00015183

| Pos. | Part Number | Pcs. | Pos. | Part Number | Pcs. | Pos. | Part Number | Pcs. |
|------|-------------|------|------|-------------|------|------|-------------|------|
| 2 | 9005683 | 8 | 11 | m18880 | 8 | 30 | m05560 | 16 |
| 3 | 3012358 | 8 | 12 | m18882 | 8 | 31 | m04301 | 16 |
| 4 | 3012359 | 8 | 13 | 3000236-KOO | 8 | 32 | m03683 | 8 |
| 5 | 4024906 | 16 | 20 | m10440 | 8 | 33 | m21001 | 8 |
| 6 | 4024918 | 8 | 21 | m15215 | 16 | 34 | m18478 | 8 |
| 7 | 4009624 | 8 | 22 | m06077 | 8 | 40 | m14971 | 16 |
| 8 | 4014252 | 16 | 23 | m03339 | 8 | 50 | m18826 | 8 |
| 9 | 4015783 | 8 | 24 | m23536 | 8 | 70 | 4014863 | 16 |
| 10 | VZ00003688 | 8 | | | | | | |



Ⓒ SADA RADLIC

Ⓓ SCHARSATZ

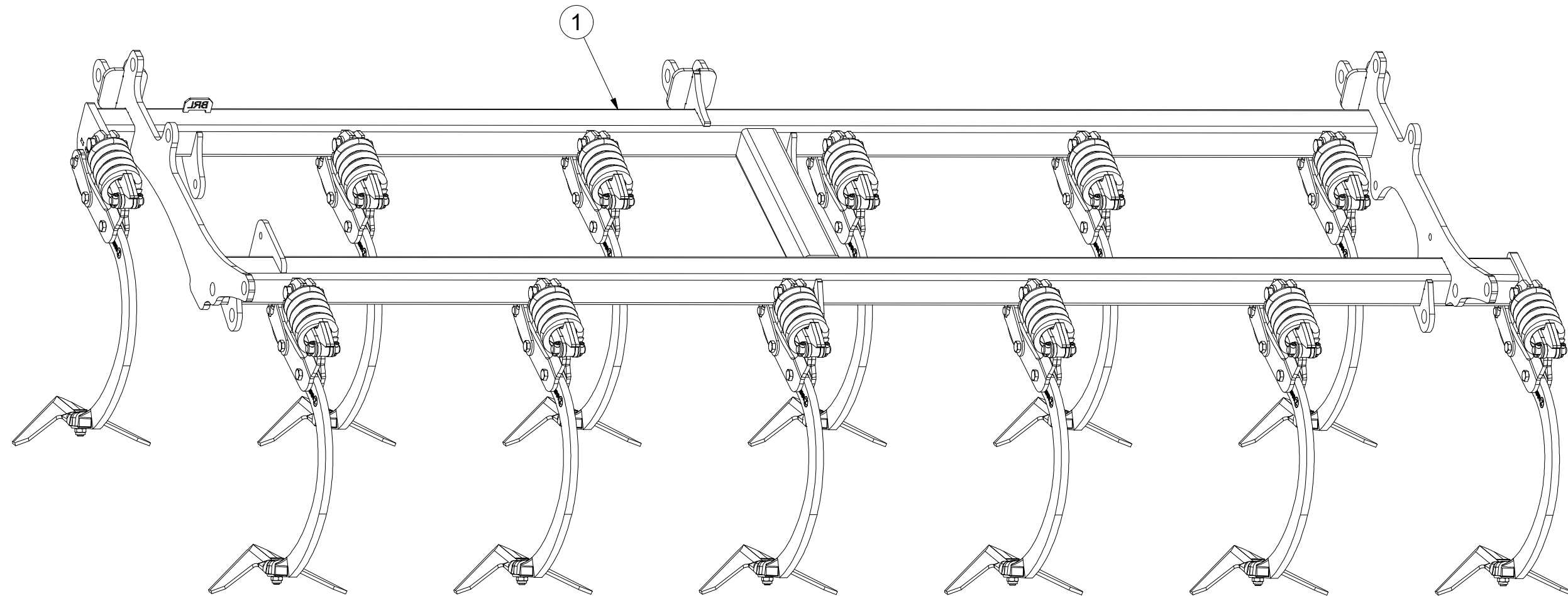
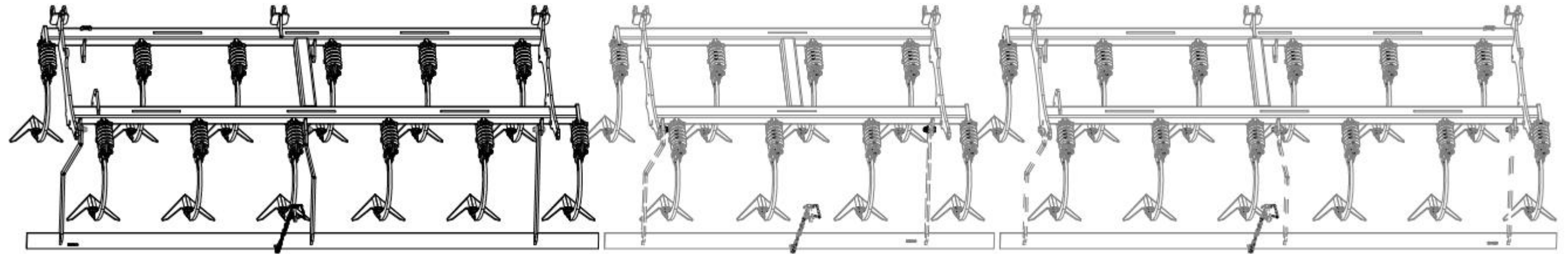
Ⓕ KIT DE SOCS

VZ00025755

Ⓖ SET OF PLOUGHSHARES

Ⓡ КОМПЛЕКТ ЛАП

Ⓟ ZESTAW REDLIC



| Pos. | Part Number | Pcs. |
|------|-------------|------|
| 1 | VZ00025756 | 1 |

Ⓒ SADA RADLIC

Ⓓ SCHARSATZ

Ⓕ KIT DE SOCS

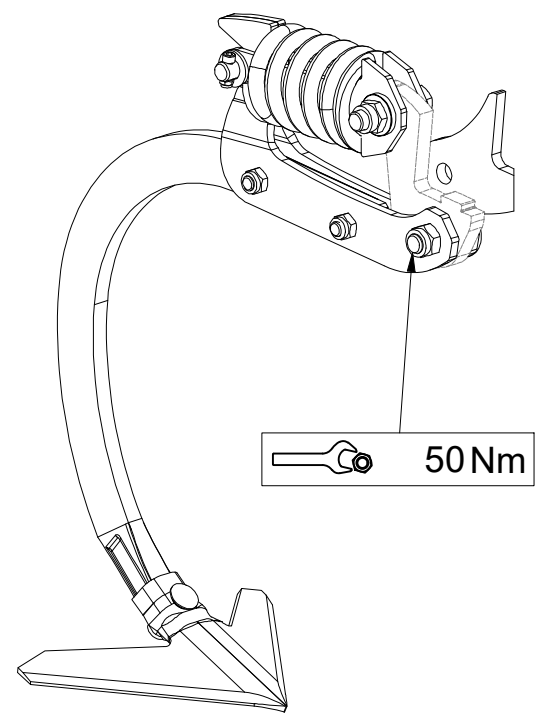
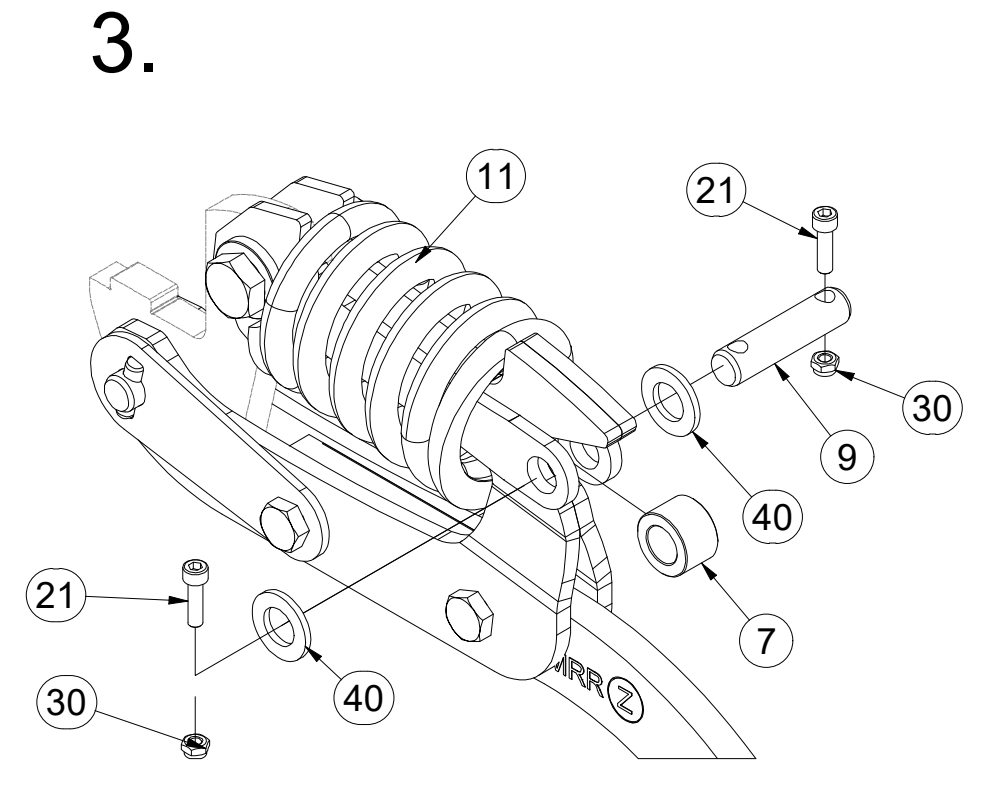
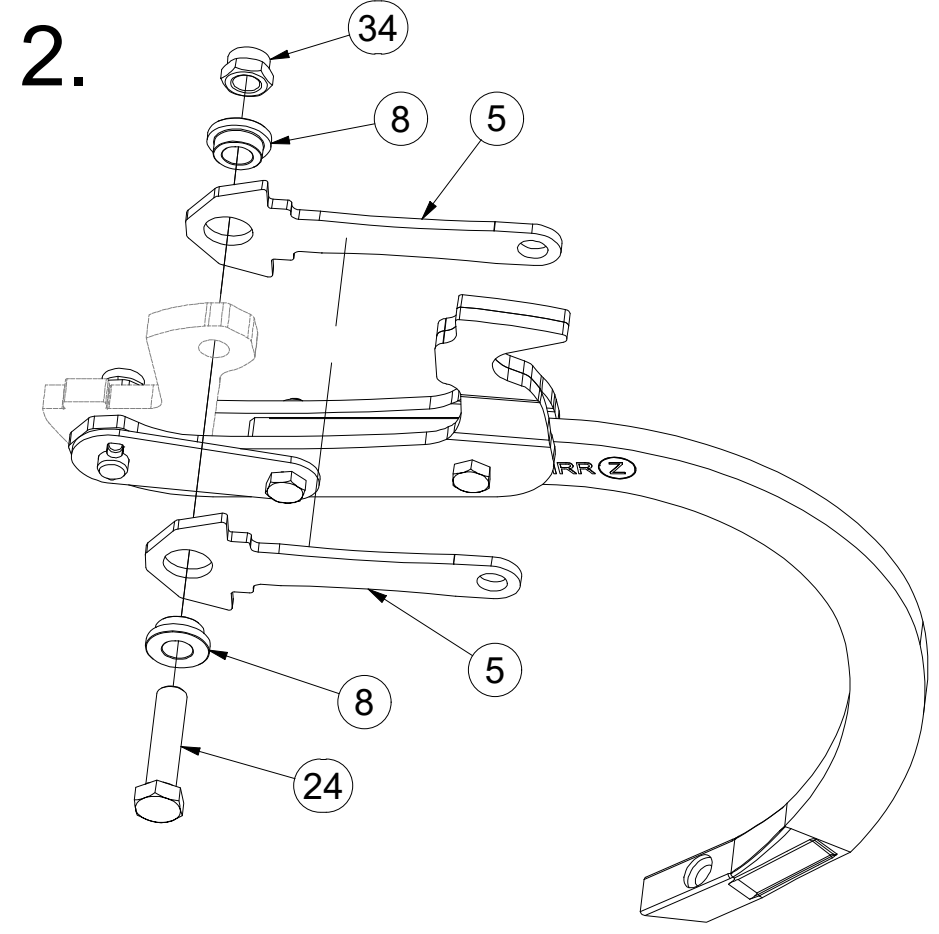
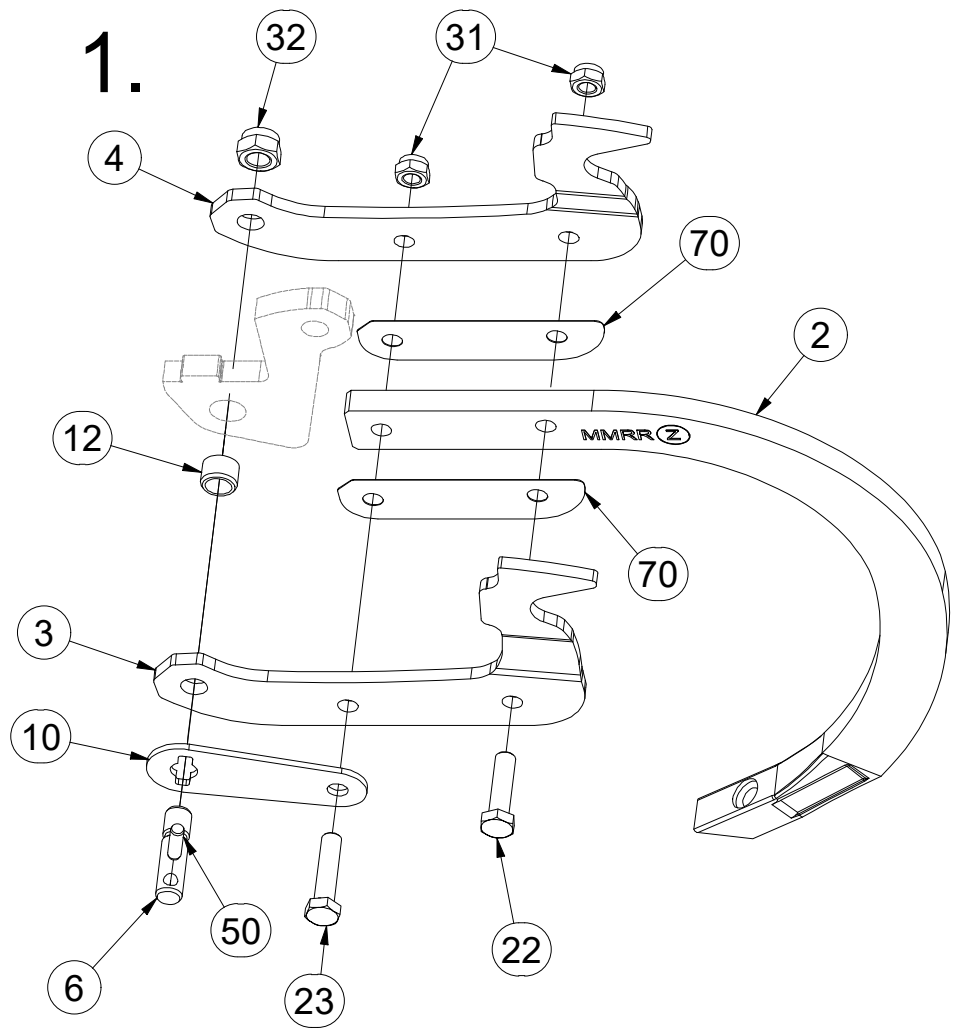
Ⓖ SET OF PLOUGHSHARES

Ⓡ КОМПЛЕКТ ЛАП

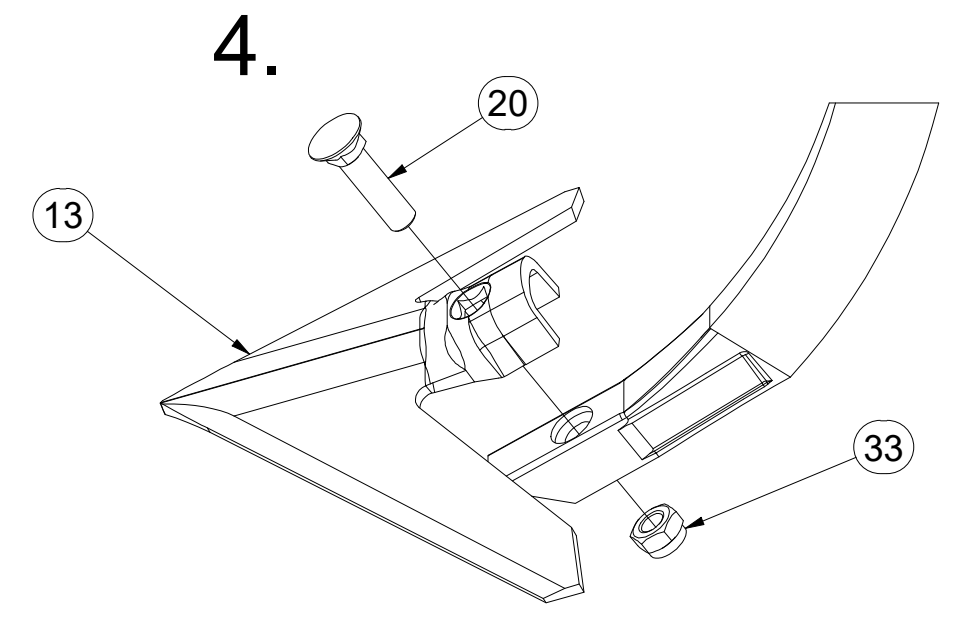
Ⓟ ZESTAW REDLIC



VZ00025755



| Pos. | Part Number | Pcs. | Pos. | Part Number | Pcs. |
|------|-------------|------|------|-------------|------|
| 2 | 9005683 | 12 | 21 | m15215 | 24 |
| 3 | 3012358 | 12 | 22 | m06077 | 12 |
| 4 | 3012359 | 12 | 23 | m03339 | 12 |
| 5 | 4024906 | 24 | 24 | m23536 | 12 |
| 6 | 4024918 | 12 | 30 | m05560 | 24 |
| 7 | 4009624 | 12 | 31 | m04301 | 24 |
| 8 | 4014252 | 24 | 32 | m03683 | 12 |
| 9 | 4015783 | 12 | 33 | m21001 | 12 |
| 10 | VZ00003688 | 12 | 34 | m18478 | 12 |
| 11 | m18880 | 12 | 40 | m14971 | 24 |
| 12 | m18882 | 12 | 50 | m18826 | 12 |
| 13 | 3000236-KOO | 12 | 70 | 4014863 | 24 |
| 20 | m10440 | 12 | | | |



Ⓒ SADA RADLIC

Ⓓ SCHARSATZ

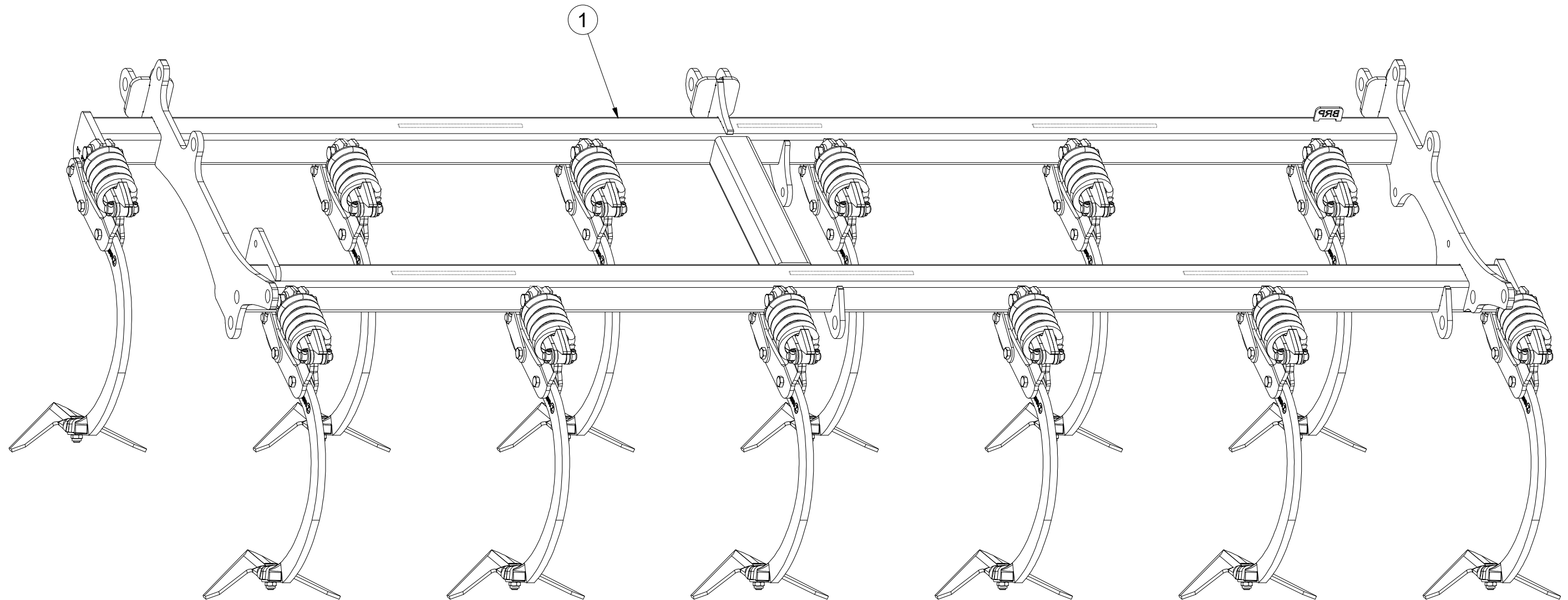
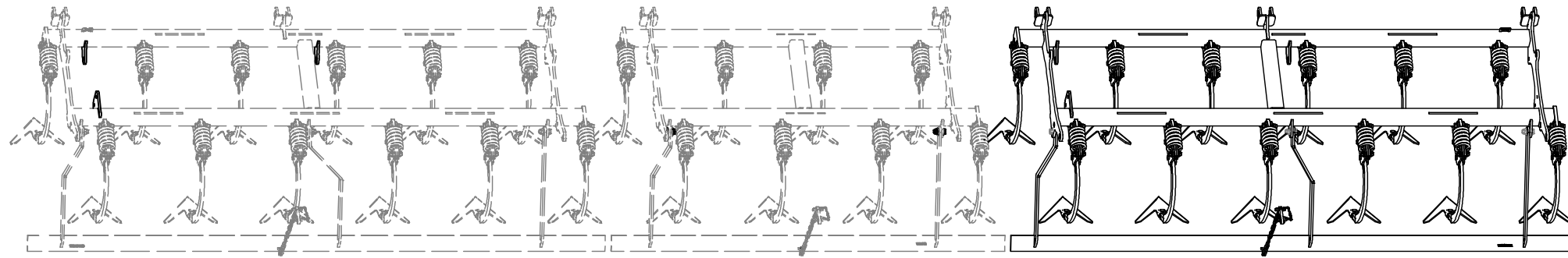
Ⓕ KIT DE SOCS

VZ00025757

Ⓖ SET OF PLOUGHSHARES

Ⓡ КОМПЛЕКТ ЛАП

Ⓟ ZESTAW REDLIC



| Pos. | Part Number | Pcs. |
|------|-------------|------|
| 1 | VZ00025759 | 1 |

Ⓒ SADA RADLIC

Ⓓ SCHARSATZ

Ⓕ KIT DE SOCS

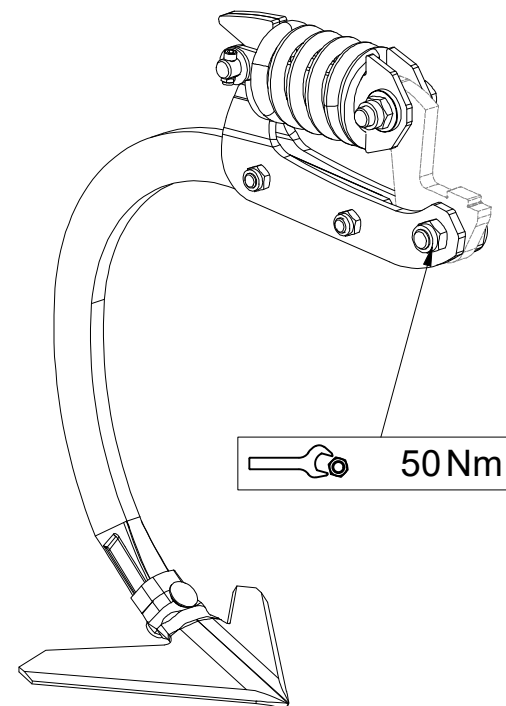
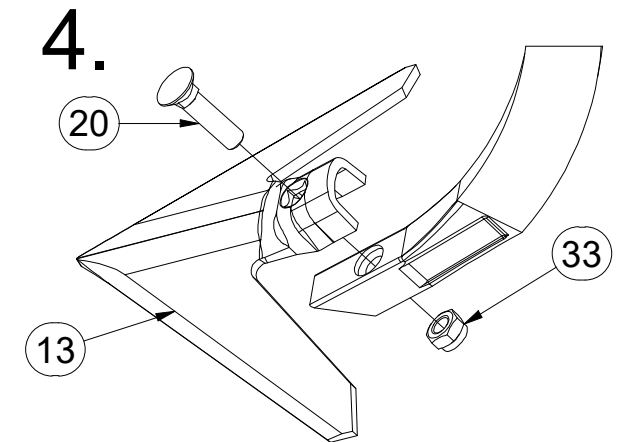
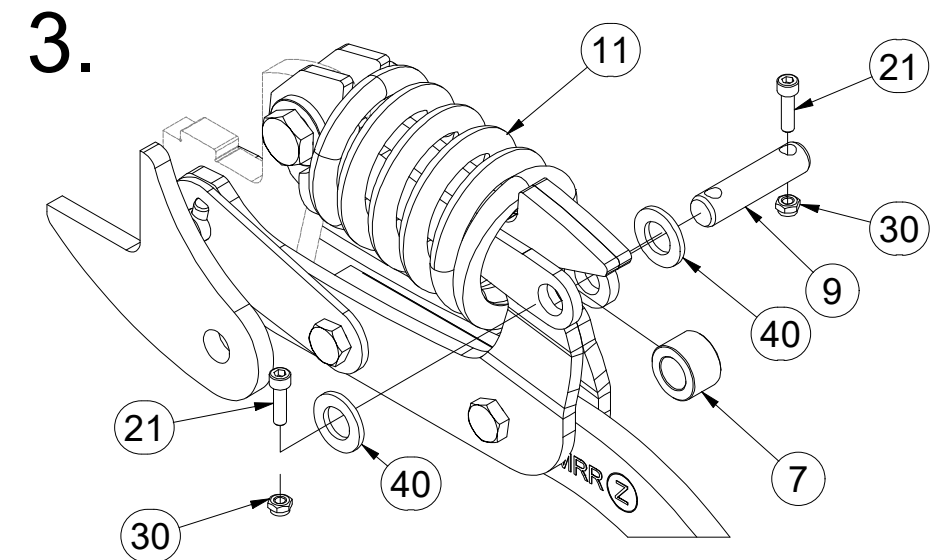
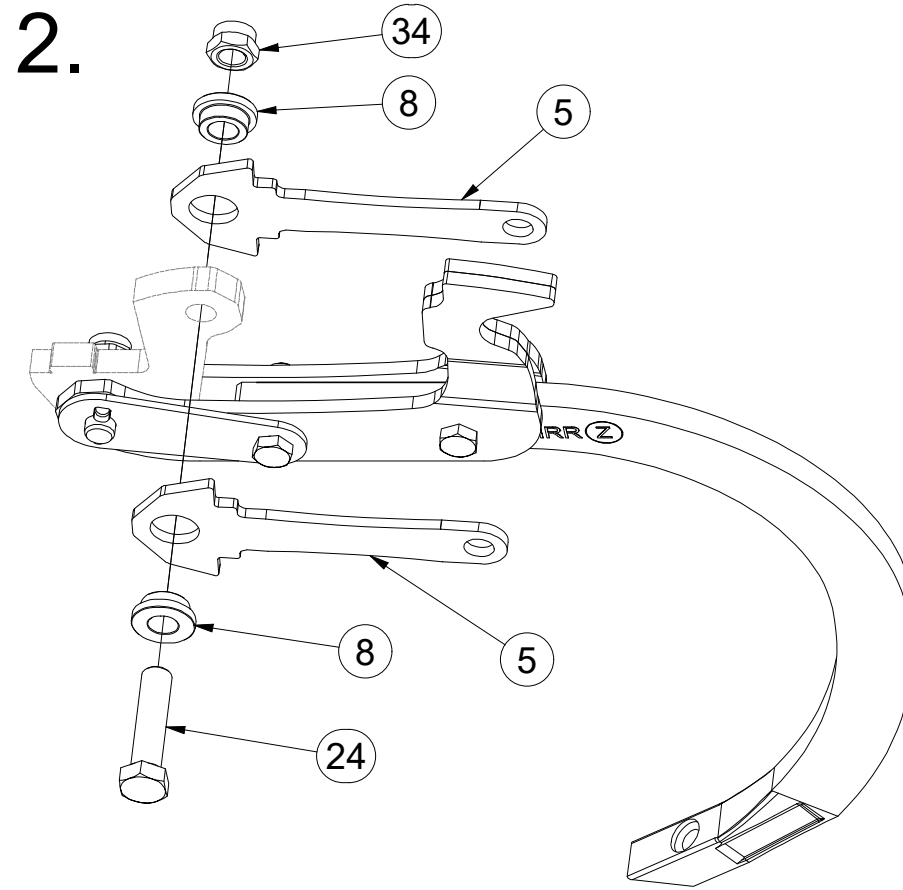
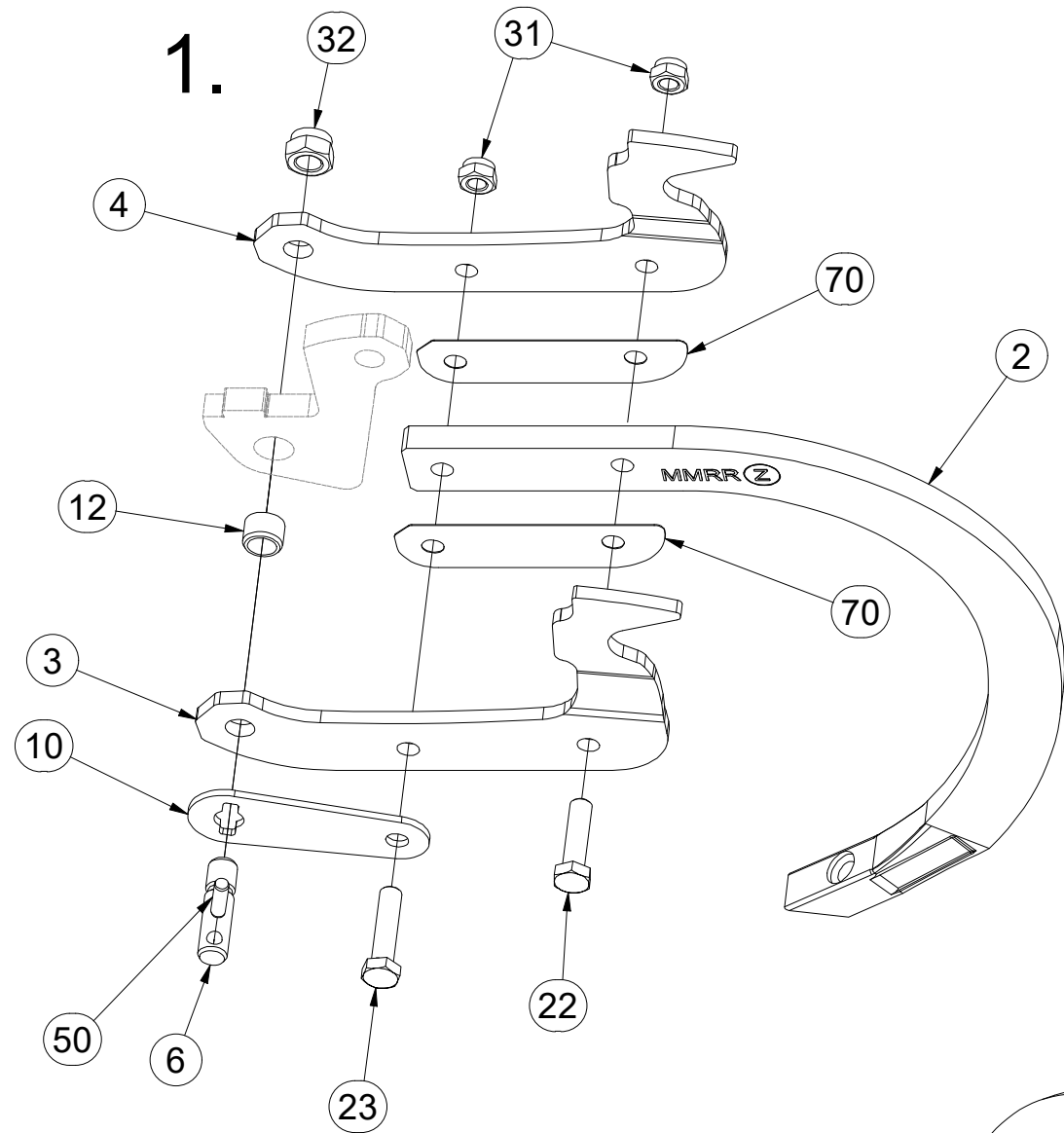
Ⓖ SET OF PLOUGHSHARES

Ⓡ КОМПЛЕКТ ЛАП

Ⓟ ZESTAW REDLIC



VZ00025757



| Pos. | Part Number | Pcs. | Pos. | Part Number | Pcs. |
|------|-------------|------|------|-------------|------|
| 2 | 9005683 | 12 | 20 | m10440 | 12 |
| 3 | 3012358 | 12 | 21 | m15215 | 24 |
| 4 | 3012359 | 12 | 22 | m06077 | 12 |
| 5 | 4024906 | 24 | 23 | m03339 | 12 |
| 6 | 4024918 | 12 | 24 | m23536 | 12 |
| 7 | 4009624 | 12 | 30 | m05560 | 24 |
| 8 | 4014252 | 24 | 31 | m04301 | 24 |
| 9 | 4015783 | 12 | 32 | m03683 | 12 |
| 10 | VZ00003688 | 12 | 33 | m21001 | 12 |
| 11 | m18880 | 12 | 34 | m18478 | 12 |
| 12 | m18882 | 12 | 40 | m14971 | 24 |
| 13 | 3000236-KOO | 12 | 50 | m18826 | 12 |
| | | | 70 | 4014863 | 24 |

Ⓒ SADA ZADNÍCH VÁLCŮ

Ⓓ SATZ HINTERE WALZEN

Ⓕ KIT DE ROULEAUX ARRIÈRE

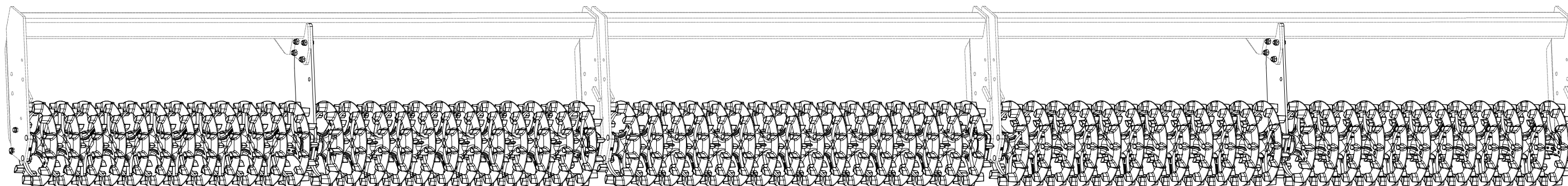
VZ00041875

Ⓖ SET OF REAR ROLLERS

Ⓡ КОМПЛЕКТ ЗАДНИХ КАТКОВ

Ⓟ ZESTAW TYLNYCH WAŁÓW

Farmet

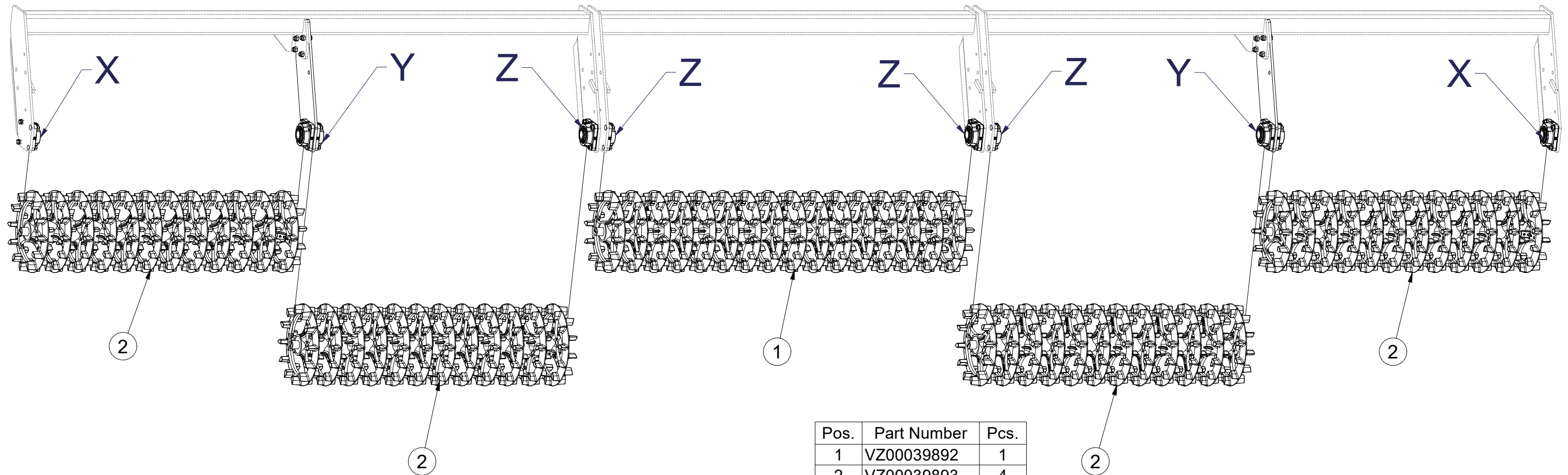


- ⒸZ SADA ZADNÍCH VÁLCŮ
- Ⓓ SATZ HINTERE WALZEN
- Ⓕ KIT DE ROULEAUX ARRIÈRE

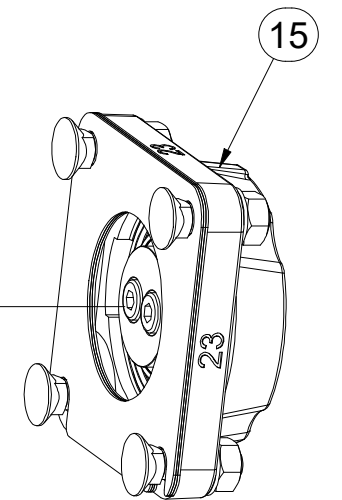
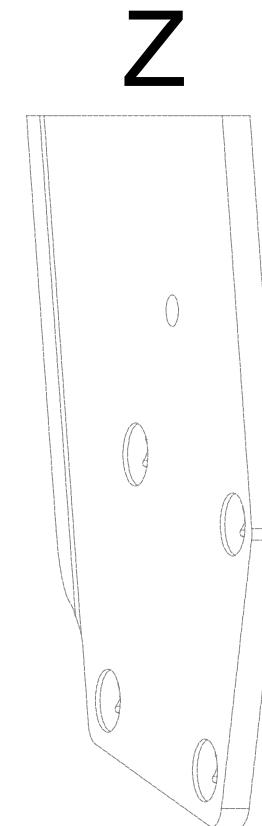
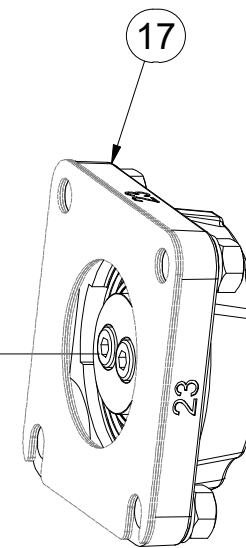
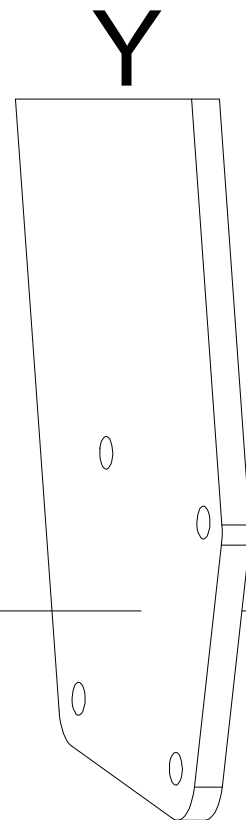
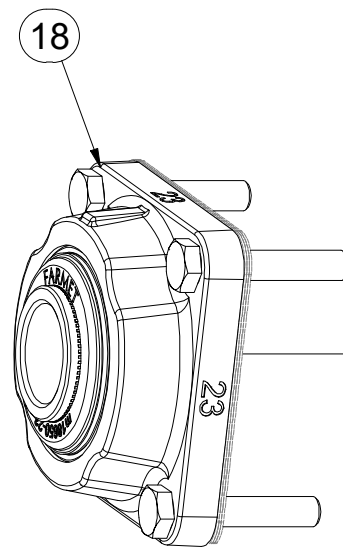
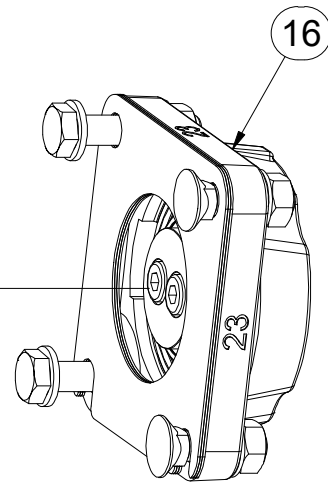
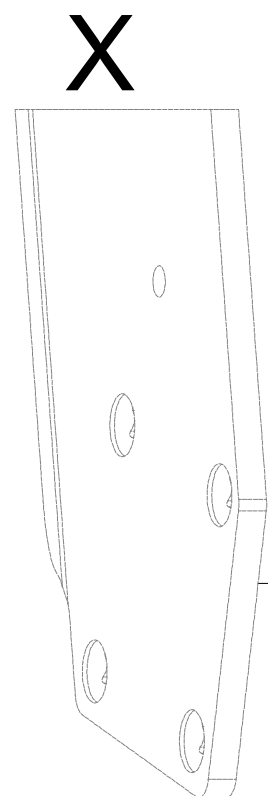
- ⒸGB SET OF REAR ROLLERS
- ⒸRU КОМПЛЕКТ ЗАДНИХ КАТКОВ
- ⒸPL ZESTAW TYLNYCH WAŁÓW



VZ00041875



| Pos. | Part Number | Pcs. |
|------|-------------|------|
| 1 | VZ00039892 | 1 |
| 2 | VZ00039893 | 4 |
| 15 | VZ00038060 | 4 |
| 16 | VZ00039819 | 2 |
| 17 | VZ00039820 | 2 |
| 18 | VZ00039821 | 2 |

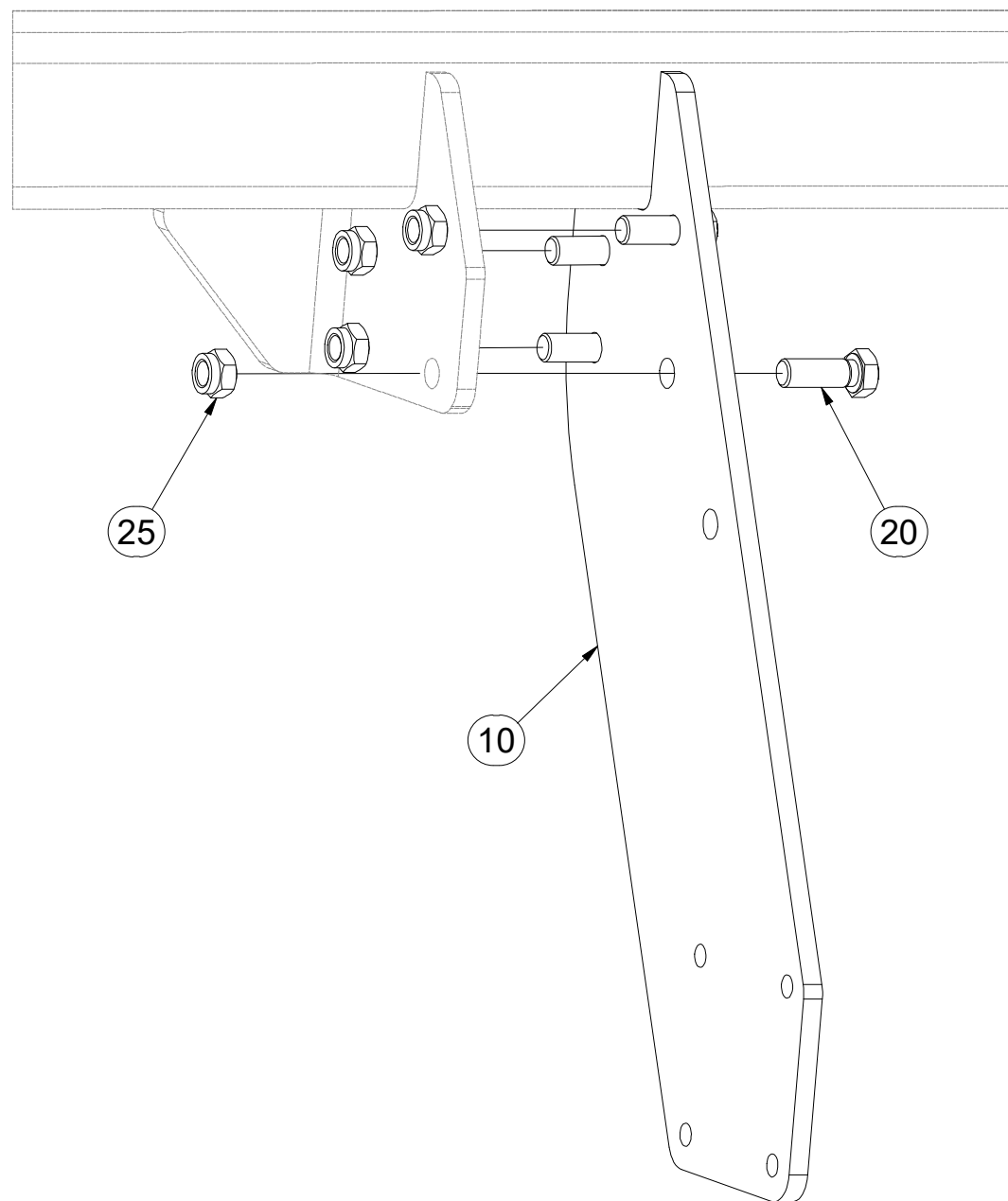
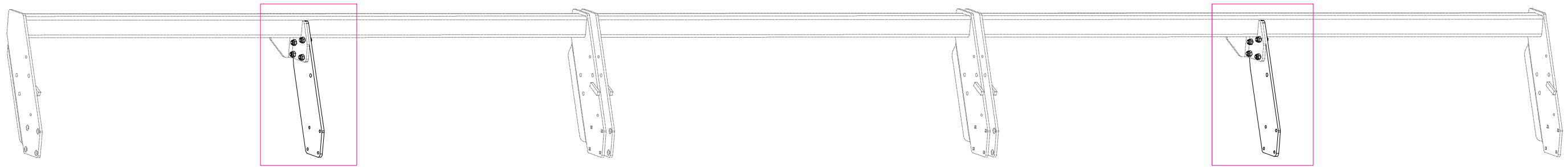


- Ⓒ SADA ZADNÍCH VÁLCŮ
- Ⓓ SATZ HINTERE WALZEN
- Ⓕ KIT DE ROULEAUX ARRIÈRE

- Ⓖ SET OF REAR ROLLERS
- Ⓡ КОМПЛЕКТ ЗАДНИХ КАТКОВ
- Ⓟ ZESTAW TYLNYCH WAŁÓW



VZ00041875



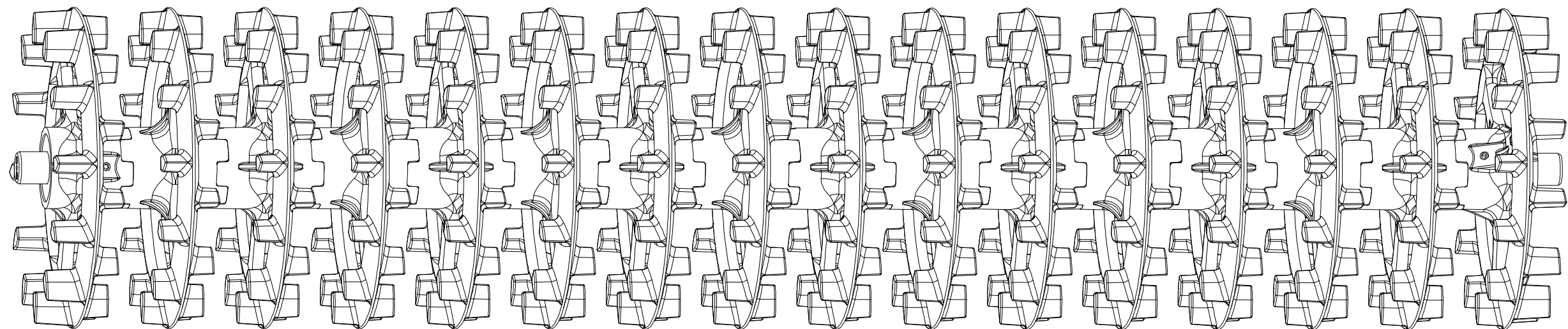
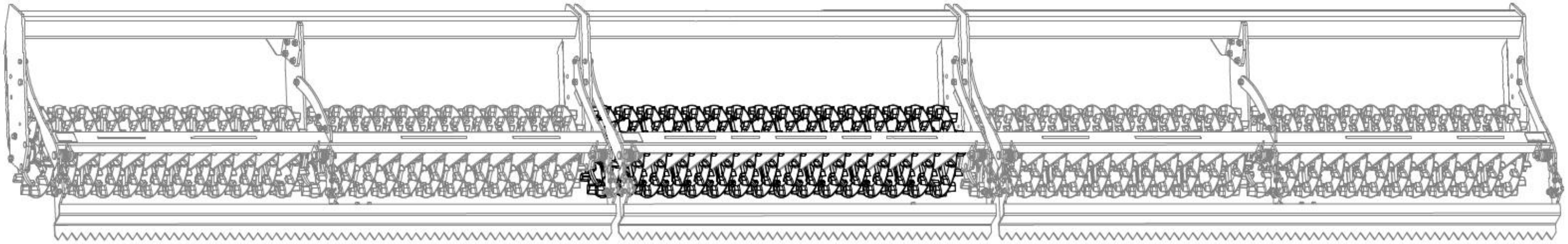
| Pos. | Part Number | Pcs. |
|------|-------------|------|
| 10 | 4005384 | 2 |
| 20 | m02254 | 8 |
| 25 | m03683 | 8 |

- Ⓒ SADA ZADNÍCH VÁLCŮ
- Ⓓ SATZ HINTERE WALZEN
- Ⓕ KIT DE ROULEAUX ARRIÈRE

- Ⓖ SET OF REAR ROLLERS
- Ⓡ КОМПЛЕКТ ЗАДНИХ КАТКОВ
- Ⓟ ZESTAW TYLNYCH WAŁÓW



VZ00039892

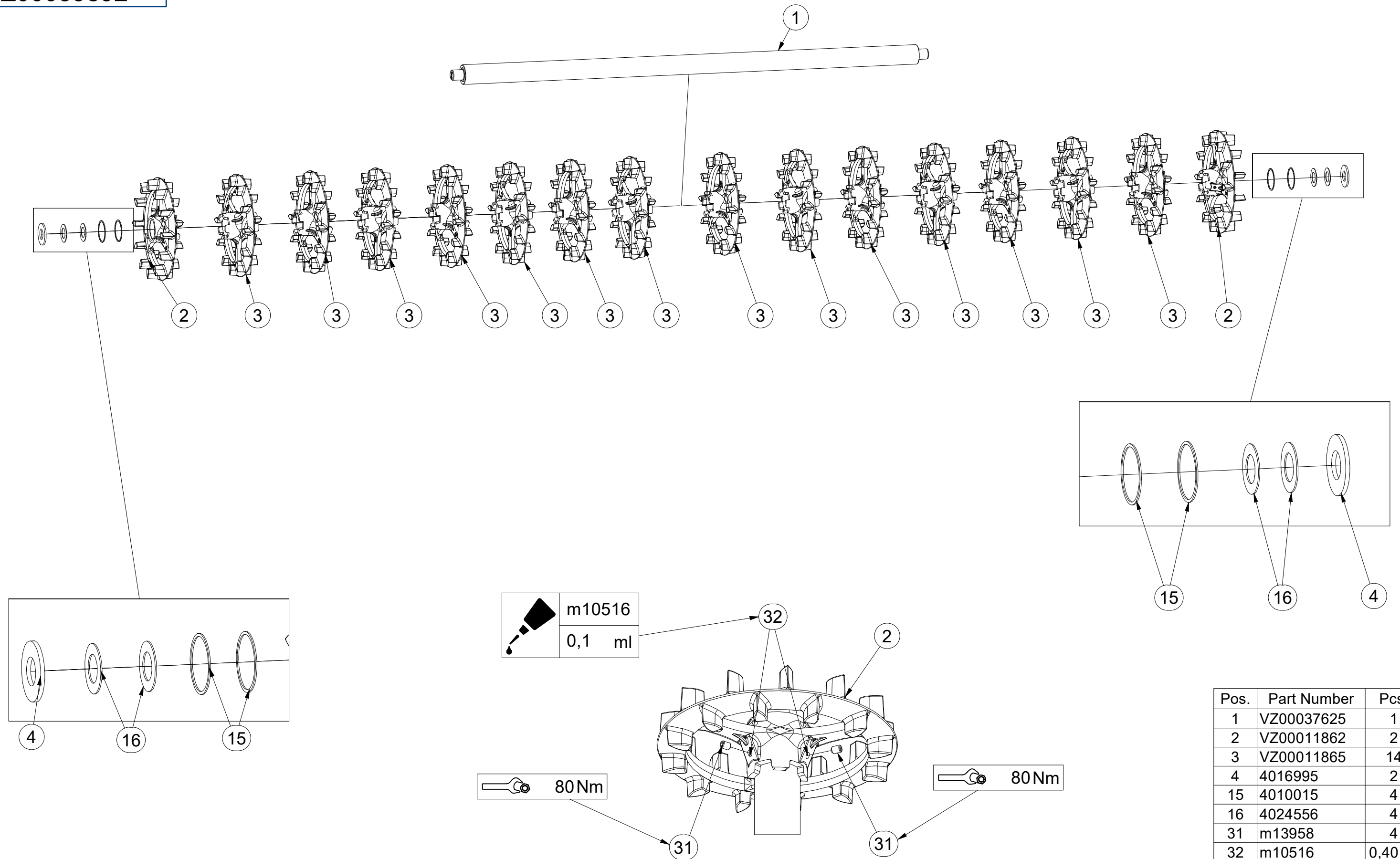


CZ SADA ZADNÍCH VÁLČŮ
 D SATZ HINTERE WALZEN
 F KIT DE ROULEAUX ARRIÈRE

GB SET OF REAR ROLLERS
 RU КОМПЛЕКТ ЗАДНИХ КАТКОВ
 PL ZESTAW TYLNYCH WAŁÓW



VZ00039892



| Pos. | Part Number | Pcs. |
|------|-------------|---------|
| 1 | VZ00037625 | 1 |
| 2 | VZ00011862 | 2 |
| 3 | VZ00011865 | 14 |
| 4 | 4016995 | 2 |
| 15 | 4010015 | 4 |
| 16 | 4024556 | 4 |
| 31 | m13958 | 4 |
| 32 | m10516 | 0,40 ml |

Ⓒ SADA ZADNÍCH VÁLCŮ

Ⓓ SATZ HINTERE WALZEN

Ⓕ KIT DE ROULEAUX ARRIÈRE

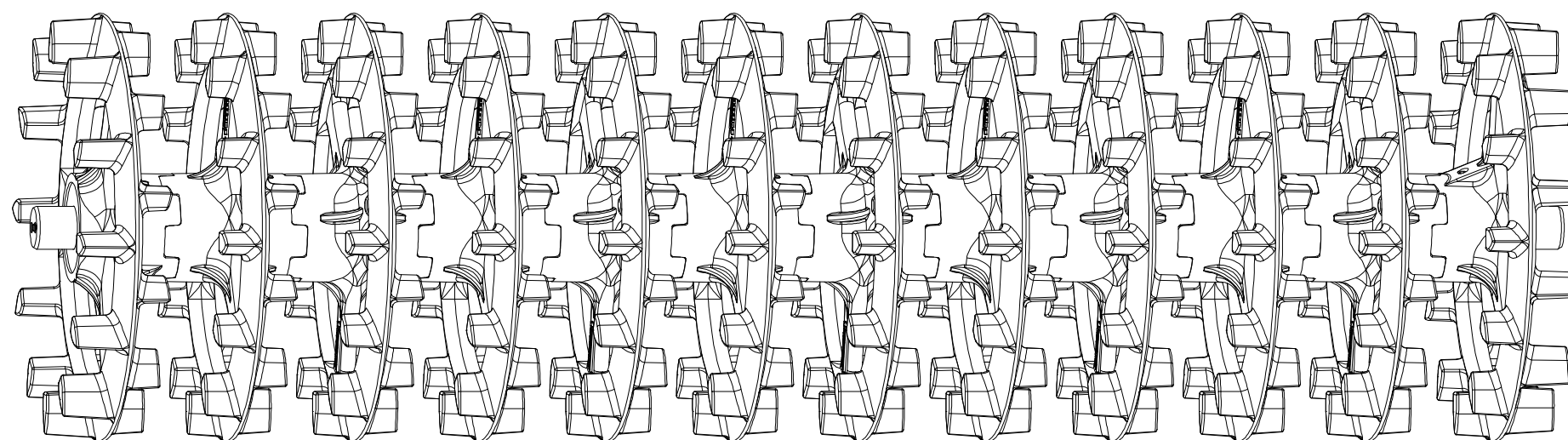
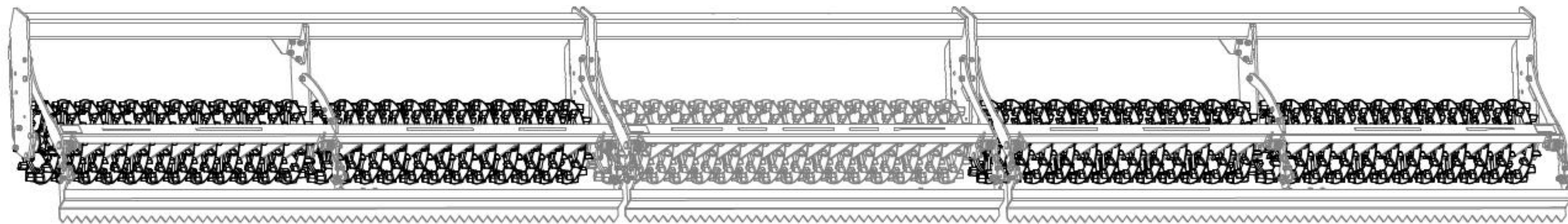
VZ00039893

Ⓖ SET OF REAR ROLLERS

Ⓡ КОМПЛЕКТ ЗАДНИХ КАТКОВ

Ⓟ ZESTAW TYLNYCH WAŁÓW

Farmet

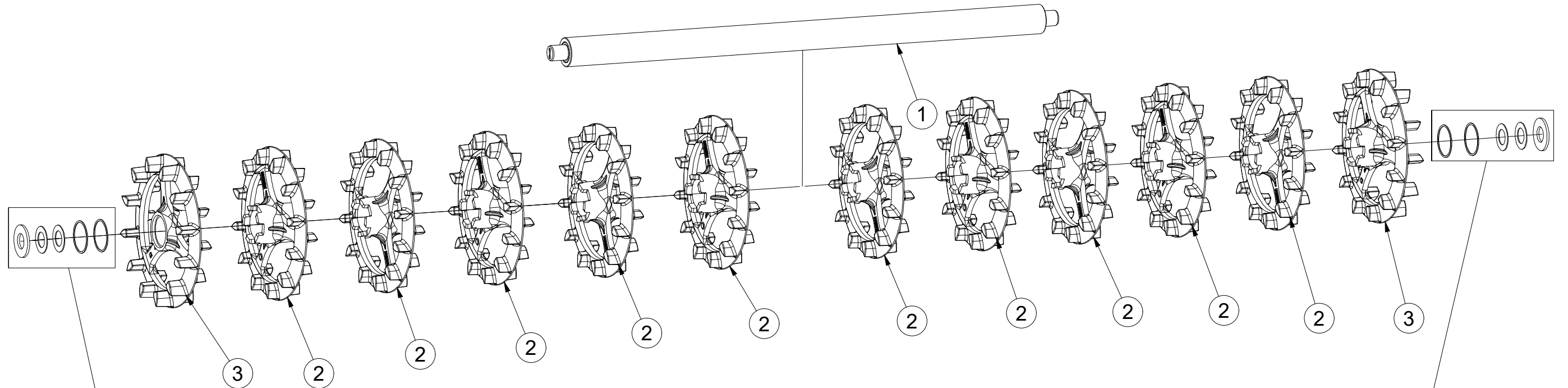


CZ SADA ZADNÍCH VÁLCŮ
 D SATZ HINTERE WALZEN
 F KIT DE ROULEAUX ARRIÈRE

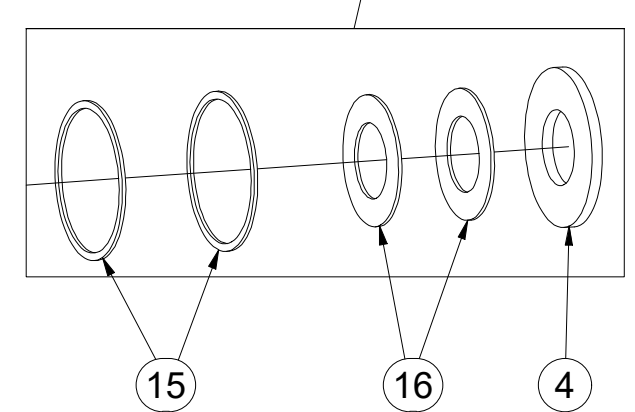
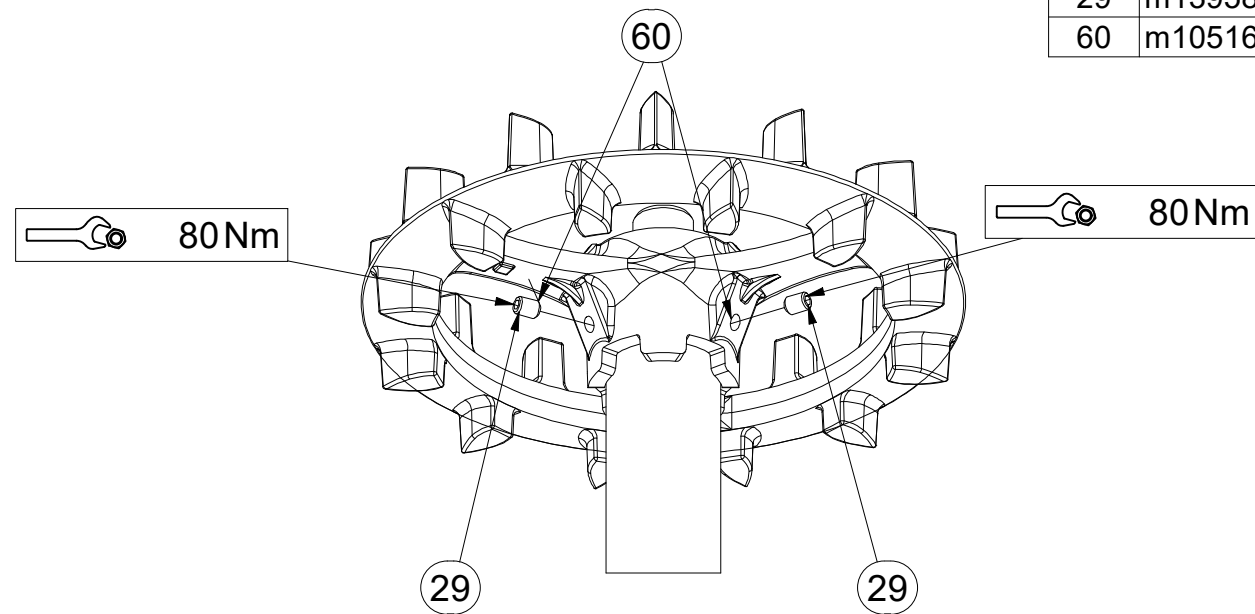
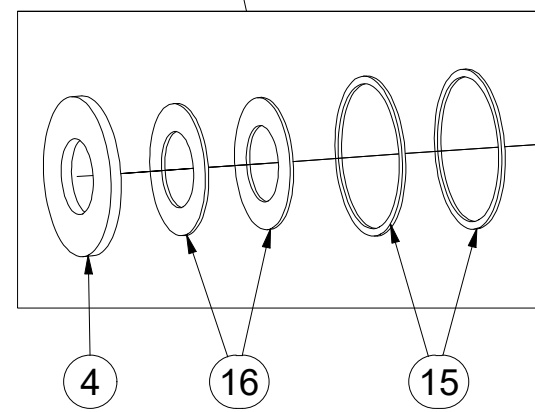
GB SET OF REAR ROLLERS
 RU КОМПЛЕКТ ЗАДНИХ КАТКОВ
 PL ZESTAW TYLNYCH WAŁÓW



VZ00039893



| Pos. | Part Number | Pcs. |
|------|-------------|---------|
| 1 | VZ00038237 | 1 |
| 2 | VZ00011865 | 10 |
| 3 | VZ00014132 | 2 |
| 4 | 4016995 | 2 |
| 15 | 4010015 | 4 |
| 16 | 4024556 | 4 |
| 29 | m13958 | 4 |
| 60 | m10516 | 0,40 ml |

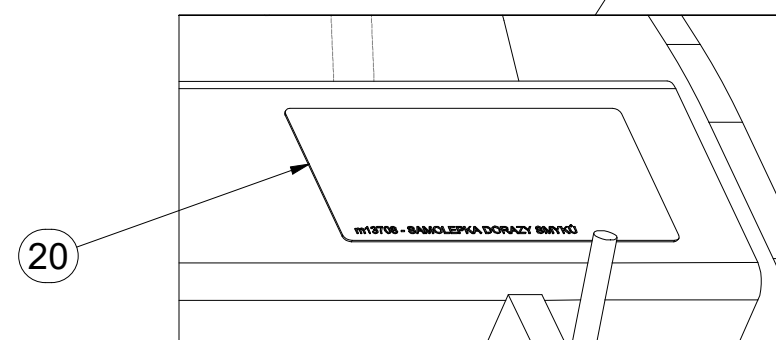
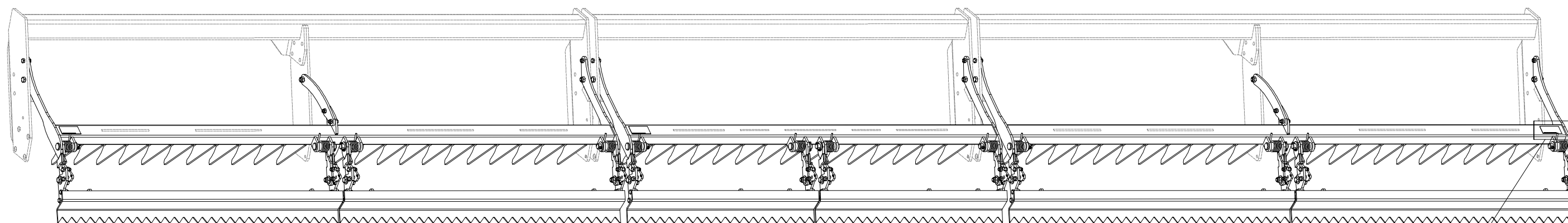


- ⒸZ SMYKY ZADNÍCH VÁLCŮ
- Ⓓ SCHLEIFE HINTERE WALZE
- Ⓕ NIVELEUR ARRIÈRE ROULEAUX

- ⒸB REAR ROLLERS LEVELLERS
- ⒸU БОРОНЫ ЗАДНИХ КАТКОВ
- ⒸL WŁÓKY TYLNYCH WAŁOW



VZ00041876



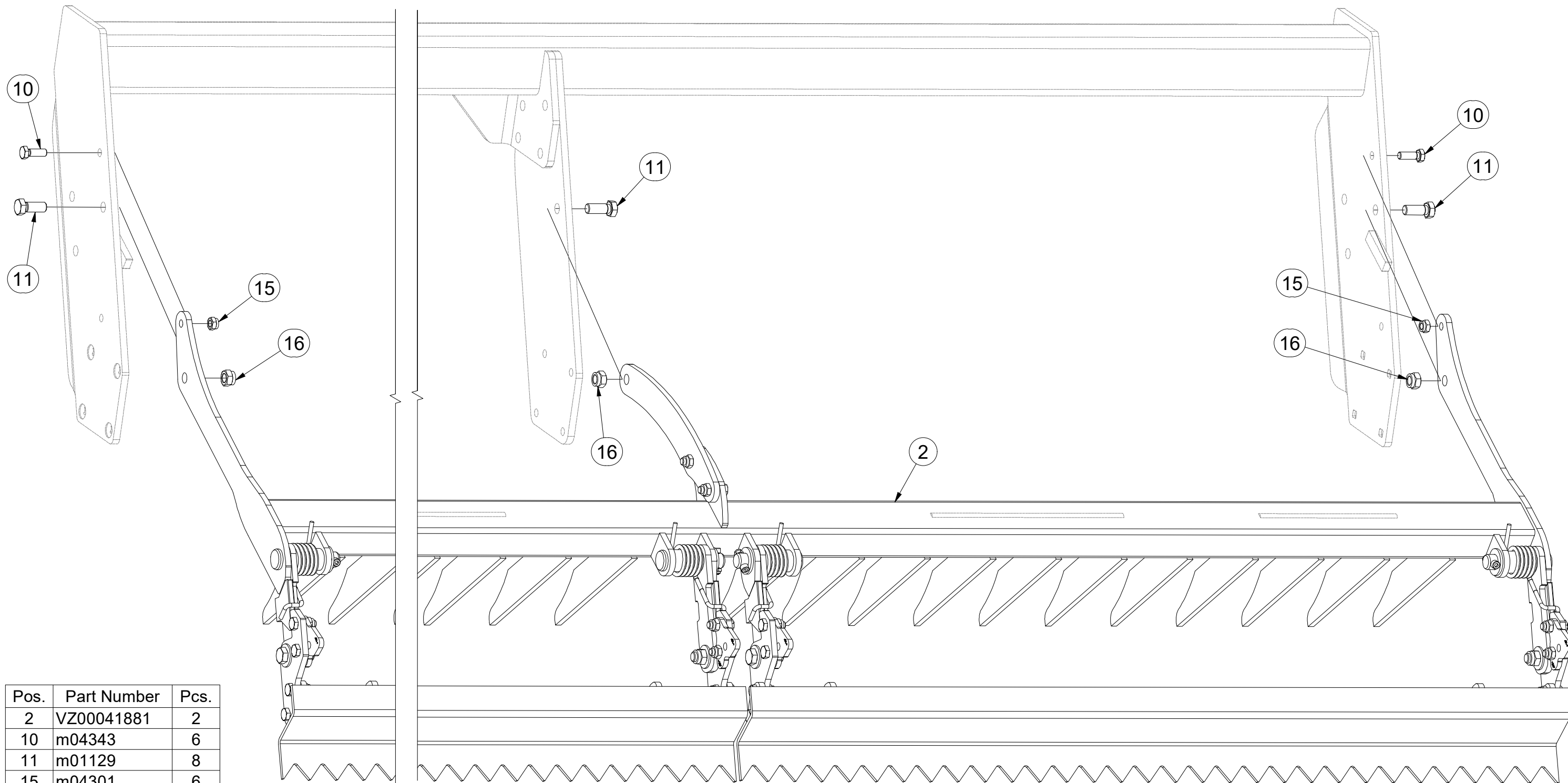
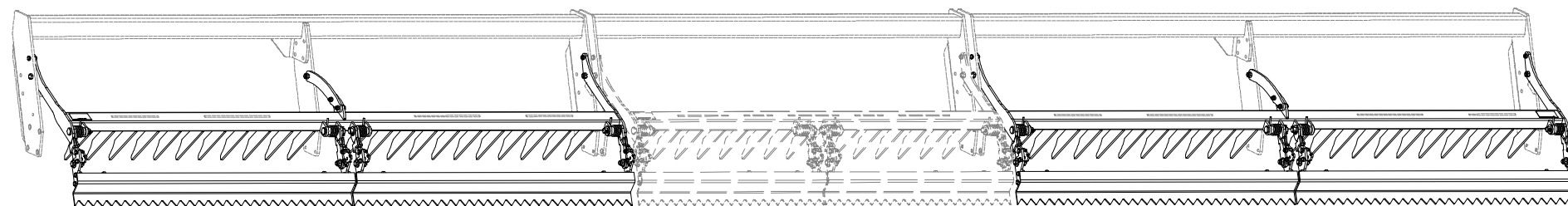
| Pos. | Part Number | Pcs. |
|------|-------------|------|
| 20 | m13708 | 3 |

- Ⓒ CZ SMYKY ZADNÍCH VÁLCŮ
- Ⓓ SCHLEIFE HINTERE WALZE
- Ⓕ F NIVELEUR ARRIÈRE ROULEAUX

- Ⓖ GB REAR ROLLERS LEVELLERS
- Ⓡ RU БОРОНЫ ЗАДНИХ КАТКОВ
- Ⓟ PL WŁÓKY TYLNYCH WAŁOW



VZ00041876



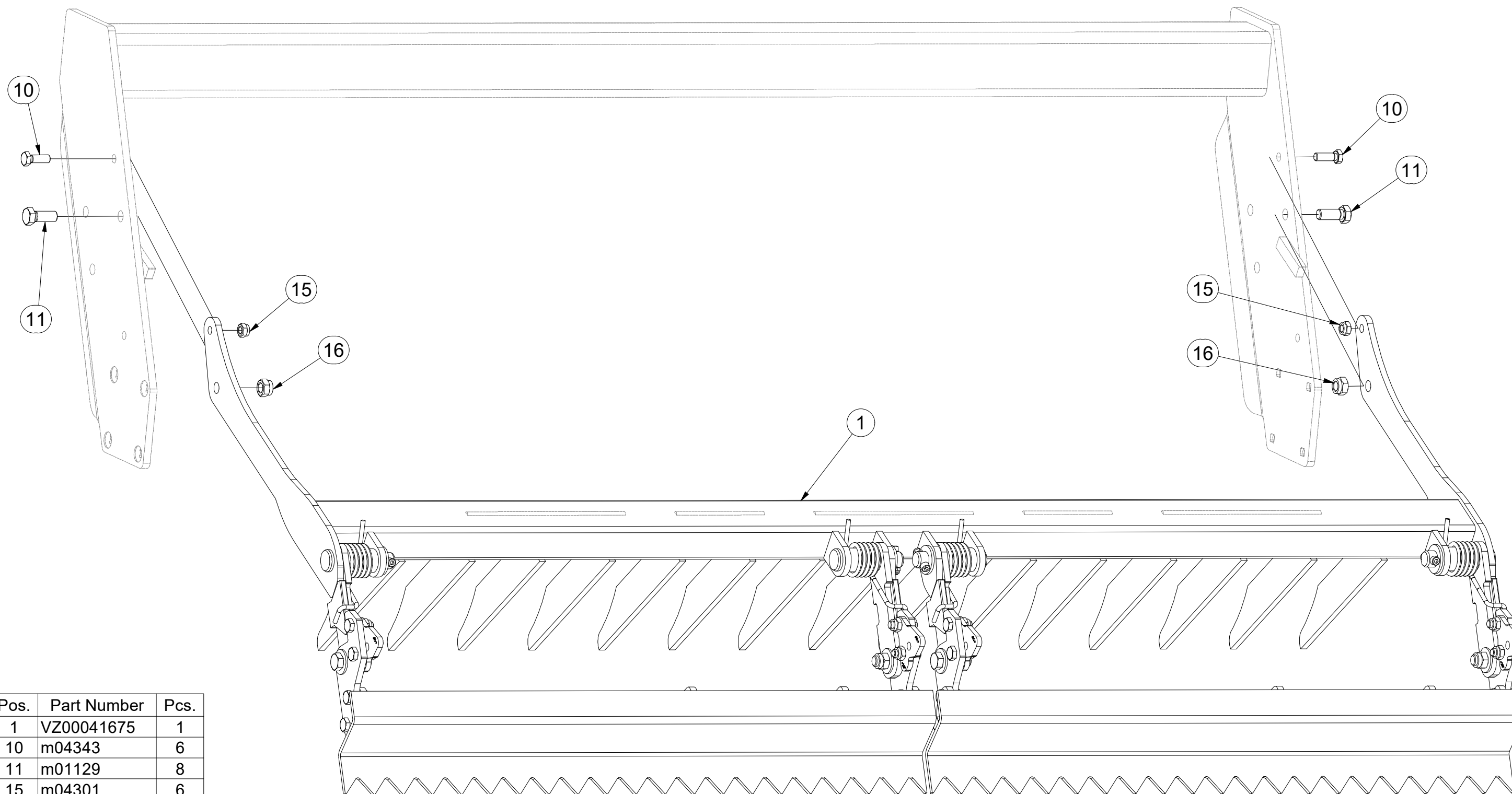
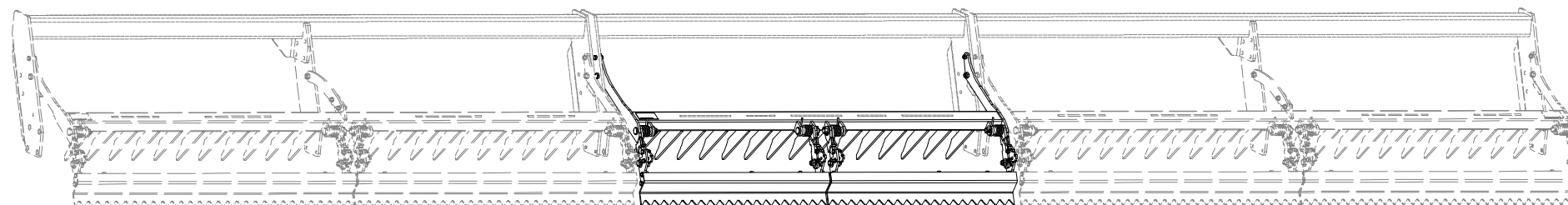
| Pos. | Part Number | Pcs. |
|------|-------------|------|
| 2 | VZ00041881 | 2 |
| 10 | m04343 | 6 |
| 11 | m01129 | 8 |
| 15 | m04301 | 6 |
| 16 | m03683 | 8 |

- Ⓒ CZ SMYKY ZADNÍCH VÁLCŮ
- Ⓓ SCHLEIFE HINTERE WALZE
- Ⓕ NIVELEUR ARRIÈRE ROULEAUX

- Ⓒ GB REAR ROLLERS LEVELLERS
- Ⓓ RU БОРОНЫ ЗАДНИХ КАТКОВ
- Ⓕ PL WŁÓKY TYLNYCH WAŁOW



VZ00041876



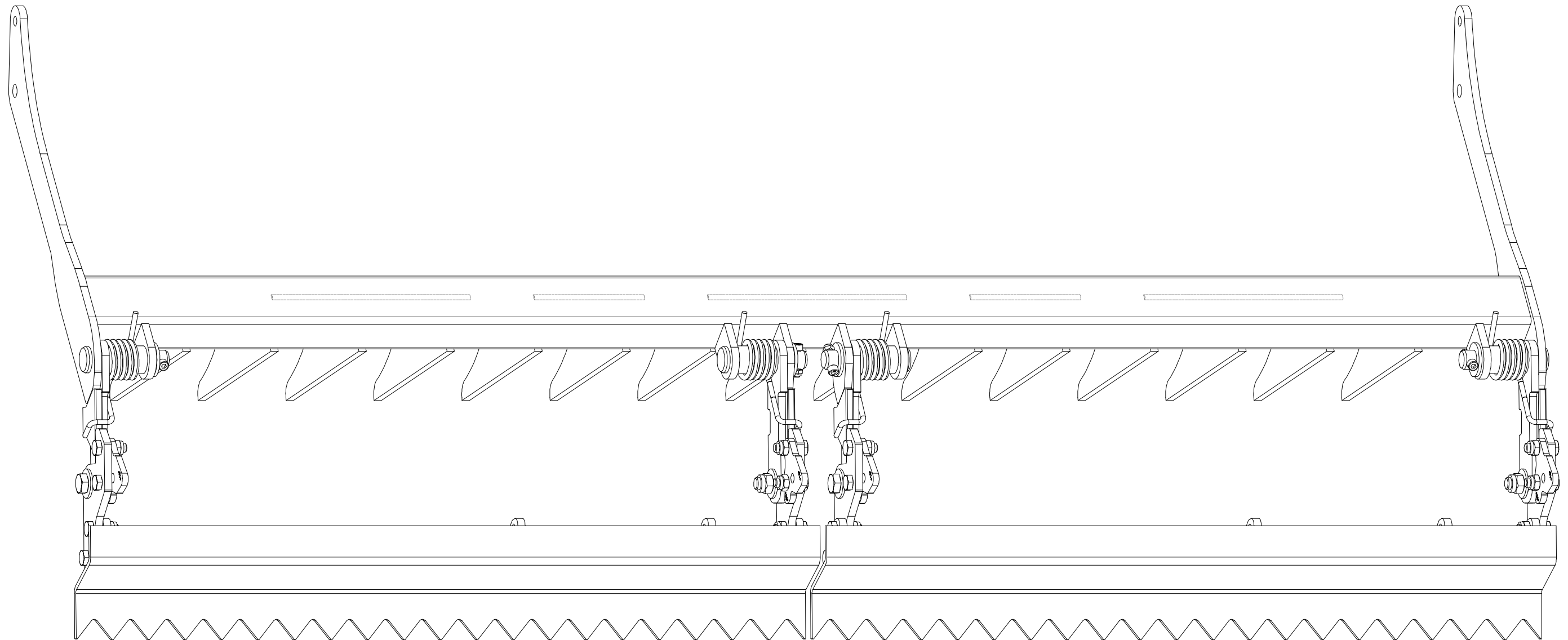
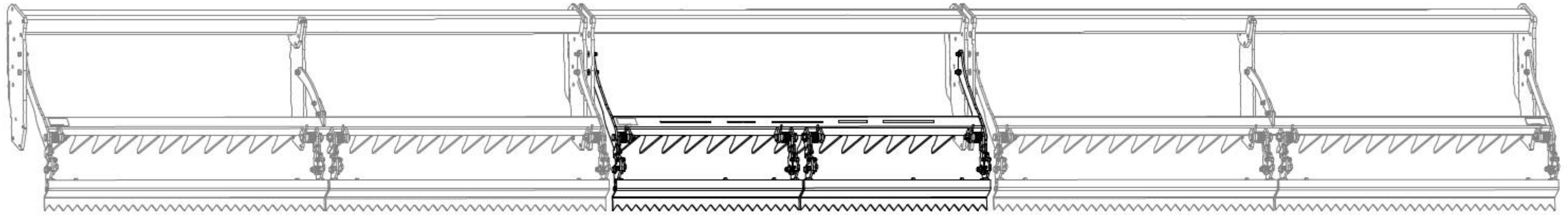
| Pos. | Part Number | Pcs. |
|------|-------------|------|
| 1 | VZ00041675 | 1 |
| 10 | m04343 | 6 |
| 11 | m01129 | 8 |
| 15 | m04301 | 6 |
| 16 | m03683 | 8 |

ⒸZ SMYKY ZADNÍCH VÁLCŮ
Ⓓ SCHLEIFE HINTERE WALZE
Ⓕ NIVELEUR ARRIÈRE ROULEAUX

ⒸB REAR ROLLERS LEVELLERS
ⒸR БОРОНЫ ЗАДНИХ КАТКОВ
ⒸL WŁÓKY TYLNYCH WAŁOW

Farmet

VZ00041675

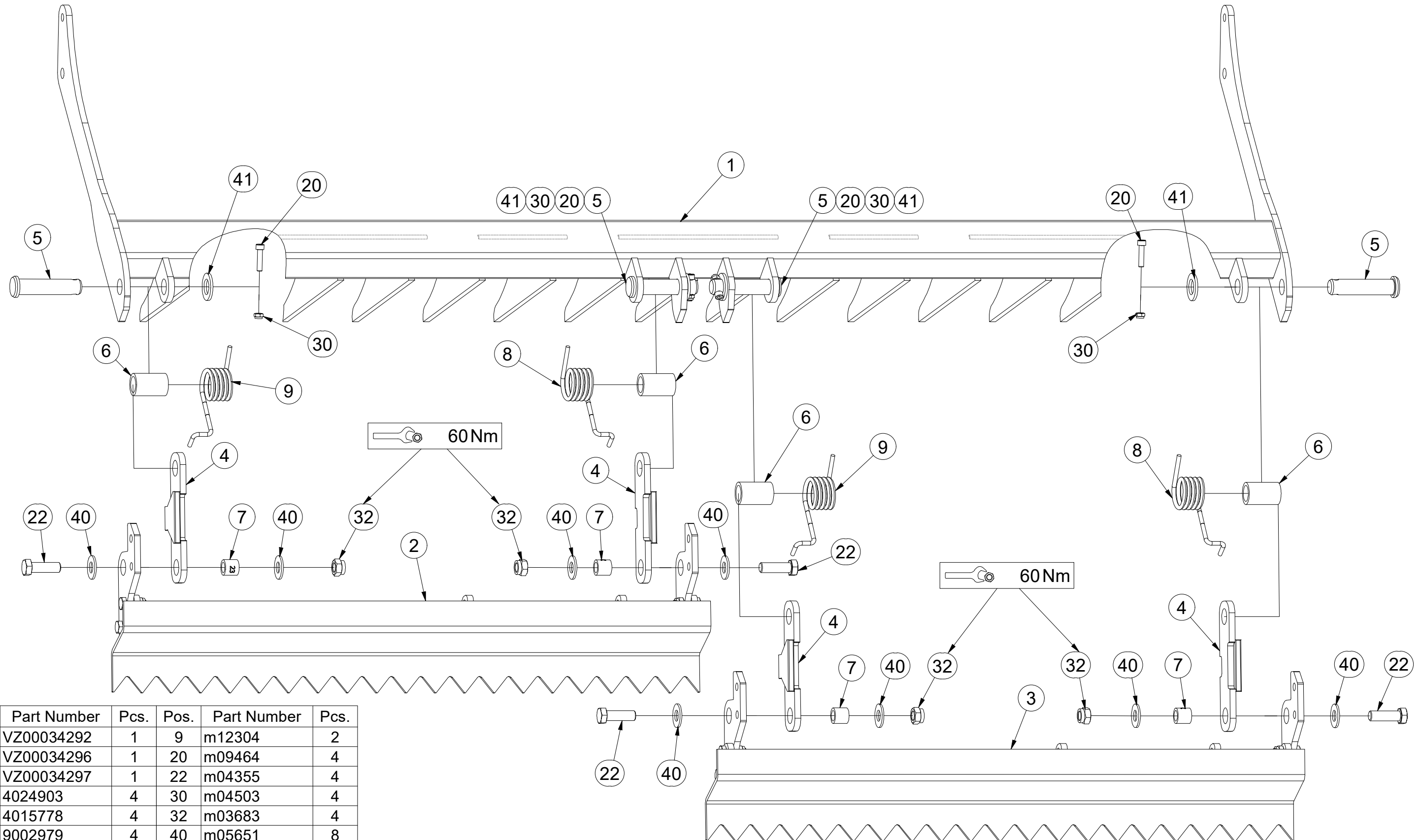


- Ⓒ SMYKY ZADNÍCH VÁLCŮ
- Ⓓ SCHLEIFE HINTERE WALZE
- Ⓕ NIVELEUR ARRIÈRE ROULEAUX

- Ⓖ REAR ROLLERS LEVELLERS
- Ⓔ БОРОНЫ ЗАДНИХ КАТКОВ
- Ⓗ WŁÓKY TYLNYCH WAŁOW



VZ00041675



| Pos. | Part Number | Pcs. | Pos. | Part Number | Pcs. |
|------|-------------|------|------|-------------|------|
| 1 | VZ00034292 | 1 | 9 | m12304 | 2 |
| 2 | VZ00034296 | 1 | 20 | m09464 | 4 |
| 3 | VZ00034297 | 1 | 22 | m04355 | 4 |
| 4 | 4024903 | 4 | 30 | m04503 | 4 |
| 5 | 4015778 | 4 | 32 | m03683 | 4 |
| 6 | 9002979 | 4 | 40 | m05651 | 8 |
| 7 | 4022223 | 4 | 41 | m14028 | 4 |
| 8 | m12303 | 2 | | | |

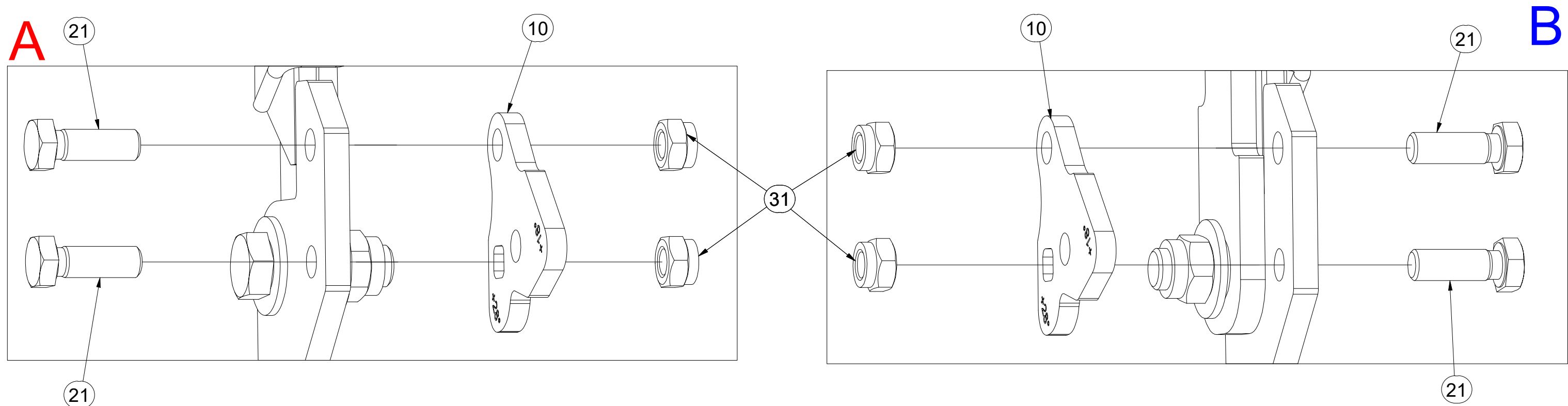
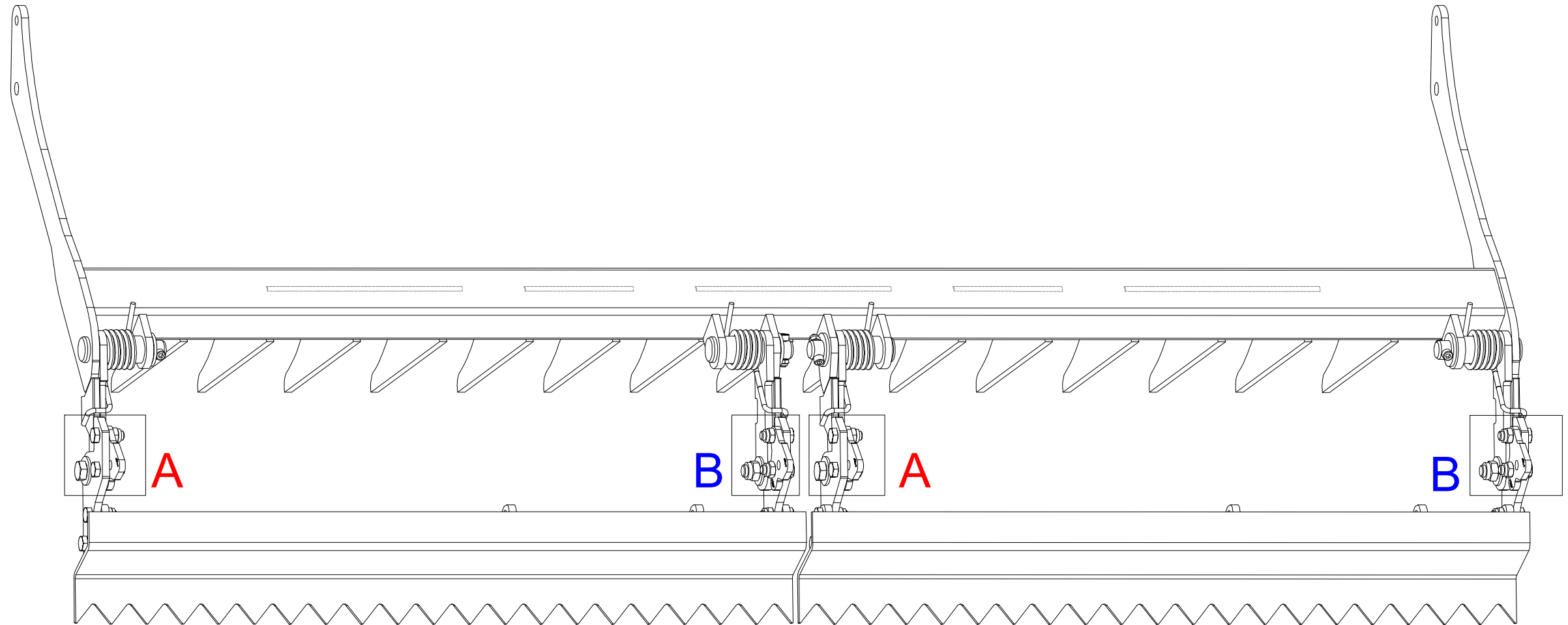
- ⒸZ SMYKY ZADNÍCH VÁLCŮ
- Ⓓ SCHLEIFE HINTERE WALZE
- Ⓕ NIVELEUR ARRIÈRE ROULEAUX

- ⒸB REAR ROLLERS LEVELLERS
- ⒸR БОРОНЫ ЗАДНИХ КАТКОВ
- ⒸL WŁÓKY TYLNYCH WAŁOW



VZ00041675

| Pos. | Part Number | Pcs. |
|------|-------------|------|
| 10 | VZ00038536 | 4 |
| 21 | m04343 | 8 |
| 31 | m04301 | 8 |



ⒸZ SMYKY ZADNÍCH VÁLCŮ

Ⓓ SCHLEIFE HINTERE WALZE

Ⓕ NIVELEUR ARRIÈRE ROULEAUX

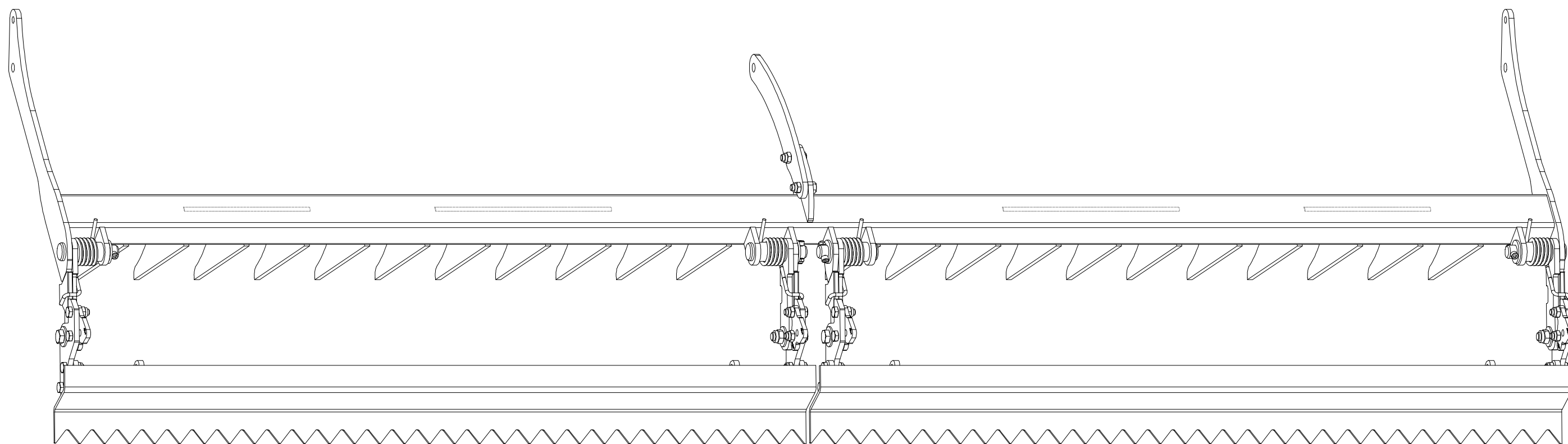
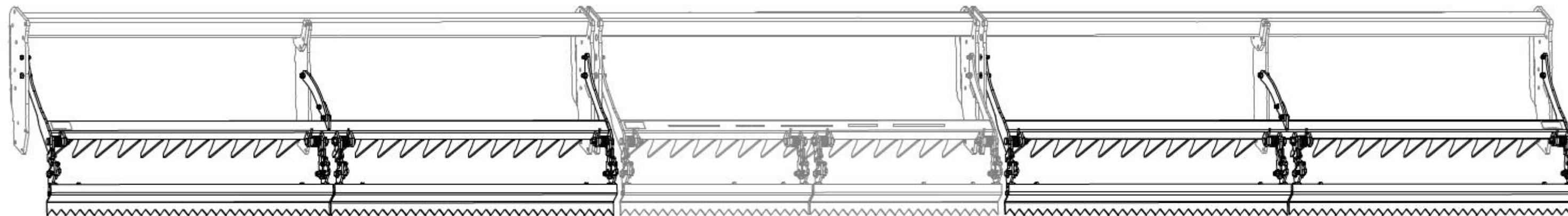
VZ00041881

ⒼB REAR ROLLERS LEVELLERS

ⒺB БОРНЫ ЗАДНИХ КАТКОВ

ⒼL WŁÓKY TYLNYCH WAŁOW

Farmet

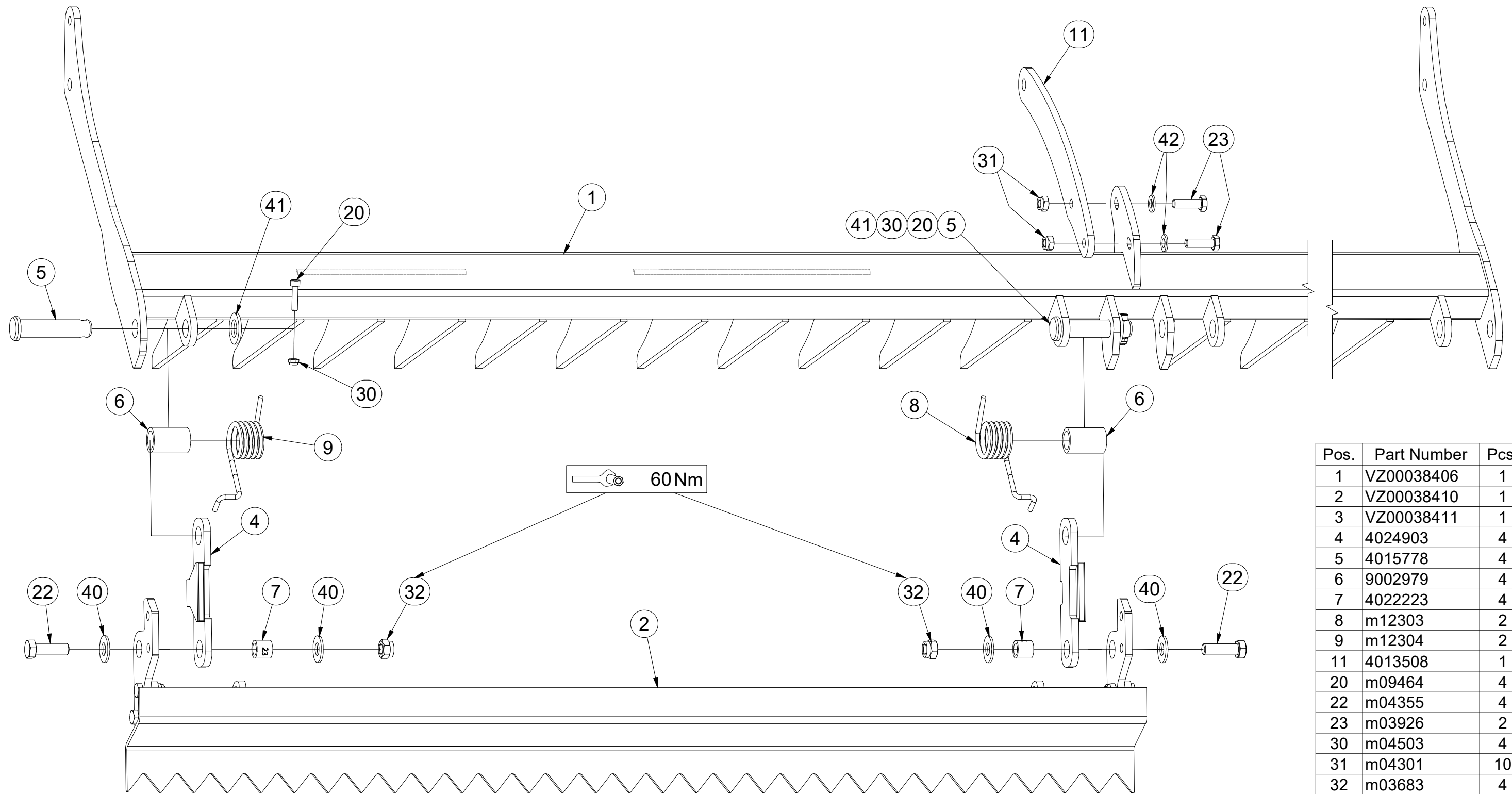


CZ SMYKY ZADNÍCH VÁLCŮ
 D SCHLEIFE HINTERE WALZE
 F NIVELEUR ARRIÈRE ROULEAUX

GB REAR ROLLERS LEVELLERS
 RU БОРОНЫ ЗАДНИХ КАТКОВ
 PL WŁÓKY TYLNYCH WAŁOW



VZ00041881



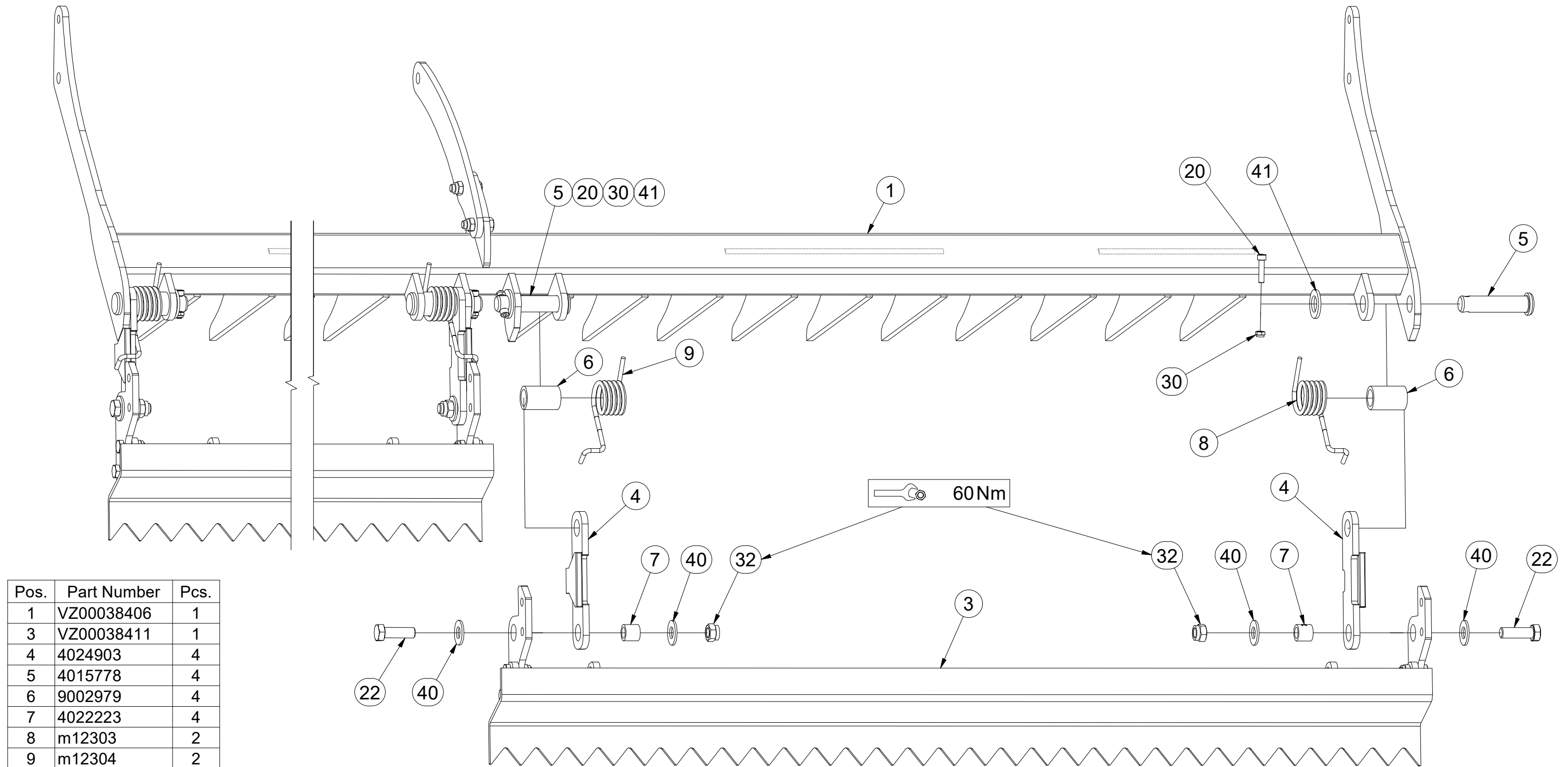
| Pos. | Part Number | Pcs. |
|------|-------------|------|
| 1 | VZ00038406 | 1 |
| 2 | VZ00038410 | 1 |
| 3 | VZ00038411 | 1 |
| 4 | 4024903 | 4 |
| 5 | 4015778 | 4 |
| 6 | 9002979 | 4 |
| 7 | 4022223 | 4 |
| 8 | m12303 | 2 |
| 9 | m12304 | 2 |
| 11 | 4013508 | 1 |
| 20 | m09464 | 4 |
| 22 | m04355 | 4 |
| 23 | m03926 | 2 |
| 30 | m04503 | 4 |
| 31 | m04301 | 10 |
| 32 | m03683 | 4 |
| 40 | m05651 | 8 |
| 41 | m14028 | 4 |
| 42 | m17741 | 2 |

- CZ SMYKY ZADNÍCH VÁLCŮ
 D SCHLEIFE HINTERE WALZE
 F NIVELEUR ARRIÈRE ROULEAUX

- GB REAR ROLLERS LEVELLERS
 RU БОРОНЫ ЗАДНИХ КАТКОВ
 PL WŁÓKY TYLNYCH WAŁOW



VZ00041881



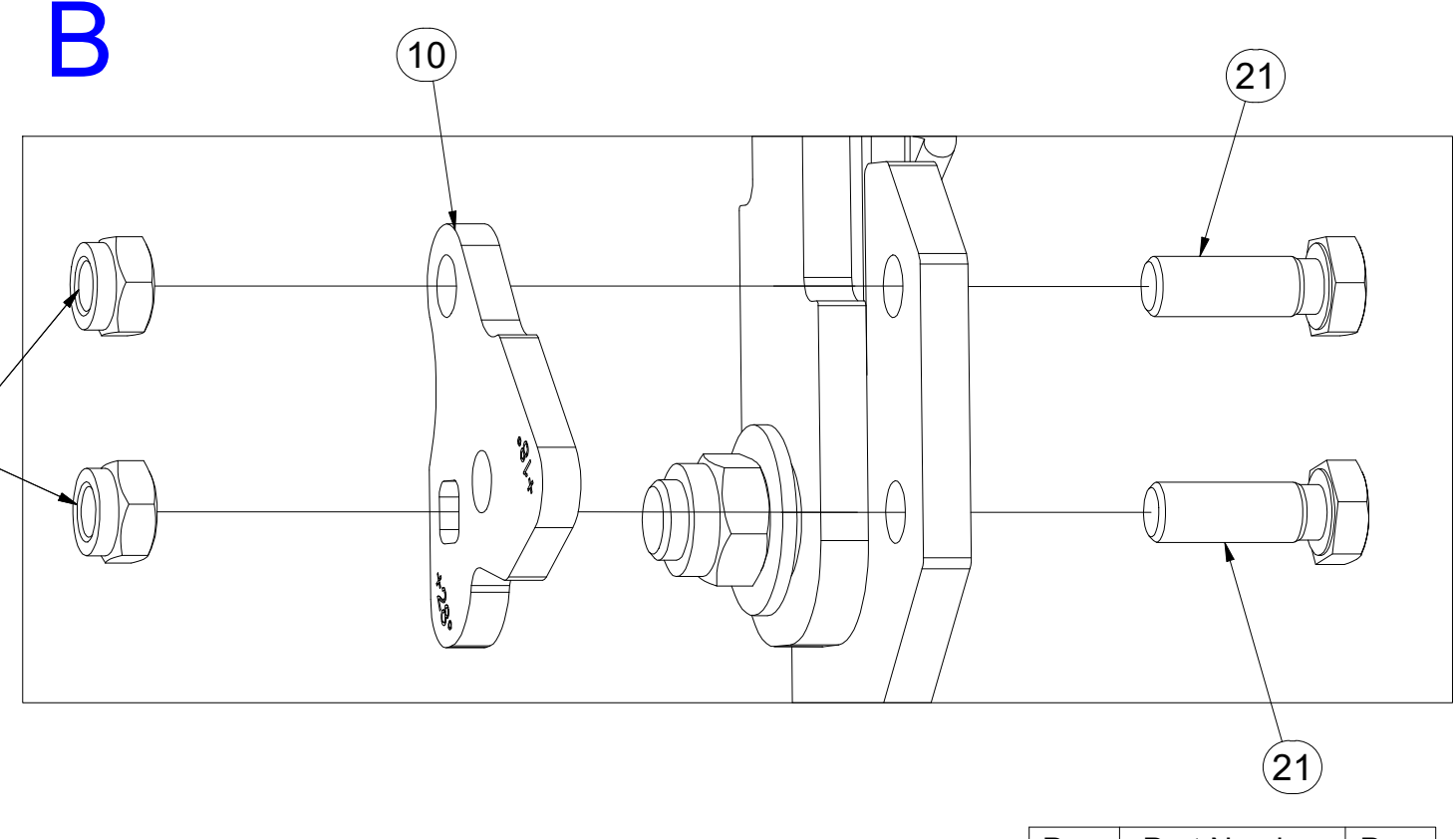
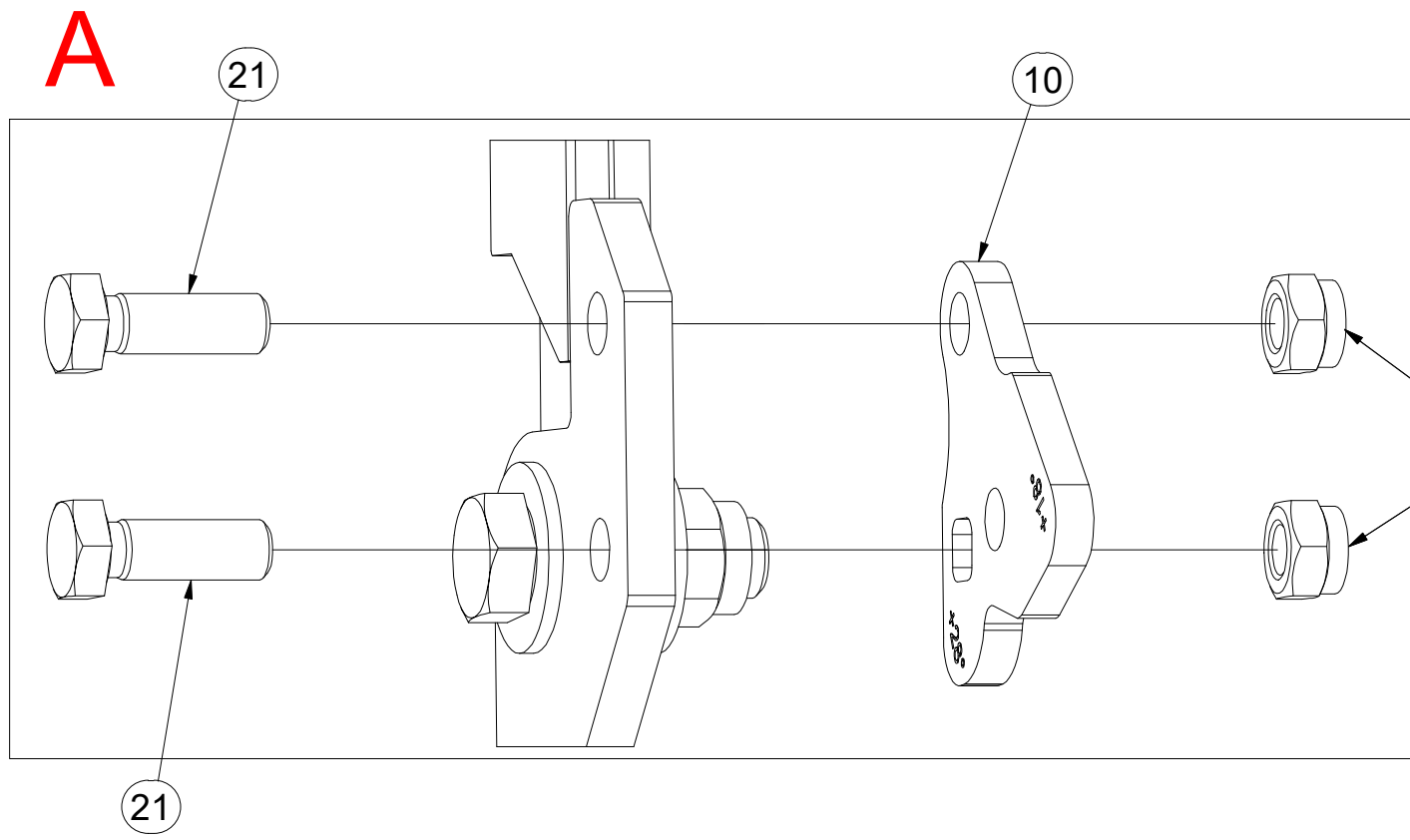
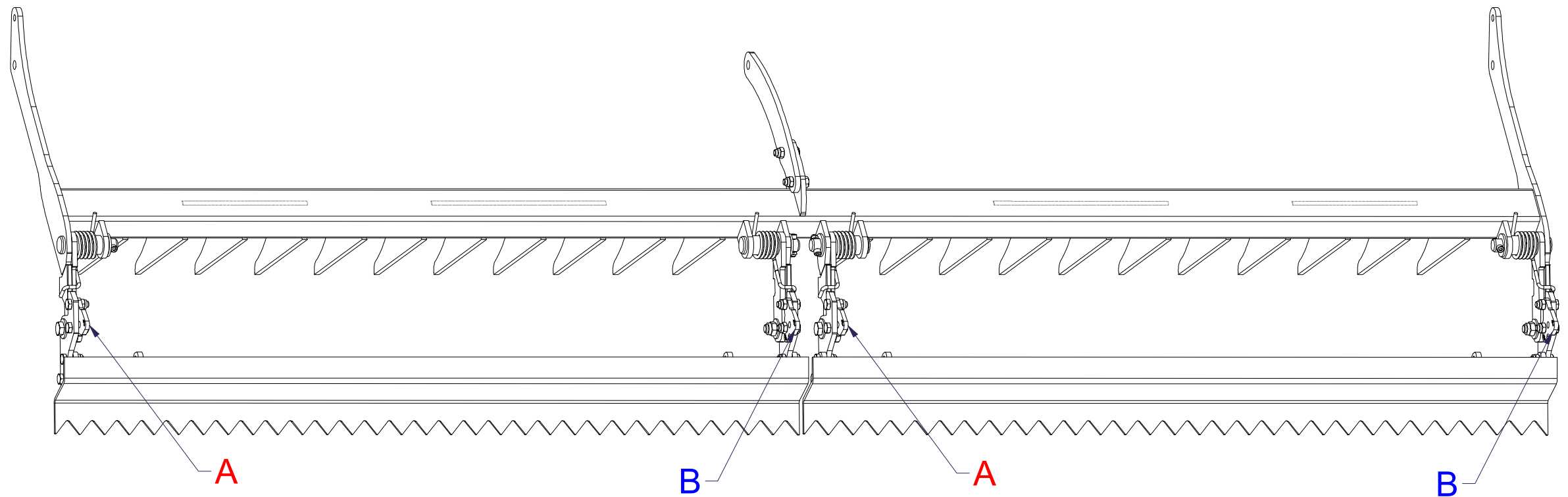
| Pos. | Part Number | Pcs. |
|------|-------------|------|
| 1 | VZ00038406 | 1 |
| 3 | VZ00038411 | 1 |
| 4 | 4024903 | 4 |
| 5 | 4015778 | 4 |
| 6 | 9002979 | 4 |
| 7 | 4022223 | 4 |
| 8 | m12303 | 2 |
| 9 | m12304 | 2 |
| 20 | m09464 | 4 |
| 22 | m04355 | 4 |
| 30 | m04503 | 4 |
| 32 | m03683 | 4 |
| 40 | m05651 | 8 |
| 41 | m14028 | 4 |

- Ⓒ CZ SMYKY ZADNÍCH VÁLCŮ
- Ⓓ SCHLEIFE HINTERE WALZE
- Ⓕ NIVELEUR ARRIÈRE ROULEAUX

- Ⓖ GB REAR ROLLERS LEVELLERS
- Ⓡ RU БОРОНЫ ЗАДНИХ КАТКОВ
- Ⓟ PL WŁÓKY TYLNYCH WAŁOW



VZ00041881



| Pos. | Part Number | Pcs. |
|------|-------------|------|
| 10 | VZ00038536 | 4 |
| 21 | m04343 | 8 |
| 31 | m04301 | 10 |

Ⓒ SMYK

Ⓓ ACKERSCHLEIFE

Ⓕ AVANT

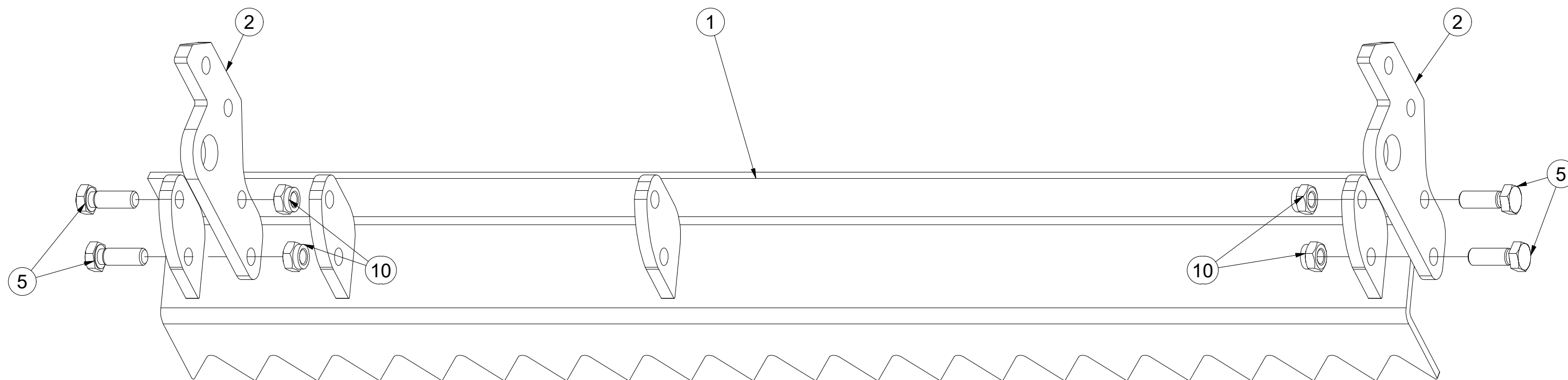
Ⓖ DRAG

Ⓡ БОРОНА

Ⓟ WŁÓKA



VZ00034296



| Pos. | Part Number | Pcs. |
|------|-------------|------|
| 1 | VZ00034293 | 1 |
| 2 | VZ00014941 | 2 |
| 5 | m04343 | 4 |
| 10 | m04301 | 4 |

Ⓒ CZ SMYK

Ⓓ ACKERSCHLEIFE

Ⓕ AVANT

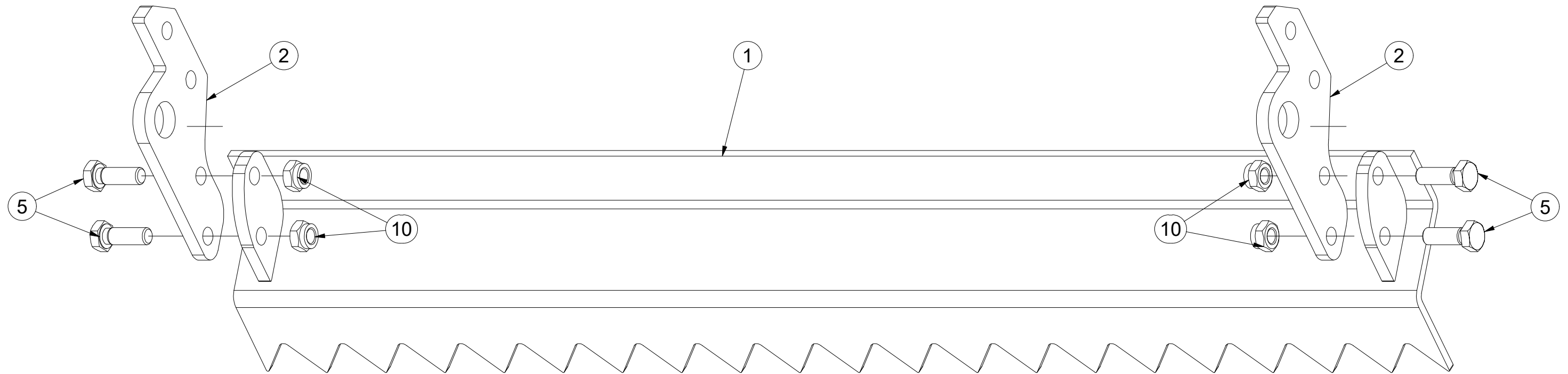
Ⓒ GB DRAG

Ⓒ RU БОРОНА

Ⓒ PL WŁÓKA



VZ00034297



| Pos. | Part Number | Pcs. |
|------|-------------|------|
| 1 | VZ00034293 | 1 |
| 2 | VZ00014941 | 2 |
| 5 | m04343 | 4 |
| 10 | m04301 | 4 |

Ⓒ SMYK

Ⓓ ACKERSCHLEIFE

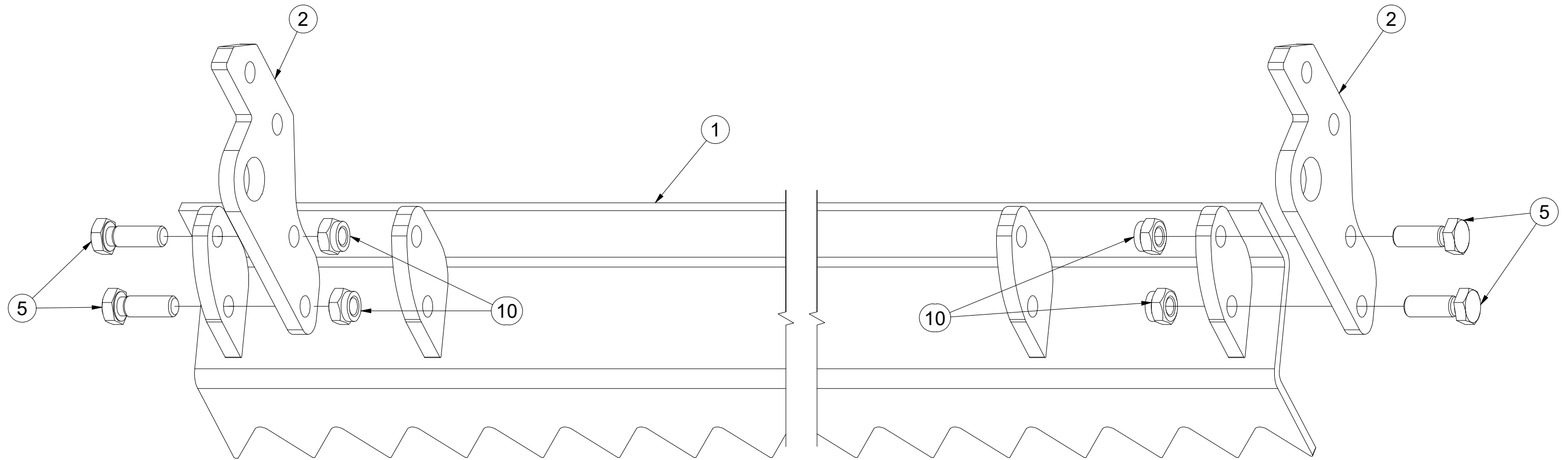
Ⓕ AVANT

VZ00038410

Ⓖ DRAG

Ⓡ БОРОНА

Ⓟ WŁÓKA



| Pos. | Part Number | Pcs. |
|------|-------------|------|
| 1 | VZ00042095 | 1 |
| 2 | VZ00014941 | 2 |
| 5 | m04343 | 4 |
| 10 | m04301 | 4 |

Ⓒ CZ SMYK

Ⓓ ACKERSCHLEIFE

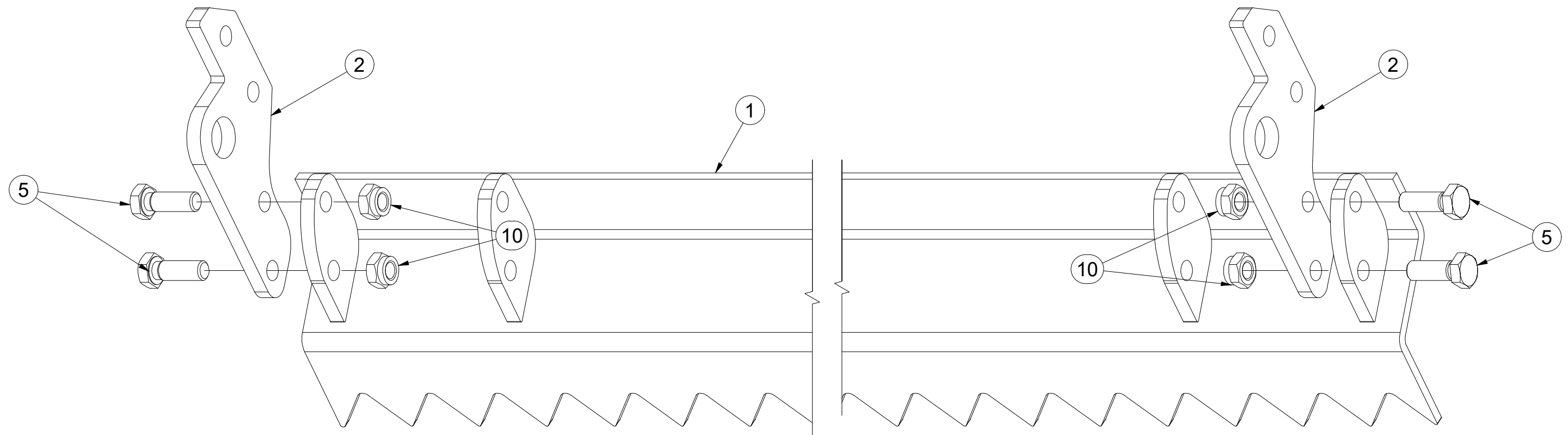
Ⓕ AVANT

VZ00038411

Ⓖ GB DRAG

Ⓡ RU БОРОНА

Ⓟ PL WŁÓKA



| Pos. | Part Number | Pcs. |
|------|-------------|------|
| 1 | VZ00042095 | 1 |
| 2 | VZ00014941 | 2 |
| 5 | m04343 | 4 |
| 10 | m04301 | 4 |

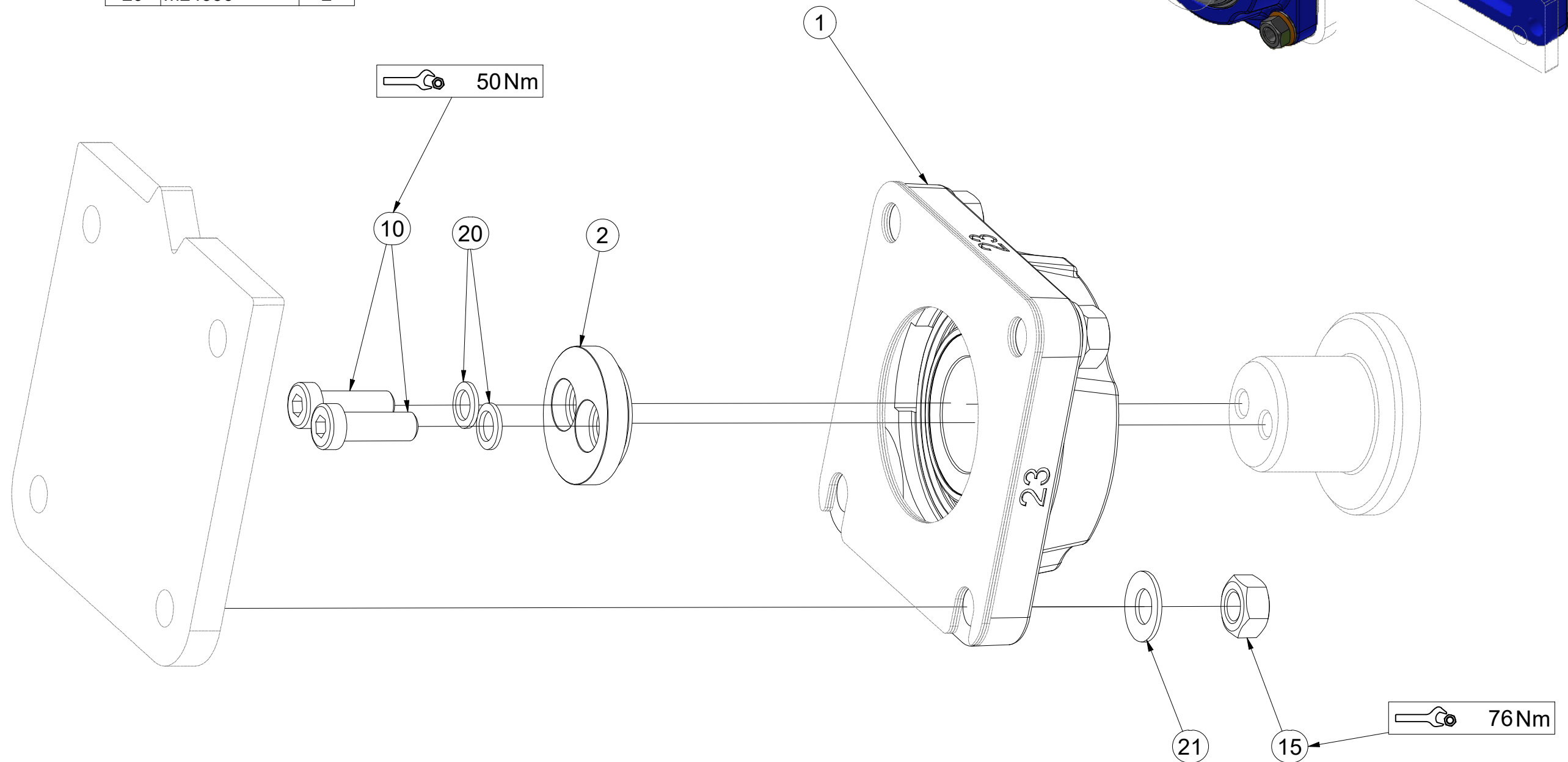
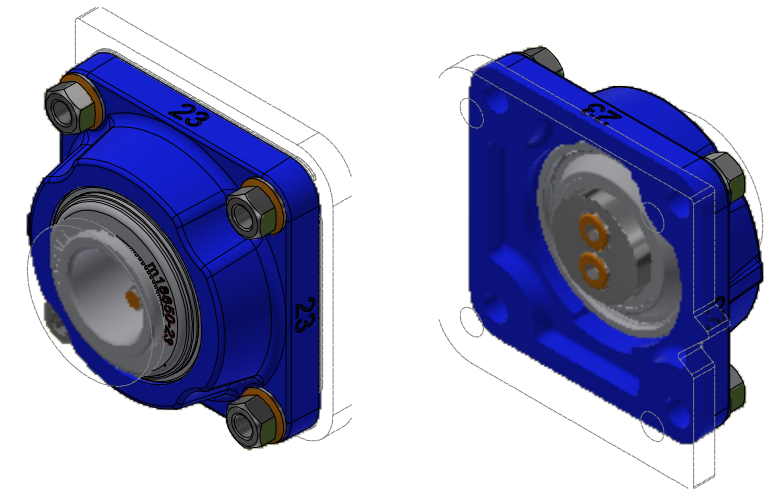
- Ⓒ SADA LOŽISEK
- Ⓓ SATZ LAGER
- Ⓕ KIT DE ROULEMENTS

- Ⓒ SET OF BEARINGS
- Ⓓ КОМПЛЕКТ ПОДШИПНИКОВ
- Ⓕ ZESTAW ŁOŻYSK



VZ00039820

| Pos. | Part Number | Pcs. |
|------|-------------|------|
| 1 | m18650-23 | 1 |
| 2 | VZ00038211 | 1 |
| 10 | m24320 | 2 |
| 15 | m01305 | 4 |
| 21 | m17545 | 4 |
| 20 | m24356 | 2 |

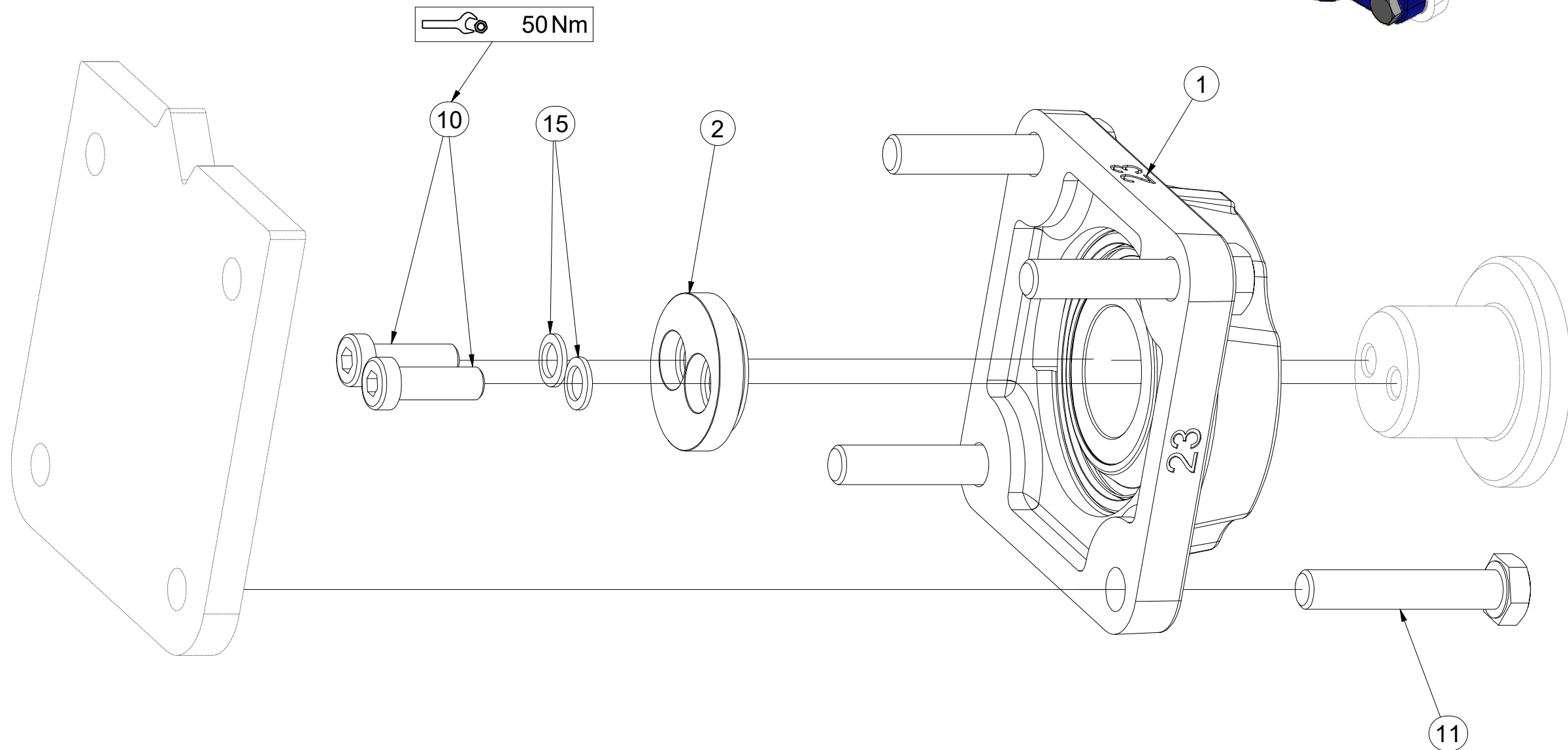
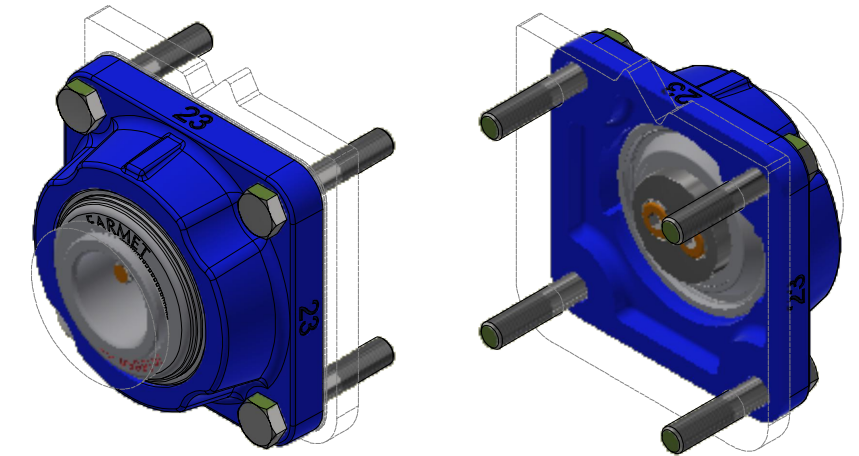


CZ SADA LOŽISEK
 D SATZ LAGER
 F KIT DE ROULEMENTS

GB SET OF BEARINGS
 RU КОМПЛЕКТ ПОДШИПНИКОВ
 PL ZESTAW ŁOŻYSK



VZ00039821



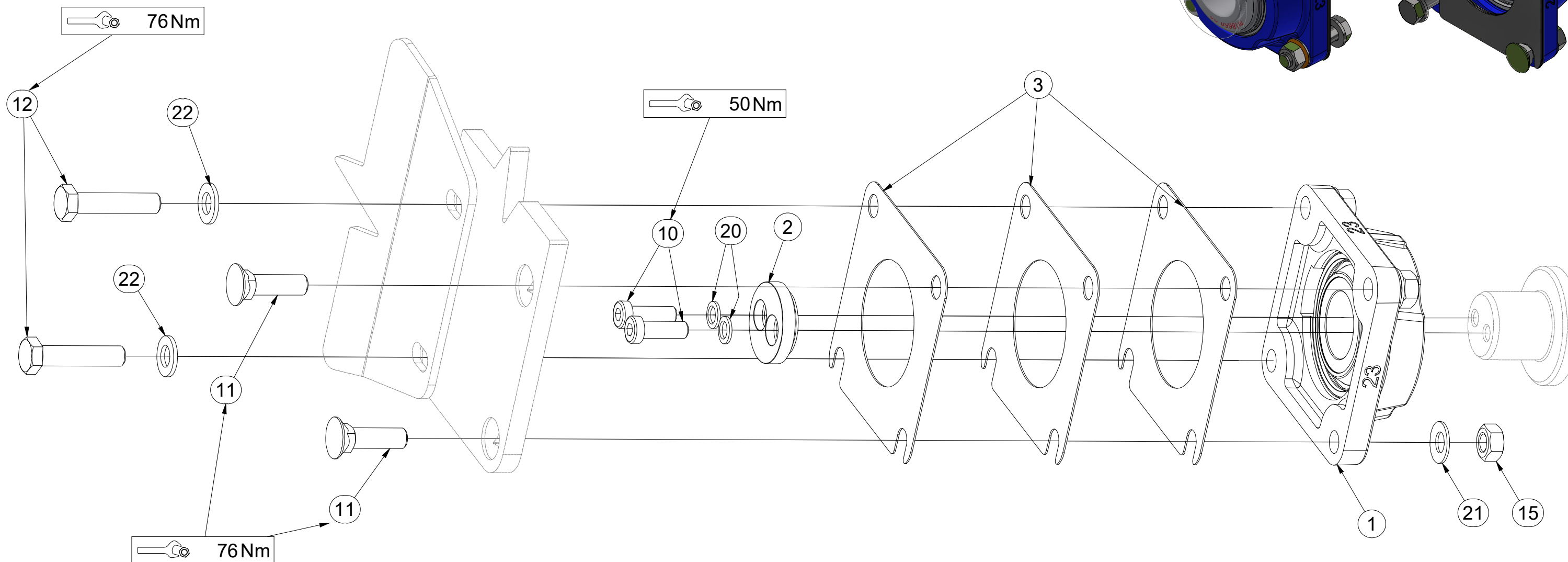
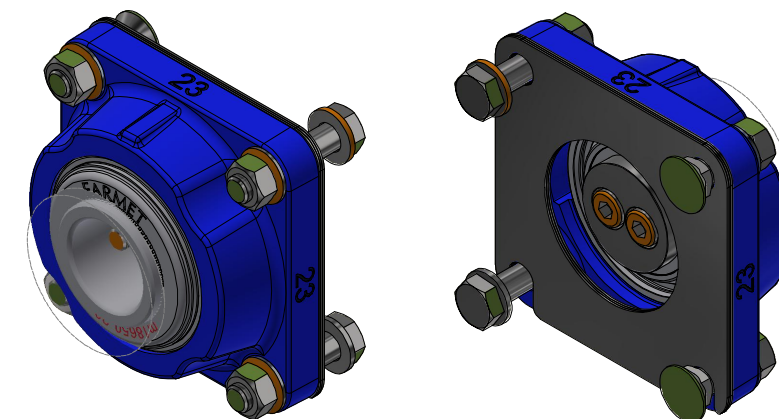
| Pos. | Part Number | Pcs. |
|------|-------------|------|
| 1 | m18650-23 | 1 |
| 2 | VZ00038211 | 1 |
| 10 | m24320 | 2 |
| 11 | m05898 | 4 |
| 15 | m24356 | 2 |

- Ⓒ SADA LOŽISEK
- Ⓓ SATZ LAGER
- Ⓕ KIT DE ROULEMENTS

- Ⓖ SET OF BEARINGS
- Ⓡ КОМПЛЕКТ ПОДШИПНИКОВ
- Ⓟ ZESTAW ŁOŻYSK



VZ00039819



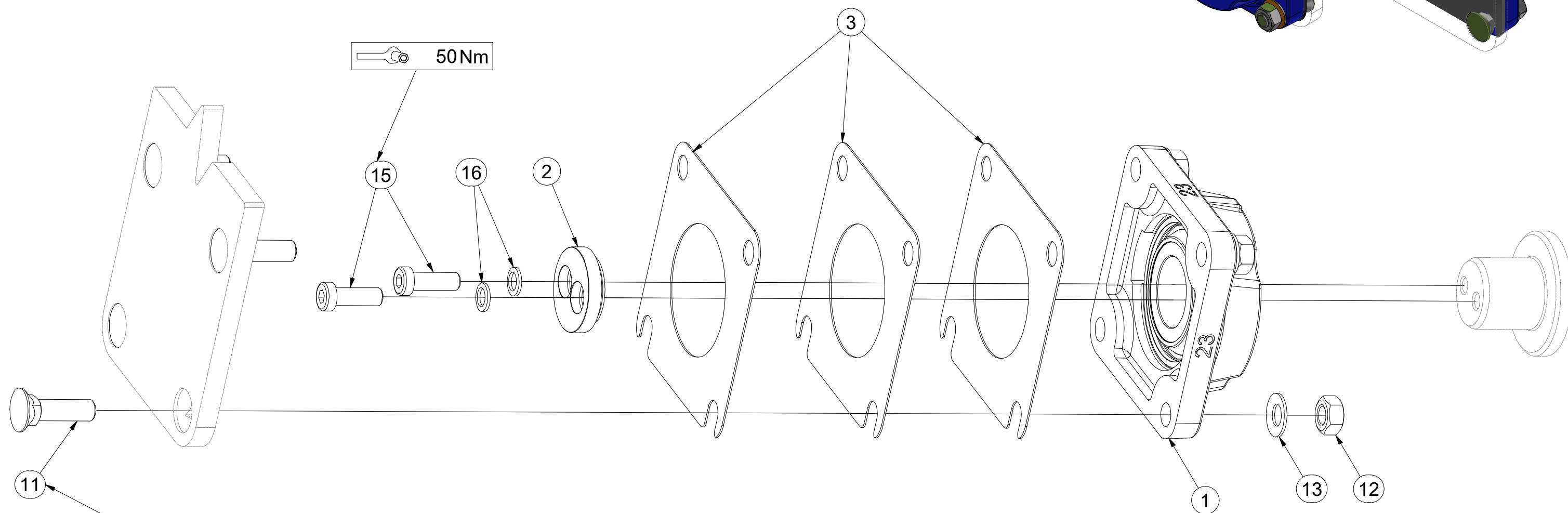
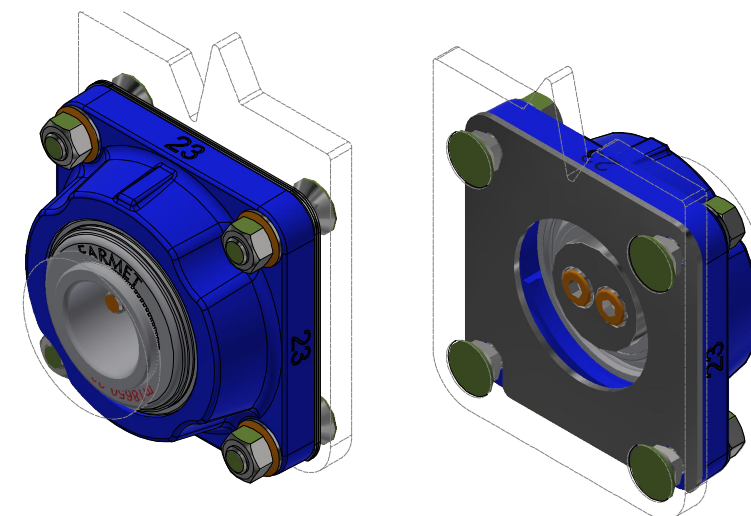
| Pos. | Part Number | Pcs. |
|------|-------------|------|
| 1 | m18650-23 | 1 |
| 2 | VZ00038211 | 1 |
| 3 | 4016809 | 3 |
| 10 | m24320 | 2 |
| 11 | m03519 | 2 |
| 12 | m04412 | 2 |
| 15 | m01305 | 4 |
| 20 | m24356 | 2 |
| 21 | m17545 | 4 |
| 22 | m17741 | 2 |

CZ SADA LOŽISEK
 D SATZ LAGER
 F KIT DE ROULEMENTS

GB SET OF BEARINGS
 RU КОМПЛЕКТ ПОДШИПНИКОВ
 PL ZESTAW ŁOŻYSK

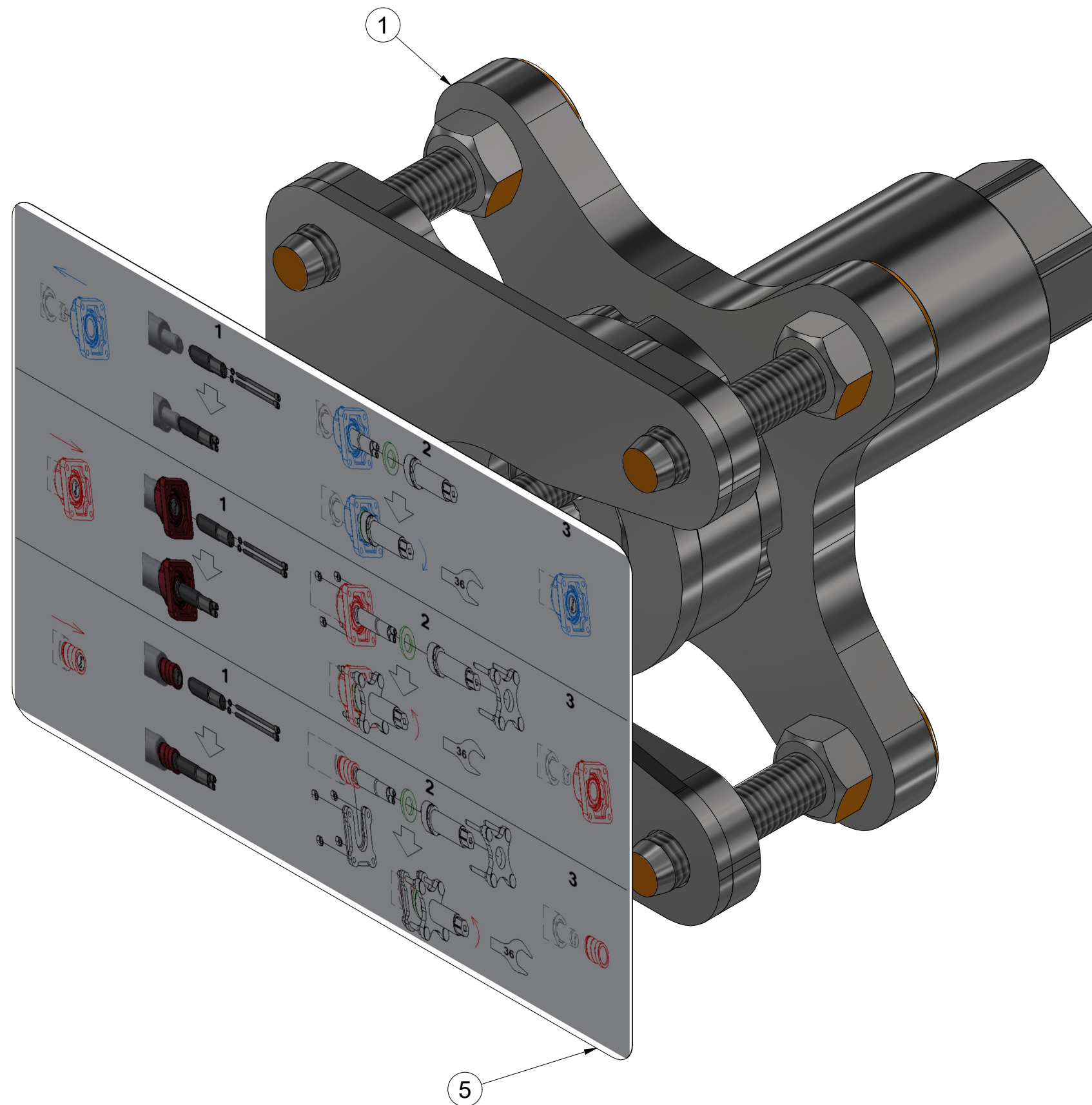


VZ00038060



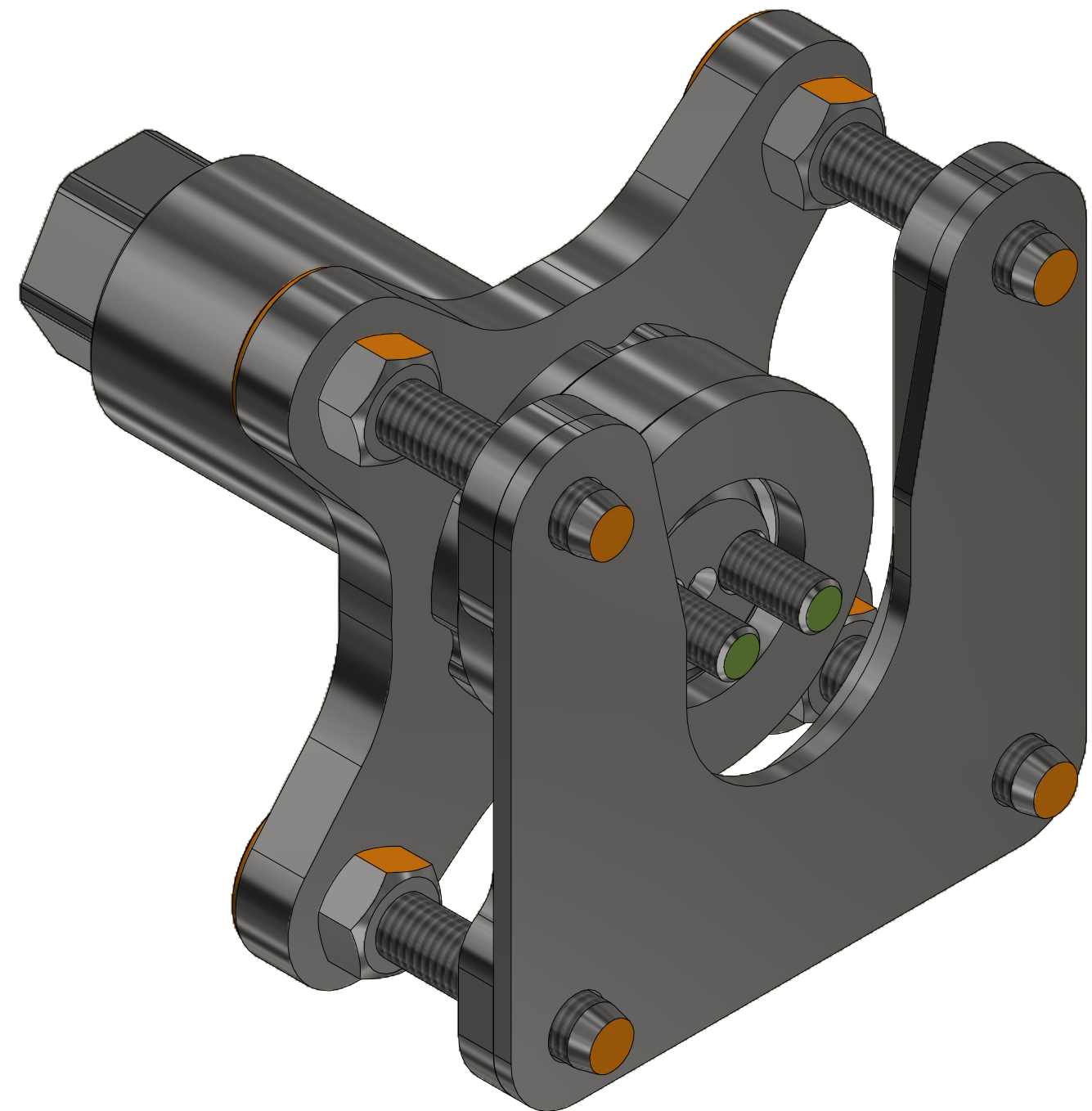
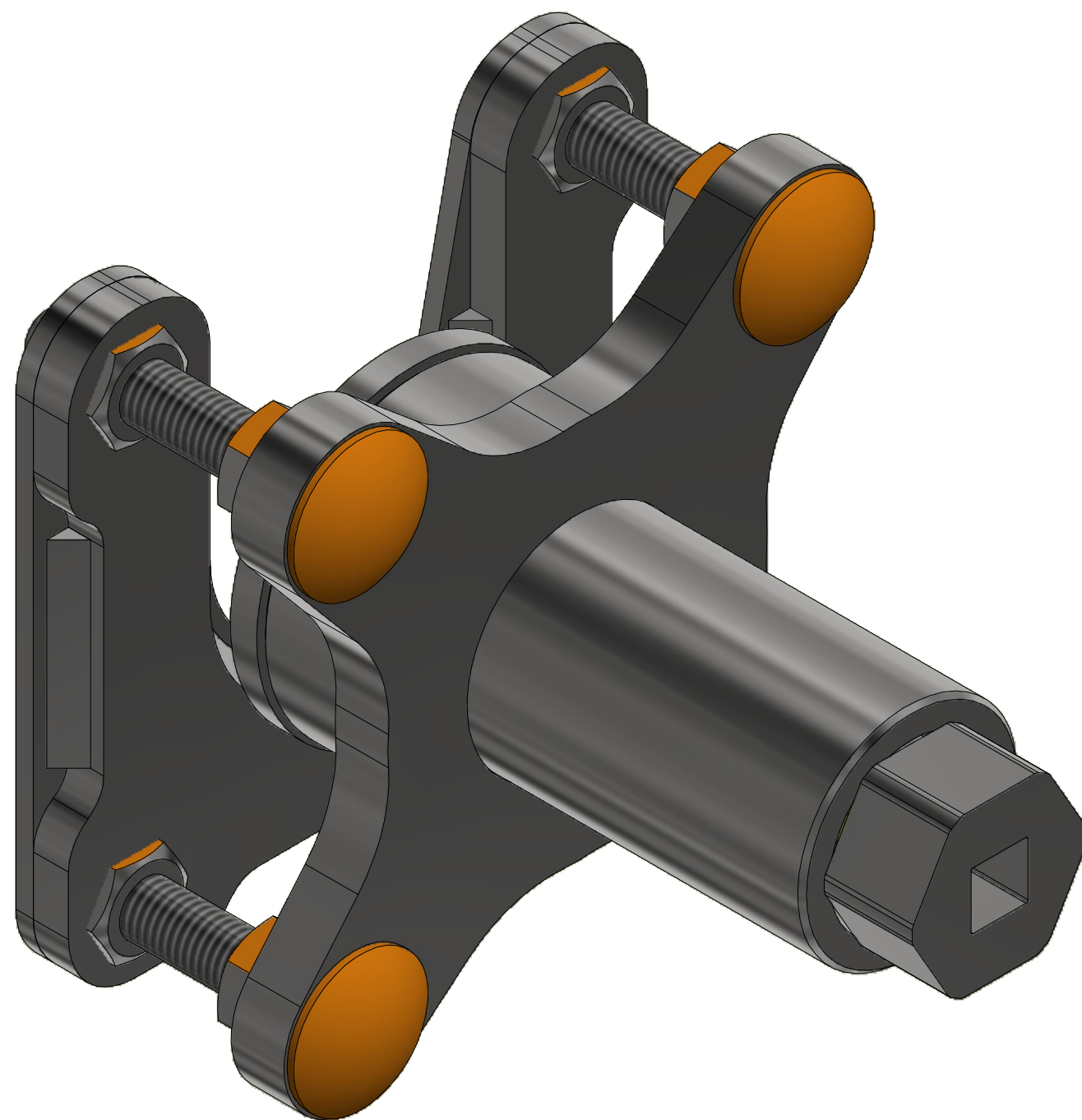
| Pos. | Part Number | Pcs. |
|------|-------------|------|
| 1 | m18650-23 | 1 |
| 2 | VZ00038211 | 1 |
| 3 | 4016809 | 3 |
| 11 | m03519 | 4 |
| 12 | m01305 | 4 |
| 13 | m17545 | 4 |
| 15 | m24320 | 2 |
| 16 | m24356 | 2 |

VZ00038564

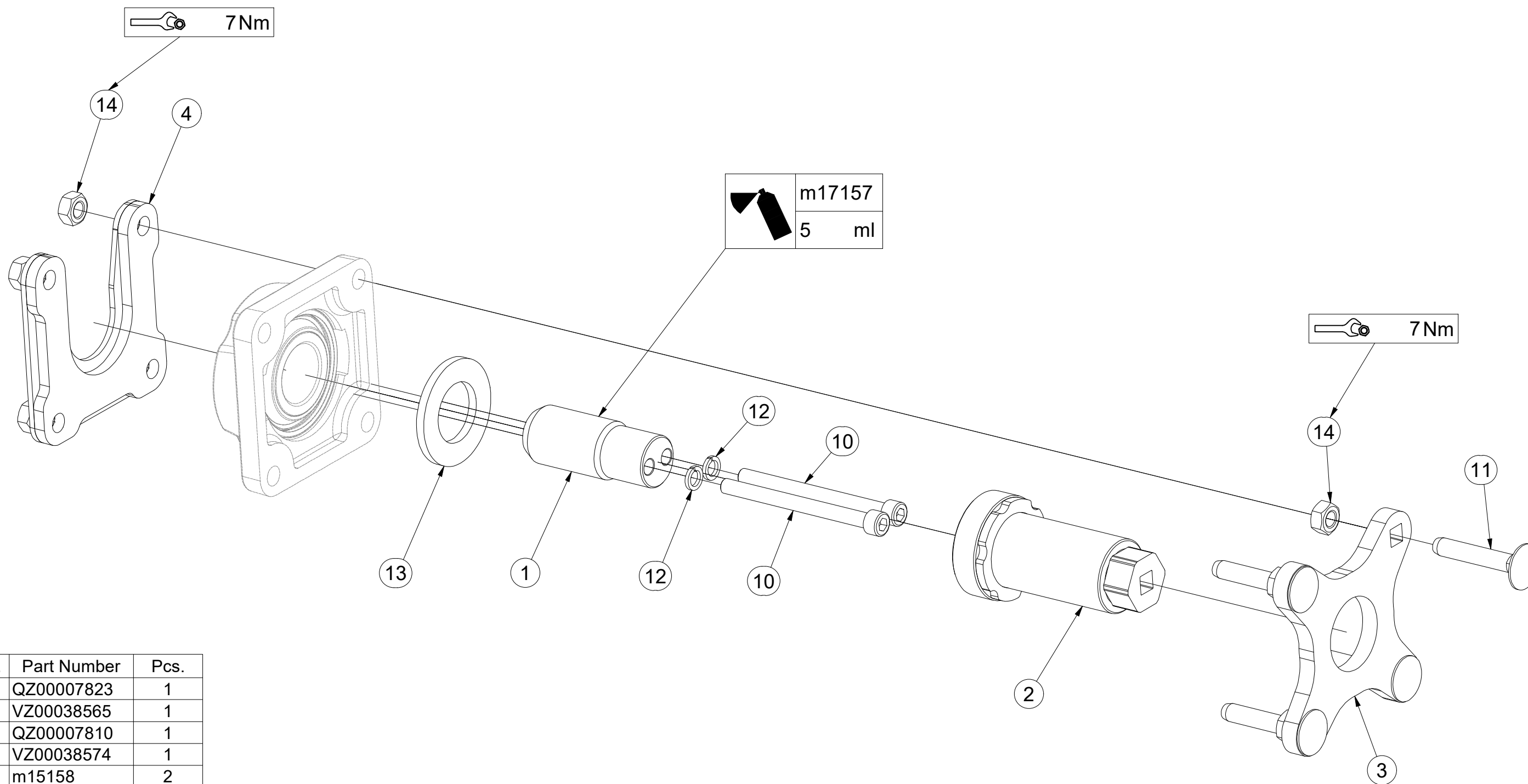


| Pos. | Part Number | Pcs. |
|------|-------------|------|
| 1 | VZ00040530 | 1 |
| 5 | m24596 | 1 |

VZ00040530



VZ00040530



| Pos. | Part Number | Pcs. |
|------|-------------|---------|
| 1 | QZ00007823 | 1 |
| 2 | VZ00038565 | 1 |
| 3 | QZ00007810 | 1 |
| 4 | VZ00038574 | 1 |
| 10 | m15158 | 2 |
| 11 | m17684 | 4 |
| 12 | m01208 | 2 |
| 13 | m03636 | 1 |
| 14 | m10439 | 8 |
| 20 | m17157 | 5,00 ml |

Ⓒ SADA NÁPRAVY

Ⓓ SATZ AUFHÄNGUNG

Ⓕ KIT DE L'ESSIEU

Ⓖ AXLE SET

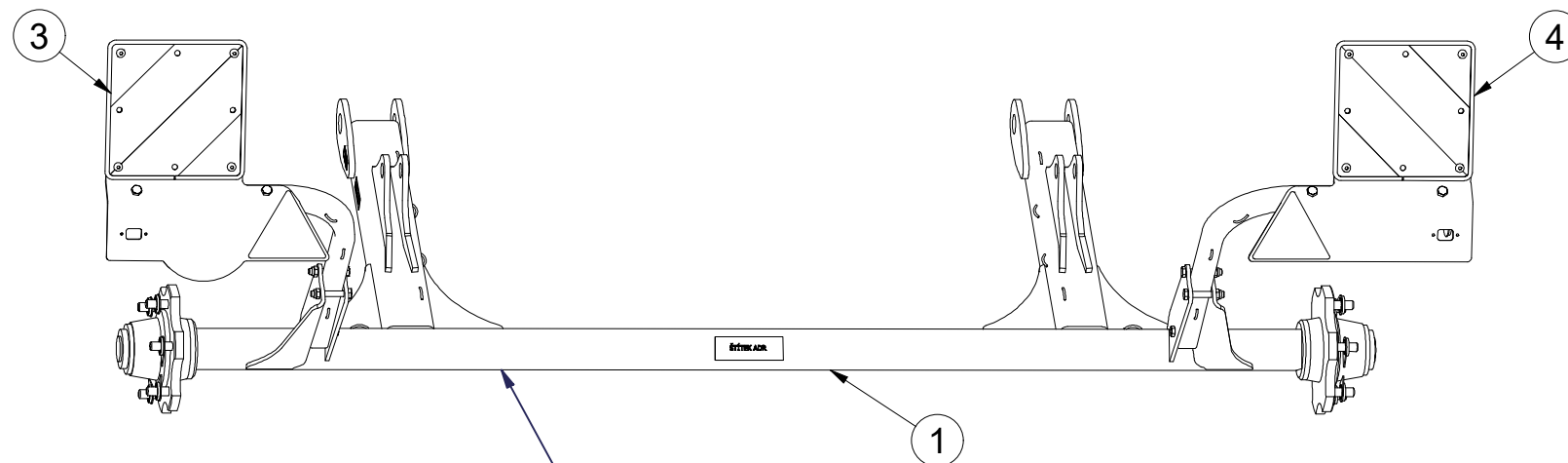
Ⓡ КОМПЛЕКТ ОСИ КОЛЁС

Ⓢ ZESTAW OSI

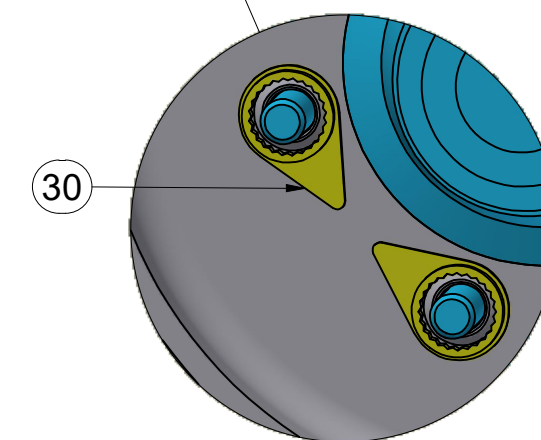
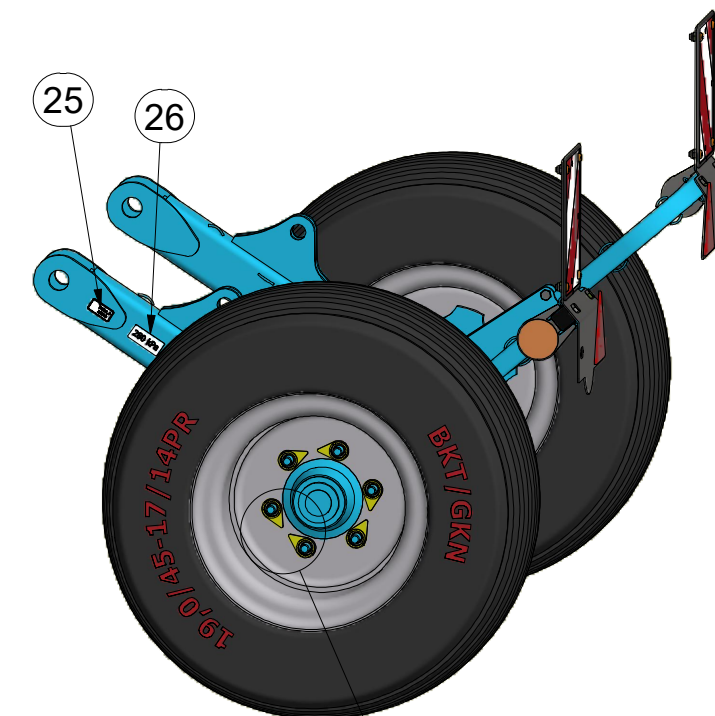
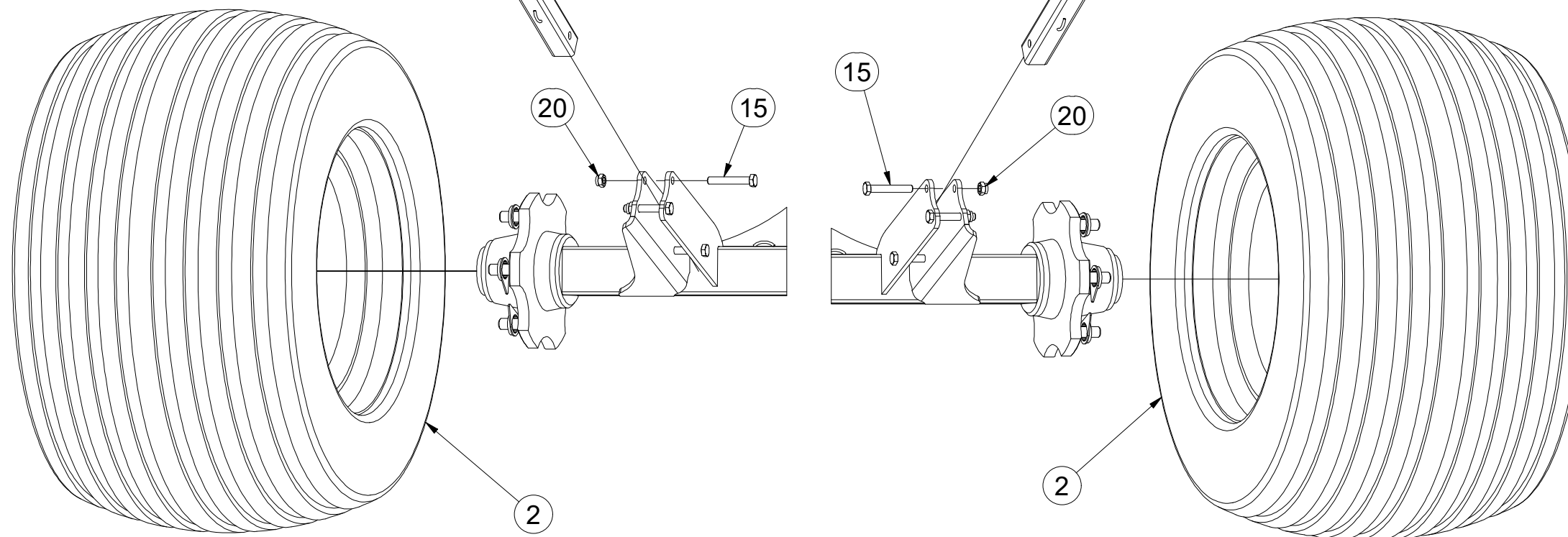
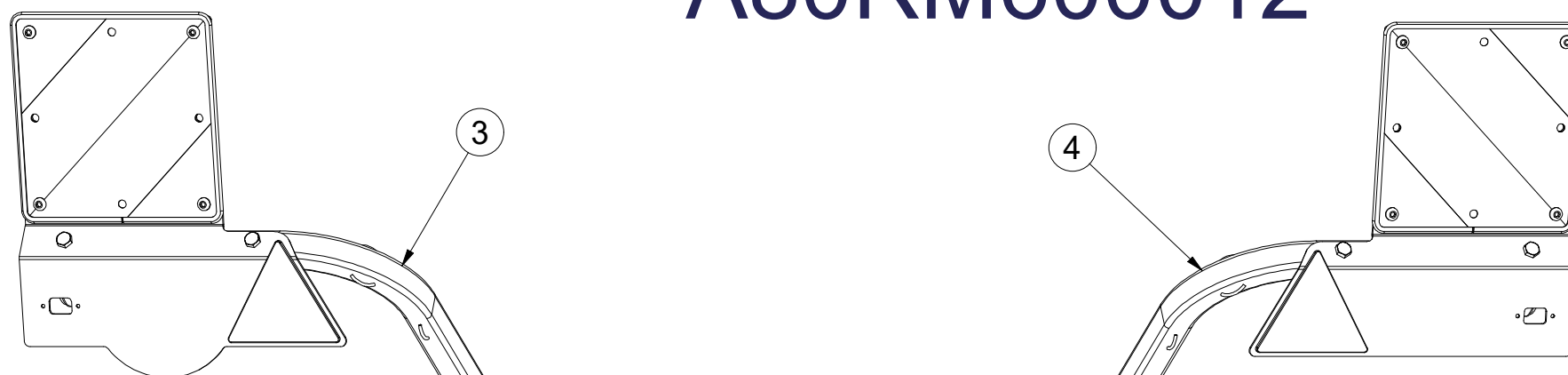


3012633

M18x1,5-265Nm
280 kPa



A80RM600012



| Pos. | Part Number | Pcs. |
|------|-------------|------|
| 1 | 3012632 | 1 |
| 2 | m19870 | 2 |
| 3 | 3012367 | 1 |
| 4 | 3012389 | 1 |
| 15 | m12493 | 6 |
| 20 | m04301 | 6 |
| 25 | m19732 | 2 |
| 26 | m21945 | 2 |
| 30 | m19657 | 12 |

Ⓒ NÁPRAVA

Ⓓ ACHSE

Ⓕ ESSIEU

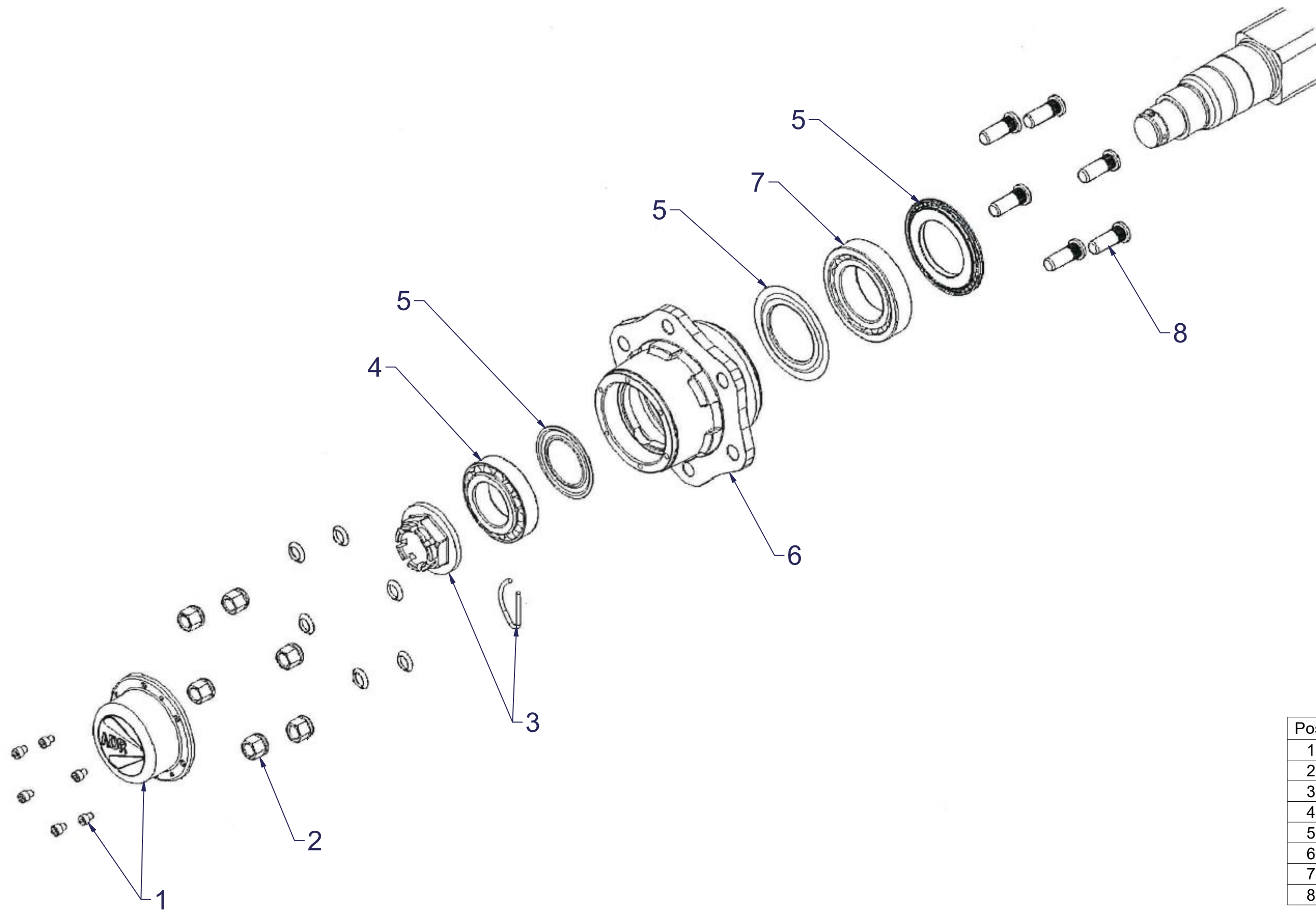
Ⓒ AXLE

Ⓓ OCB

Ⓕ OS



A80RM60012



| Pos. | Part Number | Pcs. |
|------|-------------|------|
| 1 | m12566 | 2 |
| 2 | m08163 | 12 |
| 3 | m08168 | 2 |
| 4 | m07153 | 2 |
| 5 | m08156 | 2 |
| 6 | m12567 | 2 |
| 7 | m07154 | 2 |
| 8 | m08148 | 12 |

ⒸZ TERČ ZADNÍ LEVÝ

Ⓓ SCHILD, HINTERES, LINKES

Ⓕ CIBLE ARRIÈRE GAUCHE

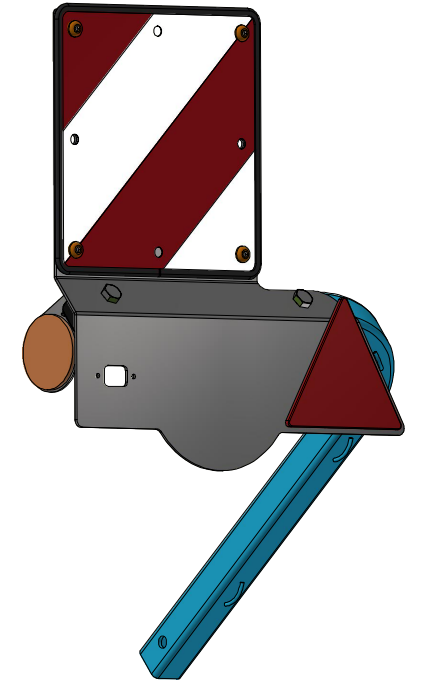
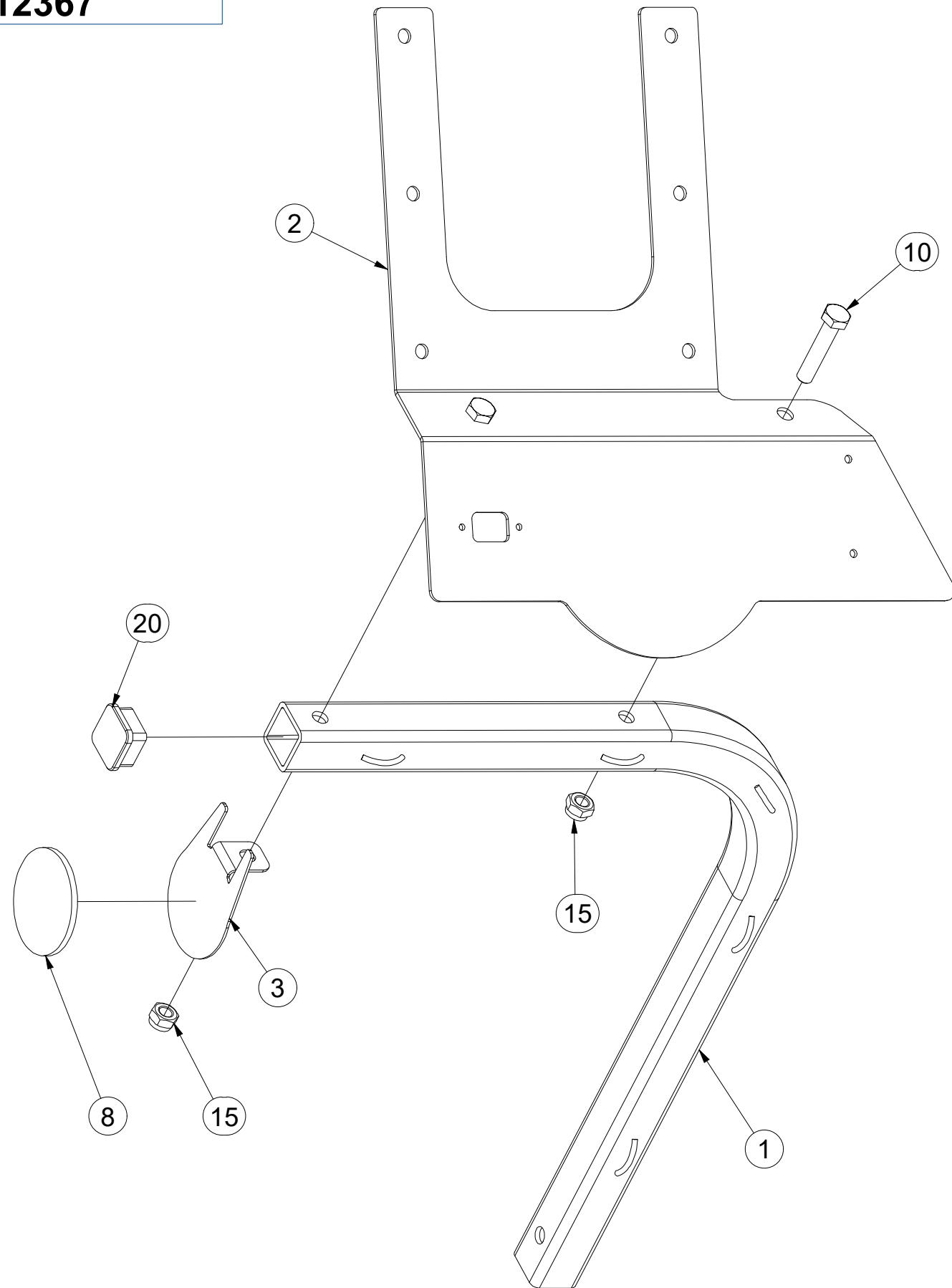
3012367

ⒸB LEFT REAR DISC

ⒸU ЩИТОК ЗАДНИЙ ЛЕВЫЙ

ⒸL TARCZA TYLNA LEWA

Farmet



| Pos. | Part Number | Pcs. |
|------|-------------|------|
| 1 | 3012364 | 1 |
| 2 | 3012365 | 1 |
| 3 | 4024926 | 1 |
| 8 | m02579 | 1 |
| 10 | m01131 | 2 |
| 15 | m04301 | 2 |
| 20 | m12689 | 1 |

ⒸZ TERČ ZADNÍ LEVÝ

Ⓓ SCHILD, HINTERES, LINKES

Ⓕ CIBLE ARRIÈRE GAUCHE

ⒼB LEFT REAR DISC

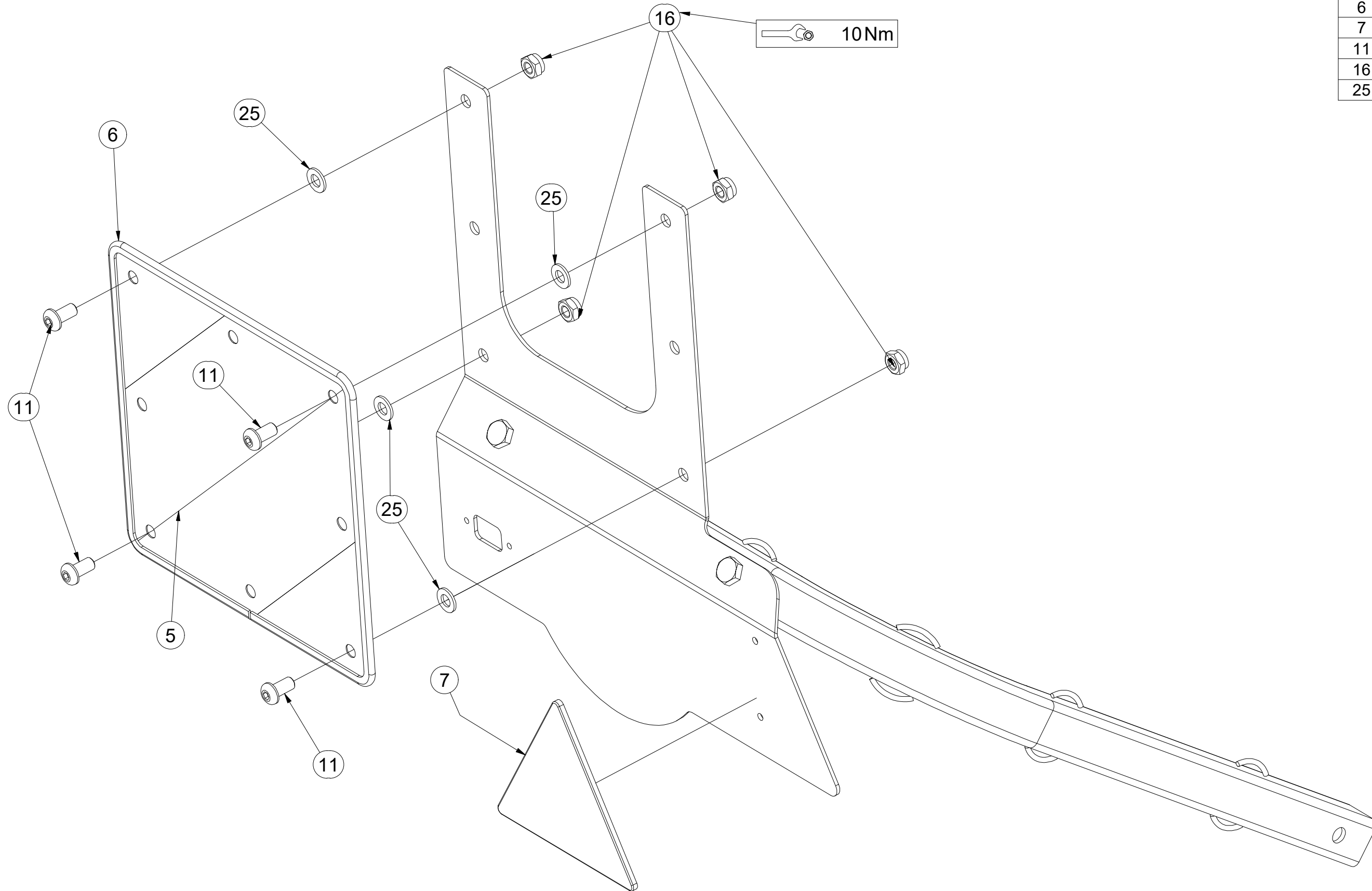
ⒶU ЩИТОК ЗАДНИЙ ЛЕВЫЙ

ⒶL TARCZA TYLNA LEWA

Farmet

3012367

| Pos. | Part Number | Pcs. |
|------|-------------|------|
| 5 | m18855 | 1 |
| 6 | 9005707 | 1 |
| 7 | m02497 | 1 |
| 11 | m16637 | 4 |
| 16 | m03775 | 4 |
| 25 | m01209 | 4 |



ⒸZ TERČ ZADNÍ PRAVÝ

Ⓓ SCHILD, HINTERES, RECHTES

Ⓕ CIBLE ARRIÈRE DROITE

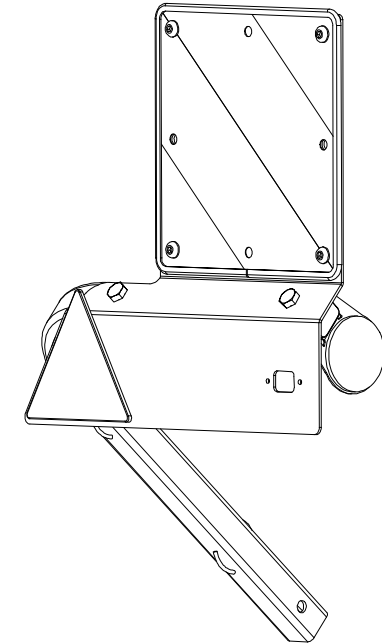
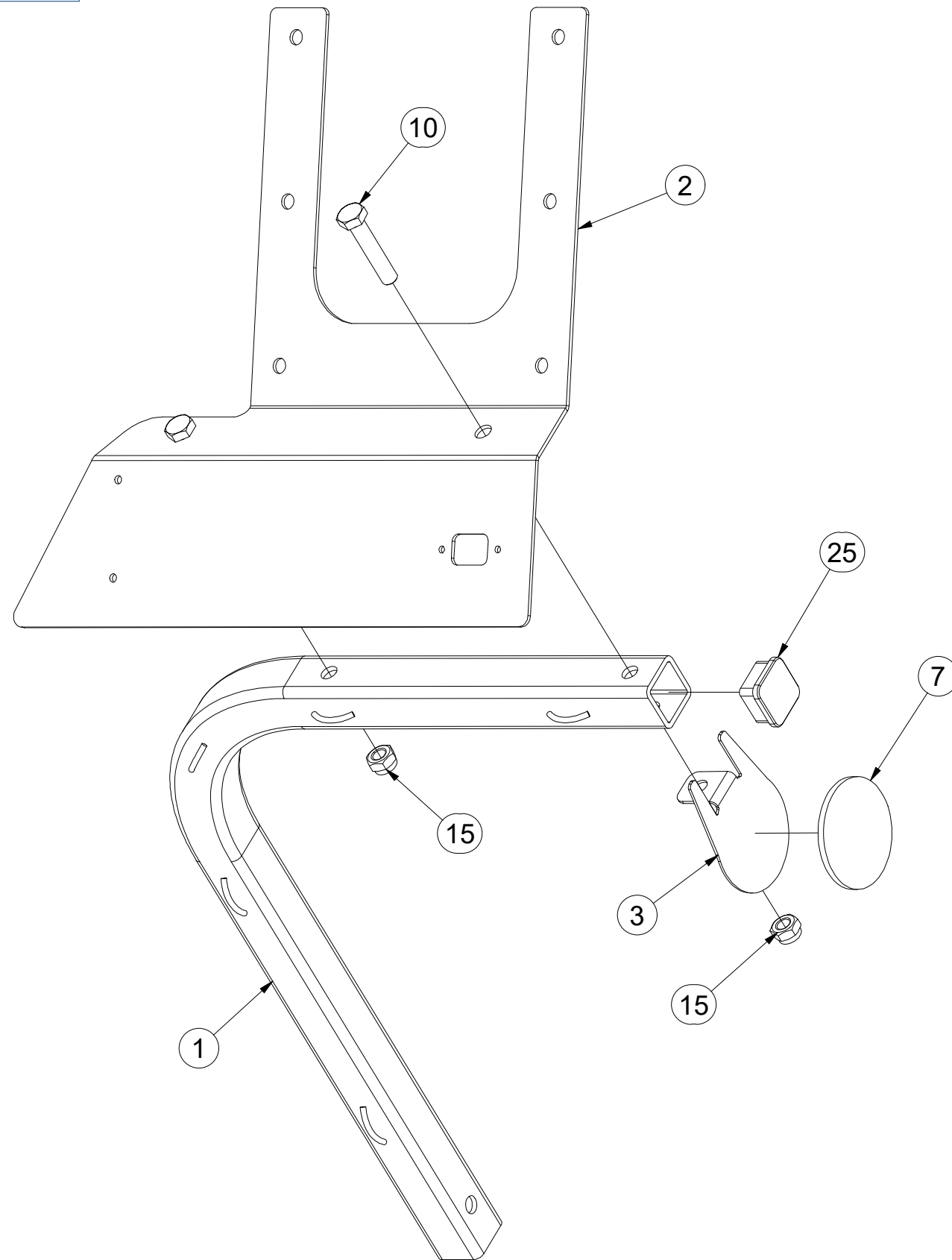
3012389

ⒼB RIGHT REAR DISC

ⒺU ЩИТОК ЗАДНИЙ ПРАВЫЙ

ⒽL TARCZA TYLNA PRAWA

Farmet



| Pos. | Part Number | Pcs. |
|------|-------------|------|
| 1 | 3012364 | 1 |
| 2 | 3012390 | 1 |
| 3 | 4024926 | 1 |
| 7 | m02579 | 1 |
| 10 | m01131 | 2 |
| 15 | m04301 | 2 |
| 25 | m12689 | 1 |

ⒸZ TERČ ZADNÍ PRAVÝ

Ⓓ SCHILD, HINTERES, RECHTES

Ⓕ CIBLE ARRIÈRE DROITE

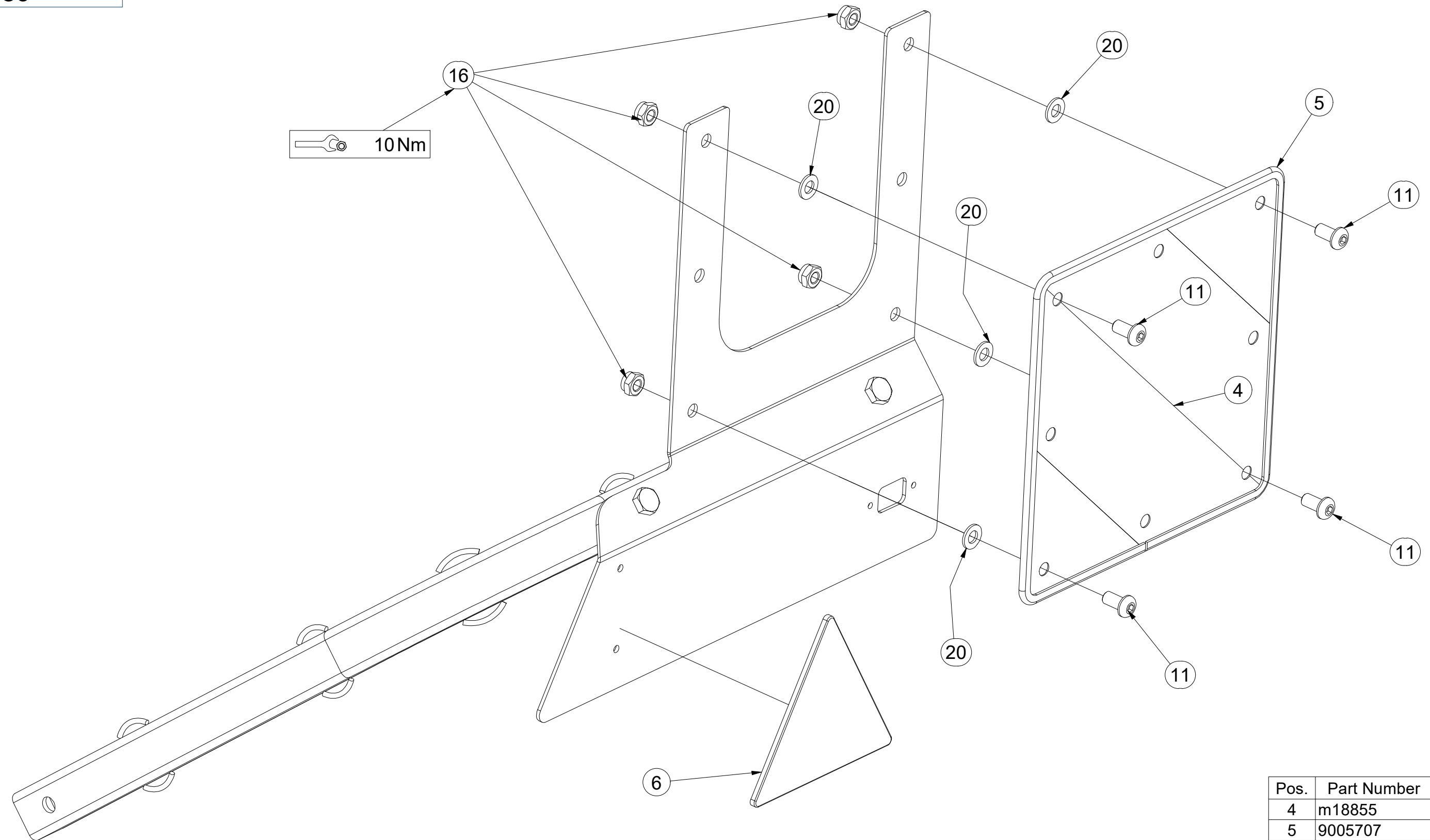
ⒼB RIGHT REAR DISC

ⒺЩИТОК ЗАДНИЙ ПРАВЫЙ

ⒽL TARCZA TYLNA PRAWA



3012389



| Pos. | Part Number | Pcs. |
|------|-------------|------|
| 4 | m18855 | 1 |
| 5 | 9005707 | 1 |
| 6 | m02497 | 1 |
| 11 | m16637 | 4 |
| 16 | m03775 | 4 |
| 20 | m01209 | 4 |

Ⓒ SAMOLEPKY STROJE

Ⓓ AUFKLEBER MASCHINEN

Ⓕ VOITURE MACHINES

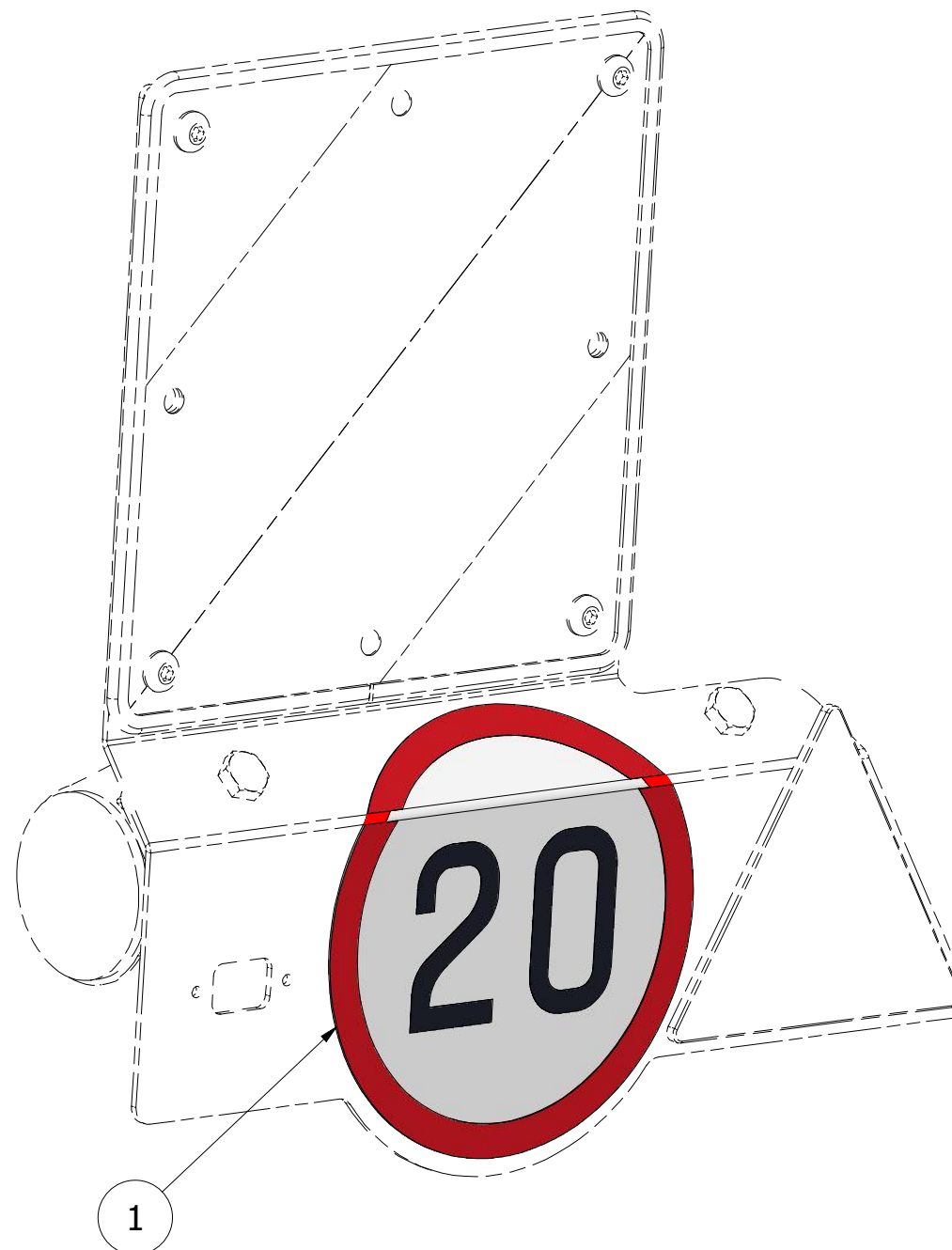
Ⓖ STICKERS MACHINES

Ⓡ СТИКЕРЫ МАШИНЫ

Ⓟ NAKLEJKI MASZYNY



4026236



| Pos. | Part Number | Pcs. |
|------|-------------|------|
| 1 | m04406 | 1 |

ⒸZ SOUPRAVA TĚSNIVA PÍSTNIC

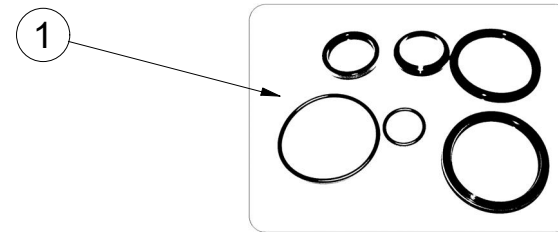
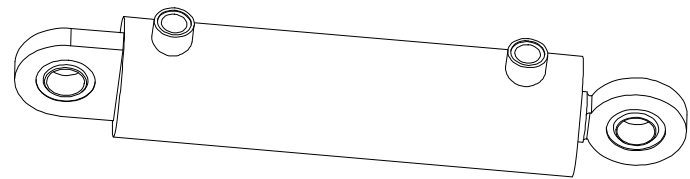
Ⓓ KOLBENSTANGENDICHTUNGSMITTELSATZ

Ⓕ SET DE GARNITURE DES TIGES DE PISTON

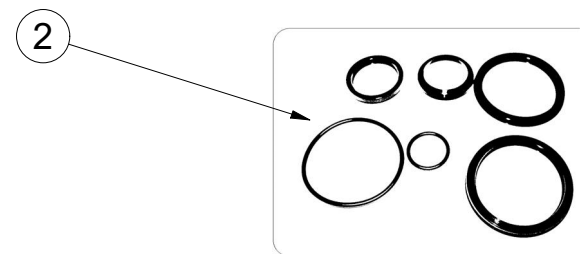
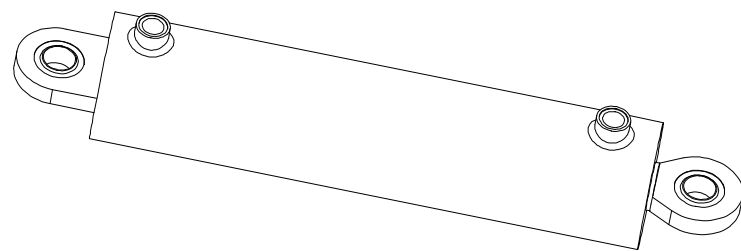
ⒼB SEALING SET FOR PISTON RODS

ⒺU КОМПЛЕКТ ПРОКЛАДОК ЦИЛИНДРОВ

ⒼL ZESTAW USZCZELEK TRZPIENIA TŁOKA



| m25173 - $\varnothing 80/\varnothing 40-250$ | | |
|--|-------------|-----|
| Pos | Part number | Pcs |
| 1 | | 2 |



| m25176 - $\varnothing 100/\varnothing 45-400$ | | |
|---|-------------|-----|
| Pos | Part number | Pcs |
| 2 | | 2 |

Ⓒ SVĚTELNÁ SADA

Ⓓ LEUCHTENSATZ

Ⓕ KIT LUMINEUX

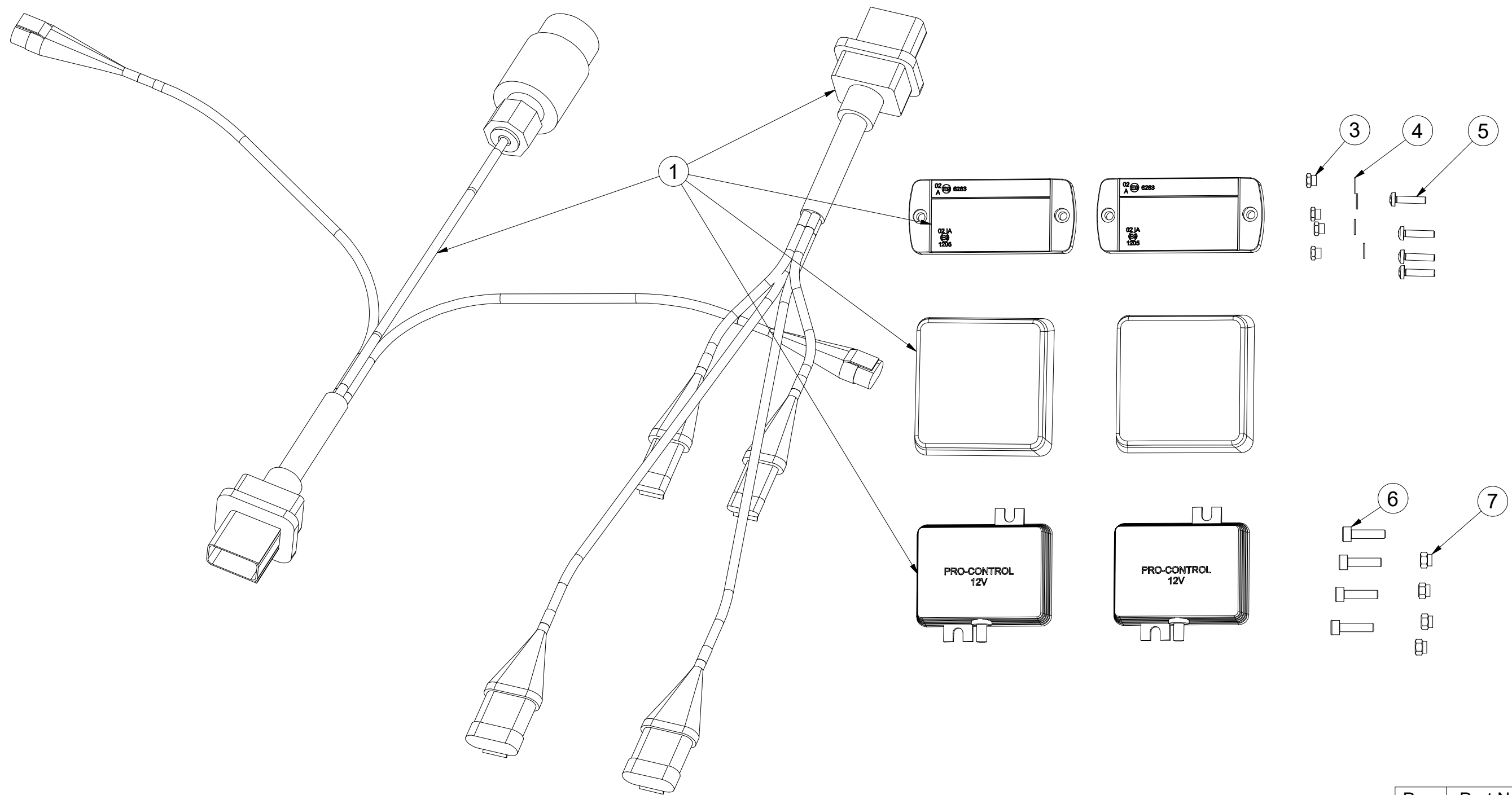
Ⓖ LIGHTING SET

Ⓡ ОСВЕТИТЕЛЬНЫЙ КОМПЛЕКТ

Ⓟ ZESTAW OŚWIETLENIA



3012429



| Pos. | Part Number | Pcs. |
|------|-------------|------|
| 1 | m19043 | 1 |
| 3 | m05562 | 4 |
| 4 | m05597 | 4 |
| 5 | m15790 | 4 |
| 6 | m10591 | 4 |
| 7 | m06236 | 4 |

Ⓒ SVĚTELNÁ SADA

Ⓓ LEUCHTENSATZ

Ⓕ KIT LUMINEUX

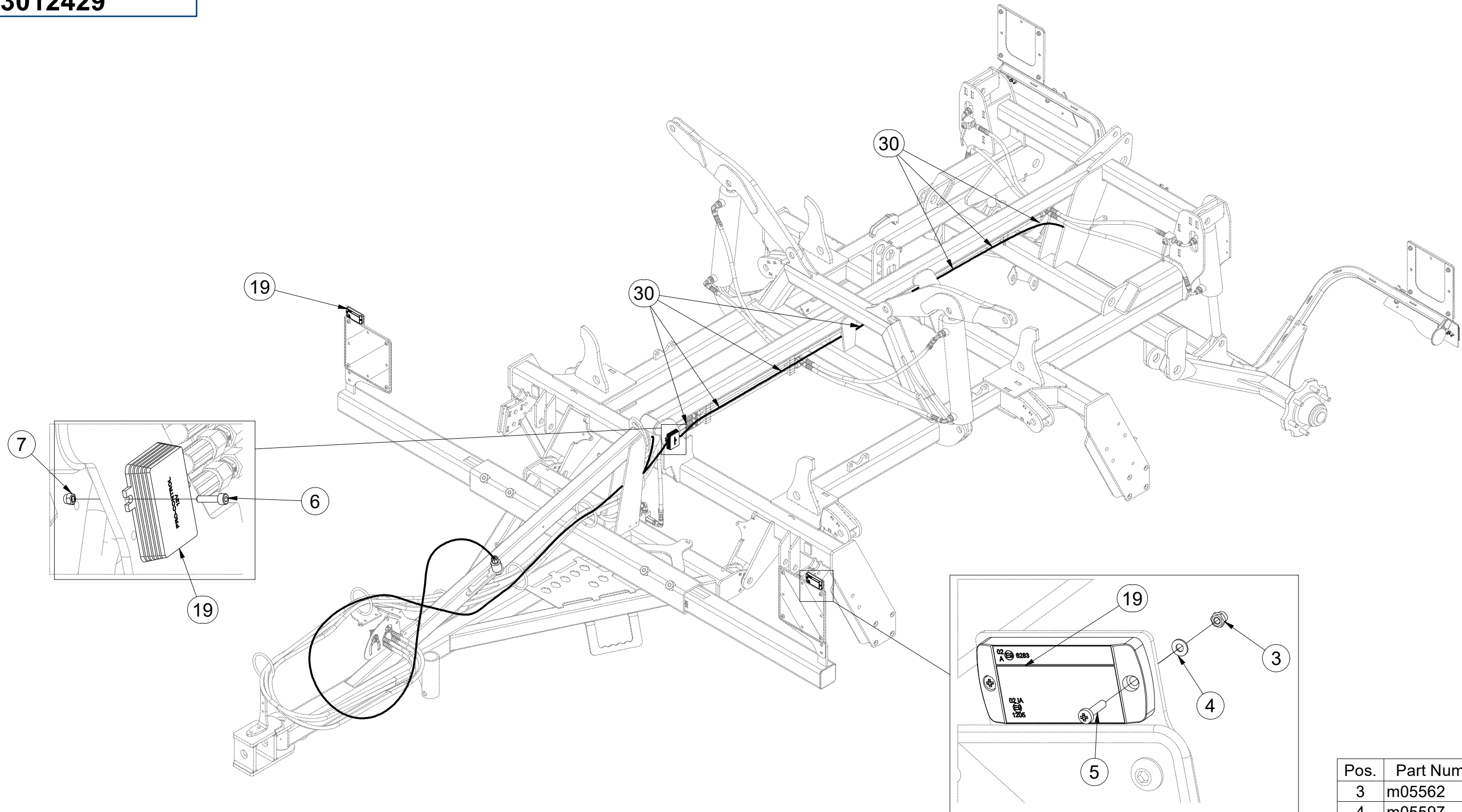
Ⓒ LIGHTING SET

Ⓔ ОСВЕТИТЕЛЬНЫЙ КОМПЛЕКТ

Ⓗ ZESTAW OŚWIETLENIA



3012429



| Pos. | Part Number | Pcs. |
|------|-------------|------|
| 3 | m05562 | 4 |
| 4 | m05597 | 4 |
| 5 | m15790 | 4 |
| 6 | m10591 | 4 |
| 7 | m06236 | 4 |
| 19 | m19043 | 1 |
| 30 | m05566 | 50 |

Ⓒ SVĚTELNÁ SADA

Ⓓ LEUCHTENSATZ

Ⓕ KIT LUMINEUX

Ⓖ LIGHTING SET

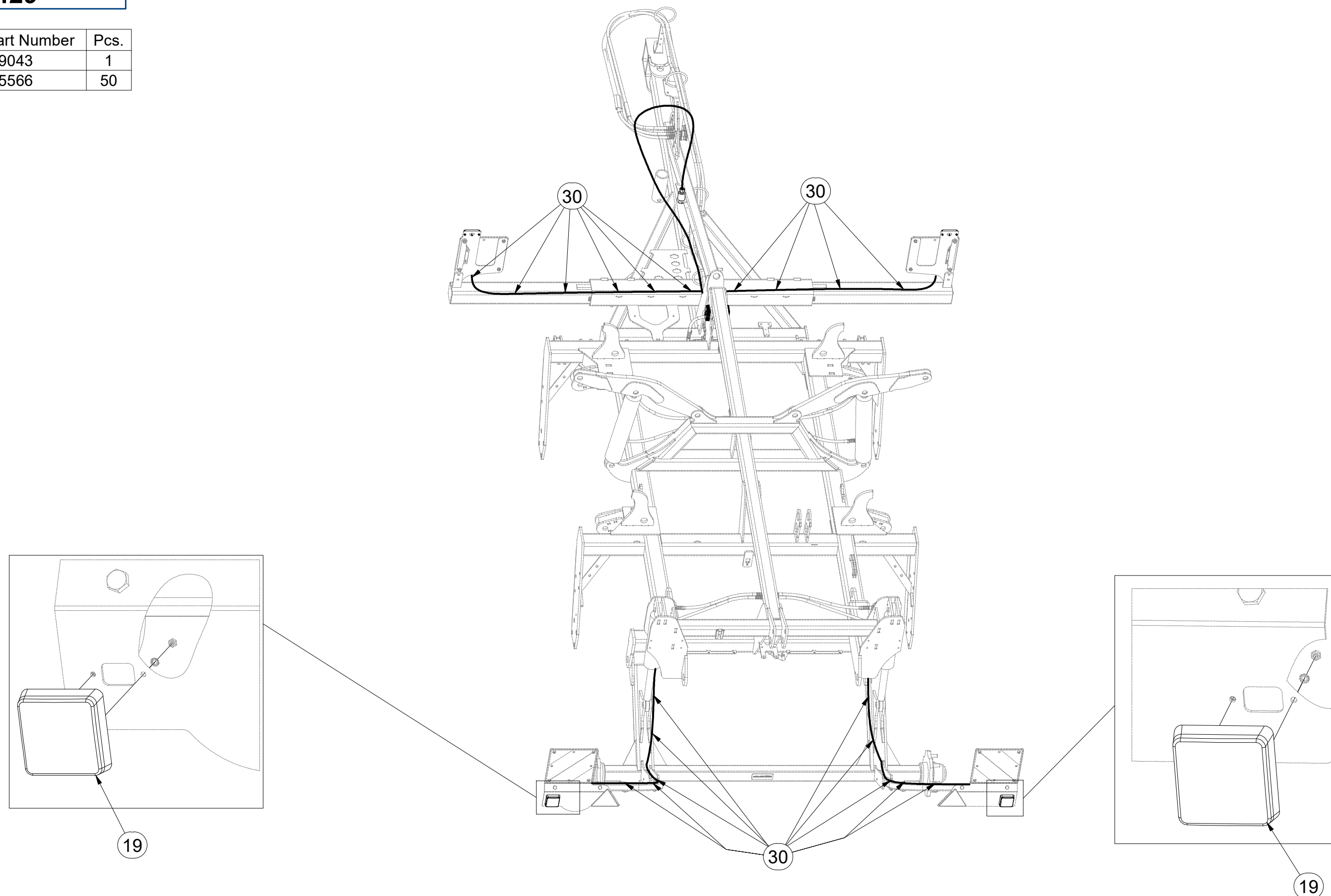
Ⓡ ОСВЕТИТЕЛЬНЫЙ КОМПЛЕКТ

Ⓟ ZESTAW OŚWIETLENIA

Farmet

3012429

| Pos. | Part Number | Pcs. |
|------|-------------|------|
| 19 | m19043 | 1 |
| 30 | m05566 | 50 |



Ⓒ SVĚTELNÁ SADA

Ⓓ LEUCHTENSATZ

Ⓕ KIT LUMINEUX

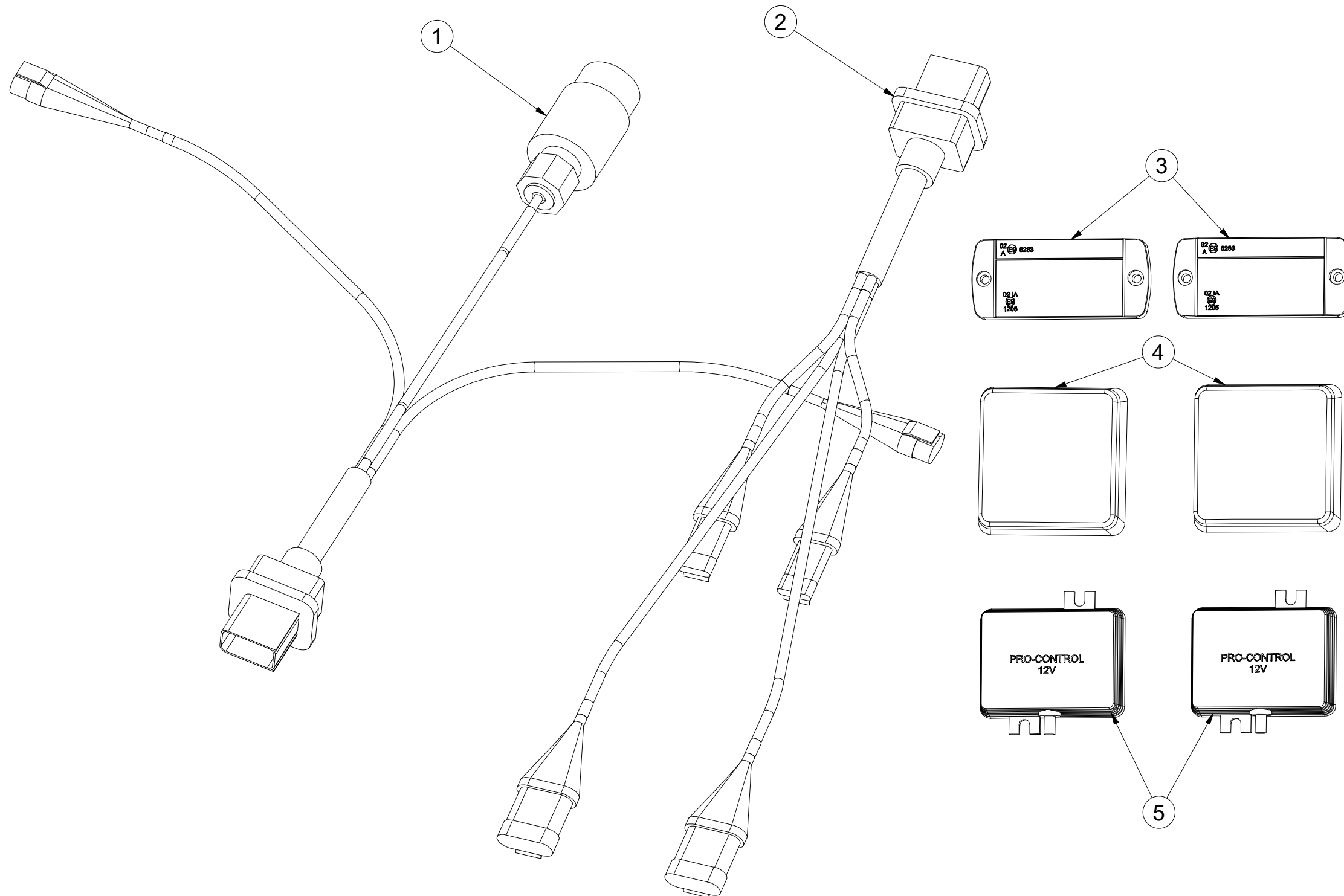
Ⓖ LIGHTING SET

Ⓡ ОСВЕТИТЕЛЬНЫЙ КОМПЛЕКТ

Ⓟ ZESTAW OŚWIETLENIA

Farmet

m19043



| Pos. | Part Number | Pcs. |
|------|-------------|------|
| 1 | m14779 | 1 |
| 2 | m14778 | 1 |
| 3 | m14776 | 2 |
| 4 | m19044 | 2 |
| 5 | m14777 | 2 |

- Ⓒ UTAHOVACÍ MOMENTY ŠROUBŮ
 Ⓓ ANZUGMOMENTE VON SCHRAUBEN
 Ⓕ COUPLES DE SERRAGE DES VIS

- Ⓒ SCREW TIGHTENING TORQUE
 Ⓓ МОМЕНТЫ ЗАЖАТИЯ БОЛТОВ
 Ⓕ MOMENTY DOKRĘCANIA ŚRUB



| P | | 5.8 | 8.8 | 10.9 | 12.9 | Z | |
|-----|------|------|------|-------|-------|----------|-----------|
| D | R | Mu | Mu | Mu | Mu | DIN 7991 | ISO 10642 |
| mm | mm | Nm | Nm | Nm | Nm | Nm | Nm |
| M6 | 1 | 6 | 9 | 13 | 15 | 7,2 | 7,9 |
| M8 | 1,25 | 14 | 22 | 32 | 38 | 17 | 19 |
| M10 | 1,5 | 29 | 44 | 64 | 75 | 35 | 38 |
| M12 | 1,75 | 49 | 76 | 111 | 130 | 58 | 65 |
| M14 | 2 | 79 | 120 | 176 | 206 | 93 | 100 |
| M16 | 2 | 123 | 188 | 276 | 323 | 144 | 158 |
| M18 | 2,5 | 169 | 257 | 378 | 443 | - | 220 |
| M20 | 2,5 | 239 | 365 | 536 | 628 | - | 310 |
| M22 | 2,5 | 329 | 529 | 738 | 864 | - | 420 |
| M24 | 3 | 413 | 629 | 924 | 1082 | - | 530 |
| M27 | 3 | 613 | 934 | 1372 | 1606 | - | - |
| M30 | 3,5 | 832 | 1267 | 1862 | 2179 | - | - |
| M33 | 3,5 | 1130 | 1723 | 2530 | 2961 | - | - |
| M36 | 4 | 1451 | 2210 | 3246 | 3799 | - | - |
| M39 | 4 | 1885 | 2872 | 4217 | 4936 | - | - |
| M42 | 4,5 | 2322 | 3538 | 5196 | 6080 | - | - |
| M45 | 4,5 | 2909 | 4433 | 6511 | 7619 | - | - |
| M48 | 5 | 3513 | 535 | 7862 | 9200 | - | - |
| M52 | 5 | 4524 | 6895 | 10123 | 11849 | - | - |
| M56 | 5,5 | 5636 | 8589 | 12614 | 14761 | - | - |

- Mu - Ⓒ UTAHOVACÍ MOMENT
 Ⓓ ANZUGMOMENTE
 Ⓕ COUPLE DE SERRAGE
 Ⓒ TIGHTENING TORQUE
 Ⓓ МОМЕНТ ЗАЖАТИЯ
 Ⓕ MOMENT DOKRĘCANIA
- D - Ⓒ JMENOVITÝ PRŮMĚR
 Ⓓ NENNDURCHMESSER
 Ⓕ DIAMETRE NOMINAL
 Ⓒ NOMINAL DIAMETER
 Ⓓ НОМИНАЛЬНЫЙ ДИАМЕТР
 Ⓕ ŚREDNICA NOMINALNA
- R - Ⓒ ROZTEČ ZÁVITU - STOUPÁNÍ
 Ⓓ GEWINDESTEIGUNG
 Ⓕ PAS DE FILET - PAS
 Ⓒ SCREW PITCH – LEAD
 Ⓓ ШАГ РЕЗЬБЫ
 Ⓕ ROZSTAW GWINTU - SKOKI
- P - Ⓒ PEVNOST
 Ⓓ FESTIGKEIT
 Ⓕ RÉSISTANCE
 Ⓒ STRENGTH
 Ⓓ ПРОЧНОСТЬ
 Ⓕ WYTRZYMA OŚĆ
- Z - Ⓒ ZÁPUSTNÉ ŠROUBY
 Ⓓ SENKKOPFSCHRAUBEN
 Ⓕ VIS A TETE FRAISEE
 Ⓒ COUNTERSUNK SCREWS
 Ⓓ БОЛТЫ С УТОПЛЕННОЙ ГОЛОВКОЙ
 Ⓕ ŚRUBY Z ŁBEM STOŻKOWYM PŁASKIM

- Ⓒ Hodnoty momentů jsou poníženy o -10% oproti tabulkovým hodnotám. Šroubové spoje utahujte dle vyznačeného utahovacího momentu v dokumentaci. Pokud není utahovací moment v dokumentaci vyznačen, utahujte dle obecné tabulky. Pokud je v dokumentaci definován spoj šroubu a matice o různých pevnostech, vždy utahujte na moment komponenty nižší.
- Ⓓ Die Werte der Anzugsmomente sind um 10 % gegenüber den Tabellenwerten verringert. Ziehen Sie die Schraubverbindungen gemäß dem in der Dokumentation festgeschriebenen Anzugsmoment an. Sofern das Anzugsmoment nicht in der Dokumentation aufgeführt ist, ziehen Sie sie gemäß der allgemeinen Tabelle an. Wenn in der Dokumentation eine Verbindung von Schraube und Mutter mit verschiedene Festigkeiten definiert ist, wird immer mit dem Moment des Bauteils mit der geringeren Festigkeit angezogen.
- Ⓕ Les valeurs des couples de serrage sont baissées de 10% par rapport aux valeurs de tableau. Serrez les raccords à vis selon le couple de serrage indiqué dans les documents. Si le couple de serrage n'est pas indiqué dans les documents, serrez selon le tableau général. Si les documents définissent un assemblage par boulon de diverses résistances, serrez toujours au moment de la composante avec résistance inférieure.
- Ⓒ The torque values are reduced by 10% compared to the table values. Tighten the screw joints according to the tightening torque stated in the documentation. If the tightening torque is not stated in the documentation, tighten according to the general table. If there is a joint with a screw and a nut at different strengths in the documentation, always tighten to the torque of the component with lower strength.
- Ⓓ Значения моментов затяжки уменьшены на 10% по сравнению с данными в таблице. Резьбовые соединения зажимайте с установленным в документации моментом зажатия. Если в документации не указан момент зажатия, то зажимайте по действующей в общем таблице. Если в документации установлено соединение из болта и гайки различной прочности, всегда зажимайте с моментом для компонента с меньшей прочностью.
- Ⓕ Wartości momentów dokręcania są obniżone o 10% w stosunku do wartości z tabeli. Połączenia śrubowe należy dokręcać zgodnie z momentem obrotowym w dokumentacji. Jeśli w dokumentacji nie ma podanego momentu obrotowego, należy dokręcać zgodnie z ogólną tabelą. Jeśli w dokumentacji zdefiniowane jest połączenie ze śrubą nakrętką różnych wytrzymałościach, zawsze należy dokręcać zachowując moment dokręcania komponentu z niższą wytrzymałością.

- Ⓒ UTAHOVACÍ MOMENTY ŠROUBŮ
 Ⓓ ANZUGMOMENTE VON SCHRAUBEN
 Ⓕ COUPLES DE SERRAGE DES VIS

- Ⓖ SCREW TIGHTENING TORQUE
 Ⓡ MOMENTЫ ЗАЖАТИЯ БОЛТОВ
 Ⓟ MOMENTY DOKRĘCANIA ŚRUB



- Ⓒ **OBECNÝ PŘEDPIS UTAHOVÁNÍ ZAJIŠTĚNÍ ČEPOVÝCH SPOJŮ:**
 Ⓓ **ALLGEMEINE VORSCHRIFT FÜR DAS ANZIEHEN VON BOLZENVERBINDUNGEN:**
 Ⓕ **CONSIGNE GENERALE POUR LE SERRAGE DES ARTICULATIONS CYLINDRIQUES:**
 Ⓖ **GENERAL INSTRUCTION FOR TIGHTENING THE SECURING OF PIN JOINTS:**
 Ⓡ **ОБЩЕЕ ОПИСАНИЕ ЗАЖАТИЯ ПРЕДОХРАНЕНИЯ СОЕДИНЕНИЙ ПАЛЬЦАМИ:**
 Ⓟ **OGÓLNE ZASADY DOKRĘCANIA ZABEZPIECZENIA POŁĄCZEŃ CZOPEM:**



X

M8, M10, M12

M14

M

09-15Nm

15-25Nm

- X - Ⓒ ROZMĚR ŠROUBU
 Ⓓ SCHRAUBENGRÖSSE
 Ⓕ DIMENSIONS DE LA VIS

- Ⓖ BOLT DIMENSION
 Ⓡ РАЗМЕР БОЛТА
 Ⓟ ROZMIAR ŚRUBY

- M - Ⓒ ORIENTAČNÍ MOMENT
 Ⓓ ANZUGSMOMENT
 Ⓕ COUPLE D'ORIENTATION

- Ⓖ ORIENTATION TORQUE
 Ⓡ ОРИЕНТАЦИОННЫЙ МОМЕНТ
 Ⓟ ORIENTACYJNY MOMENT

- Ⓒ Tyto spoje není nutné ověřovat kontrolou momentovým klíčem = stačí vizuálně kontrolovat sešroubování.
 Ⓓ Diese Verbindungen müssen nicht mit einem Drehmomentschlüssel überprüft werden = es genügt, die Verschraubung visuell zu kontrollieren.
 Ⓕ Il n'est pas nécessaire de contrôler le serrage à l'aide d'une clé dynamométrique = un contrôle visuel de l'assemblage suffit.
 Ⓖ These joints do not have to be verified by checking with a torque wrench = visual inspection of bolting is sufficient.
 Ⓡ Эти соединения не нужно контролировать динамометрическим ключом = достаточно визуально проверять прикручивание.
 Ⓟ Nie trzeba sprawdzać tych połączeń kluczem dynamometrycznym = wystarczy wizualnie skontrolować dokręcenie.