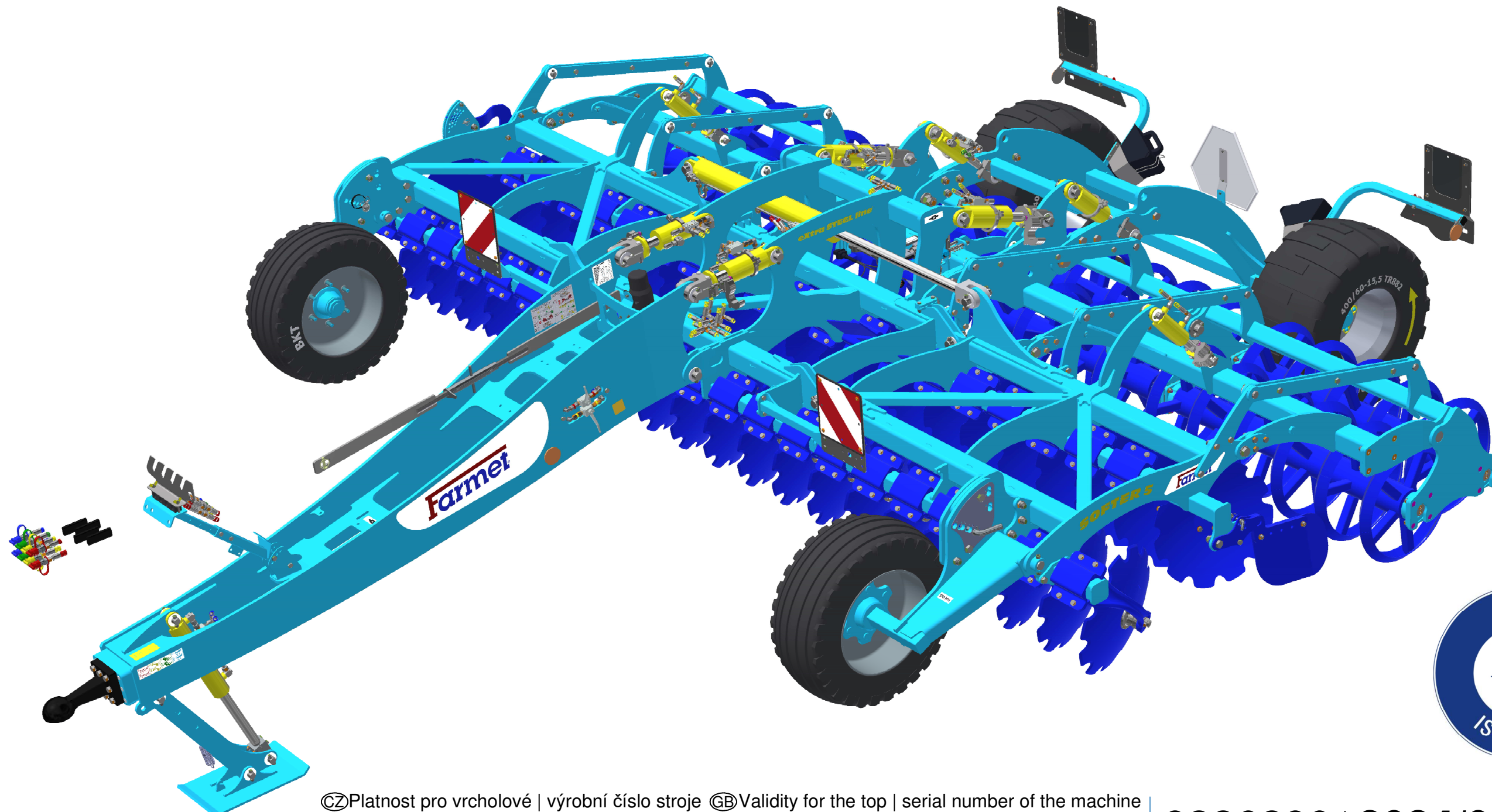


ⒸZ KATALOG NÁHRADNÍCH DÍLŮ ⒸB CATALOGUE OF SPARE PARTS ⒸD ERSATZTEILLISTE
ⒸRU КАТАЛОГ ЗАПАСНЫХ ЧАСТЕЙ ⒸF CATALOGUE DES PIÈCES DE RECHANGE ⒸPL KATALOG CZĘŚCI ZAMIENNYCH

SOFTER 5 PS



ⒸZ Platnost pro vrcholové | výrobní číslo stroje ⒸB Validity for the top | serial number of the machine
ⒸD Gültigkeit für die Haupt- | Herstellungsnummer der Maschine ⒸRU Действительно для главного | заводского номера машины
ⒸF Validité du numéro de référence | de série de la machine ⒸPL Obowiązuje dla numeru głównego | seryjnego maszyny

9336290 | 2024/0347

ⒸZ NAVIGACE STROJE

Ⓓ NAVIGATION DER MASCHINE

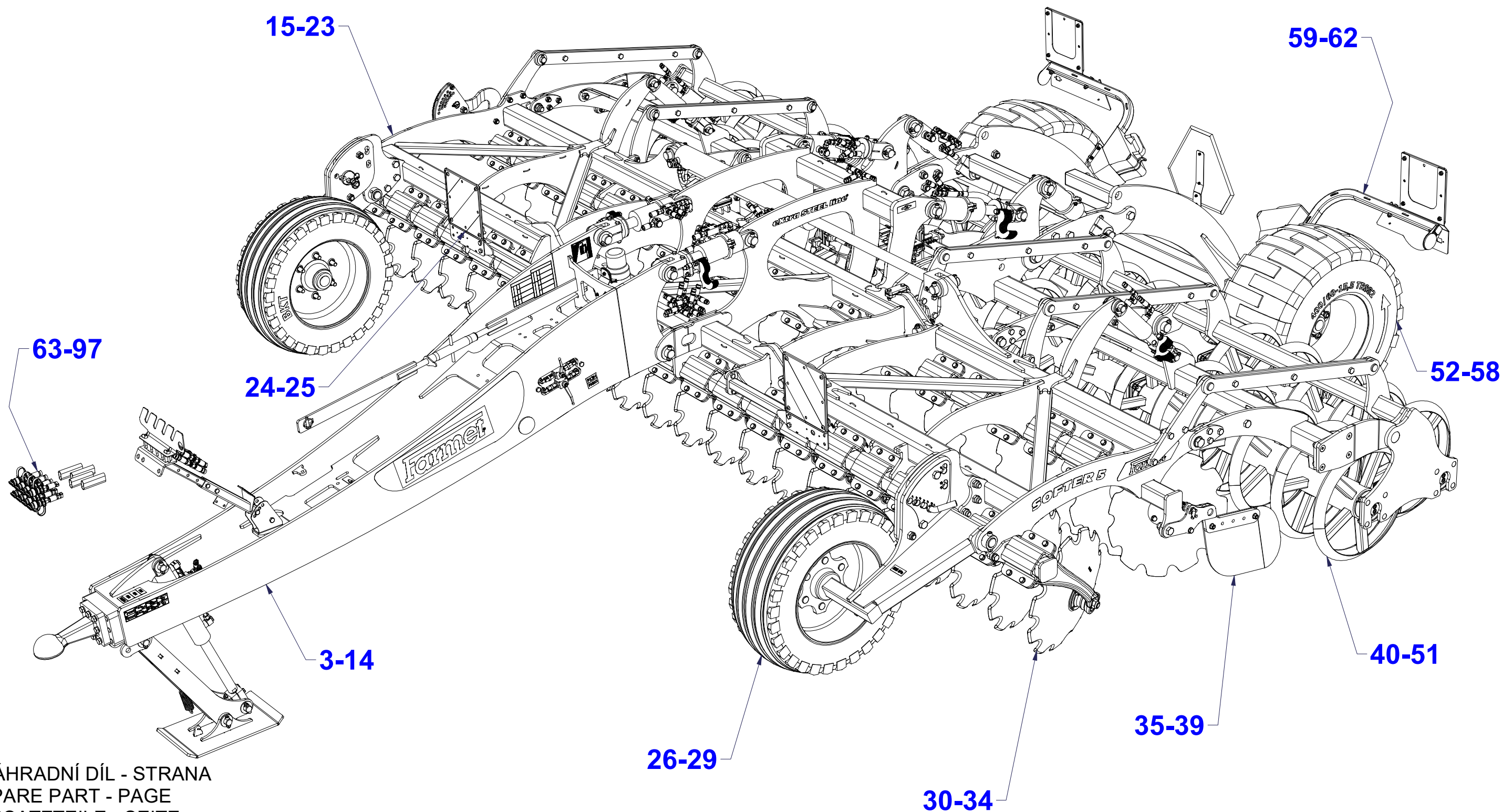
Ⓕ NAVIGATION DE LA MACHINE

ⒸB NAVIGATION OF THE MACHINE

ⒸU НАВИГАЦИЯ МАШИНЫ

ⒸL NAWIGACJA MASZYNY

Farmet



ⒸZ NÁHRADNÍ DÍL - STRANA

ⒸB SPARE PART - PAGE

Ⓓ ERSATZTEILE - SEITE

ⒸU ЗАПЧАСТЬ - СТРАНИЦА

Ⓕ PIÈCE DE RECHANGE - PAGE

ⒸL CZĘŚCI ZAMIENNE - STRONA

ⒸZ OJ MONT

Ⓓ DEICHSEL MONTIERT

Ⓕ TIMON MONTÉ

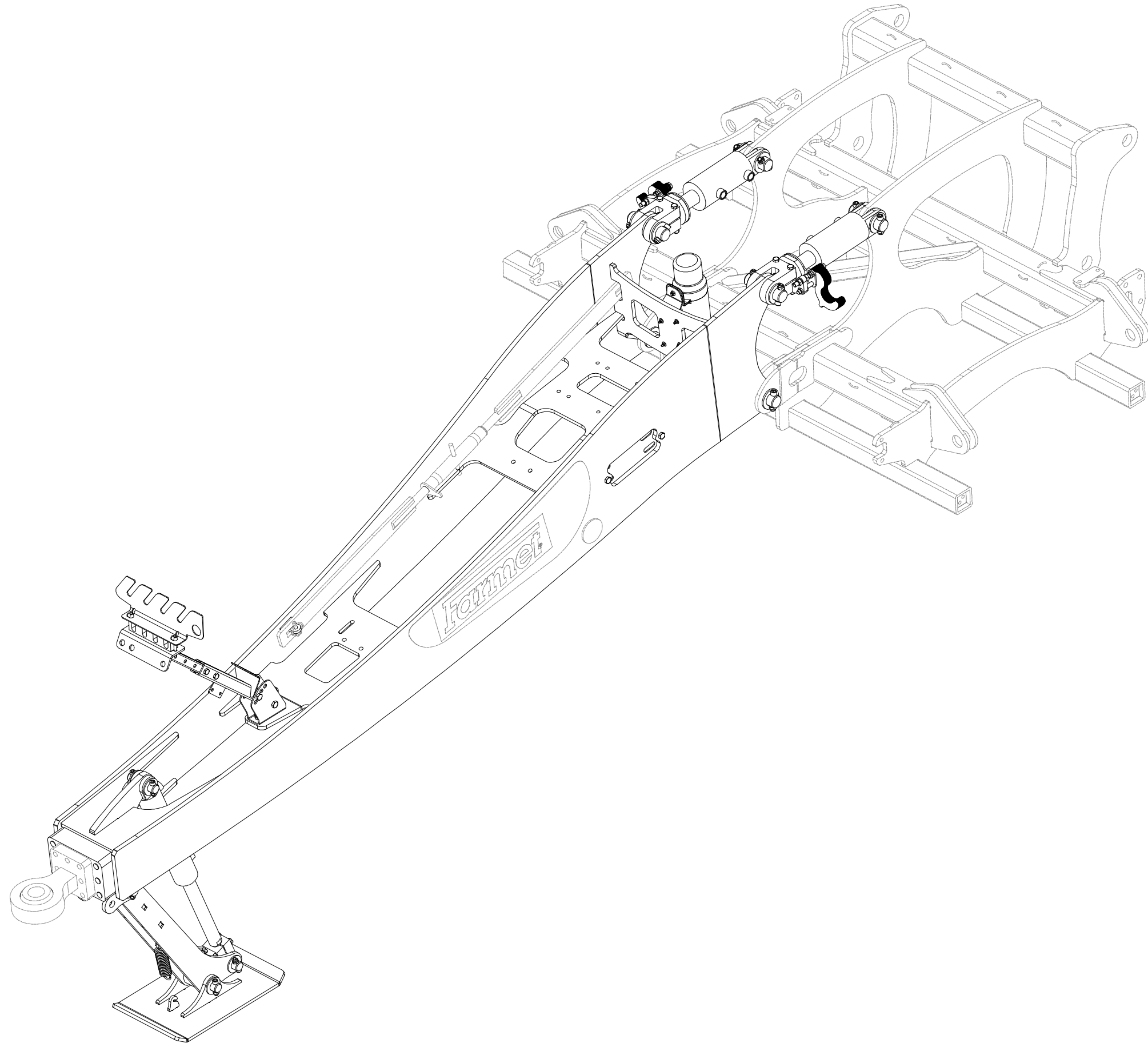
VZ00036865

ⒼB MONT DRAWBAR

ⒺD ДЫШЛО МОНТ

ⒽL DYSZEL MONT

Farmet



Ⓒ OJ MONT

Ⓓ DEICHSEL MONTIERT

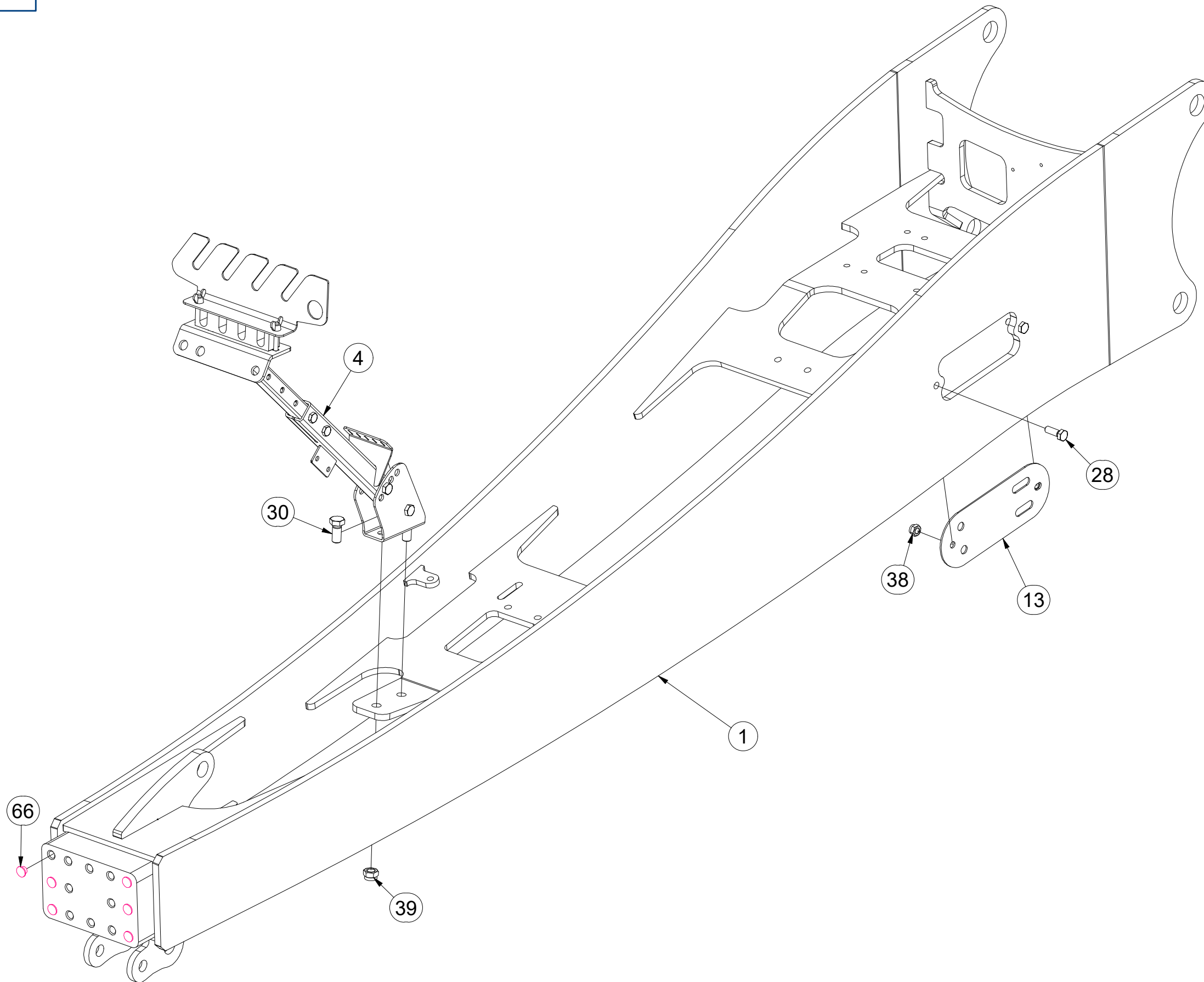
Ⓕ TIMON MONTÉ

VZ00036865

Ⓖ MONT DRAWBAR

Ⓡ ДЫШЛО МОНТ

Ⓟ DYSZEL MONT



| Pos. | Part Number | Pcs. |
|------|-------------|------|
| 1 | 2001290 | 1 |
| 4 | 3011963 | 1 |
| 13 | 4025719 | 1 |
| 28 | m04343 | 2 |
| 30 | m04240 | 2 |
| 38 | m04301 | 14 |
| 39 | m03683 | 2 |
| 66 | m12433 | 6 |

ⒸZ OJ MONT

Ⓓ DEICHSEL MONTIERT

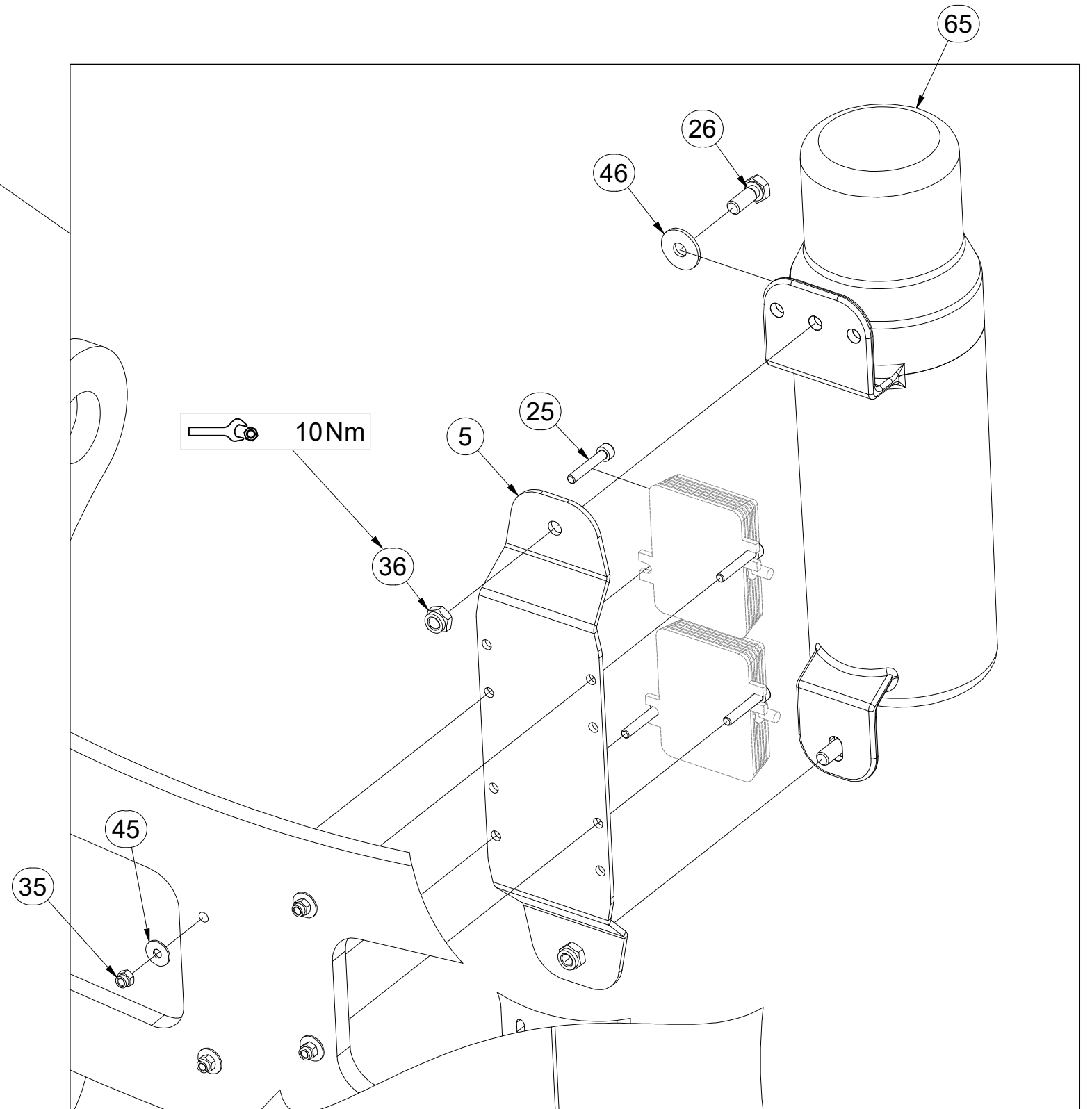
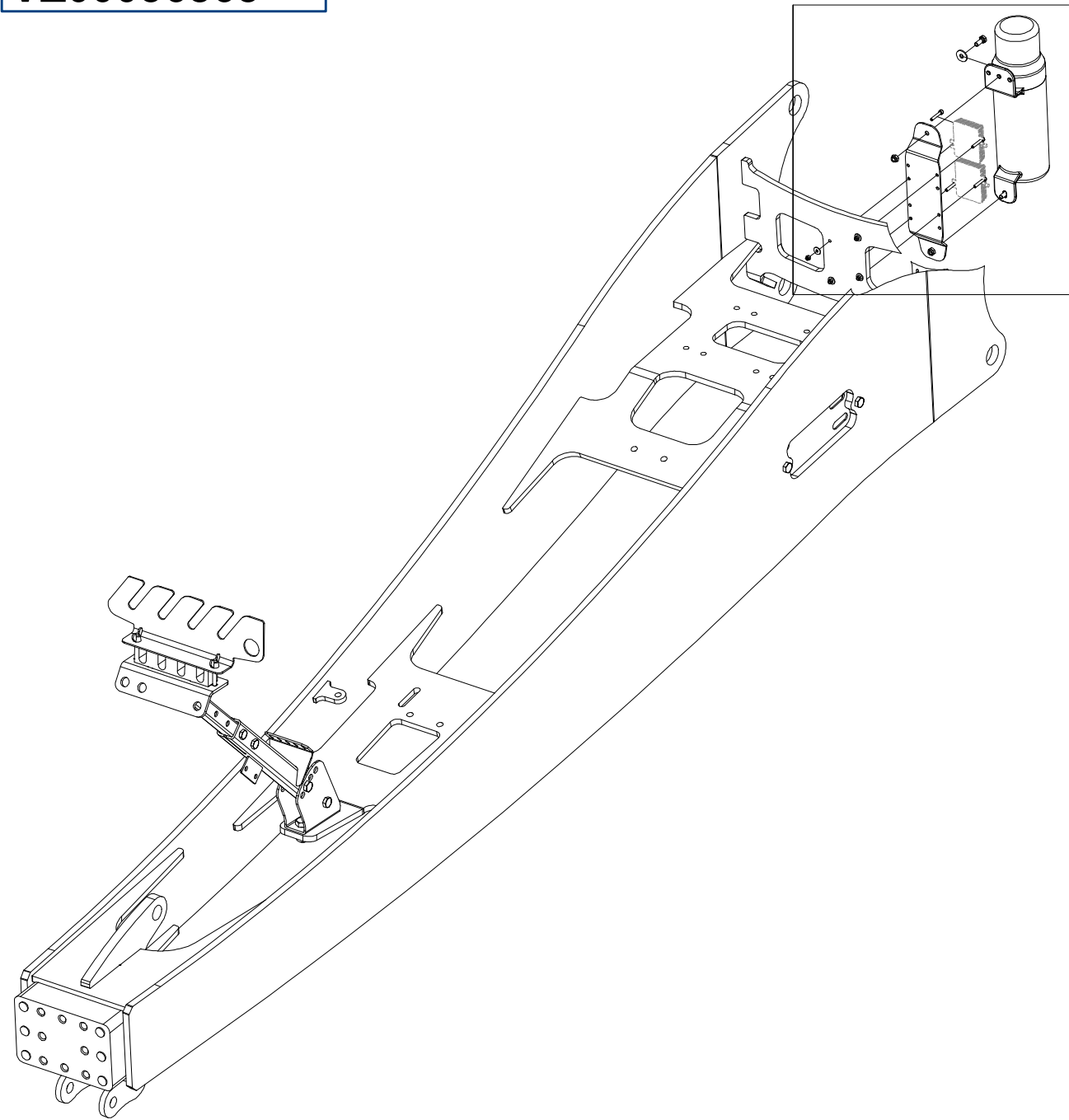
Ⓕ TIMON MONTÉ

VZ00036865

ⒼB MONT DRAWBAR

ⒺR ДЫШЛО МОНТ

ⒼL DYSZEL MONT



| Pos. | Part Number | Pcs. |
|------|-------------|------|
| 5 | 4017879 | 1 |
| 25 | m10029 | 4 |
| 26 | m01089 | 2 |
| 35 | m06236 | 4 |
| 36 | m04503 | 2 |
| 45 | m10438 | 4 |
| 46 | m07936 | 2 |
| 65 | m15900 | 1 |

Ⓒ OJ MONT

Ⓓ DEICHSEL MONTIERT

Ⓕ TIMON MONTÉ

Ⓖ MONT DRAWBAR

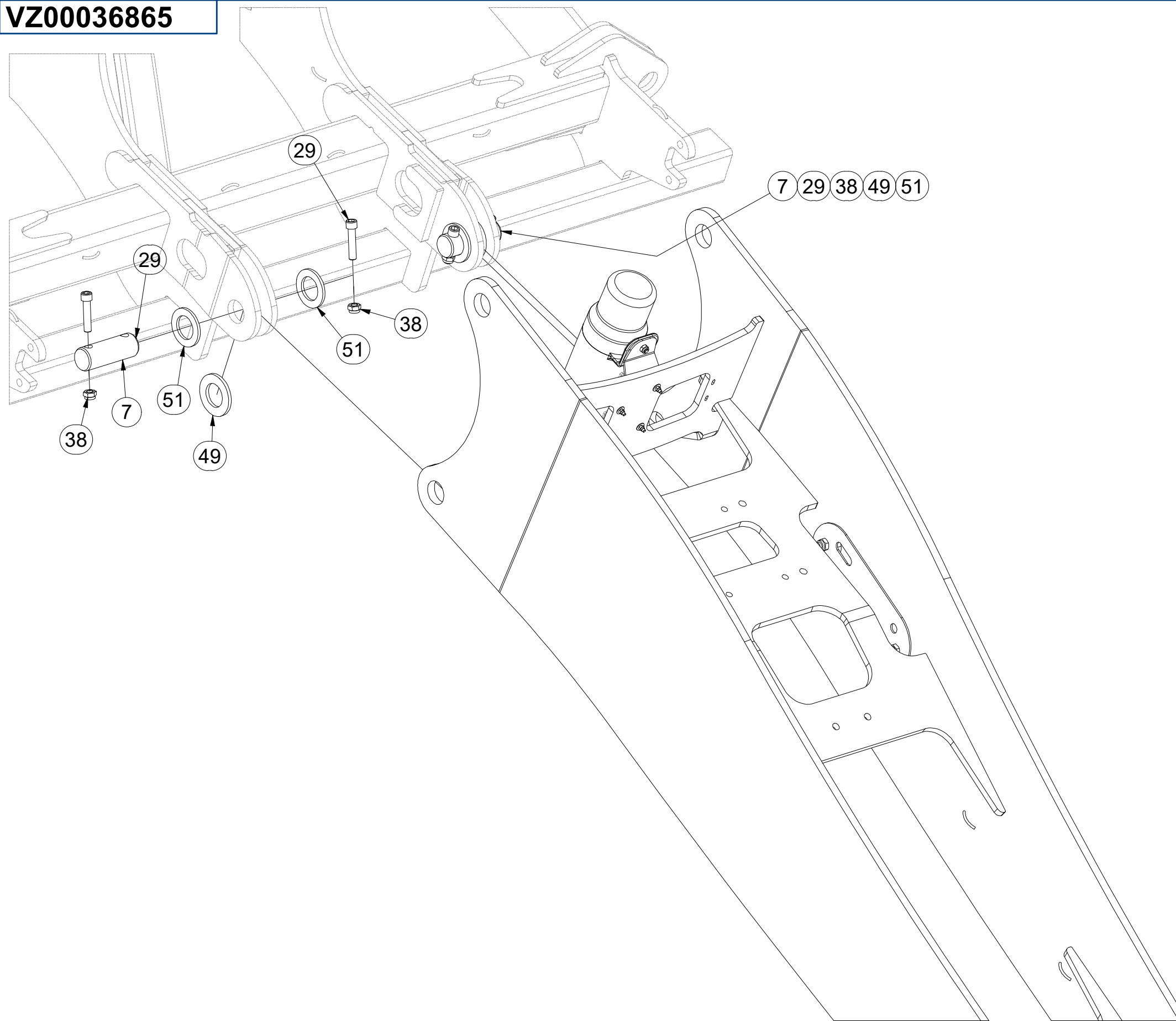
Ⓡ ДЫШЛО МОНТ

Ⓢ ДЫСЗЕЛ МОНТ



VZ00036865

| Pos. | Part Number | Pcs. |
|------|-------------|------|
| 7 | 4007592 | 2 |
| 29 | m14008 | 12 |
| 38 | m04301 | 14 |
| 49 | m03175 | 2 |
| 51 | 4013139 | 12 |



Ⓒ OJ MONT

Ⓓ DEICHSEL MONTIERT

Ⓕ TIMON MONTÉ

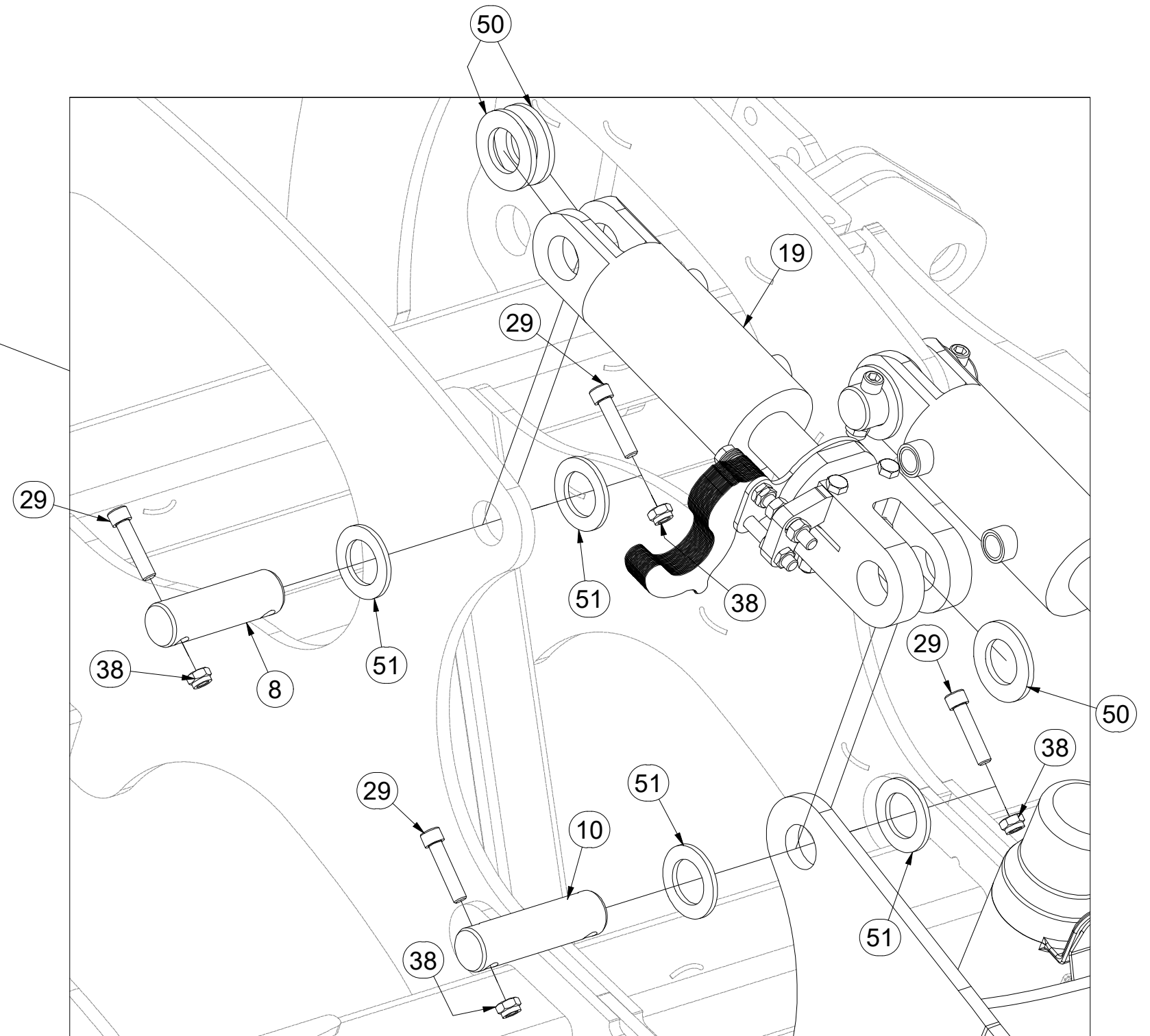
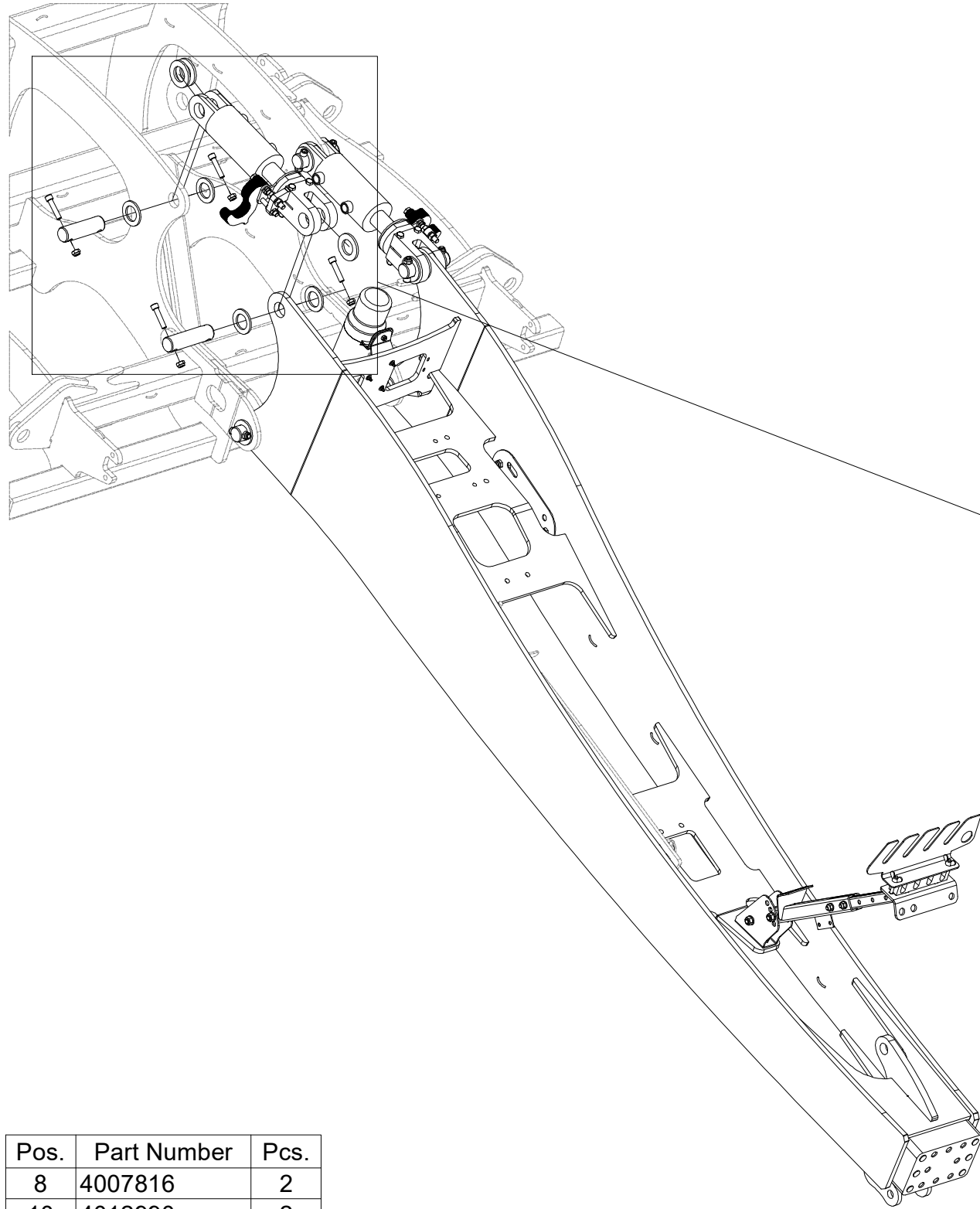
Ⓖ MONT DRAWBAR

Ⓡ ДЫШЛО МОНТ

Ⓢ ДЫСЗЕЛ МОНТ



VZ00036865



| Pos. | Part Number | Pcs. |
|------|-------------|------|
| 8 | 4007816 | 2 |
| 10 | 4012990 | 2 |
| 19 | 4015891 | 2 |
| 29 | m14008 | 12 |
| 38 | m04301 | 14 |
| 50 | m03636 | 6 |
| 51 | 4013139 | 12 |

Ⓒ OJ MONT

Ⓓ DEICHSEL MONTIERT

Ⓕ TIMON MONTÉ

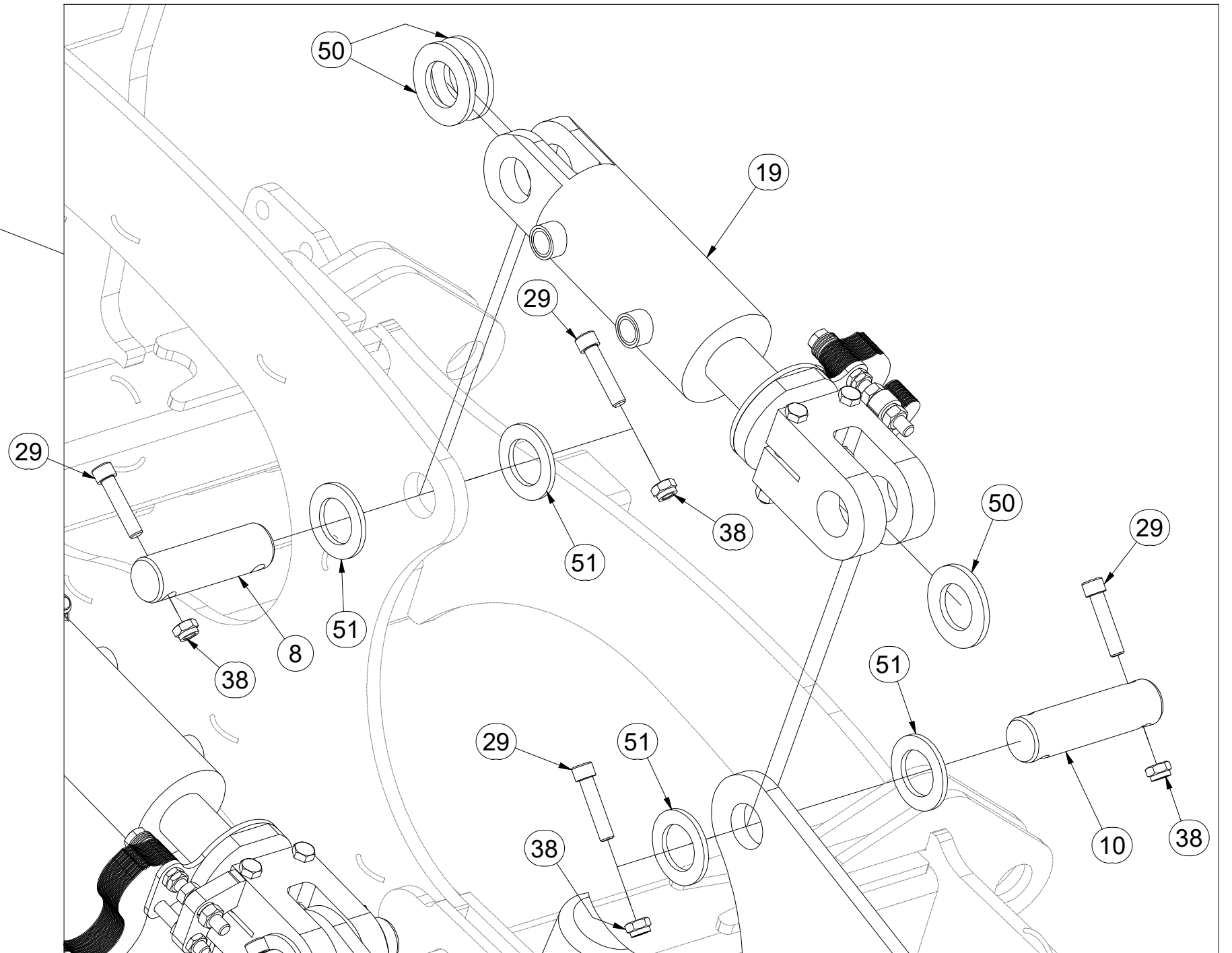
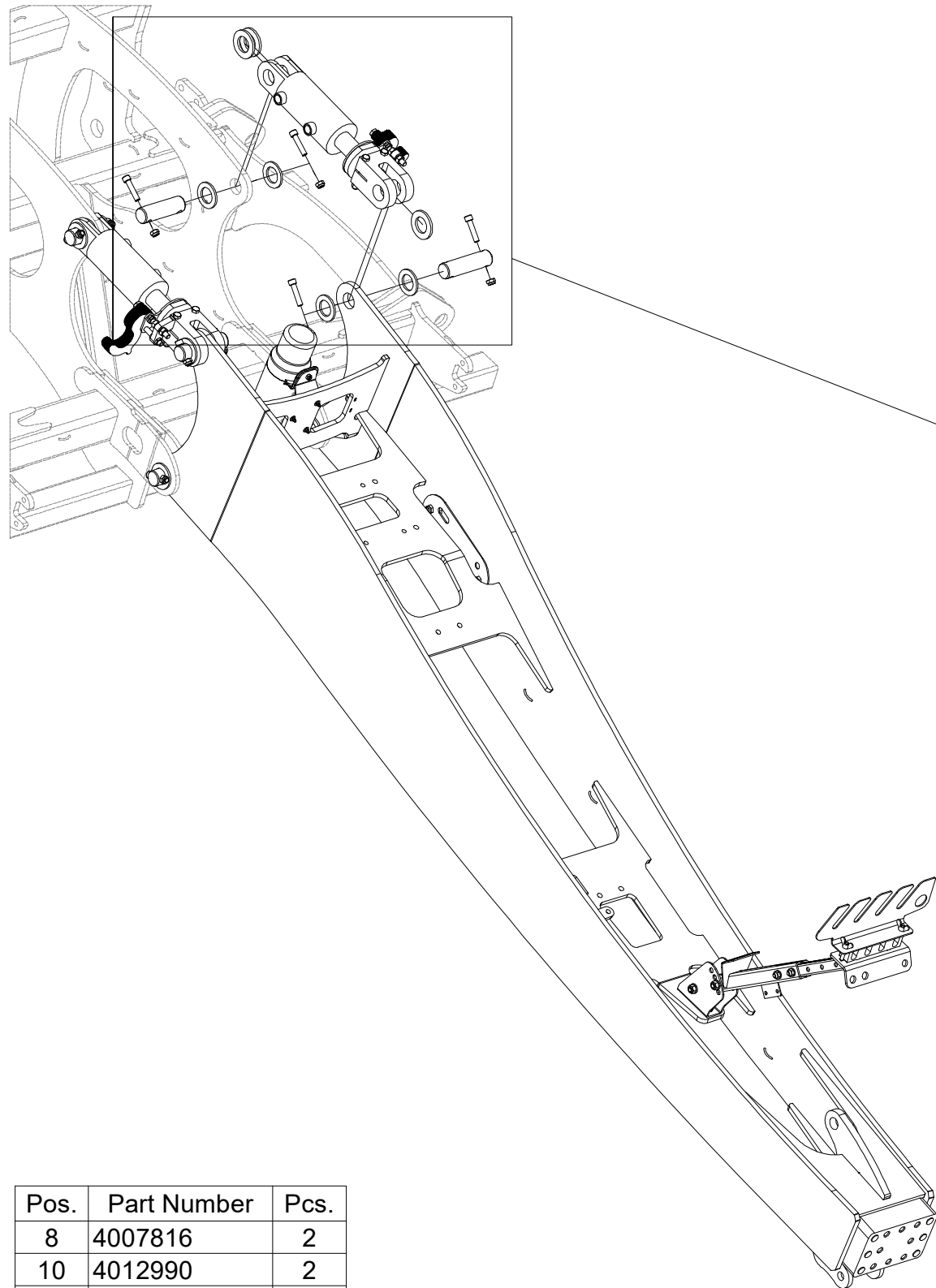
Ⓖ MONT DRAWBAR

Ⓡ ДЫШЛО МОНТ

Ⓢ DYSZEL MONT



VZ00036865



| Pos. | Part Number | Pcs. |
|------|-------------|------|
| 8 | 4007816 | 2 |
| 10 | 4012990 | 2 |
| 19 | 4015891 | 2 |
| 29 | m14008 | 12 |
| 38 | m04301 | 14 |
| 50 | m03636 | 6 |
| 51 | 4013139 | 12 |

Ⓒ OJ MONT

Ⓓ DEICHSEL MONTIERT

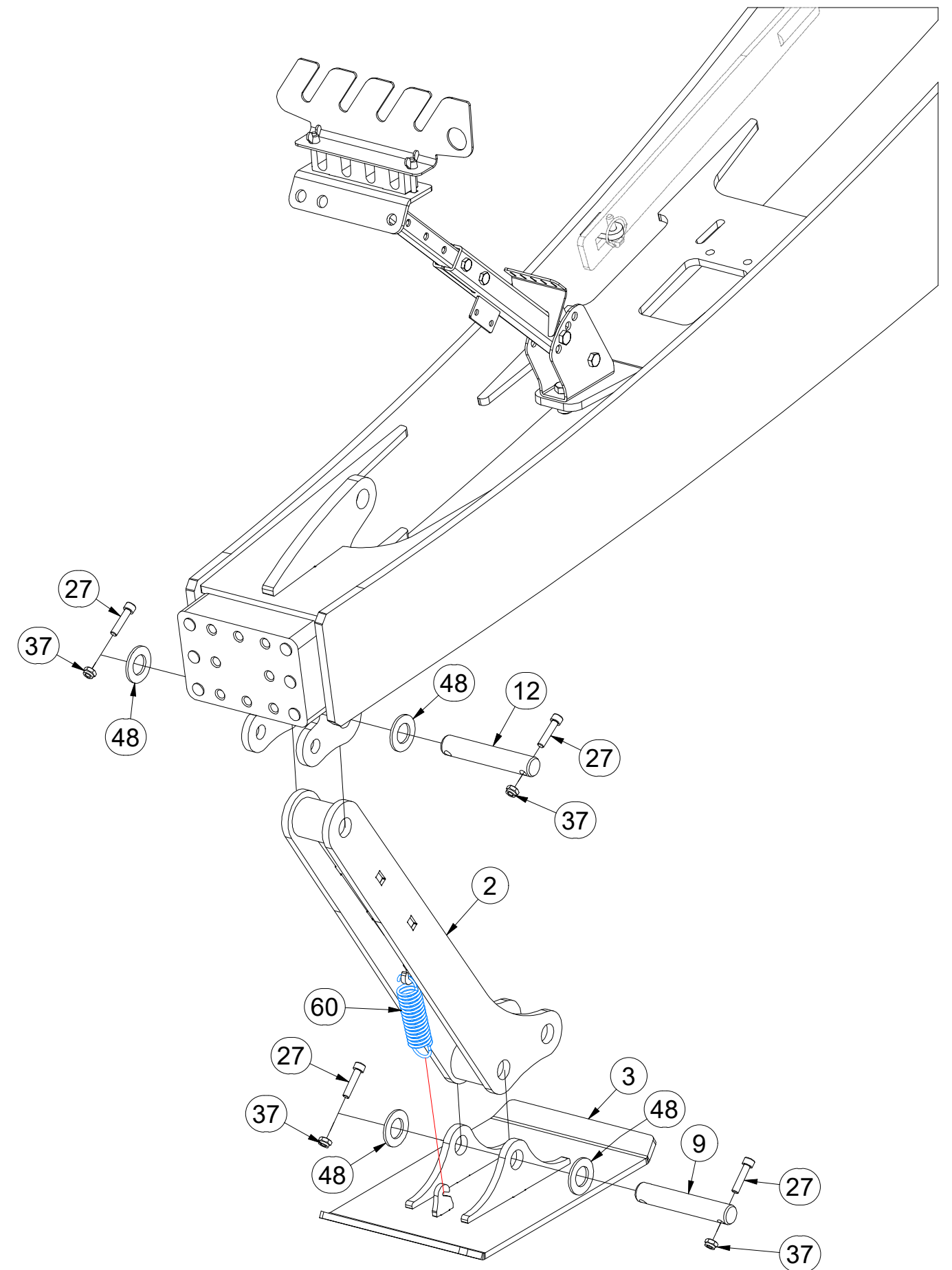
Ⓕ TIMON MONTÉ

VZ00036865

Ⓖ MONT DRAWBAR

Ⓡ ДЫШЛО МОНТ

Ⓢ DYSZEL MONT



| Pos. | Part Number | Pcs. |
|------|-------------|------|
| 2 | 3011943 | 1 |
| 3 | 3011942 | 1 |
| 9 | 4011050 | 1 |
| 12 | 4016158 | 1 |
| 27 | m14143 | 8 |
| 37 | m03775 | 8 |
| 48 | m14029 | 8 |
| 60 | m20499 | 1 |

Ⓒ OJ MONT

Ⓓ DEICHSEL MONTIERT

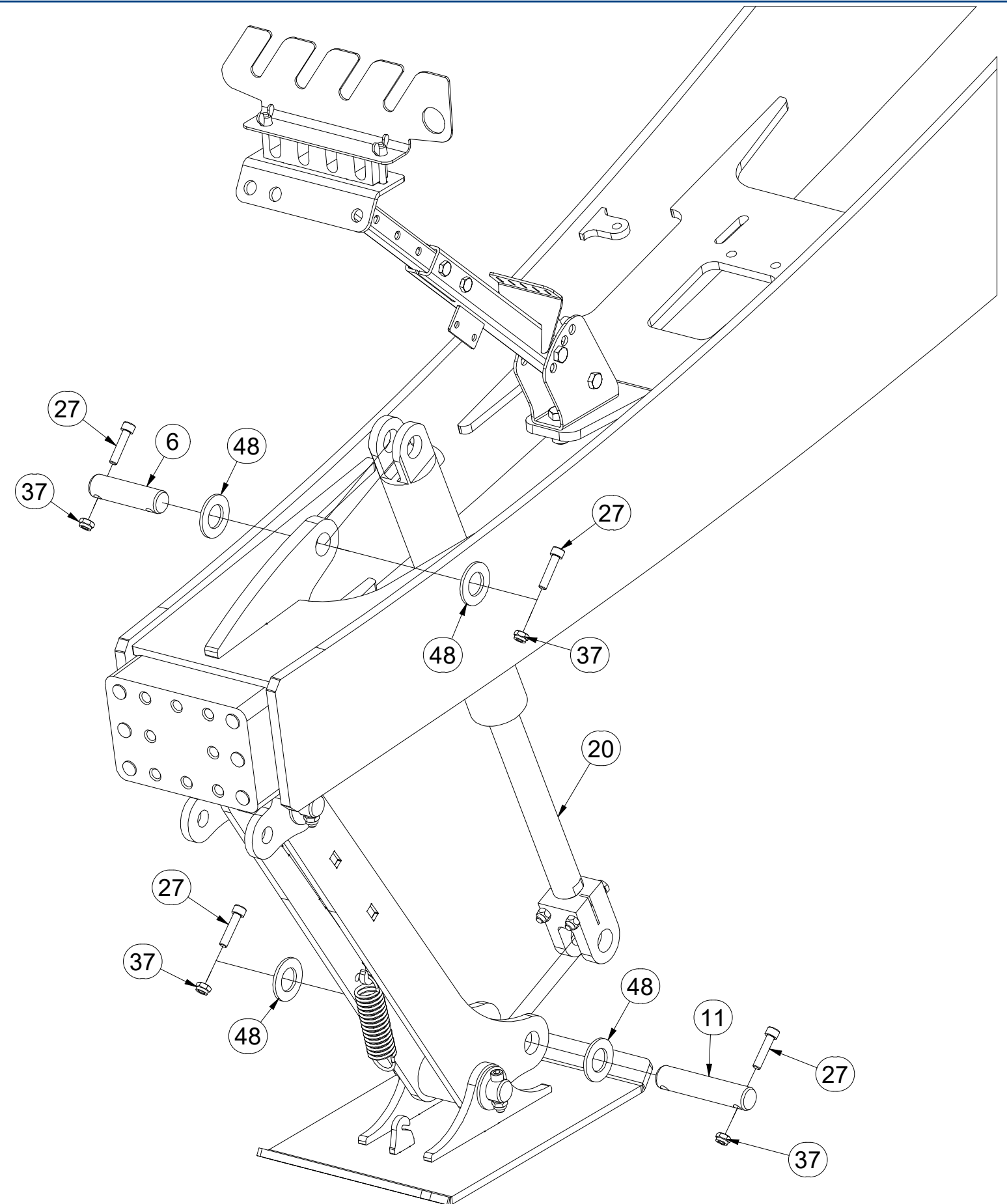
Ⓕ TIMON MONTÉ

VZ00036865

Ⓖ MONT DRAWBAR

Ⓔ ДЫШЛО МОНТ

Ⓗ DYSZEL MONT



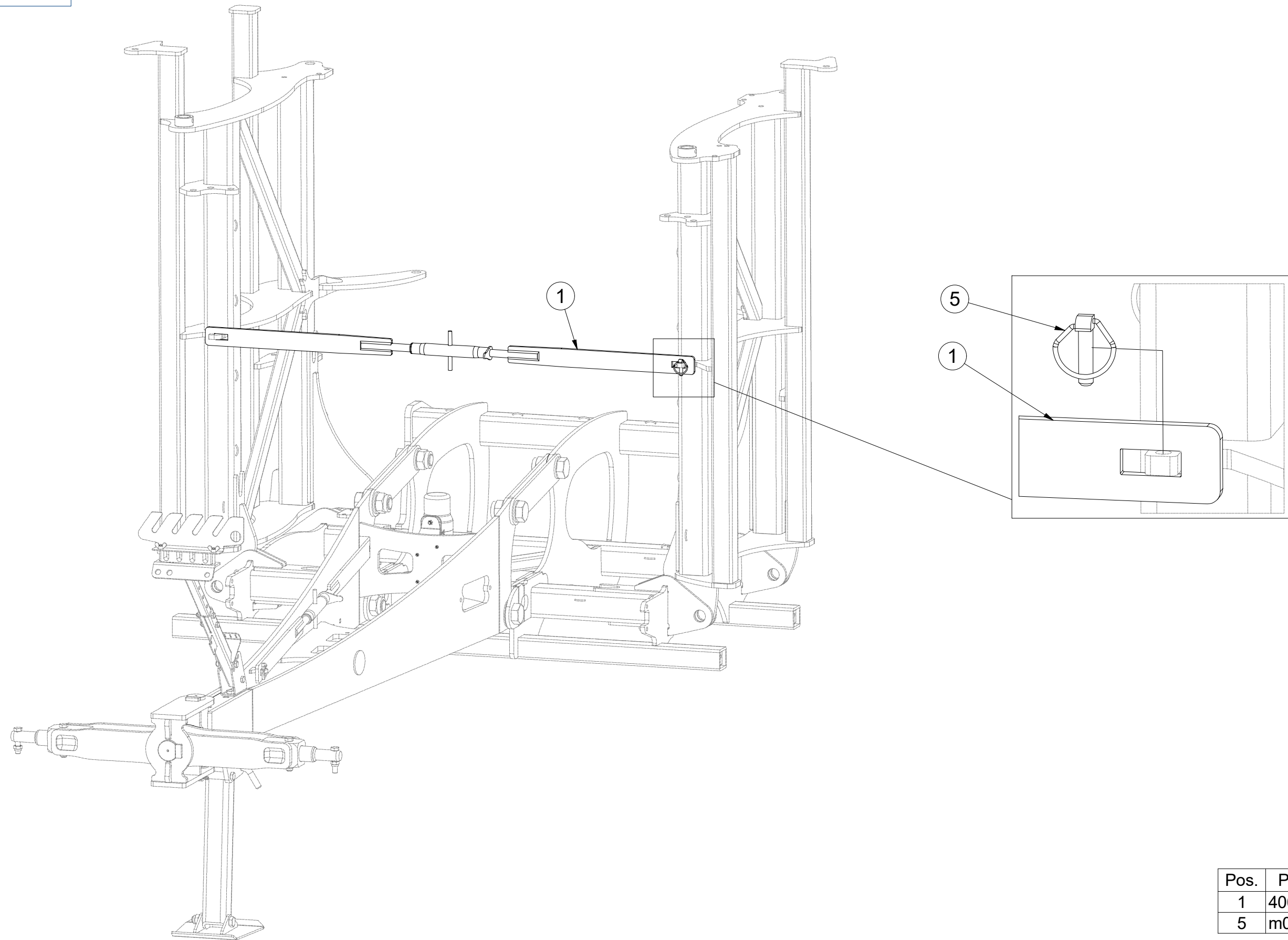
| Pos. | Part Number | Pcs. |
|------|-------------|------|
| 6 | 4007584 | 1 |
| 11 | 4016007 | 1 |
| 20 | m18518 | 1 |
| 27 | m14143 | 8 |
| 37 | m03775 | 8 |
| 48 | m14029 | 8 |

CZ SPOJOVACÍ TÁHLO
 D VERBINDUNGSSTANGE
 F TIGE DE RACCORDEMENT

GB CONNECTING ROD
 RU СОЕДИНИТЕЛЬНАЯ ТЯГА
 PL KORBOWÓD



4023816



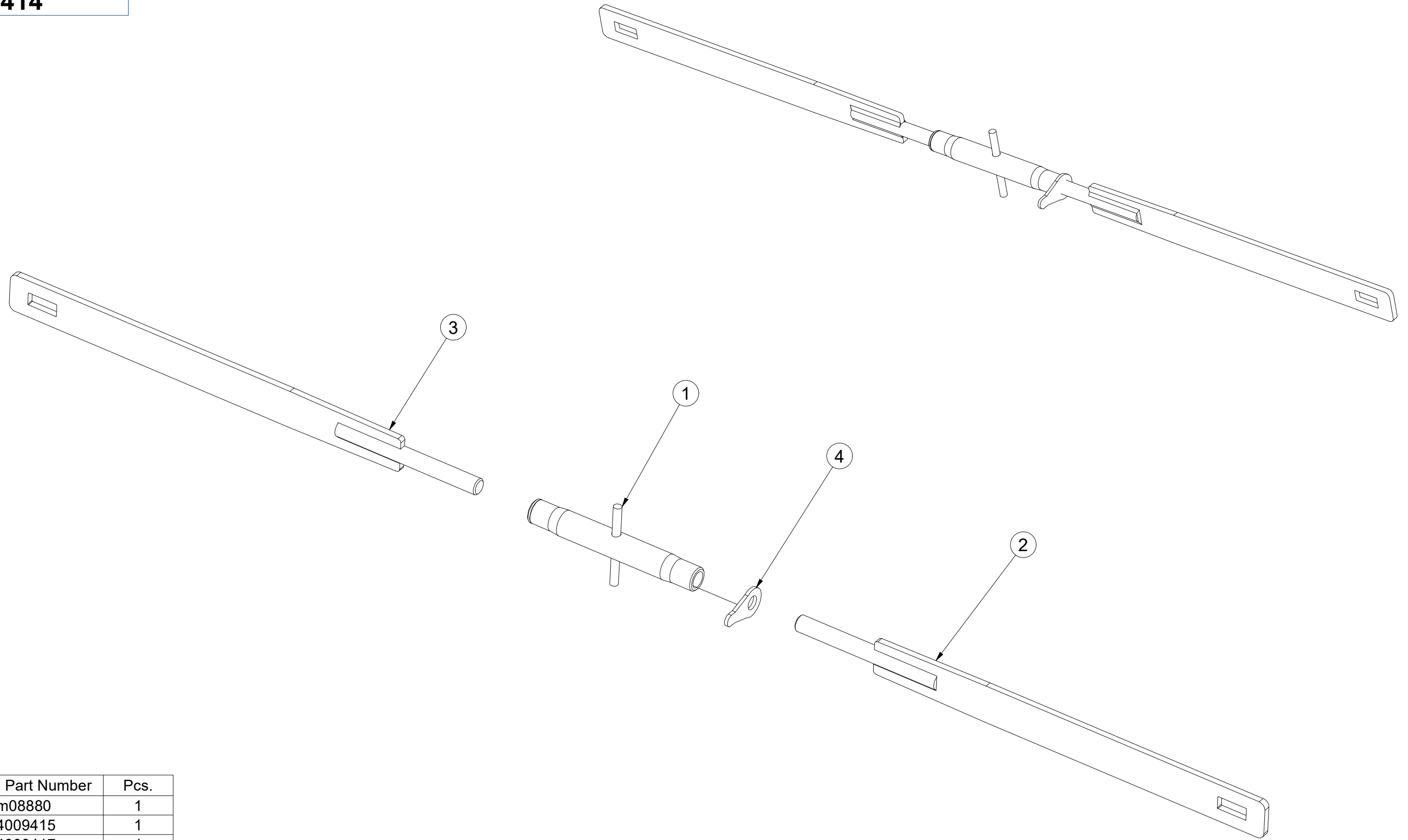
| Pos. | Part Number | Pcs. |
|------|-------------|------|
| 1 | 4009414 | 1 |
| 5 | m02505 | 1 |

(CZ) SPOJOVACÍ TÁHLO
 (D) VERBINDUNGSSTANGE
 (F) TIGE DE RACCORDEMENT

(GB) CONNECTING ROD
 (RU) СОЕДИНИТЕЛЬНАЯ ТЯГА
 (PL) KORBOWÓD



4009414



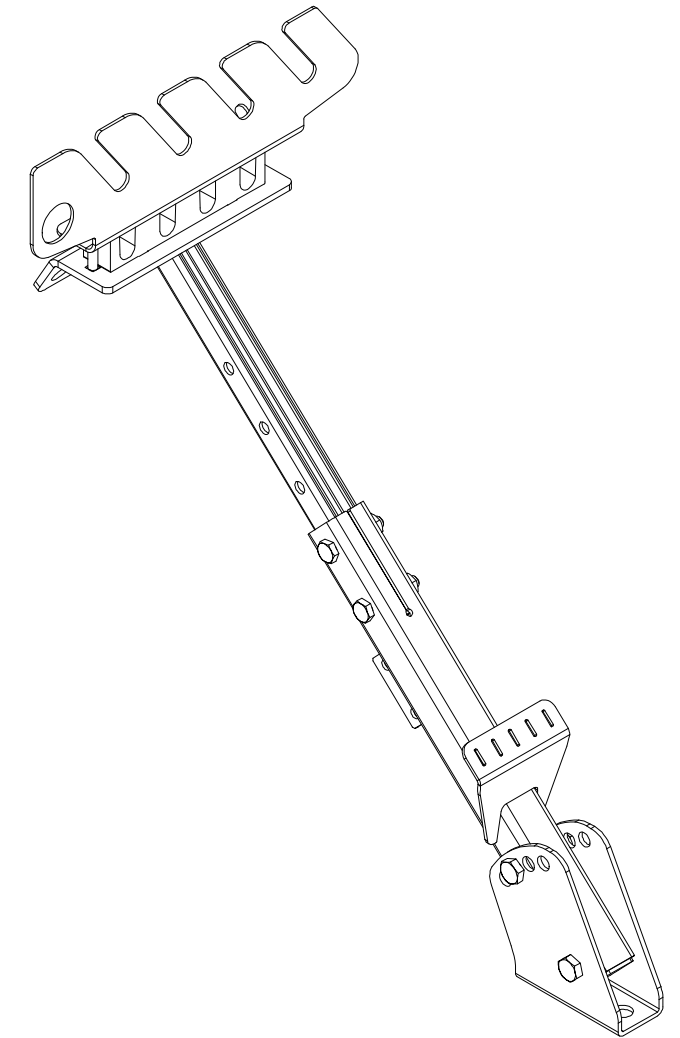
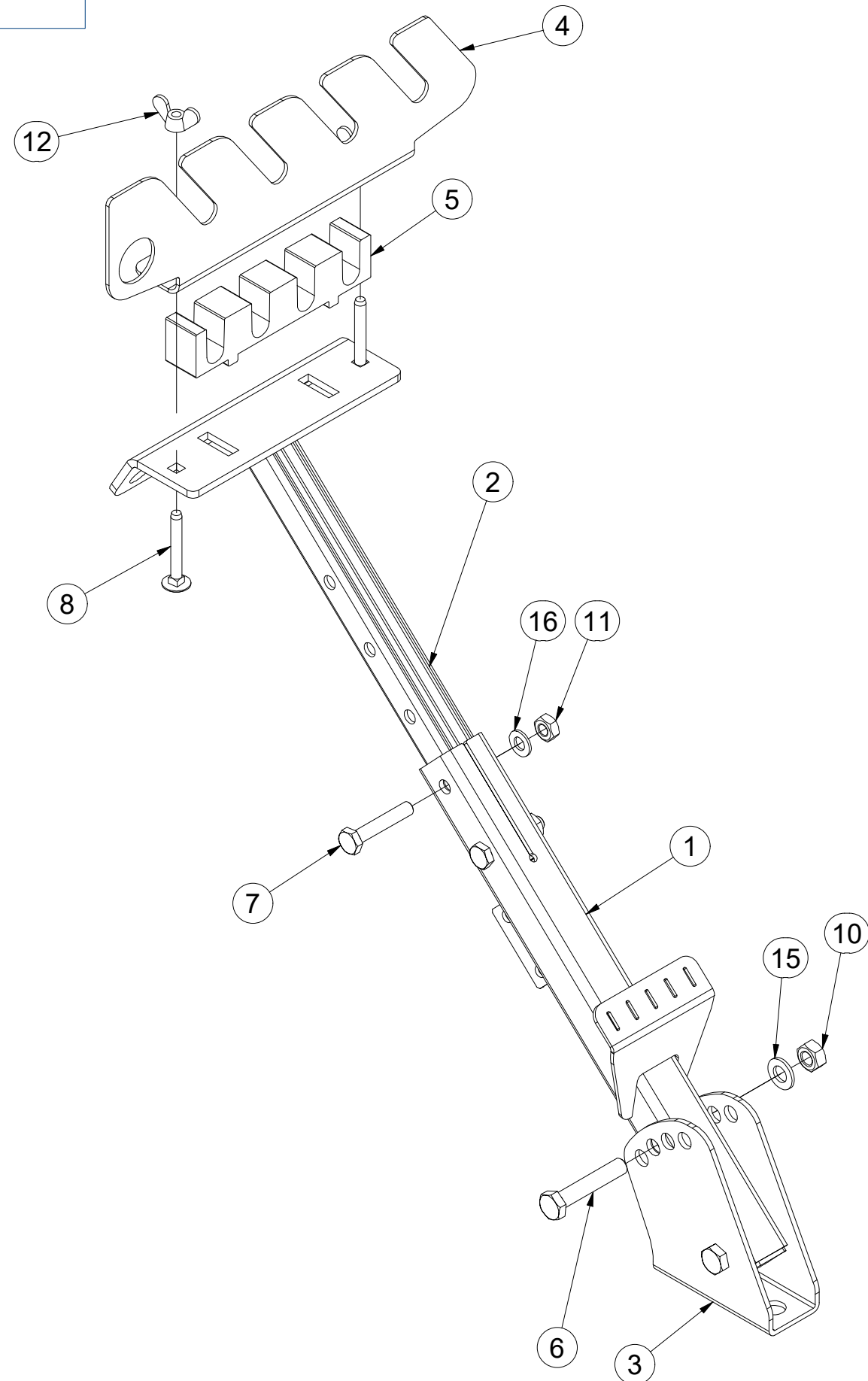
| Pos. | Part Number | Pcs. |
|------|-------------|------|
| 1 | m08880 | 1 |
| 2 | 4009415 | 1 |
| 3 | 4009417 | 1 |
| 4 | m08881 | 1 |

CZ TELESKOPICKÝ DRŽÁK HADIC
 D TELESKOPSCHLAUCHHALTER
 F SUPPORT DE TUYAU TÉLESCOPIQUE

GB TELESCOPIC HOSE HOLDER
 RU ТЕЛЕСКОПИЧЕСКИЙ ДЕРЖАТЕЛЬ ШЛАНГА
 PL TELESKOPOWY UCHWYT NA WĄŻ



3011963



| Pos. | Part Number | Pcs. |
|------|-------------|------|
| 1 | 3011662 | 1 |
| 2 | 3011689 | 1 |
| 3 | 3011659 | 1 |
| 4 | 4023572 | 1 |
| 5 | m22642 | 1 |
| 6 | m05898 | 2 |
| 7 | m06253 | 2 |
| 8 | m09247 | 2 |
| 10 | m01305 | 2 |
| 11 | m01299 | 2 |
| 12 | m01316 | 2 |
| 15 | m01214 | 2 |
| 16 | m01209 | 2 |

Ⓒ SADA TAŽNÉHO OKA

Ⓓ ZUGÖSESATZ

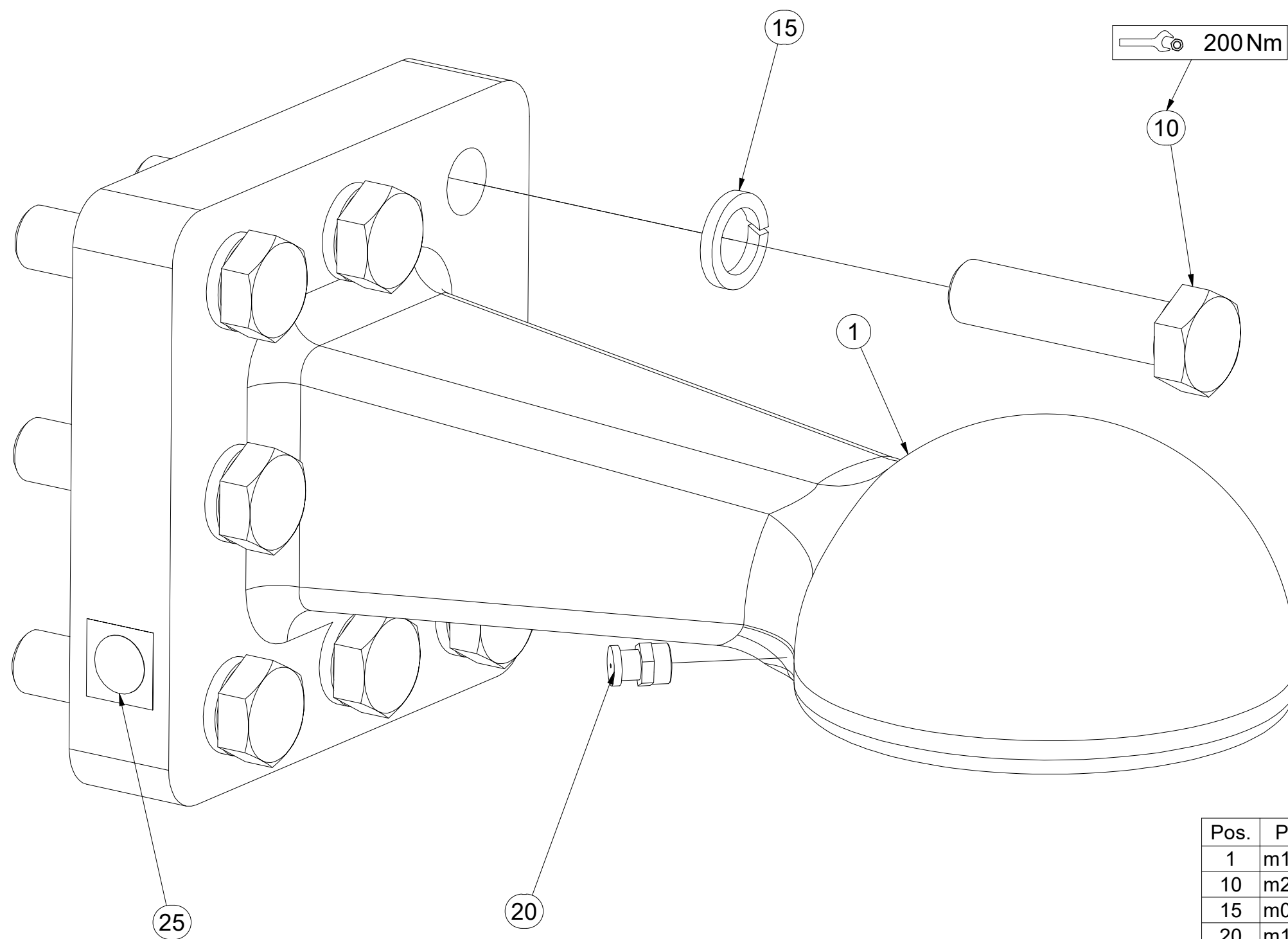
Ⓕ KIT DE L'ŒILLET DE TRACTION

4013531

Ⓖ TOWING LUG SET

Ⓡ КОМПЛЕКТ ТЯГОВОГО ДЫШЛА

Ⓟ ZESTAW UCHA HOLOWNICZEGO



| Pos. | Part Number | Pcs. |
|------|-------------|------|
| 1 | m13262 | 1 |
| 10 | m21355 | 8 |
| 15 | m02157 | 8 |
| 20 | m10448 | 1 |
| 25 | m03320 | 1 |

Ⓒ ZÁKLAD STROJE

Ⓓ UNTERBAU DER MASCHINE

Ⓕ BÂTI DE LA MACHINE

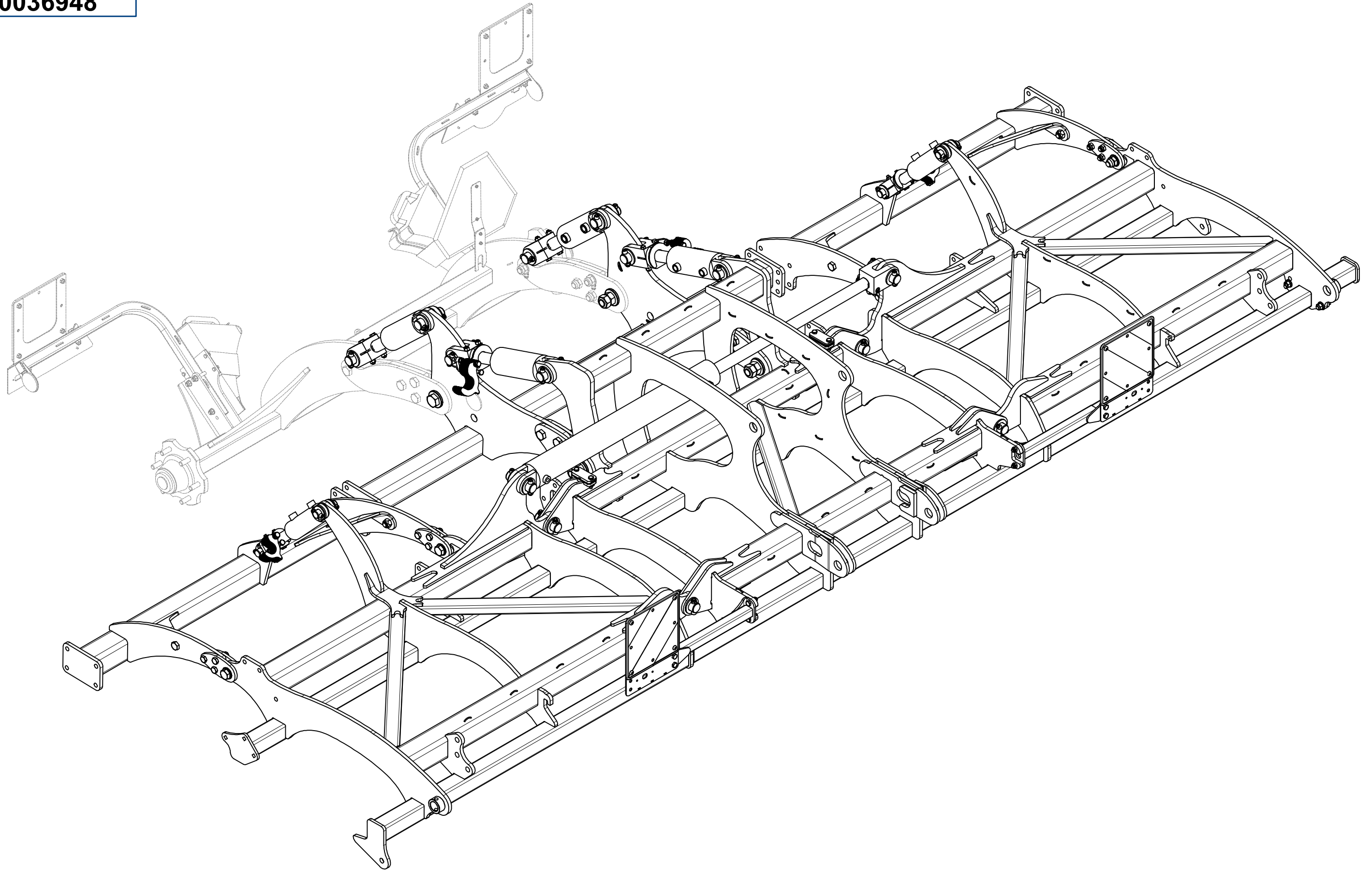
VZ00036948

Ⓖ FOOTING OF THE MACHINE

Ⓡ ОСНОВАНИЕ МАШИНЫ

Ⓟ PODSTAWA MASZYNY

Farmet



Ⓒ ZÁKLAD STROJE

Ⓓ UNTERBAU DER MASCHINE

Ⓕ BÂTI DE LA MACHINE

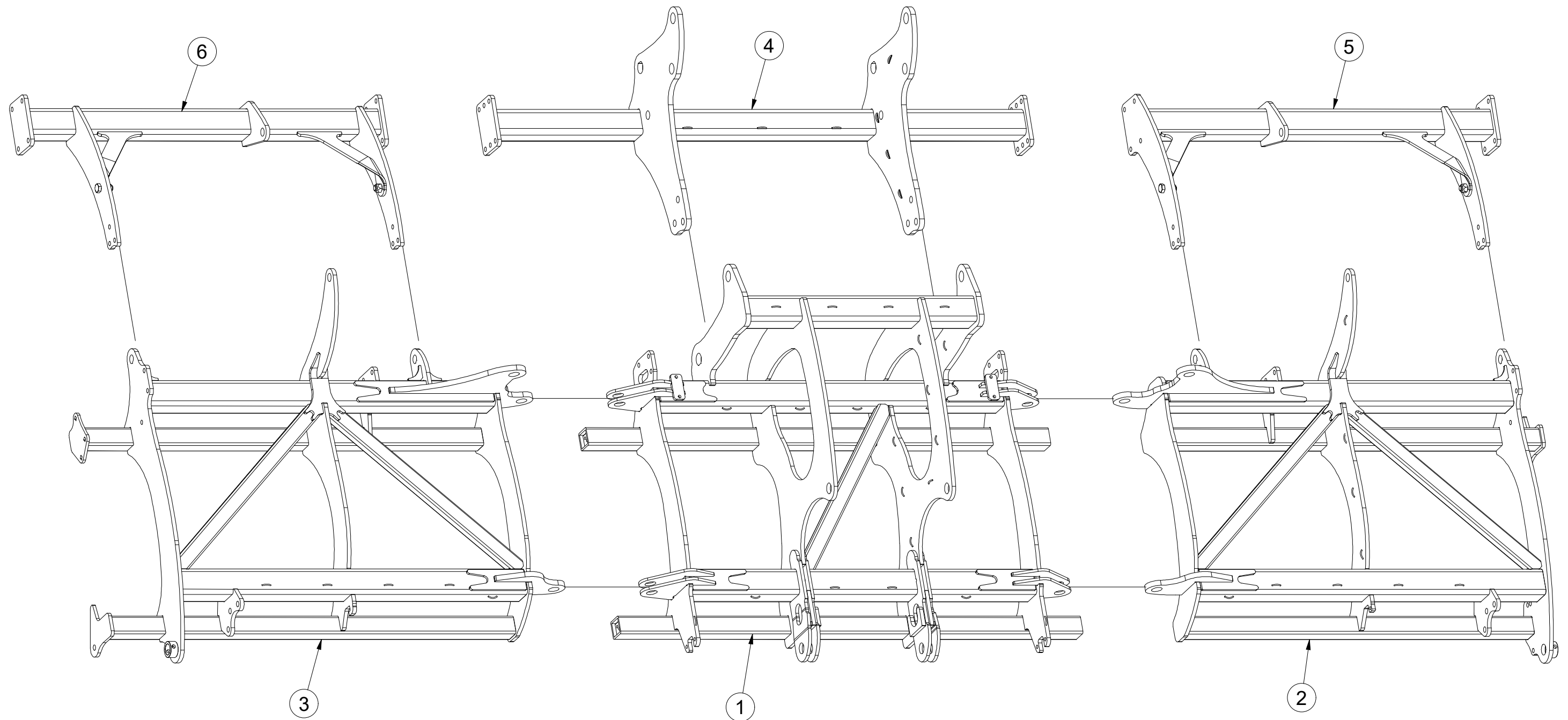
Ⓖ FOOTING OF THE MACHINE

Ⓡ ОСНОВАНИЕ МАШИНЫ

Ⓟ PODSTAWA MASZyny

Farmet

VZ00036948



| Pos. | Part Number | Pcs. |
|------|-------------|------|
| 1 | 2000990 | 1 |
| 2 | 2001028 | 1 |
| 3 | VZ00030812 | 1 |
| 4 | 3008698 | 1 |
| 5 | 3010495 | 1 |
| 6 | 3010496 | 1 |

Ⓒ ZÁKLAD STROJE

Ⓓ UNTERBAU DER MASCHINE

Ⓕ BÂTI DE LA MACHINE

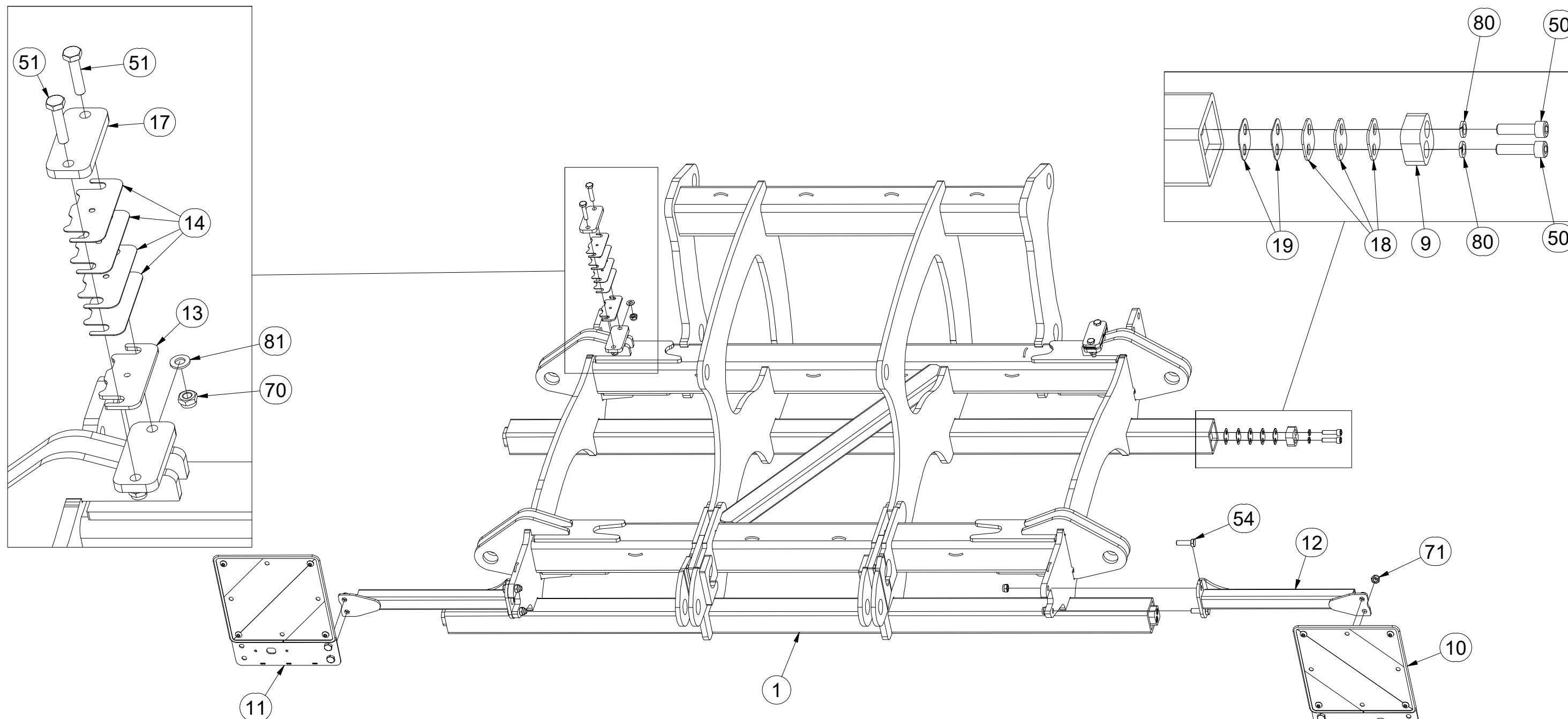
Ⓖ FOOTING OF THE MACHINE

Ⓡ ОСНОВАНИЕ МАШИНЫ

Ⓟ PODSTAWA MASZYNY



VZ00036948



| Pos. | Part Number | Pcs. | Pos. | Part Number | Pcs. |
|------|-------------|------|------|-------------|------|
| 1 | 2000990 | 1 | 19 | 4017091 | 8 |
| 9 | 4017089 | 4 | 50 | m14009 | 8 |
| 10 | 4025088 | 1 | 51 | m10444 | 4 |
| 11 | 4025089 | 1 | 53 | m08549 | 4 |
| 12 | 3012504 | 2 | 54 | m03926 | 4 |
| 13 | 4010451 | 2 | 70 | m03775 | 12 |
| 14 | 4009768 | 8 | 71 | m04301 | 36 |
| 17 | 9003053 | 2 | 80 | m01208 | 8 |
| 18 | 4017090 | 12 | 81 | m01209 | 4 |

Ⓒ ZÁKLAD STROJE

Ⓓ UNTERBAU DER MASCHINE

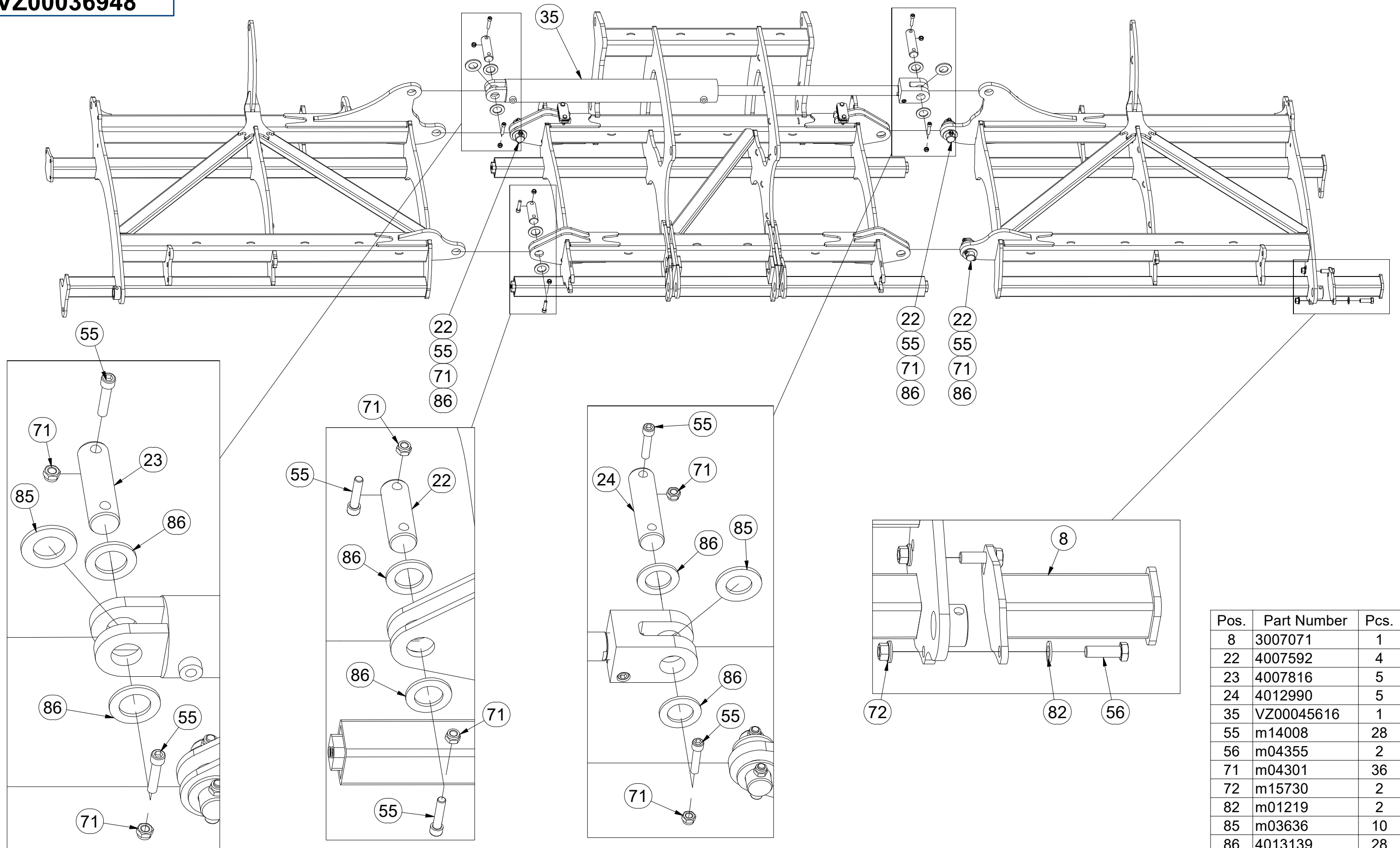
Ⓕ BÂTI DE LA MACHINE

VZ00036948

Ⓖ FOOTING OF THE MACHINE

Ⓡ ОСНОВАНИЕ МАШИНЫ

Ⓢ PODSTAWA MASZYNY



| Pos. | Part Number | Pcs. |
|------|-------------|------|
| 8 | 3007071 | 1 |
| 22 | 4007592 | 4 |
| 23 | 4007816 | 5 |
| 24 | 4012990 | 5 |
| 35 | VZ00045616 | 1 |
| 55 | m14008 | 28 |
| 56 | m04355 | 2 |
| 71 | m04301 | 36 |
| 72 | m15730 | 2 |
| 82 | m01219 | 2 |
| 85 | m03636 | 10 |
| 86 | 4013139 | 28 |

☉ ZÁKLAD STROJE

Ⓧ UNTERBAU DER MASCHINE

Ⓧ BÂTI DE LA MACHINE

Ⓧ FOOTING OF THE MACHINE

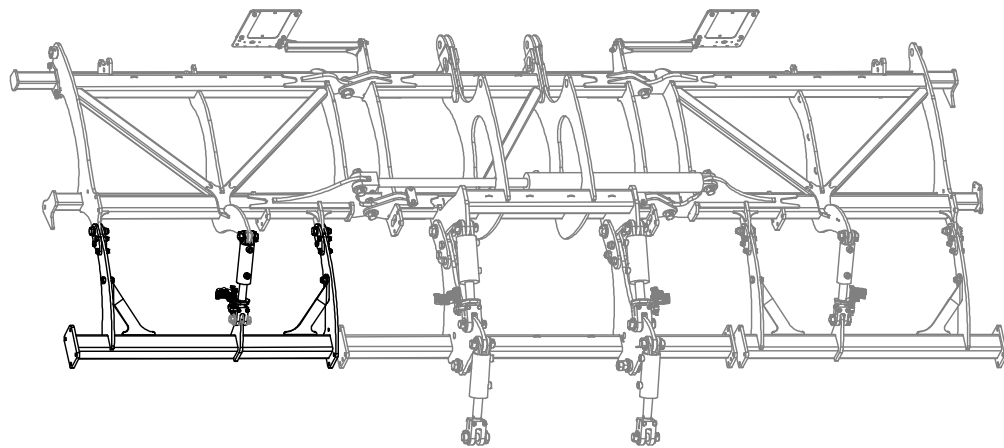
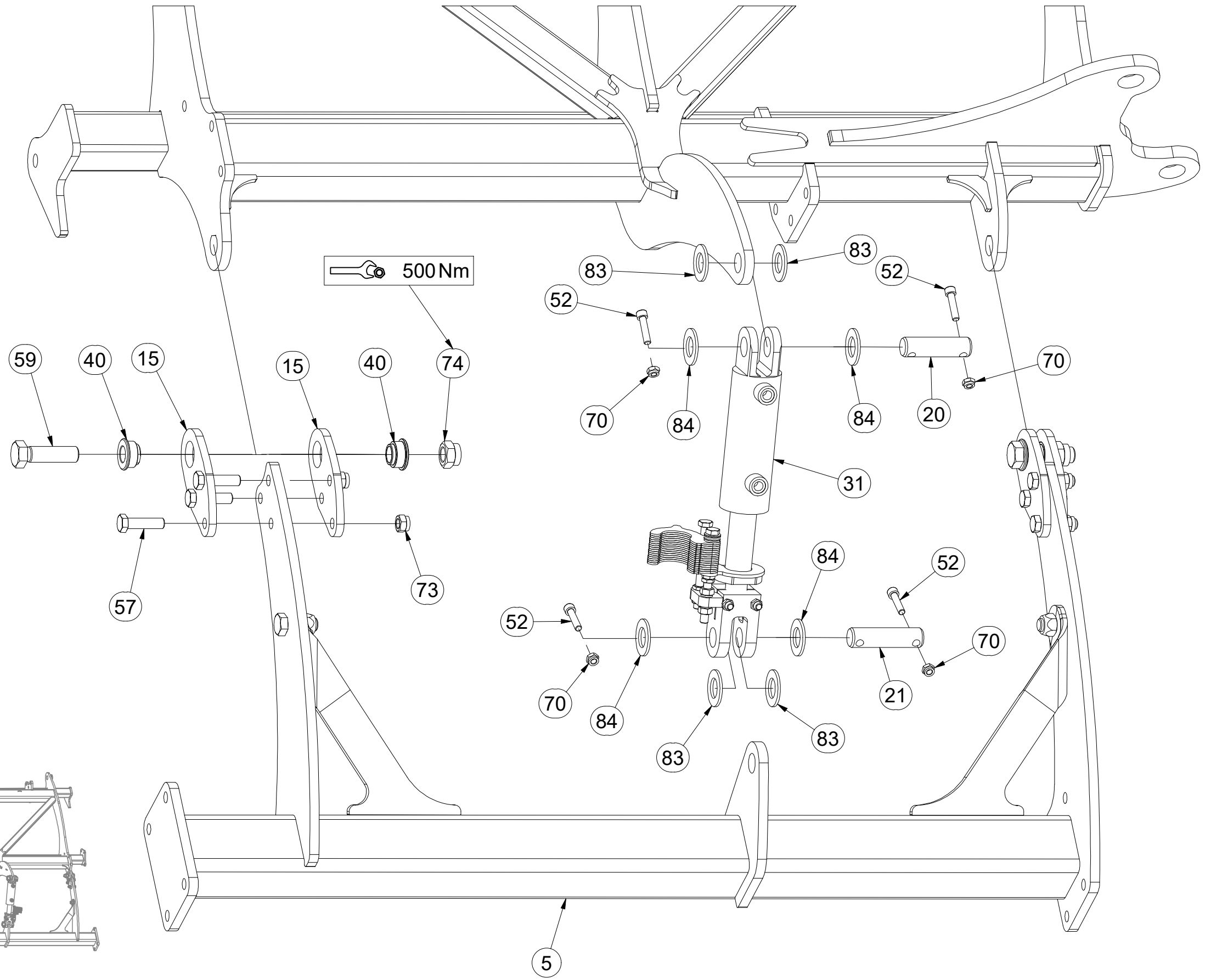
Ⓧ ОСНОВАНИЕ МАШИНЫ

Ⓧ PODSTAWA MASZYNY



VZ00036948

| Pos. | Part Number | Pcs. |
|------|-------------|------|
| 5 | 3010495 | 1 |
| 15 | 4014704 | 8 |
| 20 | 4007584 | 2 |
| 21 | 4007639 | 2 |
| 31 | VZ00036780 | 1 |
| 40 | m14506 | 8 |
| 52 | m14143 | 8 |
| 57 | m14482 | 12 |
| 59 | m08532 | 4 |
| 70 | m03775 | 12 |
| 73 | m03683 | 12 |
| 74 | m07147 | 10 |
| 83 | m02866 | 8 |
| 84 | m14029 | 8 |



Ⓒ ZÁKLAD STROJE

Ⓓ UNTERBAU DER MASCHINE

Ⓕ BÂTI DE LA MACHINE

Ⓖ FOOTING OF THE MACHINE

Ⓡ ОСНОВАНИЕ МАШИНЫ

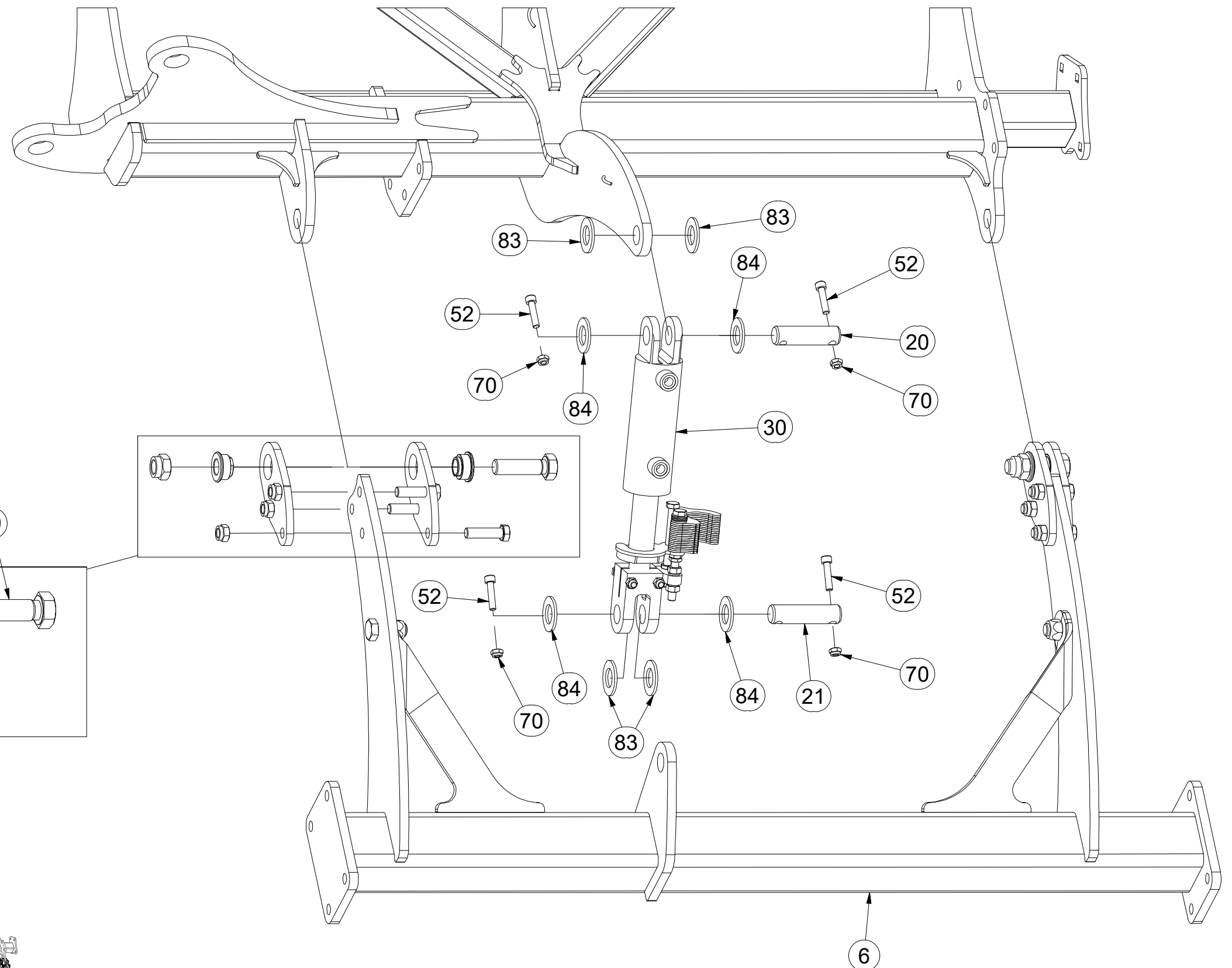
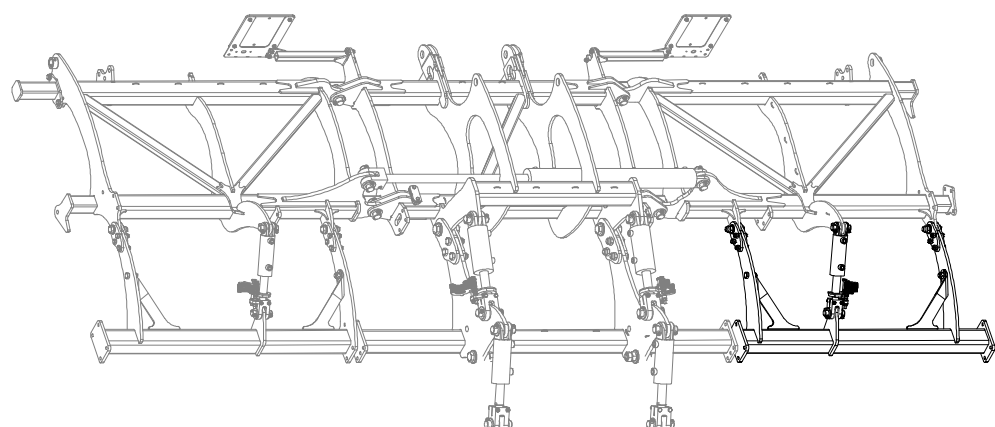
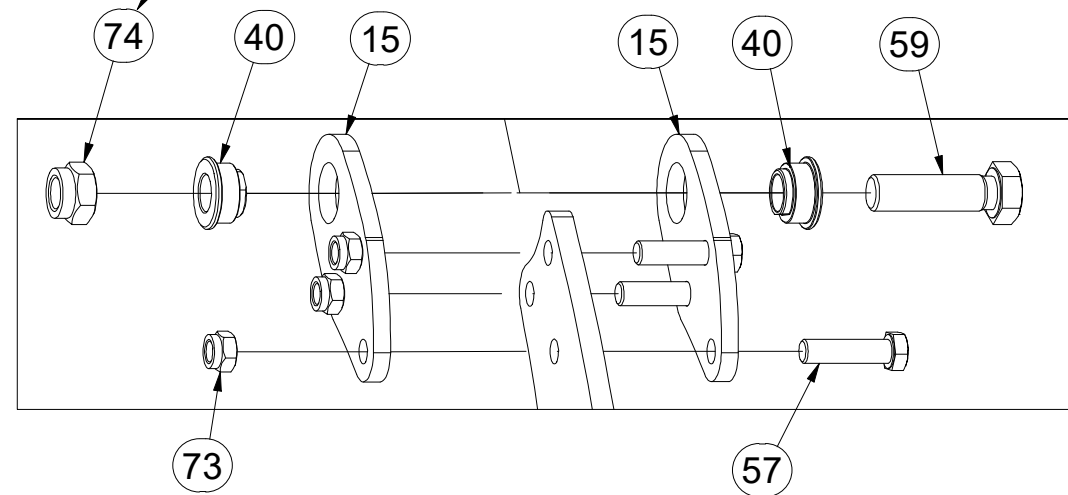
Ⓢ PODSTAWA MASZYNY



VZ00036948

| Pos. | Part Number | Pcs. |
|------|-------------|------|
| 6 | 3010496 | 1 |
| 15 | 4014704 | 8 |
| 20 | 4007584 | 2 |
| 21 | 4007639 | 2 |
| 30 | VZ00036781 | 1 |
| 40 | m14506 | 8 |
| 52 | m14143 | 8 |
| 57 | m14482 | 12 |
| 59 | m08532 | 4 |
| 70 | m03775 | 12 |
| 73 | m03683 | 12 |
| 74 | m07147 | 10 |
| 83 | m02866 | 8 |
| 84 | m14029 | 8 |

500Nm



☉ ZÁKLAD STROJE

Ⓧ UNTERBAU DER MASCHINE

Ⓧ BÂTI DE LA MACHINE

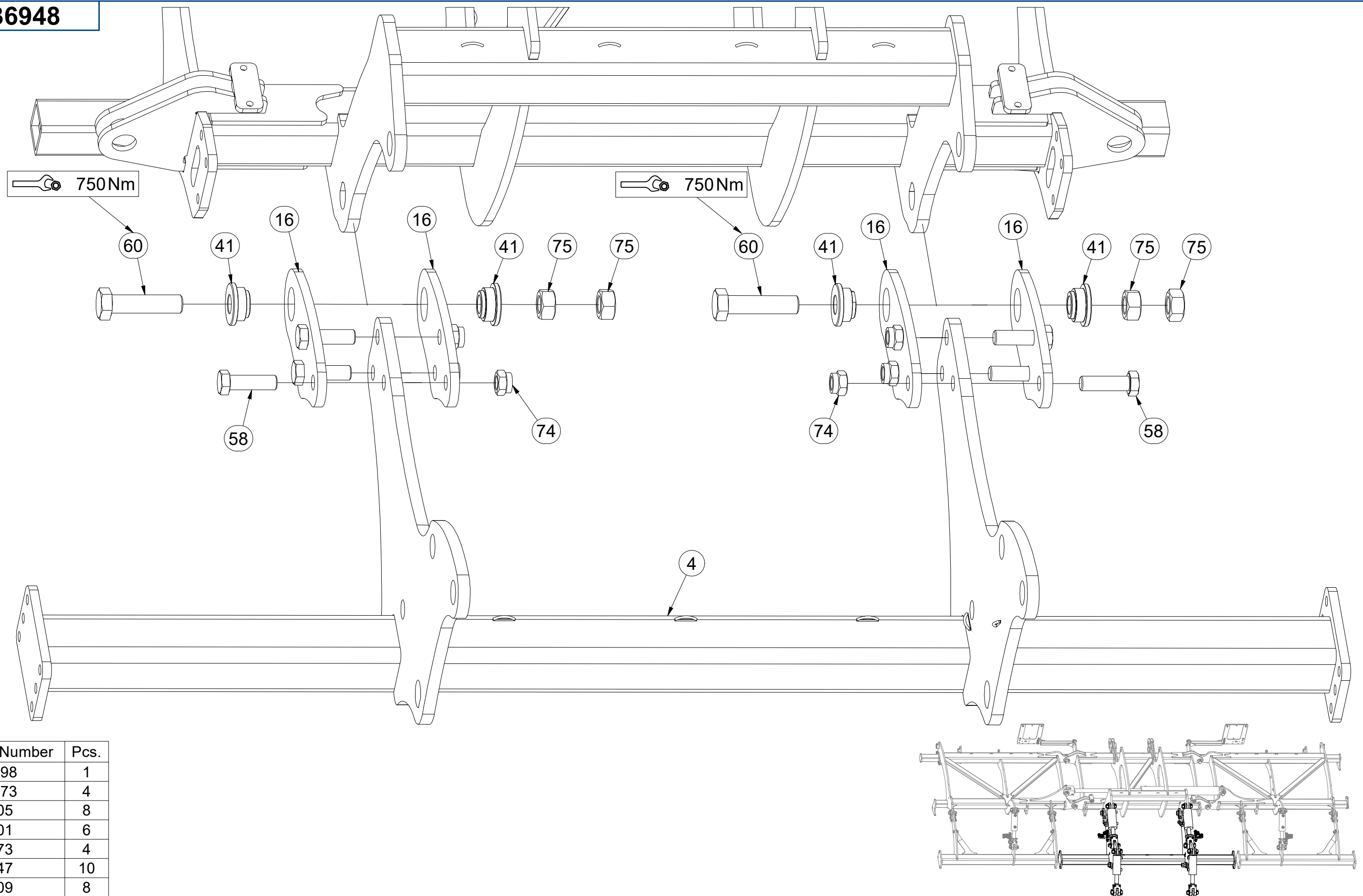
Ⓧ FOOTING OF THE MACHINE

Ⓧ ОСНОВАНИЕ МАШИНЫ

Ⓧ PODSTAWA MASZyny



VZ00036948



| Pos. | Part Number | Pcs. |
|------|-------------|------|
| 4 | 3008698 | 1 |
| 16 | 4015673 | 4 |
| 41 | m14505 | 8 |
| 58 | m03401 | 6 |
| 60 | m15773 | 4 |
| 74 | m07147 | 10 |
| 75 | m01309 | 8 |

☉ ZÁKLAD STROJE

Ⓧ UNTERBAU DER MASCHINE

Ⓧ BÂTI DE LA MACHINE

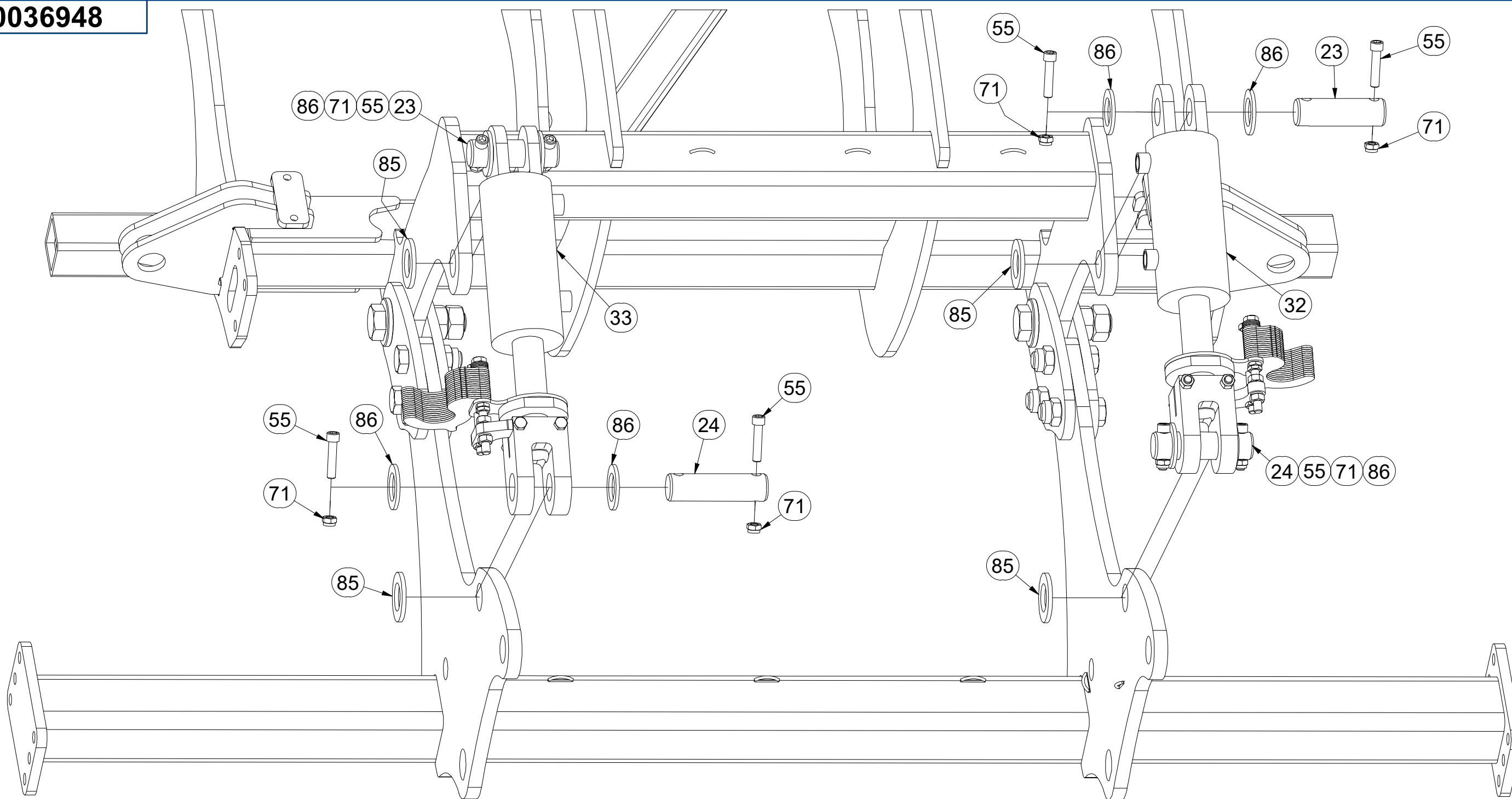
Ⓧ FOOTING OF THE MACHINE

Ⓧ ОСНОВАНИЕ МАШИНЫ

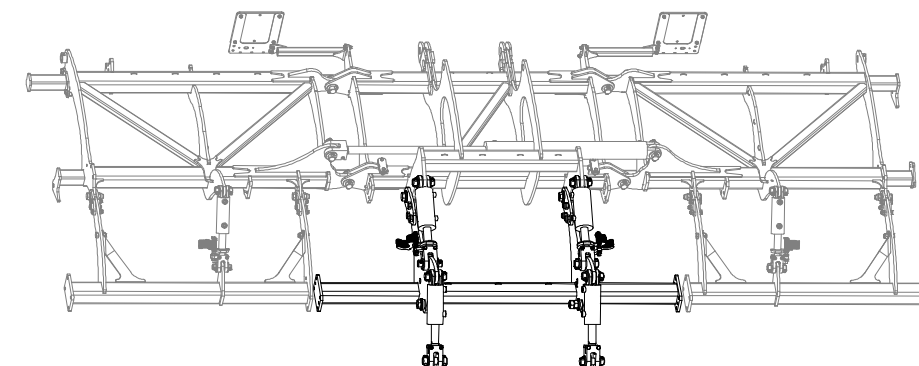
Ⓧ PODSTAWA MASZYNY



VZ00036948



| Pos. | Part Number | Pcs. |
|------|-------------|------|
| 23 | 4007816 | 5 |
| 24 | 4012990 | 5 |
| 32 | VZ00036849 | 1 |
| 33 | VZ00036848 | 1 |
| 55 | m14008 | 28 |
| 71 | m04301 | 36 |
| 85 | m03636 | 10 |
| 86 | 4013139 | 28 |



Ⓒ ZÁKLAD STROJE

Ⓓ UNTERBAU DER MASCHINE

Ⓕ BÂTI DE LA MACHINE

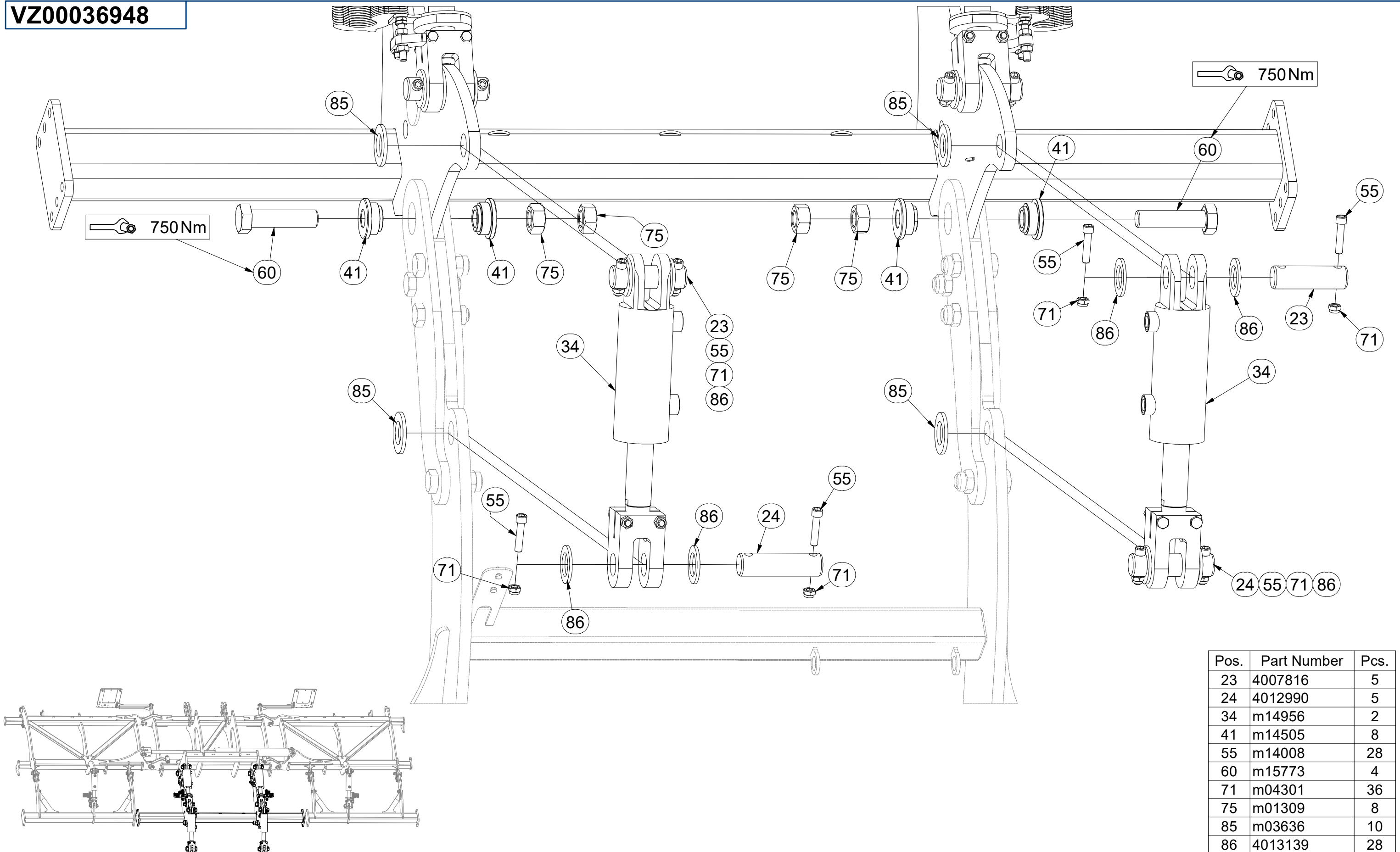
Ⓖ FOOTING OF THE MACHINE

Ⓡ ОСНОВАНИЕ МАШИНЫ

Ⓟ PODSTAWA MASZYNY



VZ00036948



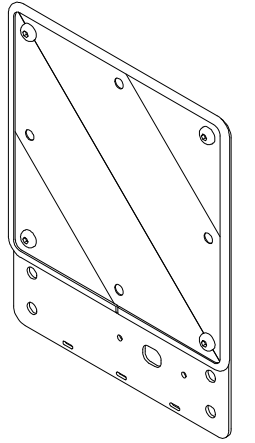
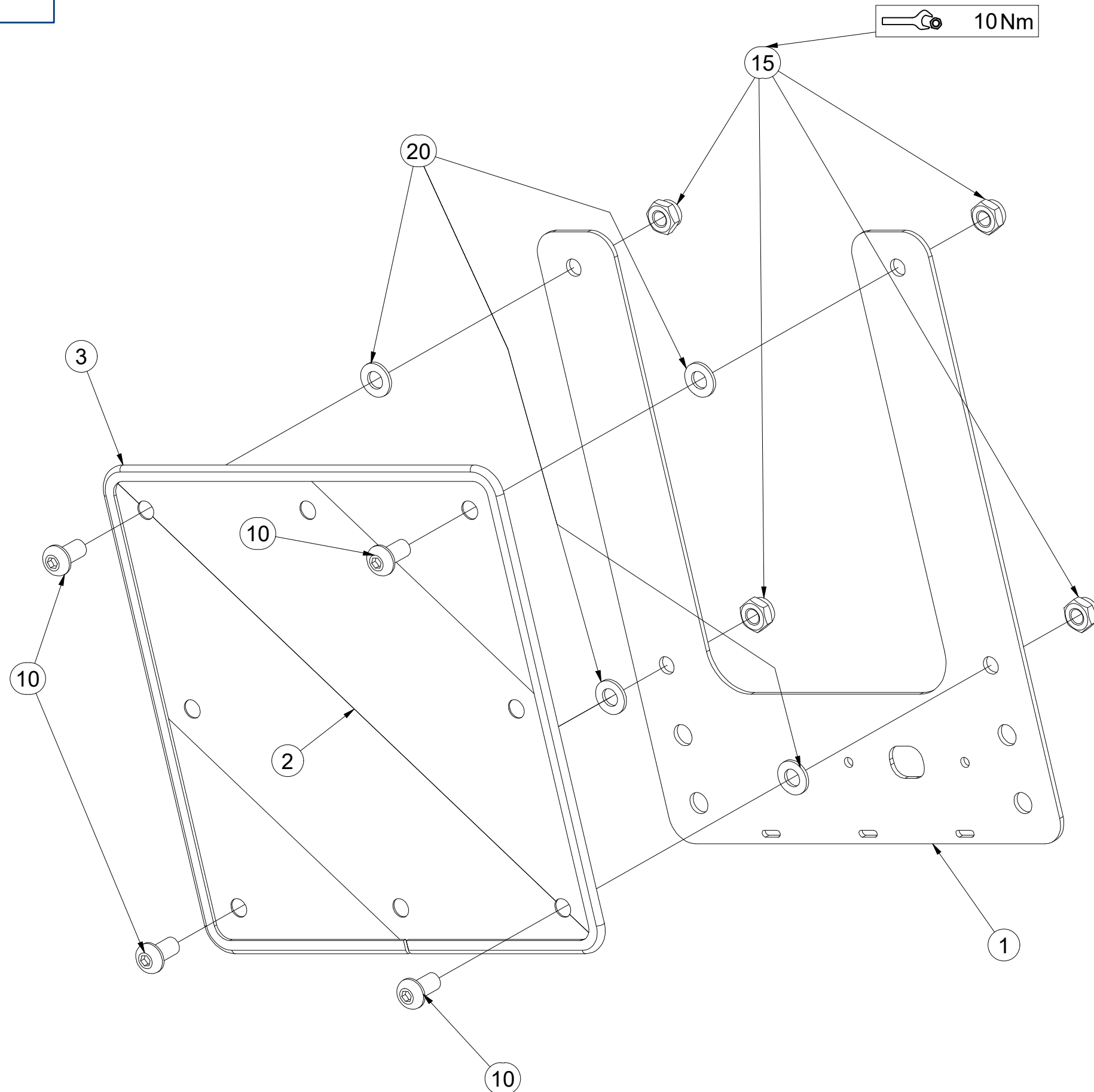
| Pos. | Part Number | Pcs. |
|------|-------------|------|
| 23 | 4007816 | 5 |
| 24 | 4012990 | 5 |
| 34 | m14956 | 2 |
| 41 | m14505 | 8 |
| 55 | m14008 | 28 |
| 60 | m15773 | 4 |
| 71 | m04301 | 36 |
| 75 | m01309 | 8 |
| 85 | m03636 | 10 |
| 86 | 4013139 | 28 |

CZ TERČ PŘEDNÍ
 D SCHILD, VORDERES
 F CIBLE AVANT

GB FRONT DISC
 RU ЩИТОК ПЕРЕДНИЙ
 PL TARCZA PRZEDNIA



4025088



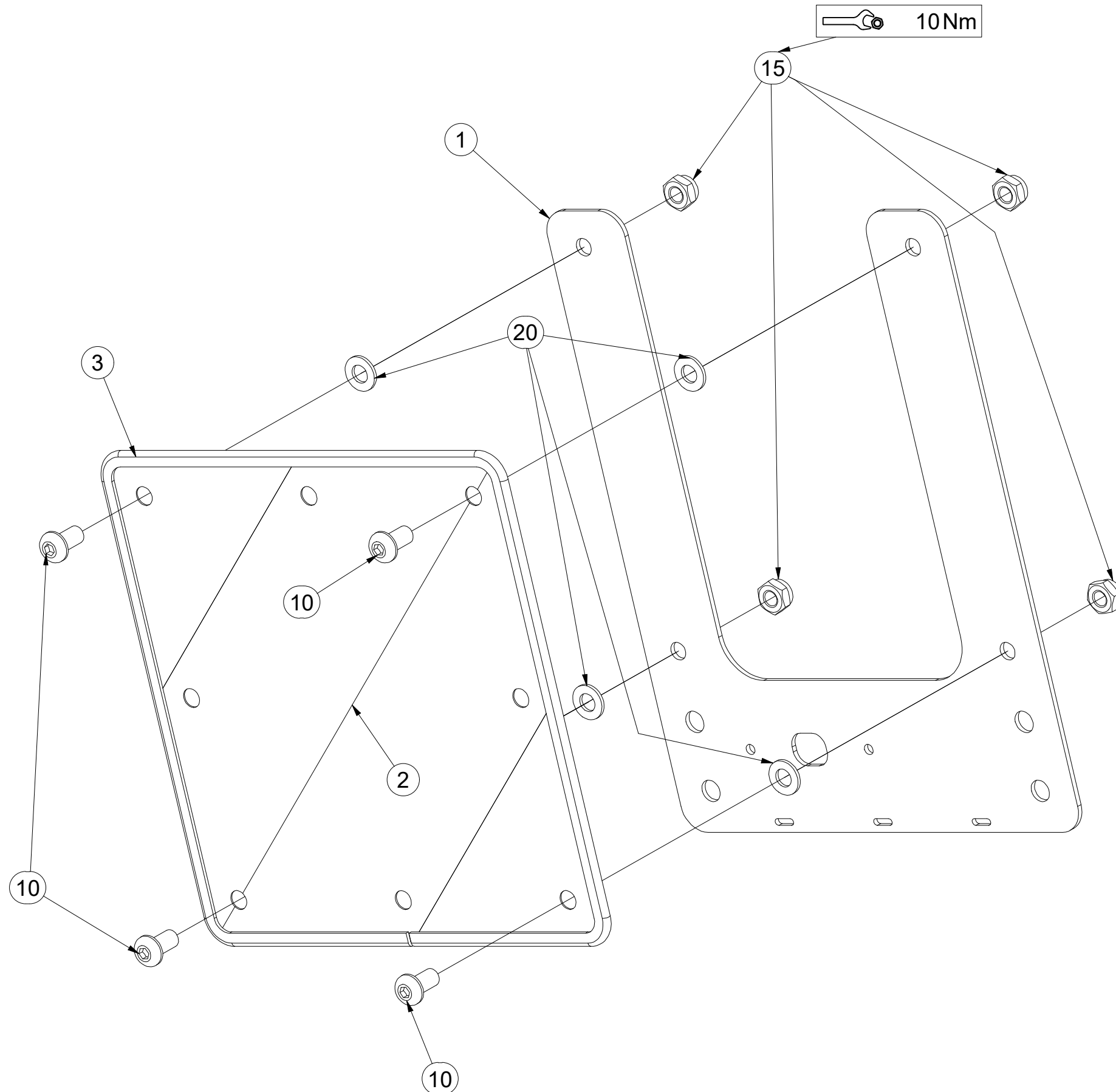
| Pos. | Part Number | Pcs. |
|------|-------------|------|
| 1 | 4025090 | 1 |
| 2 | m18855 | 1 |
| 3 | 9005707 | 1 |
| 10 | m16637 | 4 |
| 15 | m03775 | 4 |
| 20 | m01209 | 4 |

CZ TERČ PŘEDNÍ
 D SCHILD, VORDERES
 F CIBLE AVANT

GB FRONT DISC
 RU ЩИТОК ПЕРЕДНИЙ
 PL TARCZA PRZEDNIA



4025089



| Pos. | Part Number | Pcs. |
|------|-------------|------|
| 1 | 4025090 | 1 |
| 2 | m18855 | 1 |
| 3 | 9005707 | 1 |
| 10 | m16637 | 4 |
| 15 | m03775 | 4 |
| 20 | m01209 | 4 |

Ⓒ KOPÍROVACÍ KOLA

Ⓓ KOPIERRÄDER

Ⓕ COPIAGE DU TERRAIN

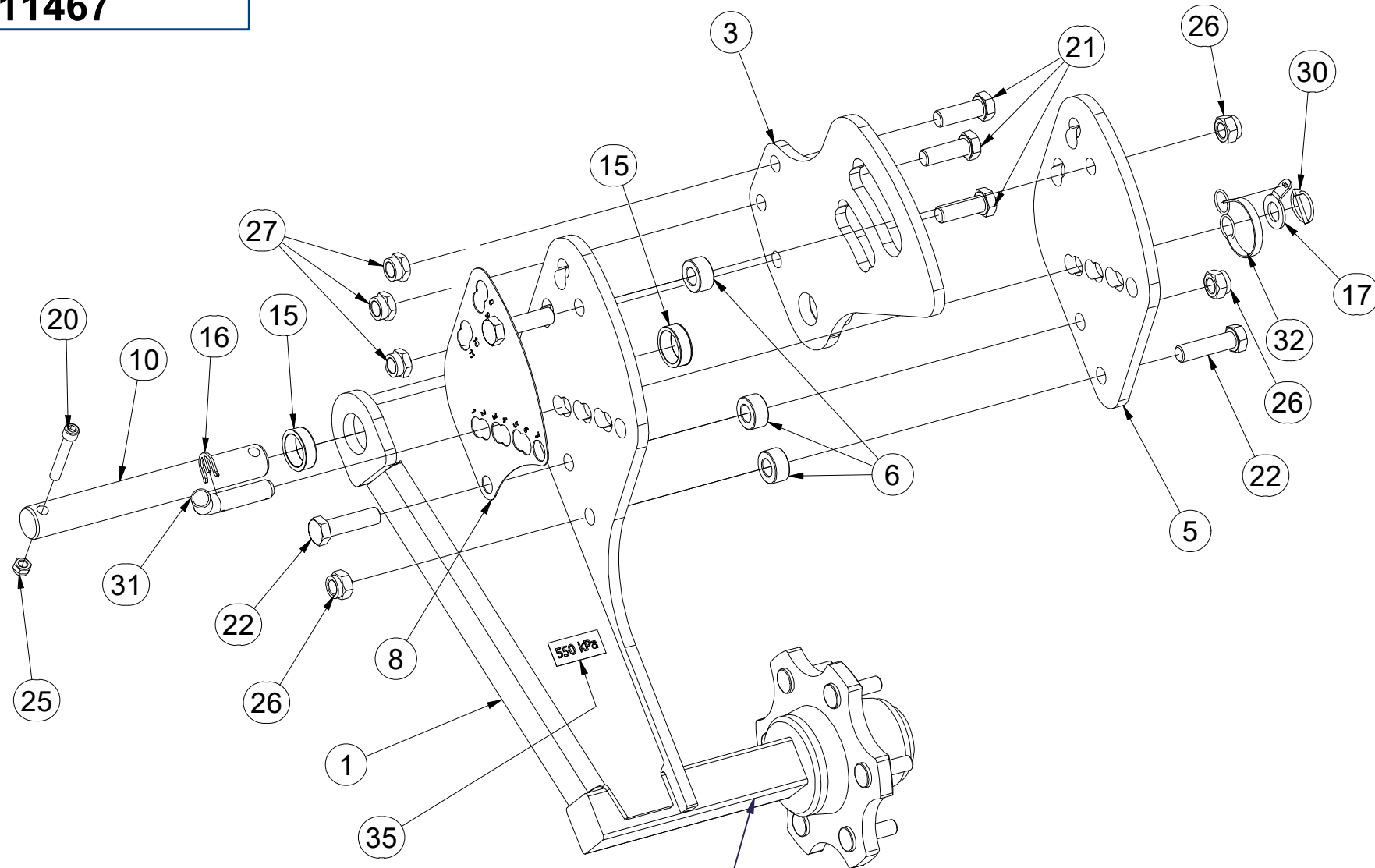
Ⓖ TRACING WHEELS

Ⓒ КОПИРУЮЩЕЕ КОЛЕСА

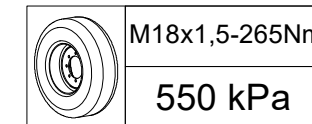
Ⓗ КОЛА КОПИУЈАЌЕ



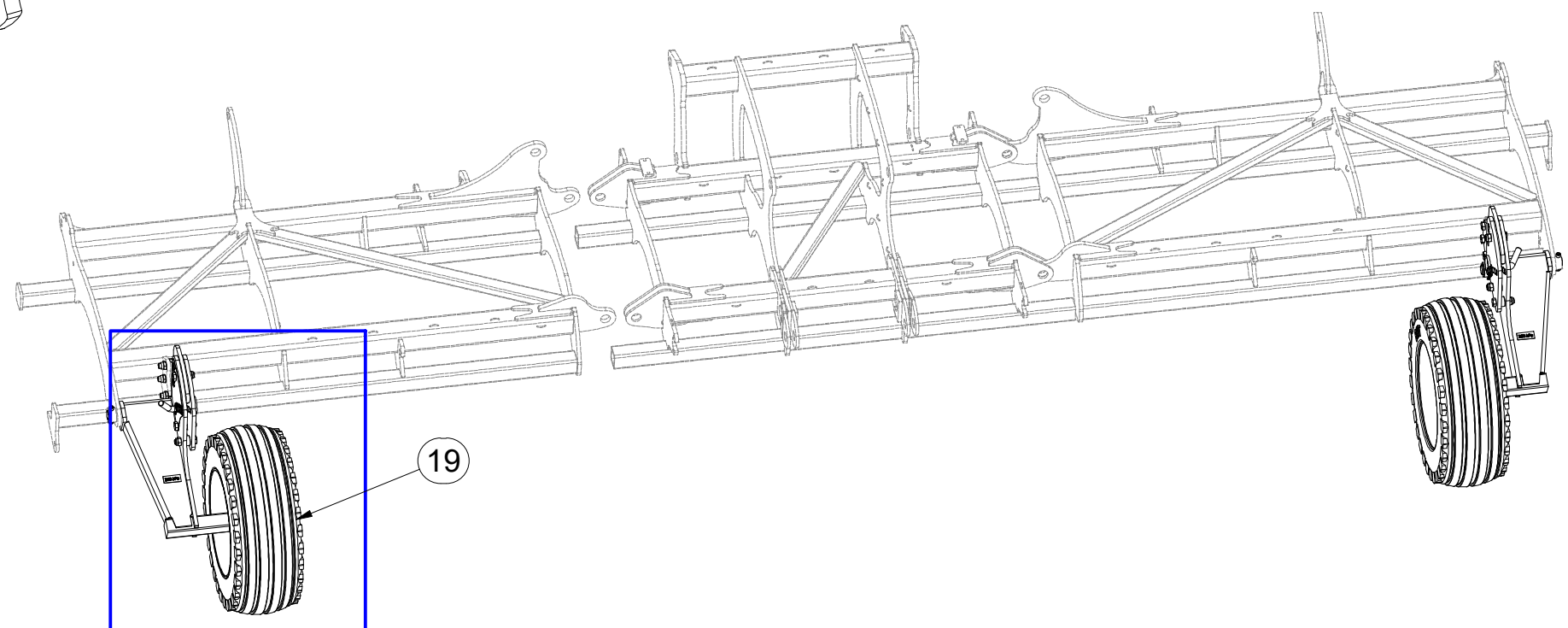
3011467



| Pos. | Part Number | Pcs. |
|------|-------------|------|
| 1 | 3011468 | 1 |
| 3 | VZ00019981 | 1 |
| 5 | 4008355 | 2 |
| 6 | 4008058 | 6 |
| 8 | 4008315 | 1 |
| 10 | 4011764 | 2 |
| 15 | 4015722 | 4 |
| 16 | 4017145 | 2 |
| 17 | 4017146 | 2 |
| 19 | m21788 | 2 |
| 20 | m13033 | 2 |
| 21 | m22861 | 6 |
| 22 | m05723 | 6 |
| 25 | m04301 | 2 |
| 26 | m05648 | 6 |
| 27 | m20599 | 6 |
| 30 | m10454 | 2 |
| 31 | m15782 | 2 |
| 32 | m12467 | 2 |
| 35 | m04958 | 2 |



TVZ Q060X350
ADR S60LR06



☉ KOPÍROVACÍ KOLA

Ⓧ KOPIERRÄDER

Ⓣ COPIAGE DU TERRAIN

Ⓞ TRACING WHEELS

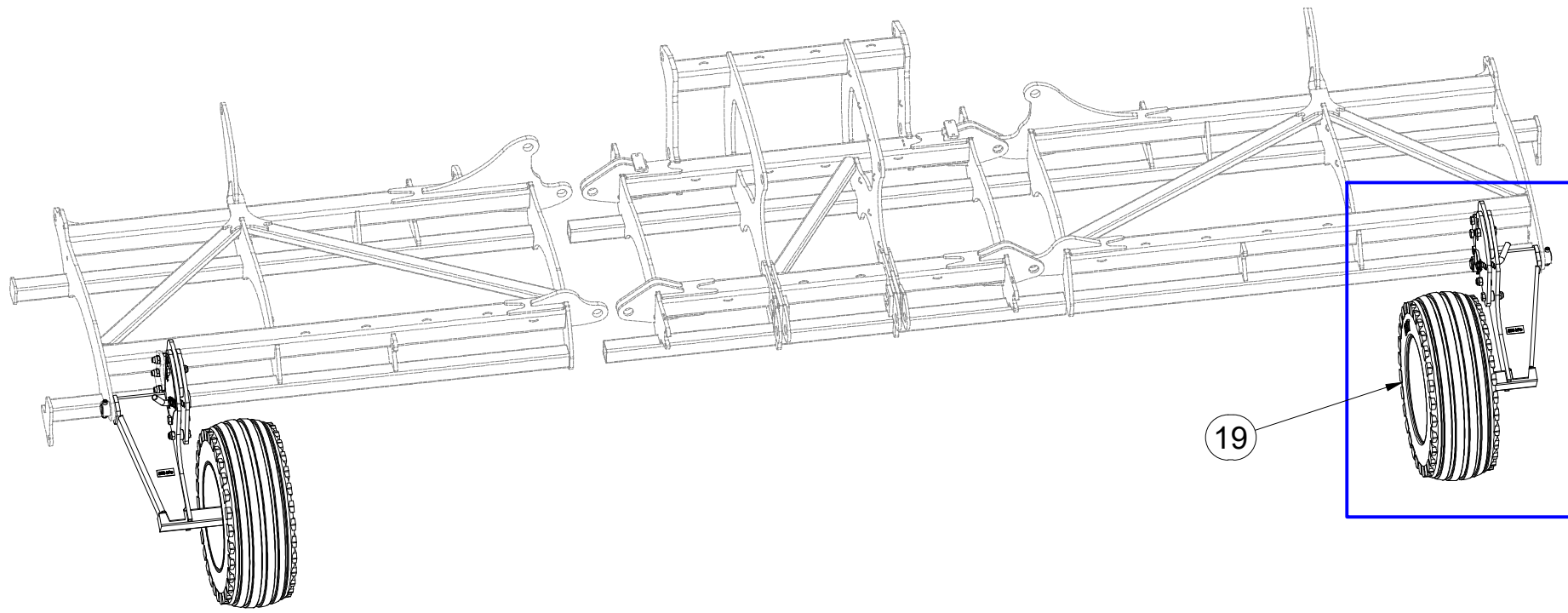
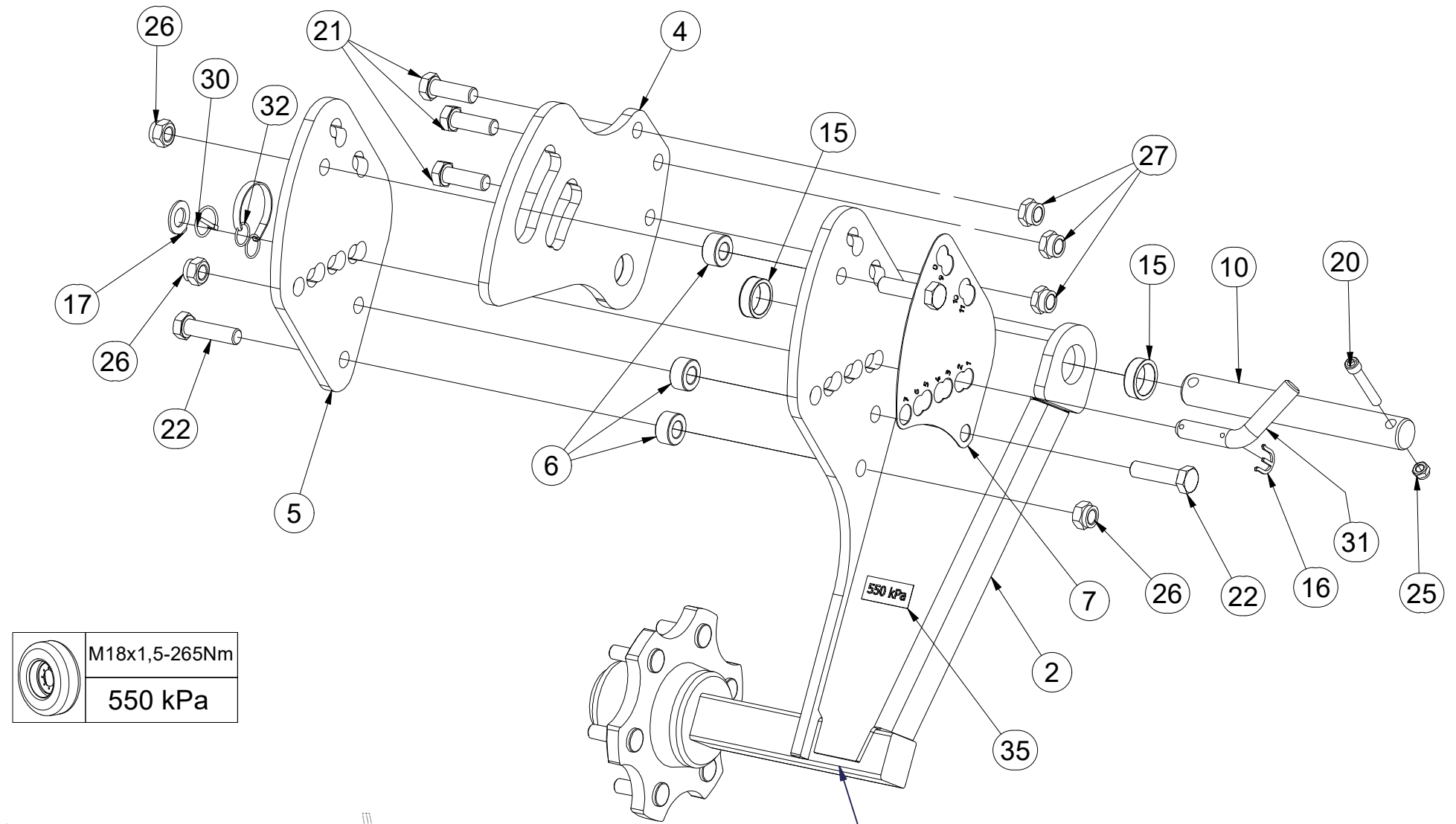
Ⓡ КОПИРУЮЩЕЕ КОЛЕСА

Ⓟ KOŁA KOPIUJĄCE



3011467

| Pos. | Part Number | Pcs. |
|------|-------------|------|
| 2 | 3011469 | 1 |
| 4 | VZ00019984 | 1 |
| 5 | 4008355 | 2 |
| 6 | 4008058 | 6 |
| 7 | 4008312 | 1 |
| 10 | 4011764 | 2 |
| 15 | 4015722 | 4 |
| 16 | 4017145 | 2 |
| 17 | 4017146 | 2 |
| 19 | m21788 | 2 |
| 20 | m13033 | 2 |
| 21 | m22861 | 6 |
| 22 | m05723 | 6 |
| 25 | m04301 | 2 |
| 26 | m05648 | 6 |
| 27 | m20599 | 6 |
| 30 | m10454 | 2 |
| 31 | m15782 | 2 |
| 32 | m12467 | 2 |
| 35 | m04958 | 2 |



**TVZ Q060X350
ADR S60LR06**

Ⓒ NÁPRAVA

Ⓓ ACHSE

Ⓕ ESSIEU

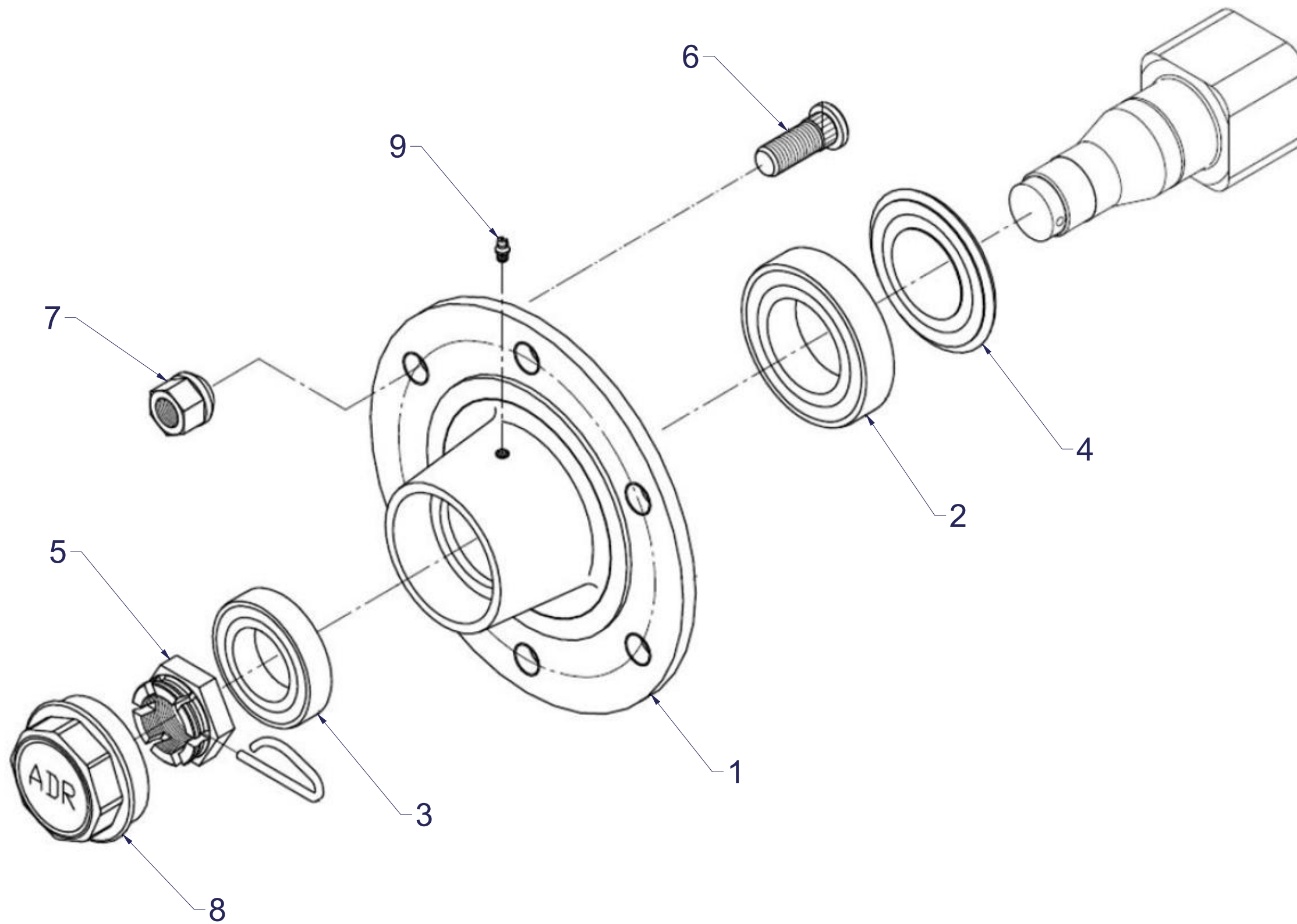
Q060X350

Ⓖ AXLE

Ⓡ OCB

Ⓟ OS

Farmet



| Pos. | Part Number | Pcs. |
|------|-------------|------|
| 1 | m21713 | 1 |
| 2 | m07151 | 1 |
| 3 | m07152 | 1 |
| 4 | m21717 | 1 |
| 5 | m08169 | 1 |
| 6 | m08148 | 6 |
| 7 | m08163 | 6 |
| 8 | m21725 | 1 |
| 9 | m05698 | 1 |

Ⓒ NÁPRAVA

Ⓓ ACHSE

Ⓕ ESSIEU

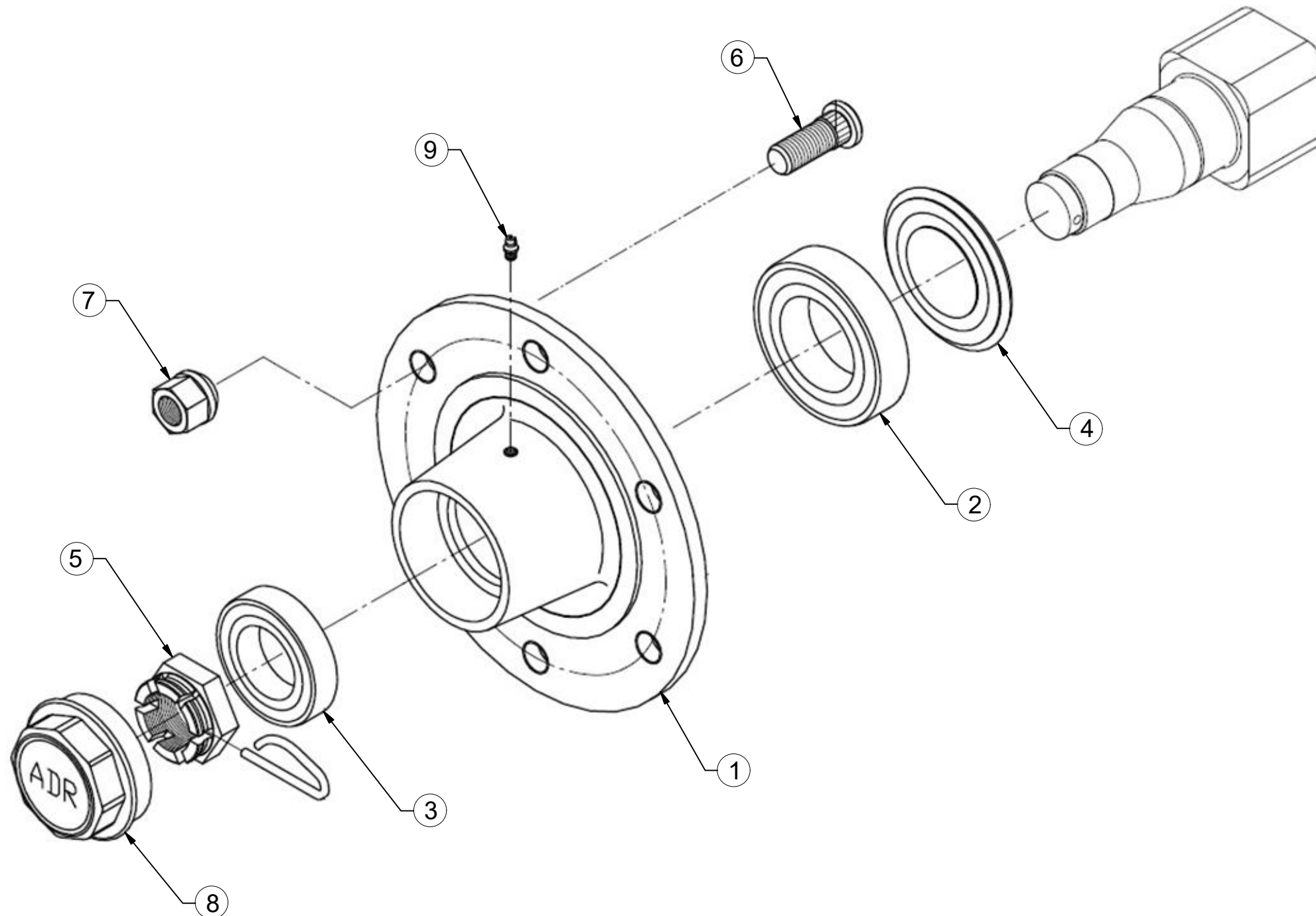
Ⓖ AXLE

Ⓡ OCB

Ⓟ OS



S60LR06



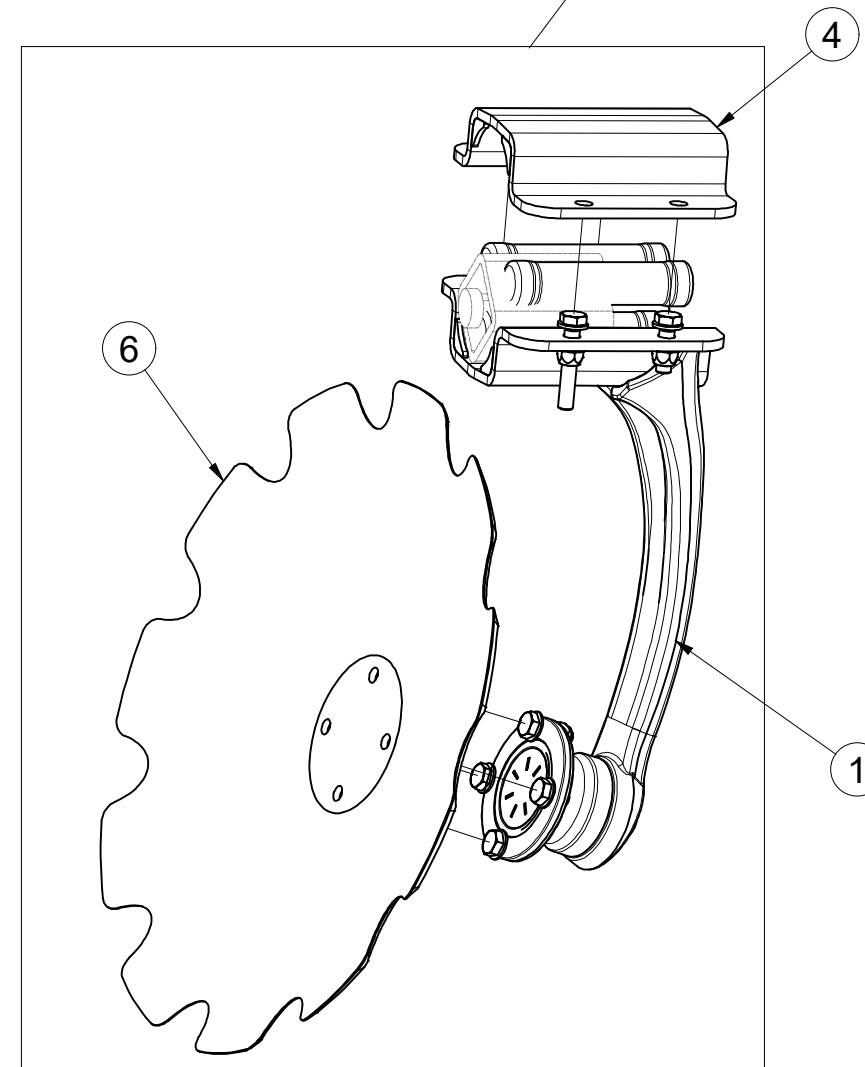
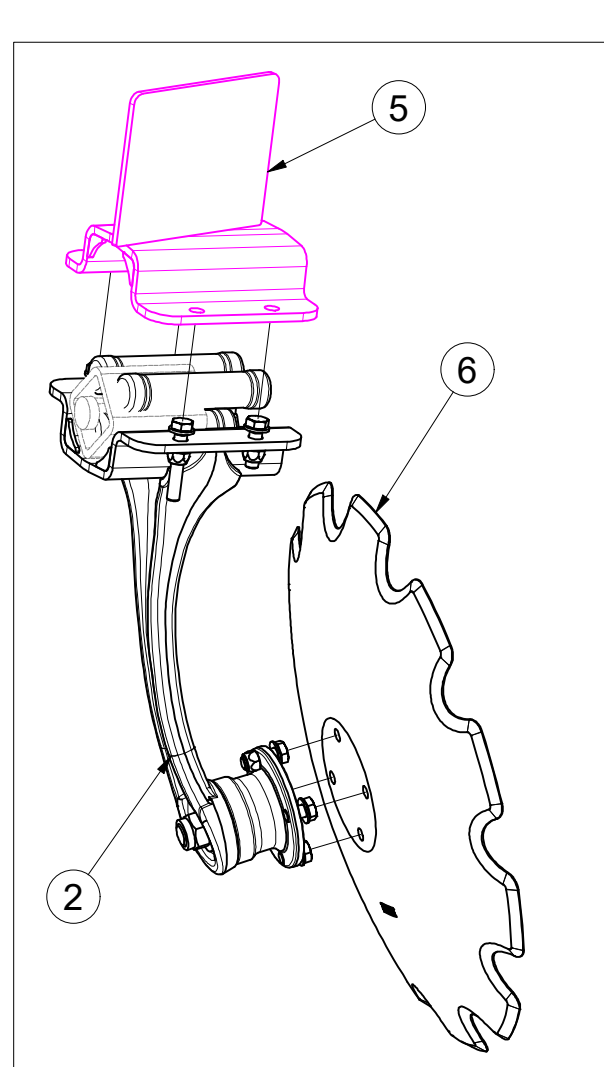
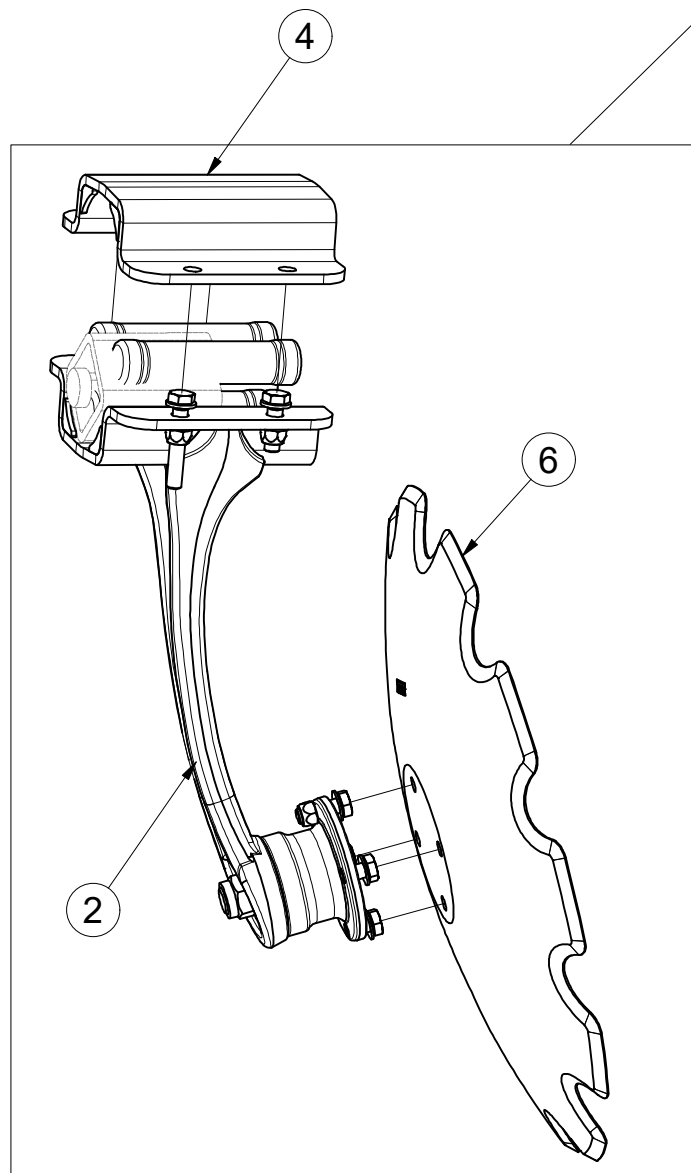
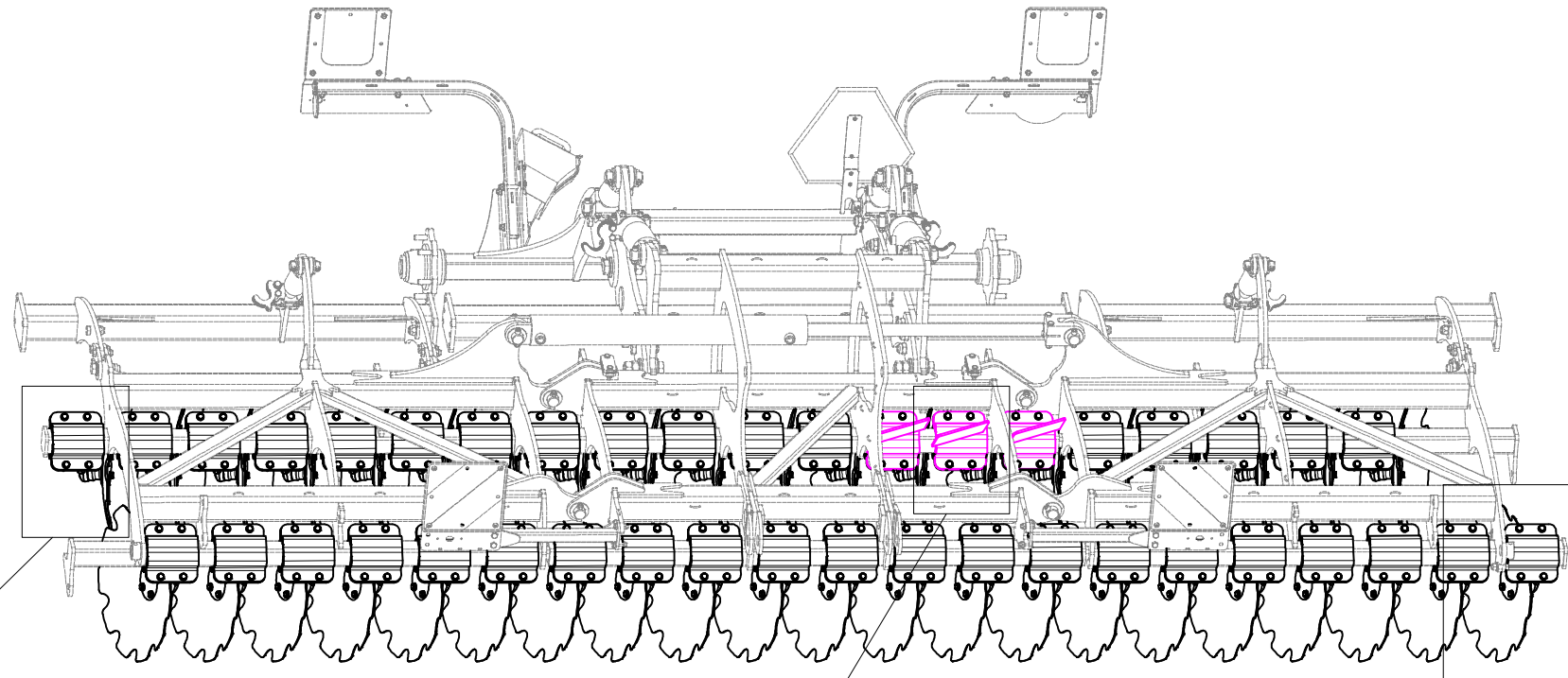
| Pos. | Part Number | Pcs. |
|------|-------------|------|
| 1 | m15631 | 1 |
| 2 | m07151 | 1 |
| 3 | m07152 | 1 |
| 4 | m15058 | 1 |
| 5 | m08169 | 1 |
| 6 | m08148 | 6 |
| 7 | m08163 | 6 |
| 8 | m15123 | 1 |
| 9 | m05698 | 1 |

CZ SADA DISKŮ
 D SCHEIBENSATZ
 F KIT DE DISQUES

GB DISC SET
 RU КОМПЛЕКТ ДИСКОВ
 PL ZESTAW TALERZY



VZ00023172



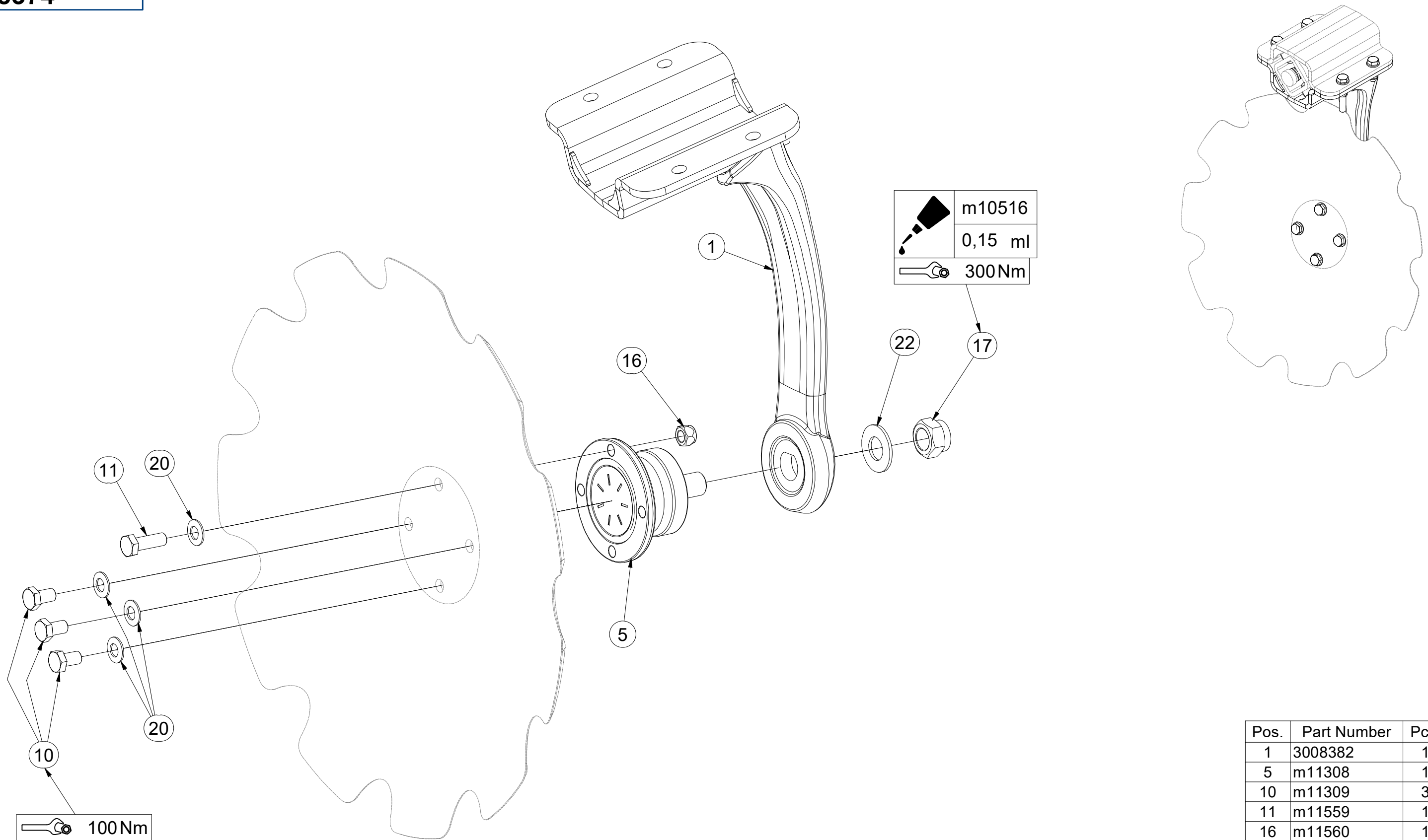
| Pos. | Part Number | Pcs. |
|------|-------------|------|
| 1 | 3008374 | 21 |
| 2 | 3008375 | 20 |
| 4 | 9004269 | 38 |
| 5 | 4016392 | 3 |
| 6 | 3006559 | 41 |

CZ PŘEDNÍ DISK
 D SCHEIBE, VORDERE
 F DISQUE AVANT

GB FRONT DISC
 RU ДИСК ПЕРЕДНИЙ
 PL TALERZ PRZEDNI



3008374



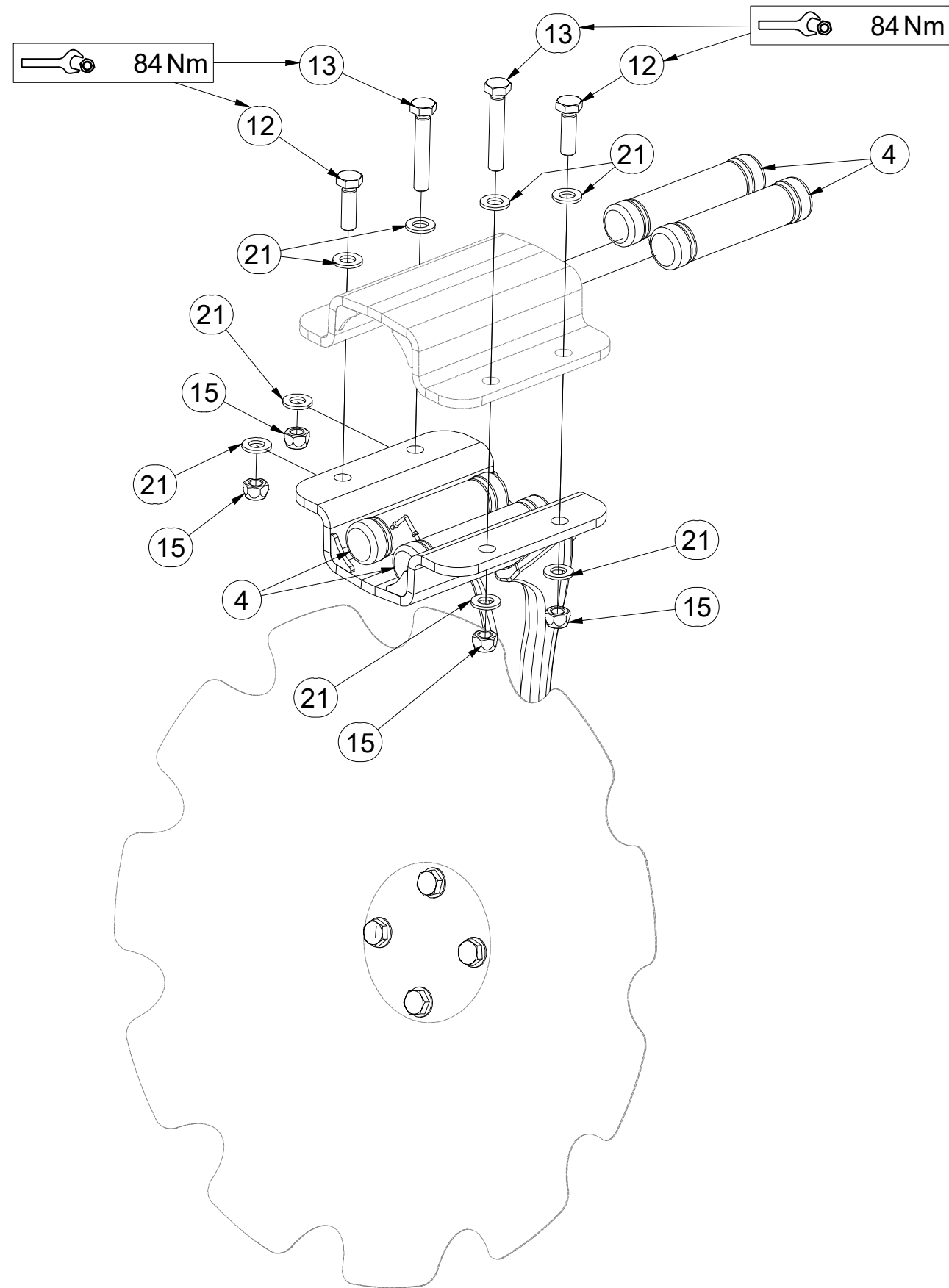
| Pos. | Part Number | Pcs. |
|------|-------------|------|
| 1 | 3008382 | 1 |
| 5 | m11308 | 1 |
| 10 | m11309 | 3 |
| 11 | m11559 | 1 |
| 16 | m11560 | 1 |
| 17 | m11313 | 1 |
| 20 | m17545 | 4 |
| 22 | VZ00011395 | 1 |

CZ PŘEDNÍ DISK
 D SCHEIBE, VORDERE
 F DISQUE AVANT

GB FRONT DISC
 RU ДИСК ПЕРЕДНИЙ
 PL TALERZ PRZEDNI



3008374



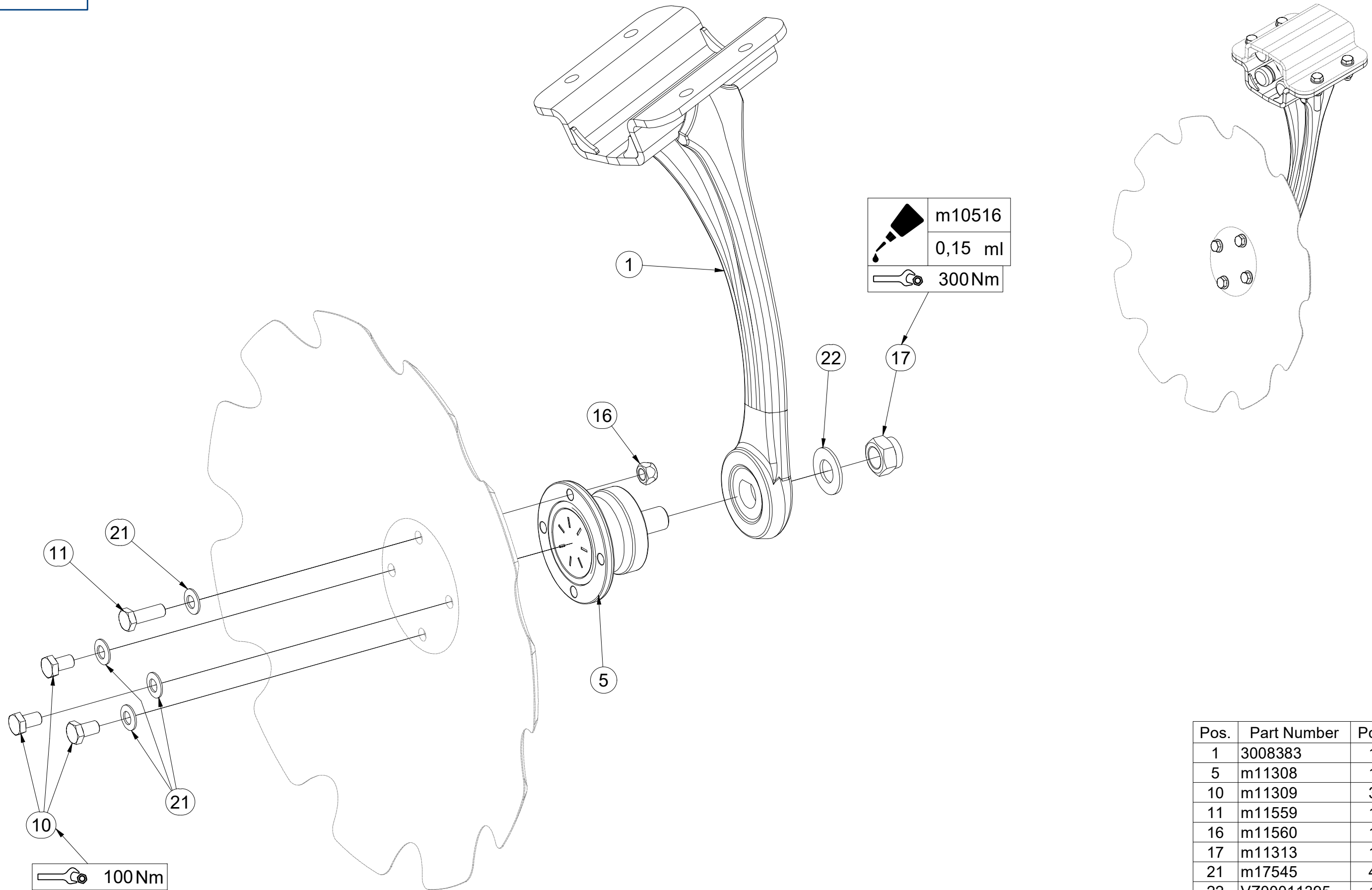
| Pos. | Part Number | Pcs. |
|------|-------------|------|
| 4 | VZ00003901 | 4 |
| 12 | m17657 | 2 |
| 13 | m17653 | 2 |
| 15 | m12134 | 4 |
| 21 | m17741 | 8 |

CZ ZADNÍ DISK
 D SCHEIBE, HINTERE
 F DISQUE ARRIÈRE

GB REAR DISC
 RU ДИСК ЗАДНИЙ
 PL TALERZ TYLNY



3008375



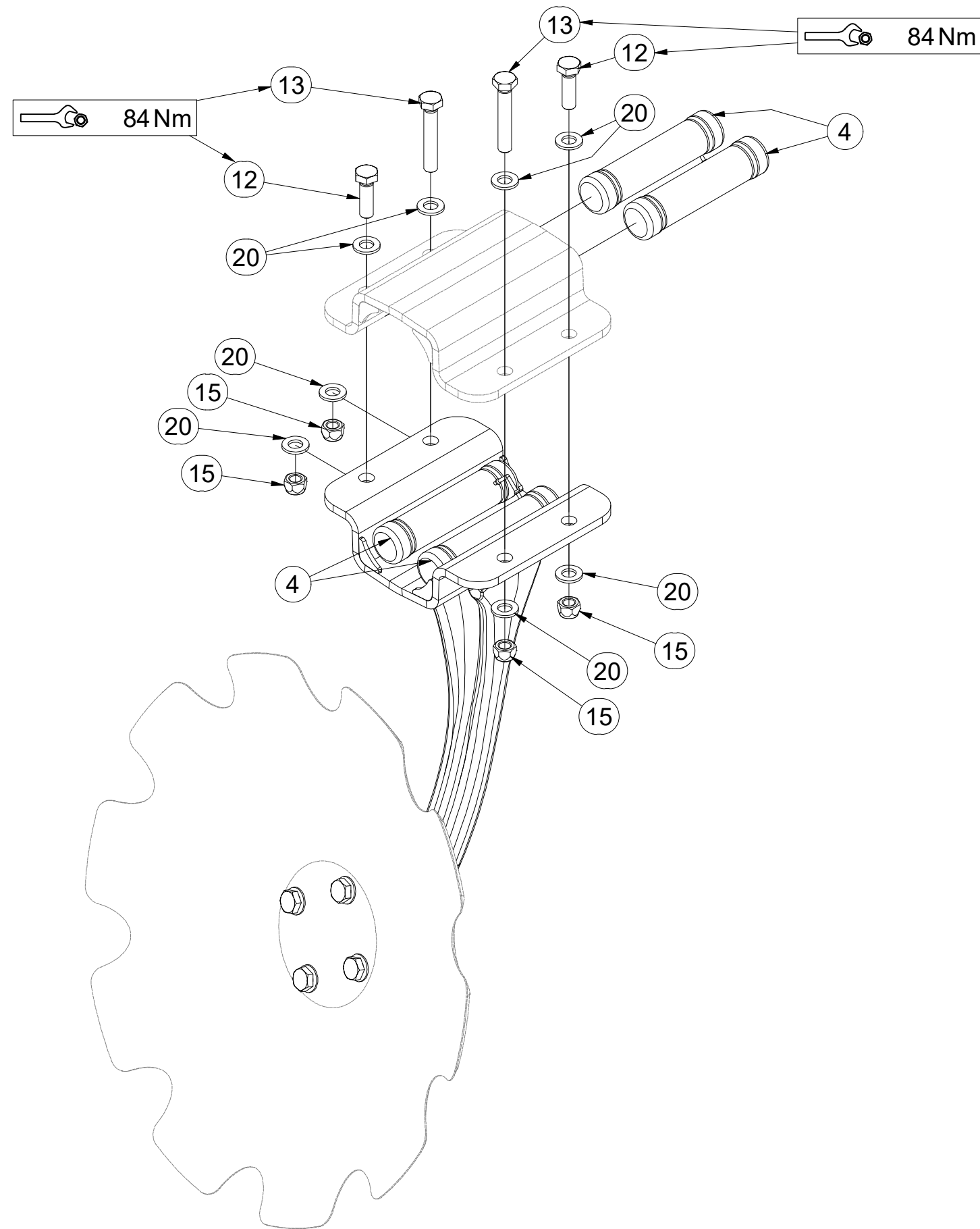
| Pos. | Part Number | Pcs. |
|------|-------------|------|
| 1 | 3008383 | 1 |
| 5 | m11308 | 1 |
| 10 | m11309 | 3 |
| 11 | m11559 | 1 |
| 16 | m11560 | 1 |
| 17 | m11313 | 1 |
| 21 | m17545 | 4 |
| 22 | VZ00011395 | 1 |

CZ ZADNÍ DISK
 D SCHEIBE, HINTERE
 F DISQUE ARRIÈRE

GB REAR DISC
 RU ДИСК ЗАДНИЙ
 PL TALERZ TYLNY



3008375



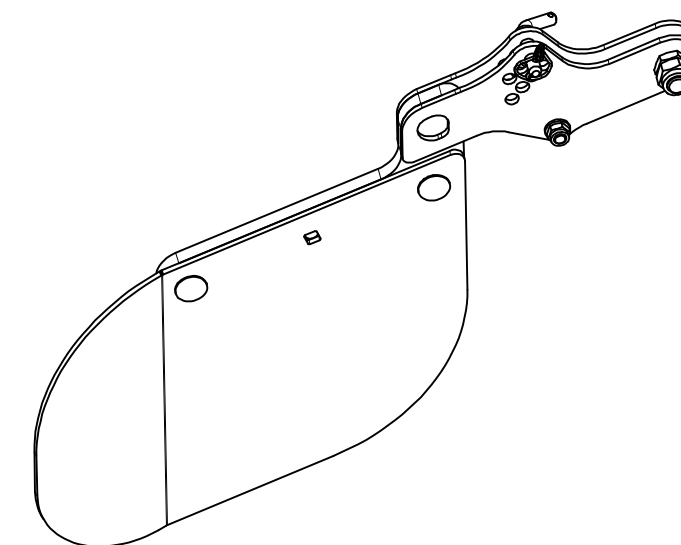
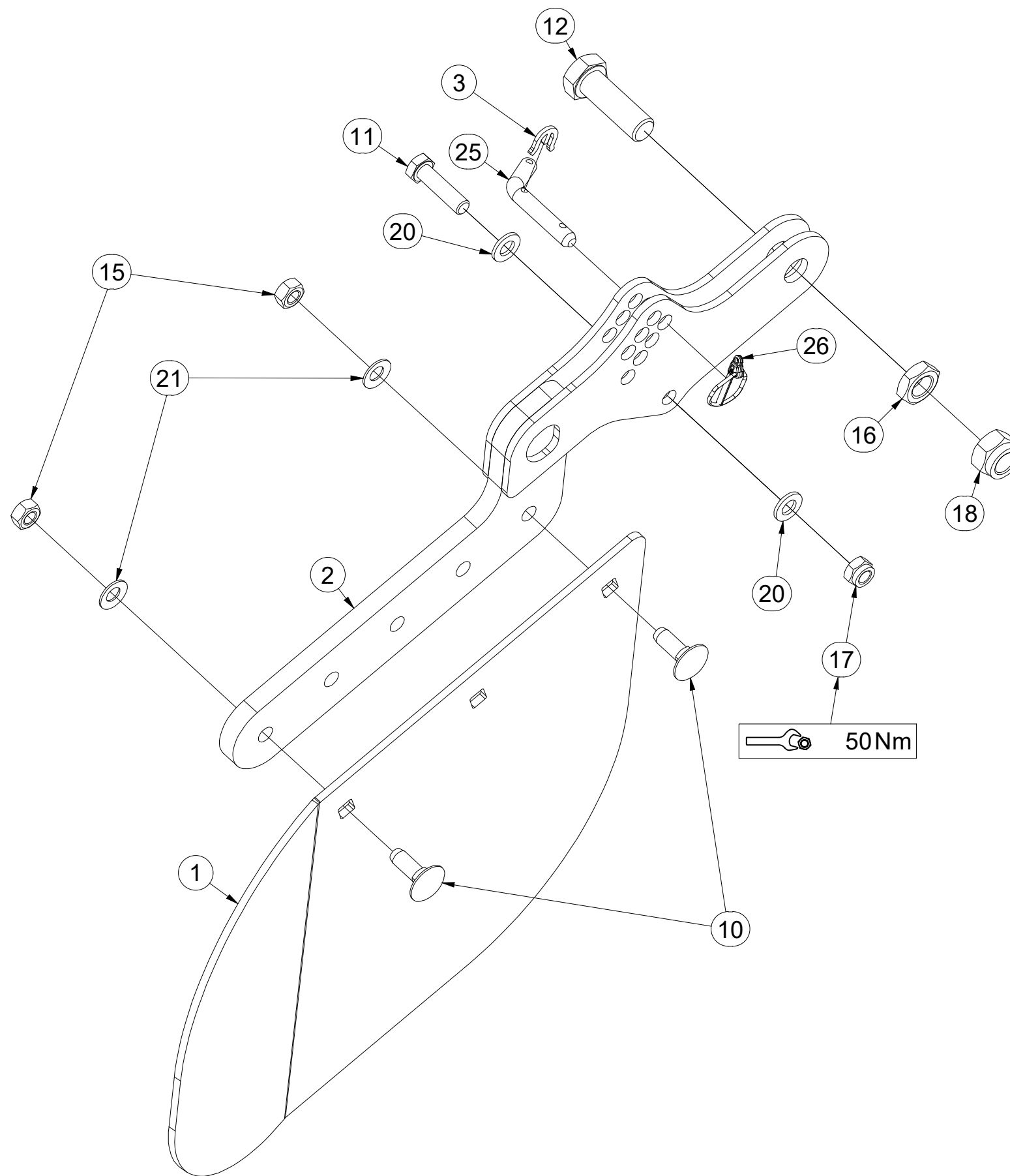
| Pos. | Part Number | Pcs. |
|------|-------------|------|
| 4 | VZ00003901 | 4 |
| 12 | m17657 | 2 |
| 13 | m17653 | 2 |
| 15 | m12134 | 4 |
| 20 | m17741 | 8 |

CZ DEFLEKTOR LEVÝ
 D DEFLEKTOR, LINKER
 F DÉFLECTEUR GAUCHE

GB DEFLECTOR LEFT
 RU ДЕФЛЕКТОР ЛЕВЫЙ
 PL DEFLEKTOR LEWY



3004585



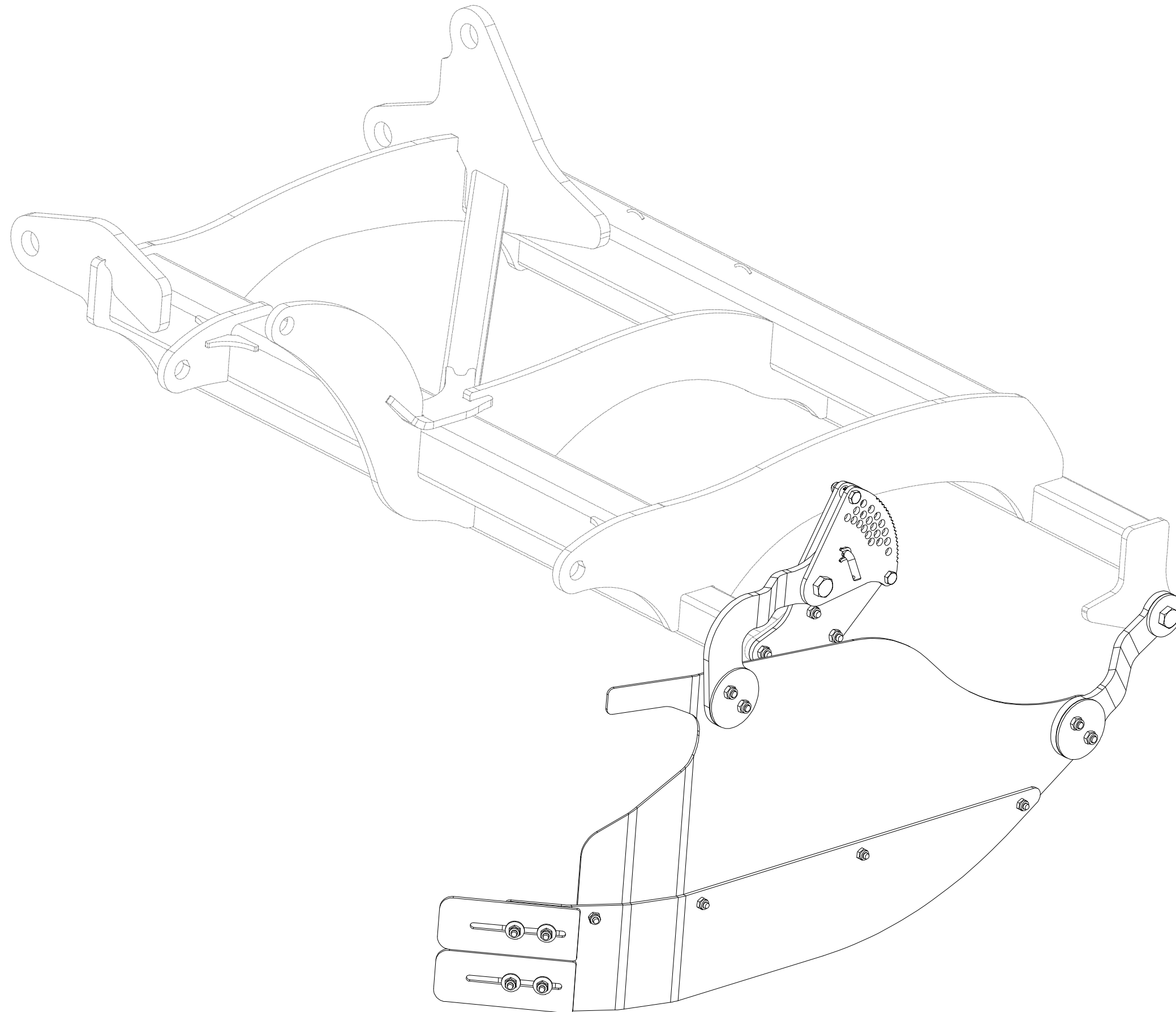
| Pos. | Part Number | Pcs. | Pos. | Part Number | Pcs. |
|------|-------------|------|------|-------------|------|
| 1 | 4007854 | 1 | 16 | m04284 | 1 |
| 2 | 4008743 | 1 | 17 | m04301 | 1 |
| 3 | 4016279 | 1 | 18 | m05648 | 1 |
| 10 | m10618 | 2 | 20 | m01214 | 2 |
| 11 | m06077 | 1 | 21 | m17545 | 2 |
| 12 | m05747 | 1 | 25 | m09141 | 1 |
| 15 | m10439 | 2 | 26 | m10454 | 1 |

Ⓒ DEFLEKTOR PRAVÝ
Ⓓ DEFLEKTOR, RECHTER
Ⓕ DÉFLECTEUR DROIT

VZ00036778

Ⓖ DEFLECTOR RIGHT
Ⓔ ДЕФЛЕКТОР ПРАВЫЙ
Ⓗ DEFLEKTOR PRAWY

Farmet

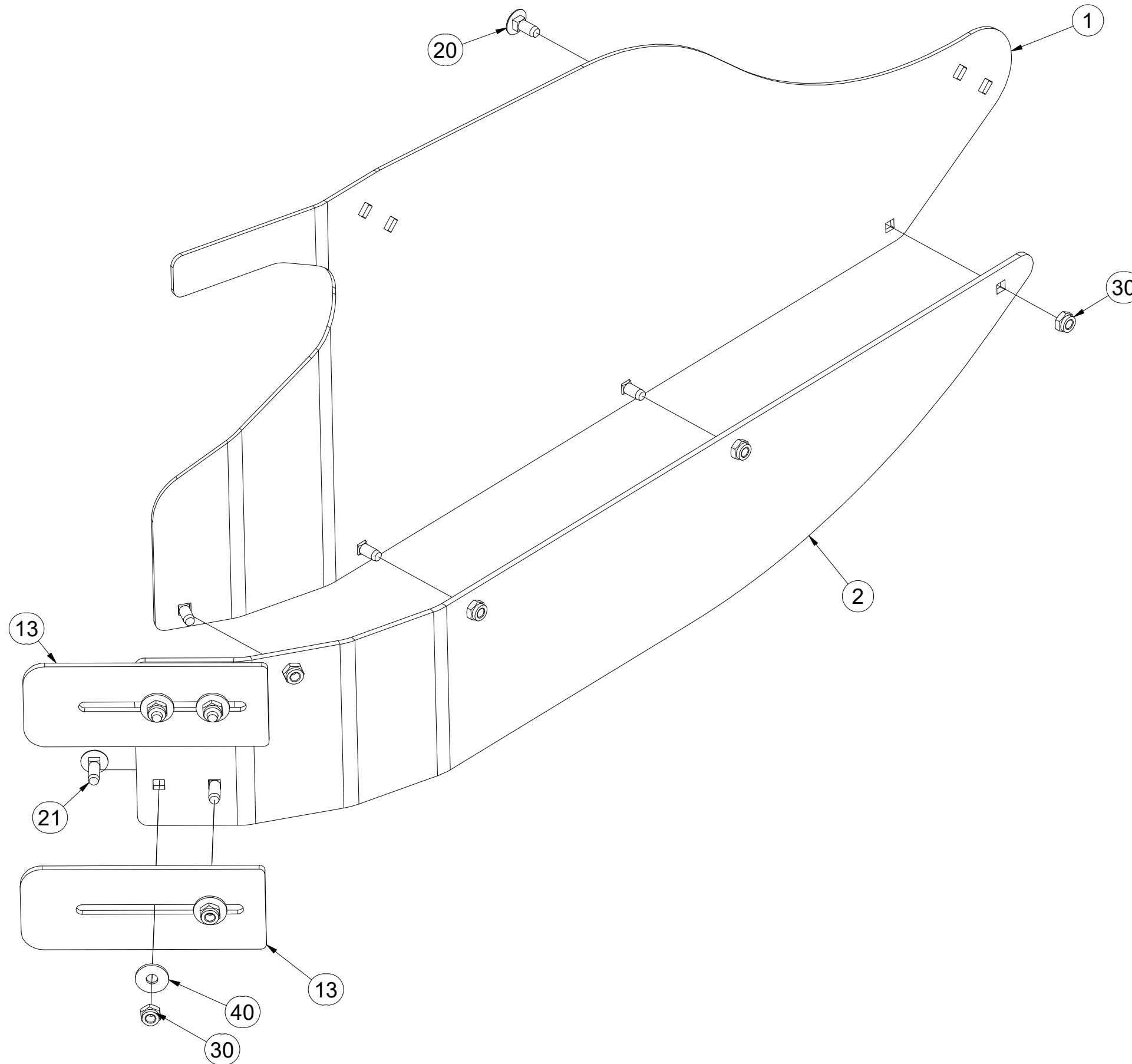


CZ DEFLEKTOR PRAVÝ
 D DEFLEKTOR, RECHTER
 F DÉFLECTEUR DROIT

GB DEFLECTOR RIGHT
 RU ДЕФЛЕКТОР ПРАВЫЙ
 PL DEFLEKTOR PRAWY



VZ00036778



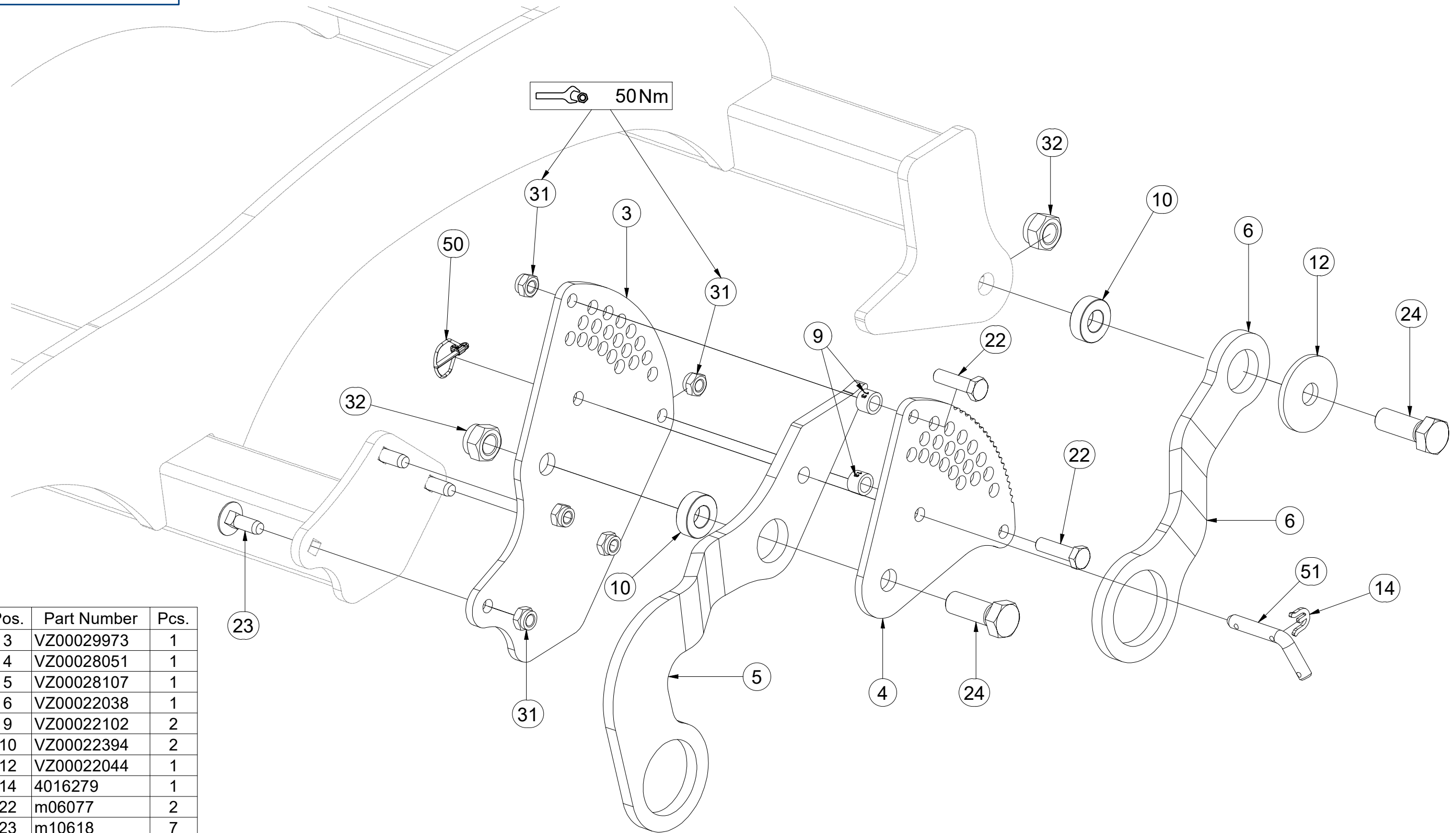
| Pos. | Part Number | Pcs. |
|------|-------------|------|
| 1 | VZ00023005 | 1 |
| 2 | VZ00022377 | 1 |
| 13 | VZ00022131 | 2 |
| 20 | m03129 | 4 |
| 21 | m19153 | 4 |
| 30 | m03775 | 8 |
| 40 | m16981 | 4 |

CZ DEFLEKTOR PRAVÝ
 D DEFLEKTOR, RECHTER
 F DÉFLECTEUR DROIT

GB DEFLECTOR RIGHT
 RU ДЕФЛЕКТОР ПРАВЫЙ
 PL DEFLEKTOR PRAWY



VZ00036778



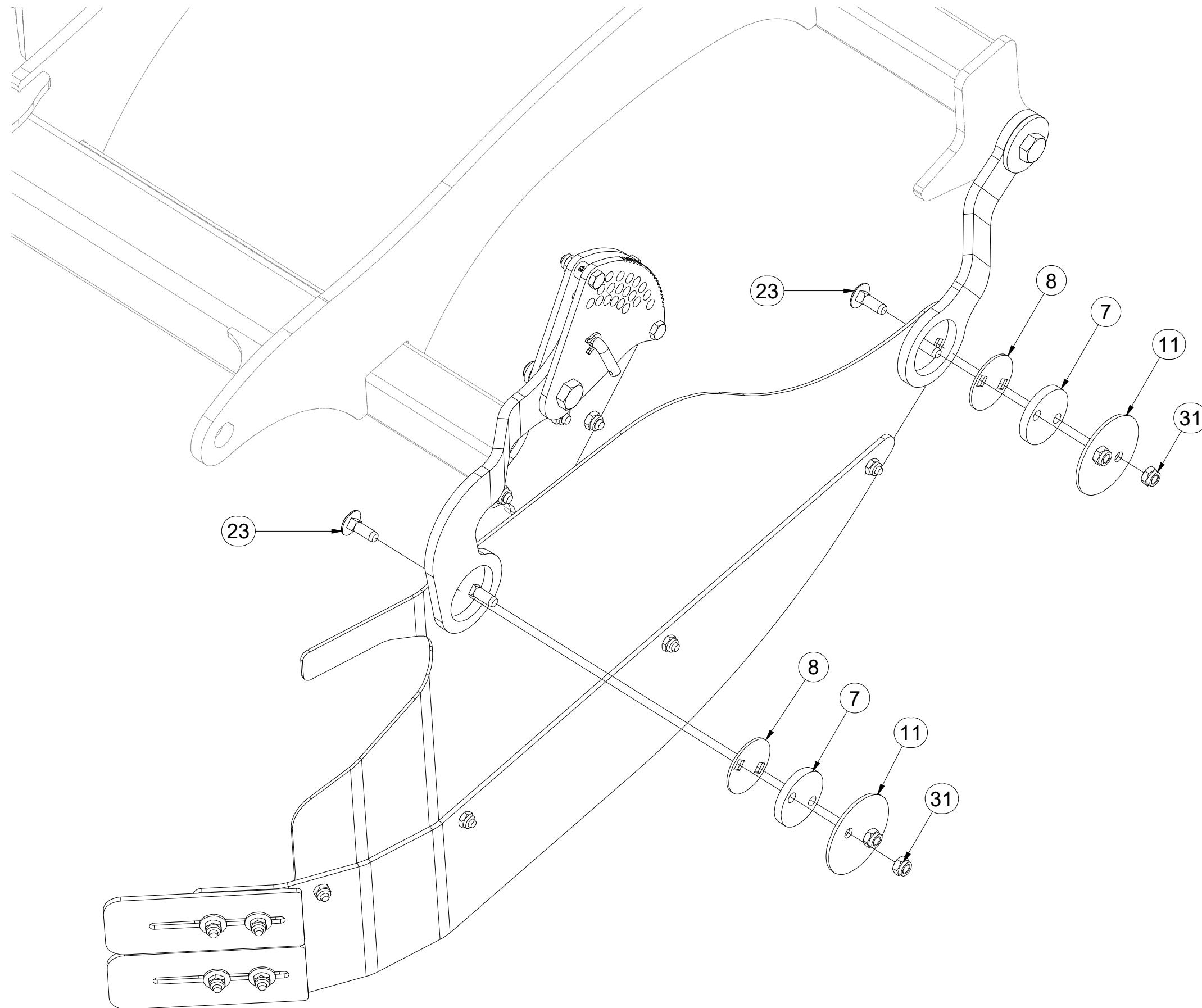
| Pos. | Part Number | Pcs. |
|------|-------------|------|
| 3 | VZ00029973 | 1 |
| 4 | VZ00028051 | 1 |
| 5 | VZ00028107 | 1 |
| 6 | VZ00022038 | 1 |
| 9 | VZ00022102 | 2 |
| 10 | VZ00022394 | 2 |
| 12 | VZ00022044 | 1 |
| 14 | 4016279 | 1 |
| 22 | m06077 | 2 |
| 23 | m10618 | 7 |
| 24 | m12771 | 2 |
| 31 | m04301 | 9 |
| 32 | m05648 | 2 |
| 50 | m10454 | 1 |
| 51 | m09141 | 1 |

CZ DEFLEKTOR PRAVÝ
 D DEFLEKTOR, RECHTER
 F DÉFLECTEUR DROIT

GB DEFLECTOR RIGHT
 RU ДЕФЛЕКТОР ПРАВЫЙ
 PL DEFLEKTOR PRAWY



VZ00036778



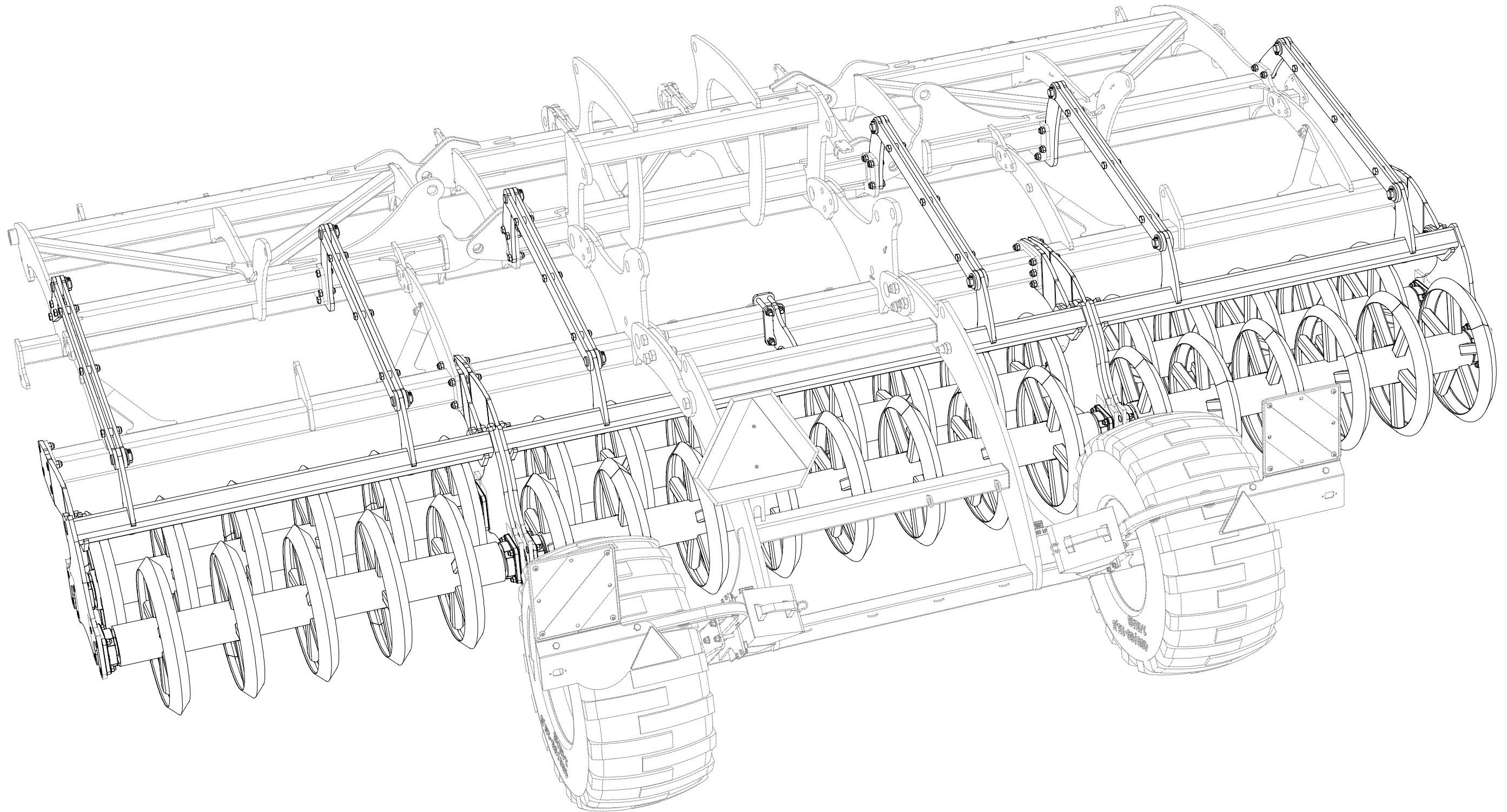
| Pos. | Part Number | Pcs. |
|------|-------------|------|
| 7 | VZ00022395 | 2 |
| 8 | VZ00022432 | 2 |
| 11 | VZ00022433 | 2 |
| 23 | m10618 | 7 |
| 31 | m04301 | 9 |

- Ⓒ SADA ZADNÍCH VÁLCŮ
- Ⓓ SATZ HINTERE WALZEN
- Ⓕ KIT DE ROULEAUX ARRIÈRE

VZ00039712

- Ⓖ SET OF REAR ROLLERS
- Ⓡ КОМПЛЕКТ ЗАДНИХ КАТКОВ
- Ⓟ ZESTAW TYLNYCH WAŁÓW

Farmet

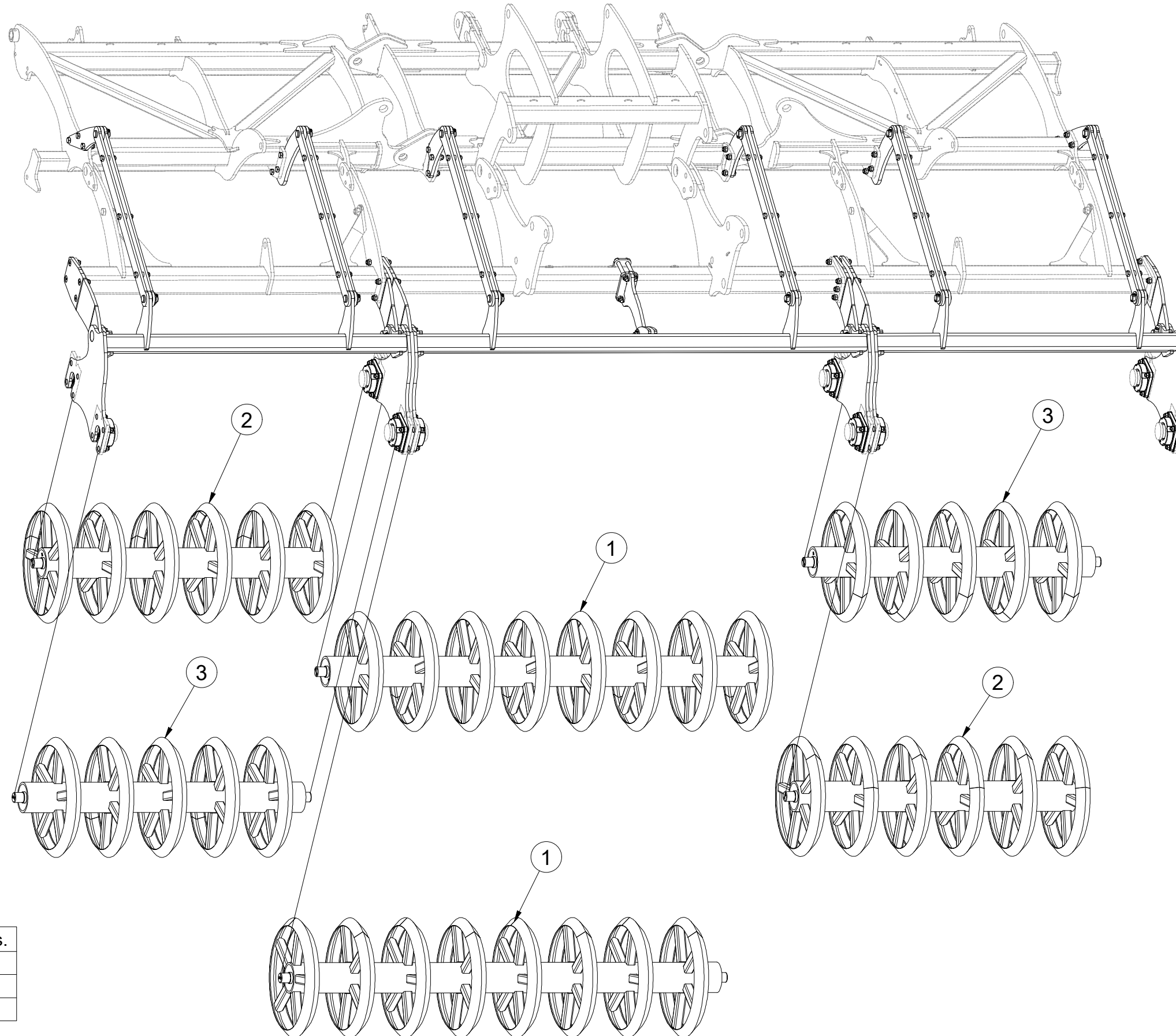


CZ SADA ZADNÍCH VÁLCŮ
 D SATZ HINTERE WALZEN
 F KIT DE ROULEAUX ARRIÈRE

GB SET OF REAR ROLLERS
 RU КОМПЛЕКТ ЗАДНИХ КАТКОВ
 PL ZESTAW TYLNYCH WAŁÓW



VZ00039712



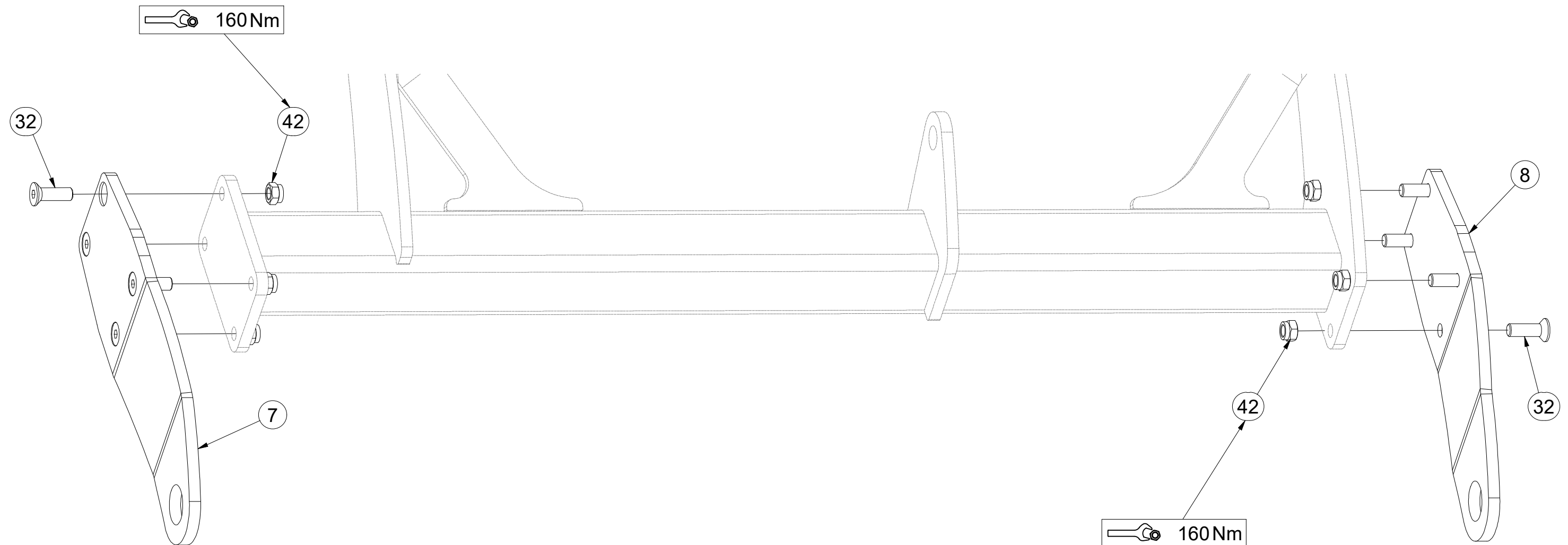
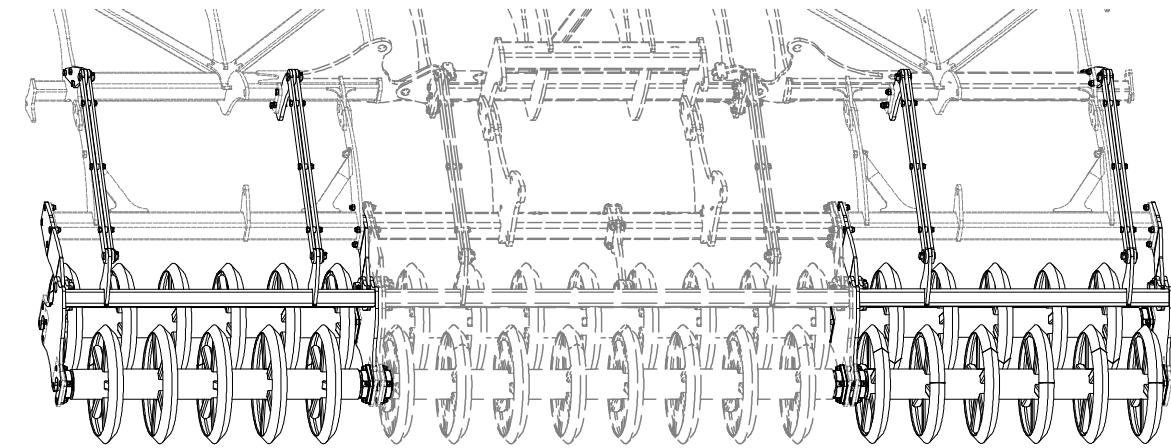
| Pos. | Part Number | Pcs. |
|------|-------------|------|
| 1 | VZ00039544 | 2 |
| 2 | VZ00039714 | 2 |
| 3 | VZ00039713 | 2 |

- ⒸZ SADA ZADNÍCH VÁLCŮ
- Ⓓ SATZ HINTERE WALZEN
- Ⓕ KIT DE ROULEAUX ARRIÈRE

VZ00039712

| Pos. | Part Number | Pcs. |
|------|-------------|------|
| 7 | 4017634 | 2 |
| 8 | 4017635 | 2 |
| 32 | m14672 | 28 |
| 42 | m03683 | 50 |

- ⒼB SET OF REAR ROLLERS
- ⒺU КОМПЛЕКТ ЗАДНИХ КАТКОВ
- ⒼL ZESTAW TYLNYCH WAŁÓW



Ⓒ SADA ZADNÍCH VÁLCŮ

Ⓓ SATZ HINTERE WALZEN

Ⓕ KIT DE ROULEAUX ARRIÈRE

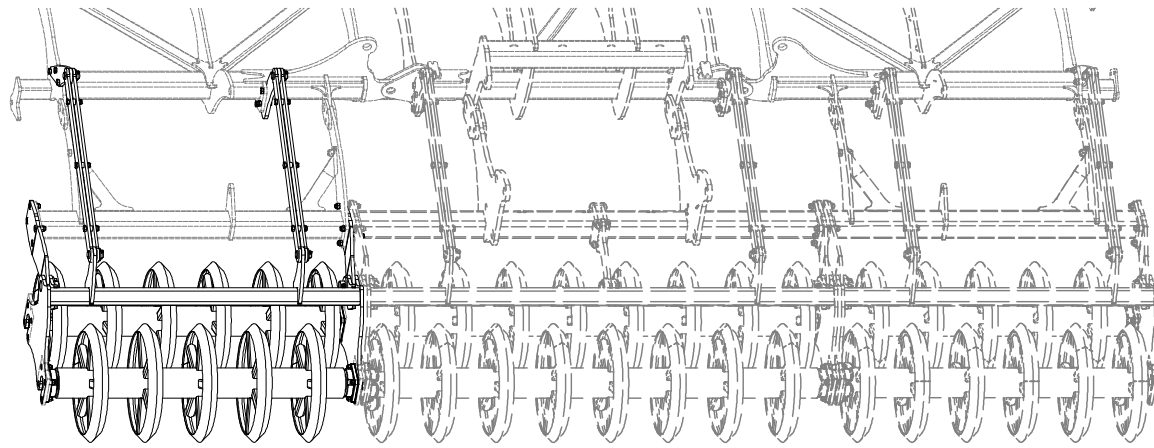
VZ00039712

Ⓖ SET OF REAR ROLLERS

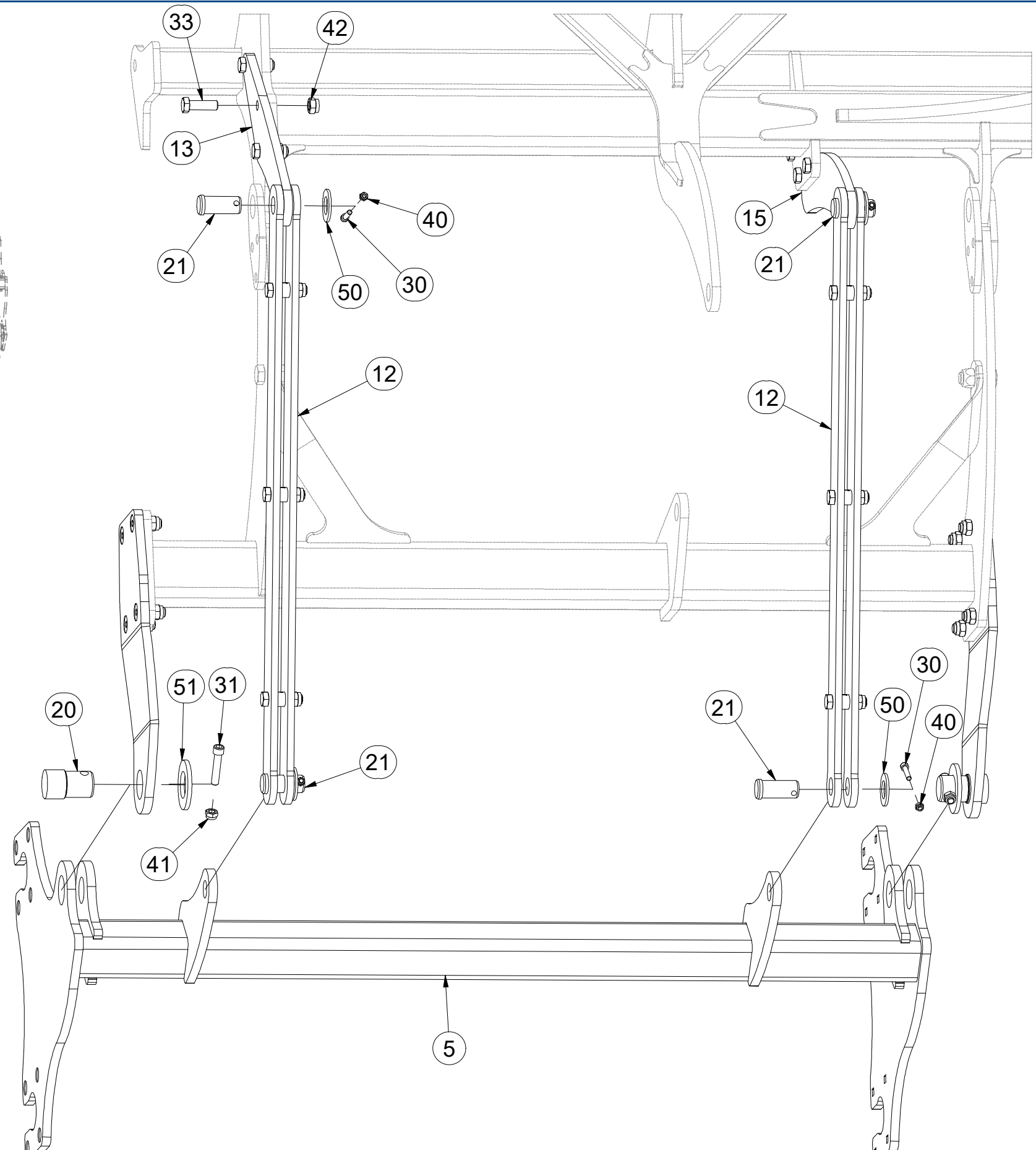
Ⓡ КОМПЛЕКТ ЗАДНИХ КАТКОВ

Ⓢ ZESTAW TYLNYCH WAŁÓW

Farmet



| Pos. | Part Number | Pcs. |
|------|-------------|------|
| 5 | VZ00039184 | 1 |
| 12 | 4013973 | 6 |
| 13 | 4014053 | 2 |
| 15 | 4014075 | 2 |
| 20 | 4013966 | 6 |
| 21 | 4025823 | 13 |
| 31 | m04293 | 6 |
| 33 | m10849 | 18 |
| 30 | m13894 | 13 |
| 41 | m04301 | 6 |
| 40 | m04503 | 13 |
| 42 | m03683 | 50 |
| 51 | m05447 | 6 |
| 50 | m14029 | 13 |



Ⓒ SADA ZADNÍCH VÁLČŮ

Ⓓ SATZ HINTERE WALZEN

Ⓕ KIT DE ROULEAUX ARRIÈRE

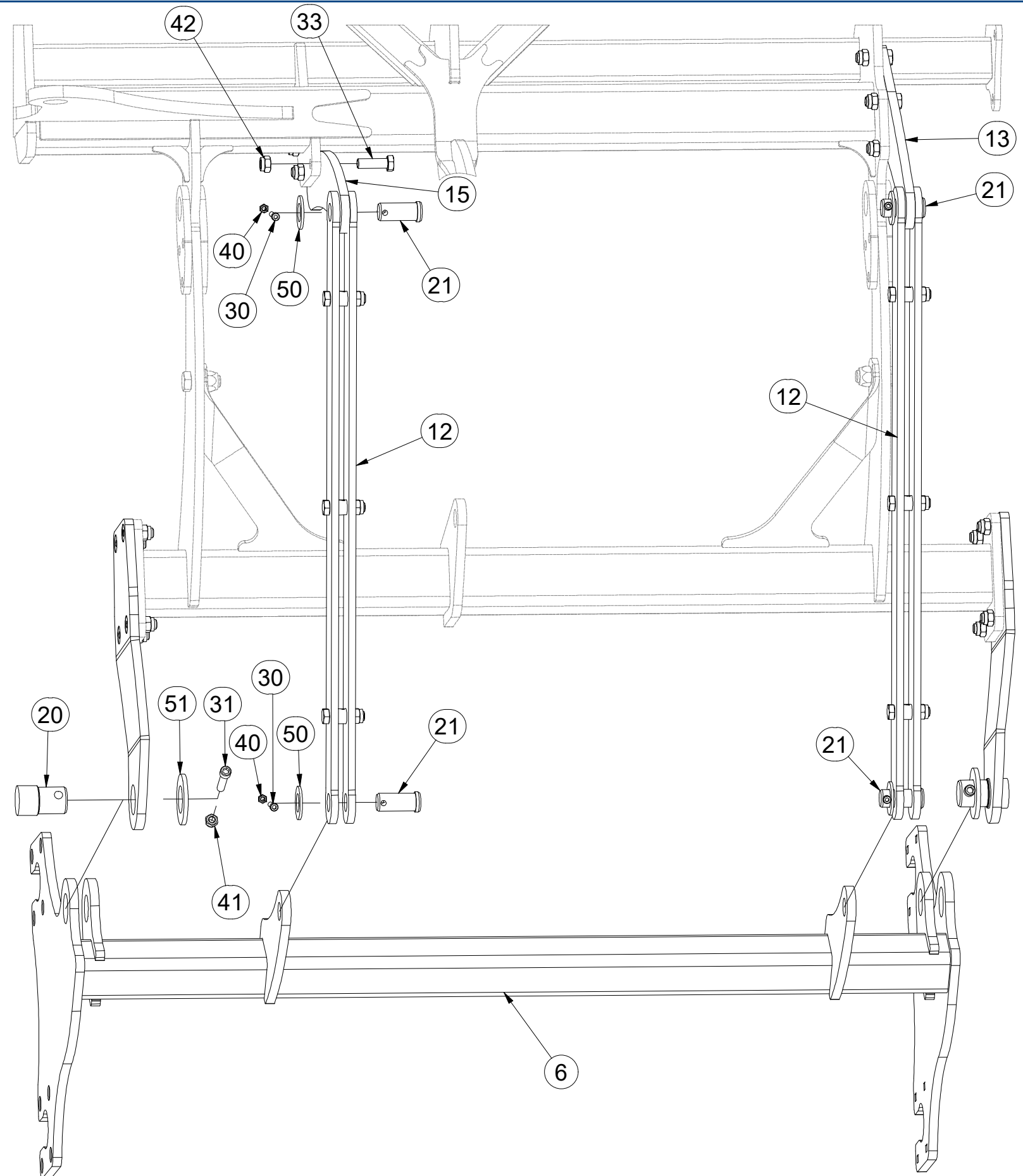
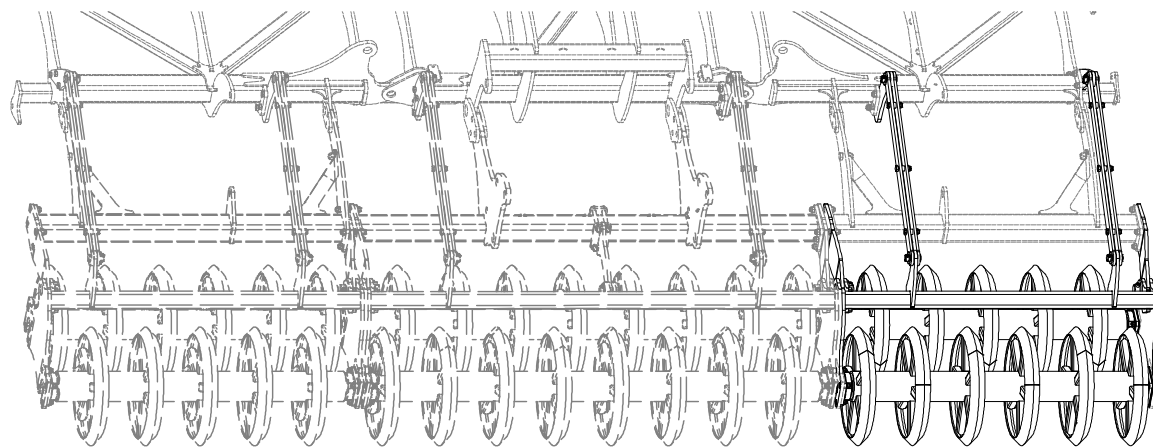
VZ00039712

Ⓖ SET OF REAR ROLLERS

Ⓡ КОМПЛЕКТ ЗАДНИХ КАТКОВ

Ⓟ ZESTAW TYLNYCH WAŁÓW

Farmet



| Pos. | Part Number | Pcs. |
|------|-------------|------|
| 6 | VZ00039185 | 1 |
| 12 | 4013973 | 6 |
| 13 | 4014053 | 2 |
| 15 | 4014075 | 2 |
| 20 | 4013966 | 6 |
| 21 | 4025823 | 13 |
| 31 | m04293 | 6 |
| 33 | m10849 | 18 |
| 30 | m13894 | 13 |
| 41 | m04301 | 6 |
| 40 | m04503 | 13 |
| 42 | m03683 | 50 |
| 51 | m05447 | 6 |
| 50 | m14029 | 13 |

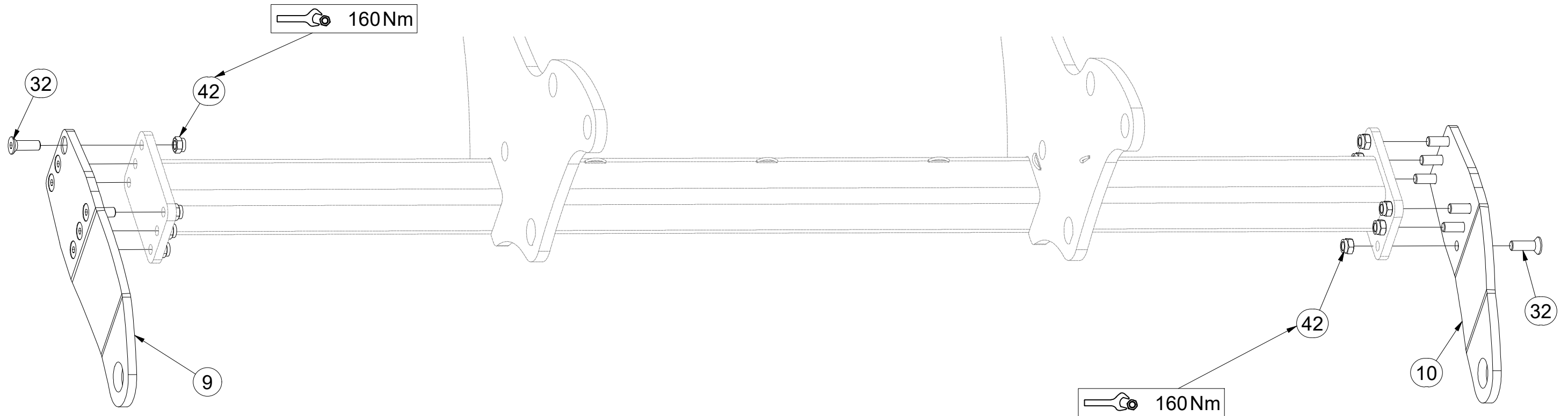
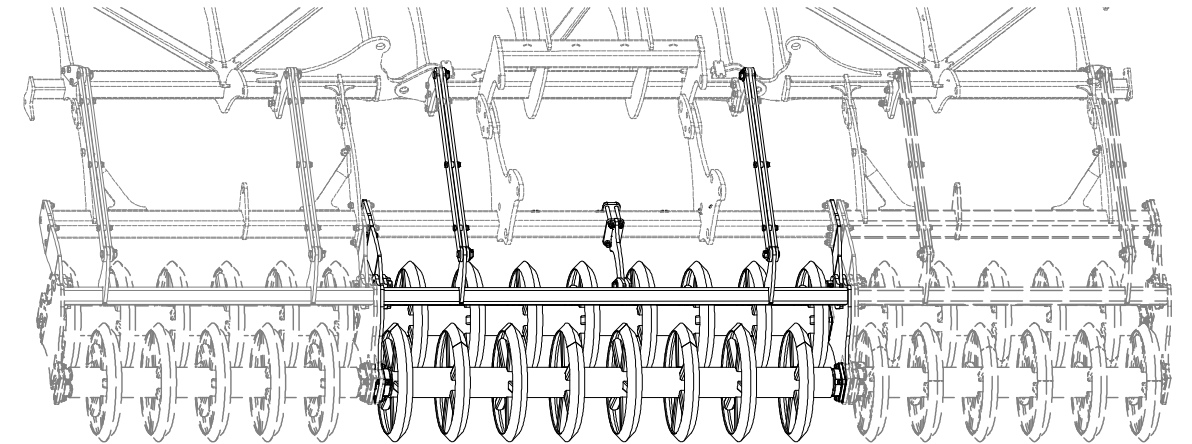
- Ⓒ SADA ZADNÍCH VÁLCŮ
- Ⓓ SATZ HINTERE WALZEN
- Ⓕ KIT DE ROULEAUX ARRIÈRE

- Ⓒ SET OF REAR ROLLERS
- Ⓓ КОМПЛЕКТ ЗАДНИХ КАТКОВ
- Ⓕ ZESTAW TYLNYCH WAŁÓW



VZ00039712

| Pos. | Part Number | Pcs. |
|------|-------------|------|
| 9 | 4017636 | 1 |
| 10 | 4017637 | 1 |
| 32 | m14672 | 28 |
| 42 | m03683 | 50 |

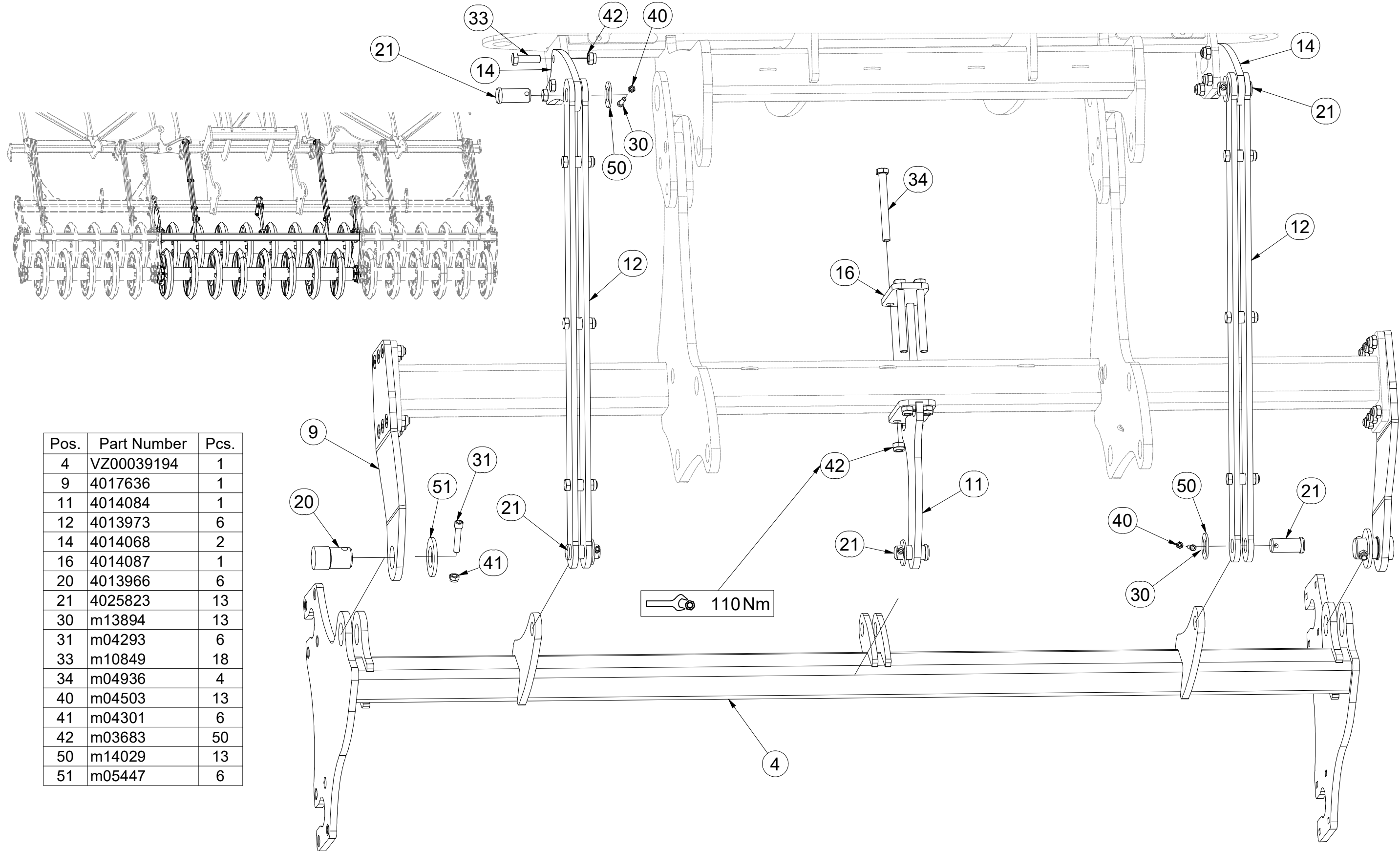


- Ⓒ SADA ZADNÍCH VÁLČŮ
- Ⓓ SATZ HINTERE WALZEN
- Ⓕ KIT DE ROULEAUX ARRIÈRE

- Ⓖ SET OF REAR ROLLERS
- Ⓡ КОМПЛЕКТ ЗАДНИХ КАТКОВ
- Ⓟ ZESTAW TYLNYCH WAŁÓW



VZ00039712



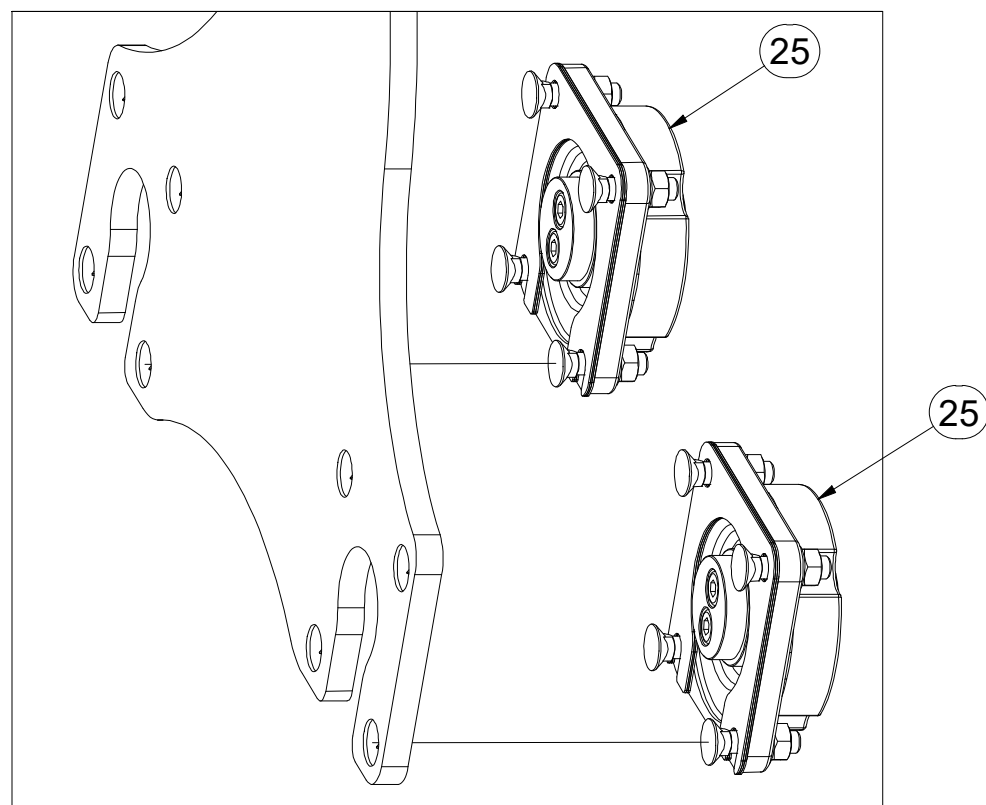
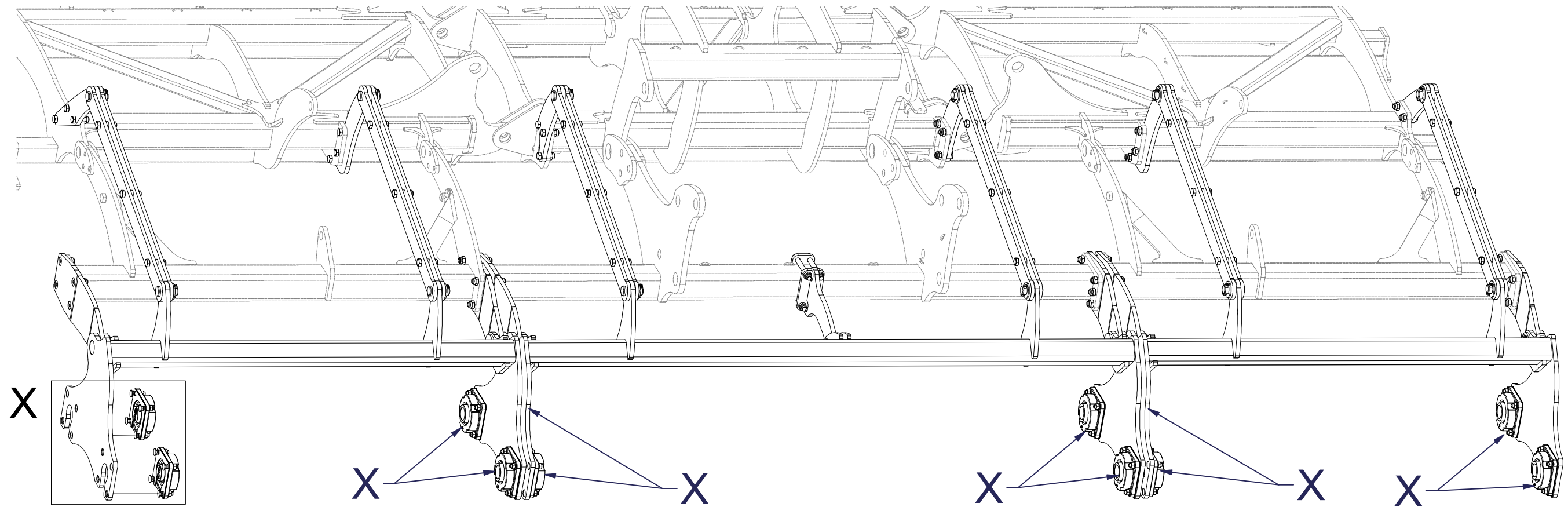
| Pos. | Part Number | Pcs. |
|------|-------------|------|
| 4 | VZ00039194 | 1 |
| 9 | 4017636 | 1 |
| 11 | 4014084 | 1 |
| 12 | 4013973 | 6 |
| 14 | 4014068 | 2 |
| 16 | 4014087 | 1 |
| 20 | 4013966 | 6 |
| 21 | 4025823 | 13 |
| 30 | m13894 | 13 |
| 31 | m04293 | 6 |
| 33 | m10849 | 18 |
| 34 | m04936 | 4 |
| 40 | m04503 | 13 |
| 41 | m04301 | 6 |
| 42 | m03683 | 50 |
| 50 | m14029 | 13 |
| 51 | m05447 | 6 |

- ⒸZ SADA ZADNÍCH VÁLČŮ
- Ⓓ SATZ HINTERE WALZEN
- Ⓕ KIT DE ROULEAUX ARRIÈRE

- ⒼB SET OF REAR ROLLERS
- ⒺU КОМПЛЕКТ ЗАДНИХ КАТКОВ
- ⒺL ZESTAW TYLNYCH WAŁÓW



VZ00039712



| Pos. | Part Number | Pcs. |
|------|-------------|------|
| 25 | VZ00033348 | 12 |

Ⓒ TÁHLO

Ⓓ STANGE

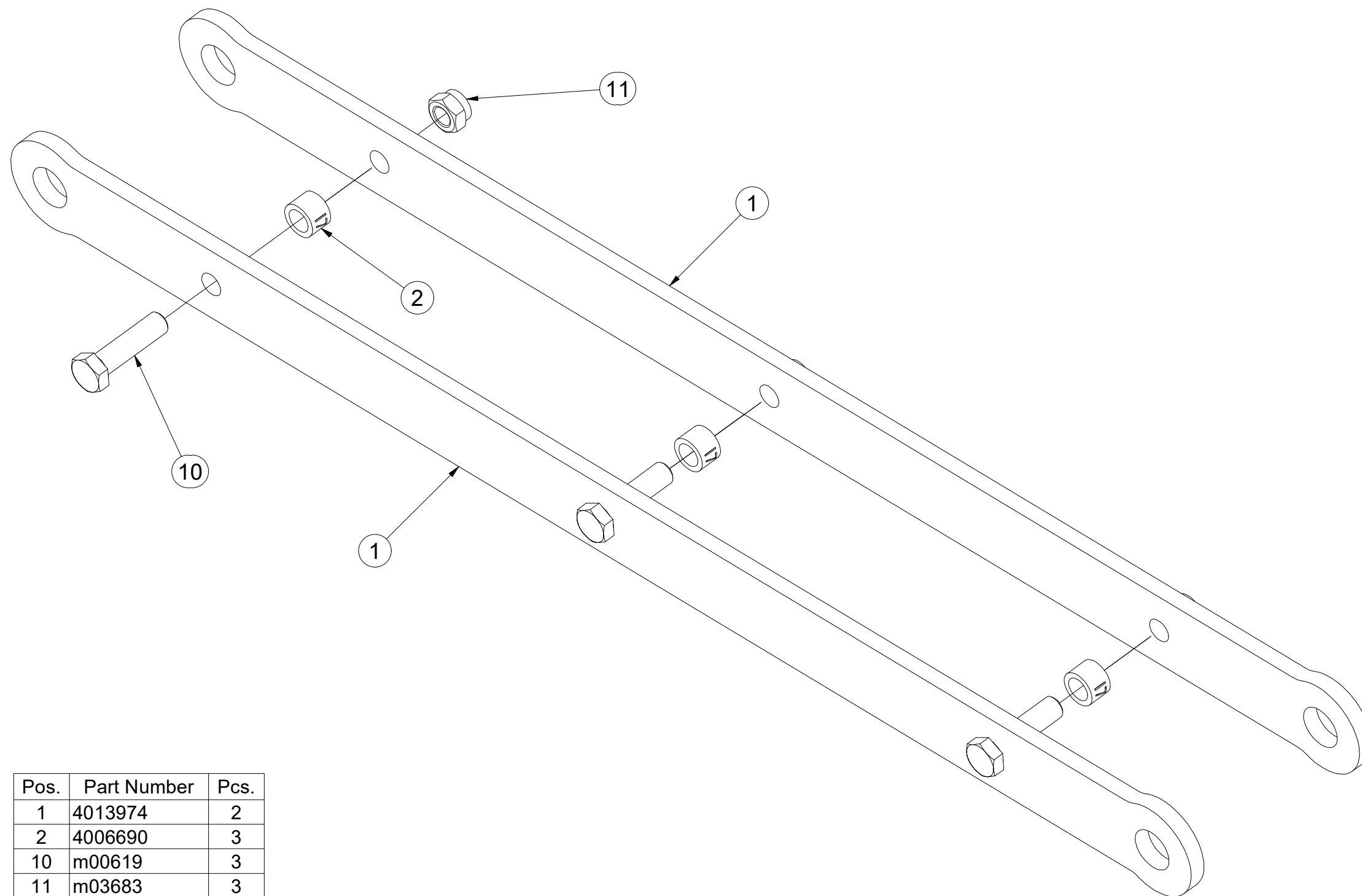
Ⓕ TIGE DE TRACTION

4013973

Ⓖ DRAWBAR

Ⓡ ТЯГА

Ⓢ PRĘT



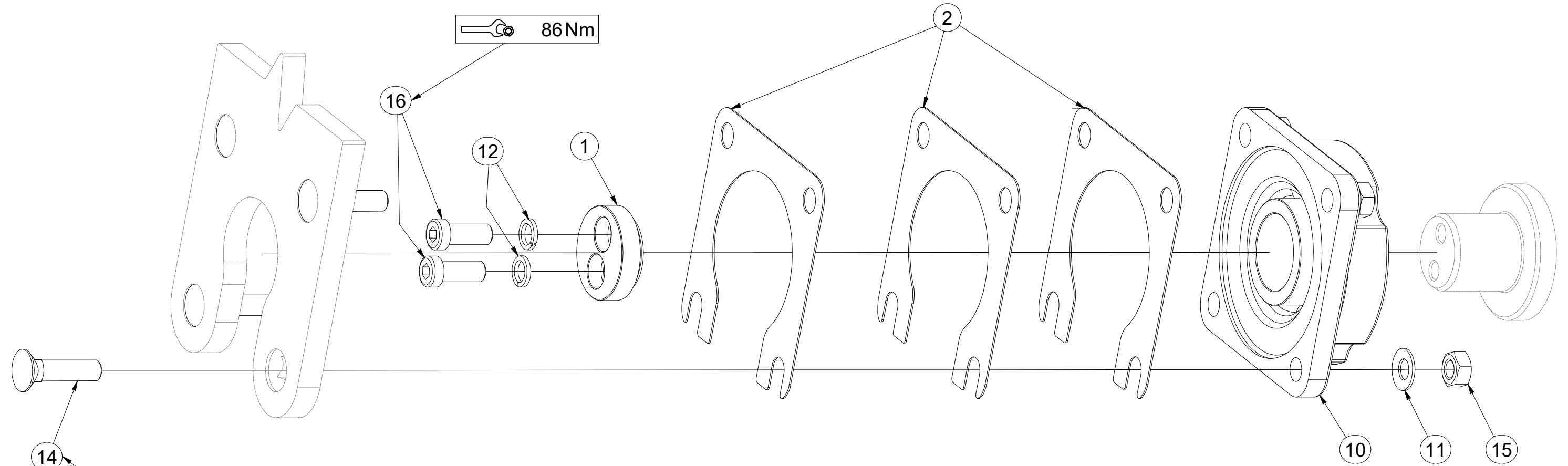
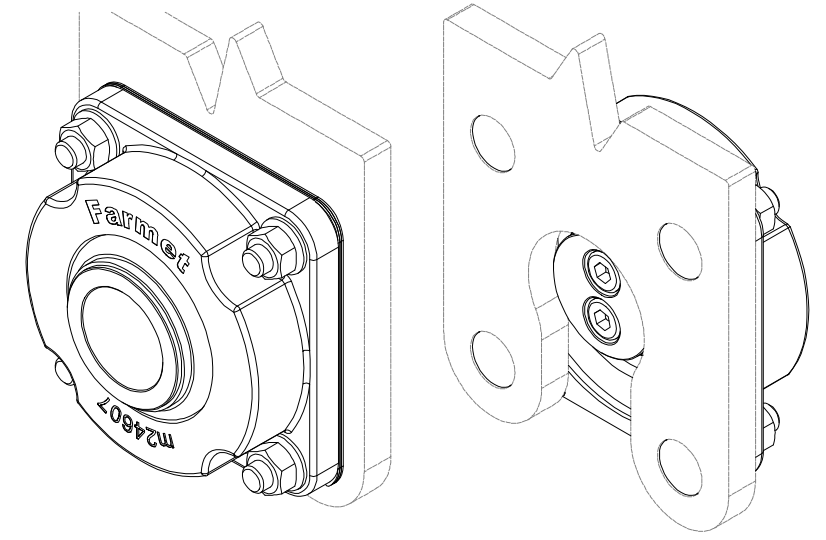
| Pos. | Part Number | Pcs. |
|------|-------------|------|
| 1 | 4013974 | 2 |
| 2 | 4006690 | 3 |
| 10 | m00619 | 3 |
| 11 | m03683 | 3 |

CZ SADA LOŽISEK
 D SATZ LAGER
 F KIT DE ROULEMENTS

GB SET OF BEARINGS
 RU КОМПЛЕКТ ПОДШИПНИКОВ
 PL ZESTAW ŁOŻYSK

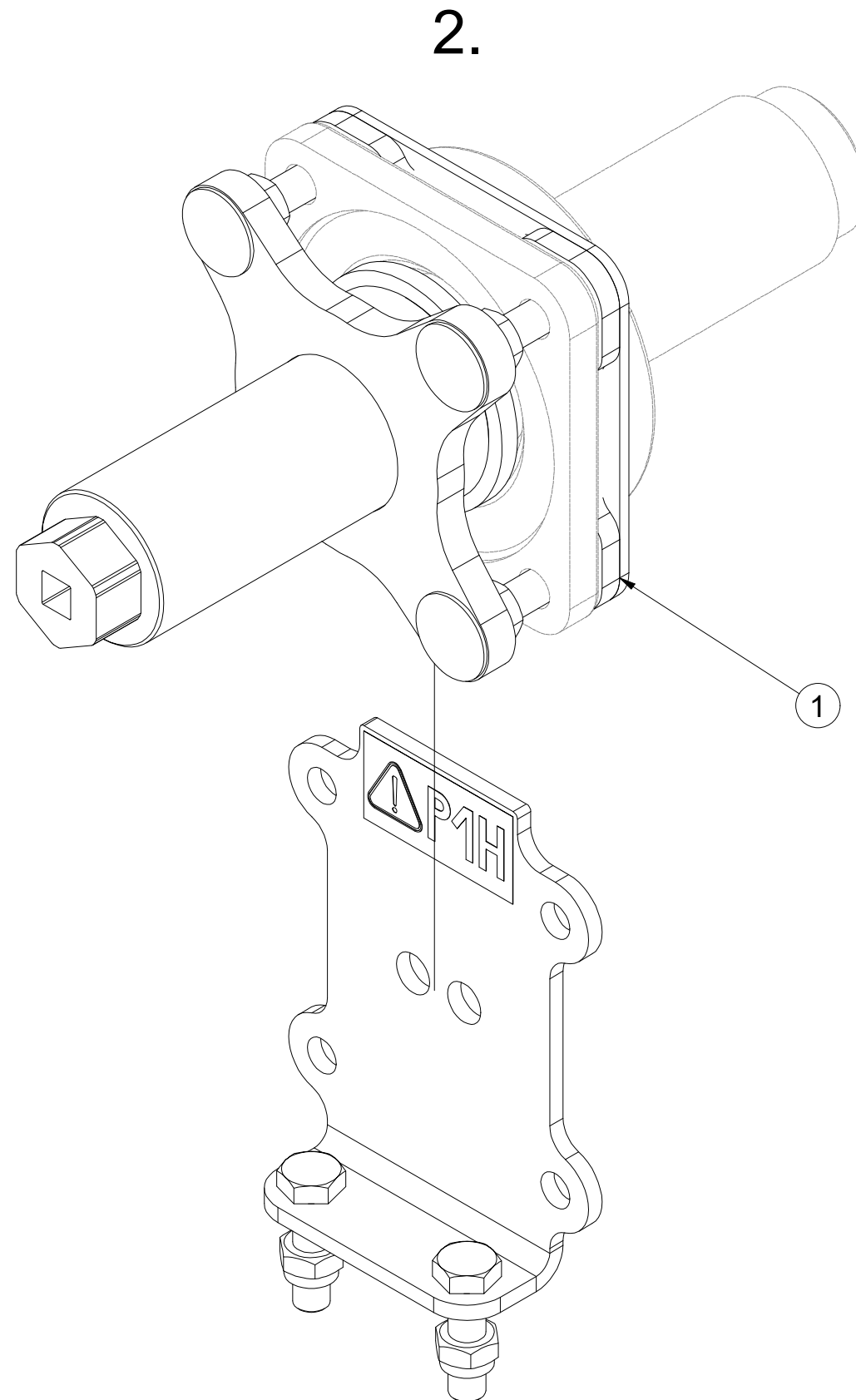
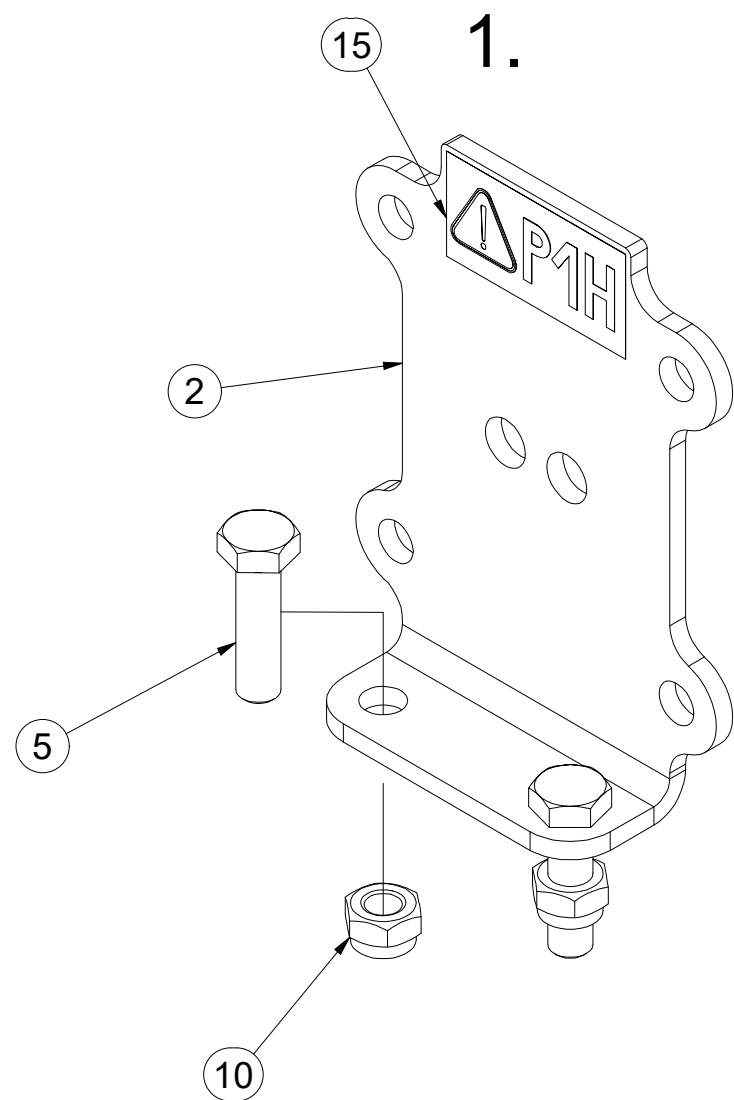


VZ00033348



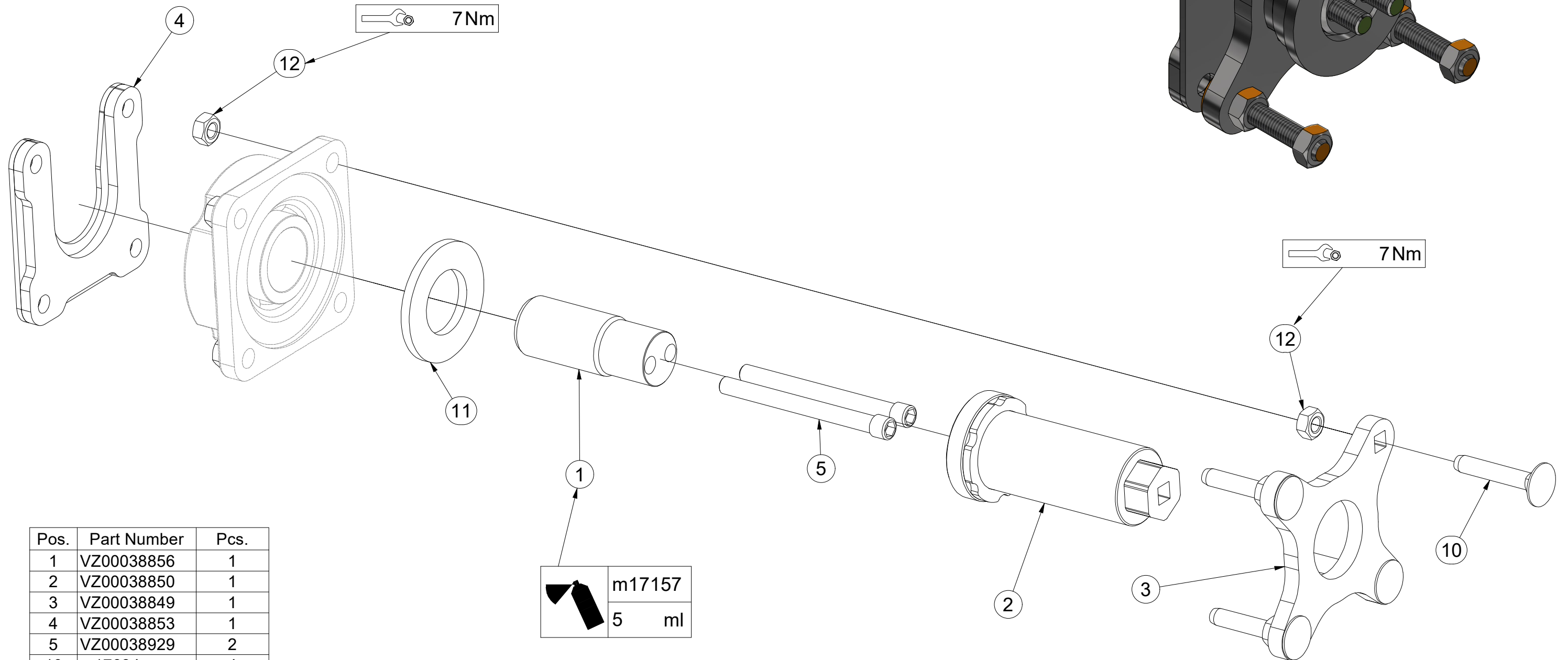
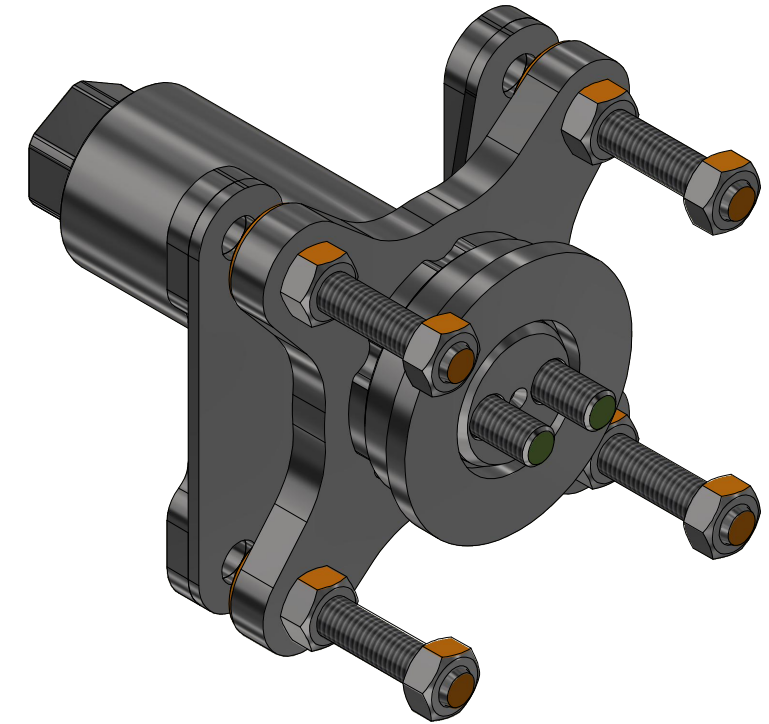
| Pos. | Part Number | Pcs. |
|------|-------------|------|
| 1 | VZ00038447 | 1 |
| 2 | VZ00030606 | 3 |
| 10 | m24607 | 1 |
| 11 | m17545 | 4 |
| 12 | m03988 | 2 |
| 14 | m10440 | 4 |
| 15 | m10439 | 4 |
| 16 | m19122 | 2 |

VZ00039937



| Pos. | Part Number | Pcs. |
|------|-------------|------|
| 1 | VZ00038848 | 1 |
| 2 | VZ00039933 | 1 |
| 5 | m06077 | 2 |
| 10 | m04301 | 2 |
| 15 | m04359 | 1 |

VZ00038848



| Pos. | Part Number | Pcs. |
|------|-------------|---------|
| 1 | VZ00038856 | 1 |
| 2 | VZ00038850 | 1 |
| 3 | VZ00038849 | 1 |
| 4 | VZ00038853 | 1 |
| 5 | VZ00038929 | 2 |
| 10 | m17684 | 4 |
| 11 | m05447 | 1 |
| 12 | m10439 | 8 |
| 20 | m17157 | 5,00 ml |

Ⓒ SADA NÁPRAVY

Ⓓ SATZ AUFHÄNGUNG

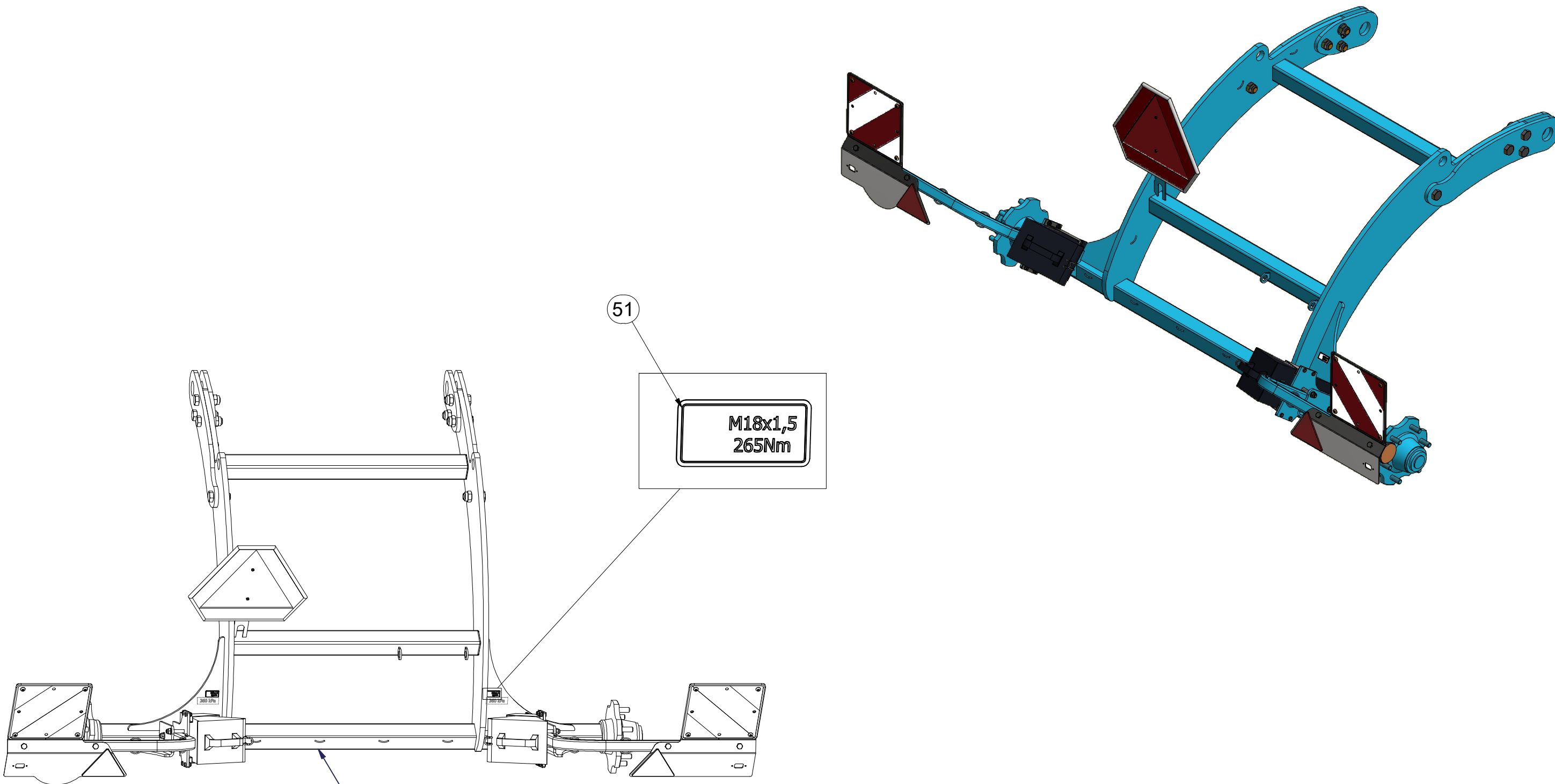
Ⓕ KIT DE L'ESSIEU

VZ00016607

Ⓖ AXLE SET

Ⓡ КОМПЛЕКТ ОСИ КОЛЁС

Ⓢ ZESTAW OSI



A70MR600N002

| Pos. | Part Number | Pcs. |
|------|-------------|------|
| 51 | m19732 | 2 |

Ⓒ SADA NÁPRAVY

Ⓓ SATZ AUFHÄNGUNG

Ⓕ KIT DE L'ESSIEU

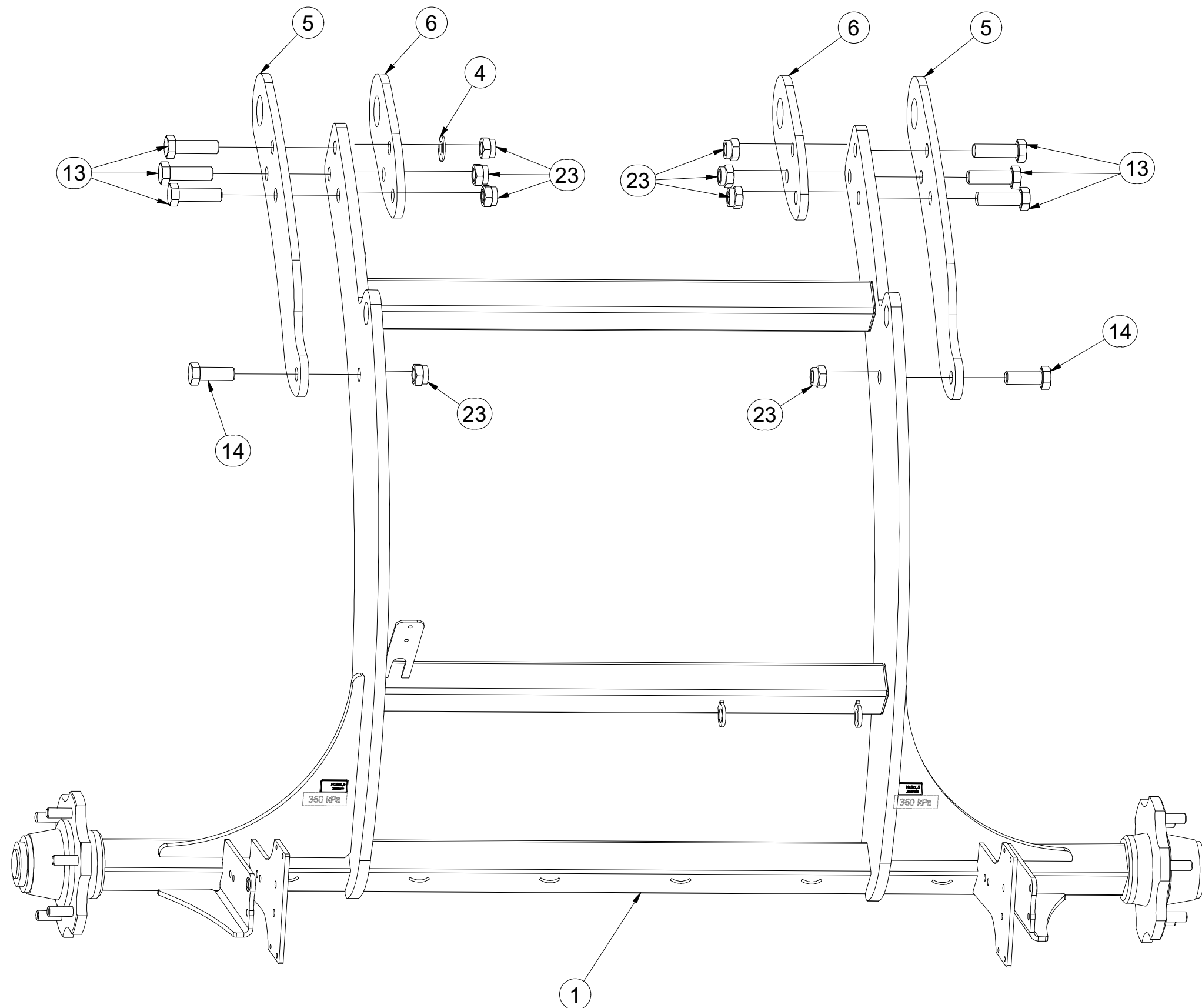
Ⓖ AXLE SET

Ⓡ КОМПЛЕКТ ОСИ КОЛЁС

Ⓟ ZESTAW OSI



VZ00016607



| Pos. | Part Number | Pcs. |
|------|-------------|------|
| 1 | 3011955 | 1 |
| 4 | 4015765 | 1 |
| 5 | 4015805 | 2 |
| 6 | 4014698 | 2 |
| 13 | m14990 | 6 |
| 14 | m17242 | 2 |
| 23 | m07147 | 8 |

Ⓒ SADA NÁPRAVY

Ⓓ SATZ AUFHÄNGUNG

Ⓕ KIT DE L'ESSIEU

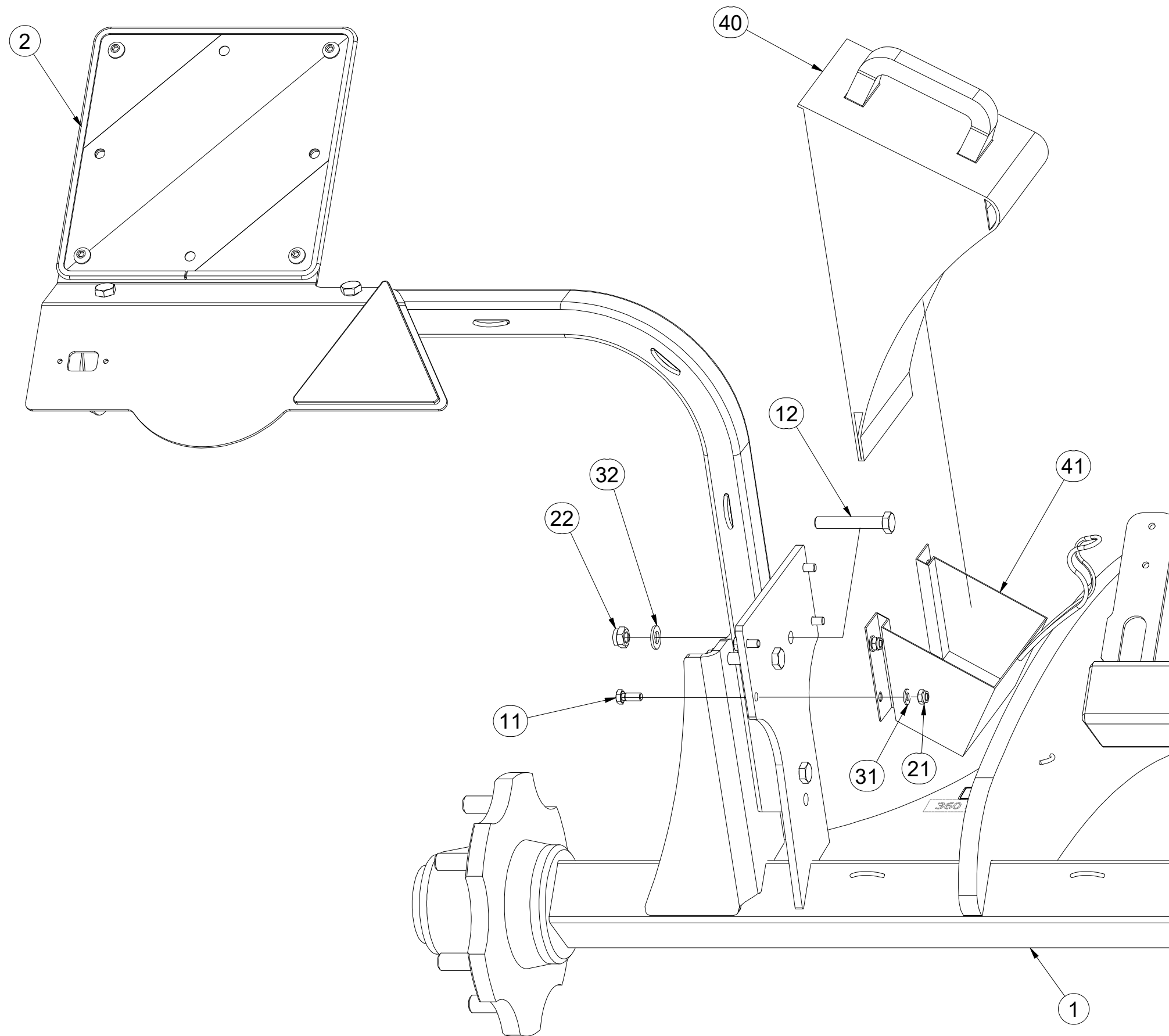
Ⓖ AXLE SET

Ⓡ КОМПЛЕКТ ОСИ КОЛЁС

Ⓢ ZESTAW OSI



VZ00016607



| Pos. | Part Number | Pcs. |
|------|-------------|------|
| 1 | 3011955 | 1 |
| 2 | 3012431 | 1 |
| 11 | m01089 | 8 |
| 12 | m12493 | 6 |
| 21 | m04503 | 8 |
| 22 | m04301 | 6 |
| 31 | m01203 | 8 |
| 32 | m01214 | 6 |
| 40 | m16186 | 2 |
| 41 | m12572 | 2 |

Ⓒ SADA NÁPRAVY

Ⓓ SATZ AUFHÄNGUNG

Ⓕ KIT DE L'ESSIEU

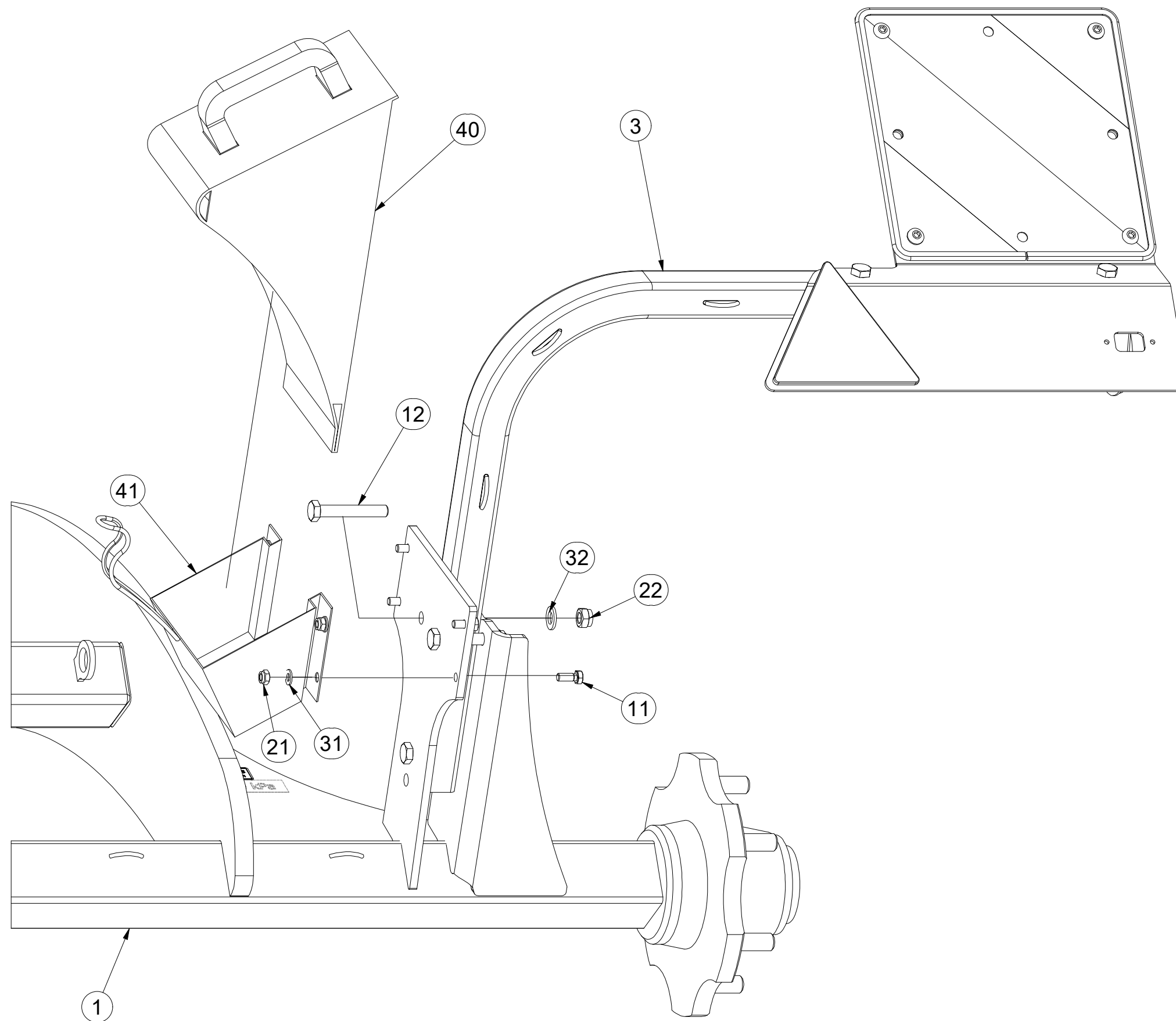
Ⓖ AXLE SET

Ⓡ КОМПЛЕКТ ОСИ КОЛЁС

Ⓢ ZESTAW OSI



VZ00016607



| Pos. | Part Number | Pcs. |
|------|-------------|------|
| 1 | 3011955 | 1 |
| 3 | 3012432 | 1 |
| 11 | m01089 | 8 |
| 12 | m12493 | 6 |
| 21 | m04503 | 8 |
| 22 | m04301 | 6 |
| 31 | m01203 | 8 |
| 32 | m01214 | 6 |
| 40 | m16186 | 2 |
| 41 | m12572 | 2 |

Ⓒ SADA NÁPRAVY

Ⓓ SATZ AUFHÄNGUNG

Ⓕ KIT DE L'ESSIEU

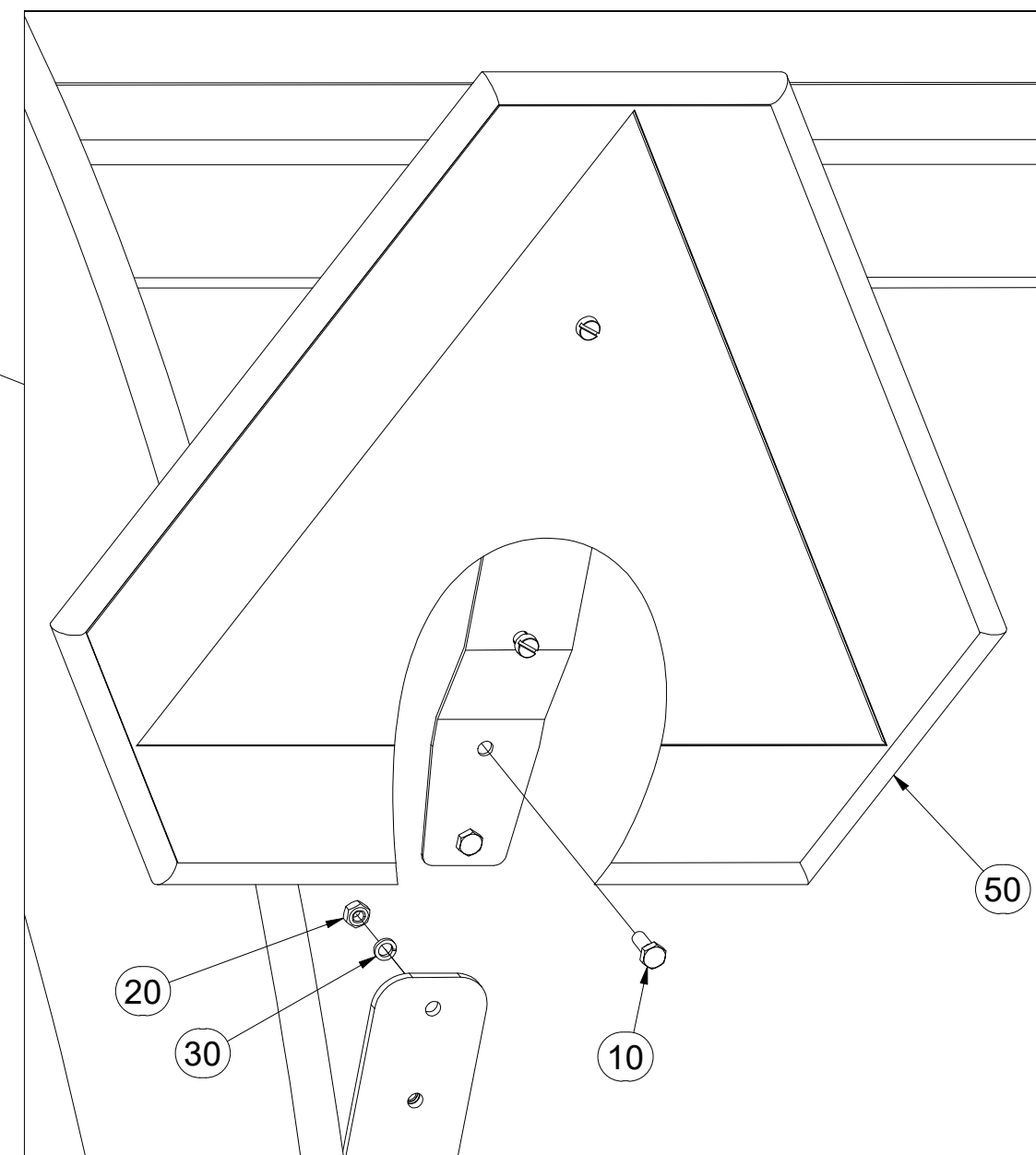
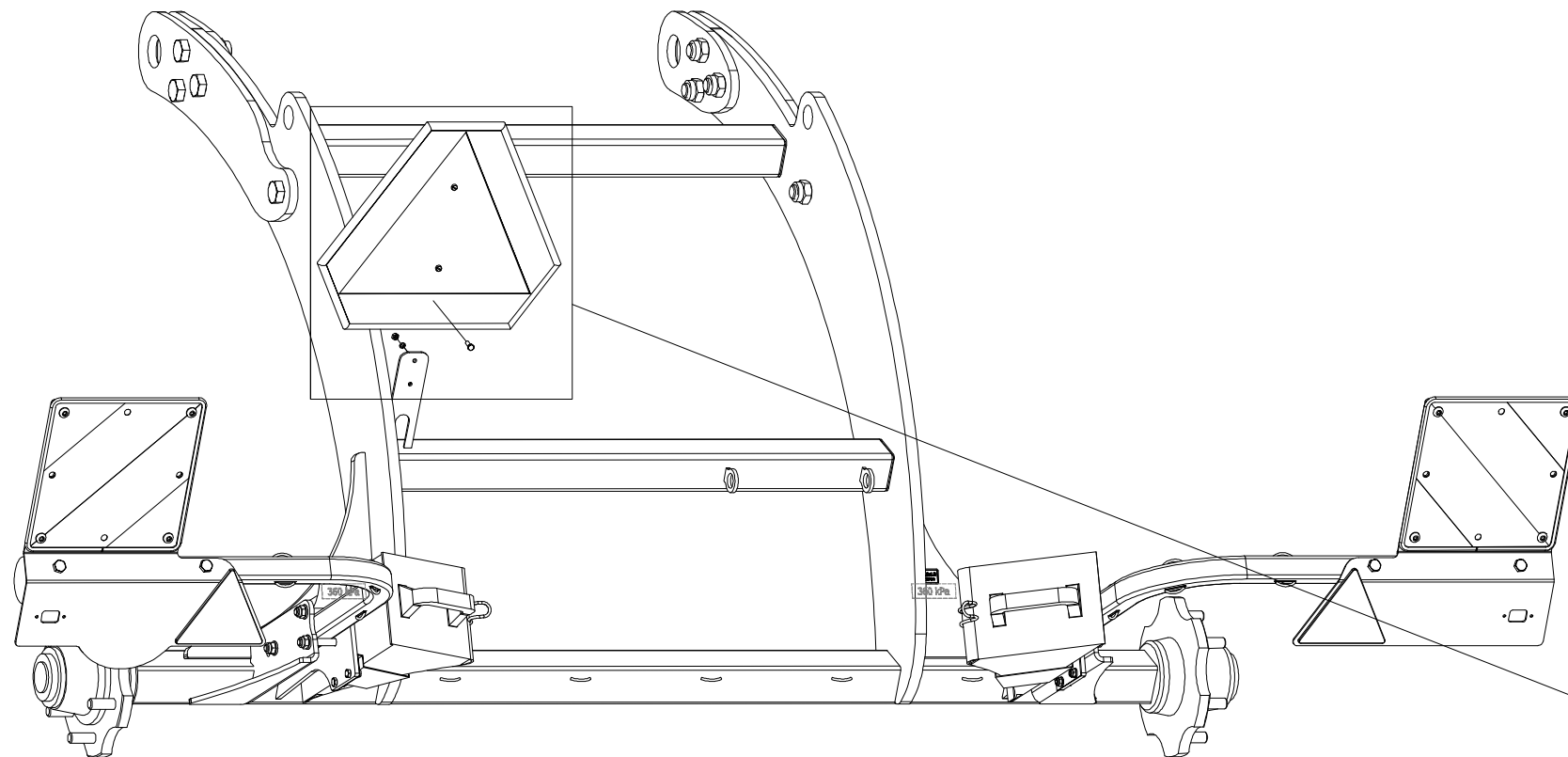
Ⓖ AXLE SET

Ⓡ КОМПЛЕКТ ОСИ КОЛЁС

Ⓢ ZESTAW OSI



VZ00016607



| Pos. | Part Number | Pcs. |
|------|-------------|------|
| 10 | m01073 | 2 |
| 20 | m01295 | 2 |
| 30 | m01200 | 2 |
| 50 | m05371 | 1 |

Ⓒ NÁPRAVA

Ⓓ ACHSE

Ⓕ ESSIEU

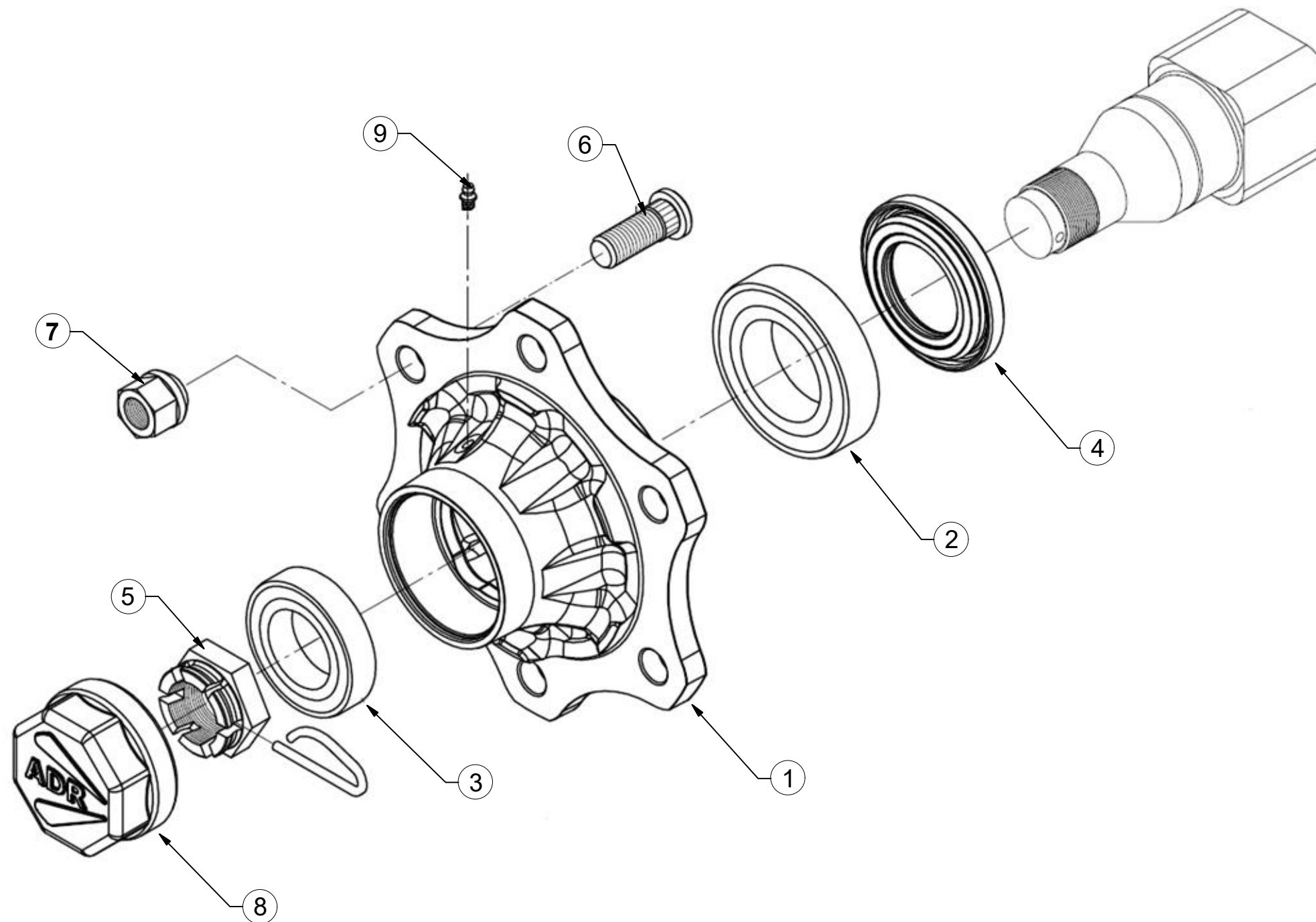
Ⓖ AXLE

Ⓡ OCB

Ⓟ OS



A70MR600N002



| Pos | Part Number | Pcs. |
|-----|-------------|------|
| 1 | m19667 | 2 |
| 2 | m08194 | 2 |
| 3 | m07152 | 2 |
| 4 | m14924 | 2 |
| 5 | m08169 | 2 |
| 6 | m08148 | 12 |
| 7 | m08163 | 12 |
| 8 | m19668 | 2 |
| 9 | m05698 | 2 |

ⒸZ SADA NÁPRAVY

Ⓓ SATZ AUFHÄNGUNG

Ⓕ KIT DE L'ESSIEU

VZ00016131


ⒼB AXLE SET

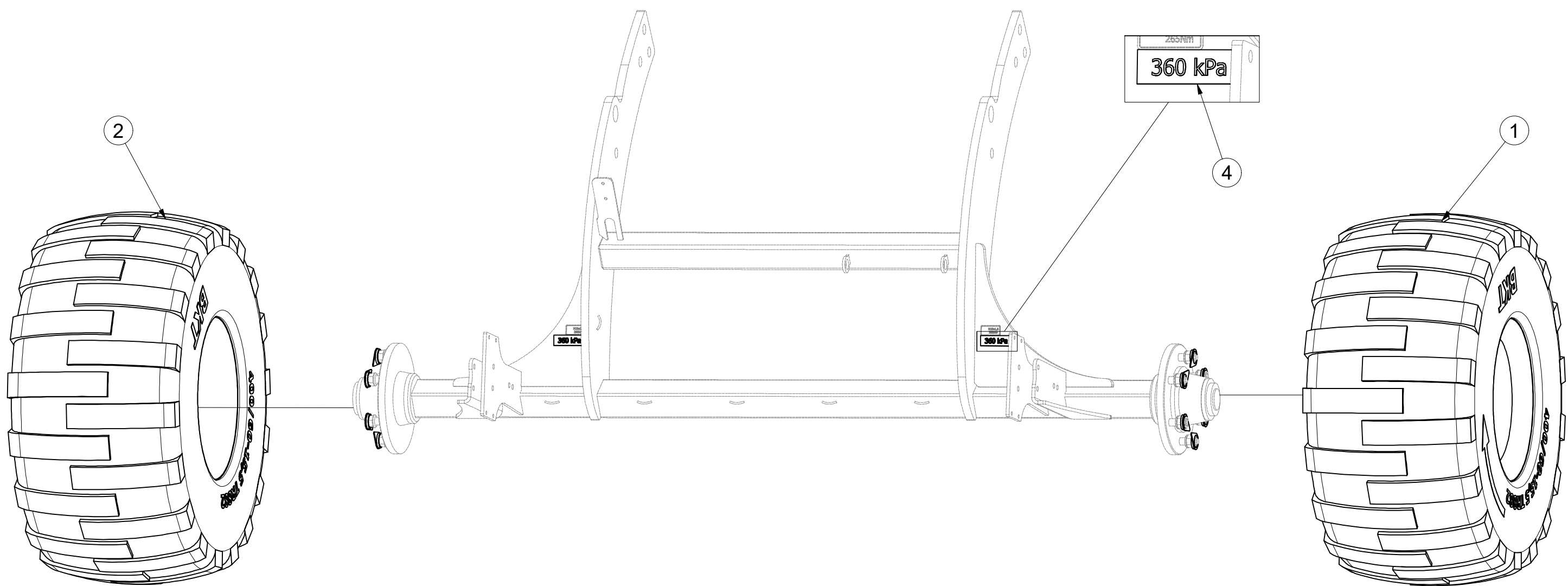
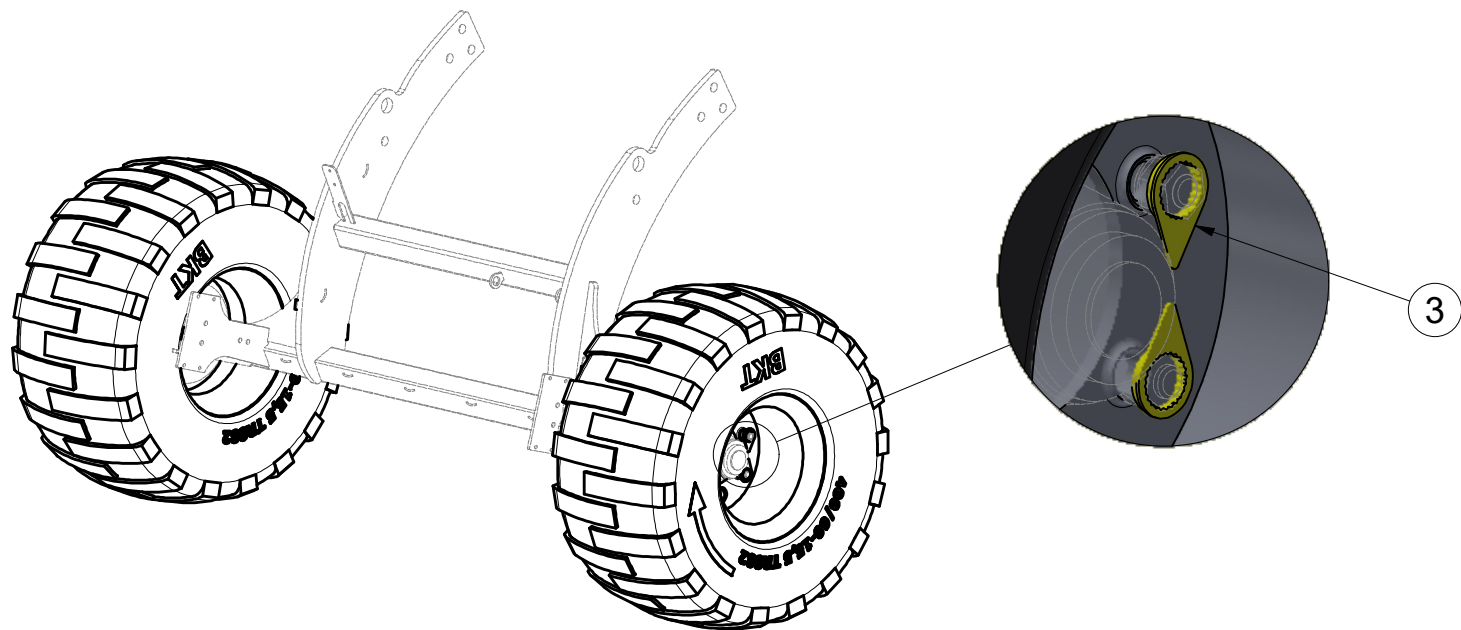
ⒺU КОМПЛЕКТ ОСИ КОЛЁС

ⒽL ZESTAW OSI



| Pos. | Part Number | Pcs. |
|------|-------------|------|
| 1 | m22332 | 1 |
| 2 | m22329 | 1 |
| 3 | m19657 | 12 |
| 4 | m13554 | 2 |

| | |
|---|---------------|
|  | M18x1,5-265Nm |
| | 360 kPa |



ⒸZ TERČ ZADNÍ LEVÝ

Ⓓ SCHILD, HINTERES, LINKES

Ⓕ CIBLE ARRIÈRE GAUCHE

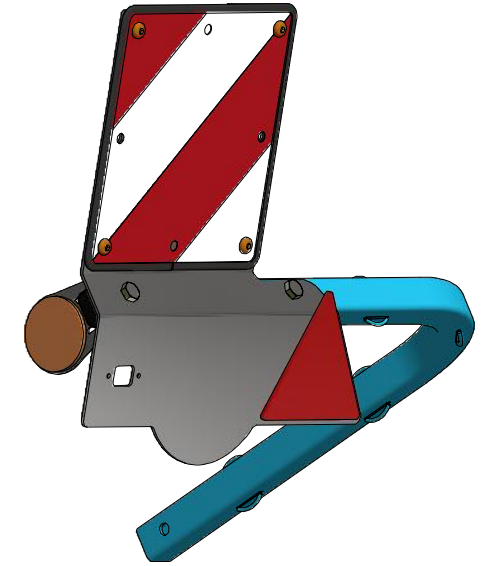
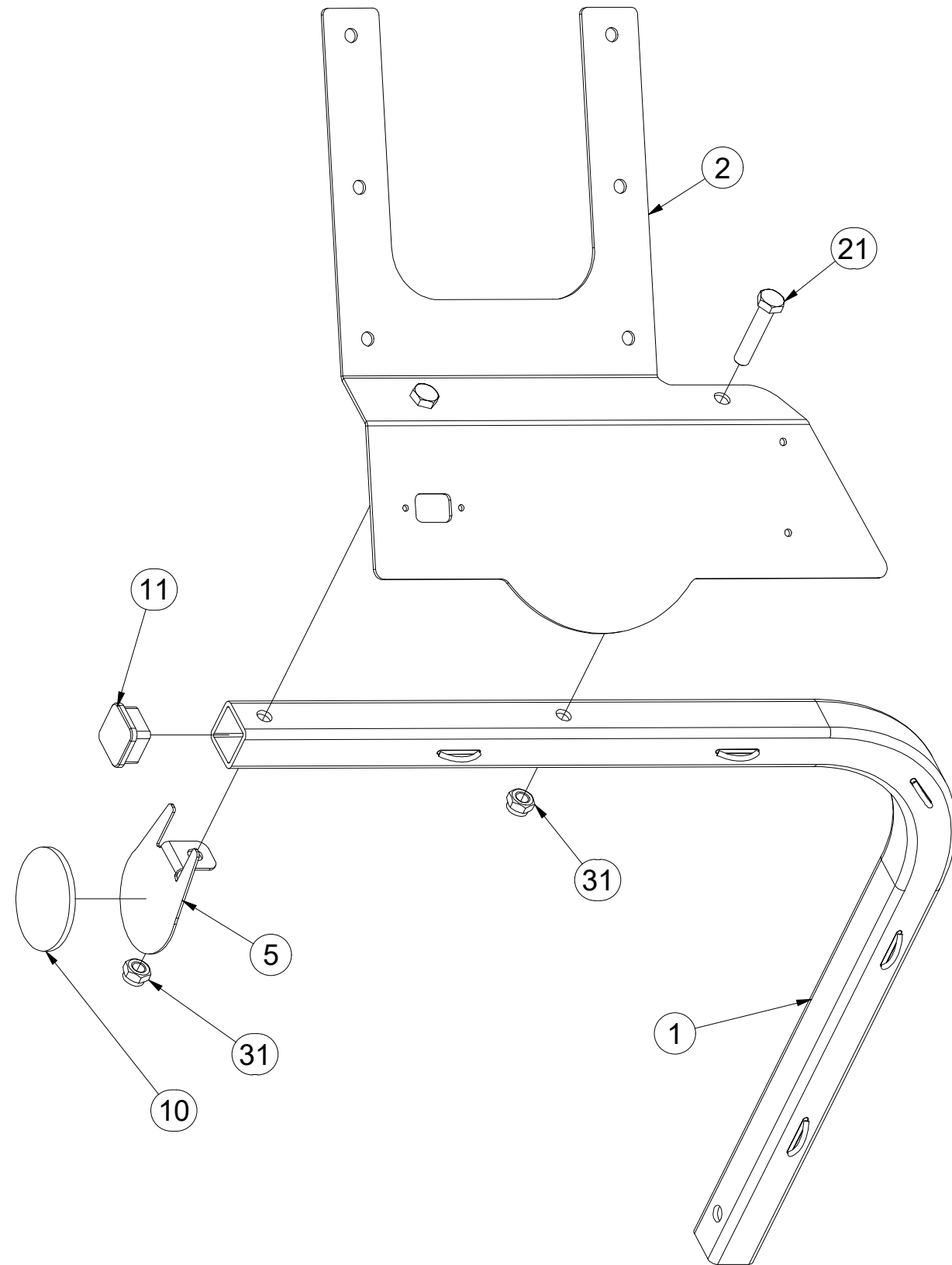
3012431

ⒼB LEFT REAR DISC

ⒺЩИТОК ЗАДНИЙ ЛЕВЫЙ

ⒽL TARCZA TYLNA LEWA

Farmet



| Pos. | Part Number | Pcs. |
|------|-------------|------|
| 1 | 3012433 | 1 |
| 2 | 3012365 | 1 |
| 5 | 4024926 | 1 |
| 10 | m02579 | 1 |
| 11 | m12689 | 1 |
| 21 | m01131 | 2 |
| 31 | m04301 | 2 |

ⒸZ TERČ ZADNÍ LEVÝ

Ⓓ SCHILD, HINTERES, LINKES

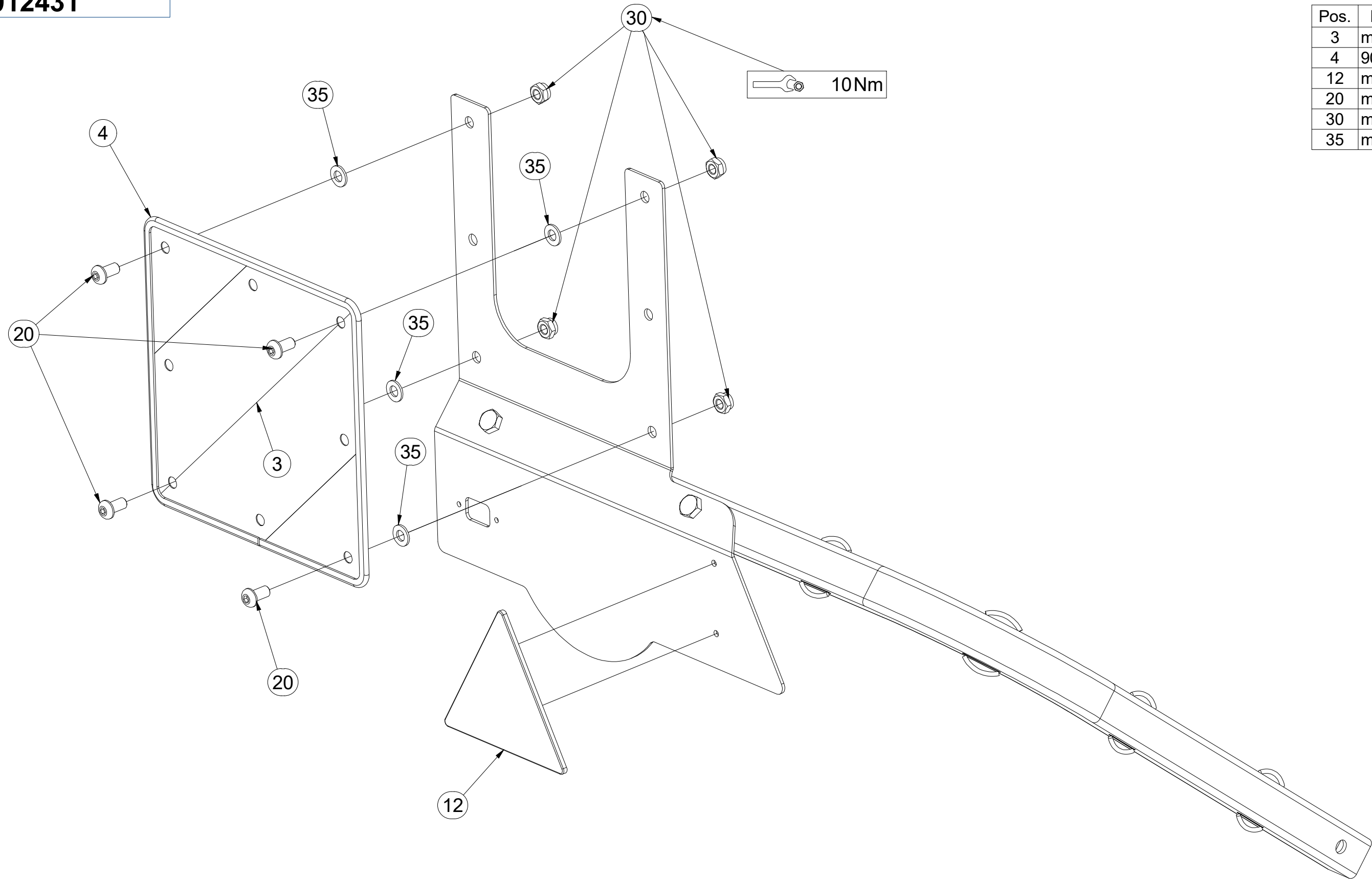
Ⓕ CIBLE ARRIÈRE GAUCHE

3012431

ⒼB LEFT REAR DISC

ⒺЩИТОК ЗАДНИЙ ЛЕВЫЙ

ⒽL TARCZA TYLNA LEWA



| Pos. | Part Number | Pcs. |
|------|-------------|------|
| 3 | m18855 | 1 |
| 4 | 9005707 | 1 |
| 12 | m02497 | 1 |
| 20 | m16637 | 4 |
| 30 | m03775 | 4 |
| 35 | m01209 | 4 |

ⒸZ TERČ ZADNÍ PRAVÝ

Ⓓ SCHILD, HINTERES, RECHTES

Ⓕ CIBLE ARRIÈRE DROITE

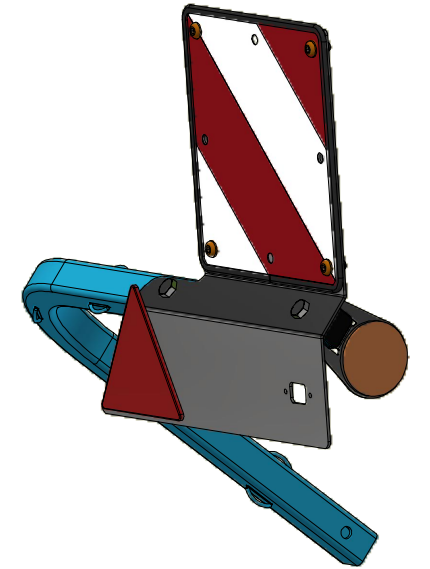
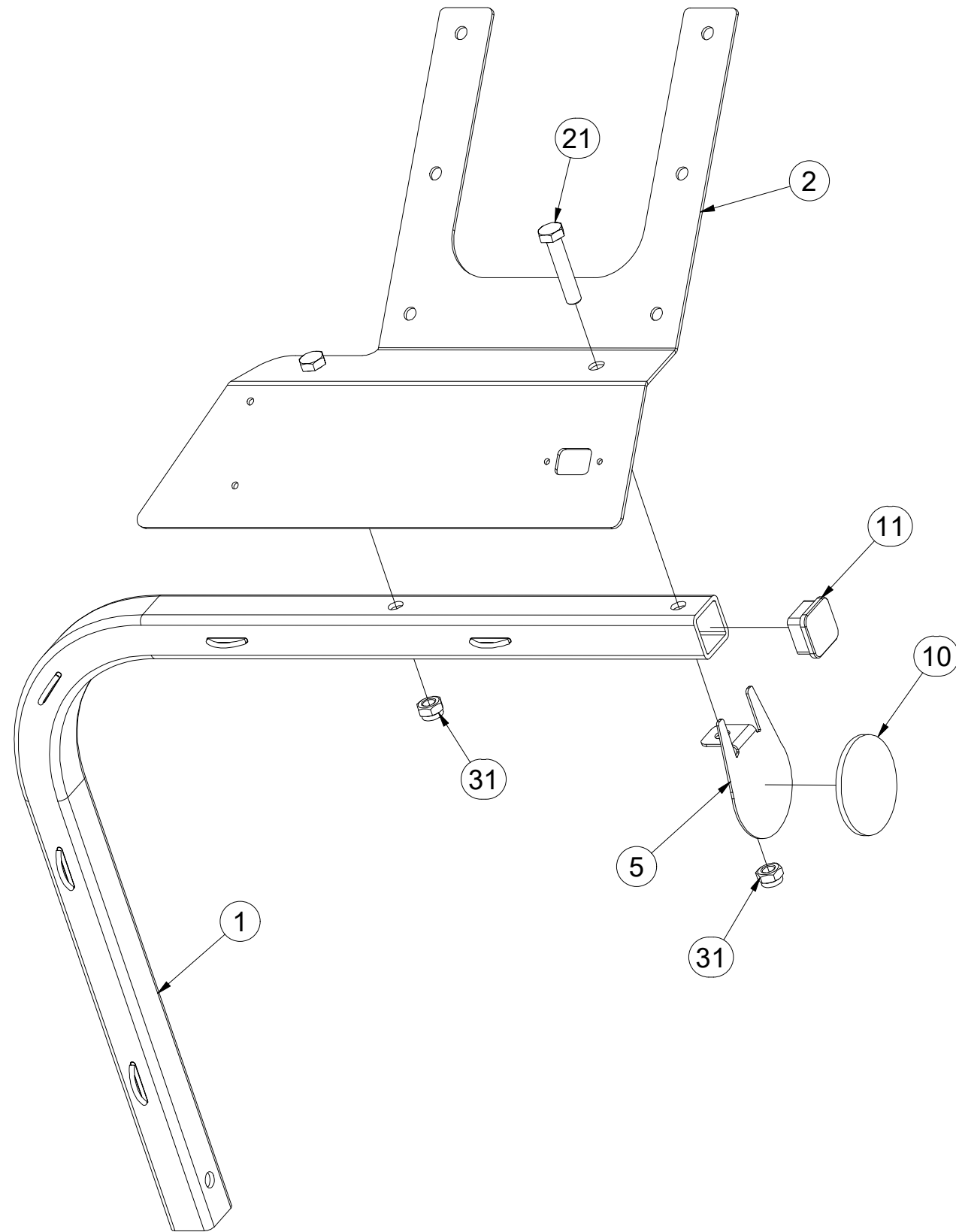
3012432

ⒼB RIGHT REAR DISC

ⒺЩИТОК ЗАДНИЙ ПРАВЫЙ

ⒽL TARCZA TYLNA PRAWA

Farmet



| Pos. | Part Number | Pcs. |
|------|-------------|------|
| 1 | 3012433 | 1 |
| 2 | 3012390 | 1 |
| 5 | 4024926 | 1 |
| 10 | m02579 | 1 |
| 11 | m12689 | 1 |
| 21 | m01131 | 2 |
| 31 | m04301 | 2 |

Ⓒ TERČ ZADNÍ PRAVÝ

Ⓓ SCHILD, HINTERES, RECHTES

Ⓕ CIBLE ARRIÈRE DROITE

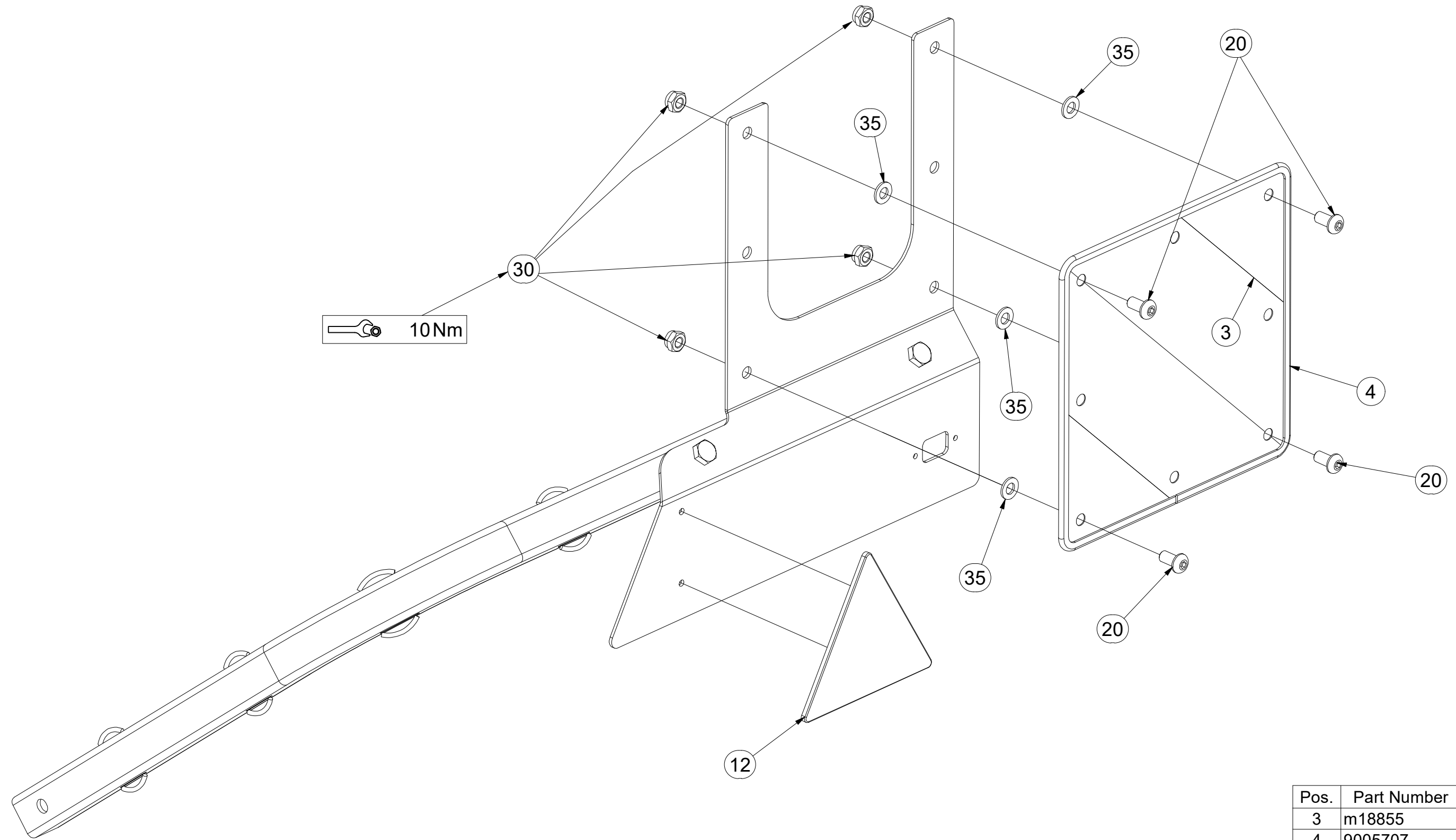
Ⓖ RIGHT REAR DISC

Ⓡ ЩИТОК ЗАДНИЙ ПРАВЫЙ

Ⓢ TARCZA TYLNA PRAWA

Farmet

3012432



| Pos. | Part Number | Pcs. |
|------|-------------|------|
| 3 | m18855 | 1 |
| 4 | 9005707 | 1 |
| 12 | m02497 | 1 |
| 20 | m16637 | 4 |
| 30 | m03775 | 4 |
| 35 | m01209 | 4 |

ⒸZ HYDRAULICKÝ ROZVOD SKLÁPĚNÍ

Ⓓ HYDRAULISCHE VERTEILUNG KLAPPMECHANISMUS

Ⓕ CONDUIT HYDRAULIQUE DU BASCULEMENT

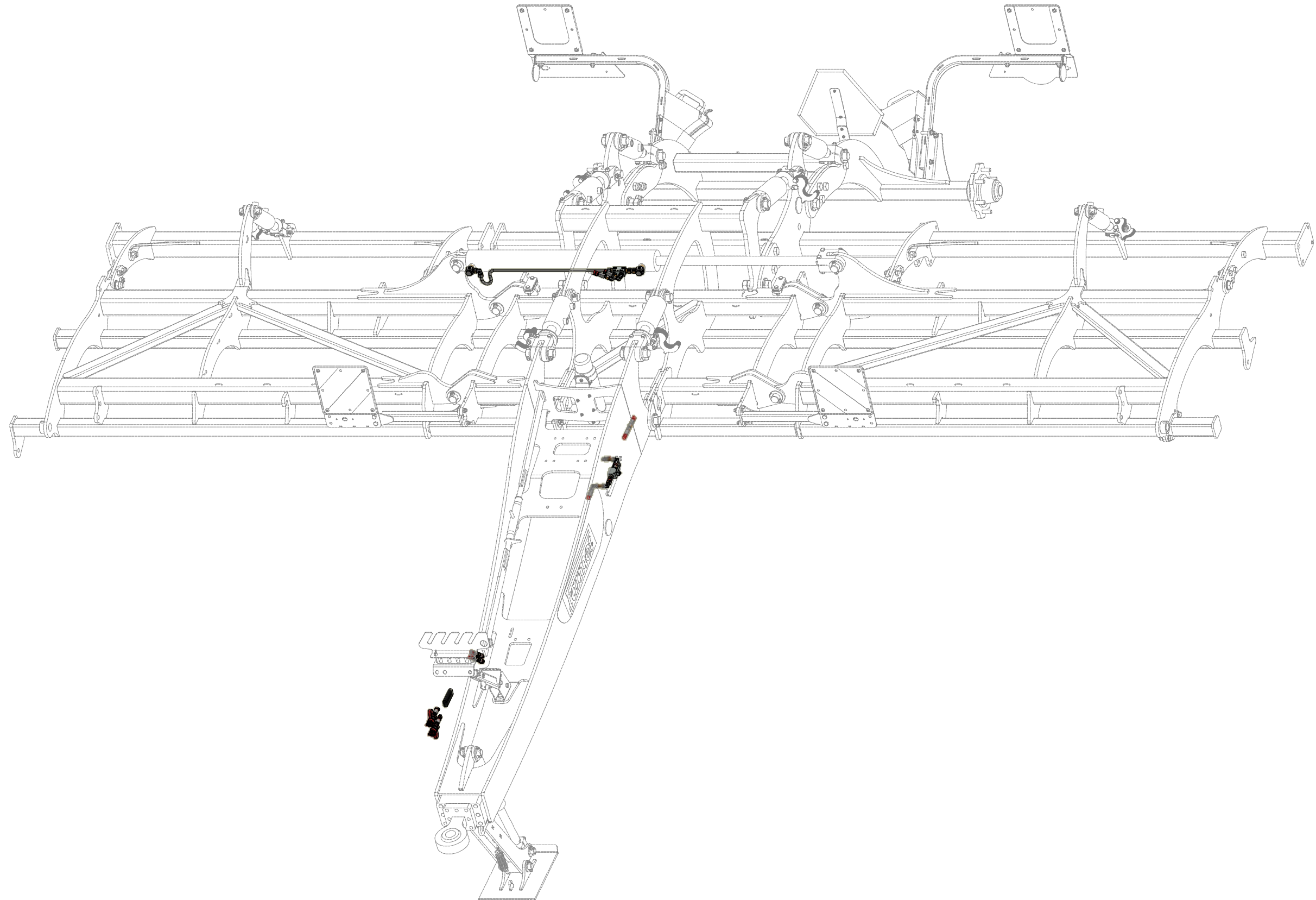
ⒸB HYDRAULIC FOLDING DISTRIBUTION

Ⓔ ГИДРАВЛИЧЕСКОЕ РАСПРЕДЕЛЕНИЕ СКЛАДЫВАНИЯ

Ⓗ HYDRAULICZNY PRZEWÓD SKŁADANIA

Farmet

VZ00017651



ⒸZ HYDRAULICKÝ ROZVOD SKLÁPĚNÍ

Ⓓ HYDRAULISCHE VERTEILUNG KLAPPMECHANISMUS

Ⓕ CONDUIT HYDRAULIQUE DU BASCULEMENT

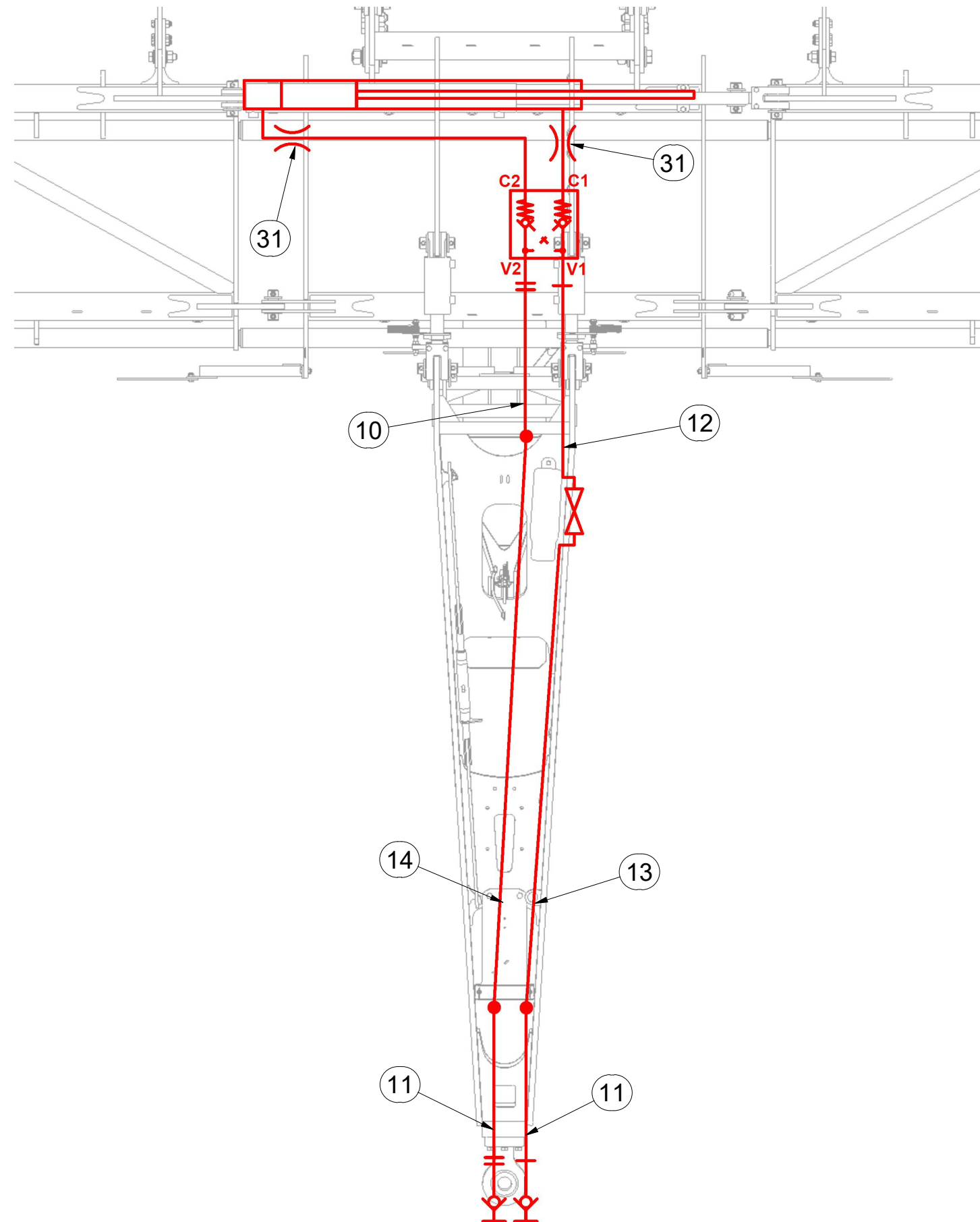
ⒸB HYDRAULIC FOLDING DISTRIBUTION

Ⓔ ГИДРАВЛИЧЕСКОЕ РАСПРЕДЕЛЕНИЕ СКЛАДЫВАНИЯ

Ⓗ HYDRAULICZNY PRZEWÓD SKŁADANIA

Farmet

VZ00017651



| Pos. | Part Number | Pcs. |
|------|-------------|------|
| 10 | m07360 | 1 |
| 11 | m03714 | 2 |
| 12 | m05278 | 1 |
| 13 | m18192 | 1 |
| 14 | m17443 | 1 |
| 31 | m10776 | 2 |

ⒸZ HYDRAULICKÝ ROZVOD SKLÁPĚNÍ

Ⓓ HYDRAULISCHE VERTEILUNG KLAPPMECHANISMUS

Ⓕ CONDUIT HYDRAULIQUE DU BASCULEMENT

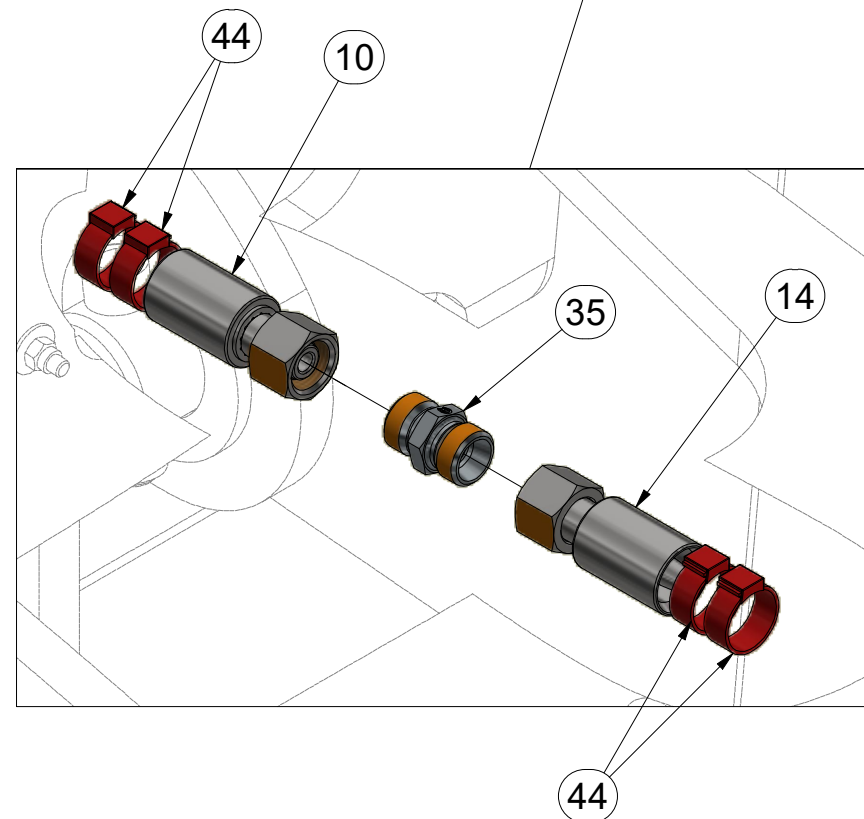
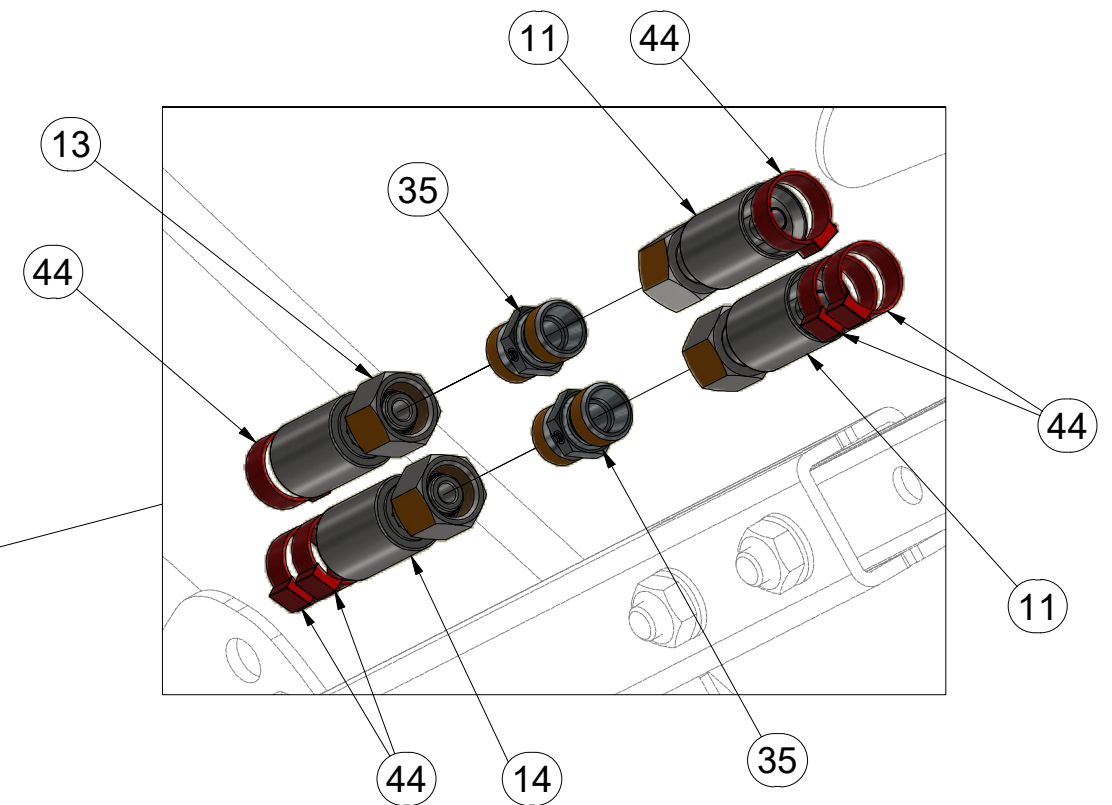
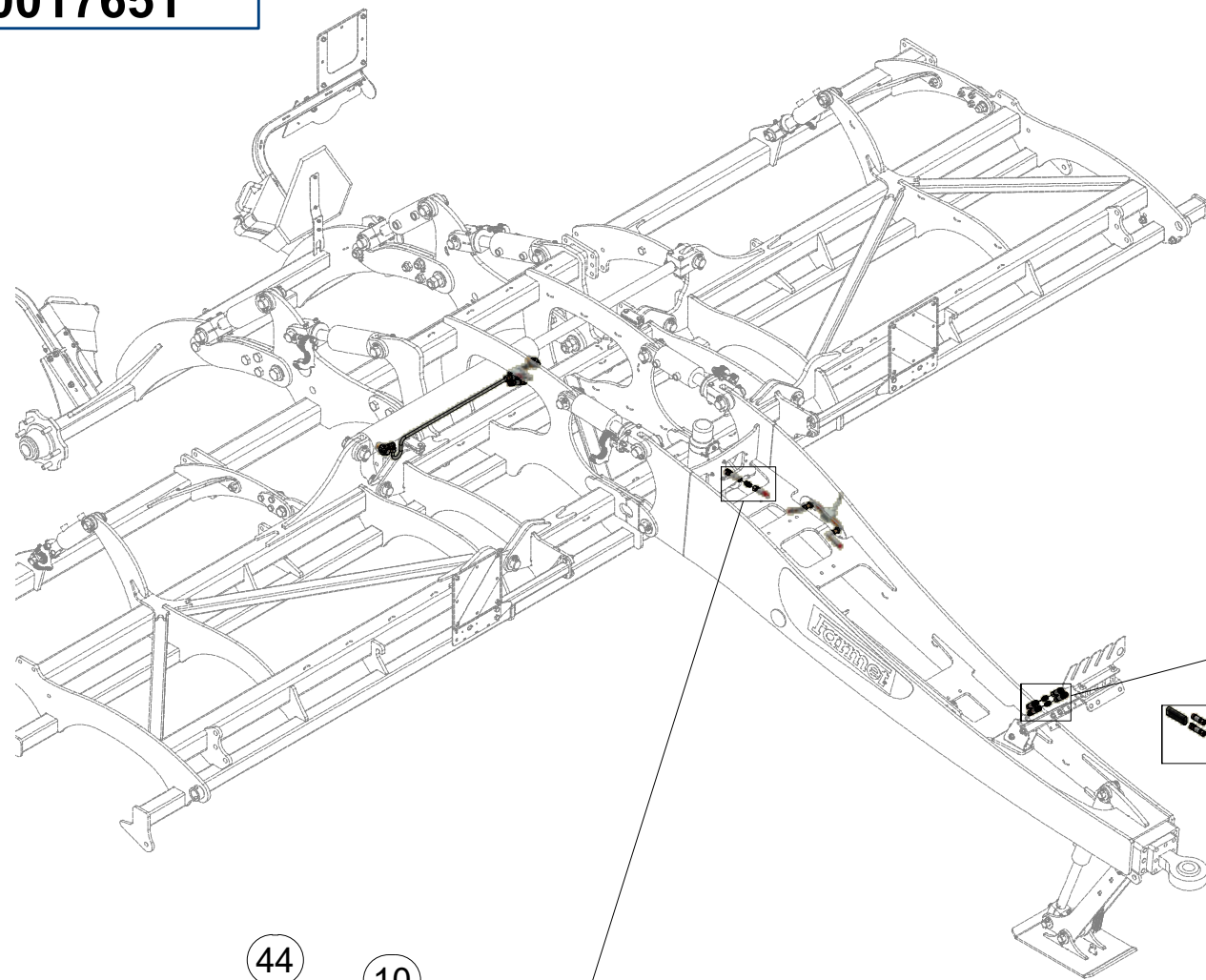
ⒸGB HYDRAULIC FOLDING DISTRIBUTION

ⒸRU ГИДРАВЛИЧЕСКОЕ РАСПРЕДЕЛЕНИЕ СКЛАДЫВАНИЯ

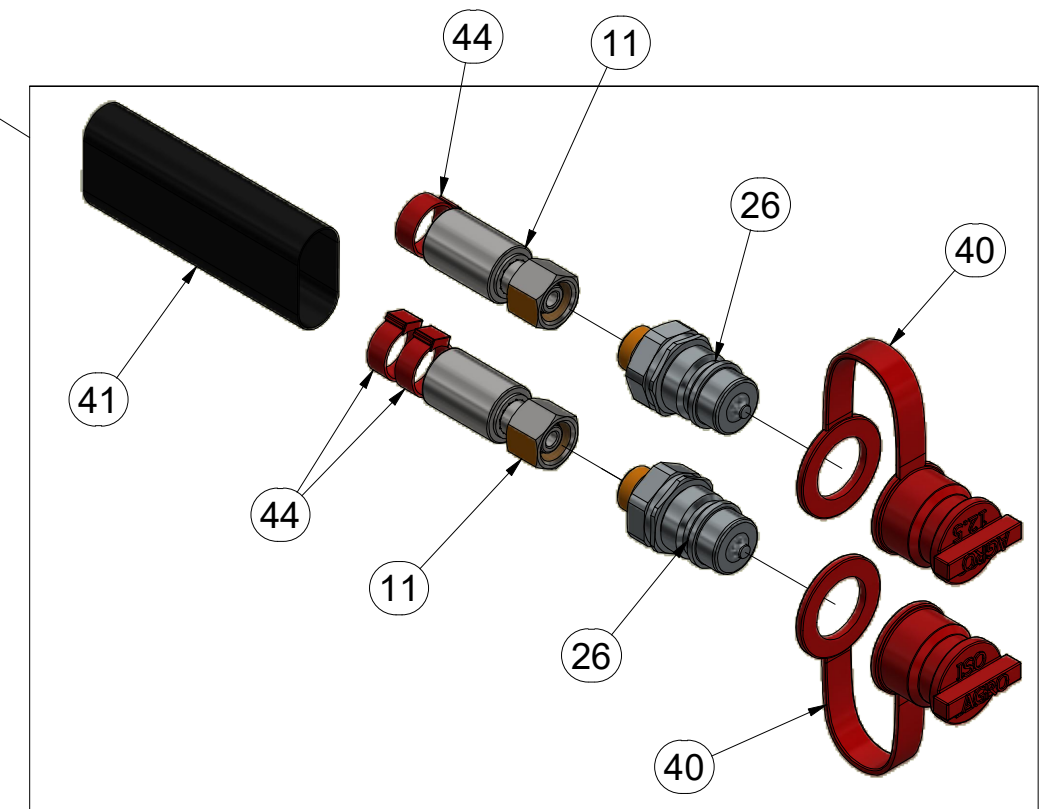
ⒸPL HYDRAULICZNY PRZEWÓD SKŁADANIA

Farmet

VZ00017651



| Pos. | Part Number | Pcs. |
|------|-------------|------|
| 10 | m07360 | 1 |
| 11 | m03714 | 2 |
| 13 | m18192 | 1 |
| 14 | m17443 | 1 |
| 26 | m03849 | 2 |
| 35 | m03213 | 3 |
| 40 | m04022 | 2 |
| 41 | m11183 | 1 |
| 44 | m11294 | 20 |



ⒸZ HYDRAULICKÝ ROZVOD SKLÁPĚNÍ

Ⓓ HYDRAULISCHE VERTEILUNG KLAPPMECHANISMUS

Ⓕ CONDUIT HYDRAULIQUE DU BASCULEMENT

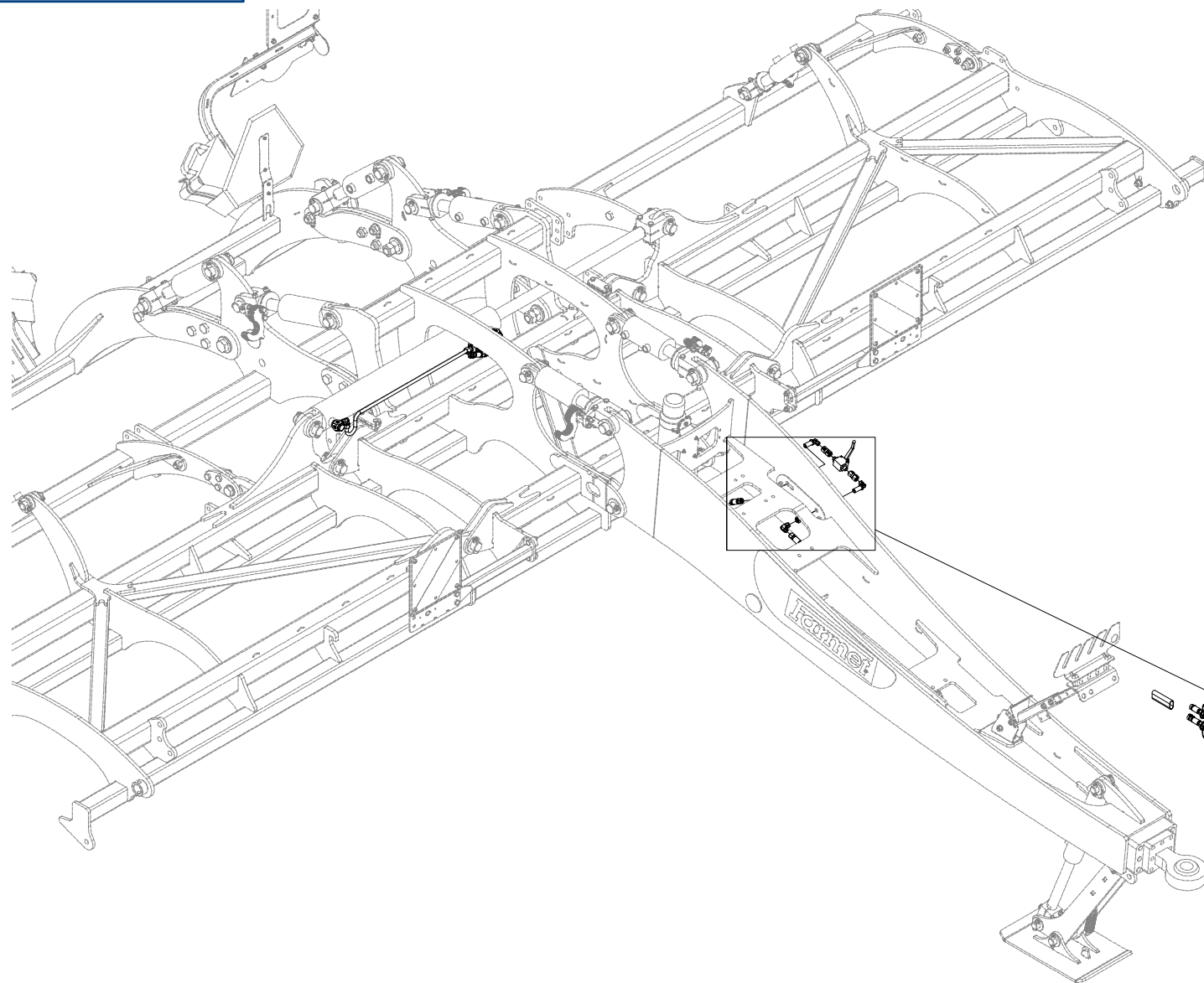
ⒸB HYDRAULIC FOLDING DISTRIBUTION

Ⓔ ГИДРАВЛИЧЕСКОЕ РАСПРЕДЕЛЕНИЕ СКЛАДЫВАНИЯ

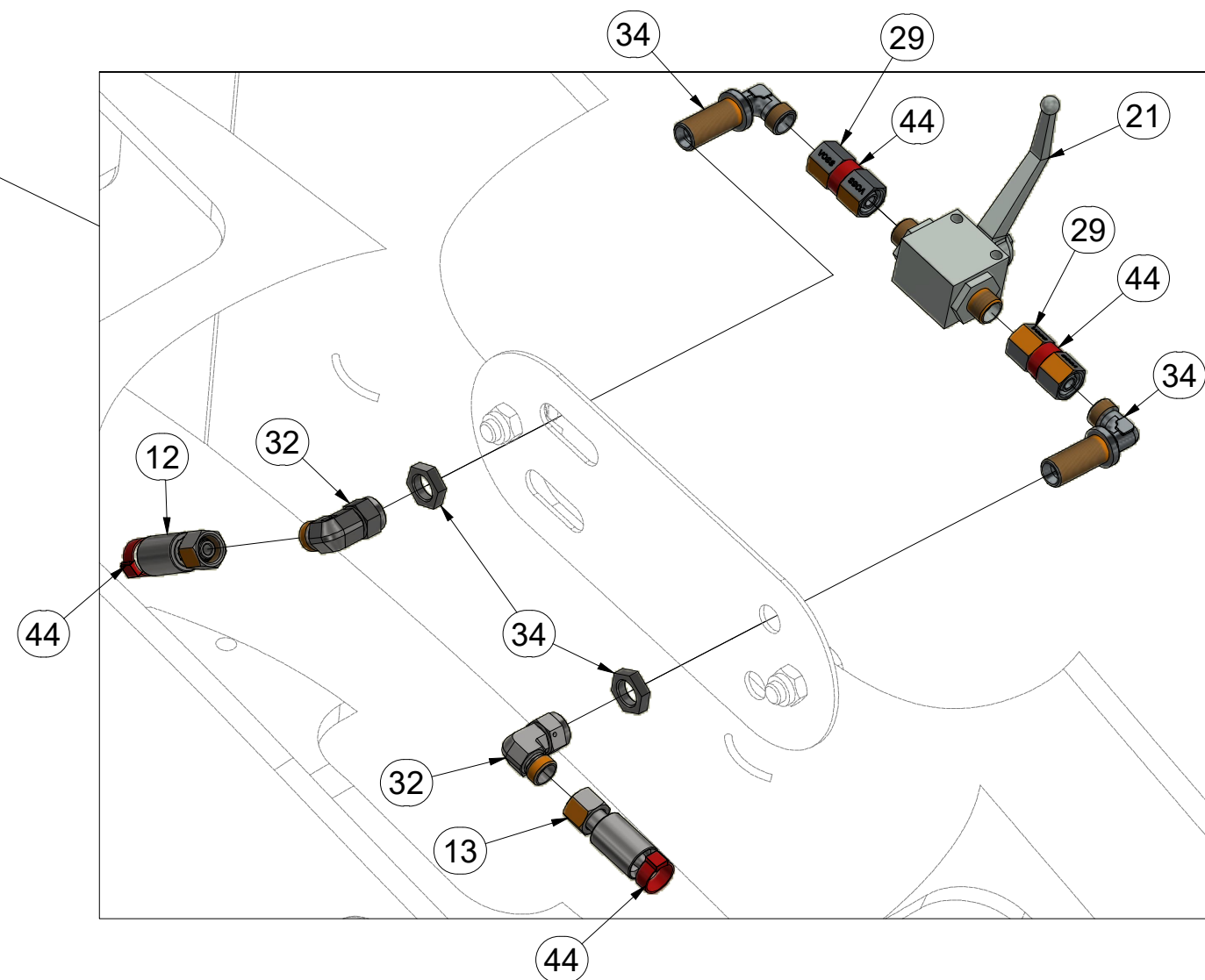
Ⓗ HYDRAULICZNY PRZEWÓD SKŁADANIA



VZ00017651



| Pos. | Part Number | Pcs. |
|------|-------------|------|
| 12 | m05278 | 1 |
| 13 | m18192 | 1 |
| 21 | m04623 | 1 |
| 29 | m22305 | 2 |
| 32 | m06803 | 4 |
| 34 | m08391 | 2 |
| 44 | m11294 | 20 |



ⒸZ HYDRAULICKÝ ROZVOD SKLÁPĚNÍ

Ⓓ HYDRAULISCHE VERTEILUNG KLAPPMECHANISMUS

Ⓕ CONDUIT HYDRAULIQUE DU BASCULEMENT

ⒸB HYDRAULIC FOLDING DISTRIBUTION

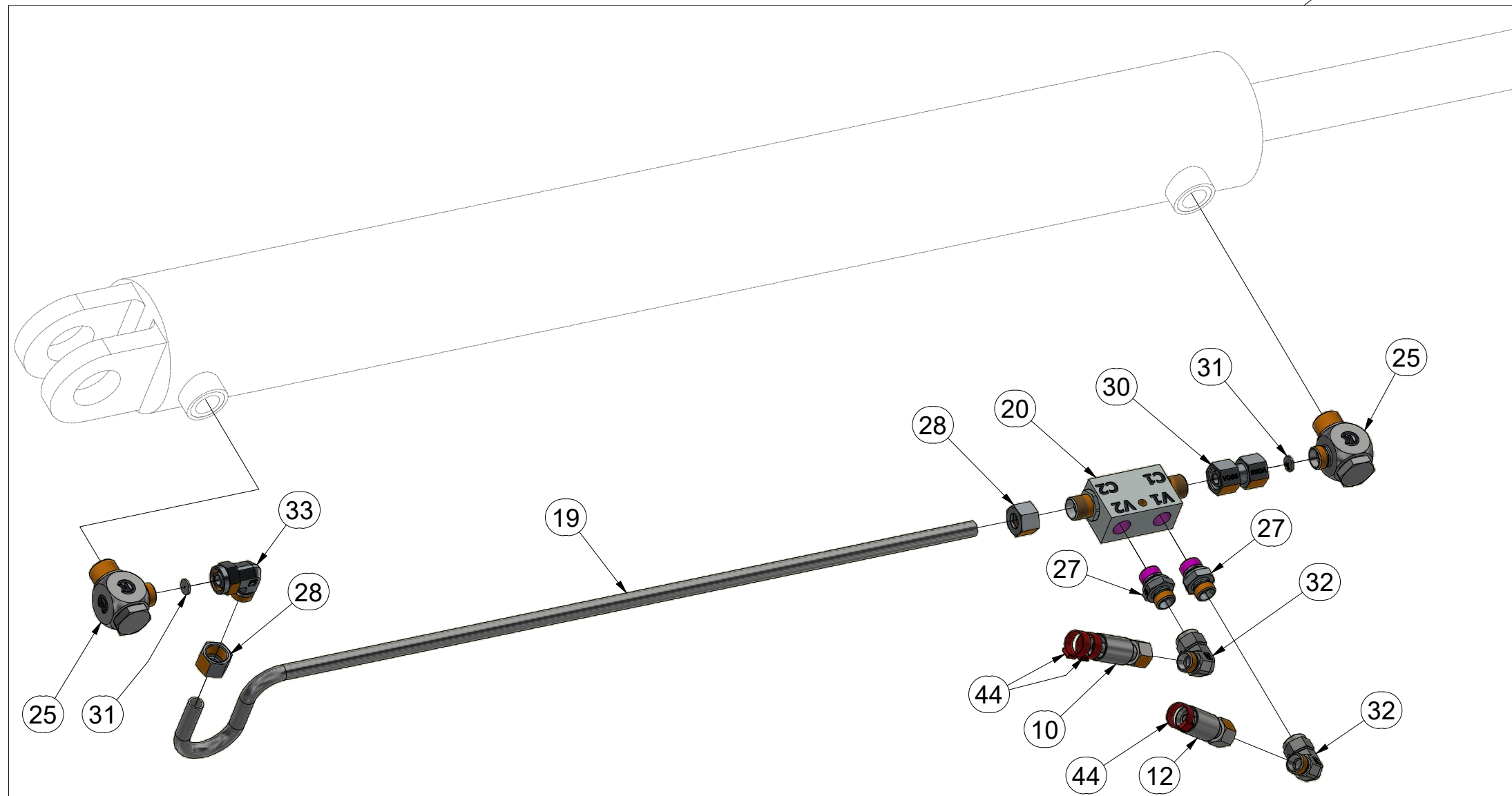
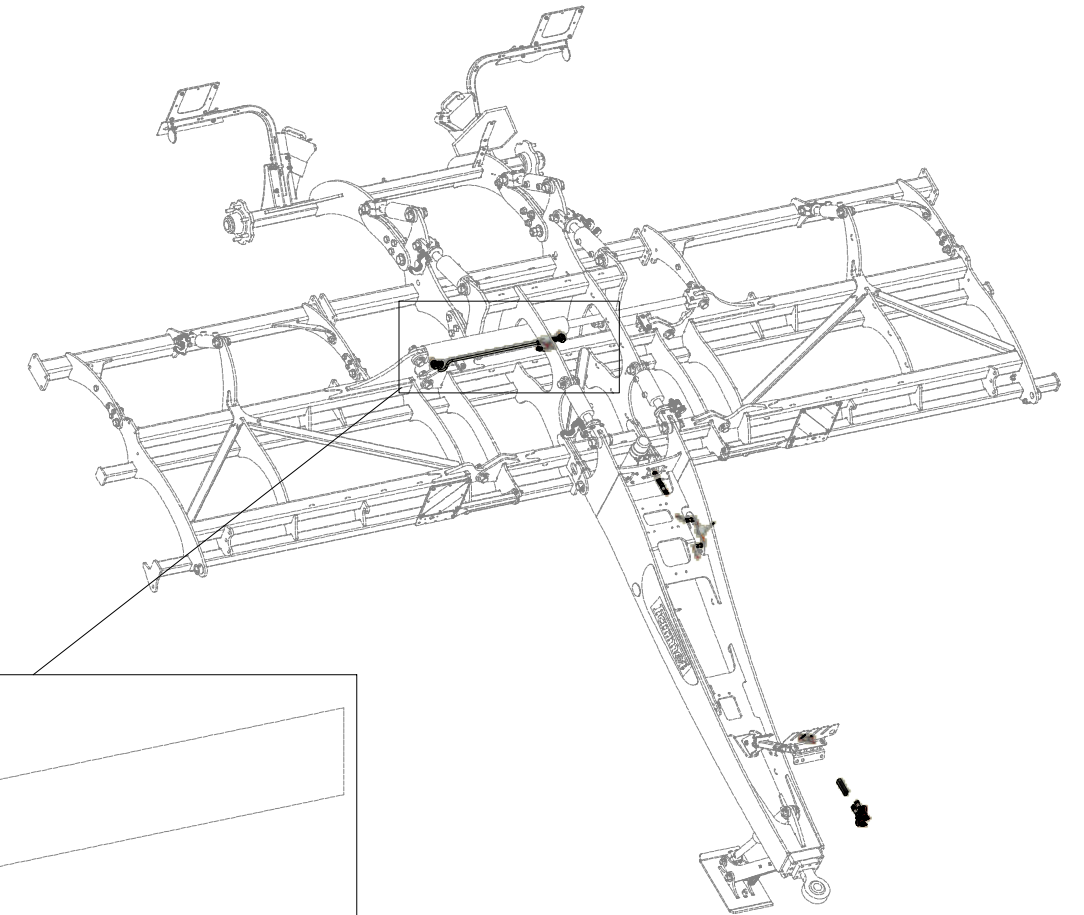
Ⓔ ГИДРАВЛИЧЕСКОЕ РАСПРЕДЕЛЕНИЕ СКЛАДЫВАНИЯ

Ⓗ HYDRAULICZNY PRZEWÓD SKŁADANIA

Farmet

VZ00017651

| Pos. | Part Number | Pcs. |
|------|-------------|------|
| 10 | m07360 | 1 |
| 12 | m05278 | 1 |
| 19 | m16714 | 1 |
| 20 | m08083 | 1 |
| 25 | m20912 | 2 |
| 27 | m06528 | 2 |
| 28 | m17321 | 2 |
| 30 | m22306 | 1 |
| 31 | m10776 | 2 |
| 32 | m06803 | 4 |
| 33 | m07654 | 1 |
| 44 | m11294 | 20 |



ⒸZ HYDRAULICKÝ ROZVOD - ZAHLUBOVÁNÍ

Ⓓ HYDRAULISCHE VERTEILUNG - EINSENKUNG

Ⓕ CONDUIT HYDRAULIQUE - L'ENFONCEMENT

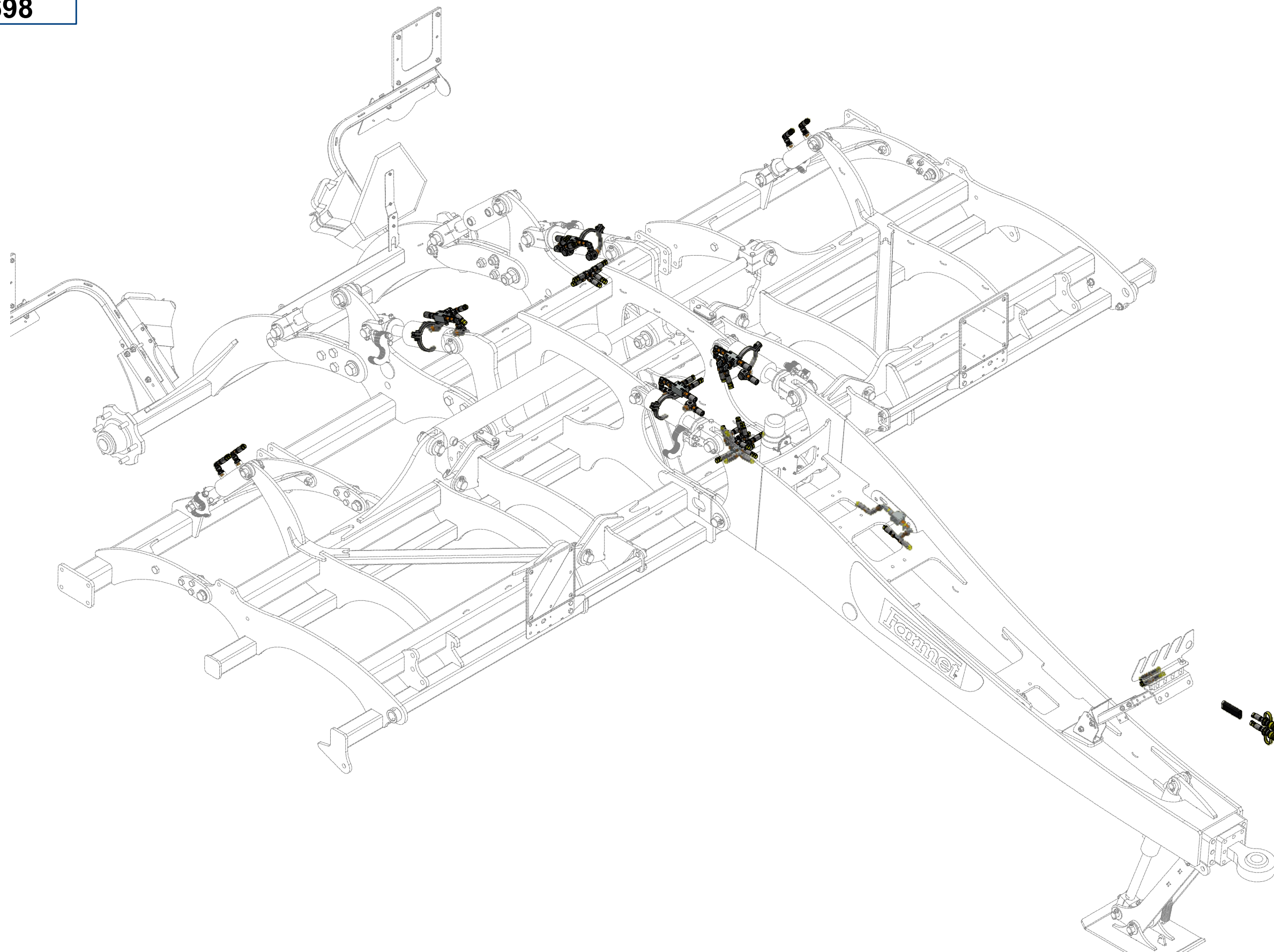
ⒸB HYDRAULIC DISTRIBUTION - RECESSING

ⒸU ГИДРАВЛИЧЕСКОЕ РАСПРЕДЕЛЕНИЕ - ЗАГЛУБЛЕНИЕ

ⒸL HYDRAULICZNY PRZEWÓD - ZAGŁĘBIENIA

Farmet

VZ00017698



ⒸZ HYDRAULICKÝ ROZVOD - ZAHLUBOVÁNÍ

Ⓓ HYDRAULISCHE VERTEILUNG - EINSENKUNG

Ⓕ CONDUIT HYDRAULIQUE - L'ENFONCEMENT

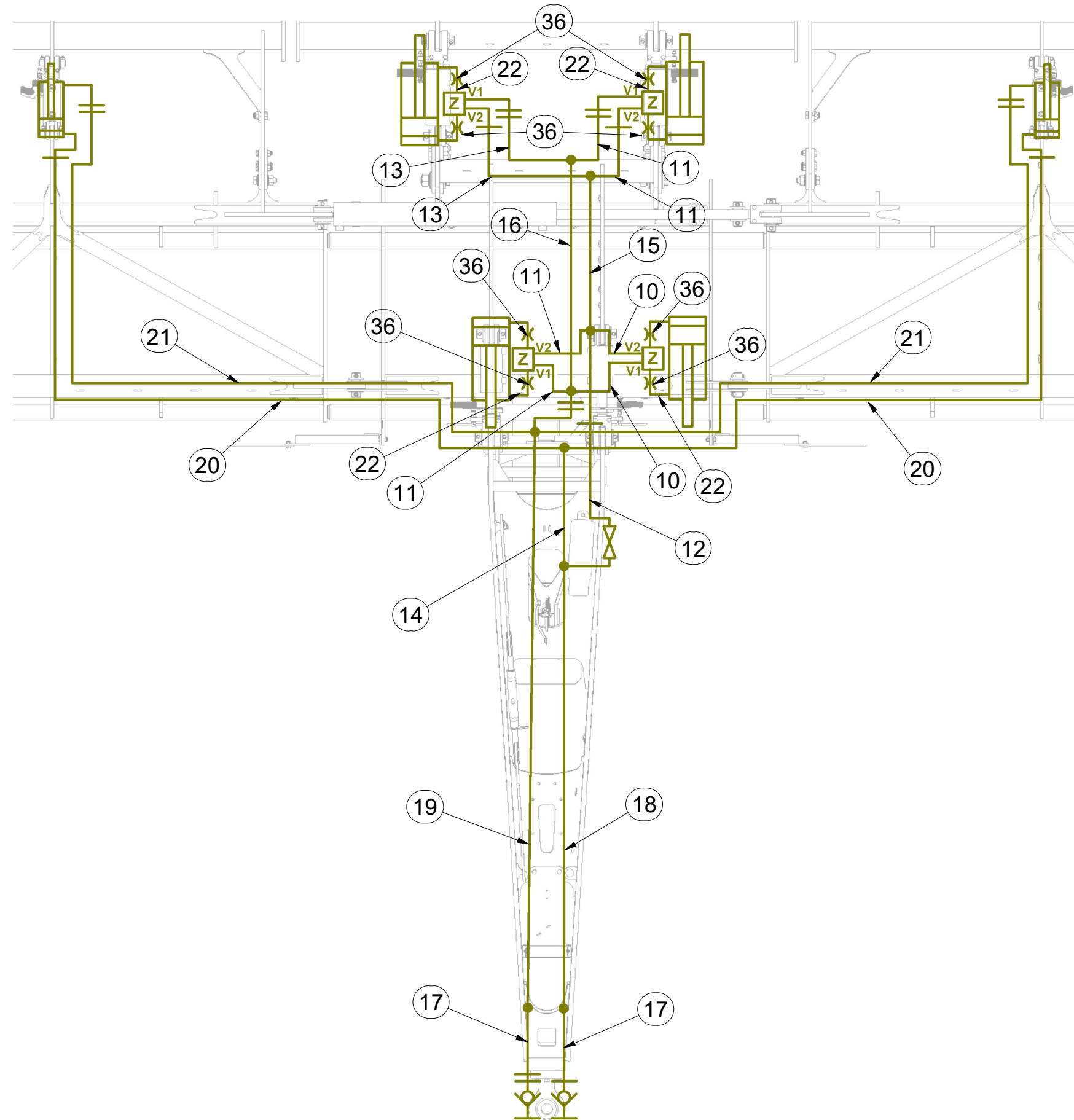
ⒸB HYDRAULIC DISTRIBUTION - RECESSING

ⒸU ГИДРАВЛИЧЕСКОЕ РАСПРЕДЕЛЕНИЕ - ЗАГЛУБЛЕНИЕ

ⒸL HYDRAULICZNY PRZEWÓD - ZAGŁĘBIENIA



VZ00017698



| Pos. | Part Number | Pcs. |
|------|-------------|------|
| 10 | m09627 | 2 |
| 11 | m04827 | 4 |
| 12 | m04033 | 1 |
| 13 | m16761 | 2 |
| 14 | m11107 | 1 |
| 15 | m06533 | 1 |
| 16 | m07360 | 1 |
| 17 | m03714 | 2 |
| 18 | m18192 | 1 |
| 19 | m07361 | 1 |
| 20 | m05763 | 2 |
| 21 | m08526 | 2 |
| 22 | m03845 | 4 |
| 36 | m10762 | 8 |

ⒸZ HYDRAULICKÝ ROZVOD - ZAHLUBOVÁNÍ

Ⓓ HYDRAULISCHE VERTEILUNG - EINSENKUNG

Ⓕ CONDUIT HYDRAULIQUE - L'ENFONCEMENT

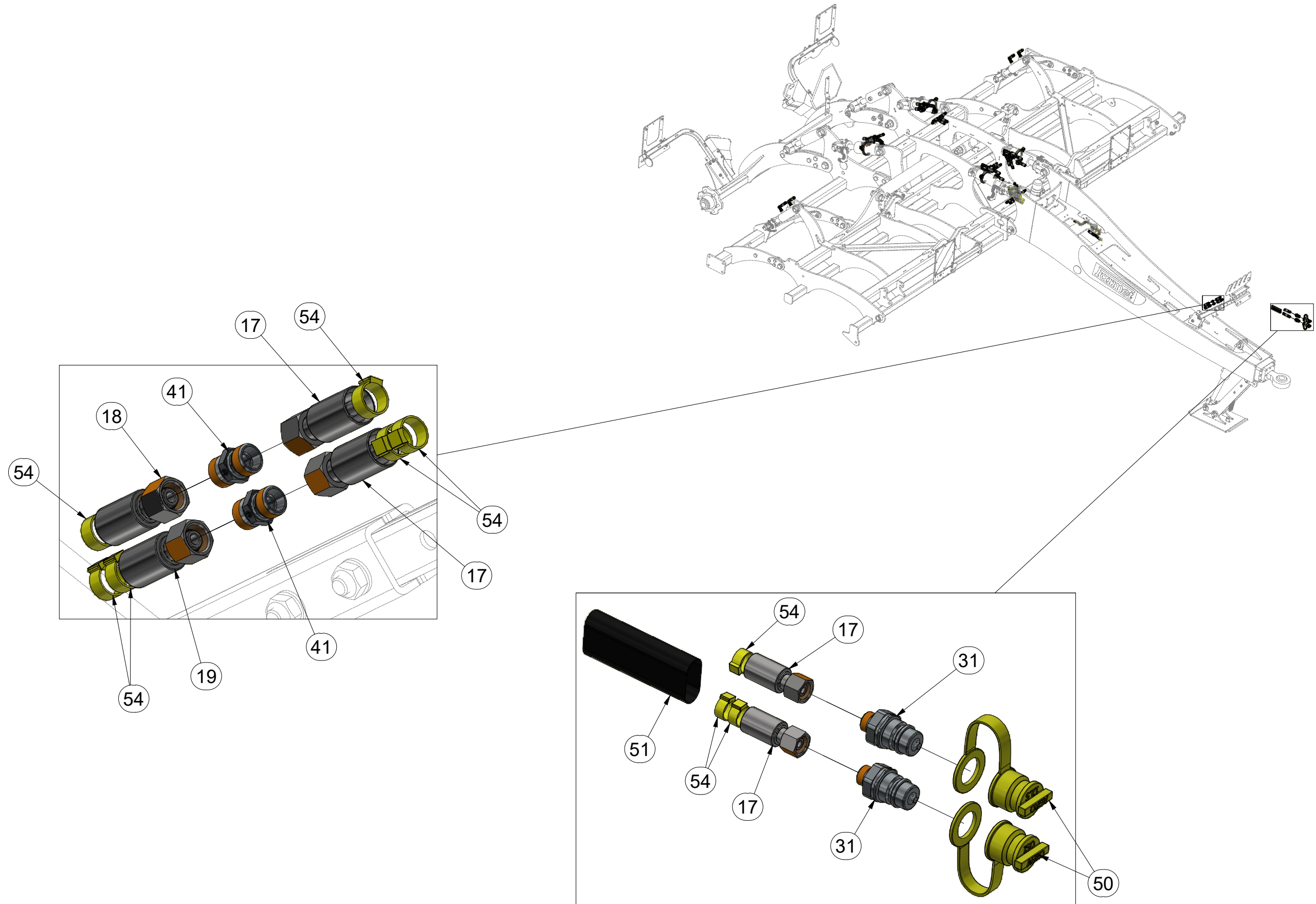
ⒸB HYDRAULIC DISTRIBUTION - RECESSING

ⒸU ГИДРАВЛИЧЕСКОЕ РАСПРЕДЕЛЕНИЕ - ЗАГЛУБЛЕНИЕ

ⒸL HYDRAULICZNY PRZEWÓD - ZAGŁĘBIENIA



VZ00017698



| Pos. | Part Number | Pcs. |
|------|-------------|------|
| 17 | m03714 | 2 |
| 18 | m18192 | 1 |
| 19 | m07361 | 1 |
| 31 | m03849 | 2 |
| 41 | m03213 | 2 |
| 50 | m04023 | 2 |
| 51 | m11183 | 1 |
| 54 | m11289 | 60 |

ⒸZ HYDRAULICKÝ ROZVOD - ZAHLUBOVÁNÍ

Ⓓ HYDRAULISCHE VERTEILUNG - EINSENKUNG

Ⓕ CONDUIT HYDRAULIQUE - L'ENFONCEMENT

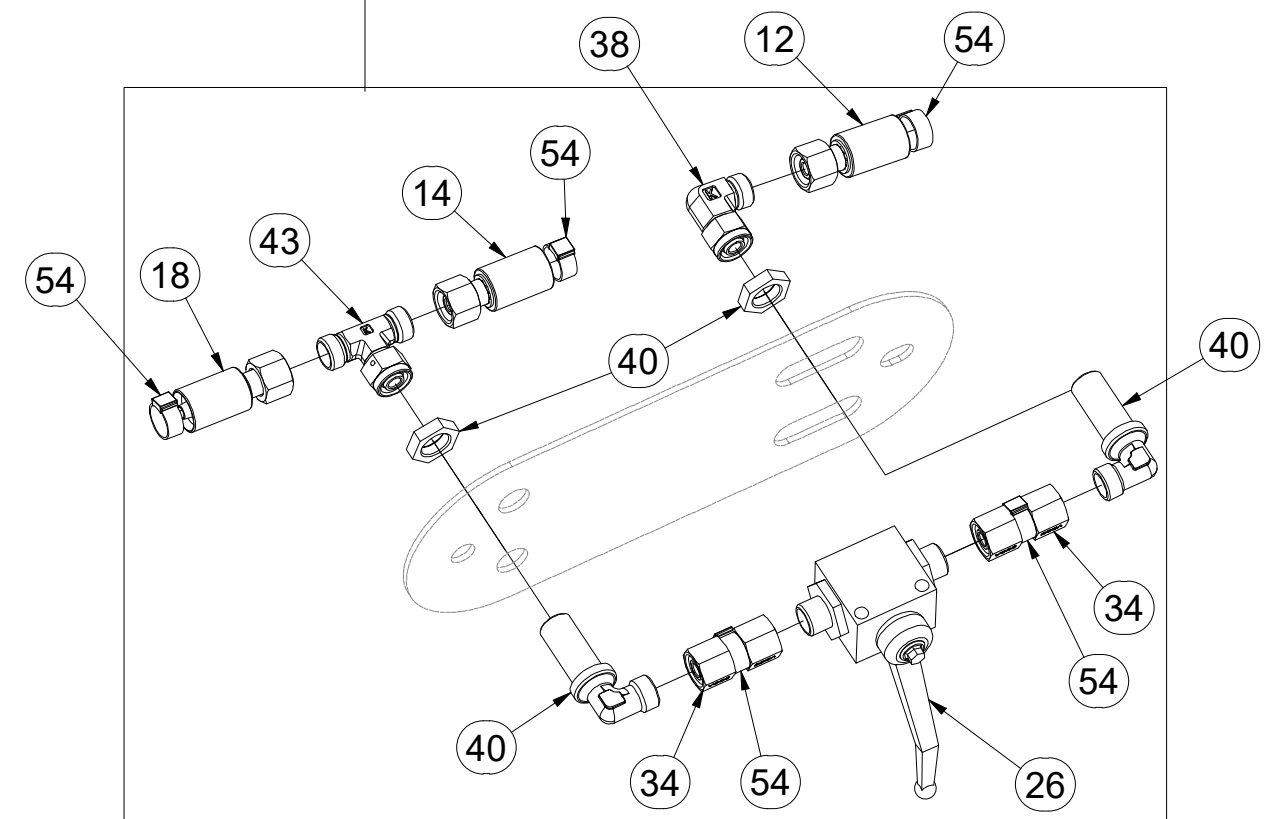
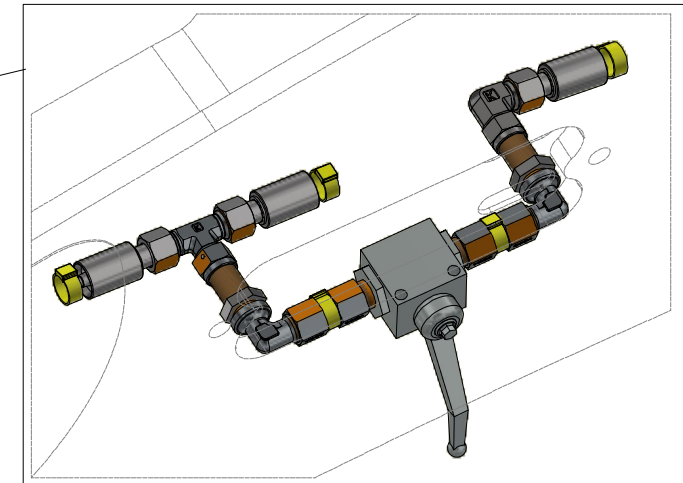
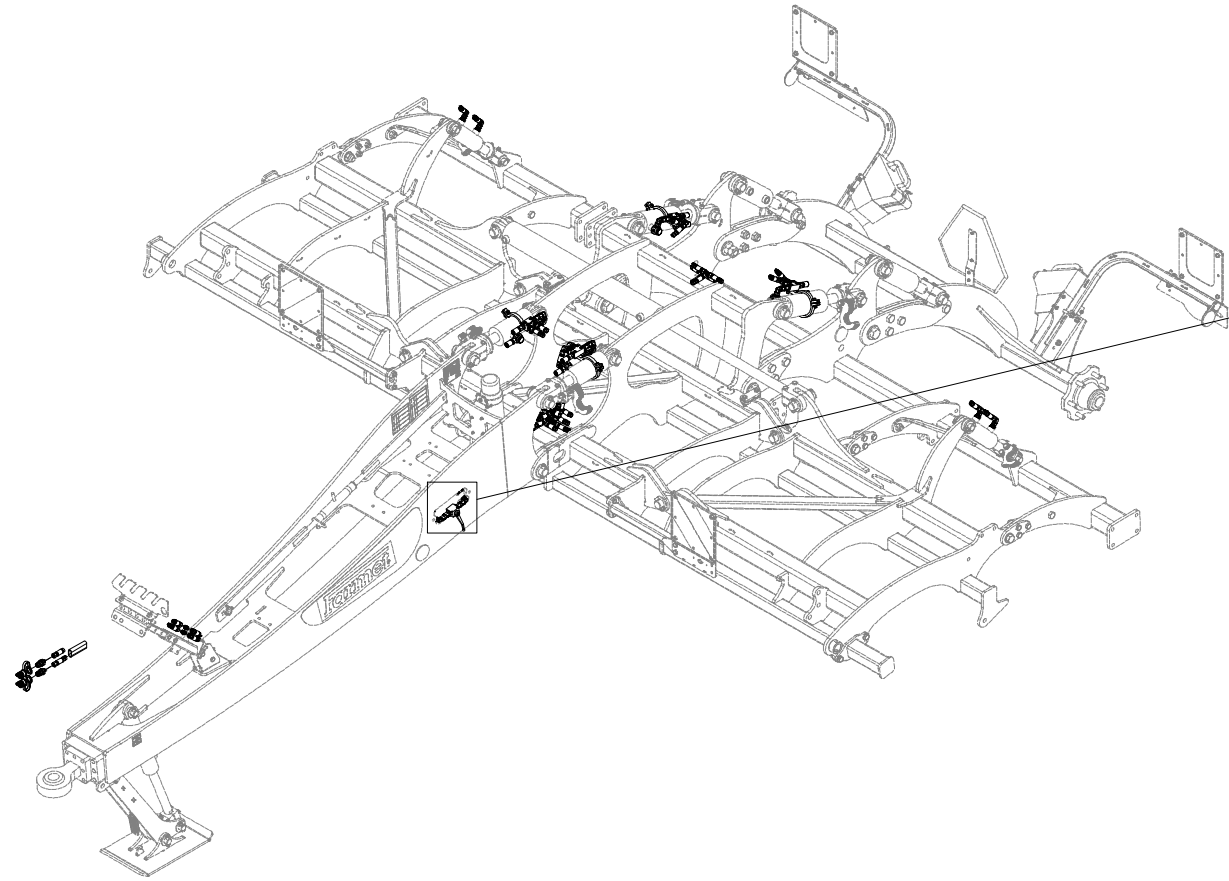
ⒸB HYDRAULIC DISTRIBUTION - RECESSING

ⒸU ГИДРАВЛИЧЕСКОЕ РАСПРЕДЕЛЕНИЕ - ЗАГЛУБЛЕНИЕ

ⒸL HYDRAULICZNY PRZEWÓD - ZAGŁĘBIENIA



VZ00017698



| Pos. | Part Number | Pcs. |
|------|-------------|------|
| 12 | m04033 | 1 |
| 14 | m11107 | 1 |
| 18 | m18192 | 1 |
| 26 | m04623 | 1 |
| 34 | m22305 | 2 |
| 38 | m06803 | 13 |
| 40 | m08391 | 2 |
| 43 | m07567 | 1 |
| 54 | m11289 | 60 |

ⒸZ HYDRAULICKÝ ROZVOD - ZAHLUBOVÁNÍ

Ⓓ HYDRAULISCHE VERTEILUNG - EINSENKUNG

Ⓕ CONDUIT HYDRAULIQUE - L'ENFONCEMENT

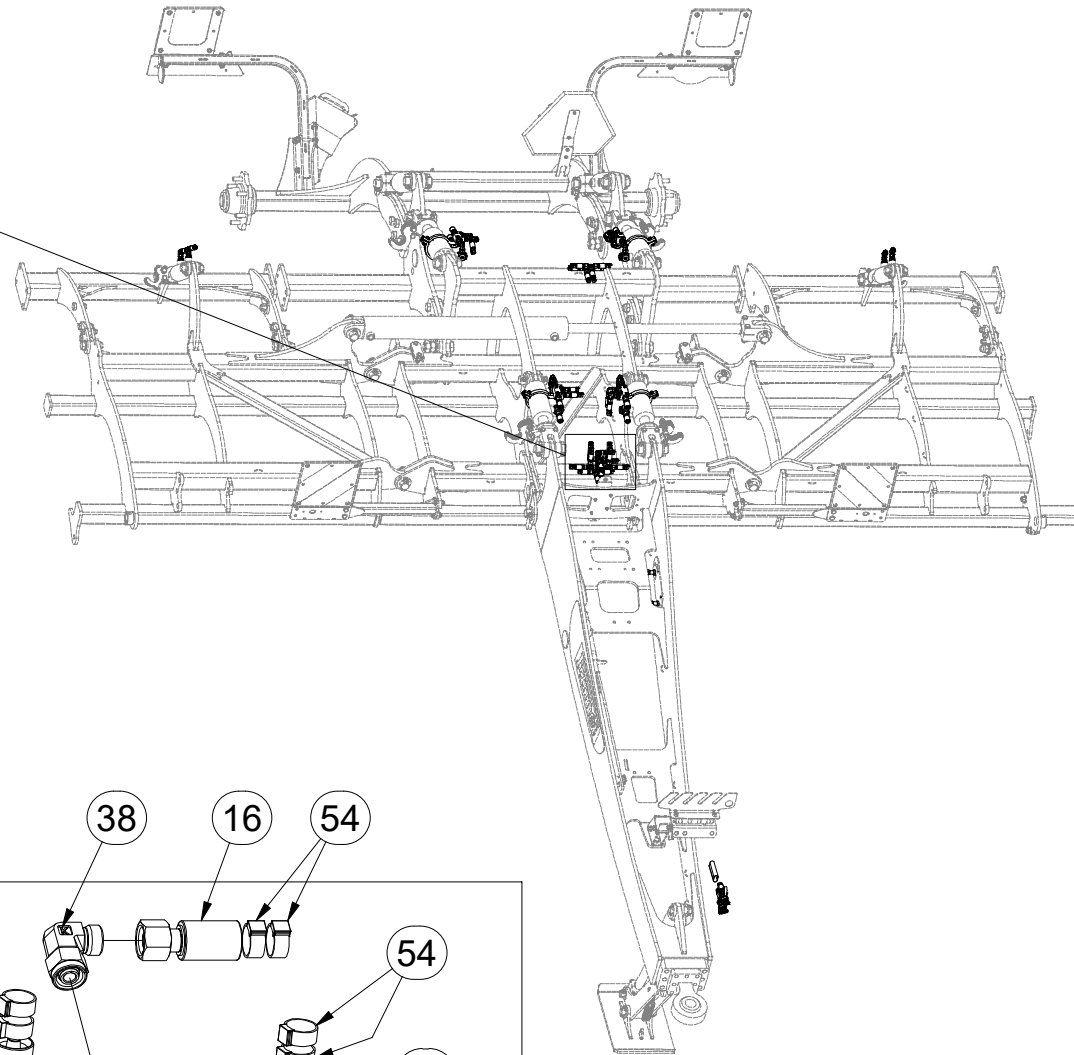
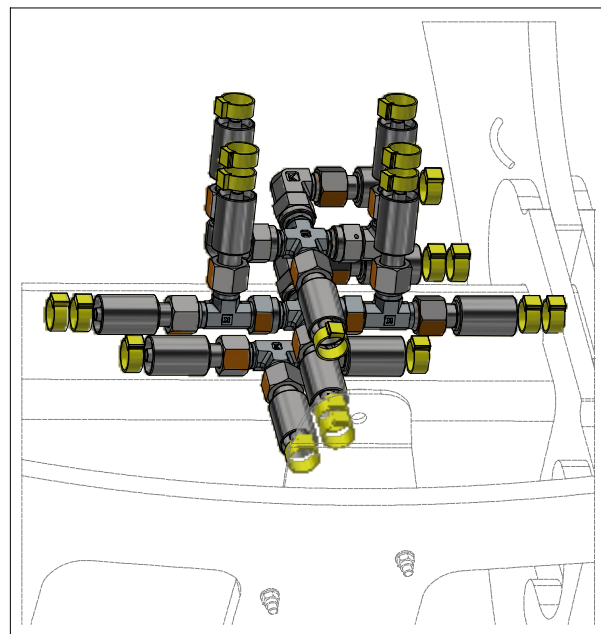
ⒸB HYDRAULIC DISTRIBUTION - RECESSING

ⒸU ГИДРАВЛИЧЕСКОЕ РАСПРЕДЕЛЕНИЕ - ЗАГЛУБЛЕНИЕ

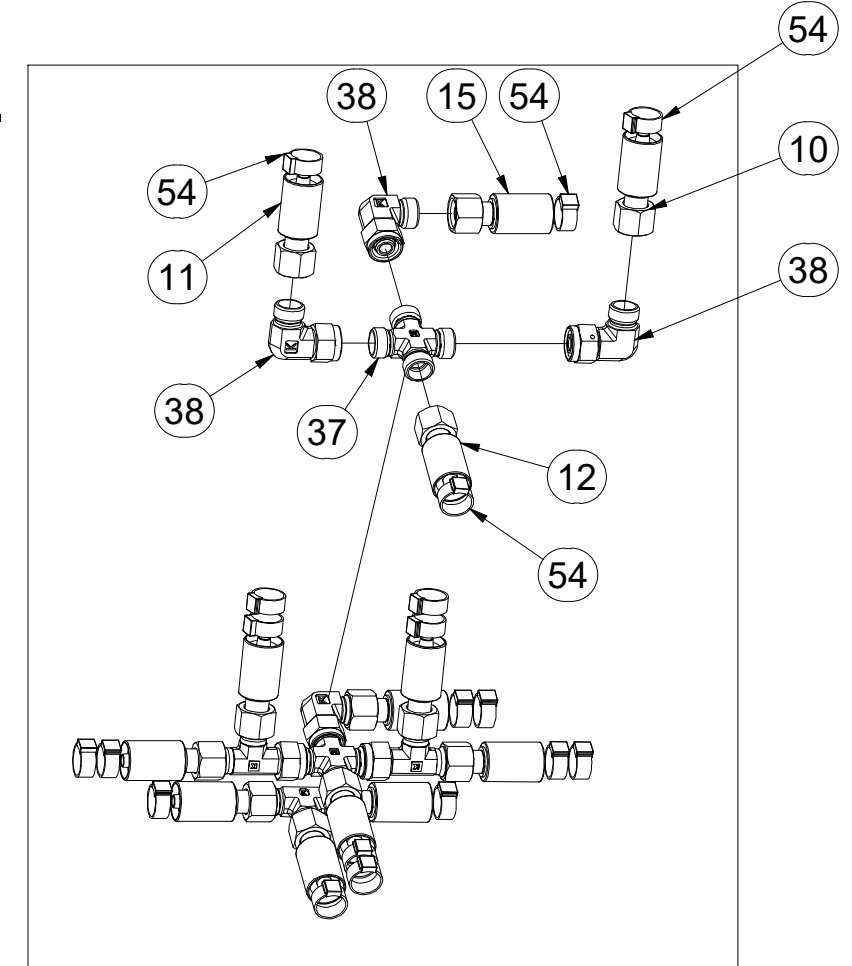
ⒸL HYDRAULICZNY PRZEWÓD - ZAGŁĘBIENIA



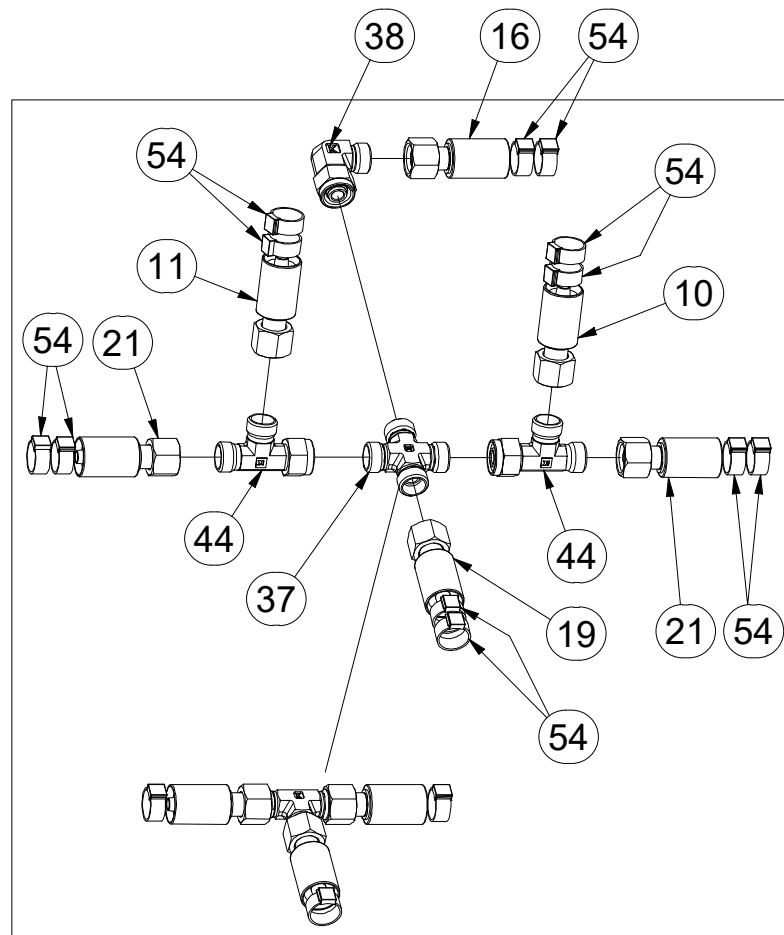
VZ00017698



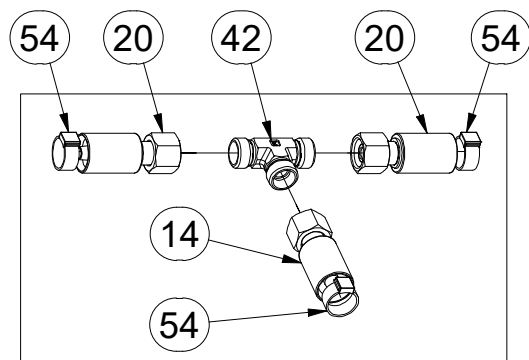
3.



2.



1.



| Pos. | Part Number | Pcs. |
|------|-------------|------|
| 10 | m09627 | 2 |
| 11 | m04827 | 4 |
| 12 | m04033 | 1 |
| 14 | m11107 | 1 |
| 15 | m06533 | 1 |
| 16 | m07360 | 1 |
| 19 | m07361 | 1 |
| 20 | m05763 | 2 |
| 21 | m08526 | 2 |
| 37 | m08328 | 2 |
| 38 | m06803 | 13 |
| 42 | m03889 | 3 |
| 44 | m07568 | 2 |
| 54 | m11289 | 60 |

ⒸZ HYDRAULICKÝ ROZVOD - ZAHLUBOVÁNÍ

Ⓓ HYDRAULISCHE VERTEILUNG - EINSENKUNG

Ⓕ CONDUIT HYDRAULIQUE - L'ENFONCEMENT

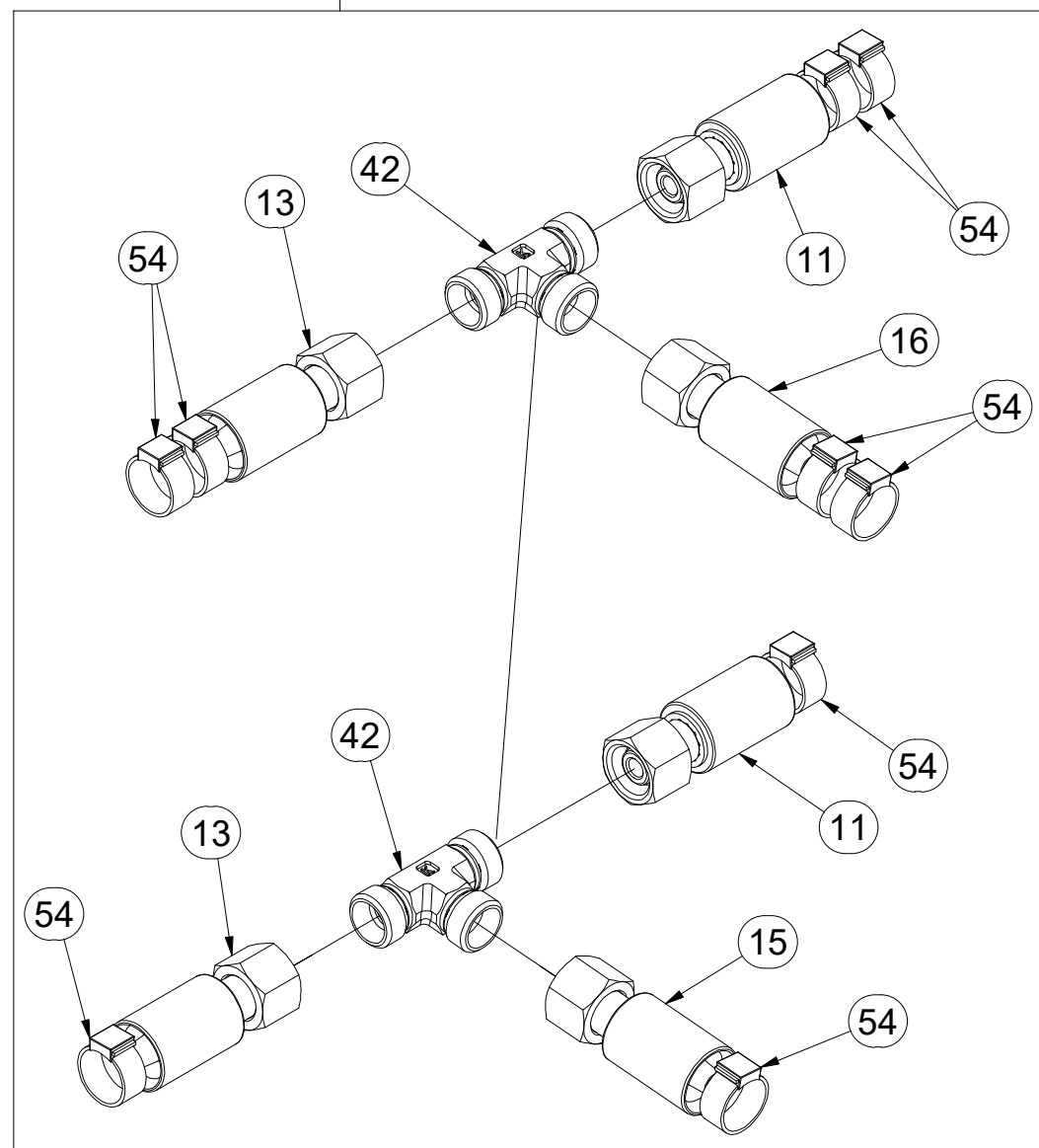
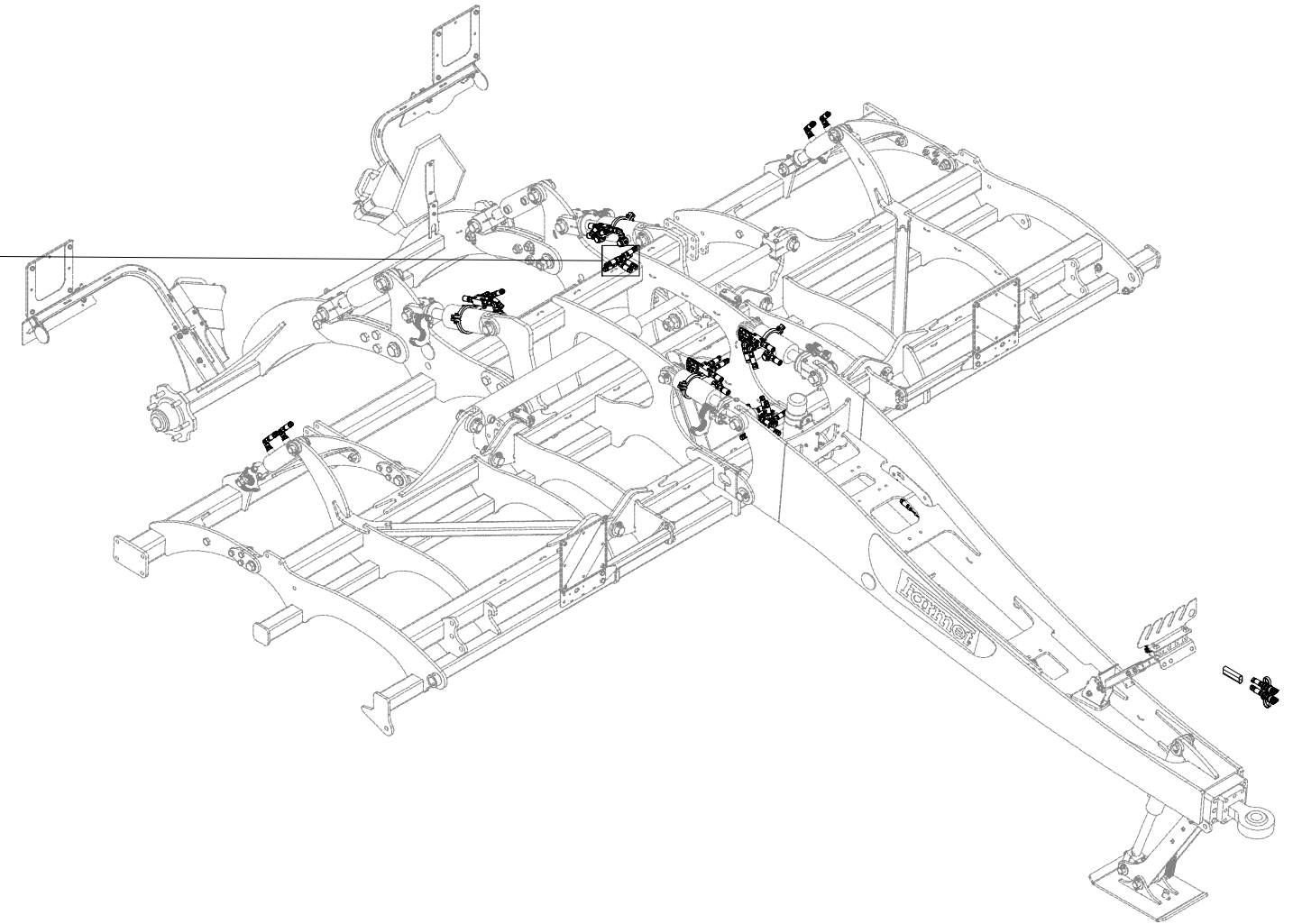
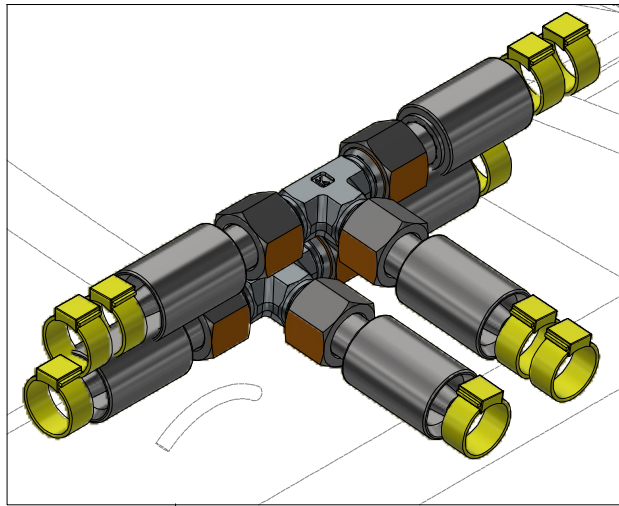
ⒸB HYDRAULIC DISTRIBUTION - RECESSING

ⒸR ГИДРАВЛИЧЕСКОЕ РАСПРЕДЕЛЕНИЕ - ЗАГЛУБЛЕНИЕ

ⒸL HYDRAULICZNY PRZEWÓD - ZAGŁĘBIENIA



VZ00017698



| Pos. | Part Number | Pcs. |
|------|-------------|------|
| 11 | m04827 | 4 |
| 13 | m16761 | 2 |
| 15 | m06533 | 1 |
| 16 | m07360 | 1 |
| 42 | m03889 | 3 |
| 54 | m11289 | 60 |

ⒸZ HYDRAULICKÝ ROZVOD - ZAHLUBOVÁNÍ

Ⓓ HYDRAULISCHE VERTEILUNG - EINSENKUNG

Ⓕ CONDUIT HYDRAULIQUE - L'ENFONCEMENT

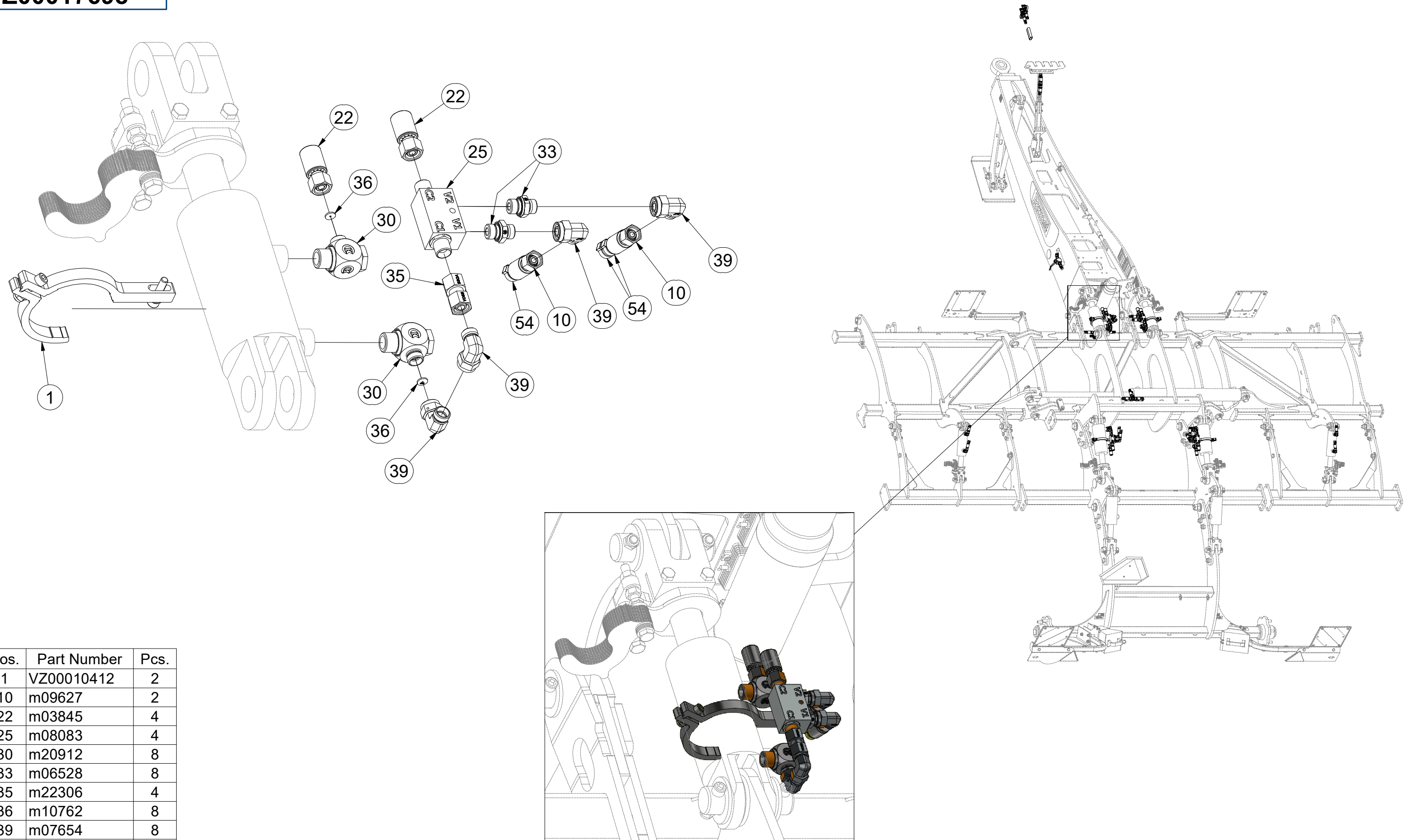
ⒸB HYDRAULIC DISTRIBUTION - RECESSING

Ⓔ ГИДРАВЛИЧЕСКОЕ РАСПРЕДЕЛЕНИЕ - ЗАГЛУБЛЕНИЕ

ⒶL HYDRAULICZNY PRZEWÓD - ZAGŁĘBIENIA



VZ00017698



| Pos. | Part Number | Pcs. |
|------|-------------|------|
| 1 | VZ00010412 | 2 |
| 10 | m09627 | 2 |
| 22 | m03845 | 4 |
| 25 | m08083 | 4 |
| 30 | m20912 | 8 |
| 33 | m06528 | 8 |
| 35 | m22306 | 4 |
| 36 | m10762 | 8 |
| 39 | m07654 | 8 |
| 54 | m11289 | 60 |

ⒸZ HYDRAULICKÝ ROZVOD - ZAHLUBOVÁNÍ

Ⓓ HYDRAULISCHE VERTEILUNG - EINSENKUNG

Ⓕ CONDUIT HYDRAULIQUE - L'ENFONCEMENT

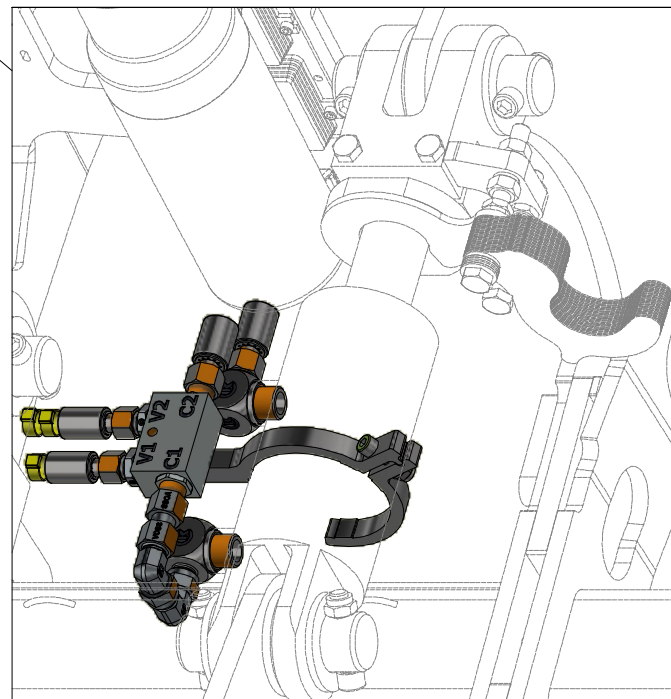
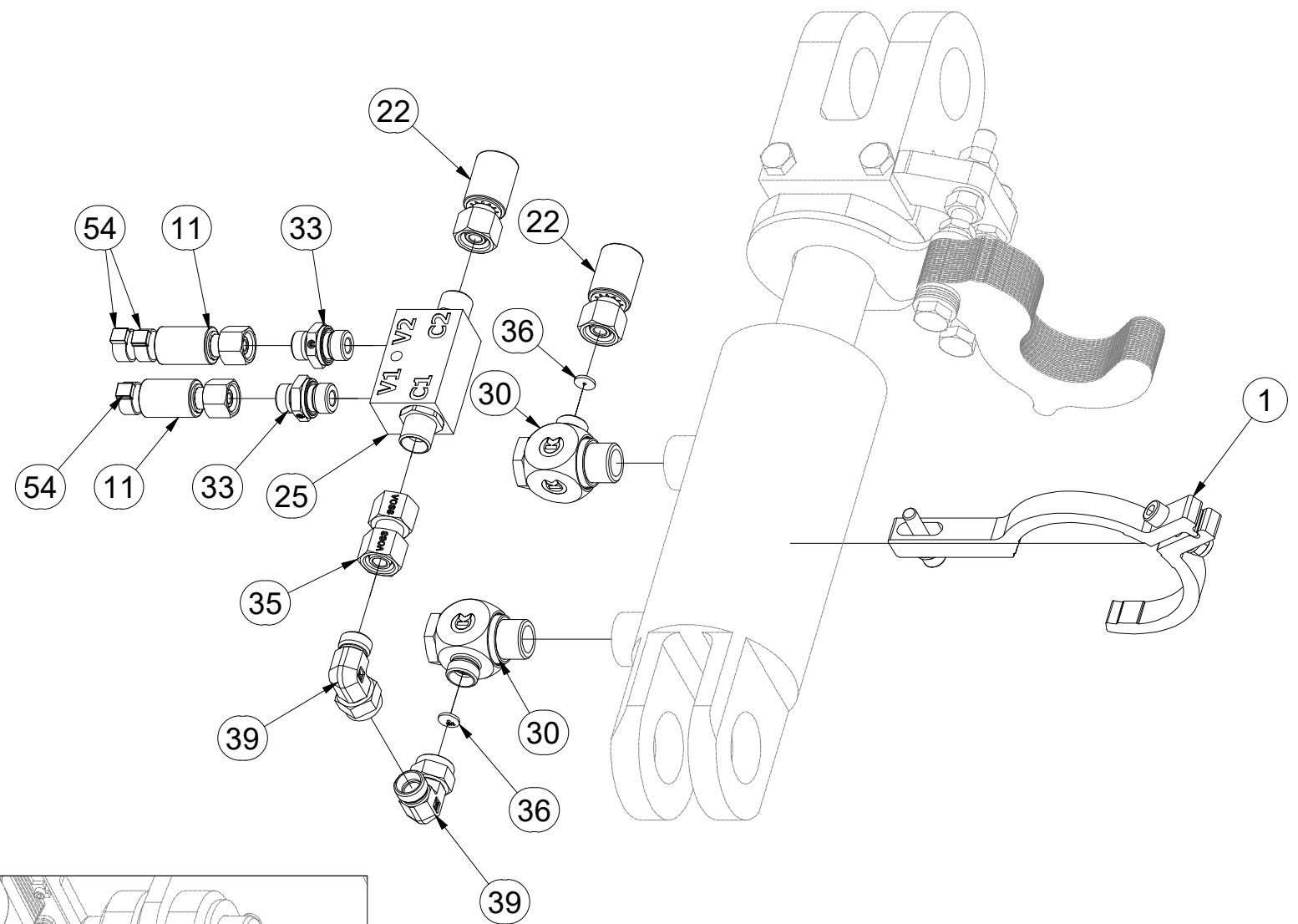
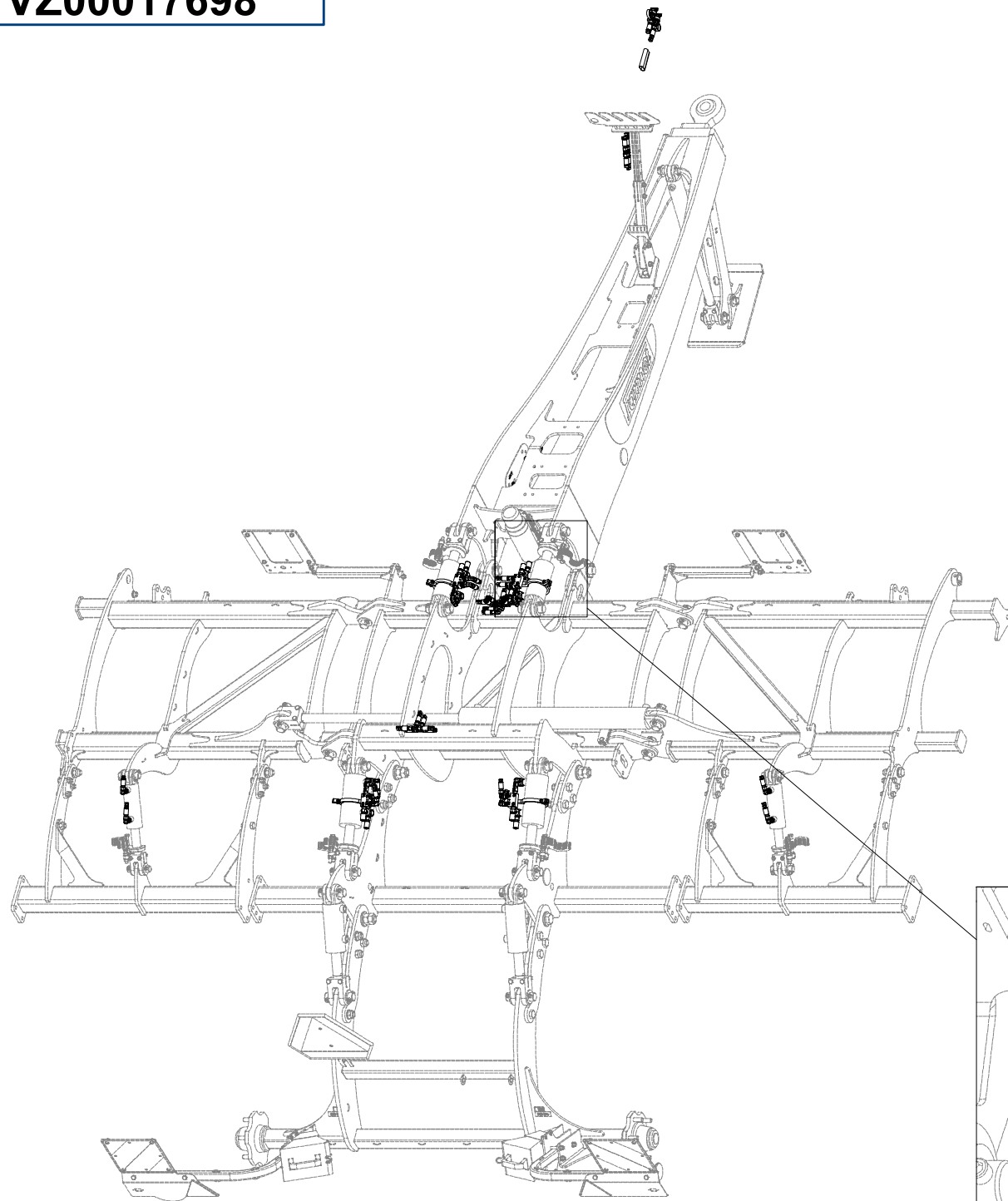
ⒸB HYDRAULIC DISTRIBUTION - RECESSING

ⒸU ГИДРАВЛИЧЕСКОЕ РАСПРЕДЕЛЕНИЕ - ЗАГЛУБЛЕНИЕ

ⒸL HYDRAULICZNY PRZEWÓD - ZAGŁĘBIENIA



VZ00017698



| Pos. | Part Number | Pcs. |
|------|-------------|------|
| 1 | VZ00010412 | 2 |
| 11 | m04827 | 4 |
| 22 | m03845 | 4 |
| 25 | m08083 | 4 |
| 30 | m20912 | 8 |
| 33 | m06528 | 8 |
| 35 | m22306 | 4 |
| 36 | m10762 | 8 |
| 39 | m07654 | 8 |
| 54 | m11289 | 60 |

ⒸZ HYDRAULICKÝ ROZVOD - ZAHLUBOVÁNÍ

Ⓓ HYDRAULISCHE VERTEILUNG - EINSENKUNG

Ⓕ CONDUIT HYDRAULIQUE - L'ENFONCEMENT

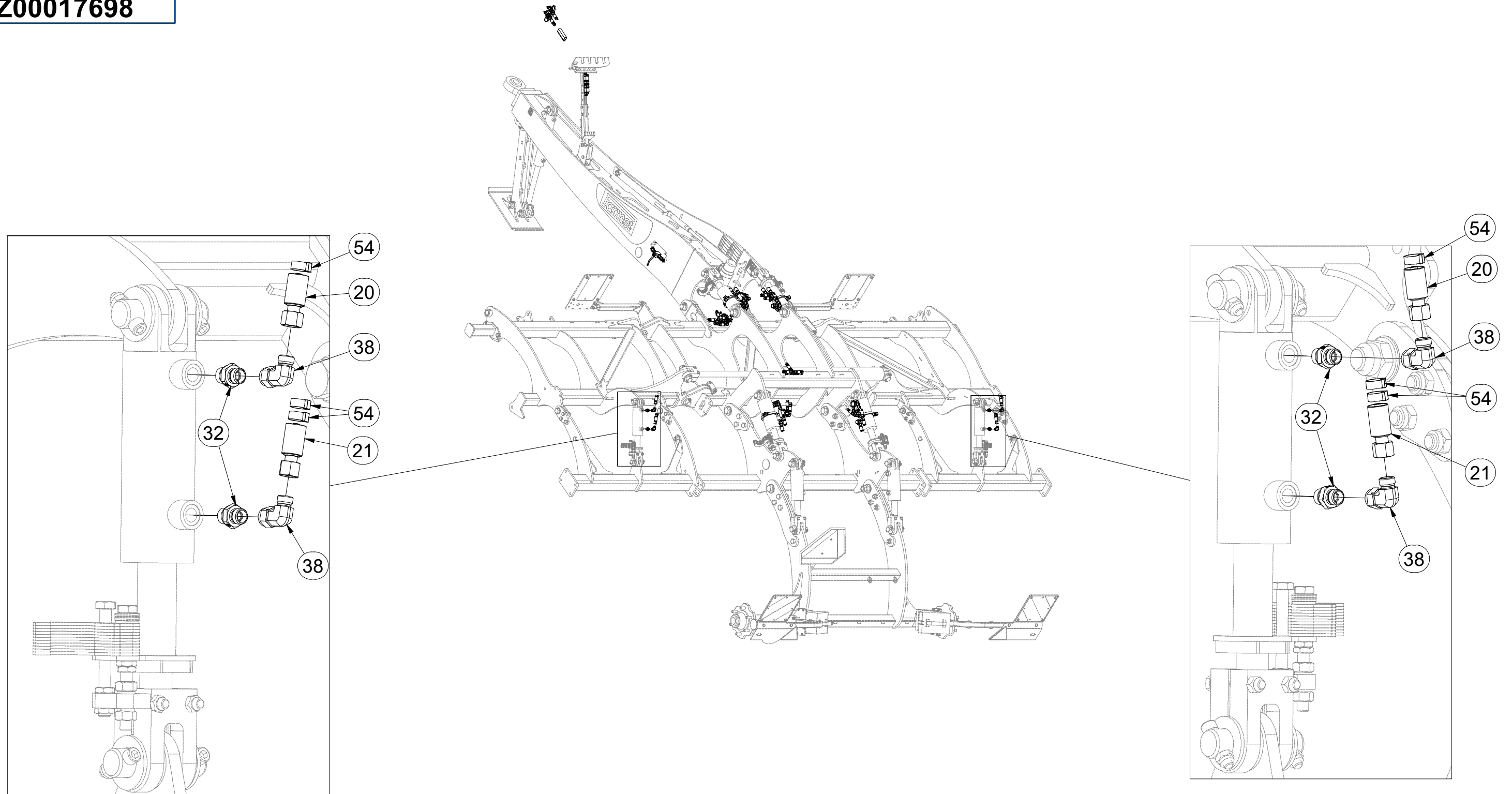
ⒸB HYDRAULIC DISTRIBUTION - RECESSING

ⒸU ГИДРАВЛИЧЕСКОЕ РАСПРЕДЕЛЕНИЕ - ЗАГЛУБЛЕНИЕ

ⒸL HYDRAULICZNY PRZEWÓD - ZAGŁĘBIENIA



VZ00017698



| Pos. | Part Number | Pcs. |
|------|-------------|------|
| 20 | m05763 | 2 |
| 21 | m08526 | 2 |
| 32 | m07906 | 4 |
| 38 | m06803 | 13 |
| 54 | m11289 | 60 |

ⒸZ HYDRAULICKÝ ROZVOD - ZAHLUBOVÁNÍ

Ⓓ HYDRAULISCHE VERTEILUNG - EINSENKUNG

Ⓕ CONDUIT HYDRAULIQUE - L'ENFONCEMENT

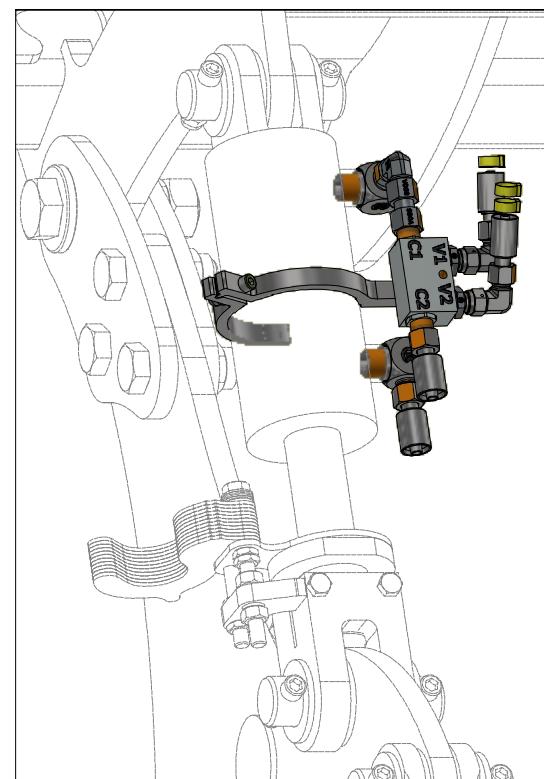
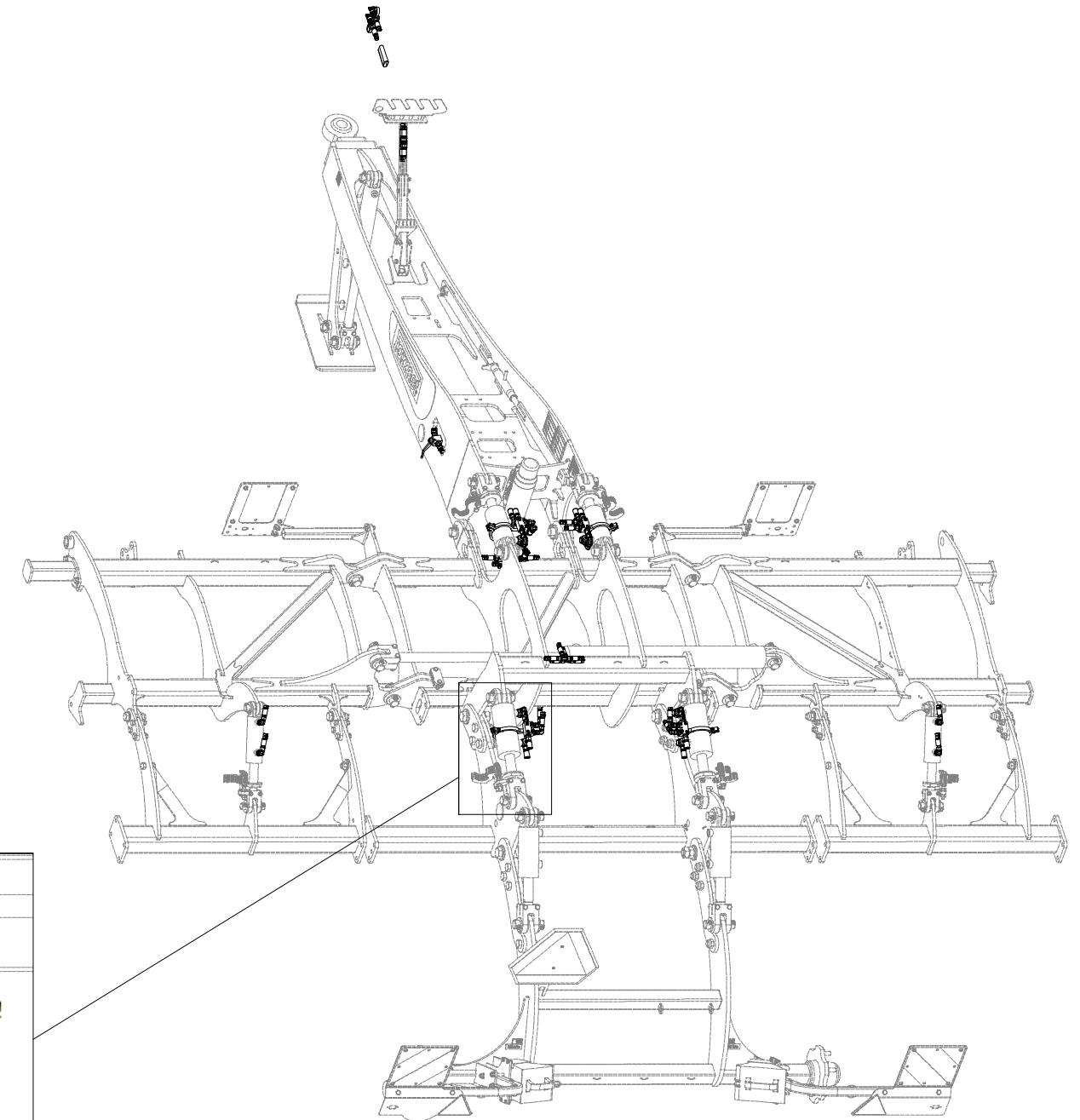
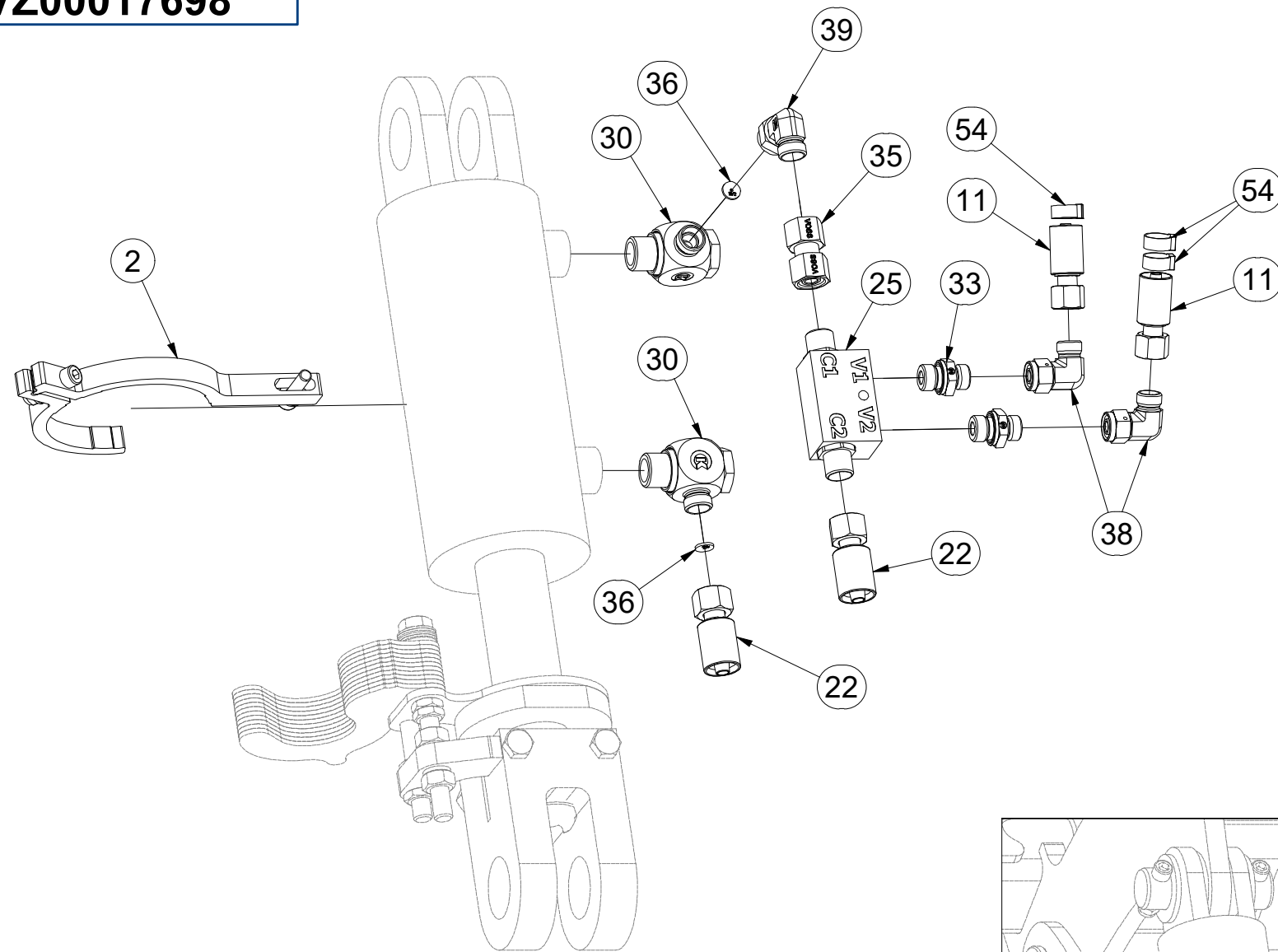
ⒸB HYDRAULIC DISTRIBUTION - RECESSING

ⒸU ГИДРАВЛИЧЕСКОЕ РАСПРЕДЕЛЕНИЕ - ЗАГЛУБЛЕНИЕ

ⒸL HYDRAULICZNY PRZEWÓD - ZAGŁĘBIENIA



VZ00017698



| Pos. | Part Number | Pcs. |
|------|-------------|------|
| 2 | VZ00010409 | 2 |
| 11 | m04827 | 4 |
| 22 | m03845 | 4 |
| 25 | m08083 | 4 |
| 30 | m20912 | 8 |
| 33 | m06528 | 8 |
| 35 | m22306 | 4 |
| 36 | m10762 | 8 |
| 38 | m06803 | 13 |
| 39 | m07654 | 8 |
| 54 | m11289 | 60 |

ⒸZ HYDRAULICKÝ ROZVOD - ZAHLUBOVÁNÍ

Ⓓ HYDRAULISCHE VERTEILUNG - EINSENKUNG

Ⓕ CONDUIT HYDRAULIQUE - L'ENFONCEMENT

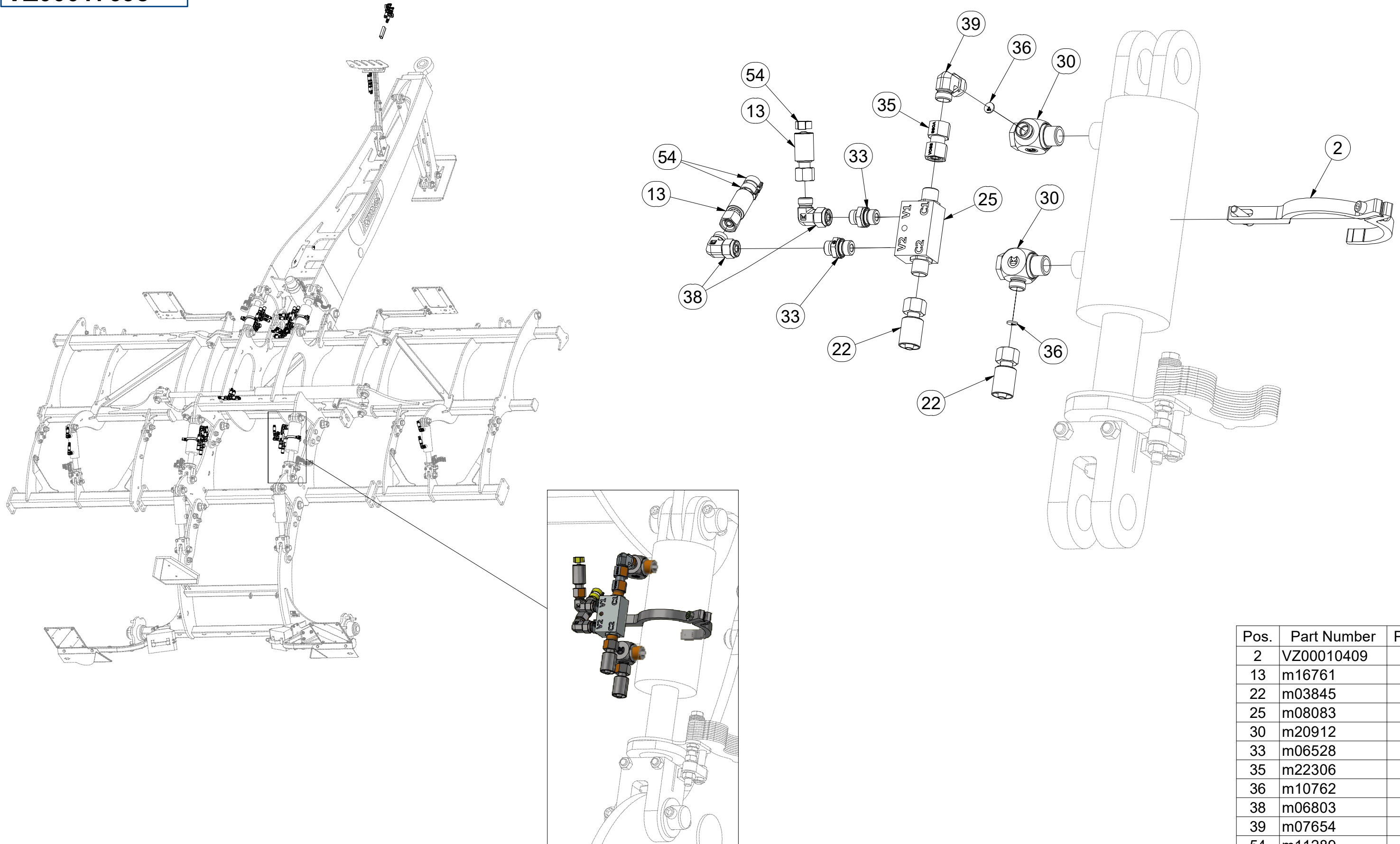
ⒸB HYDRAULIC DISTRIBUTION - RECESSING

ⒸU ГИДРАВЛИЧЕСКОЕ РАСПРЕДЕЛЕНИЕ - ЗАГЛУБЛЕНИЕ

ⒸL HYDRAULICZNY PRZEWÓD - ZAGŁĘBIENIA

Farmet

VZ00017698



| Pos. | Part Number | Pcs. |
|------|-------------|------|
| 2 | VZ00010409 | 2 |
| 13 | m16761 | 2 |
| 22 | m03845 | 4 |
| 25 | m08083 | 4 |
| 30 | m20912 | 8 |
| 33 | m06528 | 8 |
| 35 | m22306 | 4 |
| 36 | m10762 | 8 |
| 38 | m06803 | 13 |
| 39 | m07654 | 8 |
| 54 | m11289 | 60 |

ⒸZ HYDRAULIKA STROJE

Ⓓ HYDRAULIK DER MASCHINE

Ⓕ HYDRAULIQUE DE LA MACHINE

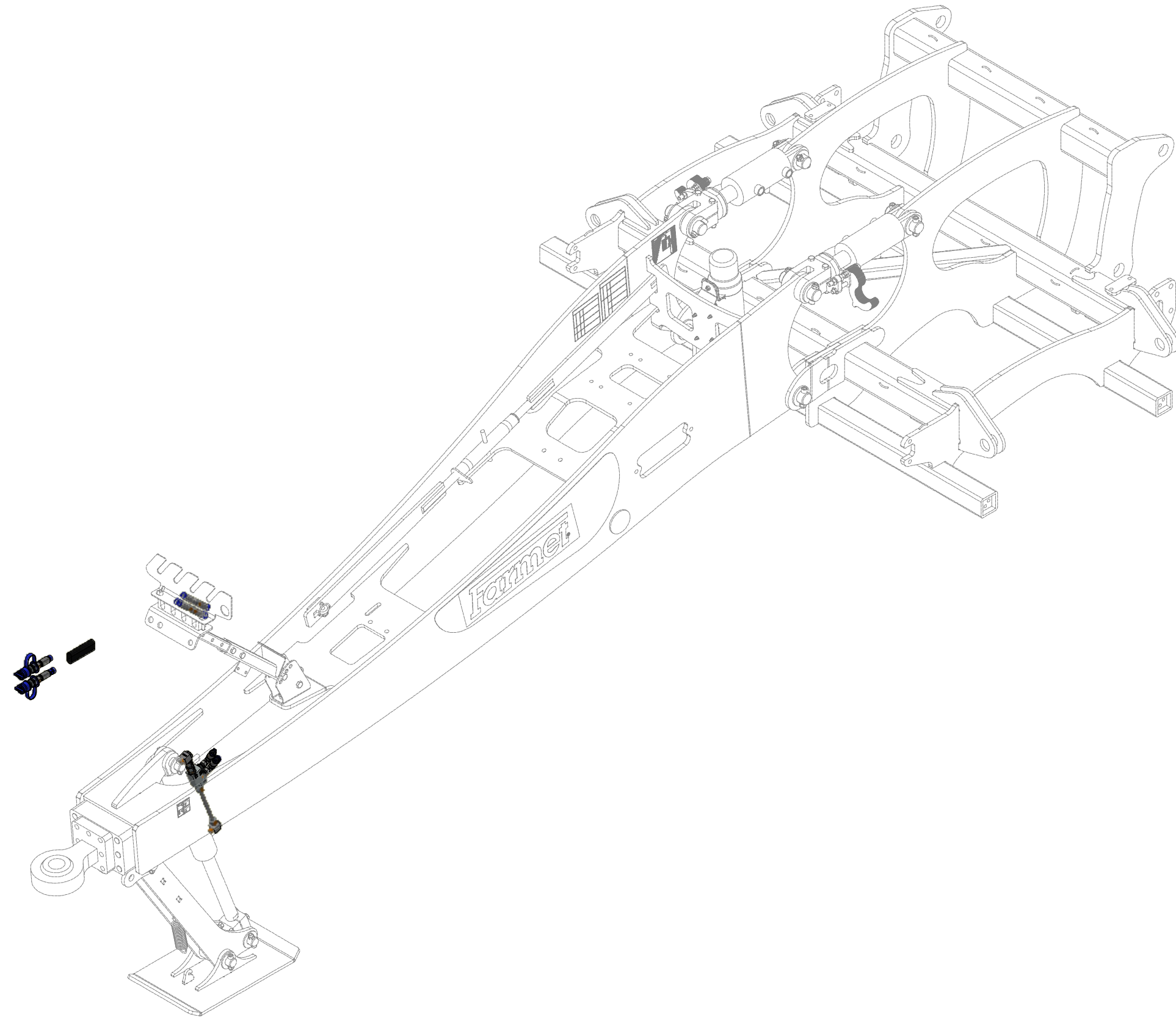
ⒸB MACHINE HYDRAULICS

ⒸU ГИДРАВЛИКА МАШИНЫ

ⒸL HYDRAULIKA MASZYN



VZ00017642



Ⓒ HYDRAULIKA STROJE

Ⓓ HYDRAULIK DER MASCHINE

Ⓕ HYDRAULIQUE DE LA MACHINE

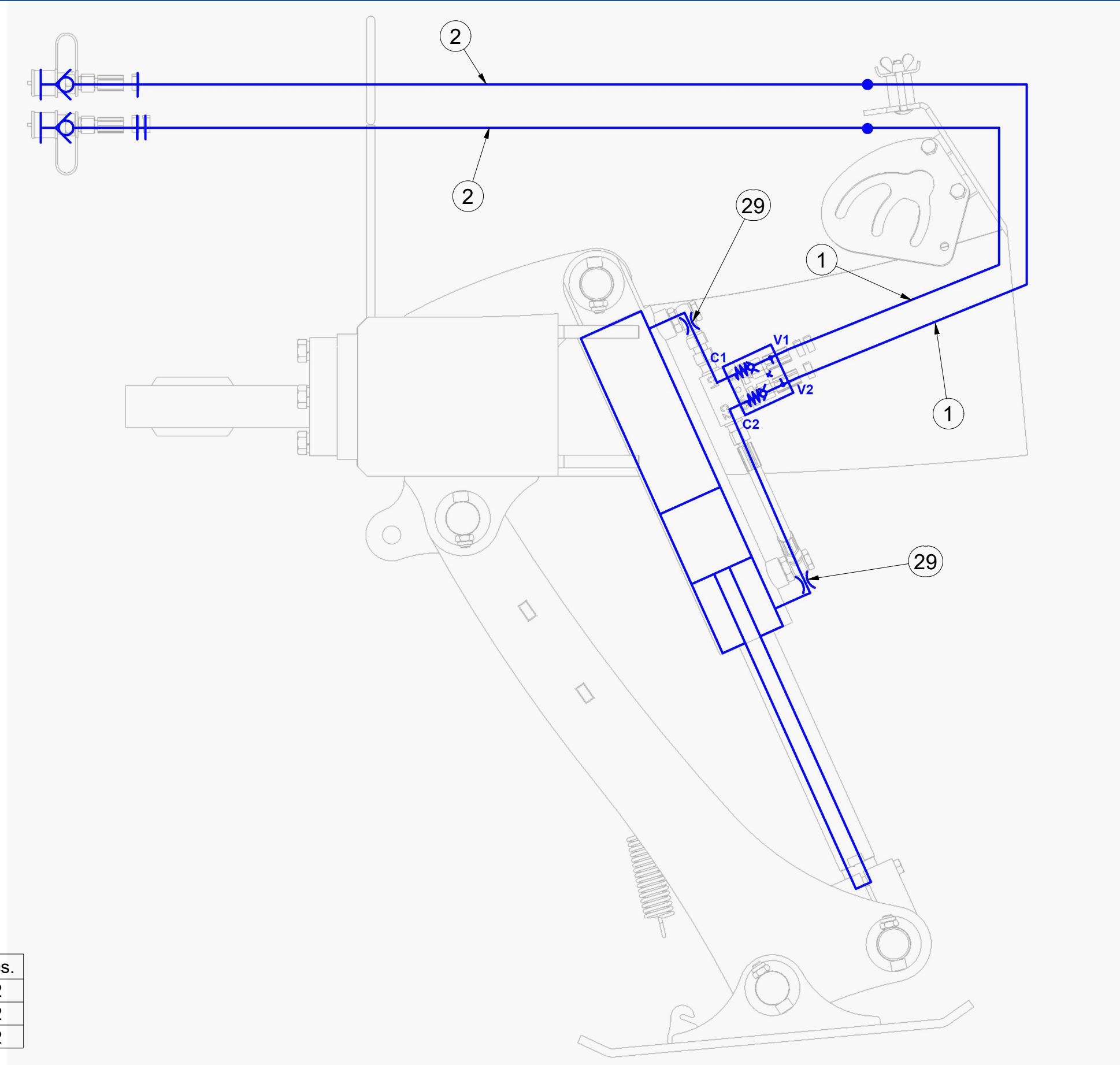
Ⓖ MACHINE HYDRAULICS

Ⓡ ГИДРАВЛИКА МАШИНЫ

Ⓟ HYDRAULIKA MASZYNY

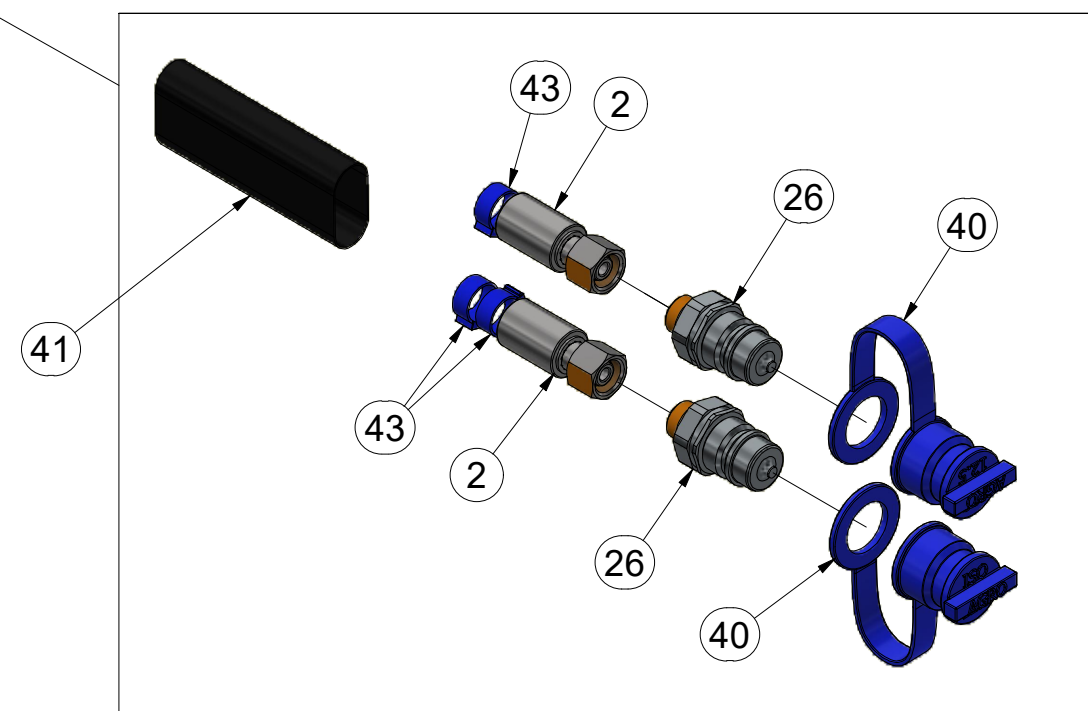
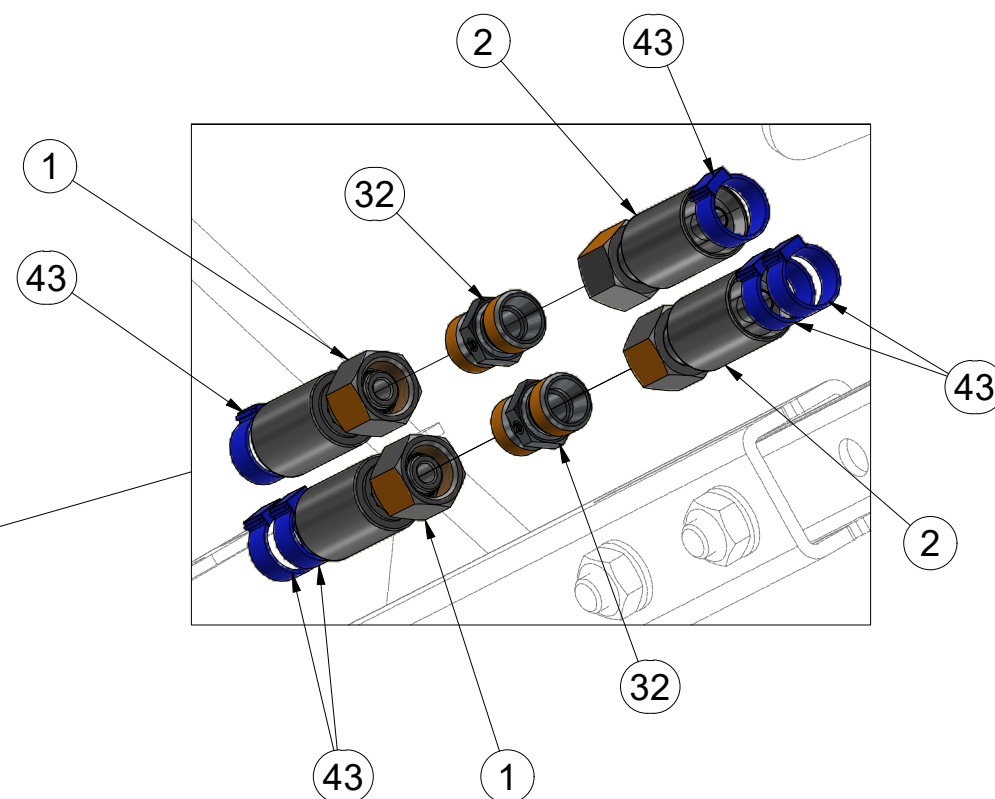
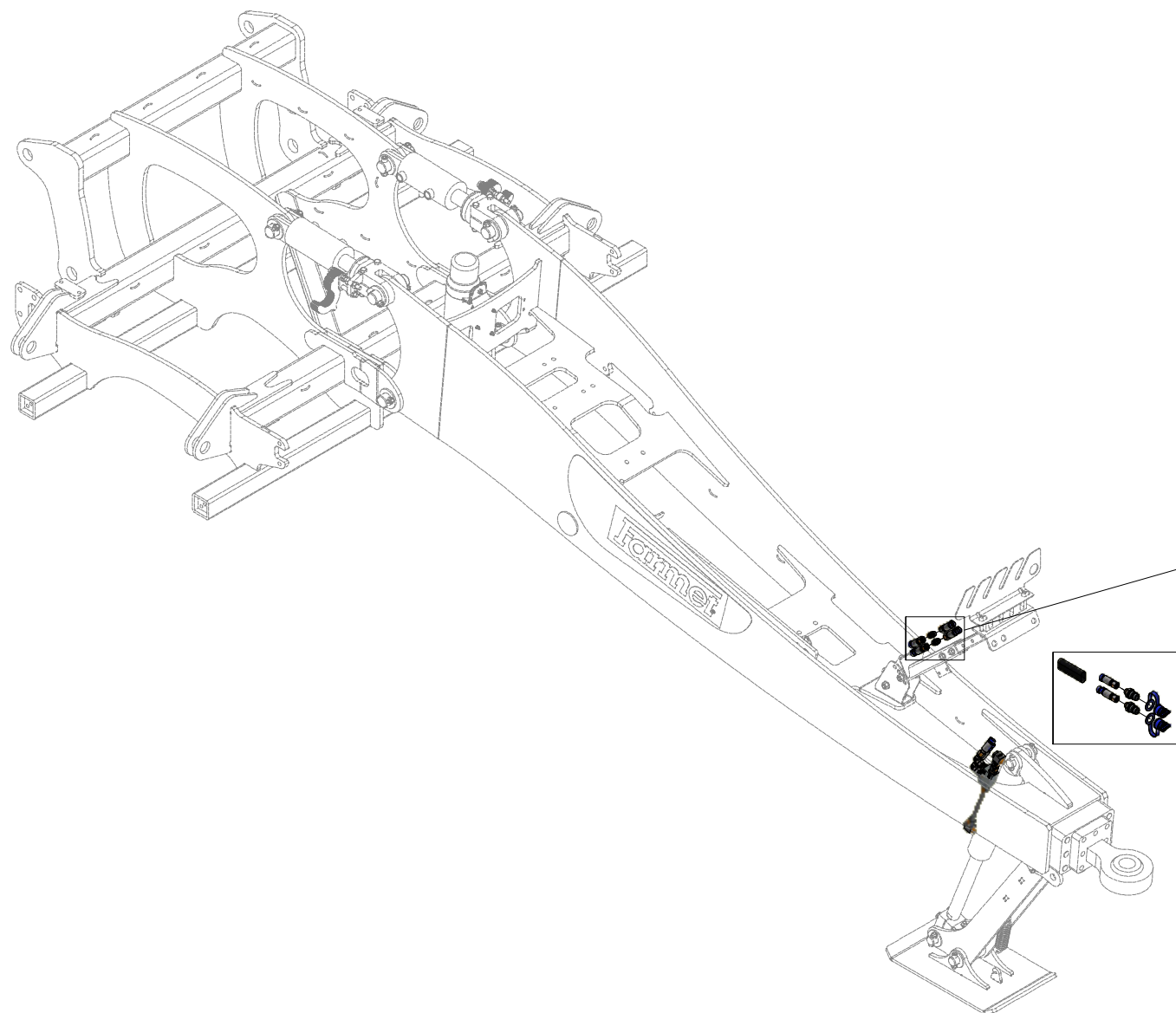


VZ00017642



| Pos. | Part Number | Pcs. |
|------|-------------|------|
| 1 | m06533 | 2 |
| 2 | m03714 | 2 |
| 29 | m10776 | 2 |

VZ00017642



| Pos. | Part Number | Pcs. |
|------|-------------|------|
| 1 | m06533 | 2 |
| 2 | m03714 | 2 |
| 26 | m03849 | 2 |
| 32 | m03213 | 2 |
| 40 | m03743 | 2 |
| 41 | m11183 | 1 |
| 43 | m11253 | 12 |

ⒸZ HYDRAULIKA STROJE

Ⓓ HYDRAULIK DER MASCHINE

Ⓕ HYDRAULIQUE DE LA MACHINE

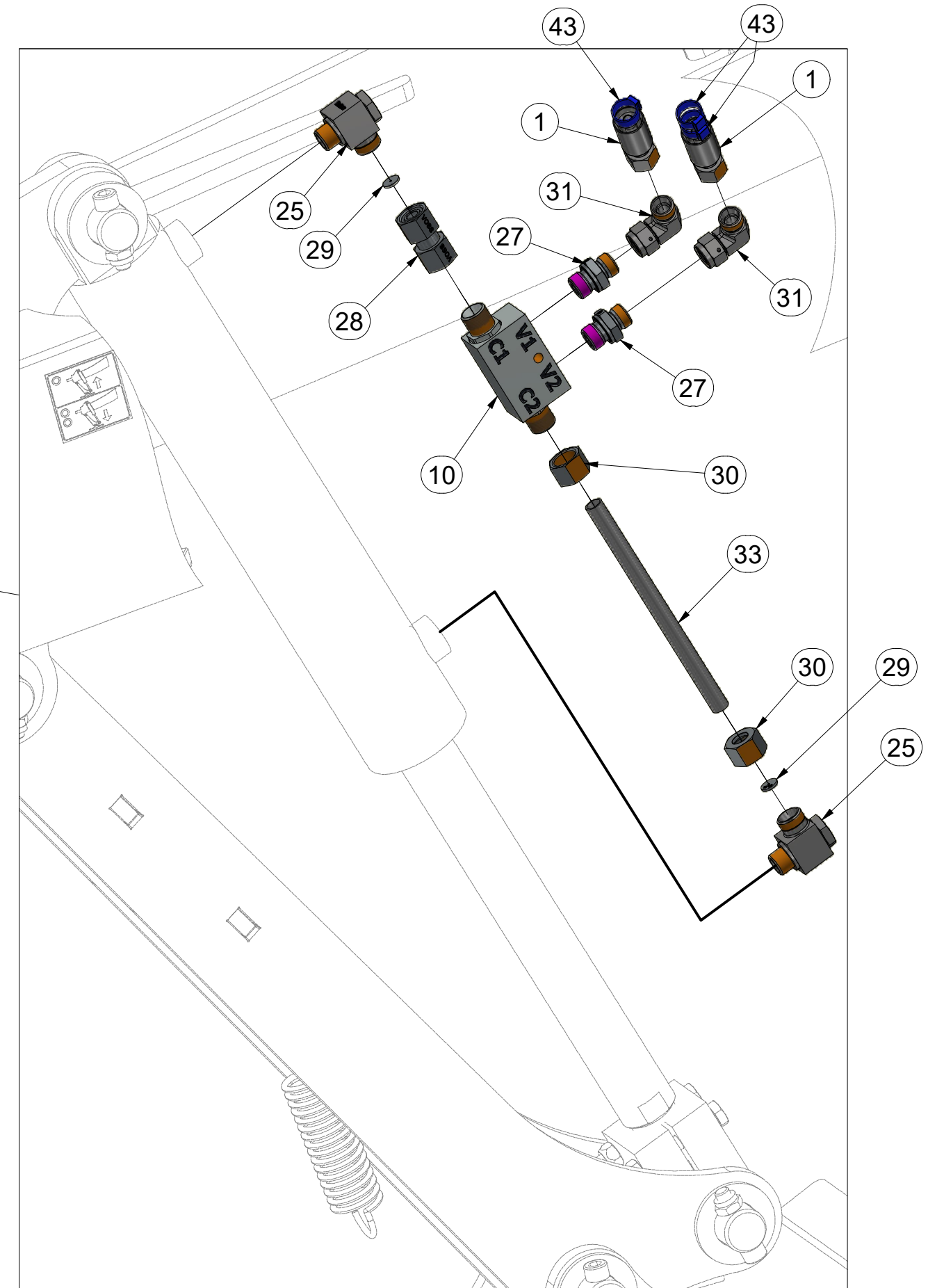
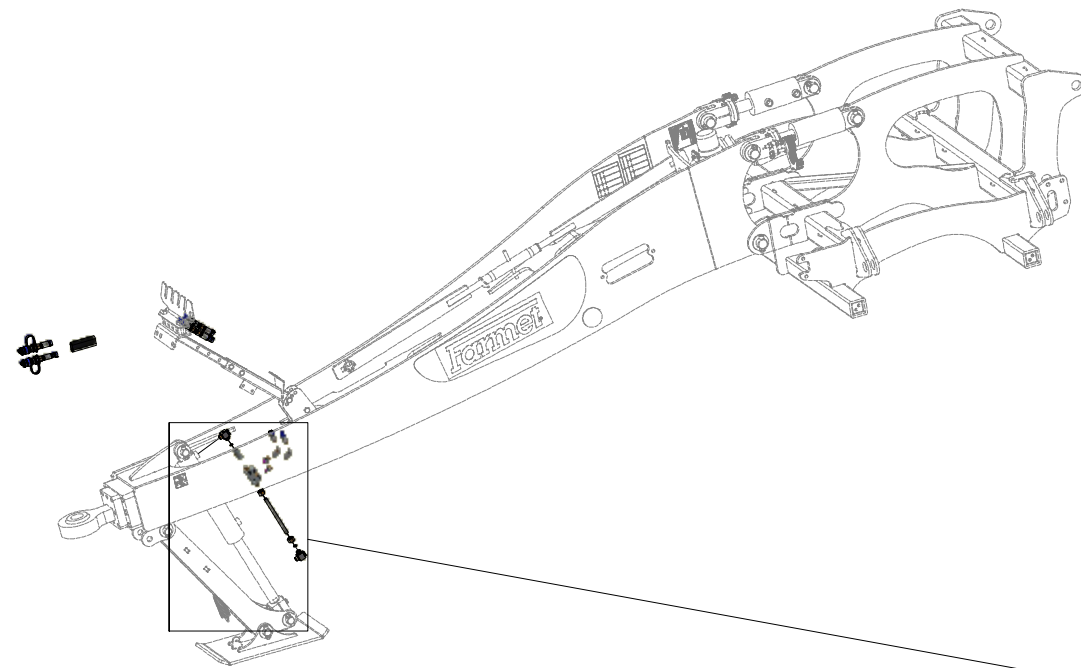
ⒼB MACHINE HYDRAULICS

Ⓔ RU ГИДРАВЛИКА МАШИНЫ

Ⓕ PL HYDRAULIKA MASZYN



VZ00017642



| Pos. | Part Number | Pcs. |
|------|-------------|------|
| 1 | m06533 | 2 |
| 10 | m08083 | 1 |
| 25 | m20882 | 2 |
| 27 | m06528 | 2 |
| 28 | m22306 | 1 |
| 29 | m10776 | 2 |
| 30 | m17321 | 2 |
| 31 | m06803 | 2 |
| 33 | m20005 | 1 |
| 43 | m11253 | 12 |

ⒸZ HYDRAULICKÝ ROZVOD NÁPRAVY

Ⓓ HYDRAULISCHE VERTEILUNG ACHSE

Ⓕ CONDUIT HYDRAULIQUE DE L'ESSIEU

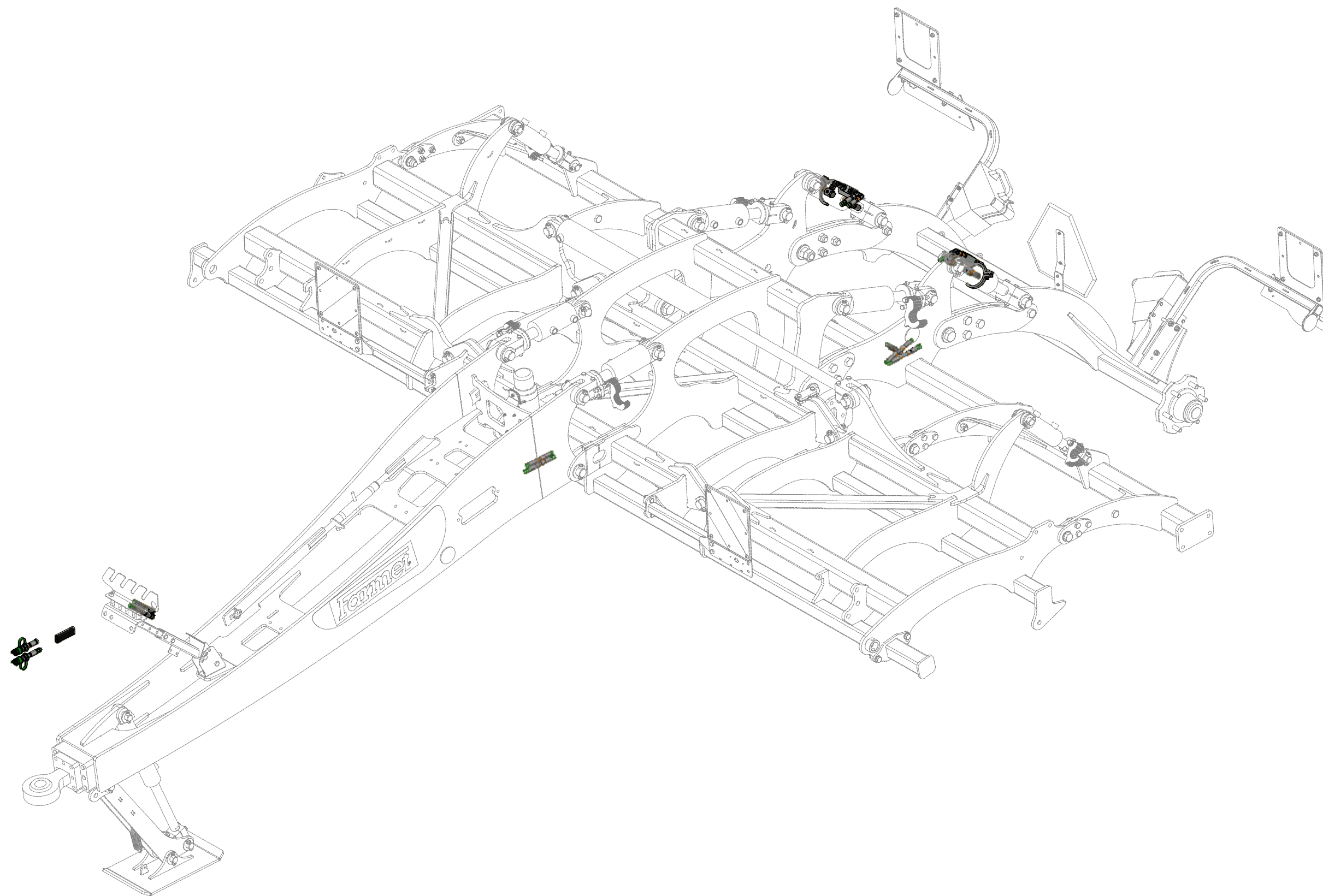
ⒸB HYDRAULIC AXLE DISTRIBUTION

ⒸU ГИДРАВЛИЧЕСКОЕ РАСПРЕДЕЛЕНИЕ ОСИ

ⒸL HYDRAULICZNY PRZEWÓD OSI

Farmet

VZ00036864



ⒸZ HYDRAULICKÝ ROZVOD NÁPRAVY

Ⓓ HYDRAULISCHE VERTEILUNG ACHSE

Ⓕ CONDUIT HYDRAULIQUE DE L'ESSIEU

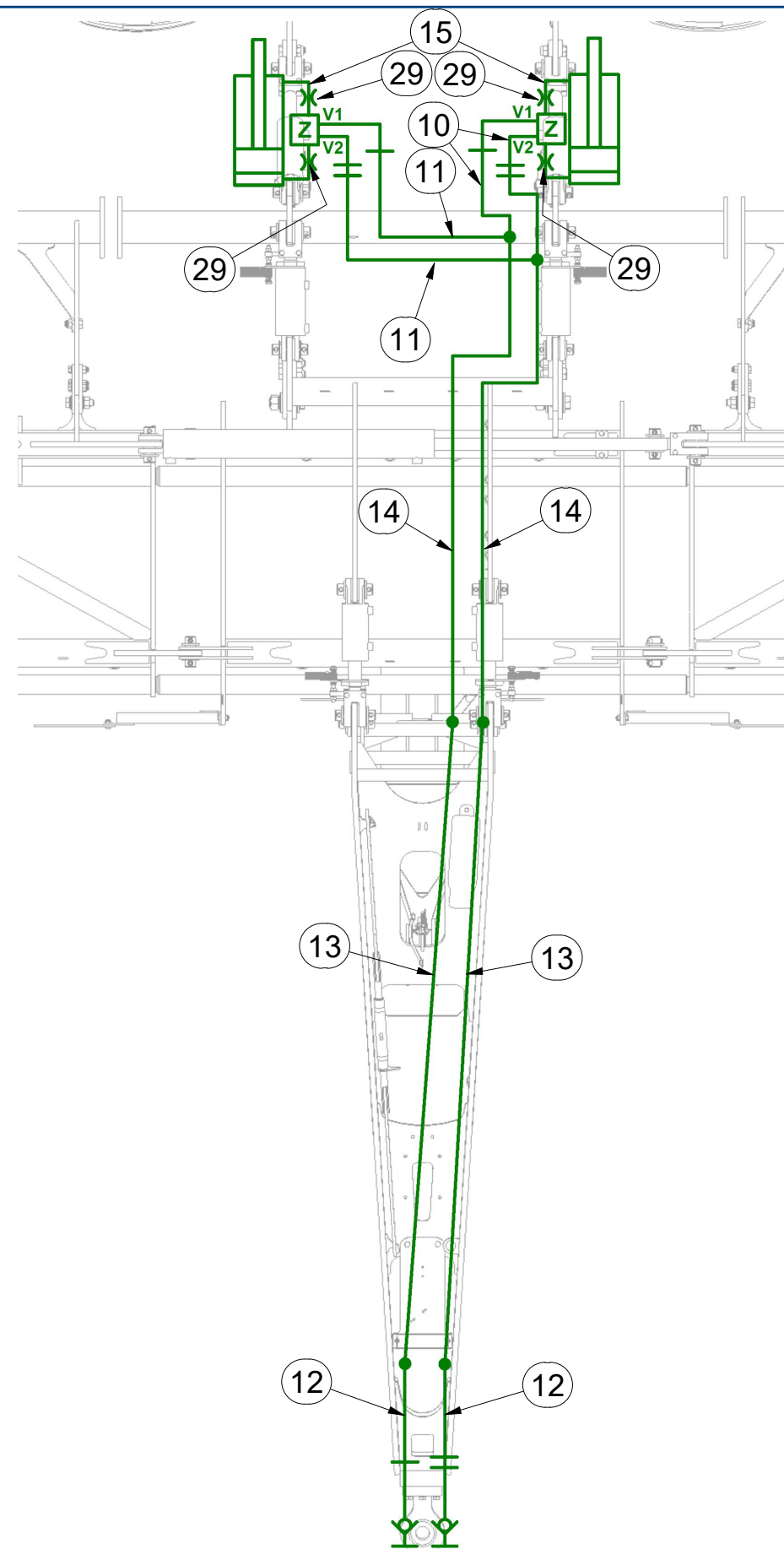
ⒸB HYDRAULIC AXLE DISTRIBUTION

ⒸR ГИДРАВЛИЧЕСКОЕ РАСПРЕДЕЛЕНИЕ ОСИ

ⒸL HYDRAULICZNY PRZEWÓD OSI



VZ00036864



| Pos. | Part Number | Pcs. |
|------|-------------|------|
| 10 | m04761 | 2 |
| 11 | m07360 | 2 |
| 12 | m03714 | 2 |
| 13 | m09037 | 2 |
| 14 | m05763 | 2 |
| 15 | m03845 | 2 |
| 29 | m10776 | 4 |

ⒸZ HYDRAULICKÝ ROZVOD NÁPRAVY

Ⓓ HYDRAULISCHE VERTEILUNG ACHSE

Ⓕ CONDUIT HYDRAULIQUE DE L'ESSIEU

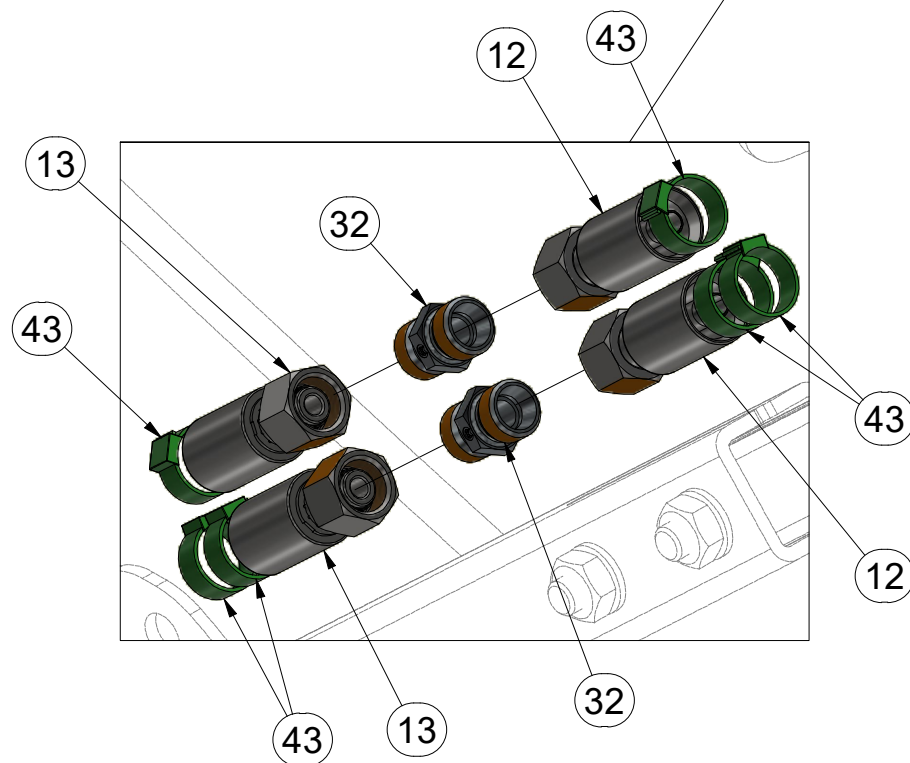
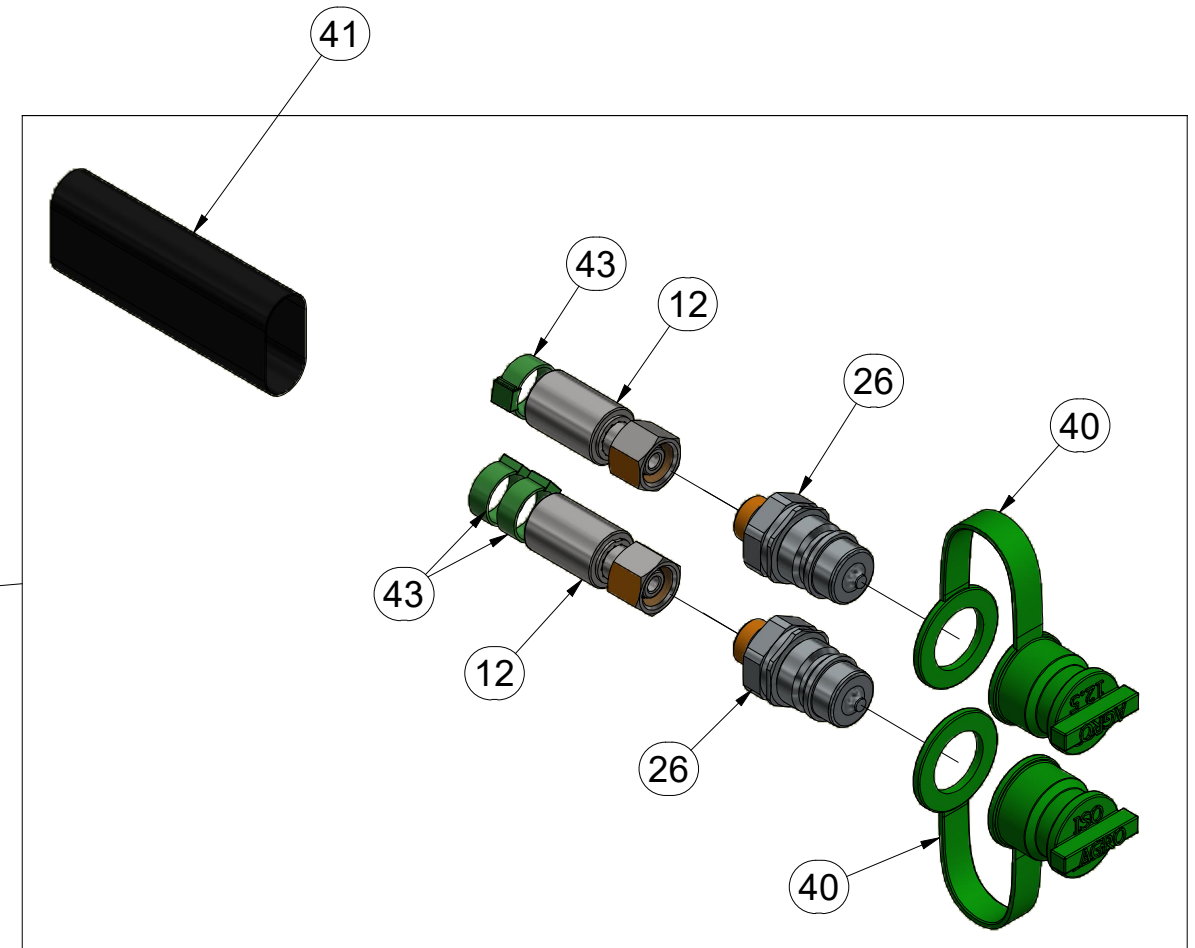
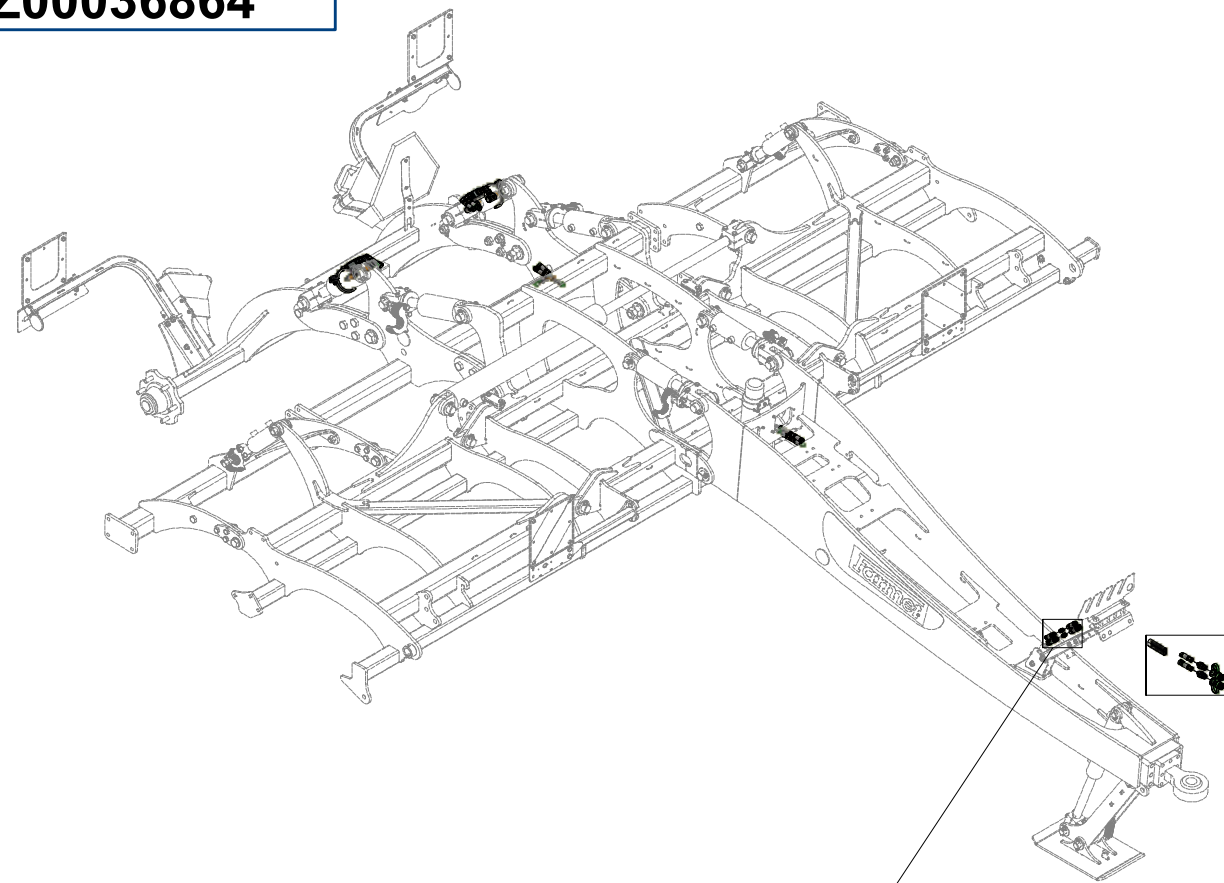
ⒸB HYDRAULIC AXLE DISTRIBUTION

ⒸR ГИДРАВЛИЧЕСКОЕ РАСПРЕДЕЛЕНИЕ ОСИ

ⒸL HYDRAULICZNY PRZEWÓD OSI



VZ00036864



| Pos. | Part Number | Pcs. |
|------|-------------|------|
| 12 | m03714 | 2 |
| 13 | m09037 | 2 |
| 26 | m03849 | 2 |
| 32 | m03213 | 4 |
| 40 | m04098 | 2 |
| 41 | m11183 | 1 |
| 43 | m11282 | 30 |

ⒸZ HYDRAULICKÝ ROZVOD NÁPRAVY

Ⓓ HYDRAULISCHE VERTEILUNG ACHSE

Ⓕ CONDUIT HYDRAULIQUE DE L'ESSIEU

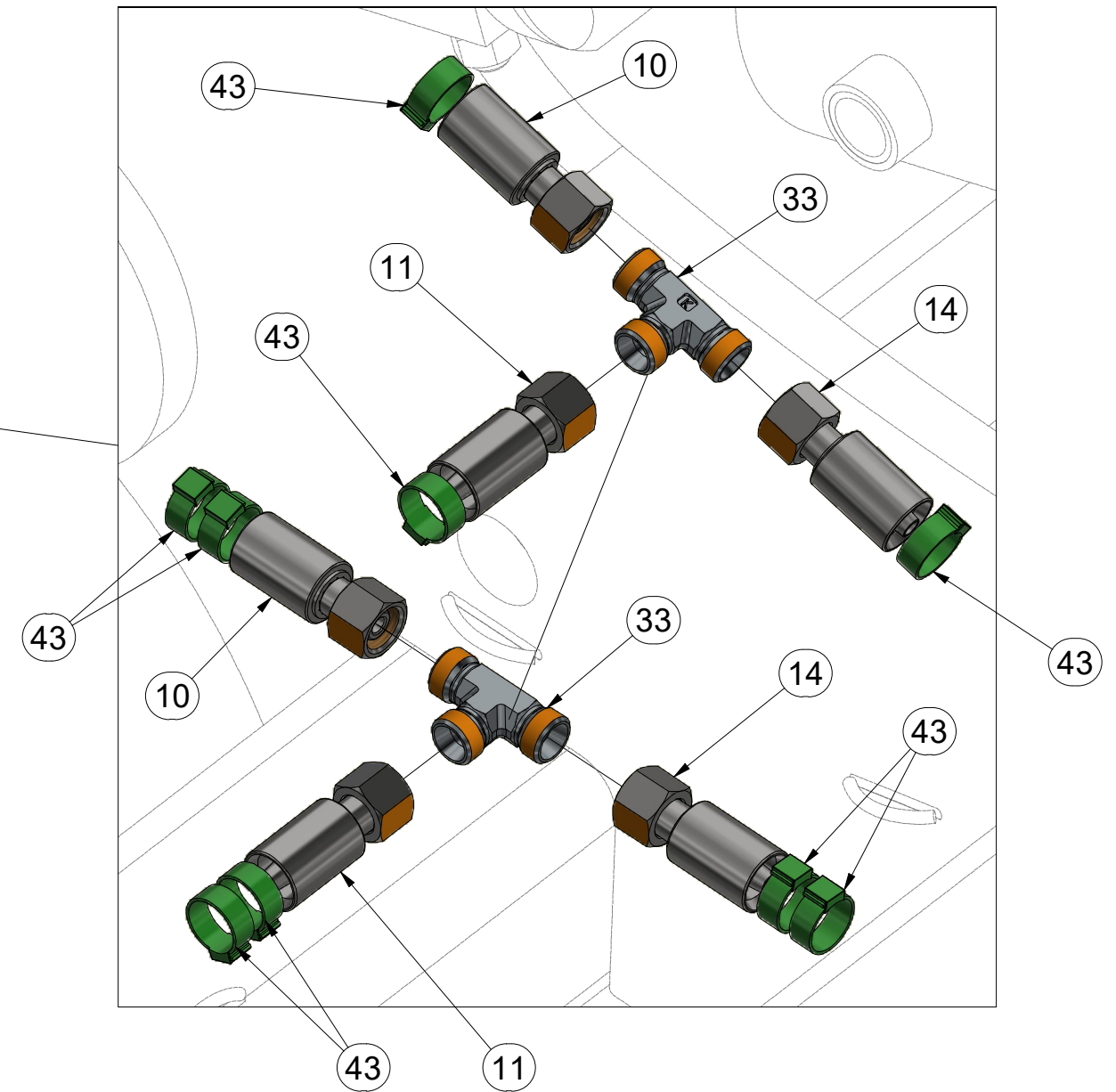
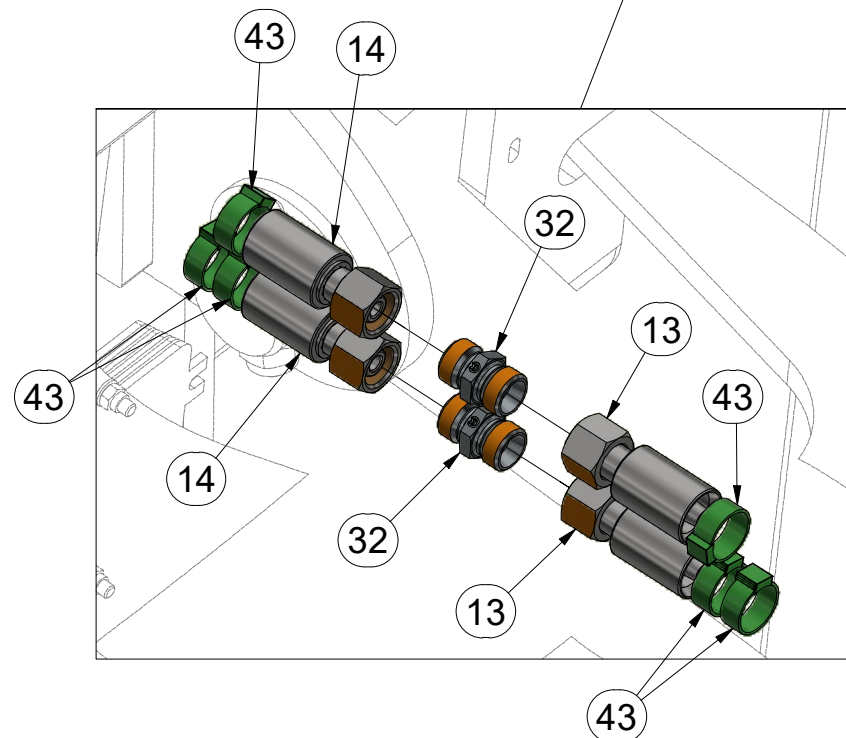
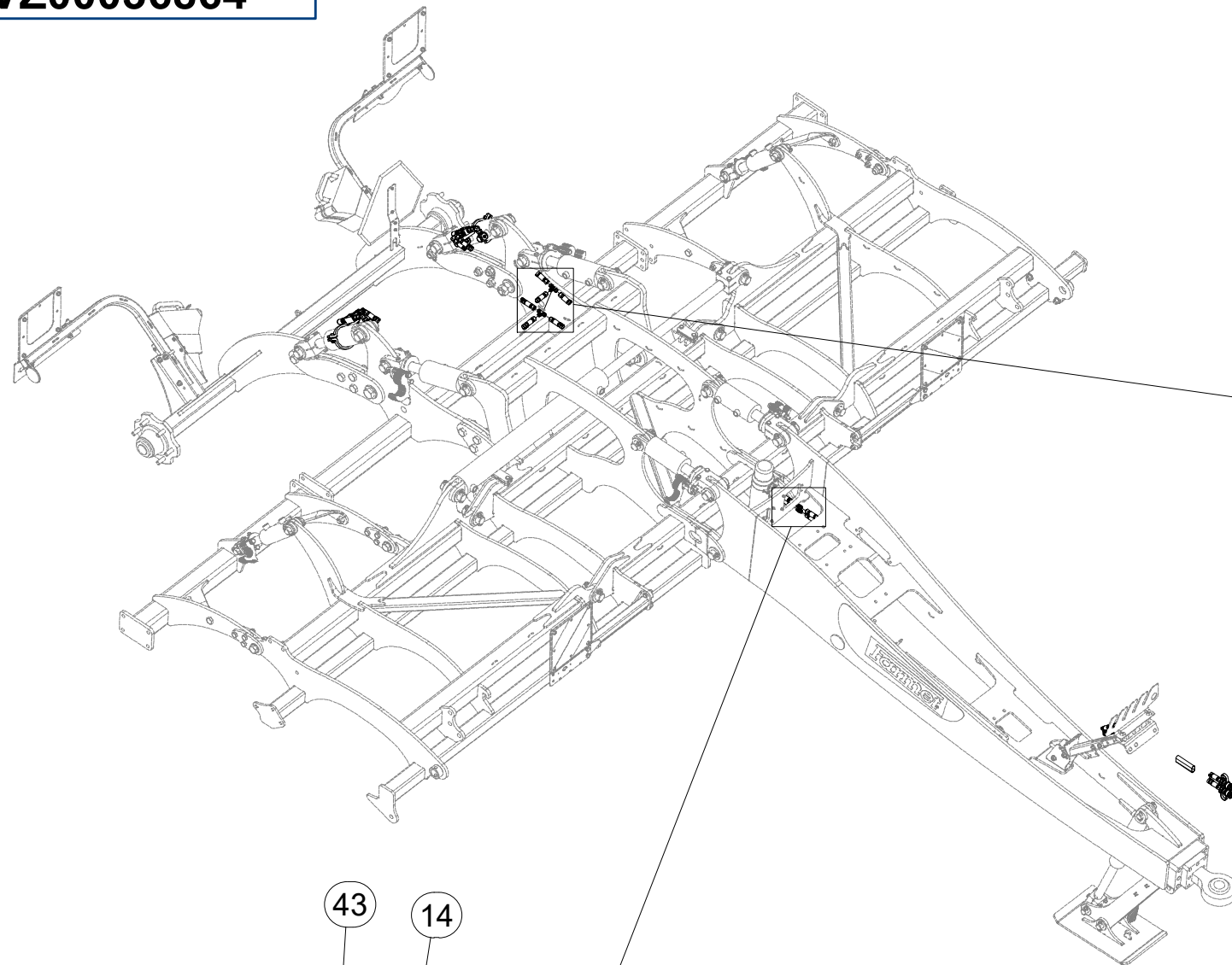
ⒸGB HYDRAULIC AXLE DISTRIBUTION

ⒸRU ГИДРАВЛИЧЕСКОЕ РАСПРЕДЕЛЕНИЕ ОСИ

ⒸPL HYDRAULICZNY PRZEWÓD OSI



VZ00036864



| Pos. | Part Number | Pcs. |
|------|-------------|------|
| 10 | m04761 | 2 |
| 11 | m07360 | 2 |
| 13 | m09037 | 2 |
| 14 | m05763 | 2 |
| 32 | m03213 | 4 |
| 33 | m03889 | 2 |
| 43 | m11282 | 30 |

ⒸZ HYDRAULICKÝ ROZVOD NÁPRAVY

Ⓓ HYDRAULISCHE VERTEILUNG ACHSE

Ⓕ CONDUIT HYDRAULIQUE DE L'ESSIEU

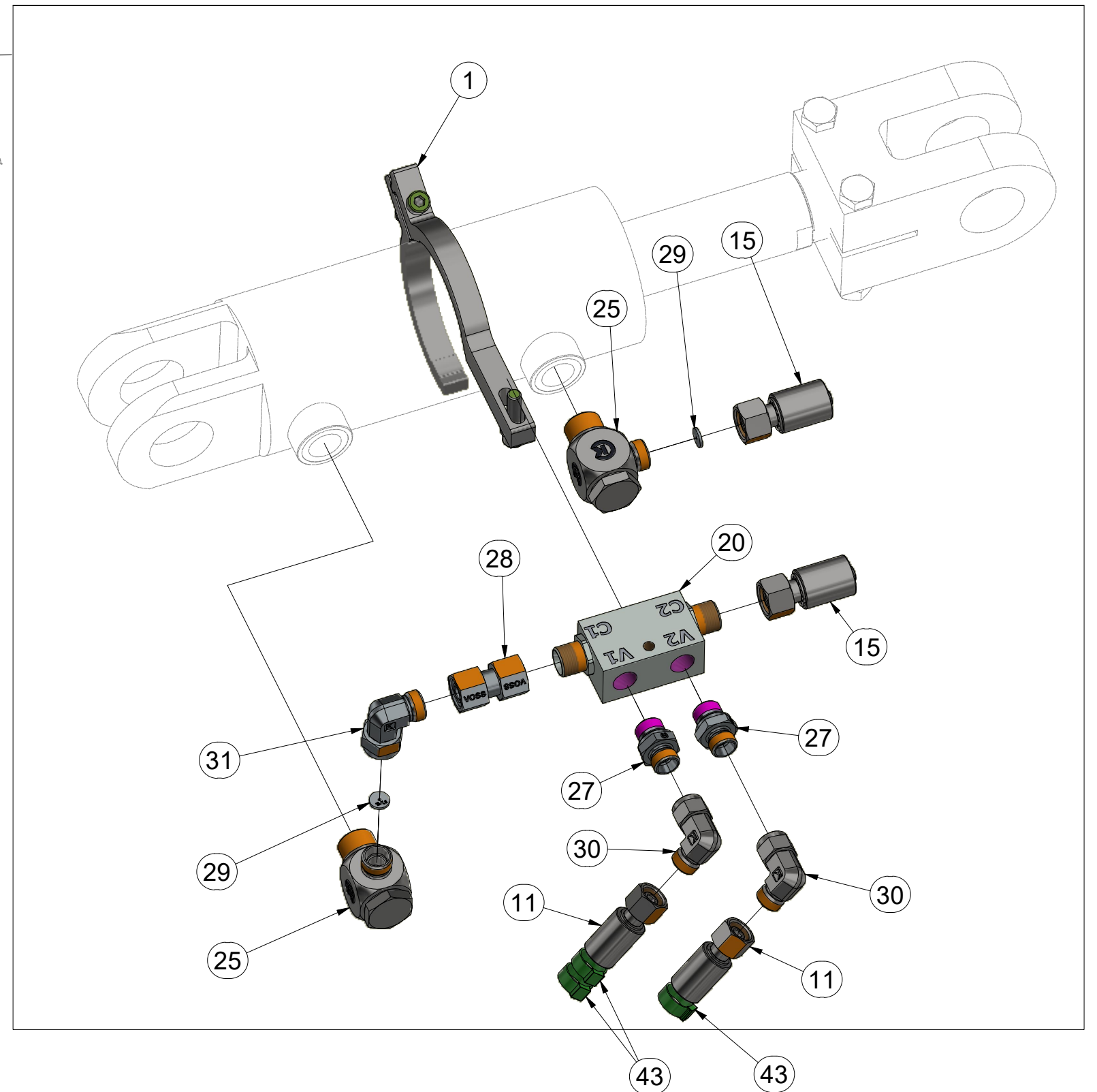
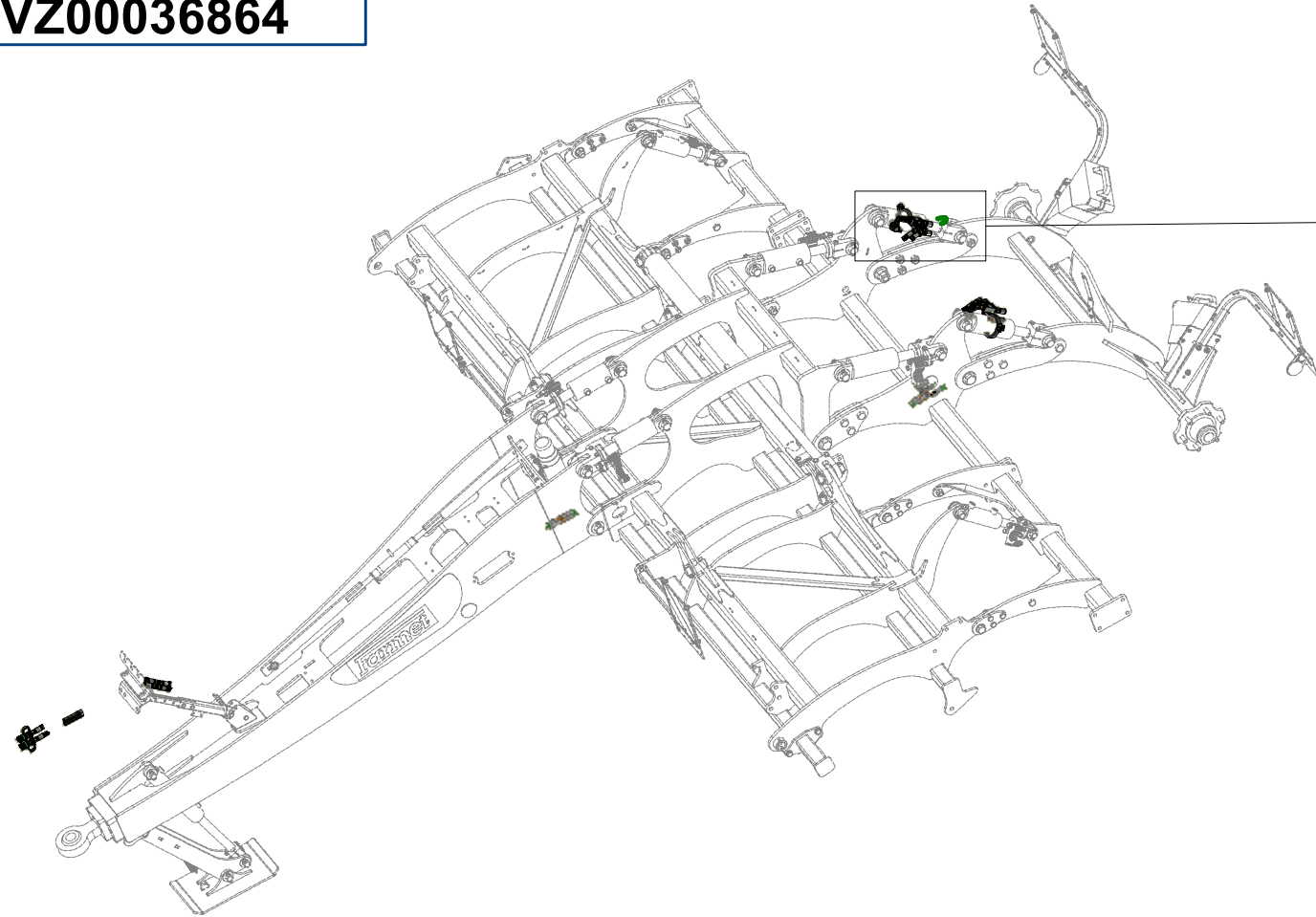
ⒸB HYDRAULIC AXLE DISTRIBUTION

ⒸU ГИДРАВЛИЧЕСКОЕ РАСПРЕДЕЛЕНИЕ ОСИ

ⒸL HYDRAULICZNY PRZEWÓD OSI



VZ00036864



| Pos. | Part Number | Pcs. |
|------|-------------|------|
| 1 | VZ00010412 | 2 |
| 11 | m07360 | 2 |
| 15 | m03845 | 2 |
| 20 | m08083 | 2 |
| 25 | m20912 | 4 |
| 27 | m06528 | 4 |
| 28 | m22306 | 2 |
| 29 | m10776 | 4 |
| 30 | m06803 | 4 |
| 31 | m07654 | 2 |
| 43 | m11282 | 30 |

ⒸZ HYDRAULICKÝ ROZVOD NÁPRAVY

Ⓓ HYDRAULISCHE VERTEILUNG ACHSE

Ⓔ CONDUIT HYDRAULIQUE DE L'ESSIEU

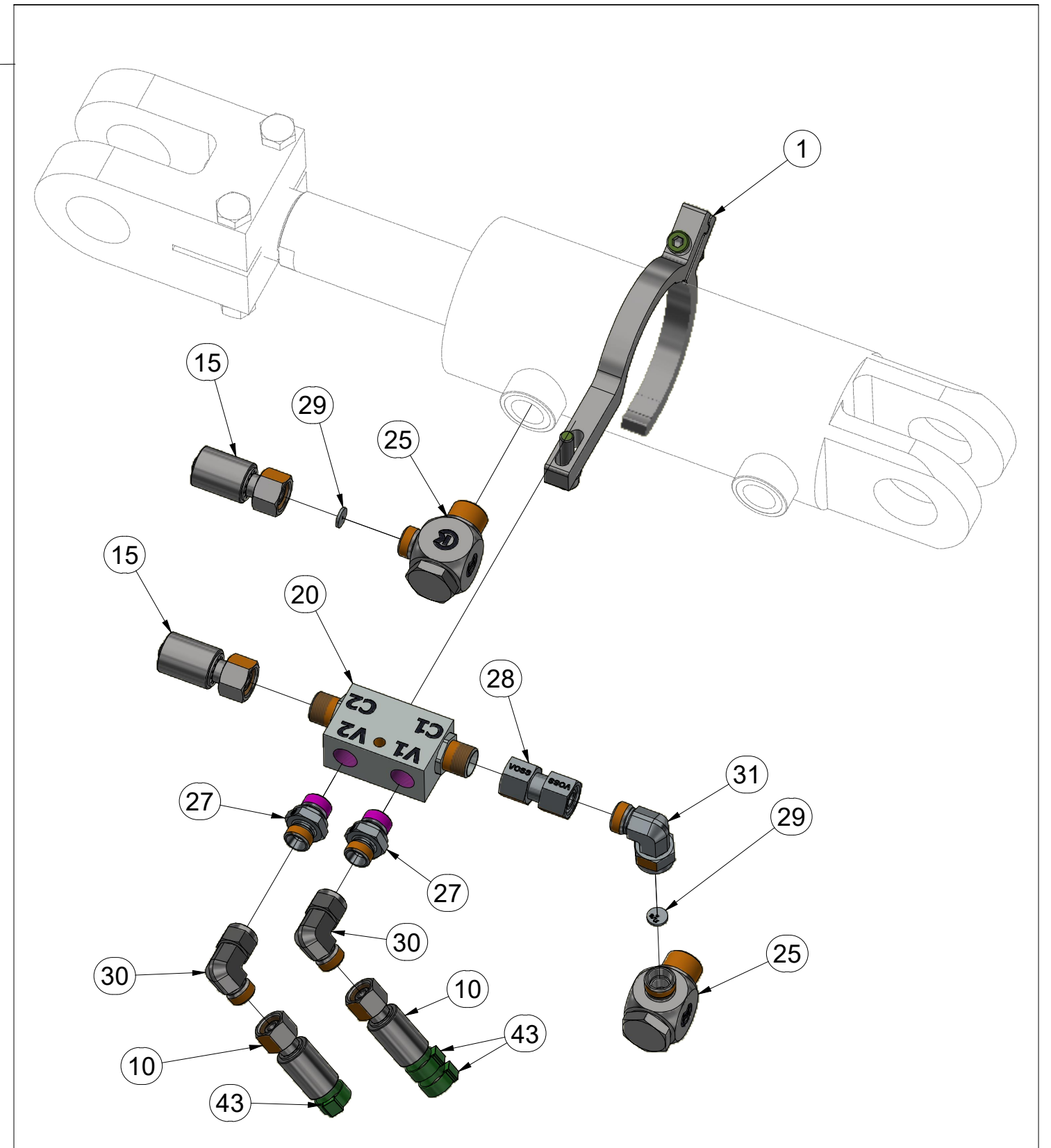
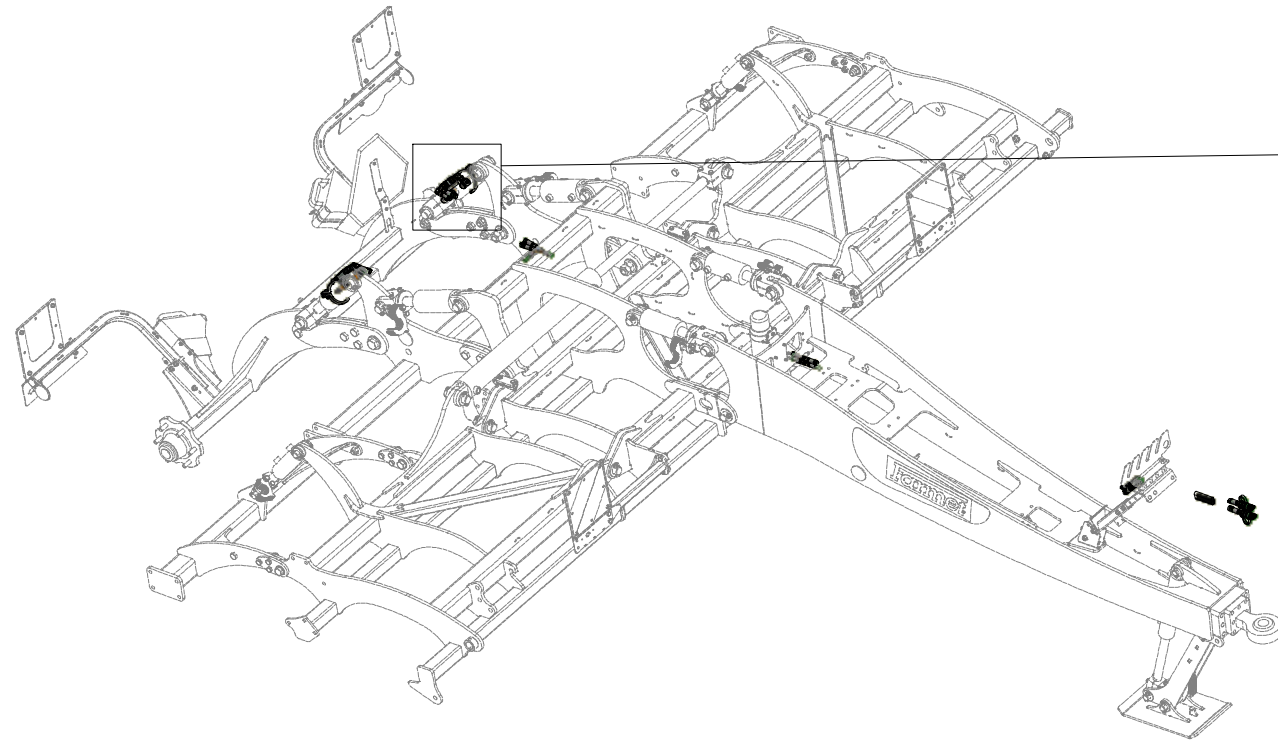
ⒸB HYDRAULIC AXLE DISTRIBUTION

ⒸU ГИДРАВЛИЧЕСКОЕ РАСПРЕДЕЛЕНИЕ ОСИ

ⒸL HYDRAULICZNY PRZEWÓD OSI



VZ00036864



| Pos. | Part Number | Pcs. |
|------|-------------|------|
| 1 | VZ00010412 | 2 |
| 10 | m04761 | 2 |
| 15 | m03845 | 2 |
| 20 | m08083 | 2 |
| 25 | m20912 | 4 |
| 27 | m06528 | 4 |
| 28 | m22306 | 2 |
| 29 | m10776 | 4 |
| 30 | m06803 | 4 |
| 31 | m07654 | 2 |
| 43 | m11282 | 30 |

Ⓒ PÍSTNICE 80/45-70

Ⓓ KOLBENSTANGE 80/45-70

Ⓕ TIGE DE PISTON 80/45-70

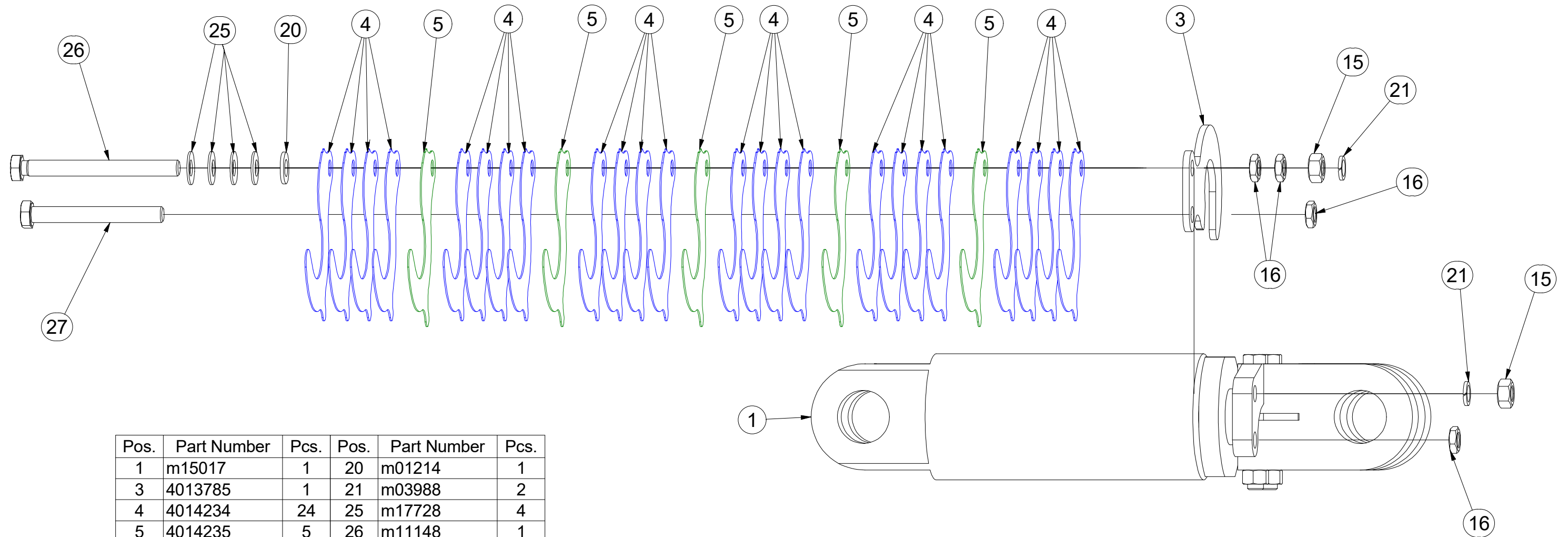
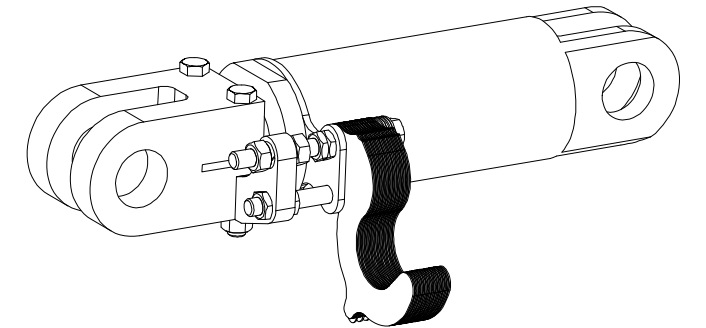
Ⓒ PISTON ROD 80/45-70

Ⓔ ЦИЛИНДР 80/45-70

Ⓖ TRZPIEŃ TŁOKA 80/45-70



4015891



| Pos. | Part Number | Pcs. | Pos. | Part Number | Pcs. |
|------|-------------|------|------|-------------|------|
| 1 | m15017 | 1 | 20 | m01214 | 1 |
| 3 | 4013785 | 1 | 21 | m03988 | 2 |
| 4 | 4014234 | 24 | 25 | m17728 | 4 |
| 5 | 4014235 | 5 | 26 | m11148 | 1 |
| 15 | m01305 | 2 | 27 | m04040 | 1 |
| 16 | m14233 | 4 | | | |

Ⓒ PÍSTNICE 63/40-95

Ⓓ KOLBENSTANGE 63/40-95

Ⓕ TIGE DE PISTON 63/40-95

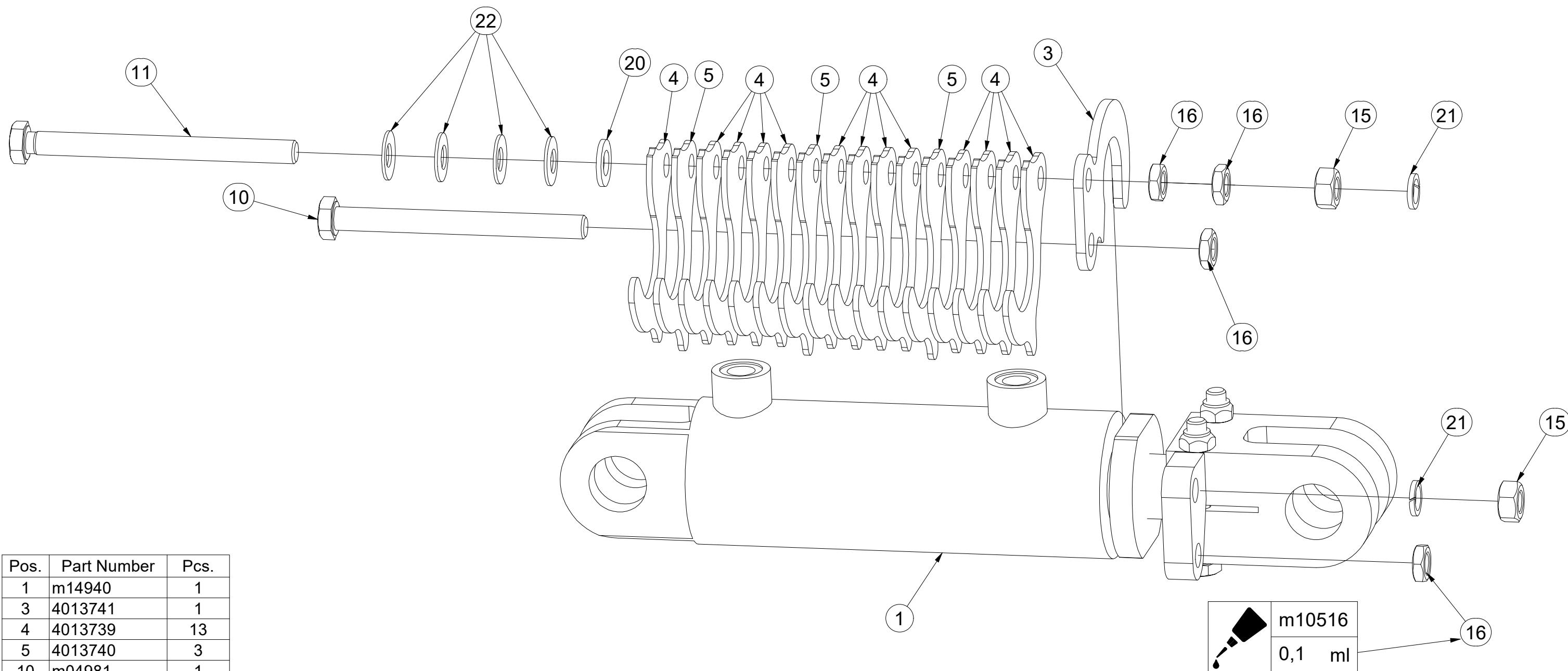
Ⓒ PISTON ROD 63/40-95

Ⓓ ЦИЛИНДР 63/40-95

Ⓖ TRZPIEŃ TŁOKA 63/40-95



VZ00036780



| Pos. | Part Number | Pcs. |
|------|-------------|---------|
| 1 | m14940 | 1 |
| 3 | 4013741 | 1 |
| 4 | 4013739 | 13 |
| 5 | 4013740 | 3 |
| 10 | m04981 | 1 |
| 11 | m16072 | 1 |
| 15 | m01305 | 2 |
| 16 | m14233 | 4 |
| 20 | m01214 | 1 |
| 21 | m03988 | 2 |
| 22 | m17728 | 4 |
| 30 | m10516 | 0,10 ml |

Ⓒ PÍSTNICE 63/40-95

Ⓓ KOLBENSTANGE 63/40-95

Ⓕ TIGE DE PISTON 63/40-95

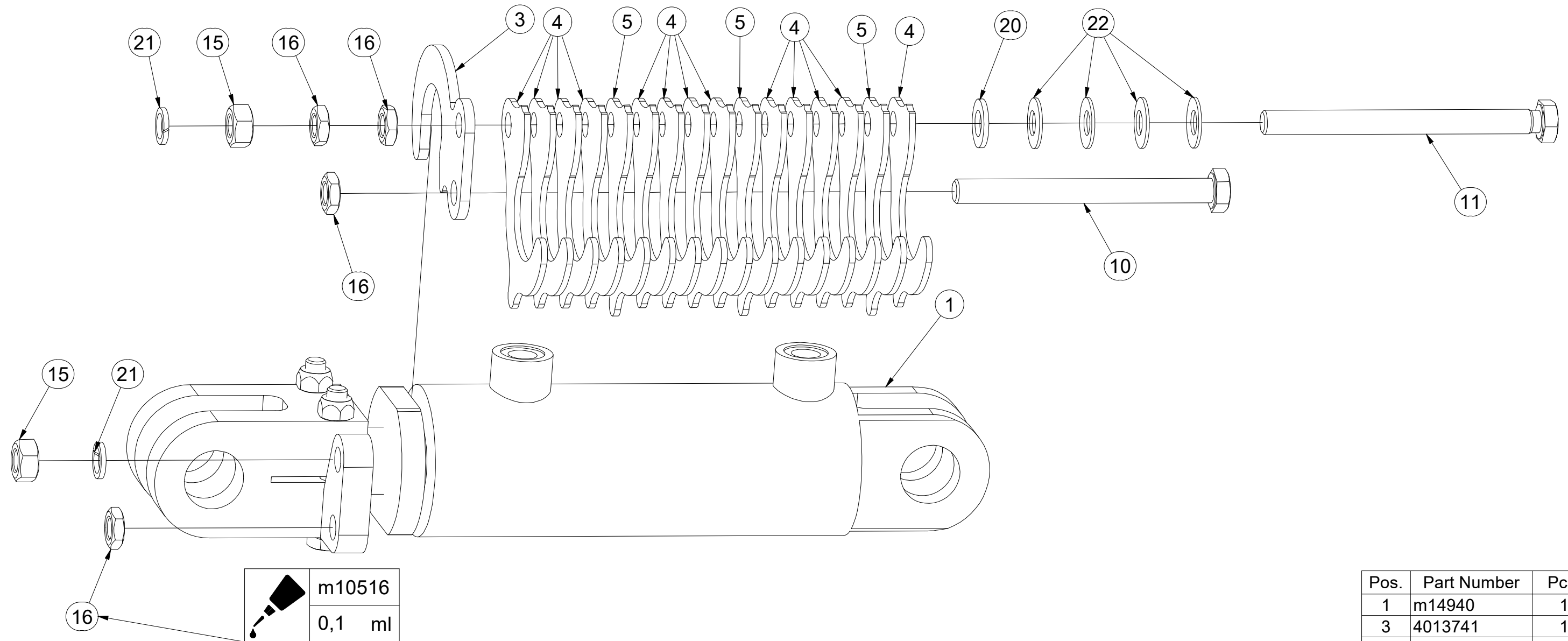
Ⓒ PISTON ROD 63/40-95

Ⓔ ЦИЛИНДР 63/40-95

Ⓖ TRZPIEŃ TŁOKA 63/40-95



VZ00036781



| Pos. | Part Number | Pcs. |
|------|-------------|---------|
| 1 | m14940 | 1 |
| 3 | 4013741 | 1 |
| 4 | 4013739 | 13 |
| 5 | 4013740 | 3 |
| 10 | m04981 | 1 |
| 11 | m16072 | 1 |
| 15 | m01305 | 2 |
| 16 | m14233 | 4 |
| 20 | m01214 | 1 |
| 21 | m03988 | 2 |
| 22 | m17728 | 4 |
| 30 | m10516 | 0,10 ml |

Ⓒ PÍSTNICE 90/45-100

Ⓓ KOLBENSTANGE 90/45-100

Ⓕ TIGE DE PISTON 90/45-100

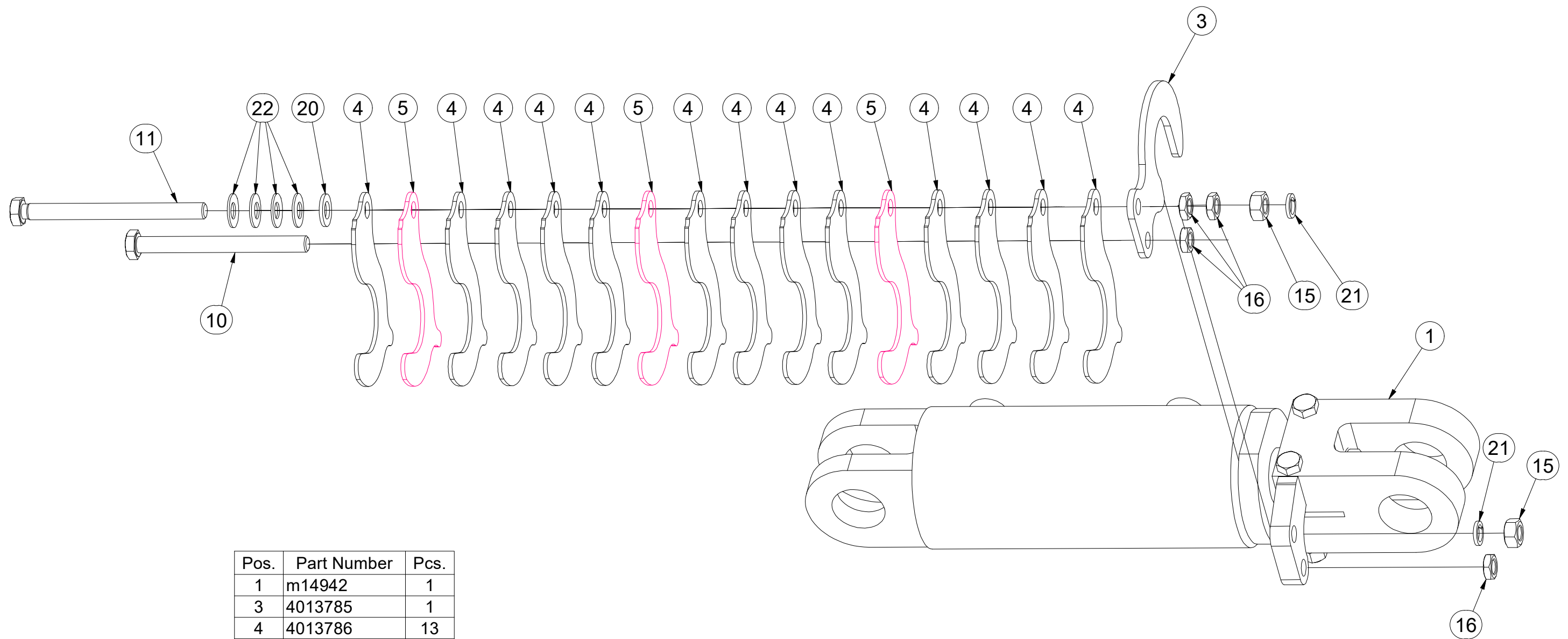
Ⓖ PISTON ROD 90/45-100

Ⓡ ЦИЛИНДР 90/45-100

Ⓟ TRZPIEŃ TŁOKA 90/45-100



VZ00036848



| Pos. | Part Number | Pcs. |
|------|-------------|------|
| 1 | m14942 | 1 |
| 3 | 4013785 | 1 |
| 4 | 4013786 | 13 |
| 5 | 4013787 | 3 |
| 10 | m04981 | 1 |
| 11 | m16072 | 1 |
| 15 | m01305 | 2 |
| 16 | m14233 | 4 |
| 20 | m01214 | 1 |
| 21 | m03988 | 2 |
| 22 | m17728 | 4 |

Ⓒ PÍSTNICE 90/45-100

Ⓓ KOLBENSTANGE 90/45-100

Ⓕ TIGE DE PISTON 90/45-100

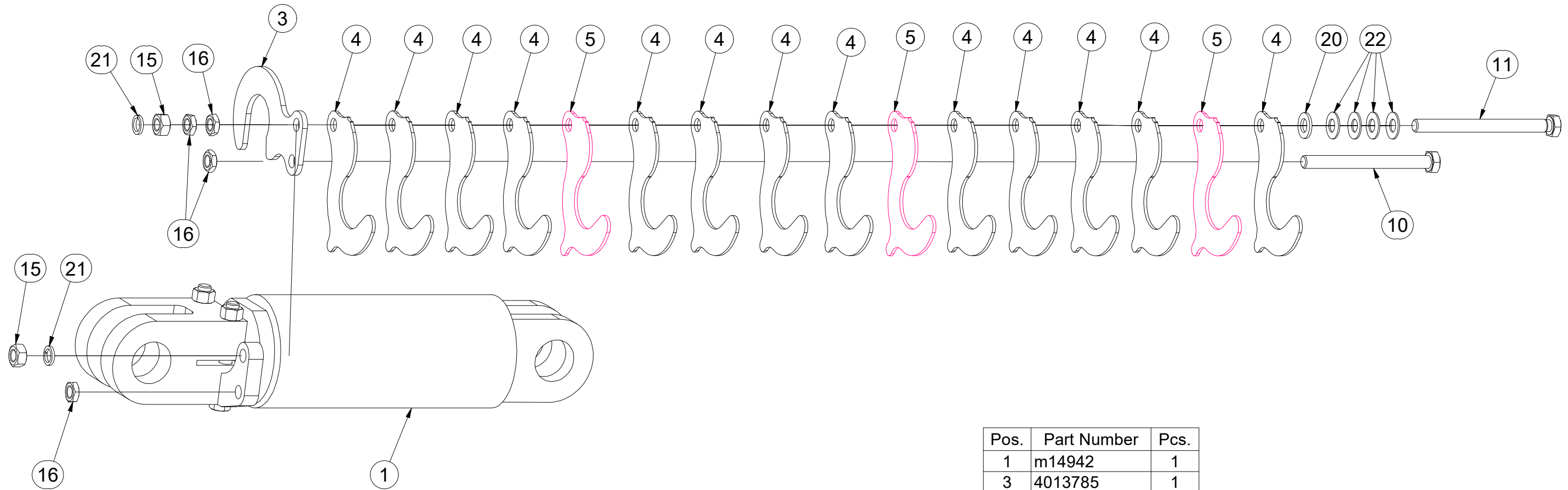
Ⓖ PISTON ROD 90/45-100

Ⓡ ЦИЛИНДР 90/45-100

Ⓟ TRZPIEŃ TŁOKA 90/45-100



VZ00036849



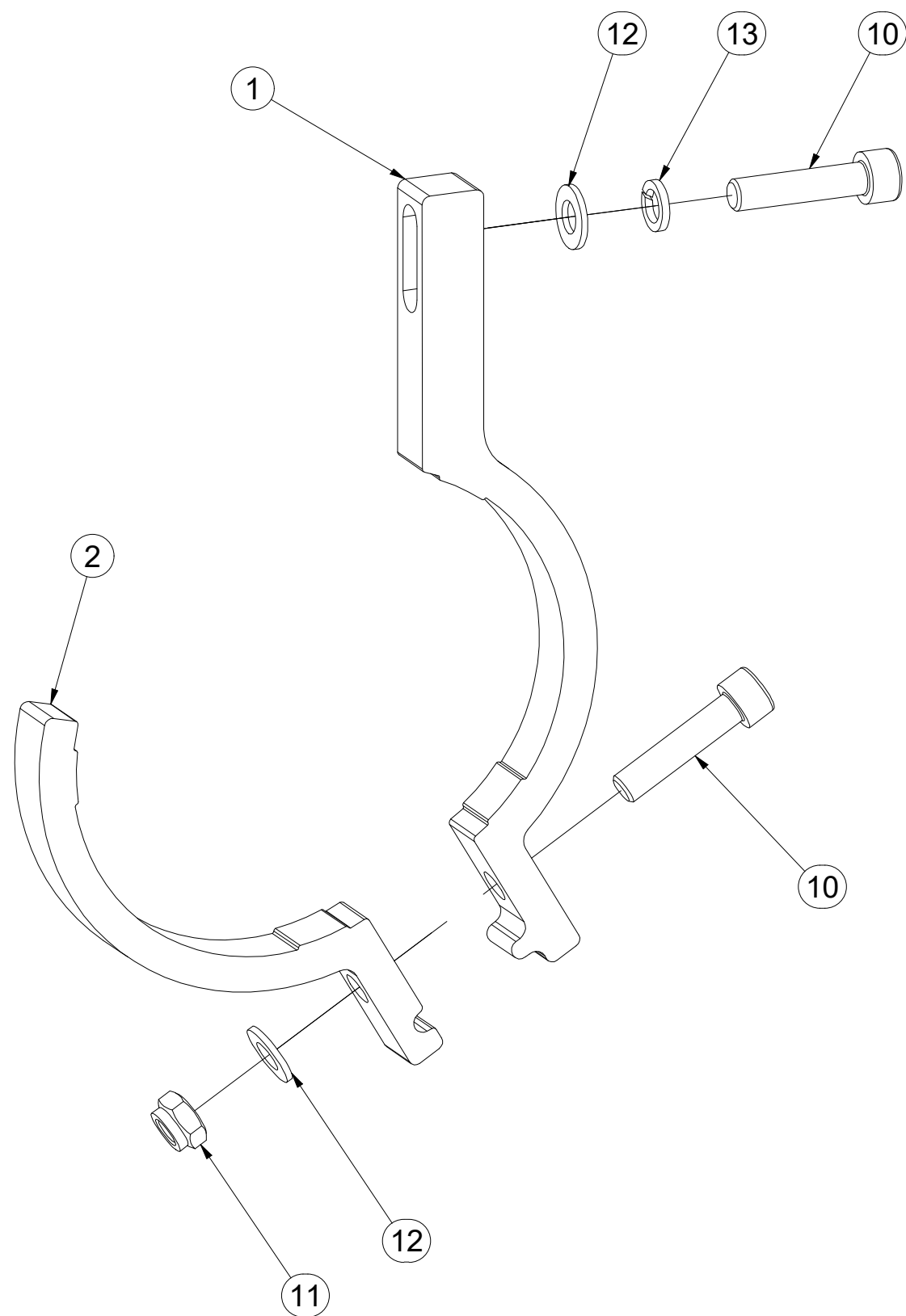
| Pos. | Part Number | Pcs. |
|------|-------------|------|
| 1 | m14942 | 1 |
| 3 | 4013785 | 1 |
| 4 | 4013786 | 13 |
| 5 | 4013787 | 3 |
| 10 | m04981 | 1 |
| 11 | m16072 | 1 |
| 15 | m01305 | 2 |
| 16 | m14233 | 4 |
| 20 | m01214 | 1 |
| 21 | m03988 | 2 |
| 22 | m17728 | 4 |

- ⒸZ DRŽÁK
- Ⓓ HALTER
- Ⓕ SUPPORT

- ⒼB HOLDER
- ⒶRU ДЕРЖАТЕЛЬ
- ⒶPL UCHWYT



VZ00010409



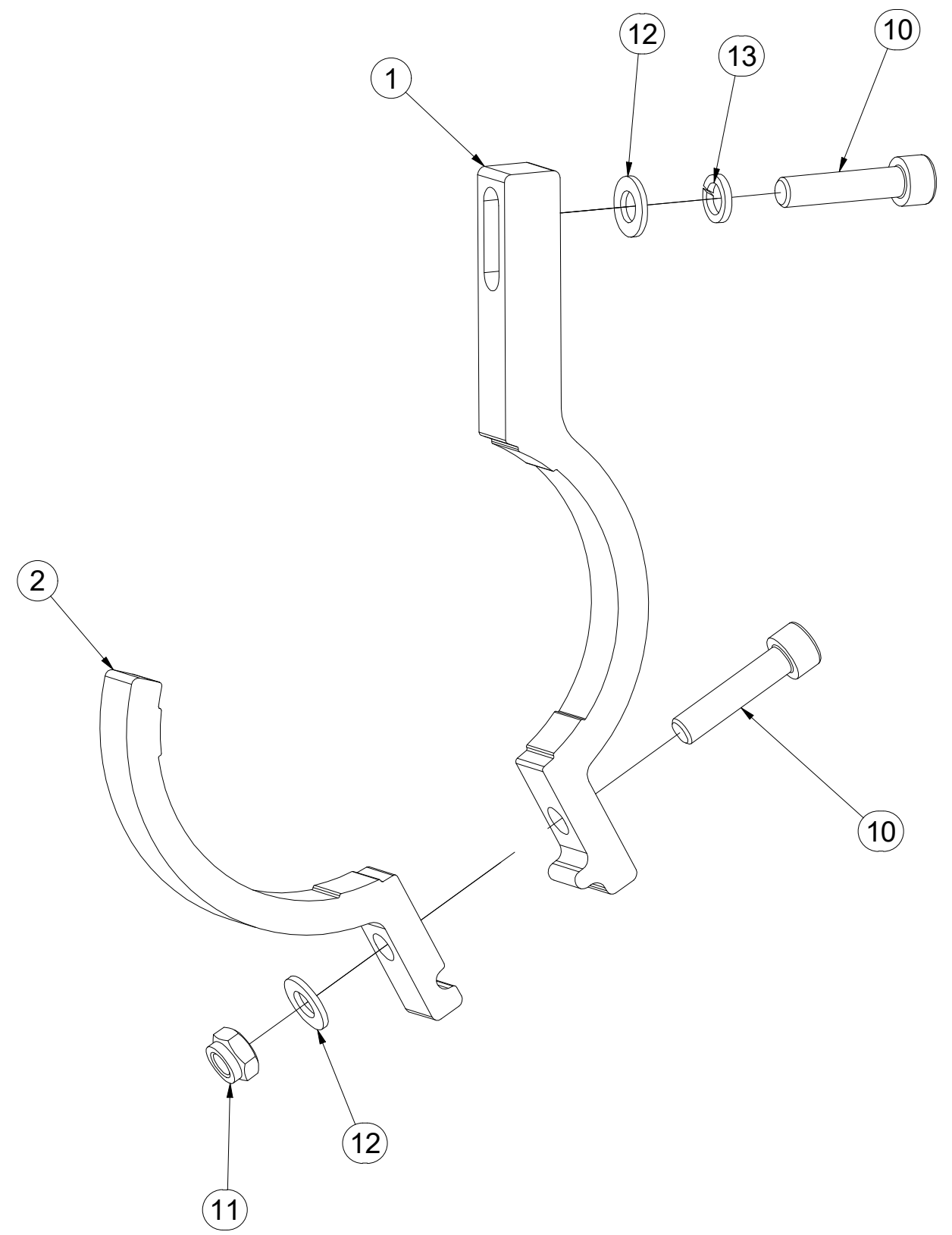
| Pos. | Part Number | Pcs. |
|------|-------------|------|
| 1 | VZ00010410 | 1 |
| 2 | VZ00010408 | 1 |
| 10 | m09464 | 2 |
| 11 | m04503 | 1 |
| 12 | m01203 | 2 |
| 13 | m01202 | 1 |

- Ⓒ DRŽÁK
- Ⓓ HALTER
- Ⓕ SUPPORT

- Ⓖ HOLDER
- Ⓡ ДЕРЖАТЕЛЬ
- Ⓢ UCHWYT



VZ00010412



| Pos. | Part Number | Pcs. |
|------|-------------|------|
| 1 | VZ00010413 | 1 |
| 2 | VZ00010411 | 1 |
| 10 | m09464 | 2 |
| 11 | m04503 | 1 |
| 12 | m01203 | 2 |
| 13 | m01202 | 1 |

ⒸZ SOUPRAVA TĚSNIVA PÍSTNIC

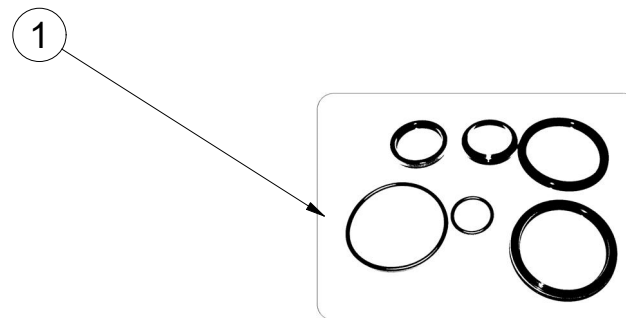
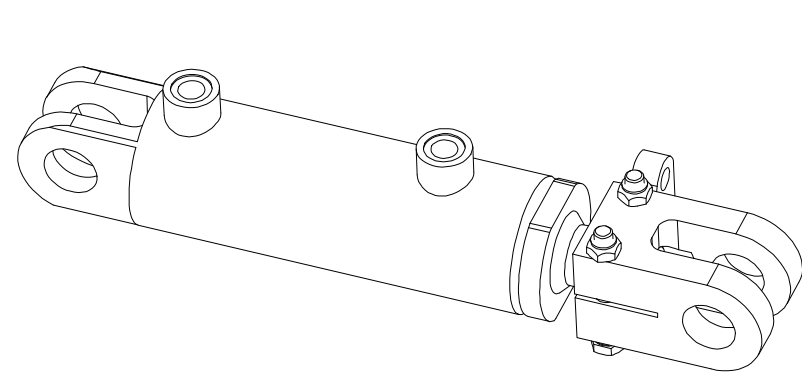
Ⓓ KOLBENSTANGENDICHTUNGSMITTELSATZ

Ⓕ SET DE GARNITURE DES TIGES DE PISTON

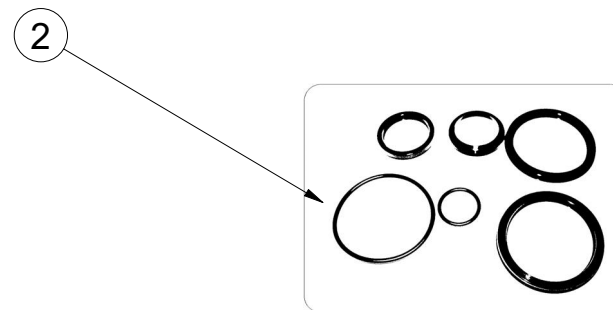
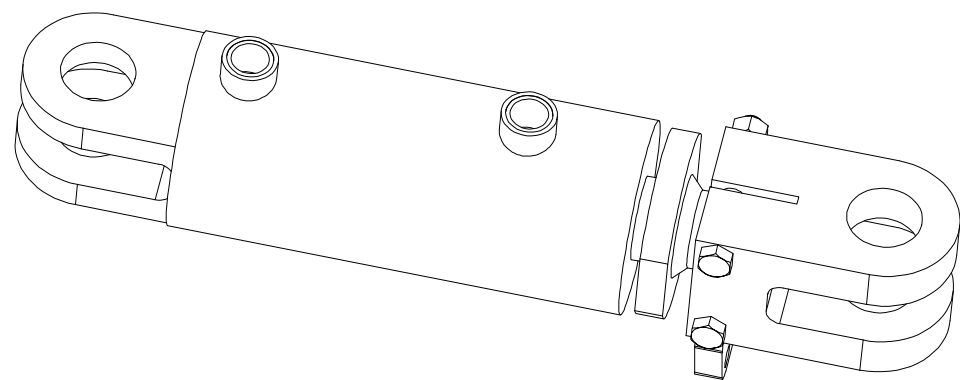
ⒼB SEALING SET FOR PISTON RODS

ⒺU КОМПЛЕКТ ПРОКЛАДОК ЦИЛИНДРОВ

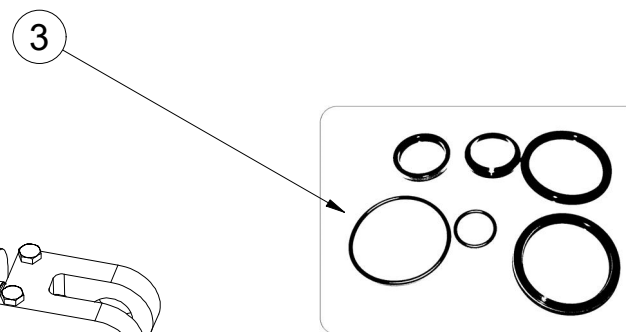
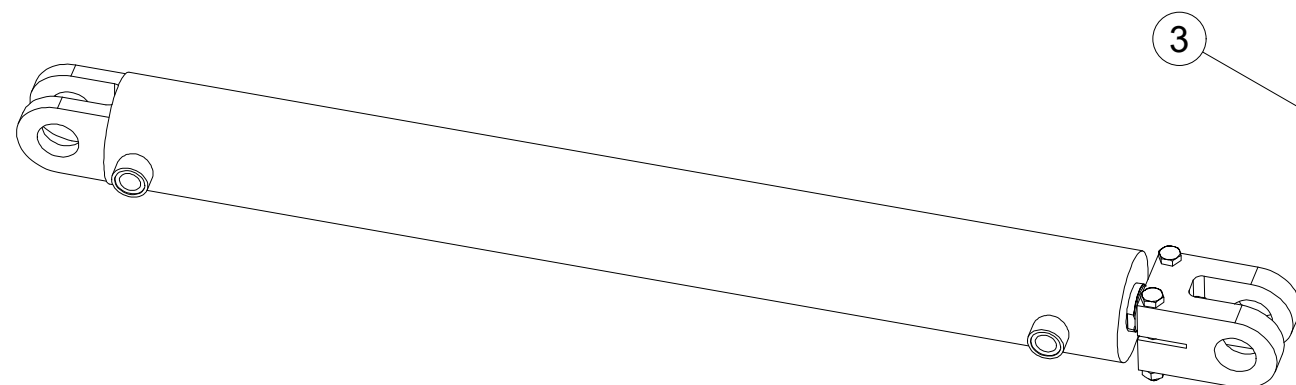
ⒼL ZESTAW USZCZELEK TRZPIENIA TŁOKA



| m14940 - $\varnothing 63/\varnothing 40-95$ | | |
|---|-------------|-----|
| Pos | Part number | Pcs |
| 1 | m15372 | 2 |



| m14942 - $\varnothing 90/\varnothing 45-100$ | | |
|--|-------------|-----|
| Pos | Part number | Pcs |
| 2 | m15374 | 2 |



| VZ00045616 - $\varnothing 90/\varnothing 45-830$ | | |
|--|-------------|-----|
| Pos | Part number | Pcs |
| 3 | | 1 |

Ⓒ SOUPRAVA TĚSNIVA PÍSTNIC

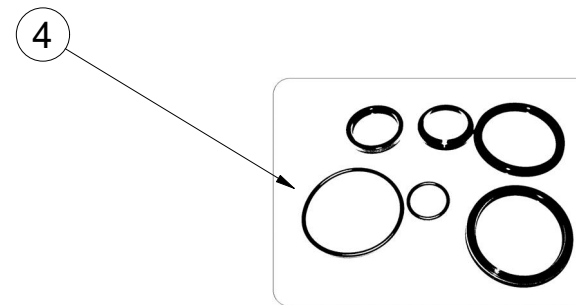
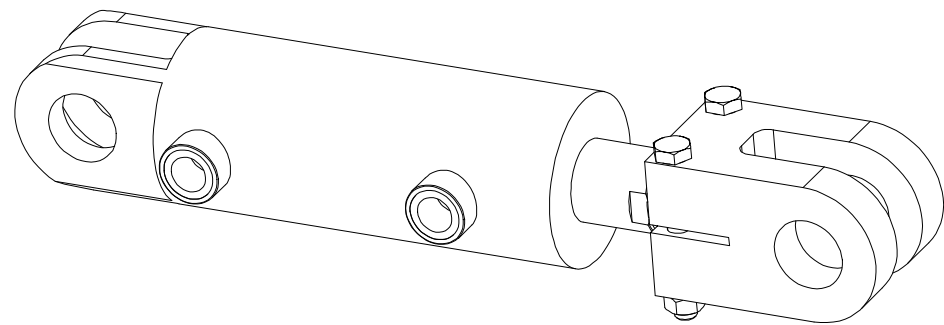
Ⓓ KOLBENSTANGENDICHTUNGSMITTELSATZ

Ⓕ SET DE GARNITURE DES TIGES DE PISTON

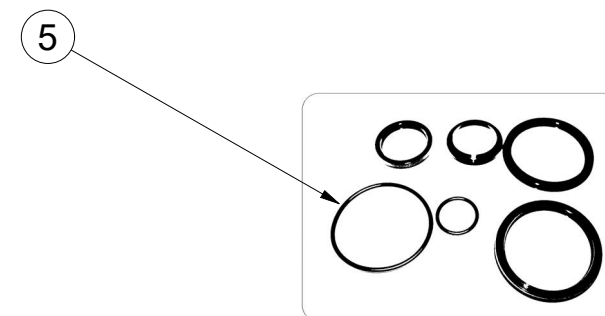
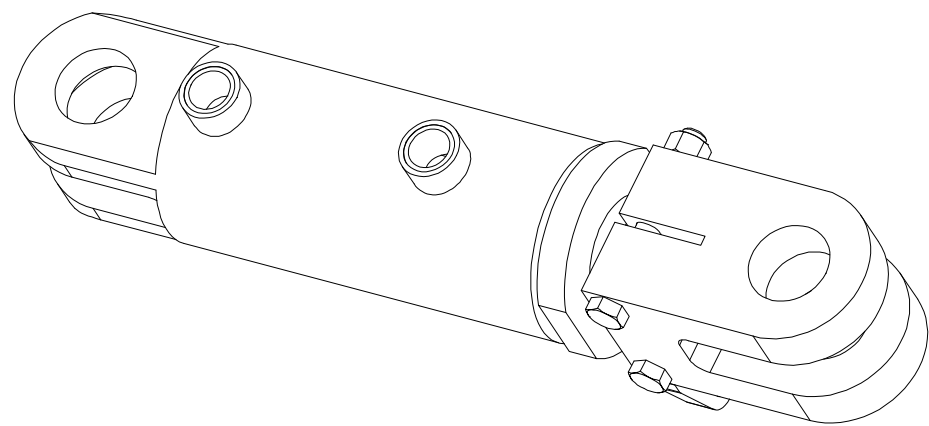
Ⓖ SEALING SET FOR PISTON RODS

Ⓡ КОМПЛЕКТ ПРОКЛАДОК ЦИЛИНДРОВ

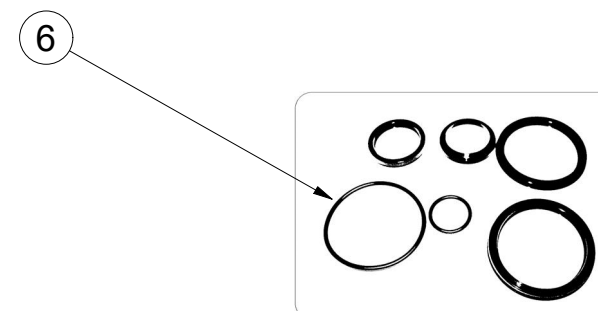
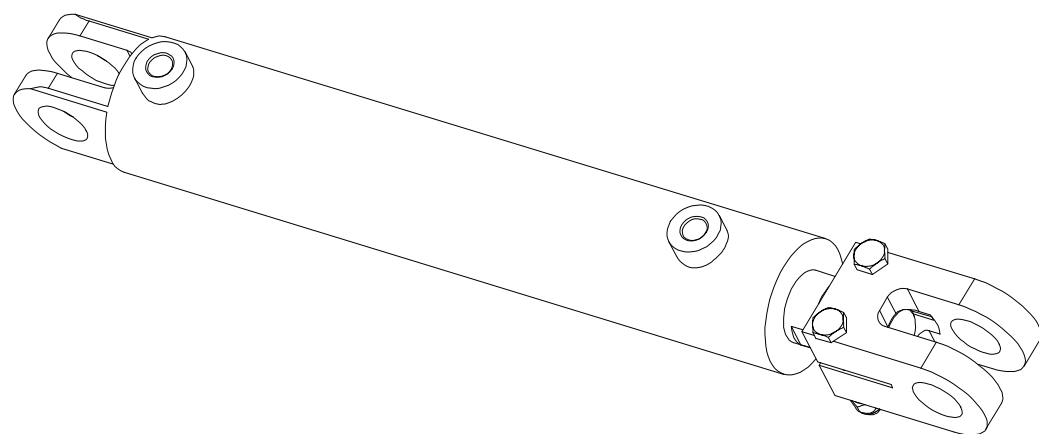
Ⓟ ZESTAW USZCZELEK TRZPIENIA TŁOKA



| m14956 - $\varnothing 80/\varnothing 45-100$ | | |
|--|-------------|-----|
| Pos | Part number | Pcs |
| 4 | m15373 | 2 |



| m15017 - $\varnothing 80/\varnothing 45-70$ | | |
|---|-------------|-----|
| Pos | Part number | Pcs |
| 5 | m15373 | 2 |



| m18518 - $\varnothing 63/\varnothing 40-300$ | | |
|--|-------------|-----|
| Pos | Part number | Pcs |
| 6 | m15372 | 1 |

Ⓒ SAMOLEPKY STROJE

Ⓓ AUFKLEBER MASCHINEN

Ⓕ VOITURE MACHINES

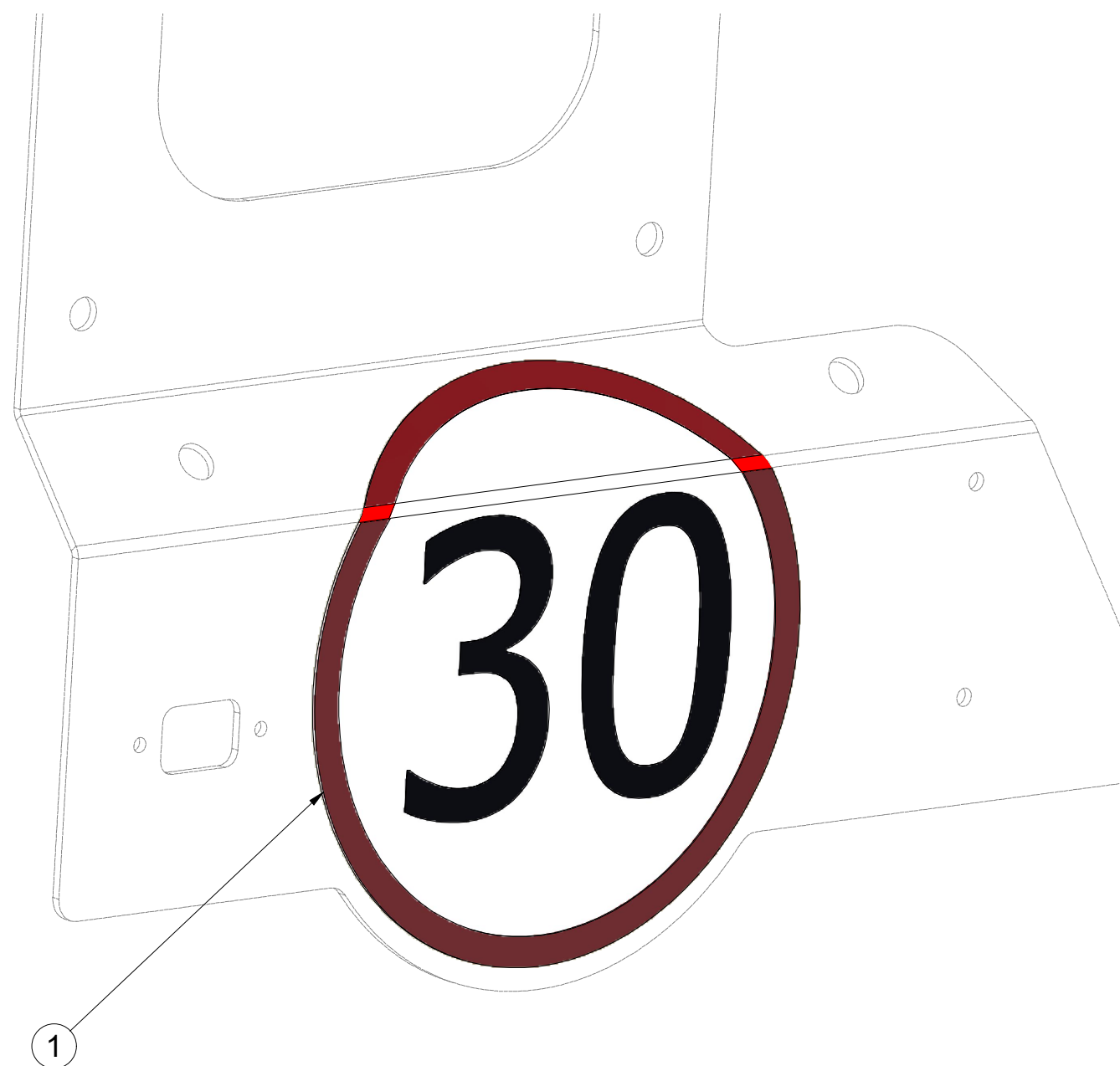
Ⓖ STICKERS MACHINES

Ⓡ СТИКЕРЫ МАШИНЫ

Ⓟ NAKLEJKI MASZYNY



4025230



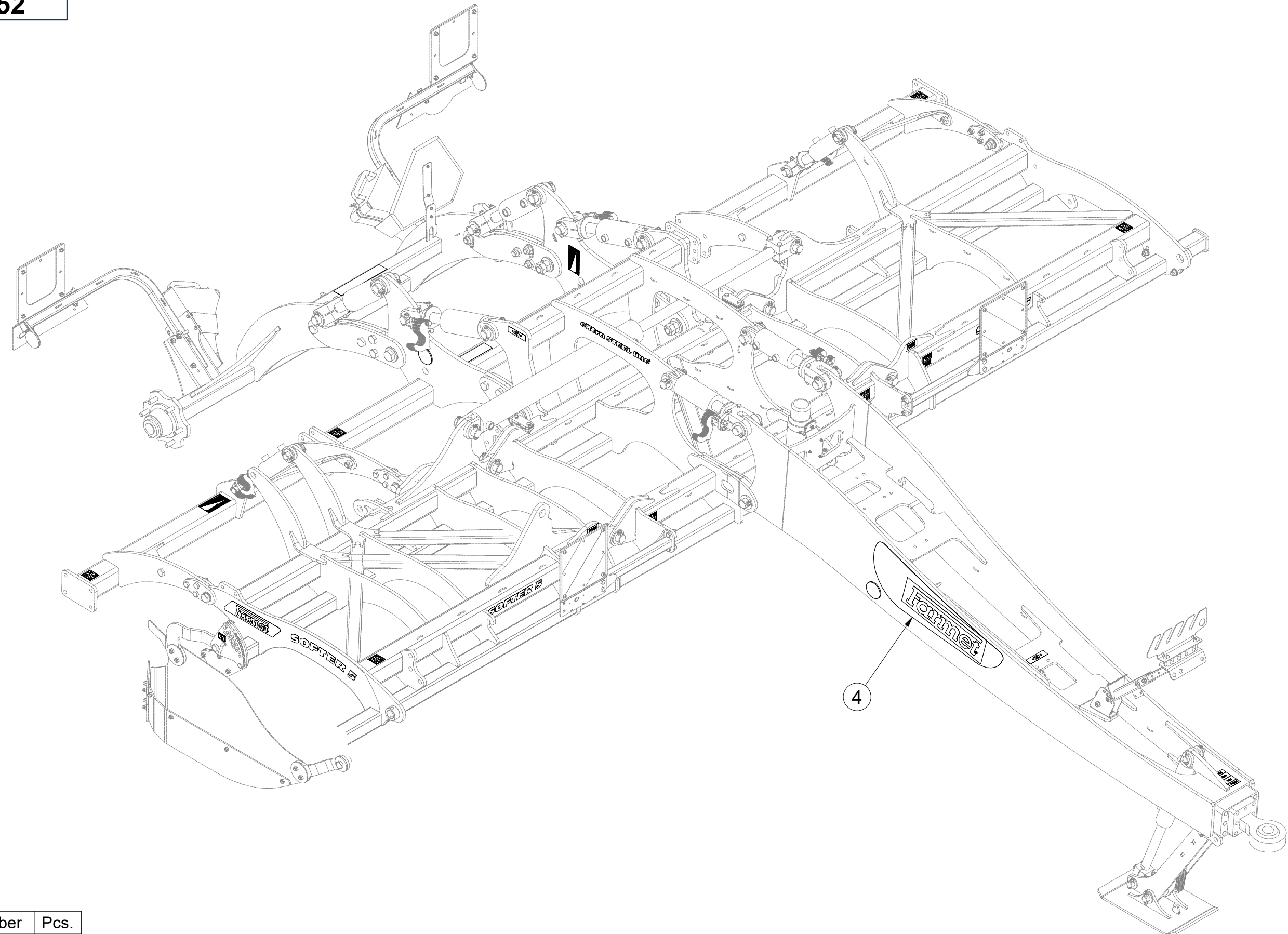
| Pos. | Part Number | Pcs. |
|------|-------------|------|
| 1 | m19161 | 1 |

☉ SAMOLEPKY STROJE
☉ AUFKLEBER MASCHINEN
☉ VOITURE MACHINES

☉ STICKERS MACHINES
☉ СТИКЕРЫ МАШИНЫ
☉ NAKLEJKI MASZYNY

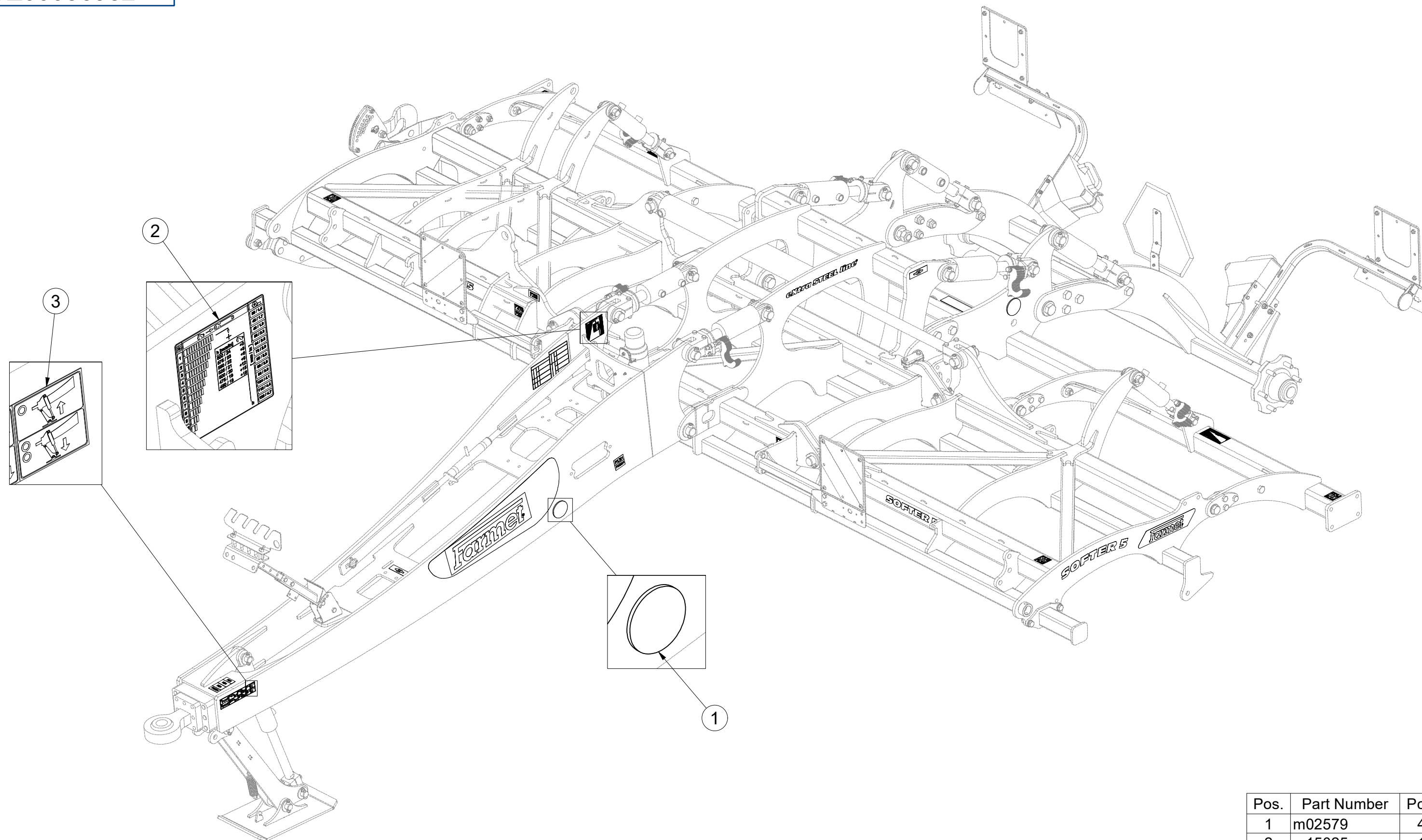


VZ00036952



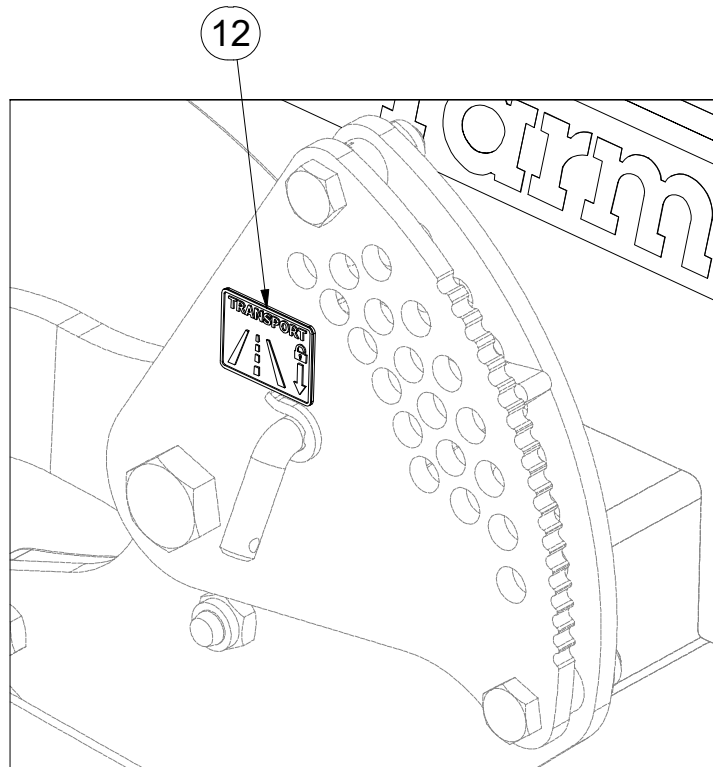
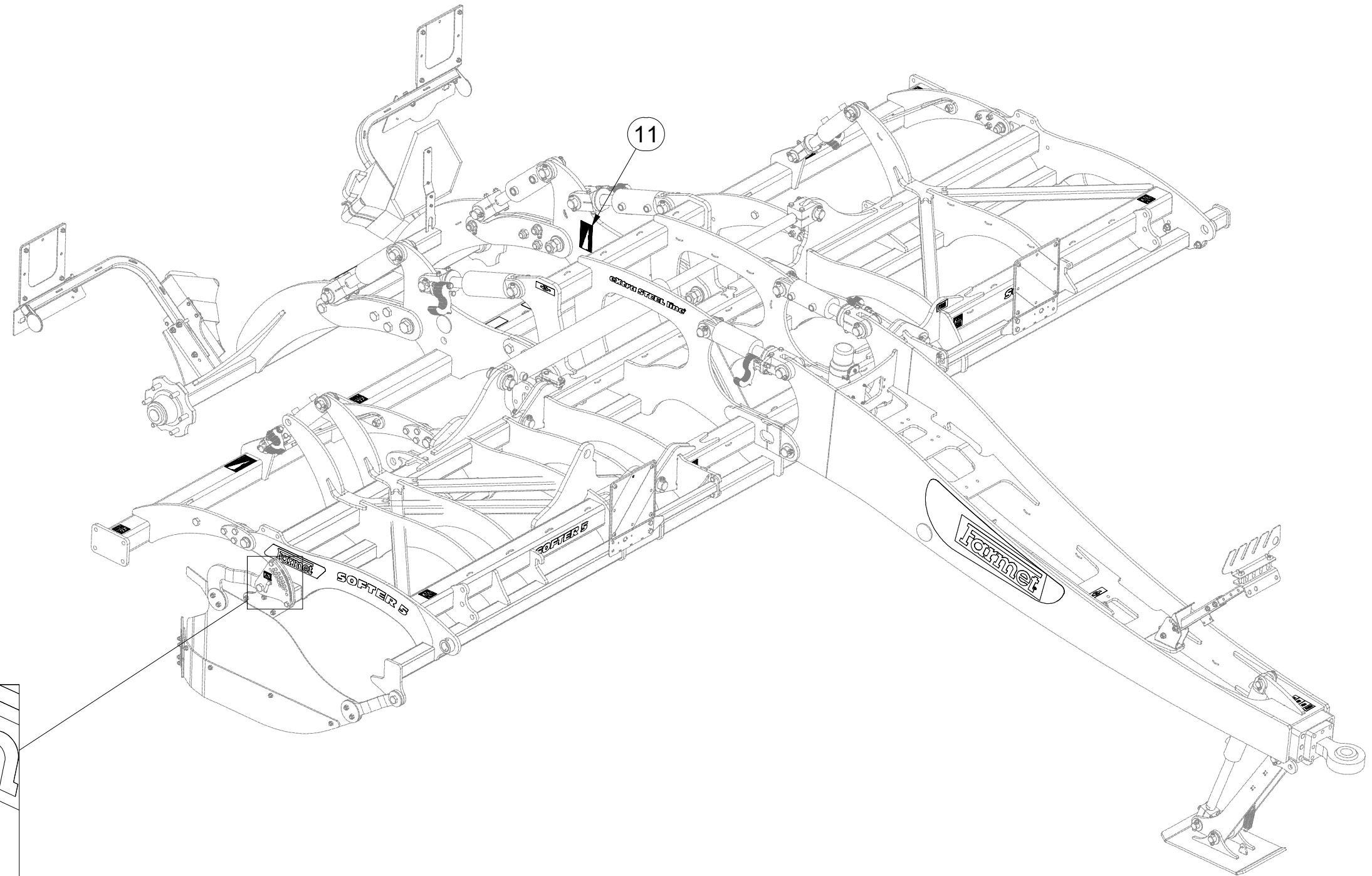
| Pos. | Part Number | Pcs. |
|------|-------------|------|
| 4 | m24190 | 1 |

VZ00036952



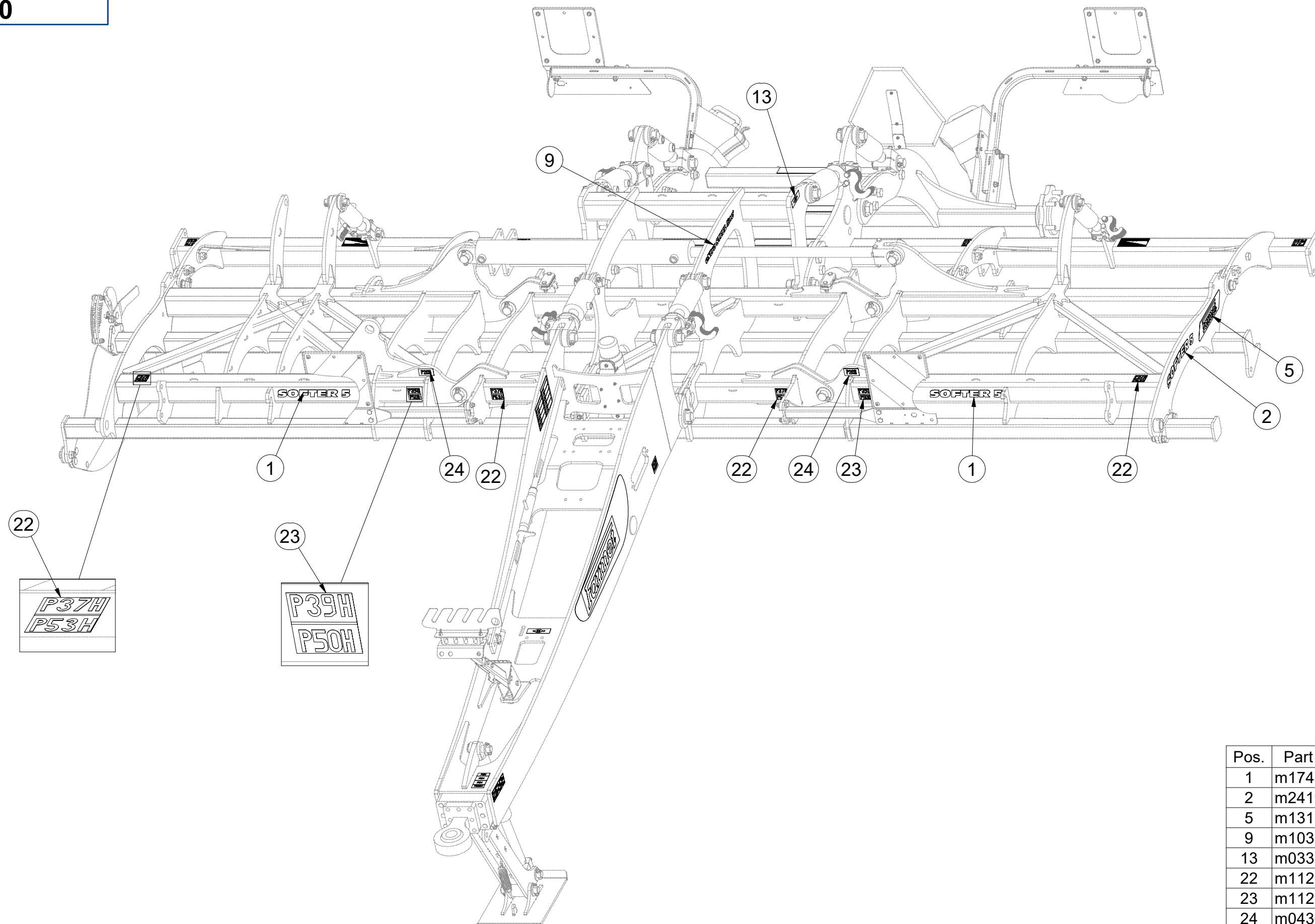
| Pos. | Part Number | Pcs. |
|------|-------------|------|
| 1 | m02579 | 4 |
| 2 | m15025 | 1 |
| 3 | m16849 | 1 |

m24190



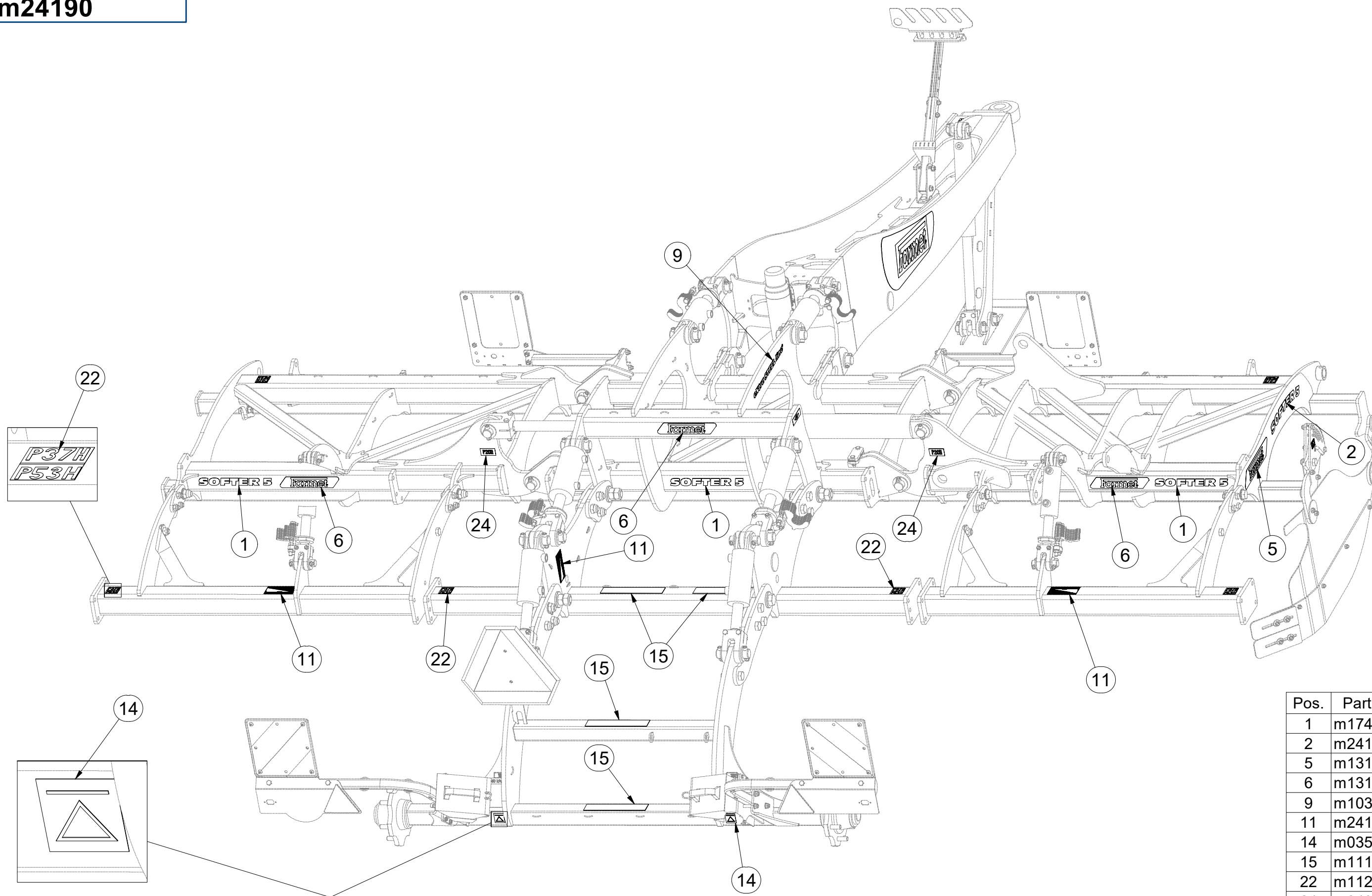
| Pos. | Part Number | Pcs. |
|------|-------------|------|
| 11 | m24170 | 3 |
| 12 | m22872 | 1 |

m24190



| Pos. | Part Number | Pcs. |
|------|-------------|------|
| 1 | m17487 | 5 |
| 2 | m24191 | 2 |
| 5 | m13117 | 2 |
| 9 | m10353 | 2 |
| 13 | m03316 | 3 |
| 22 | m11297 | 8 |
| 23 | m11296 | 2 |
| 24 | m04368 | 4 |

m24190



| Pos. | Part Number | Pcs. |
|------|-------------|------|
| 1 | m17487 | 5 |
| 2 | m24191 | 2 |
| 5 | m13117 | 2 |
| 6 | m13116 | 3 |
| 9 | m10353 | 2 |
| 11 | m24170 | 3 |
| 14 | m03512 | 2 |
| 15 | m11147 | 4 |
| 22 | m11297 | 8 |
| 24 | m04368 | 4 |

☉ SAMOLEPKY STROJE

☉ AUFKLEBER MASCHINEN

☉ VOITURE MACHINES

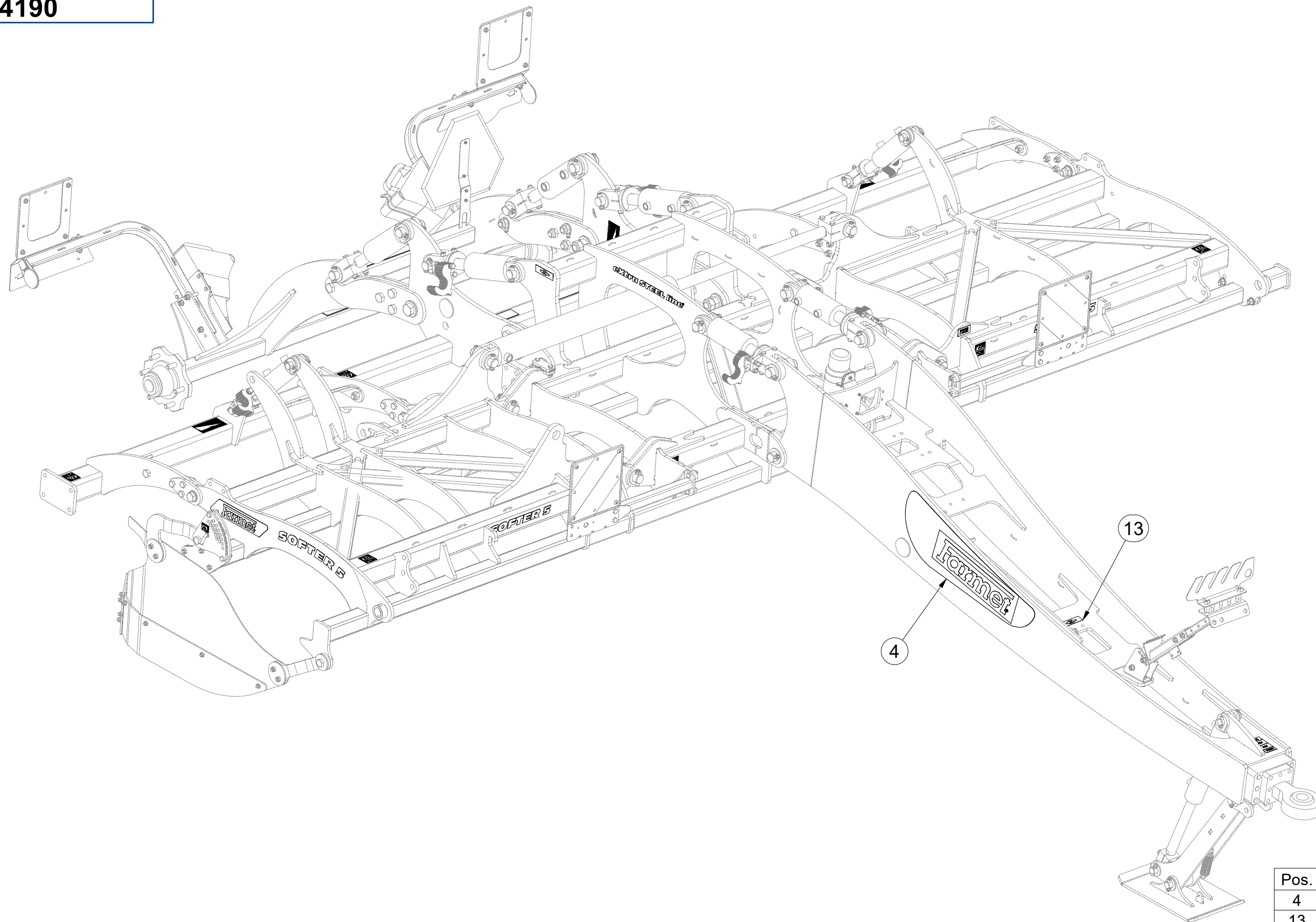
☉ STICKERS MACHINES

☉ СТИКЕРЫ МАШИНЫ

☉ NAKLEJKI MASZYNY

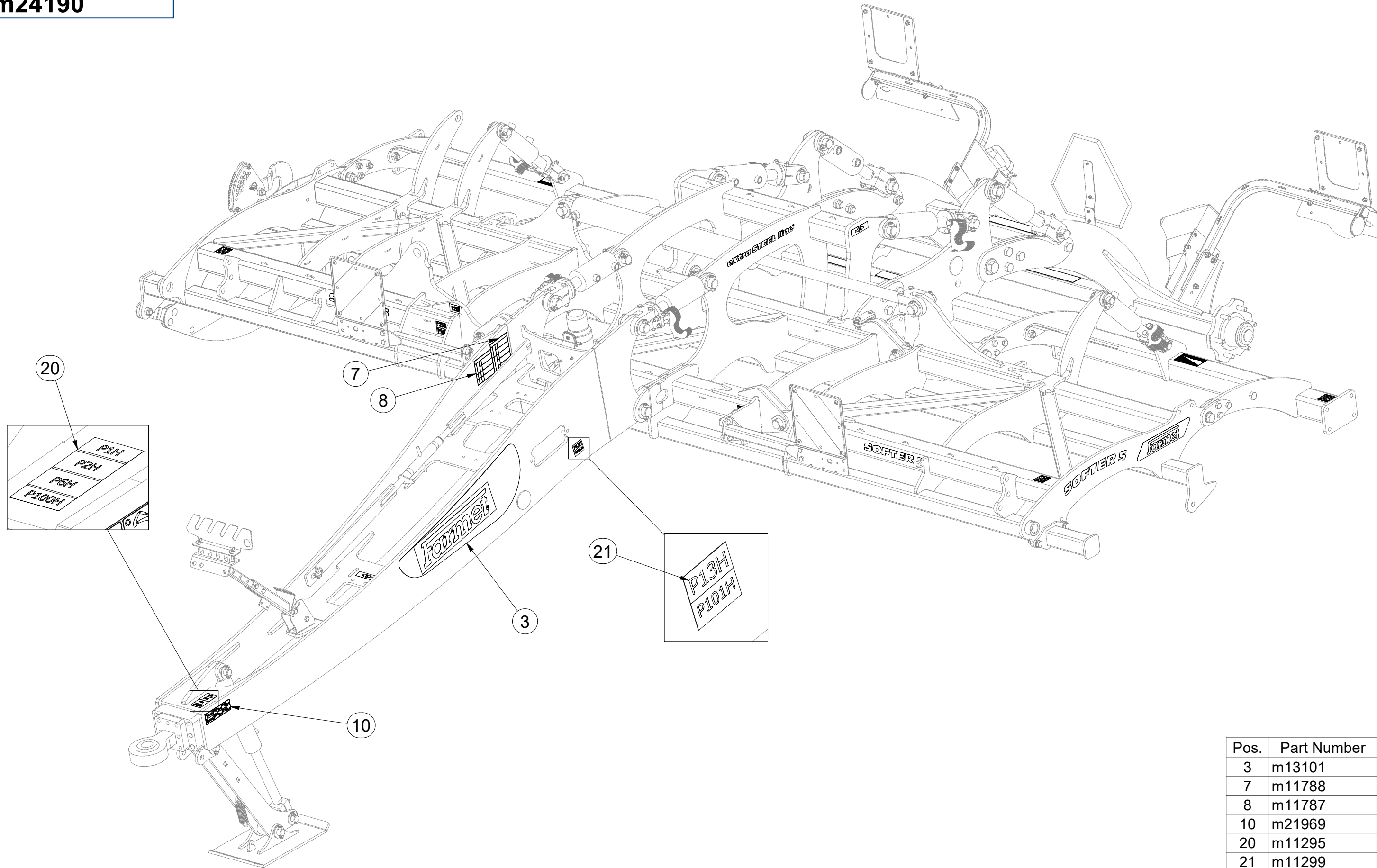


m24190



| Pos. | Part Number | Pcs. |
|------|-------------|------|
| 4 | m13102 | 1 |
| 13 | m03316 | 3 |

m24190



| Pos. | Part Number | Pcs. |
|------|-------------|------|
| 3 | m13101 | 1 |
| 7 | m11788 | 1 |
| 8 | m11787 | 1 |
| 10 | m21969 | 1 |
| 20 | m11295 | 1 |
| 21 | m11299 | 1 |

Ⓒ SVĚTELNÁ SADA

Ⓓ LEUCHTENSATZ

Ⓕ KIT LUMINEUX

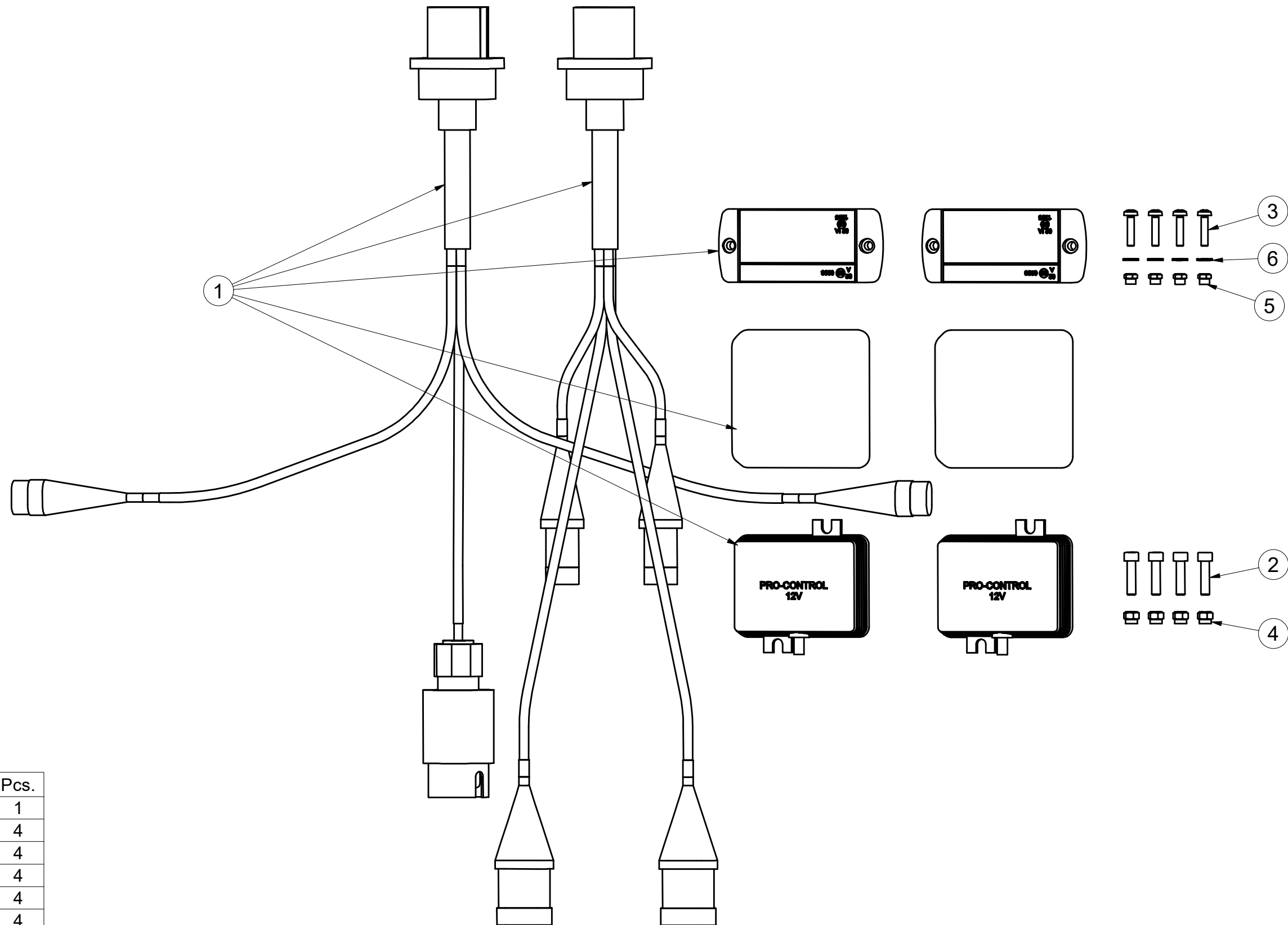
Ⓖ LIGHTING SET

Ⓡ ОСВЕТИТЕЛЬНЫЙ КОМПЛЕКТ

Ⓟ ZESTAW OŚWIETLENIA



3012500



| Pos. | Part Number | Pcs. |
|------|-------------|------|
| 1 | m19050 | 1 |
| 2 | m10591 | 4 |
| 3 | m15790 | 4 |
| 4 | m06236 | 4 |
| 5 | m05562 | 4 |
| 6 | m05597 | 4 |

Ⓒ SVĚTELNÁ SADA

Ⓓ LEUCHTENSATZ

Ⓕ KIT LUMINEUX

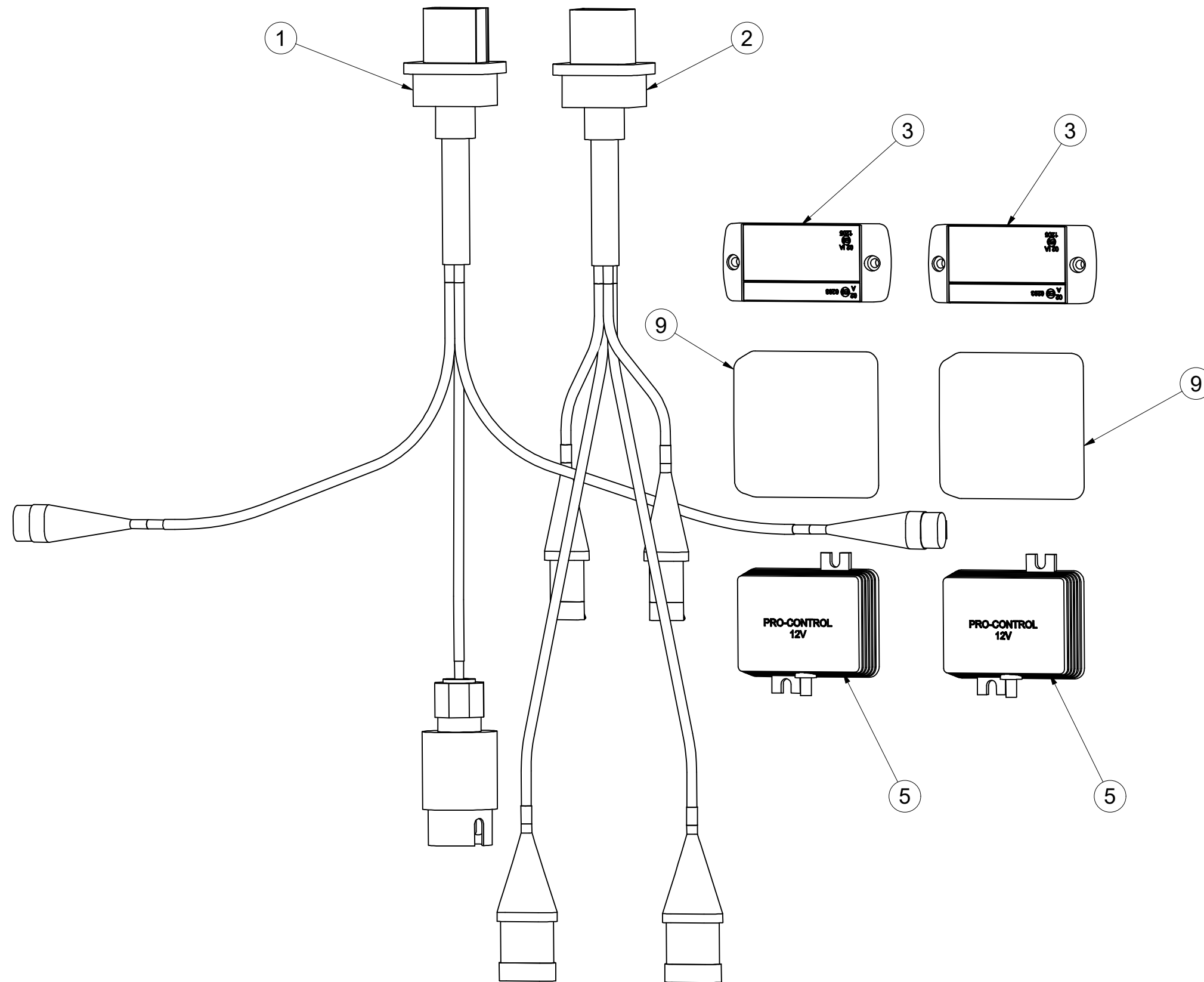
Ⓖ LIGHTING SET

Ⓡ ОСВЕТИТЕЛЬНЫЙ КОМПЛЕКТ

Ⓟ ZESTAW OŚWIETLENIA



m19050



| Pos. | Part Number | Pcs. |
|------|-------------|------|
| 1 | m14779 | 1 |
| 2 | m14778 | 1 |
| 3 | m14776 | 2 |
| 5 | m14777 | 2 |
| 9 | m19044 | 2 |

- Ⓒ UTAHOVACÍ MOMENTY ŠROUBŮ
 Ⓓ ANZUGMOMENTE VON SCHRAUBEN
 Ⓕ COUPLES DE SERRAGE DES VIS

- Ⓖ SCREW TIGHTENING TORQUE
 Ⓔ МОМЕНТЫ ЗАЖАТИЯ БОЛТОВ
 Ⓗ MOMENTY DOKRĘCANIA ŚRUB



| P | | 5.8 | 8.8 | 10.9 | 12.9 | Z | |
|-----|------|------|------|-------|-------|----------|-----------|
| D | R | Mu | Mu | Mu | Mu | DIN 7991 | ISO 10642 |
| mm | mm | Nm | Nm | Nm | Nm | Nm | Nm |
| M6 | 1 | 6 | 9 | 13 | 15 | 7,2 | 7,9 |
| M8 | 1,25 | 14 | 22 | 32 | 38 | 17 | 19 |
| M10 | 1,5 | 29 | 44 | 64 | 75 | 35 | 38 |
| M12 | 1,75 | 49 | 76 | 111 | 130 | 58 | 65 |
| M14 | 2 | 79 | 120 | 176 | 206 | 93 | 100 |
| M16 | 2 | 123 | 188 | 276 | 323 | 144 | 158 |
| M18 | 2,5 | 169 | 257 | 378 | 443 | - | 220 |
| M20 | 2,5 | 239 | 365 | 536 | 628 | - | 310 |
| M22 | 2,5 | 329 | 529 | 738 | 864 | - | 420 |
| M24 | 3 | 413 | 629 | 924 | 1082 | - | 530 |
| M27 | 3 | 613 | 934 | 1372 | 1606 | - | - |
| M30 | 3,5 | 832 | 1267 | 1862 | 2179 | - | - |
| M33 | 3,5 | 1130 | 1723 | 2530 | 2961 | - | - |
| M36 | 4 | 1451 | 2210 | 3246 | 3799 | - | - |
| M39 | 4 | 1885 | 2872 | 4217 | 4936 | - | - |
| M42 | 4,5 | 2322 | 3538 | 5196 | 6080 | - | - |
| M45 | 4,5 | 2909 | 4433 | 6511 | 7619 | - | - |
| M48 | 5 | 3513 | 535 | 7862 | 9200 | - | - |
| M52 | 5 | 4524 | 6895 | 10123 | 11849 | - | - |
| M56 | 5,5 | 5636 | 8589 | 12614 | 14761 | - | - |

- Mu - Ⓒ UTAHOVACÍ MOMENT
 Ⓓ ANZUGMOMENTE
 Ⓕ COUPLE DE SERRAGE
 Ⓖ TIGHTENING TORQUE
 Ⓔ МОМЕНТ ЗАЖАТИЯ
 Ⓗ MOMENT DOKRĘCANIA
- D - Ⓒ JMENOVITÝ PRŮMĚR
 Ⓓ NENNDURCHMESSER
 Ⓕ DIAMETRE NOMINAL
 Ⓖ NOMINAL DIAMETER
 Ⓔ НОМИНАЛЬНЫЙ ДИАМЕТР
 Ⓗ ŚREDNICA NOMINALNA
- R - Ⓒ ROZTEČ ZÁVITU - STOUPÁNÍ
 Ⓓ GEWINDESTEIGUNG
 Ⓕ PAS DE FILET - PAS
 Ⓖ SCREW PITCH – LEAD
 Ⓔ ШАГ РЕЗЬБЫ
 Ⓗ ROZSTAW GWINTU - SKOKI
- P - Ⓒ PEVNOST
 Ⓓ FESTIGKEIT
 Ⓕ RÉSISTANCE
 Ⓖ STRENGTH
 Ⓔ ПРОЧНОСТЬ
 Ⓗ WYTRZYMA OŚĆ
- Z - Ⓒ ZÁPUSTNÉ ŠROUBY
 Ⓓ SENKKOPFSCHRAUBEN
 Ⓕ VIS A TETE FRAISEE
 Ⓖ COUNTERSUNK SCREWS
 Ⓔ БОЛТЫ С УТОПЛЕННОЙ ГОЛОВКОЙ
 Ⓗ ŚRUBY Z ŁBEM STOŻKOWYM PŁASKIM

- Ⓒ Hodnoty momentů jsou poníženy o -10% oproti tabulkovým hodnotám. Šroubové spoje utahujte dle vyznačeného utahovacího momentu v dokumentaci. Pokud není utahovací moment v dokumentaci vyznačen, utahujte dle obecné tabulky. Pokud je v dokumentaci definován spoj šroubu a matice o různých pevnostech, vždy utahujte na moment komponenty nižší.
- Ⓓ Die Werte der Anzugsmomente sind um 10 % gegenüber den Tabellenwerten verringert. Ziehen Sie die Schraubverbindungen gemäß dem in der Dokumentation festgeschriebenen Anzugsmoment an. Sofern das Anzugsmoment nicht in der Dokumentation aufgeführt ist, ziehen Sie sie gemäß der allgemeinen Tabelle an. Wenn in der Dokumentation eine Verbindung von Schraube und Mutter mit verschiedene Festigkeiten definiert ist, wird immer mit dem Moment des Bauteils mit der geringeren Festigkeit angezogen.
- Ⓕ Les valeurs des couples de serrage sont baissées de 10% par rapport aux valeurs de tableau. Serrez les raccords à vis selon le couple de serrage indiqué dans les documents. Si le couple de serrage n'est pas indiqué dans les documents, serrez selon le tableau général. Si les documents définissent un assemblage par boulon de diverses résistances, serrez toujours au moment de la composante avec résistance inférieure.
- Ⓖ The torque values are reduced by 10% compared to the table values. Tighten the screw joints according to the tightening torque stated in the documentation. If the tightening torque is not stated in the documentation, tighten according to the general table. If there is a joint with a screw and a nut at different strengths in the documentation, always tighten to the torque of the component with lower strength.
- Ⓔ Значения моментов затяжки уменьшены на 10% по сравнению с данными в таблице. Резьбовые соединения зажимайте с установленным в документации моментом зажатия. Если в документации не указан момент зажатия, то зажимайте по действующей в общем таблице. Если в документации установлено соединение из болта и гайки различной прочности, всегда зажимайте с моментом для компонента с меньшей прочностью.
- Ⓗ Wartości momentów dokręcania są obniżone o 10% w stosunku do wartości z tabeli. Połączenia śrubowe należy dokręcać zgodnie z momentem obrotowym w dokumentacji. Jeśli w dokumentacji nie ma podanego momentu obrotowego, należy dokręcać zgodnie z ogólną tabelą. Jeśli w dokumentacji zdefiniowane jest połączenie ze śrubą nakrętką różnych wytrzymałościach, zawsze należy dokręcać zachowując moment dokręcania komponentu z niższą wytrzymałością.

- Ⓒ UTAHOVACÍ MOMENTY ŠROUBŮ
 Ⓓ ANZUGMOMENTE VON SCHRAUBEN
 Ⓕ COUPLES DE SERRAGE DES VIS

- Ⓖ SCREW TIGHTENING TORQUE
 Ⓡ MOMENTЫ ЗАЖАТИЯ БОЛТОВ
 Ⓟ MOMENTY DOKRĘCANIA ŚRUB



- Ⓒ **OBECNÝ PŘEDPIS UTAHOVÁNÍ ZAJIŠTĚNÍ ČEPOVÝCH SPOJŮ:**
 Ⓓ **ALLGEMEINE VORSCHRIFT FÜR DAS ANZIEHEN VON BOLZENVERBINDUNGEN:**
 Ⓕ **CONSIGNE GENERALE POUR LE SERRAGE DES ARTICULATIONS CYLINDRIQUES:**
 Ⓖ **GENERAL INSTRUCTION FOR TIGHTENING THE SECURING OF PIN JOINTS:**
 Ⓡ **ОБЩЕЕ ОПИСАНИЕ ЗАЖАТИЯ ПРЕДОХРАНЕНИЯ СОЕДИНЕНИЙ ПАЛЬЦАМИ:**
 Ⓟ **OGÓLNE ZASADY DOKRĘCANIA ZABEZPIECZENIA POŁĄCZEŃ CZOPEM:**



X

M8, M10, M12

M14

M

09-15Nm

15-25Nm

- X - Ⓒ ROZMĚR ŠROUBU
 Ⓓ SCHRAUBENGRÖSSE
 Ⓕ DIMENSIONS DE LA VIS

- Ⓖ BOLT DIMENSION
 Ⓡ РАЗМЕР БОЛТА
 Ⓟ ROZMIAR ŚRUBY

- M - Ⓒ ORIENTAČNÍ MOMENT
 Ⓓ ANZUGSMOMENT
 Ⓕ COUPLE D'ORIENTATION

- Ⓖ ORIENTATION TORQUE
 Ⓡ ОРИЕНТАЦИОННЫЙ МОМЕНТ
 Ⓟ ORIENTACYJNY MOMENT

- Ⓒ Tyto spoje není nutné ověřovat kontrolou momentovým klíčem = stačí vizuálně kontrolovat sešroubování.
 Ⓓ Diese Verbindungen müssen nicht mit einem Drehmomentschlüssel überprüft werden = es genügt, die Verschraubung visuell zu kontrollieren.
 Ⓕ Il n'est pas nécessaire de contrôler le serrage à l'aide d'une clé dynamométrique = un contrôle visuel de l'assemblage suffit.
 Ⓖ These joints do not have to be verified by checking with a torque wrench = visual inspection of bolting is sufficient.
 Ⓡ Эти соединения не нужно контролировать динамометрическим ключом = достаточно визуально проверять прикручивание.
 Ⓟ Nie trzeba sprawdzać tych połączeń kluczem dynamometrycznym = wystarczy wizualnie skontrolować dokręcenie.