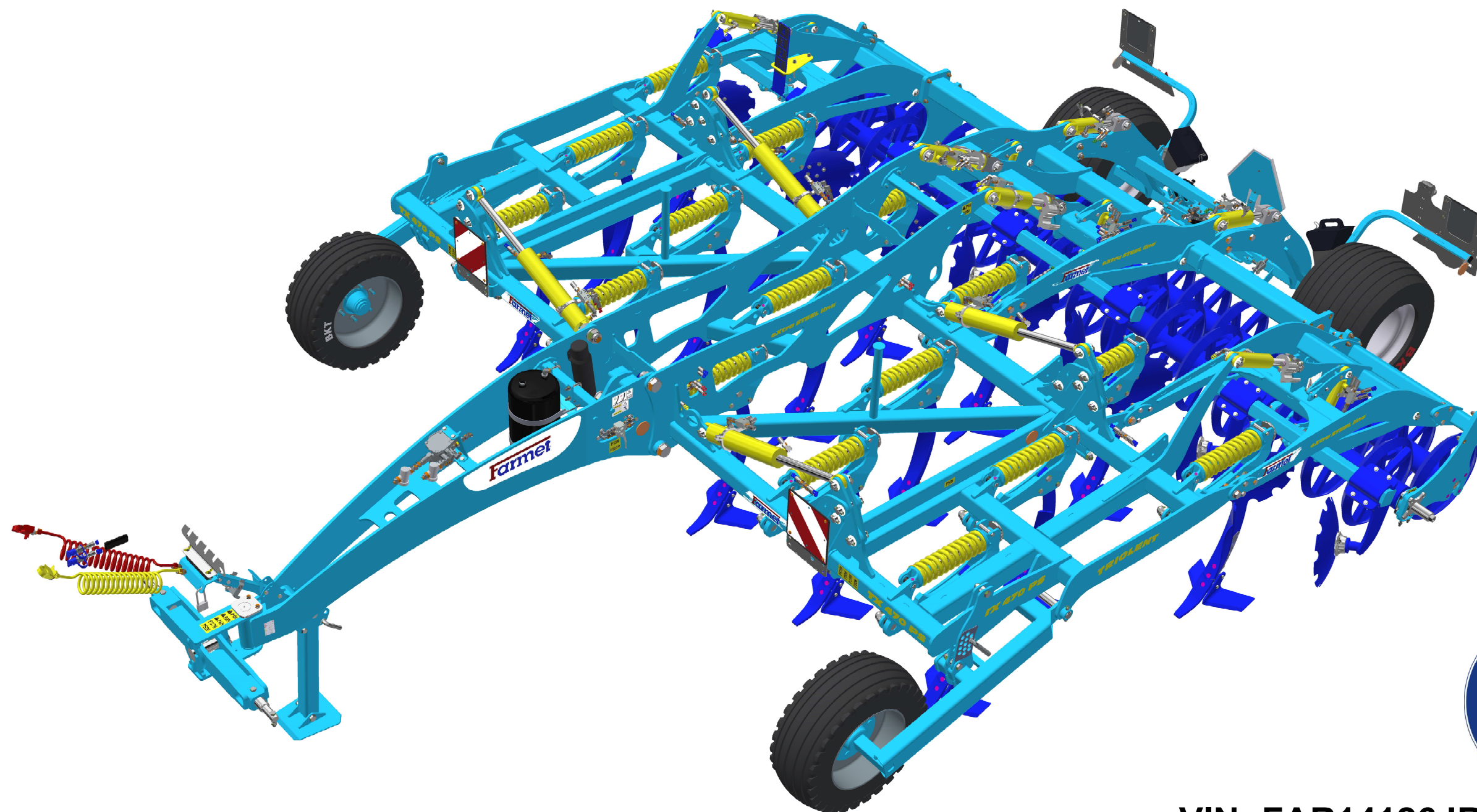


ⒸZ KATALOG NÁHRADNÍCH DÍLŮ ⒸB CATALOGUE OF SPARE PARTS ⒸD ERSATZTEILLISTE
ⒸRU КАТАЛОГ ЗАПАСНЫХ ЧАСТЕЙ ⒸF CATALOGUE DES PIÈCES DE RECHANGE ⒸPL KATALOG CZĘŚCI ZAMIENNYCH

TRIOLENT TX470PS



ⒸZ Platnost pro vrcholové | výrobní číslo stroje ⒸB Validity for the top | serial number of the machine
ⒸD Gültigkeit für die Haupt- | Herstellungsnummer der Maschine ⒸRU Действительно для главного | заводского номера машины
ⒸF Validité du numéro de référence | de série de la machine ⒸPL Obowiązuje dla numeru głównego | seryjnego maszyny

VIN: FAR14126JR0000728
9314468 | 2024/0728

ⒸZ NAVIGACE STROJE

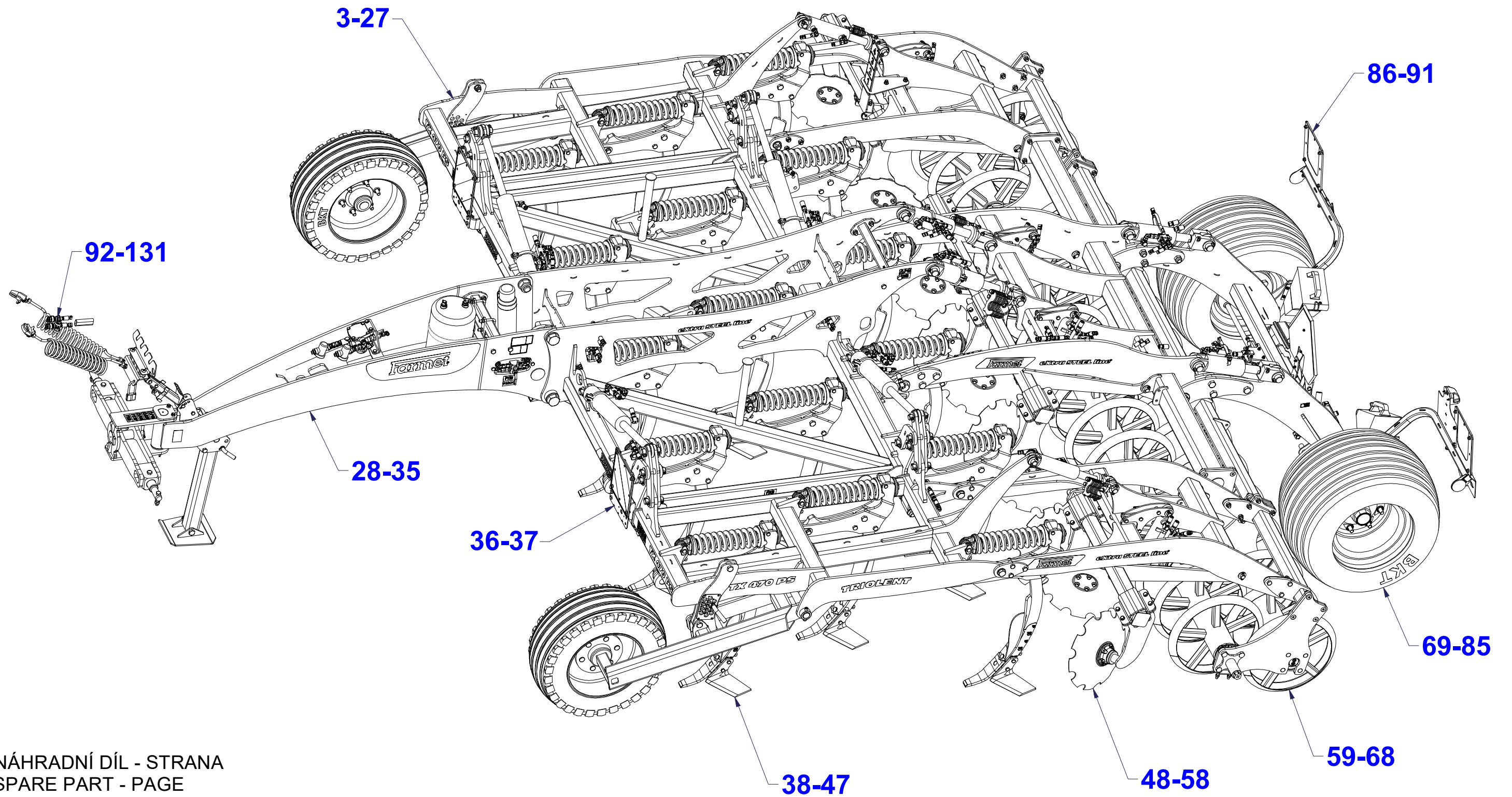
Ⓓ NAVIGATION DER MASCHINE

Ⓕ NAVIGATION DE LA MACHINE

ⒸB NAVIGATION OF THE MACHINE

ⒸU НАВИГАЦИЯ МАШИНЫ

ⒸL NAWIGACJA MASZYNY



ⒸZ NÁHRADNÍ DÍL - STRANA

ⒸB SPARE PART - PAGE

Ⓓ ERSATZTEILE - SEITE

ⒸU ЗАПЧАСТЬ - СТРАНИЦА

Ⓕ PIÈCE DE RECHANGE - PAGE

ⒸL CZĘŚCI ZAMIENNE - STRONA

Ⓒ ZÁKLAD STROJE

Ⓓ UNTERBAU DER MASCHINE

Ⓕ BÂTI DE LA MACHINE

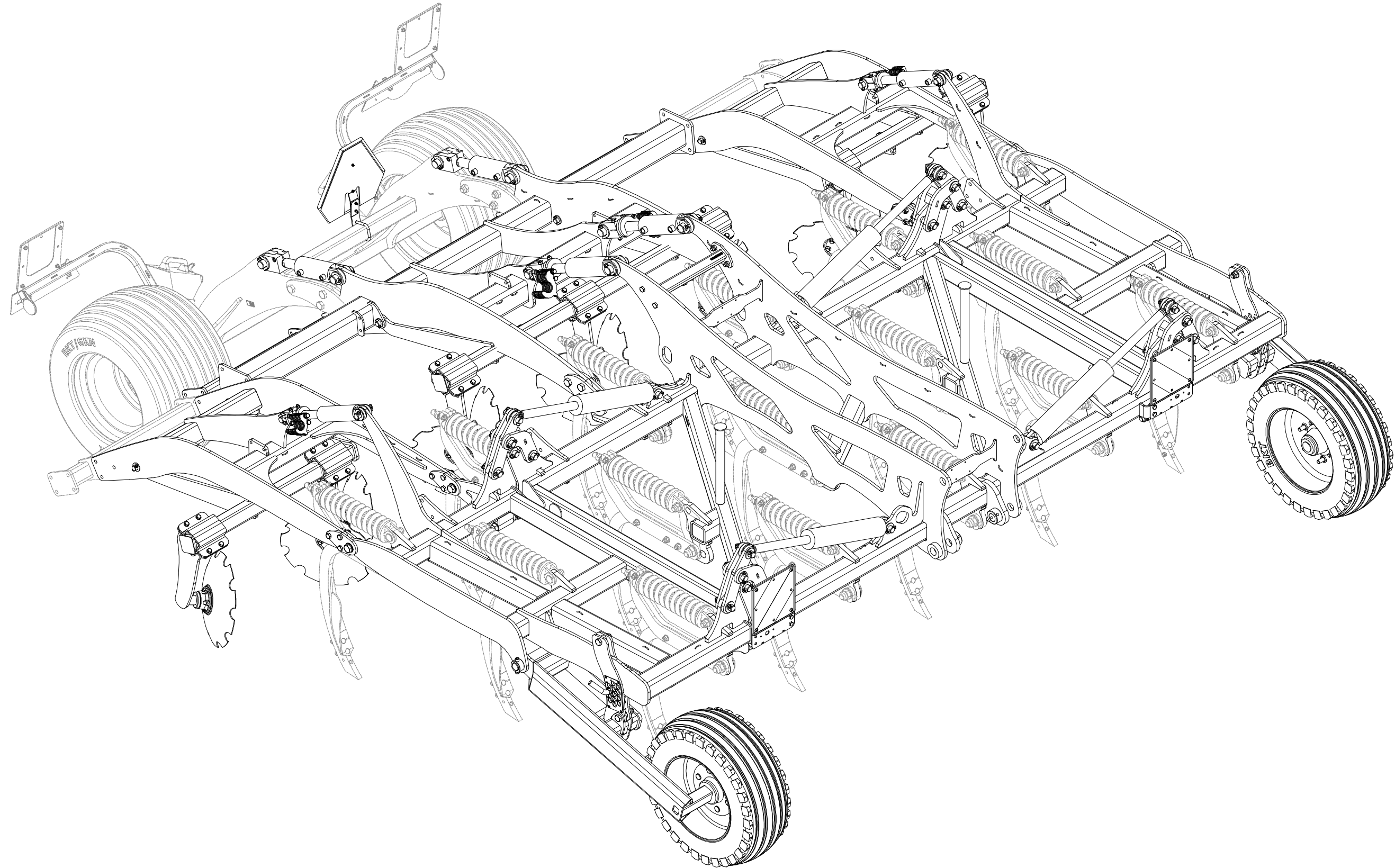
VZ00048469

Ⓖ FOOTING OF THE MACHINE

Ⓡ ОСНОВАНИЕ МАШИНЫ

Ⓟ PODSTAWA MASZYNY

Farmet



Ⓒ ZÁKLAD STROJE

Ⓓ UNTERBAU DER MASCHINE

Ⓕ BÂTI DE LA MACHINE

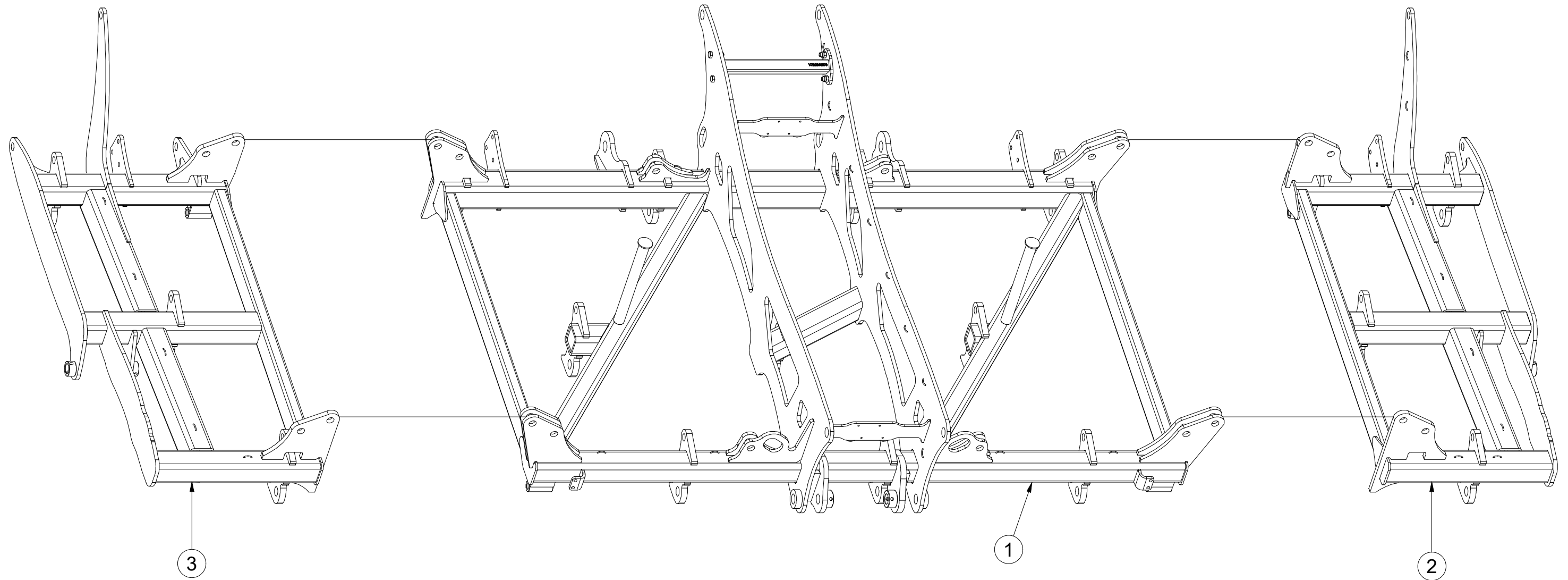
Ⓖ FOOTING OF THE MACHINE

Ⓡ ОСНОВАНИЕ МАШИНЫ

Ⓟ PODSTAWA MASZINY



VZ00048469



| Pos. | Part Number | Pcs. |
|------|-------------|------|
| 1 | VZ00049048 | 1 |
| 2 | VZ00011229 | 1 |
| 3 | VZ00011228 | 1 |

☉ ZÁKLAD STROJE

☐ UNTERBAU DER MASCHINE

☐ BÂTI DE LA MACHINE

VZ00048469

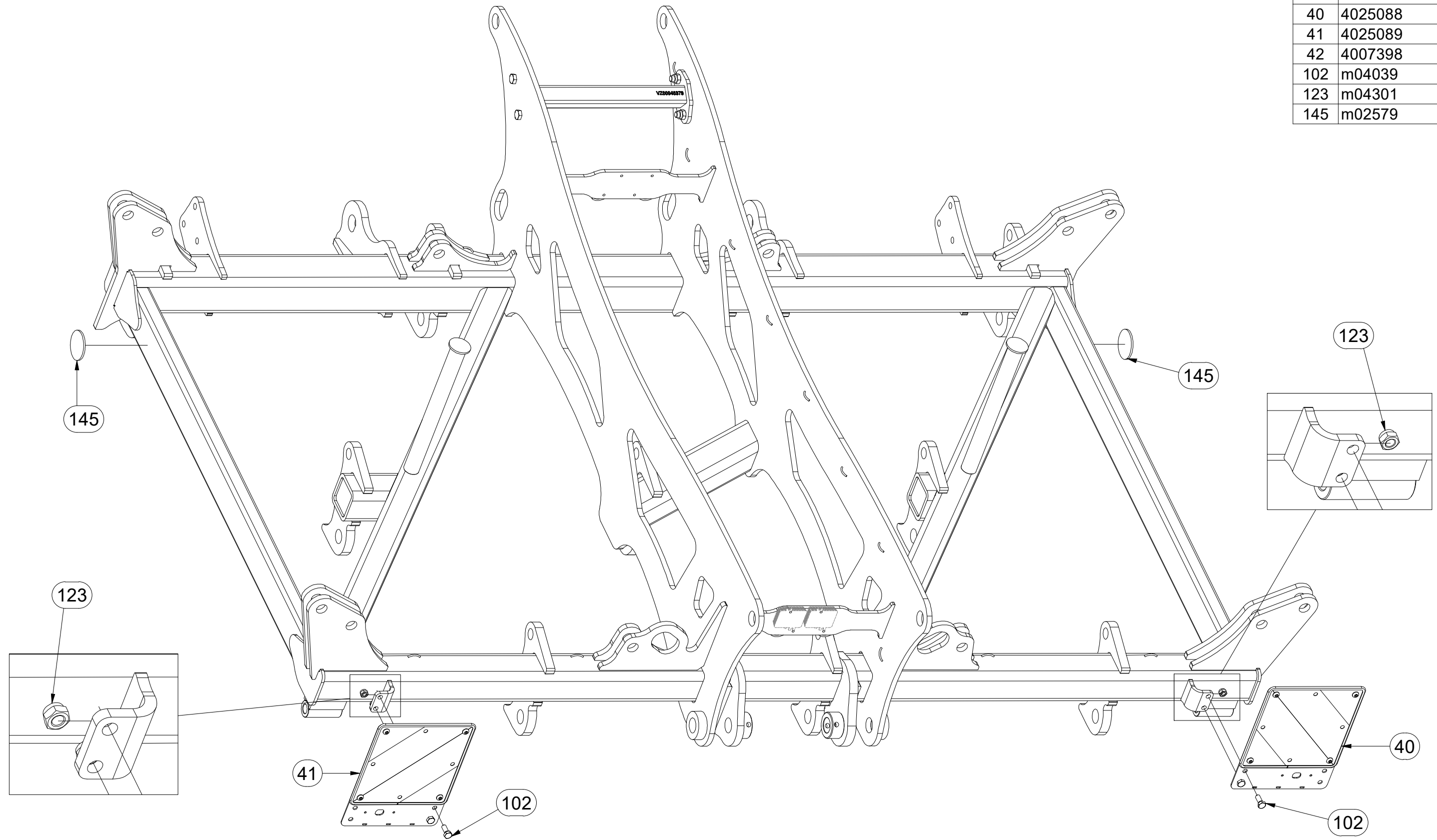
☉ FOOTING OF THE MACHINE

☉ ОСНОВАНИЕ МАШИНЫ

☉ PODSTAWA MASZYNY

Farmet

| Pos. | Part Number | Pcs. |
|------|-------------|------|
| 40 | 4025088 | 1 |
| 41 | 4025089 | 1 |
| 42 | 4007398 | 1 |
| 102 | m04039 | 4 |
| 123 | m04301 | 24 |
| 145 | m02579 | 2 |



Ⓒ ZÁKLAD STROJE

Ⓓ UNTERBAU DER MASCHINE

Ⓕ BÂTI DE LA MACHINE

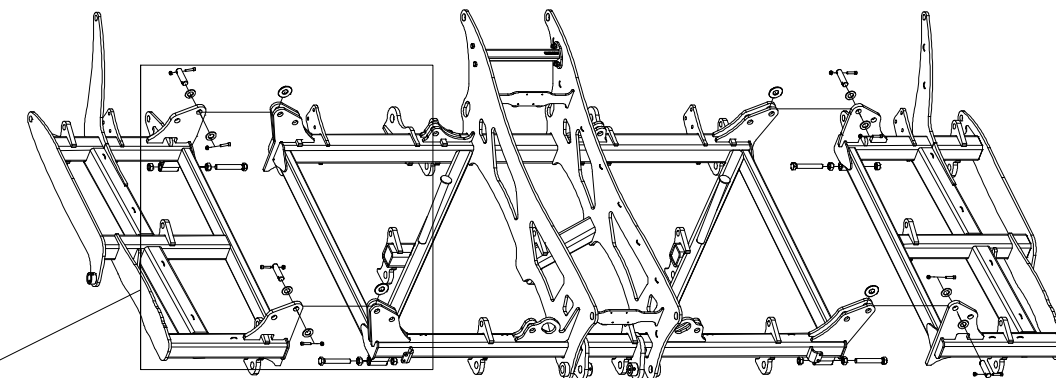
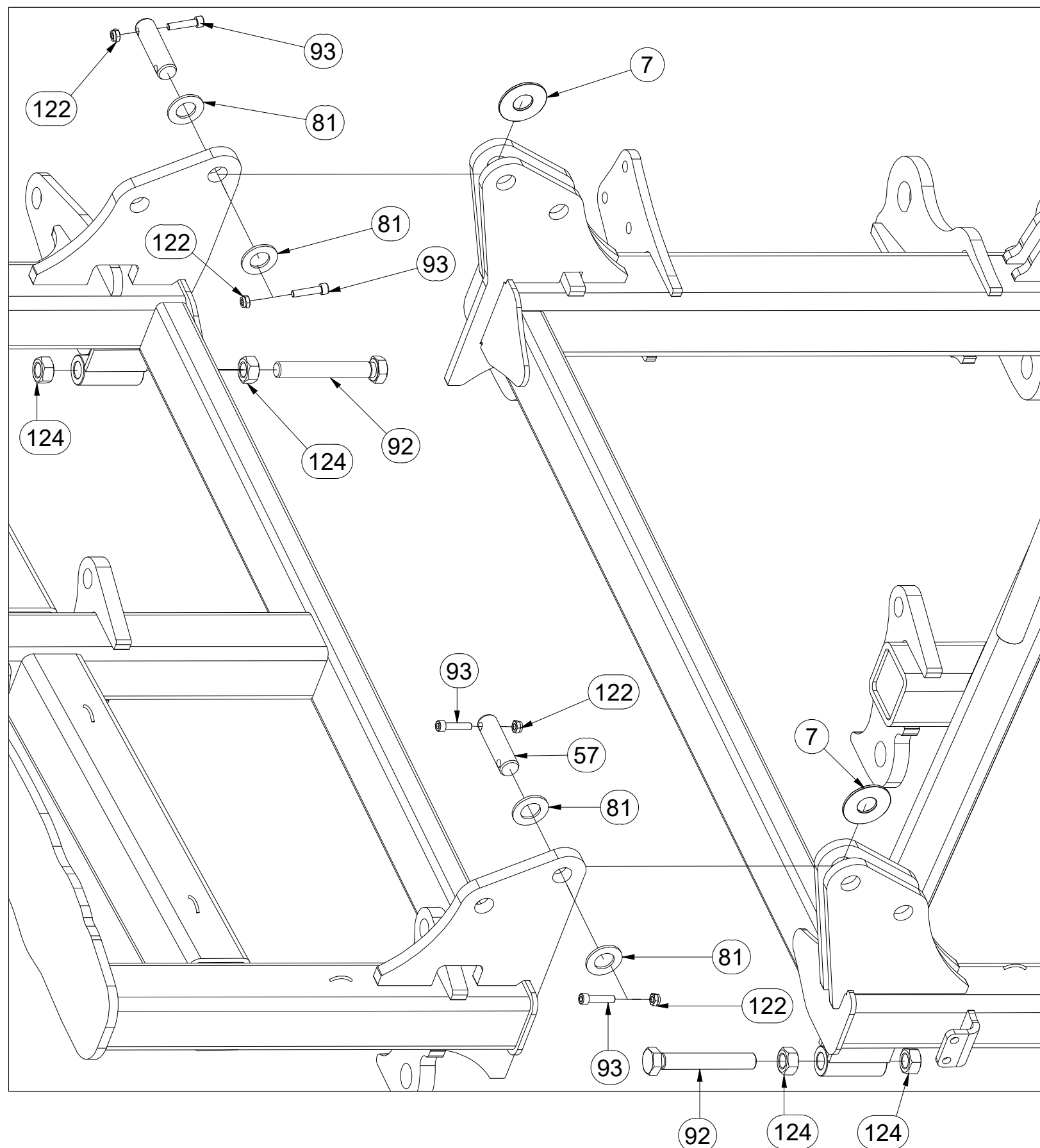
Ⓖ FOOTING OF THE MACHINE

Ⓡ ОСНОВАНИЕ МАШИНЫ

Ⓢ ПОДСТАВА MASZYNY



VZ00048469



| Pos. | Part Number | Pcs. |
|------|-------------|------|
| 7 | 4001425 | 4 |
| 57 | 4007584 | 16 |
| 81 | m14029 | 56 |
| 92 | m04422 | 4 |
| 93 | m14143 | 56 |
| 122 | m03775 | 56 |
| 124 | m01308 | 8 |

Ⓒ ZÁKLAD STROJE

Ⓓ UNTERBAU DER MASCHINE

Ⓕ BÂTI DE LA MACHINE

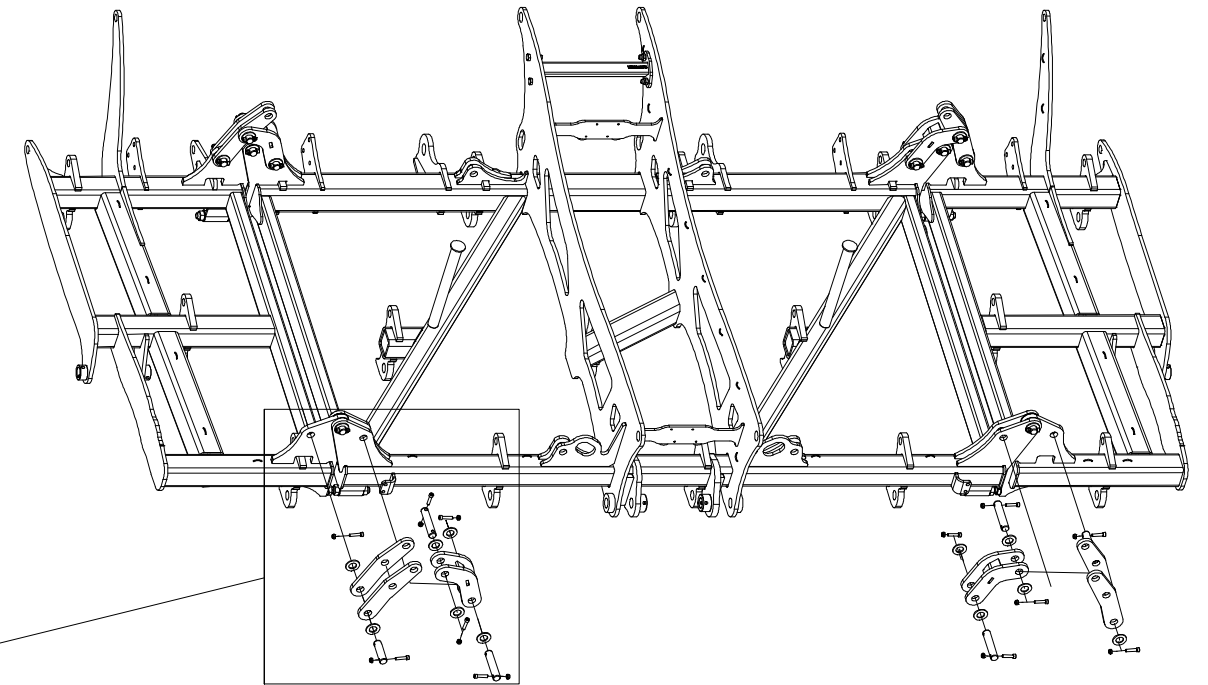
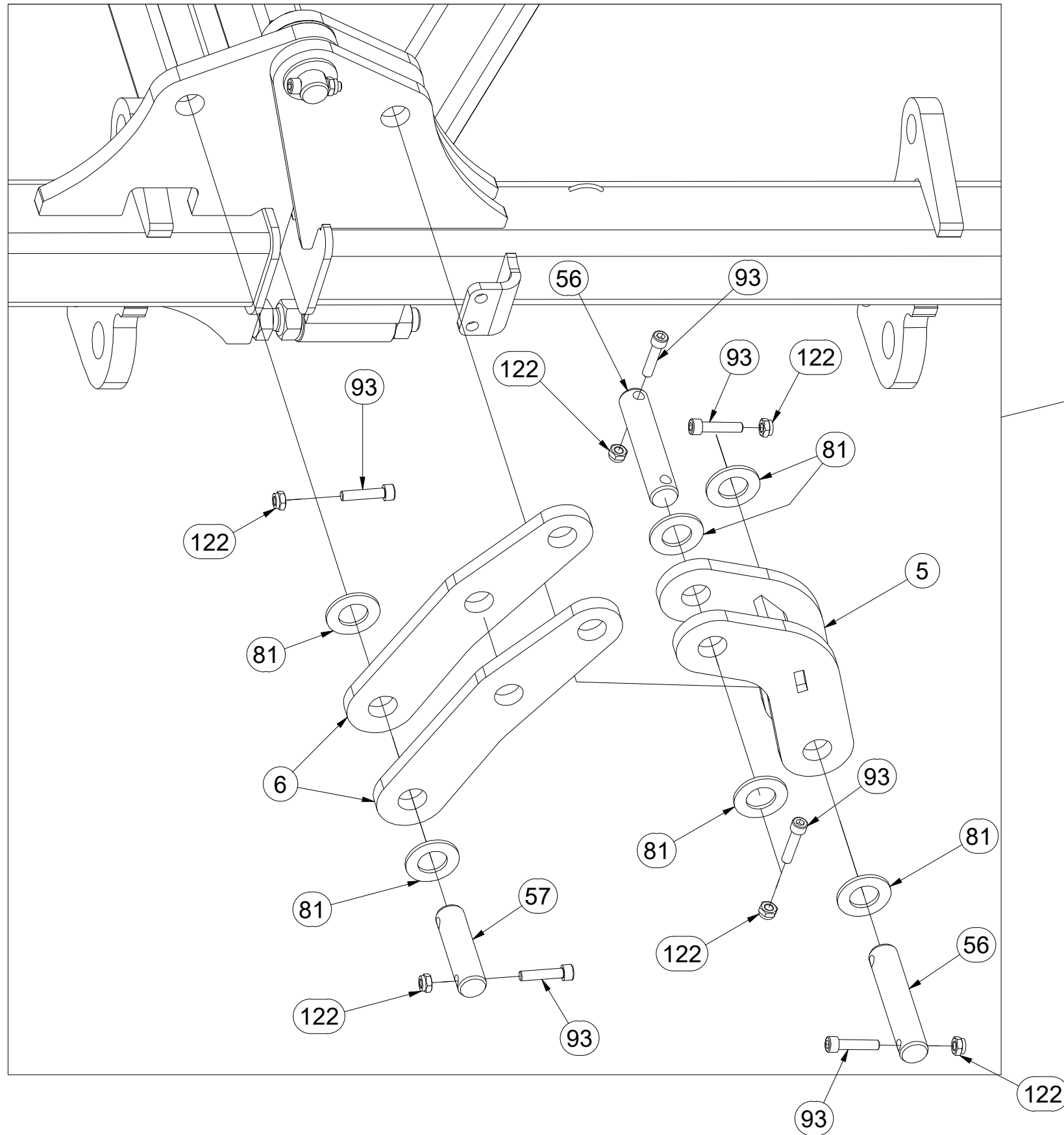
Ⓖ FOOTING OF THE MACHINE

Ⓡ ОСНОВАНИЕ МАШИНЫ

Ⓢ PODSTAWA MASZINY



VZ00048469



| Pos. | Part Number | Pcs. |
|------|-------------|------|
| 5 | 4005761 | 4 |
| 6 | 3003113 | 8 |
| 56 | 4012363 | 8 |
| 57 | 4007584 | 16 |
| 81 | m14029 | 56 |
| 93 | m14143 | 56 |
| 122 | m03775 | 56 |

Ⓒ ZÁKLAD STROJE

Ⓓ UNTERBAU DER MASCHINE

Ⓕ BÂTI DE LA MACHINE

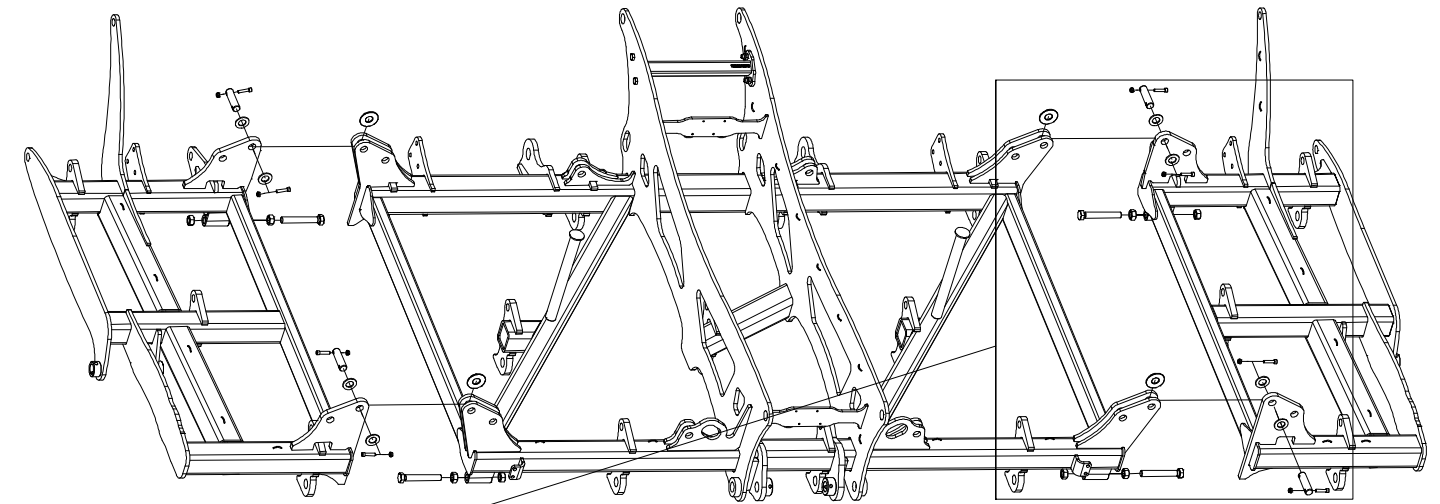
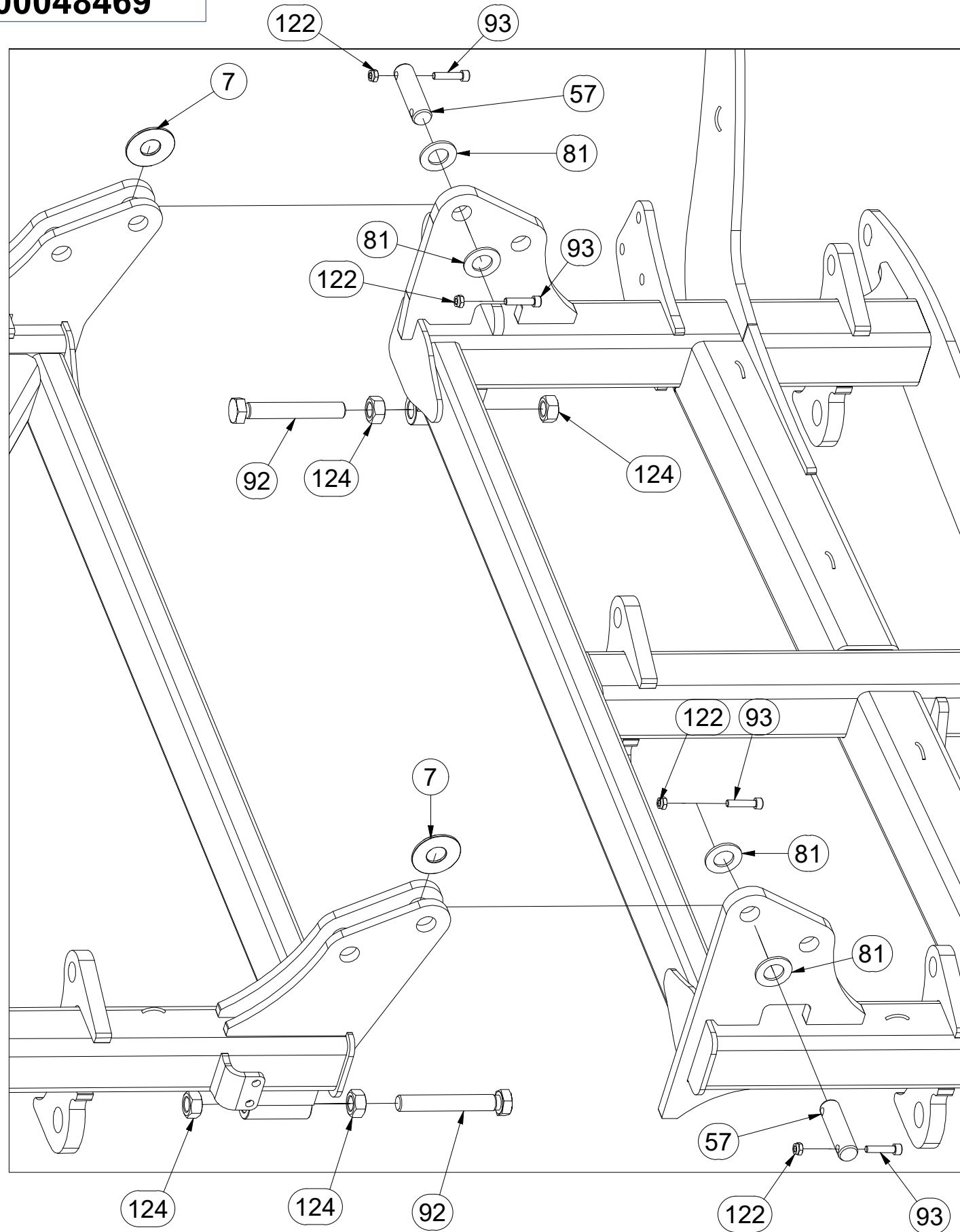
Ⓖ FOOTING OF THE MACHINE

Ⓡ ОСНОВАНИЕ МАШИНЫ

Ⓢ PODSTAWA MASZYNY



VZ00048469



| Pos. | Part Number | Pcs. |
|------|-------------|------|
| 7 | 4001425 | 4 |
| 57 | 4007584 | 16 |
| 81 | m14029 | 56 |
| 92 | m04422 | 4 |
| 93 | m14143 | 56 |
| 122 | m03775 | 56 |
| 124 | m01308 | 8 |

Ⓒ ZÁKLAD STROJE

Ⓓ UNTERBAU DER MASCHINE

Ⓕ BÂTI DE LA MACHINE

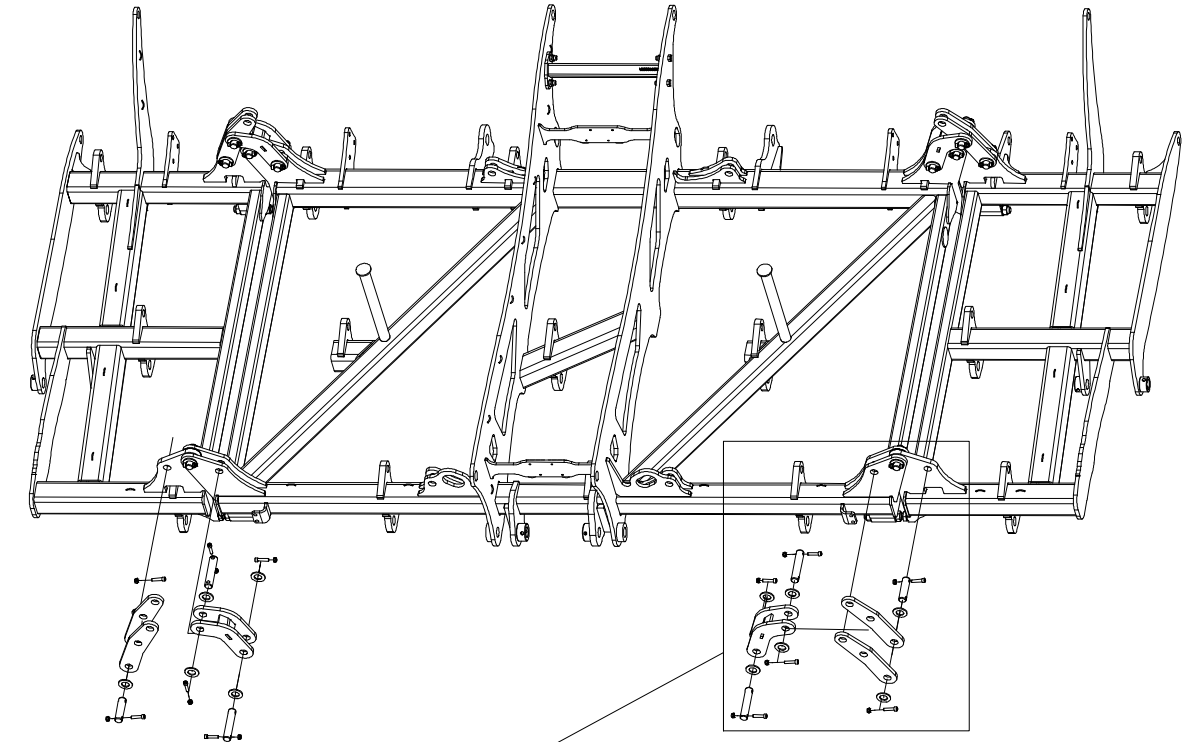
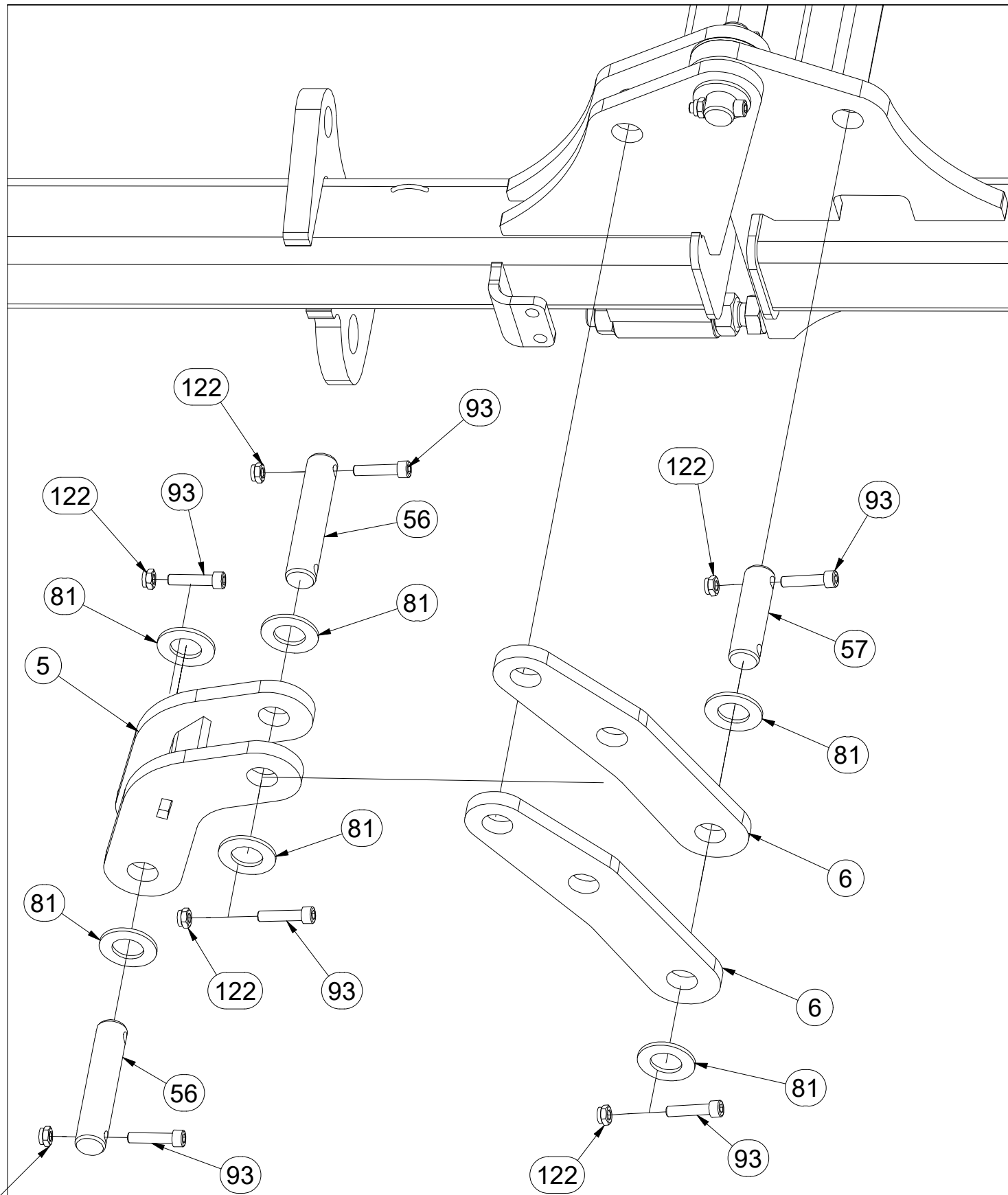
Ⓖ FOOTING OF THE MACHINE

Ⓡ ОСНОВАНИЕ МАШИНЫ

Ⓢ PODSTAWA MASZYNY



VZ00048469



| Pos. | Part Number | Pcs. |
|------|-------------|------|
| 5 | 4005761 | 4 |
| 6 | 3003113 | 8 |
| 56 | 4012363 | 8 |
| 57 | 4007584 | 16 |
| 81 | m14029 | 56 |
| 93 | m14143 | 56 |
| 122 | m03775 | 56 |

Ⓒ ZÁKLAD STROJE

Ⓓ UNTERBAU DER MASCHINE

Ⓕ BÂTI DE LA MACHINE

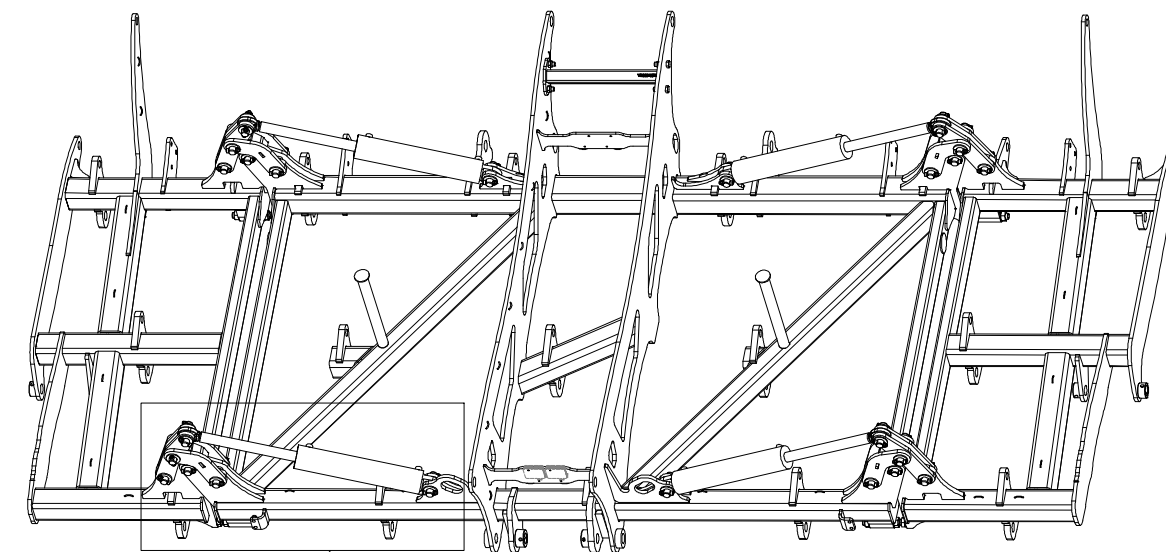
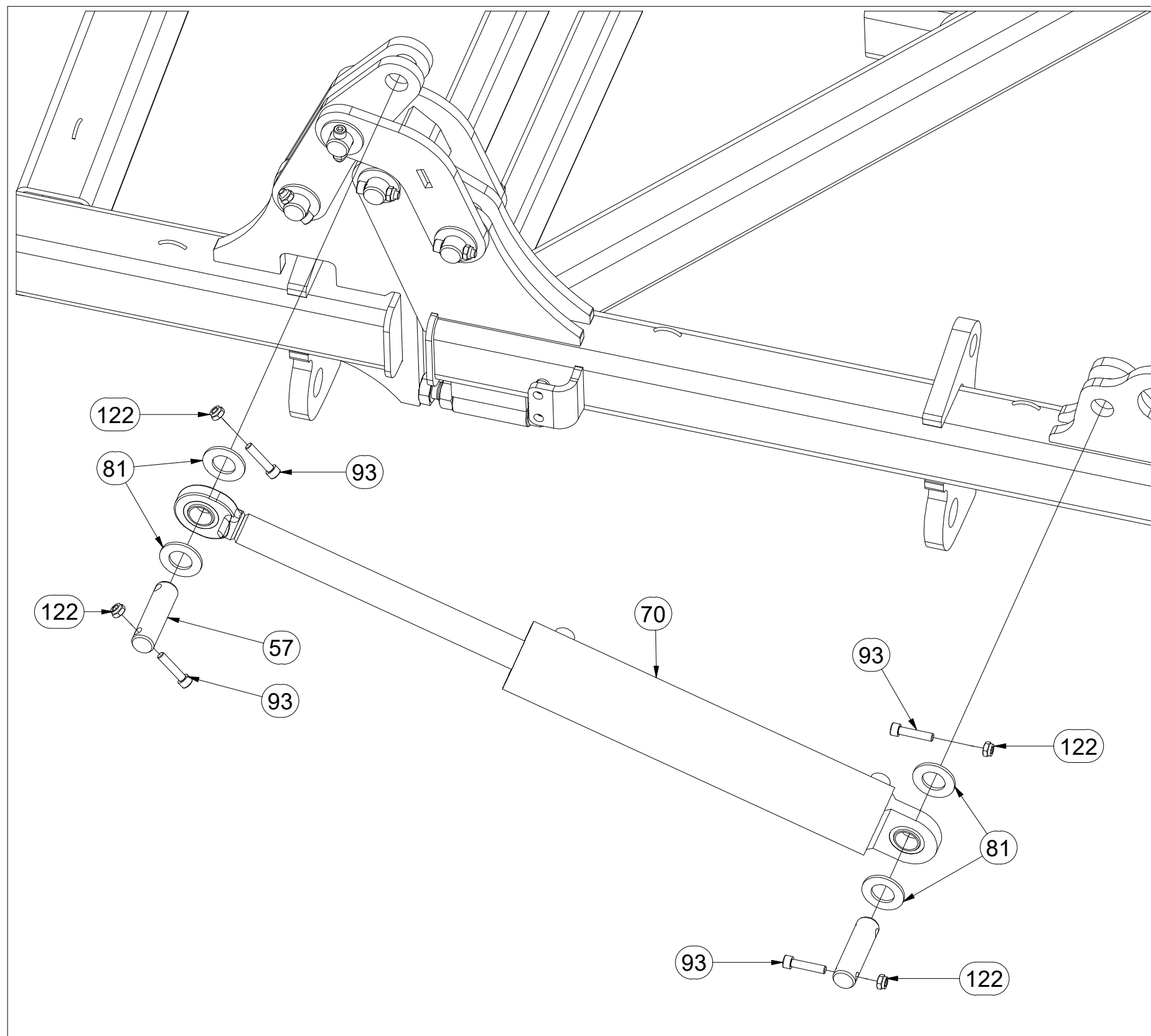
Ⓖ FOOTING OF THE MACHINE

Ⓡ ОСНОВАНИЕ МАШИНЫ

Ⓢ PODSTAWA MASZYNY



VZ00048469



| Pos. | Part Number | Pcs. |
|------|-------------|------|
| 57 | 4007584 | 16 |
| 70 | m25174 | 4 |
| 81 | m14029 | 56 |
| 93 | m14143 | 56 |
| 122 | m03775 | 56 |

Ⓒ ZÁKLAD STROJE

Ⓓ UNTERBAU DER MASCHINE

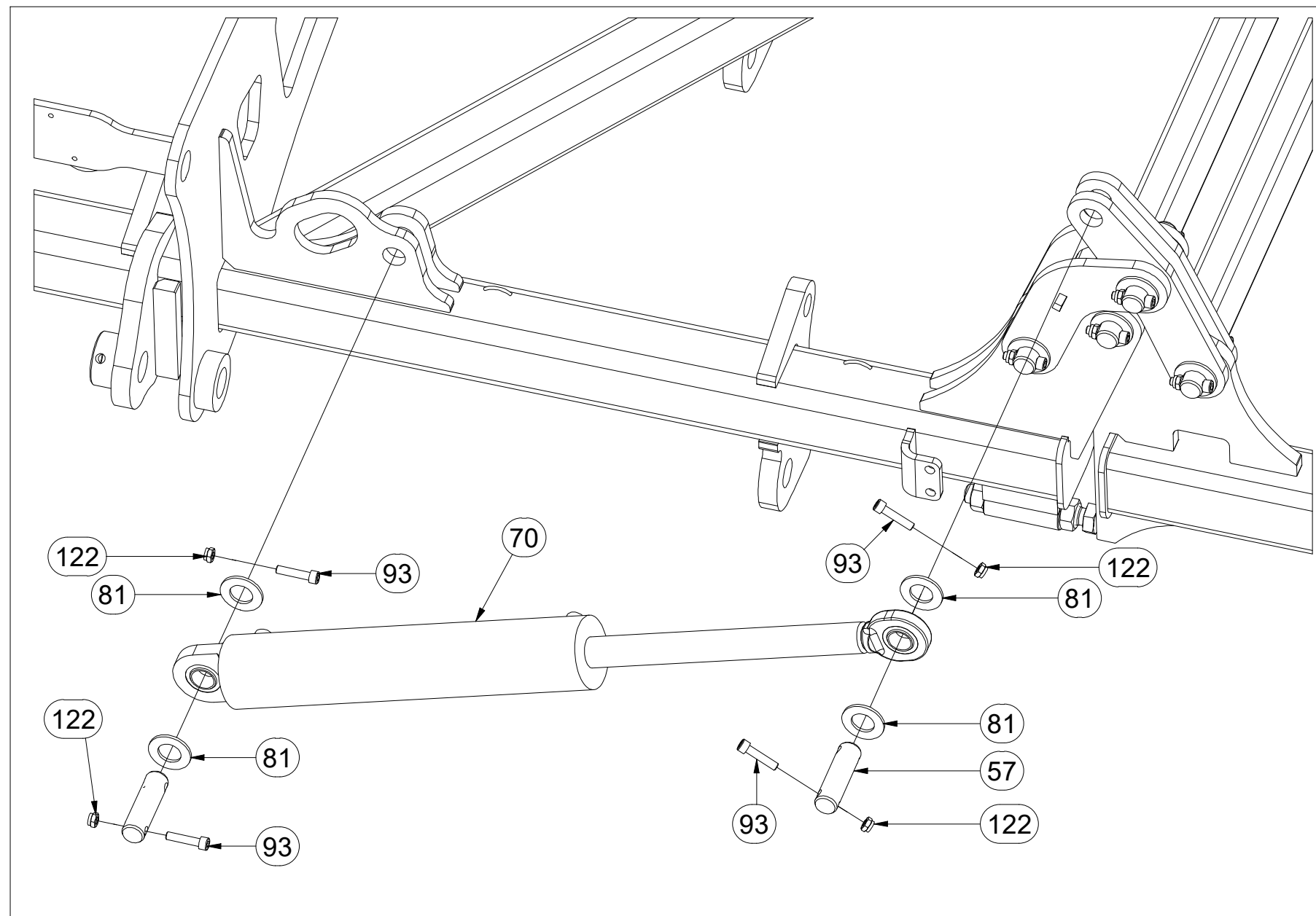
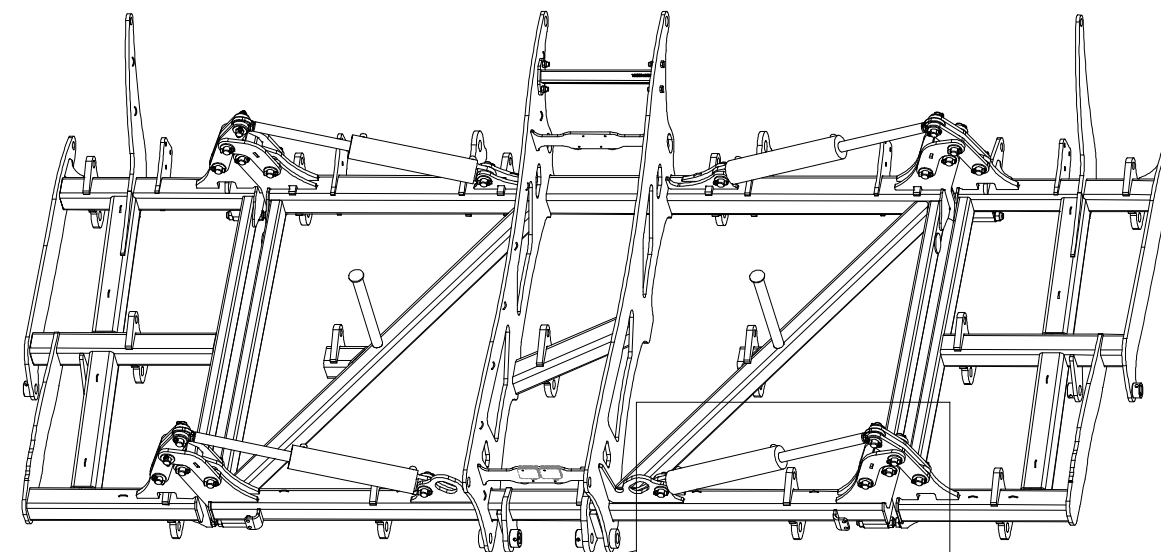
Ⓕ BÂTI DE LA MACHINE

VZ00048469

Ⓖ FOOTING OF THE MACHINE

Ⓡ ОСНОВАНИЕ МАШИНЫ

Ⓢ PODSTAWA MASZYNY



| Pos. | Part Number | Pcs. |
|------|-------------|------|
| 57 | 4007584 | 16 |
| 70 | m25174 | 4 |
| 81 | m14029 | 56 |
| 93 | m14143 | 56 |
| 122 | m03775 | 56 |

Ⓒ ZÁKLAD STROJE

Ⓓ UNTERBAU DER MASCHINE

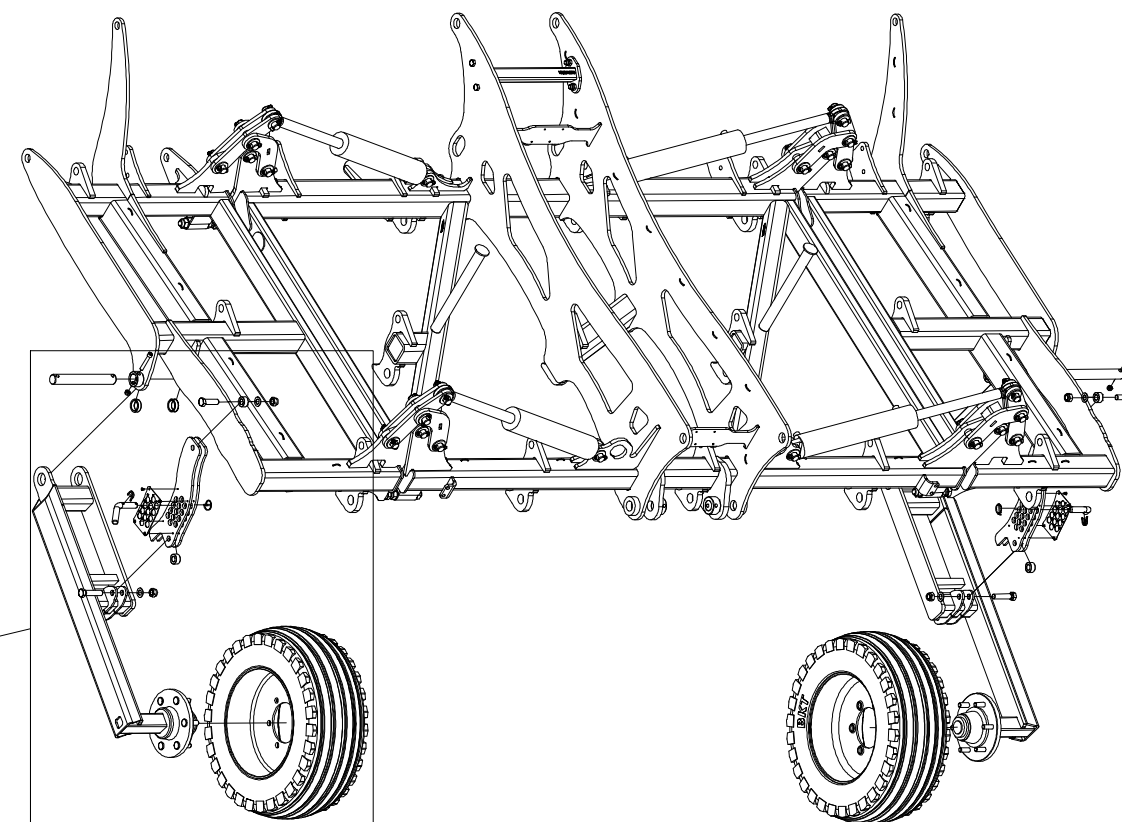
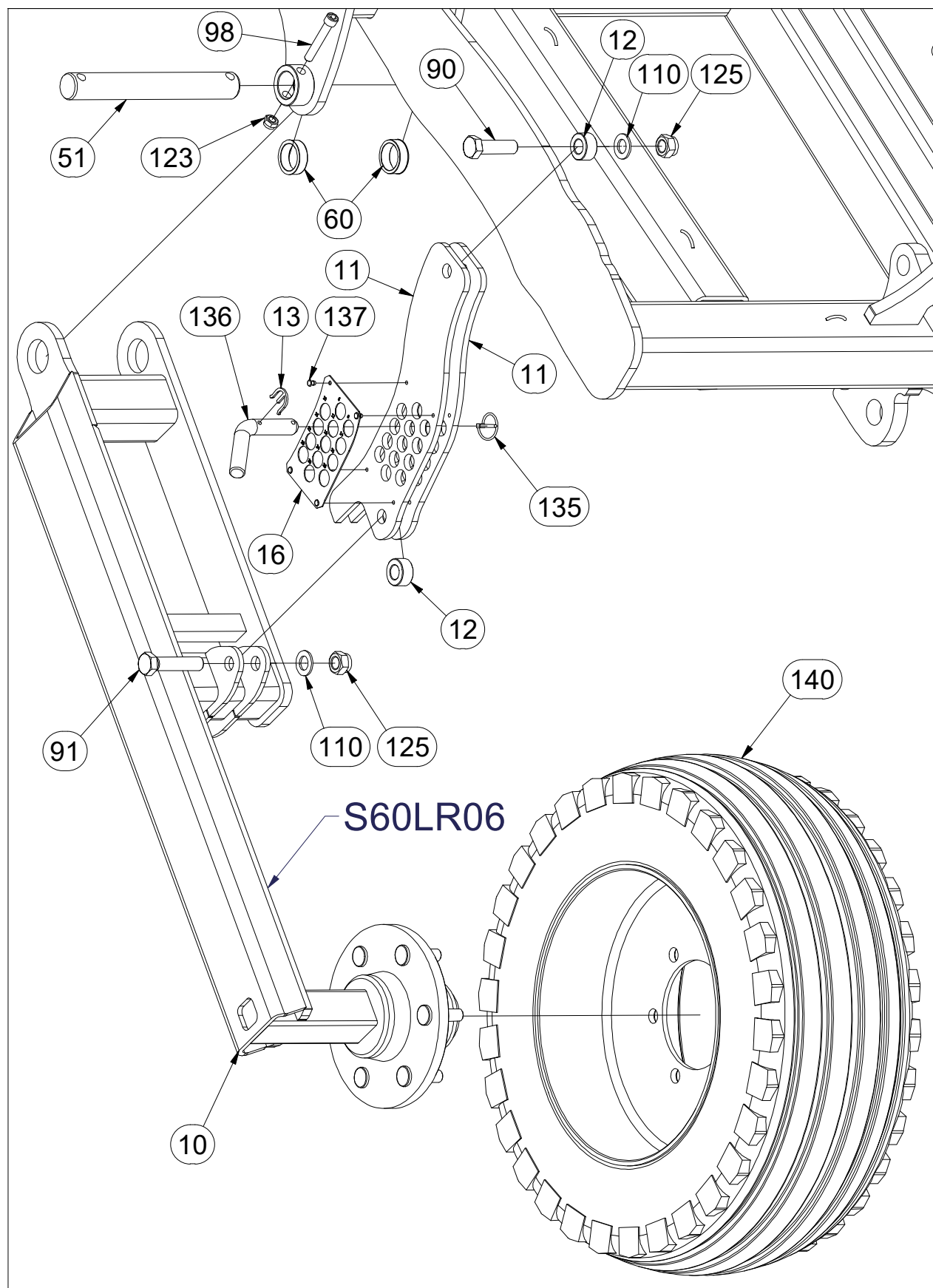
Ⓕ BÂTI DE LA MACHINE

VZ00048469

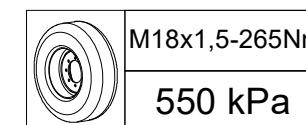
Ⓖ FOOTING OF THE MACHINE

Ⓡ ОСНОВАНИЕ МАШИНЫ

Ⓢ ПОДСТАВА МАСЗЫНЫ



| Pos. | Part Number | Pcs. |
|------|-------------|------|
| 10 | 3009228 | 2 |
| 11 | 4008781 | 4 |
| 12 | 4008058 | 4 |
| 13 | 4017145 | 2 |
| 16 | 4008831 | 1 |
| 51 | 4016740 | 2 |
| 60 | 4015722 | 4 |
| 90 | m03115 | 2 |
| 91 | m01063 | 2 |
| 98 | m13033 | 2 |
| 110 | m03768 | 4 |
| 123 | m04301 | 24 |
| 125 | m05648 | 4 |
| 135 | m10454 | 2 |
| 136 | m15782 | 2 |
| 137 | m14604 | 8 |
| 140 | m21788 | 2 |



☉ ZÁKLAD STROJE

☐ UNTERBAU DER MASCHINE

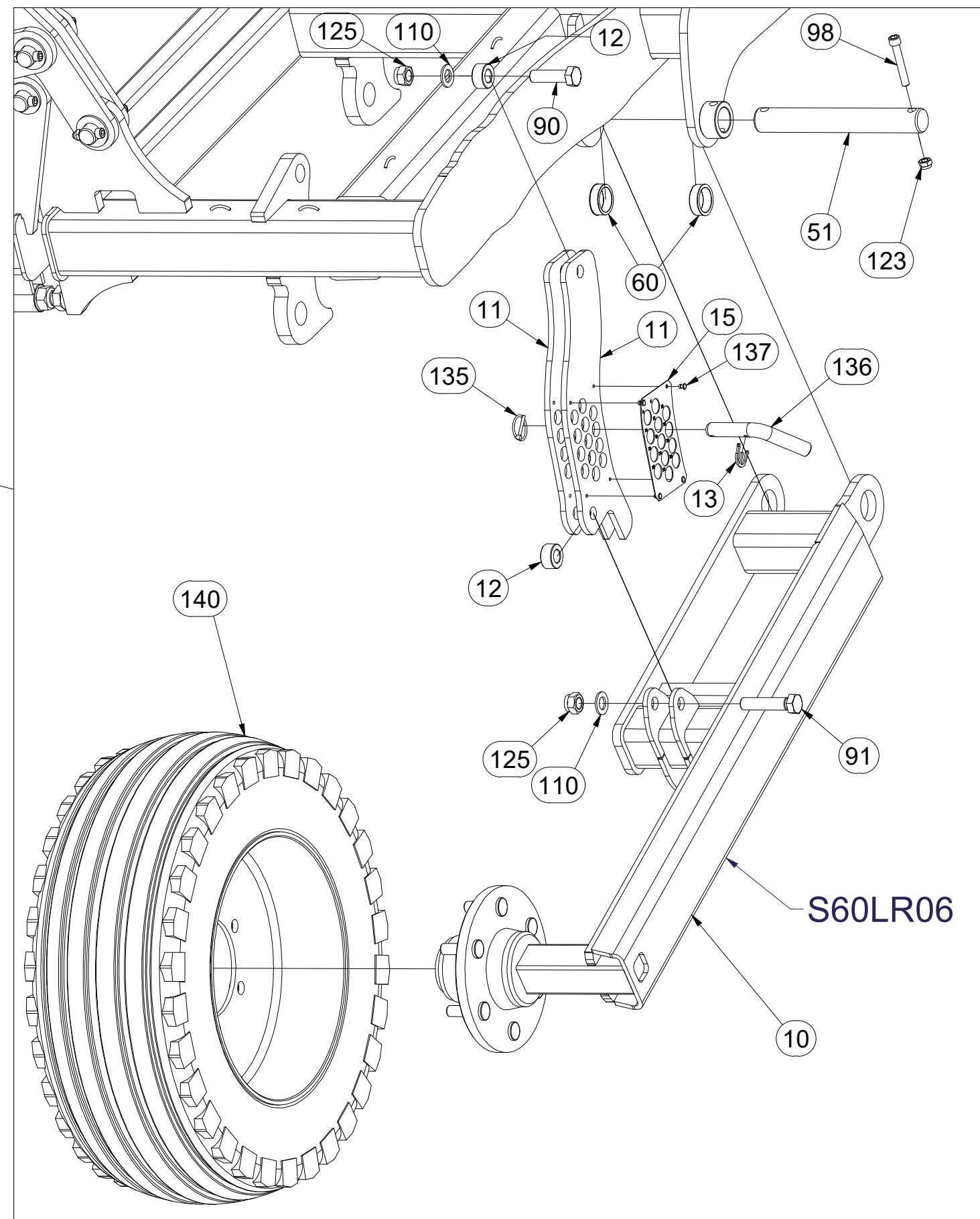
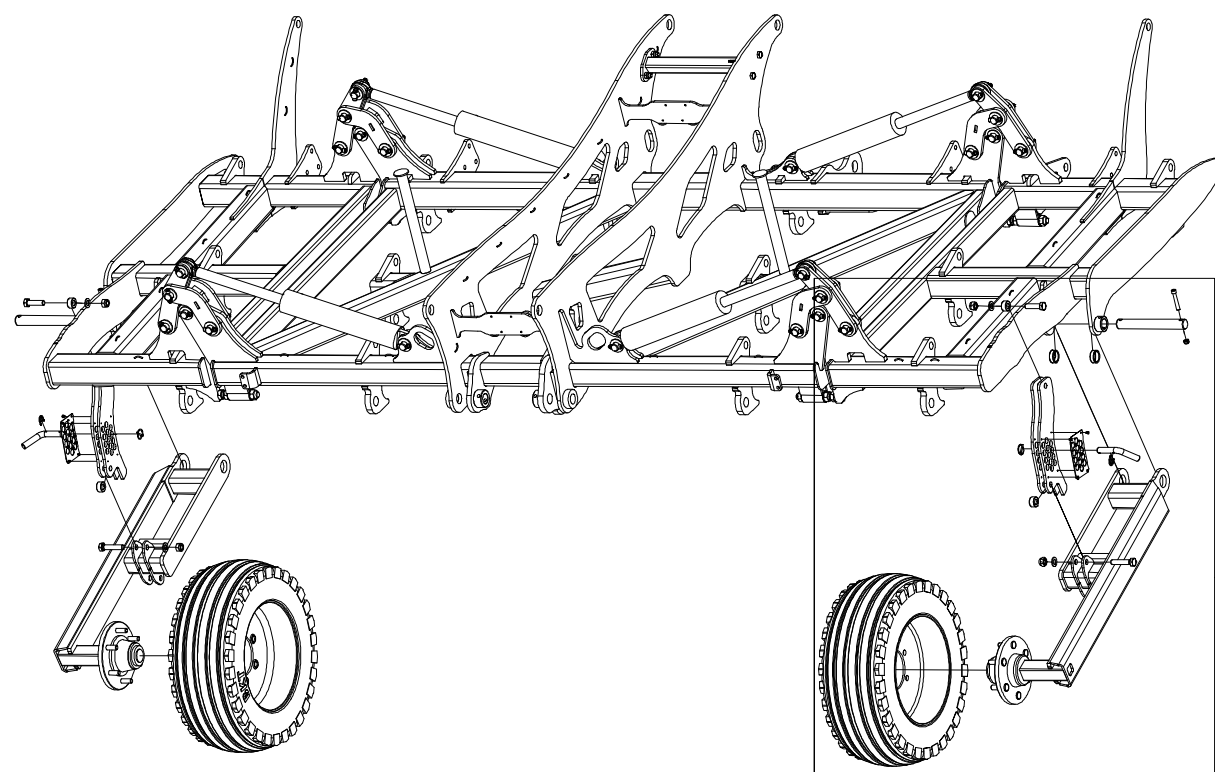
☐ BÂTI DE LA MACHINE

VZ00048469

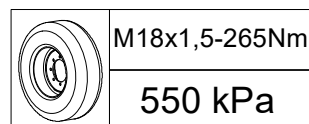
☉ FOOTING OF THE MACHINE

☉ ОСНОВАНИЕ МАШИНЫ

☉ PODSTAWA MASZYNY



| Pos. | Part Number | Pcs. |
|------|-------------|------|
| 10 | 3009228 | 2 |
| 11 | 4008781 | 4 |
| 12 | 4008058 | 4 |
| 13 | 4017145 | 2 |
| 15 | 4008826 | 1 |
| 51 | 4016740 | 2 |
| 60 | 4015722 | 4 |
| 90 | m03115 | 2 |
| 91 | m01063 | 2 |
| 98 | m13033 | 2 |
| 110 | m03768 | 4 |
| 123 | m04301 | 24 |
| 125 | m05648 | 4 |
| 135 | m10454 | 2 |
| 136 | m15782 | 2 |
| 137 | m14604 | 8 |
| 140 | m21788 | 2 |



Ⓒ ZÁKLAD STROJE

Ⓓ UNTERBAU DER MASCHINE

Ⓕ BÂTI DE LA MACHINE

VZ00048469

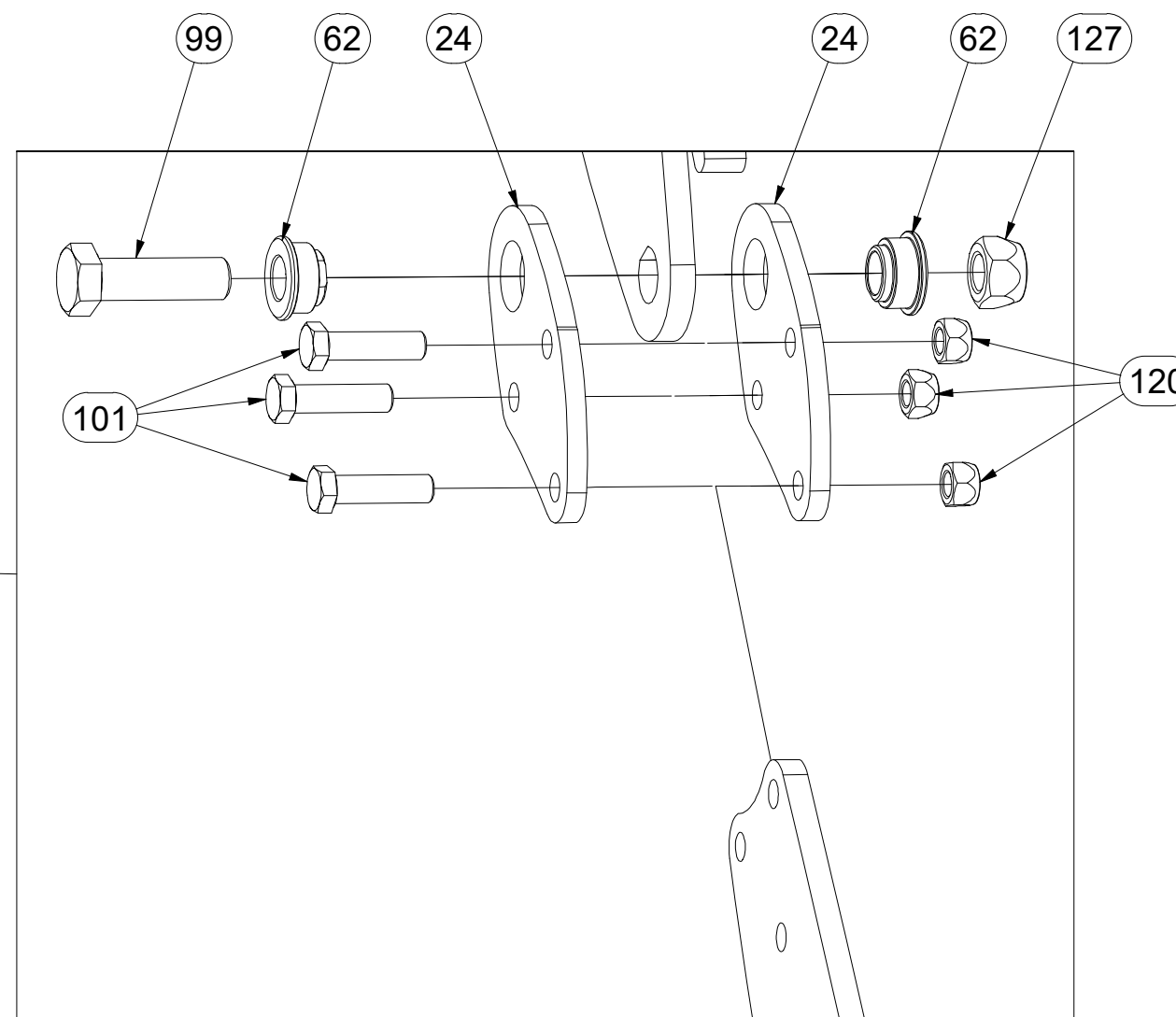
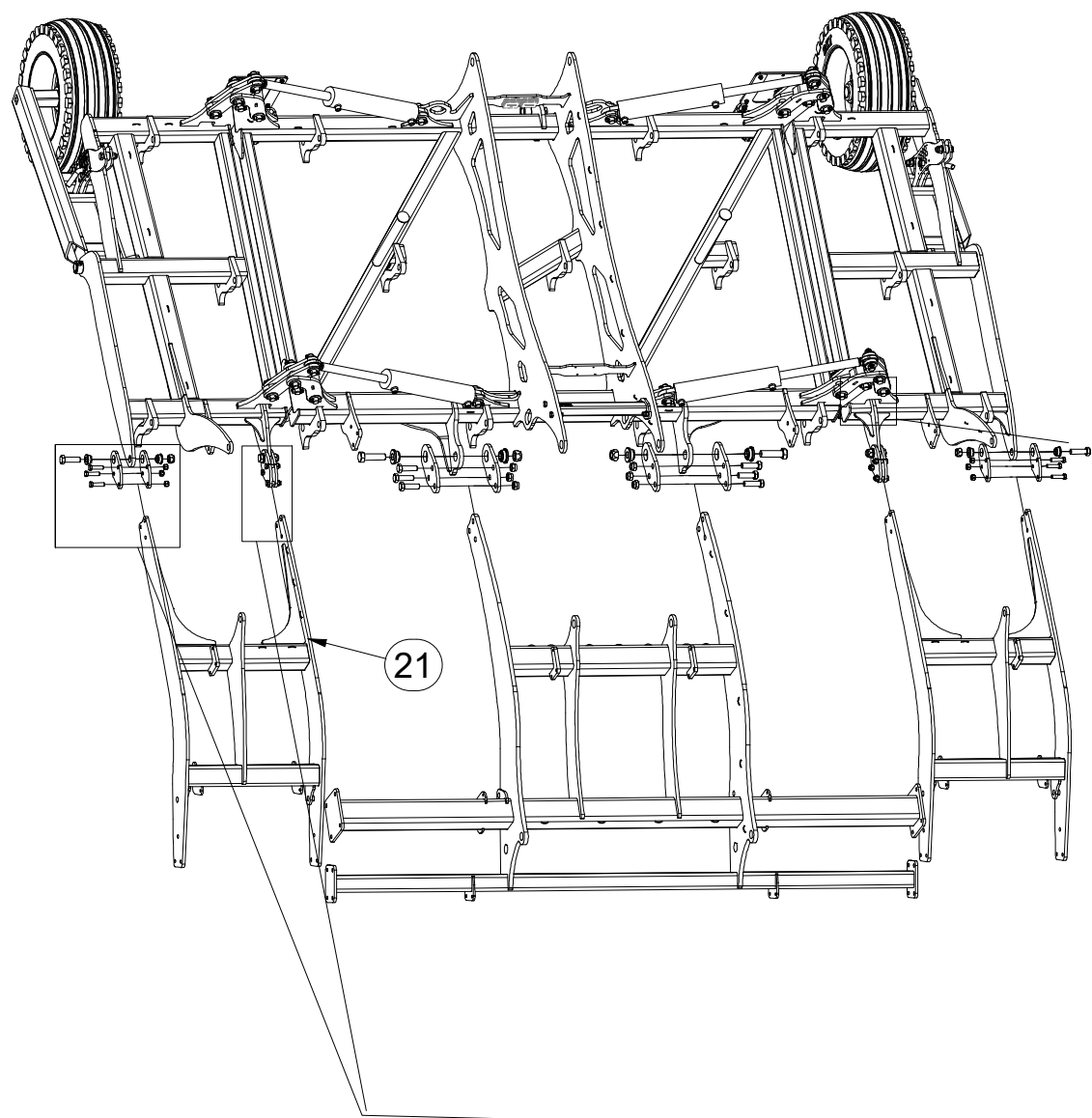
Ⓖ FOOTING OF THE MACHINE

Ⓡ ОСНОВАНИЕ МАШИНЫ

Ⓢ PODSTAWA MASZYNY



| Pos. | Part Number | Pcs. |
|------|-------------|------|
| 21 | VZ00026064 | 1 |
| 24 | 4014302 | 8 |
| 62 | m14506 | 8 |
| 99 | m14990 | 10 |
| 101 | m14482 | 12 |
| 120 | m13846 | 12 |
| 127 | m18565 | 4 |



Ⓒ ZÁKLAD STROJE

Ⓓ UNTERBAU DER MASCHINE

Ⓕ BÂTI DE LA MACHINE

Ⓖ FOOTING OF THE MACHINE

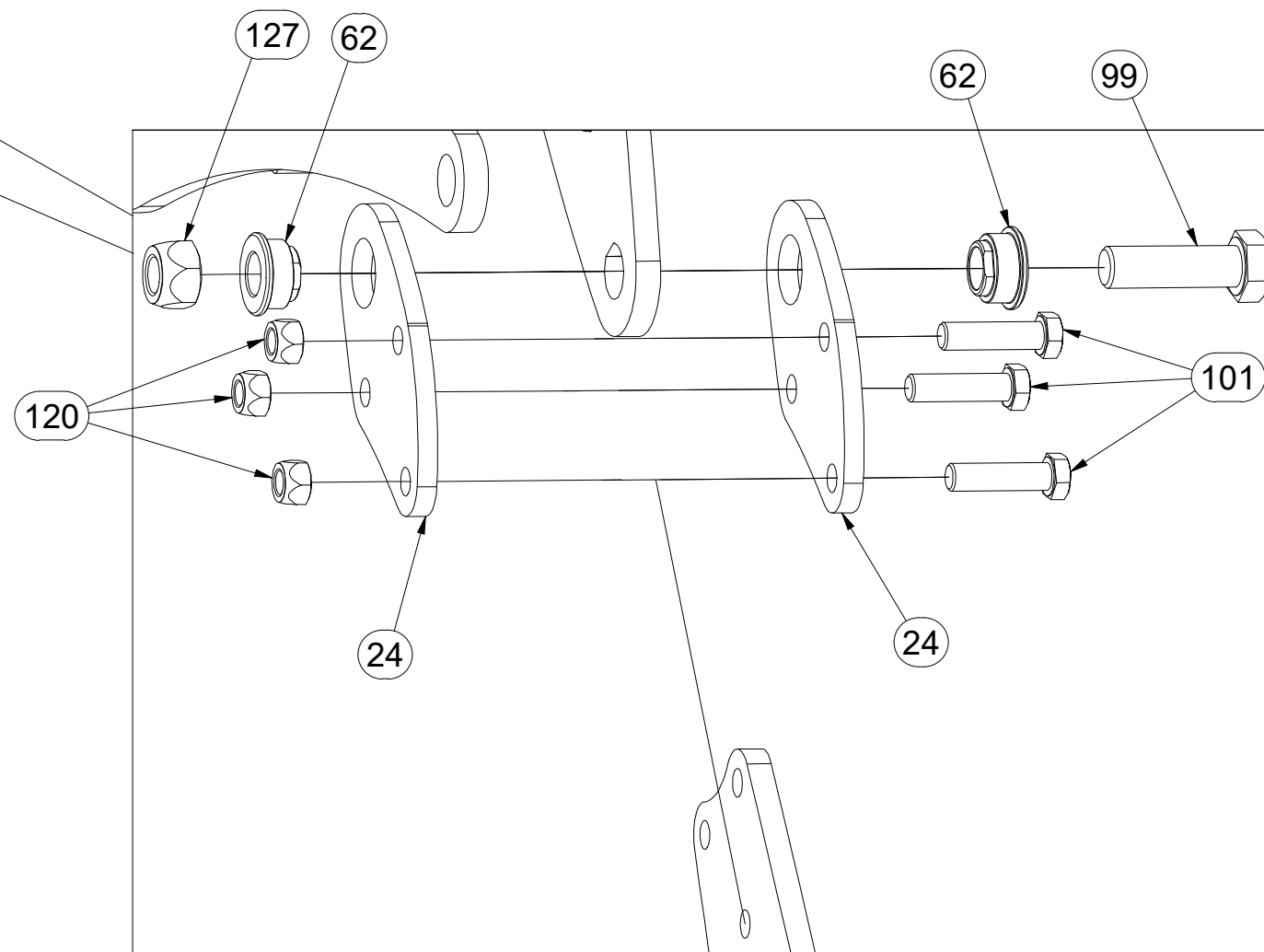
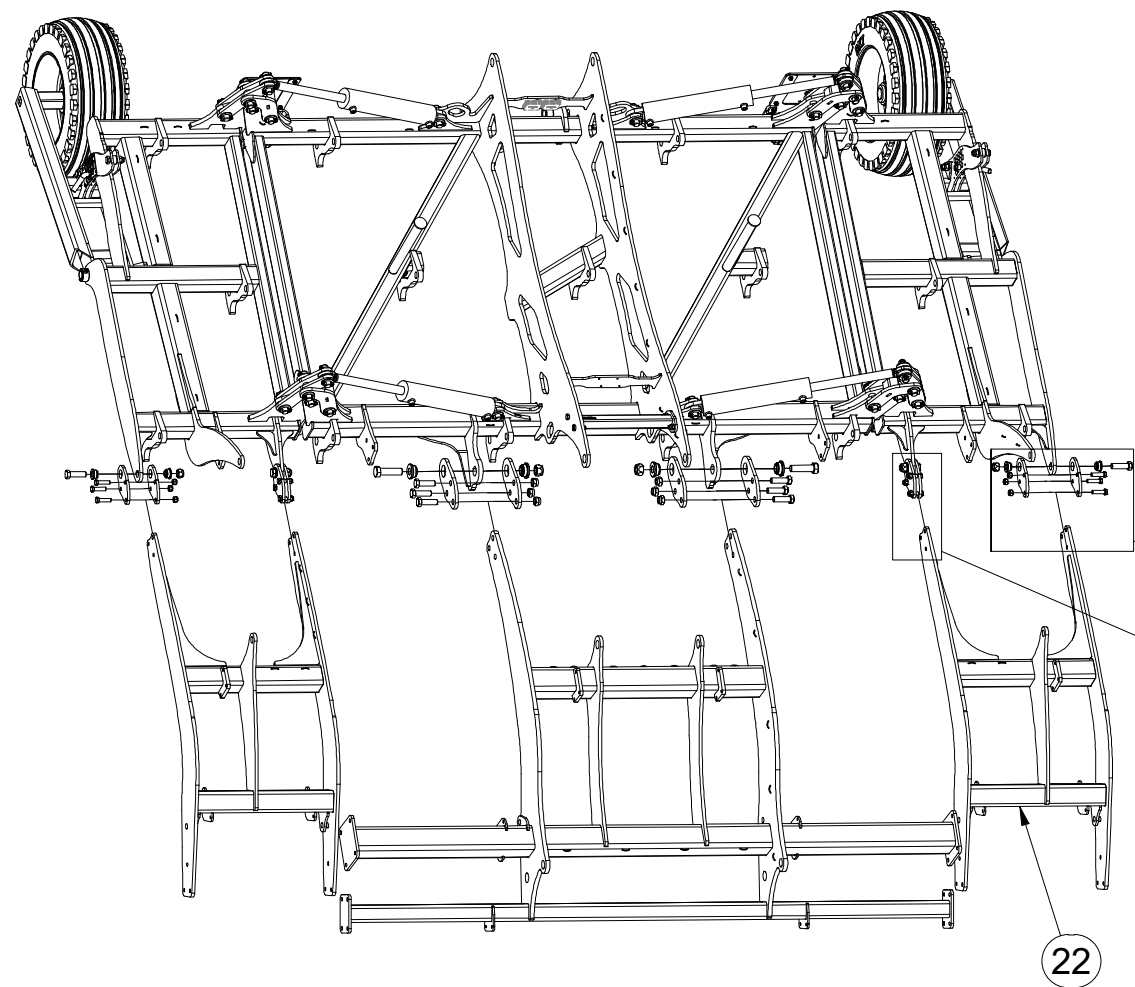
Ⓡ ОСНОВАНИЕ МАШИНЫ

Ⓢ PODSTAWA MASZYNY



VZ00048469

| Pos. | Part Number | Pcs. |
|------|-------------|------|
| 22 | VZ00026066 | 1 |
| 24 | 4014302 | 8 |
| 62 | m14506 | 8 |
| 99 | m14990 | 10 |
| 101 | m14482 | 12 |
| 120 | m13846 | 12 |
| 127 | m18565 | 4 |



Ⓒ ZÁKLAD STROJE

Ⓓ UNTERBAU DER MASCHINE

Ⓕ BÂTI DE LA MACHINE

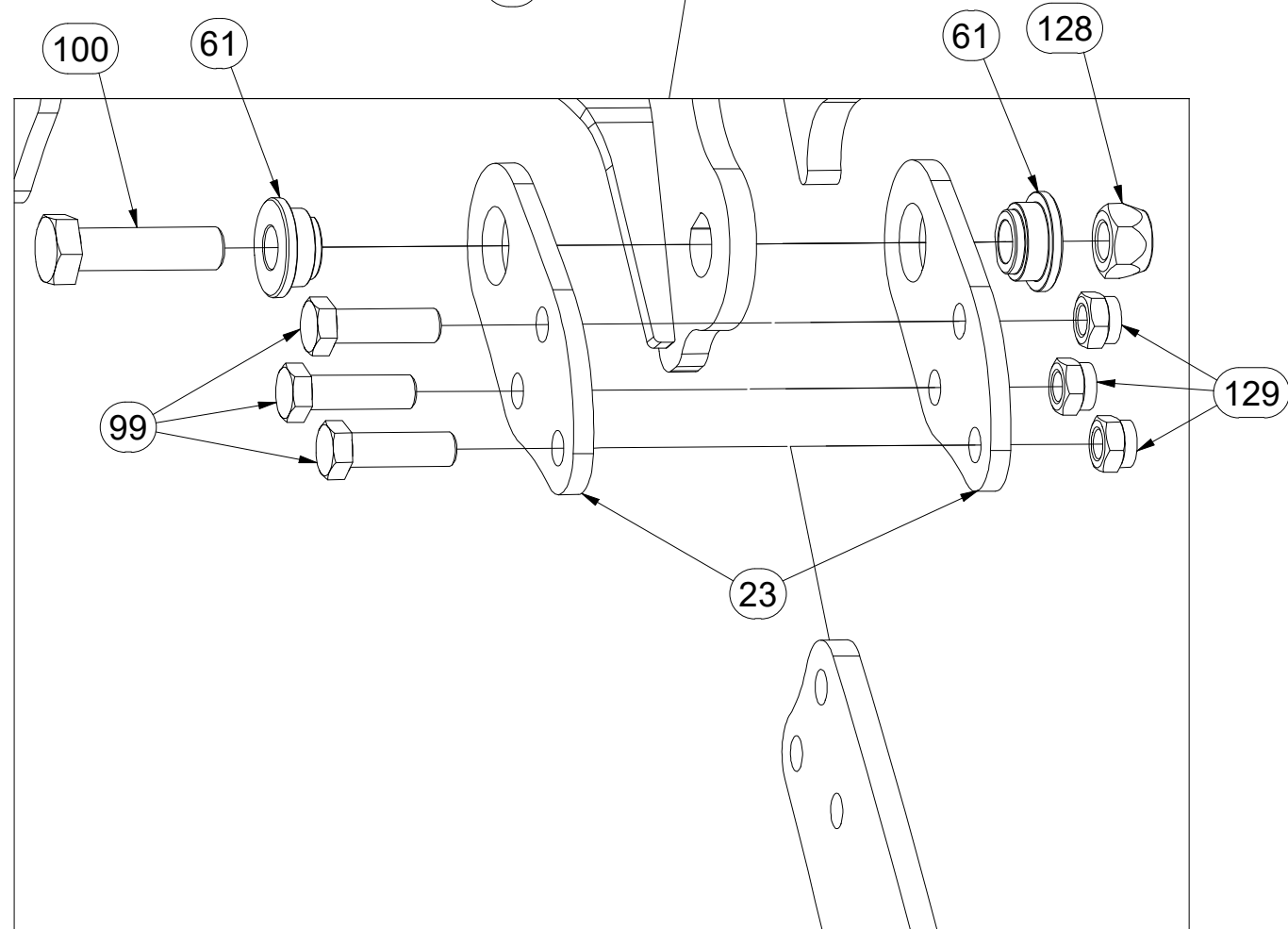
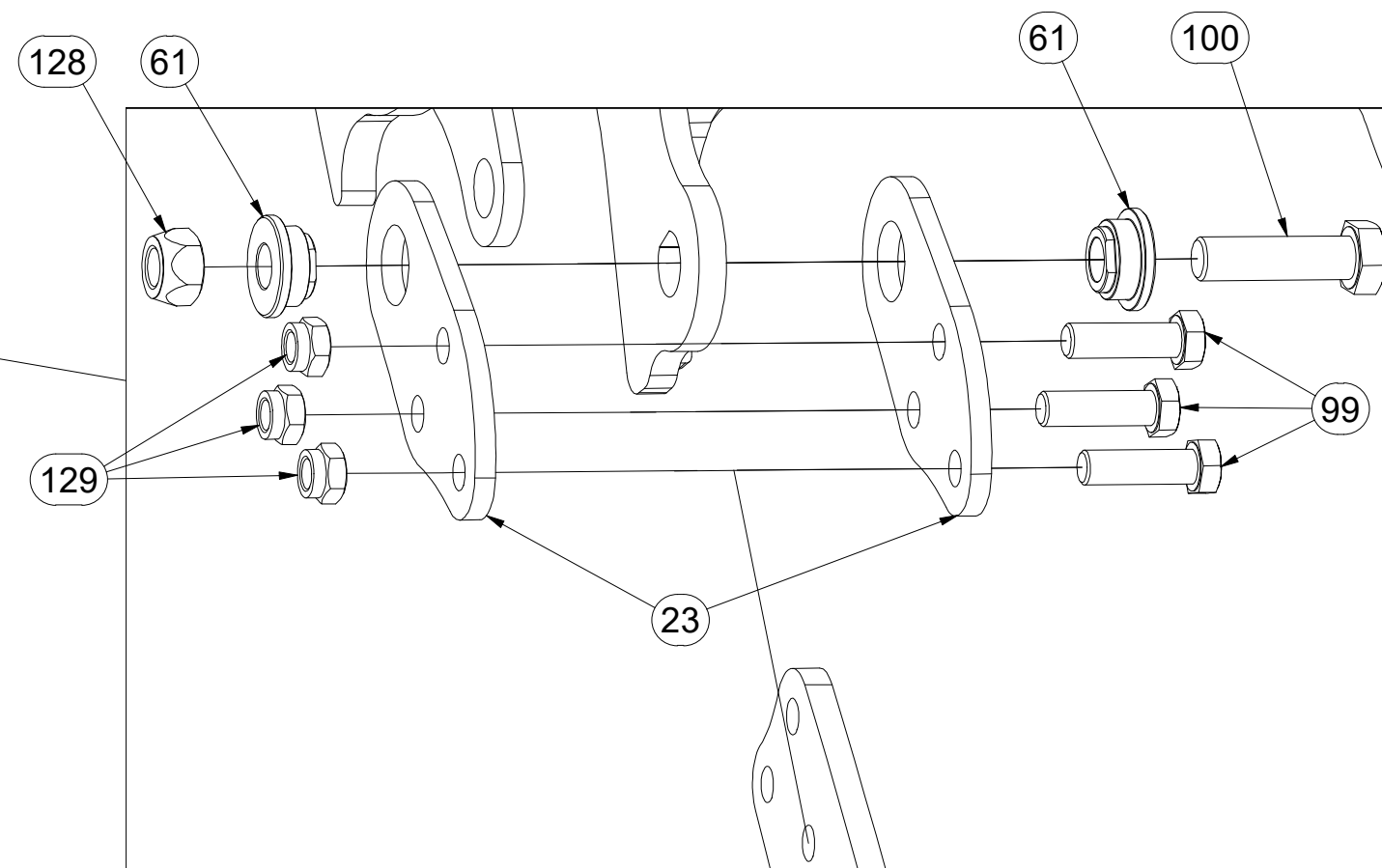
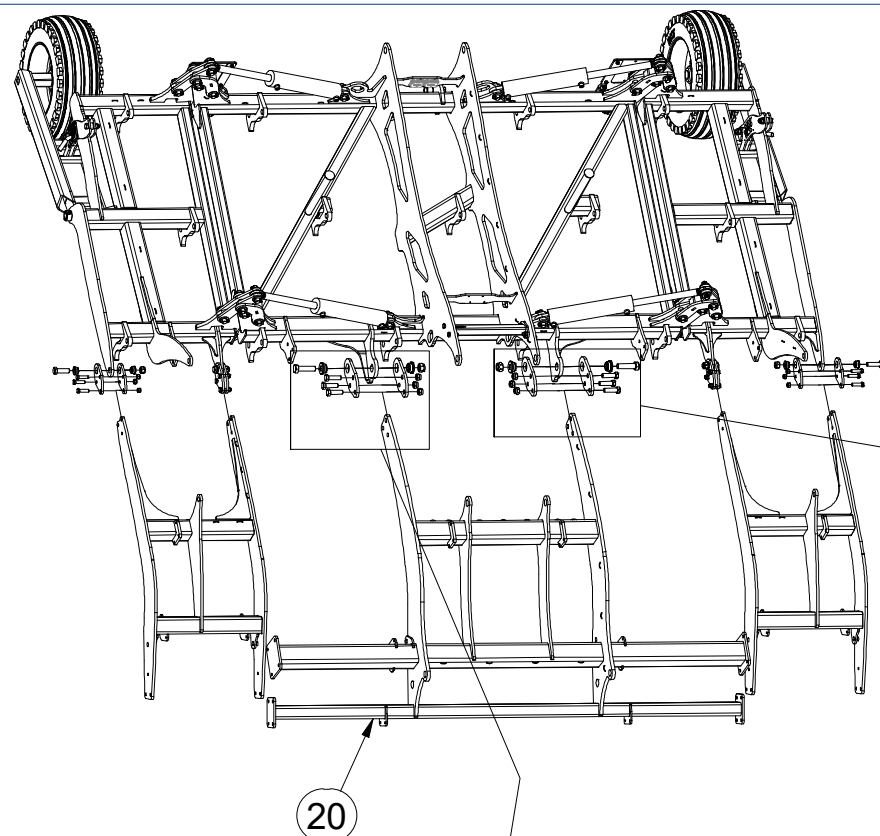
Ⓖ FOOTING OF THE MACHINE

Ⓡ ОСНОВАНИЕ МАШИНЫ

Ⓟ PODSTAWA MASZYNY



VZ00048469



| Pos. | Part Number | Pcs. |
|------|-------------|------|
| 20 | VZ00026065 | 1 |
| 23 | 4014296 | 4 |
| 61 | m14505 | 8 |
| 99 | m14990 | 10 |
| 100 | m14497 | 4 |
| 128 | m14498 | 4 |
| 129 | m07147 | 6 |

Ⓒ ZÁKLAD STROJE

Ⓓ UNTERBAU DER MASCHINE

Ⓕ BÂTI DE LA MACHINE

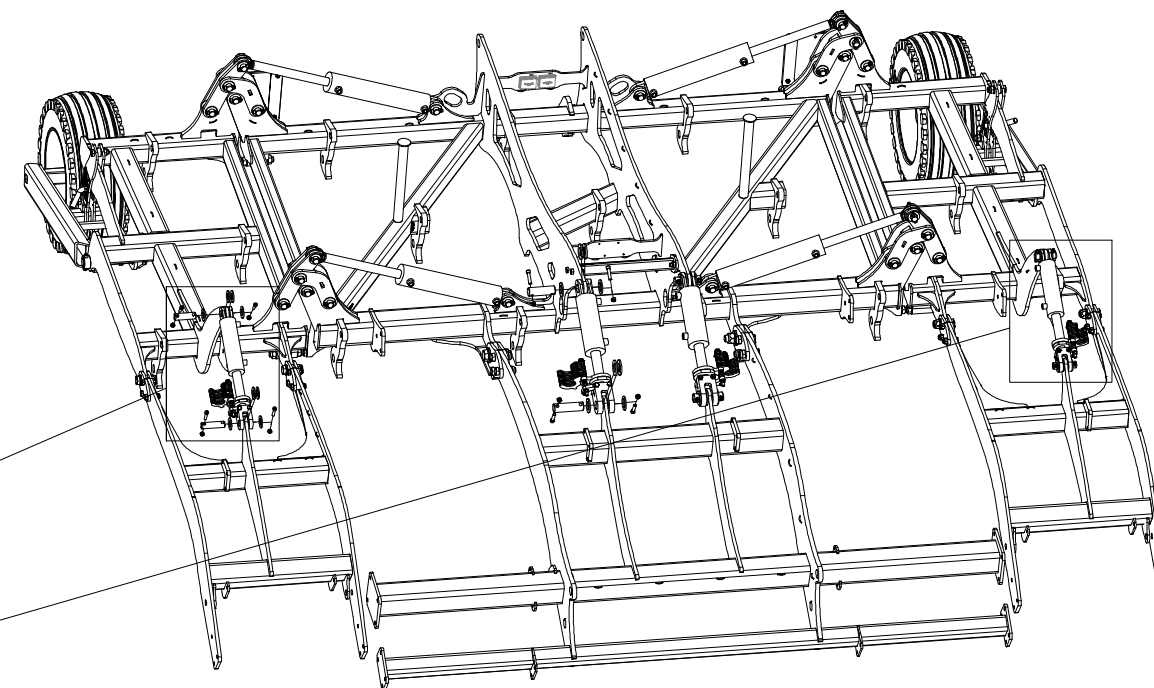
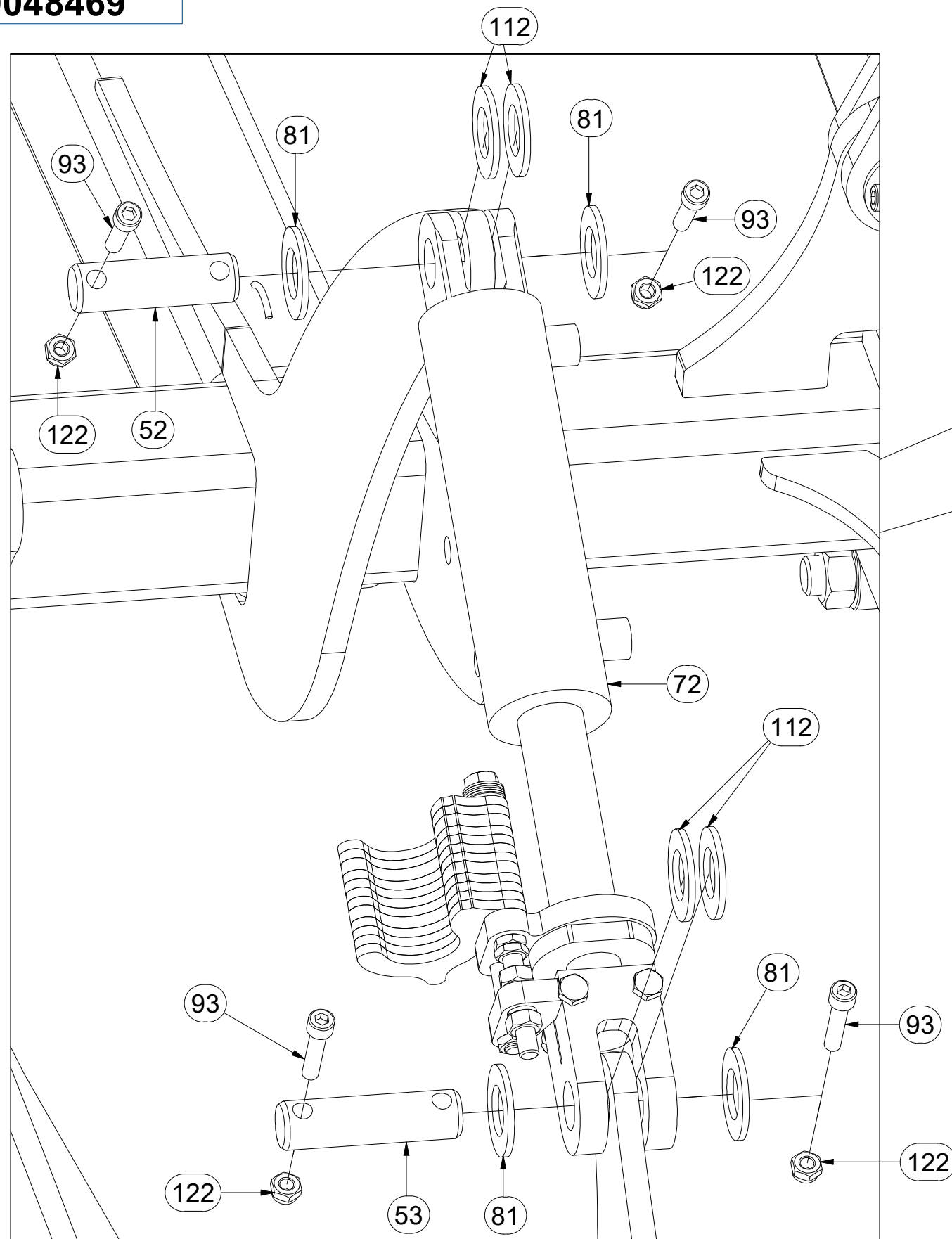
Ⓖ FOOTING OF THE MACHINE

Ⓡ ОСНОВАНИЕ МАШИНЫ

Ⓢ PODSTAWA MASZYNY



VZ00048469



| Pos. | Part Number | Pcs. |
|------|-------------|------|
| 52 | 4008234 | 2 |
| 53 | 4015763 | 2 |
| 72 | 4019146 | 2 |
| 81 | m14029 | 56 |
| 93 | m14143 | 56 |
| 112 | m02866 | 8 |
| 122 | m03775 | 56 |

Ⓒ ZÁKLAD STROJE

Ⓓ UNTERBAU DER MASCHINE

Ⓕ BÂTI DE LA MACHINE

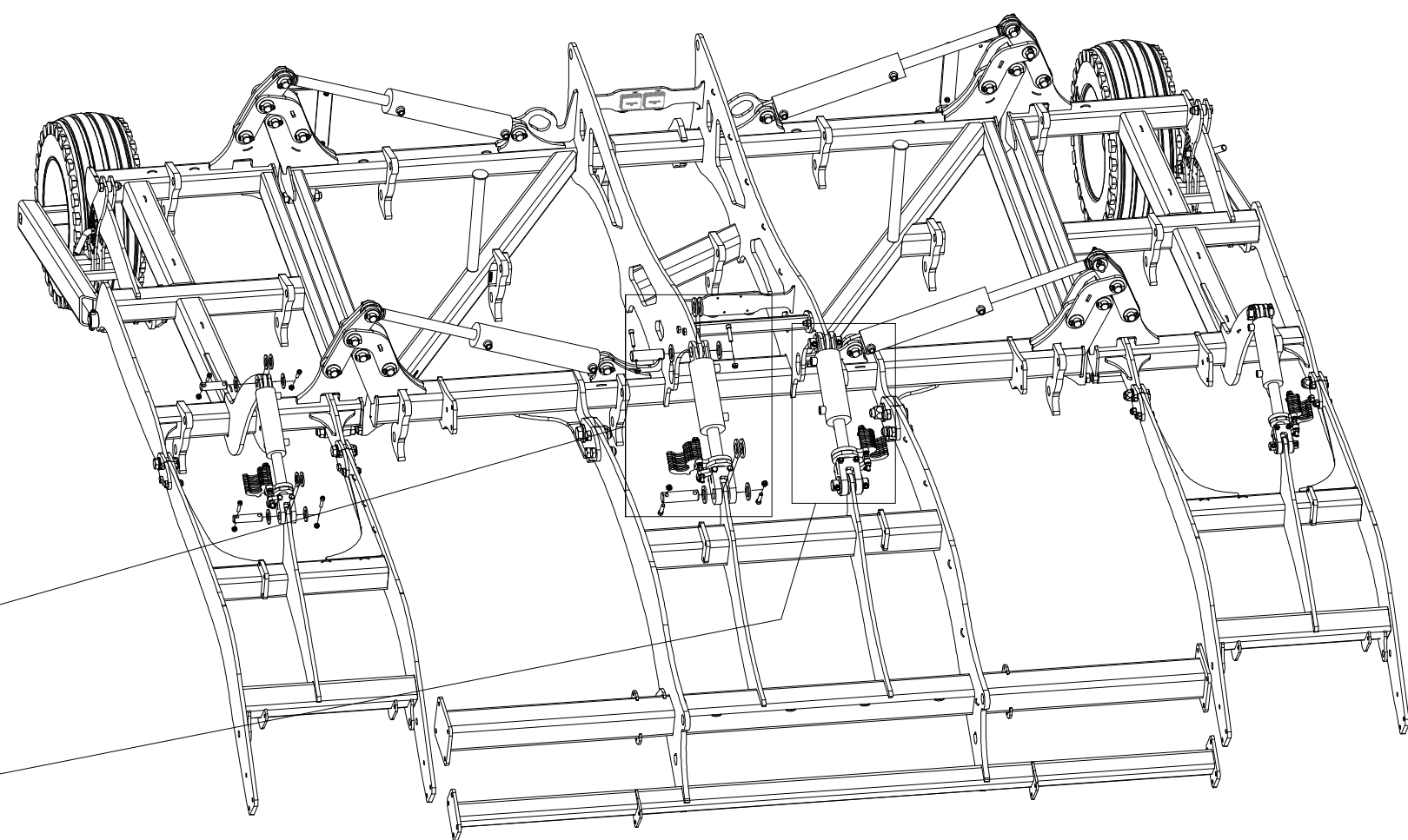
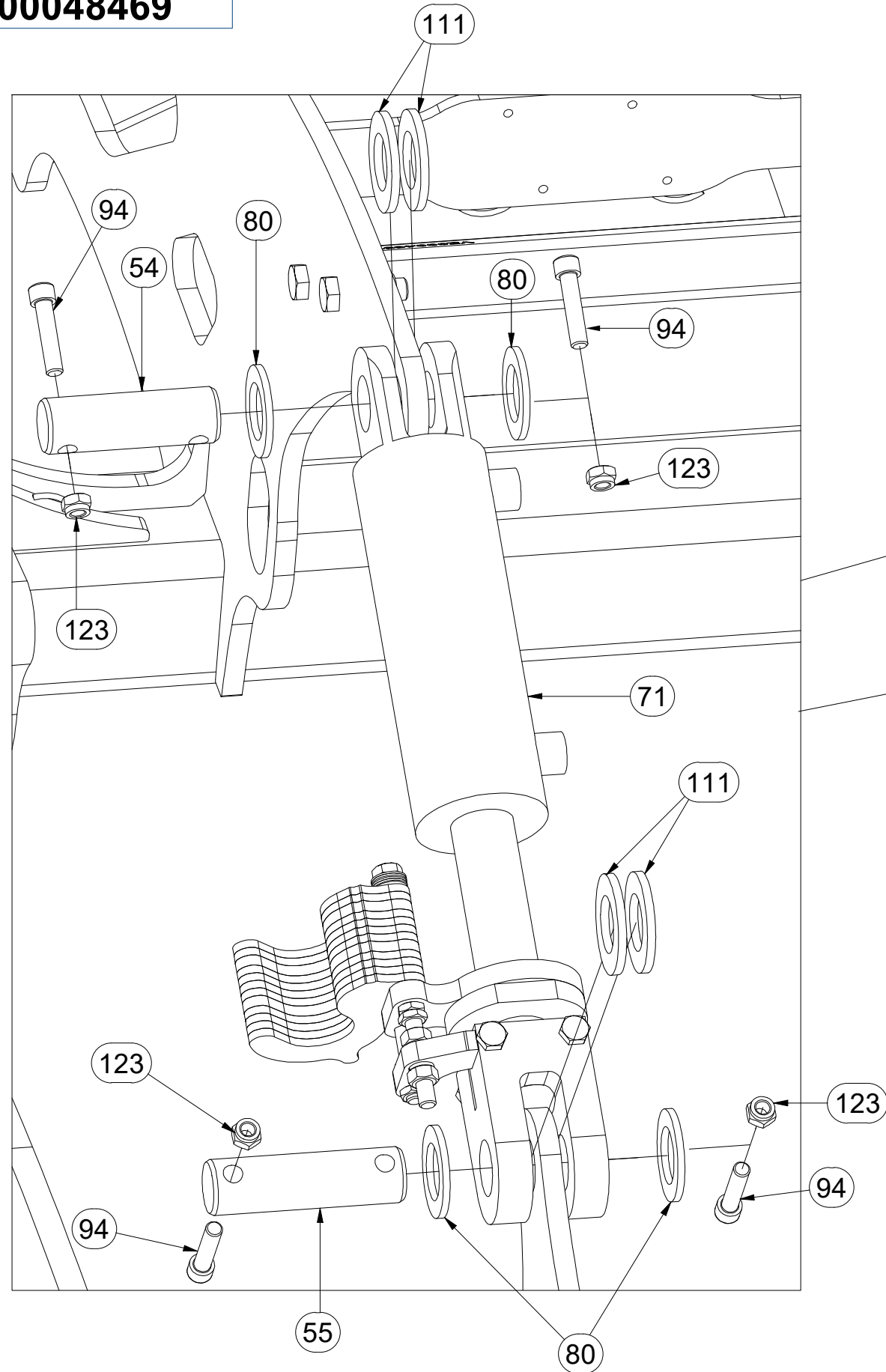
Ⓖ FOOTING OF THE MACHINE

Ⓡ ОСНОВАНИЕ МАШИНЫ

Ⓢ PODSTAWA MASZYNY



VZ00048469



| Pos. | Part Number | Pcs. |
|------|-------------|------|
| 54 | 4015686 | 4 |
| 55 | 4007730 | 4 |
| 71 | 4019016 | 2 |
| 80 | 4013139 | 16 |
| 94 | m14008 | 16 |
| 111 | m03636 | 12 |
| 123 | m04301 | 24 |

Ⓒ ZÁKLAD STROJE

Ⓓ UNTERBAU DER MASCHINE

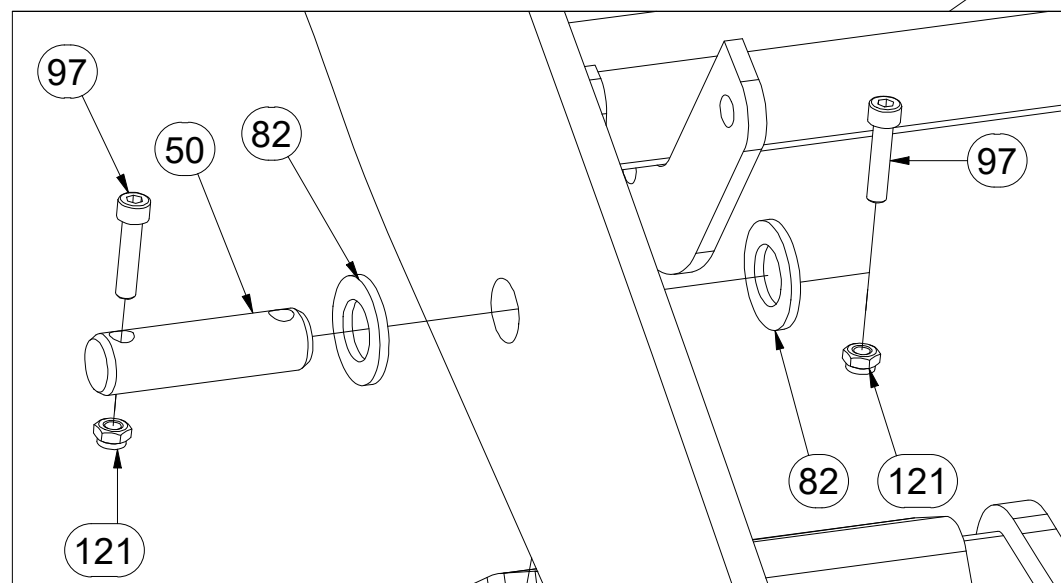
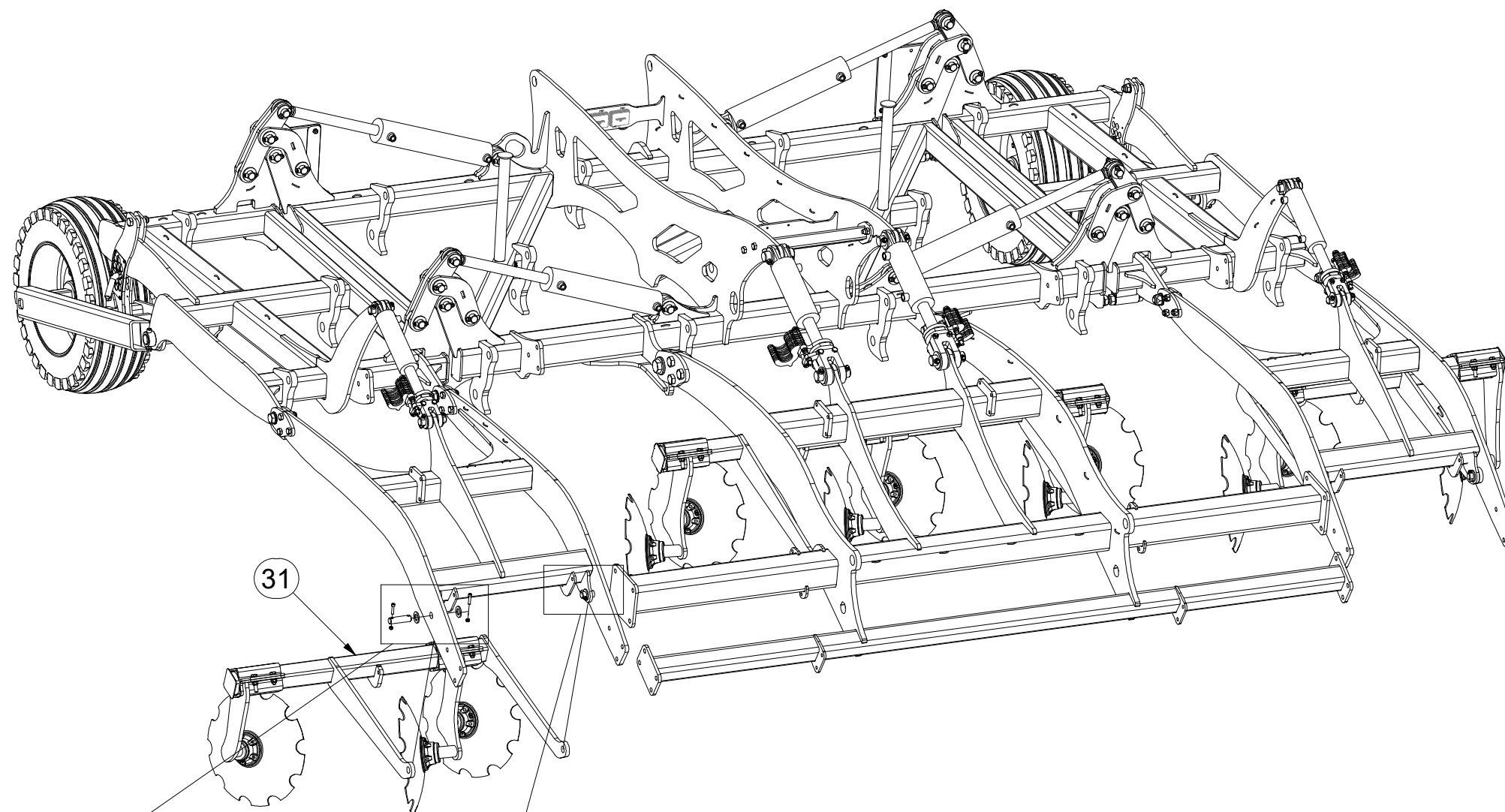
Ⓕ BÂTI DE LA MACHINE

VZ00048469

Ⓖ FOOTING OF THE MACHINE

Ⓡ ОСНОВАНИЕ МАШИНЫ

Ⓢ PODSTAWA MASZYNY



| Pos. | Part Number | Pcs. |
|------|-------------|------|
| 31 | VZ00026069 | 1 |
| 50 | 4010391 | 6 |
| 82 | m14028 | 12 |
| 97 | m09464 | 12 |
| 121 | m04503 | 12 |

Ⓒ ZÁKLAD STROJE

Ⓓ UNTERBAU DER MASCHINE

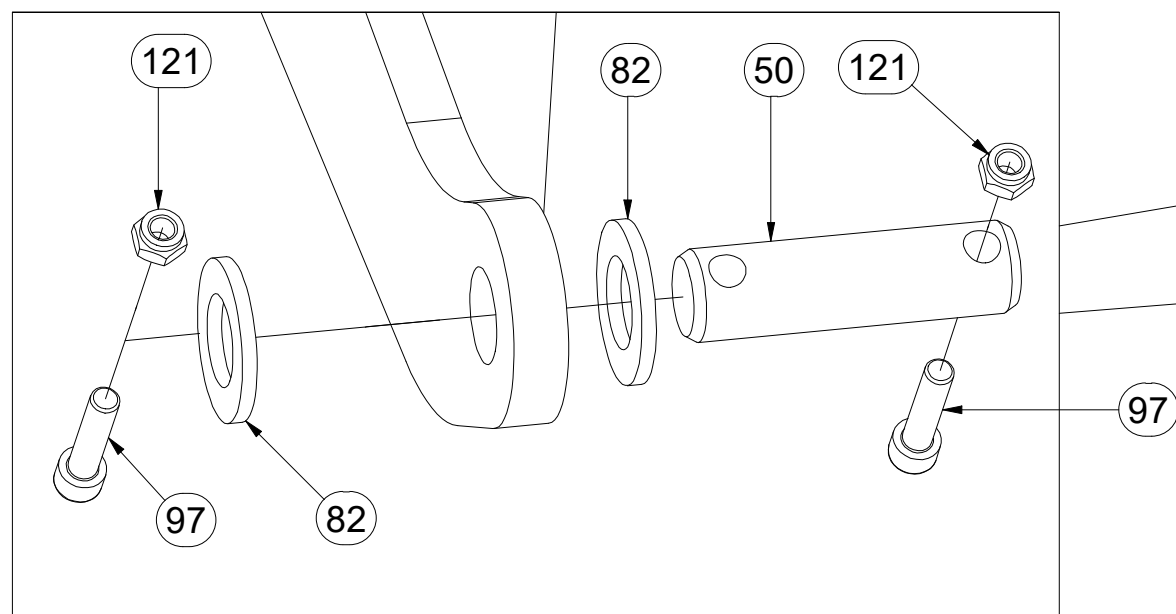
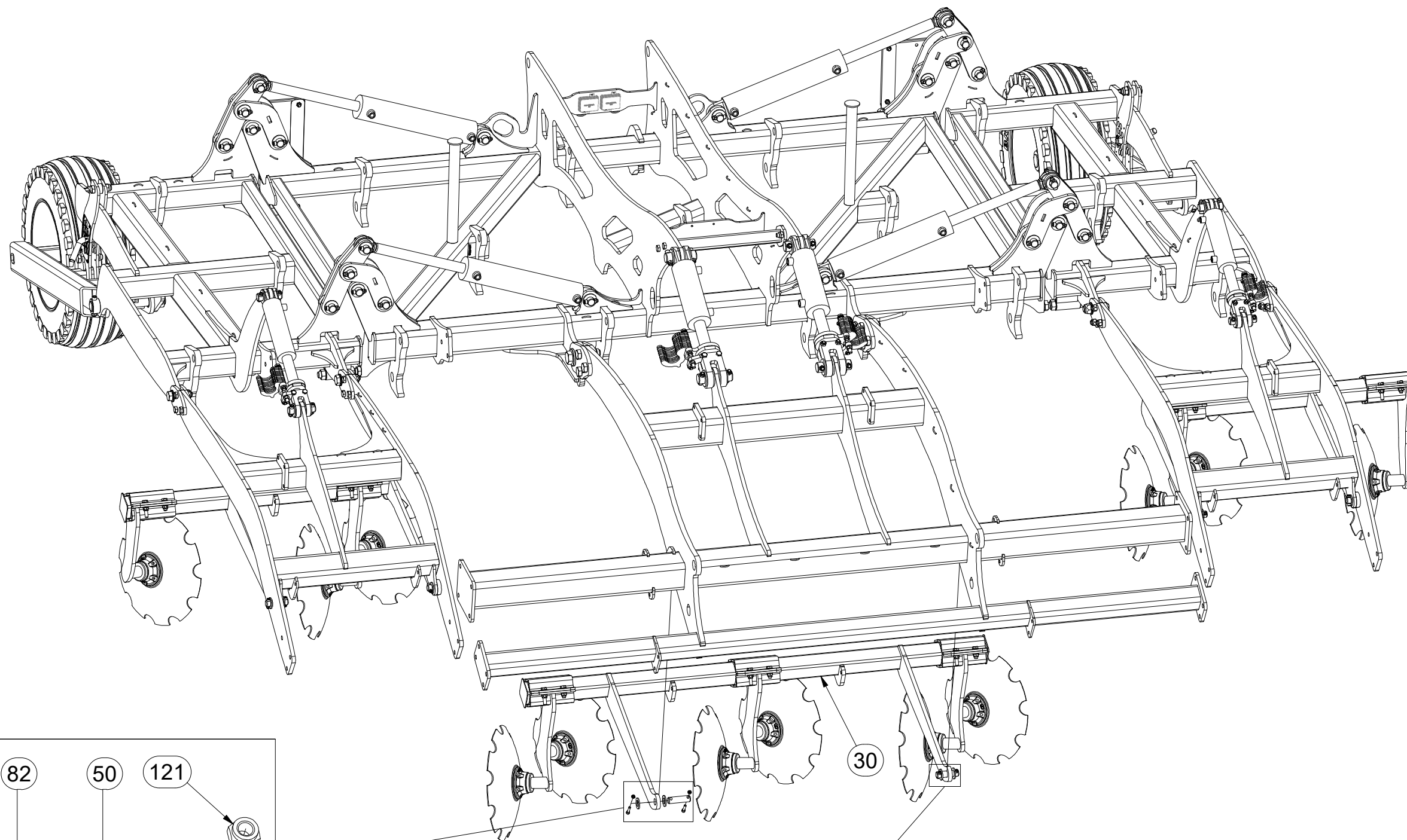
Ⓕ BÂTI DE LA MACHINE

VZ00048469

Ⓖ FOOTING OF THE MACHINE

Ⓡ ОСНОВАНИЕ МАШИНЫ

Ⓢ PODSTAWA MASZYNY



| Pos. | Part Number | Pcs. |
|------|-------------|------|
| 30 | VZ00026070 | 1 |
| 50 | 4010391 | 6 |
| 82 | m14028 | 12 |
| 97 | m09464 | 12 |
| 121 | m04503 | 12 |

Ⓒ ZÁKLAD STROJE

Ⓓ UNTERBAU DER MASCHINE

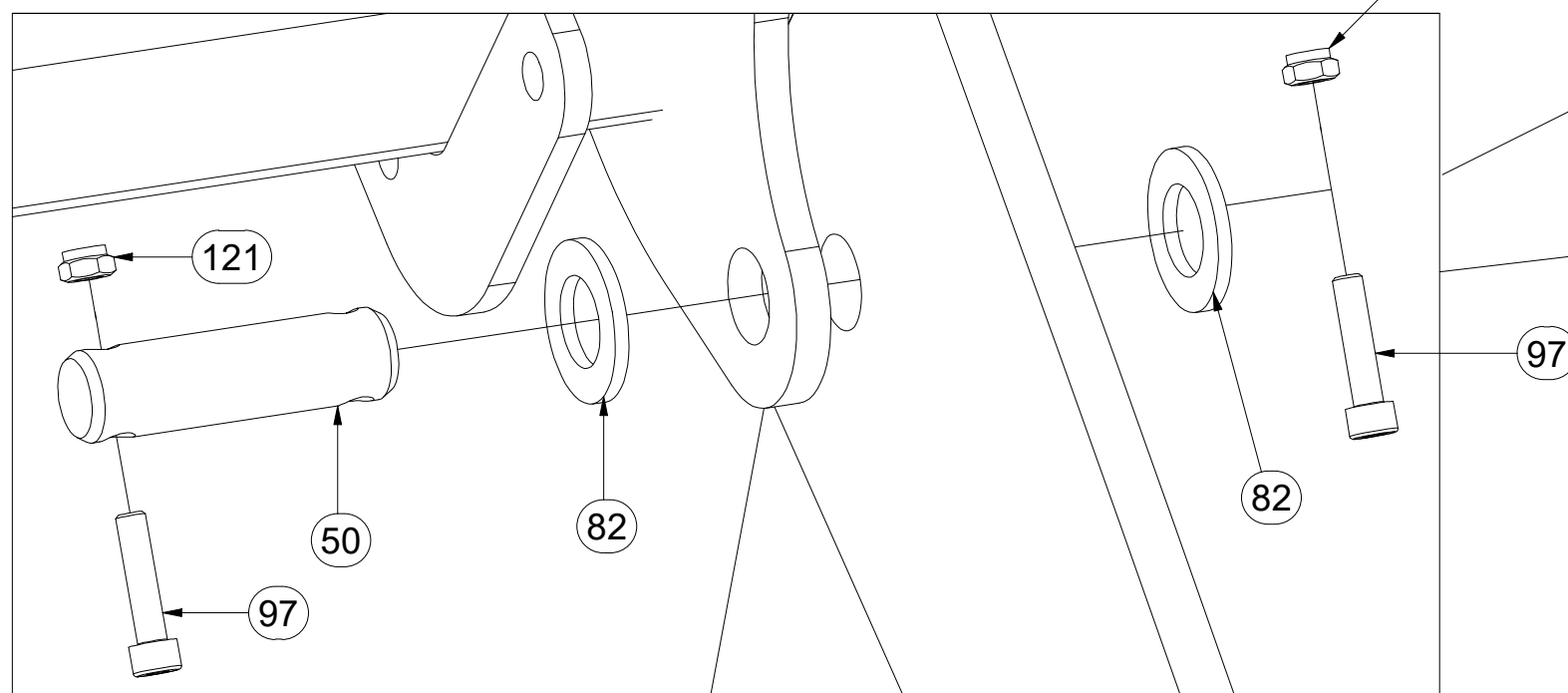
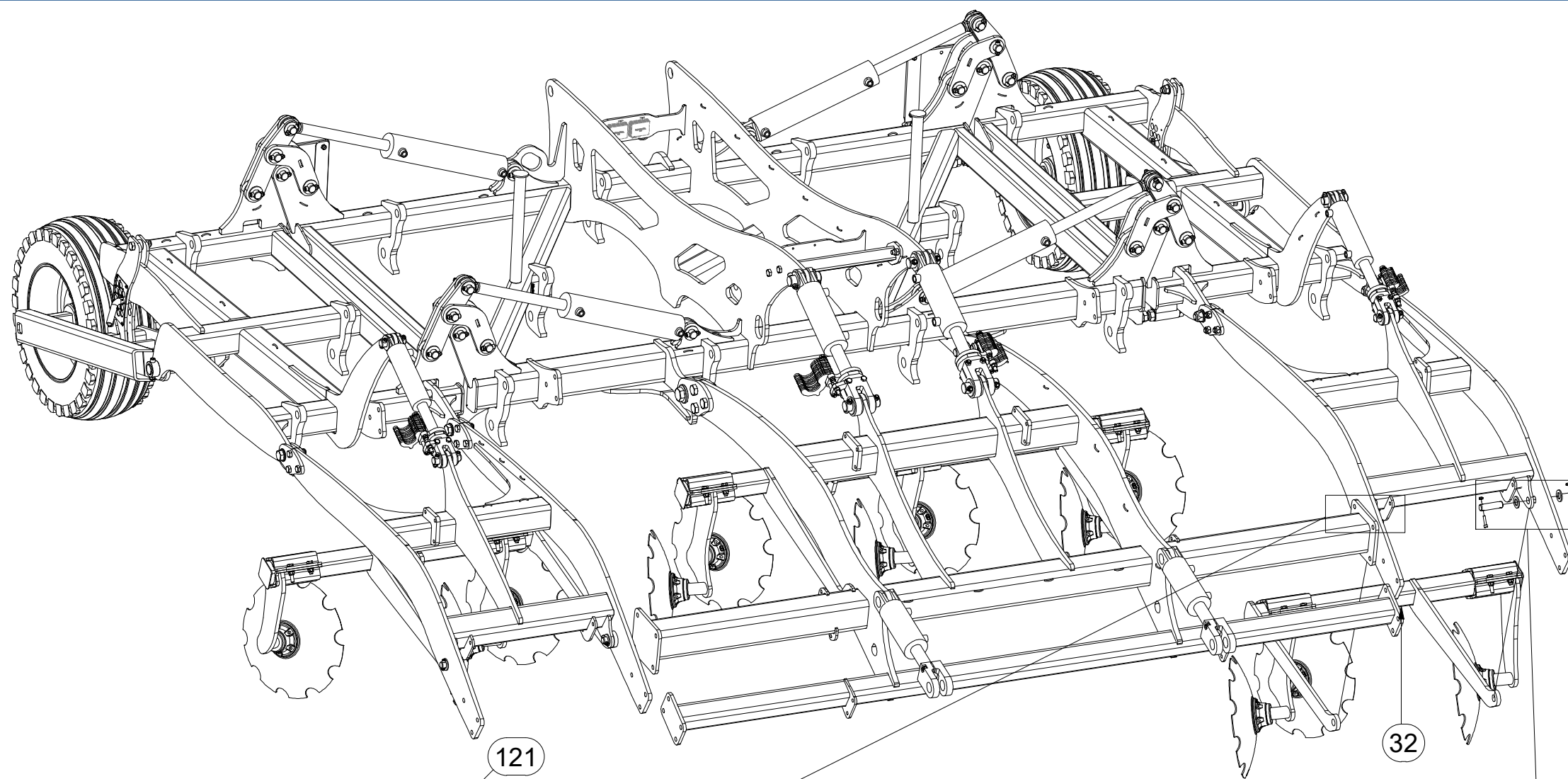
Ⓕ BÂTI DE LA MACHINE

VZ00048469

Ⓖ FOOTING OF THE MACHINE

Ⓡ ОСНОВАНИЕ МАШИНЫ

Ⓢ PODSTAWA MASZYNY



| Pos. | Part Number | Pcs. |
|------|-------------|------|
| 32 | VZ00026071 | 1 |
| 50 | 4010391 | 6 |
| 82 | m14028 | 12 |
| 97 | m09464 | 12 |
| 121 | m04503 | 12 |

Ⓒ ZÁKLAD STROJE

Ⓓ UNTERBAU DER MASCHINE

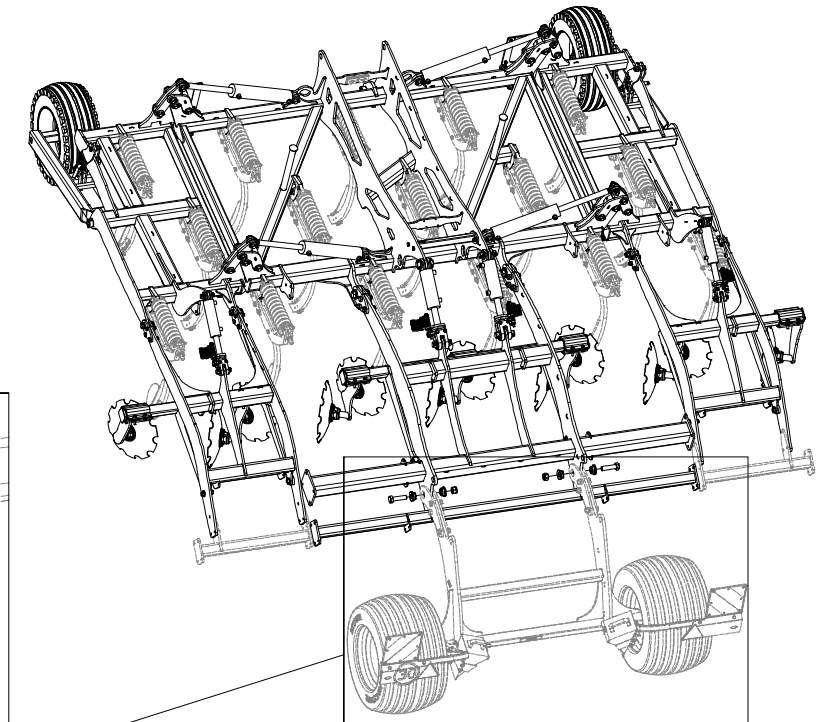
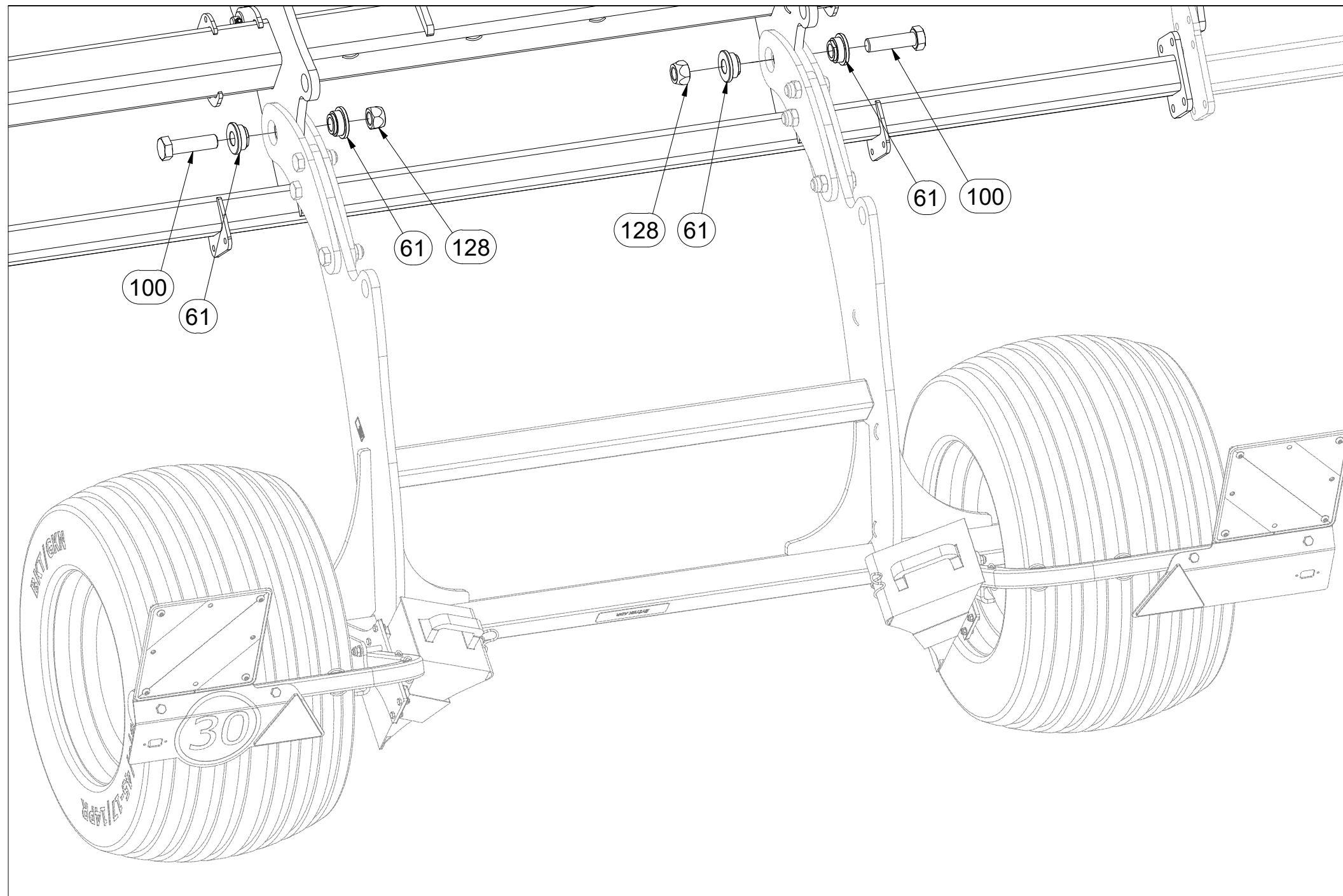
Ⓕ BÂTI DE LA MACHINE

VZ00048469

Ⓖ FOOTING OF THE MACHINE

Ⓡ ОСНОВАНИЕ МАШИНЫ

Ⓢ PODSTAWA MASZYNY



| Pos. | Part Number | Pcs. |
|------|-------------|------|
| 61 | m14505 | 8 |
| 100 | m14497 | 4 |
| 128 | m14498 | 4 |

Ⓒ ZÁKLAD STROJE

Ⓓ UNTERBAU DER MASCHINE

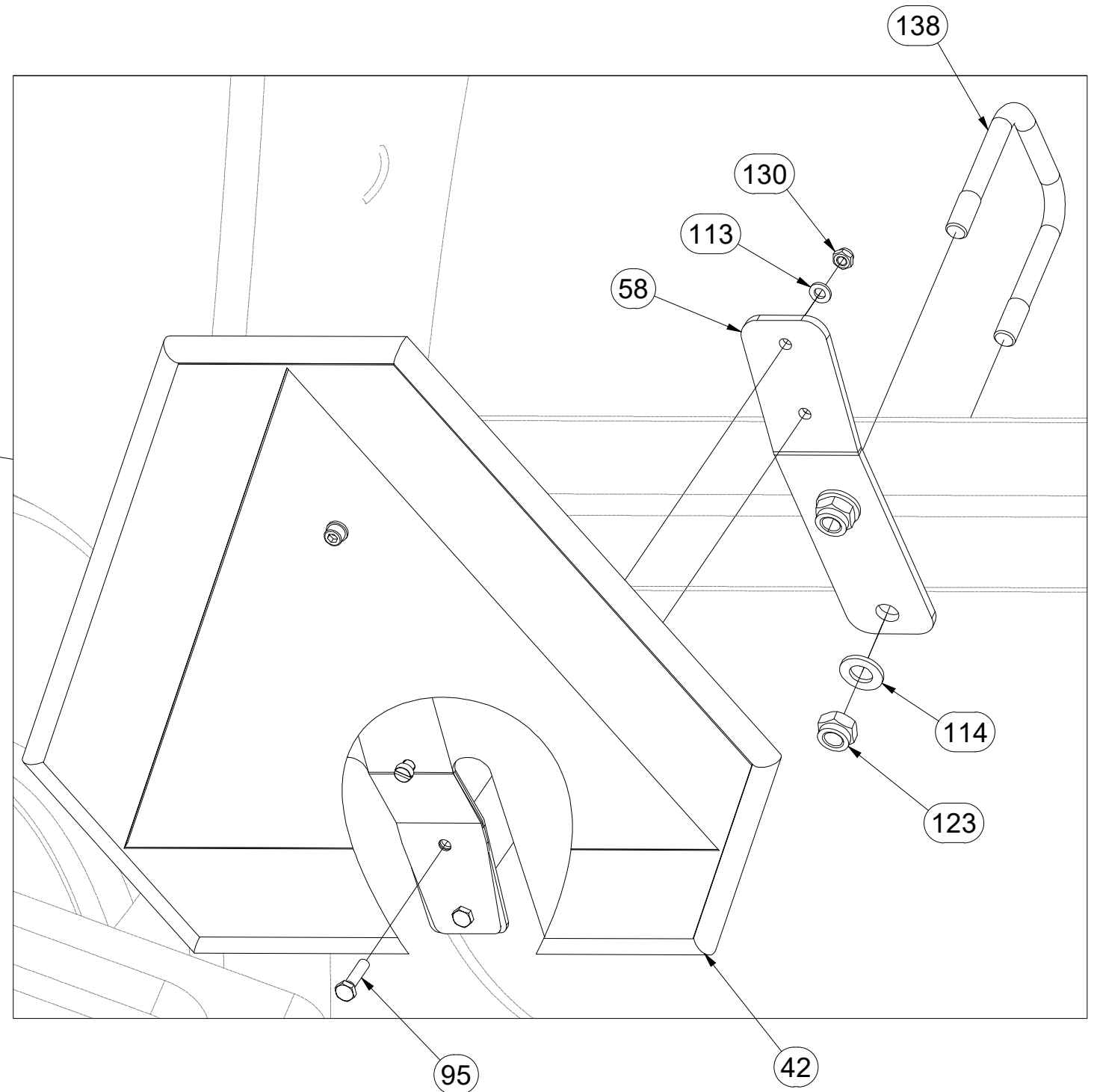
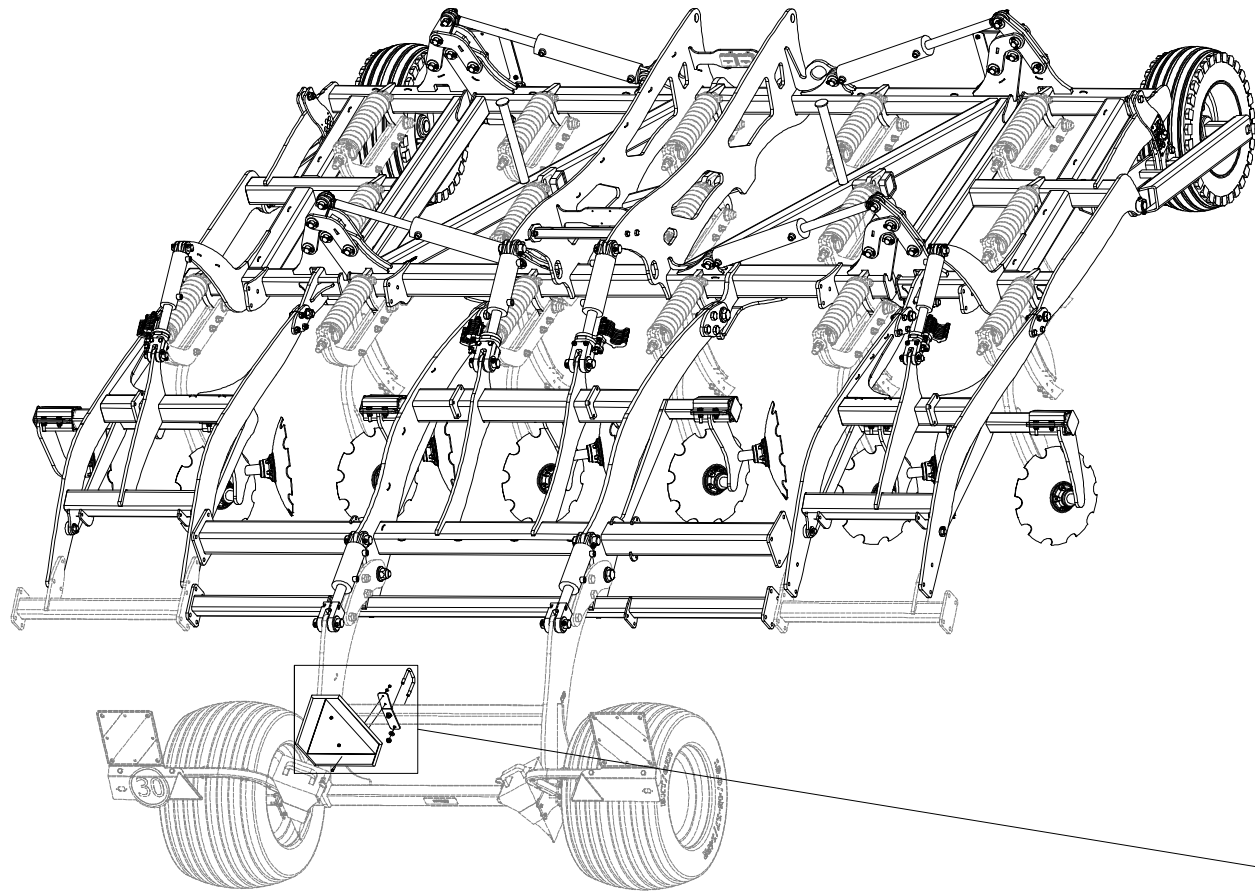
Ⓕ BÂTI DE LA MACHINE

VZ00048469

Ⓖ FOOTING OF THE MACHINE

Ⓡ ОСНОВАНИЕ МАШИНЫ

Ⓢ PODSTAWA MASZYNY



| Pos. | Part Number | Pcs. |
|------|-------------|------|
| 42 | 4007398 | 1 |
| 58 | VZ00047839 | 1 |
| 95 | m01075 | 2 |
| 113 | m01199 | 2 |
| 114 | m01214 | 2 |
| 123 | m04301 | 24 |
| 130 | m05560 | 2 |
| 138 | m17233 | 1 |

Ⓒ ZÁKLAD STROJE

Ⓓ UNTERBAU DER MASCHINE

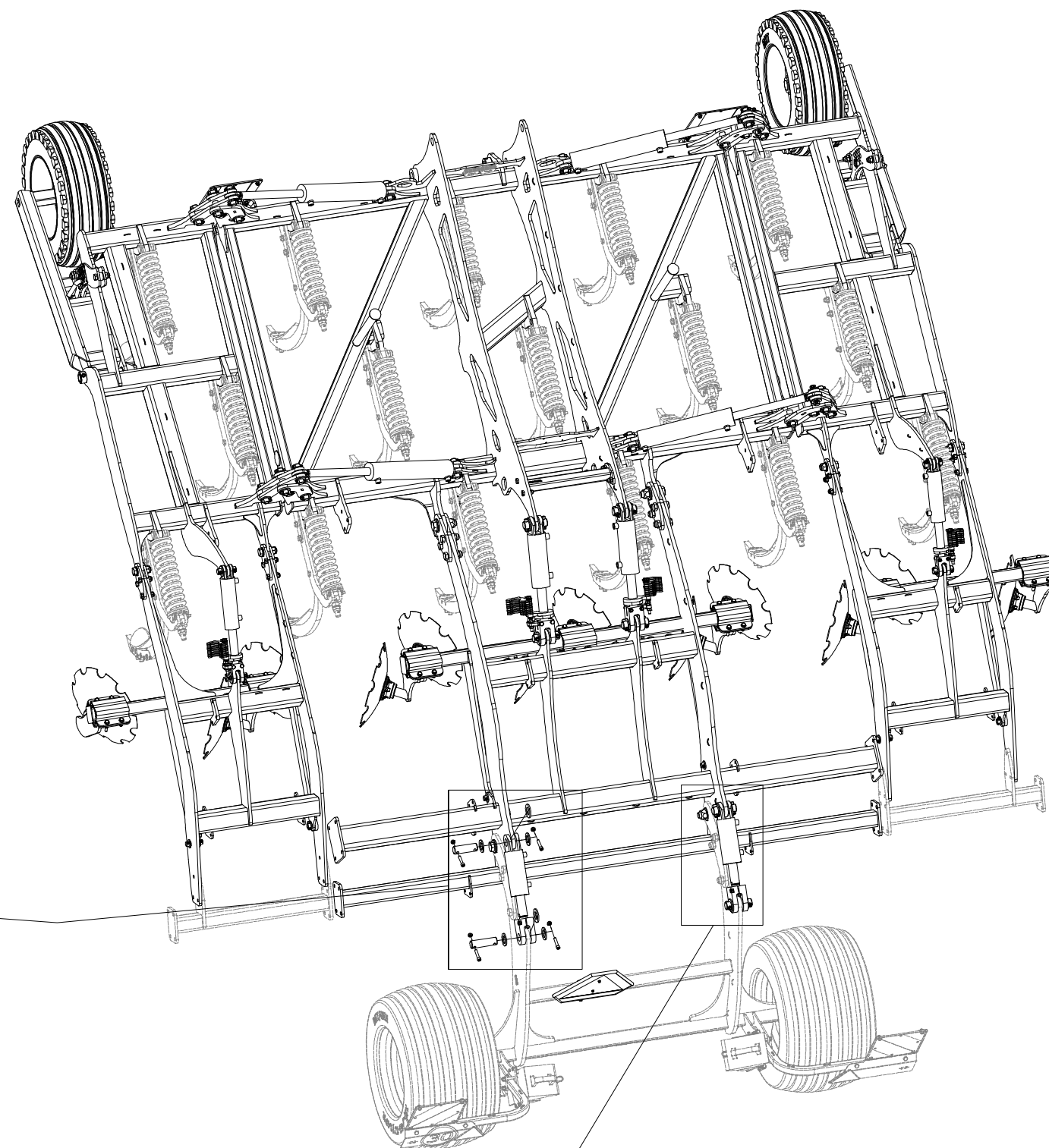
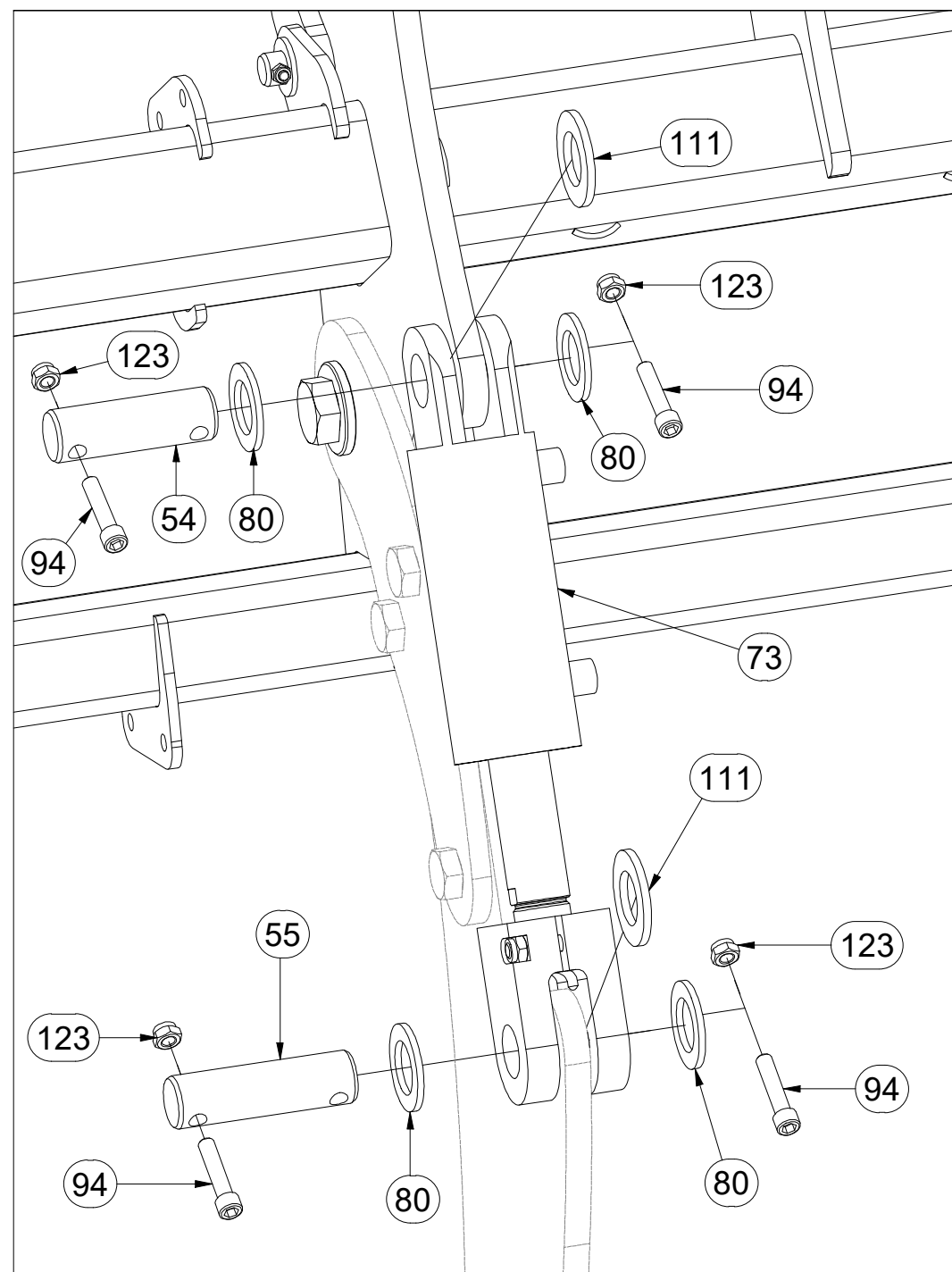
Ⓕ BÂTI DE LA MACHINE

VZ00048469

Ⓖ FOOTING OF THE MACHINE

Ⓡ ОСНОВАНИЕ МАШИНЫ

Ⓢ PODSTAWA MASZYNY



| Pos. | Part Number | Pcs. |
|------|-------------|------|
| 54 | 4015686 | 4 |
| 55 | 4007730 | 4 |
| 73 | VZ00046200 | 2 |
| 80 | 4013139 | 16 |
| 94 | m14008 | 16 |
| 111 | m03636 | 12 |
| 123 | m04301 | 24 |

ⒸZ SAMOLEPKY STROJE

Ⓓ AUFKLEBER MASCHINEN

Ⓕ VOITURE MACHINES

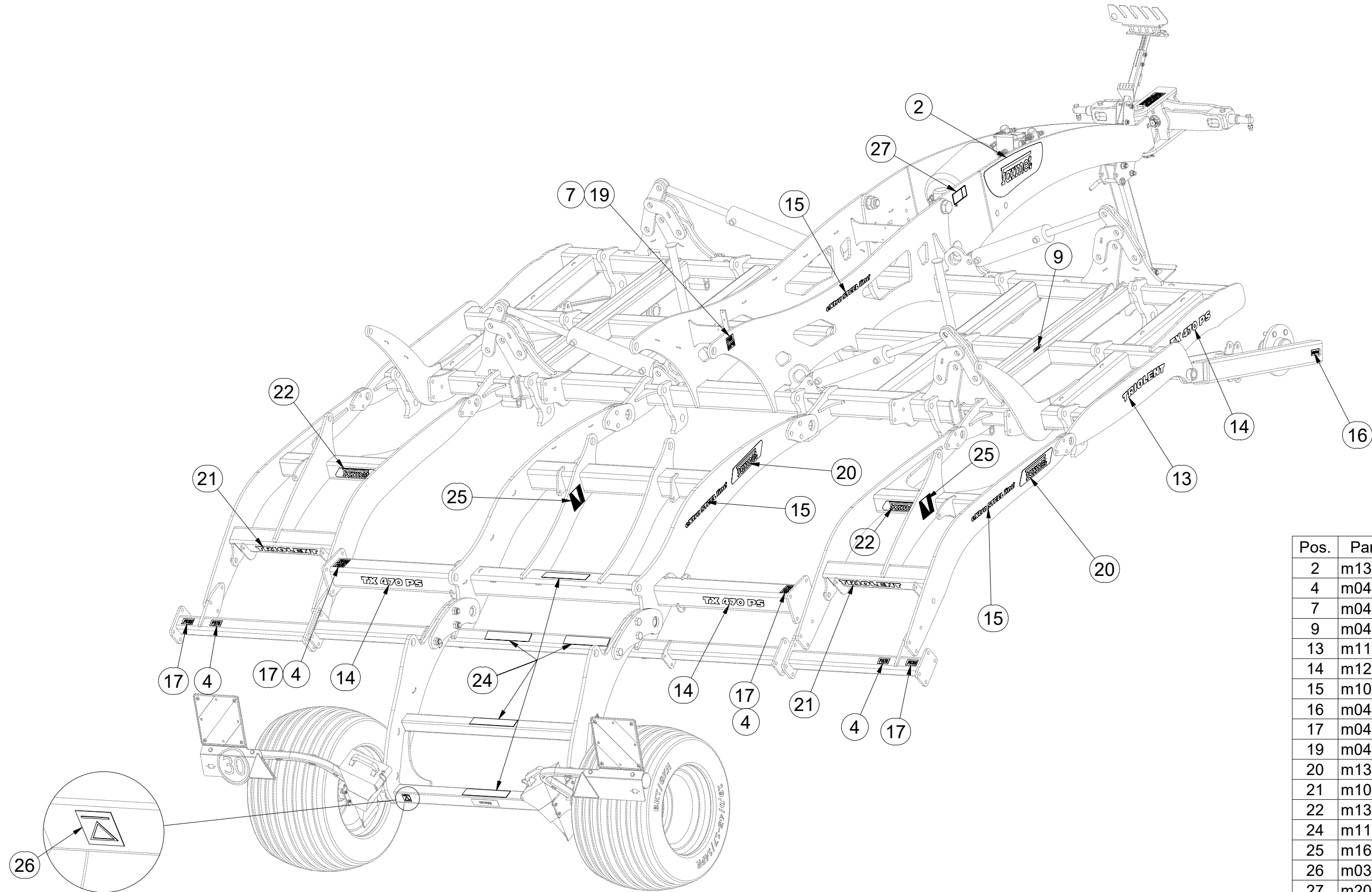
ⒼB STICKERS MACHINES

Ⓔ RU СТИКЕРЫ МАШИНЫ

Ⓗ PL NAKLEJKI MASZYN



m16656



| Pos. | Part Number | Pcs. |
|------|-------------|------|
| 2 | m13095 | 1 |
| 4 | m04365 | 5 |
| 7 | m04359 | 3 |
| 9 | m04367 | 4 |
| 13 | m11586 | 2 |
| 14 | m12835 | 6 |
| 15 | m10353 | 6 |
| 16 | m04958 | 2 |
| 17 | m04369 | 6 |
| 19 | m04368 | 4 |
| 20 | m13117 | 6 |
| 21 | m10563 | 2 |
| 22 | m13116 | 2 |
| 24 | m11147 | 5 |
| 25 | m16581 | 3 |
| 26 | m03512 | 2 |
| 27 | m20774 | 2 |

☉ SAMOLEPKY STROJE

☉ AUFKLEBER MASCHINEN

☉ VOITURE MACHINES

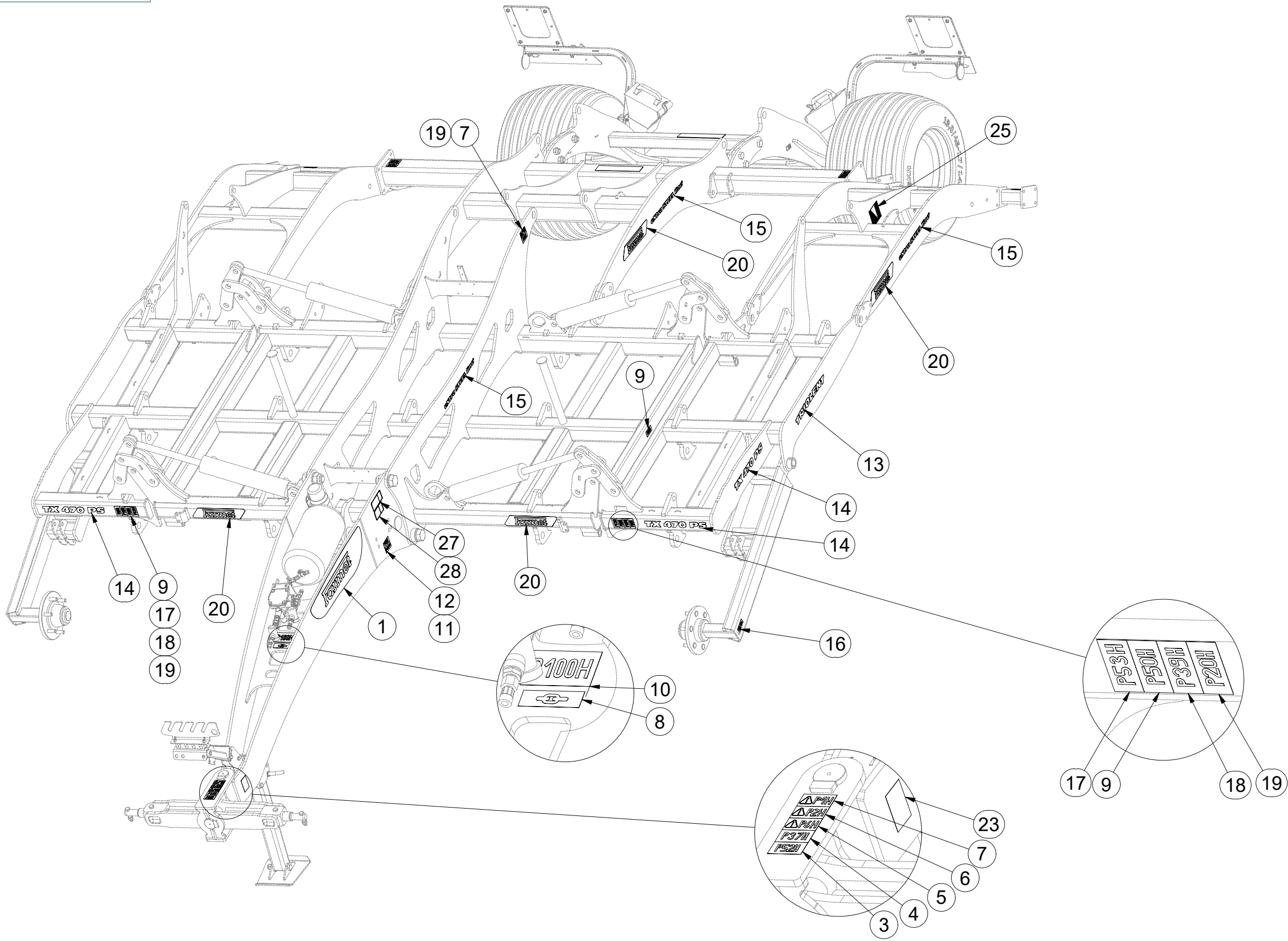
☉ STICKERS MACHINES

☉ СТИКЕРЫ МАШИНЫ

☉ NAKLEJKI MASZYNY



m16656



| Pos. | Part Number | Pcs. |
|------|-------------|------|
| 1 | m13094 | 1 |
| 3 | m04364 | 1 |
| 4 | m04365 | 5 |
| 5 | m04360 | 1 |
| 6 | m04366 | 1 |
| 7 | m04359 | 3 |
| 8 | m03316 | 1 |
| 9 | m04367 | 4 |
| 10 | m06776 | 1 |
| 11 | m04363 | 1 |
| 12 | m06777 | 1 |
| 13 | m11586 | 2 |
| 14 | m12835 | 6 |
| 15 | m10353 | 6 |
| 16 | m04958 | 2 |
| 17 | m04369 | 6 |
| 18 | m04362 | 2 |
| 19 | m04368 | 4 |
| 20 | m13117 | 6 |
| 23 | m11729 | 1 |
| 25 | m16581 | 3 |
| 27 | m20774 | 2 |
| 28 | m22304 | 1 |

Ⓒ NÁPRAVA

Ⓓ ACHSE

Ⓕ ESSIEU

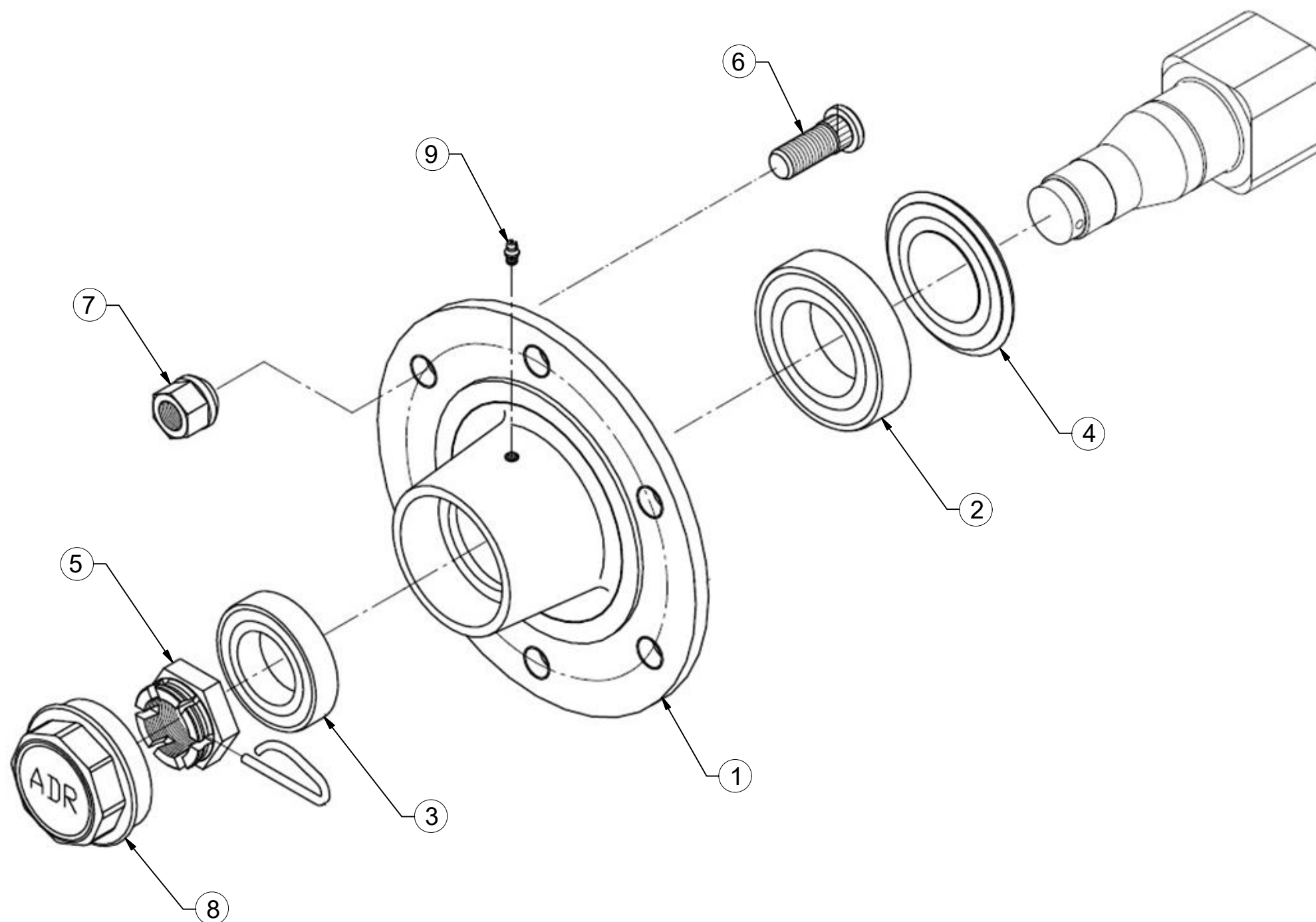
Ⓖ AXLE

Ⓒ OCB

Ⓗ OS



S60LR06



| Pos. | Part Number | Pcs. |
|------|-------------|------|
| 1 | m15631 | 1 |
| 2 | m07151 | 1 |
| 3 | m07152 | 1 |
| 4 | m15058 | 1 |
| 5 | m08169 | 1 |
| 6 | m08148 | 6 |
| 7 | m08163 | 6 |
| 8 | m15123 | 1 |
| 9 | m05698 | 1 |

ⒸZ OJ MONT

Ⓓ DEICHSEL MONTIERT

Ⓕ TIMON MONTÉ

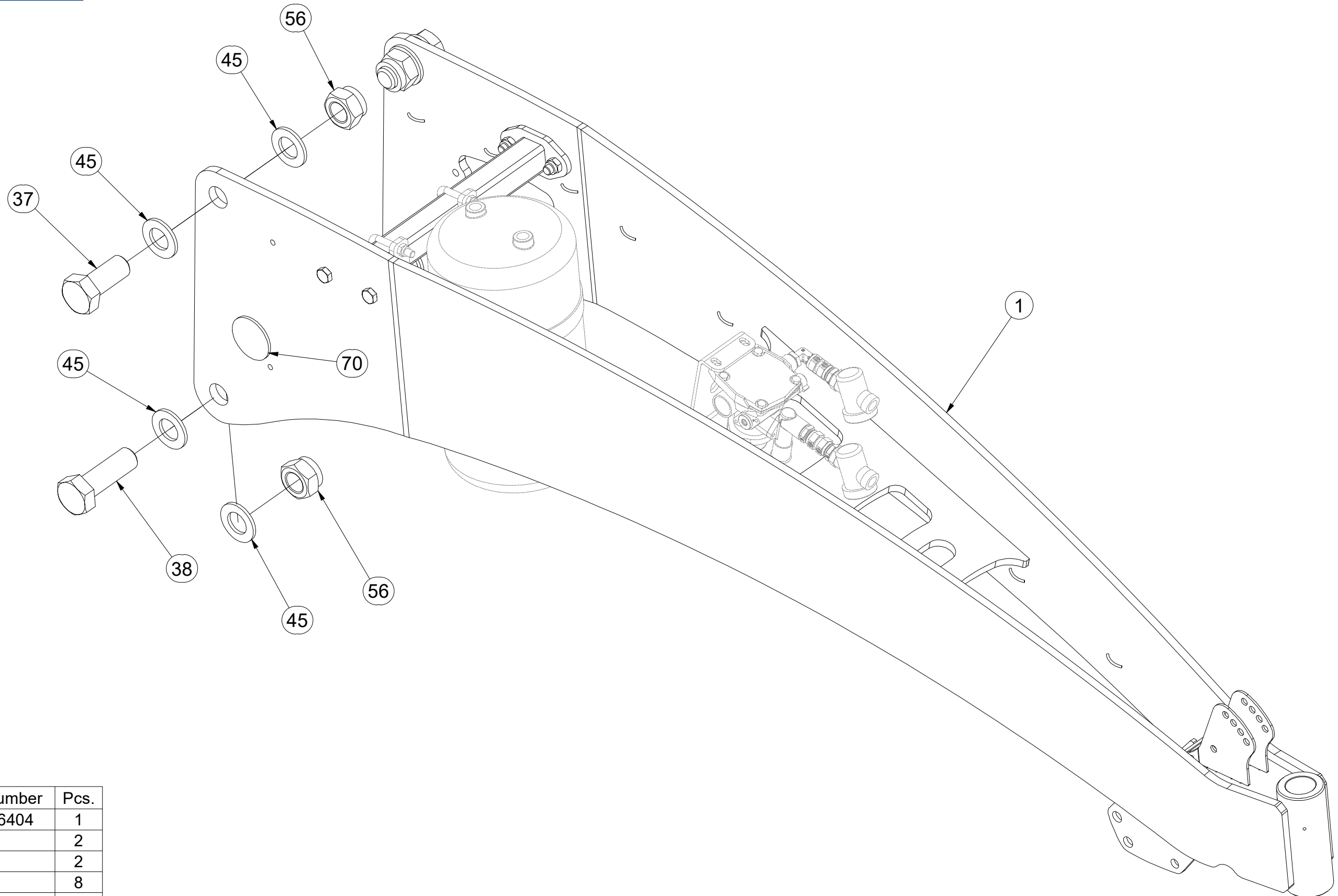
ⒼB MONT DRAWBAR

ⒺU ДЫШЛО МОНТ

ⒼL DYSZEL MONT



VZ00046391



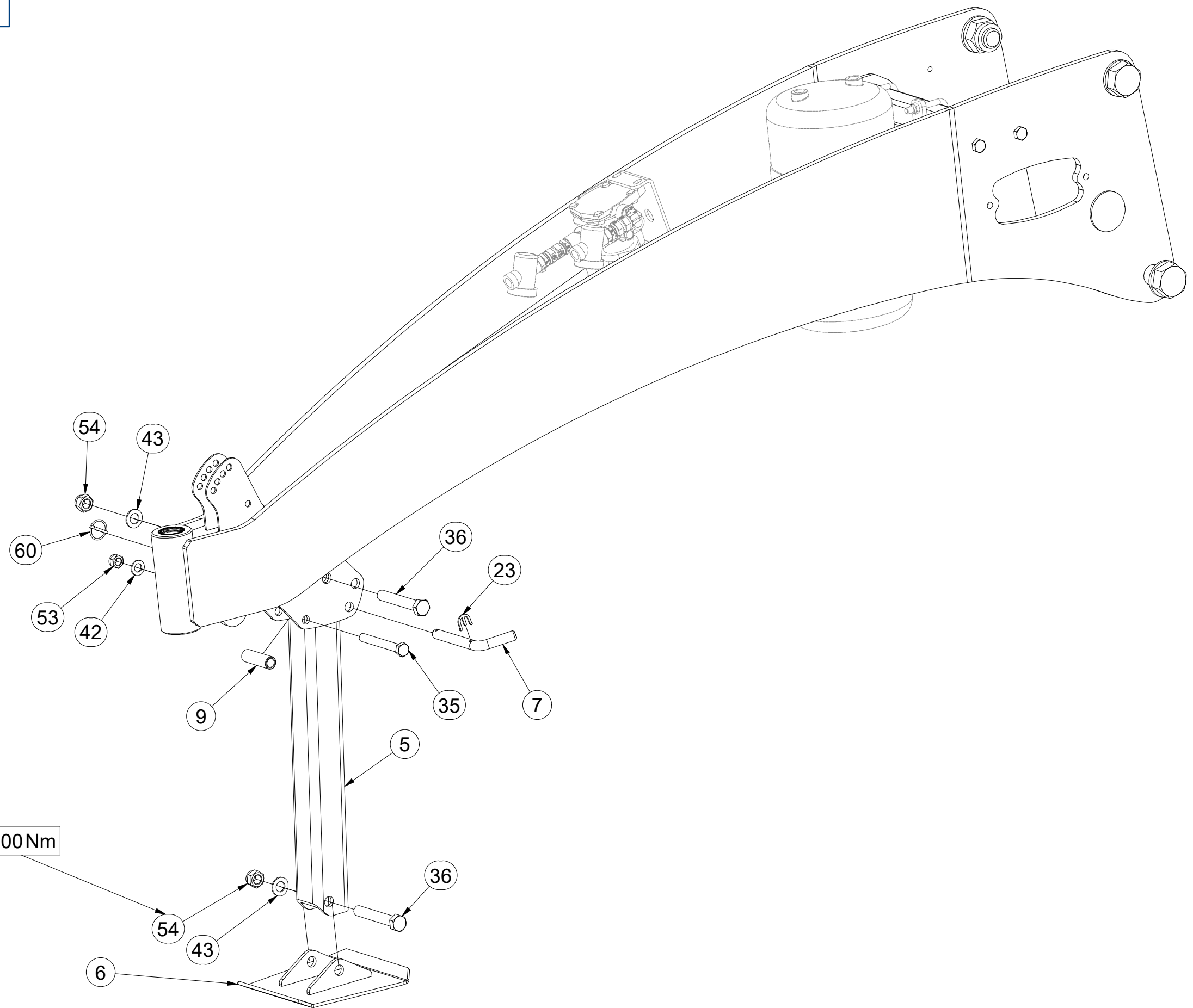
| Pos. | Part Number | Pcs. |
|------|-------------|------|
| 1 | VZ00046404 | 1 |
| 37 | m23664 | 2 |
| 38 | m23665 | 2 |
| 45 | m03636 | 8 |
| 56 | m23663 | 4 |
| 70 | m02579 | 2 |

CZ OJ MONT
 D DEICHSEL MONTIERT
 F TIMON MONTÉ

GB MONT DRAWBAR
 RU ДЫШЛО МОНТ
 PL DYSZEL MONT



VZ00046391



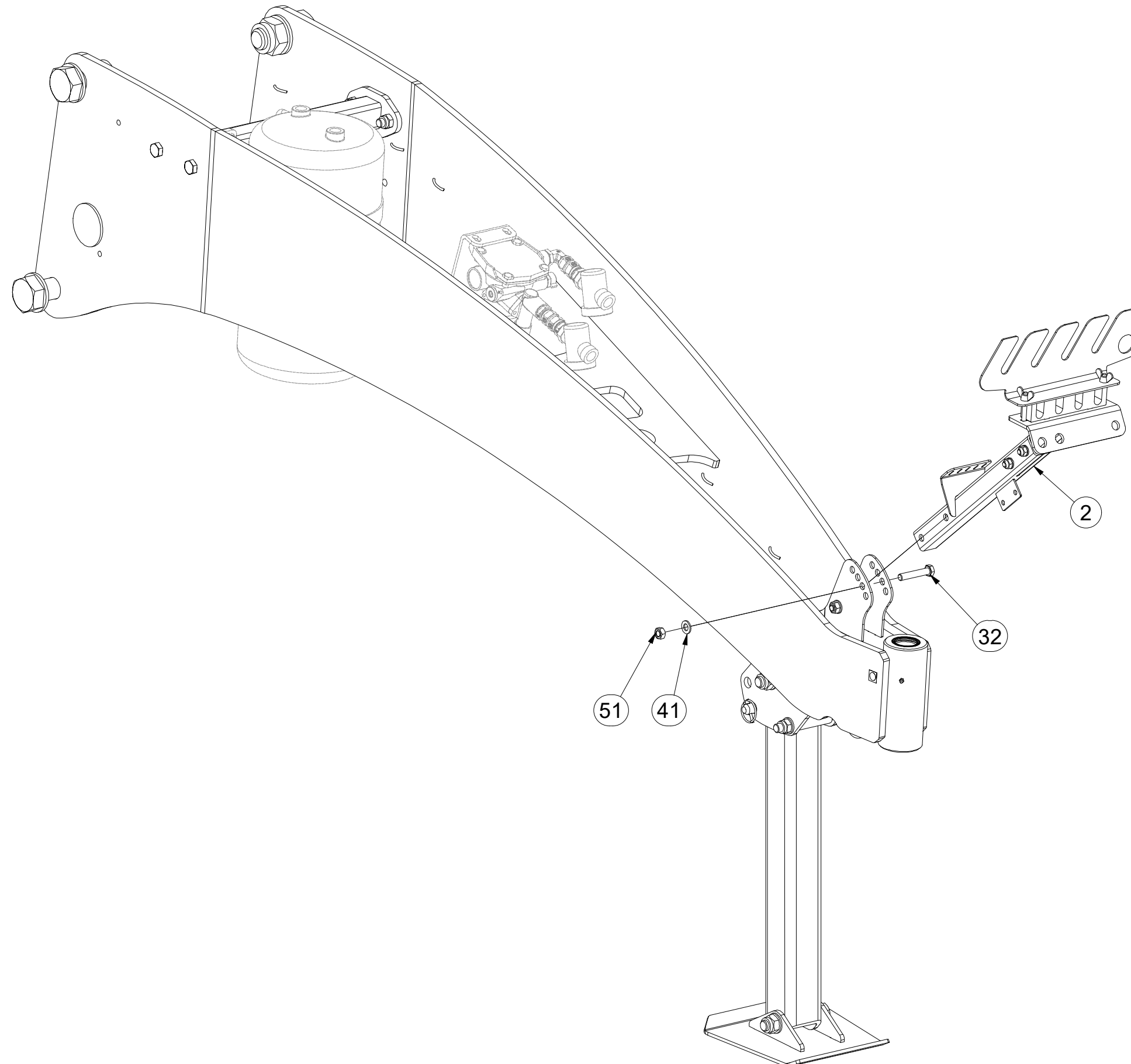
| Pos. | Part Number | Pcs. |
|------|-------------|------|
| 5 | 4003948 | 1 |
| 6 | 4007000 | 1 |
| 7 | m08386 | 1 |
| 9 | 4004007 | 1 |
| 23 | 4019156 | 1 |
| 35 | m04404 | 1 |
| 36 | m05465 | 2 |
| 42 | m01219 | 1 |
| 43 | m03768 | 2 |
| 53 | m03683 | 5 |
| 54 | m05648 | 2 |
| 60 | m10454 | 1 |

CZ OJ MONT
 D DEICHSEL MONTIERT
 F TIMON MONTÉ

GB MONT DRAWBAR
 RU ДЫШЛО МОНТ
 PL DYSZEL MONT



VZ00046391



| Pos. | Part Number | Pcs. |
|------|-------------|------|
| 2 | 3012286 | 1 |
| 32 | m05898 | 2 |
| 41 | m01214 | 2 |
| 51 | m01305 | 2 |

Ⓒ OJ MONT

Ⓓ DEICHSEL MONTIERT

Ⓕ TIMON MONTÉ

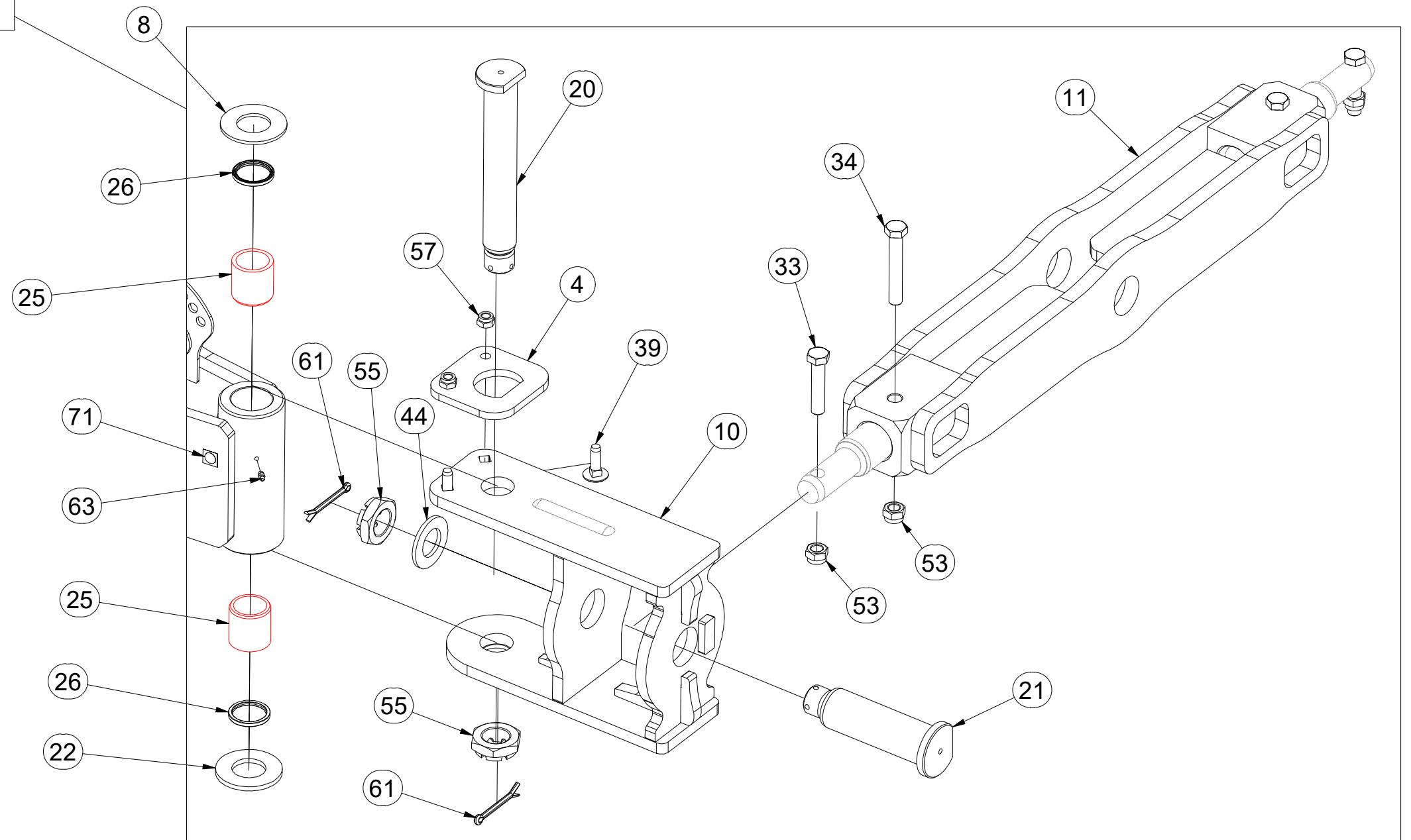
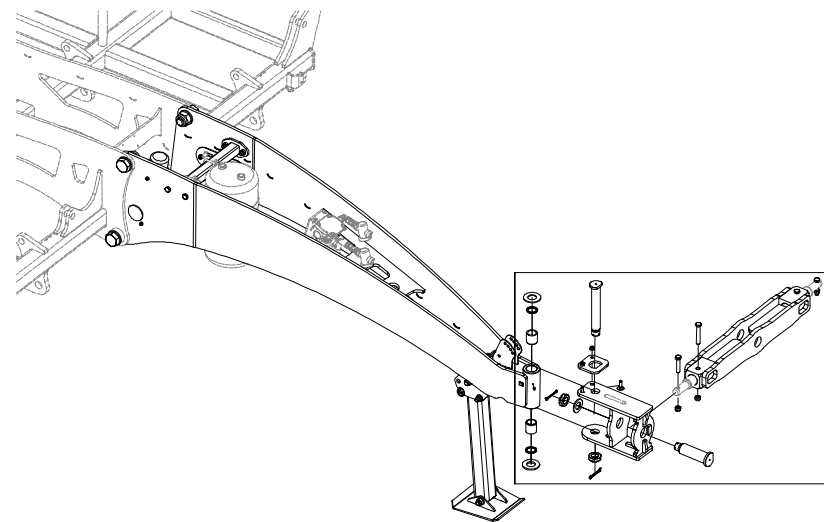
Ⓖ MONT DRAWBAR

Ⓡ ДЫШЛО МОНТ

Ⓢ DYSZEL MONT



VZ00046391



| Pos. | Part Number | Pcs. |
|------|-------------|------|
| 4 | VZ00044823 | 1 |
| 8 | 4003744 | 1 |
| 10 | VZ00044709 | 1 |
| 11 | 3004315 | 1 |
| 20 | 4007817 | 1 |
| 21 | 4007818 | 1 |
| 22 | 4003745 | 1 |
| 25 | m23801 | 2 |
| 26 | m23662 | 2 |
| 33 | m01133 | 2 |
| 34 | m05304 | 2 |
| 39 | m12574 | 2 |
| 44 | m03866 | 2 |
| 53 | m03683 | 5 |
| 55 | m02533 | 2 |
| 57 | m21001 | 2 |
| 61 | m04139 | 2 |
| 63 | m01725 | 1 |
| 71 | m03320 | 1 |

Ⓒ OJ MONT

Ⓓ DEICHSEL MONTIERT

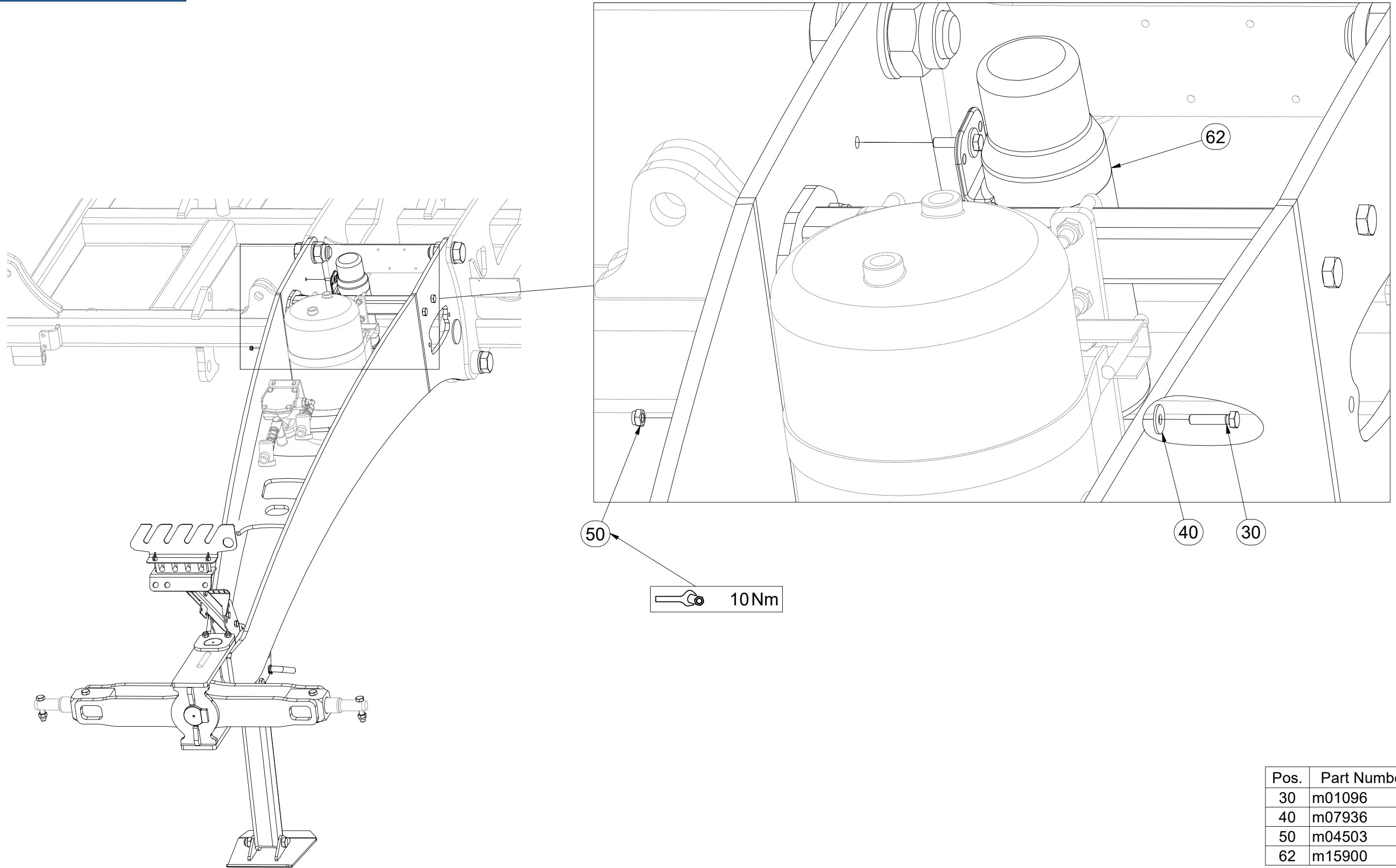
Ⓕ TIMON MONTÉ

VZ00046391

Ⓖ MONT DRAWBAR

Ⓡ ДЫШЛО МОНТ

Ⓟ DYSZEL MONT



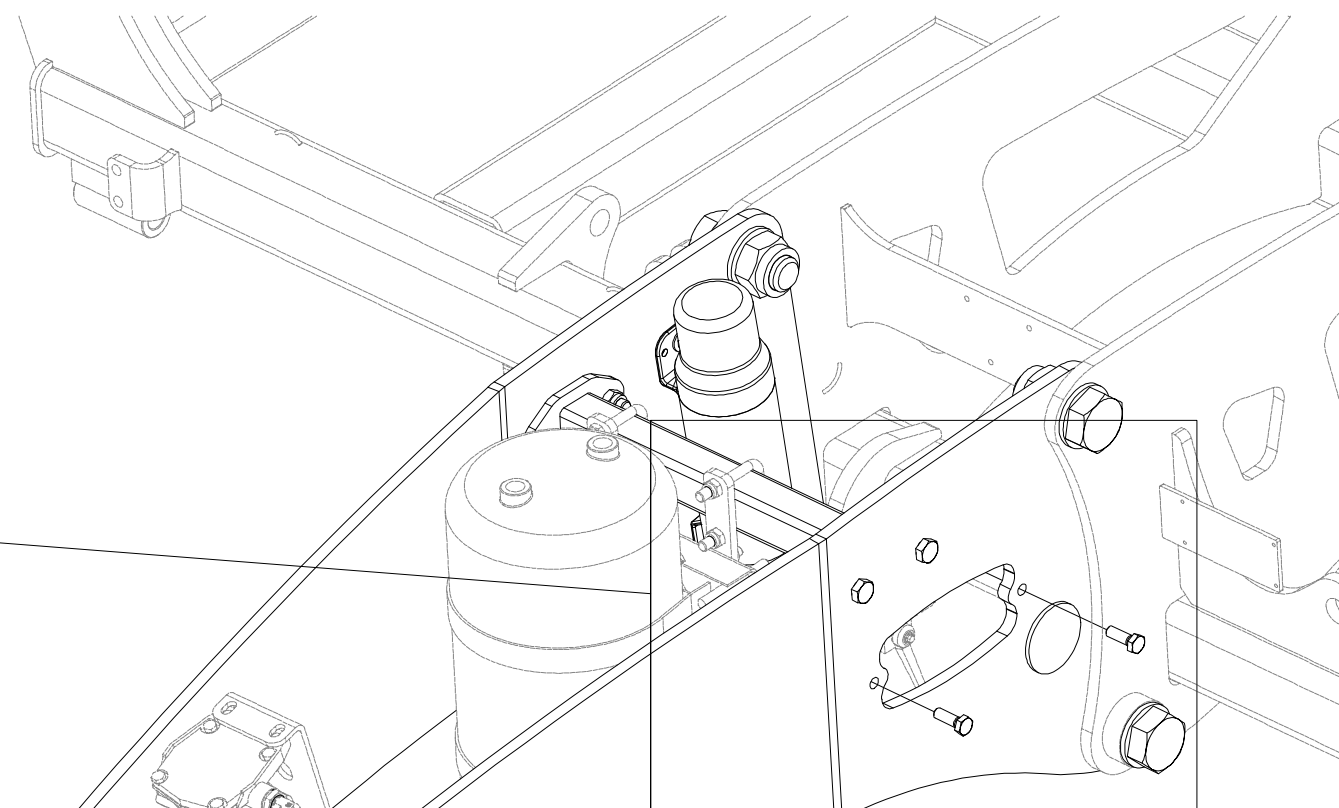
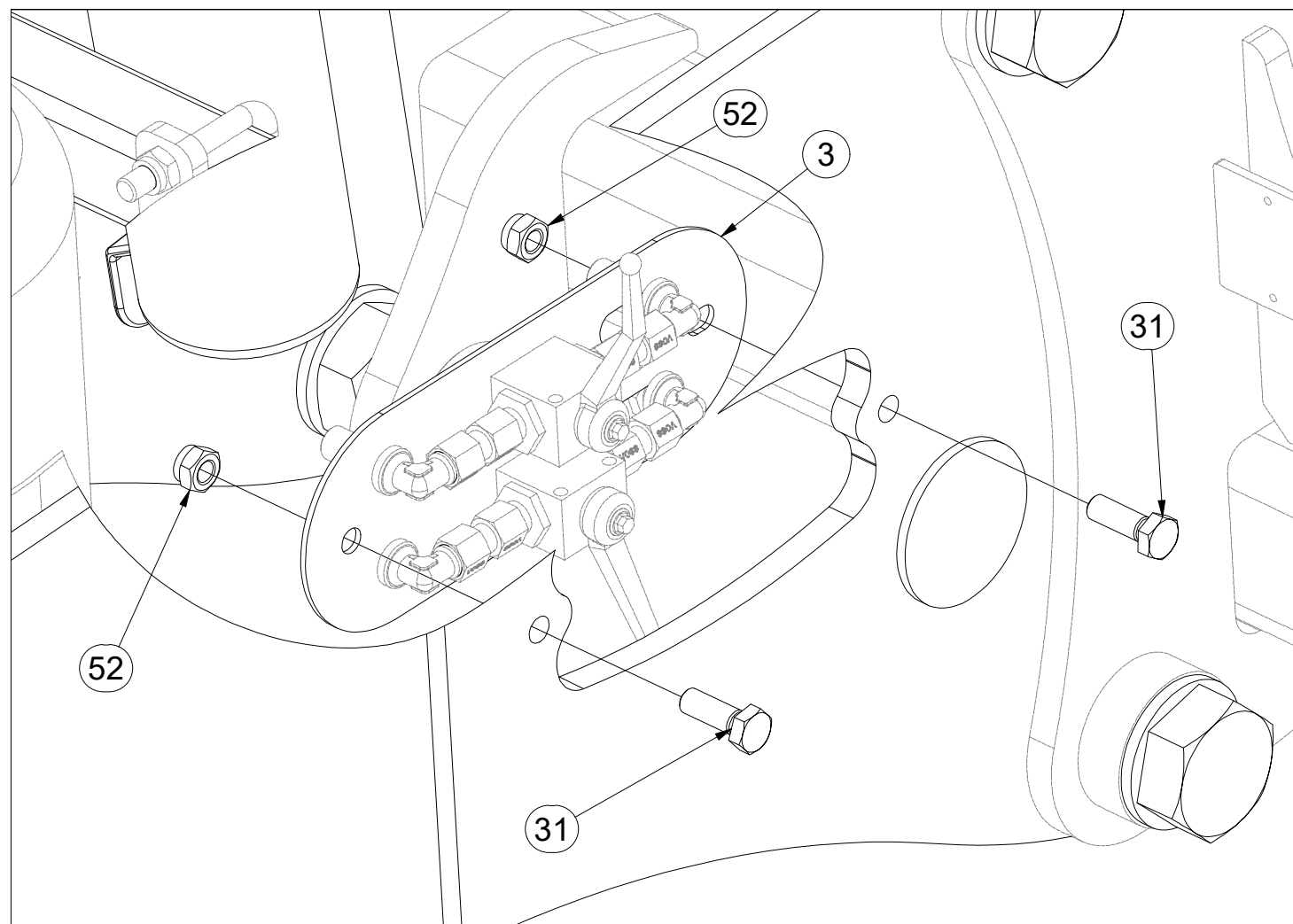
| Pos. | Part Number | Pcs. |
|------|-------------|------|
| 30 | m01096 | 2 |
| 40 | m07936 | 2 |
| 50 | m04503 | 2 |
| 62 | m15900 | 1 |

- Ⓒ OJ MONT
- Ⓓ DEICHSEL MONTIERT
- Ⓕ TIMON MONTÉ

- Ⓖ MONT DRAWBAR
- Ⓡ ДЫШЛО МОНТ
- Ⓟ DYSZEL MONT



VZ00046391



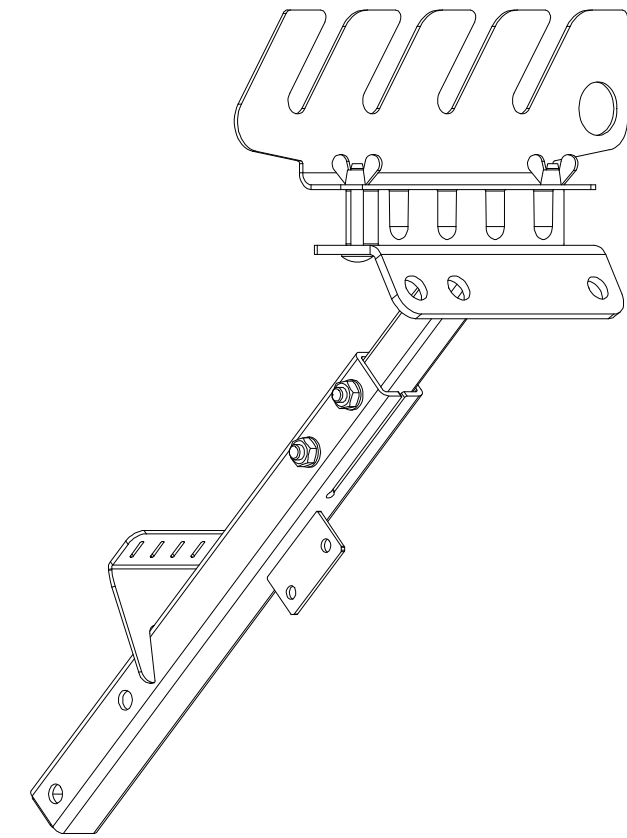
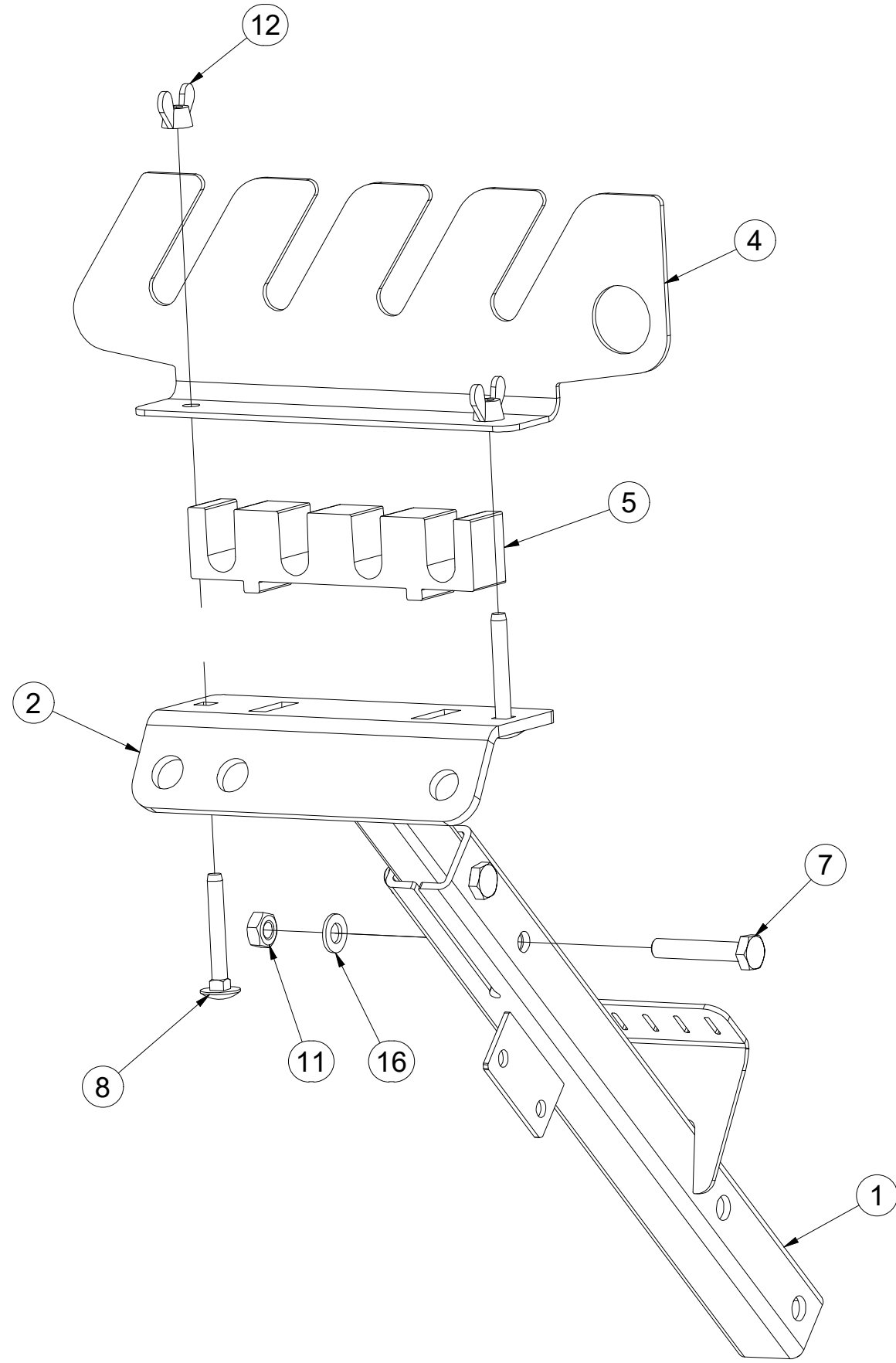
| Pos. | Part Number | Pcs. |
|------|-------------|------|
| 3 | 4025719 | 1 |
| 31 | m04343 | 2 |
| 52 | m04301 | 2 |

CZ DRŽÁK
 D HALTER
 F SUPPORT

GB HOLDER
 RU ДЕРЖАТЕЛЬ
 PL UCHWYT



3012286



| Pos. | Part Number | Pcs. |
|------|-------------|------|
| 1 | 3011662 | 1 |
| 2 | 3011689 | 1 |
| 4 | 4023572 | 1 |
| 5 | m22642 | 1 |
| 7 | m06253 | 2 |
| 8 | m09247 | 2 |
| 11 | m01299 | 2 |
| 12 | m01316 | 2 |
| 16 | m01209 | 2 |

Ⓒ SADA ČEPŮ TBZ 3

Ⓓ BOLZENSATZ TBZ 3

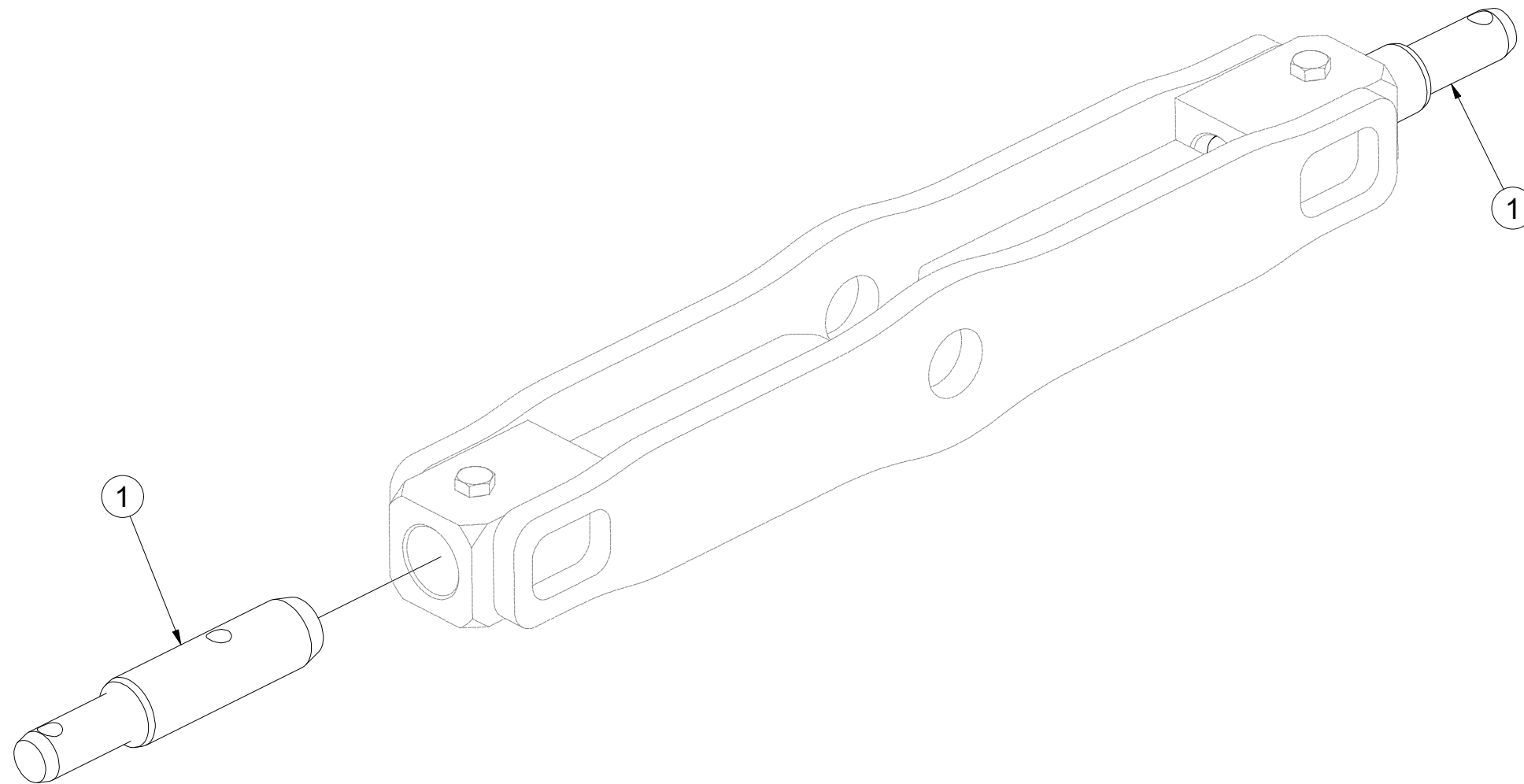
Ⓕ KIT D'EMBOUTS TBZ 3

4020780

Ⓖ SET OF TBZ 3 PINS

Ⓡ КОМПЛЕКТ ПАЛЬЦЕВ TBZ 3

Ⓟ ZESTAW CZOPÓW TBZ 3



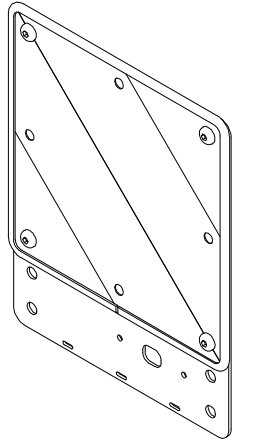
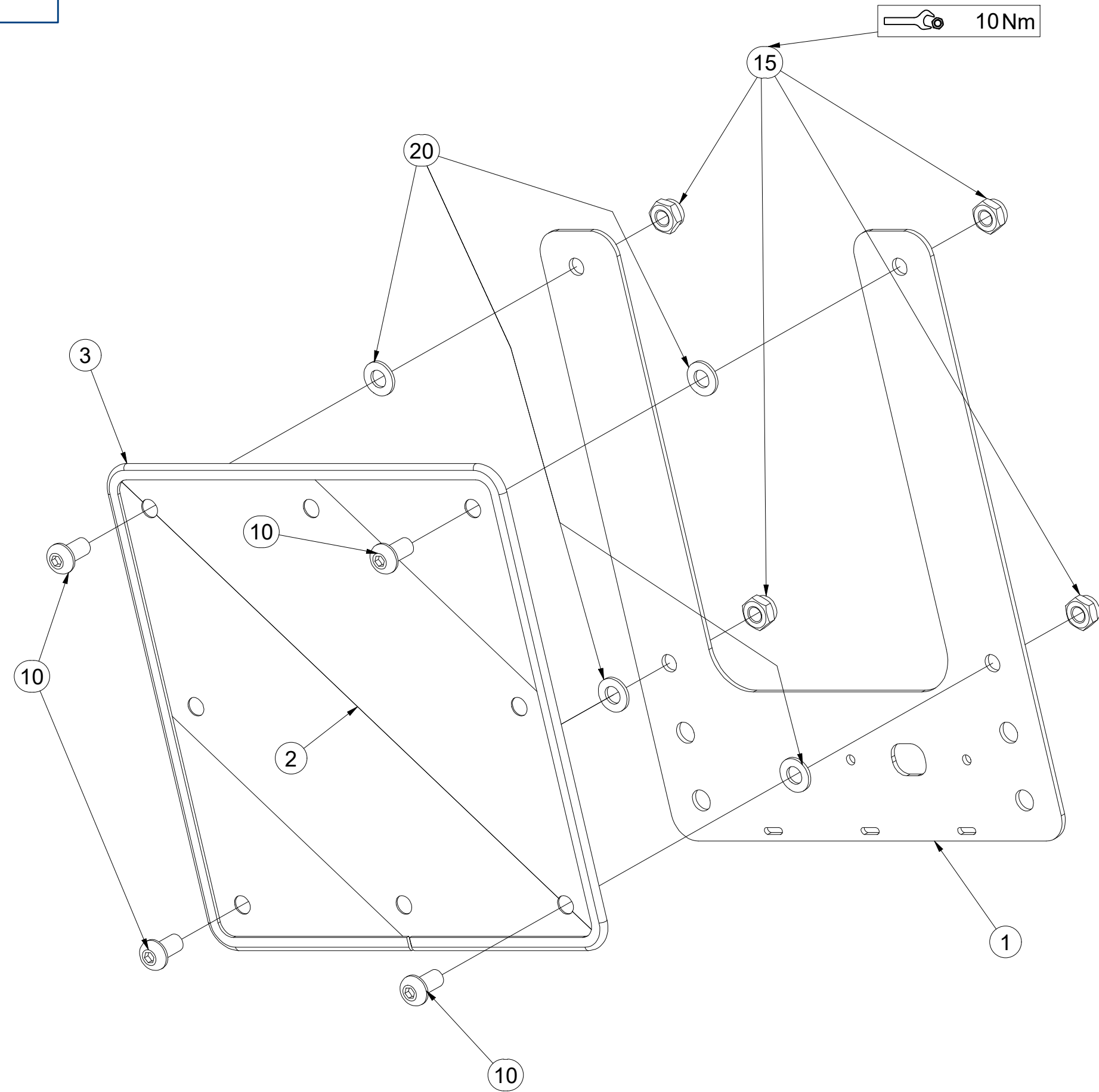
| Pos. | Part Number | Pcs. |
|------|-------------|------|
| 1 | VZ00022883 | 2 |

CZ TERČ PŘEDNÍ
 D SCHILD, VORDERES
 F CIBLE AVANT

GB FRONT DISC
 RU ЩИТОК ПЕРЕДНИЙ
 PL TARCZA PRZEDNIA



4025088



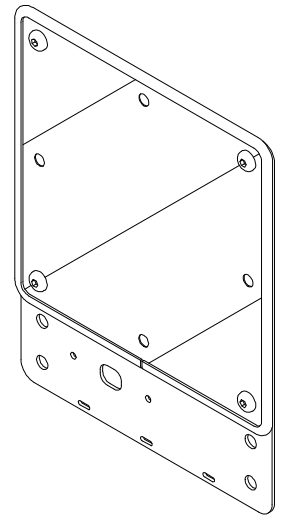
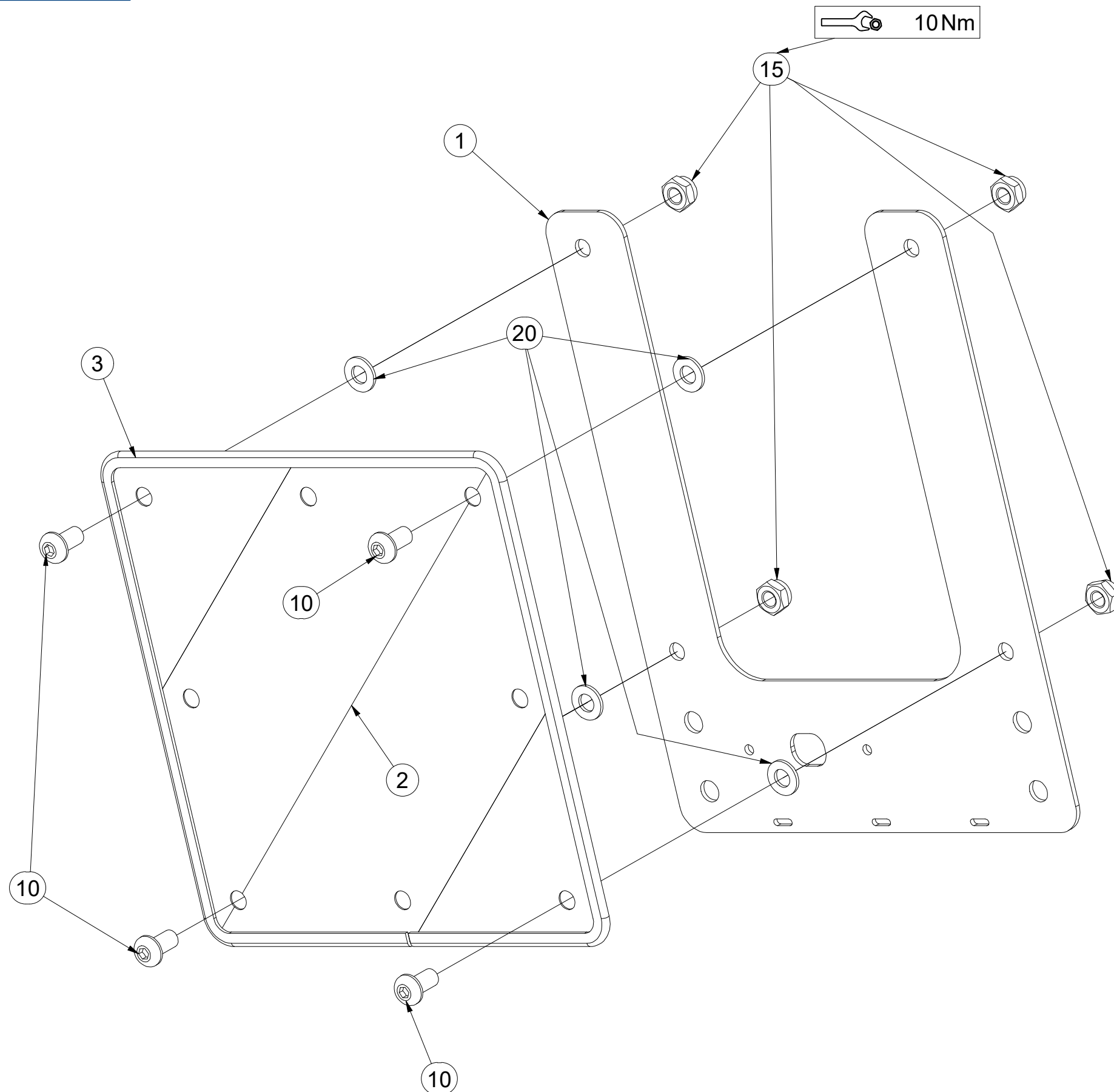
| Pos. | Part Number | Pcs. |
|------|-------------|------|
| 1 | 4025090 | 1 |
| 2 | m18855 | 1 |
| 3 | 9005707 | 1 |
| 10 | m16637 | 4 |
| 15 | m03775 | 4 |
| 20 | m01209 | 4 |

CZ TERČ PŘEDNÍ
 D SCHILD, VORDERES
 F CIBLE AVANT

GB FRONT DISC
 RU ЩИТОК ПЕРЕДНИЙ
 PL TARCZA PRZEDNIA



4025089



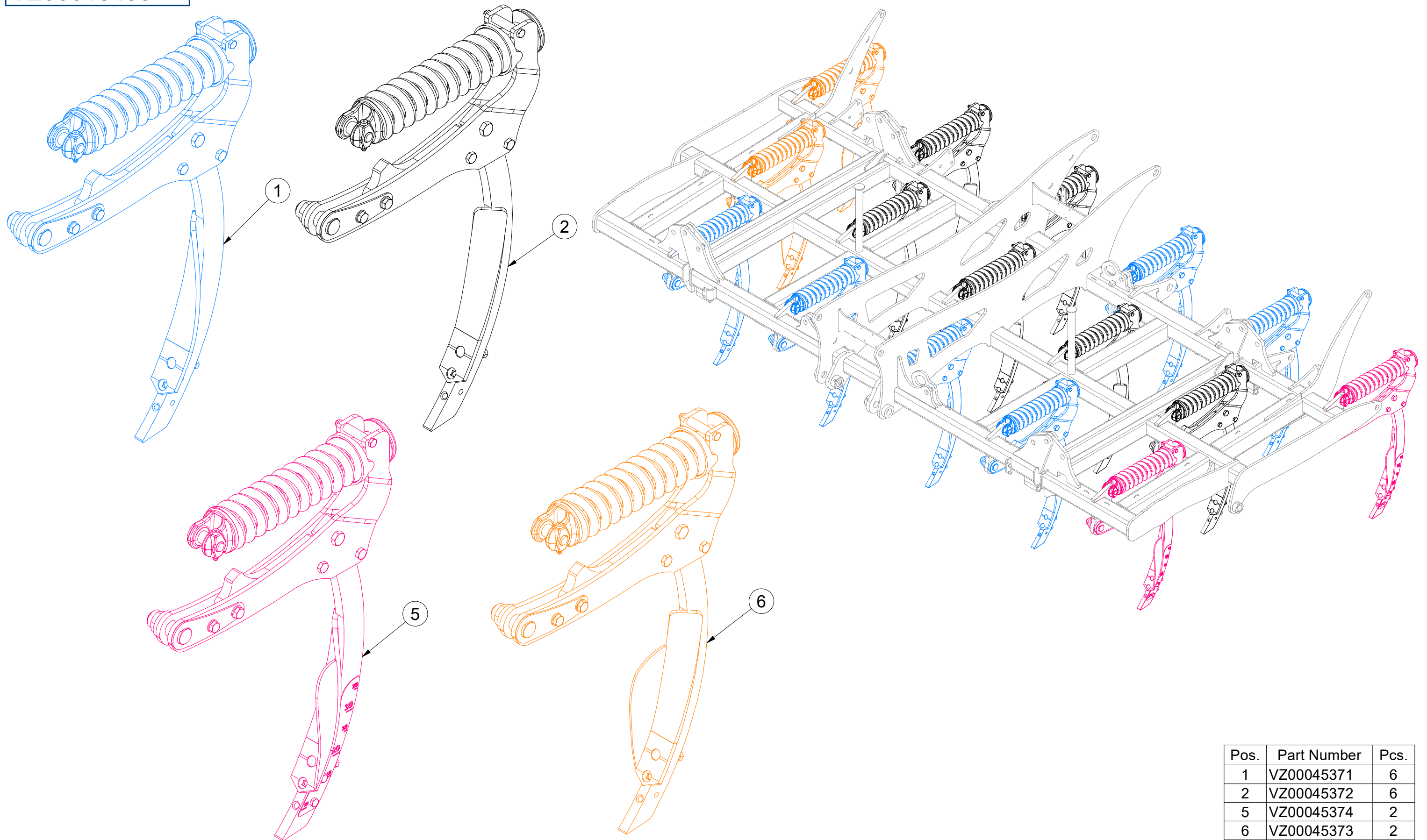
| Pos. | Part Number | Pcs. |
|------|-------------|------|
| 1 | 4025090 | 1 |
| 2 | m18855 | 1 |
| 3 | 9005707 | 1 |
| 10 | m16637 | 4 |
| 15 | m03775 | 4 |
| 20 | m01209 | 4 |

CZ SADA JIŠTĚNÍ
 D SICHERUNGSATZ
 F KIT DE PROTECTION

GB SET OF PROTECTION
 RU КОМПЛЕКТ ПРЕДОХРАНЕНИЕ
 PL ZESTAW ZABEZPIECZENIE



VZ00048435



| Pos. | Part Number | Pcs. |
|------|-------------|------|
| 1 | VZ00045371 | 6 |
| 2 | VZ00045372 | 6 |
| 5 | VZ00045374 | 2 |
| 6 | VZ00045373 | 2 |

Ⓒ JEDNOTKA PRACOVNÍ

Ⓓ ARBEITSEINHEIT

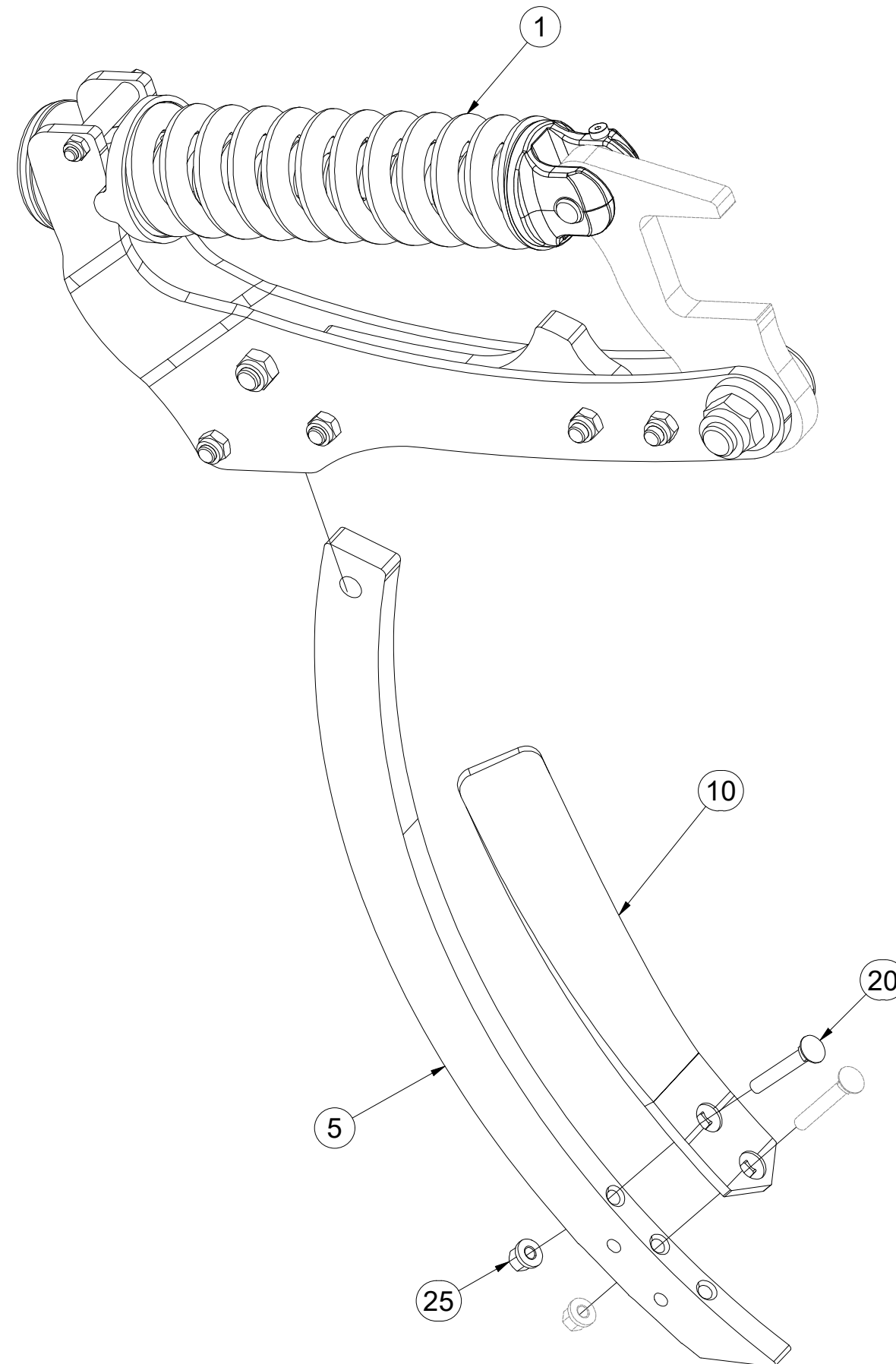
Ⓕ UNITÉ DE TRAVAIL

VZ00045371

Ⓖ WORKING CHISEL

Ⓡ РАБОЧИЙ УЗЕЛ

Ⓟ JEDNOSTKA ROBOCZA



| Pos. | Part Number | Pcs. |
|------|-------------|------|
| 1 | VZ00045370 | 1 |
| 5 | VZ00011920 | 1 |
| 10 | VZ00027395 | 1 |
| 20 | m08764 | 1 |
| 25 | m21201 | 1 |

Ⓒ JEDNOTKA PRACOVNÍ

Ⓓ ARBEITSEINHEIT

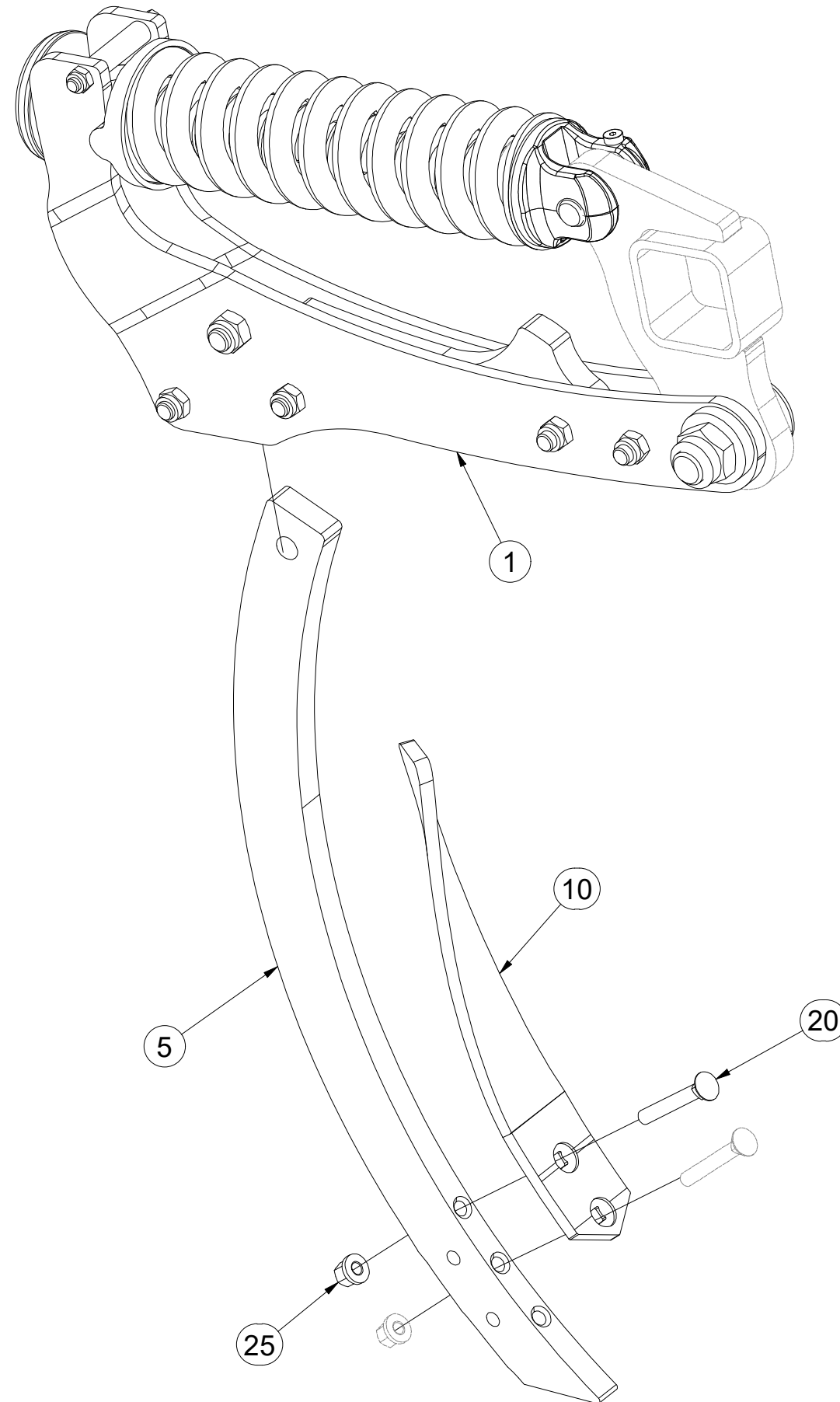
Ⓕ UNITÉ DE TRAVAIL

VZ00045372

Ⓒ WORKING CHISEL

Ⓓ РАБОЧИЙ УЗЕЛ

Ⓕ JEDNOSTKA ROBOCZA



| Pos. | Part Number | Pcs. |
|------|-------------|------|
| 1 | VZ00045370 | 1 |
| 5 | VZ00011920 | 1 |
| 10 | VZ00027396 | 1 |
| 20 | m08764 | 1 |
| 25 | m21201 | 1 |

Ⓒ JEDNOTKA PRACOVNÍ

Ⓓ ARBEITSEINHEIT

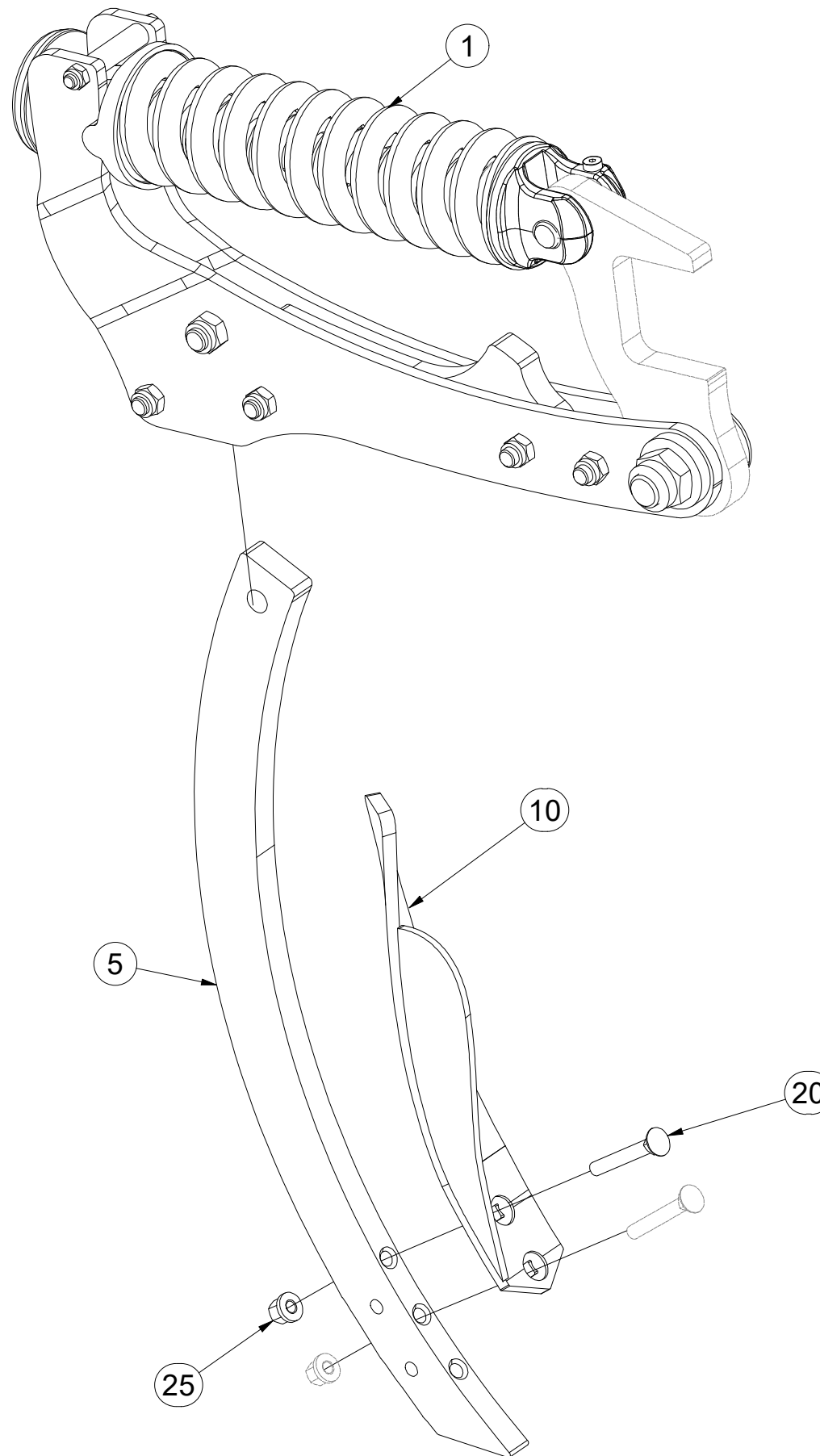
Ⓕ UNITÉ DE TRAVAIL

VZ00045373

Ⓖ WORKING CHISEL

Ⓡ РАБОЧИЙ УЗЕЛ

Ⓟ JEDNOSTKA ROBOCZA



| Pos. | Part Number | Pcs. |
|------|-------------|------|
| 1 | VZ00045370 | 1 |
| 5 | VZ00011920 | 1 |
| 10 | VZ00027398 | 1 |
| 20 | m08764 | 1 |
| 25 | m21201 | 1 |

Ⓒ JEDNOTKA PRACOVNÍ

Ⓓ ARBEITSEINHEIT

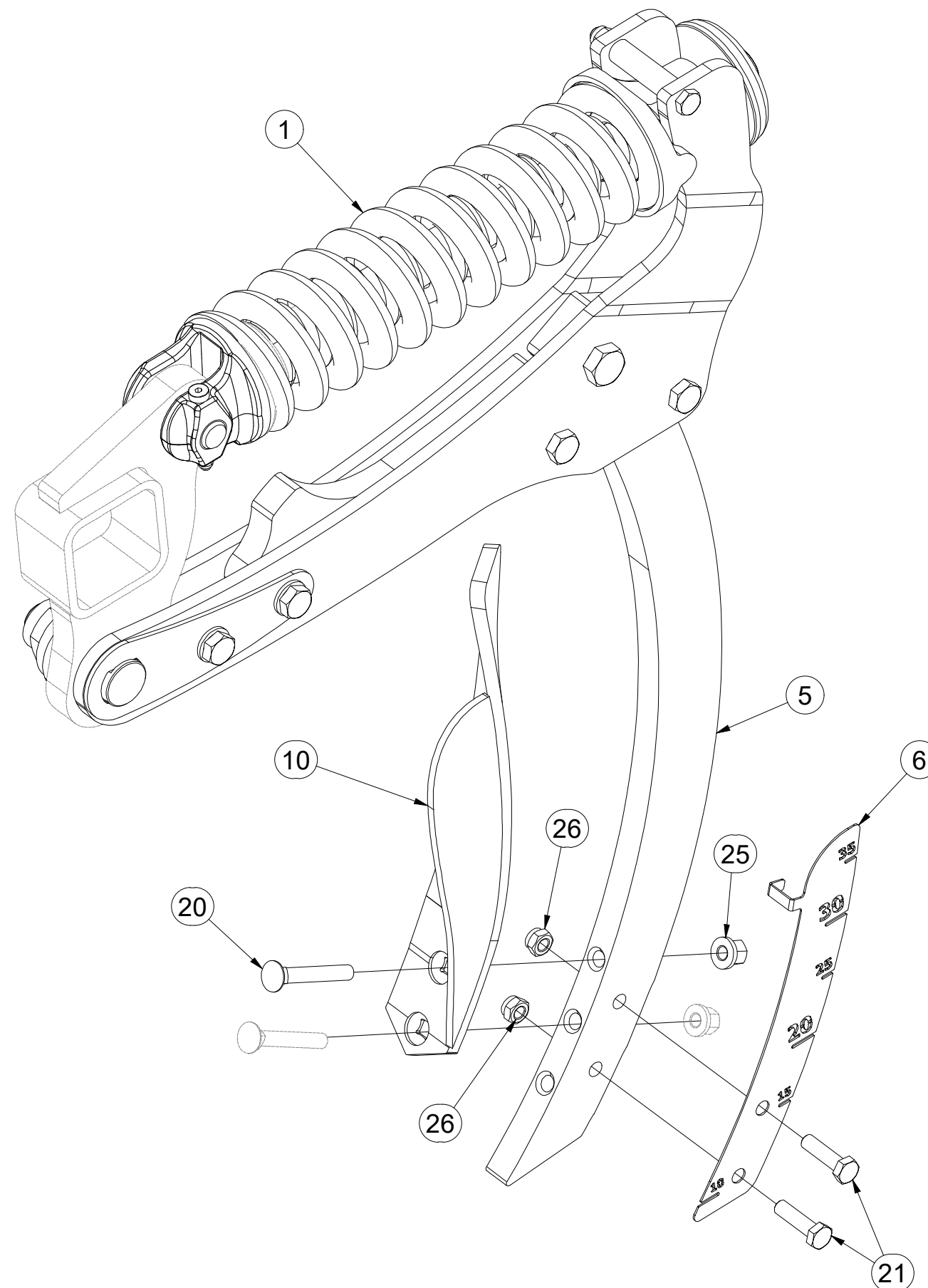
Ⓕ UNITÉ DE TRAVAIL

VZ00045374

Ⓖ WORKING CHISEL

Ⓔ РАБОЧИЙ УЗЕЛ

Ⓗ JEDNOSTKA ROBOCZA



| Pos. | Part Number | Pcs. |
|------|-------------|------|
| 1 | VZ00045370 | 1 |
| 5 | VZ00011920 | 1 |
| 6 | VZ00004550 | 1 |
| 10 | VZ00027397 | 1 |
| 20 | m08764 | 1 |
| 21 | m06077 | 2 |
| 25 | m21201 | 1 |
| 26 | m04301 | 2 |

Ⓒ JIŠTĚNÍ

Ⓓ SICHERUNG

Ⓕ PROTECTION

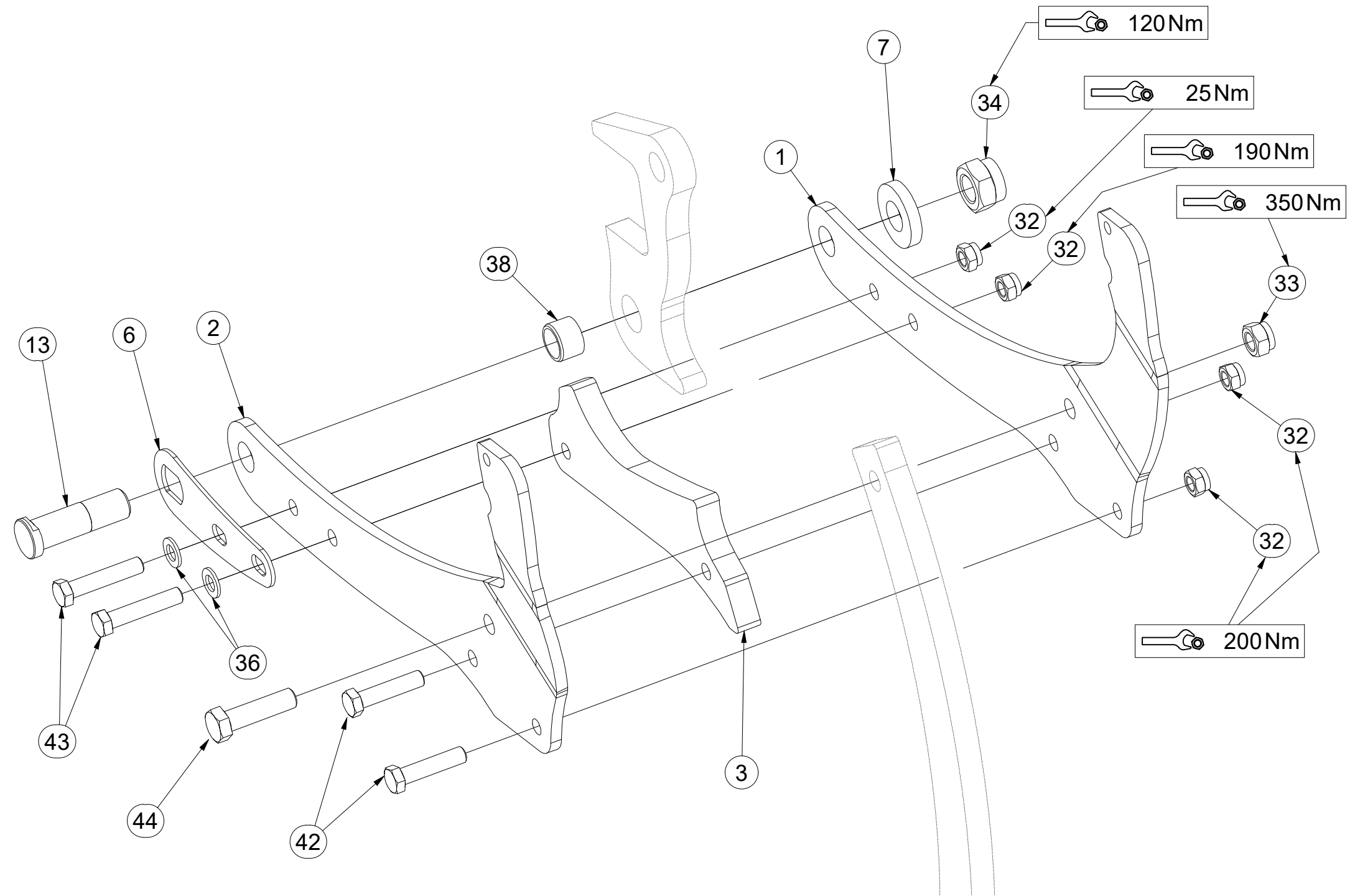
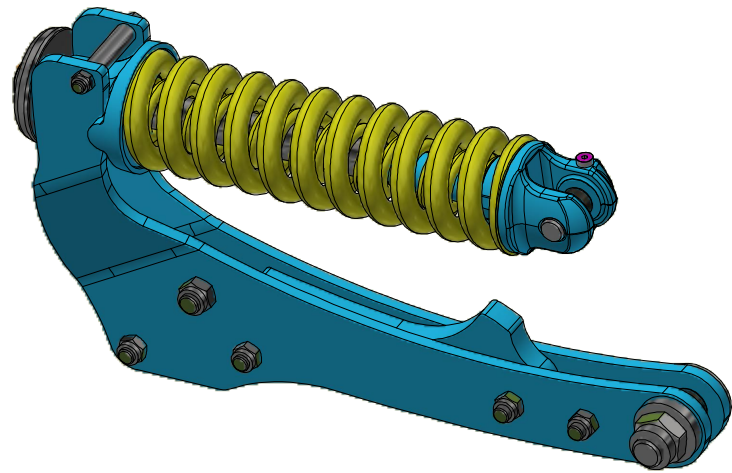
Ⓖ PROTECTION

Ⓡ ПРЕДОХРАНЕНИЕ

Ⓢ ZABEZPIECZENIE

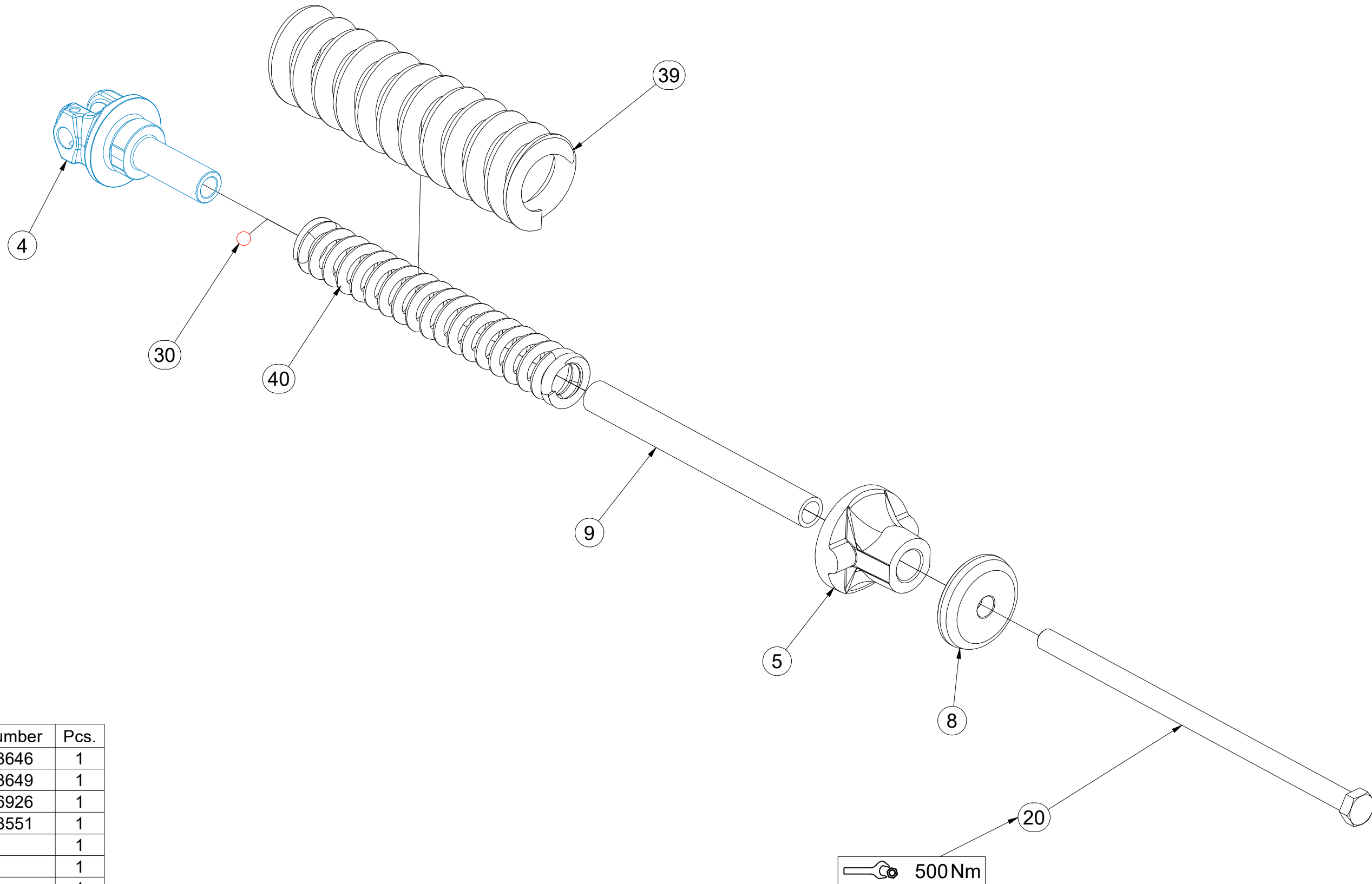


VZ00045370



| Pos. | Part Number | Pcs. |
|------|-------------|------|
| 1 | VZ00043180 | 1 |
| 2 | VZ00043181 | 1 |
| 3 | VZ00043084 | 1 |
| 6 | VZ00043550 | 1 |
| 7 | VZ00008649 | 1 |
| 13 | 4003686 | 1 |
| 32 | m03683 | 4 |
| 33 | m05648 | 1 |
| 34 | m08036 | 1 |
| 36 | m01219 | 2 |
| 38 | m15982 | 1 |
| 42 | m18147 | 2 |
| 43 | m03767 | 2 |
| 44 | m05723 | 1 |

VZ00045370



| Pos. | Part Number | Pcs. |
|------|-------------|------|
| 4 | VZ00043646 | 1 |
| 5 | VZ00043649 | 1 |
| 8 | VZ00046926 | 1 |
| 9 | VZ00043551 | 1 |
| 20 | m25226 | 1 |
| 30 | m20603 | 1 |
| 39 | m08022 | 1 |
| 40 | m25136 | 1 |

Ⓒ JIŠTĚNÍ

Ⓓ SICHERUNG

Ⓕ PROTECTION

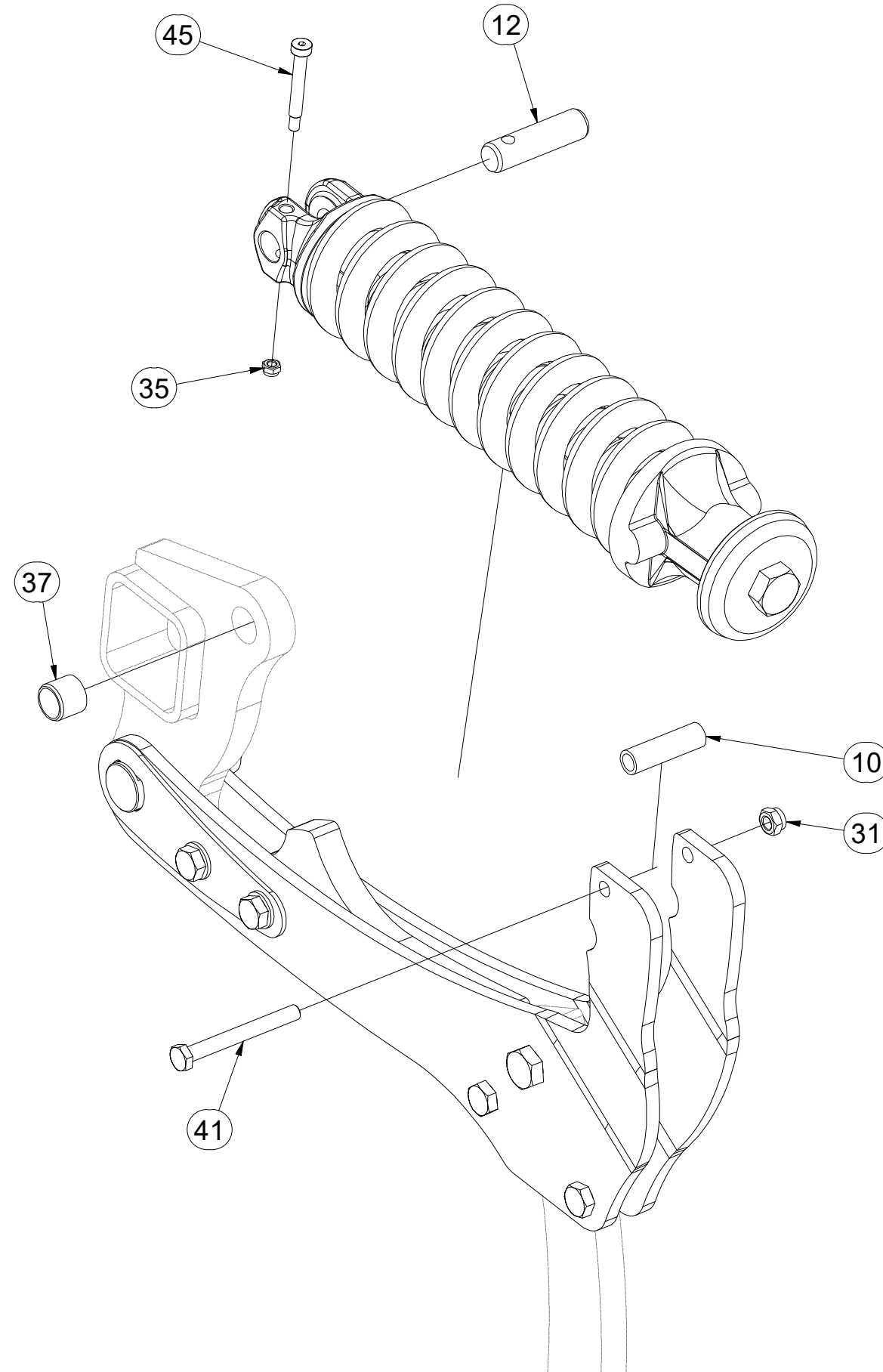
Ⓖ PROTECTION

Ⓡ ПРЕДОХРАНЕНИЕ

Ⓟ ZABEZPIECZENIE



VZ00045370



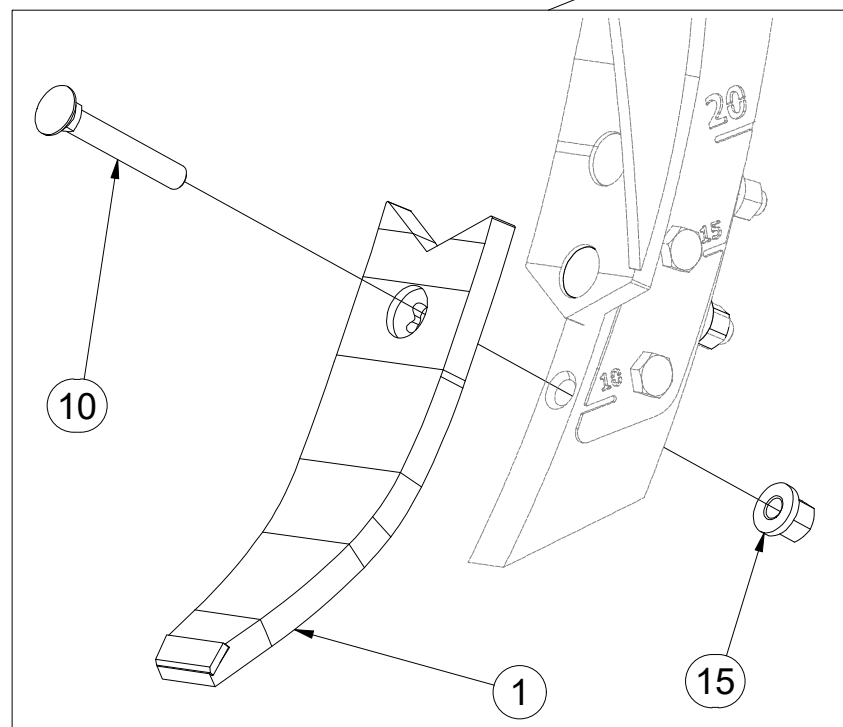
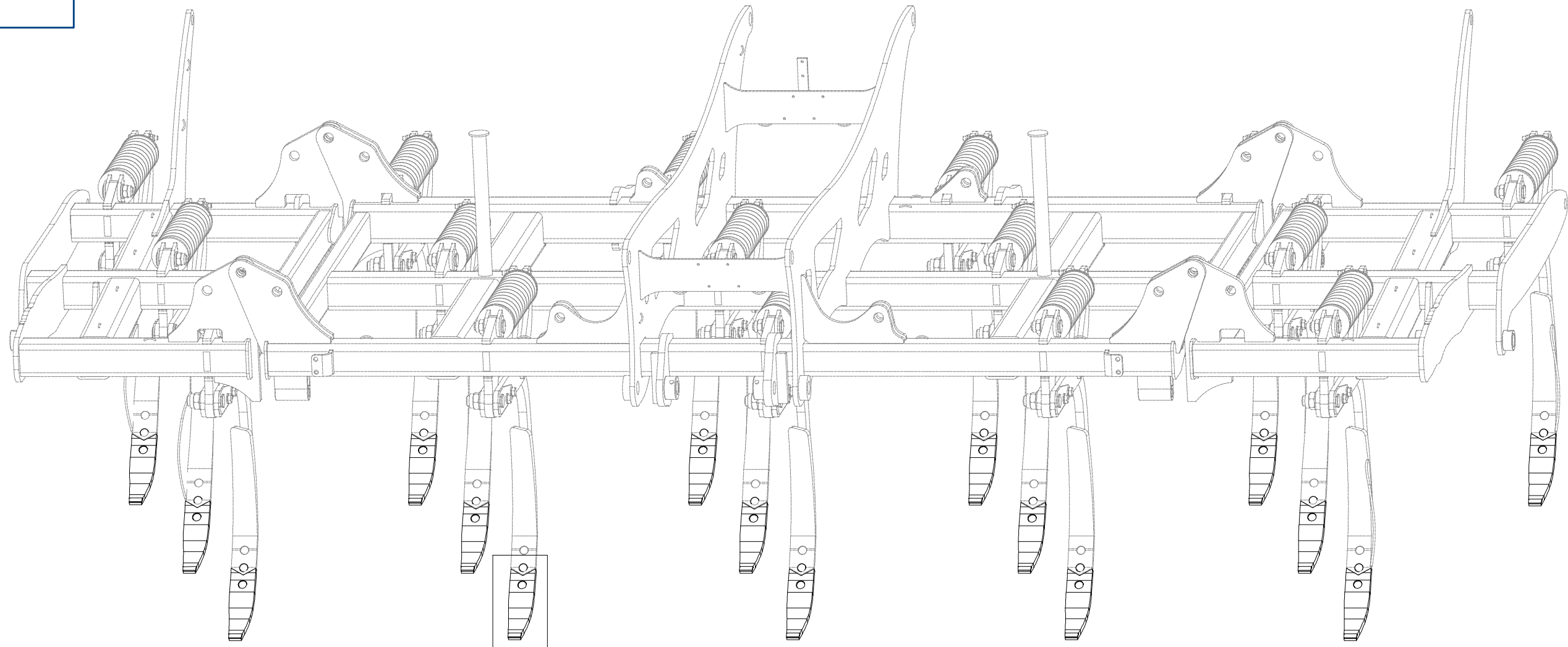
| Pos. | Part Number | Pcs. |
|------|-------------|------|
| 10 | VZ00007967 | 1 |
| 12 | VZ00045383 | 1 |
| 31 | m04301 | 1 |
| 35 | m04503 | 1 |
| 37 | m15981 | 1 |
| 41 | m03927 | 1 |
| 45 | m25410 | 1 |

CZ SADA DLÁT
 D MIESELSATZ
 F KIT DE CISEAU

GB SET OF CHISEL
 RU КОМПЛЕКТ ДОЛОТОВ
 PL ZESTAW DŁUTÓW



3012016



| Pos. | Part Number | Pcs. |
|------|-------------|------|
| 1 | 4005271 | 16 |
| 15 | m21201 | 32 |
| 10 | m08764 | 32 |

☉ SADA KŘÍDEL

☉ FLÜGELSATZ

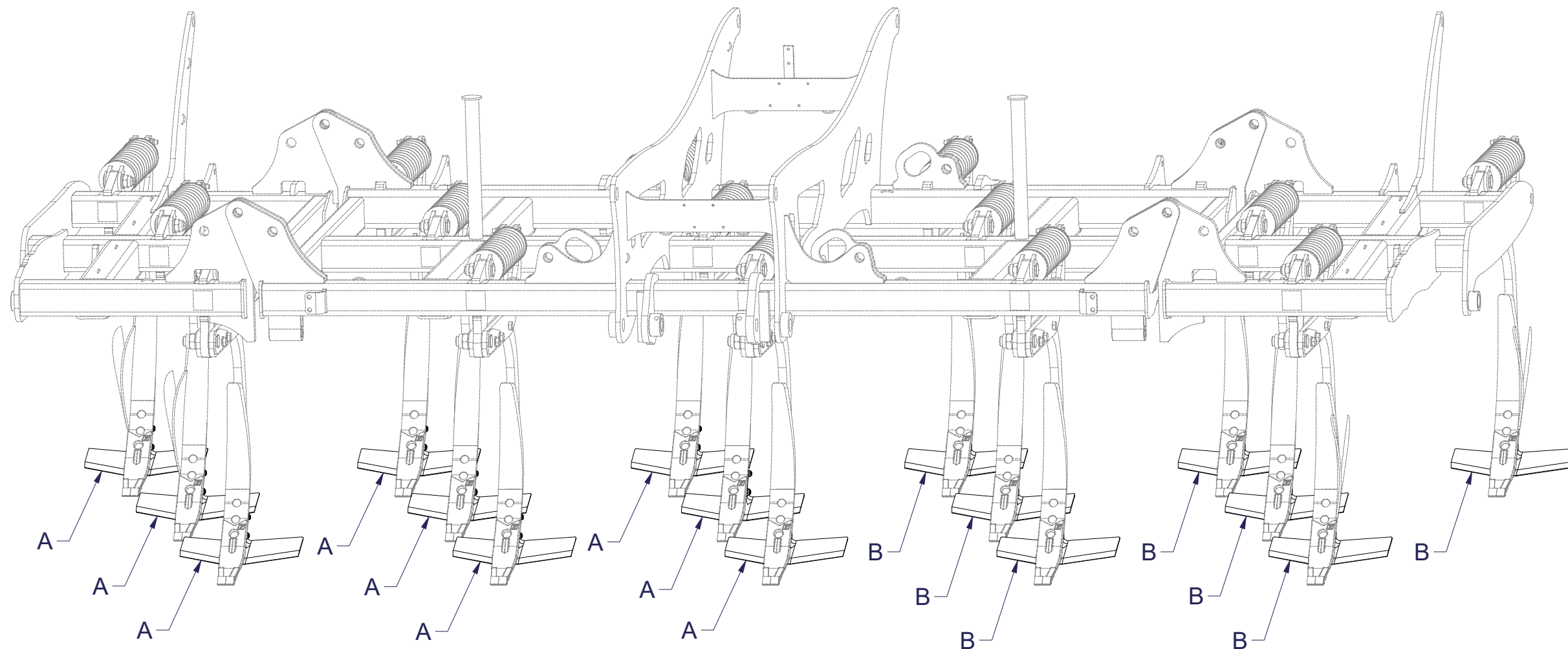
☉ KIT D'AILETTES

VZ00048525

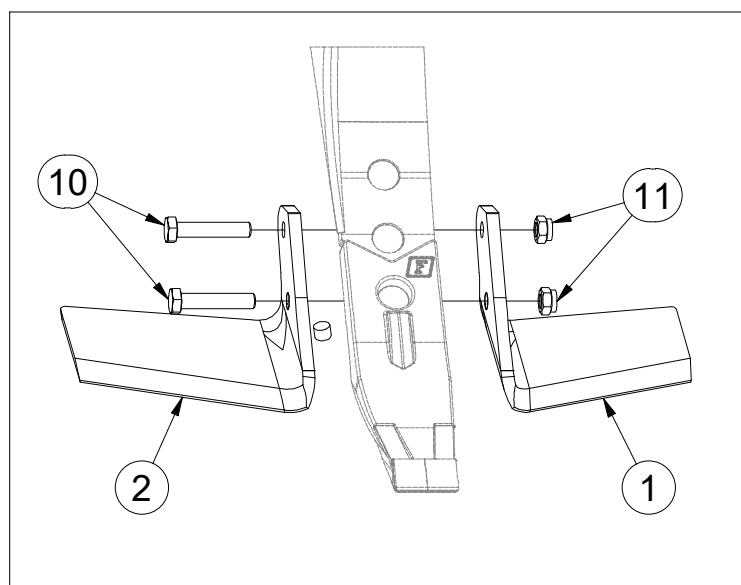
☉ SET OF WINGS

☉ КОМПЛЕКТ КРЫЛЫШЕК

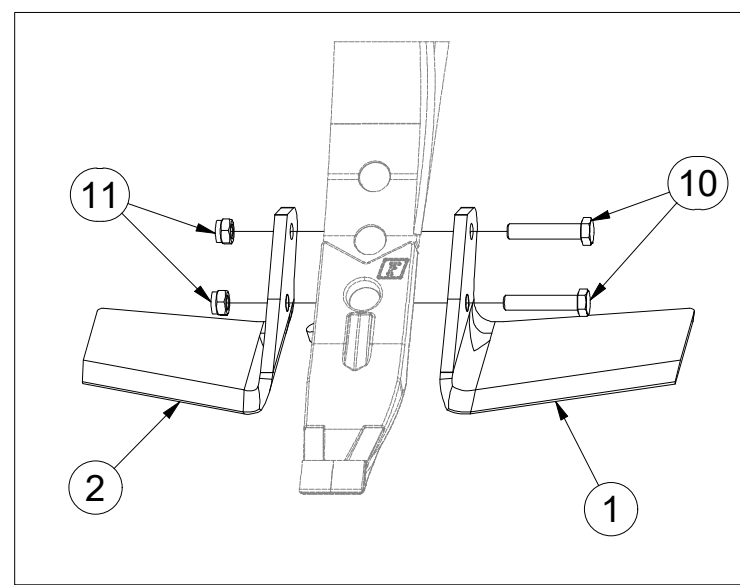
☉ ZESTAW SKRZYDEŁEK



A



B



| Pos. | Part Number | Pcs. |
|------|-------------|------|
| 1 | 3013021 | 16 |
| 2 | 3013020 | 16 |
| 10 | m01131 | 32 |
| 11 | m21001 | 32 |

ⒸZ SADA UCHYCENÍ DISKŮ

Ⓓ DISC-HALTE-KIT

Ⓕ KIT PORTE DISQUE

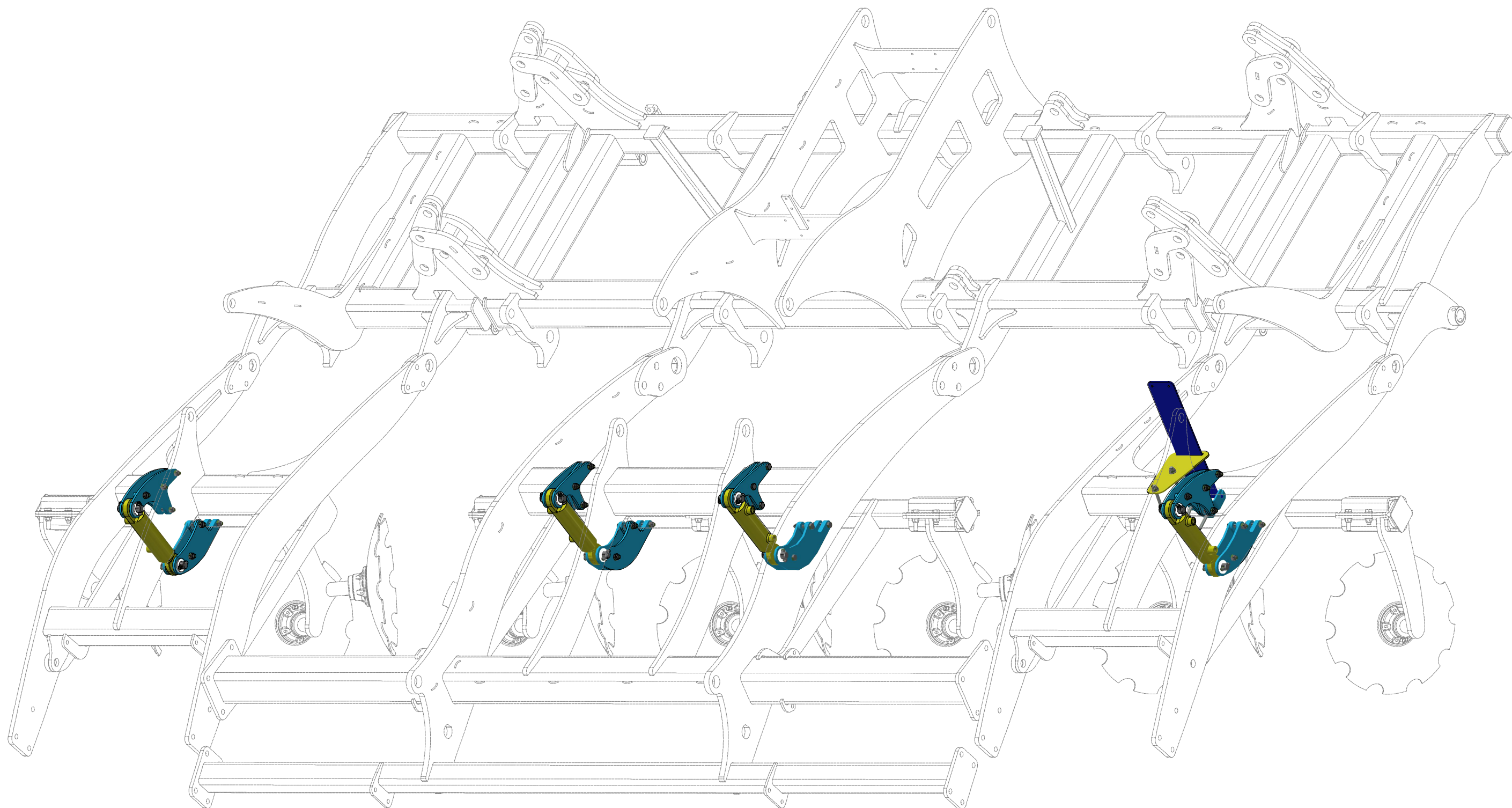
VZ00042208

ⒼB DISC HOLDING KIT

ⒺU КОМПЛЕКТ ДЕРЖАТЕЛЯ ДИСКА

ⒻL ZESTAW DO MOCOWANIA TARCZY

Farmet



Ⓒ SADA UCHYCENÍ DISKŮ

Ⓓ DISC-HALTE-KIT

Ⓕ KIT PORTE DISQUE

Ⓖ DISC HOLDING KIT

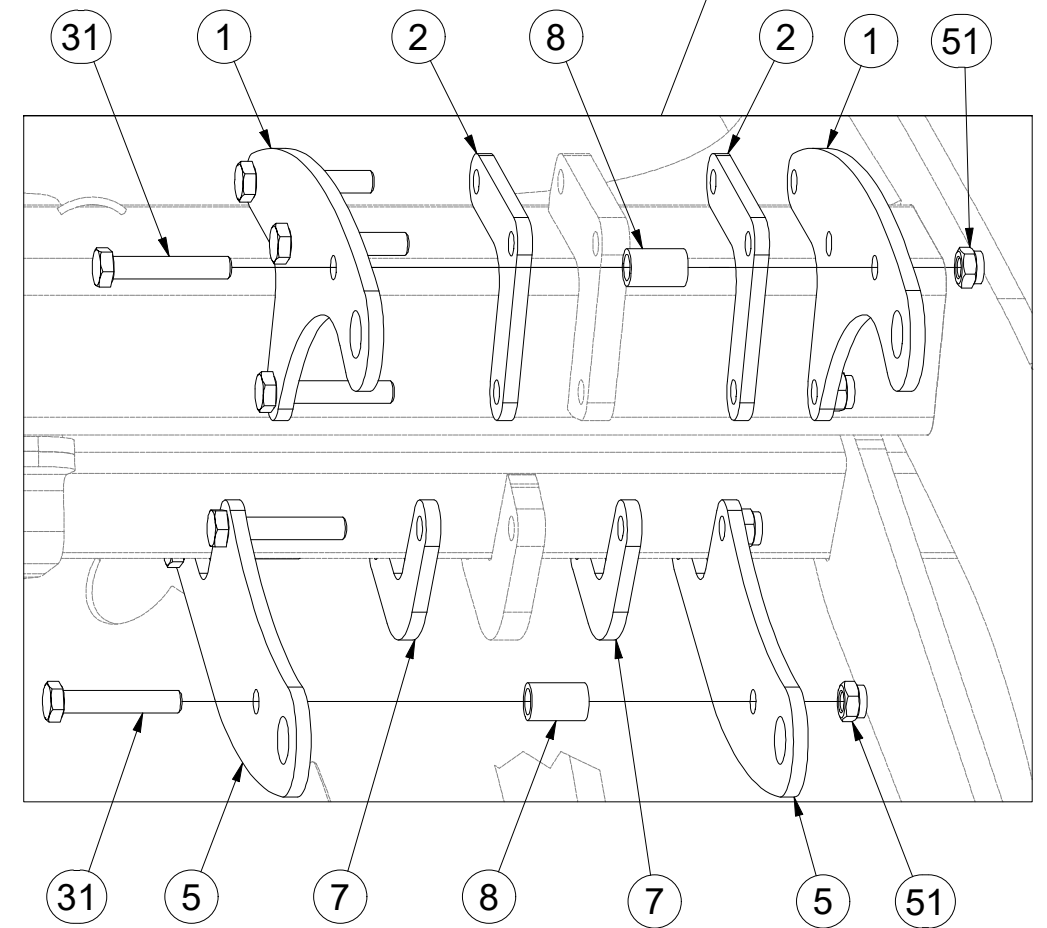
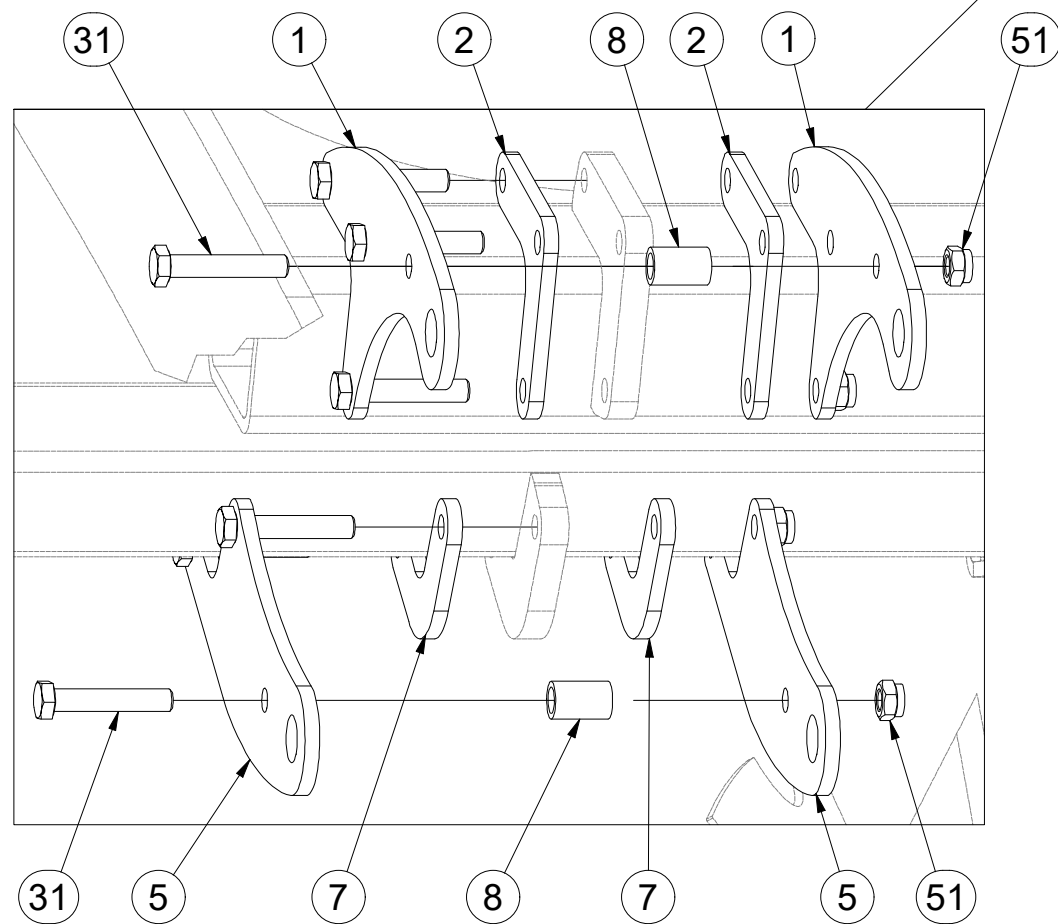
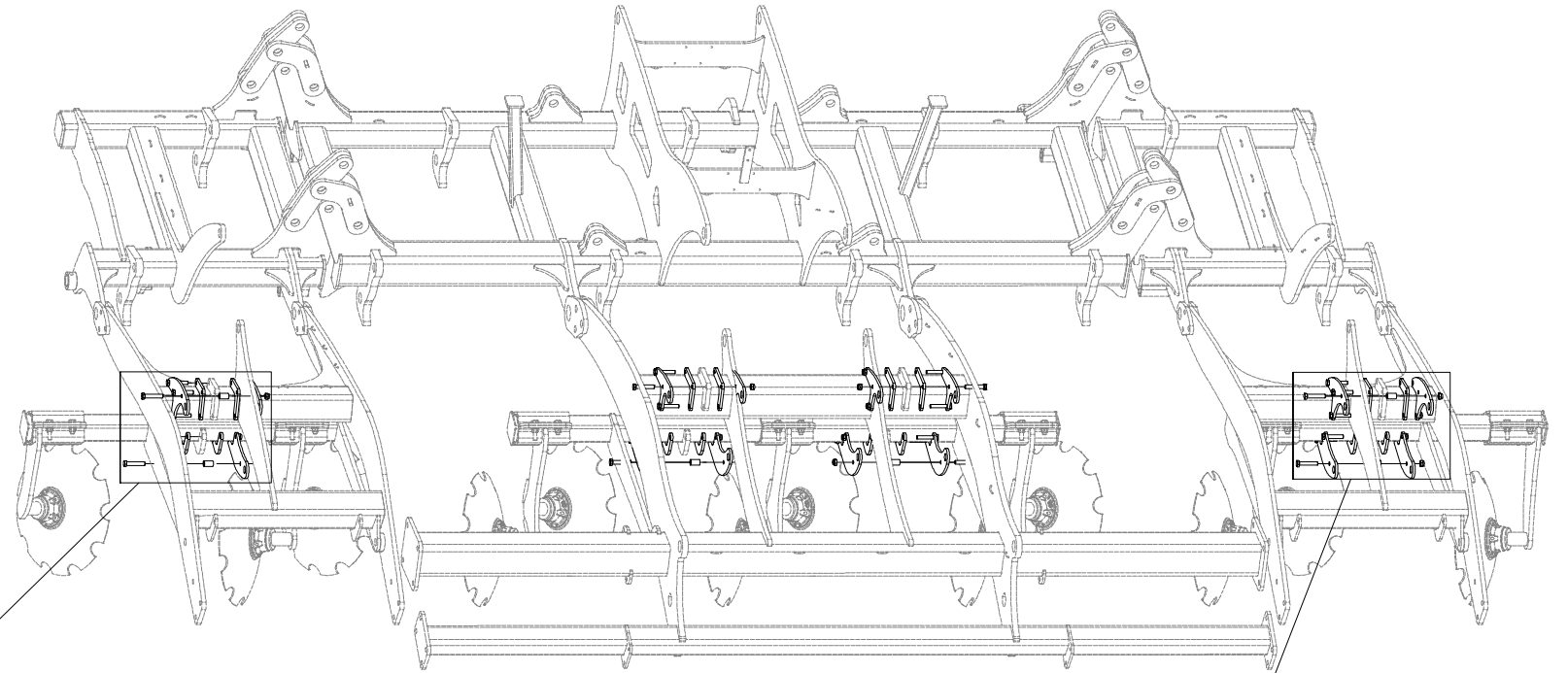
Ⓡ КОМПЛЕКТ ДЕРЖАТЕЛЯ ДИСКА

Ⓢ ZESTAW DO MOCOWANIA TARCZY



VZ00042208

| Pos. | Part Number | Pcs. |
|------|-------------|------|
| 1 | VZ00023428 | 4 |
| 2 | VZ00023429 | 4 |
| 5 | VZ00023426 | 4 |
| 7 | VZ00023427 | 8 |
| 8 | VZ00023433 | 6 |
| 31 | m05898 | 26 |
| 51 | m04301 | 30 |



Ⓒ SADA UCHYCENÍ DISKŮ

Ⓓ DISC-HALTE-KIT

Ⓕ KIT PORTE DISQUE

Ⓖ DISC HOLDING KIT

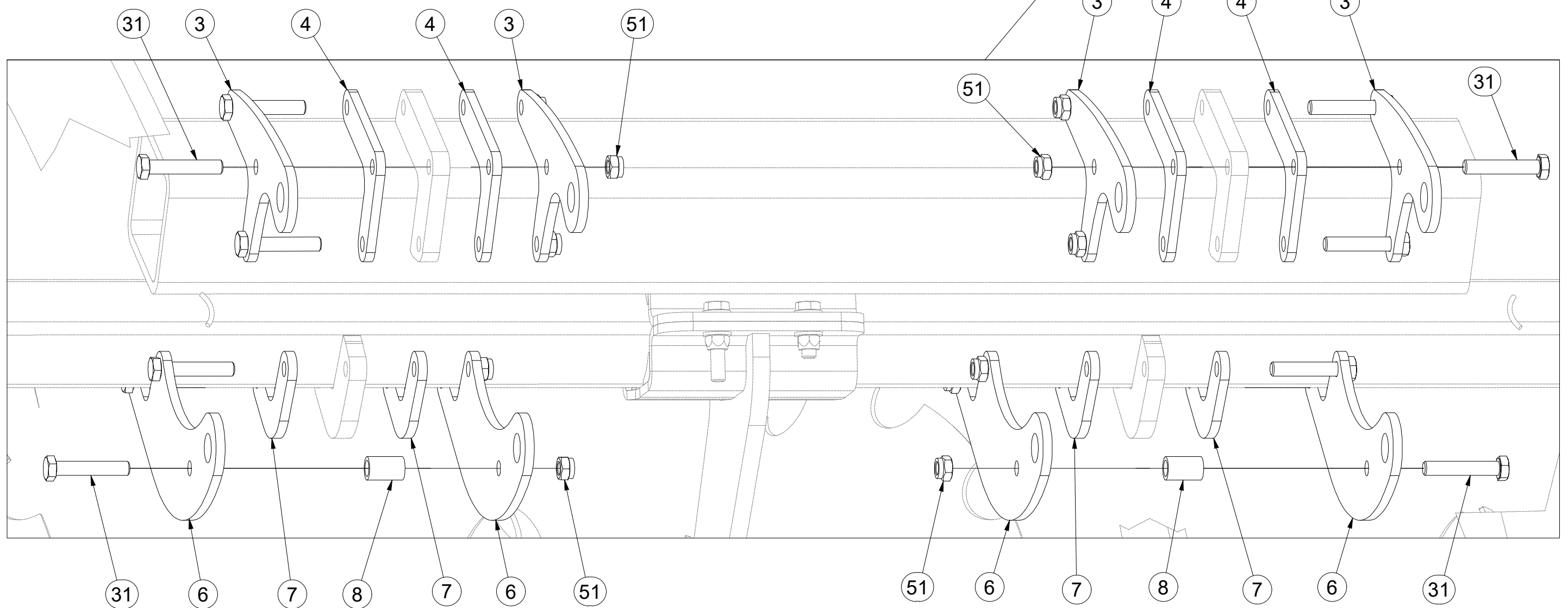
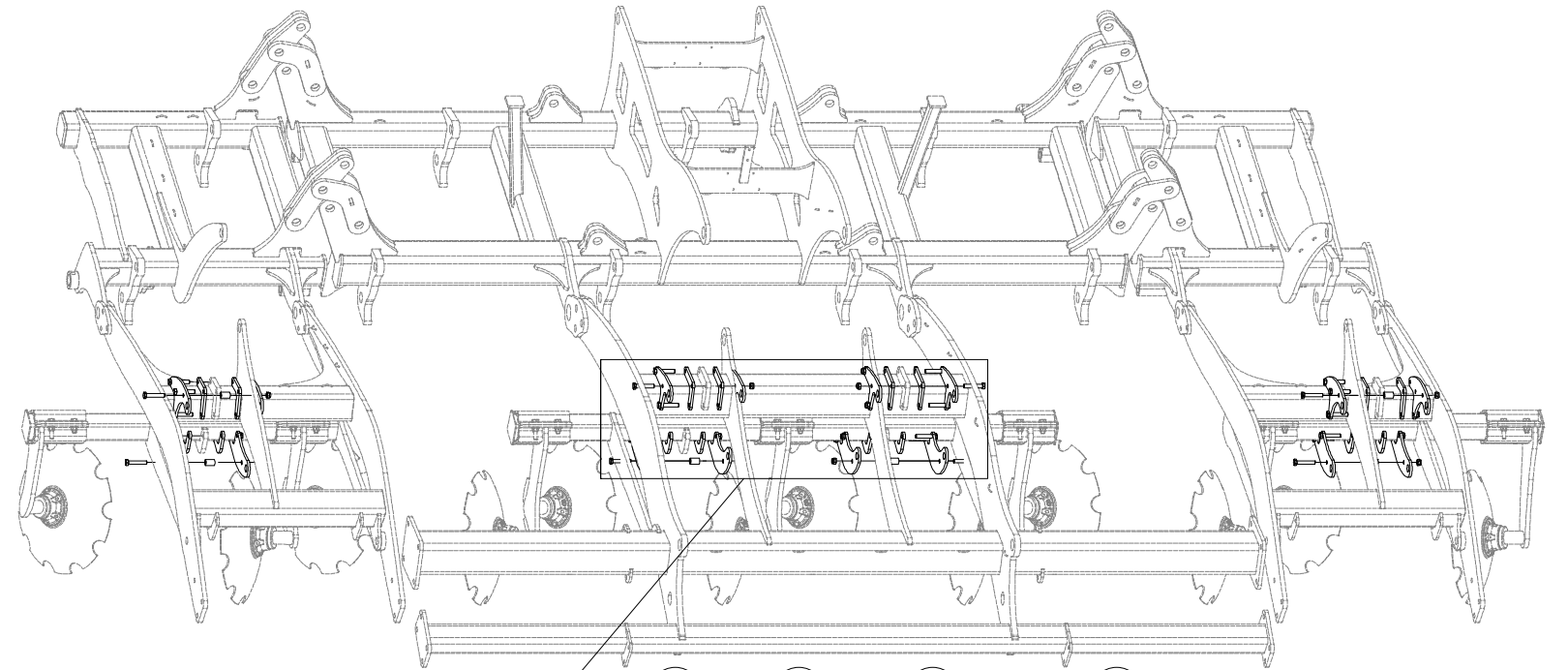
Ⓡ КОМПЛЕКТ ДЕРЖАТЕЛЯ ДИСКА

Ⓢ ZESTAW DO MOCOWANIA TARCZY



VZ00042208

| Pos. | Part Number | Pcs. |
|------|-------------|------|
| 3 | VZ00044418 | 4 |
| 4 | VZ00044419 | 4 |
| 6 | VZ00023430 | 4 |
| 7 | VZ00023427 | 8 |
| 8 | VZ00023433 | 6 |
| 31 | m05898 | 26 |
| 51 | m04301 | 30 |



Ⓒ CZ SADA UCHYCENÍ DISKŮ

Ⓓ DISC-HALTE-KIT

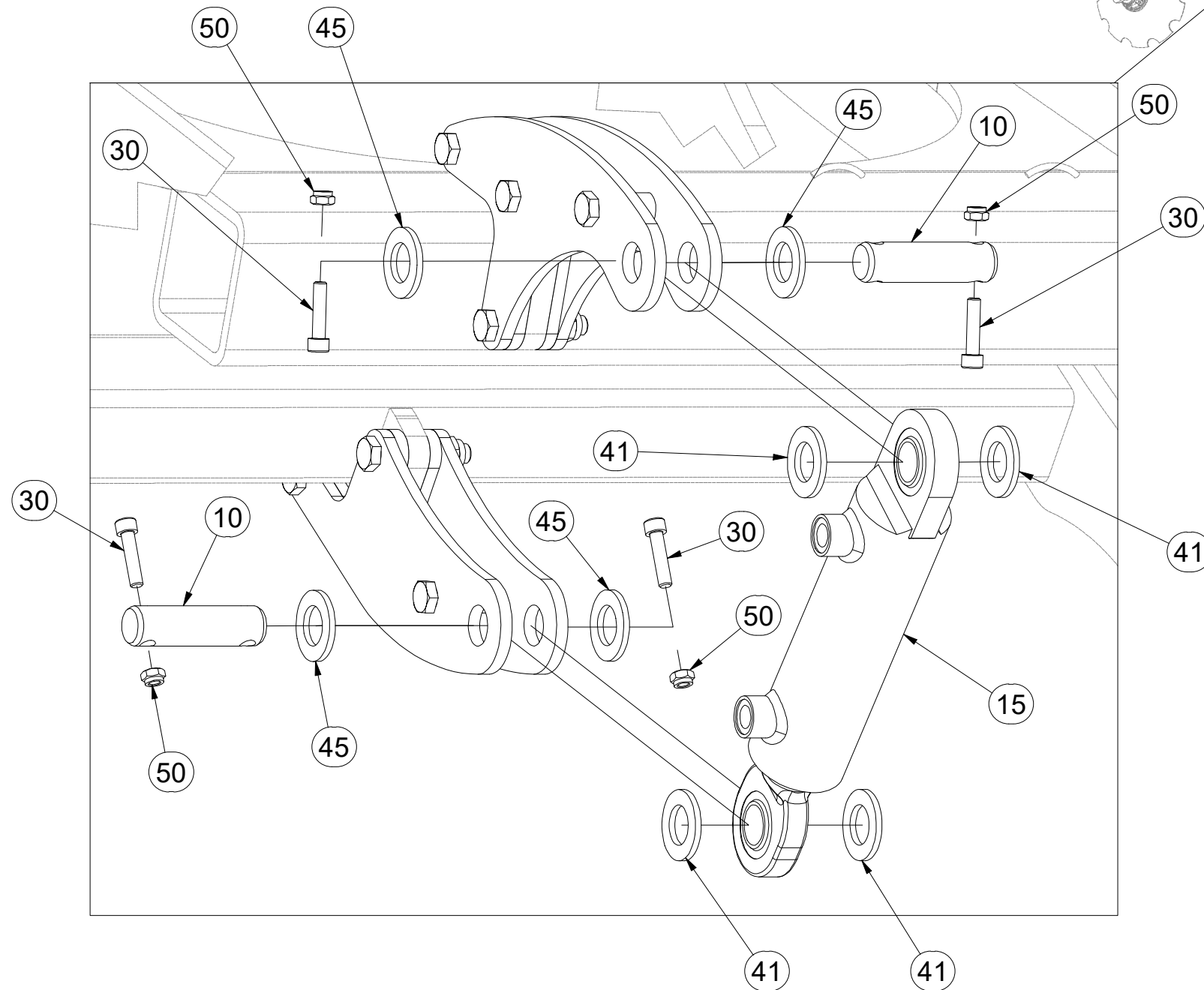
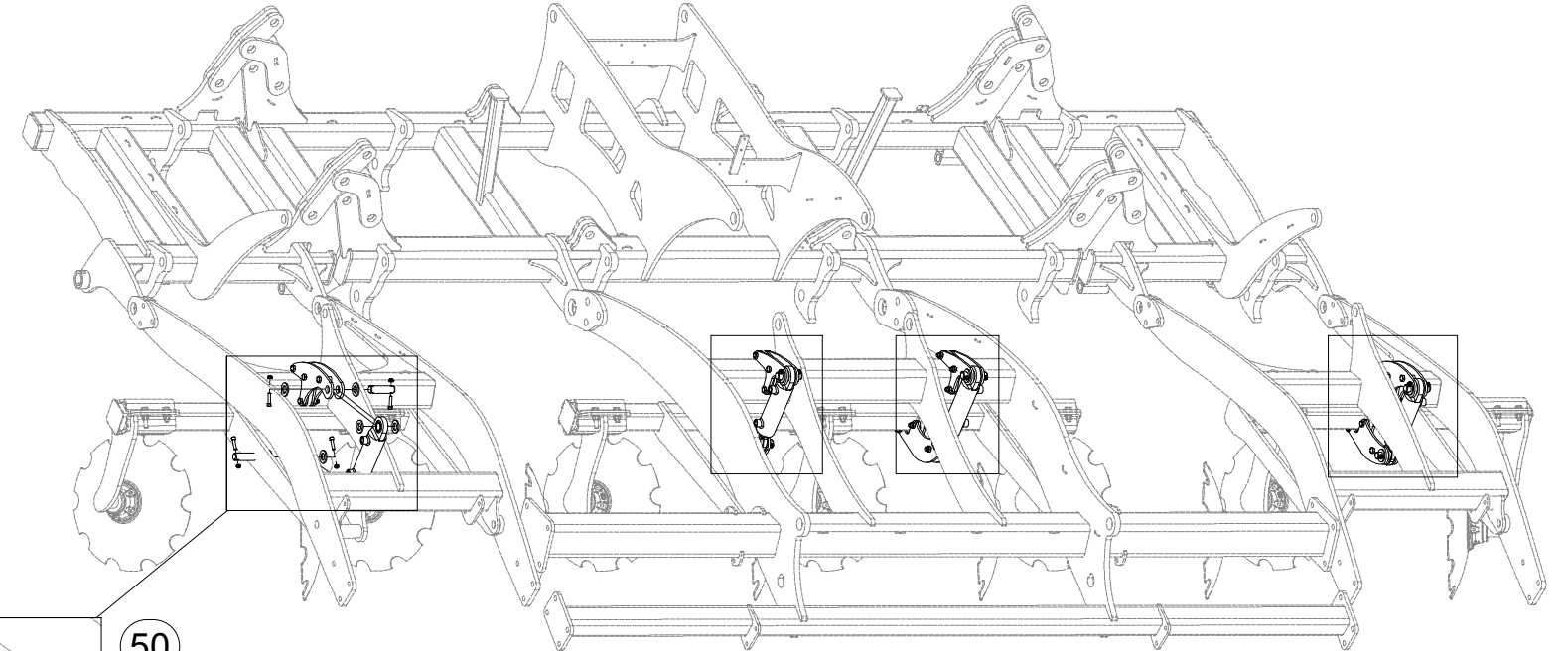
Ⓕ KIT PORTE DISQUE

VZ00042208

Ⓖ GB DISC HOLDING KIT

Ⓔ RU КОМПЛЕКТ ДЕРЖАТЕЛЯ ДИСКА

Ⓗ PL ZESTAW DO MOCOWANIA TARCZY



| Pos. | Part Number | Pcs. |
|------|-------------|------|
| 10 | 4010391 | 8 |
| 15 | m25320 | 4 |
| 30 | m09464 | 16 |
| 41 | m03718 | 16 |
| 45 | m14028 | 16 |
| 50 | m04503 | 16 |

Ⓒ SADA UCHYCENÍ DISKŮ

Ⓓ DISC-HALTE-KIT

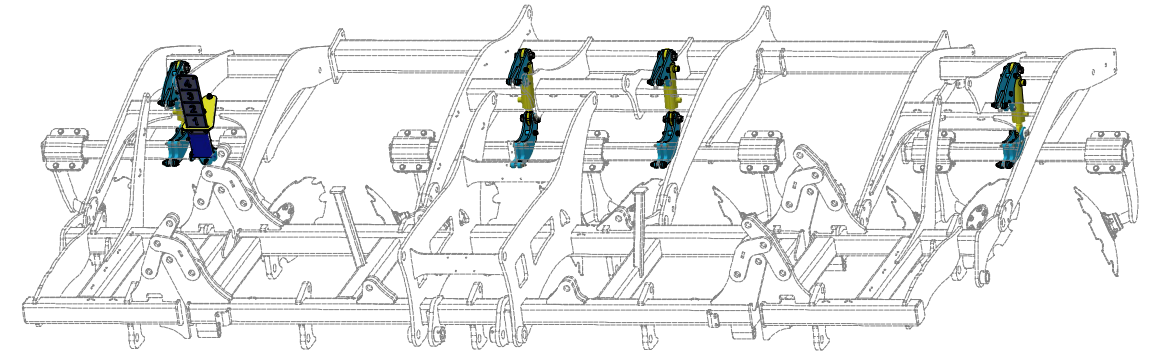
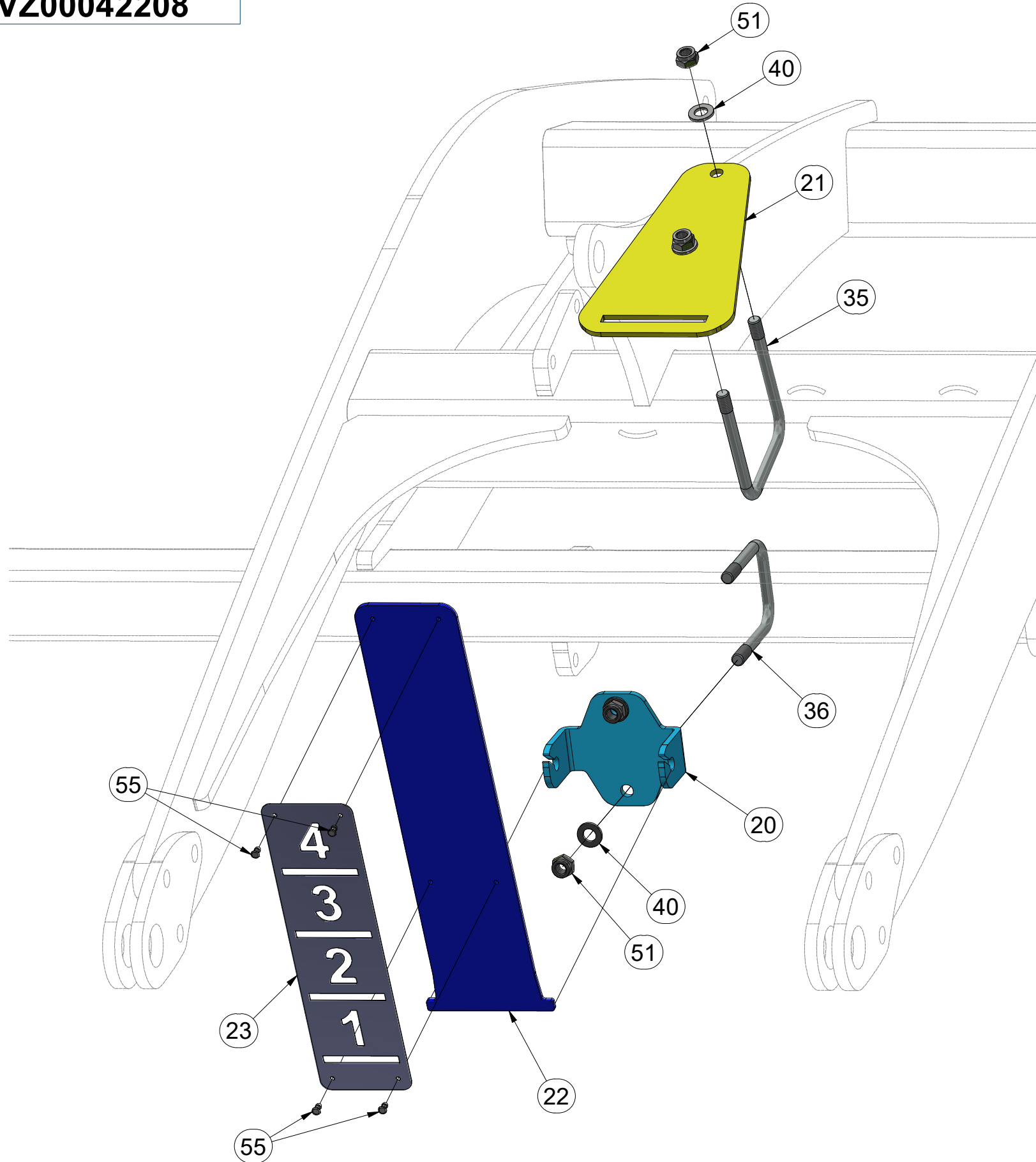
Ⓕ KIT PORTE DISQUE

VZ00042208

Ⓖ DISC HOLDING KIT

Ⓡ КОМПЛЕКТ ДЕРЖАТЕЛЯ ДИСКА

Ⓢ ZESTAW DO MOCOWANIA TARCZY



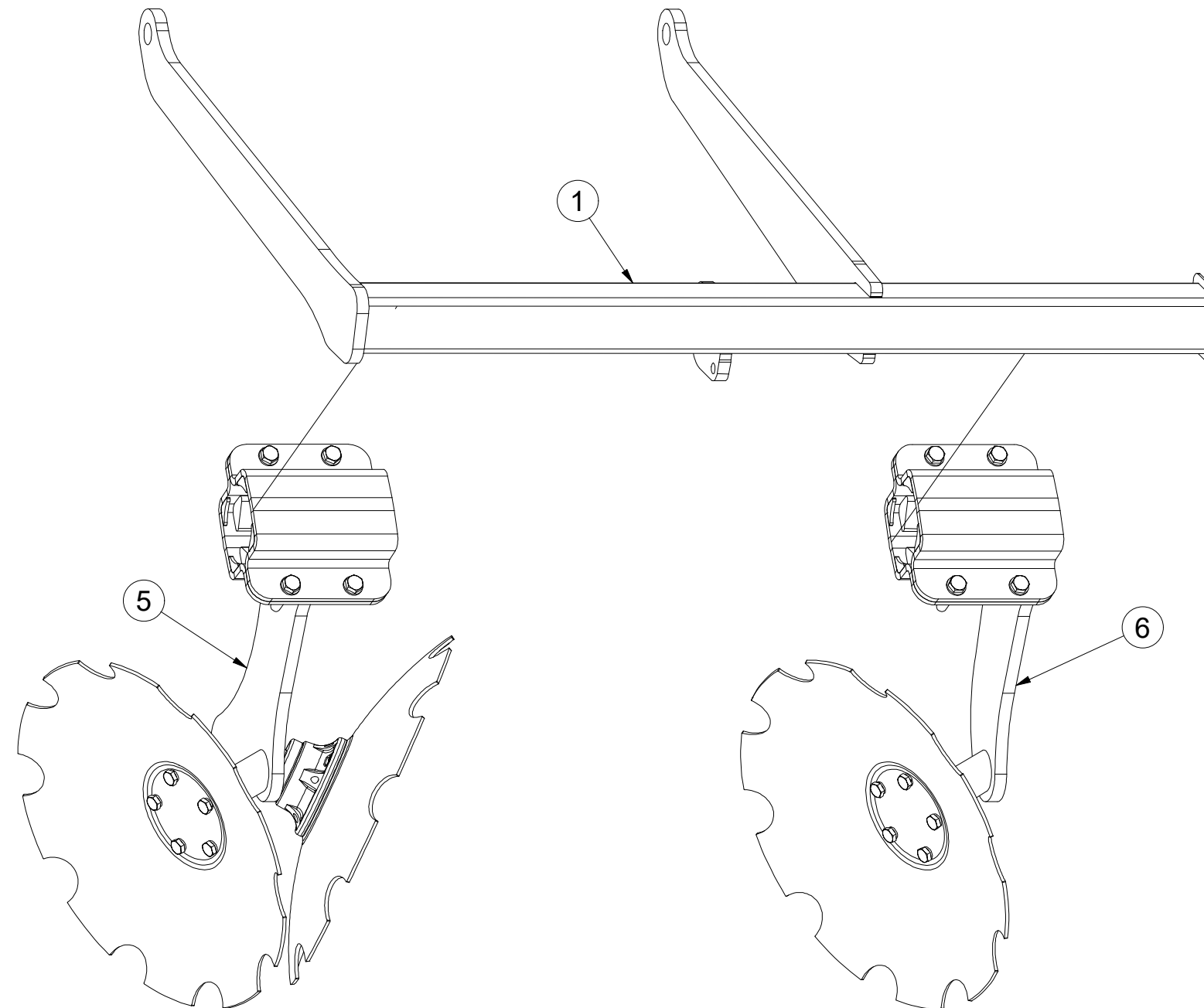
| Pos. | Part Number | Pcs. |
|------|-------------|------|
| 20 | 4022918 | 1 |
| 21 | VZ00023442 | 1 |
| 22 | VZ00023443 | 1 |
| 23 | VZ00023444 | 1 |
| 35 | m10074 | 1 |
| 36 | m17233 | 1 |
| 40 | m01214 | 4 |
| 51 | m04301 | 30 |
| 55 | m05776 | 4 |

Ⓒ SADA DISKŮ
Ⓓ SCHEIBENSATZ
Ⓕ KIT DE DISQUES

Ⓖ DISC SET
Ⓡ КОМПЛЕКТ ДИСКОВ
Ⓢ ZESTAW TALERZY



VZ00026069



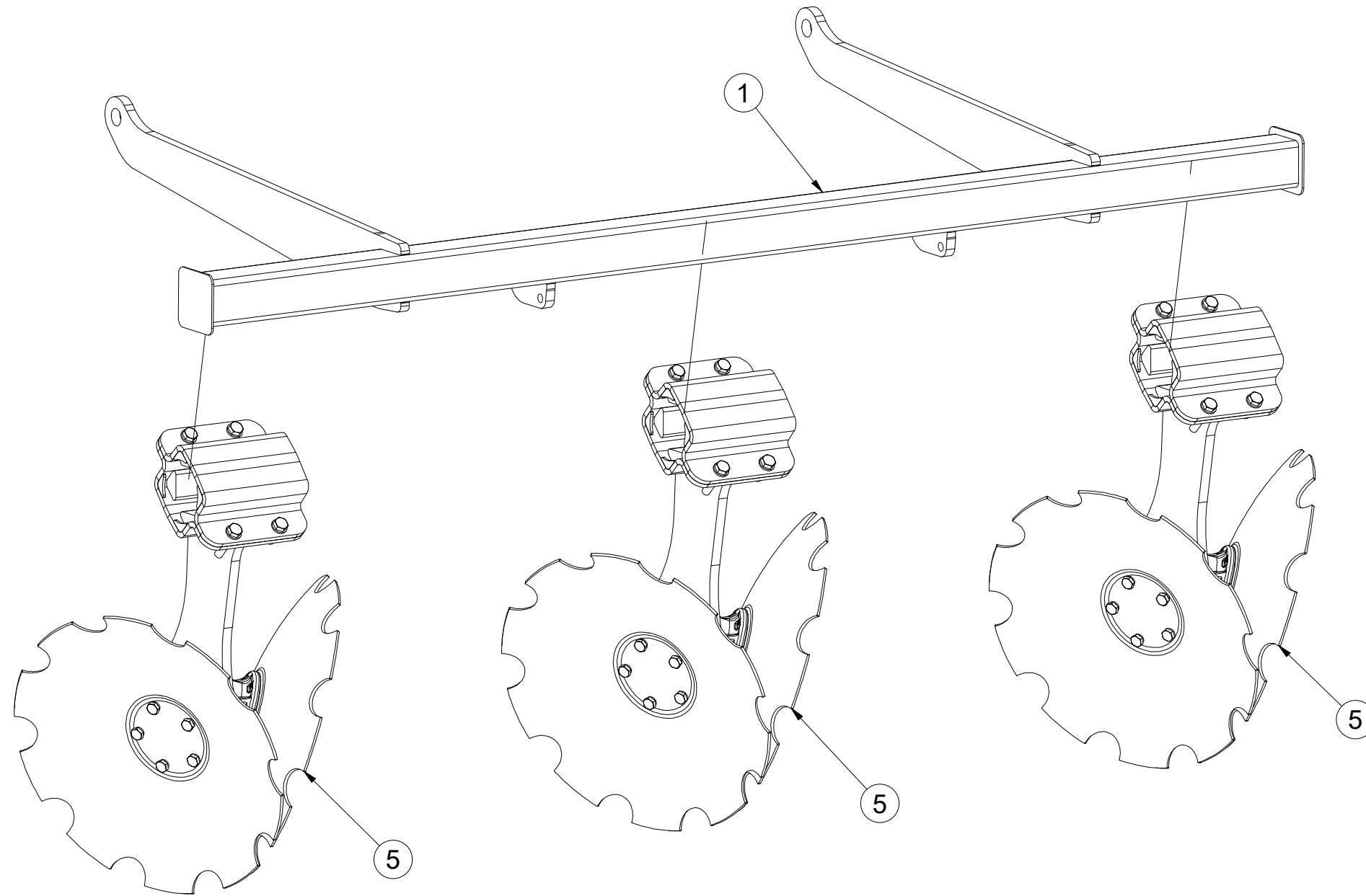
| Pos. | Part Number | Pcs. |
|------|-------------|------|
| 1 | VZ00026072 | 1 |
| 5 | 3008544 | 1 |
| 6 | 3008545 | 1 |

Ⓒ SADA DISKŮ
Ⓓ SCHEIBENSATZ
Ⓕ KIT DE DISQUES

Ⓖ DISC SET
Ⓡ КОМПЛЕКТ ДИСКОВ
Ⓟ ZESTAW TALERZY



VZ00026070



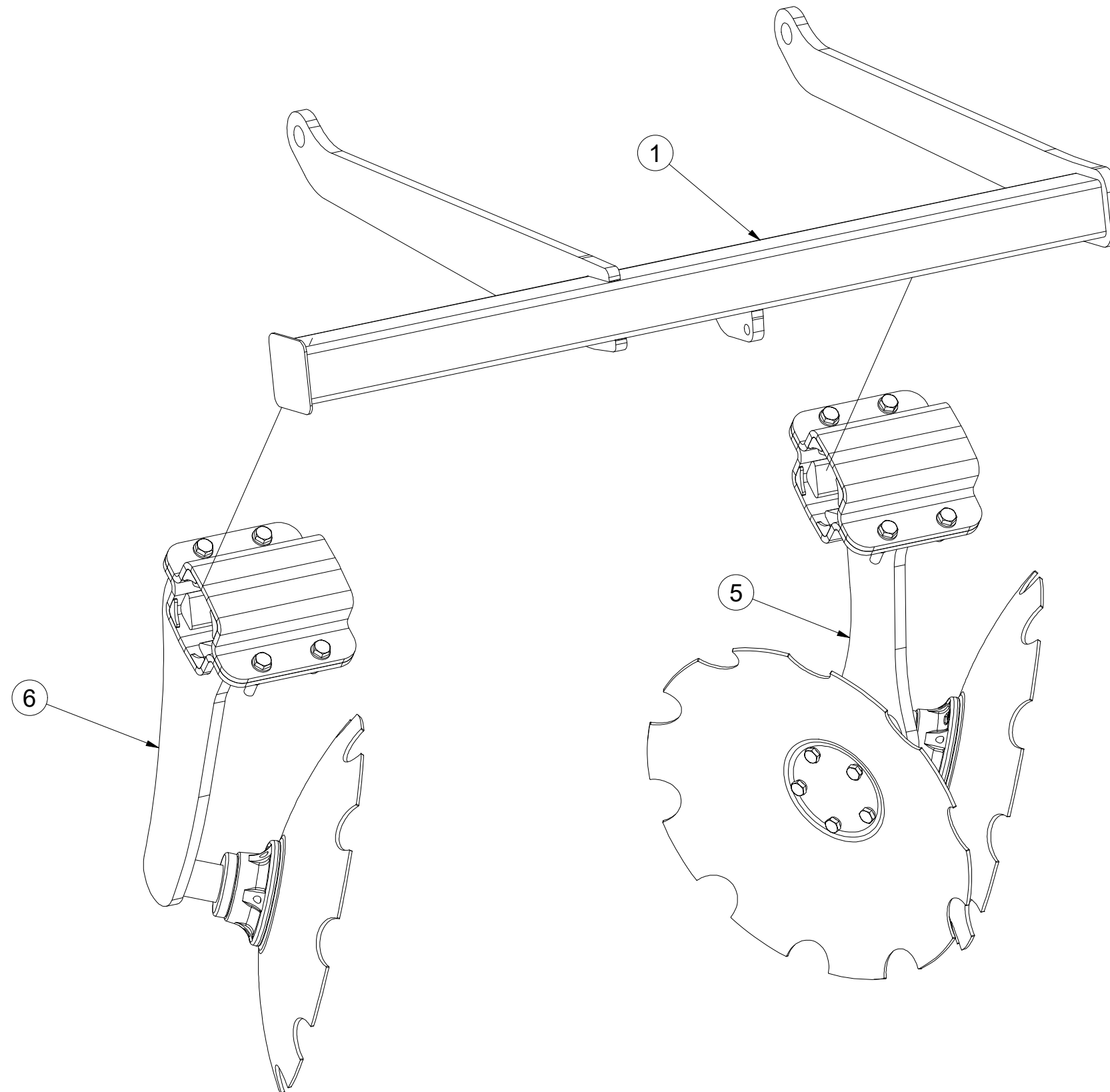
| Pos. | Part Number | Pcs. |
|------|-------------|------|
| 1 | VZ00026073 | 1 |
| 5 | 3008544 | 3 |

Ⓒ SADA DISKŮ
Ⓓ SCHEIBENSATZ
Ⓕ KIT DE DISQUES

Ⓖ DISC SET
Ⓡ КОМПЛЕКТ ДИСКОВ
Ⓢ ZESTAW TALERZY



VZ00026071



| Pos. | Part Number | Pcs. |
|------|-------------|------|
| 1 | VZ00026074 | 1 |
| 5 | 3008544 | 1 |
| 6 | 3008546 | 1 |

Ⓒ DVOJDISK

Ⓓ DUPLEXSCHEIBE

Ⓕ DISQUE DOUBLE

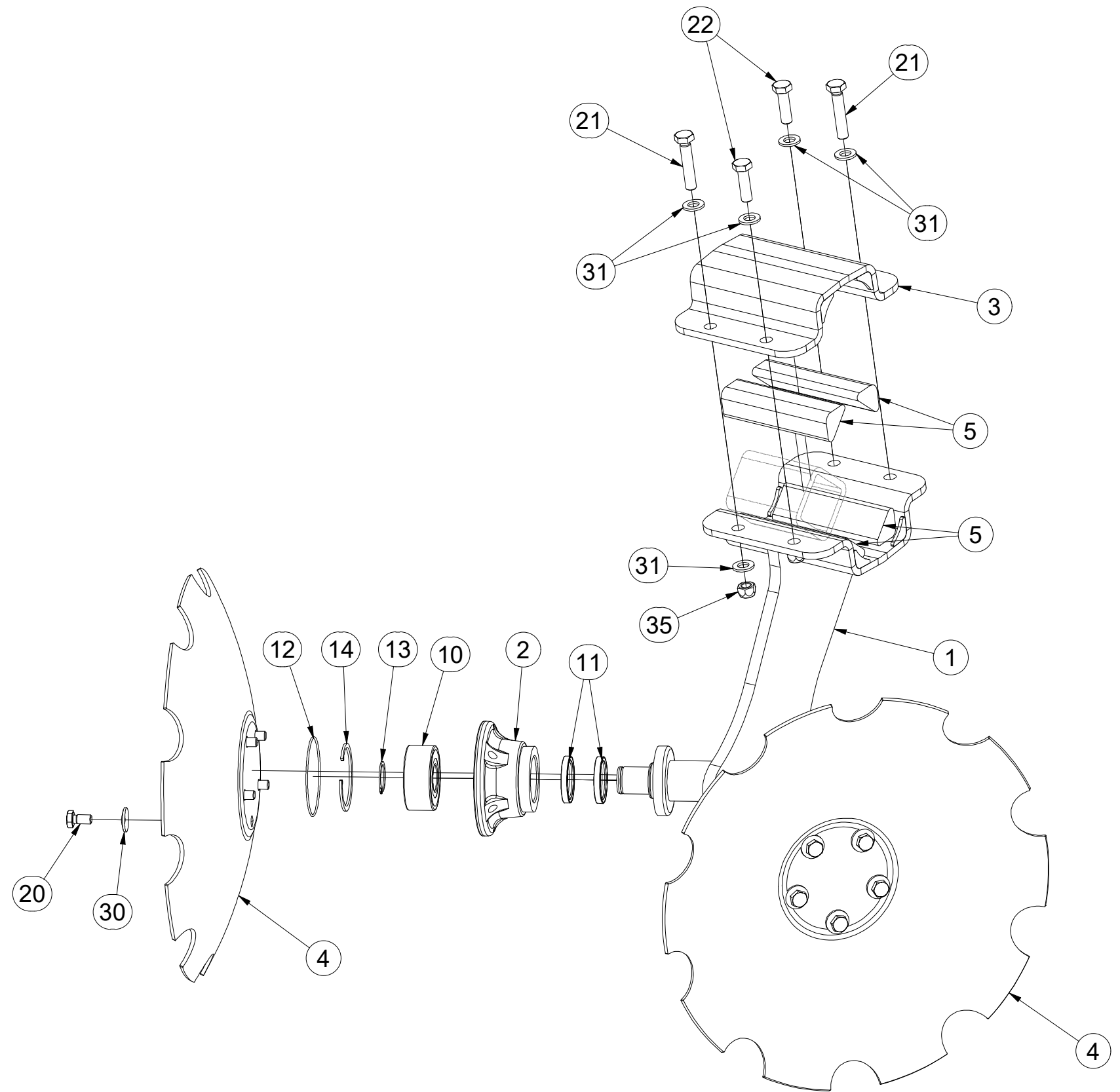
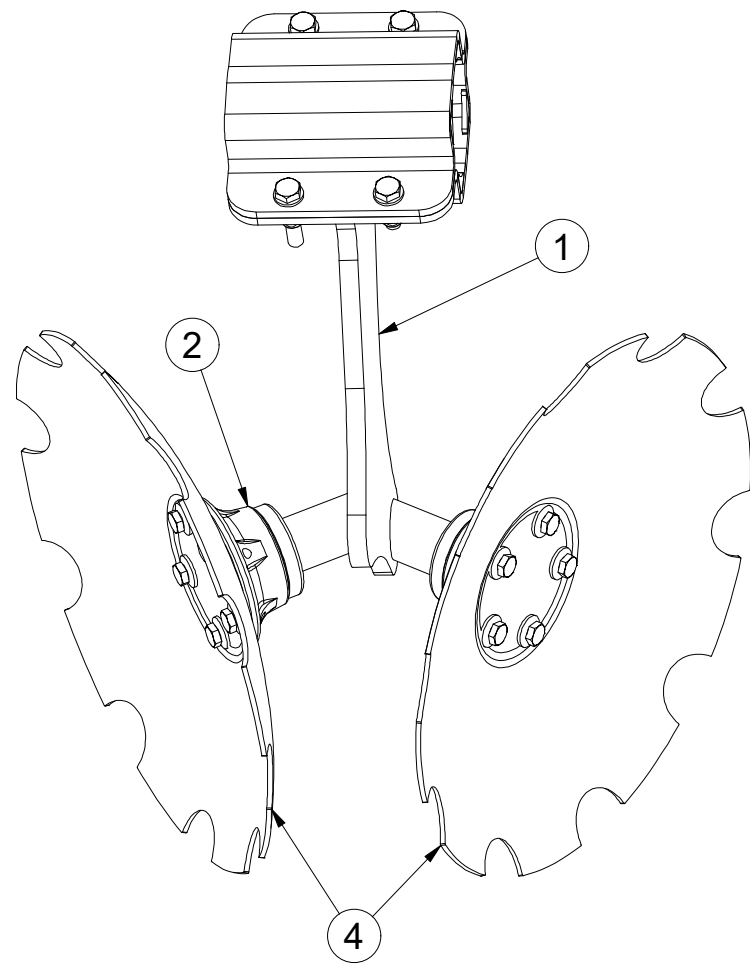
Ⓖ TWIN DISC

Ⓡ ДВОЙНОЙ ДИСК

Ⓟ TALERZ PODWÓJNY



3008544



| Pos. | Part Number | Pcs. | Pos. | Part Number | Pcs. |
|------|-------------|------|------|-------------|------|
| 1 | 3008423 | 1 | 13 | m03705 | 2 |
| 2 | 3008166 | 2 | 14 | m04250 | 2 |
| 3 | 9004269 | 1 | 20 | m00120 | 10 |
| 4 | 3003144 | 2 | 21 | m07963 | 2 |
| 5 | 9004286 | 4 | 22 | m03926 | 2 |
| 10 | m14552 | 2 | 30 | m19157 | 10 |
| 11 | m11160 | 4 | 31 | m01214 | 8 |
| 12 | m11159 | 2 | 35 | m12134 | 4 |

Ⓒ DISK LEVÝ

Ⓓ SCHEIBE, LINKE

Ⓕ DISQUE GAUCHE

Ⓖ LEFT DISC

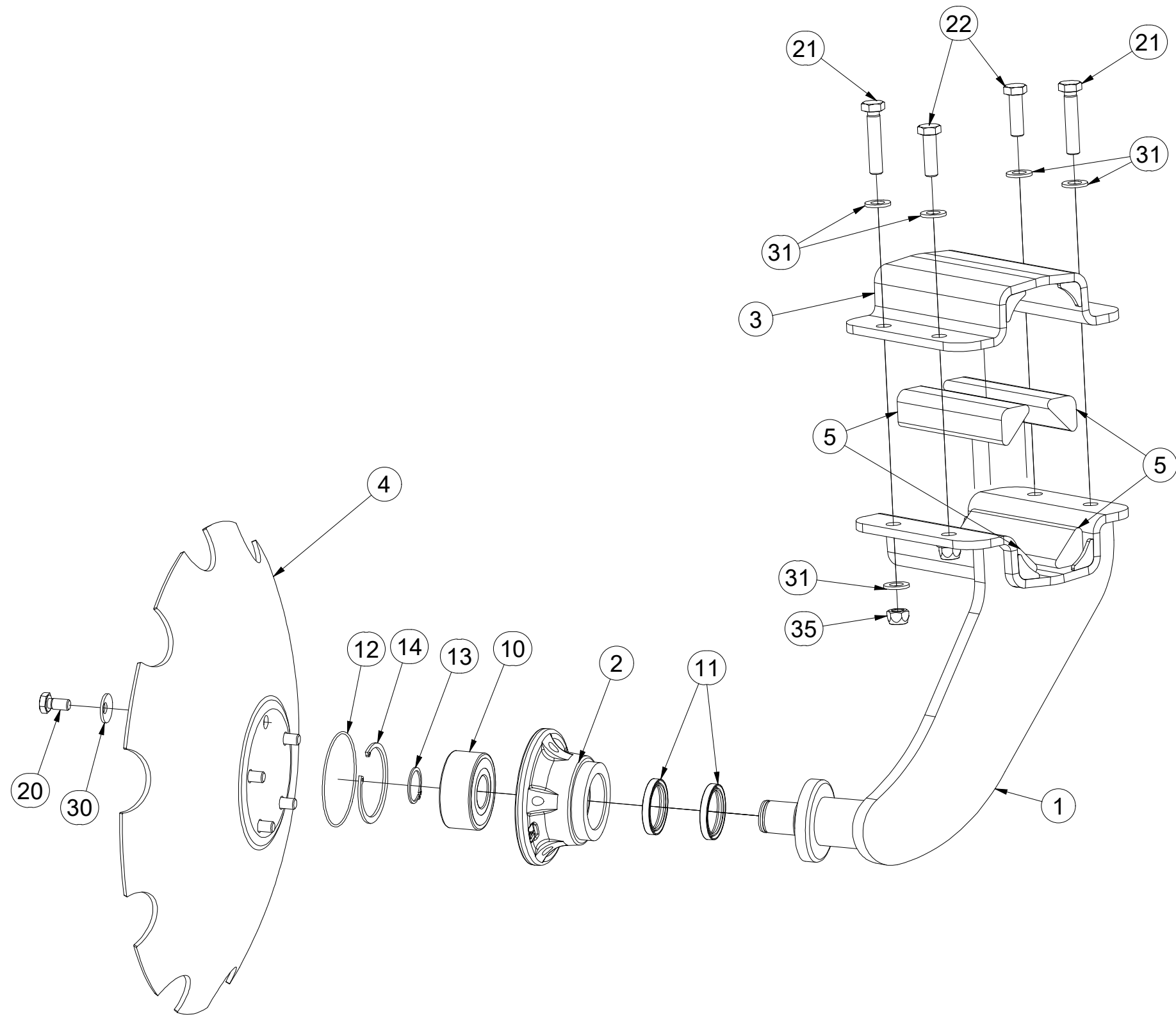
Ⓒ ДИСК ЛЕВЫЙ

Ⓗ TALERZ LEWY



3008545

| Pos. | Part Number | Pcs. | Pos. | Part Number | Pcs. |
|------|-------------|------|------|-------------|------|
| 1 | 3008421 | 1 | 13 | m03705 | 1 |
| 2 | 3008166 | 1 | 14 | m04250 | 1 |
| 3 | 9004269 | 1 | 20 | m00120 | 5 |
| 4 | 3003144 | 1 | 21 | m07963 | 2 |
| 5 | 9004286 | 4 | 22 | m03926 | 2 |
| 10 | m14552 | 1 | 30 | m19157 | 5 |
| 11 | m11160 | 2 | 31 | m01214 | 8 |
| 12 | m11159 | 1 | 35 | m12134 | 4 |



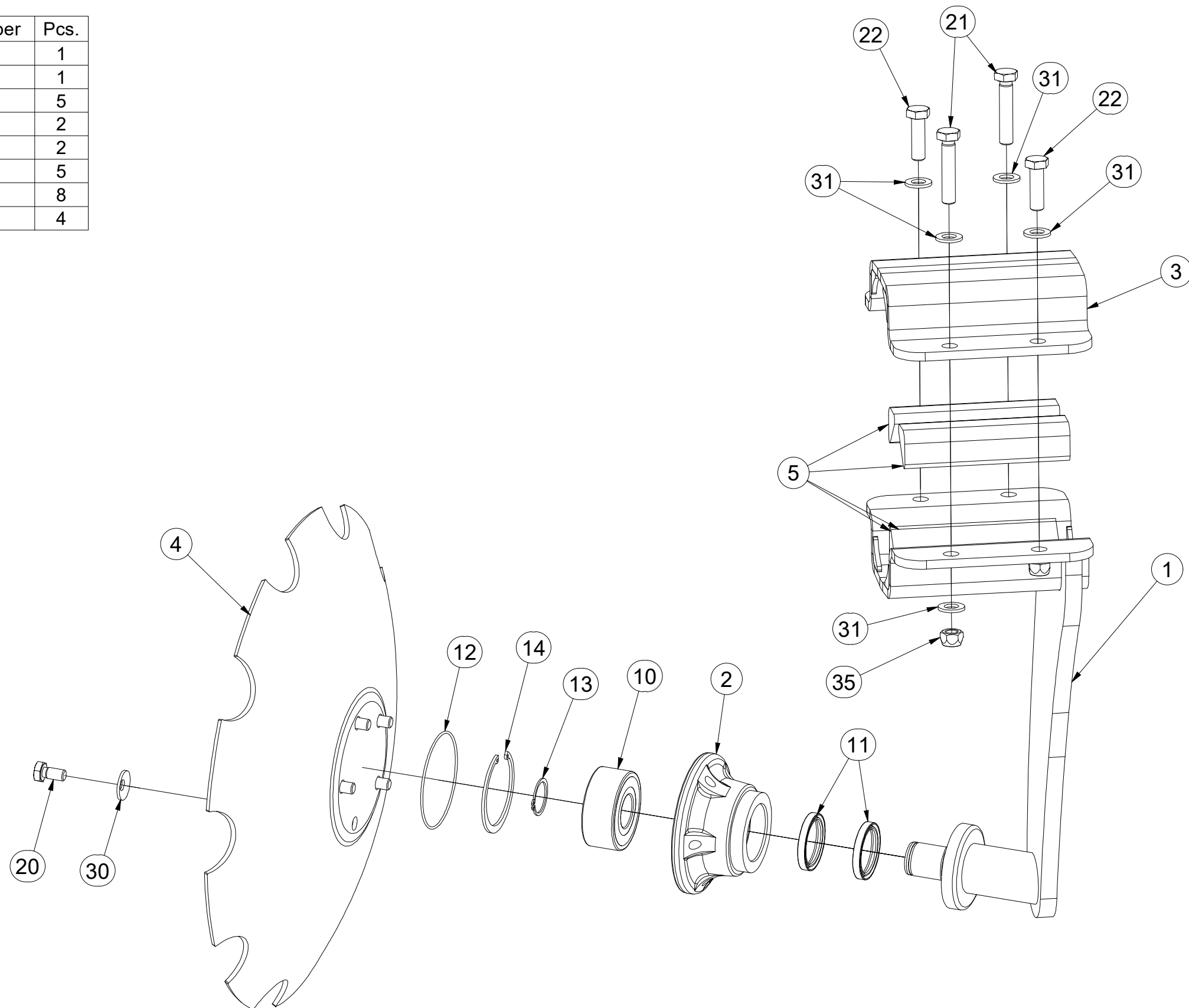
(CZ) DISK PRAVÝ
 (D) SCHEIBE, RECHTE
 (F) DISQUE DROITE

(GB) RIGHT DISC
 (RU) ДИСК ПРАВЫЙ
 (PL) TALERZ PRAWY



3008546

| Pos. | Part Number | Pcs. | Pos. | Part Number | Pcs. |
|------|-------------|------|------|-------------|------|
| 1 | 3008422 | 1 | 13 | m03705 | 1 |
| 2 | 3008166 | 1 | 14 | m04250 | 1 |
| 3 | 9004269 | 1 | 20 | m00120 | 5 |
| 4 | 3003144 | 1 | 21 | m07963 | 2 |
| 5 | 9004286 | 4 | 22 | m03926 | 2 |
| 10 | m14552 | 1 | 30 | m19157 | 5 |
| 11 | m11160 | 2 | 31 | m01214 | 8 |
| 12 | m11159 | 1 | 35 | m12134 | 4 |

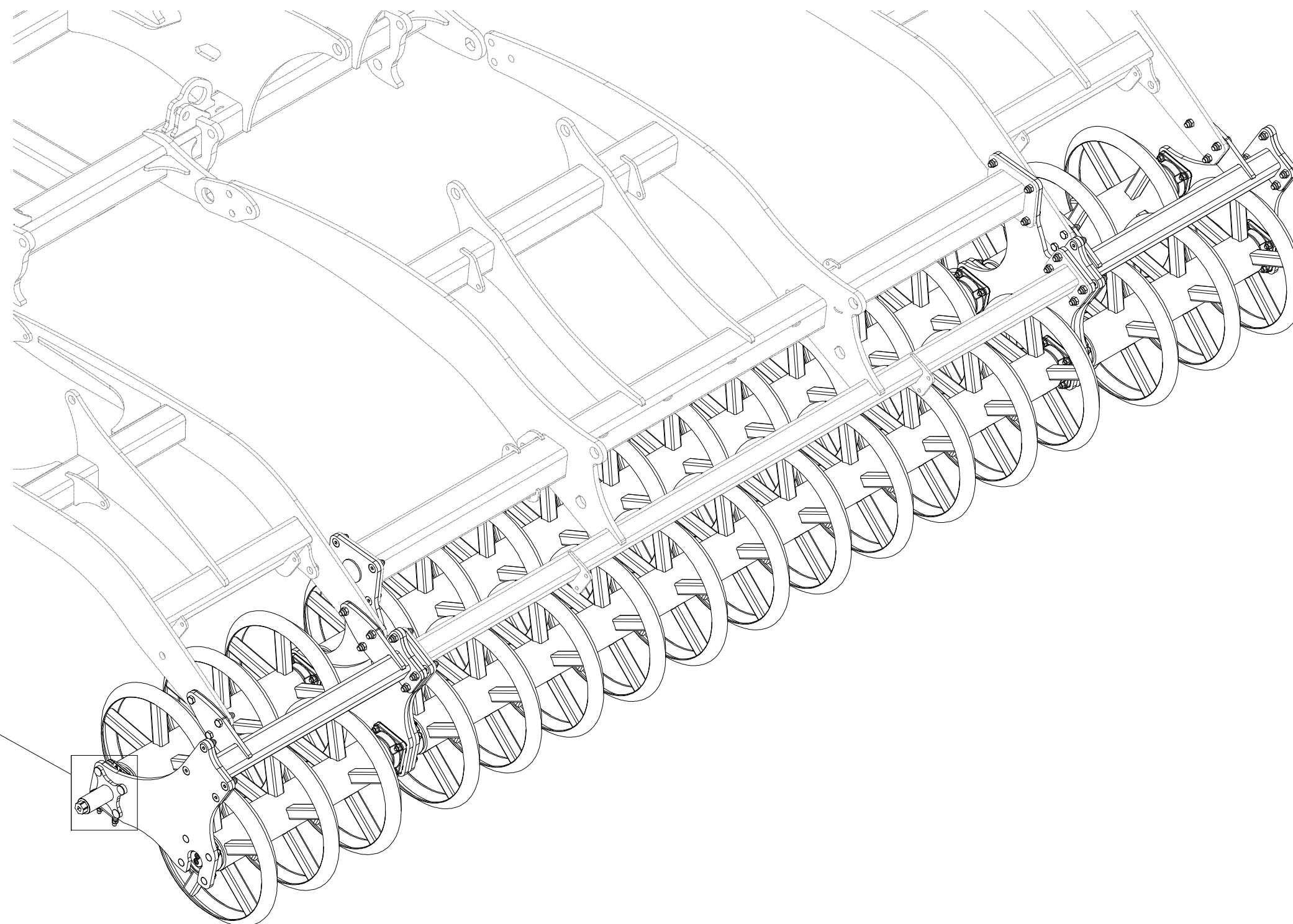
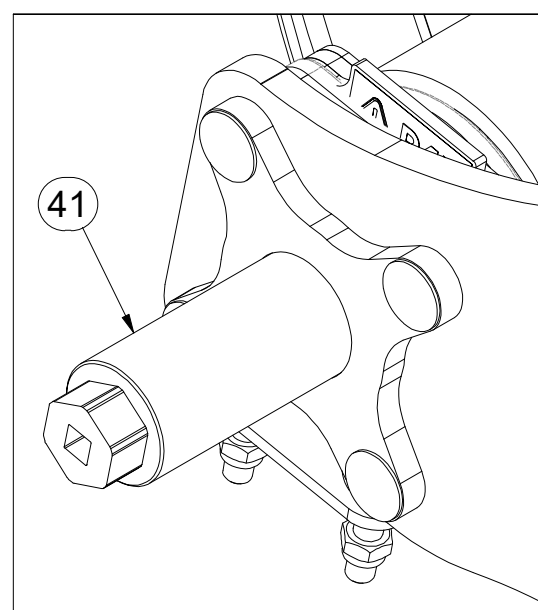


Ⓒ SADA ZADNÍCH VÁLCŮ
Ⓓ SATZ HINTERE WALZEN
Ⓕ KIT DE ROULEAUX ARRIÈRE

Ⓖ SET OF REAR ROLLERS
Ⓡ КОМПЛЕКТ ЗАДНИХ КАТКОВ
Ⓟ ZESTAW TYLNYCH WAŁÓW

Farmet

VZ00038280



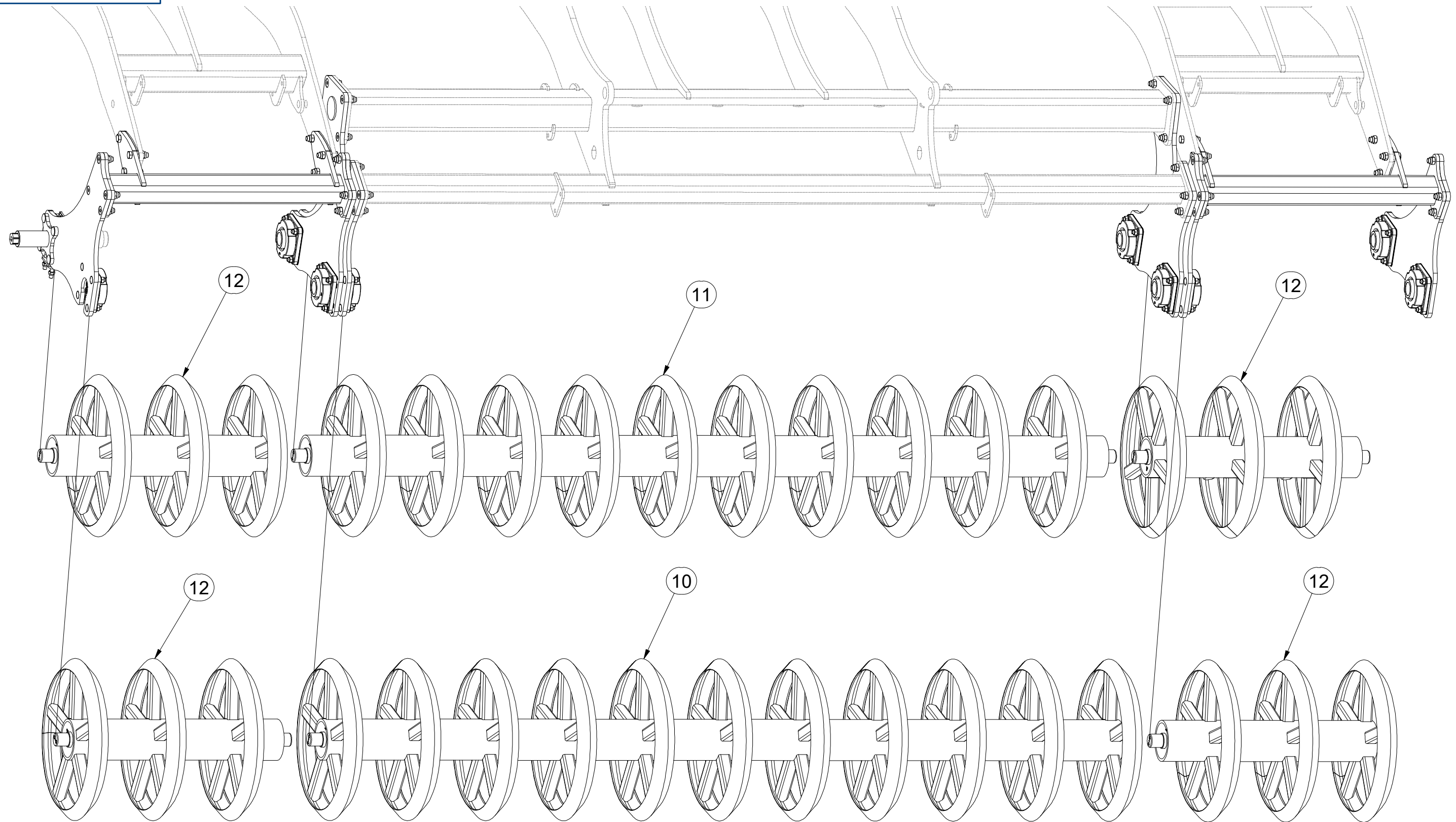
| Pos. | Part Number | Pcs. |
|------|-------------|------|
| 41 | VZ00039937 | 1 |

- Ⓒ SADA ZADNÍCH VÁLČŮ
- Ⓓ SATZ HINTERE WALZEN
- Ⓕ KIT DE ROULEAUX ARRIÈRE

- Ⓖ SET OF REAR ROLLERS
- Ⓡ КОМПЛЕКТ ЗАДНИХ КАТКОВ
- Ⓟ ZESTAW TYLNYCH WAŁÓW



VZ00038280



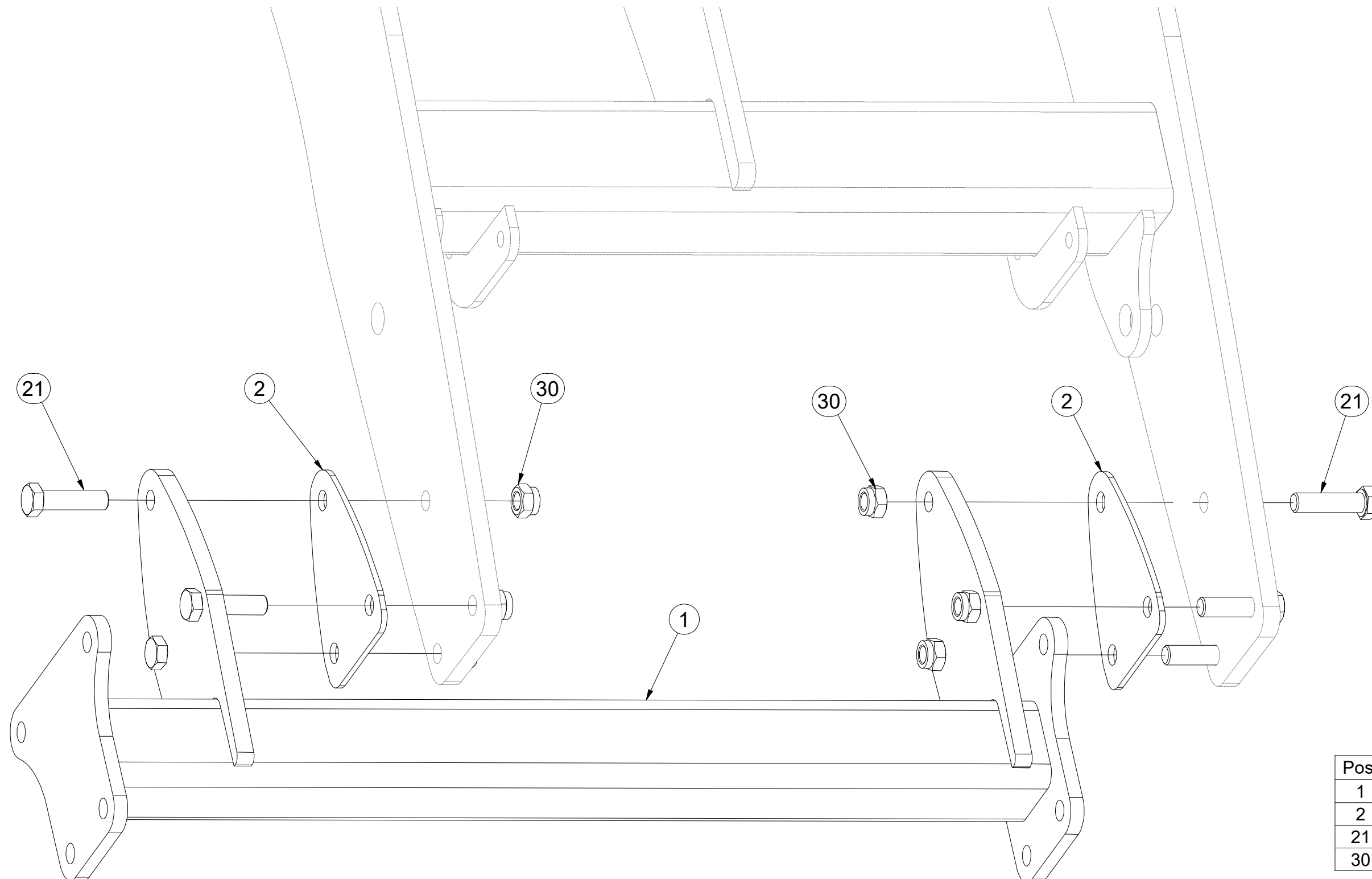
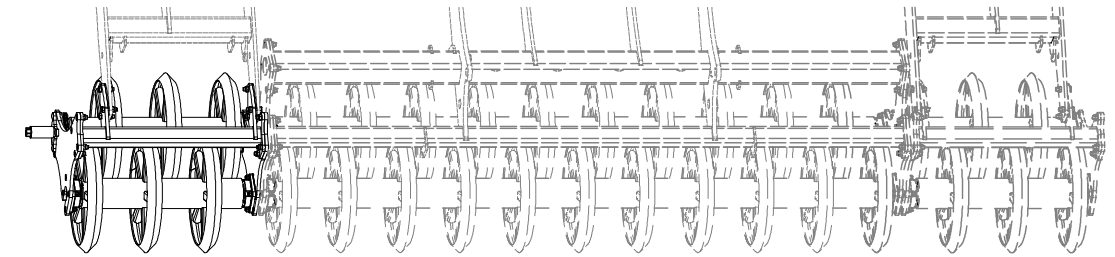
| Pos. | Part Number | Pcs. |
|------|-------------|------|
| 10 | VZ00038364 | 1 |
| 11 | VZ00038365 | 1 |
| 12 | VZ00038366 | 4 |

- Ⓒ SADA ZADNÍCH VÁLCŮ
- Ⓓ SATZ HINTERE WALZEN
- Ⓕ KIT DE ROULEAUX ARRIÈRE

- Ⓖ SET OF REAR ROLLERS
- Ⓡ КОМПЛЕКТ ЗАДНИХ КАТКОВ
- Ⓟ ZESTAW TYLNYCH WAŁÓW



VZ00038280



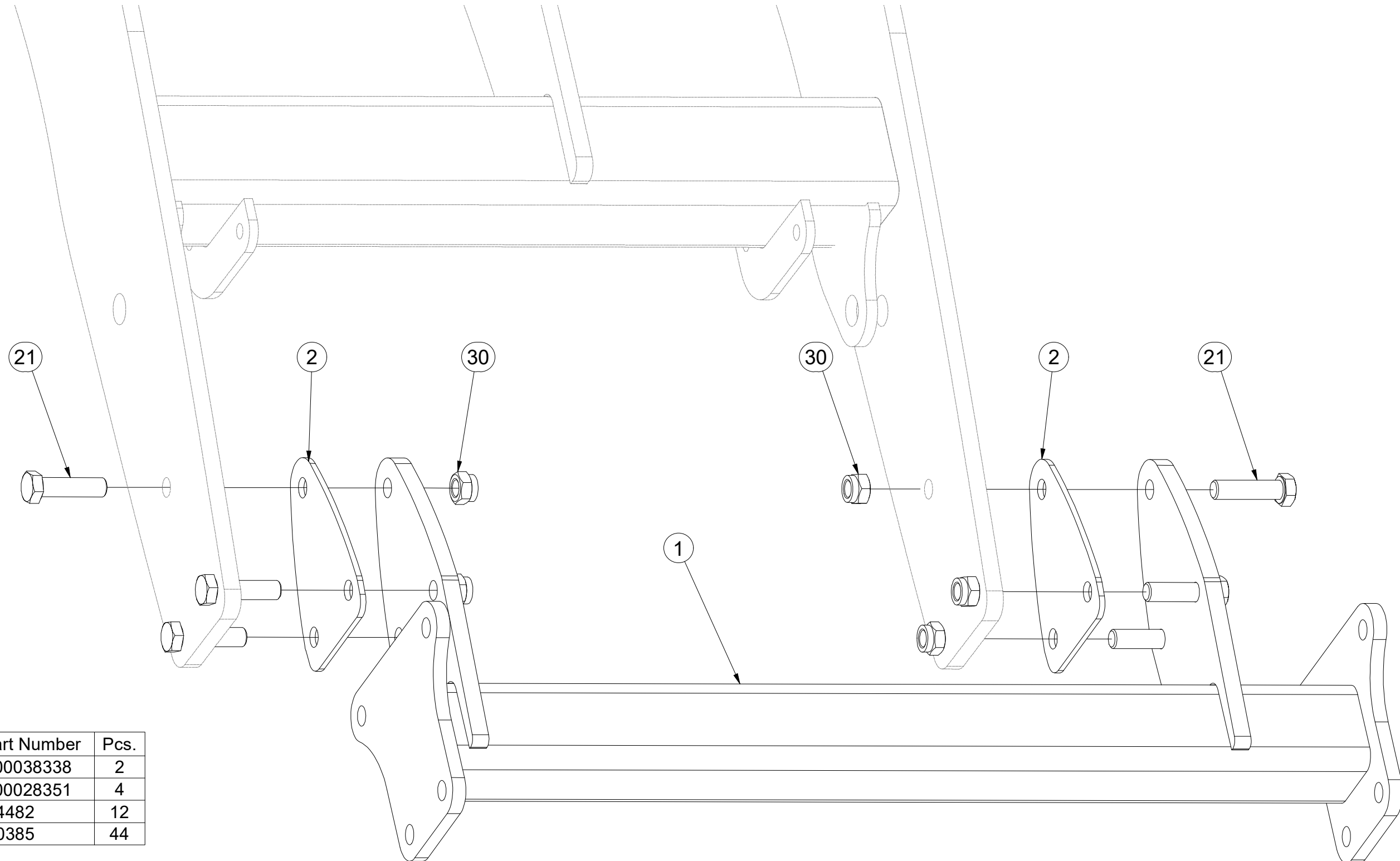
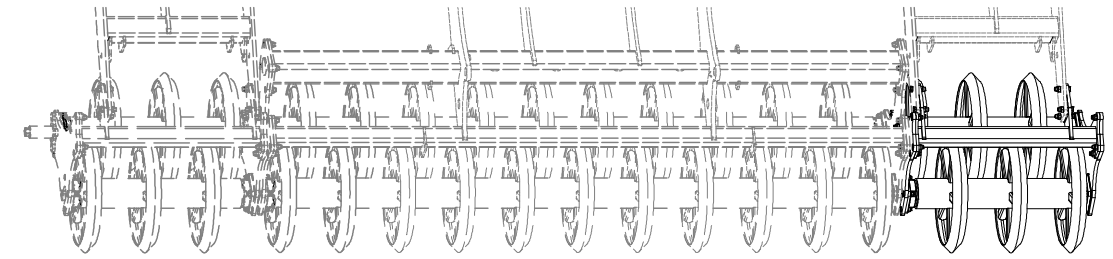
| Pos. | Part Number | Pcs. |
|------|-------------|------|
| 1 | VZ00038338 | 2 |
| 2 | VZ00028351 | 4 |
| 21 | m14482 | 12 |
| 30 | m20385 | 44 |

CZ SADA ZADNÍCH VÁLČŮ
 D SATZ HINTERE WALZEN
 F KIT DE ROULEAUX ARRIÈRE

GB SET OF REAR ROLLERS
 RU КОМПЛЕКТ ЗАДНИХ КАТКОВ
 PL ZESTAW TYLNYCH WAŁÓW



VZ00038280



| Pos. | Part Number | Pcs. |
|------|-------------|------|
| 1 | VZ00038338 | 2 |
| 2 | VZ00028351 | 4 |
| 21 | m14482 | 12 |
| 30 | m20385 | 44 |

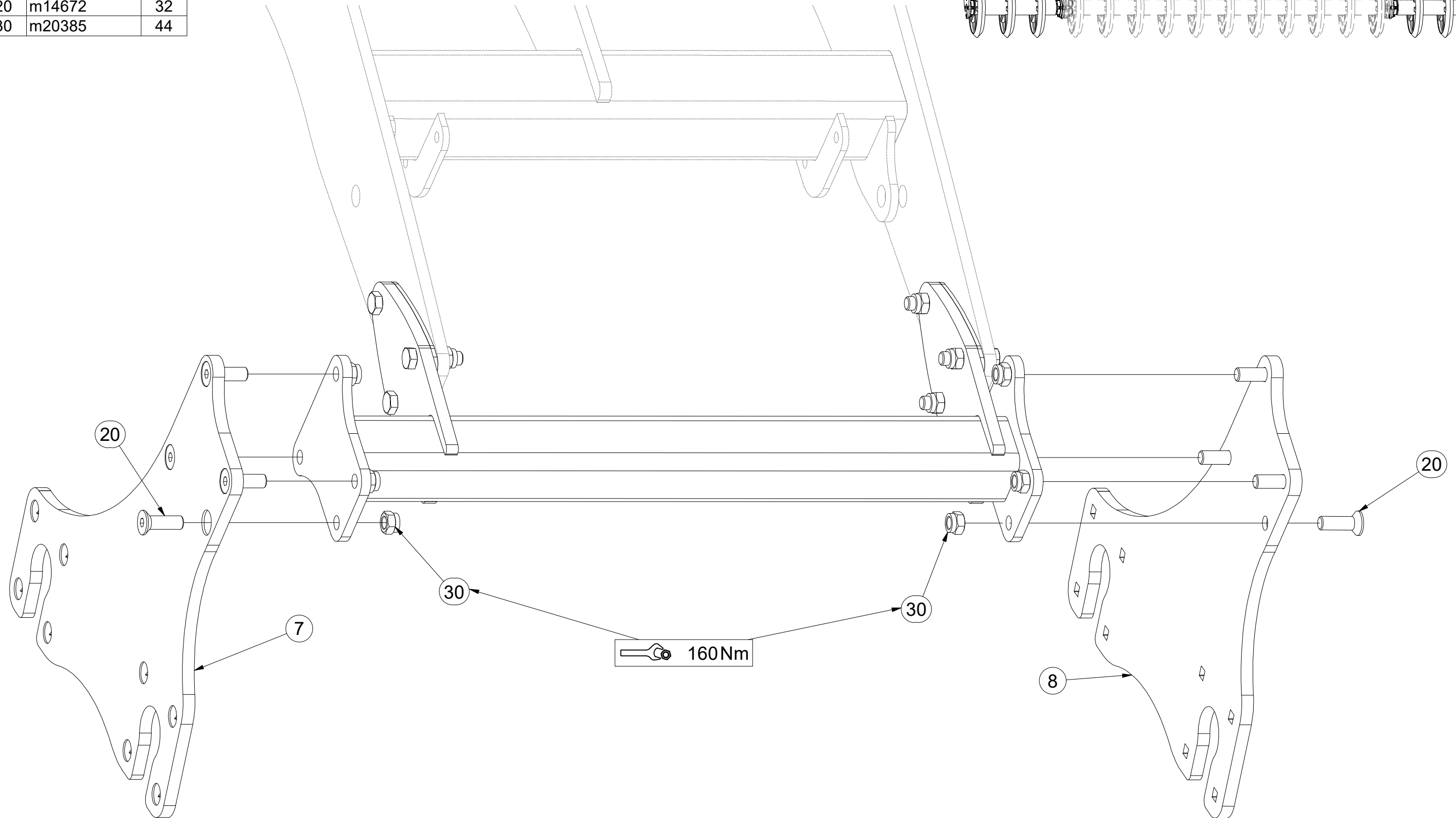
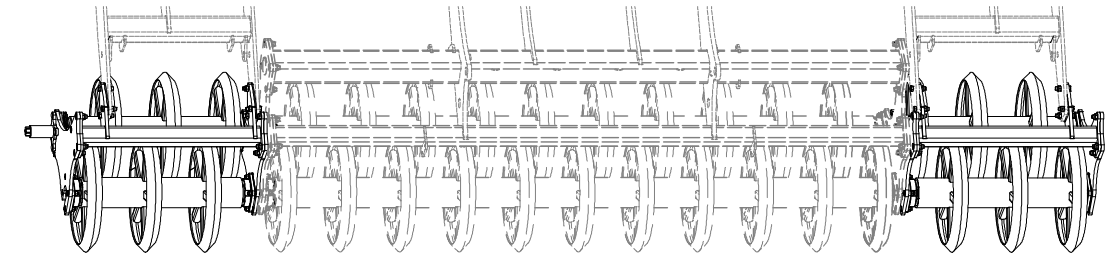
- Ⓒ SADA ZADNÍCH VÁLCŮ
- Ⓓ SATZ HINTERE WALZEN
- Ⓕ KIT DE ROULEAUX ARRIÈRE

- Ⓖ SET OF REAR ROLLERS
- Ⓡ КОМПЛЕКТ ЗАДНИХ КАТКОВ
- Ⓟ ZESTAW TYLNYCH WAŁÓW



VZ00038280

| Pos. | Part Number | Pcs. |
|------|-------------|------|
| 7 | VZ00038315 | 2 |
| 8 | VZ00038316 | 2 |
| 20 | m14672 | 32 |
| 30 | m20385 | 44 |



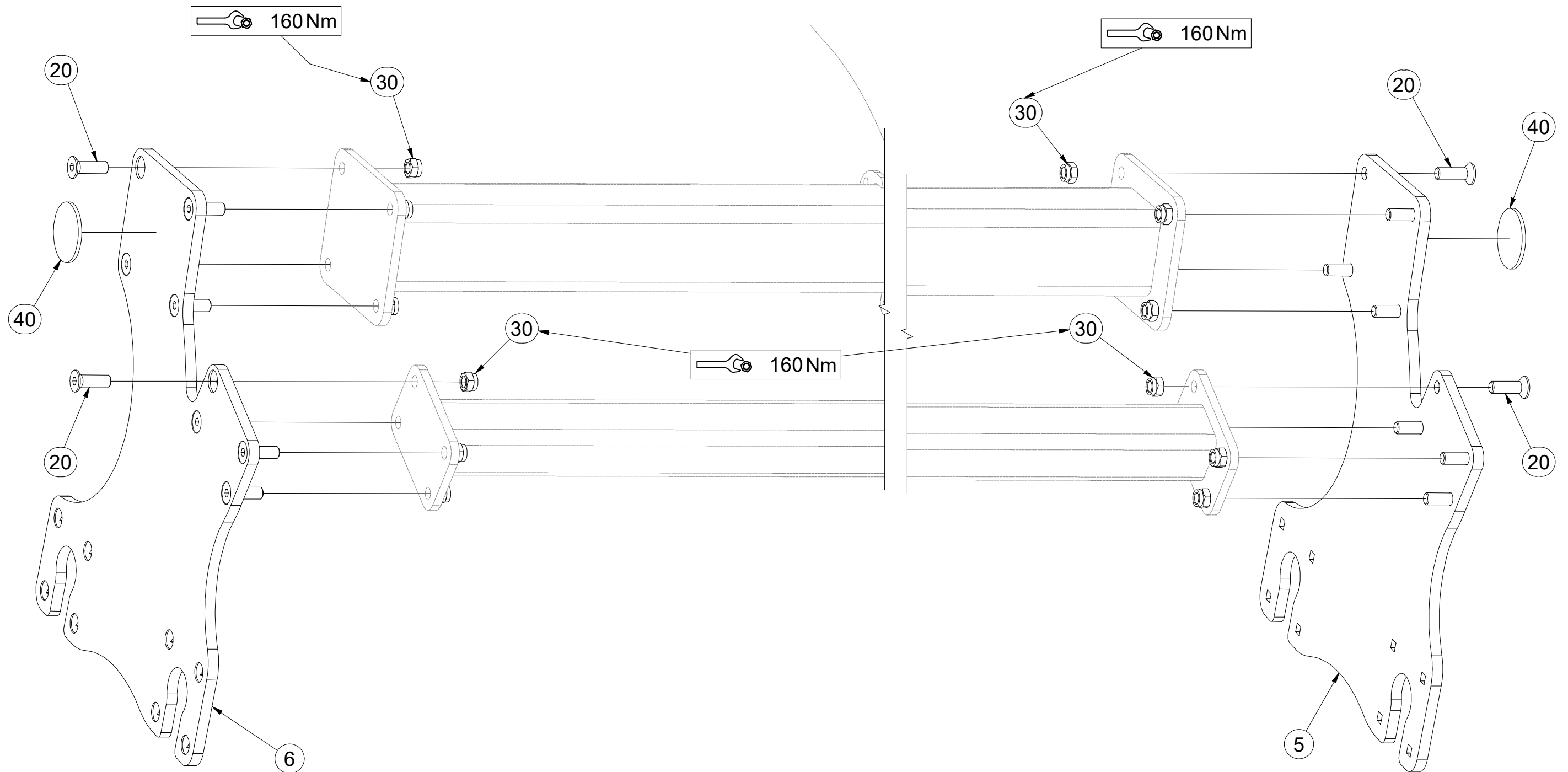
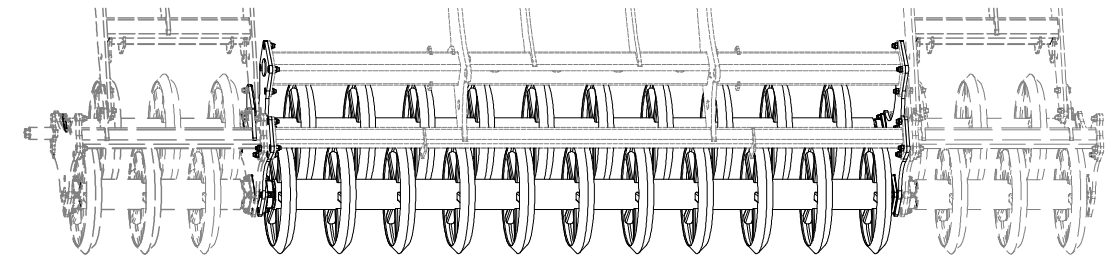
- Ⓒ SADA ZADNÍCH VÁLČŮ
- Ⓓ SATZ HINTERE WALZEN
- Ⓕ KIT DE ROULEAUX ARRIÈRE

- Ⓖ SET OF REAR ROLLERS
- Ⓡ КОМПЛЕКТ ЗАДНИХ КАТКОВ
- Ⓟ ZESTAW TYLNYCH WAŁÓW



VZ00038280

| Pos. | Part Number | Pcs. |
|------|-------------|------|
| 5 | VZ00037754 | 1 |
| 6 | VZ00037753 | 1 |
| 20 | m14672 | 32 |
| 30 | m20385 | 44 |
| 40 | m02579 | 2 |

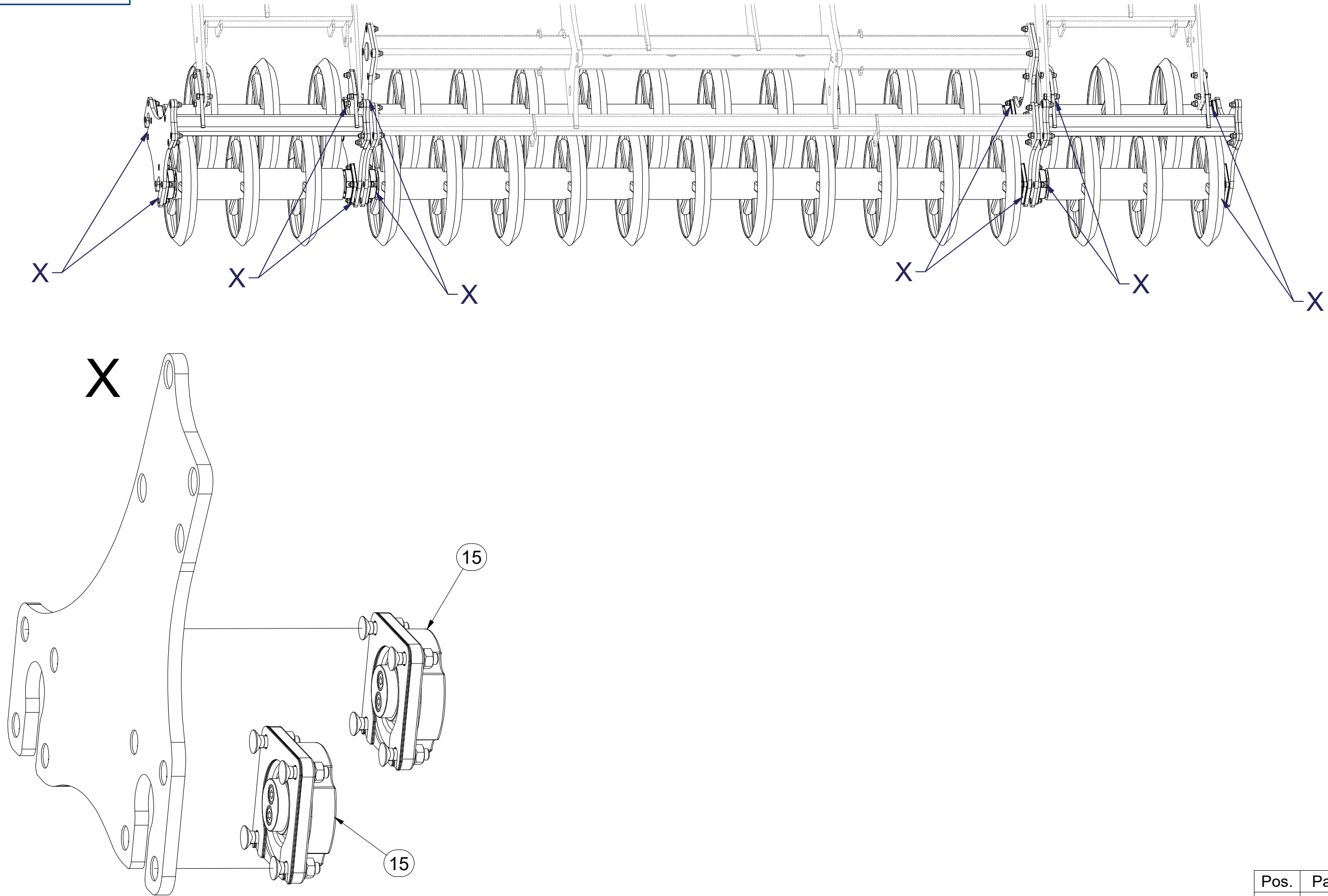


CZ SADA ZADNÍCH VÁLČŮ
 D SATZ HINTERE WALZEN
 F KIT DE ROULEAUX ARRIÈRE

GB SET OF REAR ROLLERS
 RU КОМПЛЕКТ ЗАДНИХ КАТКОВ
 PL ZESTAW TYLNYCH WAŁÓW



VZ00038280



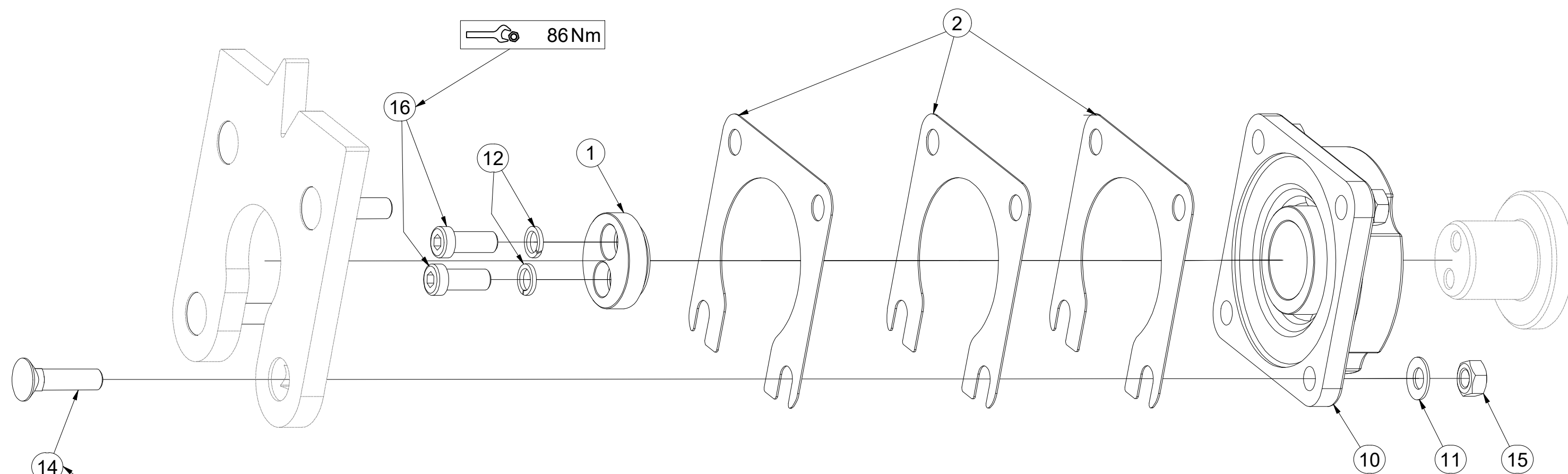
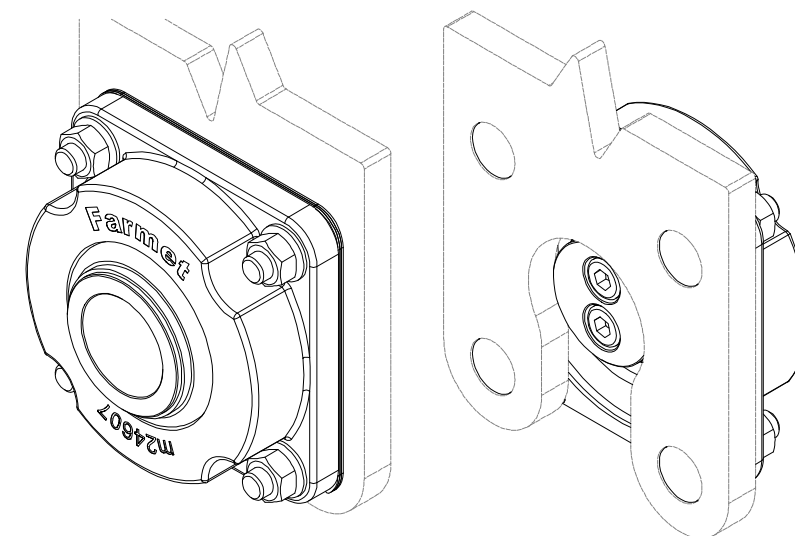
| Pos. | Part Number | Pcs. |
|------|-------------|------|
| 15 | VZ00033348 | 12 |

- Ⓒ SADA LOŽISEK
- Ⓓ SATZ LAGER
- Ⓕ KIT DE ROULEMENTS

- Ⓖ SET OF BEARINGS
- Ⓡ КОМПЛЕКТ ПОДШИПНИКОВ
- Ⓟ ZESTAW ŁOŻYSK

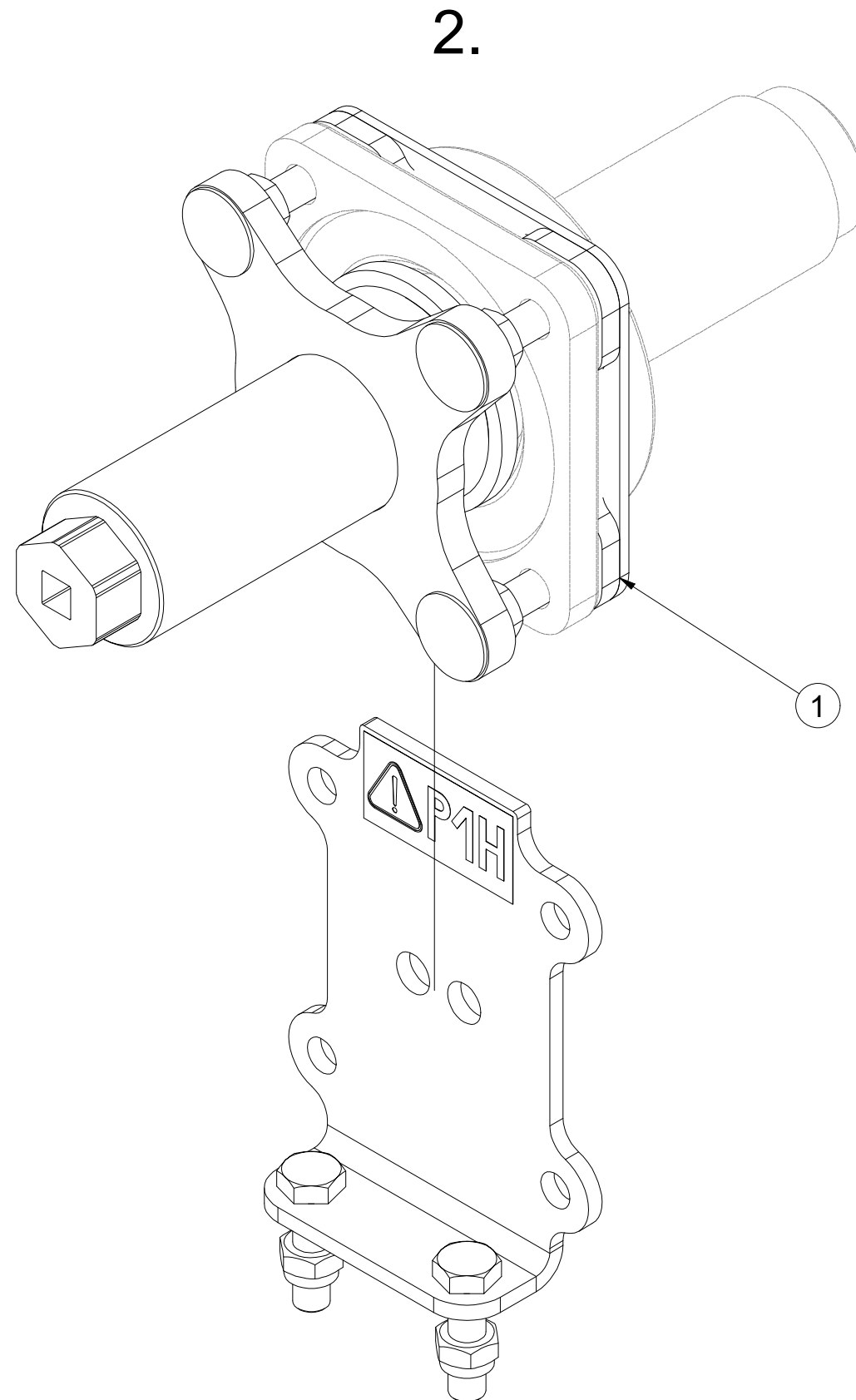
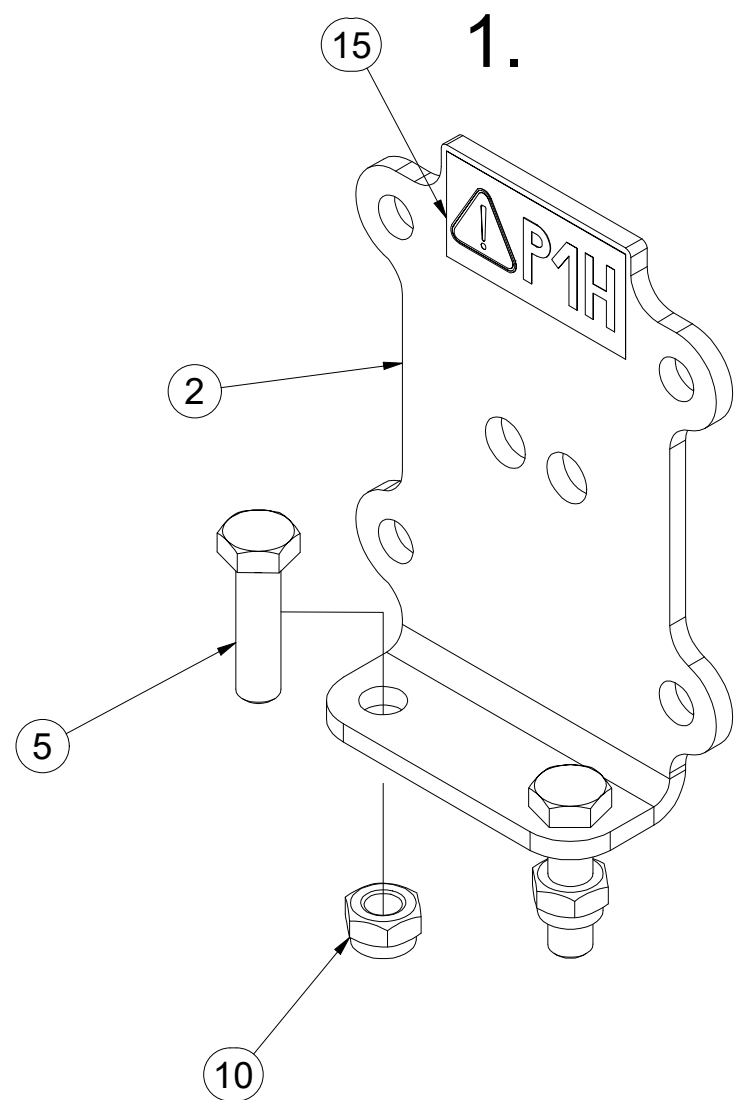


VZ00033348



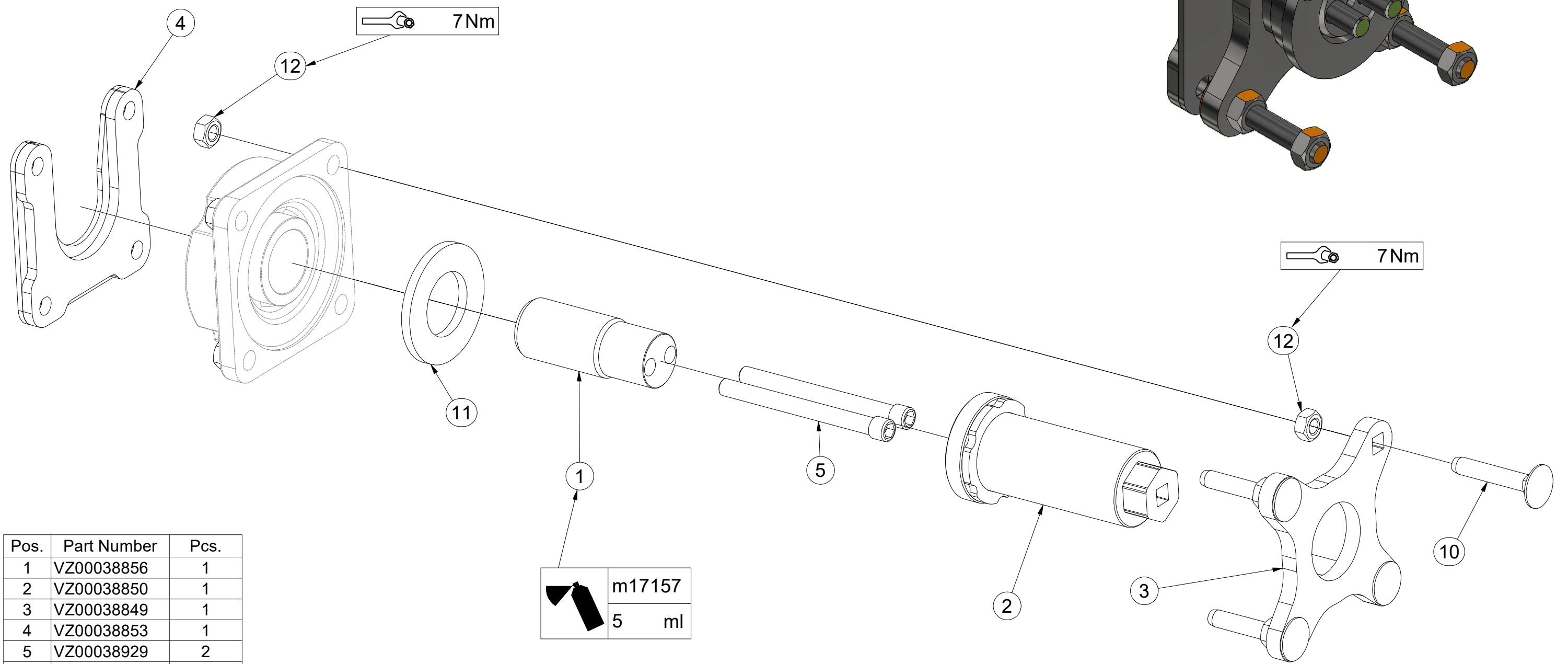
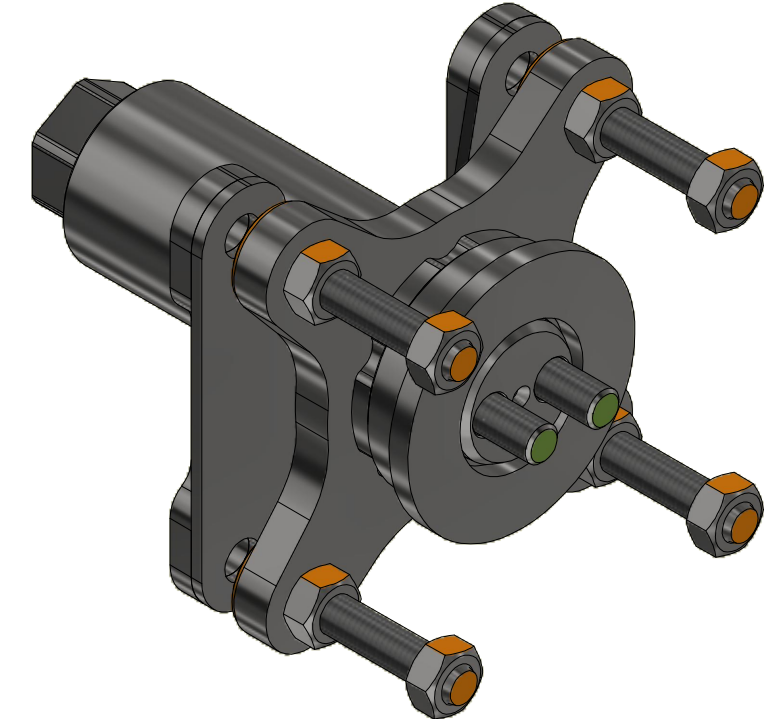
| Pos. | Part Number | Pcs. |
|------|-------------|------|
| 1 | VZ00038447 | 1 |
| 2 | VZ00030606 | 3 |
| 10 | m24607 | 1 |
| 11 | m17545 | 4 |
| 12 | m03988 | 2 |
| 14 | m10440 | 4 |
| 15 | m10439 | 4 |
| 16 | m19122 | 2 |

VZ00039937



| Pos. | Part Number | Pcs. |
|------|-------------|------|
| 1 | VZ00038848 | 1 |
| 2 | VZ00039933 | 1 |
| 5 | m06077 | 2 |
| 10 | m04301 | 2 |
| 15 | m04359 | 1 |

VZ00038848



| Pos. | Part Number | Pcs. |
|------|-------------|---------|
| 1 | VZ00038856 | 1 |
| 2 | VZ00038850 | 1 |
| 3 | VZ00038849 | 1 |
| 4 | VZ00038853 | 1 |
| 5 | VZ00038929 | 2 |
| 10 | m17684 | 4 |
| 11 | m05447 | 1 |
| 12 | m10439 | 8 |
| 20 | m17157 | 5,00 ml |

Ⓒ SADA NÁPRAVY

Ⓓ SATZ AUFHÄNGUNG

Ⓕ KIT DE L'ESSIEU

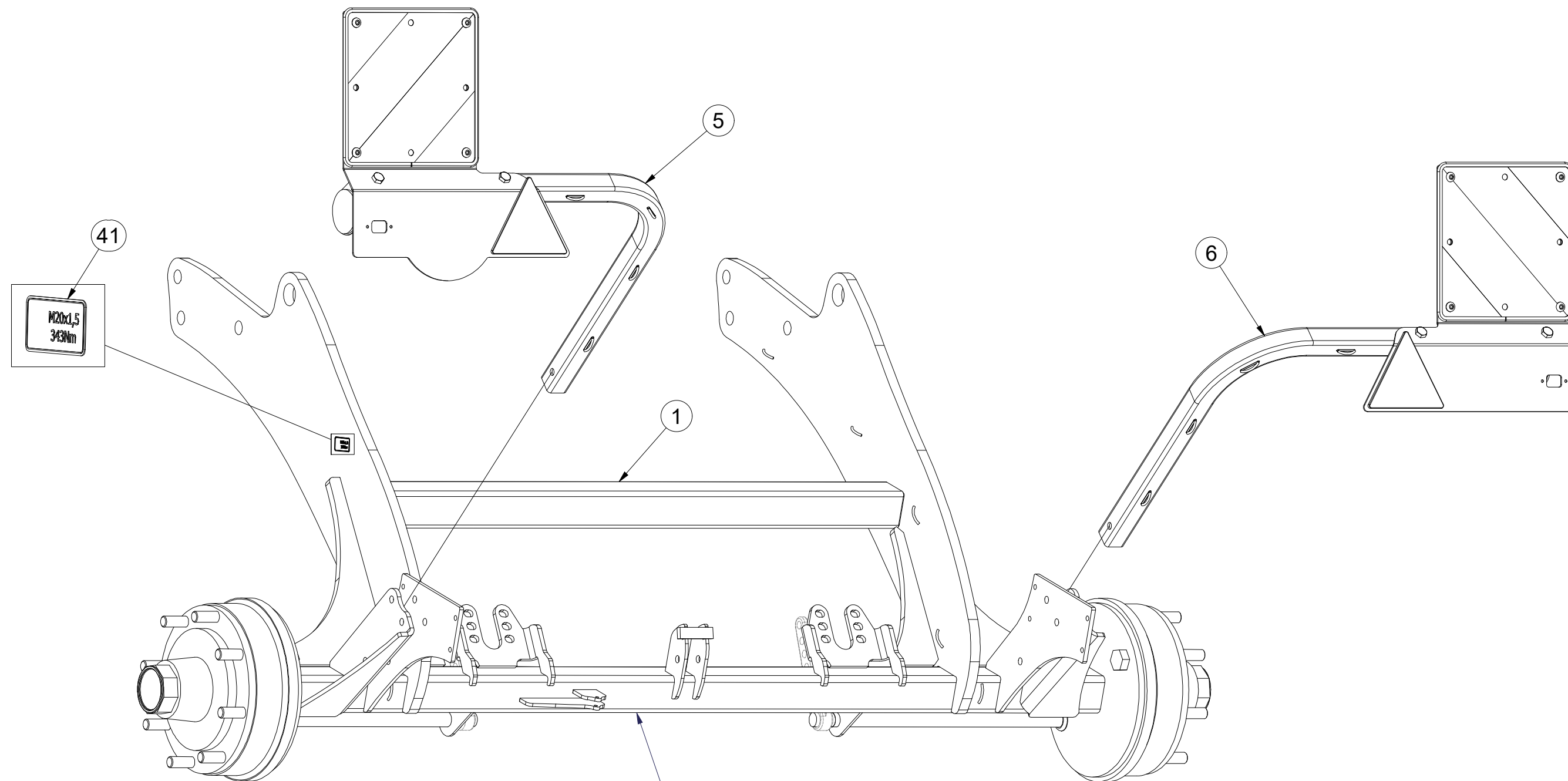
Ⓖ AXLE SET

Ⓡ КОМПЛЕКТ ОСИ КОЛЁС

Ⓢ ZESTAW OSI



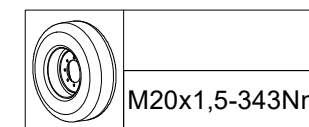
VZ00031764



41
M20x1,5
343Nm

A70NA8FFN003

| Pos. | Part Number | Pcs. |
|------|-------------|------|
| 1 | VZ00005956 | 1 |
| 5 | 3012431 | 1 |
| 6 | 3012432 | 1 |
| 41 | m19731 | 2 |



Ⓒ SADA NÁPRAVY

Ⓓ SATZ AUFHÄNGUNG

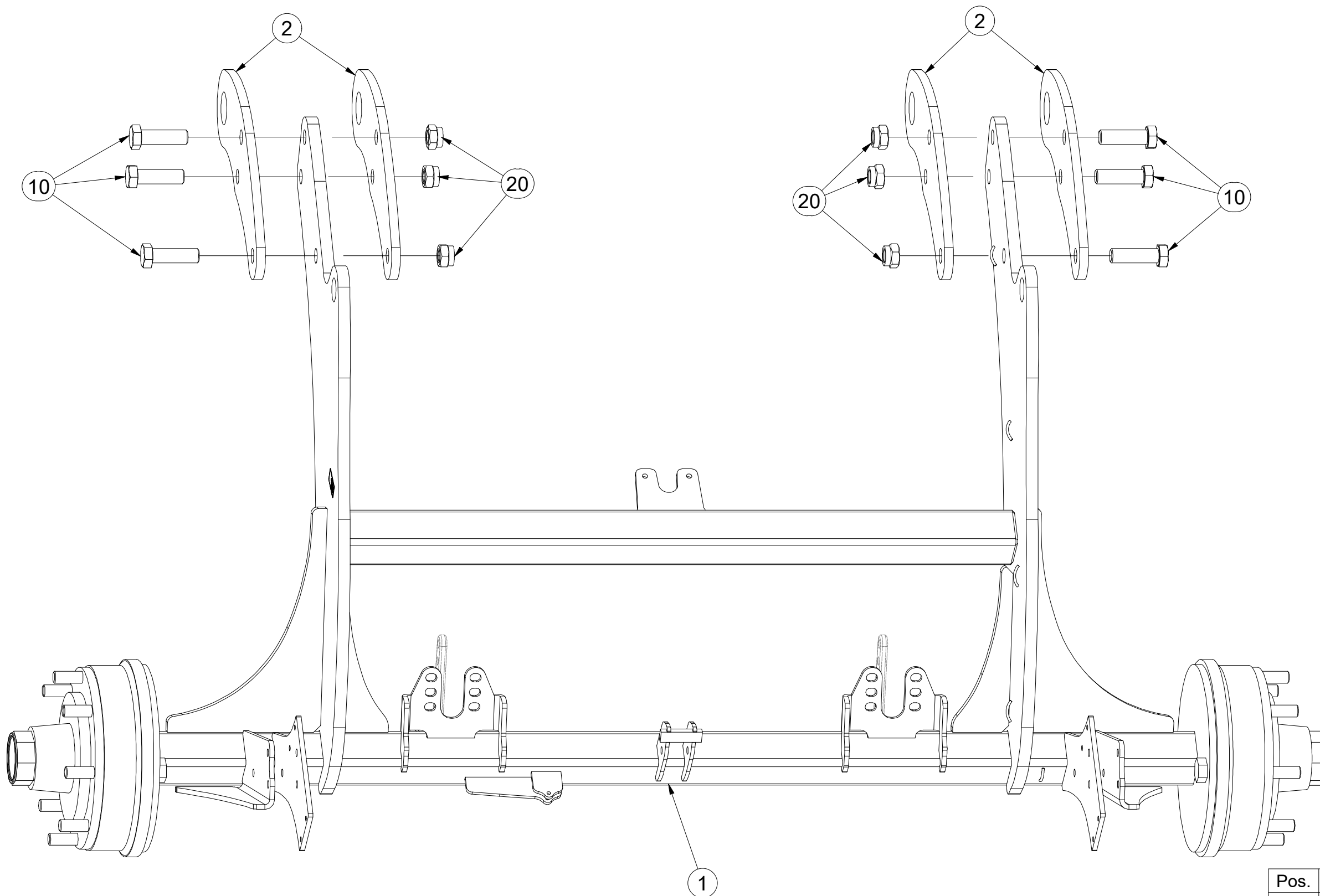
Ⓕ KIT DE L'ESSIEU

VZ00031764

Ⓖ AXLE SET

Ⓡ КОМПЛЕКТ ОСИ КОЛЁС

Ⓢ ZESTAW OSI



| Pos. | Part Number | Pcs. |
|------|-------------|------|
| 1 | VZ00005956 | 1 |
| 2 | 4019220 | 4 |
| 10 | m14990 | 6 |
| 20 | m07147 | 6 |

Ⓒ SADA NÁPRAVY

Ⓓ SATZ AUFHÄNGUNG

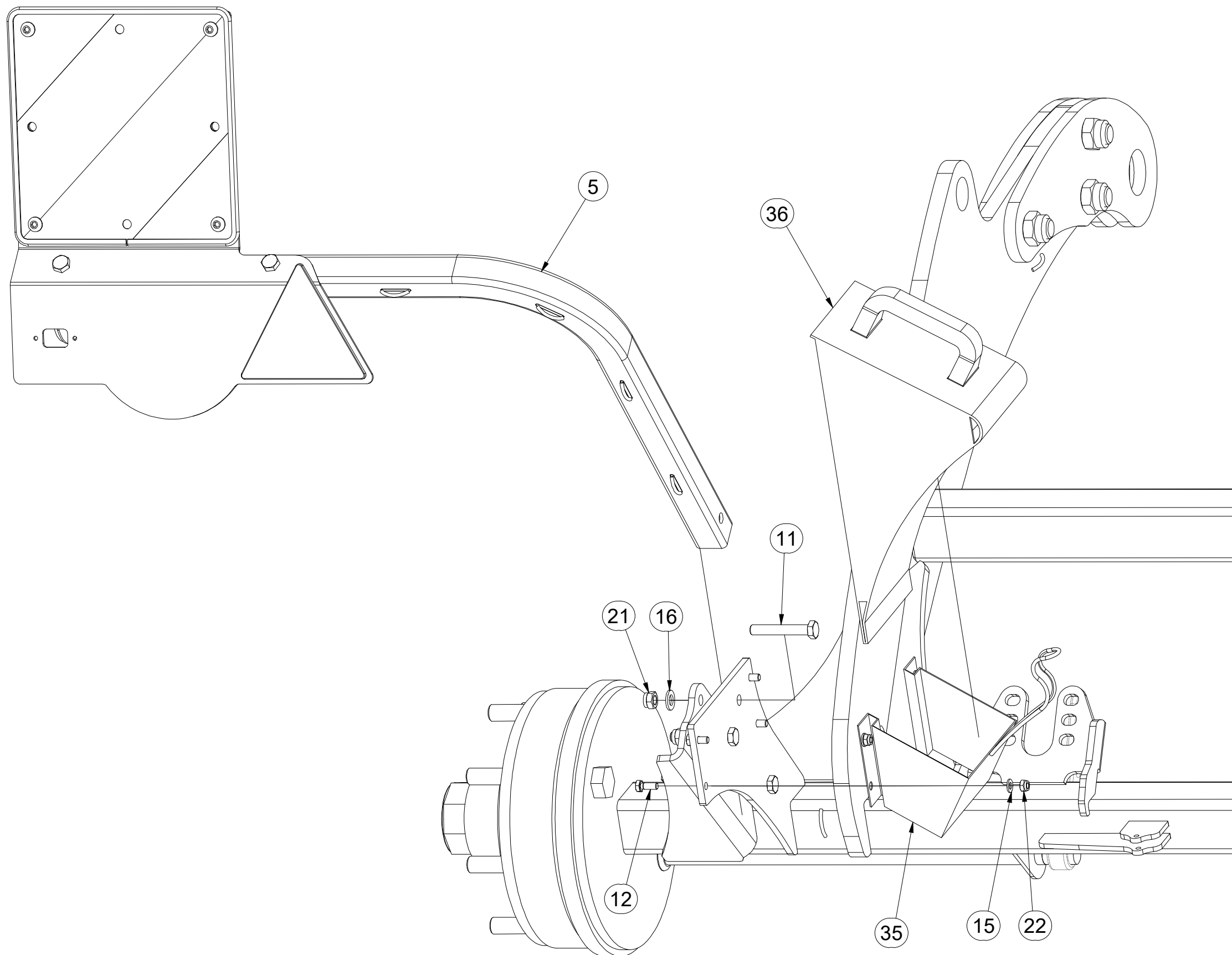
Ⓕ KIT DE L'ESSIEU

VZ00031764

Ⓖ AXLE SET

Ⓡ КОМПЛЕКТ ОСИ КОЛЁС

Ⓢ ZESTAW OSI



| Pos. | Part Number | Pcs. |
|------|-------------|------|
| 5 | 3012431 | 1 |
| 11 | m12493 | 6 |
| 12 | m01089 | 8 |
| 15 | m01203 | 8 |
| 16 | m01214 | 6 |
| 21 | m04301 | 6 |
| 22 | m04503 | 8 |
| 35 | m12572 | 2 |
| 36 | m16186 | 2 |

Ⓒ SADA NÁPRAVY

Ⓓ SATZ AUFHÄNGUNG

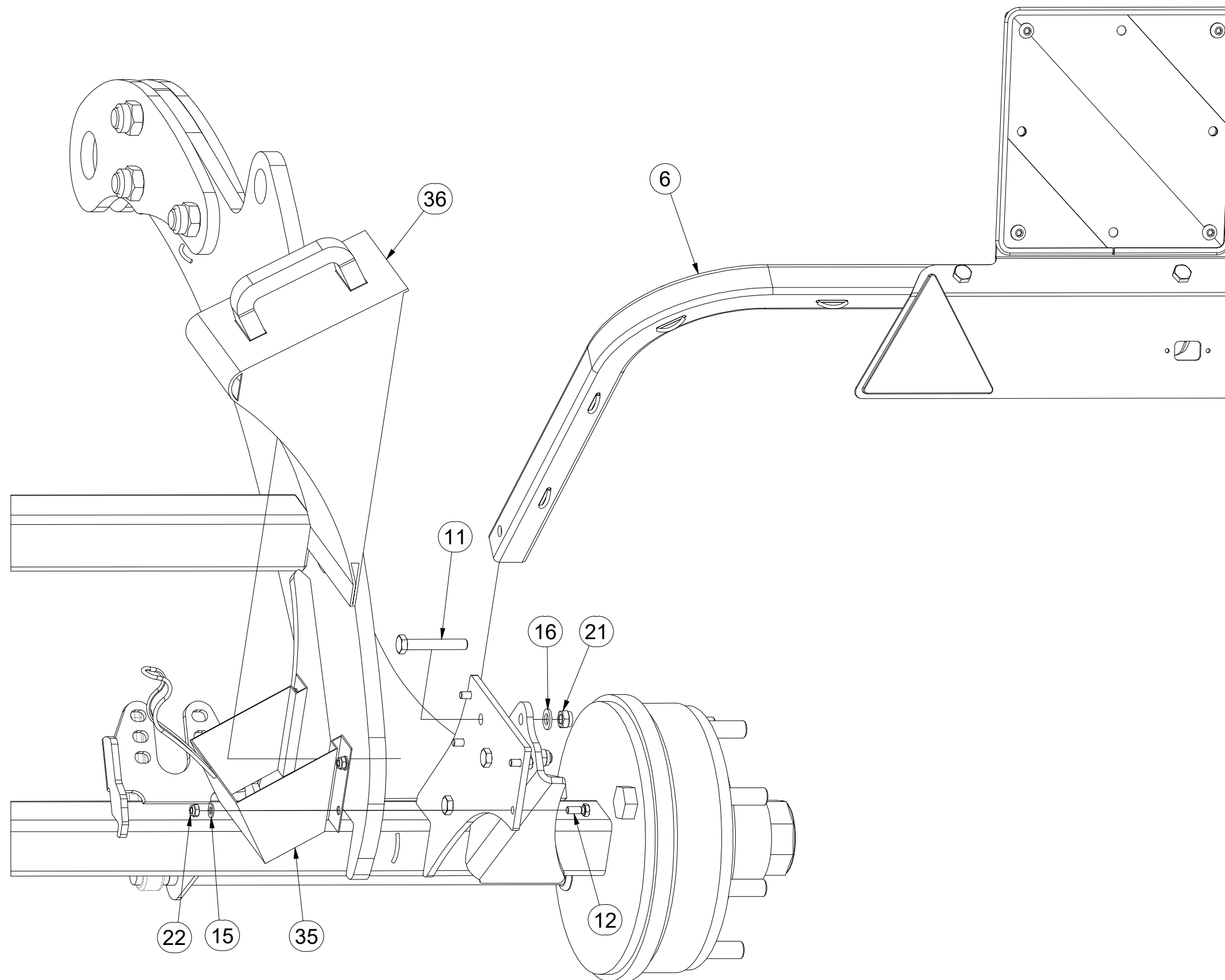
Ⓕ KIT DE L'ESSIEU

VZ00031764

Ⓖ AXLE SET

Ⓡ КОМПЛЕКТ ОСИ КОЛЁС

Ⓢ ZESTAW OSI



| Pos. | Part Number | Pcs. |
|------|-------------|------|
| 6 | 3012432 | 1 |
| 11 | m12493 | 6 |
| 12 | m01089 | 8 |
| 15 | m01203 | 8 |
| 16 | m01214 | 6 |
| 21 | m04301 | 6 |
| 22 | m04503 | 8 |
| 35 | m12572 | 2 |
| 36 | m16186 | 2 |

ⒸZ NÁPRAVA

ⒸD ACHSE

ⒸF ESSIEU

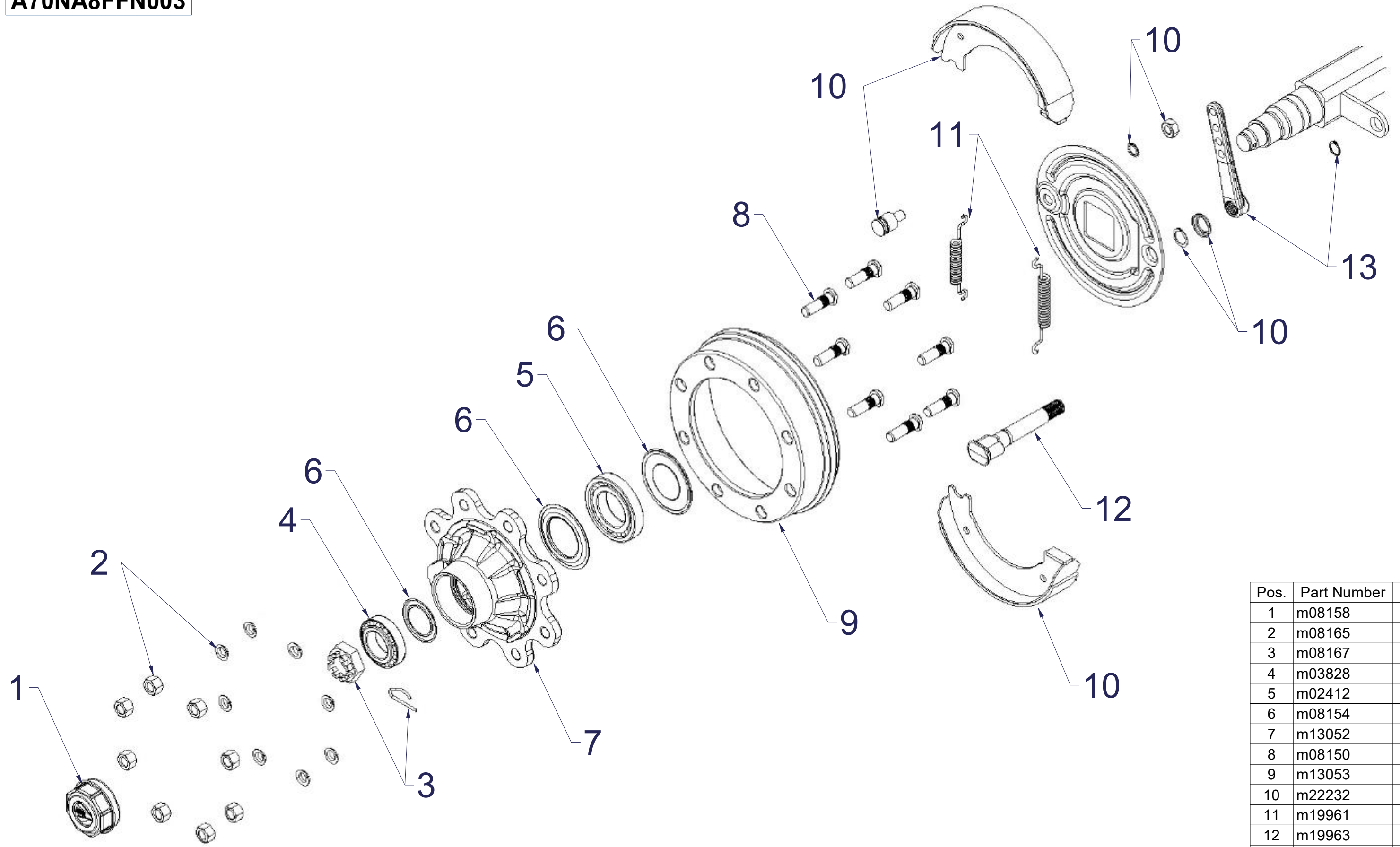
ⒸGB AXLE

ⒸRU OCB

ⒸPL OS



A70NA8FFN003



| Pos. | Part Number | Pcs. |
|------|-------------|------|
| 1 | m08158 | 2 |
| 2 | m08165 | 16 |
| 3 | m08167 | 2 |
| 4 | m03828 | 2 |
| 5 | m02412 | 2 |
| 6 | m08154 | 2 |
| 7 | m13052 | 2 |
| 8 | m08150 | 16 |
| 9 | m13053 | 2 |
| 10 | m22232 | 2 |
| 11 | m19961 | 2 |
| 12 | m19963 | 2 |
| 13 | m19966 | 2 |

Ⓒ SADA NÁPRAVY

Ⓓ SATZ AUFHÄNGUNG

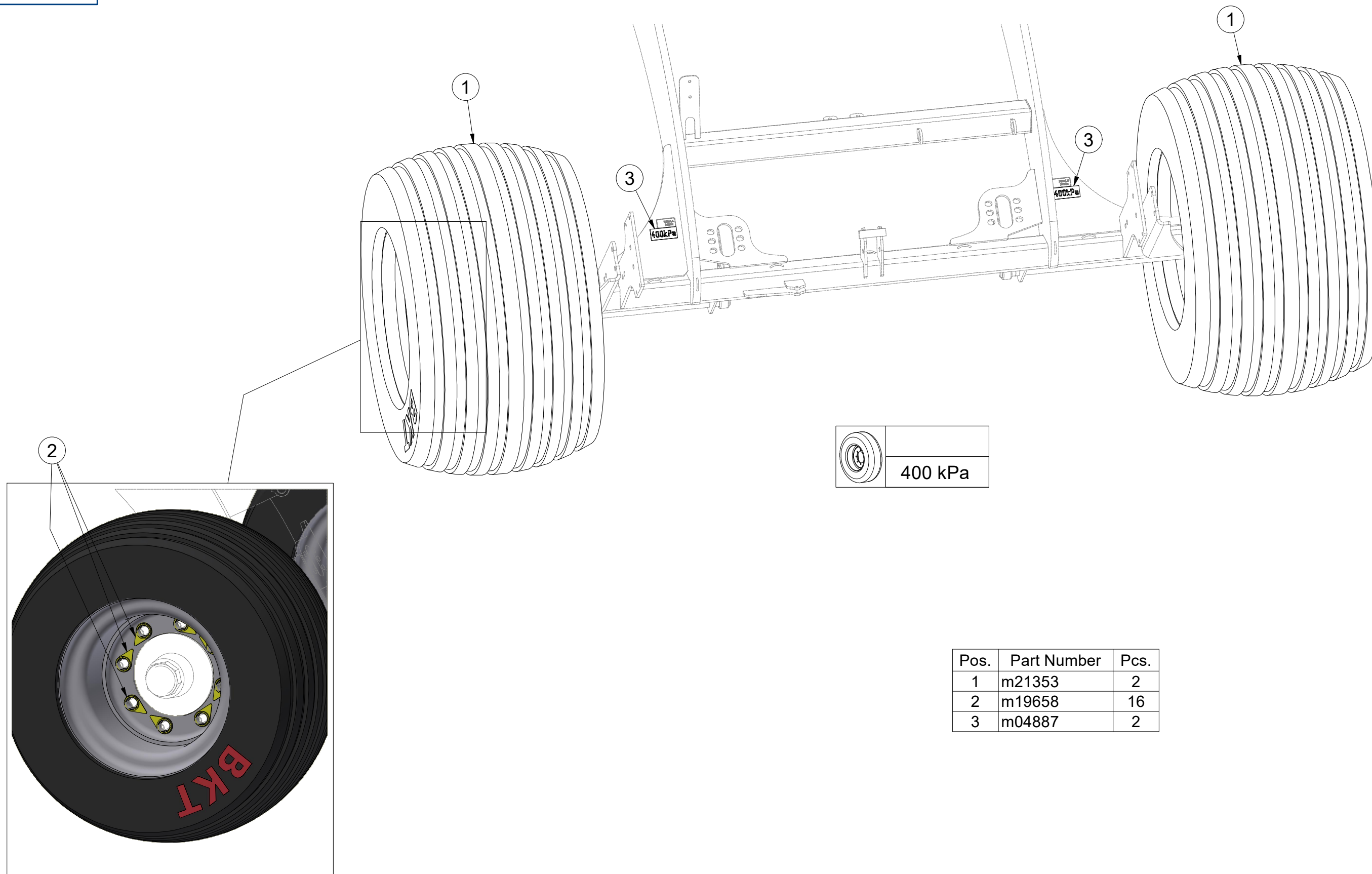
Ⓕ KIT DE L'ESSIEU

VZ00016622

Ⓖ AXLE SET

Ⓡ КОМПЛЕКТ ОСИ КОЛЁС

Ⓢ ZESTAW OSI



Ⓒ SADA BRZDOVÁ

Ⓓ BREMSENSATZ

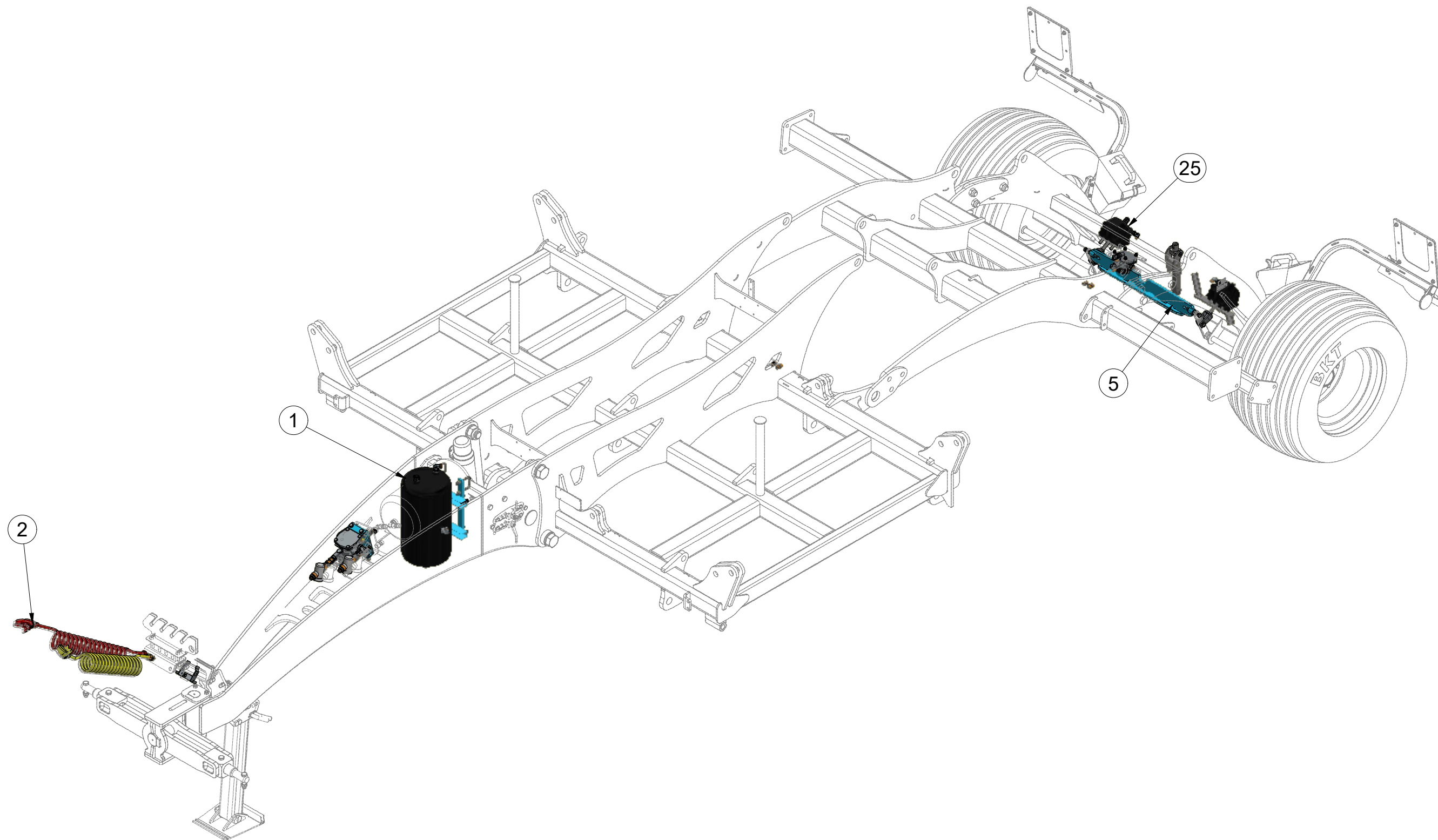
Ⓕ JEU DE FREINS

VZ00047916

Ⓖ BRAKE SET

Ⓡ ТОРМОЗНОЙ КОМПЛЕКТ

Ⓢ ZESTAW HAMULCOWY



| Pos. | Part Number | Pcs. |
|------|-------------|------|
| 1 | m18910 | 1 |
| 2 | m20356 | 1 |
| 5 | 4026182 | 1 |
| 25 | 4025360 | 2 |

Ⓒ SADA BRZDOVÁ

Ⓓ BREMSENSATZ

Ⓕ JEU DE FREINS

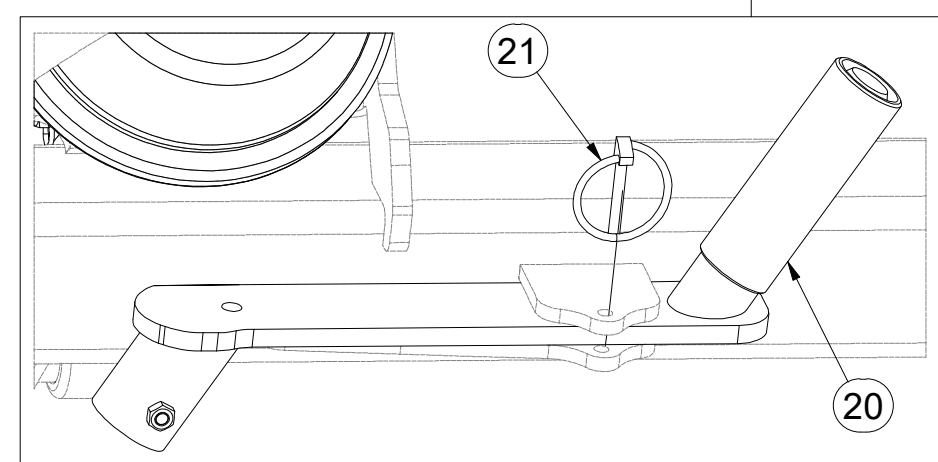
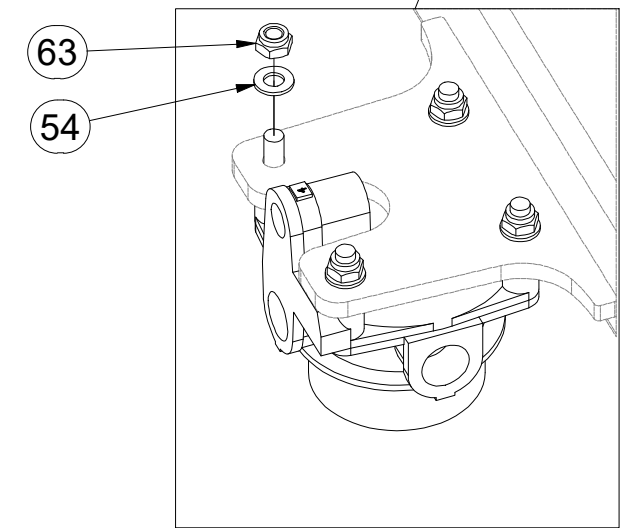
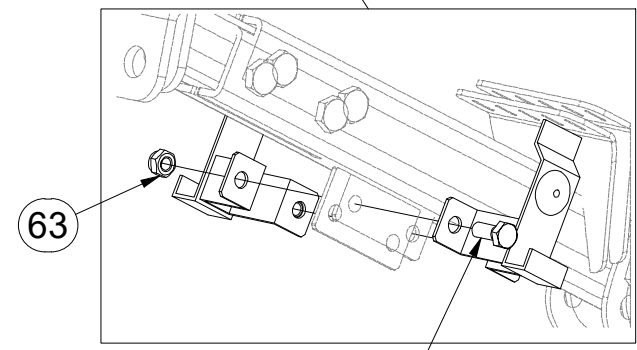
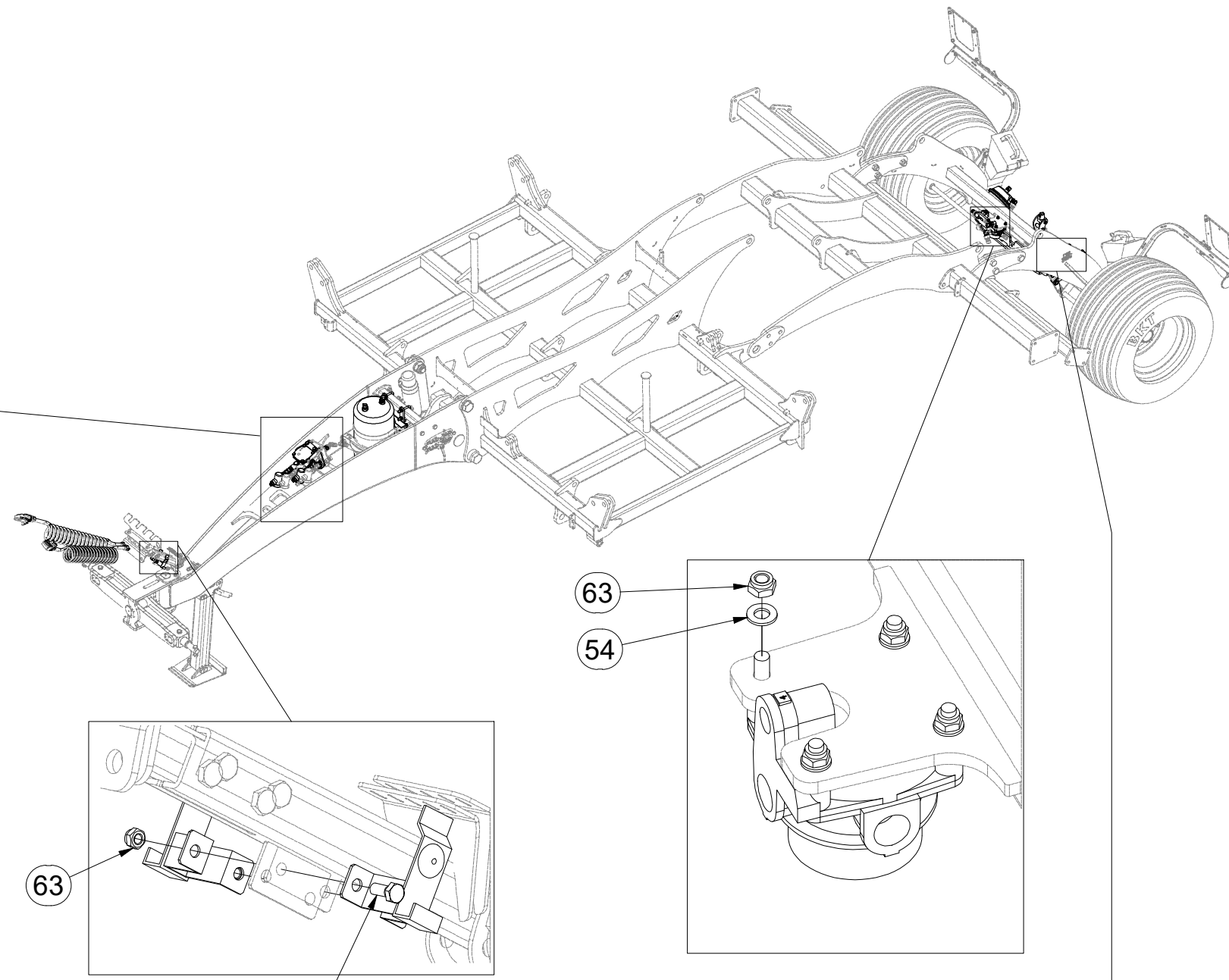
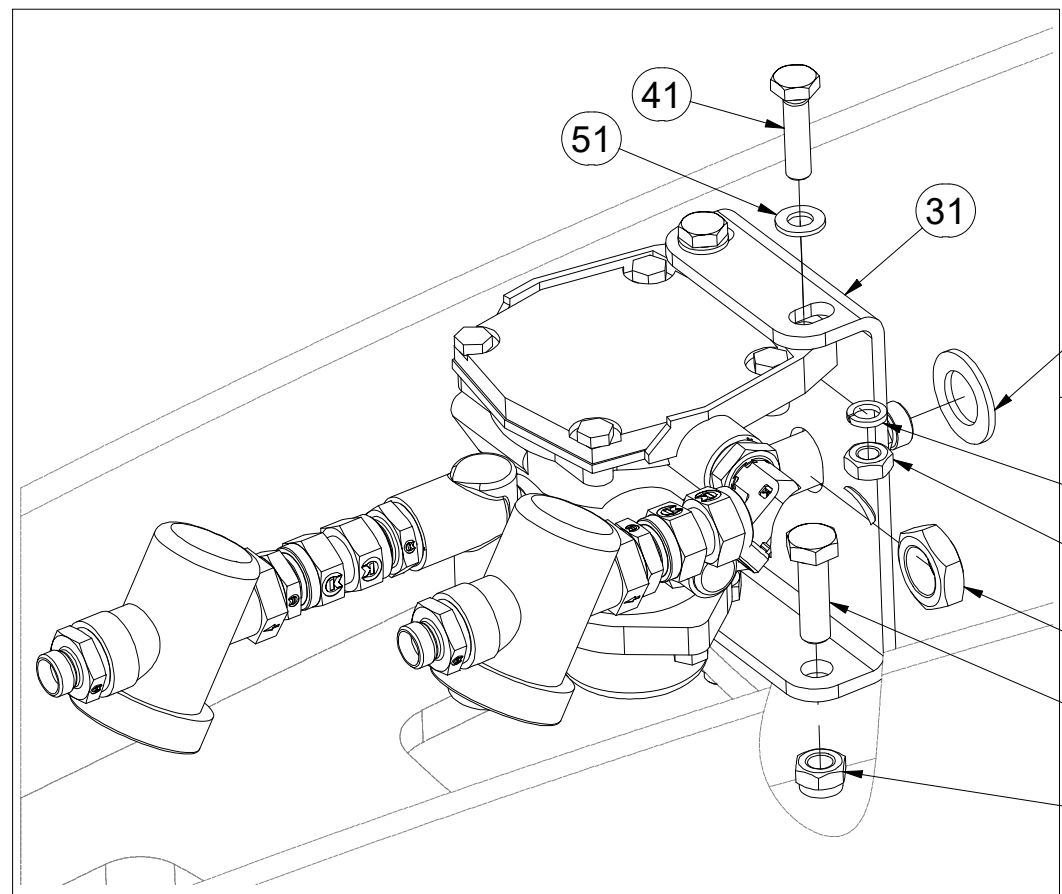
Ⓒ BRAKE SET

Ⓓ ТОРМОЗНОЙ КОМПЛЕКТ

Ⓕ ZESTAW HAMULCOWY



VZ00047916



| Pos. | Part Number | Pcs. |
|------|-------------|------|
| 20 | 4003087 | 1 |
| 21 | m10454 | 1 |
| 31 | 4025214 | 1 |
| 41 | m01111 | 2 |
| 42 | m03926 | 3 |
| 43 | m01089 | 2 |
| 51 | m01209 | 2 |
| 52 | m18898 | 1 |
| 54 | m01203 | 4 |
| 55 | m01208 | 2 |
| 60 | m01299 | 2 |
| 61 | m03612 | 1 |
| 62 | m04301 | 13 |
| 63 | m04503 | 6 |

Ⓒ SADA BRZDOVÁ

Ⓓ BREMSENSATZ

Ⓕ JEU DE FREINS

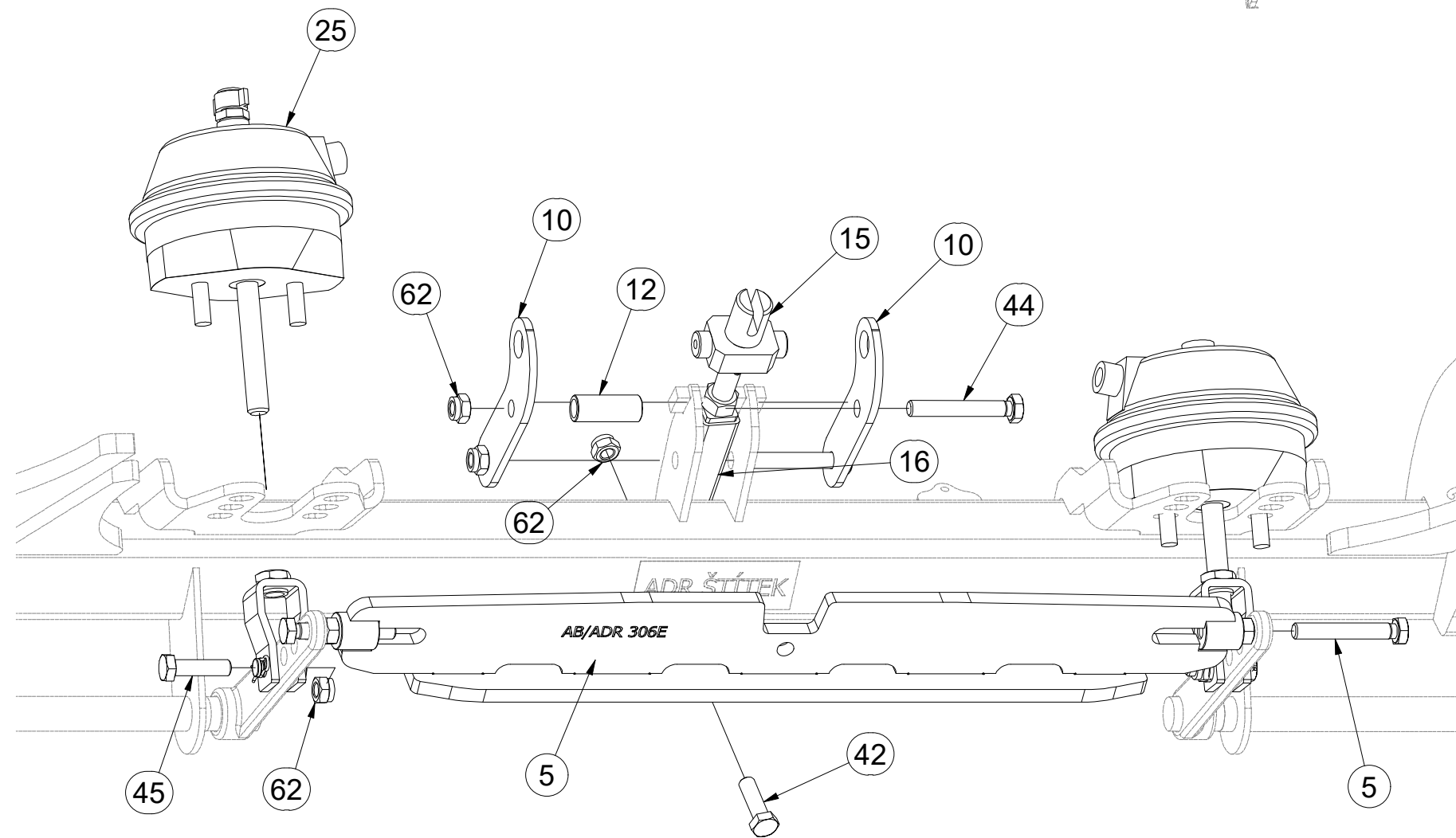
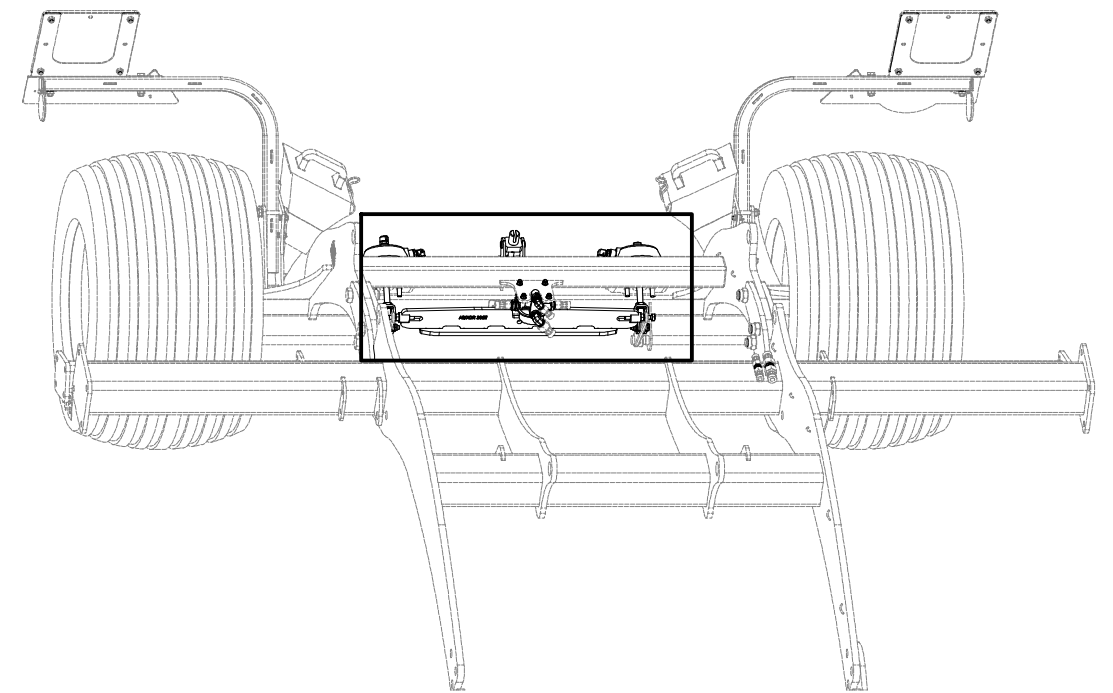
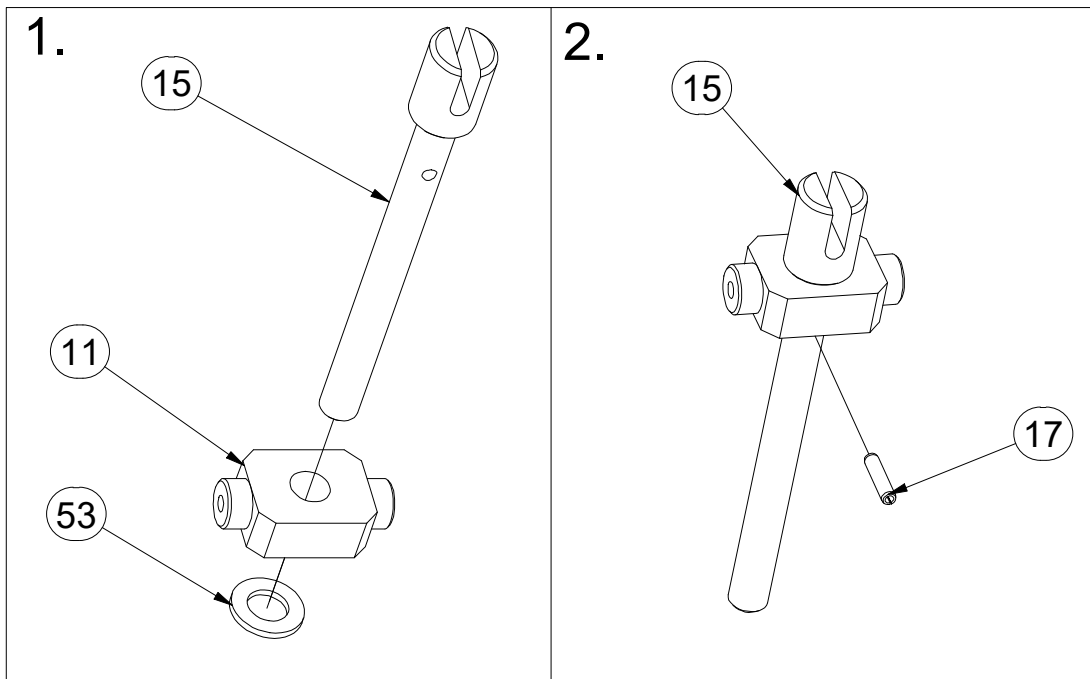
Ⓒ BRAKE SET

Ⓓ ТОРМОЗНОЙ КОМПЛЕКТ

Ⓕ ZESTAW HAMULCOWY



VZ00047916



| Pos. | Part Number | Pcs. |
|------|-------------|------|
| 5 | 4026182 | 1 |
| 10 | 4004804 | 2 |
| 11 | 4004806 | 1 |
| 12 | 4004808 | 1 |
| 15 | 4008114 | 1 |
| 16 | 3002657 | 1 |
| 17 | m11505 | 1 |
| 25 | 4025360 | 2 |
| 42 | m03926 | 3 |
| 44 | m06446 | 2 |
| 45 | m06077 | 2 |
| 53 | m01219 | 1 |
| 62 | m04301 | 13 |

Ⓒ SADA BRZDOVÁ

Ⓓ BREMSENSATZ

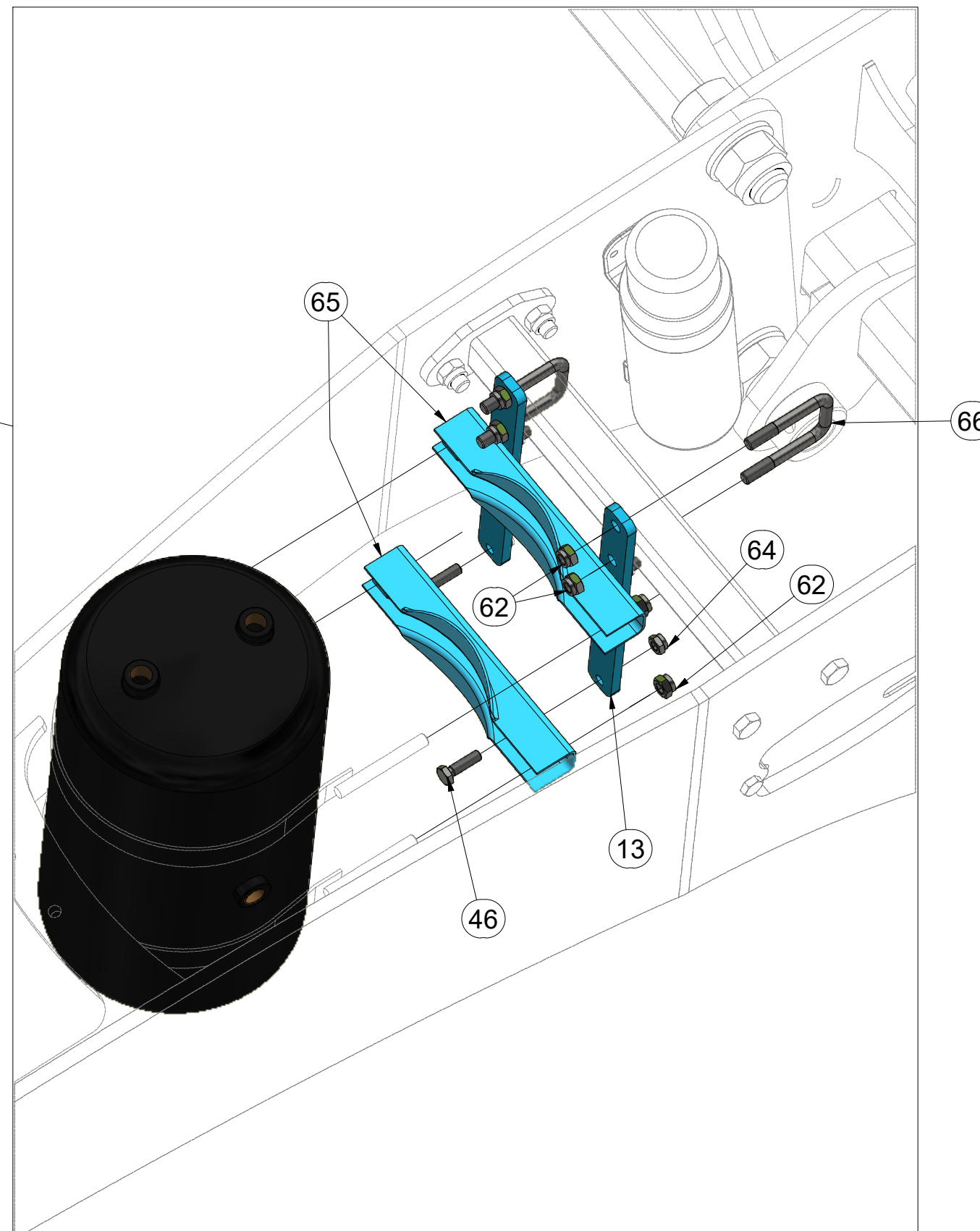
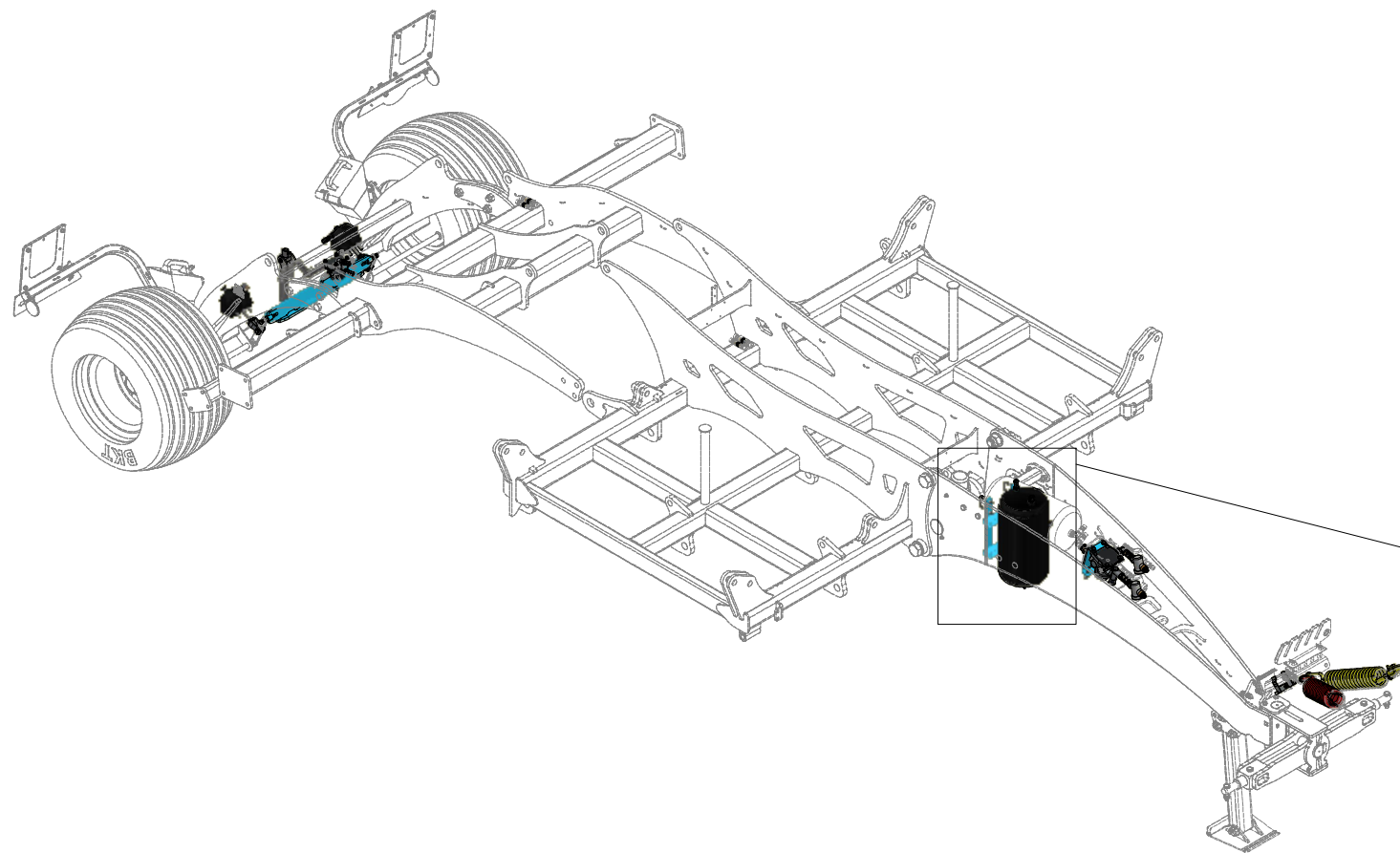
Ⓕ JEU DE FREINS

VZ00047916

Ⓖ BRAKE SET

Ⓡ ТОРМОЗНОЙ КОМПЛЕКТ

Ⓢ ZESTAW HAMULCOWY



| Pos. | Part Number | Pcs. |
|------|-------------|------|
| 13 | VZ00033627 | 2 |
| 46 | m06586 | 4 |
| 62 | m04301 | 13 |
| 64 | m03775 | 4 |
| 65 | m18831 | 2 |
| 66 | m10295 | 2 |

Ⓒ SADA BRZDOVÁ

Ⓓ BREMSENSATZ

Ⓕ JEU DE FREINS

Ⓖ BRAKE SET

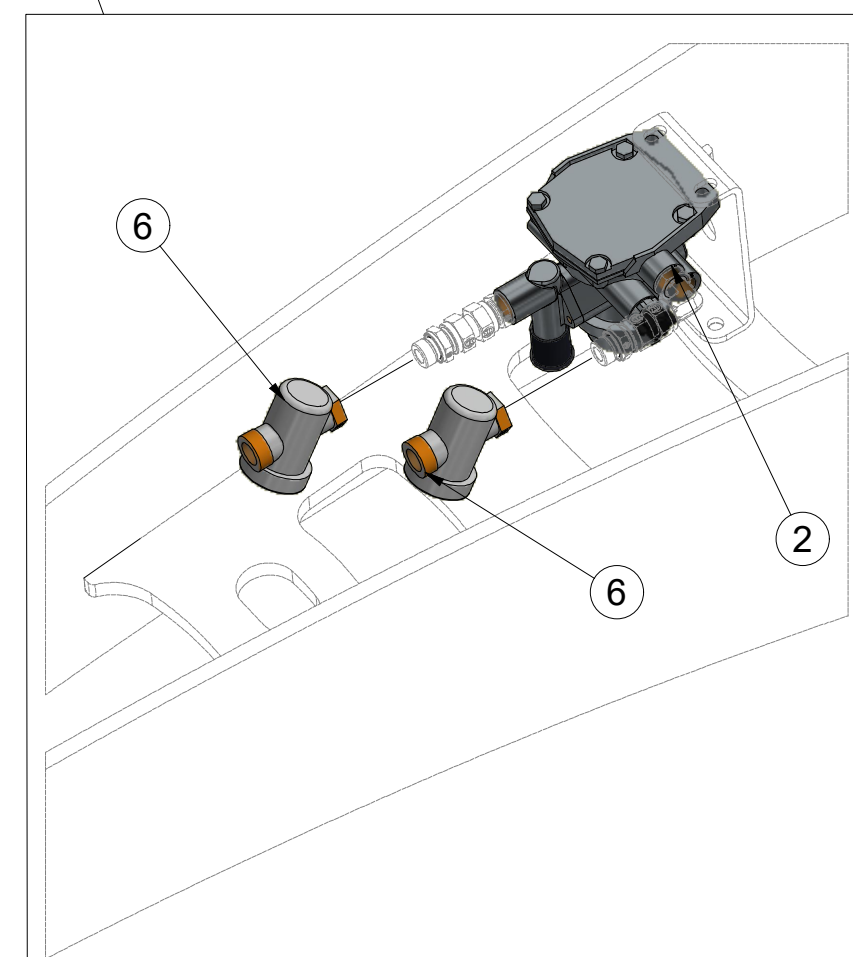
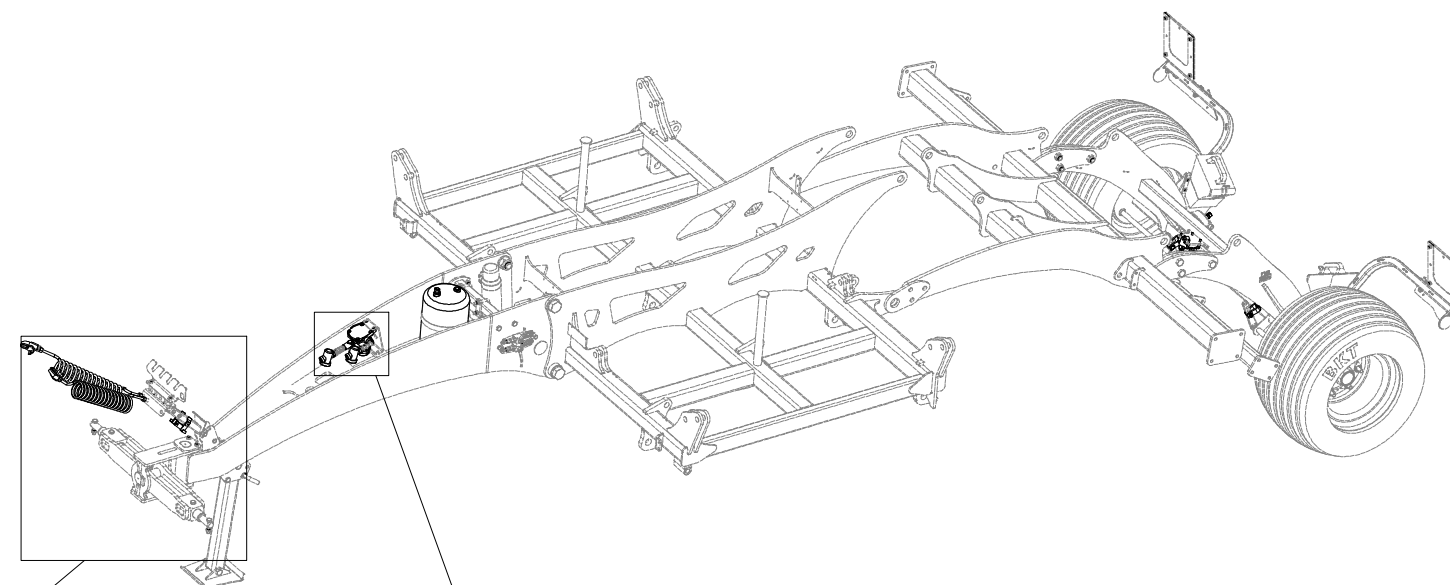
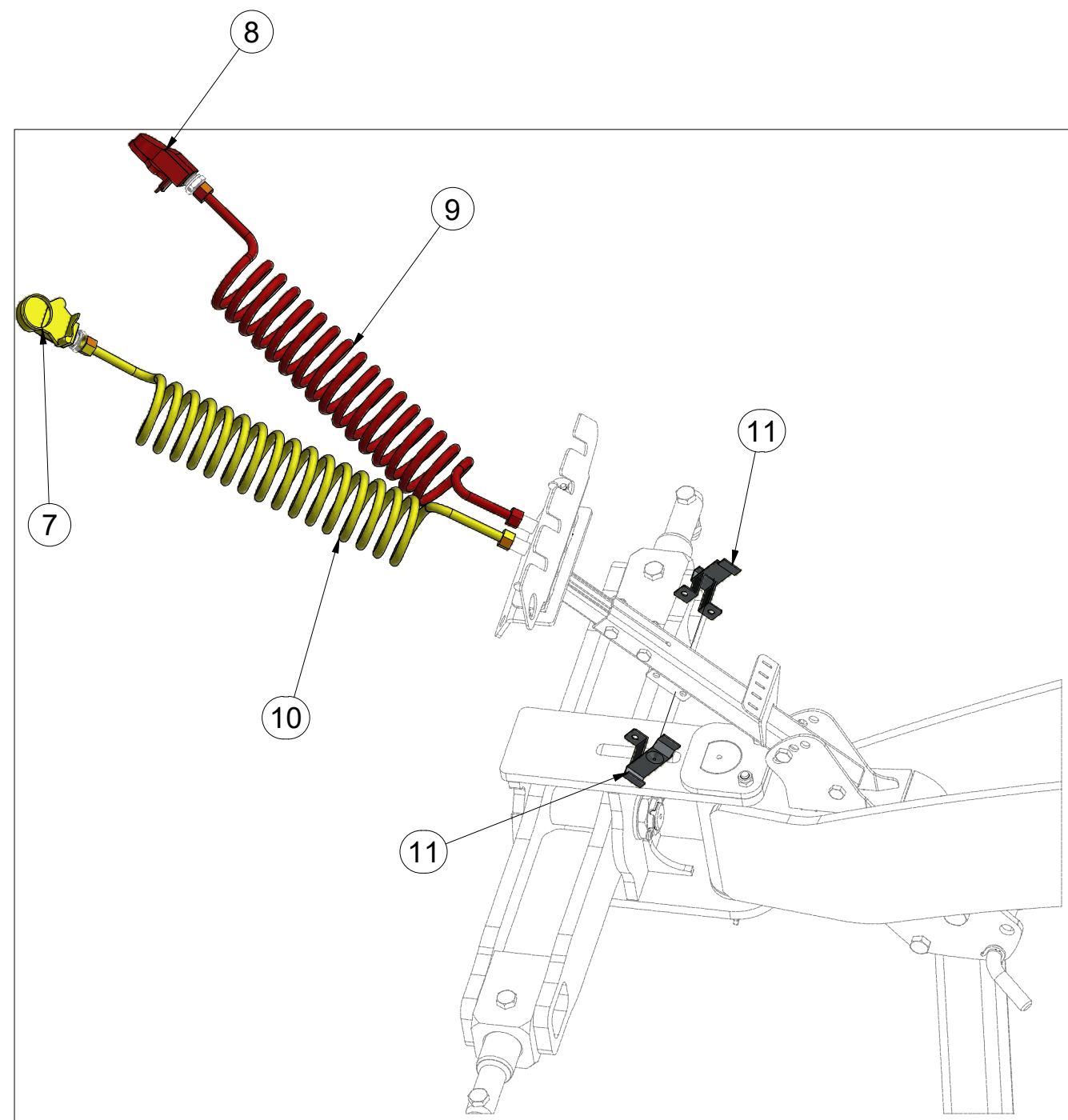
Ⓡ ТОРМОЗНОЙ КОМПЛЕКТ

Ⓢ ZESTAW HAMULCOWY



m18910

| Pos. | Part Number | Pcs. |
|------|-------------|------|
| 2 | m10608 | 1 |
| 6 | m11733 | 2 |
| 7 | m11734 | 1 |
| 8 | m11735 | 1 |
| 9 | m09949 | 1 |
| 10 | m09948 | 1 |
| 11 | m09789 | 2 |



Ⓒ SADA BRZDOVÁ

Ⓓ BREMSENSATZ

Ⓕ JEU DE FREINS

Ⓖ BRAKE SET

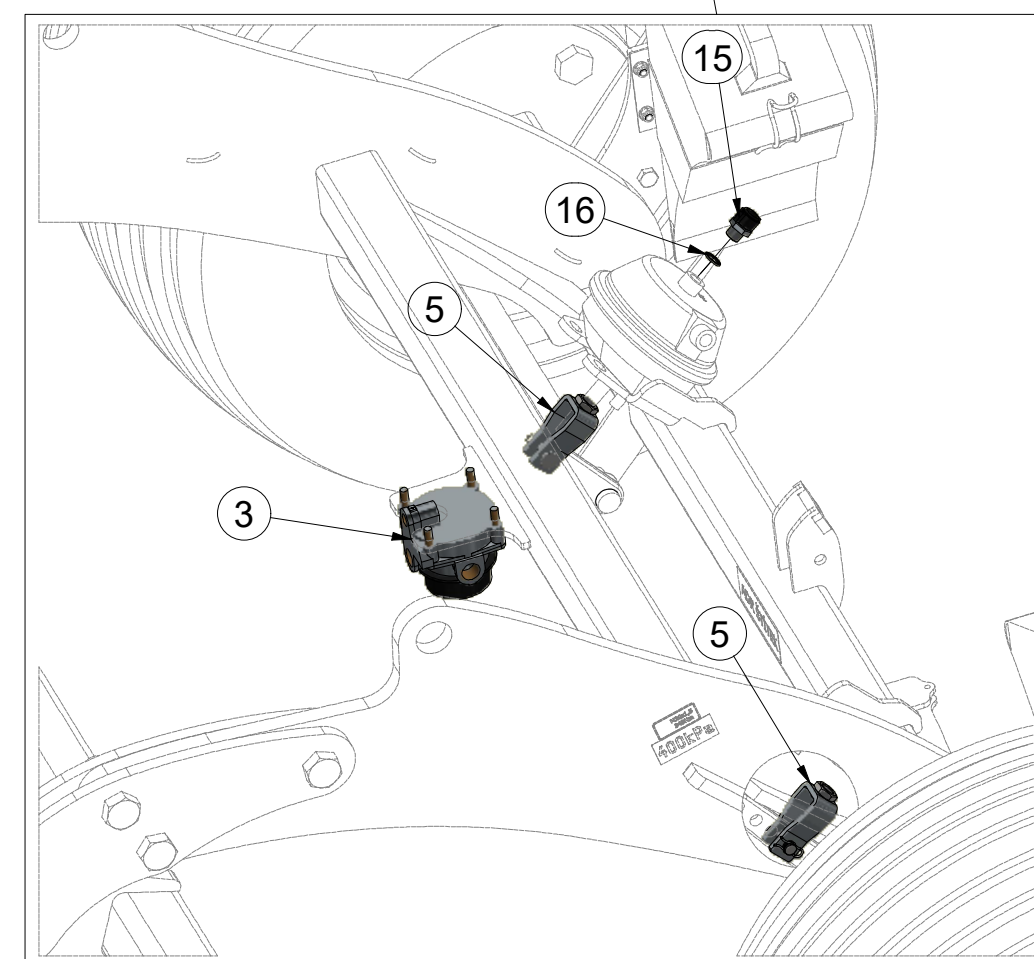
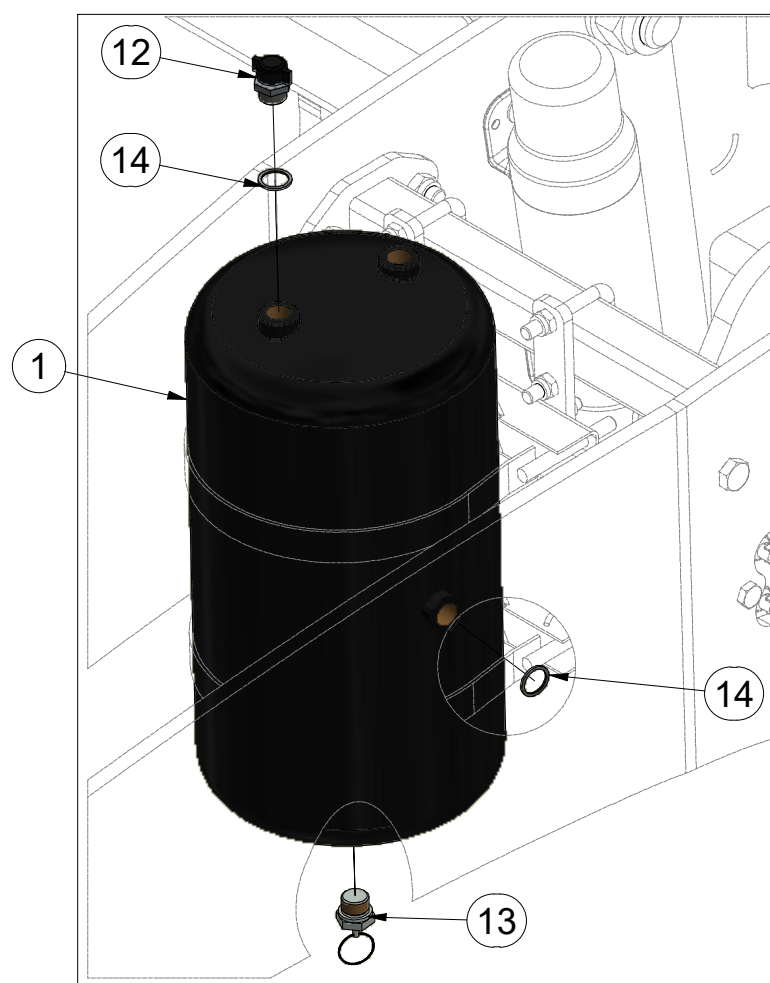
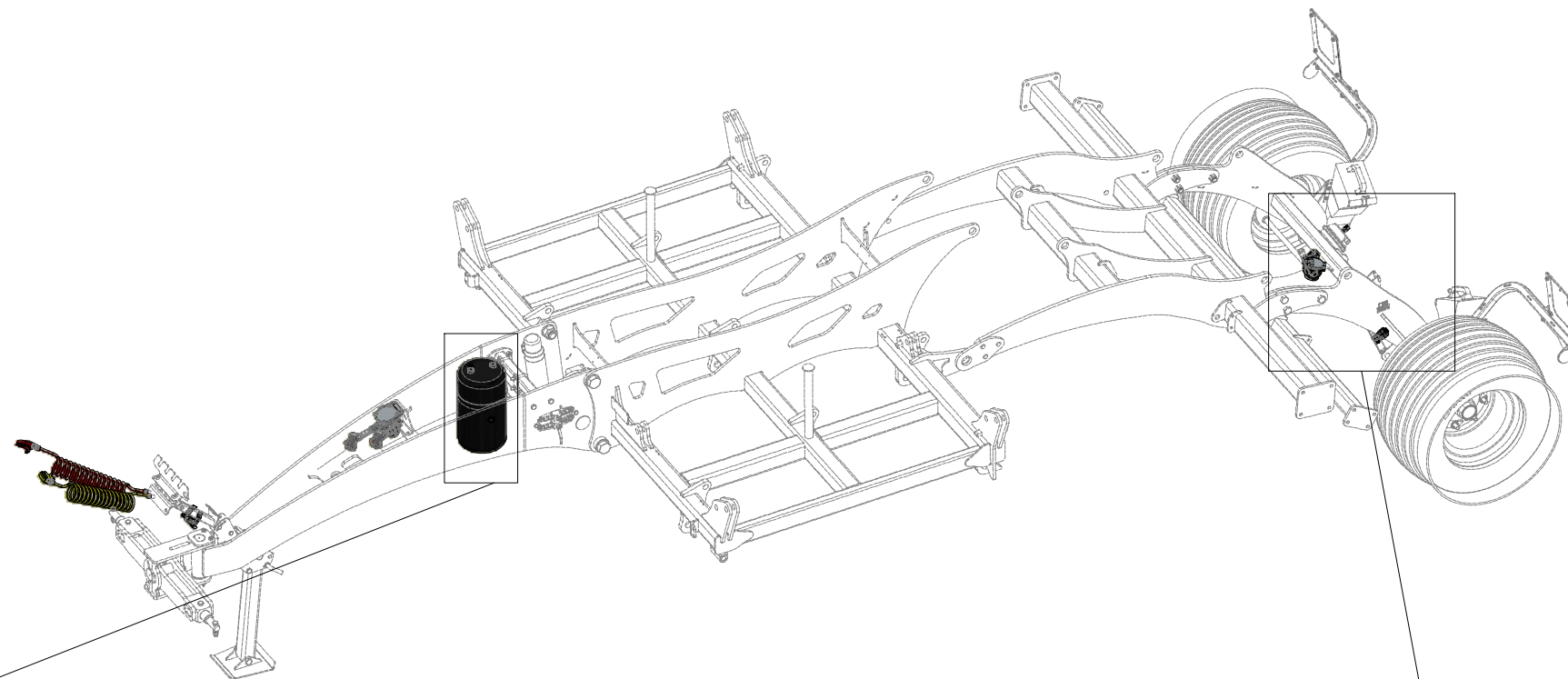
Ⓡ ТОРМОЗНОЙ КОМПЛЕКТ

Ⓢ ZESTAW HAMULCOWY



m18910

| Pos. | Part Number | Pcs. |
|------|-------------|------|
| 1 | m18903 | 1 |
| 3 | m09790 | 1 |
| 5 | m09793 | 2 |
| 12 | m09816 | 2 |
| 13 | m09797 | 1 |
| 14 | m09818 | 4 |
| 15 | m09815 | 1 |
| 16 | m09817 | 1 |



Ⓒ SADA BRZDOVÁ

Ⓓ BREMSENSATZ

Ⓕ JEU DE FREINS

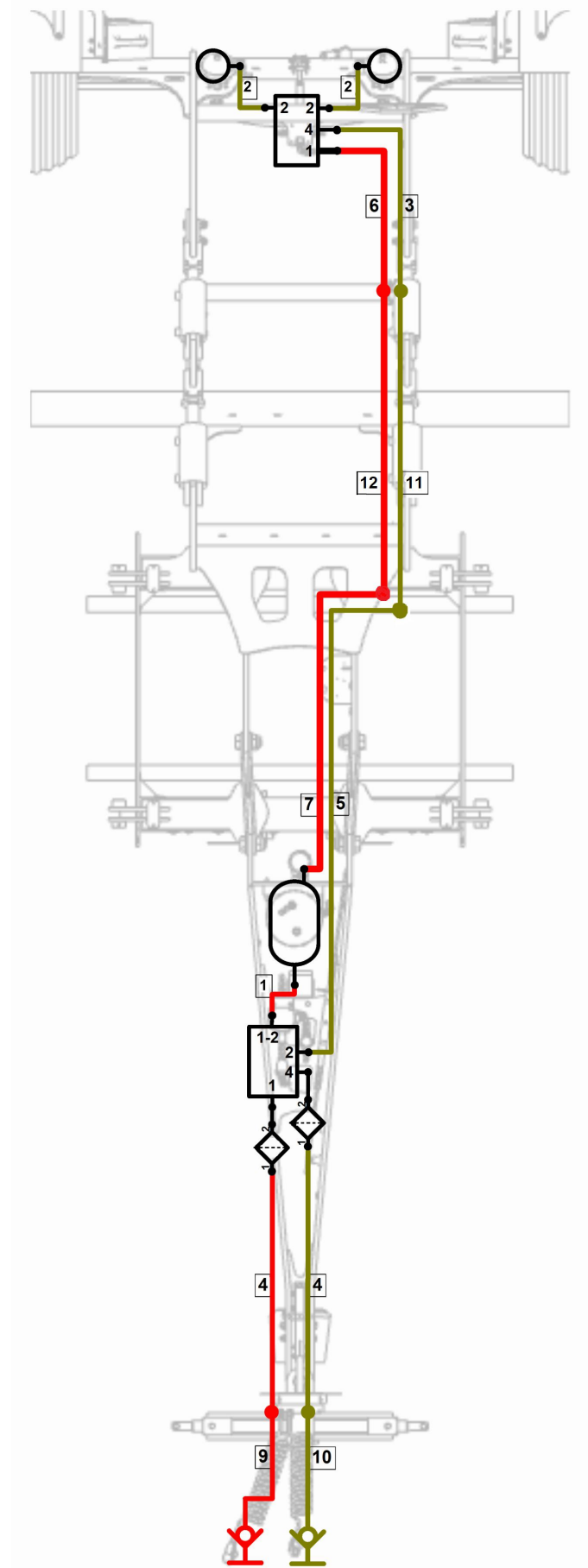
Ⓖ BRAKE SET

Ⓡ ТОРМОЗНОЙ КОМПЛЕКТ

Ⓢ ZESTAW HAMULCOWY



m20356



m18910

| Pos. | Part Number | Pcs. |
|------|-------------|------|
| 9 | m09949 | 1 |
| 10 | m09948 | 1 |

m20356

| Pos. | Part Number | Pcs. |
|------|-------------|------|
| 1 | m19808 | 1 |
| 2 | m19809 | 2 |
| 3 | m19343 | 1 |
| 4 | m18911 | 2 |
| 5 | m18812 | 1 |
| 6 | m20526 | 1 |
| 7 | m19323 | 1 |
| 11 | m19034 | 1 |
| 12 | m18813 | 1 |

Ⓒ SADA BRZDOVÁ

Ⓓ BREMSENSATZ

Ⓕ JEU DE FREINS

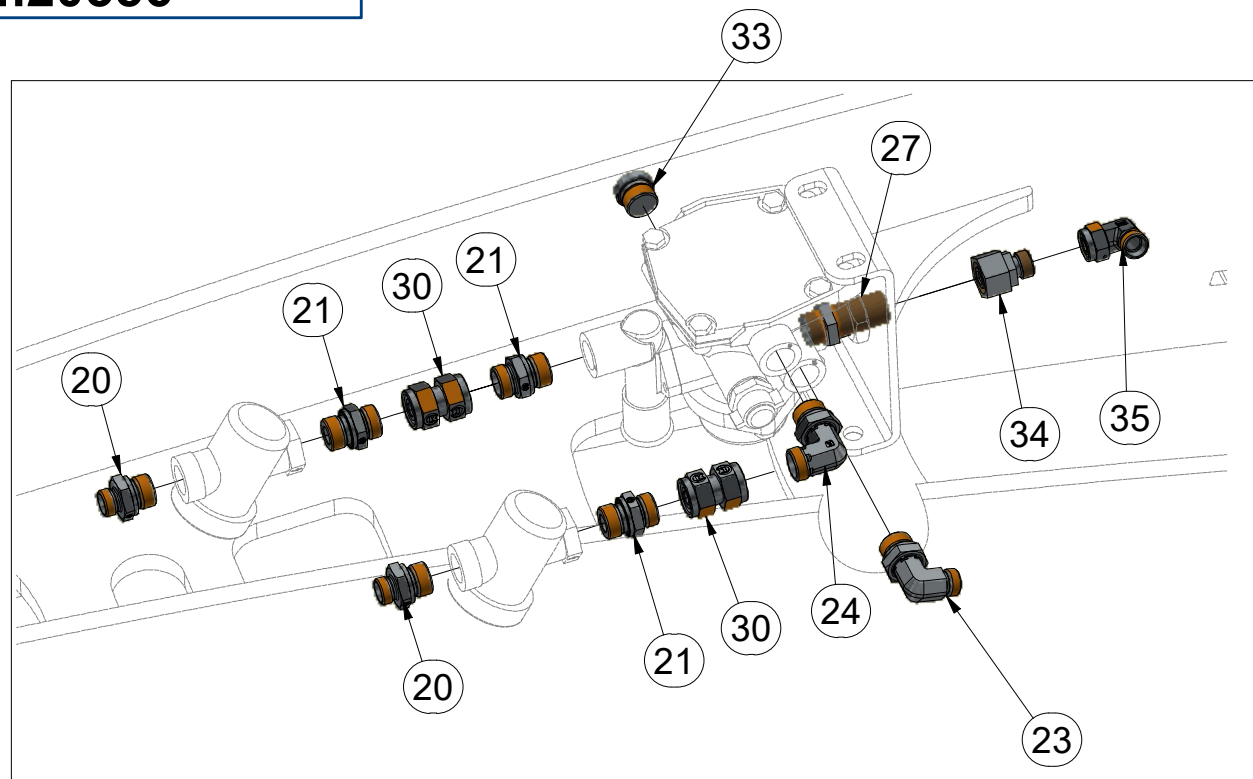
Ⓖ BRAKE SET

Ⓡ ТОРМОЗНОЙ КОМПЛЕКТ

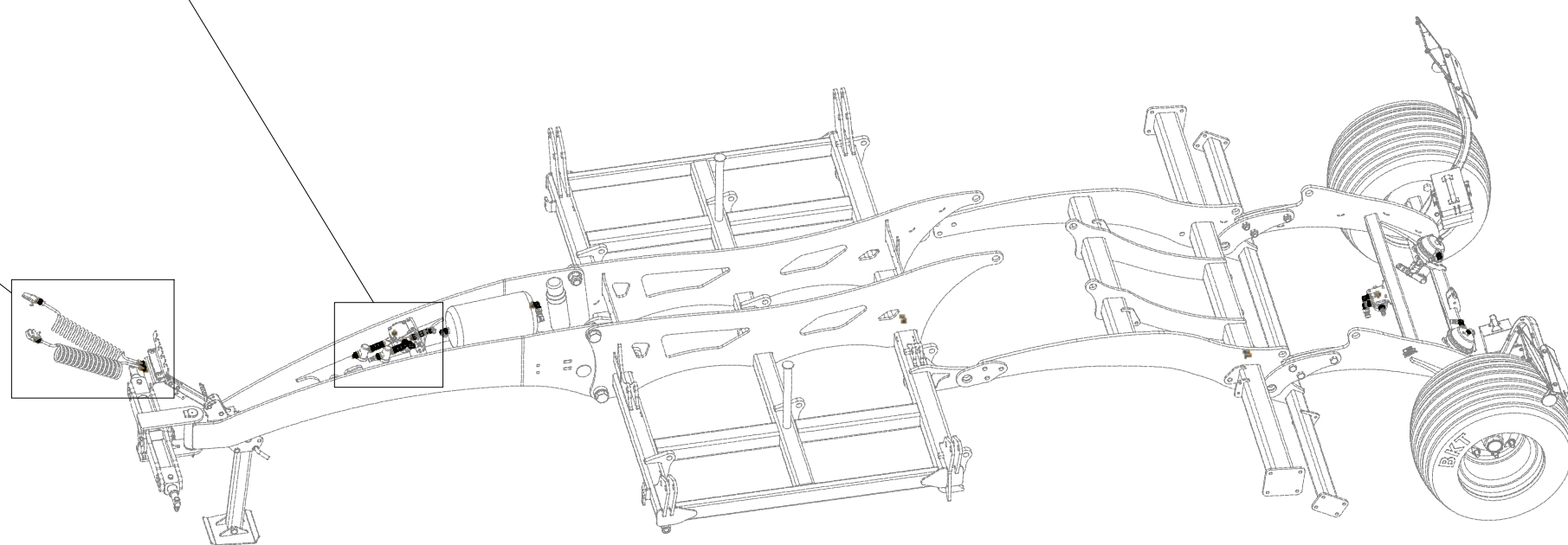
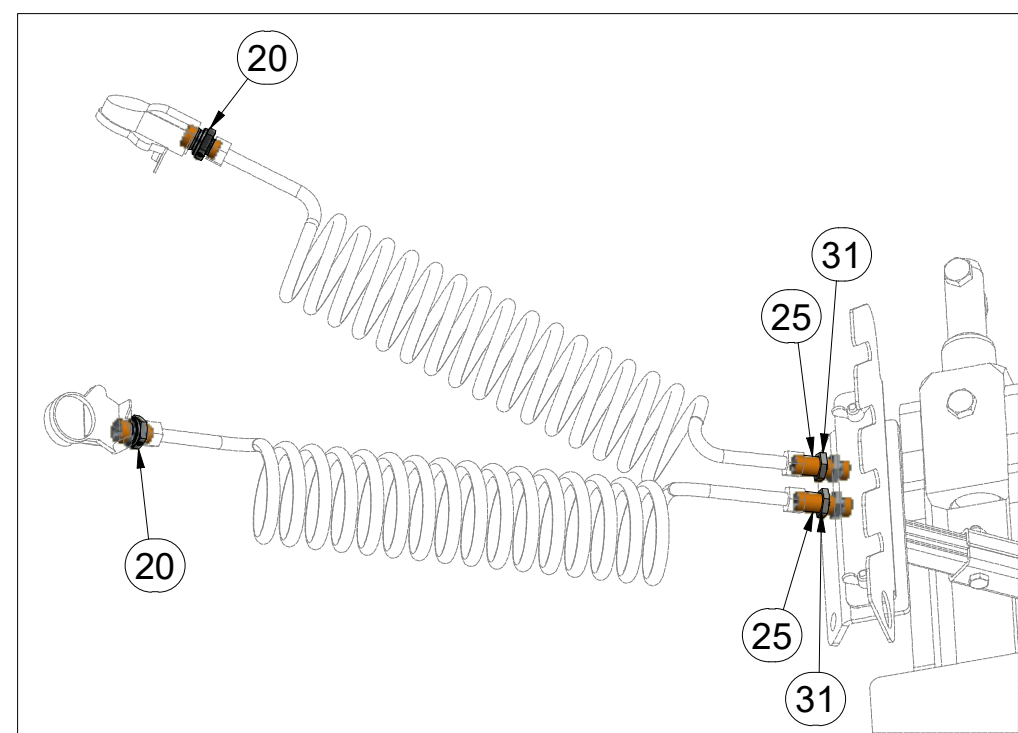
Ⓢ ZESTAW HAMULCOWY



m20356



| Pos. | Part Number | Pcs. |
|------|-------------|------|
| 20 | m08261 | 6 |
| 21 | m07468 | 3 |
| 23 | m02633 | 2 |
| 24 | m03896 | 3 |
| 25 | m19023 | 2 |
| 27 | m09625 | 1 |
| 30 | m06135 | 2 |
| 31 | m12920 | 2 |
| 33 | m04855 | 1 |
| 34 | m09987 | 1 |
| 35 | m07654 | 1 |



Ⓒ SADA BRZDOVÁ

Ⓓ BREMSENSATZ

Ⓕ JEU DE FREINS

Ⓖ BRAKE SET

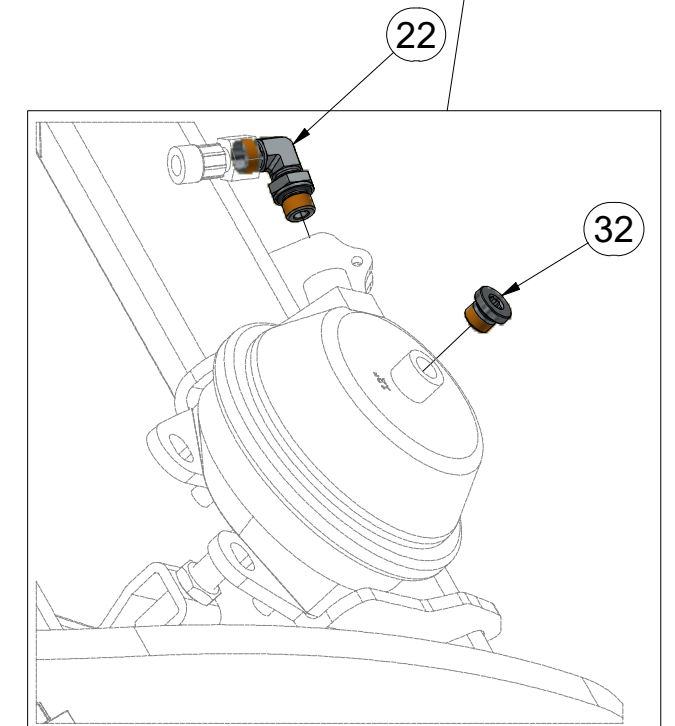
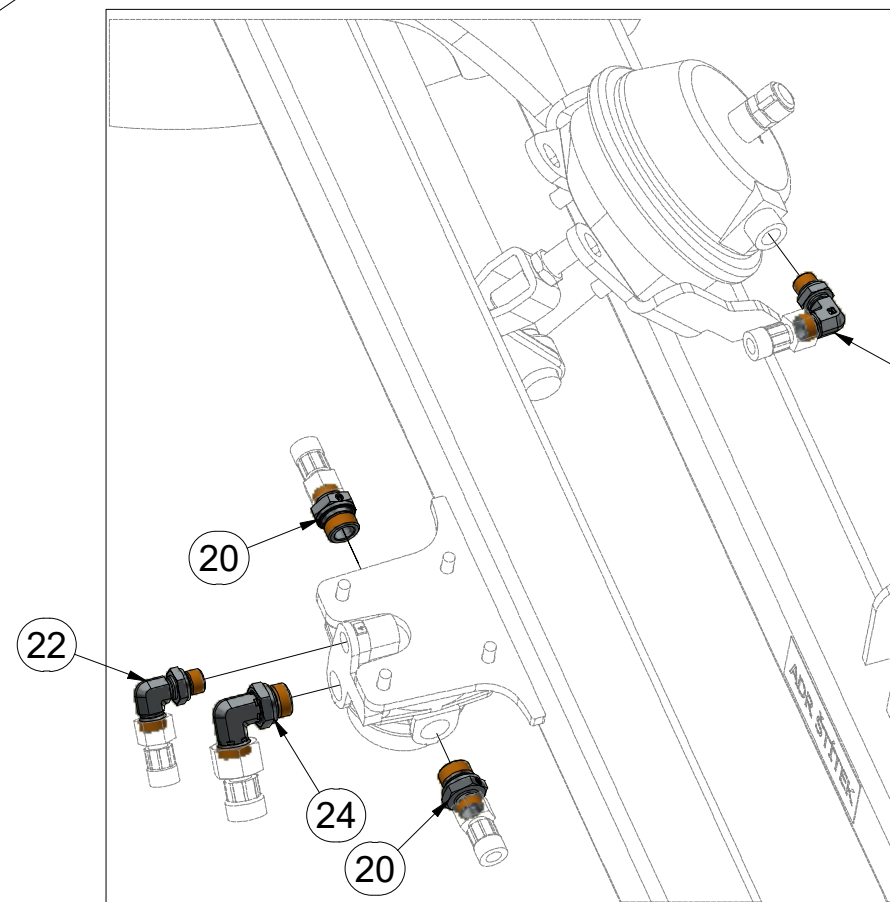
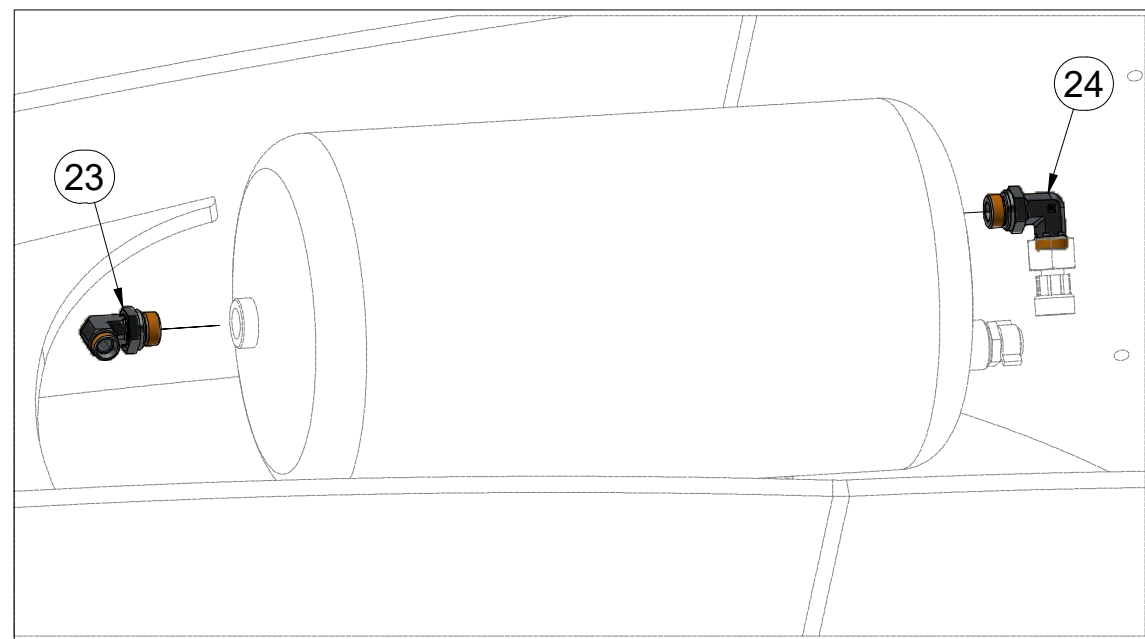
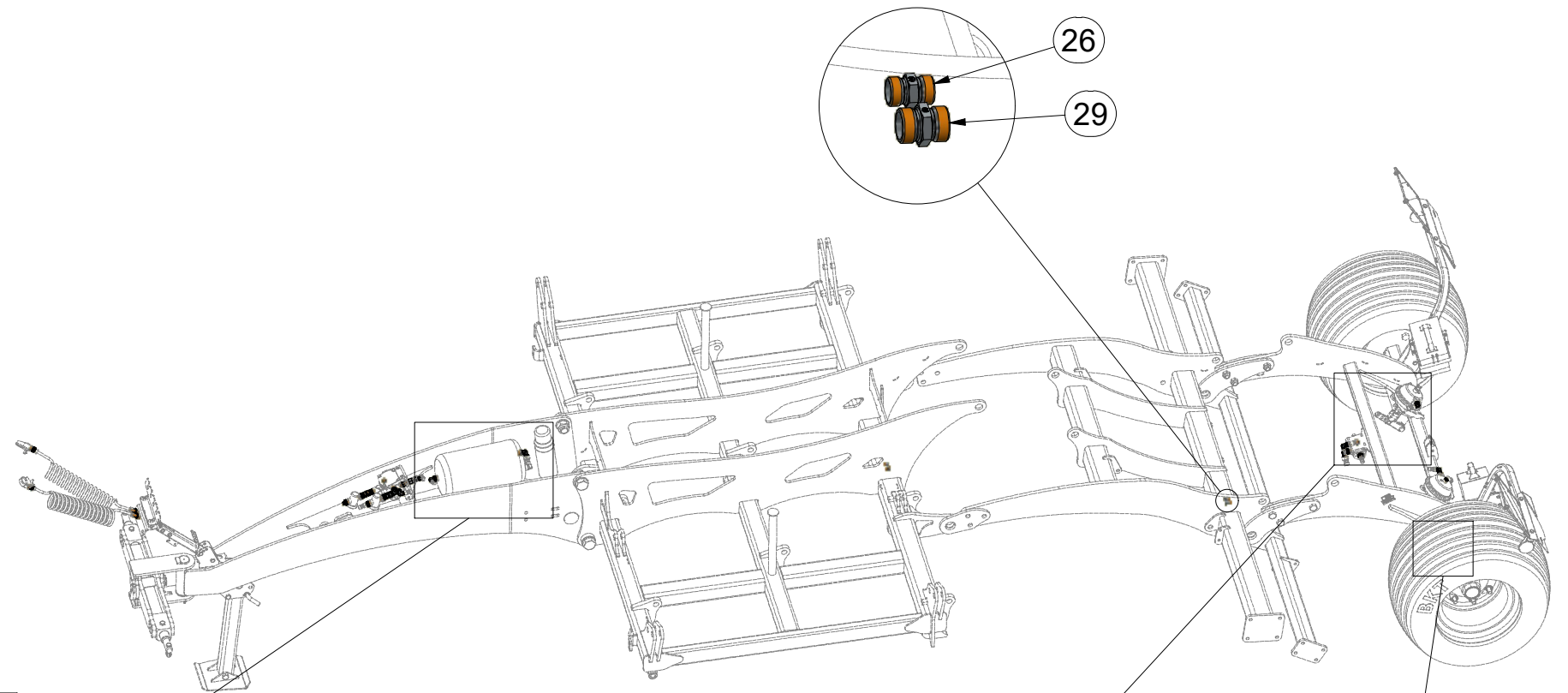
Ⓡ ТОРМОЗНОЙ КОМПЛЕКТ

Ⓢ ZESTAW HAMULCOWY



m20356

| Pos. | Part Number | Pcs. |
|------|-------------|------|
| 20 | m08261 | 6 |
| 22 | m18899 | 3 |
| 23 | m02633 | 2 |
| 24 | m03896 | 3 |
| 26 | m03166 | 2 |
| 29 | m04428 | 2 |
| 32 | m04518 | 1 |



Ⓒ CZ SADA NÁPRAVY

Ⓓ D SATZ AUFHÄNGUNG

Ⓕ F KIT DE L'ESSIEU

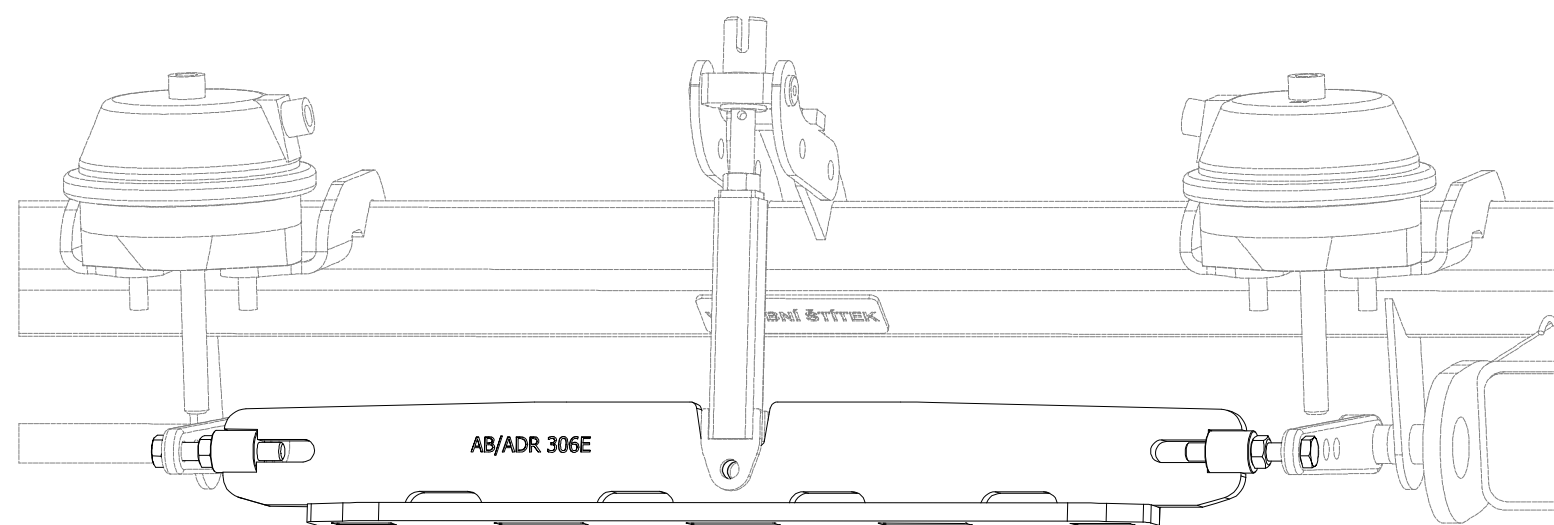
Ⓖ GB AXLE SET

Ⓡ RU КОМПЛЕКТ ОСИ КОЛЁС

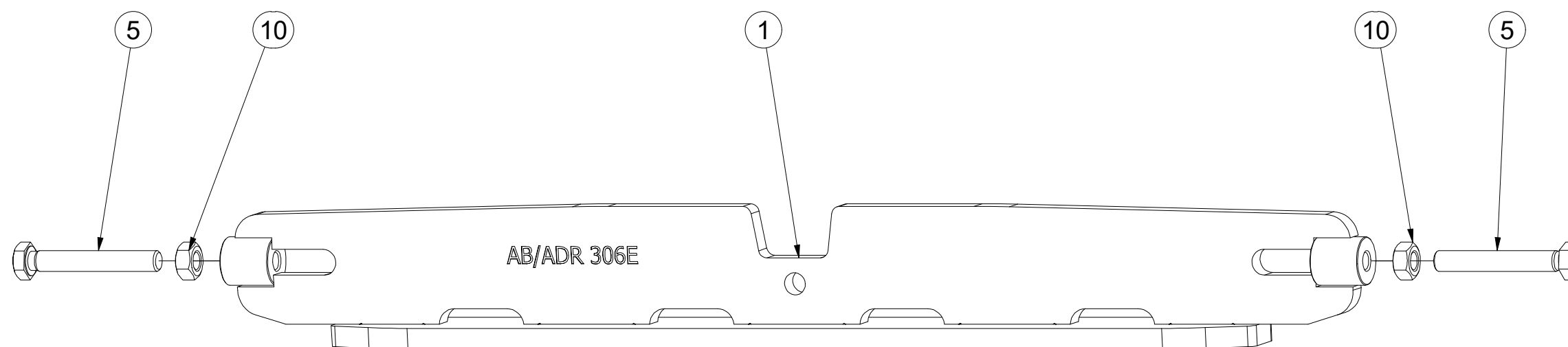
Ⓟ PL ZESTAW OSI



4026182



| Pos. | Part Number | Pcs. |
|------|-------------|------|
| 1 | 3012890 | 1 |
| 5 | m06446 | 2 |
| 10 | m01305 | 2 |



Ⓒ NASAZOVACÍ KLIKA

Ⓓ MONTAGEGRIF

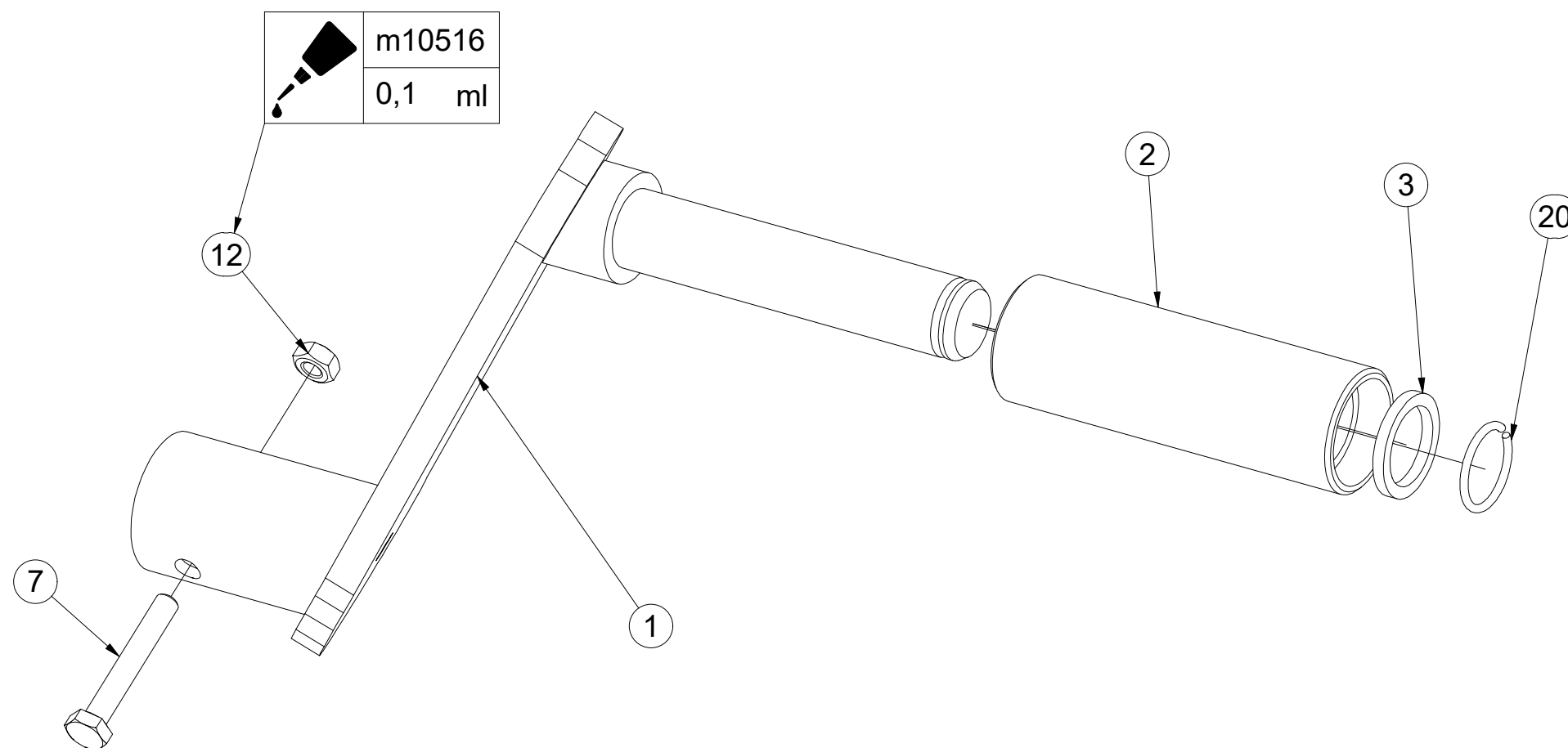
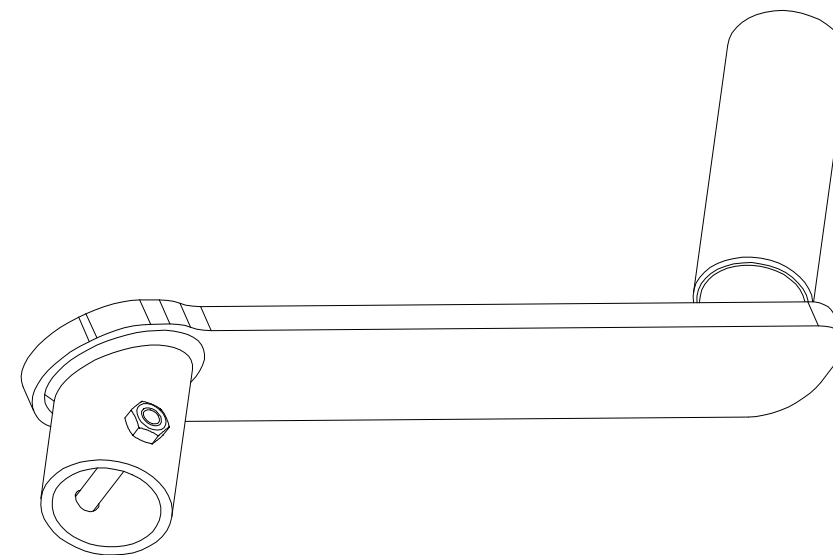
Ⓕ POIGNÉE DE MONTAGE

4003087

Ⓖ MOUNTING HANDLE

Ⓡ МОНТАЖНАЯ РУЧКА

Ⓢ UCHWYT MONTAŻOWY



| Pos. | Part Number | Pcs. |
|------|-------------|------|
| 1 | 4003092 | 1 |
| 2 | 4001533 | 1 |
| 3 | 4004828 | 1 |
| 7 | m04641 | 1 |
| 12 | m01295 | 1 |
| 20 | m06561 | 1 |
| 25 | m10516 | 0,1 |

ⒸZ TERČ ZADNÍ LEVÝ

Ⓓ SCHILD, HINTERES, LINKES

Ⓕ CIBLE ARRIÈRE GAUCHE

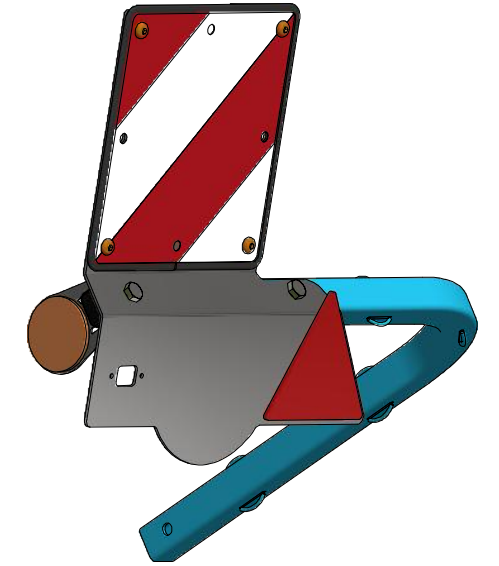
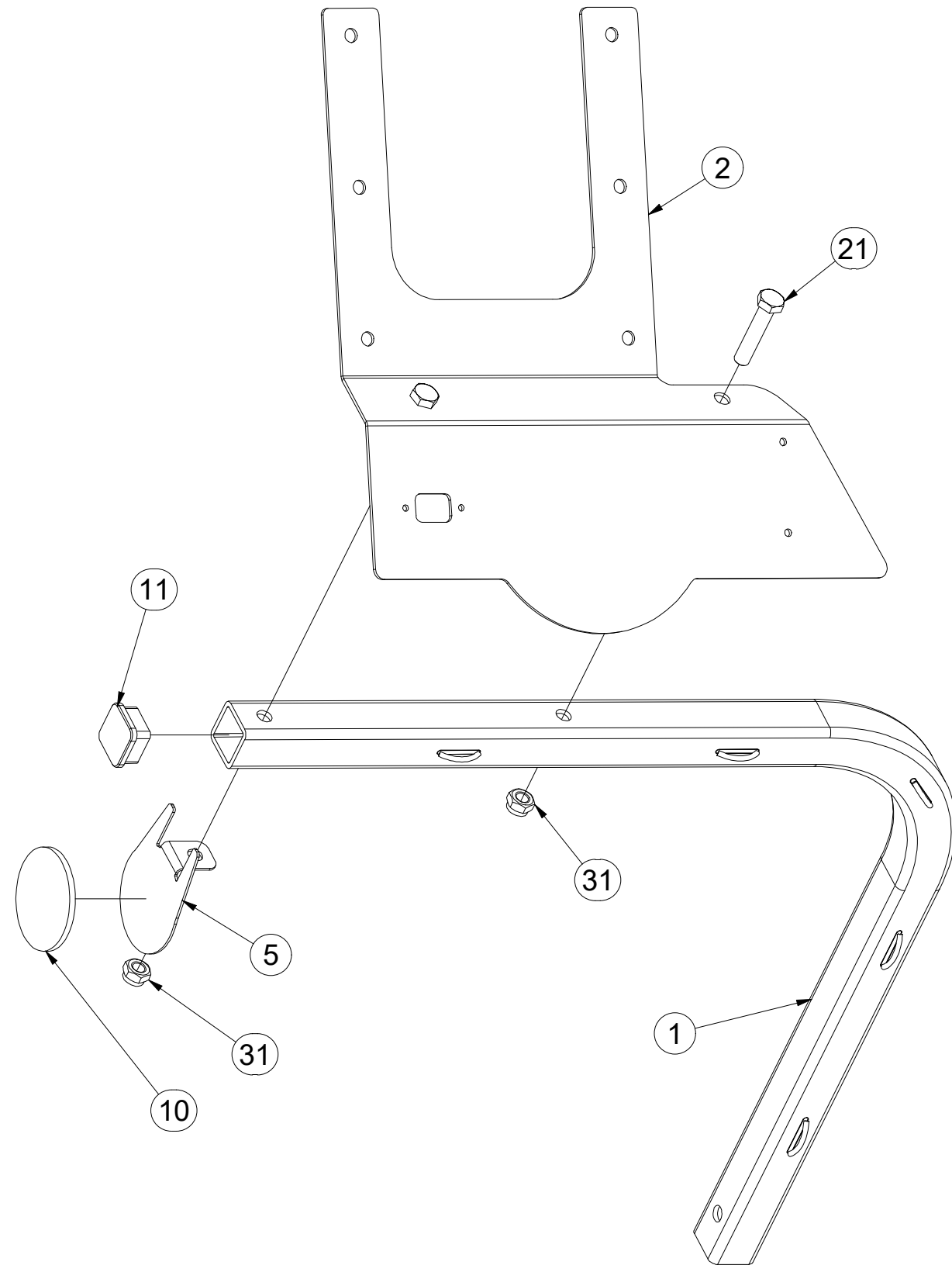
3012431

ⒼB LEFT REAR DISC

ⒺЩИТОК ЗАДНИЙ ЛЕВЫЙ

ⒽL TARCZA TYLNA LEWA

Farmet



| Pos. | Part Number | Pcs. |
|------|-------------|------|
| 1 | 3012433 | 1 |
| 2 | 3012365 | 1 |
| 5 | 4024926 | 1 |
| 10 | m02579 | 1 |
| 11 | m12689 | 1 |
| 21 | m01131 | 2 |
| 31 | m04301 | 2 |

ⒸZ TERČ ZADNÍ LEVÝ

Ⓓ SCHILD, HINTERES, LINKES

Ⓕ CIBLE ARRIÈRE GAUCHE

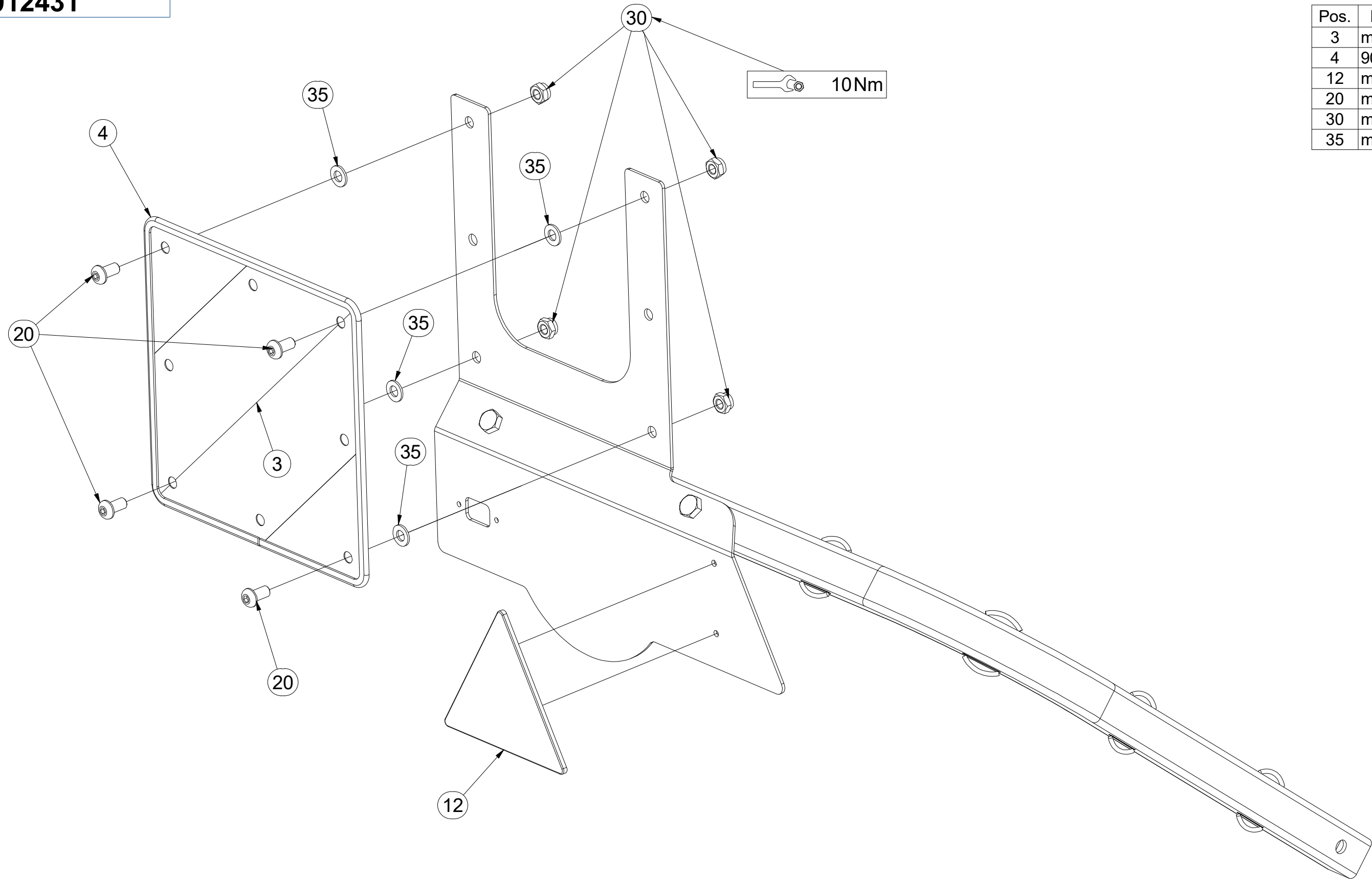
3012431

ⒼB LEFT REAR DISC

ⒺU ЩИТОК ЗАДНИЙ ЛЕВЫЙ

ⒼL TARCZA TYLNA LEWA

Farmet



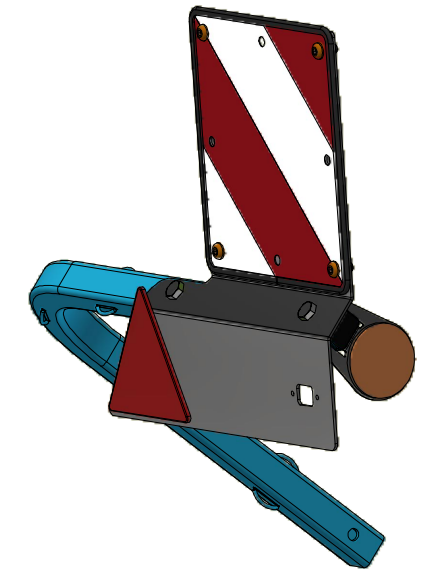
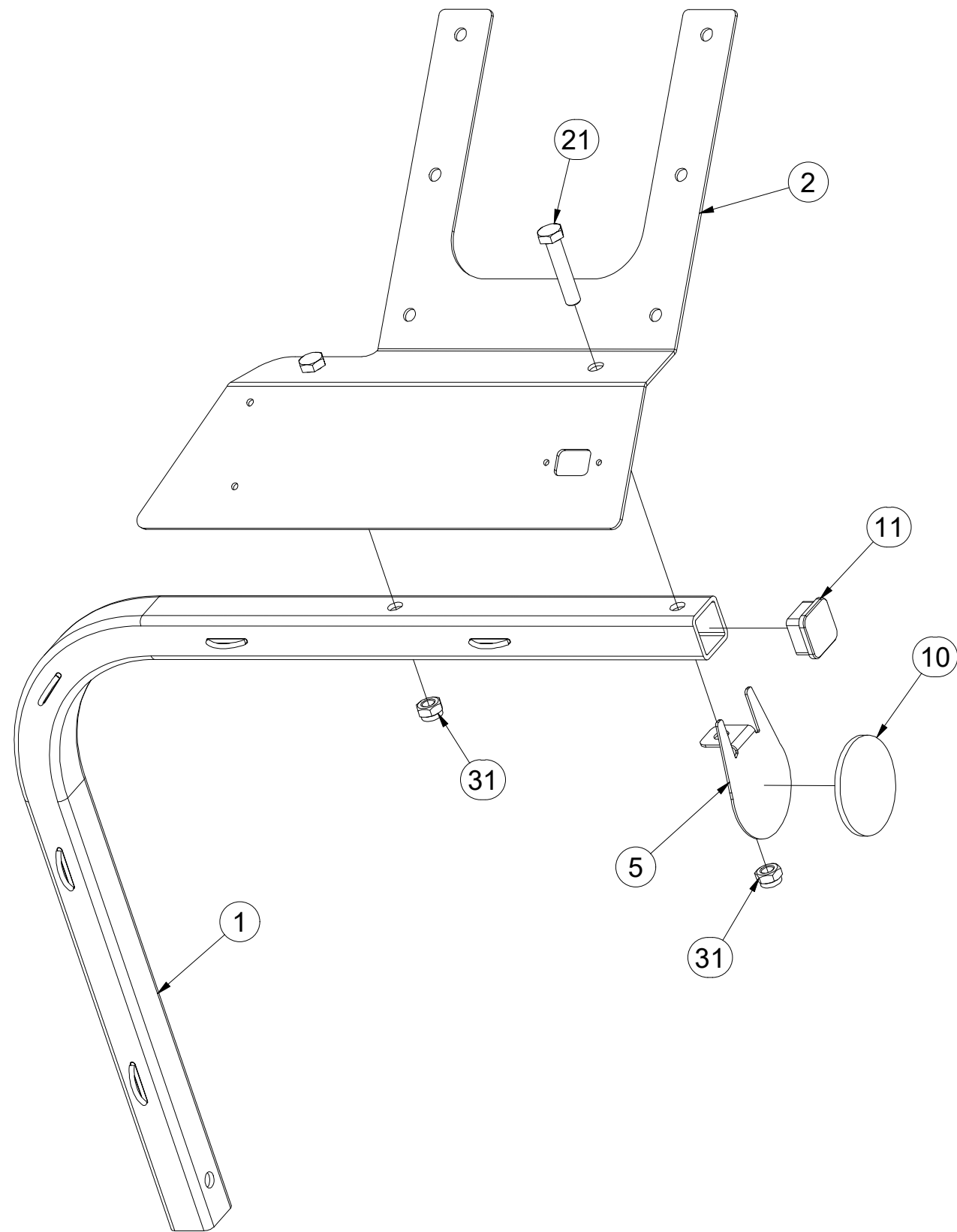
| Pos. | Part Number | Pcs. |
|------|-------------|------|
| 3 | m18855 | 1 |
| 4 | 9005707 | 1 |
| 12 | m02497 | 1 |
| 20 | m16637 | 4 |
| 30 | m03775 | 4 |
| 35 | m01209 | 4 |

CZ TERČ ZADNÍ PRAVÝ
 D SCHILD, HINTERES, RECHTES
 F CIBLE ARRIÈRE DROITE

GB RIGHT REAR DISC
 RU ЩИТОК ЗАДНИЙ ПРАВЫЙ
 PL TARCZA TYLNA PRAWA



3012432



| Pos. | Part Number | Pcs. |
|------|-------------|------|
| 1 | 3012433 | 1 |
| 2 | 3012390 | 1 |
| 5 | 4024926 | 1 |
| 10 | m02579 | 1 |
| 11 | m12689 | 1 |
| 21 | m01131 | 2 |
| 31 | m04301 | 2 |

Ⓒ TERČ ZADNÍ PRAVÝ

Ⓓ SCHILD, HINTERES, RECHTES

Ⓕ CIBLE ARRIÈRE DROITE

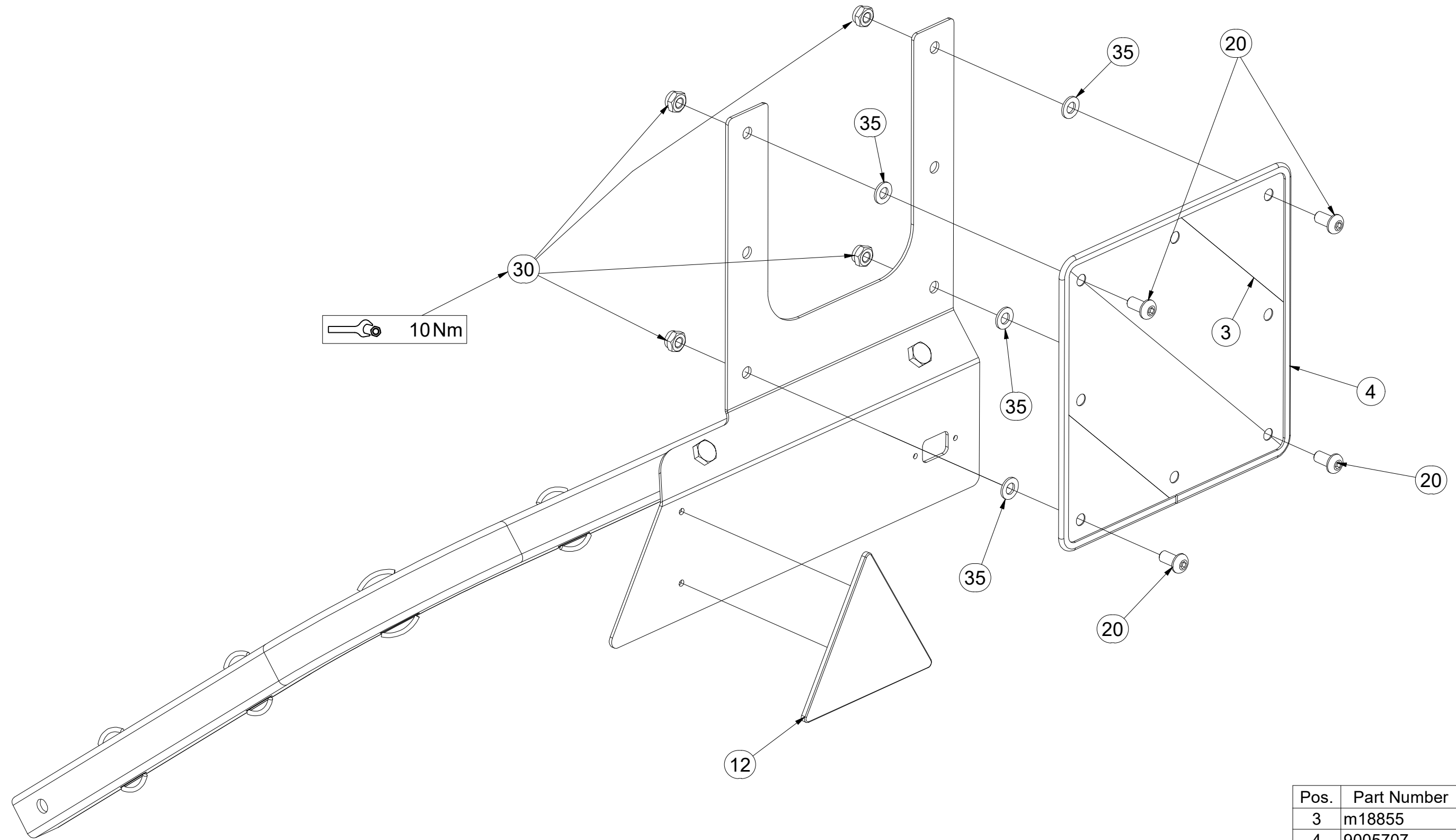
Ⓖ RIGHT REAR DISC

Ⓡ ЩИТОК ЗАДНИЙ ПРАВЫЙ

Ⓢ TARCZA TYLNA PRAWA



3012432



| Pos. | Part Number | Pcs. |
|------|-------------|------|
| 3 | m18855 | 1 |
| 4 | 9005707 | 1 |
| 12 | m02497 | 1 |
| 20 | m16637 | 4 |
| 30 | m03775 | 4 |
| 35 | m01209 | 4 |

ⒸZ TERČ ZADNÍ LEVÝ - HOMOLOGACE

Ⓓ SCHILD, HINTERES, LINKES - HOMOLOGATION

Ⓕ CIBLE ARRIÈRE GAUCHE - HOMOLOGATION

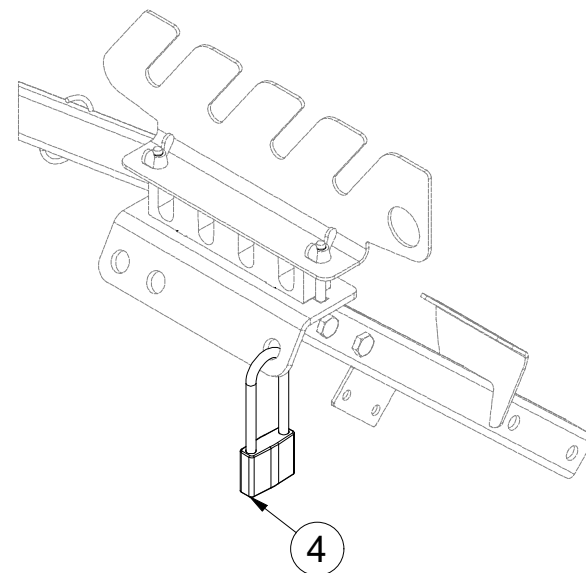
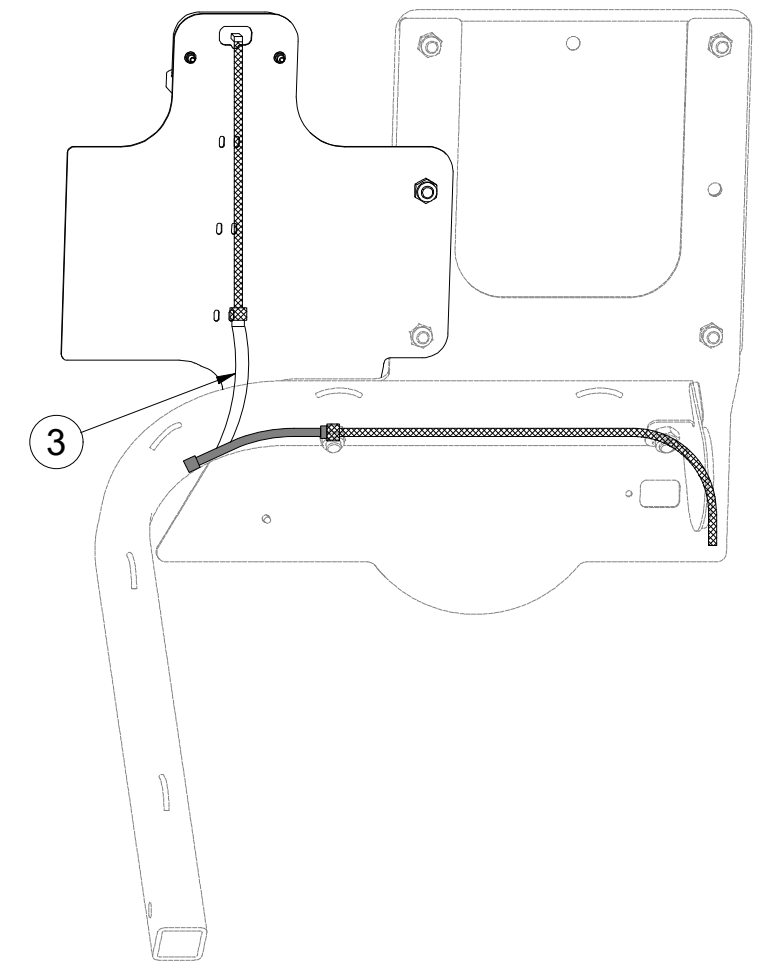
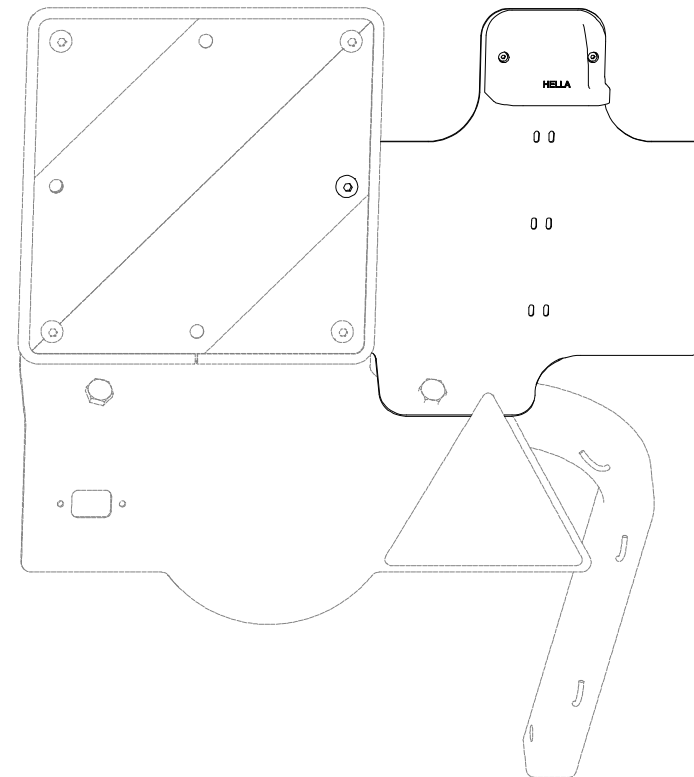
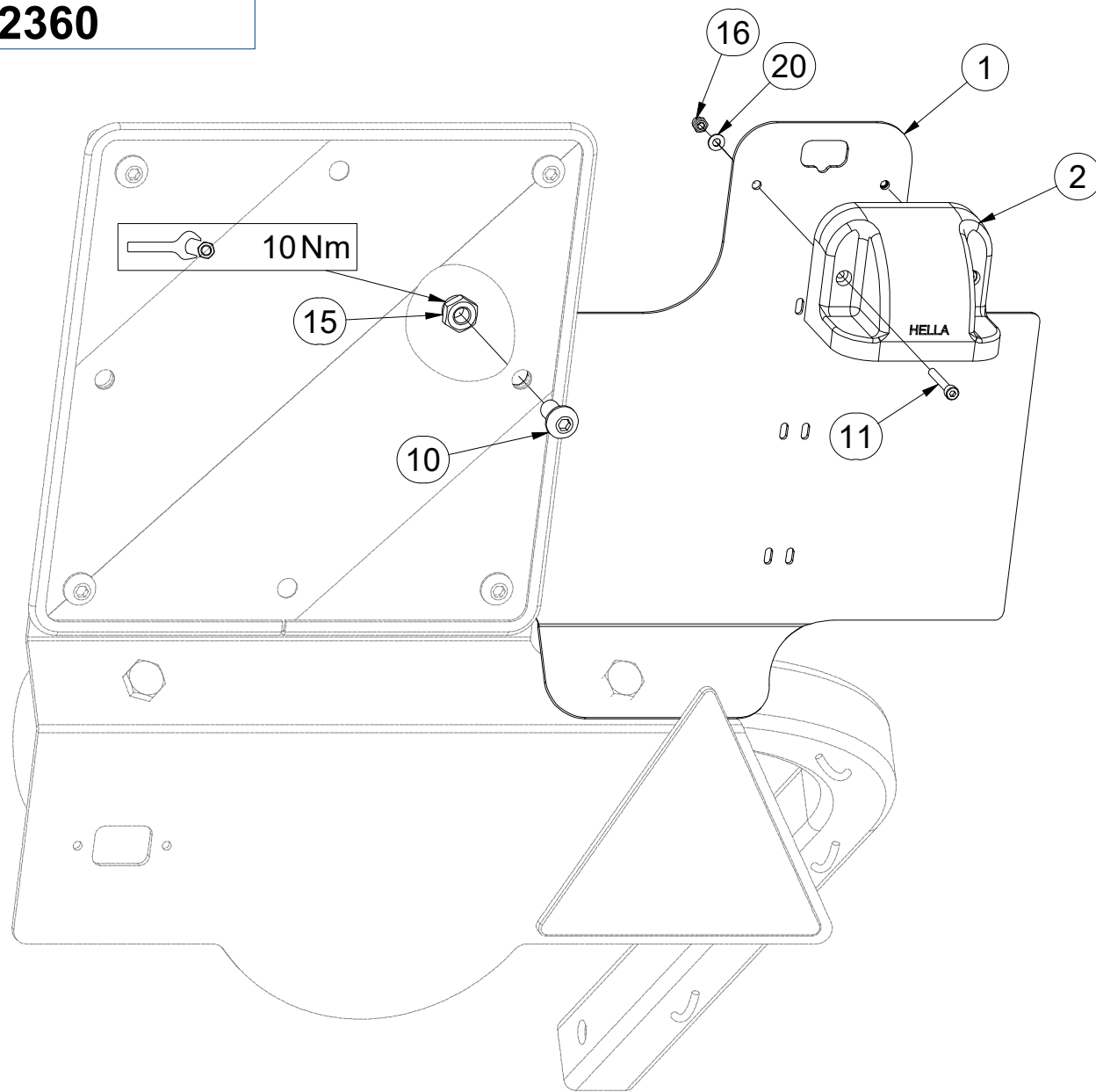
ⒸB LEFT REAR DISC - HOMOLOGATION

ⒸU ЩИТОК ЗАДНИЙ ЛЕВЫЙ - УТВЕРЖДЕНИЯ

ⒸL TARCZA TYLNA LEWA - HOMOLOGACJA



3012360



| Pos. | Part Number | Pcs. |
|------|-------------|------|
| 1 | 3012366 | 1 |
| 2 | m18862 | 1 |
| 3 | m18861 | 1 |
| 4 | m18814 | 1 |
| 10 | m16637 | 1 |
| 11 | m16861 | 2 |
| 15 | m03775 | 1 |
| 16 | m05562 | 2 |
| 20 | m05597 | 2 |

Ⓒ VÝSTRAŽNÝ TROJÚHELNÍK

Ⓓ WARNDREIECK

Ⓕ TRIANGLE D'AVERTISSEMENT

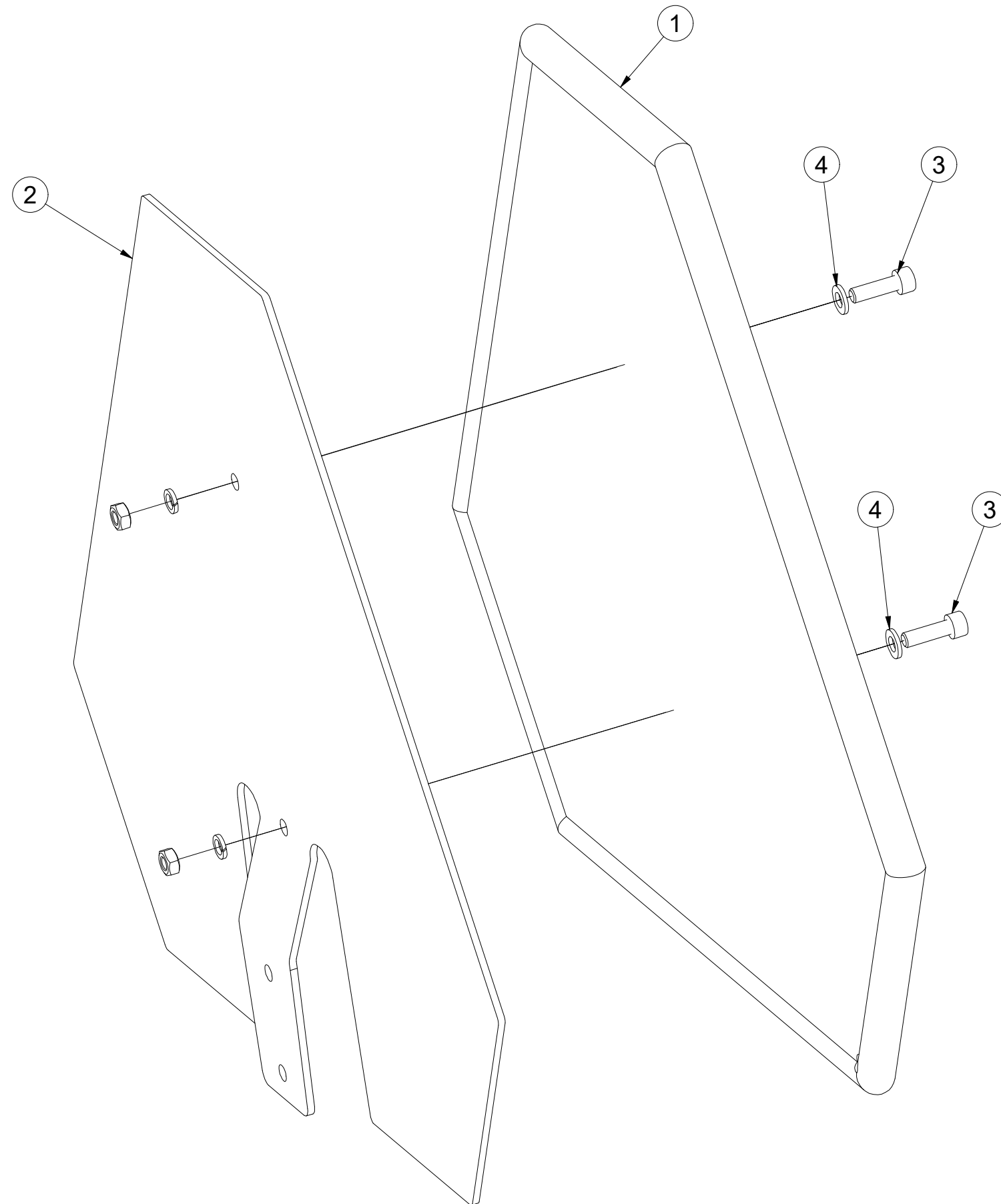
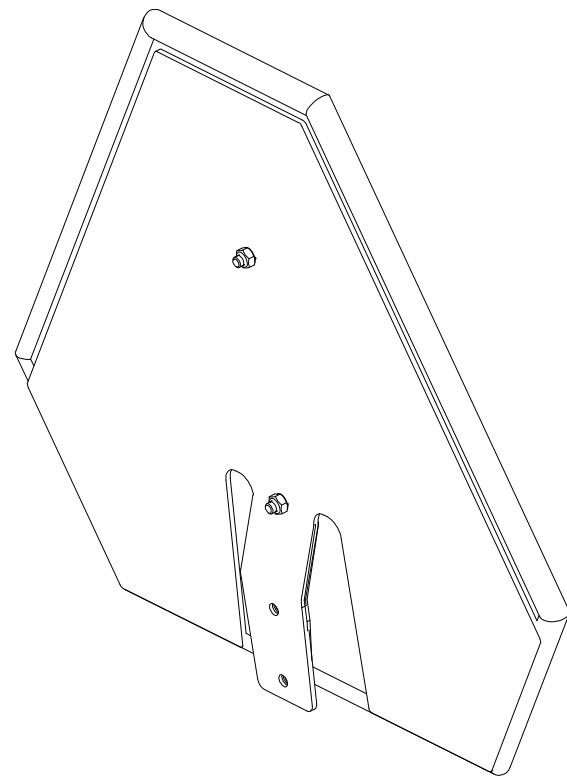
Ⓖ EMERGENCY TRIANGLE

Ⓡ ЗНАК АВАРИЙНОЙ ОСТАНОВКИ

Ⓟ TRÓJKAT OSTRZEGAWCZY



4007398



| Pos. | Part Number | Pcs. |
|------|-------------|------|
| 1 | m05371 | 1 |
| 2 | 3003785 | 1 |
| 3 | m04346 | 2 |
| 4 | m01199 | 2 |

ⒸZ HYDRAULICKÝ ROZVOD SKLÁPĚNÍ

Ⓓ HYDRAULISCHE VERTEILUNG KLAPPMECHANISMUS

Ⓕ CONDUIT HYDRAULIQUE DU BASCULEMENT

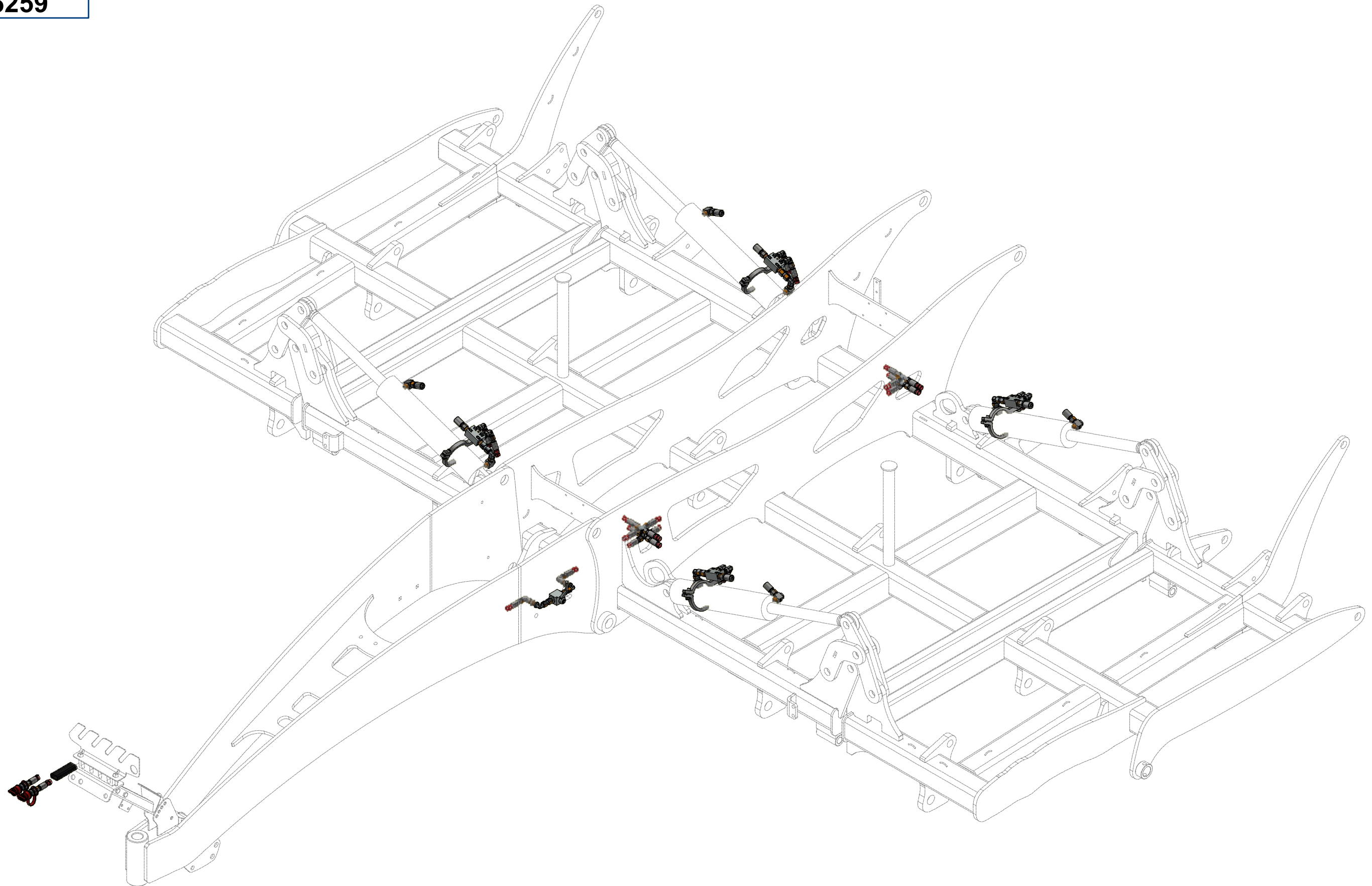
ⒼB HYDRAULIC FOLDING DISTRIBUTION

ⒺG ГИДРАВЛИЧЕСКОЕ РАСПРЕДЕЛЕНИЕ СКЛАДЫВАНИЯ

ⒽL HYDRAULICZNY PRZEWÓD SKŁADANIA

Farmet

VZ00046259



ⒸZ HYDRAULICKÝ ROZVOD SKLÁPĚNÍ

Ⓓ HYDRAULISCHE VERTEILUNG KLAPPMECHANISMUS

Ⓕ CONDUIT HYDRAULIQUE DU BASCULEMENT

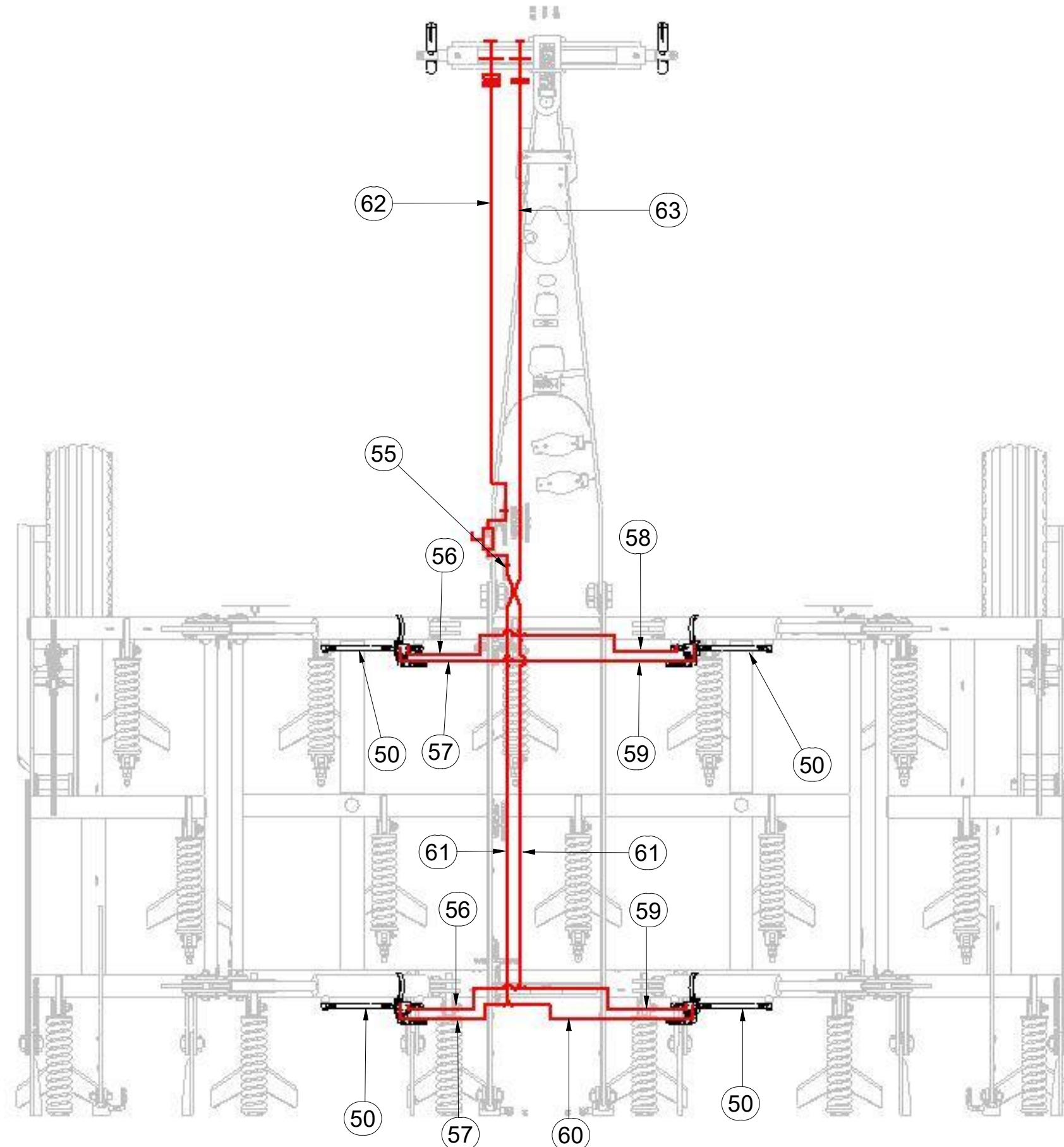
ⒸB HYDRAULIC FOLDING DISTRIBUTION

Ⓔ ГИДРАВЛИЧЕСКОЕ РАСПРЕДЕЛЕНИЕ СКЛАДЫВАНИЯ

ⒶL HYDRAULICZNY PRZEWÓD SKŁADANIA

Farmet

VZ00046259



| Pos. | Part Number | Pcs. |
|------|-------------|------|
| 50 | m13237 | 4 |
| 55 | m11000 | 1 |
| 56 | m04761 | 2 |
| 57 | m09629 | 2 |
| 58 | m20170 | 1 |
| 59 | m03951 | 2 |
| 60 | m17222 | 1 |
| 61 | m05762 | 2 |
| 62 | m05221 | 1 |
| 63 | m16455 | 1 |

ⒸZ HYDRAULICKÝ ROZVOD SKLÁPĚNÍ

Ⓓ HYDRAULISCHE VERTEILUNG KLAPPMECHANISMUS

Ⓕ CONDUIT HYDRAULIQUE DU BASCULEMENT

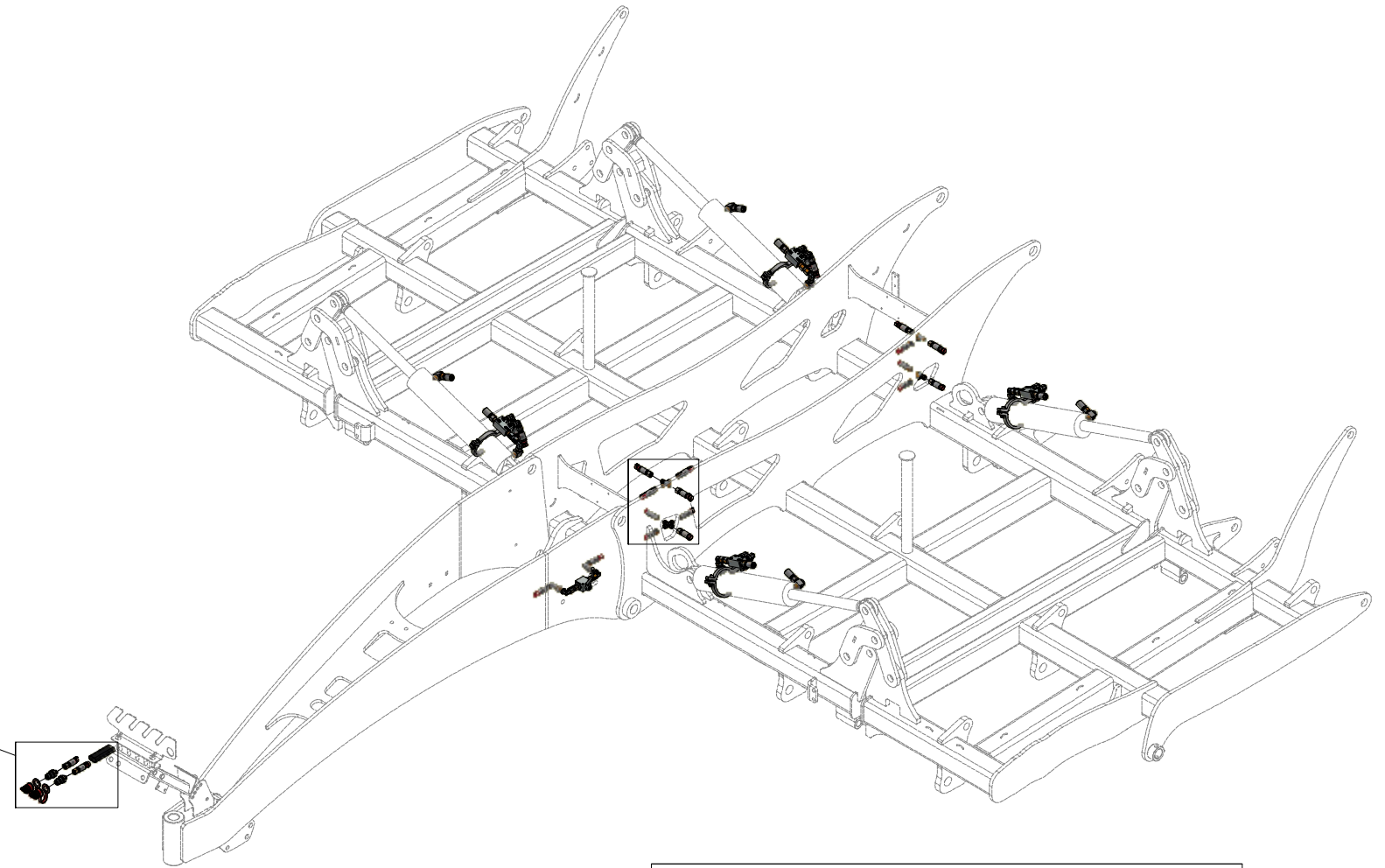
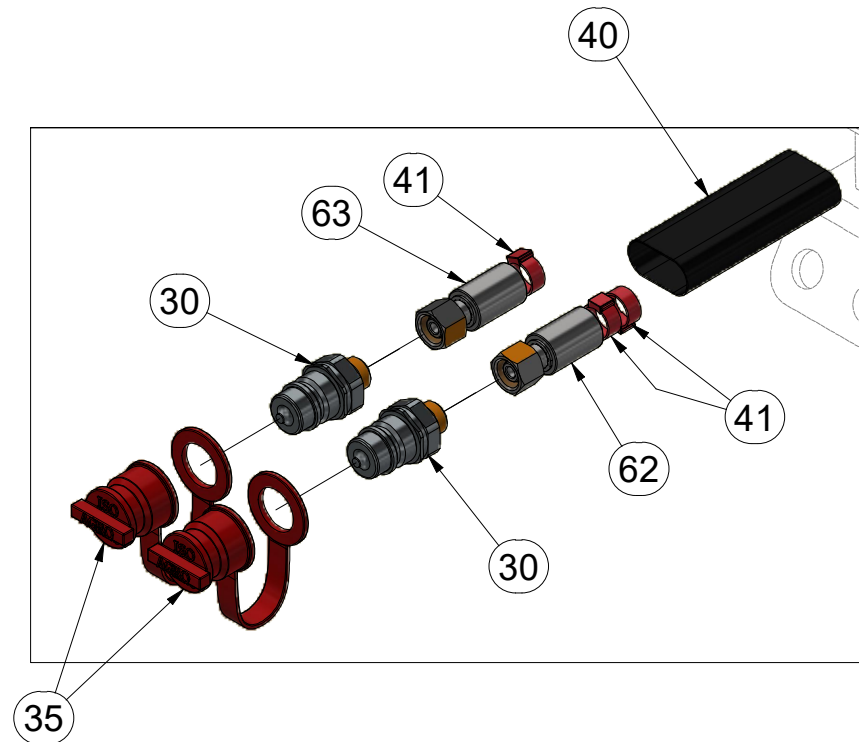
ⒼB HYDRAULIC FOLDING DISTRIBUTION

Ⓔ RU ГИДРАВЛИЧЕСКОЕ РАСПРЕДЕЛЕНИЕ СКЛАДЫВАНИЯ

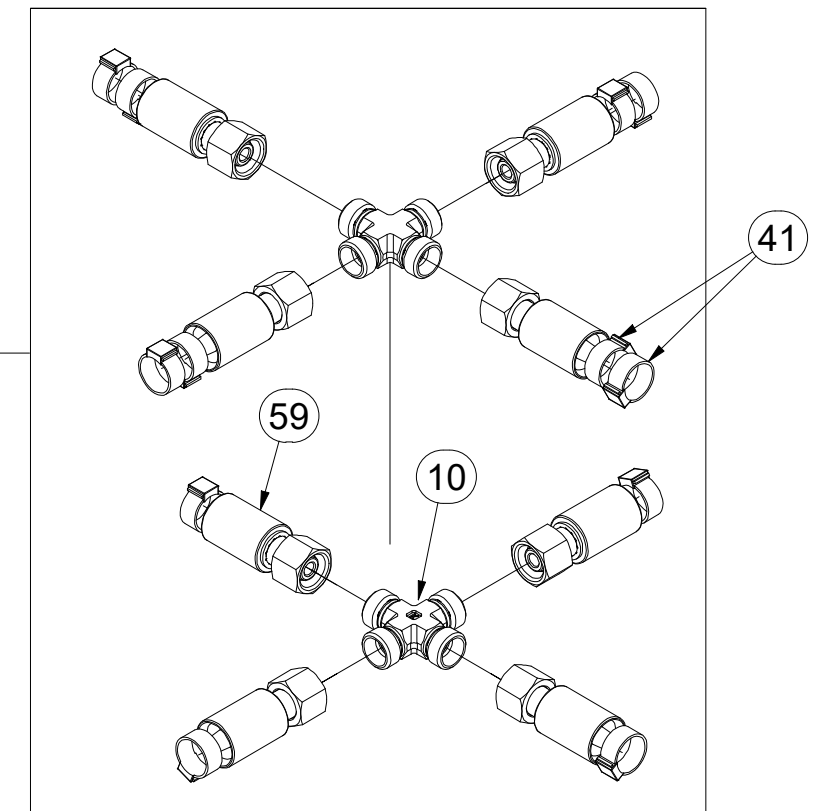
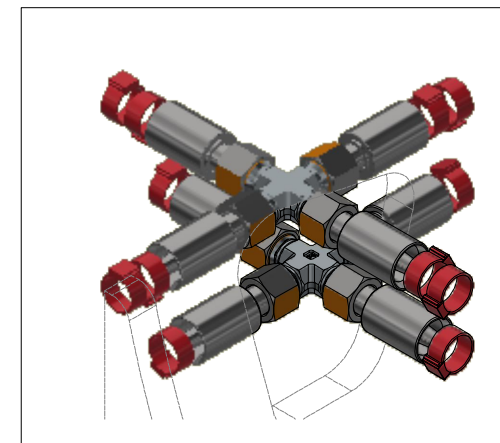
Ⓗ PL HYDRAULICZNY PRZEWÓD SKŁADANIA



VZ00046259



| Pos. | Part Number | Pcs. |
|------|-------------|------|
| 10 | m08328 | 2 |
| 30 | m03849 | 2 |
| 35 | m04022 | 2 |
| 40 | m11183 | 1 |
| 41 | m11294 | 40 |
| 59 | m03951 | 2 |
| 62 | m05221 | 1 |
| 63 | m16455 | 1 |



ⒸZ HYDRAULICKÝ ROZVOD SKLÁPĚNÍ

Ⓓ HYDRAULISCHE VERTEILUNG KLAPPMECHANISMUS

Ⓕ CONDUIT HYDRAULIQUE DU BASCULEMENT

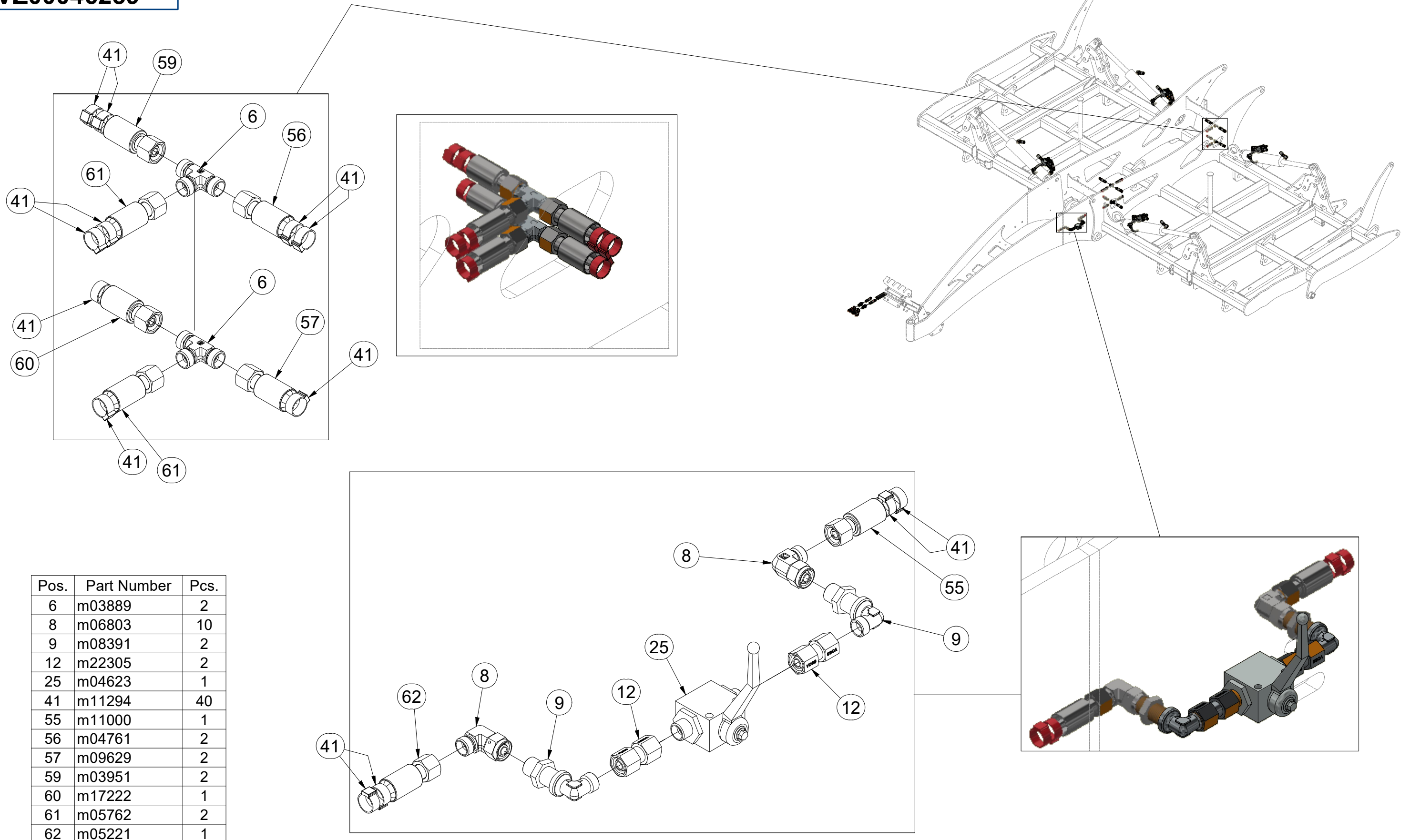
ⒸB HYDRAULIC FOLDING DISTRIBUTION

ⒸR ГИДРАВЛИЧЕСКОЕ РАСПРЕДЕЛЕНИЕ СКЛАДЫВАНИЯ

ⒸL HYDRAULICZNY PRZEWÓD SKŁADANIA



VZ00046259



| Pos. | Part Number | Pcs. |
|------|-------------|------|
| 6 | m03889 | 2 |
| 8 | m06803 | 10 |
| 9 | m08391 | 2 |
| 12 | m22305 | 2 |
| 25 | m04623 | 1 |
| 41 | m11294 | 40 |
| 55 | m11000 | 1 |
| 56 | m04761 | 2 |
| 57 | m09629 | 2 |
| 59 | m03951 | 2 |
| 60 | m17222 | 1 |
| 61 | m05762 | 2 |
| 62 | m05221 | 1 |

ⒸZ HYDRAULICKÝ ROZVOD SKLÁPĚNÍ

Ⓓ HYDRAULISCHE VERTEILUNG KLAPPMCHANISMUS

Ⓕ CONDUIT HYDRAULIQUE DU BASCULEMENT

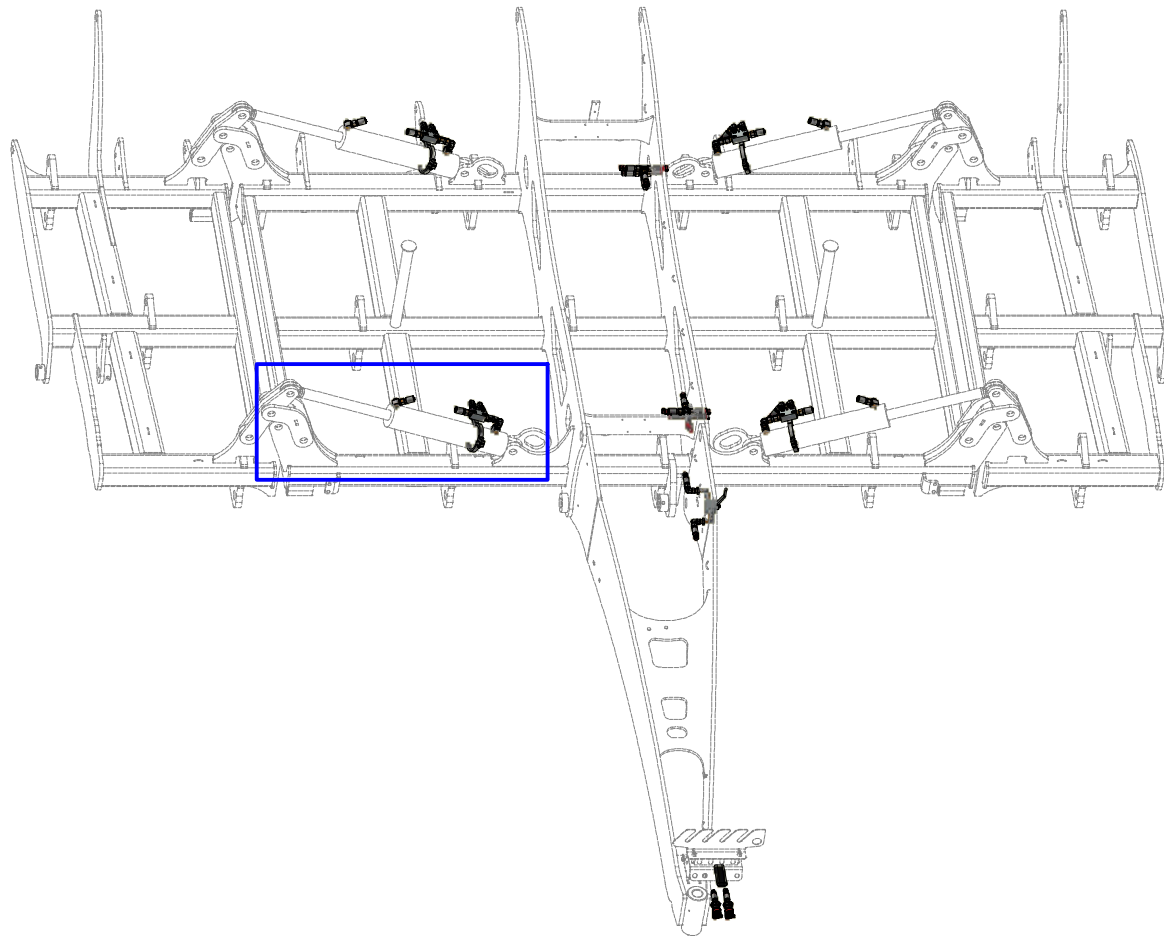
ⒸB HYDRAULIC FOLDING DISTRIBUTION

ⒸU ГИДРАВЛИЧЕСКОЕ РАСПРЕДЕЛЕНИЕ СКЛАДЫВАНИЯ

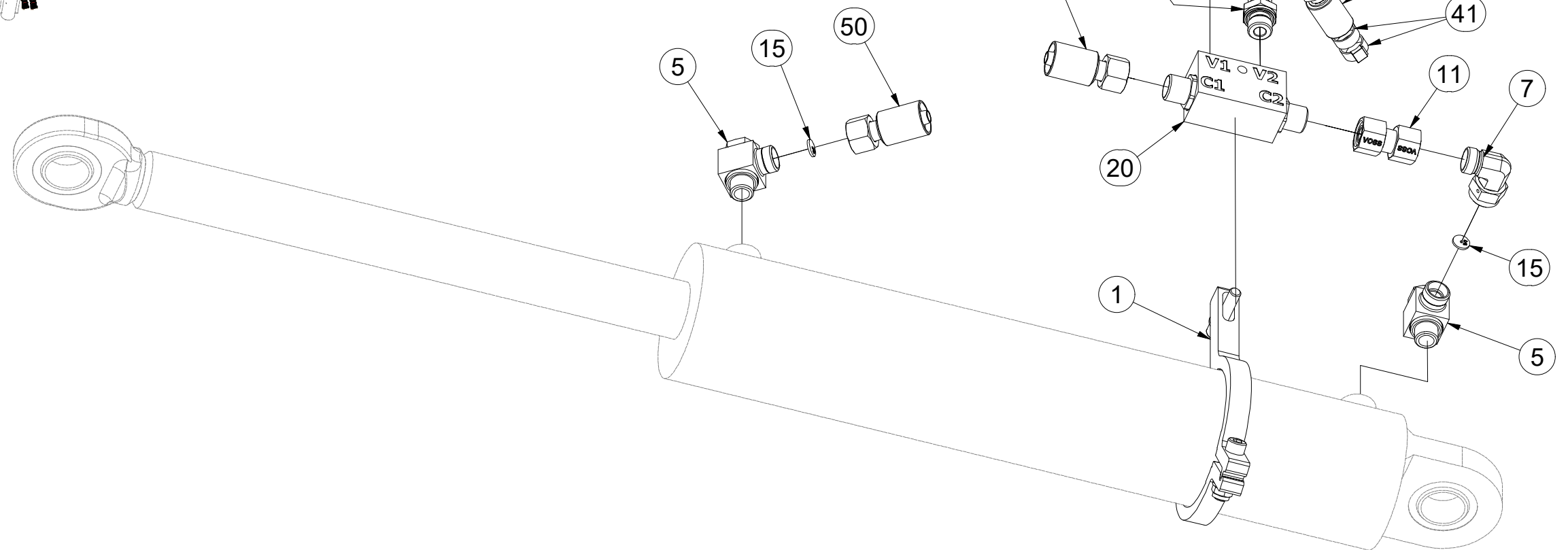
ⒸL HYDRAULICZNY PRZEWÓD SKŁADANIA



VZ00046259



| Pos. | Part Number | Pcs. |
|------|-------------|------|
| 1 | VZ00010412 | 4 |
| 5 | m20882 | 8 |
| 7 | m07654 | 4 |
| 8 | m06803 | 10 |
| 11 | m22306 | 4 |
| 13 | m06528 | 8 |
| 15 | m10762 | 8 |
| 20 | m08083 | 4 |
| 41 | m11294 | 40 |
| 50 | m13237 | 4 |
| 58 | m20170 | 1 |
| 59 | m03951 | 2 |



ⒸZ HYDRAULICKÝ ROZVOD SKLÁPĚNÍ

Ⓓ HYDRAULISCHE VERTEILUNG KLAPPMECHANISMUS

Ⓕ CONDUIT HYDRAULIQUE DU BASCULEMENT

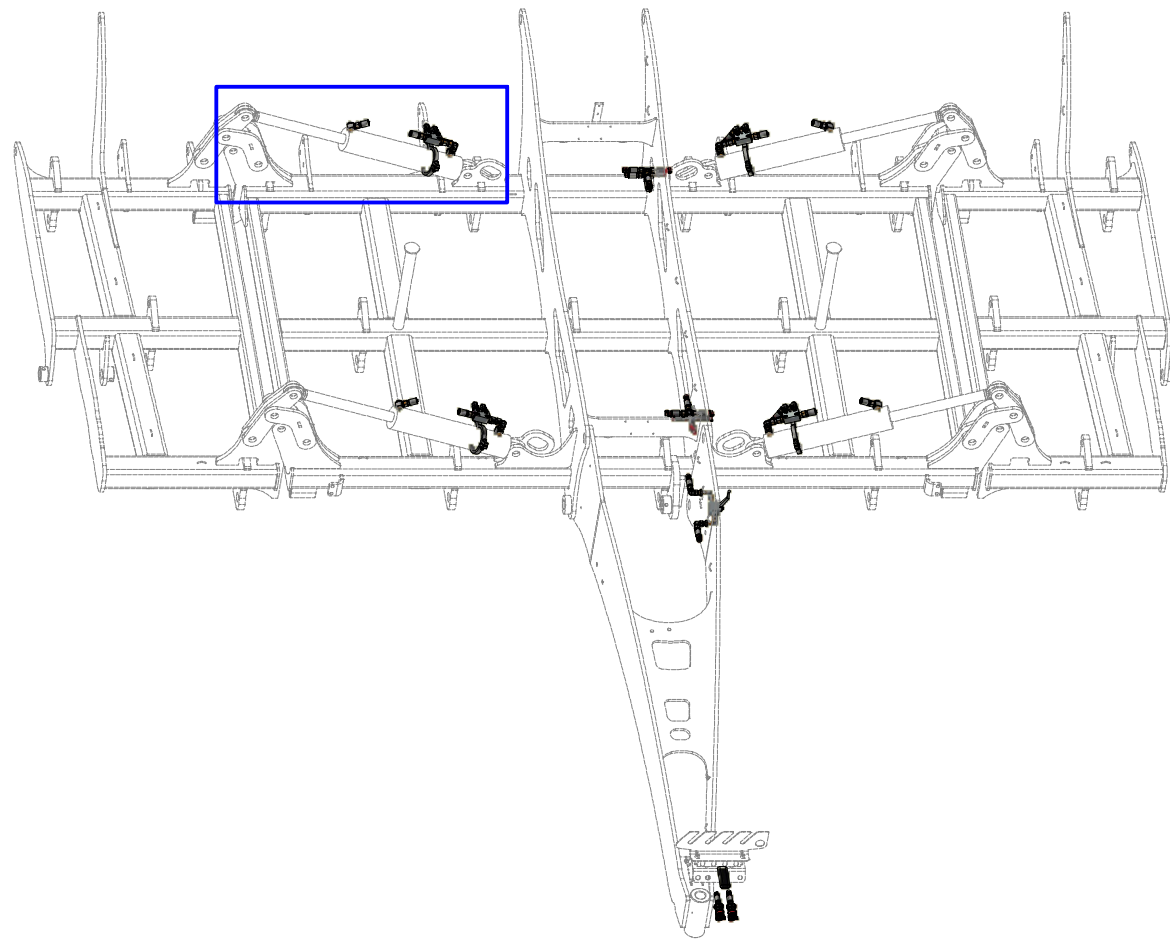
ⒸB HYDRAULIC FOLDING DISTRIBUTION

ⒸU ГИДРАВЛИЧЕСКОЕ РАСПРЕДЕЛЕНИЕ СКЛАДЫВАНИЯ

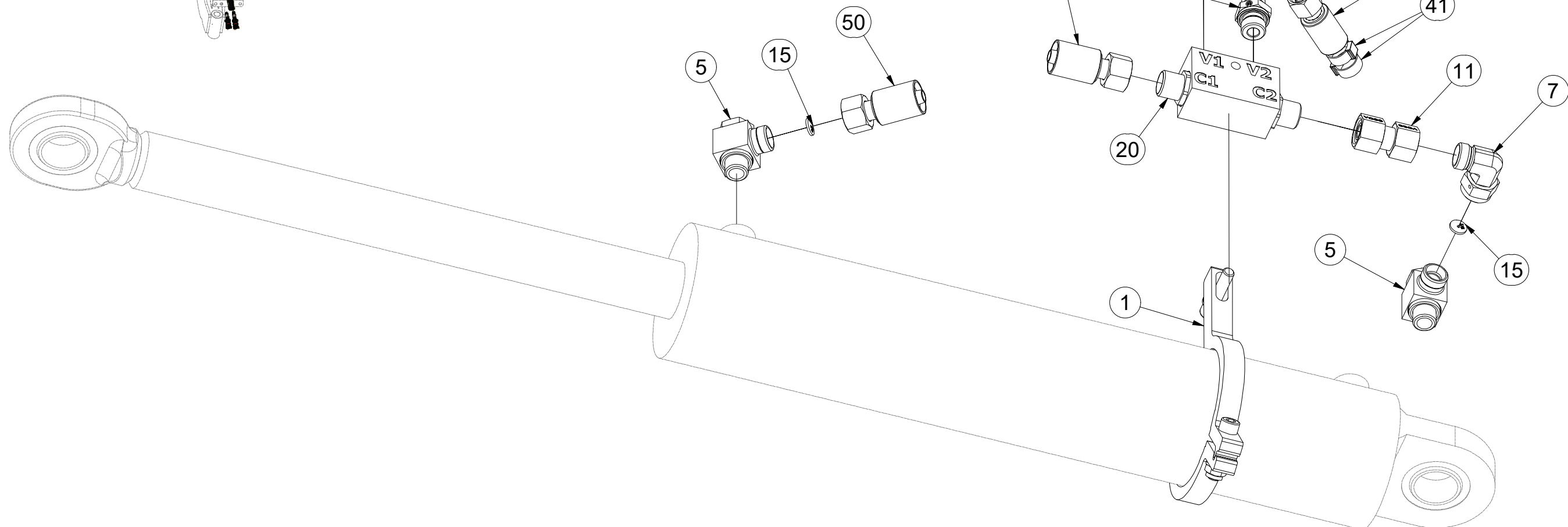
ⒸL HYDRAULICZNY PRZEWÓD SKŁADANIA



VZ00046259



| Pos. | Part Number | Pcs. |
|------|-------------|------|
| 1 | VZ00010412 | 4 |
| 5 | m20882 | 8 |
| 7 | m07654 | 4 |
| 8 | m06803 | 10 |
| 11 | m22306 | 4 |
| 13 | m06528 | 8 |
| 15 | m10762 | 8 |
| 20 | m08083 | 4 |
| 41 | m11294 | 40 |
| 50 | m13237 | 4 |
| 59 | m03951 | 2 |
| 60 | m17222 | 1 |



ⒸZ HYDRAULICKÝ ROZVOD SKLÁPĚNÍ

Ⓓ HYDRAULISCHE VERTEILUNG KLAPPMECHANISMUS

Ⓕ CONDUIT HYDRAULIQUE DU BASCULEMENT

ⒸB HYDRAULIC FOLDING DISTRIBUTION

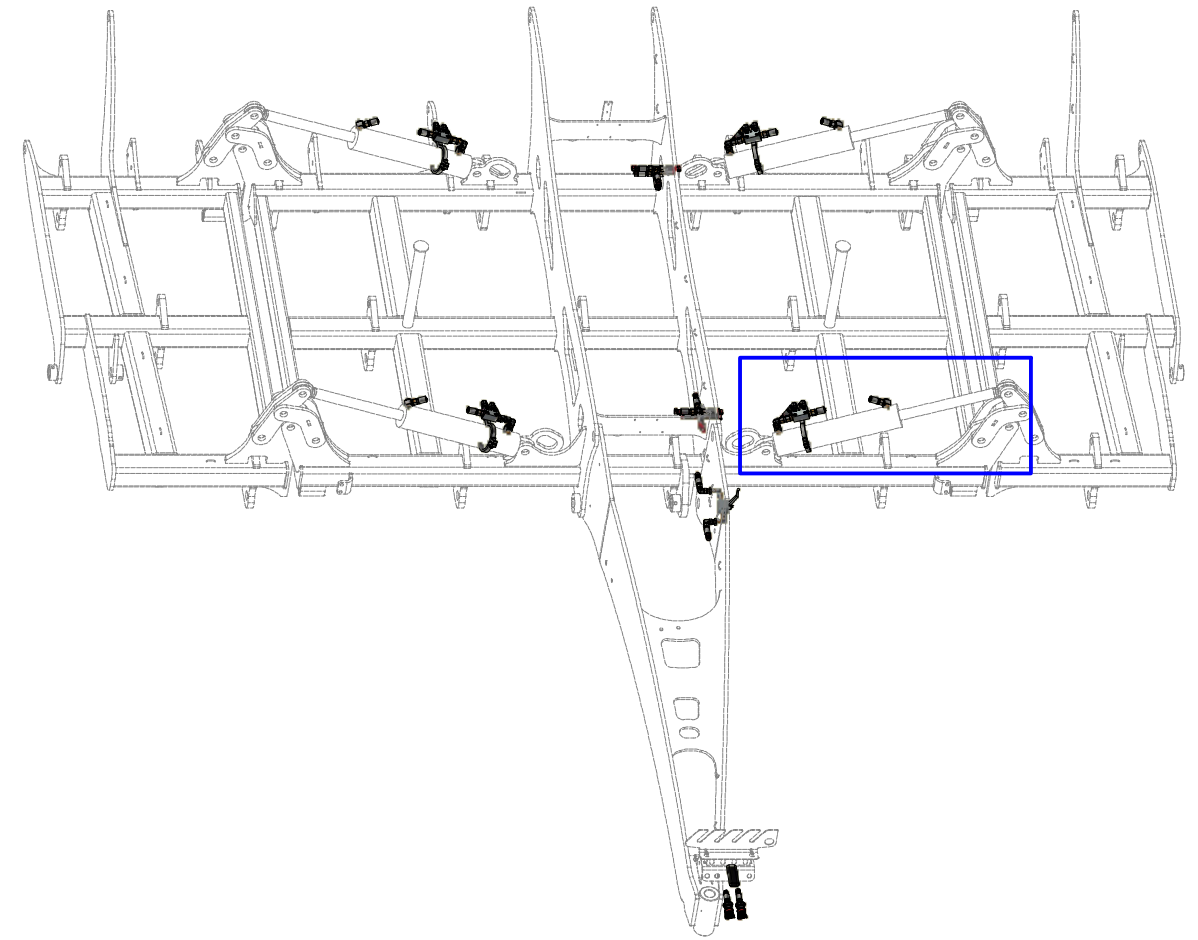
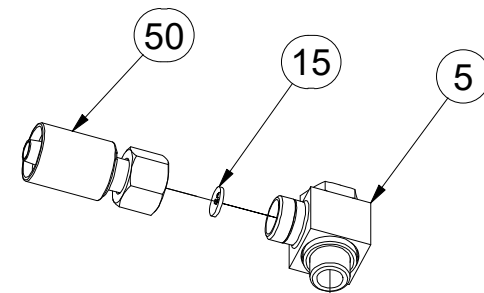
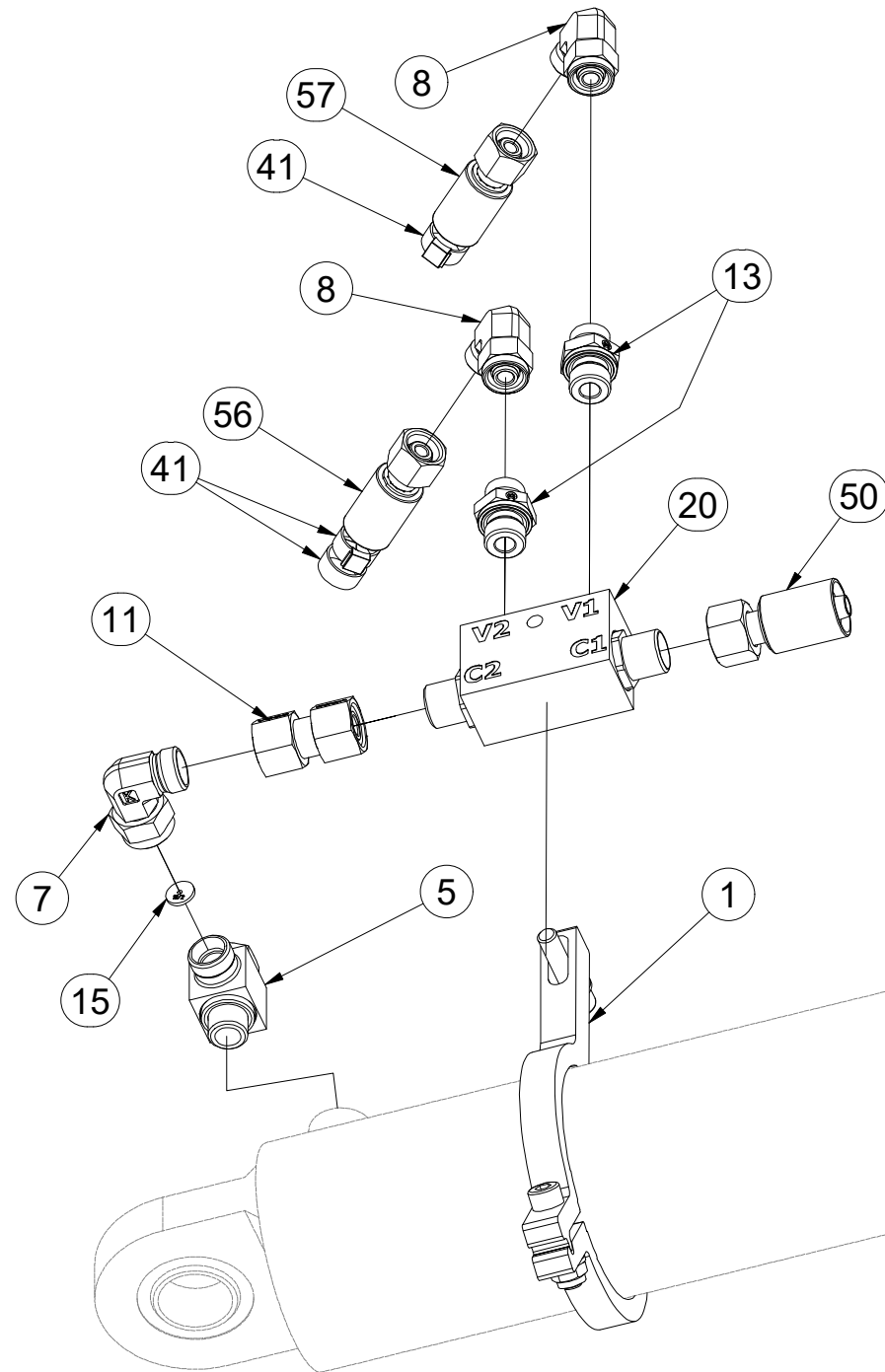
ⒸR ГИДРАВЛИЧЕСКОЕ РАСПРЕДЕЛЕНИЕ СКЛАДЫВАНИЯ

ⒸL HYDRAULICZNY PRZEWÓD SKŁADANIA

Farmet

VZ00046259

| Pos. | Part Number | Pcs. |
|------|-------------|------|
| 1 | VZ00010412 | 4 |
| 5 | m20882 | 8 |
| 7 | m07654 | 4 |
| 8 | m06803 | 10 |
| 11 | m22306 | 4 |
| 13 | m06528 | 8 |
| 15 | m10762 | 8 |
| 20 | m08083 | 4 |
| 41 | m11294 | 40 |
| 50 | m13237 | 4 |
| 56 | m04761 | 2 |
| 57 | m09629 | 2 |



ⒸZ HYDRAULICKÝ ROZVOD SKLÁPĚNÍ

Ⓓ HYDRAULISCHE VERTEILUNG KLAPPMECHANISMUS

Ⓕ CONDUIT HYDRAULIQUE DU BASCULEMENT

ⒸB HYDRAULIC FOLDING DISTRIBUTION

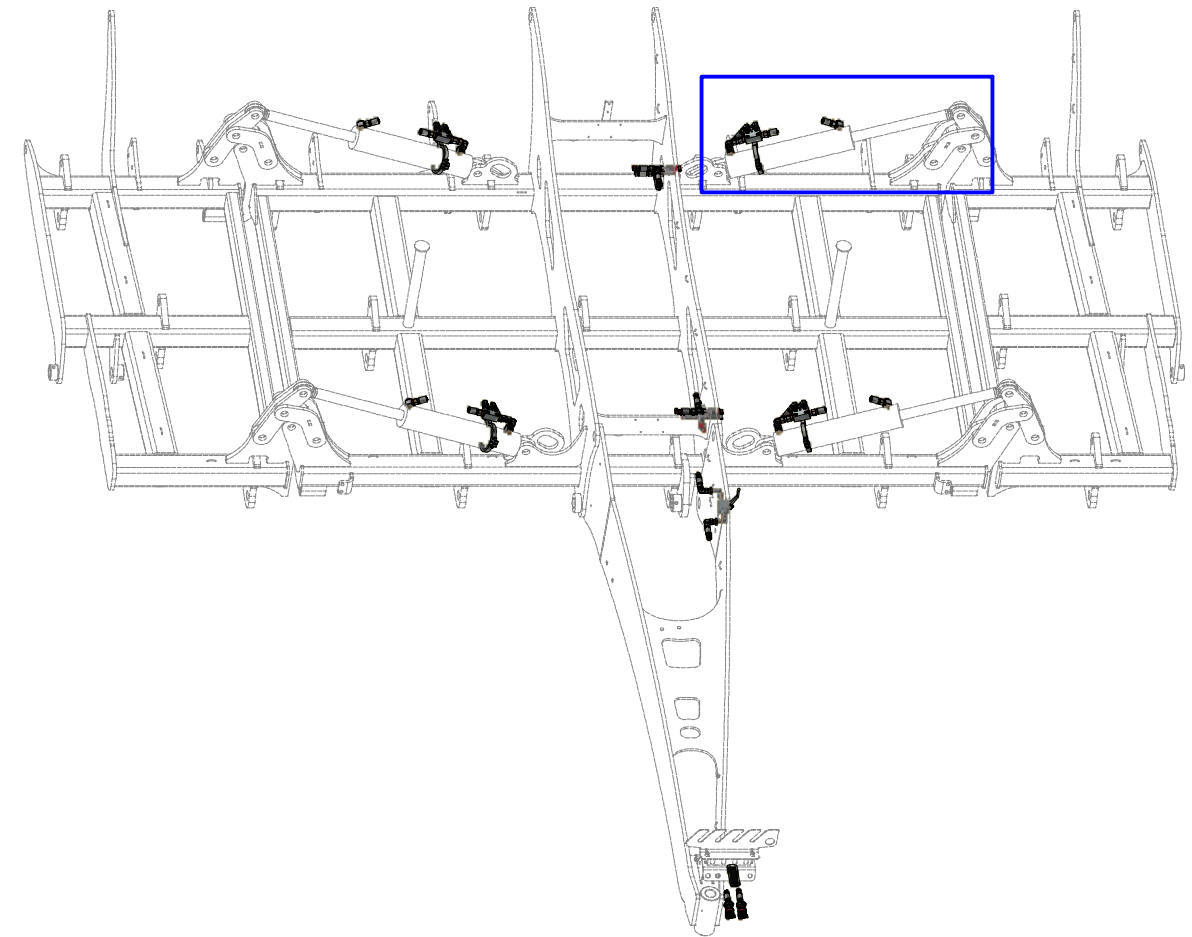
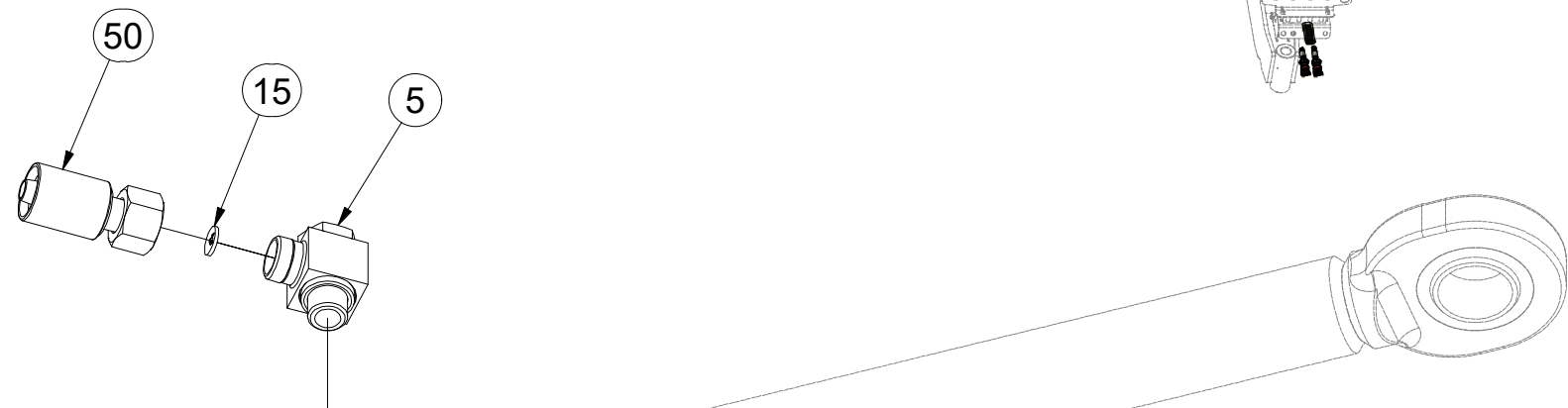
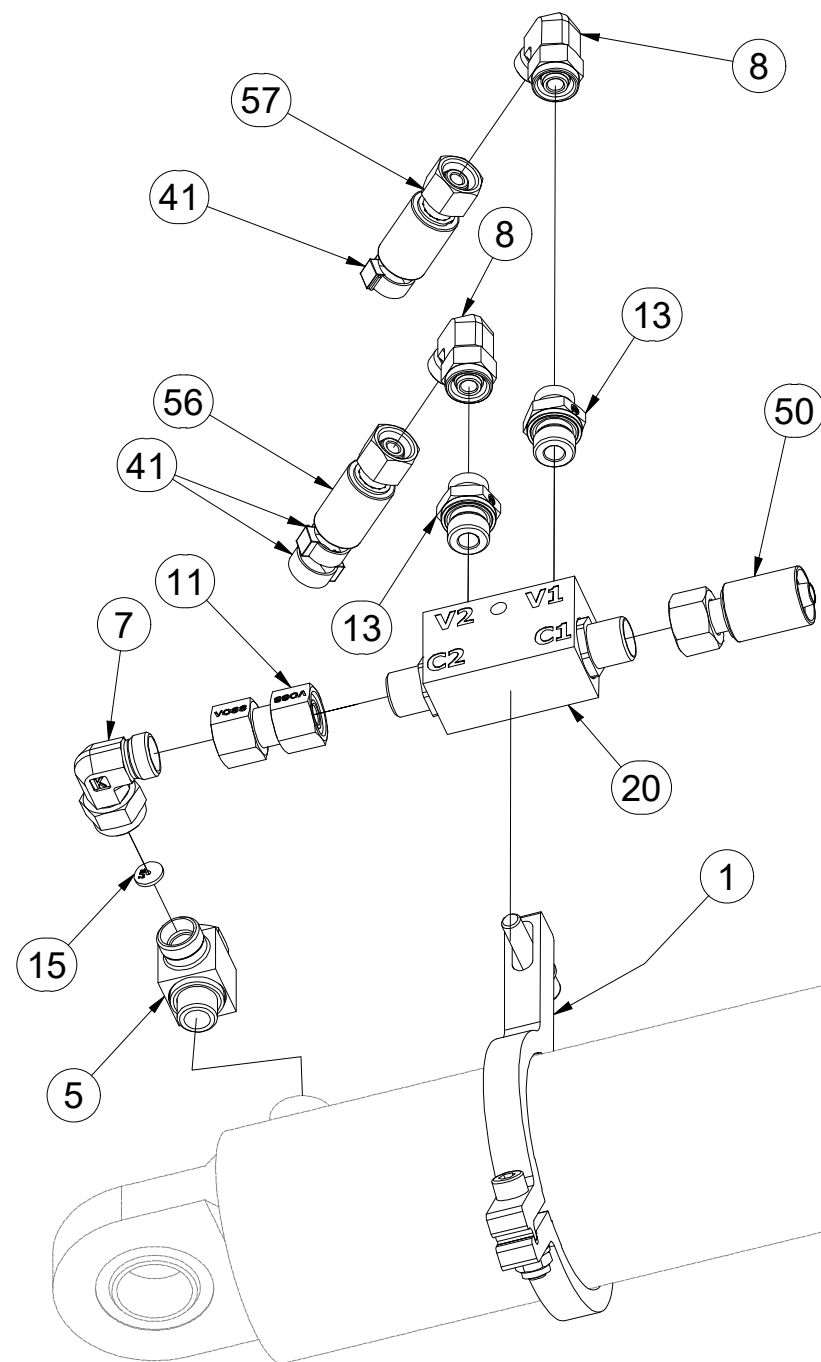
ⒸR ГИДРАВЛИЧЕСКОЕ РАСПРЕДЕЛЕНИЕ СКЛАДЫВАНИЯ

ⒸL HYDRAULICZNY PRZEWÓD SKŁADANIA

Farmet

VZ00046259

| Pos. | Part Number | Pcs. |
|------|-------------|------|
| 1 | VZ00010412 | 4 |
| 5 | m20882 | 8 |
| 7 | m07654 | 4 |
| 8 | m06803 | 10 |
| 11 | m22306 | 4 |
| 13 | m06528 | 8 |
| 15 | m10762 | 8 |
| 20 | m08083 | 4 |
| 41 | m11294 | 40 |
| 50 | m13237 | 4 |
| 56 | m04761 | 2 |
| 57 | m09629 | 2 |



ⒸZ HYDRAULICKÝ ROZVOD - ZAHLUBOVÁNÍ

Ⓓ HYDRAULISCHE VERTEILUNG - EINSENKUNG

Ⓕ CONDUIT HYDRAULIQUE - L'ENFONCEMENT

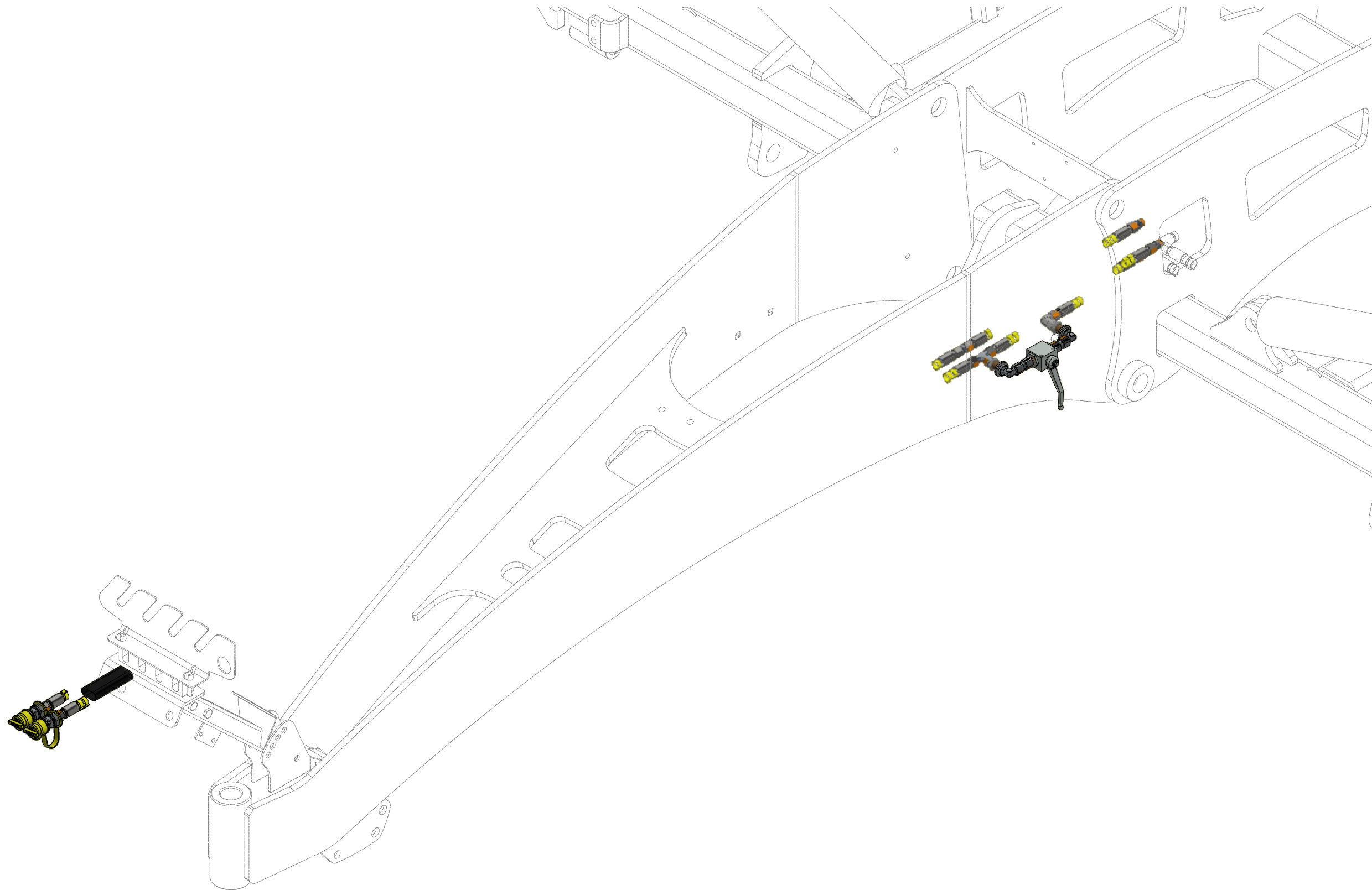
ⒸB HYDRAULIC DISTRIBUTION - RECESSING

ⒸU ГИДРАВЛИЧЕСКОЕ РАСПРЕДЕЛЕНИЕ - ЗАГЛУБЛЕНИЕ

ⒸL HYDRAULICZNY PRZEWÓD - ZAGŁĘBIENIA

Farmet

VZ00015616



Ⓒ HYDRAULICKÝ ROZVOD - ZAHLUBOVÁNÍ

Ⓓ HYDRAULISCHE VERTEILUNG - EINSENKUNG

Ⓕ CONDUIT HYDRAULIQUE - L'ENFONCEMENT

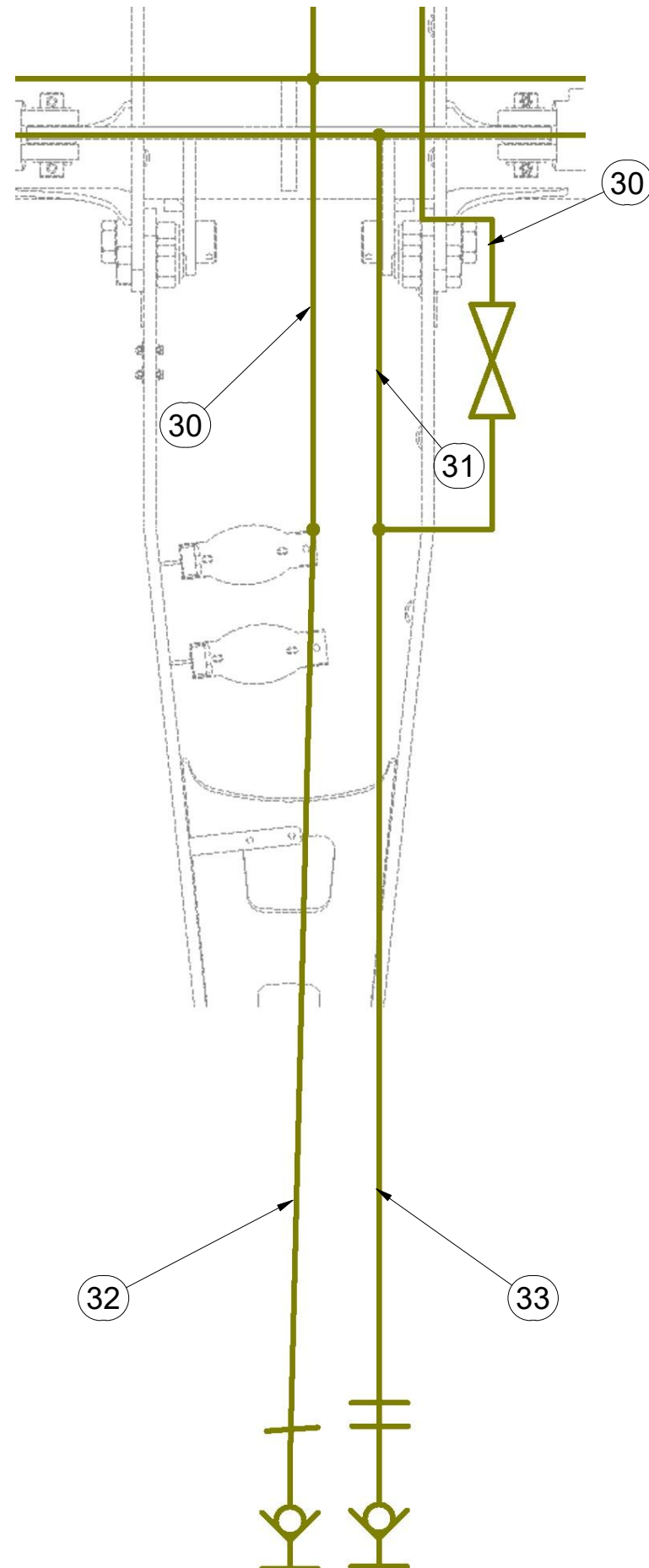
Ⓖ HYDRAULIC DISTRIBUTION - RECESSING

Ⓡ ГИДРАВЛИЧЕСКОЕ РАСПРЕДЕЛЕНИЕ - ЗАГЛУБЛЕНИЕ

Ⓟ HYDRAULICZNY PRZEWÓD - ZAGŁĘBIENIA



VZ00015616



| Pos. | Part Number | Pcs. |
|------|-------------|------|
| 30 | m09627 | 2 |
| 31 | m09628 | 1 |
| 32 | m04310 | 1 |
| 33 | m05221 | 1 |
| 25 | m01219 | 4 |

ⒸZ HYDRAULICKÝ ROZVOD - ZAHLUBOVÁNÍ

Ⓓ HYDRAULISCHE VERTEILUNG - EINSENKUNG

Ⓕ CONDUIT HYDRAULIQUE - L'ENFONCEMENT

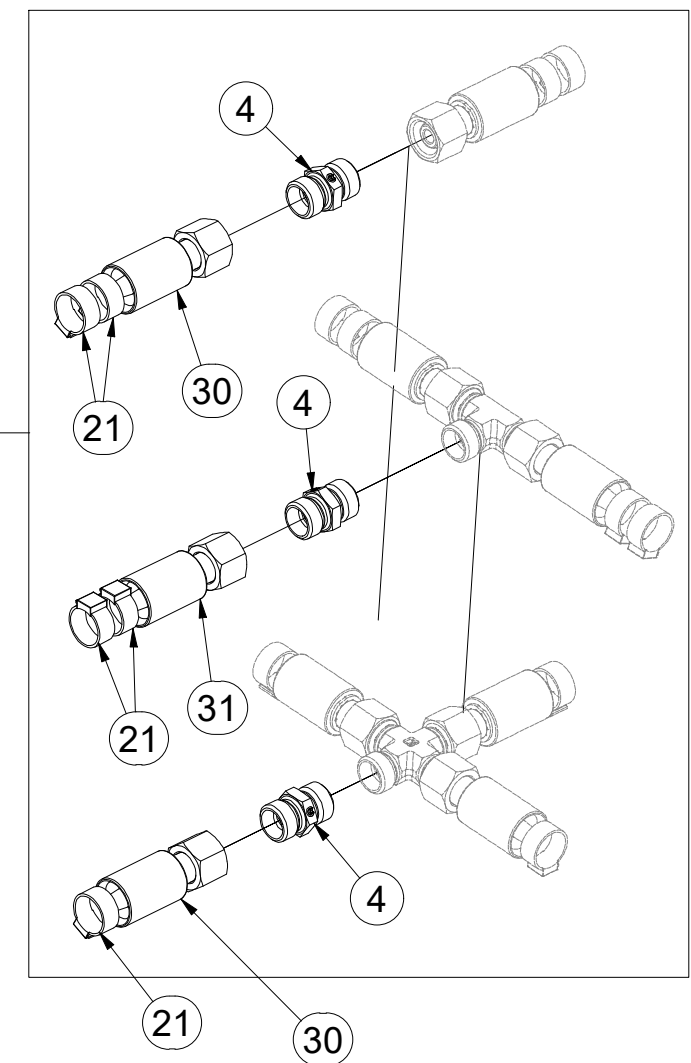
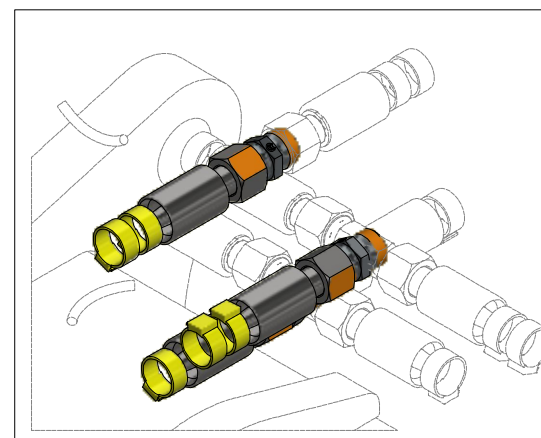
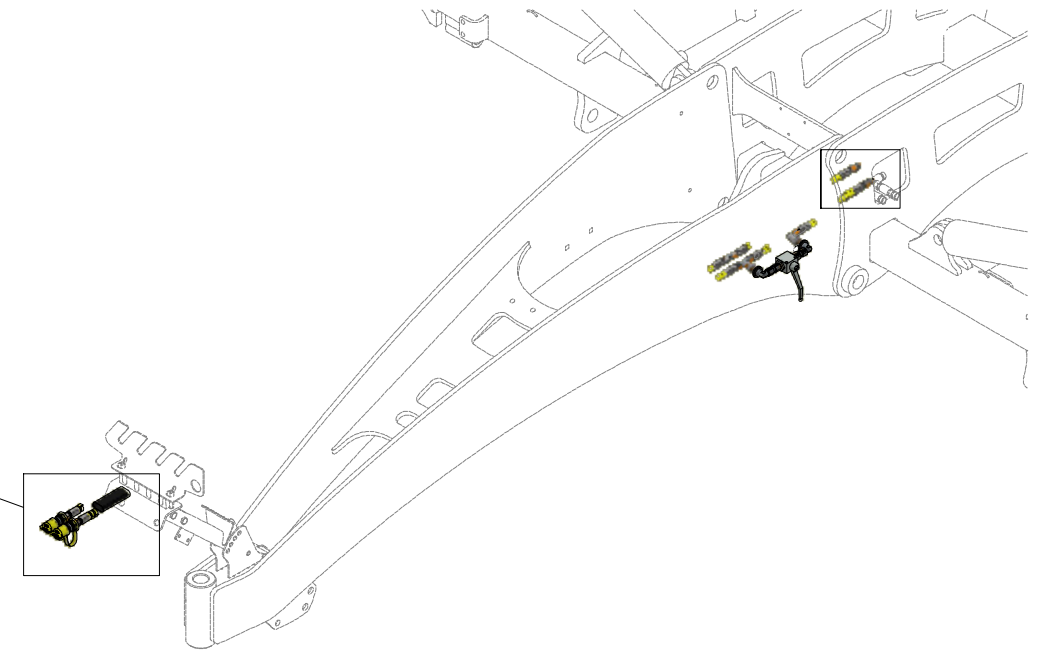
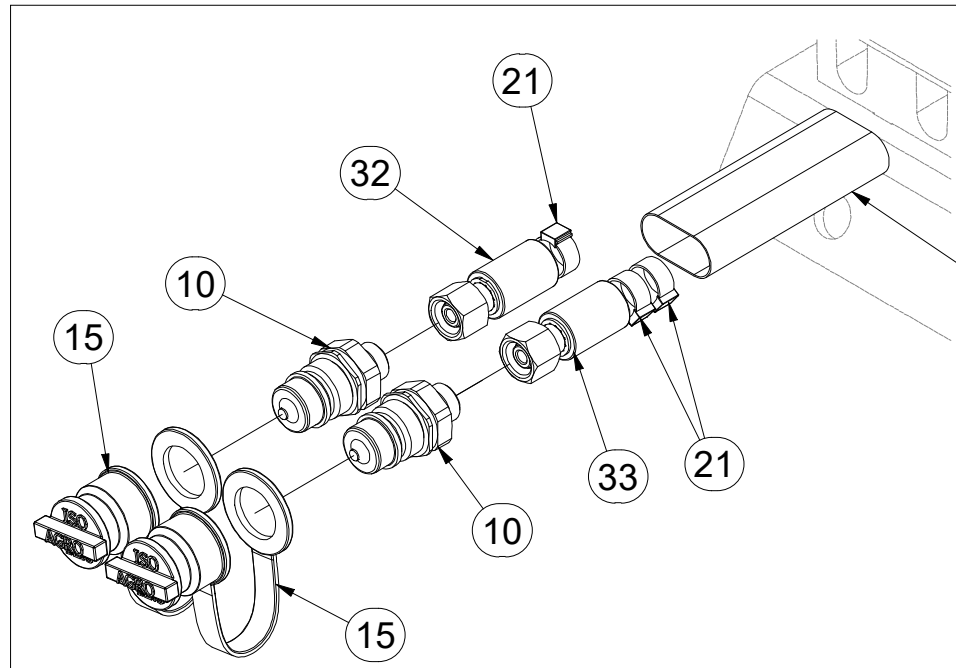
ⒸB HYDRAULIC DISTRIBUTION - RECESSING

ⒸR ГИДРАВЛИЧЕСКОЕ РАСПРЕДЕЛЕНИЕ - ЗАГЛУБЛЕНИЕ

ⒸL HYDRAULICZNY PRZEWÓD - ZAGŁĘBIENIA



VZ00015616



| Pos. | Part Number | Pcs. |
|------|-------------|------|
| 4 | m03213 | 4 |
| 10 | m03849 | 2 |
| 15 | m04023 | 2 |
| 20 | m11183 | 1 |
| 21 | m11289 | 16 |
| 30 | m09627 | 2 |
| 31 | m09628 | 1 |
| 32 | m04310 | 1 |
| 33 | m05221 | 1 |

ⒸZ HYDRAULICKÝ ROZVOD - ZAHLUBOVÁNÍ

Ⓓ HYDRAULISCHE VERTEILUNG - EINSENKUNG

Ⓕ CONDUIT HYDRAULIQUE - L'ENFONCEMENT

ⒸB HYDRAULIC DISTRIBUTION - RECESSING

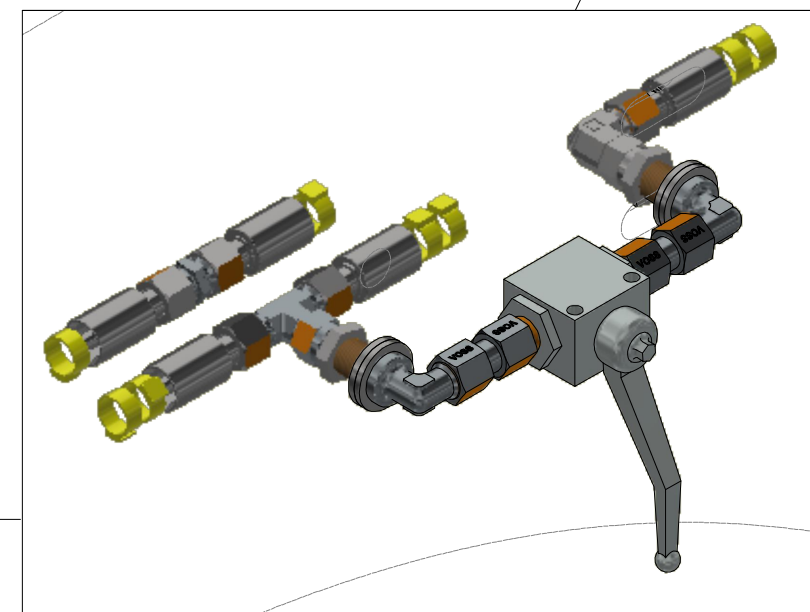
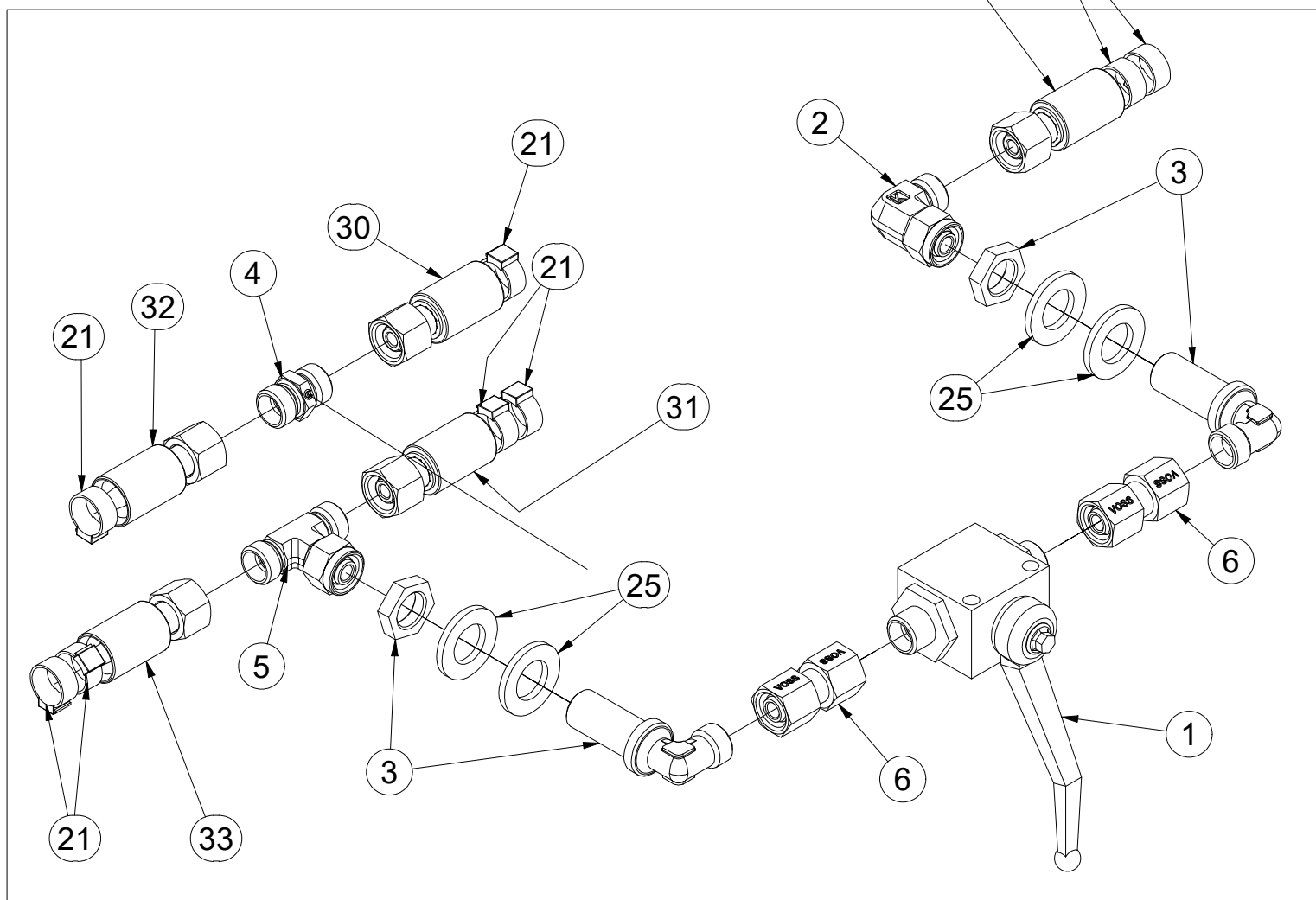
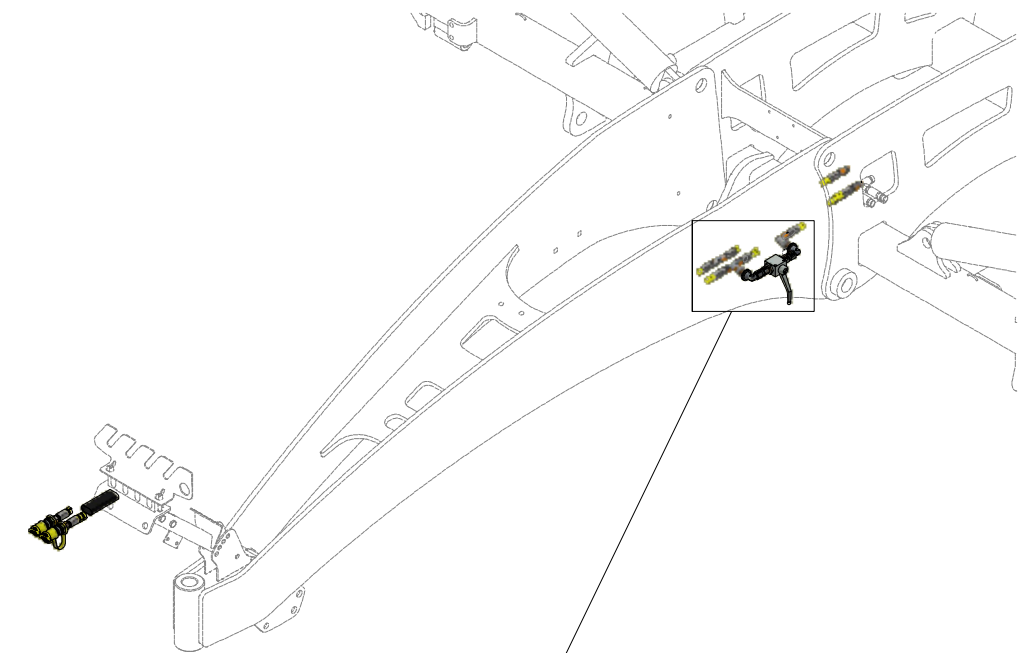
ⒸU ГИДРАВЛИЧЕСКОЕ РАСПРЕДЕЛЕНИЕ - ЗАГЛУБЛЕНИЕ

ⒸL HYDRAULICZNY PRZEWÓD - ZAGŁĘBIENIA



VZ00015616

| Pos. | Part Number | Pcs. |
|------|-------------|------|
| 1 | m04623 | 1 |
| 2 | m06803 | 1 |
| 3 | m08391 | 2 |
| 4 | m03213 | 4 |
| 5 | m07567 | 1 |
| 6 | m22305 | 2 |
| 21 | m11289 | 16 |
| 25 | m01219 | 4 |
| 30 | m09627 | 2 |
| 31 | m09628 | 1 |
| 32 | m04310 | 1 |
| 33 | m05221 | 1 |



ⒸZ HYDRAULICKÝ ROZVOD - ZAHLUBOVÁNÍ

Ⓓ HYDRAULISCHE VERTEILUNG - EINSENKUNG

Ⓕ CONDUIT HYDRAULIQUE - L'ENFONCEMENT

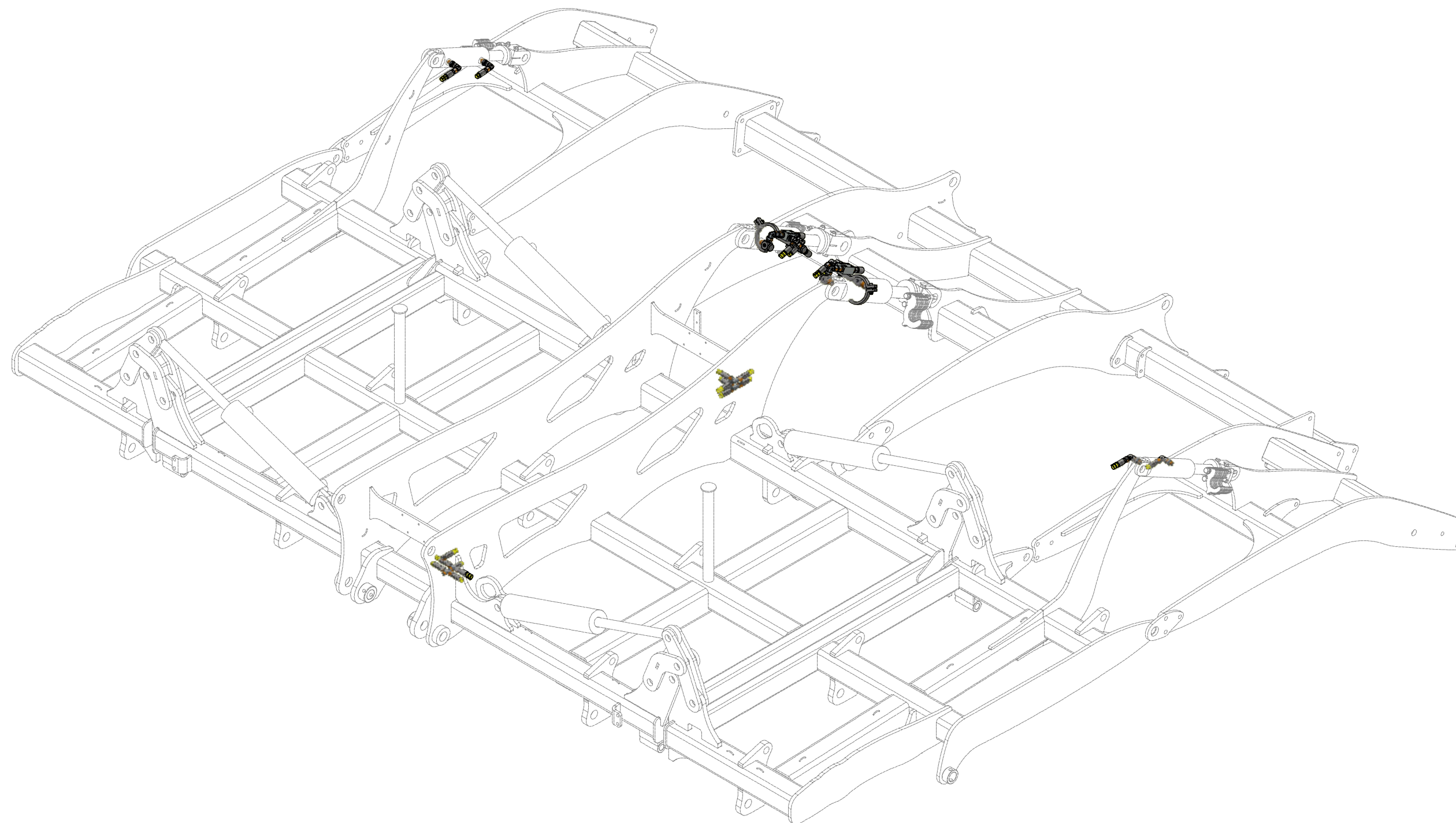
ⒸB HYDRAULIC DISTRIBUTION - RECESSING

ⒸR ГИДРАВЛИЧЕСКОЕ РАСПРЕДЕЛЕНИЕ - ЗАГЛУБЛЕНИЕ

ⒸL HYDRAULICZNY PRZEWÓD - ZAGŁĘBIENIA

Farmet

VZ00016056



ⒸZ HYDRAULICKÝ ROZVOD - ZAHLUBOVÁNÍ

Ⓓ HYDRAULISCHE VERTEILUNG - EINSENKUNG

Ⓕ CONDUIT HYDRAULIQUE - L'ENFONCEMENT

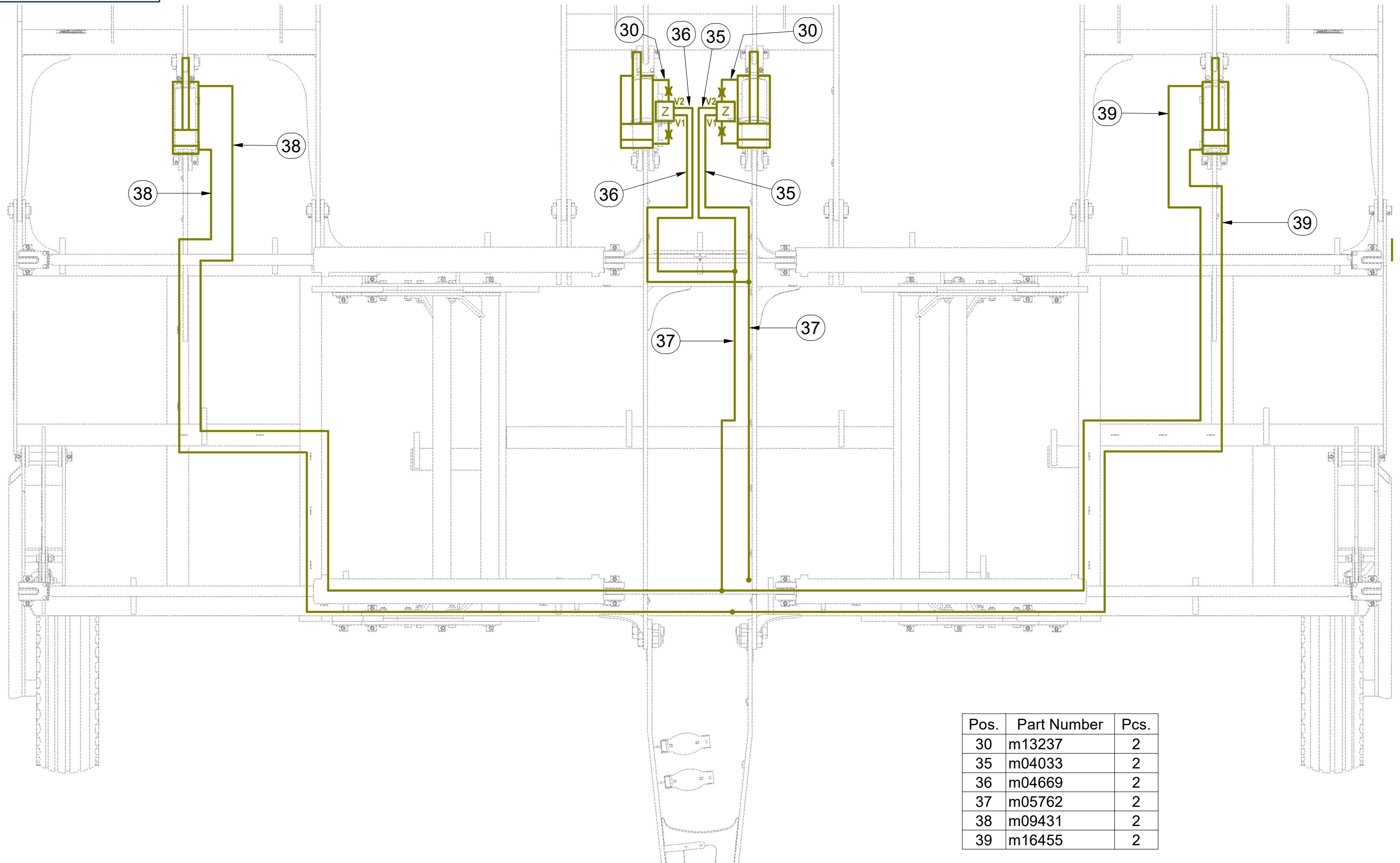
ⒸB HYDRAULIC DISTRIBUTION - RECESSING

Ⓔ ГИДРАВЛИЧЕСКОЕ РАСПРЕДЕЛЕНИЕ - ЗАГЛУБЛЕНИЕ

ⒼL HYDRAULICZNY PRZEWÓD - ZAGŁĘBIENIA



VZ00016056



| Pos. | Part Number | Pcs. |
|------|-------------|------|
| 30 | m13237 | 2 |
| 35 | m04033 | 2 |
| 36 | m04669 | 2 |
| 37 | m05762 | 2 |
| 38 | m09431 | 2 |
| 39 | m16455 | 2 |

ⒸZ HYDRAULICKÝ ROZVOD - ZAHLUBOVÁNÍ

Ⓓ HYDRAULISCHE VERTEILUNG - EINSENKUNG

Ⓕ CONDUIT HYDRAULIQUE - L'ENFONCEMENT

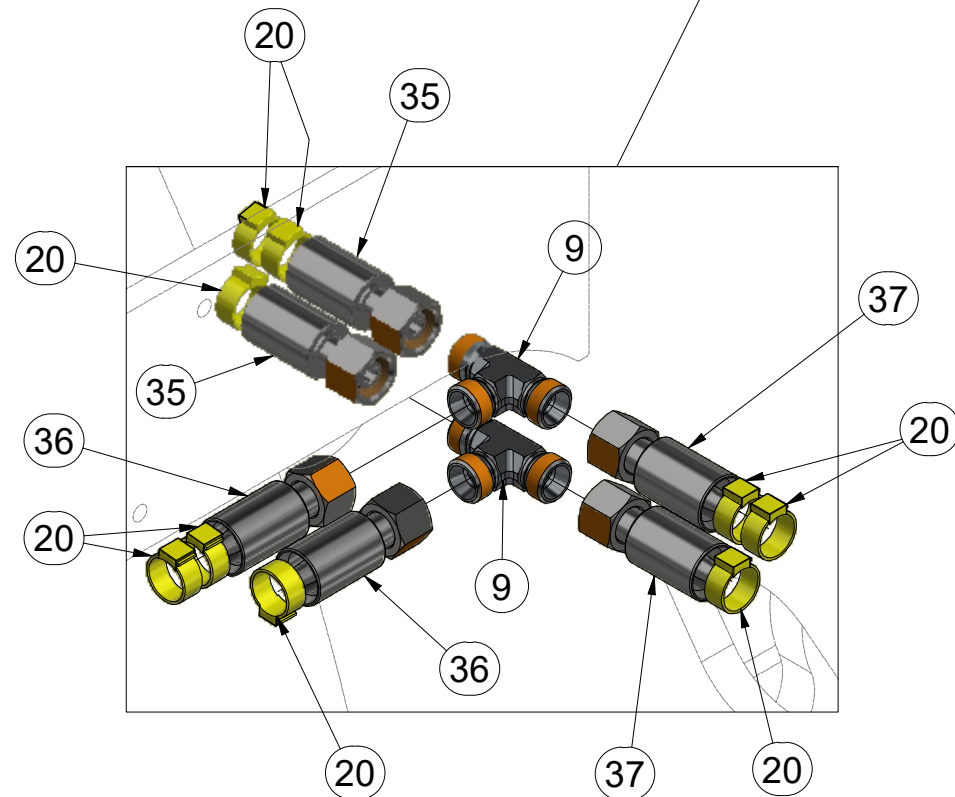
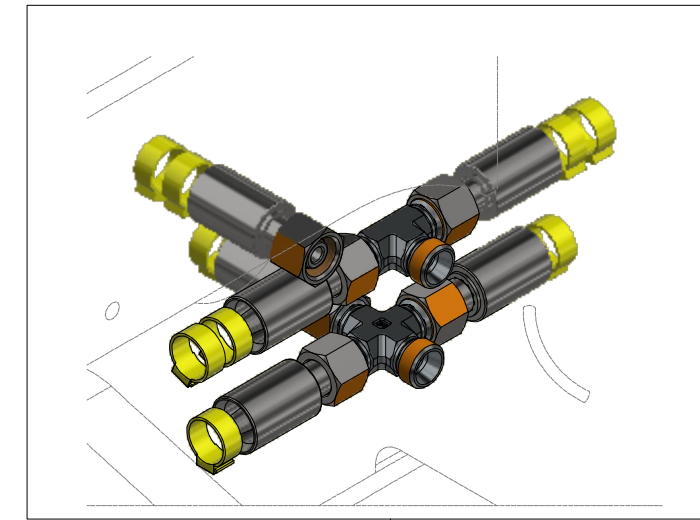
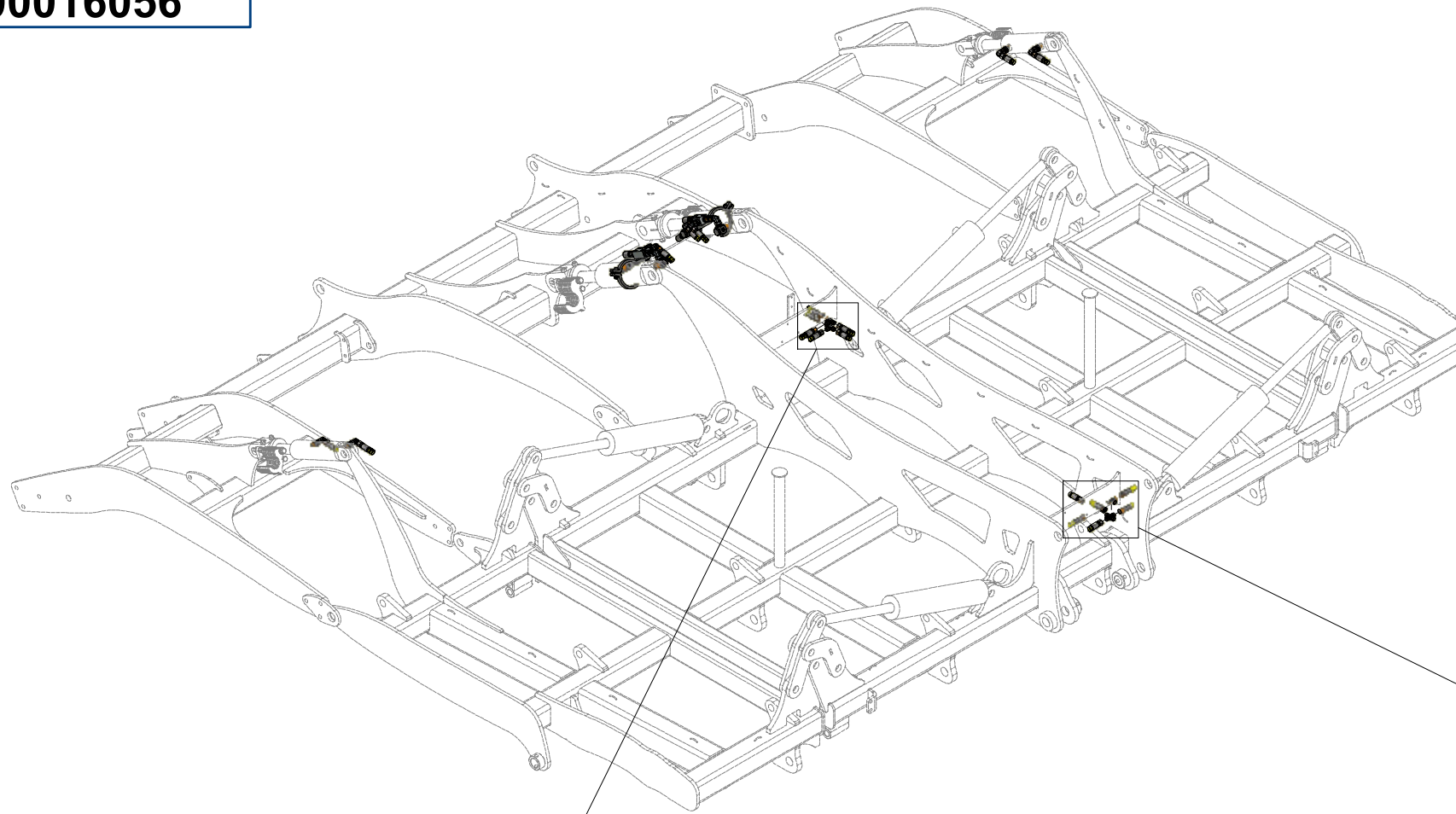
ⒸB HYDRAULIC DISTRIBUTION - RECESSING

ⒸU ГИДРАВЛИЧЕСКОЕ РАСПРЕДЕЛЕНИЕ - ЗАГЛУБЛЕНИЕ

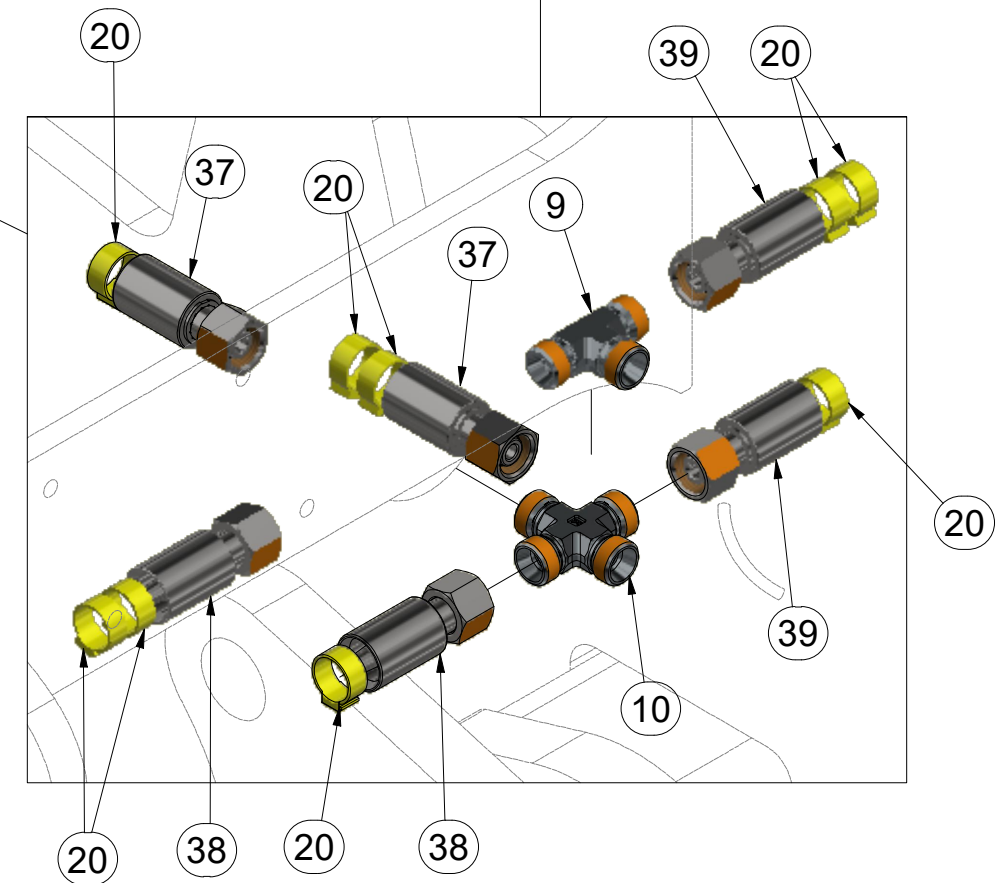
ⒸL HYDRAULICZNY PRZEWÓD - ZAGŁĘBIENIA



VZ00016056



| Pos. | Part Number | Pcs. |
|------|-------------|------|
| 9 | m03889 | 3 |
| 10 | m08328 | 1 |
| 20 | m11289 | 30 |
| 35 | m04033 | 2 |
| 36 | m04669 | 2 |
| 37 | m05762 | 2 |
| 38 | m09431 | 2 |
| 39 | m16455 | 2 |



ⒸZ HYDRAULICKÝ ROZVOD - ZAHLUBOVÁNÍ

Ⓓ HYDRAULISCHE VERTEILUNG - EINSENKUNG

Ⓕ CONDUIT HYDRAULIQUE - L'ENFONCEMENT

ⒼB HYDRAULIC DISTRIBUTION - RECESSING

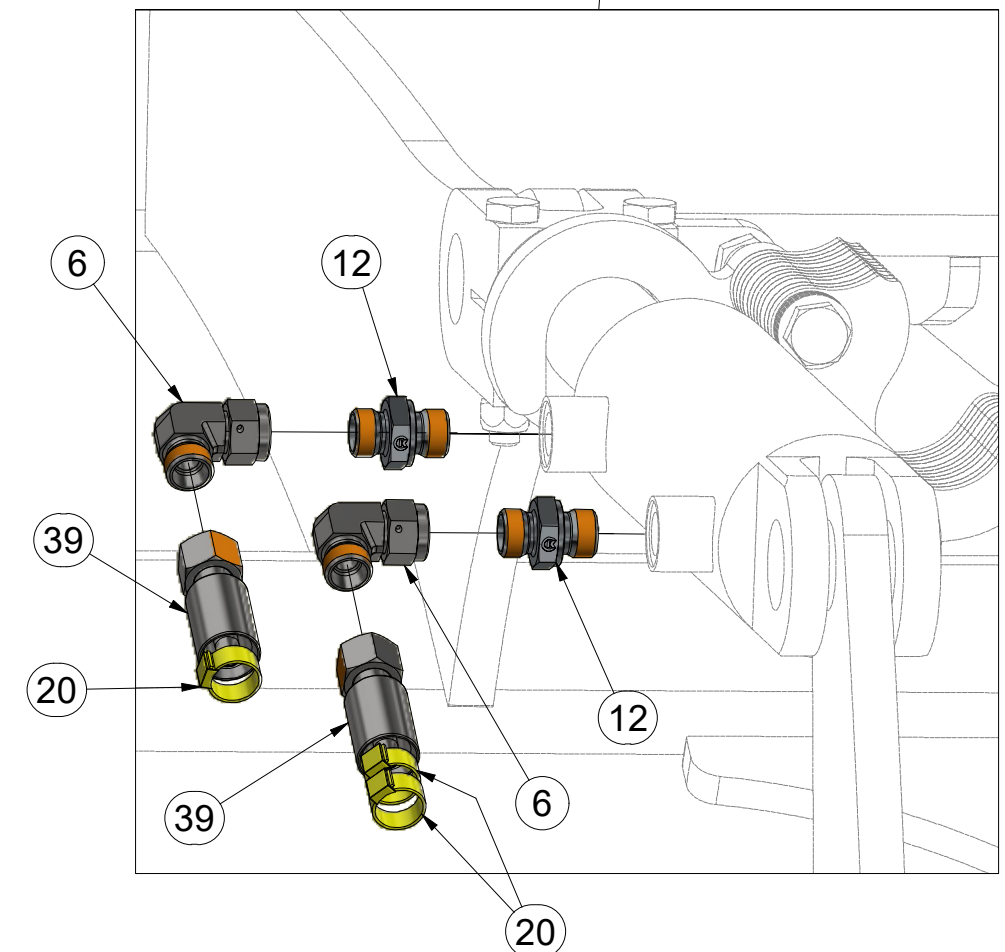
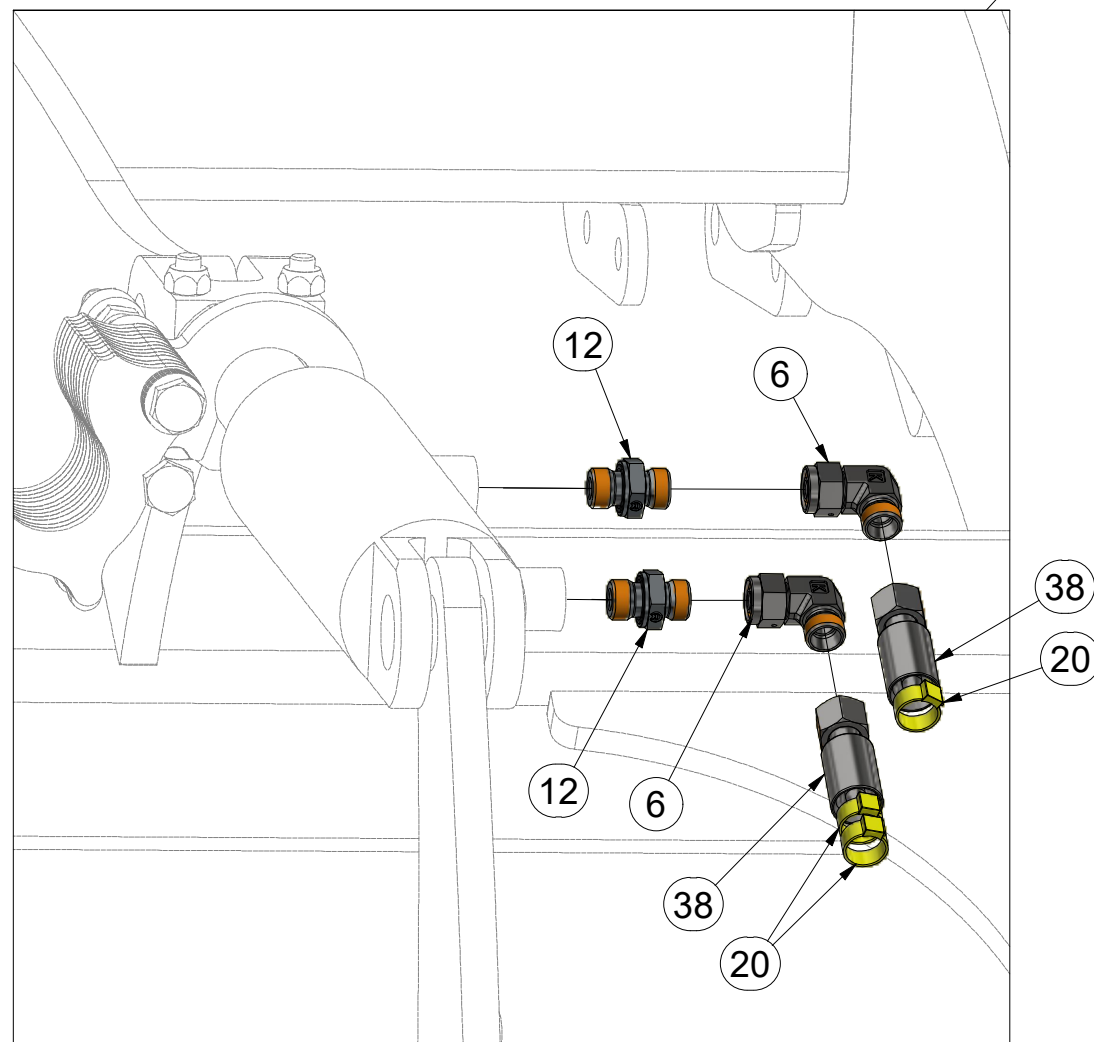
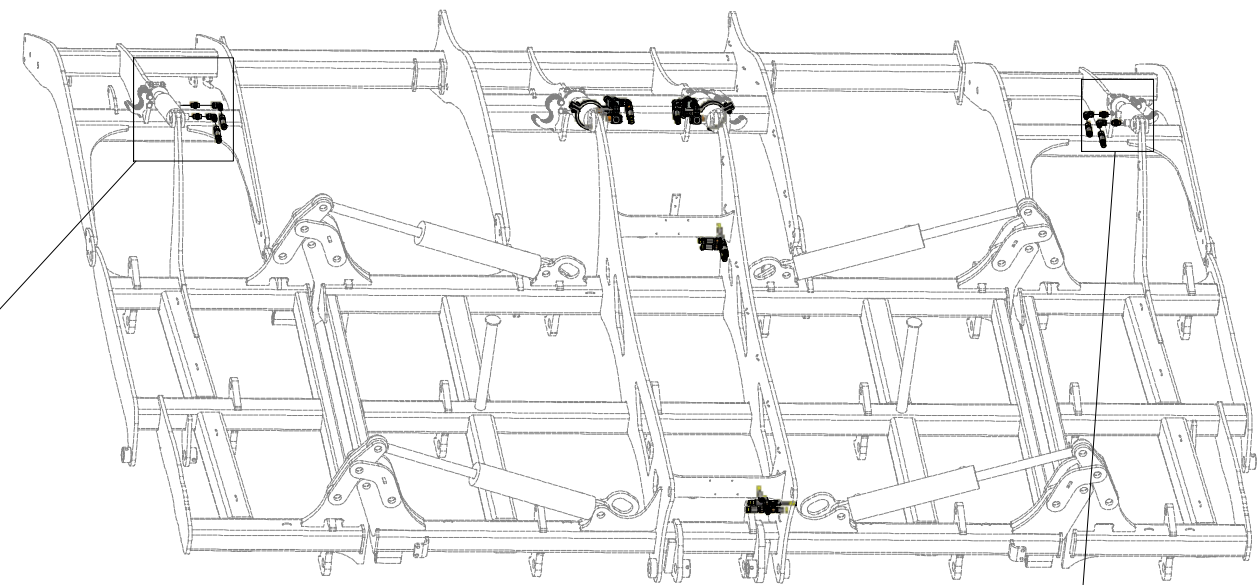
Ⓔ RU ГИДРАВЛИЧЕСКОЕ РАСПРЕДЕЛЕНИЕ - ЗАГЛУБЛЕНИЕ

Ⓗ PL HYDRAULICZNY PRZEWÓD - ZAGŁĘBIENIA



VZ00016056

| Pos. | Part Number | Pcs. | | | | | | | | | |
|------|-------------|--|----|--------|----|----|--------|---|----|--------|---|
| 6 | m06803 | 8 | | | | | | | | | |
| 12 | m07906 | 4 <tr><td>20</td><td>m11289</td><td>30</td></tr> <tr><td>38</td><td>m09431</td><td>2</td></tr> <tr><td>39</td><td>m16455</td><td>2</td></tr> | 20 | m11289 | 30 | 38 | m09431 | 2 | 39 | m16455 | 2 |
| 20 | m11289 | 30 | | | | | | | | | |
| 38 | m09431 | 2 | | | | | | | | | |
| 39 | m16455 | 2 | | | | | | | | | |



ⒸZ HYDRAULICKÝ ROZVOD - ZAHLUBOVÁNÍ

Ⓓ HYDRAULISCHE VERTEILUNG - EINSENKUNG

Ⓕ CONDUIT HYDRAULIQUE - L'ENFONCEMENT

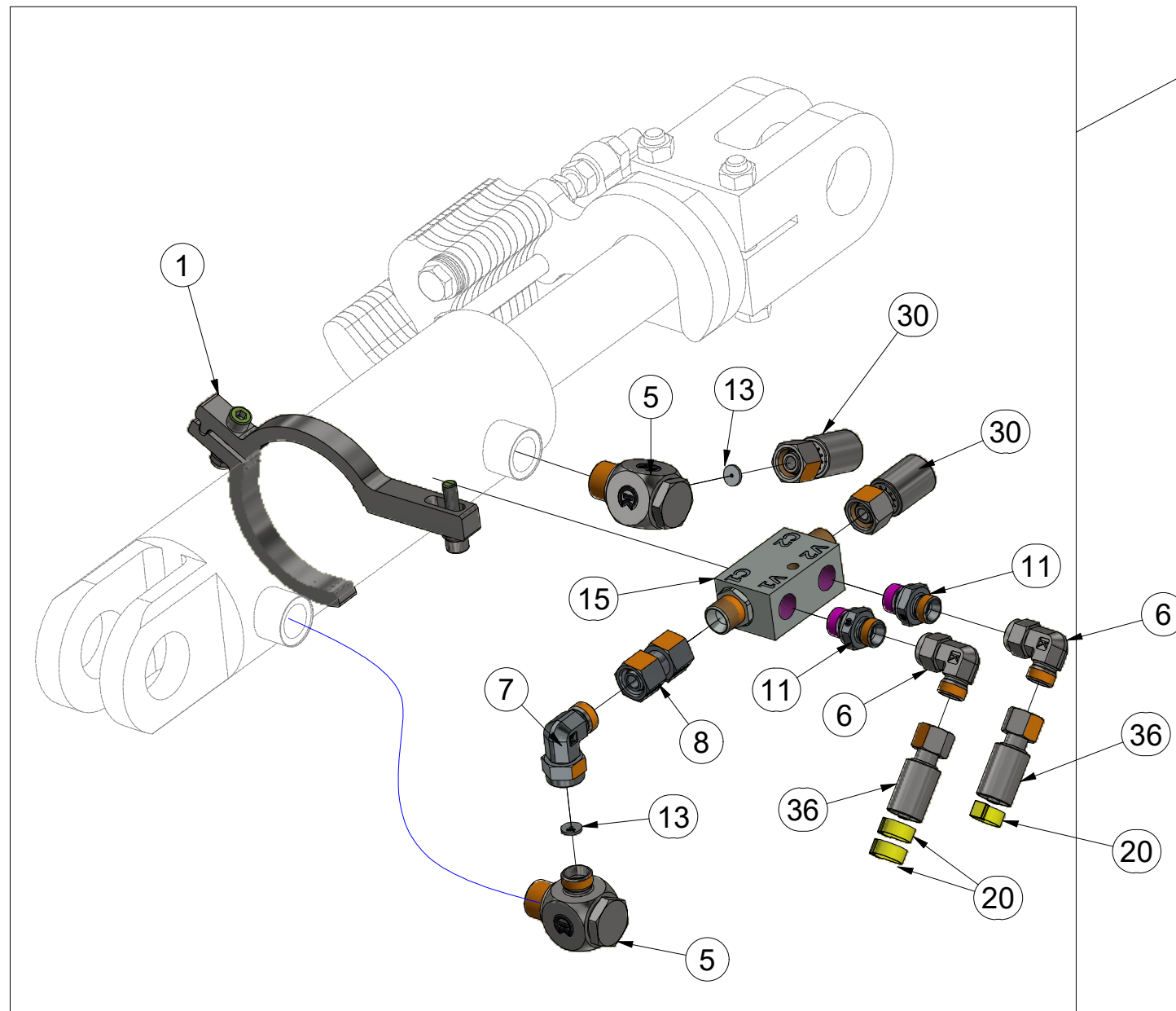
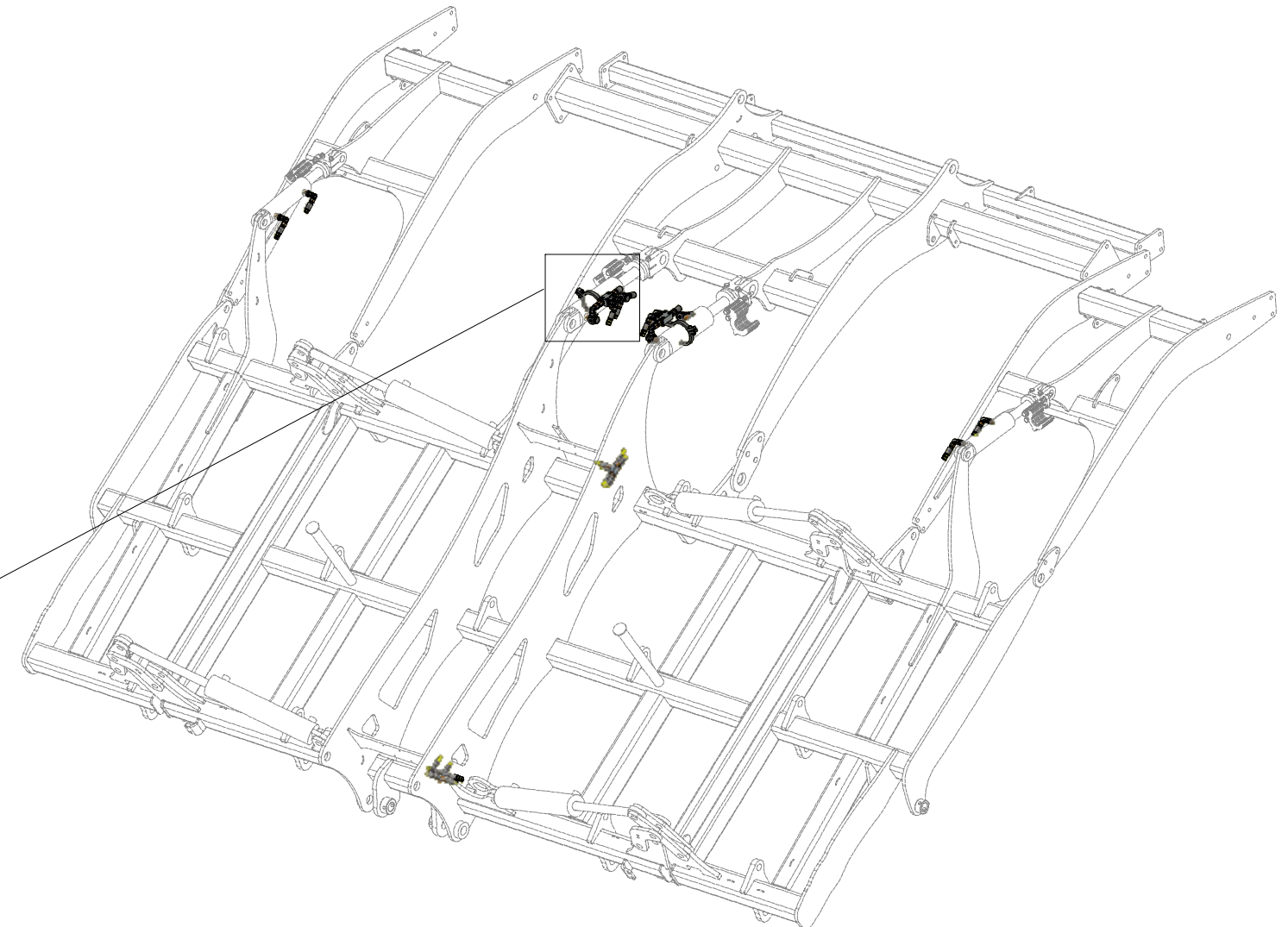
ⒸB HYDRAULIC DISTRIBUTION - RECESSING

ⒸU ГИДРАВЛИЧЕСКОЕ РАСПРЕДЕЛЕНИЕ - ЗАГЛУБЛЕНИЕ

ⒸL HYDRAULICZNY PRZEWÓD - ZAGŁĘBIENIA



VZ00016056



| Pos. | Part Number | Pcs. |
|------|-------------|------|
| 1 | VZ00010412 | 2 |
| 5 | m20912 | 4 |
| 6 | m06803 | 8 |
| 7 | m07654 | 2 |
| 8 | m22306 | 2 |
| 11 | m06528 | 4 |
| 13 | m10762 | 4 |
| 15 | m08083 | 2 |
| 20 | m11289 | 30 |
| 30 | m13237 | 2 |
| 36 | m04669 | 2 |

ⒸZ HYDRAULICKÝ ROZVOD - ZAHLUBOVÁNÍ

Ⓓ HYDRAULISCHE VERTEILUNG - EINSENKUNG

Ⓕ CONDUIT HYDRAULIQUE - L'ENFONCEMENT

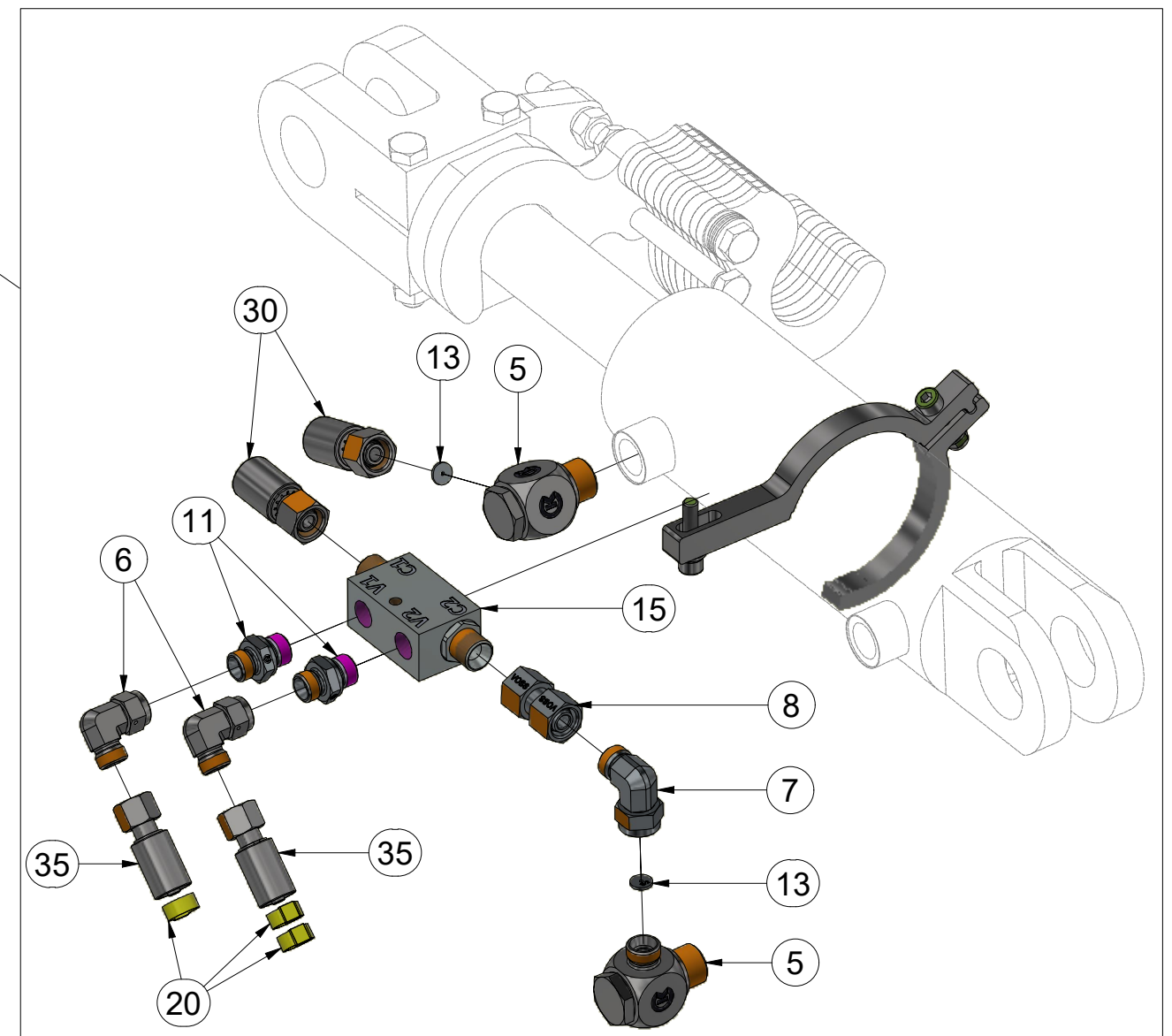
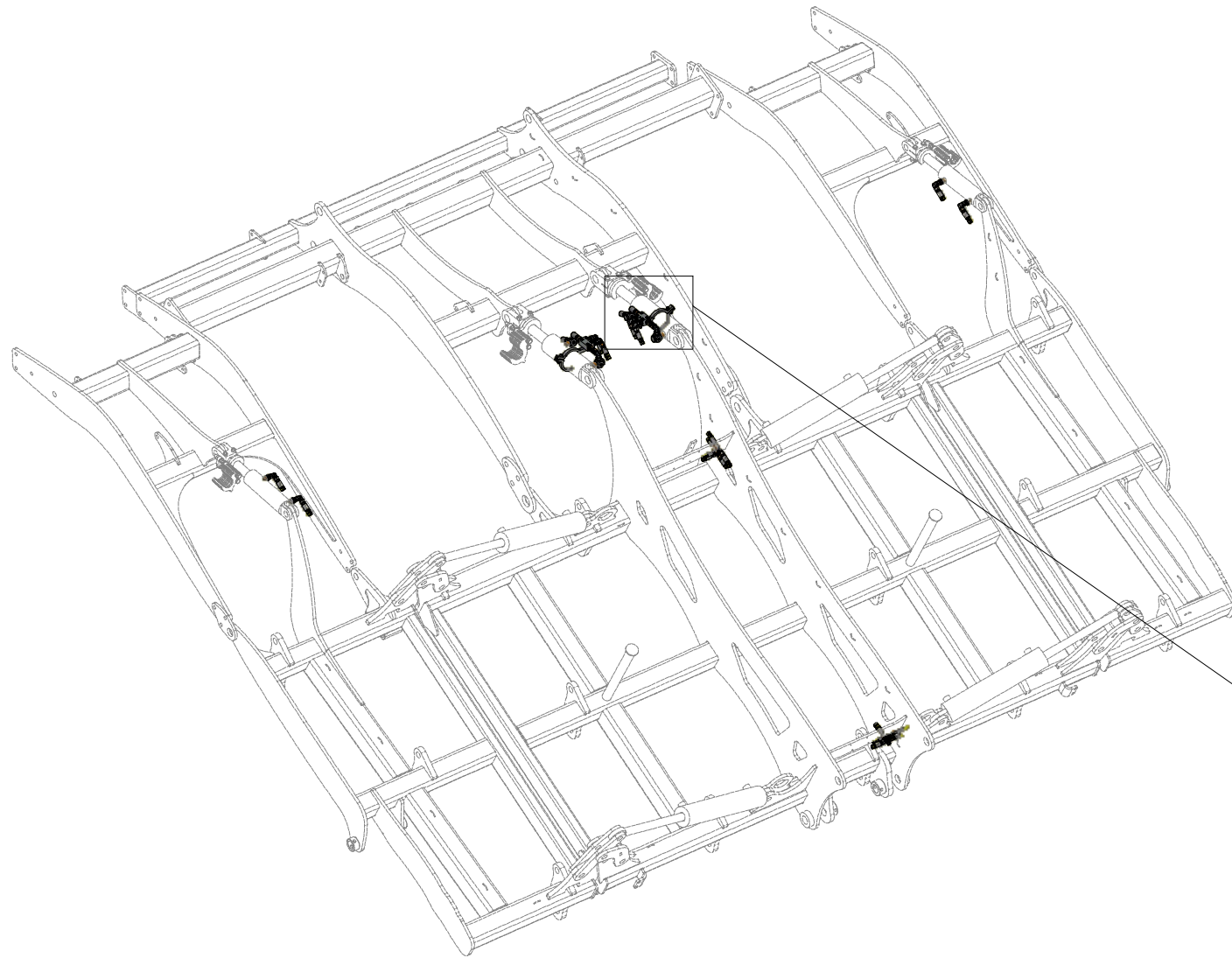
ⒸB HYDRAULIC DISTRIBUTION - RECESSING

ⒸU ГИДРАВЛИЧЕСКОЕ РАСПРЕДЕЛЕНИЕ - ЗАГЛУБЛЕНИЕ

ⒸL HYDRAULICZNY PRZEWÓD - ZAGŁĘBIENIA



VZ00016056



| Pos. | Part Number | Pcs. |
|------|-------------|------|
| 5 | m20912 | 4 |
| 6 | m06803 | 8 |
| 7 | m07654 | 2 |
| 8 | m22306 | 2 |
| 11 | m06528 | 4 |
| 13 | m10762 | 4 |
| 15 | m08083 | 2 |
| 20 | m11289 | 30 |
| 30 | m13237 | 2 |
| 35 | m04033 | 2 |

ⒸZ HYDRAULICKÝ ROZVOD NÁPRAVY

Ⓓ HYDRAULISCHE VERTEILUNG ACHSE

Ⓕ CONDUIT HYDRAULIQUE DE L'ESSIEU

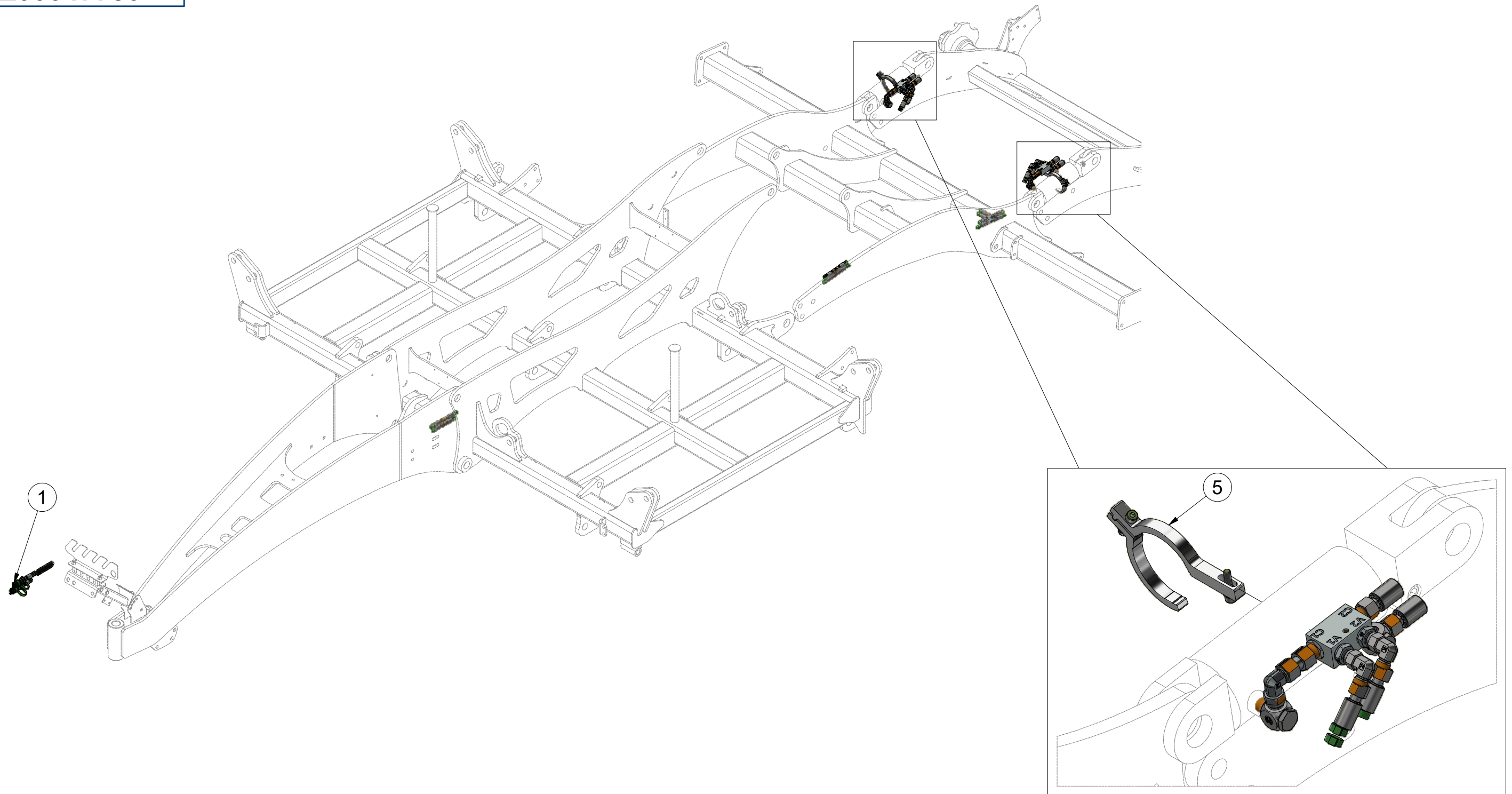
ⒸGB HYDRAULIC AXLE DISTRIBUTION

ⒸRU ГИДРАВЛИЧЕСКОЕ РАСПРЕДЕЛЕНИЕ ОСИ

ⒸPL HYDRAULICZNY PRZEWÓD OSI



VZ00047780



| Pos. | Part Number | Pcs. |
|------|-------------|------|
| 1 | VZ00047781 | 1 |
| 5 | VZ00010412 | 2 |

ⒸZ HYDRAULICKÝ ROZVOD NÁPRAVY

Ⓓ HYDRAULISCHE VERTEILUNG ACHSE

Ⓕ CONDUIT HYDRAULIQUE DE L'ESSIEU

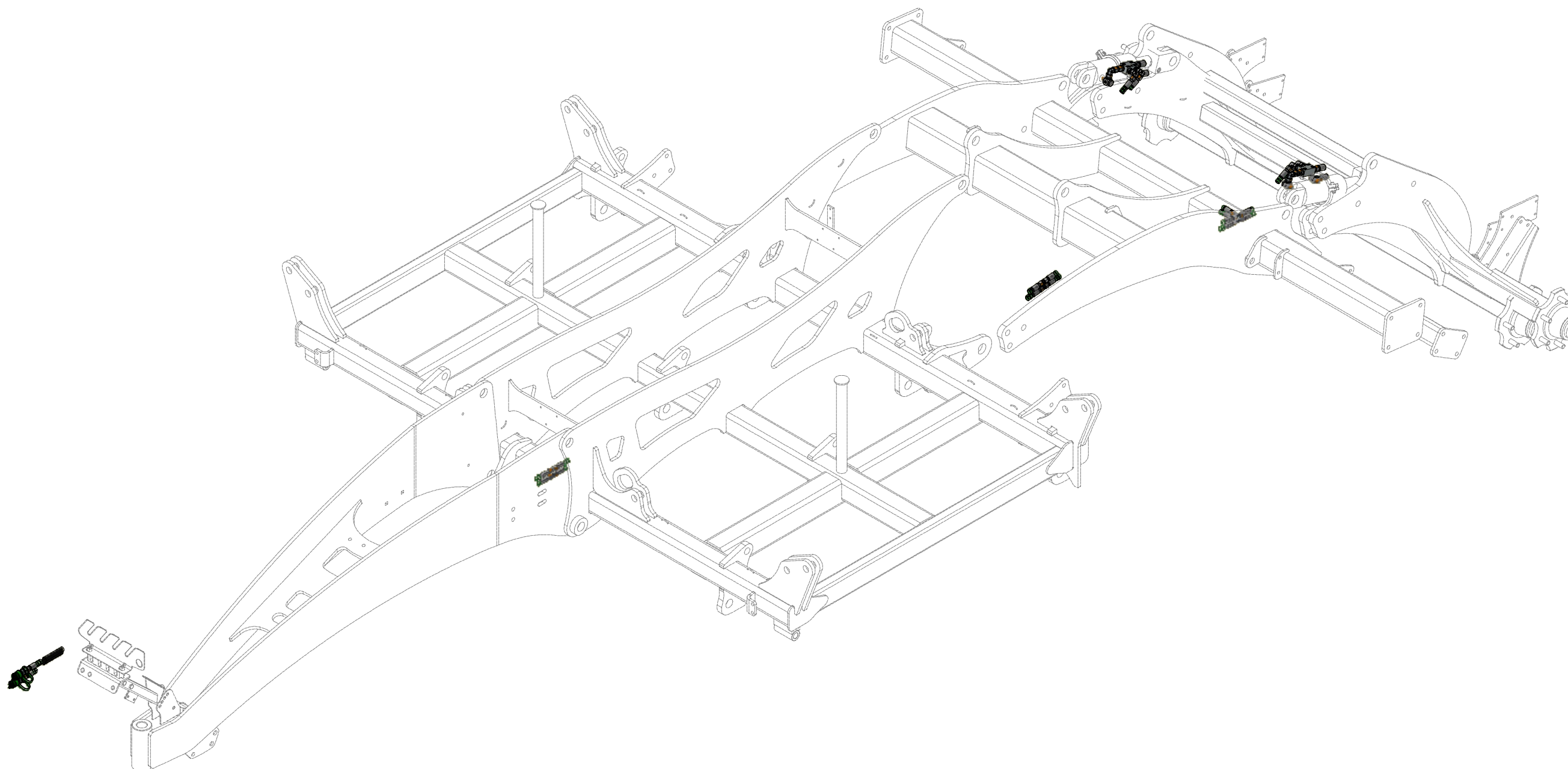
ⒸB HYDRAULIC AXLE DISTRIBUTION

ⒸR ГИДРАВЛИЧЕСКОЕ РАСПРЕДЕЛЕНИЕ ОСИ

ⒸL HYDRAULICZNY PRZEWÓD OSI

Farmet

VZ00047781



Ⓒ HYDRAULICKÝ ROZVOD NÁPRAVY

Ⓓ HYDRAULISCHE VERTEILUNG ACHSE

Ⓕ CONDUIT HYDRAULIQUE DE L'ESSIEU

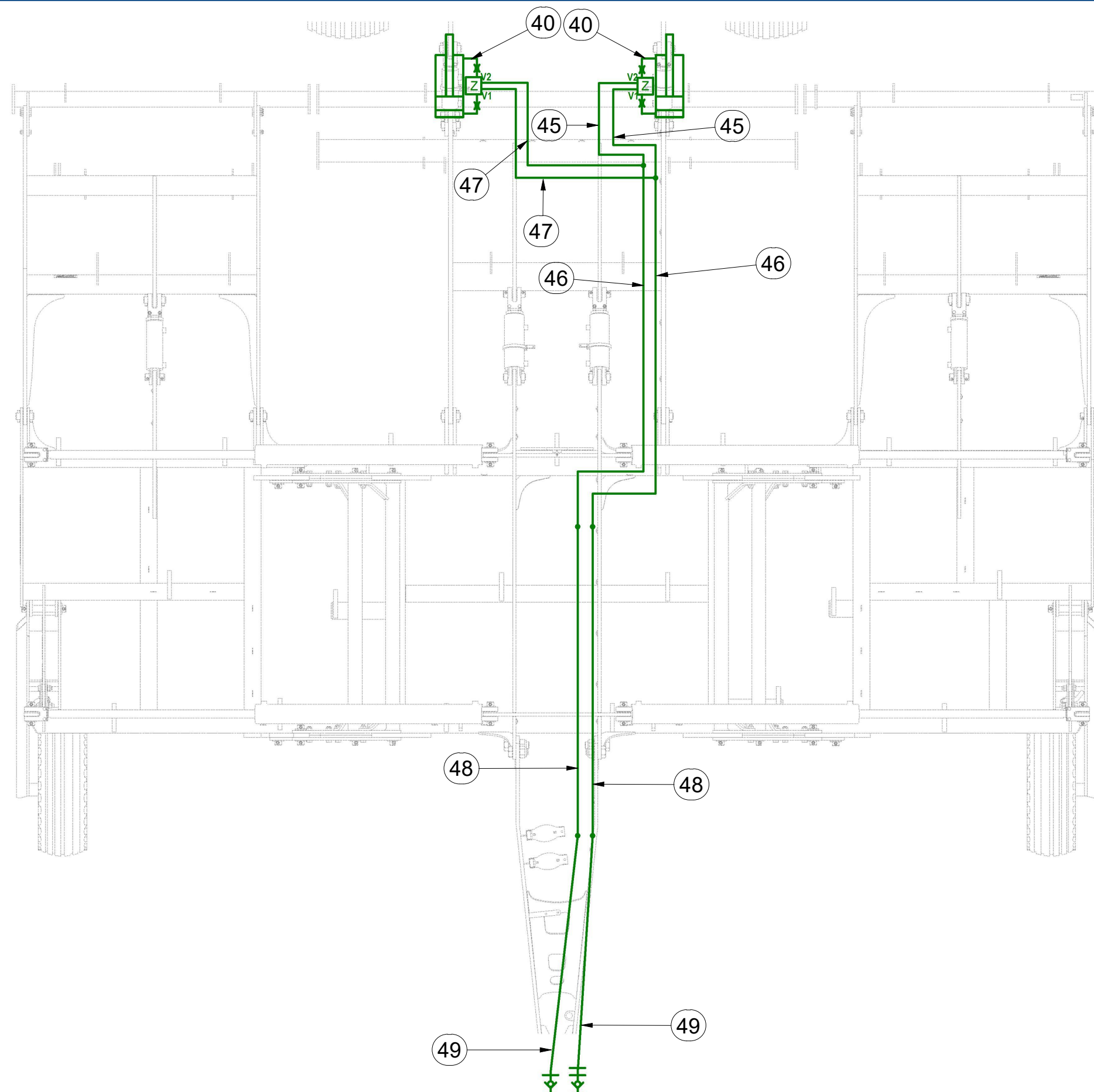
Ⓖ HYDRAULIC AXLE DISTRIBUTION

Ⓡ ГИДРАВЛИЧЕСКОЕ РАСПРЕДЕЛЕНИЕ ОСИ

Ⓟ HYDRAULICZNY PRZEWÓD OSI



VZ00047781



| Pos. | Part Number | Pcs. |
|------|-------------|------|
| 40 | m13237 | 2 |
| 45 | m04827 | 2 |
| 46 | m03952 | 2 |
| 47 | m05762 | 2 |
| 48 | m04181 | 2 |
| 49 | m05221 | 2 |

ⒸZ HYDRAULICKÝ ROZVOD NÁPRAVY

Ⓓ HYDRAULISCHE VERTEILUNG ACHSE

Ⓕ CONDUIT HYDRAULIQUE DE L'ESSIEU

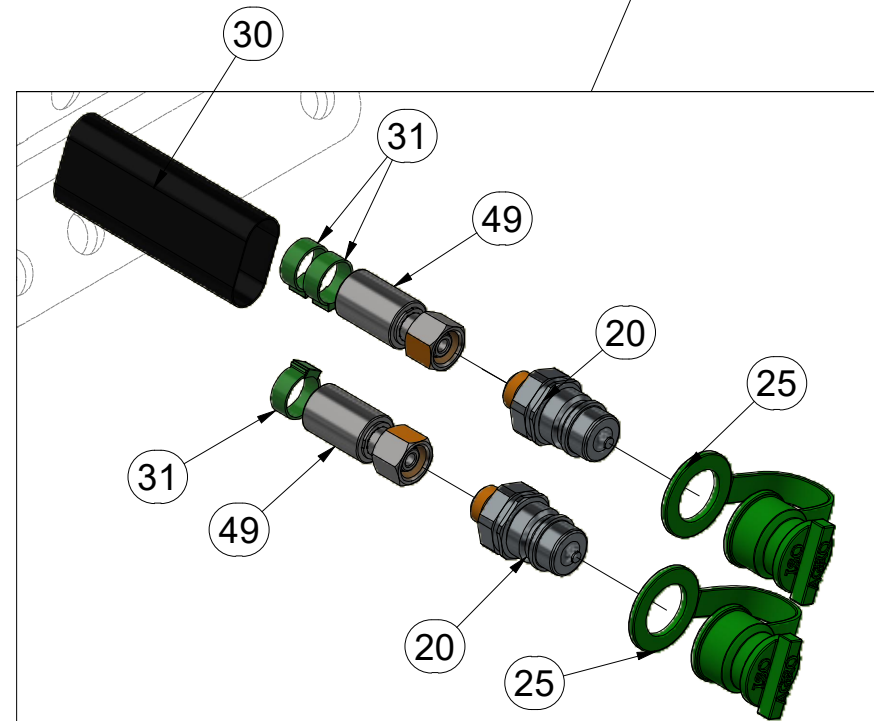
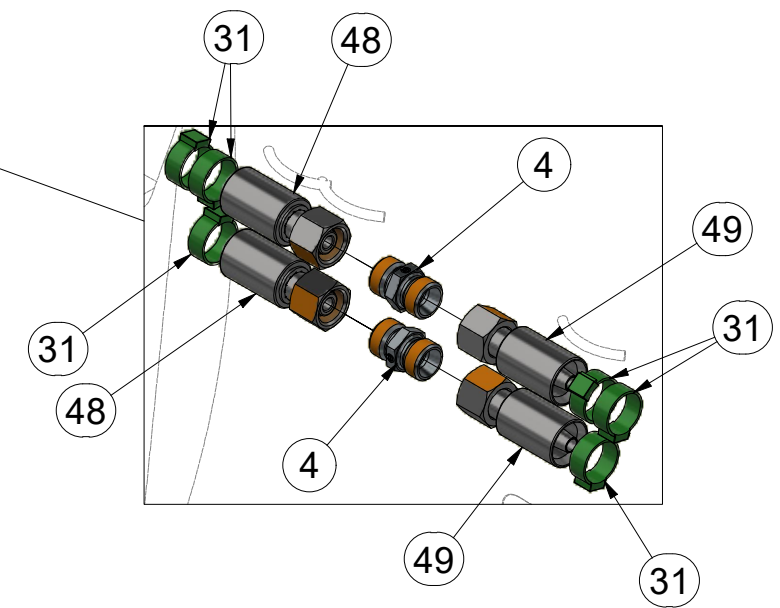
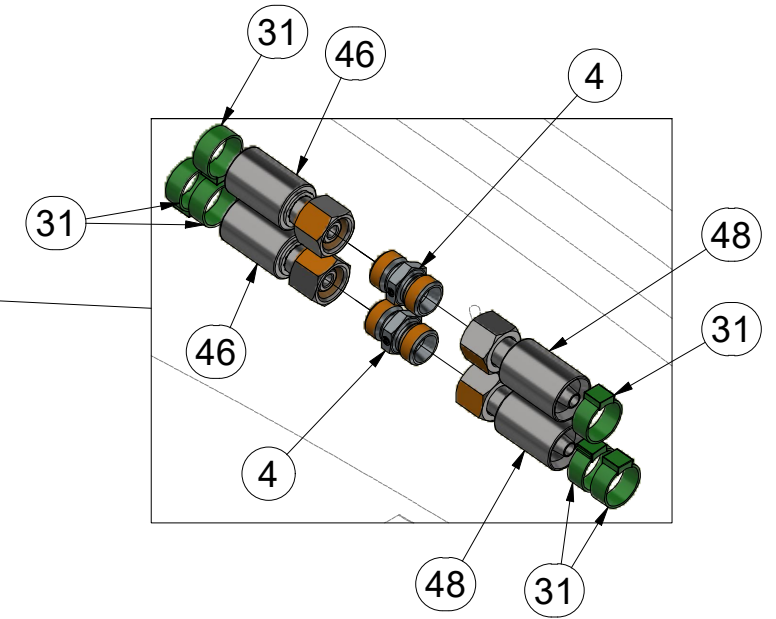
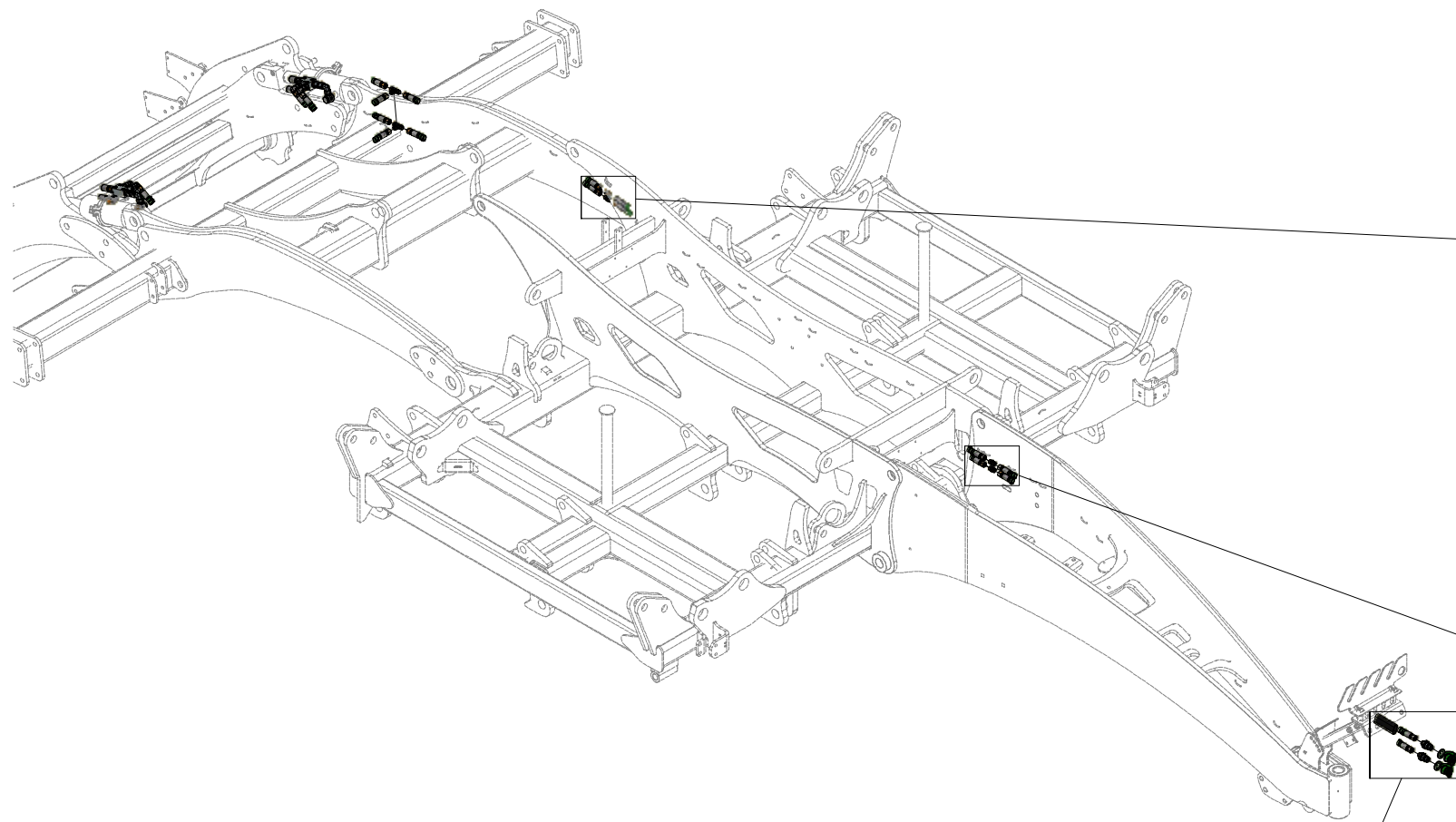
ⒸB HYDRAULIC AXLE DISTRIBUTION

ⒸU ГИДРАВЛИЧЕСКОЕ РАСПРЕДЕЛЕНИЕ ОСИ

ⒸL HYDRAULICZNY PRZEWÓD OSI



VZ00047781



| Pos. | Part Number | Pcs. |
|------|-------------|------|
| 4 | m03213 | 4 |
| 20 | m03849 | 2 |
| 25 | m04098 | 2 |
| 49 | m05221 | 2 |
| 31 | m11282 | 30 |
| 46 | m03952 | 2 |
| 30 | m11183 | 1 |
| 48 | m04181 | 2 |

Ⓒ HYDRAULICKÝ ROZVOD NÁPRAVY

Ⓓ HYDRAULISCHE VERTEILUNG ACHSE

Ⓕ CONDUIT HYDRAULIQUE DE L'ESSIEU

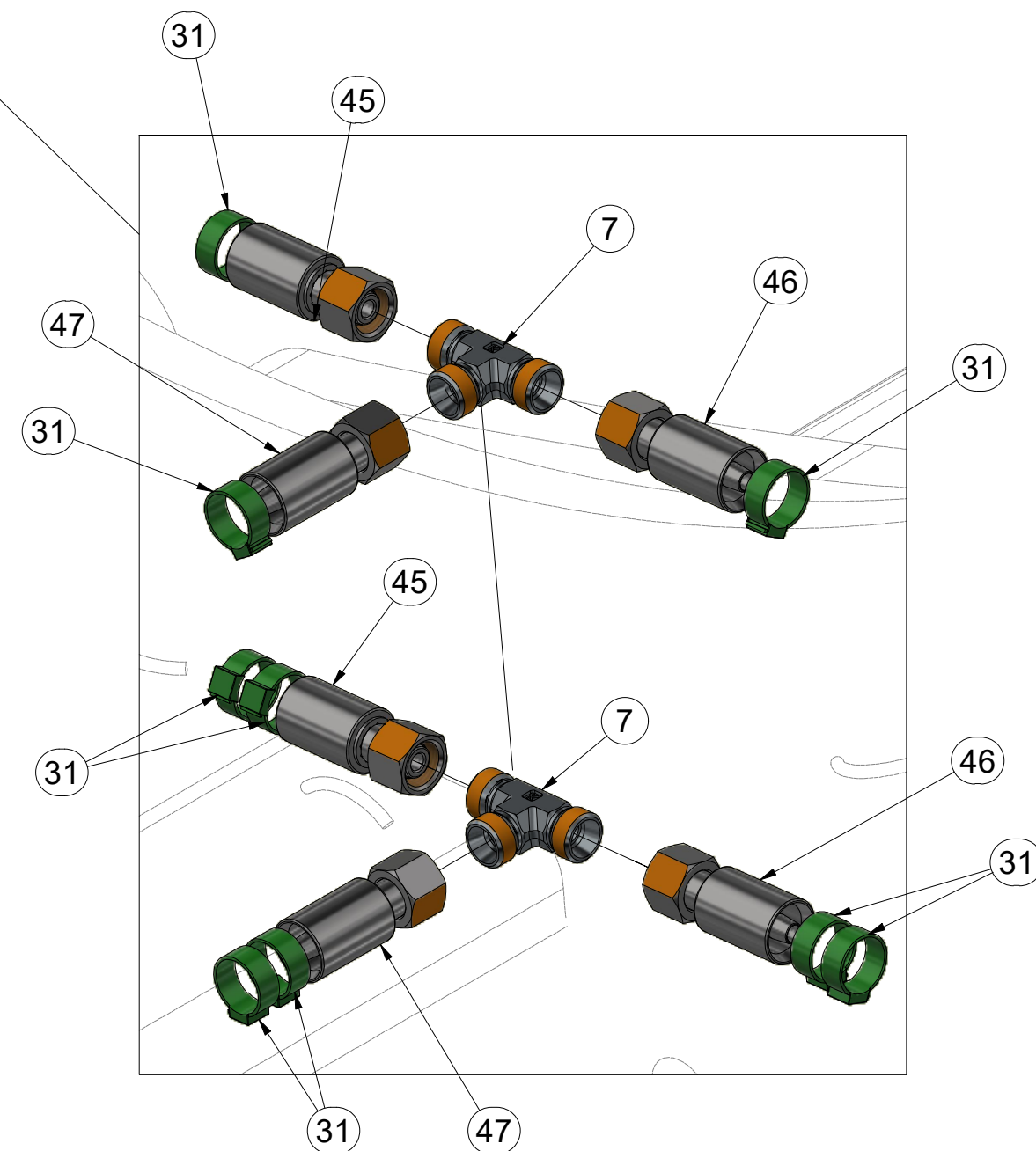
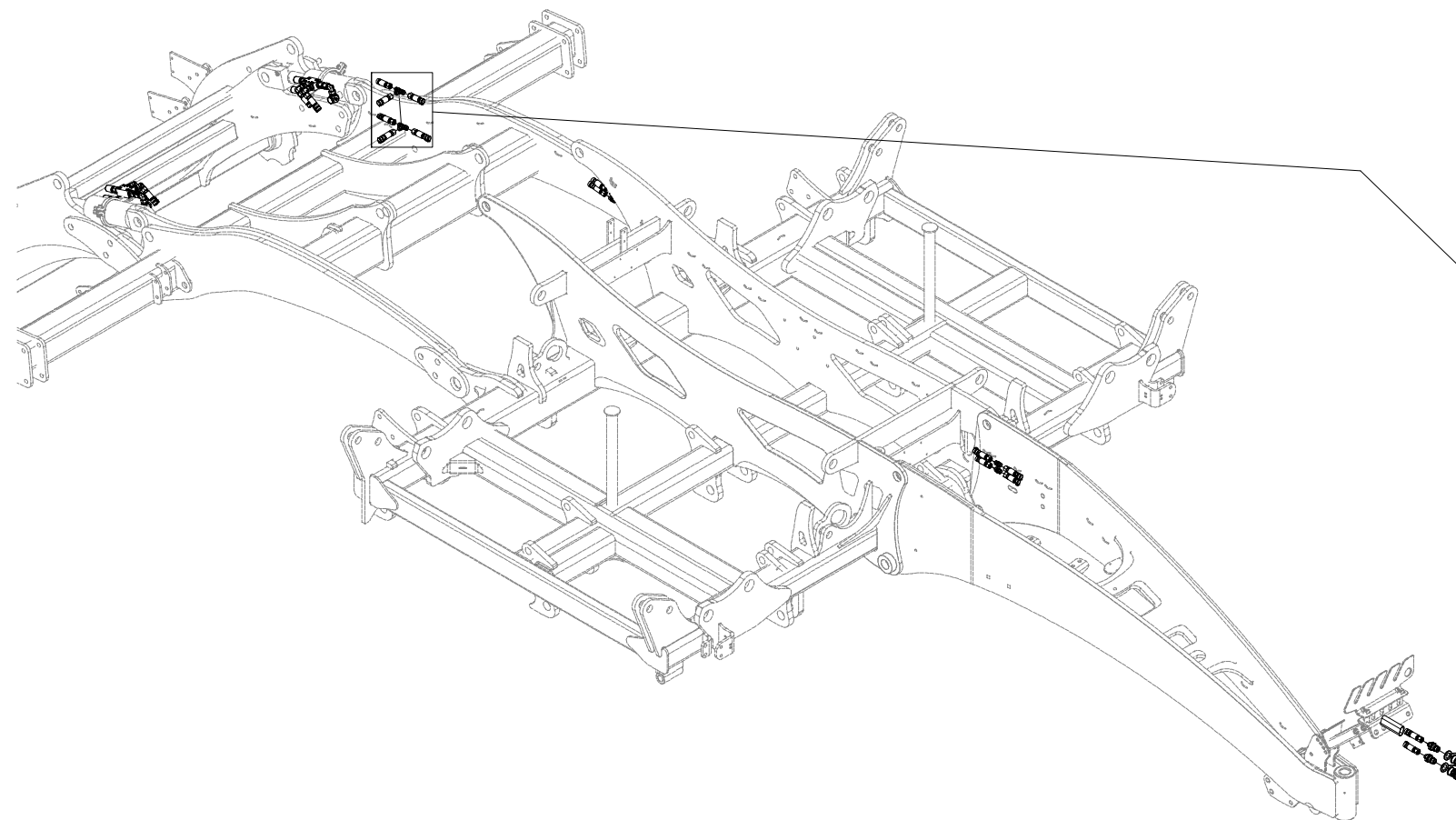
Ⓖ HYDRAULIC AXLE DISTRIBUTION

Ⓡ ГИДРАВЛИЧЕСКОЕ РАСПРЕДЕЛЕНИЕ ОСИ

Ⓟ HYDRAULICZNY PRZEWÓD OSI



VZ00047781



| Pos. | Part Number | Pcs. |
|------|-------------|------|
| 7 | m03889 | 2 |
| 31 | m11282 | 30 |
| 45 | m04827 | 2 |
| 46 | m03952 | 2 |
| 47 | m05762 | 2 |

ⒸZ HYDRAULICKÝ ROZVOD NÁPRAVY

Ⓓ HYDRAULISCHE VERTEILUNG ACHSE

Ⓕ CONDUIT HYDRAULIQUE DE L'ESSIEU

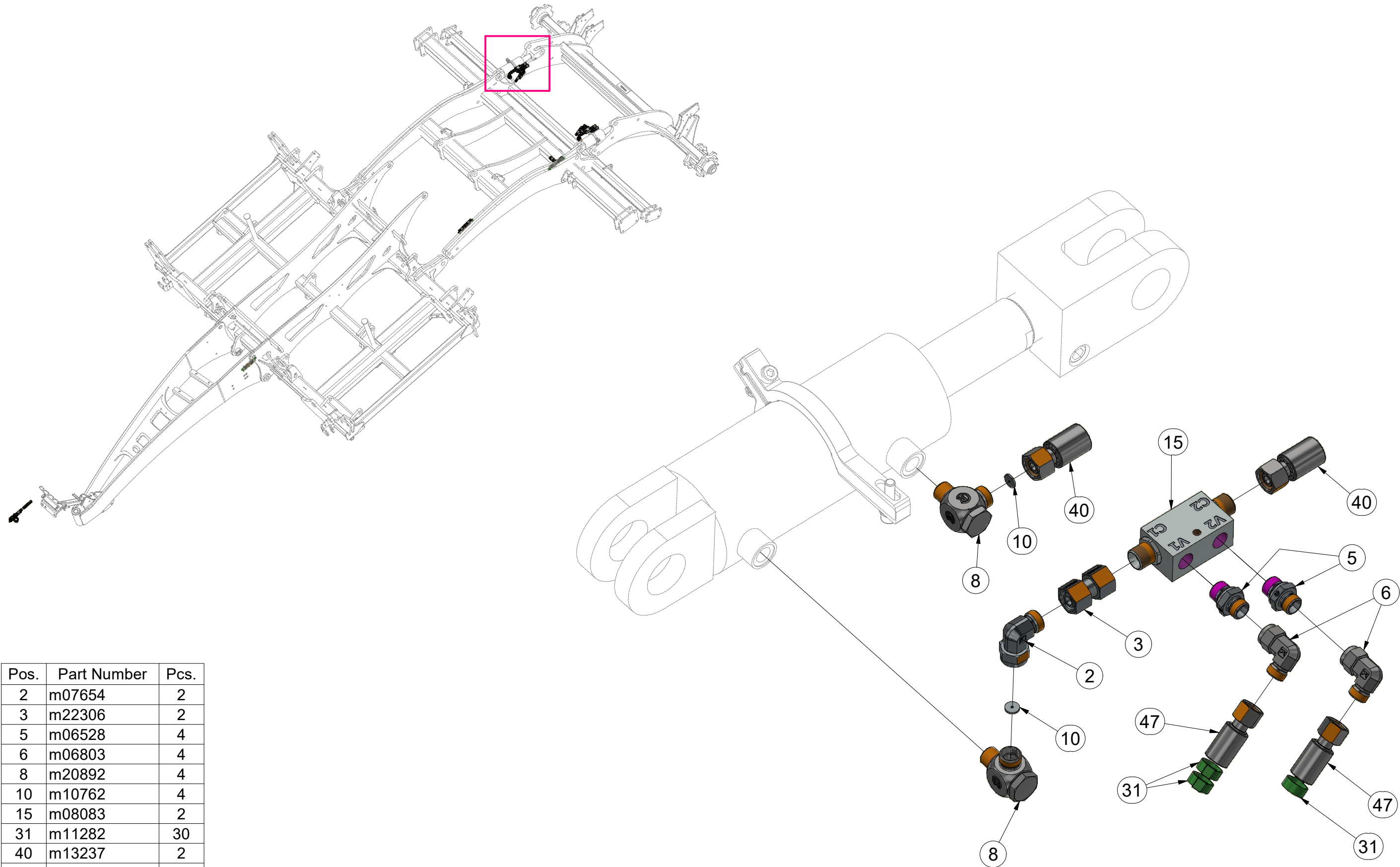
ⒸB HYDRAULIC AXLE DISTRIBUTION

ⒸU ГИДРАВЛИЧЕСКОЕ РАСПРЕДЕЛЕНИЕ ОСИ

ⒸL HYDRAULICZNY PRZEWÓD OSI



VZ00047781



| Pos. | Part Number | Pcs. |
|------|-------------|------|
| 2 | m07654 | 2 |
| 3 | m22306 | 2 |
| 5 | m06528 | 4 |
| 6 | m06803 | 4 |
| 8 | m20892 | 4 |
| 10 | m10762 | 4 |
| 15 | m08083 | 2 |
| 31 | m11282 | 30 |
| 40 | m13237 | 2 |
| 47 | m05762 | 2 |

ⒸZ HYDRAULICKÝ ROZVOD NÁPRAVY

Ⓓ HYDRAULISCHE VERTEILUNG ACHSE

Ⓕ CONDUIT HYDRAULIQUE DE L'ESSIEU

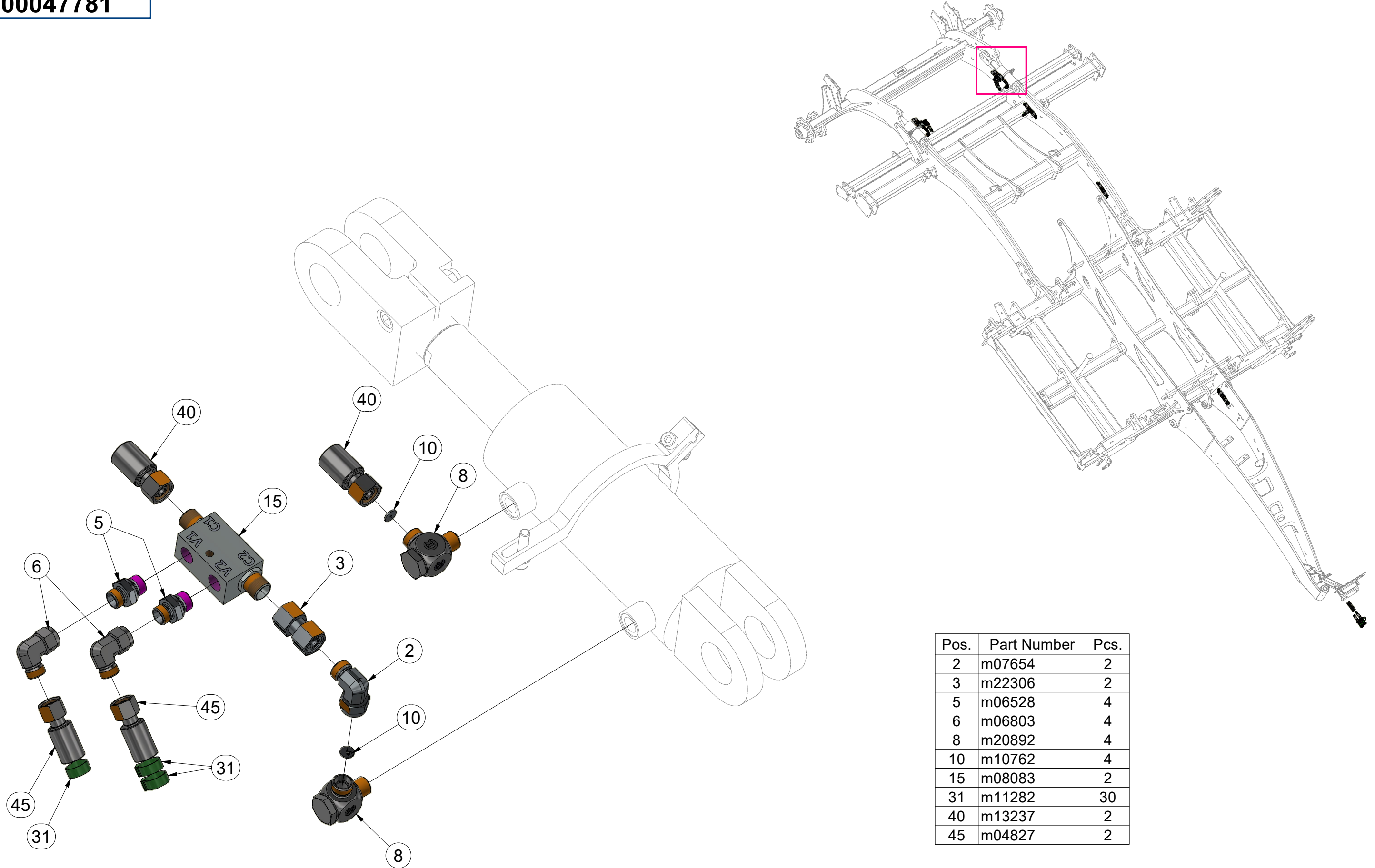
ⒸGB HYDRAULIC AXLE DISTRIBUTION

ⒸRU ГИДРАВЛИЧЕСКОЕ РАСПРЕДЕЛЕНИЕ ОСИ

ⒸPL HYDRAULICZNY PRZEWÓD OSI



VZ00047781



| Pos. | Part Number | Pcs. |
|------|-------------|------|
| 2 | m07654 | 2 |
| 3 | m22306 | 2 |
| 5 | m06528 | 4 |
| 6 | m06803 | 4 |
| 8 | m20892 | 4 |
| 10 | m10762 | 4 |
| 15 | m08083 | 2 |
| 31 | m11282 | 30 |
| 40 | m13237 | 2 |
| 45 | m04827 | 2 |

ⒸZ HYDRAULICKÝ ROZVOD - DISKŮ

Ⓓ HYDRAULISCHE VERTEILUNG - DISKS

Ⓕ CONDUIT HYDRAULIQUE - DISQUES

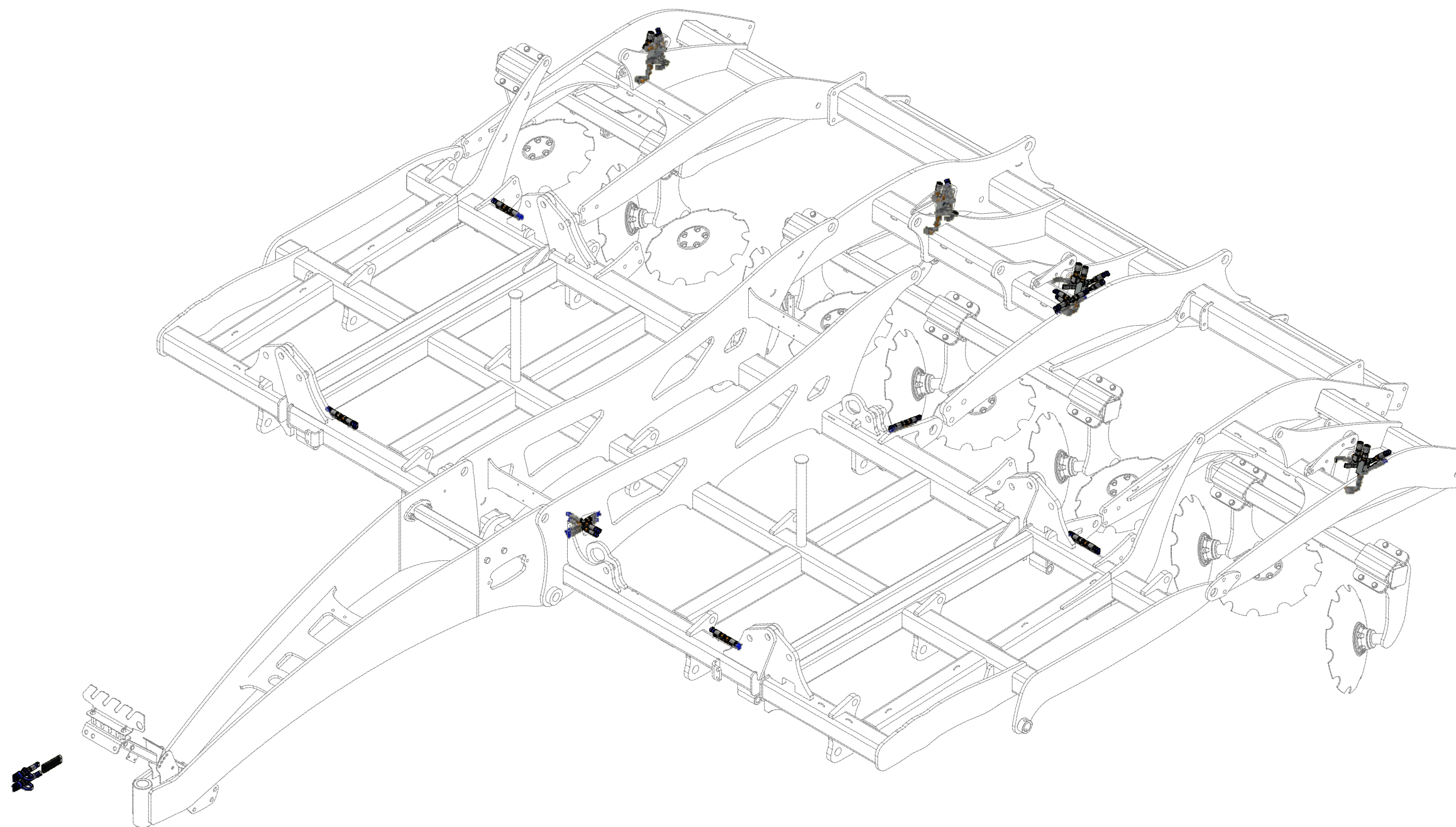
ⒸB HYDRAULIC DISTRIBUTION - DISC

ⒸR ГИДРАВЛИЧЕСКОЕ РАСПРЕДЕЛЕНИЕ - ДИСКОВ

ⒸL HYDRAULICZNY PRZEWÓD - TALERZY

Farmet

VZ00046248



ⒸZ HYDRAULICKÝ ROZVOD - DISKŮ

Ⓓ HYDRAULISCHE VERTEILUNG - DISKS

Ⓕ CONDUIT HYDRAULIQUE - DISQUES

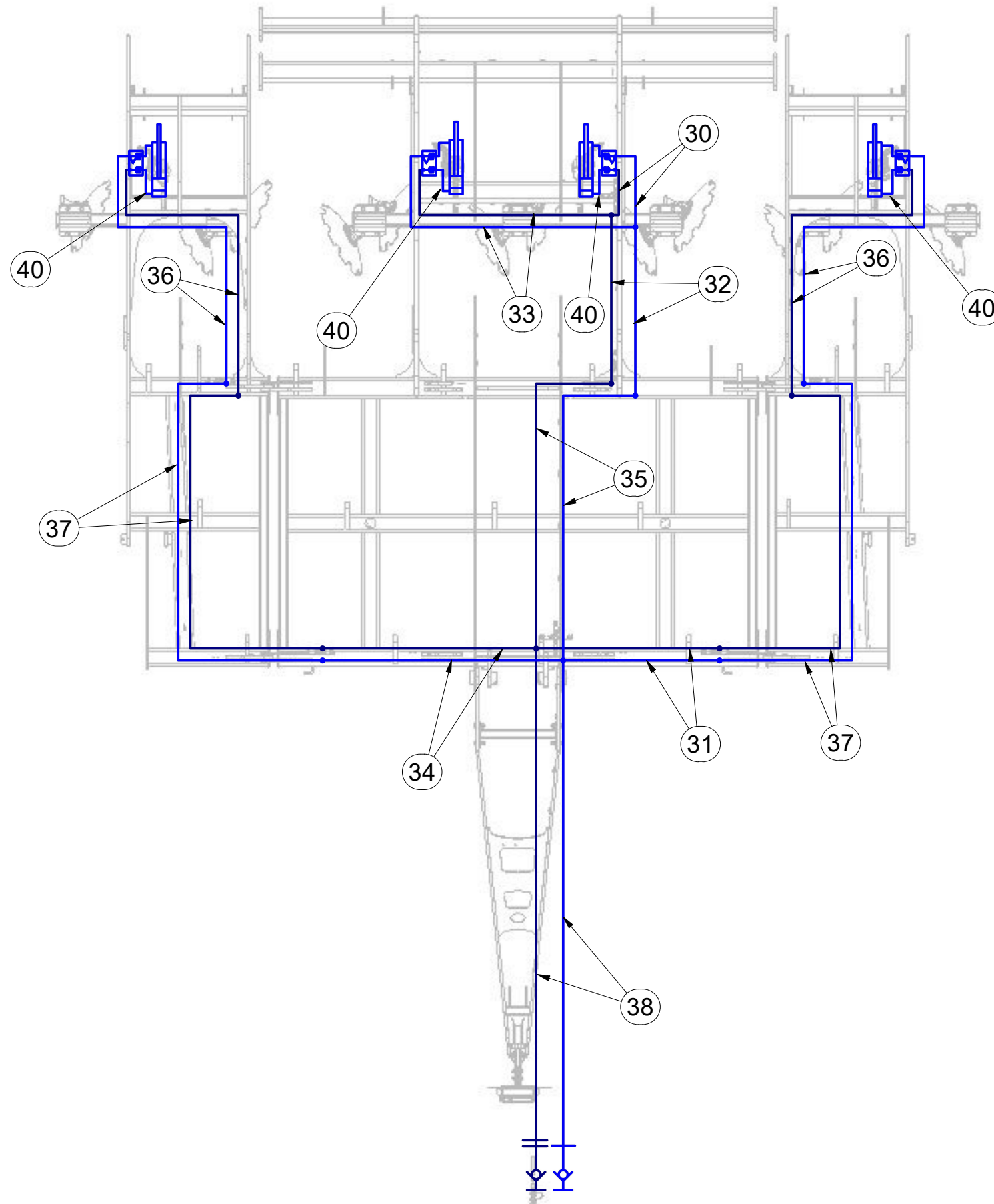
ⒸB HYDRAULIC DISTRIBUTION - DISC

ⒸU ГИДРАВЛИЧЕСКОЕ РАСПРЕДЕЛЕНИЕ - ДИСКОВ

ⒸL HYDRAULICZNY PRZEWÓD - TALERZY



VZ00046248



| Pos. | Part Number | Pcs. |
|------|-------------|------|
| 30 | m17441 | 2 |
| 31 | m03951 | 2 |
| 32 | m04669 | 2 |
| 33 | m07647 | 2 |
| 34 | m07360 | 2 |
| 35 | m04668 | 2 |
| 36 | m16579 | 4 |
| 37 | m07650 | 4 |
| 38 | m05221 | 2 |
| 40 | m13237 | 4 |

Ⓒ HYDRAULICKÝ ROZVOD - DISKŮ

Ⓓ HYDRAULISCHE VERTEILUNG - DISKS

Ⓕ CONDUIT HYDRAULIQUE - DISQUES

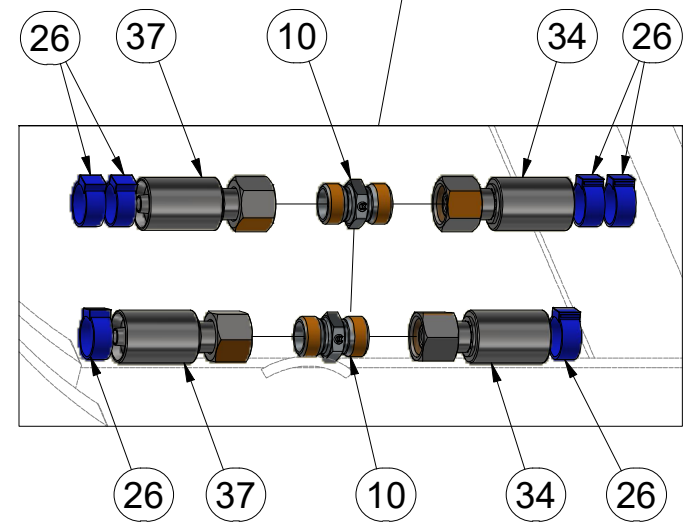
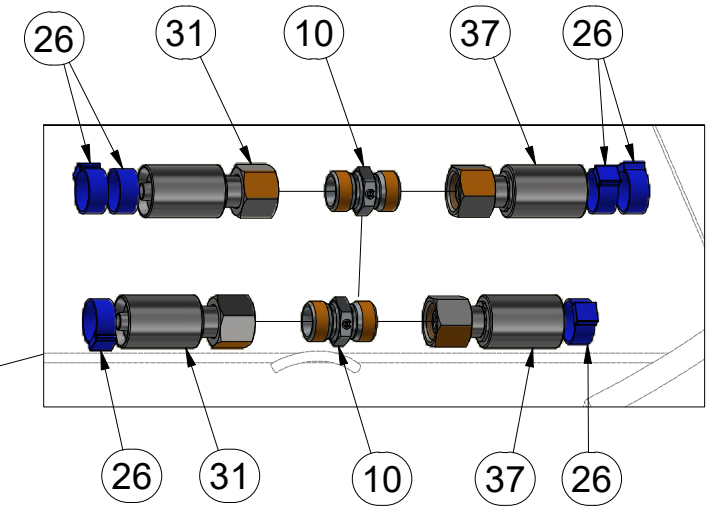
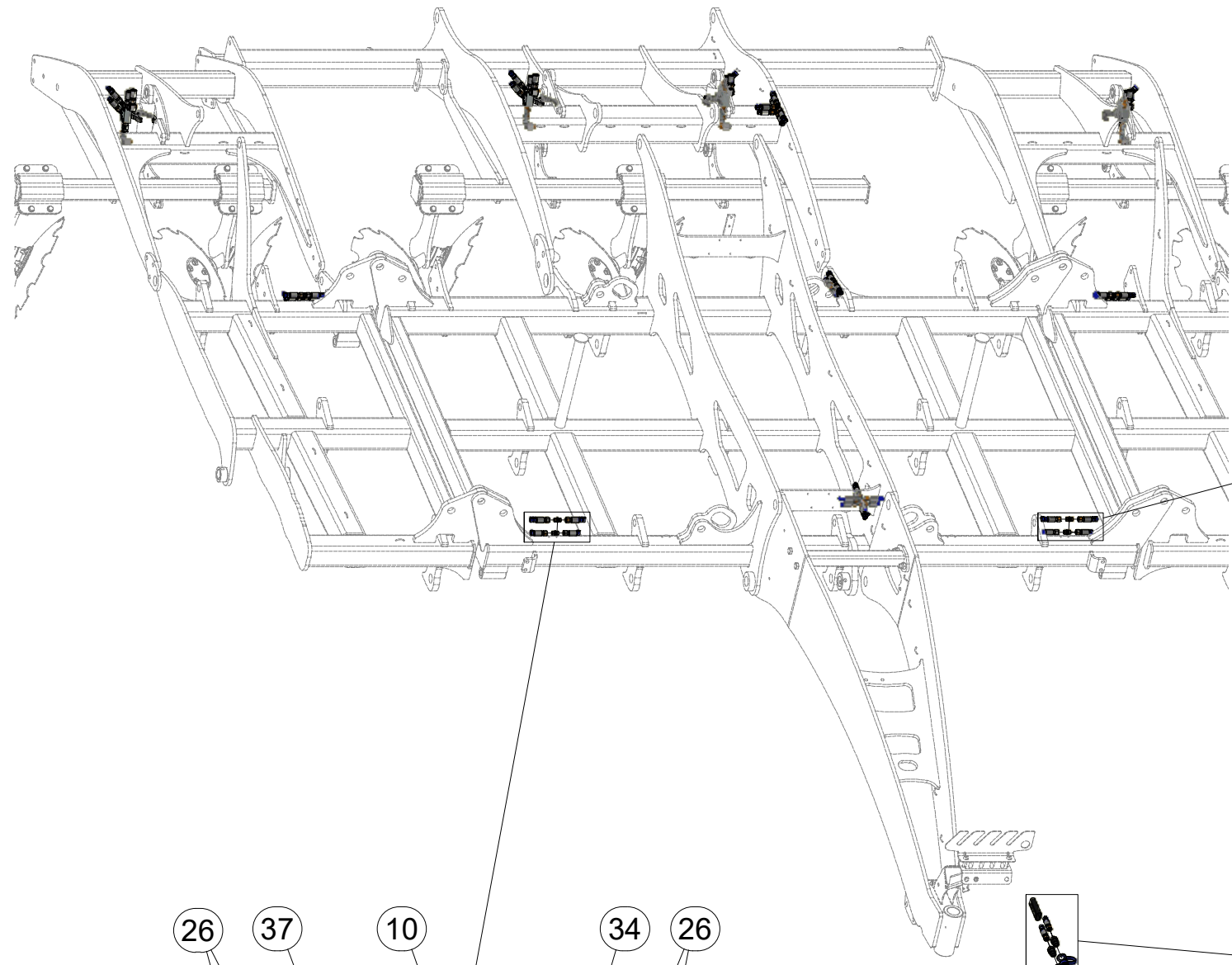
Ⓖ HYDRAULIC DISTRIBUTION - DISC

Ⓡ ГИДРАВЛИЧЕСКОЕ РАСПРЕДЕЛЕНИЕ - ДИСКОВ

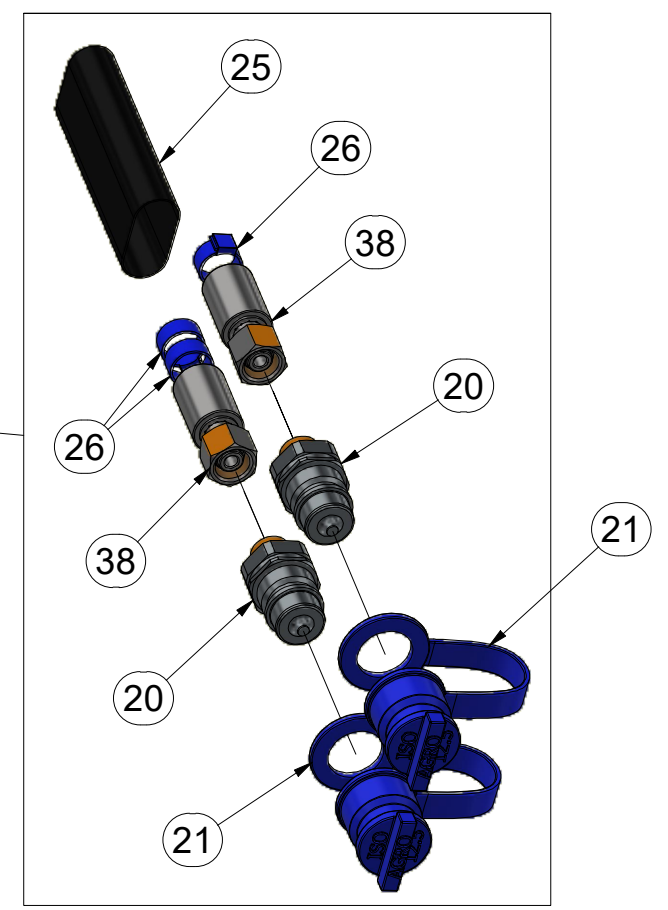
Ⓟ HYDRAULICZNY PRZEWÓD - TALERZY



VZ00046248



| Pos. | Part Number | Pcs. |
|------|-------------|------|
| 10 | m03213 | 10 |
| 20 | m03849 | 2 |
| 21 | m03743 | 2 |
| 25 | m11183 | 1 |
| 26 | m11253 | 66 |
| 31 | m03951 | 2 |
| 34 | m07360 | 2 |
| 37 | m07650 | 4 |
| 38 | m05221 | 2 |



ⒸZ HYDRAULICKÝ ROZVOD - DISKŮ

Ⓓ HYDRAULISCHE VERTEILUNG - DISKS

Ⓕ CONDUIT HYDRAULIQUE - DISQUES

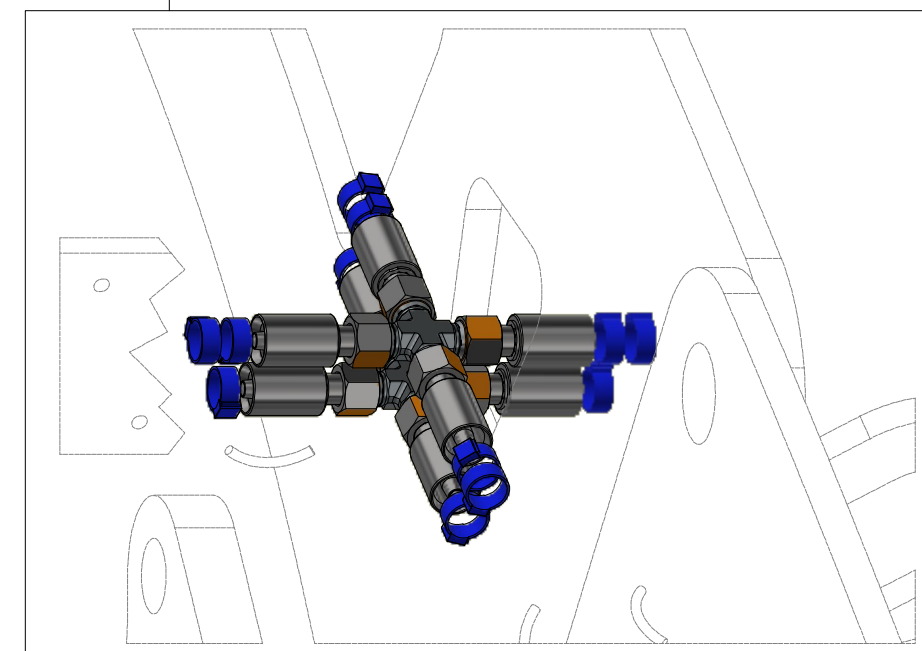
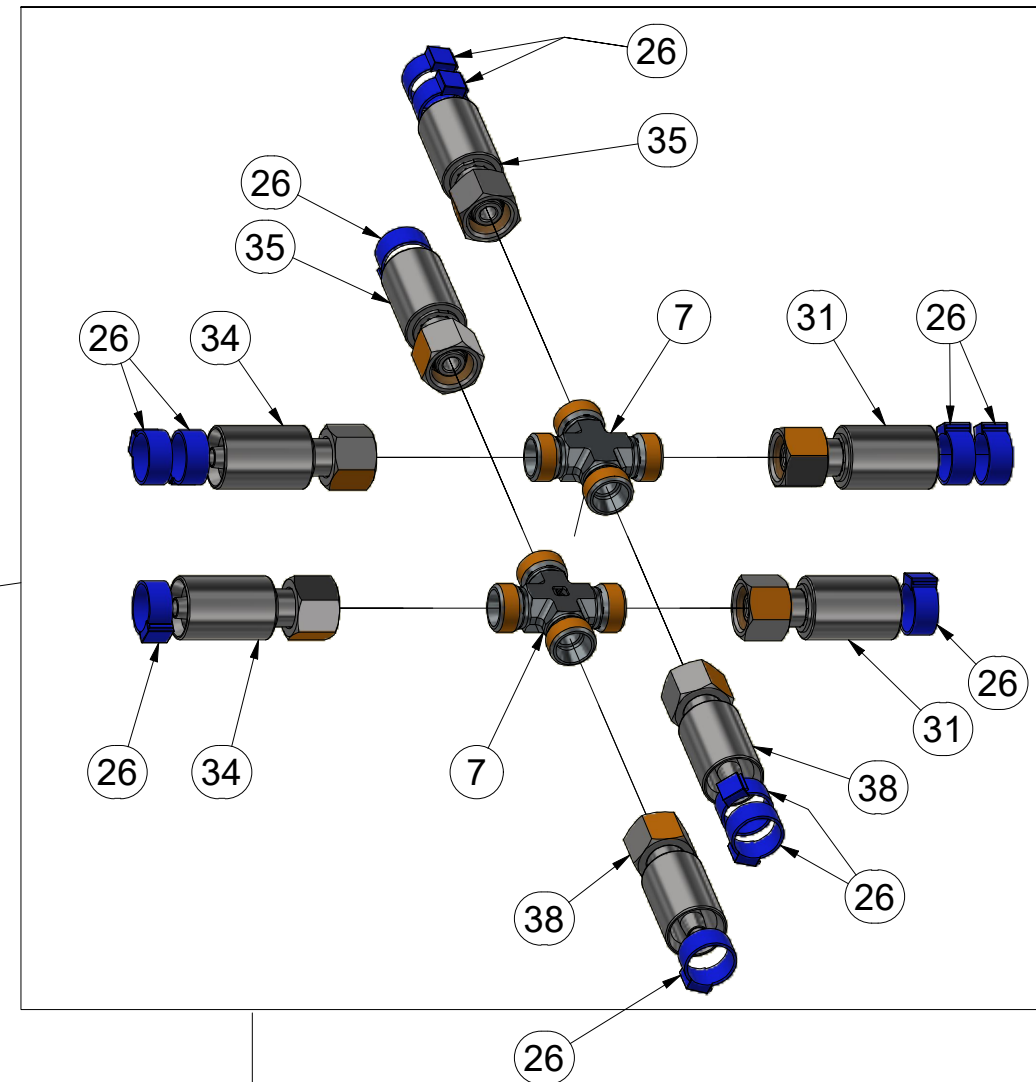
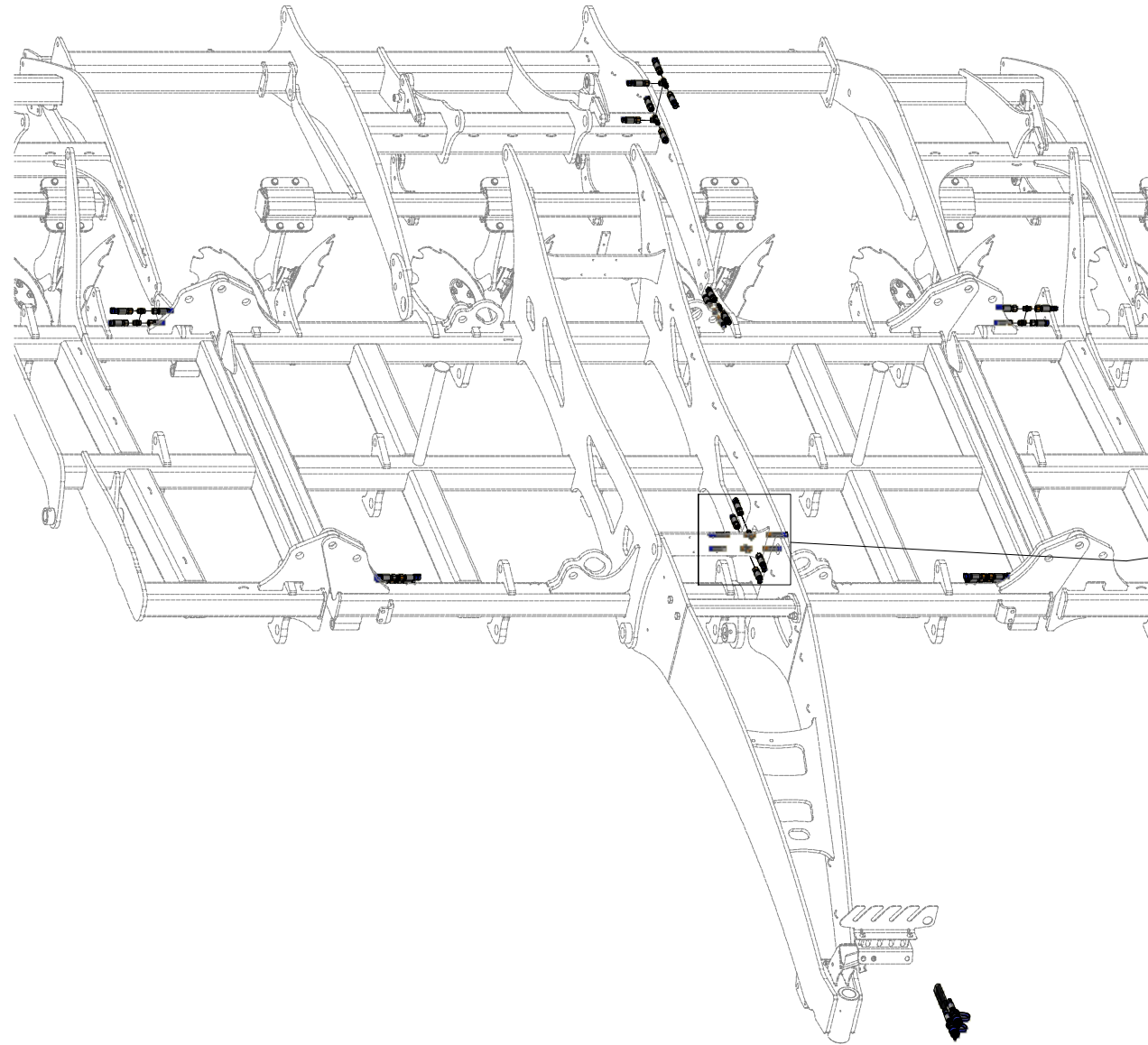
ⒸB HYDRAULIC DISTRIBUTION - DISC

ⒸR ГИДРАВЛИЧЕСКОЕ РАСПРЕДЕЛЕНИЕ - ДИСКОВ

ⒸL HYDRAULICZNY PRZEWÓD - TALERZY



VZ00046248



| Pos. | Part Number | Pcs. |
|------|-------------|------|
| 7 | m08328 | 2 |
| 26 | m11253 | 66 |
| 31 | m03951 | 2 |
| 34 | m07360 | 2 |
| 35 | m04668 | 2 |
| 38 | m05221 | 2 |

Ⓒ HYDRAULICKÝ ROZVOD - DISKŮ

Ⓓ HYDRAULISCHE VERTEILUNG - DISKS

Ⓕ CONDUIT HYDRAULIQUE - DISQUES

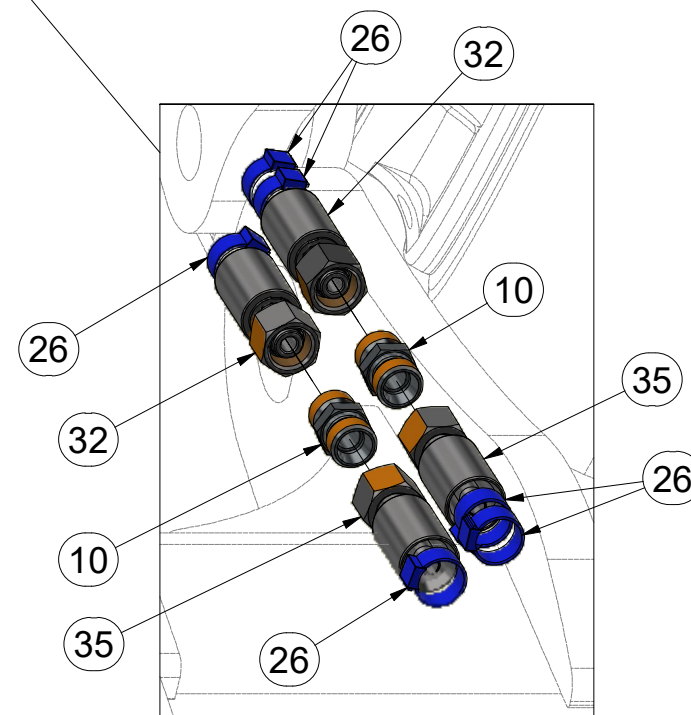
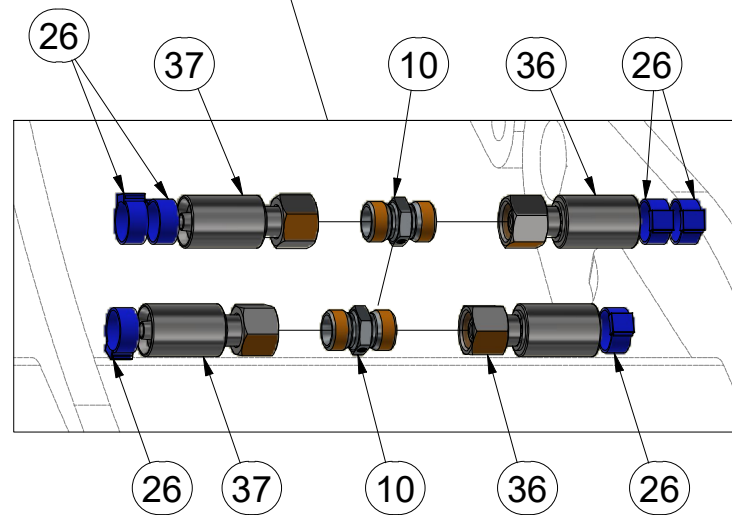
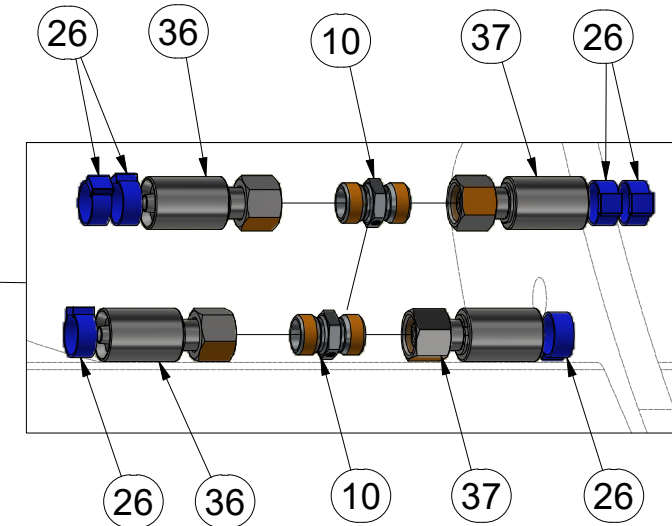
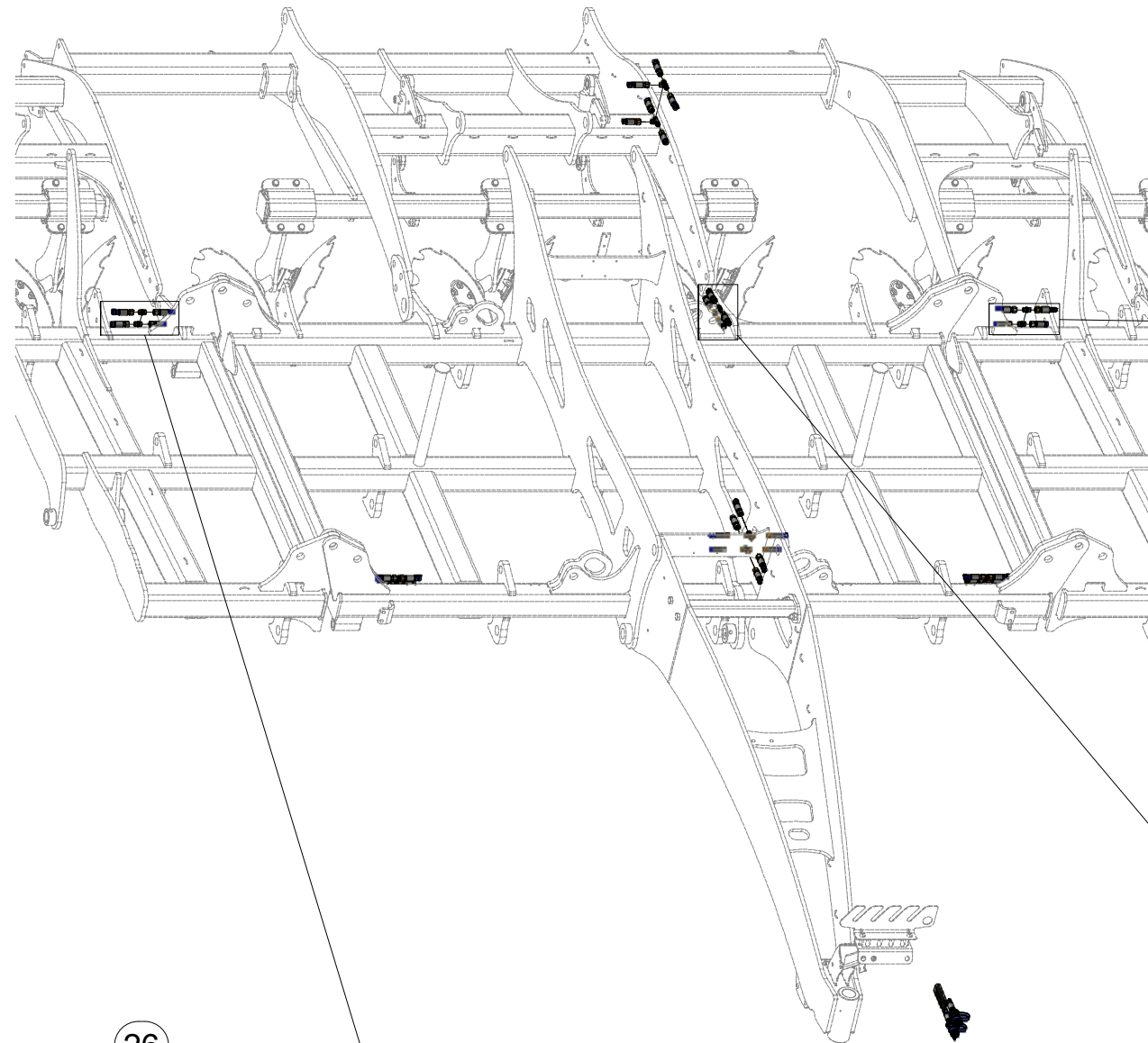
Ⓖ HYDRAULIC DISTRIBUTION - DISC

Ⓡ ГИДРАВЛИЧЕСКОЕ РАСПРЕДЕЛЕНИЕ - ДИСКОВ

Ⓟ HYDRAULICZNY PRZEWÓD - TALERZY



VZ00046248



| Pos. | Part Number | Pcs. |
|------|-------------|------|
| 10 | m03213 | 10 |
| 26 | m11253 | 66 |
| 32 | m04669 | 2 |
| 35 | m04668 | 2 |
| 36 | m16579 | 4 |
| 37 | m07650 | 4 |

Ⓒ HYDRAULICKÝ ROZVOD - DISKŮ

Ⓓ HYDRAULISCHE VERTEILUNG - DISKS

Ⓕ CONDUIT HYDRAULIQUE - DISQUES

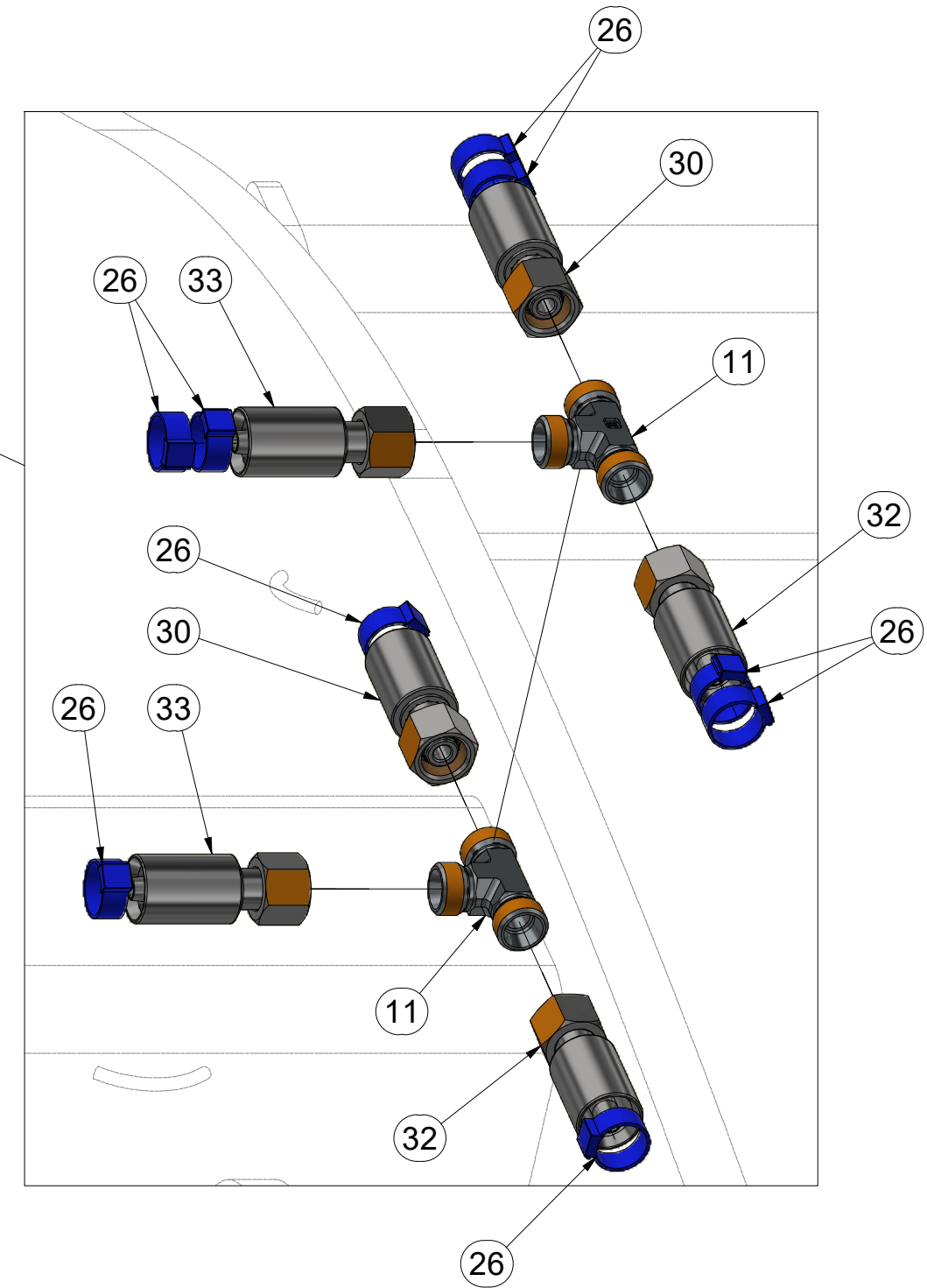
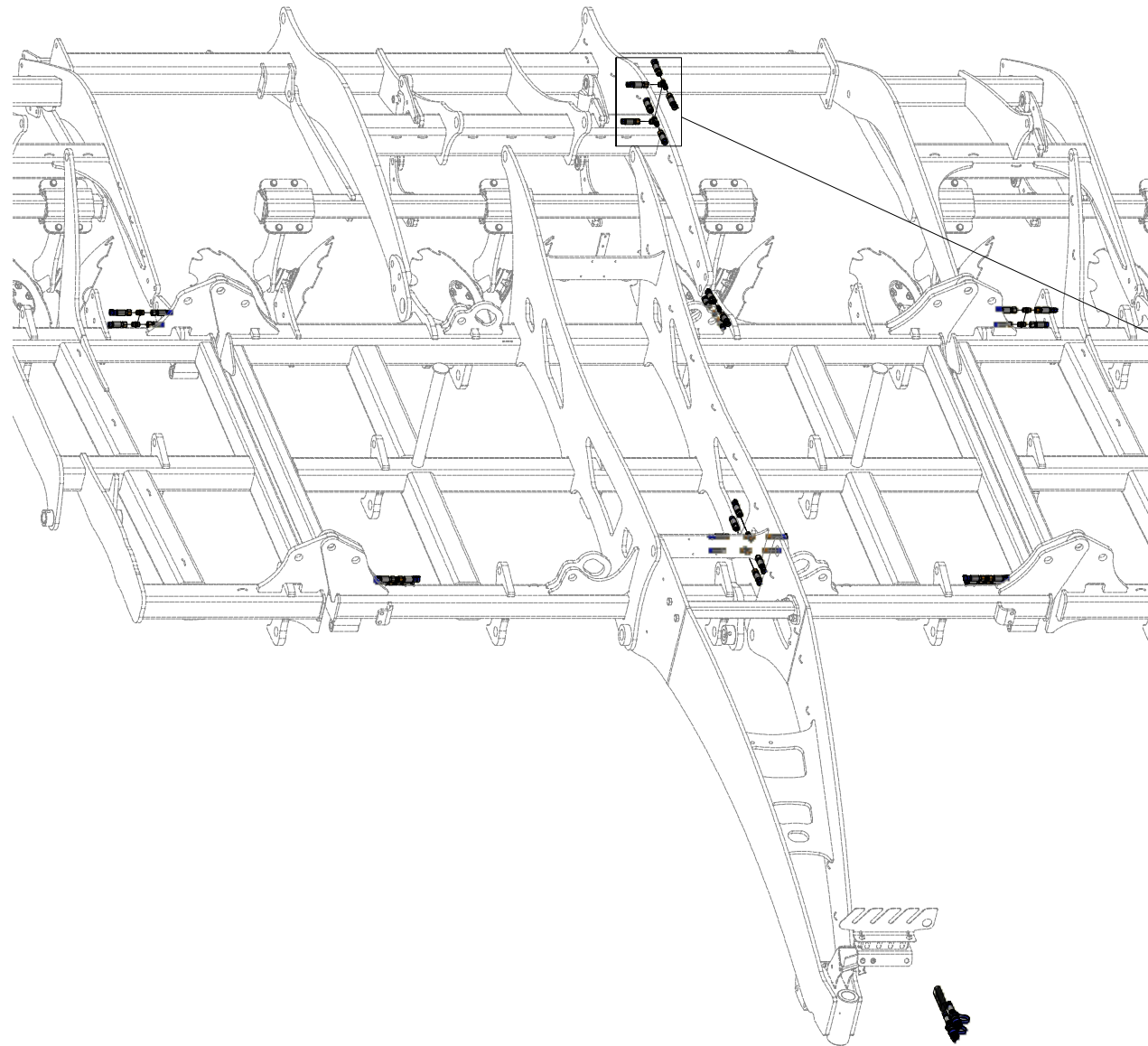
Ⓖ HYDRAULIC DISTRIBUTION - DISC

Ⓡ ГИДРАВЛИЧЕСКОЕ РАСПРЕДЕЛЕНИЕ - ДИСКОВ

Ⓟ HYDRAULICZNY PRZEWÓD - TALERZY



VZ00046248



| Pos. | Part Number | Pcs. |
|------|-------------|------|
| 11 | m03889 | 2 |
| 26 | m11253 | 66 |
| 30 | m17441 | 2 |
| 32 | m04669 | 2 |
| 33 | m07647 | 2 |

ⒸZ HYDRAULICKÝ ROZVOD - DISKŮ

Ⓓ HYDRAULISCHE VERTEILUNG - DISKS

Ⓕ CONDUIT HYDRAULIQUE - DISQUES

ⒸB HYDRAULIC DISTRIBUTION - DISC

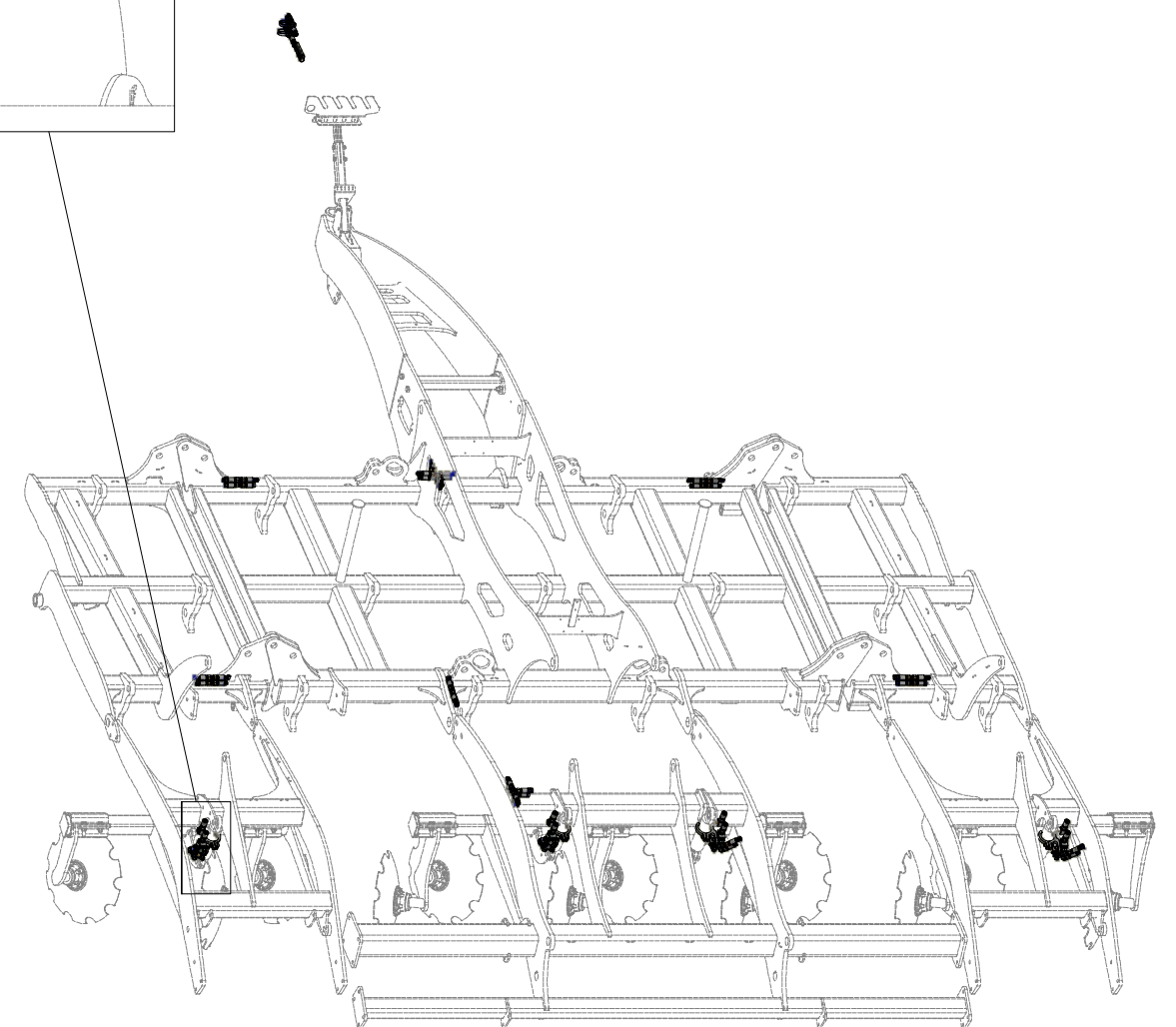
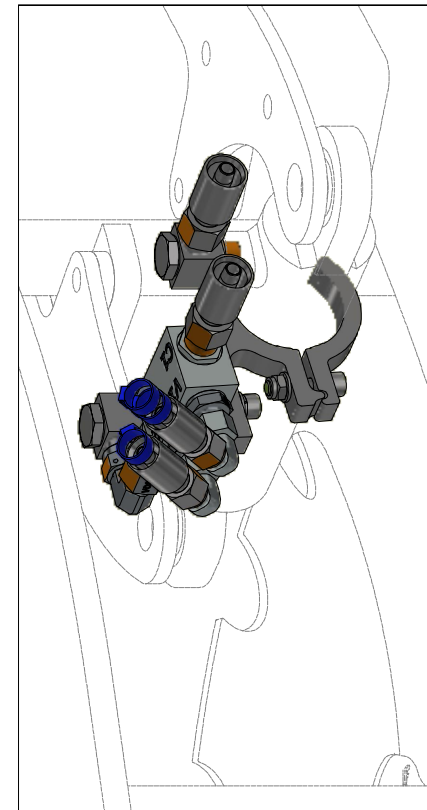
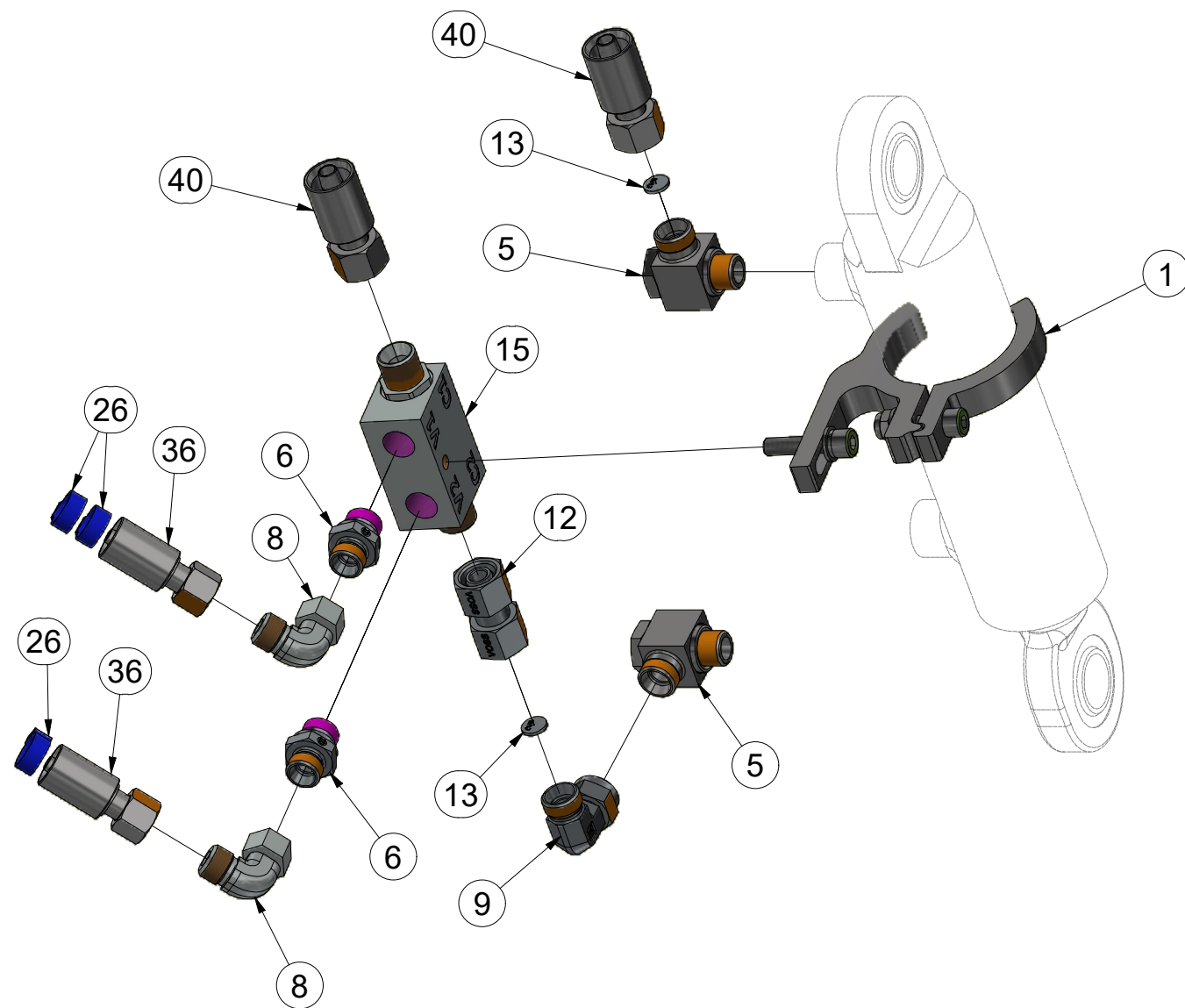
Ⓔ ГИДРАВЛИЧЕСКОЕ РАСПРЕДЕЛЕНИЕ - ДИСКОВ

Ⓖ HYDRAULICZNY PRZEWÓD - TALERZY



VZ00046248

| Pos. | Part Number | Pcs. |
|------|-------------|------|
| 1 | VZ00046786 | 4 |
| 5 | m20882 | 8 |
| 6 | m06528 | 8 |
| 8 | m06803 | 8 |
| 9 | m07654 | 4 |
| 12 | m22306 | 4 |
| 13 | m10649 | 8 |
| 15 | m08083 | 4 |
| 26 | m11253 | 66 |
| 36 | m16579 | 4 |
| 40 | m13237 | 4 |



ⒸZ HYDRAULICKÝ ROZVOD - DISKŮ

Ⓓ HYDRAULISCHE VERTEILUNG - DISKS

Ⓕ CONDUIT HYDRAULIQUE - DISQUES

ⒼB HYDRAULIC DISTRIBUTION - DISC

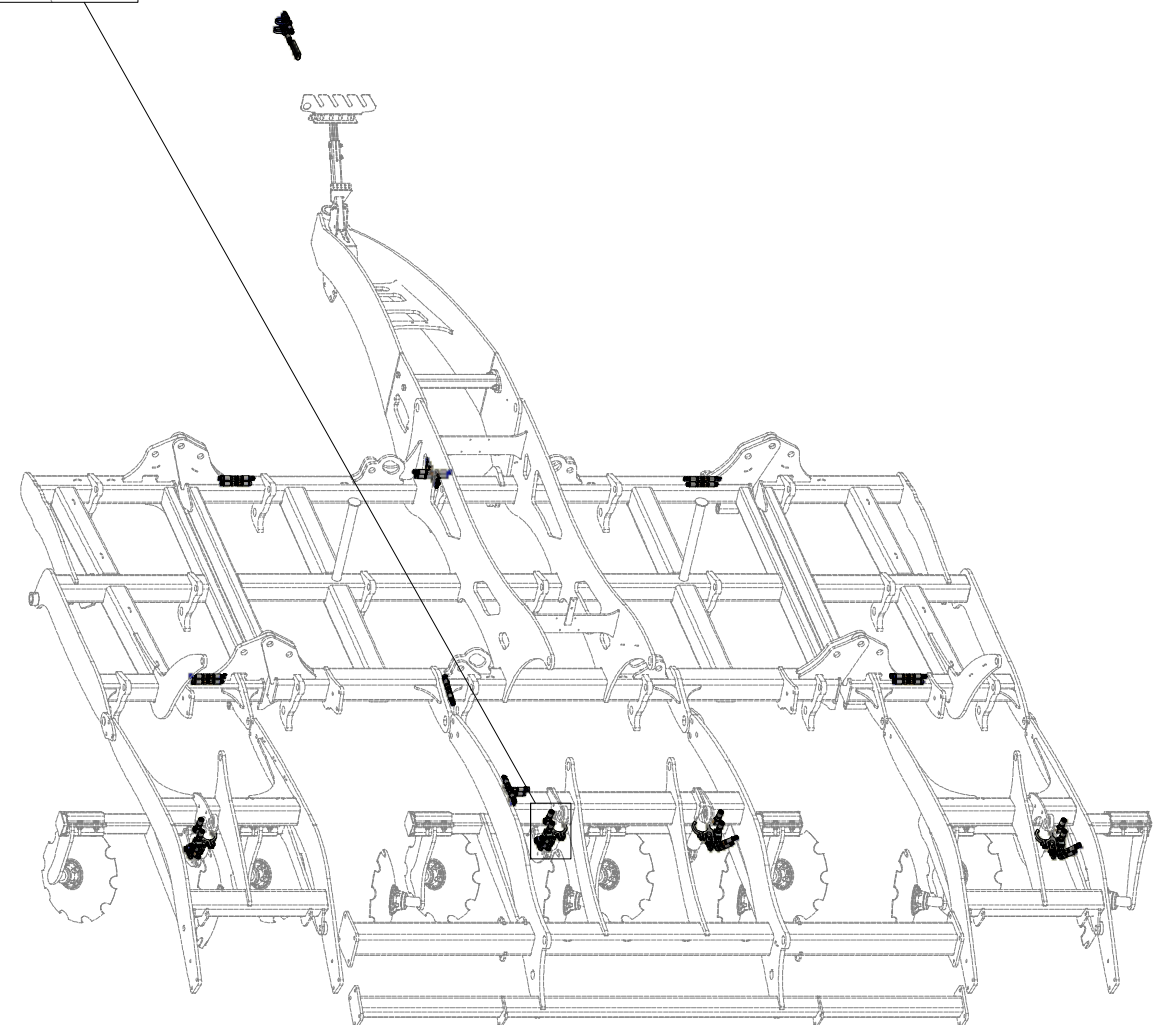
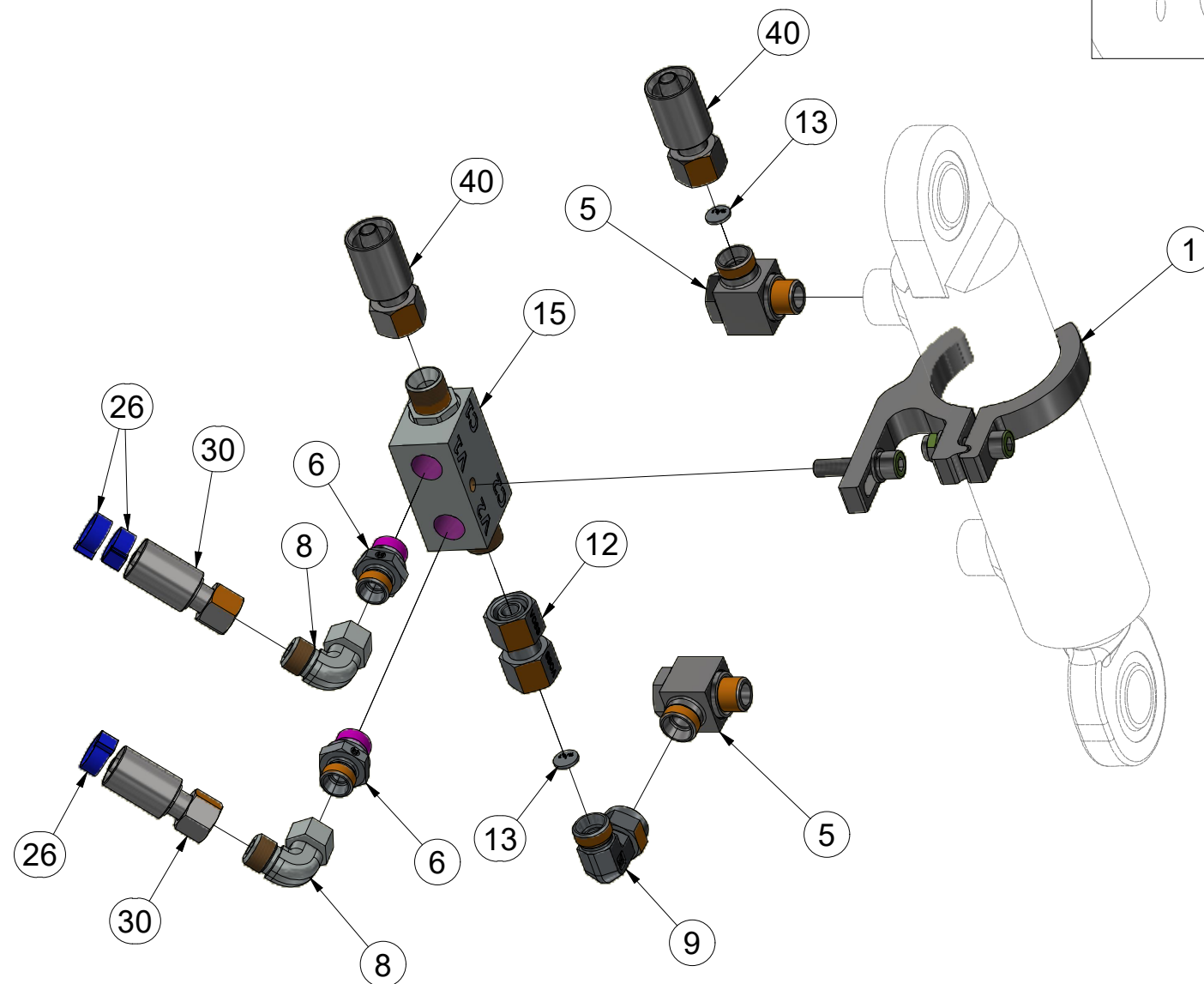
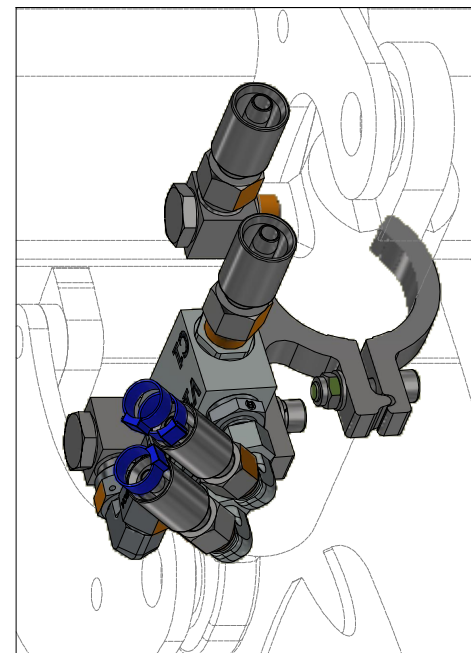
Ⓔ RU ГИДРАВЛИЧЕСКОЕ РАСПРЕДЕЛЕНИЕ - ДИСКОВ

Ⓐ PL HYDRAULICZNY PRZEWÓD - TALERZY



VZ00046248

| Pos. | Part Number | Pcs. |
|------|-------------|------|
| 1 | VZ00046786 | 4 |
| 5 | m20882 | 8 |
| 6 | m06528 | 8 |
| 8 | m06803 | 8 |
| 9 | m07654 | 4 |
| 12 | m22306 | 4 |
| 13 | m10649 | 8 |
| 15 | m08083 | 4 |
| 26 | m11253 | 66 |
| 30 | m17441 | 2 |
| 40 | m13237 | 4 |



ⒸZ HYDRAULICKÝ ROZVOD - DISKŮ

Ⓓ HYDRAULISCHE VERTEILUNG - DISKS

Ⓕ CONDUIT HYDRAULIQUE - DISQUES

ⒸB HYDRAULIC DISTRIBUTION - DISC

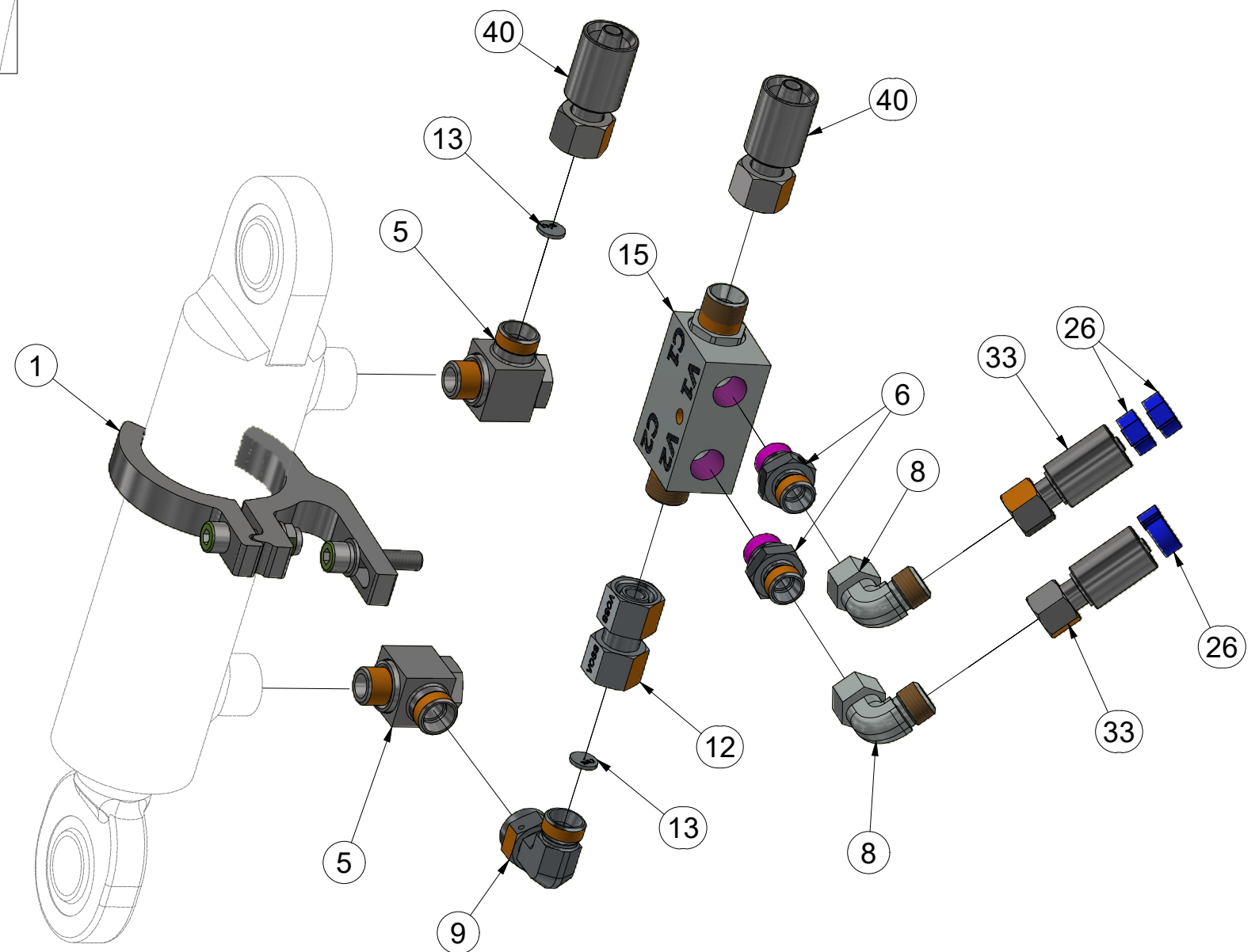
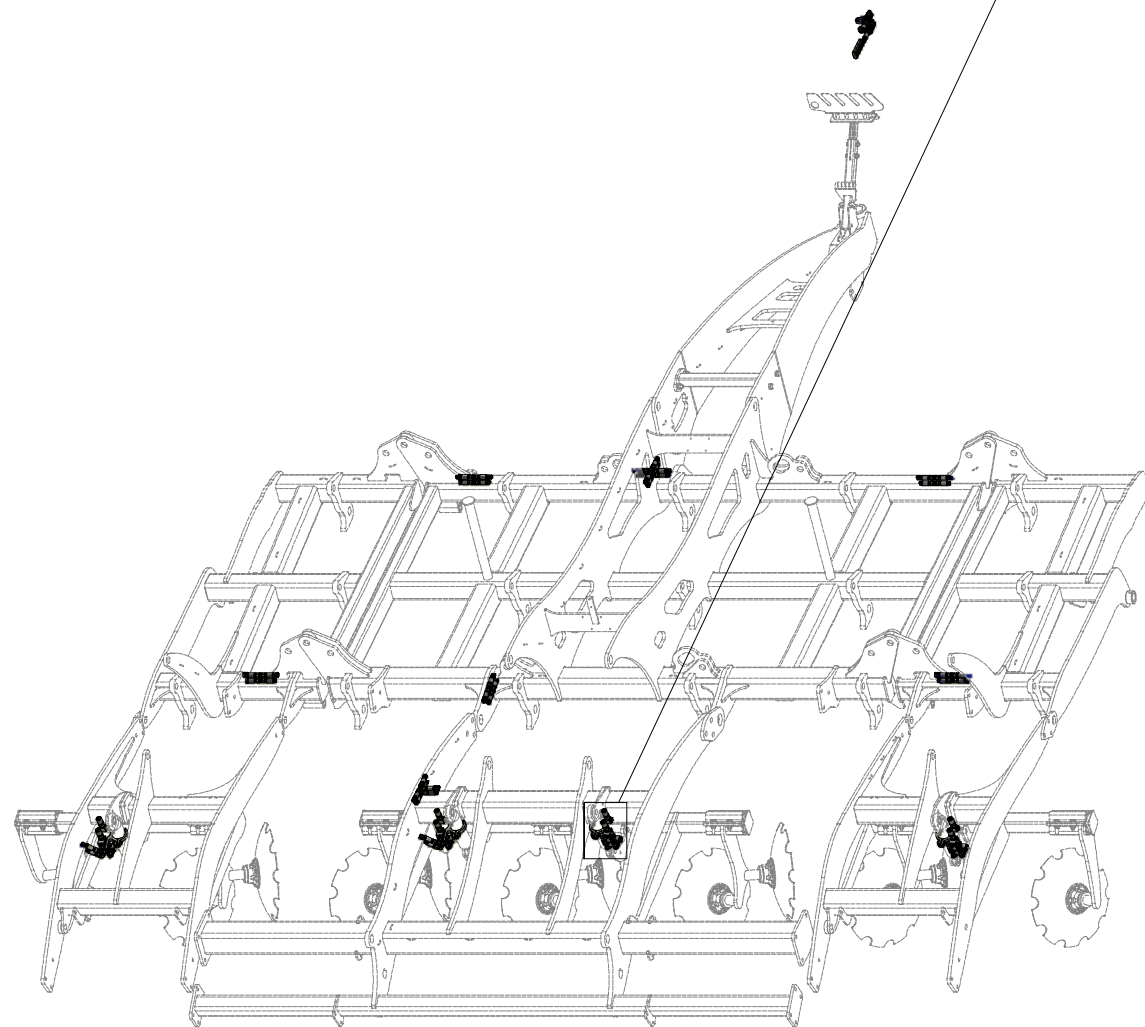
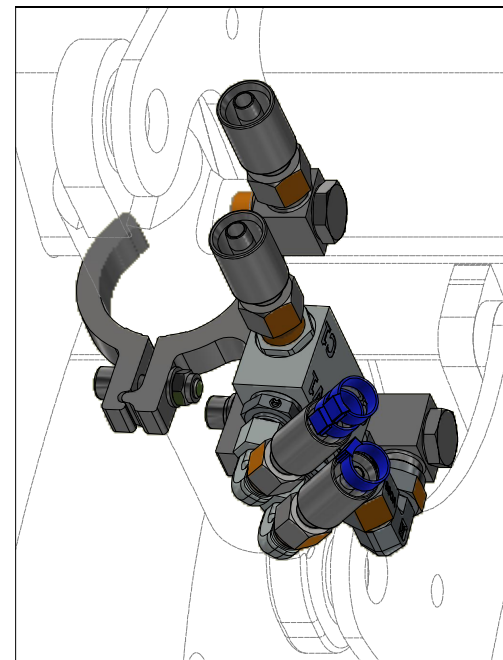
ⒸU ГИДРАВЛИЧЕСКОЕ РАСПРЕДЕЛЕНИЕ - ДИСКОВ

ⒸL HYDRAULICZNY PRZEWÓD - TALERZY



VZ00046248

| Pos. | Part Number | Pcs. |
|------|-------------|------|
| 1 | VZ00046786 | 4 |
| 5 | m20882 | 8 |
| 6 | m06528 | 8 |
| 8 | m06803 | 8 |
| 9 | m07654 | 4 |
| 12 | m22306 | 4 |
| 13 | m10649 | 8 |
| 15 | m08083 | 4 |
| 26 | m11253 | 66 |
| 33 | m07647 | 2 |
| 40 | m13237 | 4 |



ⒸZ HYDRAULICKÝ ROZVOD - DISKŮ

Ⓓ HYDRAULISCHE VERTEILUNG - DISKS

Ⓕ CONDUIT HYDRAULIQUE - DISQUES

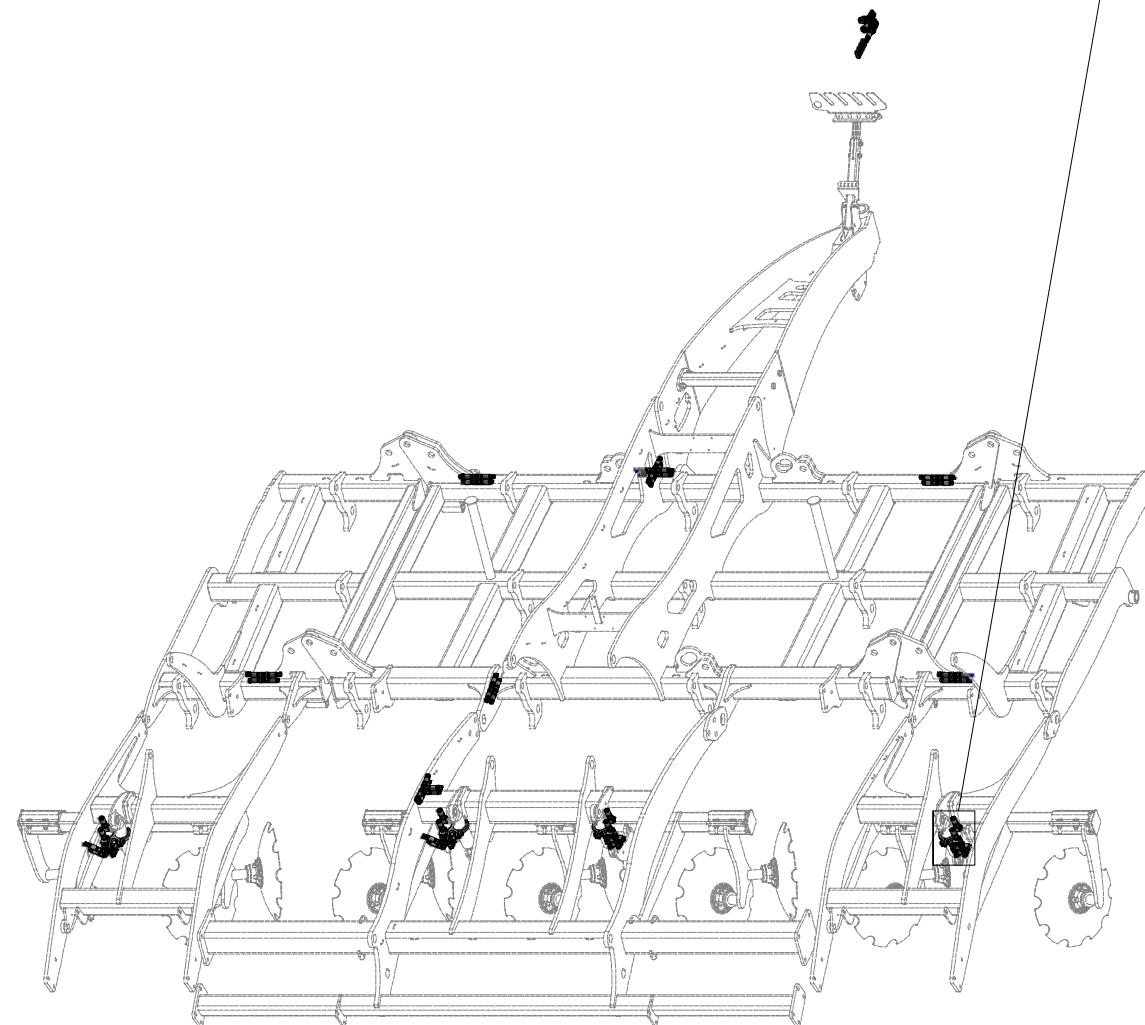
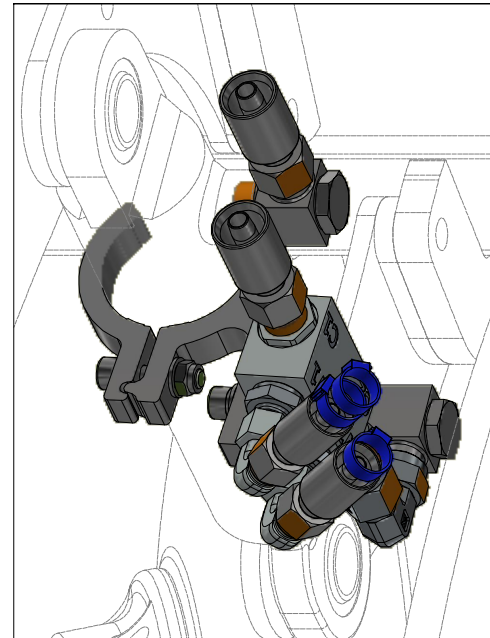
ⒸB HYDRAULIC DISTRIBUTION - DISC

ⒸR ГИДРАВЛИЧЕСКОЕ РАСПРЕДЕЛЕНИЕ - ДИСКОВ

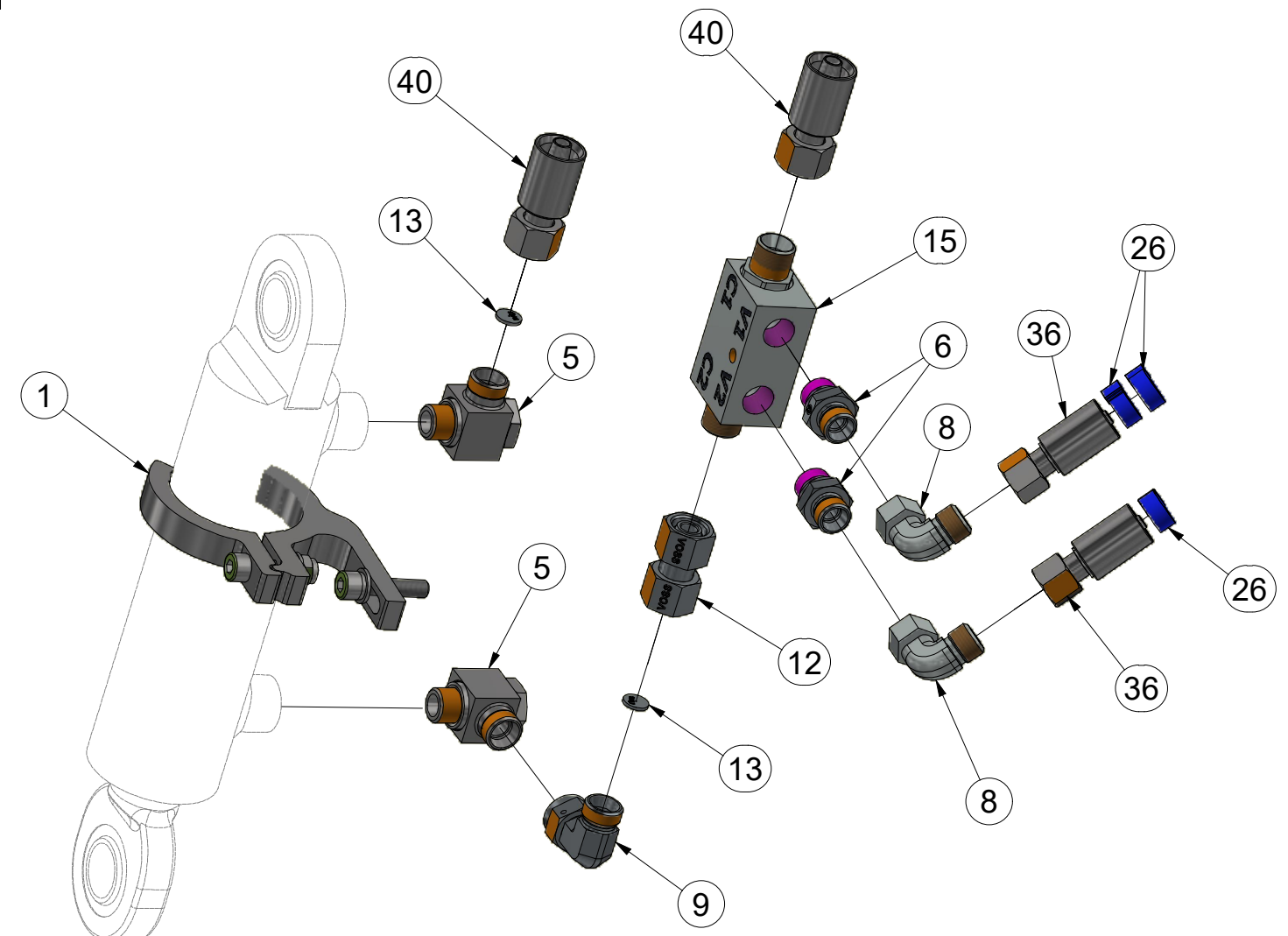
ⒸL HYDRAULICZNY PRZEWÓD - TALERZY



VZ00046248



| Pos. | Part Number | Pcs. |
|------|-------------|------|
| 1 | VZ00046786 | 4 |
| 5 | m20882 | 8 |
| 6 | m06528 | 8 |
| 8 | m06803 | 8 |
| 9 | m07654 | 4 |
| 12 | m22306 | 4 |
| 13 | m10649 | 8 |
| 15 | m08083 | 4 |
| 26 | m11253 | 66 |
| 36 | m16579 | 4 |
| 40 | m13237 | 4 |

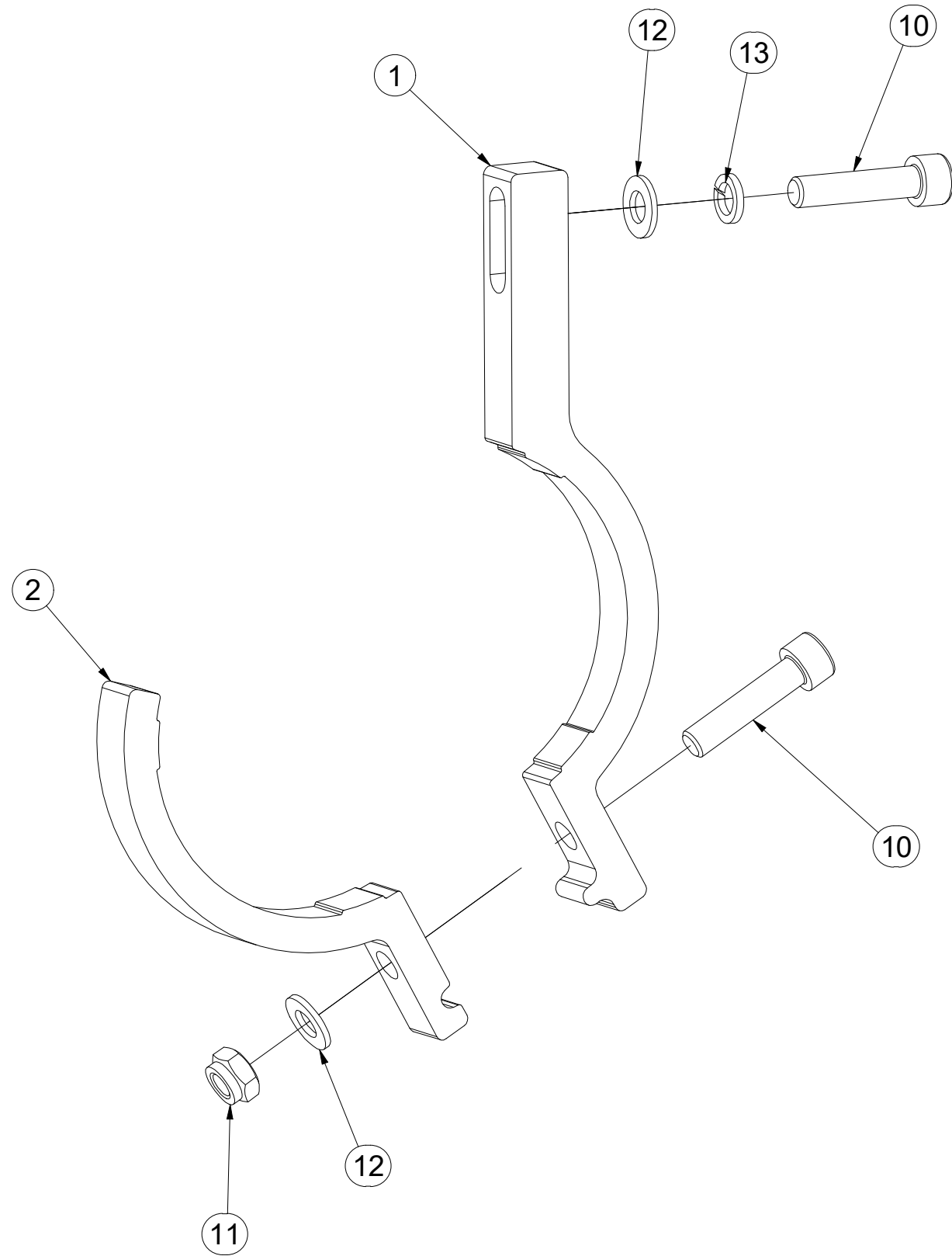


- Ⓒ DRŽÁK
- Ⓓ HALTER
- Ⓕ SUPPORT

- Ⓖ HOLDER
- Ⓡ ДЕРЖАТЕЛЬ
- Ⓢ UCHWYT



VZ00010412



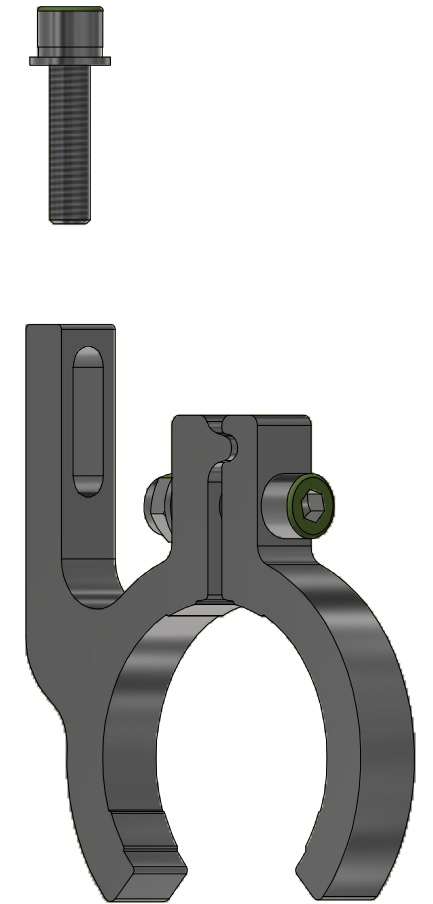
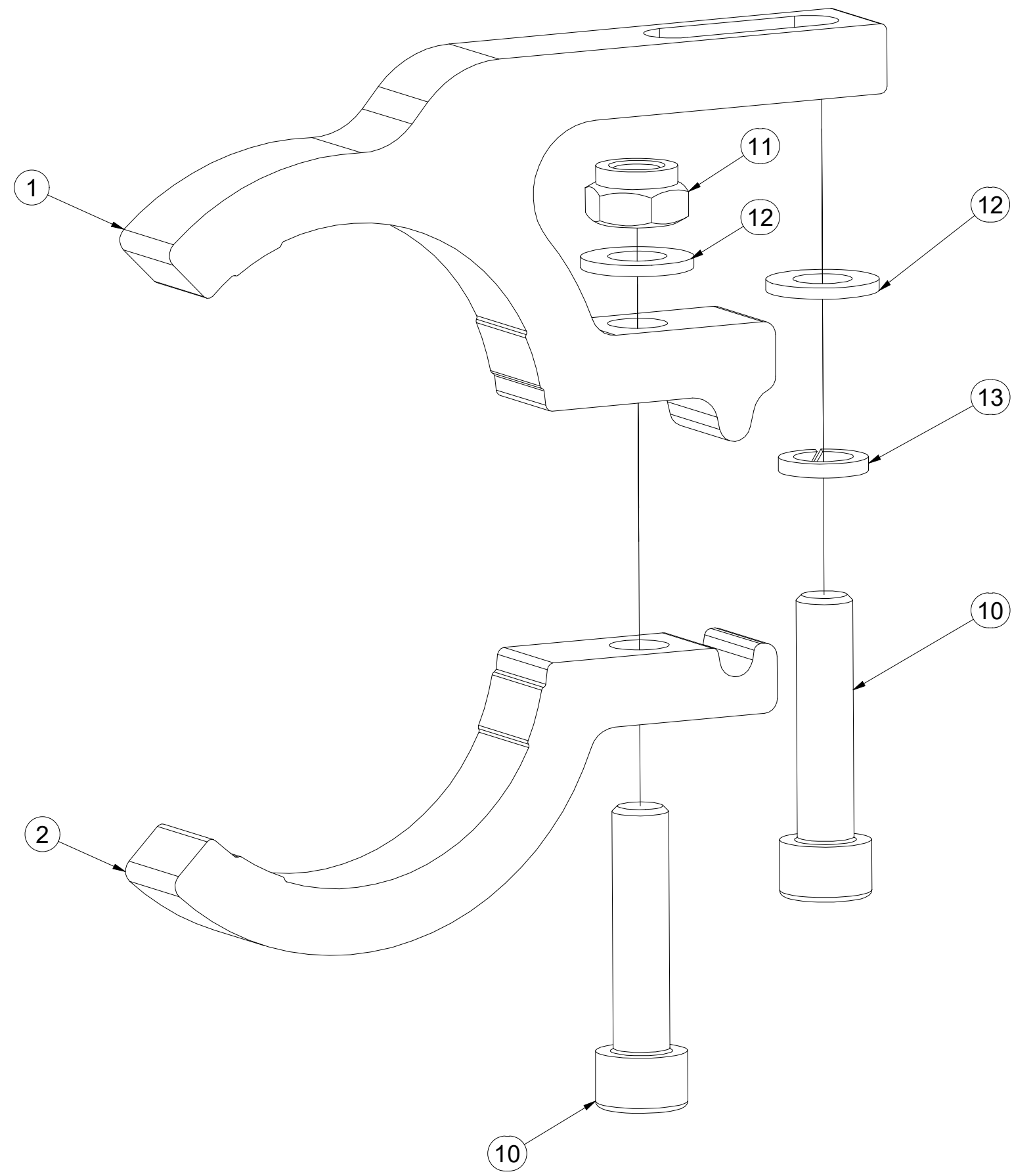
| Pos. | Part Number | Pcs. |
|------|-------------|------|
| 1 | VZ00010413 | 1 |
| 2 | VZ00010411 | 1 |
| 10 | m09464 | 2 |
| 11 | m04503 | 1 |
| 12 | m01203 | 2 |
| 13 | m01202 | 1 |

- Ⓒ DRŽÁK
- Ⓓ HALTER
- Ⓕ SUPPORT

- Ⓖ HOLDER
- Ⓡ ДЕРЖАТЕЛЬ
- Ⓟ UCHWYT



VZ00046786



| Pos. | Part Number | Pcs. |
|------|-------------|------|
| 1 | VZ00046787 | 1 |
| 2 | VZ00007363 | 1 |
| 10 | m09464 | 2 |
| 11 | m04503 | 1 |
| 12 | m01203 | 2 |
| 13 | m01202 | 1 |

Ⓒ PÍSTNICE 80/45-150

Ⓓ KOLBENSTANGE 80/45-150

Ⓕ TIGE DE PISTON 80/45-150

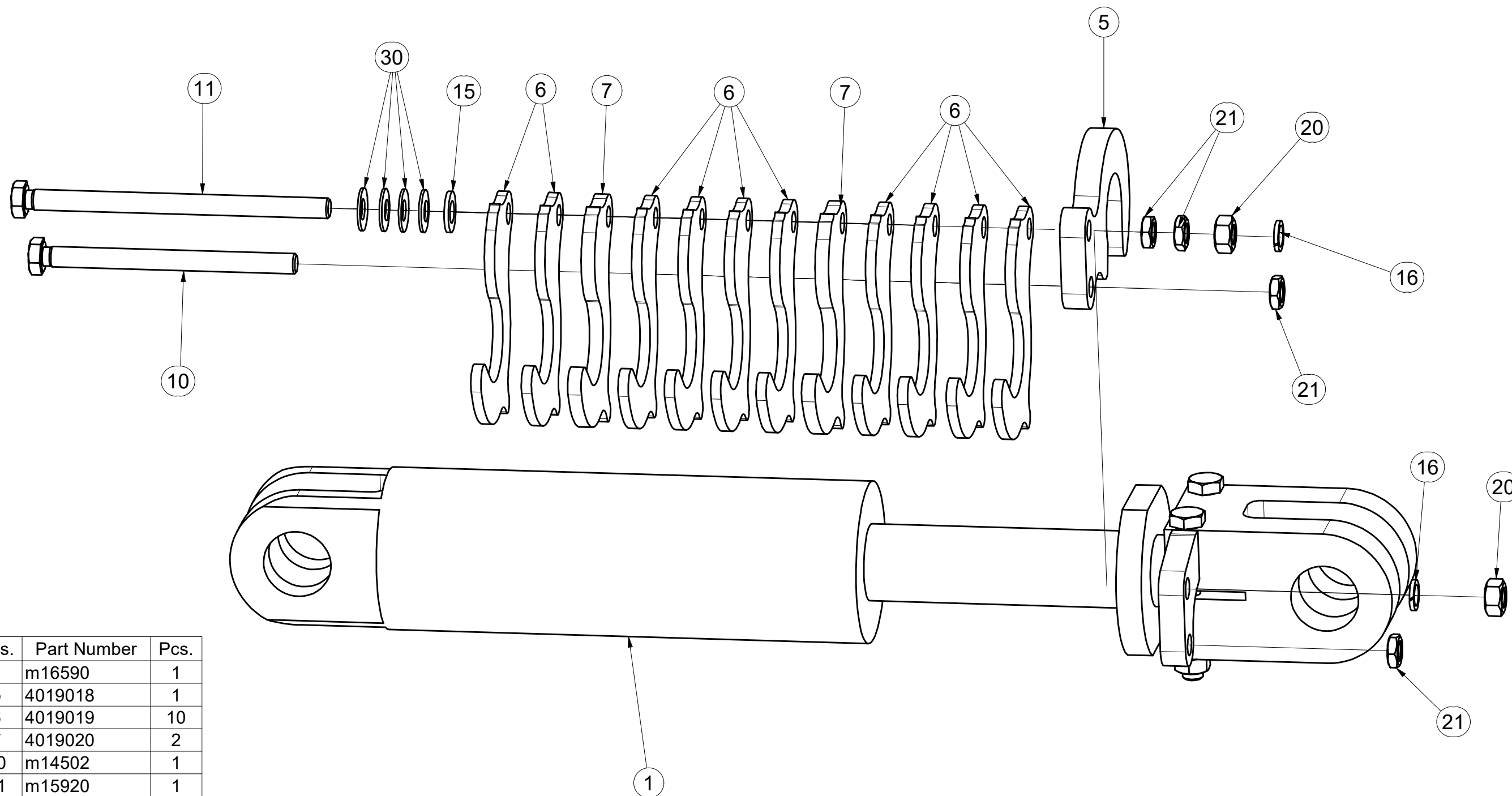
Ⓖ PISTON ROD 80/45-150

Ⓔ ЦИЛИНДР 80/45-150

Ⓟ TRZPIEŃ TŁOKA 80/45-150



4019016



| Pos. | Part Number | Pcs. |
|------|-------------|------|
| 1 | m16590 | 1 |
| 5 | 4019018 | 1 |
| 6 | 4019019 | 10 |
| 7 | 4019020 | 2 |
| 10 | m14502 | 1 |
| 11 | m15920 | 1 |
| 15 | m01214 | 1 |
| 16 | m03988 | 2 |
| 20 | m01305 | 2 |
| 21 | m14233 | 4 |
| 30 | m17728 | 4 |

Ⓒ PÍSTNICE 63/40-150

Ⓓ KOLBENSTANGE 63/40-150

Ⓕ TIGE DE PISTON 63/40-150

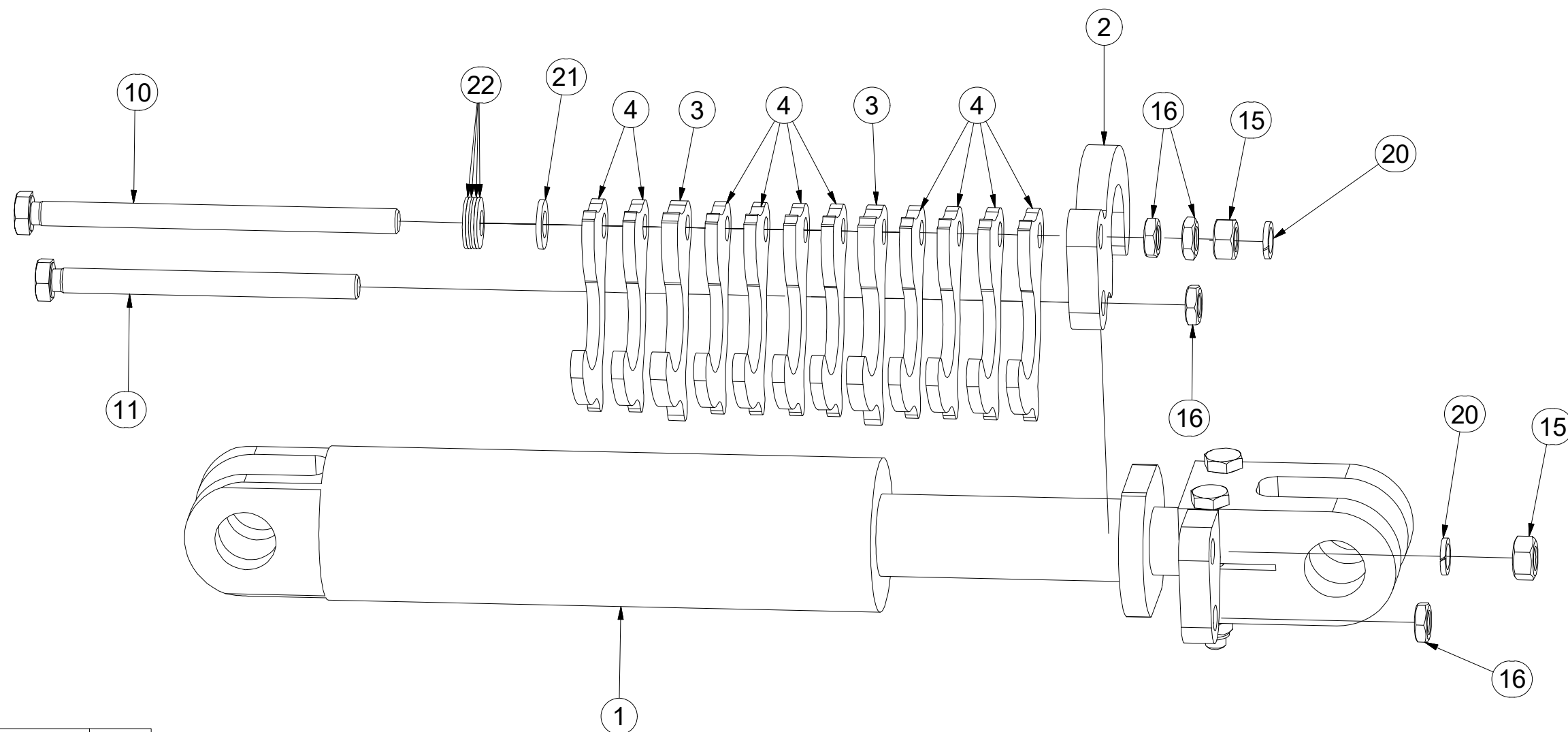
Ⓖ PISTON ROD 63/40-150

Ⓡ ЦИЛИНДР 63/40-150

Ⓟ TRZPIEŃ TŁOKA 63/40-150



4019146



| Pos. | Part Number | Pcs. |
|------|-------------|------|
| 1 | m16595 | 1 |
| 2 | 4019147 | 1 |
| 3 | 4019149 | 2 |
| 4 | 4019148 | 10 |
| 10 | m15920 | 1 |
| 11 | m14502 | 1 |
| 15 | m01305 | 2 |
| 16 | m14233 | 4 |
| 20 | m03988 | 2 |
| 21 | m01214 | 1 |
| 22 | m17728 | 4 |

Ⓒ PÍSTNICE 80/45-100

Ⓓ KOLBENSTANGE 80/45-100

Ⓕ TIGE DE PISTON 80/45-100

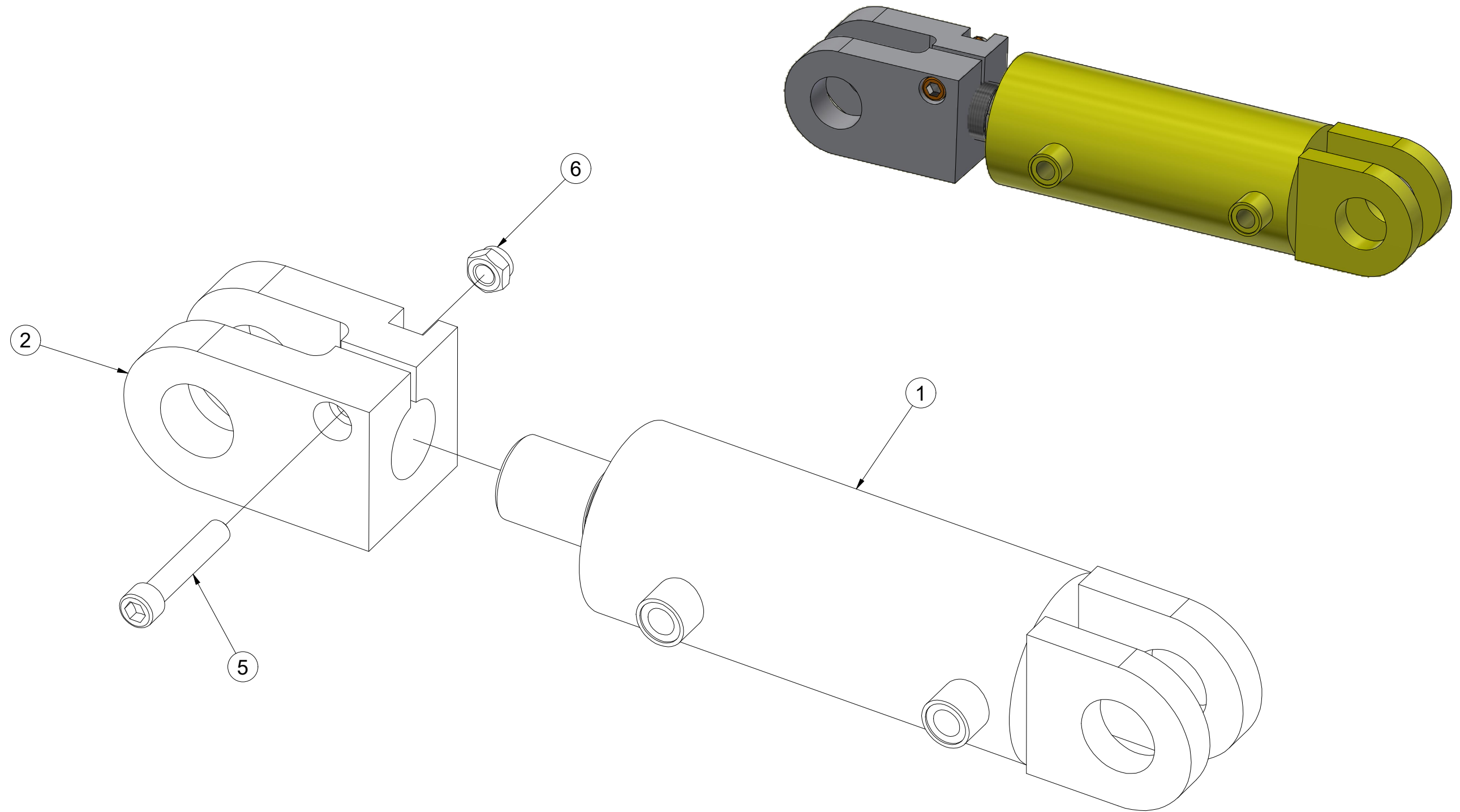
Ⓖ PISTON ROD 80/45-100

Ⓡ ЦИЛИНДР 80/45-100

Ⓟ TRZPIEŃ TŁOKA 80/45-100

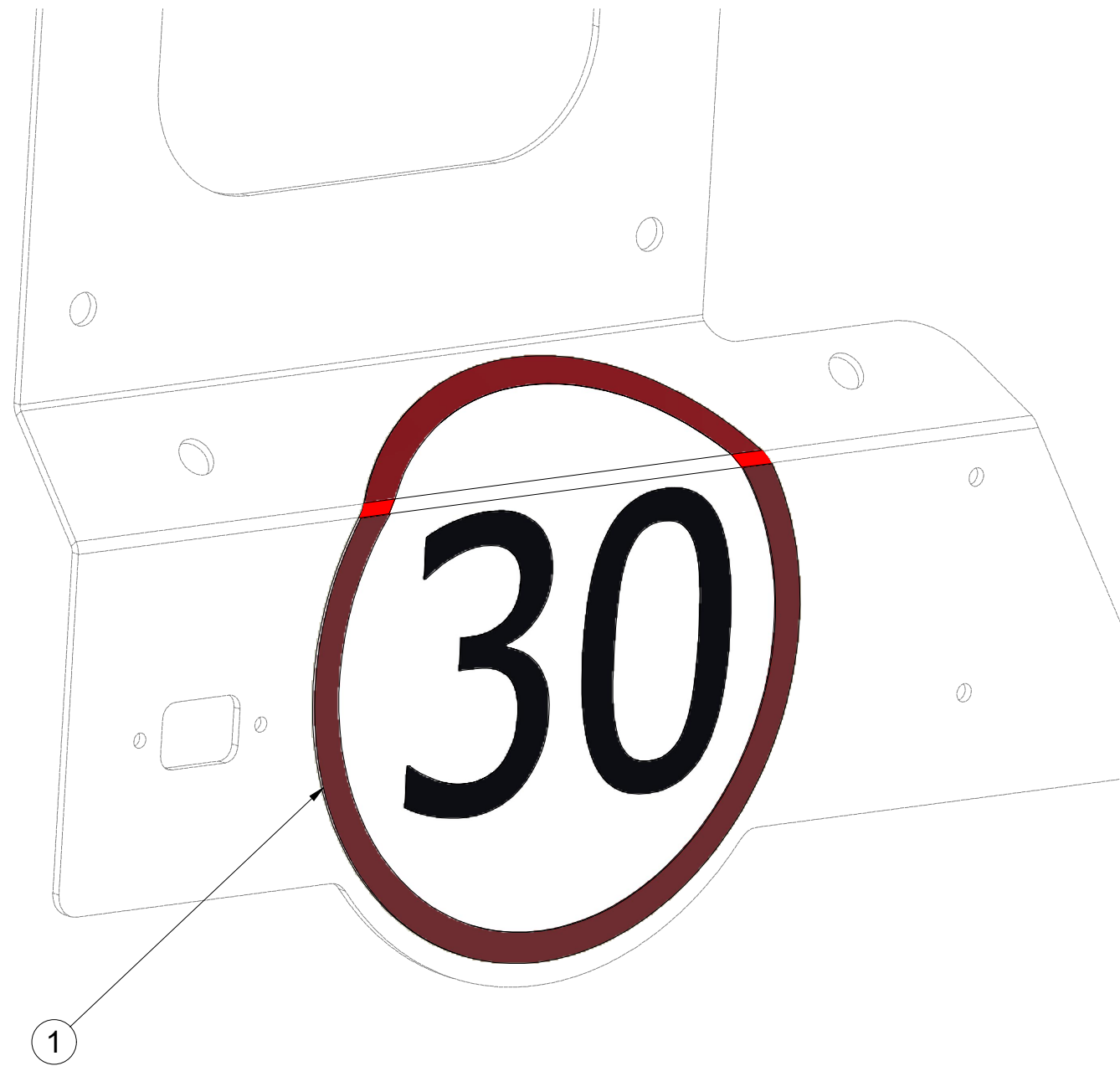
Farmet

VZ00046200



| Pos. | Part Number | Pcs. |
|------|-------------|------|
| 1 | m25184 | 1 |
| 2 | m15149 | 1 |
| 5 | m14867 | 1 |
| 6 | m21001 | 1 |

4025230



| Pos. | Part Number | Pcs. |
|------|-------------|------|
| 1 | m19161 | 1 |

Ⓒ SVĚTELNÁ SADA

Ⓓ LEUCHTENSATZ

Ⓕ KIT LUMINEUX

Ⓖ LIGHTING SET

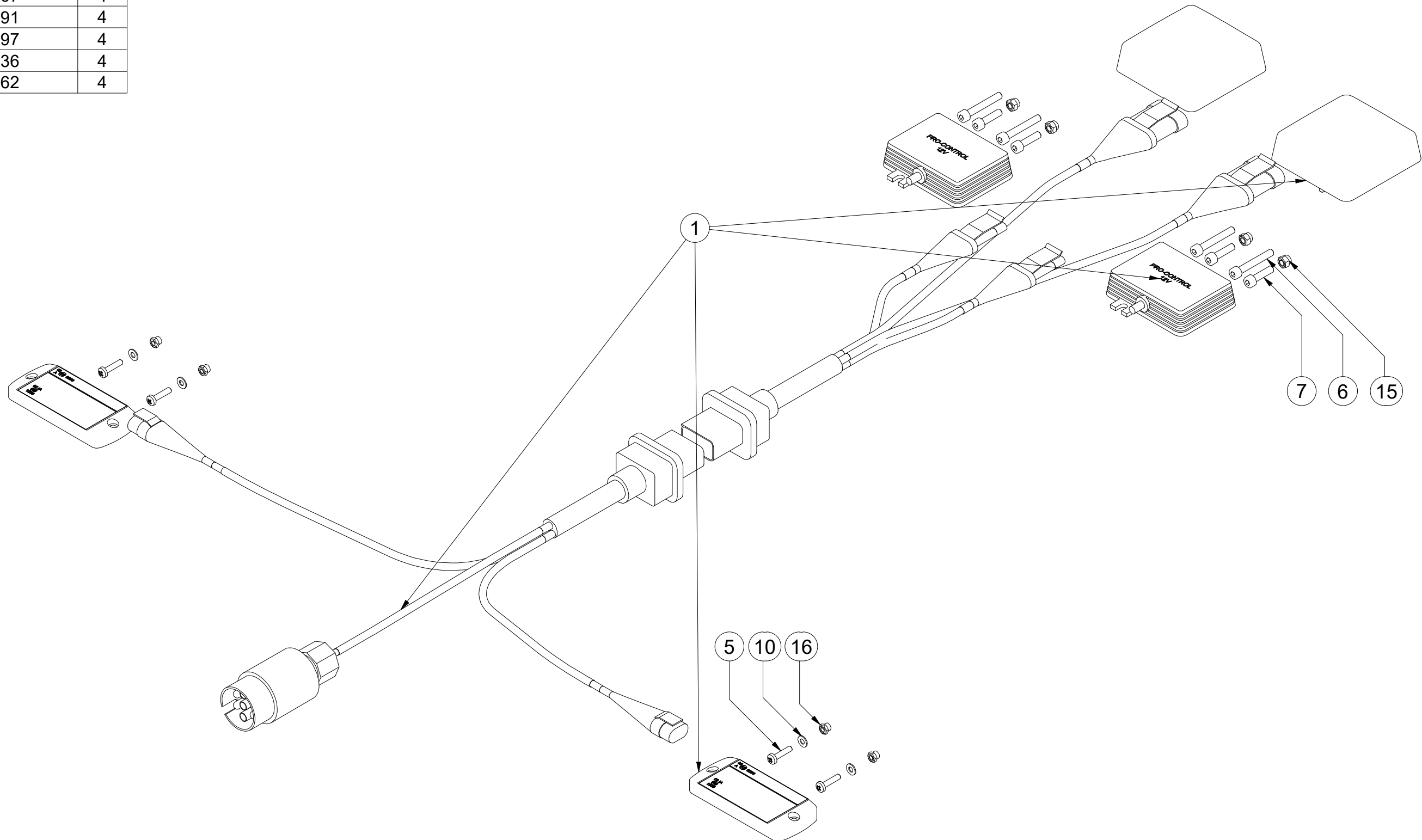
Ⓡ ОСВЕТИТЕЛЬНЫЙ КОМПЛЕКТ

Ⓟ ZESTAW OŚWIETLENIA



3012529

| Pos. | Part Number | Pcs. |
|------|-------------|------|
| 1 | m19098 | 1 |
| 5 | m15790 | 4 |
| 6 | m08467 | 4 |
| 7 | m10591 | 4 |
| 10 | m05597 | 4 |
| 15 | m06236 | 4 |
| 16 | m05562 | 4 |



Ⓒ SVĚTELNÁ SADA

Ⓓ LEUCHTENSATZ

Ⓕ KIT LUMINEUX

Ⓖ LIGHTING SET

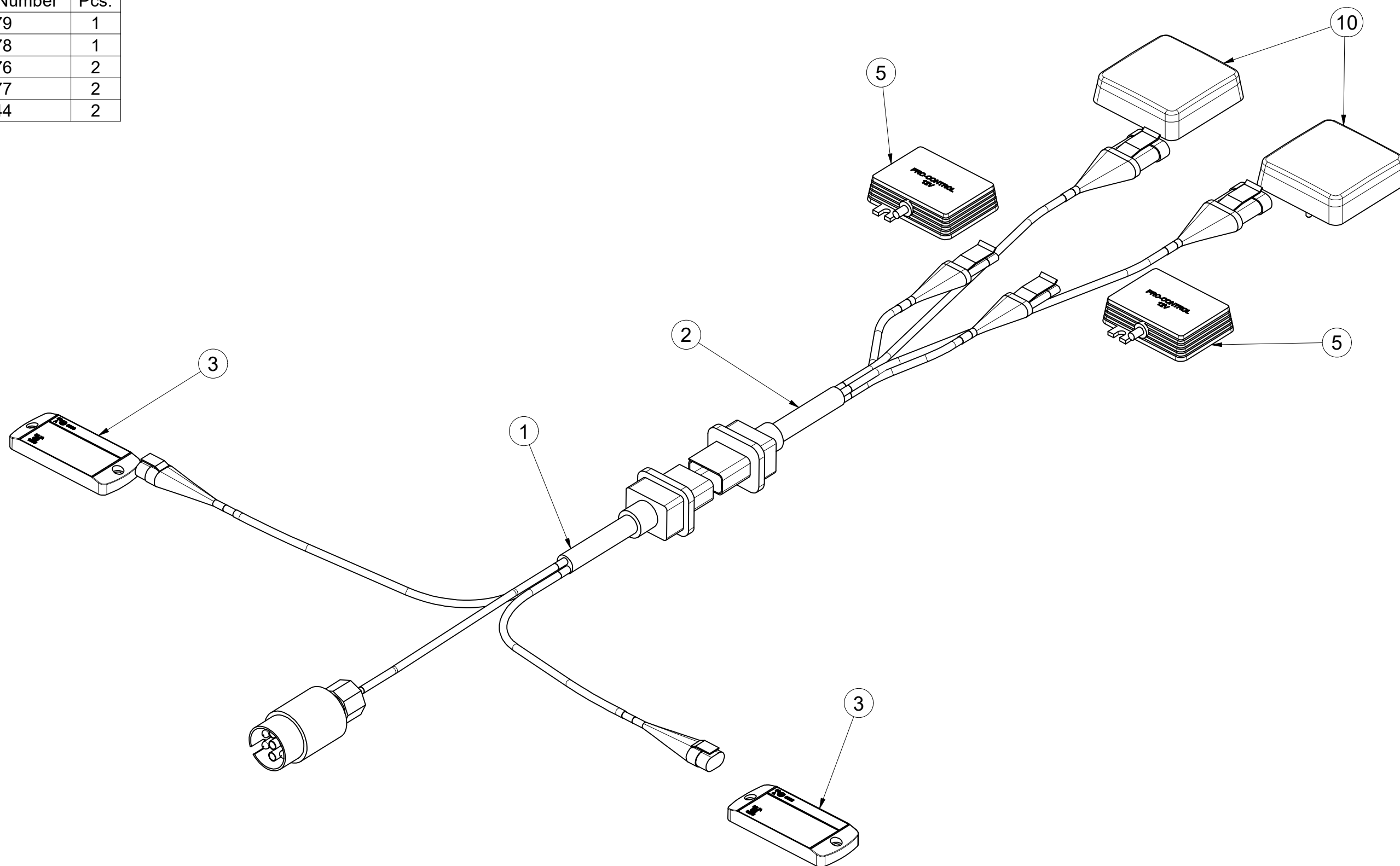
Ⓡ ОСВЕТИТЕЛЬНЫЙ КОМПЛЕКТ

Ⓟ ZESTAW OŚWIETLENIA

Farmet

m19098

| Pos. | Part Number | Pcs. |
|------|-------------|------|
| 1 | m14779 | 1 |
| 2 | m14778 | 1 |
| 3 | m14776 | 2 |
| 5 | m14777 | 2 |
| 10 | m19044 | 2 |



- Ⓒ UTAHOVACÍ MOMENTY ŠROUBŮ
 Ⓓ ANZUGMOMENTE VON SCHRAUBEN
 Ⓕ COUPLES DE SERRAGE DES VIS

- Ⓒ SCREW TIGHTENING TORQUE
 Ⓓ МОМЕНТЫ ЗАЖАТИЯ БОЛТОВ
 Ⓕ MOMENTY DOKRĘCANIA ŚRUB



| P | | 5.8 | 8.8 | 10.9 | 12.9 | Z | |
|-----|------|------|------|-------|-------|----------|-----------|
| D | R | Mu | Mu | Mu | Mu | DIN 7991 | ISO 10642 |
| mm | mm | Nm | Nm | Nm | Nm | Nm | Nm |
| M6 | 1 | 6 | 9 | 13 | 15 | 7,2 | 7,9 |
| M8 | 1,25 | 14 | 22 | 32 | 38 | 17 | 19 |
| M10 | 1,5 | 29 | 44 | 64 | 75 | 35 | 38 |
| M12 | 1,75 | 49 | 76 | 111 | 130 | 58 | 65 |
| M14 | 2 | 79 | 120 | 176 | 206 | 93 | 100 |
| M16 | 2 | 123 | 188 | 276 | 323 | 144 | 158 |
| M18 | 2,5 | 169 | 257 | 378 | 443 | - | 220 |
| M20 | 2,5 | 239 | 365 | 536 | 628 | - | 310 |
| M22 | 2,5 | 329 | 529 | 738 | 864 | - | 420 |
| M24 | 3 | 413 | 629 | 924 | 1082 | - | 530 |
| M27 | 3 | 613 | 934 | 1372 | 1606 | - | - |
| M30 | 3,5 | 832 | 1267 | 1862 | 2179 | - | - |
| M33 | 3,5 | 1130 | 1723 | 2530 | 2961 | - | - |
| M36 | 4 | 1451 | 2210 | 3246 | 3799 | - | - |
| M39 | 4 | 1885 | 2872 | 4217 | 4936 | - | - |
| M42 | 4,5 | 2322 | 3538 | 5196 | 6080 | - | - |
| M45 | 4,5 | 2909 | 4433 | 6511 | 7619 | - | - |
| M48 | 5 | 3513 | 535 | 7862 | 9200 | - | - |
| M52 | 5 | 4524 | 6895 | 10123 | 11849 | - | - |
| M56 | 5,5 | 5636 | 8589 | 12614 | 14761 | - | - |

- Mu - Ⓒ UTAHOVACÍ MOMENT
 Ⓓ ANZUGMOMENTE
 Ⓕ COUPLE DE SERRAGE
 Ⓒ TIGHTENING TORQUE
 Ⓓ МОМЕНТ ЗАЖАТИЯ
 Ⓕ MOMENT DOKRĘCANIA
- D - Ⓒ JMENOVITÝ PRŮMĚR
 Ⓓ NENNDURCHMESSER
 Ⓕ DIAMETRE NOMINAL
 Ⓒ NOMINAL DIAMETER
 Ⓓ НОМИНАЛЬНЫЙ ДИАМЕТР
 Ⓕ ŚREDNICA NOMINALNA
- R - Ⓒ ROZTEČ ZÁVITU - STOUPÁNÍ
 Ⓓ GEWINDESTEIFUNG
 Ⓕ PAS DE FILET - PAS
 Ⓒ SCREW PITCH – LEAD
 Ⓓ ШАГ РЕЗЬБЫ
 Ⓕ ROZSTAW GWINTU - SKOKI
- P - Ⓒ PEVNOST
 Ⓓ FESTIGKEIT
 Ⓕ RÉSISTANCE
 Ⓒ STRENGTH
 Ⓓ ПРОЧНОСТЬ
 Ⓕ WYTRZYMA OŚĆ
- Z - Ⓒ ZÁPUSTNÉ ŠROUBY
 Ⓓ SENKKOPFSCHRAUBEN
 Ⓕ VIS A TETE FRAISEE
 Ⓒ COUNTERSUNK SCREWS
 Ⓓ БОЛТЫ С УТОПЛЕННОЙ ГОЛОВКОЙ
 Ⓕ ŚRUBY Z ŁBEM STOŻKOWYM PŁASKIM

- Ⓒ Hodnoty momentů jsou poníženy o -10% oproti tabulkovým hodnotám. Šroubové spoje utahujte dle vyznačeného utahovacího momentu v dokumentaci. Pokud není utahovací moment v dokumentaci vyznačen, utahujte dle obecné tabulky. Pokud je v dokumentaci definován spoj šroubu a matice o různých pevnostech, vždy utahujte na moment komponenty nižší.
- Ⓓ Die Werte der Anzugsmomente sind um 10 % gegenüber den Tabellenwerten verringert. Ziehen Sie die Schraubverbindungen gemäß dem in der Dokumentation festgeschriebenen Anzugsmoment an. Sofern das Anzugsmoment nicht in der Dokumentation aufgeführt ist, ziehen Sie sie gemäß der allgemeinen Tabelle an. Wenn in der Dokumentation eine Verbindung von Schraube und Mutter mit verschiedene Festigkeiten definiert ist, wird immer mit dem Moment des Bauteils mit der geringeren Festigkeit angezogen.
- Ⓕ Les valeurs des couples de serrage sont baissées de 10% par rapport aux valeurs de tableau. Serrez les raccords à vis selon le couple de serrage indiqué dans les documents. Si le couple de serrage n'est pas indiqué dans les documents, serrez selon le tableau général. Si les documents définissent un assemblage par boulon de diverses résistances, serrez toujours au moment de la composante avec résistance inférieure.
- Ⓒ The torque values are reduced by 10% compared to the table values. Tighten the screw joints according to the tightening torque stated in the documentation. If the tightening torque is not stated in the documentation, tighten according to the general table. If there is a joint with a screw and a nut at different strengths in the documentation, always tighten to the torque of the component with lower strength.
- Ⓓ Значения моментов затяжки уменьшены на 10% по сравнению с данными в таблице. Резьбовые соединения зажимайте с установленным в документации моментом зажатия. Если в документации не указан момент зажатия, то зажимайте по действующей в общем таблице. Если в документации установлено соединение из болта и гайки различной прочности, всегда зажимайте с моментом для компонента с меньшей прочностью.
- Ⓕ Wartości momentów dokręcania są obniżone o 10% w stosunku do wartości z tabeli. Połączenia śrubowe należy dokręcać zgodnie z momentem obrotowym w dokumentacji. Jeśli w dokumentacji nie ma podanego momentu obrotowego, należy dokręcać zgodnie z ogólną tabelą. Jeśli w dokumentacji zdefiniowane jest połączenie ze śrubą nakrętką różnych wytrzymałościach, zawsze należy dokręcać zachowując moment dokręcania komponentu z niższą wytrzymałością.

- Ⓒ UTAHOVACÍ MOMENTY ŠROUBŮ
 Ⓓ ANZUGMOMENTE VON SCHRAUBEN
 Ⓕ COUPLES DE SERRAGE DES VIS

- Ⓖ SCREW TIGHTENING TORQUE
 Ⓡ MOMENTY ZAJATIA BOLTOB
 Ⓟ MOMENTY DOKRĘCANIA ŚRUB



- Ⓒ **OBECNÝ PŘEDPIS UTAHOVÁNÍ ZAJIŠTĚNÍ ČEPOVÝCH SPOJŮ:**
 Ⓓ **ALLGEMEINE VORSCHRIFT FÜR DAS ANZIEHEN VON BOLZENVERBINDUNGEN:**
 Ⓕ **CONSIGNE GENERALE POUR LE SERRAGE DES ARTICULATIONS CYLINDRIQUES:**
 Ⓖ **GENERAL INSTRUCTION FOR TIGHTENING THE SECURING OF PIN JOINTS:**
 Ⓡ **ОБЩЕЕ ОПИСАНИЕ ЗАЖАТИЯ ПРЕДОХРАНЕНИЯ СОЕДИНЕНИЙ ПАЛЬЦАМИ:**
 Ⓟ **OGÓLNE ZASADY DOKRĘCANIA ZABEZPIECZENIA POŁĄCZEŃ CZOPEM:**



X

M8, M10, M12

M14

M

09-15Nm

15-25Nm

- X - Ⓒ ROZMĚR ŠROUBU
 Ⓓ SCHRAUBENGRÖSSE
 Ⓕ DIMENSIONS DE LA VIS

- Ⓖ BOLT DIMENSION
 Ⓡ РАЗМЕР БОЛТА
 Ⓟ ROZMIAR ŚRUBY

- M - Ⓒ ORIENTAČNÍ MOMENT
 Ⓓ ANZUGSMOMENT
 Ⓕ COUPLE D'ORIENTATION

- Ⓖ ORIENTATION TORQUE
 Ⓡ ОРИЕНТАЦИОННЫЙ МОМЕНТ
 Ⓟ ORIENTACYJNY MOMENT

- Ⓒ Tyto spoje není nutné ověřovat kontrolou momentovým klíčem = stačí vizuálně kontrolovat sešroubování.
 Ⓓ Diese Verbindungen müssen nicht mit einem Drehmomentschlüssel überprüft werden = es genügt, die Verschraubung visuell zu kontrollieren.
 Ⓕ Il n'est pas nécessaire de contrôler le serrage à l'aide d'une clé dynamométrique = un contrôle visuel de l'assemblage suffit.
 Ⓖ These joints do not have to be verified by checking with a torque wrench = visual inspection of bolting is sufficient.
 Ⓡ Эти соединения не нужно контролировать динамометрическим ключом = достаточно визуально проверять прикручивание.
 Ⓟ Nie trzeba sprawdzać tych połączeń kluczem dynamometrycznym = wystarczy wizualnie skontrolować dokręcenie.