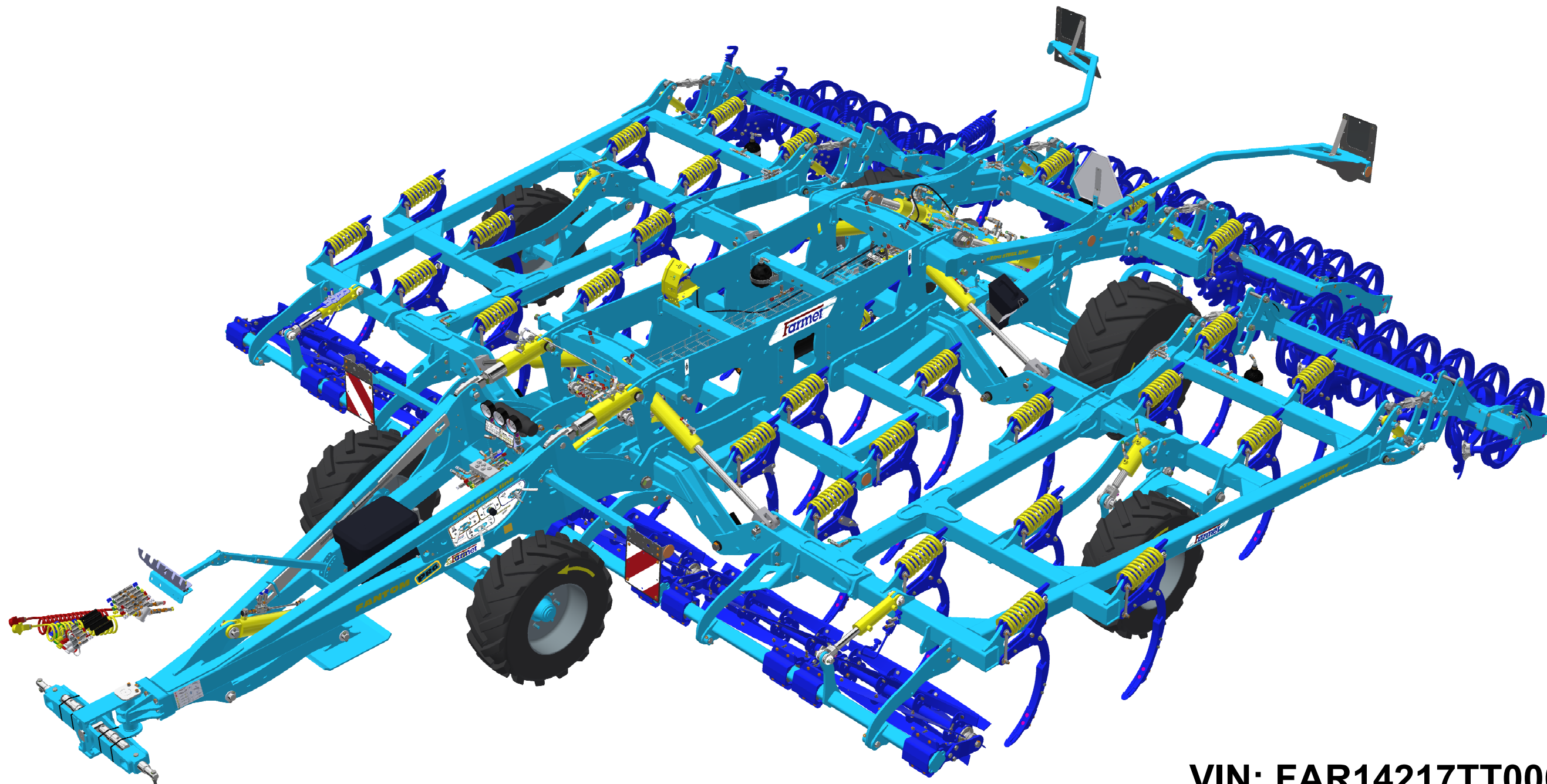


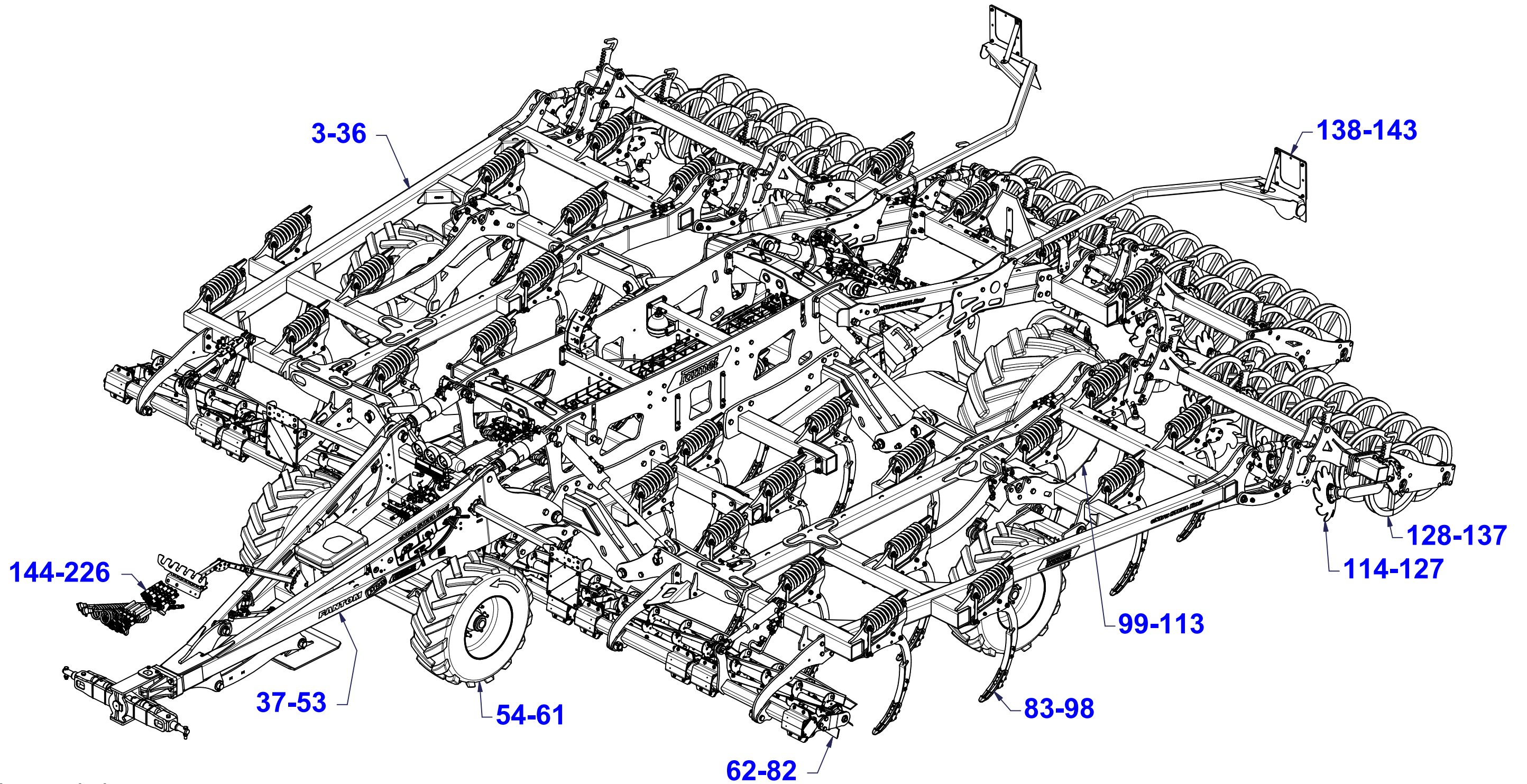
ⒸZ KATALOG NÁHRADNÍCH DÍLŮ ⒸB CATALOGUE OF SPARE PARTS ⒸD ERSATZTEILLISTE
ⒸRU КАТАЛОГ ЗАПАСНЫХ ЧАСТЕЙ ⒸF CATALOGUE DES PIÈCES DE RECHANGE ⒸPL KATALOG CZĘŚCI ZAMIENNYCH

FANTOM 650 PRO



ⒸZ Platnost pro vrcholové | výrobní číslo stroje ⒸB Validity for the top | serial number of the machine
ⒸD Gültigkeit für die Haupt- | Herstellungsnummer der Maschine ⒸRU Действительно для главного | заводского номера машины
ⒸF Validité du numéro de référence | de série de la machine ⒸPL Obowiązuje dla numeru głównego | seryjnego maszyny

VIN: FAR14217TT0000330
9323134 | 2026/0330



☉ ZÁKLAD STROJE

Ⓧ UNTERBAU DER MASCHINE

Ⓧ BÂTI DE LA MACHINE

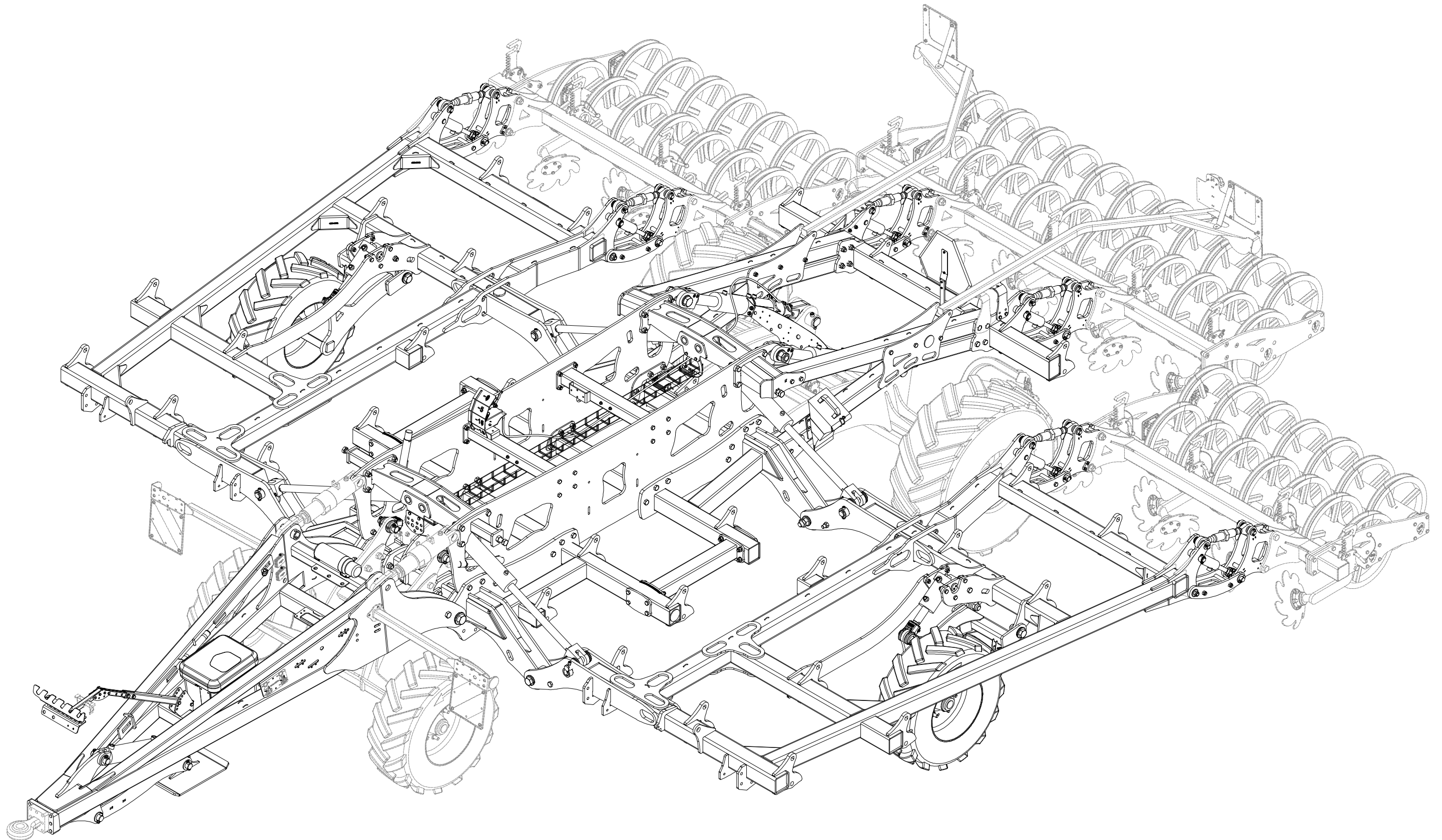
VZ00073249

Ⓧ FOOTING OF THE MACHINE

Ⓧ ОСНОВАНИЕ МАШИНЫ

Ⓧ PODSTAWA MASZYNY

Farmet



Ⓒ ZÁKLAD STROJE

Ⓓ UNTERBAU DER MASCHINE

Ⓕ BÂTI DE LA MACHINE

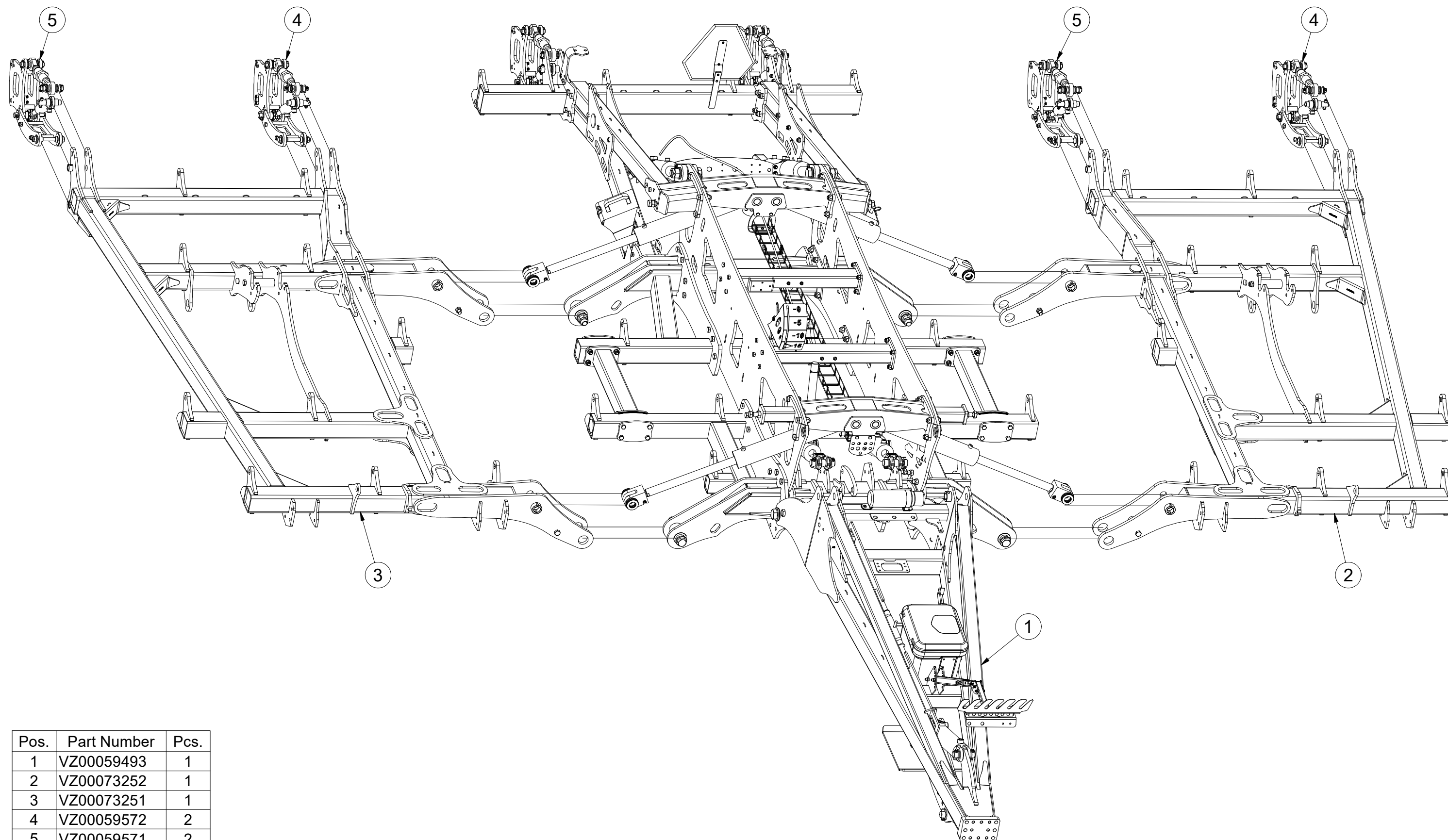
Ⓖ FOOTING OF THE MACHINE

Ⓡ ОСНОВАНИЕ МАШИНЫ

Ⓢ PODSTAWA MASZYNY

Farmet

VZ00073249



| Pos. | Part Number | Pcs. |
|------|-------------|------|
| 1 | VZ00059493 | 1 |
| 2 | VZ00073252 | 1 |
| 3 | VZ00073251 | 1 |
| 4 | VZ00059572 | 2 |
| 5 | VZ00059571 | 2 |

Ⓒ ZÁKLAD STROJE

Ⓓ UNTERBAU DER MASCHINE

Ⓕ BÂTI DE LA MACHINE

Ⓖ FOOTING OF THE MACHINE

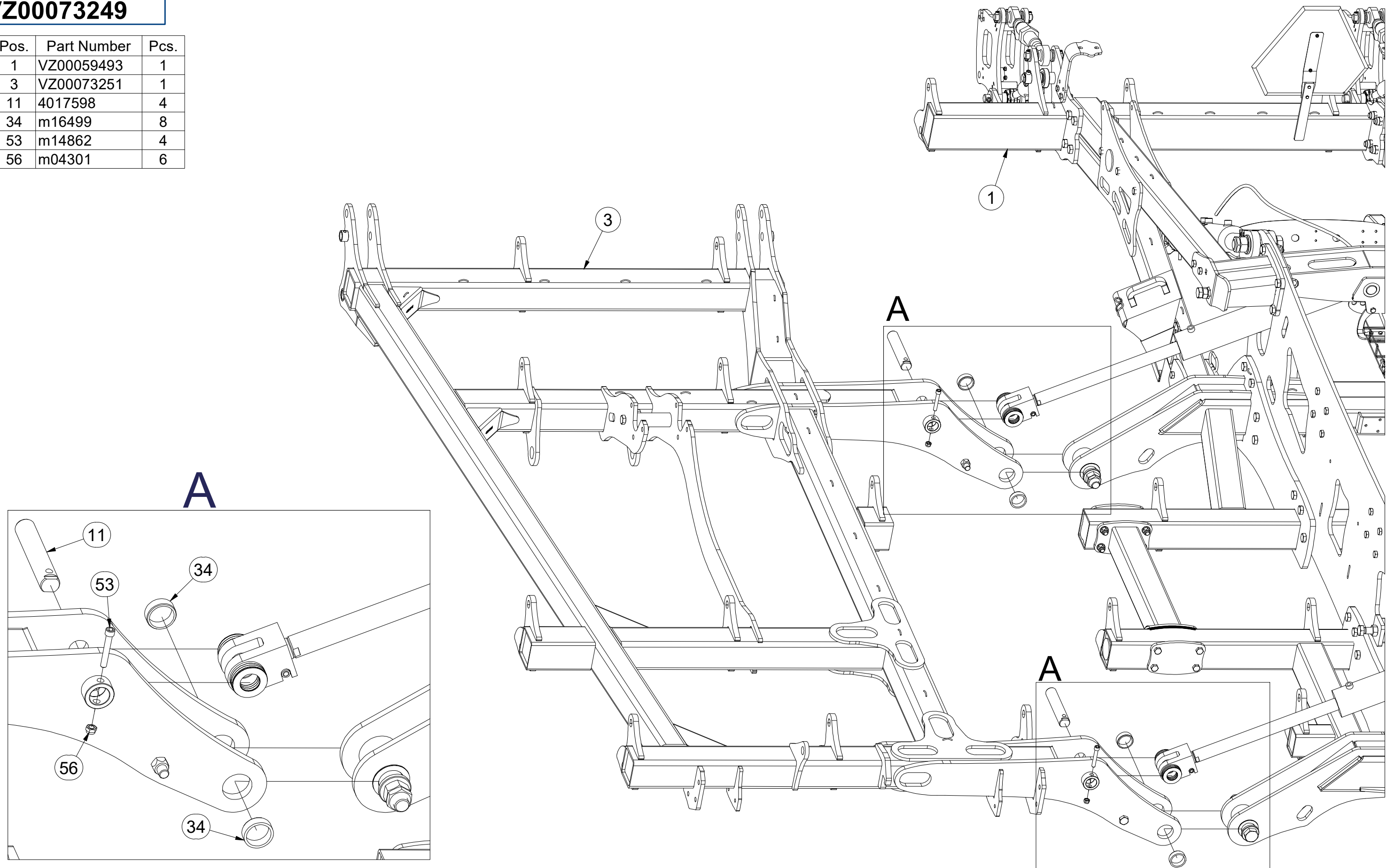
Ⓡ ОСНОВАНИЕ МАШИНЫ

Ⓟ PODSTAWA MASZYNY



VZ00073249

| Pos. | Part Number | Pcs. |
|------|-------------|------|
| 1 | VZ00059493 | 1 |
| 3 | VZ00073251 | 1 |
| 11 | 4017598 | 4 |
| 34 | m16499 | 8 |
| 53 | m14862 | 4 |
| 56 | m04301 | 6 |



Ⓒ ZÁKLAD STROJE

Ⓓ UNTERBAU DER MASCHINE

Ⓕ BÂTI DE LA MACHINE

Ⓖ FOOTING OF THE MACHINE

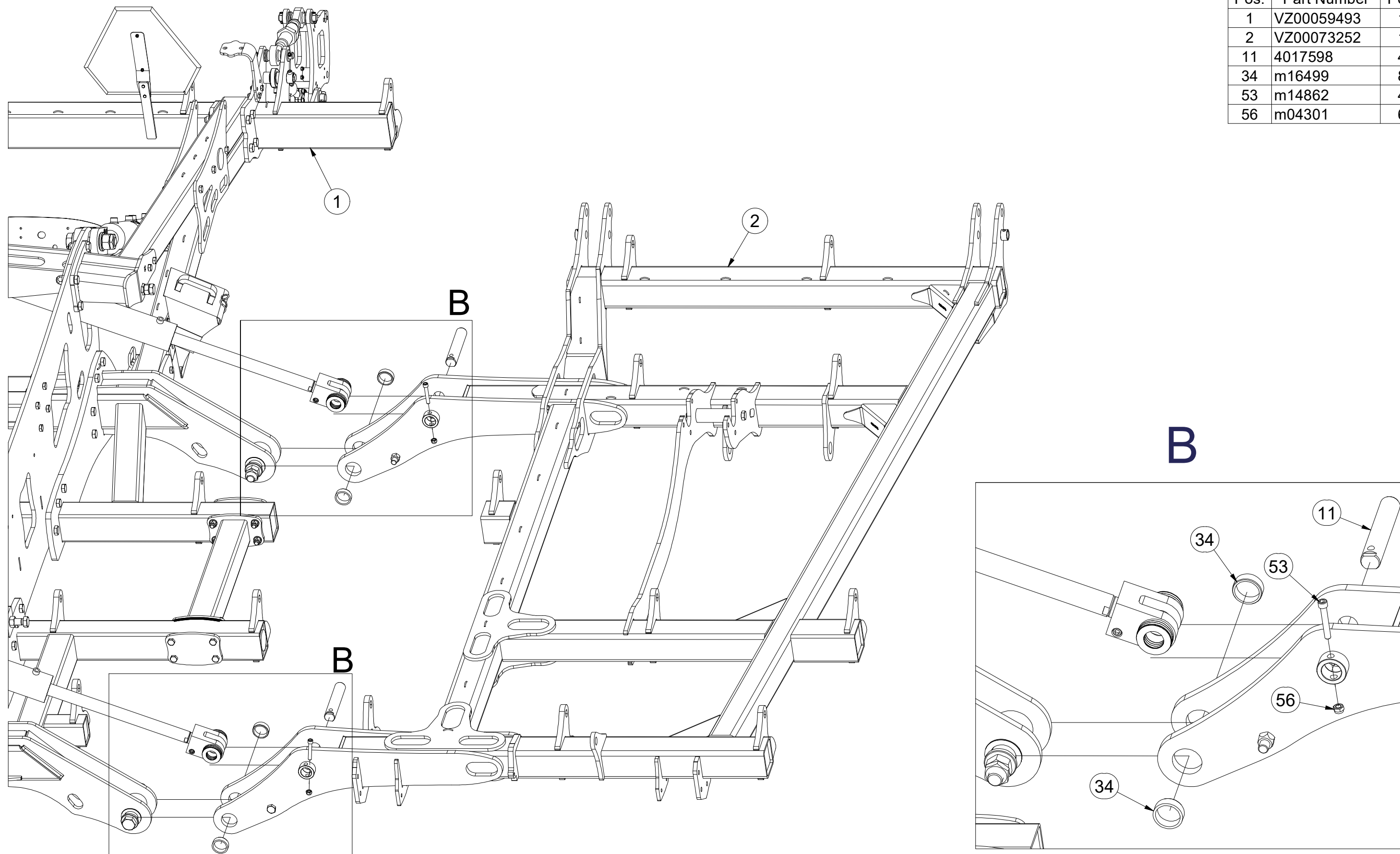
Ⓡ ОСНОВАНИЕ МАШИНЫ

Ⓟ PODSTAWA MASZYNY



VZ00073249

| Pos. | Part Number | Pcs. |
|------|-------------|------|
| 1 | VZ00059493 | 1 |
| 2 | VZ00073252 | 1 |
| 11 | 4017598 | 4 |
| 34 | m16499 | 8 |
| 53 | m14862 | 4 |
| 56 | m04301 | 6 |



Ⓒ ZÁKLAD STROJE

Ⓓ UNTERBAU DER MASCHINE

Ⓕ BÂTI DE LA MACHINE

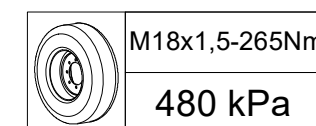
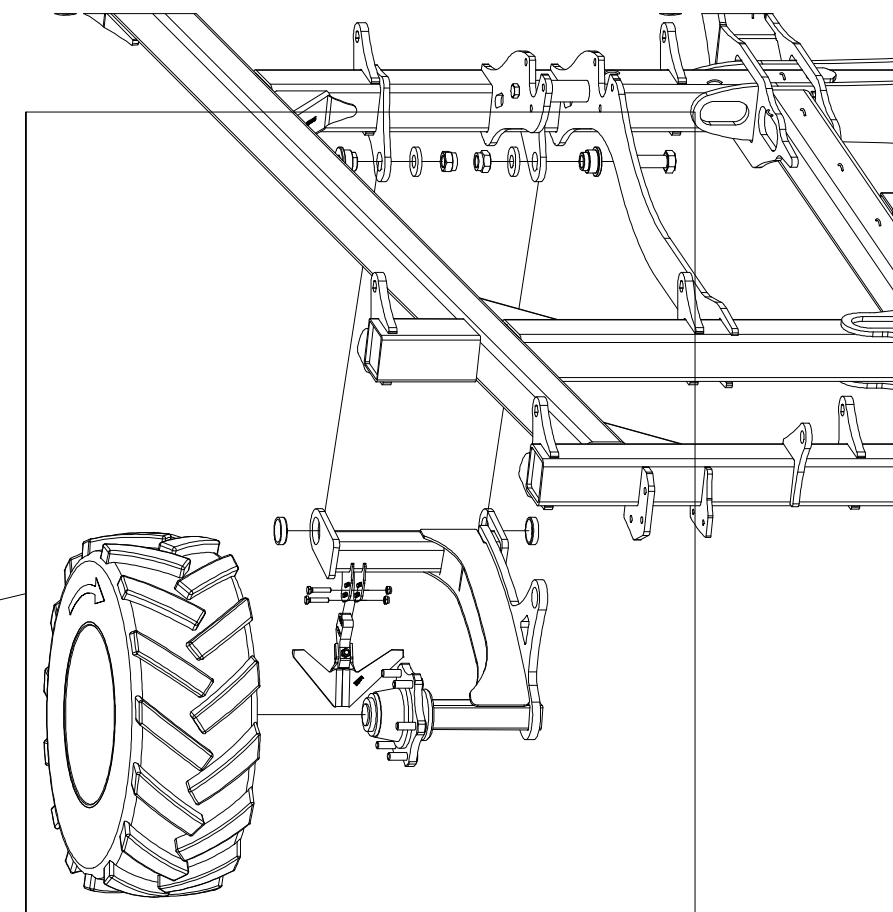
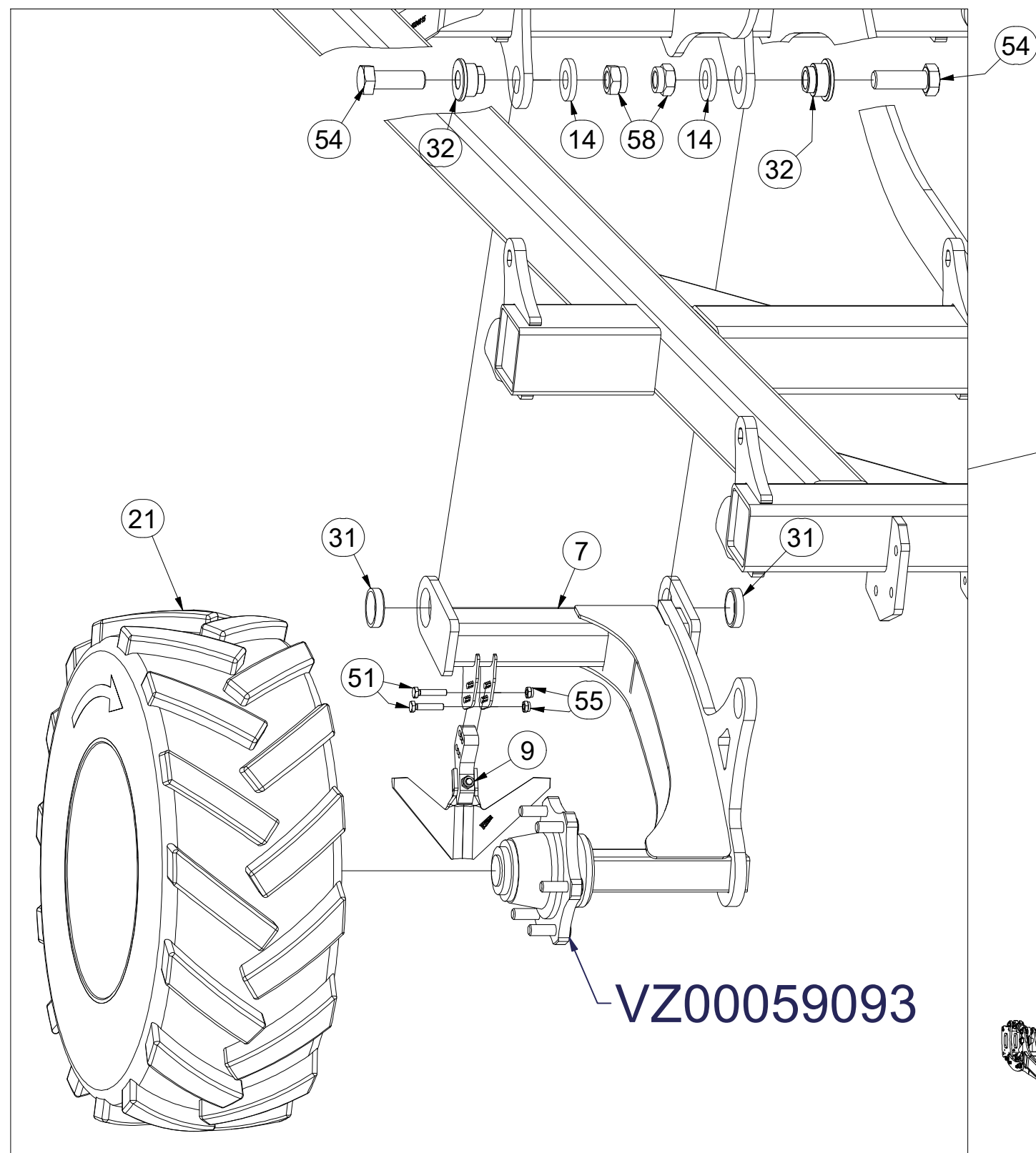
Ⓒ FOOTING OF THE MACHINE

Ⓓ ОСНОВАНИЕ МАШИНЫ

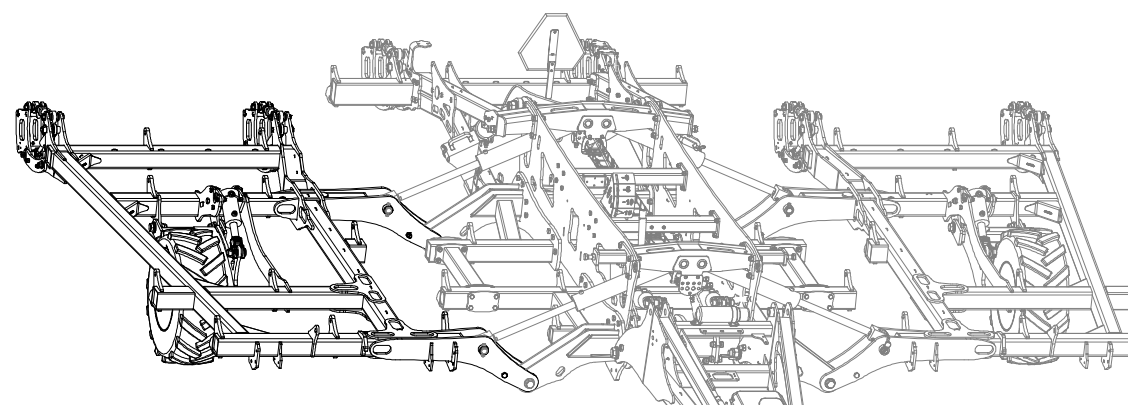
Ⓕ PODSTAWA MASZYNY



VZ00073249



| Pos. | Part Number | Pcs. |
|------|-------------|------|
| 7 | 3007811 | 1 |
| 21 | m14730 | 1 |
| 14 | 4015059 | 4 |
| 9 | 3010397 | 2 |
| 31 | m14760 | 4 |
| 32 | m18096 | 4 |
| 51 | m01114 | 4 |
| 54 | m12009 | 4 |
| 55 | m03775 | 4 |
| 58 | m08036 | 4 |



Ⓒ ZÁKLAD STROJE

Ⓓ UNTERBAU DER MASCHINE

Ⓕ BÂTI DE LA MACHINE

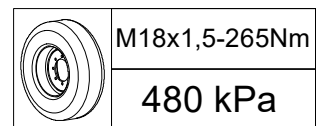
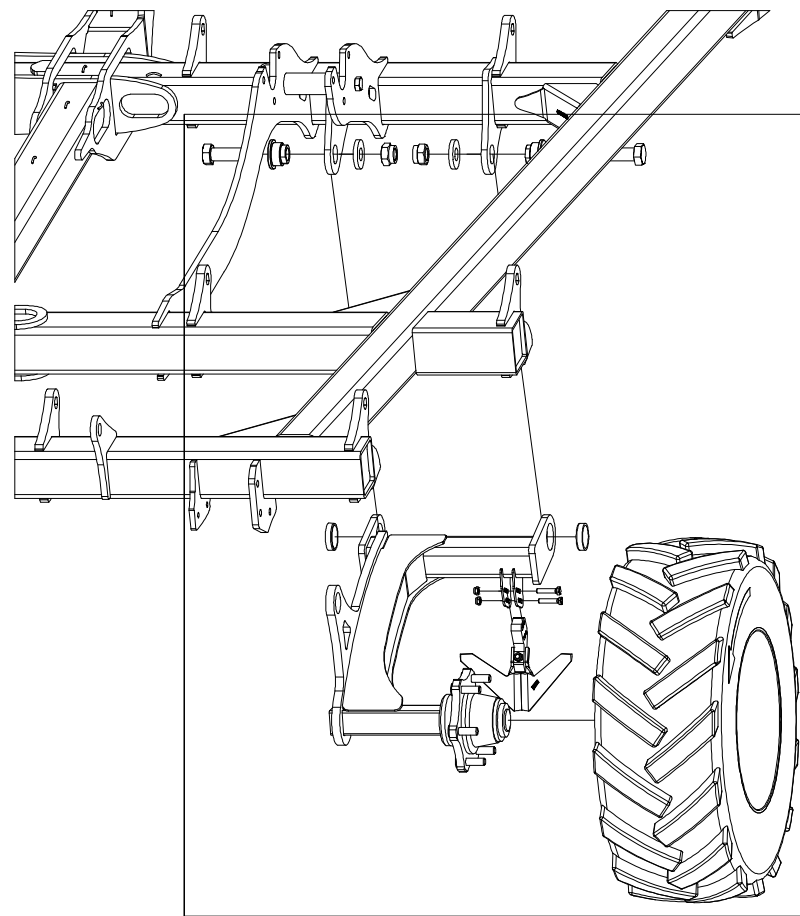
Ⓖ FOOTING OF THE MACHINE

Ⓡ ОСНОВАНИЕ МАШИНЫ

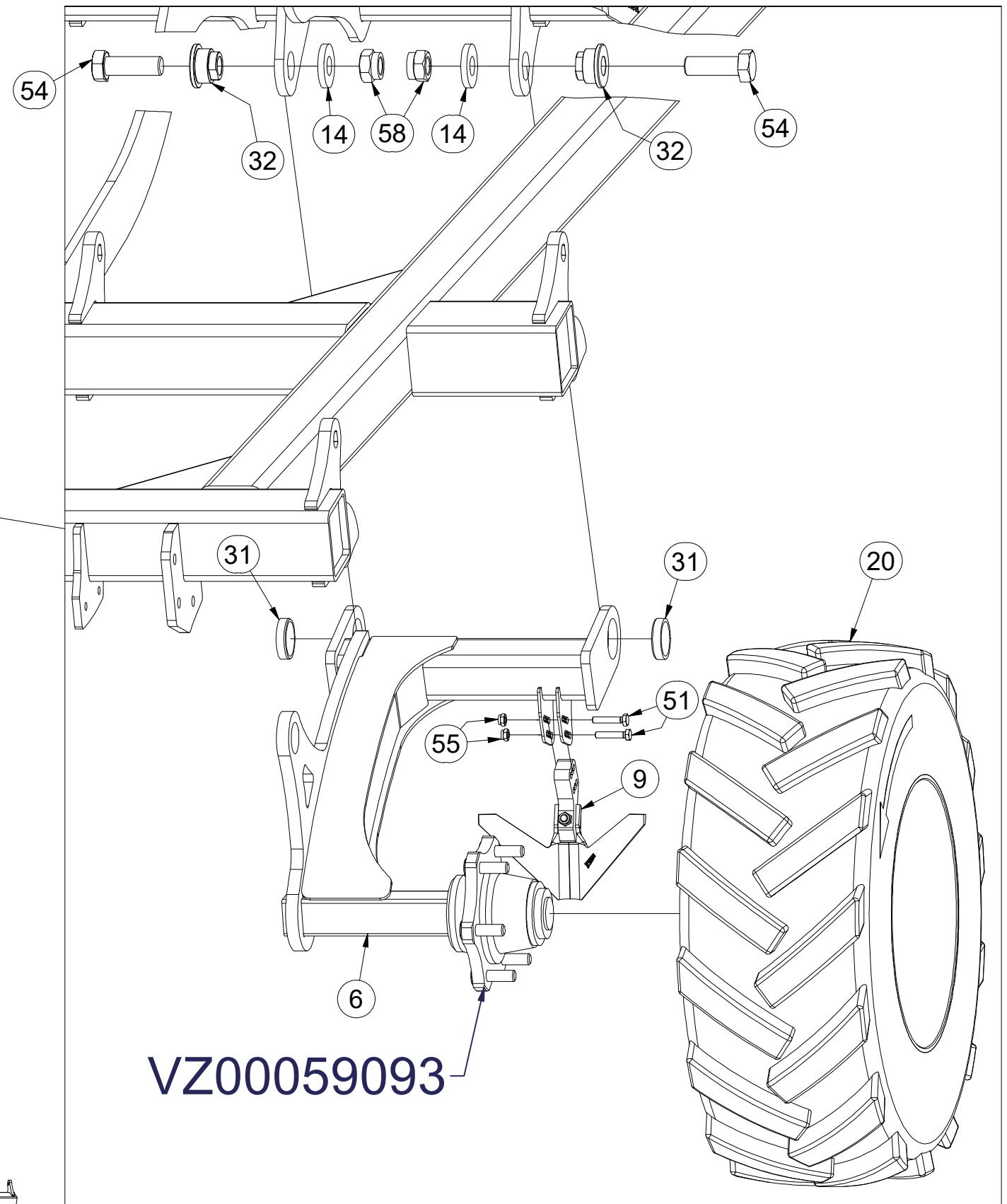
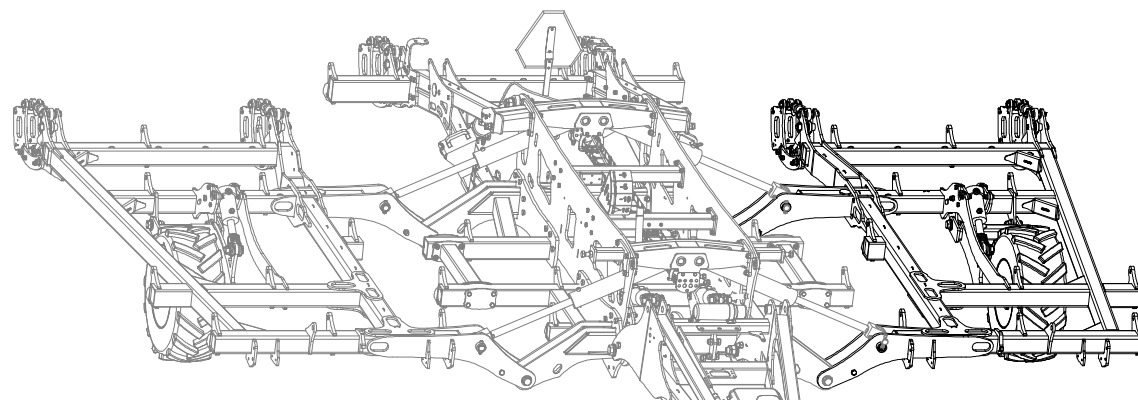
Ⓟ PODSTAWA MASZYNY



VZ00073249



| Pos. | Part Number | Pcs. |
|------|-------------|------|
| 6 | 3007812 | 1 |
| 9 | 3010397 | 2 |
| 14 | 4015059 | 4 |
| 20 | m14731 | 1 |
| 31 | m14760 | 4 |
| 32 | m18096 | 4 |
| 51 | m01114 | 4 |
| 54 | m12009 | 4 |
| 55 | m03775 | 4 |
| 58 | m08036 | 4 |



Ⓒ ZÁKLAD STROJE

Ⓓ UNTERBAU DER MASCHINE

Ⓕ BÂTI DE LA MACHINE

Ⓖ FOOTING OF THE MACHINE

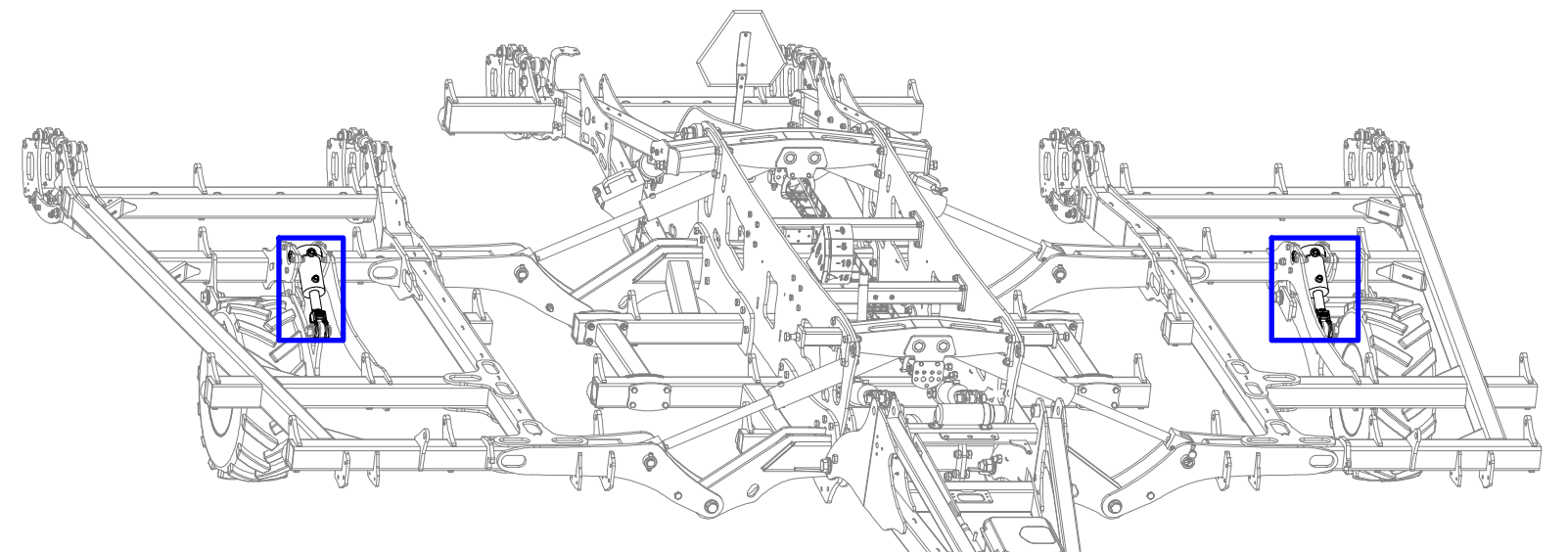
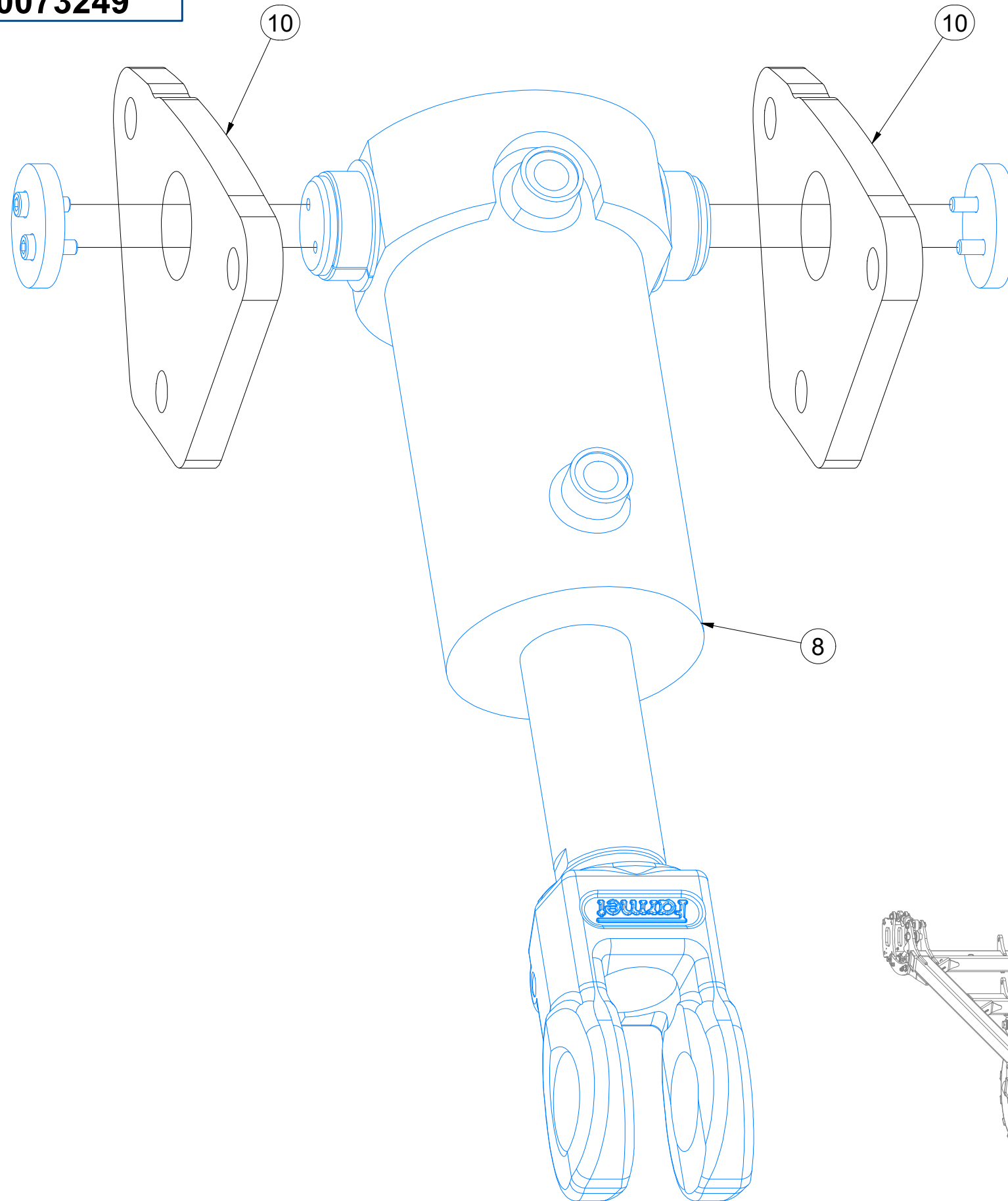
Ⓡ ОСНОВАНИЕ МАШИНЫ

Ⓟ PODSTAWA MASZyny

Farmet

VZ00073249

| Pos. | Part Number | Pcs. |
|------|-------------|------|
| 8 | VZ00059810 | 2 |
| 10 | 4015064 | 4 |



Ⓒ ZÁKLAD STROJE

Ⓓ UNTERBAU DER MASCHINE

Ⓕ BÂTI DE LA MACHINE

VZ00073249

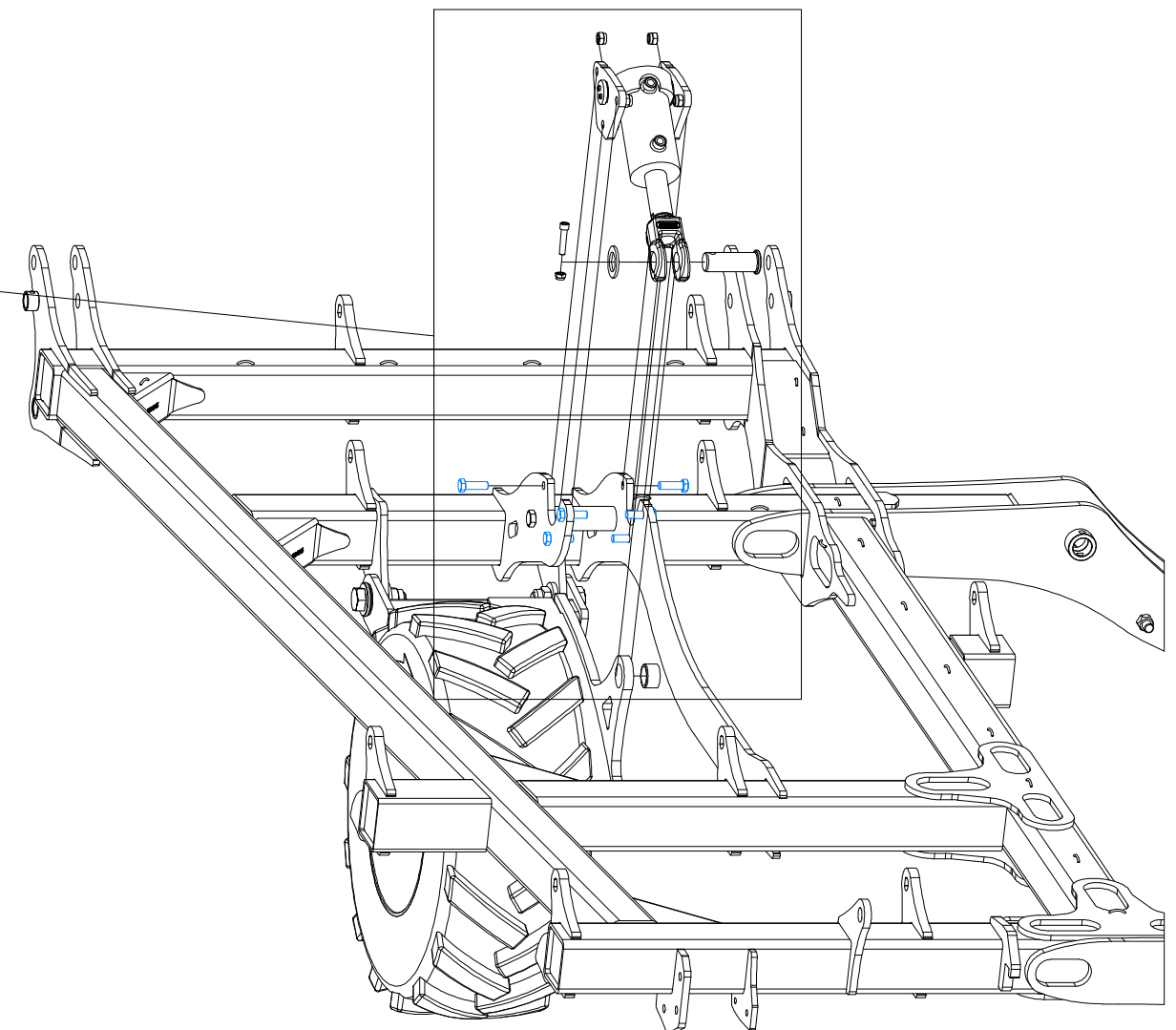
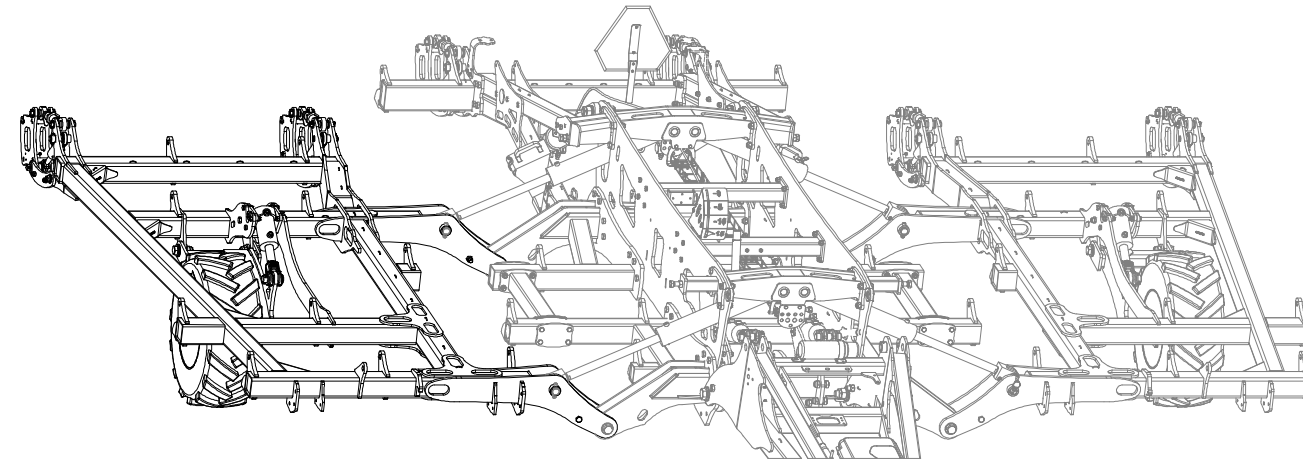
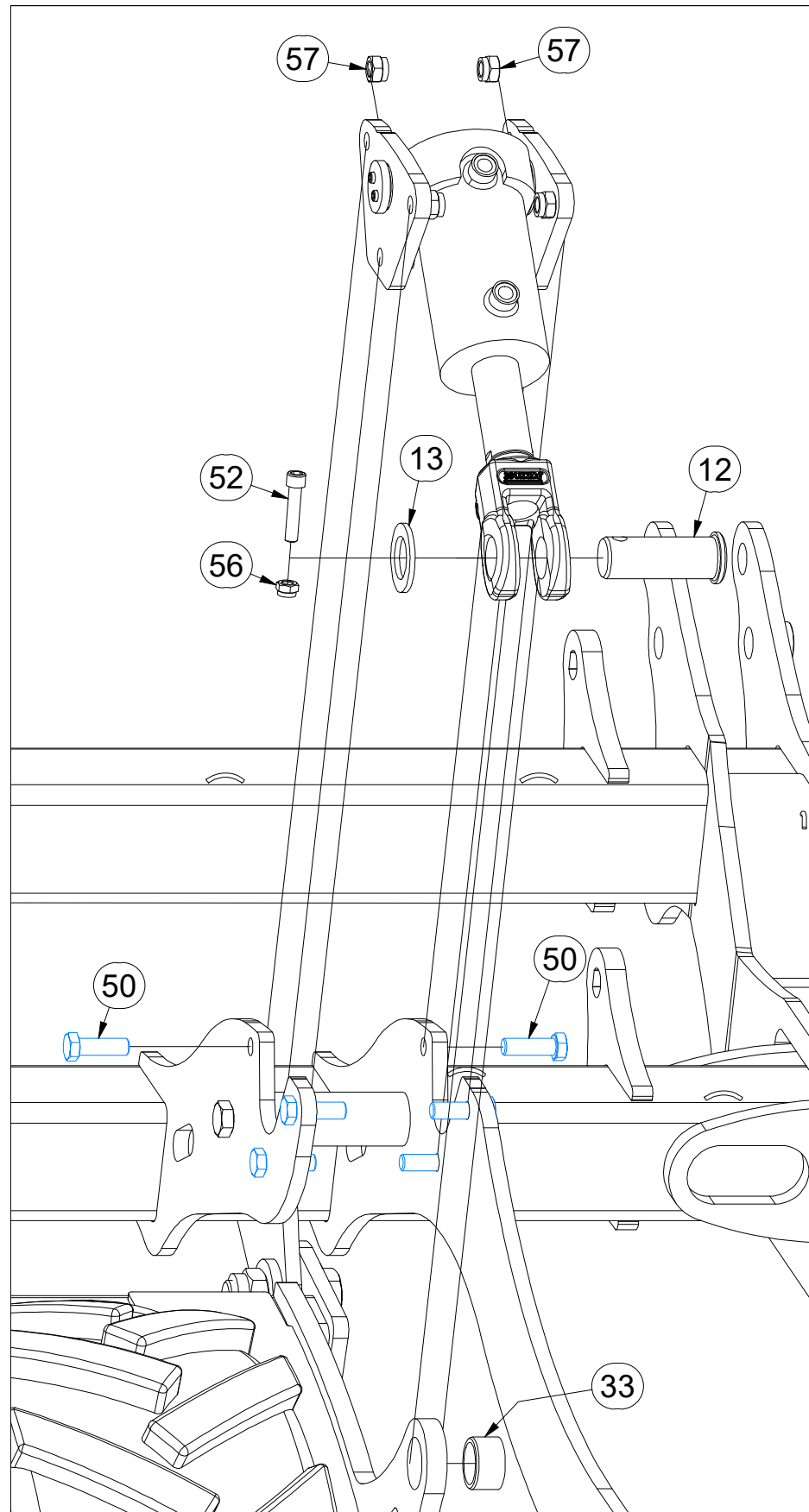
Ⓖ FOOTING OF THE MACHINE

Ⓡ ОСНОВАНИЕ МАШИНЫ

Ⓢ PODSTAWA MASZYNY



| Pos. | Part Number | Pcs. |
|------|-------------|------|
| 12 | VZ00015991 | 2 |
| 13 | 4013139 | 2 |
| 33 | m14978 | 2 |
| 50 | m04355 | 12 |
| 52 | m14008 | 2 |
| 56 | m04301 | 6 |
| 57 | m03683 | 12 |



Ⓒ ZÁKLAD STROJE

Ⓓ UNTERBAU DER MASCHINE

Ⓕ BÂTI DE LA MACHINE

Ⓖ FOOTING OF THE MACHINE

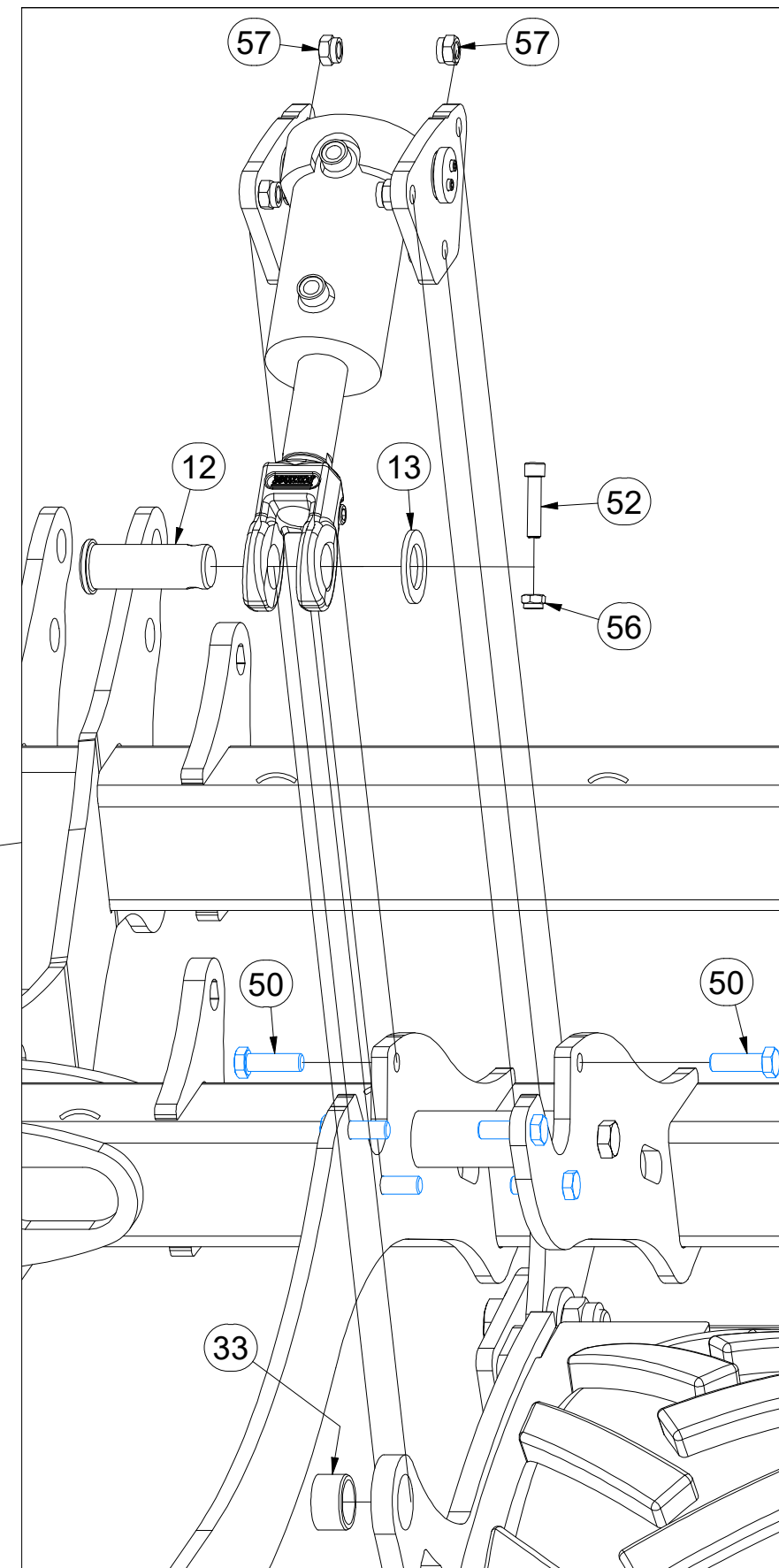
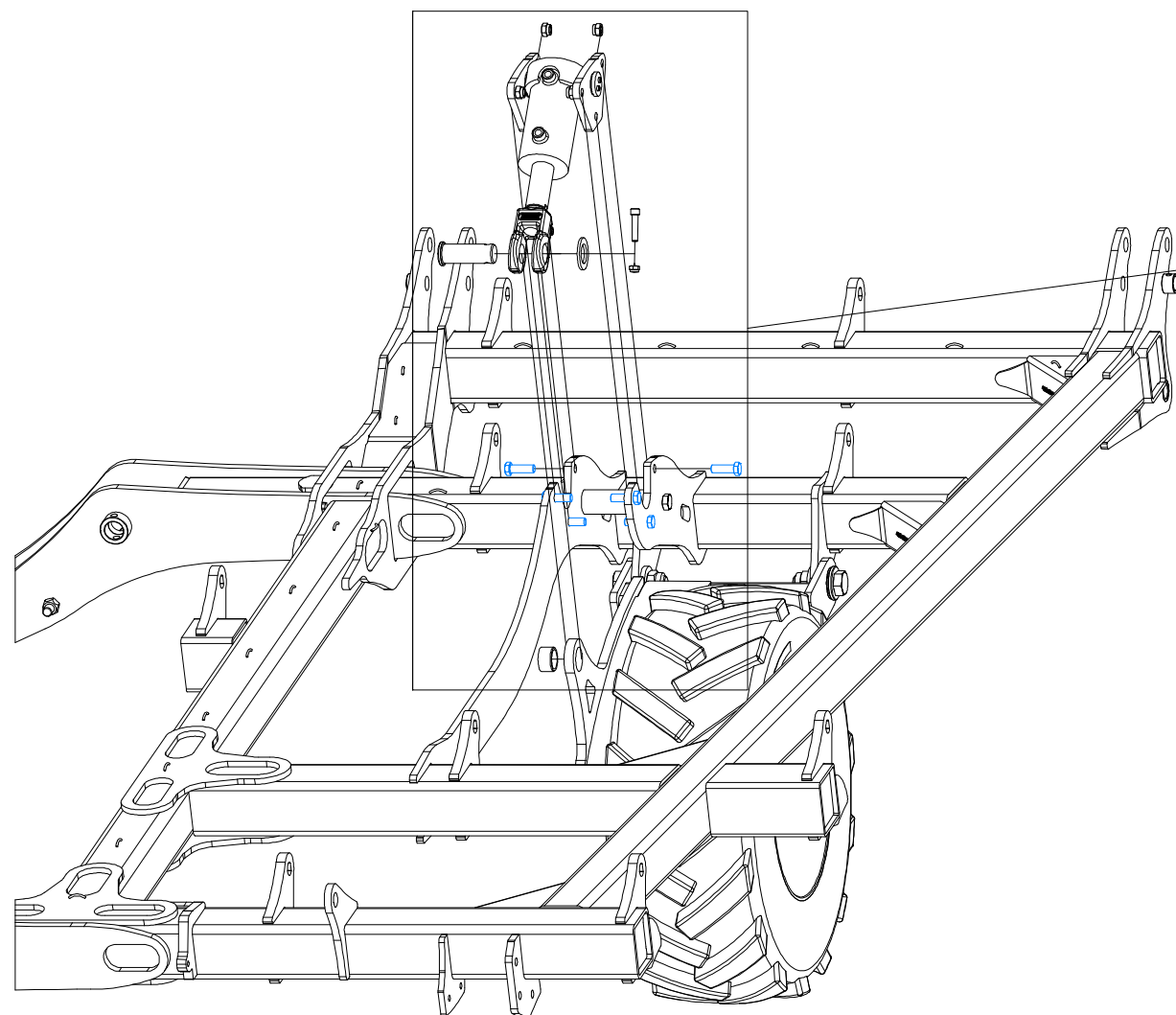
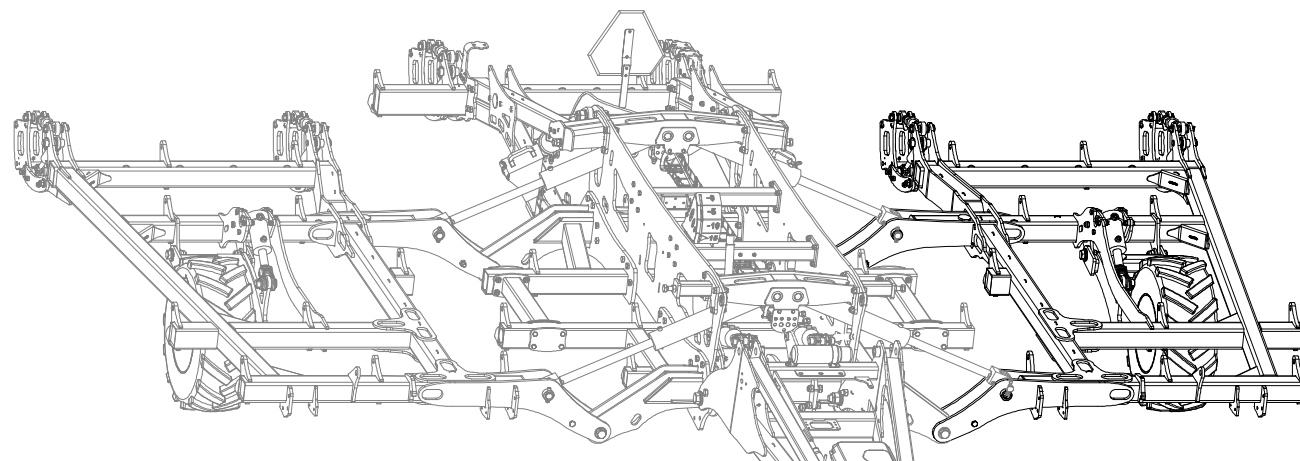
Ⓡ ОСНОВАНИЕ МАШИНЫ

Ⓟ PODSTAWA MASZINY



VZ00073249

| Pos. | Part Number | Pcs. |
|------|-------------|------|
| 12 | VZ00015991 | 2 |
| 13 | 4013139 | 2 |
| 33 | m14978 | 2 |
| 50 | m04355 | 12 |
| 52 | m14008 | 2 |
| 56 | m04301 | 6 |
| 57 | m03683 | 12 |



Ⓒ NÁBOJ NEBRZDĚNÉ POLONÁPRAVY

Ⓓ NABE DES UNGEBREMSTEN ACHSSCHENKELS

Ⓕ MOYEU DE FUSÉE D'ESSIEU NON FREINÉ

Ⓖ UNBRAKED STUB AXLE HUB

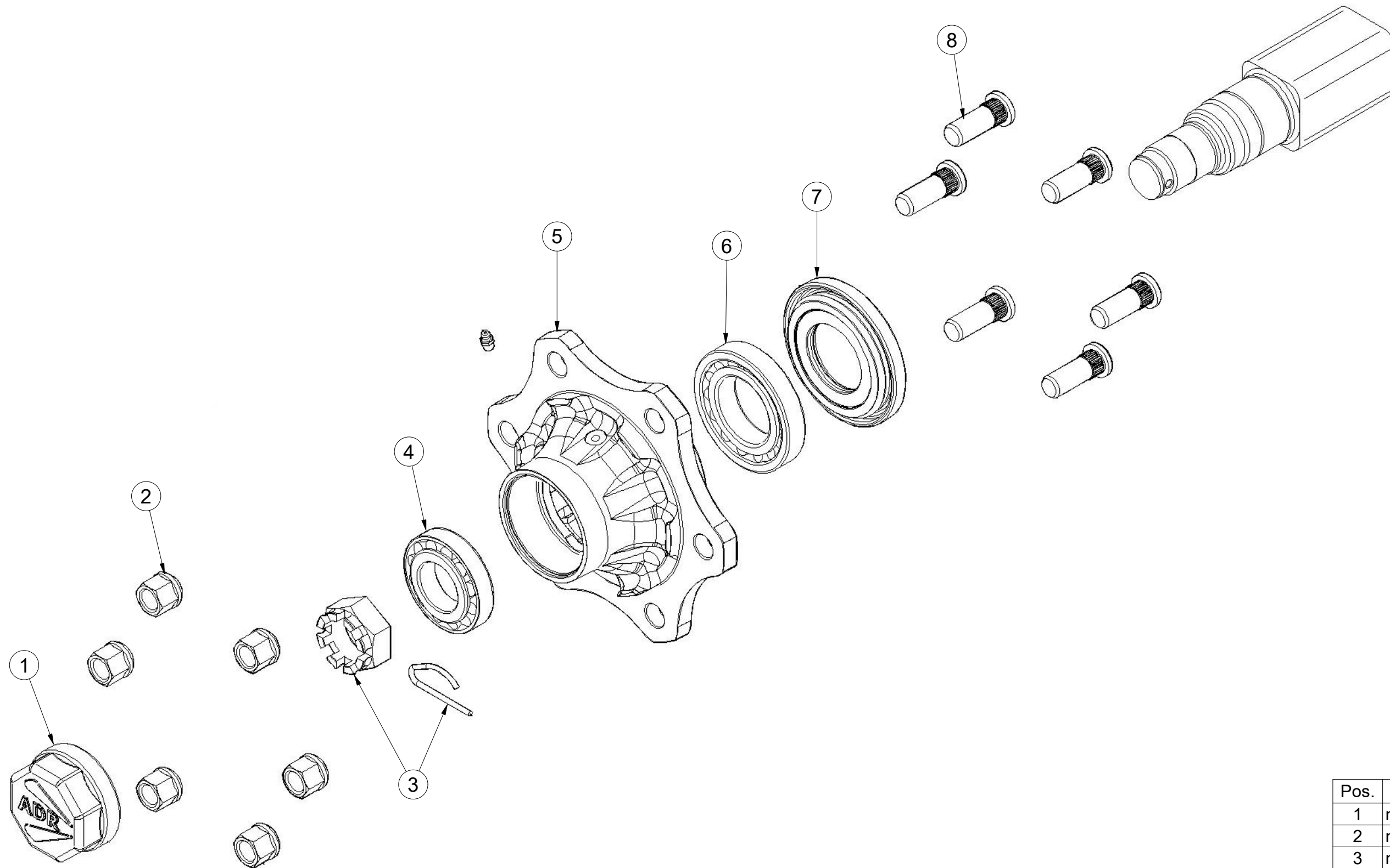
Ⓡ СТУПИЦА НЕТОРМОЗНОЙ КОРОТКОЙ ОСИ

Ⓟ PIASTA NIEHAMOWANEJ KRÓTKIEJ OSI

Farmet

VZ00059093

ADR S60LR60003



| Pos. | Part Number | Pcs. |
|------|-------------|------|
| 1 | m19668 | 1 |
| 2 | m08163 | 6 |
| 3 | m08169 | 1 |
| 4 | m07152 | 1 |
| 5 | m19667 | 1 |
| 6 | m07151 | 1 |
| 7 | m15058 | 1 |
| 8 | m08148 | 6 |

Ⓒ RADLICE

Ⓓ SCHARE

Ⓕ SOC

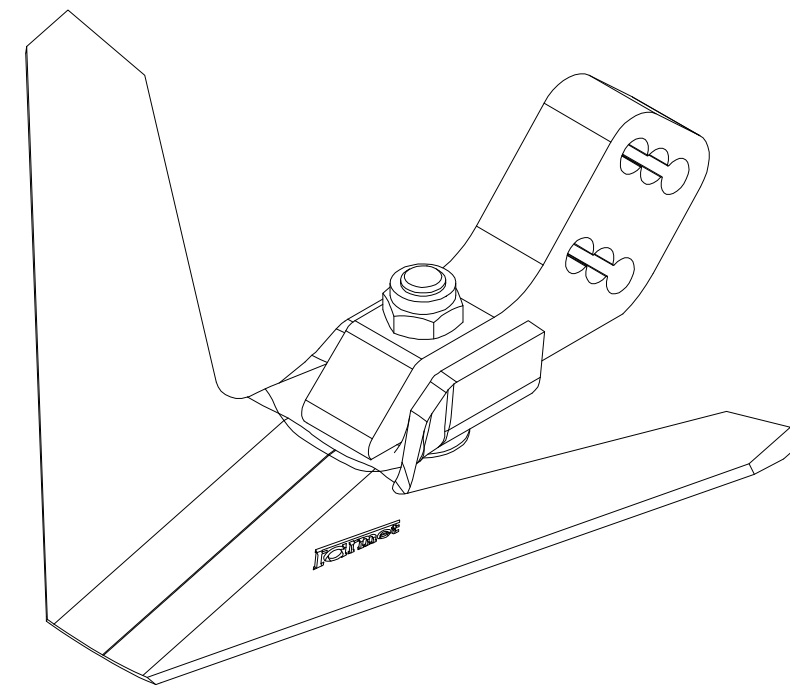
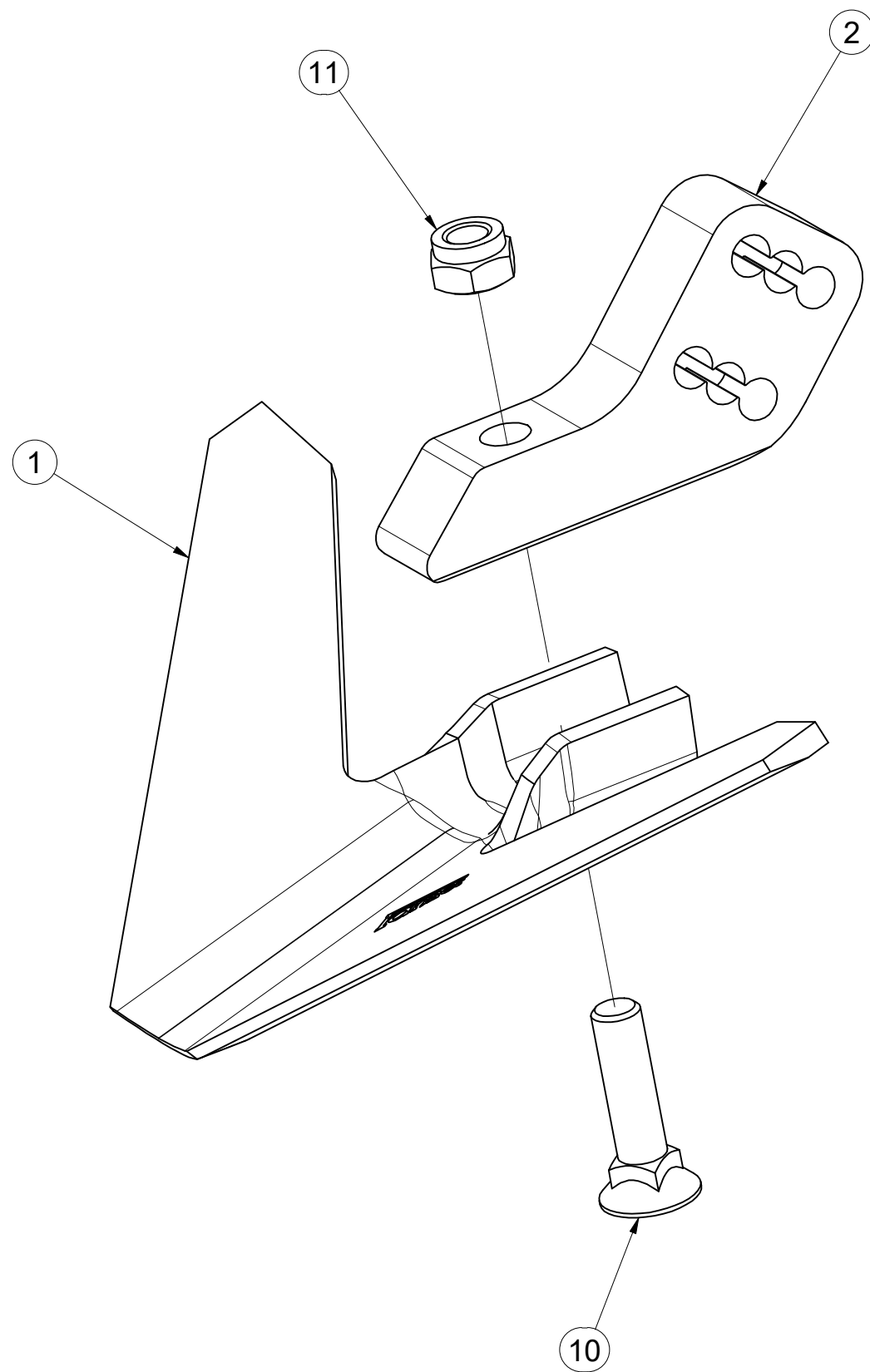
Ⓖ SHARE

Ⓡ ЛАПА

Ⓟ REDLICE



3010397



| Pos. | Part Number | Pcs. |
|------|-------------|------|
| 1 | 4020409 | 1 |
| 2 | 4020413 | 1 |
| 10 | m10440 | 1 |
| 11 | m21001 | 1 |

Ⓒ STŘEDNÍ RÁM

Ⓓ RAHMEN, MITTLERE

Ⓕ CHASSIS CENTRAL

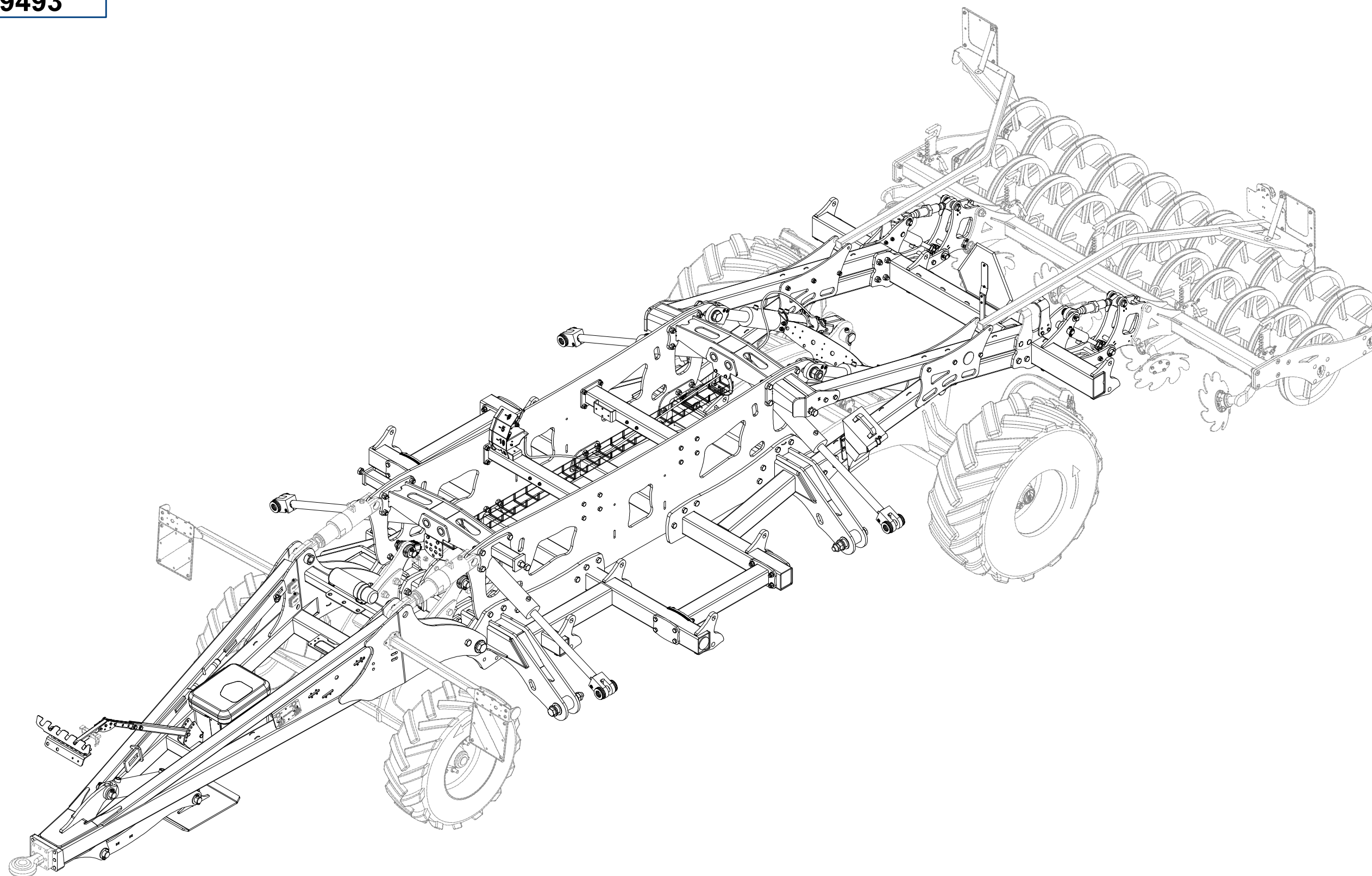
VZ00059493

Ⓒ CENTRAL FRAME

Ⓓ СРЕДНЯЯ РАМА

Ⓕ SREDNIA RAMA

Farmet

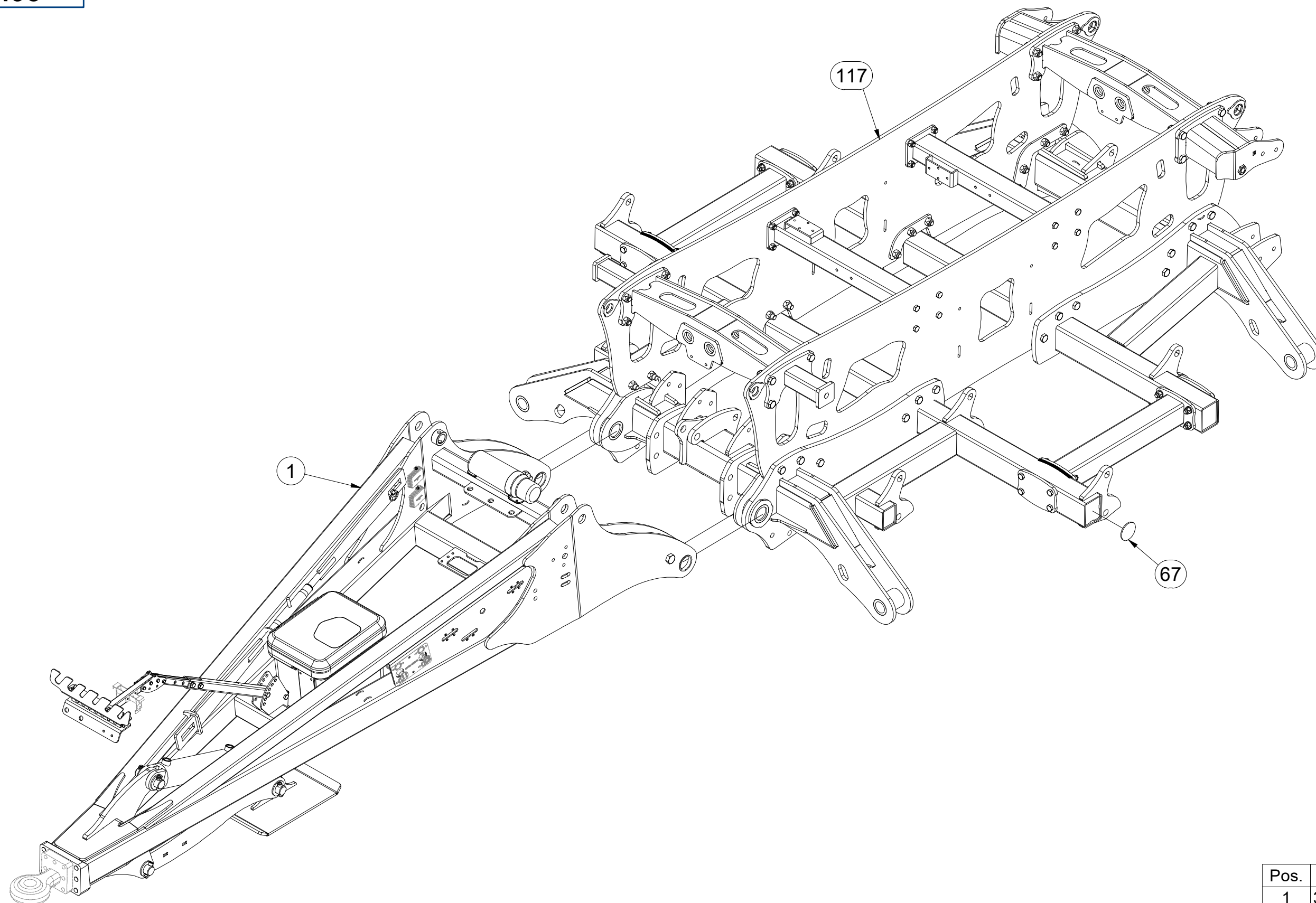


Ⓒ STŘEDNÍ RÁM
Ⓓ RAHMEN, MITTLERE
Ⓕ CHASSIS CENTRAL

Ⓖ CENTRAL FRAME
Ⓔ СРЕДНЯЯ РАМА
Ⓗ SREDNIA RAMA



VZ00059493



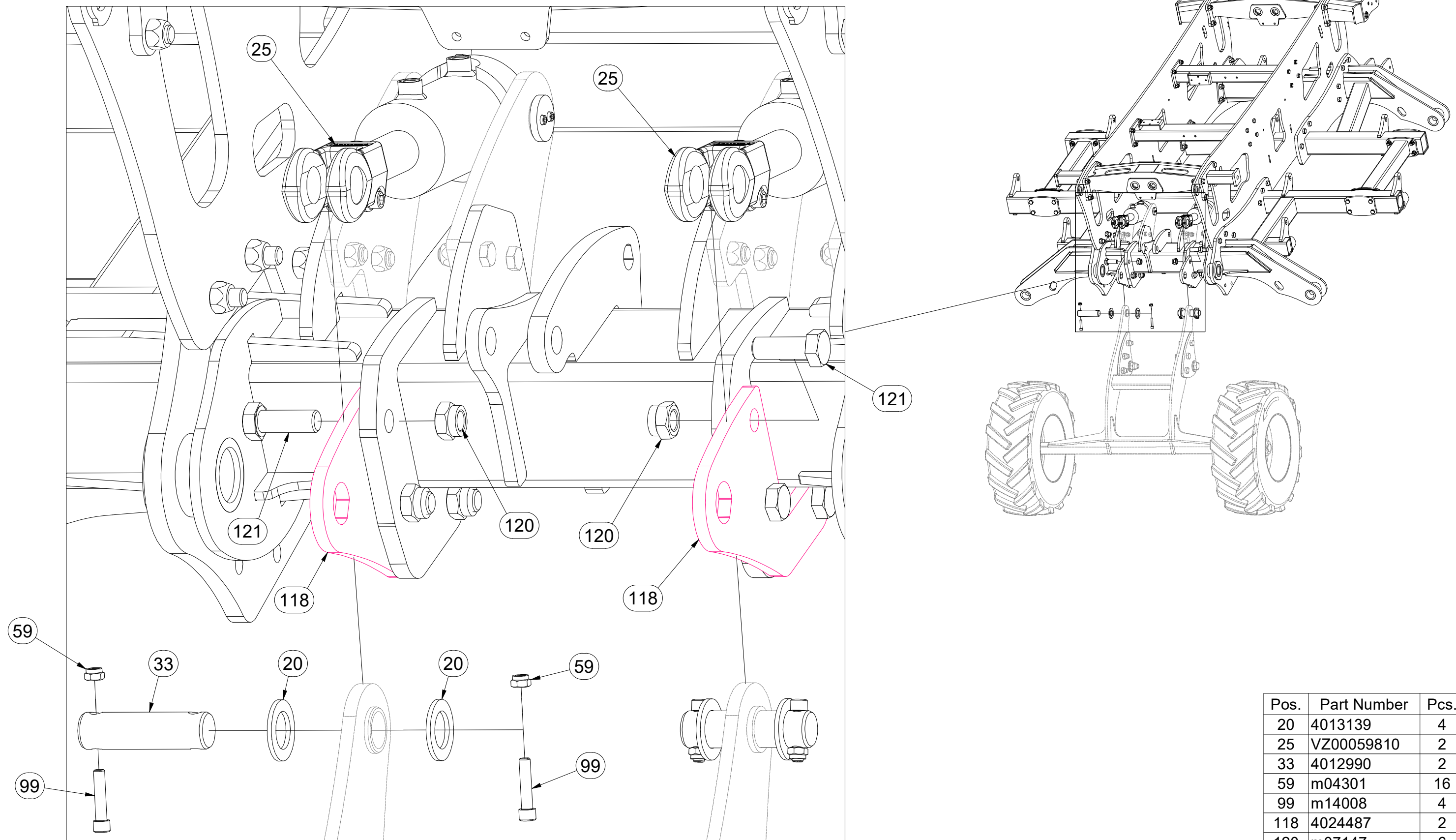
| Pos. | Part Number | Pcs. |
|------|-------------|------|
| 1 | 3010461 | 1 |
| 67 | m02579 | 4 |
| 117 | 3012071 | 1 |

CZ STŘEDNÍ RÁM
 D RAHMEN, MITTLERE
 F CHASSIS CENTRAL

GB CENTRAL FRAME
 RU СРЕДНЯЯ РАМА
 PL ŚREDNIA RAMA



VZ00059493



| Pos. | Part Number | Pcs. |
|------|-------------|------|
| 20 | 4013139 | 4 |
| 25 | VZ00059810 | 2 |
| 33 | 4012990 | 2 |
| 59 | m04301 | 16 |
| 99 | m14008 | 4 |
| 118 | 4024487 | 2 |
| 120 | m07147 | 6 |
| 121 | m17242 | 6 |

Ⓒ STŘEDNÍ RÁM

Ⓓ RAHMEN, MITTLERE

Ⓕ CHASSIS CENTRAL

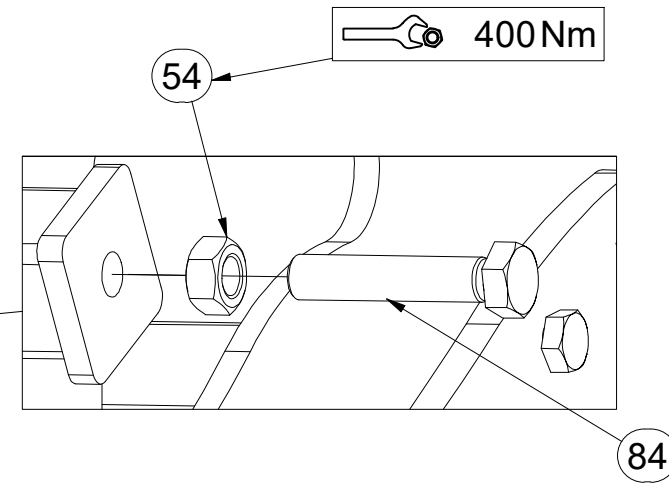
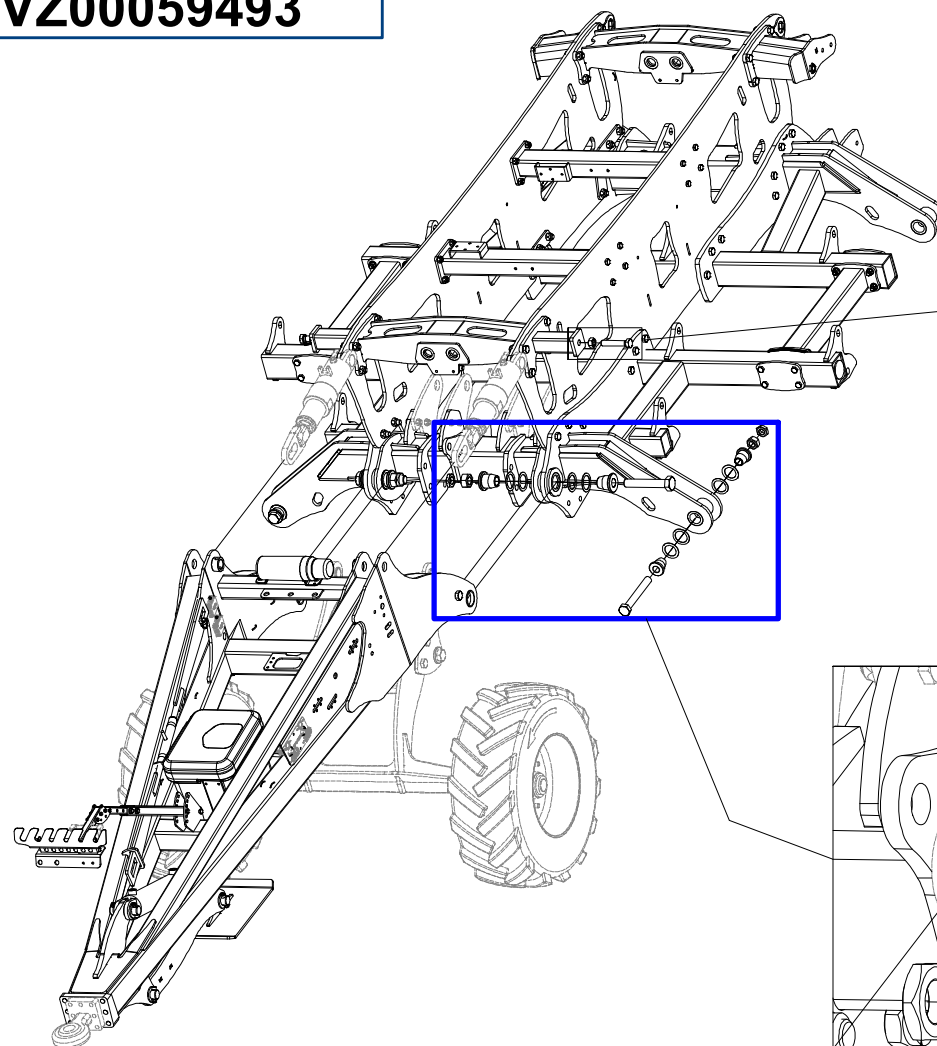
Ⓒ CENTRAL FRAME

Ⓓ СРЕДНЯЯ РАМА

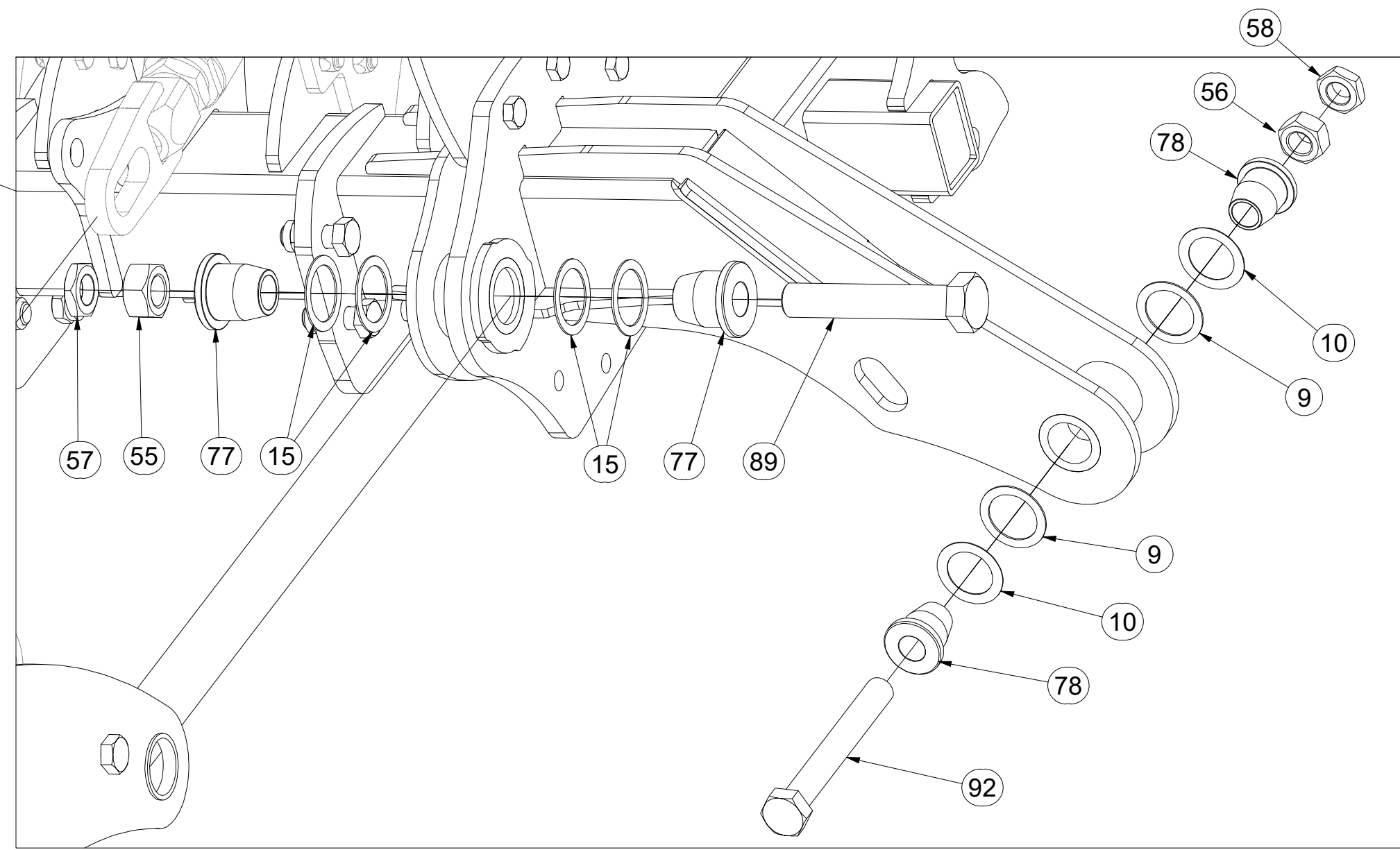
Ⓕ SREDNIA RAMA



VZ00059493



| Pos. | Part Number | Pcs. | Pos. | Part Number | Pcs. |
|------|-------------|------|------|-------------|------|
| 9 | 4018395 | 8 | 58 | m04043 | 4 |
| 10 | 4023575 | 8 | 77 | m14790 | 8 |
| 15 | 4018178 | 16 | 78 | m16596 | 8 |
| 54 | m01308 | 4 | 84 | m08033 | 4 |
| 55 | m06316 | 6 | 89 | m08578 | 2 |
| 56 | m01309 | 4 | 92 | m15657 | 4 |
| 57 | m18974 | 6 | | | |

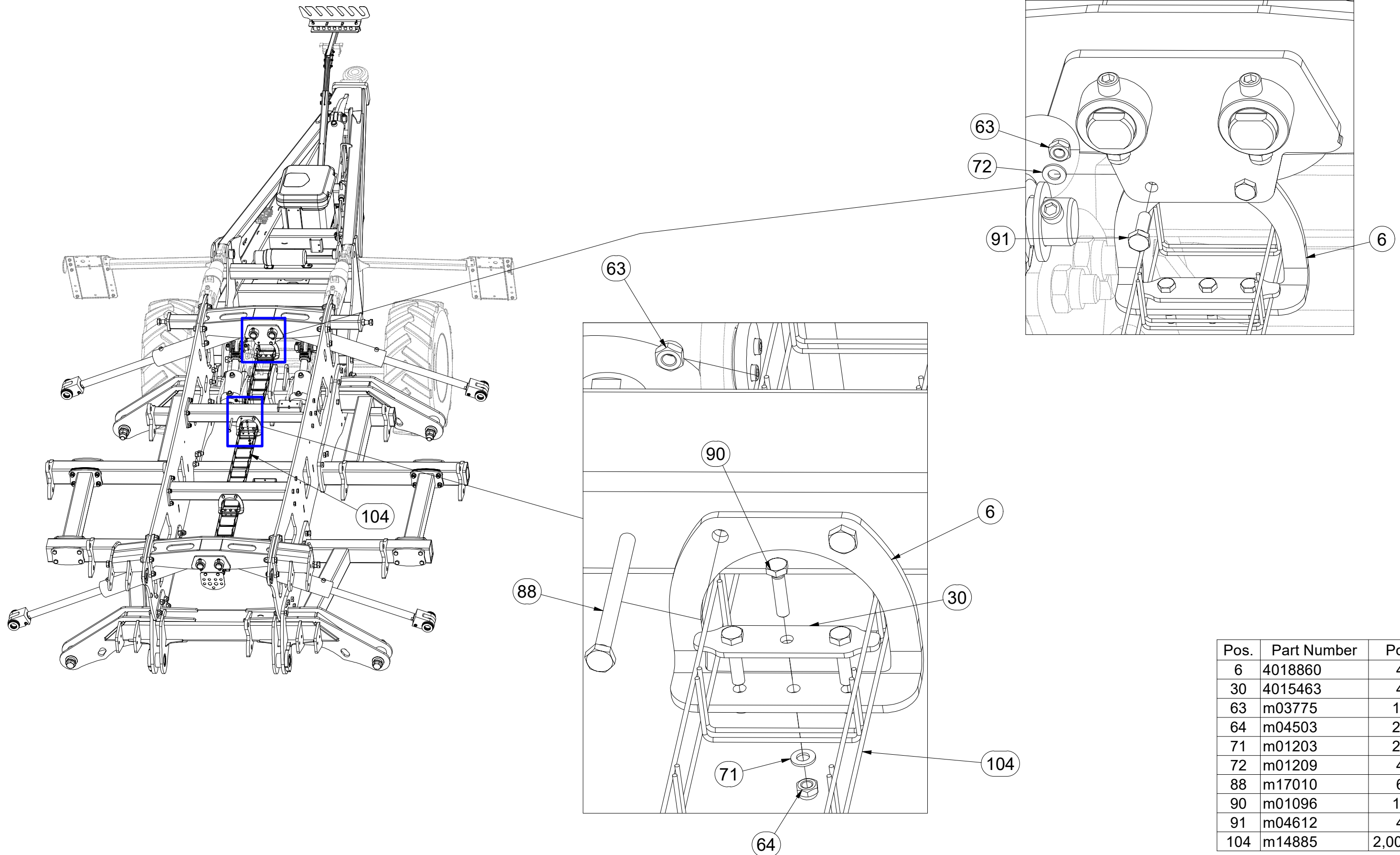


(CZ) STŘEDNÍ RÁM
 (D) RAHMEN, MITTLERE
 (F) CHASSIS CENTRAL

(GB) CENTRAL FRAME
 (RU) СРЕДНЯЯ РАМА
 (PL) ŚREDNIA RAMA



VZ00059493



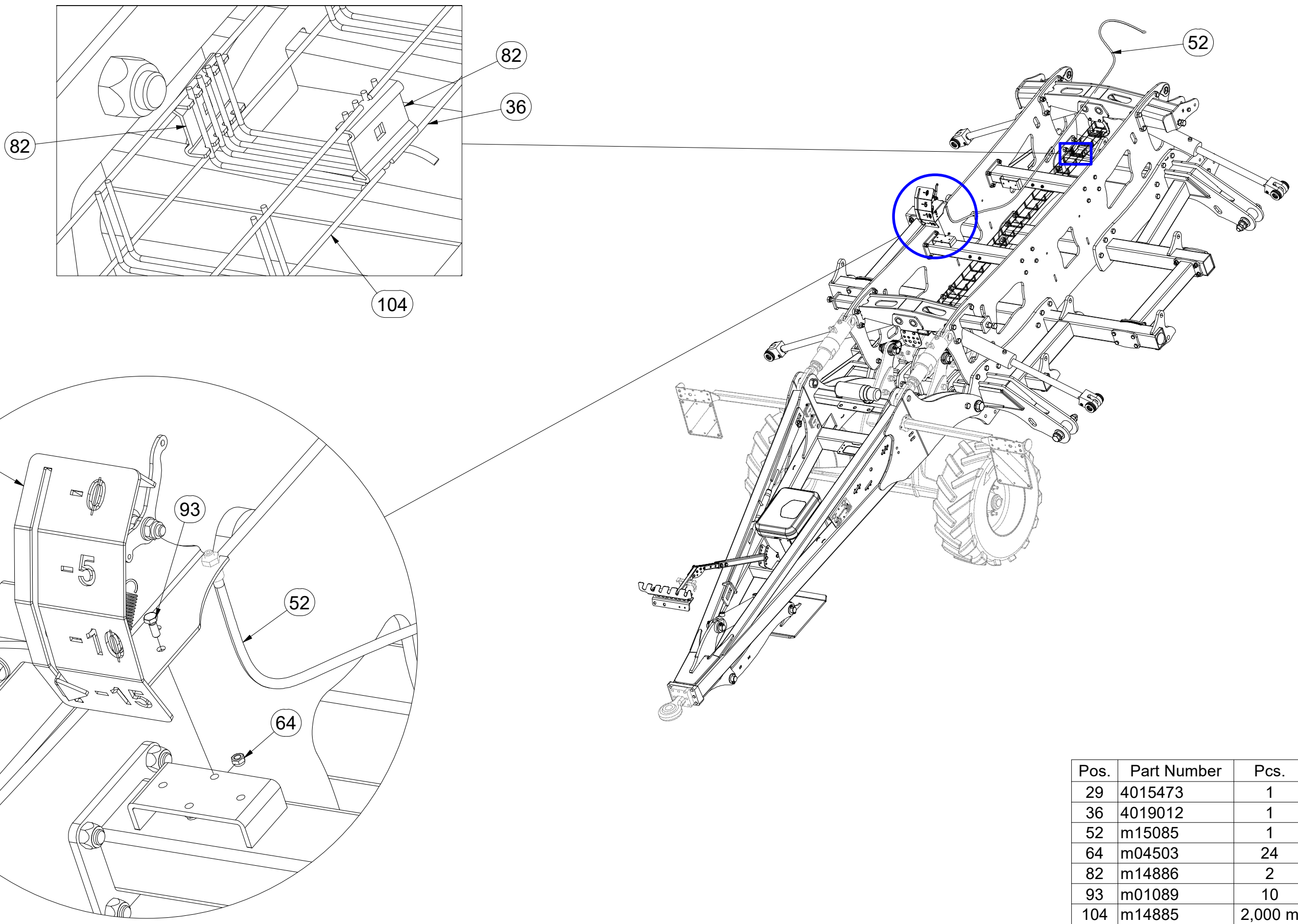
| Pos. | Part Number | Pcs. |
|------|-------------|---------|
| 6 | 4018860 | 4 |
| 30 | 4015463 | 4 |
| 63 | m03775 | 14 |
| 64 | m04503 | 24 |
| 71 | m01203 | 20 |
| 72 | m01209 | 4 |
| 88 | m17010 | 6 |
| 90 | m01096 | 14 |
| 91 | m04612 | 4 |
| 104 | m14885 | 2,000 m |

(CZ) STŘEDNÍ RÁM
 (D) RAHMEN, MITTLERE
 (F) CHASSIS CENTRAL

(GB) CENTRAL FRAME
 (RU) СРЕДНЯЯ РАМА
 (PL) ŚREDNIA RAMA



VZ00059493



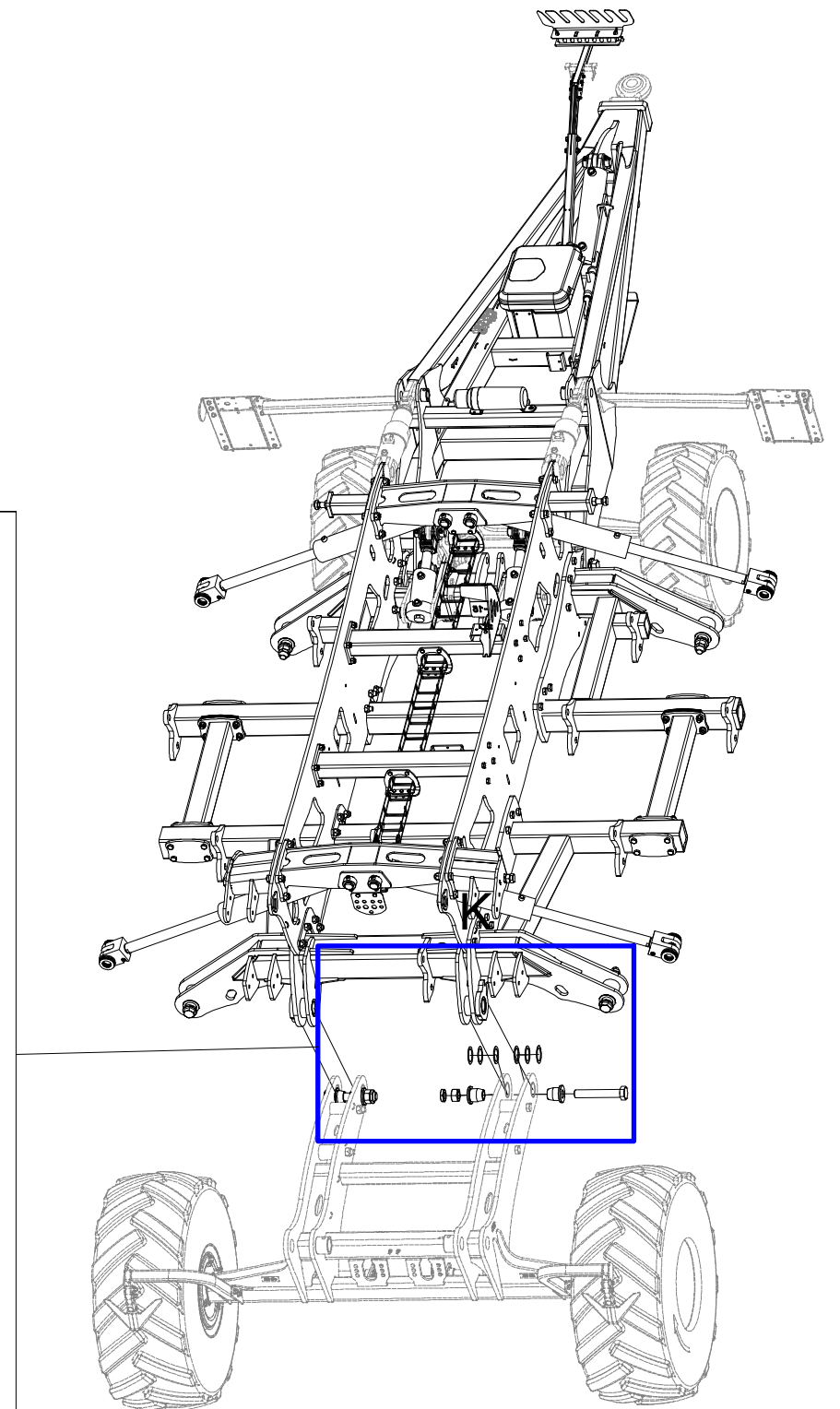
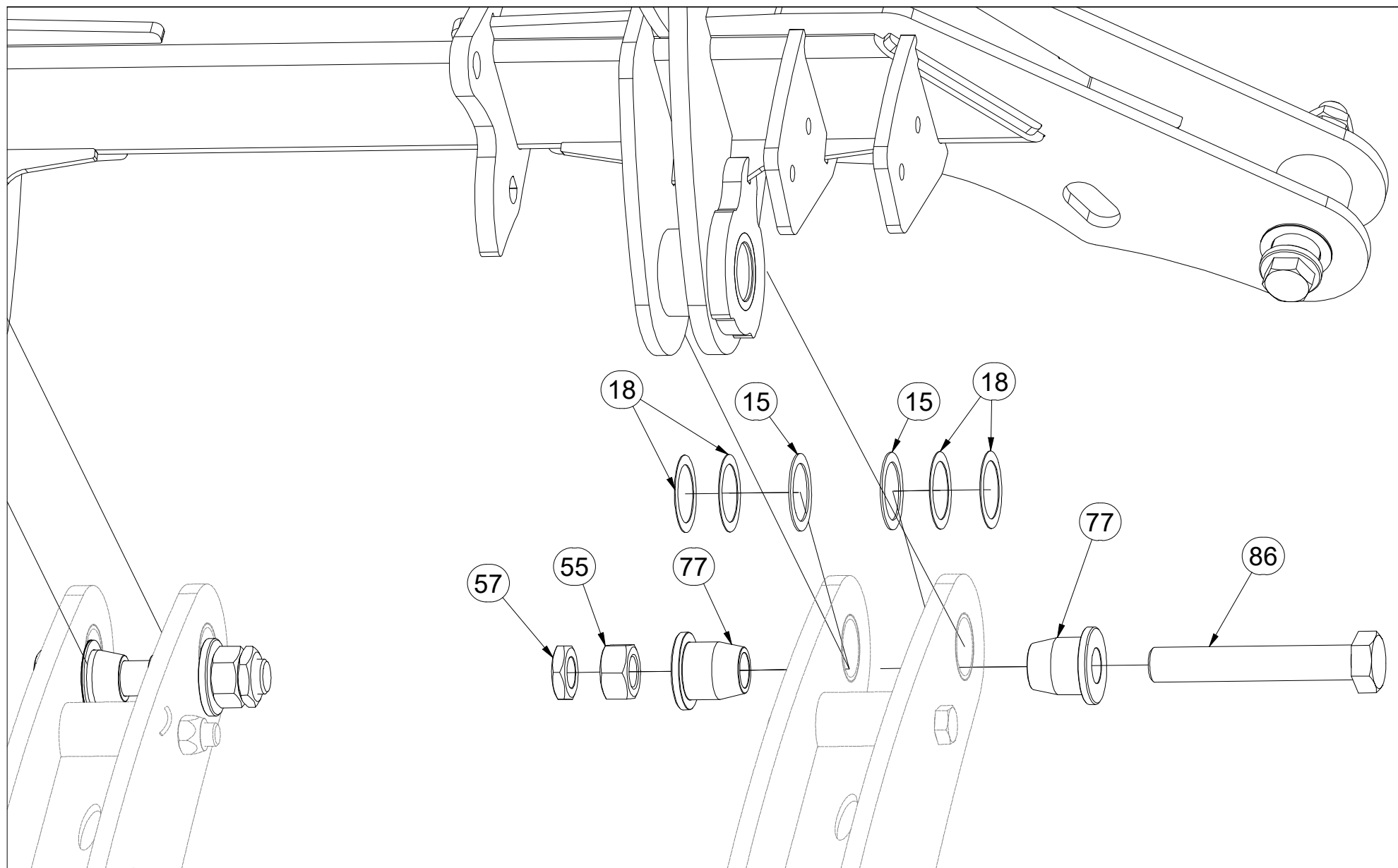
| Pos. | Part Number | Pcs. |
|------|-------------|---------|
| 29 | 4015473 | 1 |
| 36 | 4019012 | 1 |
| 52 | m15085 | 1 |
| 64 | m04503 | 24 |
| 82 | m14886 | 2 |
| 93 | m01089 | 10 |
| 104 | m14885 | 2,000 m |

CZ STŘEDNÍ RÁM
 D RAHMEN, MITTLERE
 F CHASSIS CENTRAL

GB CENTRAL FRAME
 RU СРЕДНЯЯ РАМА
 PL SREDNIA RAMA



VZ00059493



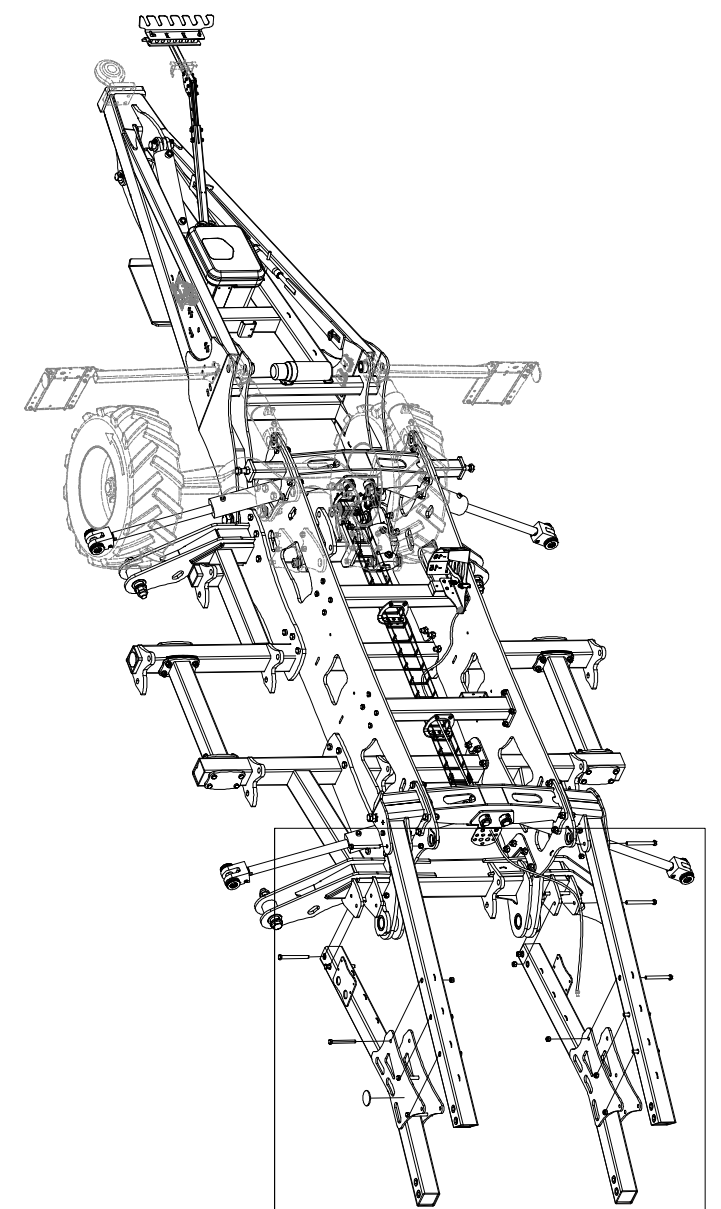
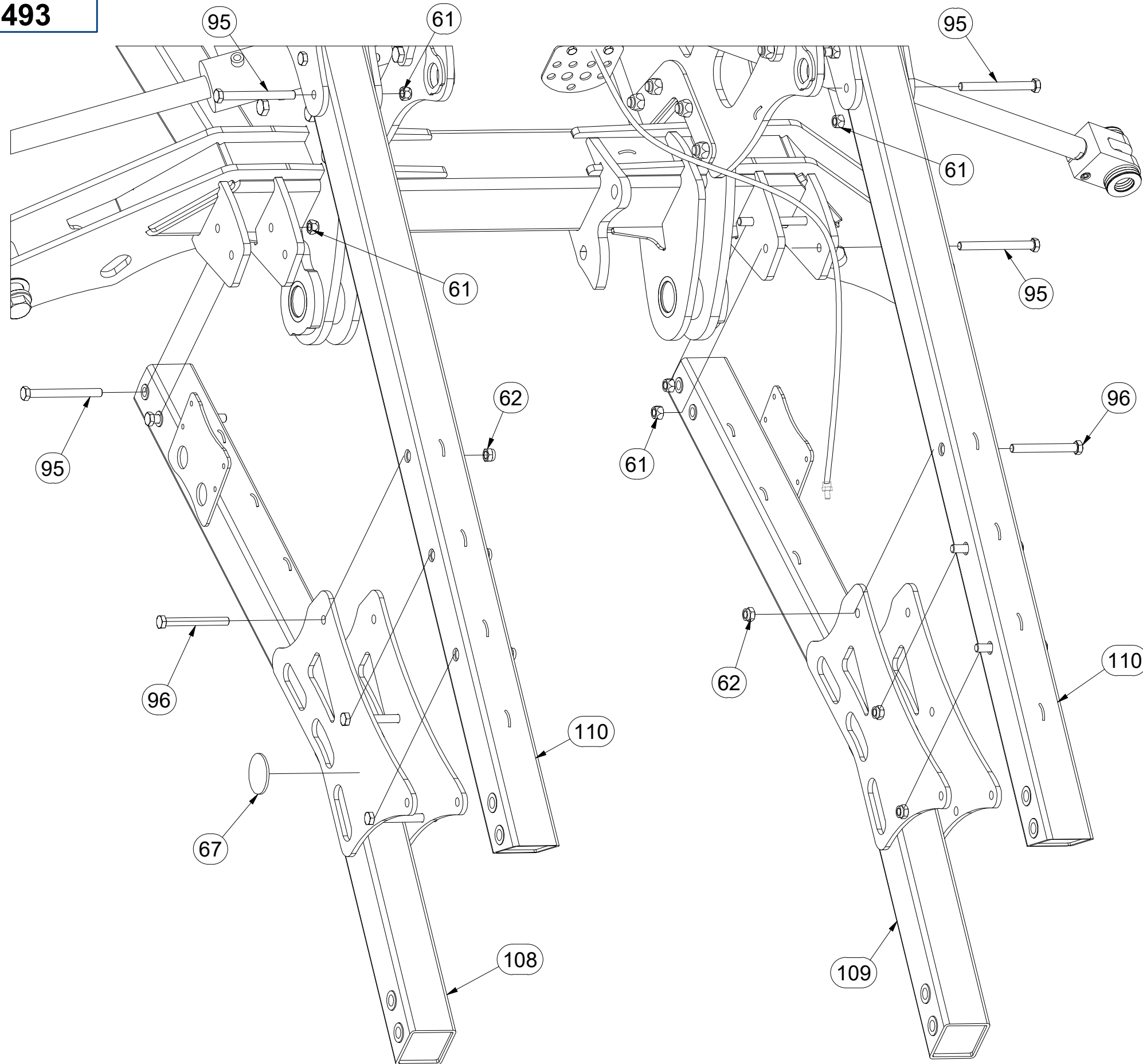
| Pos. | Part Number | Pcs. |
|------|-------------|------|
| 15 | 4018178 | 16 |
| 18 | 4023938 | 8 |
| 55 | m06316 | 6 |
| 57 | m18974 | 6 |
| 77 | m14790 | 8 |
| 86 | m14816 | 2 |

CZ STŘEDNÍ RÁM
 D RAHMEN, MITTLERE
 F CHASSIS CENTRAL

GB CENTRAL FRAME
 RU СРЕДНЯЯ РАМА
 PL SREDNIA RAMA



VZ00059493



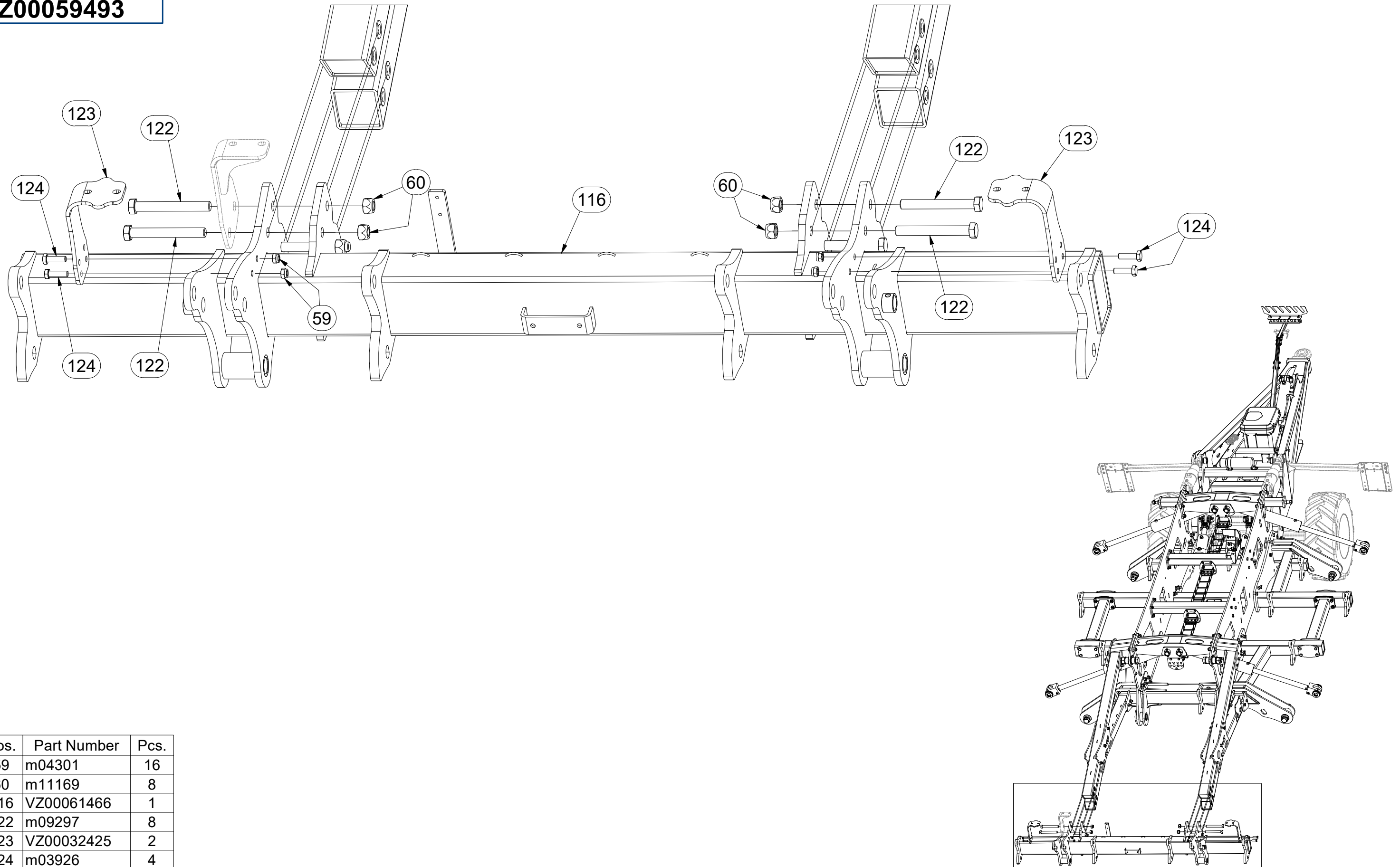
| Pos. | Part Number | Pcs. |
|------|-------------|------|
| 61 | m13846 | 8 |
| 62 | m03683 | 8 |
| 67 | m02579 | 4 |
| 95 | m14825 | 8 |
| 96 | m06046 | 6 |
| 108 | 3009340 | 1 |
| 109 | 3009345 | 1 |
| 110 | 3009339 | 2 |

Ⓒ STŘEDNÍ RÁM
 Ⓓ RAHMEN, MITTLERE
 Ⓕ CHASSIS CENTRAL

Ⓒ CENTRAL FRAME
 Ⓓ СРЕДНЯЯ РАМА
 Ⓕ SREDNIA RAMA



VZ00059493



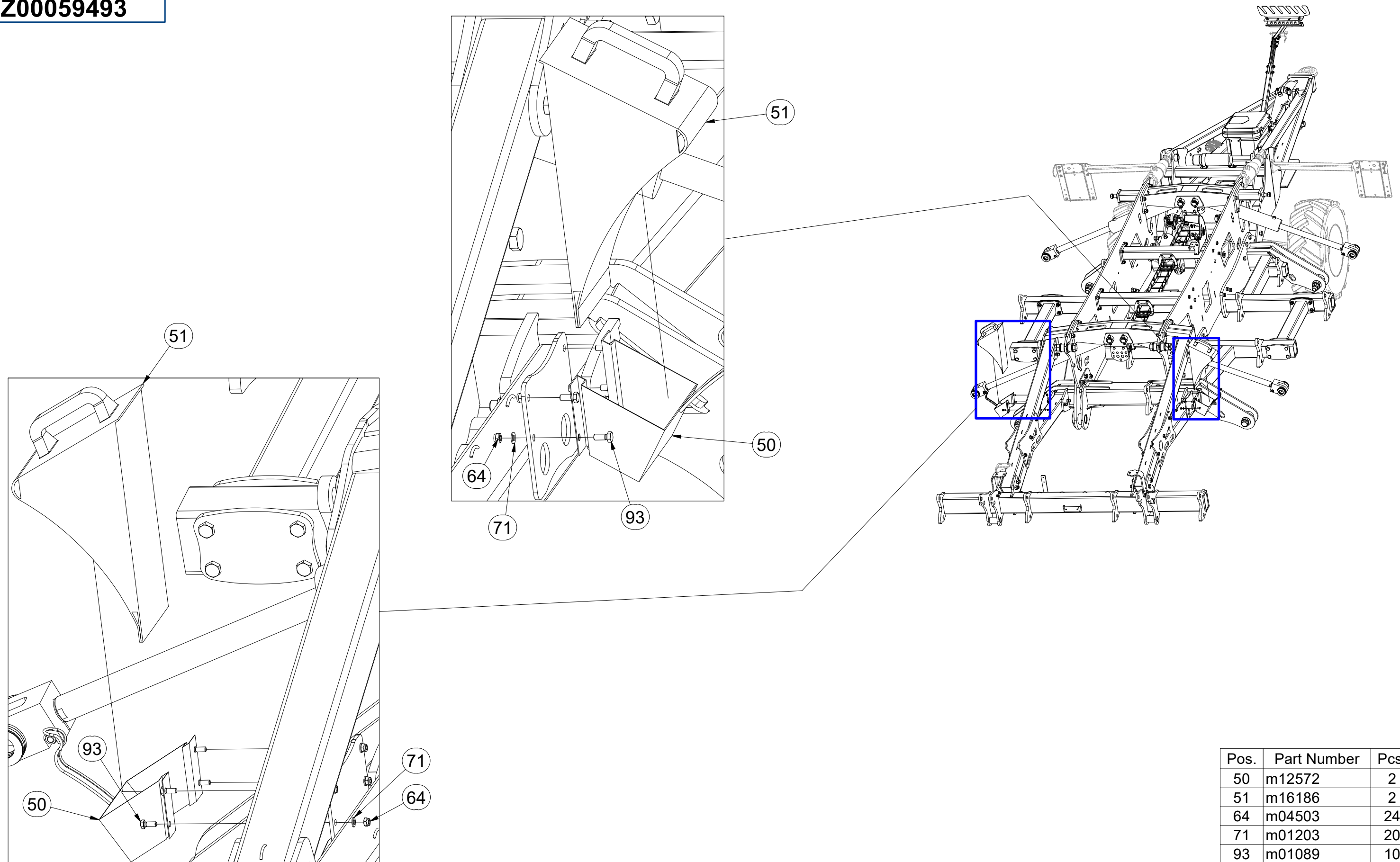
| Pos. | Part Number | Pcs. |
|------|-------------|------|
| 59 | m04301 | 16 |
| 60 | m11169 | 8 |
| 116 | VZ00061466 | 1 |
| 122 | m09297 | 8 |
| 123 | VZ00032425 | 2 |
| 124 | m03926 | 4 |

CZ STŘEDNÍ RÁM
 D RAHMEN, MITTLERE
 F CHASSIS CENTRAL

GB CENTRAL FRAME
 RU СРЕДНЯЯ РАМА
 PL SREDNIA RAMA



VZ00059493



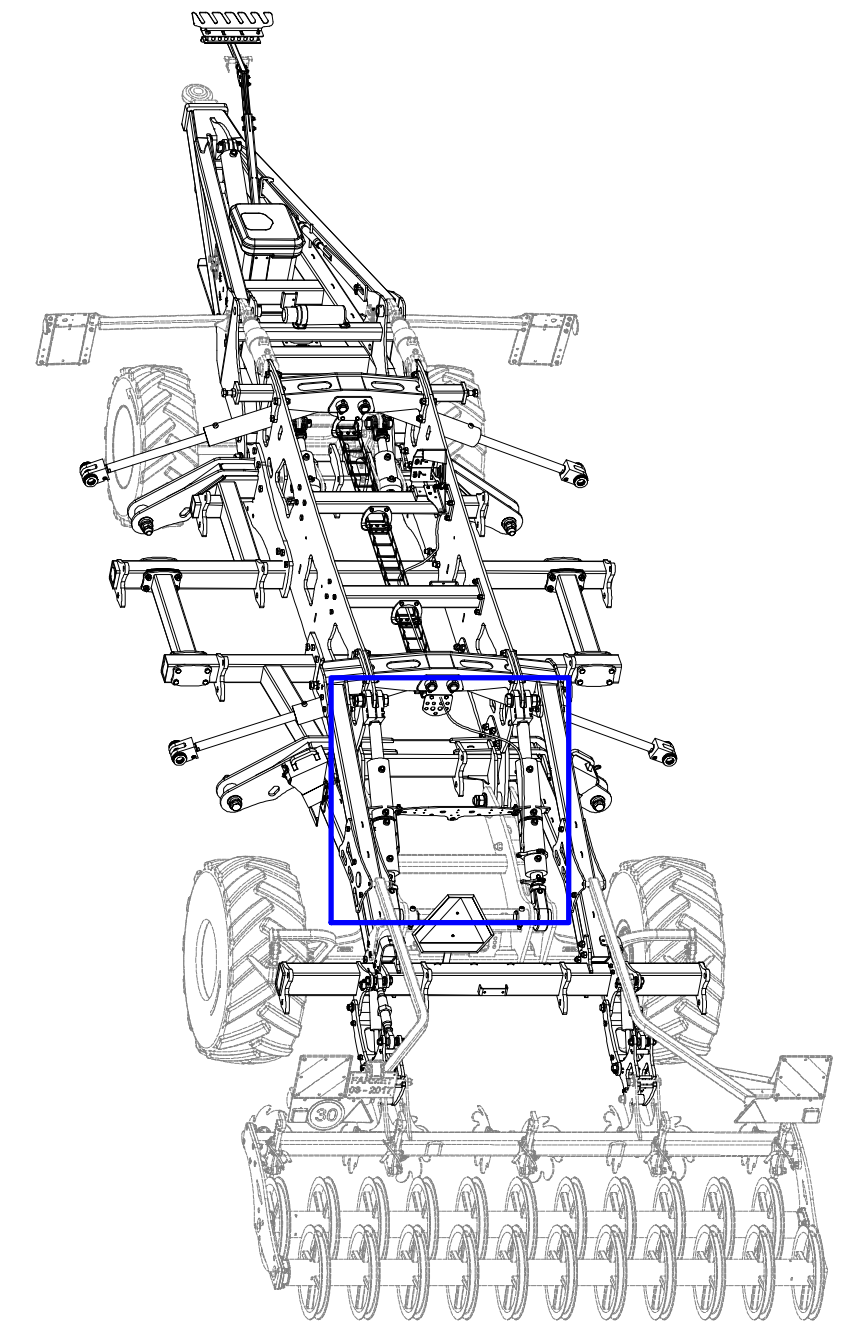
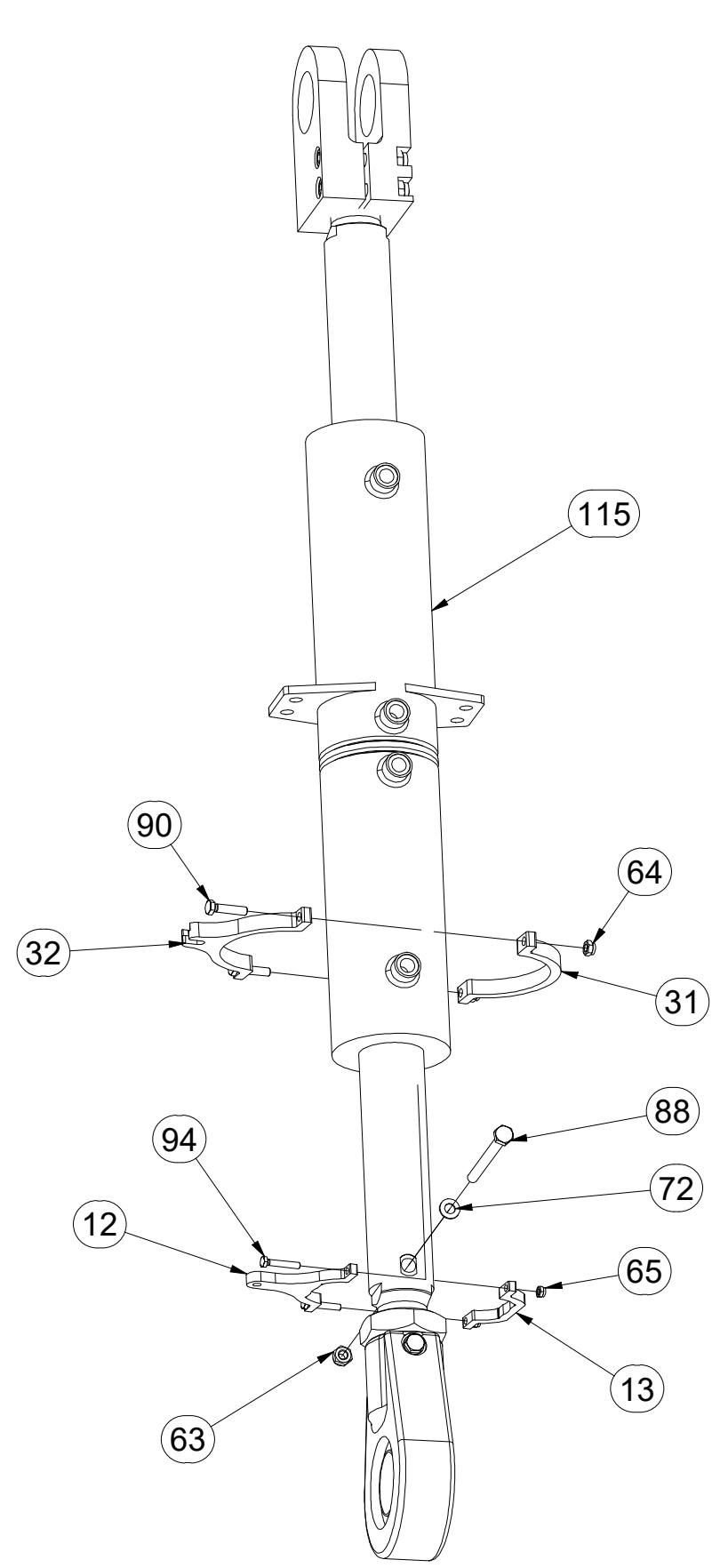
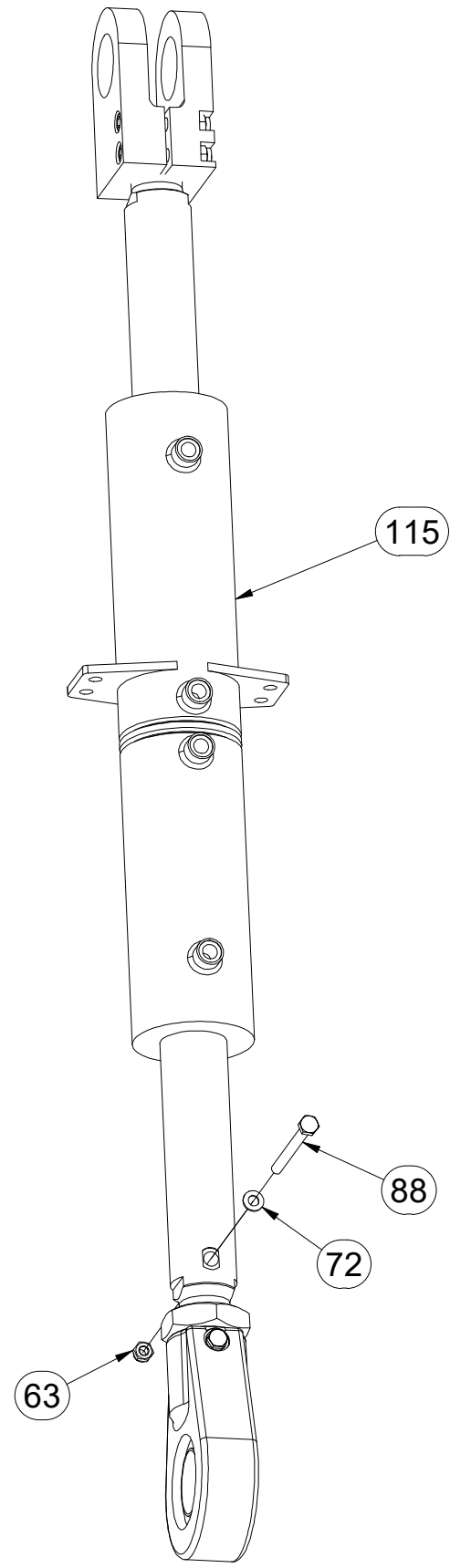
| Pos. | Part Number | Pcs. |
|------|-------------|------|
| 50 | m12572 | 2 |
| 51 | m16186 | 2 |
| 64 | m04503 | 24 |
| 71 | m01203 | 20 |
| 93 | m01089 | 10 |

CZ STŘEDNÍ RÁM
 D RAHMEN, MITTLERE
 F CHASSIS CENTRAL

GB CENTRAL FRAME
 RU СРЕДНЯЯ РАМА
 PL SREDNIA RAMA



VZ00059493



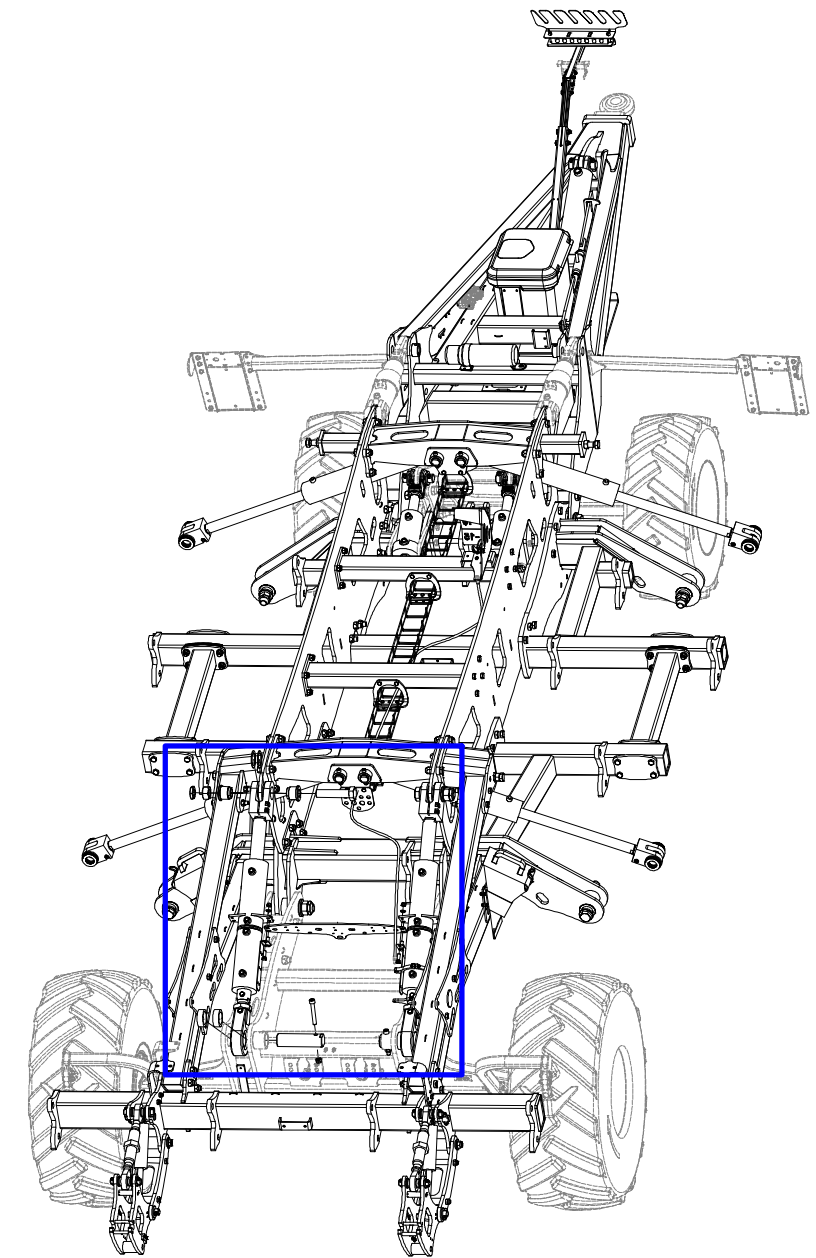
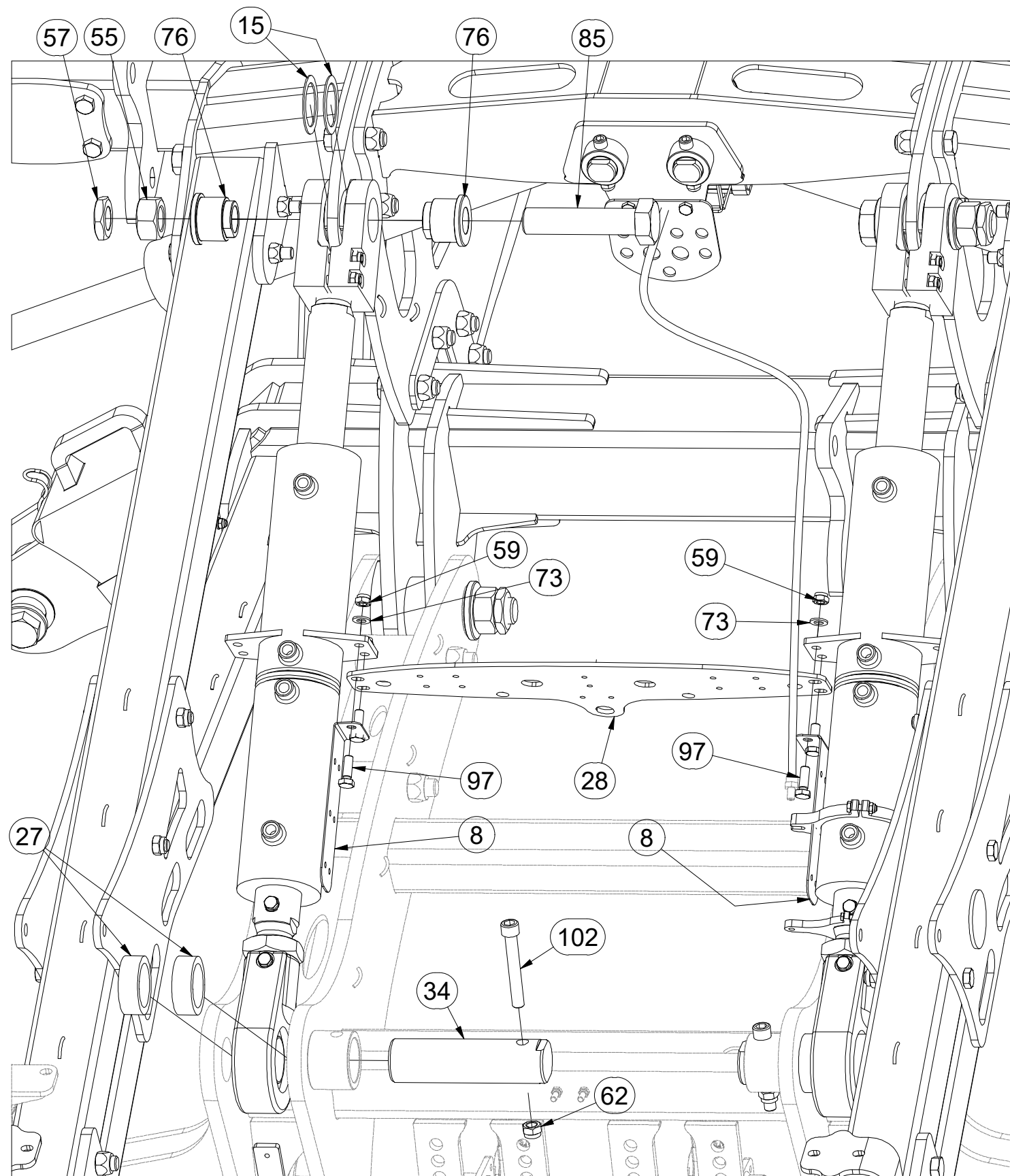
| Pos. | Part Number | Pcs. | Pos. | Part Number | Pcs. |
|------|-------------|------|------|-------------|------|
| 12 | 4019157 | 1 | 65 | m05560 | 4 |
| 13 | 4019158 | 1 | 72 | m01209 | 4 |
| 31 | 4019458 | 1 | 88 | m17010 | 6 |
| 32 | 4019457 | 1 | 90 | m01096 | 14 |
| 63 | m03775 | 14 | 94 | m04650 | 2 |
| 64 | m04503 | 24 | 115 | VZ00059853 | 2 |

CZ STŘEDNÍ RÁM
 D RAHMEN, MITTLERE
 F CHASSIS CENTRAL

GB CENTRAL FRAME
 RU СРЕДНЯЯ РАМА
 PL ŚREDNIA RAMA



VZ00059493



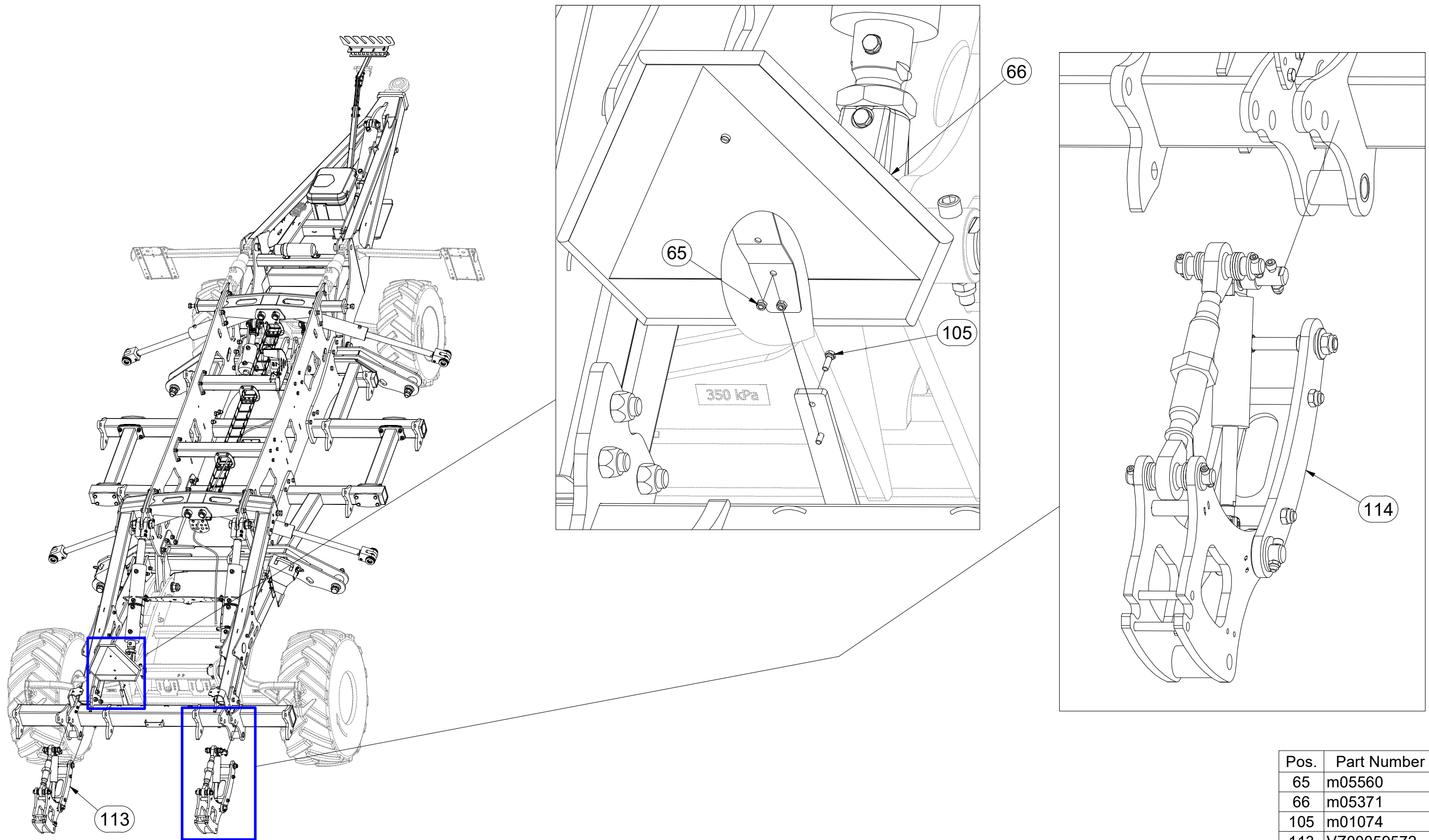
| Pos. | Part Number | Pcs. | Pos. | Part Number | Pcs. |
|------|-------------|------|------|-------------|------|
| 8 | VZ00002946 | 2 | 59 | m04301 | 16 |
| 15 | 4018178 | 16 | 62 | m03683 | 8 |
| 27 | 4020858 | 4 | 73 | m01214 | 4 |
| 28 | VZ00003791 | 1 | 76 | m14791 | 4 |
| 34 | 4020857 | 2 | 85 | m14828 | 2 |
| 55 | m06316 | 6 | 97 | m04343 | 4 |
| 57 | m18974 | 6 | 102 | m24966 | 2 |

(CZ) STŘEDNÍ RÁM
 (D) RAHMEN, MITTLERE
 (F) CHASSIS CENTRAL

(GB) CENTRAL FRAME
 (RU) СРЕДНЯЯ РАМА
 (PL) SREDNIA RAMA



VZ00059493



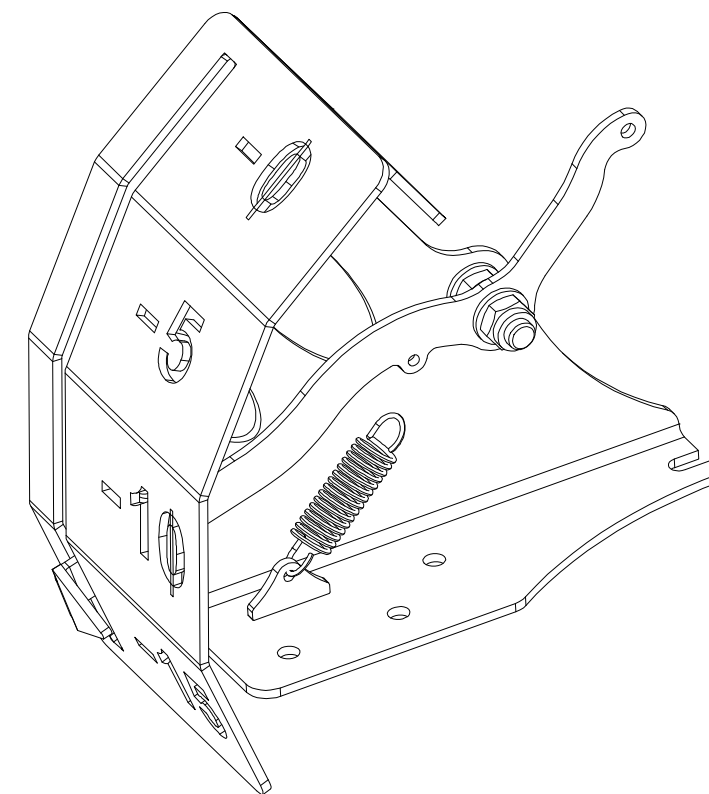
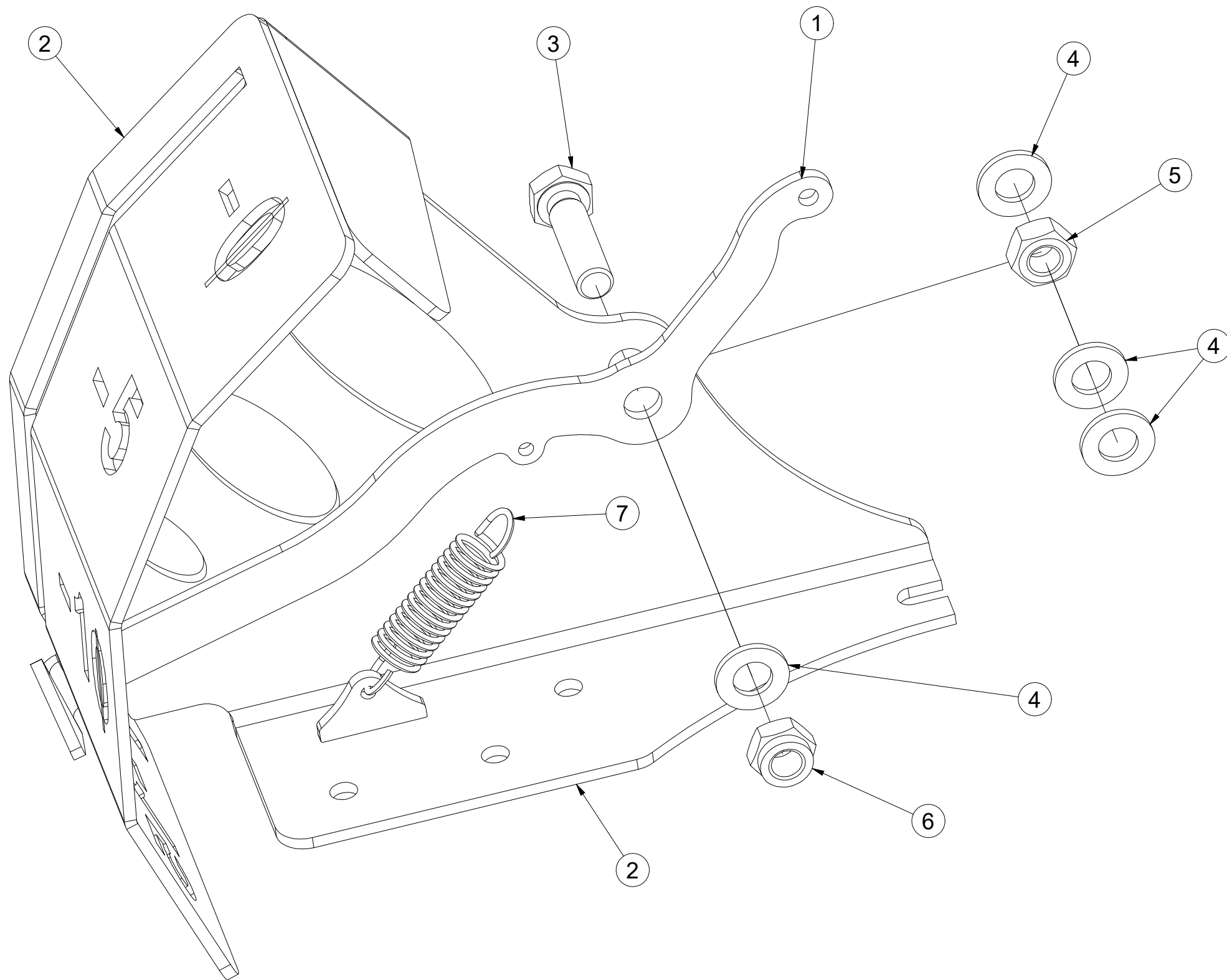
| Pos. | Part Number | Pcs. |
|------|-------------|------|
| 65 | m05560 | 4 |
| 66 | m05371 | 1 |
| 105 | m01074 | 2 |
| 113 | VZ00059572 | 1 |
| 114 | VZ00059571 | 1 |

CZ UKAZATEL
 D ANZEIGE
 F INDICATEUR

GB POINTER
 RU УКАЗАТЕЛЬ
 PL WSKAŹNIK



4015473



| Pos. | Part Number | Pcs. |
|------|-------------|------|
| 1 | 4015469 | 1 |
| 2 | 4015472 | 1 |
| 3 | m01128 | 1 |
| 4 | m01214 | 4 |
| 5 | m01305 | 1 |
| 6 | m13618 | 1 |
| 7 | m15186 | 1 |

Ⓒ RAMENO

Ⓓ HEBEL

Ⓕ LEVIER

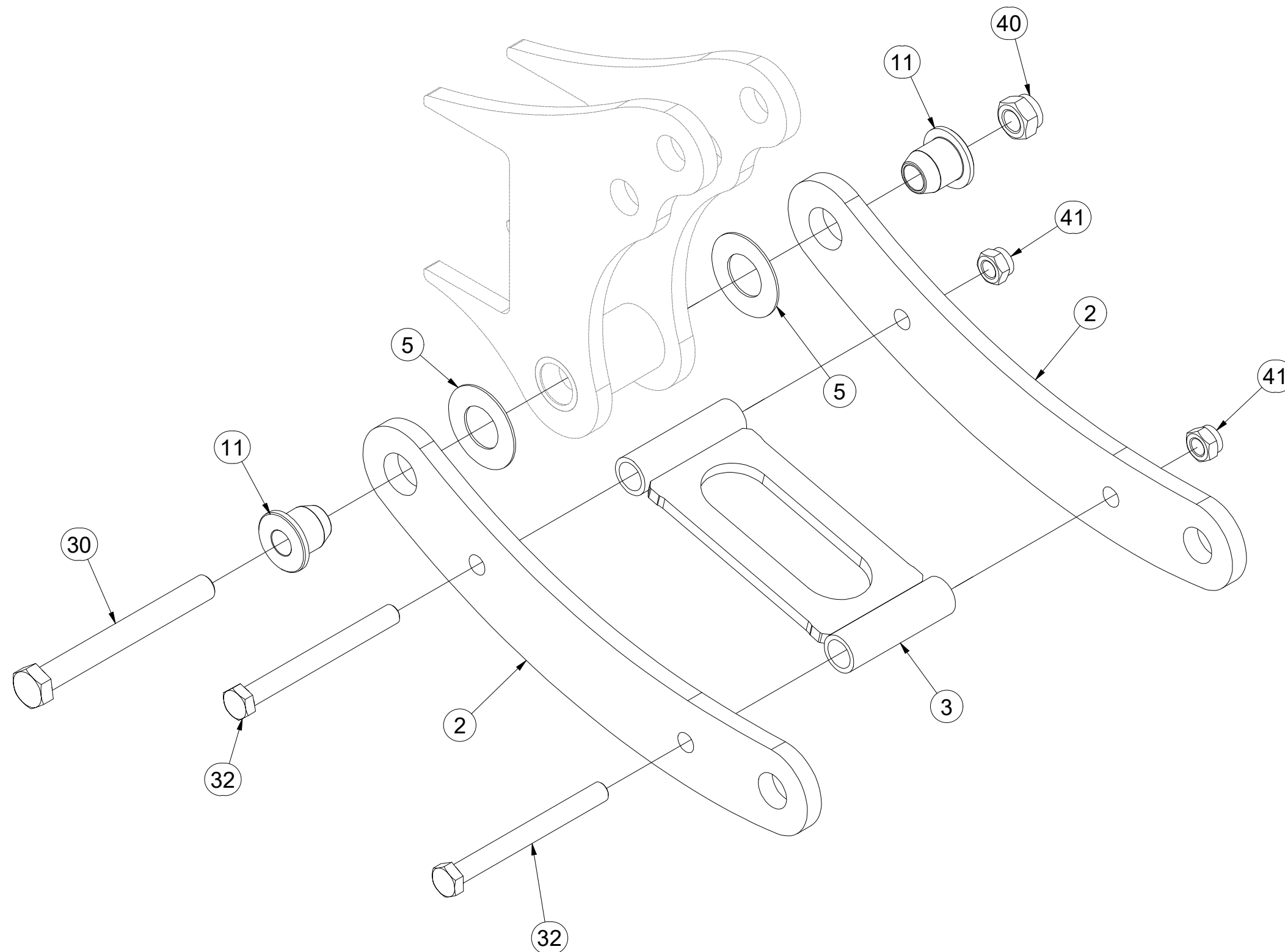
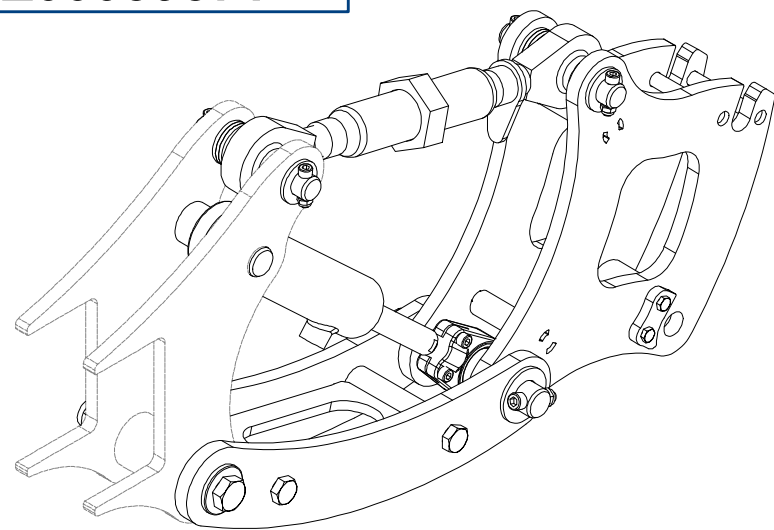
Ⓒ LEVER

Ⓓ РЫЧАГ

Ⓒ DŹWIGNIA



VZ00059571



| Pos. | Part Number | Pcs. |
|------|-------------|------|
| 2 | VZ00035238 | 2 |
| 3 | VZ00036015 | 1 |
| 5 | VZ00036020 | 4 |
| 11 | m14809 | 2 |
| 30 | m14812 | 1 |
| 32 | m05724 | 2 |
| 40 | m05648 | 1 |
| 41 | m03683 | 2 |

Ⓒ RAMENO

Ⓓ HEBEL

Ⓕ LEVIER

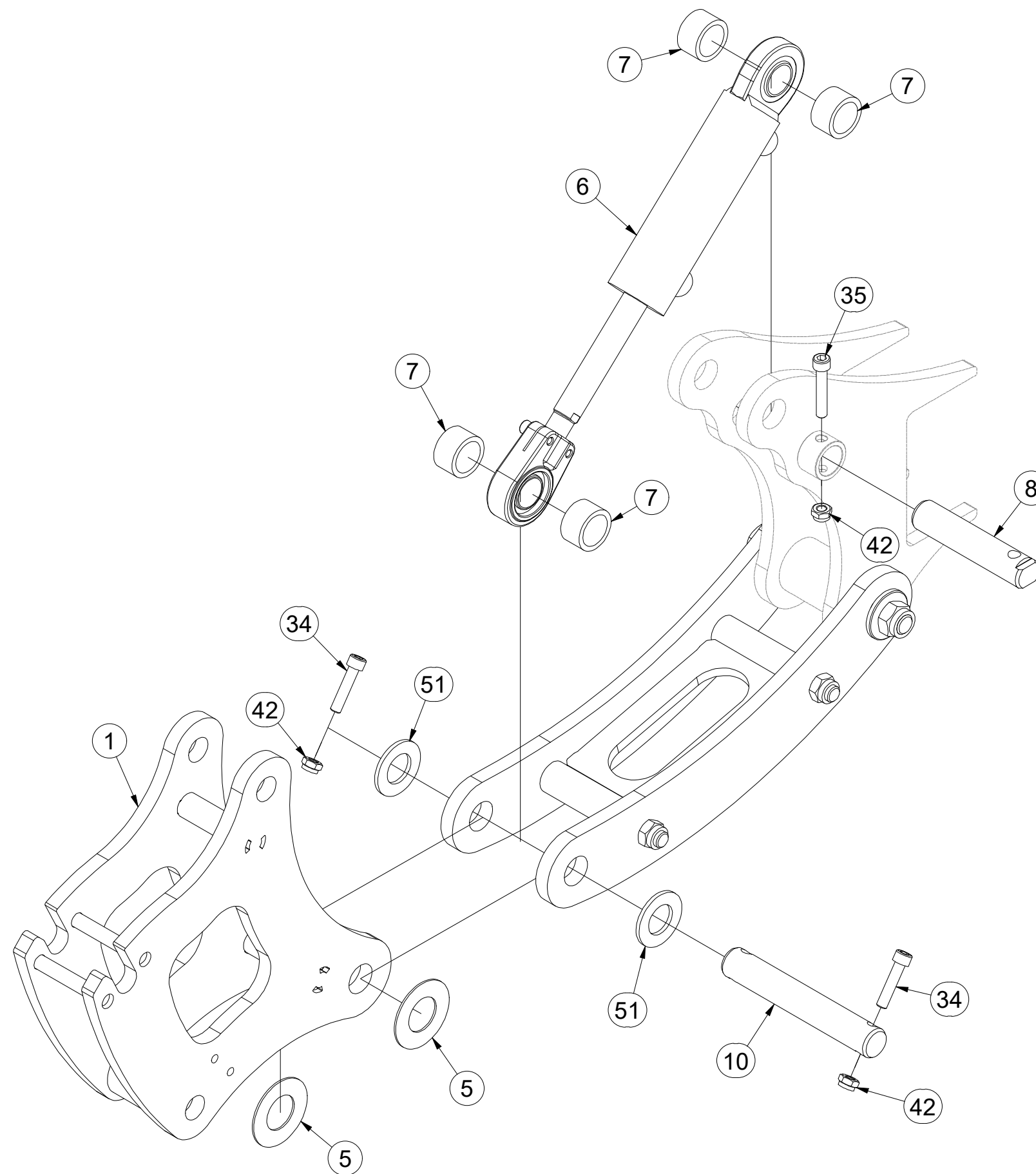
Ⓒ LEVER

Ⓓ РЫЧАГ

Ⓒ DŹWIGNIA



VZ00059571



| Pos. | Part Number | Pcs. |
|------|-------------|------|
| 1 | VZ00035236 | 1 |
| 5 | VZ00036020 | 4 |
| 6 | VZ00059782 | 1 |
| 7 | VZ00028345 | 4 |
| 8 | VZ00035475 | 1 |
| 10 | VZ00036038 | 1 |
| 34 | m14143 | 2 |
| 35 | m14863 | 1 |
| 42 | m03775 | 3 |
| 51 | m14029 | 2 |

Ⓒ RAMENO

Ⓓ HEBEL

Ⓕ LEVIER

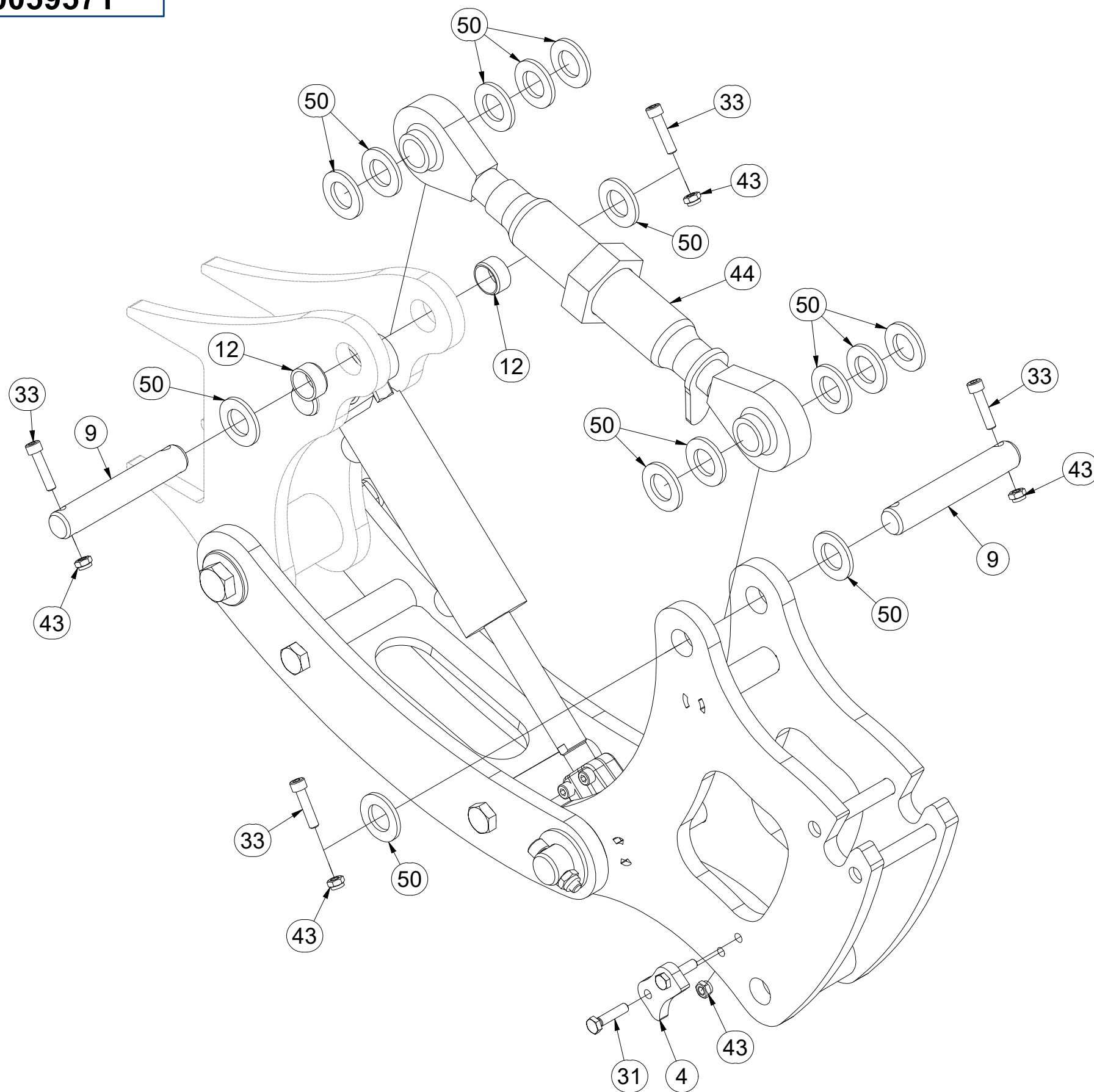
Ⓒ LEVER

Ⓓ РЫЧАГ

Ⓒ DŹWIGNIA



VZ00059571



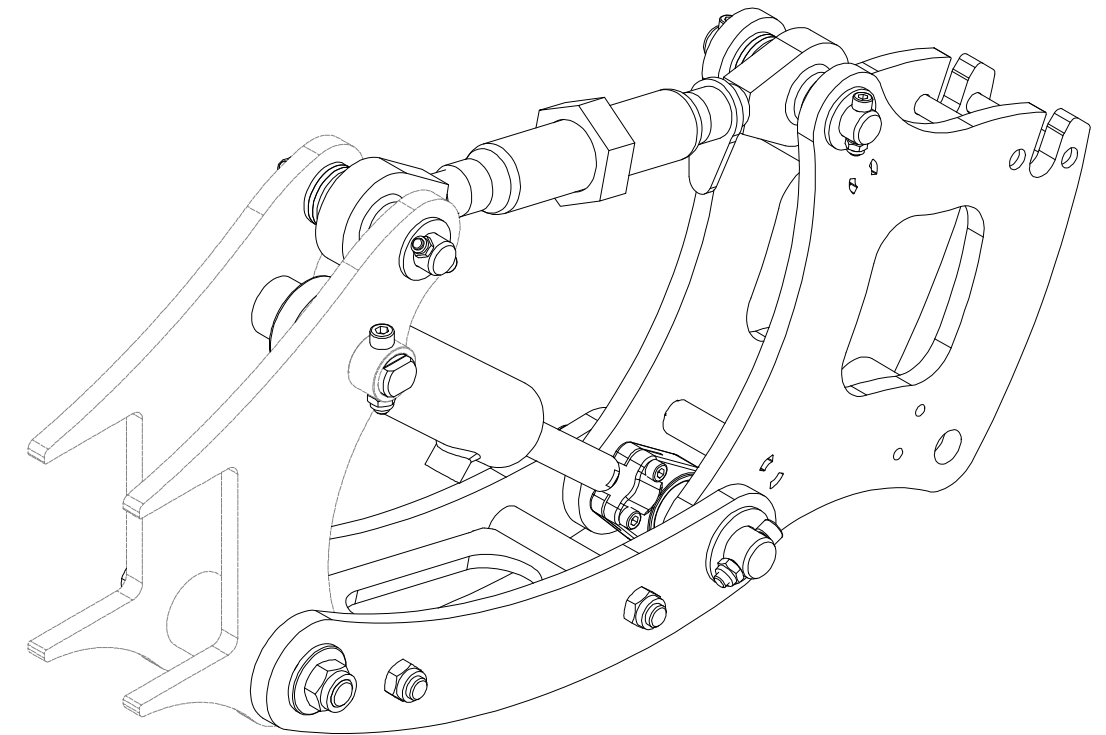
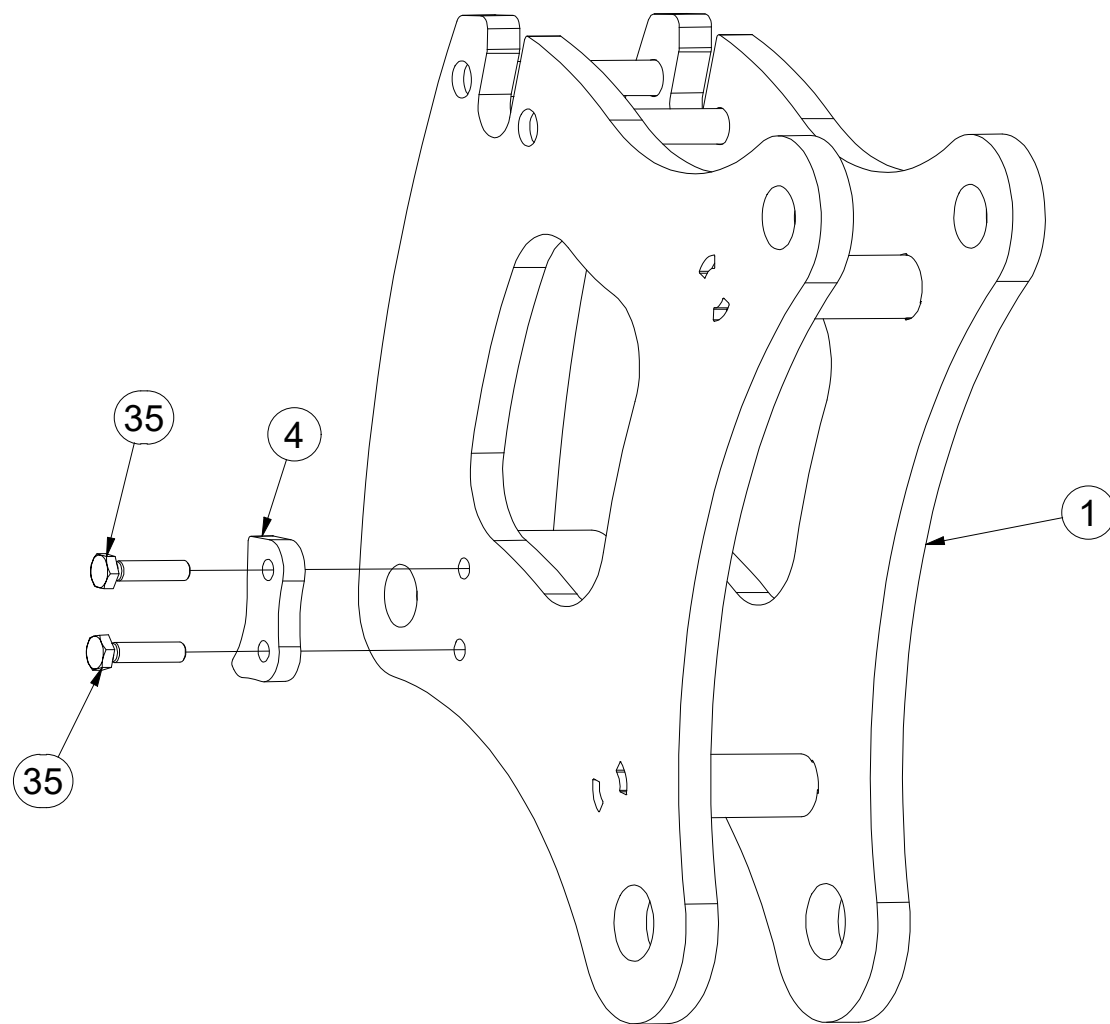
| Pos. | Part Number | Pcs. |
|------|-------------|------|
| 4 | VZ00028347 | 1 |
| 9 | 4020195 | 2 |
| 12 | m14980 | 2 |
| 31 | m01096 | 2 |
| 33 | m09464 | 4 |
| 43 | m04503 | 6 |
| 44 | VZ00028350 | 1 |
| 50 | m03718 | 14 |

CZ PARALELOGRAM - LEVÝ
 D PARALLELOGRAMM - LINKES
 F PARALLÉLOGRAMME - GAUCHE

GB PARALLELOGRAM - LEFT
 RU ПАРАЛЛЕЛОГРАММ - ЛЕВЫЙ
 PL PARALELOGRAM - LEWY



VZ00059572



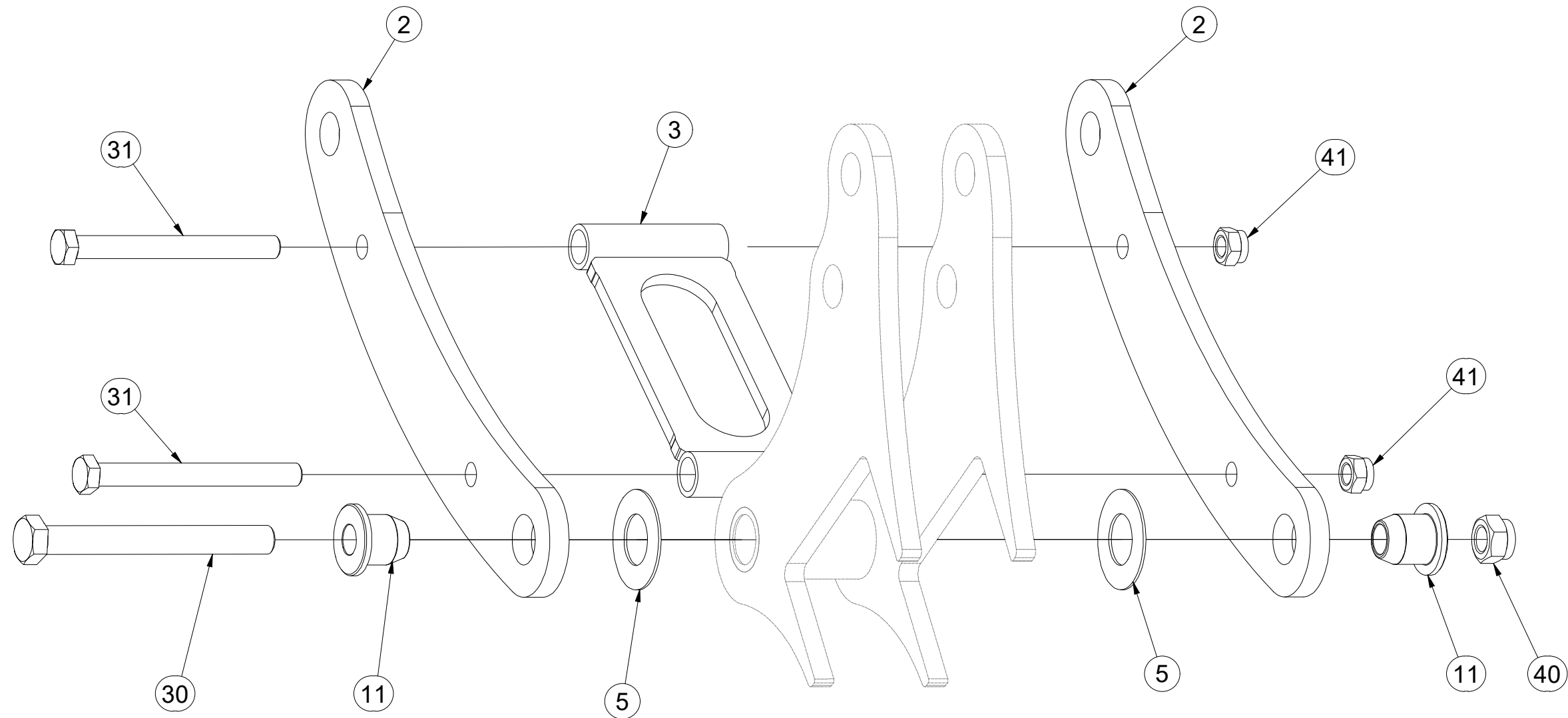
| Pos. | Part Number | Pcs. |
|------|-------------|------|
| 1 | VZ00035236 | 1 |
| 4 | VZ00028347 | 1 |
| 35 | m01096 | 2 |

(CZ) PARALELOGRAM - LEVÝ
 (D) PARALLELOGRAMM - LINKES
 (F) PARALLÉLOGRAMME - GAUCHE

(GB) PARALLELOGRAM - LEFT
 (RU) ПАРАЛЛЕЛОГРАММ - ЛЕВЫЙ
 (PL) PARALELOGRAM - LEWY



VZ00059572



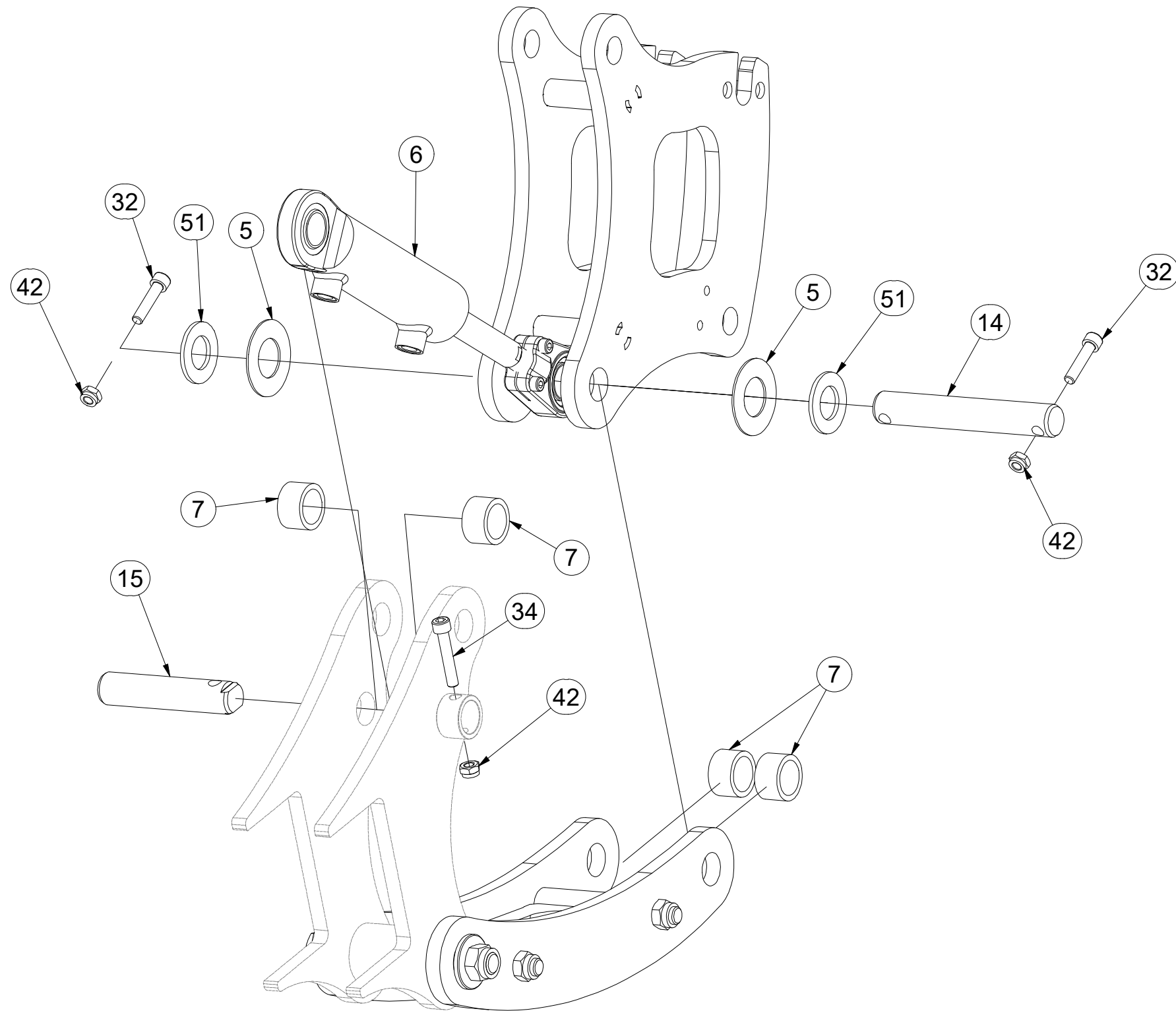
| Pos. | Part Number | Pcs. |
|------|-------------|------|
| 2 | VZ00035238 | 2 |
| 3 | VZ00036015 | 1 |
| 5 | VZ00036020 | 4 |
| 11 | m14809 | 2 |
| 30 | m14812 | 1 |
| 31 | m05724 | 2 |
| 40 | m05648 | 1 |
| 41 | m03683 | 2 |

CZ PARALELOGRAM - LEVÝ
 D PARALLELOGRAMM - LINKES
 F PARALLÉLOGRAMME - GAUCHE

GB PARALLELOGRAM - LEFT
 RU ПАРАЛЛЕЛОГРАММ - ЛЕВЫЙ
 PL PARALELOGRAM - LEWY



VZ00059572



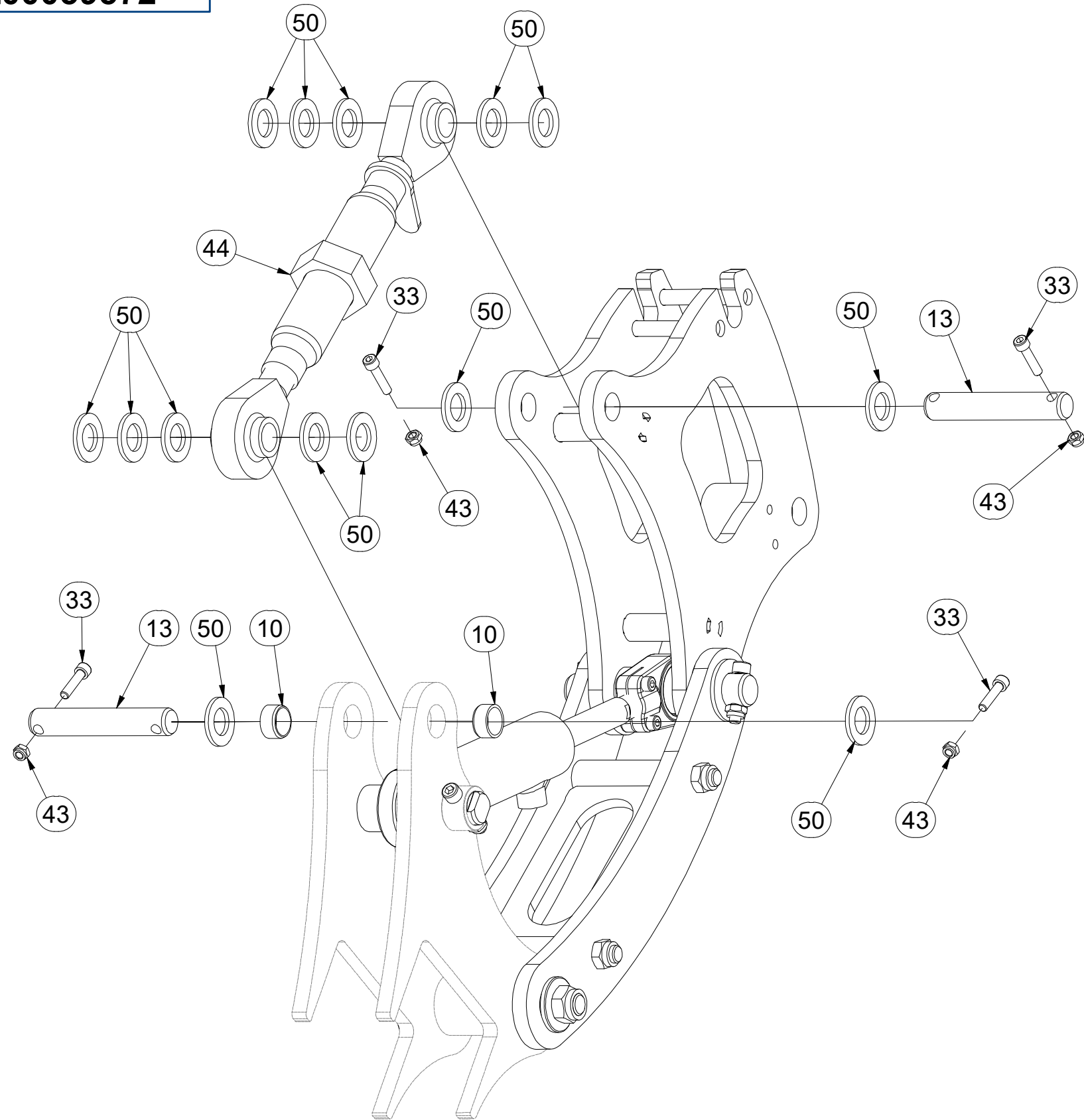
| Pos. | Part Number | Pcs. |
|------|-------------|------|
| 5 | VZ00036020 | 4 |
| 6 | VZ00059782 | 1 |
| 7 | VZ00028345 | 4 |
| 14 | VZ00036038 | 1 |
| 15 | VZ00035475 | 1 |
| 32 | m14143 | 2 |
| 34 | m14863 | 1 |
| 42 | m03775 | 3 |
| 51 | m14029 | 2 |

CZ PARALELOGRAM - LEVÝ
 D PARALLELOGRAMM - LINKES
 F PARALLÉLOGRAMME - GAUCHE

GB PARALLELOGRAM - LEFT
 RU ПАРАЛЛЕЛОГРАММ - ЛЕВЫЙ
 PL PARALELOGRAM - LEWY



VZ00059572



| Pos. | Part Number | Pcs. |
|------|-------------|------|
| 10 | m14980 | 2 |
| 13 | 4020195 | 2 |
| 33 | m09464 | 4 |
| 43 | m04503 | 6 |
| 44 | VZ00028350 | 1 |
| 50 | m03718 | 14 |

Ⓒ NAPÍNACÍ MATICE

Ⓓ SPANNMUTTER

Ⓕ ÉCROU TENDEUR

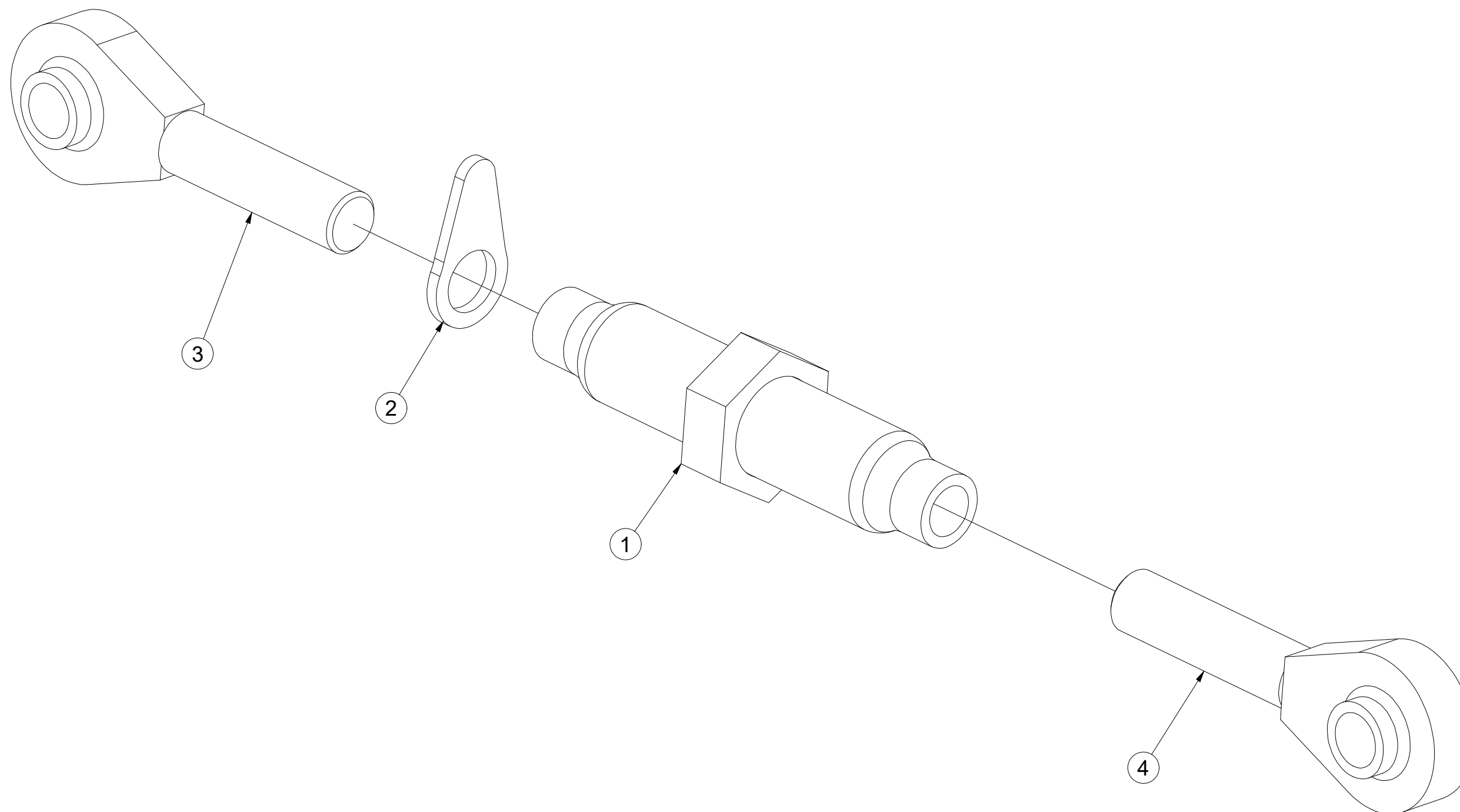
VZ00028350

Ⓖ TURNBUCKLE

Ⓡ НАТЯЖНАЯ ГАЙКА

Ⓢ НАКРЕТКА НАПИНАЮЩА

Farmet



| Pos. | Part Number | Pcs. |
|------|-------------|------|
| 1 | 4018633 | 1 |
| 2 | m14772 | 1 |
| 3 | m16502 | 1 |
| 4 | m16503 | 1 |

ⒸZ OJ MONT

Ⓓ DEICHSEL MONTIERT

Ⓕ TIMON MONTÉ

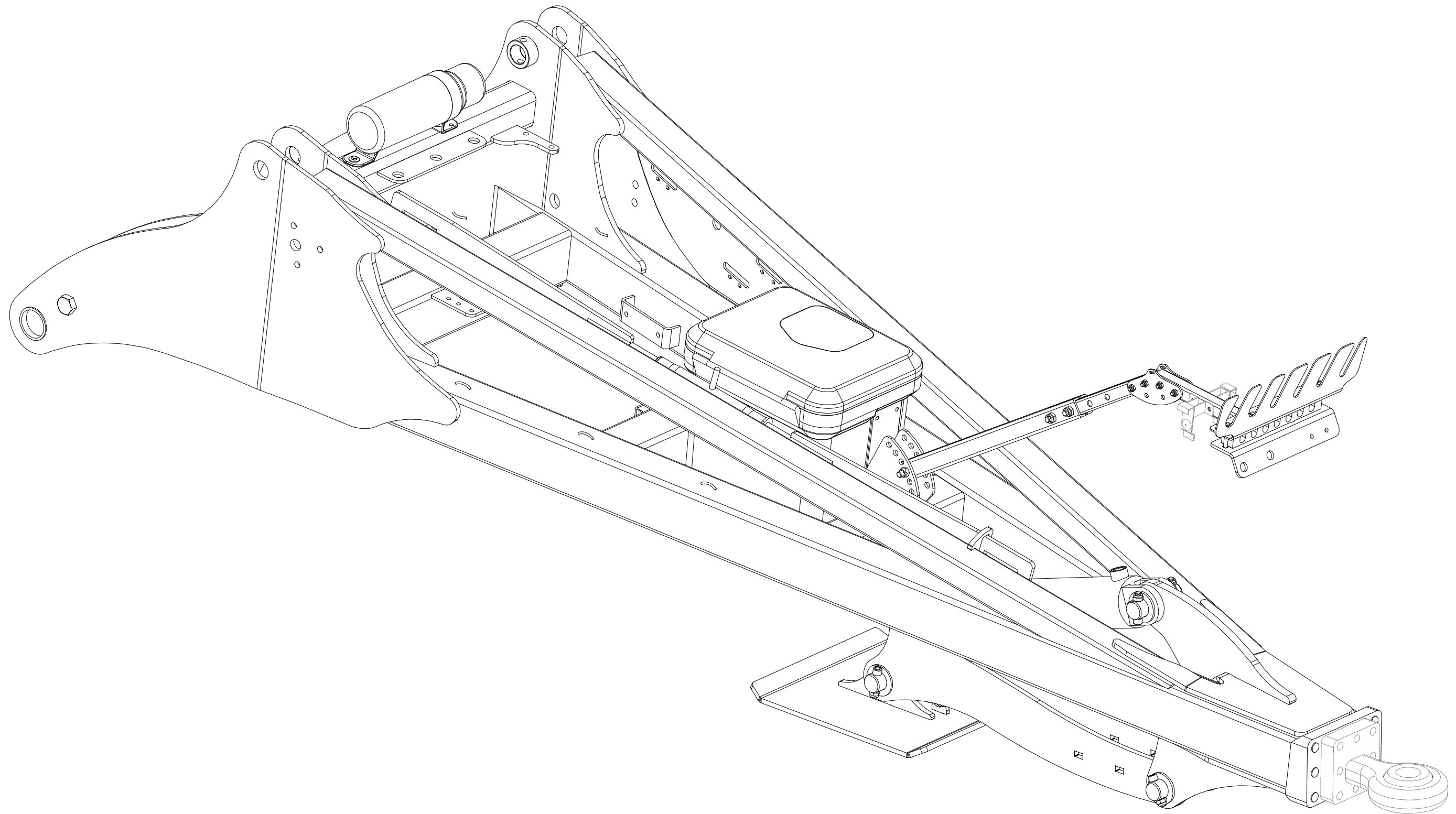
3010461

ⒼB MONT DRAWBAR

ⒺD ДЫШЛО МОНТ

ⒽL DYSZEL MONT

Farmet



ⒸZ OJ MONT

Ⓓ DEICHSEL MONTIERT

Ⓕ TIMON MONTÉ

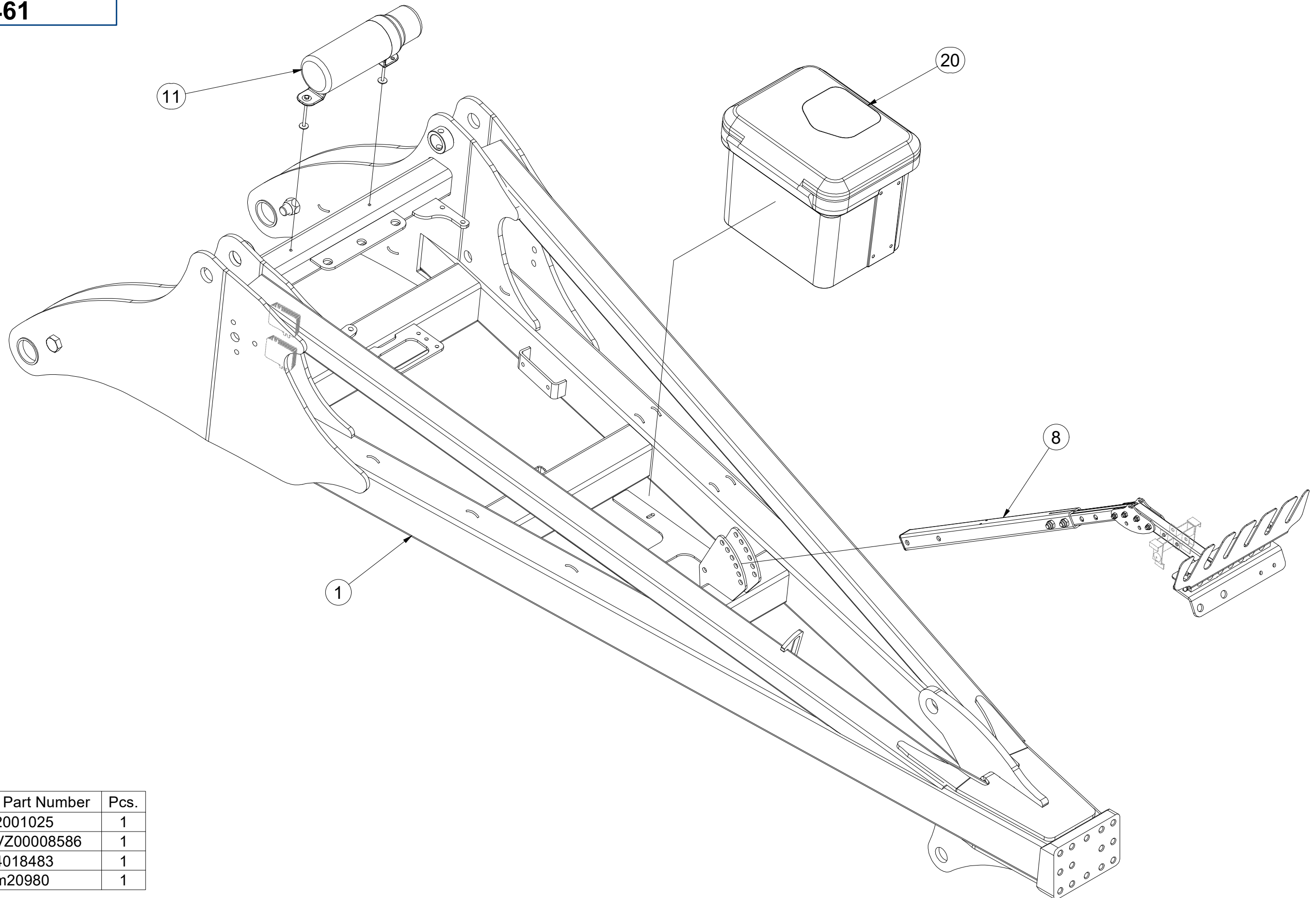
ⒼB MONT DRAWBAR

Ⓔ RU ДЫШЛО МОНТ

ⒼL DYSZEL MONT



3010461



| Pos. | Part Number | Pcs. |
|------|-------------|------|
| 1 | 2001025 | 1 |
| 8 | VZ00008586 | 1 |
| 11 | 4018483 | 1 |
| 20 | m20980 | 1 |

ⒸZ OJ MONT

Ⓓ DEICHSEL MONTIERT

Ⓕ TIMON MONTÉ

ⒼB MONT DRAWBAR

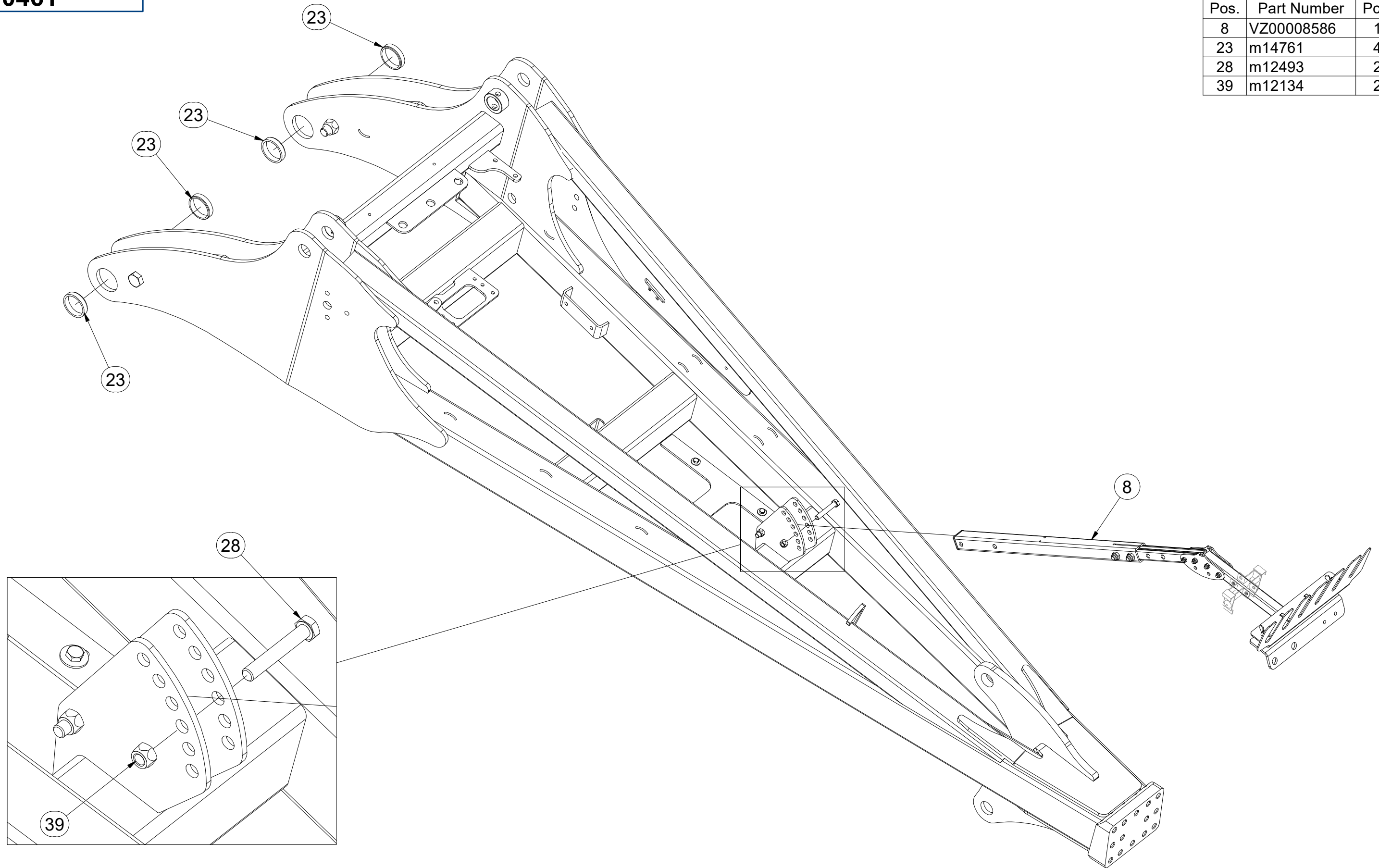
ⒺU ДЫШЛО МОНТ

ⒼL DYSZEL MONT



3010461

| Pos. | Part Number | Pcs. |
|------|-------------|------|
| 8 | VZ00008586 | 1 |
| 23 | m14761 | 4 |
| 28 | m12493 | 2 |
| 39 | m12134 | 2 |



ⒸZ OJ MONT

Ⓓ DEICHSEL MONTIERT

Ⓕ TIMON MONTÉ

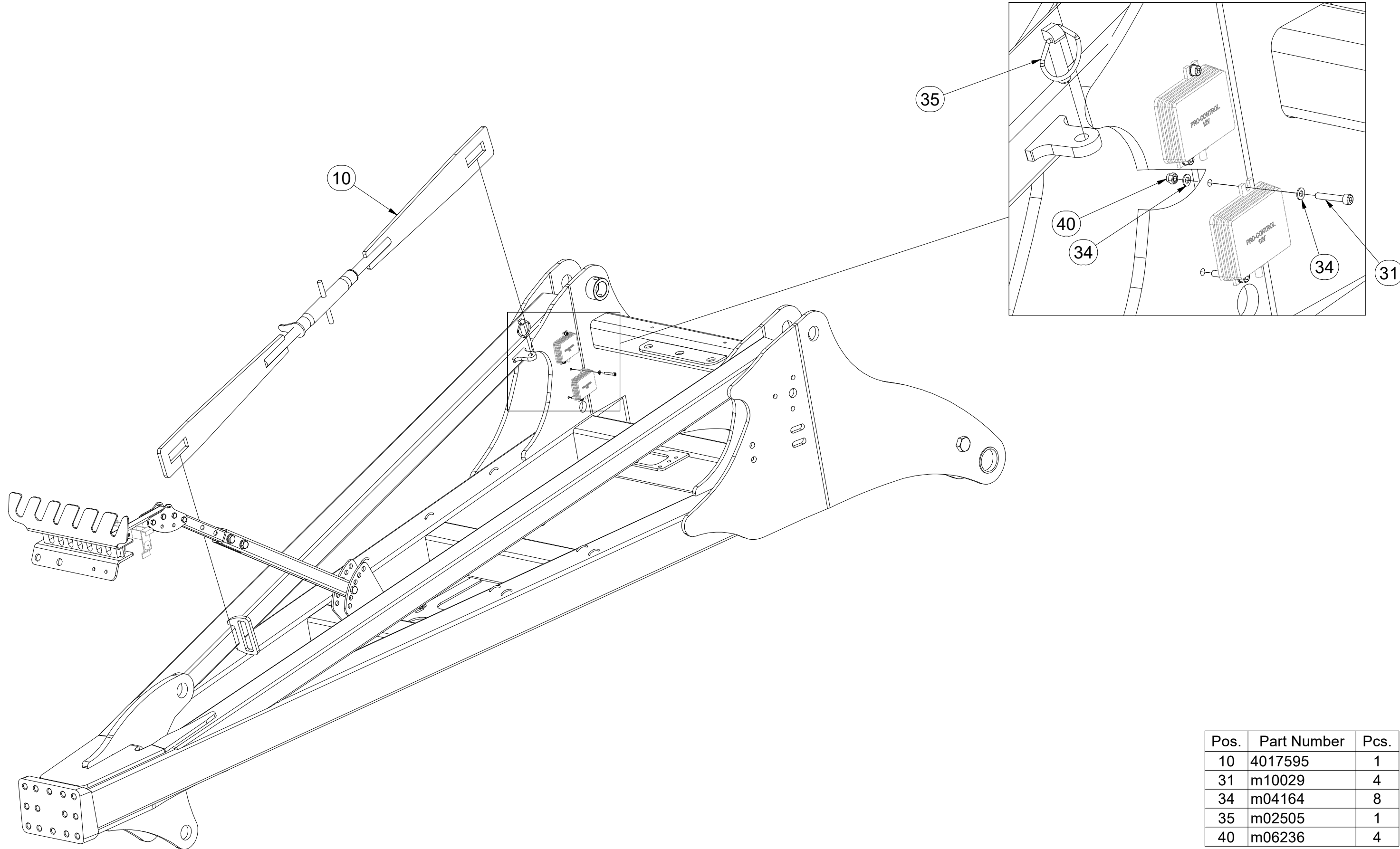
ⒼB MONT DRAWBAR

Ⓔ RU ДЫШЛО МОНТ

Ⓗ PL DYSZEL MONT



3010461



| Pos. | Part Number | Pcs. |
|------|-------------|------|
| 10 | 4017595 | 1 |
| 31 | m10029 | 4 |
| 34 | m04164 | 8 |
| 35 | m02505 | 1 |
| 40 | m06236 | 4 |

ⒸZ OJ MONT

Ⓓ DEICHSEL MONTIERT

Ⓕ TIMON MONTÉ

ⒼB MONT DRAWBAR

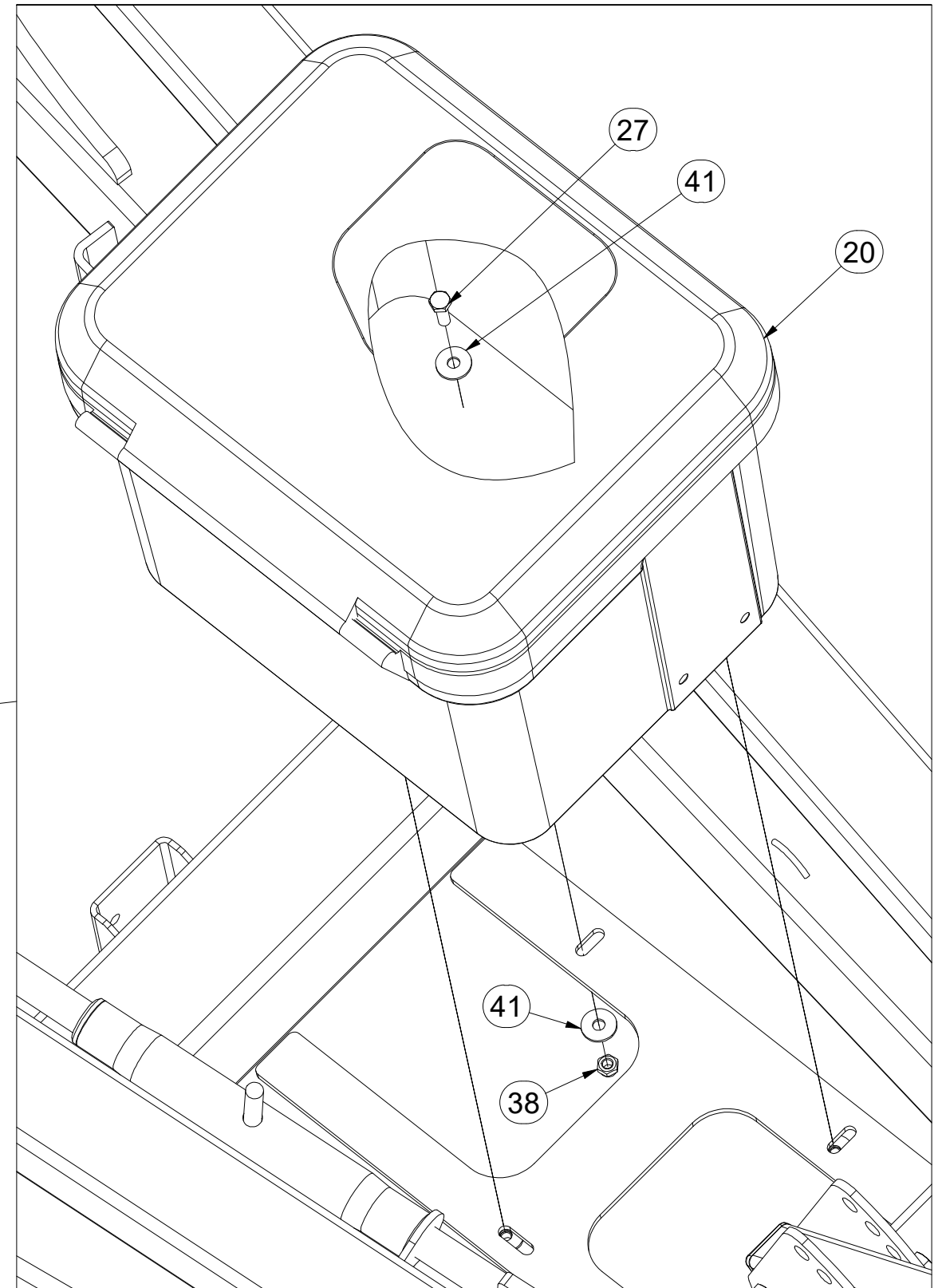
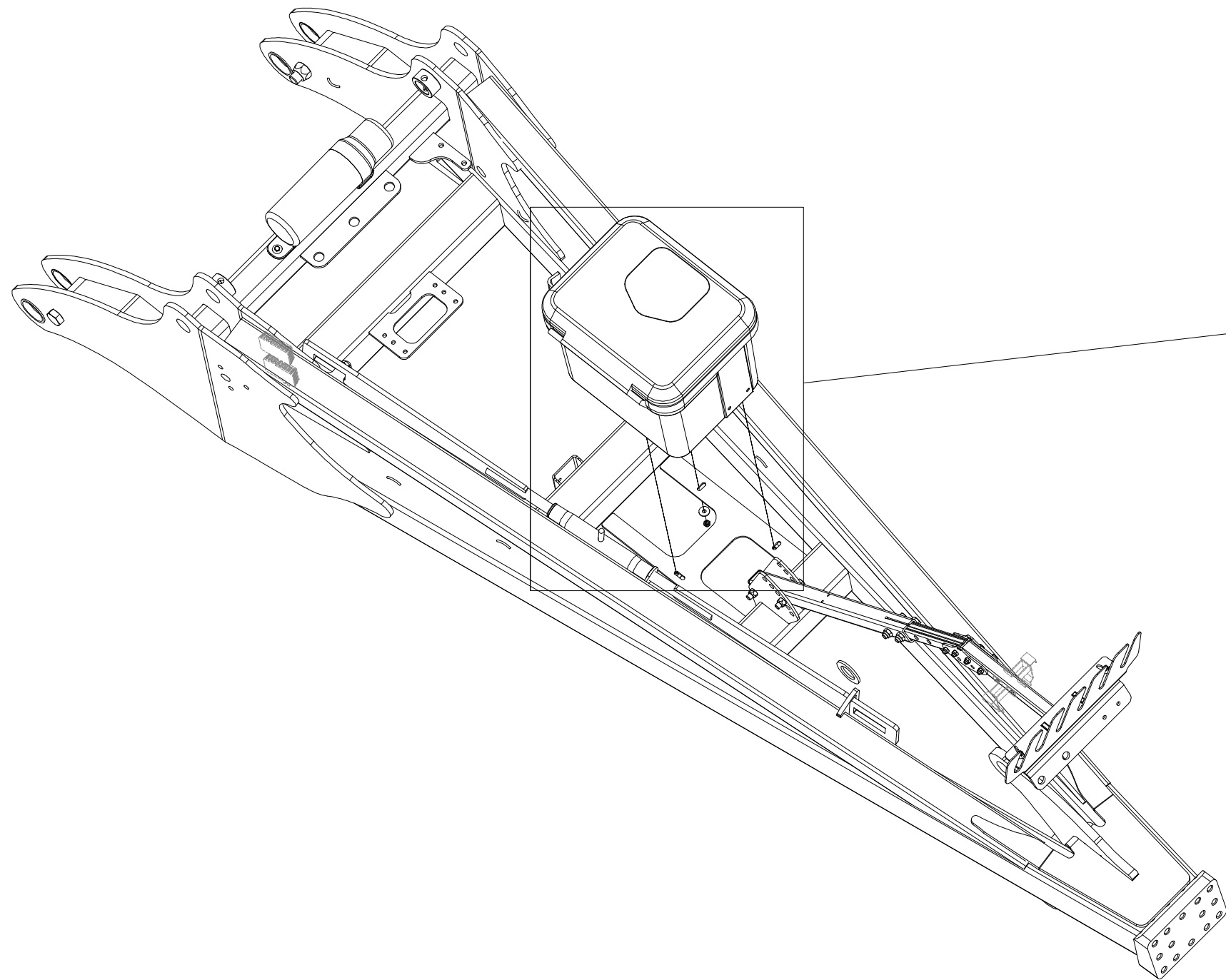
Ⓔ RU ДЫШЛО МОНТ

ⒼL DYSZEL MONT



3010461

| Pos. | Part Number | Pcs. |
|------|-------------|------|
| 20 | m20980 | 1 |
| 27 | m01092 | 6 |
| 38 | m04503 | 3 |
| 41 | m07936 | 6 |



ⒸZ OJ MONT

Ⓓ DEICHSEL MONTIERT

Ⓕ TIMON MONTÉ

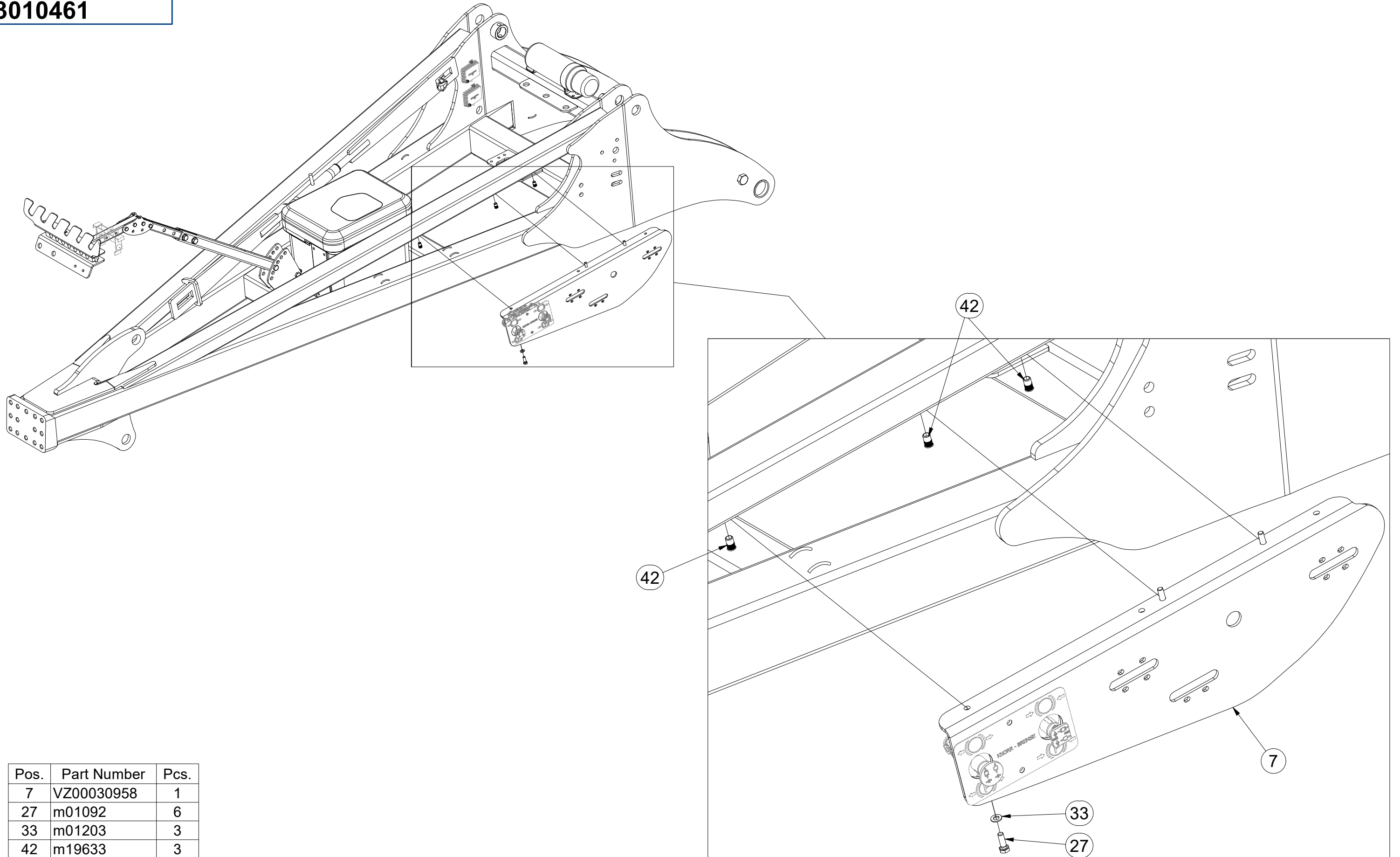
ⒼB MONT DRAWBAR

Ⓔ RU ДЫШЛО МОНТ

Ⓗ PL DYSZEL MONT



3010461



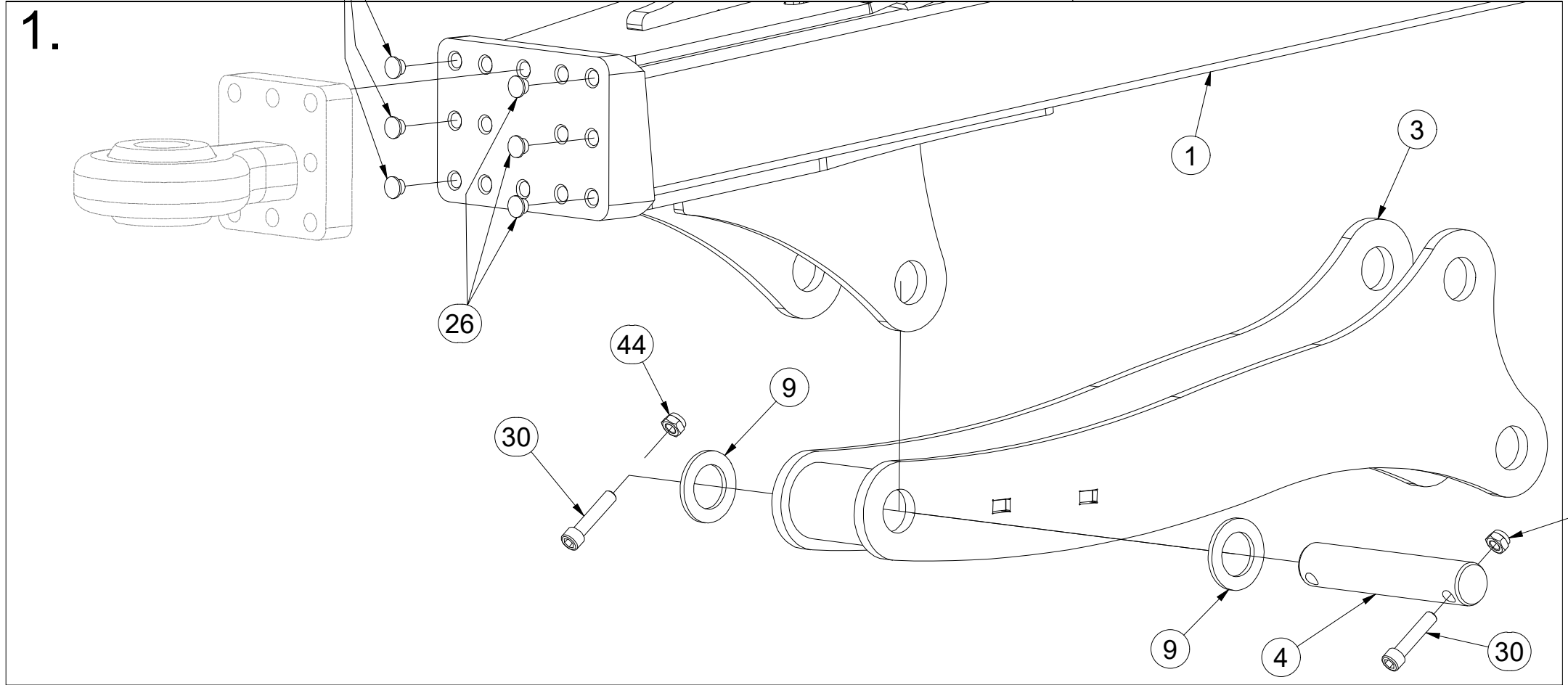
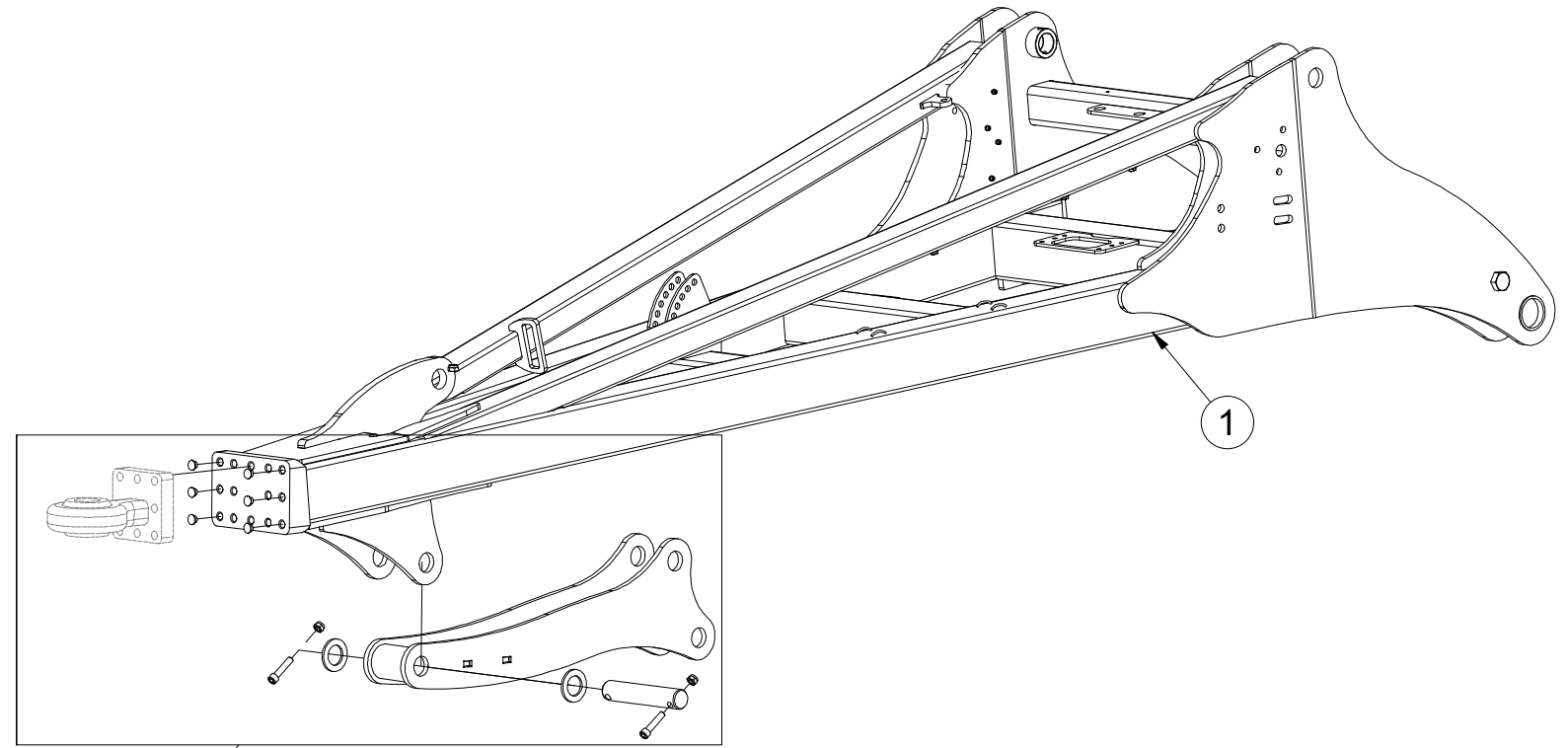
| Pos. | Part Number | Pcs. |
|------|-------------|------|
| 7 | VZ00030958 | 1 |
| 27 | m01092 | 6 |
| 33 | m01203 | 3 |
| 42 | m19633 | 3 |

CZ OJ MONT
 D DEICHSEL MONTIERT
 F TIMON MONTÉ

GB MONT DRAWBAR
 RU ДЫШЛО МОНТ
 PL DYSZEL MONT



3010461



| Pos. | Part Number | Pcs. |
|------|-------------|------|
| 1 | 2001025 | 1 |
| 3 | 3009368 | 1 |
| 4 | 4007642 | 1 |
| 9 | 4013139 | 12 |
| 26 | m12433 | 6 |
| 30 | m14008 | 8 |
| 44 | m04301 | 8 |

ⒸZ OJ MONT

Ⓓ DEICHSEL MONTIERT

Ⓕ TIMON MONTÉ

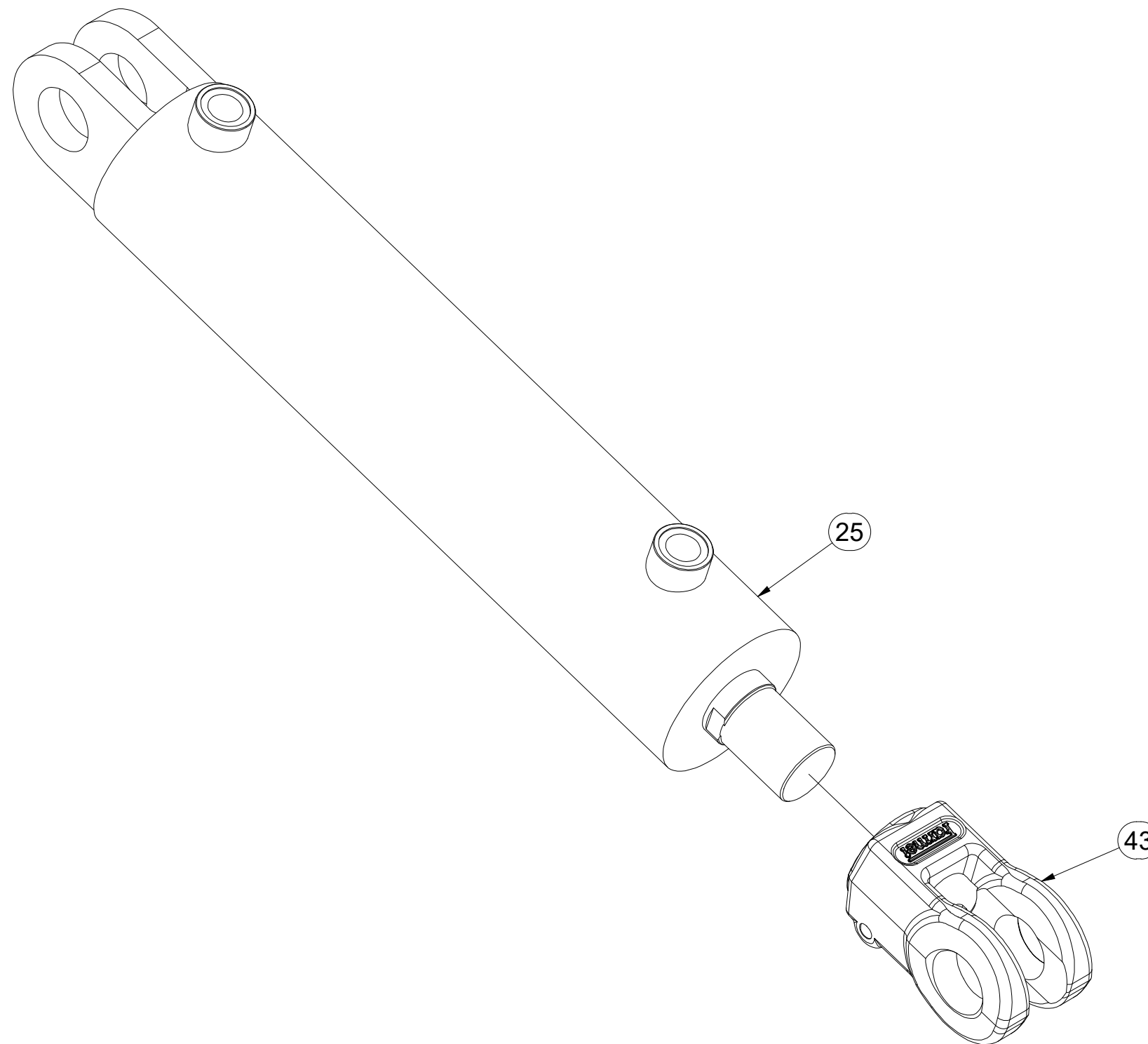
ⒼB MONT DRAWBAR

ⒺU ДЫШЛО МОНТ

ⒽL DYSZEL MONT



3010461



| Pos. | Part Number | Pcs. |
|------|-------------|------|
| 25 | m14681 | 1 |
| 43 | VZ00048546 | 1 |

ⒸZ OJ MONT

Ⓓ DEICHSEL MONTIERT

Ⓕ TIMON MONTÉ

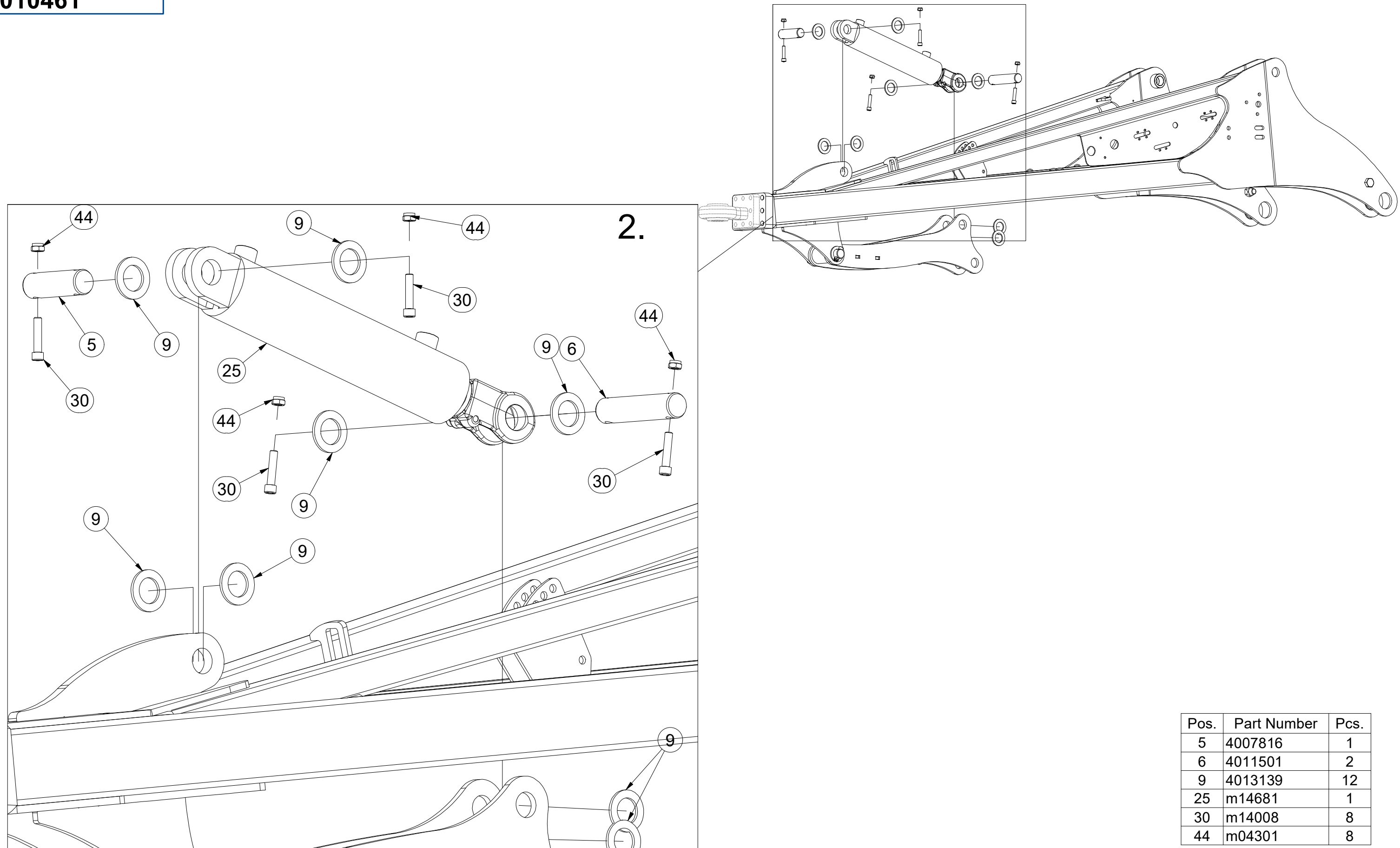
ⒸB MONT DRAWBAR

ⒸR ДЫШЛО МОНТ

ⒸL DYSZEL MONT



3010461



| Pos. | Part Number | Pcs. |
|------|-------------|------|
| 5 | 4007816 | 1 |
| 6 | 4011501 | 2 |
| 9 | 4013139 | 12 |
| 25 | m14681 | 1 |
| 30 | m14008 | 8 |
| 44 | m04301 | 8 |

ⒸZ OJ MONT

Ⓓ DEICHSEL MONTIERT

Ⓕ TIMON MONTÉ

ⒼB MONT DRAWBAR

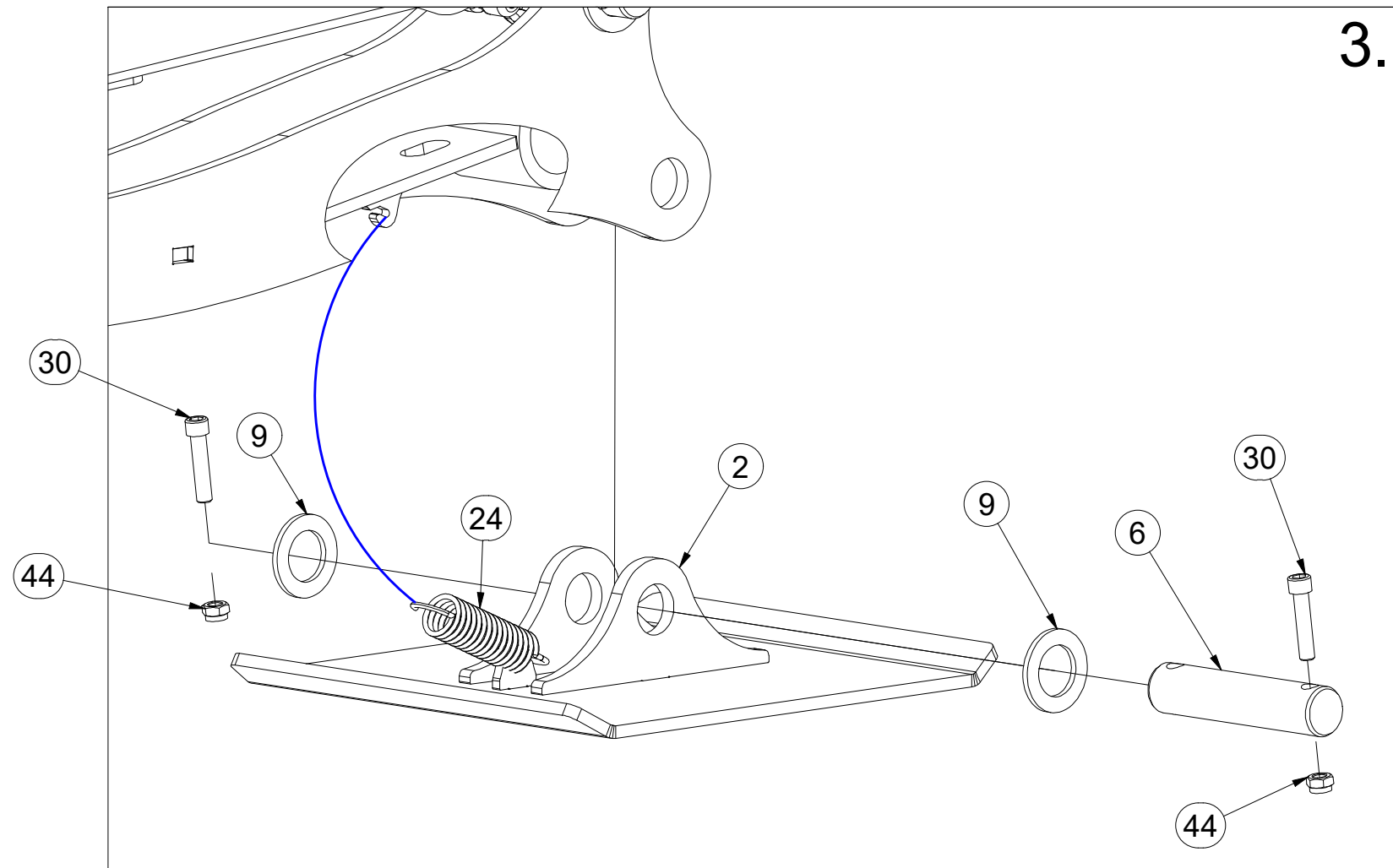
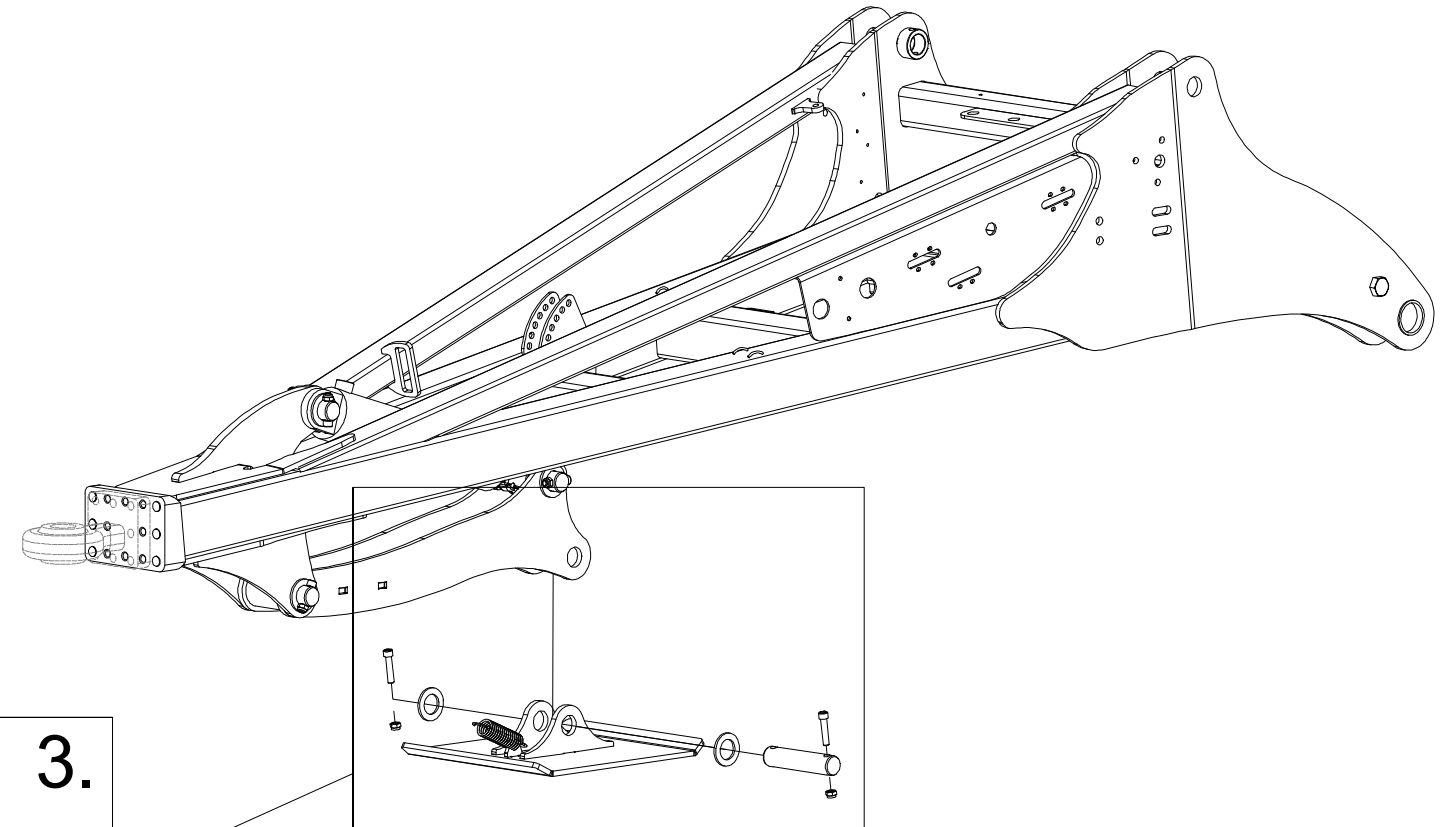
ⒺR ДЫШЛО МОНТ

ⒻL DYSZEL MONT



3010461

| Pos. | Part Number | Pcs. |
|------|-------------|------|
| 2 | 3007868 | 1 |
| 6 | 4011501 | 2 |
| 9 | 4013139 | 12 |
| 24 | m20499 | 1 |
| 30 | m14008 | 8 |
| 44 | m04301 | 8 |

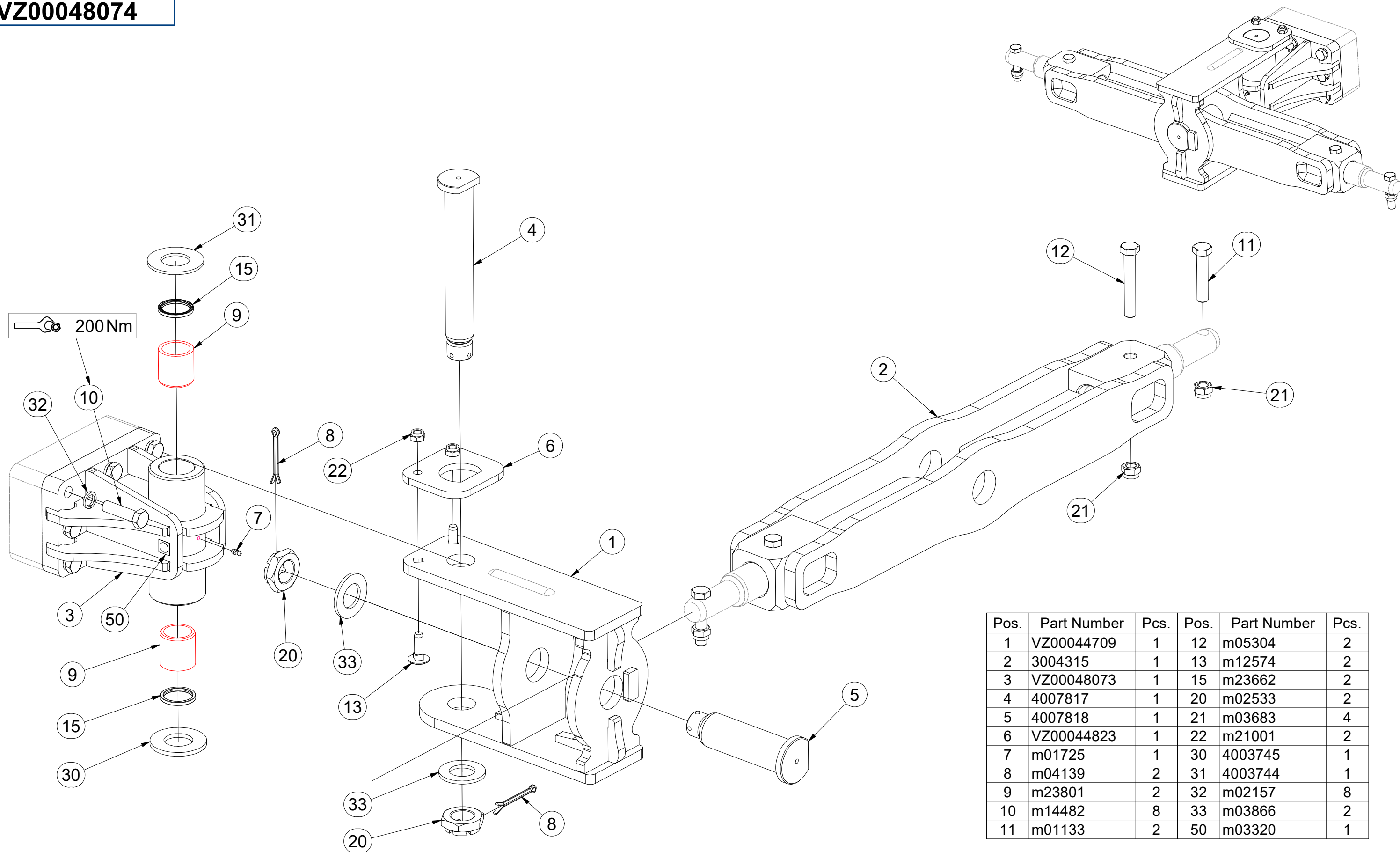


- Ⓒ NÁSTAVEC OJE
- Ⓓ DEICHSELAUFBAU
- Ⓕ RALLONGE DE TIMON

- Ⓖ DRAWBAR EXTENSION
- Ⓡ УДЛИНИТЕЛЬ ДЫШЛА
- Ⓟ PRZEDŁUŻENIE DYSZLA



VZ00048074



| Pos. | Part Number | Pcs. | Pos. | Part Number | Pcs. |
|------|-------------|------|------|-------------|------|
| 1 | VZ00044709 | 1 | 12 | m05304 | 2 |
| 2 | 3004315 | 1 | 13 | m12574 | 2 |
| 3 | VZ00048073 | 1 | 15 | m23662 | 2 |
| 4 | 4007817 | 1 | 20 | m02533 | 2 |
| 5 | 4007818 | 1 | 21 | m03683 | 4 |
| 6 | VZ00044823 | 1 | 22 | m21001 | 2 |
| 7 | m01725 | 1 | 30 | 4003745 | 1 |
| 8 | m04139 | 2 | 31 | 4003744 | 1 |
| 9 | m23801 | 2 | 32 | m02157 | 8 |
| 10 | m14482 | 8 | 33 | m03866 | 2 |
| 11 | m01133 | 2 | 50 | m03320 | 1 |

Ⓒ SADA ČEPŮ TBZ 4

Ⓓ BOLZENSATZ TBZ 4

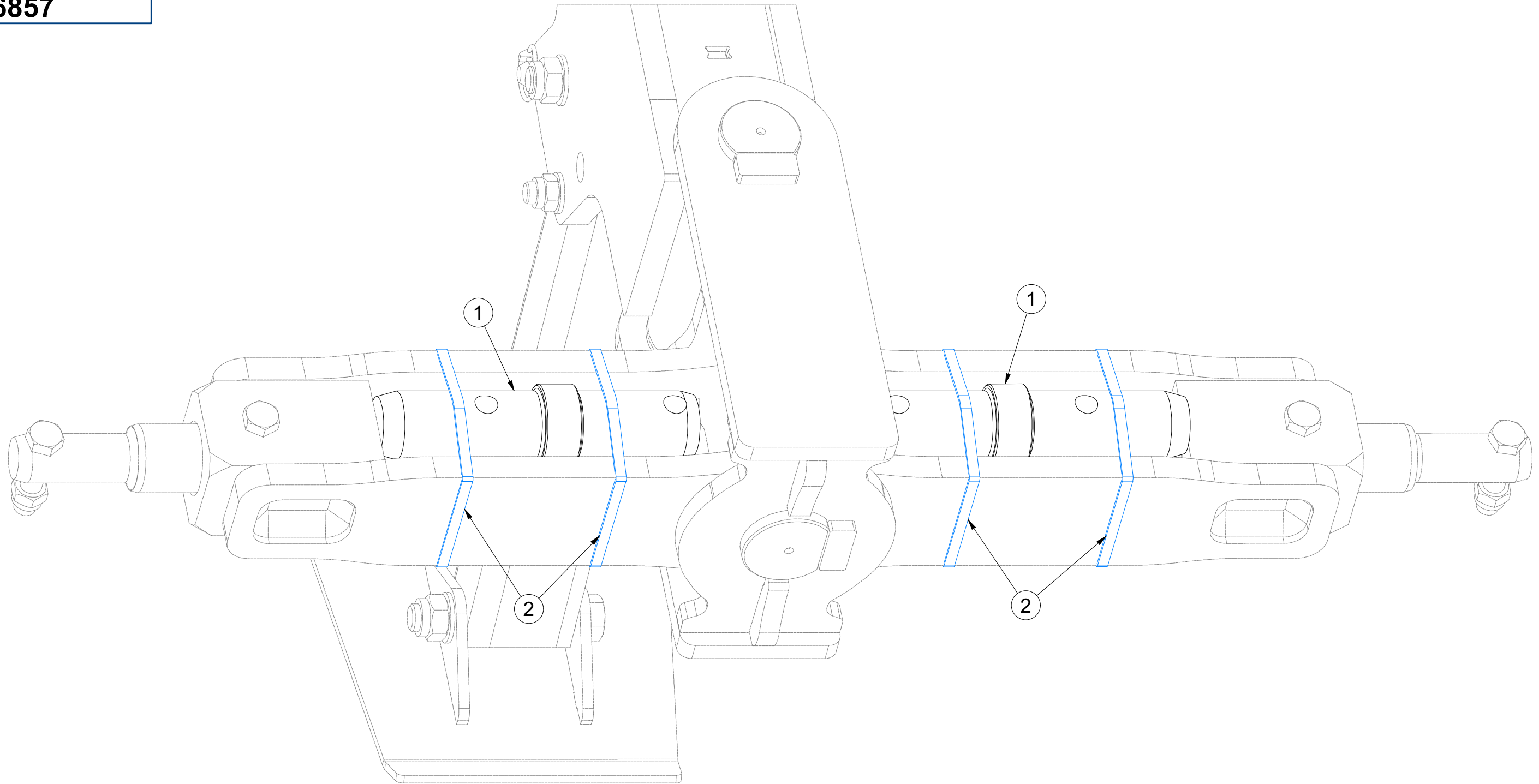
Ⓕ KIT D'EMBOUITS TBZ 4

4016857

Ⓖ SET OF TBZ 4 PINS

Ⓡ КОМПЛЕКТ ПАЛЬЦЕВ TBZ 4

Ⓟ ZESTAW CZOPÓW TBZ 4



| Pos. | Part Number | Pcs. |
|------|-------------|------|
| 1 | 4008588 | 2 |
| 2 | m01637 | 4 |

Ⓒ SADA ČEPŮ TBZ 3

Ⓓ BOLZENSATZ TBZ 3

Ⓕ KIT D'EMBOUTS TBZ 3

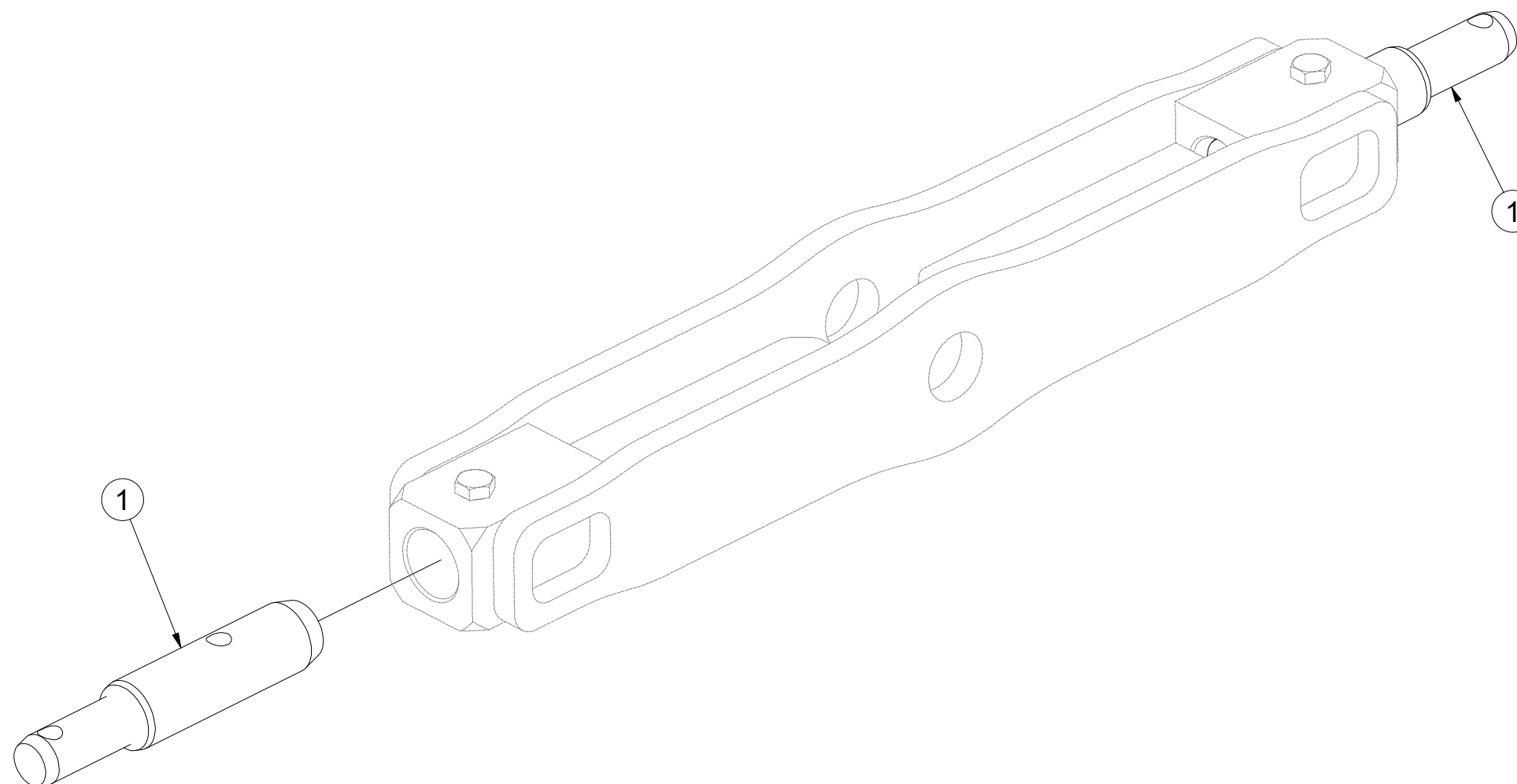
4020780

Ⓖ SET OF TBZ 3 PINS

Ⓡ КОМПЛЕКТ ПАЛЬЦЕВ TBZ 3

Ⓟ ZESTAW CZOPÓW TBZ 3

Farmet



| Pos. | Part Number | Pcs. |
|------|-------------|------|
| 1 | VZ00022883 | 2 |

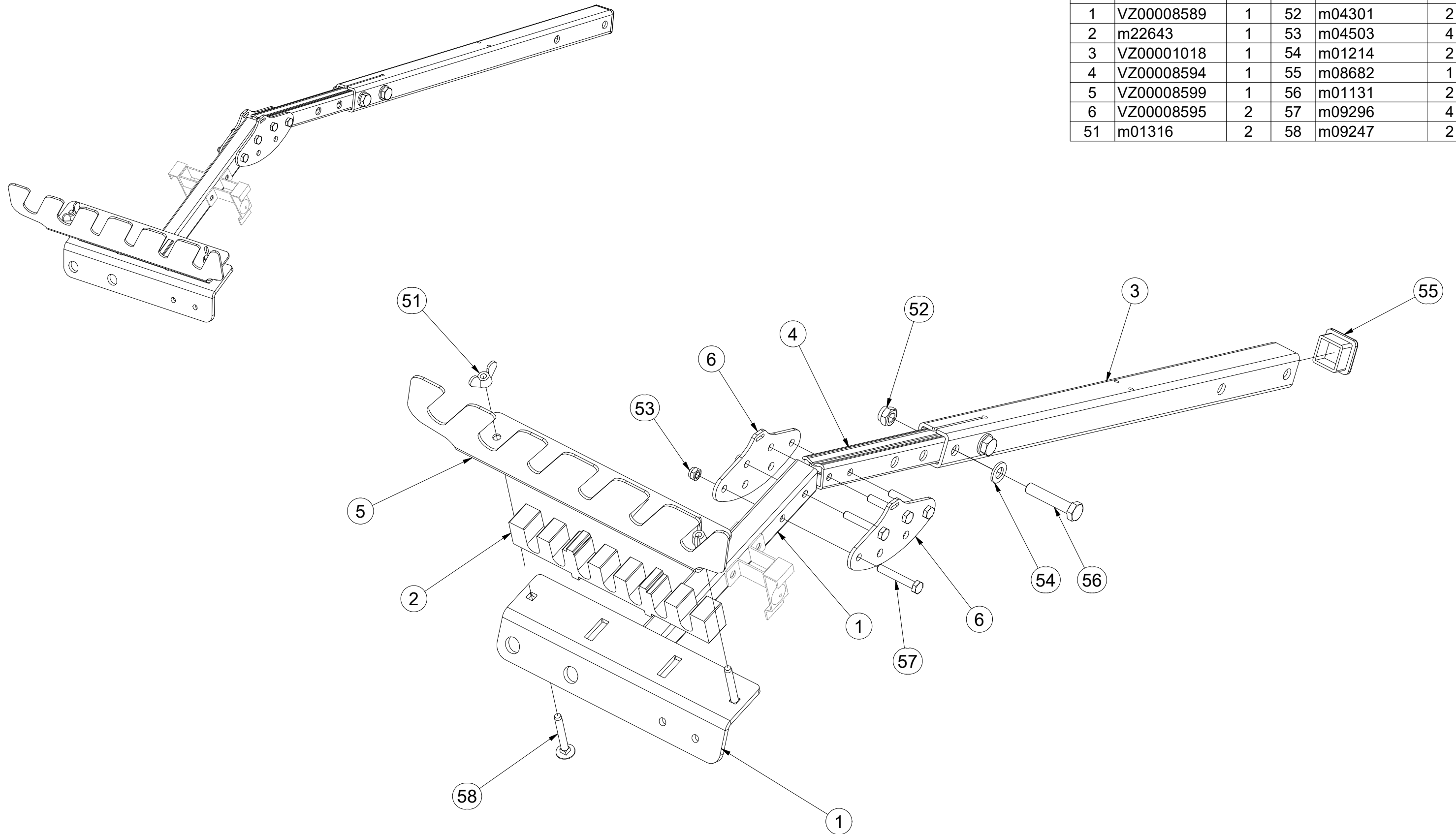
- Ⓒ DRŽÁK
- Ⓓ HALTER
- Ⓕ SUPPORT

- Ⓖ HOLDER
- Ⓡ ДЕРЖАТЕЛЬ
- Ⓢ UCHWYT



VZ00008586

| Pos. | Part Number | Pcs. | Pos. | Part Number | Pcs. |
|------|-------------|------|------|-------------|------|
| 1 | VZ00008589 | 1 | 52 | m04301 | 2 |
| 2 | m22643 | 1 | 53 | m04503 | 4 |
| 3 | VZ00001018 | 1 | 54 | m01214 | 2 |
| 4 | VZ00008594 | 1 | 55 | m08682 | 1 |
| 5 | VZ00008599 | 1 | 56 | m01131 | 2 |
| 6 | VZ00008595 | 2 | 57 | m09296 | 4 |
| 51 | m01316 | 2 | 58 | m09247 | 2 |



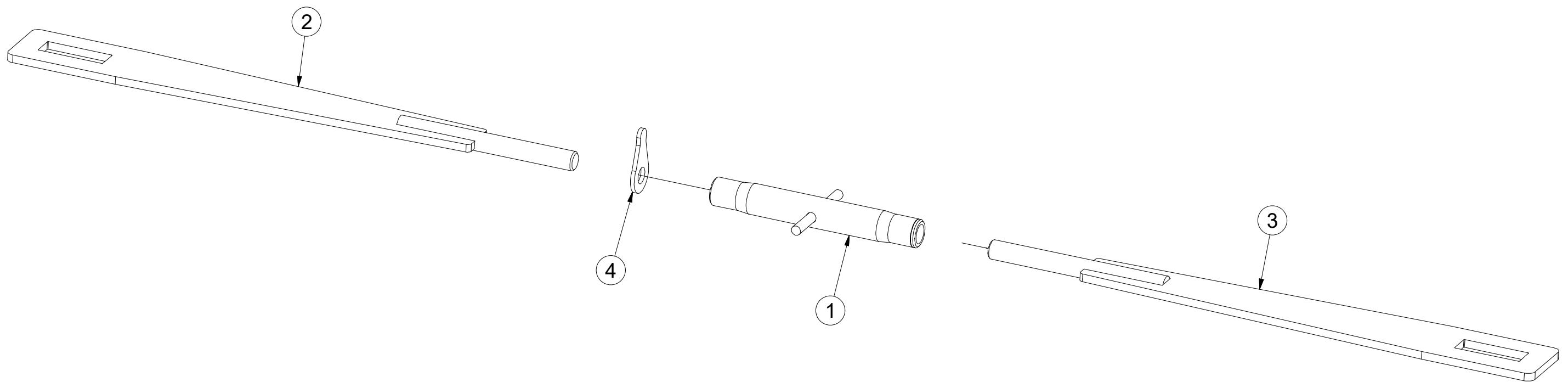
Ⓒ SPOJOVACÍ TÁHLO
Ⓓ VERBINDUNGSSTANGE
Ⓕ TIGE DE RACCORDEMENT

Ⓖ CONNECTING ROD
Ⓡ СОЕДИНИТЕЛЬНАЯ ТЯГА
Ⓢ KORBOWÓD



4017595

| Pos. | Part Number | Pcs. |
|------|-------------|------|
| 1 | m08880 | 1 |
| 2 | 4017593 | 1 |
| 3 | 4017594 | 1 |
| 4 | m08881 | 1 |

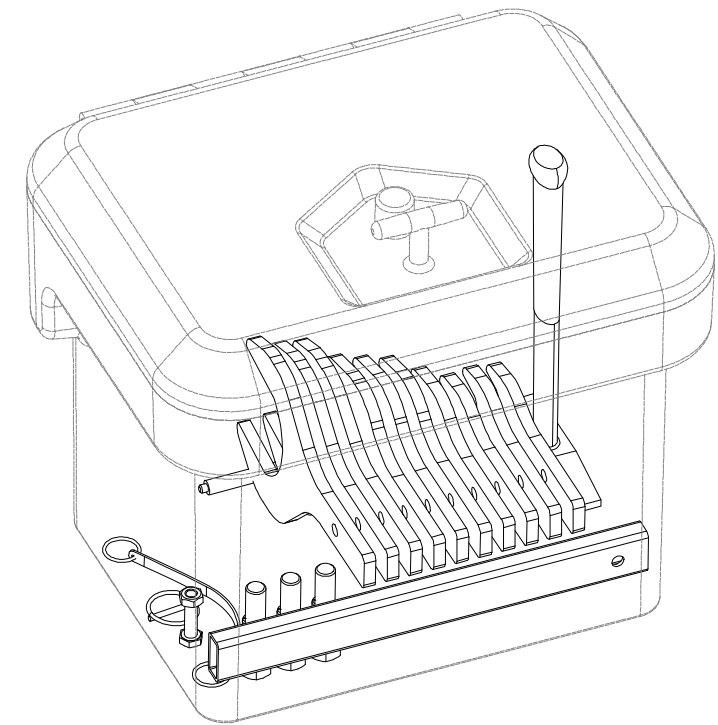
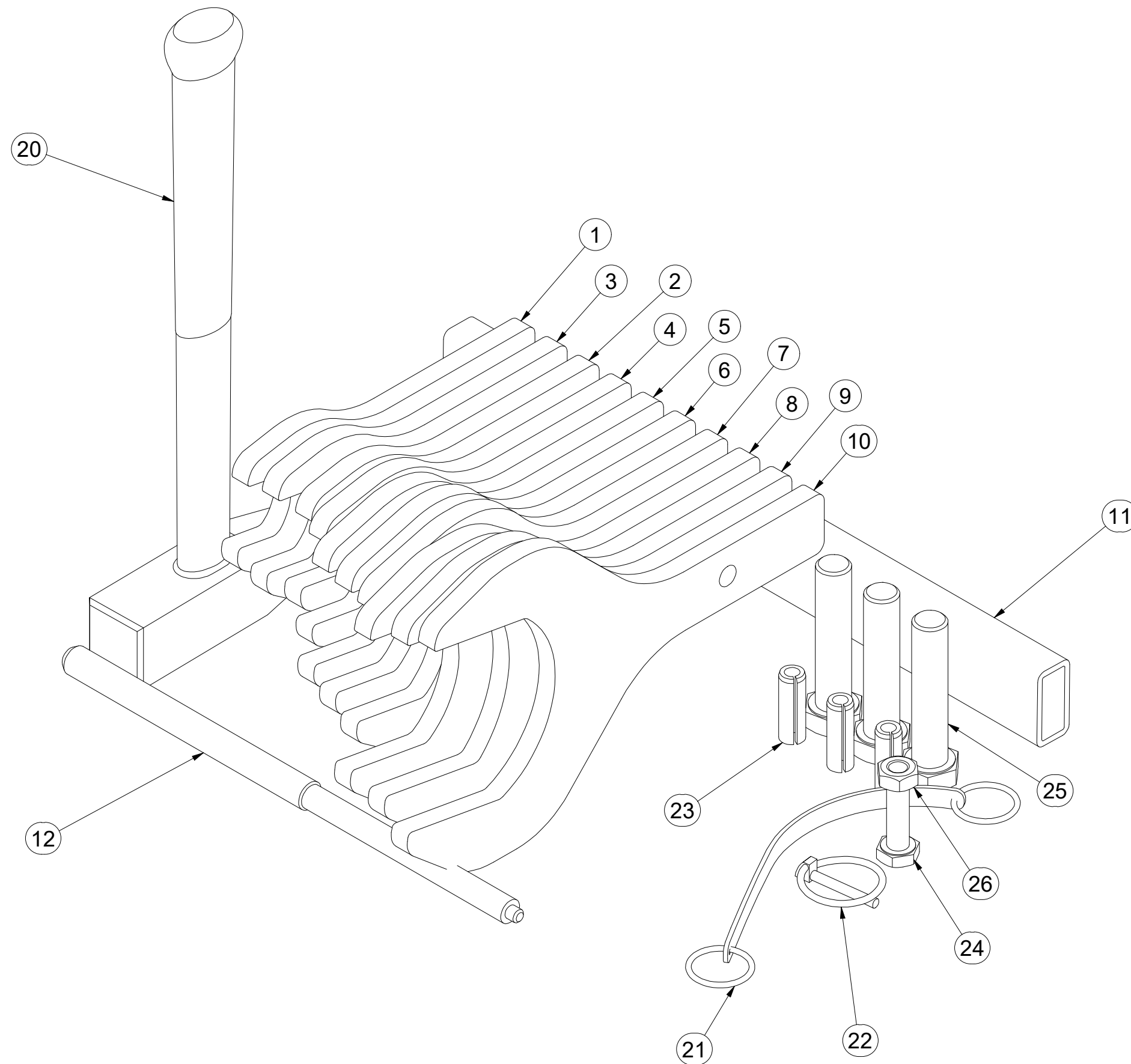


CZ BEDNA NA NÁŘADÍ
 D WERKZEUGKASTEN
 F BOÎTE À OUTILS

GB TOOL BOX
 RU ЯЩИК ДЛЯ ИНСТРУМЕНТОВ
 PL SKRZYŃNIA NA NARZĘDZIE



VZ00006536



| Pos. | Part Number | Pcs. |
|------|-------------|------|
| 1 | 4023060 | 1 |
| 2 | 4023058 | 1 |
| 3 | 4019037 | 1 |
| 4 | 4019036 | 1 |
| 5 | 4019035 | 1 |
| 6 | 4019034 | 1 |
| 7 | 4019033 | 1 |
| 8 | 4019032 | 1 |
| 9 | 4019031 | 1 |
| 10 | 4023054 | 1 |
| 11 | 4019038 | 1 |
| 12 | 4024968 | 1 |
| 20 | m15596 | 1 |
| 21 | m12467 | 1 |
| 22 | m10454 | 1 |
| 23 | m23077 | 3 |
| 24 | m04613 | 1 |
| 25 | m14309 | 3 |
| 26 | m01299 | 1 |

Ⓒ SADA TUBUSU

Ⓓ BÜCHSENSATZ

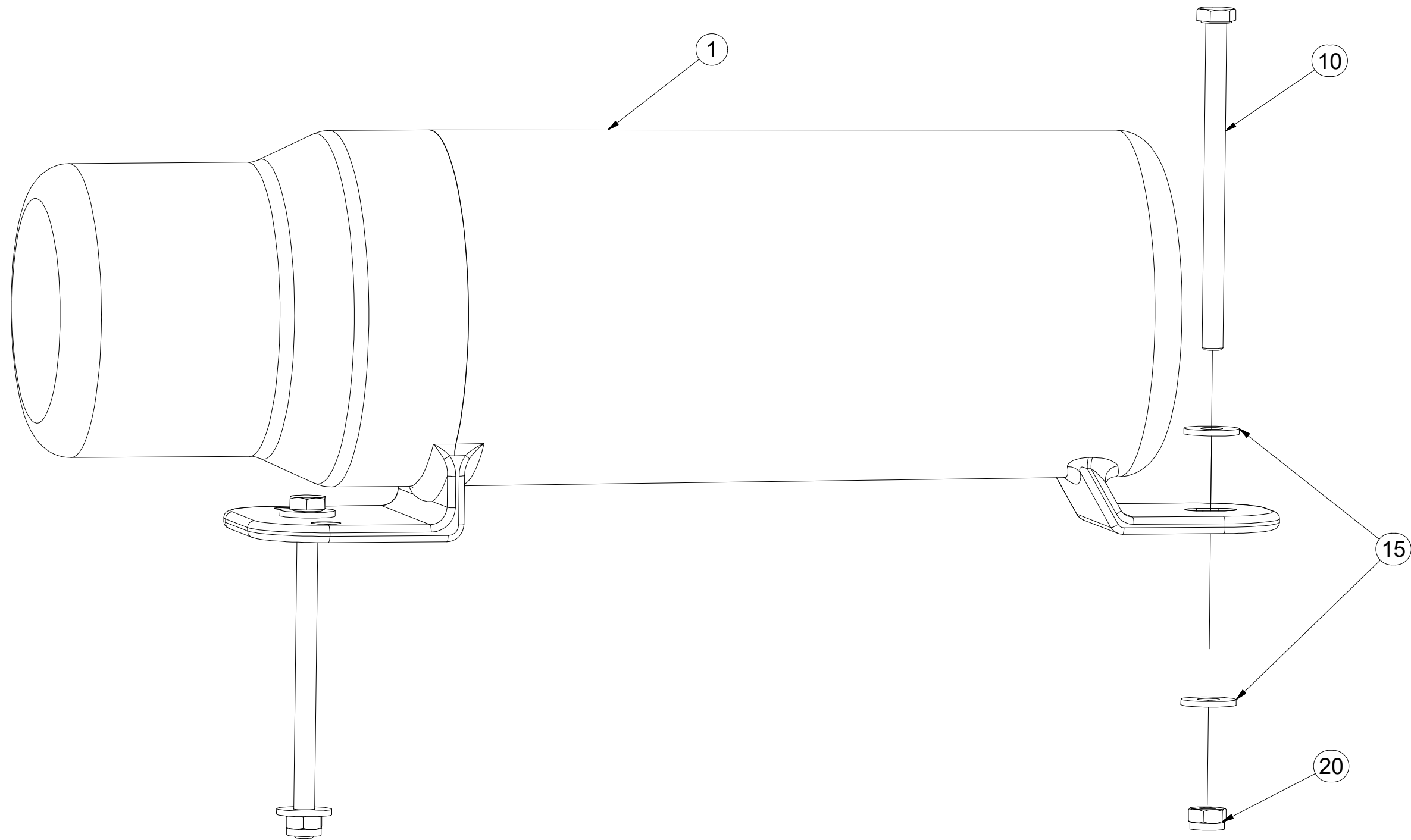
Ⓕ KIT DU TUBE

4018483

Ⓖ TUBE SET

Ⓡ КОМПЛЕКТ ТУБУСА

Ⓟ ZESTAW RUREK



| Pos. | Part Number | Pcs. |
|------|-------------|------|
| 1 | m15900 | 1 |
| 10 | m16378 | 2 |
| 15 | m16612 | 4 |
| 20 | m05560 | 2 |

ⒸZ SADA KOPÍROVACÍCH KOL

Ⓓ KOPIERRÄDERSATZ

Ⓕ ENSEMBLE DES ROUES DE COPIE

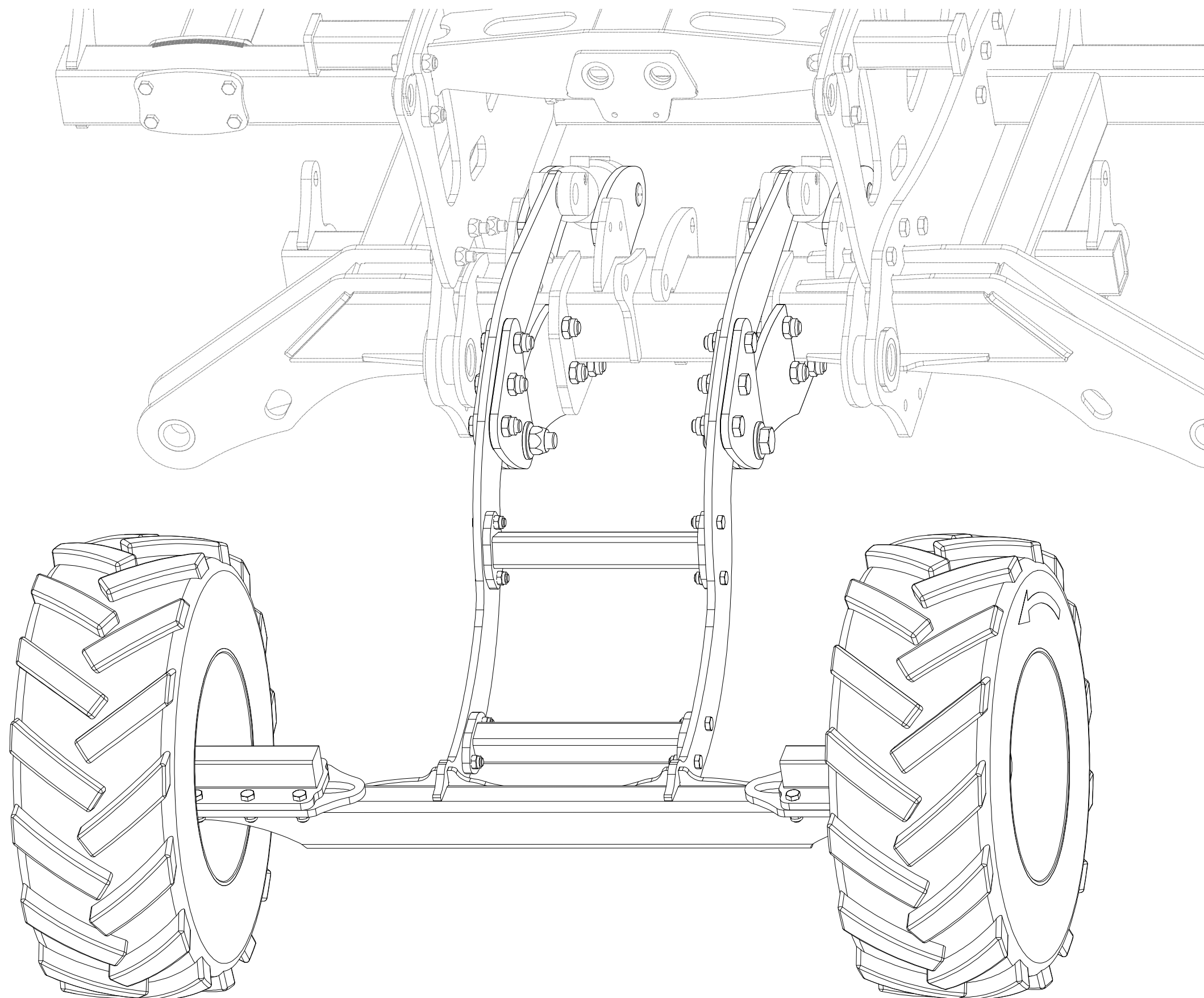
VZ00073802

ⒸGB SET OF GAUGE WHEELS

ⒸRU КОМПЛЕКТ КОПИРУЮЩИХ КОЛЁС

ⒸPL ZESTAW KÓŁ KOPIUJĄCYCH

Farmet



☉ SADA KOPÍROVACÍCH KOL

☉ KOPIERRÄDERSATZ

☉ ENSEMBLE DES ROUES DE COPIE

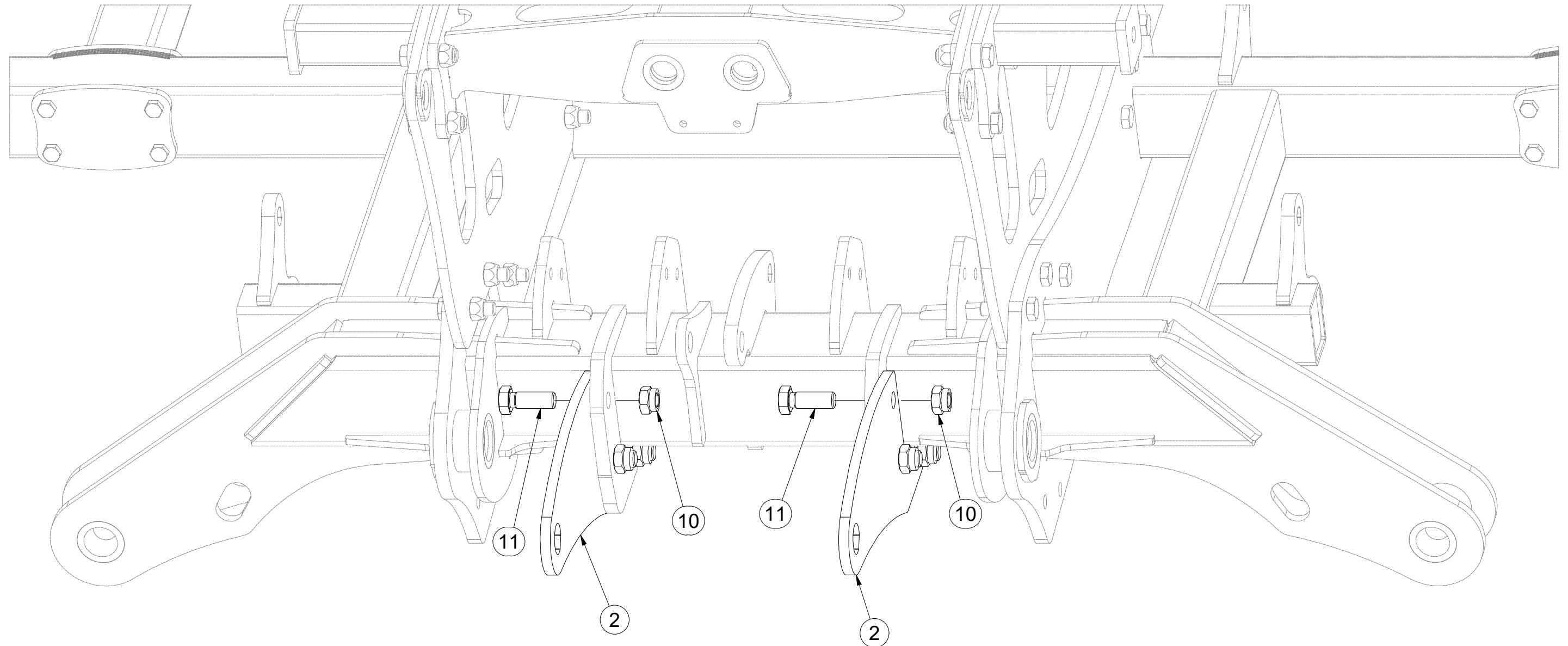
☉ SET OF GAUGE WHEELS

☉ КОМПЛЕКТ КОПИРУЮЩИХ КОЛЁС

☉ ZESTAW KÓŁ KOPIUJĄCYCH

Farmet

VZ00073802



| Pos. | Part Number | Pcs. |
|------|-------------|------|
| 2 | 4024477 | 2 |
| 10 | m22091 | 6 |
| 11 | m18699 | 6 |

Ⓒ SADA KOPÍROVACÍCH KOL

Ⓓ KOPIERRÄDERSATZ

Ⓕ ENSEMBLE DES ROUES DE COPIE

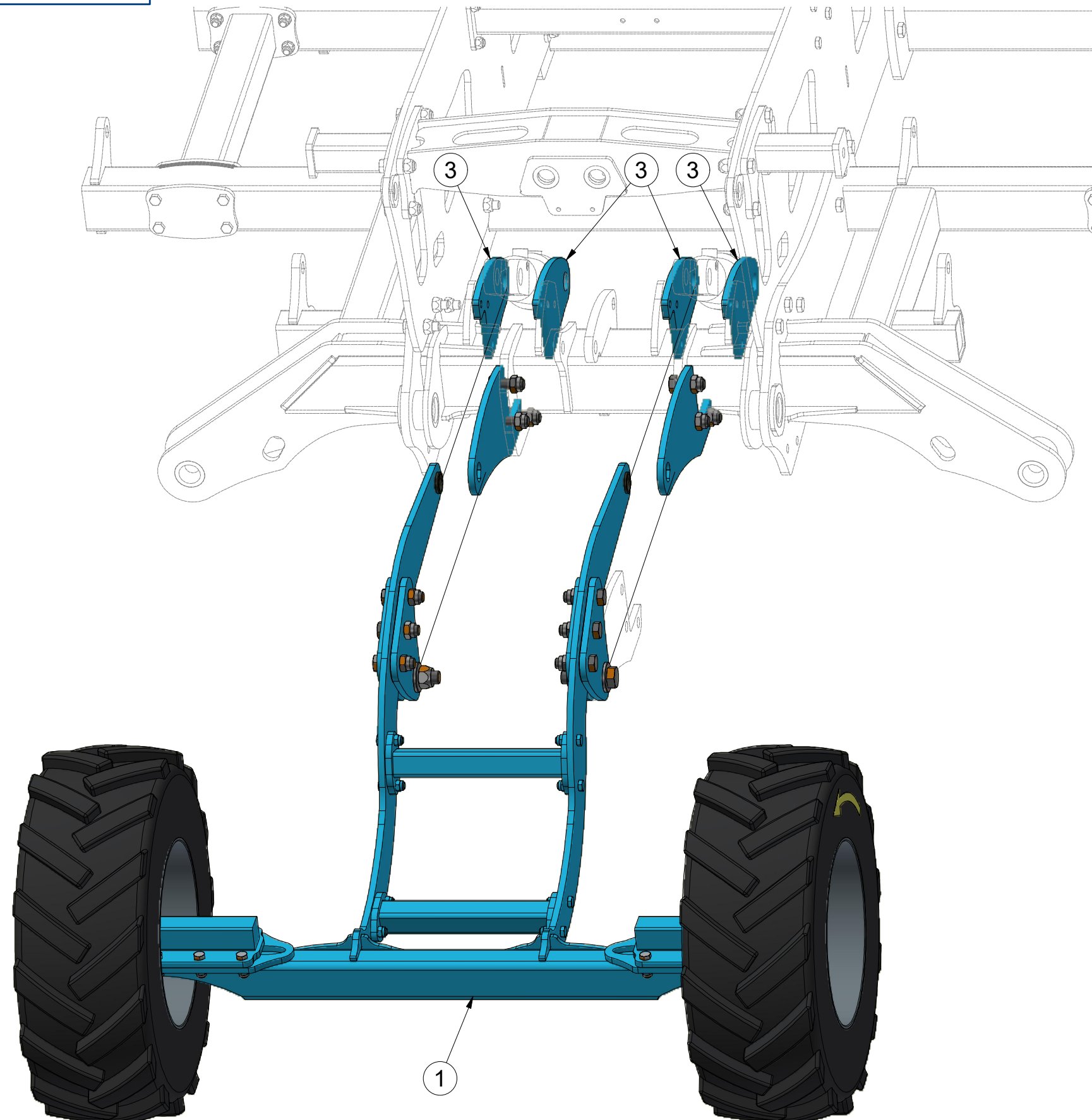
Ⓖ SET OF GAUGE WHEELS

Ⓡ КОМПЛЕКТ КОПИРУЮЩИХ КОЛЁС

Ⓟ ZESTAW KÓŁ KOPIUJĄCYCH



VZ00073802



| Pos. | Part Number | Pcs. |
|------|-------------|------|
| 1 | VZ00066590 | 1 |
| 3 | 4026339 | 4 |

Ⓒ SADA NÁPRAVY

Ⓓ SATZ AUFHÄNGUNG

Ⓕ KIT DE L'ESSIEU

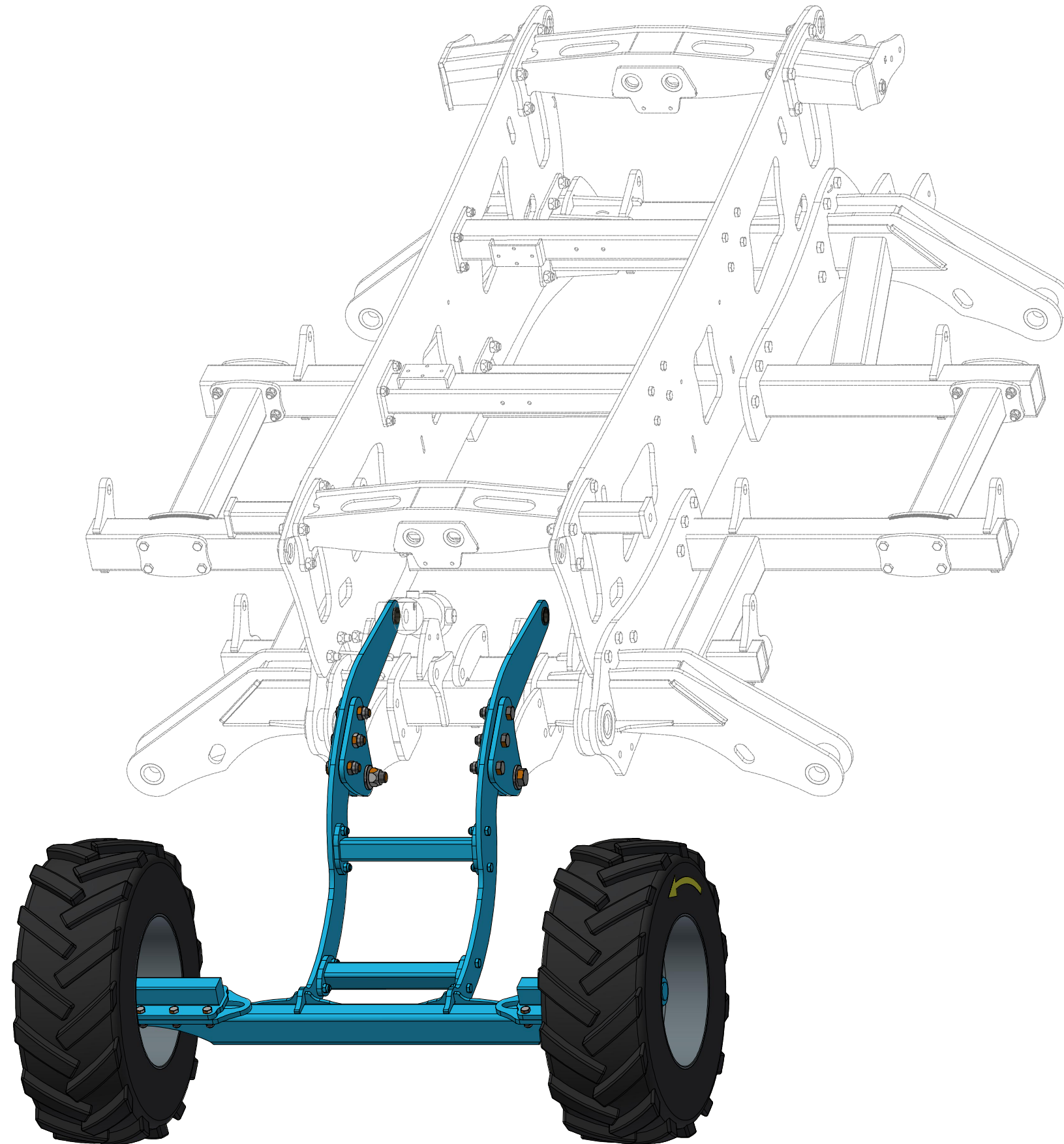
VZ00066590

Ⓖ AXLE SET

Ⓡ КОМПЛЕКТ ОСИ КОЛЁС

Ⓢ ZESTAW OSI

Farmet



Ⓒ SADA NÁPRAVY

Ⓓ SATZ AUFHÄNGUNG

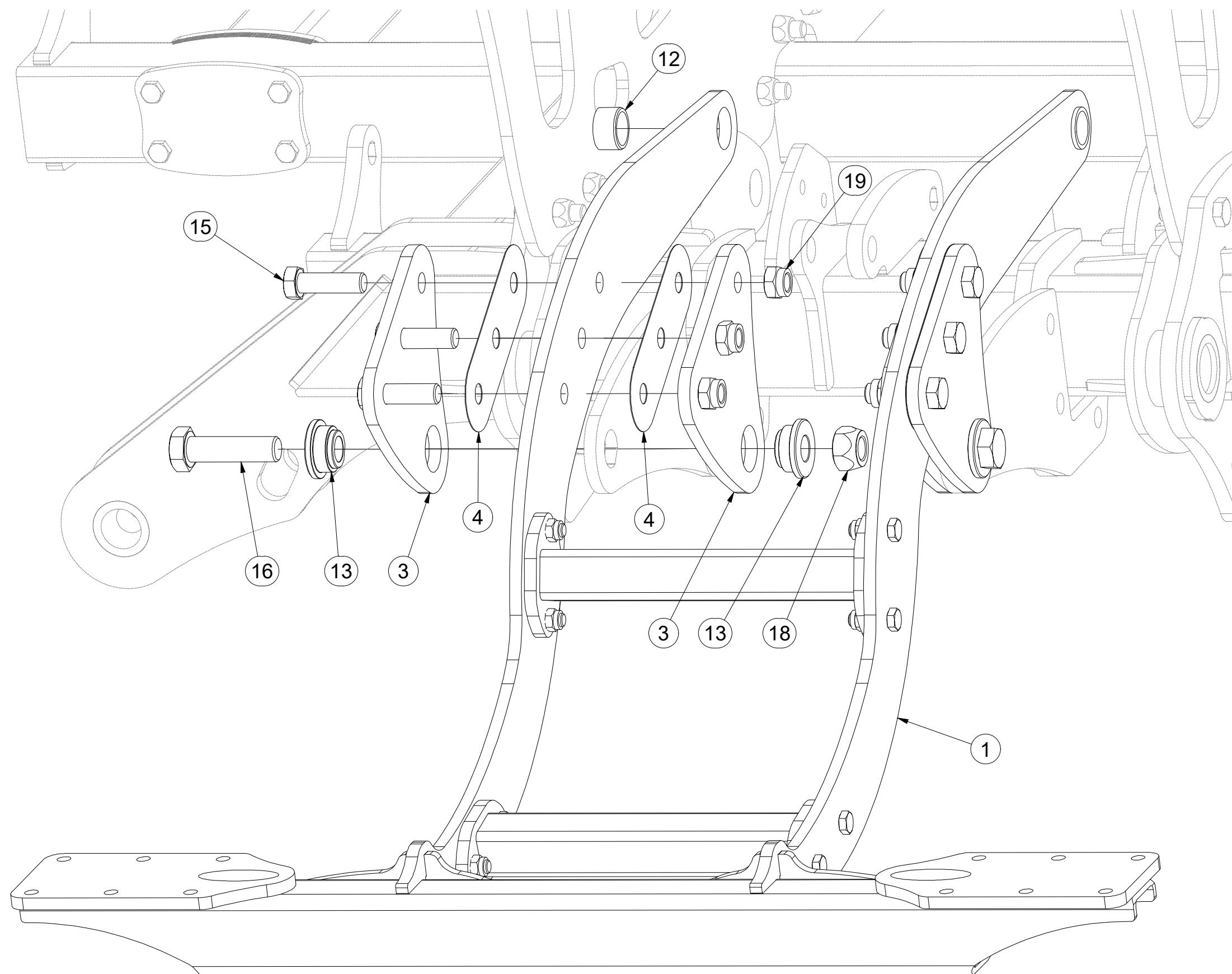
Ⓕ KIT DE L'ESSIEU

VZ00066590

Ⓖ AXLE SET

Ⓡ КОМПЛЕКТ ОСИ КОЛЁС

Ⓢ ZESTAW OSI



| Pos. | Part Number | Pcs. |
|------|-------------|------|
| 1 | VZ00066591 | 1 |
| 3 | VZ00066643 | 4 |
| 4 | VZ00031121 | 4 |
| 12 | m14978 | 2 |
| 13 | m14505 | 4 |
| 15 | m14990 | 6 |
| 16 | m14497 | 2 |
| 18 | m14498 | 2 |
| 19 | m22091 | 6 |

Ⓒ SADA NÁPRAVY

Ⓓ SATZ AUFHÄNGUNG

Ⓕ KIT DE L'ESSIEU

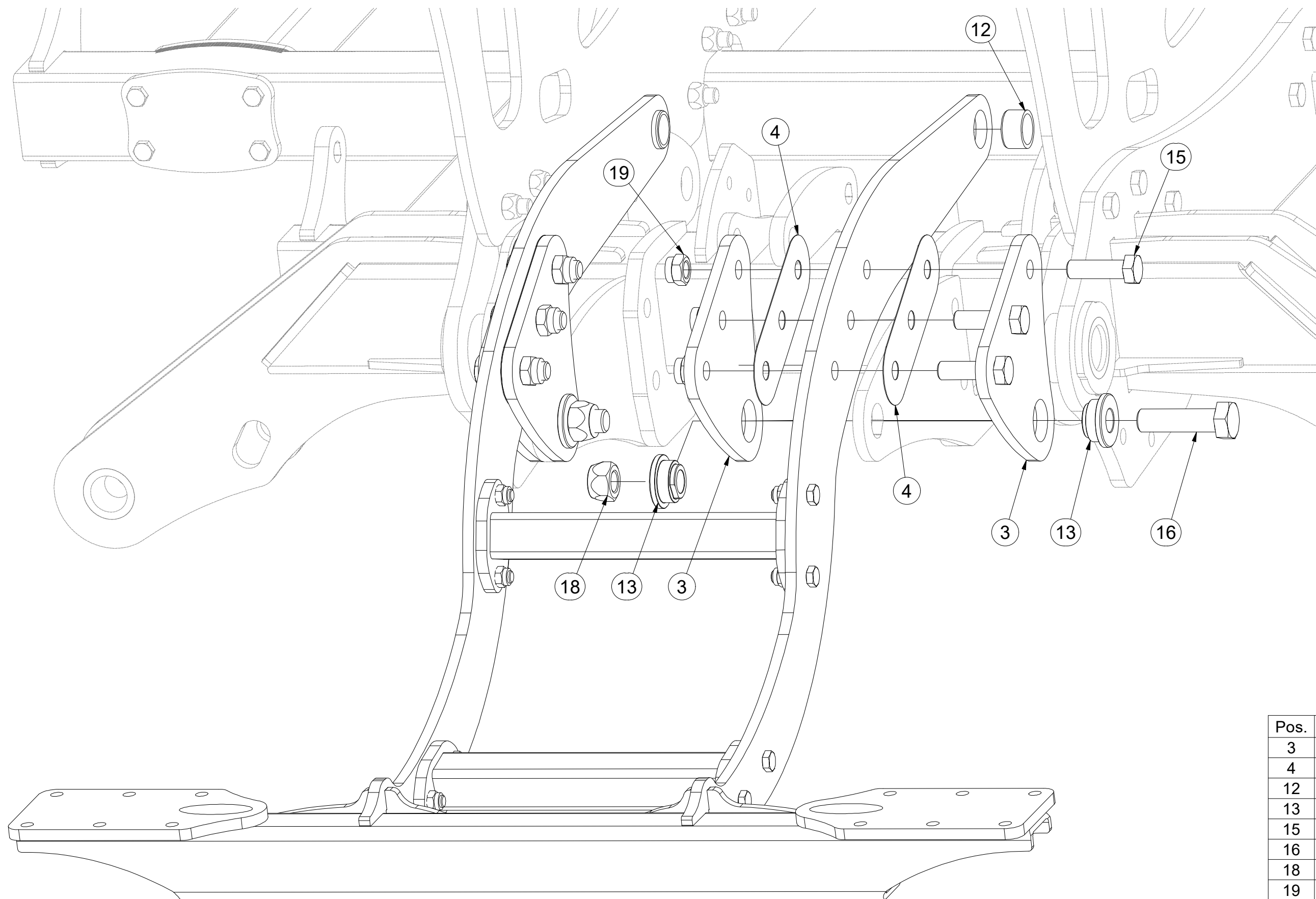
Ⓖ AXLE SET

Ⓡ КОМПЛЕКТ ОСИ КОЛЁС

Ⓢ ZESTAW OSI



VZ00066590



| Pos. | Part Number | Pcs. |
|------|-------------|------|
| 3 | VZ00066643 | 4 |
| 4 | VZ00031121 | 4 |
| 12 | m14978 | 2 |
| 13 | m14505 | 4 |
| 15 | m14990 | 6 |
| 16 | m14497 | 2 |
| 18 | m14498 | 2 |
| 19 | m22091 | 6 |

ⒸZ SADA NÁPRAVY

Ⓓ SATZ AUFHÄNGUNG

Ⓕ KIT DE L'ESSIEU

ⒸB AXLE SET

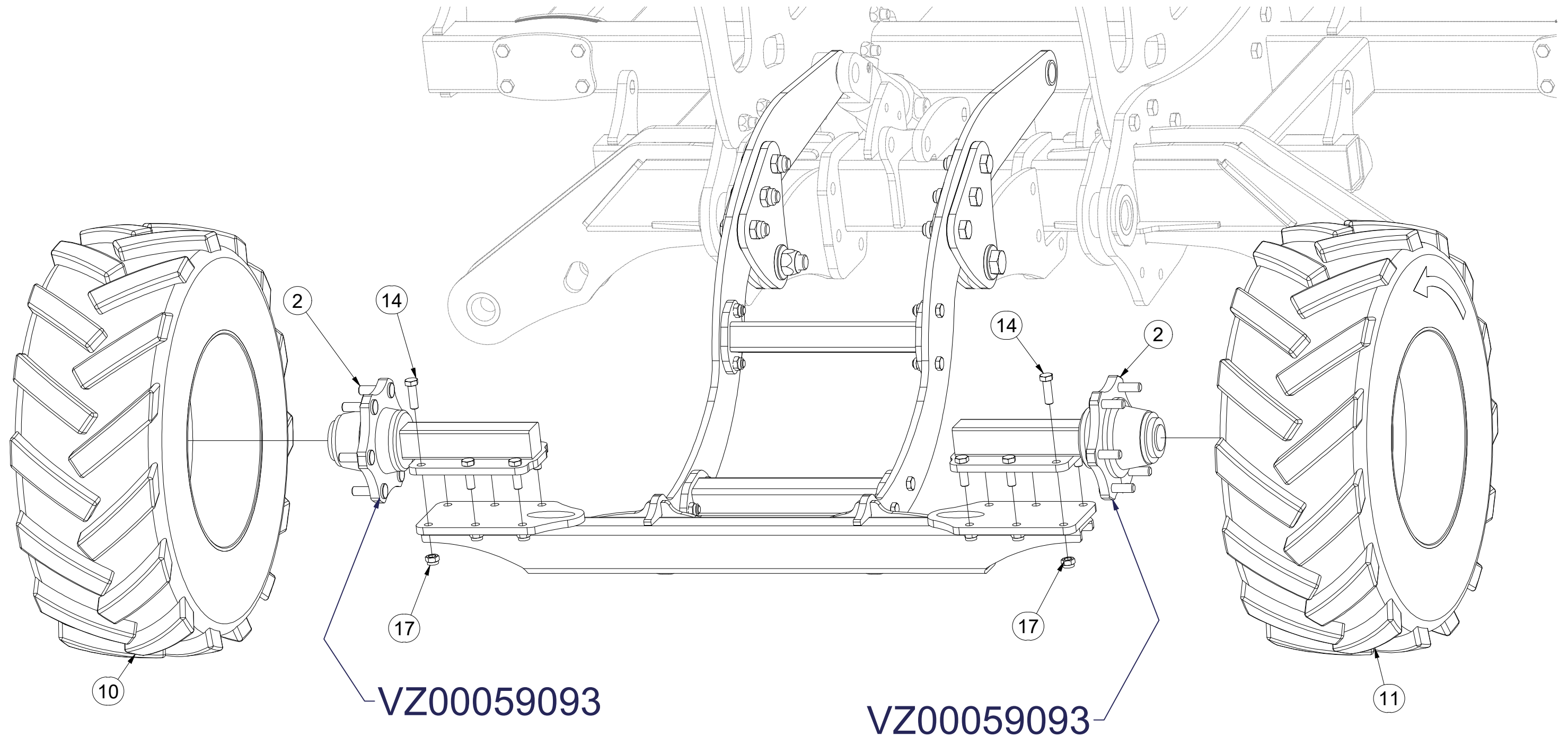
ⒸR КОМПЛЕКТ ОСИ КОЛЁС

ⒸL ZESTAW OSI



VZ00066590

| Pos. | Part Number | Pcs. |
|------|-------------|------|
| 2 | 3012123 | 2 |
| 10 | m14730 | 1 |
| 11 | m14731 | 1 |
| 14 | m10849 | 12 |
| 17 | m20385 | 12 |



Ⓒ NÁBOJ NEBRZDĚNÉ POLONÁPRAVY

Ⓓ NABE DES UNGEBREMSTEN ACHSSCHENKELS

Ⓕ MOYEU DE FUSÉE D'ESSIEU NON FREINÉ

Ⓖ UNBRAKED STUB AXLE HUB

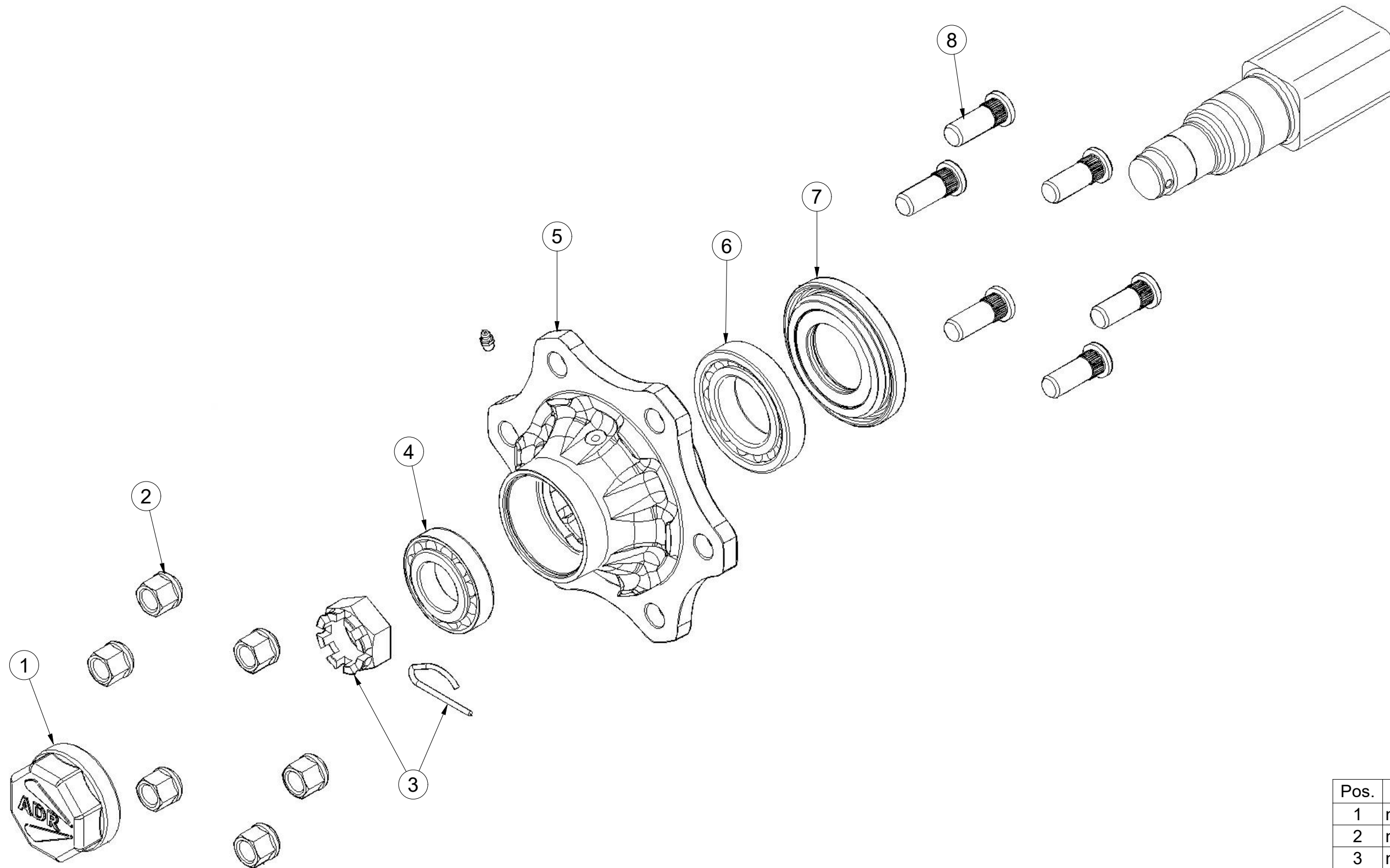
Ⓡ СТУПИЦА НЕТОРМОЗНОЙ КОРОТКОЙ ОСИ

Ⓢ PIASTA NIEHAMOWANEJ KRÓTKIEJ OSI

Farmet

VZ00059093

ADR S60LR600003



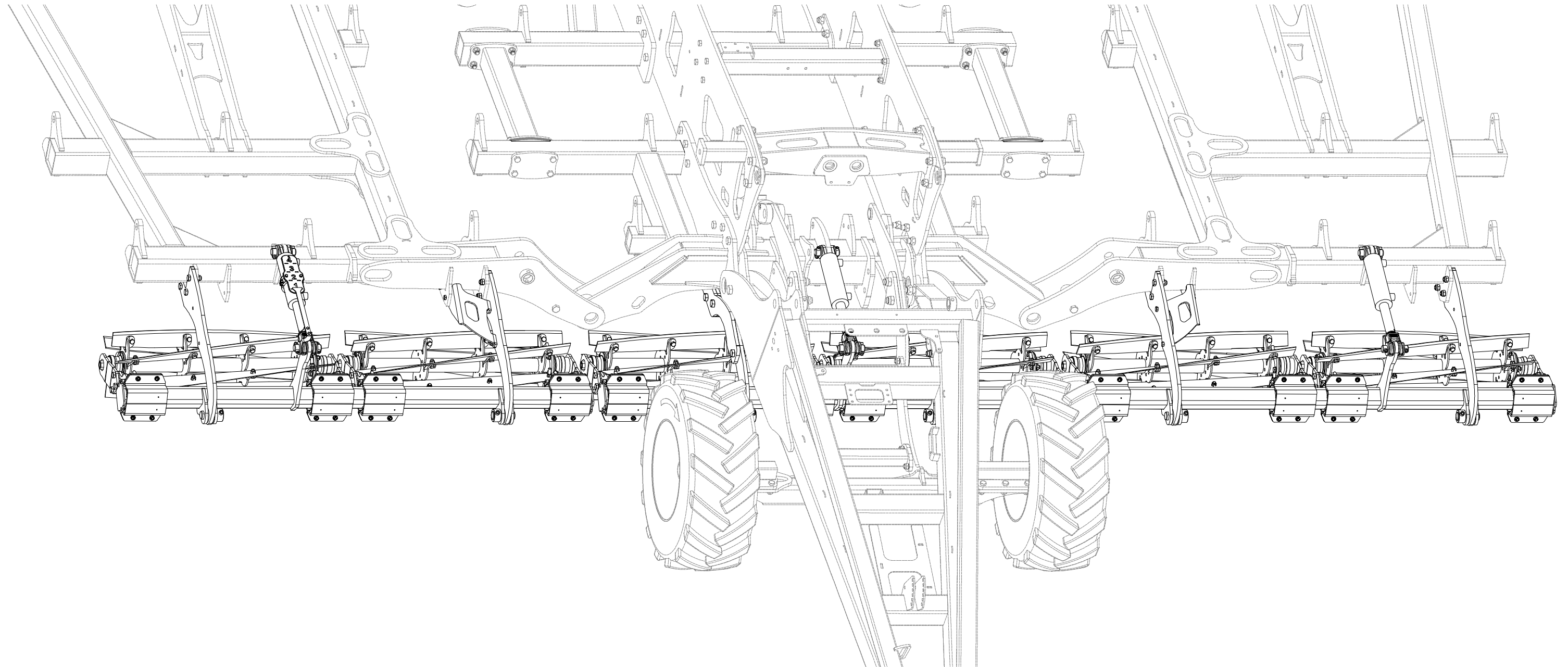
| Pos. | Part Number | Pcs. |
|------|-------------|------|
| 1 | m19668 | 1 |
| 2 | m08163 | 6 |
| 3 | m08169 | 1 |
| 4 | m07152 | 1 |
| 5 | m19667 | 1 |
| 6 | m07151 | 1 |
| 7 | m15058 | 1 |
| 8 | m08148 | 6 |

ⒸZ SADA PŘEDNÍCH ŘEZACÍCH VÁLCŮ
Ⓓ VORDERER SCHNEIDROLLENSATZ
Ⓕ KIT DE ROULEAUX DE COUPE AVANT

ⒸB SET OF FRONT CUTTING ROLLERS
ⒹU КОМПЛЕКТ ПЕРЕДНИХ ОТРЕЗНЫХ КАТКОВ
ⒹL ZESTAW PRZEDNICH WAŁÓW TNĄCYCH

Farmet

VZ00073803

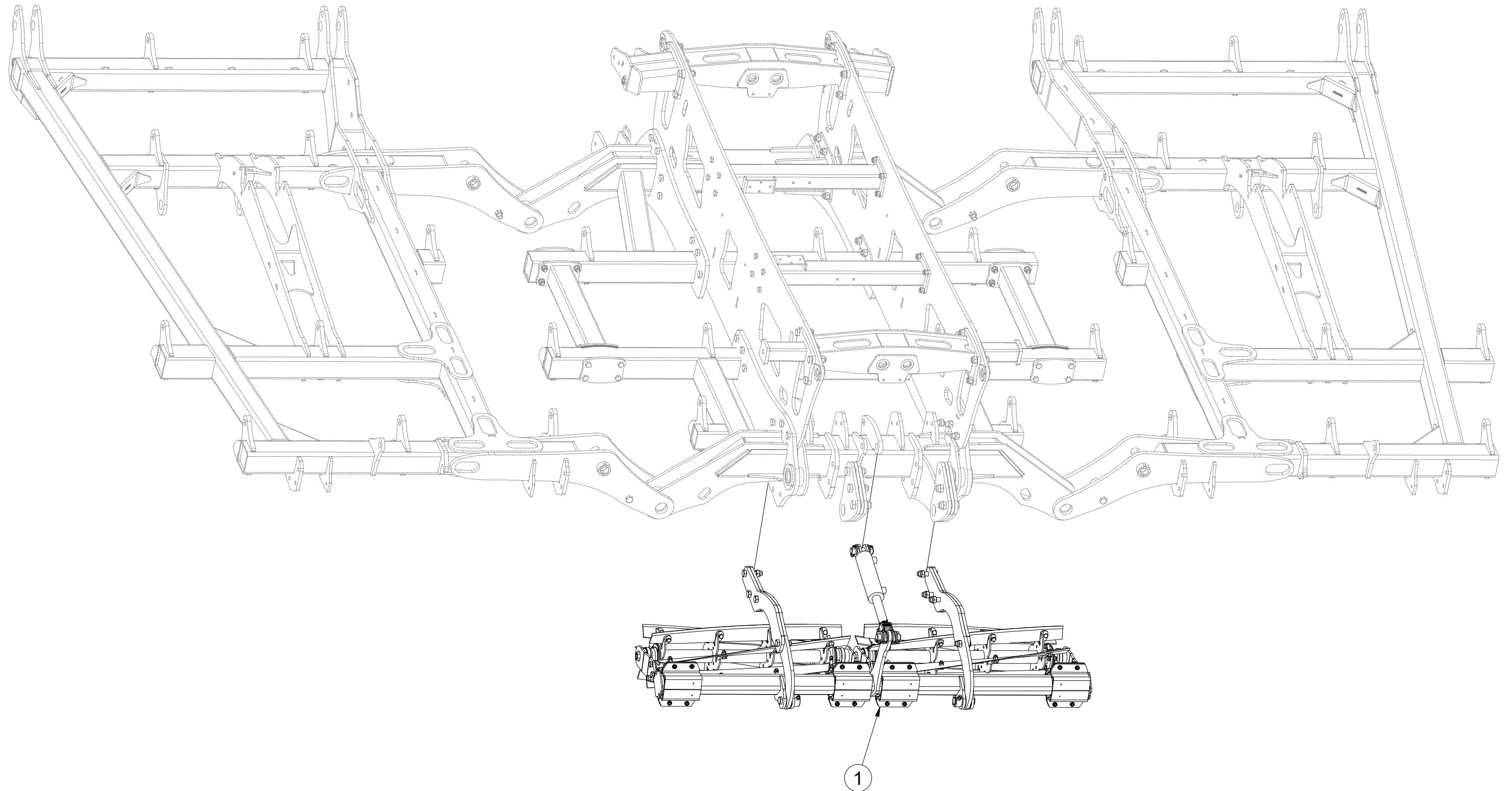


- ⒸZ SADA PŘEDNÍCH ŘEZACÍCH VÁLCŮ
- Ⓓ VORDERER SCHNEIDROLLENSATZ
- Ⓕ KIT DE ROULEAUX DE COUPE AVANT

- ⒸB SET OF FRONT CUTTING ROLLERS
- ⒹU КОМПЛЕКТ ПЕРЕДНИХ ОТРЕЗНЫХ КАТКОВ
- ⒹL ZESTAW PRZEDNICH WAŁÓW TNĄCYCH



VZ00073803



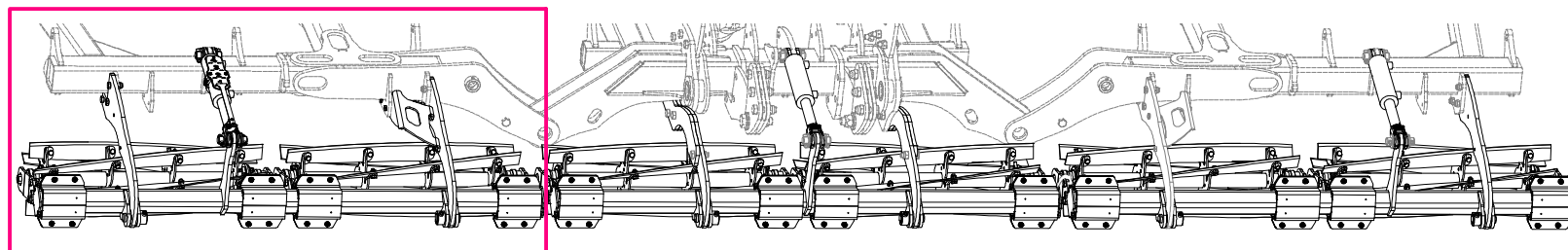
| Pos. | Part Number | Pcs. |
|------|-------------|------|
| 1 | VZ00073800 | 1 |

- Ⓒ SADA PŘEDNÍCH ŘEZACÍCH VÁLCŮ
- Ⓓ VORDERER SCHNEIDROLLENSATZ
- Ⓕ KIT DE ROULEAUX DE COUPE AVANT

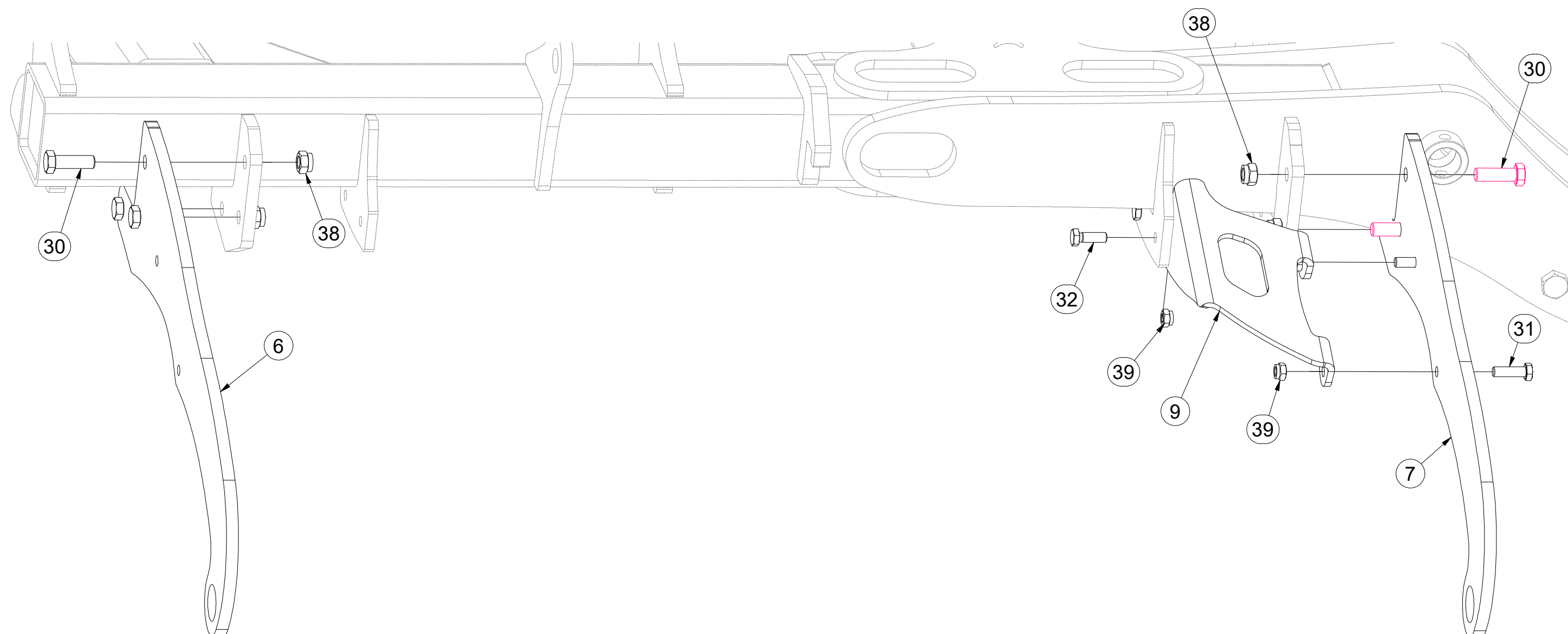
- Ⓖ SET OF FRONT CUTTING ROLLERS
- Ⓡ КОМПЛЕКТ ПЕРЕДНИХ ОТРЕЗНЫХ КАТКОВ
- Ⓟ ZESTAW PRZEDNICH WAŁÓW TNĄCYCH



VZ00073803



| Pos. | Part Number | Pcs. |
|------|-------------|------|
| 6 | VZ00075517 | 2 |
| 7 | VZ00073912 | 2 |
| 9 | VZ00038913 | 1 |
| 30 | m04355 | 12 |
| 31 | m03926 | 4 |
| 32 | m04343 | 4 |
| 38 | m03683 | 12 |
| 39 | m21001 | 12 |

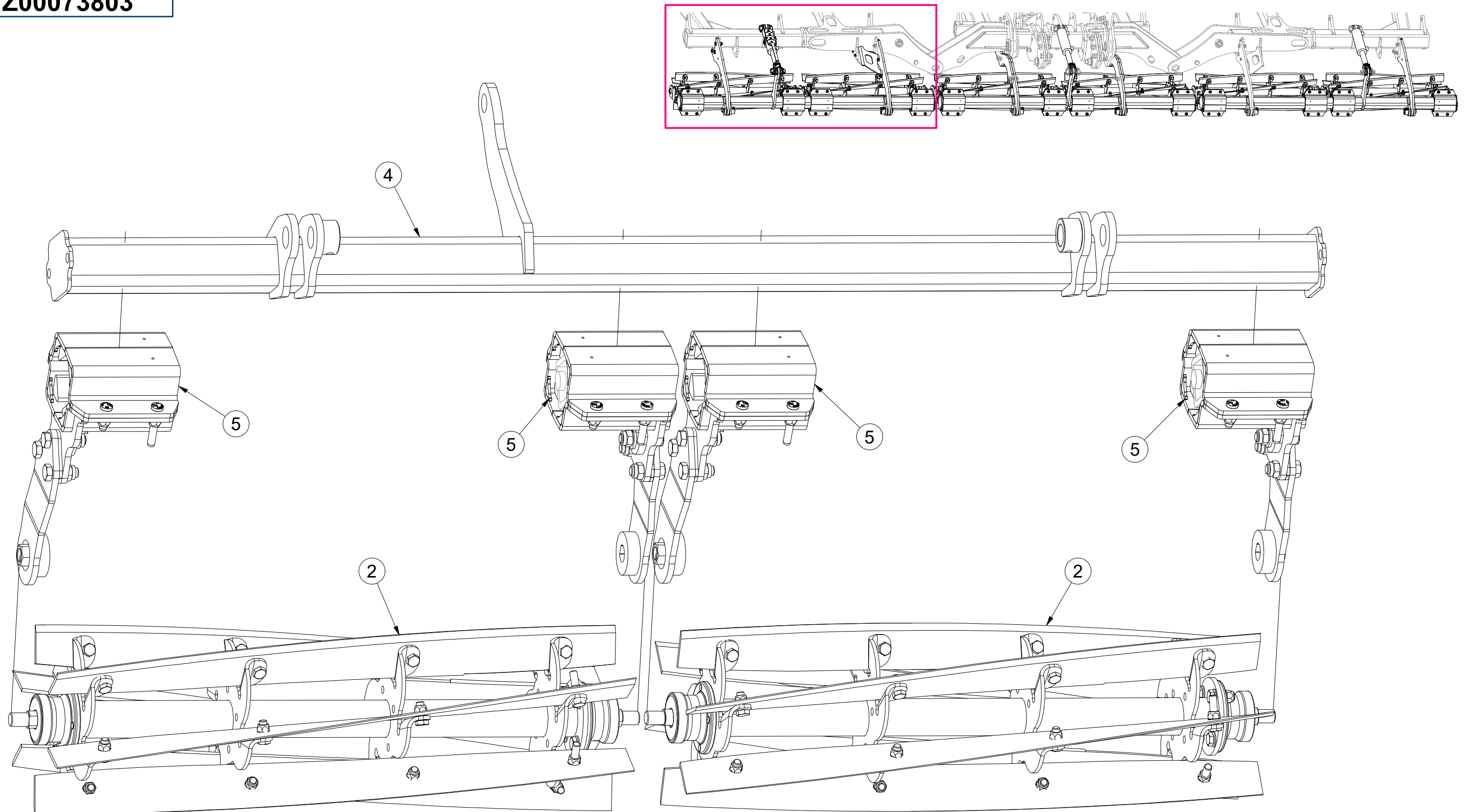


(CZ) SADA PŘEDNÍCH ŘEZACÍCH VÁLCŮ
 (D) VORDERER SCHNEIDROLLENSATZ
 (F) KIT DE ROULEAUX DE COUPE AVANT

(GB) SET OF FRONT CUTTING ROLLERS
 (RU) КОМПЛЕКТ ПЕРЕДНИХ ОТРЕЗНЫХ КАТКОВ
 (PL) ZESTAW PRZEDNICH WAŁÓW TNĄCYCH

Farmet

VZ00073803



| Pos. | Part Number | Pcs. |
|------|-------------|------|
| 2 | VZ00051973 | 4 |
| 4 | VZ00075523 | 1 |
| 5 | VZ00073903 | 8 |

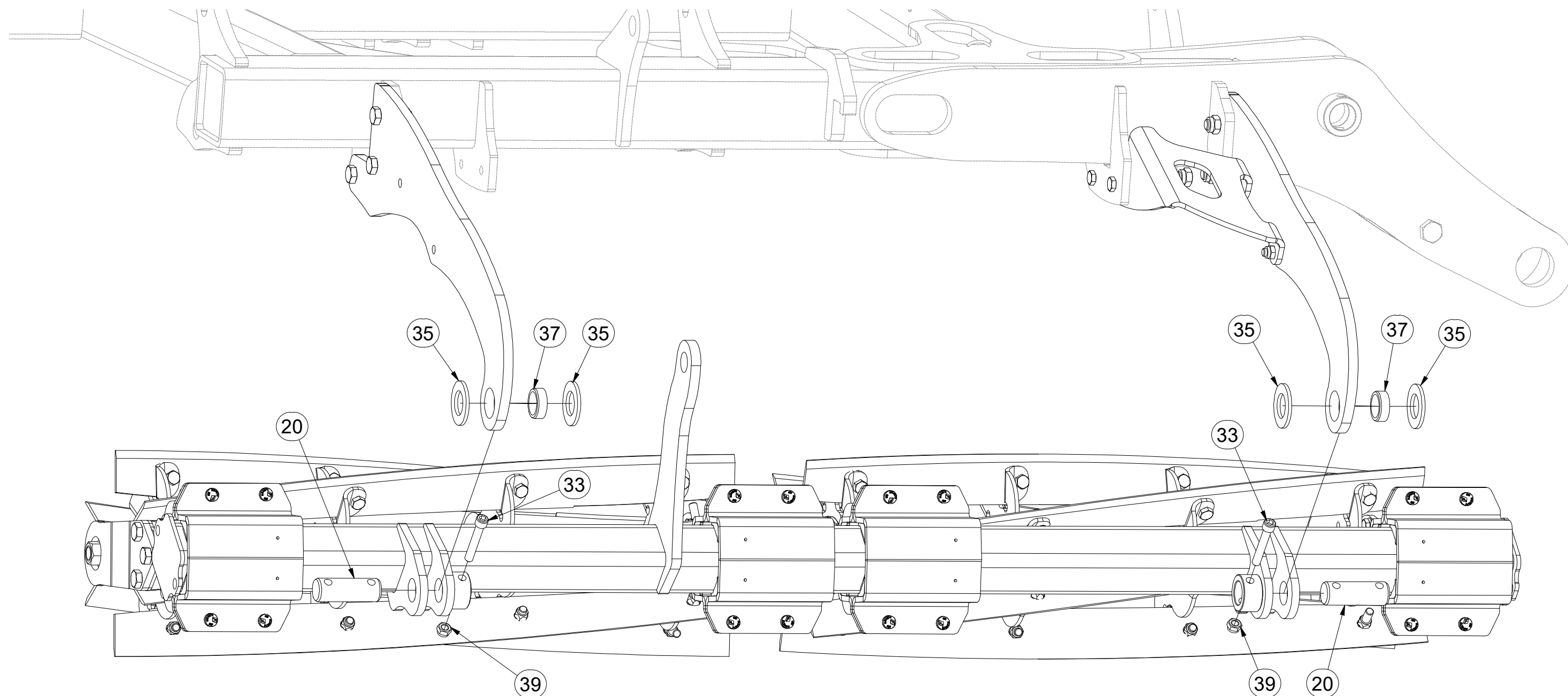
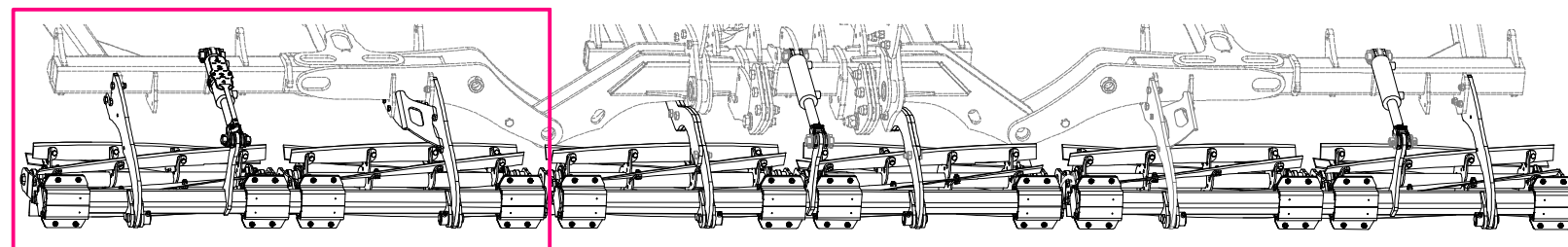
- ⒸZ SADA PŘEDNÍCH ŘEZACÍCH VÁLCŮ
- Ⓓ VORDERER SCHNEIDROLLENSATZ
- Ⓕ KIT DE ROULEAUX DE COUPE AVANT

- ⒸB SET OF FRONT CUTTING ROLLERS
- ⒹU КОМПЛЕКТ ПЕРЕДНИХ ОТРЕЗНЫХ КАТКОВ
- ⒹL ZESTAW PRZEDNICH WAŁÓW TNĄCYCH



VZ00073803

| Pos. | Part Number | Pcs. |
|------|-------------|------|
| 20 | 4007585 | 4 |
| 33 | m14862 | 4 |
| 35 | m03866 | 8 |
| 37 | m14979 | 4 |
| 39 | m21001 | 12 |

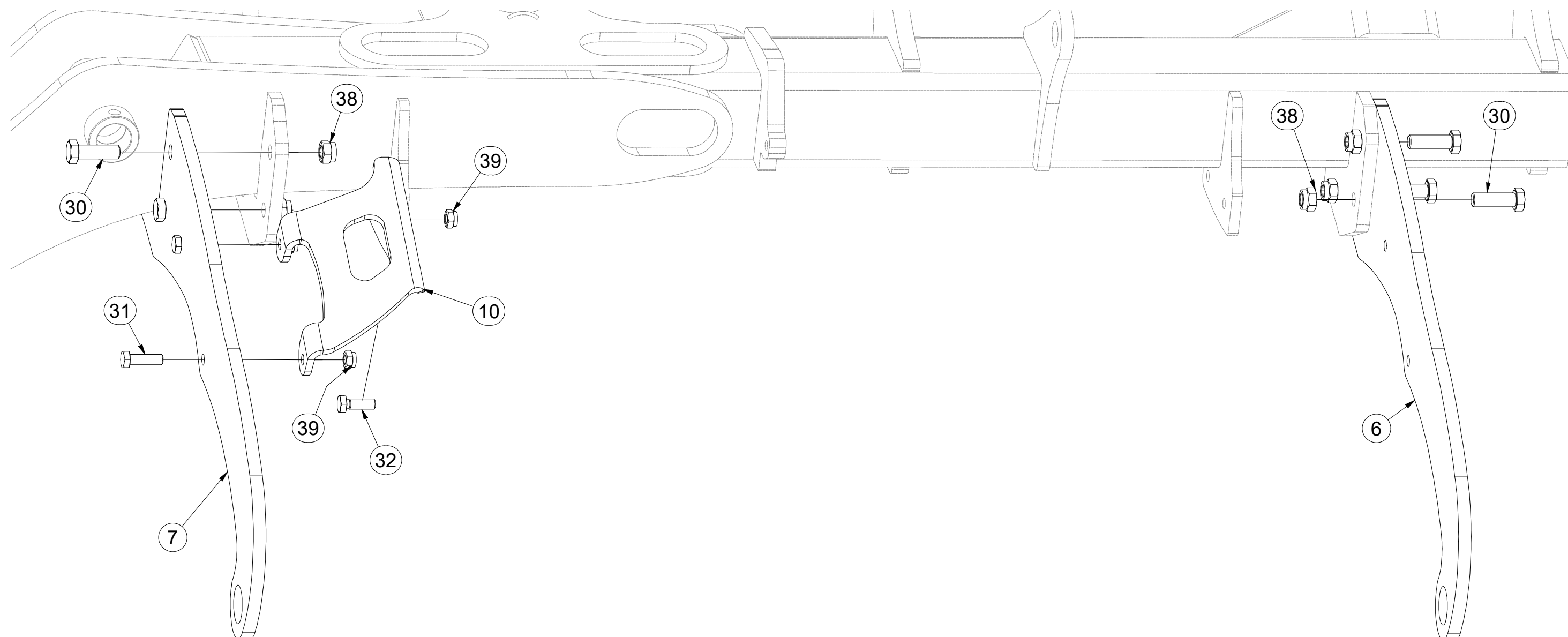
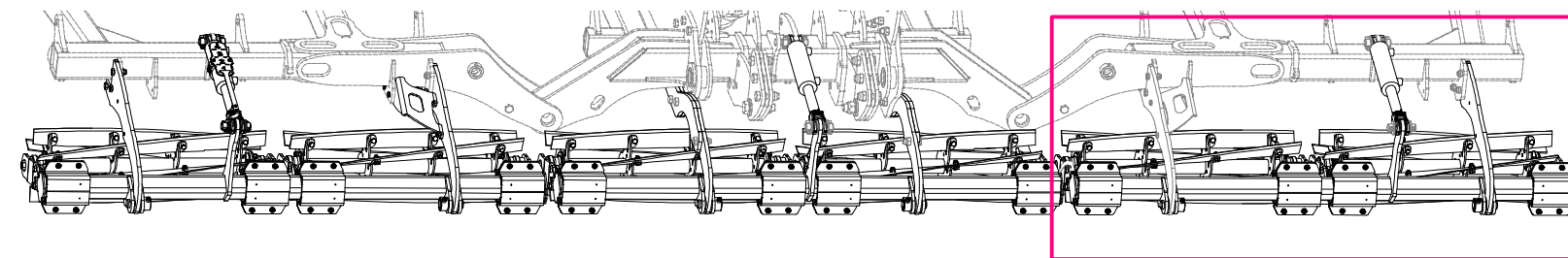


- ⒸZ SADA PŘEDNÍCH ŘEZACÍCH VÁLCŮ
- Ⓓ VORDERER SCHNEIDROLLENSATZ
- Ⓕ KIT DE ROULEAUX DE COUPE AVANT

- ⒸB SET OF FRONT CUTTING ROLLERS
- ⒹU КОМПЛЕКТ ПЕРЕДНИХ ОТРЕЗНЫХ КАТКОВ
- ⒹL ZESTAW PRZEDNICH WAŁÓW TNĄCYCH

VZ00073803

| Pos. | Part Number | Pcs. |
|------|-------------|------|
| 6 | VZ00075517 | 2 |
| 7 | VZ00073912 | 2 |
| 10 | VZ00038896 | 1 |
| 30 | m04355 | 12 |
| 31 | m03926 | 4 |
| 32 | m04343 | 4 |
| 38 | m03683 | 12 |
| 39 | m21001 | 12 |

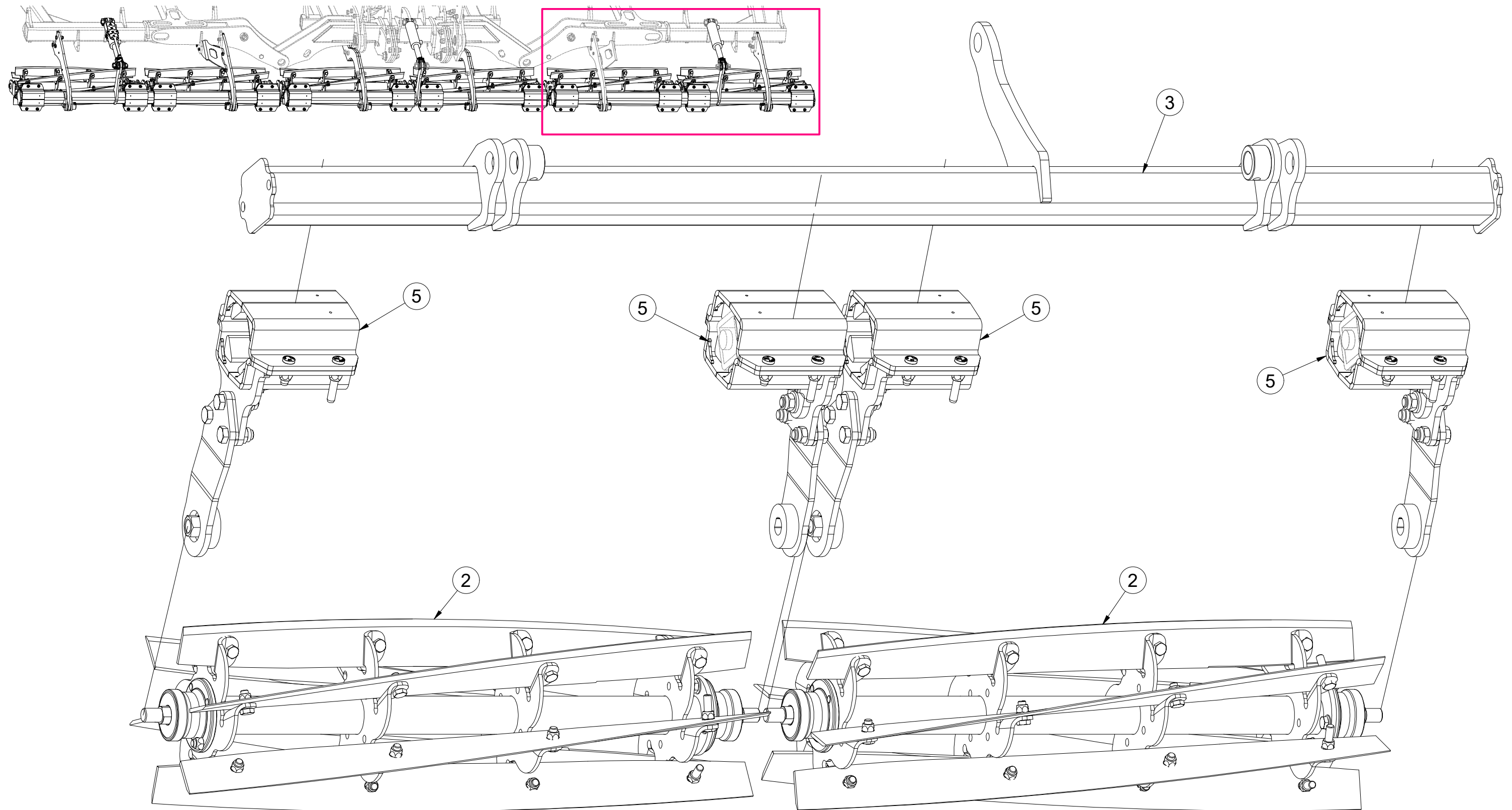


CZ SADA PŘEDNÍCH ŘEZACÍCH VÁLCŮ
 D VORDERER SCHNEIDROLLENSATZ
 F KIT DE ROULEAUX DE COUPE AVANT

GB SET OF FRONT CUTTING ROLLERS
 RU КОМПЛЕКТ ПЕРЕДНИХ ОТРЕЗНЫХ КАТКОВ
 PL ZESTAW PRZEDNICH WAŁÓW TNĄCYCH

Farmet

VZ00073803



| Pos. | Part Number | Pcs. |
|------|-------------|------|
| 2 | VZ00051973 | 4 |
| 3 | VZ00073925 | 1 |
| 5 | VZ00073903 | 8 |

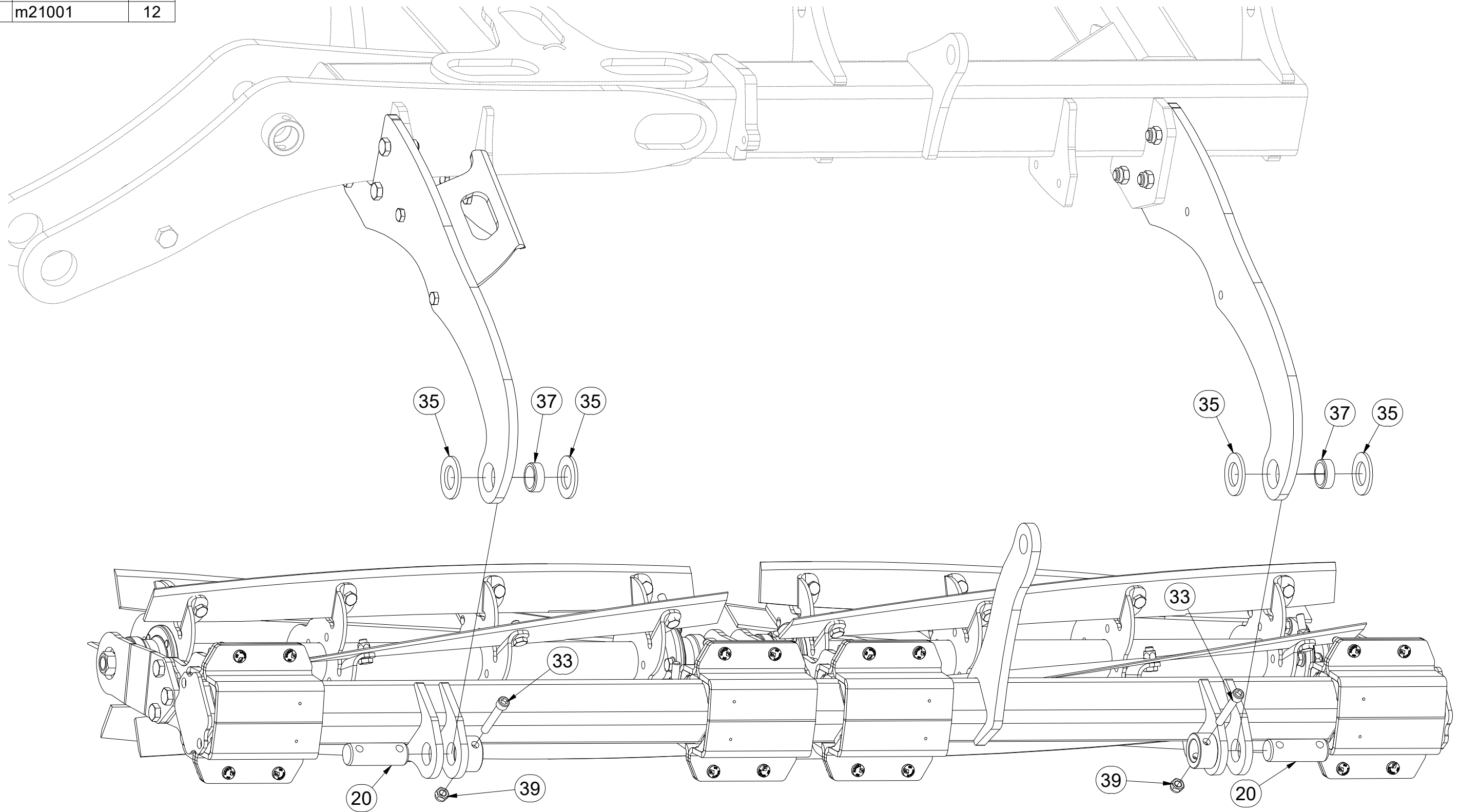
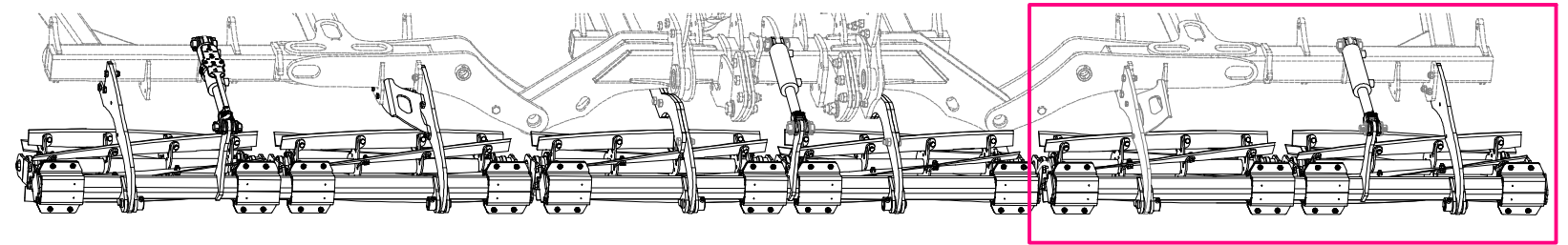
- Ⓒ SADA PŘEDNÍCH ŘEZACÍCH VÁLCŮ
- Ⓓ VORDERER SCHNEIDROLLENSATZ
- Ⓕ KIT DE ROULEAUX DE COUPE AVANT

- Ⓖ SET OF FRONT CUTTING ROLLERS
- Ⓡ КОМПЛЕКТ ПЕРЕДНИХ ОТРЕЗНЫХ КАТКОВ
- Ⓟ ZESTAW PRZEDNICH WAŁÓW TNĄCYCH



VZ00073803

| Pos. | Part Number | Pcs. |
|------|-------------|------|
| 20 | 4007585 | 4 |
| 33 | m14862 | 4 |
| 35 | m03866 | 8 |
| 37 | m14979 | 4 |
| 39 | m21001 | 12 |



Ⓒ SADA PŘEDNÍCH ŘEZACÍCH VÁLCŮ

Ⓓ VORDERER SCHNEIDROLLENSATZ

Ⓕ KIT DE ROULEAUX DE COUPE AVANT

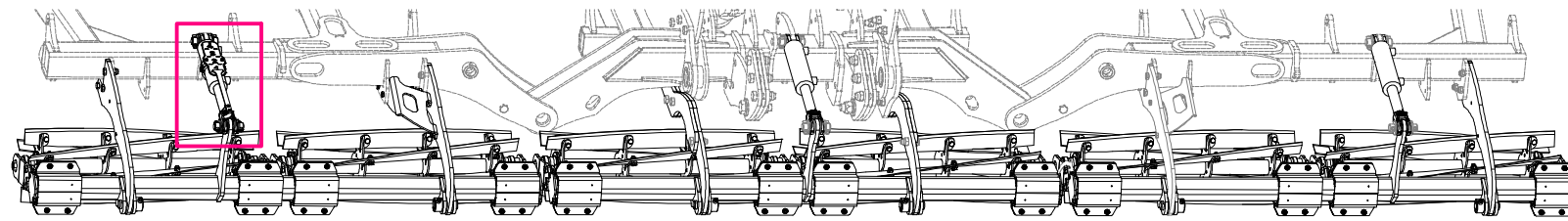
Ⓖ SET OF FRONT CUTTING ROLLERS

Ⓔ КОМПЛЕКТ ПЕРЕДНИХ ОТРЕЗНЫХ КАТКОВ

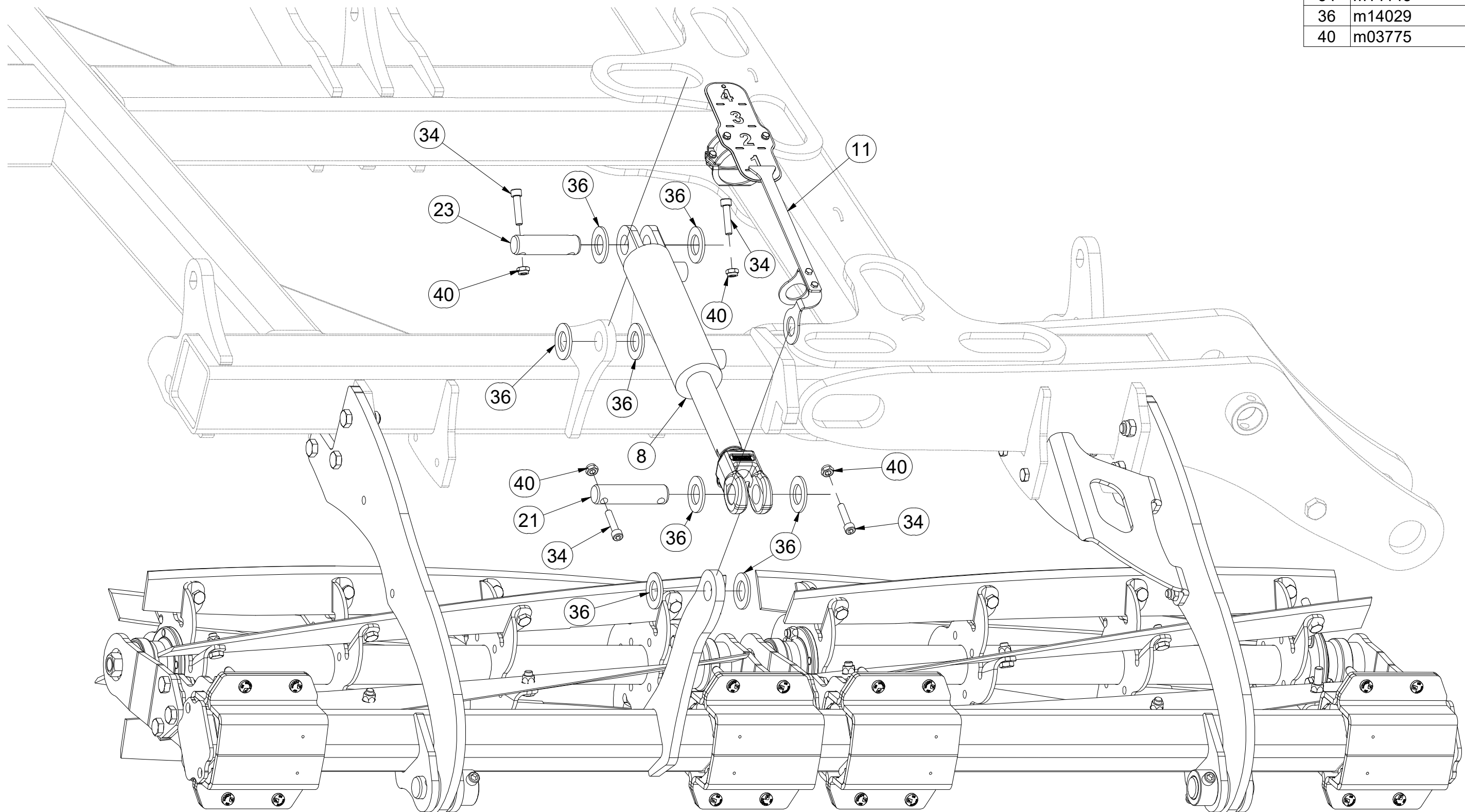
Ⓗ ZESTAW PRZEDNICH WAŁÓW TNĄCYCH

Farmet

VZ00073803



| Pos. | Part Number | Pcs. |
|------|-------------|------|
| 8 | VZ00073896 | 2 |
| 11 | VZ00075564 | 1 |
| 21 | 4014569 | 1 |
| 23 | 4007584 | 2 |
| 34 | m14143 | 8 |
| 36 | m14029 | 16 |
| 40 | m03775 | 8 |



Ⓒ SADA PŘEDNÍCH ŘEZACÍCH VÁLCŮ

Ⓓ VORDERER SCHNEIDROLLENSATZ

Ⓕ KIT DE ROULEAUX DE COUPE AVANT

Ⓖ SET OF FRONT CUTTING ROLLERS

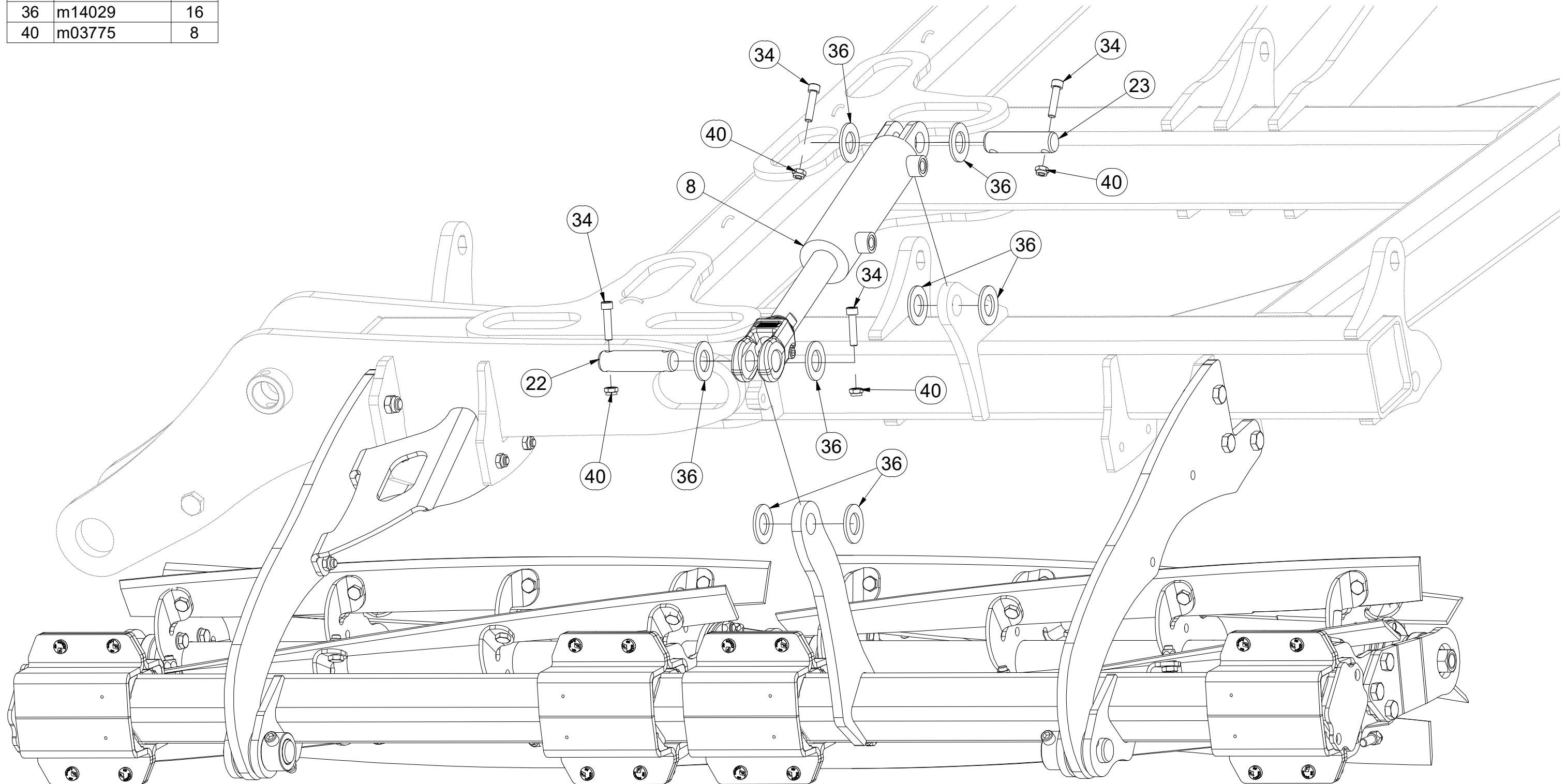
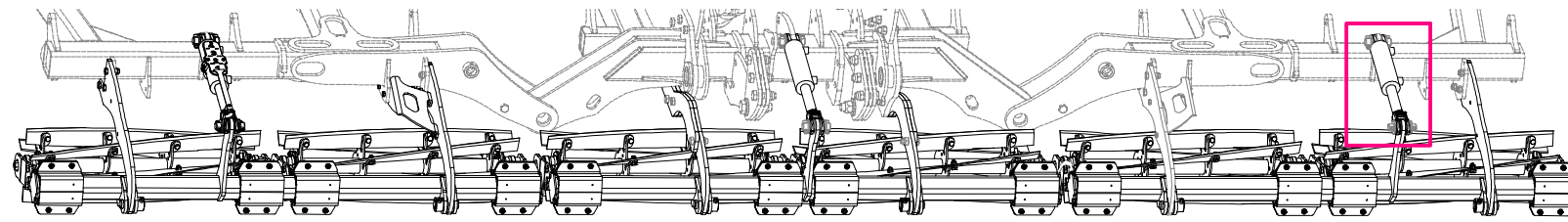
Ⓡ КОМПЛЕКТ ПЕРЕДНИХ ОТРЕЗНЫХ КАТКОВ

Ⓟ ZESTAW PRZEDNICH WAŁÓW TNĄCYCH

Farmet

VZ00073803

| Pos. | Part Number | Pcs. |
|------|-------------|------|
| 8 | VZ00073896 | 2 |
| 22 | 4007639 | 1 |
| 23 | 4007584 | 2 |
| 34 | m14143 | 8 |
| 36 | m14029 | 16 |
| 40 | m03775 | 8 |



Ⓒ UKAZATEL HLOUBKY

Ⓓ TIEFENANZEIGER

Ⓔ INDICATEUR DE PROFONDEUR

Ⓖ DEPTH INDICATOR

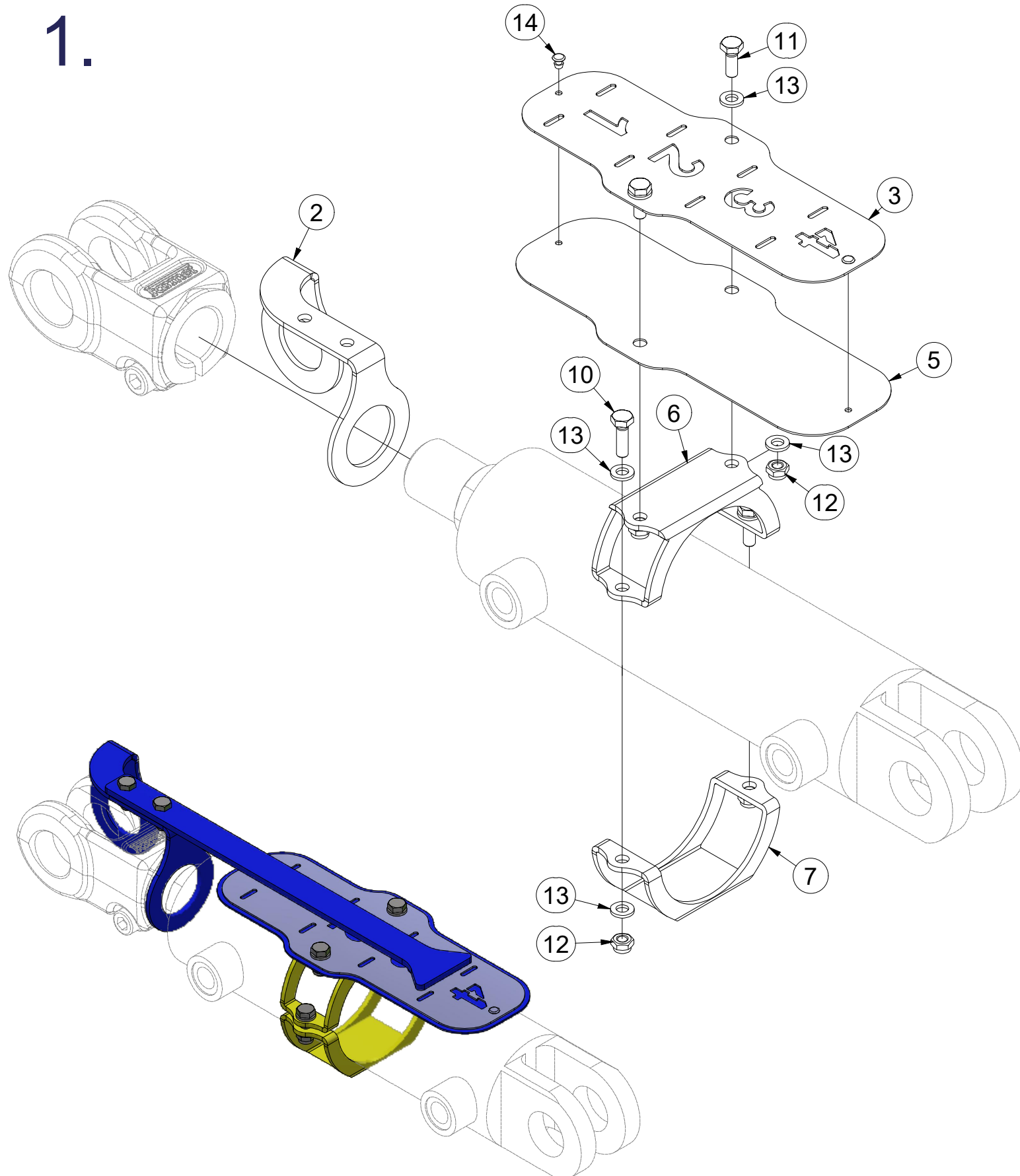
Ⓡ UKAZATEL GŁĘBOKOŚCI

Ⓟ WSKAŹNIK GŁĘBOKOŚCI

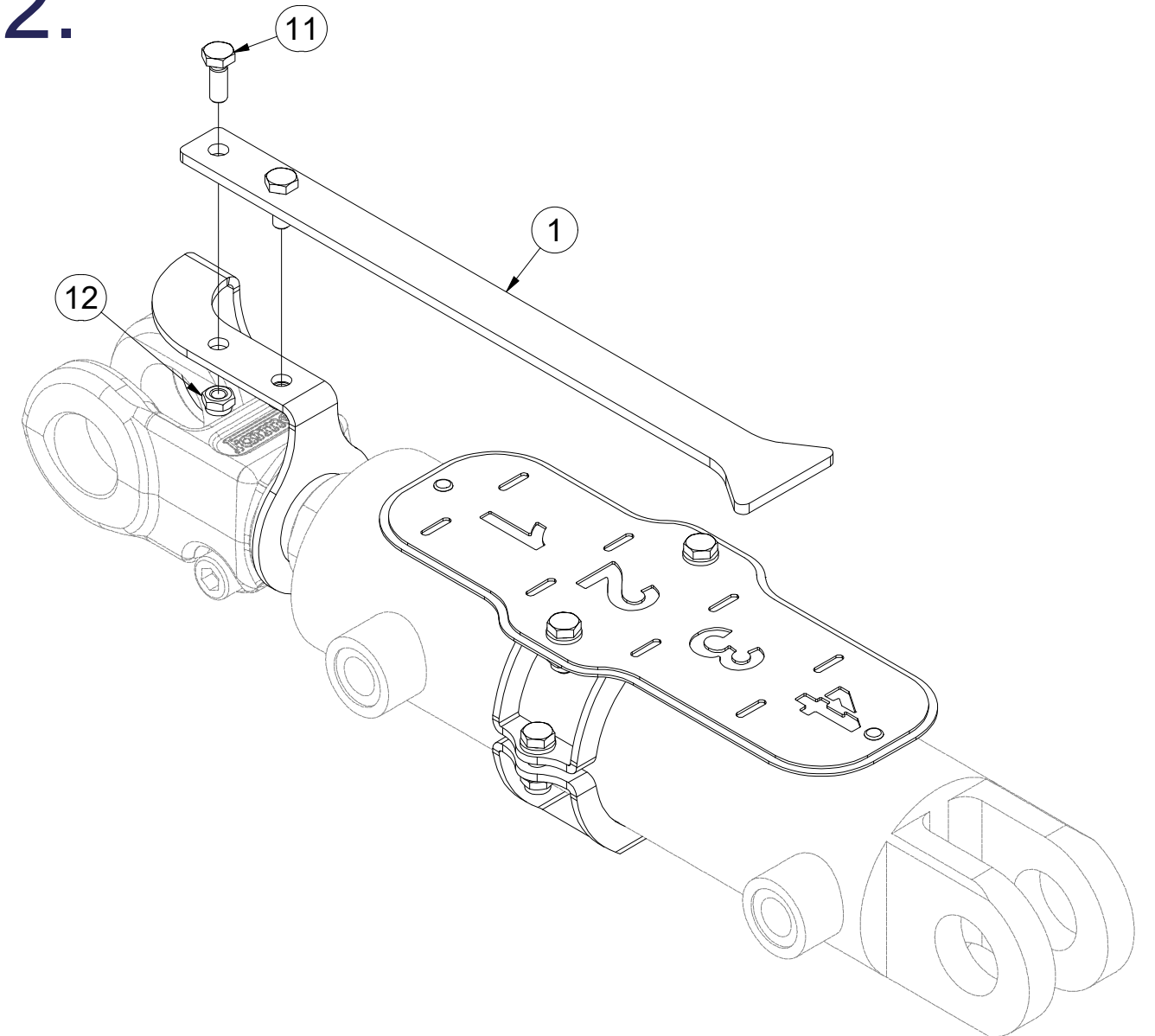


VZ00075564

1.



2.



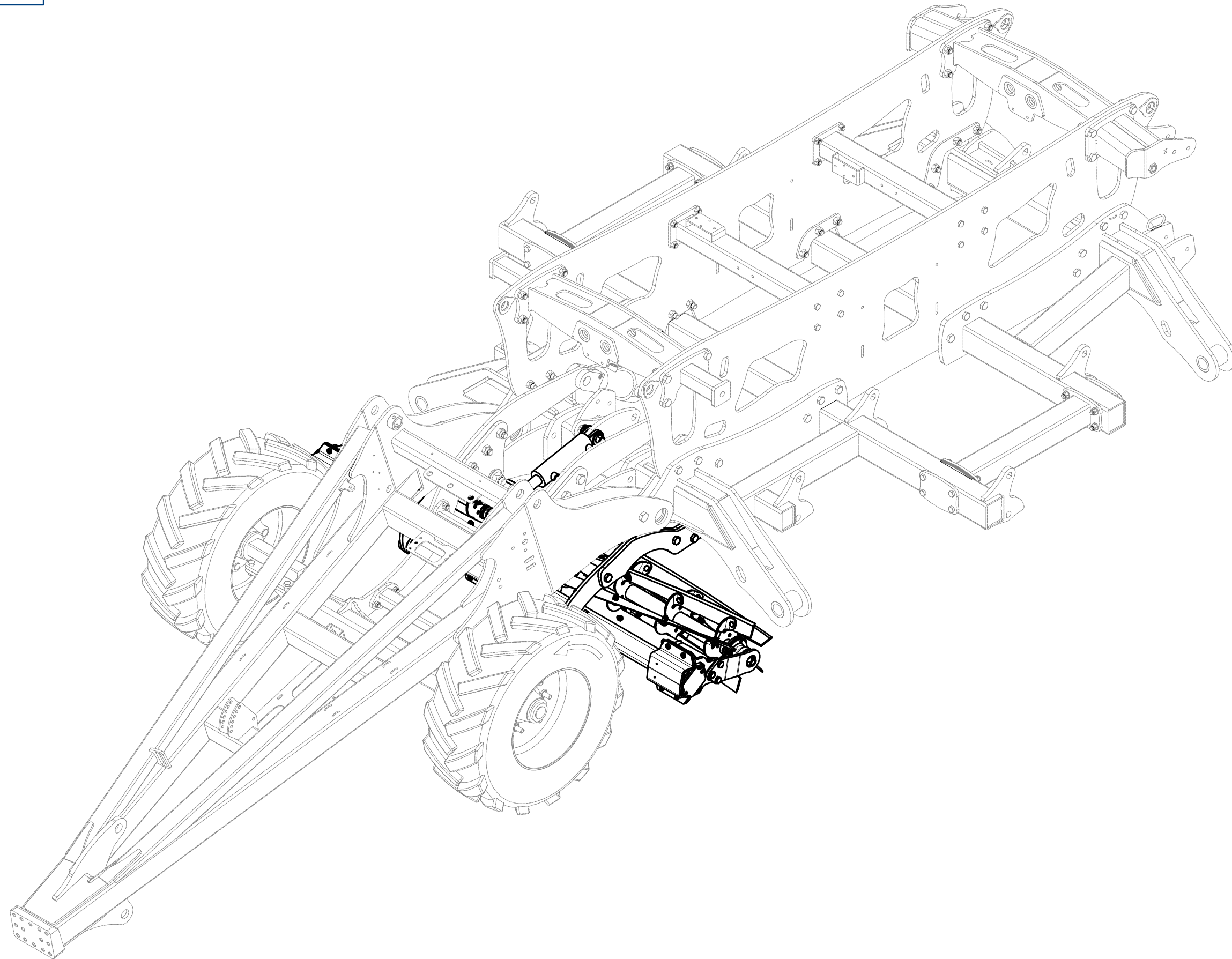
| Pos. | Part Number | Pcs. |
|------|-------------|------|
| 1 | VZ00075579 | 1 |
| 2 | VZ00075570 | 1 |
| 3 | VZ00009648 | 1 |
| 5 | 4019027 | 1 |
| 6 | 4019025 | 1 |
| 7 | 4019024 | 1 |
| 10 | m01074 | 2 |
| 11 | m01073 | 4 |
| 12 | m05560 | 6 |
| 13 | m01199 | 8 |
| 14 | m27781 | 2 |

- Ⓒ SADA PŘEDNÍCH ŘEZACÍCH VÁLCŮ
- Ⓓ VORDERER SCHNEIDROLLENSATZ
- Ⓕ KIT DE ROULEAUX DE COUPE AVANT

- Ⓖ SET OF FRONT CUTTING ROLLERS
- Ⓡ КОМПЛЕКТ ПЕРЕДНИХ ОТРЕЗНЫХ КАТКОВ
- Ⓟ ZESTAW PRZEDNICH WAŁÓW TNĄCYCH

Farmet

VZ00073800

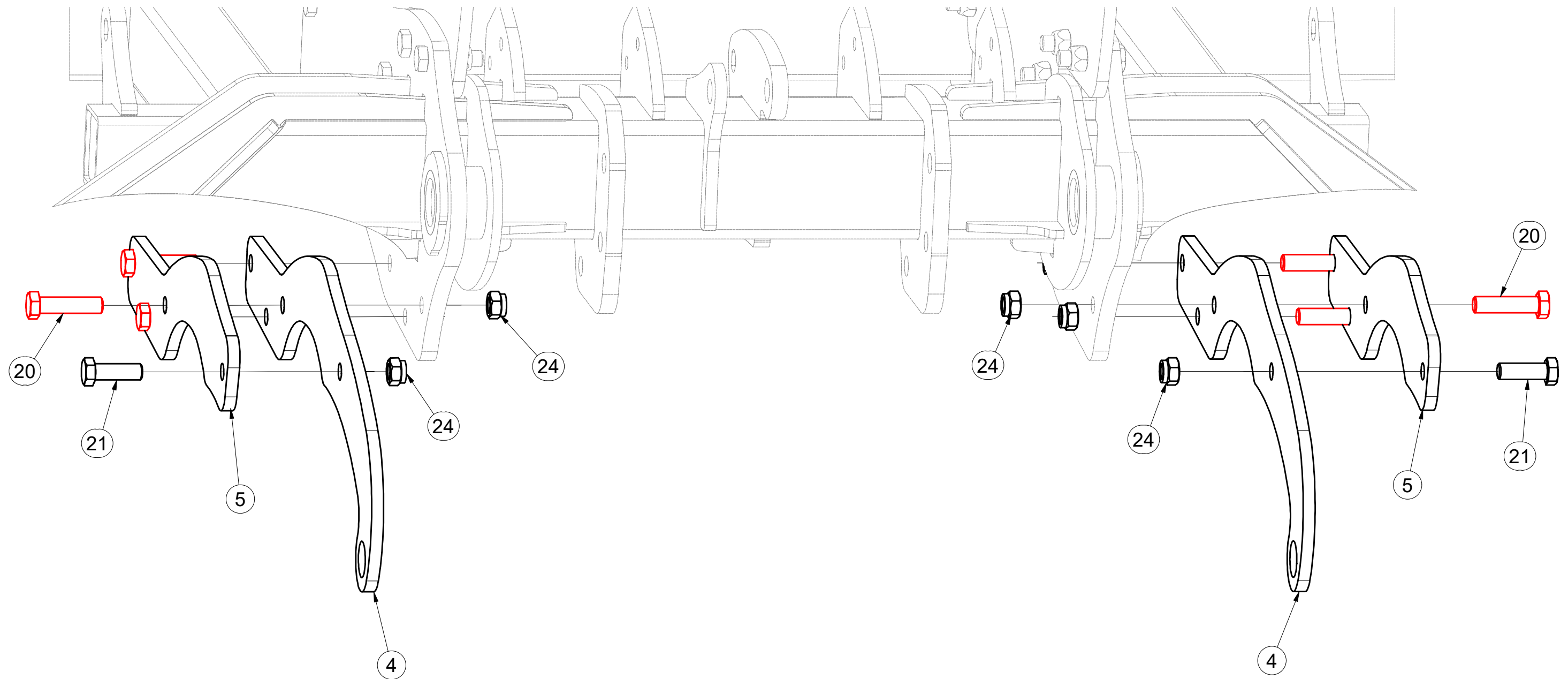


(CZ) SADA PŘEDNÍCH ŘEZACÍCH VÁLCŮ
 (D) VORDERER SCHNEIDROLLENSATZ
 (F) KIT DE ROULEAUX DE COUPE AVANT

(GB) SET OF FRONT CUTTING ROLLERS
 (RU) КОМПЛЕКТ ПЕРЕДНИХ ОТРЕЗНЫХ КАТКОВ
 (PL) ZESTAW PRZEDNICH WAŁÓW TNĄCYCH

Farmet

VZ00073800



| Pos. | Part Number | Pcs. |
|------|-------------|------|
| 4 | VZ00075550 | 2 |
| 5 | VZ00075556 | 2 |
| 20 | m11528 | 6 |
| 21 | m05747 | 2 |
| 24 | m05648 | 8 |

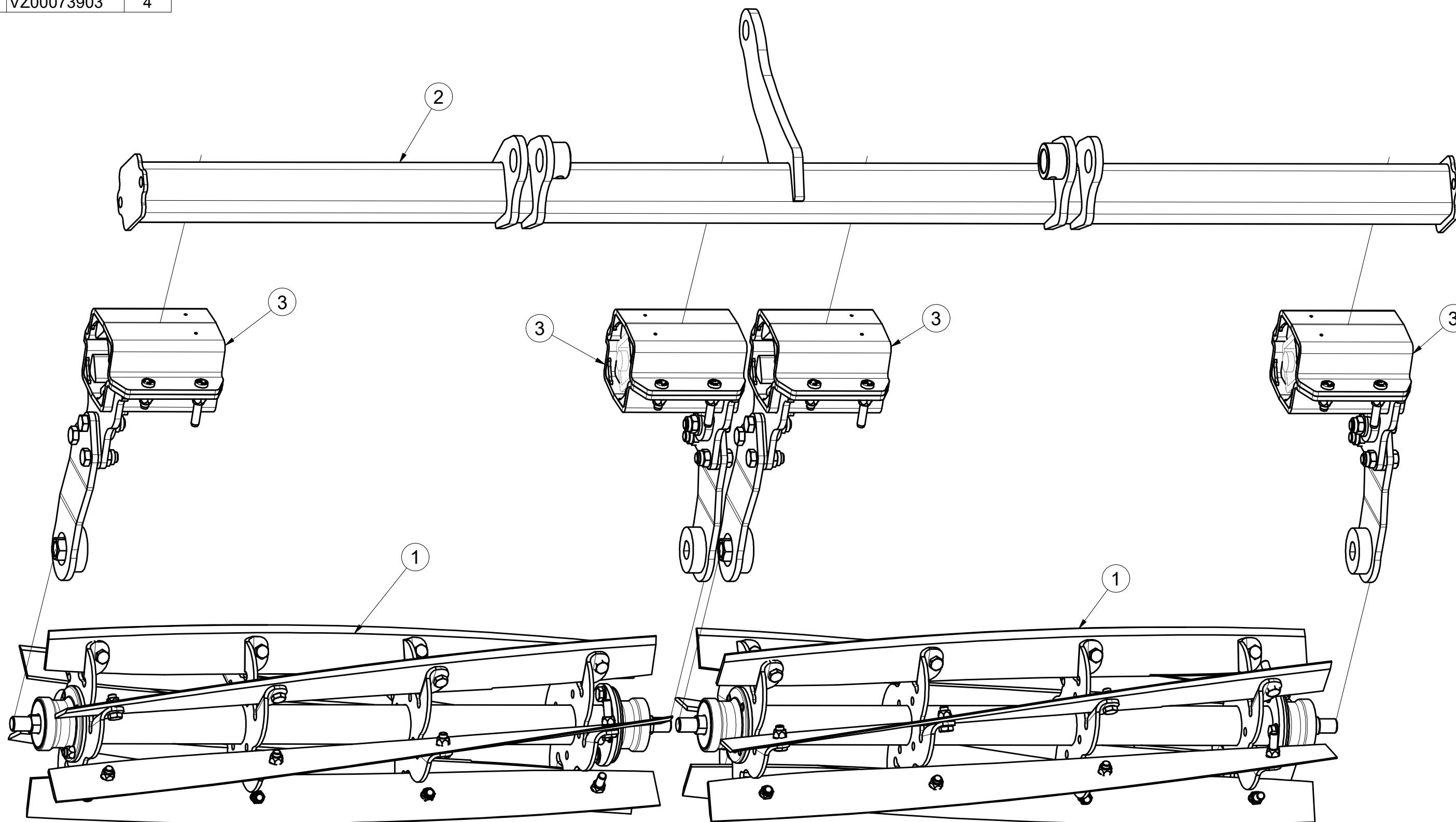
(CZ) SADA PŘEDNÍCH ŘEZACÍCH VÁLCŮ
 (D) VORDERER SCHNEIDROLLENSATZ
 (F) KIT DE ROULEAUX DE COUPE AVANT

(GB) SET OF FRONT CUTTING ROLLERS
 (RU) КОМПЛЕКТ ПЕРЕДНИХ ОТРЕЗНЫХ КАТКОВ
 (PL) ZESTAW PRZEDNICH WAŁÓW TNĄCYCH

Farmet

VZ00073800

| Pos. | Part Number | Pcs. |
|------|-------------|------|
| 1 | VZ00051973 | 2 |
| 2 | VZ00075539 | 1 |
| 3 | VZ00073903 | 4 |



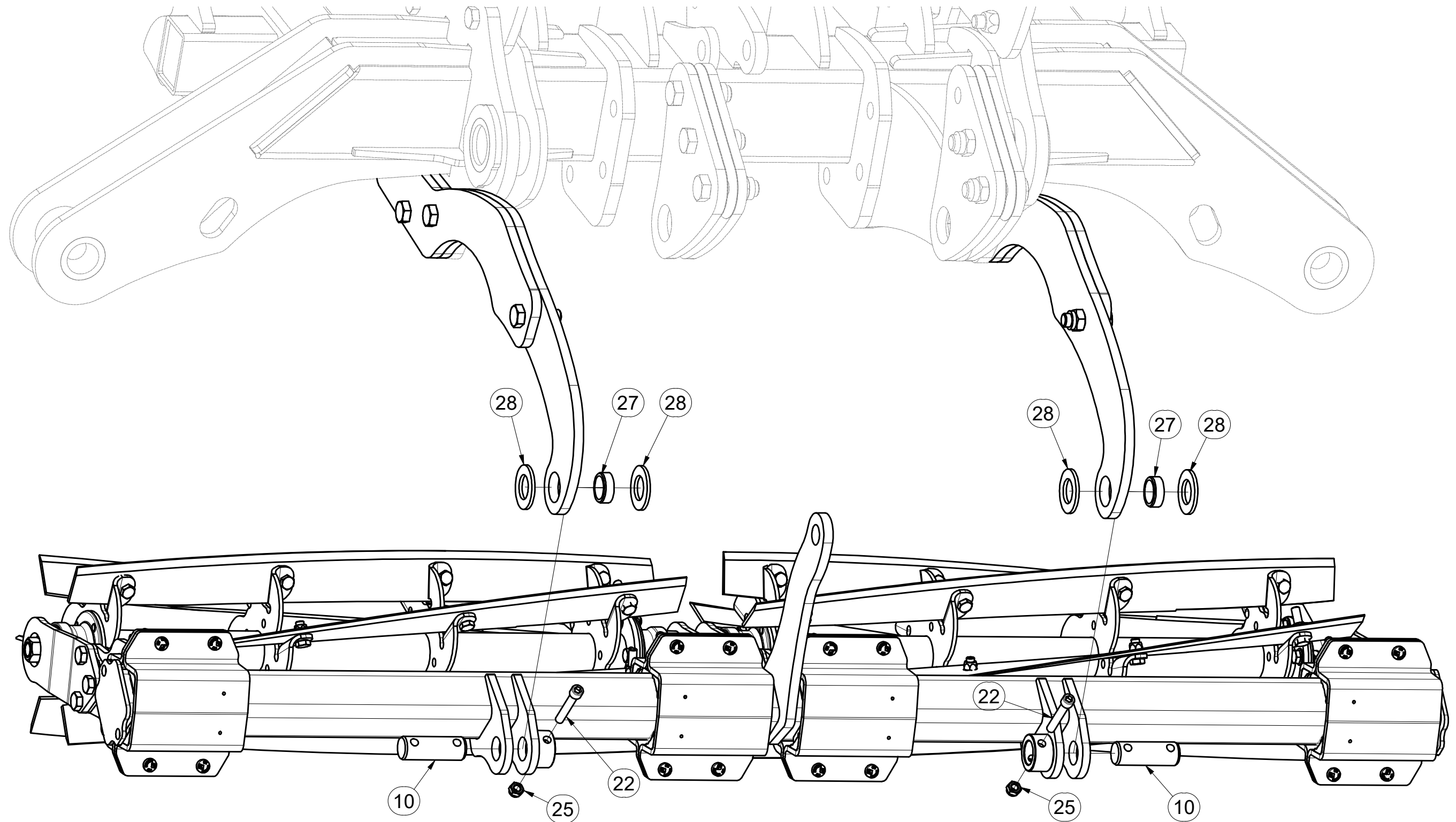
CZ SADA PŘEDNÍCH ŘEZACÍCH VÁLCŮ
 D VORDERER SCHNEIDROLLENSATZ
 F KIT DE ROULEAUX DE COUPE AVANT

GB SET OF FRONT CUTTING ROLLERS
 RU КОМПЛЕКТ ПЕРЕДНИХ ОТРЕЗНЫХ КАТКОВ
 PL ZESTAW PRZEDNICH WAŁÓW TNĄCYCH



VZ00073800

| Pos. | Part Number | Pcs. |
|------|-------------|------|
| 10 | 4007585 | 2 |
| 22 | m14862 | 2 |
| 25 | m21001 | 2 |
| 27 | m14979 | 2 |
| 28 | m03866 | 4 |

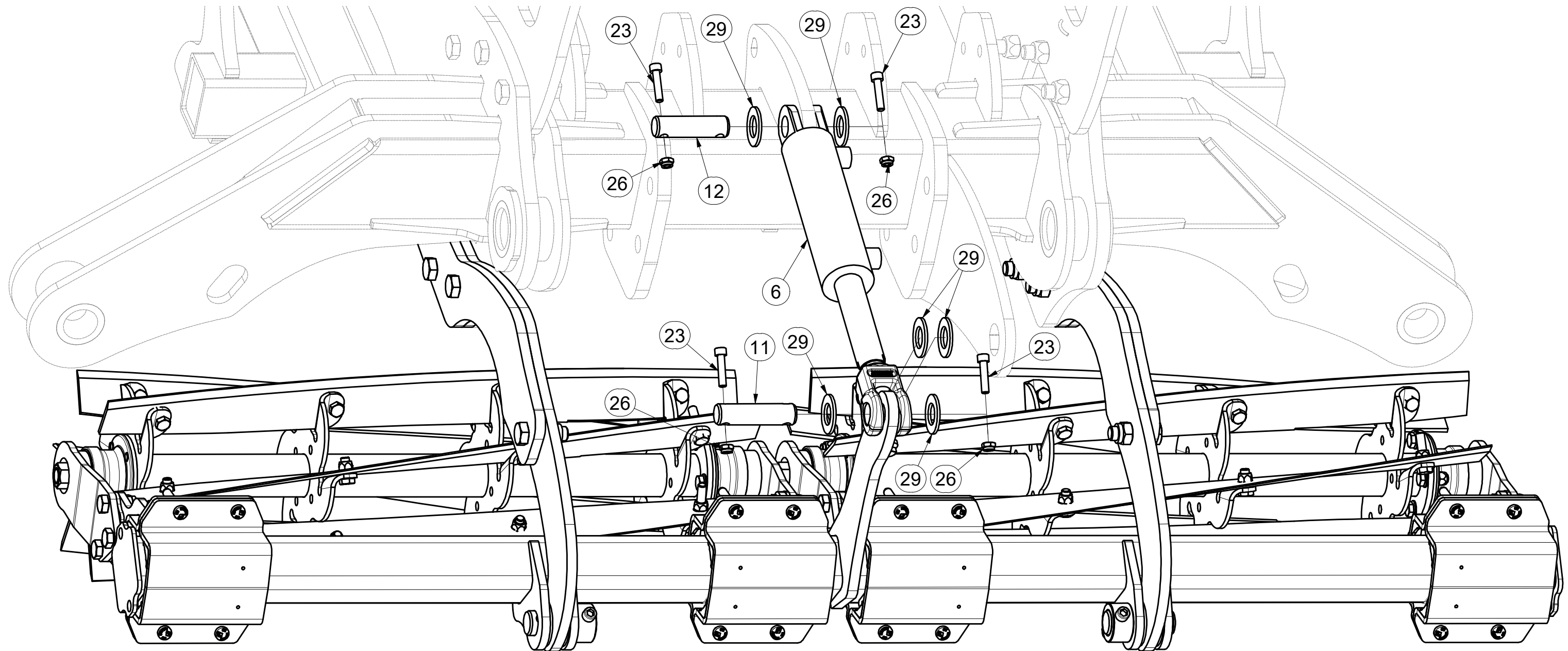


CZ SADA PŘEDNÍCH ŘEZACÍCH VÁLCŮ
 D VORDERER SCHNEIDROLLENSATZ
 F KIT DE ROULEAUX DE COUPE AVANT

GB SET OF FRONT CUTTING ROLLERS
 RU КОМПЛЕКТ ПЕРЕДНИХ ОТРЕЗНЫХ КАТКОВ
 PL ZESTAW PRZEDNICH WAŁÓW TNĄCYCH

Farmet

VZ00073800



| Pos. | Part Number | Pcs. |
|------|-------------|------|
| 6 | VZ00073896 | 1 |
| 11 | 4007639 | 1 |
| 12 | 4007584 | 1 |
| 23 | m14143 | 4 |
| 26 | m03775 | 4 |
| 29 | m14029 | 6 |

Ⓒ JEDNOTKA PRACOVNÍ

Ⓓ ARBEITSEINHEIT

Ⓕ UNITÉ DE TRAVAIL

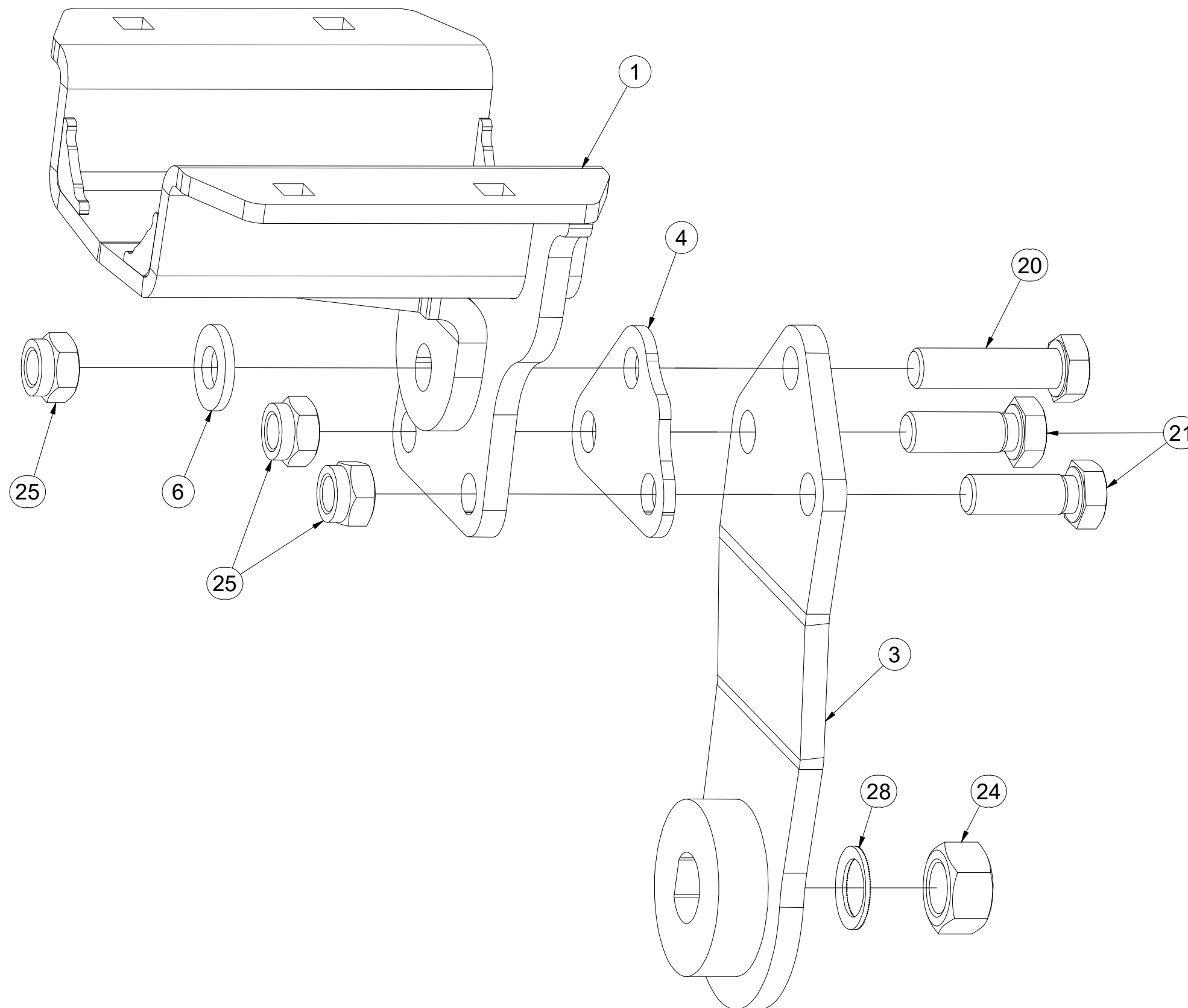
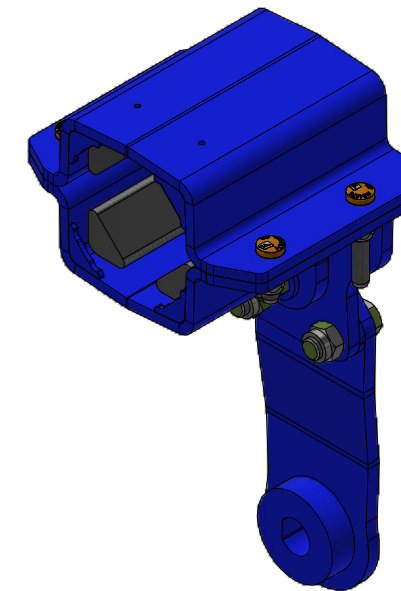
VZ00073903

Ⓒ WORKING CHISEL

Ⓓ РАБОЧИЙ УЗЕЛ

Ⓕ JEDNOSTKA ROBOCZA

Farmet



| Pos. | Part Number | Pcs. |
|------|-------------|------|
| 1 | VZ00064991 | 1 |
| 3 | VZ00073902 | 1 |
| 4 | VZ00064805 | 1 |
| 6 | VZ00020647 | 1 |
| 20 | m00619 | 1 |
| 21 | m02254 | 2 |
| 24 | m18101 | 1 |
| 25 | m03683 | 3 |
| 28 | m22852 | 1 |

Ⓒ JEDNOTKA PRACOVNÍ

Ⓓ ARBEITSEINHEIT

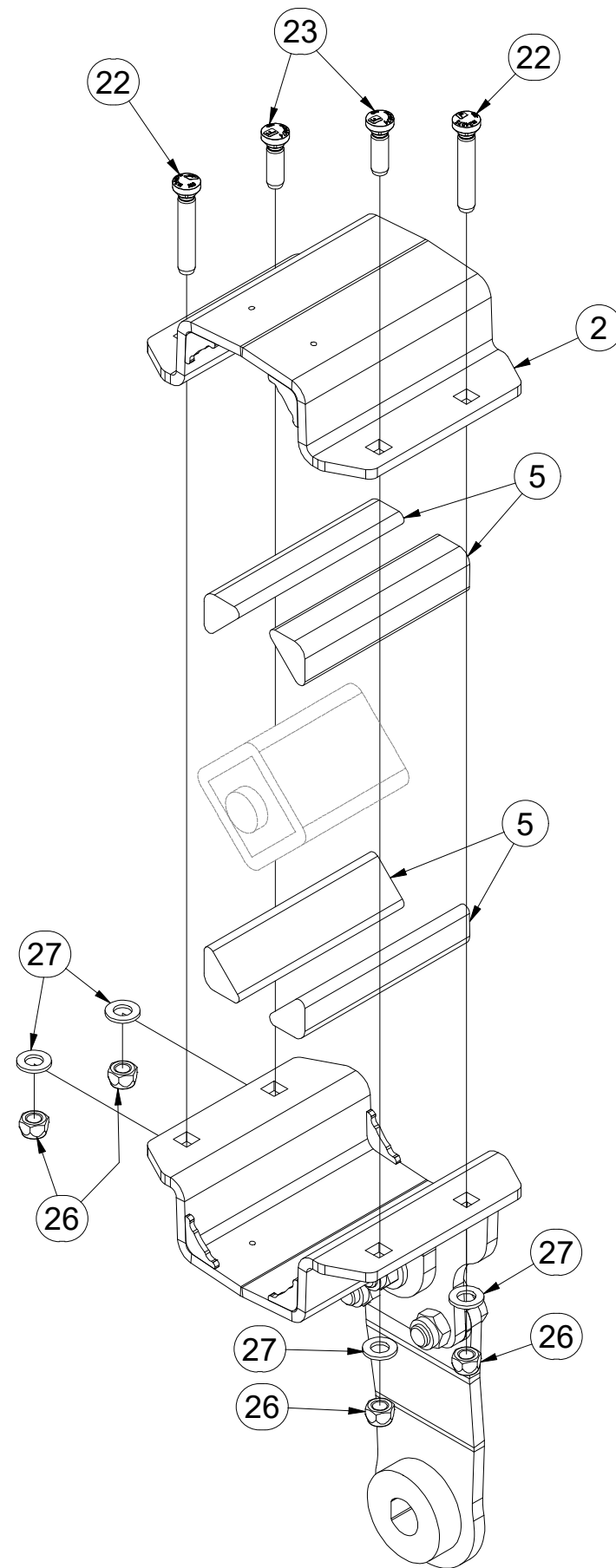
Ⓕ UNITÉ DE TRAVAIL

VZ00073903

Ⓖ WORKING CHISEL

Ⓒ РАБОЧИЙ УЗЕЛ

Ⓔ JEDNOSTKA ROBOCZA



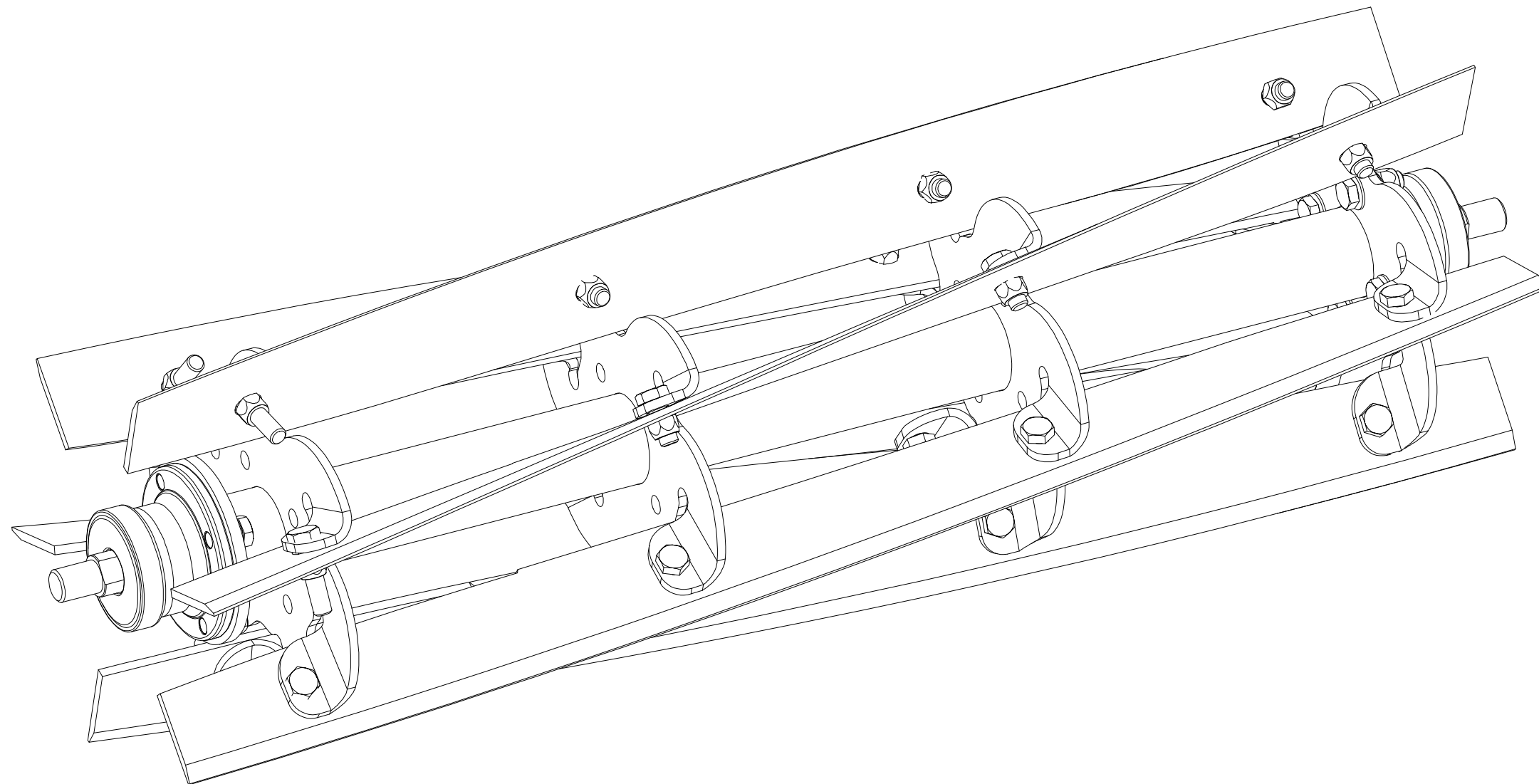
| Pos. | Part Number | Pcs. |
|------|-------------|------|
| 2 | 9005693 | 1 |
| 5 | VZ00006303 | 4 |
| 22 | m24075 | 2 |
| 23 | m24074 | 2 |
| 26 | m12134 | 4 |
| 27 | m17741 | 4 |

Ⓒ SADA PŘEDNÍCH ŘEZACÍCH VÁLCŮ
Ⓓ VORDERER SCHNEIDROLLENSATZ
Ⓕ KIT DE ROULEAUX DE COUPE AVANT

VZ00051973

Ⓒ SET OF FRONT CUTTING ROLLERS
Ⓔ КОМПЛЕКТ ПЕРЕДНИХ ОТРЕЗНЫХ КАТКОВ
Ⓔ ZESTAW PRZEDNICH WAŁÓW TNĄCYCH

Farmet

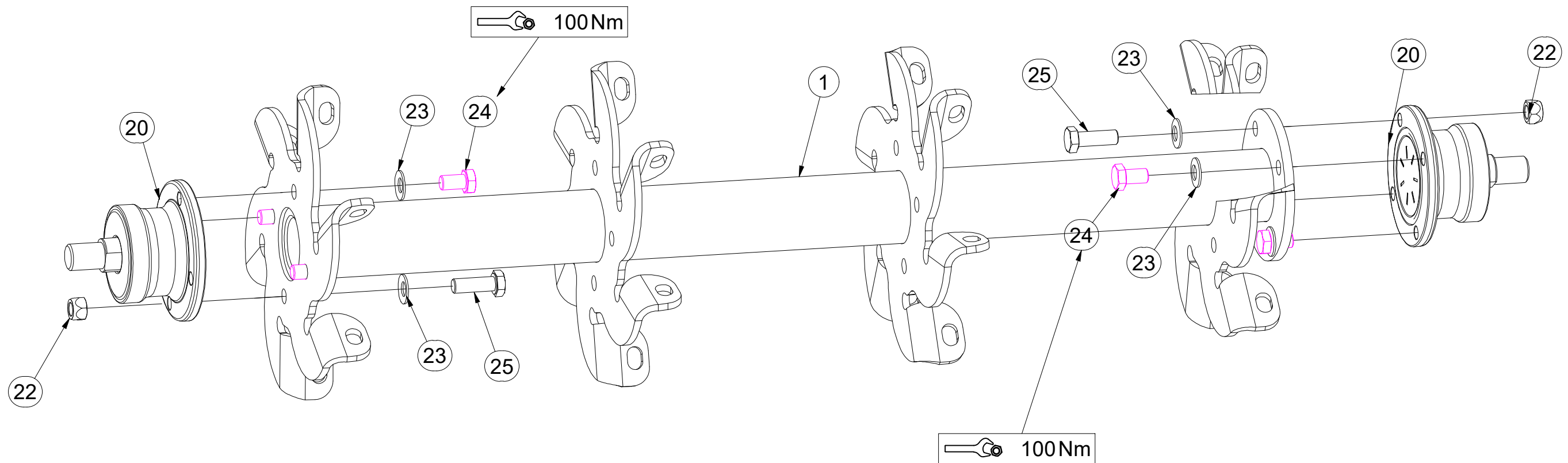


CZ SADA PŘEDNÍCH ŘEZACÍCH VÁLCŮ
 D VORDERER SCHNEIDROLLENSATZ
 F KIT DE ROULEAUX DE COUPE AVANT

GB SET OF FRONT CUTTING ROLLERS
 RU КОМПЛЕКТ ПЕРЕДНИХ ОТРЕЗНЫХ КАТКОВ
 PL ZESTAW PRZEDNICH WAŁÓW TNĄCYCH



VZ00051973



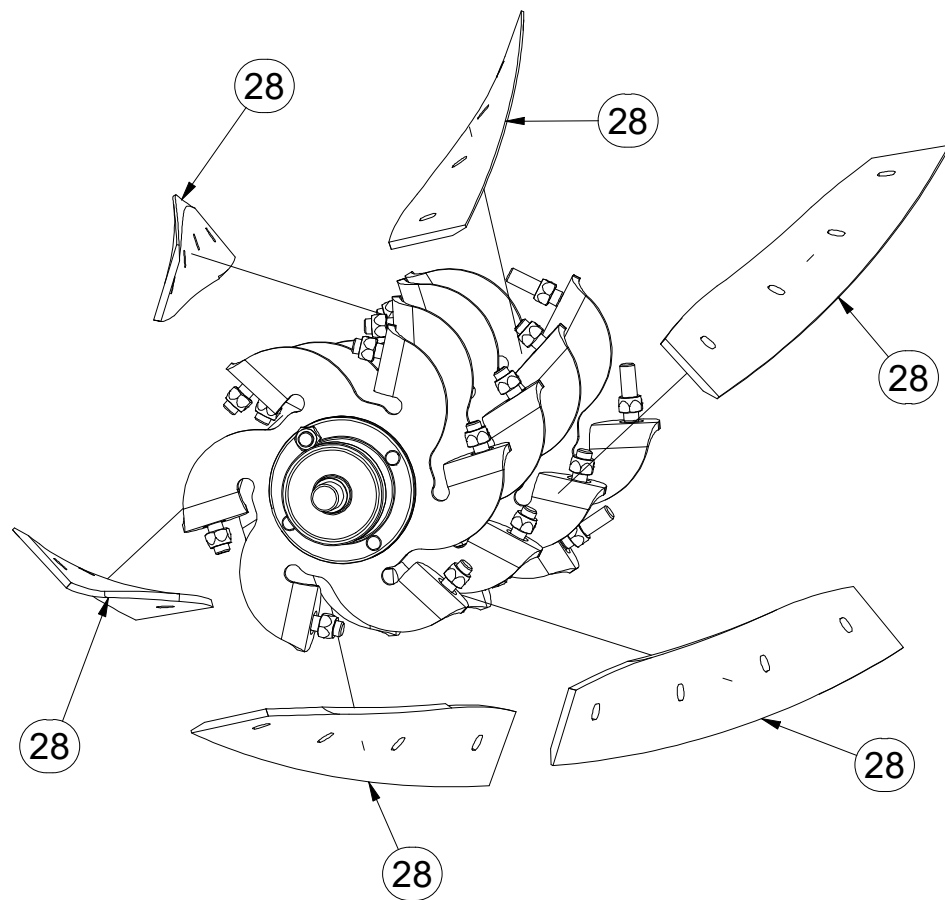
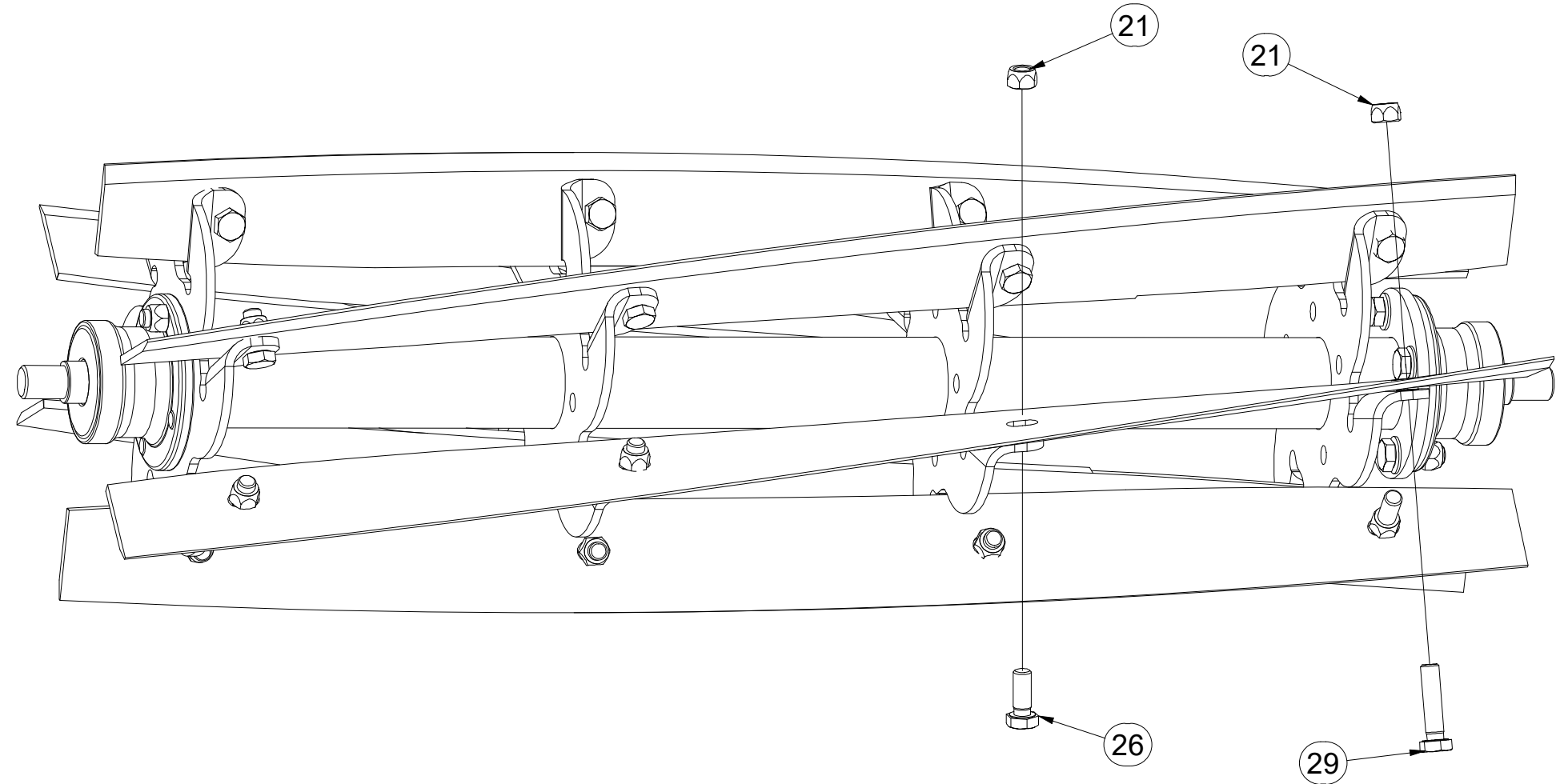
| Pos. | Part Number | Pcs. |
|------|-------------|------|
| 1 | VZ00051976 | 1 |
| 20 | m11308 | 2 |
| 22 | m11560 | 2 |
| 23 | m17545 | 8 |
| 24 | m11309 | 6 |
| 25 | m11559 | 2 |

CZ SADA PŘEDNÍCH ŘEZACÍCH VÁLCŮ
 D VORDERER SCHNEIDROLLENSATZ
 F KIT DE ROULEAUX DE COUPE AVANT

GB SET OF FRONT CUTTING ROLLERS
 RU КОМПЛЕКТ ПЕРЕДНИХ ОТРЕЗНЫХ КАТКОВ
 PL ZESTAW PRZEDNICH WAŁÓW TNĄCYCH

Farmet

VZ00051973



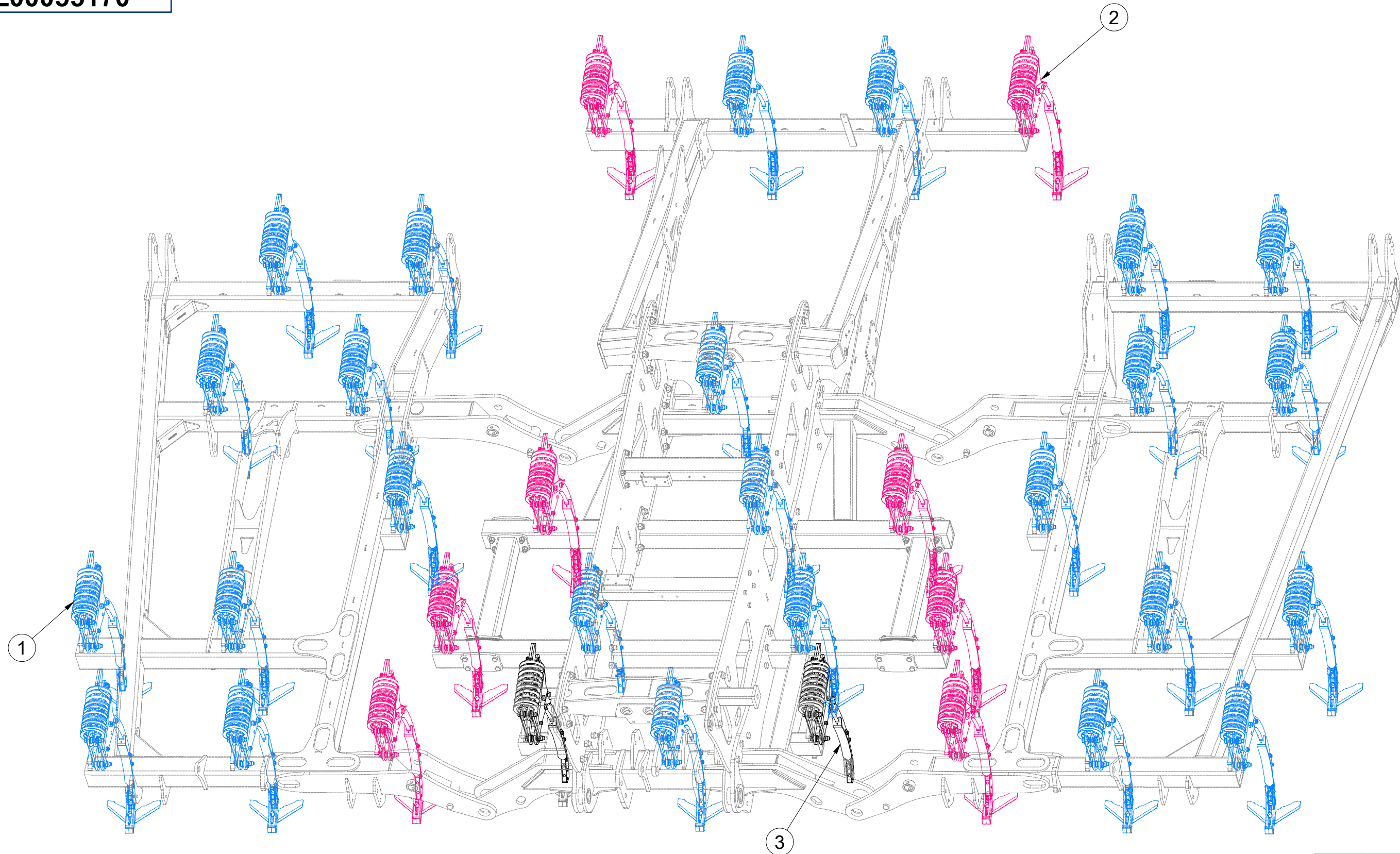
| Pos. | Part Number | Pcs. |
|------|-------------|------|
| 21 | m12134 | 24 |
| 26 | m11688 | 18 |
| 28 | VZ00051979 | 6 |
| 29 | m12130 | 6 |

(CZ) SADA JIŠTĚNÍ
 (D) SICHERUNGSATZ
 (F) KIT DE PROTECTION

(GB) SET OF PROTECTION
 (RU) КОМПЛЕКТ ПРЕДОХРАНИЕ
 (PL) ZESTAW ZABEZPIECZENIE



VZ00055170



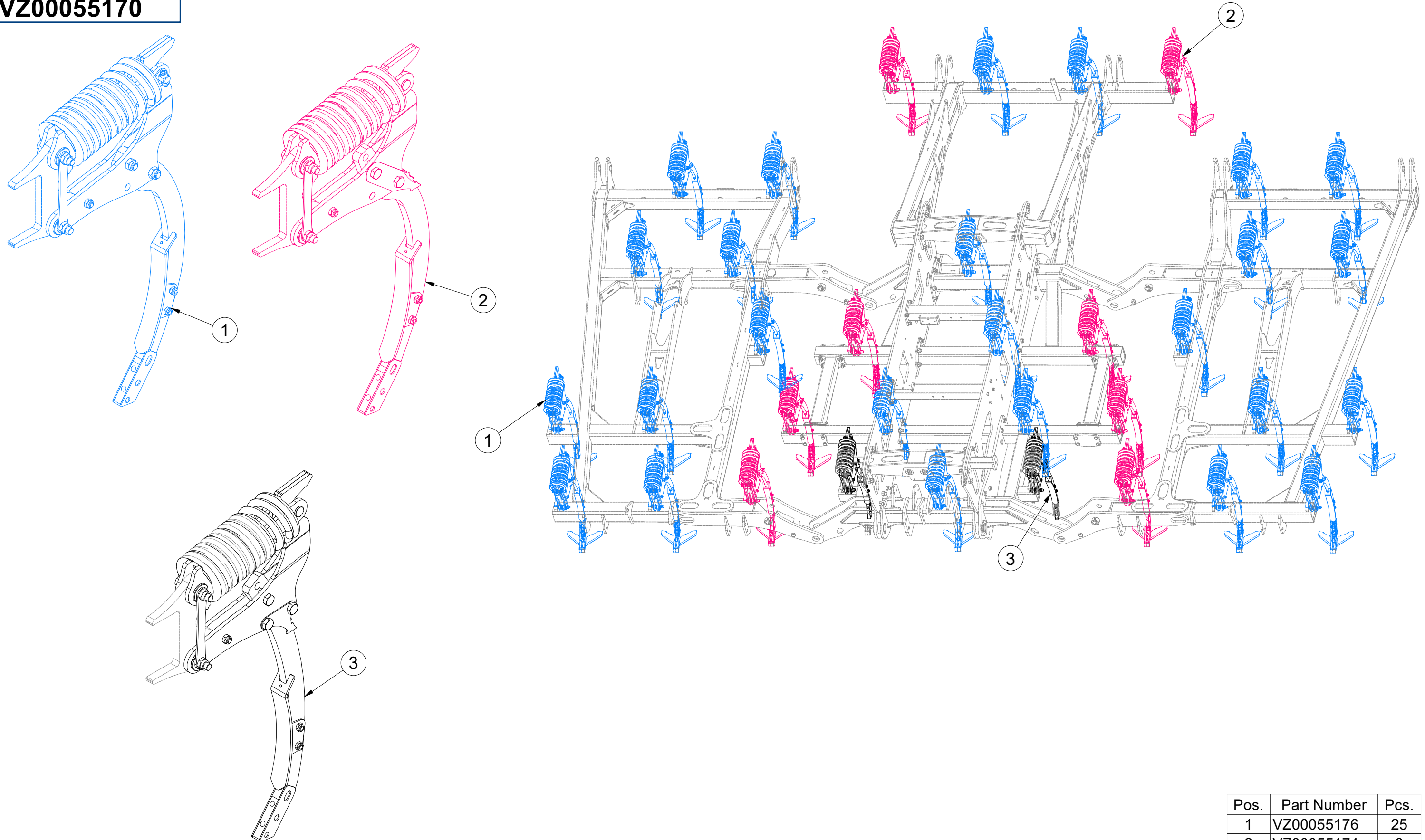
| Pos. | Part Number | Pcs. |
|------|-------------|------|
| 1 | VZ00055176 | 25 |
| 2 | VZ00055174 | 8 |
| 3 | VZ00055179 | 2 |

(CZ) SADA JIŠTĚNÍ
 (D) SICHERUNGSATZ
 (F) KIT DE PROTECTION

(GB) SET OF PROTECTION
 (RU) КОМПЛЕКТ ПРЕДОХРАНИЕ
 (PL) ZESTAW ZABEZPIECZENIE



VZ00055170



| Pos. | Part Number | Pcs. |
|------|-------------|------|
| 1 | VZ00055176 | 25 |
| 2 | VZ00055174 | 8 |
| 3 | VZ00055179 | 2 |

Ⓒ JIŠTĚNÍ

Ⓓ SICHERUNG

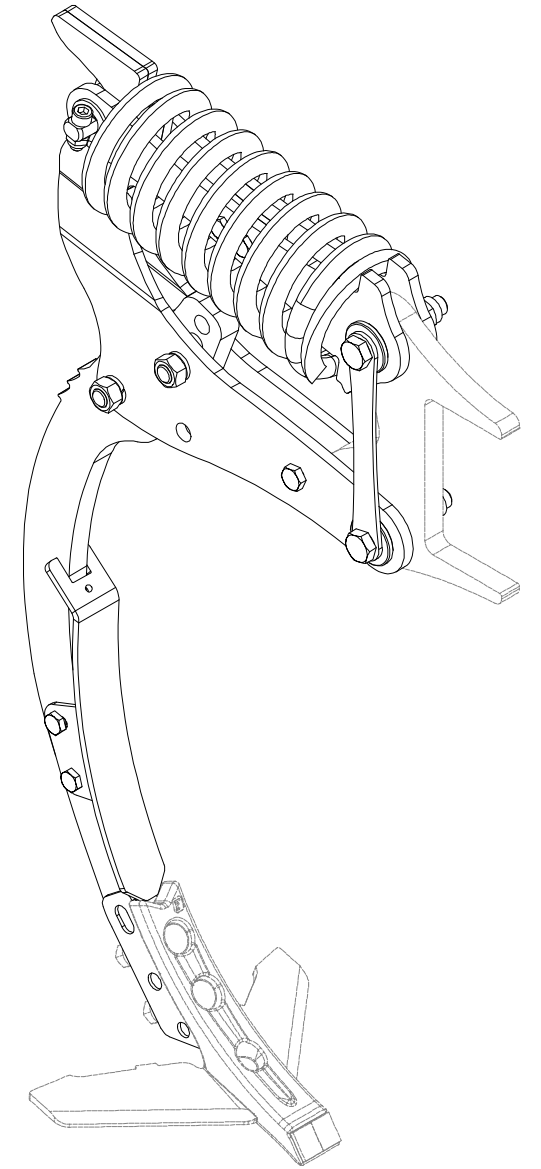
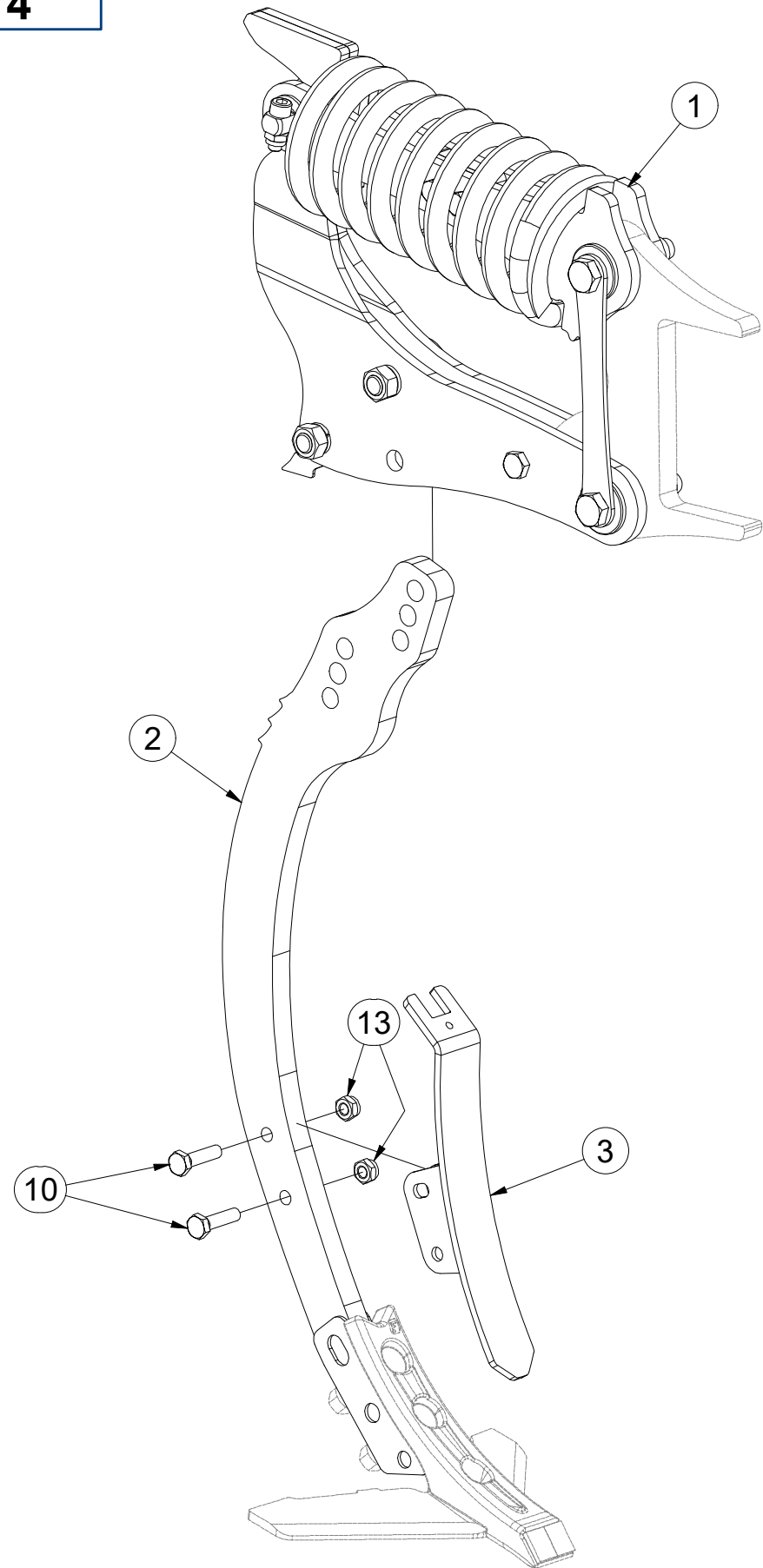
Ⓕ PROTECTION

VZ00055174

Ⓖ PROTECTION

Ⓡ ПРЕДОХРАНЕНИЕ

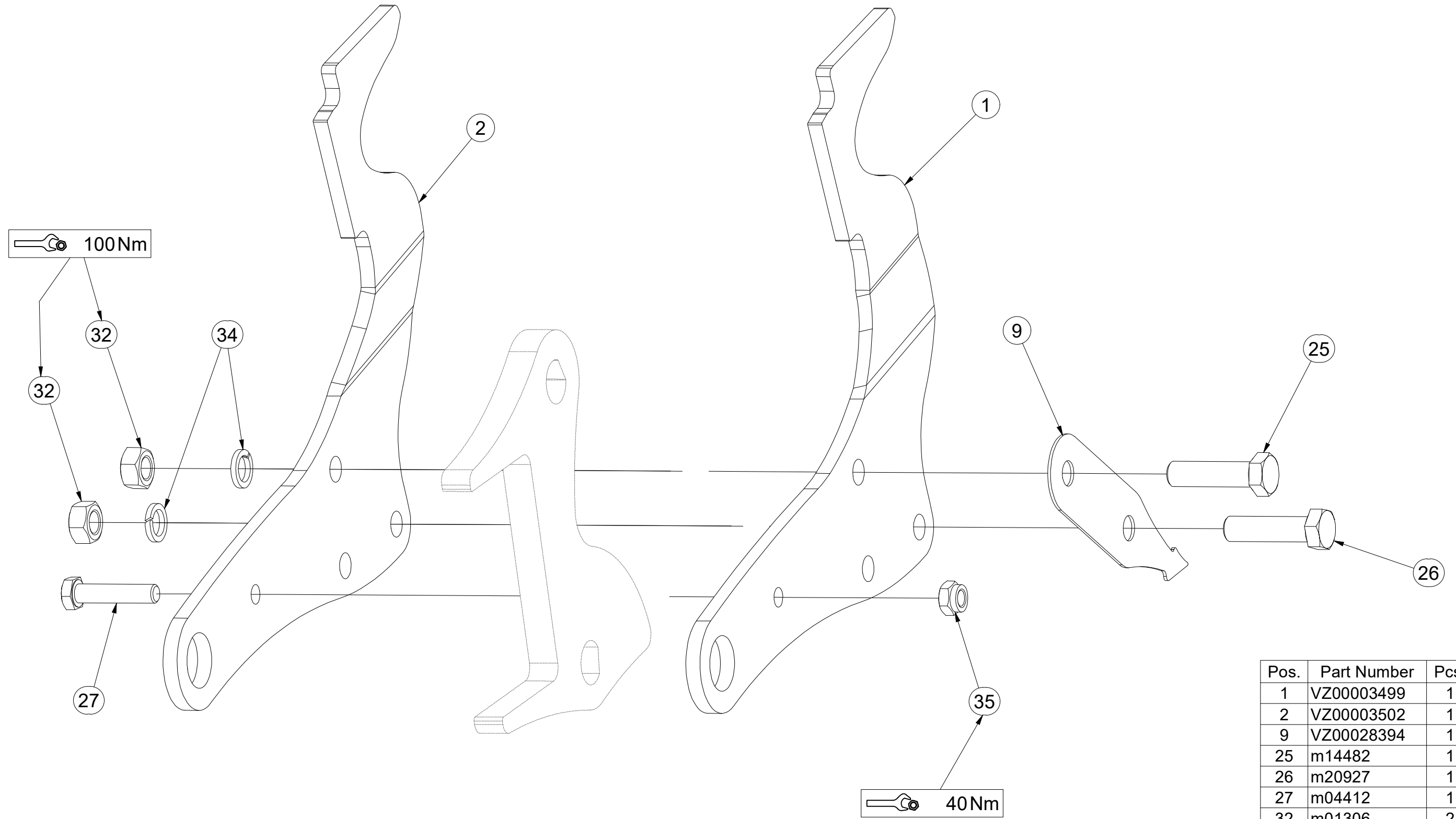
Ⓢ ZABEZPIECZENIE



| Pos. | Part Number | Pcs. |
|------|-------------|------|
| 1 | VZ00055381 | 1 |
| 2 | VZ00055405 | 1 |
| 3 | VZ00055193 | 1 |
| 10 | m01111 | 2 |
| 13 | m03775 | 2 |

VZ00055381

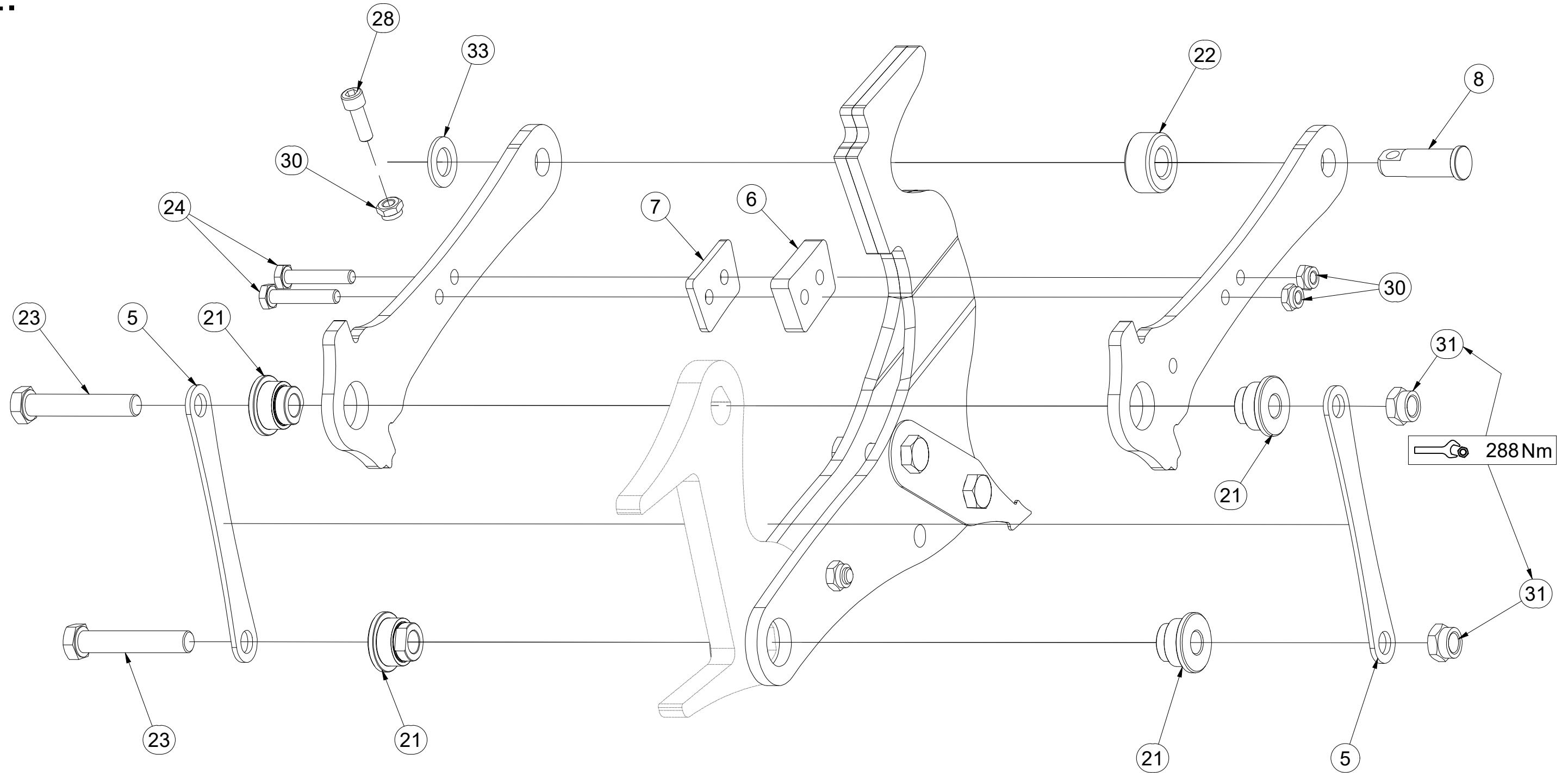
1.



| Pos. | Part Number | Pcs. |
|------|-------------|------|
| 1 | VZ00003499 | 1 |
| 2 | VZ00003502 | 1 |
| 9 | VZ00028394 | 1 |
| 25 | m14482 | 1 |
| 26 | m20927 | 1 |
| 27 | m04412 | 1 |
| 32 | m01306 | 2 |
| 34 | m02157 | 2 |
| 35 | m04301 | 1 |

VZ00055381

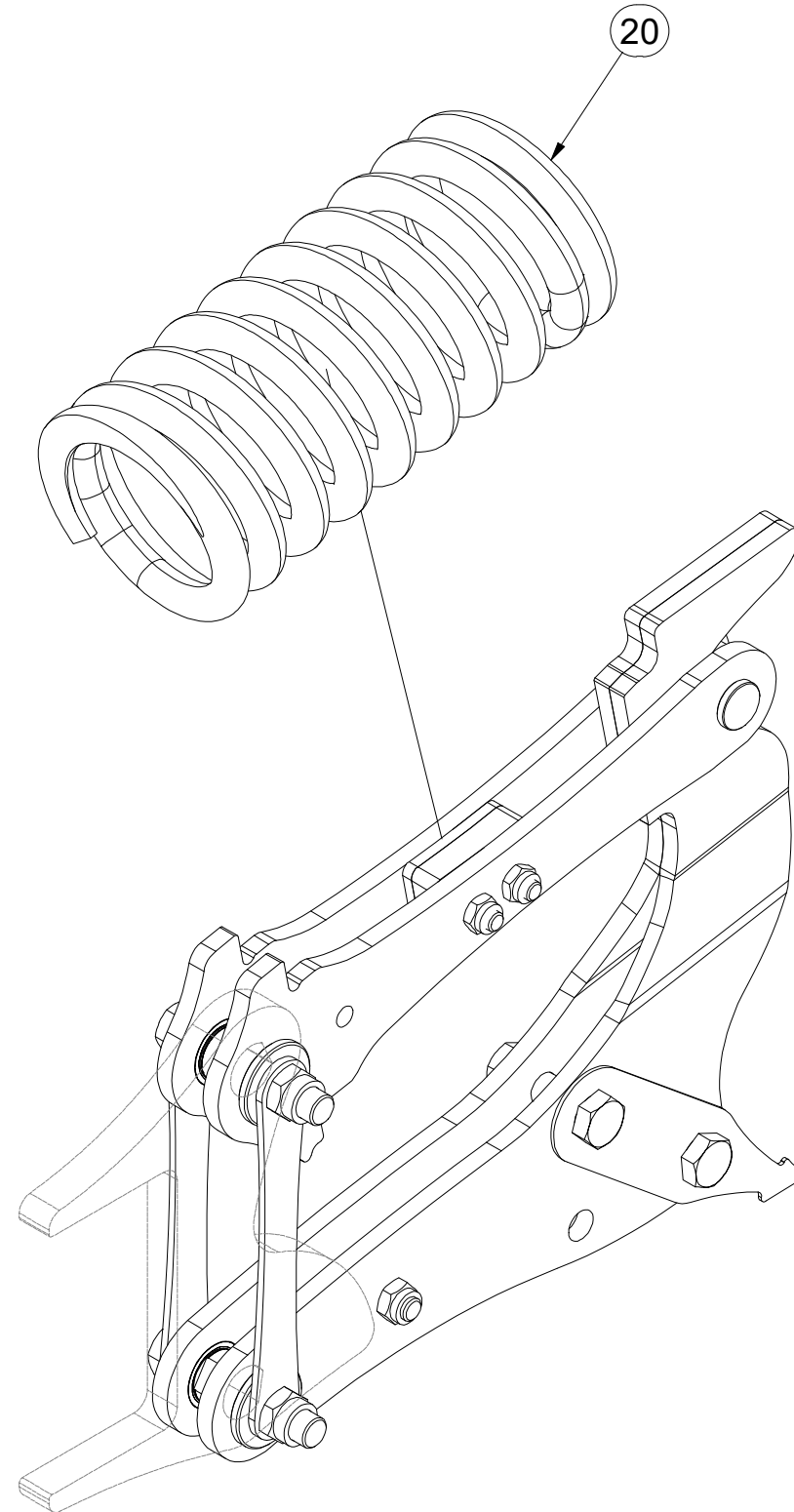
2.



| Pos. | Part Number | Pcs. | Pos. | Part Number | Pcs. |
|------|-------------|------|------|-------------|------|
| 5 | 4023880 | 2 | 23 | m18479 | 2 |
| 6 | 4018849 | 1 | 24 | m06253 | 2 |
| 7 | 4018851 | 1 | 28 | m01108 | 1 |
| 8 | VZ00055228 | 1 | 30 | m03775 | 3 |
| 21 | m18439 | 4 | 31 | m18478 | 2 |
| 22 | m14650 | 1 | 33 | m14030 | 1 |

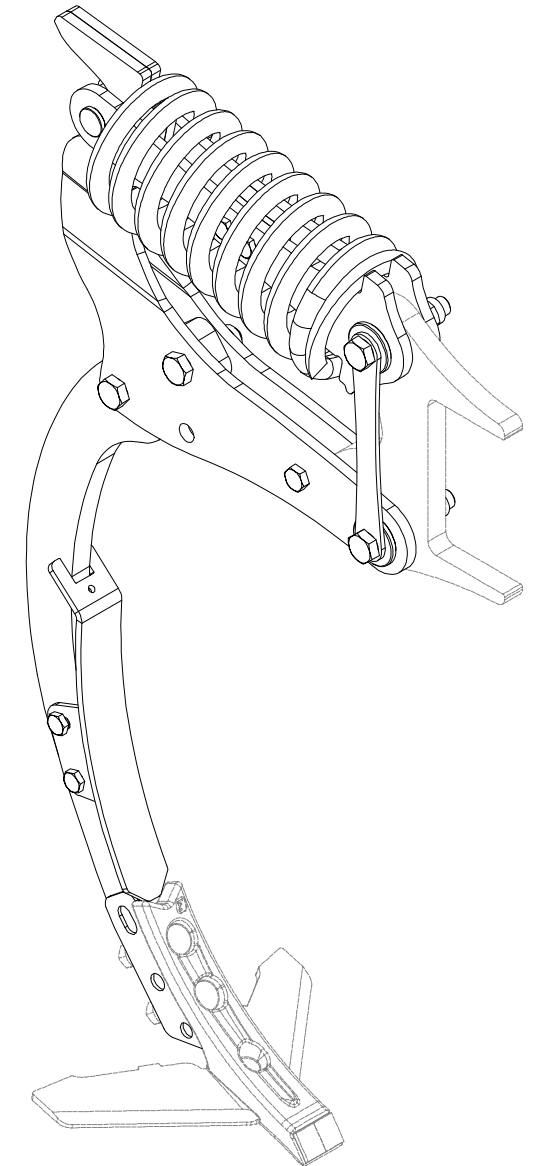
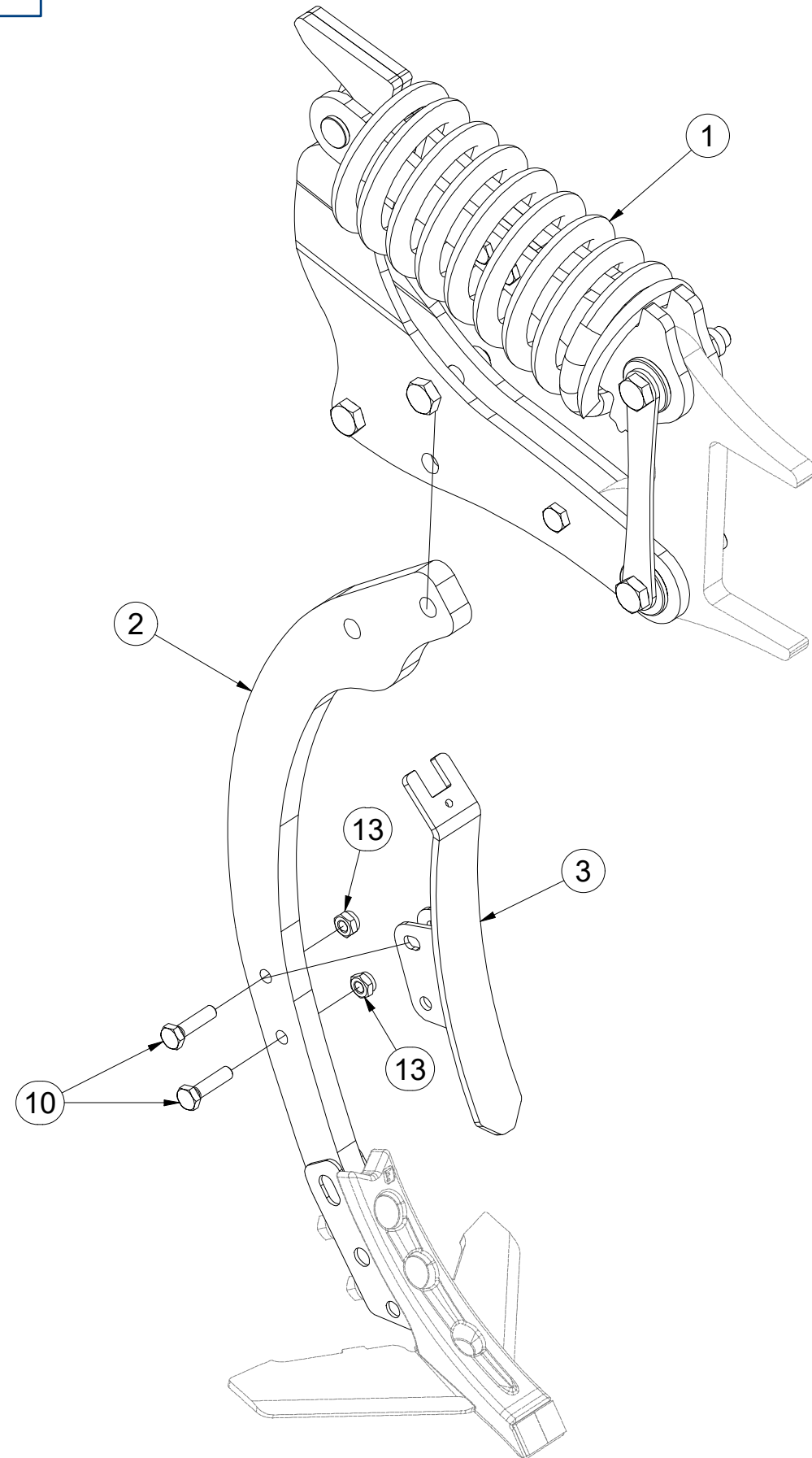
VZ00055381

3.



| Pos. | Part Number | Pcs. |
|------|-------------|------|
| 20 | m20325 | 1 |

VZ00055176



| Pos. | Part Number | Pcs. |
|------|-------------|------|
| 1 | VZ00055324 | 1 |
| 2 | VZ00055191 | 1 |
| 3 | VZ00055193 | 1 |
| 10 | m01111 | 2 |
| 13 | m03775 | 2 |

Ⓒ JIŠTĚNÍ

Ⓓ SICHERUNG

Ⓕ PROTECTION

Ⓖ PROTECTION

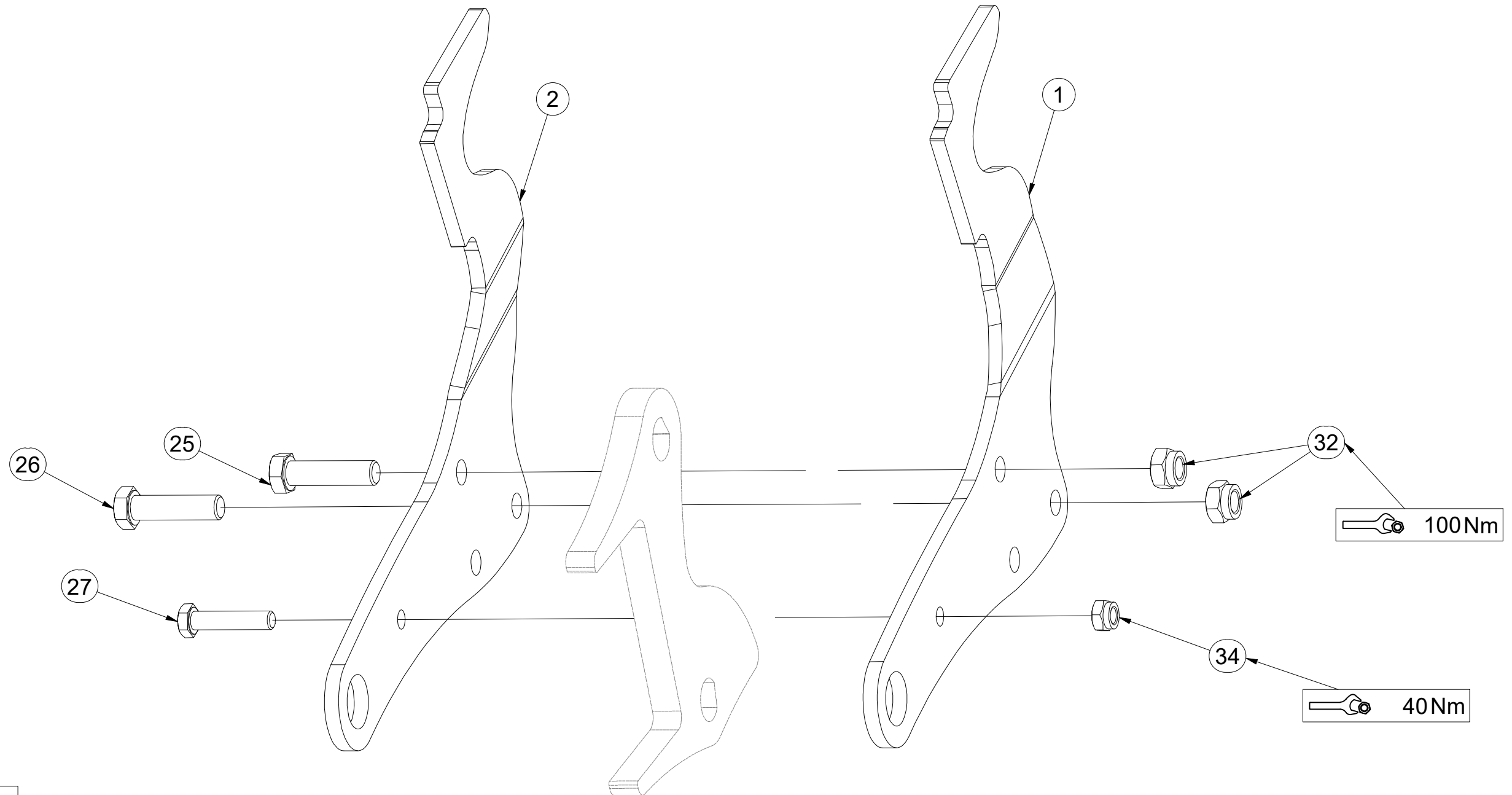
Ⓡ ПРЕДОХРАНЕНИЕ

Ⓟ ZABEZPIECZENIE



VZ00055324

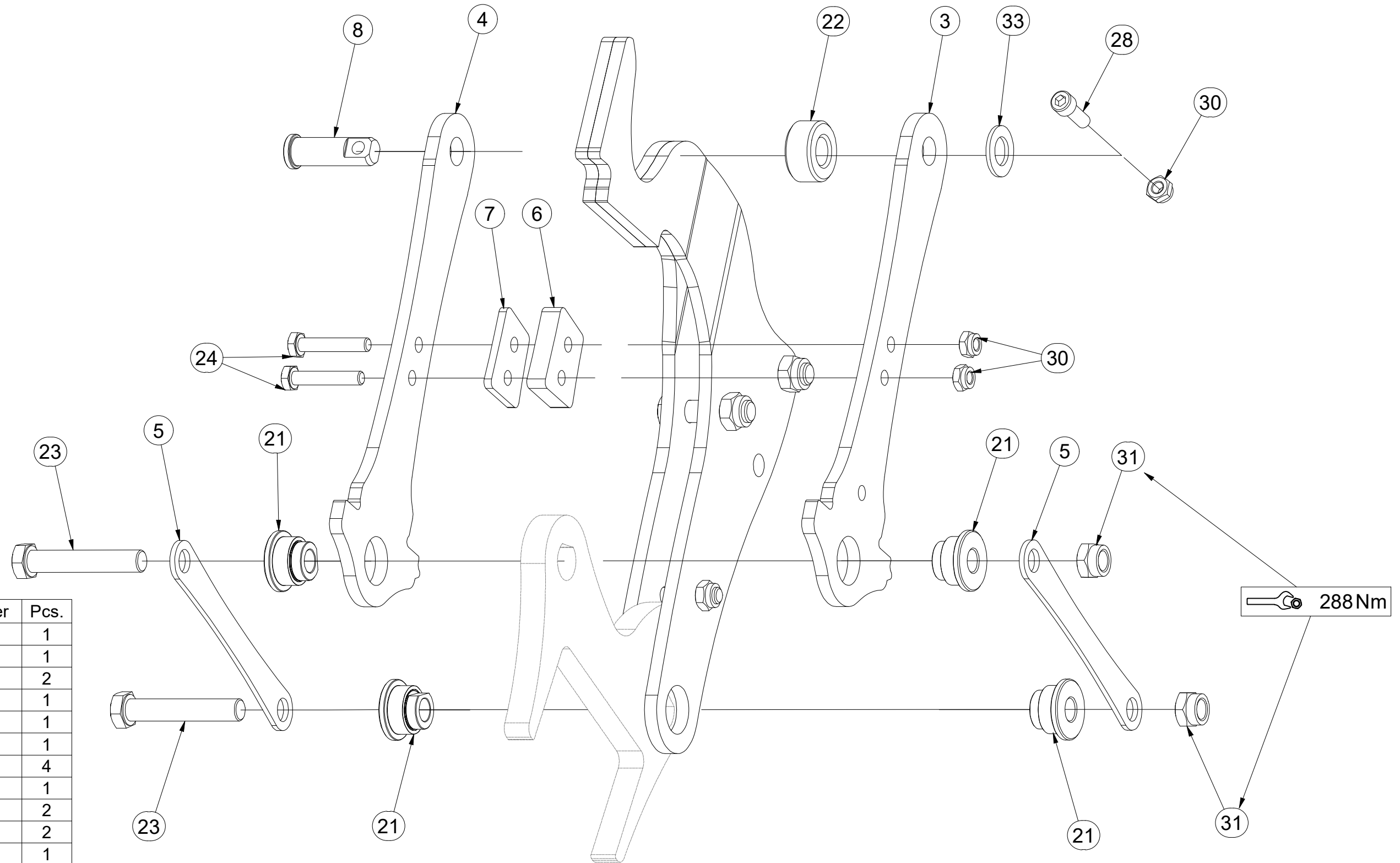
1.



| Pos. | Part Number | Pcs. |
|------|-------------|------|
| 1 | VZ00003499 | 1 |
| 2 | VZ00003502 | 1 |
| 25 | m14482 | 1 |
| 26 | m20927 | 1 |
| 27 | m04412 | 1 |
| 32 | m03683 | 2 |
| 34 | m04301 | 1 |

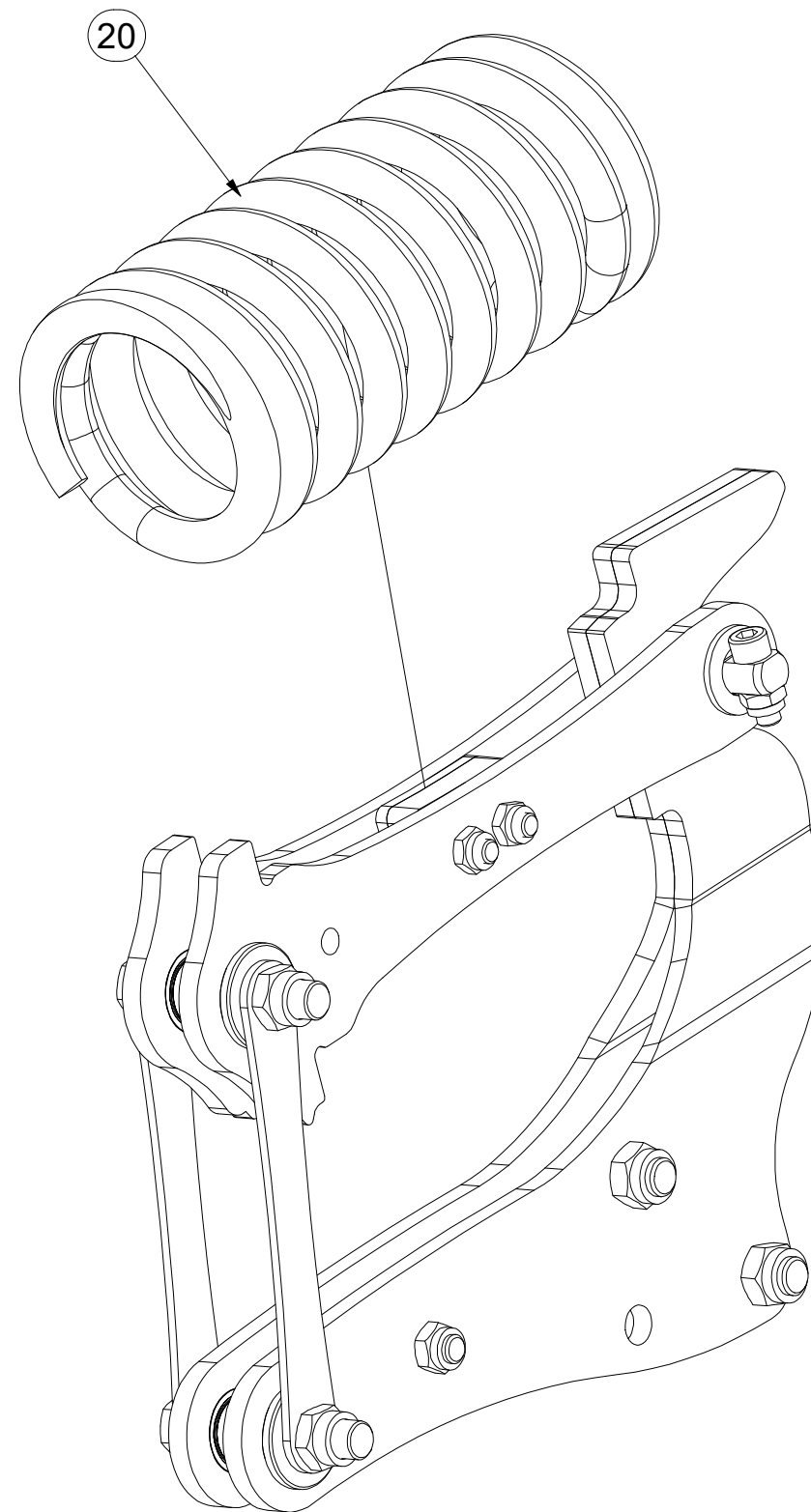
VZ00055324

2.



| Pos. | Part Number | Pcs. |
|------|-------------|------|
| 3 | VZ00055327 | 1 |
| 4 | VZ00055330 | 1 |
| 5 | 4023880 | 2 |
| 6 | 4018849 | 1 |
| 7 | 4018851 | 1 |
| 8 | VZ00055228 | 1 |
| 21 | m18439 | 4 |
| 22 | m14650 | 1 |
| 23 | m18479 | 2 |
| 24 | m06253 | 2 |
| 28 | m01108 | 1 |
| 30 | m03775 | 3 |
| 31 | m18478 | 2 |
| 33 | m14030 | 1 |

VZ00055324



| Pos. | Part Number | Pcs. |
|------|-------------|------|
| 20 | m20325 | 1 |

Ⓒ JIŠTĚNÍ

Ⓓ SICHERUNG

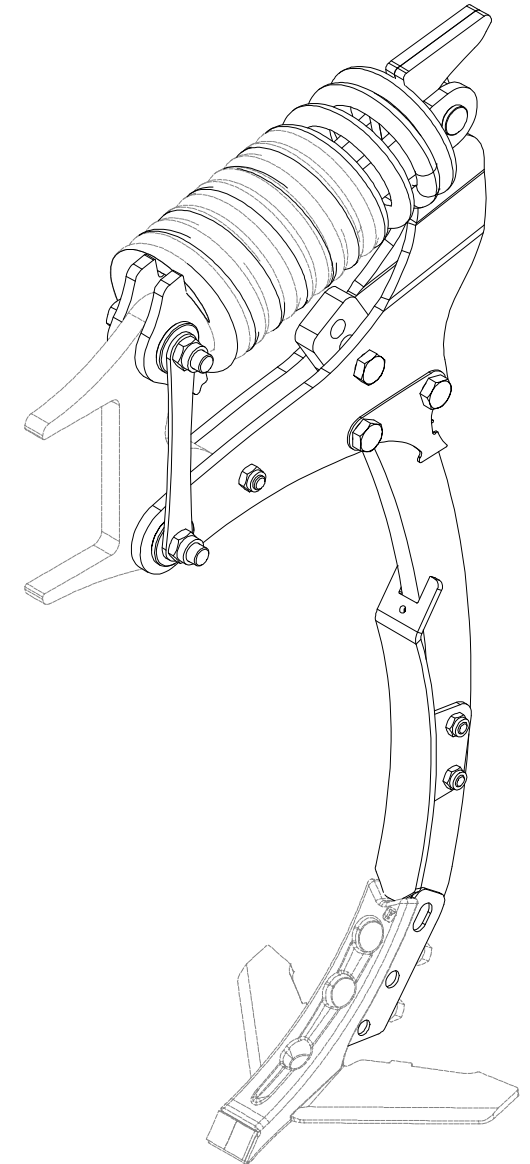
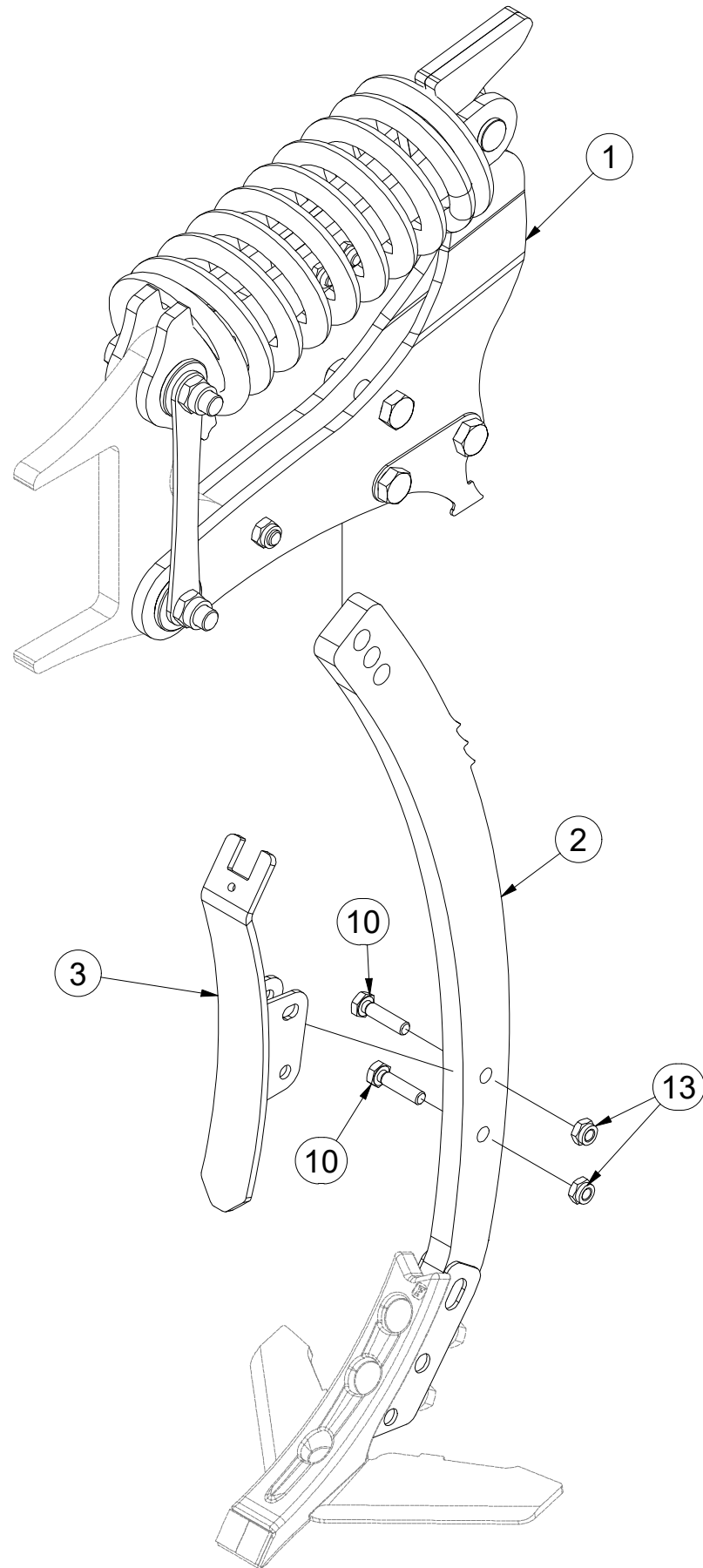
Ⓕ PROTECTION

VZ00055179

Ⓖ PROTECTION

Ⓡ ПРЕДОХРАНЕНИЕ

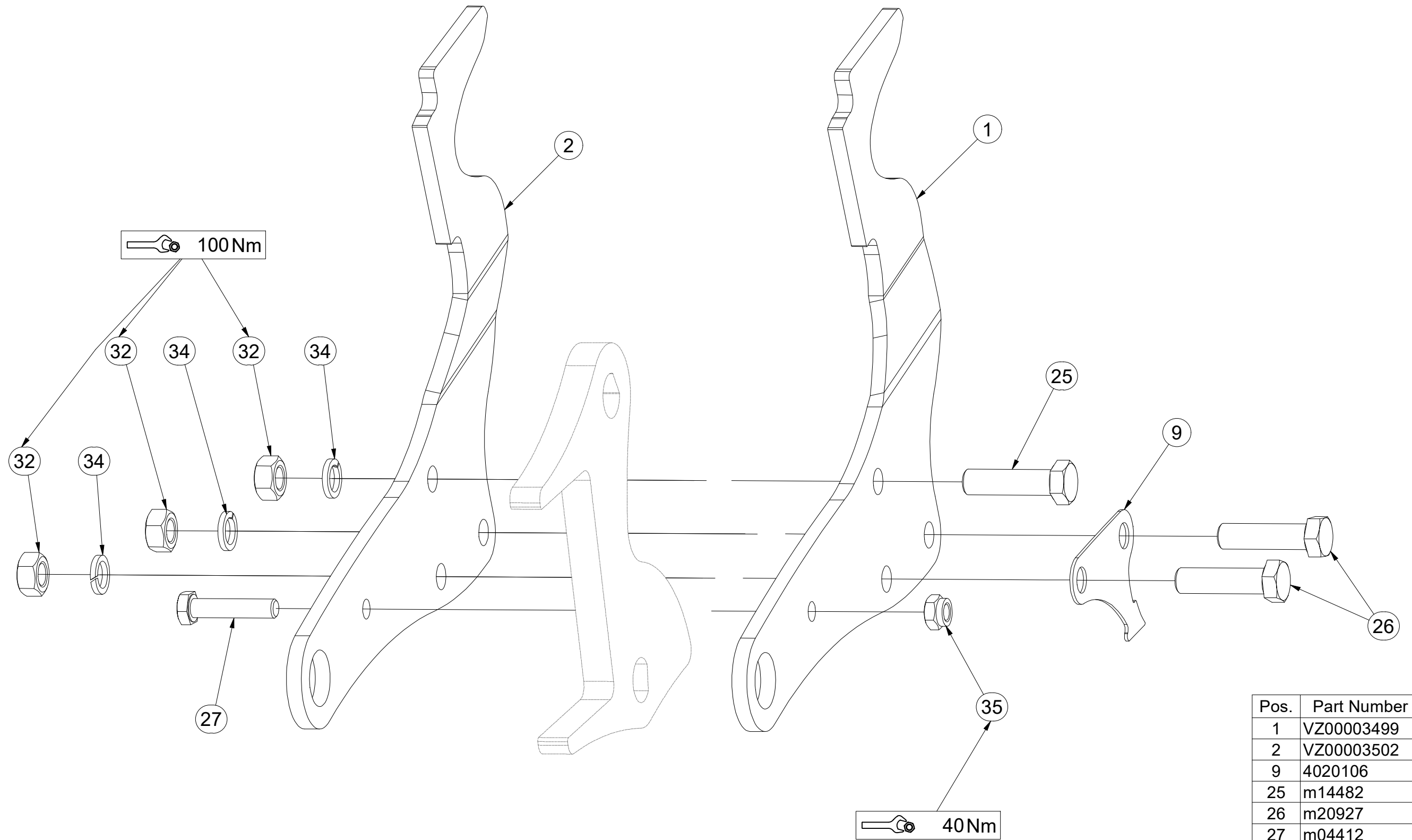
Ⓢ ZABEZPIECZENIE



| Pos. | Part Number | Pcs. |
|------|-------------|------|
| 1 | VZ00055387 | 1 |
| 2 | VZ00055403 | 1 |
| 3 | VZ00055193 | 1 |
| 10 | m01111 | 2 |
| 13 | m03775 | 2 |

VZ00055387

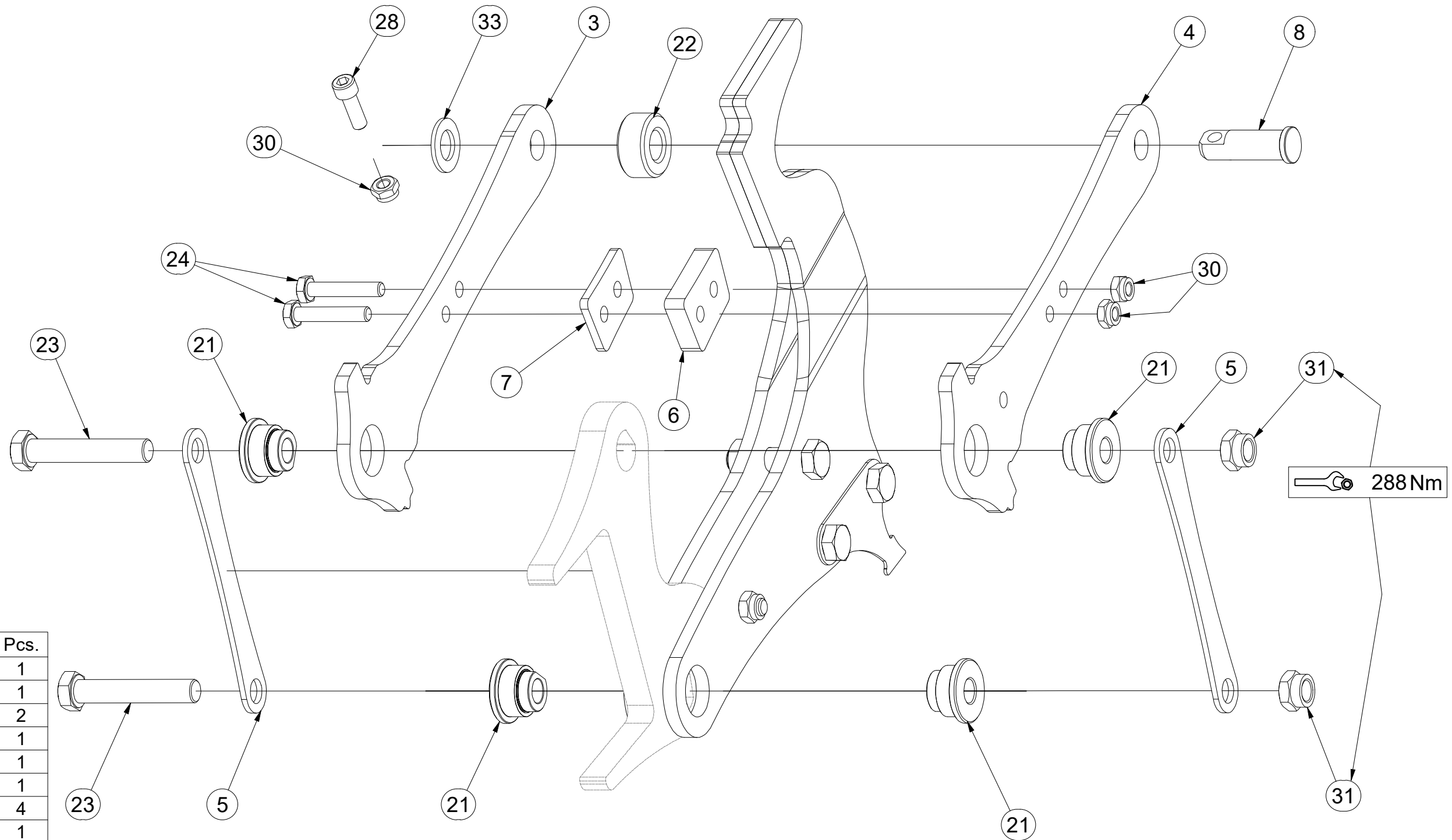
1.



| Pos. | Part Number | Pcs. |
|------|-------------|------|
| 1 | VZ00003499 | 1 |
| 2 | VZ00003502 | 1 |
| 9 | 4020106 | 1 |
| 25 | m14482 | 1 |
| 26 | m20927 | 2 |
| 27 | m04412 | 1 |
| 32 | m01306 | 3 |
| 34 | m02157 | 3 |
| 35 | m04301 | 1 |

VZ00055387

2.



| Pos. | Part Number | Pcs. |
|------|-------------|------|
| 3 | VZ00055330 | 1 |
| 4 | VZ00055327 | 1 |
| 5 | 4023880 | 2 |
| 6 | 4018849 | 1 |
| 7 | 4018851 | 1 |
| 8 | VZ00055228 | 1 |
| 21 | m18439 | 4 |
| 22 | m14650 | 1 |
| 23 | m18479 | 2 |
| 24 | m06253 | 2 |
| 28 | m01108 | 1 |
| 30 | m03775 | 3 |
| 31 | m18478 | 2 |
| 33 | m14030 | 1 |

Ⓒ JIŠTĚNÍ

Ⓓ SICHERUNG

Ⓕ PROTECTION

Ⓖ PROTECTION

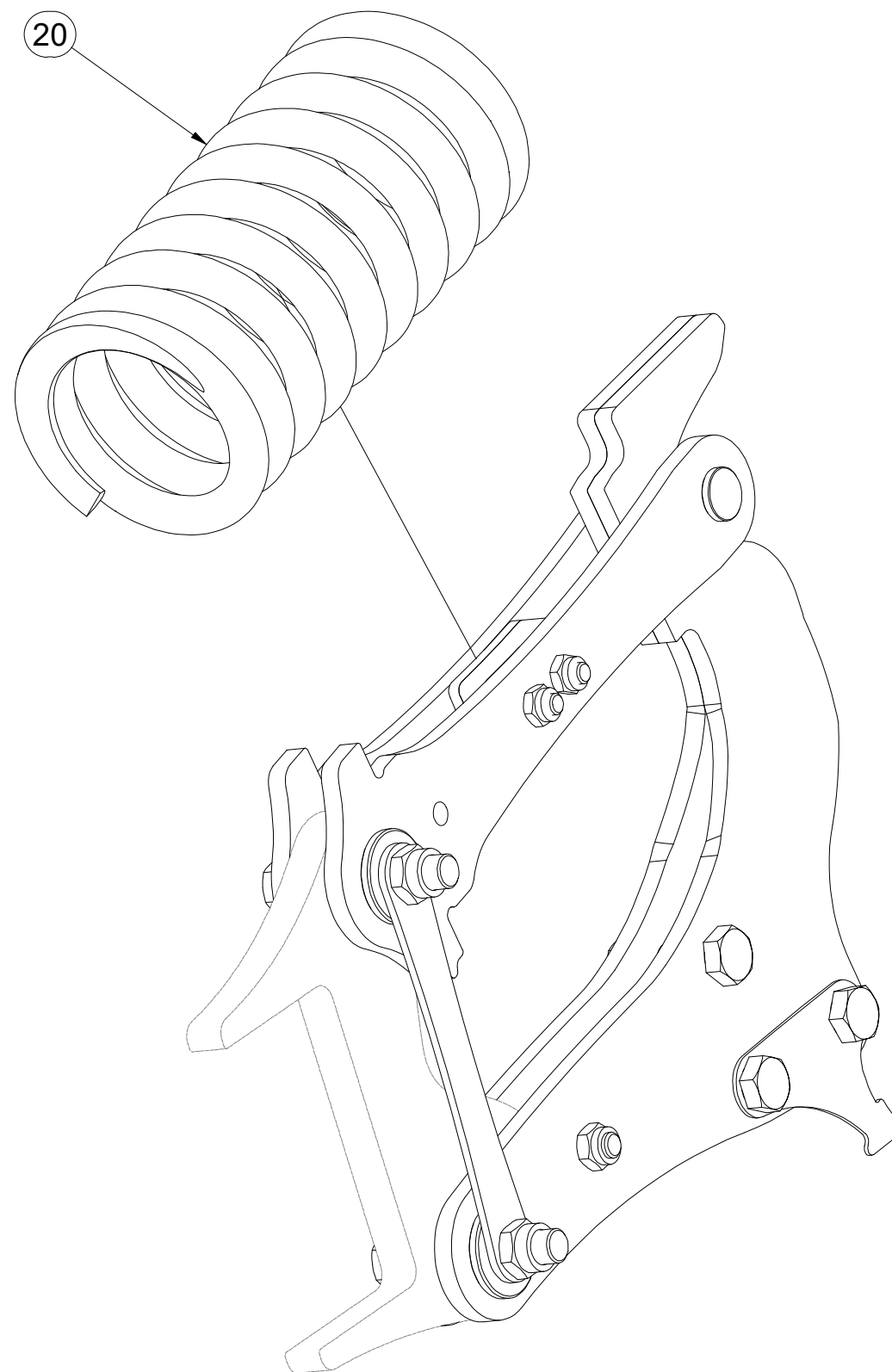
Ⓡ ПРЕДОХРАНЕНИЕ

Ⓟ ZABEZPIECZENIE



VZ00055387

3.



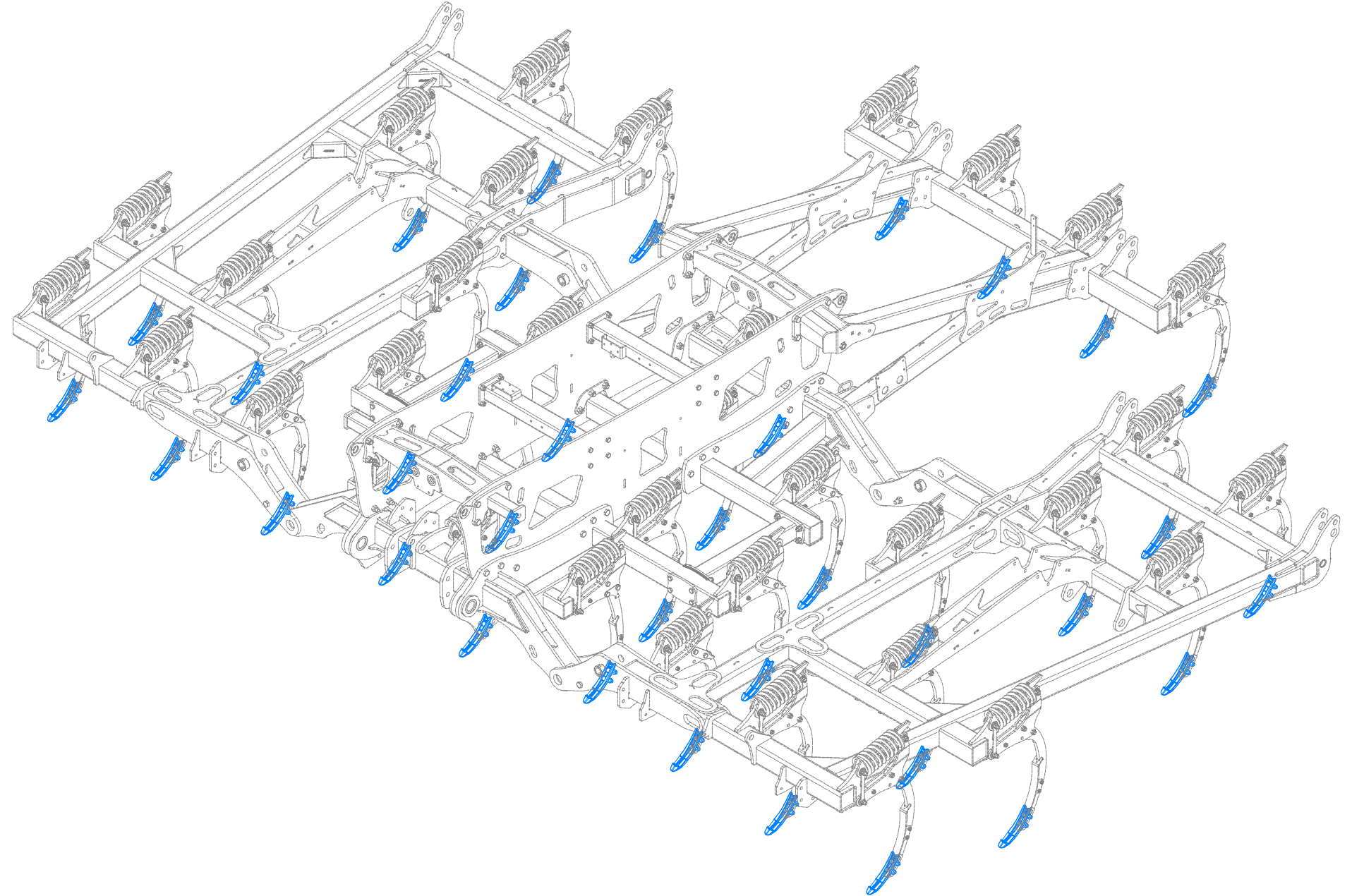
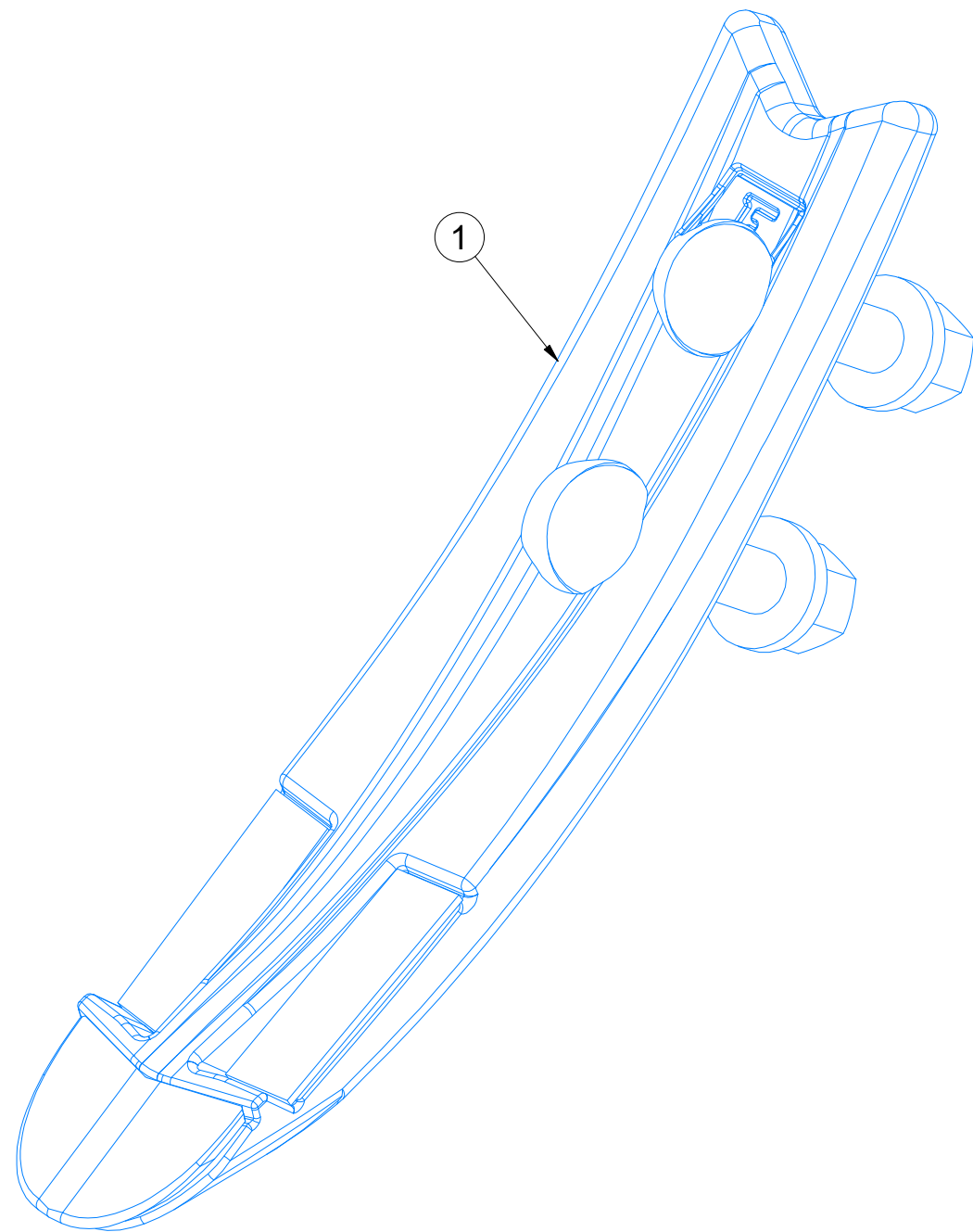
| Pos. | Part Number | Pcs. |
|------|-------------|------|
| 20 | m20325 | 1 |

Ⓒ SADA DLÁT
Ⓓ MIESSSELSTZ
Ⓕ KIT DE CISEAU

Ⓖ SET OF CHISEL
Ⓡ КОМПЛЕКТ ДОЛОТОВ
Ⓟ ZESTAW DŁUTÓW



VZ00073048



| Pos. | Part Number | Pcs. |
|------|-------------|------|
| 1 | VZ00073582 | 35 |

Ⓒ DLÁTOVÁ RADLICE

Ⓓ MEISSELSCHAR

Ⓕ AILE EN CISEAUX

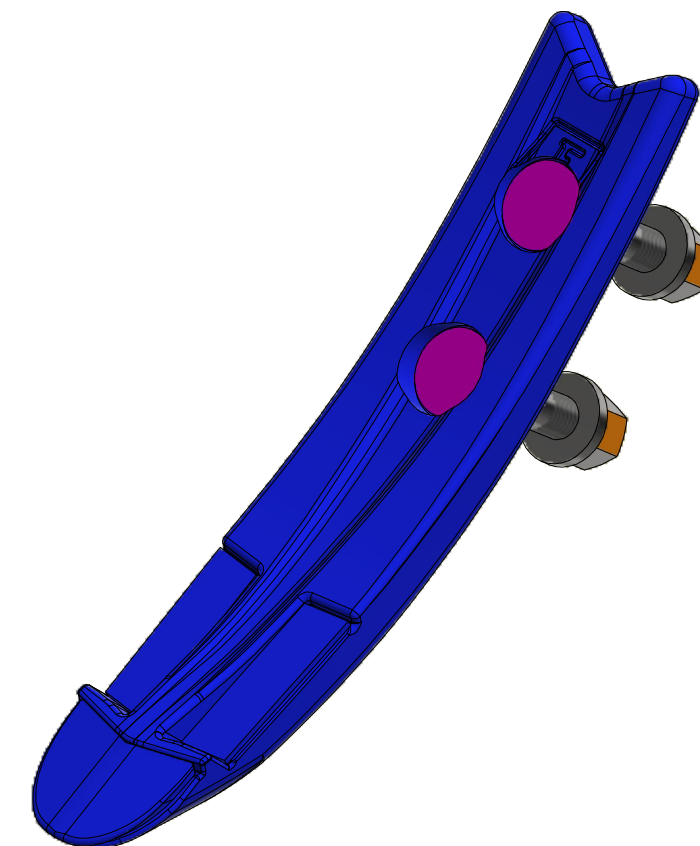
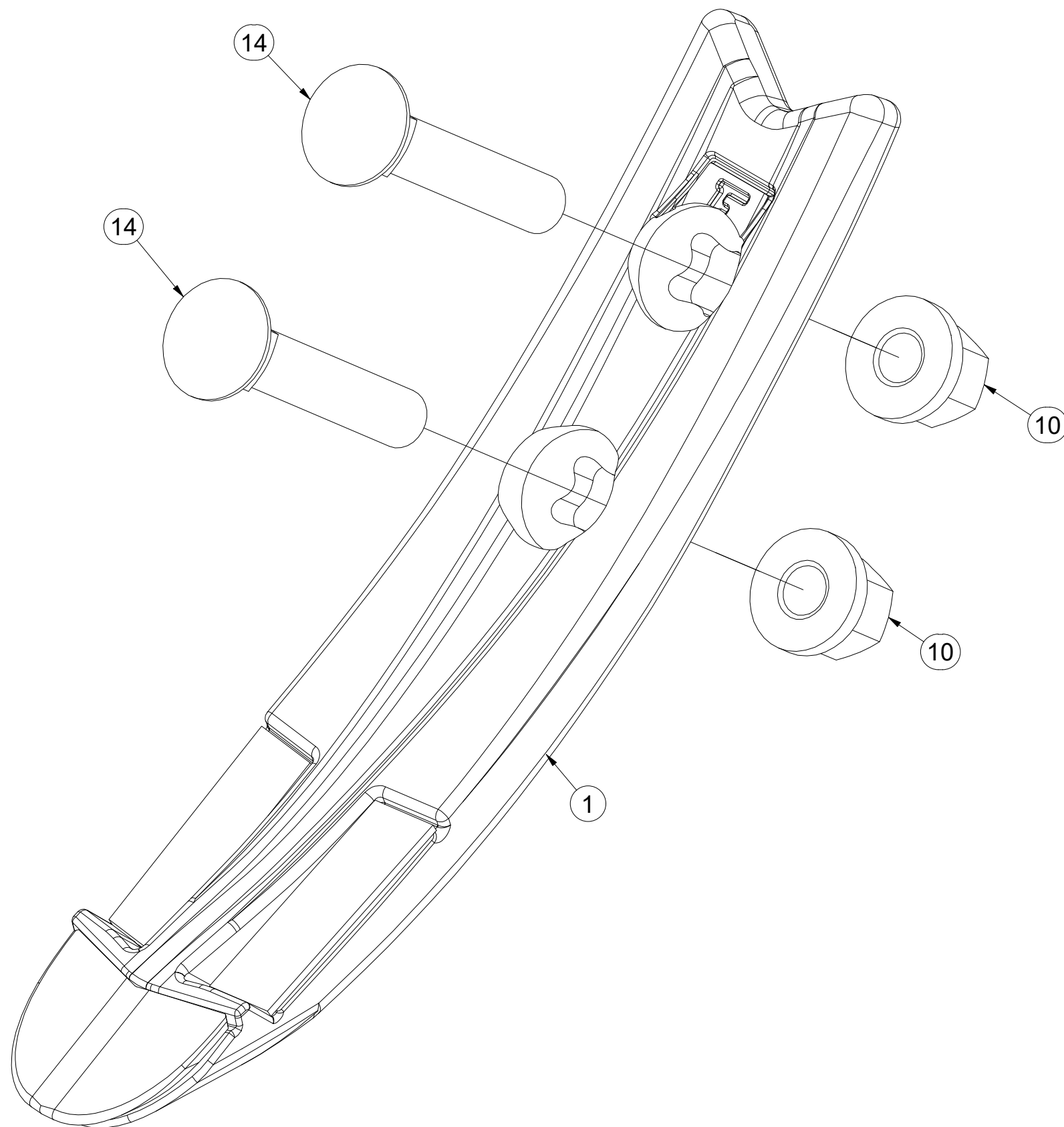
VZ00073582

Ⓖ BIT SHARE

Ⓡ ЧИЗЕЛЬНАЯ ЛАПА

Ⓟ LEMIESZ DŁUTOWA

Farmet



| Pos. | Part Number | Pcs. |
|------|-------------|------|
| 1 | VZ00073581 | 1 |
| 10 | m21201 | 2 |
| 14 | m26429 | 2 |

ⒸZ NÁPRAVA BRŽDĚNÁ

Ⓓ GEBREMSTE ACHSE

Ⓕ ESSIEU FREINÉ

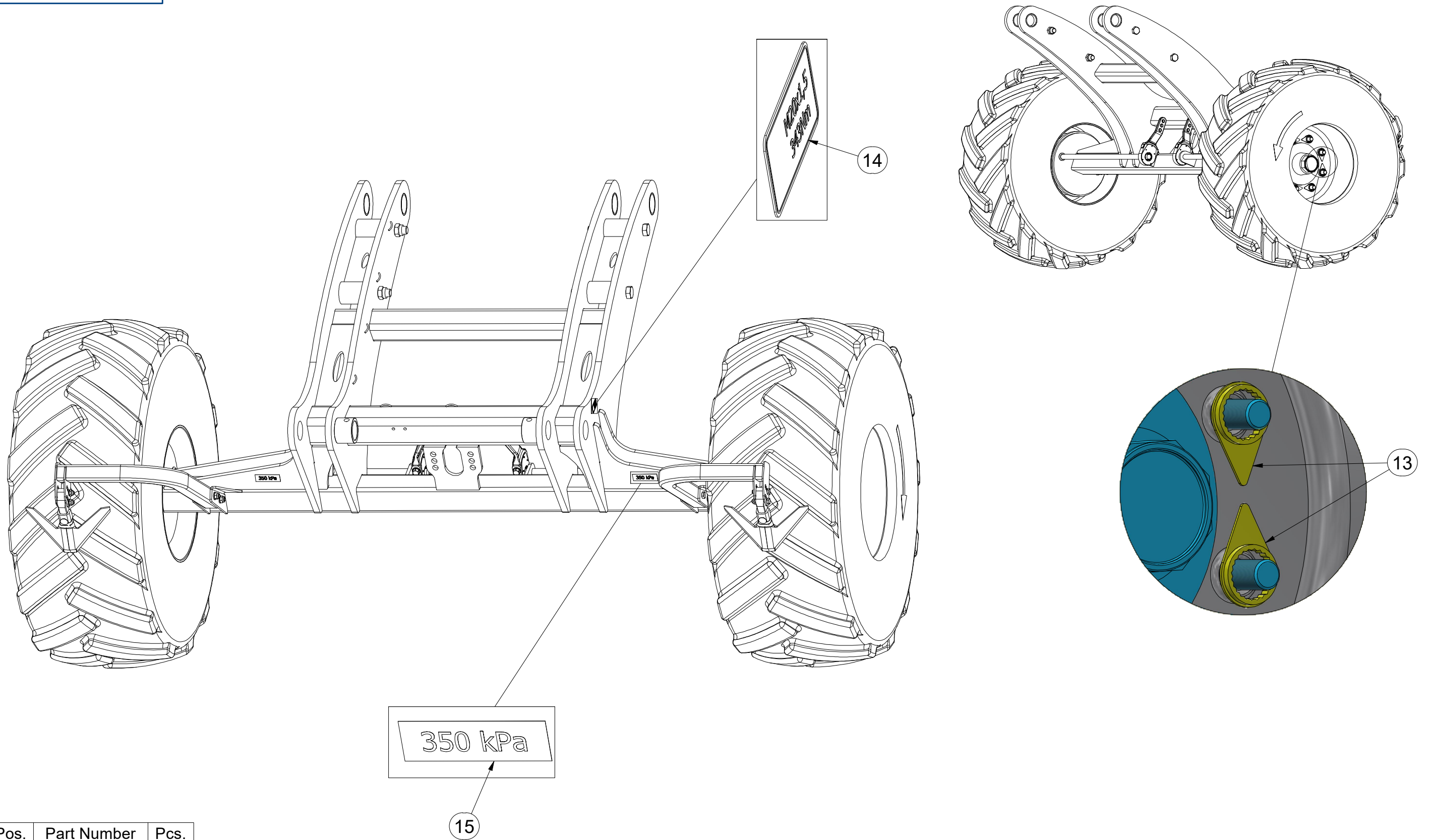
ⒸB BRAKING AXLE

Ⓔ ТРАНСПОРТНАЯ ОСЬ С ТОРМОЗОМ

Ⓗ OS Z HAMULCAMI



VZ00076044



| Pos. | Part Number | Pcs. |
|------|-------------|------|
| 13 | m19658 | 16 |
| 14 | m19731 | 2 |
| 15 | m08845 | 2 |

Ⓒ NÁPRAVA BRŽDĚNÁ

Ⓓ GEBREMSTE ACHSE

Ⓕ ESSIEU FREINÉ

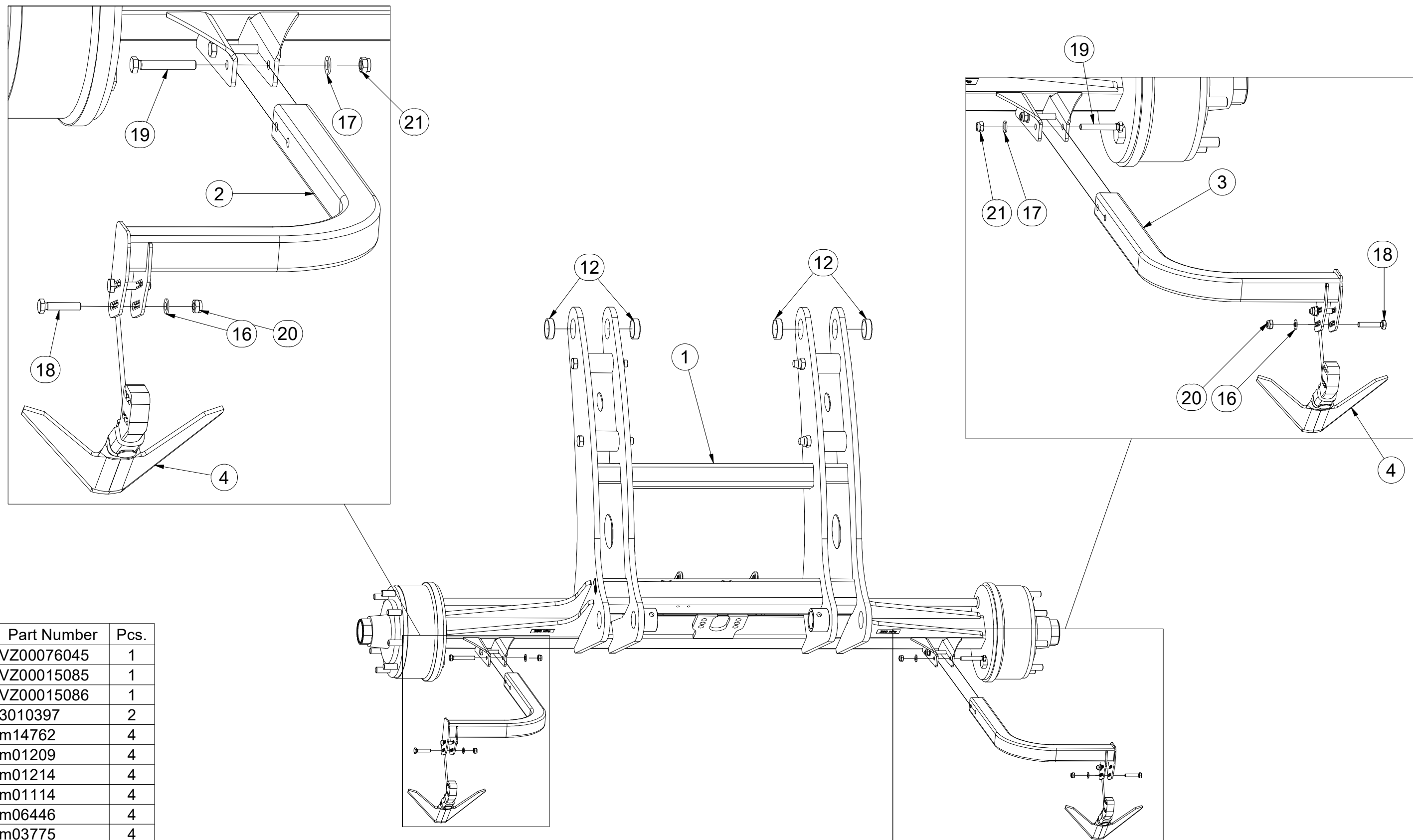
Ⓖ BRAKING AXLE

Ⓡ ТРАНСПОРТНАЯ ОСЬ С ТОРМОЗОМ

Ⓟ ОŚ Z HAMULCAMI



VZ00076044



| Pos. | Part Number | Pcs. |
|------|-------------|------|
| 1 | VZ00076045 | 1 |
| 2 | VZ00015085 | 1 |
| 3 | VZ00015086 | 1 |
| 4 | 3010397 | 2 |
| 12 | m14762 | 4 |
| 16 | m01209 | 4 |
| 17 | m01214 | 4 |
| 18 | m01114 | 4 |
| 19 | m06446 | 4 |
| 20 | m03775 | 4 |
| 21 | m04301 | 4 |

ⒸZ NÁPRAVA BRŽDĚNÁ

Ⓓ GEBREMSTE ACHSE

Ⓕ ESSIEU FREINÉ

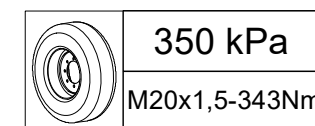
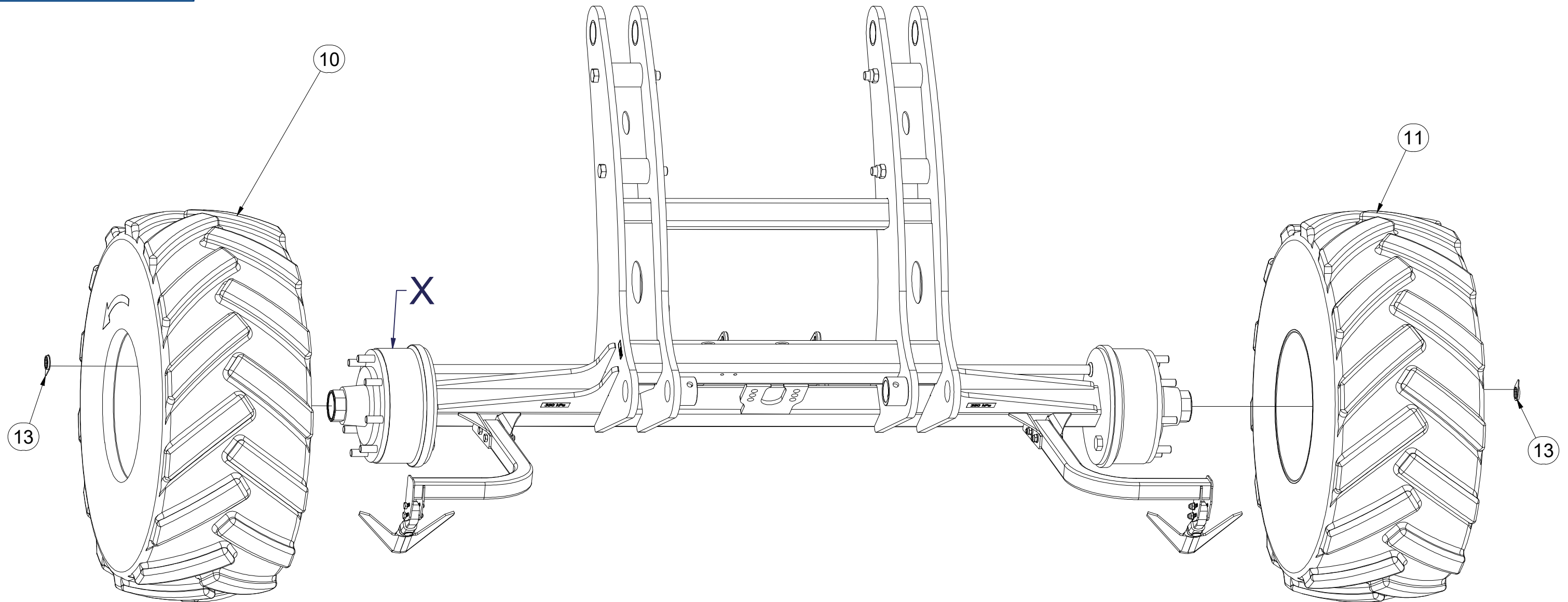
VZ00076044

ⒸGB BRAKING AXLE

ⒸRU ТРАНСПОРТНАЯ ОСЬ С ТОРМОЗОМ

ⒸPL OŚ Z HAMULCAMI

Farmet



| Pos. | Part Number | Pcs. |
|------|-------------|------|
| 11 | m16501 | 1 |
| 10 | m16500 | 1 |
| 13 | m19658 | 16 |

Ⓒ RADLICE

Ⓓ SCHARE

Ⓕ SOC

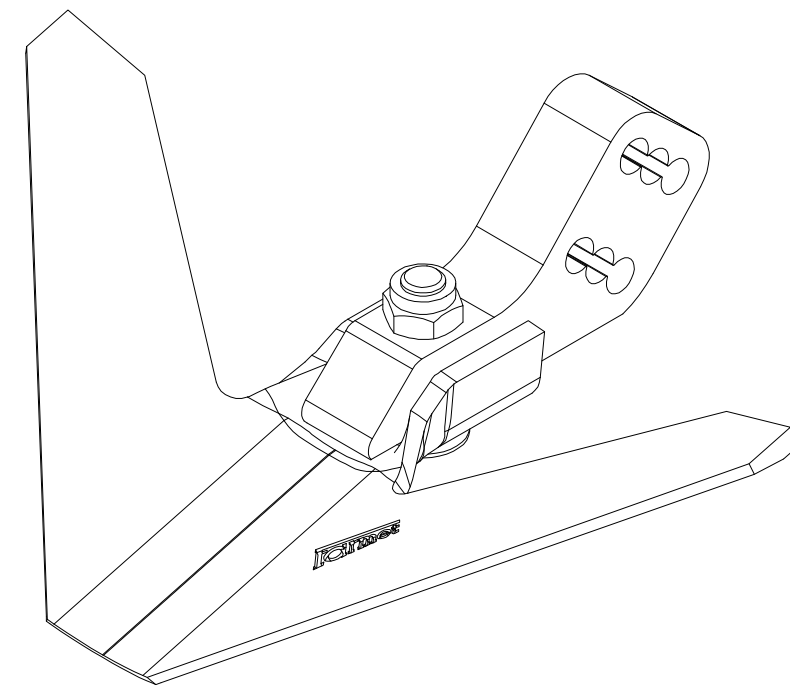
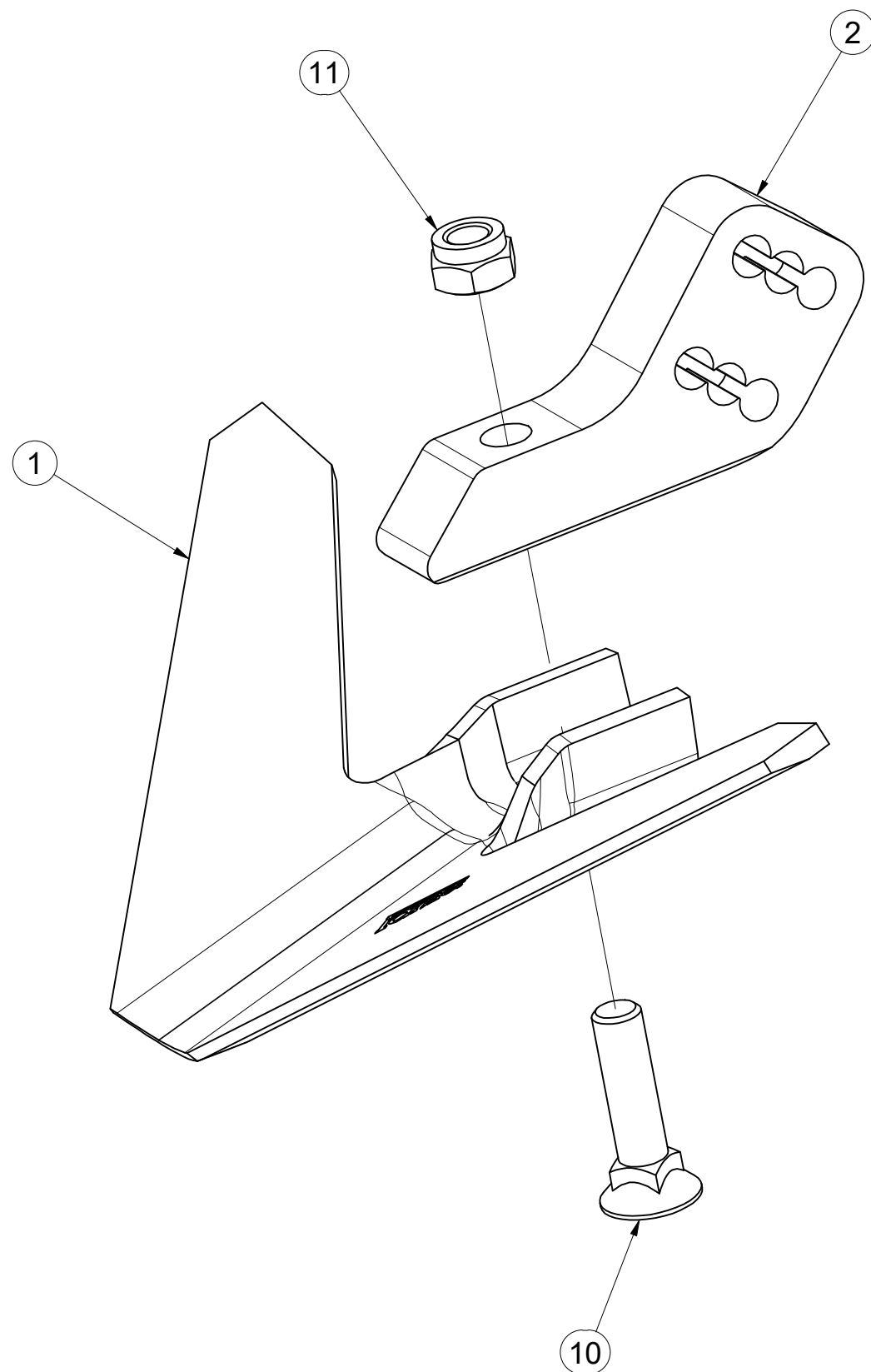
Ⓖ SHARE

ⓇУ ЛАПА

Ⓟ REDLICE



3010397



| Pos. | Part Number | Pcs. |
|------|-------------|------|
| 1 | 4020409 | 1 |
| 2 | 4020413 | 1 |
| 10 | m10440 | 1 |
| 11 | m21001 | 1 |

Ⓒ SADA BRZDOVÁ

Ⓓ BREMSENSATZ

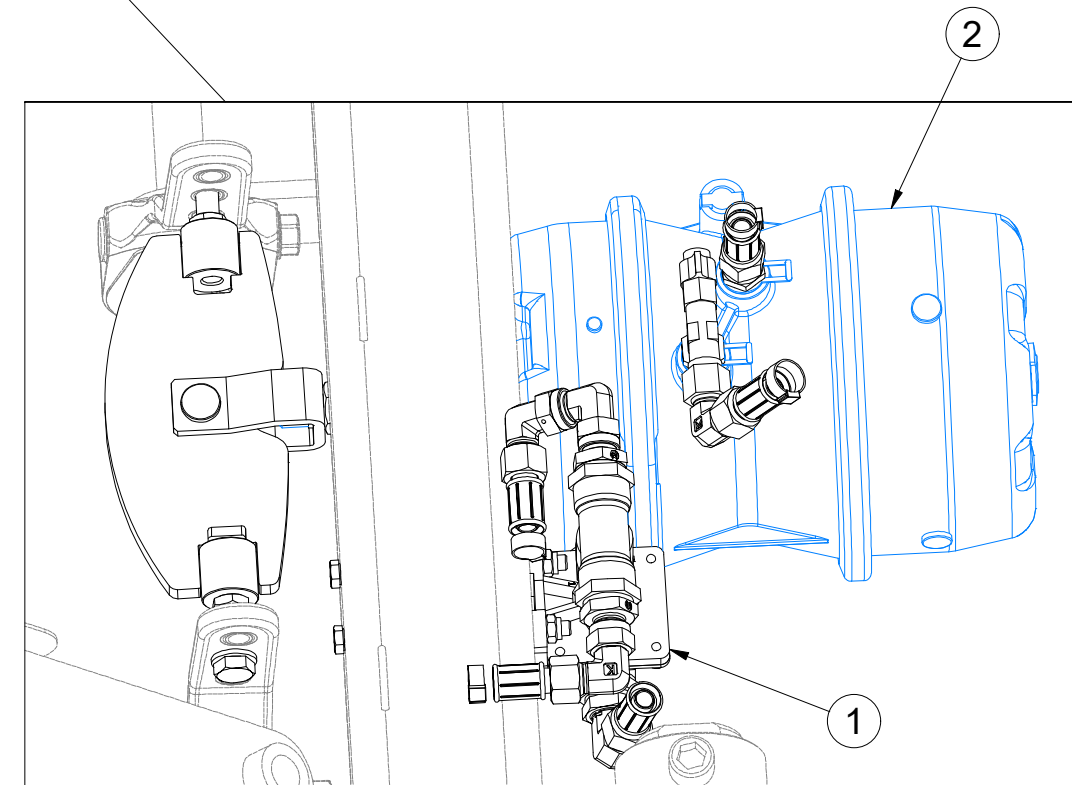
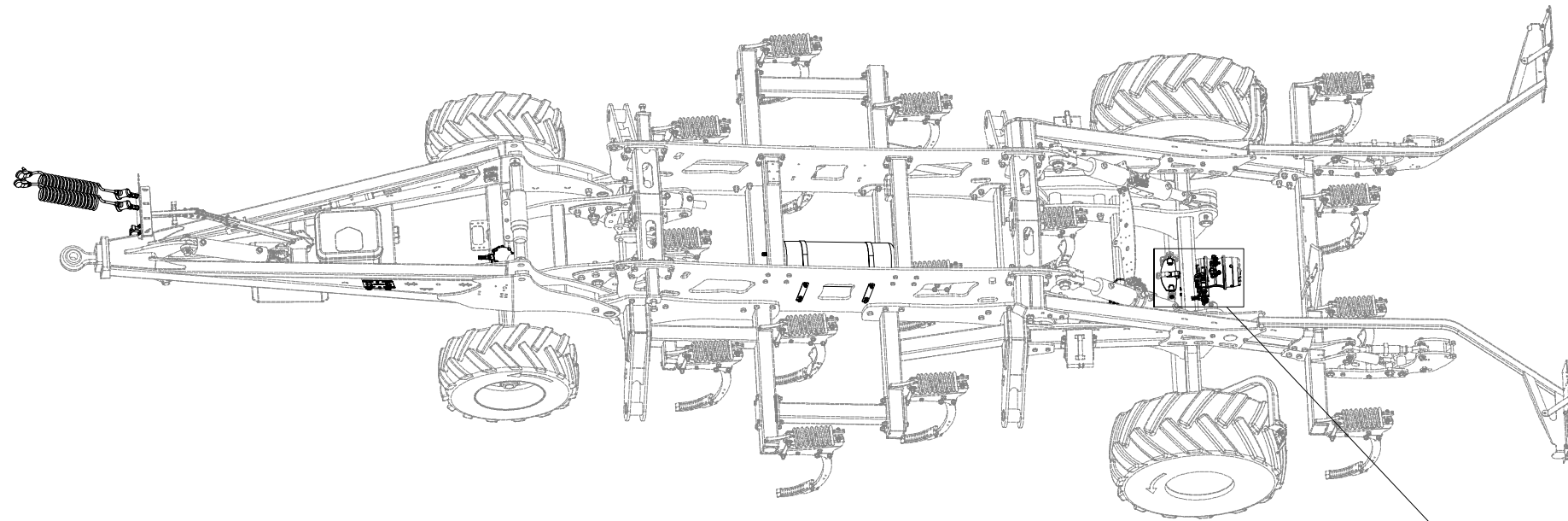
Ⓕ JEU DE FREINS

VZ00076051

Ⓖ BRAKE SET

Ⓡ ТОРМОЗНОЙ КОМПЛЕКТ

Ⓢ ZESTAW HAMULCOWY



| Pos. | Part Number | Pcs. |
|------|-------------|------|
| 1 | VZ00076053 | 1 |
| 2 | VZ00005674 | 1 |

Ⓒ SADA BRZDOVÁ

Ⓓ BREMSENSATZ

Ⓕ JEU DE FREINS

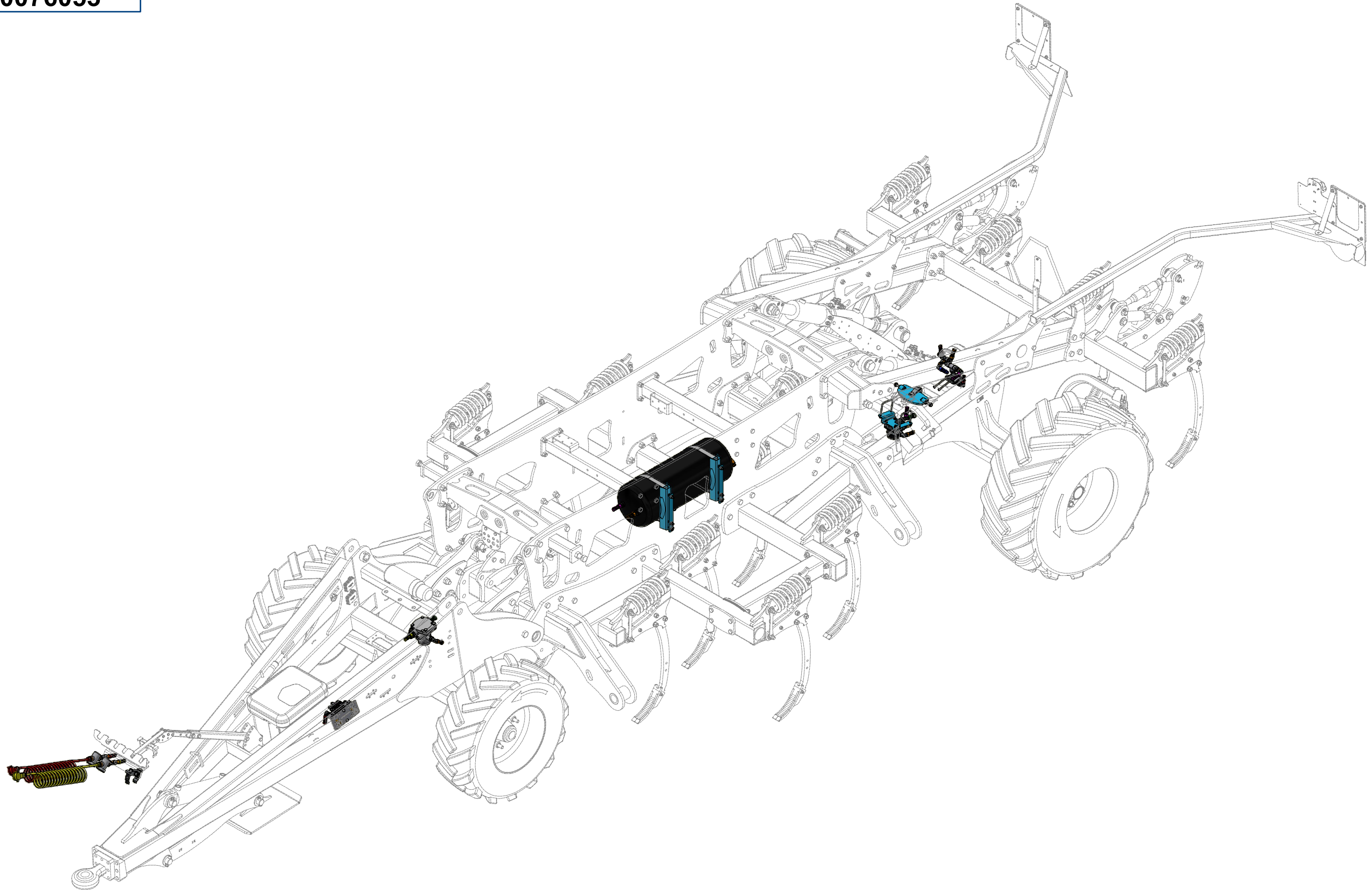
VZ00076053

Ⓖ BRAKE SET

Ⓡ ТОРМОЗНОЙ КОМПЛЕКТ

Ⓢ ZESTAW HAMULCOWY

Farmet



Ⓒ SADA BRZDOVÁ

Ⓓ BREMSENSATZ

Ⓕ JEU DE FREINS

Ⓖ BRAKE SET

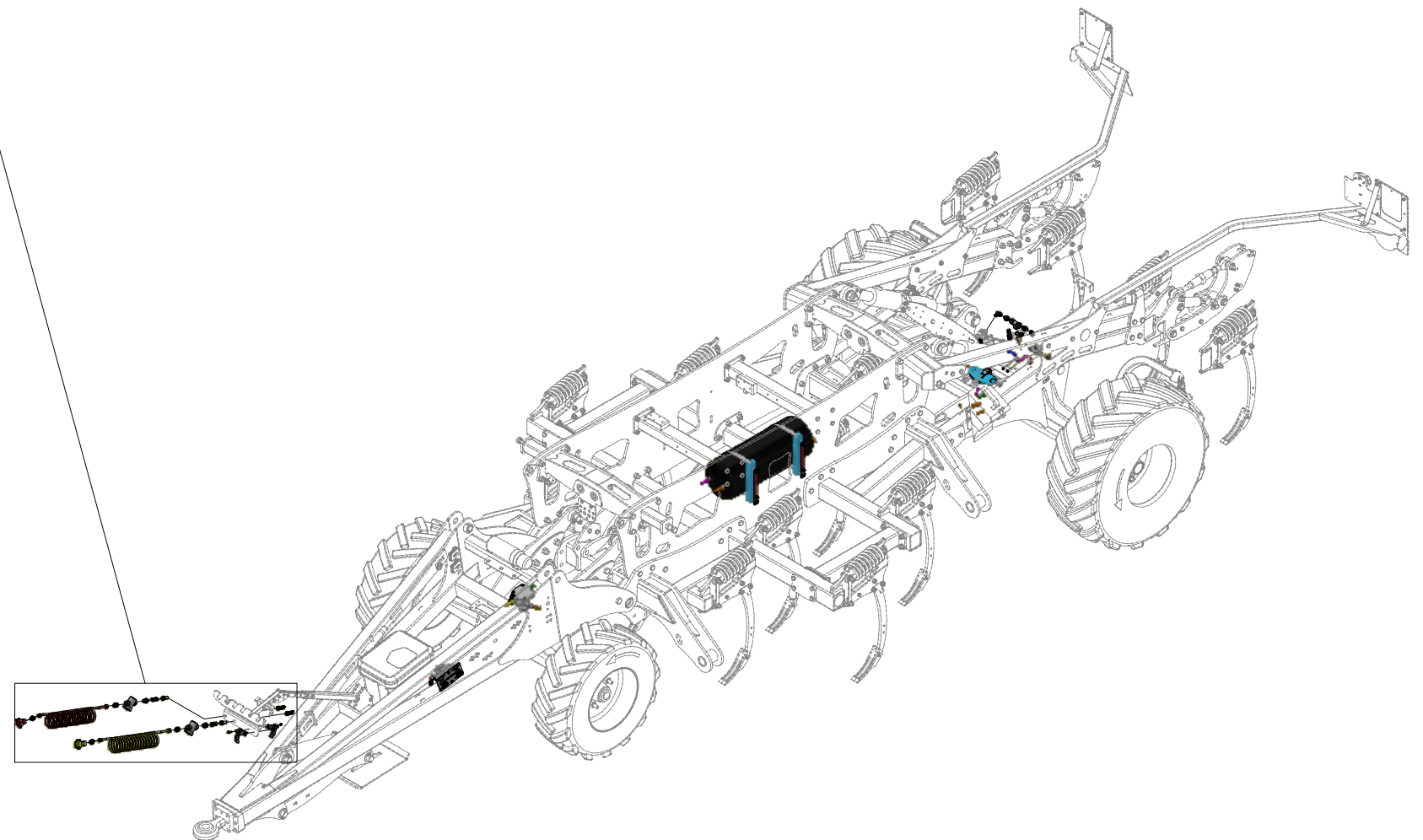
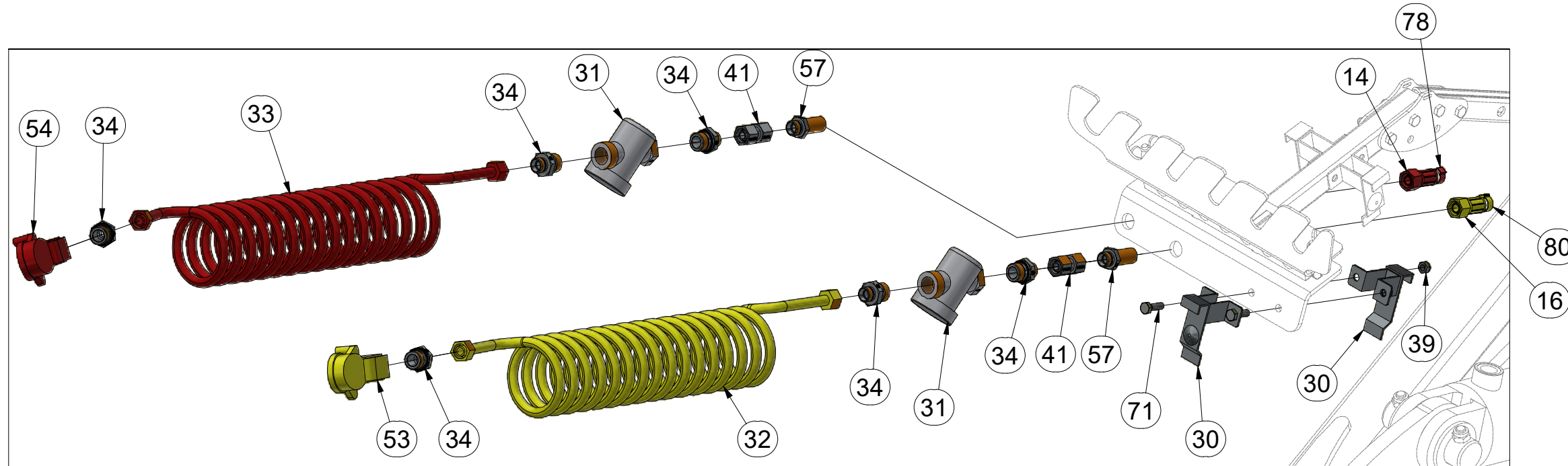
Ⓡ ТОРМОЗНОЙ КОМПЛЕКТ

Ⓢ ZESTAW HAMULCOWY



VZ00076053

| Pos. | Part Number | Pcs. |
|------|-------------|------|
| 14 | m18911 | 1 |
| 16 | m19320 | 2 |
| 30 | m09789 | 2 |
| 31 | m11733 | 2 |
| 32 | m09948 | 1 |
| 33 | m09949 | 1 |
| 34 | m08261 | 12 |
| 39 | m04503 | 12 |
| 41 | m22306 | 2 |
| 53 | m11734 | 1 |
| 54 | m11735 | 1 |
| 57 | m19023 | 2 |
| 71 | m01092 | 4 |
| 78 | m11294 | 3 |
| 80 | m11289 | 2 |



Ⓒ SADA BRZDOVÁ

Ⓓ BREMSENSATZ

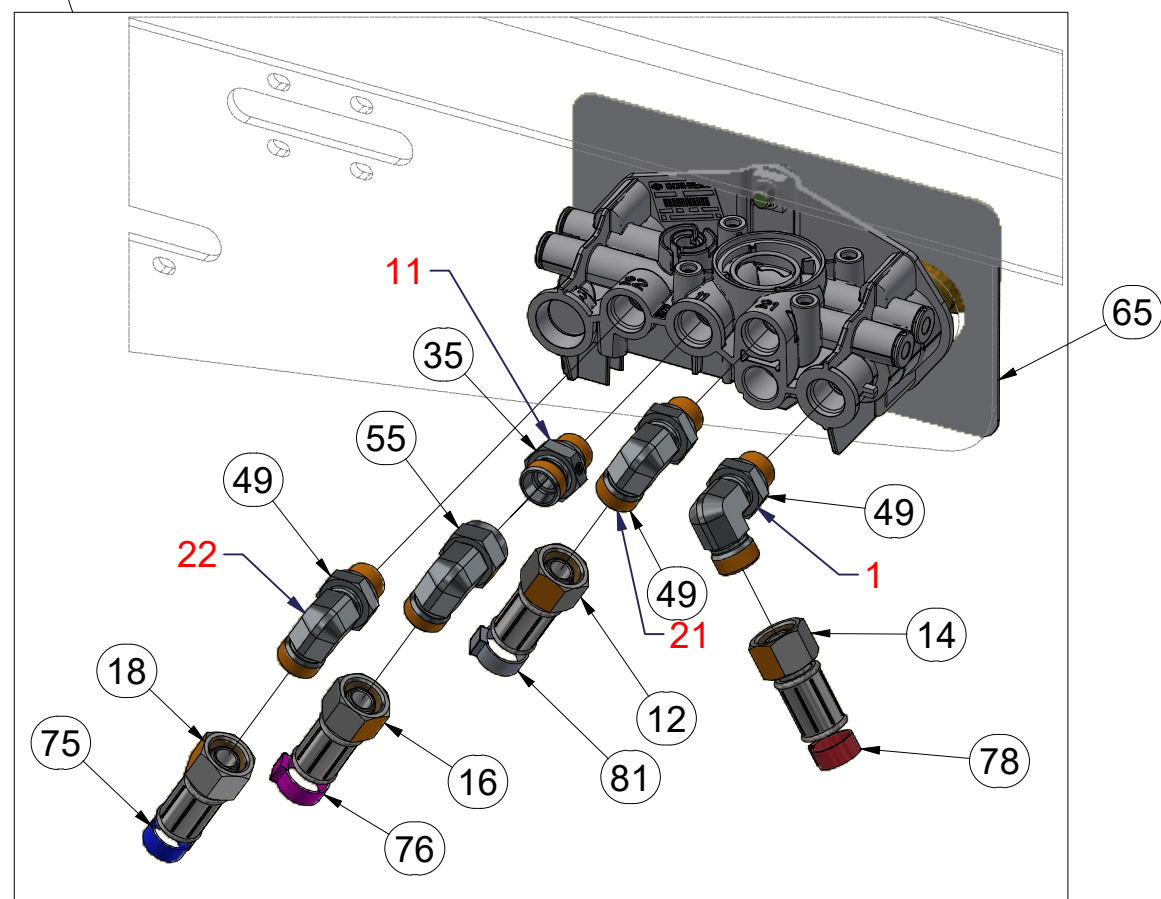
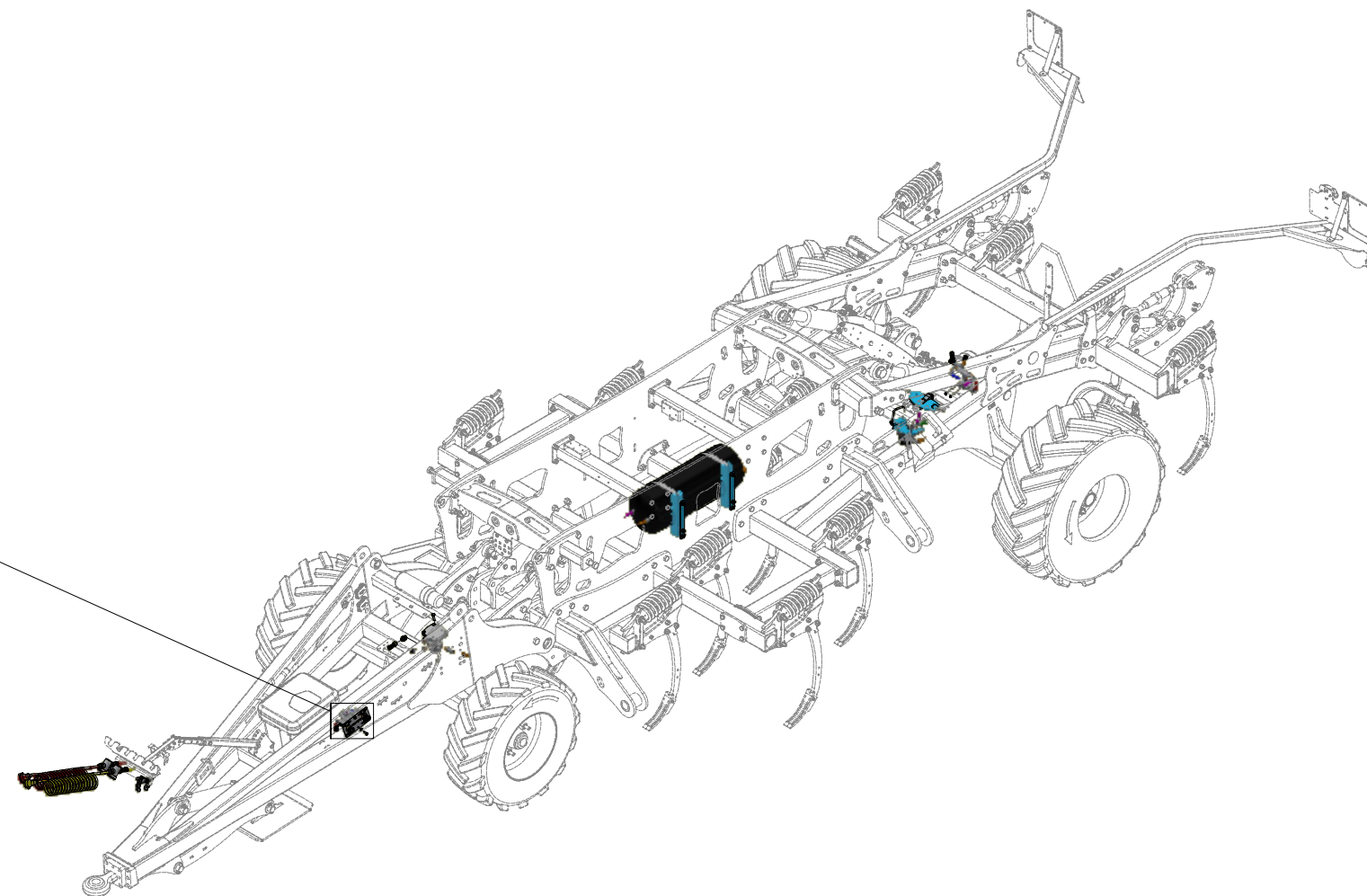
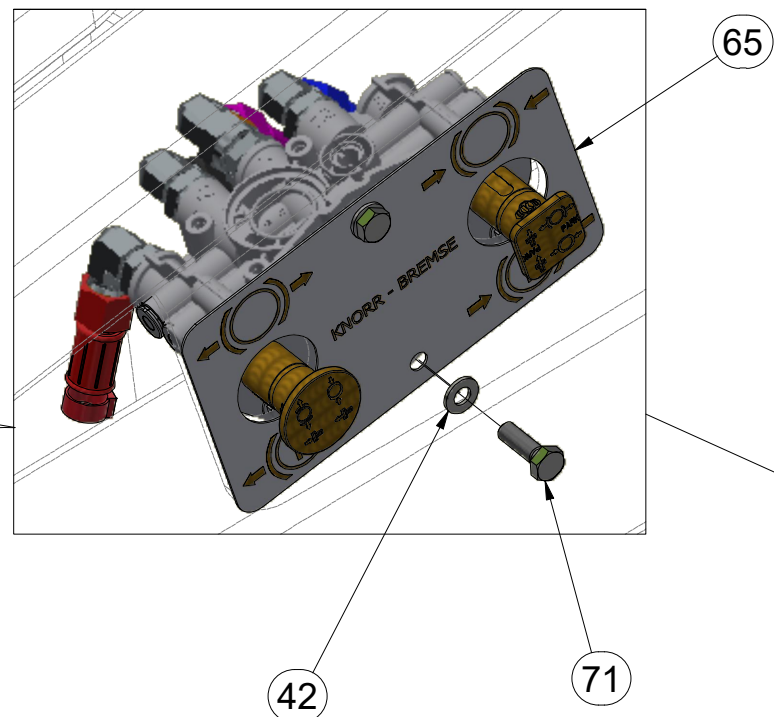
Ⓕ JEU DE FREINS

VZ00076053

Ⓖ BRAKE SET

Ⓡ ТОРМОЗНОЙ КОМПЛЕКТ

Ⓢ ZESTAW HAMULCOWY



| Pos. | Part Number | Pcs. |
|------|-------------|------|
| 12 | m19372 | 1 |
| 14 | m18911 | 1 |
| 16 | m19320 | 2 |
| 18 | m19344 | 1 |
| 35 | m10097 | 3 |
| 42 | m01203 | 10 |
| 49 | m18899 | 3 |
| 55 | m07654 | 4 |
| 65 | m19202 | 1 |
| 71 | m01092 | 4 |
| 75 | m11253 | 2 |
| 76 | m21372 | 4 |
| 78 | m11294 | 3 |
| 81 | m21375 | 2 |

ⒸZ SADA BRZDOVÁ

Ⓓ BREMSENSATZ

Ⓕ JEU DE FREINS

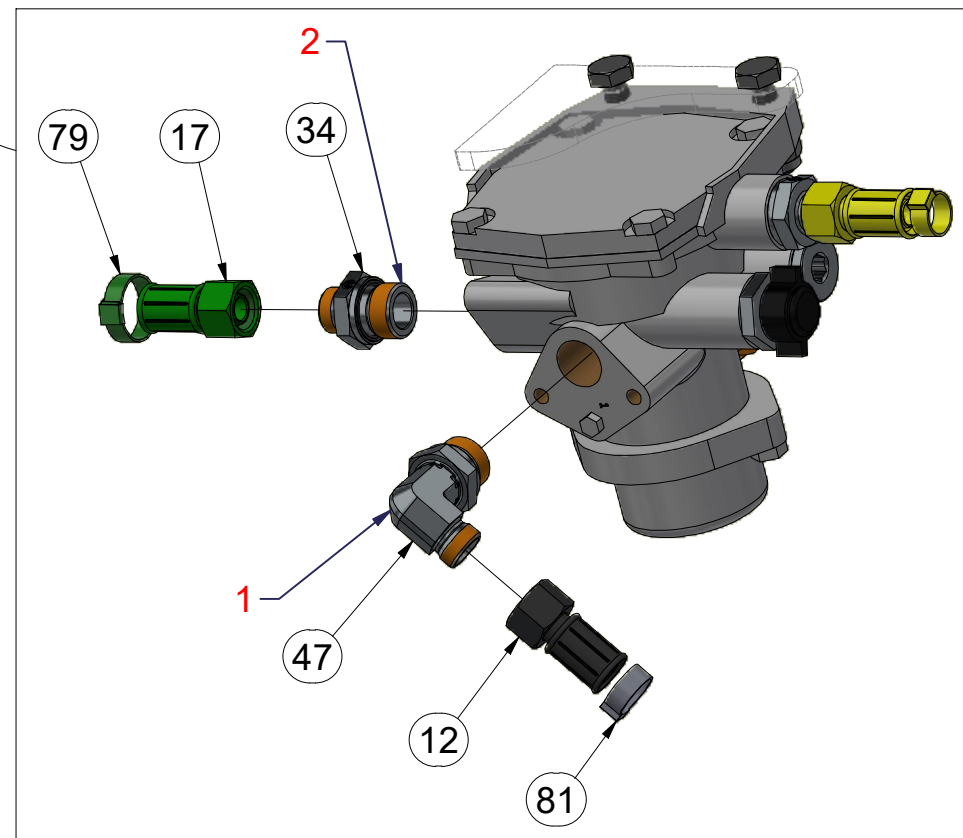
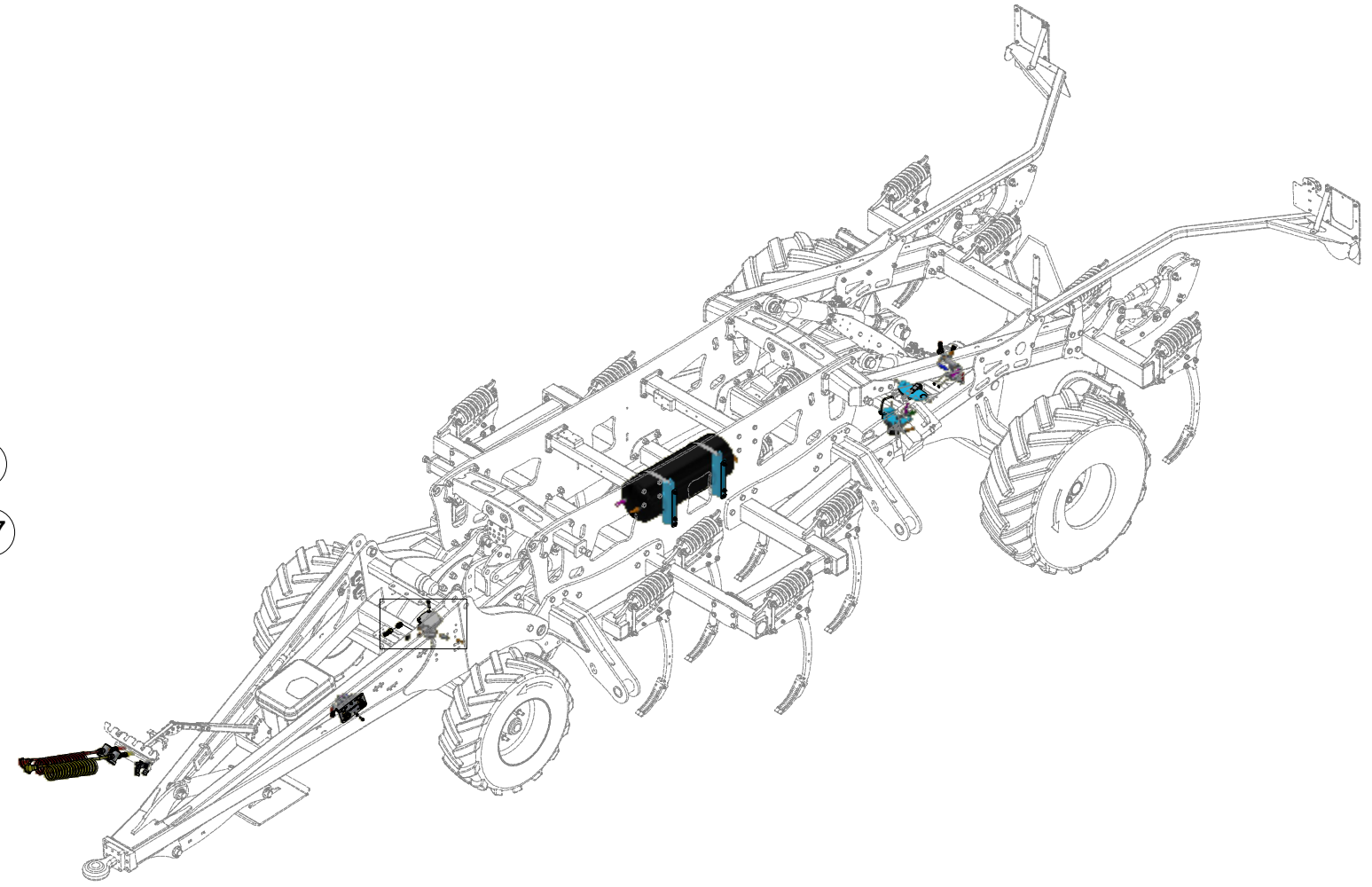
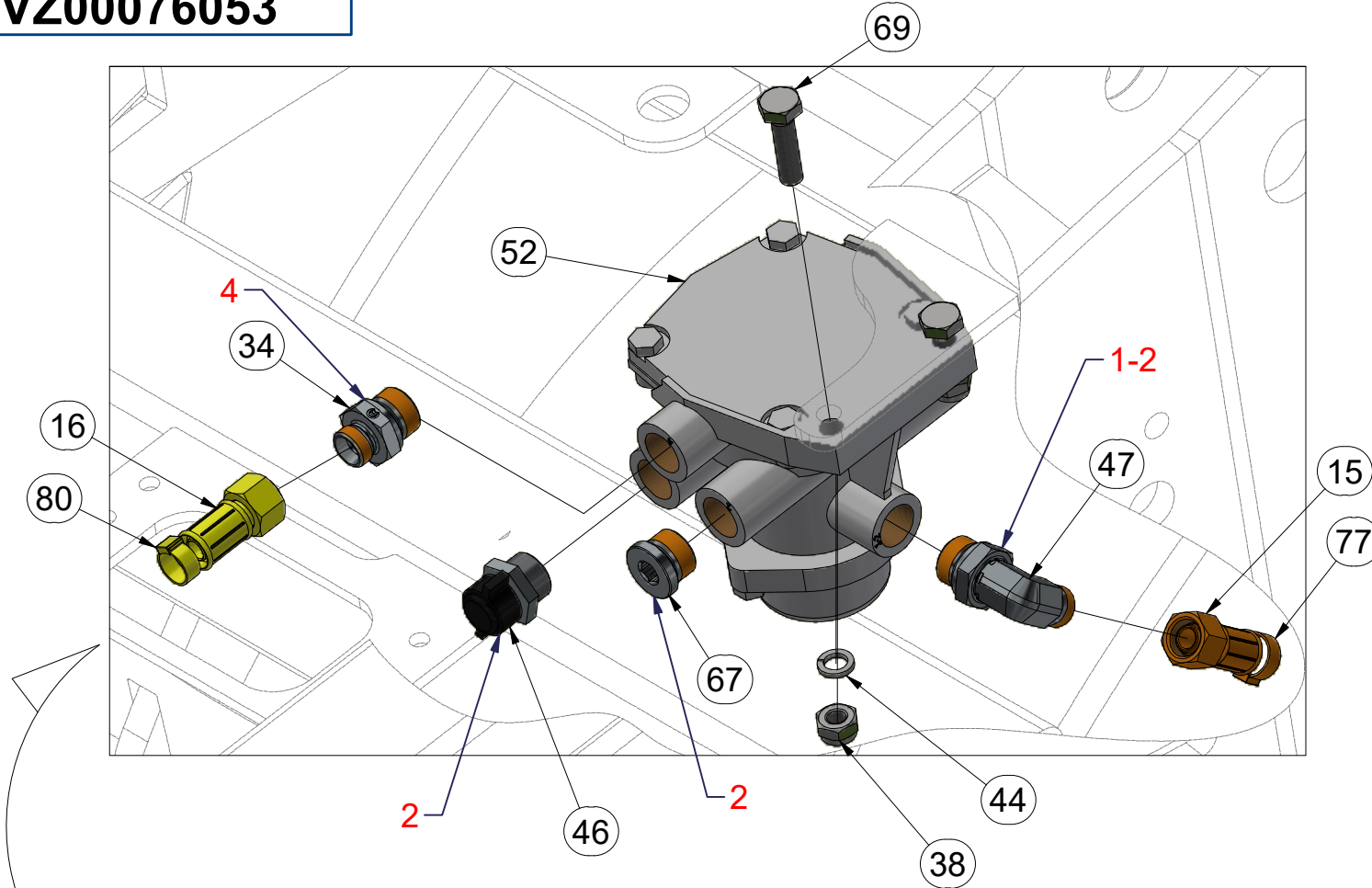
ⒼB BRAKE SET

ⒺU ТОРМОЗНОЙ КОМПЛЕКТ

ⒽL ZESTAW HAMULCOWY



VZ00076053



| Pos. | Part Number | Pcs. |
|------|-------------|------|
| 12 | m19372 | 1 |
| 15 | m20182 | 1 |
| 16 | m19320 | 2 |
| 17 | m20185 | 1 |
| 34 | m08261 | 12 |
| 38 | m03775 | 8 |
| 44 | m01208 | 2 |
| 46 | m09816 | 1 |
| 47 | m02633 | 4 |
| 52 | m09784 | 1 |
| 67 | m04855 | 3 |
| 69 | m01111 | 6 |
| 77 | m21374 | 6 |
| 79 | m11282 | 2 |
| 80 | m11289 | 2 |
| 81 | m21375 | 2 |

Ⓒ SADA BRZDOVÁ

Ⓓ BREMSENSATZ

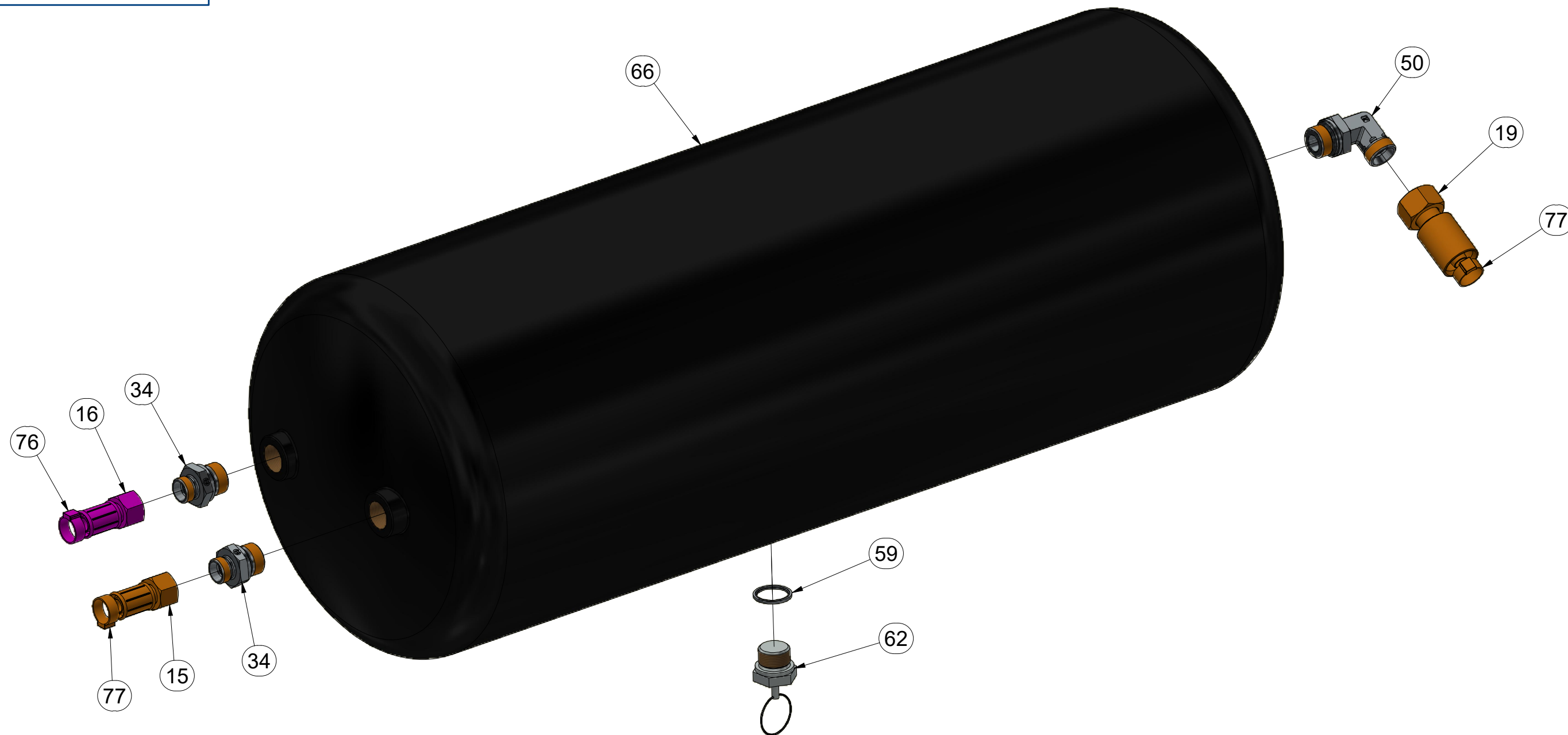
Ⓕ JEU DE FREINS

VZ00076053

Ⓖ BRAKE SET

Ⓡ ТОРМОЗНОЙ КОМПЛЕКТ

Ⓢ ZESTAW HAMULCOWY



| Pos. | Part Number | Pcs. |
|------|-------------|------|
| 15 | m20182 | 1 |
| 16 | m19320 | 2 |
| 19 | m20177 | 1 |
| 34 | m08261 | 12 |
| 50 | m03896 | 1 |
| 59 | m09818 | 3 |
| 62 | m09797 | 1 |
| 66 | m09795 | 1 |
| 76 | m21372 | 4 |
| 77 | m21374 | 6 |

Ⓒ SADA BRZDOVÁ

Ⓓ BREMSENSATZ

Ⓕ JEU DE FREINS

Ⓖ BRAKE SET

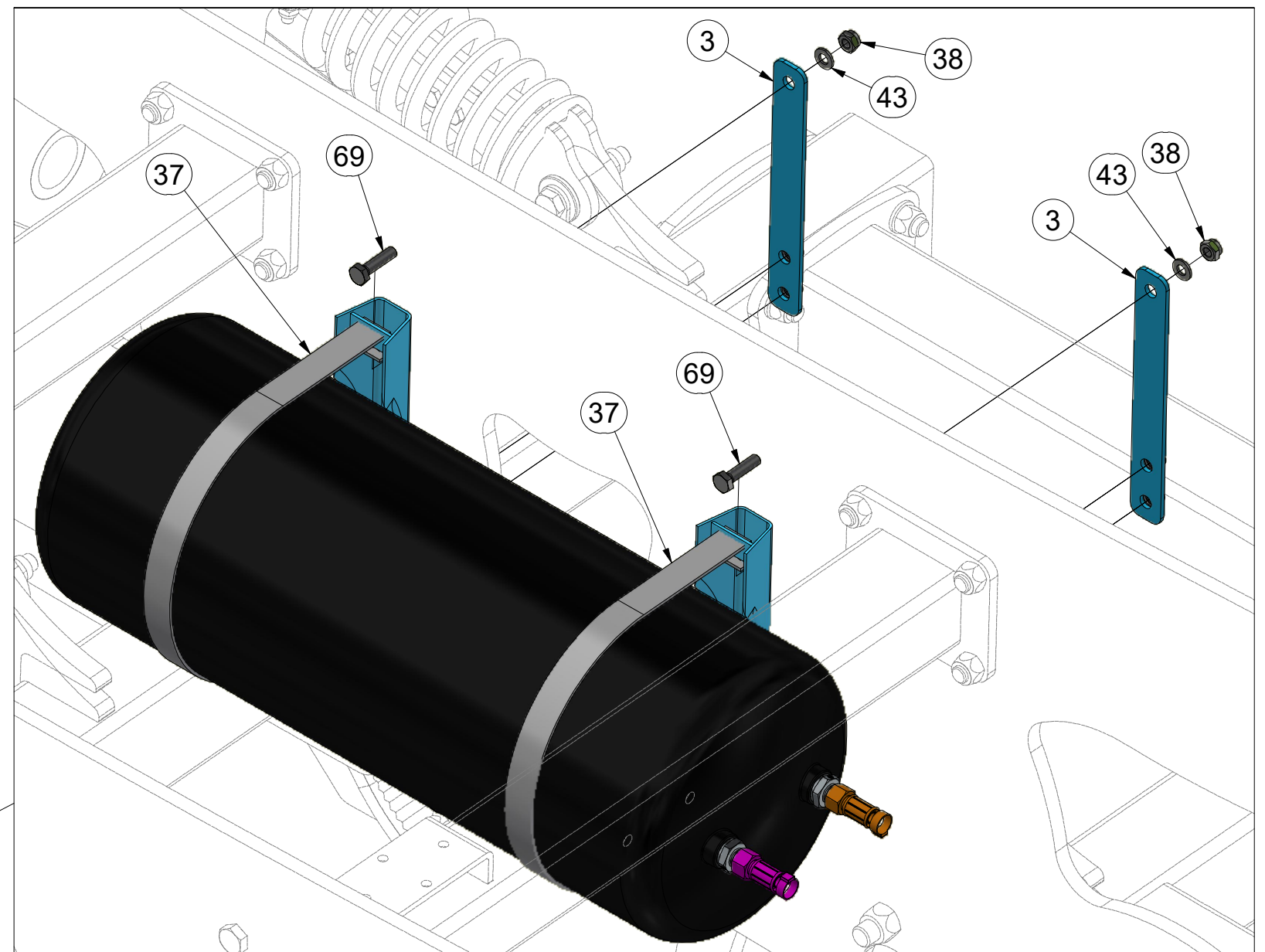
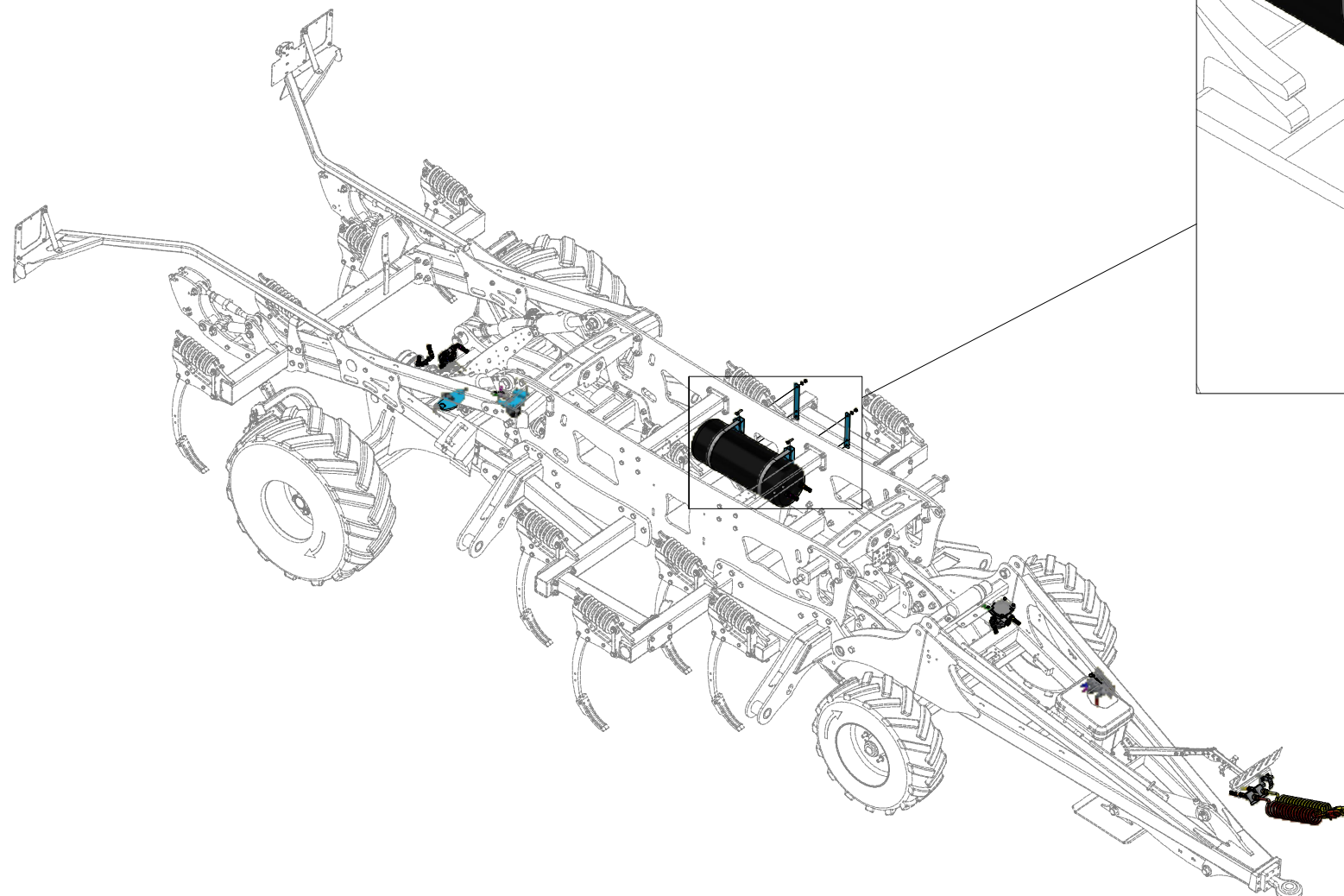
Ⓡ ТОРМОЗНОЙ КОМПЛЕКТ

Ⓢ ZESTAW HAMULCOWY



VZ00076053

| Pos. | Part Number | Pcs. |
|------|-------------|------|
| 3 | 4015310 | 2 |
| 37 | m09796 | 2 |
| 38 | m03775 | 8 |
| 43 | m01209 | 6 |
| 69 | m01111 | 6 |



Ⓒ SADA BRZDOVÁ

Ⓓ BREMSENSATZ

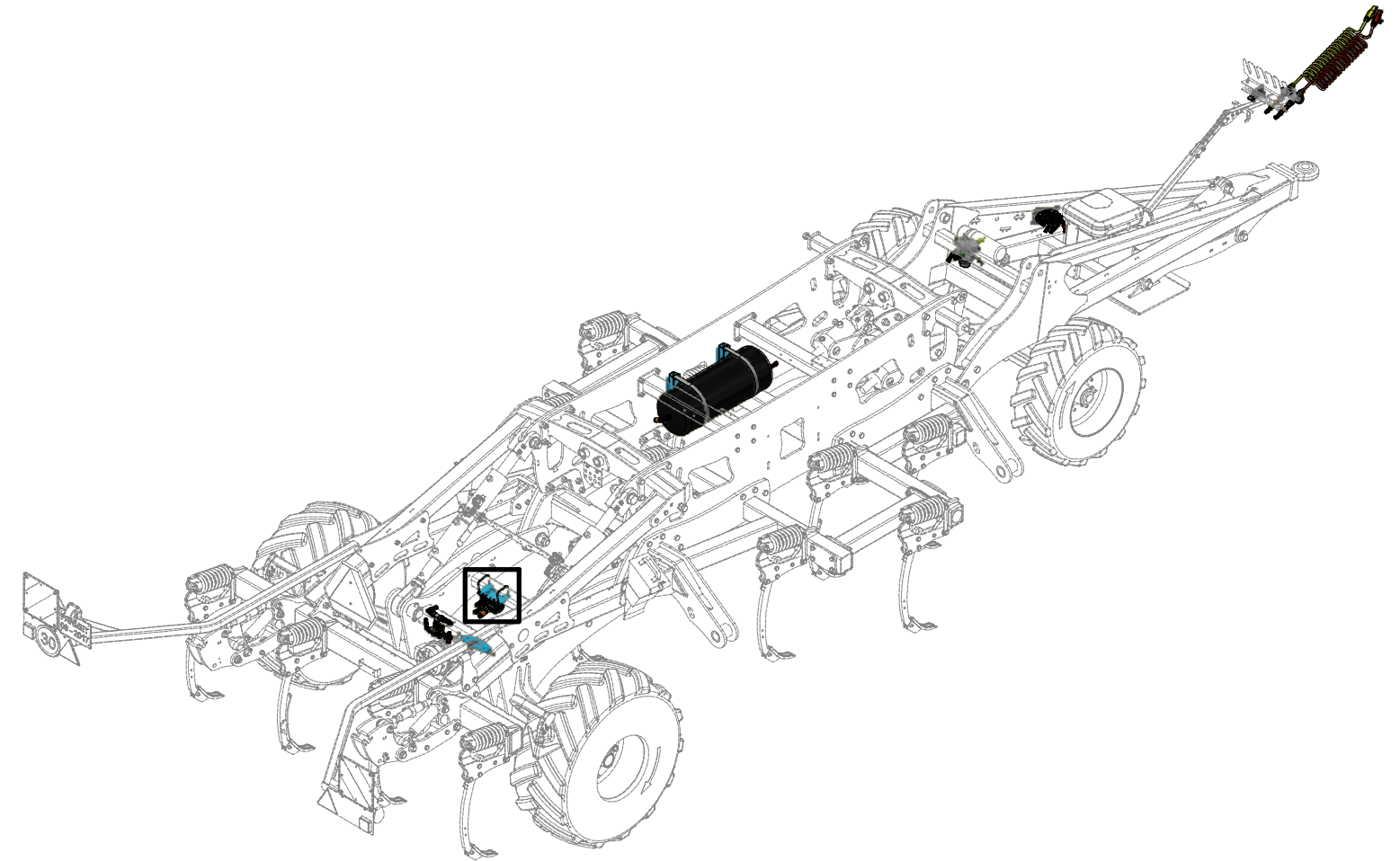
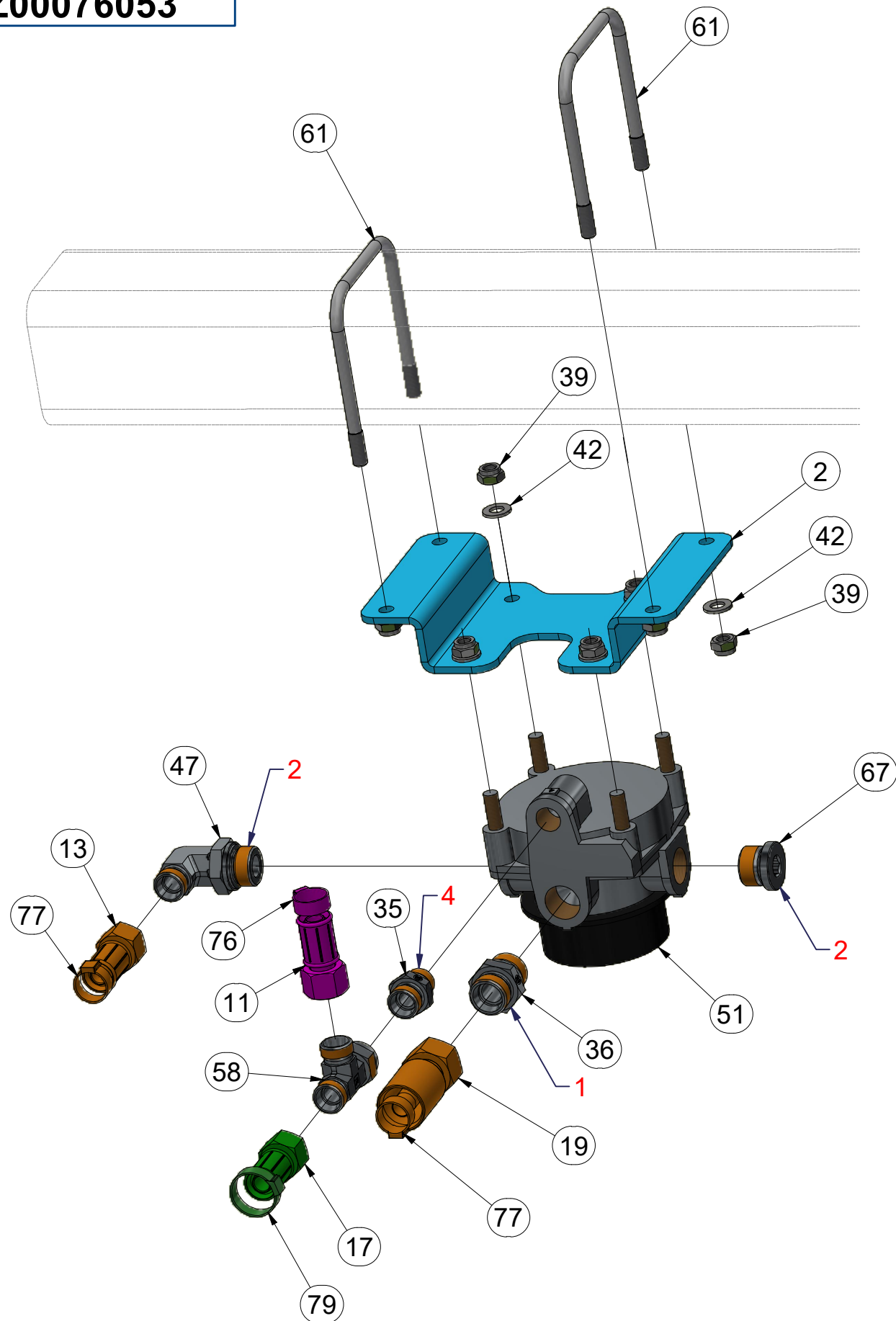
Ⓕ JEU DE FREINS

VZ00076053

Ⓖ BRAKE SET

Ⓡ ТОРМОЗНОЙ КОМПЛЕКТ

Ⓢ ZESTAW HAMULCOWY



| Pos. | Part Number | Pcs. |
|------|-------------|------|
| 2 | 4025655 | 1 |
| 11 | m19037 | 1 |
| 13 | m20180 | 1 |
| 17 | m20185 | 1 |
| 19 | m20177 | 1 |
| 35 | m10097 | 3 |
| 36 | m07468 | 1 |
| 39 | m04503 | 12 |
| 42 | m01203 | 10 |
| 47 | m02633 | 4 |
| 51 | m09790 | 1 |
| 58 | m08299 | 1 |
| 61 | m10619 | 2 |
| 67 | m04855 | 3 |
| 76 | m21372 | 4 |
| 77 | m21374 | 6 |
| 79 | m11282 | 2 |

Ⓒ SADA BRZDOVÁ

Ⓓ BREMSENSATZ

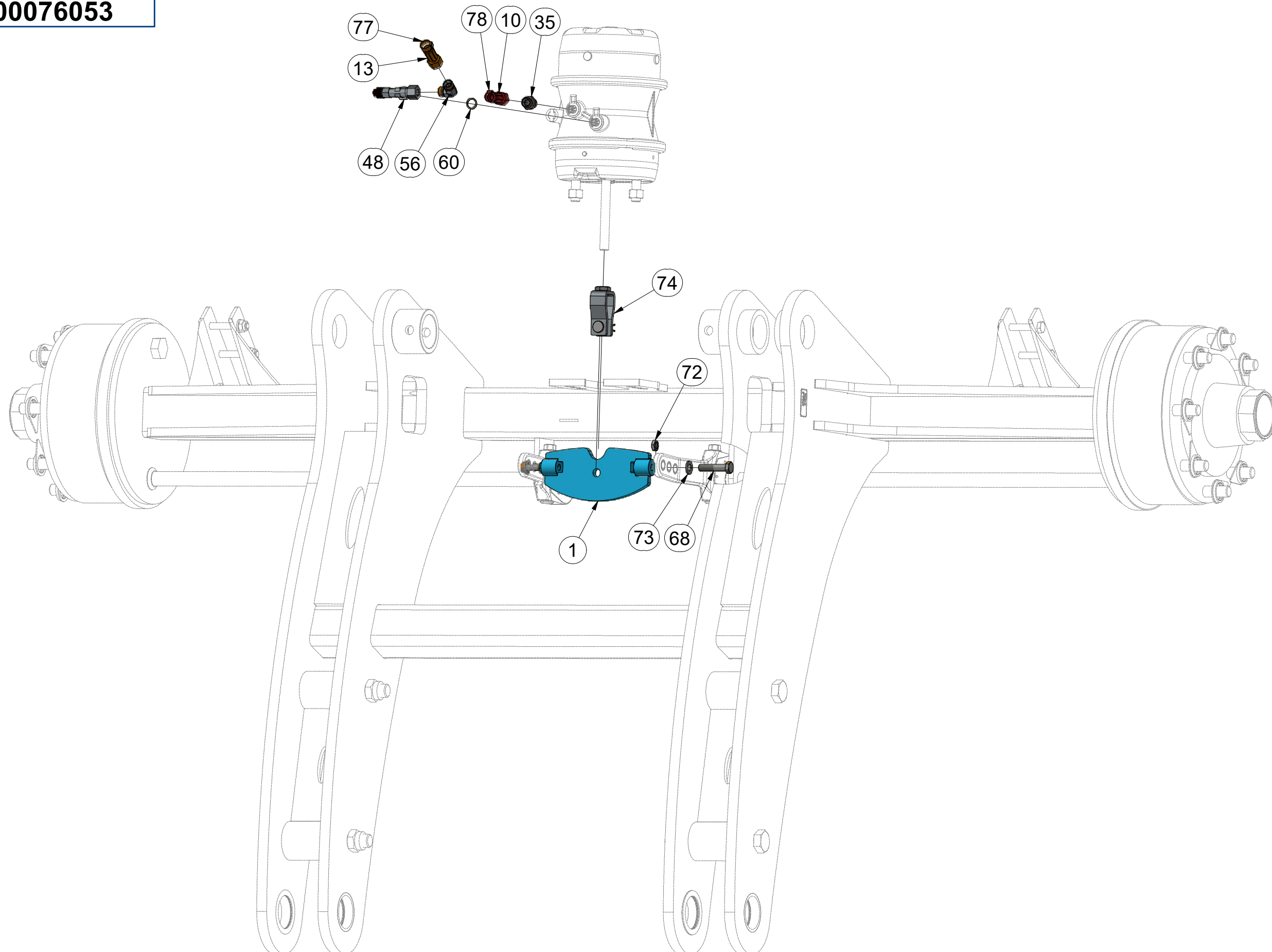
Ⓕ JEU DE FREINS

VZ00076053

Ⓖ BRAKE SET

Ⓡ ТОРМОЗНОЙ КОМПЛЕКТ

Ⓢ ZESTAW HAMULCOWY



| Pos. | Part Number | Pcs. |
|------|-------------|------|
| 1 | VZ00006014 | 1 |
| 10 | m19036 | 1 |
| 13 | m20180 | 1 |
| 35 | m10097 | 3 |
| 48 | m19244 | 1 |
| 56 | m08298 | 1 |
| 60 | m09817 | 1 |
| 68 | m12626 | 2 |
| 72 | m14233 | 2 |
| 73 | m01214 | 2 |
| 74 | m09793 | 1 |
| 77 | m21374 | 6 |
| 78 | m11294 | 3 |

Ⓒ SADA BRZDOVÁ

Ⓓ BREMSENSATZ

Ⓕ JEU DE FREINS

Ⓖ BRAKE SET

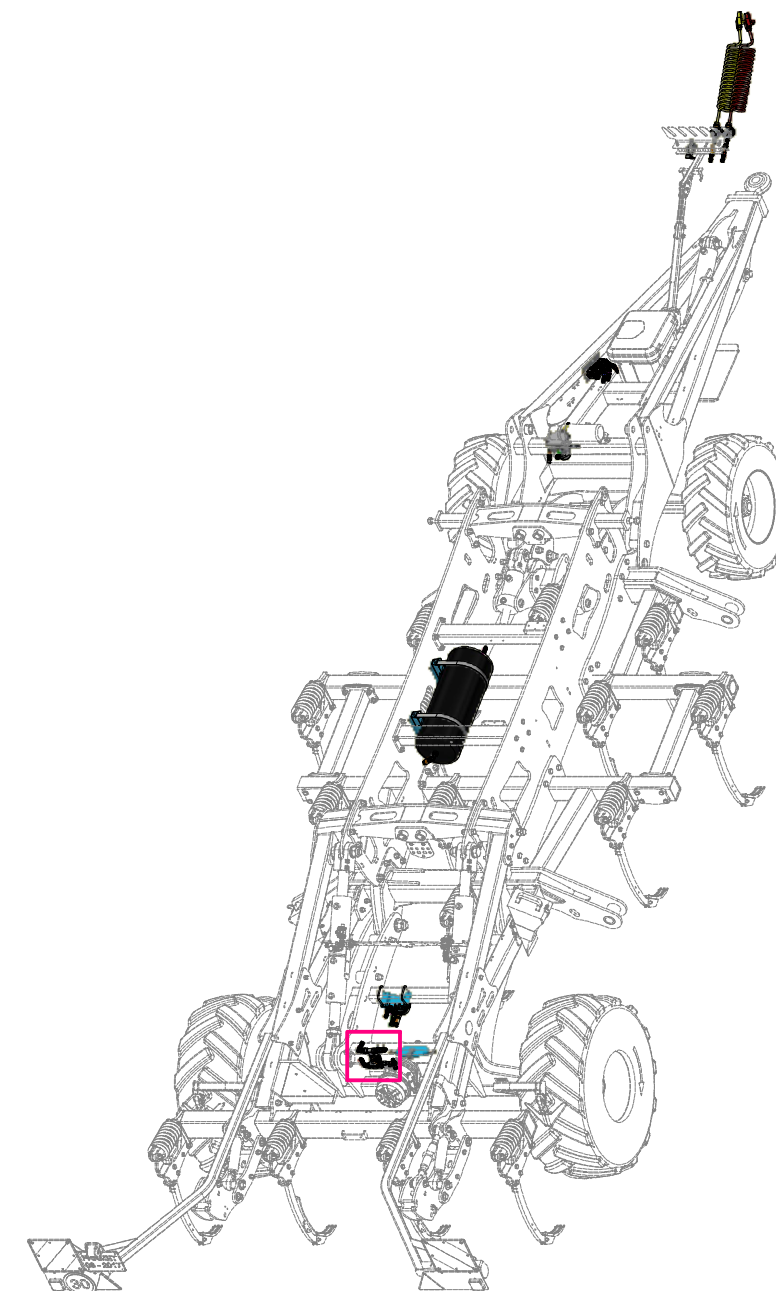
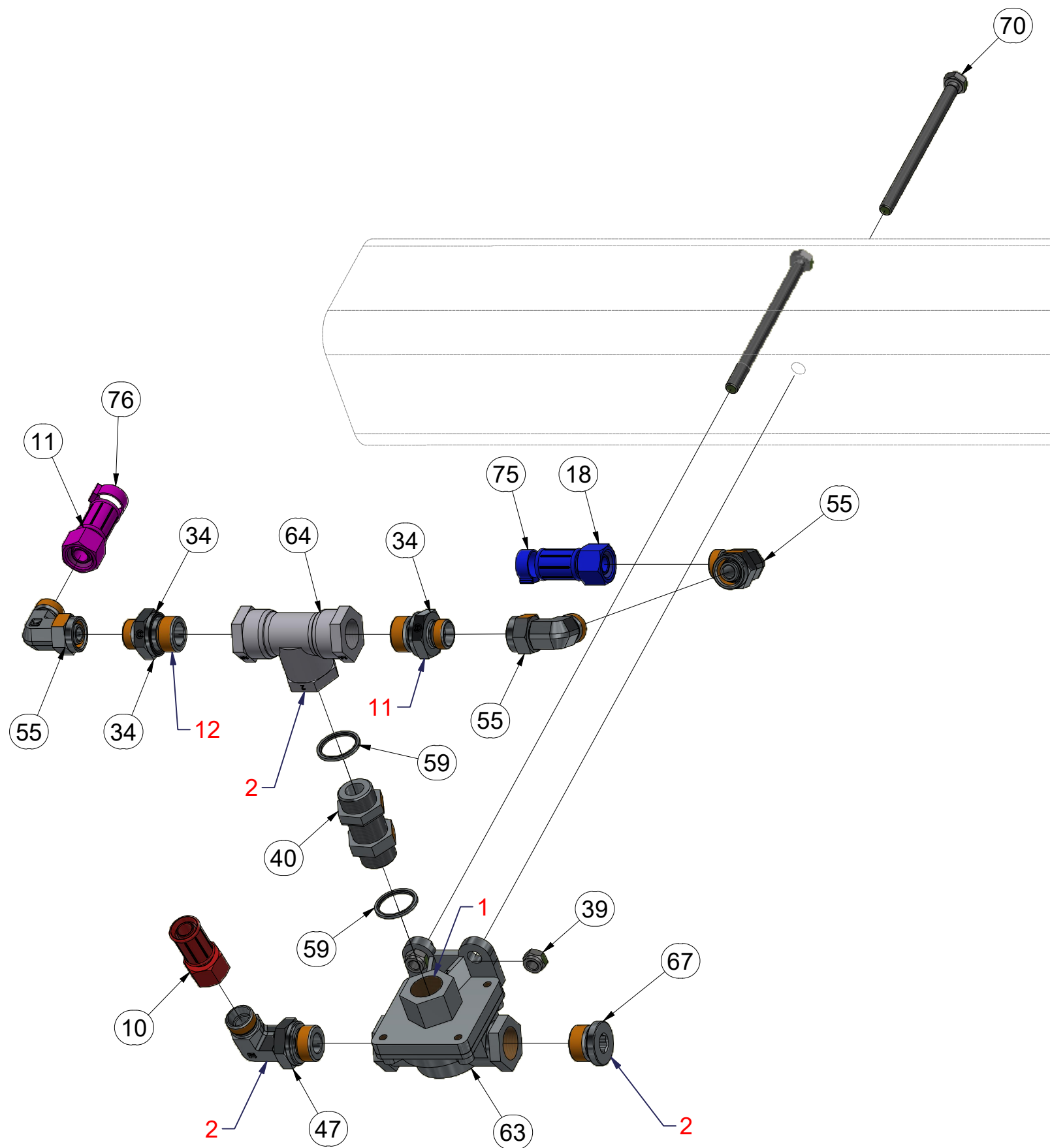
Ⓡ ТОРМОЗНОЙ КОМПЛЕКТ

Ⓢ ZESTAW HAMULCOWY



VZ00076053

| Pos. | Part Number | Pcs. |
|------|-------------|------|
| 10 | m19036 | 1 |
| 11 | m19037 | 1 |
| 18 | m19344 | 1 |
| 34 | m08261 | 12 |
| 39 | m04503 | 12 |
| 40 | m09810 | 1 |
| 47 | m02633 | 4 |
| 55 | m07654 | 4 |
| 59 | m09818 | 3 |
| 63 | m09791 | 1 |
| 64 | m09785 | 1 |
| 67 | m04855 | 3 |
| 70 | m06099 | 2 |
| 75 | m11253 | 2 |
| 76 | m21372 | 4 |



Ⓒ SADA BRZDOVÁ

Ⓓ BREMSENSATZ

Ⓕ JEU DE FREINS

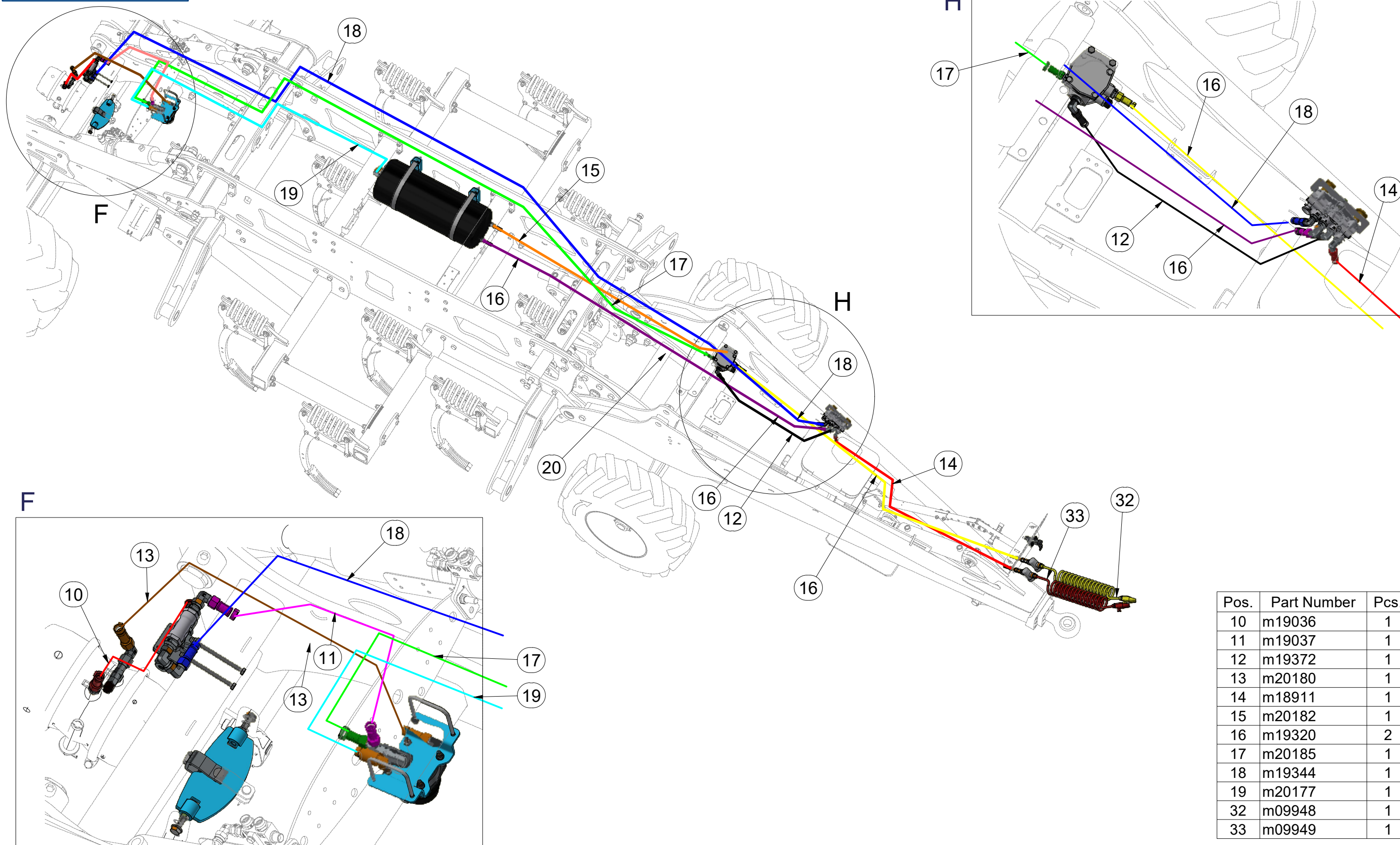
Ⓖ BRAKE SET

Ⓡ ТОРМОЗНОЙ КОМПЛЕКТ

Ⓢ ZESTAW HAMULCOWY



VZ00076053



| Pos. | Part Number | Pcs. |
|------|-------------|------|
| 10 | m19036 | 1 |
| 11 | m19037 | 1 |
| 12 | m19372 | 1 |
| 13 | m20180 | 1 |
| 14 | m18911 | 1 |
| 15 | m20182 | 1 |
| 16 | m19320 | 2 |
| 17 | m20185 | 1 |
| 18 | m19344 | 1 |
| 19 | m20177 | 1 |
| 32 | m09948 | 1 |
| 33 | m09949 | 1 |

ⒸZ SADA ZAHNOVACÍCH DISKŮ

Ⓓ ZUDECKSCHEIBENSATZ

Ⓕ ENSEMBLE DE DISQUES DE RECOUVREMENT

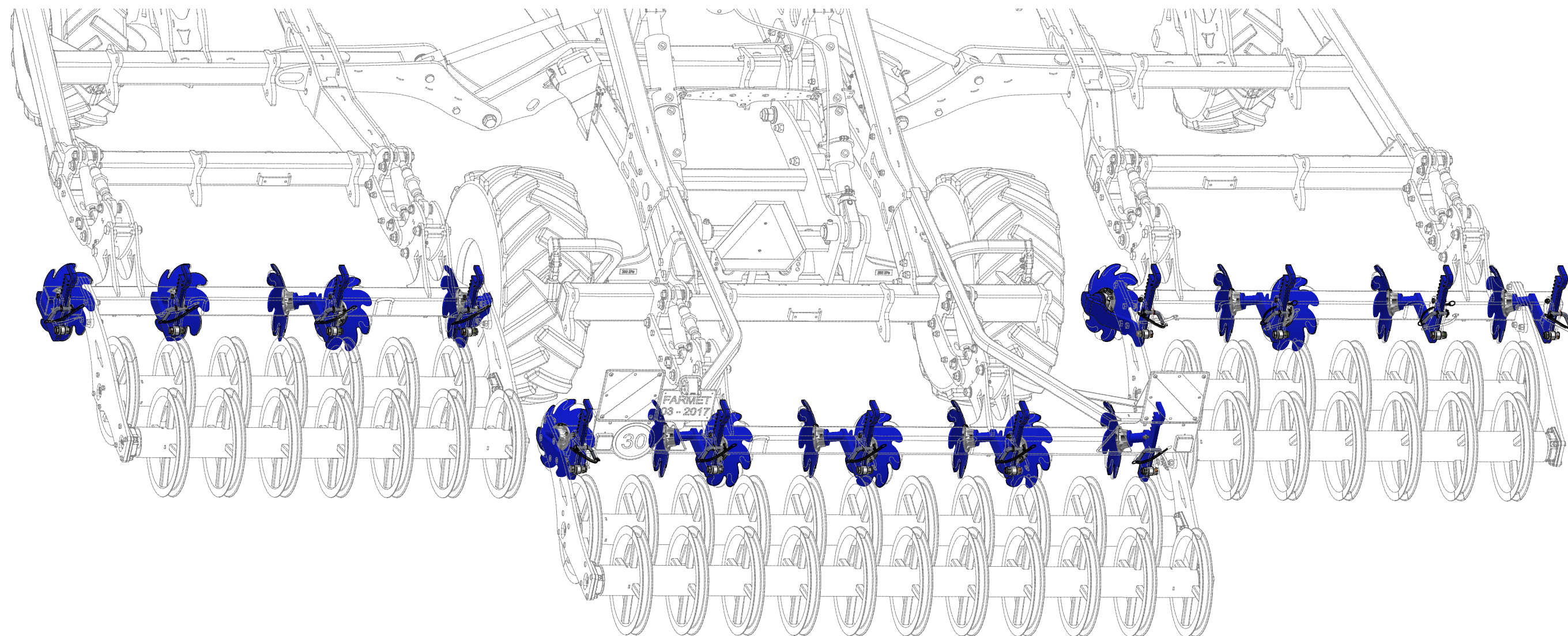
ⒼB SET OF COVERING DISCS

ⒺR КОМПЛЕКТ ЗАГОРТАЮЩИХ ДИСКОВ

ⒺL ZESTAW TARCZ ZAGARNIAJĄCYCH

Farmet

VZ00073208



ⒸZ SADA ZAHRNOVACÍCH DISKŮ

Ⓓ ZUDECKSCHEIBENSATZ

Ⓕ ENSEMBLE DE DISQUES DE RECOUVREMENT

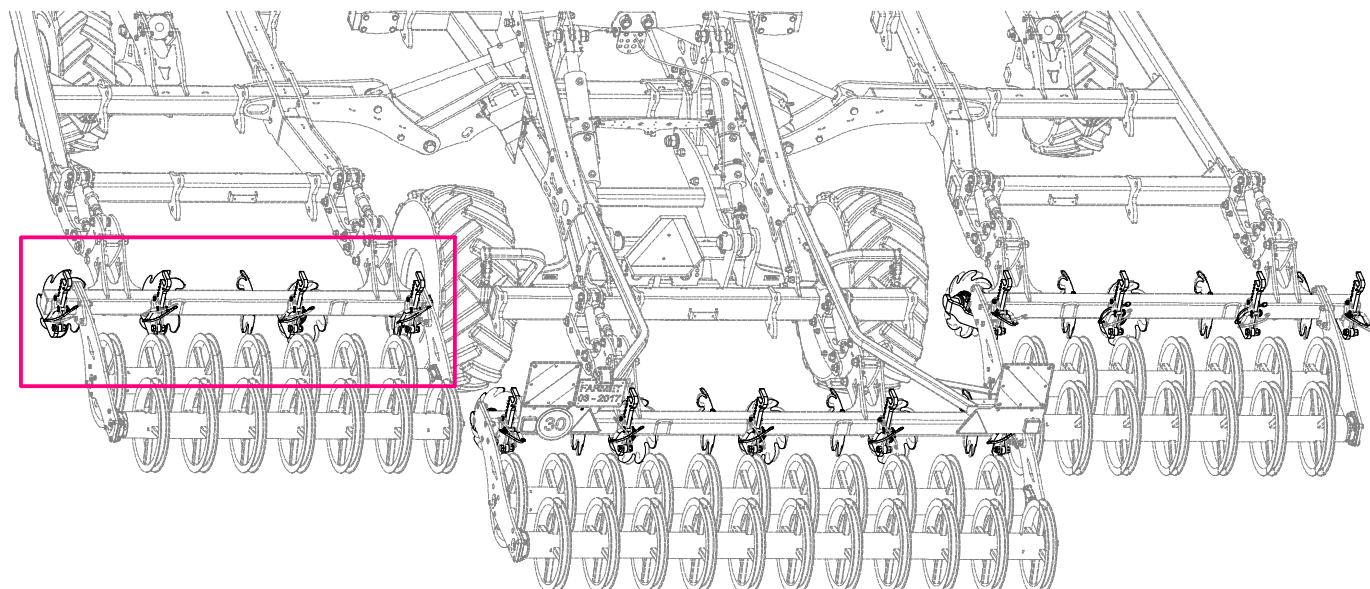
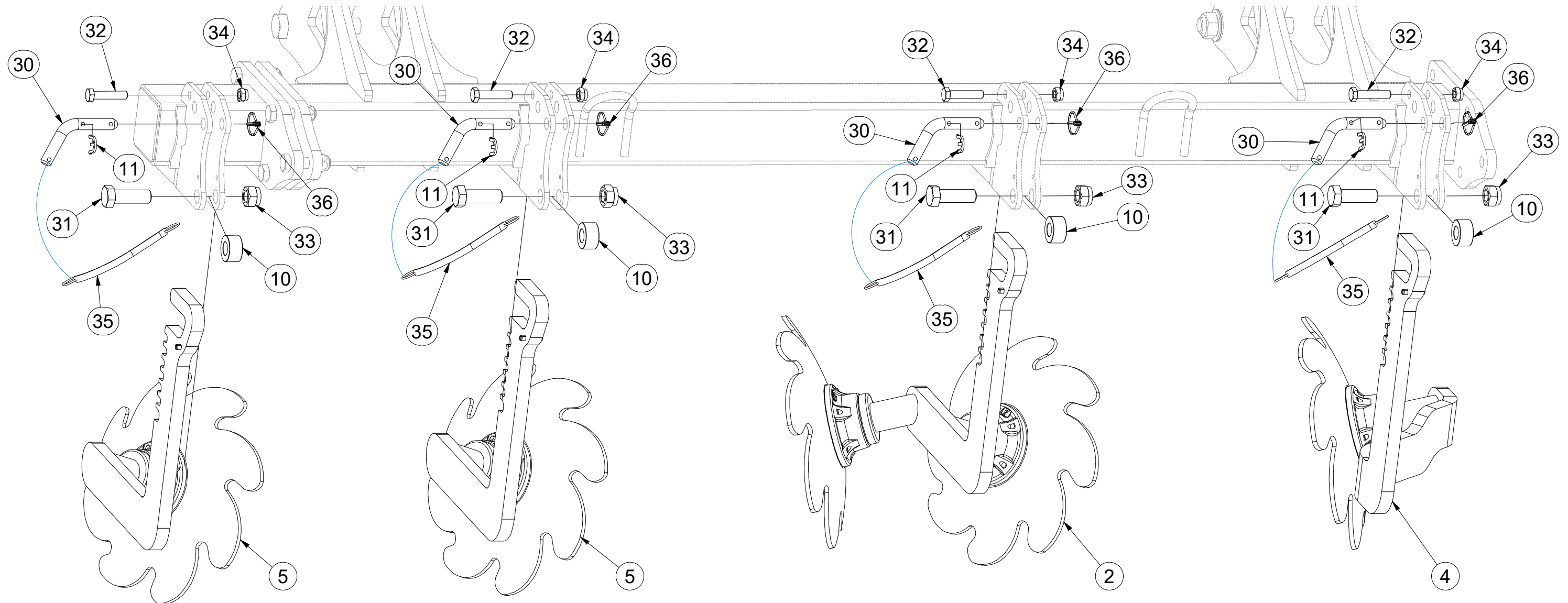
ⒼB SET OF COVERING DISCS

ⒺU КОМПЛЕКТ ЗАГОРТАЮЩИХ ДИСКОВ

ⒼL ZESTAW TARCZ ZAGARNIAJĄCYCH



VZ00073208



| Pos. | Part Number | Pcs. |
|------|-------------|------|
| 2 | VZ00066254 | 2 |
| 4 | VZ00073510 | 1 |
| 5 | VZ00073533 | 2 |
| 10 | 4014843CZN | 8 |
| 11 | 4017136 | 8 |
| 30 | m09436 | 8 |
| 31 | m14496 | 8 |
| 32 | m12626 | 8 |
| 33 | m05648 | 8 |
| 34 | m04301 | 8 |
| 35 | m12467 | 8 |
| 36 | m10454 | 8 |

ⒸZ SADA ZAHNOVACÍCH DISKŮ

Ⓓ ZUDECKSCHEIBENSATZ

Ⓕ ENSEMBLE DE DISQUES DE RECOUVREMENT

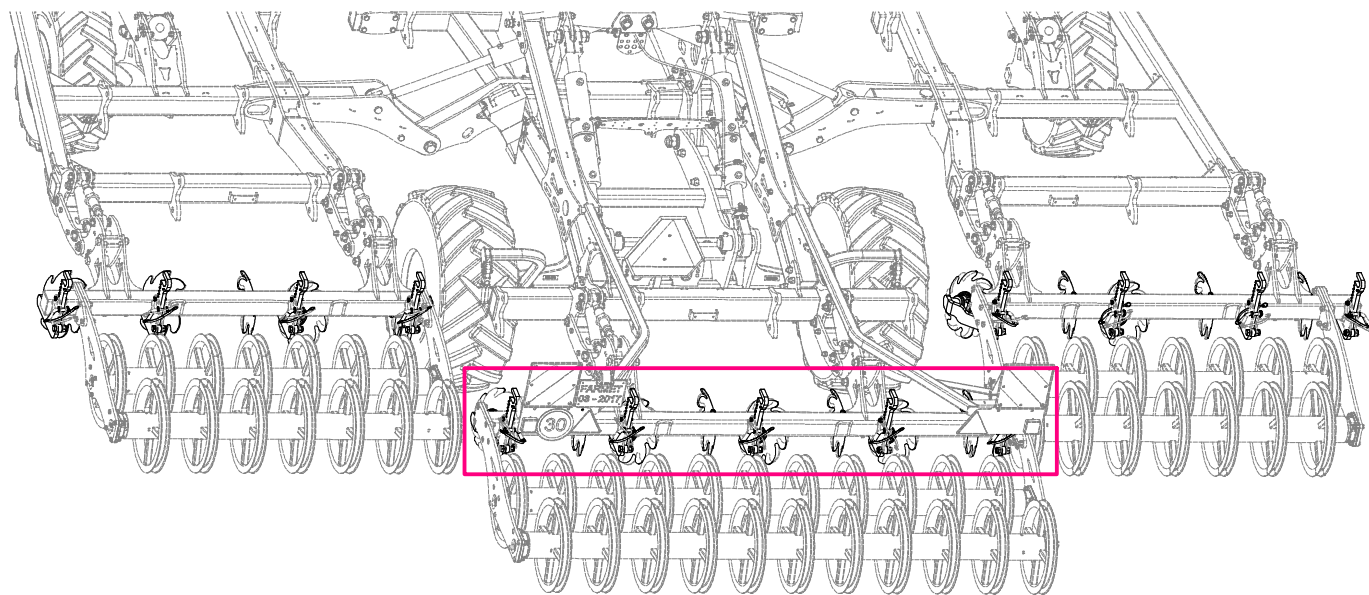
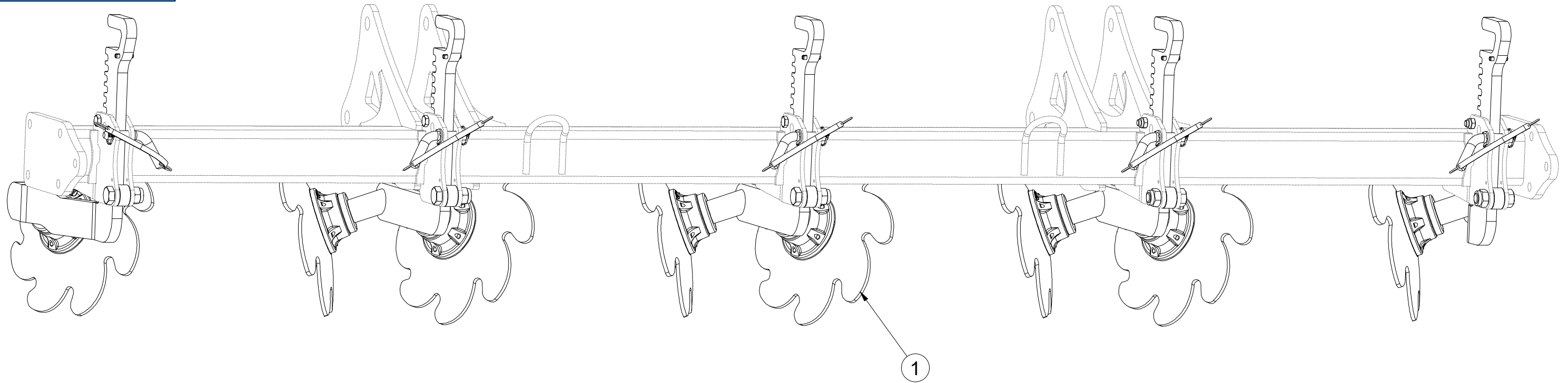
ⒼB SET OF COVERING DISCS

ⒺR КОМПЛЕКТ ЗАГОРТАЮЩИХ ДИСКОВ

ⒽL ZESTAW TARCZ ZAGARNIAJĄCYCH



VZ00073208



| Pos. | Part Number | Pcs. |
|------|-------------|------|
| 1 | VZ00066255 | 1 |

Ⓒ SADA ZAHRNOVACÍCH DISKŮ

Ⓓ ZUDECKSCHEIBENSATZ

Ⓕ ENSEMBLE DE DISQUES DE RECOUVREMENT

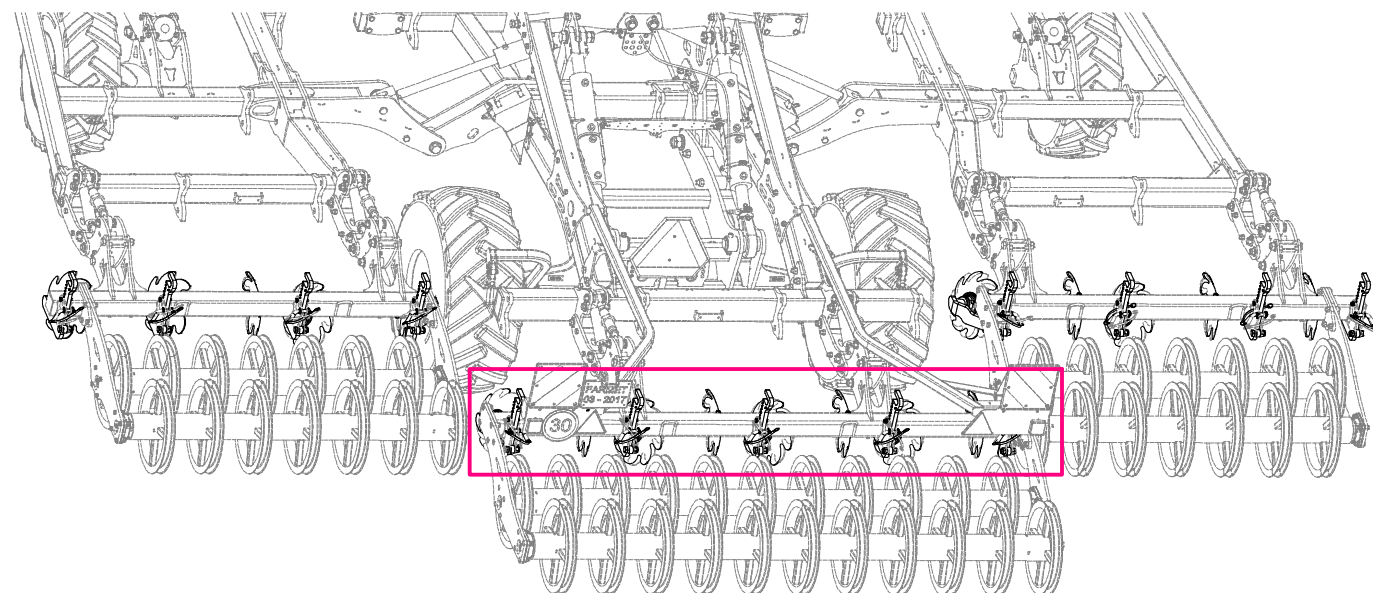
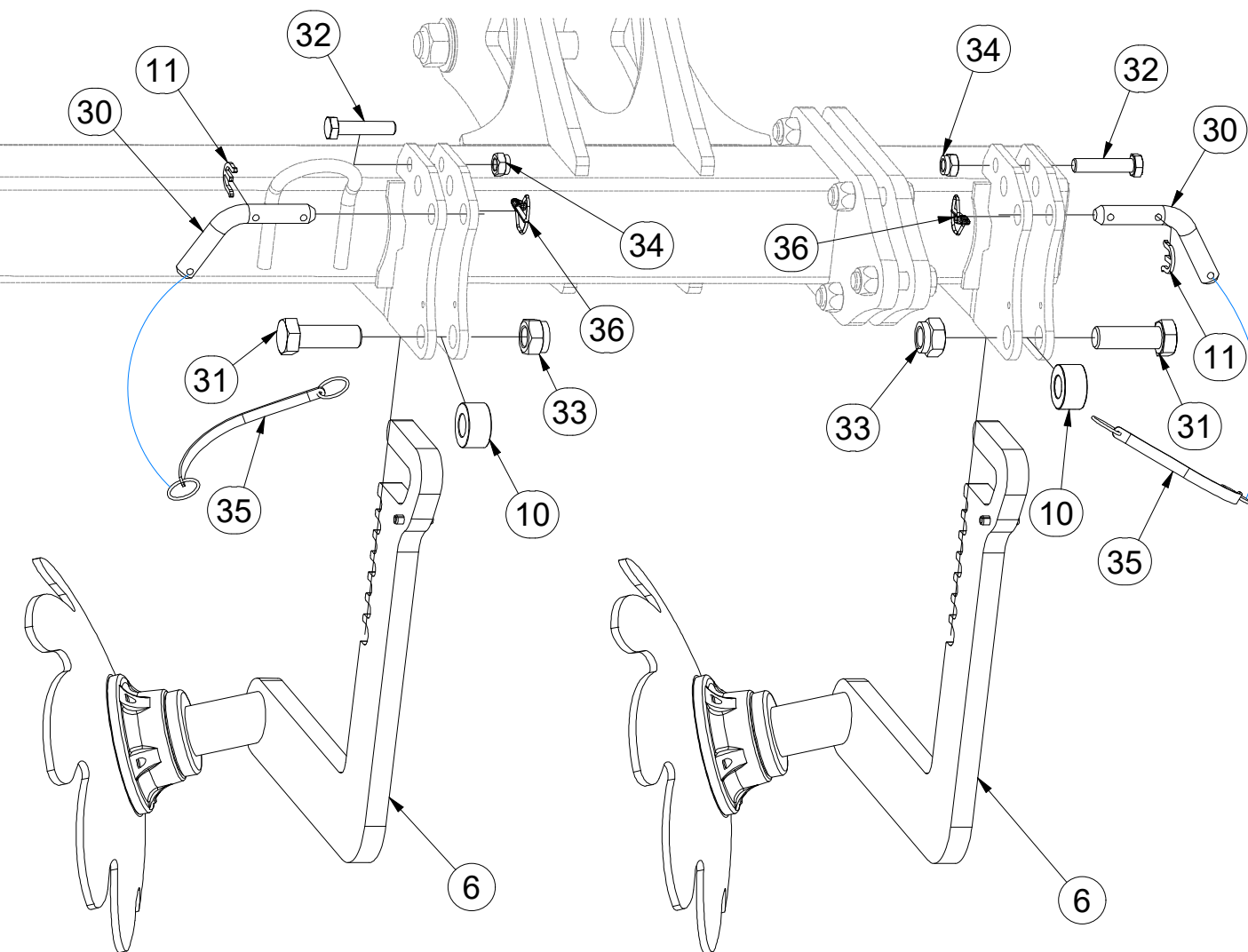
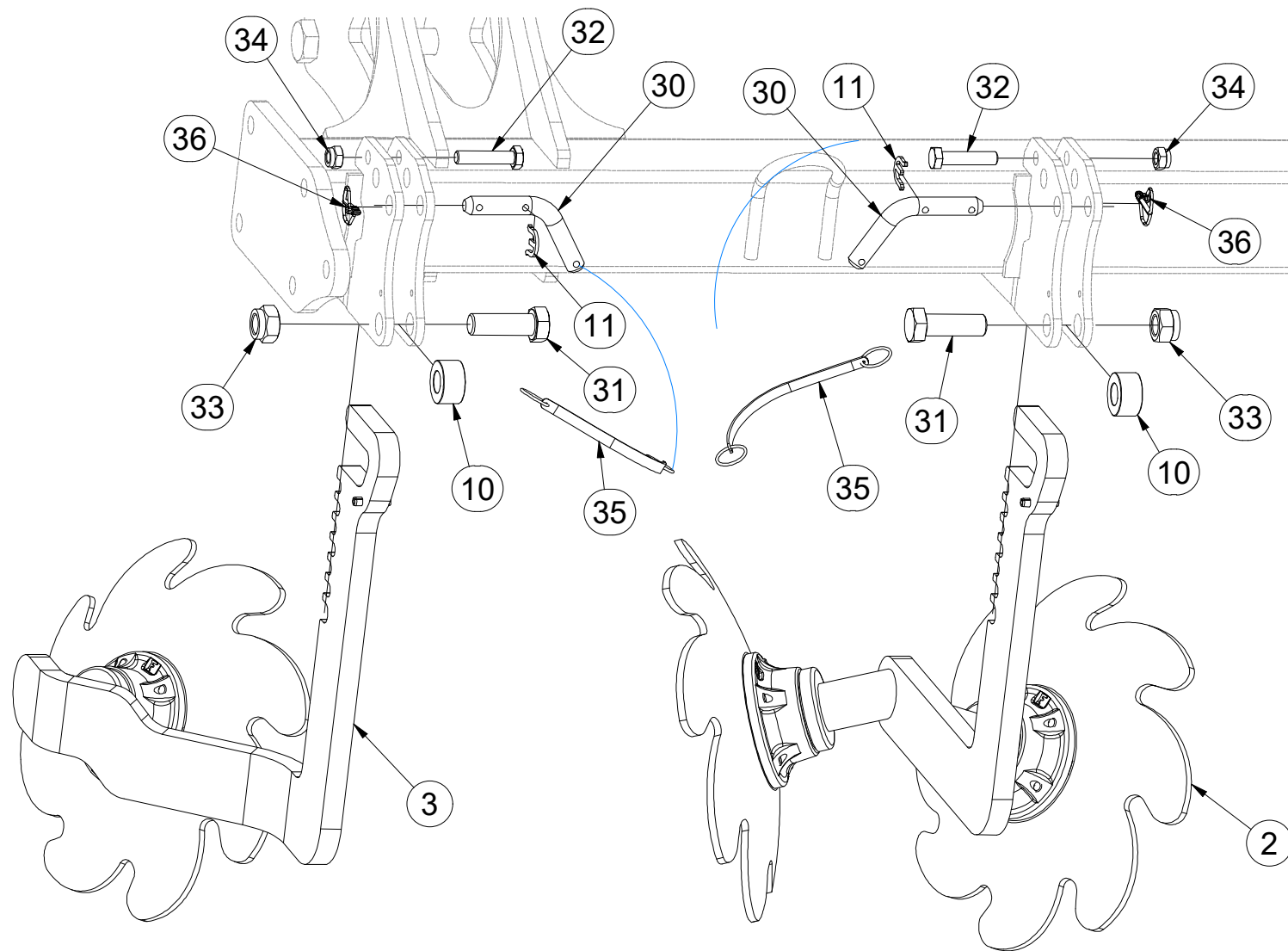
Ⓖ SET OF COVERING DISCS

Ⓡ КОМПЛЕКТ ЗАГОРТАЮЩИХ ДИСКОВ

Ⓟ ZESTAW TARCZ ZAGARNIAJĄCYCH



VZ00073208



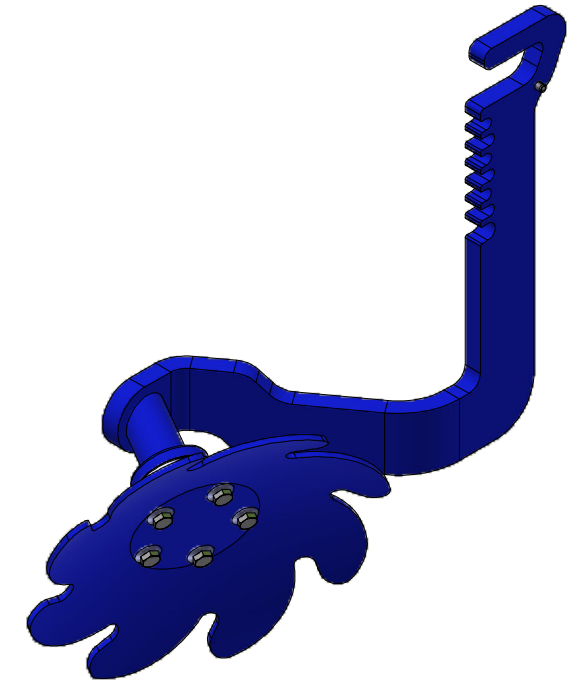
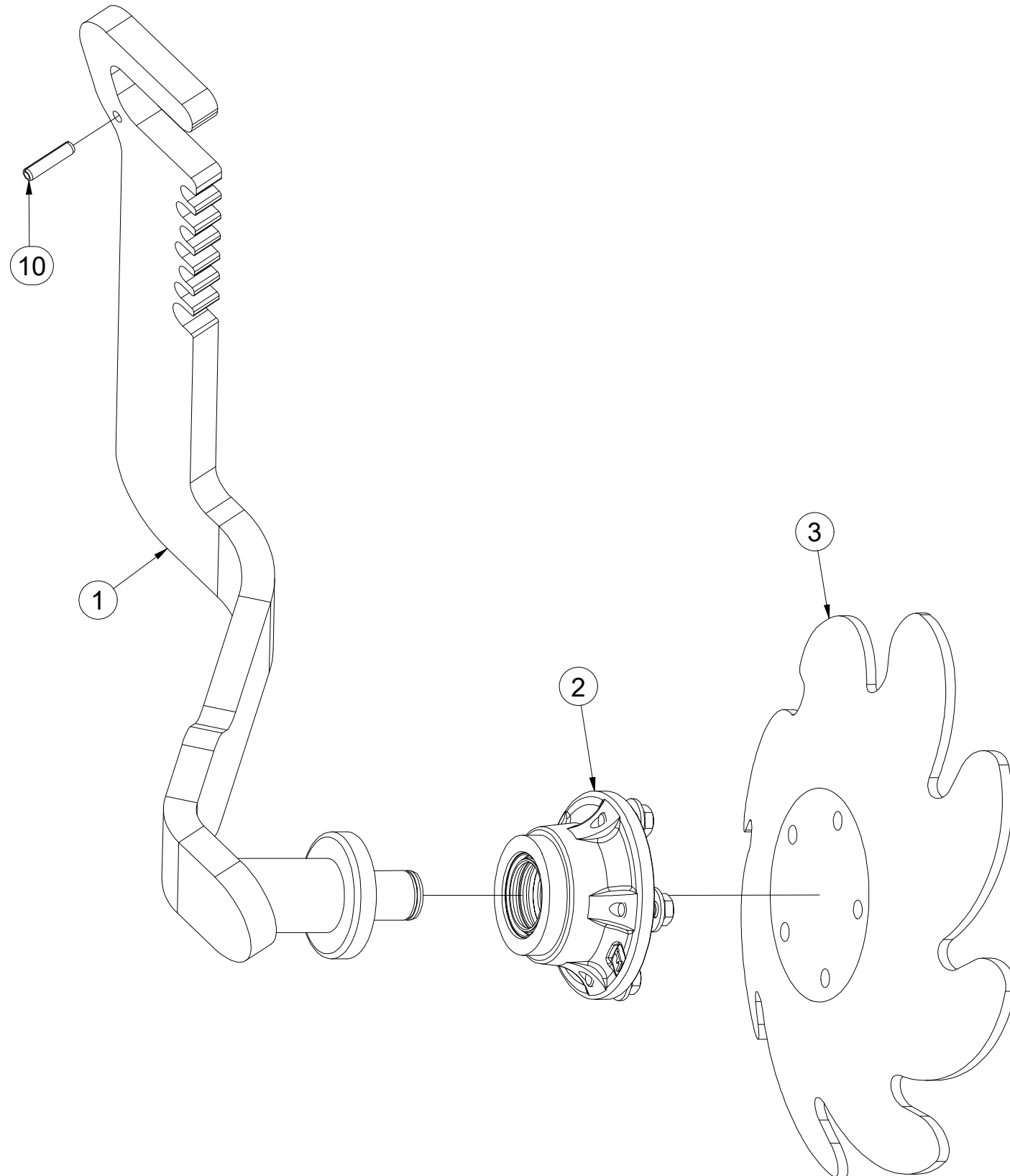
| Pos. | Part Number | Pcs. |
|------|-------------|------|
| 2 | VZ00066254 | 2 |
| 3 | VZ00073528 | 1 |
| 6 | VZ00073539 | 2 |
| 10 | 4014843CZN | 8 |
| 11 | 4017136 | 8 |
| 30 | m09436 | 8 |
| 31 | m14496 | 8 |
| 32 | m12626 | 8 |
| 33 | m05648 | 8 |
| 34 | m04301 | 8 |
| 35 | m12467 | 8 |
| 36 | m10454 | 8 |

CZ DISK PRAVÝ
 D SCHEIBE, RECHTE
 F DISQUE DROITE

GB RIGHT DISC
 RU ДИСК ПРАВЫЙ
 PL TALERZ PRAWY



VZ00073510



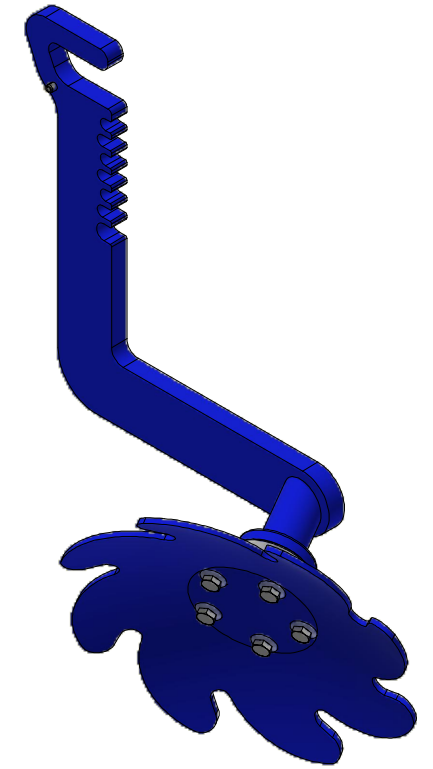
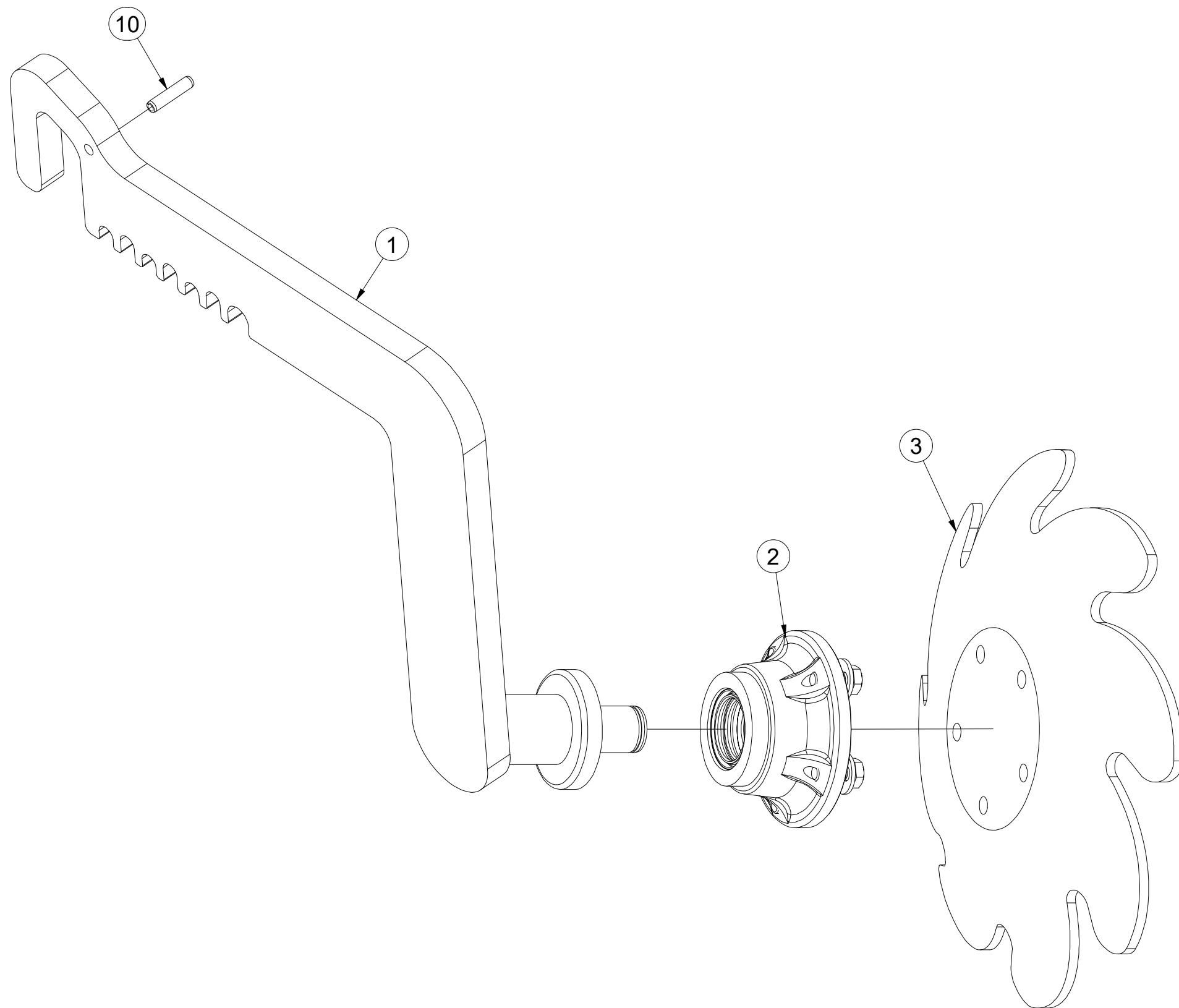
| Pos. | Part Number | Pcs. |
|------|-------------|------|
| 1 | VZ00073511 | 1 |
| 2 | VZ00061788 | 1 |
| 3 | VZ00027155 | 1 |
| 10 | m10539 | 1 |

(CZ) DISK LEVÝ
 (D) SCHEIBE, LINKE
 (F) DISQUE GAUCHE

(GB) LEFT DISC
 (RU) ДИСК ЛЕВЫЙ
 (PL) TALERZ LEWY



VZ00073533



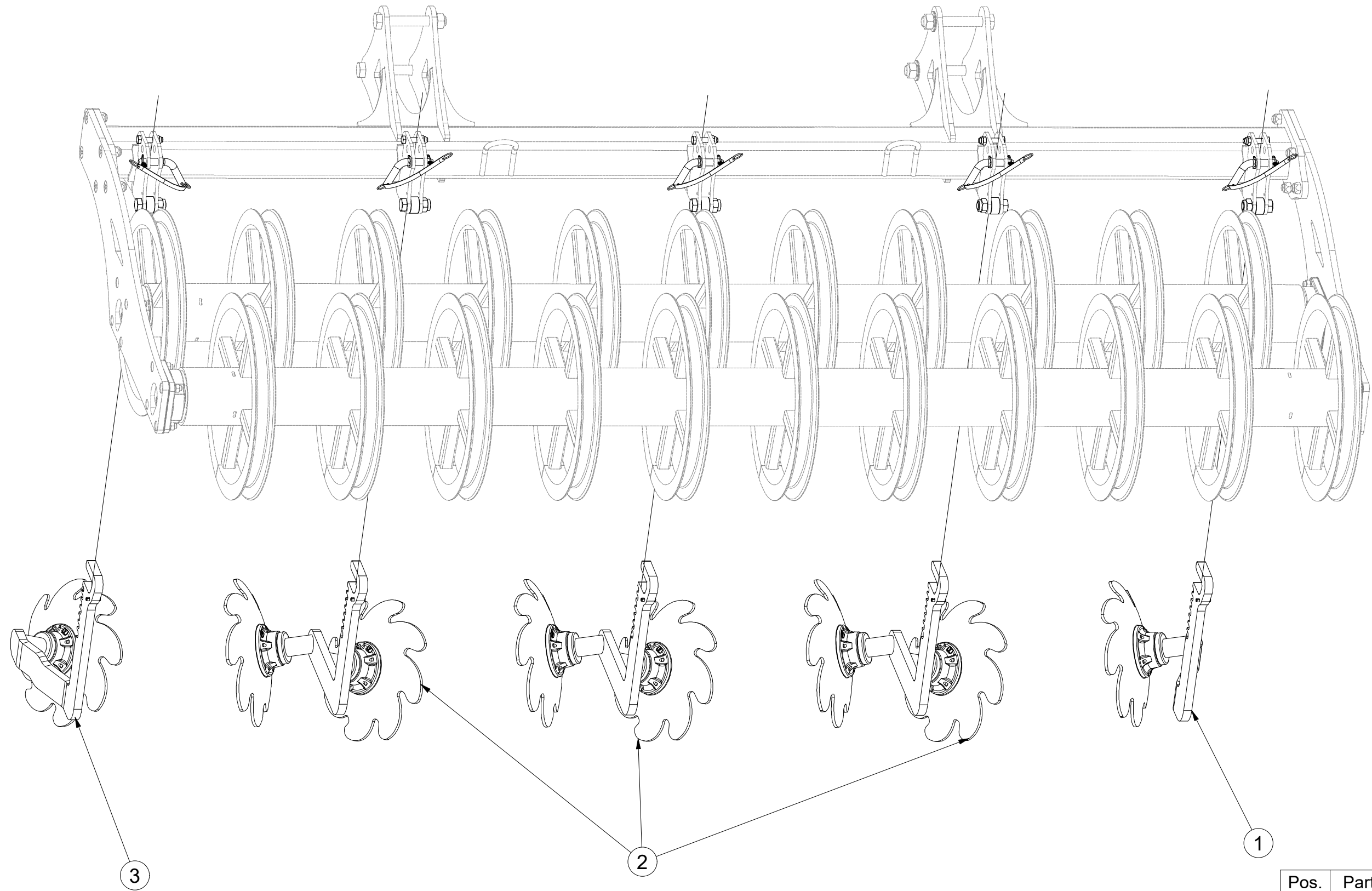
| Pos. | Part Number | Pcs. |
|------|-------------|------|
| 1 | VZ00073534 | 1 |
| 2 | VZ00061788 | 1 |
| 3 | VZ00027134 | 1 |
| 10 | m10539 | 1 |

CZ SADA ZHRNOVACÍCH DISKŮ
 D SATZ VON EINARBEITUNGSDISKEN
 F ENSEMBLE DE DISQUES D'INCORPORATION

GB SET OF SOIL INCORPORATION DISCS
 RU НАБОР ЗАДЕЛОЧНЫХ ДИСКОВ
 PL ZESTAW TALERZY UPRAWOWYCH



VZ00066255



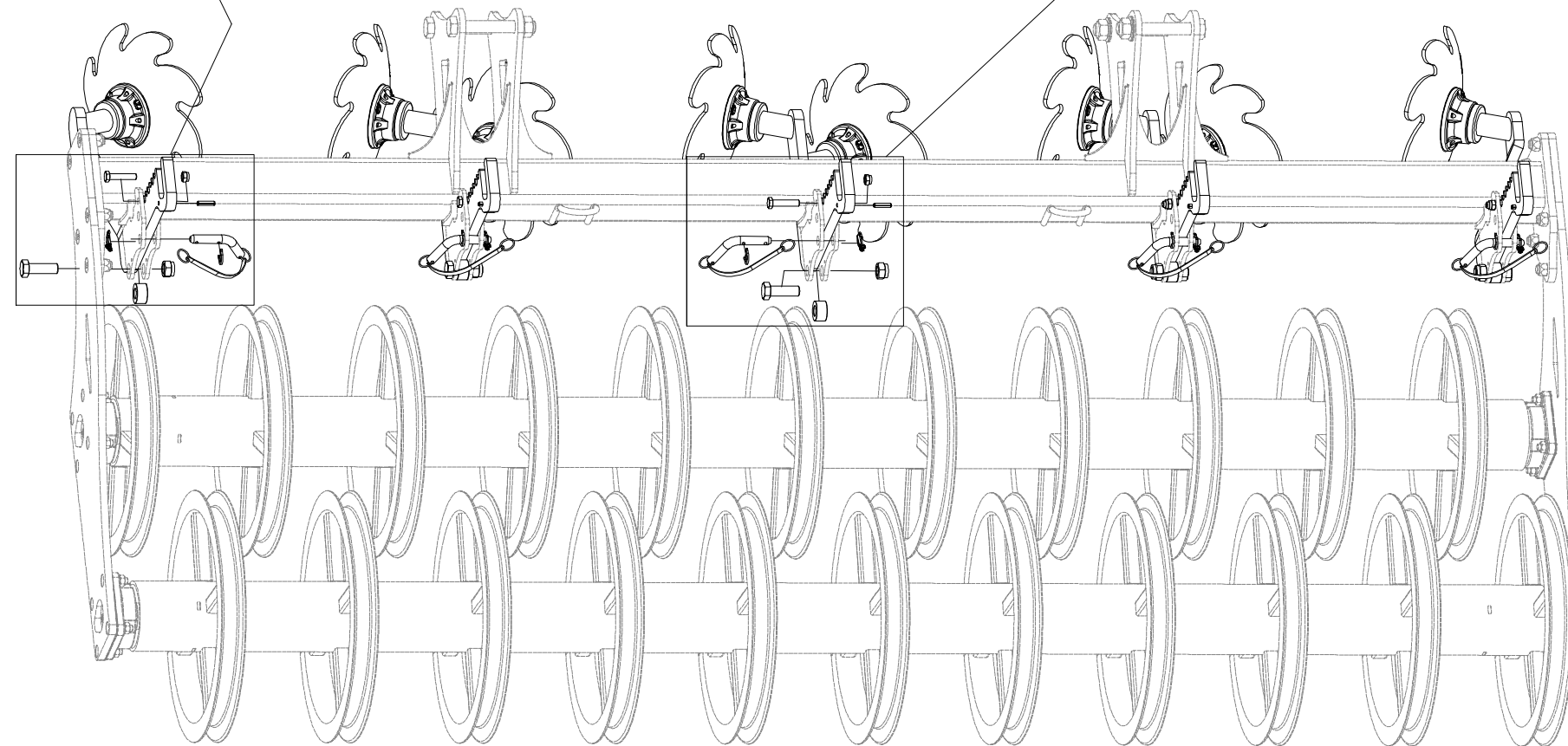
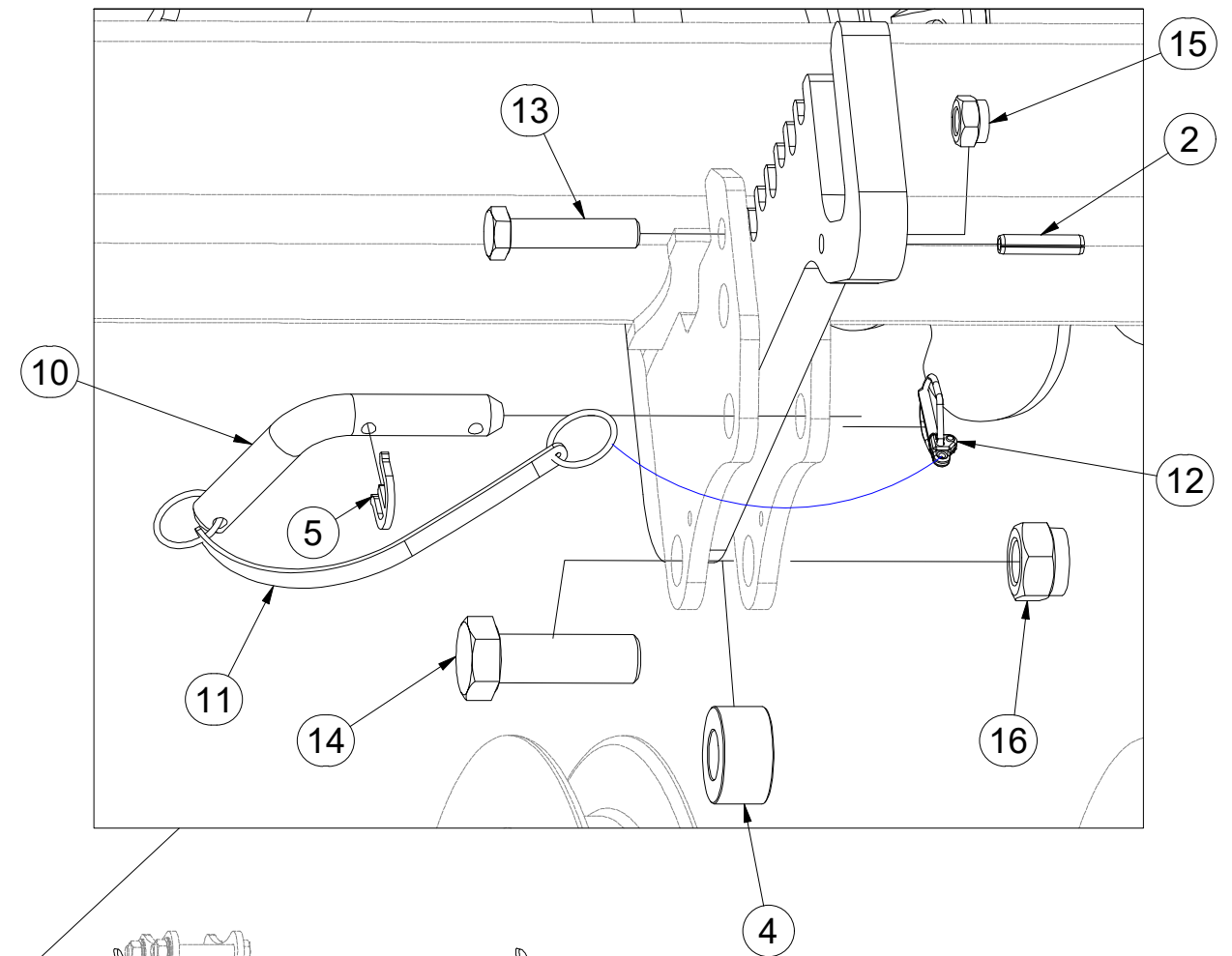
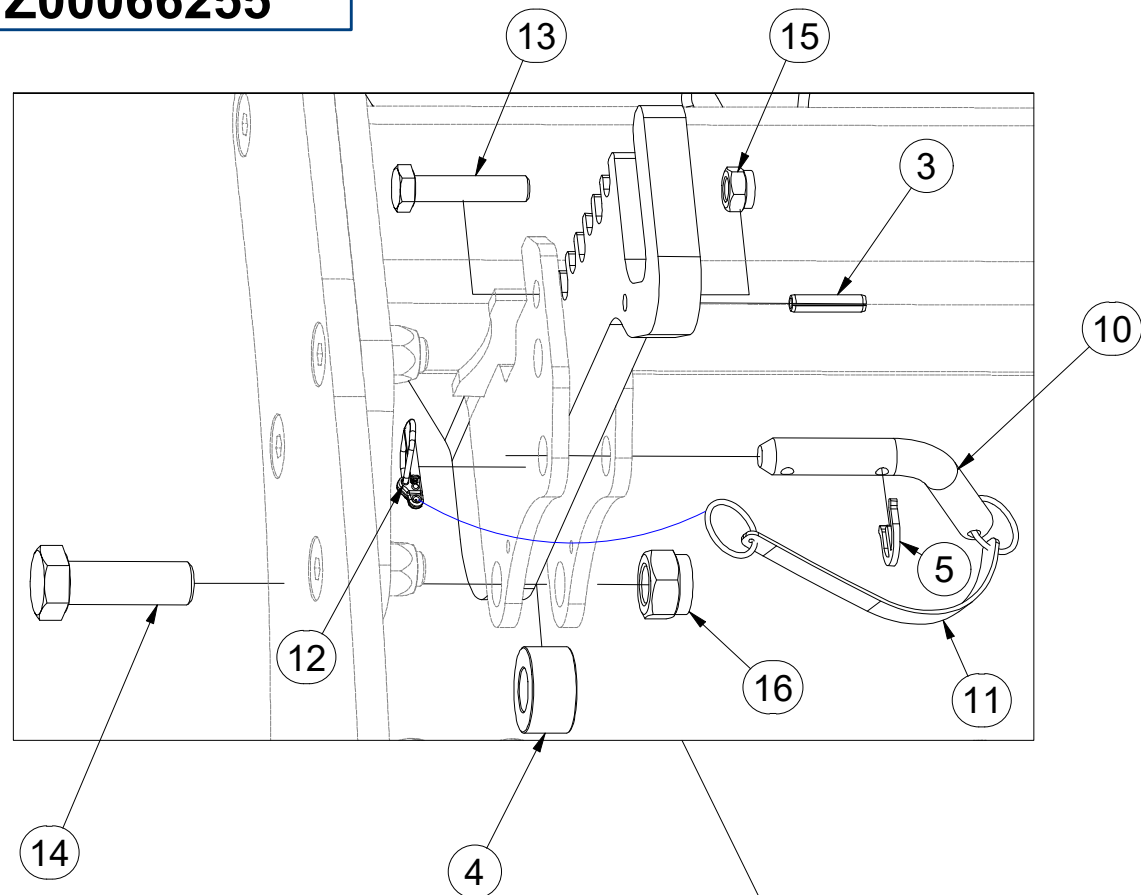
| Pos. | Part Number | Pcs. |
|------|-------------|------|
| 1 | VZ00066259 | 1 |
| 2 | VZ00066254 | 3 |
| 3 | VZ00066256 | 1 |

CZ SADA ZAHNOVACÍCH DISKŮ
 D SATZ VON EINARBEITUNGSDISKEN
 F ENSEMBLE DE DISQUES D'INCORPORATION

GB SET OF SOIL INCORPORATION DISCS
 RU НАБОР ЗАДЕЛОЧНЫХ ДИСКОВ
 PL ZESTAW TALERZY UPRAWOWYCH



VZ00066255



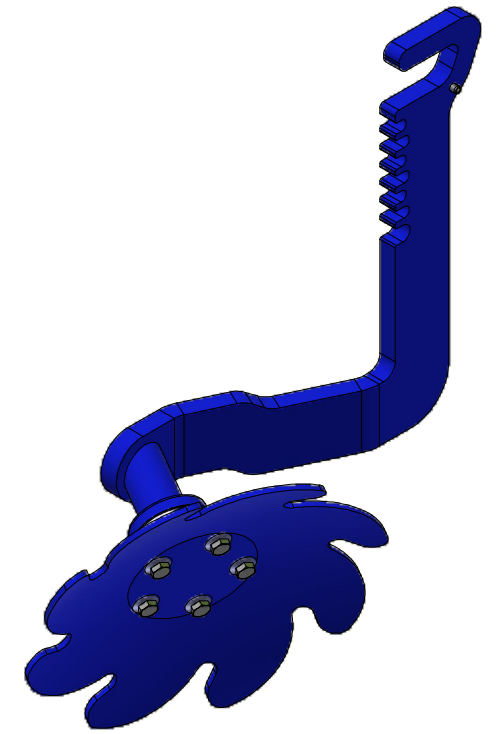
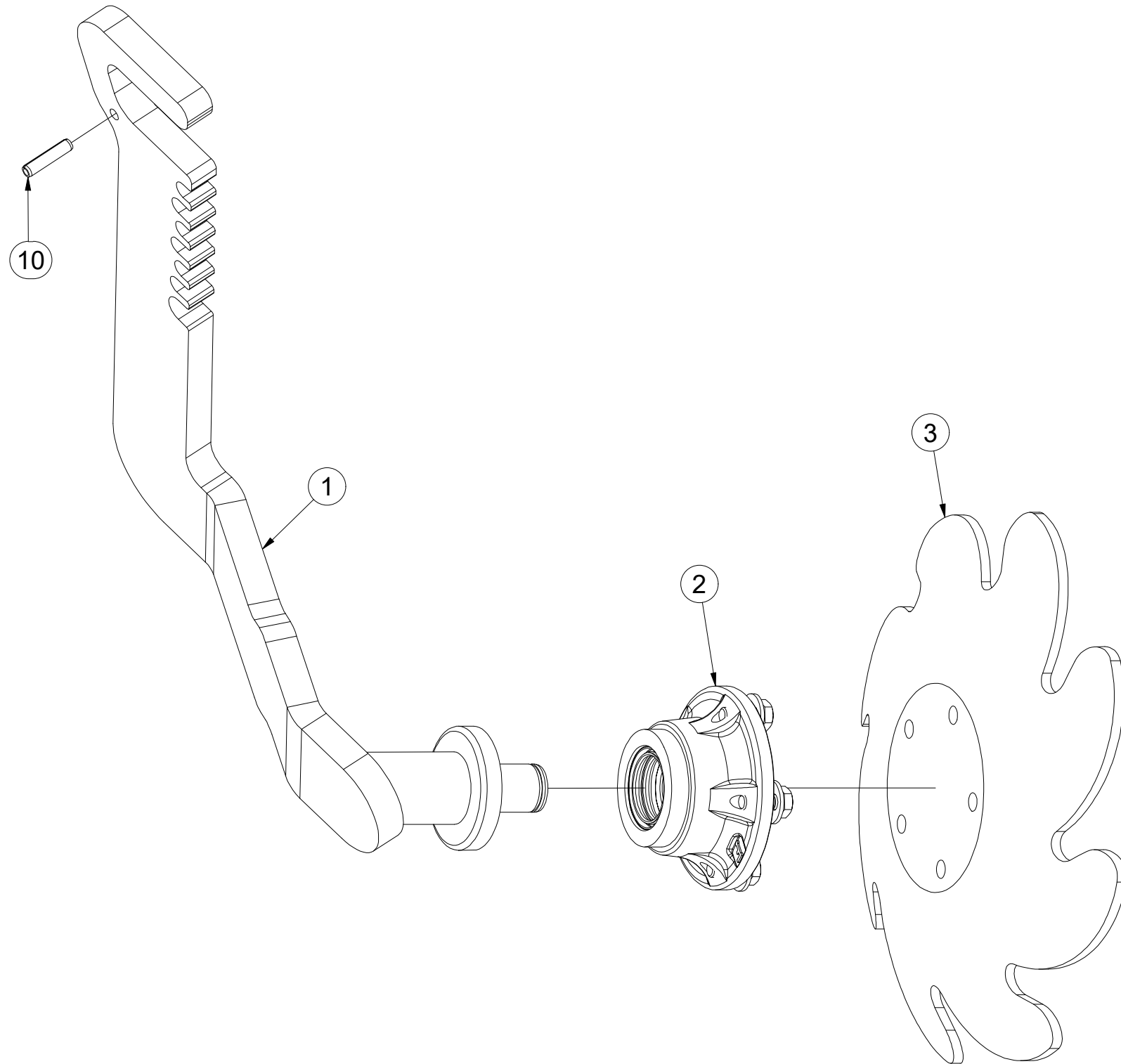
| Pos. | Part Number | Pcs. |
|------|-------------|------|
| 4 | 4014843CZN | 5 |
| 5 | 4017136 | 5 |
| 10 | m09436 | 5 |
| 11 | m12467 | 5 |
| 12 | m10454 | 5 |
| 13 | m12626 | 5 |
| 14 | m14496 | 5 |
| 15 | m04301 | 5 |
| 16 | m05648 | 5 |

ⒸZ DISK PRAVÝ
Ⓓ SCHEIBE, RECHTE
Ⓕ DISQUE DROITE

ⒸB RIGHT DISC
ⒸU ДИСК ПРАВЫЙ
ⒸL TALERZ PRAWY



VZ00066259



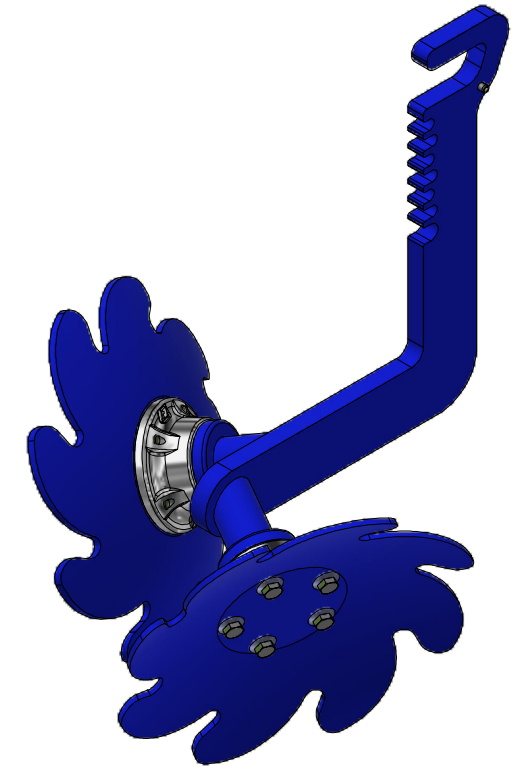
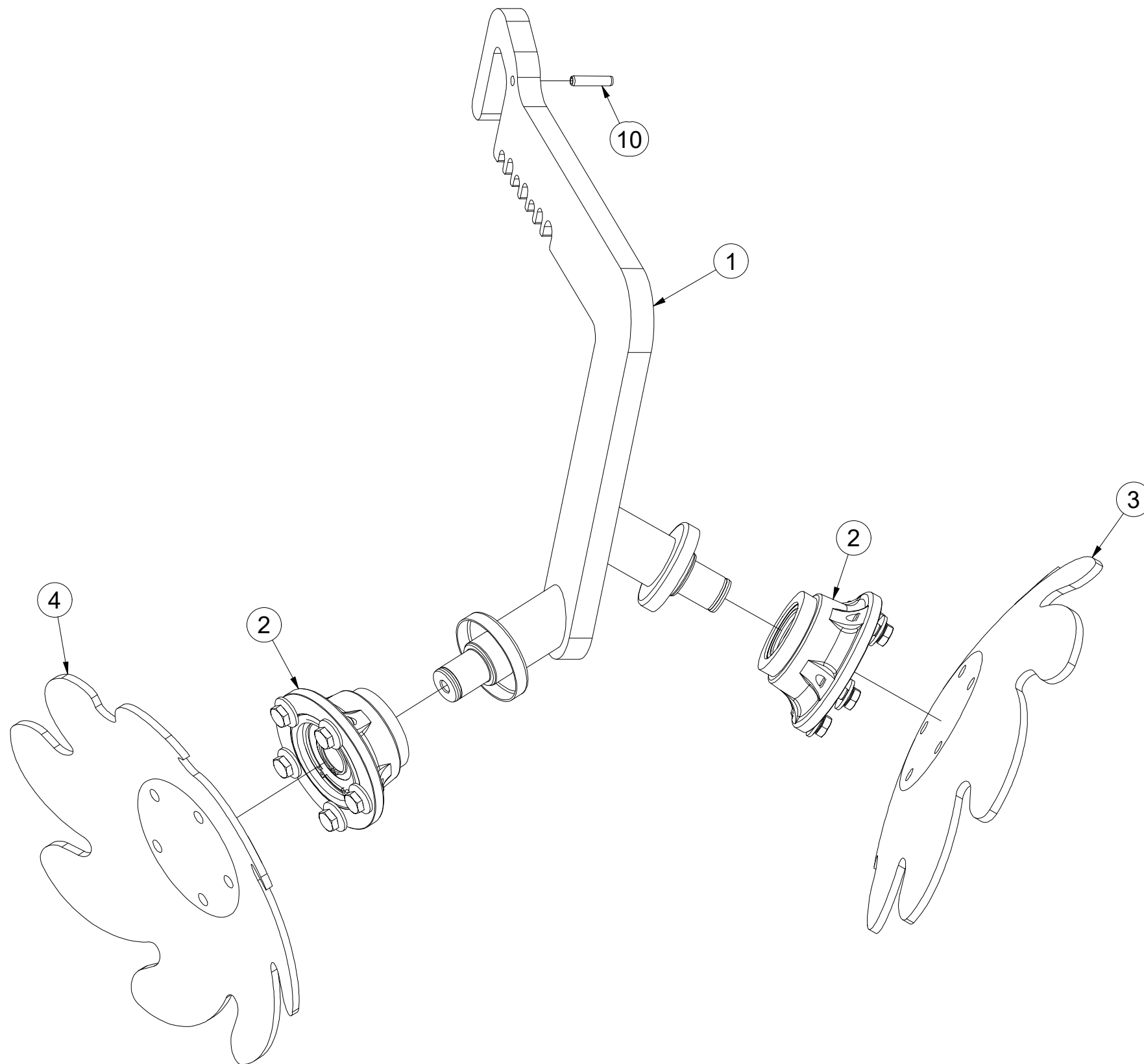
| Pos. | Part Number | Pcs. |
|------|-------------|------|
| 1 | VZ00066258 | 1 |
| 2 | VZ00061788 | 1 |
| 3 | VZ00027155 | 1 |
| 10 | m10539 | 1 |

CZ DVOJDISK
 D DUPLEXSCHEIBE
 F DISQUE DOUBLE

GB TWIN DISC
 RU ДВОЙНОЙ ДИСК
 PL TALERZ PODWÓJNY

Farmet

VZ00066254



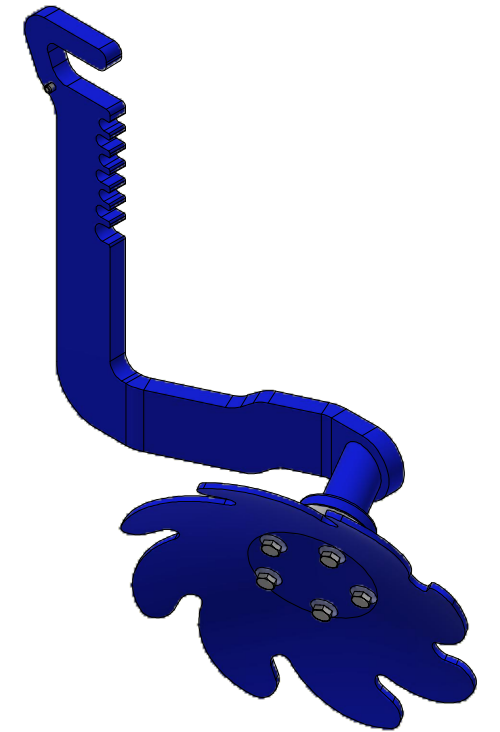
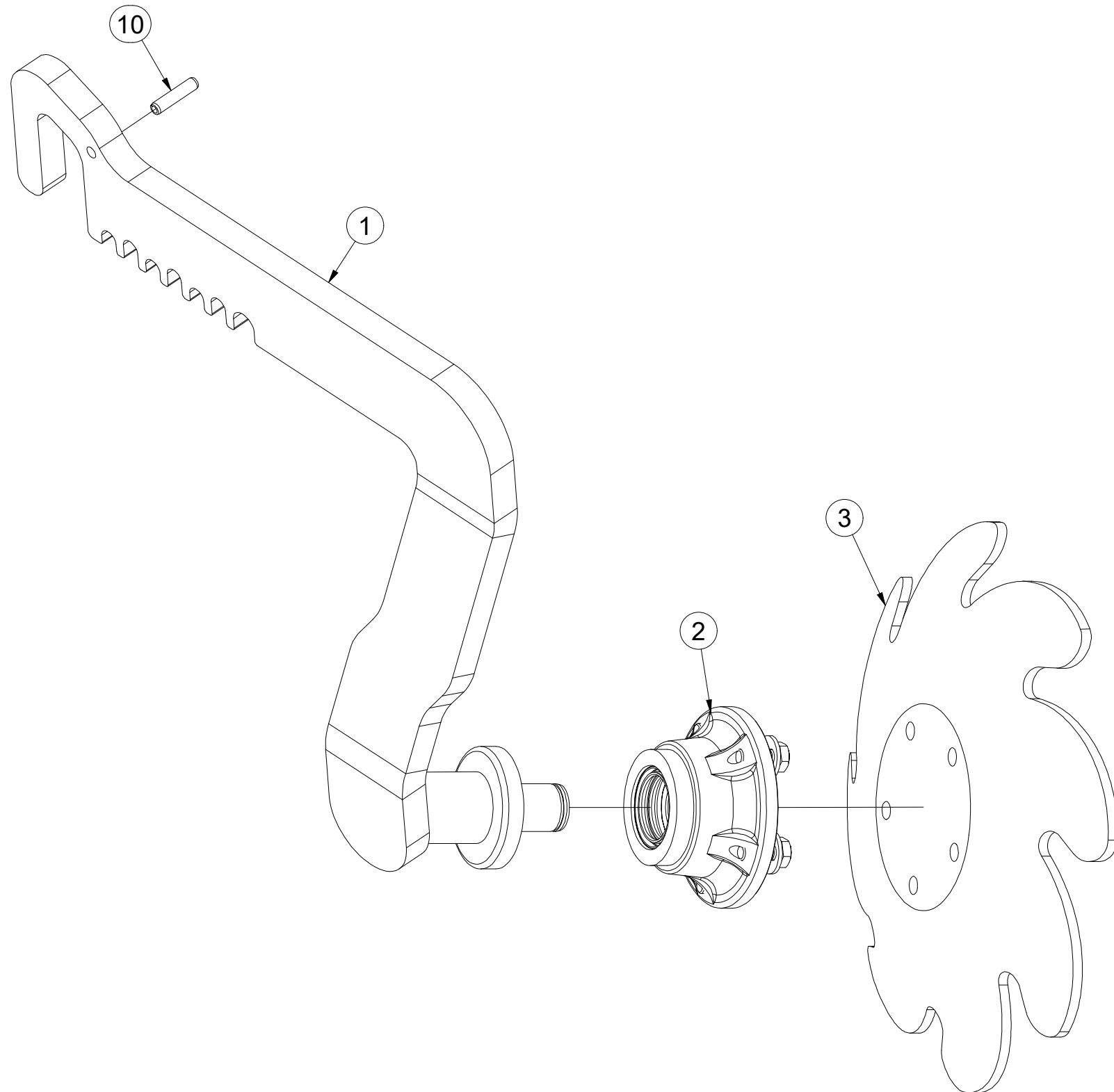
| Pos. | Part Number | Pcs. |
|------|-------------|------|
| 1 | VZ00066253 | 1 |
| 2 | VZ00061788 | 2 |
| 3 | VZ00027134 | 1 |
| 4 | VZ00027155 | 1 |
| 10 | m10539 | 1 |

CZ DISK LEVÝ
 D SCHEIBE, LINKE
 F DISQUE GAUCHE

GB LEFT DISC
 RU ДИСК ЛЕВЫЙ
 PL TALERZ LEWY



VZ00066256



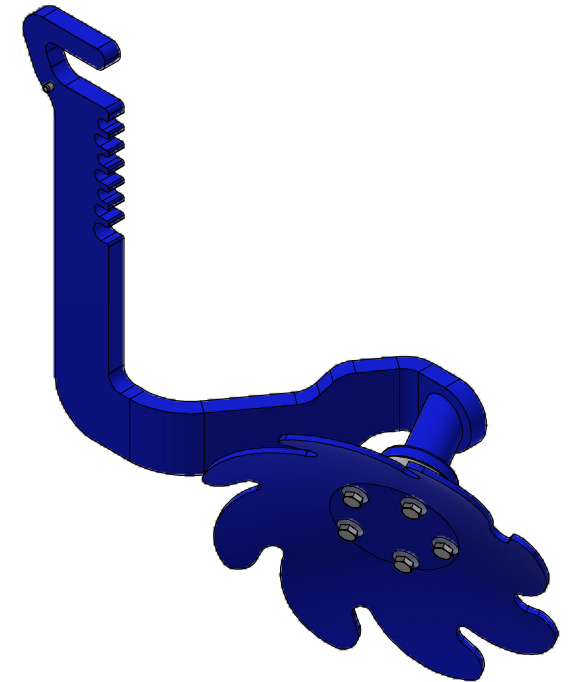
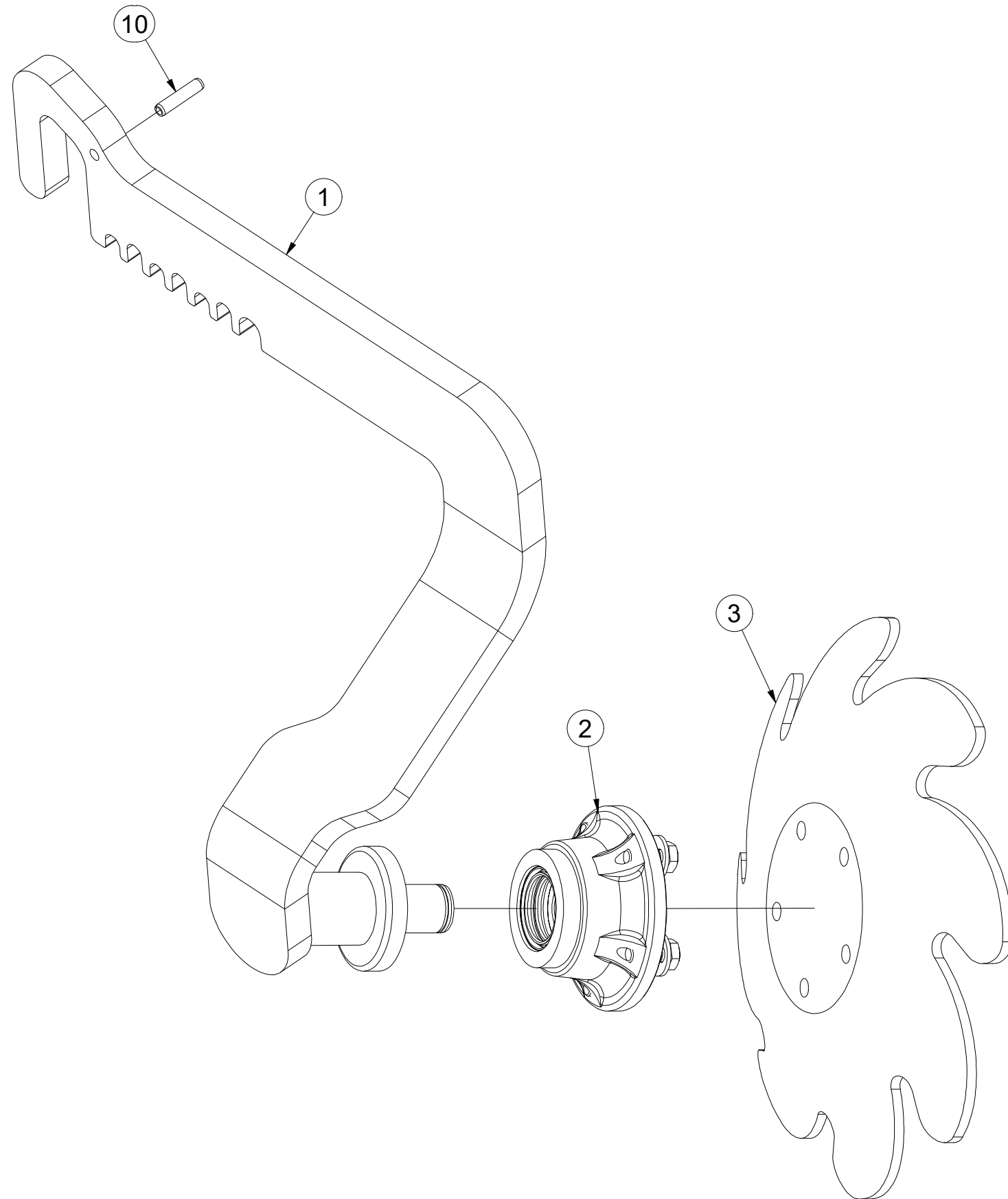
| Pos. | Part Number | Pcs. |
|------|-------------|------|
| 1 | VZ00066257 | 1 |
| 2 | VZ00061788 | 1 |
| 3 | VZ00027134 | 1 |
| 10 | m10539 | 1 |

ⒸZ DISK LEVÝ
Ⓓ SCHEIBE, LINKE
Ⓕ DISQUE GAUCHE

ⒸB LEFT DISC
ⒸU ДИСК ЛЕВЫЙ
ⒸL TALERZ LEWY



VZ00073528



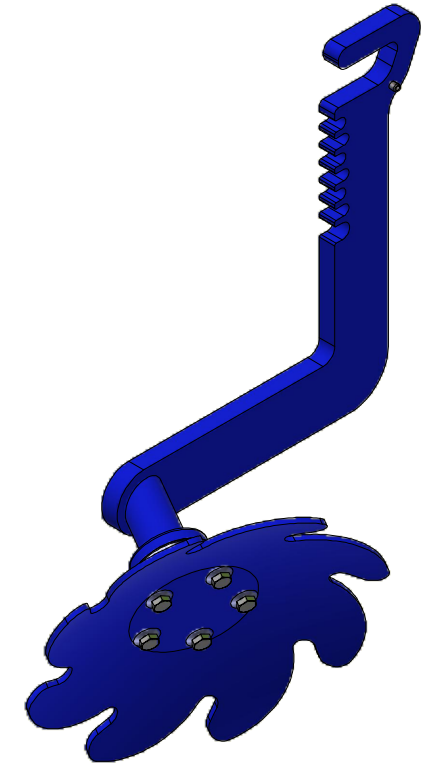
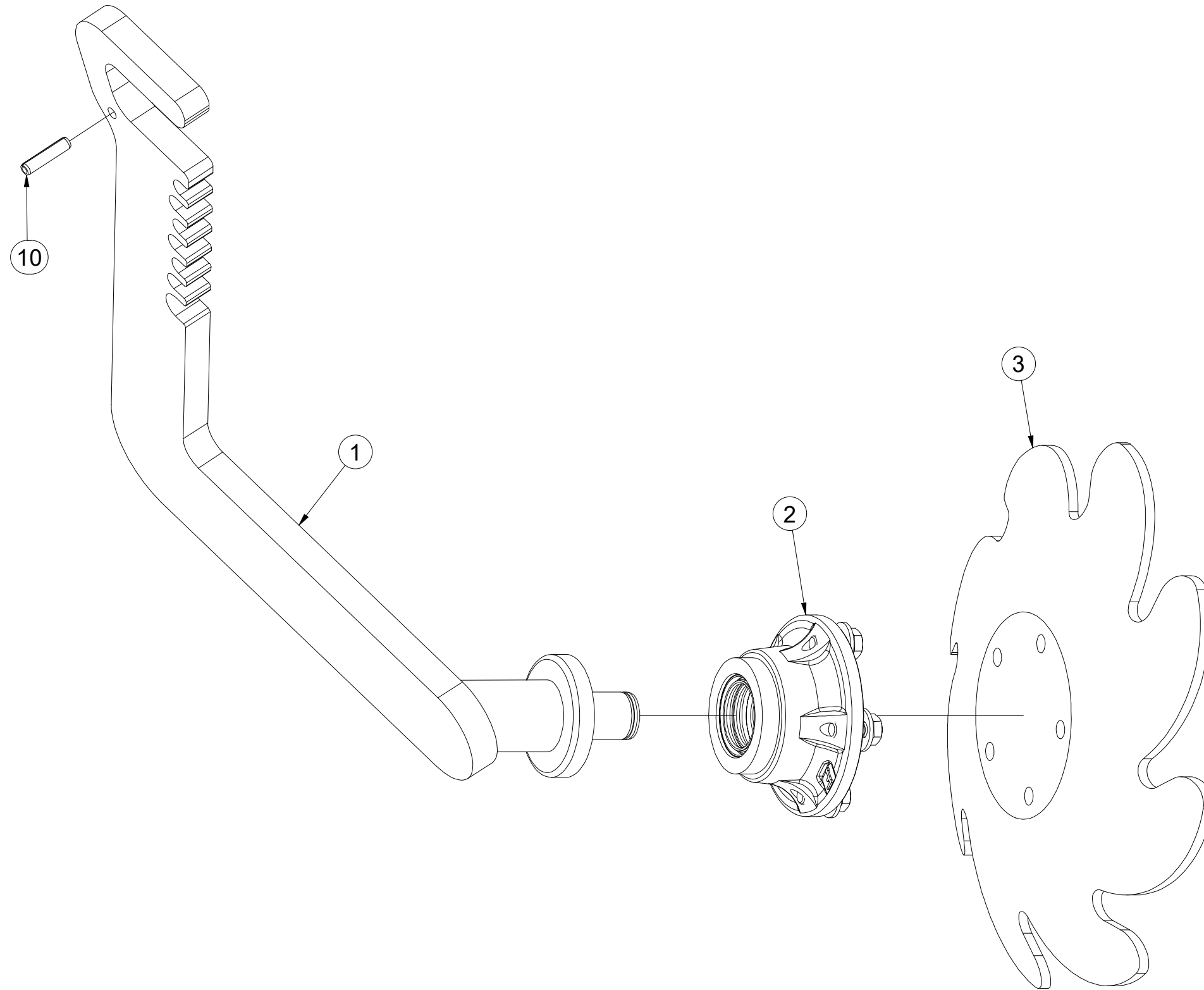
| Pos. | Part Number | Pcs. |
|------|-------------|------|
| 1 | VZ00073529 | 1 |
| 2 | VZ00061788 | 1 |
| 3 | VZ00027134 | 1 |
| 10 | m10539 | 1 |

(CZ) DISK PRAVÝ
 (D) SCHEIBE, RECHTE
 (F) DISQUE DROITE

(GB) RIGHT DISC
 (RU) ДИСК ПРАВЫЙ
 (PL) TALERZ PRAWY



VZ00073539



| Pos. | Part Number | Pcs. |
|------|-------------|------|
| 1 | VZ00073540 | 1 |
| 2 | VZ00061788 | 1 |
| 3 | VZ00027155 | 1 |
| 10 | m10539 | 1 |

Ⓒ SADA LOŽISKA S DOMEČKEM

Ⓓ LAGERSATZ MIT GEHÄUSE

Ⓕ ENSEMBLE DE ROULEMENT AVEC PALIER

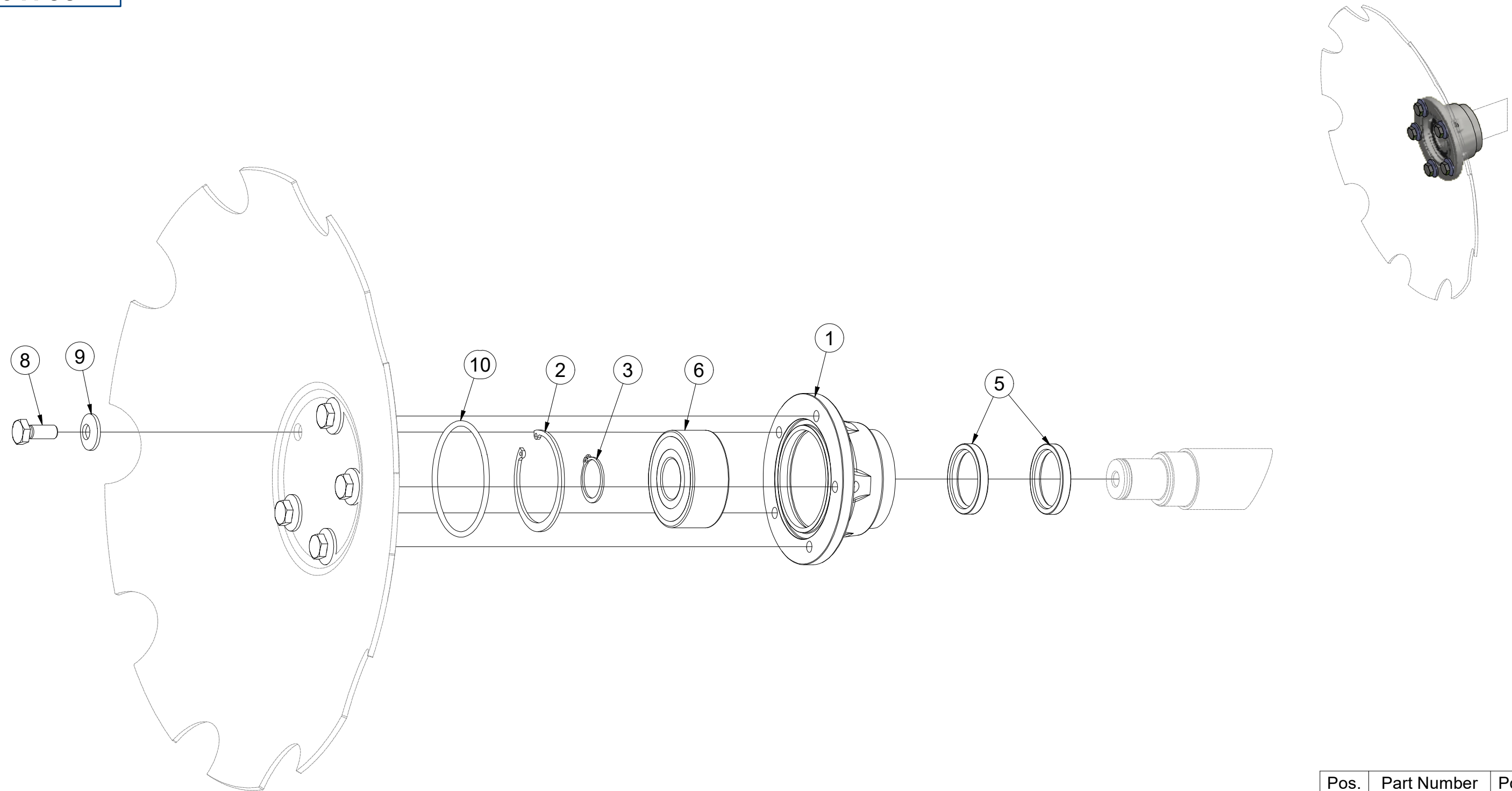
Ⓖ BEARING KIT WITH HOUSING

Ⓡ КОМПЛЕКТ ПОДШИПНИКА С КОРПУСОМ

Ⓟ ZESTAW ŁOŻYSKA Z OPRAWĄ

Farmet

VZ00061788



| Pos. | Part Number | Pcs. |
|------|-------------|------|
| 1 | VZ00060113 | 1 |
| 2 | m04250 | 1 |
| 3 | m03705 | 1 |
| 5 | m11160 | 2 |
| 6 | m14552 | 1 |
| 8 | m03681 | 5 |
| 9 | m19157 | 5 |
| 10 | m26843 | 1 |

Ⓒ SADA ZADNÍCH VÁLCŮ

Ⓓ SATZ HINTERE WALZEN

Ⓕ KIT DE ROULEAUX ARRIÈRE

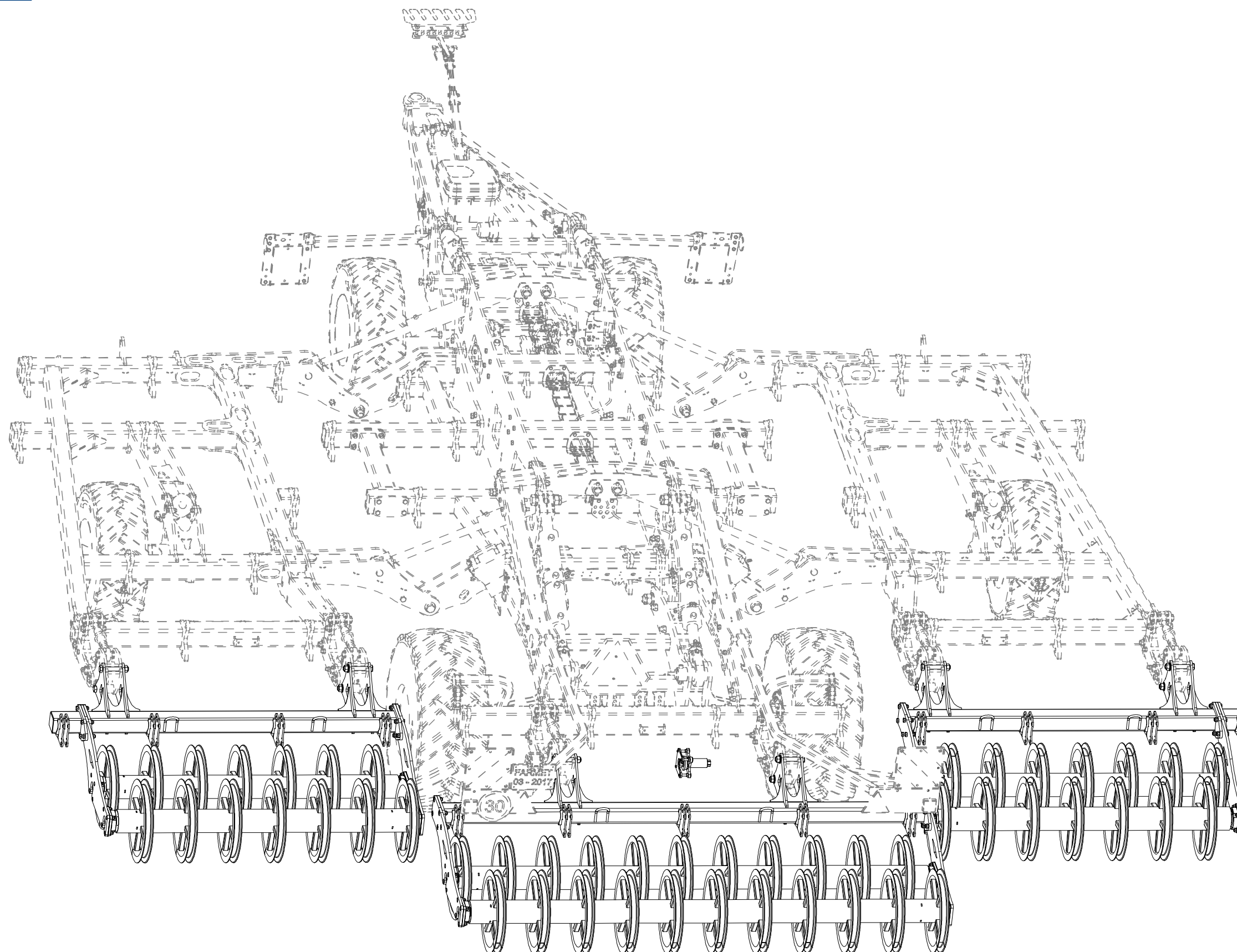
VZ00046774

Ⓖ SET OF REAR ROLLERS

Ⓡ КОМПЛЕКТ ЗАДНИХ КАТКОВ

Ⓟ ZESTAW TYLNYCH WAŁÓW

Farmet



Ⓒ SADA ZADNÍCH VÁLCŮ

Ⓓ SATZ HINTERE WALZEN

Ⓕ KIT DE ROULEAUX ARRIÈRE

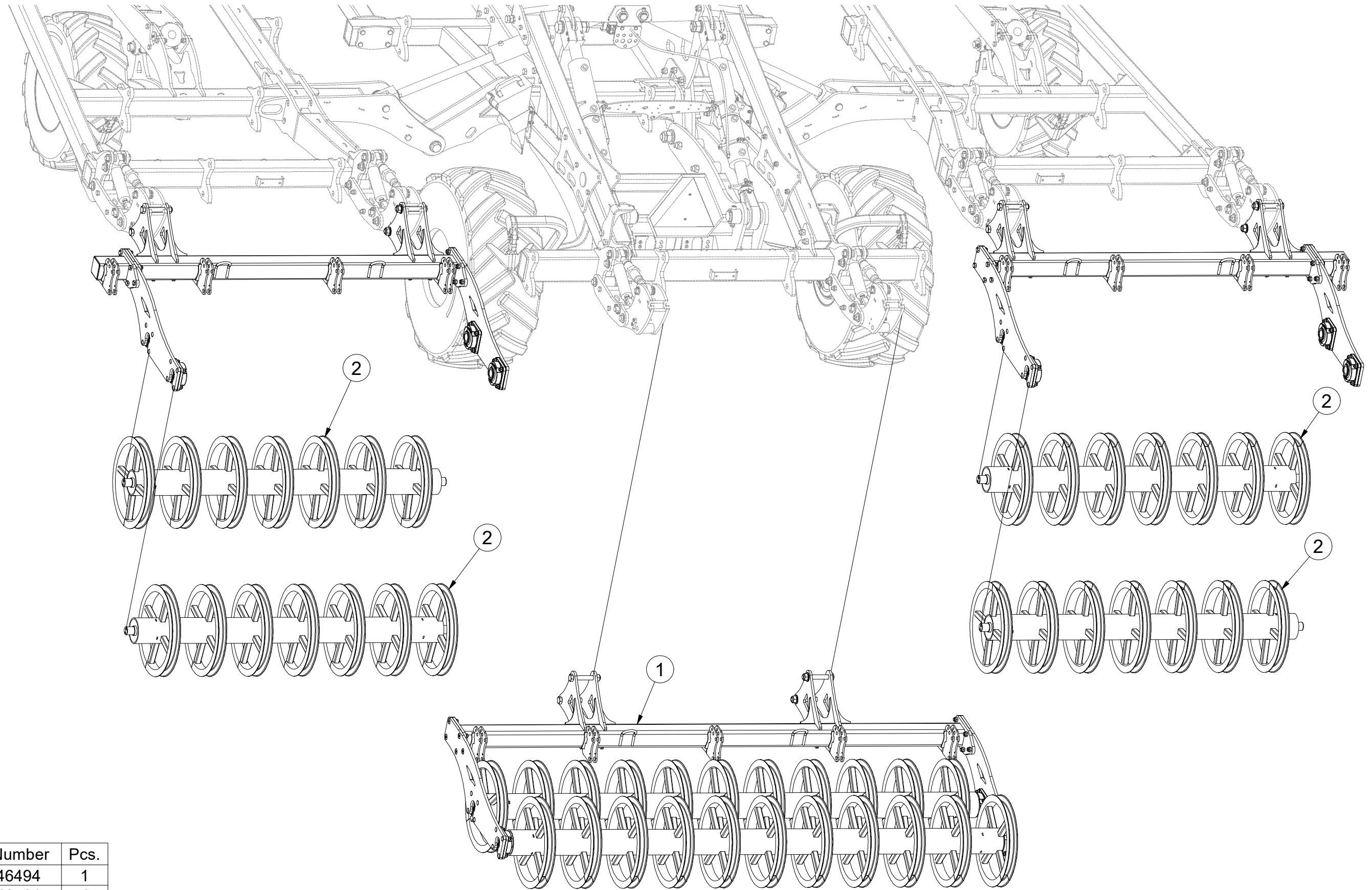
Ⓖ SET OF REAR ROLLERS

Ⓡ КОМПЛЕКТ ЗАДНИХ КАТКОВ

Ⓟ ZESTAW TYLNYCH WAŁÓW



VZ00046774



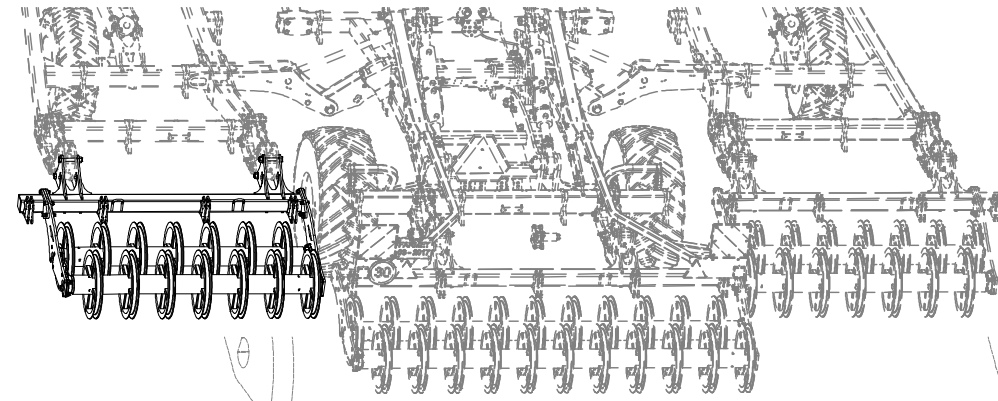
| Pos. | Part Number | Pcs. |
|------|-------------|------|
| 1 | VZ00046494 | 1 |
| 2 | VZ00046781 | 4 |

CZ SADA ZADNÍCH VÁLČŮ
 D SATZ HINTERE WALZEN
 F KIT DE ROULEAUX ARRIÈRE

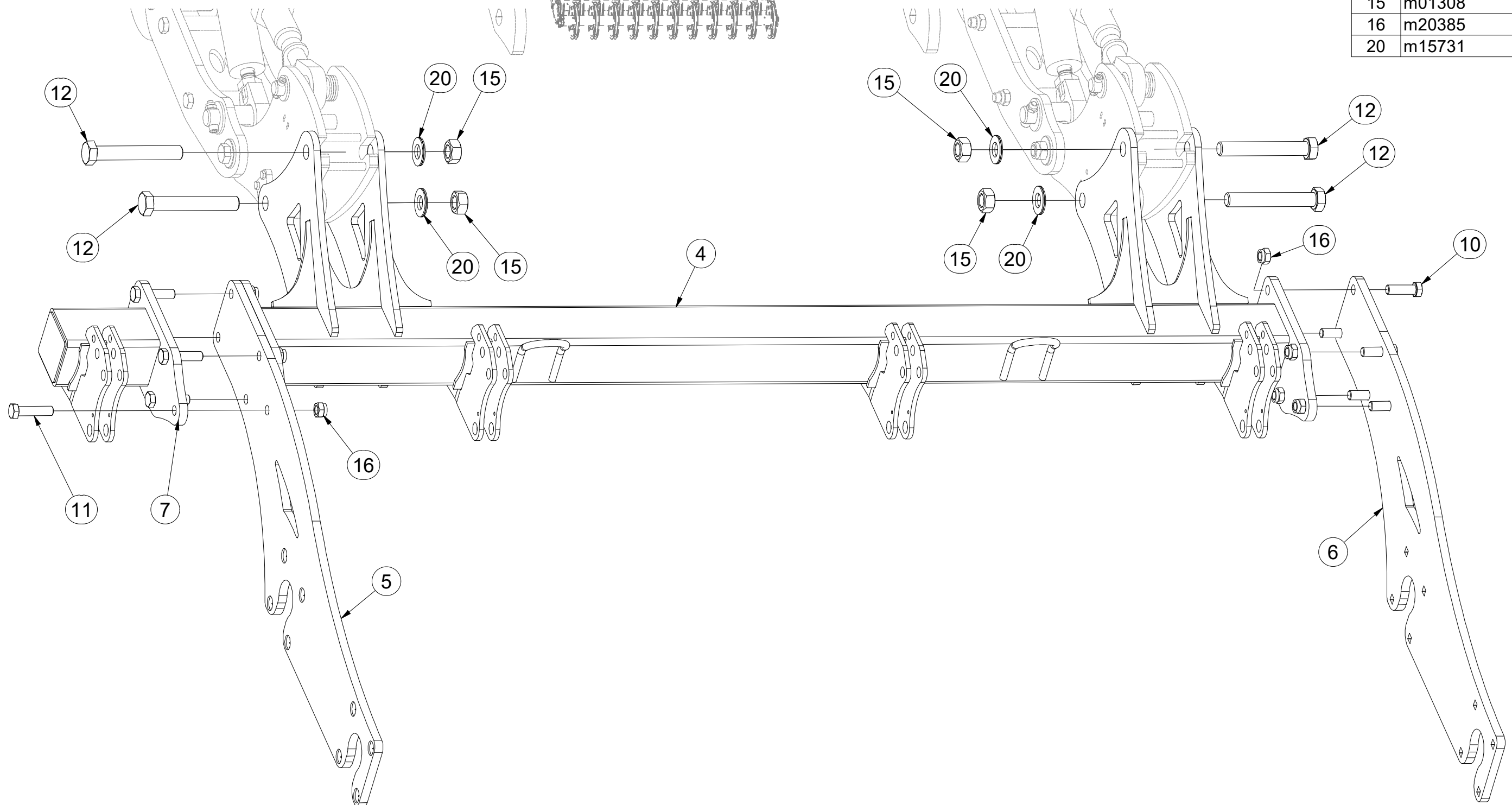
GB SET OF REAR ROLLERS
 RU КОМПЛЕКТ ЗАДНИХ КАТКОВ
 PL ZESTAW TYLNYCH WAŁÓW



VZ00046774



| Pos. | Part Number | Pcs. |
|------|-------------|------|
| 4 | 3010026 | 1 |
| 5 | VZ00046584 | 2 |
| 6 | VZ00046582 | 2 |
| 7 | 3010029 | 1 |
| 10 | m10849 | 10 |
| 11 | m06587 | 10 |
| 12 | VZ00046005 | 8 |
| 15 | m01308 | 8 |
| 16 | m20385 | 20 |
| 20 | m15731 | 8 |

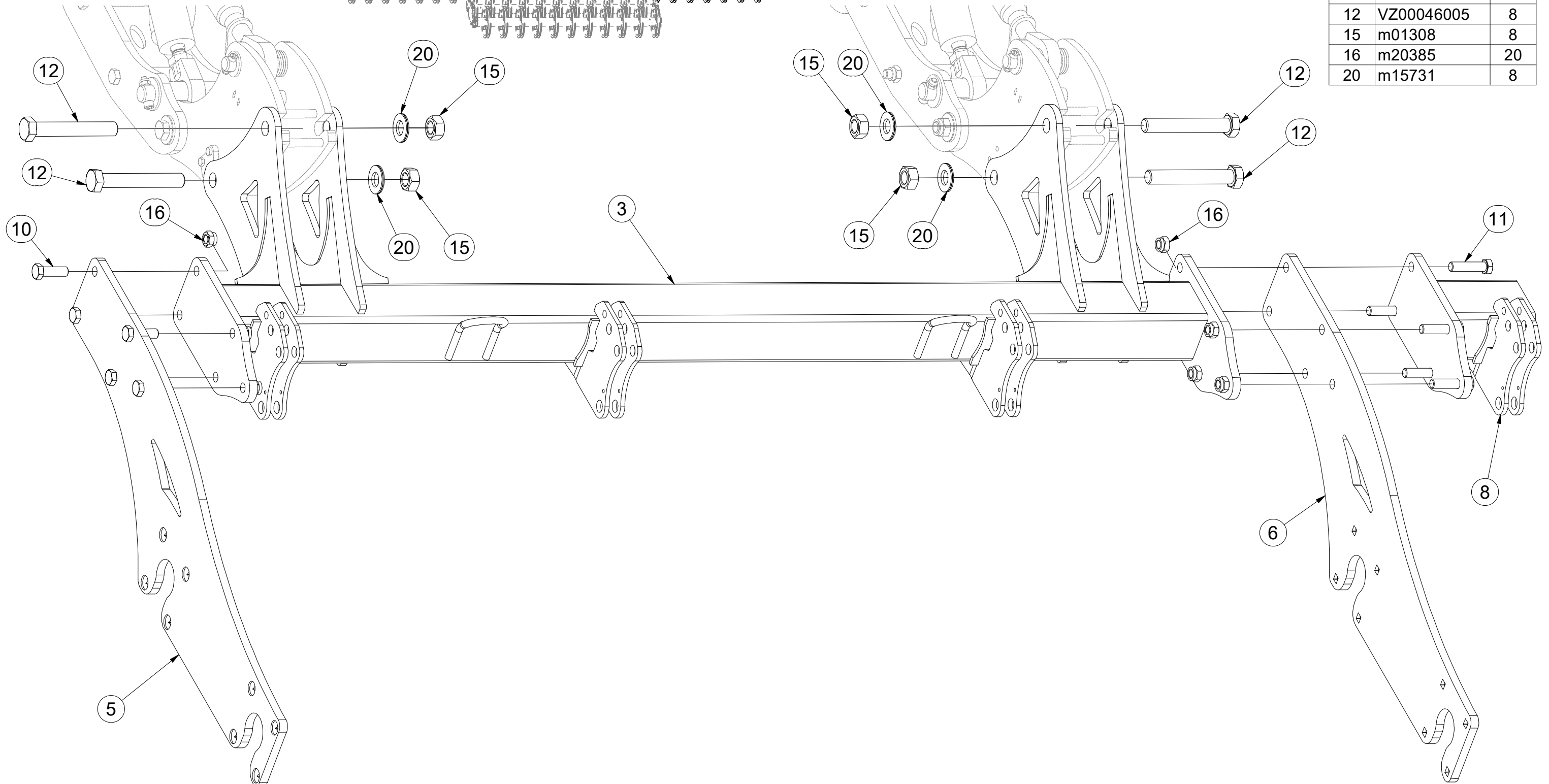
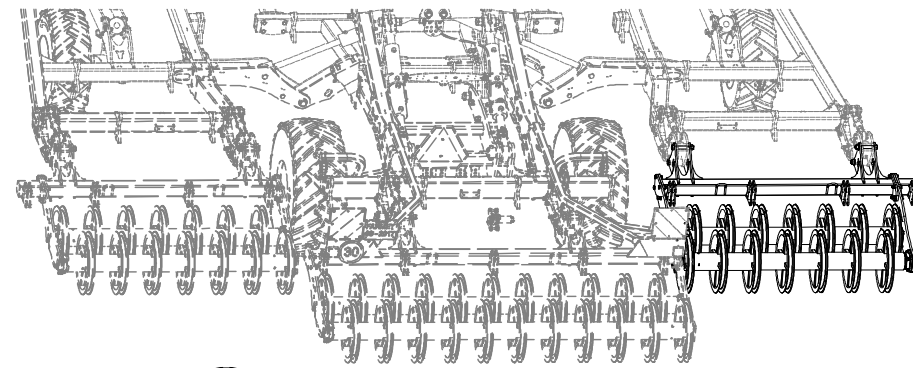


CZ SADA ZADNÍCH VÁLČŮ
 D SATZ HINTERE WALZEN
 F KIT DE ROULEAUX ARRIÈRE

GB SET OF REAR ROLLERS
 RU КОМПЛЕКТ ЗАДНИХ КАТКОВ
 PL ZESTAW TYLNYCH WAŁÓW



VZ00046774



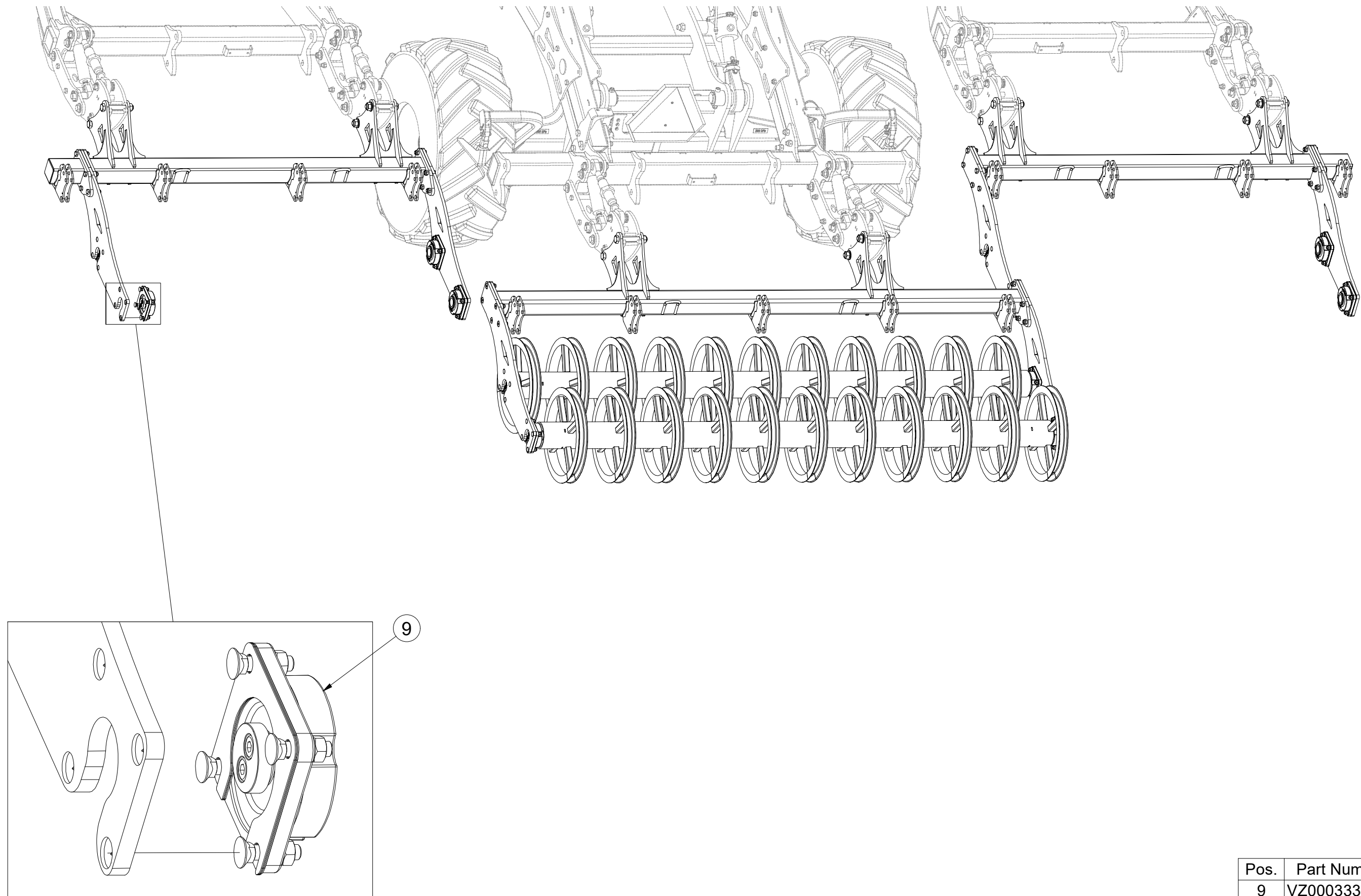
| Pos. | Part Number | Pcs. |
|------|-------------|------|
| 3 | 3010027 | 1 |
| 5 | VZ00046584 | 2 |
| 6 | VZ00046582 | 2 |
| 8 | 3010031 | 1 |
| 10 | m10849 | 10 |
| 11 | m06587 | 10 |
| 12 | VZ00046005 | 8 |
| 15 | m01308 | 8 |
| 16 | m20385 | 20 |
| 20 | m15731 | 8 |

- Ⓒ SADA ZADNÍCH VÁLČŮ
- Ⓓ SATZ HINTERE WALZEN
- Ⓕ KIT DE ROULEAUX ARRIÈRE

- Ⓖ SET OF REAR ROLLERS
- Ⓡ КОМПЛЕКТ ЗАДНИХ КАТКОВ
- Ⓟ ZESTAW TYLNYCH WAŁÓW



VZ00046774



| Pos. | Part Number | Pcs. |
|------|-------------|------|
| 9 | VZ00033348 | 8 |

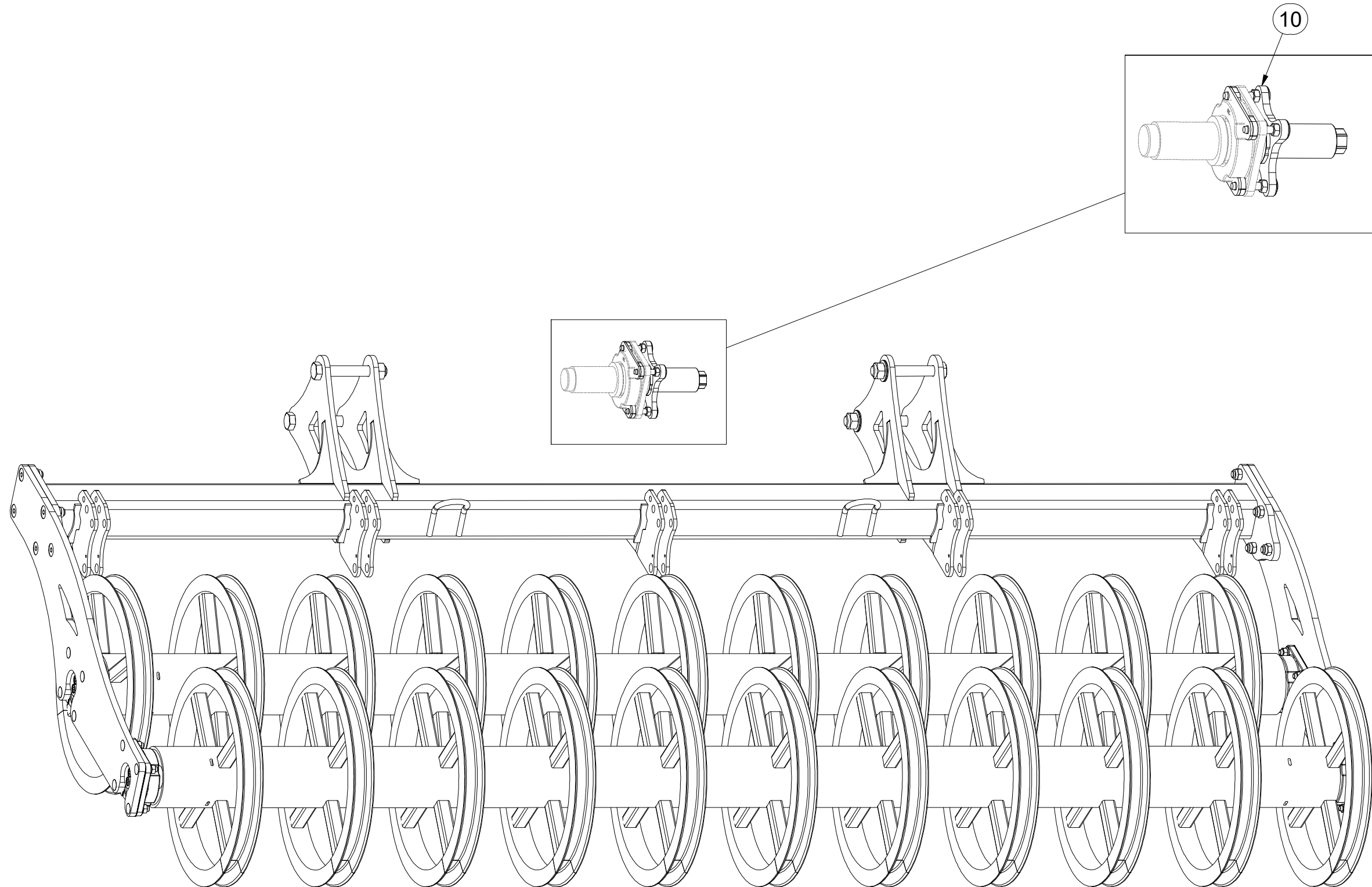
Ⓒ SADA ZADNÍCH VÁLCŮ
Ⓓ SATZ HINTERE WALZEN
Ⓕ KIT DE ROULEAUX ARRIÈRE

Ⓖ SET OF REAR ROLLERS
Ⓡ КОМПЛЕКТ ЗАДНИХ КАТКОВ
Ⓟ ZESTAW TYLNYCH WAŁÓW



VZ00046494

| Pos. | Part Number | Pcs. |
|------|-------------|------|
| 10 | VZ00038848 | 1 |



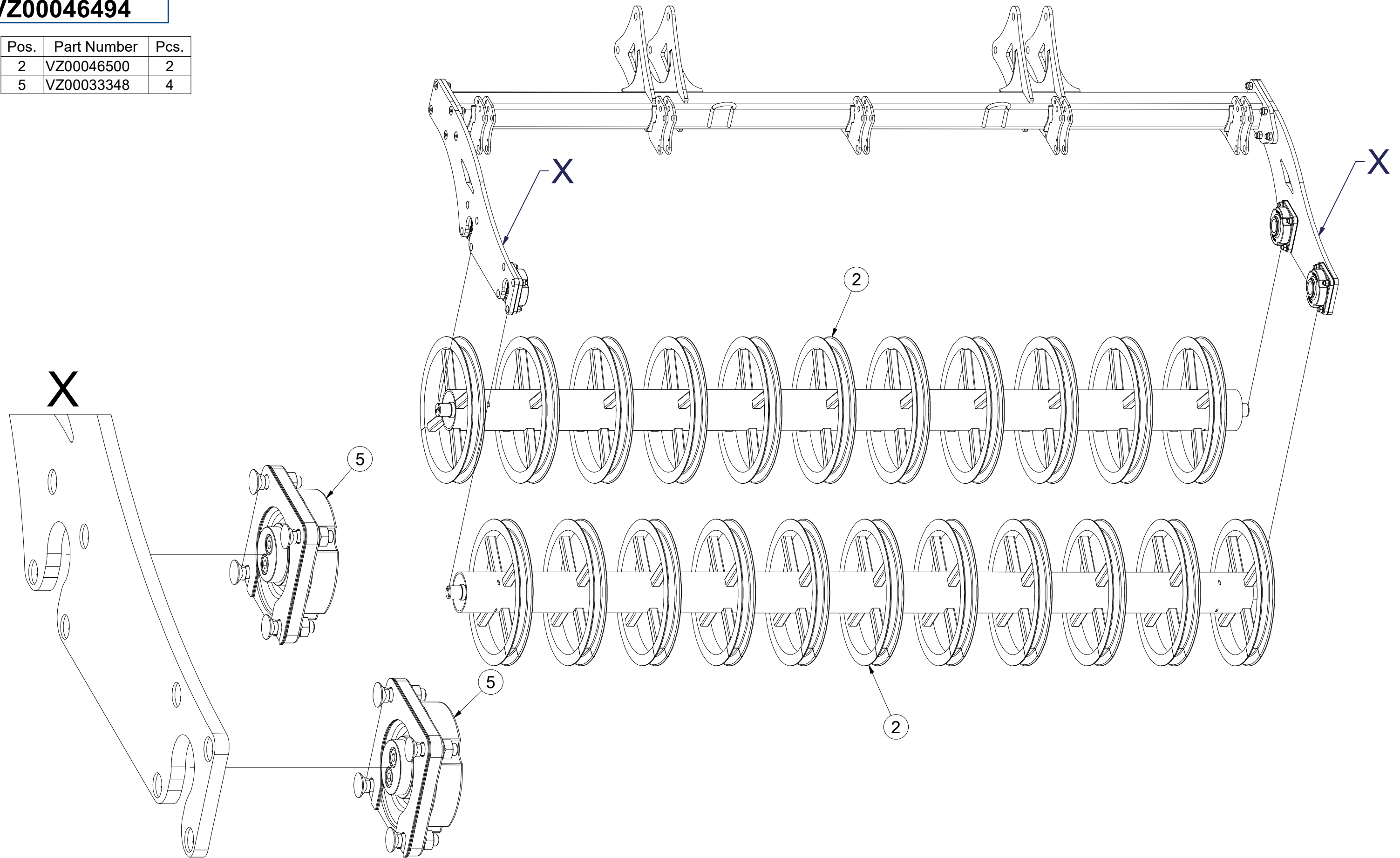
- Ⓒ SADA ZADNÍCH VÁLČŮ
- Ⓓ SATZ HINTERE WALZEN
- Ⓕ KIT DE ROULEAUX ARRIÈRE

- Ⓖ SET OF REAR ROLLERS
- Ⓡ КОМПЛЕКТ ЗАДНИХ КАТКОВ
- Ⓟ ZESTAW TYLNYCH WAŁÓW



VZ00046494

| Pos. | Part Number | Pcs. |
|------|-------------|------|
| 2 | VZ00046500 | 2 |
| 5 | VZ00033348 | 4 |

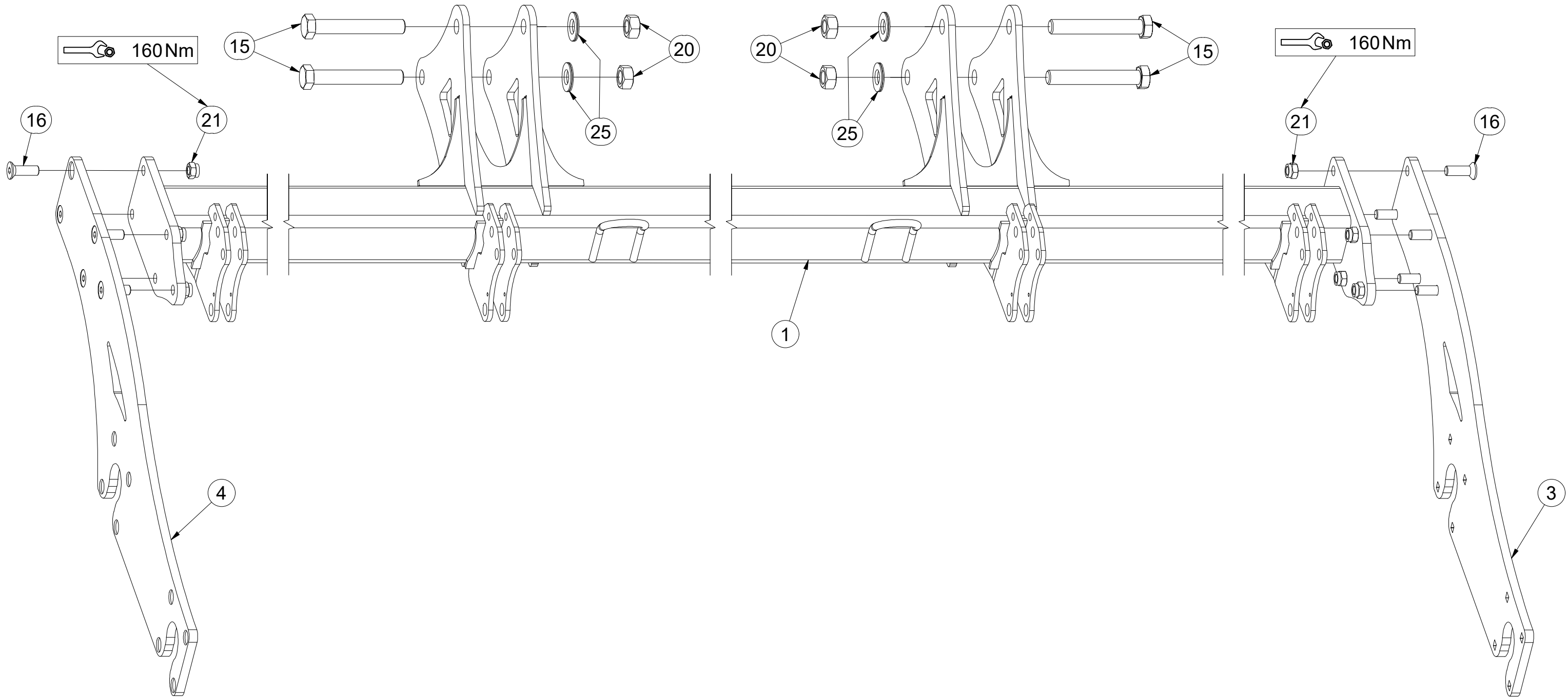


CZ SADA ZADNÍCH VÁLČŮ
 D SATZ HINTERE WALZEN
 F KIT DE ROULEAUX ARRIÈRE

GB SET OF REAR ROLLERS
 RU КОМПЛЕКТ ЗАДНИХ КАТКОВ
 PL ZESTAW TYLNYCH WAŁÓW



VZ00046494



| Pos. | Part Number | Pcs. |
|------|-------------|------|
| 1 | 3009399 | 1 |
| 3 | VZ00038469 | 1 |
| 4 | VZ00038470 | 1 |
| 15 | VZ00046005 | 4 |
| 16 | m14672 | 10 |
| 20 | m01308 | 4 |
| 21 | m20385 | 10 |
| 25 | m15731 | 4 |

Ⓒ SADA LOŽISEK

Ⓓ SATZ LAGER

Ⓕ KIT DE ROULEMENTS

Ⓖ SET OF BEARINGS

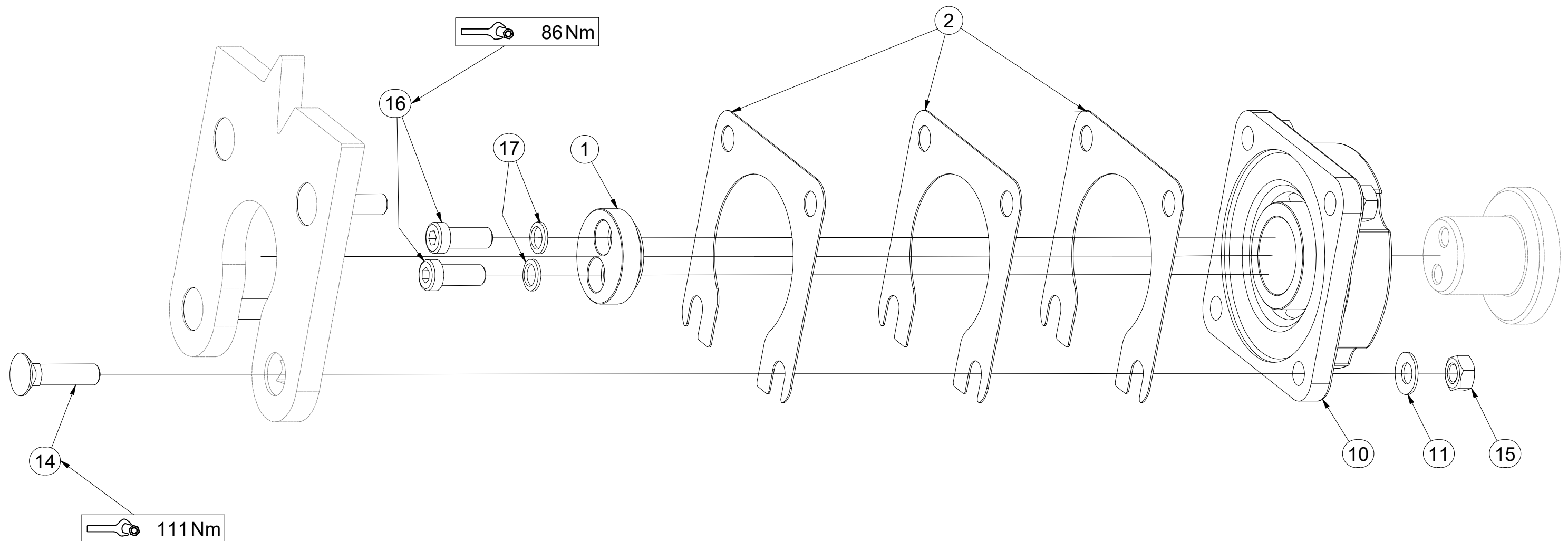
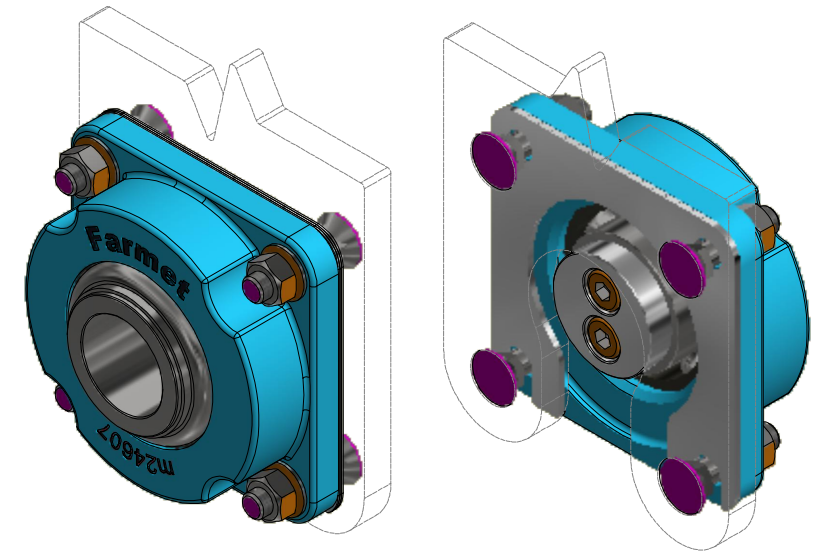
Ⓡ КОМПЛЕКТ ПОДШИПНИКОВ

Ⓟ ZESTAW ŁOŻYSK

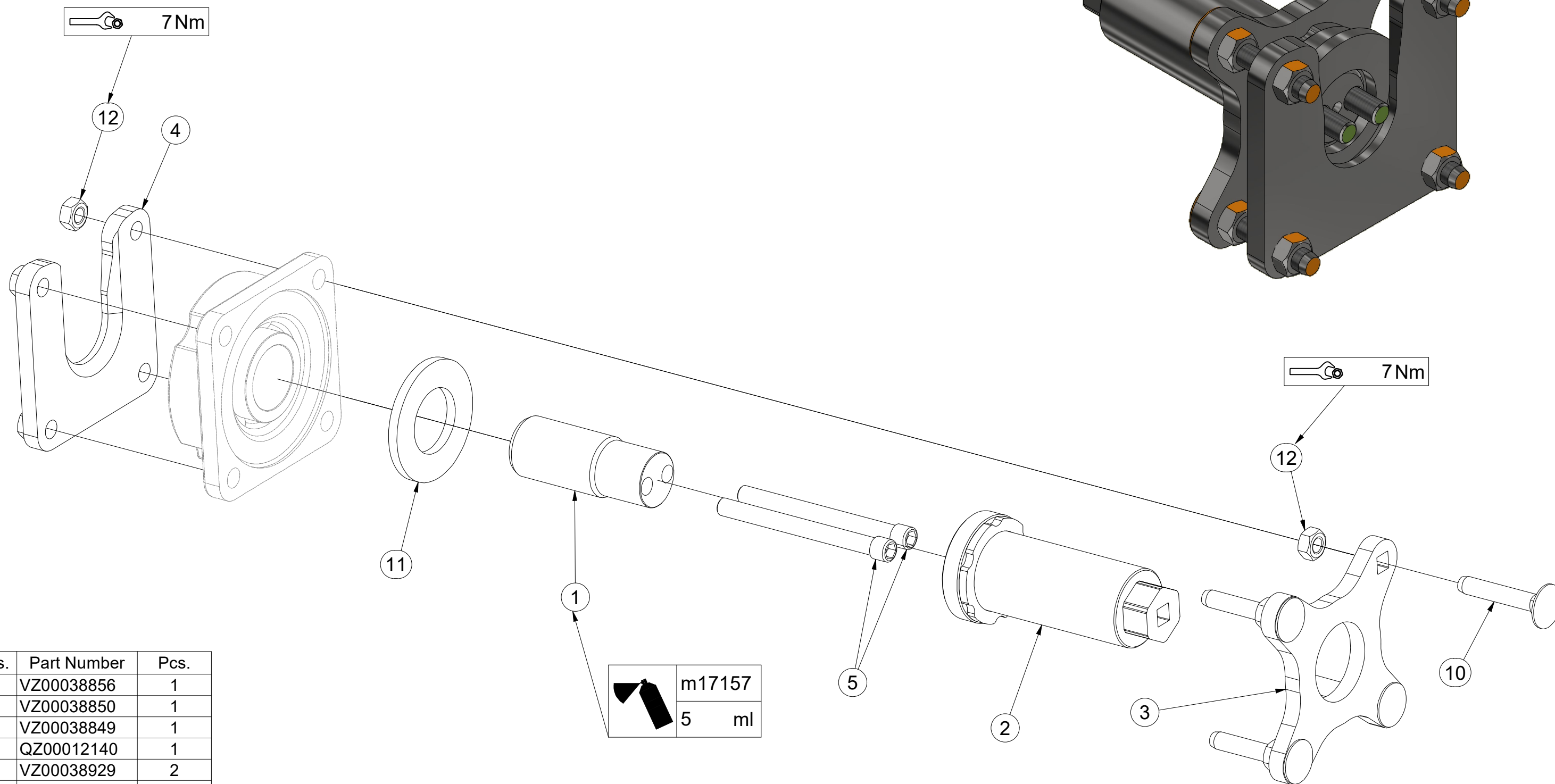


VZ00033348

| Pos. | Part Number | Pcs. |
|------|-------------|------|
| 1 | VZ00038447 | 1 |
| 2 | VZ00030606 | 3 |
| 10 | m24607 | 1 |
| 11 | m17545 | 4 |
| 14 | m10440 | 4 |
| 15 | m10439 | 4 |
| 16 | m19122 | 2 |
| 17 | m27584 | 2 |



VZ00038848



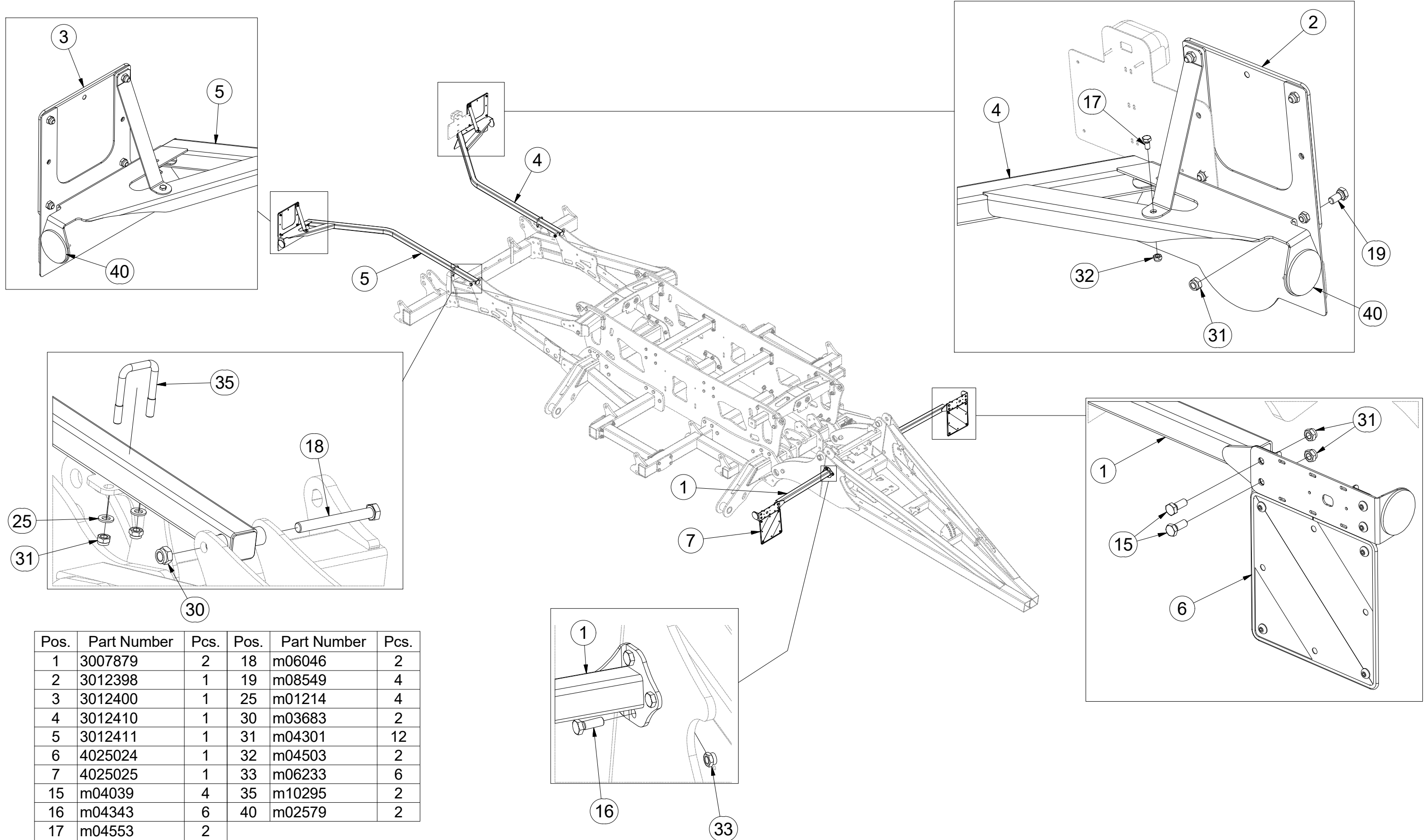
| Pos. | Part Number | Pcs. |
|------|-------------|---------|
| 1 | VZ00038856 | 1 |
| 2 | VZ00038850 | 1 |
| 3 | VZ00038849 | 1 |
| 4 | QZ00012140 | 1 |
| 5 | VZ00038929 | 2 |
| 10 | m17684 | 4 |
| 11 | m05447 | 1 |
| 12 | m10439 | 8 |
| 20 | m17157 | 5,00 ml |

CZ TERČE
 D SCHEIBE
 F CIBLES

GB DISCS
 RU ЩИТКИ
 PL TARCZE



3012409



| Pos. | Part Number | Pcs. | Pos. | Part Number | Pcs. |
|------|-------------|------|------|-------------|------|
| 1 | 3007879 | 2 | 18 | m06046 | 2 |
| 2 | 3012398 | 1 | 19 | m08549 | 4 |
| 3 | 3012400 | 1 | 25 | m01214 | 4 |
| 4 | 3012410 | 1 | 30 | m03683 | 2 |
| 5 | 3012411 | 1 | 31 | m04301 | 12 |
| 6 | 4025024 | 1 | 32 | m04503 | 2 |
| 7 | 4025025 | 1 | 33 | m06233 | 6 |
| 15 | m04039 | 4 | 35 | m10295 | 2 |
| 16 | m04343 | 6 | 40 | m02579 | 2 |
| 17 | m04553 | 2 | | | |

ⒸZ TERČ ZADNÍ LEVÝ

Ⓓ SCHILD, HINTERES, LINKES

Ⓕ CIBLE ARRIÈRE GAUCHE

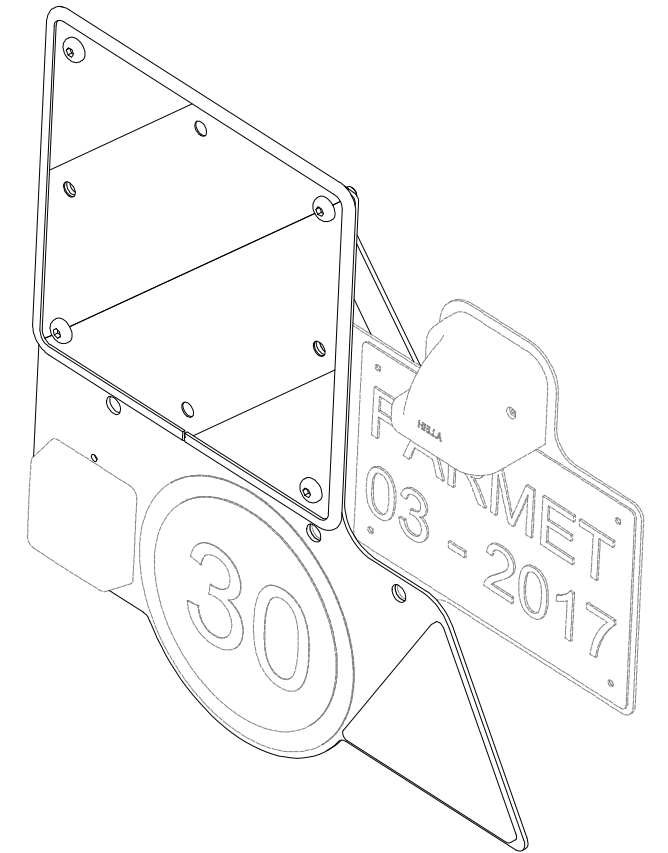
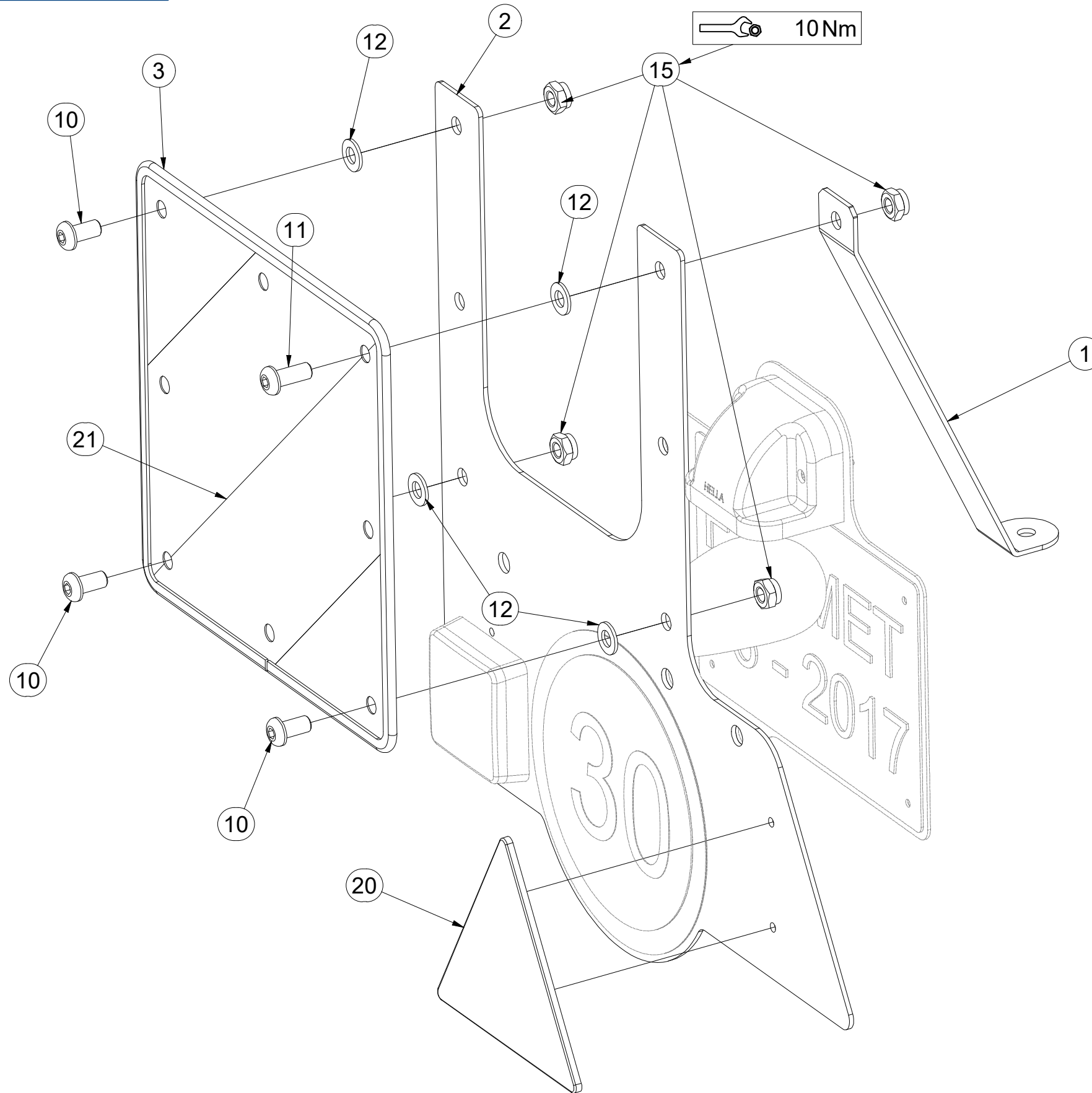
ⒼB LEFT REAR DISC

ⒺЩИТОК ЗАДНИЙ ЛЕВЫЙ

ⒽL TARCZA TYLNA LEWA



3012398



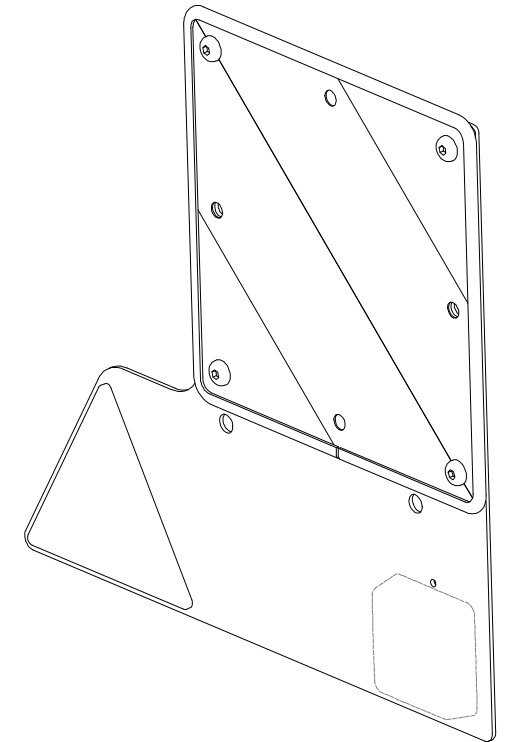
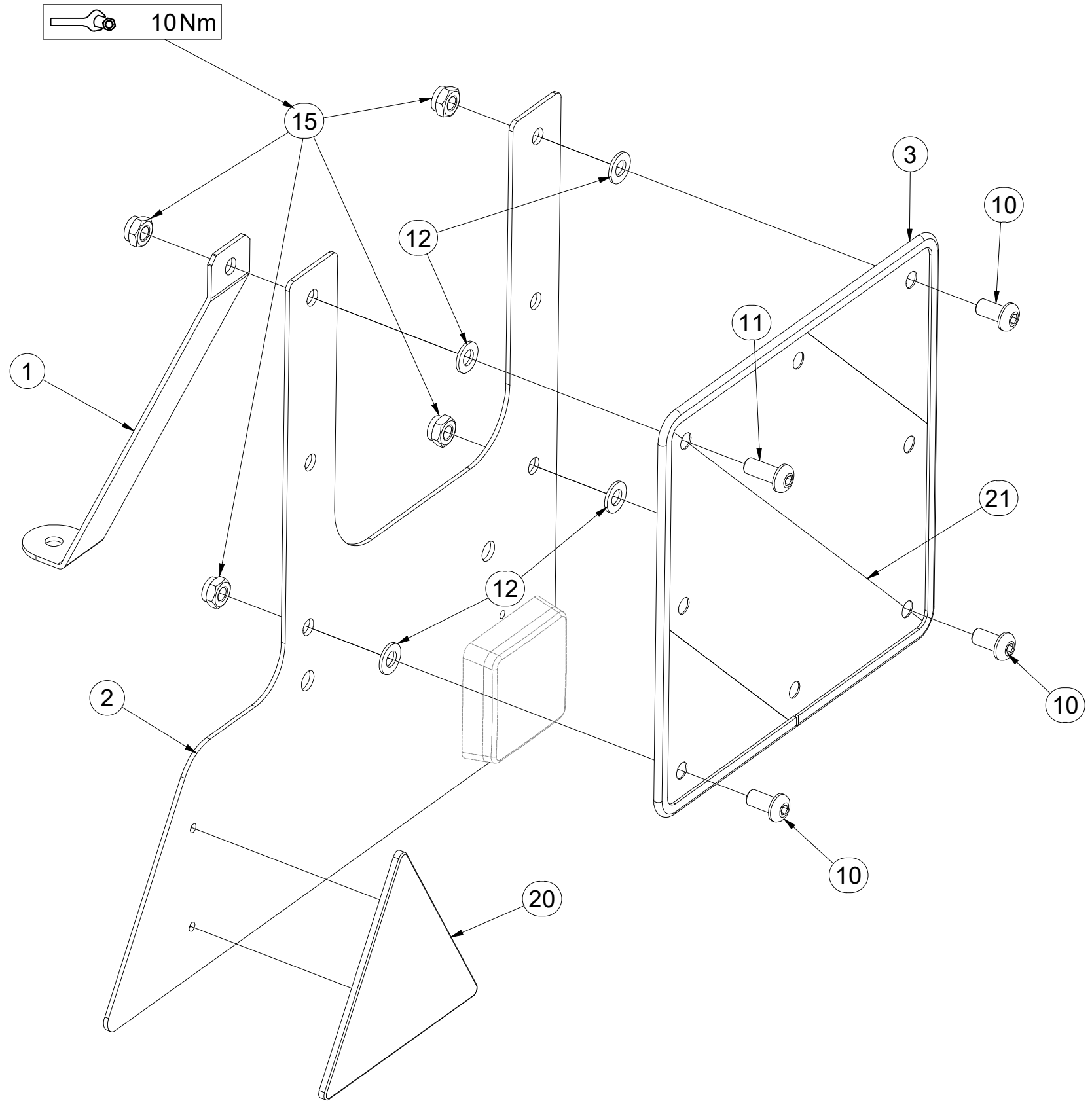
| Pos. | Part Number | Pcs. |
|------|-------------|------|
| 1 | 4019310 | 1 |
| 2 | 4024978 | 1 |
| 3 | 9005707 | 1 |
| 10 | m16637 | 3 |
| 11 | m16688 | 1 |
| 12 | m01209 | 4 |
| 15 | m03775 | 4 |
| 20 | m02497 | 1 |
| 21 | m18855 | 1 |

CZ TERČ ZADNÍ PRAVÝ
 D SCHILD, HINTERES, RECHTES
 F CIBLE ARRIÈRE DROITE

GB RIGHT REAR DISC
 RU ЩИТОК ЗАДНИЙ ПРАВЫЙ
 PL TARCZA TYLNA PRAWA



3012400



| Pos. | Part Number | Pcs. |
|------|-------------|------|
| 1 | 4019310 | 1 |
| 2 | 4024980 | 1 |
| 3 | 9005707 | 1 |
| 10 | m16637 | 3 |
| 11 | m16688 | 1 |
| 12 | m01209 | 4 |
| 15 | m03775 | 4 |
| 20 | m02497 | 1 |
| 21 | m18855 | 1 |

ⒸZ TERČ PŘEDNÍ PRAVÝ

Ⓓ SCHILD, VORDERES, RECHTES

Ⓕ CIBLE AVANT DROITE

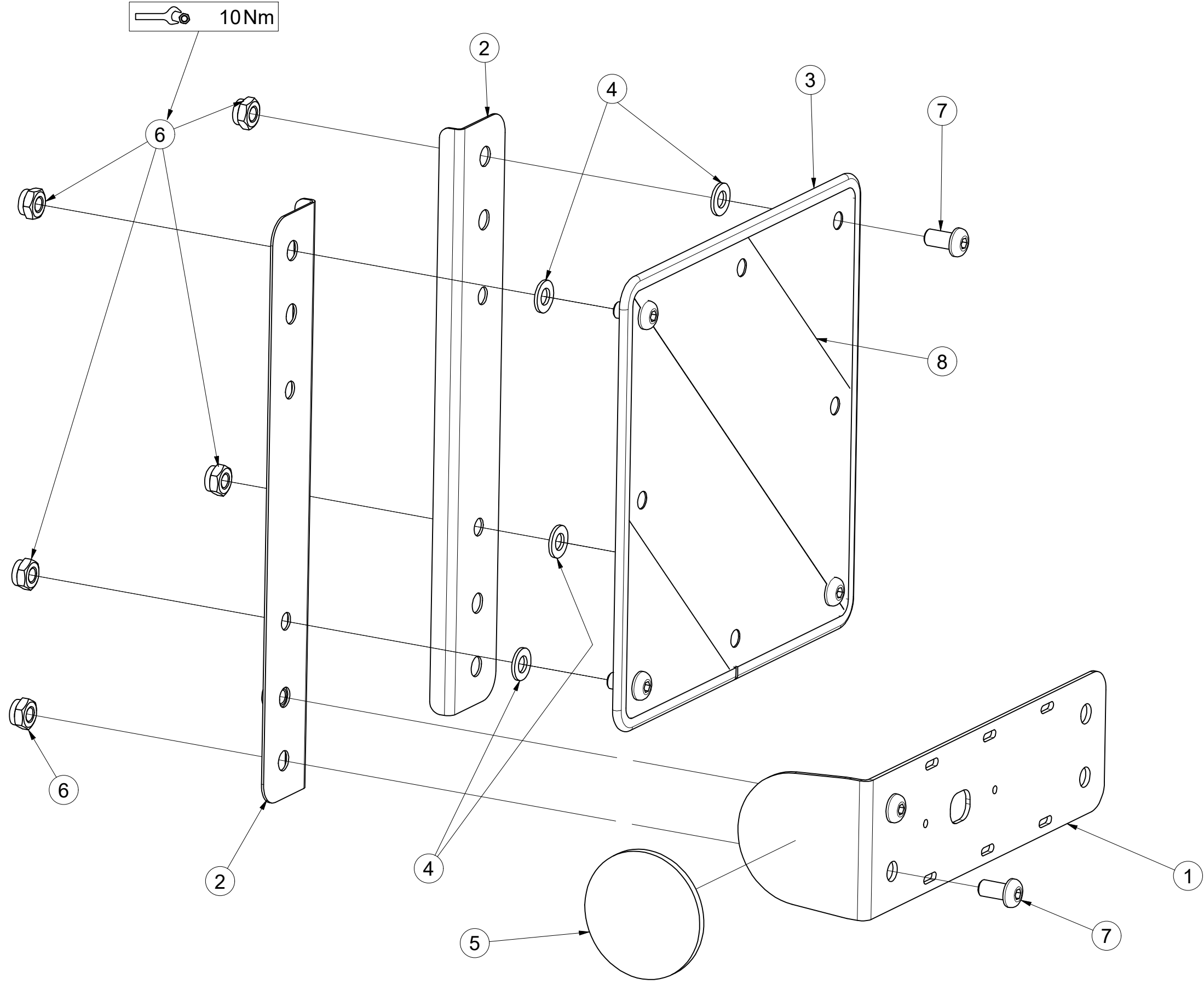
ⒸB RIGHT FRONT DISC

ⒸU ЩИТОК ПЕРЕДНИЙ ПРАВЫЙ

ⒸL TARCZA PRZEDNIA PRAWA



4025024



| Pos. | Part Number | Pcs. |
|------|-------------|------|
| 1 | 4024481 | 1 |
| 2 | 4024491 | 2 |
| 3 | 9005707 | 1 |
| 4 | m01209 | 4 |
| 5 | m02579 | 1 |
| 6 | m03775 | 6 |
| 7 | m16637 | 6 |
| 8 | m18855 | 1 |

Ⓒ CZ TERČ PŘEDNÍ LEVÝ

Ⓓ D SCHILD, VORDERES, LINKES

Ⓕ F CIBLE AVANT GAUCHE

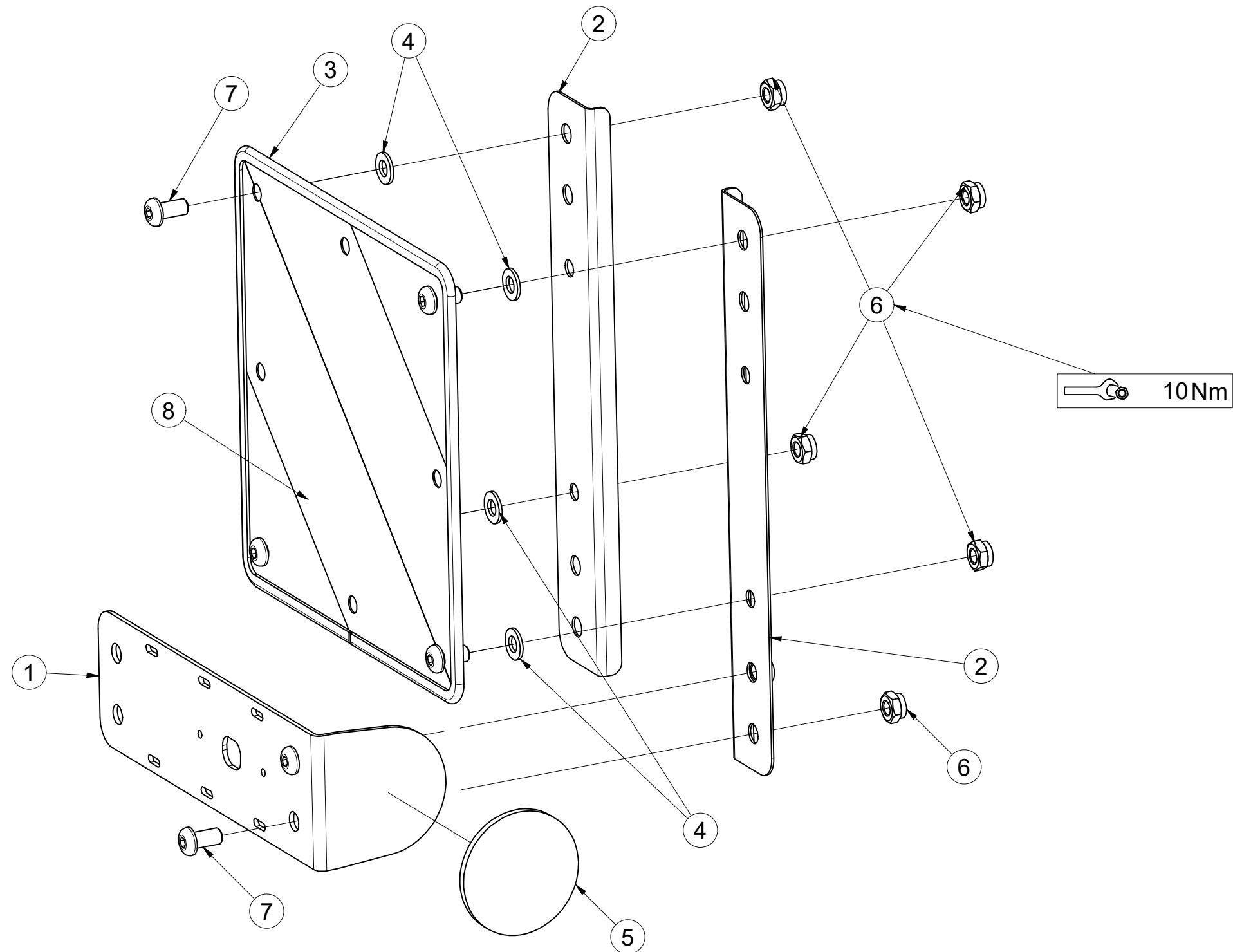
Ⓖ GB LEFT FRONT DISC

Ⓡ RU ЩИТОК ПЕРЕДНИЙ ЛЕВЫЙ

Ⓟ PL TARCZA PRZEDNIA LEWA



4025025



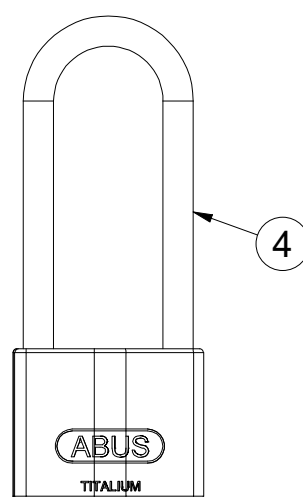
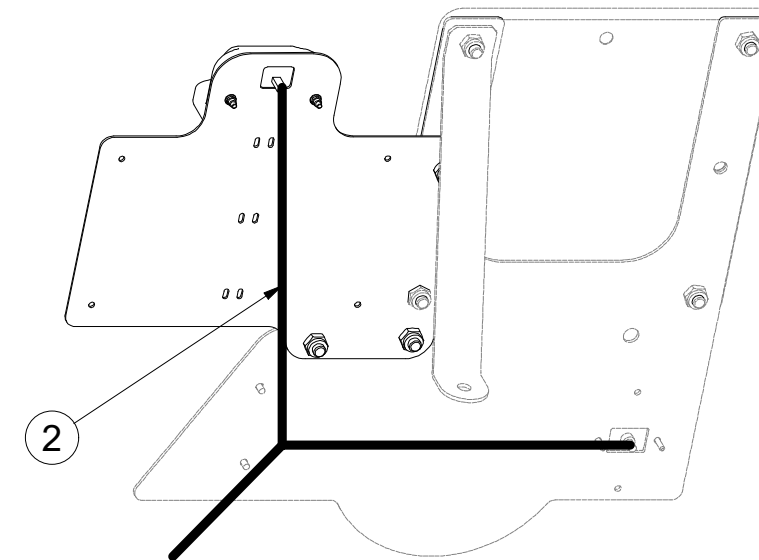
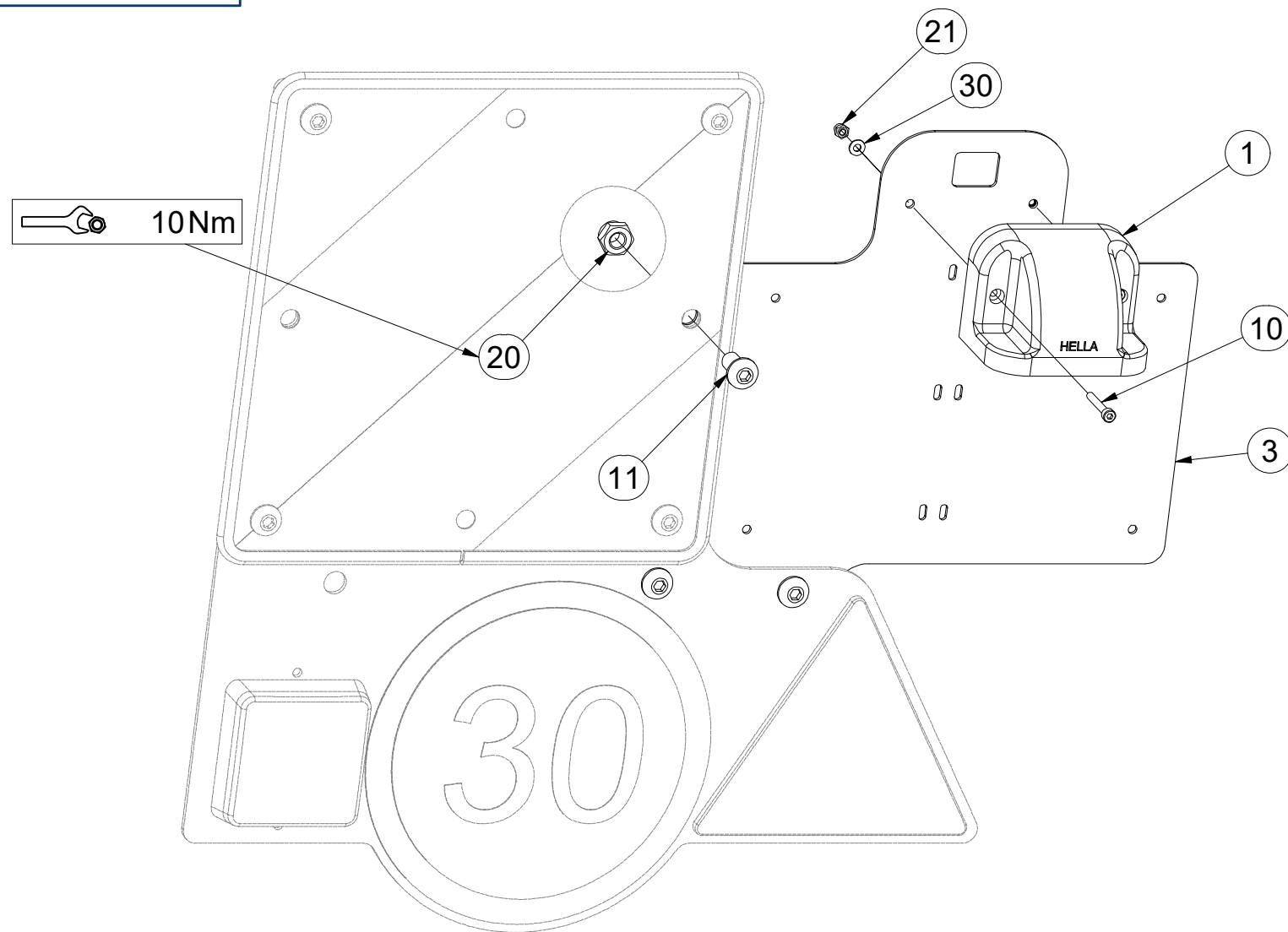
| Pos. | Part Number | Pcs. |
|------|-------------|------|
| 1 | 4024481 | 1 |
| 2 | 4024491 | 2 |
| 3 | 9005707 | 1 |
| 4 | m01209 | 4 |
| 5 | m02579 | 1 |
| 6 | m03775 | 6 |
| 7 | m16637 | 6 |
| 8 | m18855 | 1 |

CZ SADA HOMOLOGACE
 D HOMOLOGATIONSATZ
 F KIT DE HOMOLOGATION

GB SET OF HOMOLOGATION
 RU КОМПЛЕКТ УТВЕРЖДЕНИЯ
 PL ZESTAW HOMOLOGACJA



3012976



| Pos. | Part Number | Pcs. |
|------|-------------|------|
| 1 | m18862 | 1 |
| 2 | m18861 | 1 |
| 3 | 4026442 | 1 |
| 4 | m18814 | 1 |
| 10 | m16861 | 2 |
| 11 | m16637 | 3 |
| 20 | m03775 | 3 |
| 21 | m05562 | 2 |
| 30 | m05597 | 2 |
| 31 | m19045 | 1 |
| 32 | m19046 | 1 |

Ⓒ HYDRAULIKA STROJE

Ⓓ HYDRAULIK DER MASCHINE

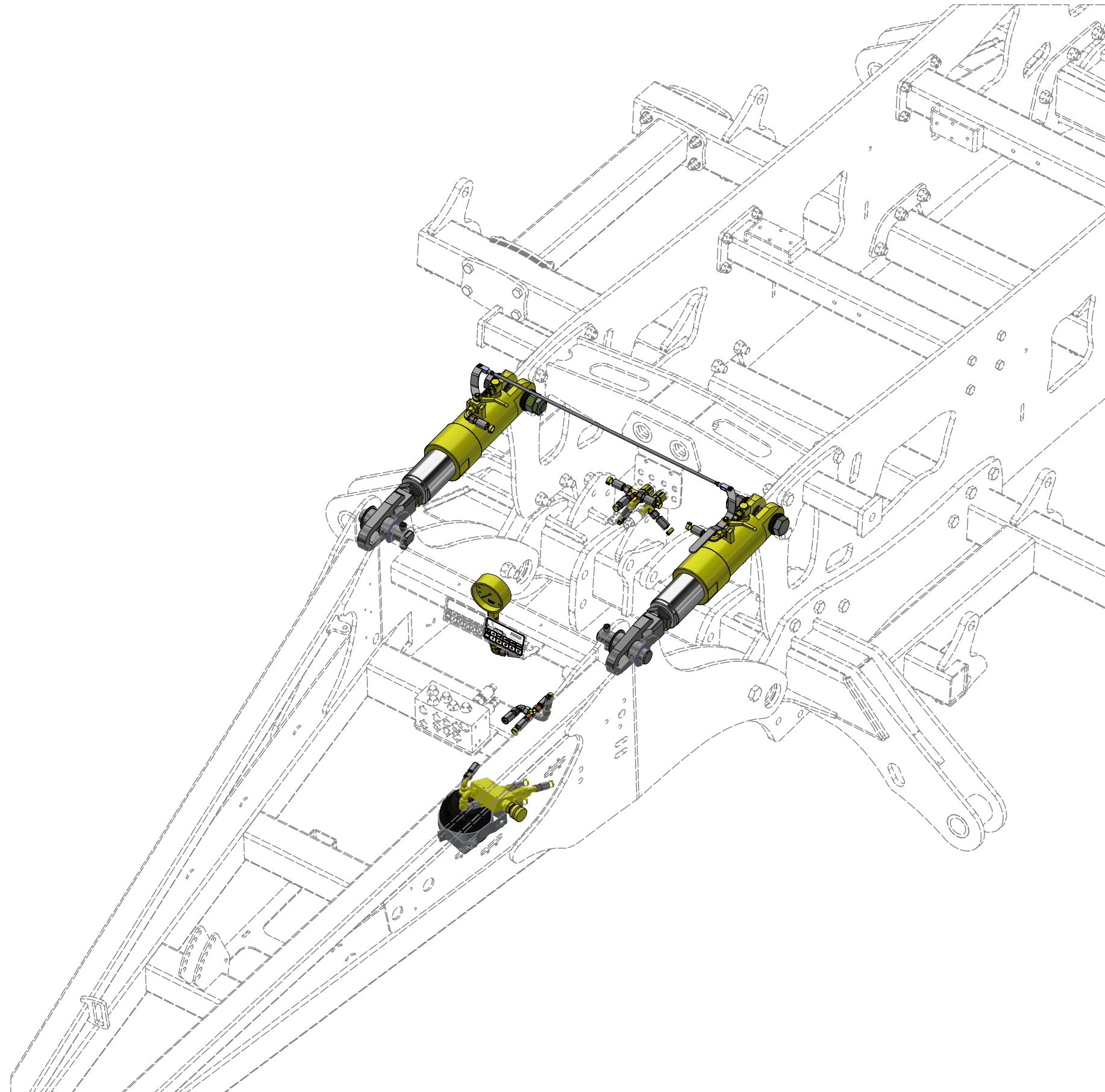
Ⓕ HYDRAULIQUE DE LA MACHINE

VZ00013146

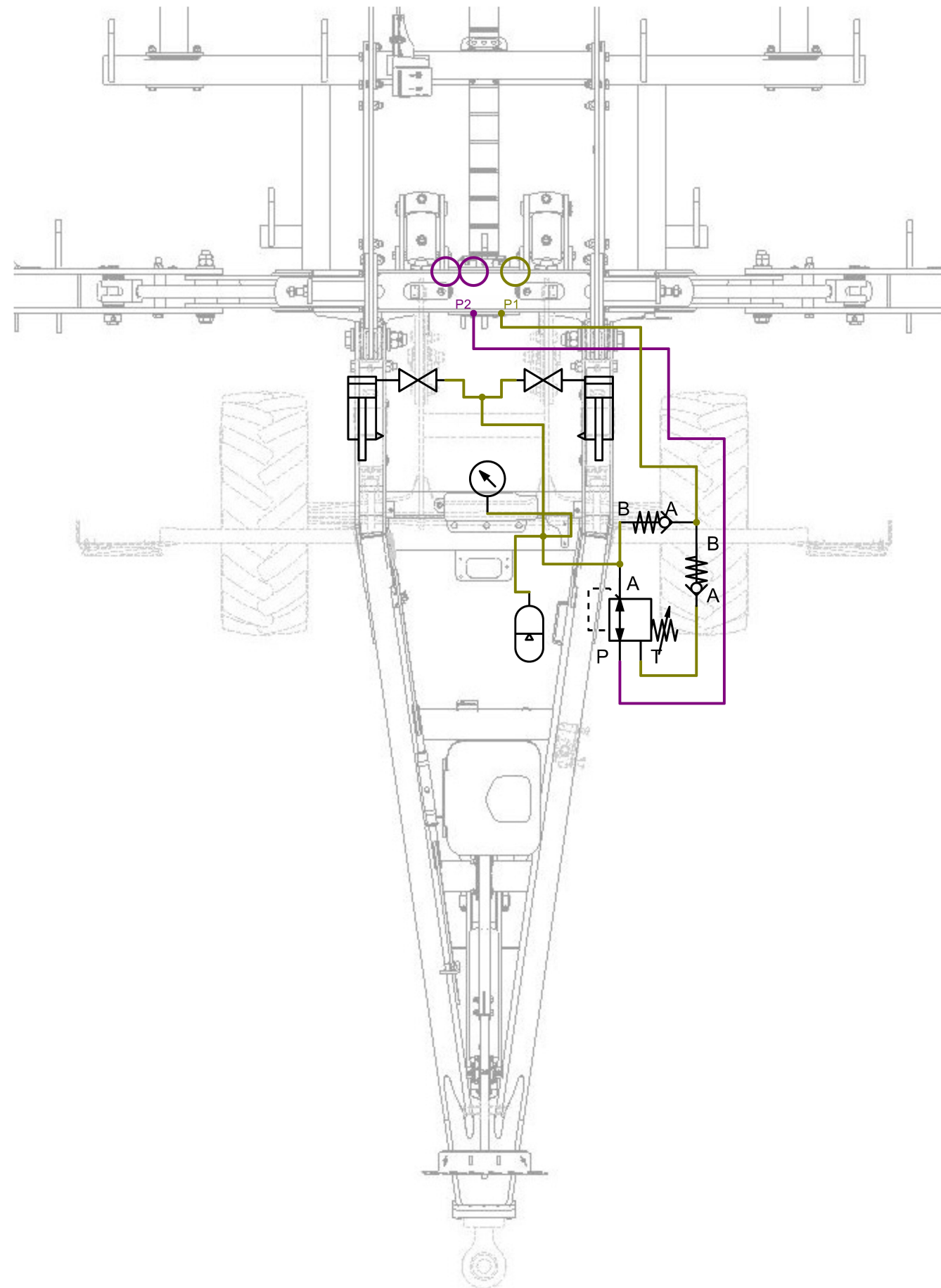
Ⓖ MACHINE HYDRAULICS

Ⓡ ГИДРАВЛИКА МАШИНЫ

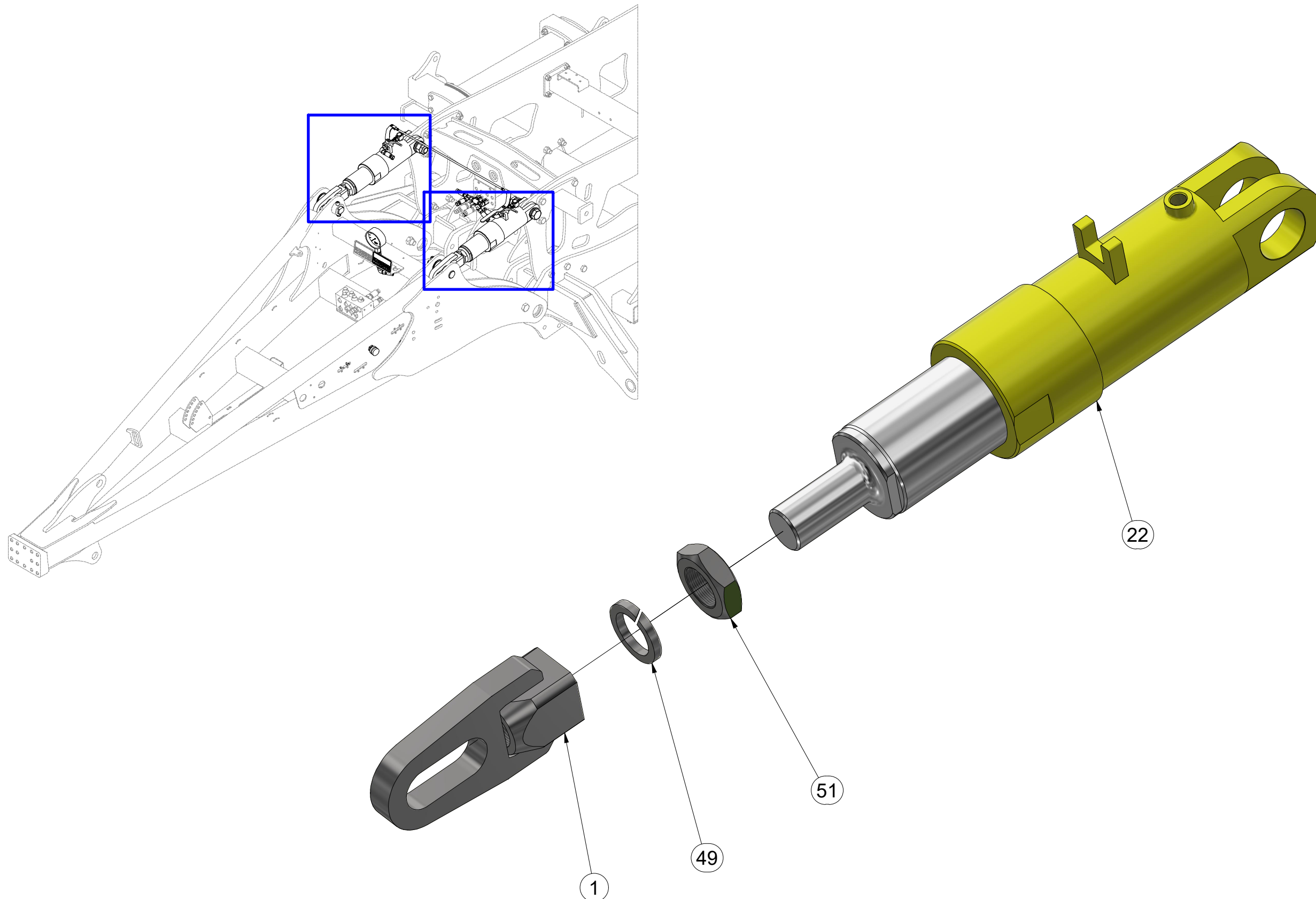
Ⓟ HYDRAULIKA MASZYN



VZ00013146



VZ00013146



| Pos. | Part Number | Pcs. |
|------|-------------|------|
| 1 | 4023764 | 2 |
| 22 | m21031 | 2 |
| 49 | m16751 | 2 |
| 51 | m14826 | 2 |

Ⓒ HYDRAULIKA STROJE

Ⓓ HYDRAULIK DER MASCHINE

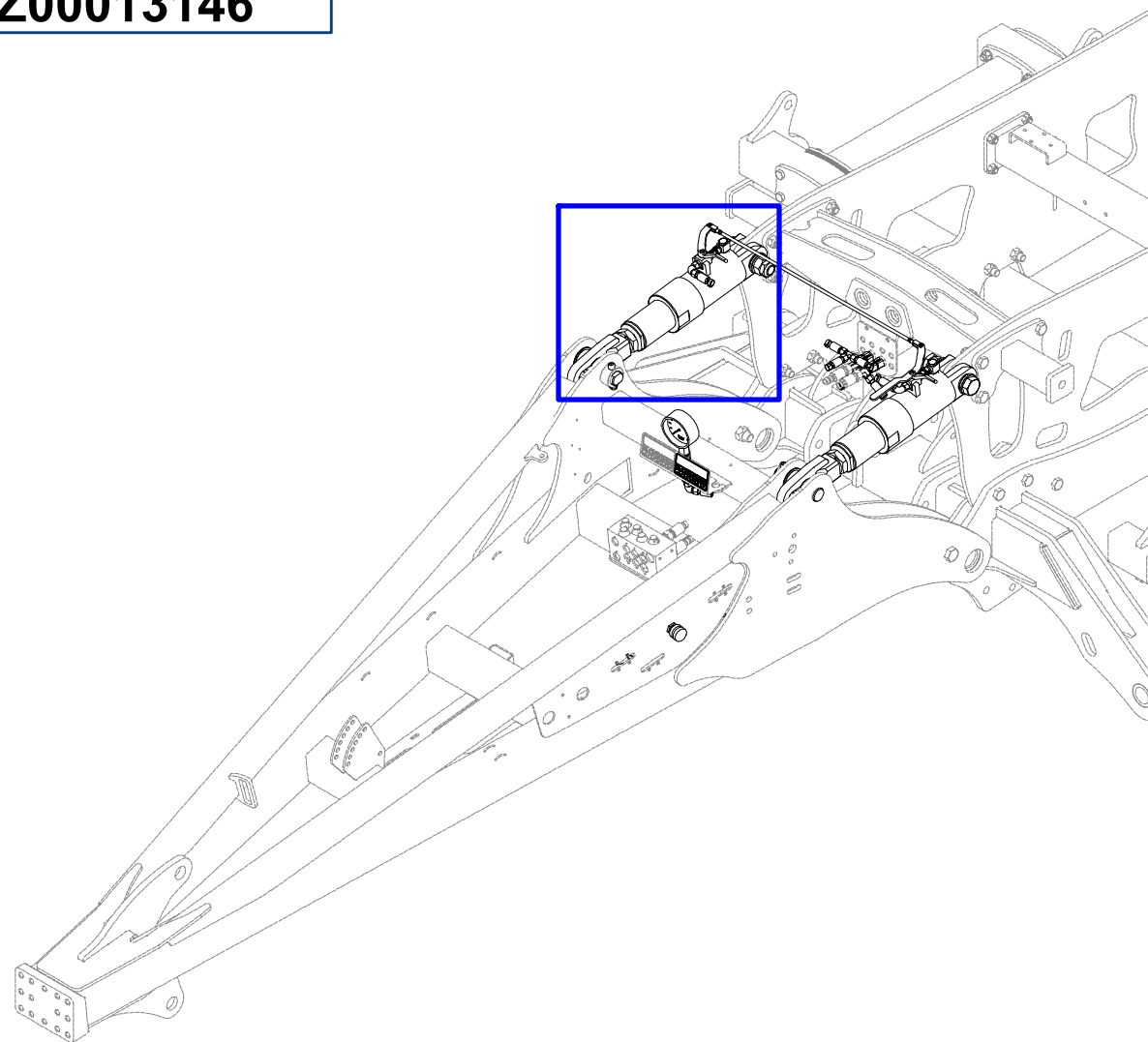
Ⓕ HYDRAULIQUE DE LA MACHINE

VZ00013146

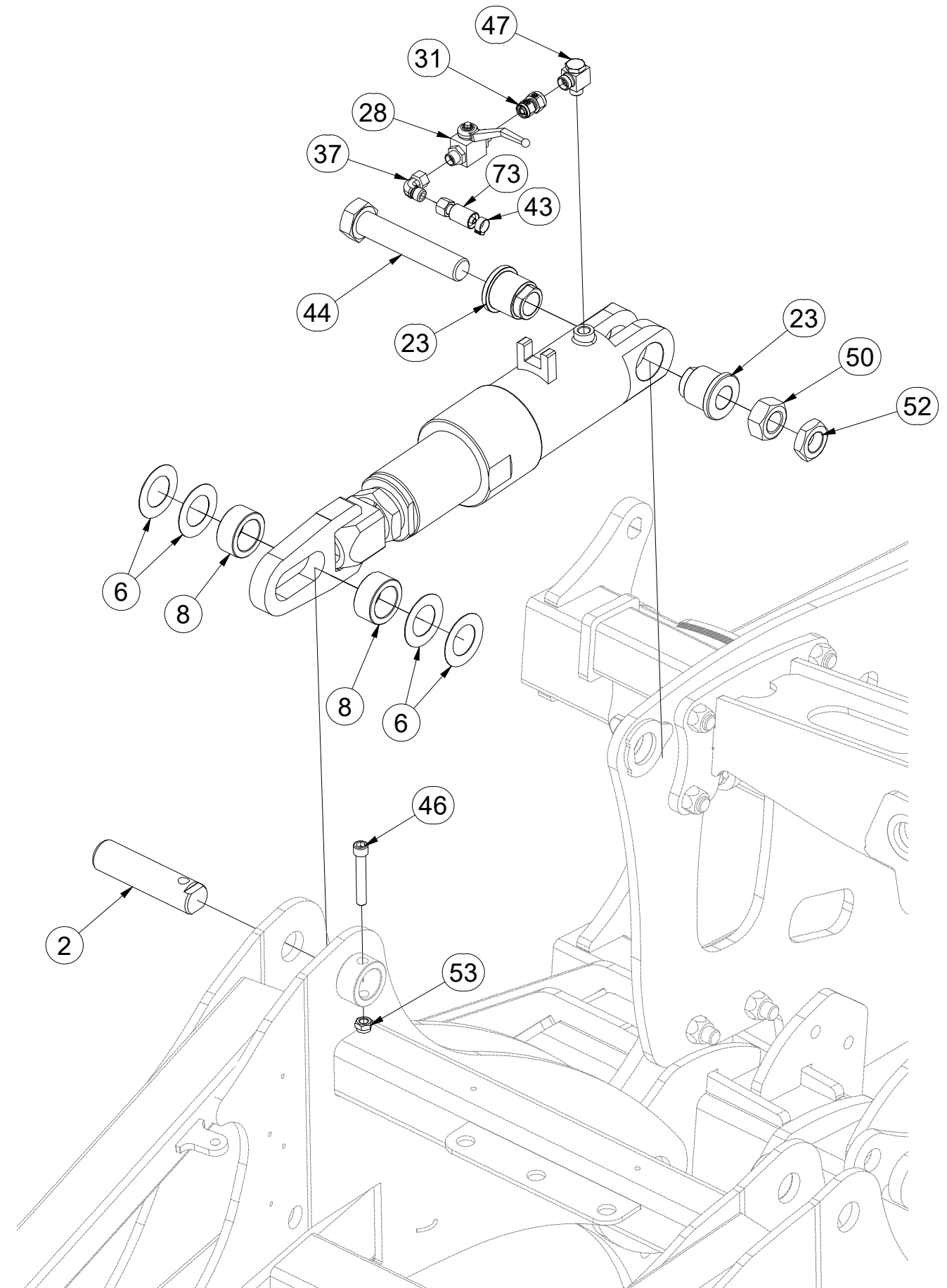
Ⓖ MACHINE HYDRAULICS

Ⓡ ГИДРАВЛИКА МАШИНЫ

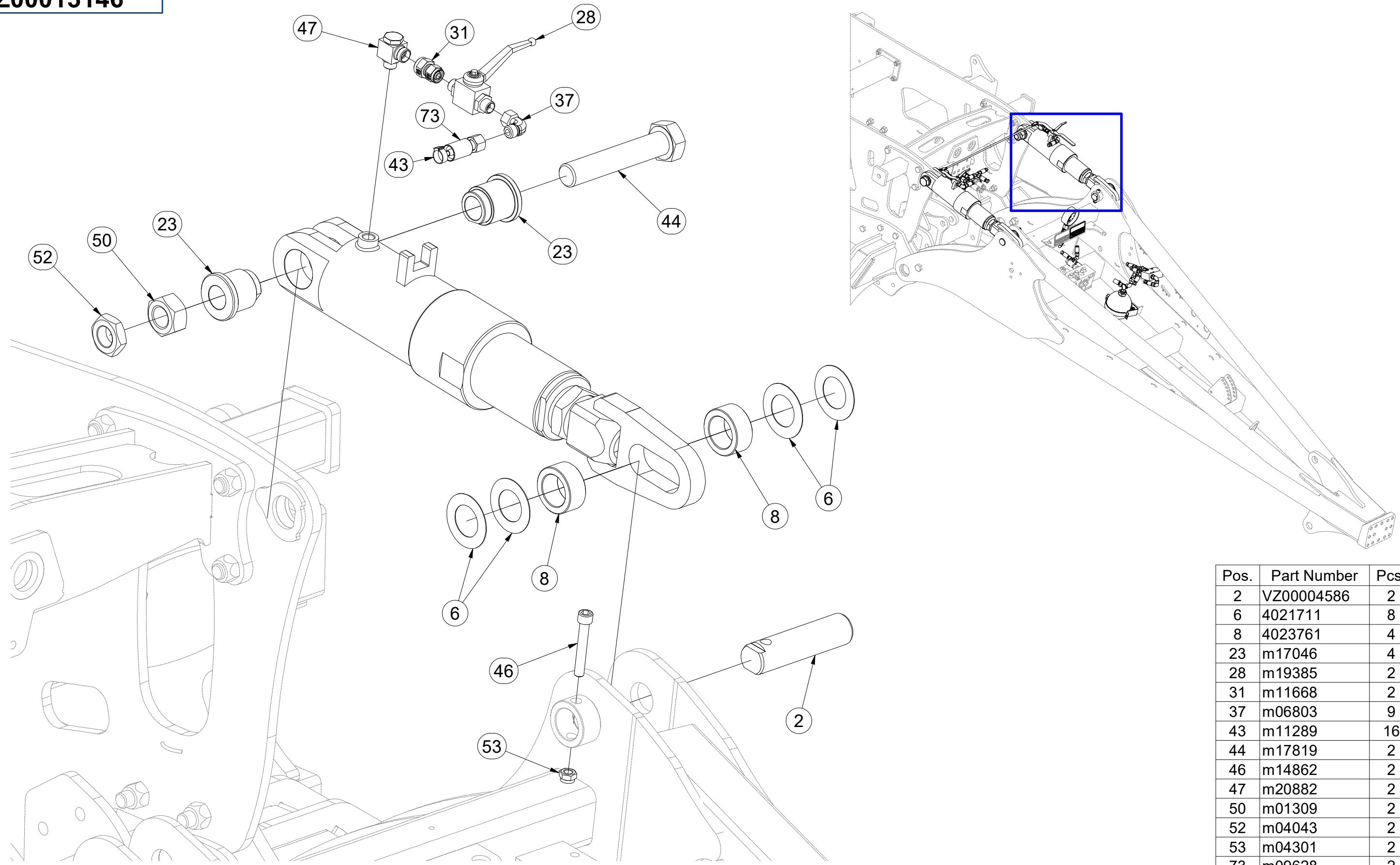
Ⓟ HYDRAULIKA MASZYNY



| Pos. | Part Number | Pcs. |
|------|-------------|------|
| 2 | VZ00004586 | 2 |
| 6 | 4021711 | 8 |
| 8 | 4023761 | 4 |
| 23 | m17046 | 4 |
| 28 | m19385 | 2 |
| 31 | m11668 | 2 |
| 37 | m06803 | 9 |
| 43 | m11289 | 16 |
| 44 | m17819 | 2 |
| 46 | m14862 | 2 |
| 47 | m20882 | 2 |
| 50 | m01309 | 2 |
| 52 | m04043 | 2 |
| 53 | m04301 | 2 |
| 73 | m09628 | 2 |



VZ00013146



| Pos. | Part Number | Pcs. |
|------|-------------|------|
| 2 | VZ00004586 | 2 |
| 6 | 4021711 | 8 |
| 8 | 4023761 | 4 |
| 23 | m17046 | 4 |
| 28 | m19385 | 2 |
| 31 | m11668 | 2 |
| 37 | m06803 | 9 |
| 43 | m11289 | 16 |
| 44 | m17819 | 2 |
| 46 | m14862 | 2 |
| 47 | m20882 | 2 |
| 50 | m01309 | 2 |
| 52 | m04043 | 2 |
| 53 | m04301 | 2 |
| 73 | m09628 | 2 |

ⒸZ HYDRAULIKA STROJE

Ⓓ HYDRAULIK DER MASCHINE

Ⓕ HYDRAULIQUE DE LA MACHINE

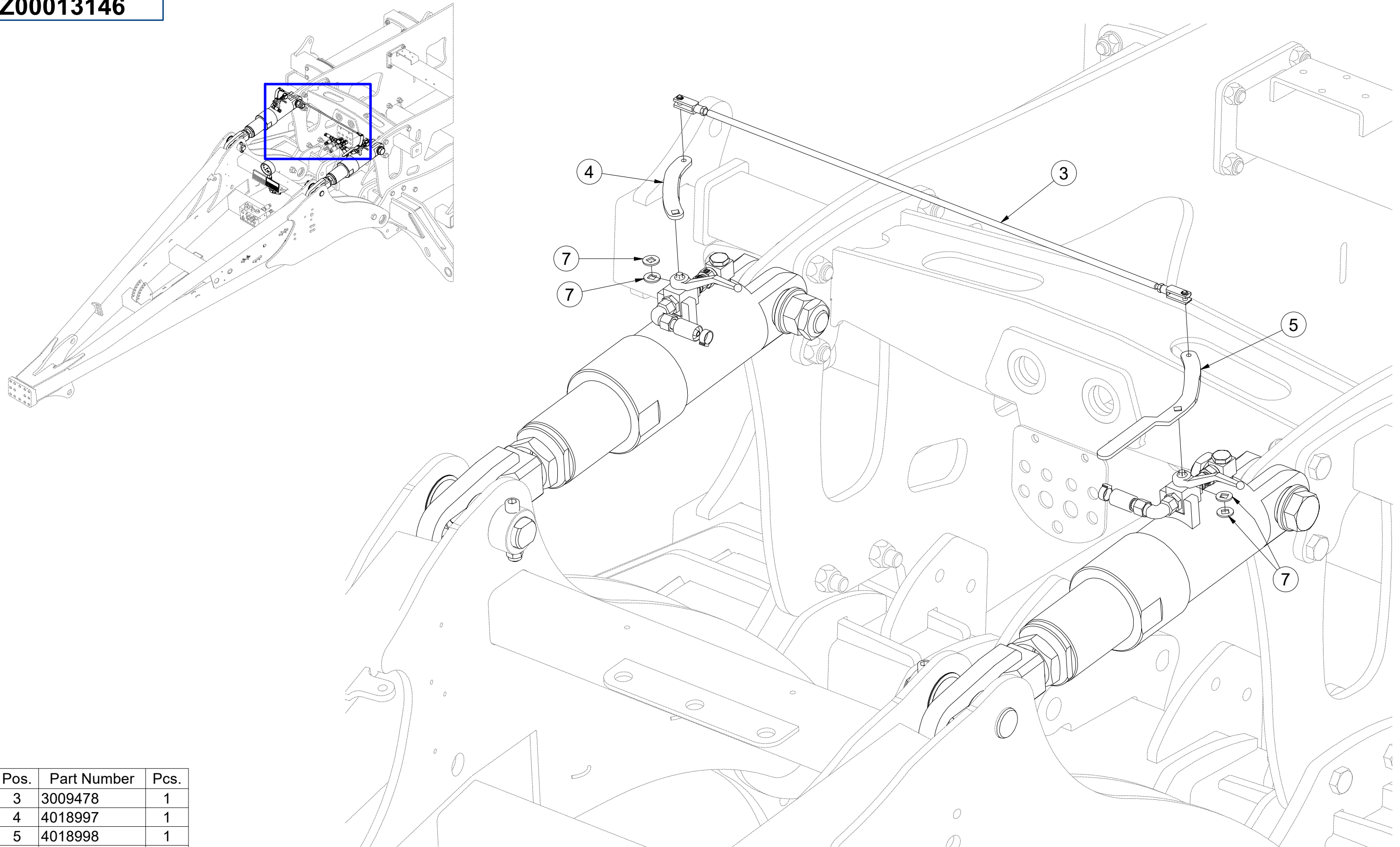
ⒼB MACHINE HYDRAULICS

Ⓔ RU ГИДРАВЛИКА МАШИНЫ

Ⓗ PL HYDRAULIKA MASZYNY



VZ00013146



| Pos. | Part Number | Pcs. |
|------|-------------|------|
| 3 | 3009478 | 1 |
| 4 | 4018997 | 1 |
| 5 | 4018998 | 1 |
| 7 | 4019412 | 4 |

Ⓒ HYDRAULIKA STROJE

Ⓓ HYDRAULIK DER MASCHINE

Ⓕ HYDRAULIQUE DE LA MACHINE

Ⓖ MACHINE HYDRAULICS

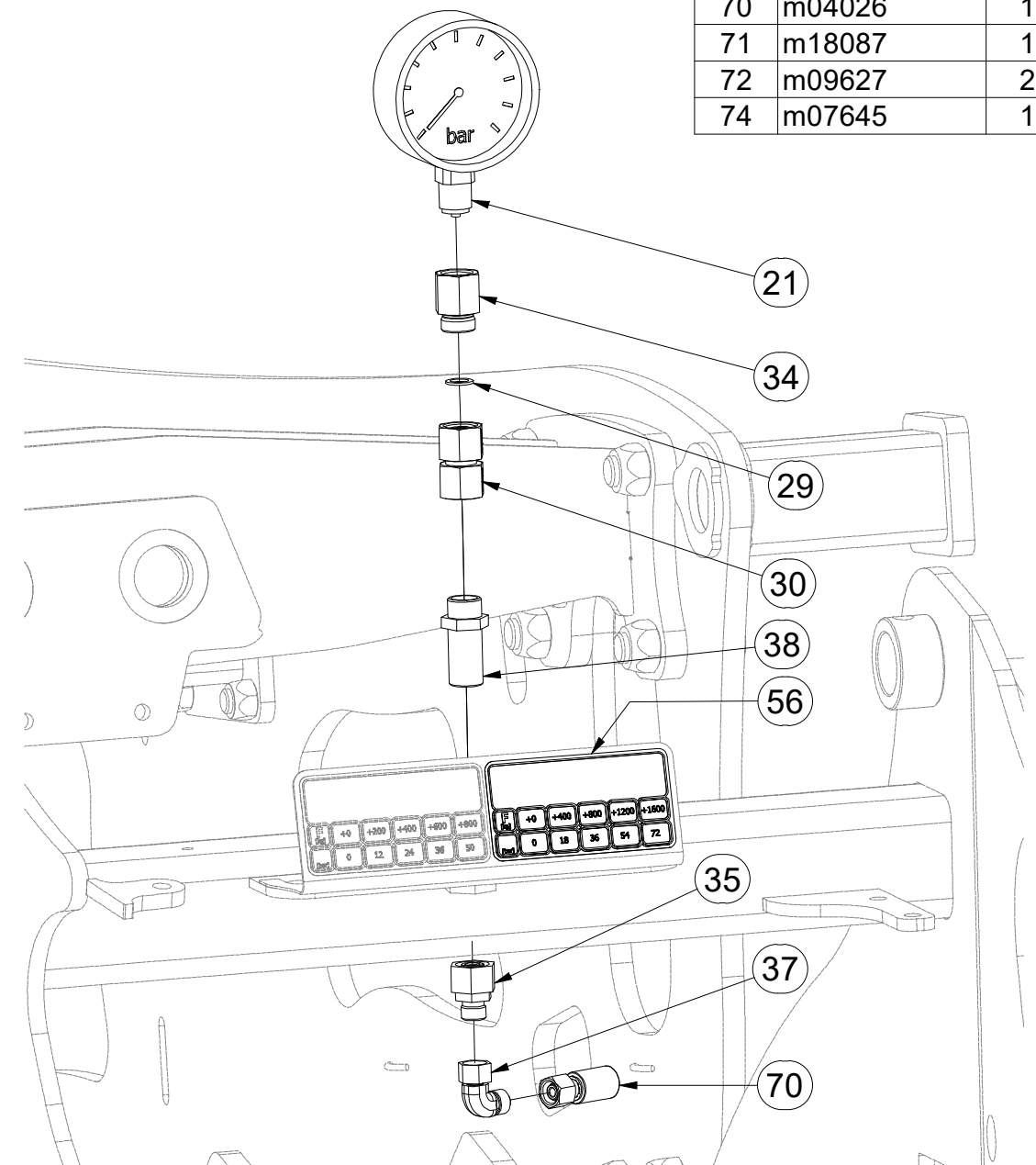
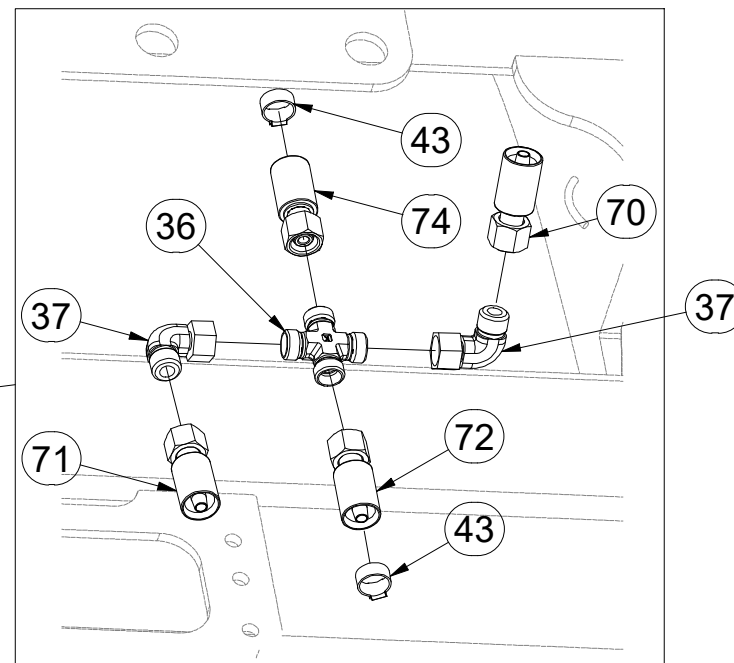
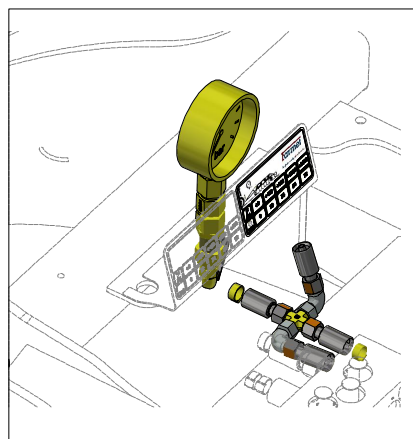
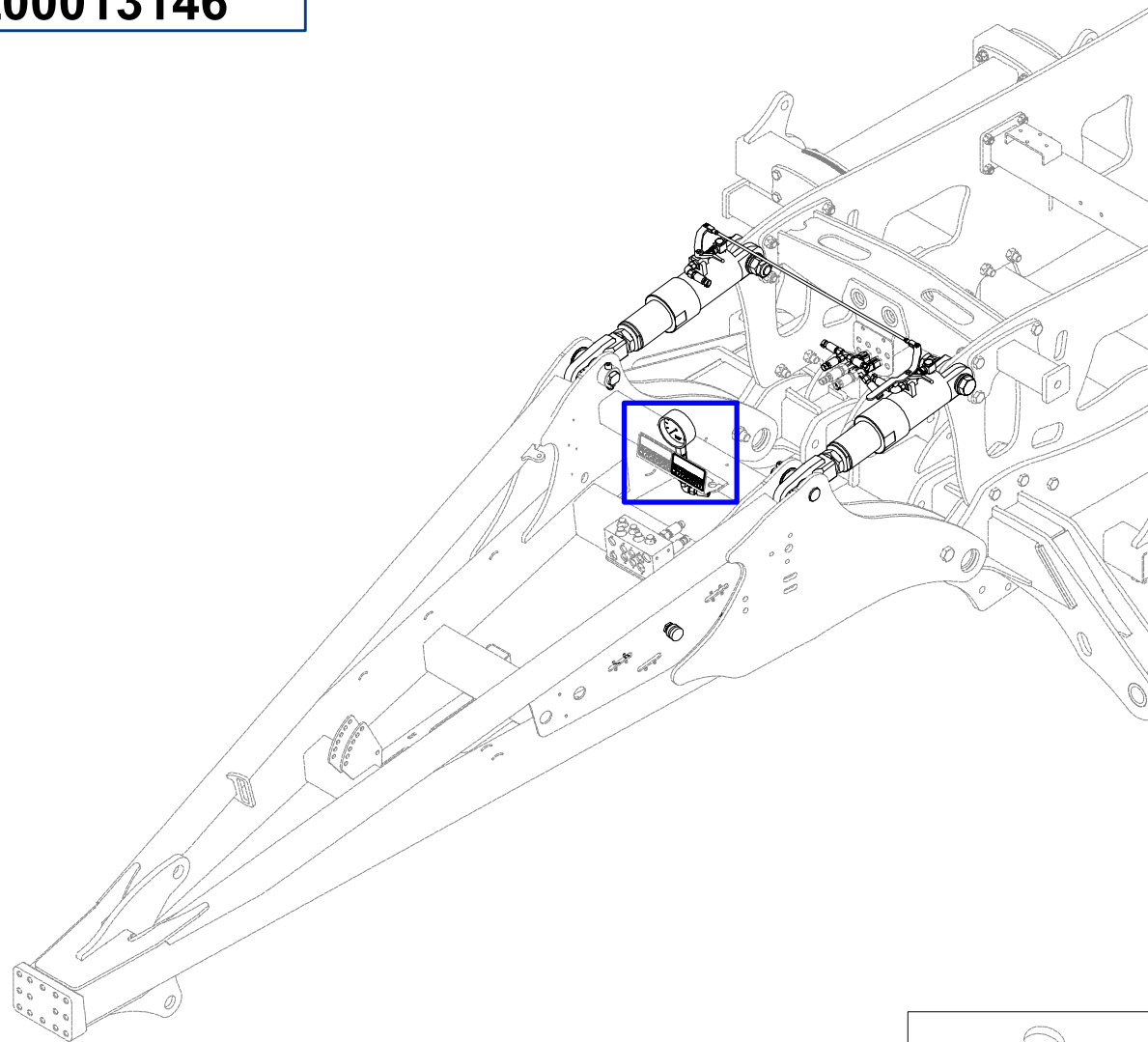
Ⓡ ГИДРАВЛИКА МАШИНЫ

Ⓟ HYDRAULIKA MASZYN



VZ00013146

| Pos. | Part Number | Pcs. |
|------|-------------|------|
| 21 | m05518 | 1 |
| 29 | m04320 | 1 |
| 30 | m22307 | 3 |
| 34 | m11974 | 1 |
| 35 | m08533 | 1 |
| 36 | m08328 | 1 |
| 37 | m06803 | 9 |
| 38 | m09625 | 1 |
| 43 | m11289 | 16 |
| 56 | m20773 | 1 |
| 70 | m04026 | 1 |
| 71 | m18087 | 1 |
| 72 | m09627 | 2 |
| 74 | m07645 | 1 |



ⒸZ HYDRAULIKA STROJE

Ⓓ HYDRAULIK DER MASCHINE

Ⓕ HYDRAULIQUE DE LA MACHINE

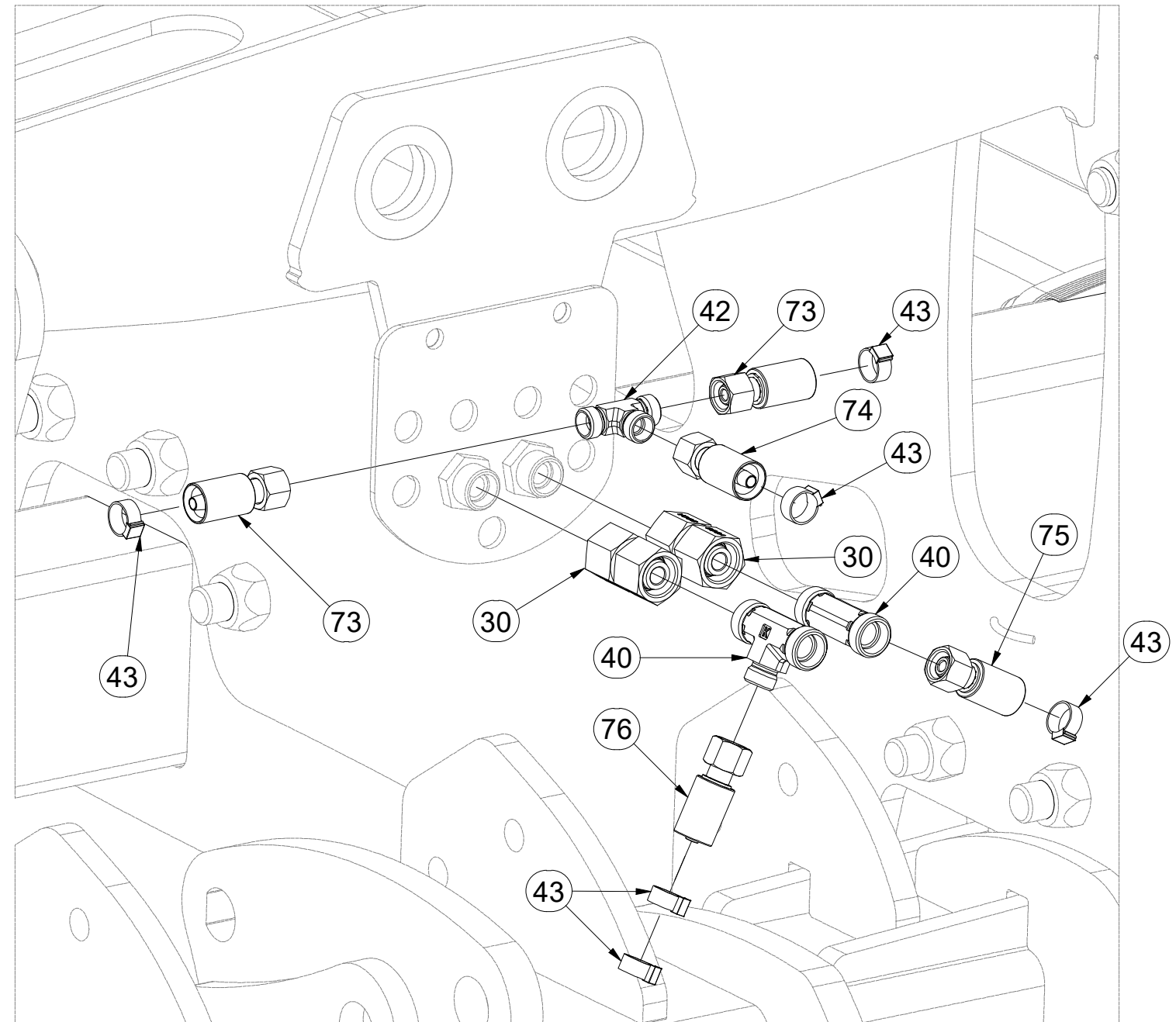
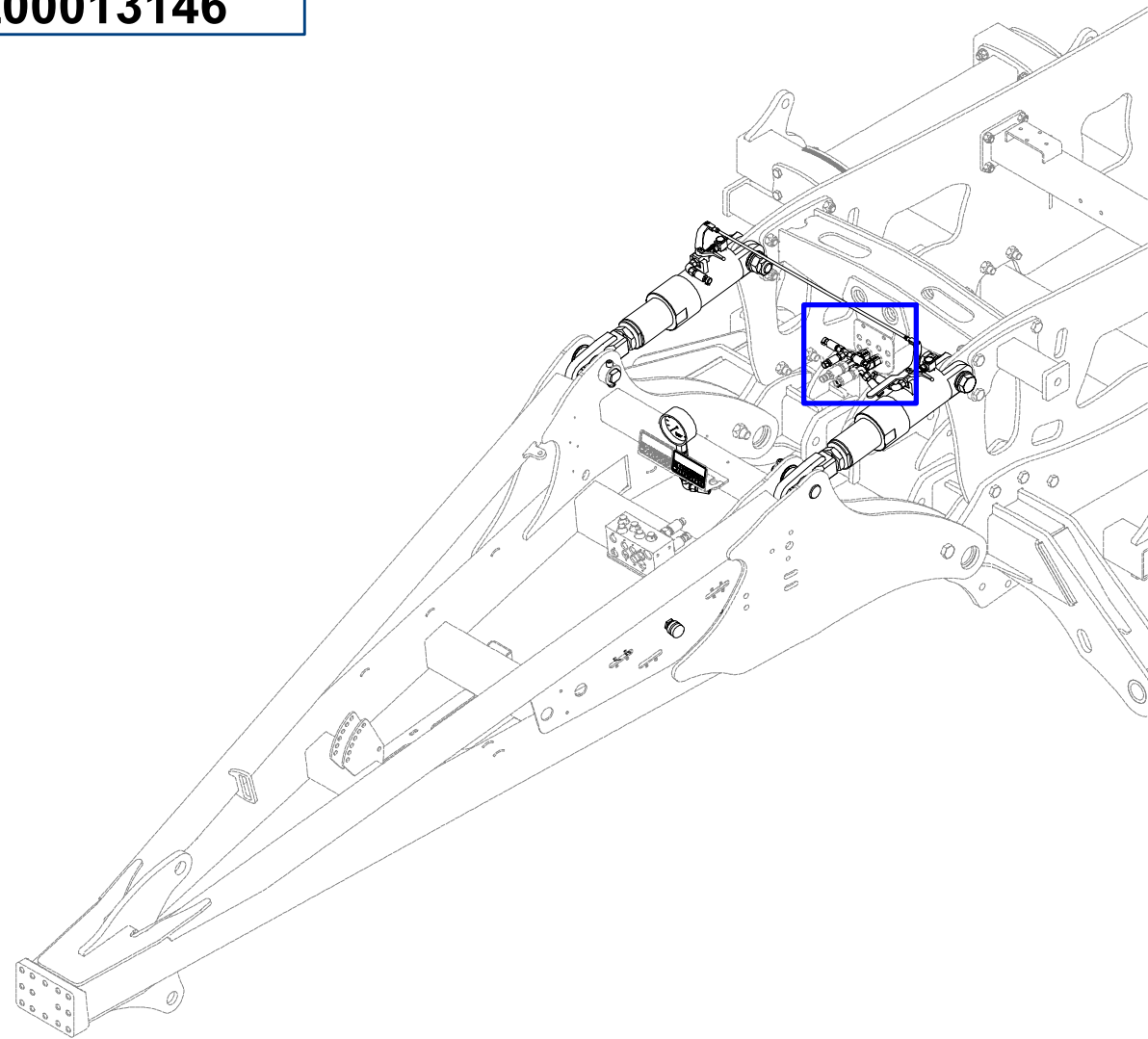
ⒸB MACHINE HYDRAULICS

ⒸR ГИДРАВЛИКА МАШИНЫ

ⒸL HYDRAULIKA MASZYN



VZ00013146



| Pos. | Part Number | Pcs. |
|------|-------------|------|
| 30 | m22307 | 3 |
| 40 | m08468 | 2 |
| 42 | m03889 | 1 |
| 43 | m11289 | 16 |
| 73 | m09628 | 2 |
| 74 | m07645 | 1 |
| 75 | m07360 | 1 |
| 76 | m11696 | 1 |

Ⓒ HYDRAULIKA STROJE

Ⓓ HYDRAULIK DER MASCHINE

Ⓕ HYDRAULIQUE DE LA MACHINE

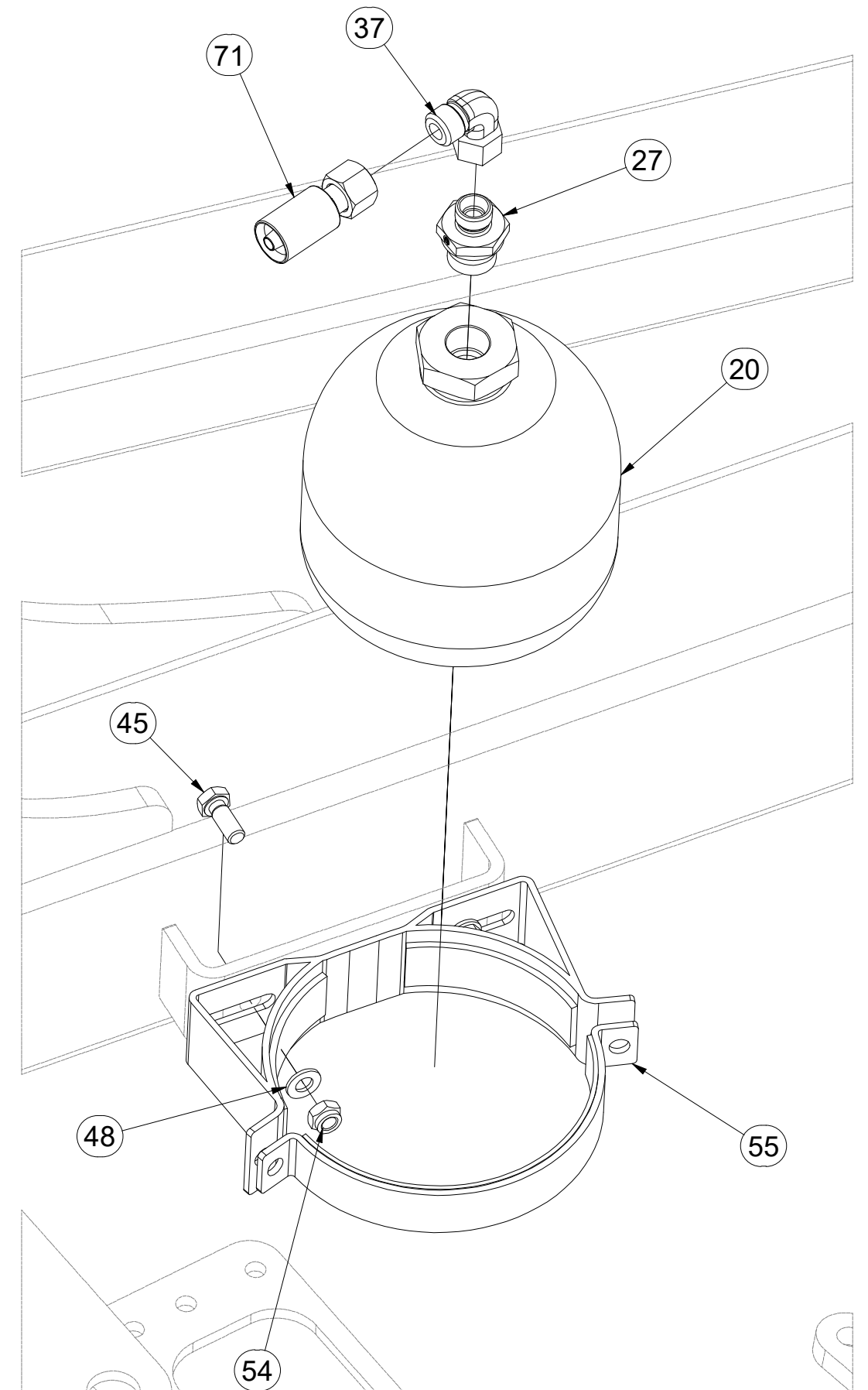
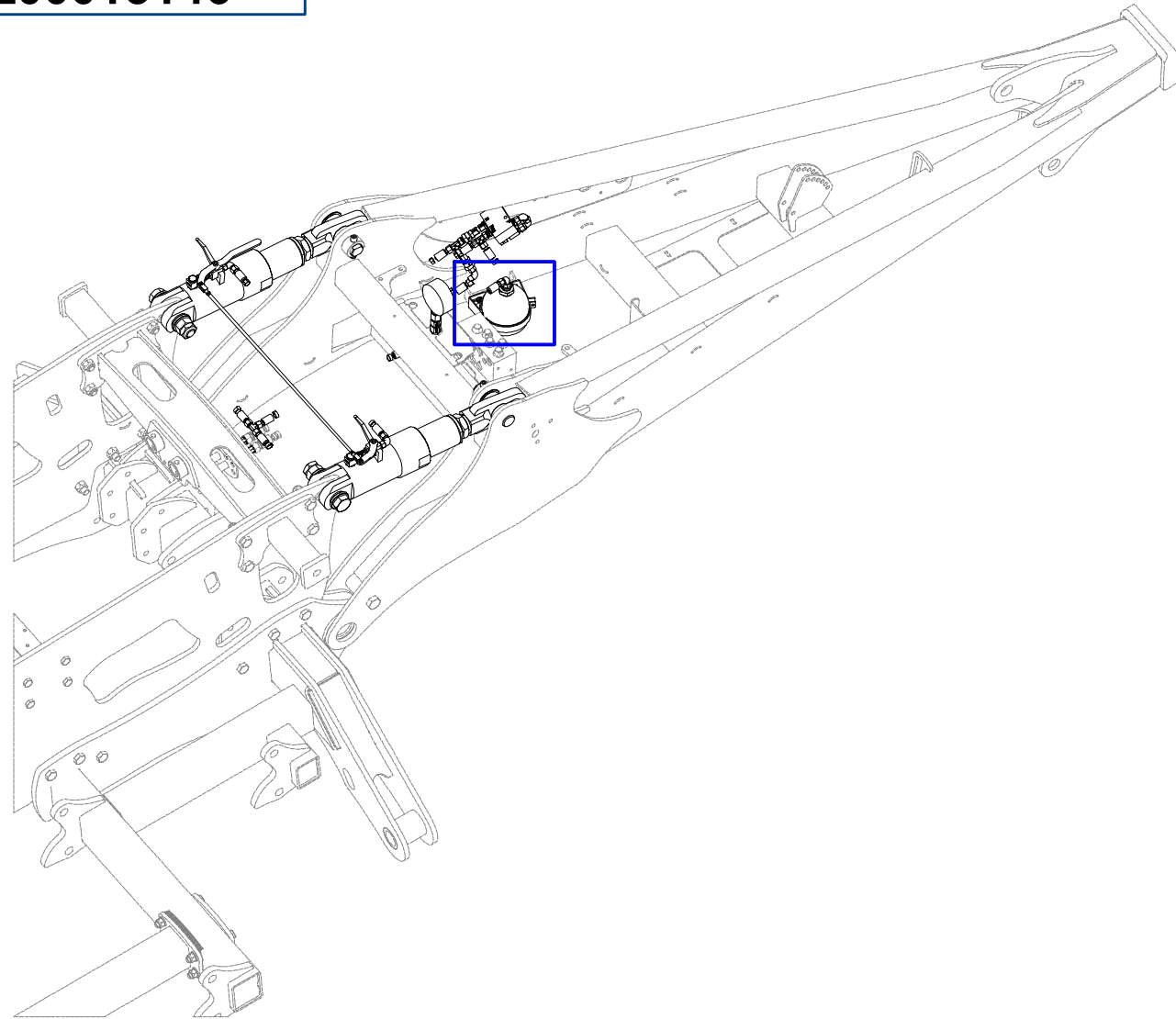
Ⓖ MACHINE HYDRAULICS

Ⓡ ГИДРАВЛИКА МАШИНЫ

Ⓟ HYDRAULIKA MASZYN



VZ00013146



| Pos. | Part Number | Pcs. |
|------|-------------|------|
| 20 | m09910 | 1 |
| 27 | m04560 | 1 |
| 37 | m06803 | 9 |
| 45 | m01089 | 2 |
| 48 | m01203 | 2 |
| 54 | m04503 | 2 |
| 55 | m15046 | 1 |
| 71 | m18087 | 1 |

ⒸZ HYDRAULIKA STROJE

Ⓓ HYDRAULIK DER MASCHINE

Ⓕ HYDRAULIQUE DE LA MACHINE

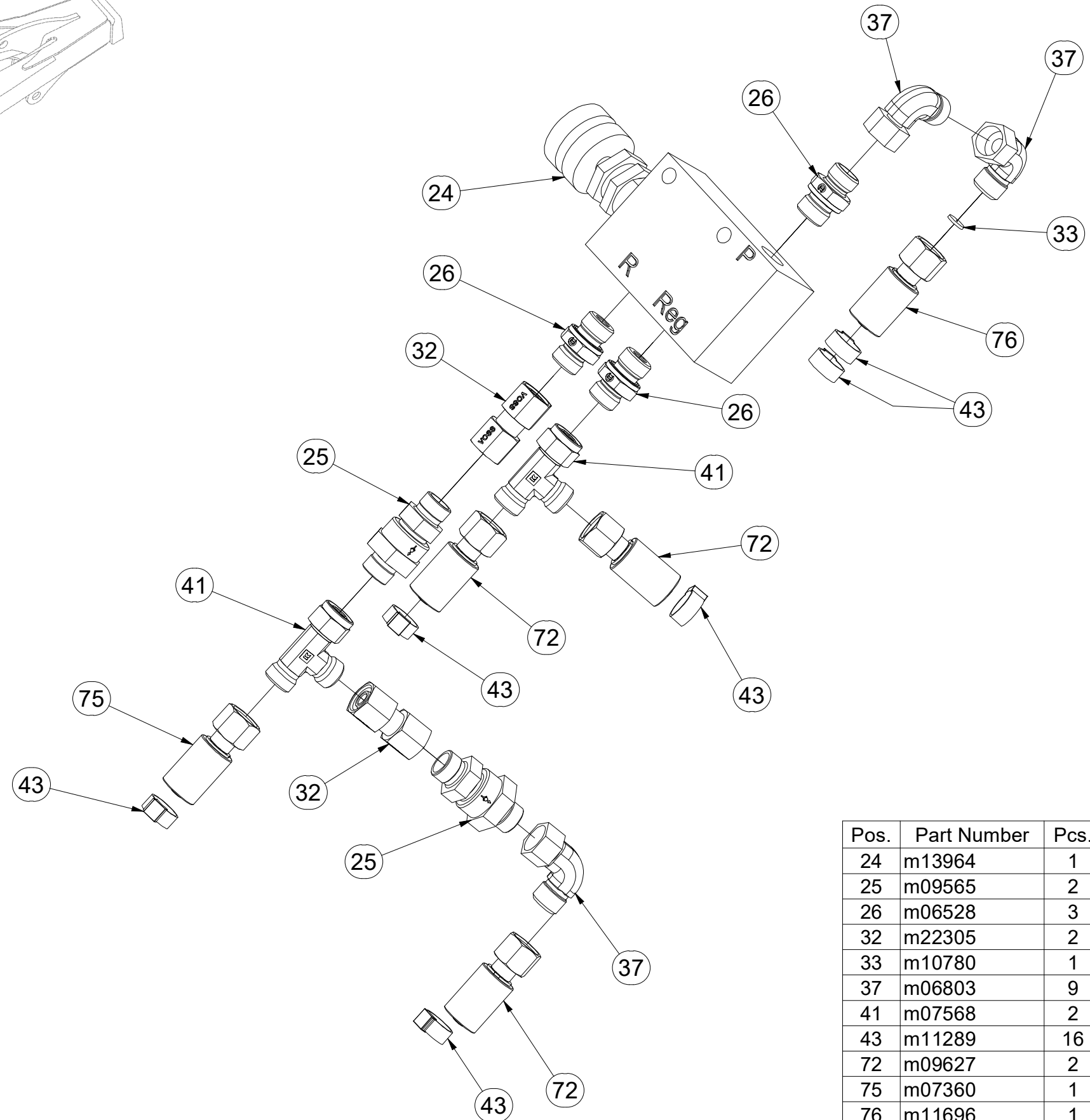
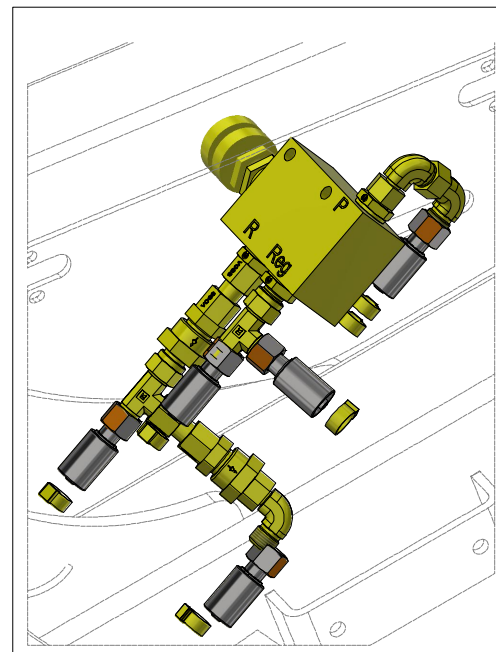
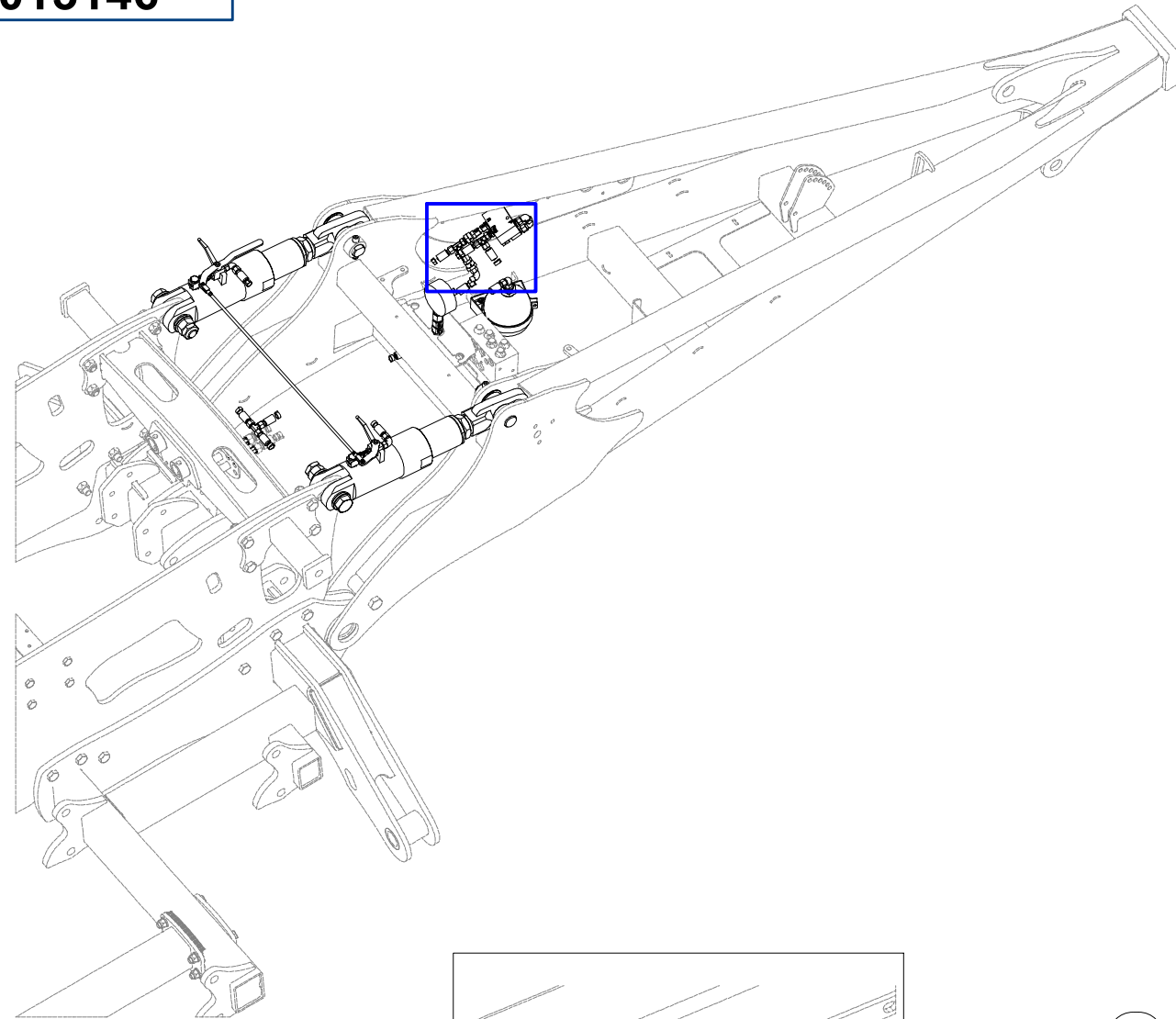
ⒸB MACHINE HYDRAULICS

ⒸU ГИДРАВЛИКА МАШИНЫ

ⒸL HYDRAULIKA MASZYNY



VZ00013146



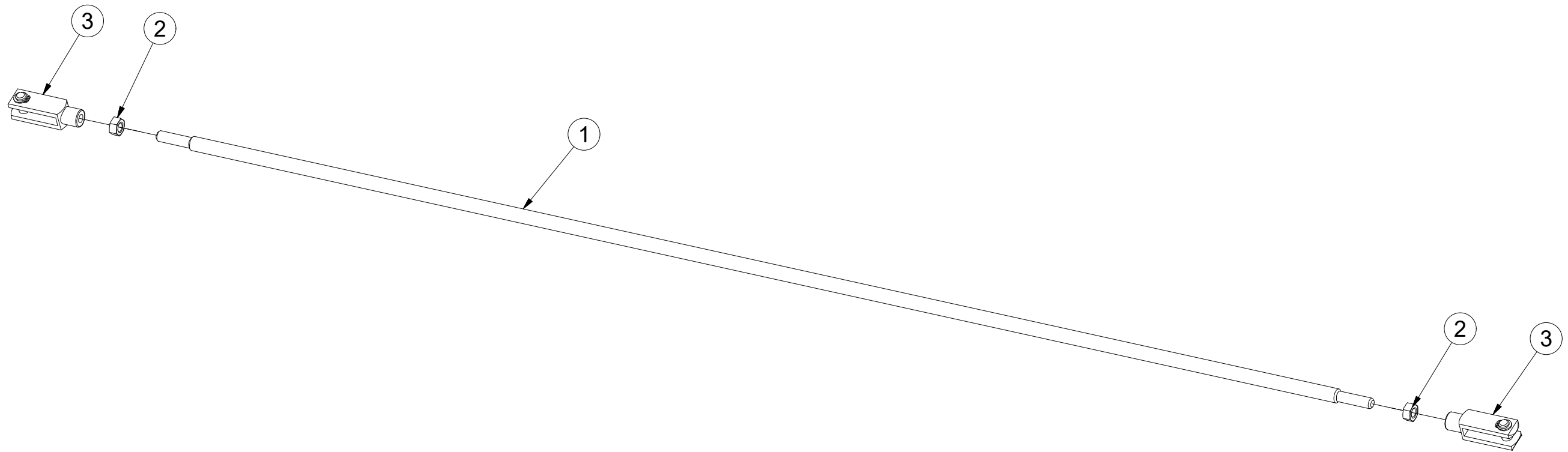
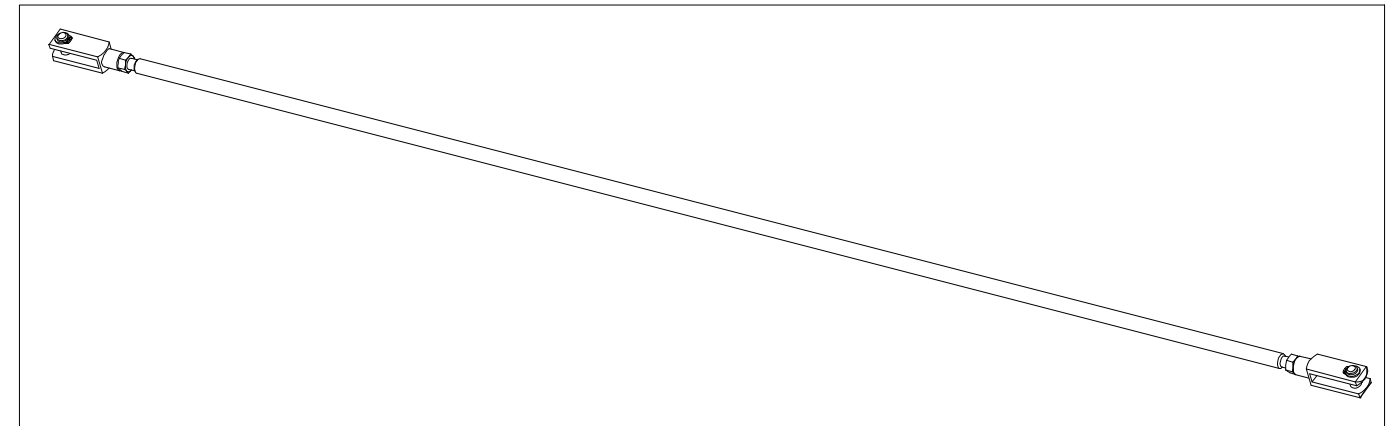
| Pos. | Part Number | Pcs. |
|------|-------------|------|
| 24 | m13964 | 1 |
| 25 | m09565 | 2 |
| 26 | m06528 | 3 |
| 32 | m22305 | 2 |
| 33 | m10780 | 1 |
| 37 | m06803 | 9 |
| 41 | m07568 | 2 |
| 43 | m11289 | 16 |
| 72 | m09627 | 2 |
| 75 | m07360 | 1 |
| 76 | m11696 | 1 |

ⒸZ TÁHLO
Ⓓ STANGE
Ⓕ TIGE DE TRACTION

ⒼB DRAWBAR
Ⓔ RU ТЯГА
ⒼL PRĘT



3009478



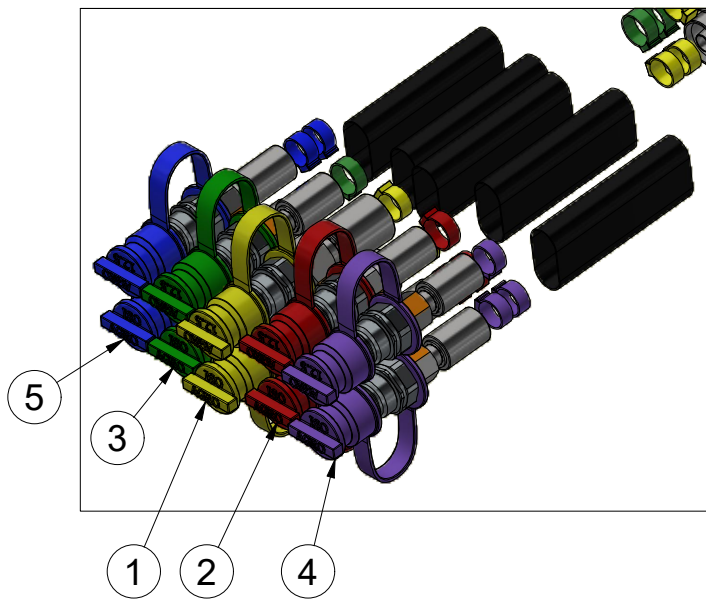
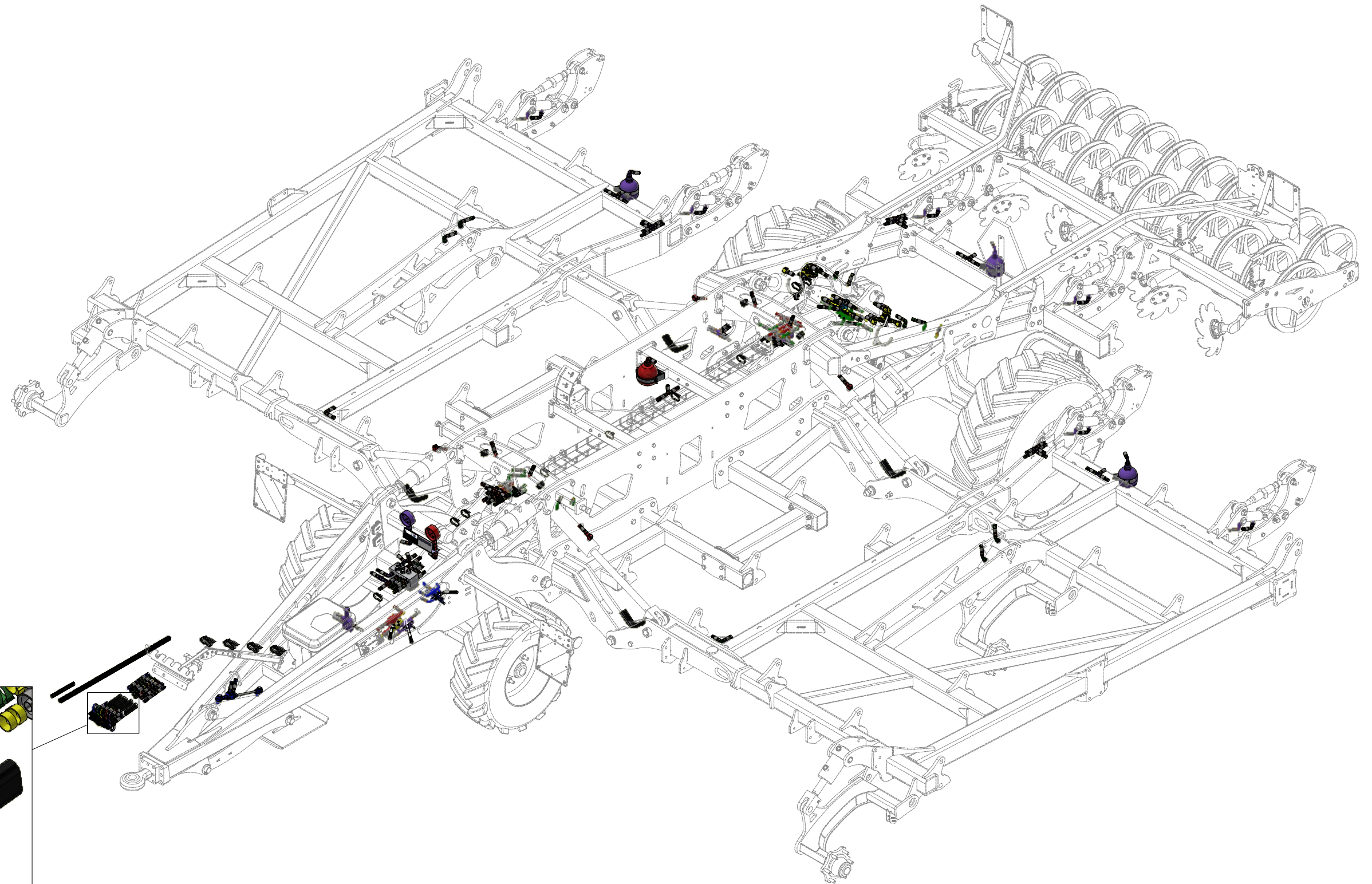
| Pos. | Part Number | Pcs. |
|------|-------------|------|
| 1 | 4019000 | 1 |
| 2 | m01295 | 2 |
| 3 | m16504 | 2 |

(CZ) HYDRAULIKA STROJE
 (D) HYDRAULIK DER MASCHINE
 (F) HYDRAULIQUE DE LA MACHINE

(GB) MACHINE HYDRAULICS
 (RU) ГИДРАВЛИКА МАШИНЫ
 (PL) HYDRAULIKA MASZYNY

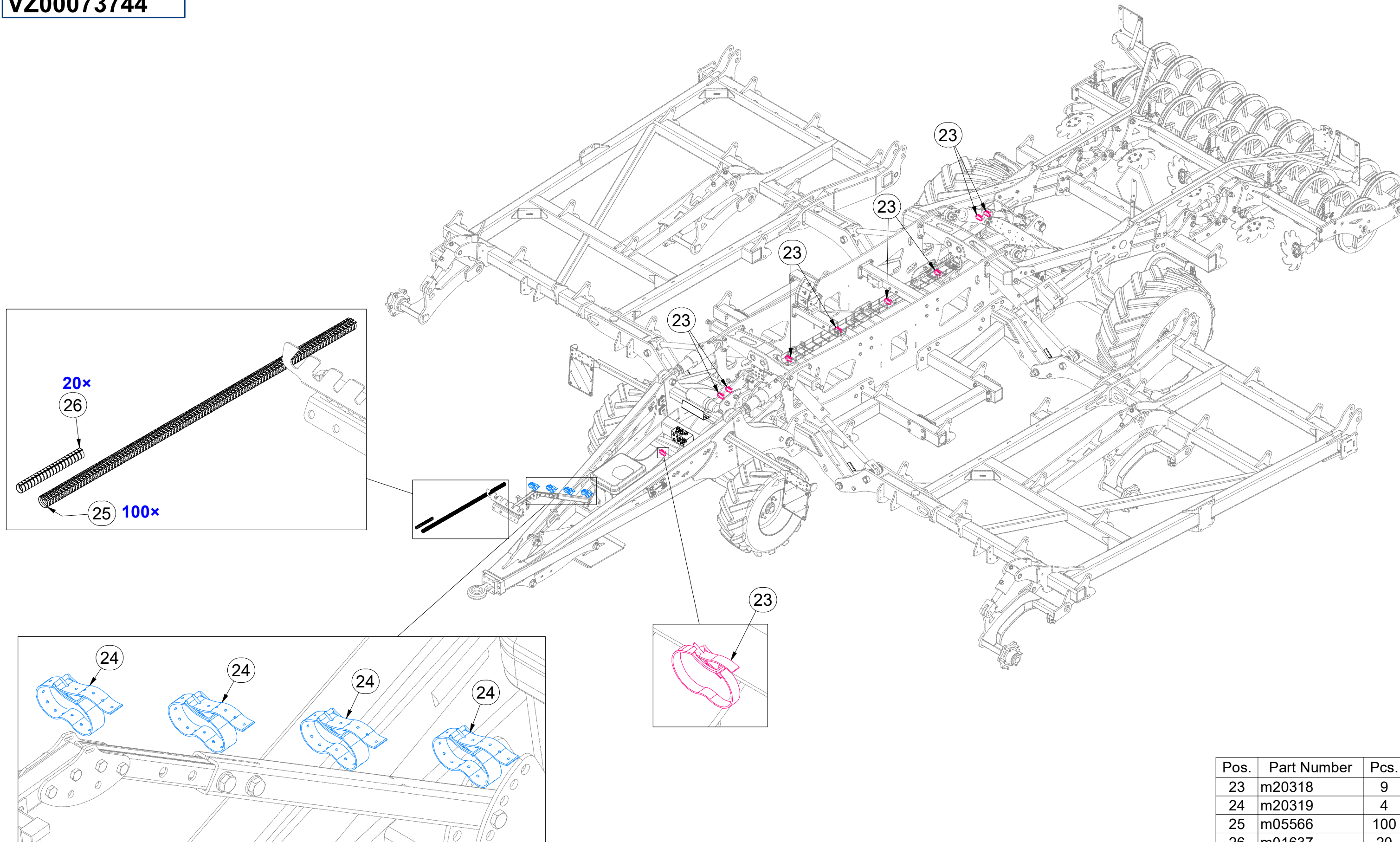


VZ00073744



| Pos. | Part Number | Pcs. |
|------|-------------|------|
| 1 | VZ00073745 | 1 |
| 2 | VZ00013598 | 1 |
| 3 | VZ00073746 | 1 |
| 4 | VZ00073747 | 1 |
| 5 | VZ00013636 | 1 |

VZ00073744



| Pos. | Part Number | Pcs. |
|------|-------------|------|
| 23 | m20318 | 9 |
| 24 | m20319 | 4 |
| 25 | m05566 | 100 |
| 26 | m01637 | 20 |

ⒸZ HYDRAULIKA STROJE

Ⓓ HYDRAULIK DER MASCHINE

Ⓕ HYDRAULIQUE DE LA MACHINE

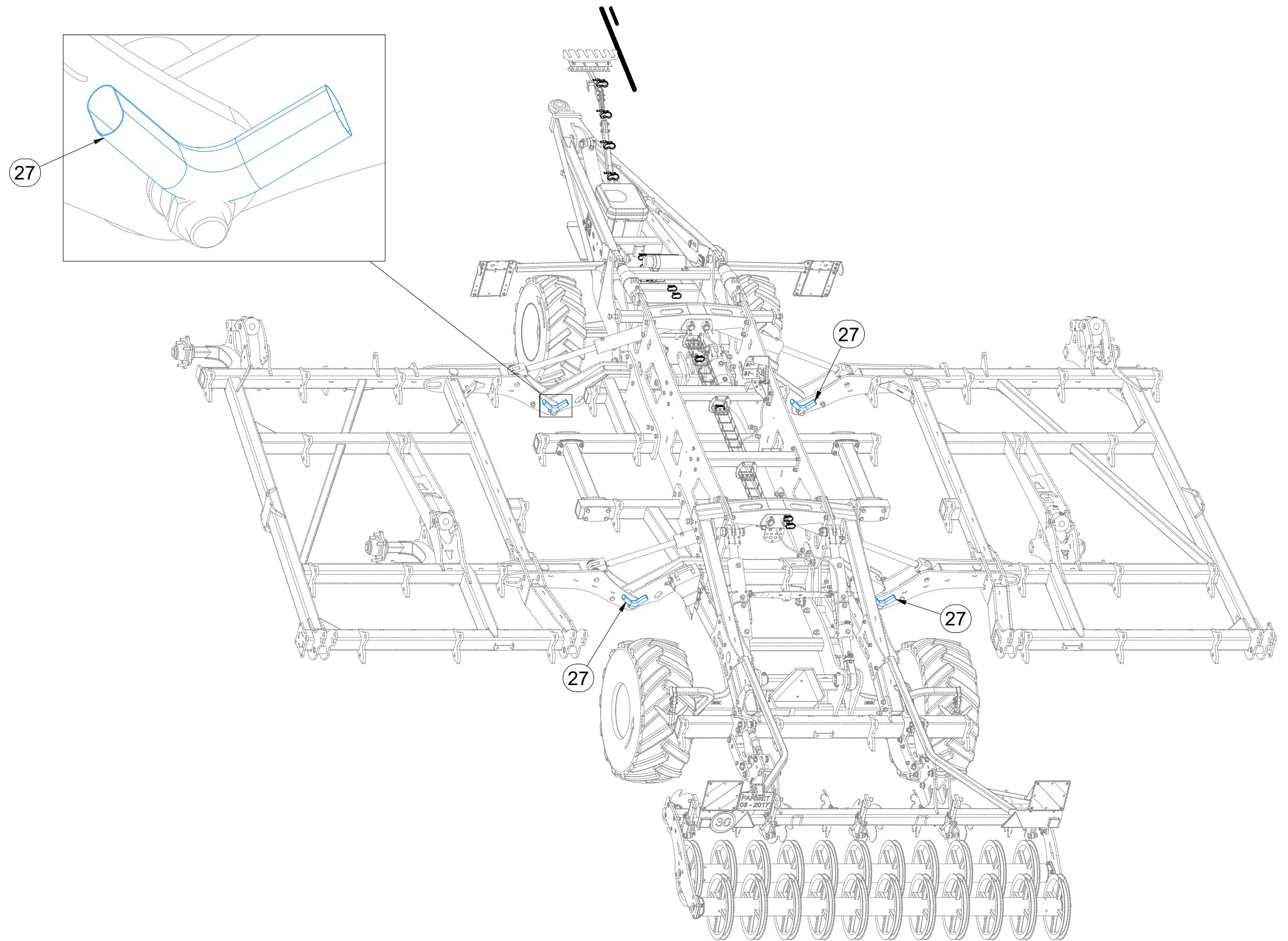
ⒼB MACHINE HYDRAULICS

Ⓔ RU ГИДРАВЛИКА МАШИНЫ

Ⓗ PL HYDRAULIKA MASZYNY



VZ00073744



| Pos. | Part Number | Pcs. |
|------|-------------|------|
| 27 | m11183 | 4 |

Ⓒ HYDRAULIKA STROJE

Ⓓ HYDRAULIK DER MASCHINE

Ⓕ HYDRAULIQUE DE LA MACHINE

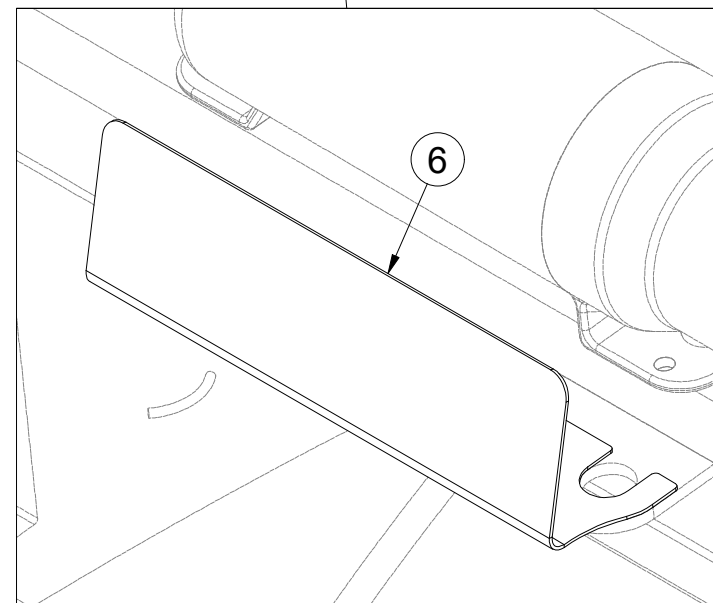
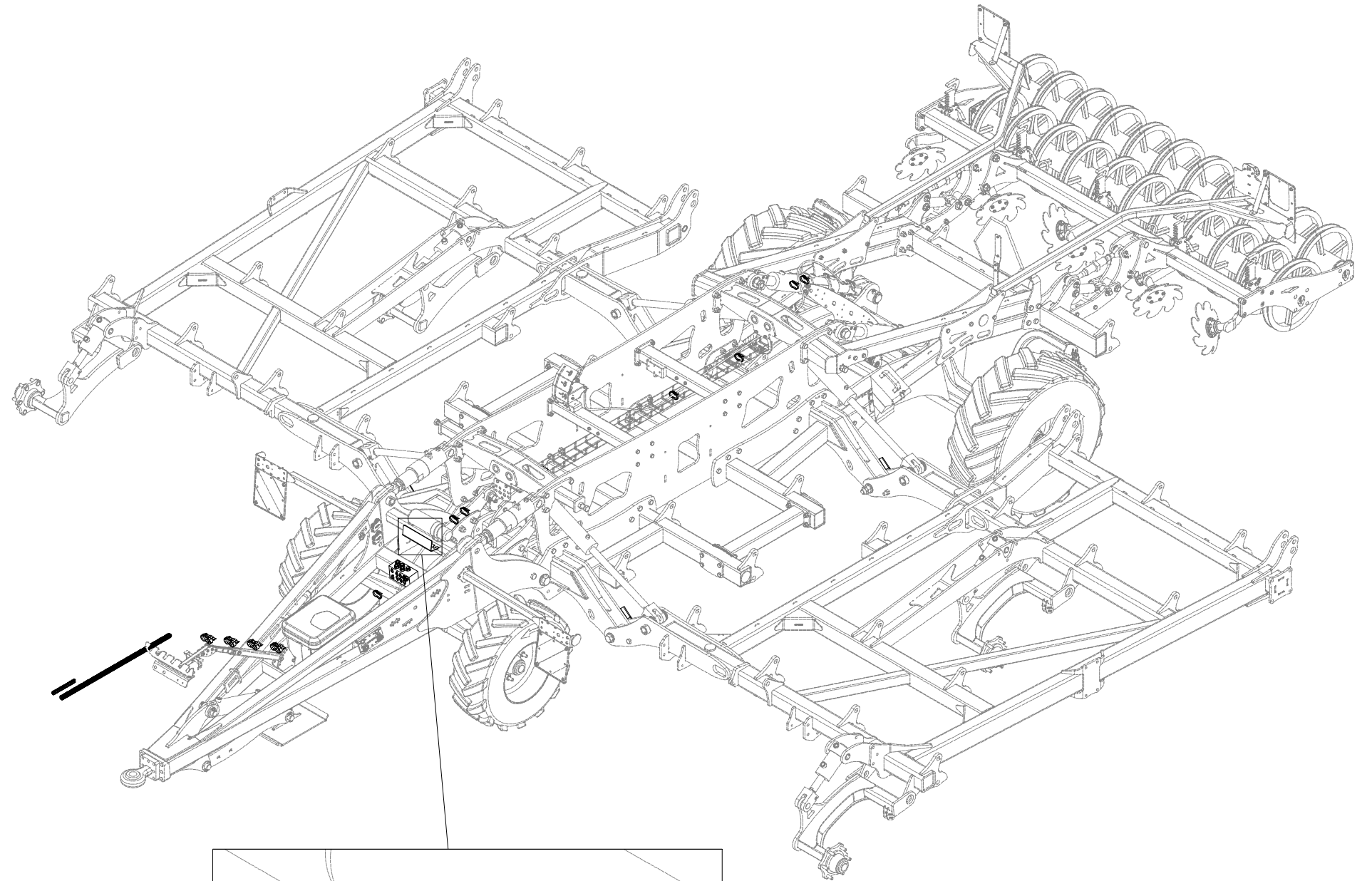
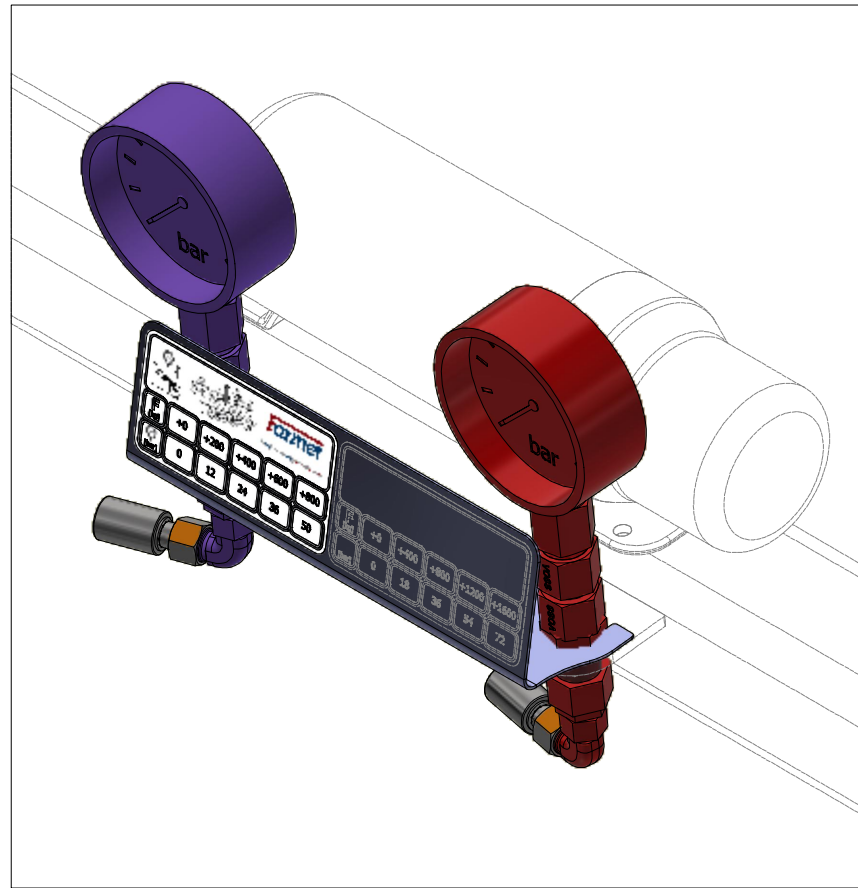
Ⓖ MACHINE HYDRAULICS

Ⓡ ГИДРАВЛИКА МАШИНЫ

Ⓟ HYDRAULIKA MASZYN



VZ00073744



| Pos. | Part Number | Pcs. |
|------|-------------|------|
| 6 | VZ00015835 | 1 |

ⒸZ HYDRAULIKA STROJE

Ⓓ HYDRAULIK DER MASCHINE

Ⓕ HYDRAULIQUE DE LA MACHINE

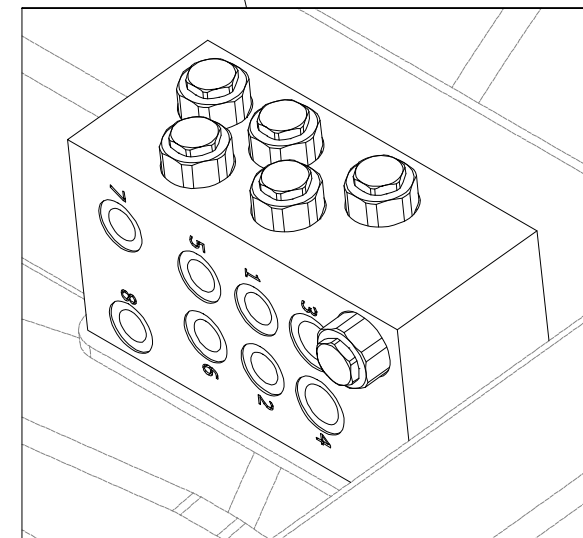
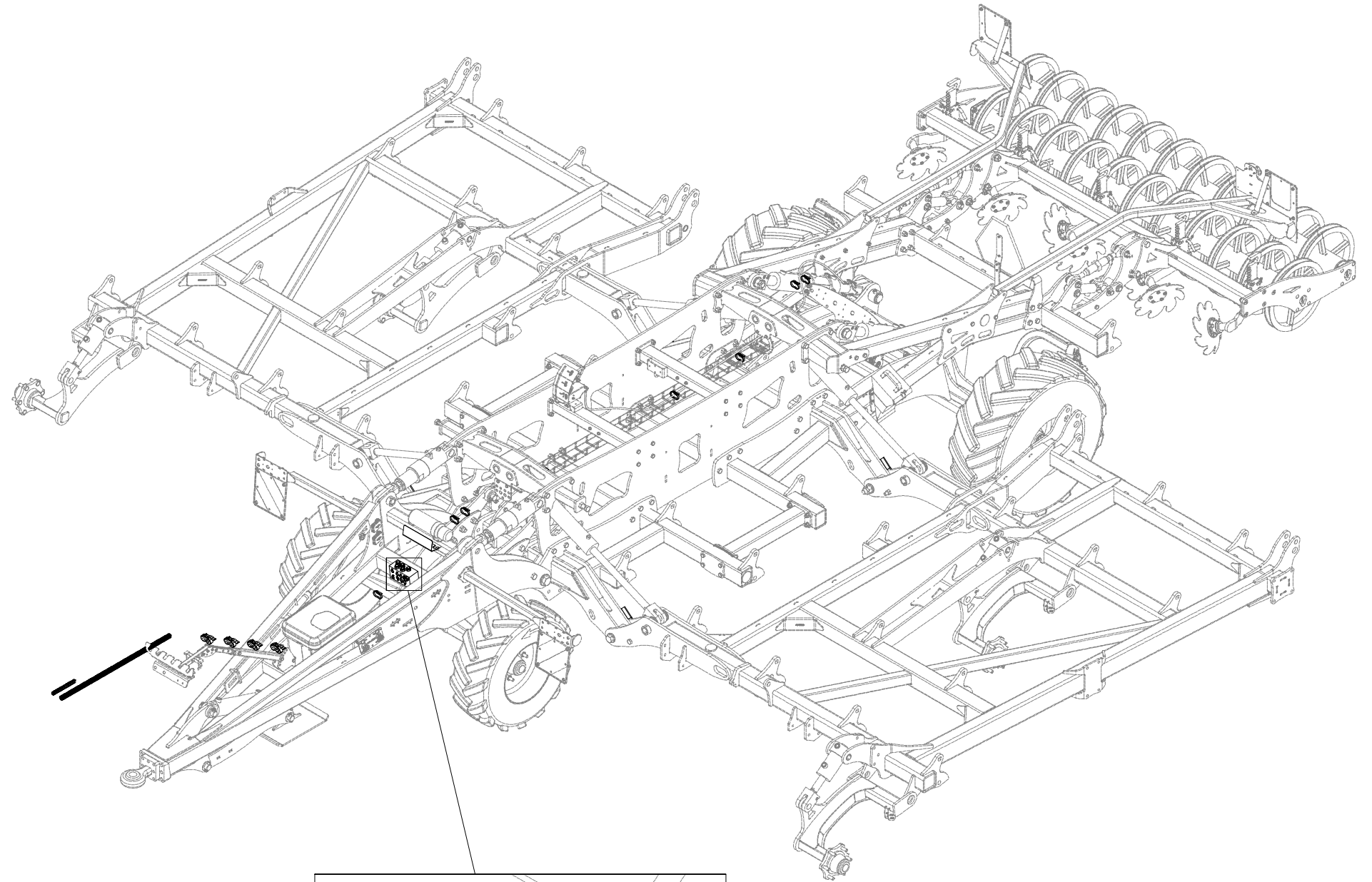
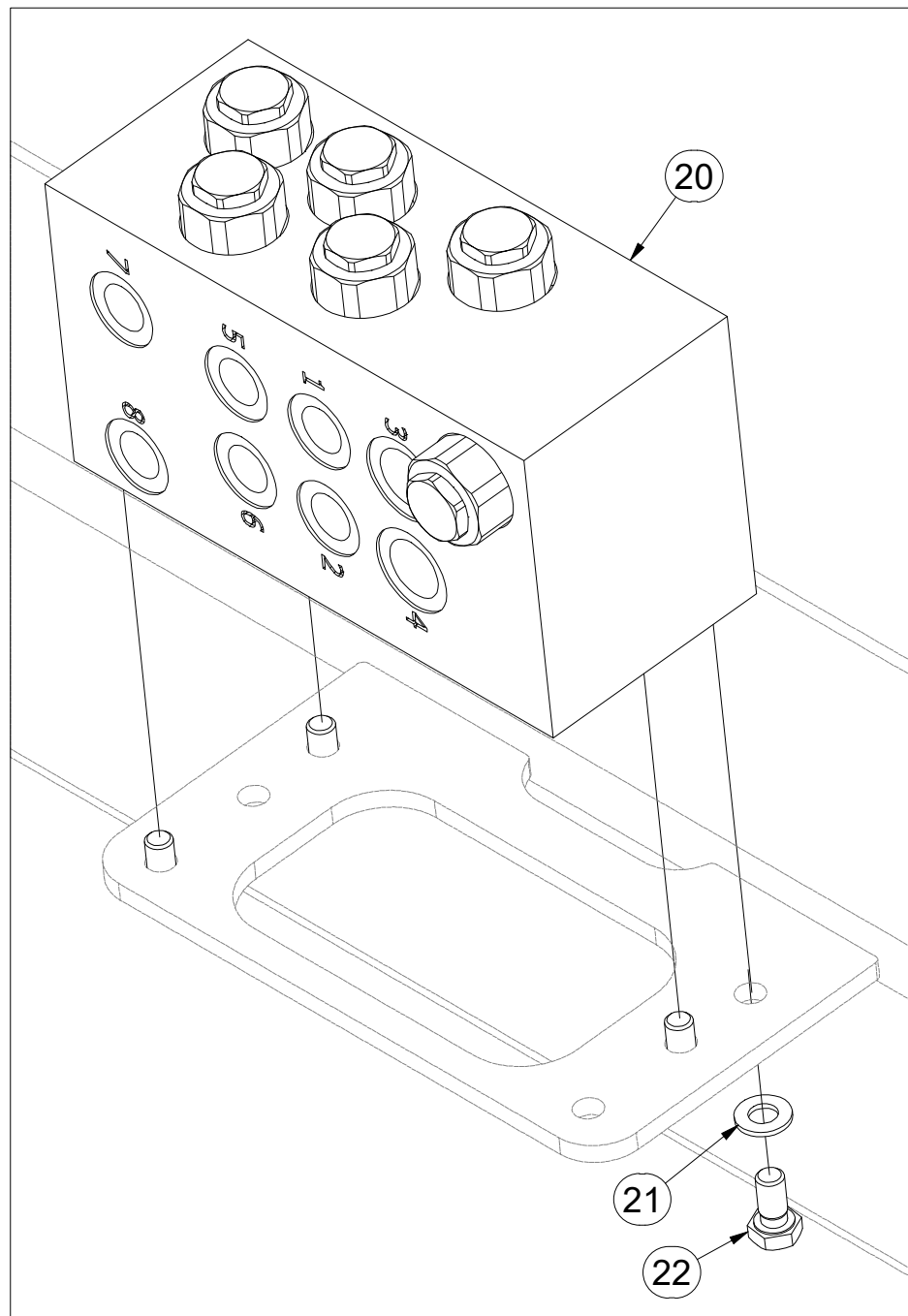
ⒸB MACHINE HYDRAULICS

ⒸR ГИДРАВЛИКА МАШИНЫ

ⒸL HYDRAULIKA MASZYNY



VZ00073744



| Pos. | Part Number | Pcs. |
|------|-------------|------|
| 20 | m20118 | 1 |
| 21 | m01203 | 4 |
| 22 | m04553 | 4 |

ⒸZ HYDRAULICKÝ ROZVOD SKLÁPĚNÍ

Ⓓ HYDRAULISCHE VERTEILUNG KLAPPMECHANISMUS

Ⓕ CONDUIT HYDRAULIQUE DU BASCULEMENT

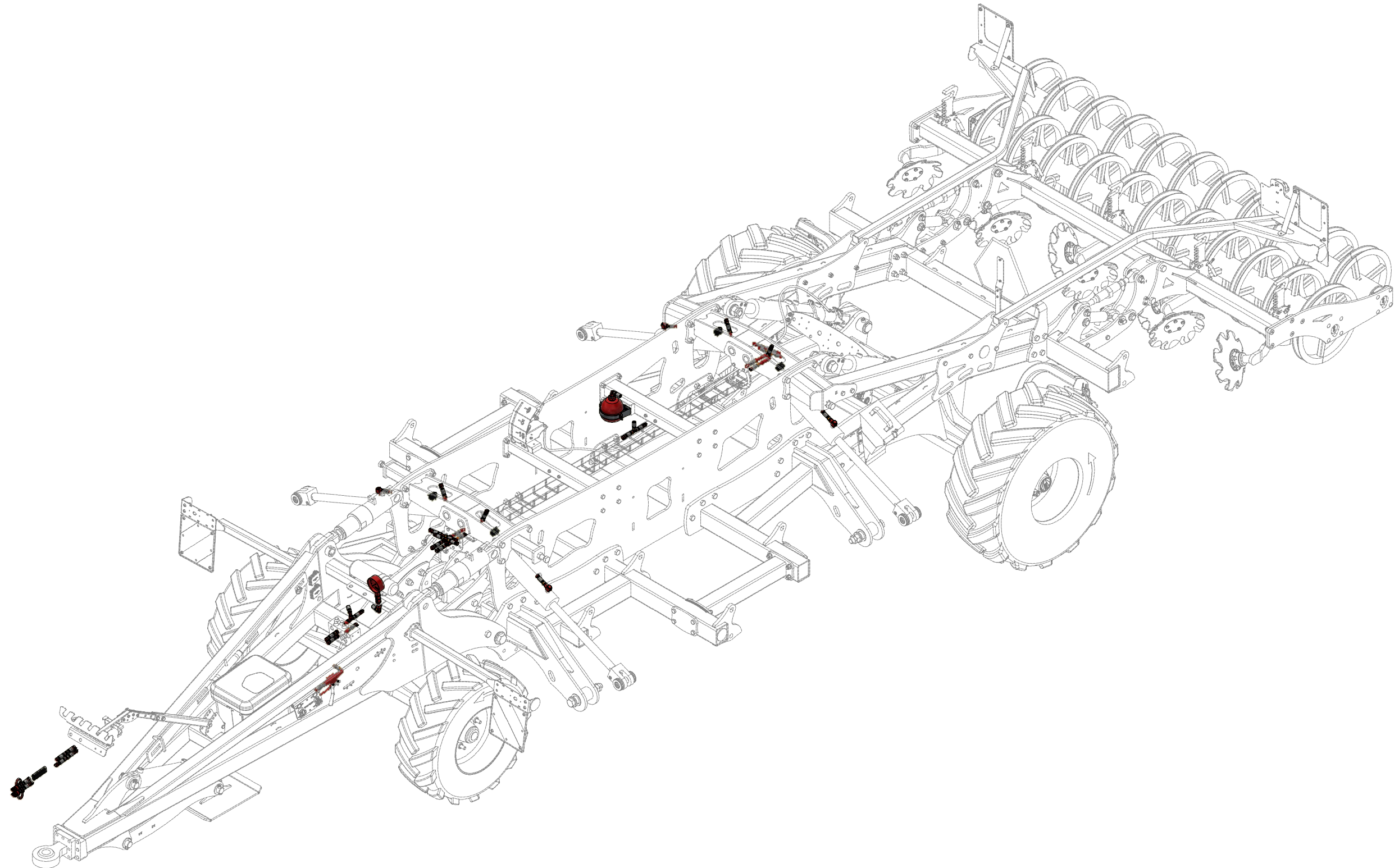
ⒼB HYDRAULIC FOLDING DISTRIBUTION

Ⓔ RU ГИДРАВЛИЧЕСКОЕ РАСПРЕДЕЛЕНИЕ СКЛАДЫВАНИЯ

Ⓗ PL HYDRAULICZNY PRZEWÓD SKŁADANIA

Farmet

VZ00013598



ⒸZ HYDRAULICKÝ ROZVOD SKLÁPĚNÍ

Ⓓ HYDRAULISCHE VERTEILUNG KLAPPMECHANISMUS

Ⓕ CONDUIT HYDRAULIQUE DU BASCULEMENT

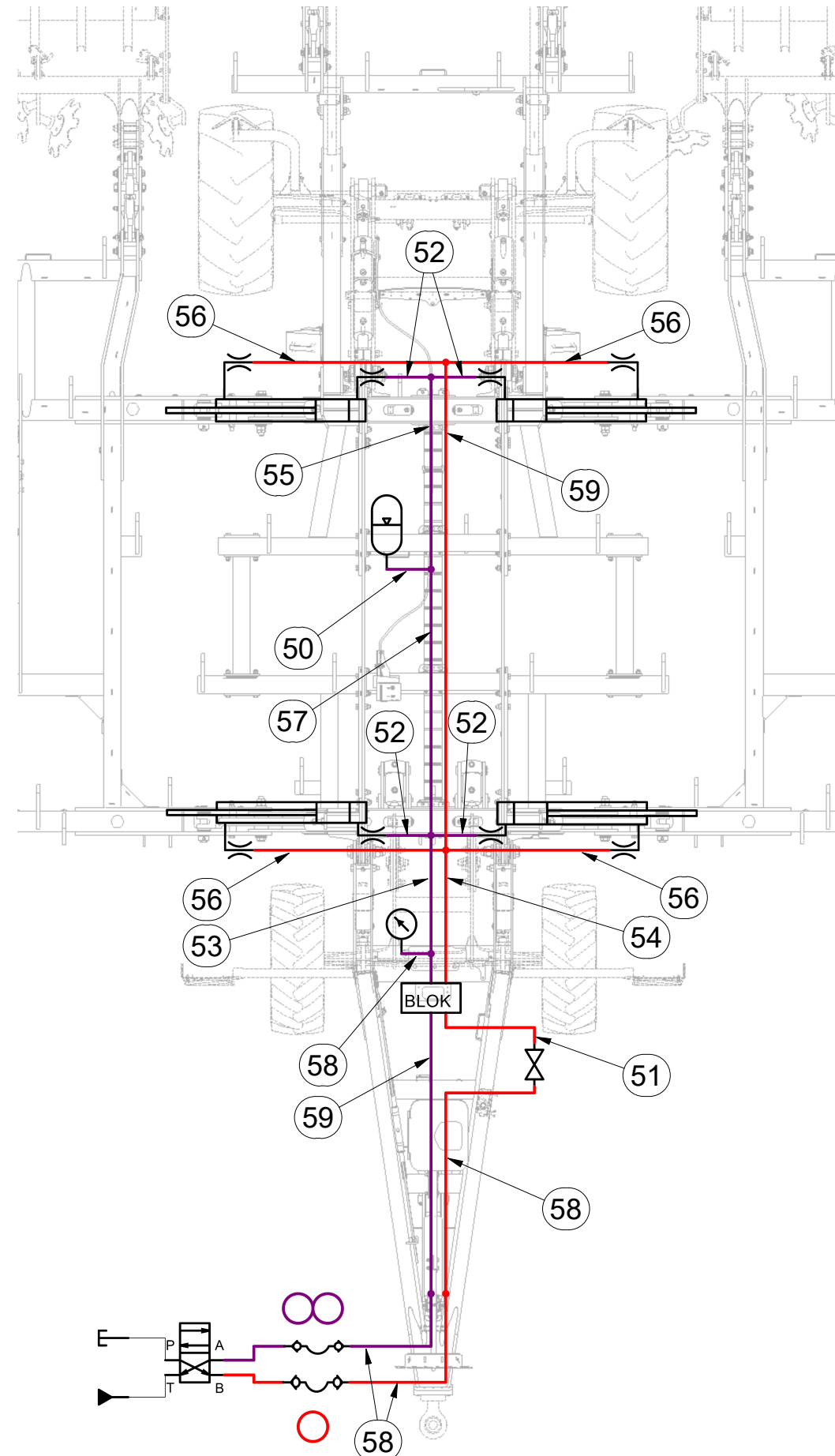
ⒸB HYDRAULIC FOLDING DISTRIBUTION

Ⓔ ГИДРАВЛИЧЕСКОЕ РАСПРЕДЕЛЕНИЕ СКЛАДЫВАНИЯ

Ⓗ HYDRAULICZNY PRZEWÓD SKŁADANIA

Farmet

VZ00013598



| Pos. | Part Number | Pcs. |
|------|-------------|------|
| 50 | m18087 | 1 |
| 51 | m04827 | 1 |
| 52 | m07645 | 4 |
| 53 | m07364 | 1 |
| 54 | m20170 | 1 |
| 55 | m03951 | 1 |
| 56 | m06533 | 4 |
| 57 | m07360 | 1 |
| 58 | m03714 | 4 |
| 59 | m15154 | 2 |

ⒸZ HYDRAULICKÝ ROZVOD SKLÁPĚNÍ

Ⓓ HYDRAULISCHE VERTEILUNG KLAPPMECHANISMUS

Ⓕ CONDUIT HYDRAULIQUE DU BASCULEMENT

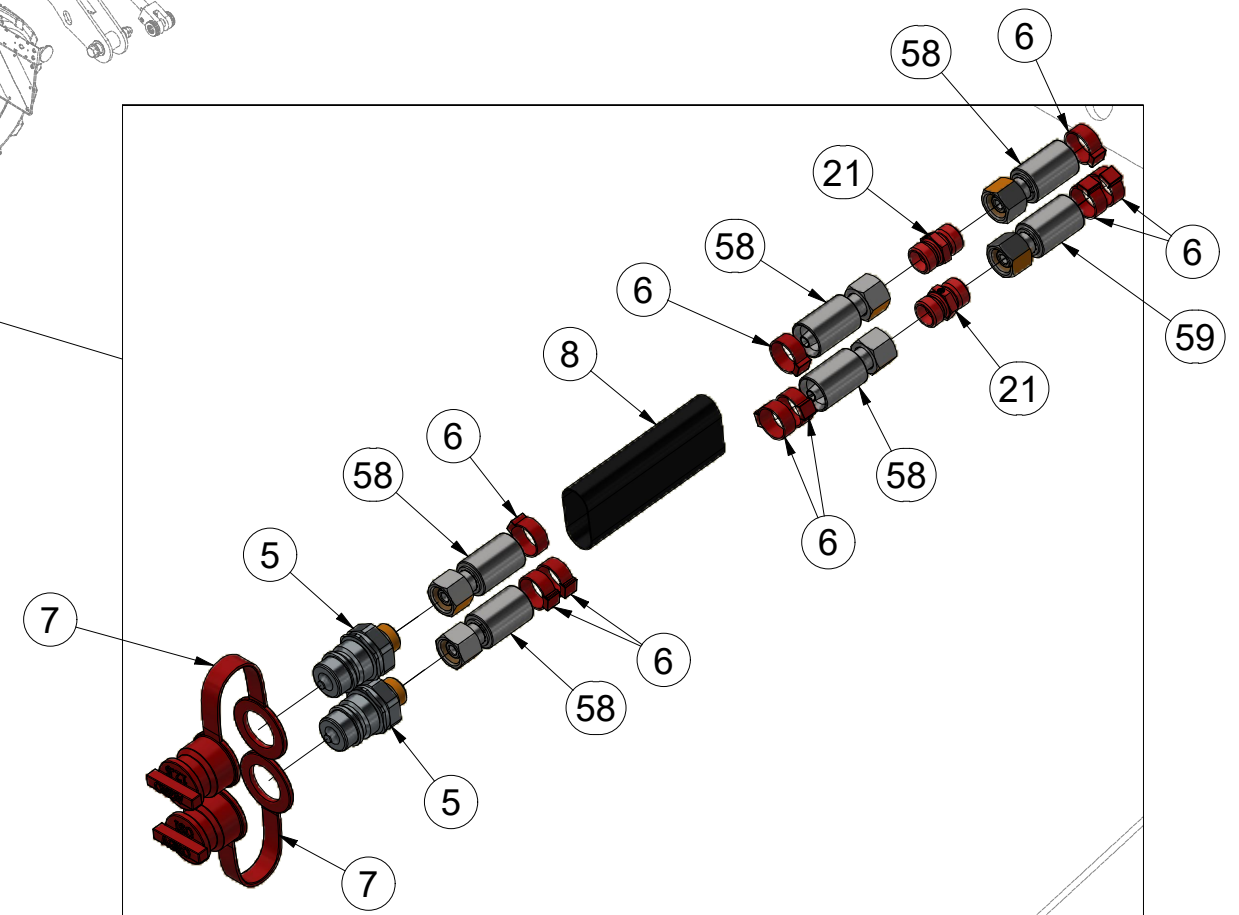
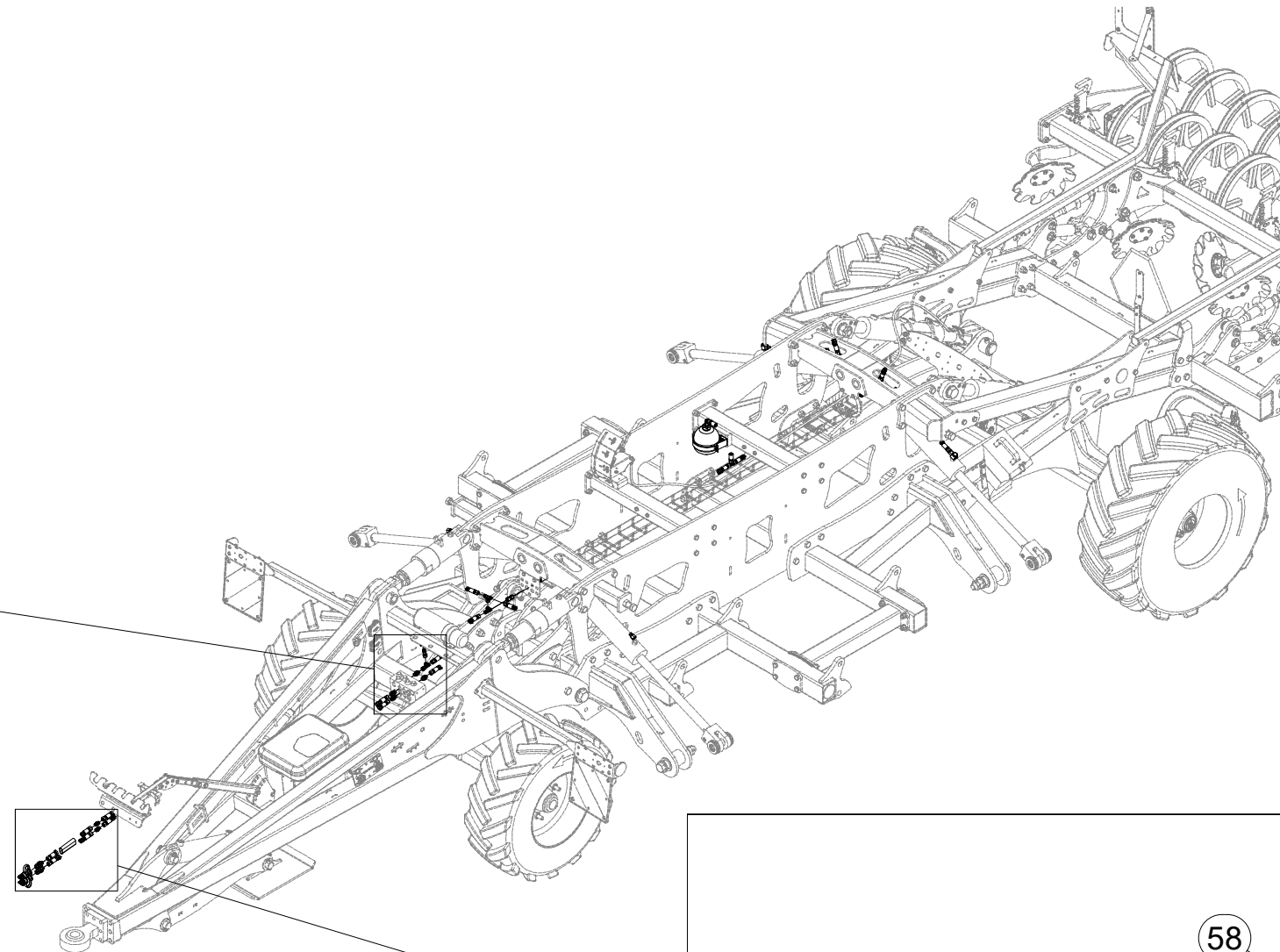
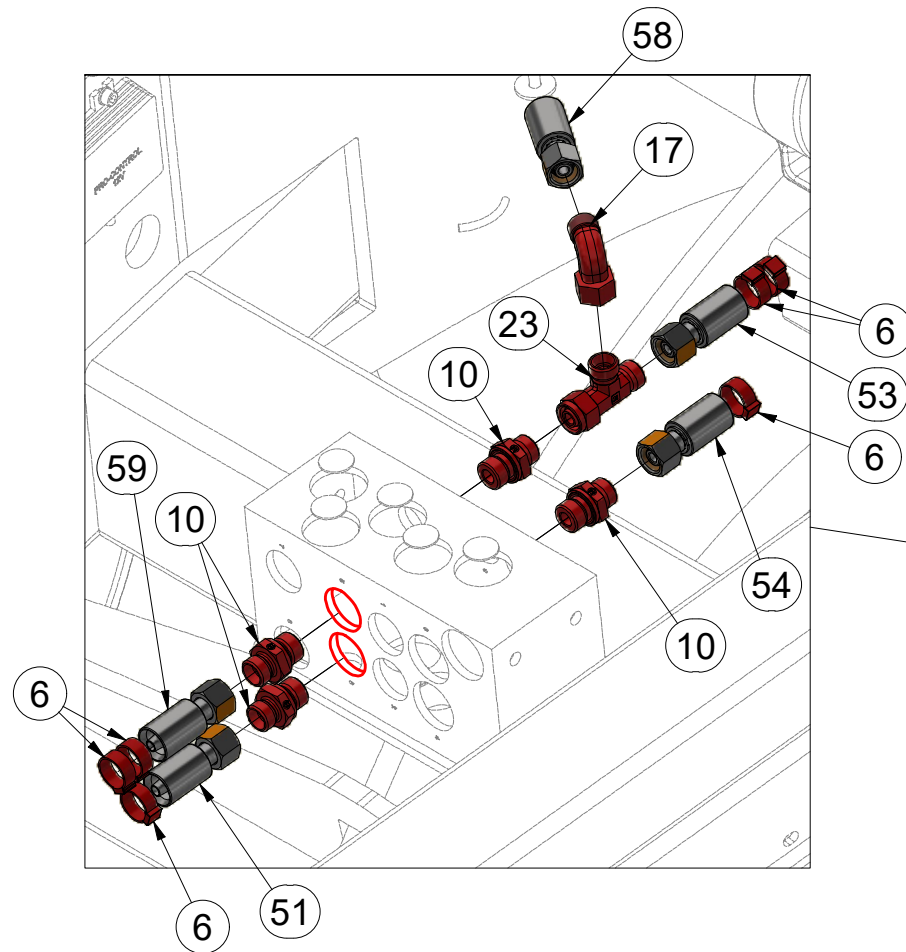
ⒸB HYDRAULIC FOLDING DISTRIBUTION

ⒸU ГИДРАВЛИЧЕСКОЕ РАСПРЕДЕЛЕНИЕ СКЛАДЫВАНИЯ

ⒸL HYDRAULICZNY PRZEWÓD SKŁADANIA



VZ00013598



| Pos. | Part Number | Pcs. | Pos. | Part Number | Pcs. |
|------|-------------|------|------|-------------|------|
| 5 | m03849 | 2 | 23 | m07568 | 1 |
| 6 | m11294 | 54 | 51 | m04827 | 1 |
| 7 | m04022 | 2 | 53 | m07364 | 1 |
| 8 | m11183 | 1 | 54 | m20170 | 1 |
| 10 | m06528 | 4 | 58 | m03714 | 4 |
| 17 | m06803 | 4 | 59 | m15154 | 2 |
| 21 | m03213 | 2 | | | |

Ⓒ HYDRAULICKÝ ROZVOD SKLÁPĚNÍ

Ⓓ HYDRAULISCHE VERTEILUNG KLAPPMECHANISMUS

Ⓕ CONDUIT HYDRAULIQUE DU BASCULEMENT

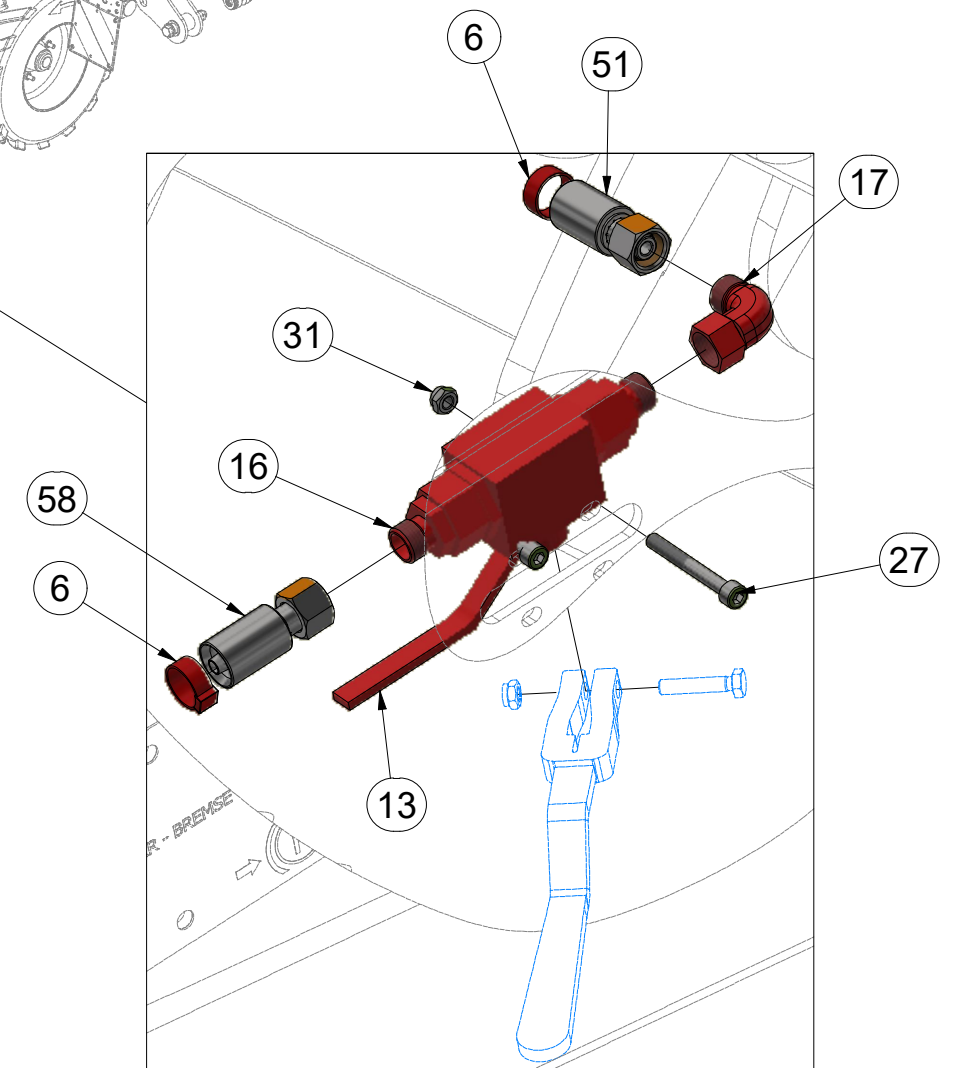
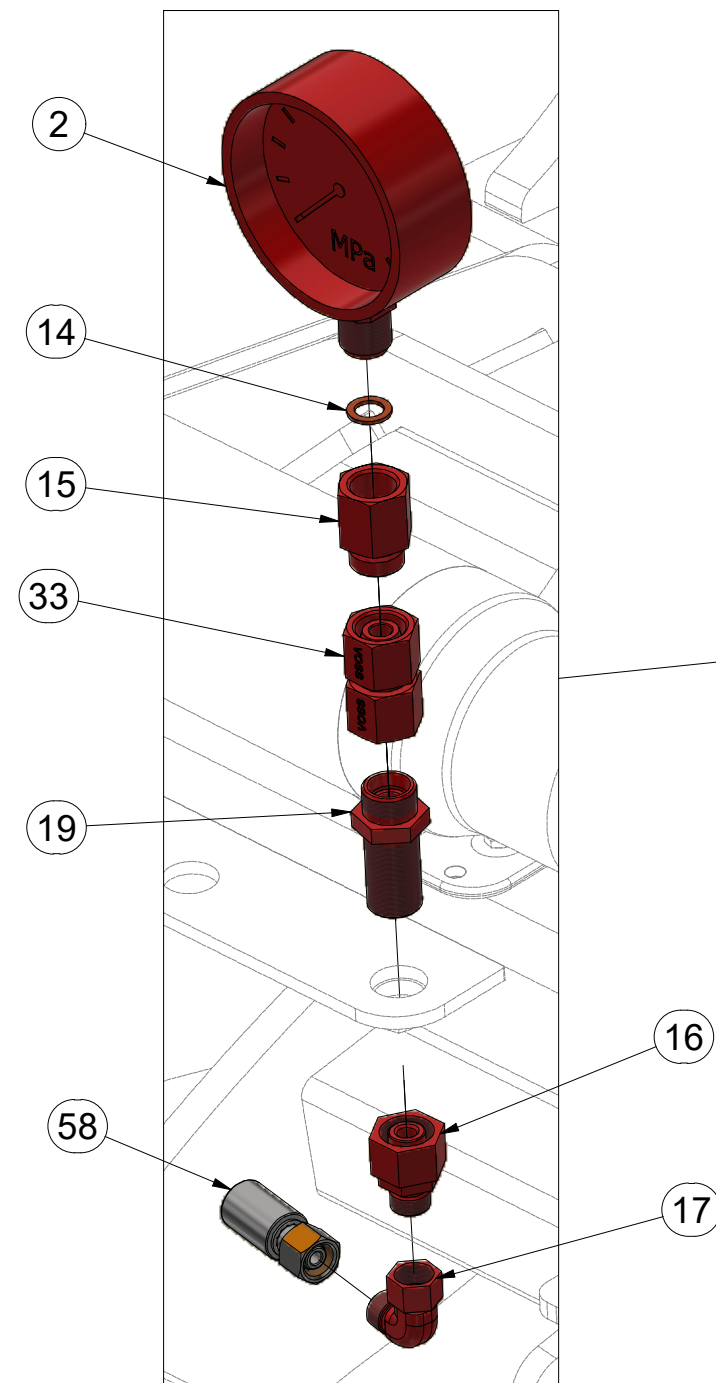
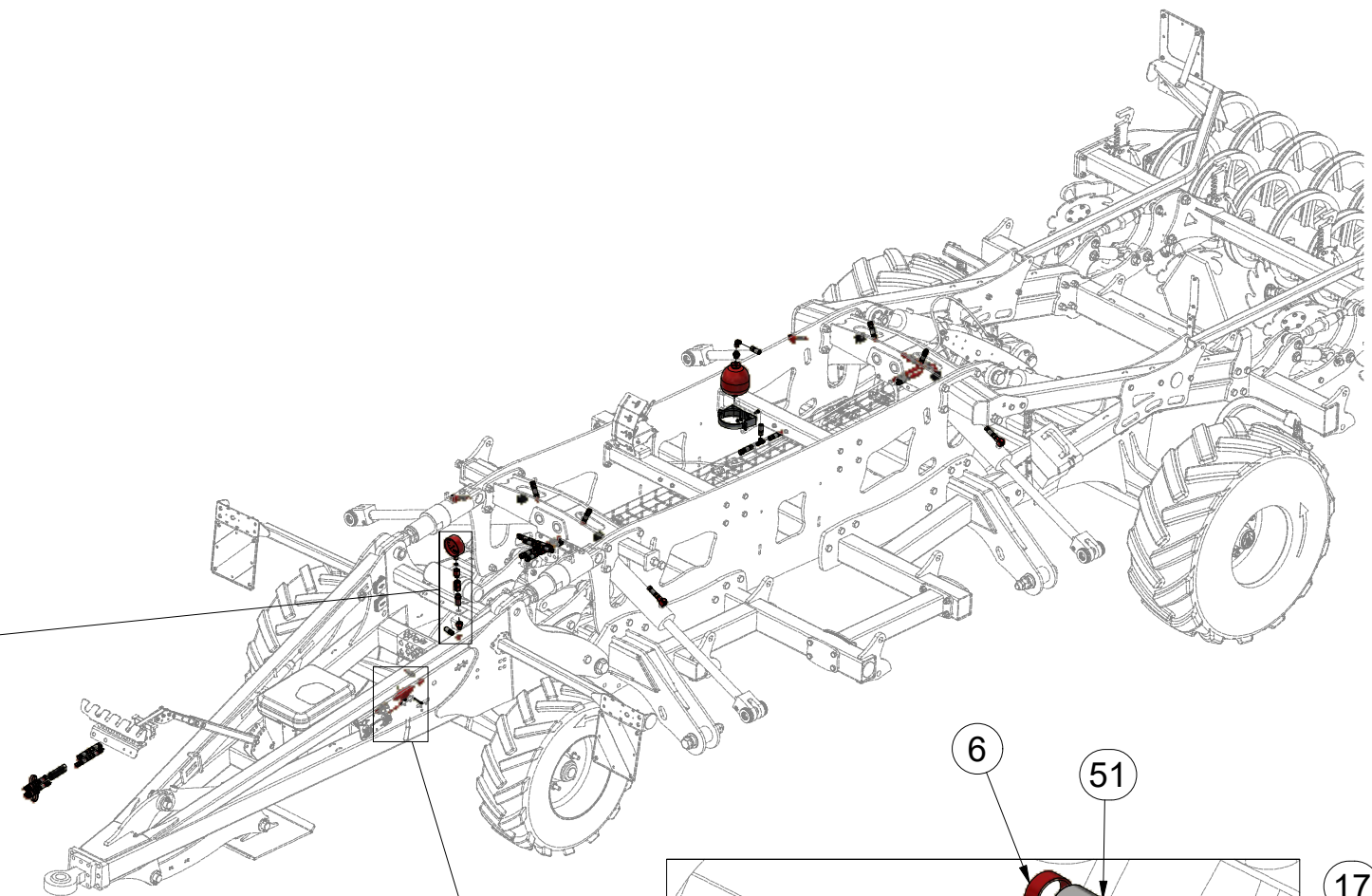
Ⓖ HYDRAULIC FOLDING DISTRIBUTION

Ⓡ ГИДРАВЛИЧЕСКОЕ РАСПРЕДЕЛЕНИЕ СКЛАДЫВАНИЯ

Ⓟ HYDRAULICZNY PRZEWÓD SKŁADANIA



VZ00013598



| Pos. | Part Number | Pcs. | Pos. | Part Number | Pcs. |
|------|-------------|------|------|-------------|------|
| 2 | m05518 | 1 | 19 | m09625 | 1 |
| 6 | m11294 | 54 | 27 | m07998 | 2 |
| 13 | m05483 | 1 | 31 | m05560 | 2 |
| 14 | m04320 | 1 | 33 | m22307 | 1 |
| 15 | m11974 | 1 | 51 | m04827 | 1 |
| 16 | m08533 | 3 | 58 | m03714 | 4 |
| 17 | m06803 | 4 | | | |

Ⓒ HYDRAULICKÝ ROZVOD SKLÁPĚNÍ

Ⓓ HYDRAULISCHE VERTEILUNG KLAPPMECHANISMUS

Ⓕ CONDUIT HYDRAULIQUE DU BASCULEMENT

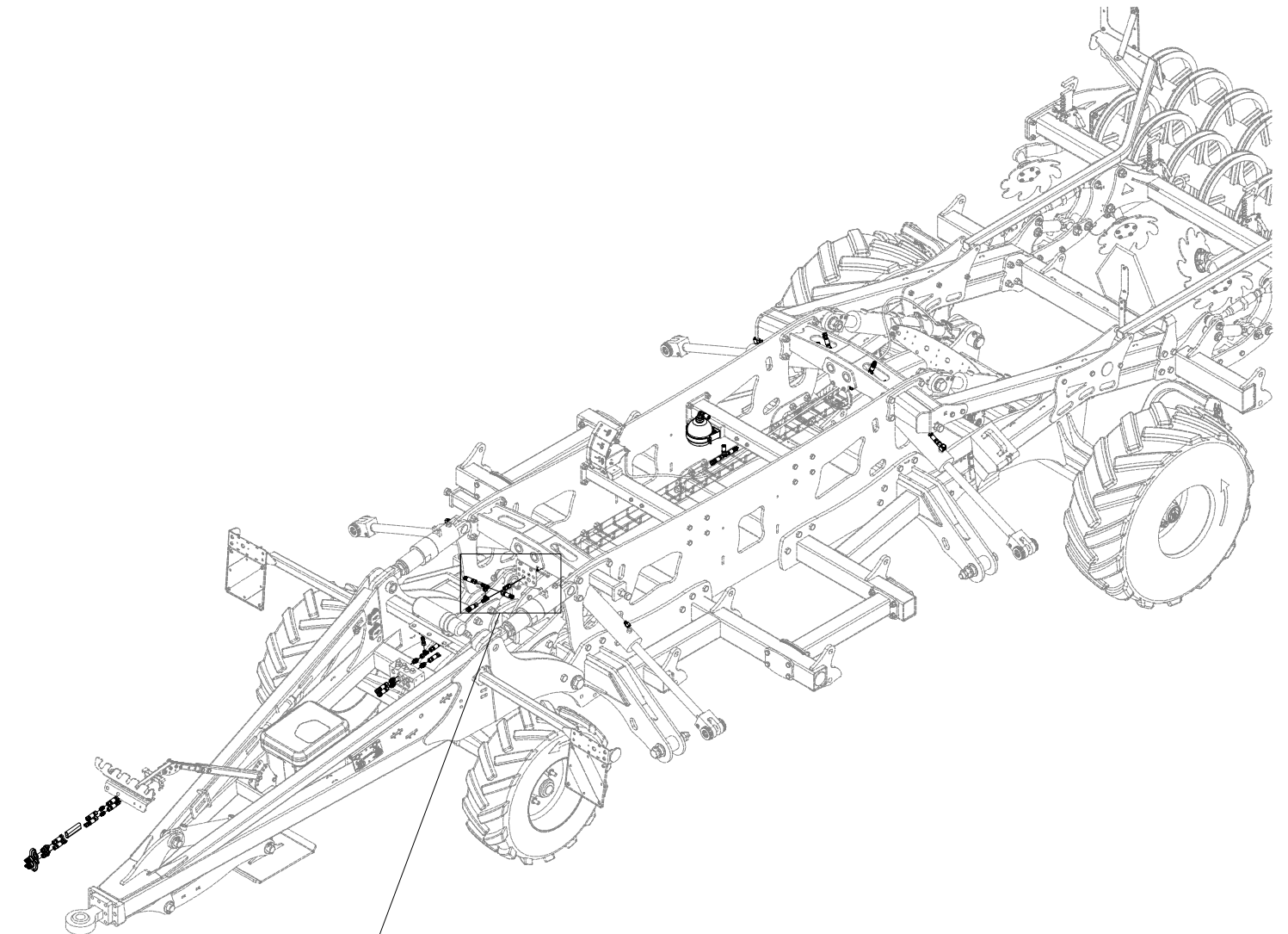
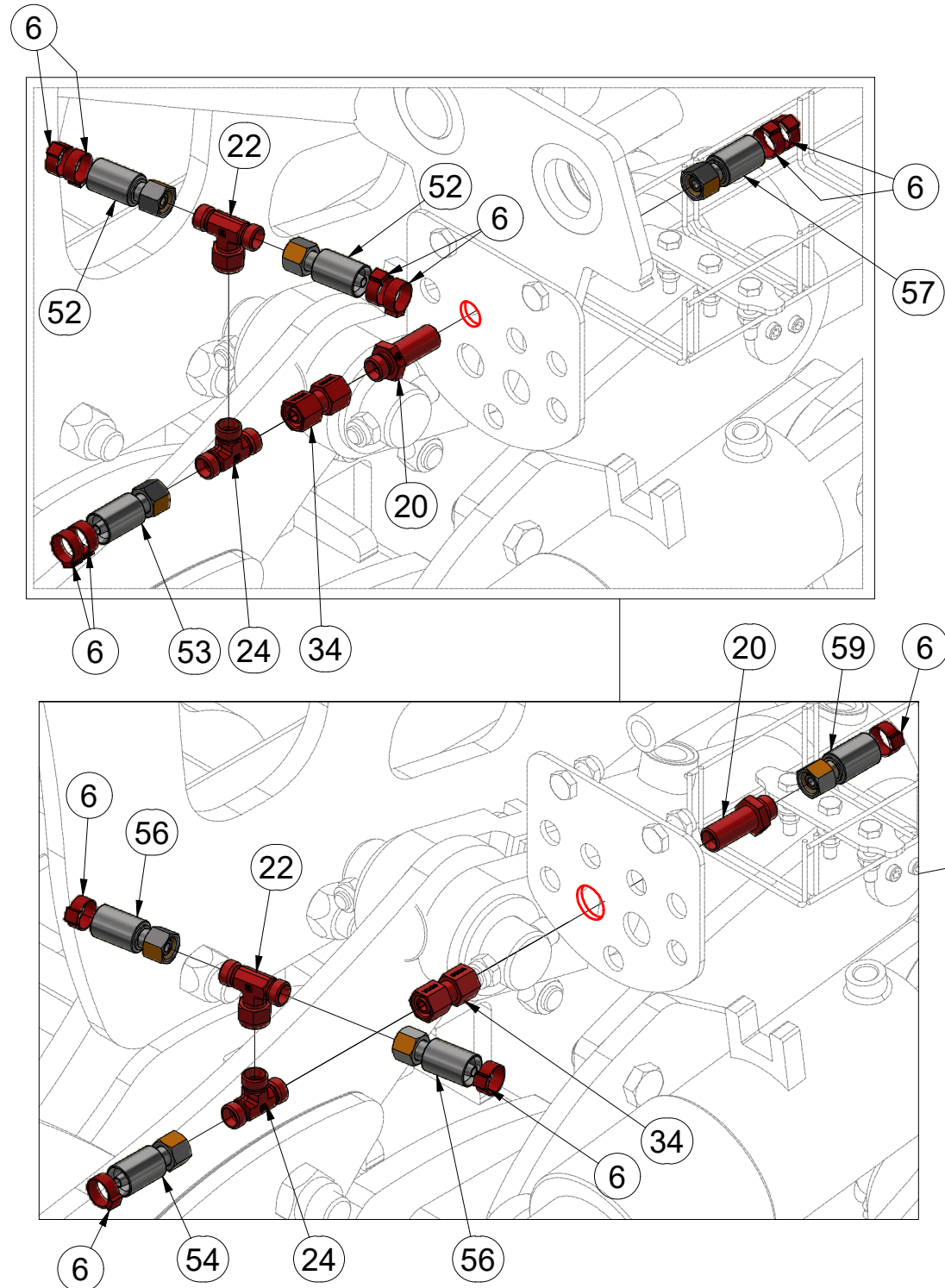
Ⓖ HYDRAULIC FOLDING DISTRIBUTION

Ⓡ ГИДРАВЛИЧЕСКОЕ РАСПРЕДЕЛЕНИЕ СКЛАДЫВАНИЯ

Ⓟ HYDRAULICZNY PRZEWÓD SKŁADANIA

Farmet

VZ00013598



| Pos. | Part Number | Pcs. |
|------|-------------|------|
| 6 | m11294 | 54 |
| 20 | m11768 | 4 |
| 22 | m07567 | 4 |
| 24 | m03889 | 3 |
| 34 | m22305 | 4 |
| 52 | m07645 | 4 |
| 53 | m07364 | 1 |
| 54 | m20170 | 1 |
| 56 | m06533 | 4 |
| 57 | m07360 | 1 |
| 59 | m15154 | 2 |

ⒸZ HYDRAULICKÝ ROZVOD SKLÁPĚNÍ

Ⓓ HYDRAULISCHE VERTEILUNG KLAPPMCHANISMUS

Ⓕ CONDUIT HYDRAULIQUE DU BASCULEMENT

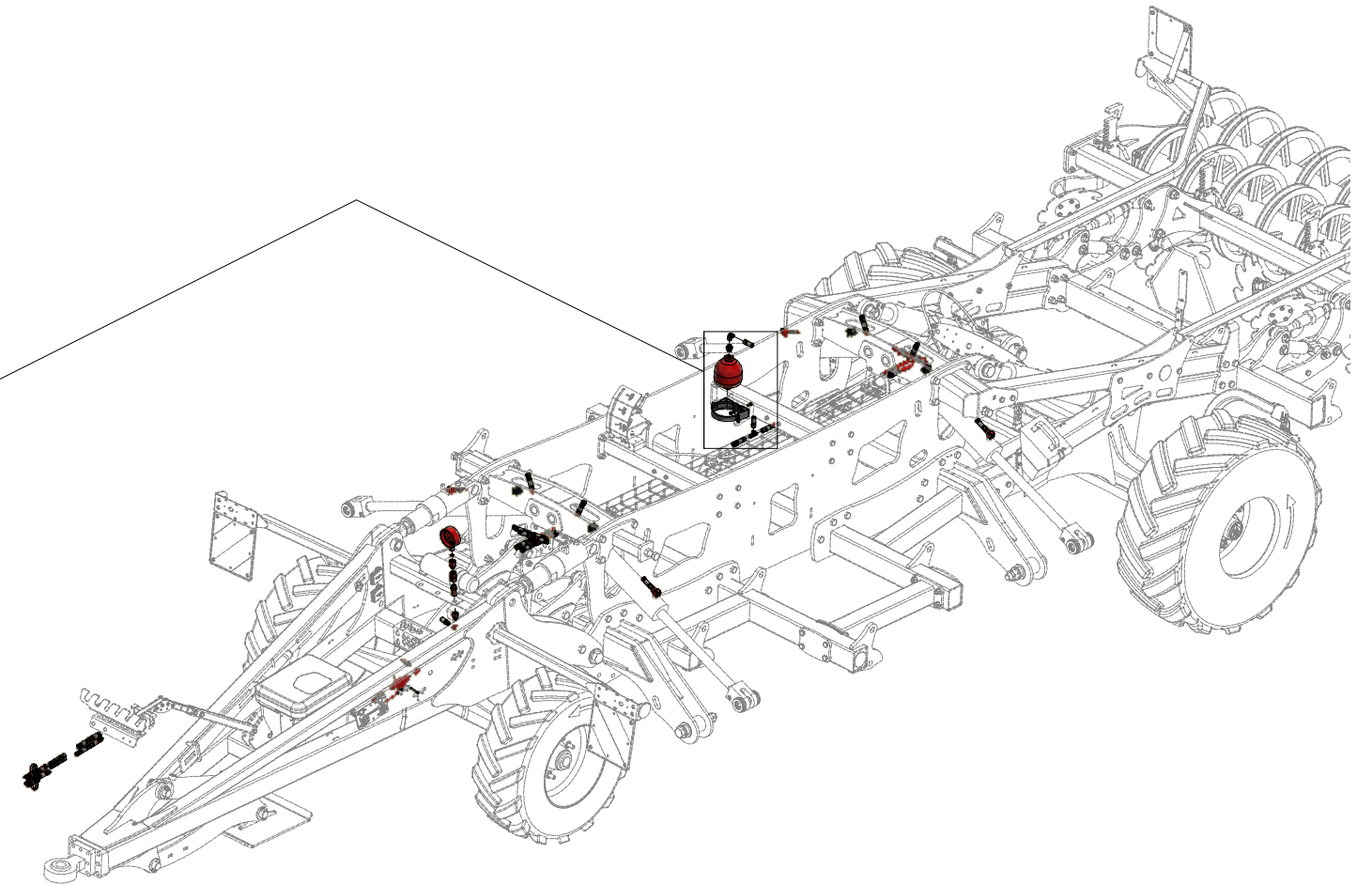
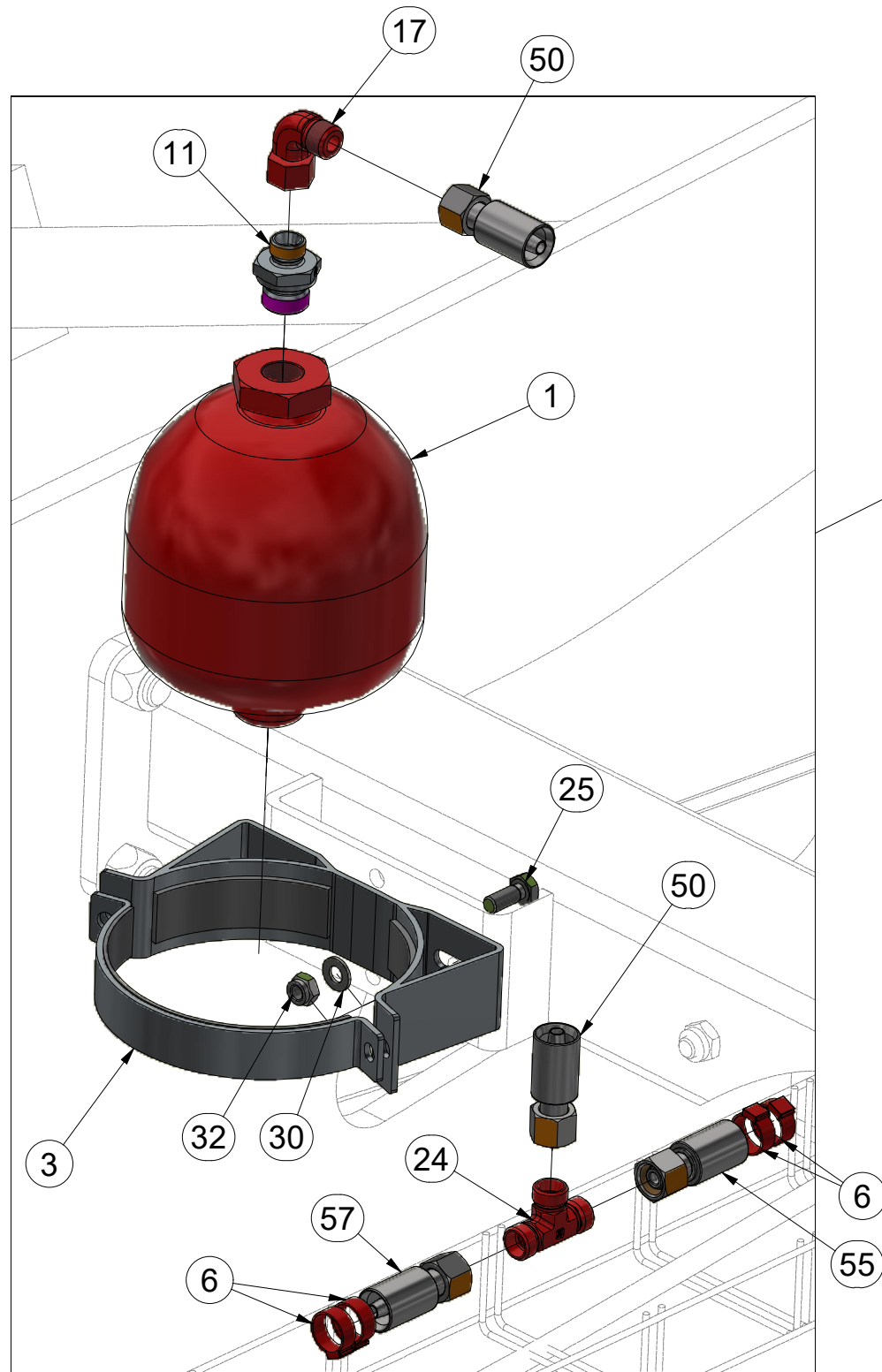
ⒸB HYDRAULIC FOLDING DISTRIBUTION

ⒸR ГИДРАВЛИЧЕСКОЕ РАСПРЕДЕЛЕНИЕ СКЛАДЫВАНИЯ

ⒸL HYDRAULICZNY PRZEWÓD SKŁADANIA



VZ00013598



| Pos. | Part Number | Pcs. |
|------|-------------|------|
| 1 | m09910 | 1 |
| 3 | m15046 | 1 |
| 6 | m11294 | 54 |
| 11 | m04560 | 1 |
| 17 | m06803 | 4 |
| 24 | m03889 | 3 |
| 25 | m01089 | 2 |
| 30 | m01203 | 2 |
| 32 | m04503 | 2 |
| 50 | m18087 | 1 |
| 55 | m03951 | 1 |
| 57 | m07360 | 1 |

ⒸZ HYDRAULICKÝ ROZVOD SKLÁPĚNÍ

Ⓓ HYDRAULISCHE VERTEILUNG KLAPPMECHANISMUS

Ⓕ CONDUIT HYDRAULIQUE DU BASCULEMENT

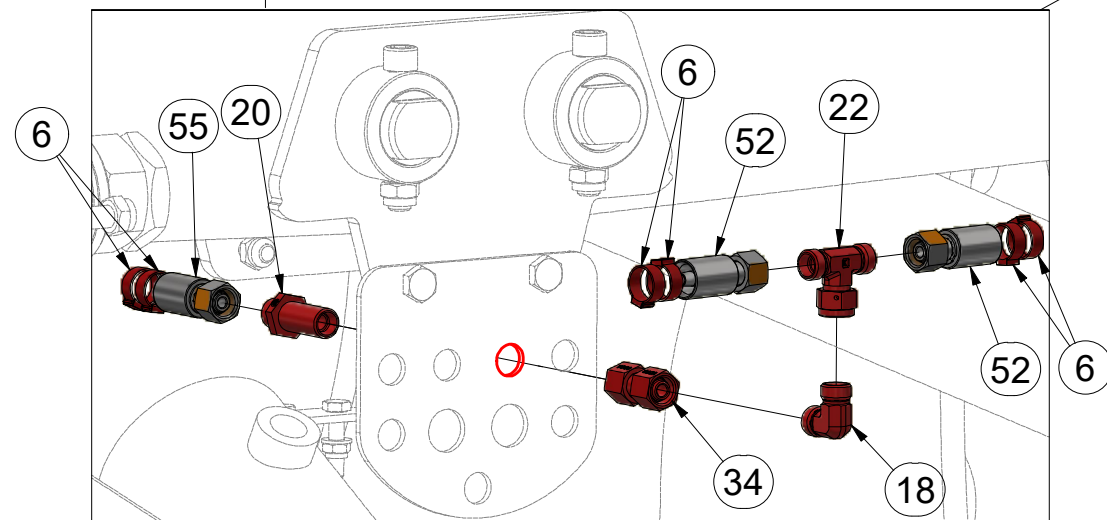
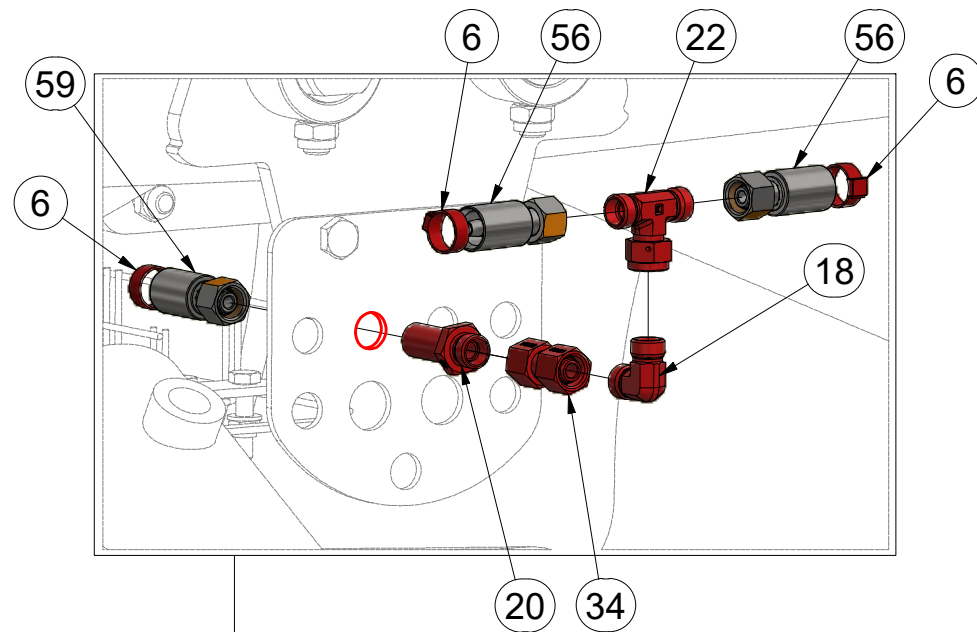
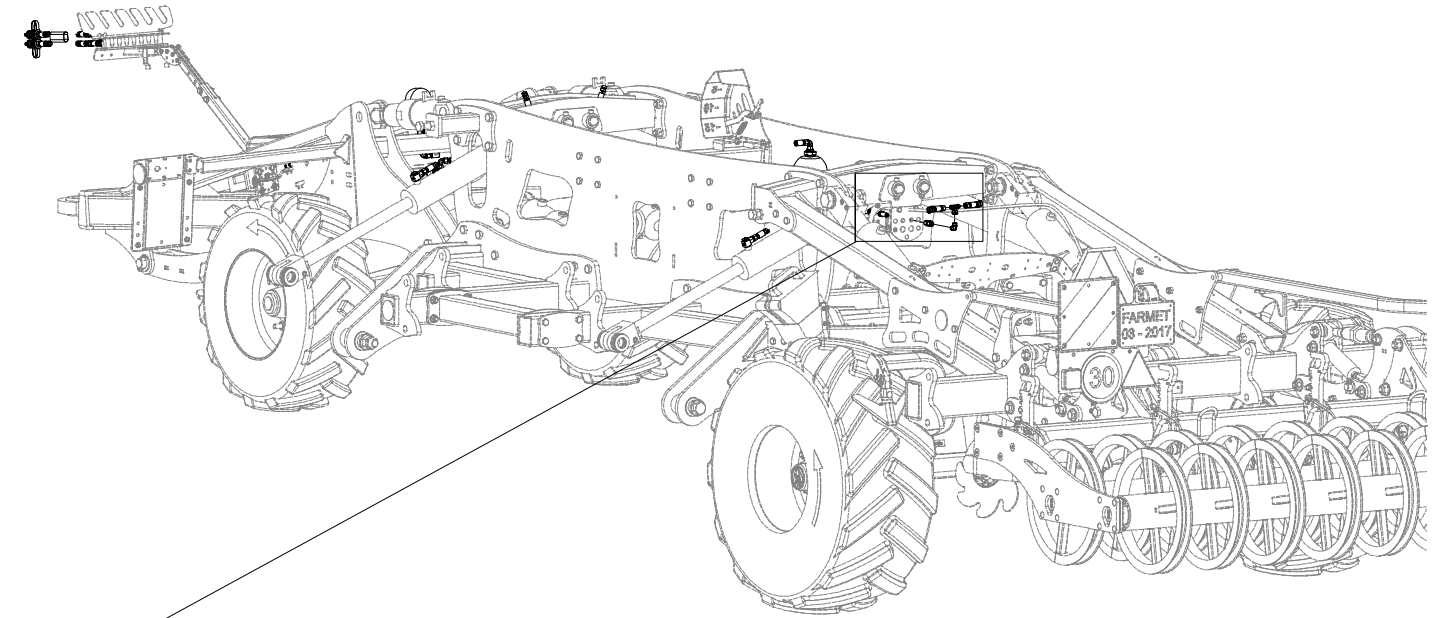
ⒸB HYDRAULIC FOLDING DISTRIBUTION

ⒸU ГИДРАВЛИЧЕСКОЕ РАСПРЕДЕЛЕНИЕ СКЛАДЫВАНИЯ

ⒸL HYDRAULICZNY PRZEWÓD SKŁADANIA



VZ00013598



| Pos. | Part Number | Pcs. |
|------|-------------|------|
| 6 | m11294 | 54 |
| 18 | m06661 | 2 |
| 20 | m11768 | 4 |
| 22 | m07567 | 4 |
| 34 | m22305 | 4 |
| 52 | m07645 | 4 |
| 55 | m03951 | 1 |
| 56 | m06533 | 4 |
| 59 | m15154 | 2 |

ⒸZ HYDRAULICKÝ ROZVOD SKLÁPĚNÍ

Ⓓ HYDRAULISCHE VERTEILUNG KLAPPMECHANISMUS

Ⓕ CONDUIT HYDRAULIQUE DU BASCULEMENT

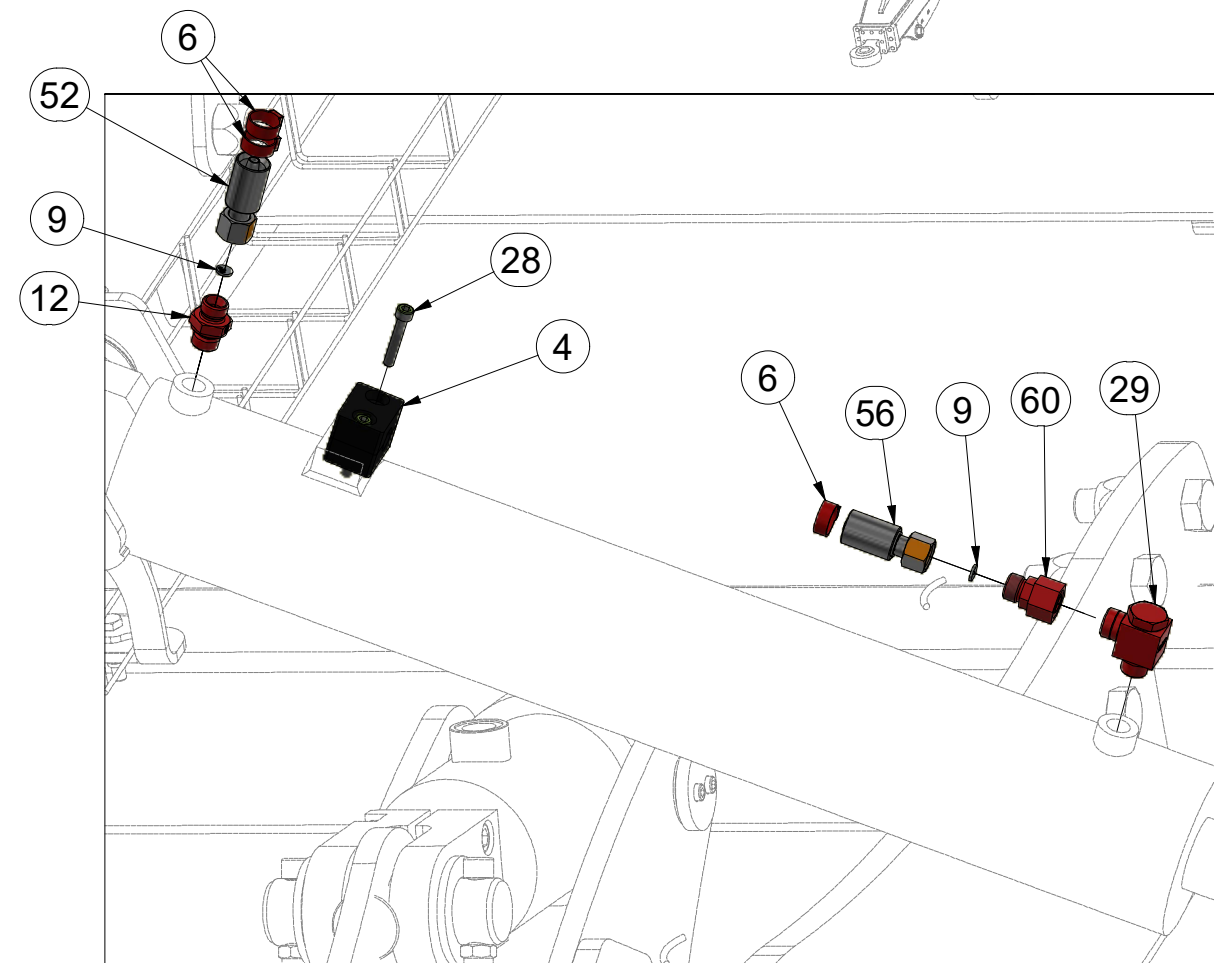
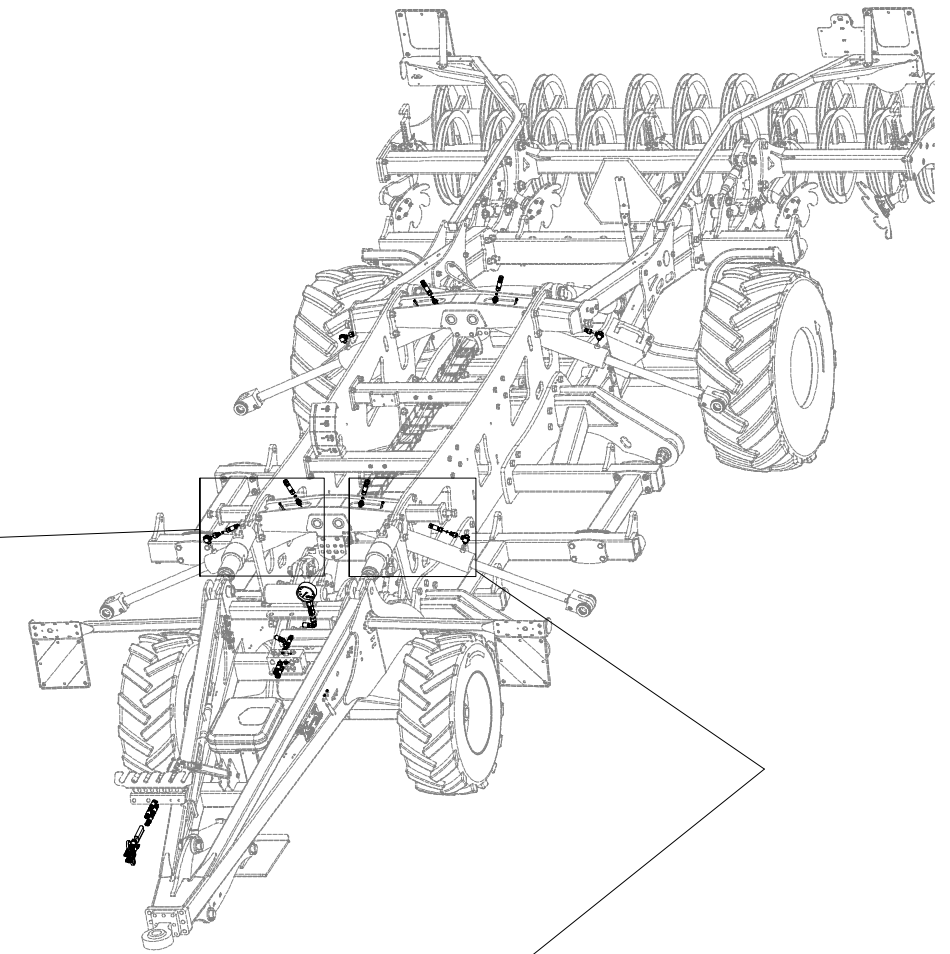
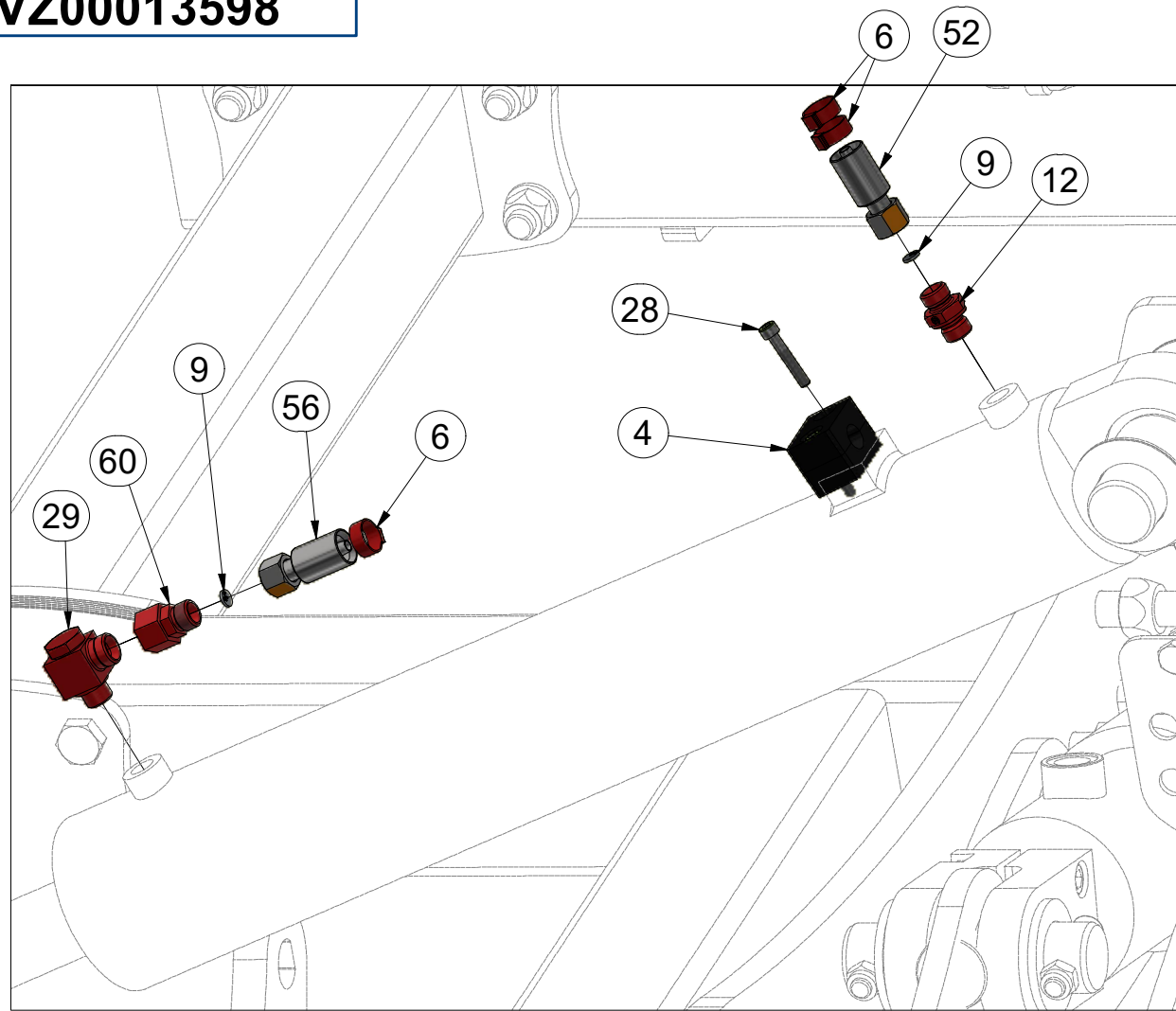
ⒸB HYDRAULIC FOLDING DISTRIBUTION

Ⓔ ГИДРАВЛИЧЕСКОЕ РАСПРЕДЕЛЕНИЕ СКЛАДЫВАНИЯ

Ⓗ HYDRAULICZNY PRZEWÓD SKŁADANIA

Farmet

VZ00013598



| Pos. | Part Number | Pcs. |
|------|-------------|------|
| 4 | m04010 | 4 |
| 6 | m11294 | 54 |
| 9 | m10773 | 8 |
| 12 | m07906 | 4 |
| 28 | m06102 | 8 |
| 29 | m20882 | 4 |
| 52 | m07645 | 4 |
| 56 | m06533 | 4 |
| 60 | m09986 | 4 |

ⒸZ HYDRAULICKÝ ROZVOD SKLÁPĚNÍ

Ⓓ HYDRAULISCHE VERTEILUNG KLAPPMECHANISMUS

Ⓔ CONDUIT HYDRAULIQUE DU BASCULEMENT

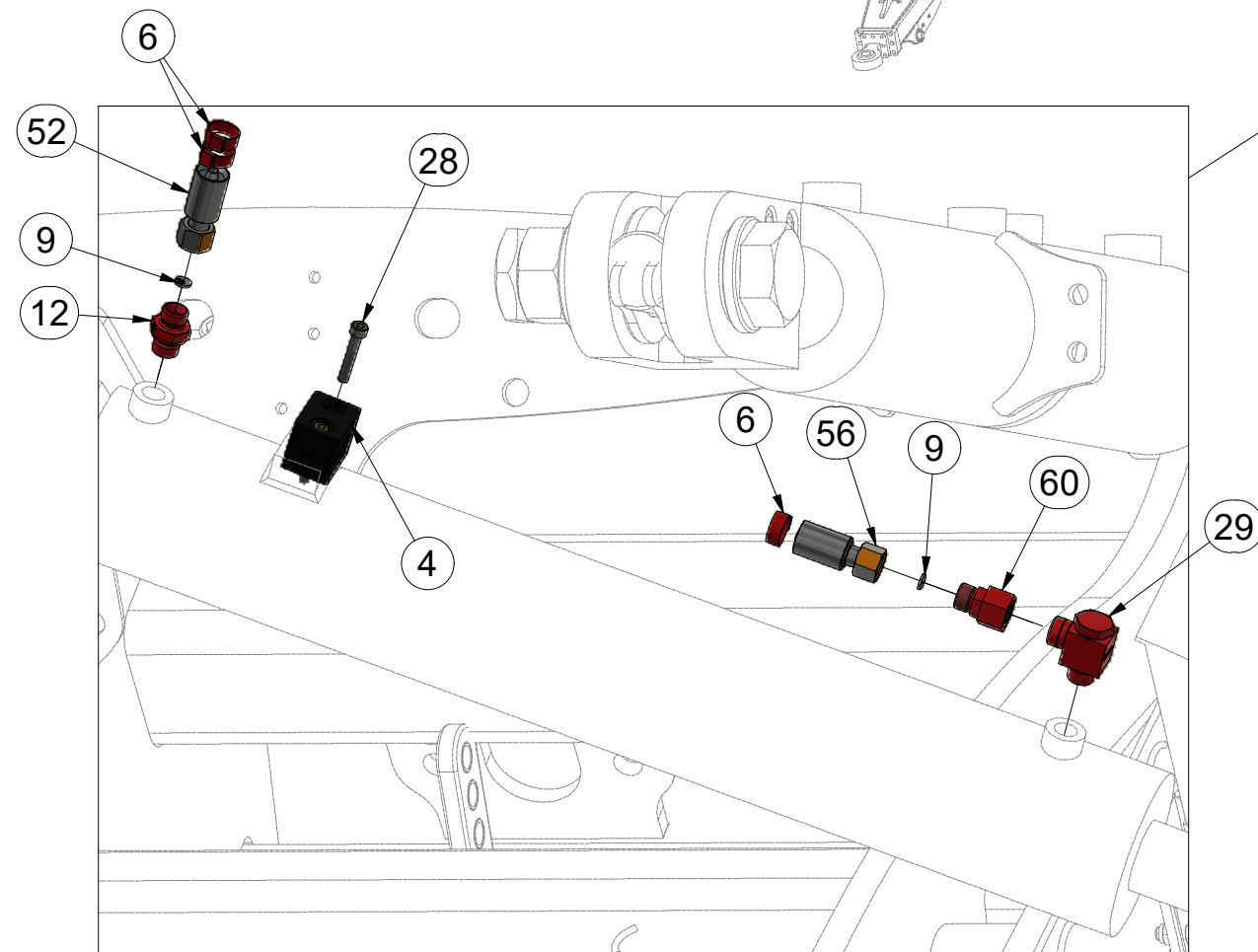
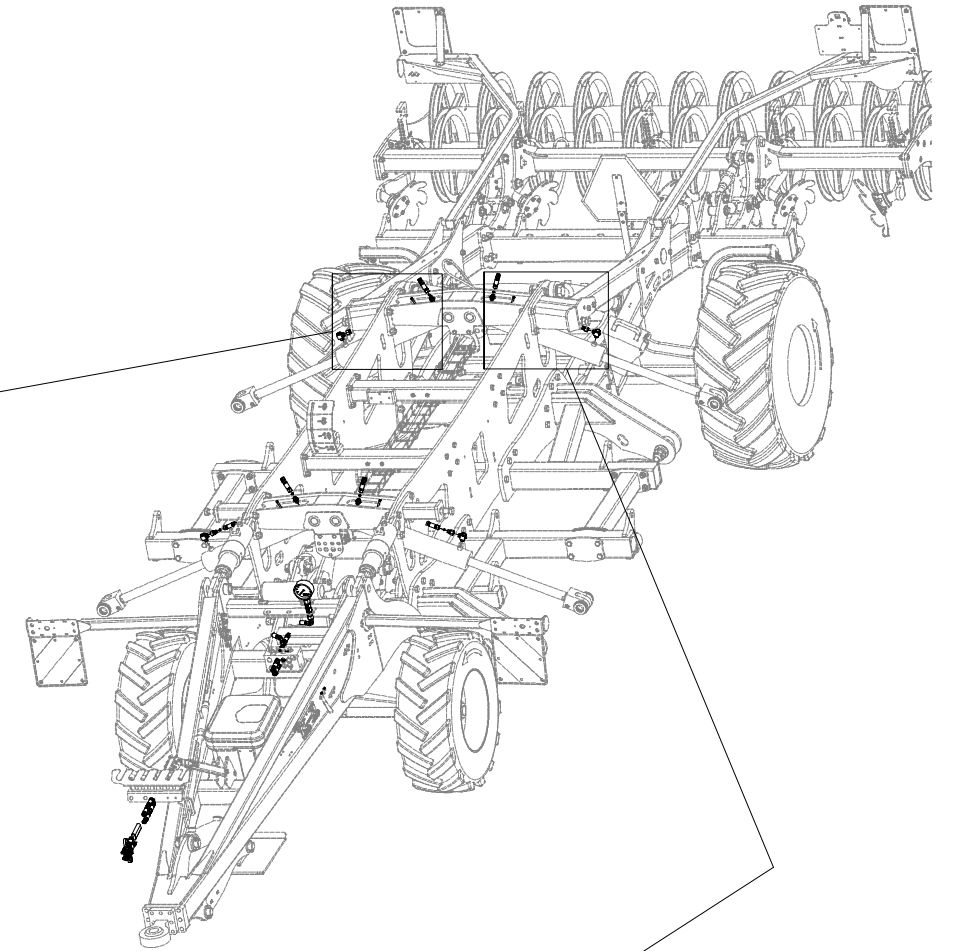
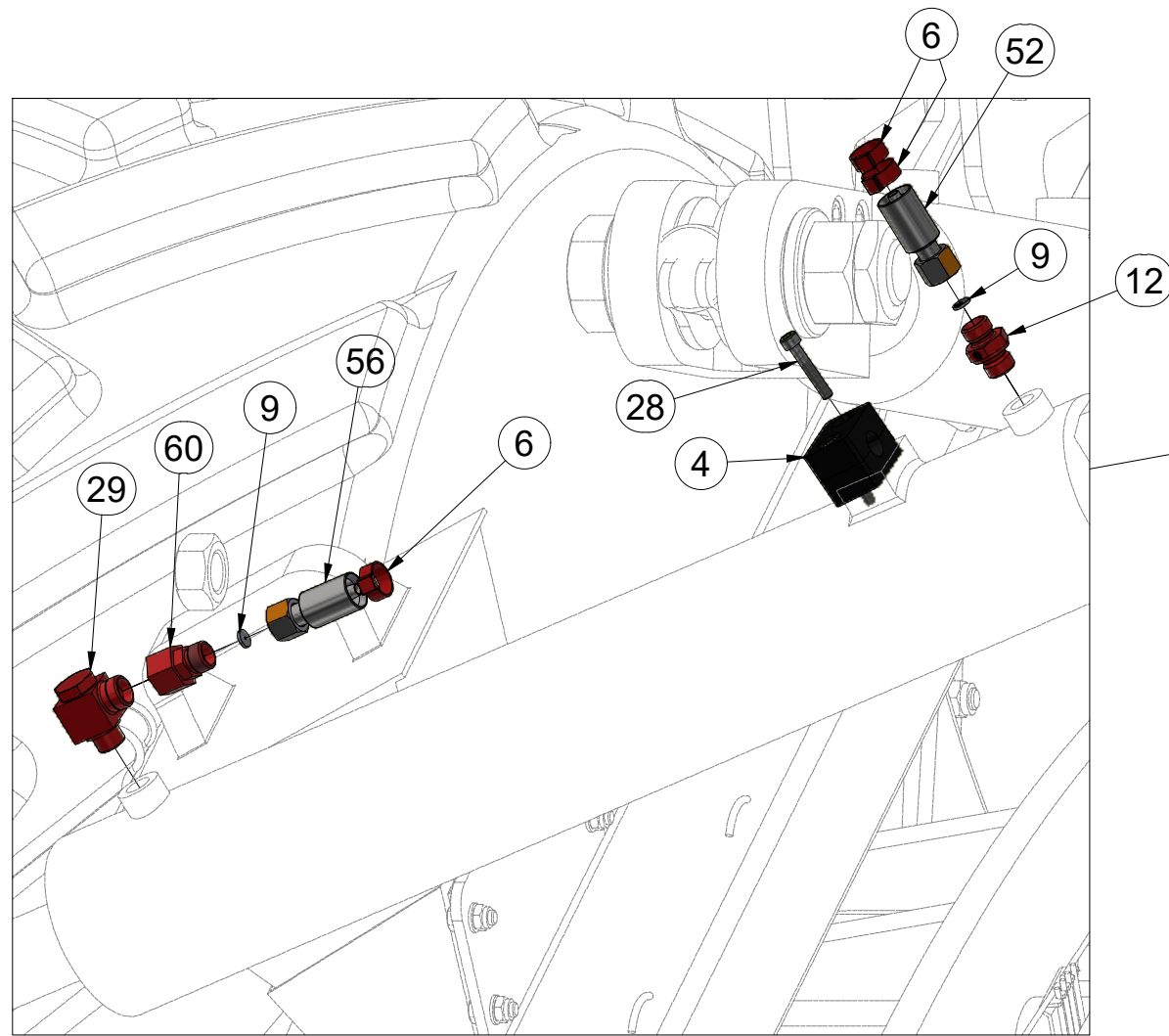
ⒸB HYDRAULIC FOLDING DISTRIBUTION

Ⓔ ГИДРАВЛИЧЕСКОЕ РАСПРЕДЕЛЕНИЕ СКЛАДЫВАНИЯ

Ⓔ HYDRAULICZNY PRZEWÓD SKŁADANIA

Farmet

VZ00013598



| Pos. | Part Number | Pcs. |
|------|-------------|------|
| 4 | m04010 | 4 |
| 6 | m11294 | 54 |
| 9 | m10773 | 8 |
| 12 | m07906 | 4 |
| 28 | m06102 | 8 |
| 29 | m20882 | 4 |
| 52 | m07645 | 4 |
| 56 | m06533 | 4 |
| 60 | m09986 | 4 |

ⒸZ HYDRAULICKÝ ROZVOD - ZAHLUBOVÁNÍ

ⒸD HYDRAULISCHE VERTEILUNG - EINSENKUNG

ⒸF CONDUIT HYDRAULIQUE - L'ENFONCEMENT

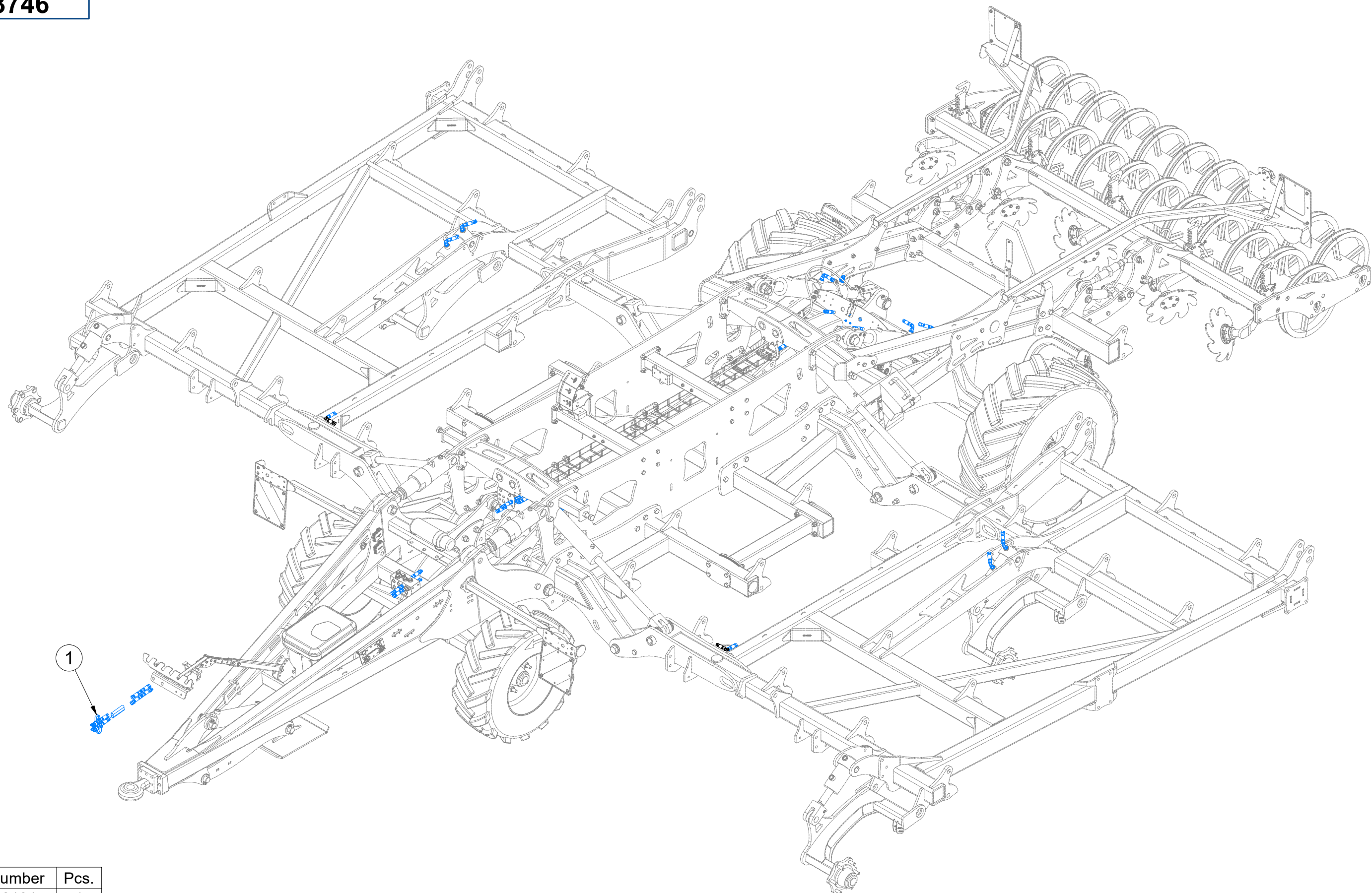
ⒸGB HYDRAULIC DISTRIBUTION - RECESSING

ⒸRU ГИДРАВЛИЧЕСКОЕ РАСПРЕДЕЛЕНИЕ - ЗАГЛУБЛЕНИЕ

ⒸPL HYDRAULICZNY PRZEWÓD - ZAGŁĘBIENIA



VZ00073746



| Pos. | Part Number | Pcs. |
|------|-------------|------|
| 1 | VZ00062184 | 1 |

ⒸZ HYDRAULICKÝ ROZVOD - ZAHLUBOVÁNÍ

Ⓓ HYDRAULISCHE VERTEILUNG - EINSENKUNG

Ⓕ CONDUIT HYDRAULIQUE - L'ENFONCEMENT

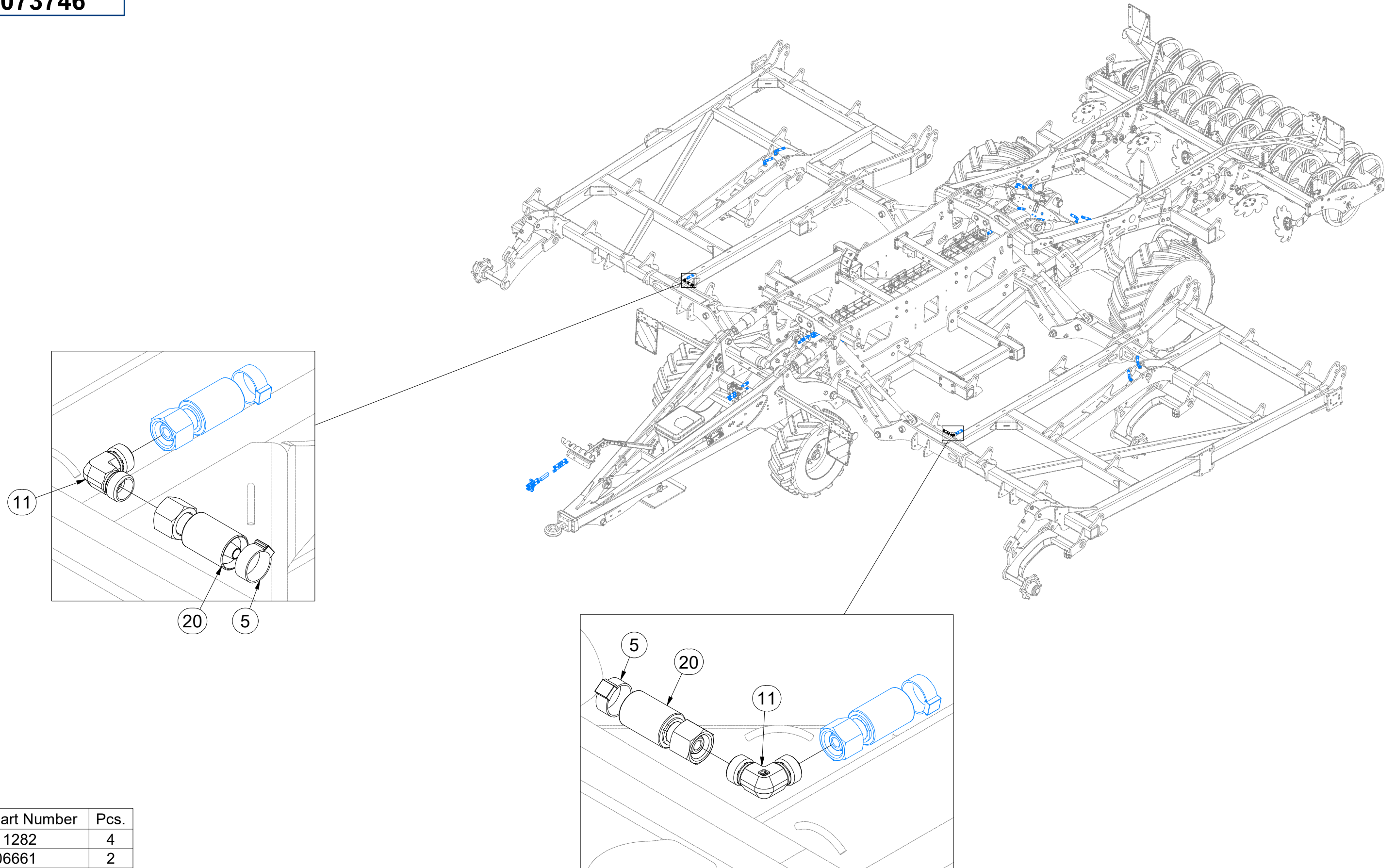
ⒸB HYDRAULIC DISTRIBUTION - RECESSING

ⒸU ГИДРАВЛИЧЕСКОЕ РАСПРЕДЕЛЕНИЕ - ЗАГЛУБЛЕНИЕ

ⒸL HYDRAULICZNY PRZEWÓD - ZAGŁĘBIENIA



VZ00073746



| Pos. | Part Number | Pcs. |
|------|-------------|------|
| 5 | m11282 | 4 |
| 11 | m06661 | 2 |
| 20 | m09037 | 2 |

ⒸZ HYDRAULICKÝ ROZVOD - ZAHLUBOVÁNÍ

Ⓓ HYDRAULISCHE VERTEILUNG - EINSENKUNG

Ⓕ CONDUIT HYDRAULIQUE - L'ENFONCEMENT

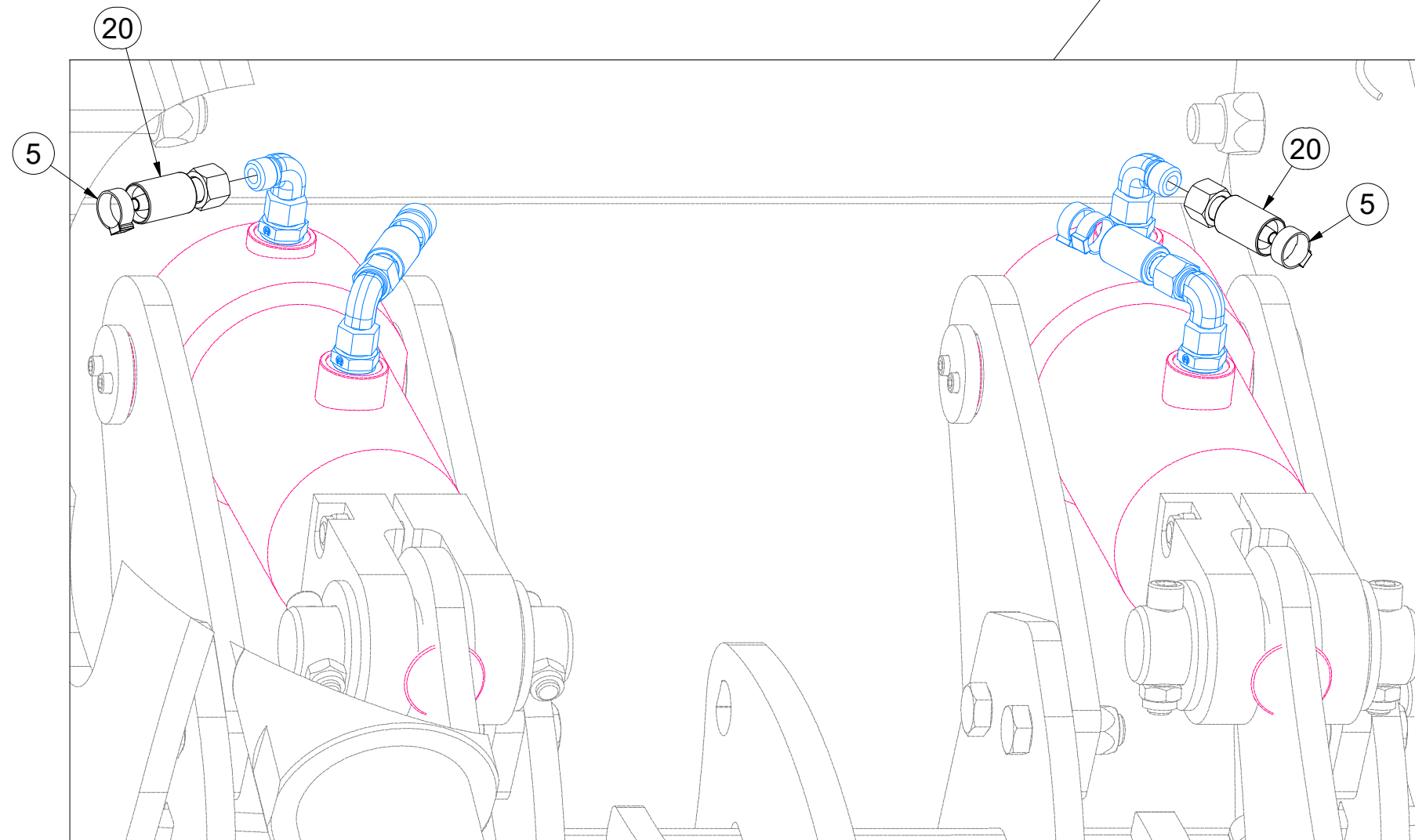
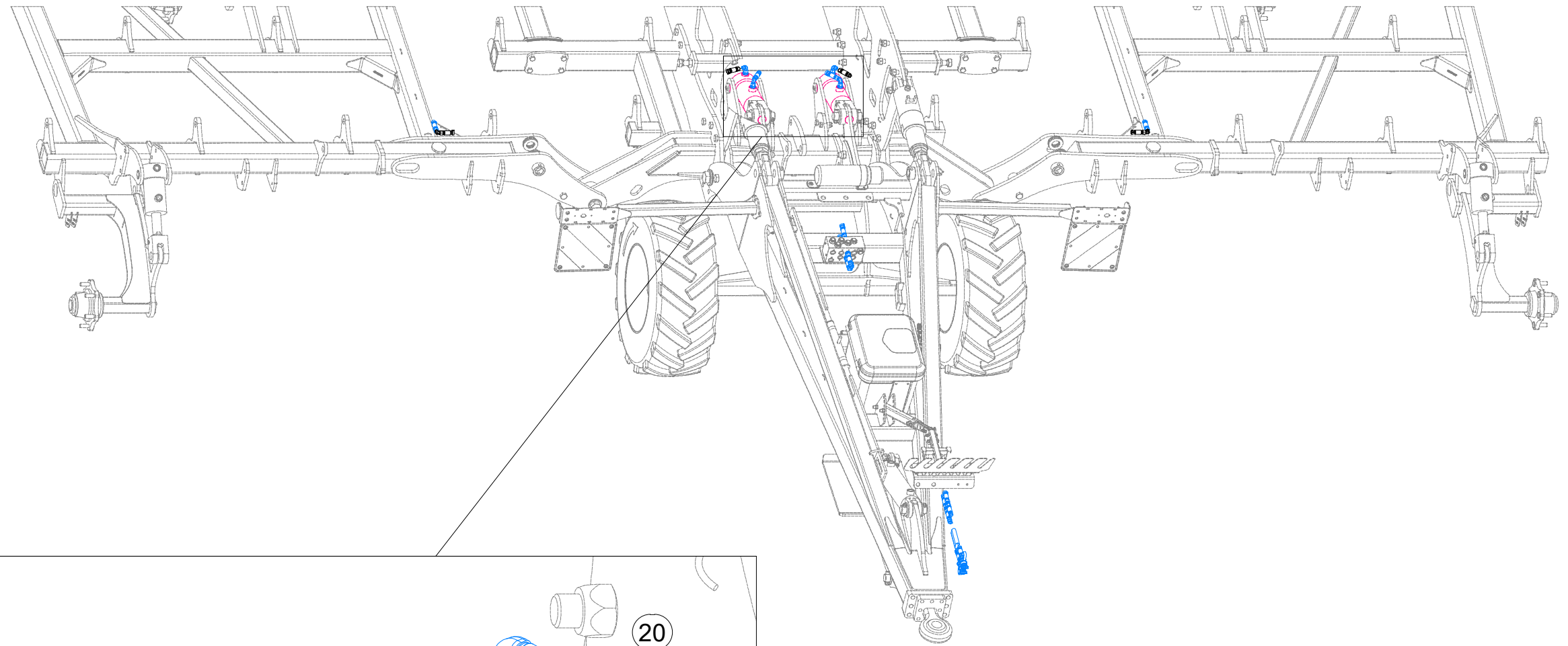
ⒸB HYDRAULIC DISTRIBUTION - RECESSING

ⒸU ГИДРАВЛИЧЕСКОЕ РАСПРЕДЕЛЕНИЕ - ЗАГЛУБЛЕНИЕ

ⒸL HYDRAULICZNY PRZEWÓD - ZAGŁĘBIENIA

Farmet

VZ00073746



| Pos. | Part Number | Pcs. |
|------|-------------|------|
| 5 | m11282 | 4 |
| 20 | m09037 | 2 |

ⒸZ HYDRAULICKÝ ROZVOD - ZAHLUBOVÁNÍ

Ⓓ HYDRAULISCHE VERTEILUNG - EINSENKUNG

Ⓕ CONDUIT HYDRAULIQUE - L'ENFONCEMENT

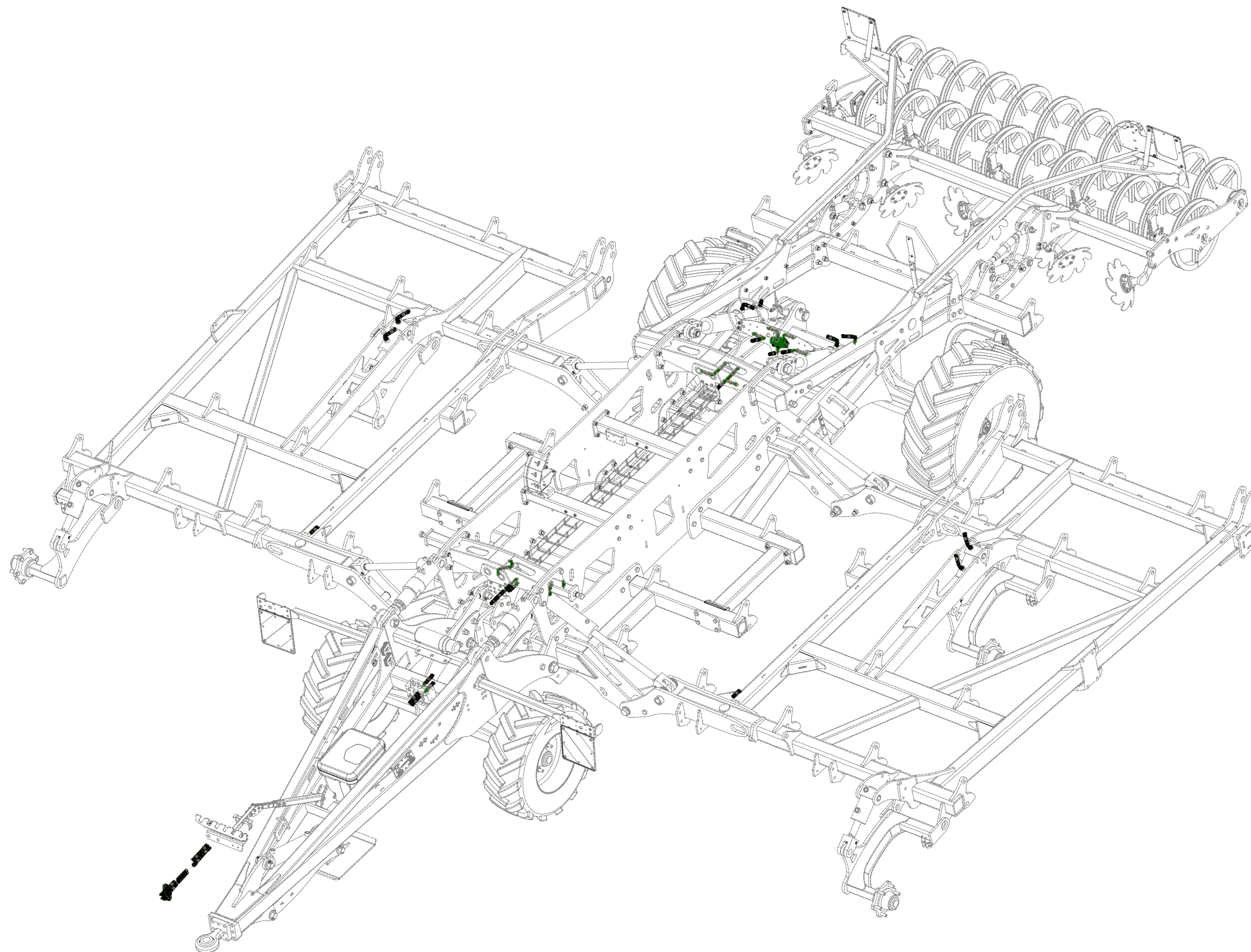
ⒸB HYDRAULIC DISTRIBUTION - RECESSING

ⒸU ГИДРАВЛИЧЕСКОЕ РАСПРЕДЕЛЕНИЕ - ЗАГЛУБЛЕНИЕ

ⒸL HYDRAULICZNY PRZEWÓD - ZAGŁĘBIENIA

Farmet

VZ00062184



Ⓒ HYDRAULICKÝ ROZVOD - ZAHLUBOVÁNÍ

Ⓓ HYDRAULISCHE VERTEILUNG - EINSENKUNG

Ⓕ CONDUIT HYDRAULIQUE - L'ENFONCEMENT

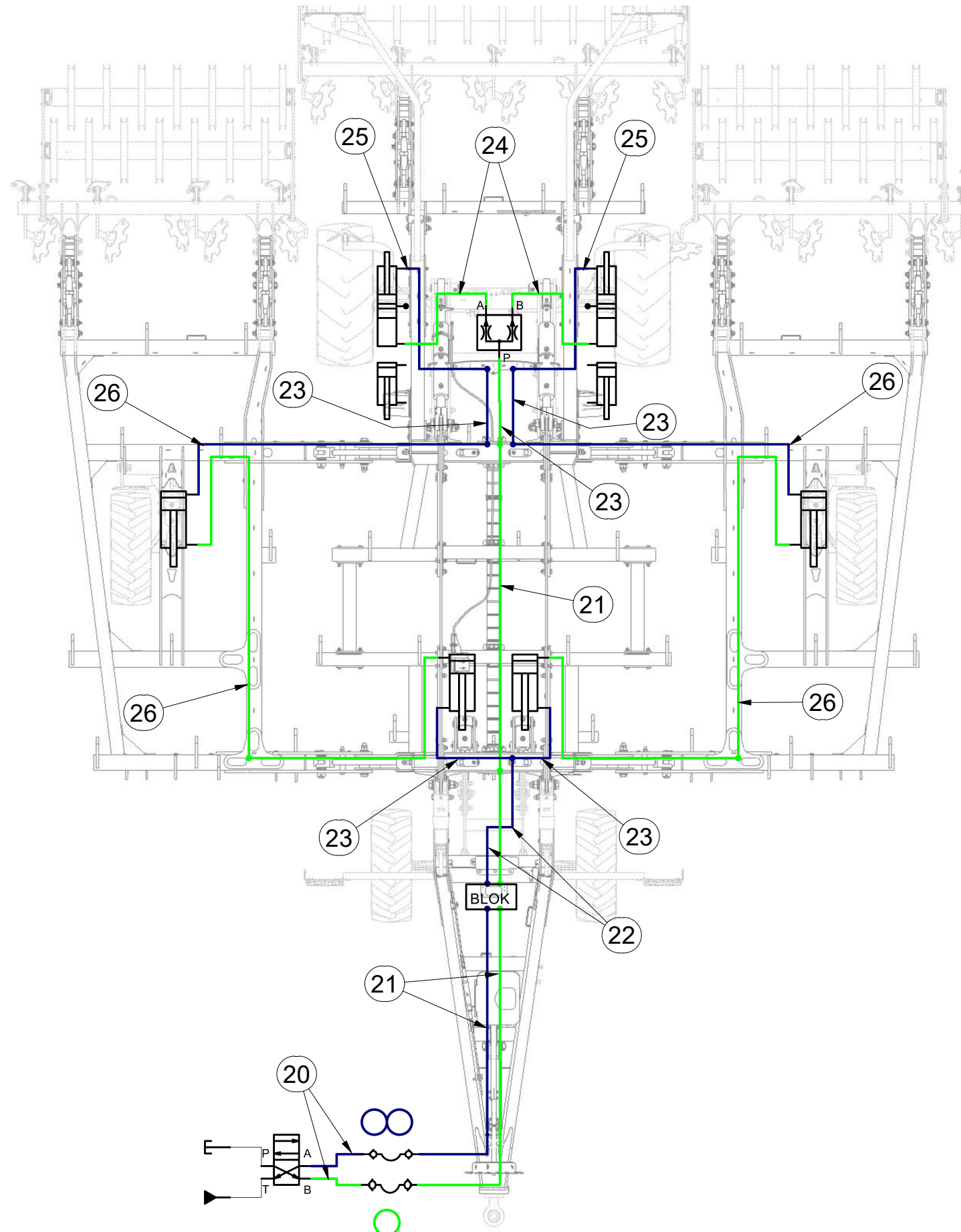
Ⓒ HYDRAULIC DISTRIBUTION - RECESSING

Ⓓ ГИДРАВЛИЧЕСКОЕ РАСПРЕДЕЛЕНИЕ - ЗАГЛУБЛЕНИЕ

Ⓕ HYDRAULICZNY PRZEWÓD - ZAGŁĘBIENIA

Farmet

VZ00062184



| Pos. | Part Number | Pcs. |
|------|-------------|------|
| 20 | m03714 | 2 |
| 21 | m15154 | 3 |
| 22 | m03951 | 2 |
| 23 | m07645 | 5 |
| 24 | m09627 | 2 |
| 25 | m04827 | 2 |
| 26 | m12022 | 4 |

ⒸZ HYDRAULICKÝ ROZVOD - ZAHLUBOVÁNÍ

Ⓓ HYDRAULISCHE VERTEILUNG - EINSENKUNG

Ⓕ CONDUIT HYDRAULIQUE - L'ENFONCEMENT

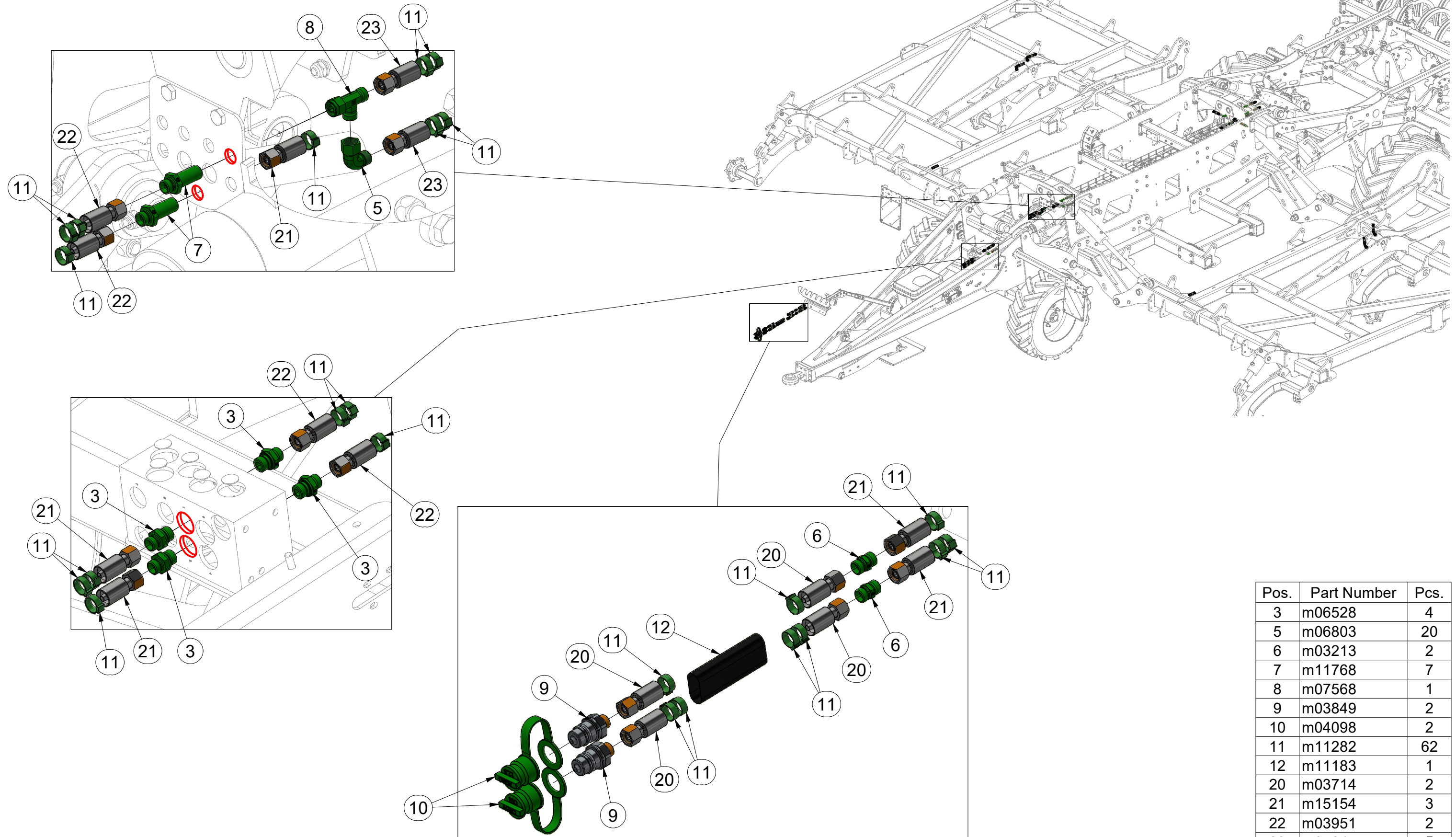
ⒸB HYDRAULIC DISTRIBUTION - RECESSING

ⒸU ГИДРАВЛИЧЕСКОЕ РАСПРЕДЕЛЕНИЕ - ЗАГЛУБЛЕНИЕ

ⒸL HYDRAULICZNY PRZEWÓD - ZAGŁĘBIENIA

Farmet

VZ00062184



| Pos. | Part Number | Pcs. |
|------|-------------|------|
| 3 | m06528 | 4 |
| 5 | m06803 | 20 |
| 6 | m03213 | 2 |
| 7 | m11768 | 7 |
| 8 | m07568 | 1 |
| 9 | m03849 | 2 |
| 10 | m04098 | 2 |
| 11 | m11282 | 62 |
| 12 | m11183 | 1 |
| 20 | m03714 | 2 |
| 21 | m15154 | 3 |
| 22 | m03951 | 2 |
| 23 | m07645 | 5 |

ⒸZ HYDRAULICKÝ ROZVOD - ZAHLUBOVÁNÍ

Ⓓ HYDRAULISCHE VERTEILUNG - EINSENKUNG

Ⓕ CONDUIT HYDRAULIQUE - L'ENFONCEMENT

ⒸB HYDRAULIC DISTRIBUTION - RECESSING

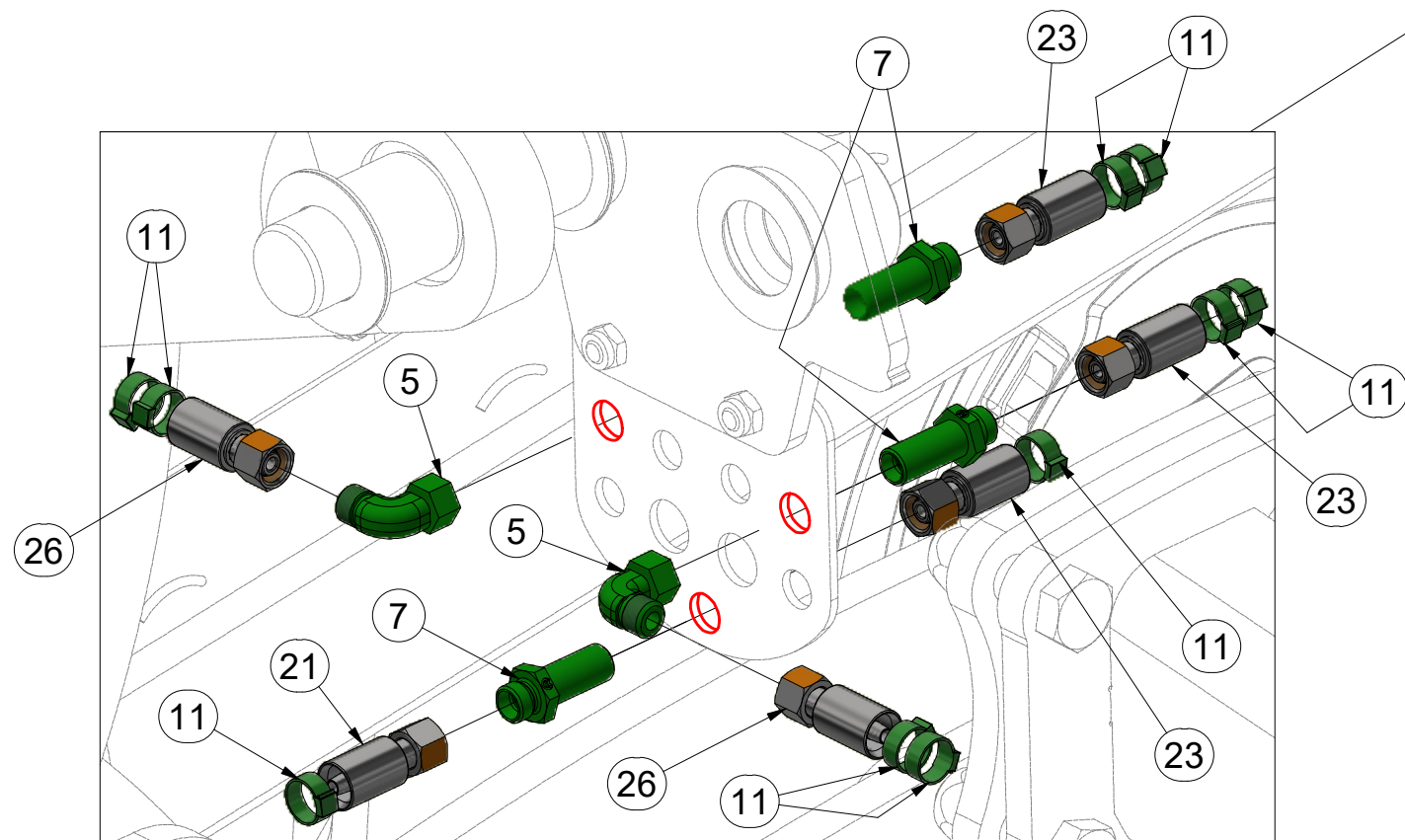
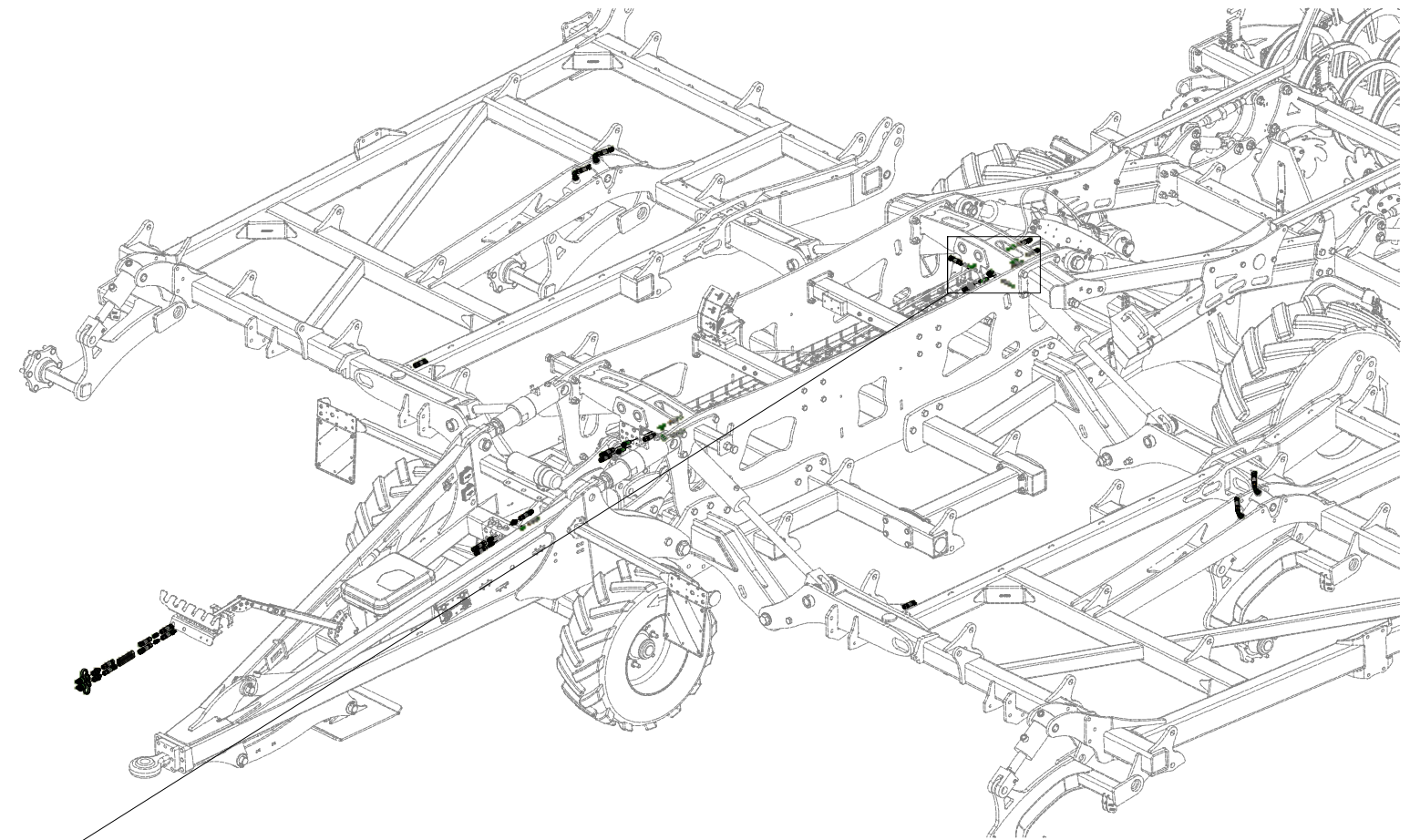
ⒸU ГИДРАВЛИЧЕСКОЕ РАСПРЕДЕЛЕНИЕ - ЗАГЛУБЛЕНИЕ

ⒸL HYDRAULICZNY PRZEWÓD - ZAGŁĘBIENIA



VZ00062184

| Pos. | Part Number | Pcs. |
|------|-------------|------|
| 5 | m06803 | 20 |
| 7 | m11768 | 7 |
| 11 | m11282 | 62 |
| 21 | m15154 | 3 |
| 23 | m07645 | 5 |
| 26 | m12022 | 4 |



Ⓒ HYDRAULICKÝ ROZVOD - ZAHLUBOVÁNÍ

Ⓓ HYDRAULISCHE VERTEILUNG - EINSENKUNG

Ⓕ CONDUIT HYDRAULIQUE - L'ENFONCEMENT

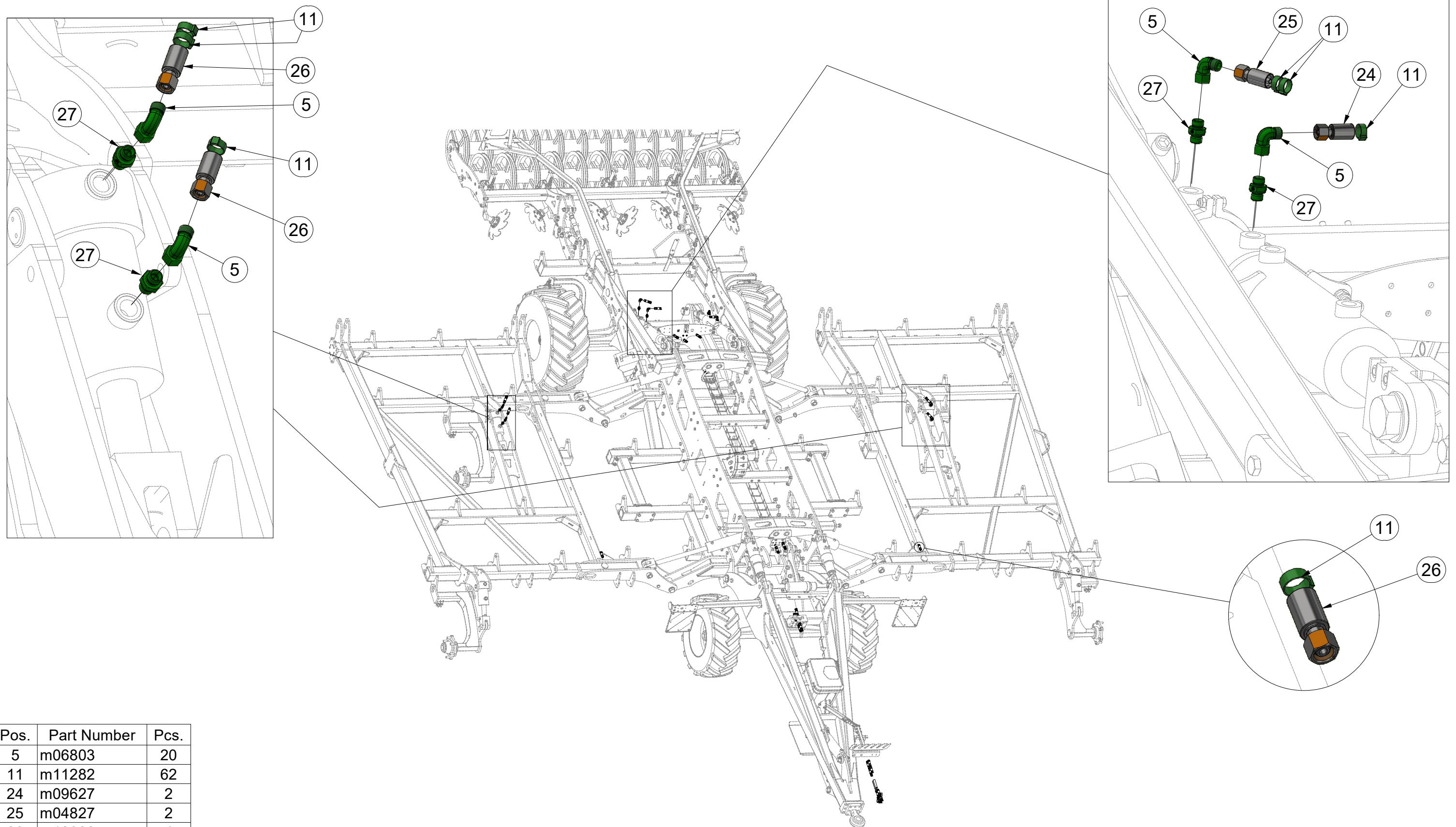
Ⓒ HYDRAULIC DISTRIBUTION - RECESSING

Ⓔ ГИДРАВЛИЧЕСКОЕ РАСПРЕДЕЛЕНИЕ - ЗАГЛУБЛЕНИЕ

Ⓖ HYDRAULICZNY PRZEWÓD - ZAGŁĘBIENIA



VZ00062184



| Pos. | Part Number | Pcs. |
|------|-------------|------|
| 5 | m06803 | 20 |
| 11 | m11282 | 62 |
| 24 | m09627 | 2 |
| 25 | m04827 | 2 |
| 26 | m12022 | 4 |
| 27 | m07906 | 12 |

Ⓒ HYDRAULICKÝ ROZVOD - ZAHLUBOVÁNÍ

Ⓓ HYDRAULISCHE VERTEILUNG - EINSENKUNG

Ⓕ CONDUIT HYDRAULIQUE - L'ENFONCEMENT

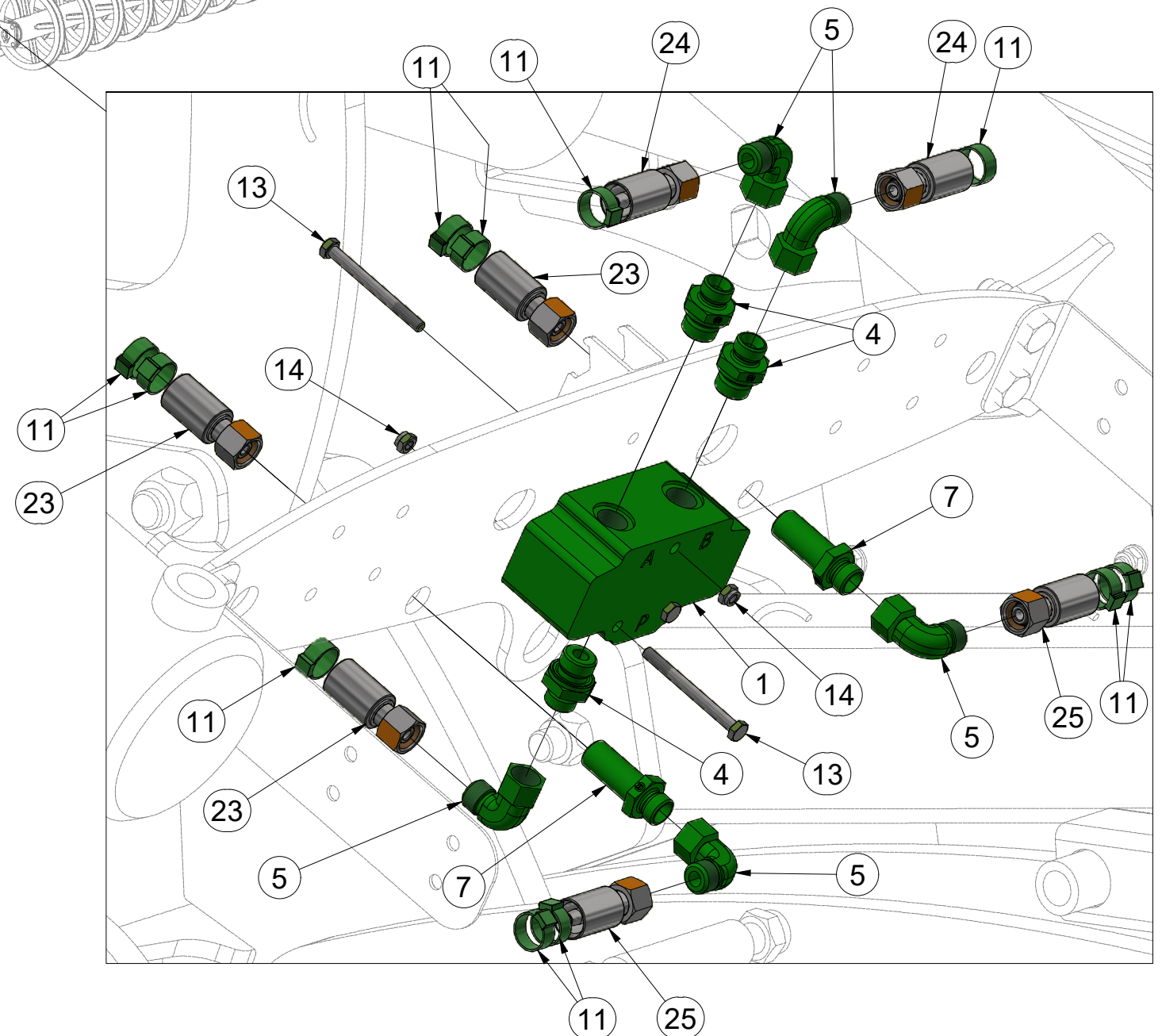
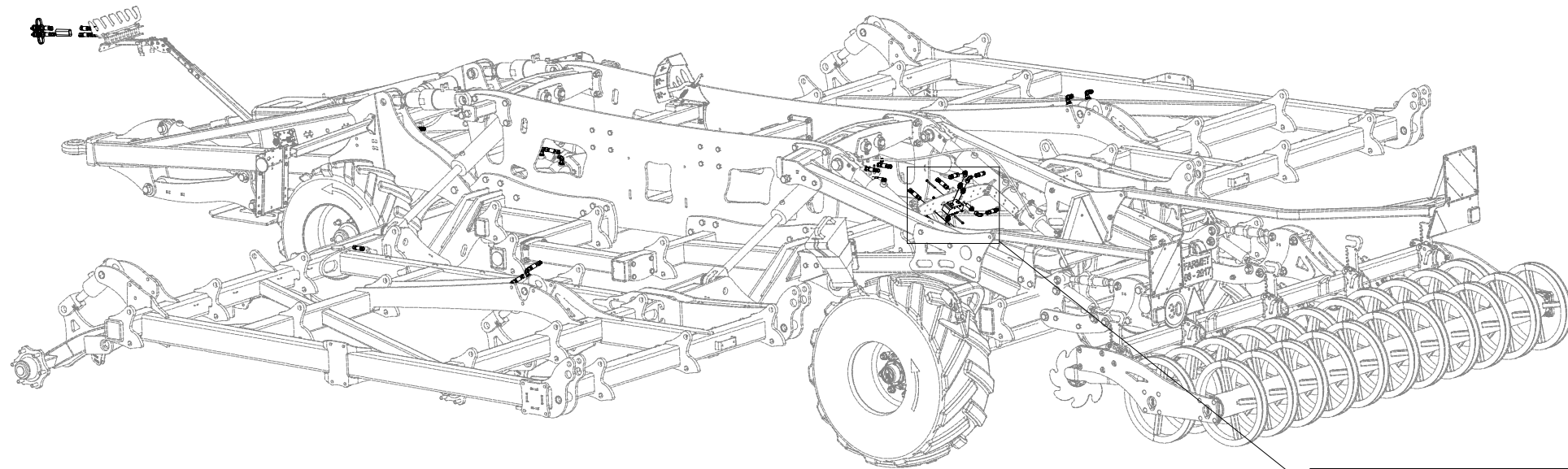
Ⓖ HYDRAULIC DISTRIBUTION - RECESSING

Ⓡ ГИДРАВЛИЧЕСКОЕ РАСПРЕДЕЛЕНИЕ - ЗАГЛУБЛЕНИЕ

Ⓟ HYDRAULICZNY PRZEWÓD - ZAGŁĘBIENIA



VZ00062184



| Pos. | Part Number | Pcs. |
|------|-------------|------|
| 1 | m14740 | 1 |
| 4 | m12918 | 3 |
| 5 | m06803 | 20 |
| 7 | m11768 | 7 |
| 11 | m11282 | 62 |
| 13 | m15271 | 3 |
| 14 | m05560 | 3 |
| 23 | m07645 | 5 |
| 24 | m09627 | 2 |
| 25 | m04827 | 2 |

ⒸZ HYDRAULICKÝ ROZVOD VÁLCŮ

Ⓓ HYDRAULISCHE VERTEILUNG WALZEN

Ⓕ CONDUIT HYDRAULIQUE DES ROULEAUX

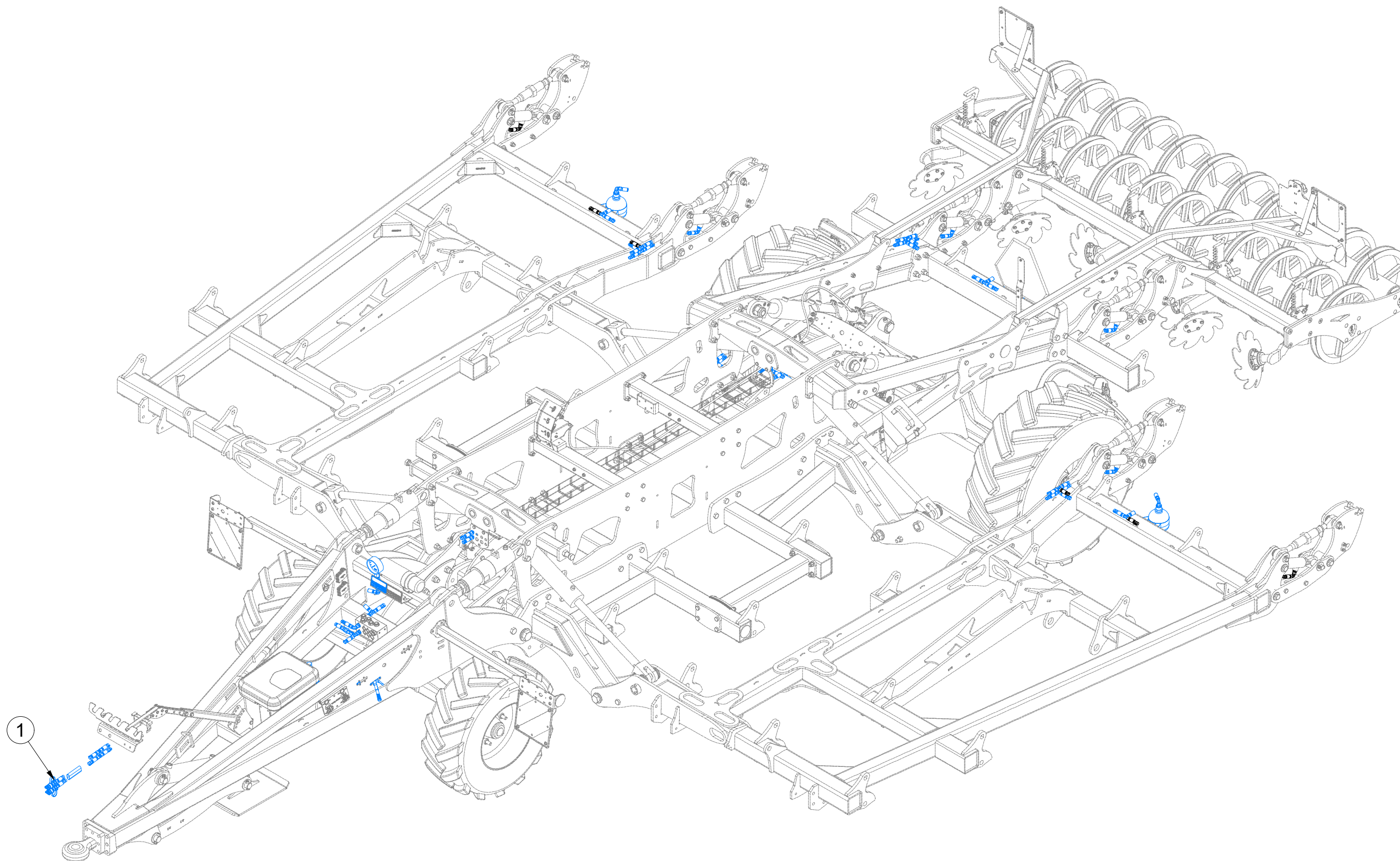
ⒸB HYDRAULIC ROLLER DISTRIBUTION

ⒸR ГИДРАВЛИЧЕСКОЕ РАСПРЕДЕЛЕНИЕ ЦИЛИНДРОВ

ⒸL HYDRAULICZNY PRZEWÓD WAŁÓW



VZ00073747



Ⓒ HYDRAULICKÝ ROZVOD VÁLCŮ

Ⓓ HYDRAULISCHE VERTEILUNG WALZEN

Ⓕ CONDUIT HYDRAULIQUE DES ROULEAUX

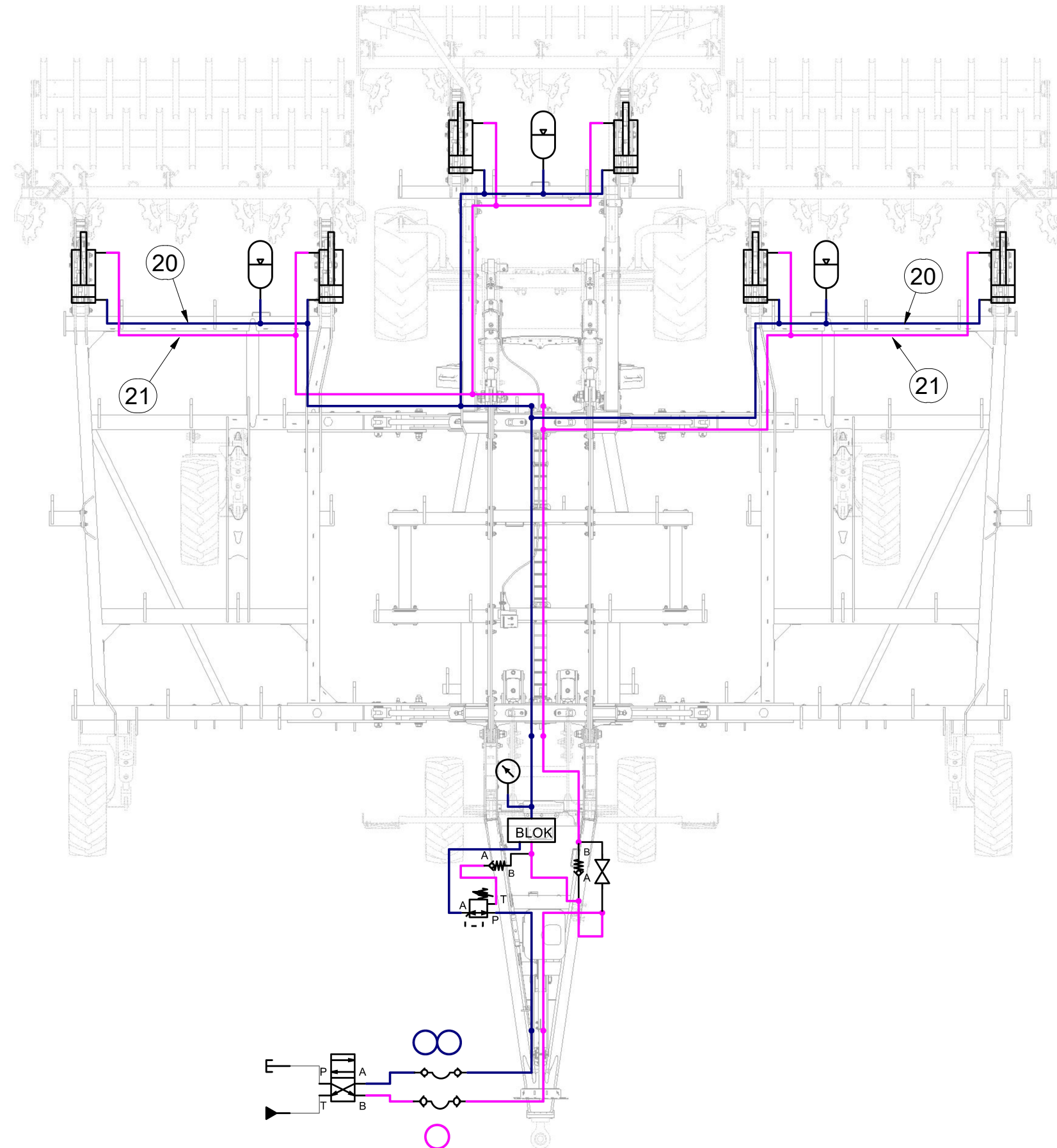
Ⓖ HYDRAULIC ROLLER DISTRIBUTION

Ⓡ ГИДРАВЛИЧЕСКОЕ РАСПРЕДЕЛЕНИЕ ЦИЛИНДРОВ

Ⓟ HYDRAULICZNY PRZEWÓD WAŁÓW



VZ00073747



| Pos. | Part Number | Pcs. |
|------|-------------|------|
| 20 | m06533 | 2 |
| 21 | m18090 | 2 |

ⒸZ HYDRAULICKÝ ROZVOD VÁLCŮ

Ⓓ HYDRAULISCHE VERTEILUNG WALZEN

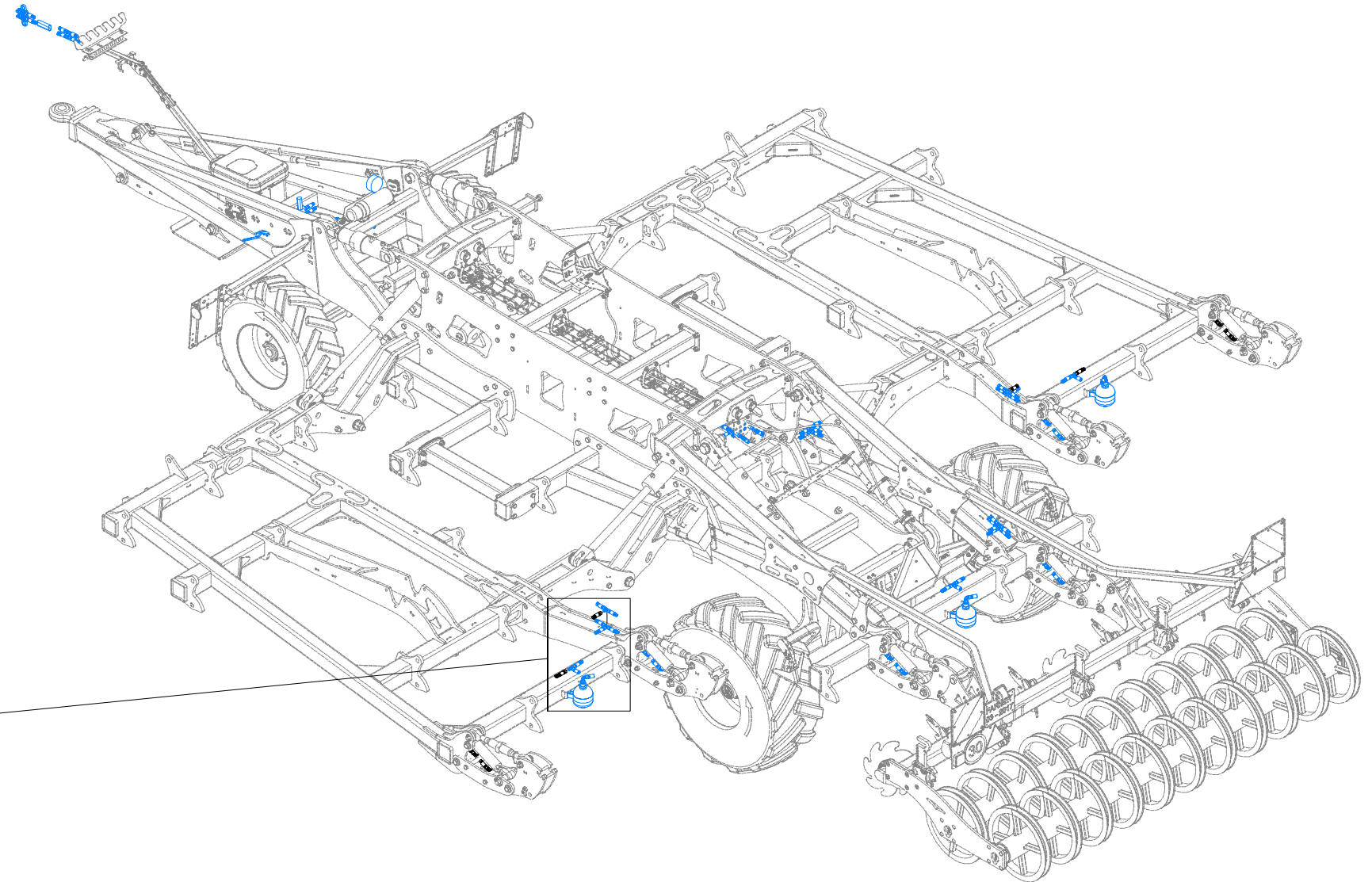
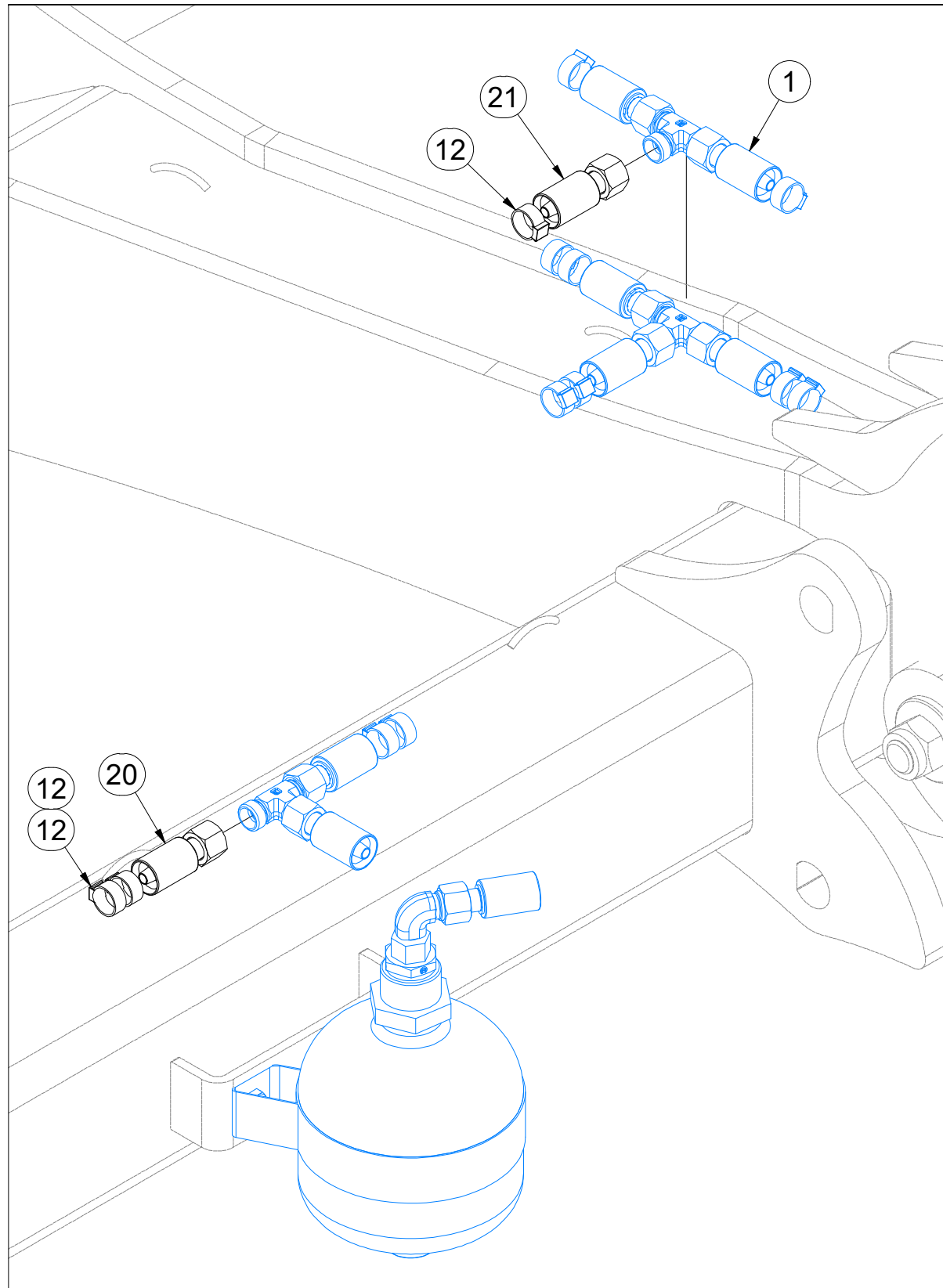
Ⓕ CONDUIT HYDRAULIQUE DES ROULEAUX

VZ00073747

ⒸB HYDRAULIC ROLLER DISTRIBUTION

ⒸR ГИДРАВЛИЧЕСКОЕ РАСПРЕДЕЛЕНИЕ ЦИЛИНДРОВ

ⒸL HYDRAULICZNY PRZEWÓD WAŁÓW



| Pos. | Part Number | Pcs. |
|------|-------------|------|
| 1 | VZ00062187 | 1 |
| 12 | m11691 | 12 |
| 20 | m06533 | 2 |
| 21 | m18090 | 2 |

ⒸZ HYDRAULICKÝ ROZVOD VÁLCŮ

Ⓓ HYDRAULISCHE VERTEILUNG WALZEN

Ⓕ CONDUIT HYDRAULIQUE DES ROULEAUX

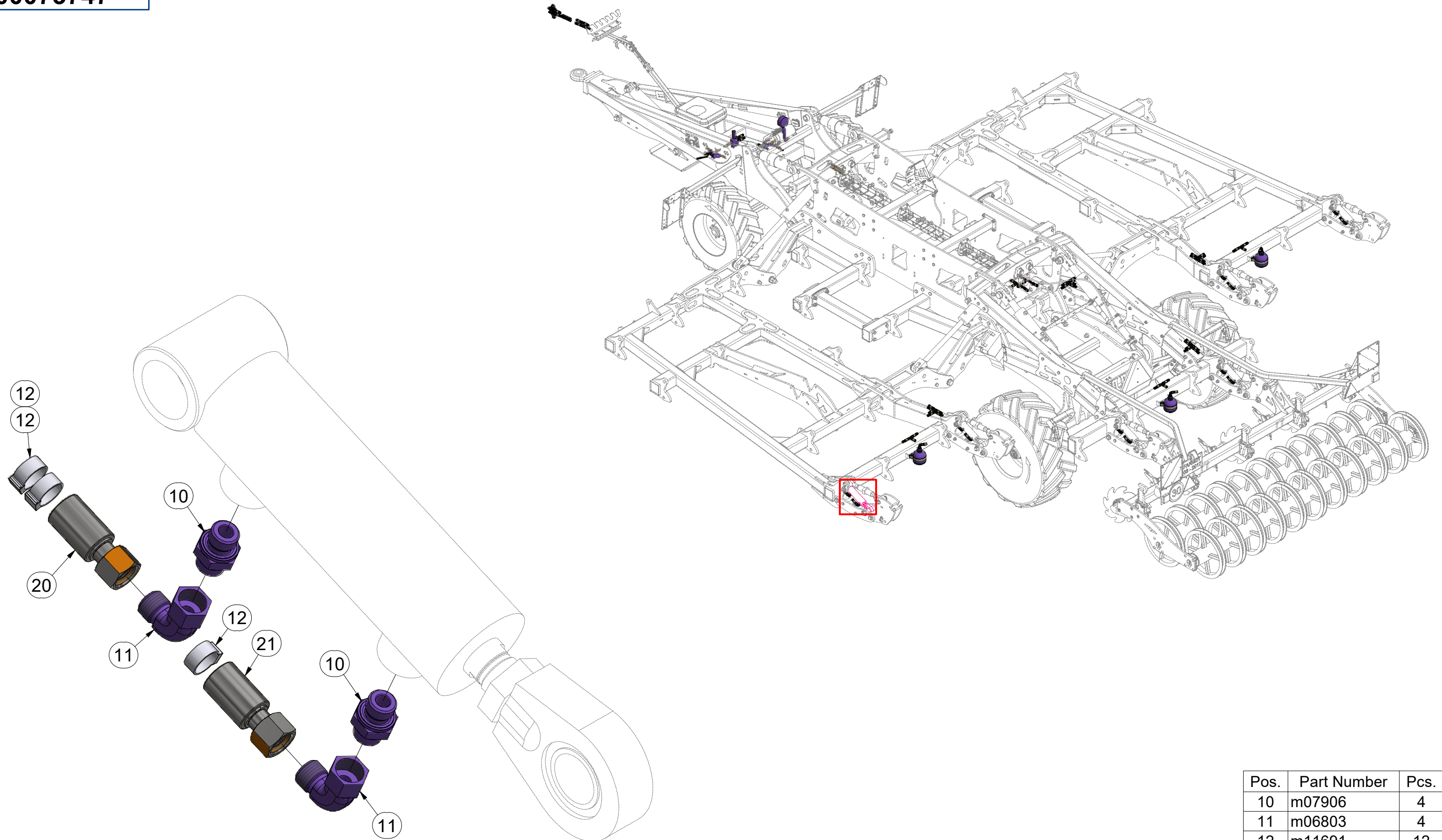
ⒸB HYDRAULIC ROLLER DISTRIBUTION

ⒸU ГИДРАВЛИЧЕСКОЕ РАСПРЕДЕЛЕНИЕ ЦИЛИНДРОВ

ⒸL HYDRAULICZNY PRZEWÓD WAŁÓW

Farmet

VZ00073747



| Pos. | Part Number | Pcs. |
|------|-------------|------|
| 10 | m07906 | 4 |
| 11 | m06803 | 4 |
| 12 | m11691 | 12 |
| 20 | m06533 | 2 |
| 21 | m18090 | 2 |

Ⓒ HYDRAULICKÝ ROZVOD VÁLCŮ

Ⓓ HYDRAULISCHE VERTEILUNG WALZEN

Ⓕ CONDUIT HYDRAULIQUE DES ROULEAUX

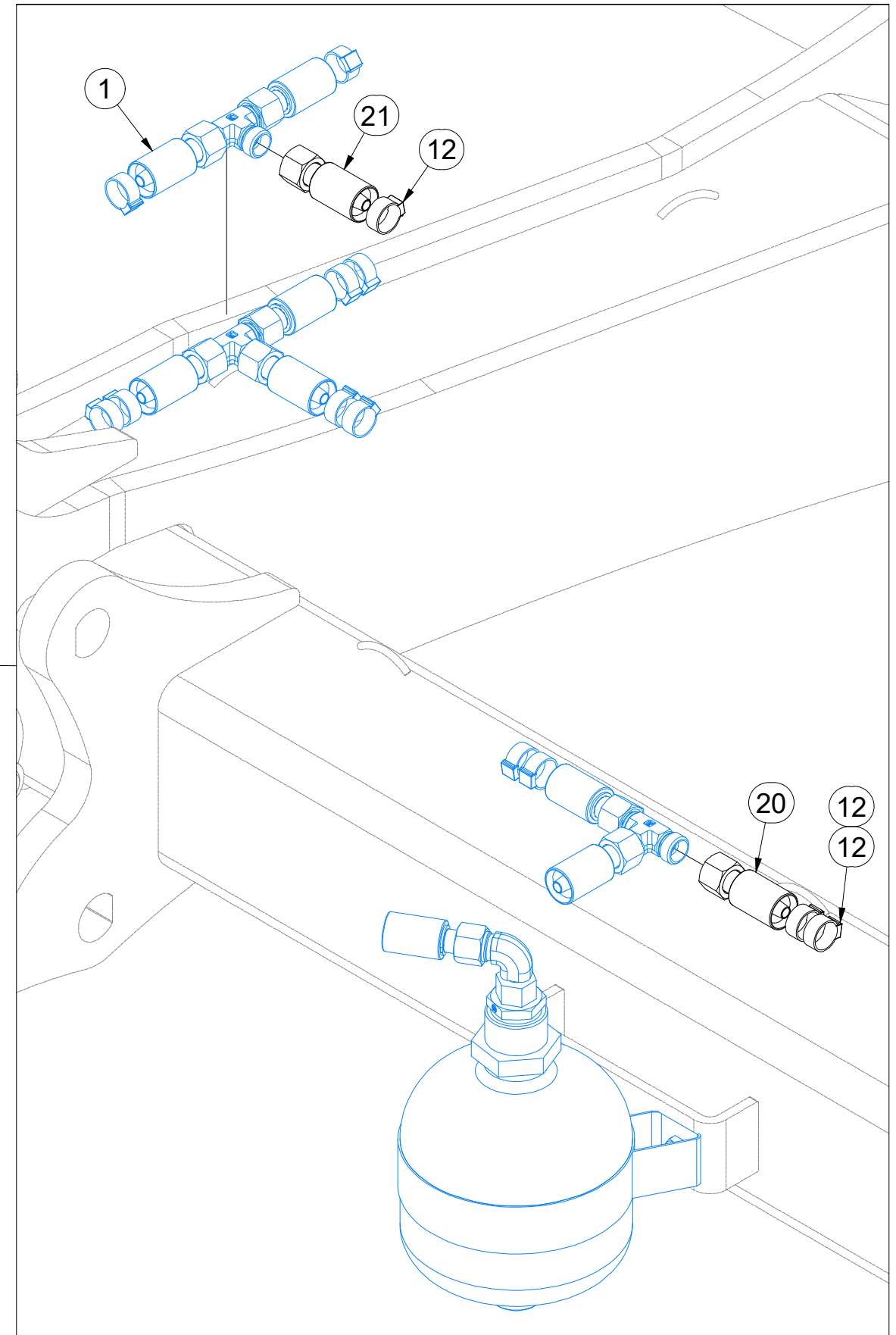
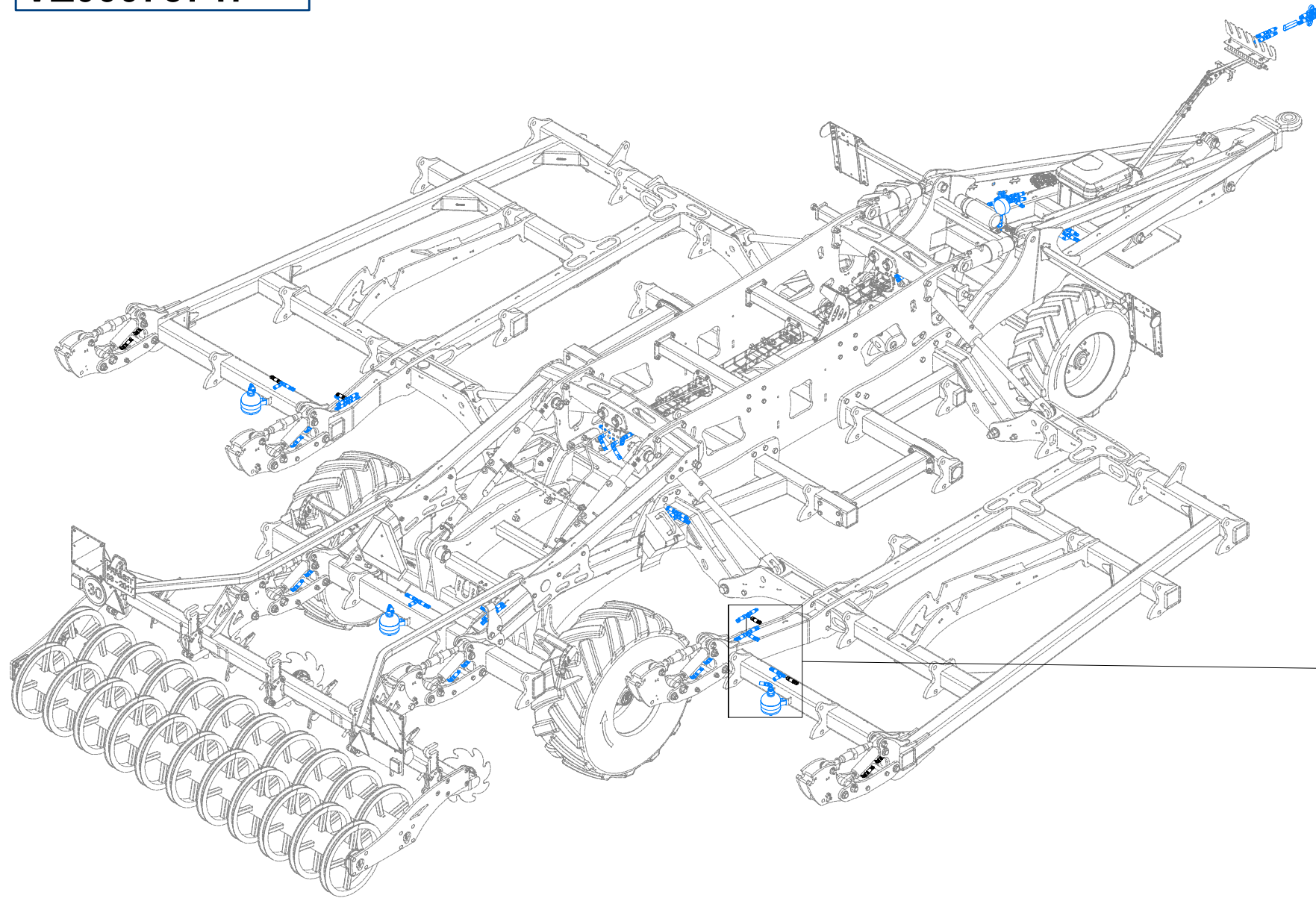
Ⓖ HYDRAULIC ROLLER DISTRIBUTION

Ⓔ ГИДРАВЛИЧЕСКОЕ РАСПРЕДЕЛЕНИЕ ЦИЛИНДРОВ

Ⓟ HYDRAULICZNY PRZEWÓD WAŁÓW



VZ00073747



| Pos. | Part Number | Pcs. |
|------|-------------|------|
| 1 | VZ00062187 | 1 |
| 12 | m11691 | 12 |
| 20 | m06533 | 2 |
| 21 | m18090 | 2 |

ⒸZ HYDRAULICKÝ ROZVOD VÁLCŮ

Ⓓ HYDRAULISCHE VERTEILUNG WALZEN

Ⓕ CONDUIT HYDRAULIQUE DES ROULEAUX

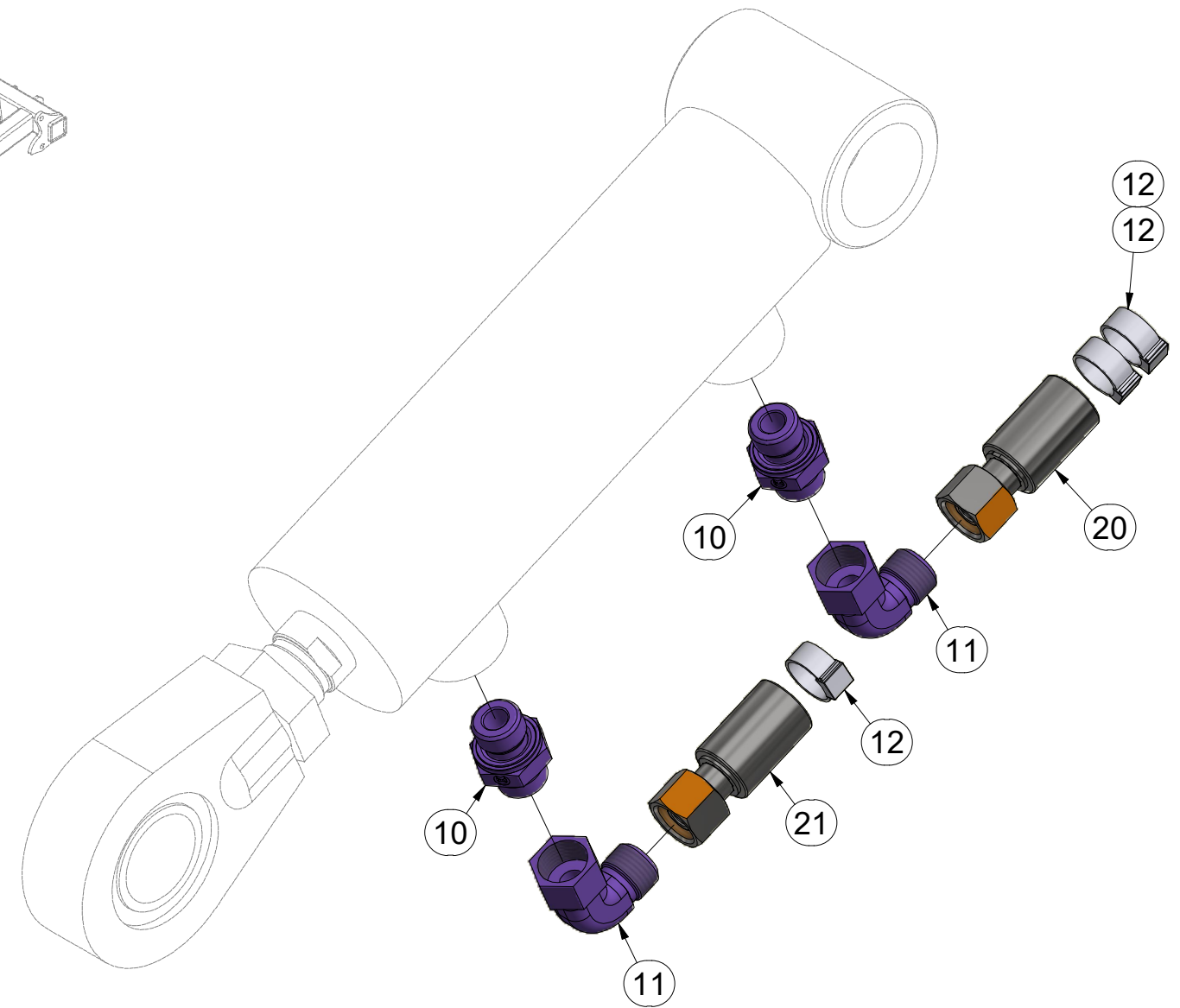
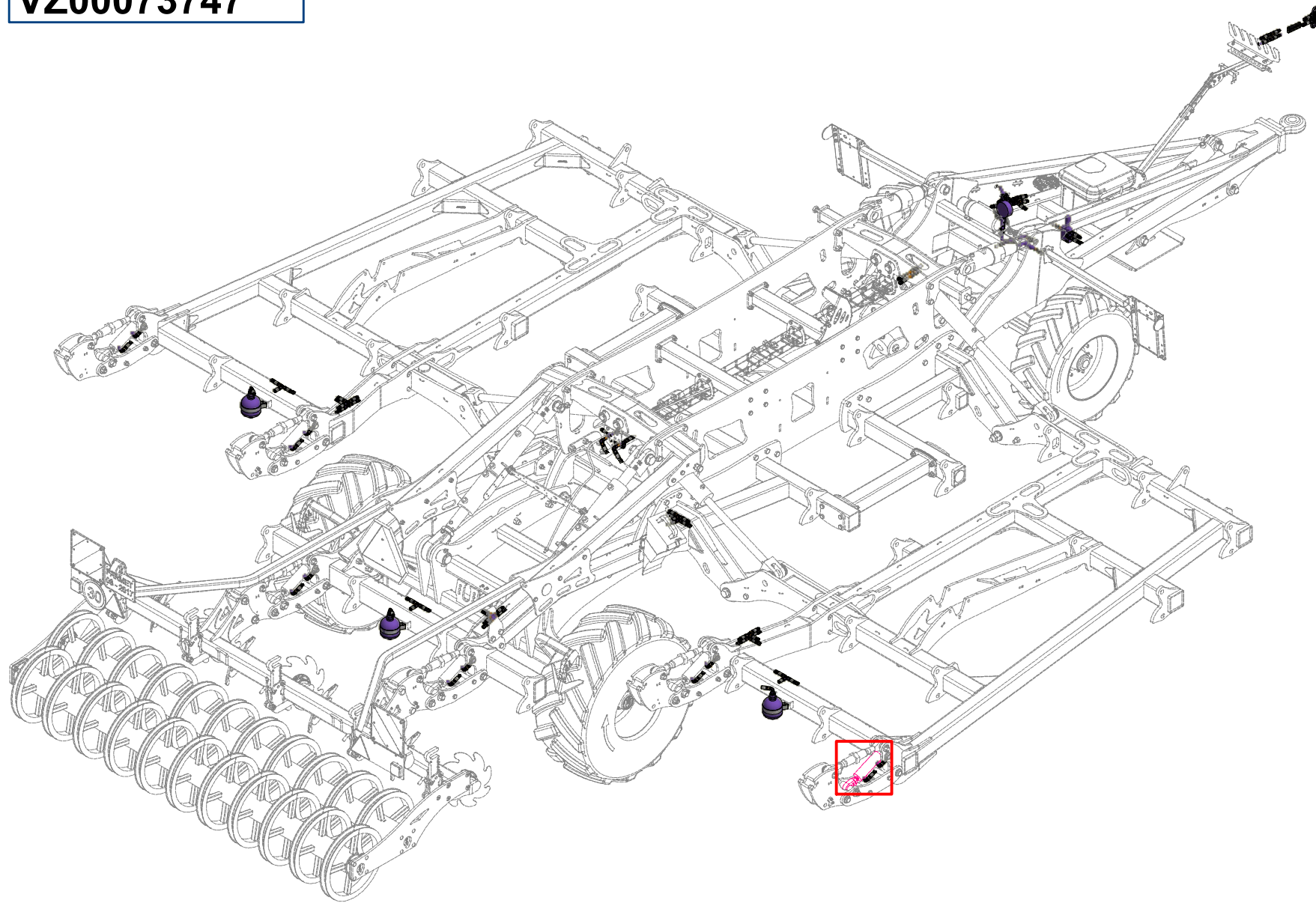
ⒸB HYDRAULIC ROLLER DISTRIBUTION

Ⓔ ГИДРАВЛИЧЕСКОЕ РАСПРЕДЕЛЕНИЕ ЦИЛИНДРОВ

ⒶL HYDRAULICZNY PRZEWÓD WAŁÓW



VZ00073747



| Pos. | Part Number | Pcs. |
|------|-------------|------|
| 10 | m07906 | 4 |
| 11 | m06803 | 4 |
| 12 | m11691 | 12 |
| 20 | m06533 | 2 |
| 21 | m18090 | 2 |

ⒸZ HYDRAULICKÝ ROZVOD VÁLCŮ

Ⓓ HYDRAULISCHE VERTEILUNG WALZEN

Ⓕ CONDUIT HYDRAULIQUE DES ROULEAUX

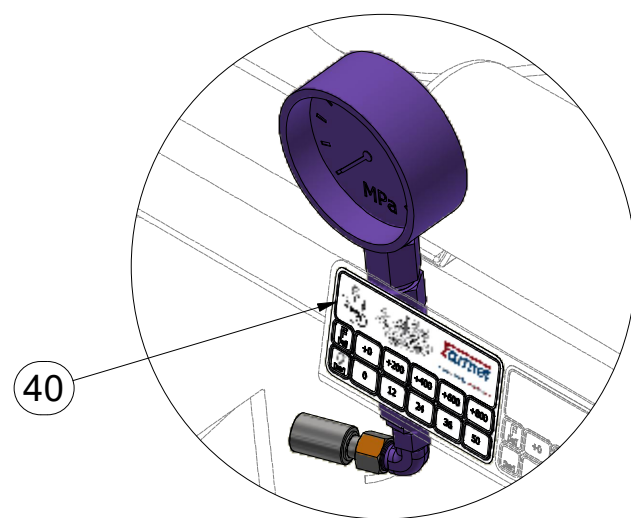
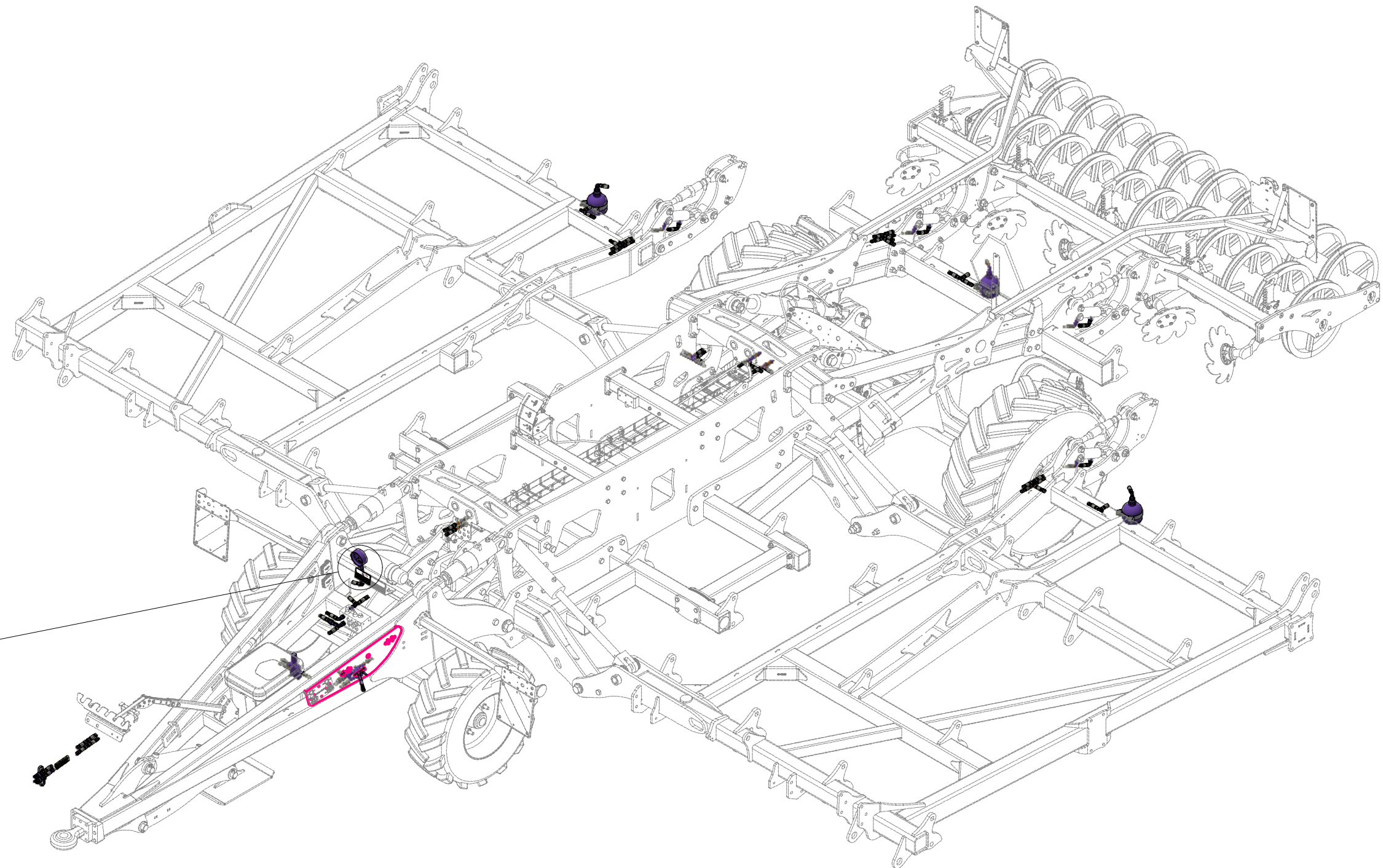
ⒸB HYDRAULIC ROLLER DISTRIBUTION

ⒸR ГИДРАВЛИЧЕСКОЕ РАСПРЕДЕЛЕНИЕ ЦИЛИНДРОВ

ⒸL HYDRAULICZNY PRZEWÓD WAŁÓW



VZ00062187



40

| Pos. | Part Number | Pcs. |
|------|-------------|------|
| 40 | m21574 | 1 |

ⒸZ HYDRAULICKÝ ROZVOD VÁLCŮ

Ⓓ HYDRAULISCHE VERTEILUNG WALZEN

Ⓕ CONDUIT HYDRAULIQUE DES ROULEAUX

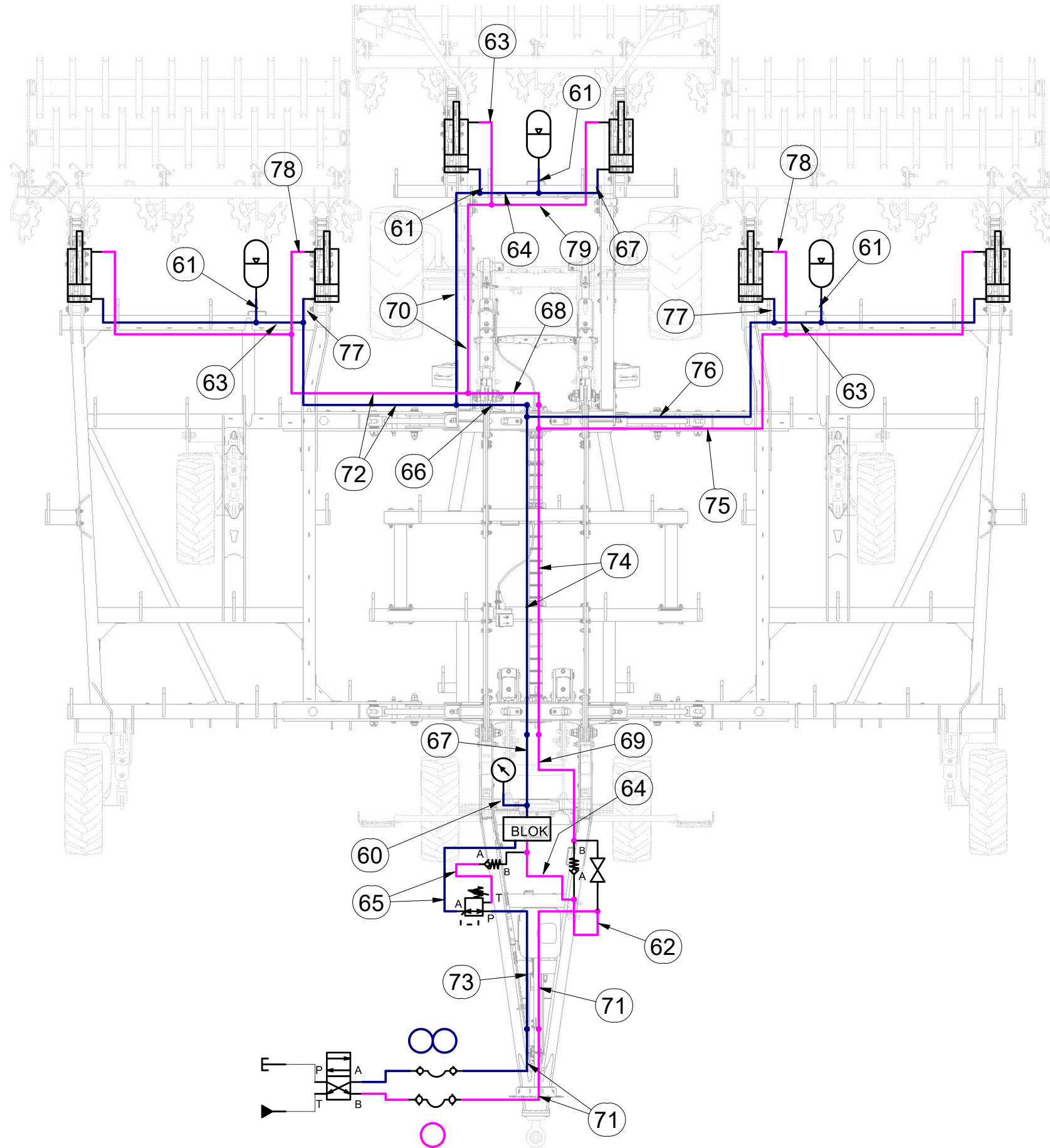
ⒸB HYDRAULIC ROLLER DISTRIBUTION

ⒸU ГИДРАВЛИЧЕСКОЕ РАСПРЕДЕЛЕНИЕ ЦИЛИНДРОВ

ⒸL HYDRAULICZNY PRZEWÓD WAŁÓW



VZ00062187



| Pos. | Part Number | Pcs. |
|------|-------------|------|
| 60 | m07362 | 1 |
| 61 | m07363 | 4 |
| 62 | m09627 | 1 |
| 63 | m04827 | 3 |
| 64 | m09628 | 2 |
| 65 | m09629 | 2 |
| 66 | m06532 | 1 |
| 67 | m03951 | 2 |
| 68 | m17222 | 1 |
| 69 | m03952 | 1 |
| 70 | m11696 | 2 |
| 71 | m03714 | 3 |
| 72 | m09037 | 2 |
| 73 | m05278 | 1 |
| 74 | m15154 | 2 |
| 75 | m15321 | 1 |
| 76 | m17445 | 1 |
| 77 | m18087 | 2 |
| 78 | m16868 | 2 |
| 79 | m05762 | 1 |

Ⓒ HYDRAULICKÝ ROZVOD VÁLCŮ

Ⓓ HYDRAULISCHE VERTEILUNG WALZEN

Ⓕ CONDUIT HYDRAULIQUE DES ROULEAUX

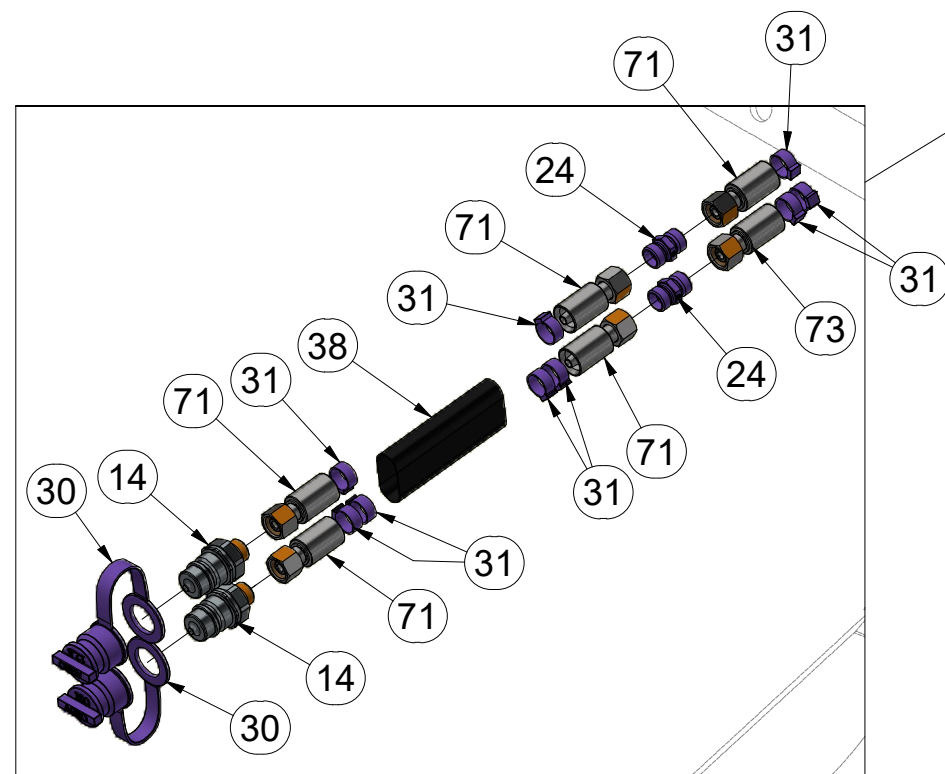
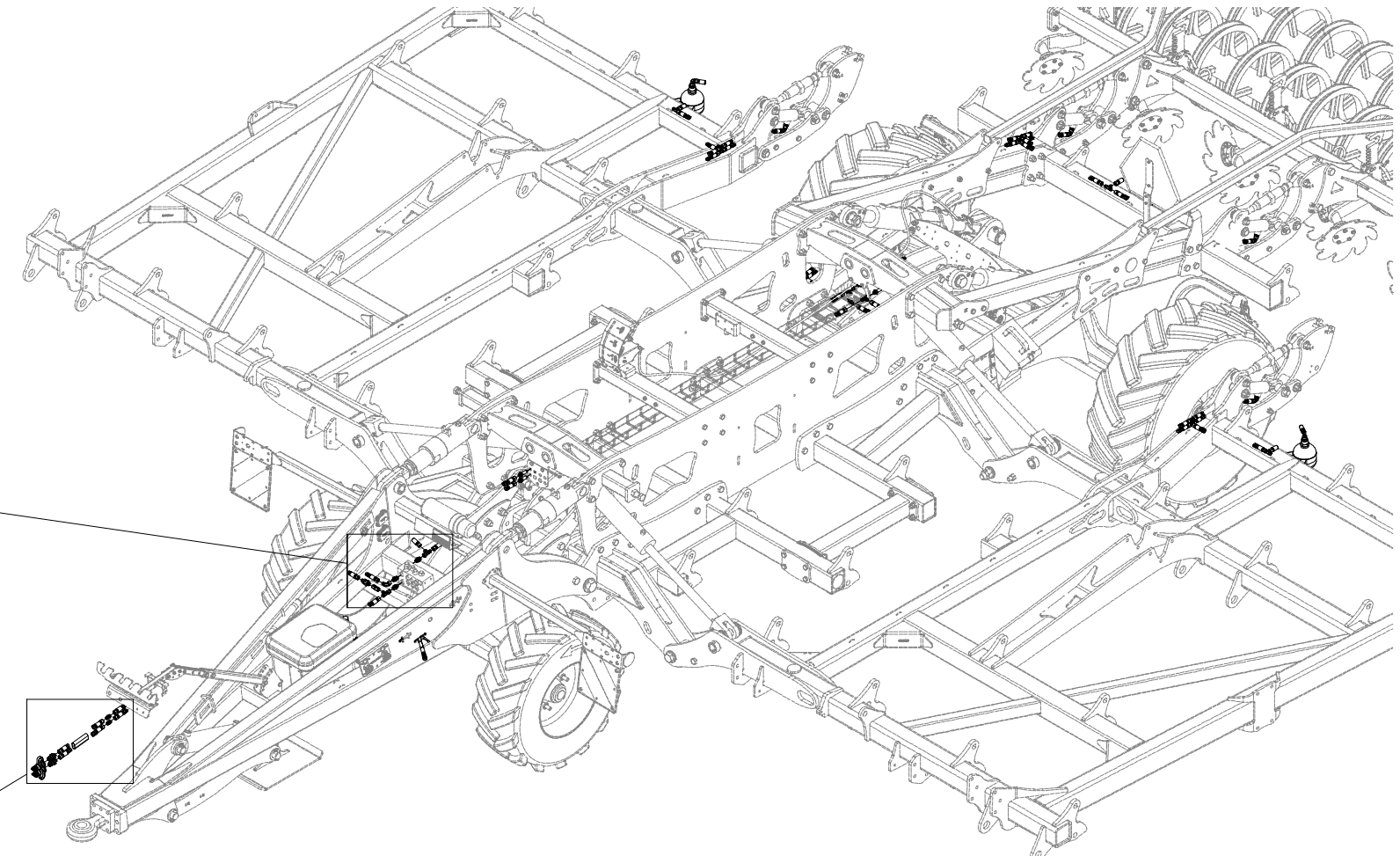
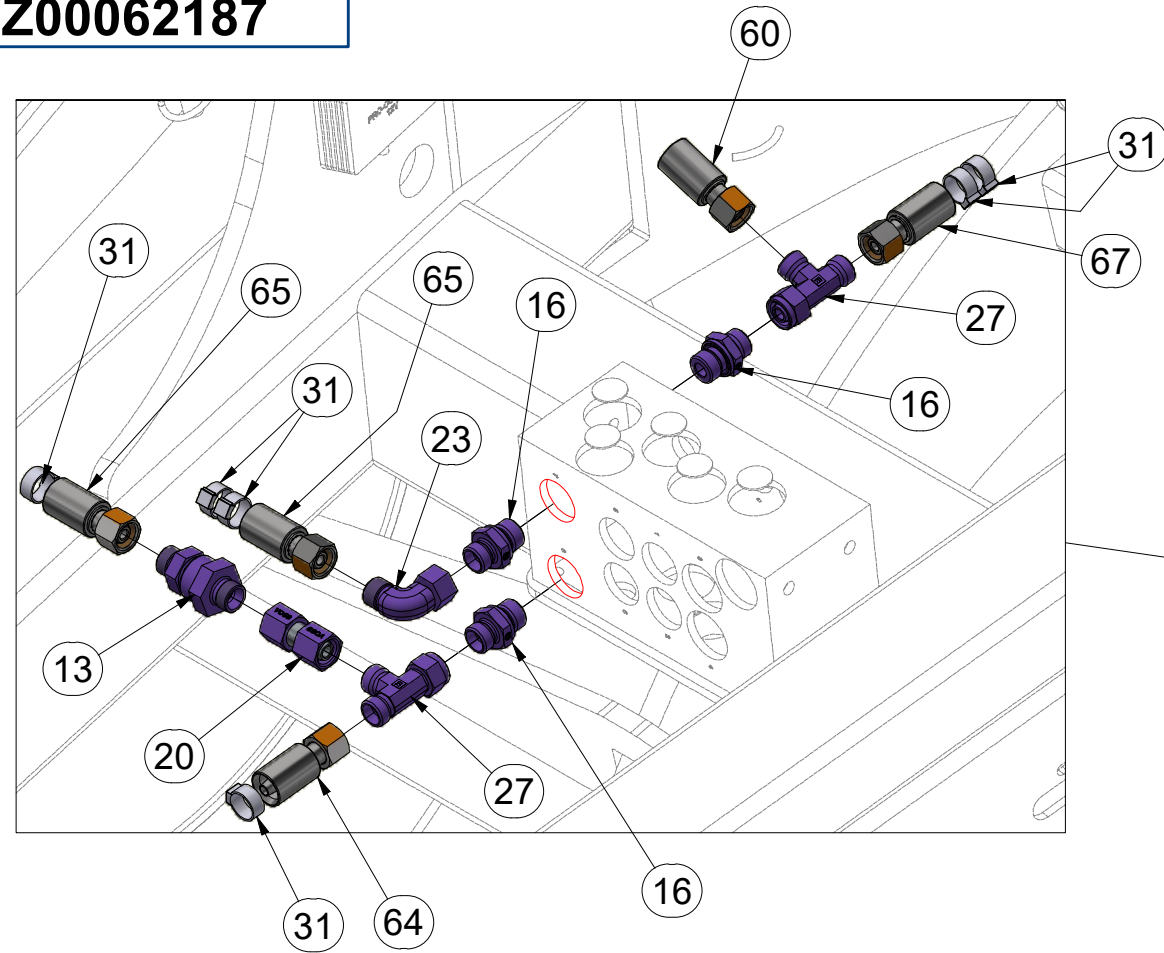
Ⓖ HYDRAULIC ROLLER DISTRIBUTION

Ⓡ ГИДРАВЛИЧЕСКОЕ РАСПРЕДЕЛЕНИЕ ЦИЛИНДРОВ

Ⓟ HYDRAULICZNY PRZEWÓD WAŁÓW



VZ00062187



| Pos. | Part Number | Pcs. |
|------|-------------|------|
| 13 | m09565 | 2 |
| 14 | m03849 | 2 |
| 16 | m06528 | 6 |
| 20 | m22305 | 2 |
| 23 | m06803 | 18 |
| 24 | m03213 | 2 |
| 27 | m07568 | 6 |
| 30 | m04034 | 2 |
| 31 | m11691 | 94 |
| 38 | m11183 | 1 |
| 60 | m07362 | 1 |
| 64 | m09628 | 2 |
| 65 | m09629 | 2 |
| 67 | m03951 | 2 |
| 71 | m03714 | 3 |
| 73 | m05278 | 1 |

Ⓒ HYDRAULICKÝ ROZVOD VÁLCŮ

Ⓓ HYDRAULISCHE VERTEILUNG WALZEN

Ⓕ CONDUIT HYDRAULIQUE DES ROULEAUX

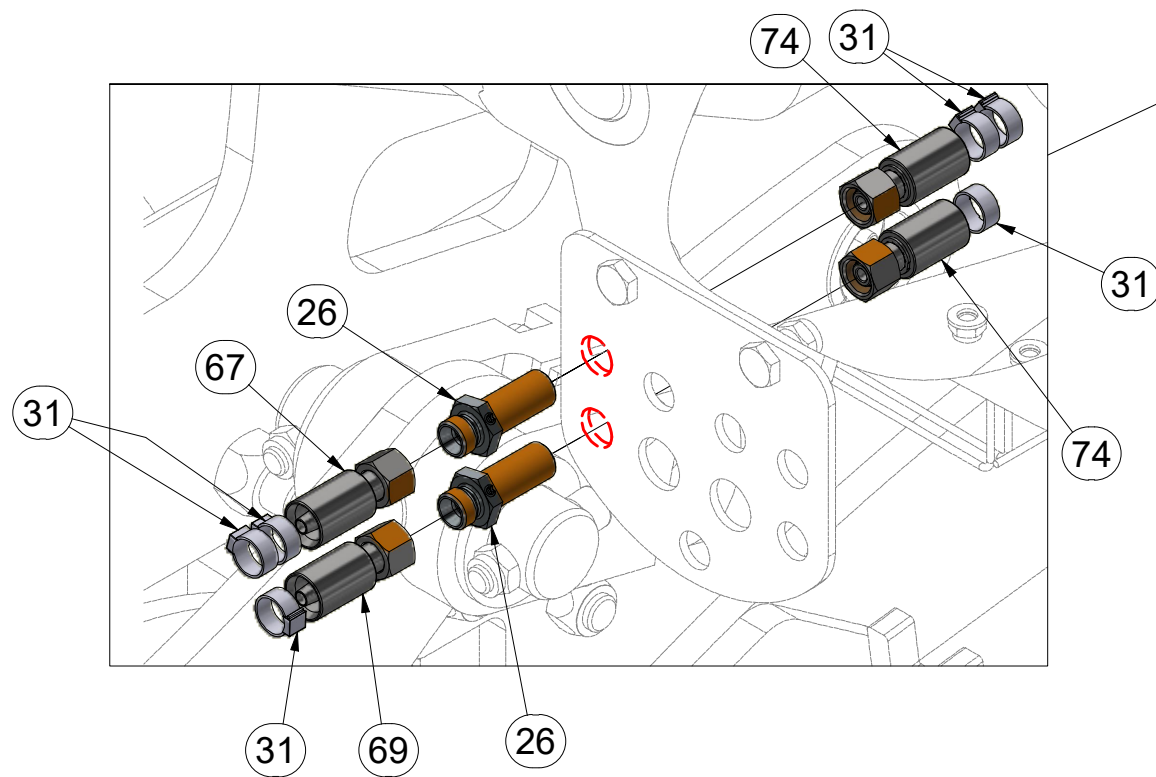
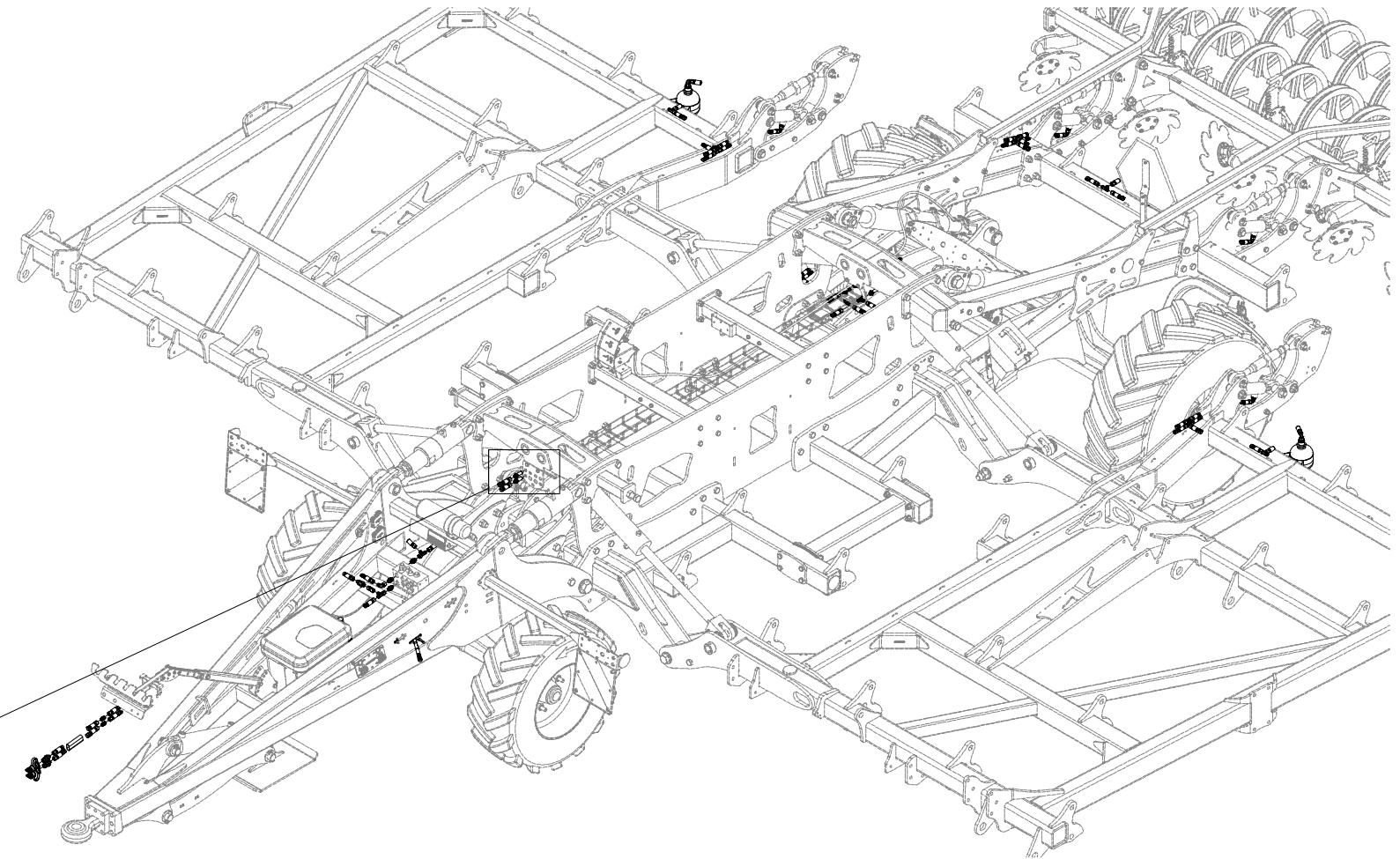
VZ00062187

Ⓖ HYDRAULIC ROLLER DISTRIBUTION

Ⓡ ГИДРАВЛИЧЕСКОЕ РАСПРЕДЕЛЕНИЕ ЦИЛИНДРОВ

Ⓟ HYDRAULICZNY PRZEWÓD WAŁÓW

Farmet



| Pos. | Part Number | Pcs. |
|------|-------------|------|
| 26 | m11768 | 4 |
| 31 | m11691 | 94 |
| 67 | m03951 | 2 |
| 69 | m03952 | 1 |
| 74 | m15154 | 2 |

ⒸZ HYDRAULICKÝ ROZVOD VÁLCŮ

Ⓓ HYDRAULISCHE VERTEILUNG WALZEN

Ⓕ CONDUIT HYDRAULIQUE DES ROULEAUX

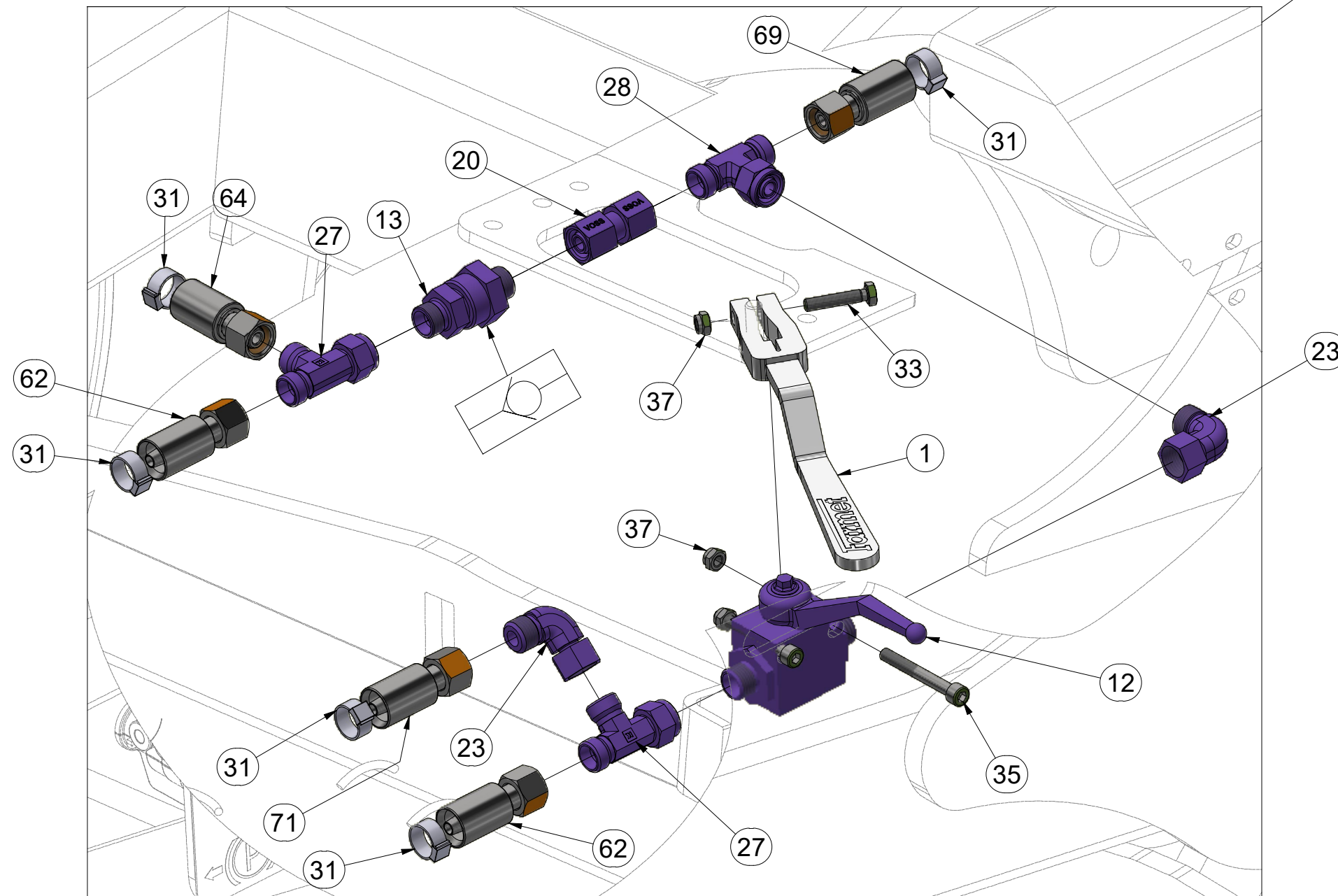
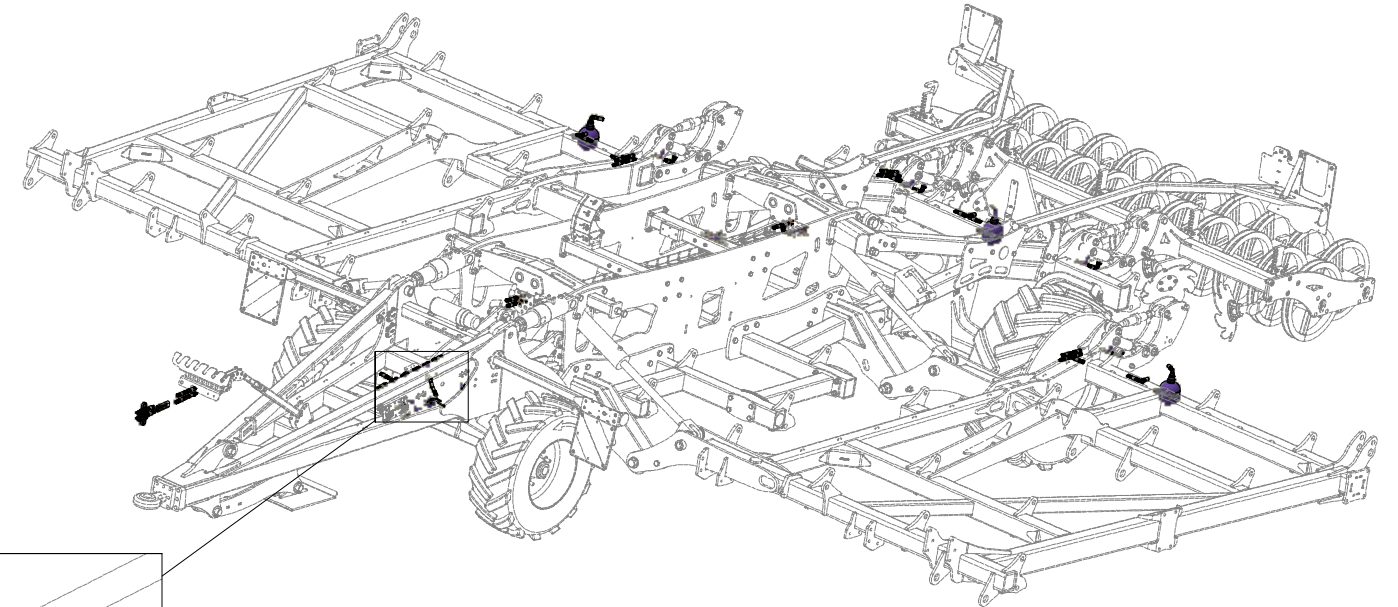
ⒸB HYDRAULIC ROLLER DISTRIBUTION

ⒸU ГИДРАВЛИЧЕСКОЕ РАСПРЕДЕЛЕНИЕ ЦИЛИНДРОВ

ⒸL HYDRAULICZNY PRZEWÓD WAŁÓW



VZ00062187



| Pos. | Part Number | Pcs. |
|------|-------------|------|
| 1 | VZ00019789 | 1 |
| 12 | m04623 | 1 |
| 13 | m09565 | 2 |
| 20 | m22305 | 2 |
| 23 | m06803 | 18 |
| 27 | m07568 | 6 |
| 28 | m07567 | 1 |
| 31 | m11691 | 94 |
| 33 | m01077 | 1 |
| 35 | m07998 | 2 |
| 37 | m05560 | 3 |
| 62 | m09627 | 1 |
| 64 | m09628 | 2 |
| 69 | m03952 | 1 |
| 71 | m03714 | 3 |

ⒸZ HYDRAULICKÝ ROZVOD VÁLCŮ

Ⓓ HYDRAULISCHE VERTEILUNG WALZEN

Ⓕ CONDUIT HYDRAULIQUE DES ROULEAUX

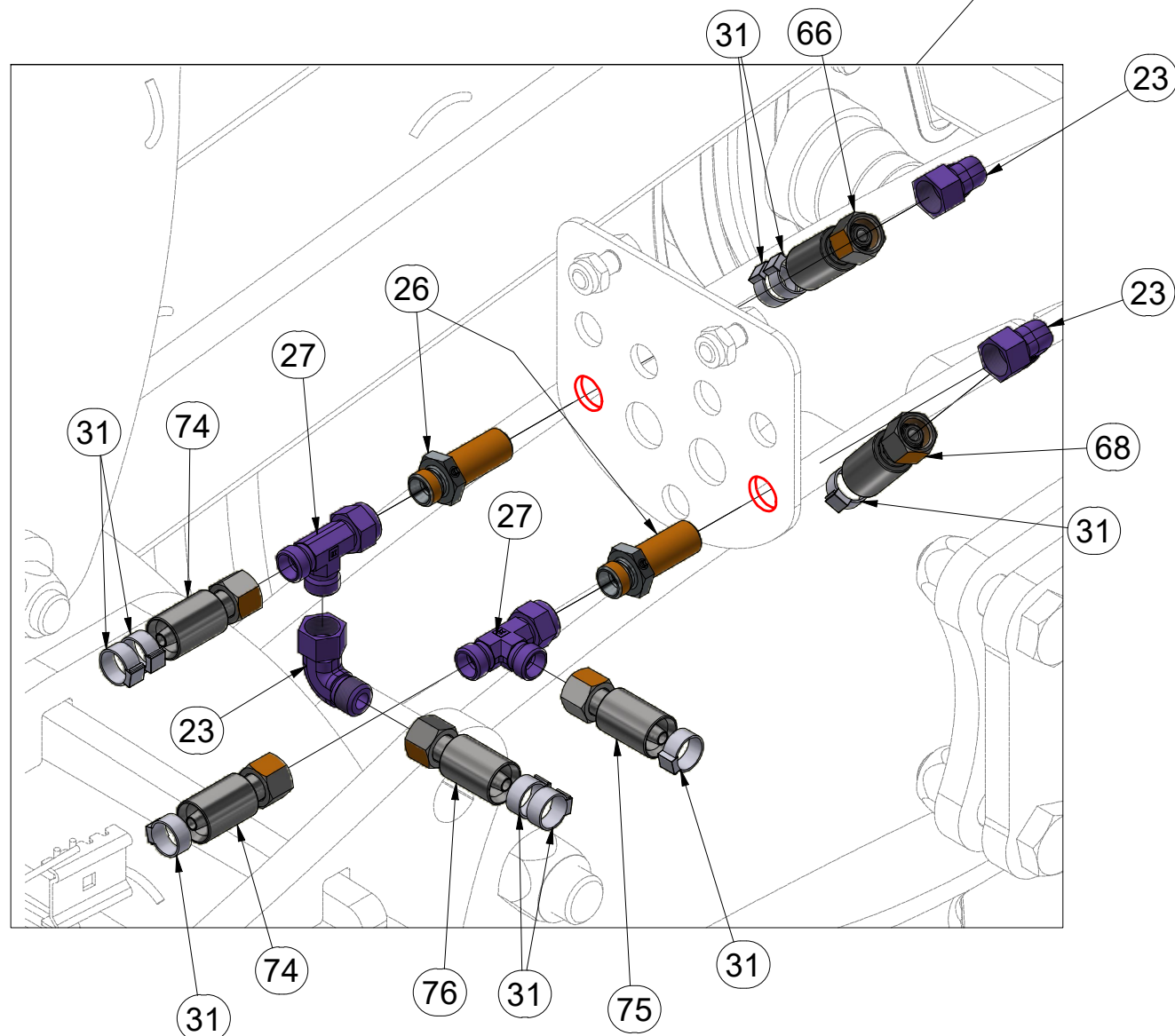
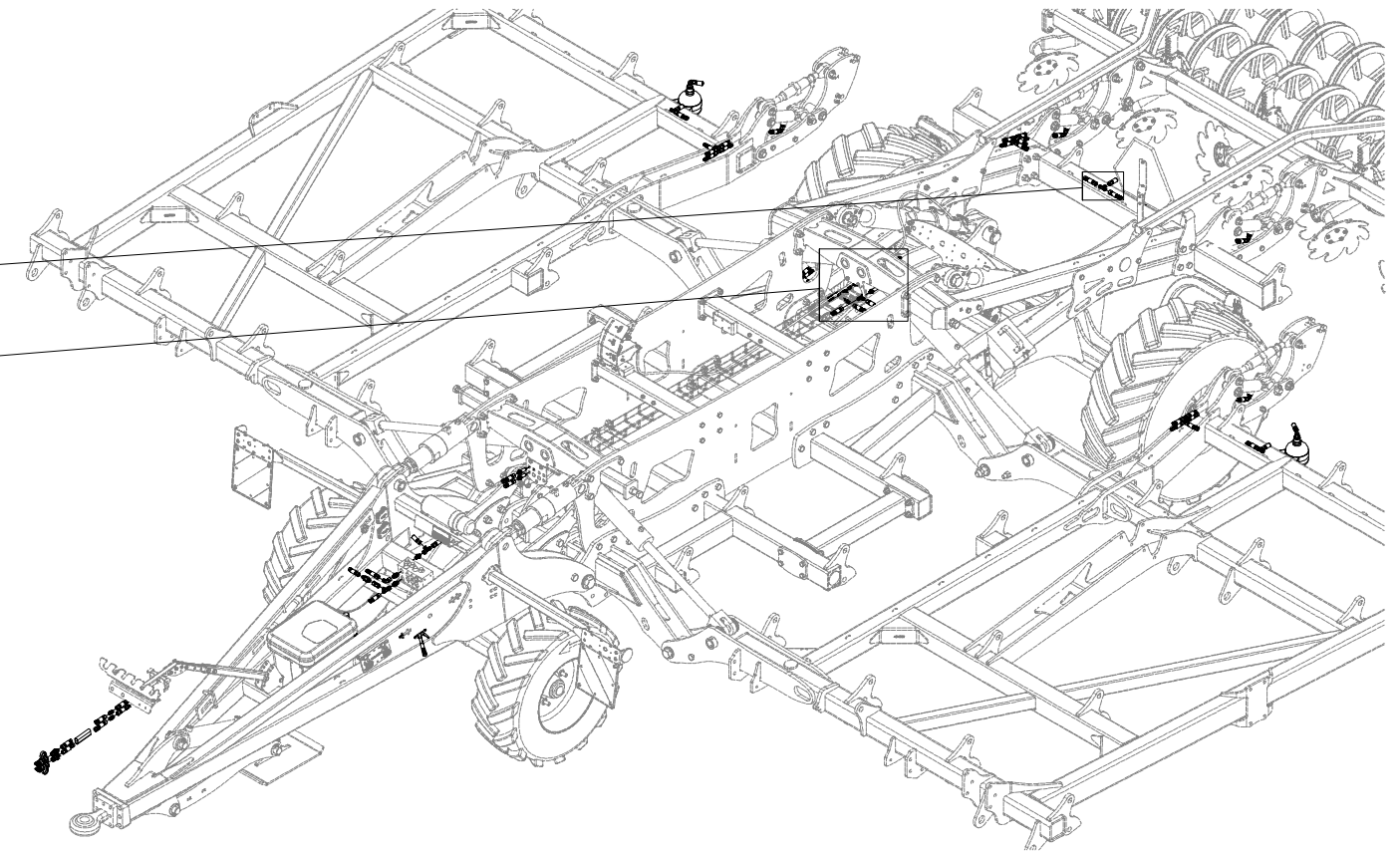
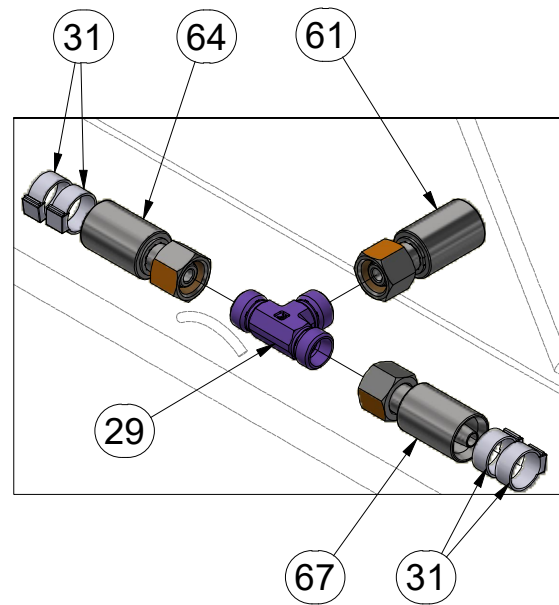
ⒸB HYDRAULIC ROLLER DISTRIBUTION

ⒸU ГИДРАВЛИЧЕСКОЕ РАСПРЕДЕЛЕНИЕ ЦИЛИНДРОВ

ⒸL HYDRAULICZNY PRZEWÓD WAŁÓW



VZ00062187



| Pos. | Part Number | Pcs. |
|------|-------------|------|
| 23 | m06803 | 18 |
| 26 | m11768 | 4 |
| 27 | m07568 | 6 |
| 29 | m03889 | 11 |
| 31 | m11691 | 94 |
| 61 | m07363 | 4 |
| 64 | m09628 | 2 |
| 66 | m06532 | 1 |
| 67 | m03951 | 2 |
| 68 | m17222 | 1 |
| 74 | m15154 | 2 |
| 75 | m15321 | 1 |
| 76 | m17445 | 1 |

ⒸZ HYDRAULICKÝ ROZVOD VÁLCŮ

Ⓓ HYDRAULISCHE VERTEILUNG WALZEN

Ⓕ CONDUIT HYDRAULIQUE DES ROULEAUX

ⒸB HYDRAULIC ROLLER DISTRIBUTION

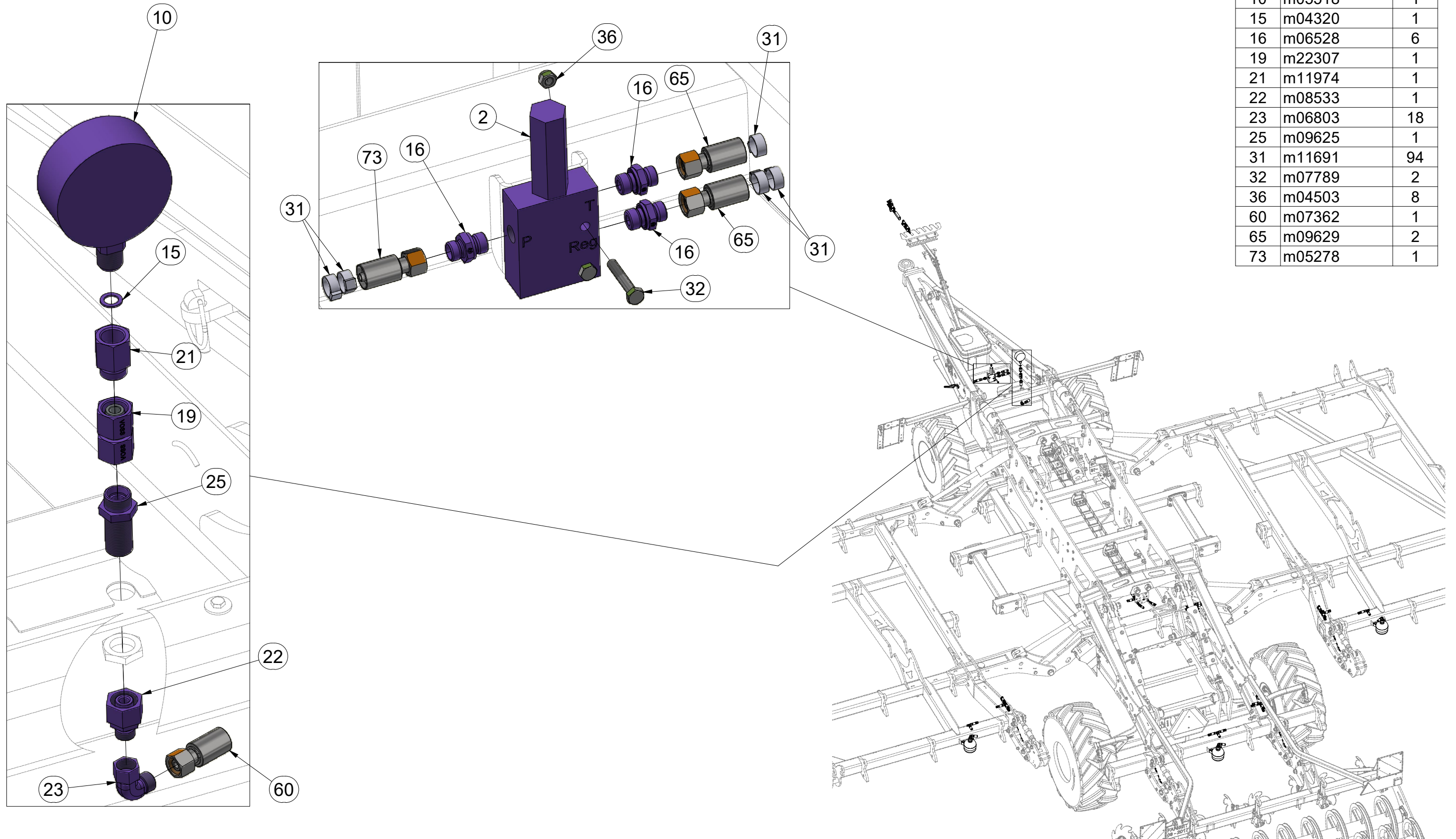
ⒸU ГИДРАВЛИЧЕСКОЕ РАСПРЕДЕЛЕНИЕ ЦИЛИНДРОВ

ⒸL HYDRAULICZNY PRZEWÓD WAŁÓW



VZ00062187

| Pos. | Part Number | Pcs. |
|------|-------------|------|
| 2 | 4024338 | 1 |
| 10 | m05518 | 1 |
| 15 | m04320 | 1 |
| 16 | m06528 | 6 |
| 19 | m22307 | 1 |
| 21 | m11974 | 1 |
| 22 | m08533 | 1 |
| 23 | m06803 | 18 |
| 25 | m09625 | 1 |
| 31 | m11691 | 94 |
| 32 | m07789 | 2 |
| 36 | m04503 | 8 |
| 60 | m07362 | 1 |
| 65 | m09629 | 2 |
| 73 | m05278 | 1 |



ⒸZ HYDRAULICKÝ ROZVOD VÁLCŮ

Ⓓ HYDRAULISCHE VERTEILUNG WALZEN

Ⓕ CONDUIT HYDRAULIQUE DES ROULEAUX

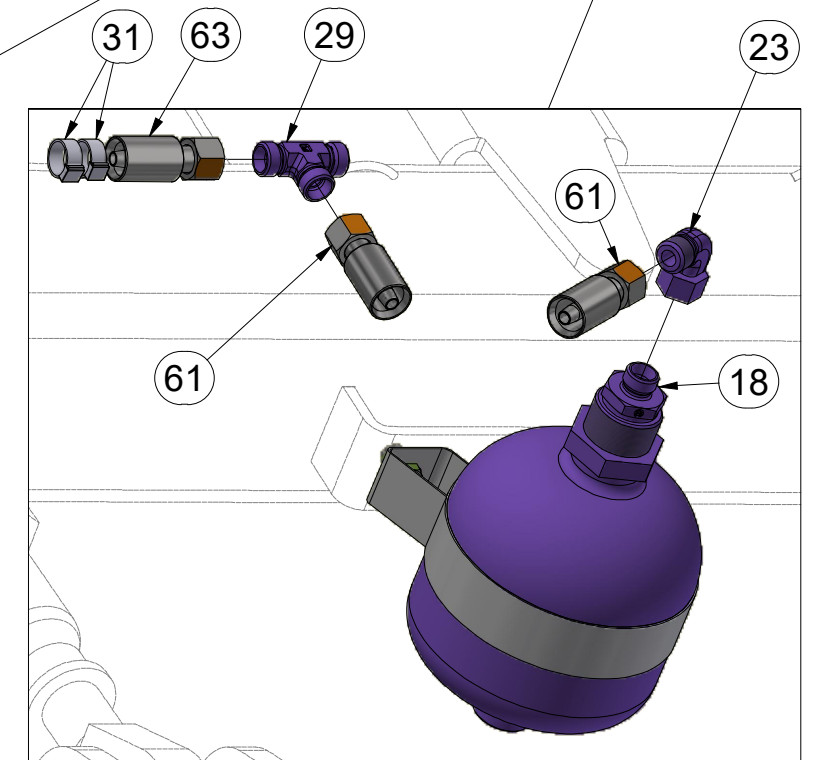
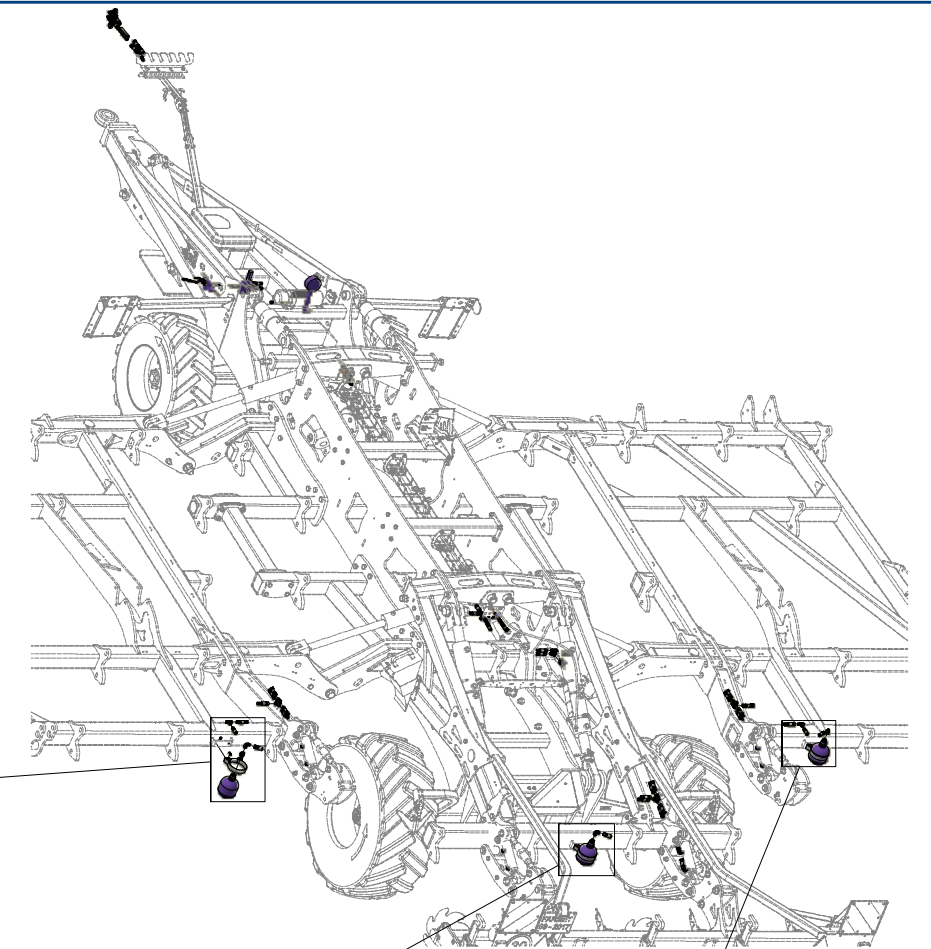
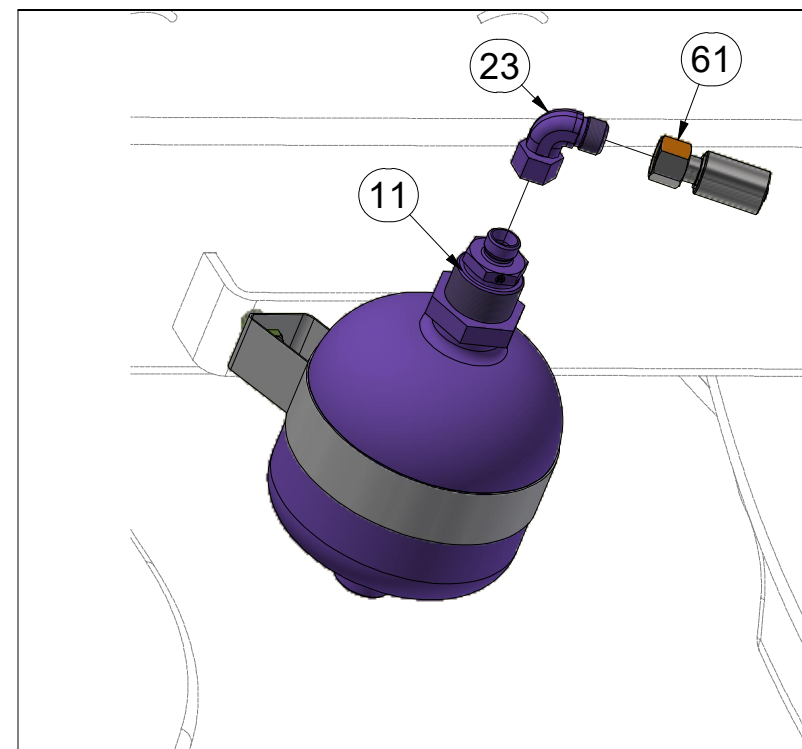
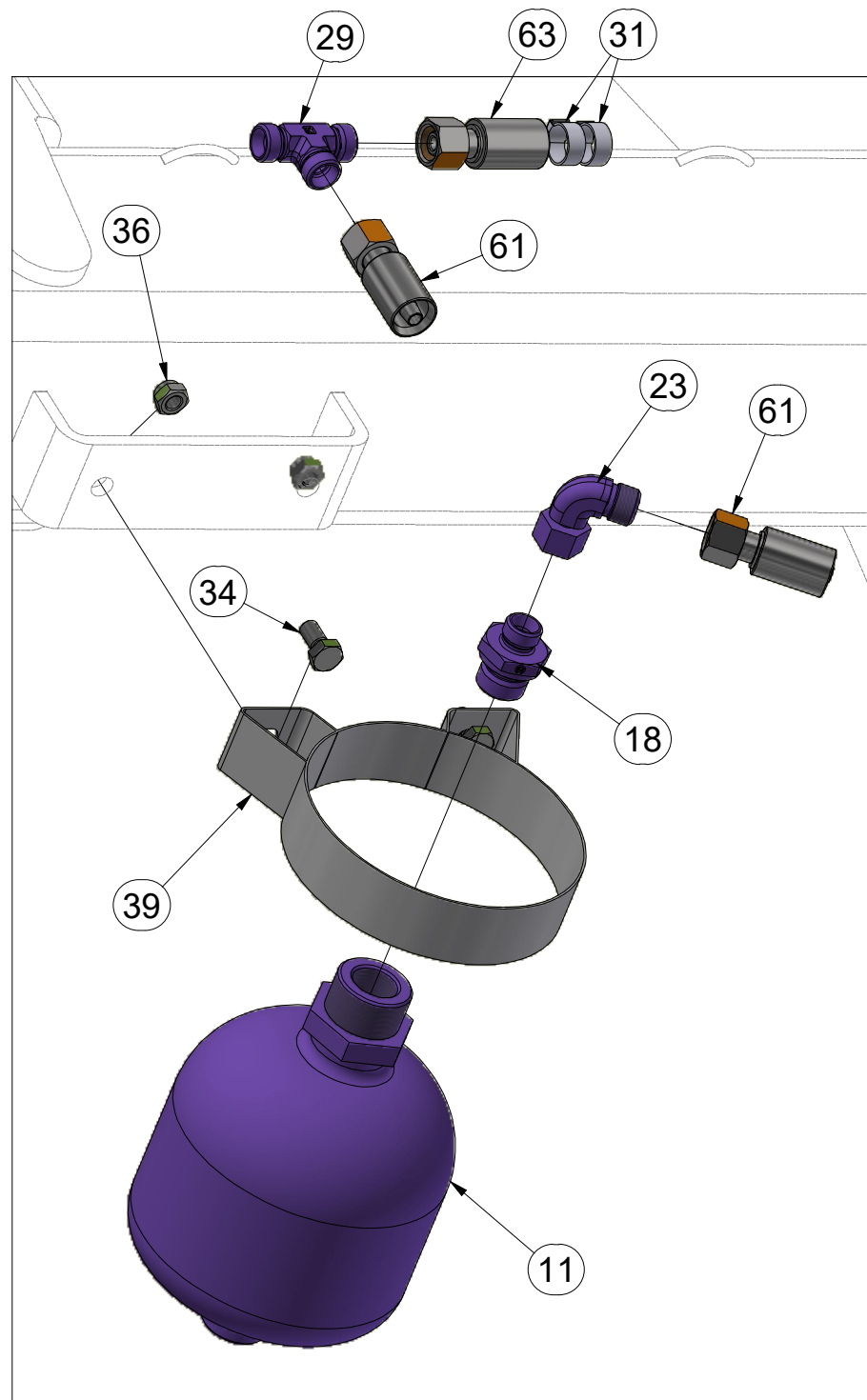
ⒸB HYDRAULIC ROLLER DISTRIBUTION

ⒸR ГИДРАВЛИЧЕСКОЕ РАСПРЕДЕЛЕНИЕ ЦИЛИНДРОВ

ⒸL HYDRAULICZNY PRZEWÓD WAŁÓW



VZ00062187



| Pos. | Part Number | Pcs. | Pos. | Part Number | Pcs. |
|------|-------------|------|------|-------------|------|
| 11 | m14774 | 3 | 34 | m04553 | 6 |
| 18 | m04560 | 3 | 36 | m04503 | 8 |
| 23 | m06803 | 18 | 39 | m14882 | 3 |
| 29 | m03889 | 11 | 61 | m07363 | 4 |
| 31 | m11691 | 94 | 63 | m04827 | 3 |

ⒸZ HYDRAULICKÝ ROZVOD VÁLCŮ

Ⓓ HYDRAULISCHE VERTEILUNG WALZEN

Ⓕ CONDUIT HYDRAULIQUE DES ROULEAUX

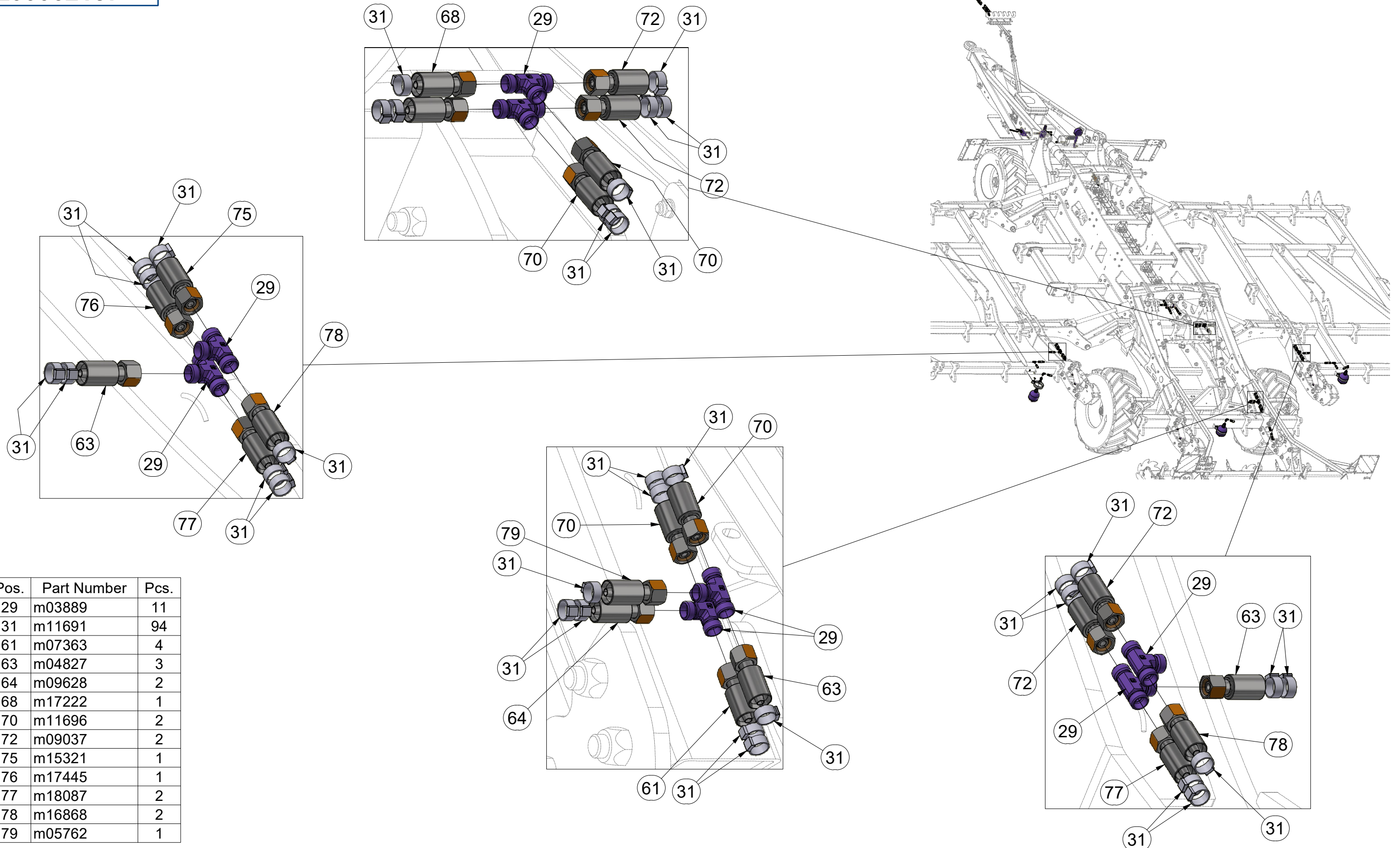
ⒸB HYDRAULIC ROLLER DISTRIBUTION

ⒸU ГИДРАВЛИЧЕСКОЕ РАСПРЕДЕЛЕНИЕ ЦИЛИНДРОВ

ⒸL HYDRAULICZNY PRZEWÓD WAŁÓW



VZ00062187



| Pos. | Part Number | Pcs. |
|------|-------------|------|
| 29 | m03889 | 11 |
| 31 | m11691 | 94 |
| 61 | m07363 | 4 |
| 63 | m04827 | 3 |
| 64 | m09628 | 2 |
| 68 | m17222 | 1 |
| 70 | m11696 | 2 |
| 72 | m09037 | 2 |
| 75 | m15321 | 1 |
| 76 | m17445 | 1 |
| 77 | m18087 | 2 |
| 78 | m16868 | 2 |
| 79 | m05762 | 1 |

ⒸZ HYDRAULICKÝ ROZVOD VÁLCŮ

Ⓓ HYDRAULISCHE VERTEILUNG WALZEN

Ⓕ CONDUIT HYDRAULIQUE DES ROULEAUX

ⒼB HYDRAULIC ROLLER DISTRIBUTION

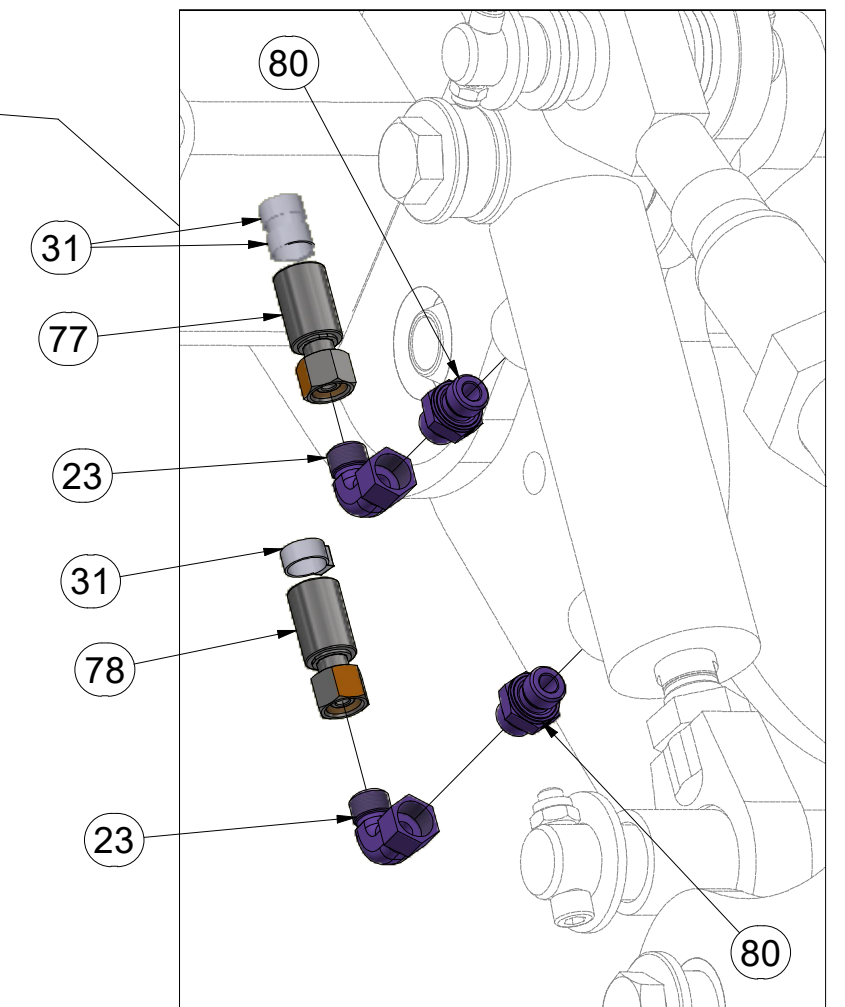
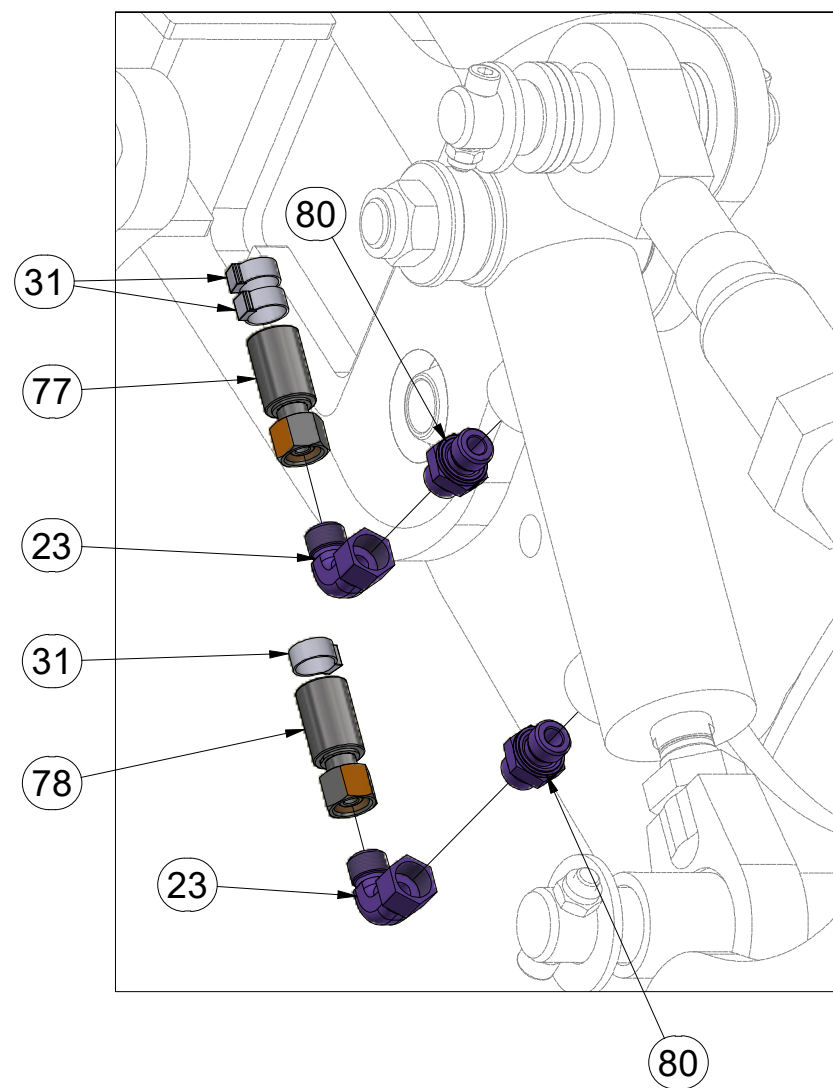
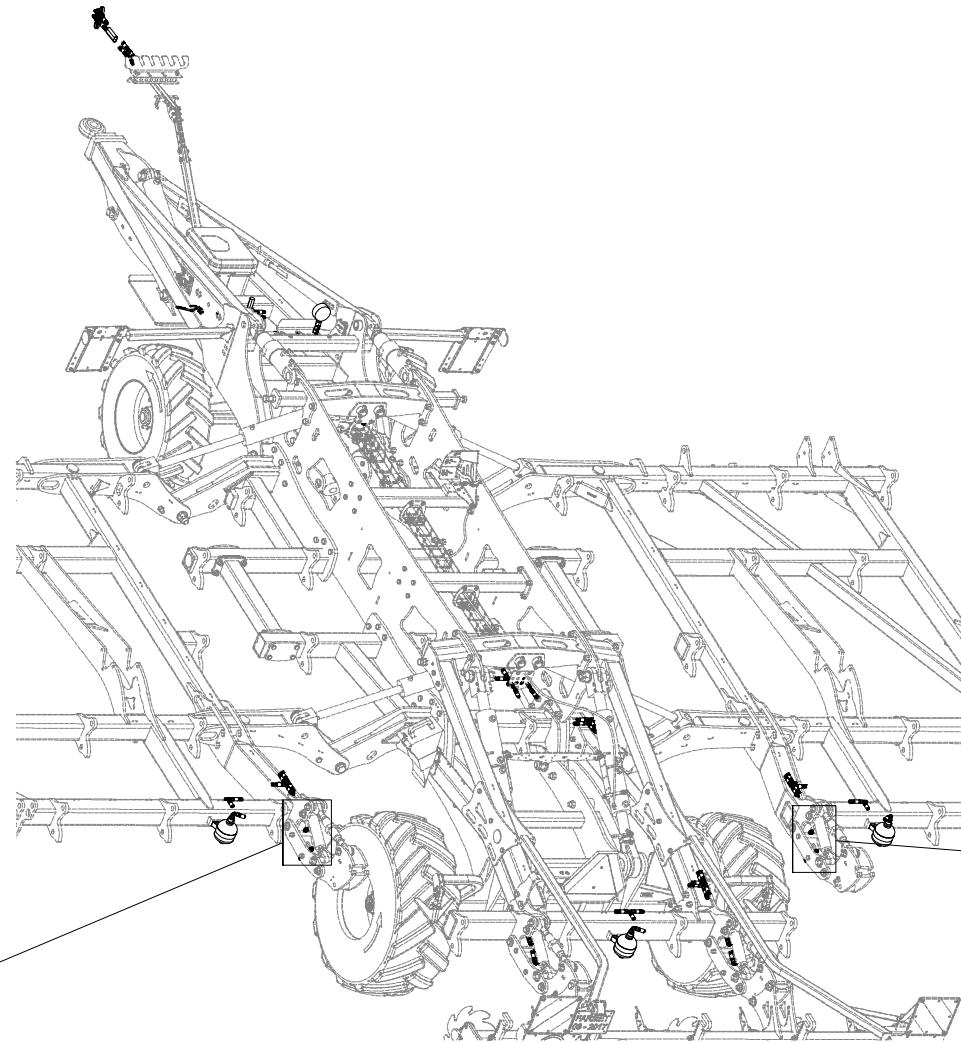
Ⓔ RU ГИДРАВЛИЧЕСКОЕ РАСПРЕДЕЛЕНИЕ ЦИЛИНДРОВ

ⒼL HYDRAULICZNY PRZEWÓD WAŁÓW



VZ00062187

| Pos. | Part Number | Pcs. |
|------|-------------|------|
| 23 | m06803 | 18 |
| 31 | m11691 | 94 |
| 77 | m18087 | 2 |
| 78 | m16868 | 2 |
| 80 | m07906 | 8 |



ⒸZ HYDRAULICKÝ ROZVOD VÁLCŮ

Ⓓ HYDRAULISCHE VERTEILUNG WALZEN

Ⓕ CONDUIT HYDRAULIQUE DES ROULEAUX

ⒸB HYDRAULIC ROLLER DISTRIBUTION

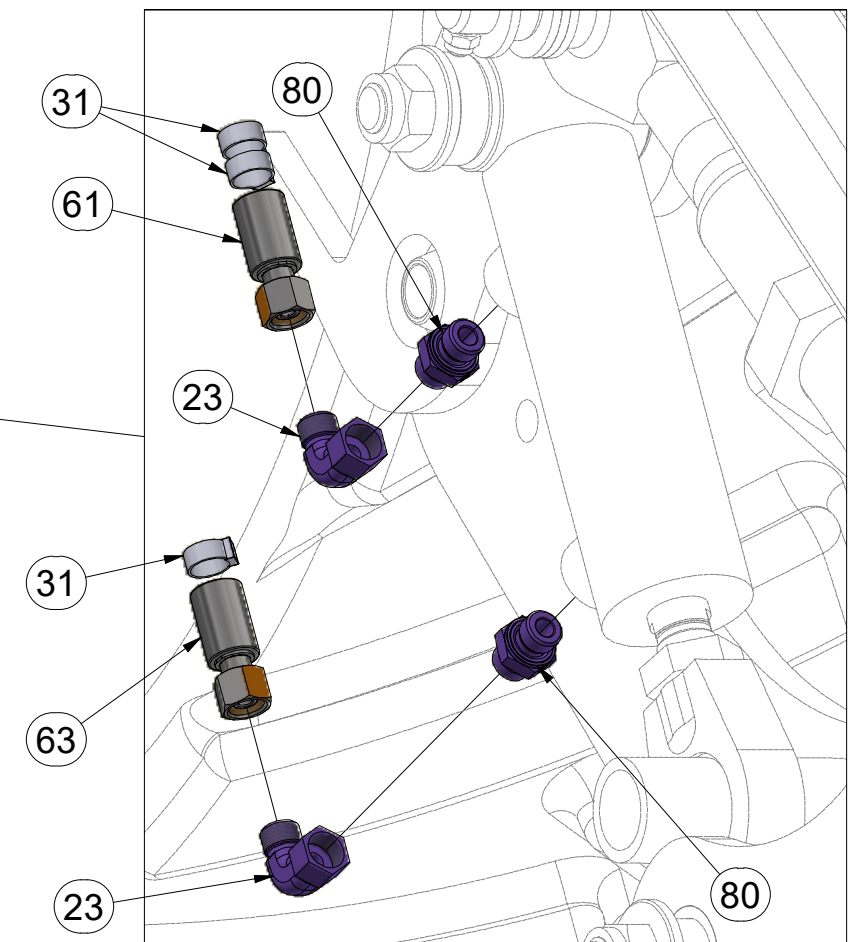
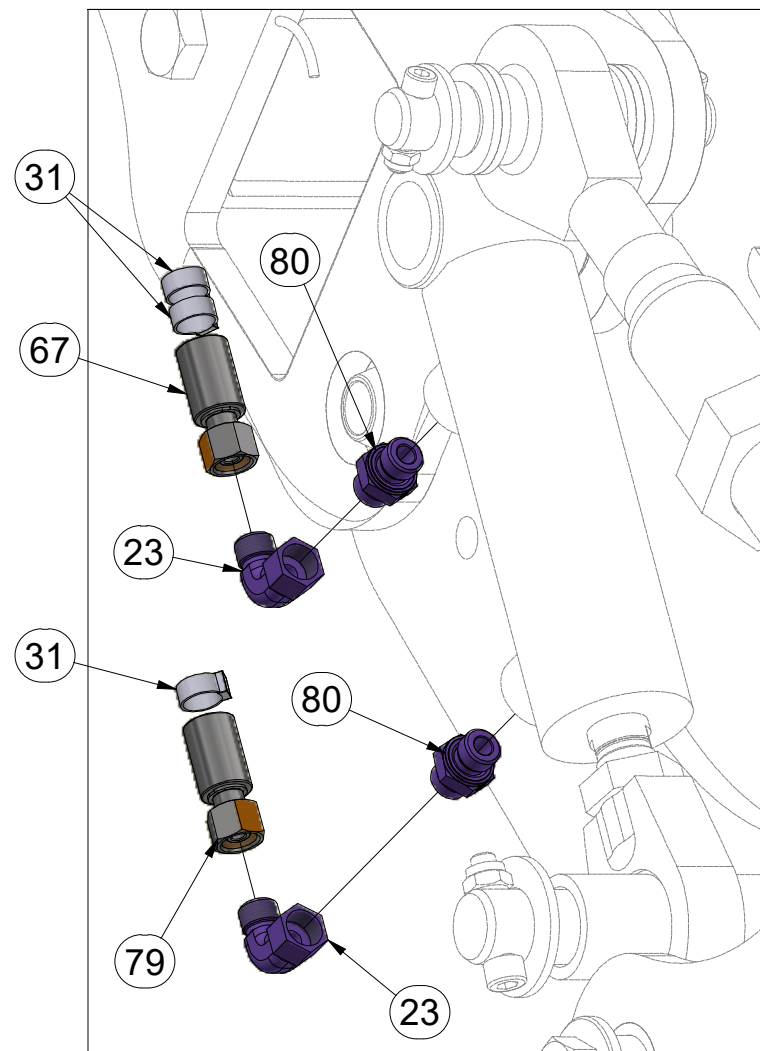
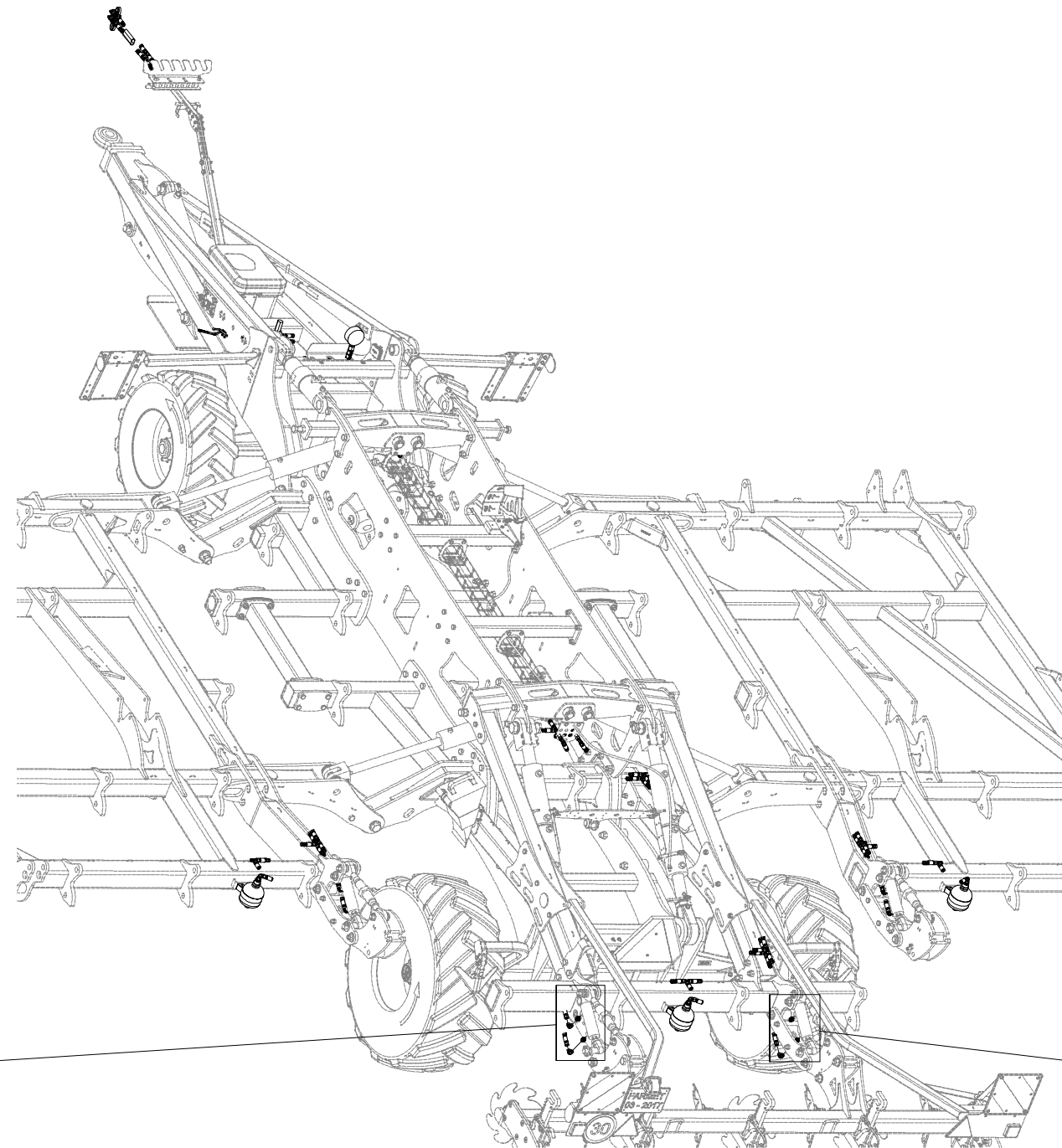
ⒸU ГИДРАВЛИЧЕСКОЕ РАСПРЕДЕЛЕНИЕ ЦИЛИНДРОВ

ⒸL HYDRAULICZNY PRZEWÓD WAŁÓW



VZ00062187

| Pos. | Part Number | Pcs. |
|------|-------------|------|
| 23 | m06803 | 18 |
| 31 | m11691 | 94 |
| 61 | m07363 | 4 |
| 63 | m04827 | 3 |
| 67 | m03951 | 2 |
| 79 | m05762 | 1 |
| 80 | m07906 | 8 |



ⒸZ HYDRAULICKÝ ROZVOD NÁPRAVY

Ⓓ HYDRAULISCHE VERTEILUNG ACHSE

Ⓕ CONDUIT HYDRAULIQUE DE L'ESSIEU

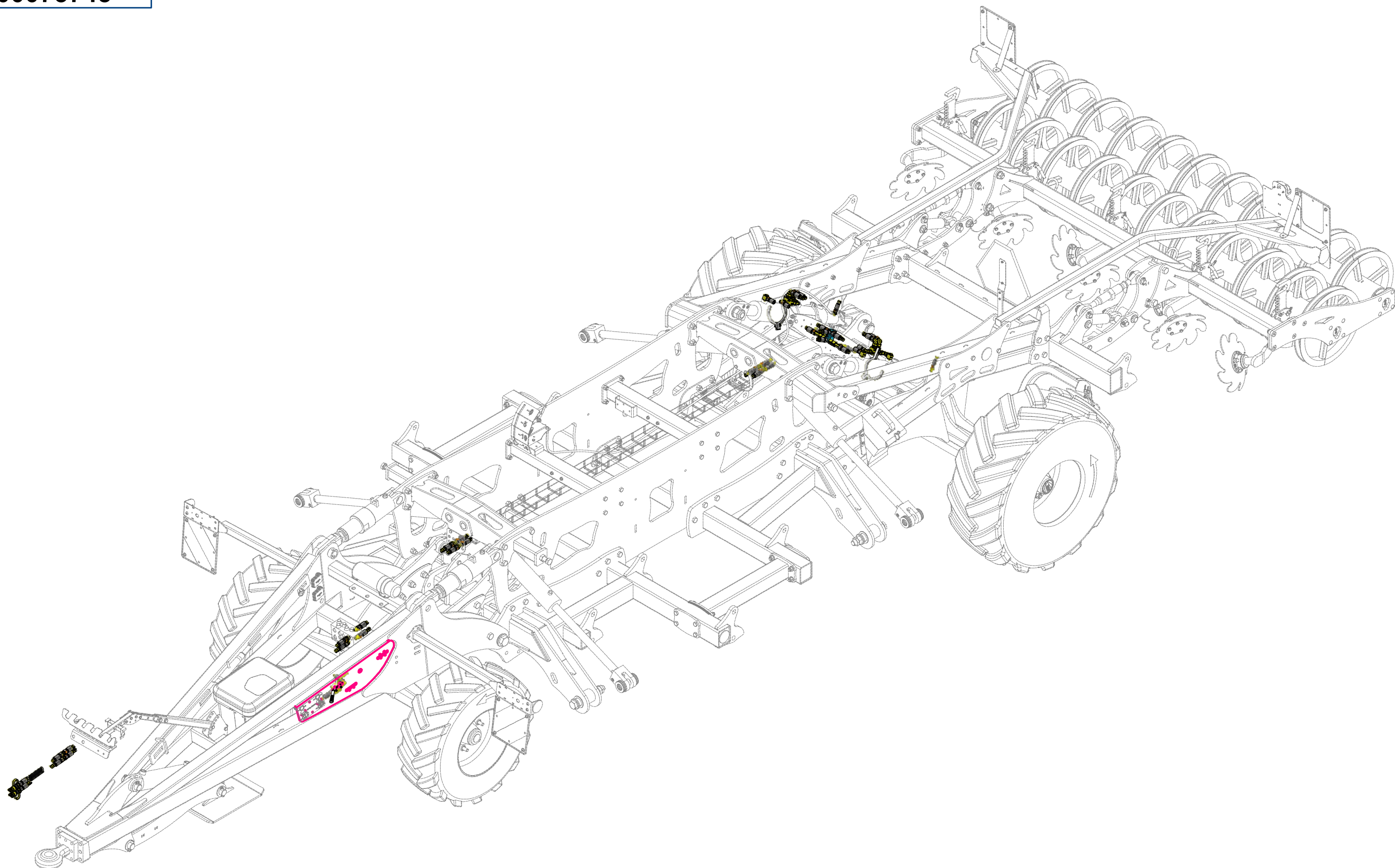
ⒸGB HYDRAULIC AXLE DISTRIBUTION

ⒸRU ГИДРАВЛИЧЕСКОЕ РАСПРЕДЕЛЕНИЕ ОСИ

ⒸPL HYDRAULICZNY PRZEWÓD OSI

Farmet

VZ00073745



Ⓒ HYDRAULICKÝ ROZVOD NÁPRAVY

Ⓓ HYDRAULISCHE VERTEILUNG ACHSE

Ⓕ CONDUIT HYDRAULIQUE DE L'ESSIEU

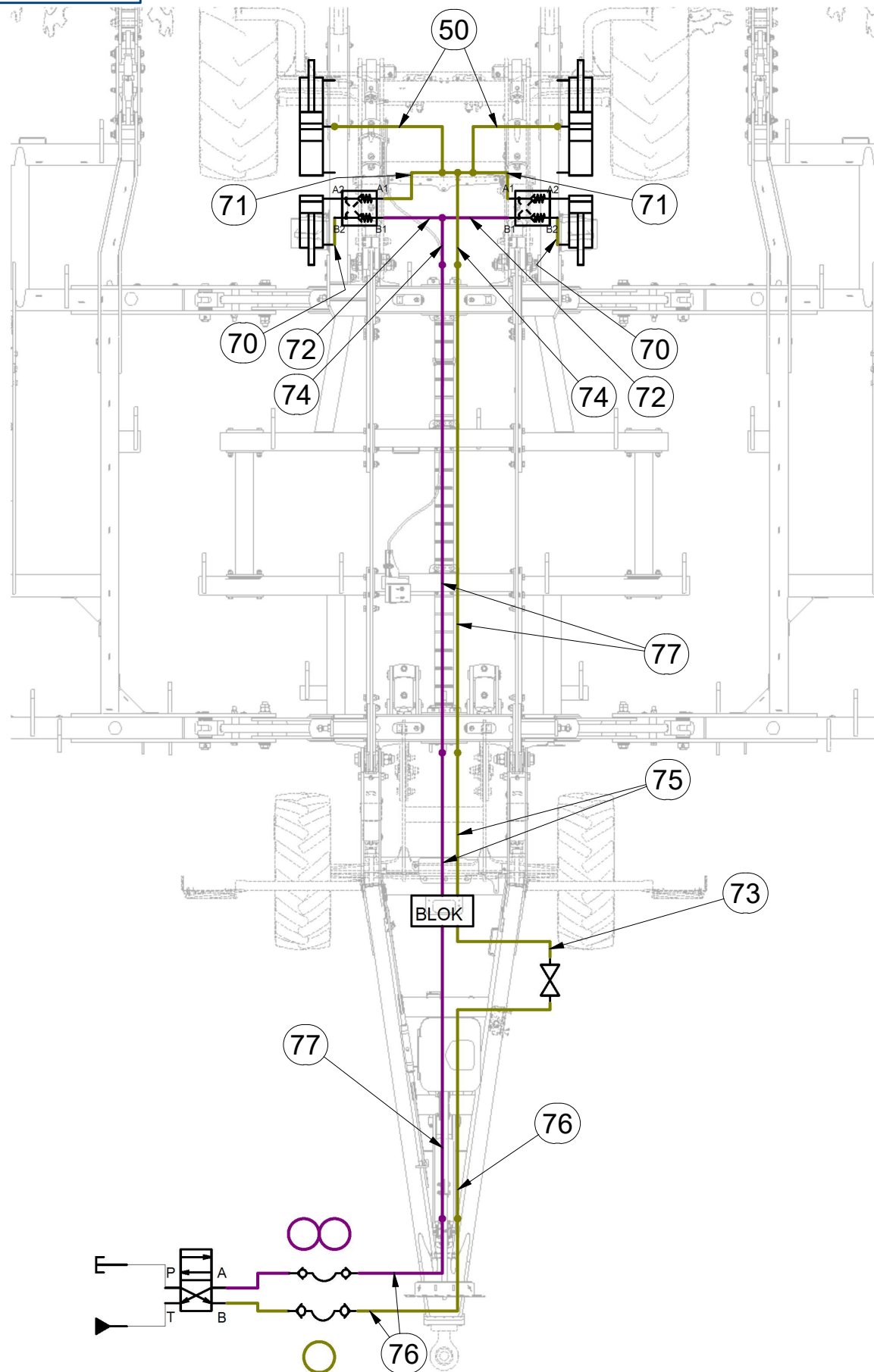
Ⓒ HYDRAULIC AXLE DISTRIBUTION

Ⓔ ГИДРАВЛИЧЕСКОЕ РАСПРЕДЕЛЕНИЕ ОСИ

Ⓖ HYDRAULICZNY PRZEWÓD OSI



VZ00073745



| Pos. | Part Number | Pcs. |
|------|-------------|------|
| 50 | m17222 | 2 |
| 70 | m03845 | 2 |
| 71 | m08727 | 2 |
| 72 | m16994 | 2 |
| 73 | m04969 | 1 |
| 74 | m18185 | 2 |
| 75 | m05815 | 2 |
| 76 | m18086 | 3 |
| 77 | m20172 | 3 |

ⒸZ HYDRAULICKÝ ROZVOD NÁPRAVY

Ⓓ HYDRAULISCHE VERTEILUNG ACHSE

Ⓔ CONDUIT HYDRAULIQUE DE L'ESSIEU

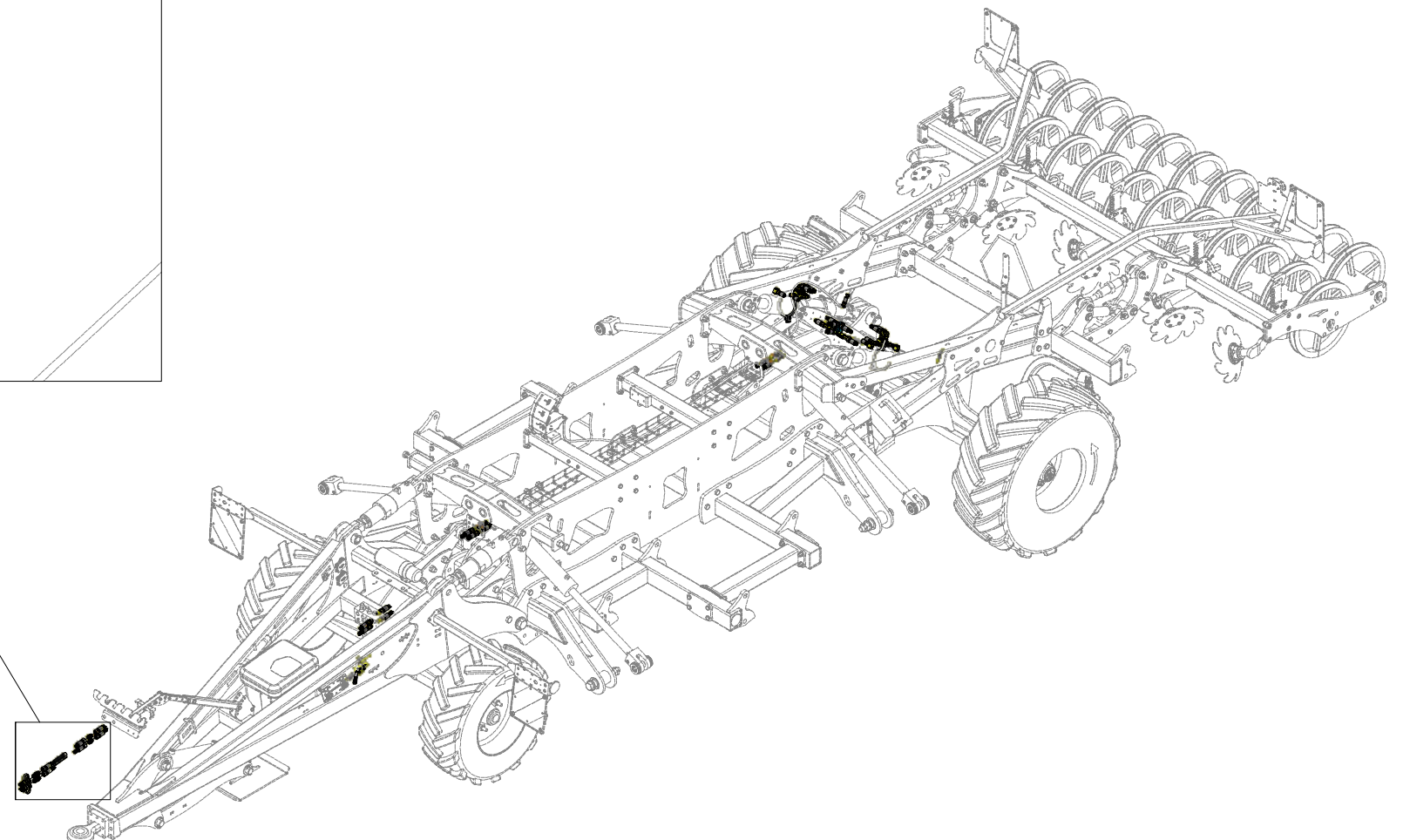
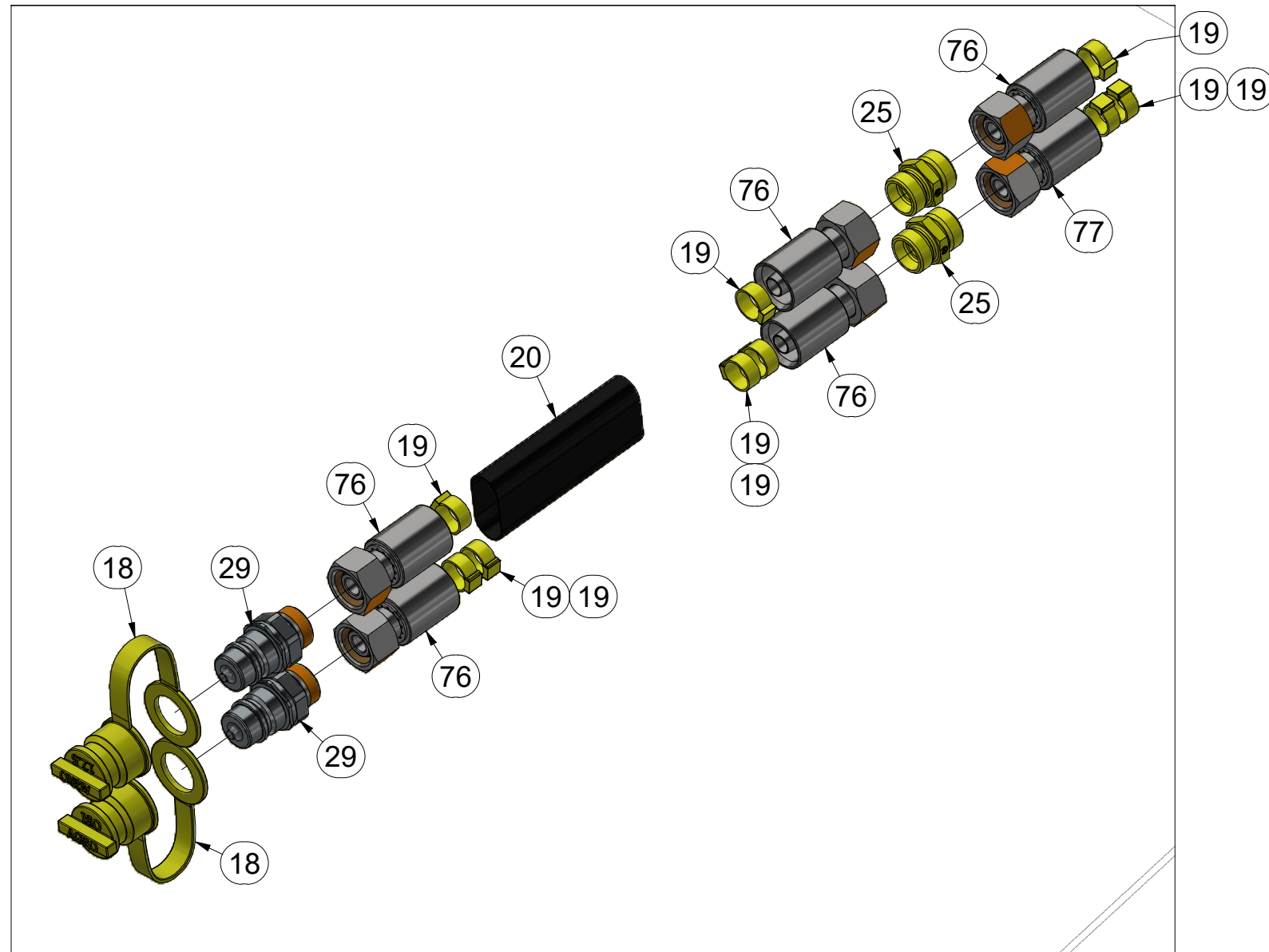
ⒸB HYDRAULIC AXLE DISTRIBUTION

ⒸU ГИДРАВЛИЧЕСКОЕ РАСПРЕДЕЛЕНИЕ ОСИ

ⒸL HYDRAULICZNY PRZEWÓD OSI



VZ00073745



| Pos. | Part Number | Pcs. |
|------|-------------|------|
| 18 | m04023 | 2 |
| 19 | m11289 | 48 |
| 20 | m11183 | 1 |
| 25 | m04428 | 2 |
| 29 | m04189 | 2 |
| 76 | m18086 | 3 |
| 77 | m20172 | 3 |

ⒸZ HYDRAULICKÝ ROZVOD NÁPRAVY

Ⓓ HYDRAULISCHE VERTEILUNG ACHSE

Ⓕ CONDUIT HYDRAULIQUE DE L'ESSIEU

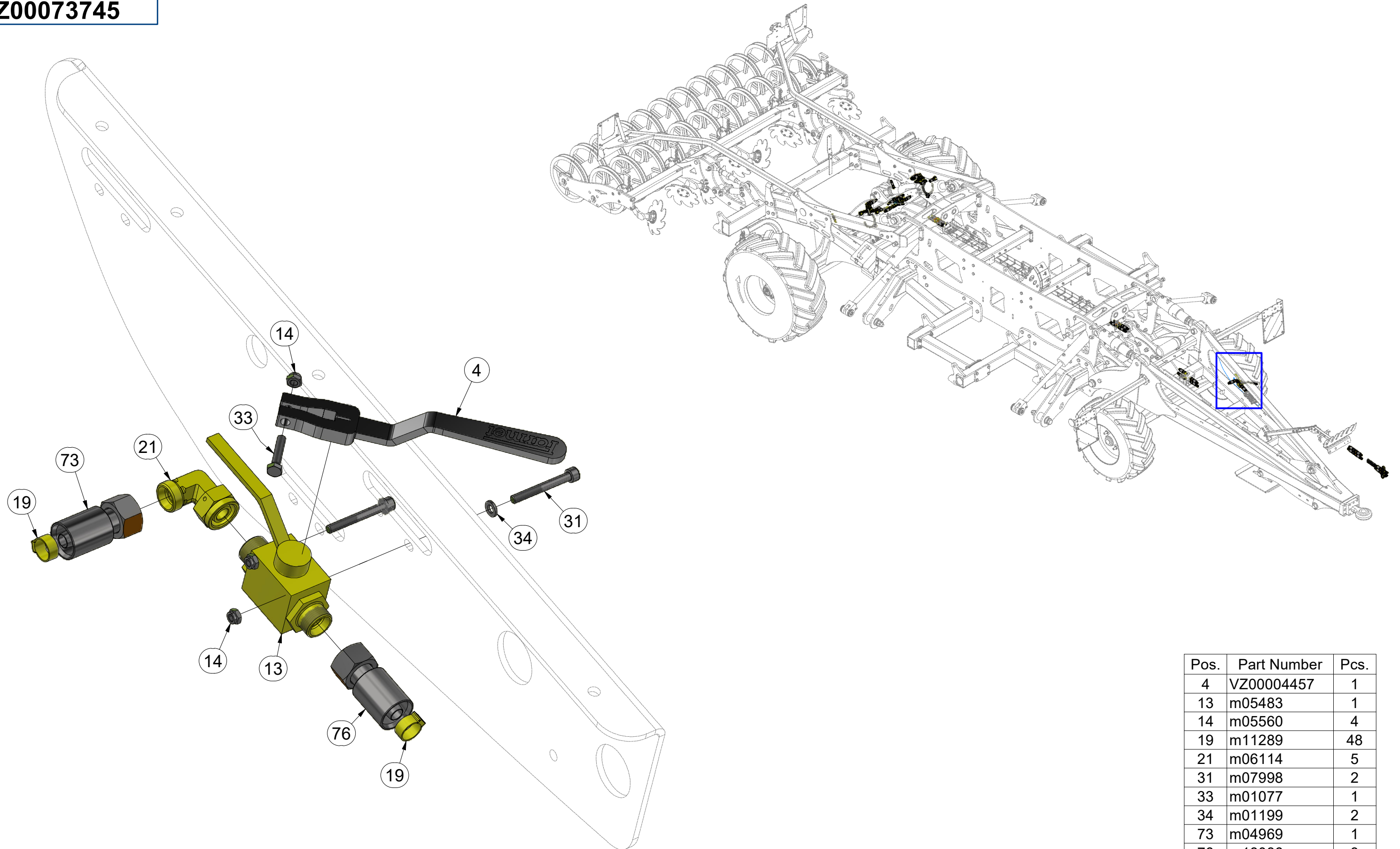
ⒼB HYDRAULIC AXLE DISTRIBUTION

Ⓔ RU ГИДРАВЛИЧЕСКОЕ РАСПРЕДЕЛЕНИЕ ОСИ

Ⓗ PL HYDRAULICZNY PRZEWÓD OSI



VZ00073745



| Pos. | Part Number | Pcs. |
|------|-------------|------|
| 4 | VZ00004457 | 1 |
| 13 | m05483 | 1 |
| 14 | m05560 | 4 |
| 19 | m11289 | 48 |
| 21 | m06114 | 5 |
| 31 | m07998 | 2 |
| 33 | m01077 | 1 |
| 34 | m01199 | 2 |
| 73 | m04969 | 1 |
| 76 | m18086 | 3 |

ⒸZ HYDRAULICKÝ ROZVOD NÁPRAVY

Ⓓ HYDRAULISCHE VERTEILUNG ACHSE

Ⓕ CONDUIT HYDRAULIQUE DE L'ESSIEU

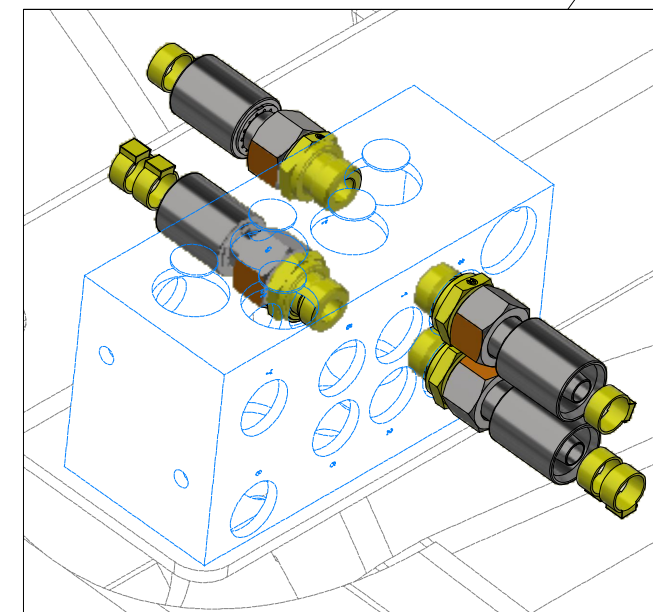
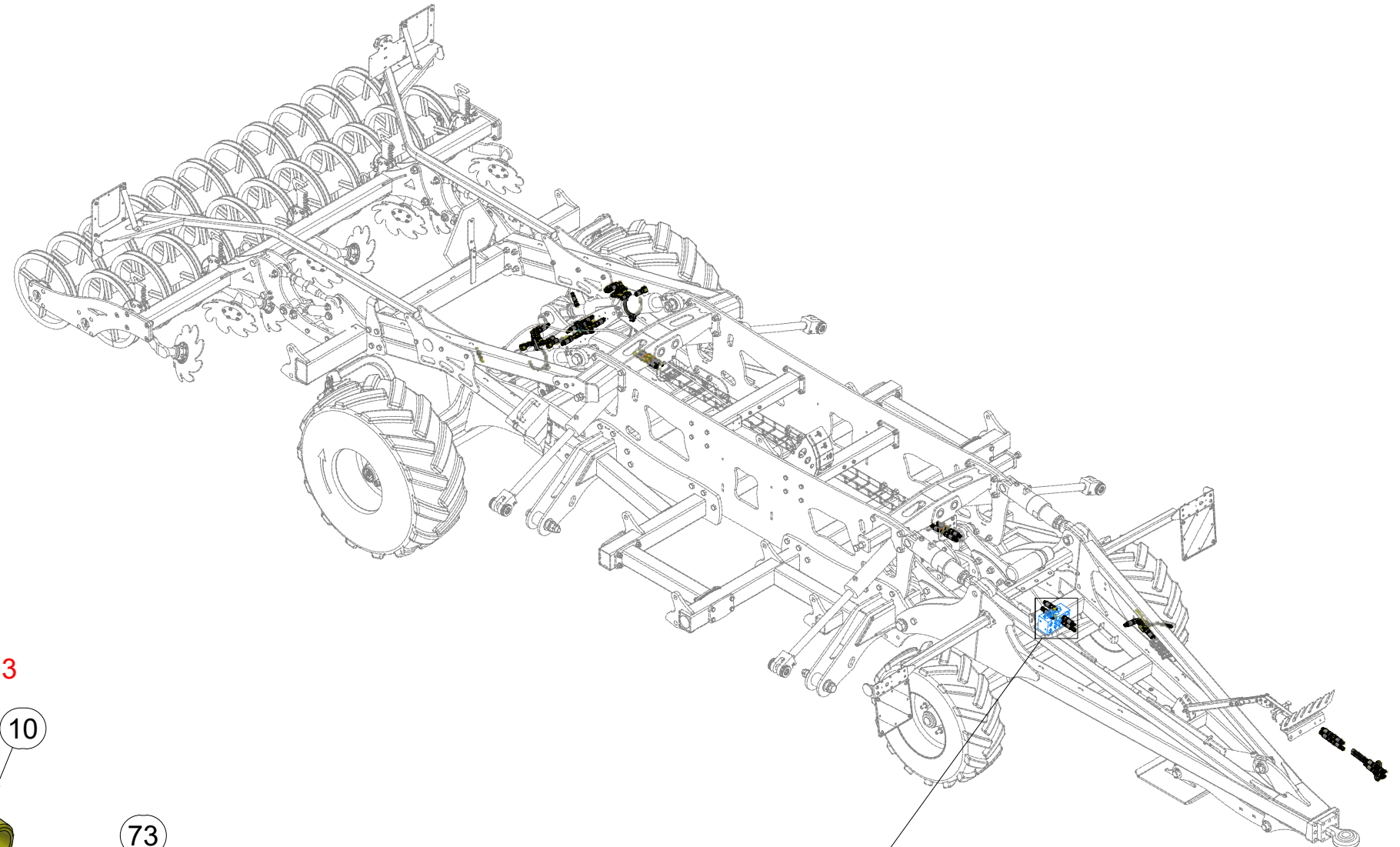
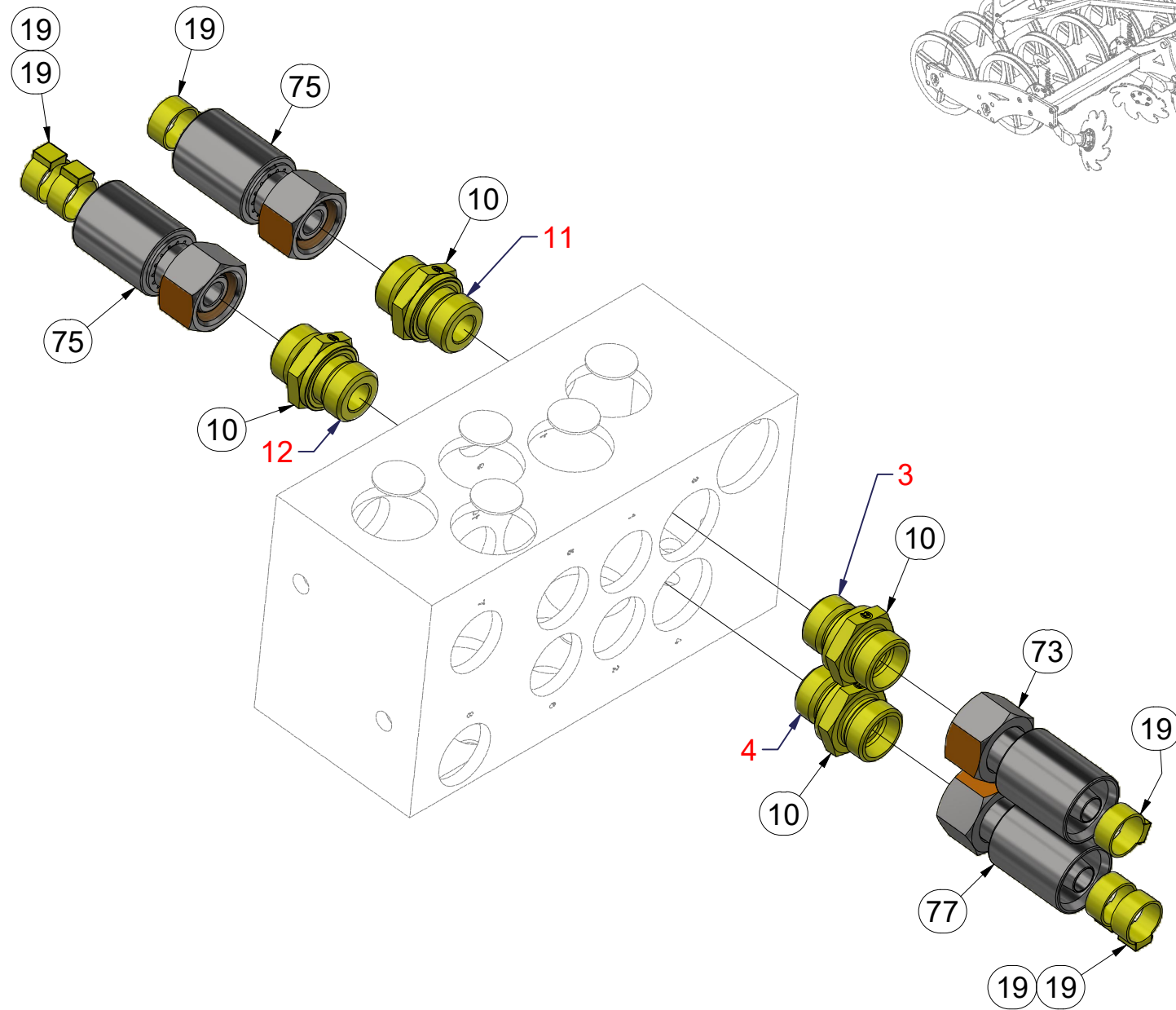
ⒼB HYDRAULIC AXLE DISTRIBUTION

Ⓔ RU ГИДРАВЛИЧЕСКОЕ РАСПРЕДЕЛЕНИЕ ОСИ

Ⓗ PL HYDRAULICZNY PRZEWÓD OSI



VZ00073745



| Pos. | Part Number | Pcs. |
|------|-------------|------|
| 10 | m06435 | 4 |
| 19 | m11289 | 48 |
| 73 | m04969 | 1 |
| 75 | m05815 | 2 |
| 77 | m20172 | 3 |

ⒸZ HYDRAULICKÝ ROZVOD NÁPRAVY

Ⓓ HYDRAULISCHE VERTEILUNG ACHSE

Ⓕ CONDUIT HYDRAULIQUE DE L'ESSIEU

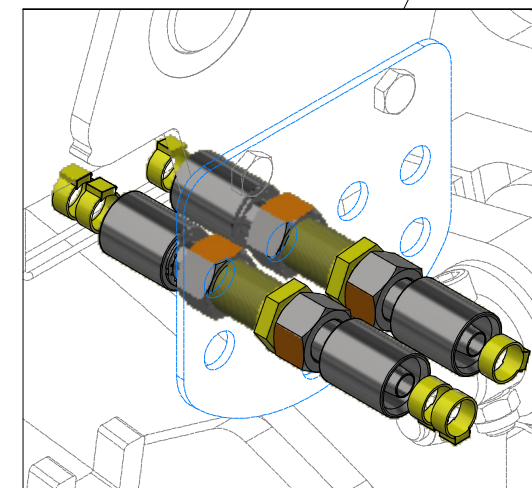
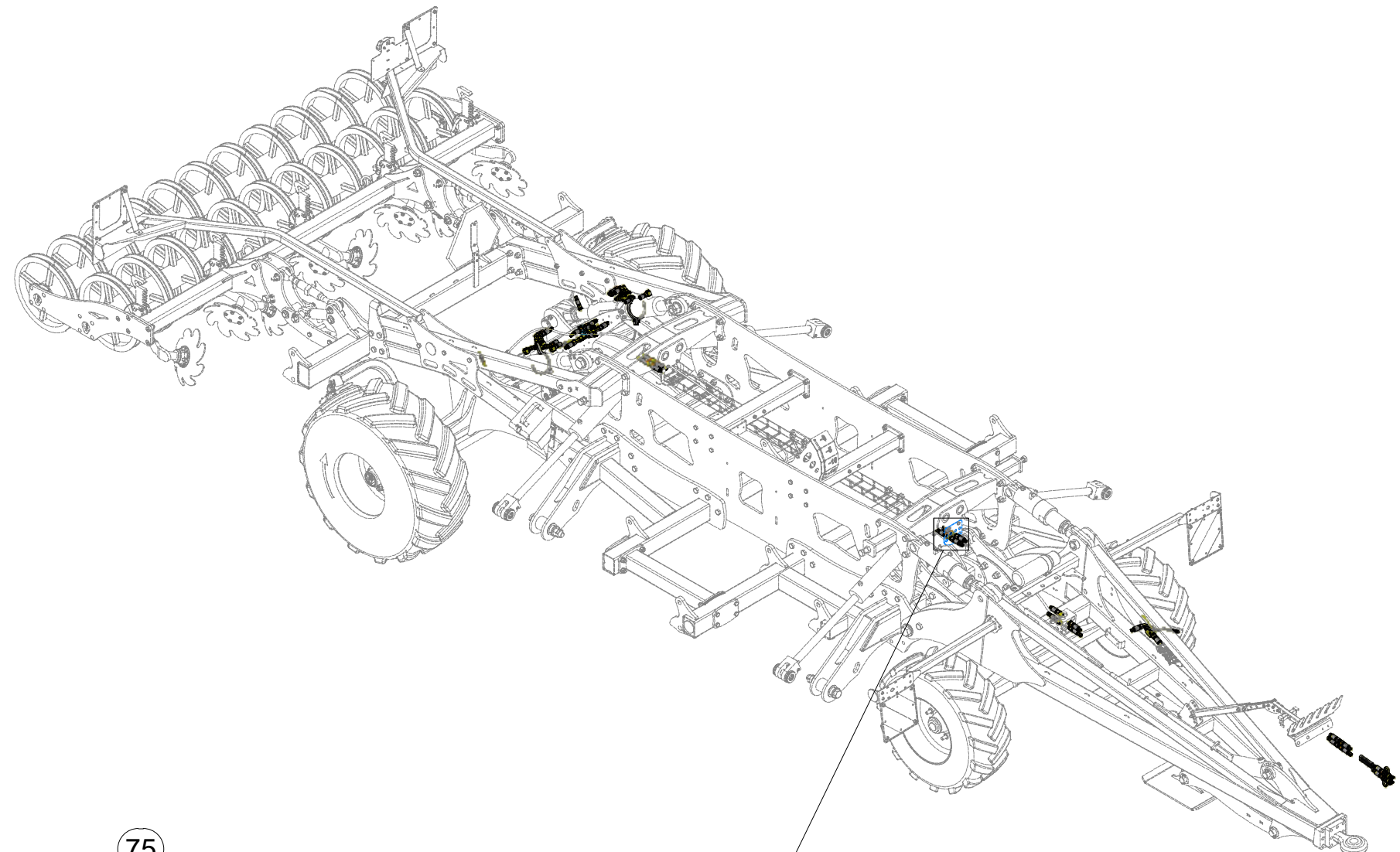
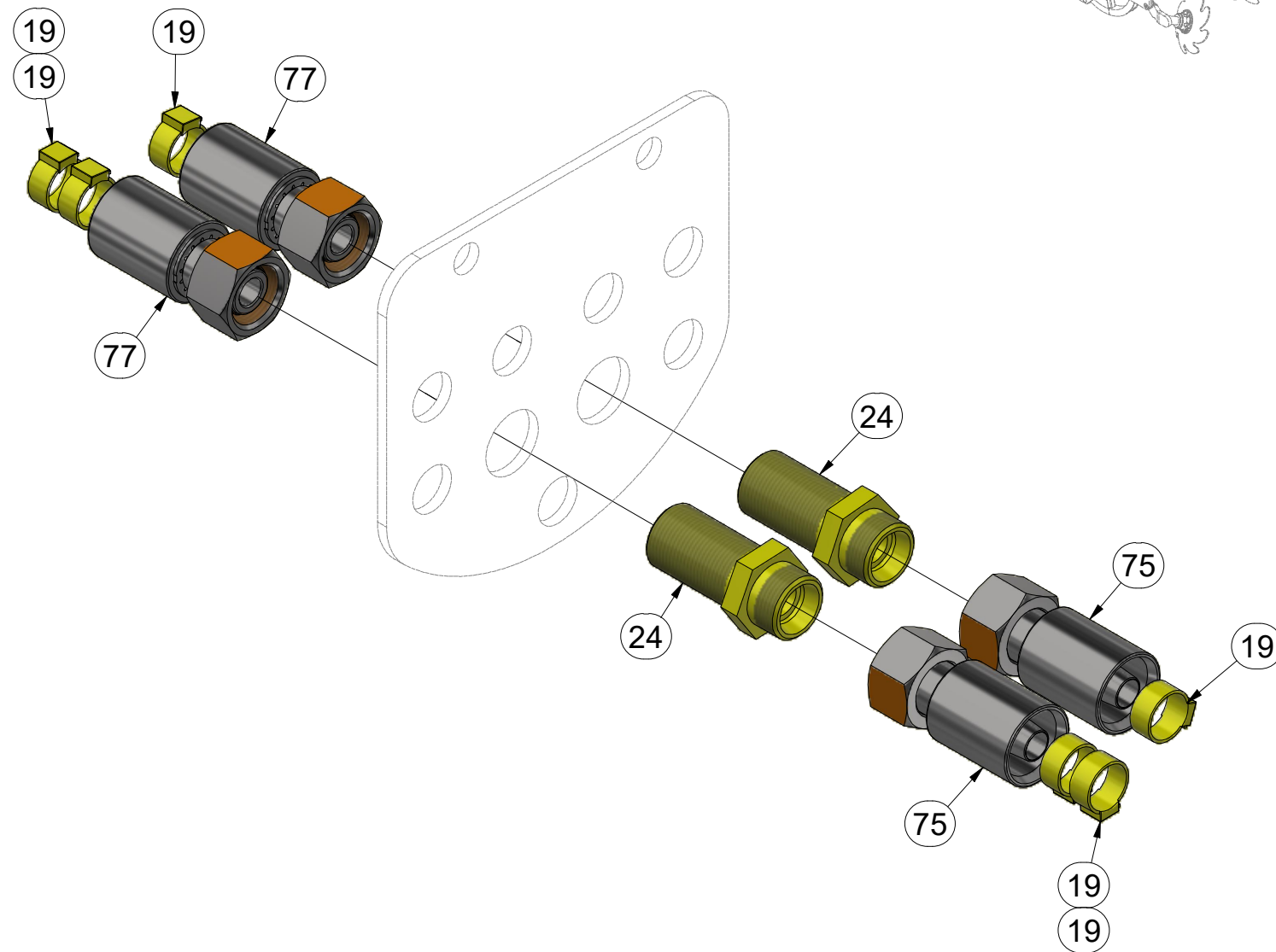
ⒸB HYDRAULIC AXLE DISTRIBUTION

ⒸR ГИДРАВЛИЧЕСКОЕ РАСПРЕДЕЛЕНИЕ ОСИ

ⒸL HYDRAULICZNY PRZEWÓD OSI



VZ00073745



| Pos. | Part Number | Pcs. |
|------|-------------|------|
| 19 | m11289 | 48 |
| 24 | m09625 | 4 |
| 75 | m05815 | 2 |
| 77 | m20172 | 3 |

Ⓒ HYDRAULICKÝ ROZVOD NÁPRAVY

Ⓓ HYDRAULISCHE VERTEILUNG ACHSE

Ⓕ CONDUIT HYDRAULIQUE DE L'ESSIEU

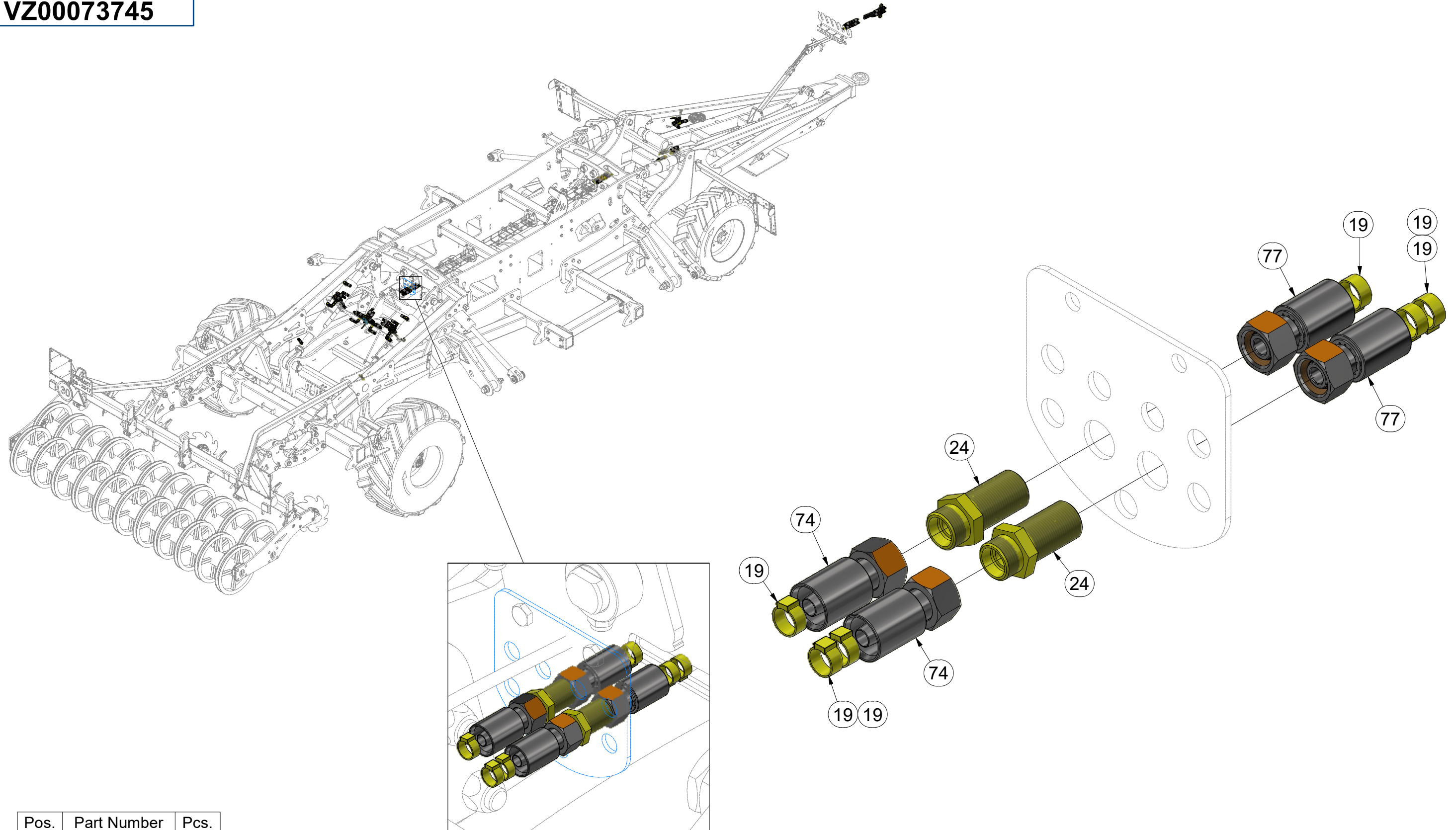
Ⓖ HYDRAULIC AXLE DISTRIBUTION

Ⓡ ГИДРАВЛИЧЕСКОЕ РАСПРЕДЕЛЕНИЕ ОСИ

Ⓟ HYDRAULICZNY PRZEWÓD OSI



VZ00073745



| Pos. | Part Number | Pcs. |
|------|-------------|------|
| 19 | m11289 | 48 |
| 24 | m09625 | 4 |
| 74 | m18185 | 2 |
| 77 | m20172 | 3 |

ⒸZ HYDRAULICKÝ ROZVOD NÁPRAVY

Ⓓ HYDRAULISCHE VERTEILUNG ACHSE

Ⓕ CONDUIT HYDRAULIQUE DE L'ESSIEU

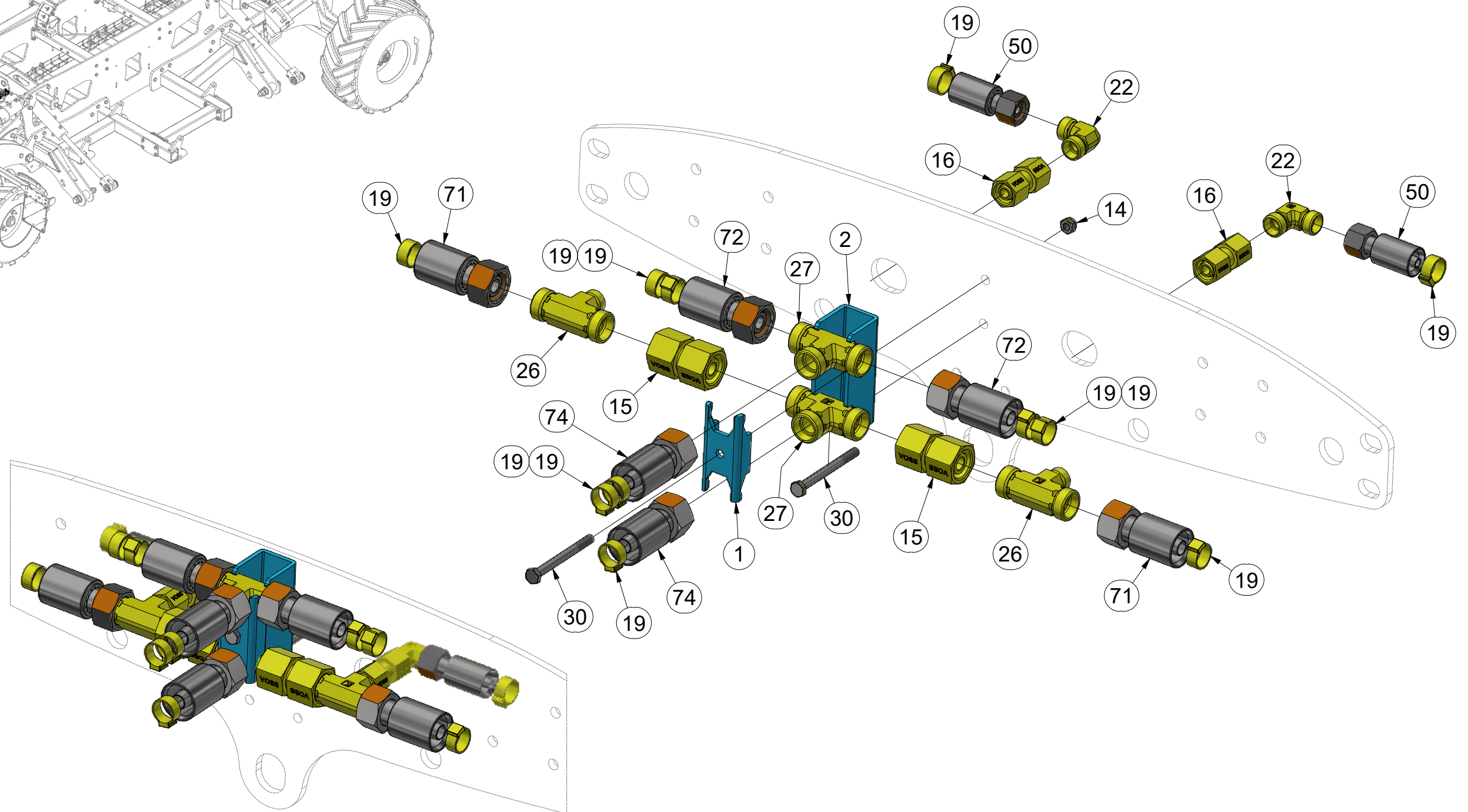
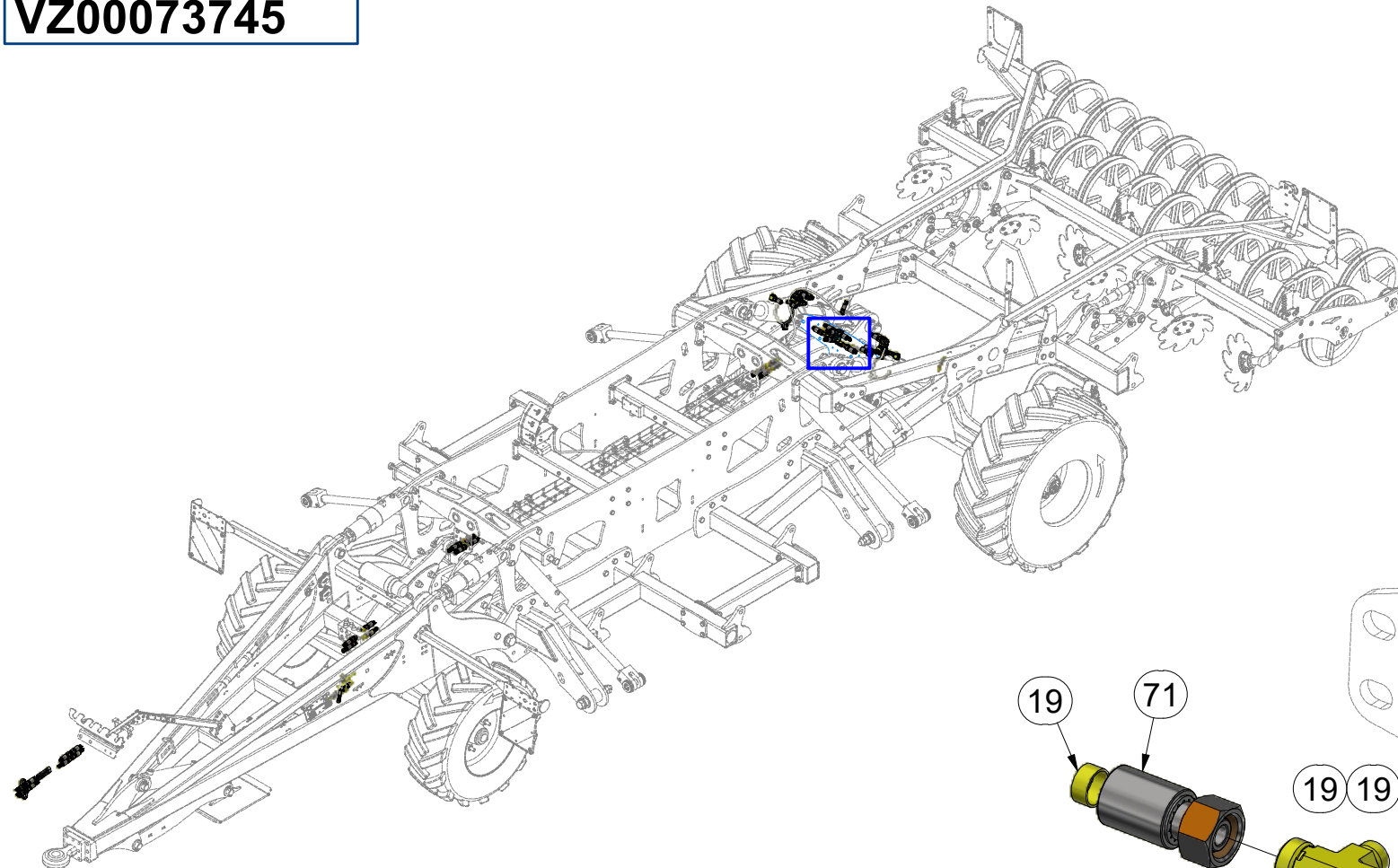
ⒸB HYDRAULIC AXLE DISTRIBUTION

ⒸU ГИДРАВЛИЧЕСКОЕ РАСПРЕДЕЛЕНИЕ ОСИ

ⒸL HYDRAULICZNY PRZEWÓD OSI



VZ00073745



| Pos. | Part Number | Pcs. |
|------|-------------|------|
| 1 | VZ00003831 | 1 |
| 2 | VZ00003830 | 1 |
| 14 | m05560 | 4 |
| 15 | m22307 | 2 |
| 16 | m22305 | 2 |
| 19 | m11289 | 48 |
| 22 | m06661 | 2 |
| 26 | m08468 | 2 |
| 27 | m03244 | 2 |
| 30 | m15271 | 2 |
| 50 | m17222 | 2 |
| 71 | m08727 | 2 |
| 72 | m16994 | 2 |
| 74 | m18185 | 2 |

Ⓒ HYDRAULICKÝ ROZVOD NÁPRAVY

Ⓓ HYDRAULISCHE VERTEILUNG ACHSE

Ⓕ CONDUIT HYDRAULIQUE DE L'ESSIEU

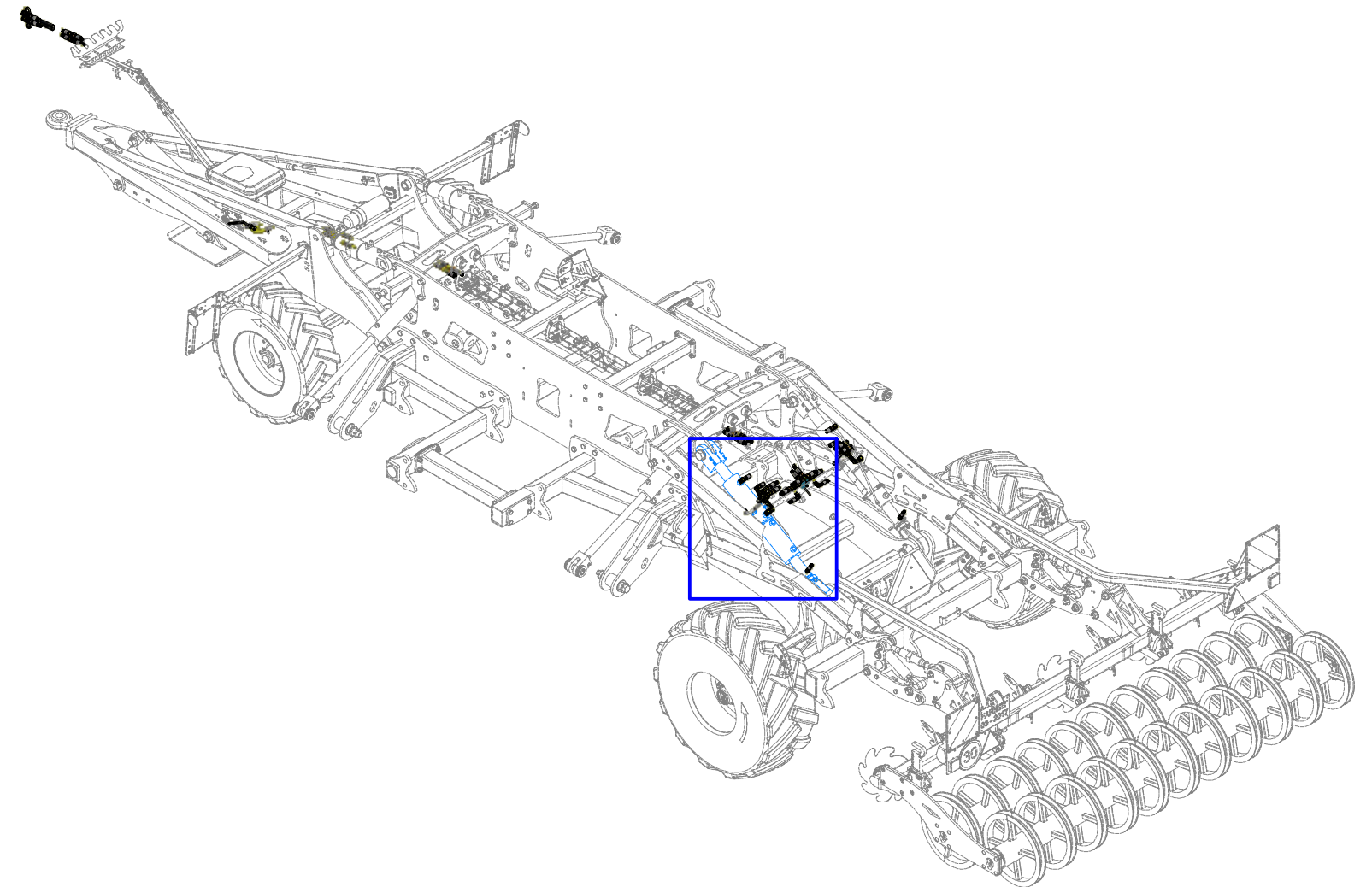
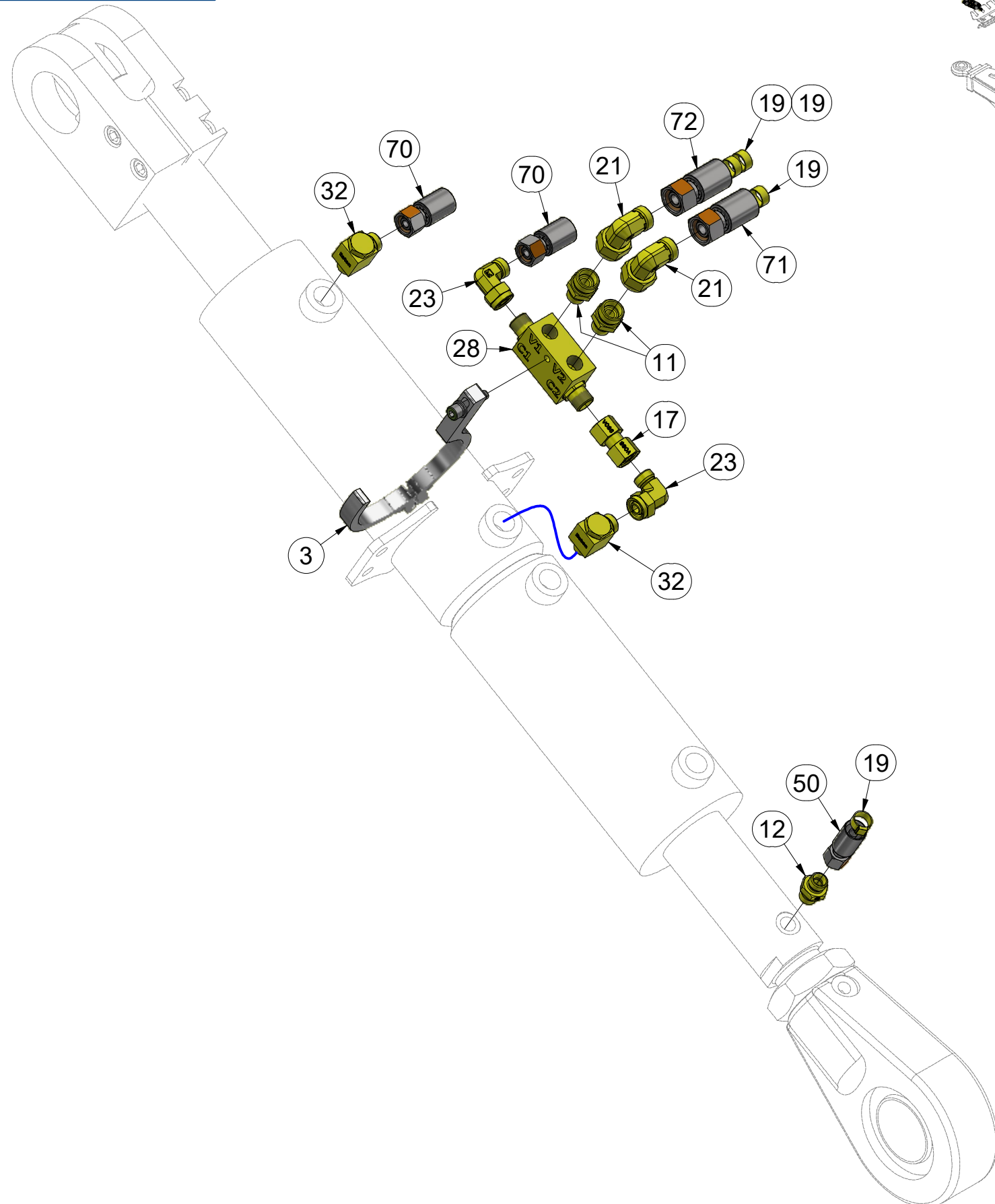
Ⓖ HYDRAULIC AXLE DISTRIBUTION

Ⓡ ГИДРАВЛИЧЕСКОЕ РАСПРЕДЕЛЕНИЕ ОСИ

Ⓟ HYDRAULICZNY PRZEWÓD OSI



VZ00073745



| Pos. | Part Number | Pcs. |
|------|-------------|------|
| 3 | VZ00009944 | 2 |
| 11 | m07191 | 4 |
| 12 | m07906 | 2 |
| 17 | m22306 | 2 |
| 19 | m11289 | 48 |
| 21 | m06114 | 5 |
| 23 | m07654 | 4 |
| 28 | m08083 | 2 |
| 32 | m20882 | 4 |
| 50 | m17222 | 2 |
| 70 | m03845 | 2 |
| 71 | m08727 | 2 |
| 72 | m16994 | 2 |

ⒸZ HYDRAULICKÝ ROZVOD NÁPRAVY

Ⓓ HYDRAULISCHE VERTEILUNG ACHSE

Ⓕ CONDUIT HYDRAULIQUE DE L'ESSIEU

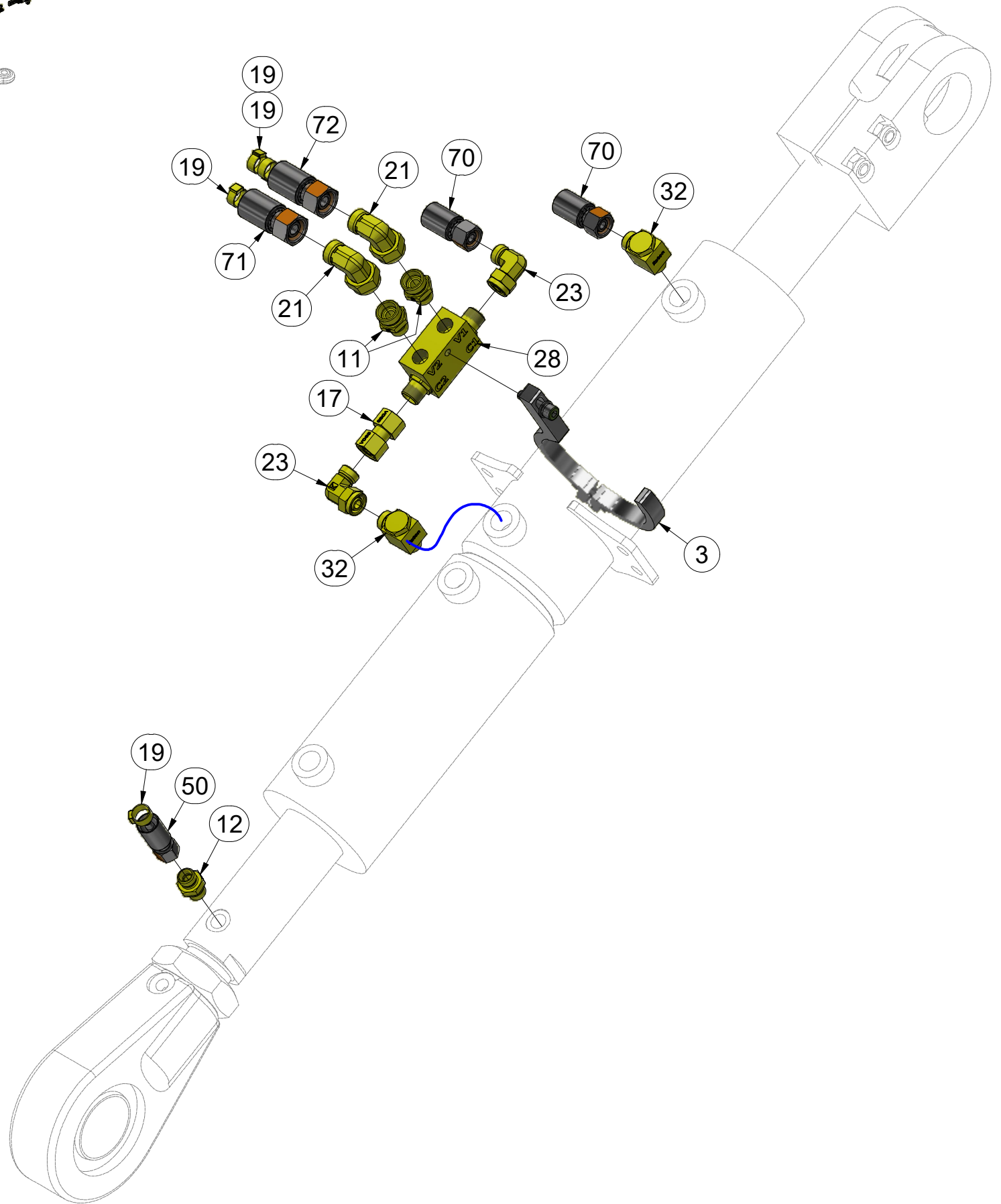
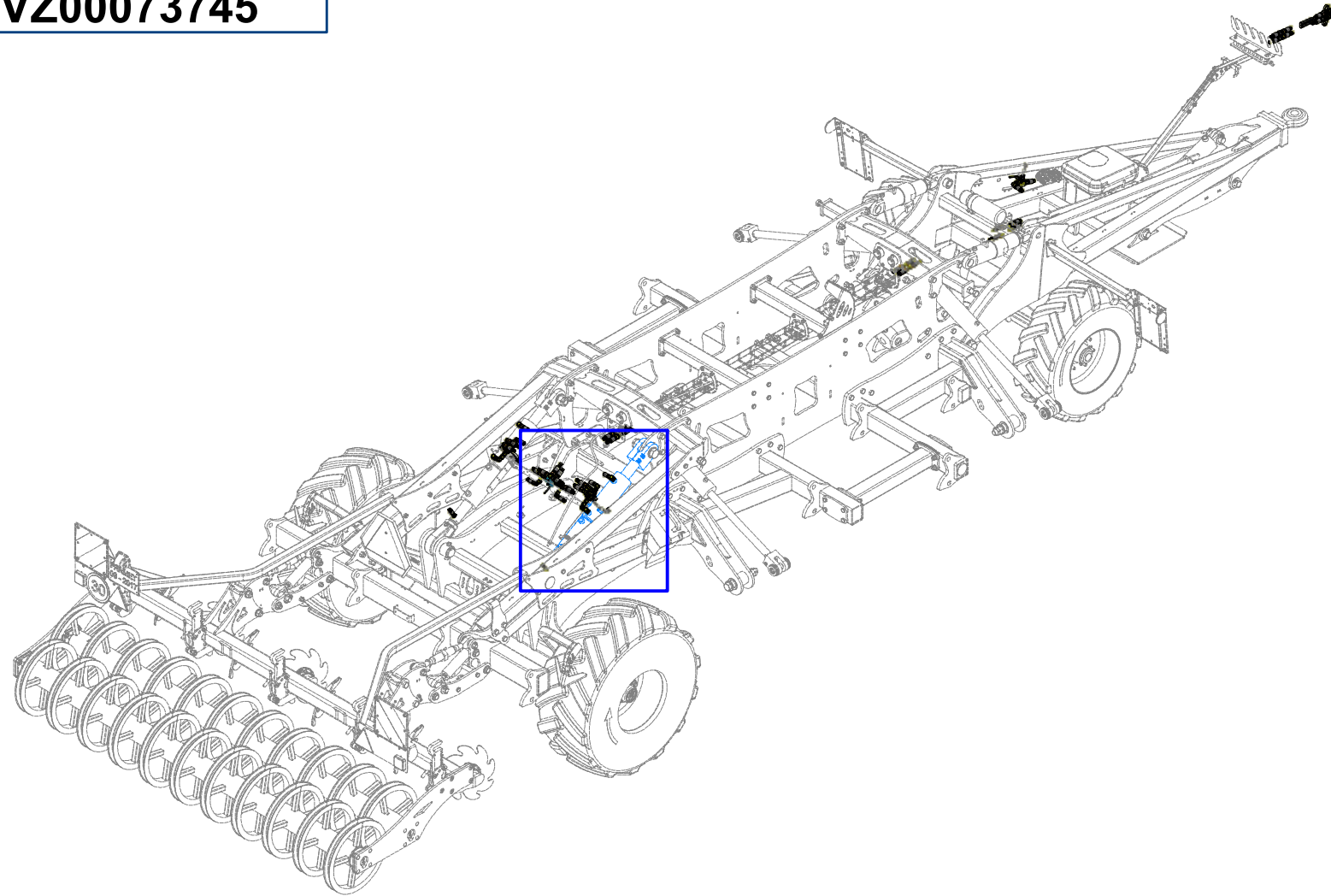
ⒸB HYDRAULIC AXLE DISTRIBUTION

ⒸU ГИДРАВЛИЧЕСКОЕ РАСПРЕДЕЛЕНИЕ ОСИ

ⒸL HYDRAULICZNY PRZEWÓD OSI



VZ00073745



| Pos. | Part Number | Pcs. |
|------|-------------|------|
| 3 | VZ00009944 | 2 |
| 11 | m07191 | 4 |
| 12 | m07906 | 2 |
| 17 | m22306 | 2 |
| 19 | m11289 | 48 |
| 21 | m06114 | 5 |
| 23 | m07654 | 4 |
| 28 | m08083 | 2 |
| 32 | m20882 | 4 |
| 50 | m17222 | 2 |
| 70 | m03845 | 2 |
| 71 | m08727 | 2 |
| 72 | m16994 | 2 |

Ⓒ HYDRAULIKA STROJE

Ⓓ HYDRAULIK DER MASCHINE

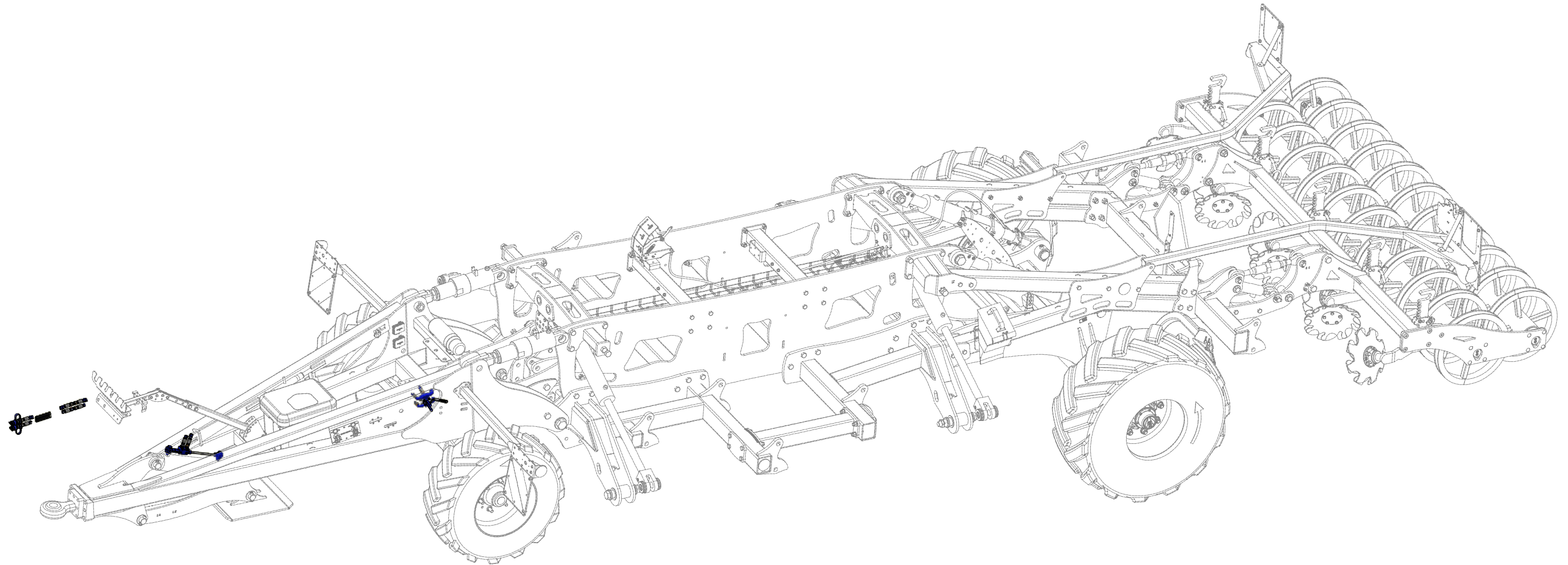
Ⓕ HYDRAULIQUE DE LA MACHINE

VZ00013636

Ⓖ MACHINE HYDRAULICS

Ⓡ ГИДРАВЛИКА МАШИНЫ

Ⓟ HYDRAULIKA MASZYN



Ⓒ HYDRAULIKA STROJE

Ⓓ HYDRAULIK DER MASCHINE

Ⓕ HYDRAULIQUE DE LA MACHINE

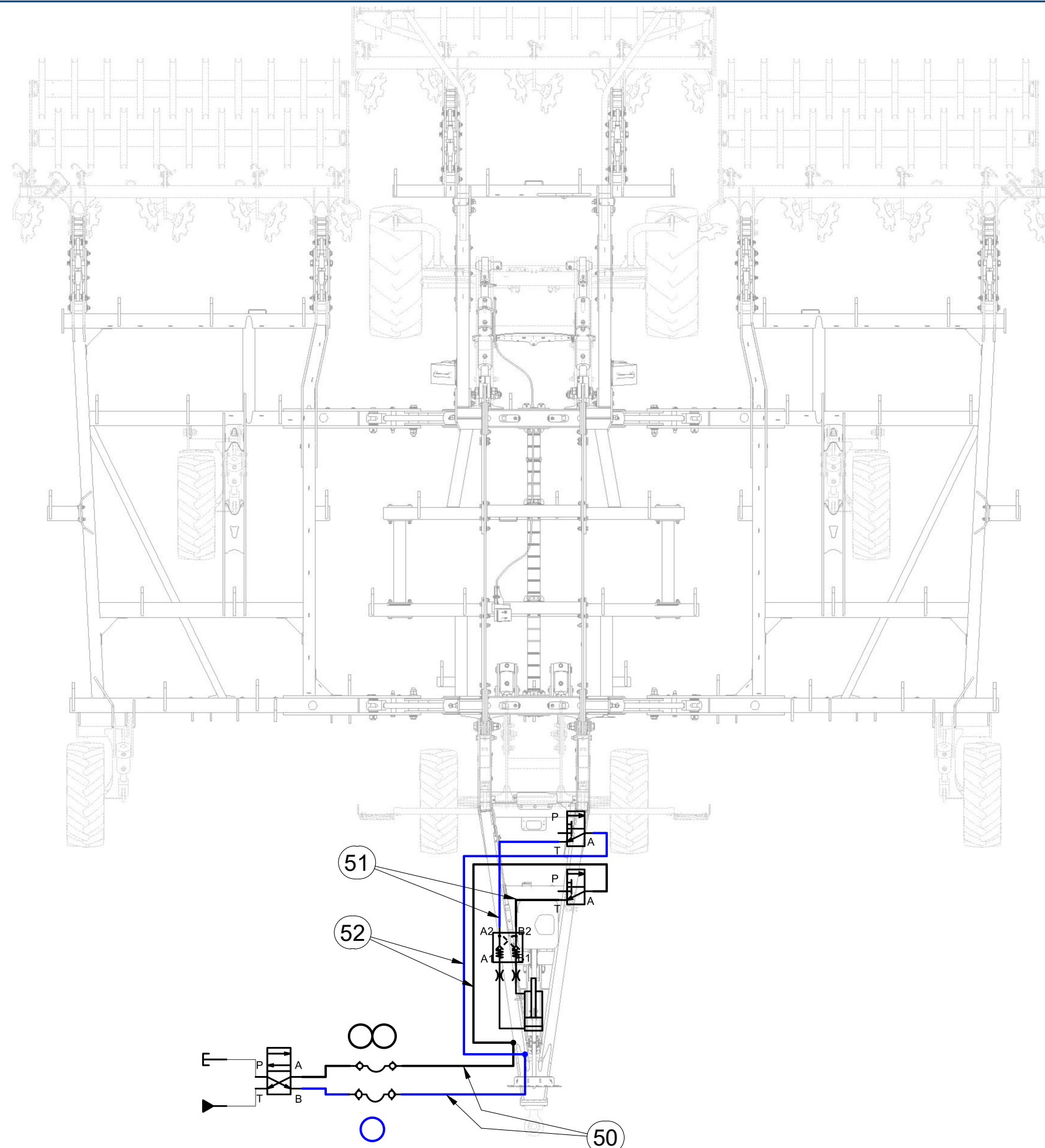
Ⓖ MACHINE HYDRAULICS

Ⓡ ГИДРАВЛИКА МАШИНЫ

Ⓟ HYDRAULIKA MASZYN



VZ00013636



| Pos. | Part Number | Pcs. |
|------|-------------|------|
| 50 | m03714 | 2 |
| 51 | m07361 | 2 |
| 52 | m12022 | 2 |

Ⓒ HYDRAULIKA STROJE

Ⓓ HYDRAULIK DER MASCHINE

Ⓕ HYDRAULIQUE DE LA MACHINE

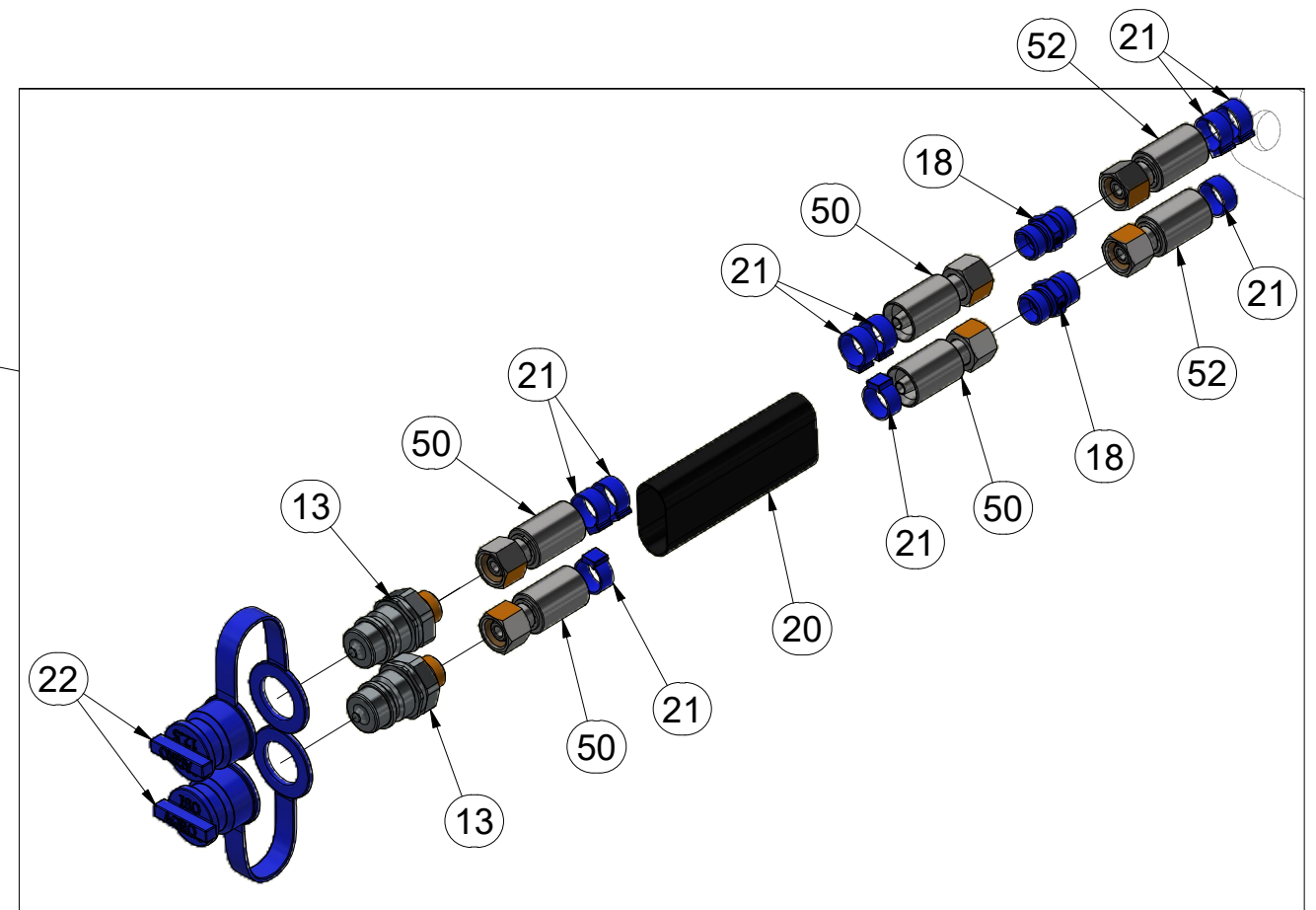
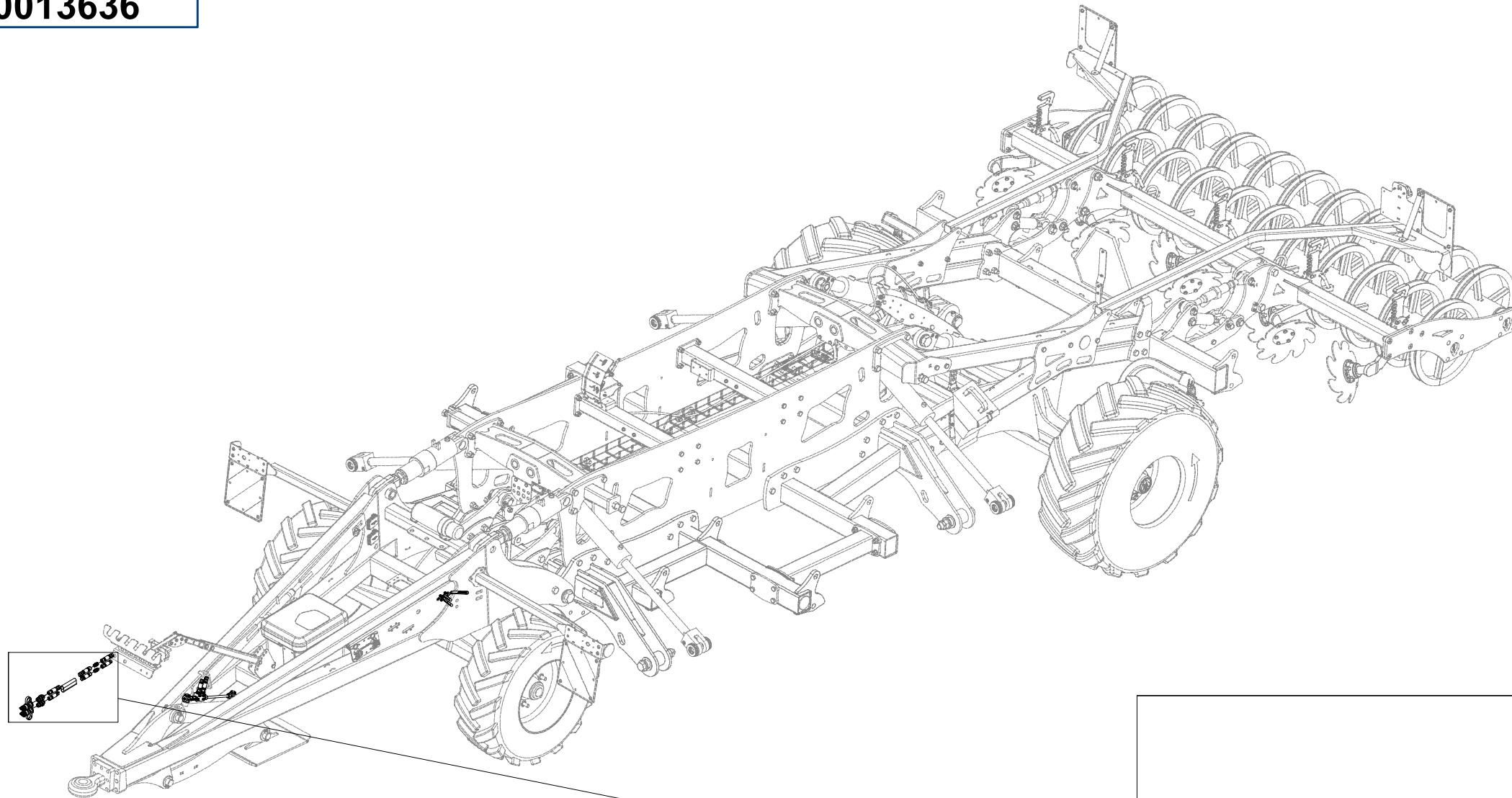
Ⓖ MACHINE HYDRAULICS

Ⓡ ГИДРАВЛИКА МАШИНЫ

Ⓟ HYDRAULIKA MASZYN



VZ00013636



| Pos. | Part Number | Pcs. |
|------|-------------|------|
| 13 | m03849 | 2 |
| 18 | m03213 | 2 |
| 20 | m11183 | 1 |
| 21 | m11253 | 18 |
| 22 | m03743 | 2 |
| 50 | m03714 | 2 |
| 52 | m12022 | 2 |

Ⓒ HYDRAULIKA STROJE

Ⓓ HYDRAULIK DER MASCHINE

Ⓕ HYDRAULIQUE DE LA MACHINE

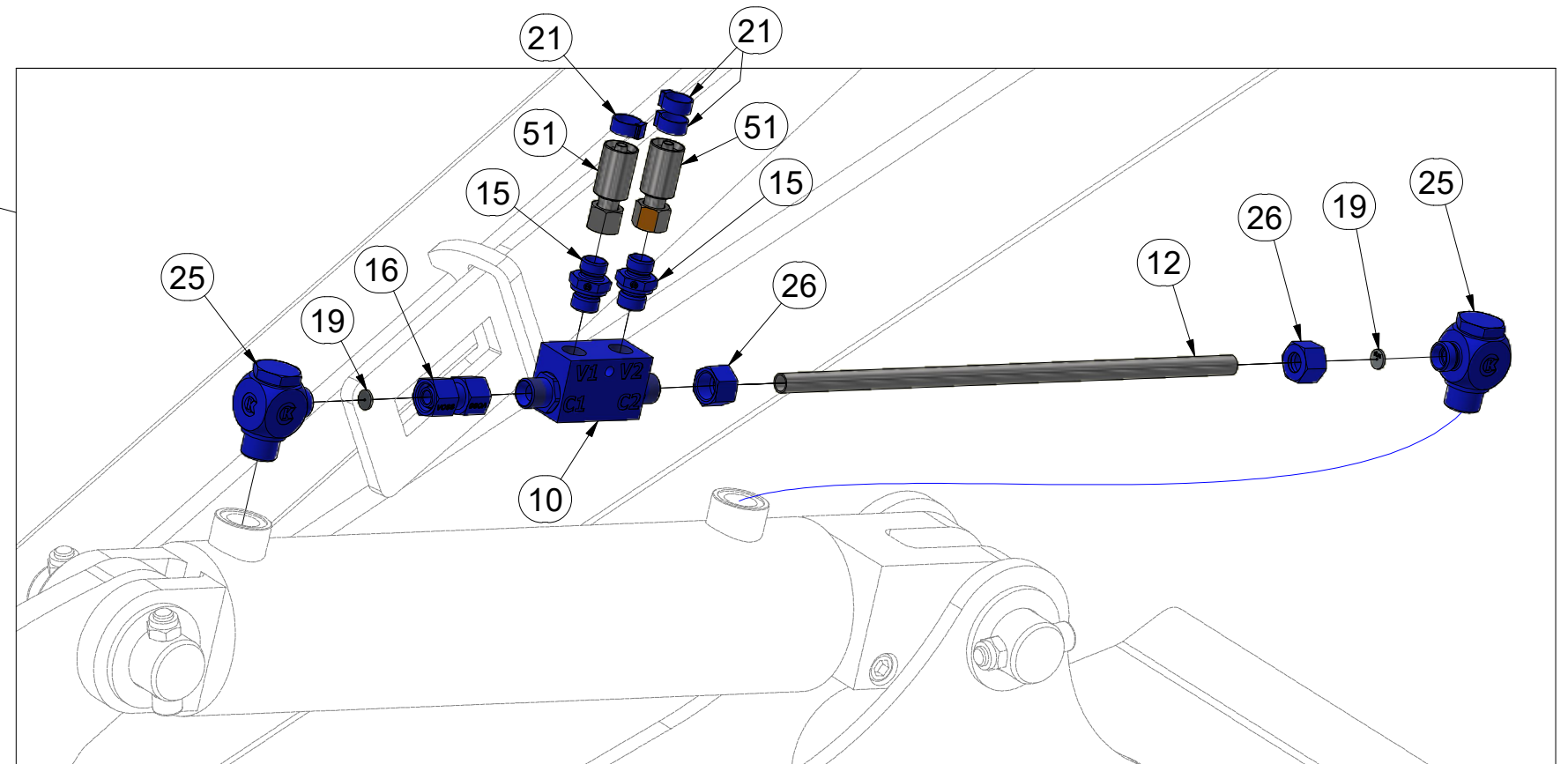
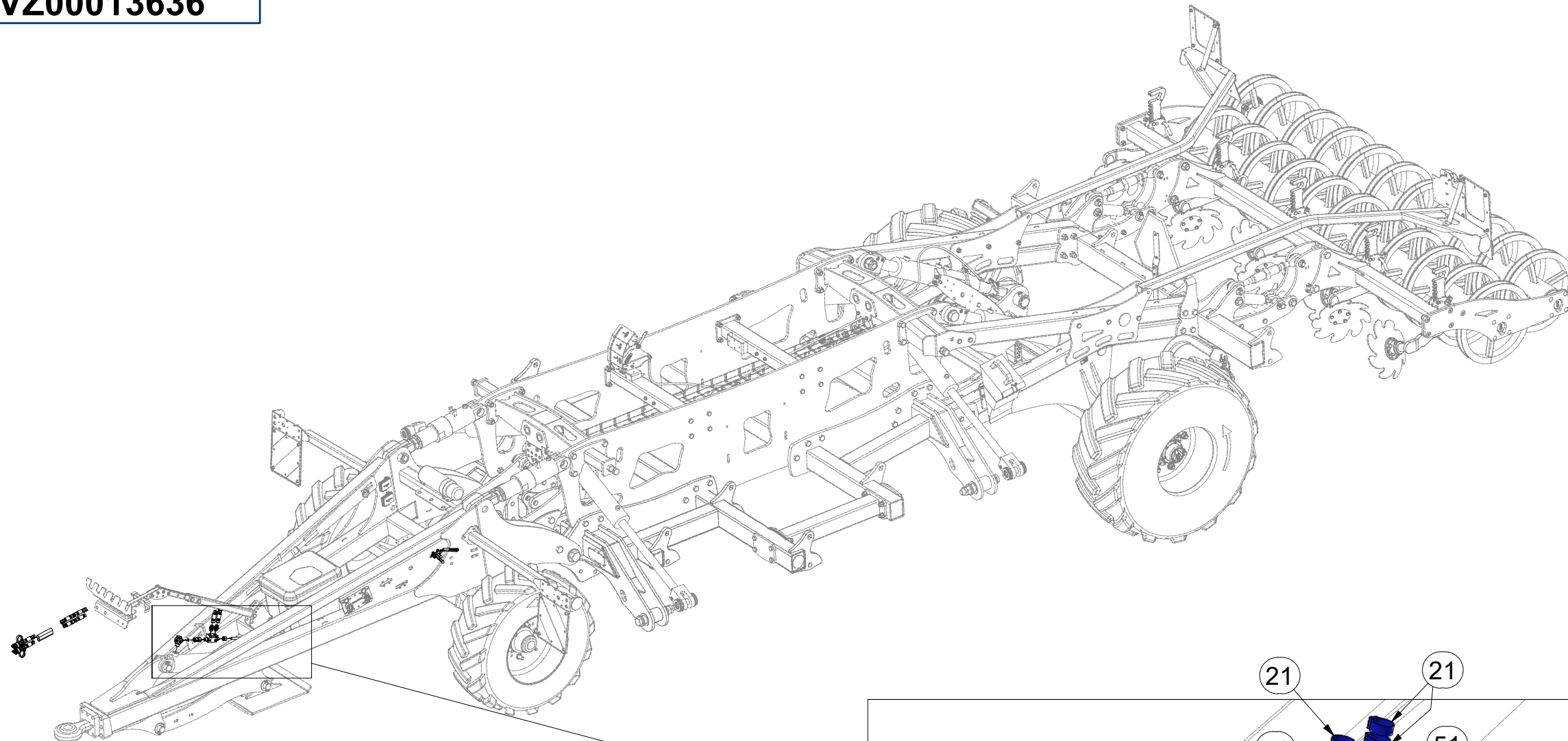
Ⓖ MACHINE HYDRAULICS

Ⓡ ГИДРАВЛИКА МАШИНЫ

Ⓟ HYDRAULIKA MASZYN



VZ00013636



| Pos. | Part Number | Pcs. |
|------|-------------|------|
| 10 | m08083 | 1 |
| 12 | m20005 | 1 |
| 15 | m06528 | 2 |
| 16 | m22306 | 1 |
| 19 | m10776 | 2 |
| 21 | m11253 | 18 |
| 25 | m20912 | 2 |
| 26 | m17321 | 2 |
| 51 | m07361 | 2 |

Ⓒ HYDRAULIKA STROJE

Ⓓ HYDRAULIK DER MASCHINE

Ⓕ HYDRAULIQUE DE LA MACHINE

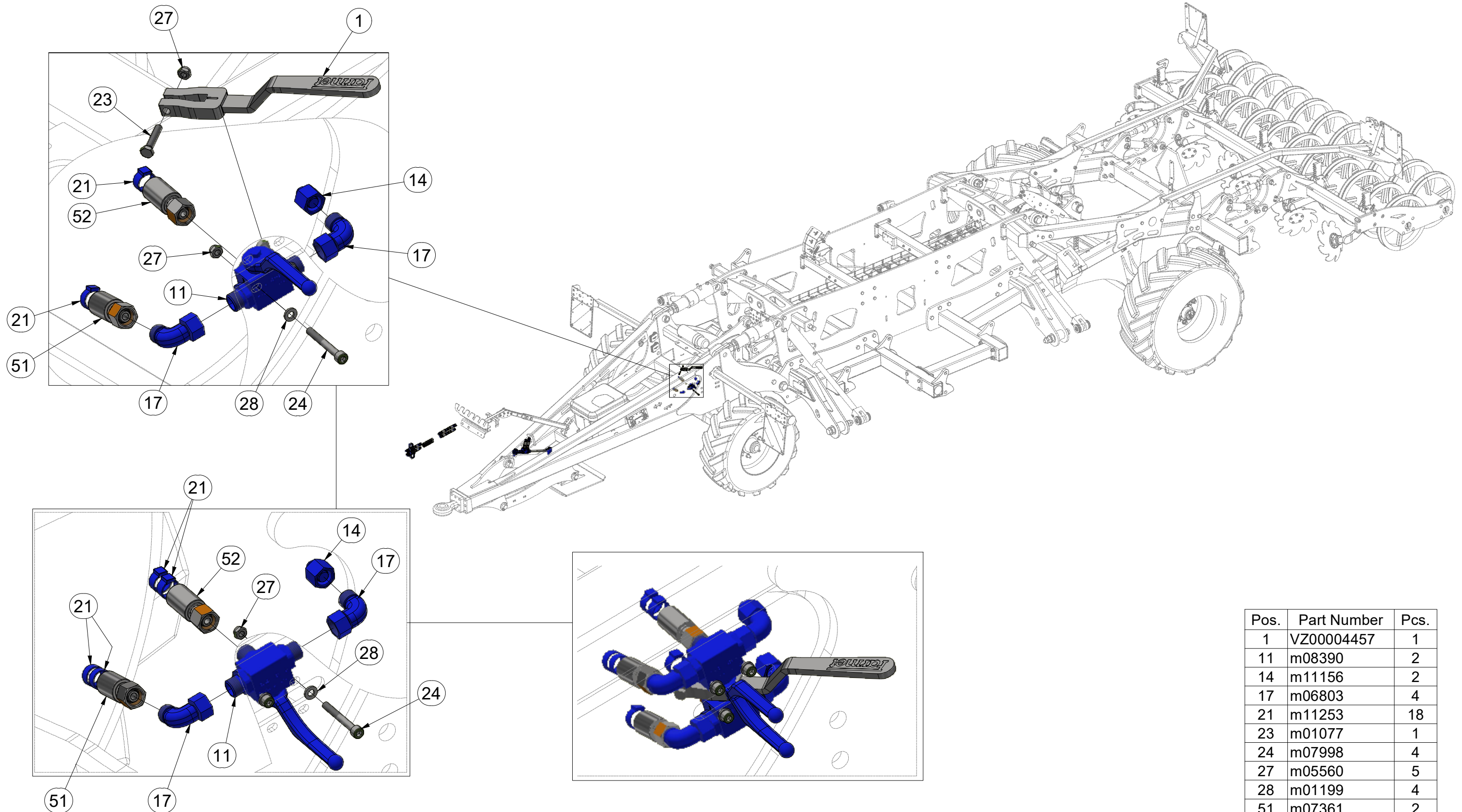
Ⓖ MACHINE HYDRAULICS

Ⓡ ГИДРАВЛИКА МАШИНЫ

Ⓟ HYDRAULIKA MASZYN



VZ00013636



| Pos. | Part Number | Pcs. |
|------|-------------|------|
| 1 | VZ00004457 | 1 |
| 11 | m08390 | 2 |
| 14 | m11156 | 2 |
| 17 | m06803 | 4 |
| 21 | m11253 | 18 |
| 23 | m01077 | 1 |
| 24 | m07998 | 4 |
| 27 | m05560 | 5 |
| 28 | m01199 | 4 |
| 51 | m07361 | 2 |
| 52 | m12022 | 2 |

ⒸZ HYDRAULIKA STROJE

Ⓓ HYDRAULIK DER MASCHINE

Ⓕ HYDRAULIQUE DE LA MACHINE

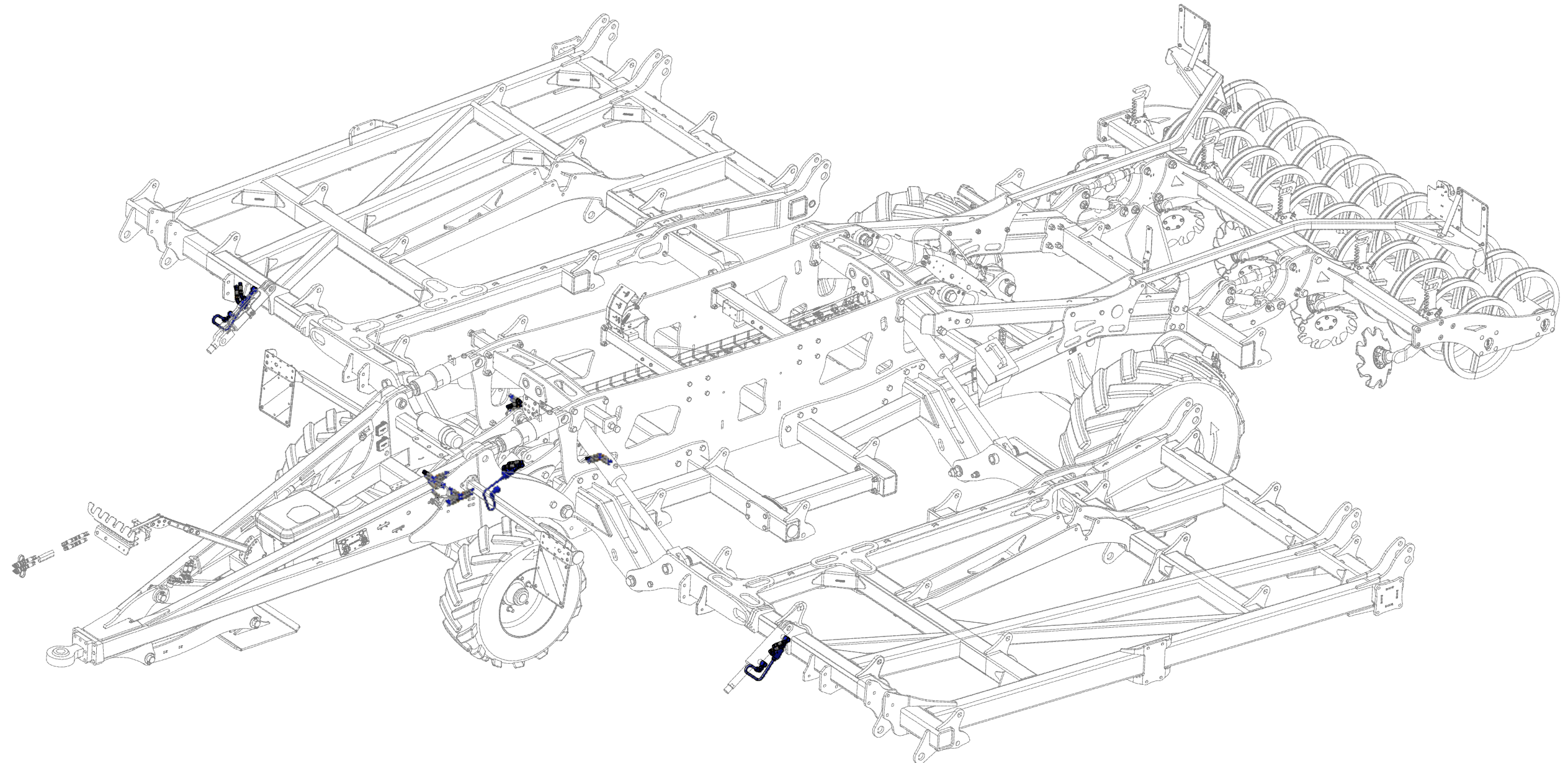
VZ00013710

ⒸB MACHINE HYDRAULICS

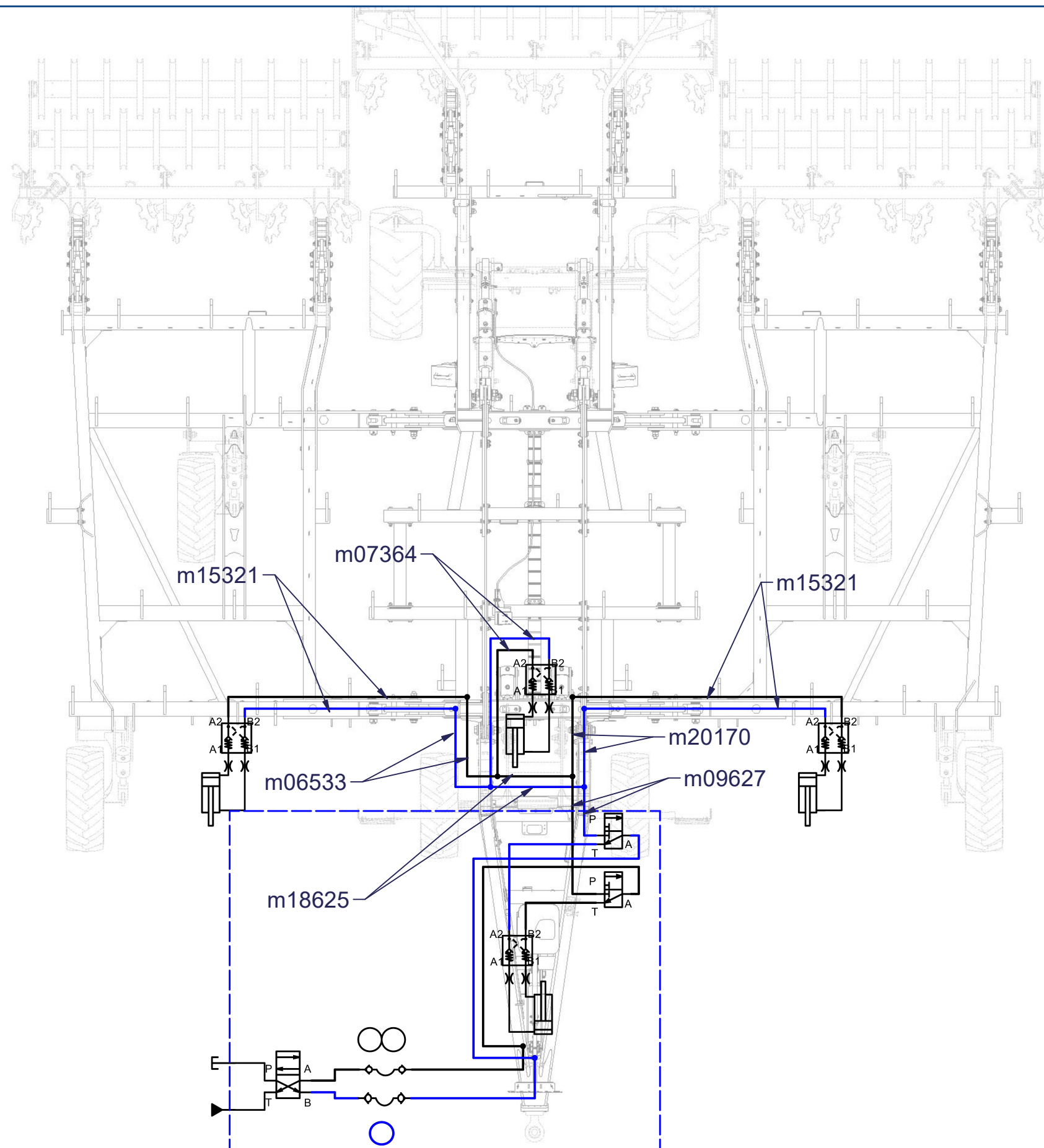
ⒸR ГИДРАВЛИКА МАШИНЫ

ⒸL HYDRAULIKA MASZYN

Farmet



VZ00013710



| Pos. | Part Number | Pcs. |
|------|-------------|------|
| 20 | m18625 | 2 |
| 21 | m09627 | 2 |
| 22 | m07364 | 2 |
| 23 | m20170 | 2 |
| 24 | m06533 | 2 |
| 25 | m15321 | 4 |

Ⓒ HYDRAULIKA STROJE

Ⓓ HYDRAULIK DER MASCHINE

Ⓕ HYDRAULIQUE DE LA MACHINE

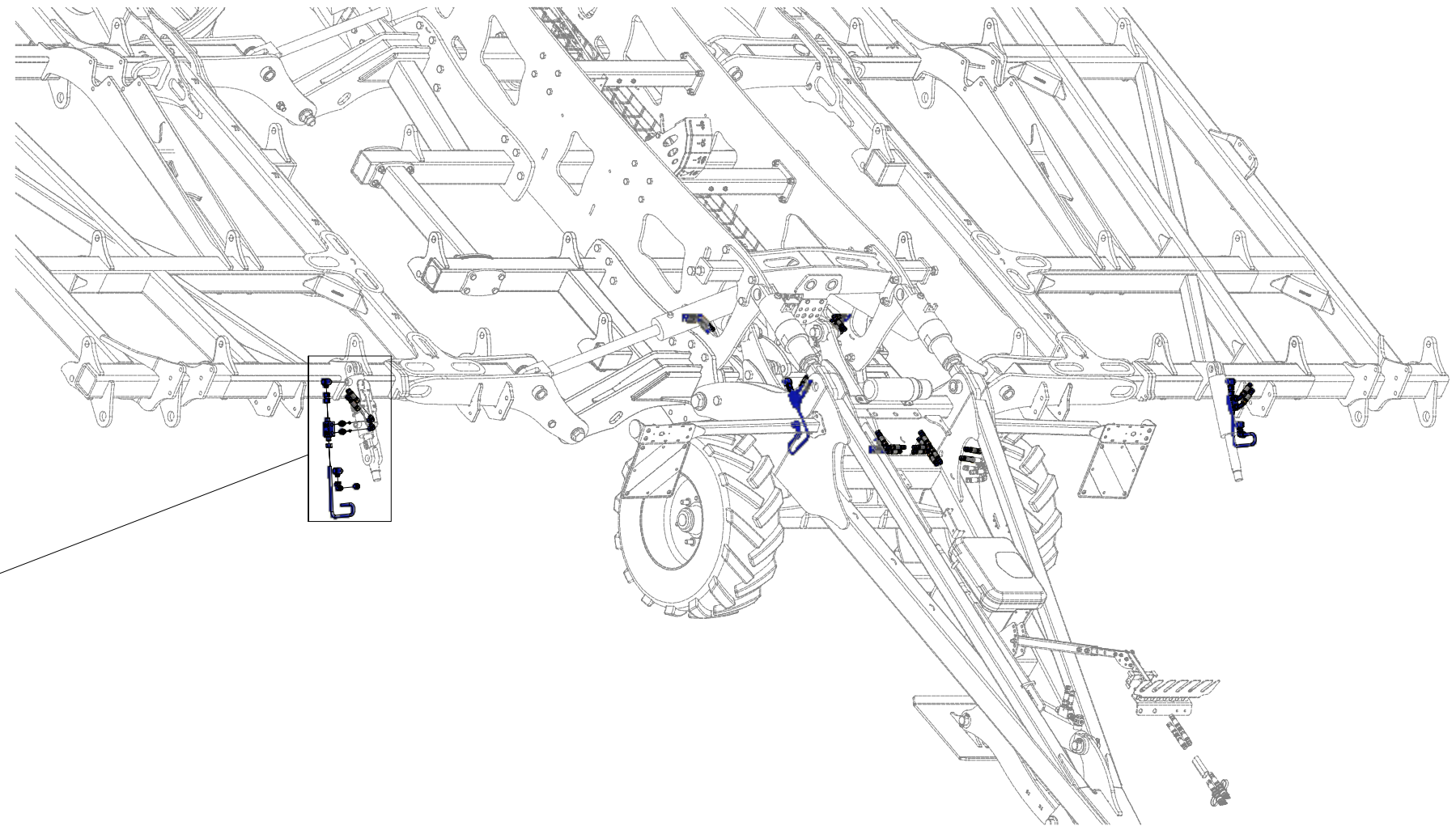
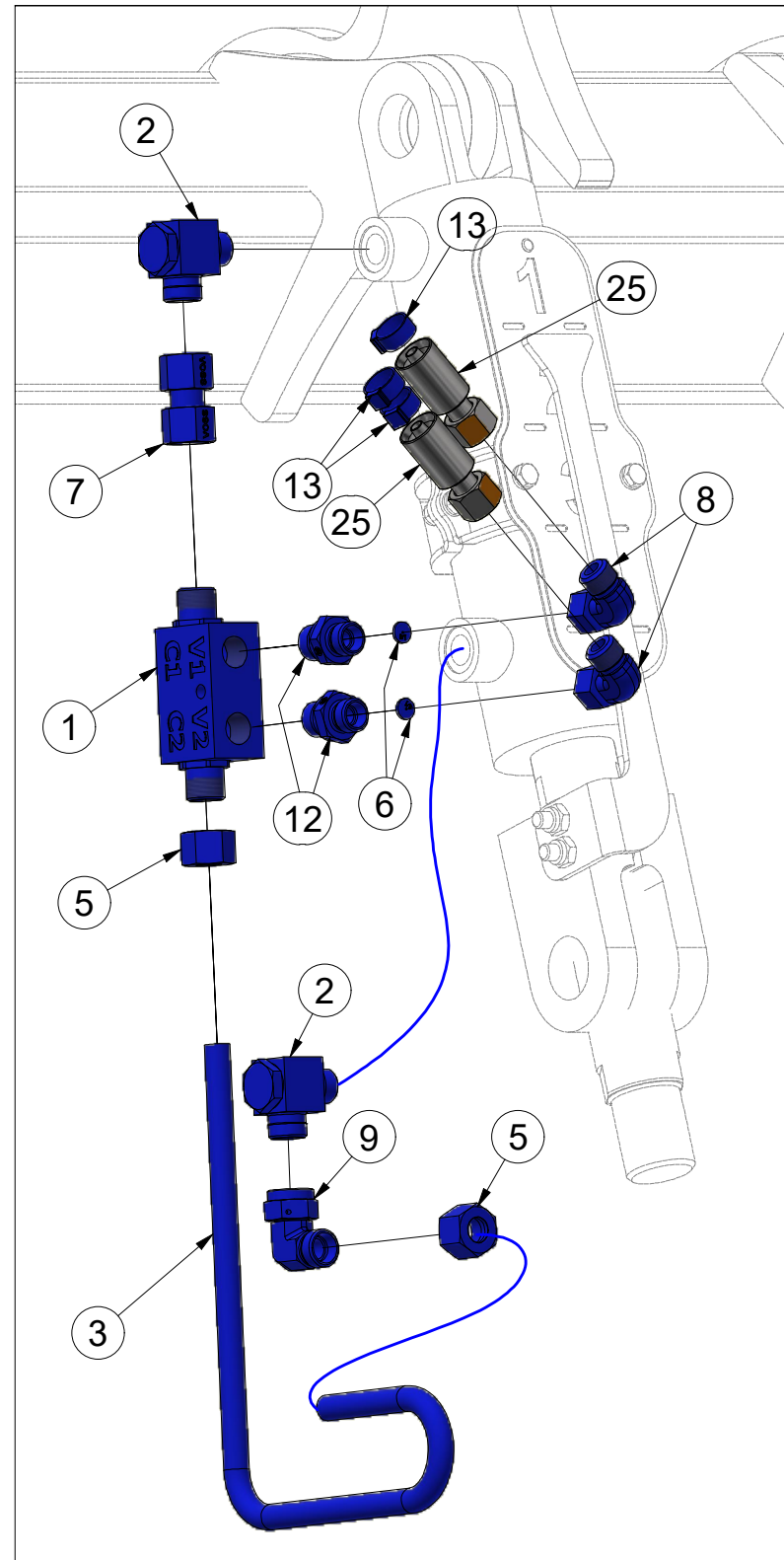
Ⓖ MACHINE HYDRAULICS

Ⓡ ГИДРАВЛИКА МАШИНЫ

Ⓟ HYDRAULIKA MASZYN



VZ00013710



| Pos. | Part Number | Pcs. | Pos. | Part Number | Pcs. |
|------|-------------|------|------|-------------|------|
| 1 | m08083 | 3 | 7 | m22306 | 3 |
| 2 | m20882 | 6 | 8 | m06803 | 6 |
| 3 | m16719 | 3 | 9 | m07654 | 3 |
| 5 | m17321 | 6 | 12 | m06528 | 6 |
| 6 | m10780 | 6 | 13 | m11253 | 42 |
| | | | 25 | m15321 | 4 |

ⒸZ HYDRAULIKA STROJE

Ⓓ HYDRAULIK DER MASCHINE

Ⓕ HYDRAULIQUE DE LA MACHINE

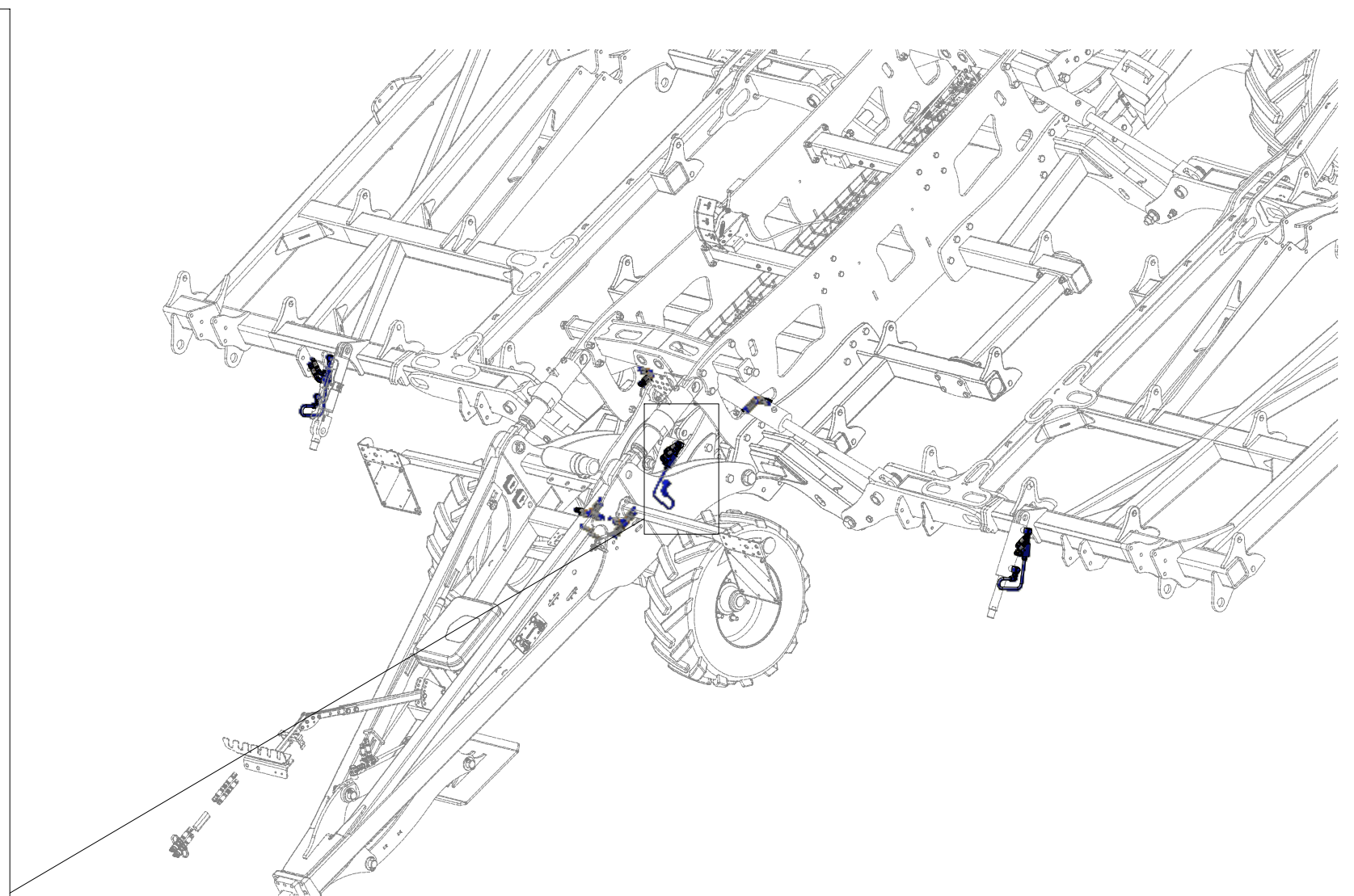
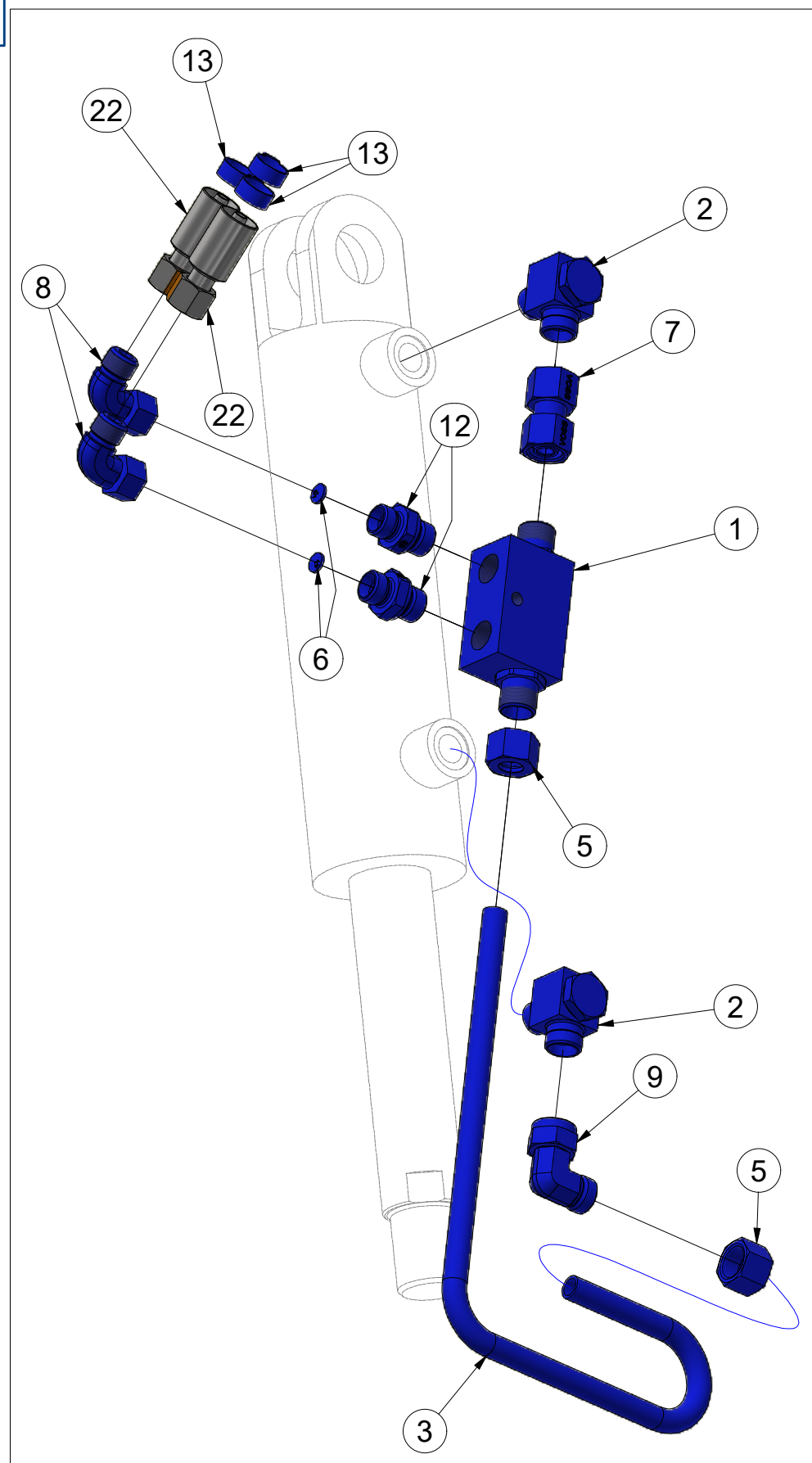
ⒼB MACHINE HYDRAULICS

Ⓔ RU ГИДРАВЛИКА МАШИНЫ

Ⓗ PL HYDRAULIKA MASZYN



VZ00013710



| Pos. | Part Number | Pcs. | Pos. | Part Number | Pcs. |
|------|-------------|------|------|-------------|------|
| 1 | m08083 | 3 | 7 | m22306 | 3 |
| 2 | m20882 | 6 | 8 | m06803 | 6 |
| 3 | m16719 | 3 | 9 | m07654 | 3 |
| 5 | m17321 | 6 | 12 | m06528 | 6 |
| 6 | m10780 | 6 | 13 | m11253 | 42 |
| | | | 22 | m07364 | 2 |

ⒸZ HYDRAULIKA STROJE

Ⓓ HYDRAULIK DER MASCHINE

Ⓕ HYDRAULIQUE DE LA MACHINE

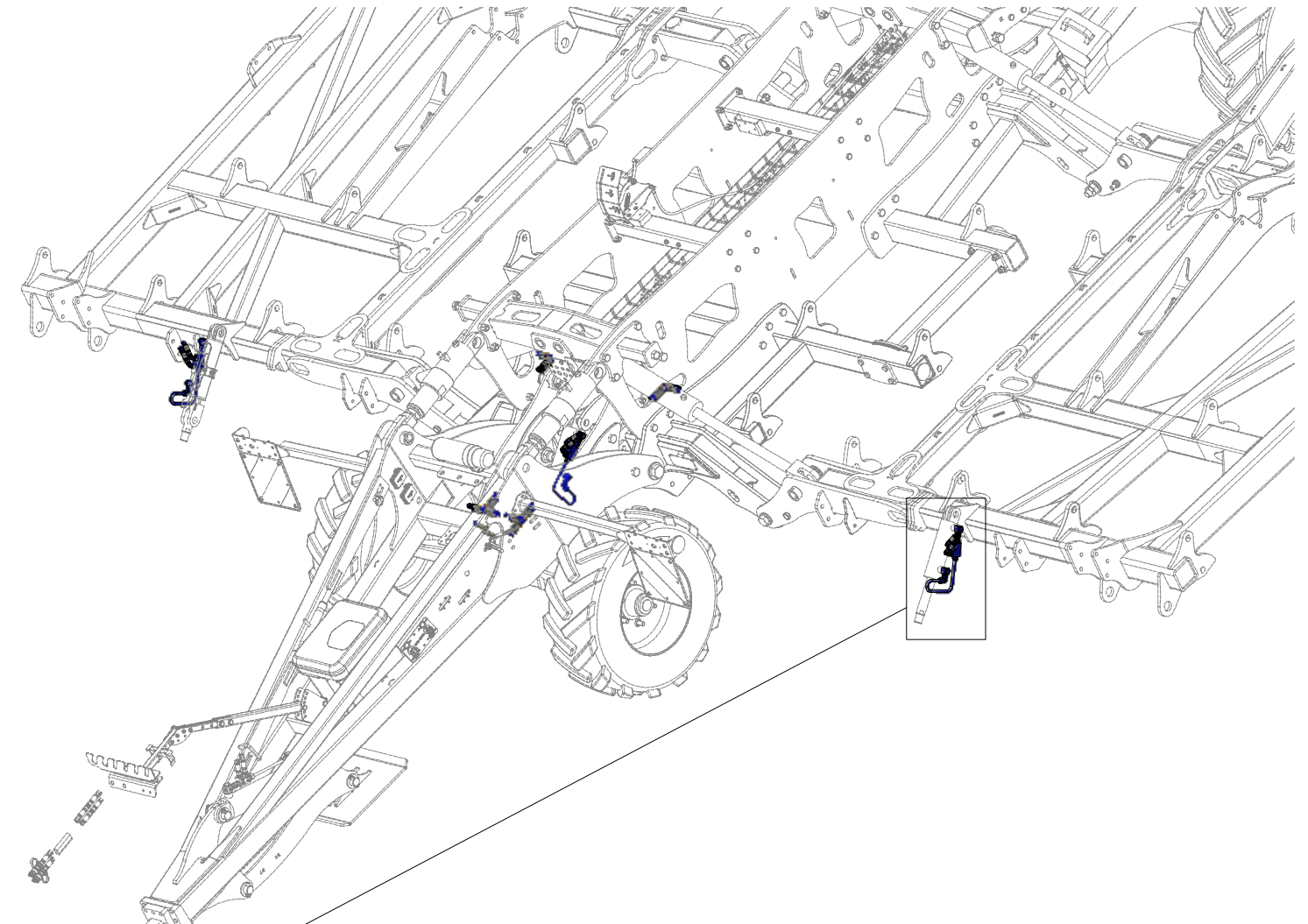
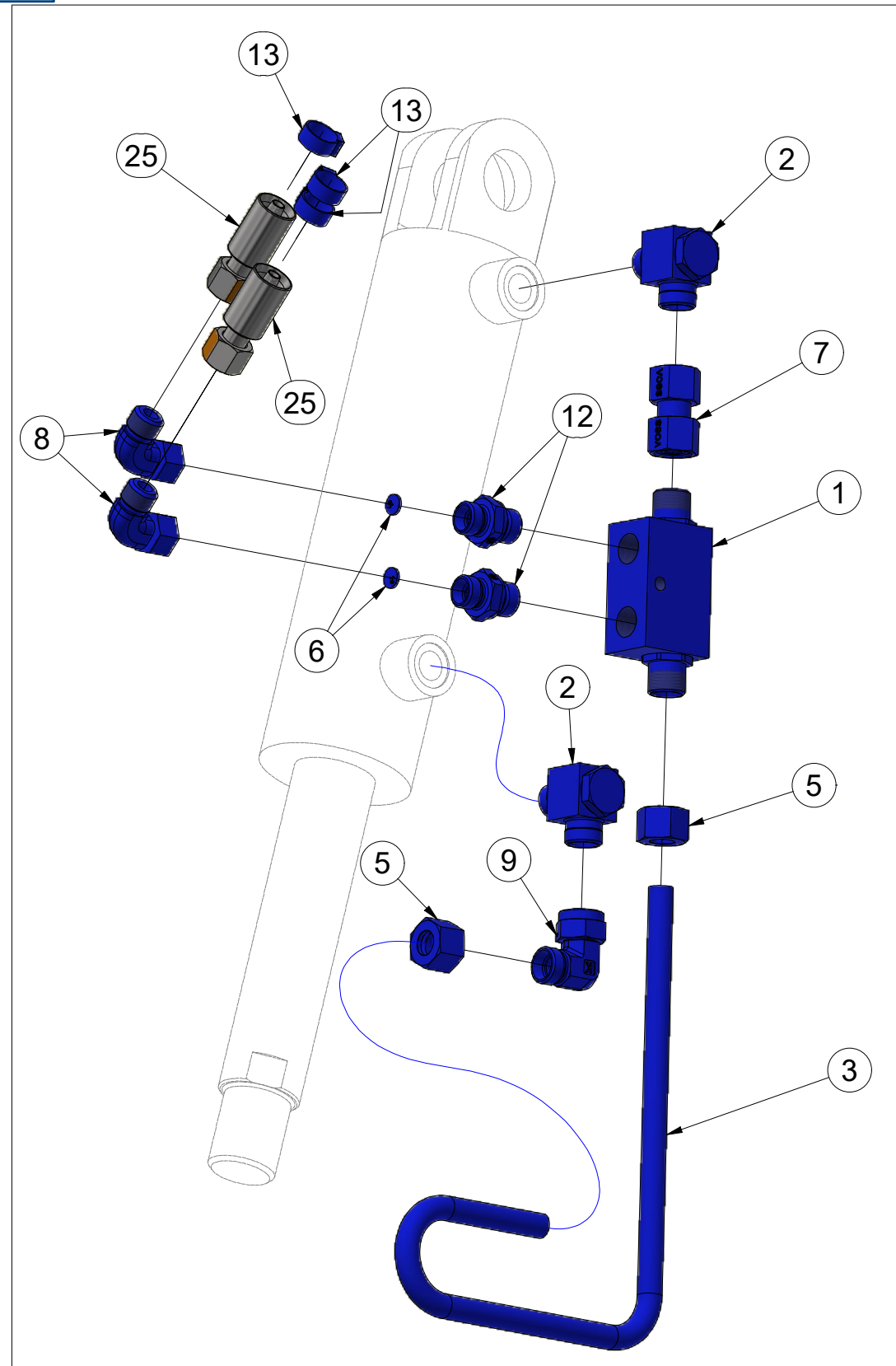
ⒼB MACHINE HYDRAULICS

Ⓔ RU ГИДРАВЛИКА МАШИНЫ

Ⓗ PL HYDRAULIKA MASZYN



VZ00013710



| Pos. | Part Number | Pcs. |
|------|-------------|------|
| 1 | m08083 | 3 |
| 2 | m20882 | 6 |
| 3 | m16719 | 3 |
| 5 | m17321 | 6 |
| 6 | m10780 | 6 |
| 7 | m22306 | 3 |
| 8 | m06803 | 6 |
| 9 | m07654 | 3 |
| 12 | m06528 | 6 |
| 13 | m11253 | 42 |
| 25 | m15321 | 4 |

ⒸZ HYDRAULIKA STROJE

Ⓓ HYDRAULIK DER MASCHINE

Ⓕ HYDRAULIQUE DE LA MACHINE

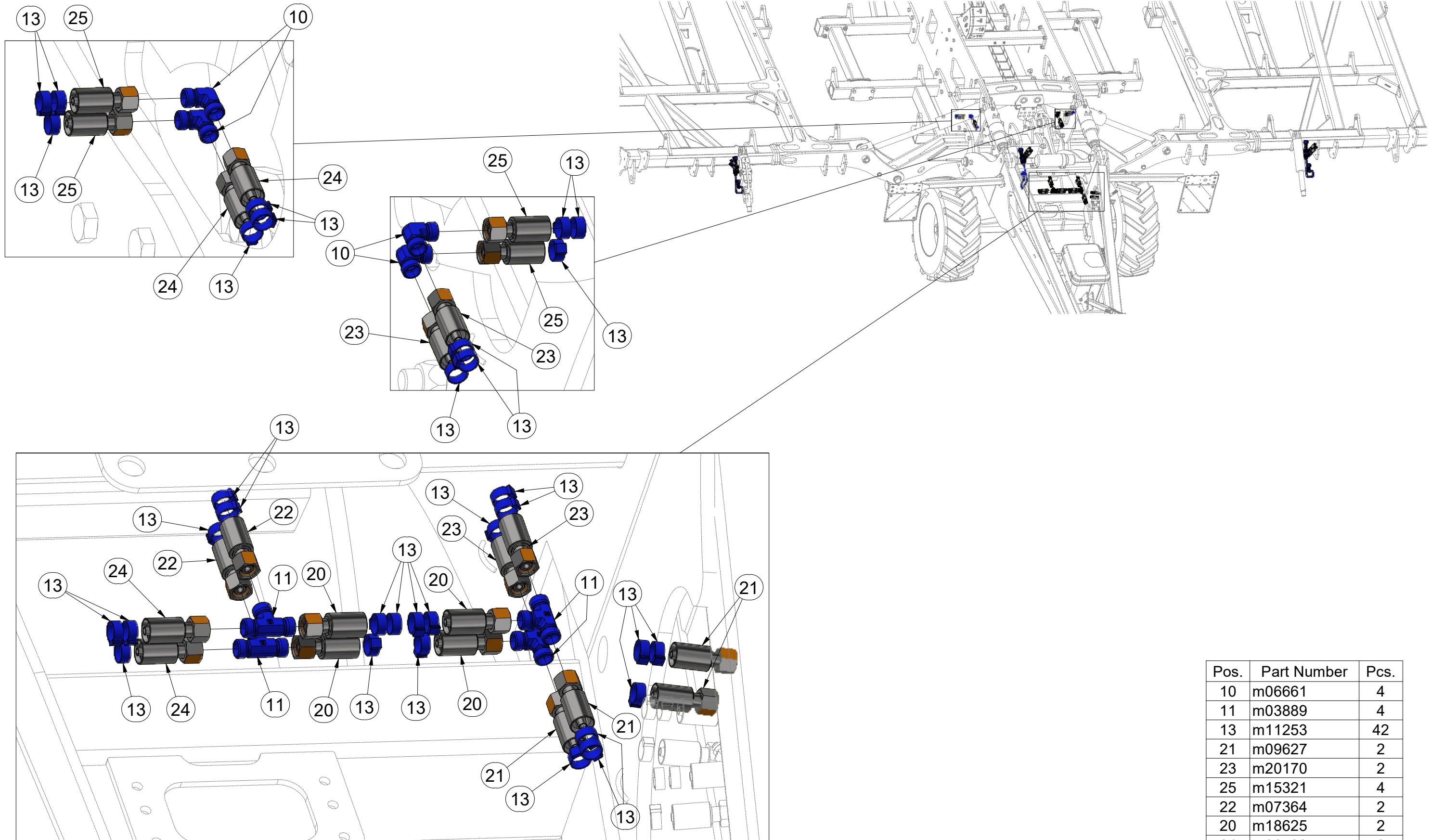
ⒸB MACHINE HYDRAULICS

ⒸR ГИДРАВЛИКА МАШИНЫ

ⒸL HYDRAULIKA MASZYN



VZ00013710



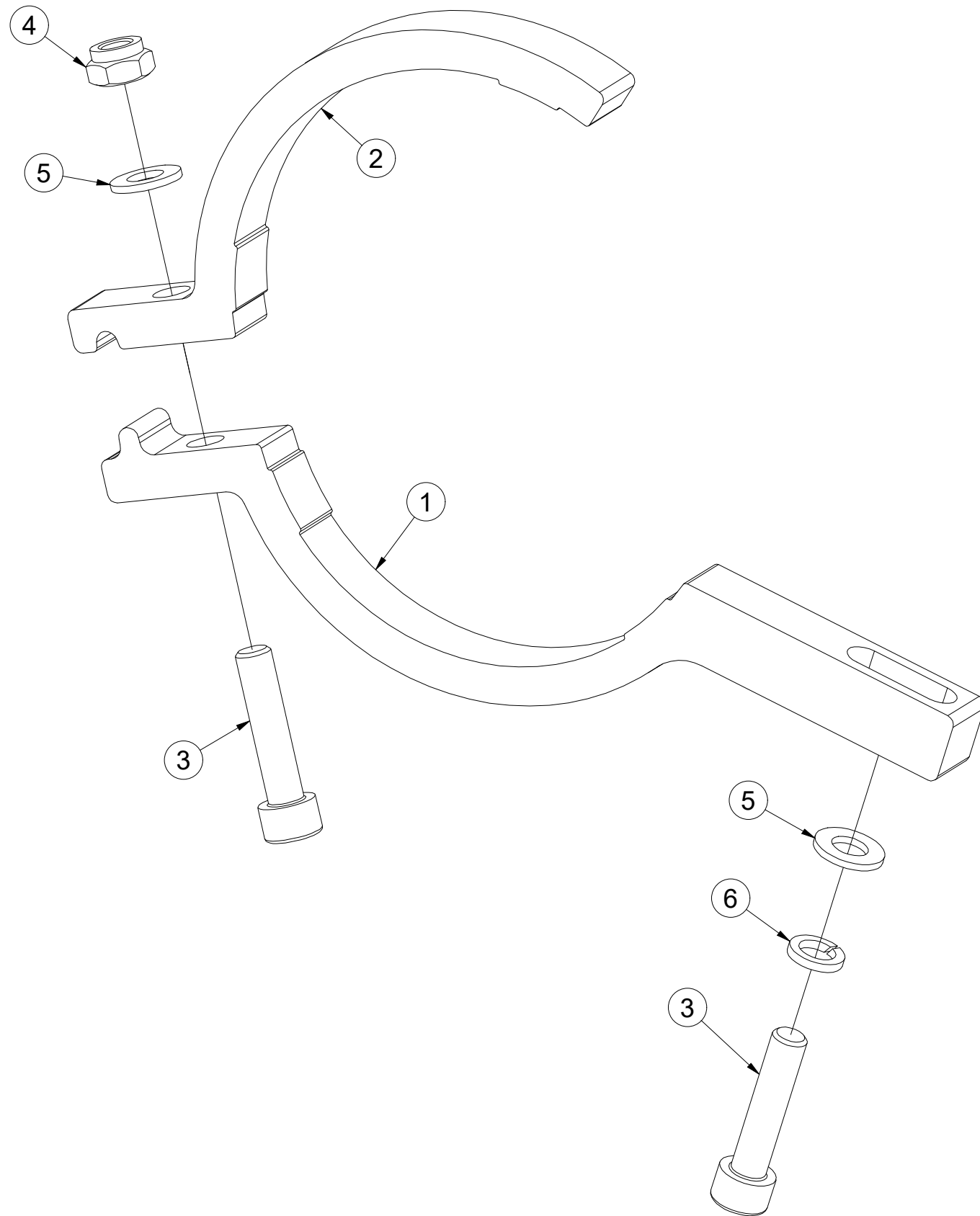
| Pos. | Part Number | Pcs. |
|------|-------------|------|
| 10 | m06661 | 4 |
| 11 | m03889 | 4 |
| 13 | m11253 | 42 |
| 21 | m09627 | 2 |
| 23 | m20170 | 2 |
| 25 | m15321 | 4 |
| 22 | m07364 | 2 |
| 20 | m18625 | 2 |
| 24 | m06533 | 2 |

CZ DRŽÁK
 D HALTER
 F SUPPORT

GB HOLDER
 RU ДЕРЖАТЕЛЬ
 PL UCHWYT



VZ00009944



| Pos. | Part Number | Pcs. |
|------|-------------|------|
| 1 | VZ00009925 | 1 |
| 2 | VZ00009926 | 1 |
| 3 | m09464 | 2 |
| 4 | m04503 | 1 |
| 5 | m01203 | 2 |
| 6 | m01202 | 1 |

Ⓒ PÍSTNICE 90/45-094

Ⓓ KOLBENSTANGE 90/45-094

Ⓕ TIGE DE PISTON 90/45-094

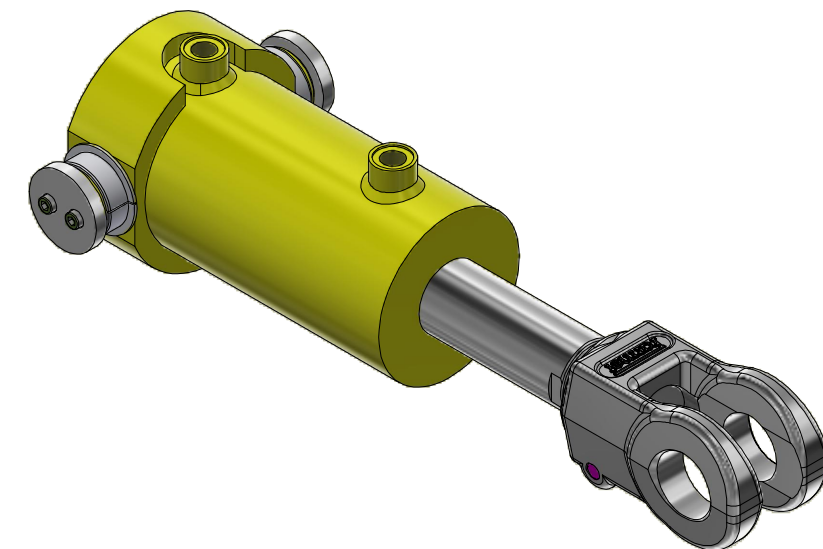
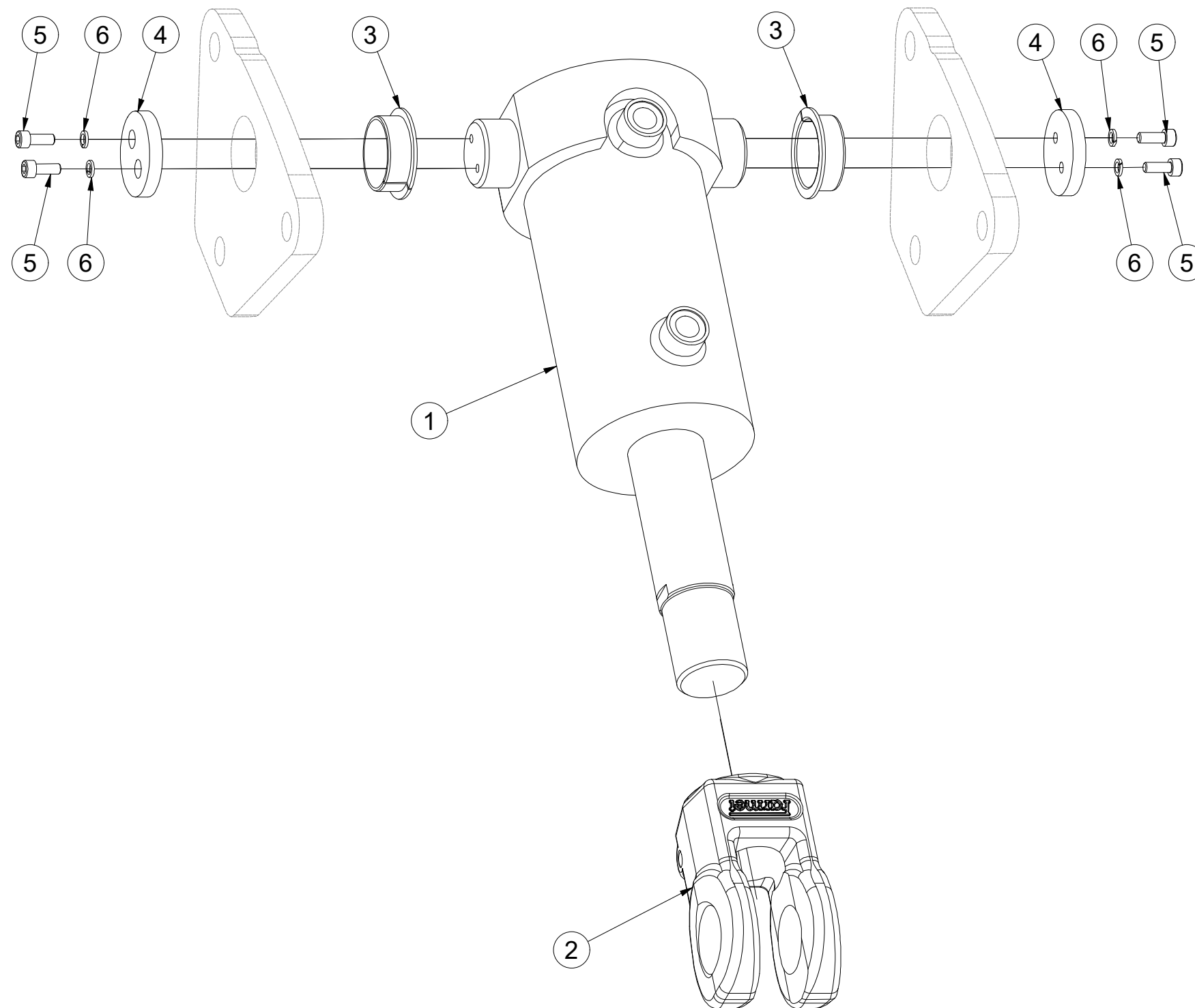
Ⓒ PISTON ROD 90/45-094

Ⓓ ЦИЛИНДР 90/45-094

Ⓕ TRZPIEŃ TŁOKA 90/45-094



VZ00059810



| Pos. | Part Number | Pcs. |
|------|-------------|------|
| 1 | m26205 | 1 |
| 2 | VZ00048546 | 1 |
| 3 | m14755 | 2 |
| 4 | 4019408 | 2 |
| 5 | m05303 | 4 |
| 6 | m01200 | 4 |

☉ OKO PÍSTNICE

☉ AUGEN FÜR KOLBENSTANGE

☉ L'ŒIL TIGE DE PISTON

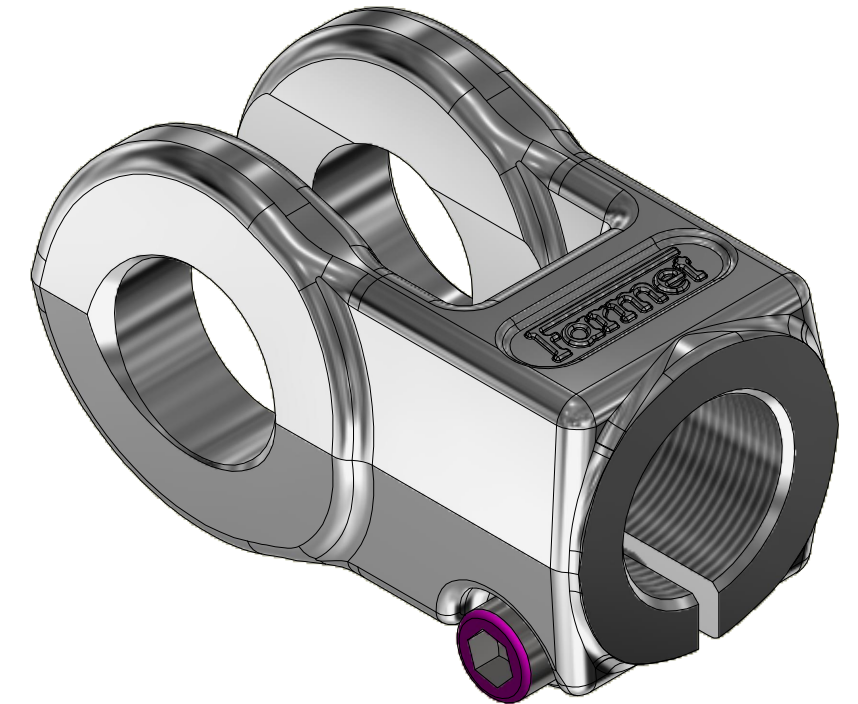
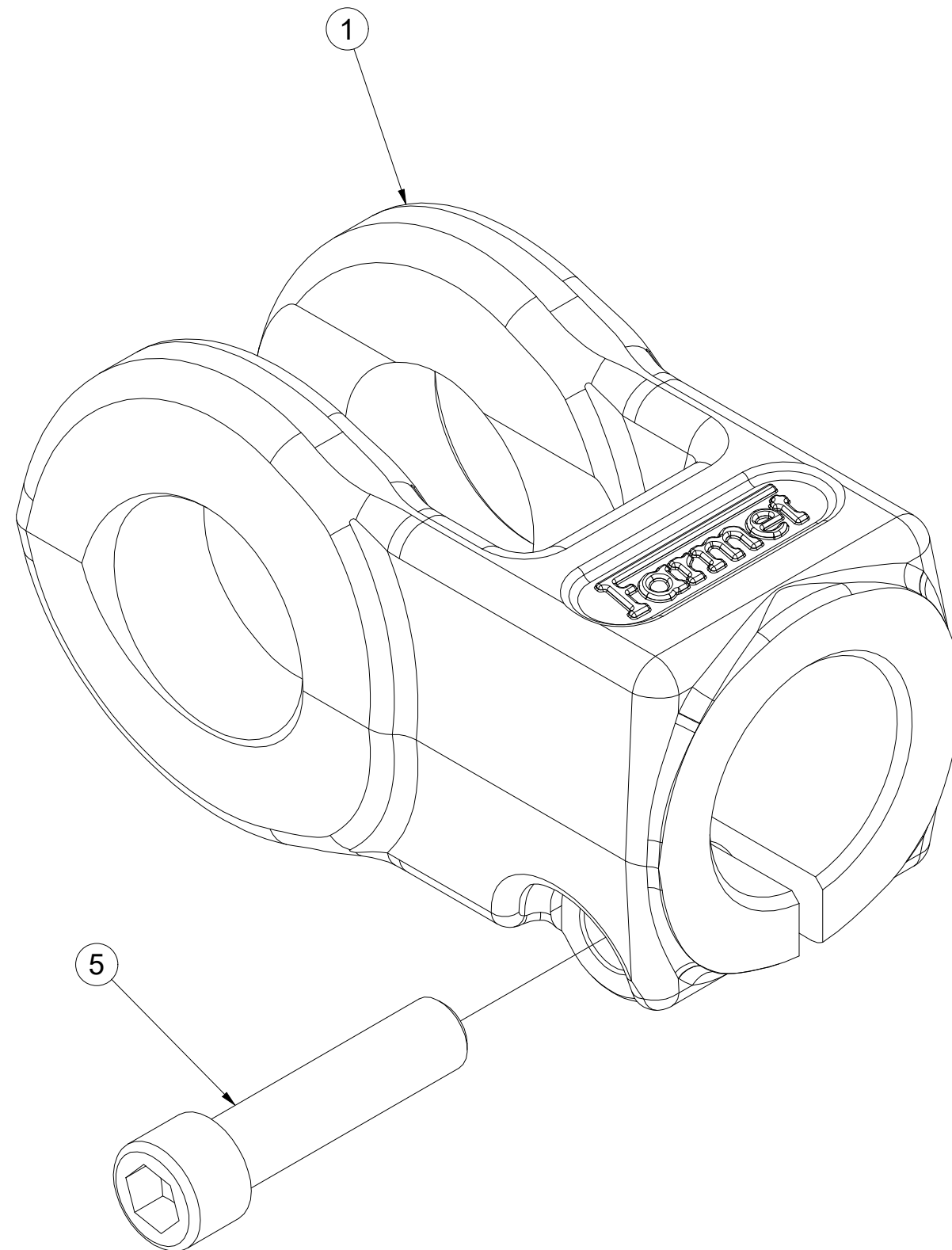
☉ PISTON ROD EYE

☉ ПРОУШИНА ШТОКА ПОРШНЯ

☉ UCHO TŁOCZYSKA



VZ00048546



| Pos. | Part Number | Pcs. |
|------|-------------|------|
| 1 | VZ00050799 | 1 |
| 5 | m25842 | 1 |

Ⓒ PÍSTNICE 63/40-150

Ⓓ KOLBENSTANGE 63/40-150

Ⓕ TIGE DE PISTON 63/40-150

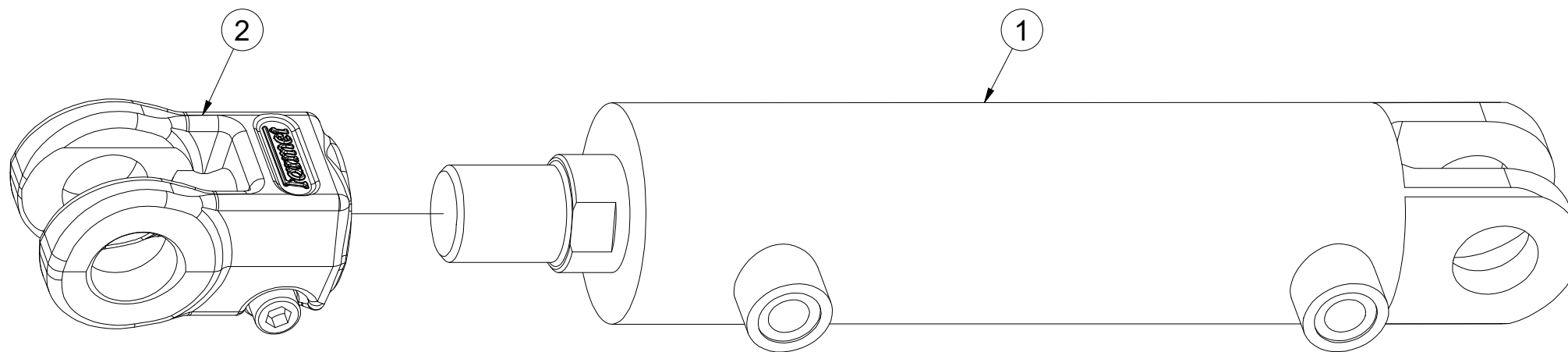
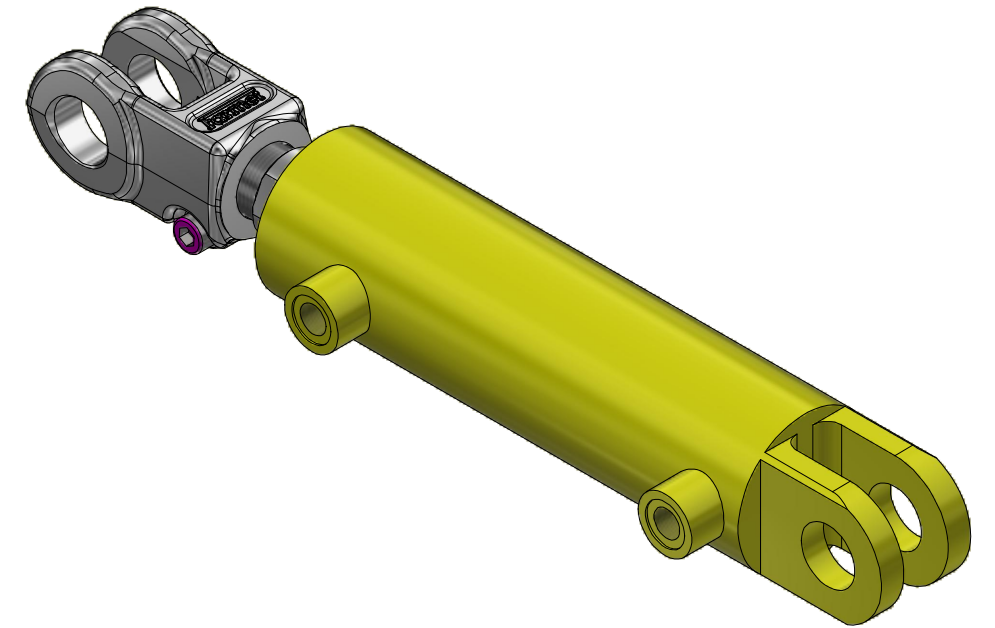
VZ00073896

Ⓖ PISTON ROD 63/40-150

Ⓡ ЦИЛИНДР 63/40-150

Ⓟ TRZPIEŃ TŁOKA 63/40-150

Farmet



| Pos. | Part Number | Pcs. |
|------|-------------|------|
| 1 | m14664 | 1 |
| 2 | VZ00048549 | 1 |

☉ OKO PÍSTNICE

☐ AUGEN FÜR KOLBENSTANGE

☉ L'ŒIL TIGE DE PISTON

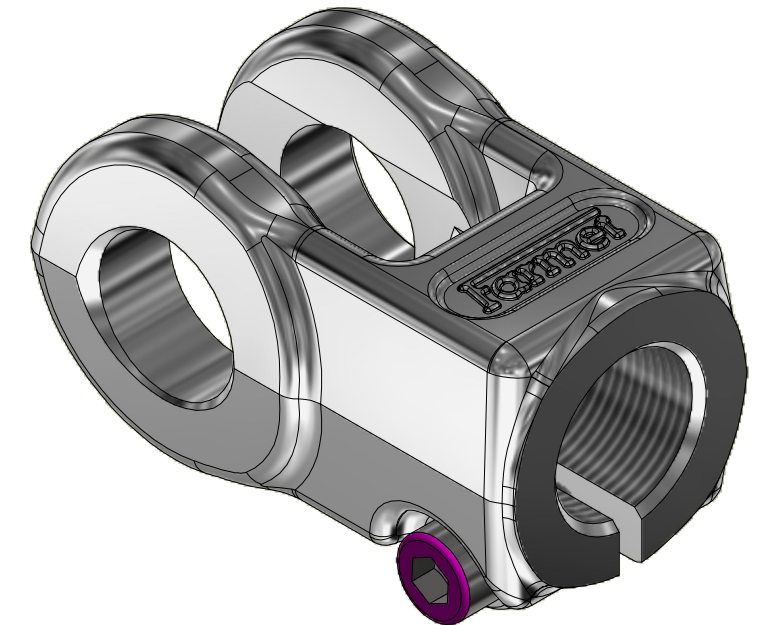
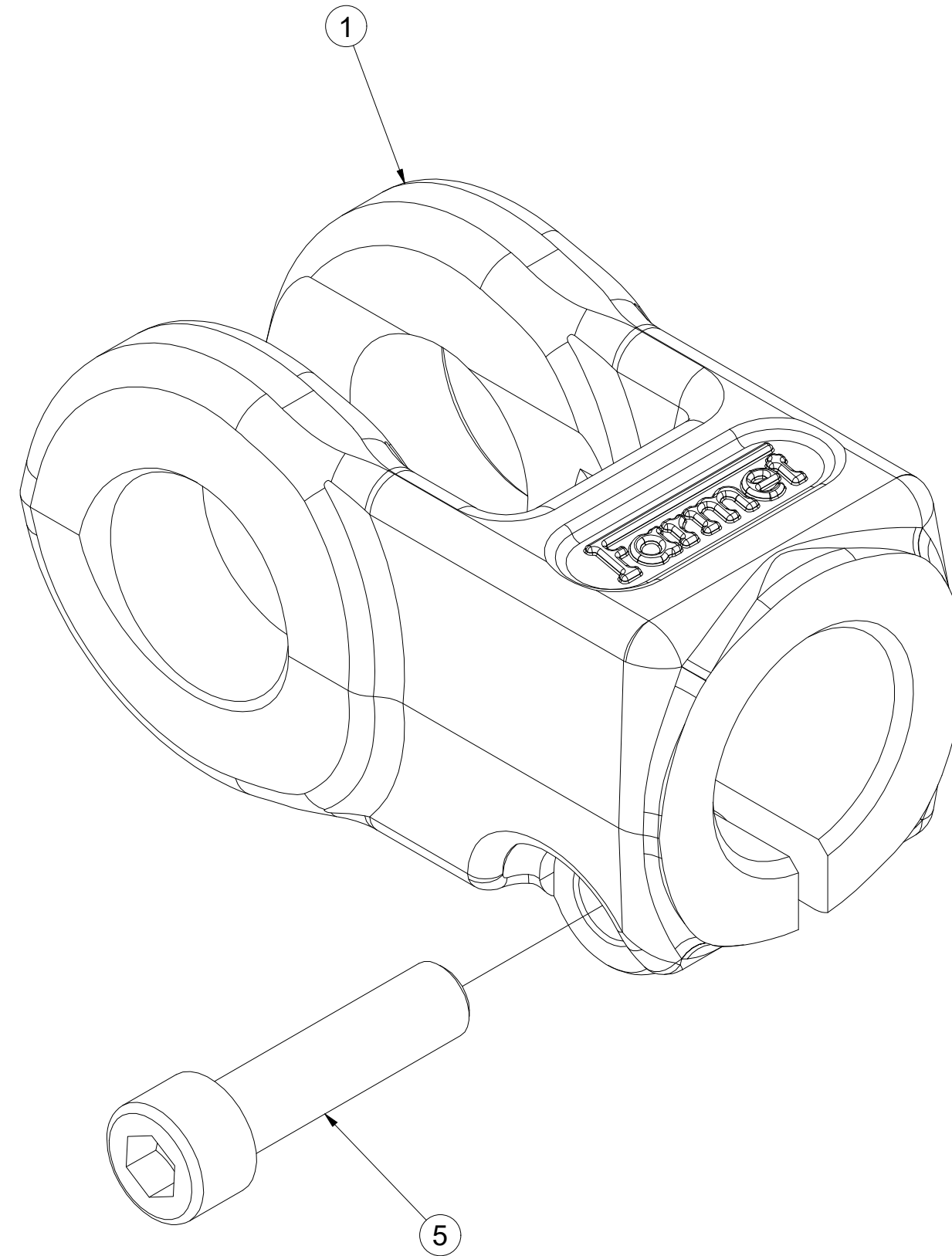
☉ PISTON ROD EYE

☉ ПРОУШИНА ШТОКА ПОРШНЯ

☉ UCHO TŁOCZYSKA



VZ00048549



| Pos. | Part Number | Pcs. |
|------|-------------|------|
| 1 | VZ00050801 | 1 |
| 5 | m25841 | 1 |

Ⓒ PÍSTNICE 50/25-115

Ⓓ KOLBENSTANGE 50/25-115

Ⓕ TIGE DE PISTON 50/25-115

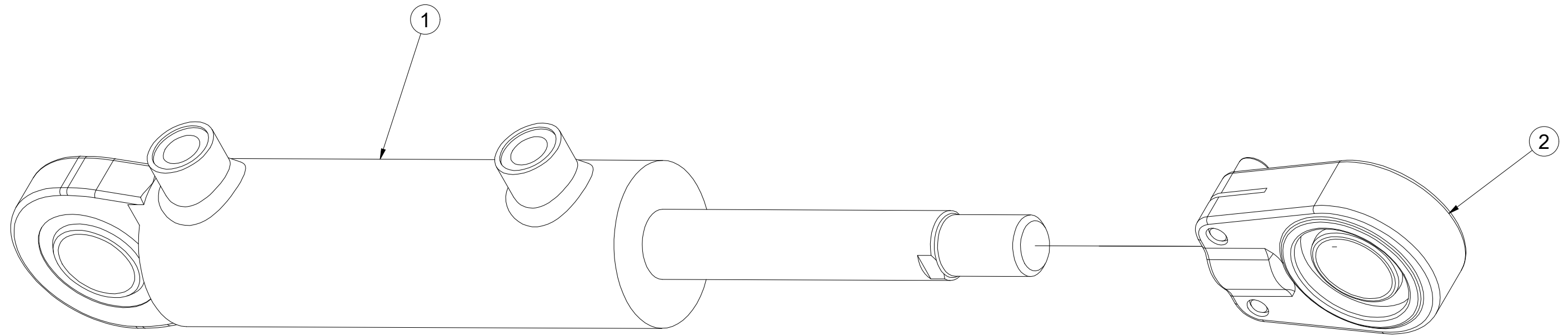
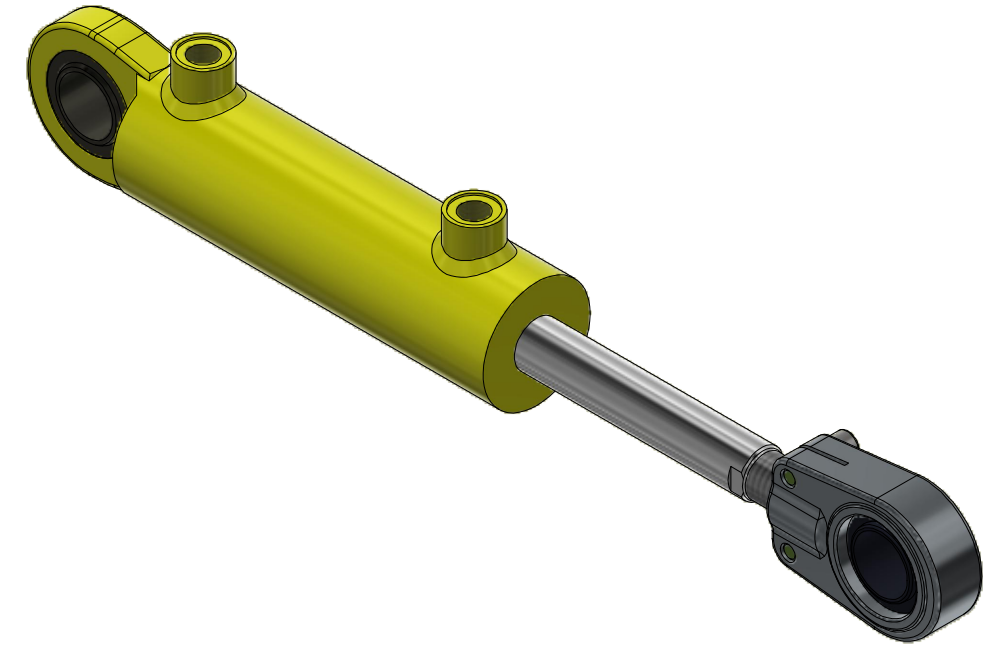
VZ00059782

Ⓖ PISTON ROD 50/25-115

Ⓡ ЦИЛИНДР 50/25-115

Ⓟ TRZPIEŃ TŁOKA 50/25-115

Farmet



| Pos. | Part Number | Pcs. |
|------|-------------|------|
| 1 | m25471 | 1 |
| 2 | m24102 | 1 |

Ⓒ PÍSTNICE 100/63-95,100/63-200

Ⓓ KOLBENSTANGE 100/63-95,100/63-200

Ⓕ TIGE DE PISTON 100/63-95,100/63-200

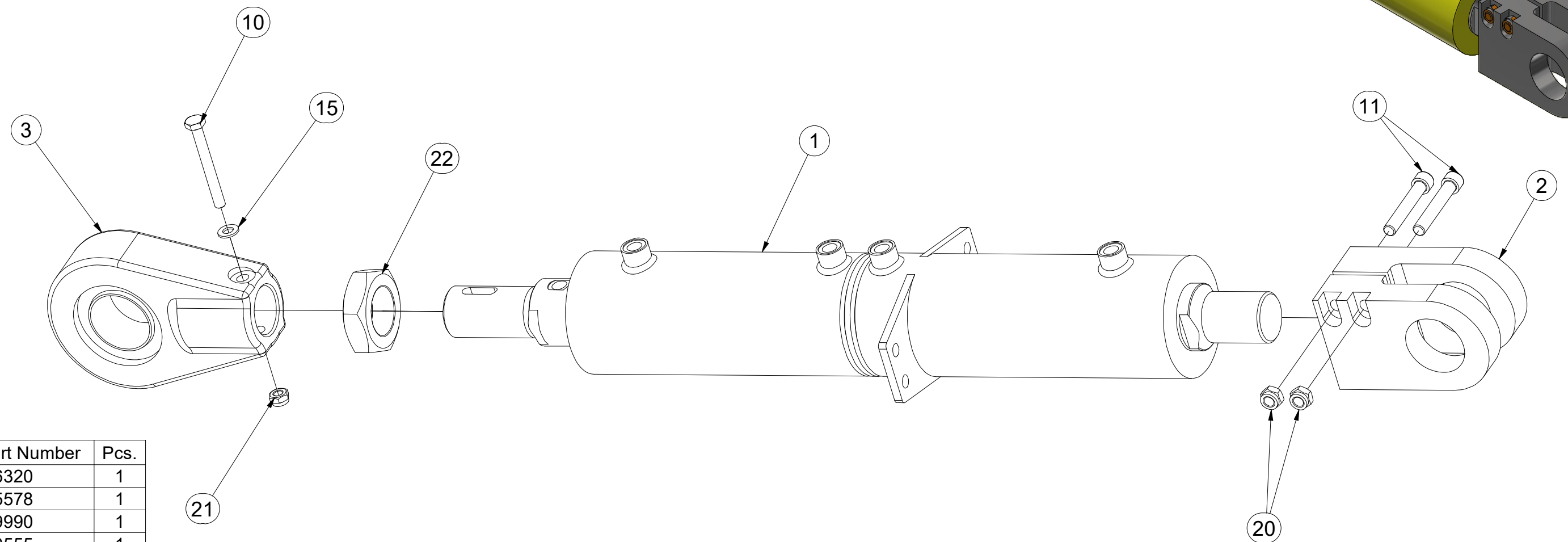
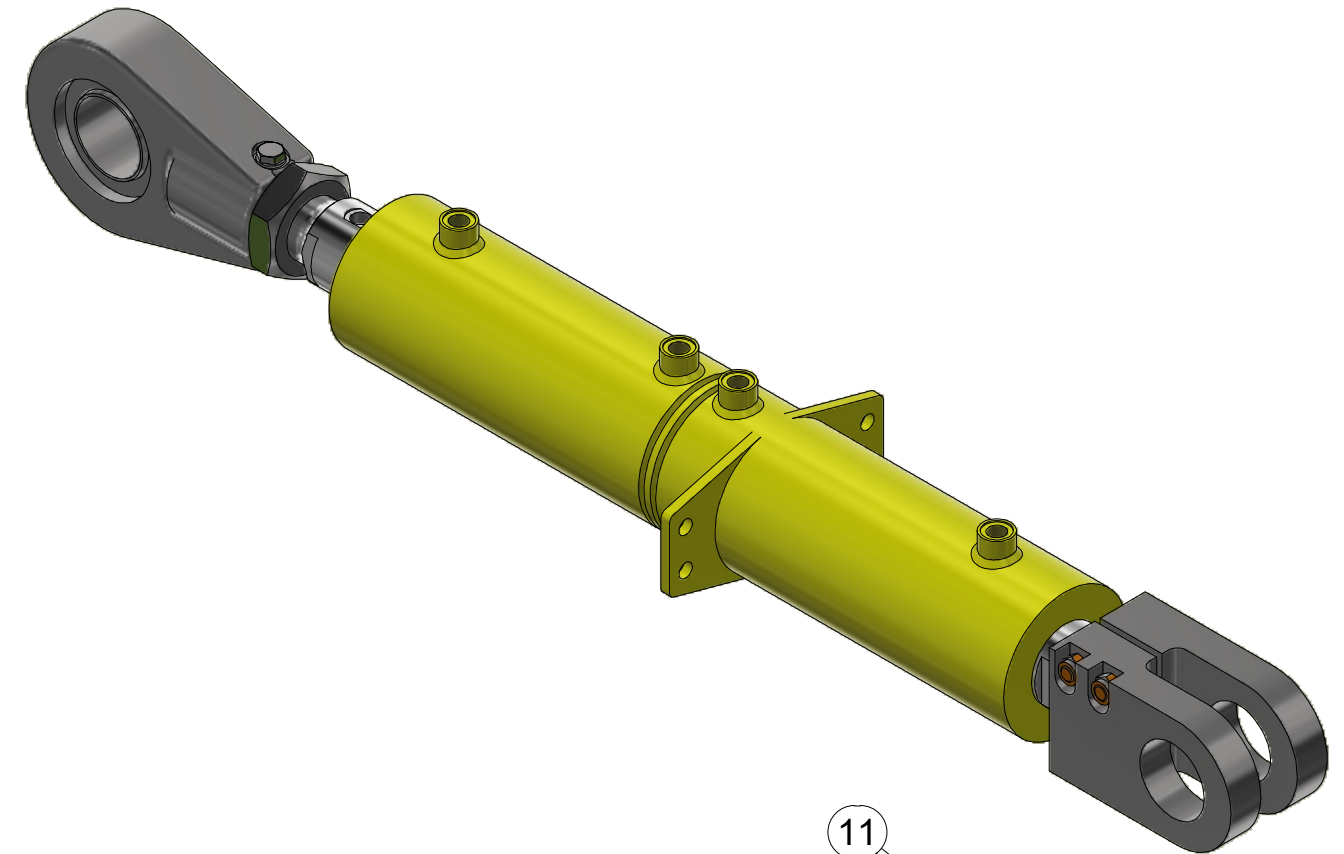
Ⓖ PISTON ROD 100/63-95,100/63-200

Ⓡ ЦИЛИНДР 100/63-95,100/63-200

Ⓟ TRZPIEŃ TŁOKA 100/63-95,100/63-200

Farmet

VZ00059853



| Pos. | Part Number | Pcs. |
|------|-------------|------|
| 1 | m26320 | 1 |
| 2 | m25578 | 1 |
| 3 | m19990 | 1 |
| 10 | m10555 | 1 |
| 11 | m14862 | 2 |
| 15 | m01209 | 1 |
| 20 | m21001 | 2 |
| 21 | m03775 | 1 |
| 22 | m14827 | 1 |

Ⓒ SOUPRAVA TĚSNIVA PÍSTNIC

Ⓓ KOLBENSTANGENDICHTUNGSMITTELSATZ



Ⓕ SET DE GARNITURE DES TIGES DE PISTON

Ⓖ SEALING SET FOR PISTON RODS

Ⓡ КОМПЛЕКТ ПРОКЛАДОК ЦИЛИНДРОВ

Ⓟ ZESTAW USZCZELEK TRZPIENIA TŁOKA



| | |
|--|---|
|  |  |
| m14664 | m15372 |
| m14681 | m18377 |
| m25471 | VZ00054335 |
| m26205 | VZ00058325 |
| m26320 | VZ00059470 |
| m21031 | X |
| m21542 | X |

Ⓒ SOUPRAVA TĚSNIVA PÍSTNIC

Ⓓ KOLBENSTANGENDICHTUNGSMITTELSATZ

Ⓕ SET DE GARNITURE DES TIGES DE PISTON

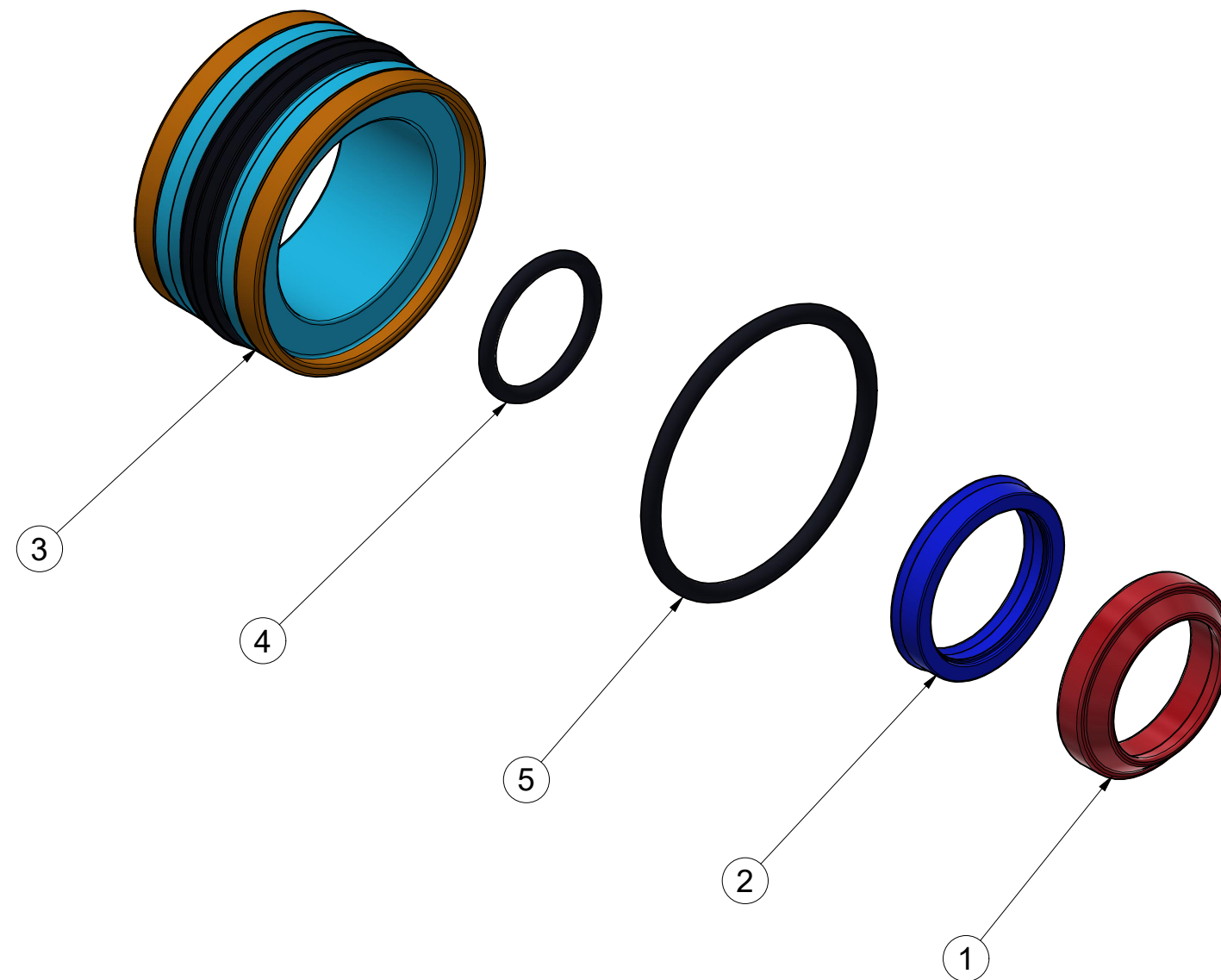
VZ00054335

Ⓖ SEALING SET FOR PISTON RODS

Ⓡ КОМПЛЕКТ ПРОКЛАДОК ЦИЛИНДРОВ

Ⓟ ZESTAW USZCZELEK TRZPIENIA TŁOKA

Farmet



| Pos. | Part Number | Pcs. |
|------|-------------|------|
| 1 | m25923 | 1 |
| 2 | m25929 | 1 |
| 3 | m26262 | 1 |
| 4 | m25948 | 1 |
| 5 | m25949 | 1 |

Ⓒ SOUPRAVA TĚSNIVA PÍSTNIC

Ⓓ KOLBENSTANGENDICHTUNGSMITTELSATZ

Ⓕ SET DE GARNITURE DES TIGES DE PISTON

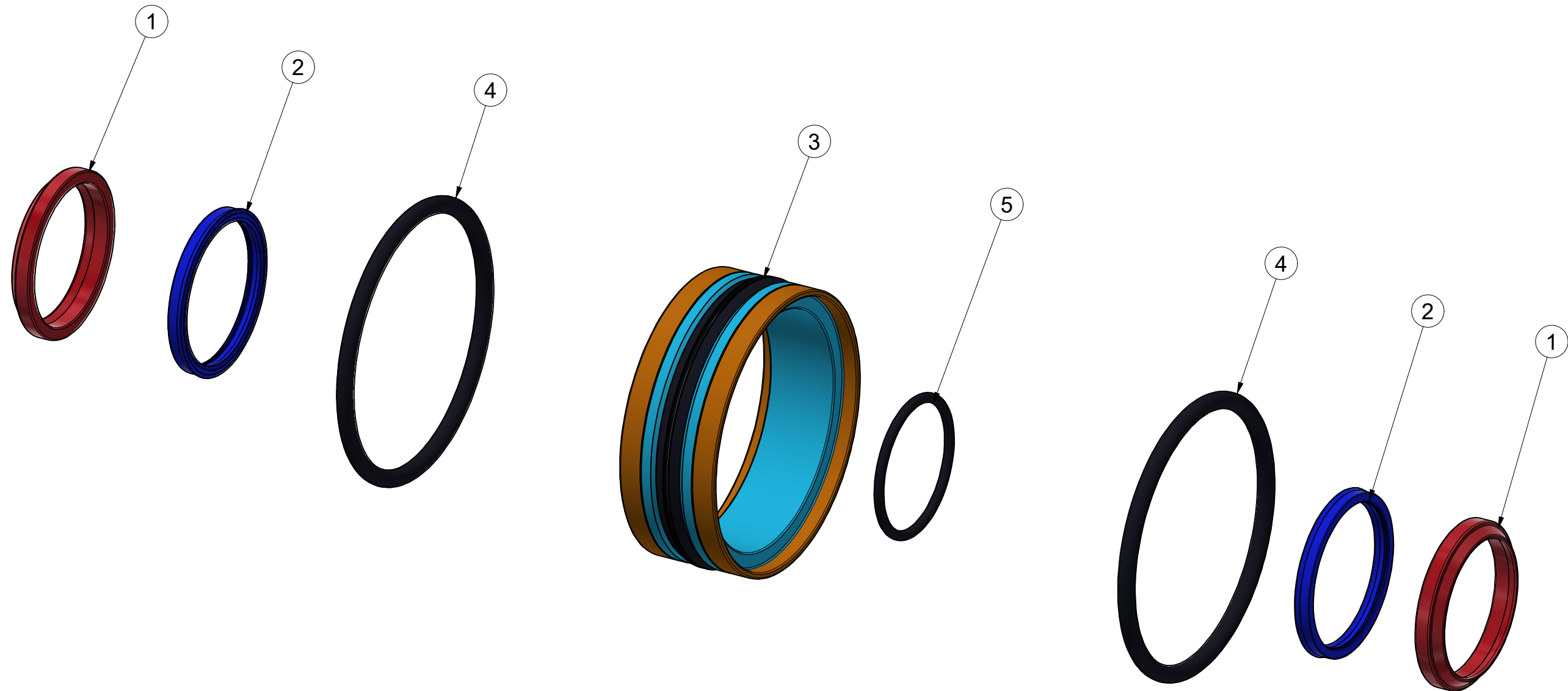
Ⓖ SEALING SET FOR PISTON RODS

Ⓡ КОМПЛЕКТ ПРОКЛАДОК ЦИЛИНДРОВ

Ⓟ ZESTAW USZCZELEK TRZPIENIA TŁOKA



VZ00058325



| Pos. | Part Number | Pcs. |
|------|-------------|------|
| 1 | m25893 | 2 |
| 2 | m25895 | 2 |
| 3 | m26565 | 1 |
| 4 | m25900 | 2 |
| 5 | m25941 | 1 |

ⒸZ SOUPRAVA TĚSNIVA PÍSTNIC

Ⓓ KOLBENSTANGENDICHTUNGSMITTELSATZ

Ⓕ SET DE GARNITURE DES TIGES DE PISTON

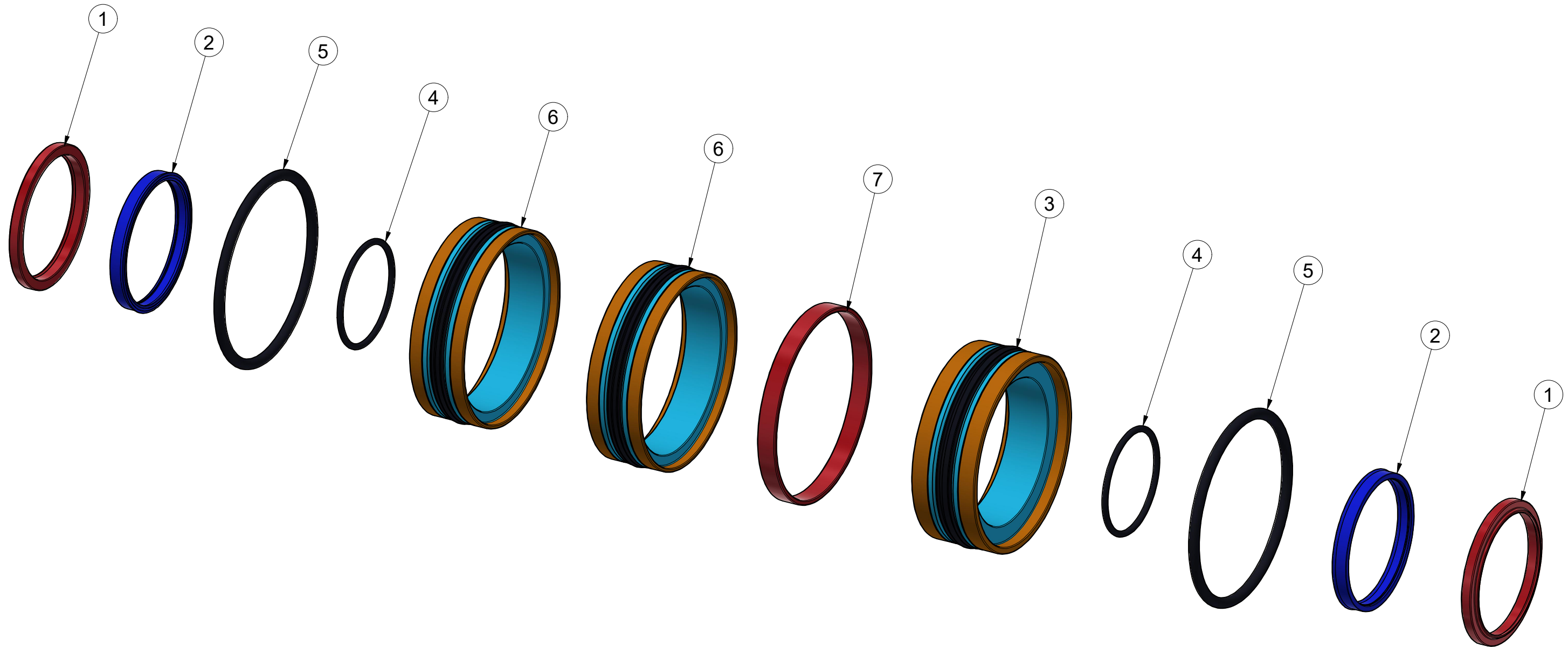
ⒼB SEALING SET FOR PISTON RODS

ⒺU КОМПЛЕКТ ПРОКЛАДОК ЦИЛИНДРОВ

ⒽL ZESTAW USZCZELEK TRZPIENIA TŁOKA



VZ00059470



| Pos. | Part Number | Pcs. |
|------|-------------|------|
| 1 | m26336 | 2 |
| 2 | m26334 | 2 |
| 3 | m25950 | 1 |
| 5 | m25945 | 2 |
| 4 | m26274 | 2 |
| 6 | m26725 | 2 |
| 7 | m26759 | 1 |

☉ SAMOLEPKY STROJE

☉ AUFKLEBER MASCHINEN

☉ VOITURE MACHINES

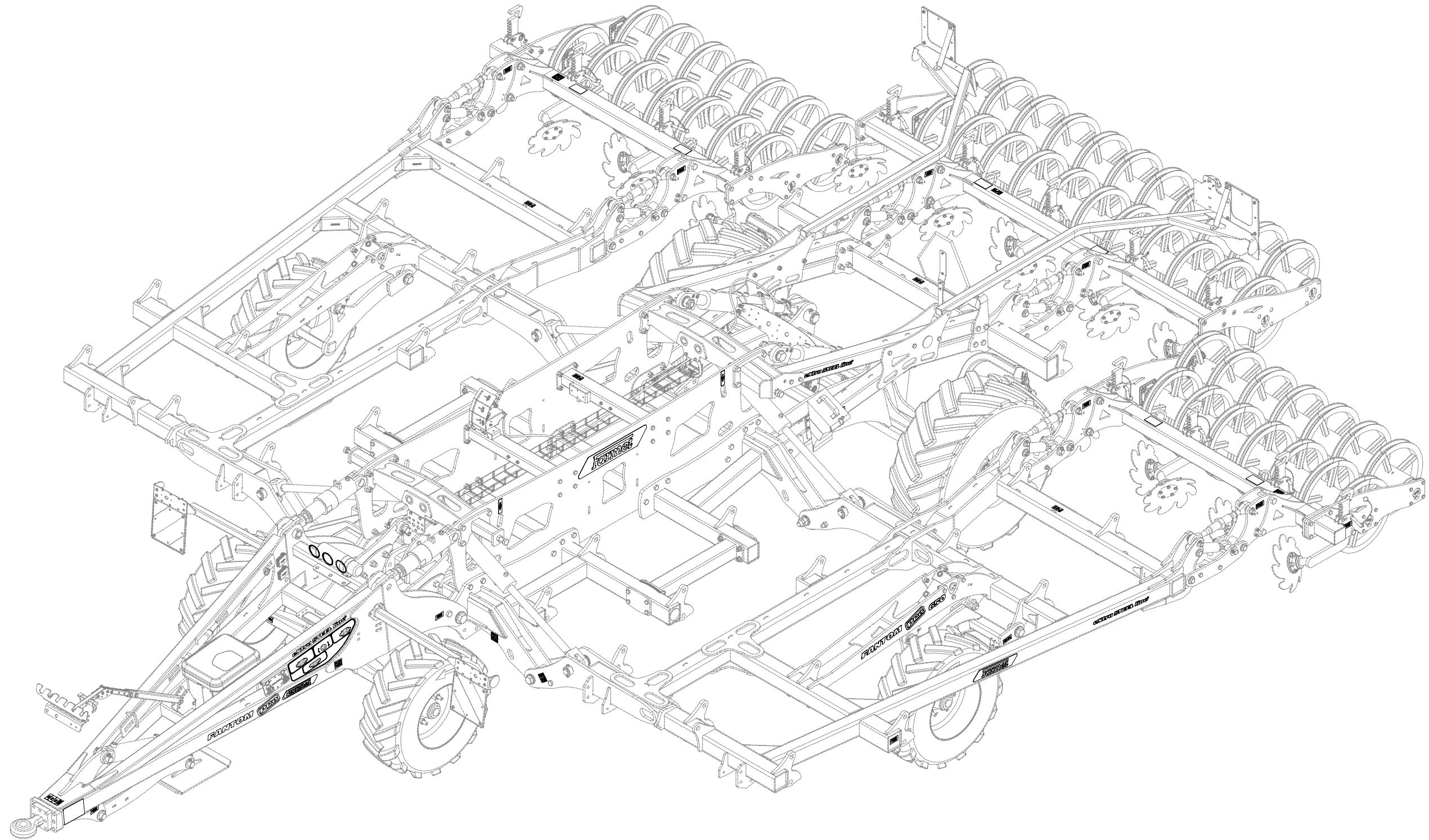
☉ STICKERS MACHINES

☉ СТИКЕРЫ МАШИНЫ

☉ NAKLEJKI MASZYNY



VZ00047068



Ⓒ SAMOLEPKY STROJE

Ⓓ AUFKLEBER MASCHINEN

Ⓕ VOITURE MACHINES

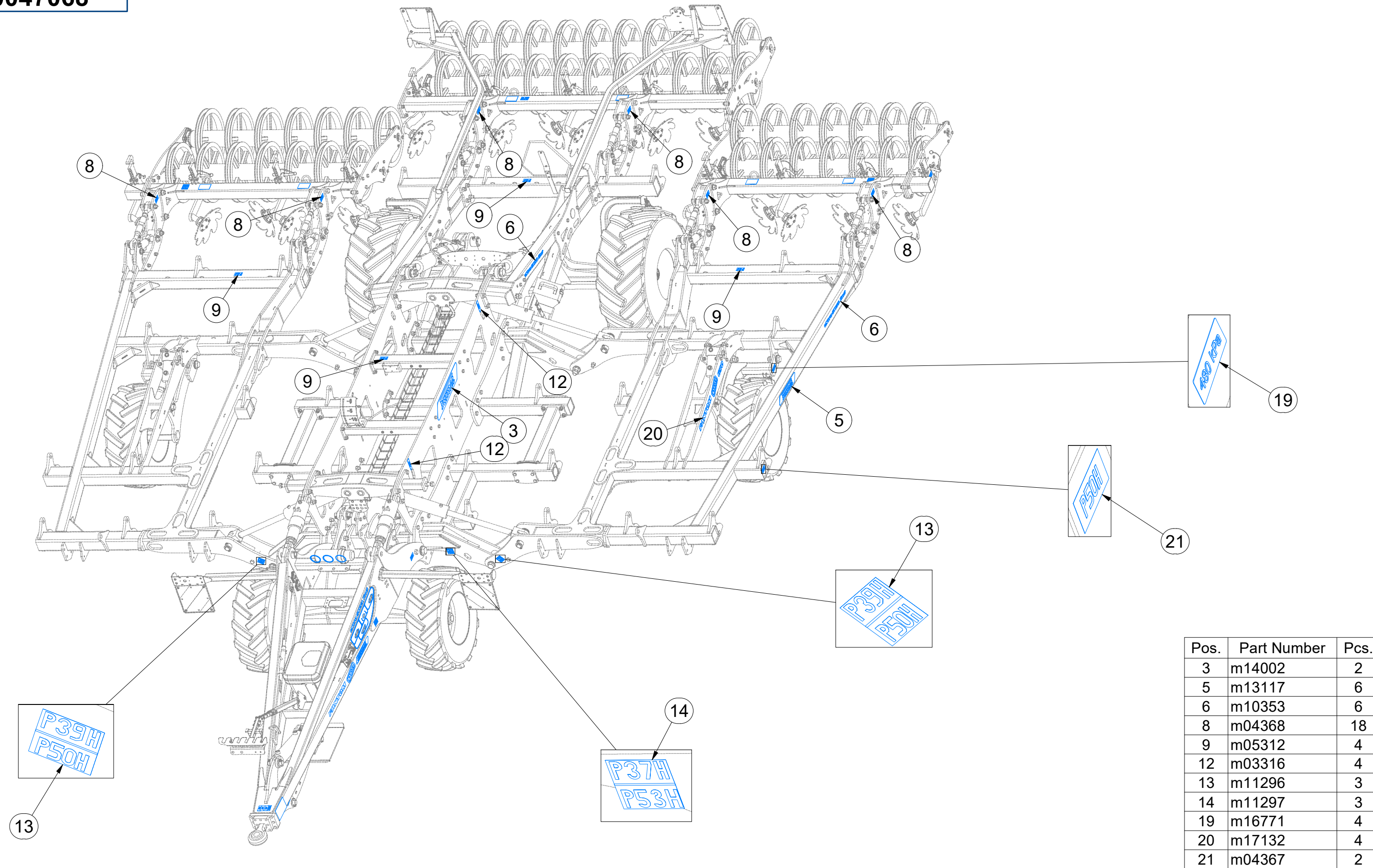
Ⓒ STICKERS MACHINES

Ⓓ СТИКЕРЫ МАШИНЫ

Ⓕ NAKLEJKI MASZYNY



VZ00047068



| Pos. | Part Number | Pcs. |
|------|-------------|------|
| 3 | m14002 | 2 |
| 5 | m13117 | 6 |
| 6 | m10353 | 6 |
| 8 | m04368 | 18 |
| 9 | m05312 | 4 |
| 12 | m03316 | 4 |
| 13 | m11296 | 3 |
| 14 | m11297 | 3 |
| 19 | m16771 | 4 |
| 20 | m17132 | 4 |
| 21 | m04367 | 2 |

☉ SAMOLEPKY STROJE

☉ AUFKLEBER MASCHINEN

☉ VOITURE MACHINES

☉ STICKERS MACHINES

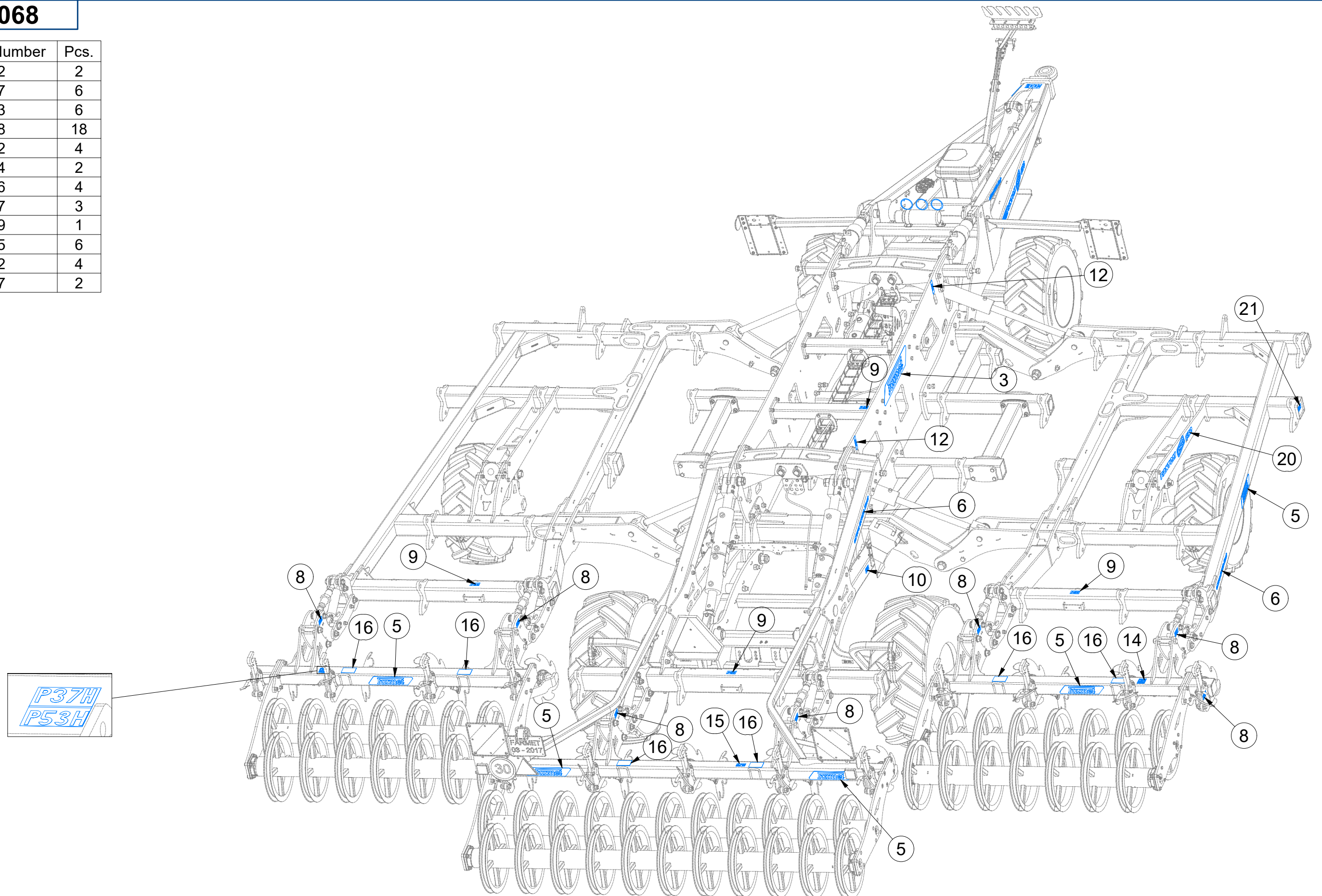
☉ СТИКЕРЫ МАШИНЫ

☉ NAKLEJKI MASZYNY

Farmet

VZ00047068

| Pos. | Part Number | Pcs. |
|------|-------------|------|
| 3 | m14002 | 2 |
| 5 | m13117 | 6 |
| 6 | m10353 | 6 |
| 8 | m04368 | 18 |
| 9 | m05312 | 4 |
| 10 | m04364 | 2 |
| 12 | m03316 | 4 |
| 14 | m11297 | 3 |
| 15 | m04359 | 1 |
| 16 | m16795 | 6 |
| 20 | m17132 | 4 |
| 21 | m04367 | 2 |



☉ SAMOLEPKY STROJE

☉ AUFKLEBER MASCHINEN

☉ VOITURE MACHINES

☉ STICKERS MACHINES

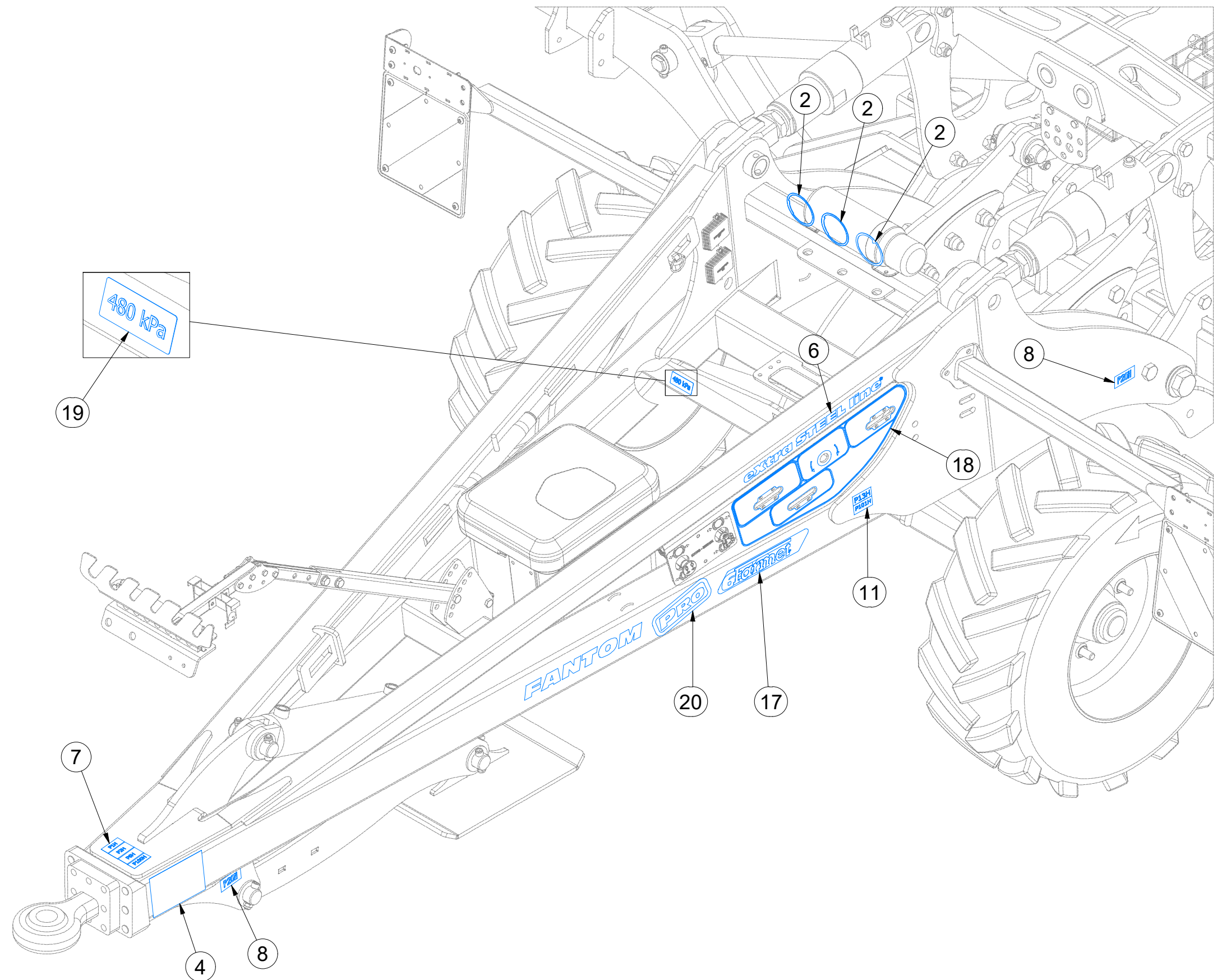
☉ СТИКЕРЫ МАШИНЫ

☉ NAKLEJKI MASZYNY



VZ00047068

| Pos. | Part Number | Pcs. |
|------|-------------|------|
| 2 | m15122 | 1 |
| 4 | m15117 | 1 |
| 6 | m10353 | 6 |
| 7 | m11295 | 1 |
| 8 | m04368 | 18 |
| 11 | m11299 | 1 |
| 17 | m13116 | 2 |
| 18 | m21553 | 1 |
| 19 | m16771 | 4 |
| 20 | m17132 | 4 |



☉ SAMOLEPKY STROJE

☉ AUFKLEBER MASCHINEN

☉ VOITURE MACHINES

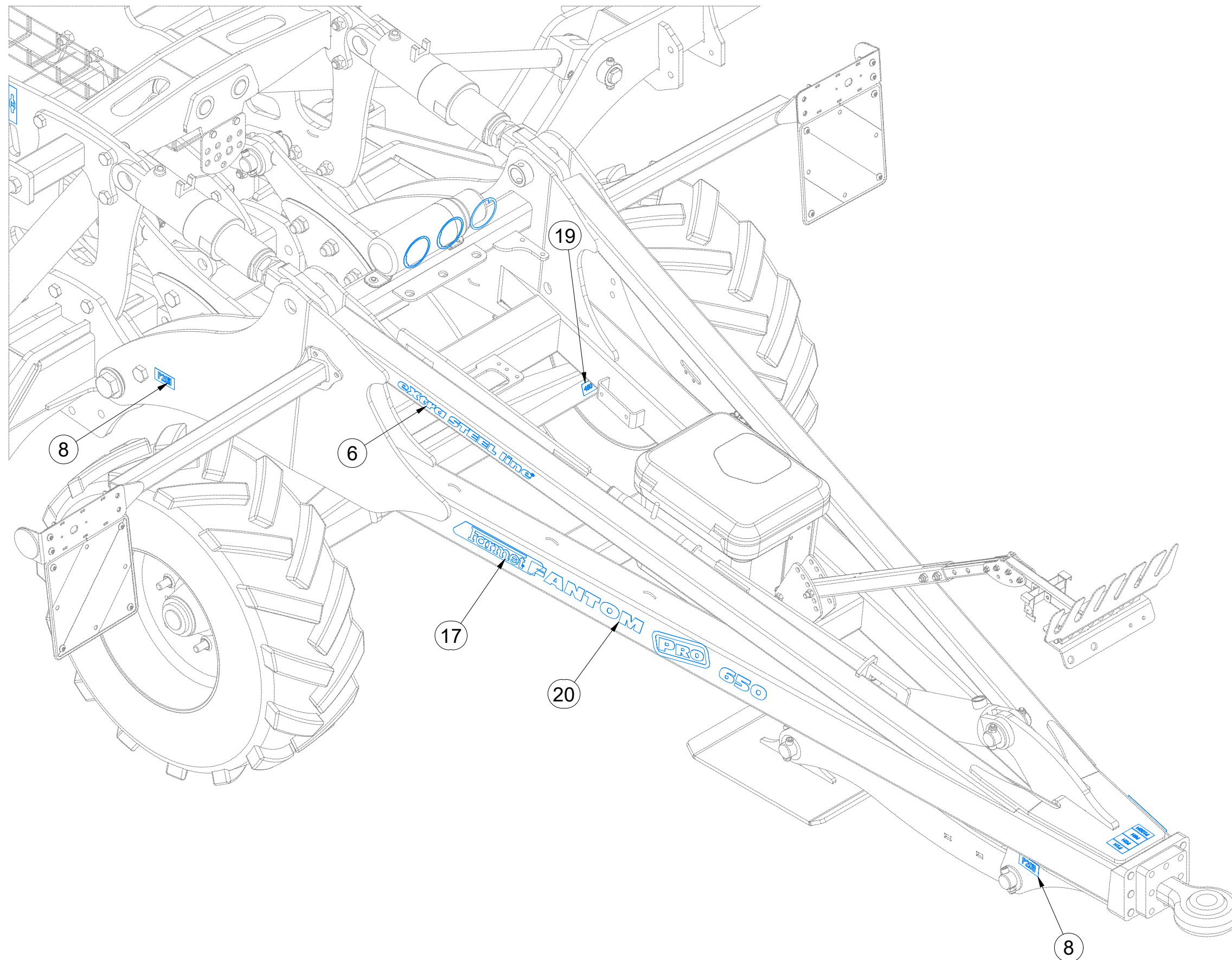
☉ STICKERS MACHINES

☉ СТИКЕРЫ МАШИНЫ

☉ NAKLEJKI MASZYNY



VZ00047068



| Pos. | Part Number | Pcs. |
|------|-------------|------|
| 6 | m10353 | 6 |
| 8 | m04368 | 18 |
| 17 | m13116 | 2 |
| 19 | m16771 | 4 |
| 20 | m17132 | 4 |

Ⓒ SVĚTELNÁ SADA

Ⓓ LEUCHTENSATZ

Ⓕ KIT LUMINEUX

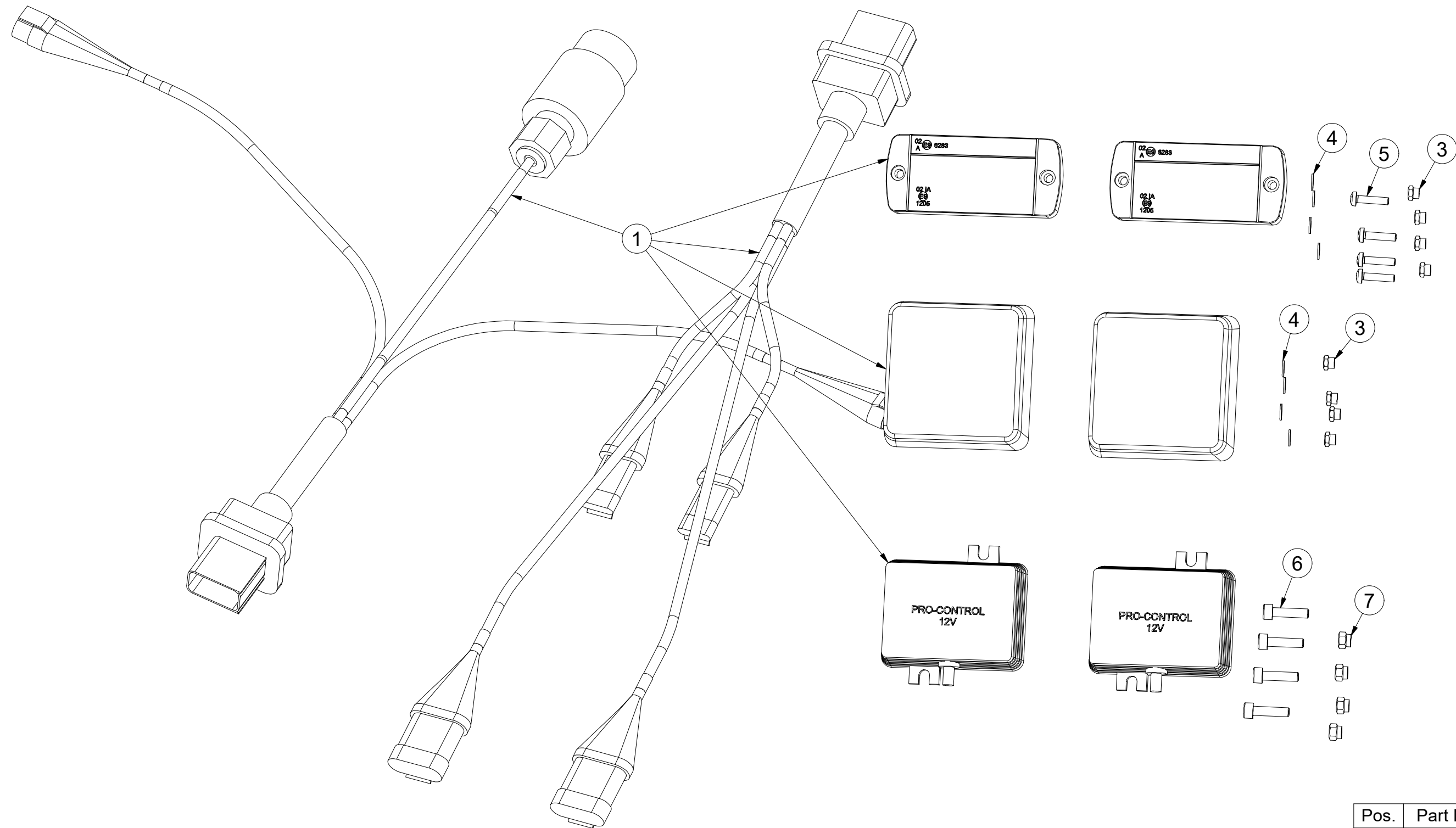
Ⓖ LIGHTING SET

Ⓡ ОСВЕТИТЕЛЬНЫЙ КОМПЛЕКТ

Ⓟ ZESTAW OŚWIETLENIA



3012926



| Pos. | Part Number | Pcs. |
|------|-------------|------|
| 1 | m19540 | 1 |
| 3 | m05562 | 8 |
| 4 | m05597 | 8 |
| 5 | m15790 | 4 |
| 6 | m10591 | 4 |
| 7 | m06236 | 4 |

Ⓒ SVĚTELNÁ SADA

Ⓓ LEUCHTENSATZ

Ⓕ KIT LUMINEUX

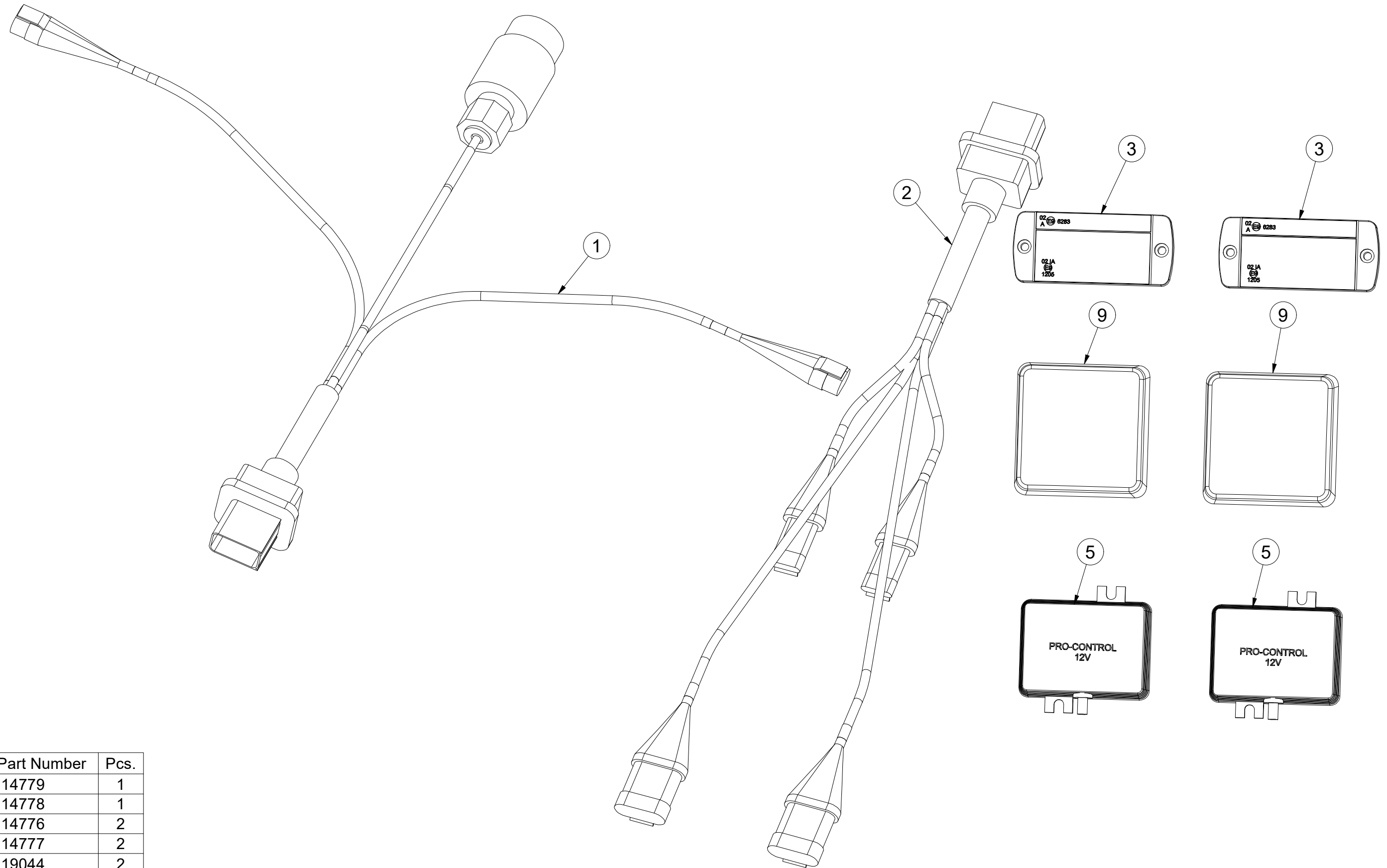
Ⓖ LIGHTING SET

Ⓡ ОСВЕТИТЕЛЬНЫЙ КОМПЛЕКТ

Ⓟ ZESTAW OŚWIETLENIA

Farmet

m19540



| Pos. | Part Number | Pcs. |
|------|-------------|------|
| 1 | m14779 | 1 |
| 2 | m14778 | 1 |
| 3 | m14776 | 2 |
| 5 | m14777 | 2 |
| 9 | m19044 | 2 |

- Ⓒ UTAHOVACÍ MOMENTY ŠROUBŮ
 Ⓓ ANZUGMOMENTE VON SCHRAUBEN
 Ⓕ COUPLES DE SERRAGE DES VIS

- Ⓒ SCREW TIGHTENING TORQUE
 Ⓓ МОМЕНТЫ ЗАЖАТИЯ БОЛТОВ
 Ⓕ MOMENTY DOKRĘCANIA ŚRUB



| P | D | R | 5.8 | 8.8 | 10.9 | 12.9 | Z | | S | |
|-----|------|------|-------|-------|-------|-------|--------------------|-------------------|------|------|
| | | | Mu | Mu | Mu | Mu | DIN 7991;ISO 10642 | DIN 6912;DIN 7984 | 8.8 | 10.9 |
| | | | Nm | Nm | Nm | Nm | Nm | Nm | Nm | Nm |
| M 3 | 0,5 | 0,5 | 1,1 | 1,8 | 2,6 | 3 | 0,9 | 1 | 0,9 | 1 |
| M 4 | 0,7 | 0,7 | 2 | 3,1 | 4,5 | 5,3 | 2 | 2,3 | 2,1 | 2,3 |
| M 5 | 0,8 | 0,8 | 4 | 6,1 | 8,9 | 10,4 | 4 | 4,6 | 4 | 4,6 |
| M 6 | 1 | 1 | 6,5 | 9,5 | 14,5 | 16,5 | 7,2 | 7,9 | 7,2 | 8,1 |
| M 8 | 1,25 | 1,25 | 16 | 24 | 36 | 42 | 17 | 19 | 17,3 | 19,5 |
| M10 | 1,5 | 1,5 | 32 | 48 | 71 | 83 | 35 | 38 | 34,5 | 38,5 |
| M12 | 1,75 | 1,75 | 55 | 84 | 123 | 144 | 58 | 65 | 58 | 65 |
| M14 | 2 | 2 | 88 | 133 | 196 | 229 | 93 | 100 | 93 | 105 |
| M16 | 2 | 2 | 137 | 209 | 307 | 359 | 144 | 158 | 144 | 162 |
| M18 | 2,5 | 2,5 | 188 | 286 | 420 | 492 | - | 220 | - | - |
| M20 | 2,5 | 2,5 | 266 | 406 | 596 | 698 | - | 310 | 290 | 330 |
| M22 | 2,5 | 2,5 | 366 | 588 | 820 | 960 | - | 420 | - | - |
| M24 | 3 | 3 | 459 | 699 | 1 027 | 1 202 | - | 530 | 500 | 560 |
| M27 | 3 | 3 | 681 | 1 038 | 1 524 | 1 784 | - | - | - | - |
| M30 | 3,5 | 3,5 | 924 | 1 408 | 2 069 | 2 421 | - | - | - | - |
| M33 | 3,5 | 3,5 | 1 256 | 1 914 | 2 811 | 3 290 | - | - | - | - |
| M36 | 4 | 4 | 1 612 | 2 456 | 3 607 | 4 221 | - | - | - | - |
| M39 | 4 | 4 | 2 094 | 3 191 | 4 686 | 5 484 | - | - | - | - |

- Mu - Ⓒ UTAHOVACÍ MOMENT
 Ⓓ ANZUGMOMENTE
 Ⓕ COUPLE DE SERRAGE
 Ⓒ TIGHTENING TORQUE
 Ⓓ МОМЕНТ ЗАЖАТИЯ
 Ⓕ MOMENT DOKRĘCANIA
- D - Ⓒ JMENOVITÝ PRŮMĚR
 Ⓓ NENNDURCHMESSER
 Ⓕ DIAMETRE NOMINAL
 Ⓒ NOMINAL DIAMETER
 Ⓓ НОМИНАЛЬНЫЙ ДИАМЕТР
 Ⓕ ŚREDNICA NOMINALNA
- R - Ⓒ ROZTEČ ZÁVITU - STOUPÁNÍ
 Ⓓ GEWINDESTEIFUNG
 Ⓕ PAS DE FILET - PAS
 Ⓒ SCREW PITCH - LEAD
 Ⓓ ШАГ РЕЗЬБЫ
 Ⓕ ROZSTAW GWINTU - SKOKI
- P - Ⓒ PEVNOST
 Ⓓ FESTIGKEIT
 Ⓕ RÉSISTANCE
 Ⓒ STRENGTH
 Ⓓ ПРОЧНОСТЬ
 Ⓕ WYTRZYMA OŚĆ
- Z - Ⓒ ZÁPUSTNÉ ŠROUBY
 Ⓓ SENKKOPFSCHRAUBEN
 Ⓕ VIS A TETE FRAISEE
 Ⓒ COUNTERSUNK SCREWS
 Ⓓ БОЛТЫ С УТОПЛЕННОЙ ГОЛОВКОЙ
 Ⓕ ŚRUBY Z ŁBEM STOŻKOWYM PŁASKIM
- S - Ⓒ SNÍŽENÁ HLAVA
 Ⓓ NIEDRIGER KOPF
 Ⓕ TÊTE BASSE
 Ⓒ LOW-PROFILE HEAD
 Ⓓ ПОНИЖЕННАЯ ГОЛОВКА
 Ⓕ OBNIŻONA GŁÓWKA

Ⓒ Pokud je v dokumentaci definován spoj šroubu a matice o různých pevnostech, vždy utahujte na moment komponenty nižší.

Ⓓ Wenn in der Dokumentation eine Verbindung von Schraube und Mutter mit verschiedene Festigkeiten definiert ist, wird immer mit dem Moment des Bauteils mit der geringeren Festigkeit angezogen.

Ⓕ Si les documents définissent un assemblage par boulon de diverses résistances, serrez toujours au moment de la composante avec résistance inférieure

Ⓒ If there is a joint with a screw and a nut at different strengths in the documentation, always tighten to the torque of the component with lower strength.

Ⓓ Если в документации установлено соединение из болта и гайки различной прочности, всегда зажимайте с моментом для компонента с меньшей прочностью

Ⓕ Jeśli w dokumentacji zdefiniowane jest połączenie ze śrubą i nakrętką różnych wytrzymałościach, zawsze należy dokręcać zachowując moment dokręcania komponentu z niższą wytrzymałością.

Ⓒ Tabulka utahovacích momentů slouží k určení správného utahovacího momentu pro šroubové spoje, které nejsou mazány! Tzn. Mazivem není sníženo tření v závitě.

Ⓓ Die Anzugsmomententabelle dient zur Bestimmung des korrekten Anzugsdrehmoments für Schraubverbindungen, die nicht geschmiert sind! D.h. Die Reibung im Gewinde wird nicht durch Schmiermittel reduziert.

Ⓕ Le tableau des couples de serrage sert à déterminer le couple de serrage correct pour les assemblages vissés qui ne sont pas lubrifiés ! C'est-à-dire que la friction dans le filetage n'est pas réduite par un lubrifiant.

Ⓒ The tightening torque table is used to determine the correct torque for bolted joints that are not lubricated! That means friction in the thread is not reduced by lubrication.

Ⓓ Таблица моментов затяжки используется для определения правильного момента затяжки для резьбовых соединений, которые не смазаны! То есть трение в резьбе не уменьшается смазкой.

Ⓕ Tabela momentów dokręcania służy do określenia prawidłowego momentu dokręcania dla połączeń śrubowych, które nie są smarowane! Oznacza to, że tarcie w gwincie nie jest zmniejszone przez smar.

- Ⓒ UTAHOVACÍ MOMENTY NEREZOVÝCH ŠROUBŮ
 Ⓓ ANZUGMOMENTE VON EDELSTAHLSCHRAUBEN
 Ⓕ COUPLES DE SERRAGE DES VIS EN ACIER INOXYDABLE

- Ⓖ STAINLESS STEEL SCREW TIGHTENING TORQUE
 Ⓔ МОМЕНТЫ ЗАТЯЖКИ НЕРЖАВЕЮЩИХ БОЛТОВ
 Ⓗ MOMENT DOKRĘCANIA ŚRUB ZE STALI NIERDZEWNEJ



| P | | A2/A4-70 | A2/A4-80 |
|-----|------|----------|----------|
| D | R | Mu | Mu |
| | | Nm | Nm |
| M 3 | 0,5 | 0,8 | 1,1 |
| M 4 | 0,7 | 1,9 | 2,4 |
| M 5 | 0,8 | 3,6 | 4,8 |
| M 6 | 1 | 6,5 | 8,5 |
| M 8 | 1,25 | 15 | 20 |
| M10 | 1,5 | 30 | 39 |
| M12 | 1,75 | 51 | 68 |
| M14 | 2 | 82 | 109 |
| M16 | 2 | 126 | 168 |
| M18 | 2,5 | 176 | 235 |
| M20 | 2,5 | 247 | 330 |
| M22 | 2,5 | 337 | 450 |
| M24 | 3 | 426 | 568 |
| M27 | 3 | 561 | 748 |
| M30 | 3,5 | 682 | 909 |

- Mu - Ⓒ UTAHOVACÍ MOMENT
 Ⓓ ANZUGMOMENTE
 Ⓕ COUPLE DE SERRAGE
 Ⓖ TIGHTENING TORQUE
 Ⓔ МОМЕНТ ЗАЖАТИЯ
 Ⓗ MOMENT DOKRĘCANIA
- D - Ⓒ JMENOVITÝ PRŮMĚR
 Ⓓ NENNDURCHMESSER
 Ⓕ DIAMETRE NOMINAL
 Ⓖ NOMINAL DIAMETER
 Ⓔ НОМИНАЛЬНЫЙ ДИАМЕТР
 Ⓗ ŚREDNICA NOMINALNA
- R - Ⓒ ROZTEČ ZÁVITU - STOUPÁNÍ
 Ⓓ GEWINDESTEIGUNG
 Ⓕ PAS DE FILET - PAS
 Ⓖ SCREW PITCH - LEAD
 Ⓔ ШАГ РЕЗЬБЫ
 Ⓗ ROZSTAW GWINTU - SKOKI
- P - Ⓒ PEVNOST
 Ⓓ FESTIGKEIT
 Ⓕ RÉSISTANCE
 Ⓖ STRENGTH
 Ⓔ ПРОЧНОСТЬ
 Ⓗ WYTRZYMA OŚĆ

- Ⓒ Pokud je v dokumentaci definován spoj šroubu a matice o různých pevnostech, vždy utahujte na moment komponenty nižší.
 Ⓓ Wenn in der Dokumentation eine Verbindung von Schraube und Mutter mit verschiedene Festigkeiten definiert ist, wird immer mit dem Moment des Bauteils mit der geringeren Festigkeit angezogen.
 Ⓕ Si les documents définissent un assemblage par boulon de diverses résistances, serrez toujours au moment de la composante avec résistance inférieure
 Ⓖ If there is a joint with a screw and a nut at different strengths in the documentation, always tighten to the torque of the component with lower strength.
 Ⓔ Если в документации установлено соединение из болта и гайки различной прочности, всегда зажимайте с моментом для компонента с меньшей прочностью
 Ⓗ Jeśli w dokumentacji zdefiniowane jest połączenie ze śrubą nakrętką różnych wytrzymałościach, zawsze należy dokręcać zachowując moment dokręcania komponentu z niższą wytrzymałością.
- Ⓒ Tabulka utahovacích momentů slouží k určení správného utahovacího momentu pro šroubové spoje z nerezové oceli, které jsou mazány tuhými mazivy pouze v místě závitu!
 Tzn. Použitím maziva je sníženo tření v závitu.
 Ⓓ Die Anzugsmomententabelle dient zur Bestimmung des korrekten Anzugsdrehmoments für Schraubverbindungen aus Edelstahl, die ausschließlich im Gewindebereich mit Festschmierstoffen geschmiert sind!
 Das bedeutet, dass die Reibung im Gewinde durch das Schmiermittel reduziert wird.
 Ⓕ Le tableau des couples de serrage sert à déterminer le couple de serrage correct pour les assemblages vissés en acier inoxydable, lubrifiés avec des lubrifiants solides uniquement au niveau du filetage !
 Cela signifie que la friction dans le filetage est réduite par le lubrifiant.
 Ⓖ The tightening torque table is used to determine the correct torque for stainless steel bolted joints that are lubricated with solid lubricants only at the thread area!
 That means friction in the thread is reduced by the lubricant.
 Ⓔ Таблица моментов затяжки используется для определения правильного момента затяжки для резьбовых соединений из нержавеющей стали, которые смазаны твердыми смазками только в области резьбы! Это означает, что использование смазки снижает трение в резьбе.
 Ⓗ Tabela momentów dokręcania służy do określenia prawidłowego momentu dokręcania dla połączeń śrubowych ze stali nierdzewnej, które są smarowane smarami stałymi tylko w obszarze gwintu!
 Oznacza to, że zastosowanie smaru zmniejsza tarcie w gwincie.

(CZ) UTAHOVACÍ MOMENTY ŠROUBŮ ČEPOVÝCH SPOJŮ
 (D) ANZUGMOMENTE VON SCHRAUBEN IN BOLZENVERBINDUNGEN
 (F) COUPLES DE SERRAGE DES VIS DES LIAISONS PAR AXES

(GB) TIGHTENING TORQUES FOR SCREWS OF PIN JOINTS
 (RU) МОМЕНТЫ ЗАТЯЖКИ ВИНТОВ ШАРНИРНЫХ СОЕДИНЕНИЙ
 (PL) MOMENT DOKRĘCANIA WKRĘTÓW SWORZNIOWYCH



(CZ) OBECNÝ PŘEDPIS UTAHOVÁNÍ ZAJIŠTĚNÍ ČEPOVÝCH SPOJŮ:
 (D) ALLGEMEINE VORSCHRIFT FÜR DAS ANZIEHEN VON BOLZENVERBINDUNGEN:
 (F) CONSIGNE GENERALE POUR LE SERRAGE DES ARTICULATIONS CYLINDRIQUES:
 (GB) GENERAL INSTRUCTION FOR TIGHTENING THE SECURING OF PIN JOINTS:
 (RU) ОБЩЕЕ ОПИСАНИЕ ЗАЖАТИЯ ПРЕДОХРАНЕНИЯ СОЕДИНЕНИЙ ПАЛЬЦАМИ:
 (PL) OGÓLNE ZASADY DOKRĘCANIA ZABEZPIECZENIA POŁĄCZEŃ CZOPEM:



| X (8.8) | M |
|----------|----------|
| M6 | 06-09 Nm |
| M8 | 15-20 Nm |
| M10 | 20-30 Nm |
| M12 | 25-35 Nm |
| M14, M16 | 30-40 Nm |

X - (CZ) ROZMĚR ŠROUBU
 (D) SCHRAUBENGRÖSSE
 (F) DIMENSIONS DE LA VIS
 (GB) BOLT DIMENSION
 (RU) РАЗМЕР БОЛТА
 (PL) ROZMIAR ŚRUBY

M - (CZ) ORIENTAČNÍ MOMENT
 (D) ANZUGSMOMENT
 (F) COUPLE D'ORIENTATION
 (GB) ORIENTATION TORQUE
 (RU) ОРИЕНТАЦИОННЫЙ МОМЕНТ
 (PL) ORIENTACYJNY MOMENT

(CZ) Tyto spoje není nutné ověřovat kontrolou momentovým klíčem = stačí vizuálně kontrolovat sešroubování.
 (D) Diese Verbindungen müssen nicht mit einem Drehmomentschlüssel überprüft werden = es genügt, die Verschraubung visuell zu kontrollieren.
 (F) Il n'est pas nécessaire de contrôler le serrage à l'aide d'une clé dynamométrique = un contrôle visuel de l'assemblage suffit
 (GB) These joints do not have to be verified by checking with a torque wrench = visual inspection of bolting is sufficient.
 (RU) Эти соединения не нужно контролировать динамометрическим ключом = достаточно визуально проверять прикручивание.
 (PL) Nie trzeba sprawdzać tych połączeń kluczem dynamometrycznym = wystarczy wizualnie skontrolować dokręcenie.

Ⓒ UTAHOVACÍ MOMENTY HYDRAULICKÝCH KOMPONENT
 Ⓓ ANZUGSDREHMOMENTE VON HYDRAULIKKOMPONENTEN
 Ⓕ COUPLES DE SERRAGE DES COMPOSANTS HYDRAULIQUES

Ⓖ TIGHTENING TORQUES OF HYDRAULIC COMPONENTS
 Ⓔ МОМЕНТЫ ЗАТЯЖКИ ГИДРАВЛИЧЕСКИХ КОМПОНЕНТОВ
 Ⓗ MOMENT DOKRĘCANIA ELEMENTÓW HYDRAULICZNYCH



| | K | R | Mu [Mn] |
|---|---|-----------------|---------|
| A | | M12x1,5 (G1/4") | 35 |
| | | M16x1,5 (G3/8") | 70 |
| | | M18x1,5 (G1/2") | 80 |
| | | M22x1,5 (G5/8") | 100 |
| | | M26x1,5 (G3/4") | 130 |
| B | | 22x1,5/16x1,5 | 70 |
| C | | M12x1,5 (G1/4") | 20 |
| | | M16x1,5 (G3/8") | 40 |
| | | M18x1,5 (G1/2") | 50 |
| | | M22x1,5 (G5/8") | 60 |
| | | M26x1,5 (G3/4") | 80 |
| | | M30x2 (G1/4") | 100 |
| D | | M16x1,5 | 70 |
| | | M22x1,5 | 100 |
| E | | DN6 (M12x1,5) | 20 |
| | | DN8 (M16x1,5) | 30 |
| | | DN10 (M18x1,5) | 35 |
| | | DN12 (M22x1,5) | 40 |
| | | DN16 (M26x1,5) | 55 |
| | | DN20 (M30x2) | 65 |
| | | DN25 (M36x2) | 80 |
| | | DN32 (G1 1/4") | 100 |
| F | | M16x1,5 | 80 |
| | | M22x1,5 | 120 |

Ⓒ K - KOMPONENTA
 Ⓓ K - KOMPONENTE
 Ⓕ K - COMPOSANT

Ⓖ K - COMPONENT
 Ⓔ K - КОМПОНЕНТ
 Ⓗ K - KOMPONENT

Ⓒ R - ROZMĚR
 Ⓓ R - ABMESSUNG
 Ⓕ R - DIMENSION

Ⓖ R - DIMENSION
 Ⓔ R - РАЗМЕР
 Ⓗ R - WYMIAR

Ⓒ Mu - UTAHOVACÍ MOMENT
 Ⓓ Mu - ANZUGMOMENTE
 Ⓕ Mu - COUPLE DE SERRAGE

Ⓖ Mu - TIGHTENING TORQUE
 Ⓔ Mu - МОМЕНТ ЗАЖАТИЯ
 Ⓗ Mu - MOMENT DOKRĘCANIA

Ⓒ A - HRDLO PŘÍMÉ
 Ⓓ A - GERADE EINSCHRAUBVERSCHRAUBUNG
 Ⓕ A - UNION MÂLE

Ⓖ A - MALE STUD COUPLING
 Ⓔ A - ПРЯМОЕ ВВЕРТНОЕ СОЕДИНЕНИЕ
 Ⓗ A - PRZYŁĄCZKA PROSTA

Ⓒ B - REDUKČNÍ VLOŽKA
 Ⓓ B - REDUZIER-EINSATZ
 Ⓕ B - INSERT RÉDUCTEUR

Ⓖ B - REDUCING INSERT
 Ⓔ B - РЕДУКЦИОННЫЙ ВКЛАДЫШ
 Ⓗ B - WKŁADKA REDUKCYJNA

Ⓒ C - SPOJKA T, L, PŘÍMÁ
 Ⓓ C - VERBINDER T, L, GERADER
 Ⓕ C - ÉGALE T, L, UNION

Ⓖ C - COUPLING T, L, STRAIGHT
 Ⓔ C - СОЕДИНИТЕЛЬ T, L, ПРЯМОЙ
 Ⓗ C - ŁĄCZNIK T, L, PROSTY

Ⓒ D - PRŮTOKOVÝ ŠROUB
 Ⓓ D - DURCHFLUSSSCHRAUBE
 Ⓕ D - VIS DE DÉBIT

Ⓖ D - FLOW SCREW
 Ⓔ D - ВИНТ РАСХОДА
 Ⓗ D - ŚRUBA PRZEPŁYWOWA

Ⓒ E - KONCOVKA HADICOVÁ
 Ⓓ E - SCHLAUCHANSCHLUSS
 Ⓕ E - RACCORD DE FLEXIBLE

Ⓖ E - HOSE FITTING
 Ⓔ E - ГИДРАВЛИЧЕСКИЙ ФИТИНГ
 Ⓗ E - ZŁĄCZKA DO WĘŻA

Ⓒ F - PRŮTOKOVÝ SET
 Ⓓ F - SCHWENKVERSCHRAUBUNG
 Ⓕ F - RACCORD BANJO

Ⓖ F - BANJO FITTING
 Ⓔ F - СОЕДИНЕНИЕ БАНЖО
 Ⓗ F - ZŁĄCZE BANJO"