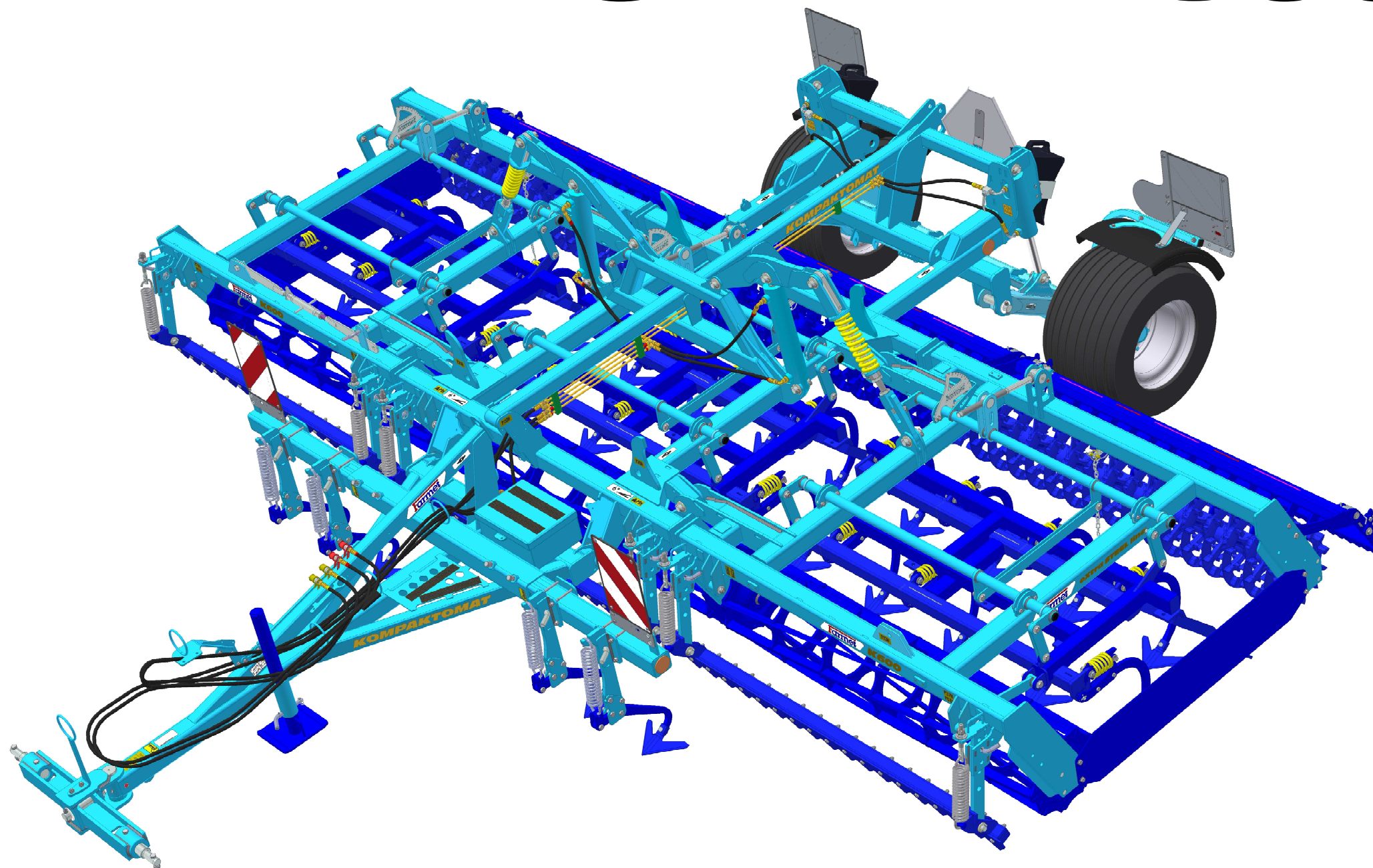


*The effective technology*

# Farmet®

ⒸZ KATALOG NÁHRADNÍCH DÍLŮ ⒸB CATALOGUE OF SPARE PARTS ⒸD ERSATZTEILLISTE  
ⒸRU КАТАЛОГ ЗАПАСНЫХ ЧАСТЕЙ ⒸF CATALOGUE DES PIÈCES DE RECHANGE ⒸPL KATALOG CZĘŚCI ZAMIENNYCH

# KOMPAKTOMAT K600PS



ⒸZ Platnost pro vrcholové | výrobní číslo stroje ⒸB Validity for the top | serial number of the machine  
ⒸD Gültigkeit für die Haupt- | Herstellungsnummer der Maschine ⒸRU Действительно для главного | заводского номера машины  
ⒸF Validité du numéro de référence | de série de la machine ⒸPL Obowiązuje dla numeru głównego | seryjnego maszyny

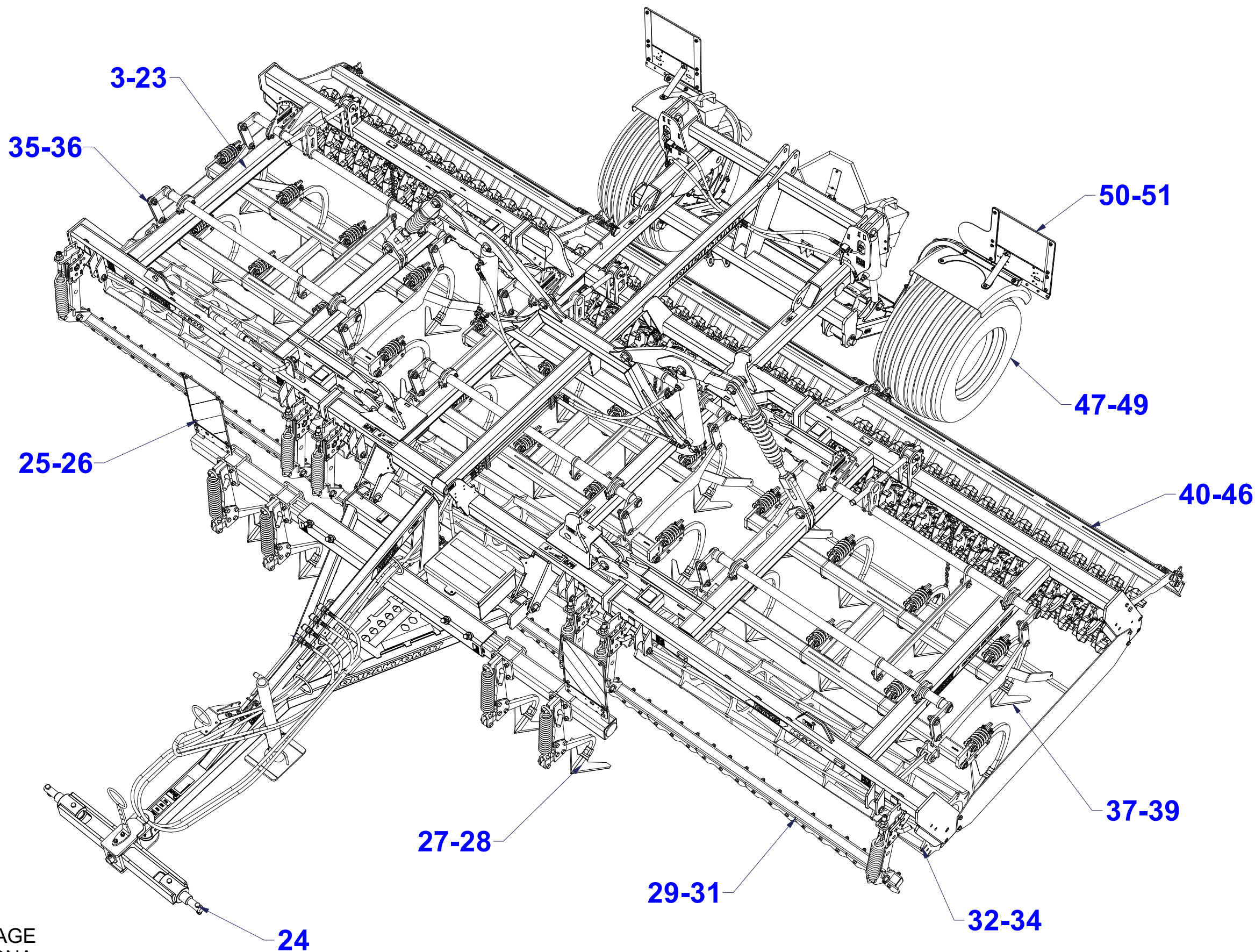
9303989 | 2019/1102

Farmet a. s.  
Jiřinková 276  
552 03 Česká Skalice, CZ

telefon: +420 491 450 111  
fax: +420 491 450 136  
GSM: +420 774 715 738

IČ: 46504931  
DIČ: CZ46504931

web: [www.farmet.cz](http://www.farmet.cz)  
e-mail: [farmet@farmet.cz](mailto:farmet@farmet.cz)



☉ POLOTOVAR STROJE

☉ MASCHINEN-HALBFABRIKAT

☉ MACHINE - SEMI-PRODUIT

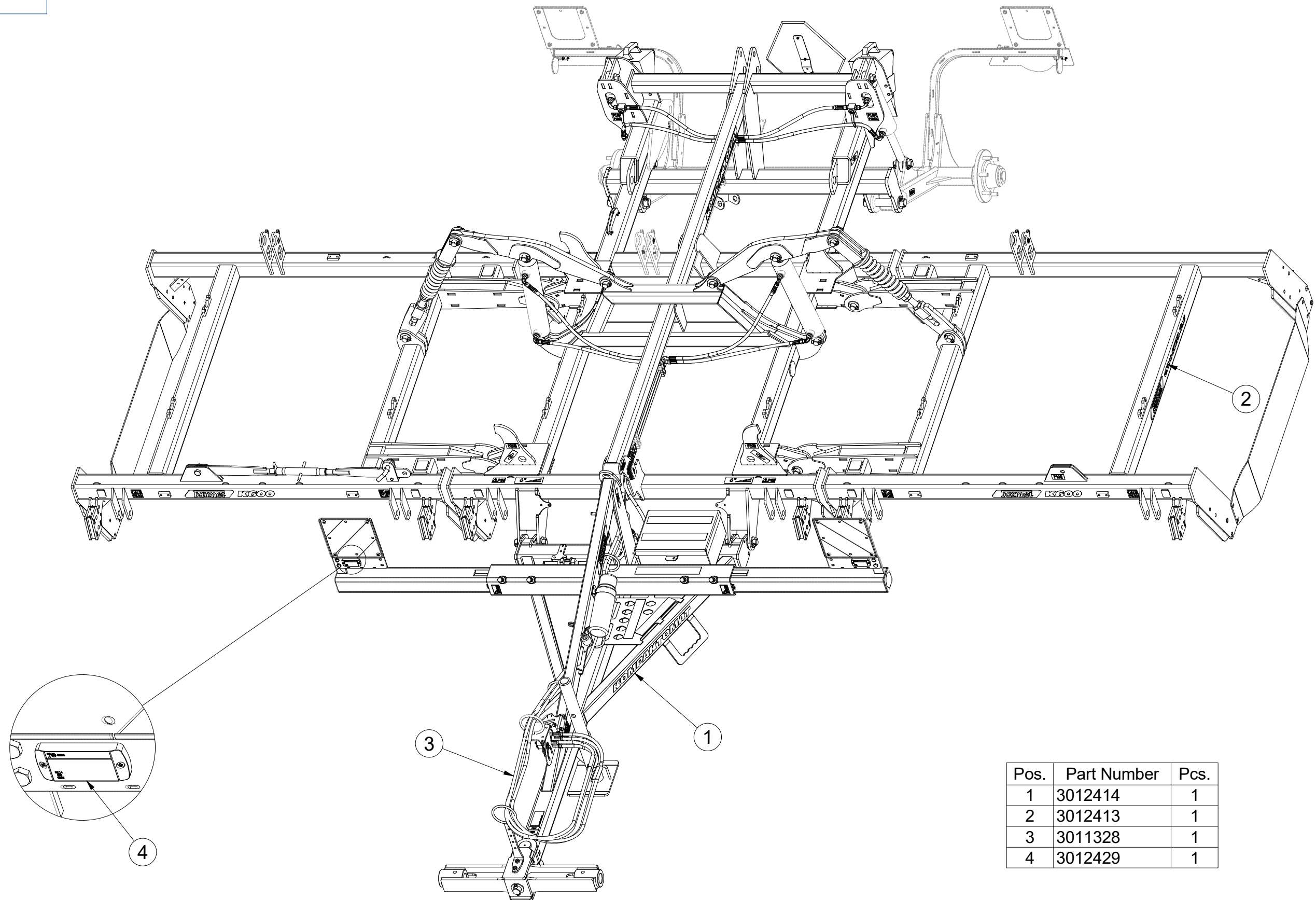
☉ SEMIFINISHED MACHINE

☉ ПОЛУФАБРИКАТ МАШИНЫ

☉ PÓLFABRYKAT MASZYNY



**3012418**



| Pos. | Part Number | Pcs. |
|------|-------------|------|
| 1    | 3012414     | 1    |
| 2    | 3012413     | 1    |
| 3    | 3011328     | 1    |
| 4    | 3012429     | 1    |

☉ POLOTOVAR STROJE

☉ MASCHINEN-HALBFABRIKAT

☉ MACHINE - SEMI-PRODUIT

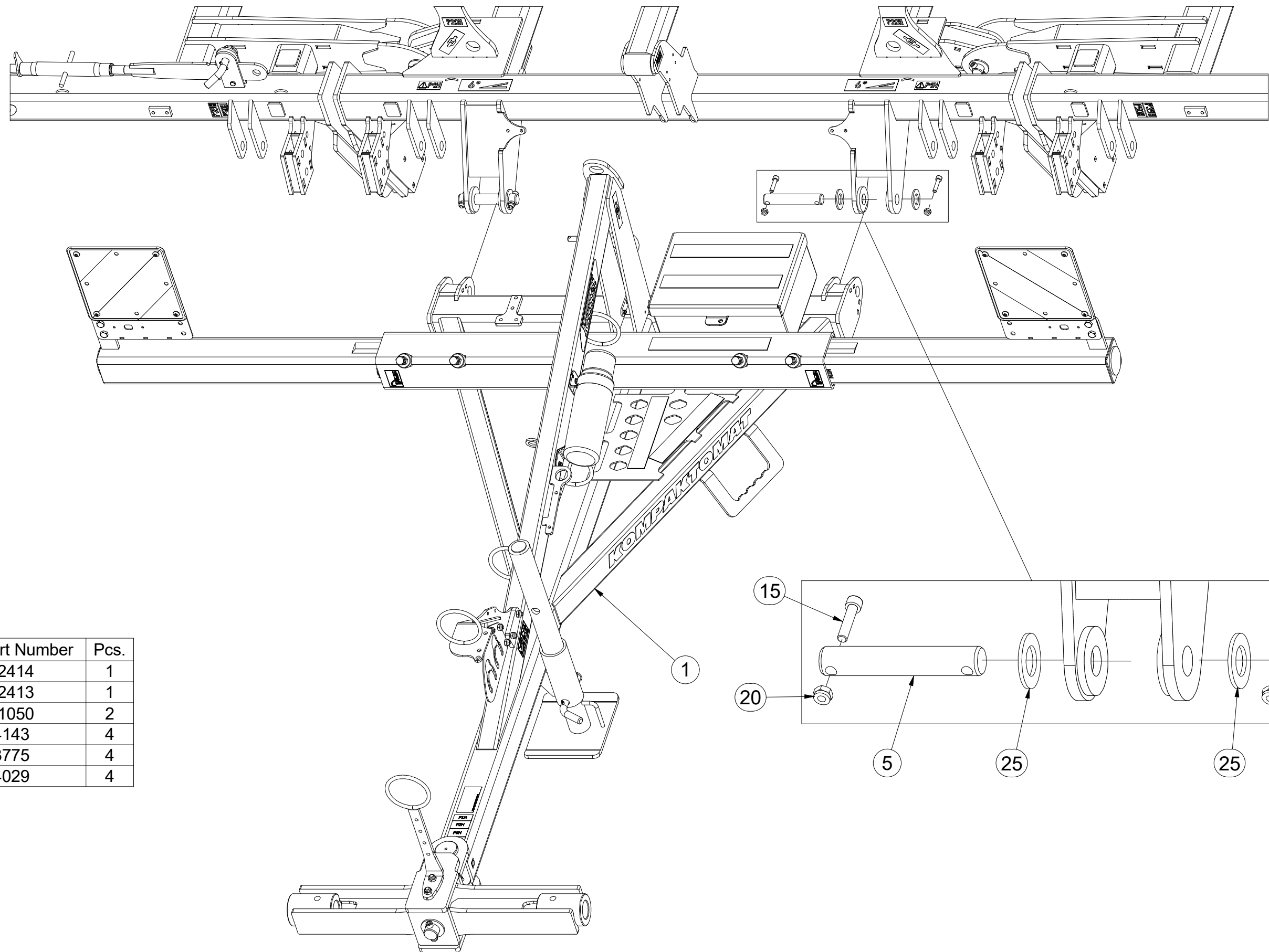
☉ SEMIFINISHED MACHINE

☉ ПОЛУФАБРИКАТ МАШИНЫ

☉ PÓLFABRYKAT MASZYNY



**3012418**



| Pos. | Part Number | Pcs. |
|------|-------------|------|
| 1    | 3012414     | 1    |
| 2    | 3012413     | 1    |
| 5    | 4011050     | 2    |
| 15   | m14143      | 4    |
| 20   | m03775      | 4    |
| 25   | m14029      | 4    |

Ⓒ CZ OJ T3

Ⓓ DEICHSEL T3

Ⓕ TIMON T3

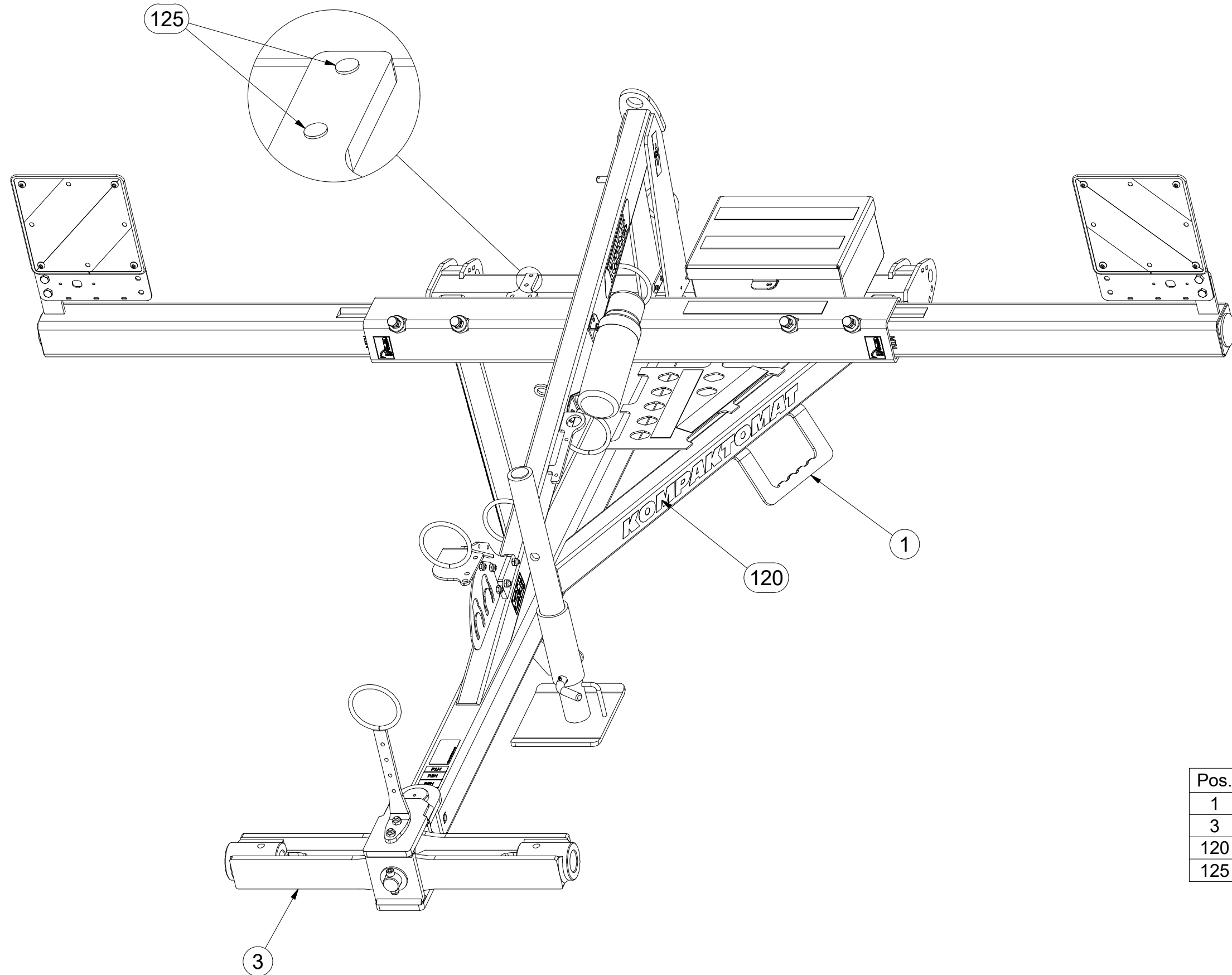
Ⓖ GB TOW BAR T3

Ⓡ RU ДЫШЛО T3

Ⓟ PL DYSZEL T3



**3012414**



| Pos. | Part Number | Pcs. |
|------|-------------|------|
| 1    | 2001206     | 1    |
| 3    | 3003787     | 1    |
| 120  | m18866      | 1    |
| 125  | m11099      | 2    |

Ⓒ CZ OJ T3

Ⓓ DEICHSEL T3

Ⓕ TIMON T3

Ⓖ GB TOW BAR T3

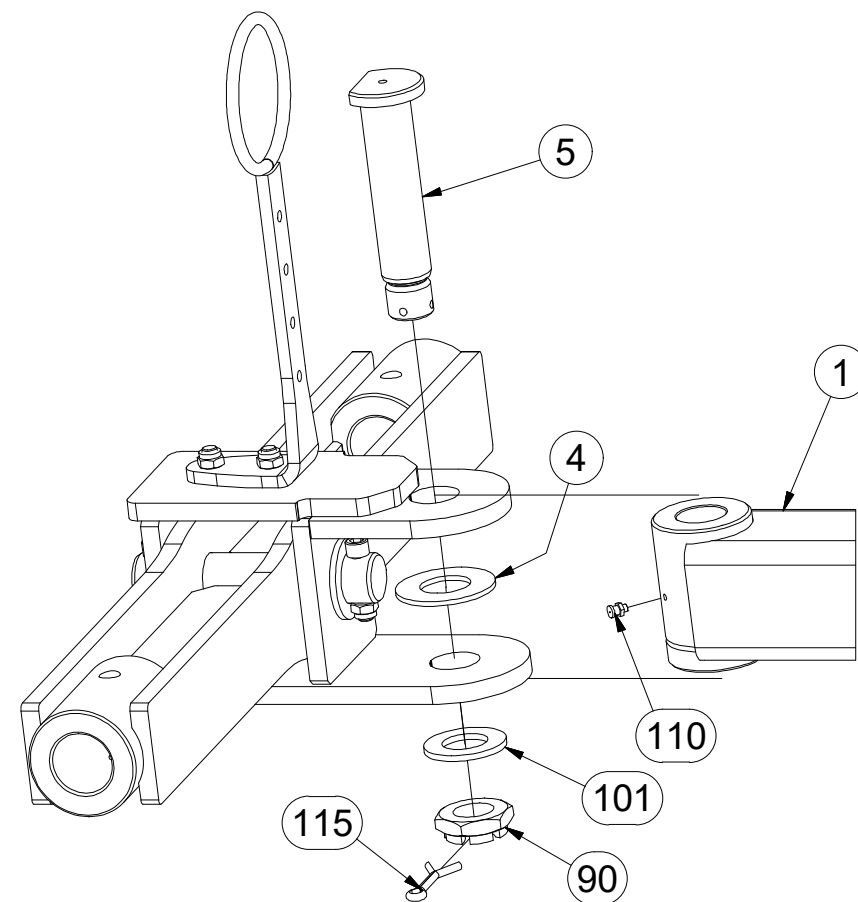
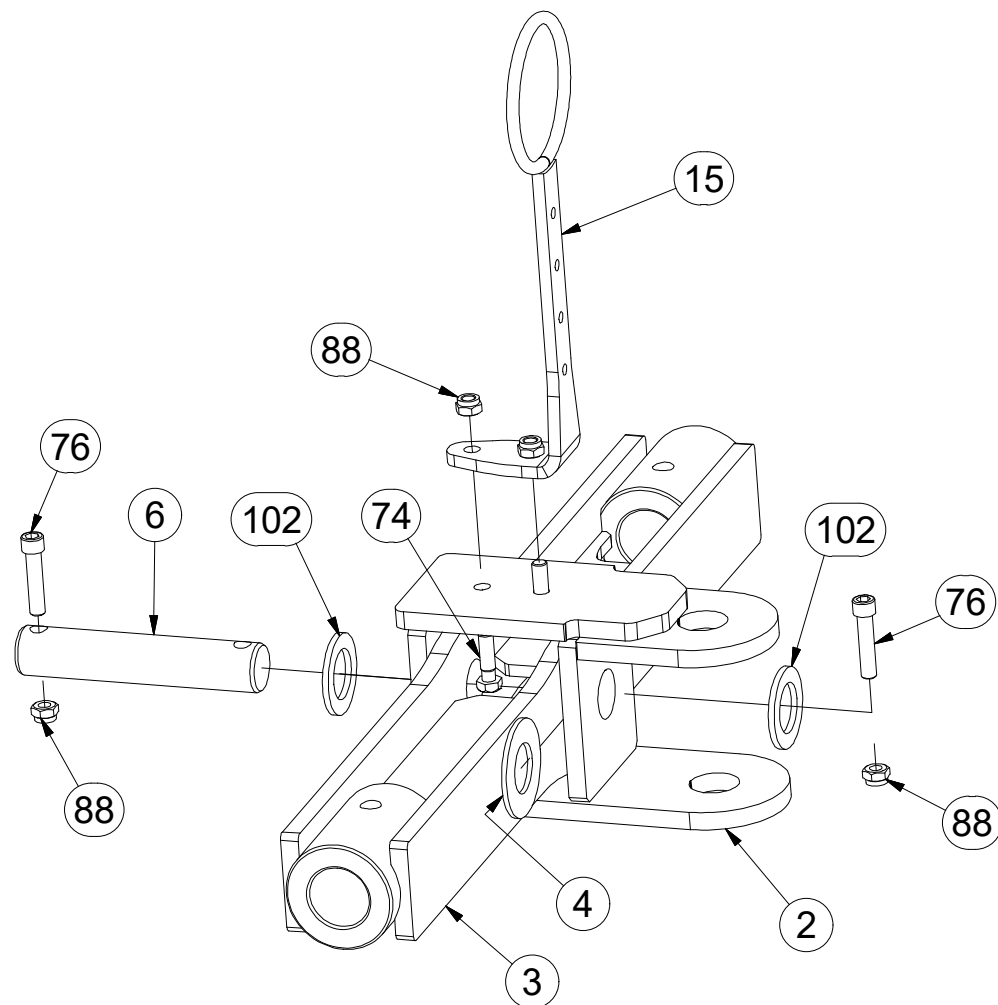
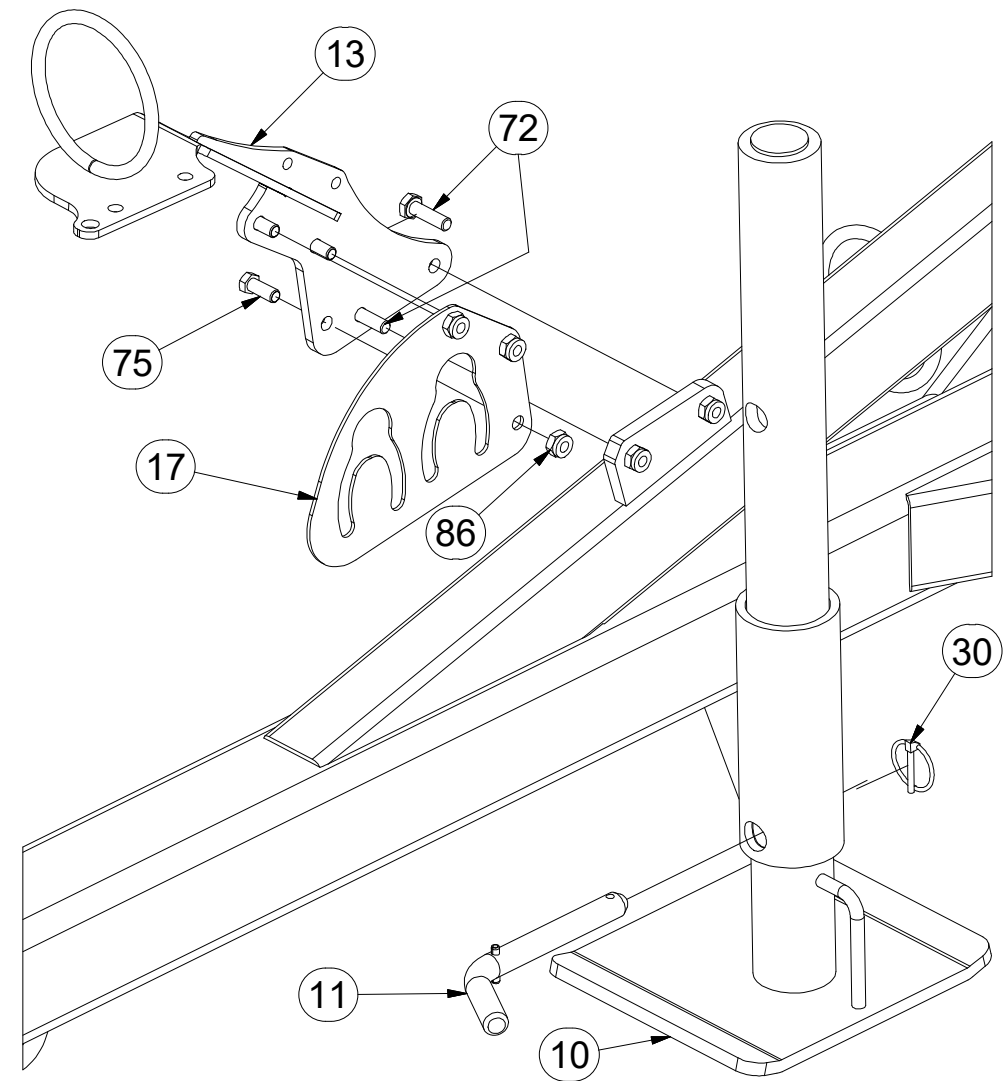
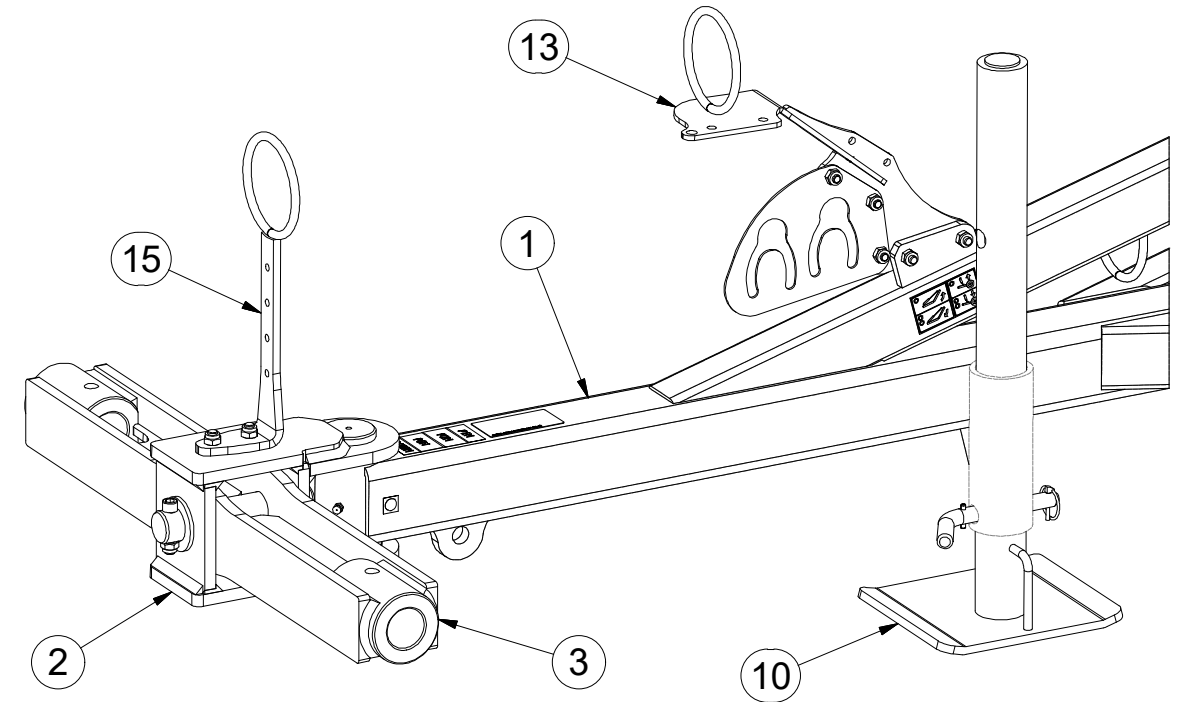
Ⓡ RU ДЫШЛО T3

Ⓟ PL DYSZEL T3



**3012414**

| Pos. | Part Number   | Pcs. | Pos. | Part Number | Pcs. |
|------|---------------|------|------|-------------|------|
| 1    | 2001206       | 1    | 72   | m04613      | 2    |
| 2    | 3009637       | 1    | 74   | m03926      | 2    |
| 3    | 3003787       | 1    | 75   | m03681      | 3    |
| 4    | 4003744       | 2    | 76   | m14008      | 2    |
| 5    | 4008049       | 1    | 86   | m03775      | 5    |
| 6    | 4014570       | 1    | 88   | m04301      | 8    |
| 10   | 8000647-40207 | 1    | 89   | m01306      | 4    |
| 11   | 4012205       | 1    | 90   | m02533      | 1    |
| 13   | 3012460       | 1    | 101  | m03866      | 1    |
| 15   | 4019191       | 1    | 102  | 4013139     | 2    |
| 17   | 4008679       | 1    | 110  | m10451      | 1    |
| 30   | m10454        | 1    | 115  | m03959      | 1    |



ⒸZ OJ T3

Ⓓ DEICHSEL T3

Ⓕ TIMON T3

ⒼB TOW BAR T3

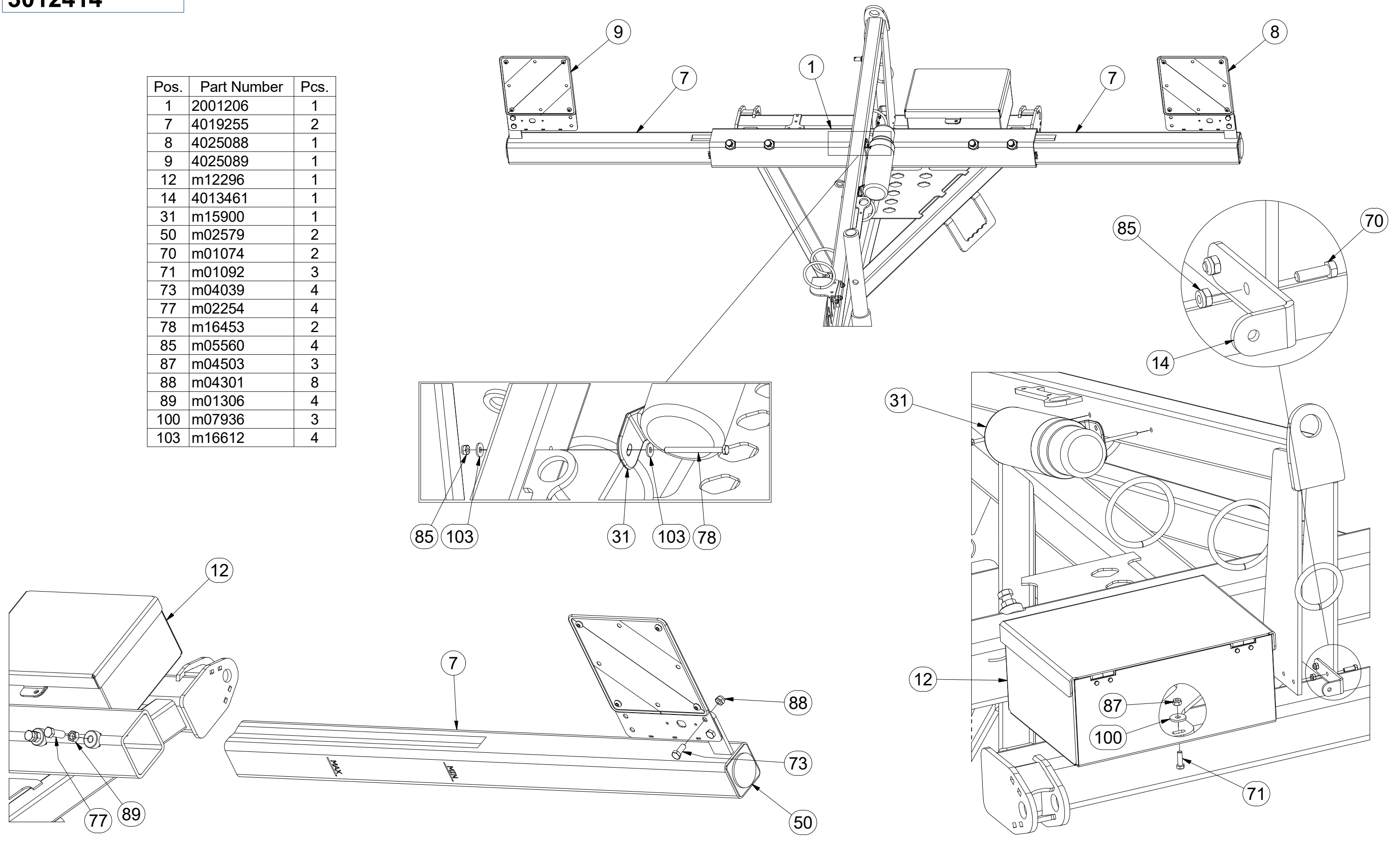
ⒺR ДЫШЛО T3

ⒻL DYSZEL T3



**3012414**

| Pos. | Part Number | Pcs. |
|------|-------------|------|
| 1    | 2001206     | 1    |
| 7    | 4019255     | 2    |
| 8    | 4025088     | 1    |
| 9    | 4025089     | 1    |
| 12   | m12296      | 1    |
| 14   | 4013461     | 1    |
| 31   | m15900      | 1    |
| 50   | m02579      | 2    |
| 70   | m01074      | 2    |
| 71   | m01092      | 3    |
| 73   | m04039      | 4    |
| 77   | m02254      | 4    |
| 78   | m16453      | 2    |
| 85   | m05560      | 4    |
| 87   | m04503      | 3    |
| 88   | m04301      | 8    |
| 89   | m01306      | 4    |
| 100  | m07936      | 3    |
| 103  | m16612      | 4    |



Ⓒ SAMOLEPKY STROJE

Ⓓ AUFKLEBER MASCHINEN

Ⓕ VOITURE MACHINES

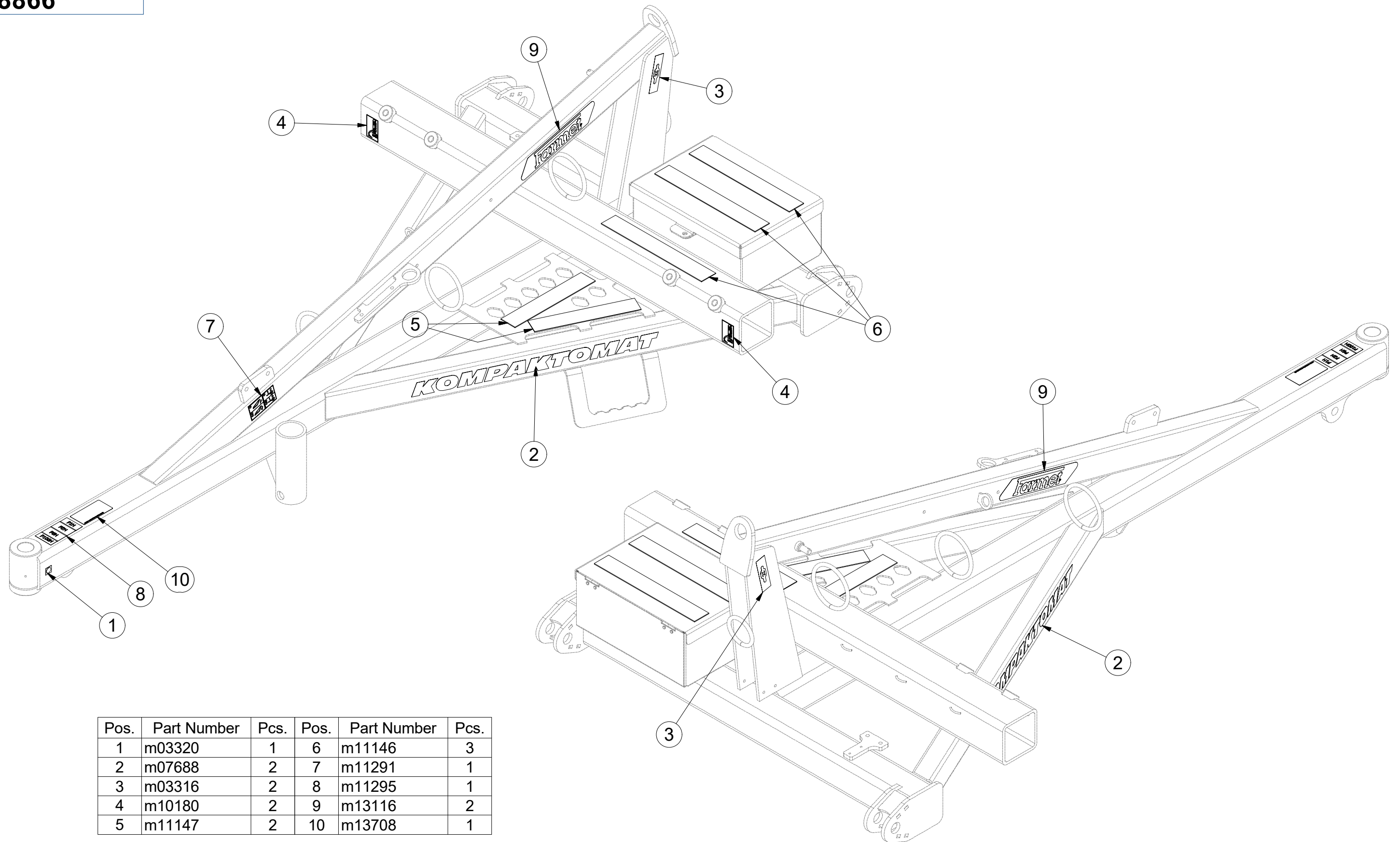
Ⓖ STICKERS MACHINES

Ⓔ СТИКЕРЫ МАШИНЫ

Ⓟ NAKLEJKI MASZYNY



**m18866**



| Pos. | Part Number | Pcs. | Pos. | Part Number | Pcs. |
|------|-------------|------|------|-------------|------|
| 1    | m03320      | 1    | 6    | m11146      | 3    |
| 2    | m07688      | 2    | 7    | m11291      | 1    |
| 3    | m03316      | 2    | 8    | m11295      | 1    |
| 4    | m10180      | 2    | 9    | m13116      | 2    |
| 5    | m11147      | 2    | 10   | m13708      | 1    |



Ⓒ POLOTOVAR STROJE

Ⓓ MASCHINEN-HALBFABRIKAT

Ⓕ MACHINE - SEMI-PRODUIT

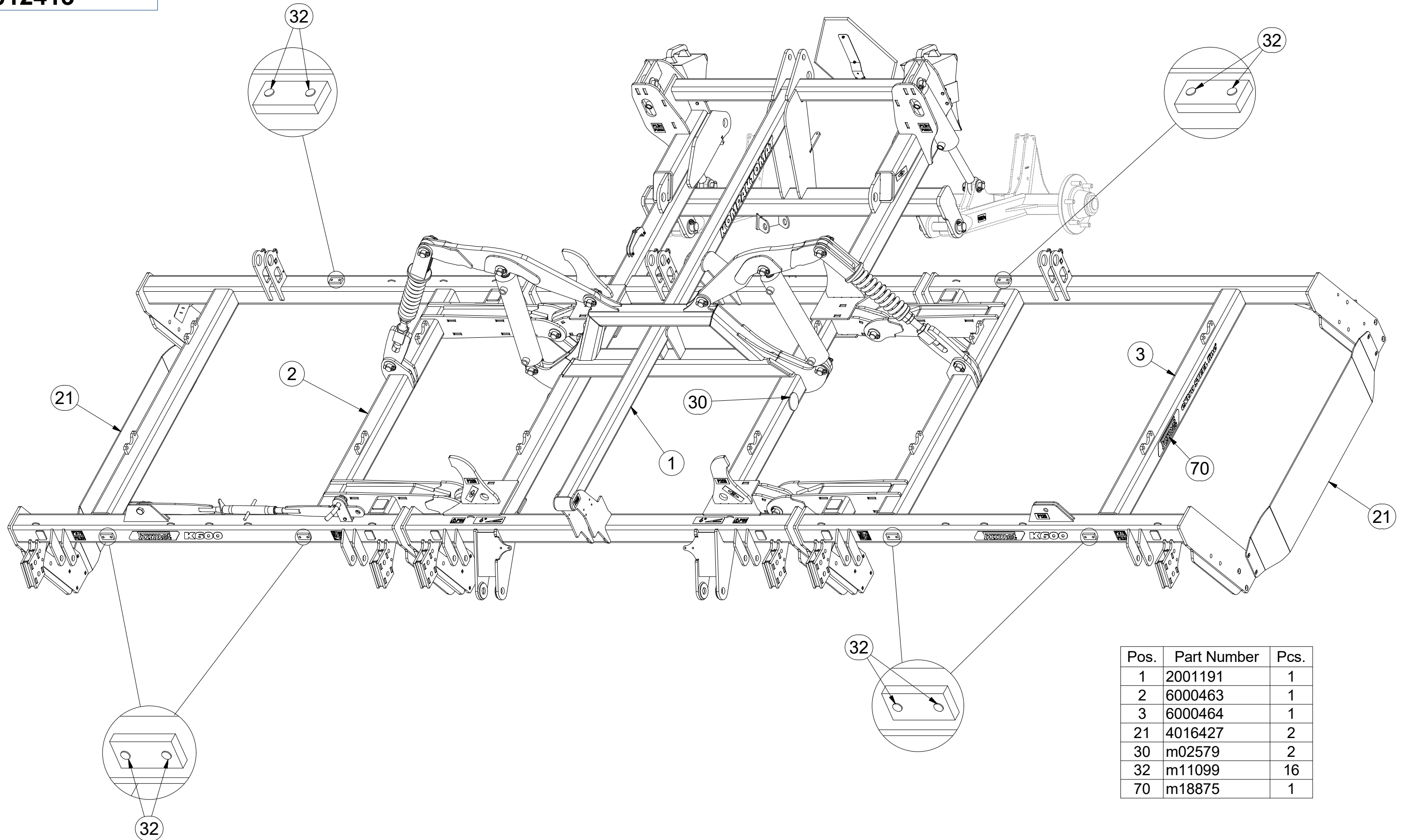
Ⓖ SEMIFINISHED MACHINE

Ⓡ ПОЛУФАБРИКАТ МАШИНЫ

Ⓢ РÓЉФАБРЫКАТ МАСЗЫНЫ



**3012413**



| Pos. | Part Number | Pcs. |
|------|-------------|------|
| 1    | 2001191     | 1    |
| 2    | 6000463     | 1    |
| 3    | 6000464     | 1    |
| 21   | 4016427     | 2    |
| 30   | m02579      | 2    |
| 32   | m11099      | 16   |
| 70   | m18875      | 1    |

☉ POLOTOVAR STROJE

☉ MASCHINEN-HALBFABRIKAT

☉ MACHINE - SEMI-PRODUIT

☉ SEMIFINISHED MACHINE

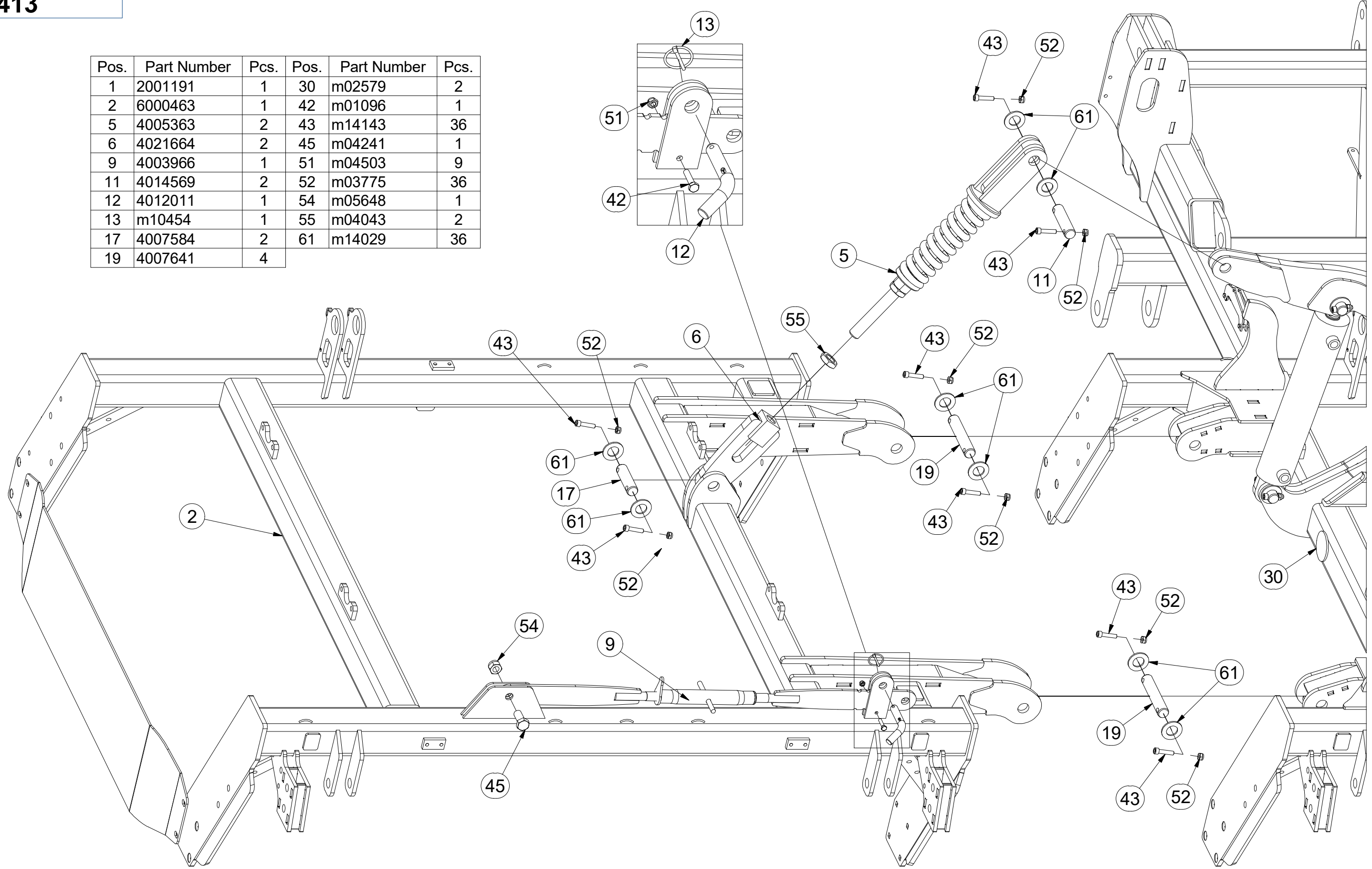
☉ ПОЛУФАБРИКАТ МАШИНЫ

☉ PÓLFABRYKAT MASZYNY



**3012413**

| Pos. | Part Number | Pcs. | Pos. | Part Number | Pcs. |
|------|-------------|------|------|-------------|------|
| 1    | 2001191     | 1    | 30   | m02579      | 2    |
| 2    | 6000463     | 1    | 42   | m01096      | 1    |
| 5    | 4005363     | 2    | 43   | m14143      | 36   |
| 6    | 4021664     | 2    | 45   | m04241      | 1    |
| 9    | 4003966     | 1    | 51   | m04503      | 9    |
| 11   | 4014569     | 2    | 52   | m03775      | 36   |
| 12   | 4012011     | 1    | 54   | m05648      | 1    |
| 13   | m10454      | 1    | 55   | m04043      | 2    |
| 17   | 4007584     | 2    | 61   | m14029      | 36   |
| 19   | 4007641     | 4    |      |             |      |



Ⓒ POLOTOVAR STROJE

Ⓓ MASCHINEN-HALBFABRIKAT

Ⓕ MACHINE - SEMI-PRODUIT

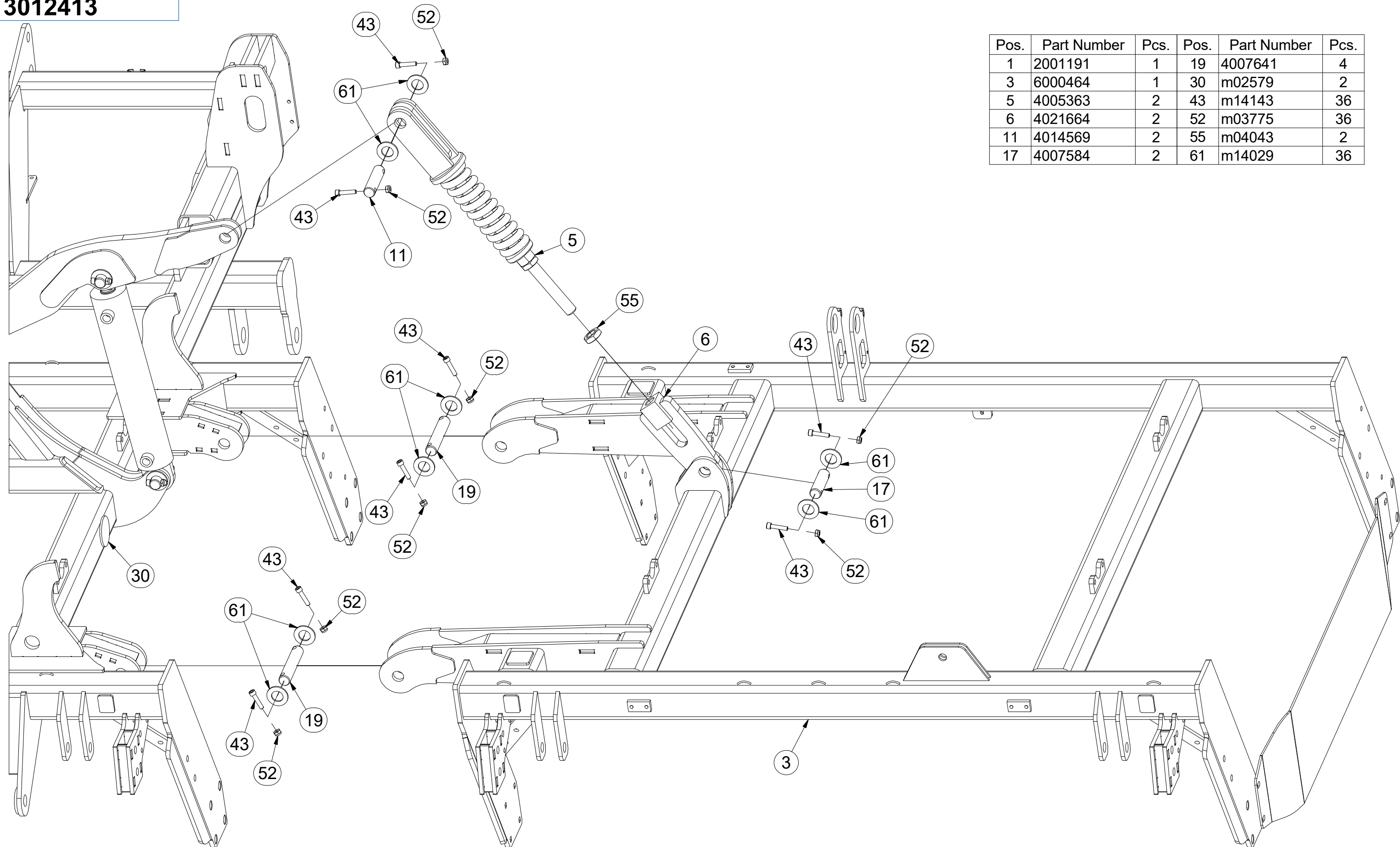
Ⓖ SEMIFINISHED MACHINE

Ⓡ ПОЛУФАБРИКАТ МАШИНЫ

Ⓟ PÓLFABRYKAT MASZYN



**3012413**



| Pos. | Part Number | Pcs. | Pos. | Part Number | Pcs. |
|------|-------------|------|------|-------------|------|
| 1    | 2001191     | 1    | 19   | 4007641     | 4    |
| 3    | 6000464     | 1    | 30   | m02579      | 2    |
| 5    | 4005363     | 2    | 43   | m14143      | 36   |
| 6    | 4021664     | 2    | 52   | m03775      | 36   |
| 11   | 4014569     | 2    | 55   | m04043      | 2    |
| 17   | 4007584     | 2    | 61   | m14029      | 36   |

☉ POLOTOVAR STROJE

☉ MASCHINEN-HALBFABRIKAT

☉ MACHINE - SEMI-PRODUIT

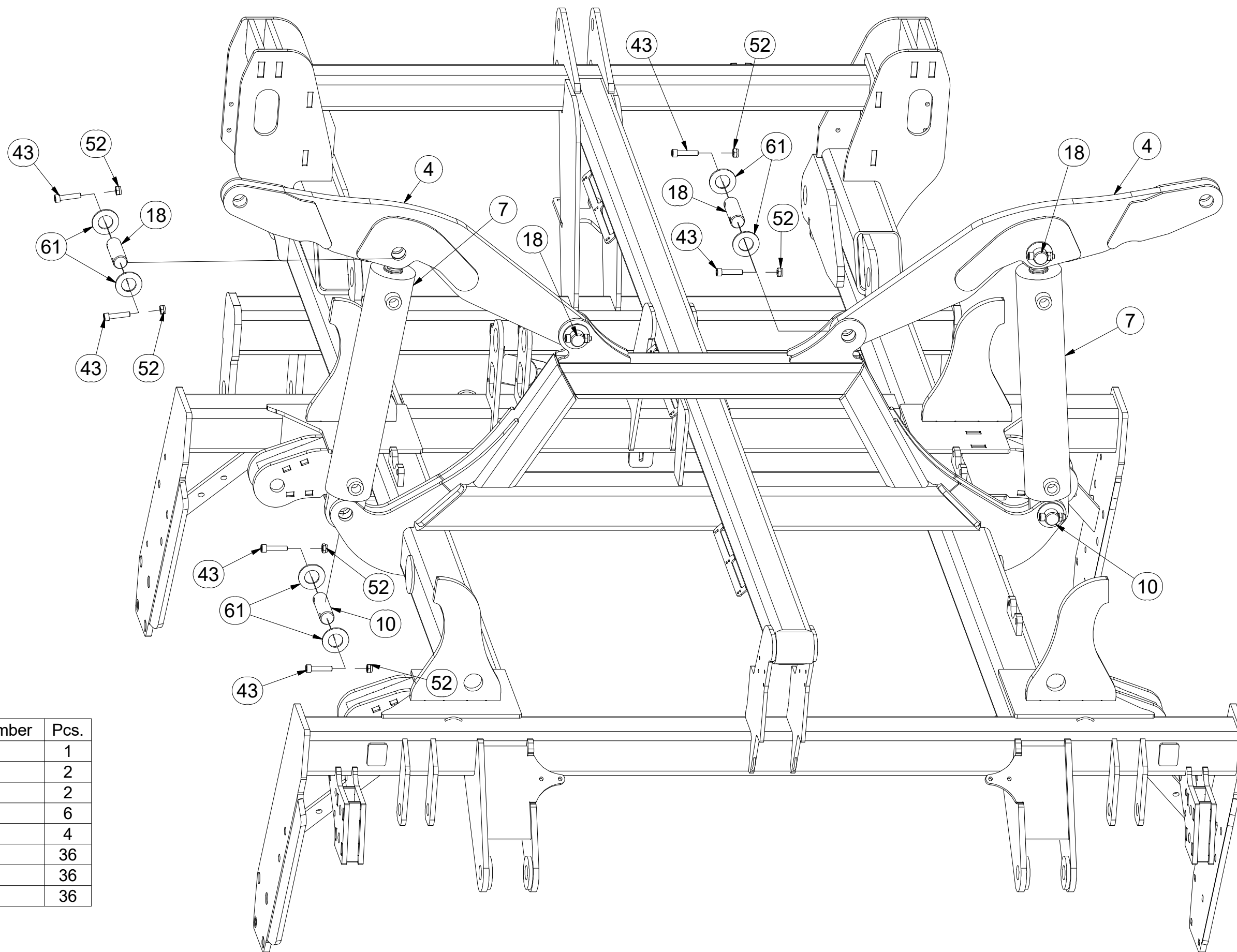
☉ SEMIFINISHED MACHINE

☉ ПОЛУФАБРИКАТ МАШИНЫ

☉ PÓLFABRYKAT MASZYNY



**3012413**



| Pos. | Part Number | Pcs. |
|------|-------------|------|
| 1    | 2001191     | 1    |
| 4    | 3002837     | 2    |
| 7    | 9000248     | 2    |
| 10   | 4008234     | 6    |
| 18   | 4007640     | 4    |
| 43   | m14143      | 36   |
| 52   | m03775      | 36   |
| 61   | m14029      | 36   |

Ⓒ POLOTOVAR STROJE

Ⓓ MASCHINEN-HALBFABRIKAT

Ⓕ MACHINE - SEMI-PRODUIT

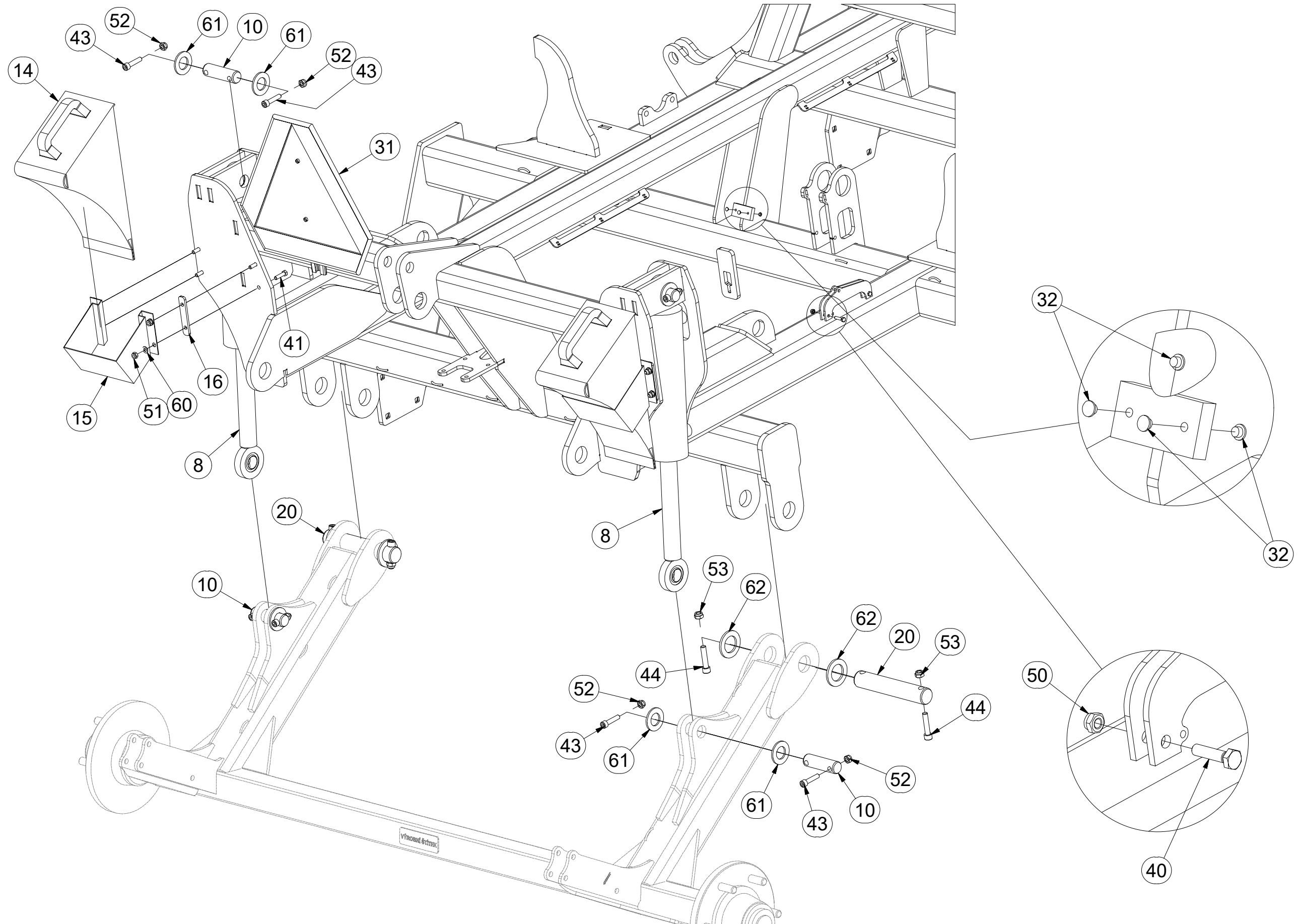
Ⓖ SEMIFINISHED MACHINE

Ⓡ ПОЛУФАБРИКАТ МАШИНЫ

Ⓟ PÓLFABRYKAT MASZYNY



**3012413**



| Pos. | Part Number | Pcs. |
|------|-------------|------|
| 1    | 2001191     | 1    |
| 8    | 9000247     | 2    |
| 10   | 4008234     | 6    |
| 14   | m16186      | 2    |
| 15   | m12572      | 2    |
| 16   | 4012712     | 4    |
| 20   | 4010875     | 2    |
| 31   | m05371      | 1    |
| 32   | m11099      | 16   |
| 40   | m01075      | 2    |
| 41   | m04791      | 8    |
| 43   | m14143      | 36   |
| 44   | m14008      | 4    |
| 50   | m05560      | 2    |
| 51   | m04503      | 9    |
| 52   | m03775      | 36   |
| 53   | m04301      | 4    |
| 60   | m01203      | 8    |
| 61   | m14029      | 36   |
| 62   | 4013139     | 4    |

☉ SAMOLEPKY STROJE

☉ AUFKLEBER MASCHINEN

☉ VOITURE MACHINES

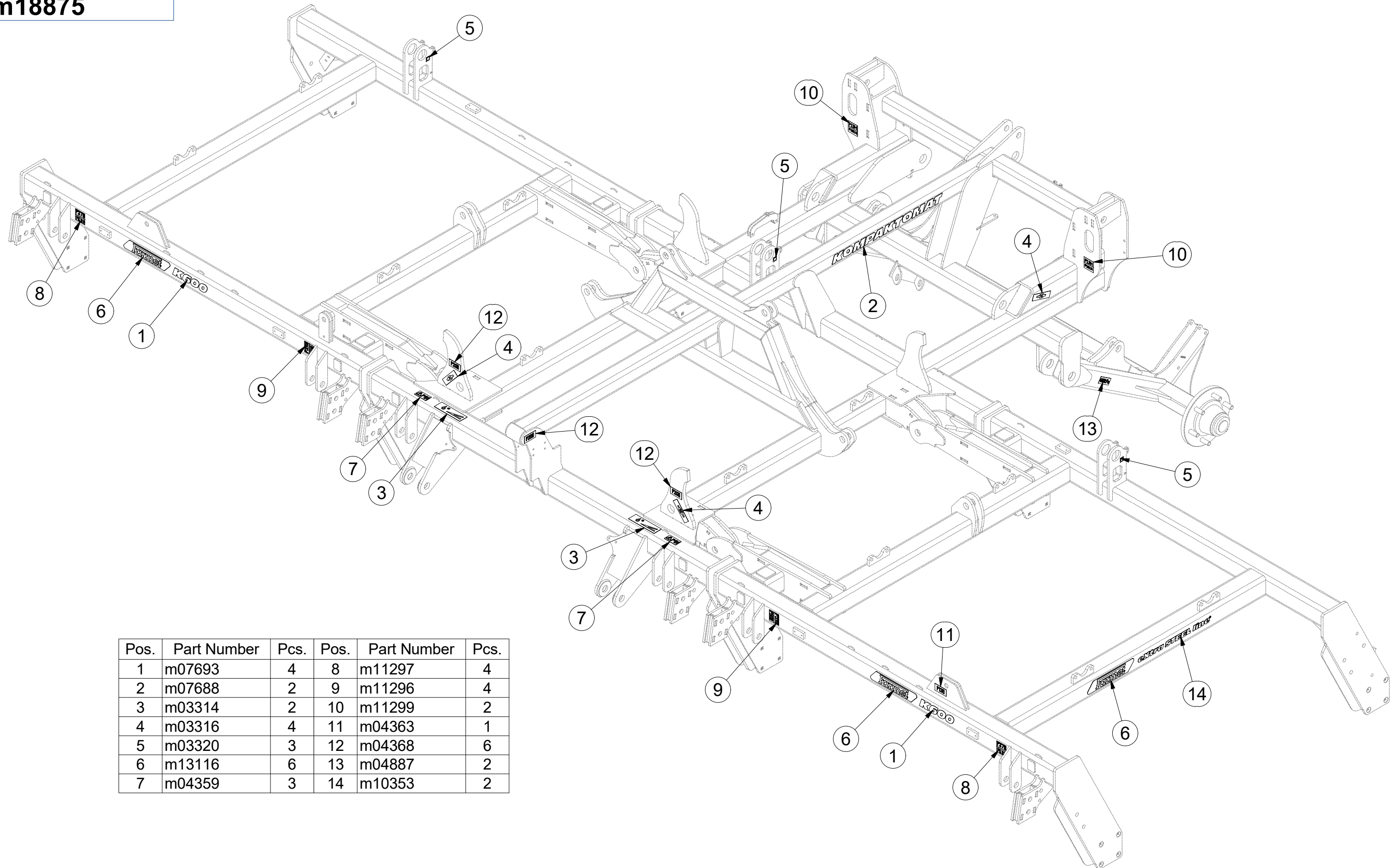
☉ STICKERS MACHINES

☉ СТИКЕРЫ МАШИНЫ

☉ NAKLEJKI MASZYNY



**m18875**



| Pos. | Part Number | Pcs. | Pos. | Part Number | Pcs. |
|------|-------------|------|------|-------------|------|
| 1    | m07693      | 4    | 8    | m11297      | 4    |
| 2    | m07688      | 2    | 9    | m11296      | 4    |
| 3    | m03314      | 2    | 10   | m11299      | 2    |
| 4    | m03316      | 4    | 11   | m04363      | 1    |
| 5    | m03320      | 3    | 12   | m04368      | 6    |
| 6    | m13116      | 6    | 13   | m04887      | 2    |
| 7    | m04359      | 3    | 14   | m10353      | 2    |

☉ SAMOLEPKY STROJE

☉ AUFKLEBER MASCHINEN

☉ VOITURE MACHINES

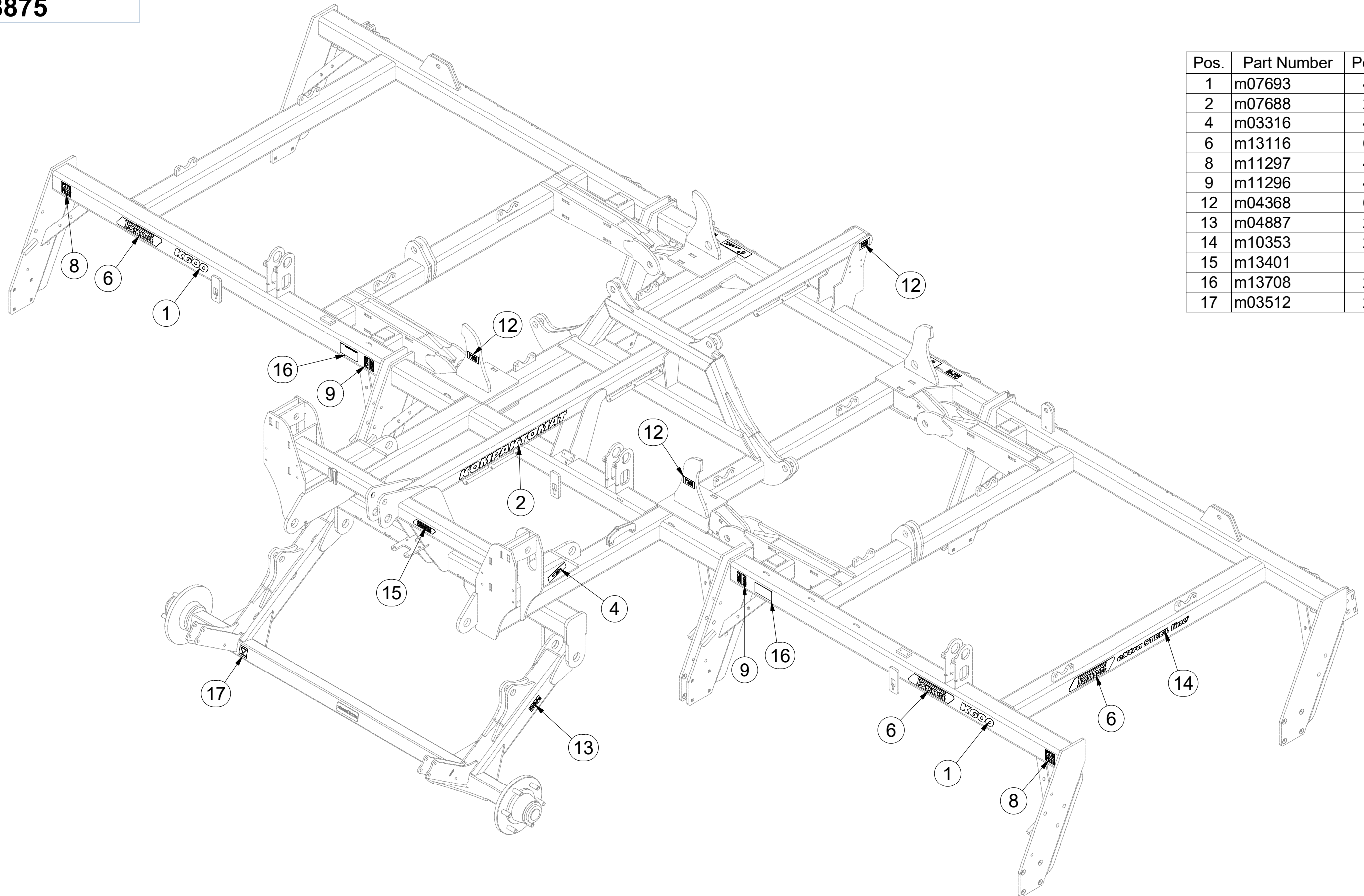
☉ STICKERS MACHINES

☉ СТИКЕРЫ МАШИНЫ

☉ NAKLEJKI MASZYNY



**m18875**



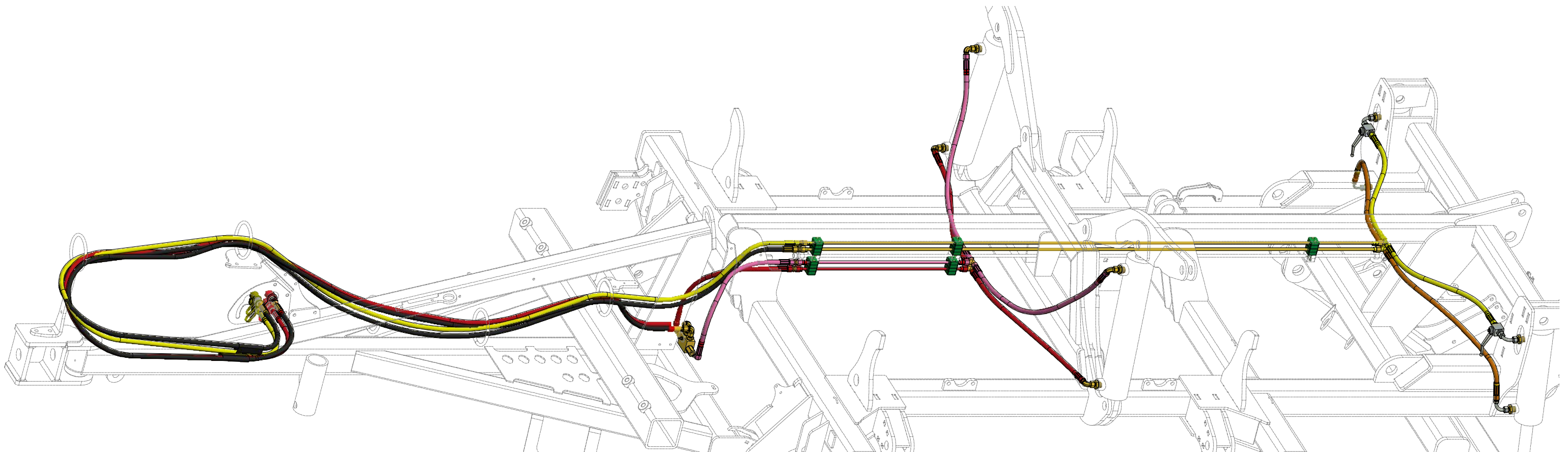
| Pos. | Part Number | Pcs. |
|------|-------------|------|
| 1    | m07693      | 4    |
| 2    | m07688      | 2    |
| 4    | m03316      | 4    |
| 6    | m13116      | 6    |
| 8    | m11297      | 4    |
| 9    | m11296      | 4    |
| 12   | m04368      | 6    |
| 13   | m04887      | 2    |
| 14   | m10353      | 2    |
| 15   | m13401      | 1    |
| 16   | m13708      | 2    |
| 17   | m03512      | 2    |

ⒸZ HYDRAULIKA STROJE  
Ⓓ HYDRAULIK DER MASCHINE  
Ⓕ HYDRAULIQUE DE LA MACHINE

ⒸB MACHINE HYDRAULICS  
ⒸR ГИДРАВЛИКА МАШИНЫ  
ⒸL HYDRAULIKA MASZYN



**3011328**



| Pos. | Part Number | Pcs. |
|------|-------------|------|
| 1    | m17907      | 1    |



ⒸZ HYDRAULICKÝ ROZVOD SKLÁPĚNÍ

Ⓓ HYDRAULISCHE VERTEILUNG KLAPPMECHANISMUS

Ⓕ CONDUIT HYDRAULIQUE DU BASCULEMENT

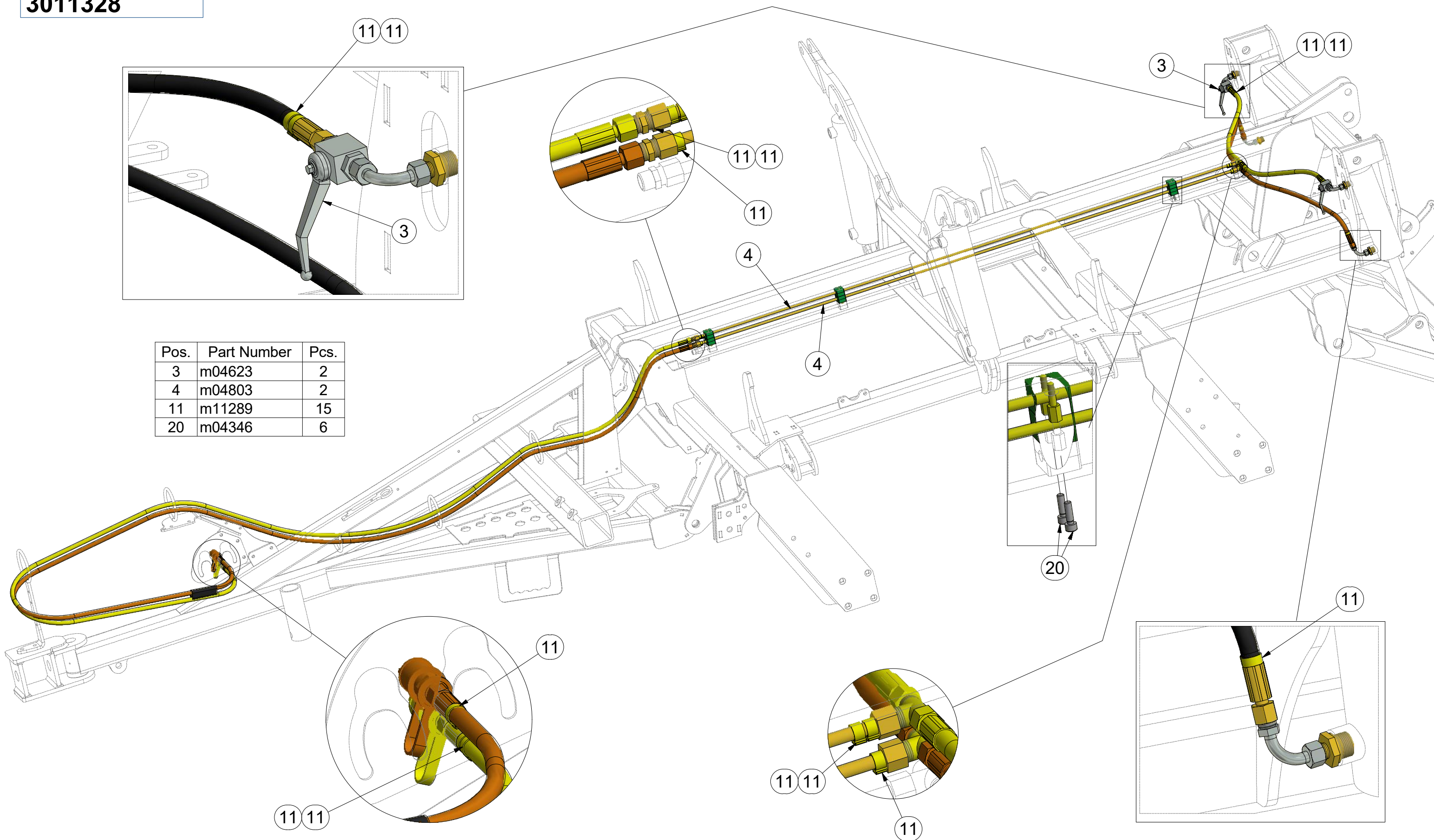
ⒸB HYDRAULIC FOLDING DISTRIBUTION

Ⓔ ГИДРАВЛИЧЕСКОЕ РАСПРЕДЕЛЕНИЕ СКЛАДЫВАНИЯ

Ⓖ HYDRAULICZNY PRZEWÓD SKŁADANIA

**Farmet**

**3011328**



ⒸZ HYDRAULICKÝ ROZVOD SKLÁPĚNÍ

Ⓓ HYDRAULISCHE VERTEILUNG KLAPPMECHANISMUS

Ⓕ CONDUIT HYDRAULIQUE DU BASCULEMENT

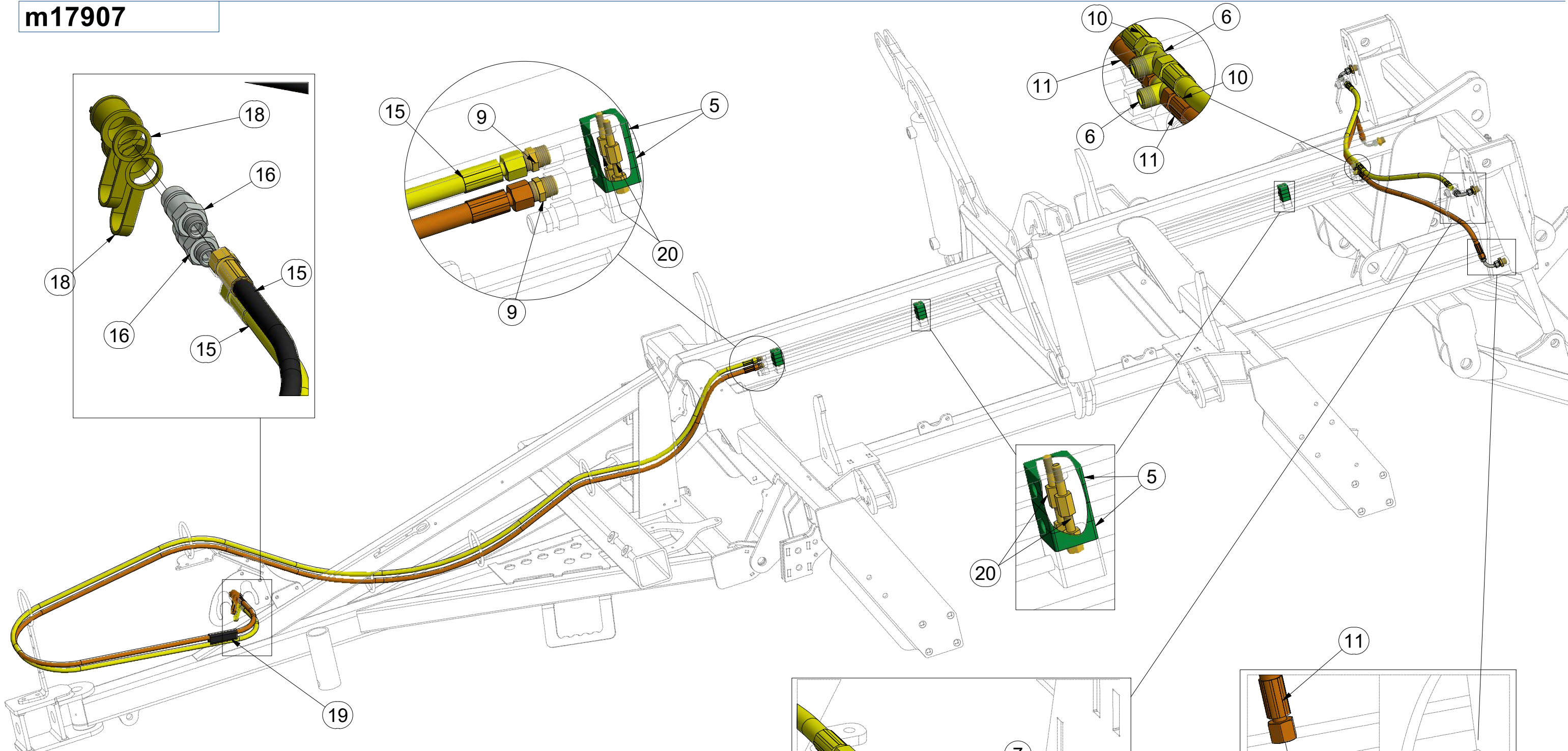
ⒼB HYDRAULIC FOLDING DISTRIBUTION

Ⓔ RU ГИДРАВЛИЧЕСКОЕ РАСПРЕДЕЛЕНИЕ СКЛАДЫВАНИЯ

Ⓗ PL HYDRAULICZNY PRZEWÓD SKŁADANIA

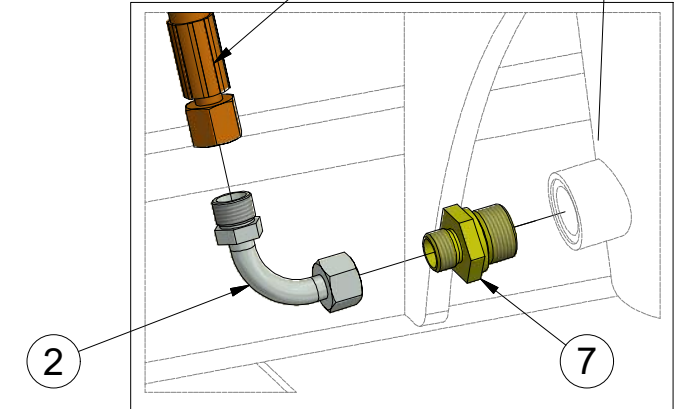
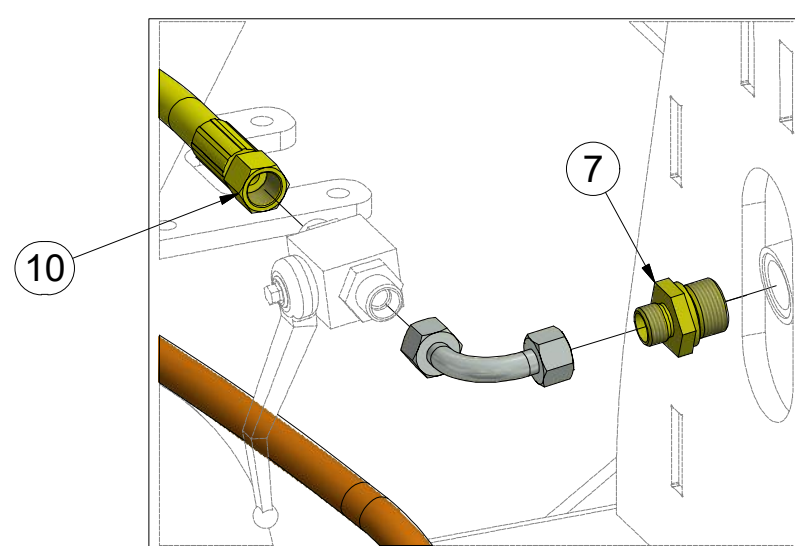


m17907



| Pos. | Part Number | Pcs. | Pos. | Part Number | Pcs. |
|------|-------------|------|------|-------------|------|
| 2    | m04024      | 2    | 11   | m04033      | 2    |
| 5    | m04009      | 10   | 15   | m09431      | 2    |
| 6    | m03889      | 4    | 16   | m03849      | 4    |
| 7    | m09934      | 8    | 18   | m04023      | 2    |
| 8    | m04621      | 2    | 19   | m11183      | 2    |
| 9    | m03213      | 4    | 20   | m04021      | 14   |
| 10   | m03713      | 4    |      |             |      |

HYDRAULIC  
COMPONENTS:  
M16 x 1,5 - 60Nm  
M22 x 1,5 - 140Nm  
G 3/8 - 95 Nm



ⒸZ HYDRAULICKÝ ROZVOD NÁPRAVY

Ⓓ HYDRAULISCHE VERTEILUNG ACHSE

Ⓕ CONDUIT HYDRAULIQUE DE L'ESSIEU

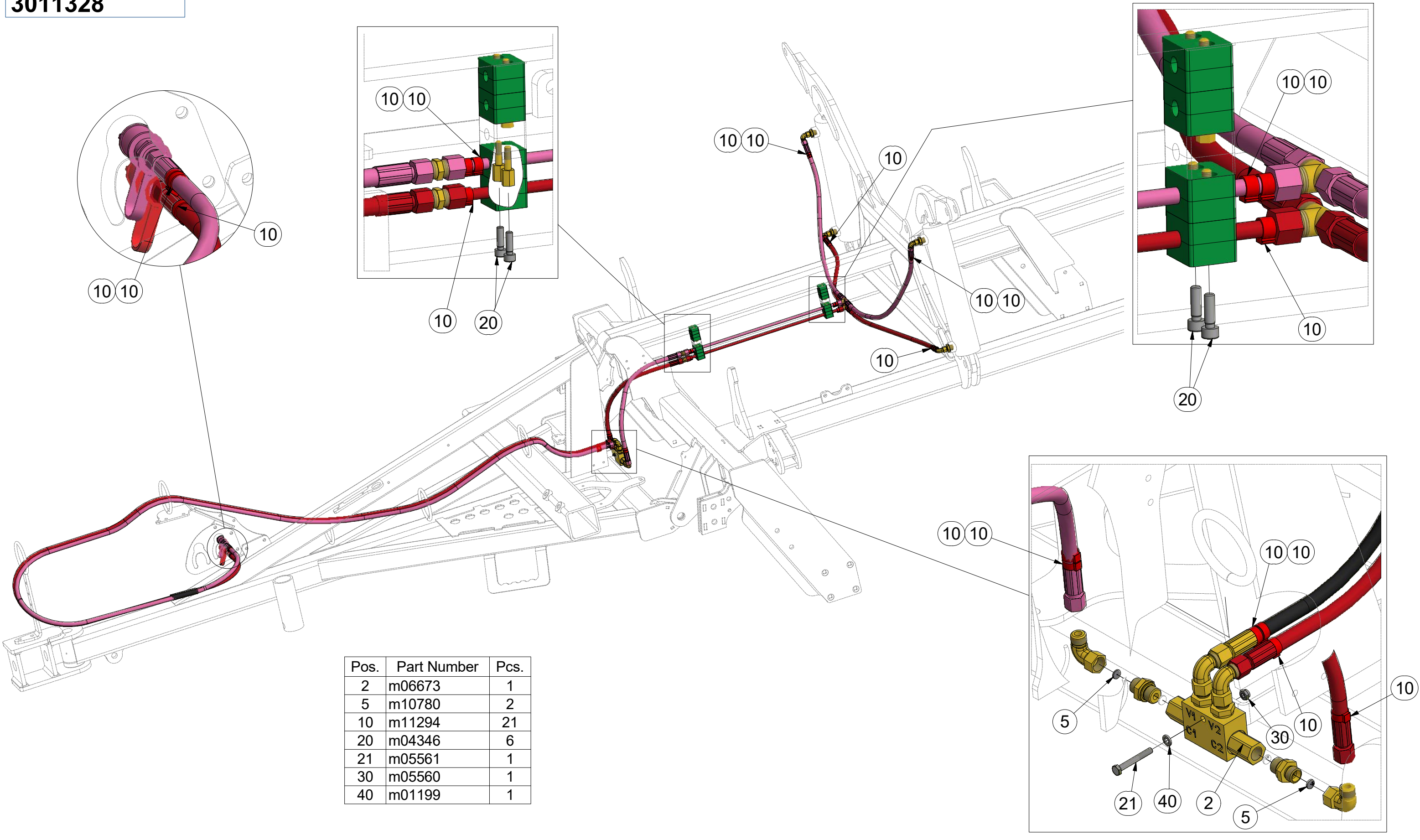
ⒸB HYDRAULIC AXLE DISTRIBUTION

ⒸU ГИДРАВЛИЧЕСКОЕ РАСПРЕДЕЛЕНИЕ ОСИ

ⒸL HYDRAULICZNY PRZEWÓD OSI



**3011328**



| Pos. | Part Number | Pcs. |
|------|-------------|------|
| 2    | m06673      | 1    |
| 5    | m10780      | 2    |
| 10   | m11294      | 21   |
| 20   | m04346      | 6    |
| 21   | m05561      | 1    |
| 30   | m05560      | 1    |
| 40   | m01199      | 1    |

ⒸZ HYDRAULICKÝ ROZVOD NÁPRAVY

Ⓓ HYDRAULISCHE VERTEILUNG ACHSE

Ⓕ CONDUIT HYDRAULIQUE DE L'ESSIEU

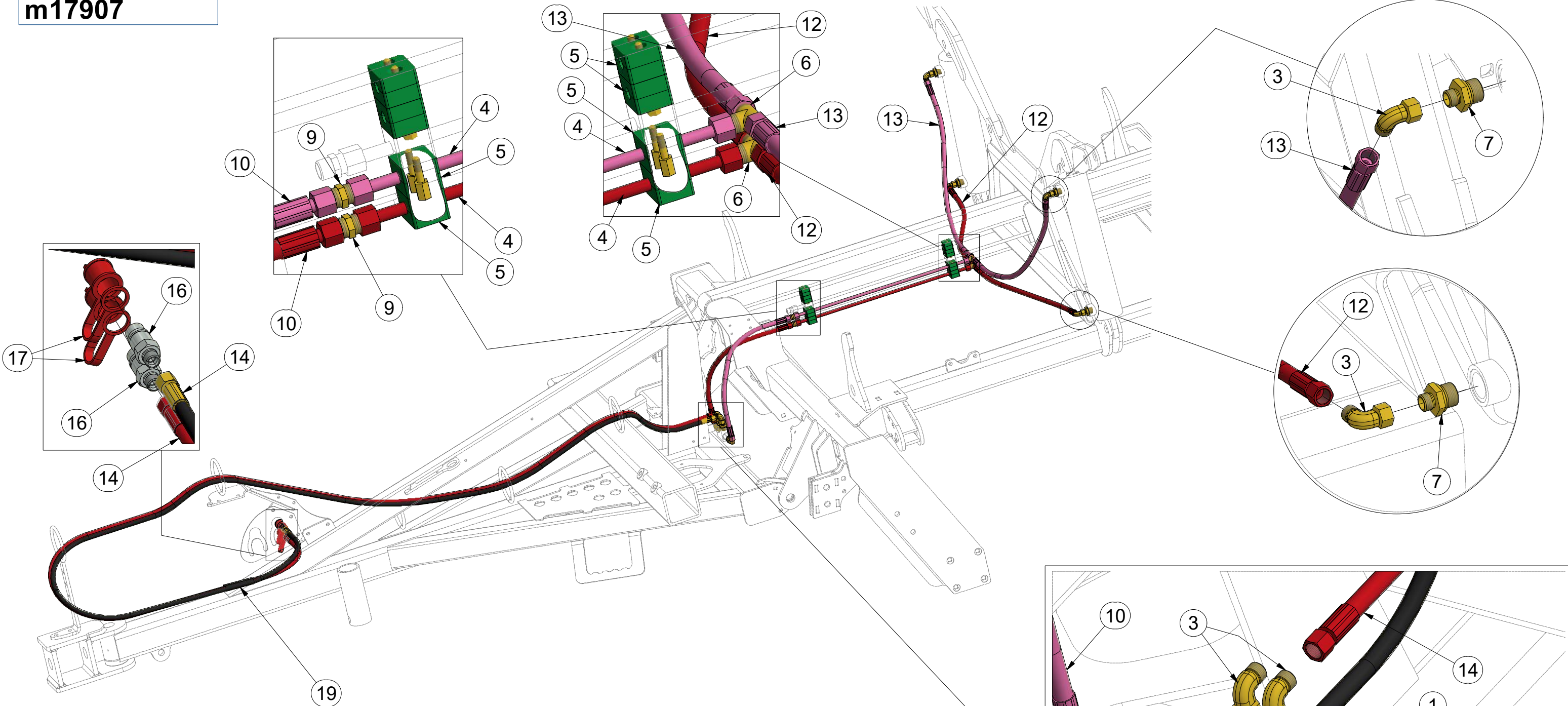
ⒸB HYDRAULIC AXLE DISTRIBUTION

ⒸR ГИДРАВЛИЧЕСКОЕ РАСПРЕДЕЛЕНИЕ ОСИ

ⒸL HYDRAULICZNY PRZEWÓD OSI

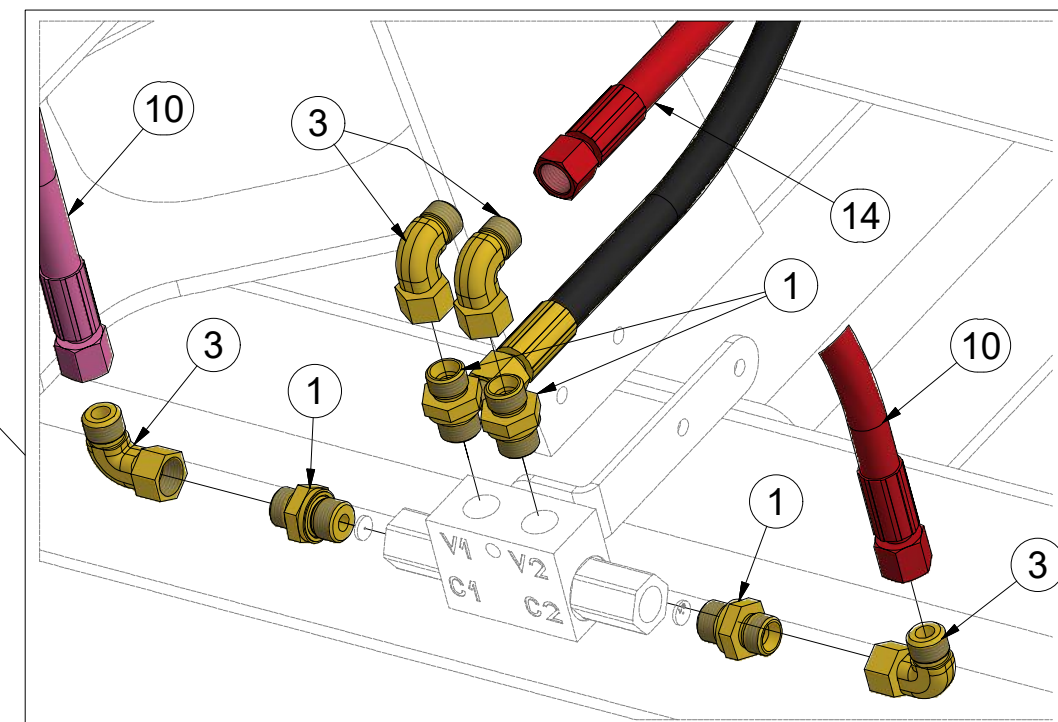


**m17907**



| Pos. | Part Number | Pcs. | Pos. | Part Number | Pcs. |
|------|-------------|------|------|-------------|------|
| 1    | m06528      | 4    | 10   | m03713      | 4    |
| 3    | m06803      | 8    | 12   | m07909      | 2    |
| 4    | m03975      | 2    | 13   | m07646      | 2    |
| 5    | m04009      | 10   | 14   | m04087      | 2    |
| 6    | m03889      | 4    | 16   | m03849      | 4    |
| 7    | m09934      | 8    | 17   | m04022      | 2    |
| 9    | m03213      | 4    | 19   | m11183      | 2    |

HYDRAULIC COMPONENTS:  
M16 x 1,5 - 60Nm  
M22 x 1,5 - 140Nm  
G 3/8 - 95 Nm



ⒸZ TÁHLO SKLÁPĚNÍ

Ⓓ ZUGSTANGE ZUR KIPPUNG

Ⓕ TIGE DU BASCULEMENT

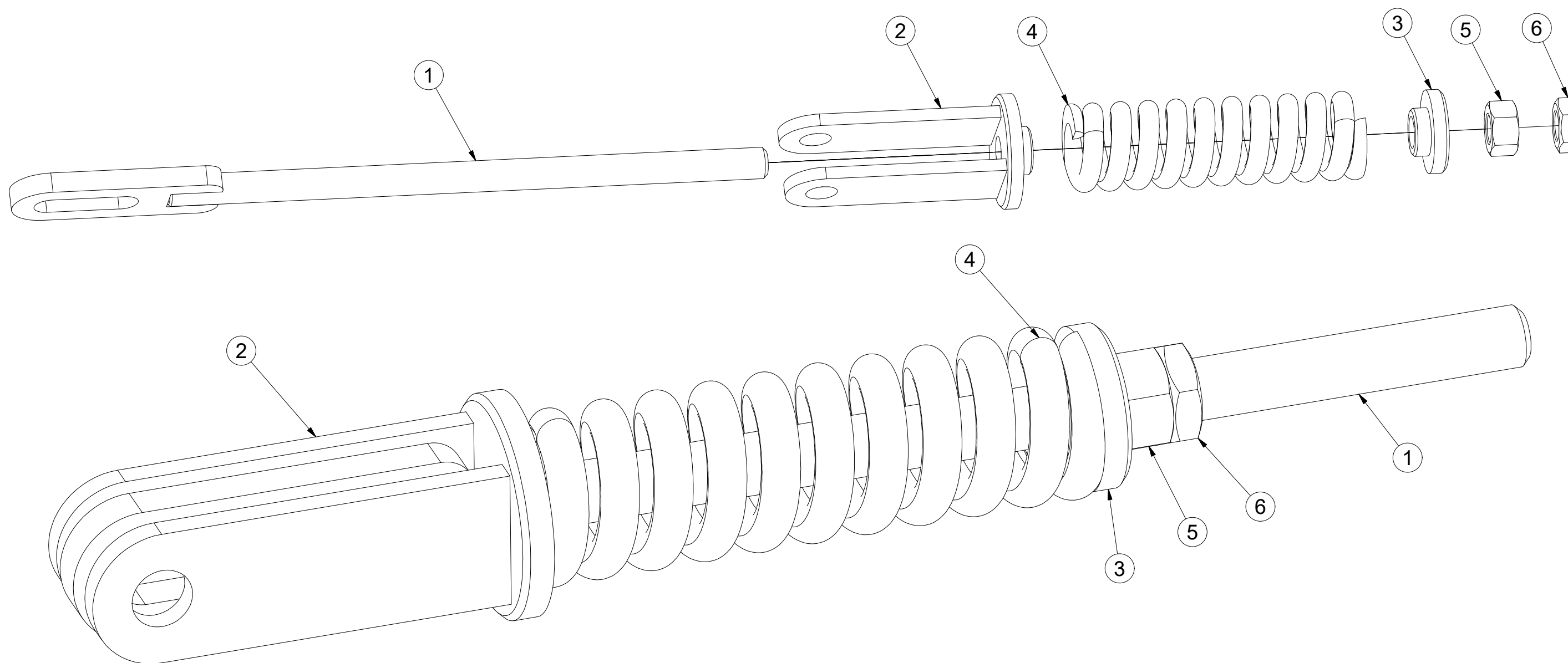
ⒸB TILTING PULL ROD

ⒸU ТЯГА СКЛАДЫВАНИЯ

ⒸL CIĘGŁO PRZECHYLANIA



**4005363**



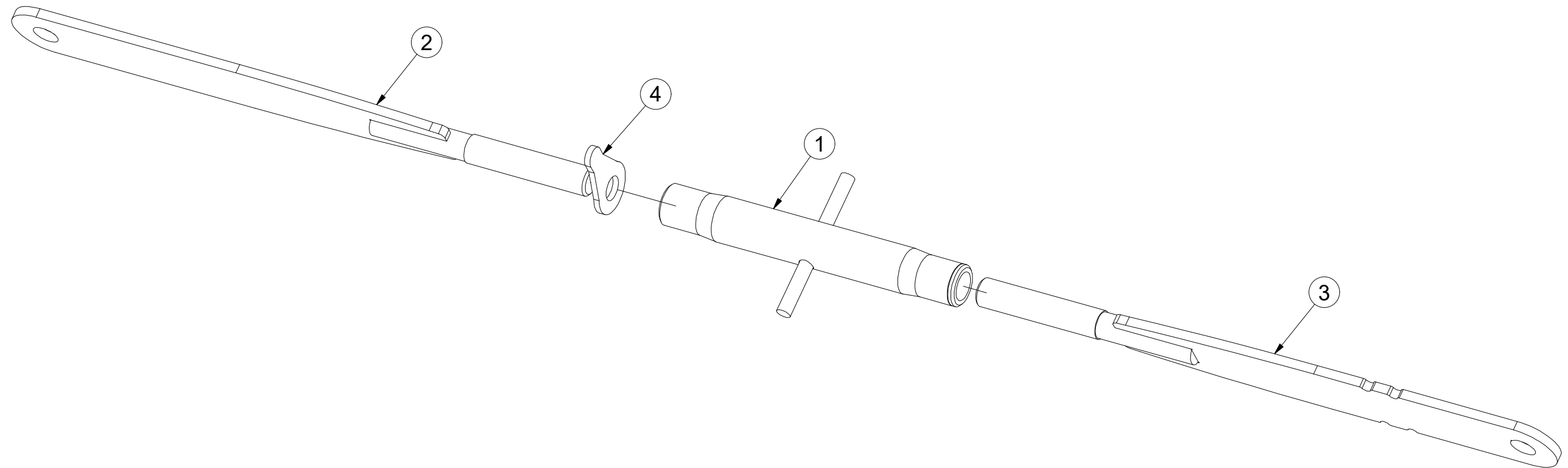
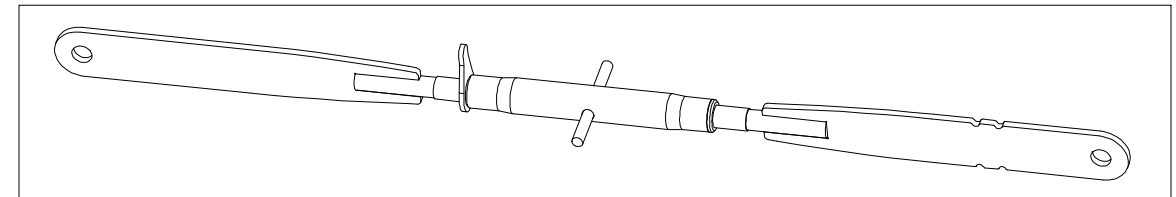
| Pos | Part Number | Pcs. |
|-----|-------------|------|
| 1   | 4005358     | 1    |
| 2   | 4005361     | 1    |
| 3   | 4000023     | 1    |
| 5   | m01309      | 1    |
| 4   | m06482      | 1    |
| 6   | m04043      | 1    |

Ⓒ SPOJOVACÍ TÁHLO  
Ⓓ VERBINDUNGSSTANGE  
Ⓕ TIGE DE RACCORDEMENT

**4003966**

Ⓖ CONNECTING ROD  
Ⓡ СОЕДИНИТЕЛЬНАЯ ТЯГА  
Ⓟ KORBOWÓD

**Farmet**



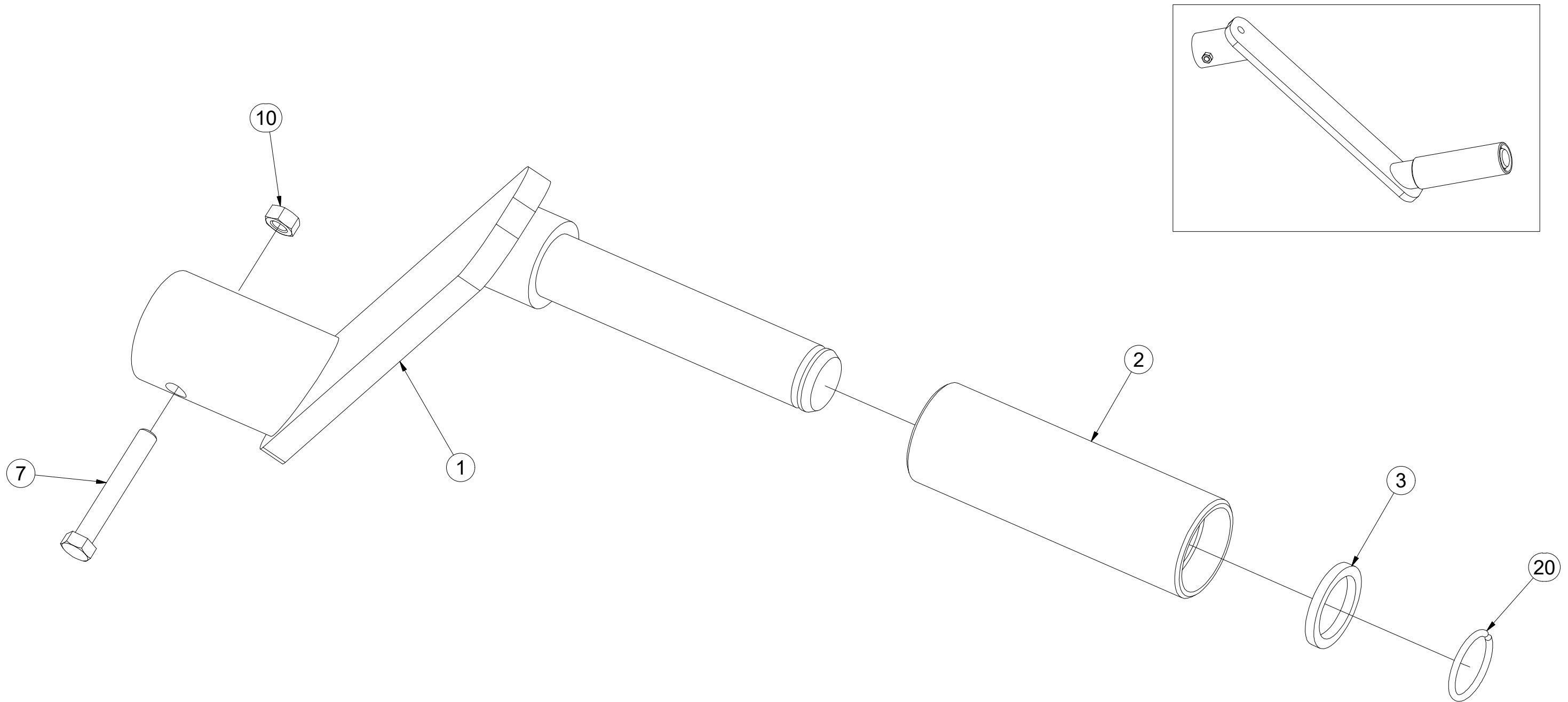
| Poz | Číslo součásti | Ks |
|-----|----------------|----|
| 1   | m08880         | 1  |
| 2   | 4023421        | 1  |
| 3   | 4023423        | 1  |
| 4   | m08881         | 1  |

CZ NASAZOVACÍ KLIKA  
 D EINSTELLKURBEL  
 F MANIVELLE AMOVIBILE

GB PRESS-ON HANDLE  
 RU НАСАЖИВАЕМАЯ РУКОЯТКА  
 PL KLAMKA MOCOWANA



**4003087**



| Pos. | Part Number | Pcs. |
|------|-------------|------|
| 1    | 4003092     | 1    |
| 2    | 4001533     | 1    |
| 3    | 4004828     | 1    |
| 7    | m04641      | 1    |
| 10   | m01295      | 1    |
| 20   | m06561      | 1    |

☞ SADA ČEPŮ TBZ 3

☞ BOLZENSATZ TBZ 3

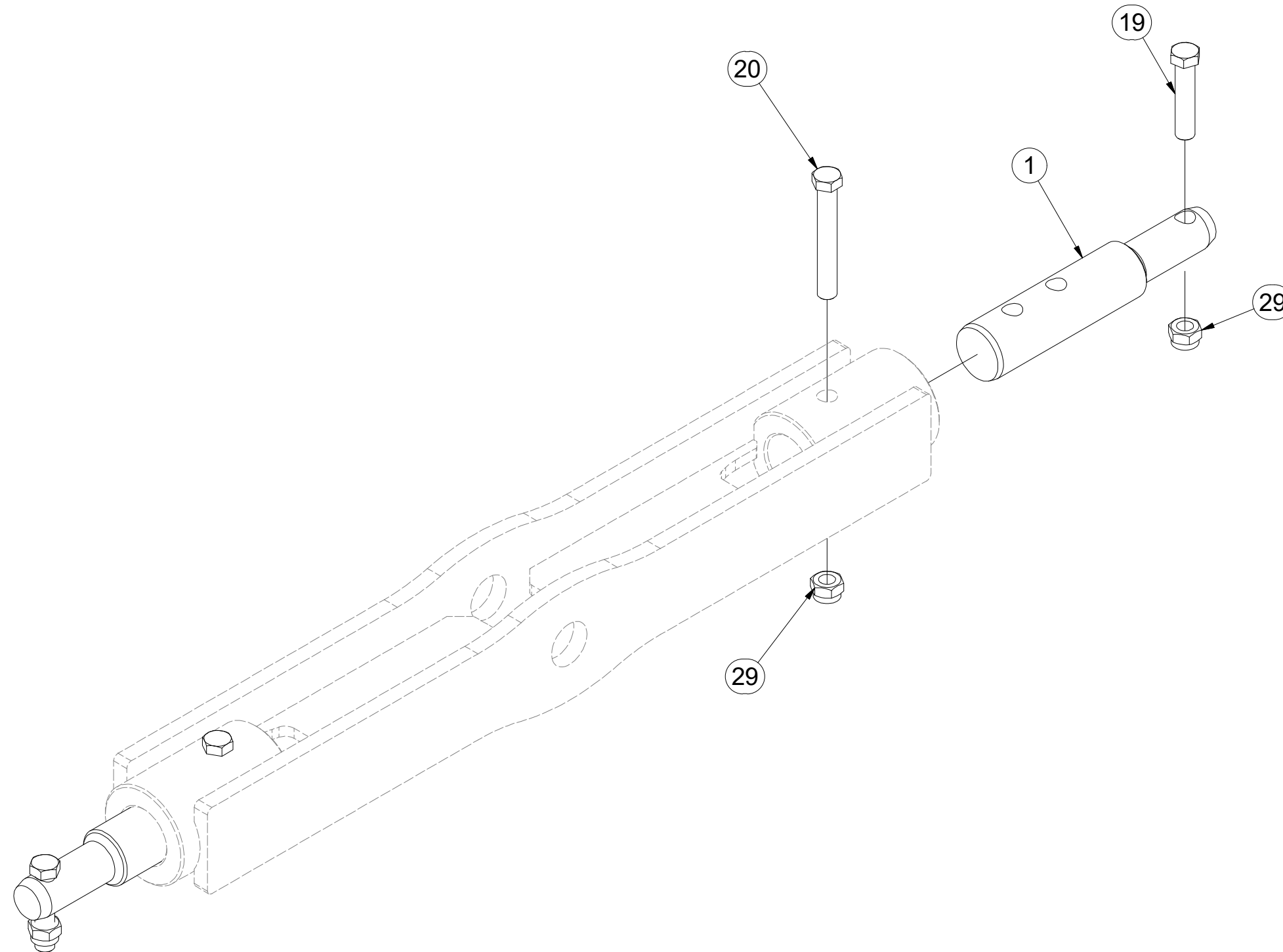
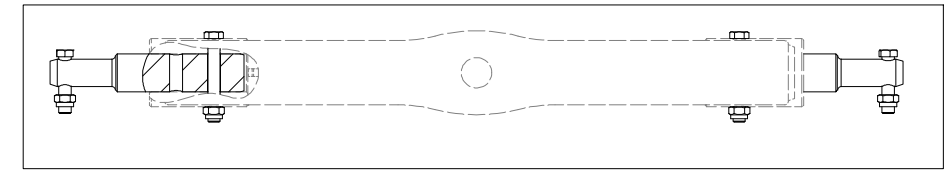
☞ KIT D'EMBOUITS TBZ 3

**3011605**

☞ SET OF TBZ 3 PINS

☞ КОМПЛЕКТ ПАЛЬЦЕВ TBZ 3

☞ ZESTAW CZOPÓW TBZ 3



| Pos. | Part Number | Pcs. |
|------|-------------|------|
| 1    | 4023528     | 2    |
| 19   | m01133      | 2    |
| 20   | m02970      | 2    |
| 29   | m03683      | 4    |



Ⓒ CZ TERČ PŘEDNÍ LEVÝ

Ⓓ D SCHILD, VORDERES, LINKES

Ⓕ F CIBLE AVANT GAUCHE

Ⓖ GB LEFT FRONT DISC

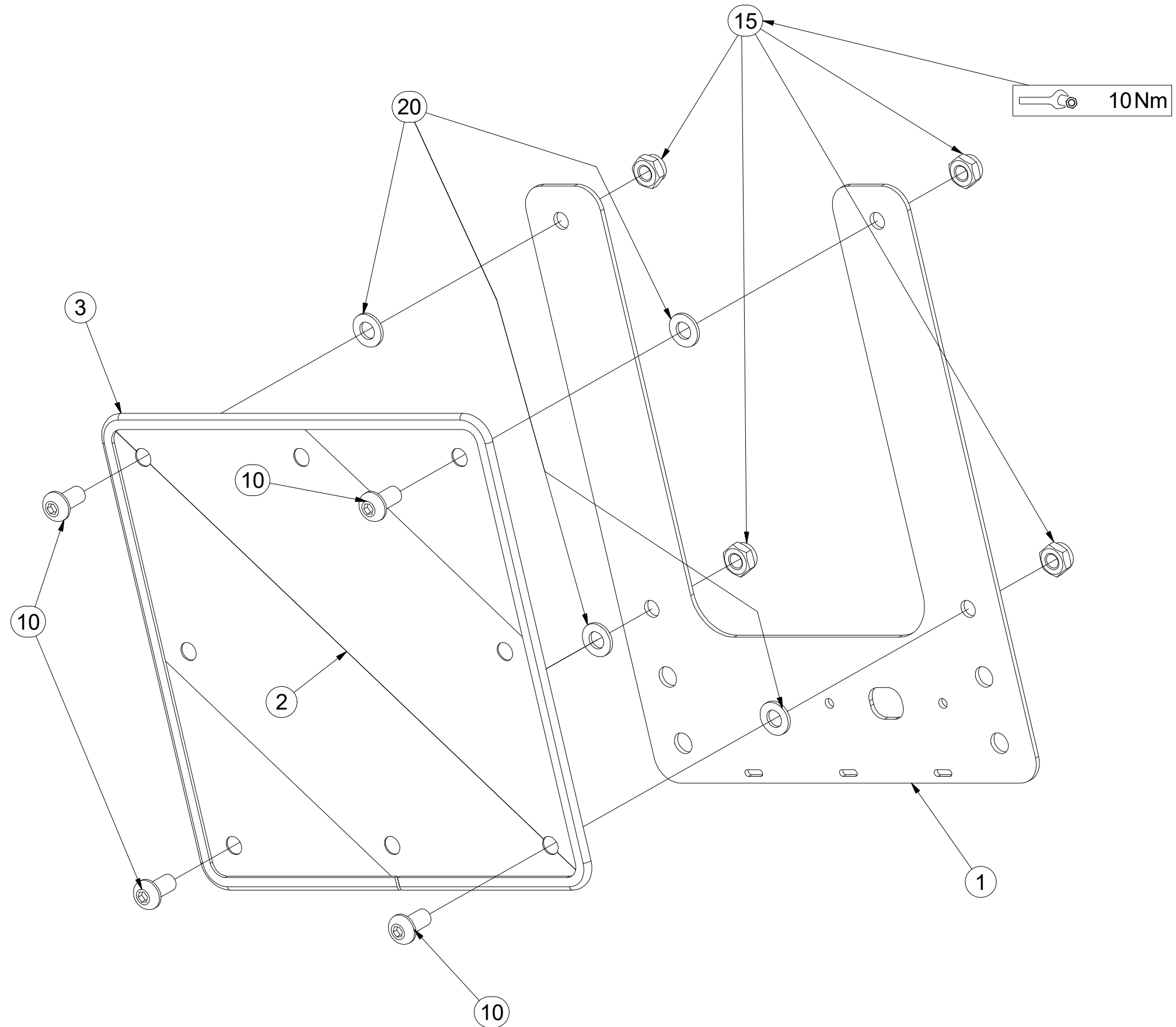
Ⓡ RU ЩИТОК ПЕРЕДНИЙ ЛЕВЫЙ

Ⓟ PL TARCZA PRZEDNIA LEWA



**4025088**

| Pos. | Part Number | Pcs. |
|------|-------------|------|
| 1    | 4025090     | 1    |
| 2    | m18855      | 1    |
| 3    | 9005707     | 1    |
| 10   | m16637      | 4    |
| 15   | m03775      | 4    |
| 20   | m01209      | 4    |



ⒸZ TERČ PŘEDNÍ PRAVÝ

Ⓓ SCHILD, VORDERES, RECHTES

Ⓕ CIBLE AVANT DROITE

ⒼB RIGHT FRONT DISC

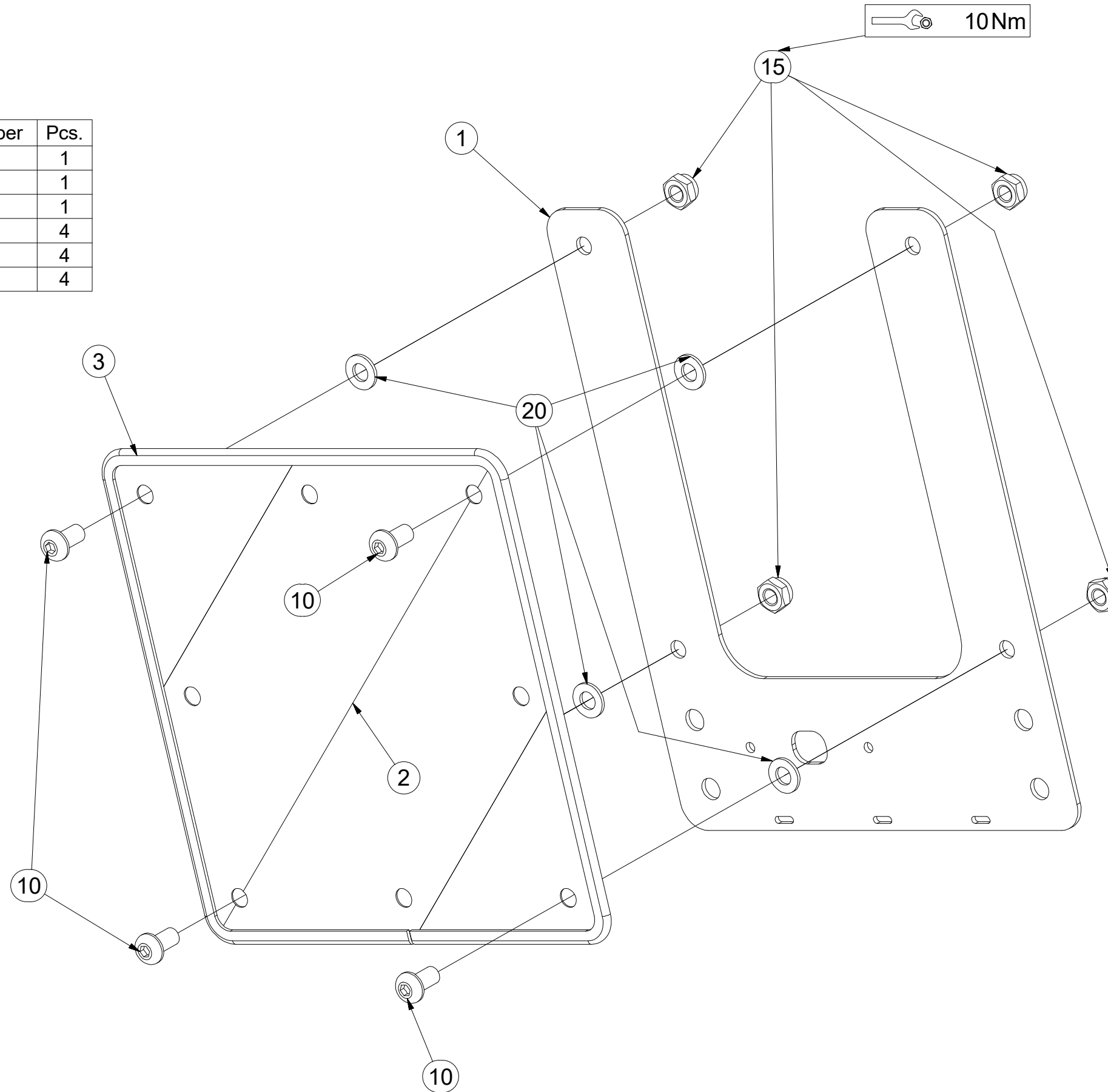
Ⓐ RU ЩИТОК ПЕРЕДНИЙ ПРАВЫЙ

Ⓐ PL TARCZA PRZEDNIA PRAWA



**4025089**

| Pos. | Part Number | Pcs. |
|------|-------------|------|
| 1    | 4025090     | 1    |
| 2    | m18855      | 1    |
| 3    | 9005707     | 1    |
| 10   | m16637      | 4    |
| 15   | m03775      | 4    |
| 20   | m01209      | 4    |



ⒸZ SADA KYPŘIČŮ STOP

Ⓓ SPURENLOCKERERSATZ

Ⓕ KIT DE CULTIVATEURS DE TRACES

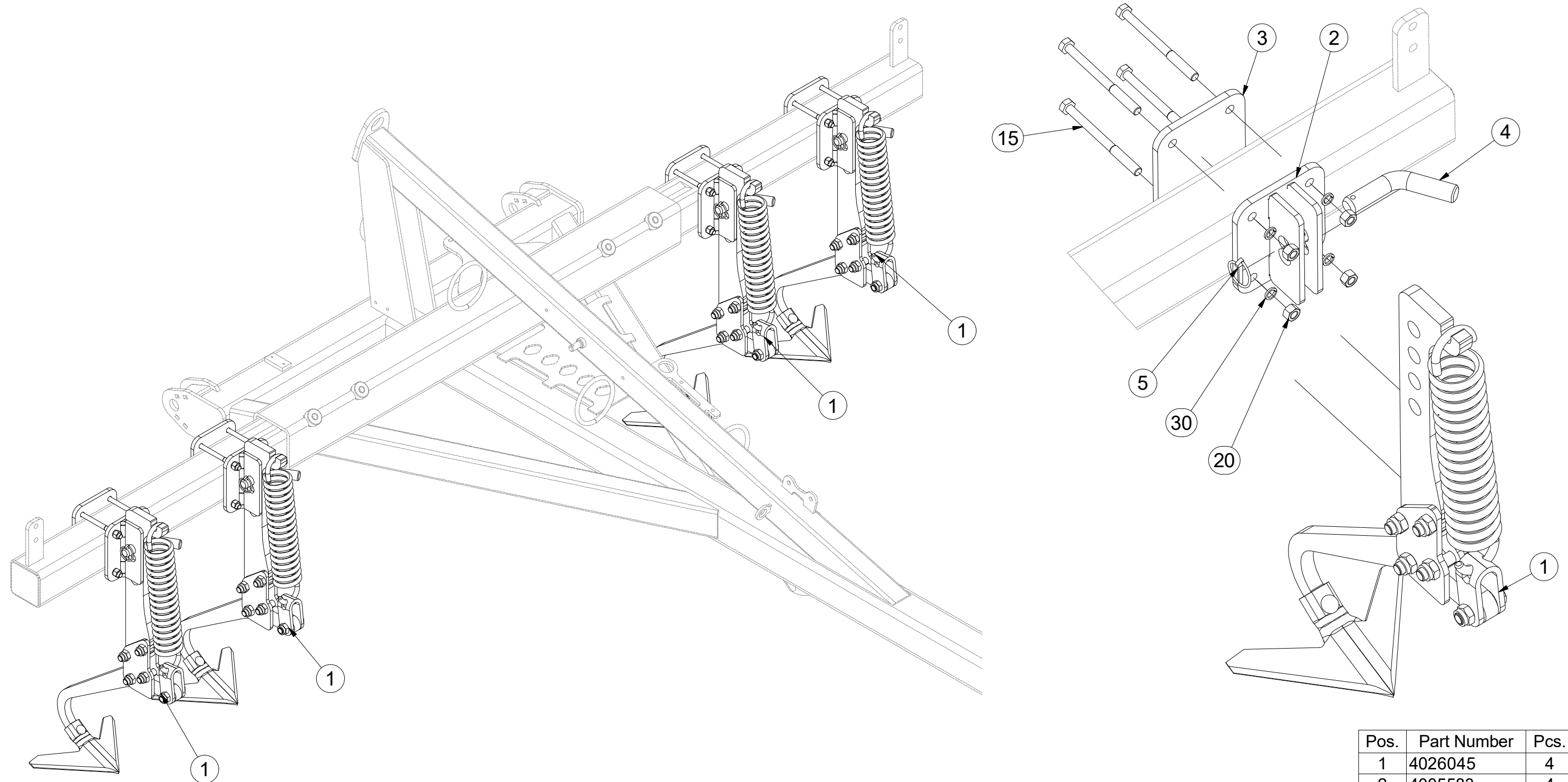
**3005535**

ⒼB SET OF TRACK CULTIVATORS

ⒺU КОМПЛЕКТ РЫХЛИТЕЛЕЙ КОЛЕИ

ⒻL ZESTAW SPULCHNIACZY ŚLADÓW

**Farmet**



| Pos. | Part Number | Pcs. |
|------|-------------|------|
| 1    | 4026045     | 4    |
| 2    | 4005583     | 4    |
| 3    | 4009468     | 4    |
| 4    | m08885      | 4    |
| 5    | m10454      | 4    |
| 15   | m05946      | 16   |
| 20   | m01305      | 16   |
| 30   | m03988      | 16   |

Ⓒ KYPŘIČ STOP

Ⓓ SPURENLOCKERER

Ⓕ CULTIVATEUR DES TRACES

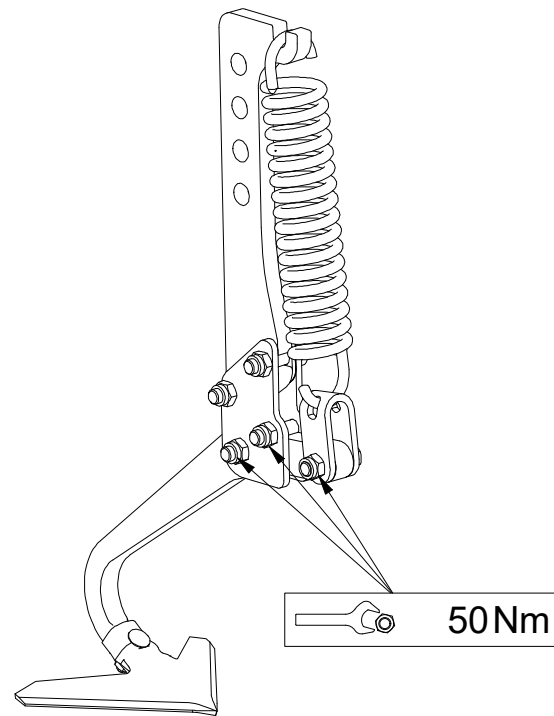
Ⓖ TRACK CULTIVATOR

Ⓡ РЫХЛИТЕЛЬ КОЛЕИ

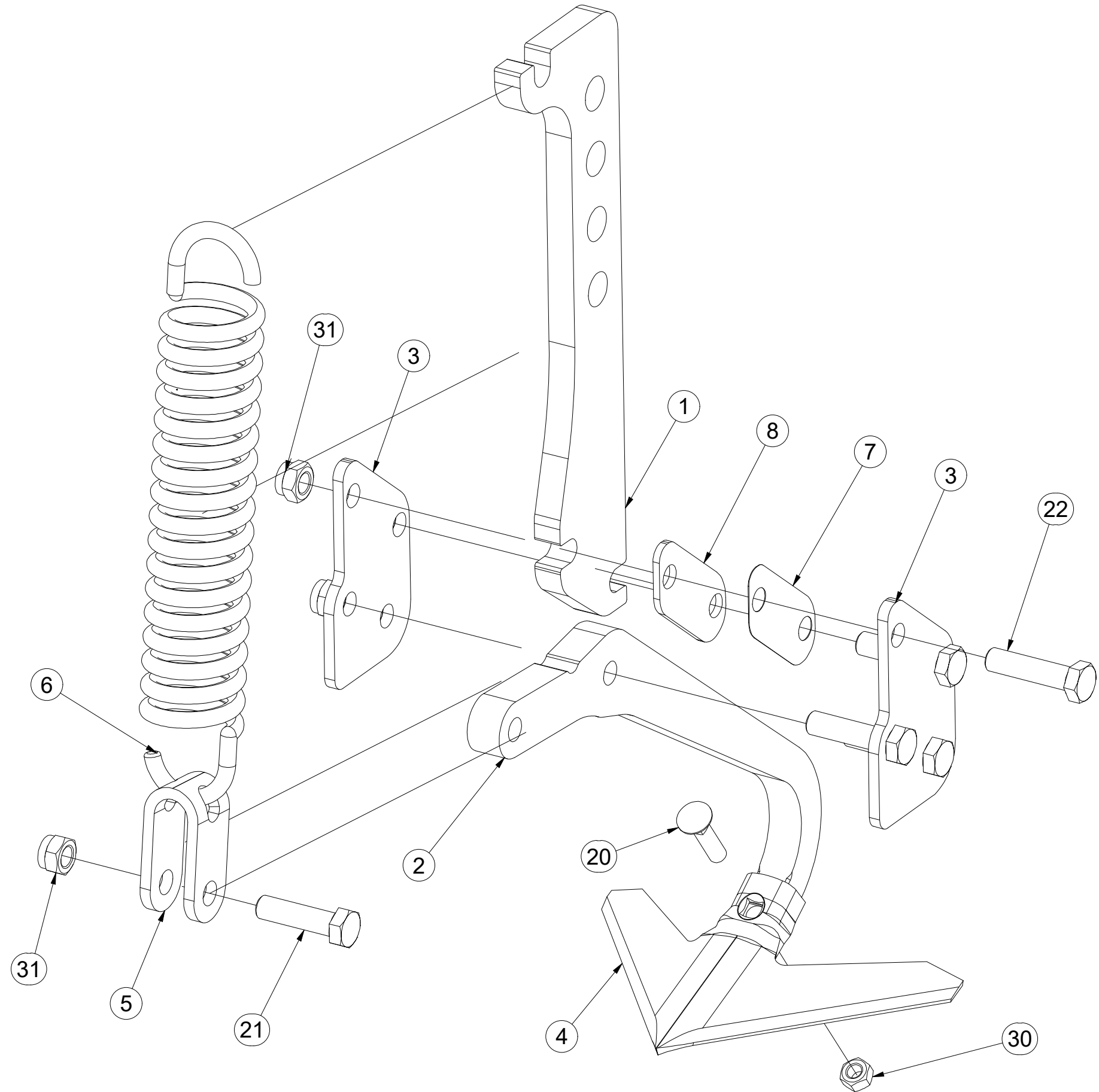
Ⓟ SPULCHNIARKA STÓP



**4026045**



| Pos. | Part Number | Pcs. |
|------|-------------|------|
| 1    | 4017307     | 1    |
| 2    | 4025591     | 1    |
| 3    | 4005582     | 2    |
| 4    | 3000236-KOO | 1    |
| 5    | 4005445     | 1    |
| 6    | m02597      | 1    |
| 7    | 4005591     | 1    |
| 8    | 4026202     | 1    |
| 20   | m10440      | 1    |
| 21   | m00619      | 1    |
| 22   | m06587      | 4    |
| 30   | m10439      | 1    |
| 31   | m03683      | 5    |



ⒸZ SADA PŘEDNÍCH SMYKŮ

Ⓓ SATZ VORDERE ACKERSCHLEPPEN

Ⓕ KIT DE NIVELEURS AVANT

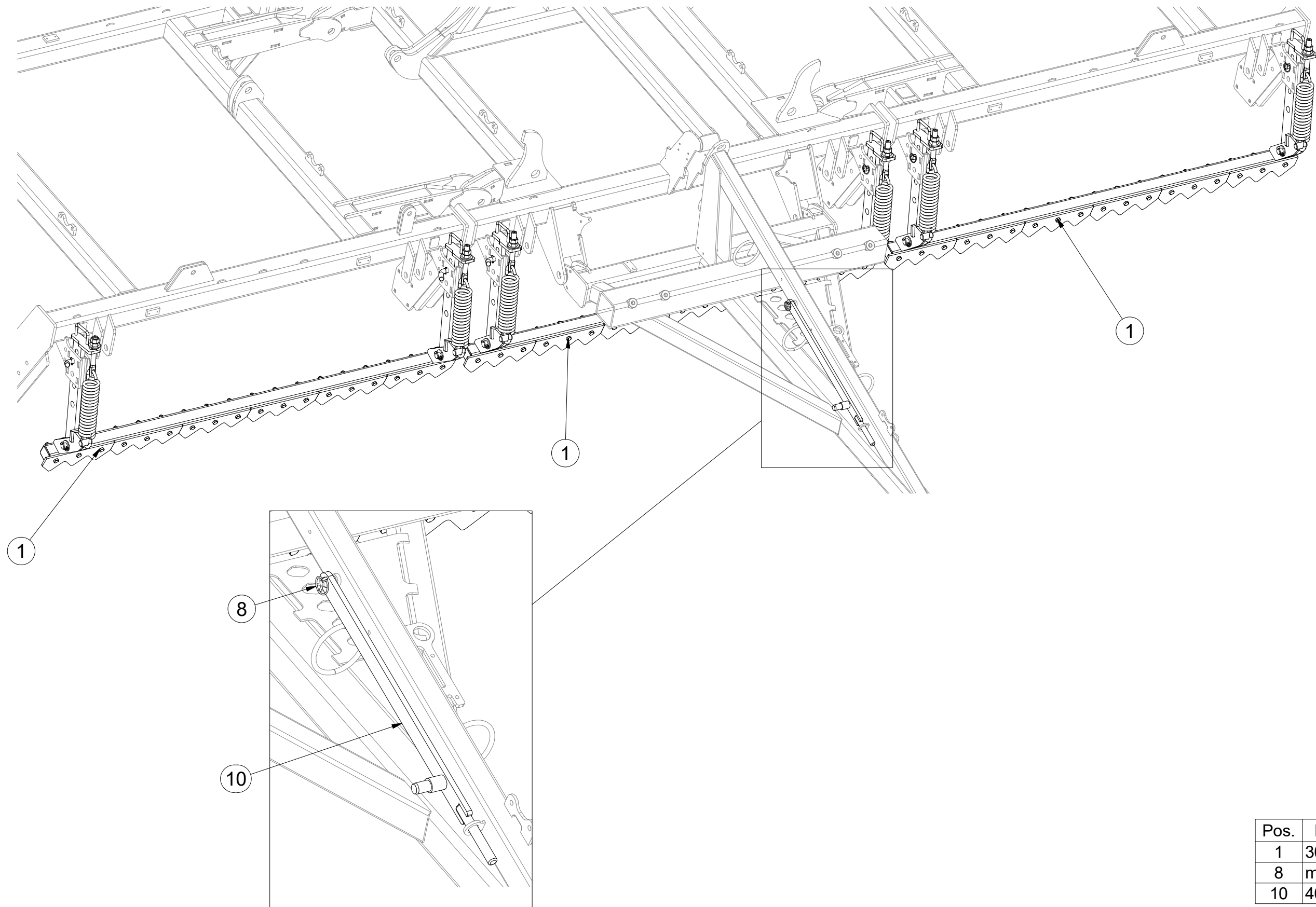
ⒼB SET OF FRONT LEVELLING BARS

ⒺU КОМПЛЕКТ ПЕРЕДНИХ БОРОН

ⒼL ZESTAW PRZEDNICH WŁÓK

**Farmet**

**3005539**



| Pos. | Part Number | Pcs. |
|------|-------------|------|
| 1    | 3010749     | 3    |
| 8    | m10454      | 7    |
| 10   | 4006829     | 1    |

ⒸZ SADA PŘEDNÍCH SMYKŮ

Ⓓ SATZ VORDERE ACKERSCHLEPPEN

Ⓕ KIT DE NIVELEURS AVANT

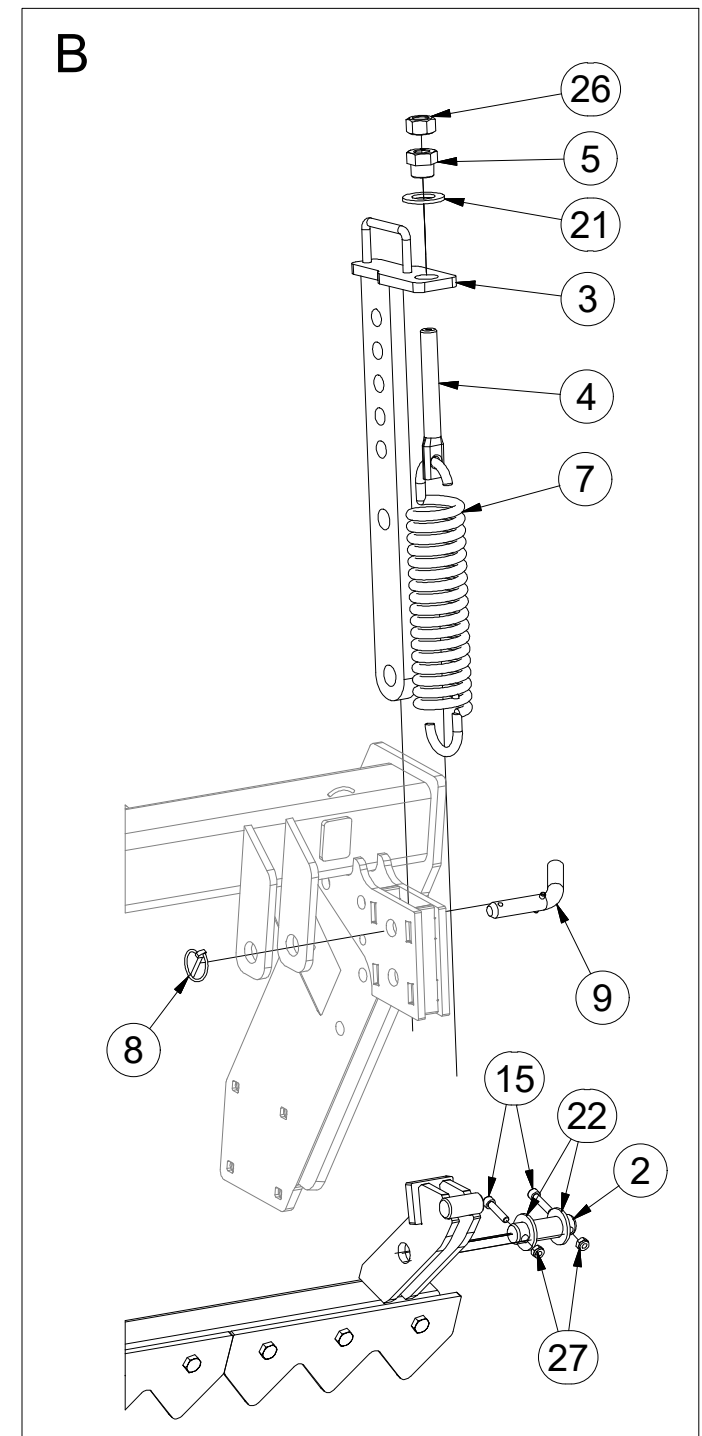
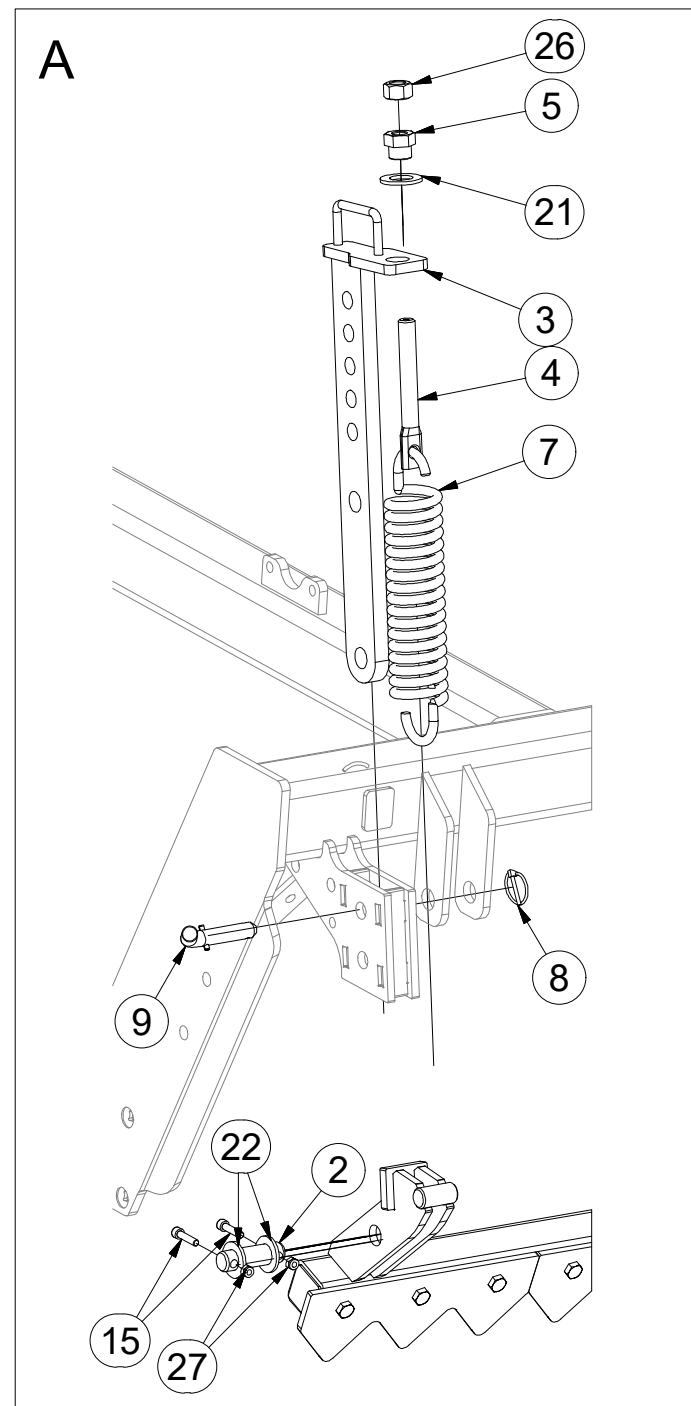
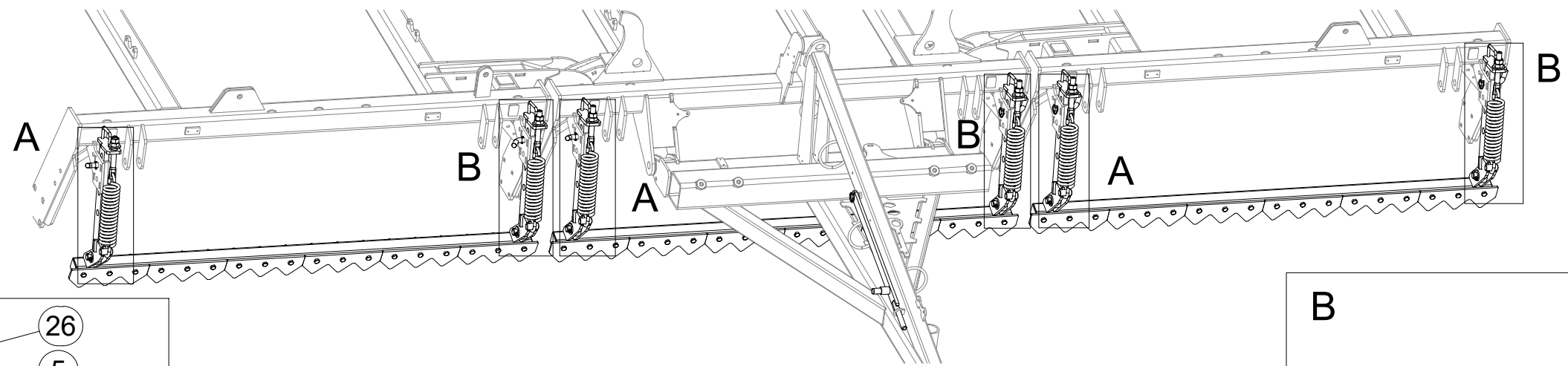
ⒼB SET OF FRONT LEVELLING BARS

ⒺRU КОМПЛЕКТ ПЕРЕДНИХ БОРОН

ⒼPL ZESTAW PRZEDNICH WŁÓK



**3005539**



| Pos. | Part Number | Pcs. |
|------|-------------|------|
| 2    | 4010390     | 6    |
| 3    | 3008686     | 6    |
| 4    | 4003401     | 6    |
| 5    | 4000189     | 6    |
| 7    | m02597      | 6    |
| 8    | m10454      | 7    |
| 9    | 4012011     | 6    |
| 15   | m09464      | 12   |
| 21   | m01225      | 6    |
| 22   | m14028      | 12   |
| 26   | m01307      | 6    |
| 27   | m04503      | 12   |

Ⓒ PŘEDNÍ SMYK

Ⓓ VORDERE ACKERSCHLEIFE

Ⓕ NIVELEUR AVANT

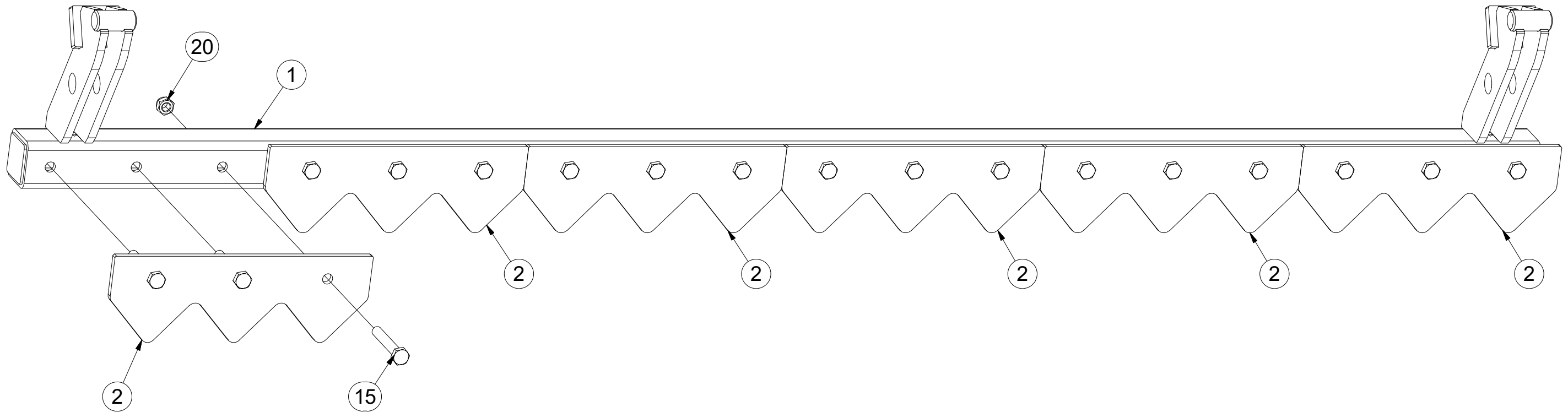
Ⓖ FRONT DRAG

Ⓡ ПЕРЕДНЯЯ БОРОНА

Ⓟ PRZEDNIA WŁÓKA

**Farmet**

**3010749**



| Pos. | Part Number | Pcs. |
|------|-------------|------|
| 1    | 3010748     | 1    |
| 2    | 4021741     | 6    |
| 15   | m09437      | 18   |
| 20   | m04301      | 18   |

ⒸZ SADA PŘEDNÍCH VÁLCŮ

Ⓓ SATZ VORDERE WALZEN

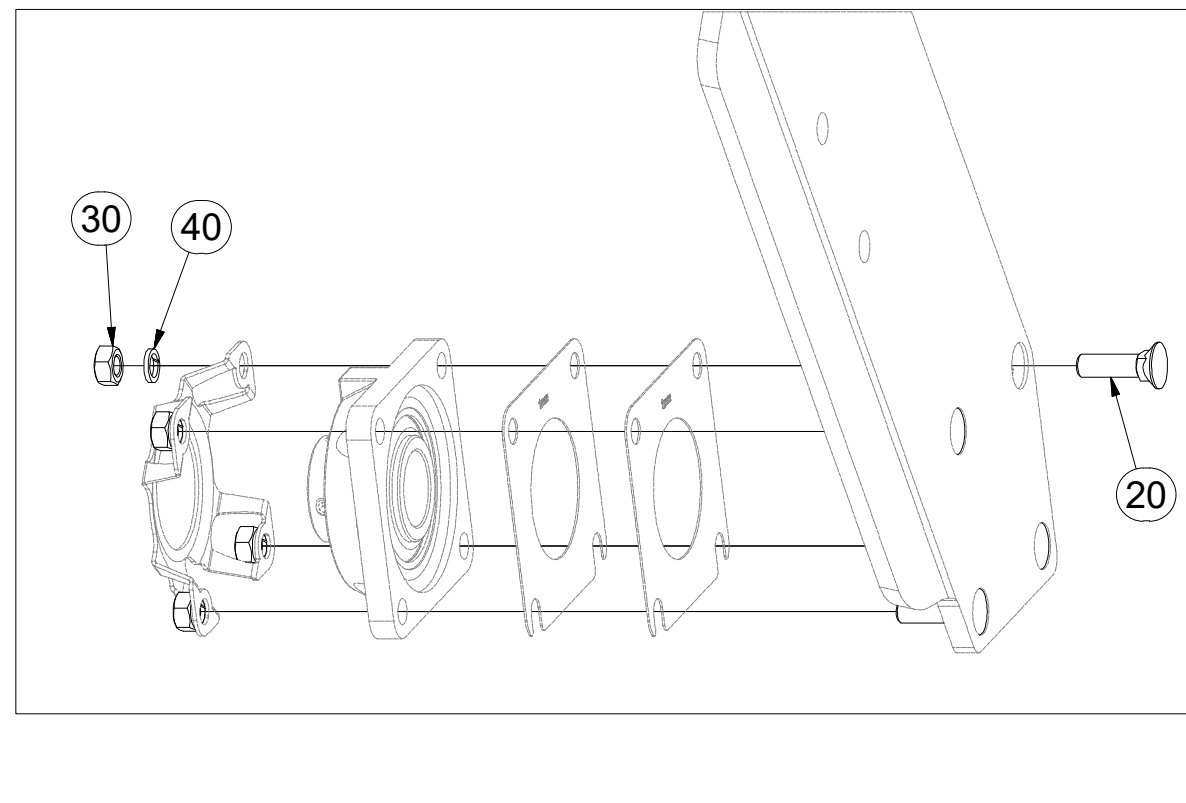
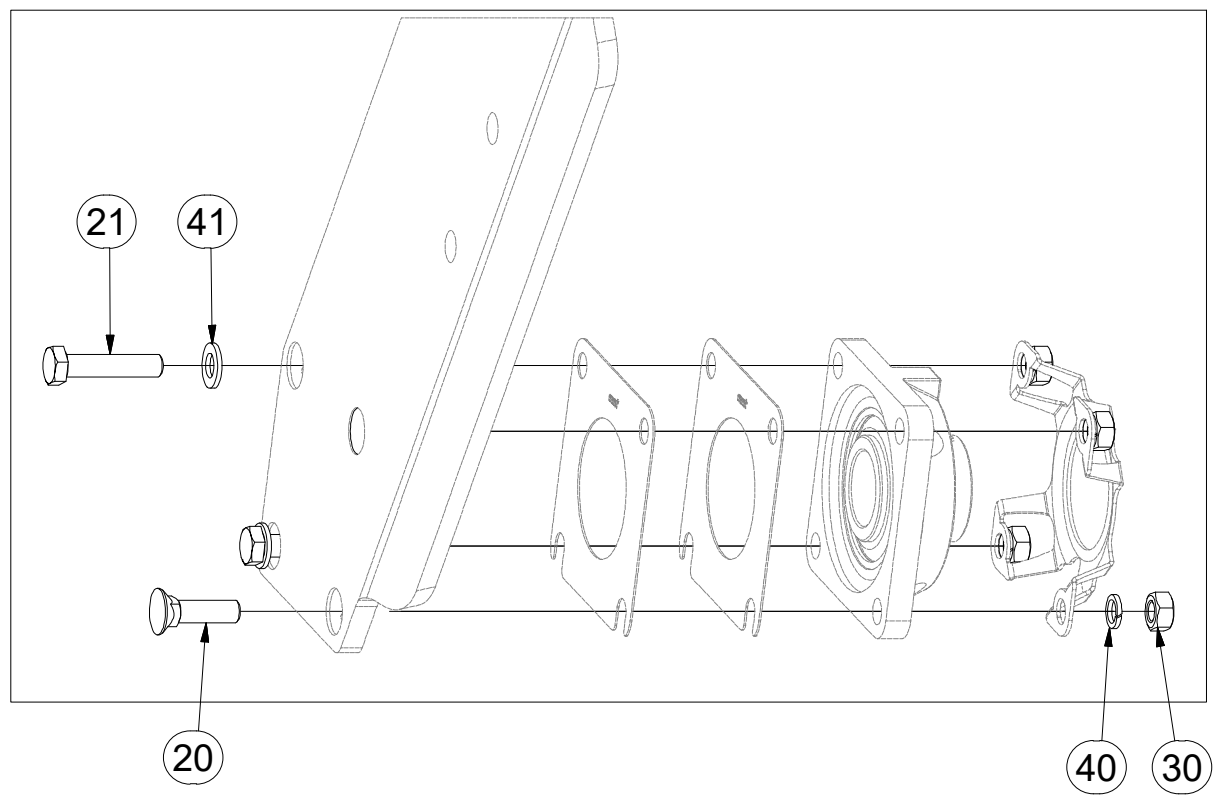
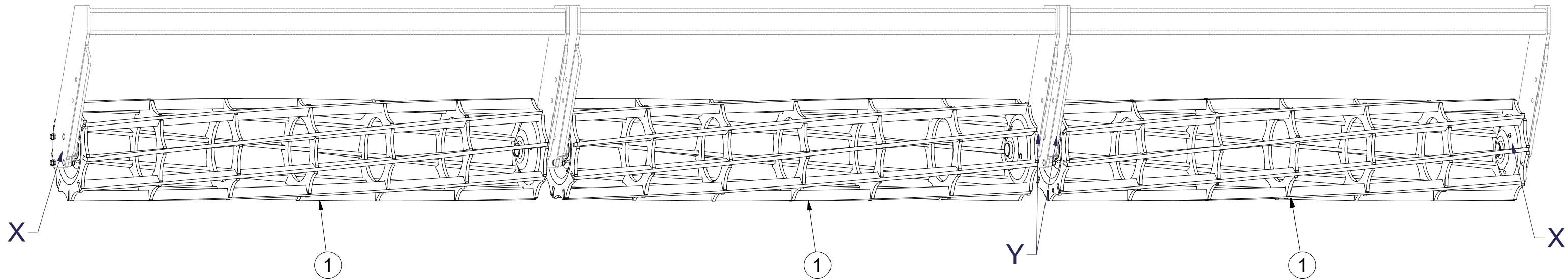
Ⓕ KIT DE ROULEAUX AVANT

**3011854**

ⒸB SET OF FRONT ROLLERS

ⒸU КОМПЛЕКТ ПЕРЕДНИХ КАТКОВ

ⒸL ZESTAW PRZEDNICH WAŁÓW



| Pos. | Part Number | Pcs. |
|------|-------------|------|
| 1    | 2000679     | 3    |
| 40   | m03988      | 24   |
| 30   | m01305      | 24   |
| 20   | m03519      | 20   |
| 41   | m17741      | 4    |
| 21   | m04412      | 4    |



Ⓒ SADA LOŽISEK

Ⓓ LAGERSATZ

Ⓕ KIT DE ROULEMENTS

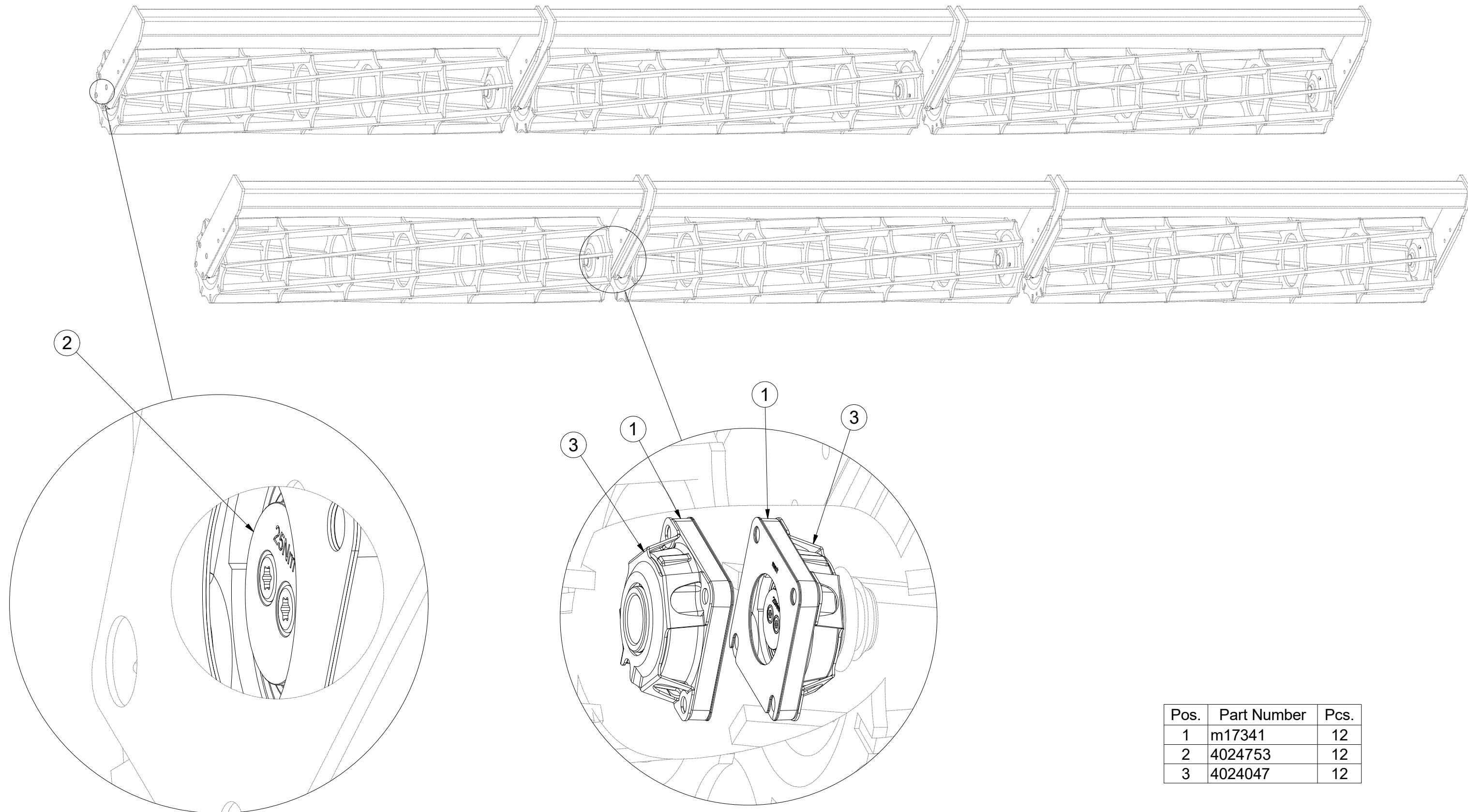
Ⓖ SET OF BEARINGS

Ⓡ КОМПЛЕКТ ПОДШИПНИКОВ

Ⓟ ZESTAW ŁOŻYSK



**3011856**



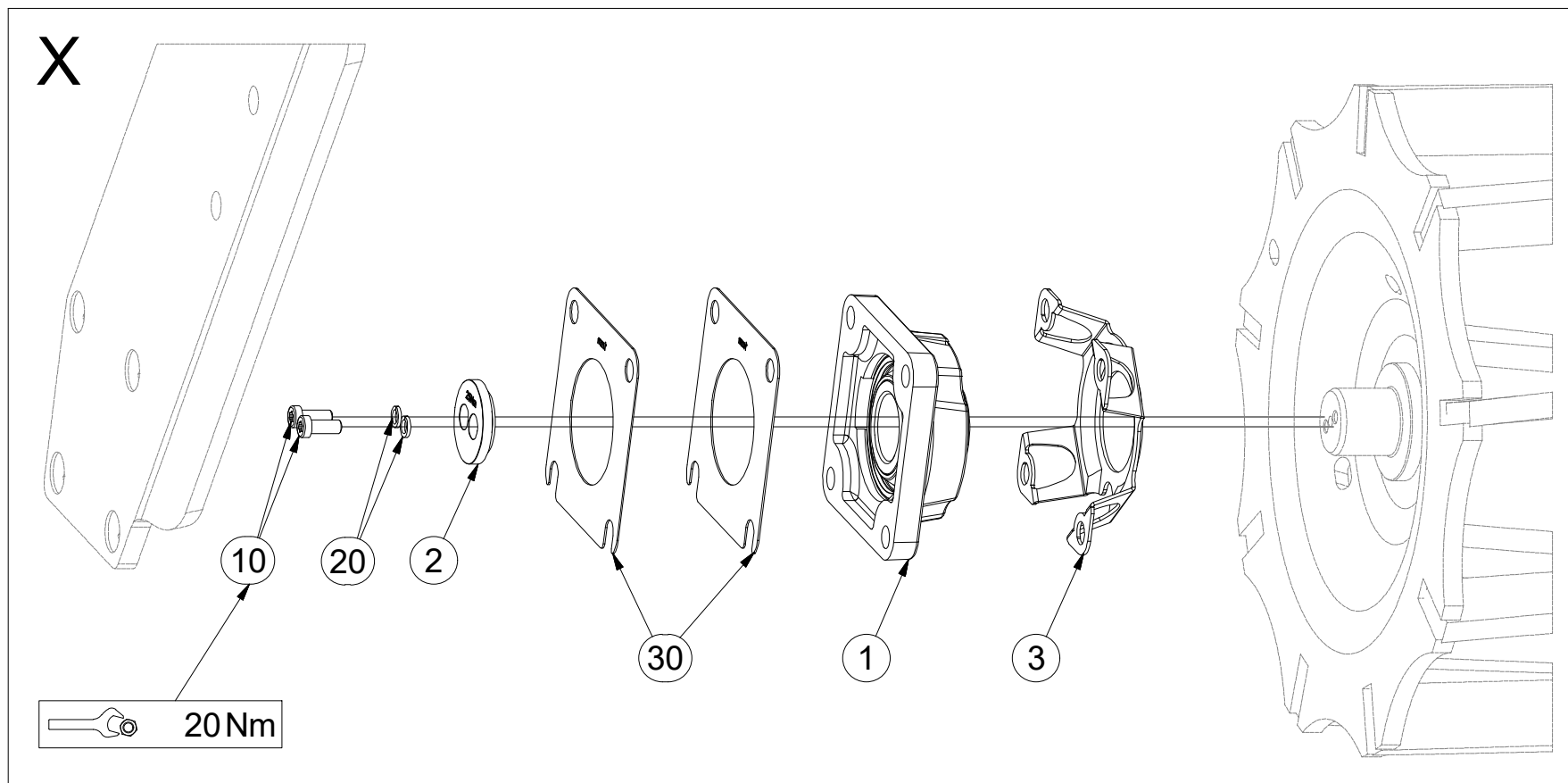
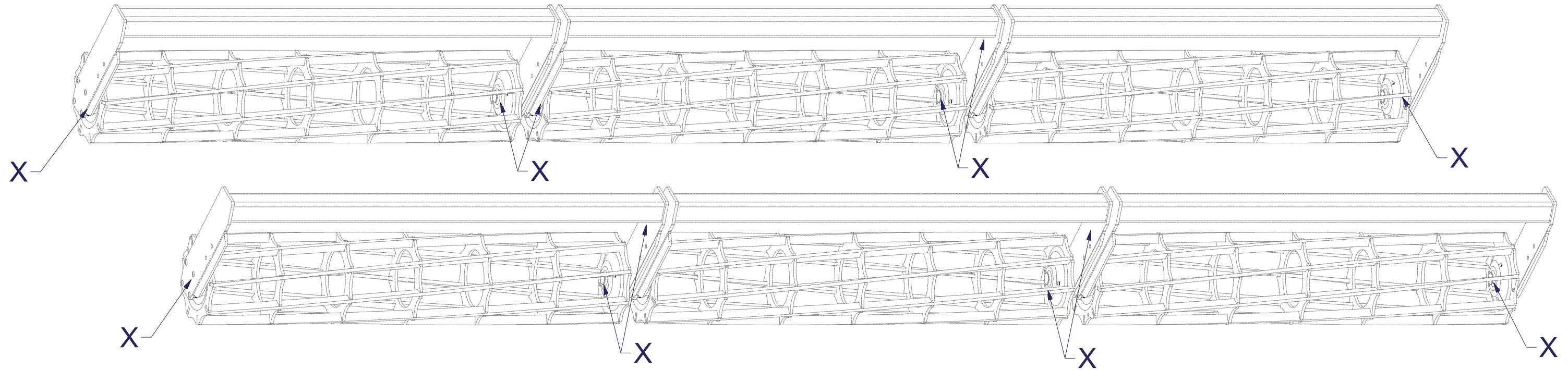
| Pos. | Part Number | Pcs. |
|------|-------------|------|
| 1    | m17341      | 12   |
| 2    | 4024753     | 12   |
| 3    | 4024047     | 12   |

CZ SADA LOŽISEK  
 D LAGERSATZ  
 F KIT DE ROULEMENTS

GB SET OF BEARINGS  
 RU КОМПЛЕКТ ПОДШИПНИКОВ  
 PL ZESTAW ŁOŻYSK



**3011856**



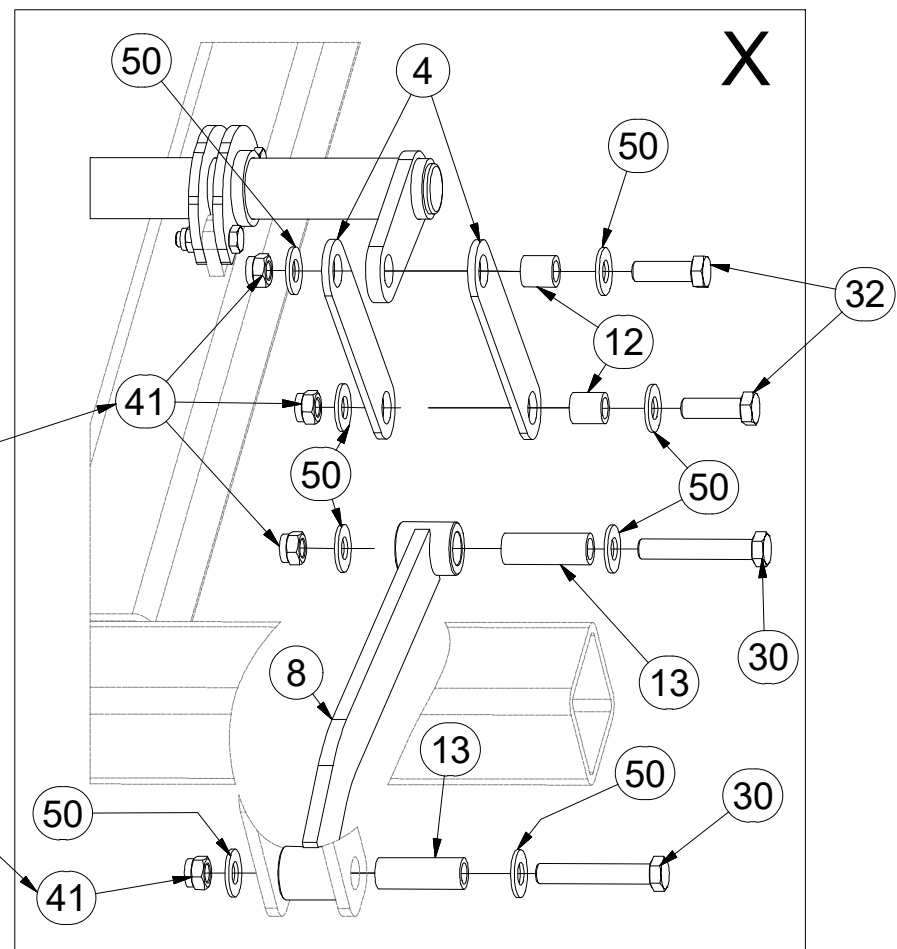
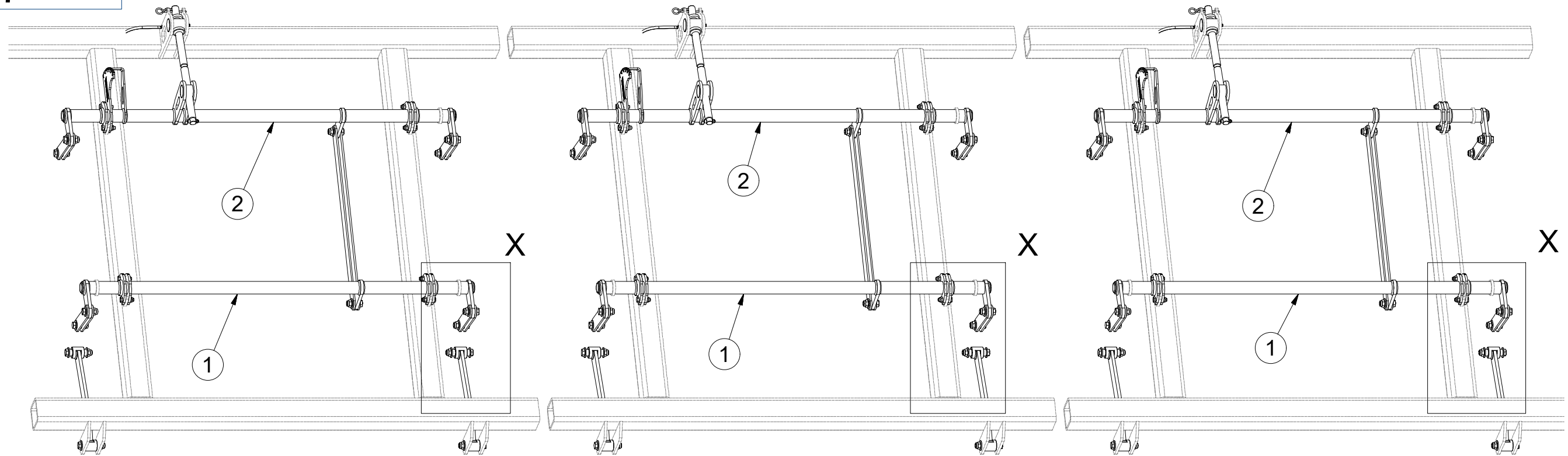
| Pos. | Part Number | Pcs. |
|------|-------------|------|
| 1    | m17341      | 12   |
| 2    | 4024753     | 12   |
| 3    | 4024047     | 12   |
| 10   | m17075      | 24   |
| 20   | m01202      | 24   |
| 30   | 4016809     | 24   |

(CZ) SADA OVLÁDÁNÍ RADLIC  
 (D) STEUERSATZ PFLUGSCHAREN  
 (F) KIT DE COMMANDE DES SOCS

(GB) SET OF PLOUGHSHARE CONTROL  
 (RU) КОМПЛЕКТ УПРАВЛЕНИЯ ЛАП  
 (PL) ZESTAW STEROWANIA RADLICAMI



**3011967**



| Pos. | Part Number   | Pcs. | Pos. | Part Number | Pcs. |
|------|---------------|------|------|-------------|------|
| 1    | 3002830       | 3    | 13   | 9001426     | 12   |
| 2    | 3002831       | 3    | 30   | m07673      | 12   |
| 4    | 4005333       | 24   | 32   | m04355      | 30   |
| 8    | 8000990-30007 | 6    | 41   | m03683      | 42   |
| 12   | 4002265       | 30   | 50   | m05651      | 84   |

Ⓒ CZ SADA OVLÁDÁNÍ RADLIC

Ⓓ STEUERSATZ PFLUGSCHAREN

Ⓕ KIT DE COMMANDE DES SOCS

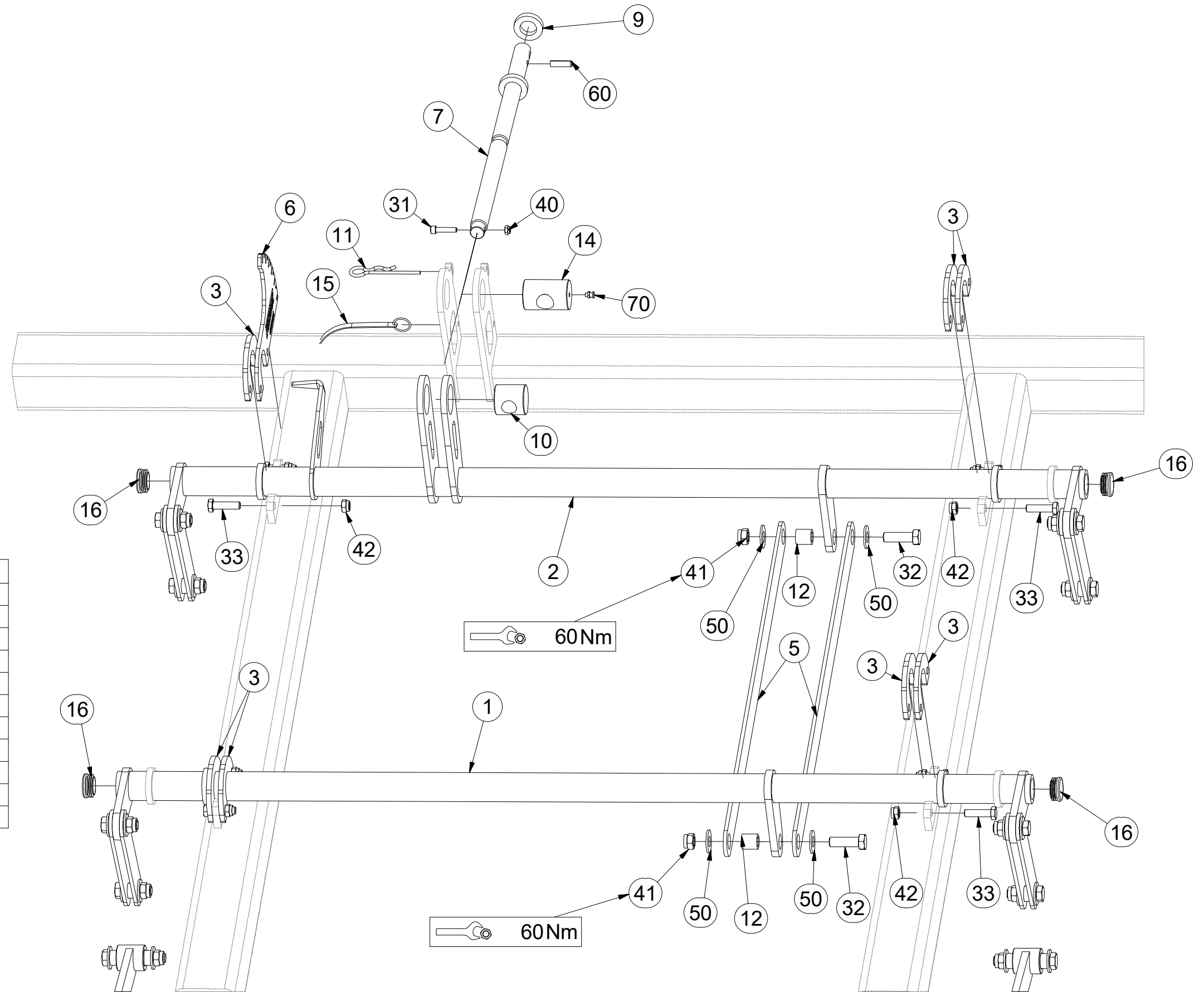
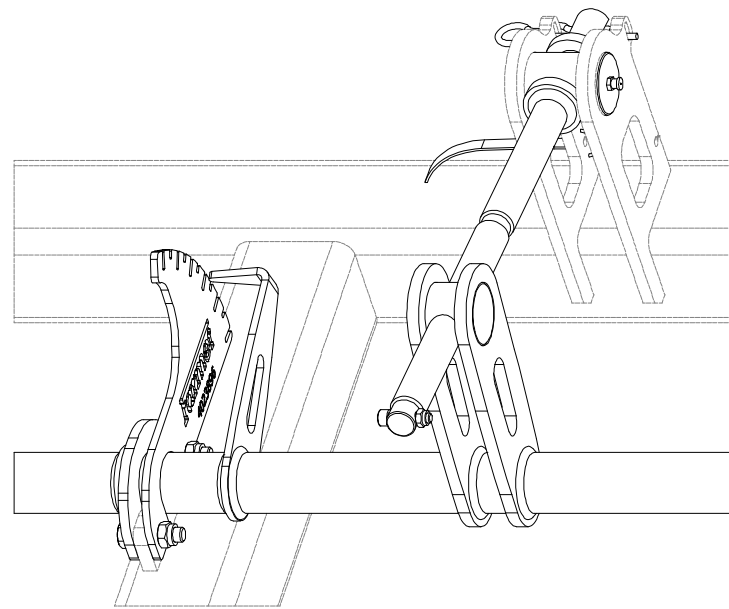
Ⓖ GB SET OF PLOUGHSHARE CONTROL

Ⓡ RU КОМПЛЕКТ УПРАВЛЕНИЯ ЛАП

Ⓟ PL ZESTAW STEROWANIA RADLICAMI



**3011967**



| Pos. | Part Number | Pcs. | Pos. | Part Number | Pcs. |
|------|-------------|------|------|-------------|------|
| 1    | 3002830     | 3    | 15   | m12467      | 3    |
| 2    | 3002831     | 3    | 16   | m10130      | 12   |
| 3    | 4005332     | 21   | 31   | m09464      | 3    |
| 5    | 4005334     | 6    | 32   | m04355      | 30   |
| 6    | 4023896     | 3    | 33   | m06077      | 24   |
| 7    | 4024250     | 3    | 40   | m04503      | 3    |
| 9    | 9002560     | 3    | 41   | m03683      | 42   |
| 10   | 4005340     | 3    | 42   | m04301      | 24   |
| 11   | m09988      | 3    | 50   | m05651      | 84   |
| 12   | 4002265     | 30   | 60   | m10736      | 3    |
| 14   | 9002114     | 3    | 70   | m10451      | 3    |

Ⓒ SADA RADLIC

Ⓓ SCHARSATZ

Ⓕ KIT DE SOCS

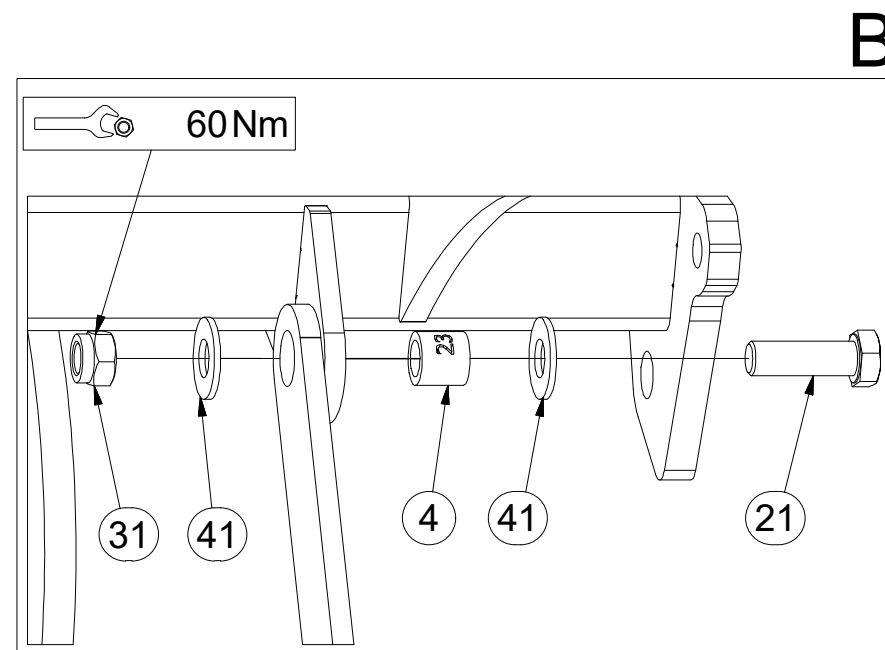
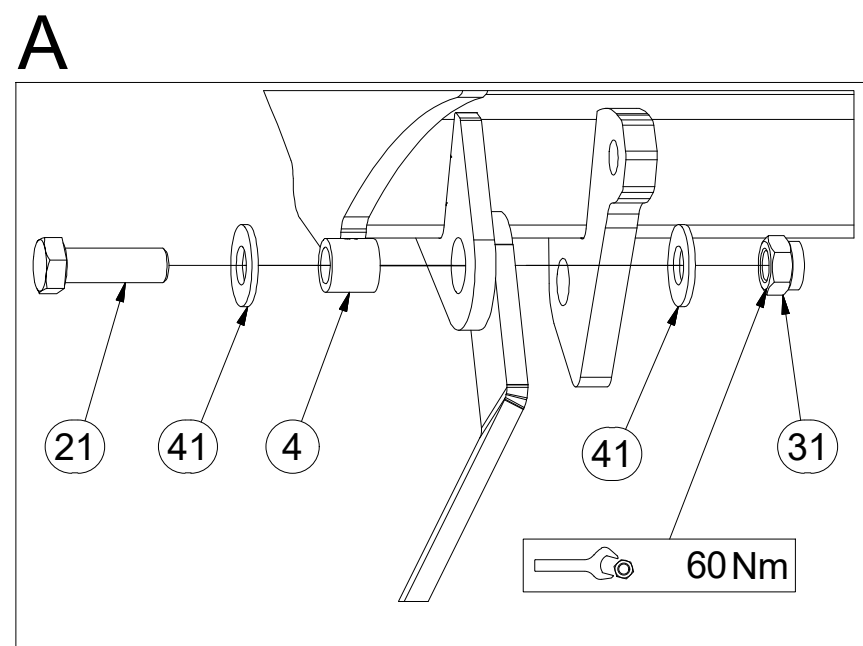
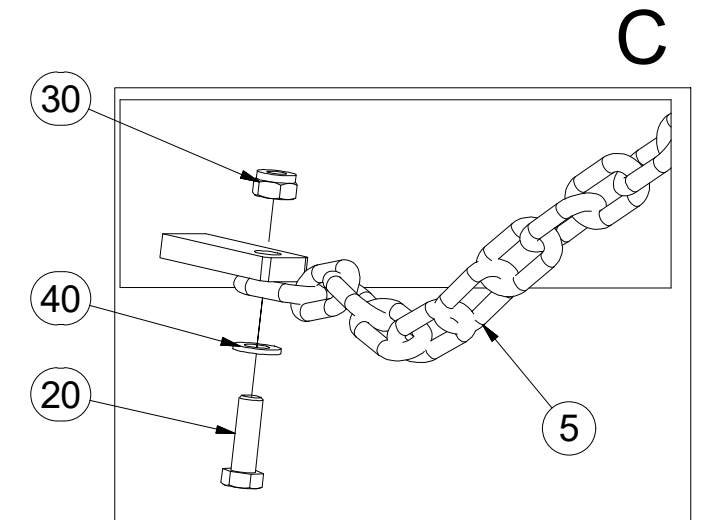
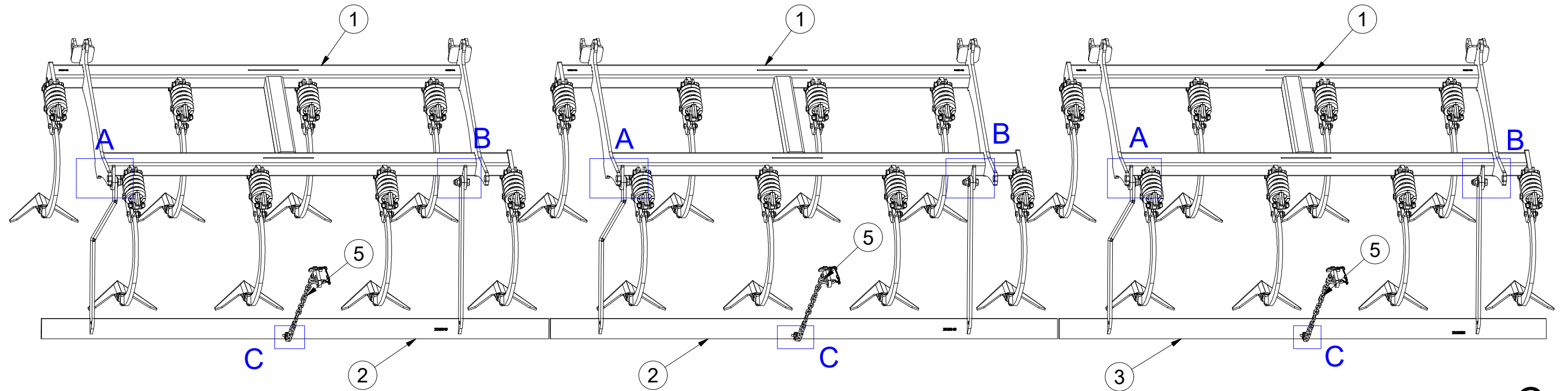
Ⓒ SET OF PLOUGHSHARES

Ⓓ КОМПЛЕКТ ЛАП

Ⓕ ZESTAW REDLIC



3012374



| Pos. | Part Number | Pcs. |
|------|-------------|------|
| 1    | 3012387     | 3    |
| 2    | 3009549     | 2    |
| 3    | 3009550     | 1    |
| 4    | 4022223     | 6    |
| 5    | 4001641     | 3    |
| 20   | m01092      | 3    |
| 21   | m04355      | 6    |
| 30   | m04503      | 3    |
| 31   | m03683      | 6    |
| 40   | m01203      | 3    |
| 41   | m05651      | 12   |

ⒸZ SADA RADLIC

Ⓓ SCHARSATZ

Ⓕ KIT DE SOCS

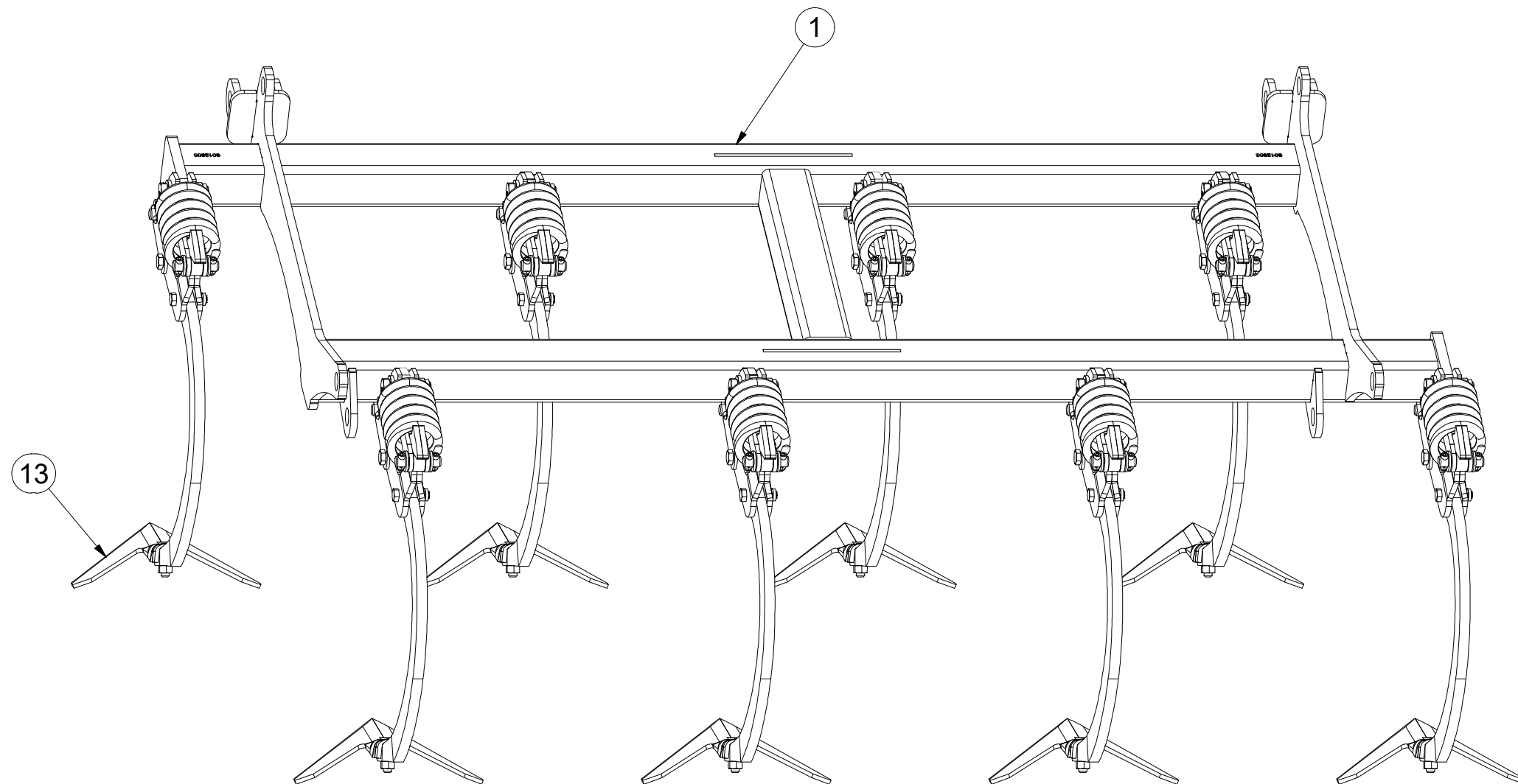
ⒼB SET OF PLOUGHSHARES

ⒺU КОМПЛЕКТ ЛАП

ⒽL ZESTAW REDLIC



**3012387**



| Pos. | Part Number | Pcs. |
|------|-------------|------|
| 1    | 3012388     | 1    |
| 13   | 3000236-KOO | 8    |

Ⓒ SADA RADLIC

Ⓓ SCHARSATZ

Ⓕ KIT DE SOCS

Ⓖ SET OF PLOUGHSHARES

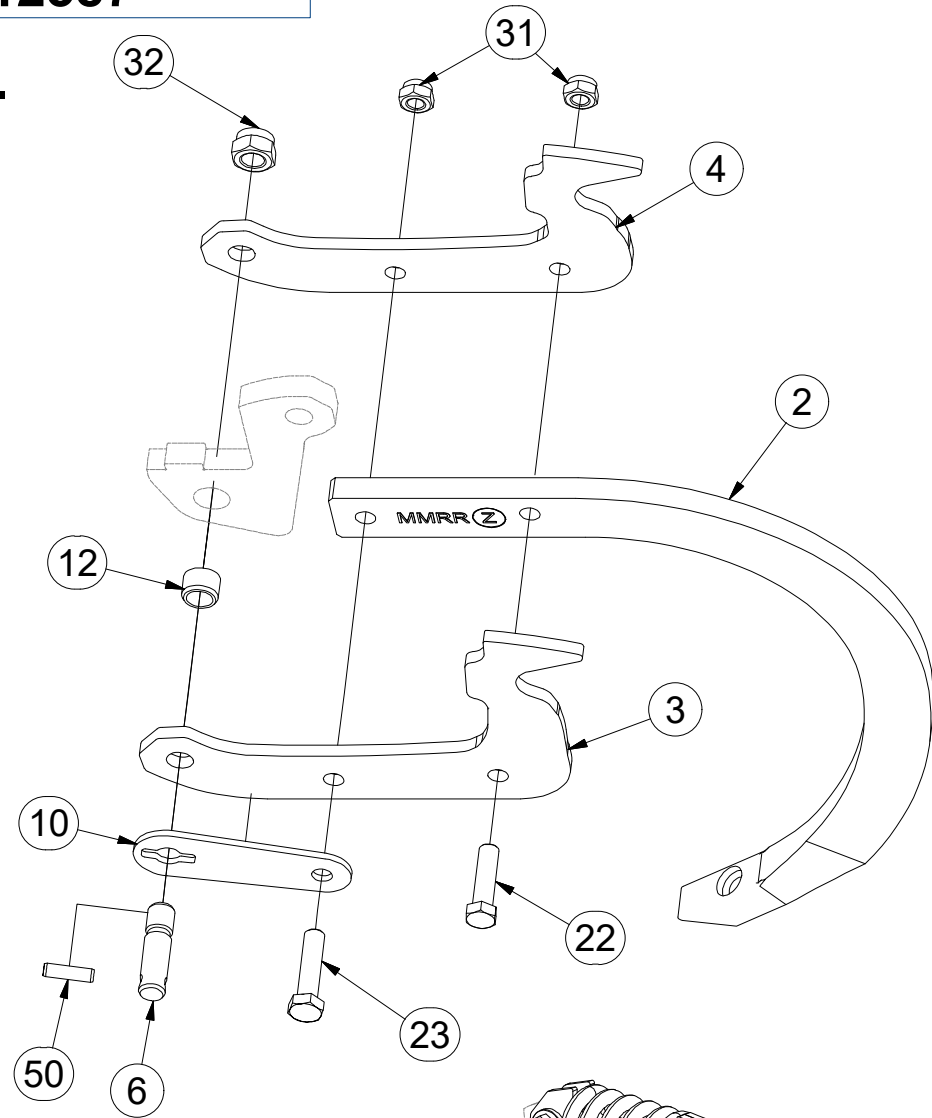
Ⓡ КОМПЛЕКТ ЛАП

Ⓢ ZESTAW REDLIC

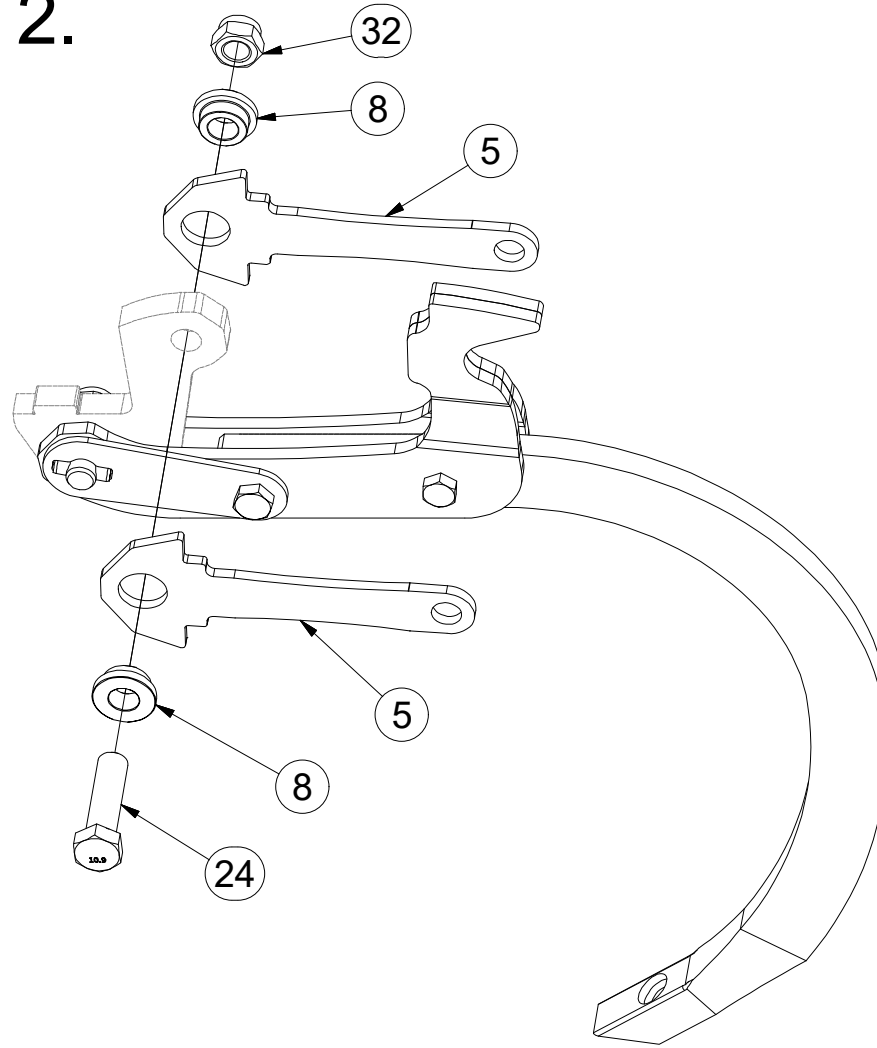


**3012387**

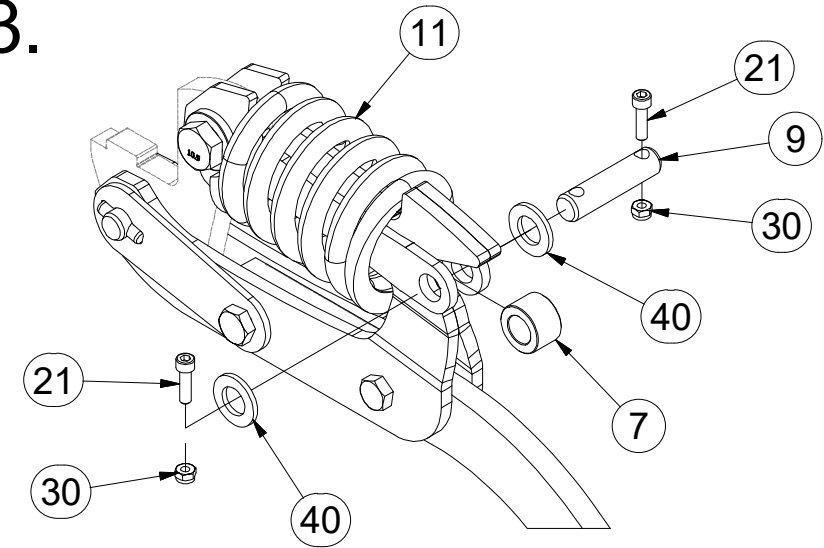
1.



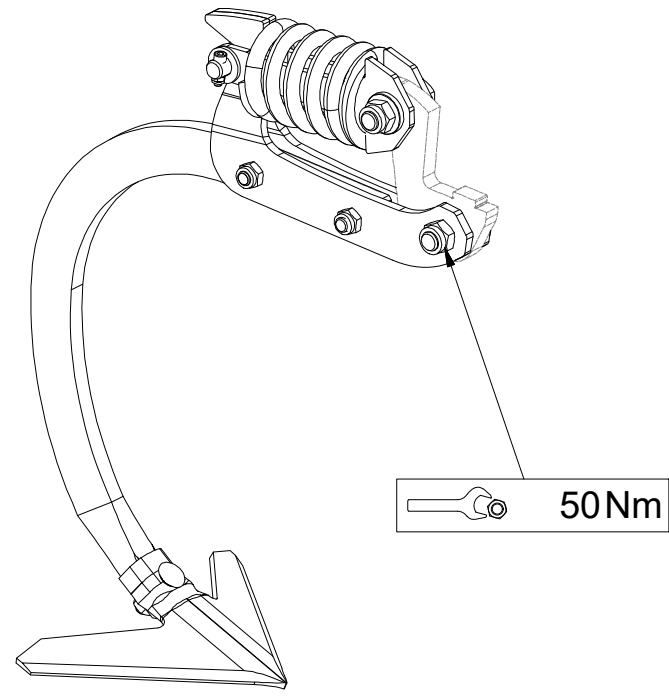
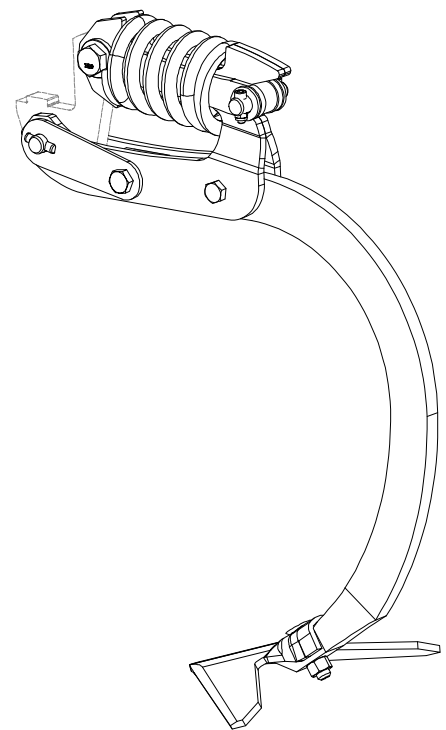
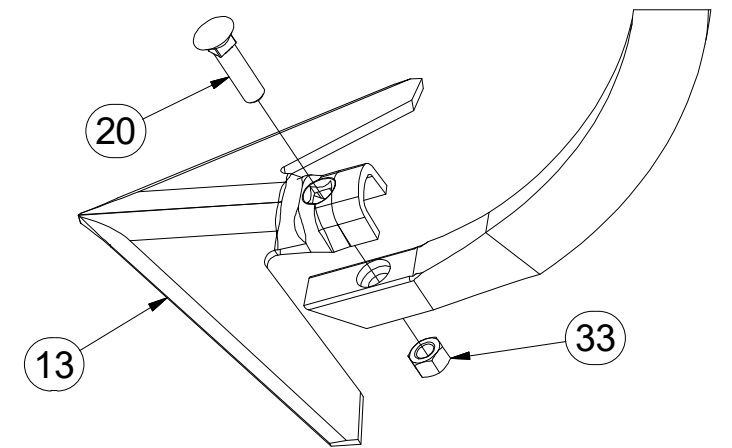
2.



3.



4.



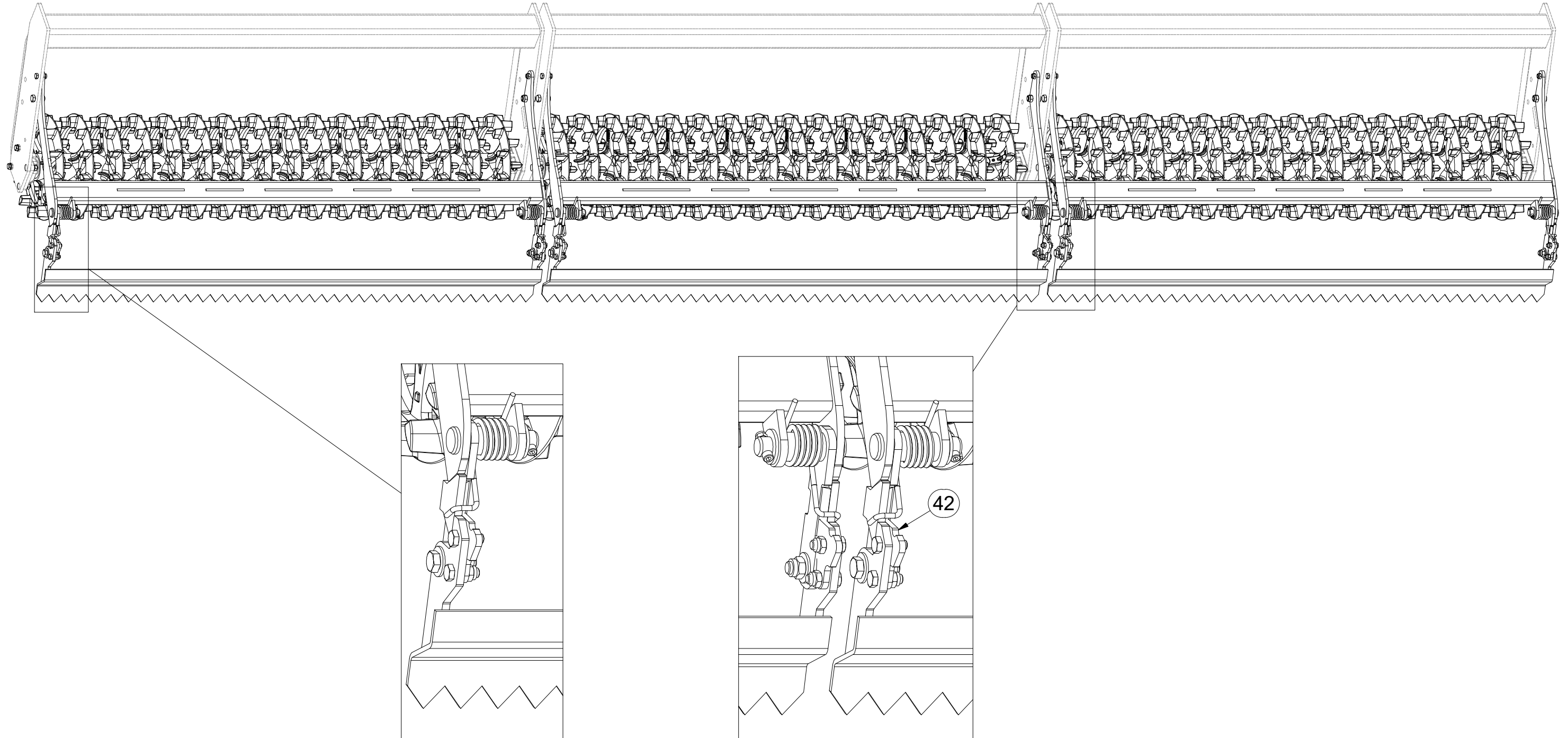
| Pos. | Part Number | Pcs. | Pos. | Part Number | Pcs. |
|------|-------------|------|------|-------------|------|
| 2    | 9005683     | 8    | 20   | m10440      | 8    |
| 3    | 3012358     | 8    | 21   | m15215      | 16   |
| 4    | 3012359     | 8    | 22   | m06077      | 8    |
| 5    | 4024906     | 16   | 23   | m03339      | 8    |
| 6    | 4024918     | 8    | 24   | m14482      | 8    |
| 7    | 4009624     | 8    | 30   | m05560      | 16   |
| 8    | 4014252     | 16   | 31   | m04301      | 16   |
| 9    | 4015783     | 8    | 32   | m03683      | 16   |
| 10   | 4024907     | 8    | 33   | m10439      | 8    |
| 11   | m18880      | 8    | 40   | m14971      | 16   |
| 12   | m18882      | 8    | 50   | m18826      | 8    |
| 13   | 3000236-KOO | 8    |      |             |      |

- Ⓒ SADA ZADNÍCH VÁLCŮ
- Ⓓ SATZ HINTERE WALZEN
- Ⓕ KIT DE ROULEAUX ARRIÈRE

- Ⓖ SET OF REAR ROLLERS
- Ⓡ КОМПЛЕКТ ЗАДНИХ КАТКОВ
- Ⓟ ZESTAW TYLNYCH WAŁÓW



**3011857**



| Pos. | Part Number | Pcs. |
|------|-------------|------|
| 42   | 3006133     | 1    |



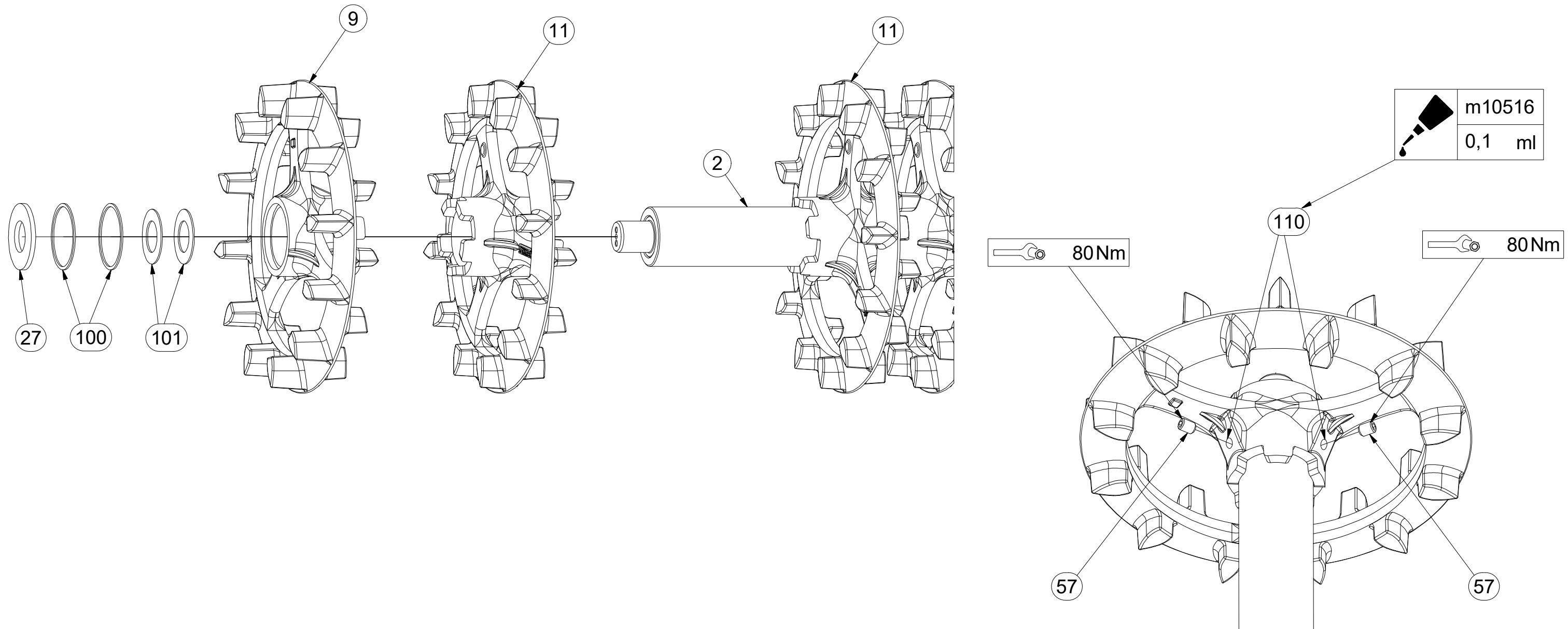
- Ⓒ SADA ZADNÍCH VÁLCŮ
- Ⓓ SATZ HINTERE WALZEN
- Ⓕ KIT DE ROULEAUX ARRIÈRE

- Ⓖ SET OF REAR ROLLERS
- Ⓡ КОМПЛЕКТ ЗАДНИХ КАТКОВ
- Ⓟ ZESTAW TYLNYCH WAŁÓW



**3011857**

| Pos. | Part Number | Pcs. |
|------|-------------|------|
| 2    | 3011293     | 3    |
| 9    | 4009333     | 6    |
| 11   | 9002944     | 42   |
| 27   | 4016995     | 6    |
| 57   | m13958      | 12   |
| 100  | 4010015     | 12   |
| 101  | 4024556     | 12   |
| 110  | m10516      | 1,2  |

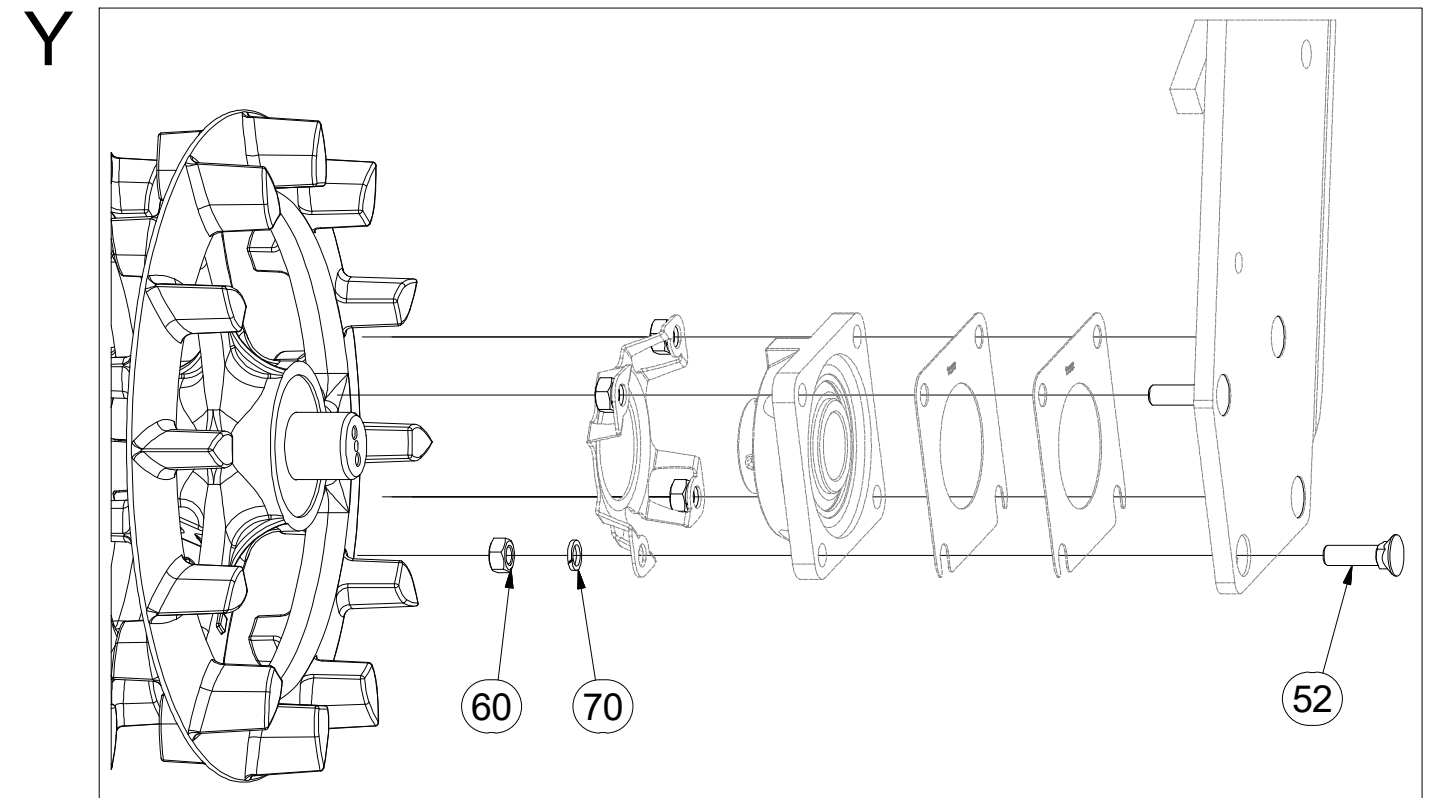
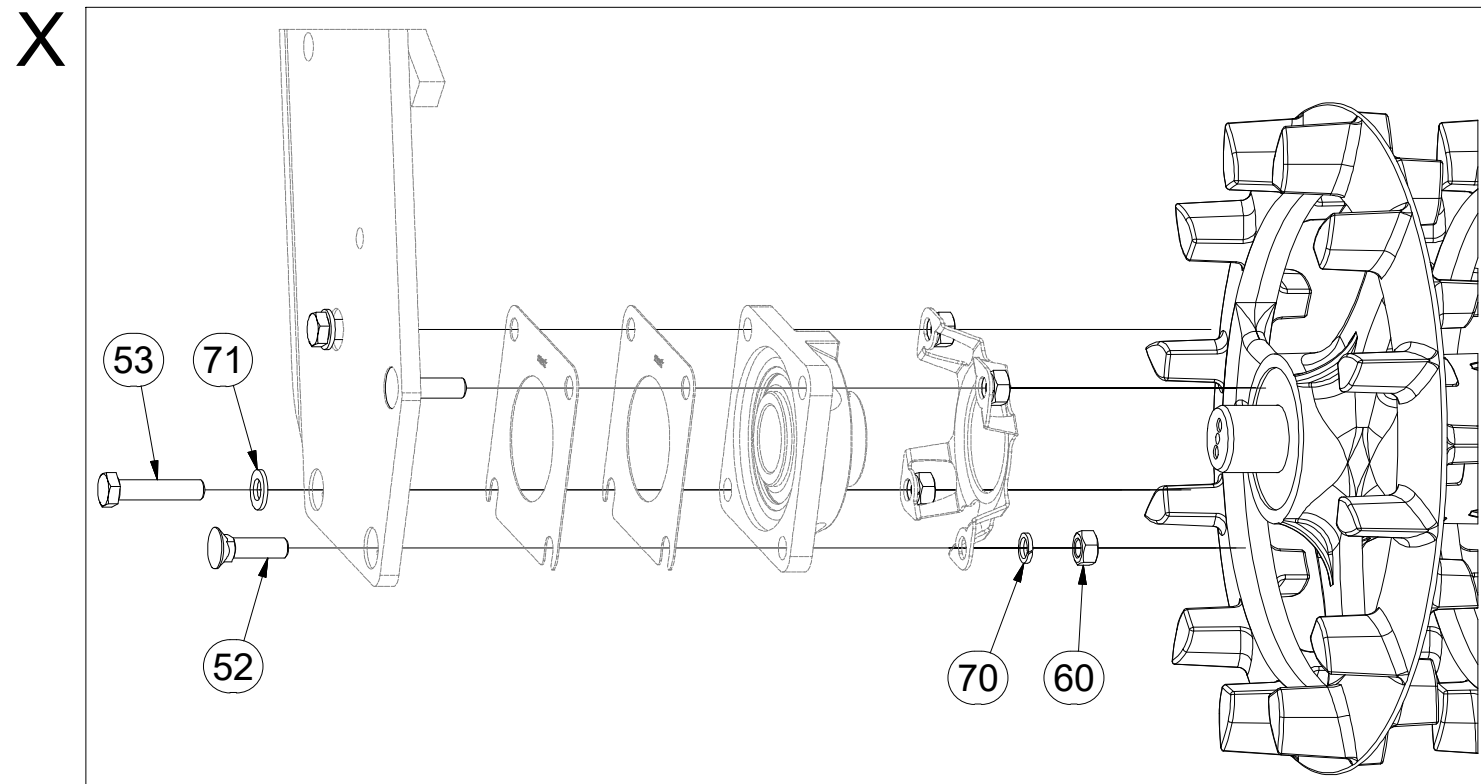
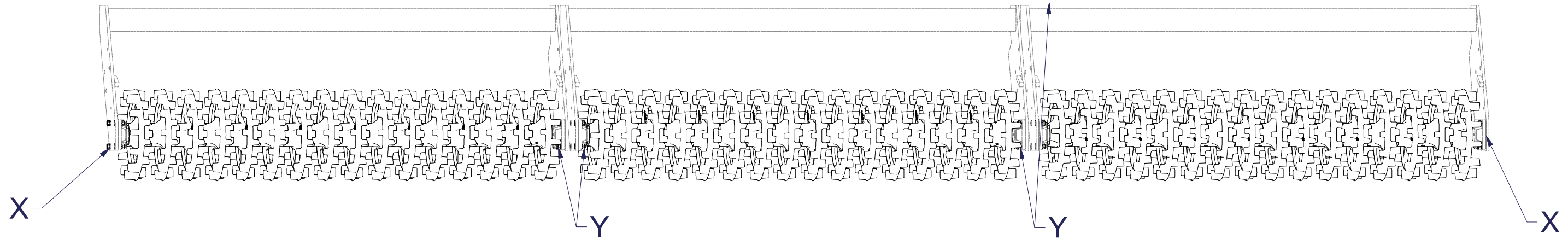


- ⒸZ SADA ZADNÍCH VÁLČŮ
- Ⓓ SATZ HINTERE WALZEN
- Ⓕ KIT DE ROULEAUX ARRIÈRE

- ⒸB SET OF REAR ROLLERS
- ⒸR КОМПЛЕКТ ЗАДНИХ КАТКОВ
- ⒸL ZESTAW TYLNYCH WAŁÓW



**3011857**



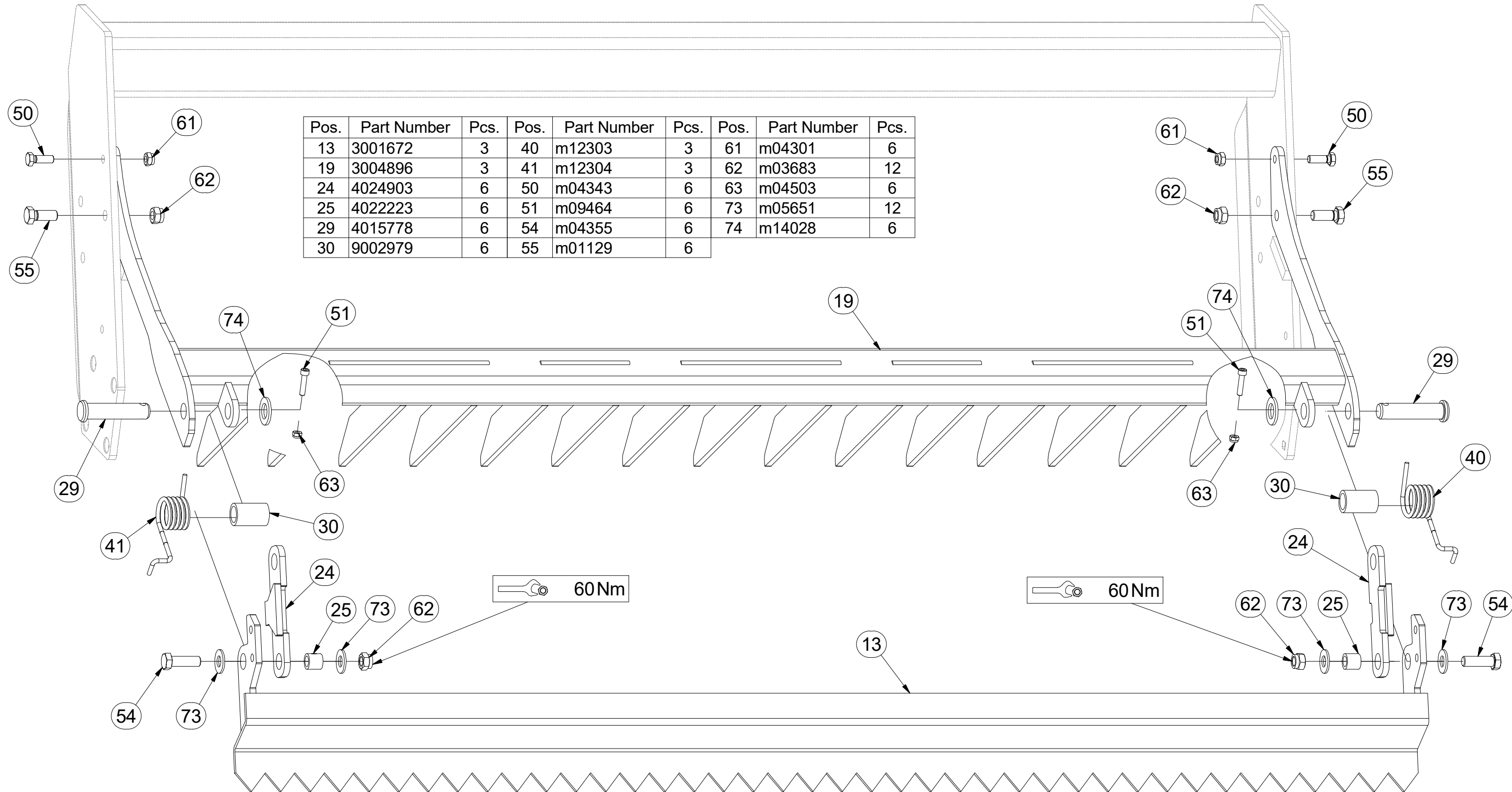
| Pos. | Part Number | Pcs. |
|------|-------------|------|
| 52   | m03519      | 20   |
| 53   | m04412      | 4    |
| 60   | m01305      | 24   |
| 70   | m03988      | 24   |
| 71   | m17741      | 4    |

- Ⓒ SADA ZADNÍCH VÁLČŮ
- Ⓓ SATZ HINTERE WALZEN
- Ⓕ KIT DE ROULEAUX ARRIÈRE

- Ⓖ SET OF REAR ROLLERS
- Ⓡ КОМПЛЕКТ ЗАДНИХ КАТКОВ
- Ⓟ ZESTAW TYLNYCH WAŁÓW



**3011857**



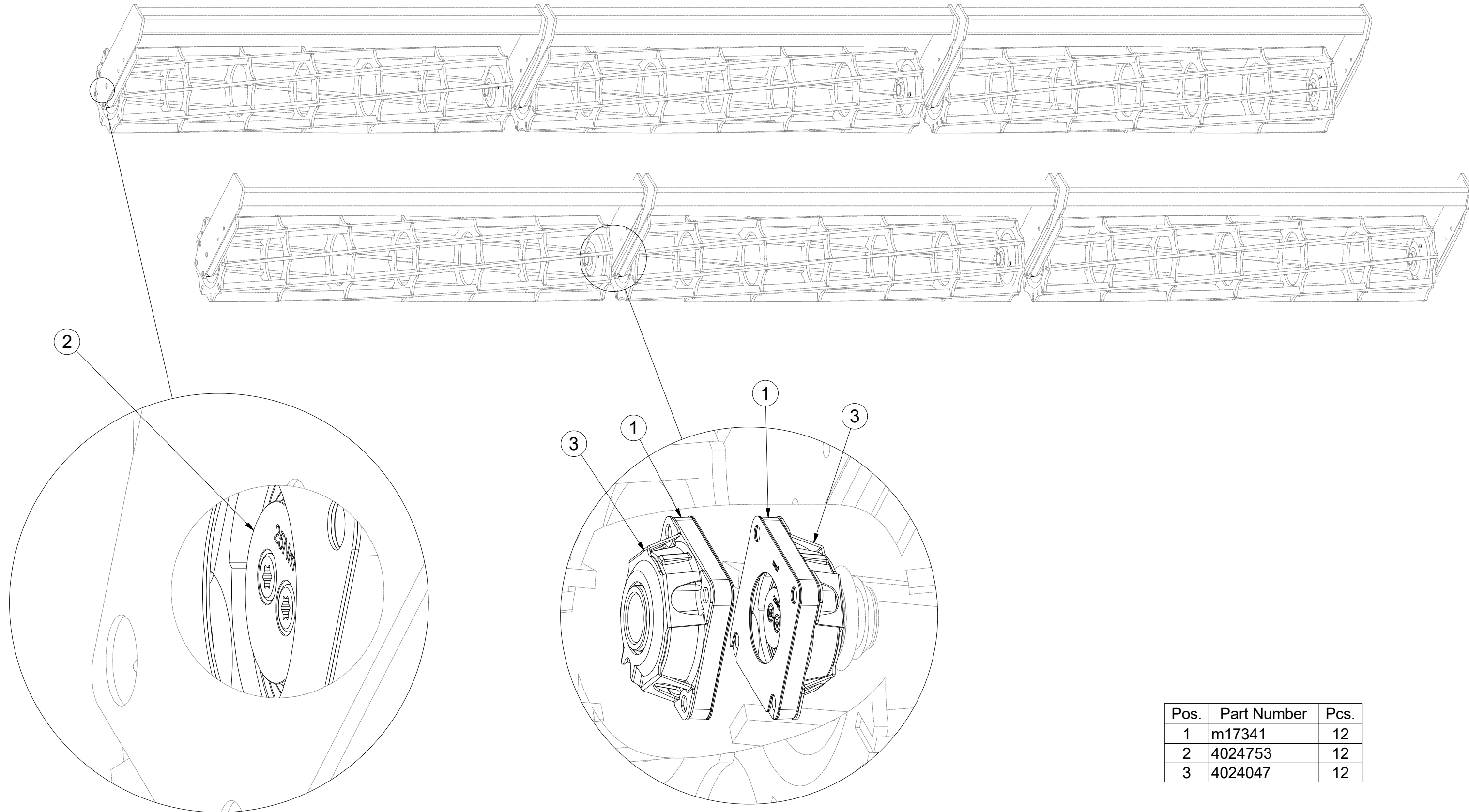
| Pos. | Part Number | Pcs. | Pos. | Part Number | Pcs. | Pos. | Part Number | Pcs. |
|------|-------------|------|------|-------------|------|------|-------------|------|
| 13   | 3001672     | 3    | 40   | m12303      | 3    | 61   | m04301      | 6    |
| 19   | 3004896     | 3    | 41   | m12304      | 3    | 62   | m03683      | 12   |
| 24   | 4024903     | 6    | 50   | m04343      | 6    | 63   | m04503      | 6    |
| 25   | 4022223     | 6    | 51   | m09464      | 6    | 73   | m05651      | 12   |
| 29   | 4015778     | 6    | 54   | m04355      | 6    | 74   | m14028      | 6    |
| 30   | 9002979     | 6    | 55   | m01129      | 6    |      |             |      |

CZ SADA LOŽISEK  
 D LAGERSATZ  
 F KIT DE ROULEMENTS

GB SET OF BEARINGS  
 RU КОМПЛЕКТ ПОДШИПНИКОВ  
 PL ZESTAW ŁOŻYSK



**3011856**



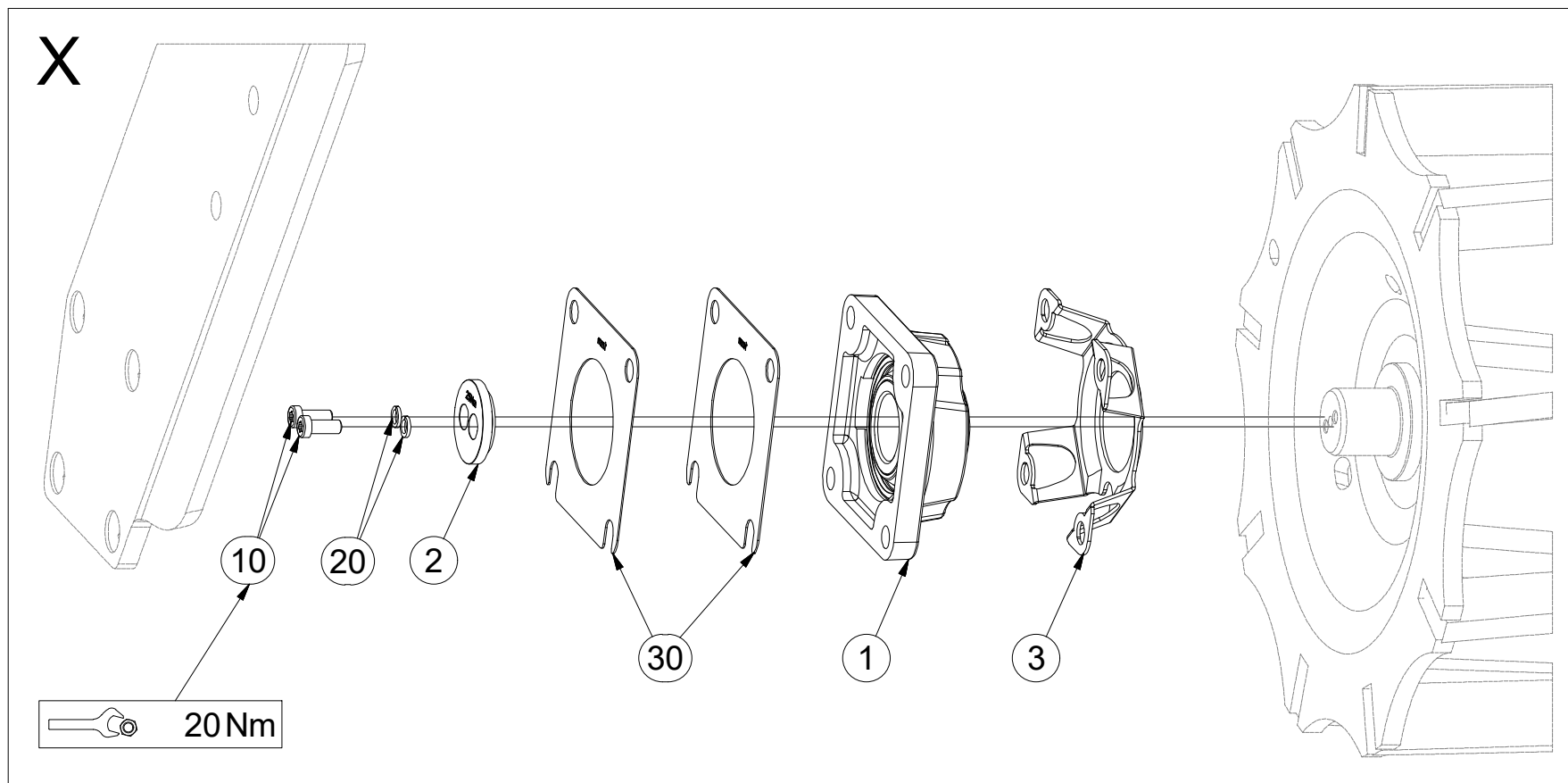
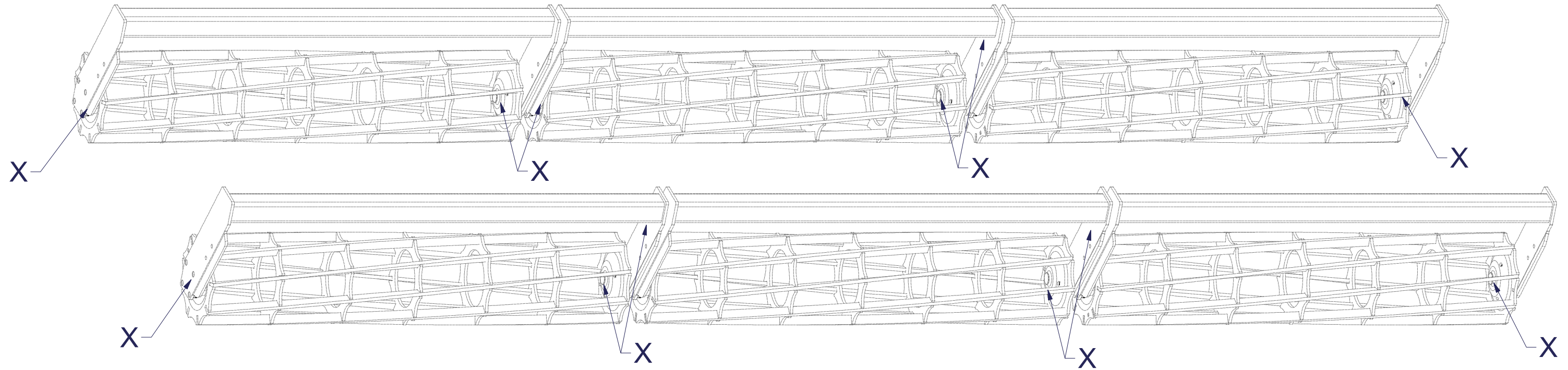
| Pos. | Part Number | Pcs. |
|------|-------------|------|
| 1    | m17341      | 12   |
| 2    | 4024753     | 12   |
| 3    | 4024047     | 12   |

CZ SADA LOŽISEK  
 D LAGERSATZ  
 F KIT DE ROULEMENTS

GB SET OF BEARINGS  
 RU КОМПЛЕКТ ПОДШИПНИКОВ  
 PL ZESTAW ŁOŻYSK

**Farmet**

**3011856**



| Pos. | Part Number | Pcs. |
|------|-------------|------|
| 1    | m17341      | 12   |
| 2    | 4024753     | 12   |
| 3    | 4024047     | 12   |
| 10   | m17075      | 24   |
| 20   | m01202      | 24   |
| 30   | 4016809     | 24   |

Ⓒ SADA DORAZŮ ZADNÍCH SMYKŮ

Ⓓ ANSCHLAGSATZ FÜR HINTERE ACKERSCHLEPPEN

Ⓕ KIT DE BUTÉES DES NIVELEURS ARRIÈRE

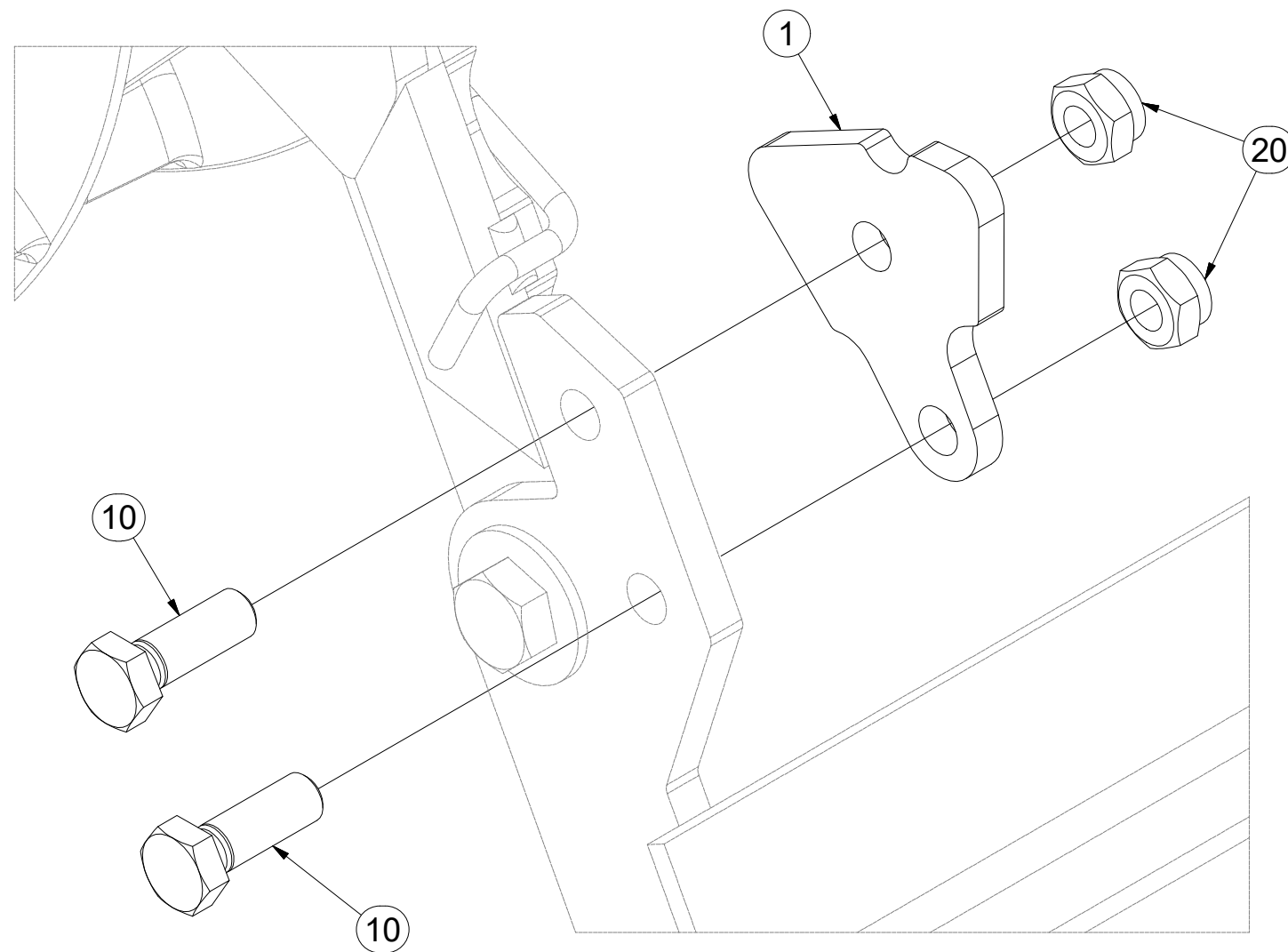
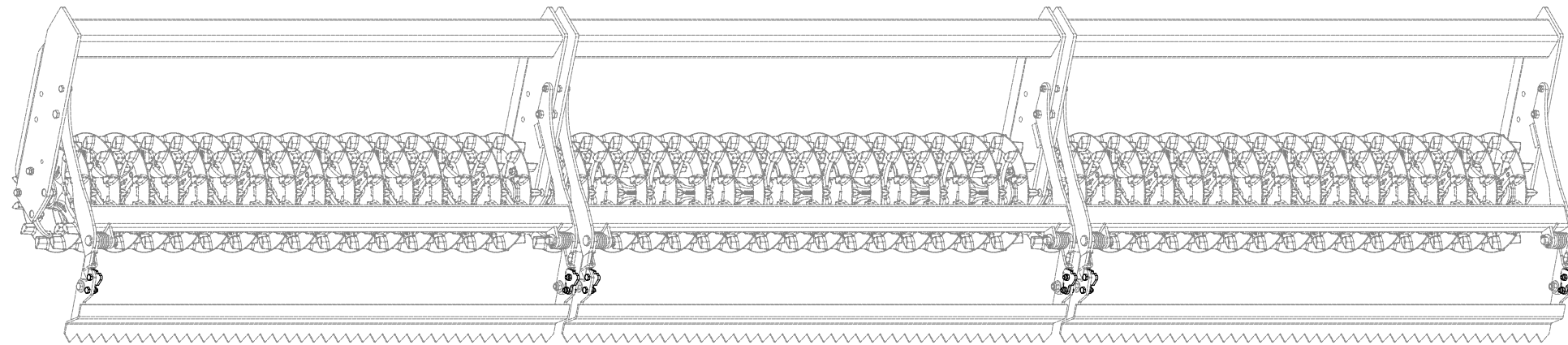
Ⓖ SET OF REAR LEVELLING BAR STOPS

Ⓡ КОМПЛЕКТ УПОРОВ ЗАДНИХ БОРОН

Ⓟ ZESTAW DOCISKÓW TYLNYCH WŁÓK



**3006133**



| Pos. | Part Number | Pcs. |
|------|-------------|------|
| 1    | 4009757     | 6    |
| 10   | m04343      | 12   |
| 20   | m04301      | 12   |

ⒸZ SADA NÁPRAVY

Ⓓ SATZ AUFHÄNGUNG

Ⓕ KIT DE L'ESSIEU

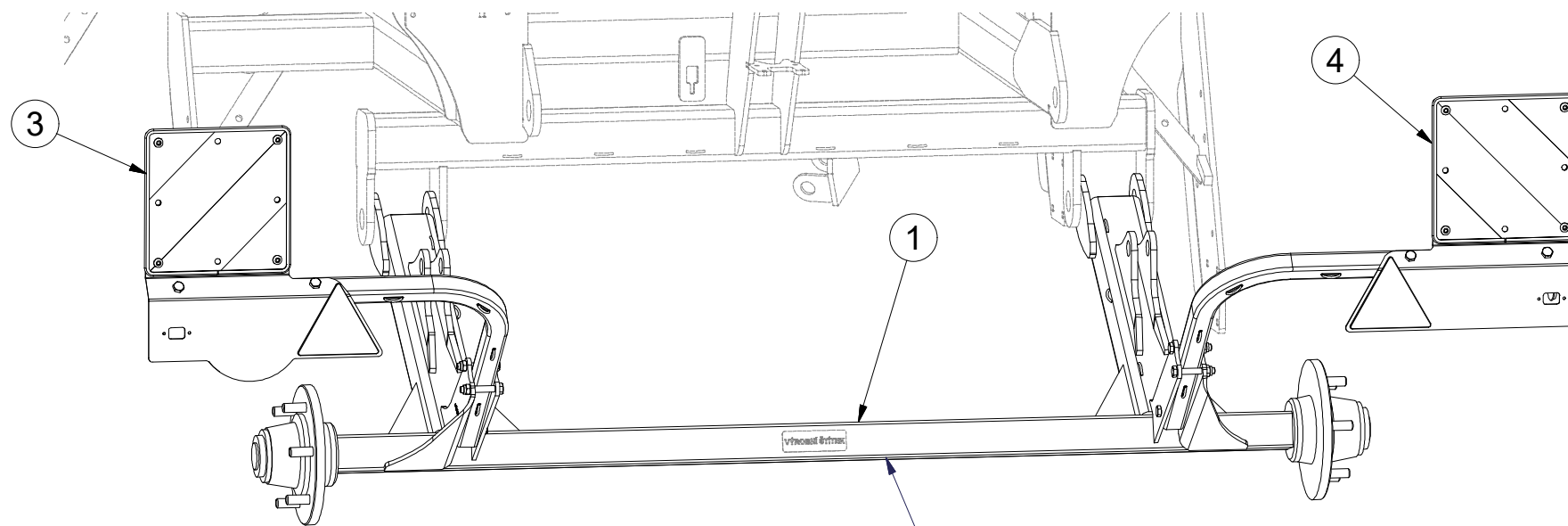
ⒼB AXLE SET

ⒺU КОМПЛЕКТ ОСИ КОЛЁС

ⒽL ZESTAW OSI

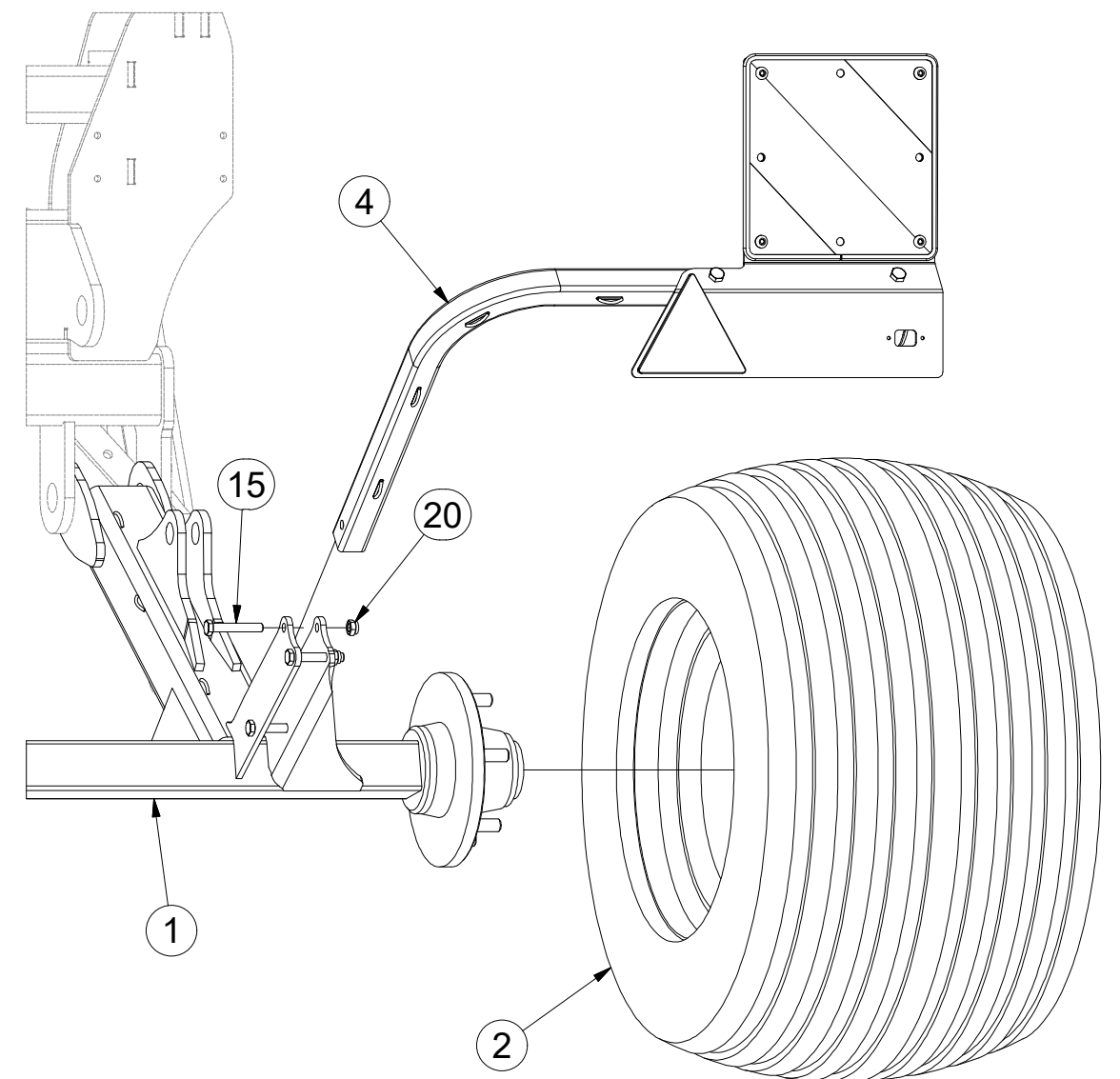
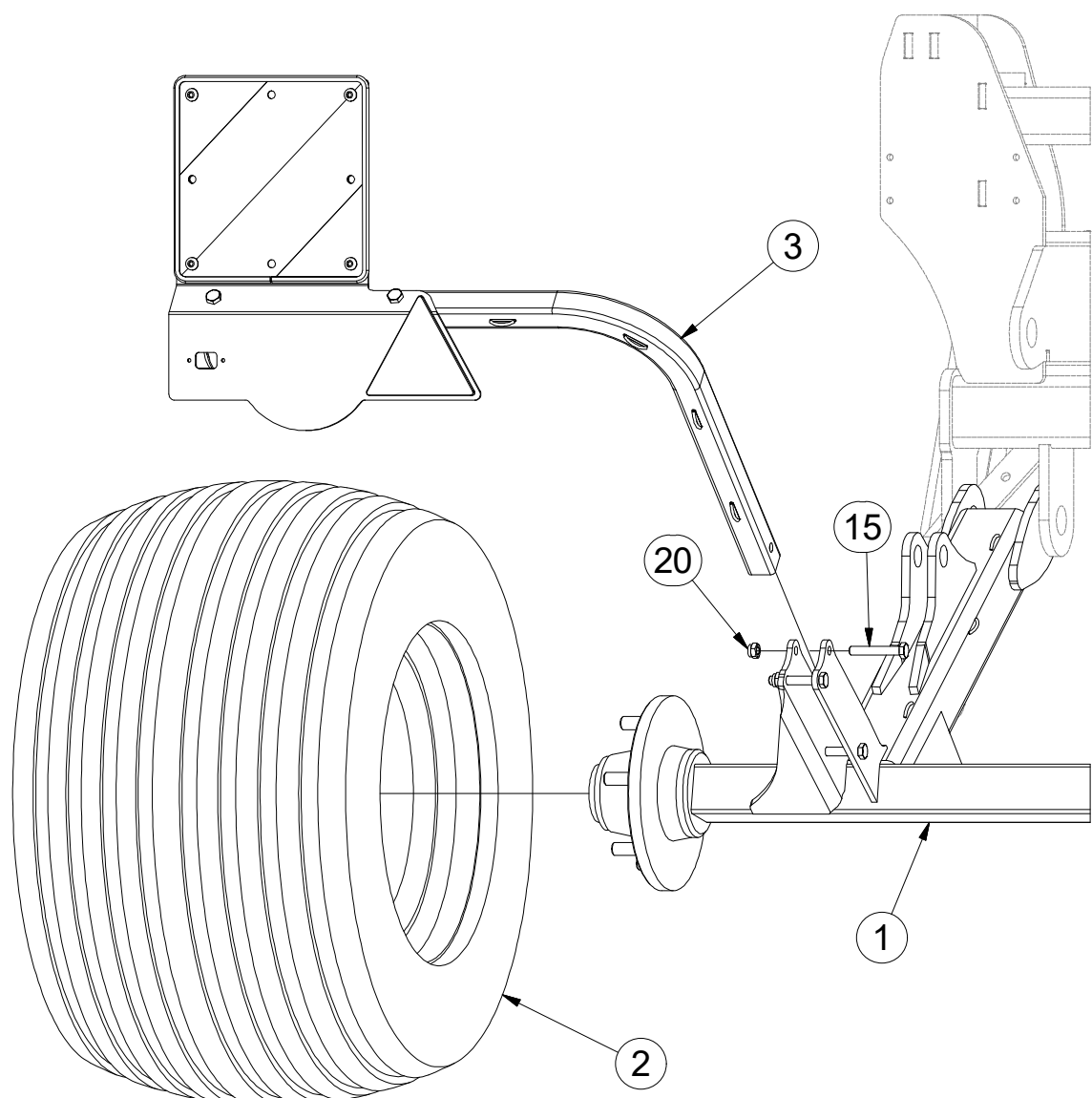


**3012508**



| Pos. | Part Number | Pcs. | Pos. | Part Number | Pcs. |
|------|-------------|------|------|-------------|------|
| 1    | 3012422     | 1    | 4    | 3012432     | 1    |
| 2    | m11625      | 2    | 15   | m12493      | 6    |
| 3    | 3012431     | 1    | 20   | m04301      | 6    |

**A70MR600**



ⒸZ NÁPRAVA

ⒹACHSE

ⒻESSIEU

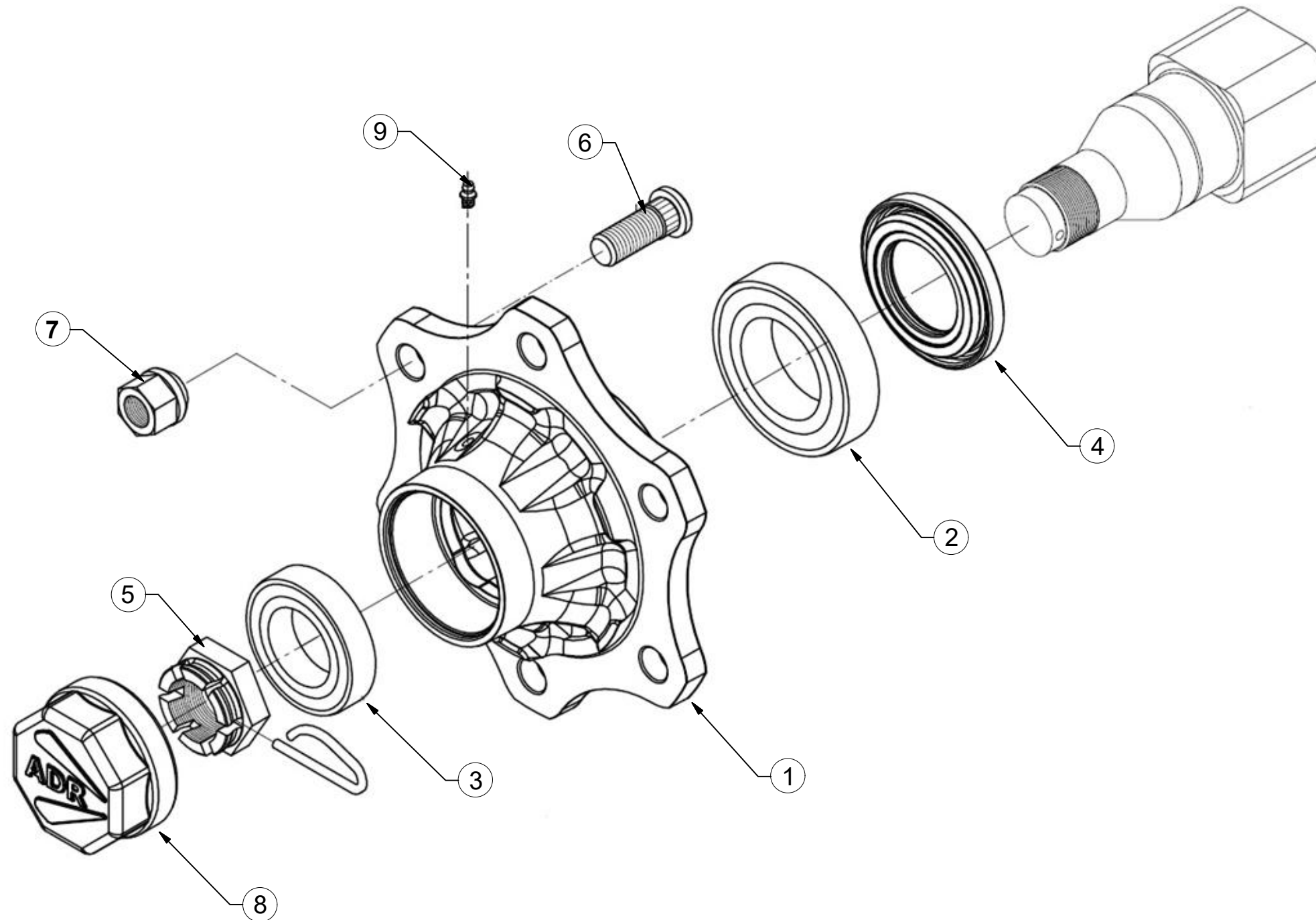
ⒸGB AXLE

ⒸRU OCB

ⒸPL OS



**A70MR06**



| Pos | Part Number | Pcs. |
|-----|-------------|------|
| 1   | m14910      | 2    |
| 2   | m08194      | 2    |
| 3   | m07152      | 2    |
| 4   | m14924      | 2    |
| 5   | m08169      | 2    |
| 6   | m08148      | 12   |
| 7   | m08163      | 12   |
| 8   | m14923      | 2    |
| 9   | m05698      | 2    |



Ⓒ SADA NÁPRAVY

Ⓓ SATZ AUFHÄNGUNG

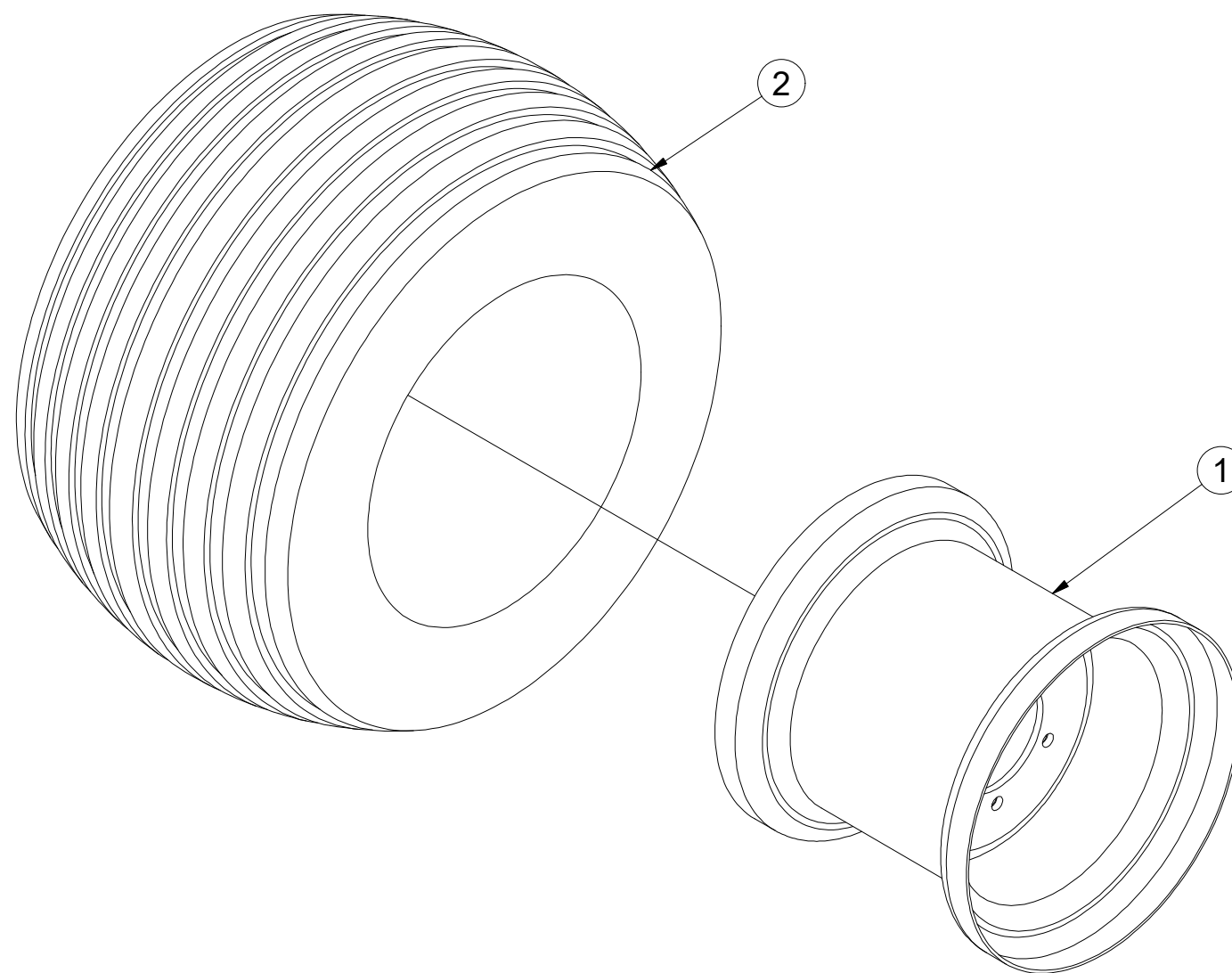
Ⓕ KIT DE L'ESSIEU

**m11625**

Ⓖ AXLE SET

Ⓡ КОМПЛЕКТ ОСИ КОЛЁС

Ⓢ ZESTAW OSI



| Pos. | Part Number | Pcs. |
|------|-------------|------|
| 1    | m13089      | 1    |
| 2    | m07707      | 1    |

ⒸZ TERČ ZADNÍ LEVÝ

Ⓓ SCHILD, HINTERES, LINKES

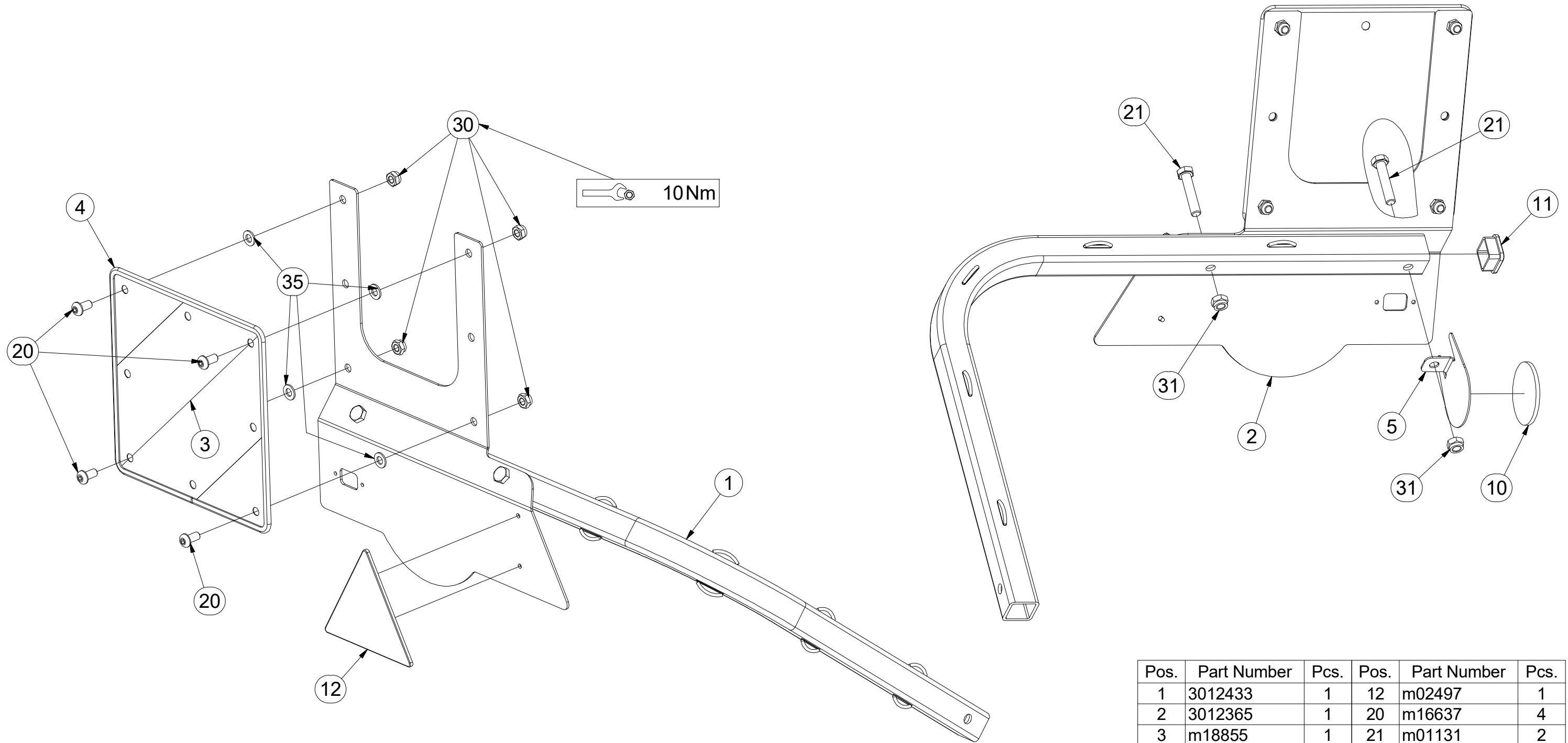
Ⓕ CIBLE ARRIÈRE GAUCHE

**3012431**

ⒼB LEFT REAR DISC

ⒺЩИТОК ЗАДНИЙ ЛЕВЫЙ

ⒽL TARCZA TYLNA LEWA



| Pos. | Part Number | Pcs. | Pos. | Part Number | Pcs. |
|------|-------------|------|------|-------------|------|
| 1    | 3012433     | 1    | 12   | m02497      | 1    |
| 2    | 3012365     | 1    | 20   | m16637      | 4    |
| 3    | m18855      | 1    | 21   | m01131      | 2    |
| 4    | 9005707     | 1    | 30   | m03775      | 4    |
| 5    | 4024926     | 1    | 31   | m04301      | 2    |
| 10   | m02579      | 1    | 35   | m01209      | 4    |
| 11   | m12689      | 1    |      |             |      |

ⒸZ TERČ PŘEDNÍ PRAVÝ

Ⓓ SCHILD, VORDERES, RECHTES

Ⓕ CIBLE AVANT DROITE

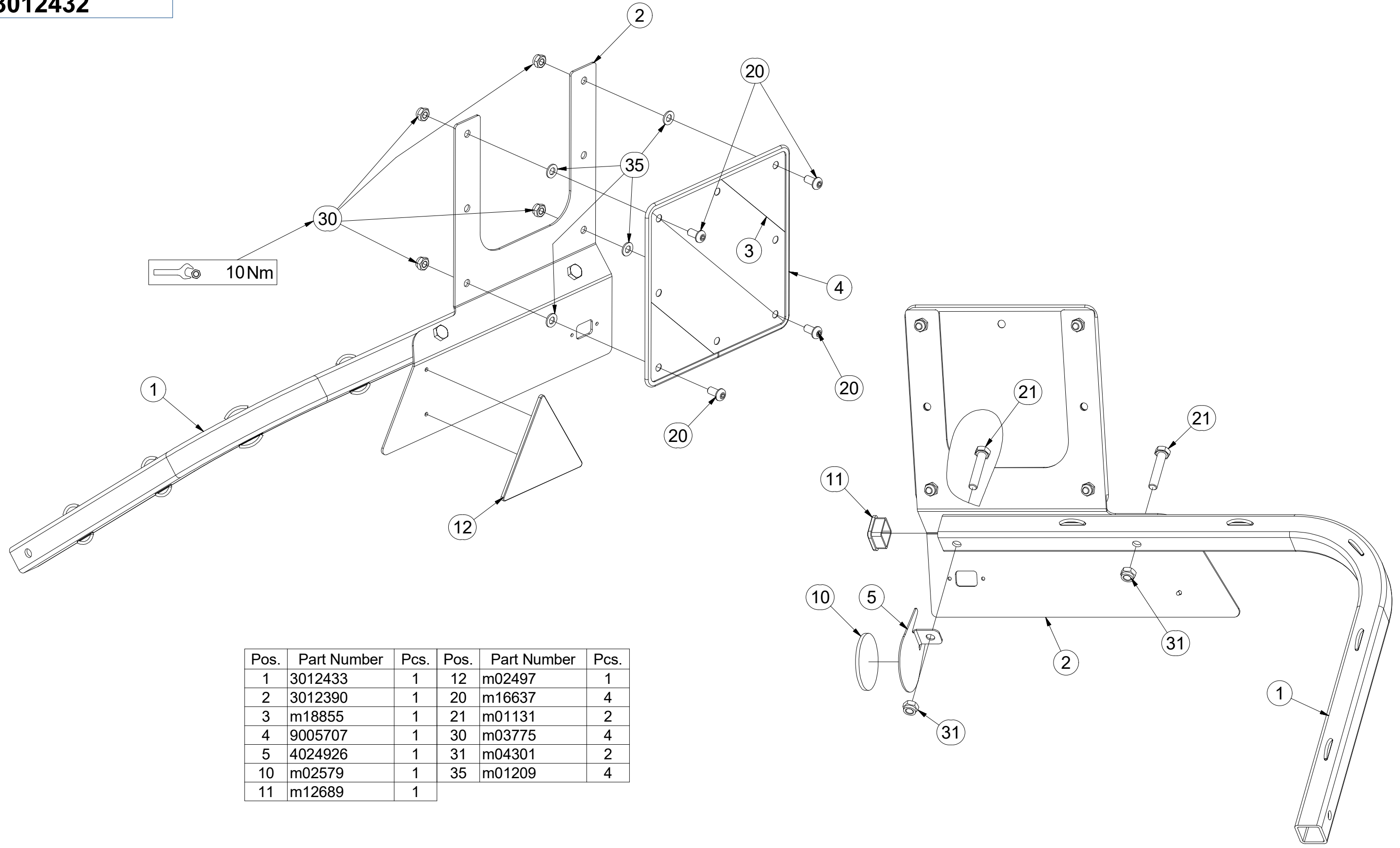
ⒸB RIGHT FRONT DISC

Ⓐ RU ЩИТОК ПЕРЕДНИЙ ПРАВЫЙ

Ⓐ PL TARCZA PRZEDNIA PRAWA



**3012432**



| Pos. | Part Number | Pcs. | Pos. | Part Number | Pcs. |
|------|-------------|------|------|-------------|------|
| 1    | 3012433     | 1    | 12   | m02497      | 1    |
| 2    | 3012390     | 1    | 20   | m16637      | 4    |
| 3    | m18855      | 1    | 21   | m01131      | 2    |
| 4    | 9005707     | 1    | 30   | m03775      | 4    |
| 5    | 4024926     | 1    | 31   | m04301      | 2    |
| 10   | m02579      | 1    | 35   | m01209      | 4    |
| 11   | m12689      | 1    |      |             |      |

Ⓒ SVĚTELNÁ SADA

Ⓓ LEUCHTENSATZ

Ⓕ KIT LUMINEUX

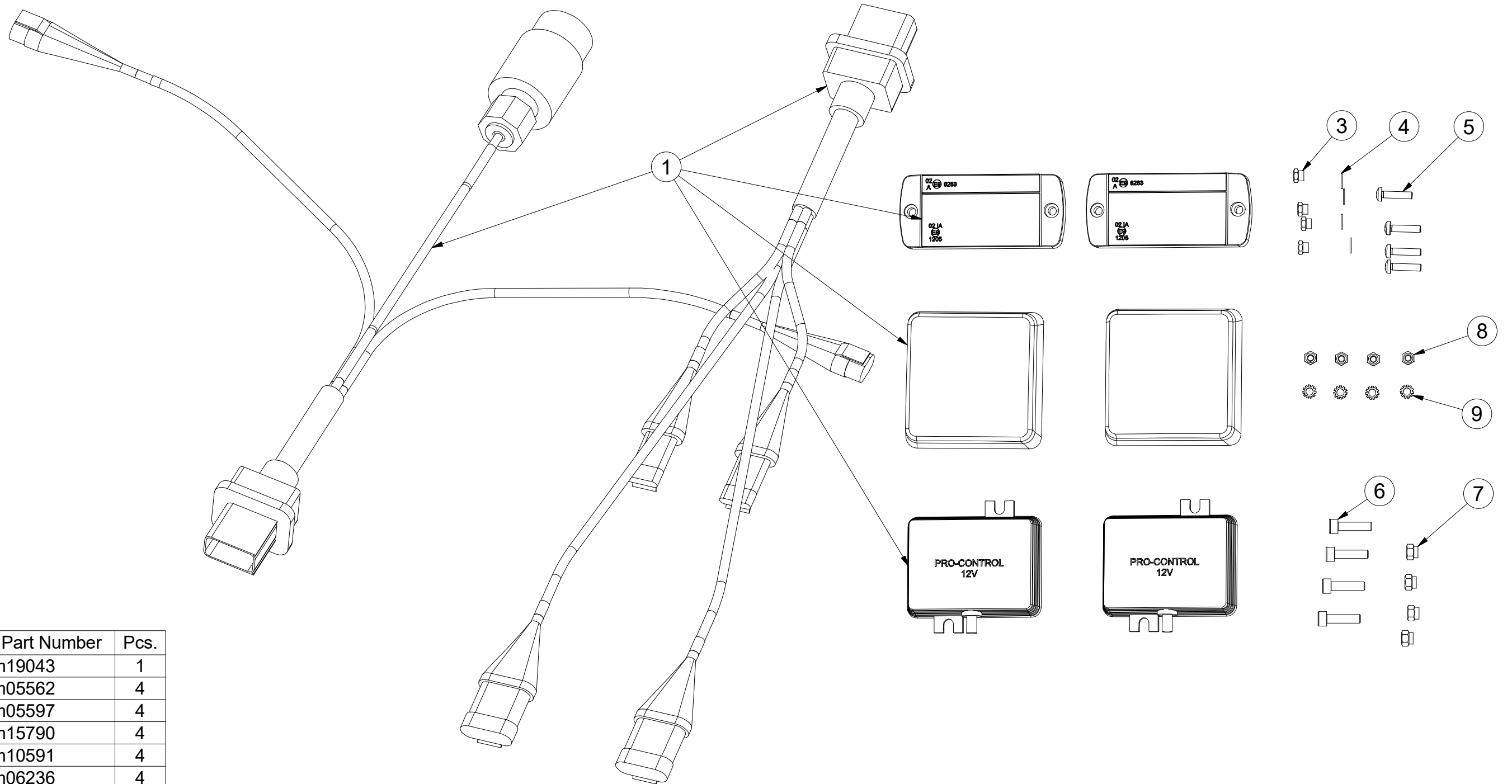
Ⓖ LIGHTING SET

Ⓡ ОСВЕТИТЕЛЬНЫЙ КОМПЛЕКТ

Ⓟ ZESTAW OŚWIETLENIA



**3012429**



| Pos. | Part Number | Pcs. |
|------|-------------|------|
| 1    | m19043      | 1    |
| 3    | m05562      | 4    |
| 4    | m05597      | 4    |
| 5    | m15790      | 4    |
| 6    | m10591      | 4    |
| 7    | m06236      | 4    |
| 8    | m05081      | 4    |
| 9    | m05595      | 4    |

Ⓒ SVĚTELNÁ SADA

Ⓓ LEUCHTENSATZ

Ⓕ KIT LUMINEUX

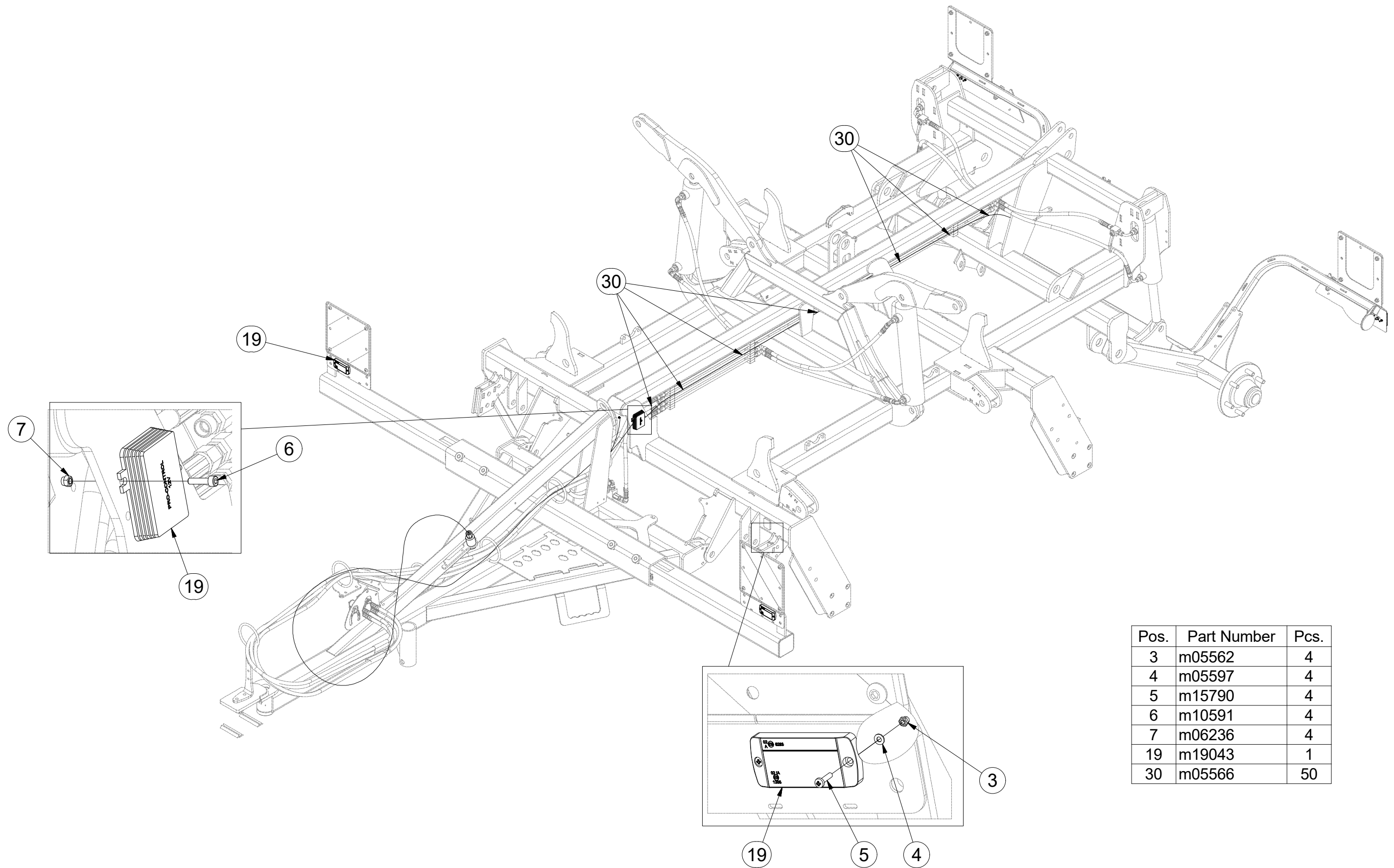
**3012429**

Ⓒ LIGHTING SET

Ⓔ ОСВЕТИТЕЛЬНЫЙ КОМПЛЕКТ

Ⓖ ZESTAW OŚWIETLENIA

**Farmet**



| Pos. | Part Number | Pcs. |
|------|-------------|------|
| 3    | m05562      | 4    |
| 4    | m05597      | 4    |
| 5    | m15790      | 4    |
| 6    | m10591      | 4    |
| 7    | m06236      | 4    |
| 19   | m19043      | 1    |
| 30   | m05566      | 50   |

Ⓒ SVĚTELNÁ SADA

Ⓓ LEUCHTENSATZ

Ⓕ KIT LUMINEUX

Ⓒ LIGHTING SET

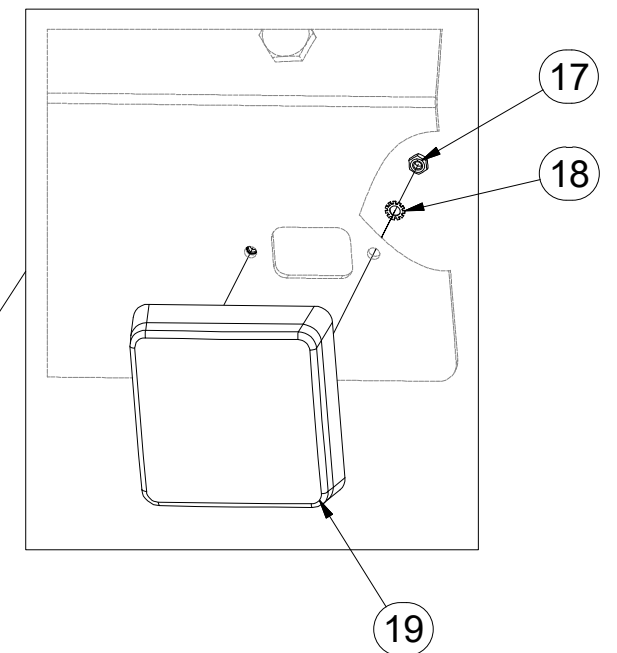
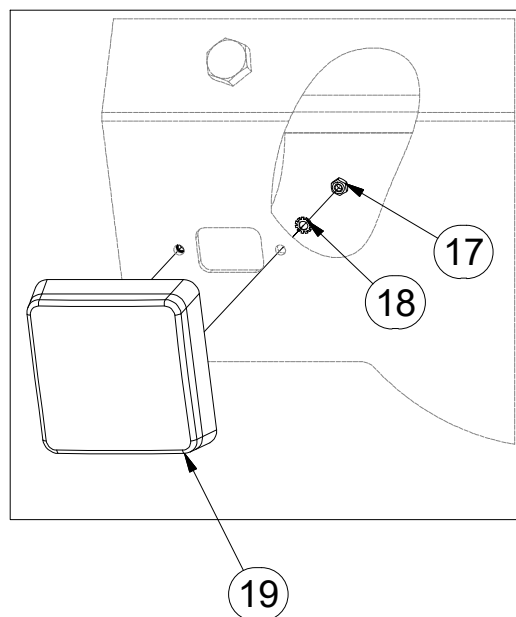
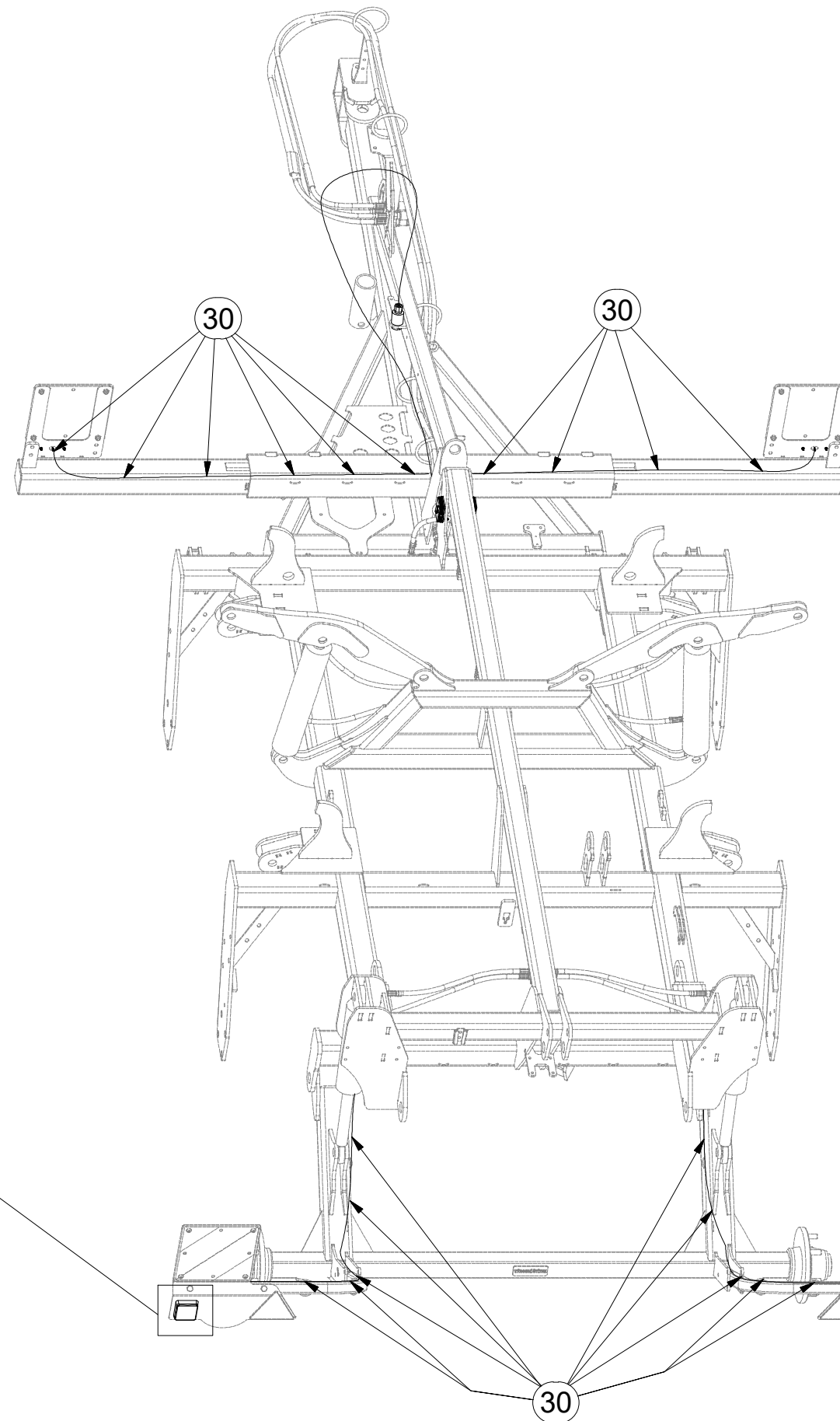
Ⓓ ОСВЕТИТЕЛЬНЫЙ КОМПЛЕКТ

Ⓕ ZESTAW OŚWIETLENIA



**3012429**

| Pos. | Part Number | Pcs. |
|------|-------------|------|
| 19   | m19043      | 1    |
| 17   | m05081      | 4    |
| 18   | m05595      | 4    |
| 30   | m05566      | 50   |



Ⓒ SVĚTELNÁ SADA

Ⓓ LEUCHTENSATZ

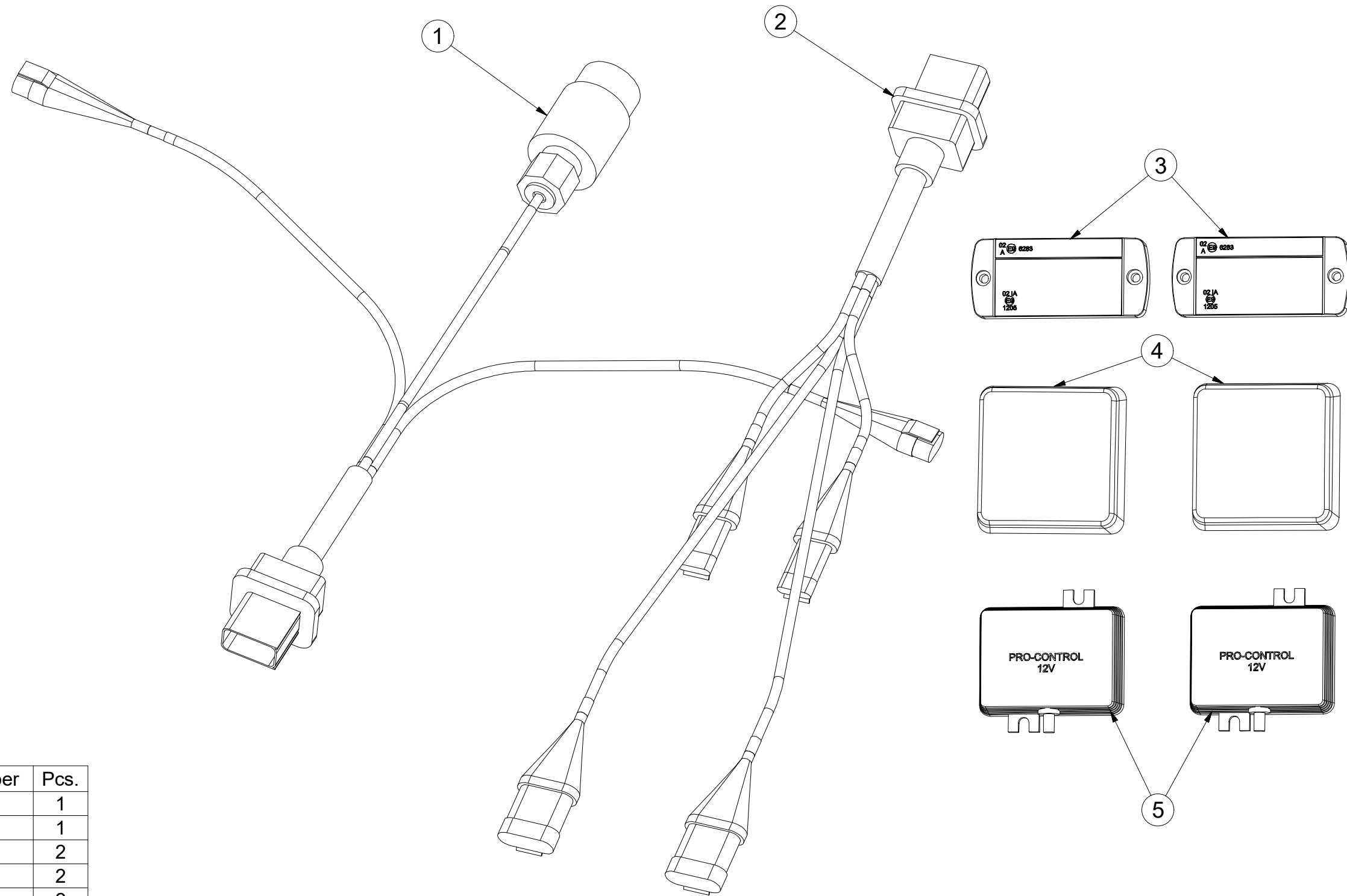
Ⓕ KIT LUMINEUX

**m19043**

Ⓖ LIGHTING SET

Ⓡ ОСВЕТИТЕЛЬНЫЙ КОМПЛЕКТ

Ⓟ ZESTAW OŚWIETLENIA



| Pos. | Part Number | Pcs. |
|------|-------------|------|
| 1    | m14779      | 1    |
| 2    | m14778      | 1    |
| 3    | m14776      | 2    |
| 5    | m14777      | 2    |
| 4    | m19044      | 2    |

ⒸZ SOUPRAVA TĚSNIVA PÍSTNIC

Ⓓ KOLBENSTANGENDICHTUNGSMITTELSATZ

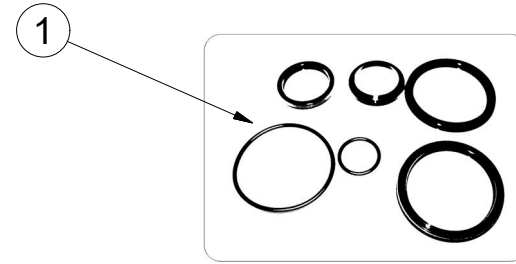
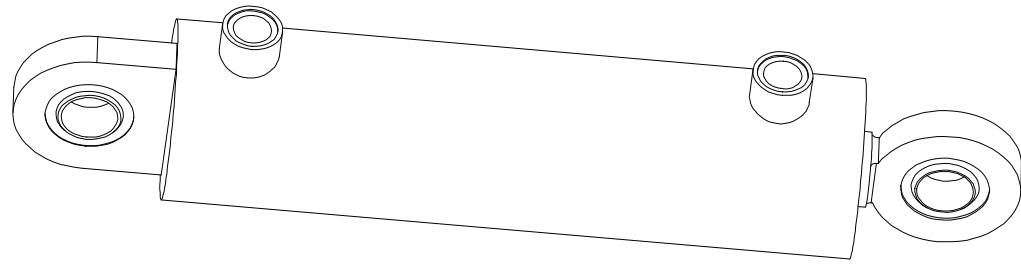
Ⓕ SET DE GARNITURE DES TIGES DE PISTON

ⒼB SEALING SET FOR PISTON RODS

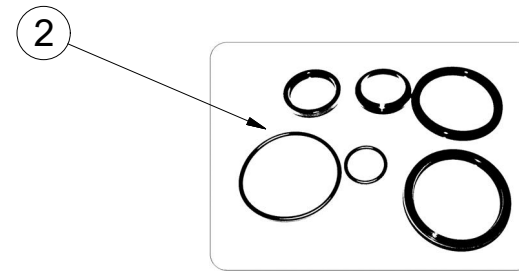
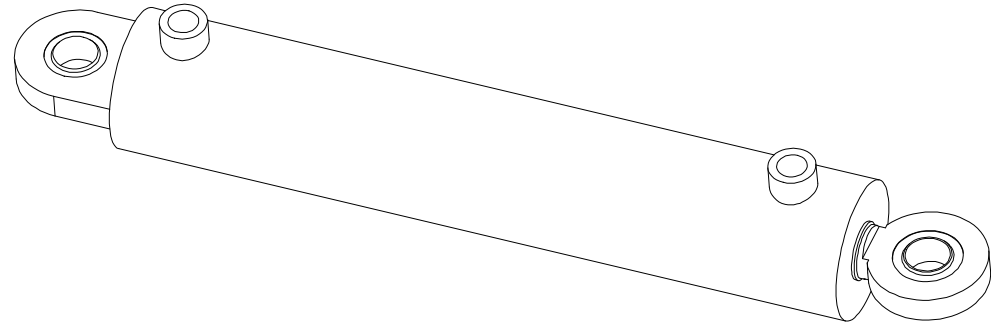
ⒺU КОМПЛЕКТ ПРОКЛАДОК ЦИЛИНДРОВ

ⒼL ZESTAW USZCZELEK TRZPIENIA TŁOKA

**Farmet**



| 9000247 - $\varnothing 80/\varnothing 40-250$ |             |     |
|---|-------------|-----|
| Pos   | Part number | Pcs |
| 1   | m03528      | 2   |



| 9000248 - $\varnothing 80/\varnothing 40-400$ |             |     |
|---|-------------|-----|
| Pos   | Part number | Pcs |
| 2   | m03528      | 2   |



- Ⓒ UTAHOVACÍ MOMENTY ŠROUBŮ  
 Ⓓ ANZUGMOMENTE VON SCHRAUBEN  
 Ⓕ COUPLES DE SERRAGE DES VIS

- Ⓖ SCREW TIGHTENING TORQUE  
 Ⓔ МОМЕНТЫ ЗАЖАТИЯ БОЛТОВ  
 Ⓗ MOMENTY DOKRĘCANIA ŚRUB



| P   |      | 5.8  | 8.8  | 10.9  | 12.9  |
|-----|------|------|------|-------|-------|
| D   | R    | Mu   | Mu   | Mu    | Mu    |
| mm  | mm   | Nm   | Nm   | Nm    | Nm    |
| M 6 | 1    | 6    | 9    | 13    | 15    |
| M 8 | 1,25 | 14   | 22   | 32    | 38    |
| M10 | 1,5  | 29   | 44   | 64    | 75    |
| M12 | 1,75 | 49   | 76   | 111   | 130   |
| M14 | 2    | 79   | 120  | 176   | 206   |
| M16 | 2    | 123  | 188  | 276   | 323   |
| M18 | 2,5  | 169  | 257  | 378   | 443   |
| M20 | 2,5  | 239  | 365  | 536   | 628   |
| M22 | 2,5  | 329  | 529  | 738   | 864   |
| M24 | 3    | 413  | 629  | 924   | 1082  |
| M27 | 3    | 613  | 934  | 1372  | 1606  |
| M30 | 3,5  | 832  | 1267 | 1862  | 2179  |
| M33 | 3,5  | 1130 | 1723 | 2530  | 2961  |
| M36 | 4    | 1451 | 2210 | 3246  | 3799  |
| M39 | 4    | 1885 | 2872 | 4217  | 4936  |
| M42 | 4,5  | 2322 | 3538 | 5196  | 6080  |
| M45 | 4,5  | 2909 | 4433 | 6511  | 7619  |
| M48 | 5    | 3513 | 5353 | 7862  | 9200  |
| M52 | 5    | 4524 | 6895 | 10126 | 11849 |
| M56 | 5,5  | 5636 | 8589 | 12614 | 14761 |

- Mu - Ⓒ UTAHOVACÍ MOMENT Ⓖ TIGHTENING TORQUE  
 Ⓓ ANZUGMOMENT Ⓔ МОМЕНТ ЗАЖАТИЯ  
 Ⓕ COUPLE DE SERRAGE Ⓗ MOMENT DOKRĘCANIA  
 D - Ⓒ JMENOVITÝ PRŮMĚR Ⓖ NOMINAL DIAMETER  
 Ⓓ NENNDURCHMESSER Ⓔ НОМИНАЛЬНЫЙ ДИАМЕТР  
 Ⓕ DIAMETRE NOMINAL Ⓗ ŚREDNICA NOMINALNA  
 R - Ⓒ ROZTEČ ZÁVITU - STOUPÁNÍ Ⓖ SCREW PITCH – LEAD  
 Ⓓ GEWINDESTEIGUNG Ⓔ ШАГ РЕЗЬБЫ  
 Ⓕ PAS DE FILET - PAS Ⓗ ROZSTAW GWINTU - SKOKI  
 P - Ⓒ PEVNOST Ⓖ STRENGTH  
 Ⓓ FESTIGKEIT Ⓔ ПРОЧНОСТЬ  
 Ⓕ RÉSISTANCE Ⓗ WYTRZYMAŁOŚĆ

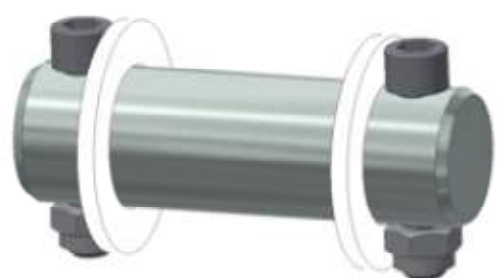
- Ⓒ Šroubové spoje utahujte dle vyznačeného utahovacího momentu v dokumentaci. Pokud není utahovací moment v dokumentaci vyznačen, utahujte dle obecné tabulky. Pokud je v dokumentaci definován spoj ze šroubu a matice o různých pevnostech, vždy utahujte na moment komponenty s nižší pevností.
- Ⓓ Ziehen Sie die Schraubverbindungen gemäß dem in der Dokumentation festgeschriebenen Anzugsmoments an. Sofern das Anzugsmoment nicht in der Dokumentation aufgeführt ist, ziehen Sie sie gemäß der allgemeinen Tabelle an. Wenn in der Dokumentation eine Verbindung von Schraube und Mutter mit verschiedenen Festigkeiten definiert ist, wird immer mit dem Moment des Bauteils mit der geringeren Festigkeit angezogen.
- Ⓕ Serrez les raccords à vis selon le couple de serrage indiqué dans les documents. Si le couple de serrage n'est pas indiqué dans les documents, serrez selon le tableau général. Si les documents définissent un assemblage par boulon de diverses résistances, serrez toujours au moment de la composante avec résistance inférieure.
- Ⓖ Tighten the screw joints according to the tightening torque stated in the documentation. If the tightening torque is not stated in the documentation, tighten according to the general table. If there is a joint with a screw and a nut at different strengths in the documentation, always tighten to the torque of the component with lower strength.
- Ⓔ Резьбовые соединения зажимайте с установленным в документации моментом зажатия. Если в документации не указан момент зажатия, то зажимайте по действующей в общем таблице. Если в документации установлено соединение из болта и гайки различной прочности, всегда зажимайте с моментом для компонента с меньшей прочностью.
- Ⓗ Połączenia śrubowe należy dokręcać zgodnie z momentem obrotowym w dokumentacji. Jeśli w dokumentacji nie ma podanego momentu obrotowego, należy dokręcać zgodnie z ogólną tabelą. Jeśli w dokumentacji zdefiniowane jest połączenie ze śrubą i nakrętką o różnych wytrzymałościach, zawsze należy dokręcać zachowując moment dokręcania komponentu z niższą wytrzymałością.

- Ⓒ UTAHOVACÍ MOMENTY ŠROUBŮ  
 Ⓓ ANZUGMOMENTE VON SCHRAUBEN  
 Ⓕ COUPLES DE SERRAGE DES VIS

- Ⓖ SCREW TIGHTENING TORQUE  
 Ⓔ МОМЕНТЫ ЗАЖАТИЯ БОЛТОВ  
 Ⓟ MOMENTY DOKRĘCANIA ŚRUB



- Ⓒ **OBECNÝ PŘEDPIS UTAHOVÁNÍ ZAJIŠTĚNÍ ČEPOVÝCH SPOJŮ:**  
 Ⓓ **ALLGEMEINE VORSCHRIFT FÜR DAS ANZIEHEN VON BOLZENVERBINDUNGEN:**  
 Ⓕ **CONSIGNE GENERALE POUR LE SERRAGE DES ARTICULATIONS CYLINDRIQUES:**  
 Ⓖ **GENERAL INSTRUCTION FOR TIGHTENING THE SECURING OF PIN JOINTS:**  
 Ⓔ **ОБЩЕЕ ОПИСАНИЕ ЗАЖАТИЯ ПРЕДОХРАНЕНИЯ СОЕДИНЕНИЙ ПАЛЬЦАМИ:**  
 Ⓟ **OGÓLNE ZASADY DOKRĘCANIA ZABEZPIECZENIA POŁĄCZEŃ CZOPEM:**



| X            | M       |
|--------------|---------|
| M8, M10, M12 | 09-15Nm |
| M14          | 15-25Nm |

- X - Ⓒ ROZMĚR ŠROUBU      Ⓖ BOLT DIMENSION      M - Ⓒ ORIENTAČNÍ MOMENT      Ⓖ ORIENTATION TORQUE  
 Ⓓ SCHRAUBENGRÖSSE      Ⓔ РАЗМЕР БОЛТА      Ⓓ ANZUGSMOMENT      Ⓔ ОРИЕНТАЦИОННЫЙ МОМЕНТ  
 Ⓕ DIMENSIONS DE LA VIS      Ⓟ ROZMIAR ŚRUBY      Ⓕ COUPLE D'ORIENTATION      Ⓟ ORIENTACYJNY MOMENT

- Ⓒ Tyto spoje není nutné ověřovat kontrolou momentovým klíčem = stačí vizuálně kontrolovat sešroubování.  
 Ⓓ Diese Verbindungen müssen nicht mit einem Drehmomentschlüssel überprüft werden = es genügt, die Verschraubung visuell zu kontrollieren.  
 Ⓕ Il n'est pas nécessaire de contrôler le serrage à l'aide d'une clé dynamométrique = un contrôle visuel de l'assemblage suffit.  
 Ⓖ These joints do not have to be verified by checking with a torque wrench = visual inspection of bolting is sufficient.  
 Ⓔ Эти соединения не нужно контролировать динамометрическим ключом = достаточно визуально проверять прикручивание.  
 Ⓟ Nie trzeba sprawdzać tych połączeń kluczem dynamometrycznym = wystarczy wizualnie skontrolować dokręcenie.