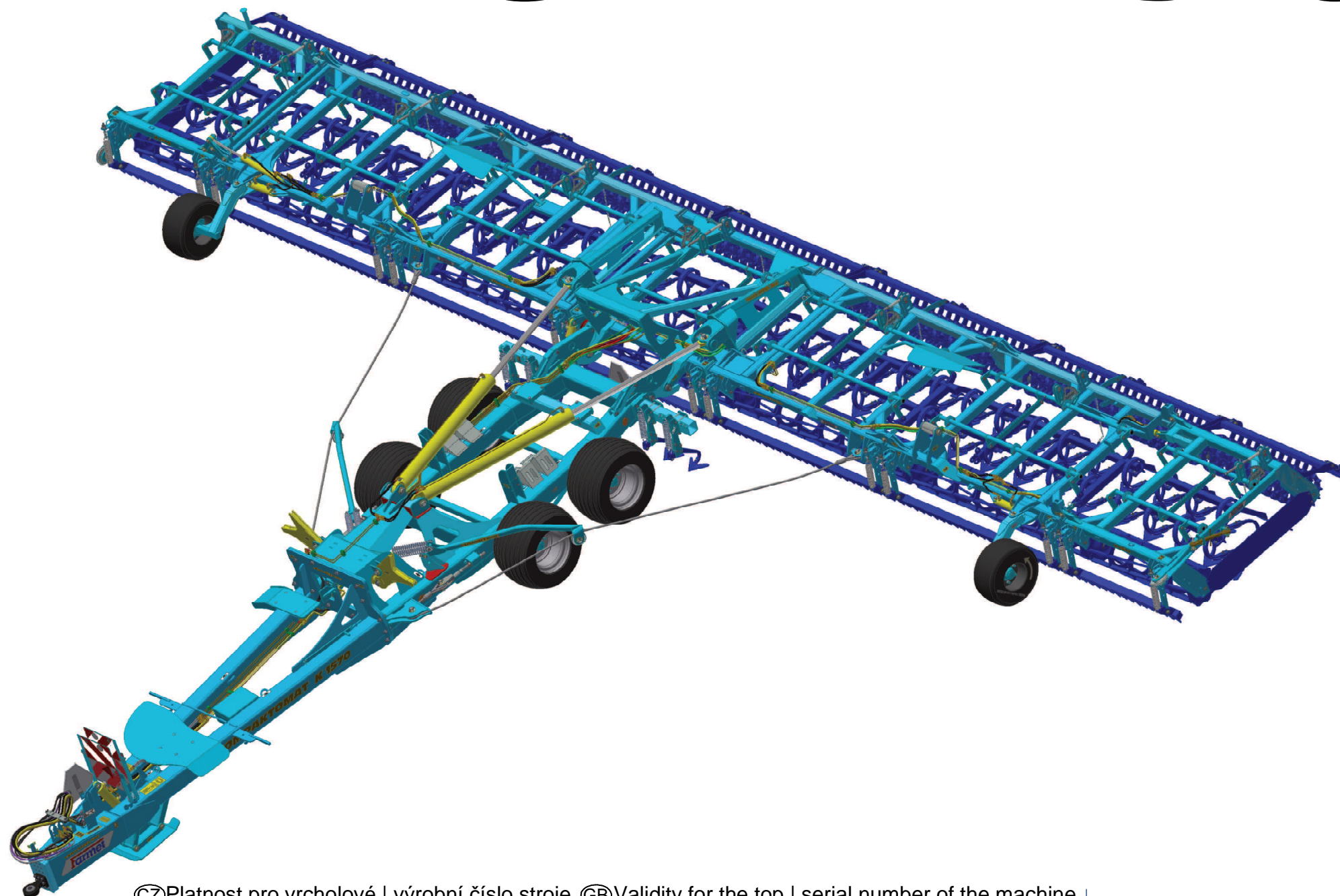


The effective technology

Farmet®

ⒸZ KATALOG NÁHRADNÍCH DÍLŮ ⒸB CATALOGUE OF SPARE PARTS ⒸD ERSATZTEILLISTE
ⒸRU КАТАЛОГ ЗАПАСНЫХ ЧАСТЕЙ ⒸF CATALOGUE DES PIÈCES DE RECHANGE ⒸPL KATALOG CZĘŚCI ZAMIENNYCH

КОМПАКТОМАТ K1570PS



ⒸZ Platnost pro vrcholové | výrobní číslo stroje ⒸB Validity for the top | serial number of the machine
ⒸD Gültigkeit für die Haupt- | Herstellungsnummer der Maschine ⒸRU Действительно для главного | заводского номера машины
ⒸF Validité du numéro de référence | de série de la machine ⒸPL Obowiązuje dla numeru głównego | seryjnego maszyny

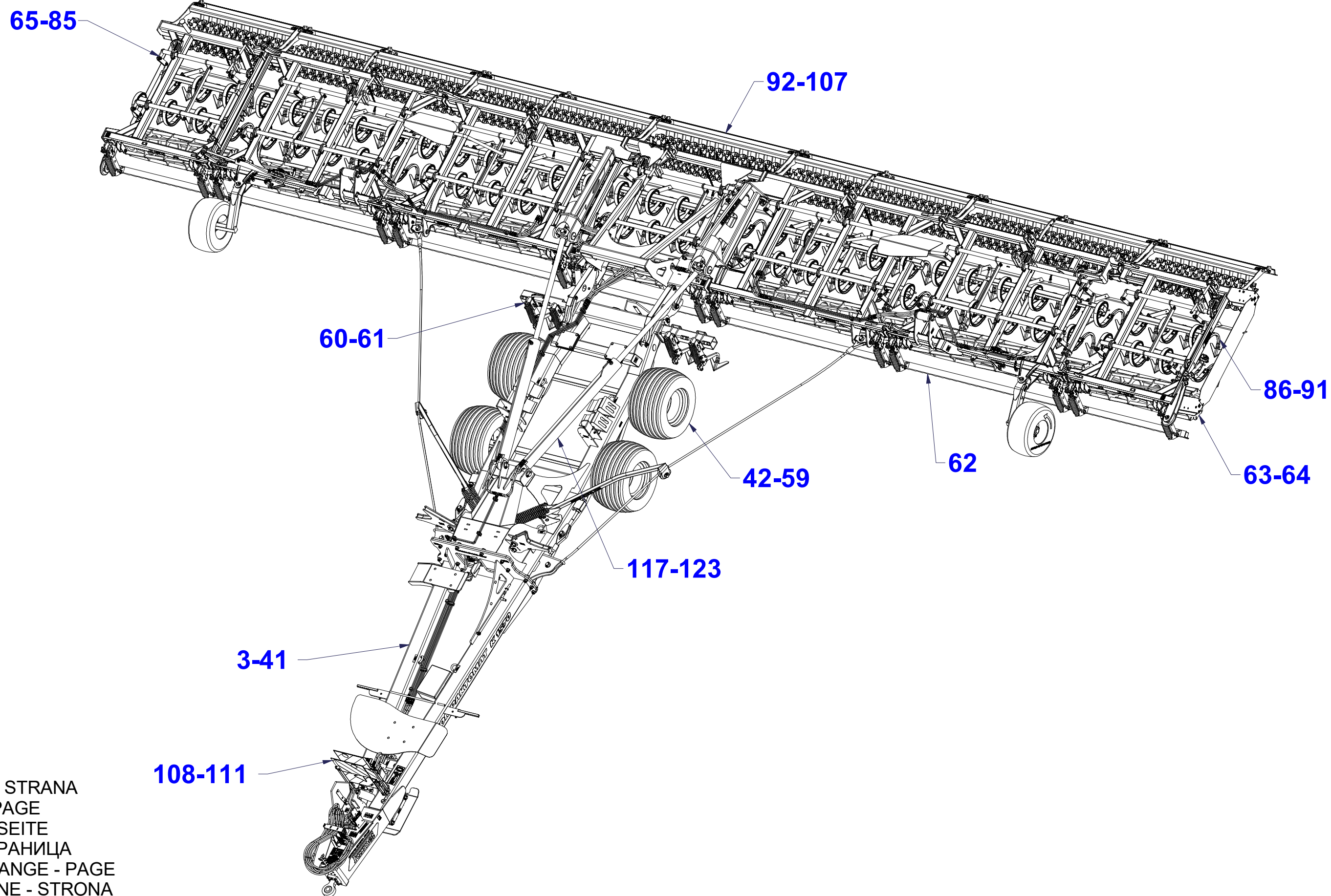
9303977 | 2017/0097

Farmet a. s.
Jiřinková 276
552 03 Česká Skalice, CZ

telefon: +420 491 450 111
fax: +420 491 450 136
GSM: +420 774 715 738

IČ: 46504931
DIČ: CZ46504931

web: www.farmet.cz
e-mail: farmet@farmet.cz



Ⓒ POLOTOVAR STROJE

Ⓓ MASCHINEN-HALBFABRIKAT

Ⓕ MACHINE - SEMI-PRODUIT

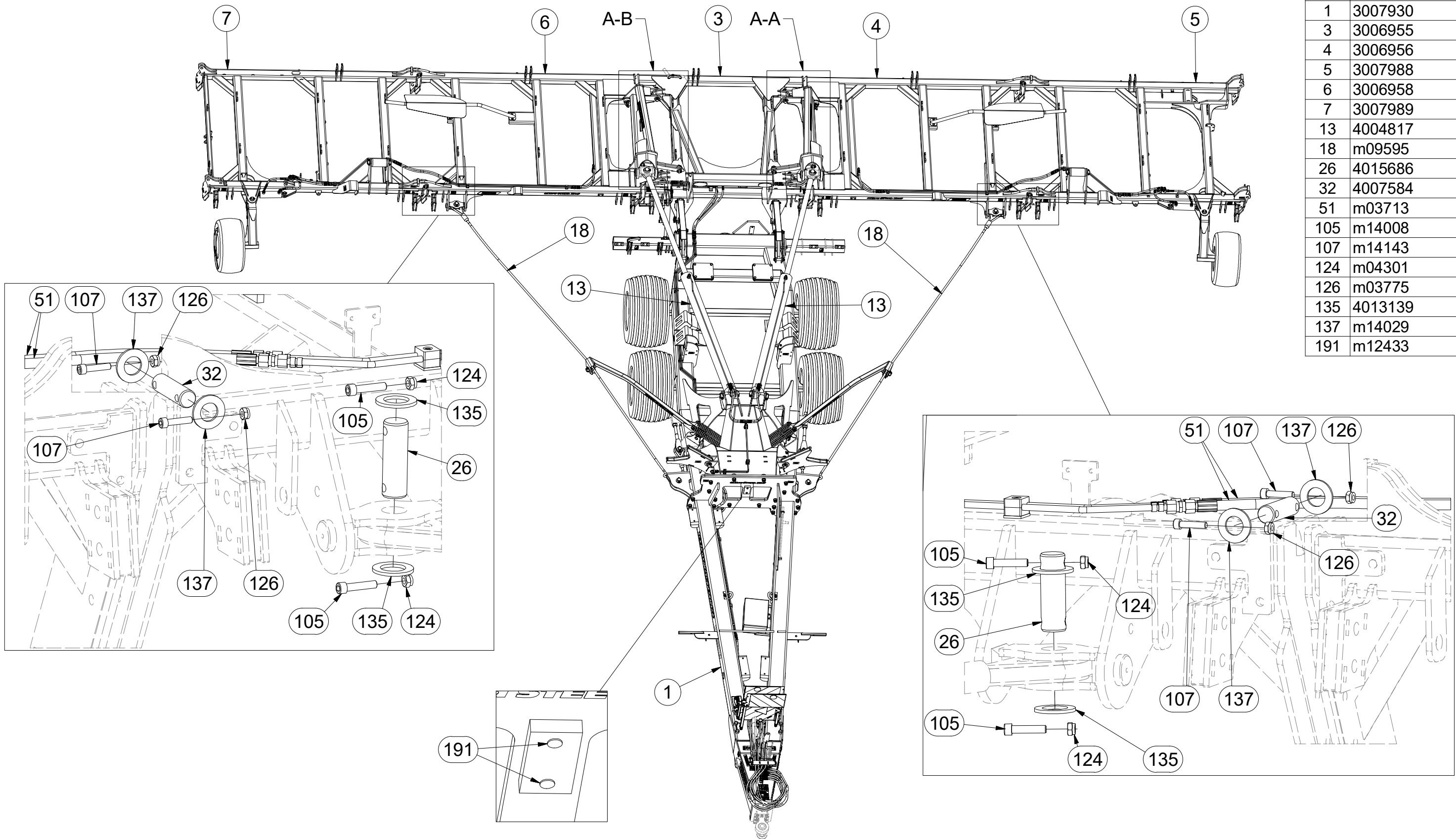
Ⓖ SEMIFINISHED MACHINE

Ⓡ ПОЛУФАБРИКАТ МАШИНЫ

Ⓢ РÓЛФАБРЫКАТ МАСЗЫНЫ



3007931



Pos.	Part Number	Pcs.
1	3007930	1
3	3006955	1
4	3006956	1
5	3007988	1
6	3006958	1
7	3007989	1
13	4004817	2
18	m09595	2
26	4015686	6
32	4007584	4
51	m03713	6
105	m14008	24
107	m14143	16
124	m04301	24
126	m03775	16
135	4013139	24
137	m14029	16
191	m12433	26

☉ POLOTOVAR STROJE

☉ MASCHINEN-HALBFABRIKAT

☉ MACHINE - SEMI-PRODUIT

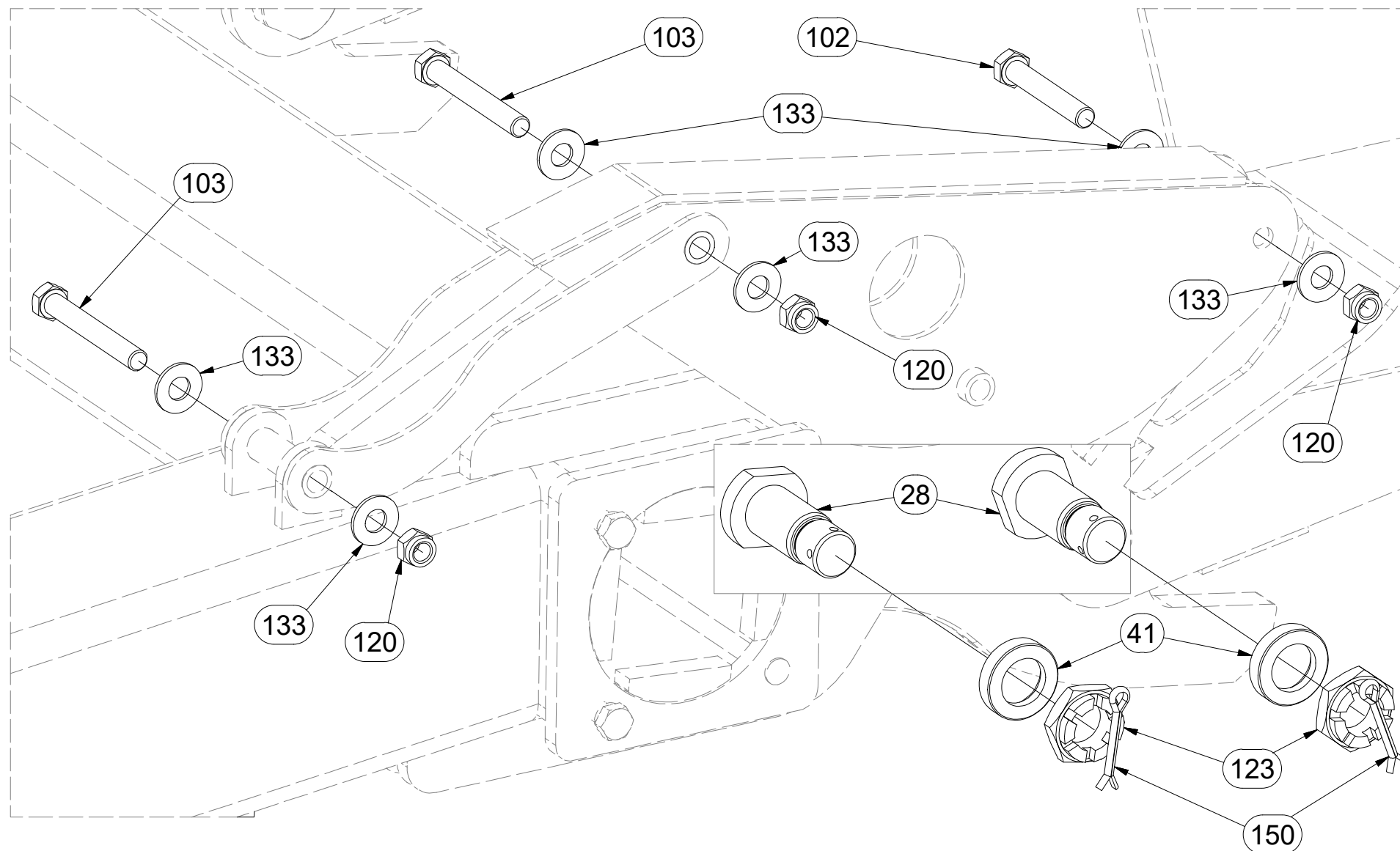
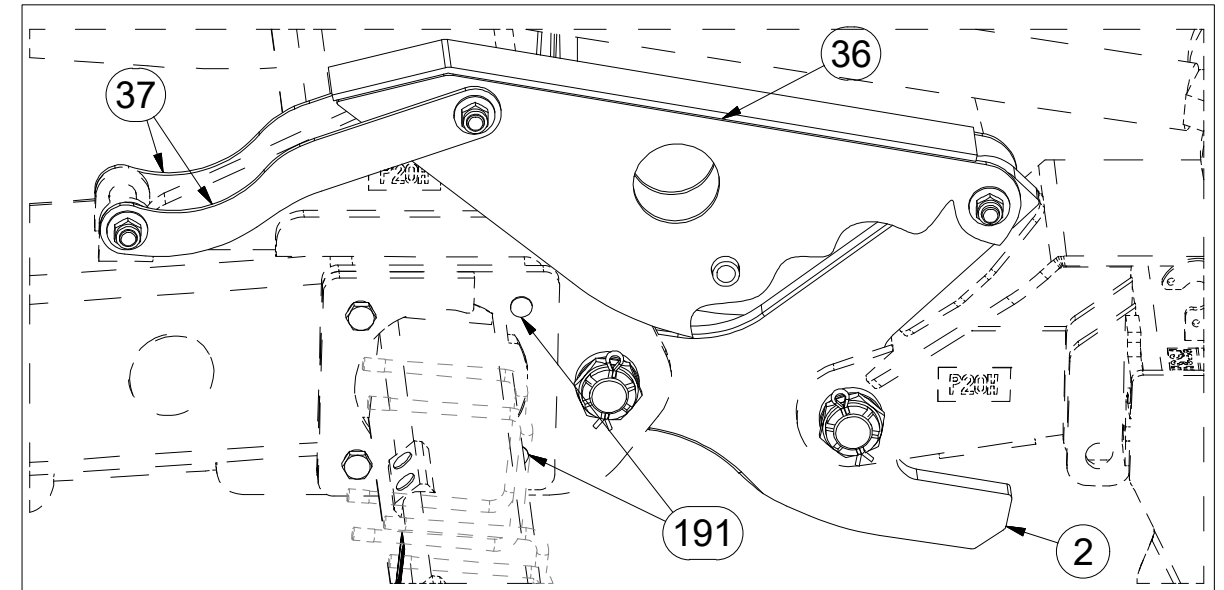
☉ SEMIFINISHED MACHINE

☉ ПОЛУФАБРИКАТ МАШИНЫ

☉ PÓLFABRYKAT MASZYNY



3007931



Pos.	Part Number	Pcs.
2	3006061	2
28	4007363	4
36	3002987	2
37	4005544	4
41	4007364	4
102	m05304	2
103	m00144	4
120	m03683	8
123	m02533	4
133	m05651	12
150	m03959	4
191	m12433	26

Ⓒ POLOTOVAR STROJE

Ⓓ MASCHINEN-HALBFABRIKAT

Ⓕ MACHINE - SEMI-PRODUIT

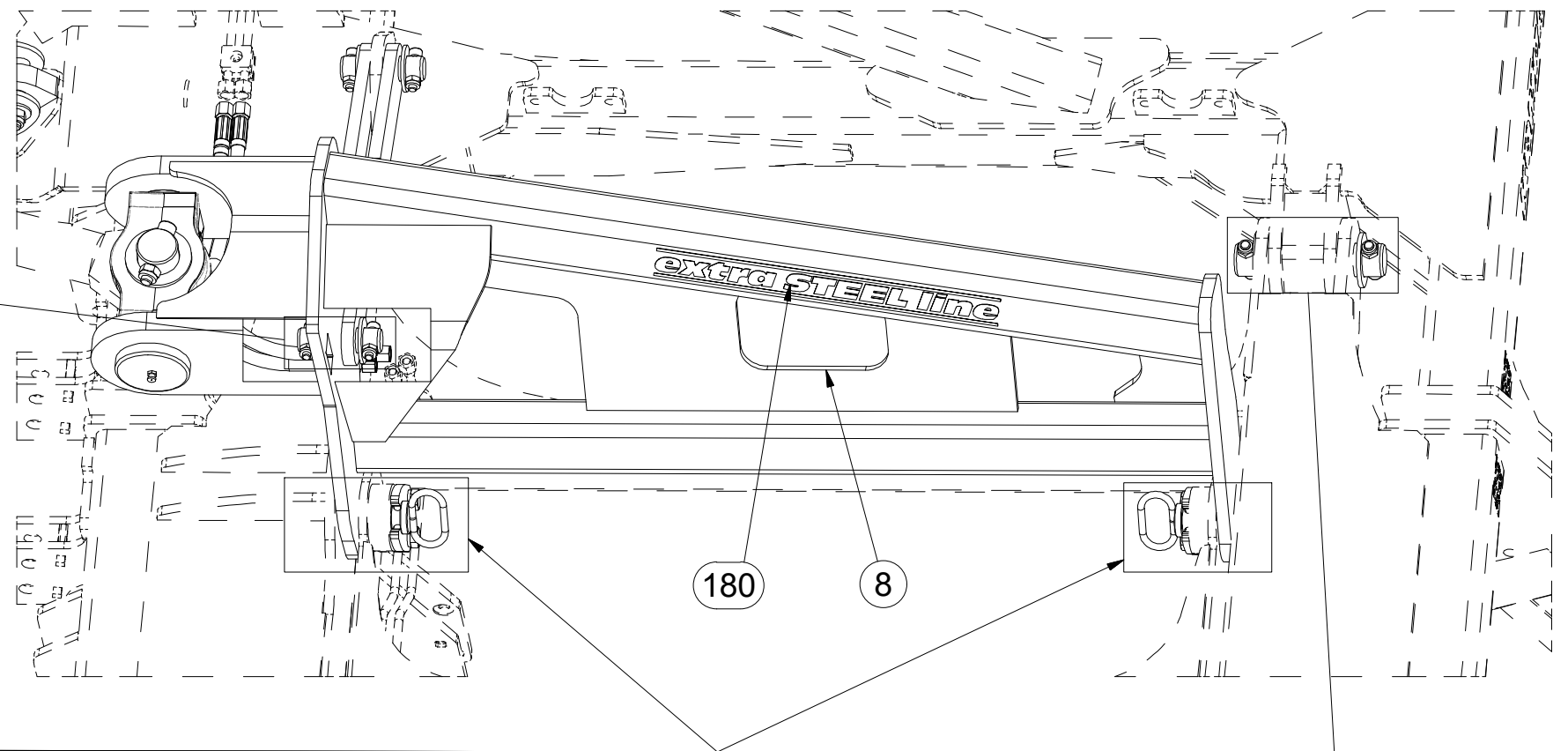
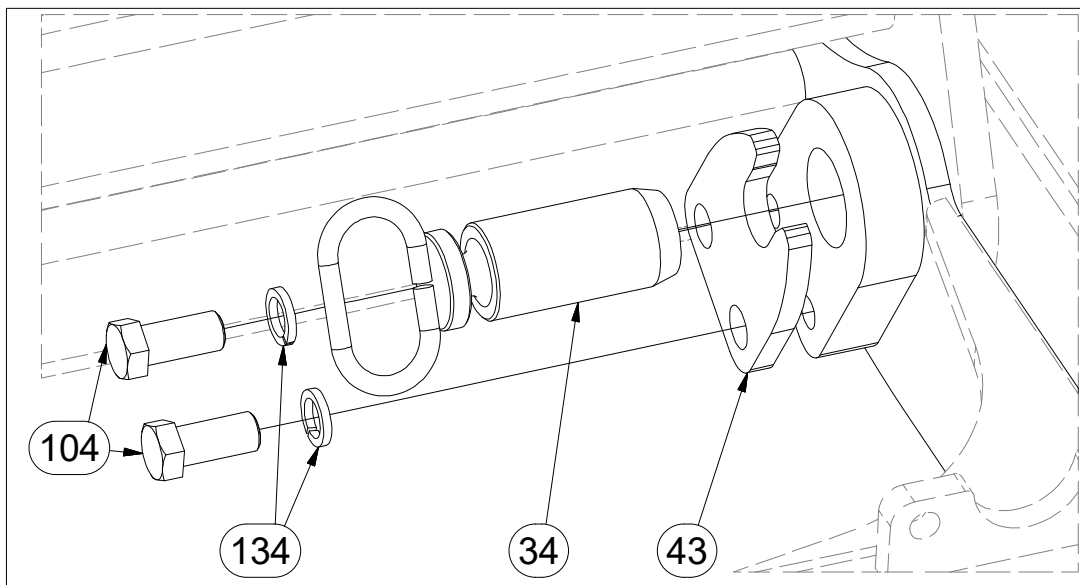
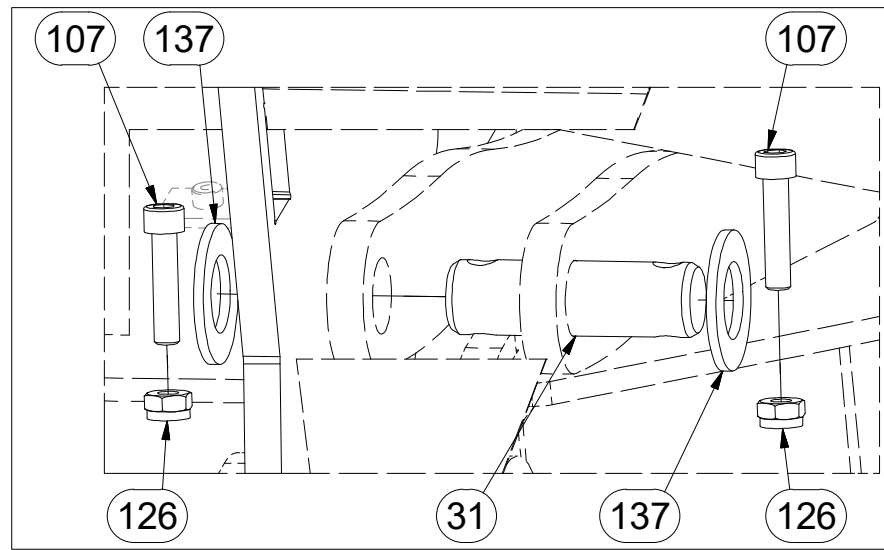
Ⓖ SEMIFINISHED MACHINE

Ⓡ ПОЛУФАБРИКАТ МАШИНЫ

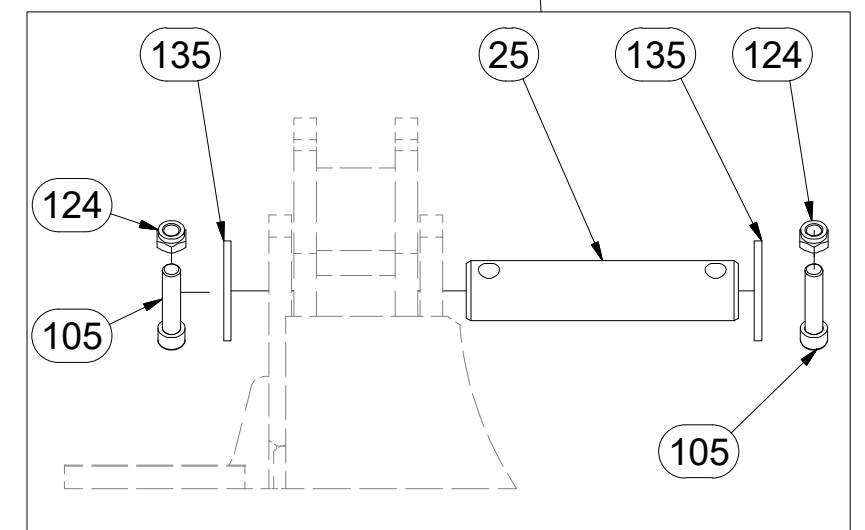
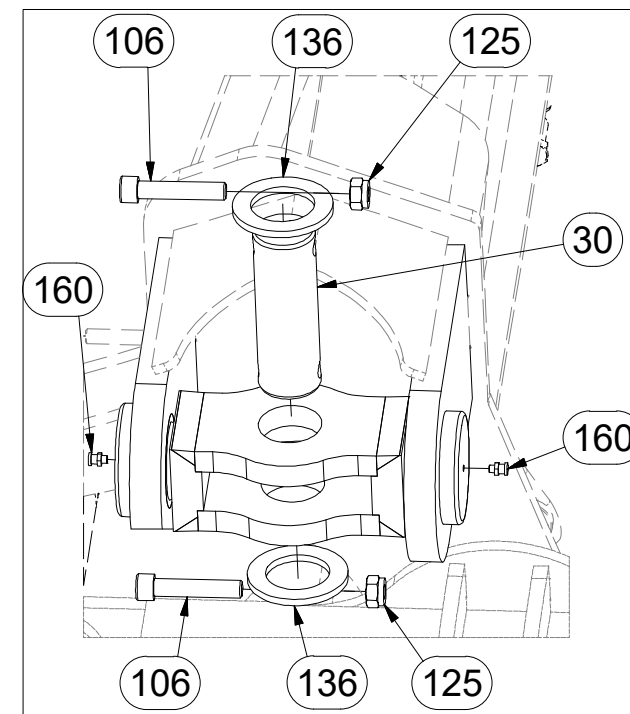
Ⓟ PÓLFABRYKAT MASZYN



3007931



A-A



Pos.	Part Number	Pcs.	Pos.	Part Number	Pcs.
8	3002593	1	124	m04301	24
25	4011501	4	125	m04990	8
30	4015689	2	126	m03775	16
31	4008234	4	134	m02157	12
34	4010038	4	135	4013139	24
43	4010036	4	136	4015687	8
104	m04240	8	137	m14029	16
105	m14008	24	160	m10451	4
106	m13957	8	180	m10353	4
107	m14143	16			

☉ POLOTOVAR STROJE

☉ MASCHINEN-HALBFABRIKAT

☉ MACHINE - SEMI-PRODUIT

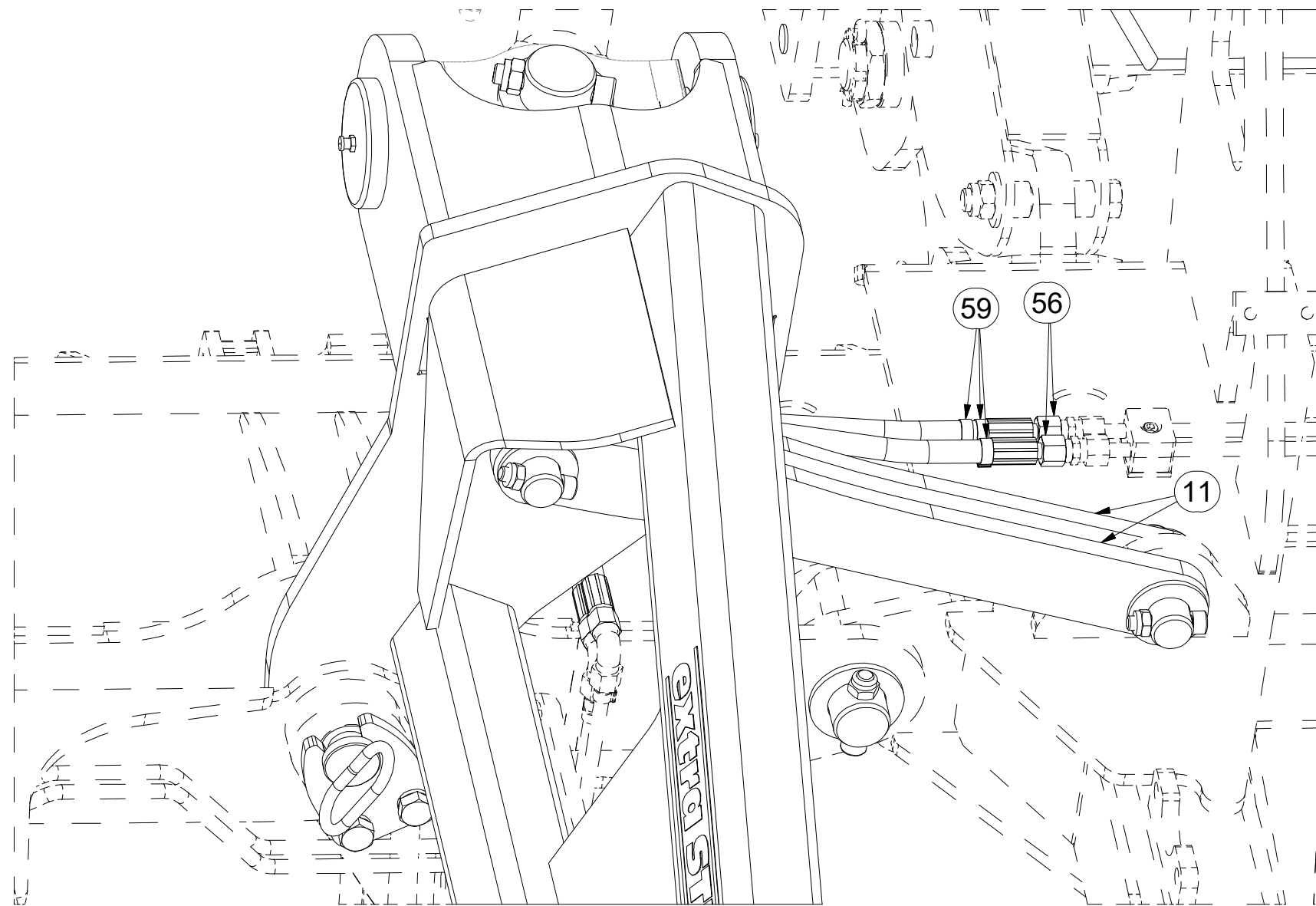
☉ SEMIFINISHED MACHINE

☉ ПОЛУФАБРИКАТ МАШИНЫ

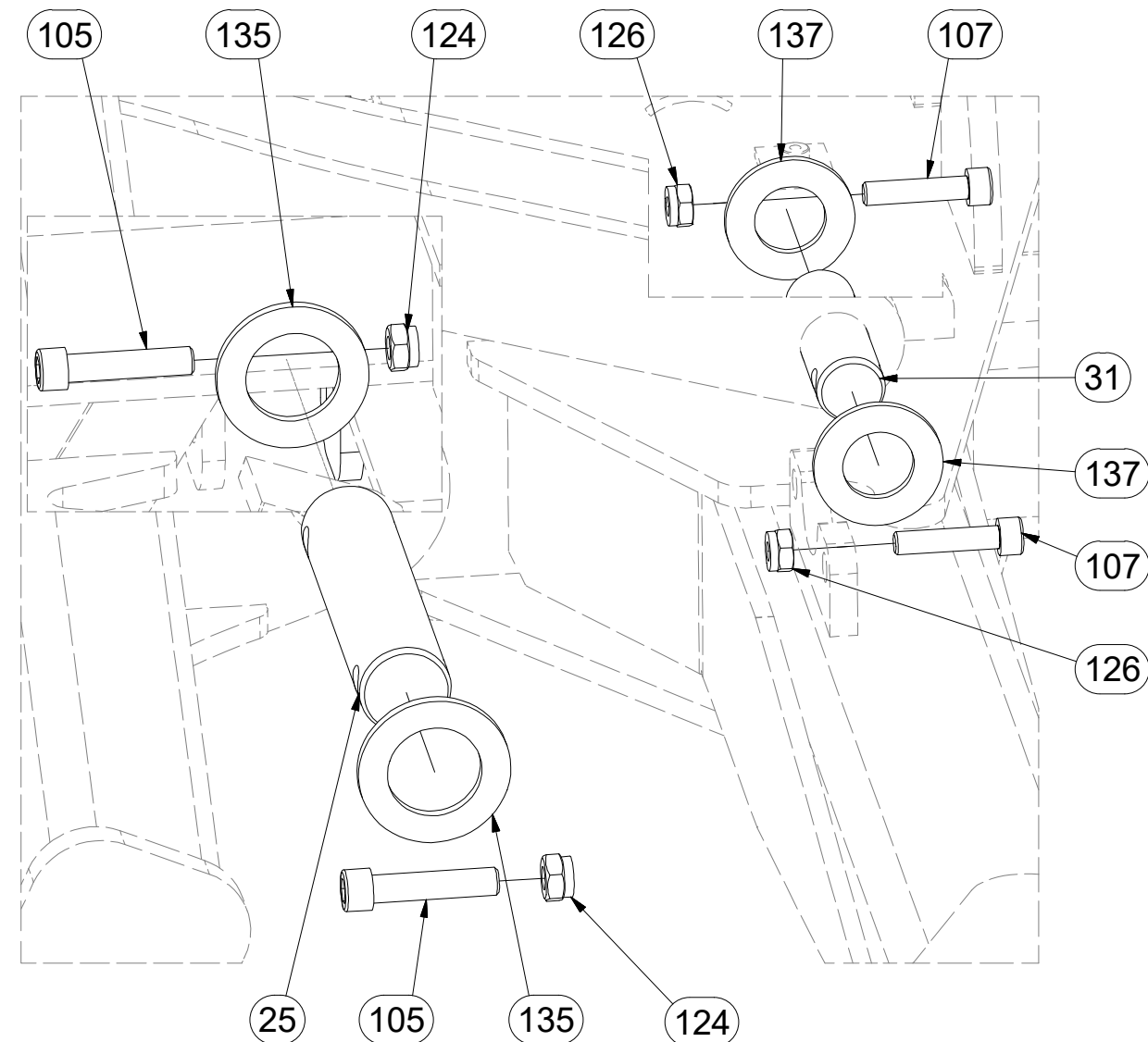
☉ PÓLFABRYKAT MASZYNY



3007931



A-A



Pos.	Part Number	Pcs.
11	4008205	4
25	4011501	4
31	4008234	4
56	m09628	4
59	m11691	9
105	m14008	24
107	m14143	16
124	m04301	24
126	m03775	16
135	4013139	24
137	m14029	16

☉ POLOTOVAR STROJE

☉ MASCHINEN-HALBFABRIKAT

☉ MACHINE - SEMI-PRODUIT

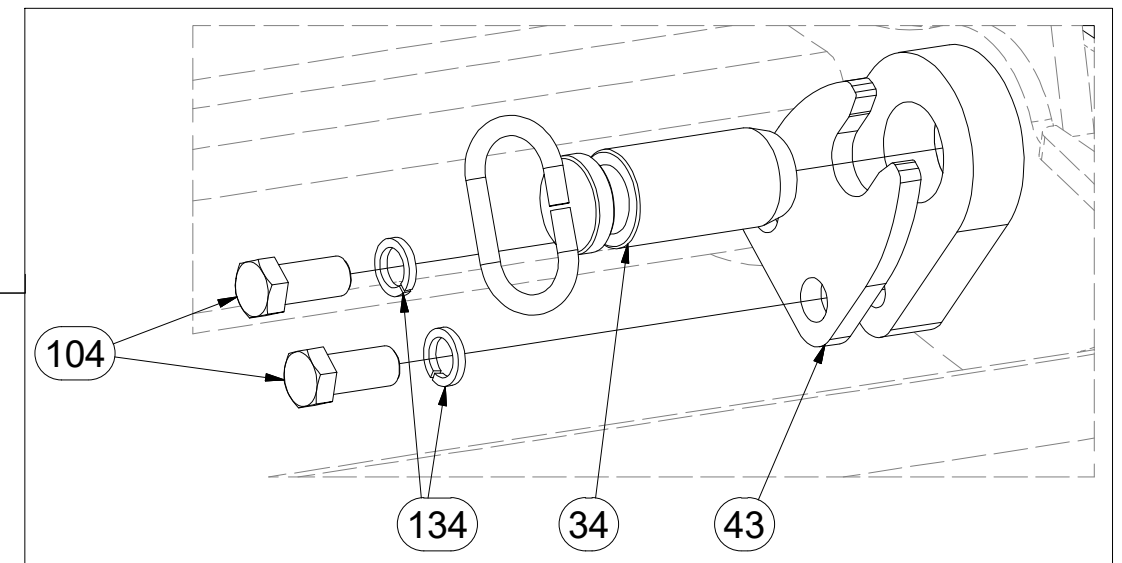
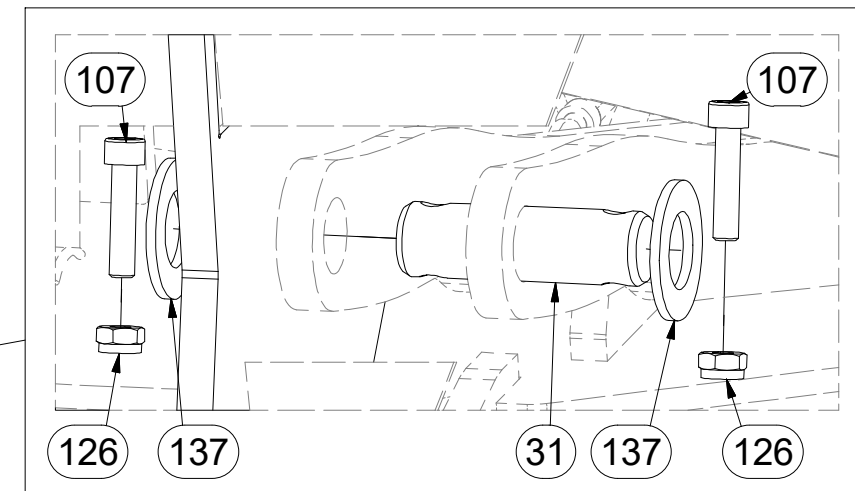
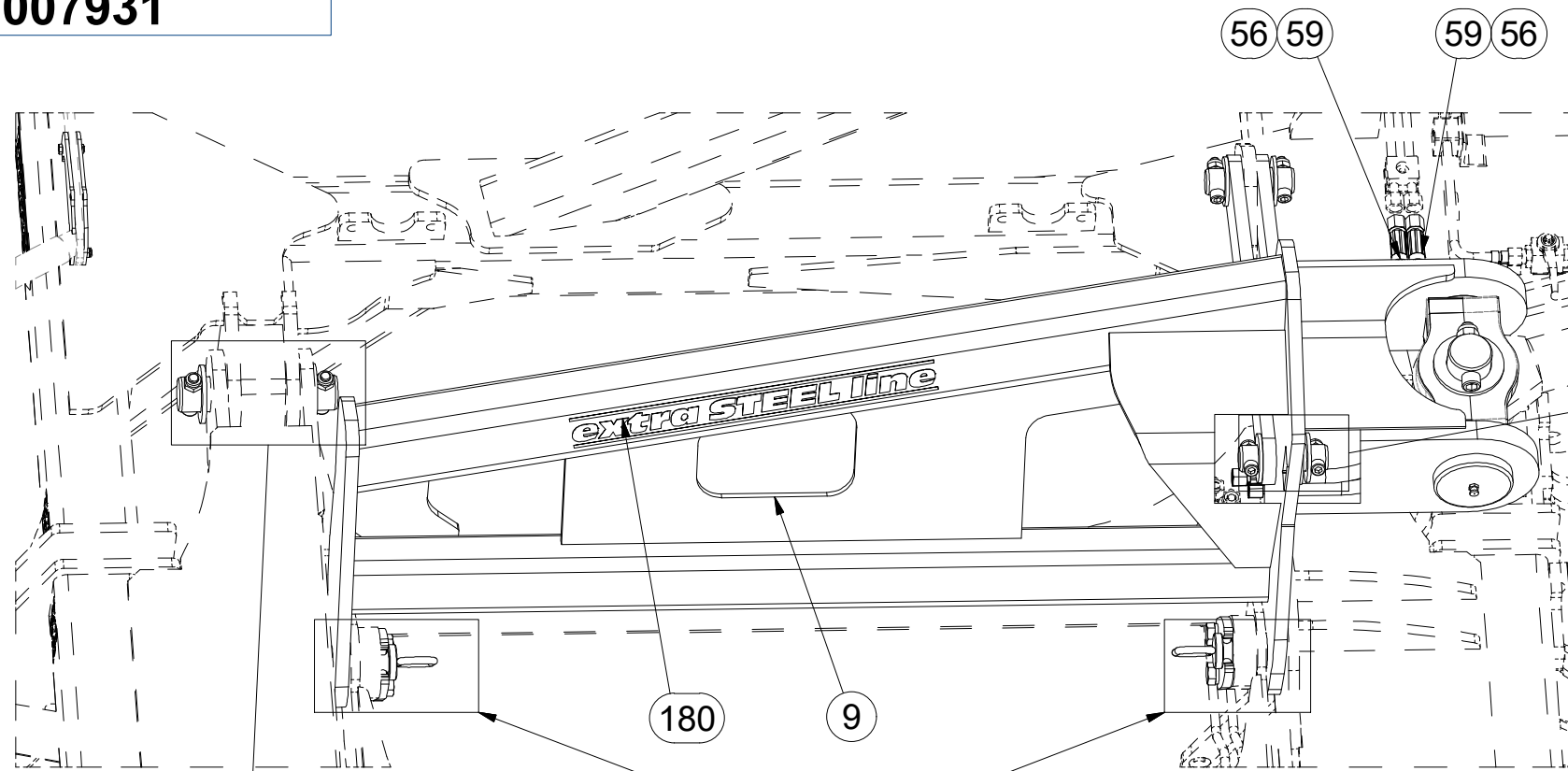
☉ SEMIFINISHED MACHINE

☉ ПОЛУФАБРИКАТ МАШИНЫ

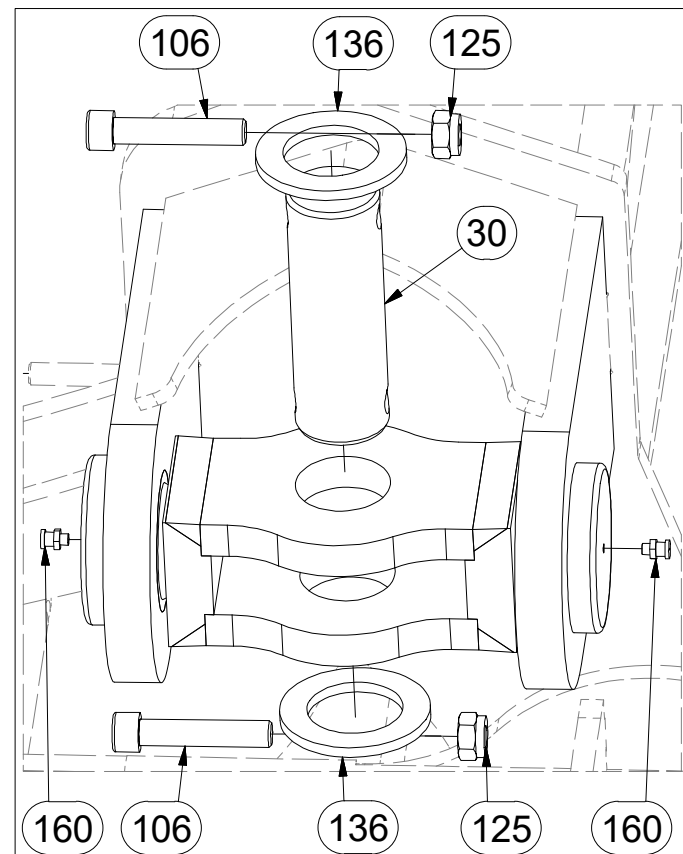
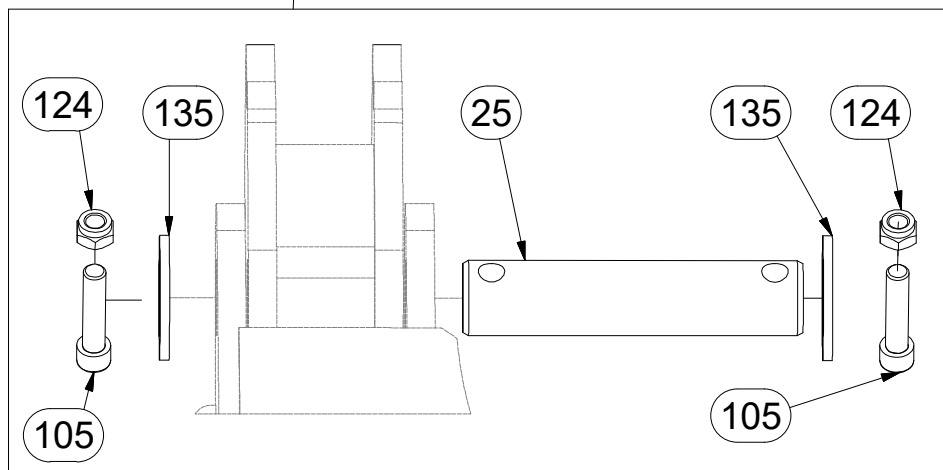
☉ PÓLFABRYKAT MASZYNY



3007931



A-B



Pos.	Part Number	Pcs.	Pos.	Part Number	Pcs.
9	3002592	1	106	m13957	8
25	4011501	4	107	m14143	16
30	4015689	2	124	m04301	24
31	4008234	4	125	m04990	8
34	4010038	4	126	m03775	16
43	4010036	4	134	m02157	12
56	m09628	4	135	4013139	24
59	m11691	9	136	4015687	8
104	m04240	8	137	m14029	16
105	m14008	24	160	m10451	4
			180	m10353	4

Ⓒ POLOTOVAR STROJE

Ⓓ MASCHINEN-HALBFABRIKAT

Ⓕ MACHINE - SEMI-PRODUIT

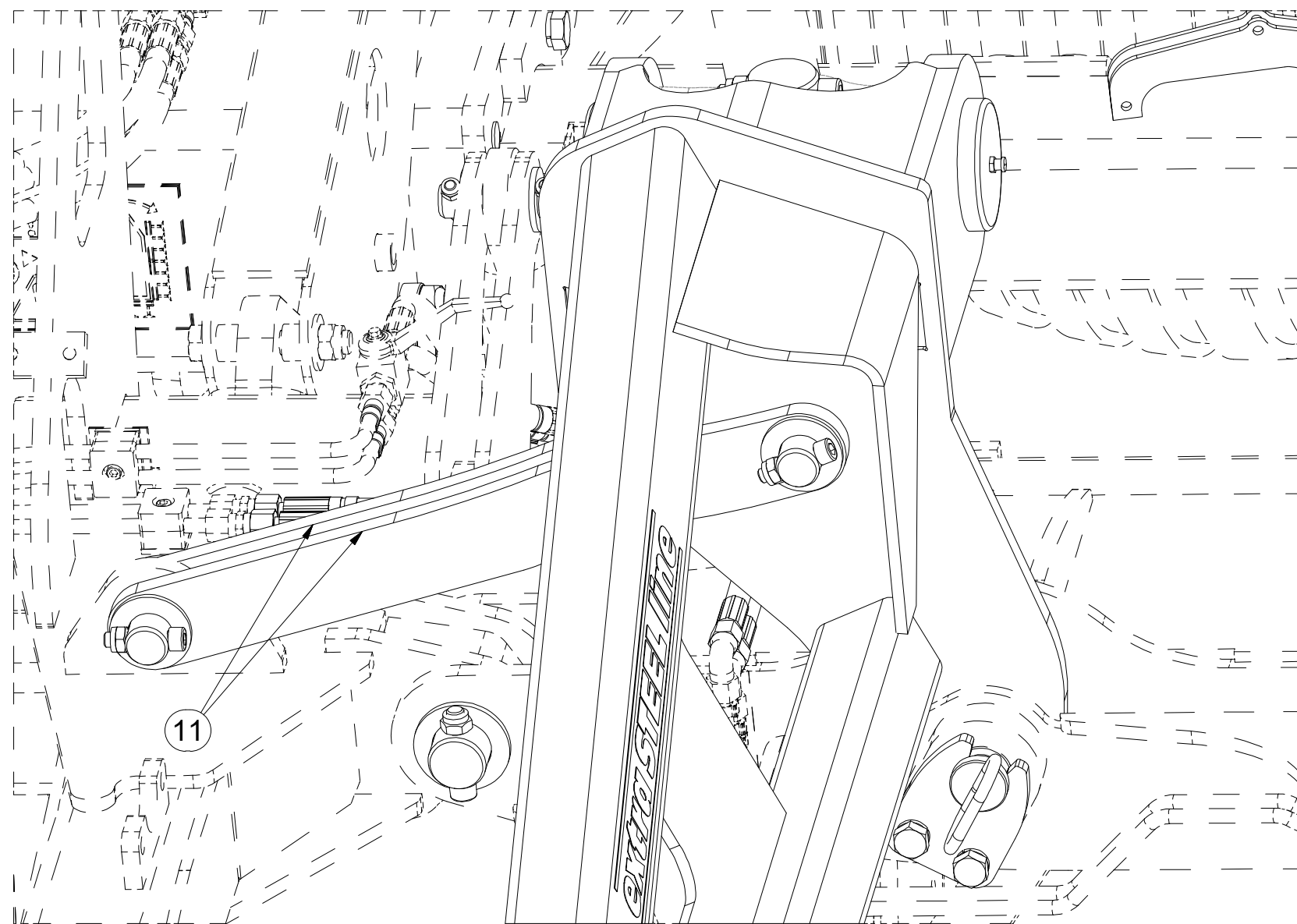
Ⓖ SEMIFINISHED MACHINE

Ⓡ ПОЛУФАБРИКАТ МАШИНЫ

Ⓟ PÓŁFABRYKAT MASZYNY

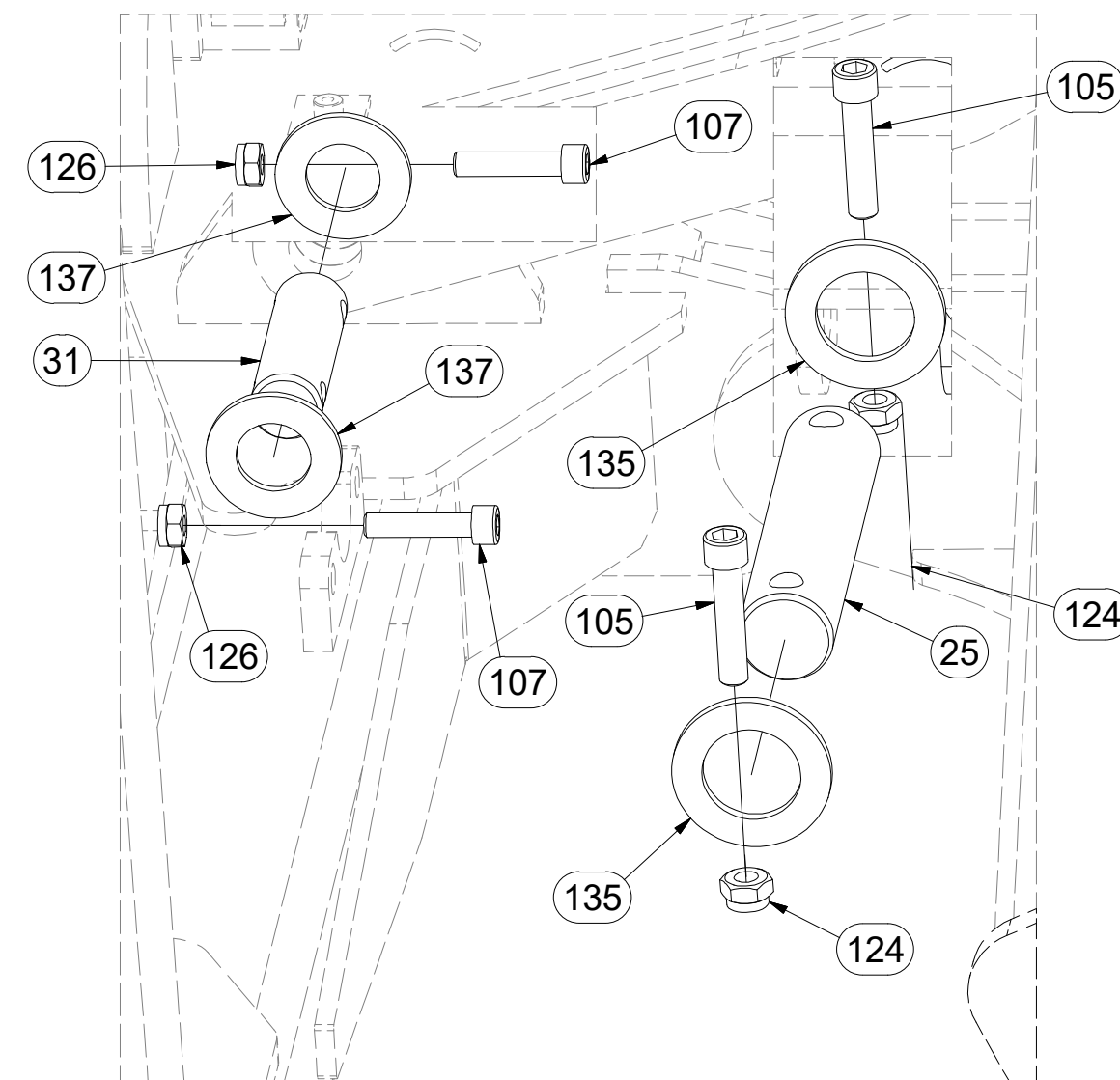


3007931



Pos.	Part Number	Pcs.
11	4008205	4
25	4011501	4
31	4008234	4
105	m14008	24
107	m14143	16
124	m04301	24
126	m03775	16
135	4013139	24
137	m14029	16

A-B



☉ POLOTOVAR STROJE

☉ MASCHINEN-HALBFABRIKAT

☉ MACHINE - SEMI-PRODUIT

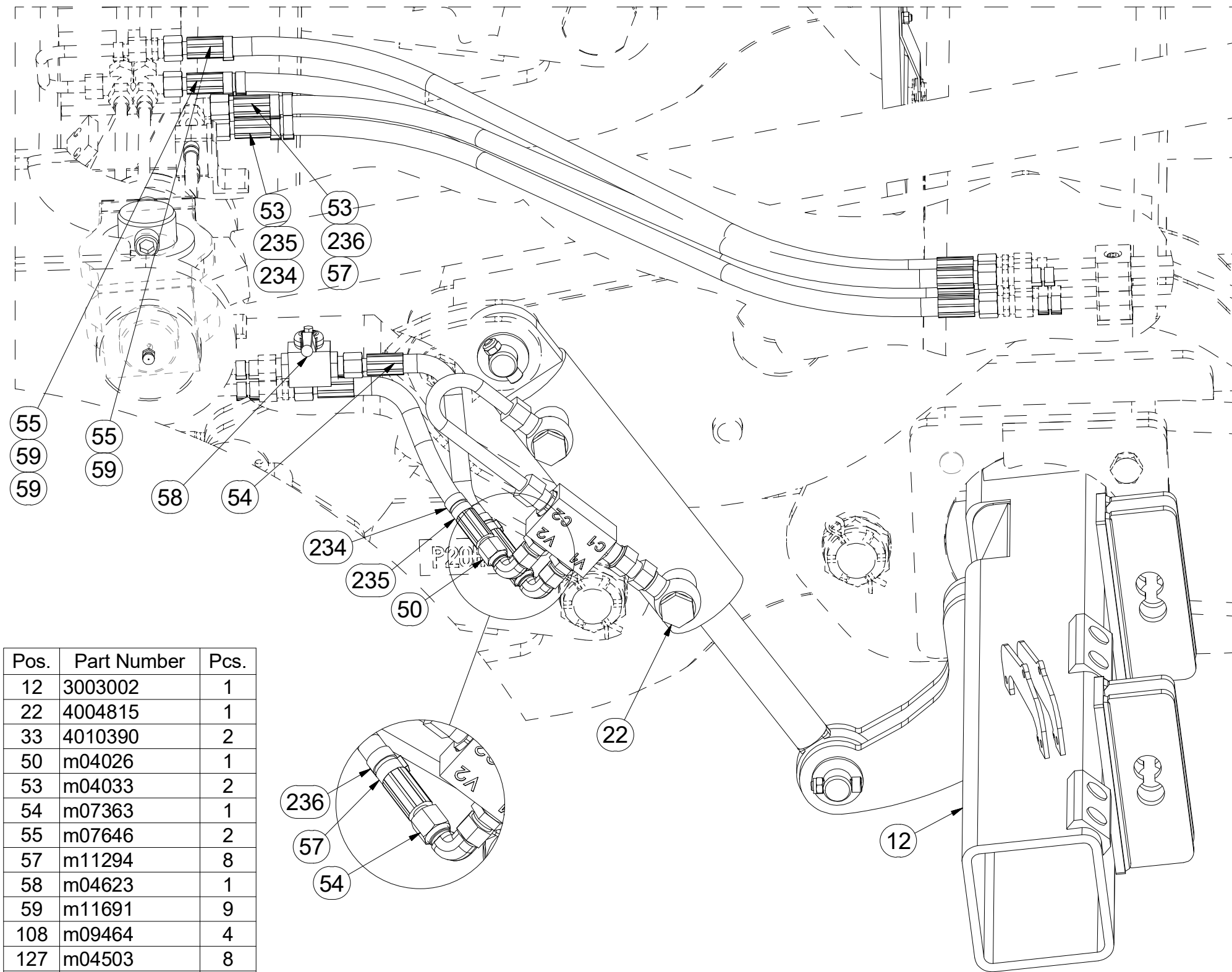
☉ SEMIFINISHED MACHINE

☉ ПОЛУФАБРИКАТ МАШИНЫ

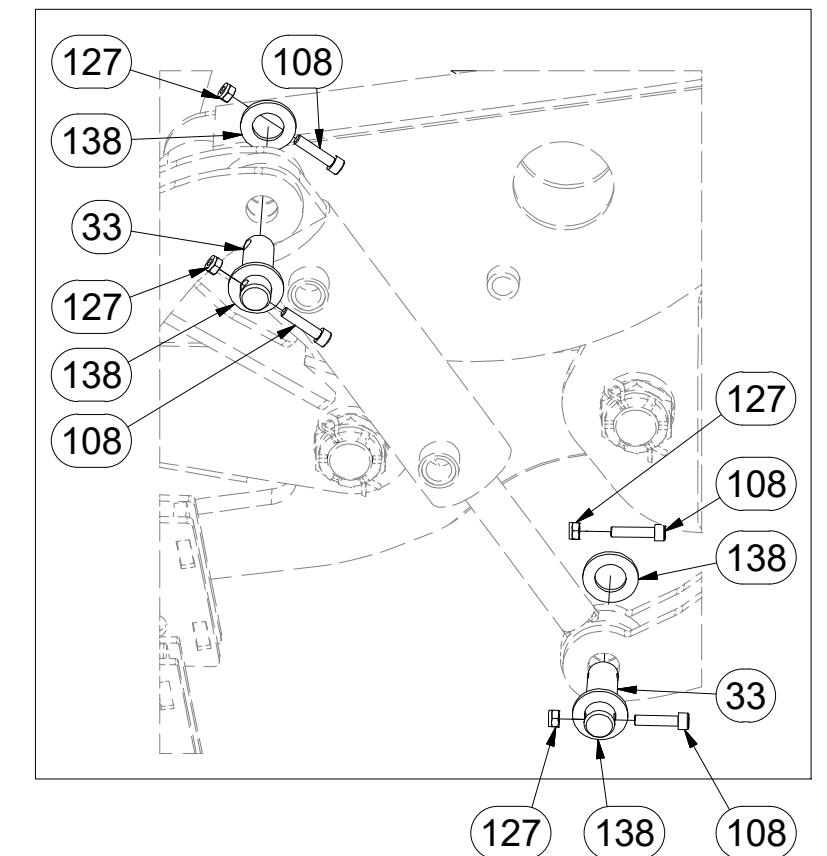
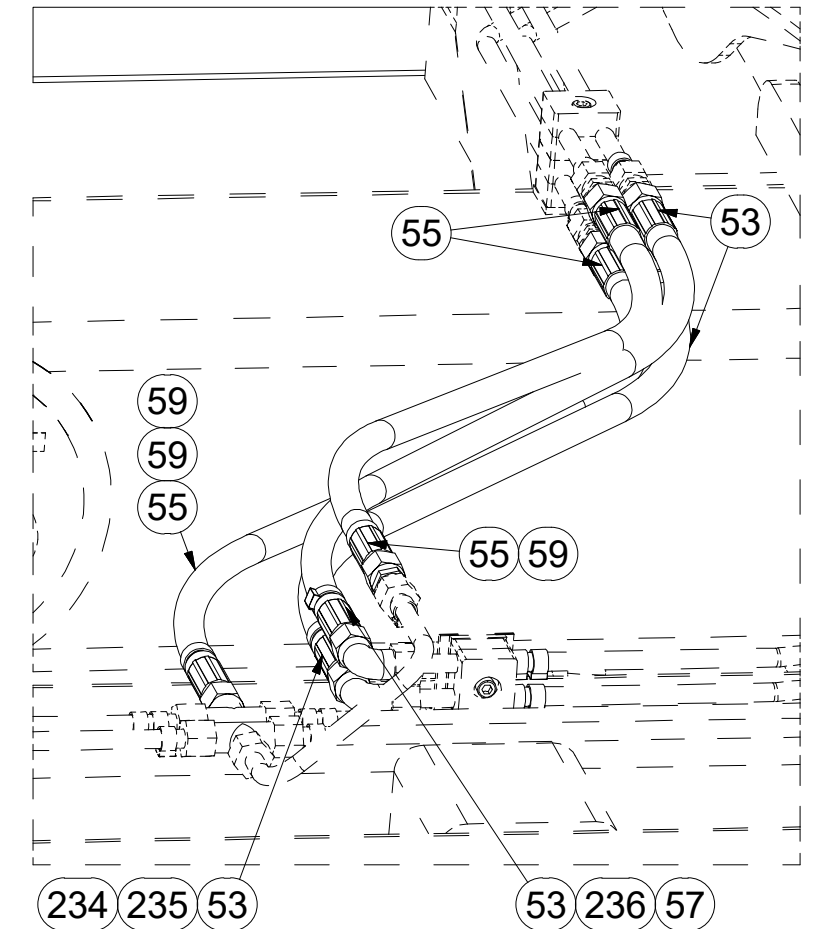
☉ PÓLFABRYKAT MASZYNY



3007931



Pos.	Part Number	Pcs.
12	3003002	1
22	4004815	1
33	4010390	2
50	m04026	1
53	m04033	2
54	m07363	1
55	m07646	2
57	m11294	8
58	m04623	1
59	m11691	9
108	m09464	4
127	m04503	8
138	m14028	4
234	m11289	2
235	m11282	2
236	m11253	2



Ⓒ POLOTOVAR STROJE

Ⓓ MASCHINEN-HALBFABRIKAT

Ⓕ MACHINE - SEMI-PRODUIT

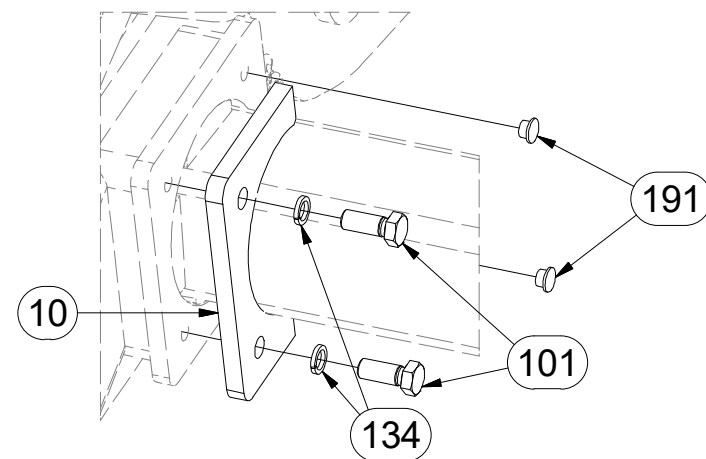
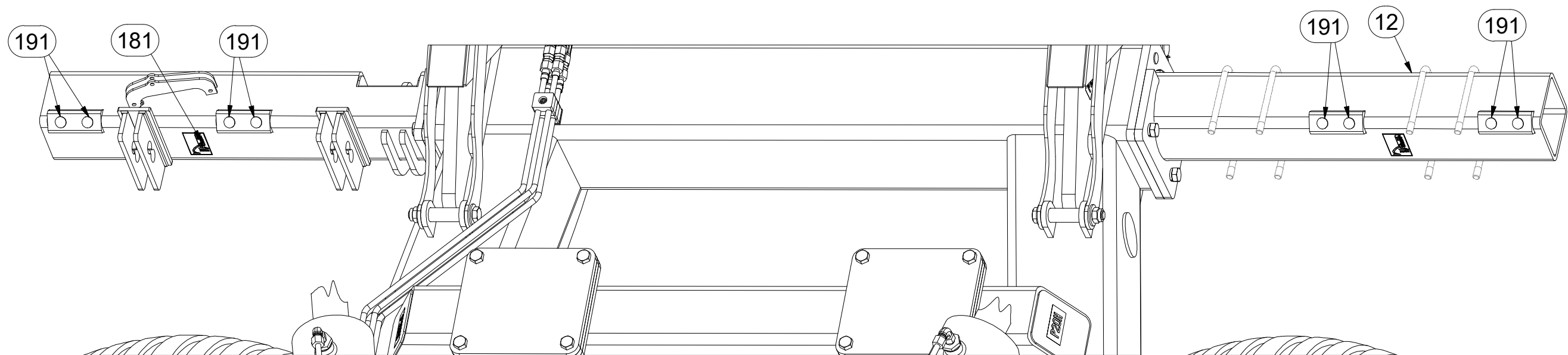
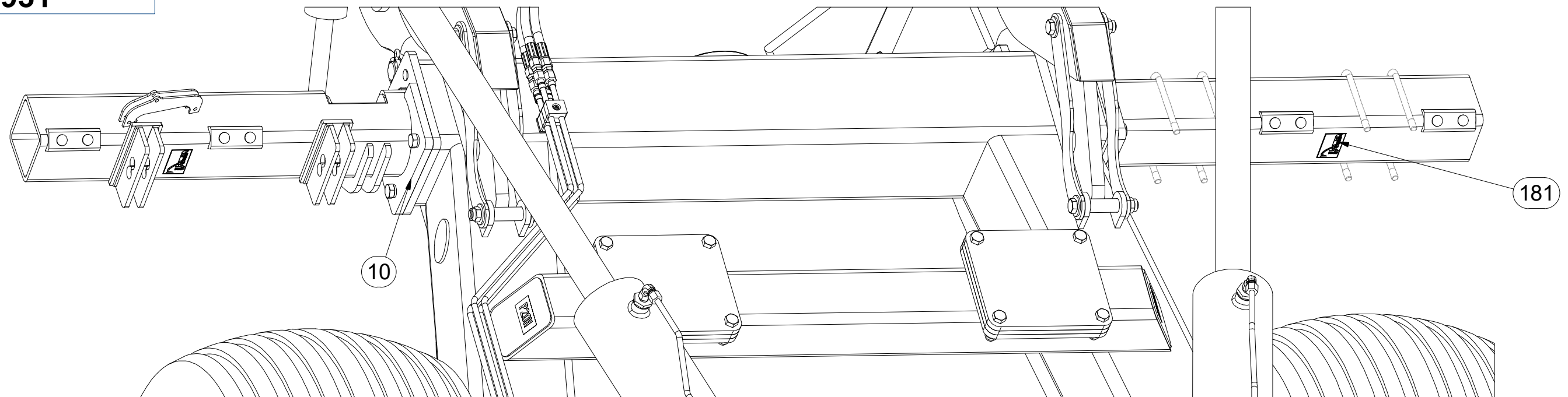
Ⓖ SEMIFINISHED MACHINE

Ⓡ ПОЛУФАБРИКАТ МАШИНЫ

Ⓟ PÓŁFABRYKAT MASZYN



3007931



Pos.	Part Number	Pcs.
10	4004697	2
12	3003002	1
101	m01129	4
134	m02157	12
181	m10180	4
191	m12433	26

☉ POLOTOVAR STROJE

☉ MASCHINEN-HALBFABRIKAT

☉ MACHINE - SEMI-PRODUIT

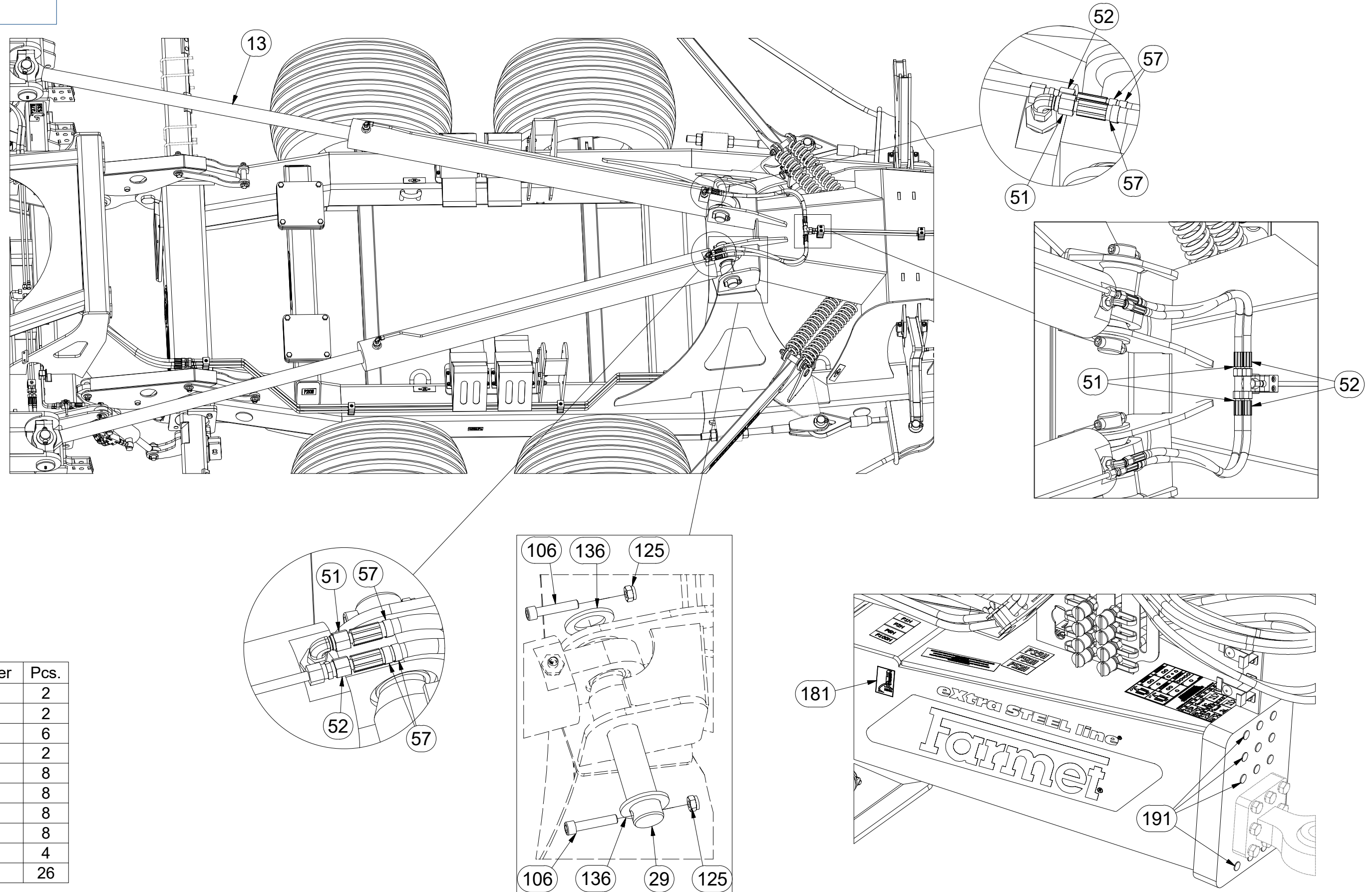
☉ SEMIFINISHED MACHINE

☉ ПОЛУФАБРИКАТ МАШИНЫ

☉ PÓŁFABRYKAT MASZYNY



3007931



Pos.	Part Number	Pcs.
13	4004817	2
29	4015688	2
51	m03713	6
52	m09432	2
57	m11294	8
106	m13957	8
125	m04990	8
136	4015687	8
181	m10180	4
191	m12433	26

☉ POLOTOVAR STROJE

☉ MASCHINEN-HALBFABRIKAT

☉ MACHINE - SEMI-PRODUIT

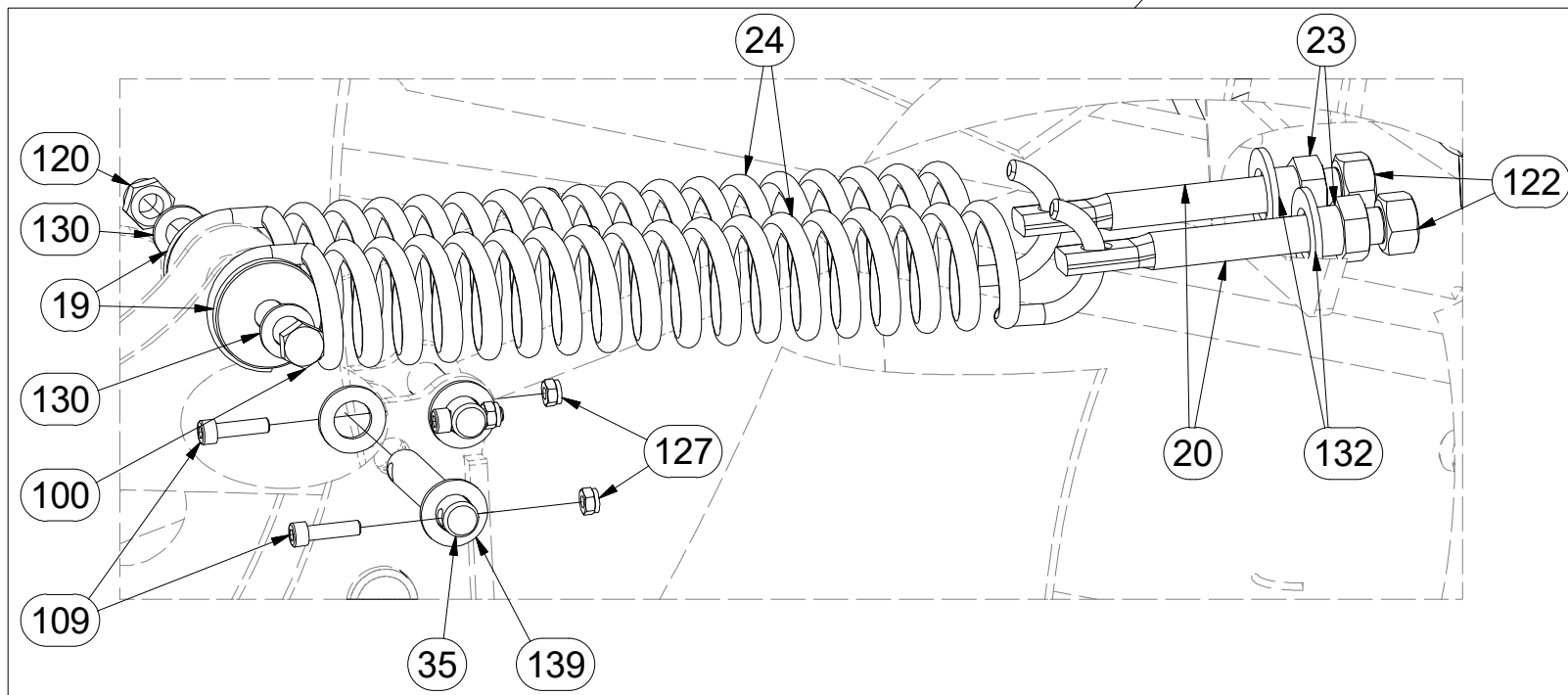
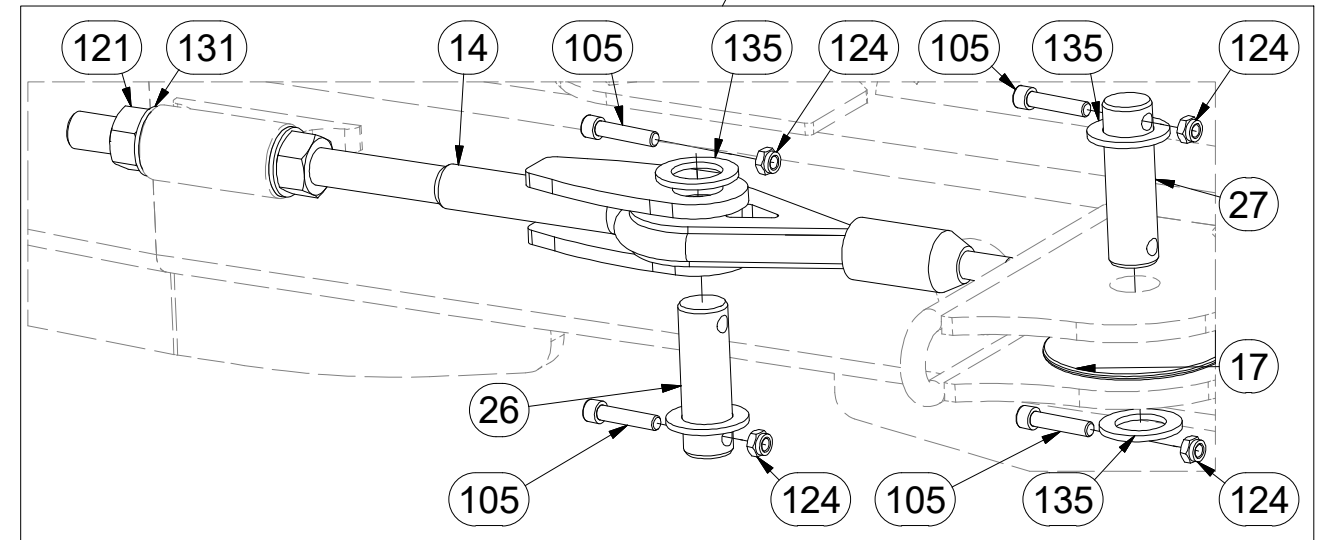
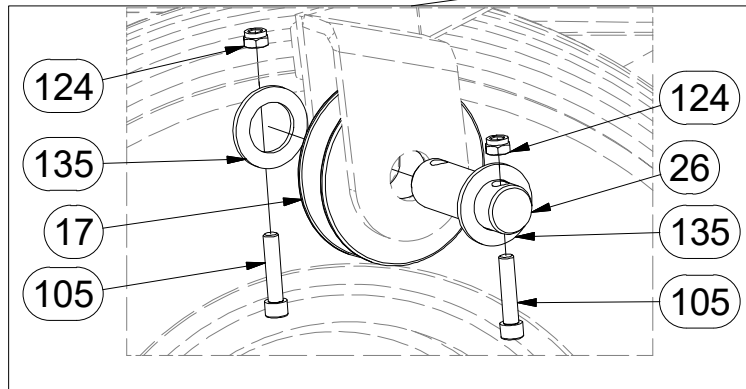
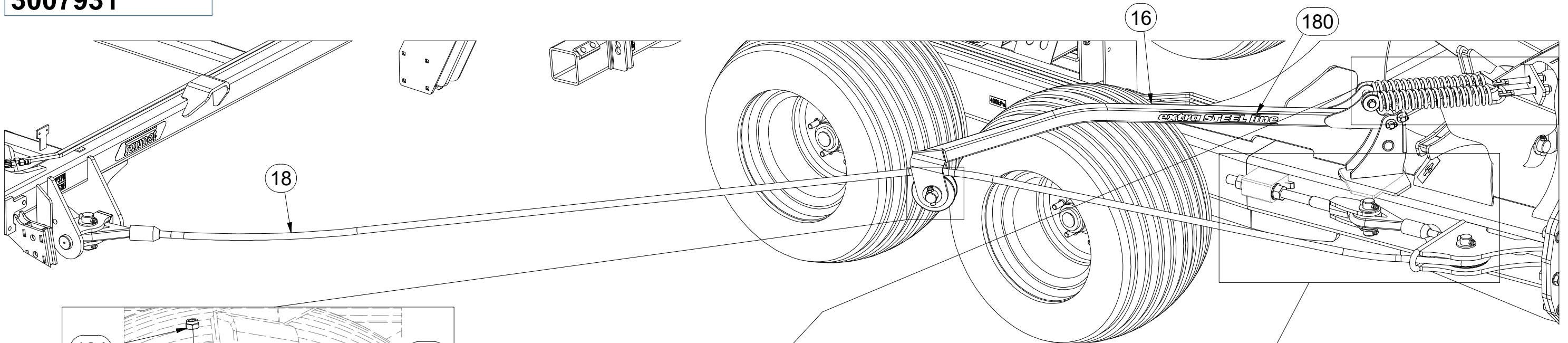
☉ SEMIFINISHED MACHINE

☉ ПОЛУФАБРИКАТ МАШИНЫ

☉ PÓLFABRYKAT MASZYNY



3007931



Pos.	Part Number	Pcs.	Pos.	Part Number	Pcs.
14	3002642	2	105	m14008	24
16	3002970	1	109	m09870	4
17	4004704	4	120	m03683	8
18	m09595	2	121	m01309	4
19	4004910	4	122	m01307	4
20	4003401	4	124	m04301	24
23	4000189	4	127	m04503	8
24	m02597	4	130	m01219	4
26	4015686	6	131	m02866	4
27	4007646	2	132	m01225	4
35	4015696	2	135	4013139	24
100	m06046	2	139	m14944	4
			180	m10353	4

☉ POLOTOVAR STROJE

☉ MASCHINEN-HALBFABRIKAT

☉ MACHINE - SEMI-PRODUIT

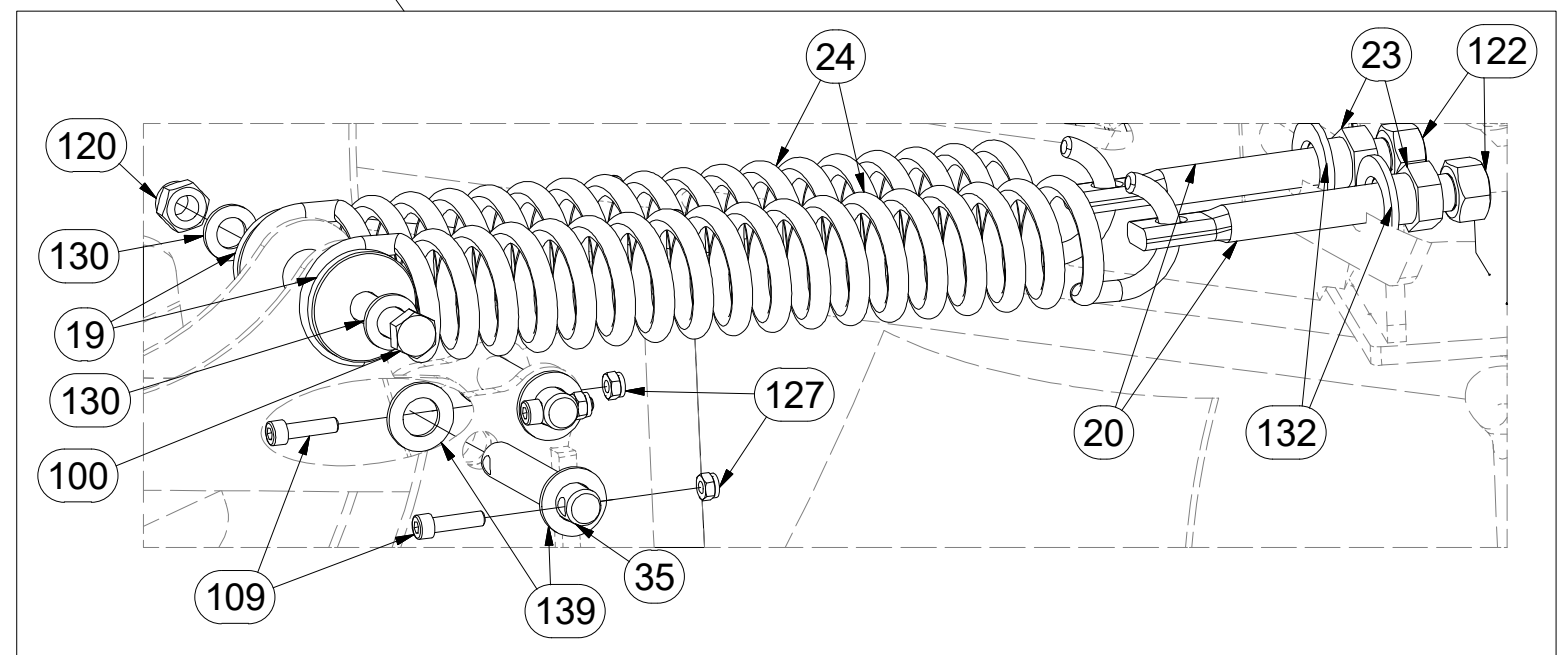
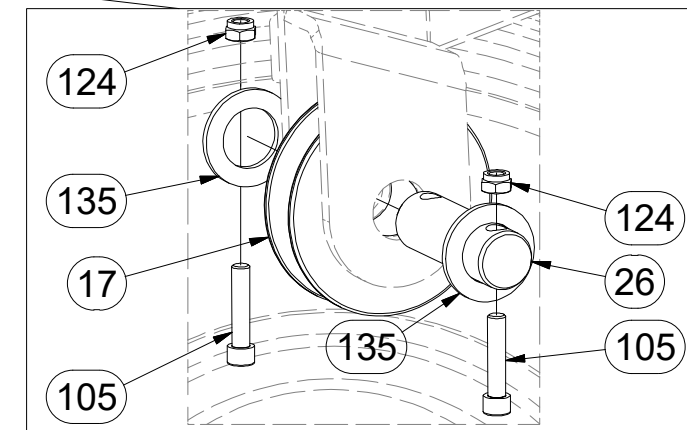
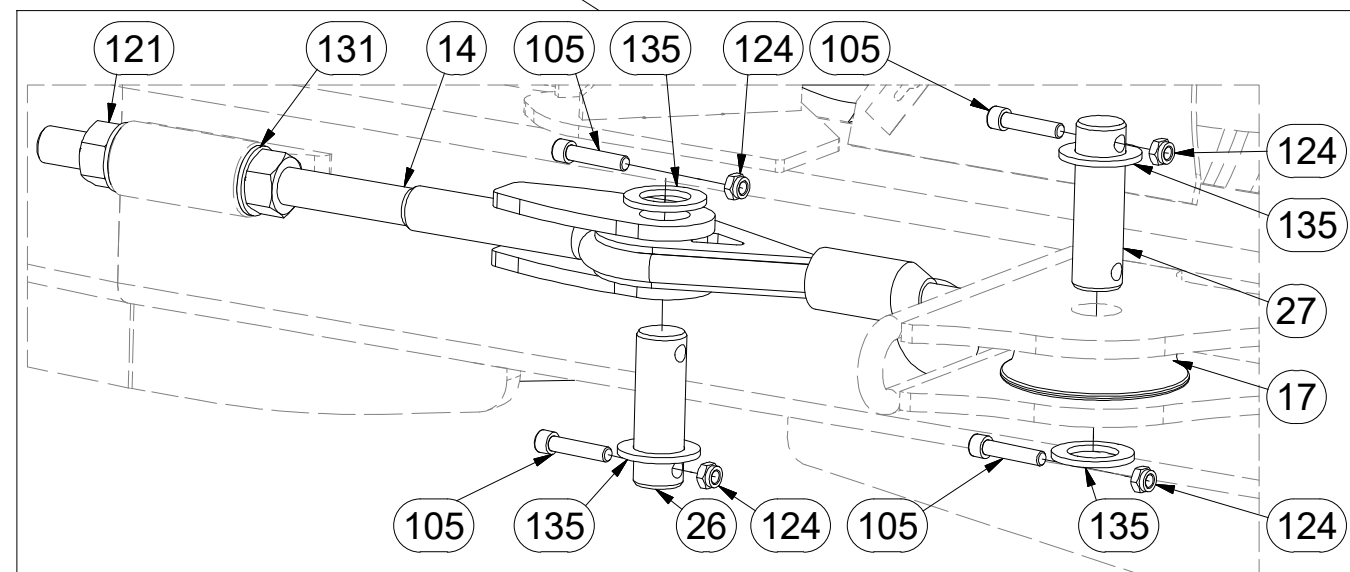
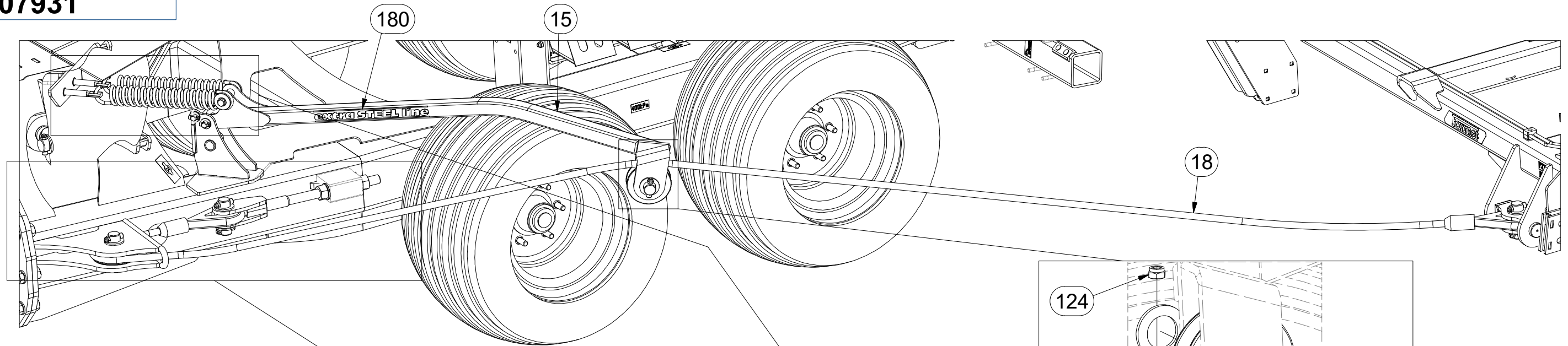
☉ SEMIFINISHED MACHINE

☉ ПОЛУФАБРИКАТ МАШИНЫ

☉ PÓLFABRYKAT MASZYNY



3007931



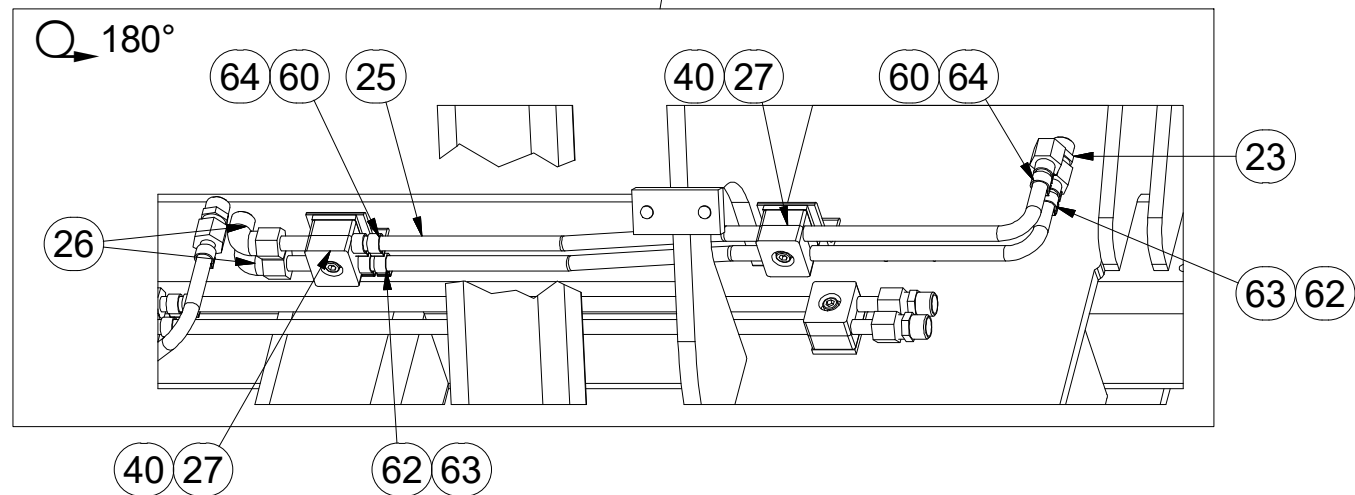
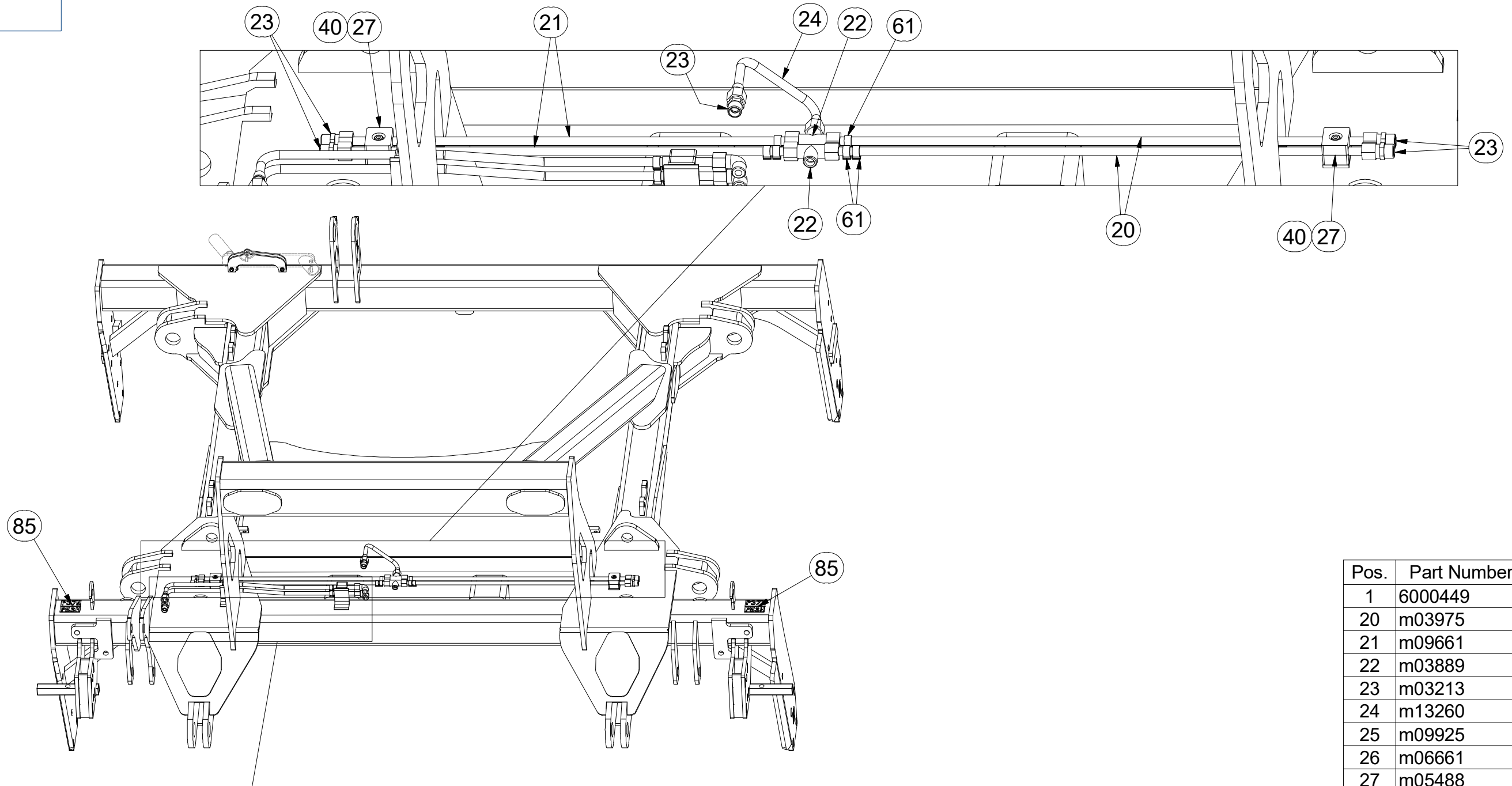
Pos.	Part Number	Pcs.	Pos.	Part Number	Pcs.
14	3002642	2	105	m14008	24
15	3002969	1	109	m09870	4
17	4004704	4	120	m03683	8
18	m09595	2	121	m01309	4
19	4004910	4	122	m01307	4
20	4003401	4	124	m04301	24
23	4000189	4	127	m04503	8
24	m02597	4	130	m01219	4
26	4015686	6	131	m02866	4
27	4007646	2	132	m01225	4
35	4015696	2	135	4013139	24
100	m06046	2	139	m14944	4
			180	m10353	4

- ⒸZ RÁM
- Ⓓ RAHMEN
- Ⓕ CHASSIS

- ⒼB FRAME
- ⒺPAMA
- ⒽL RAMA



3006955



Pos.	Part Number	Pcs.
1	6000449	1
20	m03975	2
21	m09661	2
22	m03889	2
23	m03213	6
24	m13260	1
25	m09925	2
26	m06661	2
27	m05488	4
40	m04346	4
41	m01075	2
50	m05560	2
60	m11294	2
61	m11691	7
62	m11282	2
63	m11289	2
64	m11253	2
81	m13116	1
85	m11297	4

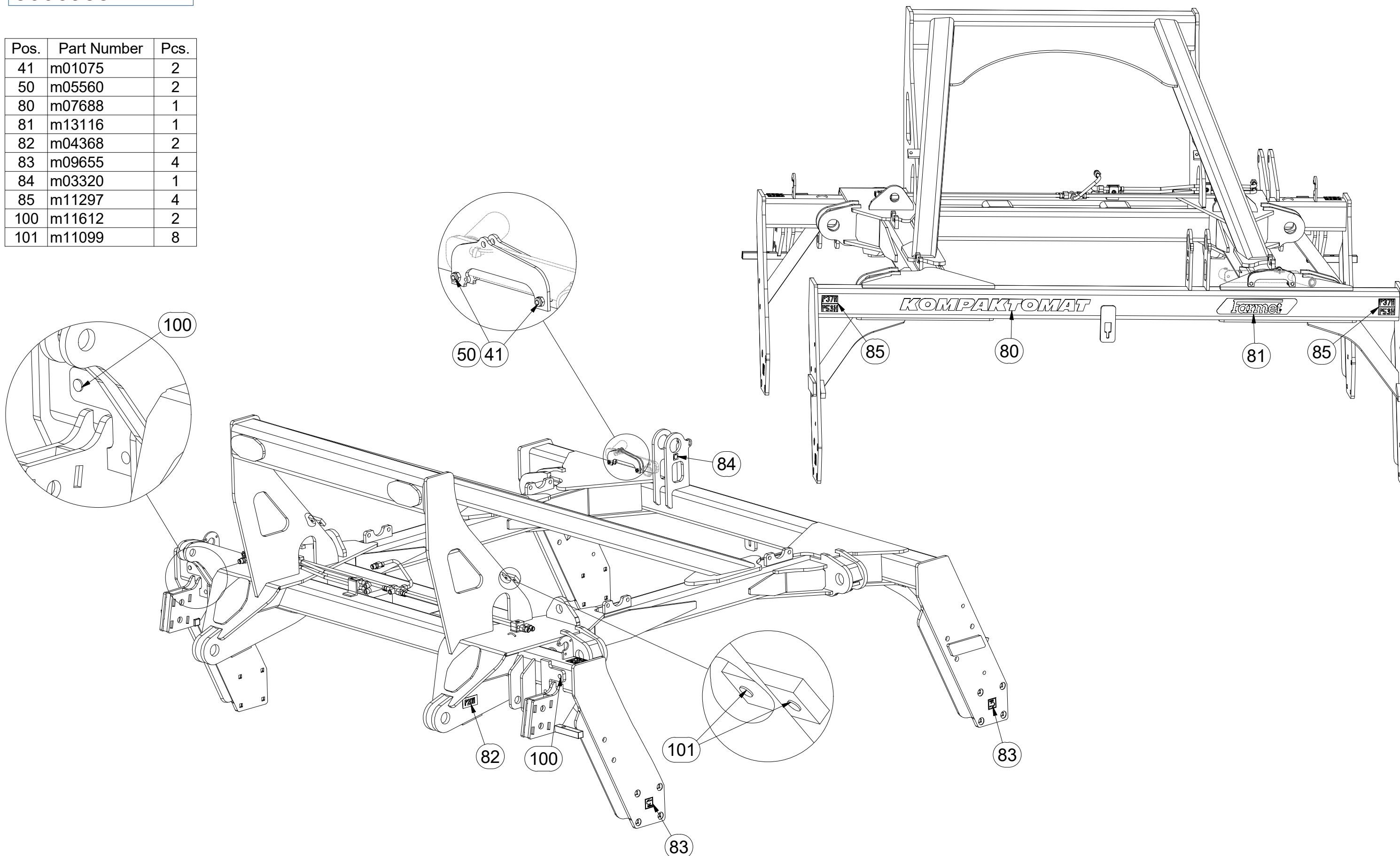
- Ⓒ RÁM
- Ⓓ RAHMEN
- Ⓕ CHASSIS

- Ⓖ FRAME
- Ⓔ PAMA
- Ⓗ RAMA



3006955

Pos.	Part Number	Pcs.
41	m01075	2
50	m05560	2
80	m07688	1
81	m13116	1
82	m04368	2
83	m09655	4
84	m03320	1
85	m11297	4
100	m11612	2
101	m11099	8

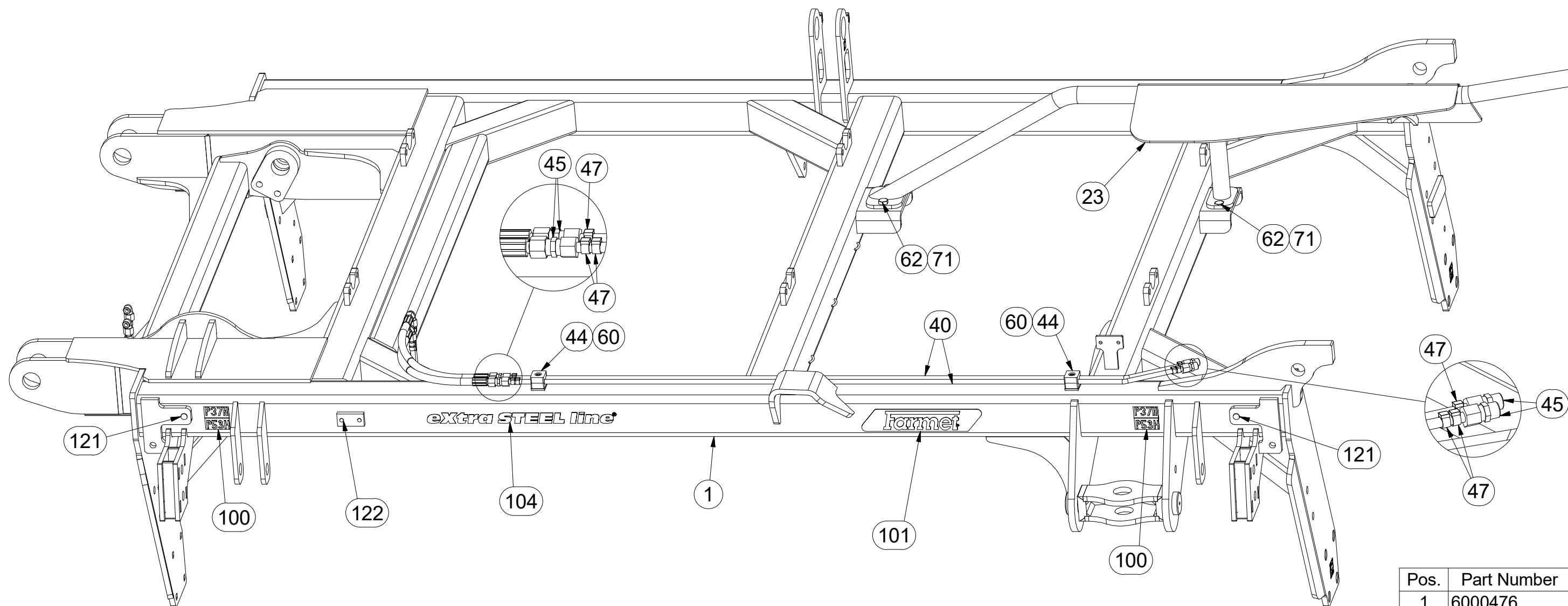


- Ⓒ RÁM
- Ⓓ RAHMEN
- Ⓕ CHASSIS

- Ⓒ FRAME
- Ⓓ PAMA
- Ⓕ RAMA



3006956



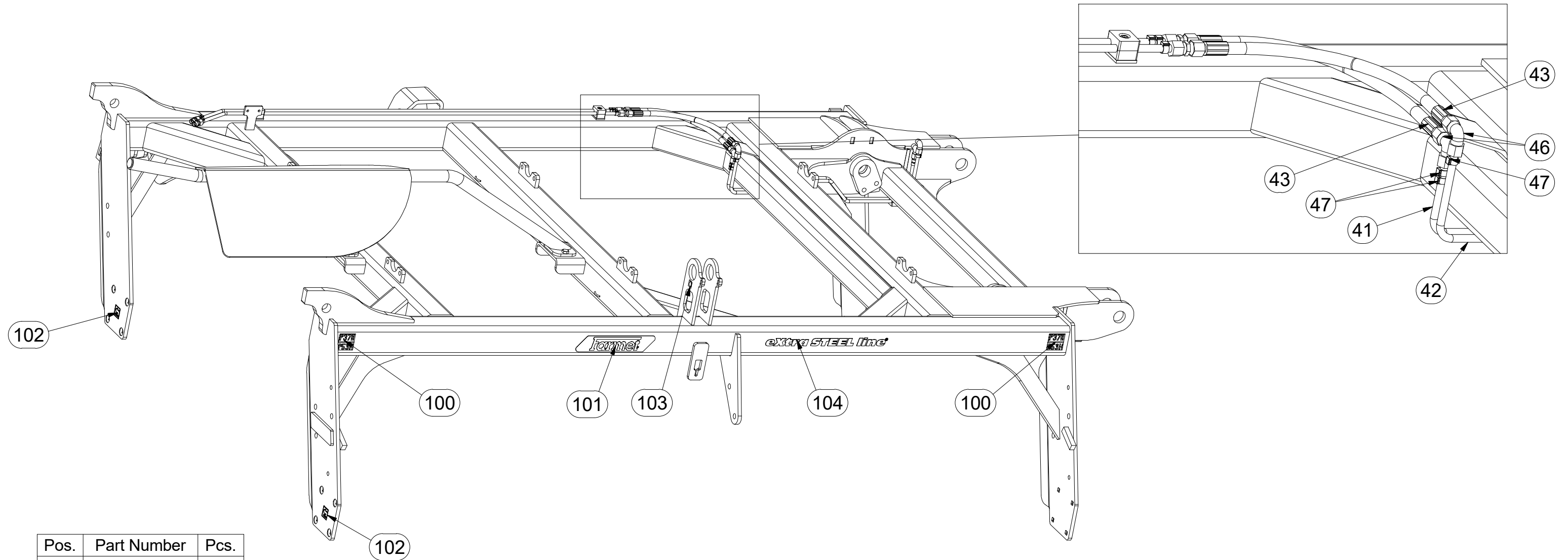
Pos.	Part Number	Pcs.
1	6000476	1
23	4005531	1
40	m10042	2
44	m05488	4
45	m03213	4
47	m11691	12
60	m04346	4
62	m04039	4
71	m04301	4
100	m11297	4
101	m13116	2
104	m10353	2
121	m11612	2
122	m11099	2

- ⒸZ RÁM
- Ⓓ RAHMEN
- Ⓕ CHASSIS

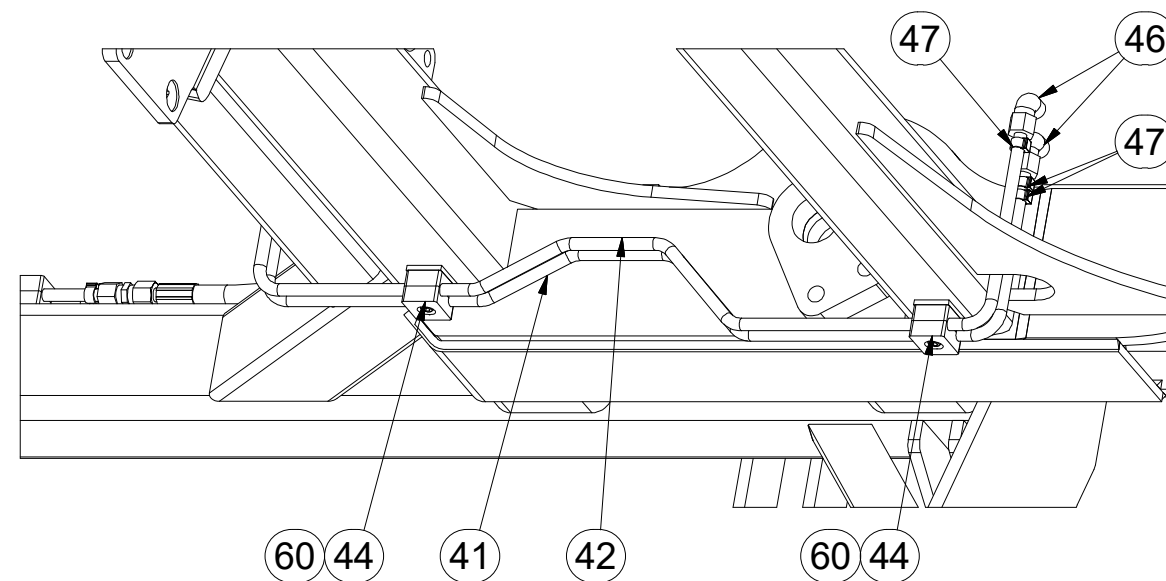
- ⒼB FRAME
- ⒶRU PAMA
- ⒶPL RAMA



3006956



Pos.	Part Number	Pcs.
1	6000476	1
40	m10042	2
41	m10043	1
42	m10041	1
43	m04827	2
44	m05488	4
45	m03213	4
46	m06661	4
47	m11691	12
60	m04346	4
100	m11297	4
101	m13116	2
102	m09655	4
103	m03320	1
104	m10353	2

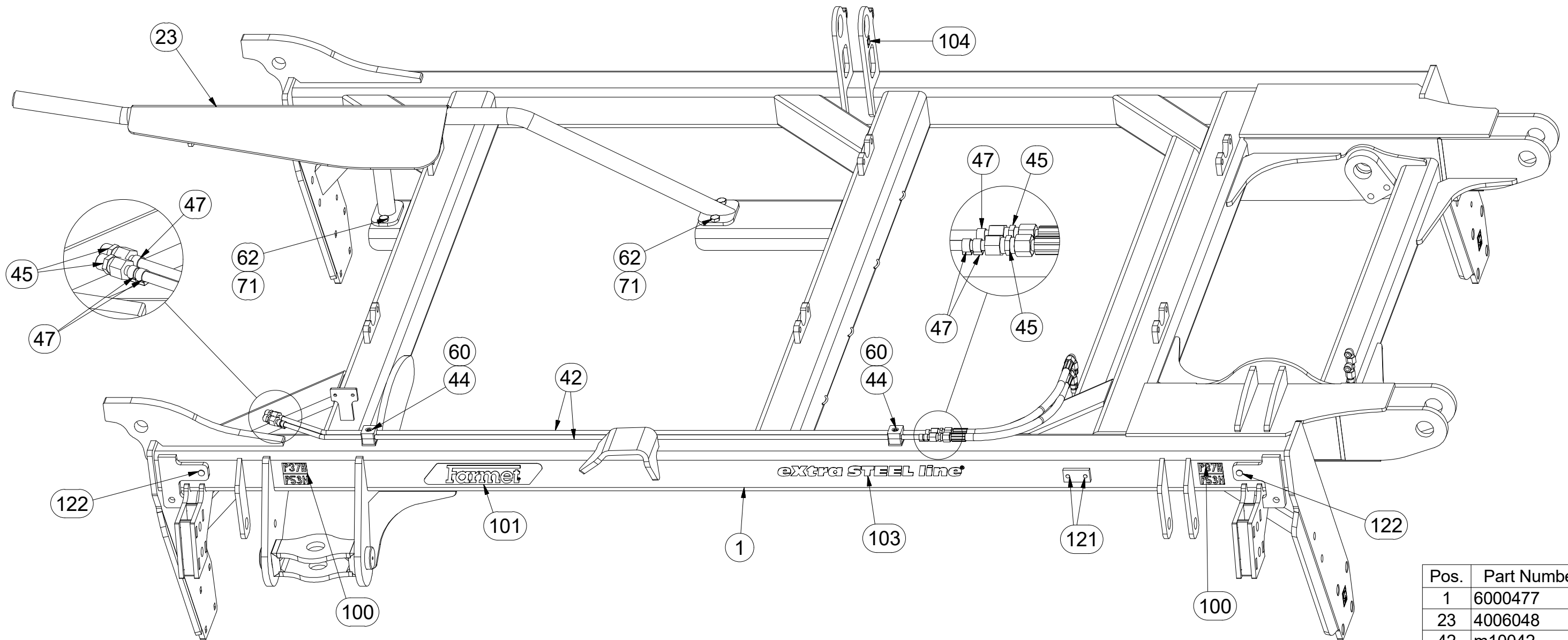


(CZ) RÁM
 (D) RAHMEN
 (F) CHASSIS

(GB) FRAME
 (RU) ПАМА
 (PL) RAMA



3006958



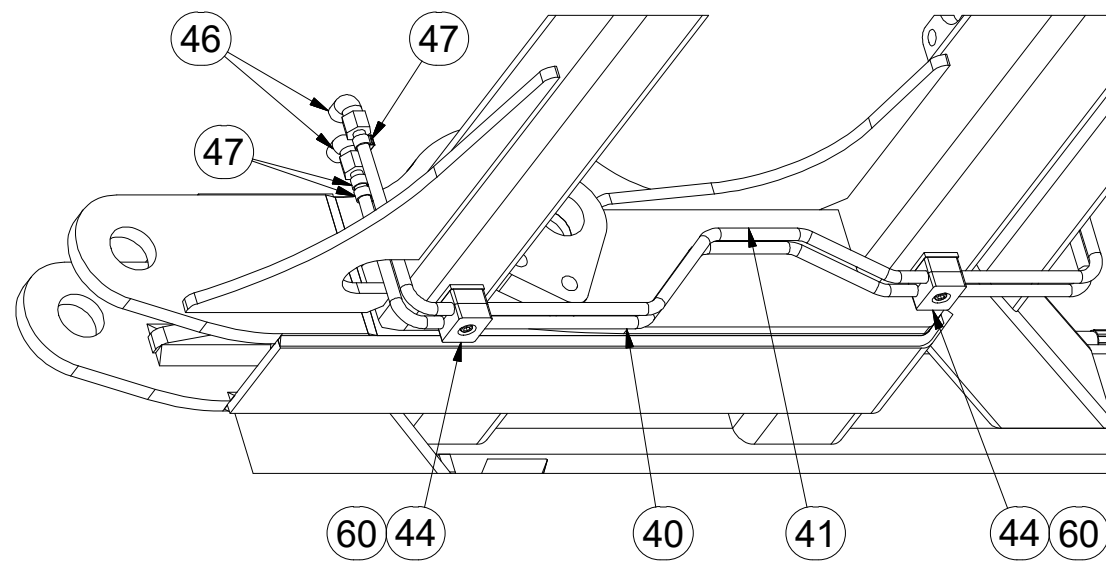
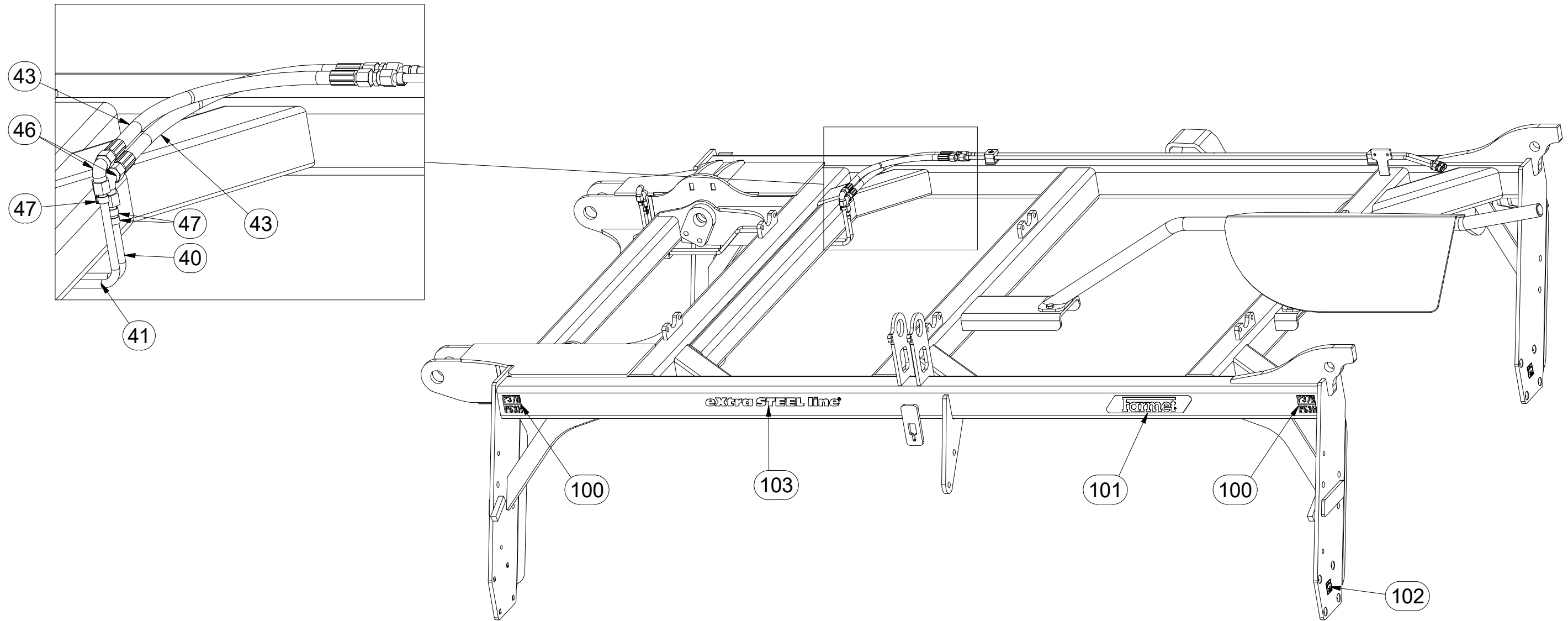
Pos.	Part Number	Pcs.
1	6000477	1
23	4006048	1
42	m10042	2
44	m05488	4
45	m03213	4
47	m11691	12
60	m04346	4
62	m04039	4
71	m04301	4
100	m11297	4
101	m13116	2
103	m10353	2
104	m03320	1
121	m11099	2
122	m11612	2

- Ⓒ RÁM
- Ⓓ RAHMEN
- Ⓕ CHASSIS

- Ⓖ FRAME
- Ⓡ PAMA
- Ⓟ RAMA



3006958



Pos.	Part Number	Pcs.
1	6000477	1
40	m10043	1
41	m10041	1
43	m04827	2
44	m05488	4
45	m03213	4
46	m06661	4
47	m11691	12
60	m04346	4
100	m11297	4
101	m13116	2
102	m09655	4
103	m10353	2

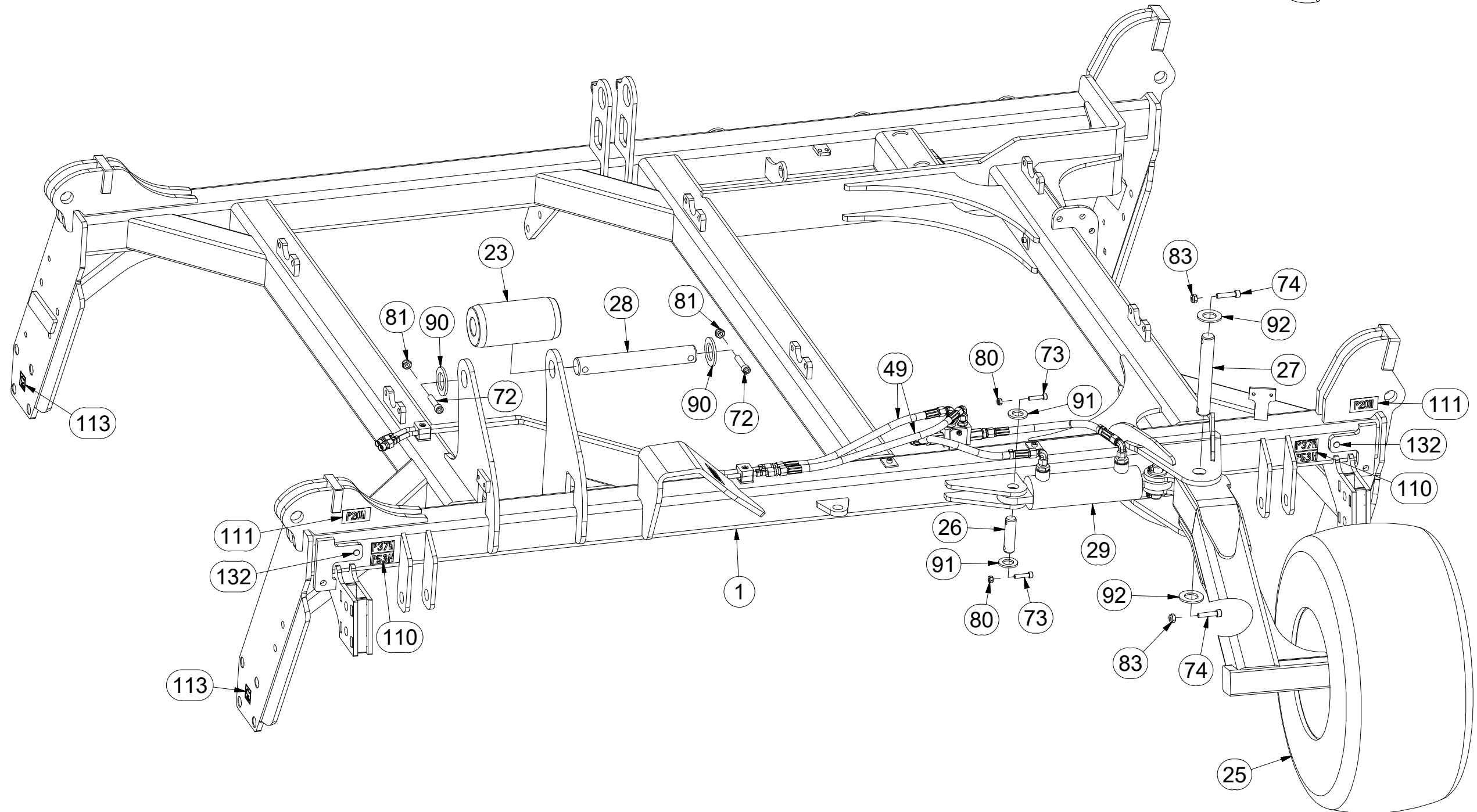
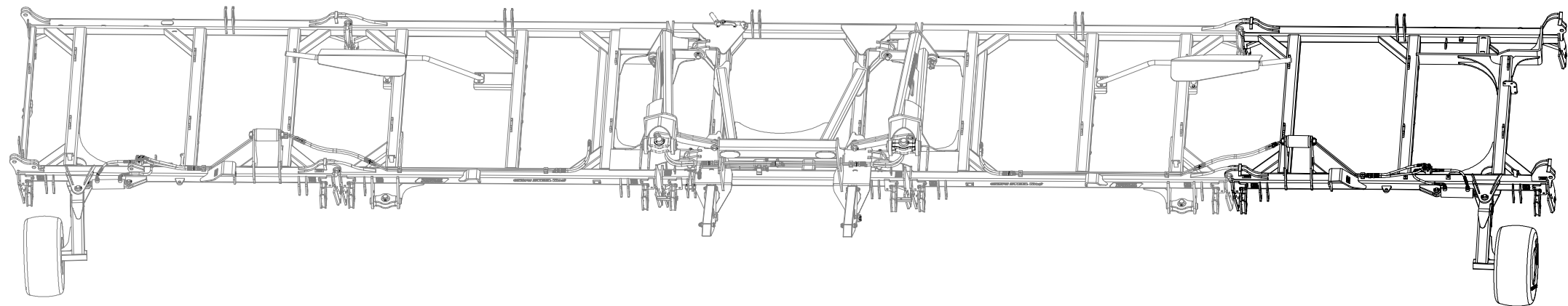
- Ⓒ RÁM
- Ⓓ RAHMEN
- Ⓕ CHASSIS

- Ⓖ FRAME
- Ⓔ PAMA
- Ⓗ RAMA



3007988

Pos.	Part Number	Pcs.
1	6000419	1
23	4004886	1
24	3008108	1
25	m14983	1
26	4010390	2
27	4015702	1
28	4015701	1
29	9002062	1
49	m04827	2
72	m14008	2
73	m09464	4
74	m14143	2
80	m04503	4
81	m04301	2
83	m03775	2
90	4013139	2
91	m14028	4
92	m14029	2
110	m11297	4
111	m04368	6
113	m09655	4
131	m11099	2
132	m11612	2



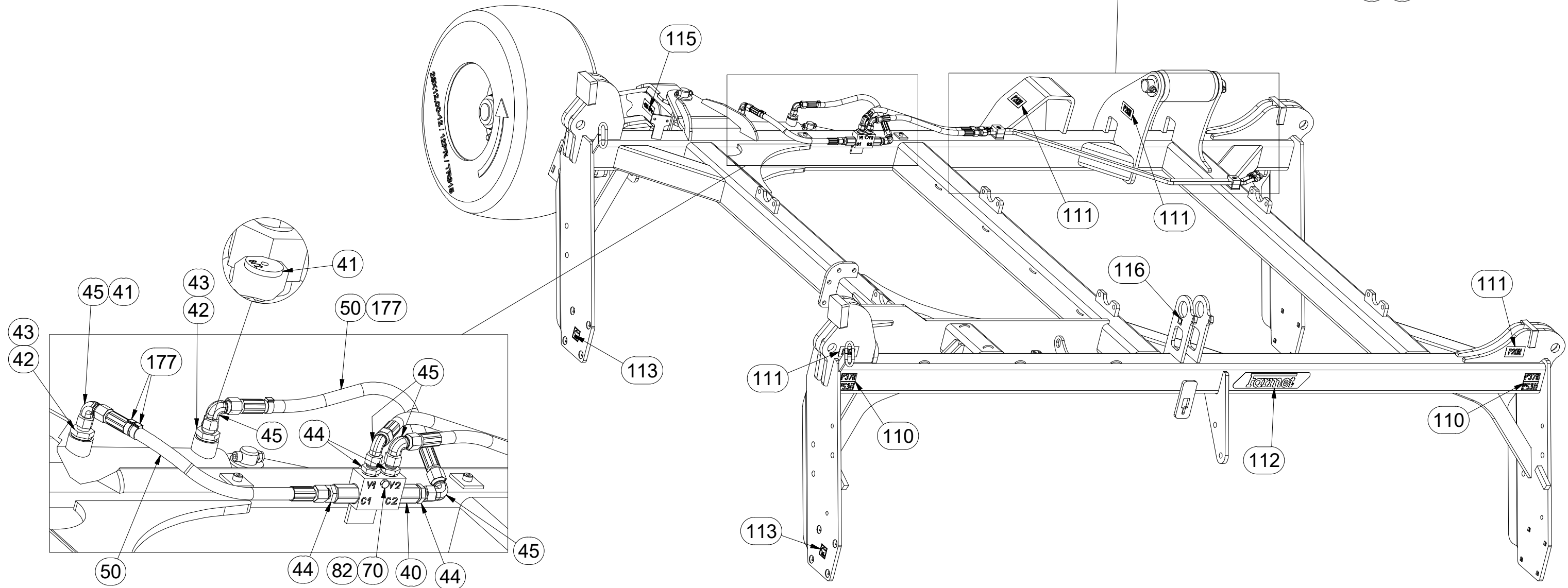
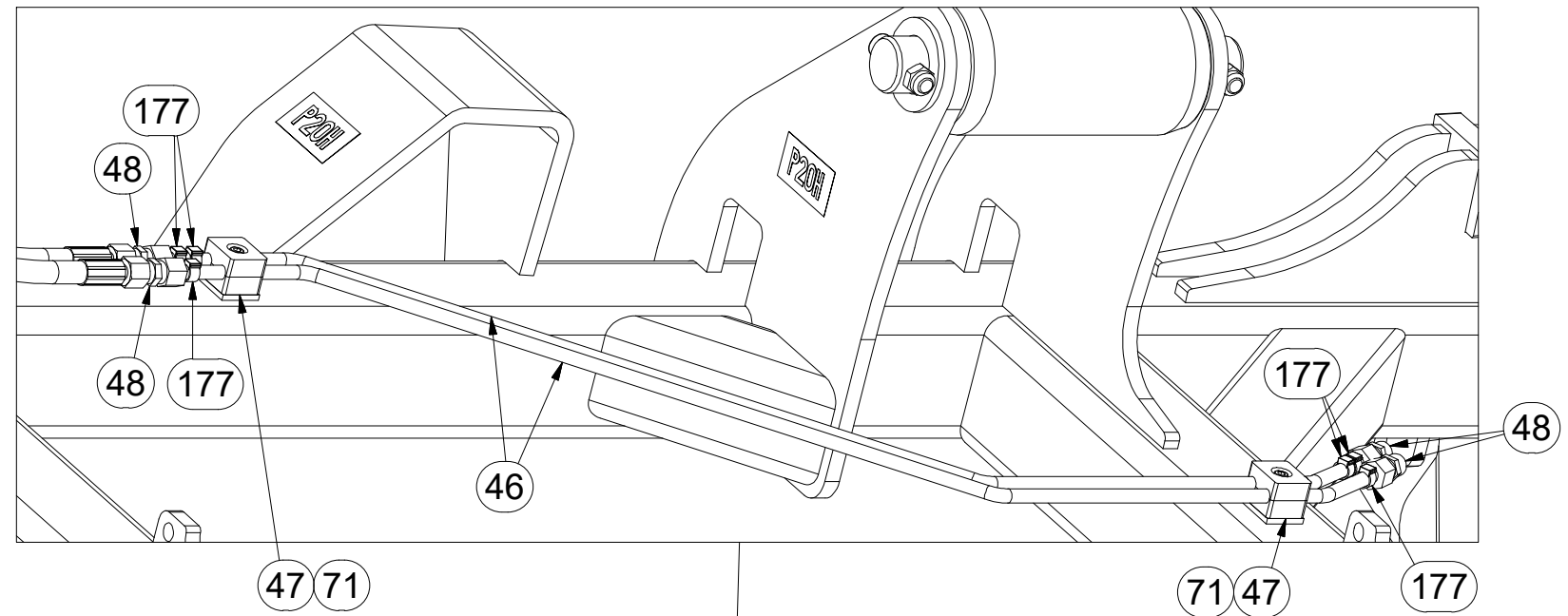
- Ⓒ RÁM
- Ⓓ RAHMEN
- Ⓕ CHASSIS

- Ⓖ FRAME
- Ⓔ PAMA
- Ⓗ RAMA



3007988

Pos.	Part Number	Pcs.	Pos.	Part Number	Pcs.
40	m06673	1	70	m05561	1
41	m10777	2	71	m04346	2
42	m03925	2	82	m05560	1
43	m04223	2	110	m11297	4
44	m06528	4	111	m04368	6
45	m06803	5	112	m13116	1
46	m10040	2	113	m09655	4
47	m05488	2	115	m15020	1
48	m03213	4	116	m03320	1
50	m09627	2	177	m11691	9

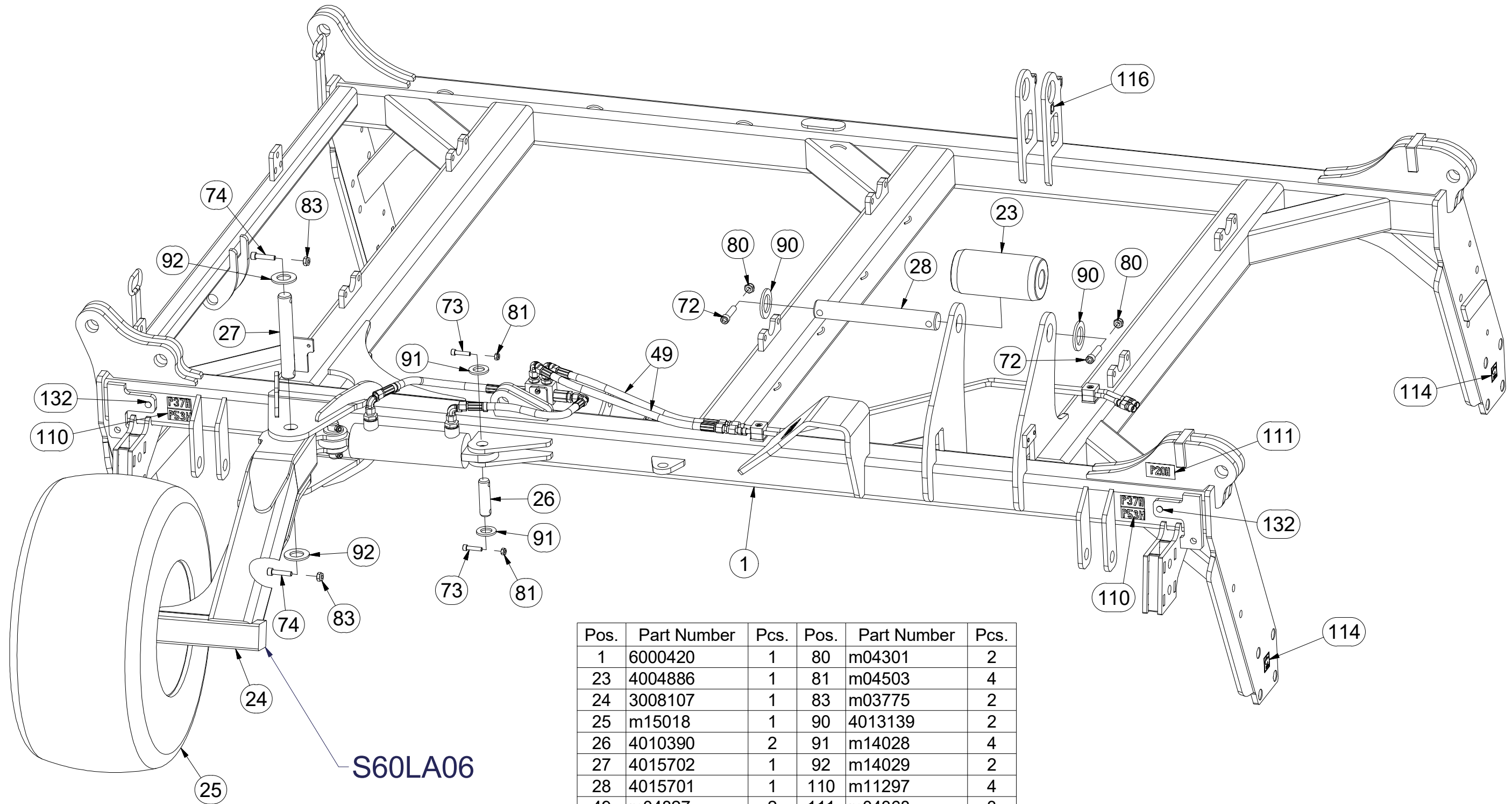


- ⒸZ RÁM
- Ⓓ RAHMEN
- Ⓕ CHASSIS

- ⒼB FRAME
- ⒺPAMA
- ⒼL RAMA



3007989



Pos.	Part Number	Pcs.	Pos.	Part Number	Pcs.
1	6000420	1	80	m04301	2
23	4004886	1	81	m04503	4
24	3008107	1	83	m03775	2
25	m15018	1	90	4013139	2
26	4010390	2	91	m14028	4
27	4015702	1	92	m14029	2
28	4015701	1	110	m11297	4
49	m04827	2	111	m04368	3
72	m14008	2	114	m09655	4
73	m09464	4	116	m03320	1
74	m14143	2	132	m11612	2

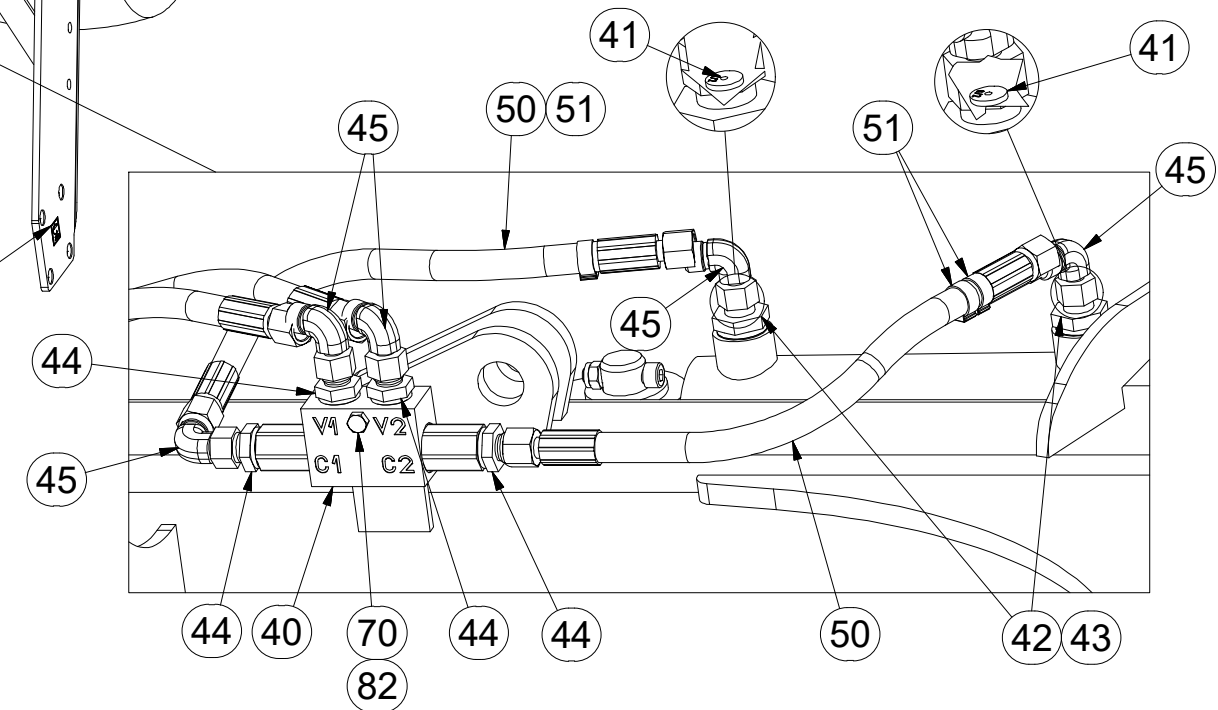
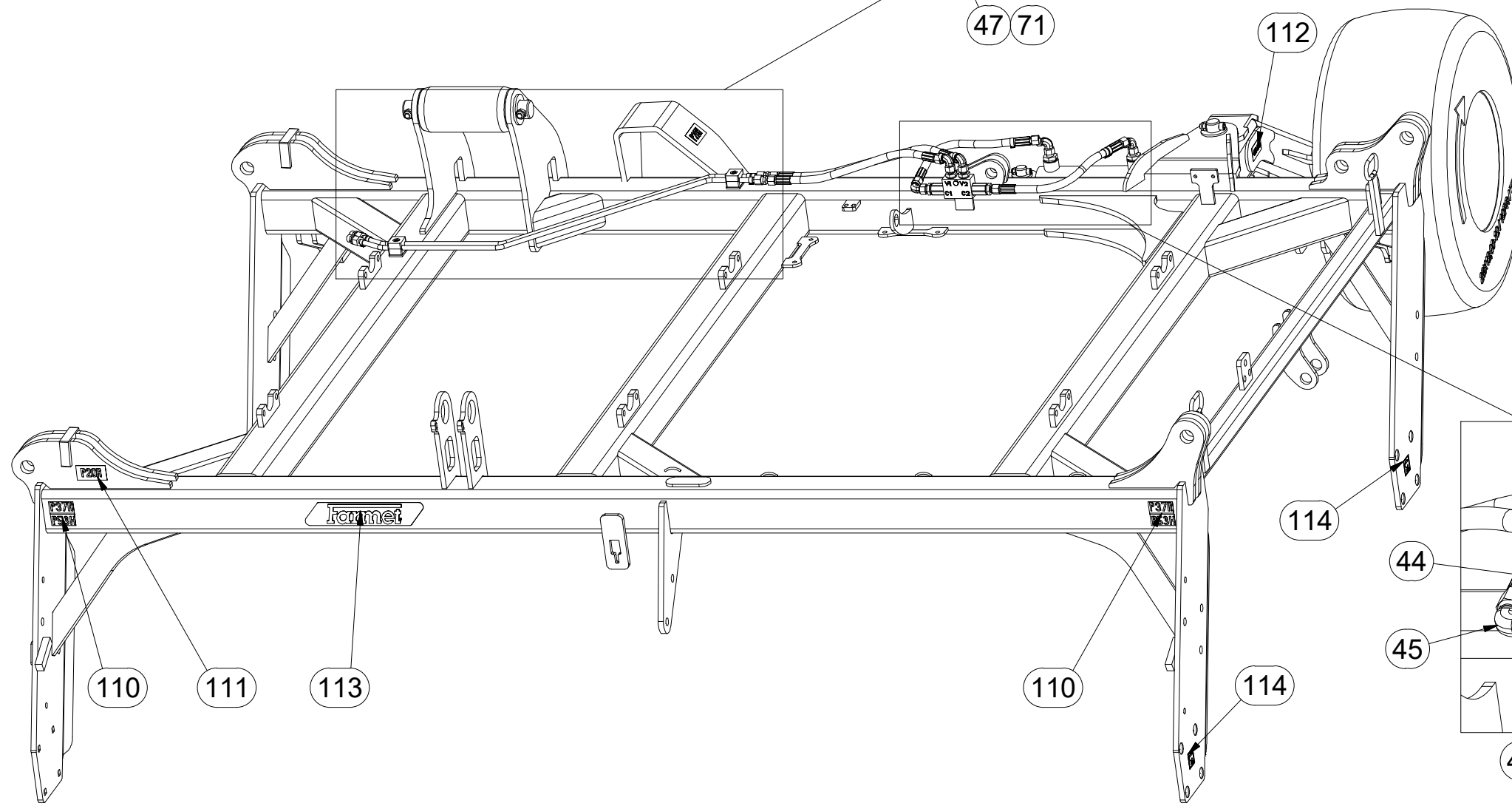
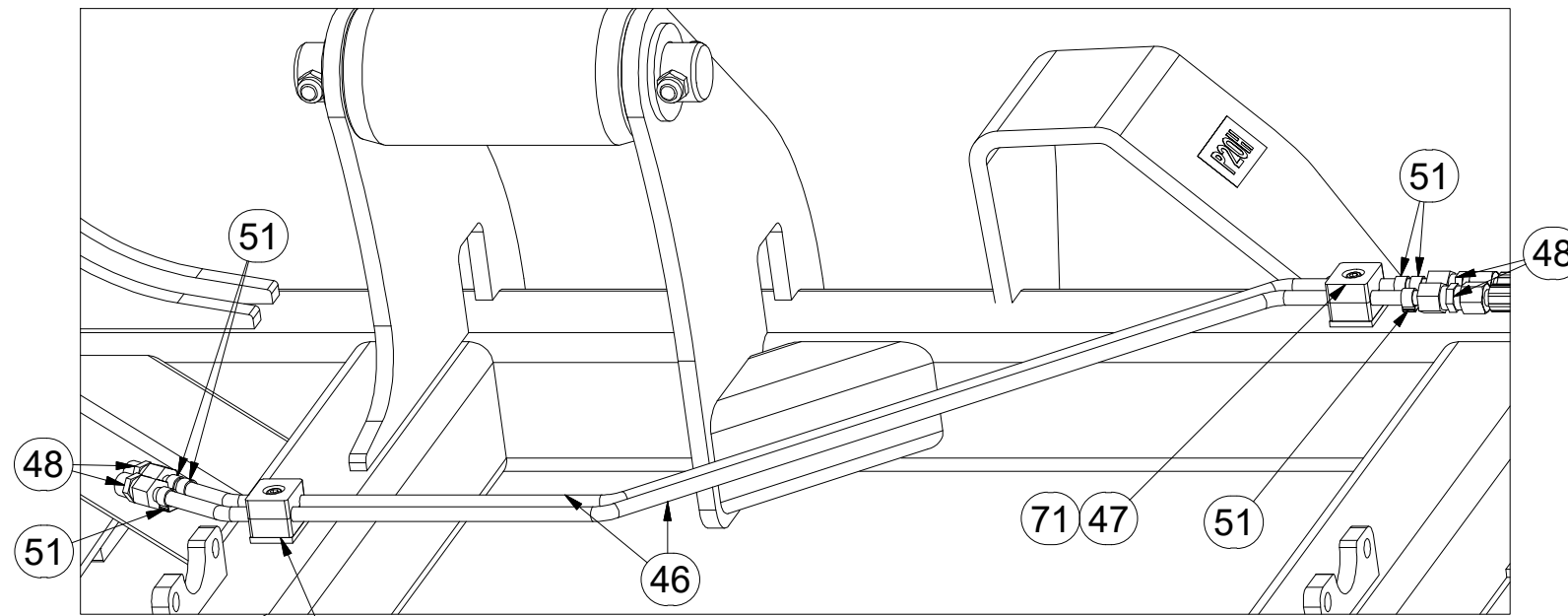
- Ⓒ RÁM
- Ⓓ RAHMEN
- Ⓕ CHASSIS

- Ⓖ FRAME
- Ⓔ PAMA
- Ⓗ RAMA



3007989

Pos.	Part Number	Pcs.	Pos.	Part Number	Pcs.
40	m06673	1	51	m11691	9
41	m10777	2	70	m05561	1
42	m03925	2	71	m04346	2
43	m04223	2	82	m05560	1
44	m06528	4	110	m11297	4
45	m06803	5	111	m04368	3
46	m10040	2	112	m15020	1
47	m05488	2	113	m13116	1
48	m03213	4	114	m09655	4
50	m09627	2			



Ⓒ NÁPRAVA

Ⓓ ACHSE

Ⓕ ESSIEU

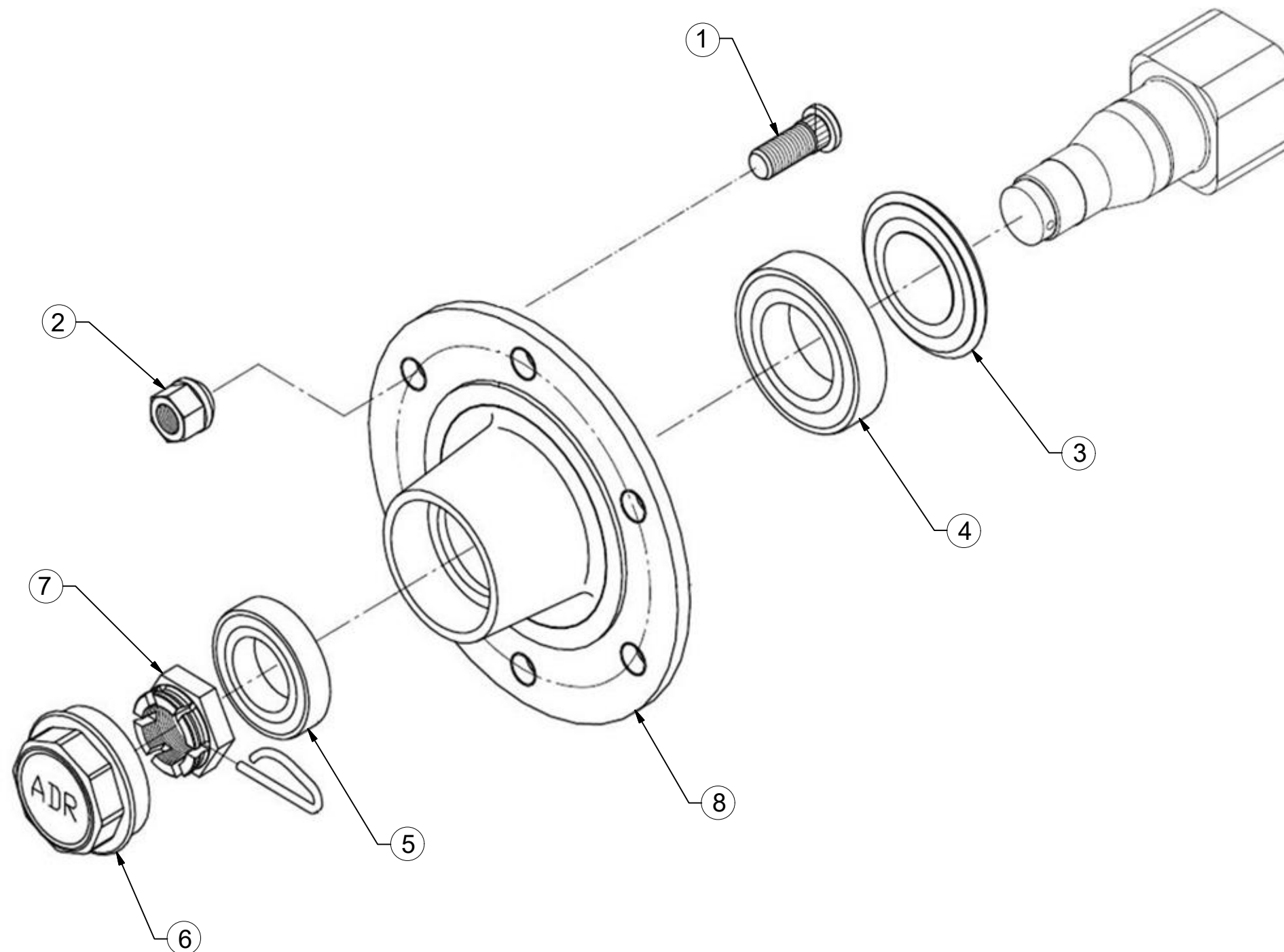
Ⓒ GB AXLE

Ⓒ RU OCB

Ⓒ PL OS



S60LA06



Pos.	Part Number	Pcs.
1	m08148	6
2	m08163	6
3	m08153	1
4	m07151	1
5	m07152	1
6	m08162	1
7	m08169	1
8	m08177	1

Ⓒ POLOTOVAR STROJE

Ⓓ MASCHINEN-HALBFABRIKAT

Ⓕ MACHINE - SEMI-PRODUIT

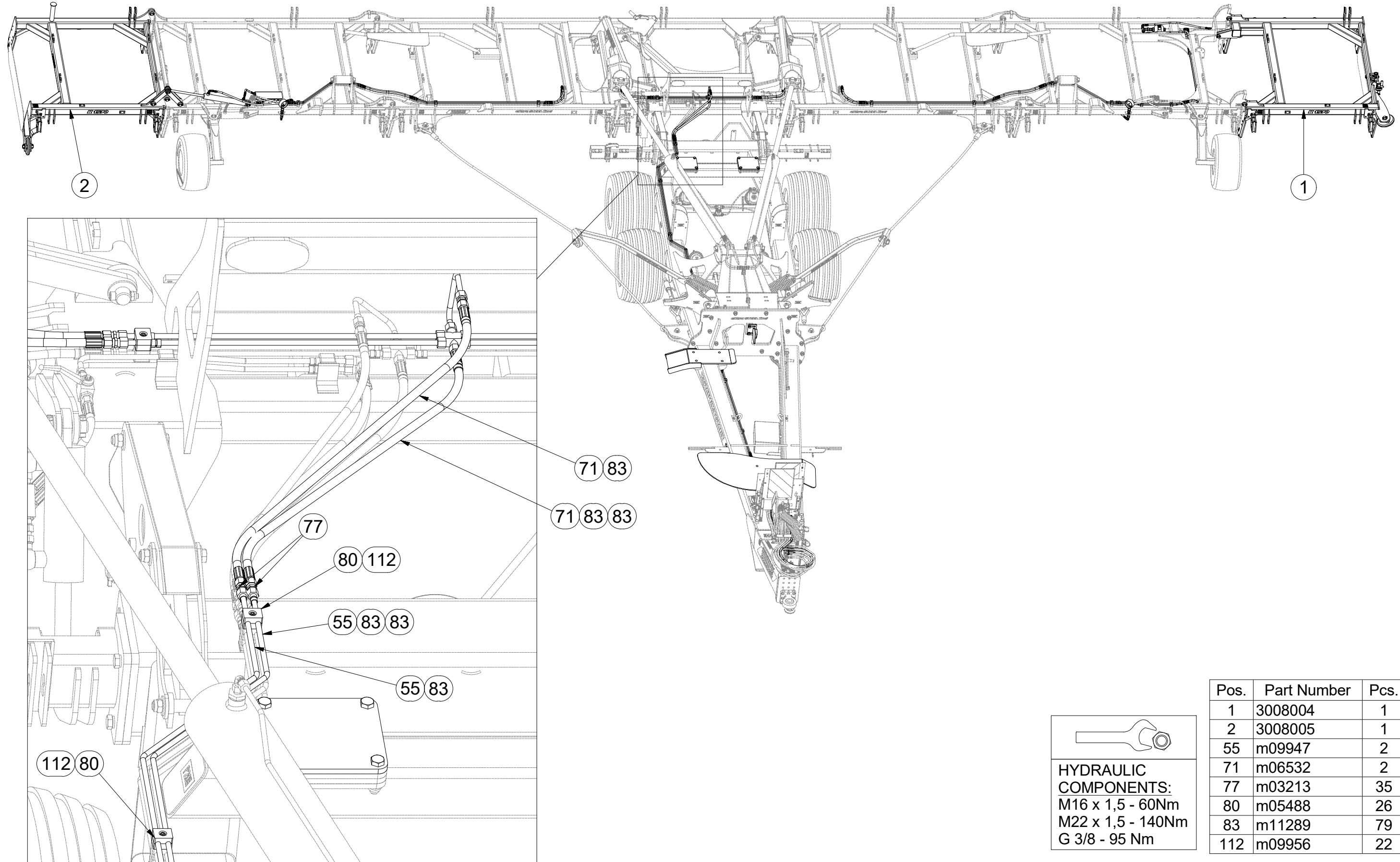
Ⓖ SEMIFINISHED MACHINE

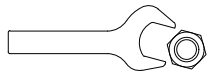
Ⓡ ПОЛУФАБРИКАТ МАШИНЫ

Ⓟ PÓLFABRYKAT MASZYN



3008844





HYDRAULIC COMPONENTS:
 M16 x 1,5 - 60Nm
 M22 x 1,5 - 140Nm
 G 3/8 - 95 Nm

Pos.	Part Number	Pcs.
1	3008004	1
2	3008005	1
55	m09947	2
71	m06532	2
77	m03213	35
80	m05488	26
83	m11289	79
112	m09956	22

Ⓒ POLOTOVAR STROJE

Ⓓ MASCHINEN-HALBFABRIKAT

Ⓕ MACHINE - SEMI-PRODUIT

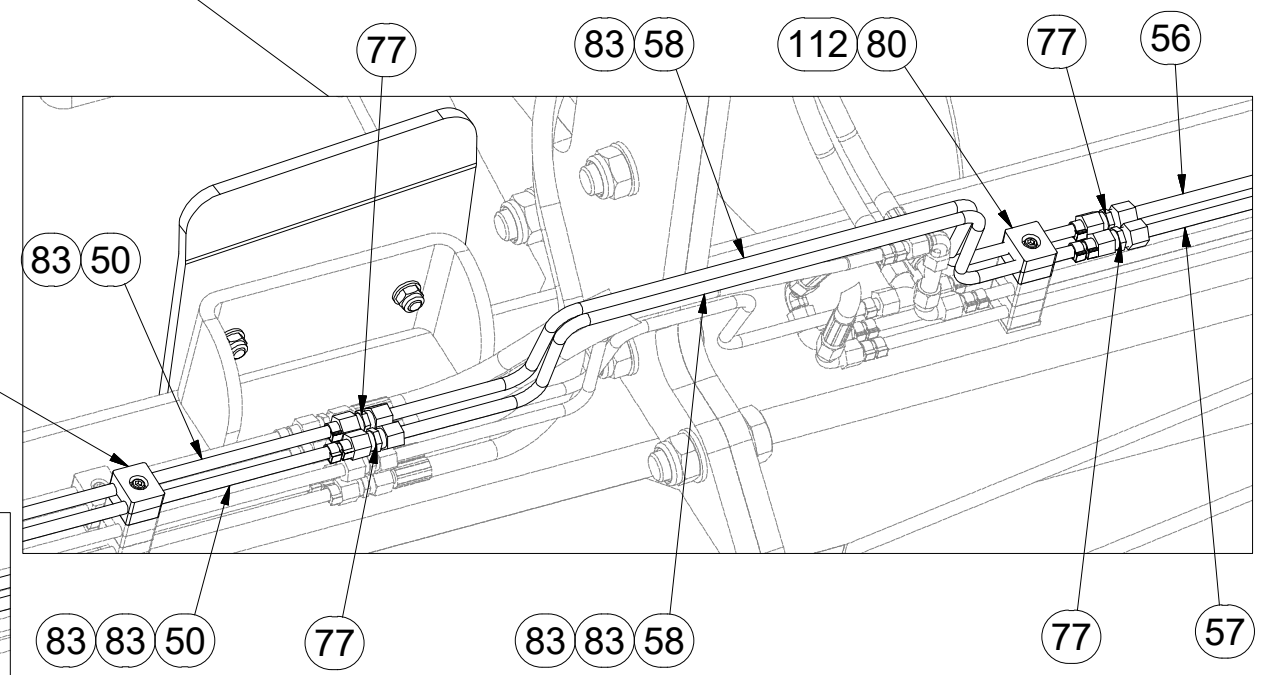
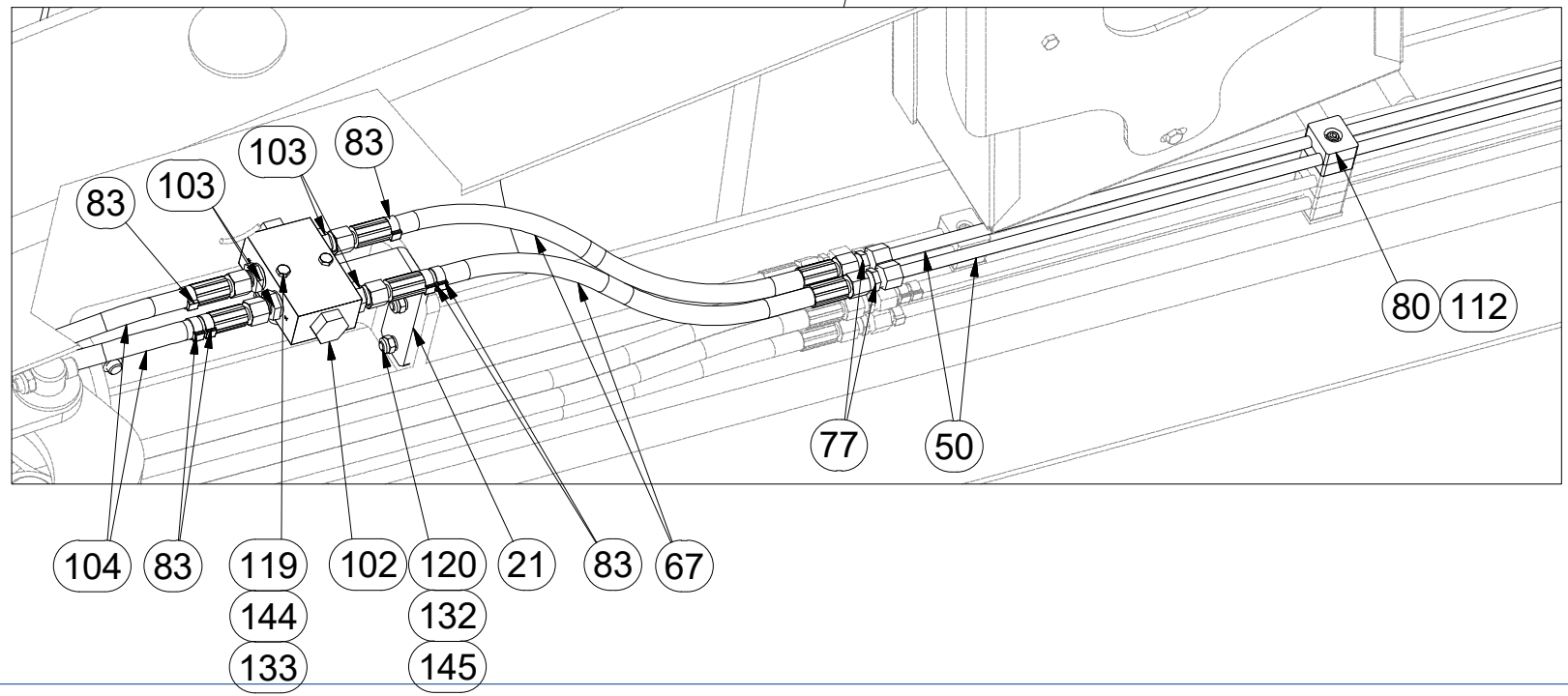
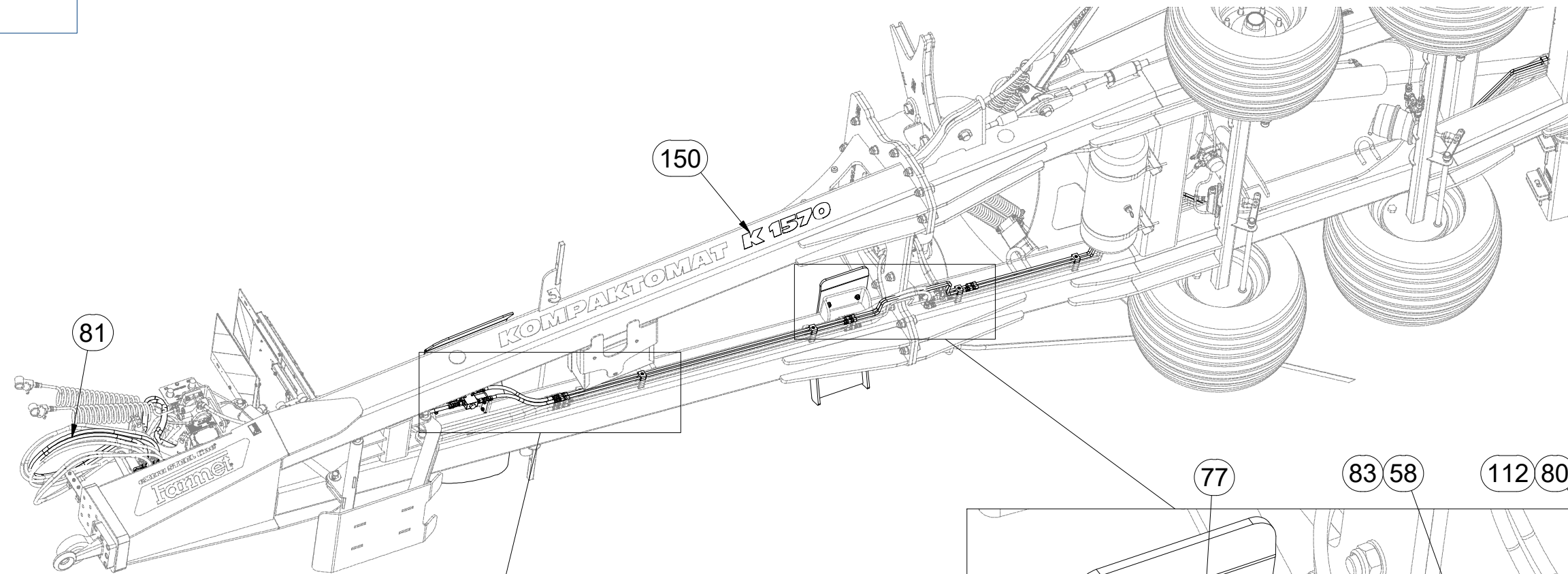
Ⓖ SEMIFINISHED MACHINE

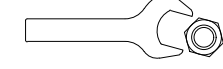
Ⓡ ПОЛУФАБРИКАТ МАШИНЫ

Ⓢ РОЉФАБРИКАТ МАСЗЫНУ



3008844




HYDRAULIC COMPONENTS:
 M16 x 1,5 - 60Nm
 M22 x 1,5 - 140Nm
 G 3/8 - 95 Nm
 M6 (8.8) - 10Nm

Pos.	Part Number	Pcs.	Pos.	Part Number	Pcs.
21	4017739	1	103	m06528	4
50	m09662	2	104	m05221	2
56	m09961	1	112	m09956	22
57	m09962	1	119	m04842	2
58	m09963	2	120	m04791	2
67	m04827	6	132	m04503	14
77	m03213	35	133	m05560	6
80	m05488	26	144	m01200	6
81	m11183	1	145	m01202	6
83	m11289	79	150	m09891	2
102	m09911	1			

☉ POLOTOVAR STROJE

☉ MASCHINEN-HALBFABRIKAT

☉ MACHINE - SEMI-PRODUIT

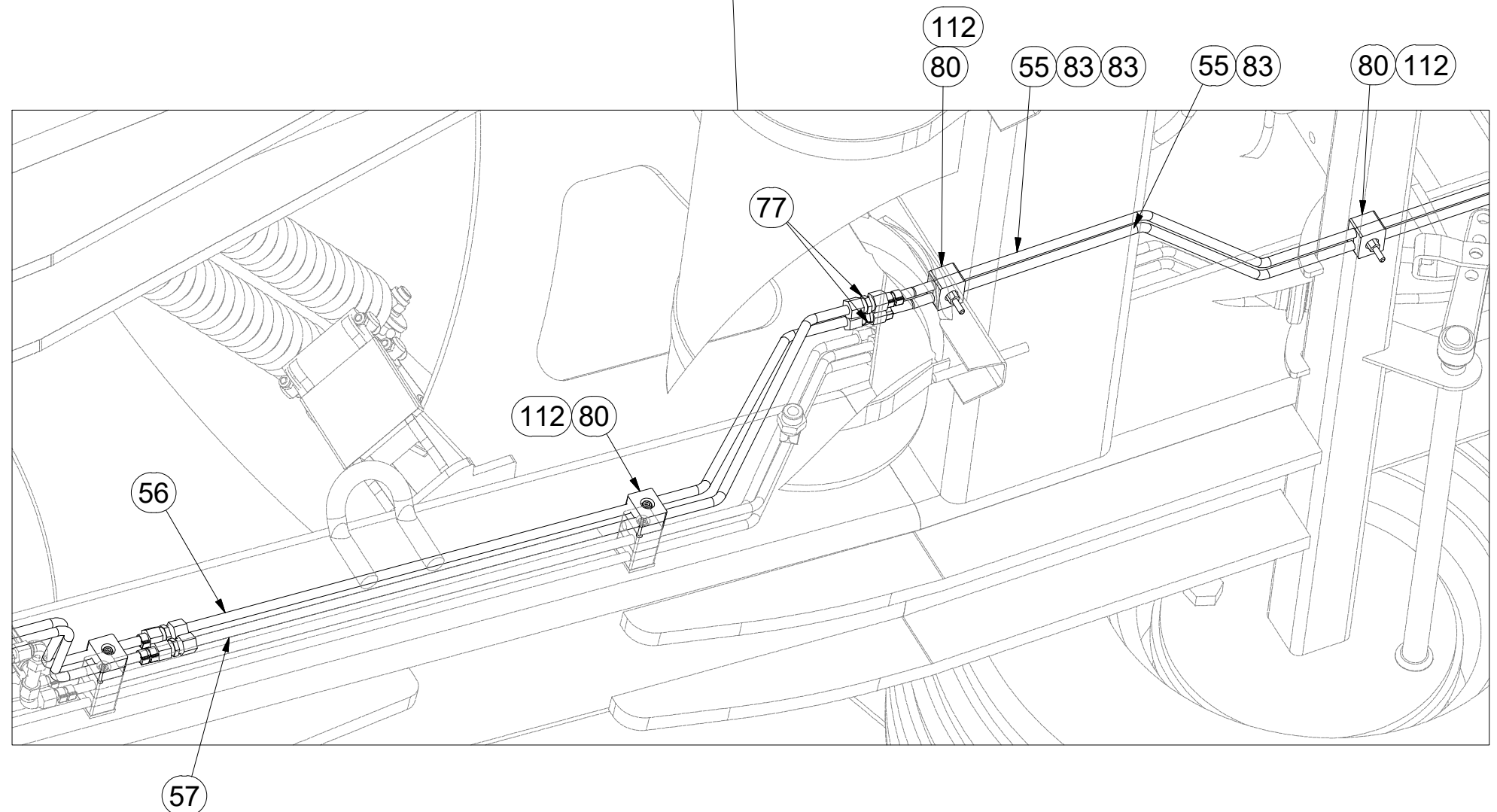
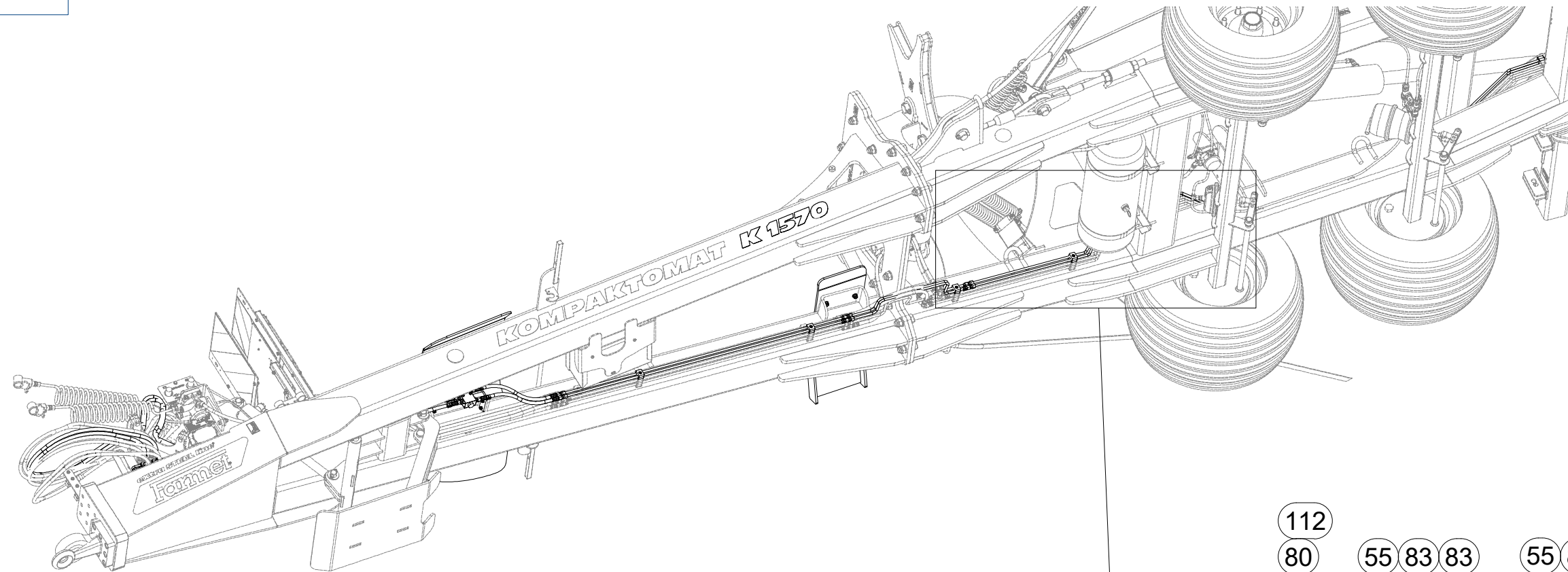
☉ SEMIFINISHED MACHINE

☉ ПОЛУФАБРИКАТ МАШИНЫ

☉ PÓLFABRYKAT MASZYNY



3008844



Pos.	Part Number	Pcs.
55	m09947	2
56	m09961	1
57	m09962	1
77	m03213	35
80	m05488	26
83	m11289	79
112	m09956	22

HYDRAULIC COMPONENTS:	
M16 x 1,5	60Nm
M22 x 1,5	140Nm
G 3/8	95 Nm
M6 (8.8)	10Nm

☉ POLOTOVAR STROJE

☉ MASCHINEN-HALBFABRIKAT

☉ MACHINE - SEMI-PRODUIT

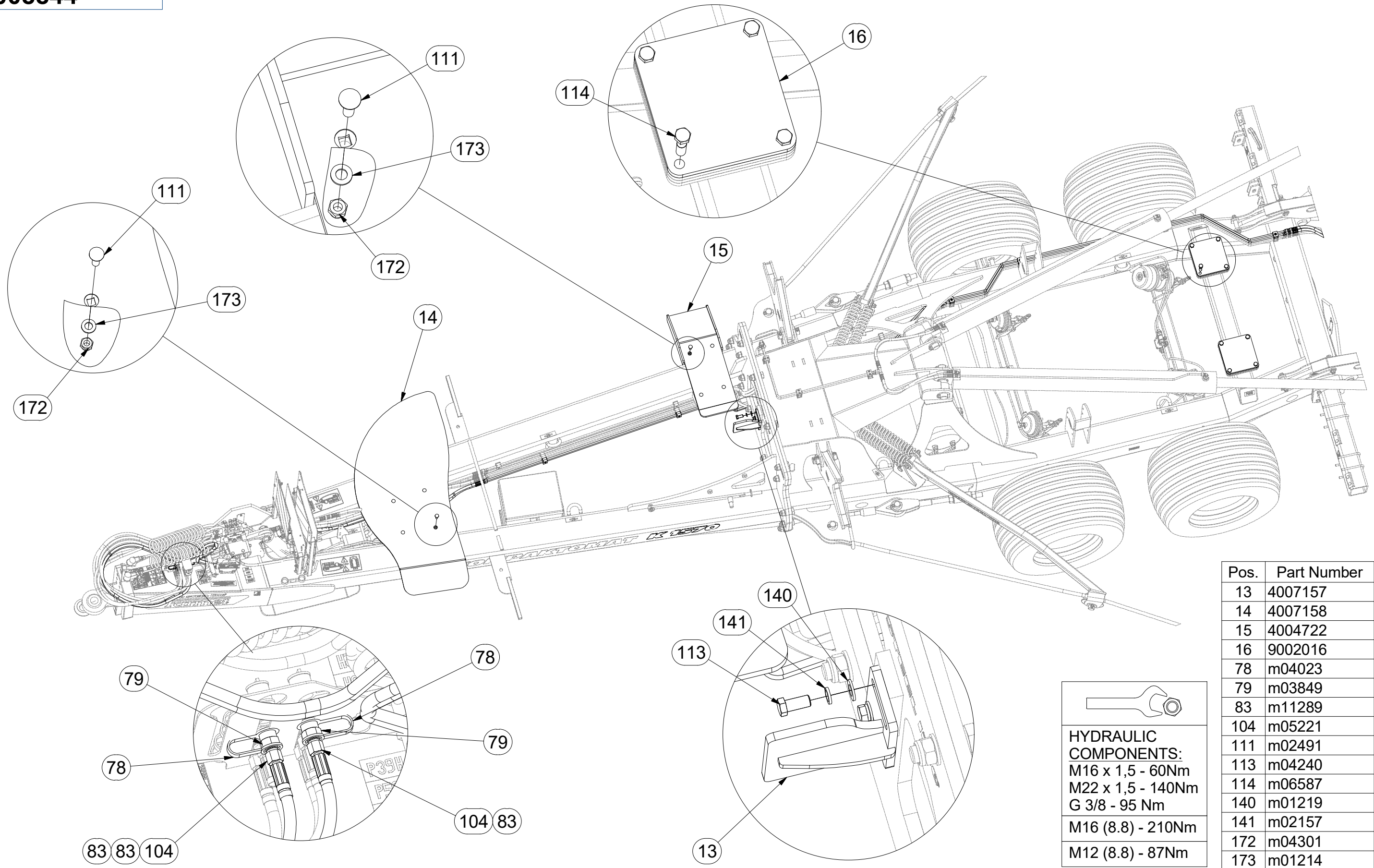
☉ SEMIFINISHED MACHINE

☉ ПОЛУФАБРИКАТ МАШИНЫ

☉ PÓŁFABRYKAT MASZYNY



3008844



Ⓒ POLOTOVAR STROJE

Ⓓ MASCHINEN-HALBFABRIKAT

Ⓕ MACHINE - SEMI-PRODUIT

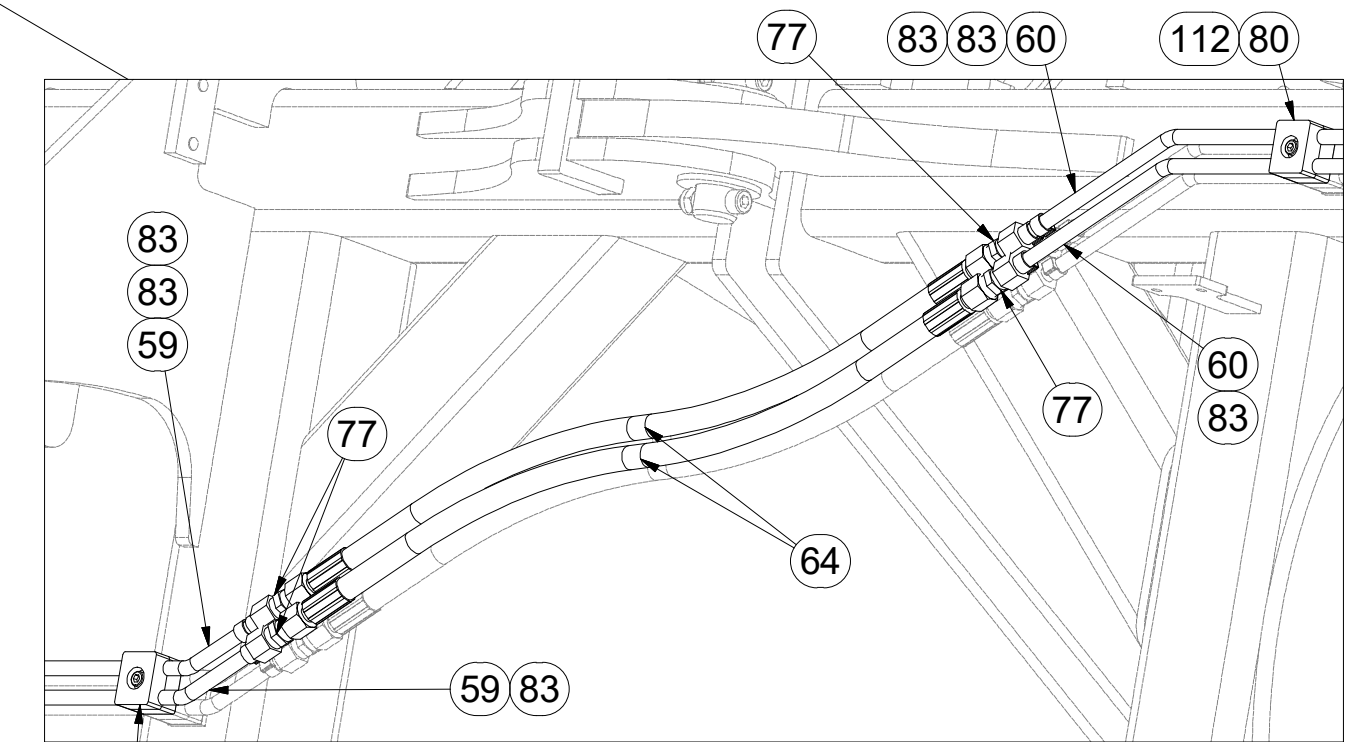
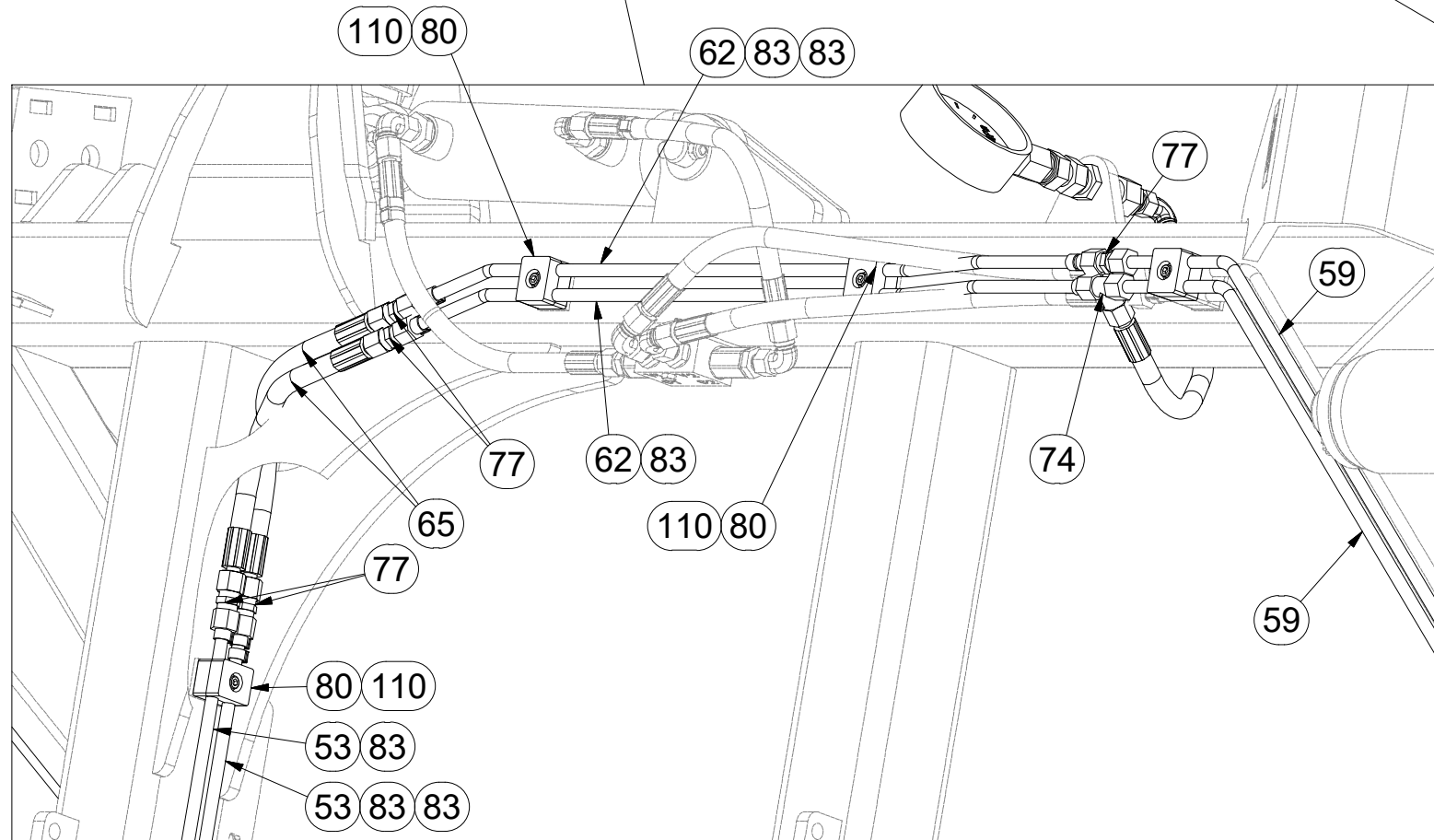
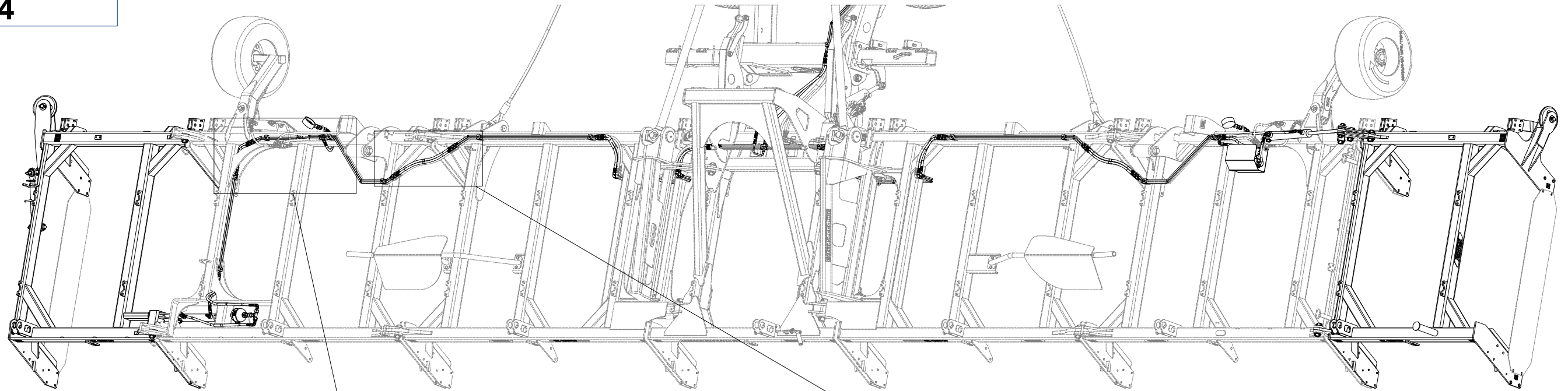
Ⓖ SEMIFINISHED MACHINE


Ⓡ ПОЛУФАБРИКАТ МАШИНЫ

Ⓟ PÓLFABRYKAT MASZYN



3008844




 HYDRAULIC
 COMPONENTS:
 M16 x 1,5 - 60Nm
 M22 x 1,5 - 140Nm
 G 3/8 - 95 Nm
 M6 (8.8) - 10Nm

Pos.	Part Number	Pcs.	Pos.	Part Number	Pcs.
53	m10087	2	74	m03889	4
59	m10040	4	77	m03213	35
60	m10042	4	80	m05488	26
62	m10086	2	83	m11289	79
64	m03713	4	110	m04346	4
65	m07363	3	112	m09956	22

Ⓒ POLOTOVAR STROJE

Ⓓ MASCHINEN-HALBFABRIKAT

Ⓕ MACHINE - SEMI-PRODUIT

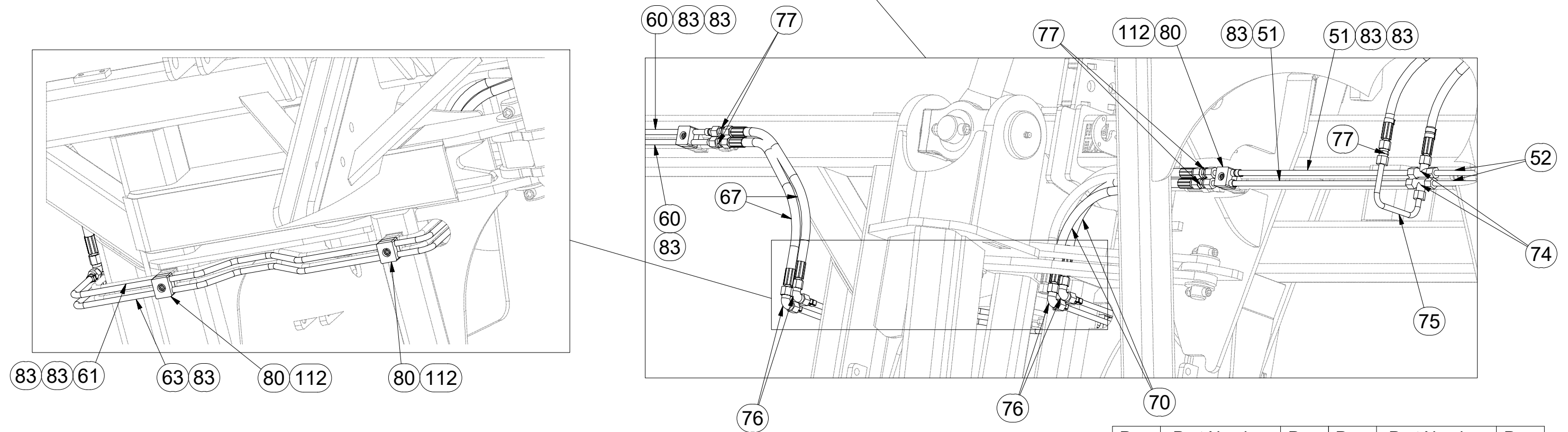
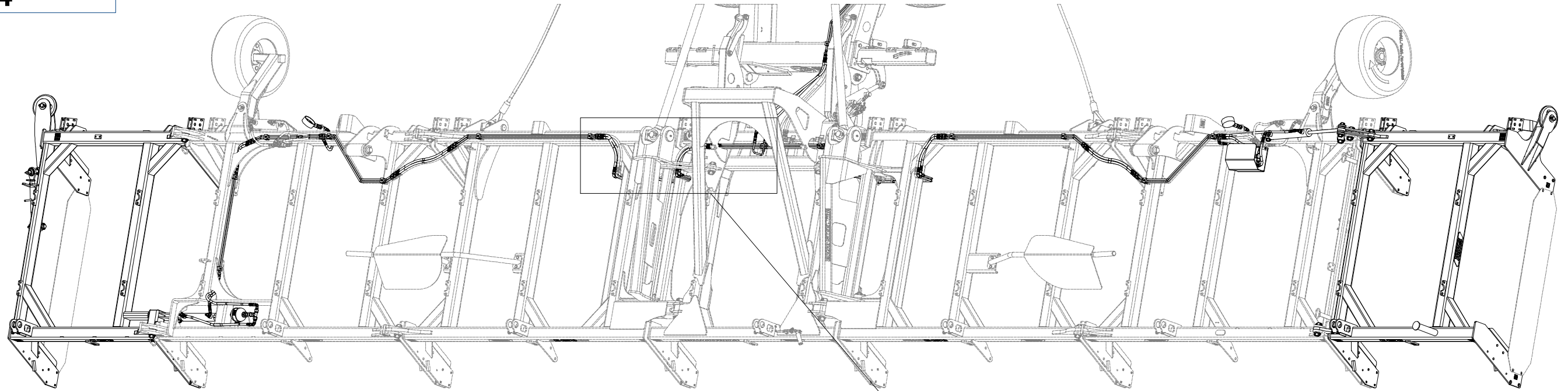
Ⓖ SEMIFINISHED MACHINE

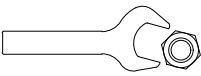
Ⓡ ПОЛУФАБРИКАТ МАШИНЫ

Ⓢ РÓЉФАБРЫКАТ МАСЗЫНЫ



3008844




 HYDRAULIC
 COMPONENTS:
 M16 x 1,5 - 60Nm
 M22 x 1,5 - 140Nm
 G 3/8 - 95 Nm

Pos.	Part Number	Pcs.	Pos.	Part Number	Pcs.
51	m09661	2	74	m03889	4
52	m03975	2	75	m13260	1
60	m10042	4	76	m06661	8
61	m10085	2	77	m03213	35
63	m10084	2	80	m05488	26
67	m04827	6	83	m11289	79
70	m09628	4	112	m09956	22

☉ POLOTOVAR STROJE

☉ MASCHINEN-HALBFABRIKAT

☉ MACHINE - SEMI-PRODUIT

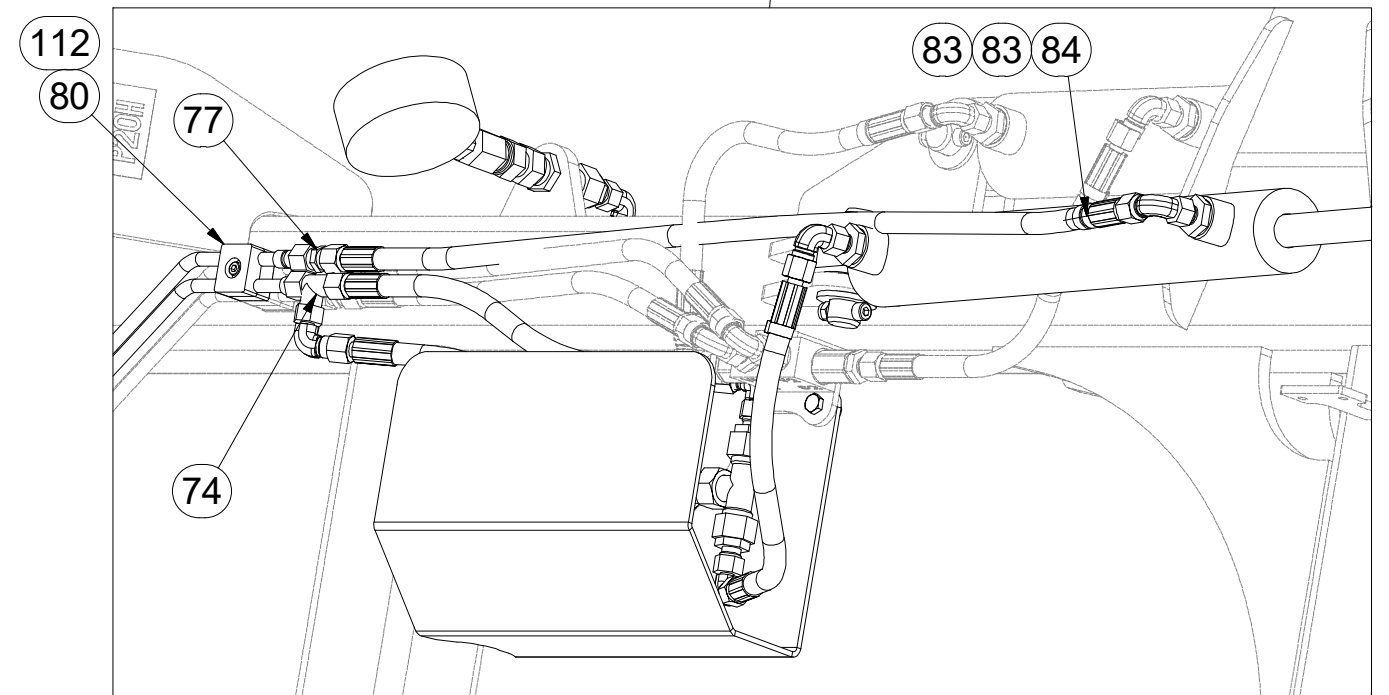
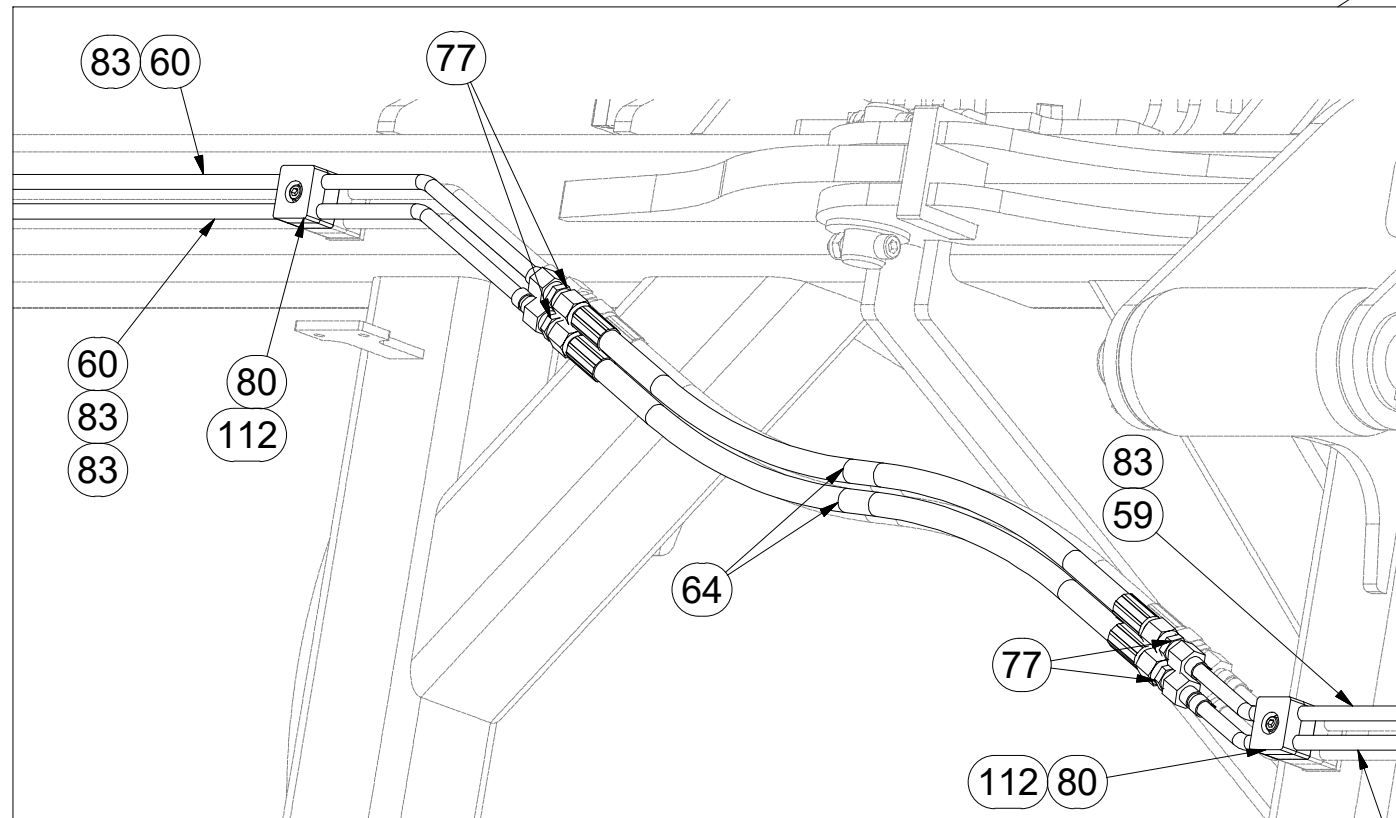
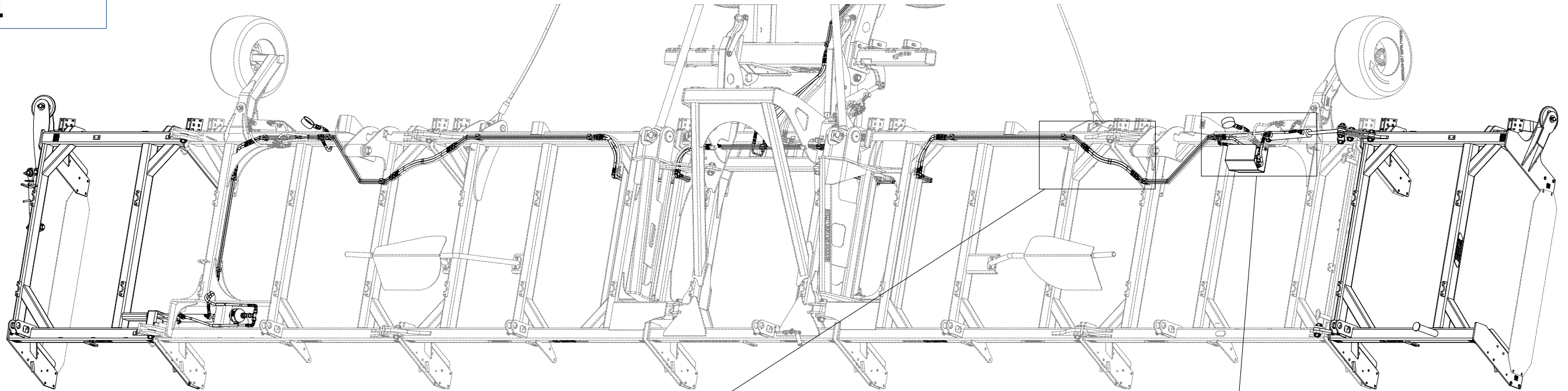
☉ SEMIFINISHED MACHINE

☉ ПОЛУФАБРИКАТ МАШИНЫ

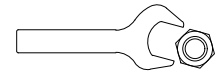
☉ PÓLFABRYKAT MASZYNY



3008844



59 83 83



HYDRAULIC COMPONENTS:
M16 x 1,5 - 60Nm
M22 x 1,5 - 140Nm
G 3/8 - 95 Nm

Pos.	Part Number	Pcs.
59	m10040	4
60	m10042	4
64	m03713	4
74	m03889	4
77	m03213	35
80	m05488	26
83	m11289	79
84	m03951	1
112	m09956	22

☉ POLOTOVAR STROJE

☉ MASCHINEN-HALBFABRIKAT

☉ MACHINE - SEMI-PRODUIT

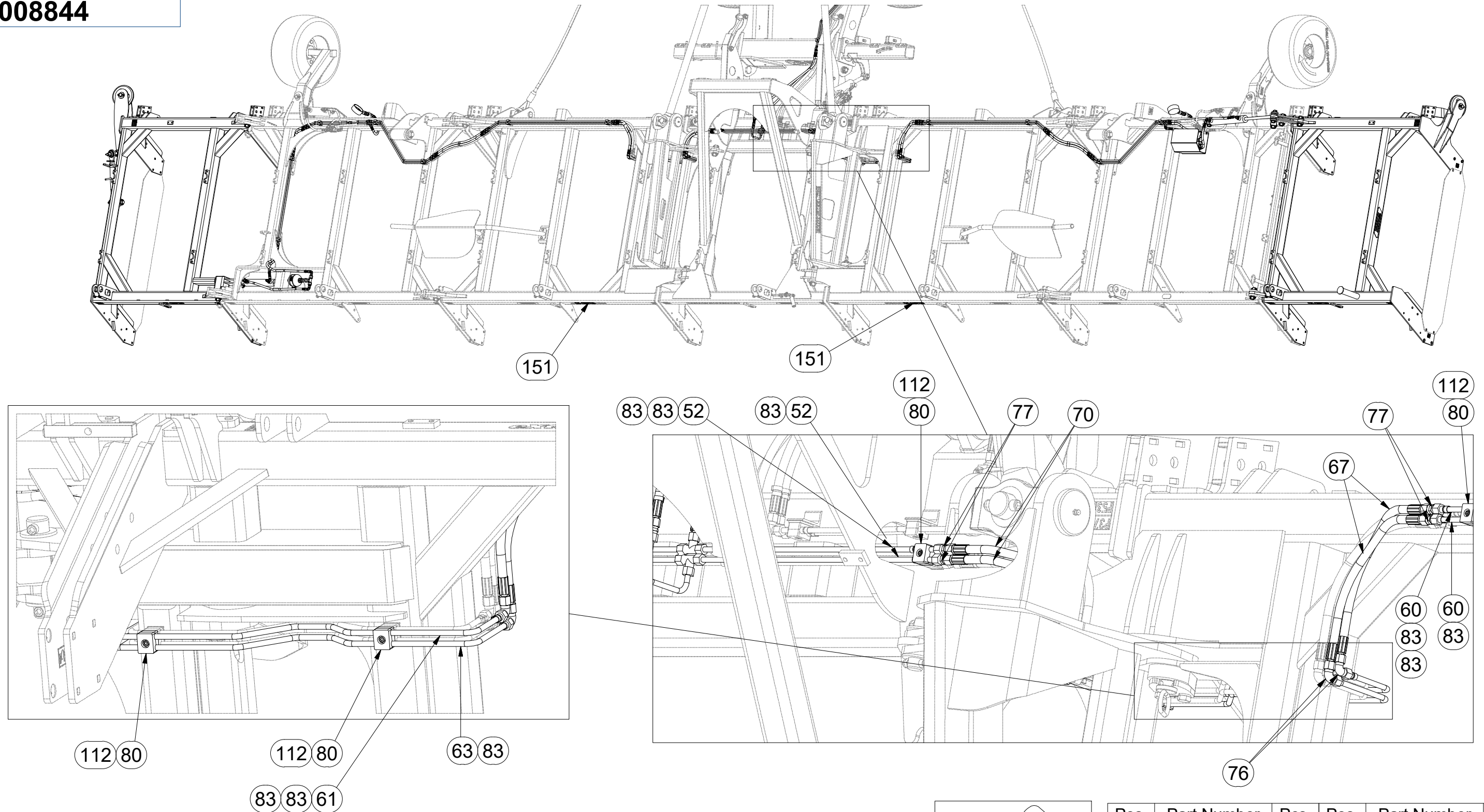
☉ SEMIFINISHED MACHINE

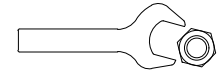
☉ ПОЛУФАБРИКАТ МАШИНЫ

☉ PÓLFABRYKAT MASZYNY



3008844




 HYDRAULIC
 COMPONENTS:
 M16 x 1,5 - 60Nm
 M22 x 1,5 - 140Nm
 G 3/8 - 95 Nm

Pos.	Part Number	Pcs.	Pos.	Part Number	Pcs.
52	m03975	2	77	m03213	35
60	m10042	4	80	m05488	26
61	m10085	2	83	m11289	79
63	m10084	2	112	m09956	22
67	m04827	6	151	m09896	2
70	m09628	4			

☉ POLOTOVAR STROJE

☉ MASCHINEN-HALBFABRIKAT

☉ MACHINE - SEMI-PRODUIT

☉ SEMIFINISHED MACHINE

☉ ПОЛУФАБРИКАТ МАШИНЫ

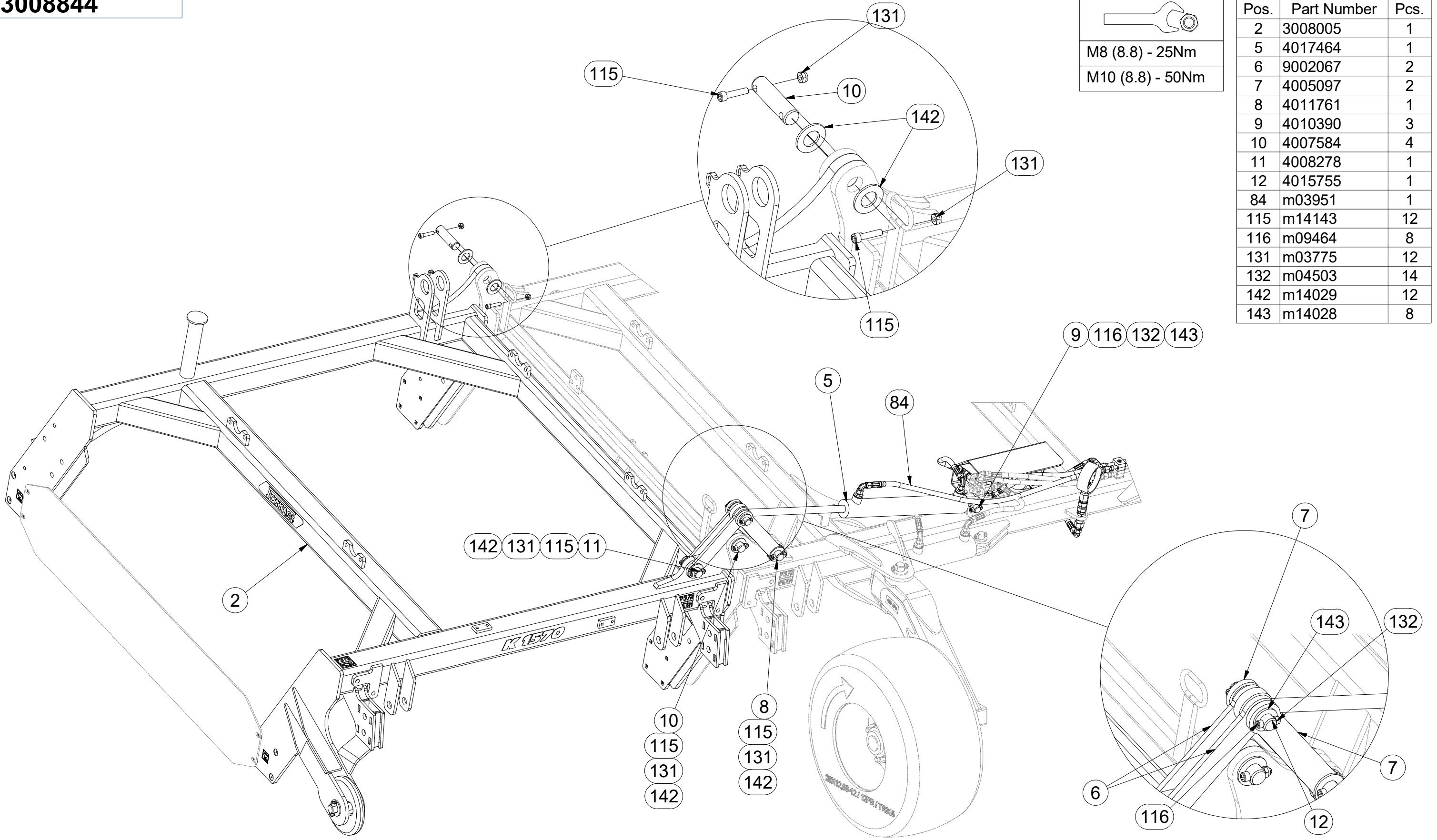
☉ PÓLFABRYKAT MASZYN



3008844

M8 (8.8) - 25Nm
M10 (8.8) - 50Nm

Pos.	Part Number	Pcs.
2	3008005	1
5	4017464	1
6	9002067	2
7	4005097	2
8	4011761	1
9	4010390	3
10	4007584	4
11	4008278	1
12	4015755	1
84	m03951	1
115	m14143	12
116	m09464	8
131	m03775	12
132	m04503	14
142	m14029	12
143	m14028	8



☉ POLOTOVAR STROJE

☉ MASCHINEN-HALBFABRIKAT

☉ MACHINE - SEMI-PRODUIT

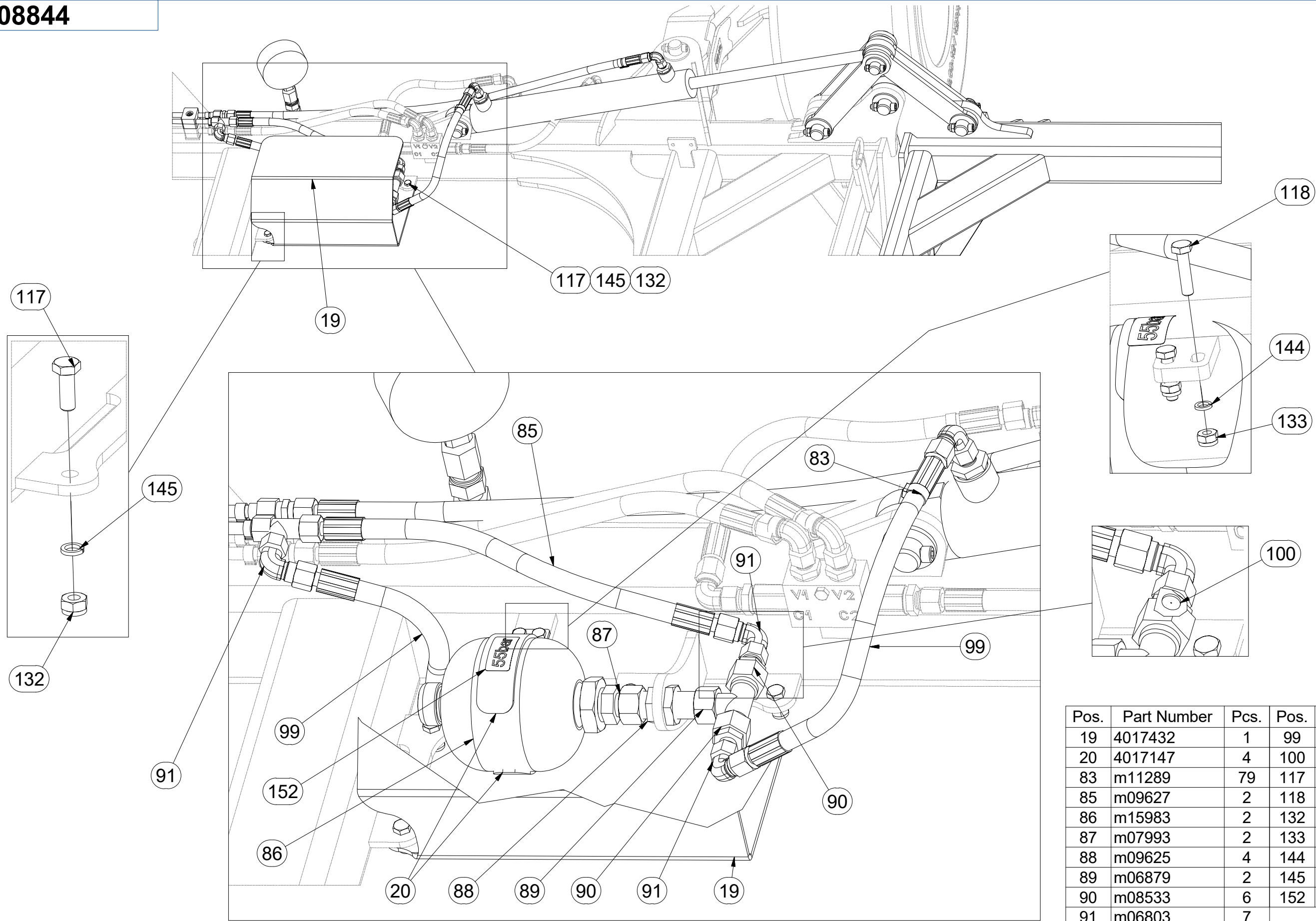
☉ SEMIFINISHED MACHINE

☉ ПОЛУФАБРИКАТ МАШИНЫ

☉ PÓLFABRYKAT MASZYN



3008844



Pos.	Part Number	Pcs.	Pos.	Part Number	Pcs.
19	4017432	1	99	m15873	2
20	4017147	4	100	m10782	1
83	m11289	79	117	m01090	4
85	m09627	2	118	m01075	4
86	m15983	2	132	m04503	14
87	m07993	2	133	m05560	6
88	m09625	4	144	m01200	6
89	m06879	2	145	m01202	6
90	m08533	6	152	m16026	2
91	m06803	7			

Ⓒ POLOTOVAR STROJE

Ⓓ MASCHINEN-HALBFABRIKAT

Ⓕ MACHINE - SEMI-PRODUIT

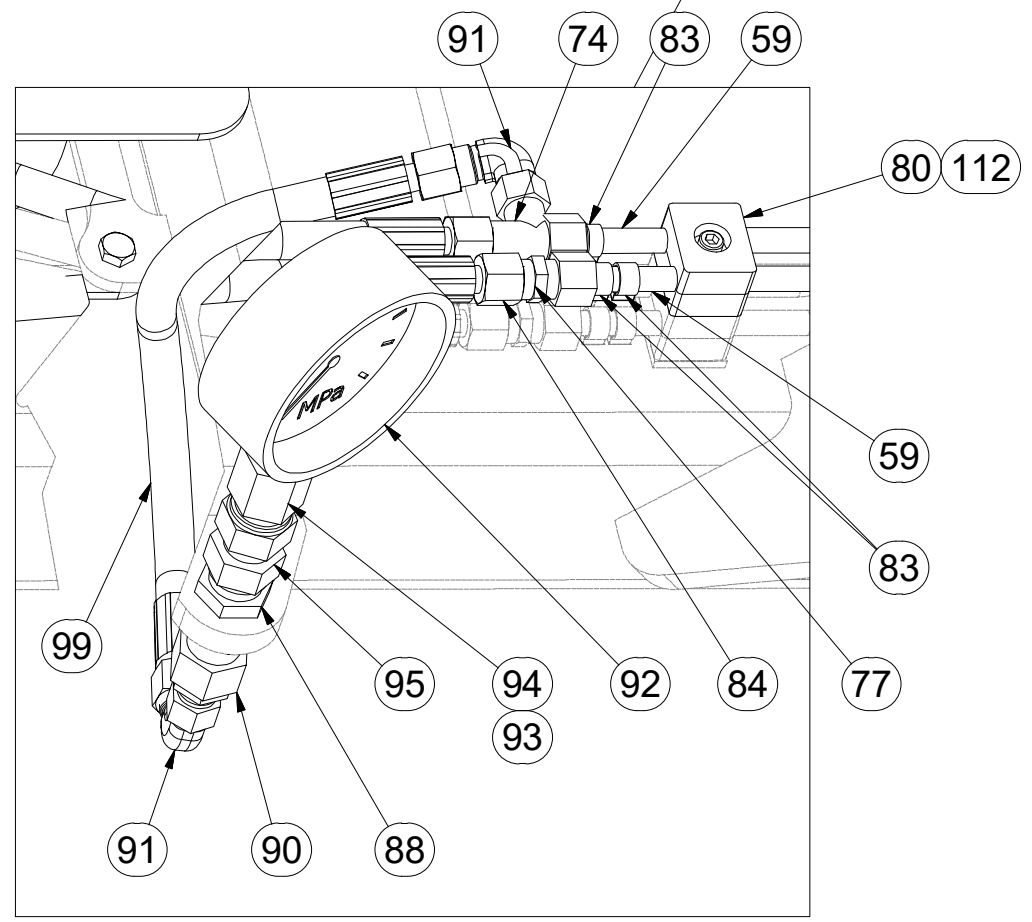
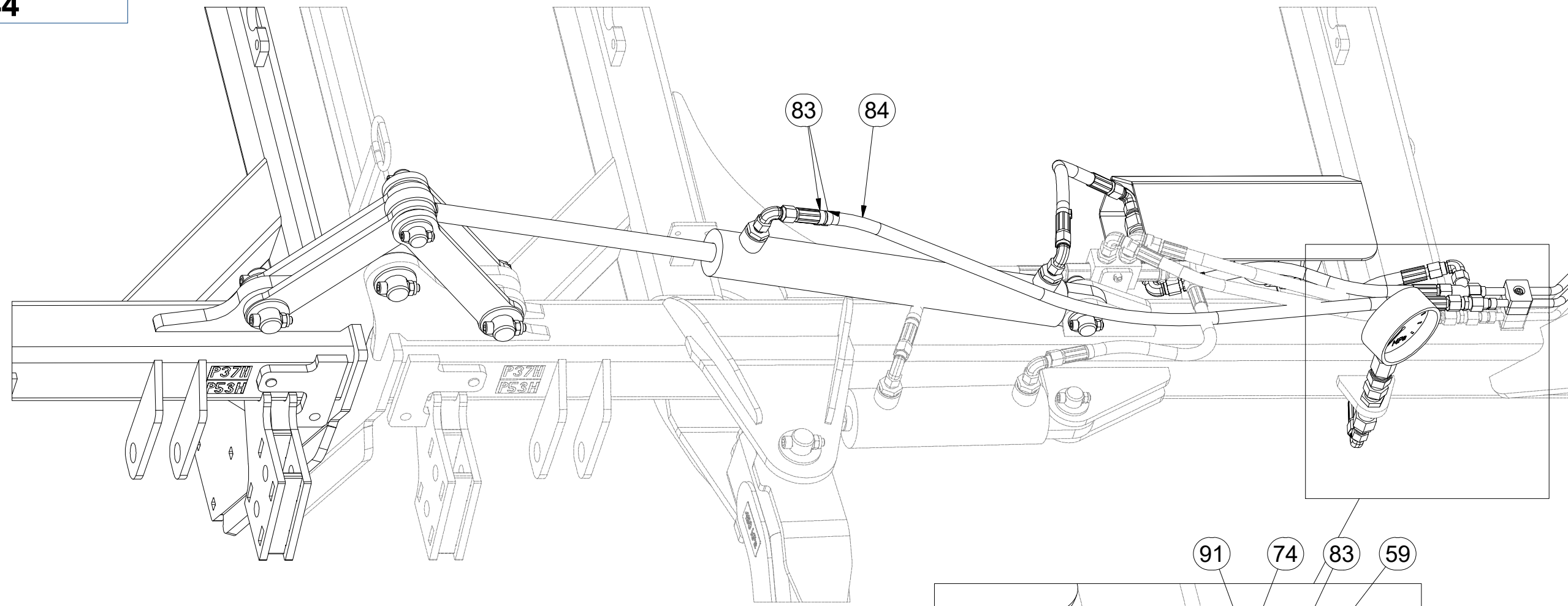
Ⓖ SEMIFINISHED MACHINE

Ⓡ ПОЛУФАБРИКАТ МАШИНЫ

Ⓟ PÓŁFABRYKAT MASZYN



3008844



Pos.	Part Number	Pcs.
59	m10040	4
74	m03889	4
77	m03213	35
80	m05488	26
83	m11289	79
84	m03951	1
90	m08533	6
91	m06803	7
92	m05518	2
93	m04320	2
94	m11974	2
95	m06135	2
99	m15873	2
112	m09956	22

☉ POLOTOVAR STROJE

☉ MASCHINEN-HALBFABRIKAT

☉ MACHINE - SEMI-PRODUIT

☉ SEMIFINISHED MACHINE

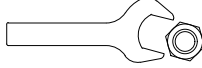
☉ ПОЛУФАБРИКАТ МАШИНЫ

☉ PÓLFABRYKAT MASZYNY

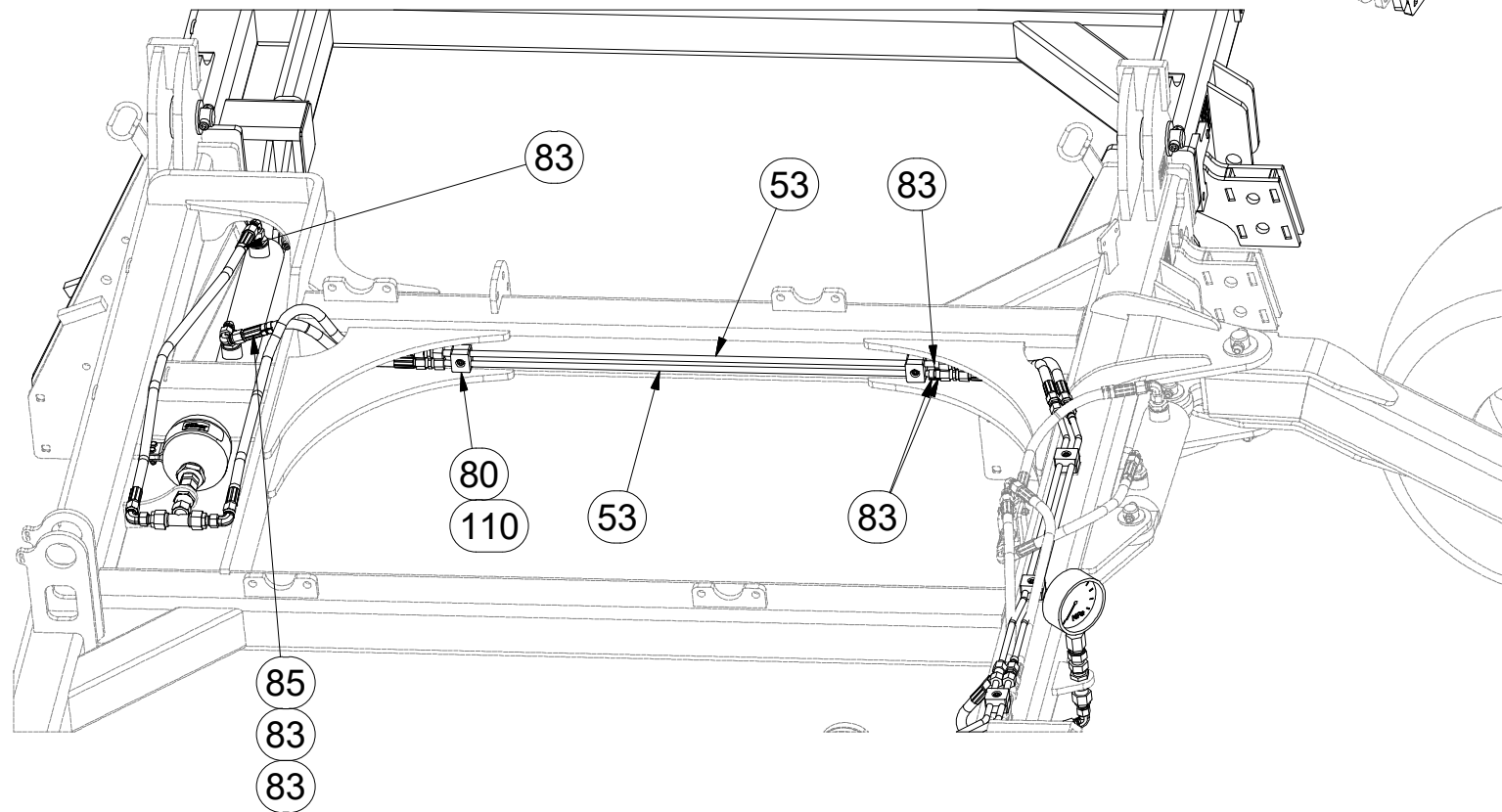
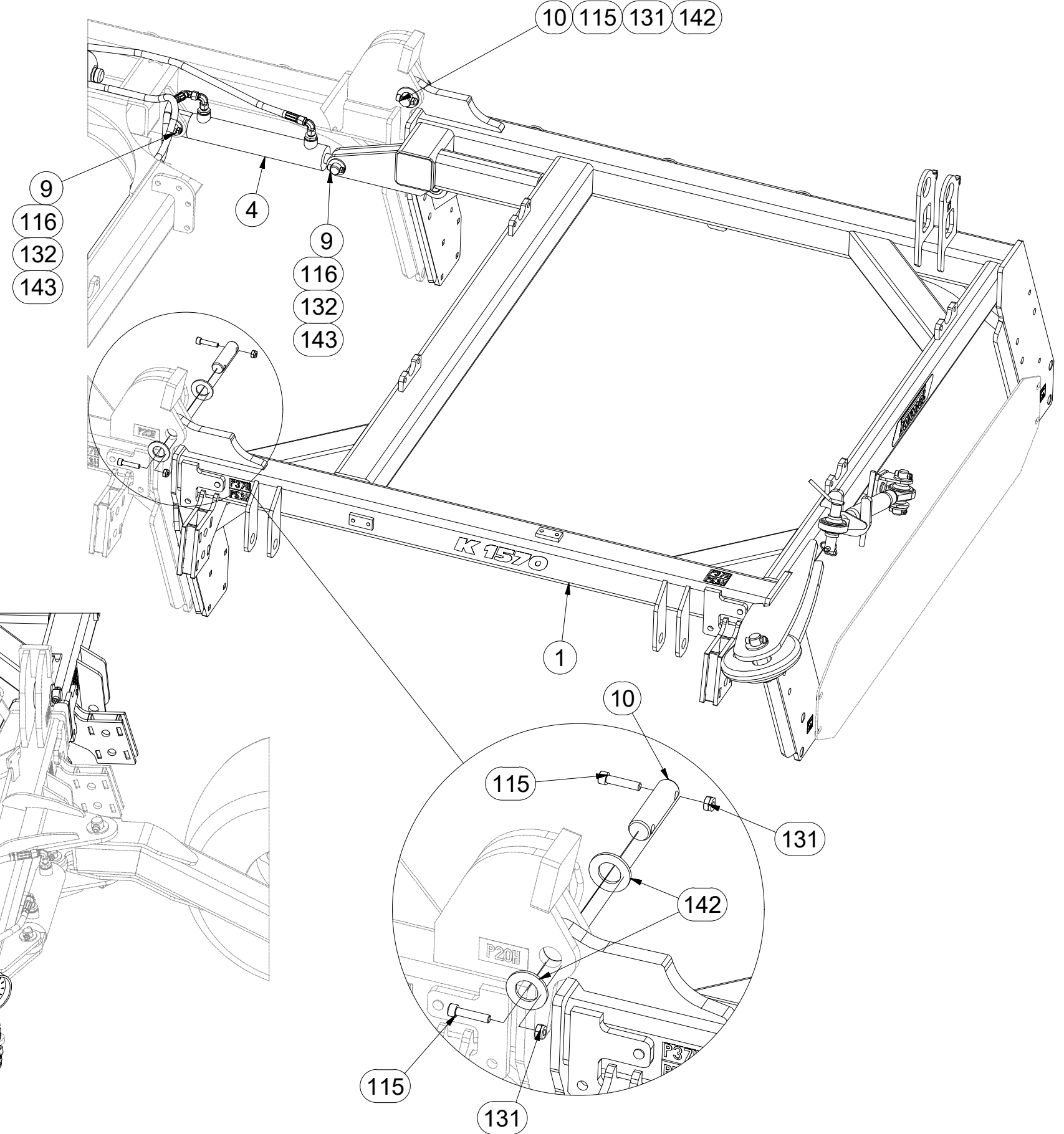


3008844

Pos.	Part Number	Pcs.
1	3008004	1
4	4017454	1
9	4010390	3
10	4007584	4
53	m10087	2
80	m05488	26
83	m11289	79
85	m09627	2
115	m14143	12
116	m09464	8
131	m03775	12
132	m04503	14
142	m14029	12
143	m14028	8



HYDRAULIC COMPONENTS:
M16 x 1,5 - 60Nm
M22 x 1,5 - 140Nm
G 3/8 - 95 Nm
M6 (8.8) - 10Nm
M8 (8.8) - 25Nm
M10 (12.9) - 85Nm



Ⓒ POLOTOVAR STROJE

Ⓓ MASCHINEN-HALBFABRIKAT

Ⓕ MACHINE - SEMI-PRODUIT

Ⓖ SEMIFINISHED MACHINE

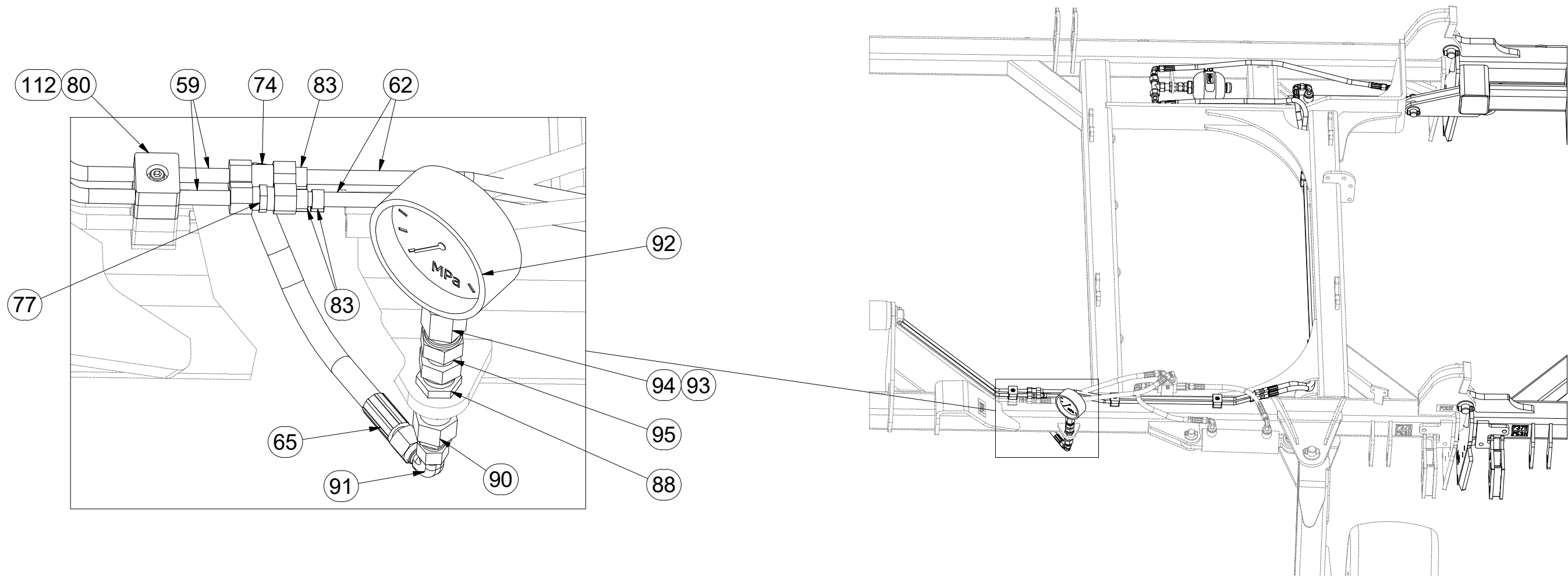
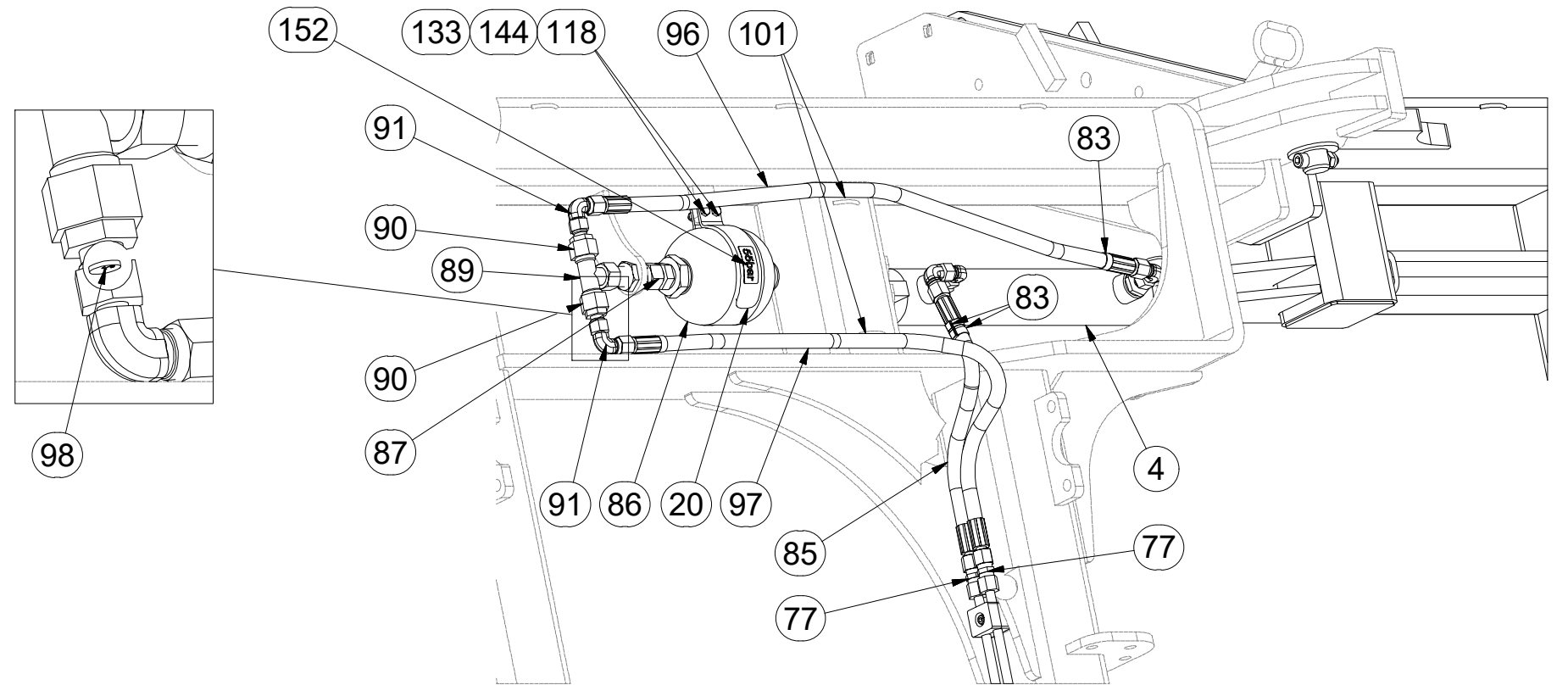
Ⓡ ПОЛУФАБРИКАТ МАШИНЫ

Ⓟ PÓLFABRYKAT MASZYN



3008844

Pos.	Part Number	Pcs.	Pos.	Part Number	Pcs.
4	4017454	1	90	m08533	6
20	4017147	4	91	m06803	7
59	m10040	4	92	m05518	2
62	m10086	2	93	m04320	2
65	m07363	3	94	m11974	2
74	m03889	4	95	m06135	2
77	m03213	35	96	m04033	1
80	m05488	26	97	m07909	1
83	m11289	79	101	m05566	10
85	m09627	2	112	m09956	22
86	m15983	2	118	m01075	4
87	m07993	2	133	m05560	6
88	m09625	4	144	m01200	6
89	m06879	2	152	m16026	2



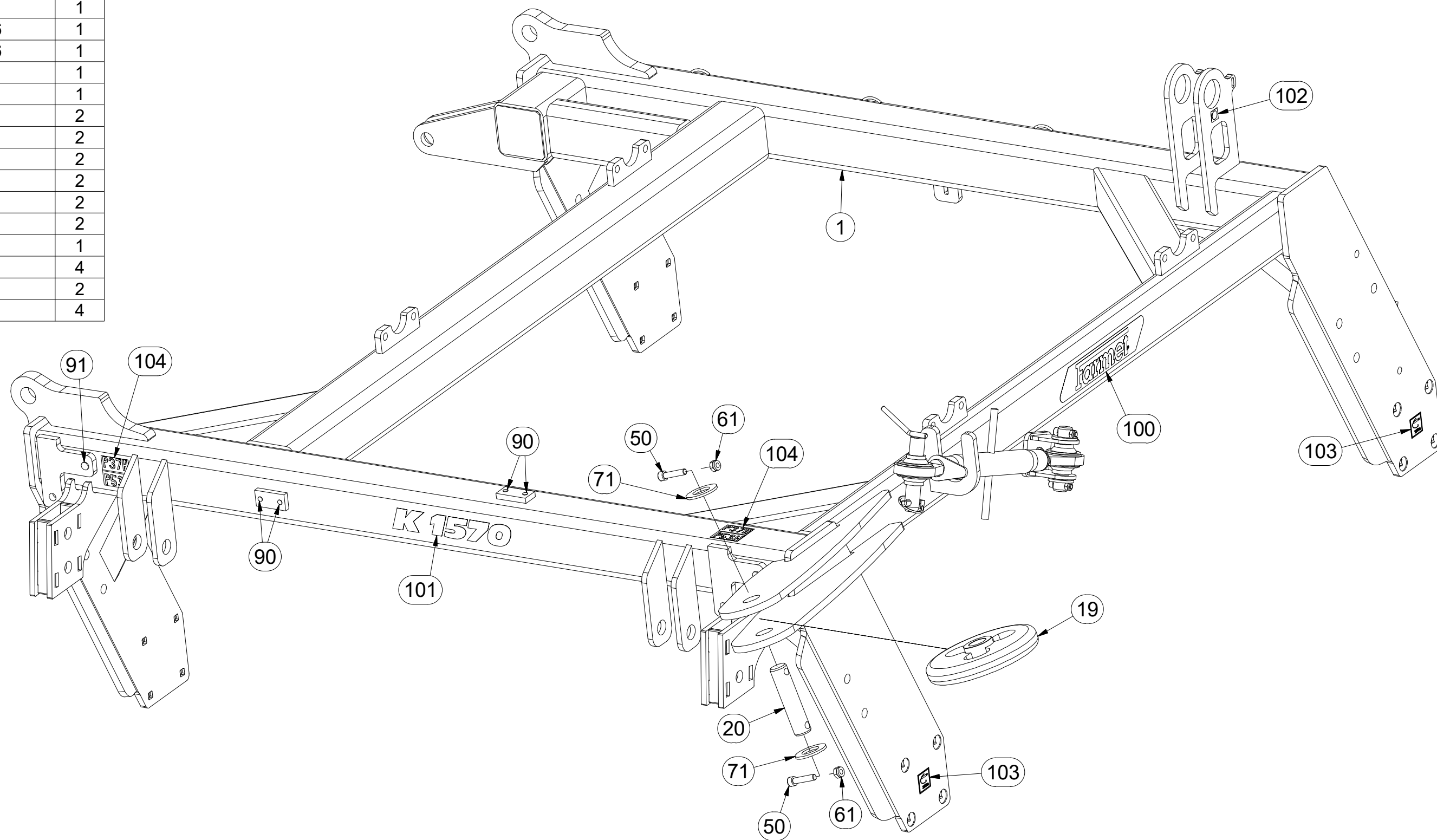
- Ⓒ RÁM
- Ⓓ RAHMEN
- Ⓕ CHASSIS

- Ⓖ FRAME
- Ⓡ PAMA
- Ⓟ RAMA



3008004

Pos.	Part Number	Pcs.
1	1000306	1
19	4008245	1
20	4011761	1
21	4015756	1
22	4000156	1
24	m08879	1
26	m02505	1
50	m14143	2
51	m09464	2
60	m04503	2
61	m03775	2
70	m14028	2
71	m14029	2
80	m11550	1
90	m11099	4
91	m11612	2
104	m11297	4

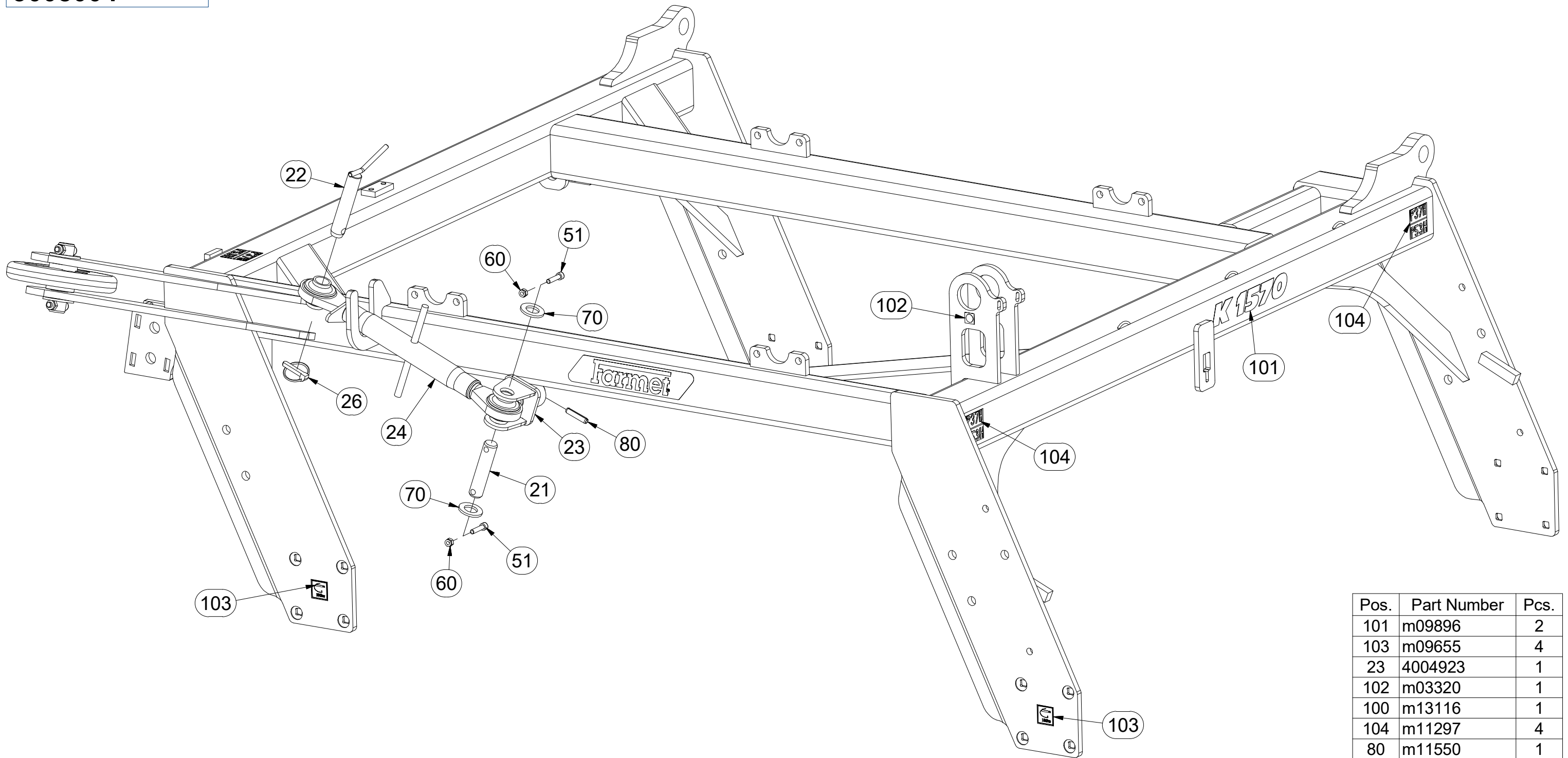


- ⒸZ RÁM
- Ⓓ RAHMEN
- Ⓕ CHASSIS

- ⒼB FRAME
- ⒺPAMA
- ⒽL RAMA



3008004



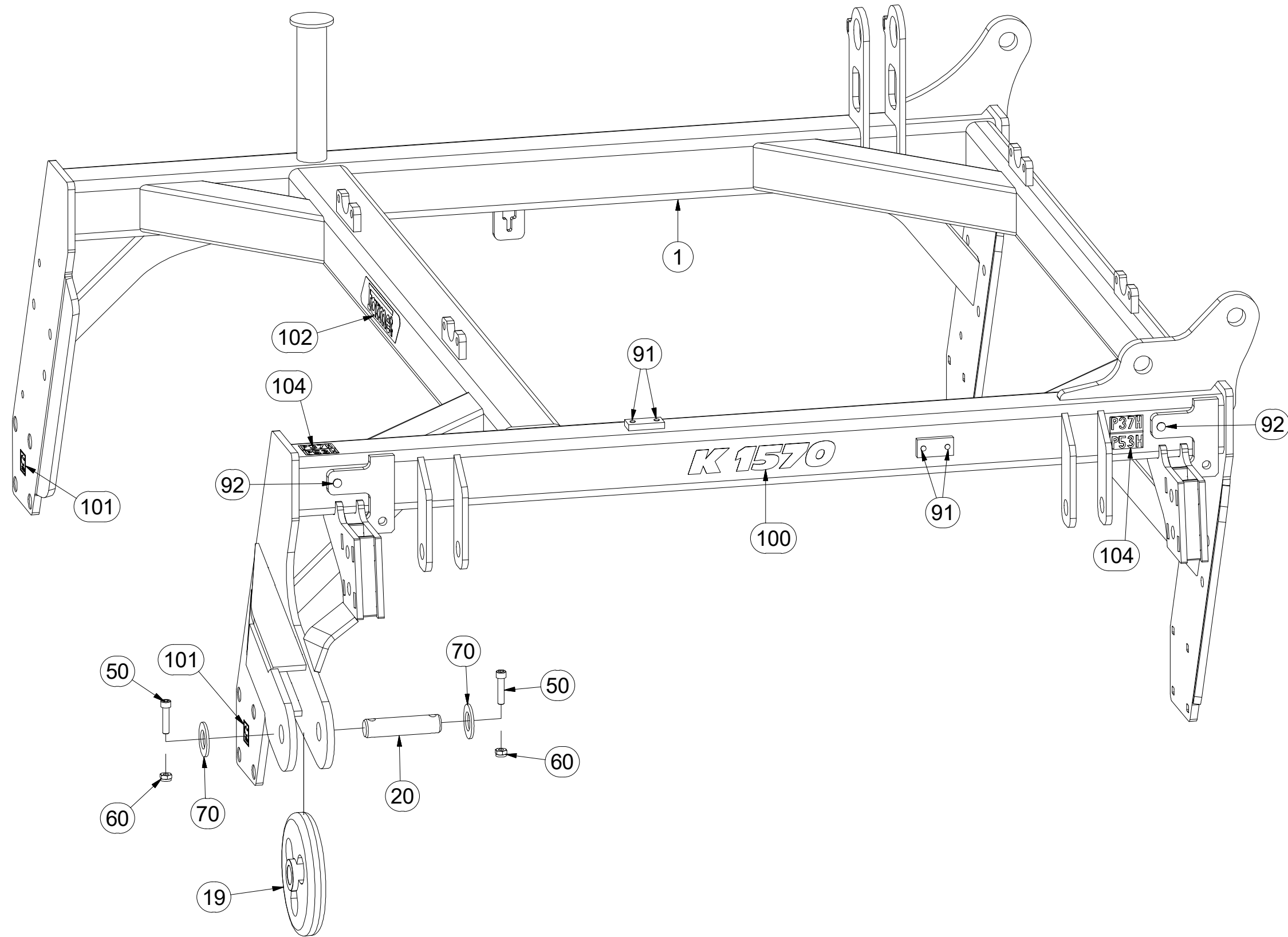
Pos.	Part Number	Pcs.
101	m09896	2
103	m09655	4
23	4004923	1
102	m03320	1
100	m13116	1
104	m11297	4
80	m11550	1
26	m02505	1
91	m11612	2
24	m08879	1
22	4000156	1
90	m11099	4
50	m14143	2

- Ⓒ RÁM
- Ⓓ RAHMEN
- Ⓕ CHASSIS

- Ⓖ FRAME
- Ⓡ PAMA
- Ⓟ RAMA



3008005



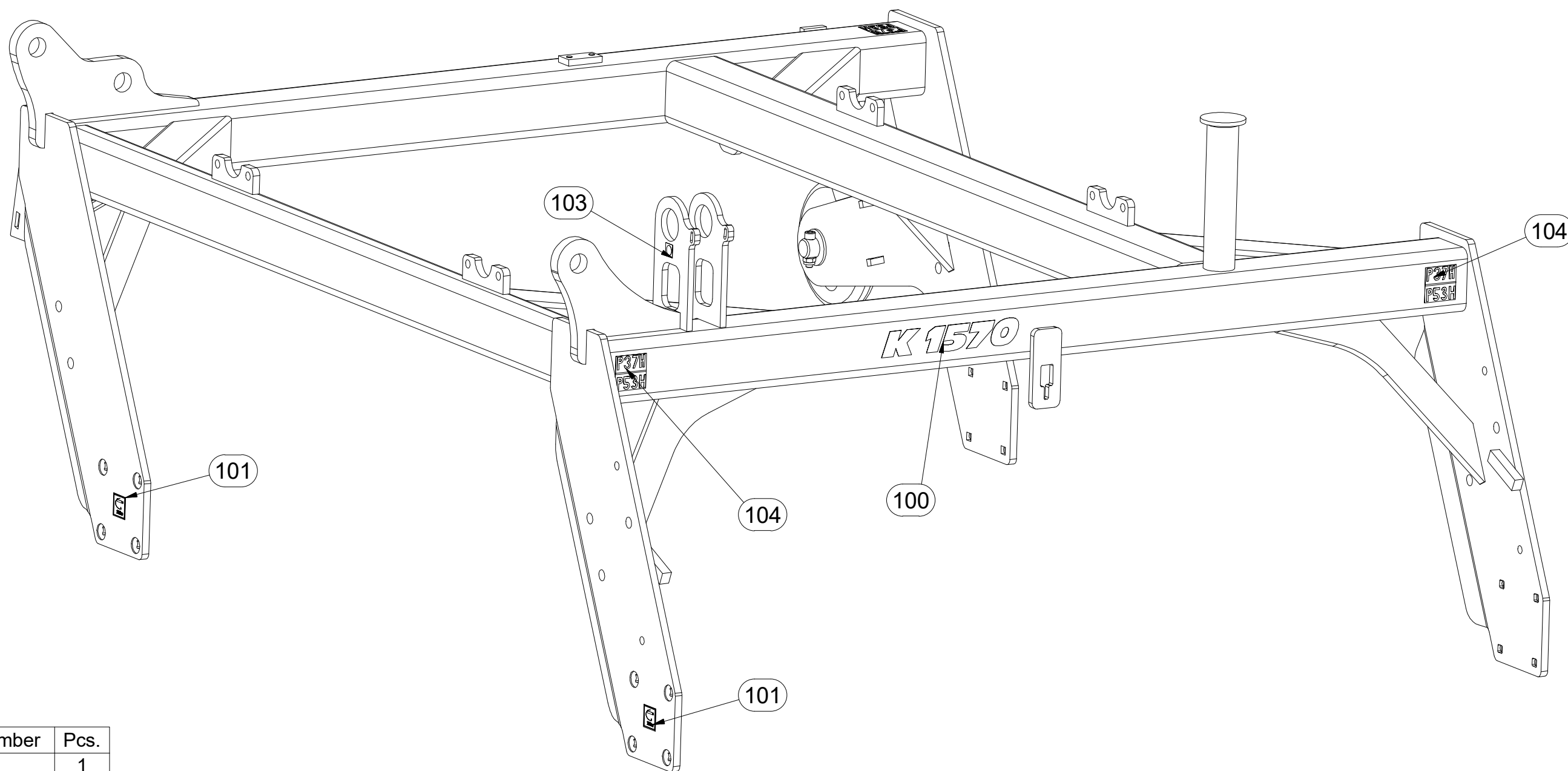
Pos.	Part Number	Pcs.
1	1000304	1
19	4008245	1
20	4011761	1
102	m13116	1
70	m14029	2
103	m03320	1
101	m09655	4
50	m14143	2
92	m11612	2
100	m09896	2
91	m11099	4
60	m03775	2

- Ⓒ RÁM
- Ⓓ RAHMEN
- Ⓕ CHASSIS

- Ⓖ FRAME
- Ⓡ PAMA
- Ⓟ RAMA



3008005



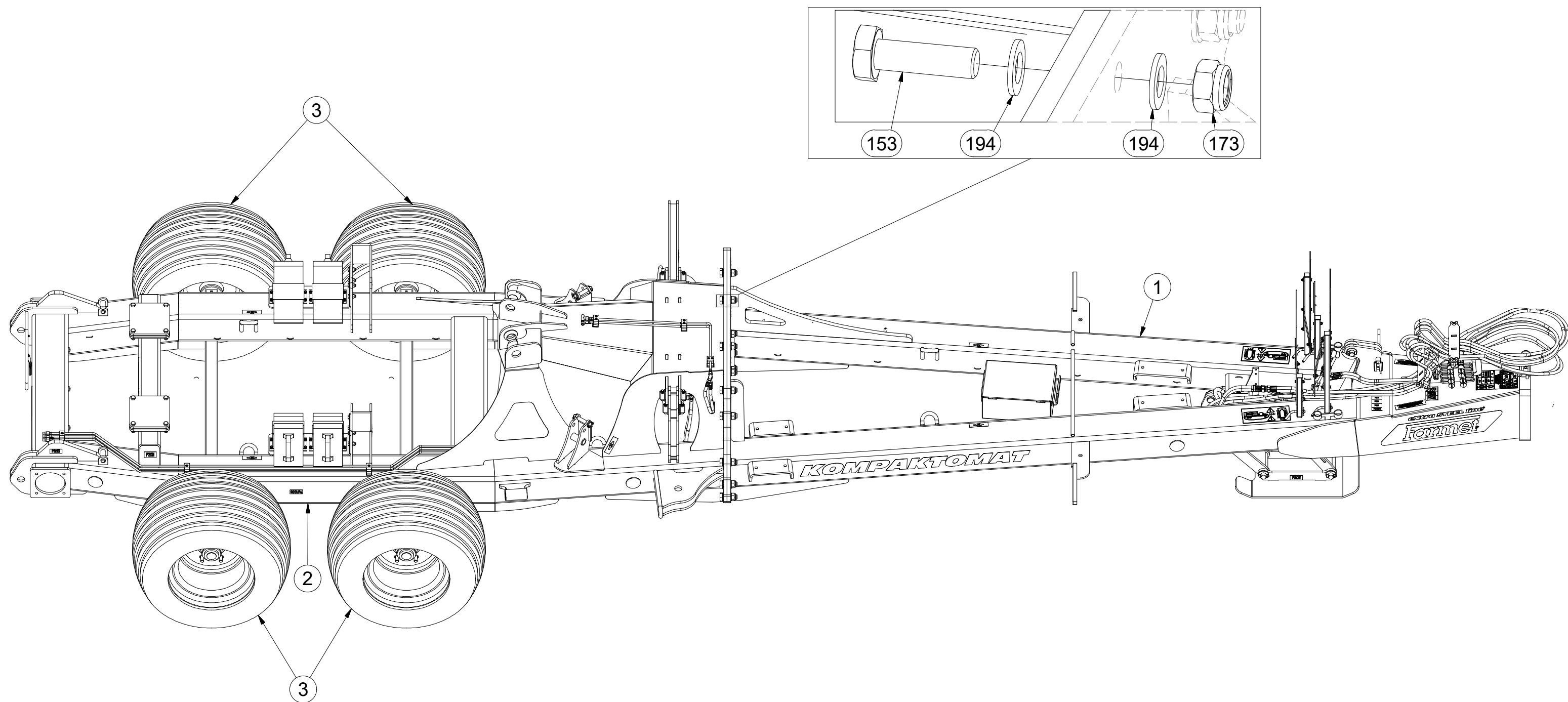
Pos.	Part Number	Pcs.
103	m03320	1
101	m09655	4
104	m11297	4
92	m11612	2
100	m09896	2
91	m11099	4
60	m03775	2

CZ PODVOZEK
 D FAHRGESTELL
 F CHÂSSIS

GB CHASSIS
 RU ШАССИ
 PL PODWOZIE



3007930



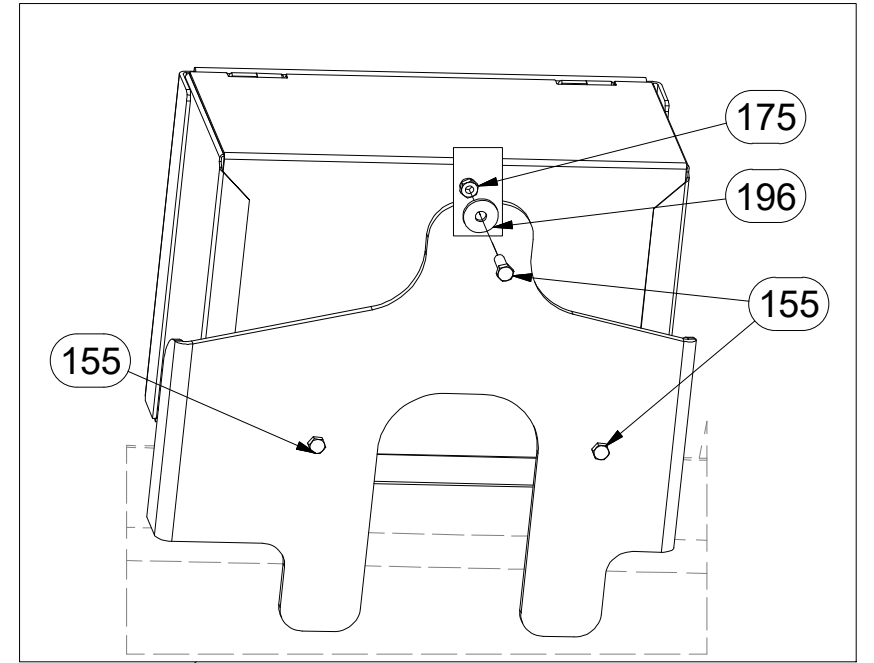
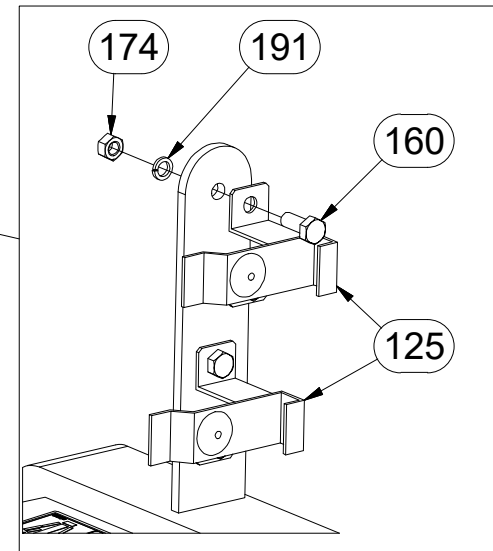
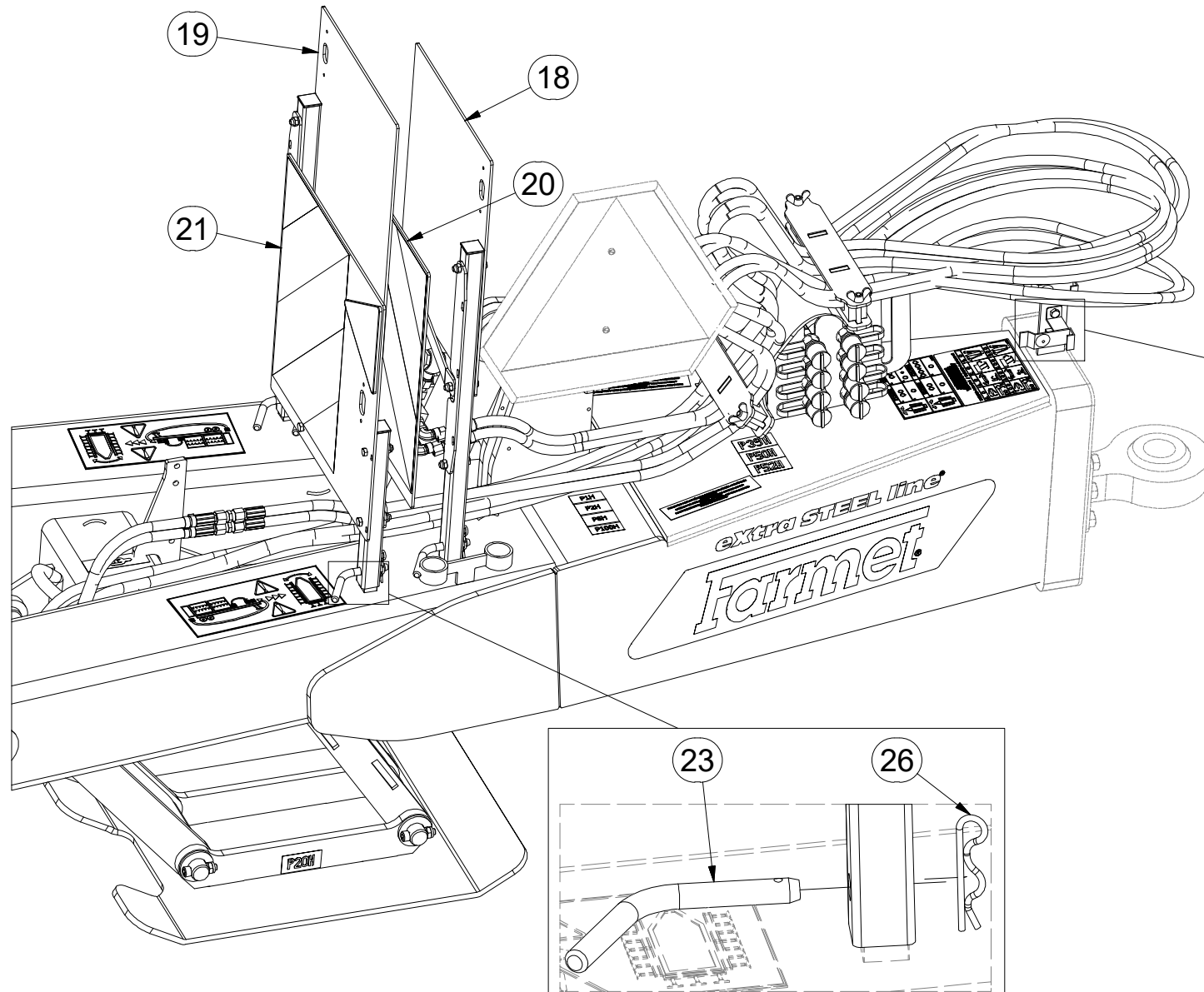
Pos.	Part Number	Pcs.
1	2000867	1
2	2000673	1
3	m11625	4
153	m03401	22
173	m07147	22
194	m03718	44

- Ⓒ PODVOZEK
- Ⓓ FAHRGESTELL
- Ⓕ CHÂSSIS

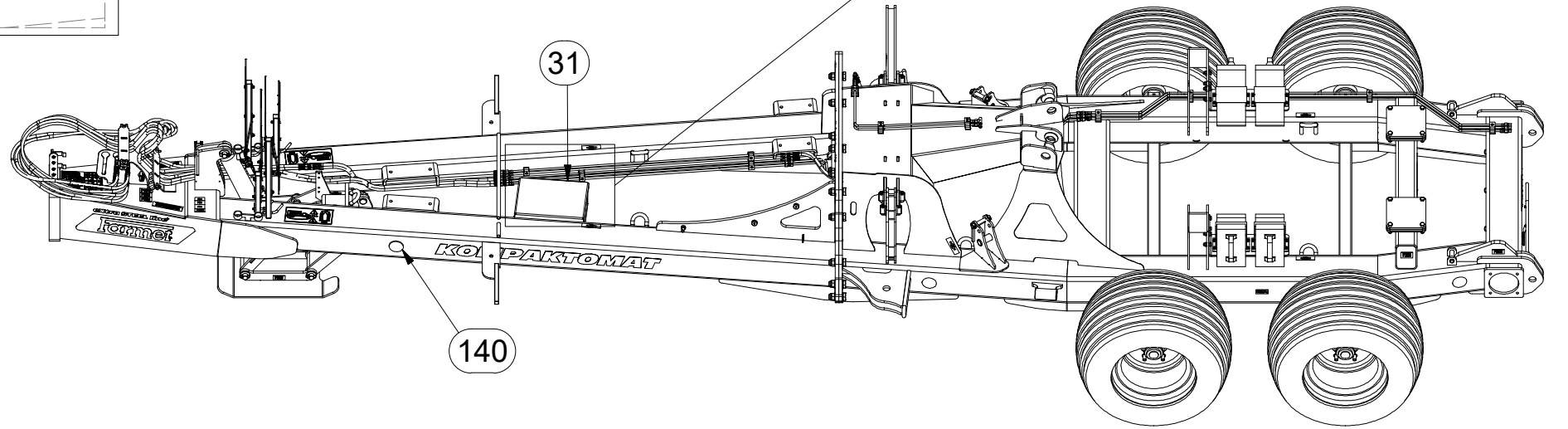
- Ⓖ CHASSIS
- Ⓔ ШАССИ
- Ⓗ PODWOZIE



3007930



Pos.	Part Number	Pcs.	Pos.	Part Number	Pcs.
18	4017863	1	125	m09789	2
19	4017864	1	140	m02579	6
20	4017881	1	155	m01092	3
21	4017882	1	160	m01089	20
23	m08886	4	174	m01296	4
26	m08049	4	175	m04503	23
31	m12296	1	196	m07936	3

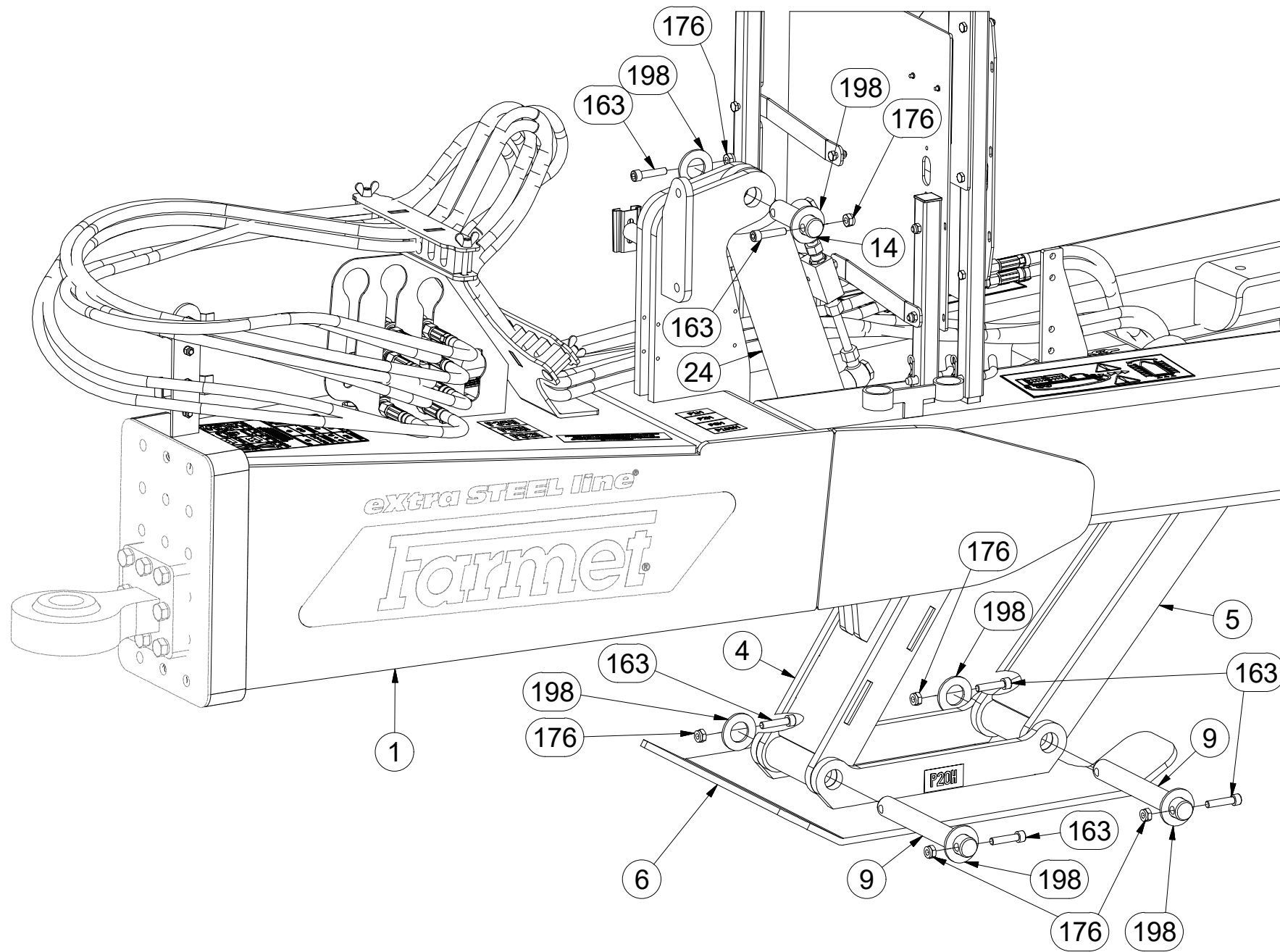


CZ PODVOZEK
 D FAHRGESTELL
 F CHÂSSIS

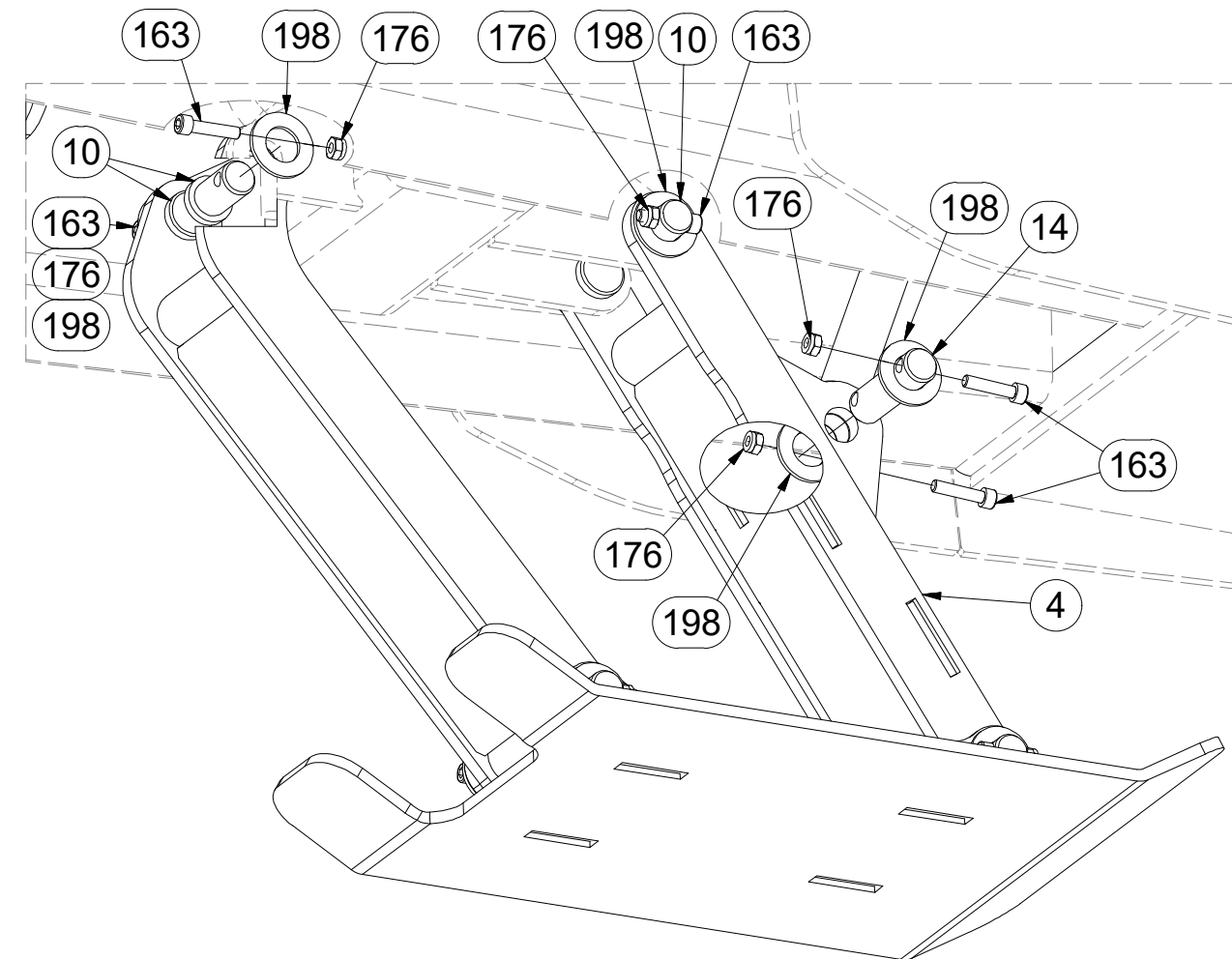
GB CHASSIS
 RU ШАССИ
 PL PODWOZIE



3007930



Pos.	Part Number	Pcs.
1	2000867	1
4	3002929	1
5	3002928	1
6	3002927	1
9	4015690	2
10	4015692	4
14	4007584	2
24	4004809	1
163	m14143	12
176	m03775	12
198	m14029	12

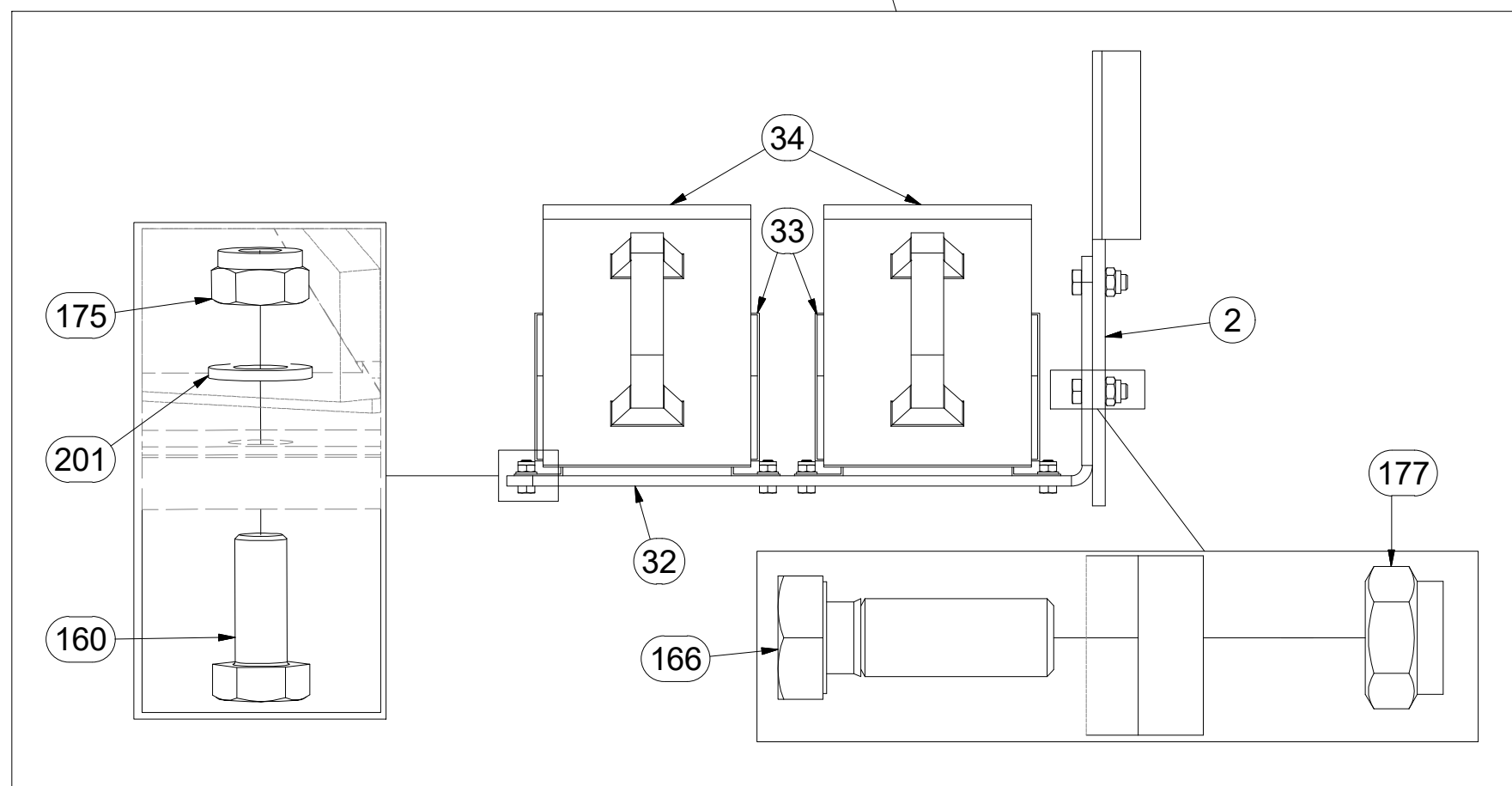
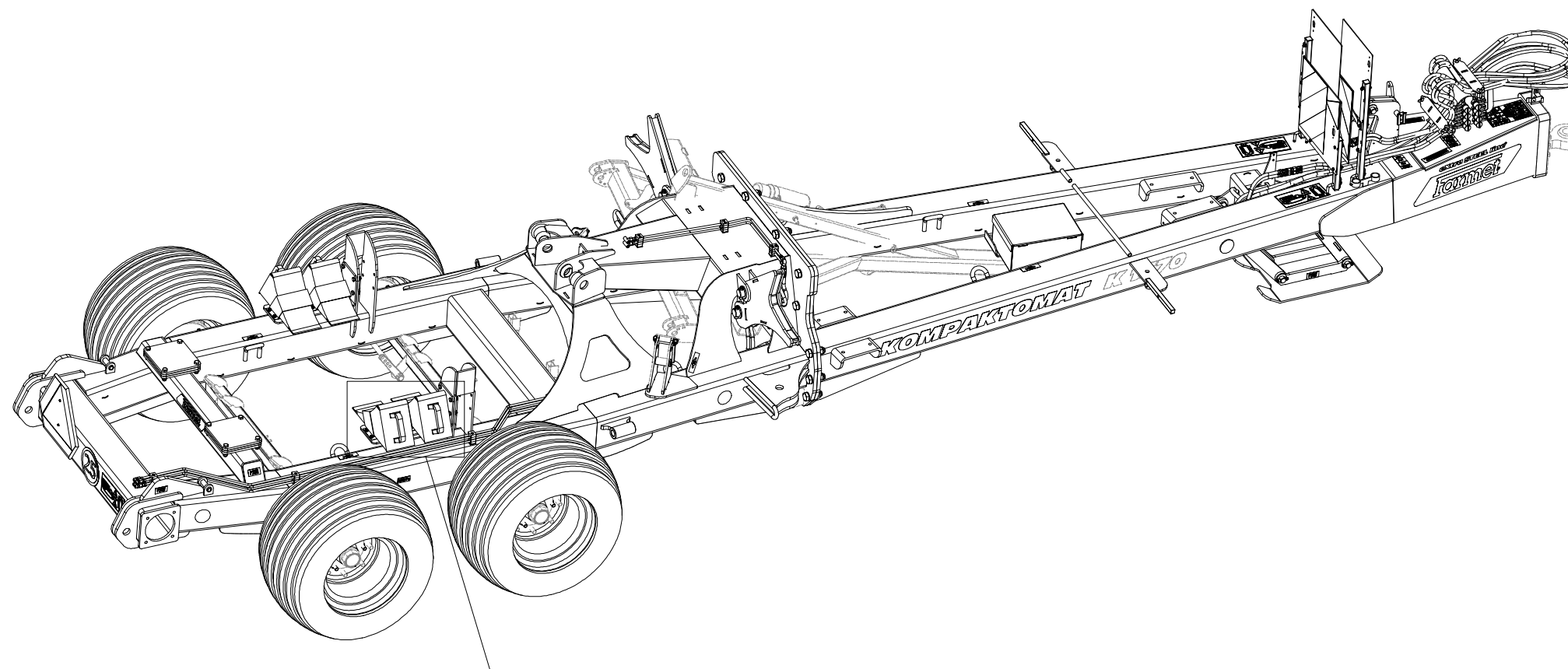


- Ⓒ PODVOZEK
- Ⓓ FAHRGESTELL
- Ⓕ CHÂSSIS

- Ⓖ CHASSIS
- Ⓡ ШАССИ
- Ⓟ PODWOZIE



3007930



Pos.	Part Number	Pcs.
2	2000673	1
32	4016351	2
33	9004563	4
34	m16186	4
160	m01089	20
166	m04343	8
175	m04503	23
177	m04301	16
201	m01203	16

Ⓒ PODVOZEK

Ⓓ FAHRGESTELL

Ⓕ CHÂSSIS

Ⓖ CHASSIS

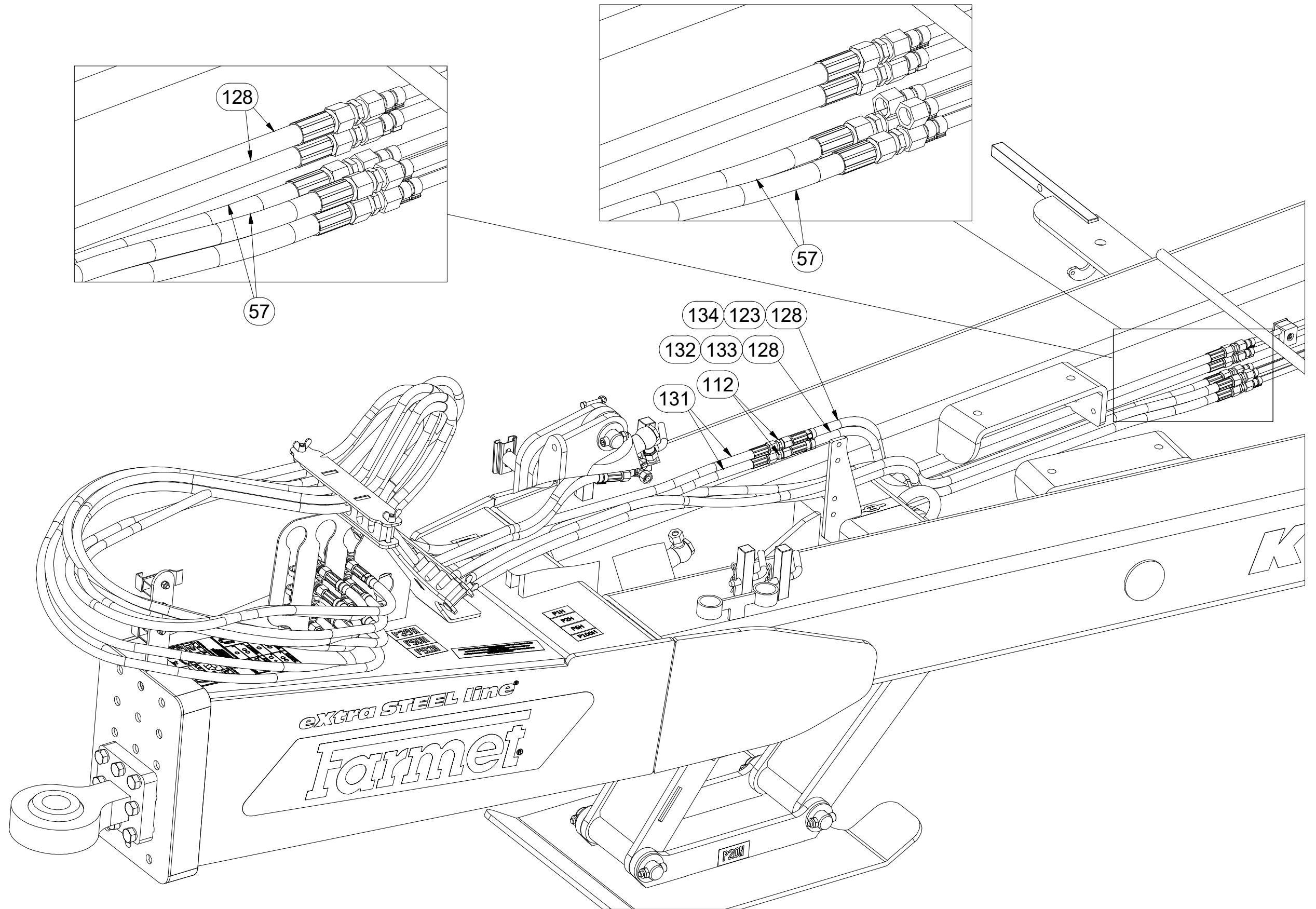
Ⓡ ШАССИ

Ⓟ PODWOZIE



3007930

Pos.	Part Number	Pcs.
57	m05216	4
112	m03213	22
123	m11294	22
128	m07504	2
131	m08000	2
132	m11282	7
133	m11289	7
134	m11253	7
2	2000673	1
18	4017863	1
19	4017864	1
20	4017881	1
21	4017882	1



Ⓒ PODVOZEK

Ⓓ FAHRGESTELL

Ⓕ CHÂSSIS

Ⓖ CHASSIS

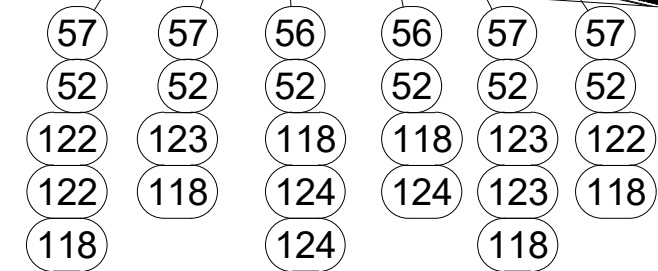
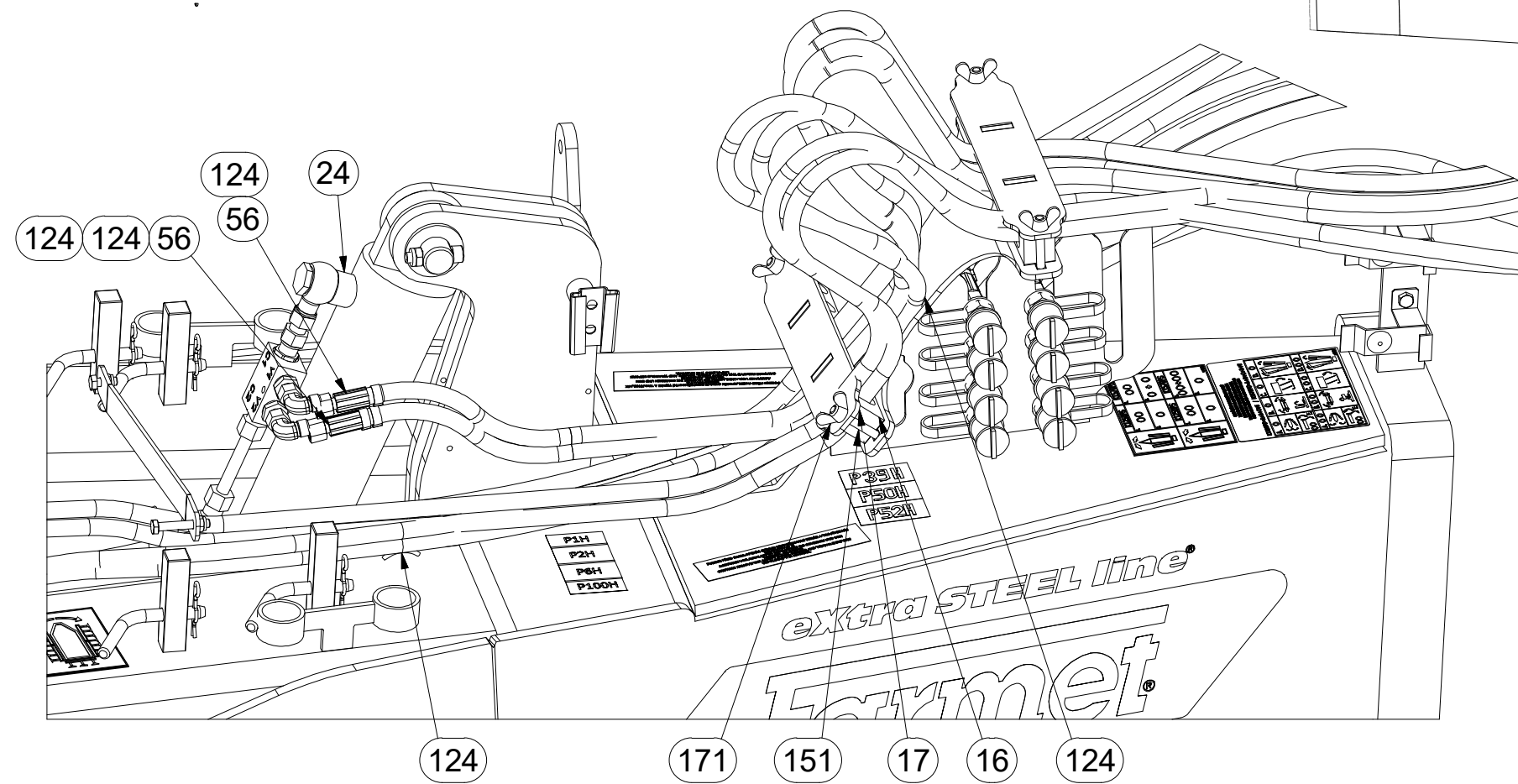
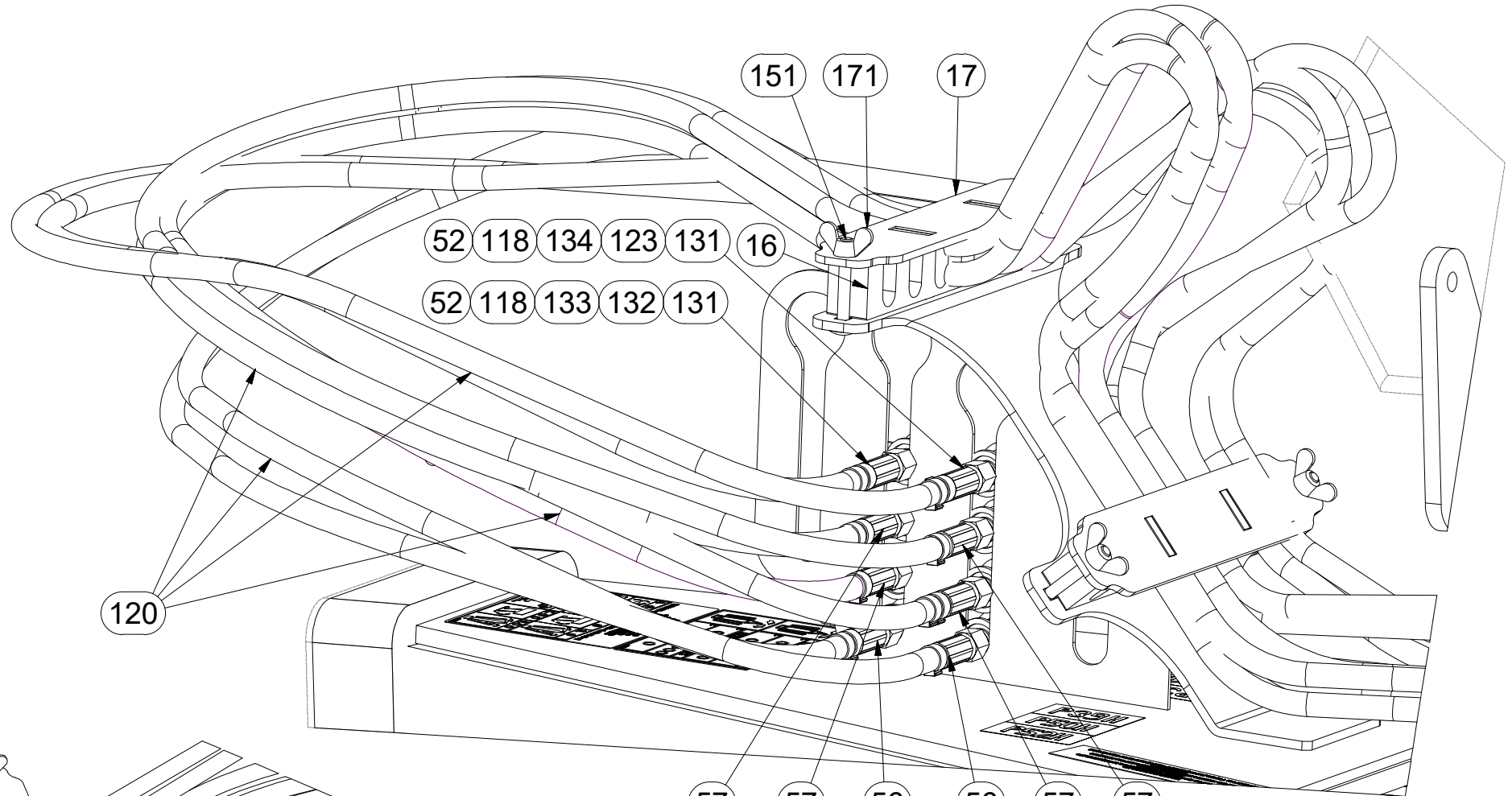
Ⓔ ШАССИ

Ⓗ PODWOZIE



3007930

Pos.	Part Number	Pcs.
16	4011952	2
17	4011961	2
52	m03849	8
56	m05286	2
57	m05216	4
118	m04622	8
120	m11183	4
122	m11691	21
123	m11294	22
124	m01637	56
131	m08000	2
132	m11282	7
133	m11289	7
134	m11253	7
151	m09247	4
171	m01316	4



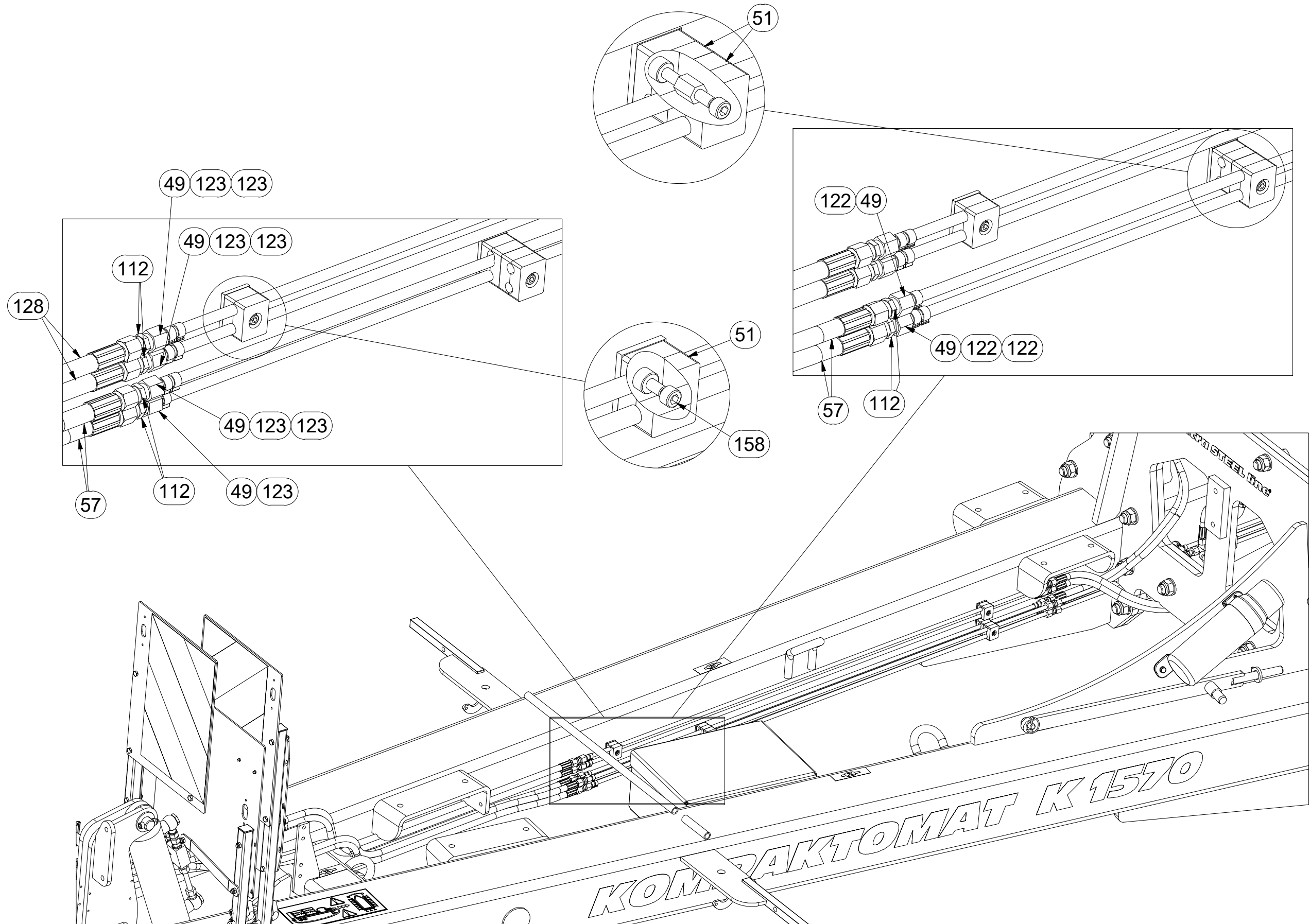
- Ⓒ PODVOZEK
- Ⓓ FAHRGESTELL
- Ⓕ CHÂSSIS

- Ⓖ CHASSIS
- Ⓔ ШАССИ
- Ⓗ PODWOZIE



3007930

Pos.	Part Number	Pcs.
49	m09662	6
51	m05488	18
57	m05216	4
112	m03213	22
122	m11691	21
123	m11294	22
128	m07504	2
132	m11282	7
133	m11289	7
134	m11253	7
158	m04346	10
159	m09956	8



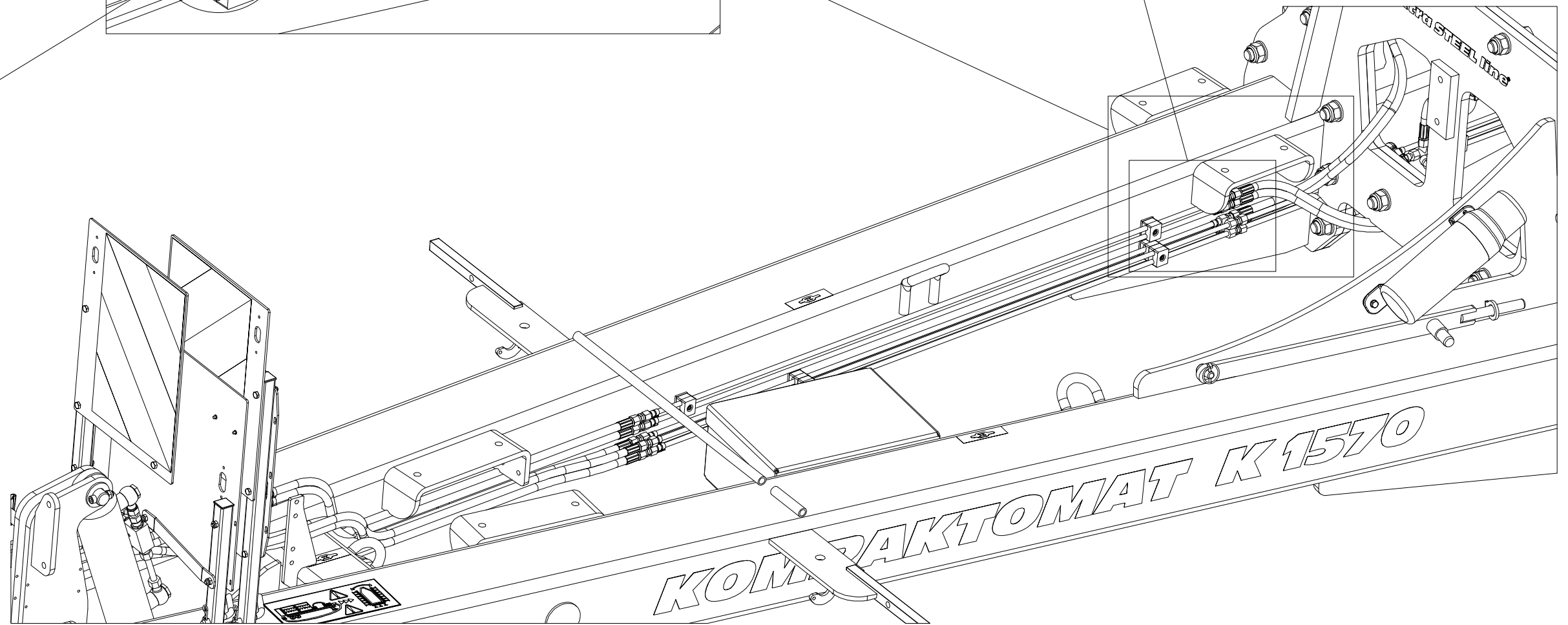
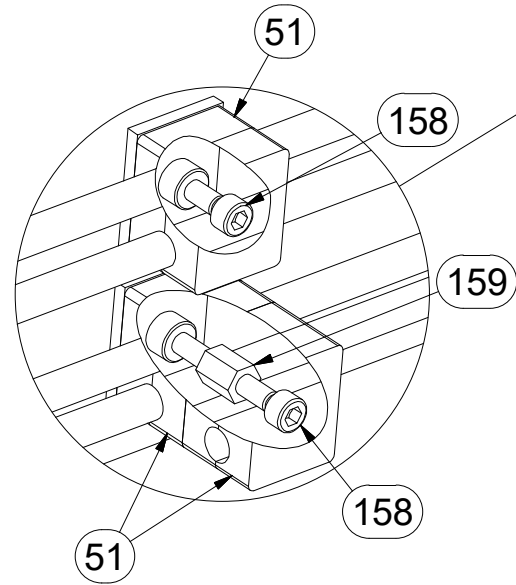
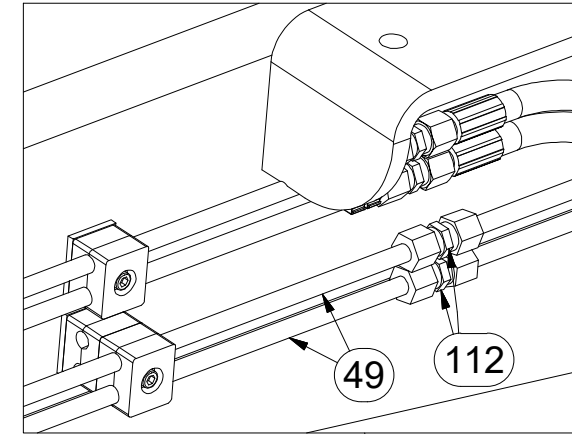
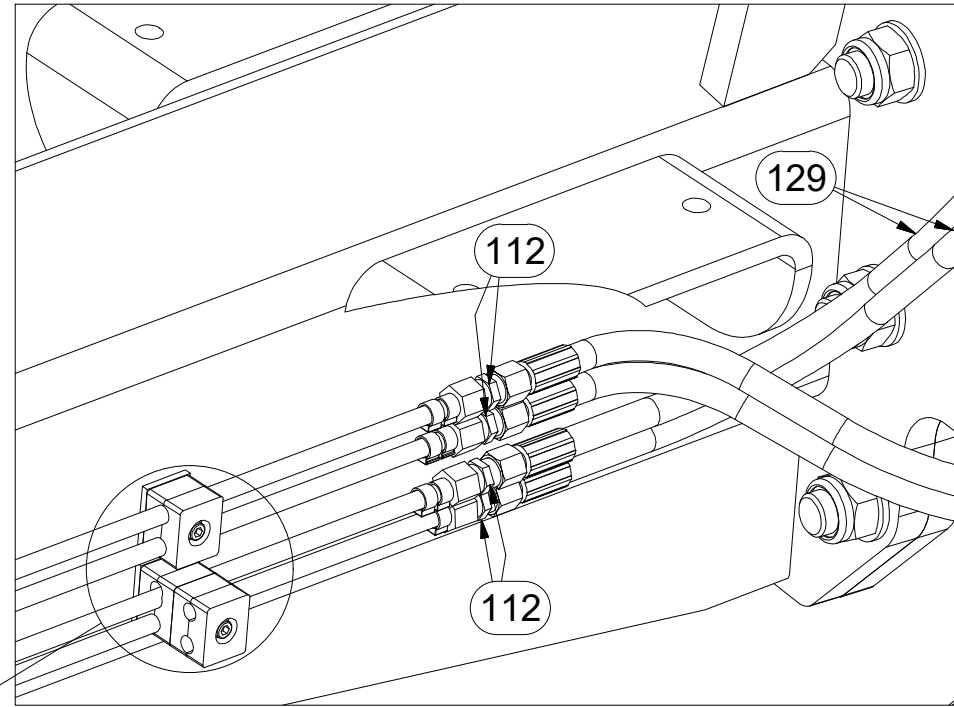
- Ⓒ PODVOZEK
- Ⓓ FAHRGESTELL
- Ⓕ CHÂSSIS

- Ⓖ CHASSIS
- Ⓔ ШАССИ
- Ⓗ PODWOZIE



3007930

Pos.	Part Number	Pcs.
43	m09942	1
49	m09662	6
51	m05488	18
112	m03213	22
123	m11294	22
129	m06532	2
132	m11282	7
133	m11289	7
134	m11253	7
158	m04346	10
159	m09956	8
2	2000673	1
18	4017863	1
19	4017864	1
20	4017881	1
21	4017882	1



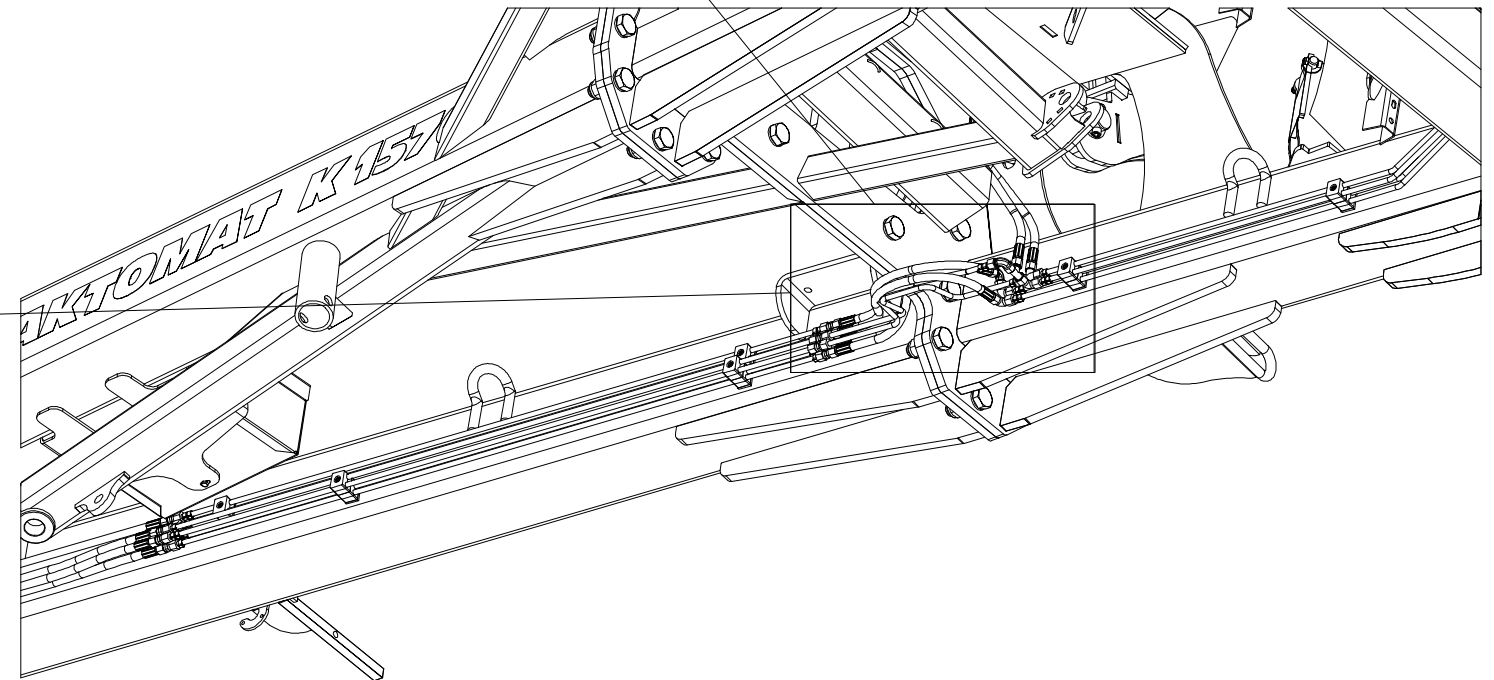
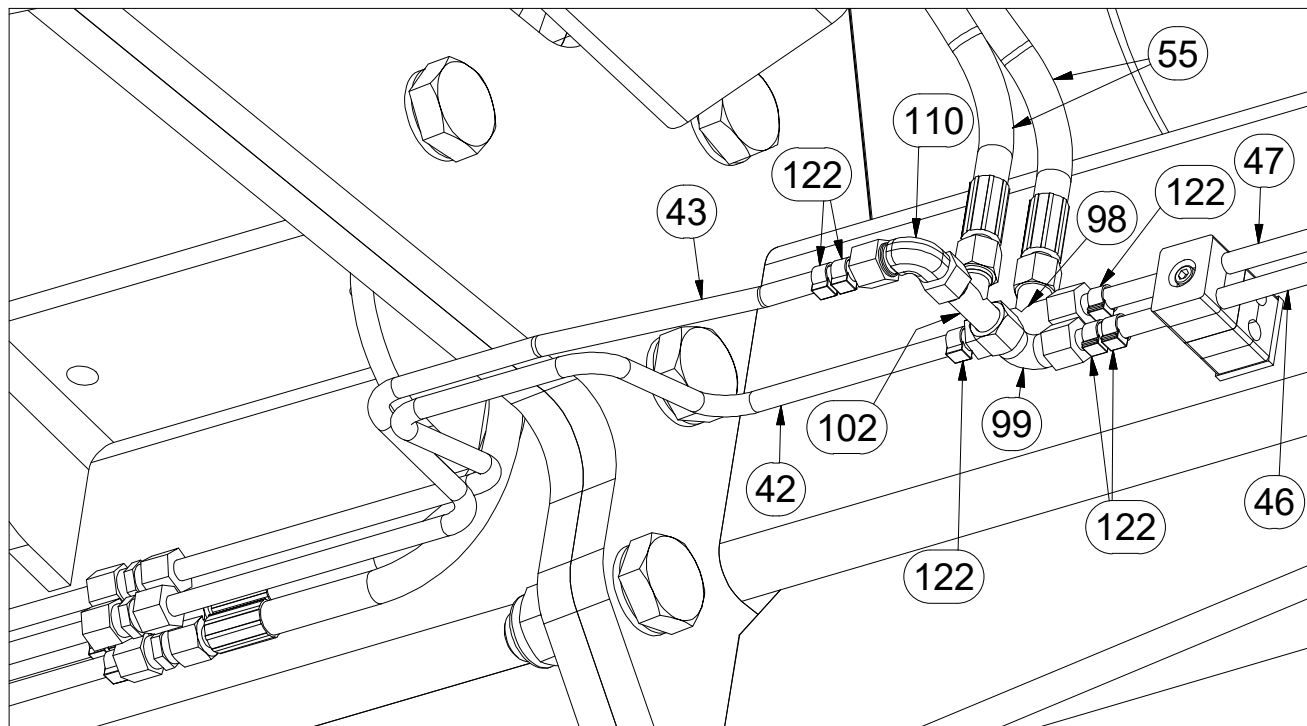
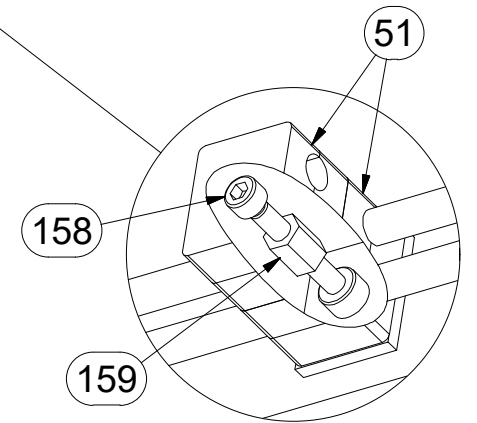
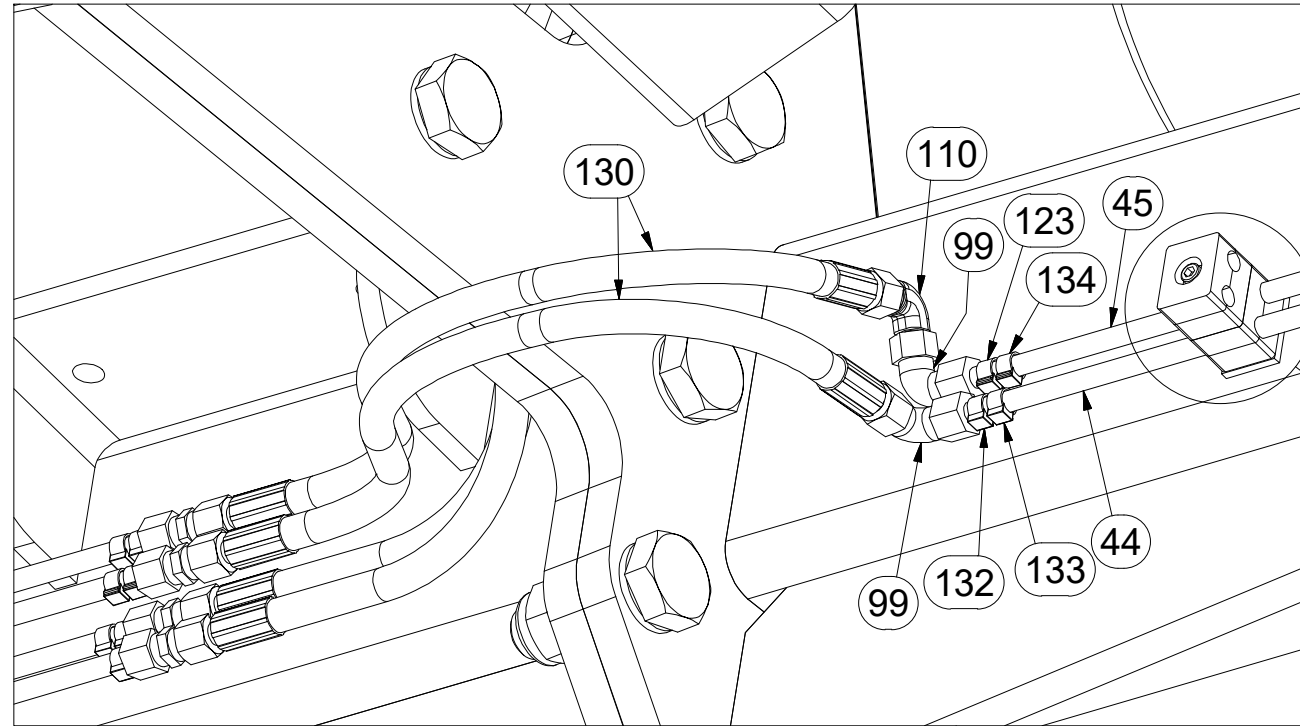
(CZ) PODVOZEK
 (D) FAHRGESTELL
 (F) CHÂSSIS

(GB) CHASSIS
 (RU) ШАССИ
 (PL) PODWOZIE



3007930

Pos.	Part Number	Pcs.
42	m09941	1
43	m09942	1
44	m09943	1
45	m09944	1
46	m09945	1
47	m09946	1
51	m05488	18
55	m09627	2
98	m03889	3
99	m06661	5
102	m07568	1
110	m06803	2
122	m11691	21
123	m11294	22
130	m03713	2
132	m11282	7
133	m11289	7
134	m11253	7
158	m04346	10
159	m09956	8



Ⓒ PODVOZEK

Ⓓ FAHRGESTELL

Ⓕ CHÂSSIS

Ⓖ CHASSIS

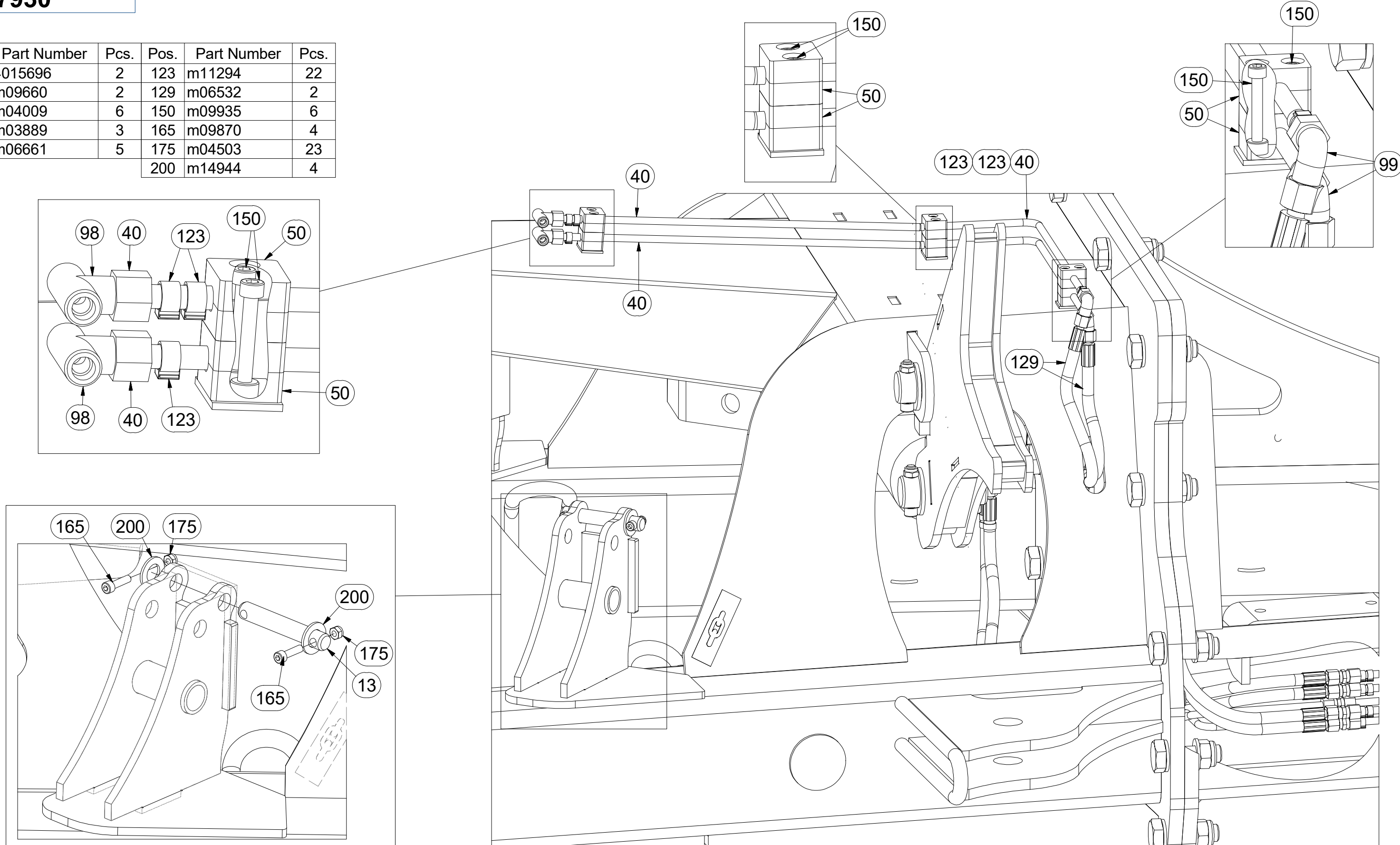
Ⓡ ШАССИ

Ⓟ PODWOZIE



3007930

Pos.	Part Number	Pcs.	Pos.	Part Number	Pcs.
13	4015696	2	123	m11294	22
40	m09660	2	129	m06532	2
50	m04009	6	150	m09935	6
98	m03889	3	165	m09870	4
99	m06661	5	175	m04503	23
			200	m14944	4



Ⓒ PODVOZEK

Ⓓ FAHRGESTELL

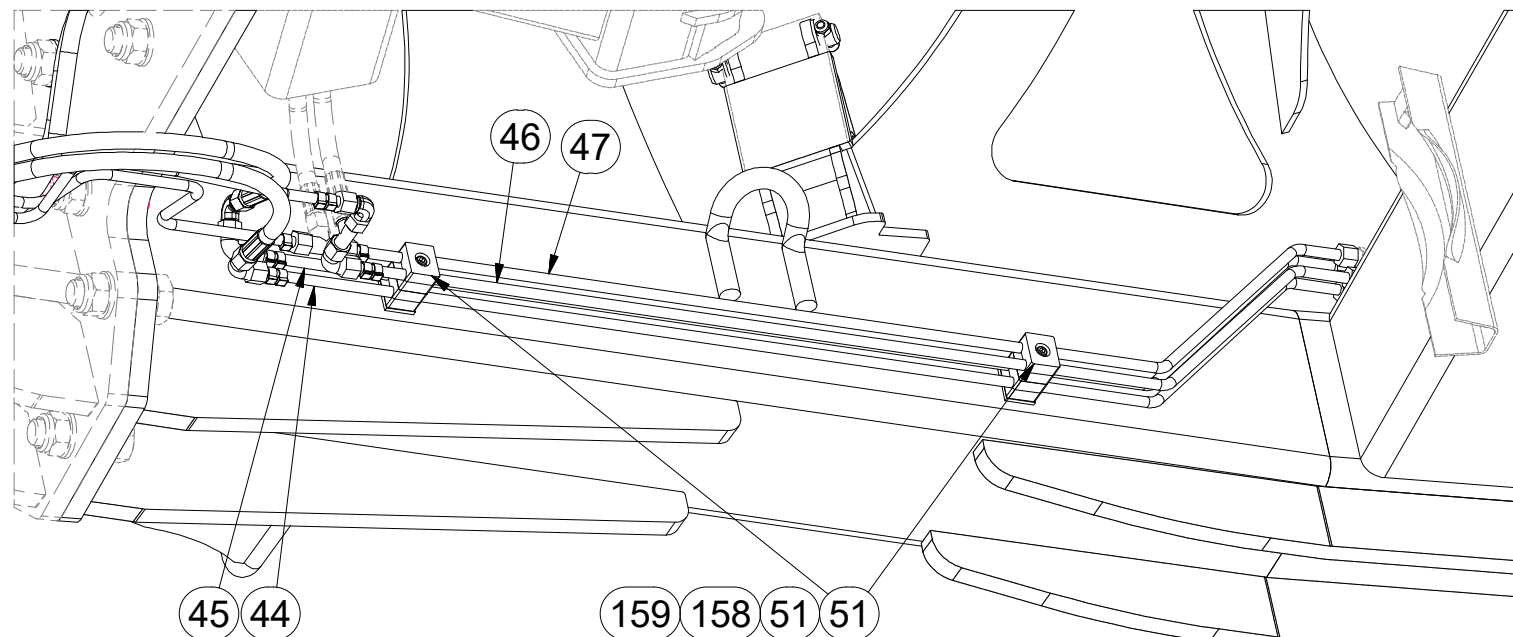
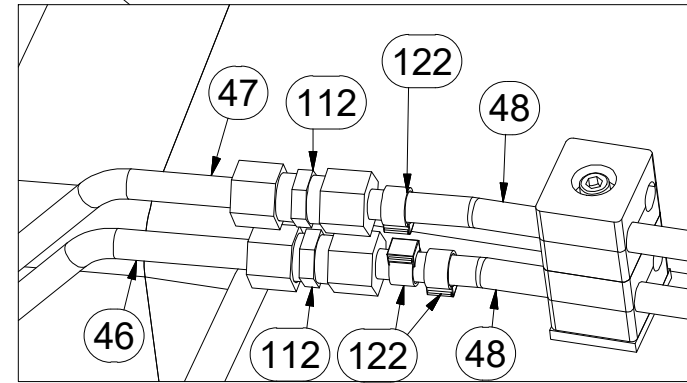
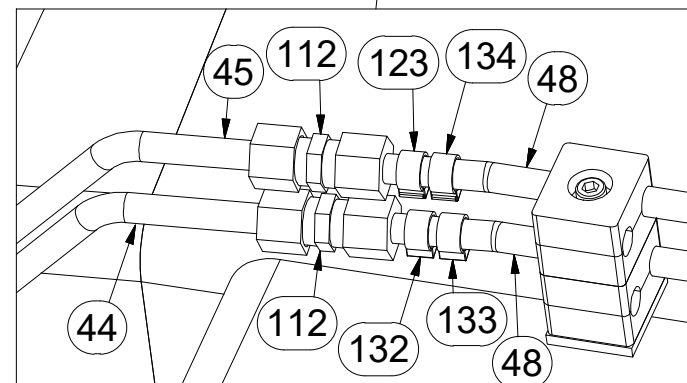
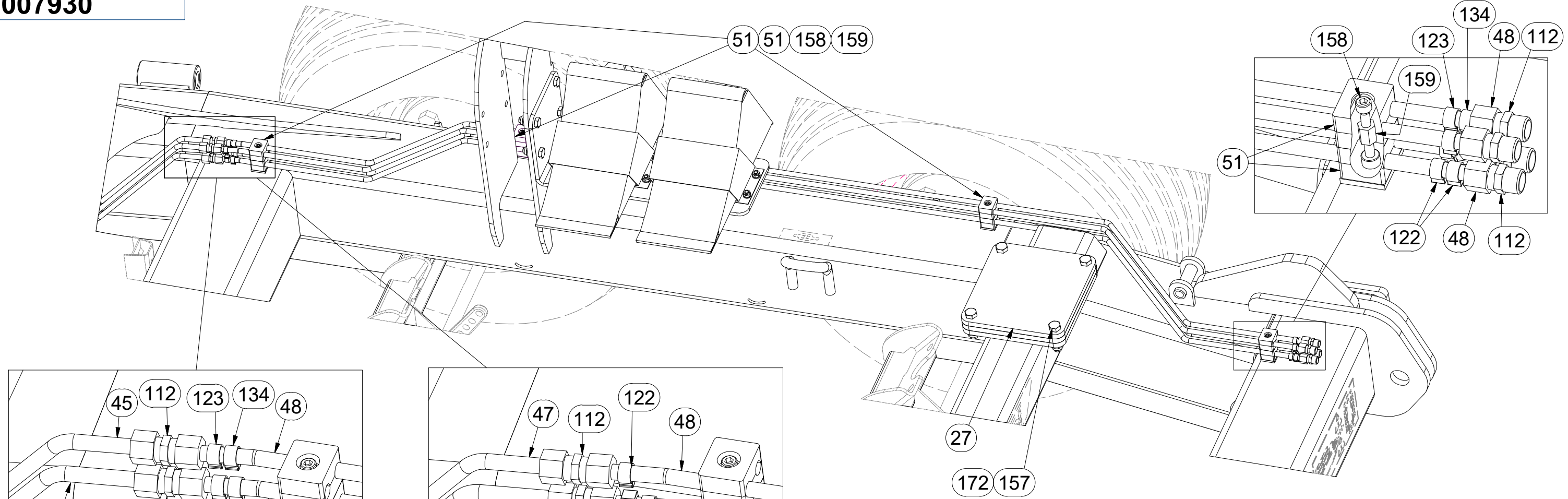
Ⓕ CHÂSSIS

3007930

Ⓖ CHASSIS

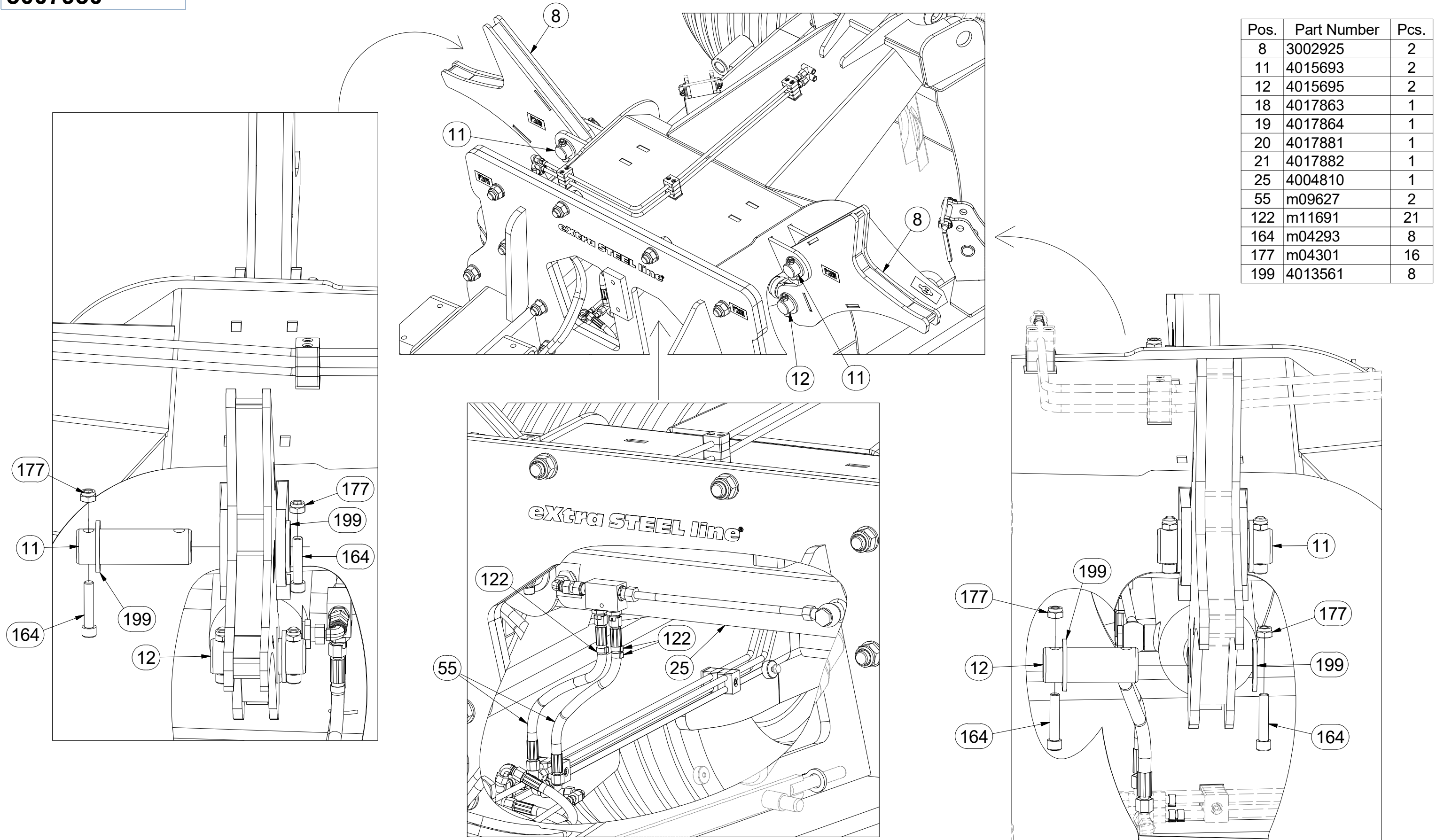
Ⓡ ШАССИ

Ⓟ PODWOZIE



Pos.	Part Number	Pcs.
27	9002016	4
44	m09943	1
45	m09944	1
46	m09945	1
47	m09946	1
48	m09947	4
51	m05488	18
112	m03213	22
122	m11691	21
123	m11294	22
132	m11282	7
133	m11289	7
134	m11253	7
157	m00619	8
158	m04346	10
159	m09956	8
172	m03683	8

3007930

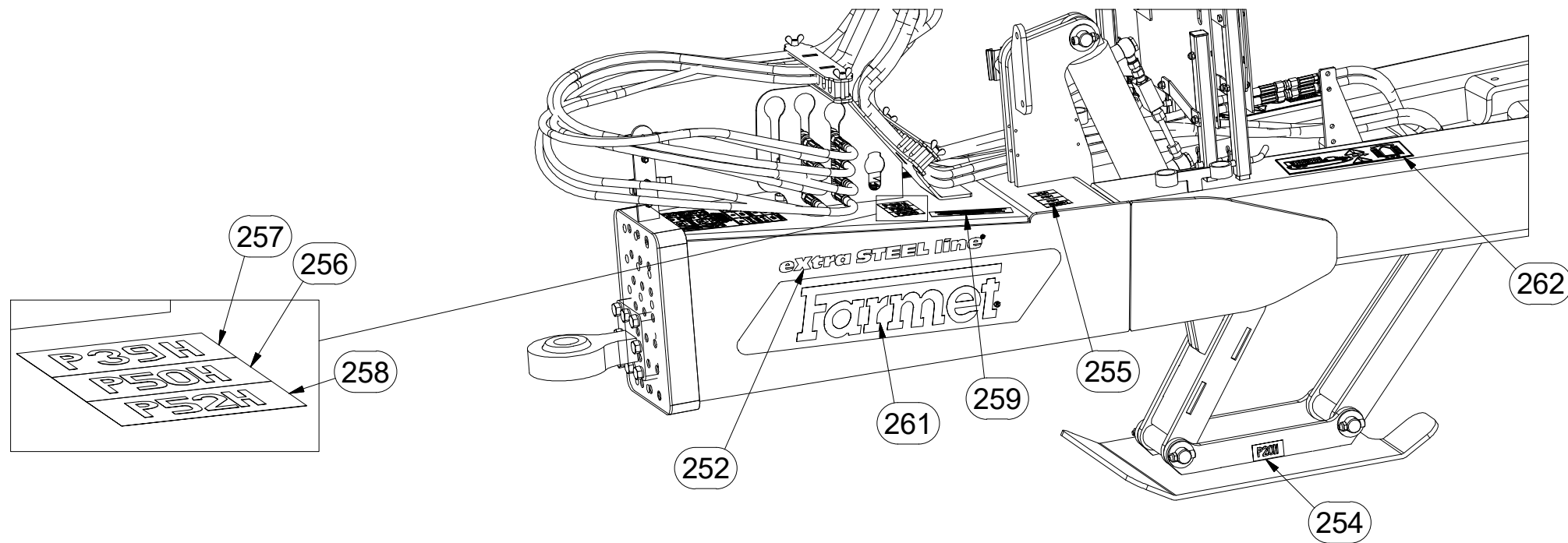
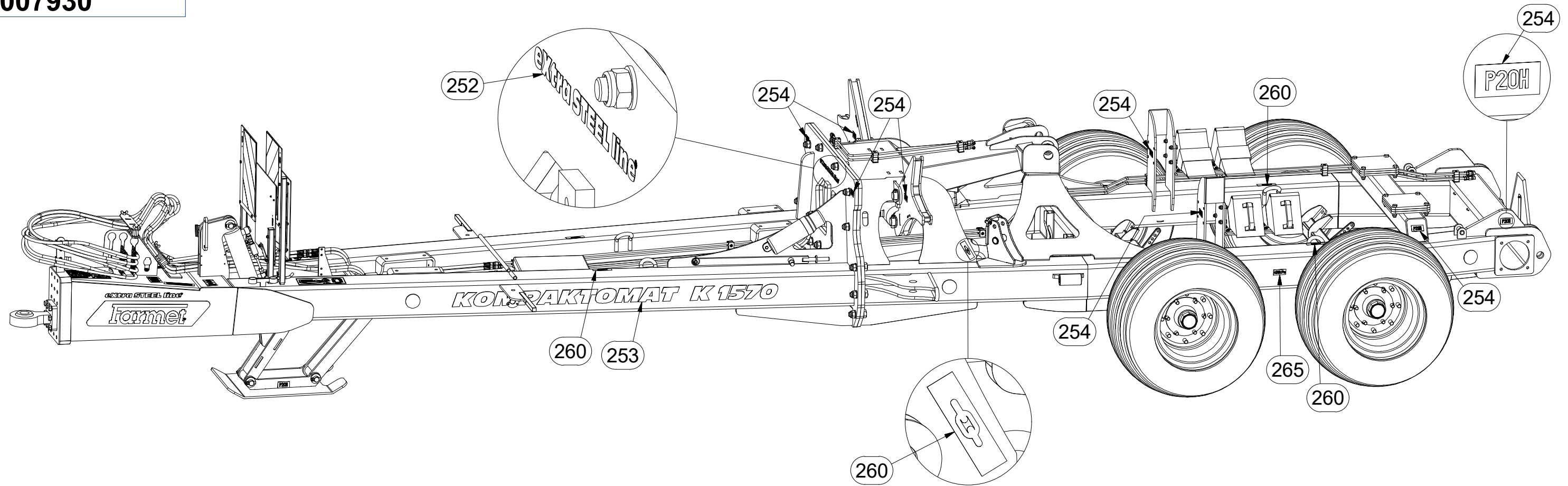


- Ⓒ PODVOZEK
- Ⓓ FAHRGESTELL
- Ⓕ CHÂSSIS

- Ⓖ CHASSIS
- Ⓔ ШАССИ
- Ⓗ PODWOZIE



3007930



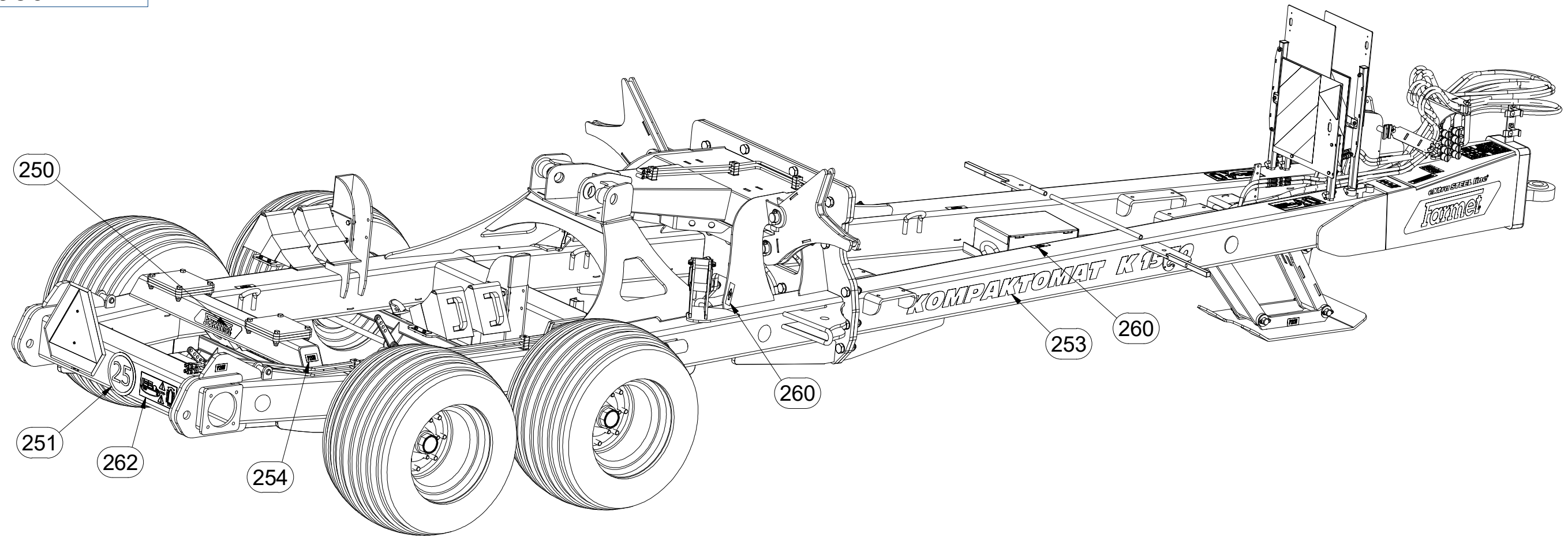
Pos.	Part Number	Pcs.
250	m13117	1
251	m03820	1
252	m10353	3
253	m09892	2
254	m04368	12
255	m11295	2
256	m04367	2
257	m04362	2
258	m04364	2
259	m05691	2
260	m03316	7
261	m13118	2
262	m09950	3
263	m11689	1
264	m11690	1
265	m04887	2

- Ⓒ PODVOZEK
- Ⓓ FAHRGESTELL
- Ⓕ CHÂSSIS

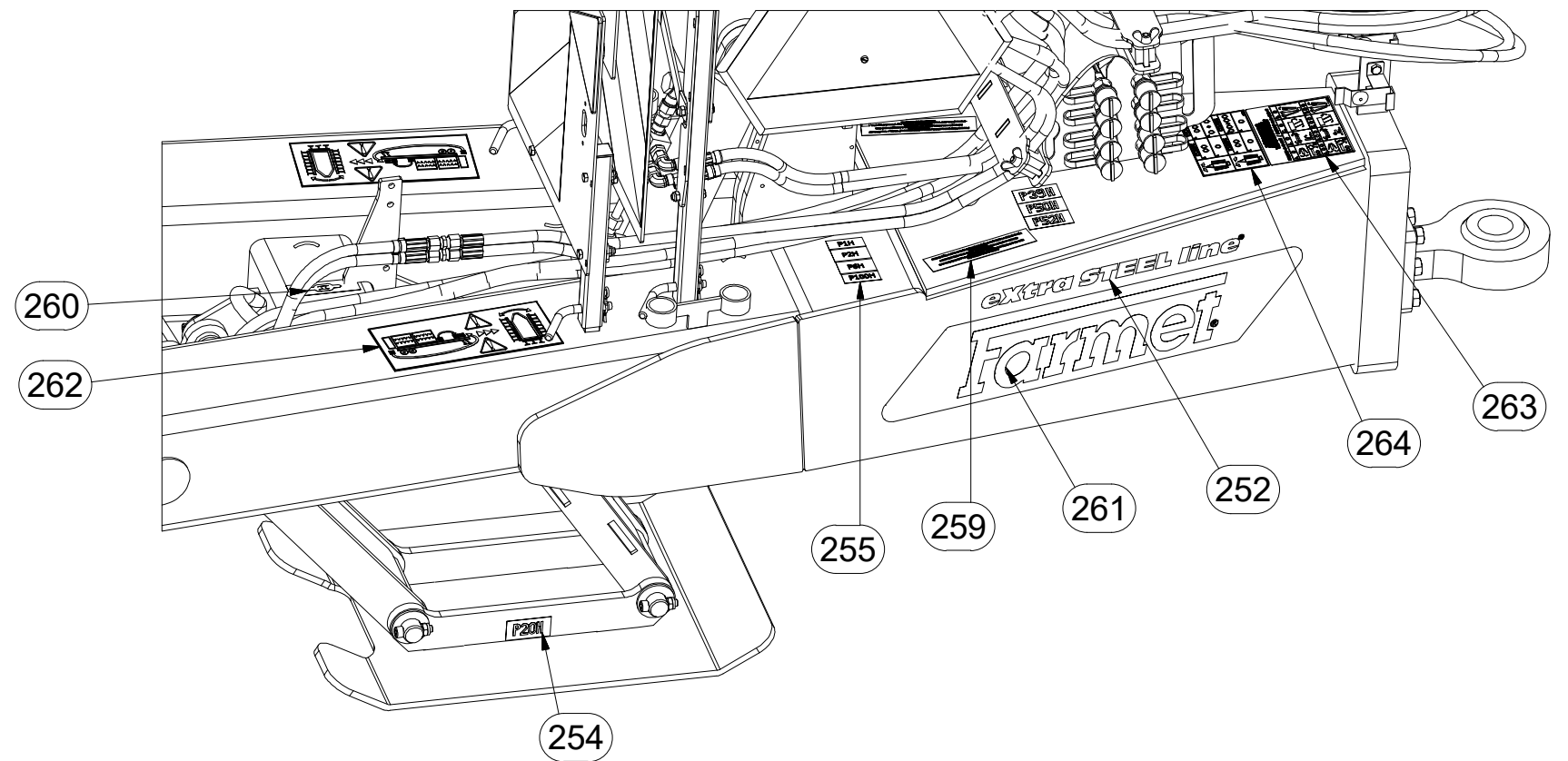
- Ⓖ CHASSIS
- Ⓡ ШАССИ
- Ⓟ PODWOZIE



3007930



Pos.	Part Number	Pcs.
250	m13117	1
251	m03820	1
252	m10353	3
253	m09892	2
254	m04368	12
255	m11295	2
256	m04367	2
257	m04362	2
258	m04364	2
259	m05691	2
260	m03316	7
261	m13118	2
262	m09950	3
263	m11689	1
264	m11690	1
265	m04887	2



ⒸZ NÁPRAVA

ⒹACHSE

ⒻESSIEU

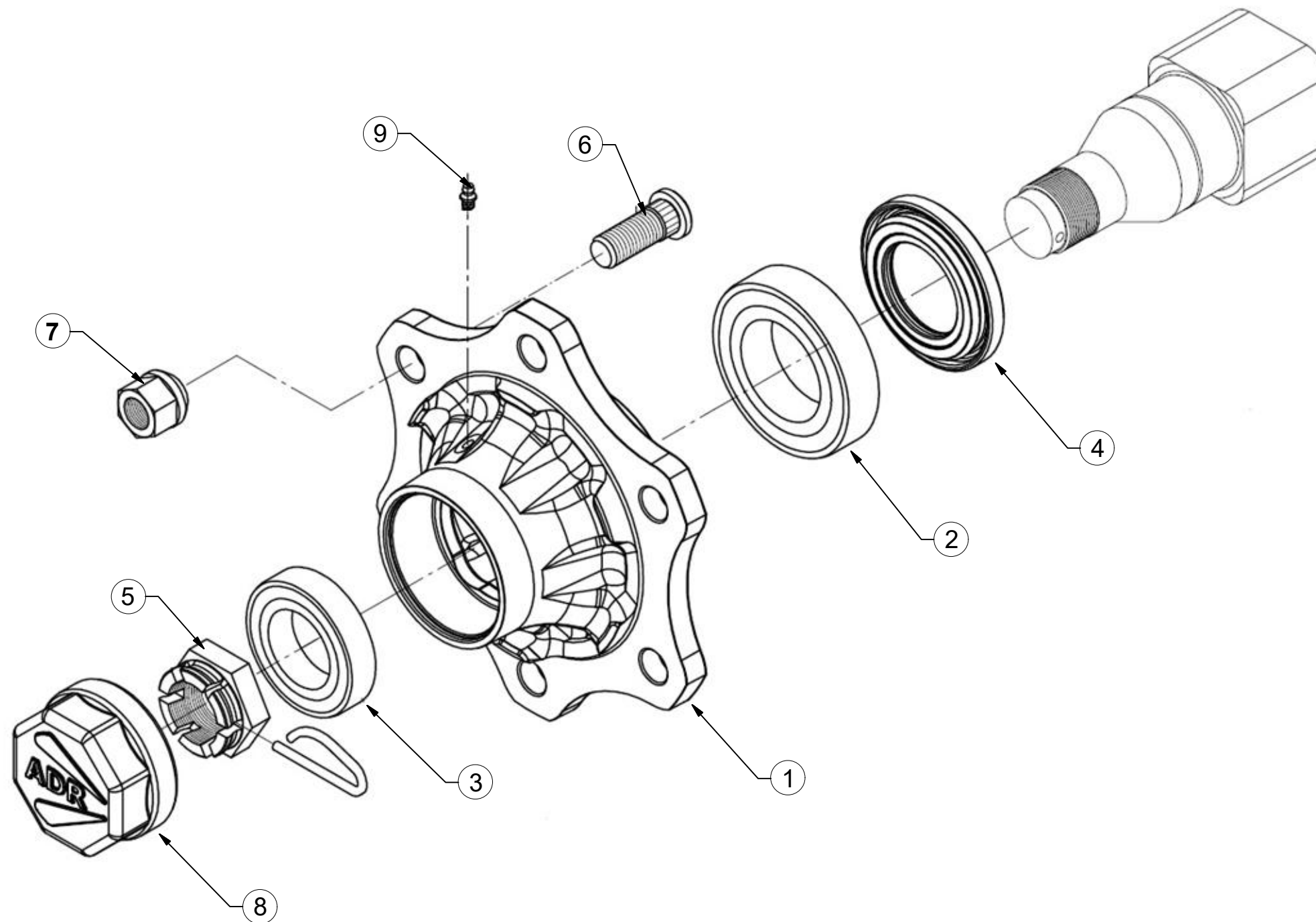
ⒸGB AXLE

ⒸRU OCB

ⒸPL OS



A70MR06



Pos	Part Number	Pcs.
1	m14910	2
2	m08194	2
3	m07152	2
4	m14924	2
5	m08169	2
6	m08148	12
7	m08163	12
8	m14923	2
9	m05698	2

Ⓒ SADA

Ⓓ SATZ

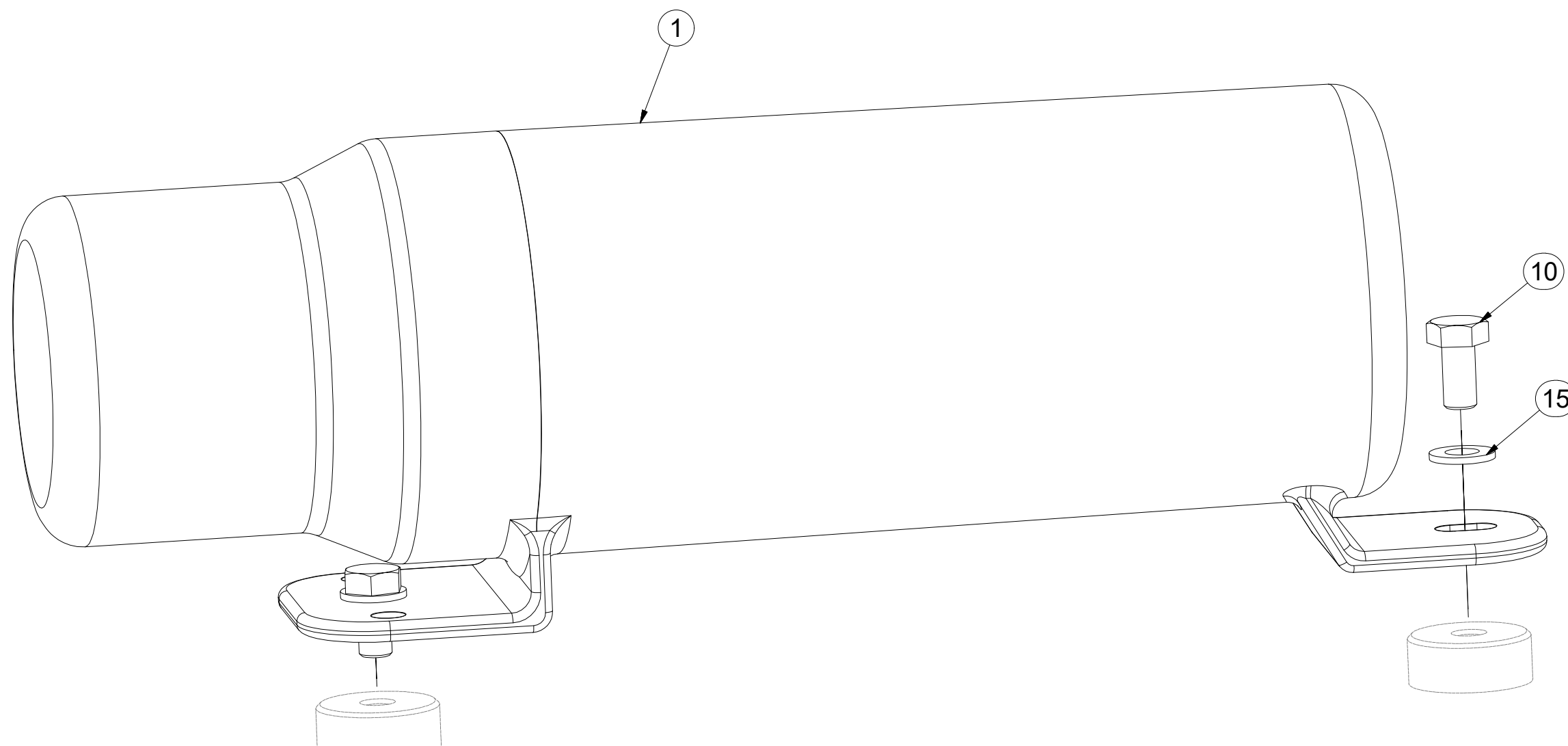
Ⓕ KIT

4017827

Ⓖ SET

Ⓡ КОМПЛЕКТ

Ⓟ ZESTAW



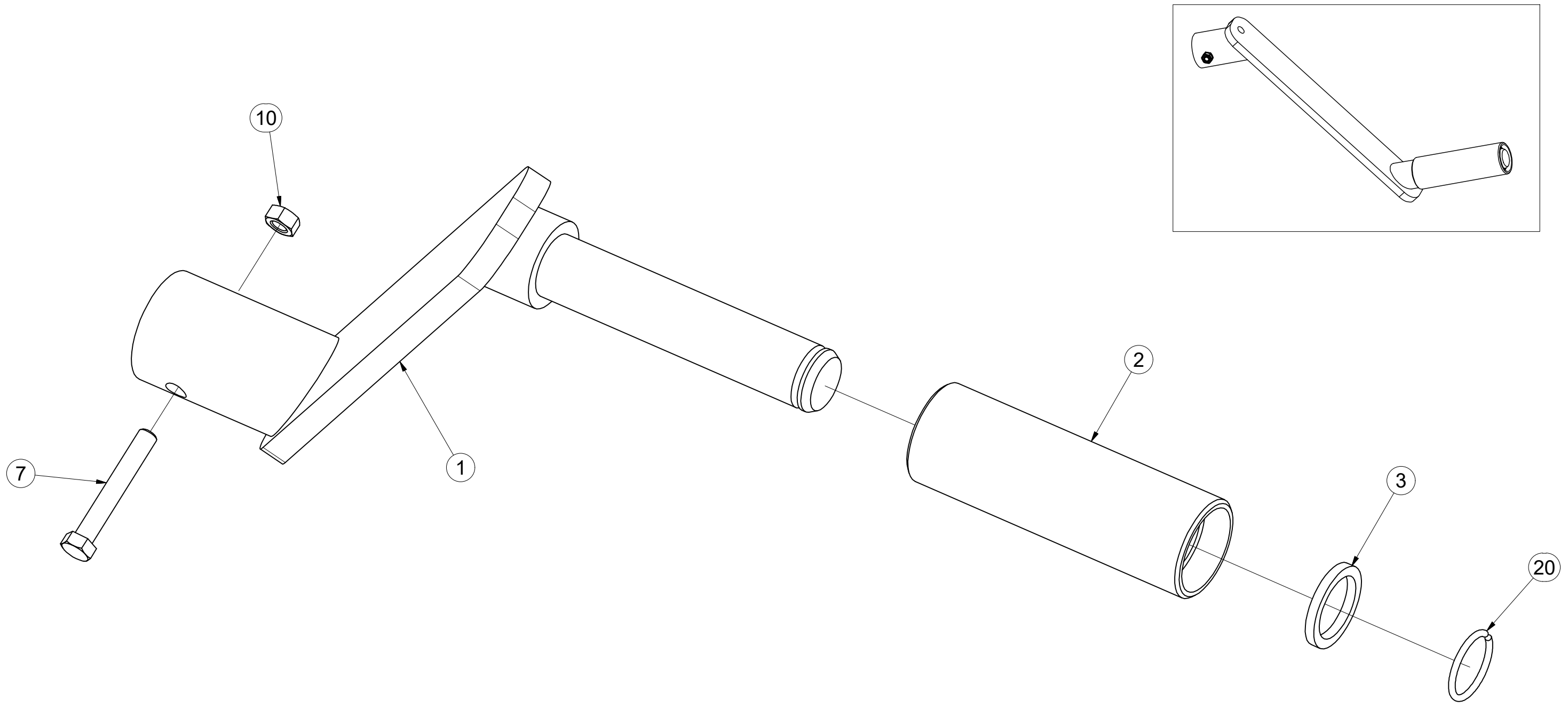
Pos.	Part Number	Pcs.
1	m15900	1
15	m01203	2
10	m04553	2

CZ NASAZOVACÍ KLIKA
 D EINSTELLKURBEL
 F MANIVELLE AMOVIBILE

GB PRESS-ON HANDLE
 RU НАСАЖИВАЕМАЯ РУКОЯТКА
 PL KLAMKA MOCOWANA



4003087



Pos.	Part Number	Pcs.
1	4003092	1
2	4001533	1
3	4004828	1
7	m04641	1
10	m01295	1
20	m06561	1

Ⓒ SADA TAŽNÉHO OKA

Ⓓ ZUGÖSESATZ

Ⓕ KIT DE L'ŒILLET DE TRACTION

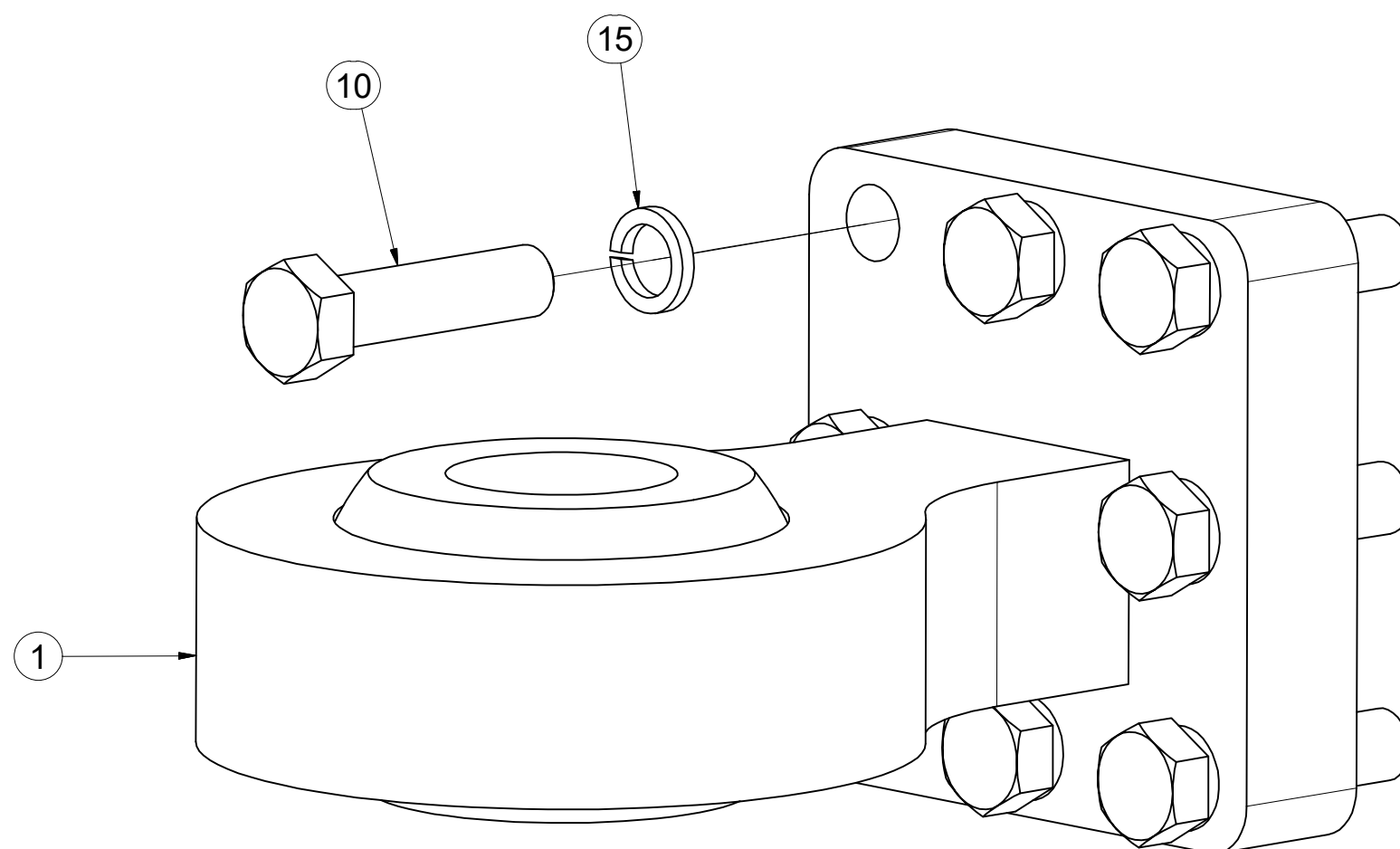
Ⓖ TOWING LUG SET

Ⓡ КОМПЛЕКТ ТЯГОВОГО ДЫШЛА

Ⓟ ZESTAW UCHA HOLOWNICZEGO



4013529



Pos.	Part Number	Pcs.
1	m13263	1
10	m12371	8
15	m02157	8

Ⓒ SADA KYPŘIČŮ STOP

Ⓓ SPURENLOCKERERSATZ

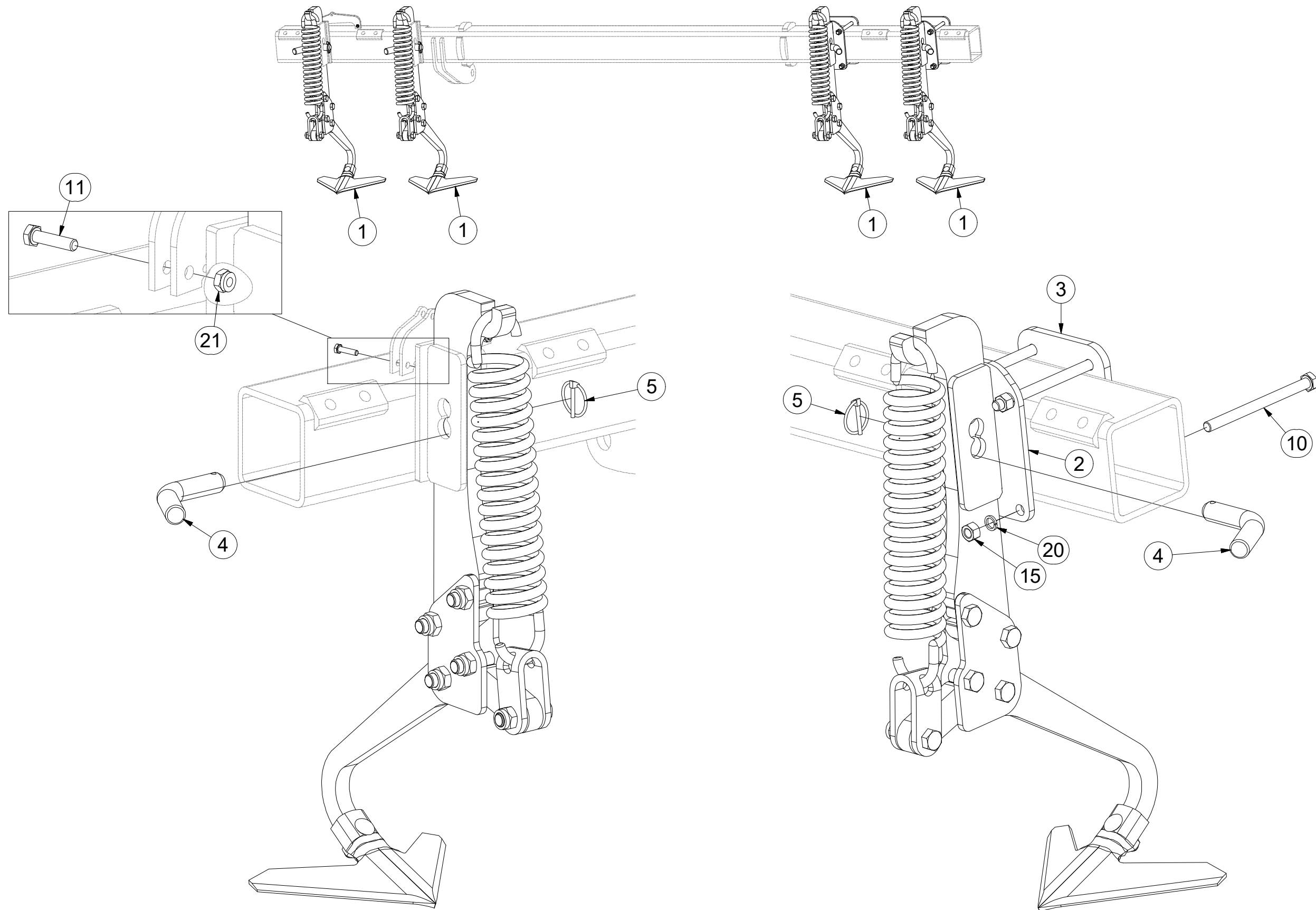
Ⓕ KIT DE CULTIVATEURS DE TRACES

3006964

Ⓖ SET OF TRACK CULTIVATORS

Ⓡ КОМПЛЕКТ РЫХЛИТЕЛЕЙ КОЛЕИ

Ⓟ ZESTAW SPULCHNIACZY ŚLADÓW



Pos.	Part Number	Pcs.
1	4005797	4
2	4005617	2
3	4009610	2
4	m08885	4
5	m10454	4
10	m12396	8
11	m01075	2
15	m01305	8
20	m03988	8
21	m05560	2

Ⓒ KYPŘIČ STOP

Ⓓ SPURENLOCKERER

Ⓕ CULTIVATEUR DES TRACES

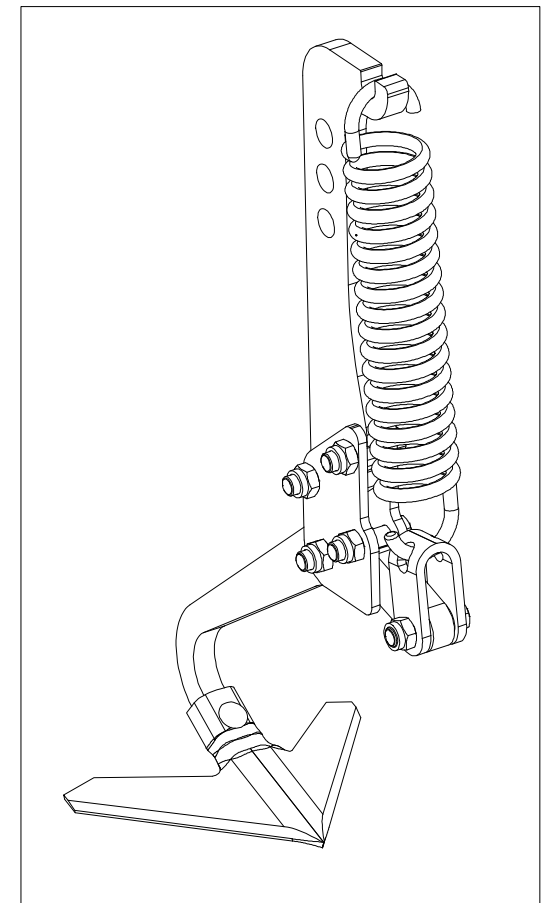
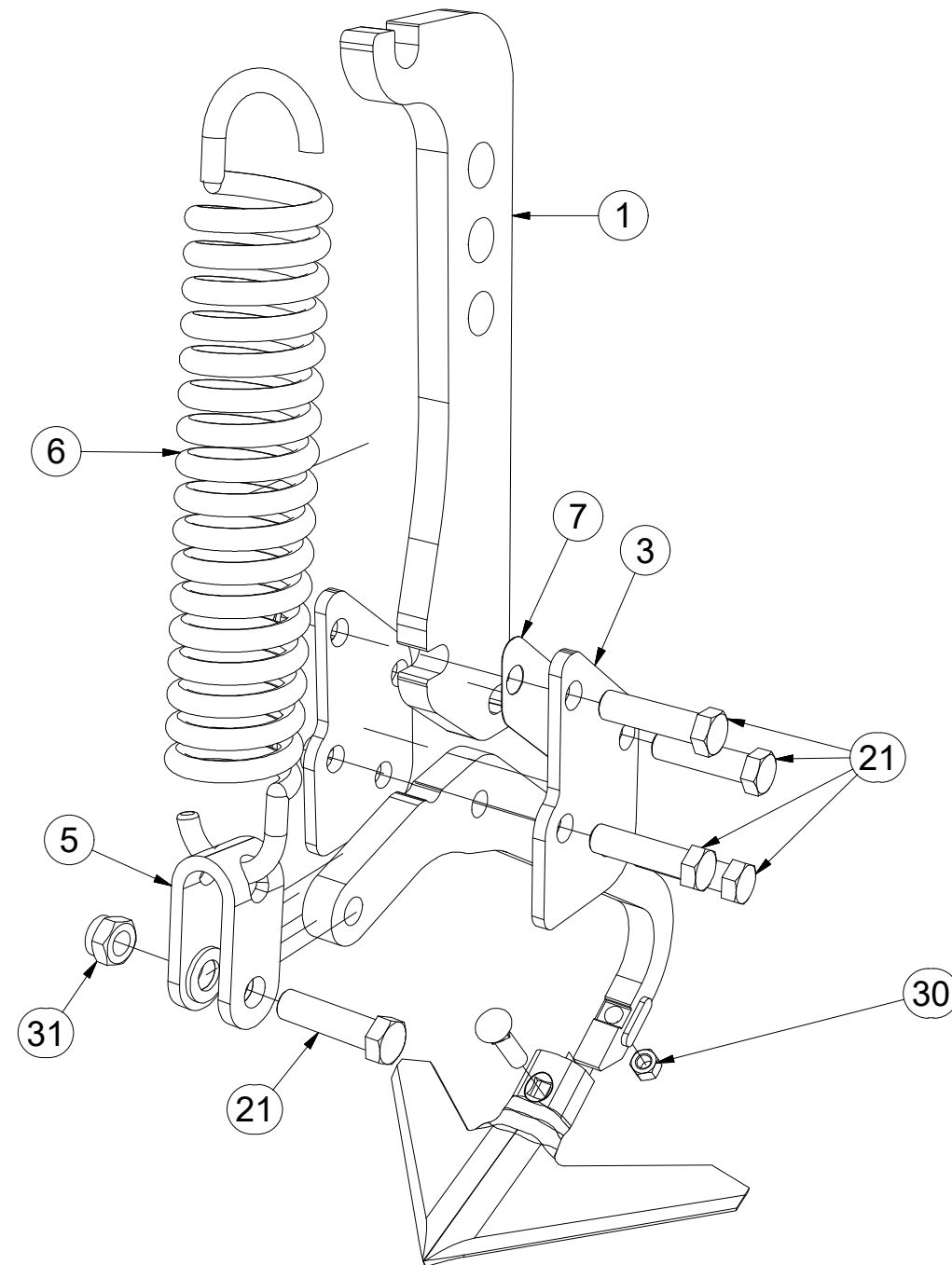
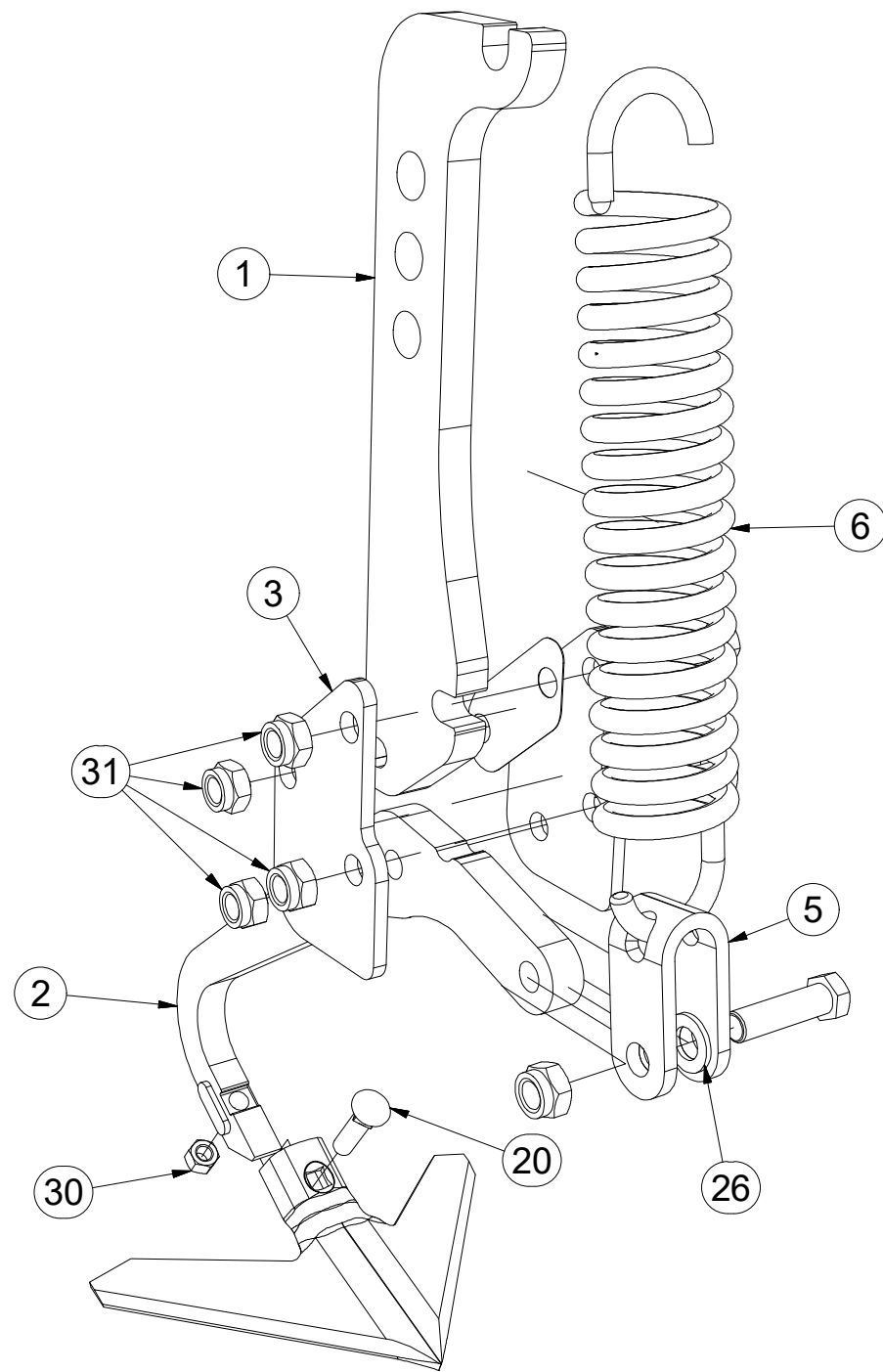
Ⓖ TRACK CULTIVATOR

Ⓡ РЫХЛИТЕЛЬ КОЛЕИ

Ⓟ SPULCHNIARKA STÓP



4005797



Pos.	Part Number	Pcs.
1	4005799	1
2	4008214	1
3	4005582	2
4	3000236-KOO	1
5	4005445	1
6	m02597	1
7	4005591	1
20	m10440	1
21	m00619	5
26	m01219	2
30	m10439	1
31	m03683	5

ⒸZ SADA PŘEDNÍCH SMYKŮ

Ⓓ SATZ VORDERE ACKERSCHLEPPEN

Ⓕ KIT DE NIVELEURS AVANT

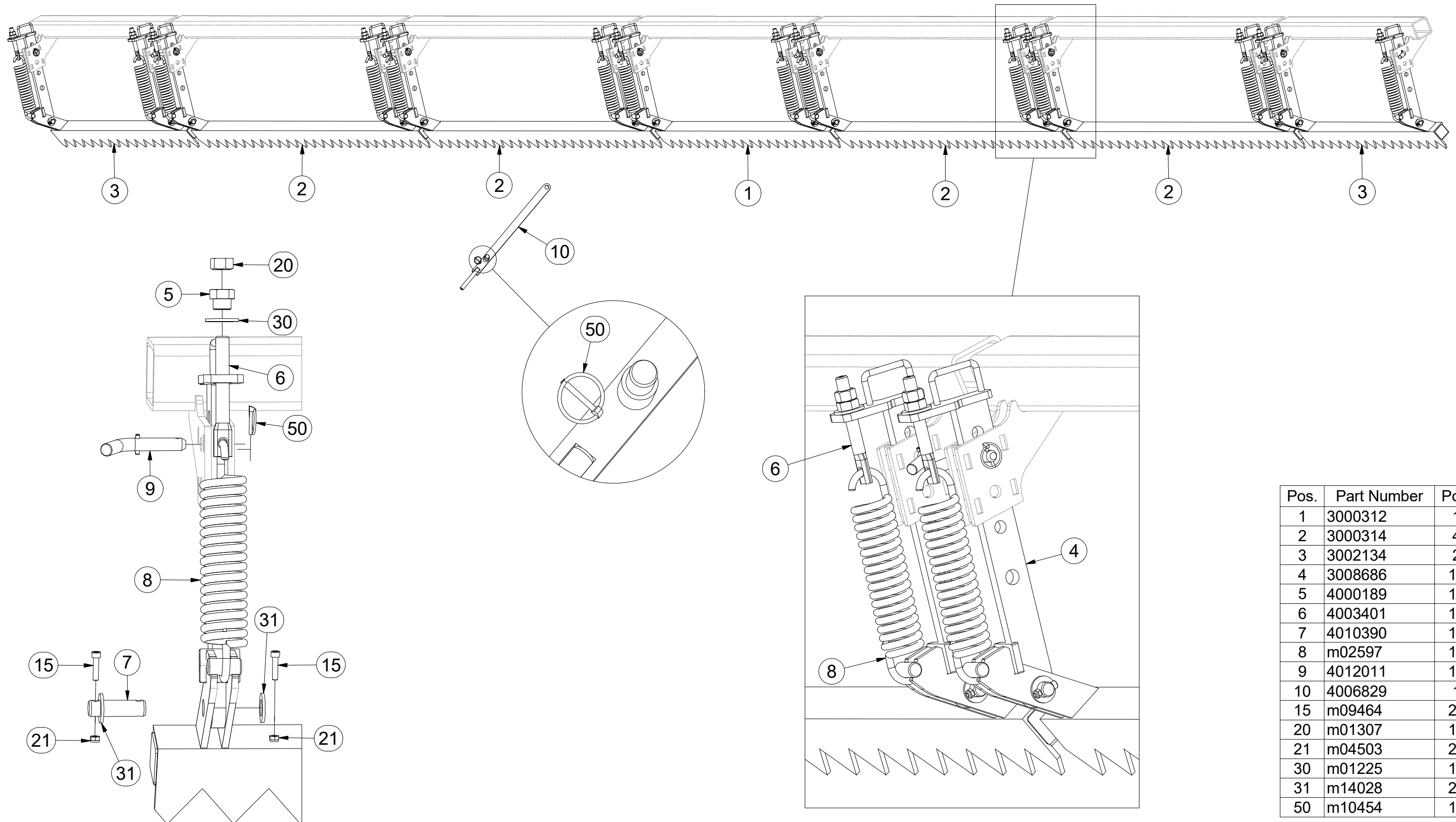
ⒼB SET OF FRONT LEVELLING BARS

ⒺU КОМПЛЕКТ ПЕРЕДНИХ БОРОН

ⒼL ZESTAW PRZEDNICH WŁÓK



3006970



Pos.	Part Number	Pcs.
1	3000312	1
2	3000314	4
3	3002134	2
4	3008686	14
5	4000189	14
6	4003401	14
7	4010390	14
8	m02597	14
9	4012011	14
10	4006829	1
15	m09464	28
20	m01307	14
21	m04503	28
30	m01225	14
31	m14028	28
50	m10454	15

ⒸZ SADA PŘEDNÍCH VÁLCŮ

Ⓓ SATZ VORDERE WALZEN

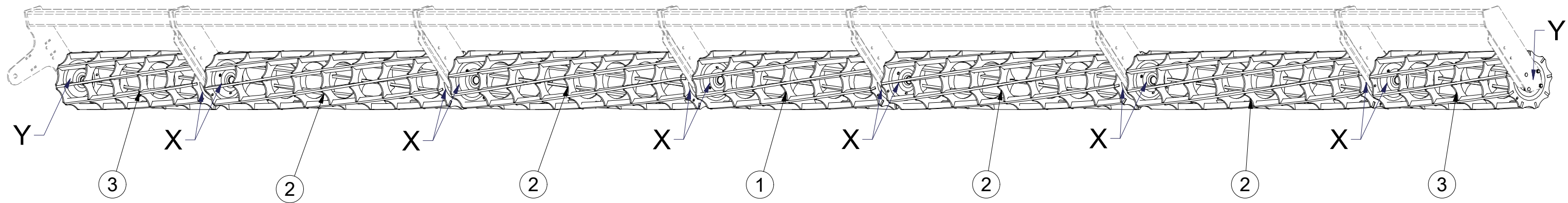
Ⓕ KIT DE ROULEAUX AVANT

3008677

ⒸGB SET OF FRONT ROLLERS

ⒸRU КОМПЛЕКТ ПЕРЕДНИХ КАТКОВ

ⒸPL ZESTAW PRZEDNICH WAŁÓW



Pos.	Part Number	Pcs.
1	2000539	1
2	2000526	4
3	2000527	2

ⒸZ SADA PŘEDNÍCH VÁLCŮ

Ⓓ SATZ VORDERE WALZEN

Ⓕ KIT DE ROULEAUX AVANT

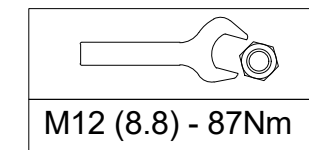
3008677

ⒸB SET OF FRONT ROLLERS

ⒸU КОМПЛЕКТ ПЕРЕДНИХ КАТКОВ

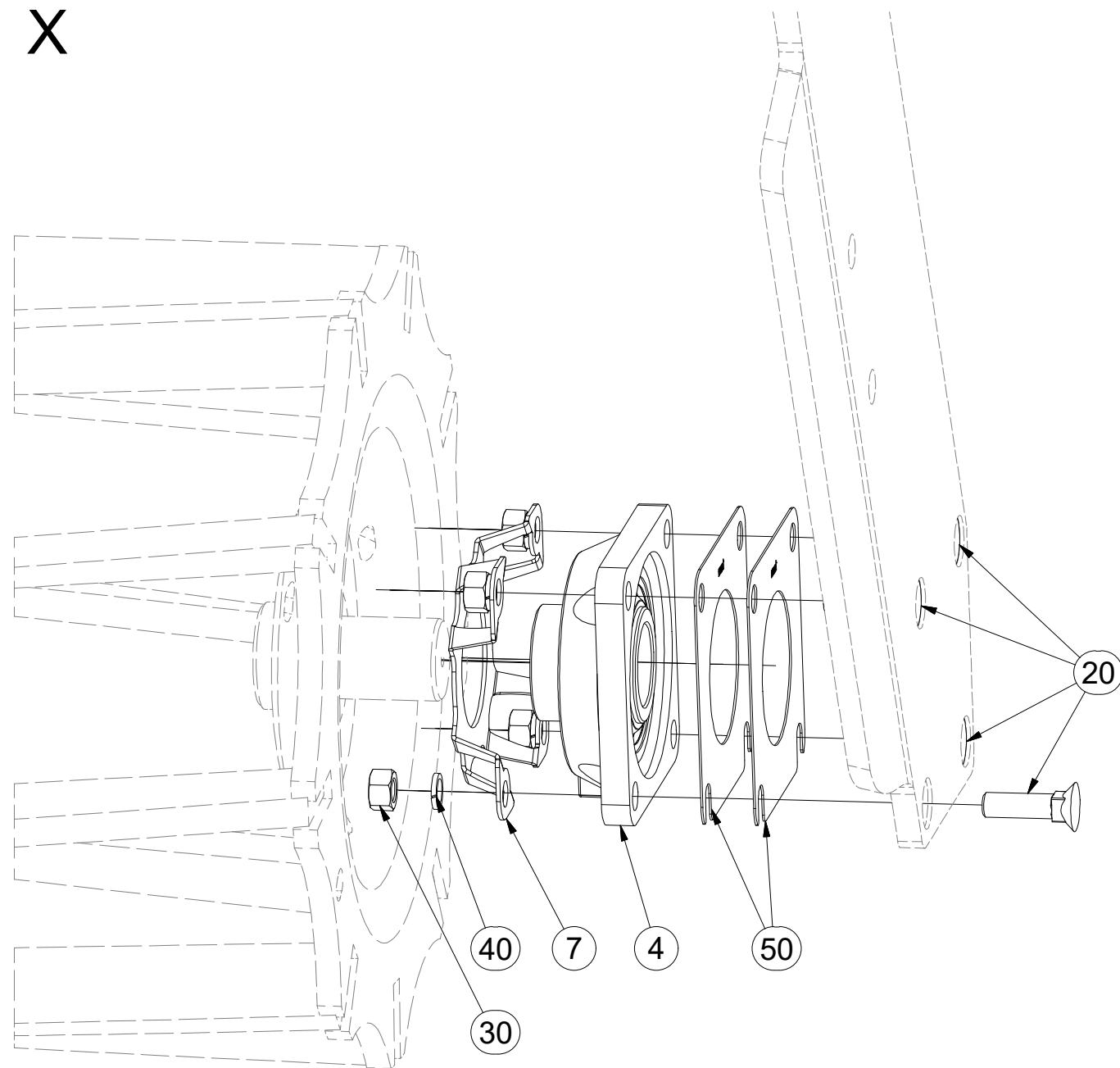
ⒸL ZESTAW PRZEDNICH WAŁÓW

Farmet

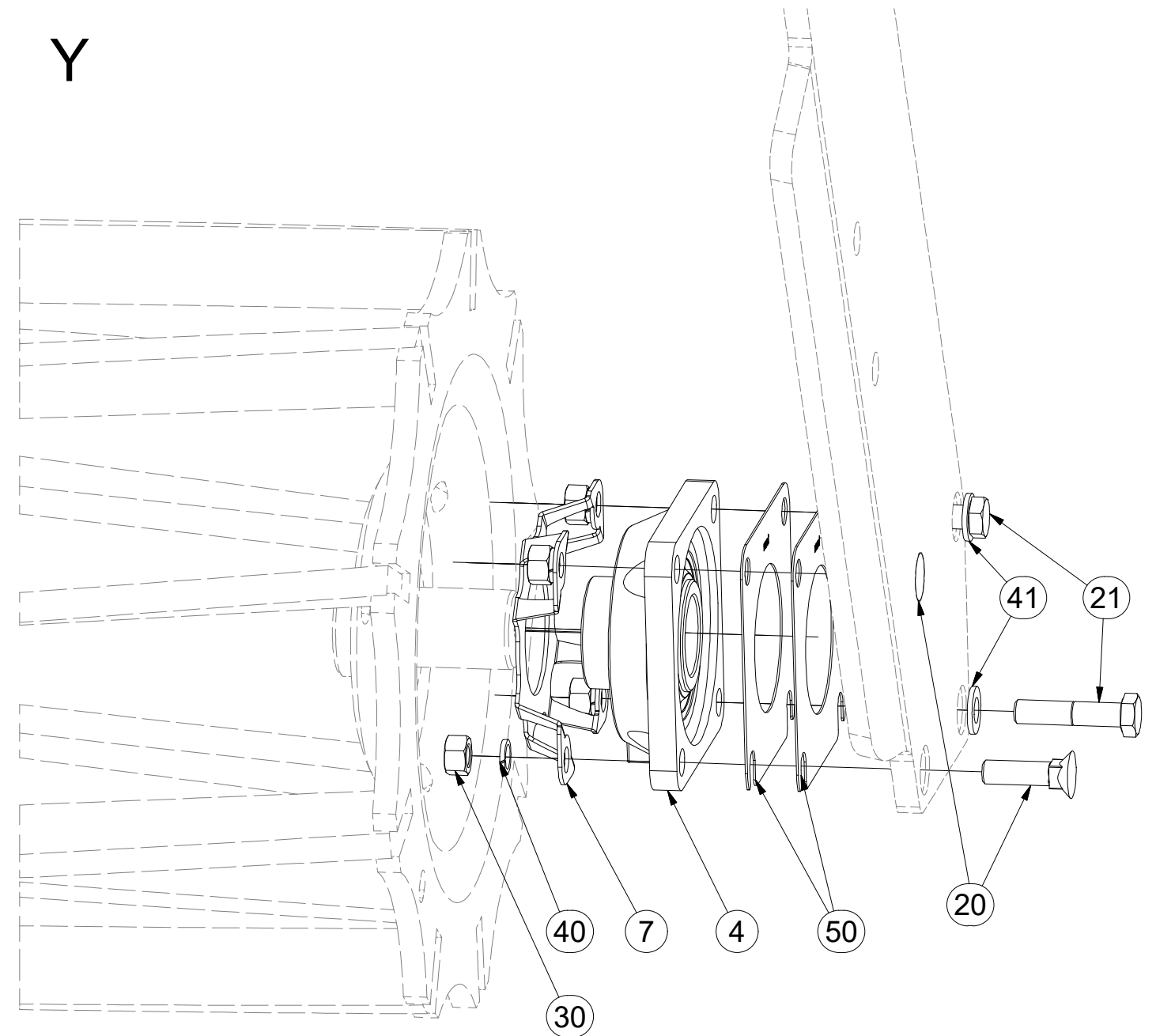


Pos.	Part Number	Pcs.
4	m15625	14
7	4014034	14
20	m03519	52
21	m04412	4
30	m01305	56
40	m03988	56
41	m01214	4
50	4016809	28

X



Y



ⒸZ SADA OVLÁDÁNÍ RADLIC

Ⓓ STEUERSATZ PFLUGSCHAREN

Ⓕ KIT DE COMMANDE DES SOCS

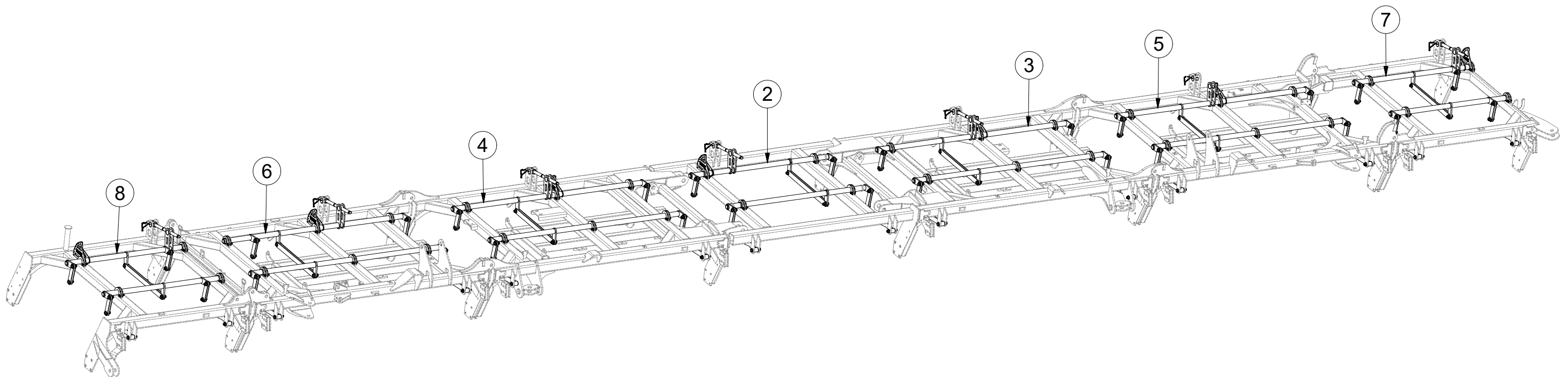
3006976

ⒼB SET OF PLOUGHSHARE CONTROL

ⒺU КОМПЛЕКТ УПРАВЛЕНИЯ ЛАП

ⒼL ZESTAW STEROWANIA RADLICAMI

Farmet



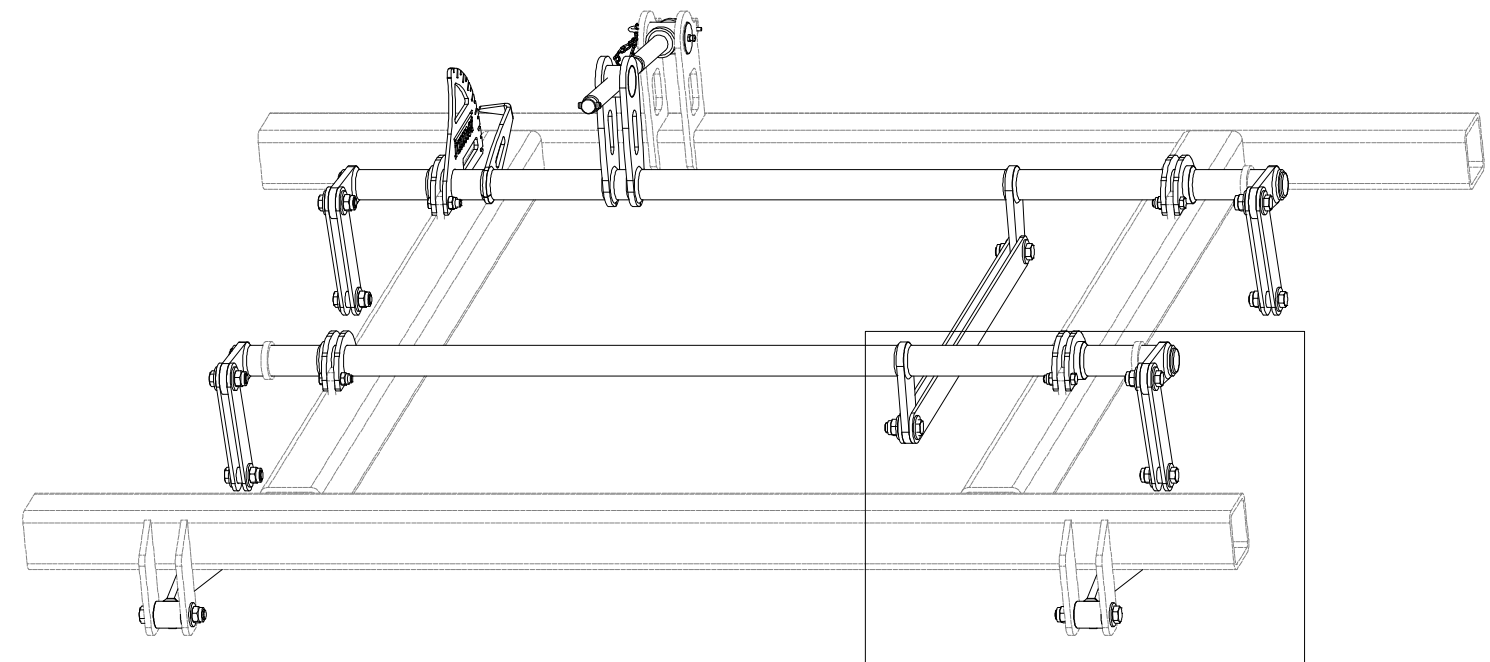
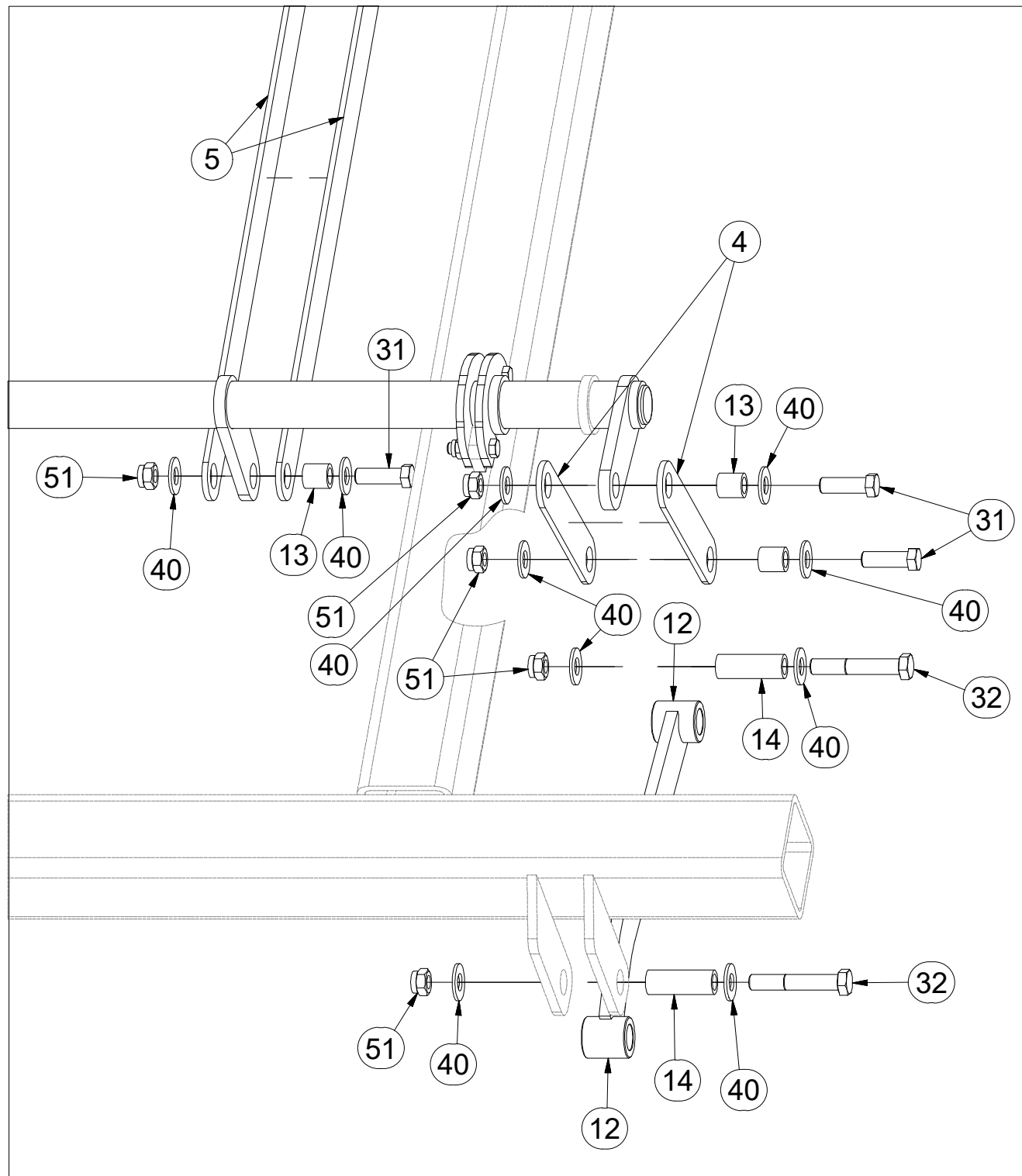
Pos.	Part Number	Pcs.
2	3004209	1
3	3007001	1
4	3007003	1
5	3007002	1
6	3007004	1
7	3007135	1
8	3007136	1

- ⒸZ SADA OVLÁDÁNÍ RADLIC
- Ⓓ STEUERSATZ PFLUGSCHAREN
- Ⓕ KIT DE COMMANDE DES SOCS

- ⒸGB SET OF PLOUGHSHARE CONTROL
- ⒸRU КОМПЛЕКТ УПРАВЛЕНИЯ ЛАП
- ⒸPL ZESTAW STEROWANIA RADLICAMI



3004209



Pos.	Part Number	Pcs.
4	4005333	8
5	4005334	2
12	8000990-30007	2
13	4002265	10
14	9001426	4
31	m04355	10
32	m07673	4
40	m05651	28
51	m03683	14

Ⓒ SADA OVLÁDÁNÍ RADLIC

Ⓓ STEUERSATZ PFLUGSCHAREN

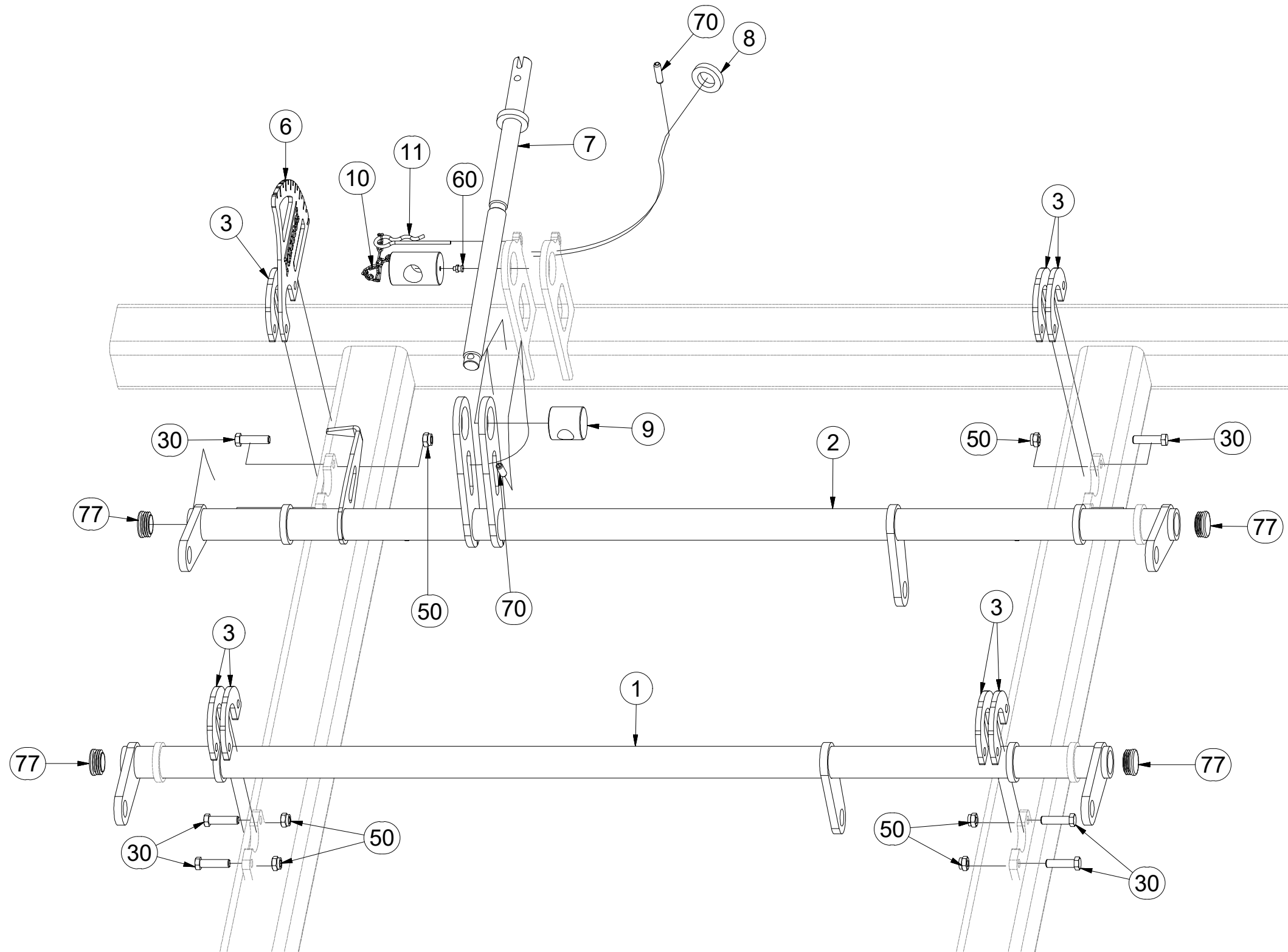
Ⓕ KIT DE COMMANDE DES SOCS

3004209

Ⓖ SET OF PLOUGHSHARE CONTROL

Ⓡ КОМПЛЕКТ УПРАВЛЕНИЯ ЛАП

Ⓟ ZESTAW STEROWANIA RADLICAMI



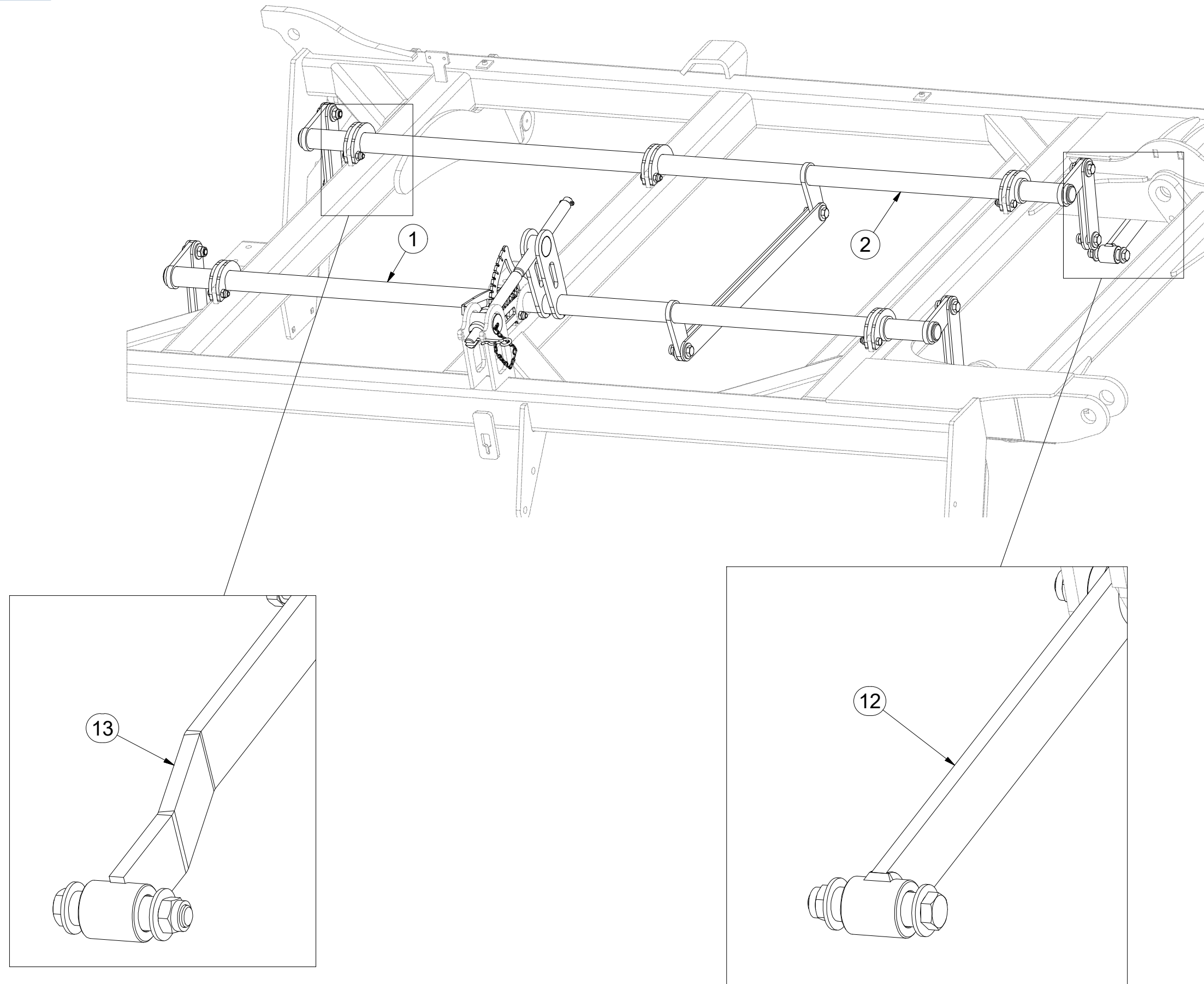
Pos.	Part Number	Pcs.
1	3002830	1
2	3002831	1
3	4005332	7
6	4005335	1
7	4007654	1
8	9002560	1
9	4005340	1
10	4005355	1
11	m09988	1
30	m06077	8
50	m04301	8
60	m10451	1
70	m10736	2
77	m10130	4

CZ SADA OVLÁDÁNÍ RADLIC
 D STEUERSATZ PFLUGSCHAREN
 F KIT DE COMMANDE DES SOCS

GB SET OF PLOUGHSHARE CONTROL
 RU КОМПЛЕКТ УПРАВЛЕНИЯ ЛАП
 PL ZESTAW STEROWANIA RADLICAMI



3007001



Pos.	Part Number	Pcs.
1	3002984	1
2	3002985	1
12	4003971	1
13	4011976	1

ⒸZ SADA OVLÁDÁNÍ RADLIC

Ⓓ STEUERSATZ PFLUGSCHAREN

Ⓕ KIT DE COMMANDE DES SOCS

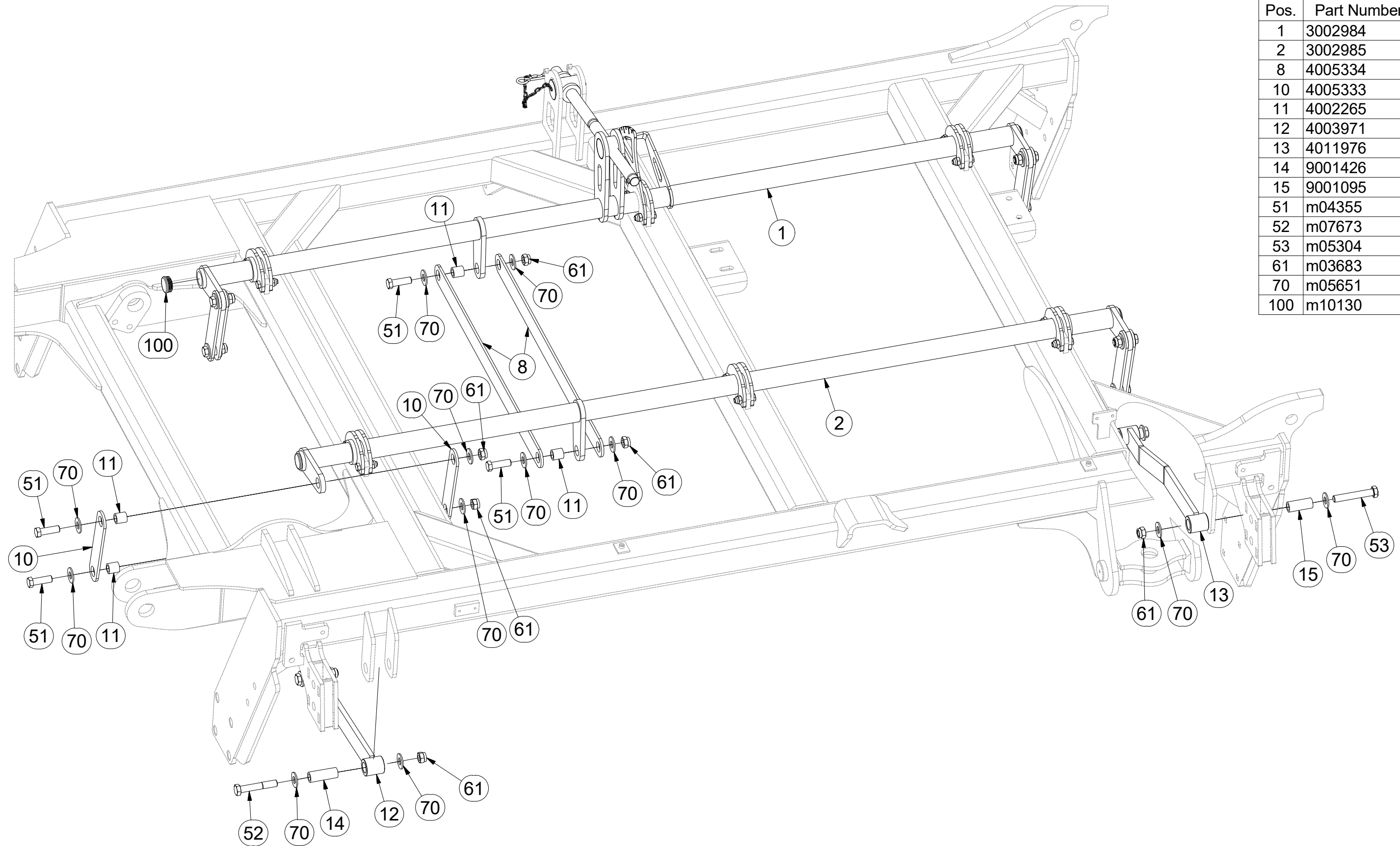
ⒸB SET OF PLOUGHSHARE CONTROL

ⒸU КОМПЛЕКТ УПРАВЛЕНИЯ ЛАП

ⒸL ZESTAW STEROWANIA RADLICAMI



3007001



Pos.	Part Number	Pcs.
1	3002984	1
2	3002985	1
8	4005334	2
10	4005333	8
11	4002265	10
12	4003971	1
13	4011976	1
14	9001426	3
15	9001095	1
51	m04355	10
52	m07673	3
53	m05304	1
61	m03683	14
70	m05651	28
100	m10130	4

Ⓒ SADA OVLÁDÁNÍ RADLIC

Ⓓ STEUERSATZ PFLUGSCHAREN

Ⓕ KIT DE COMMANDE DES SOCS

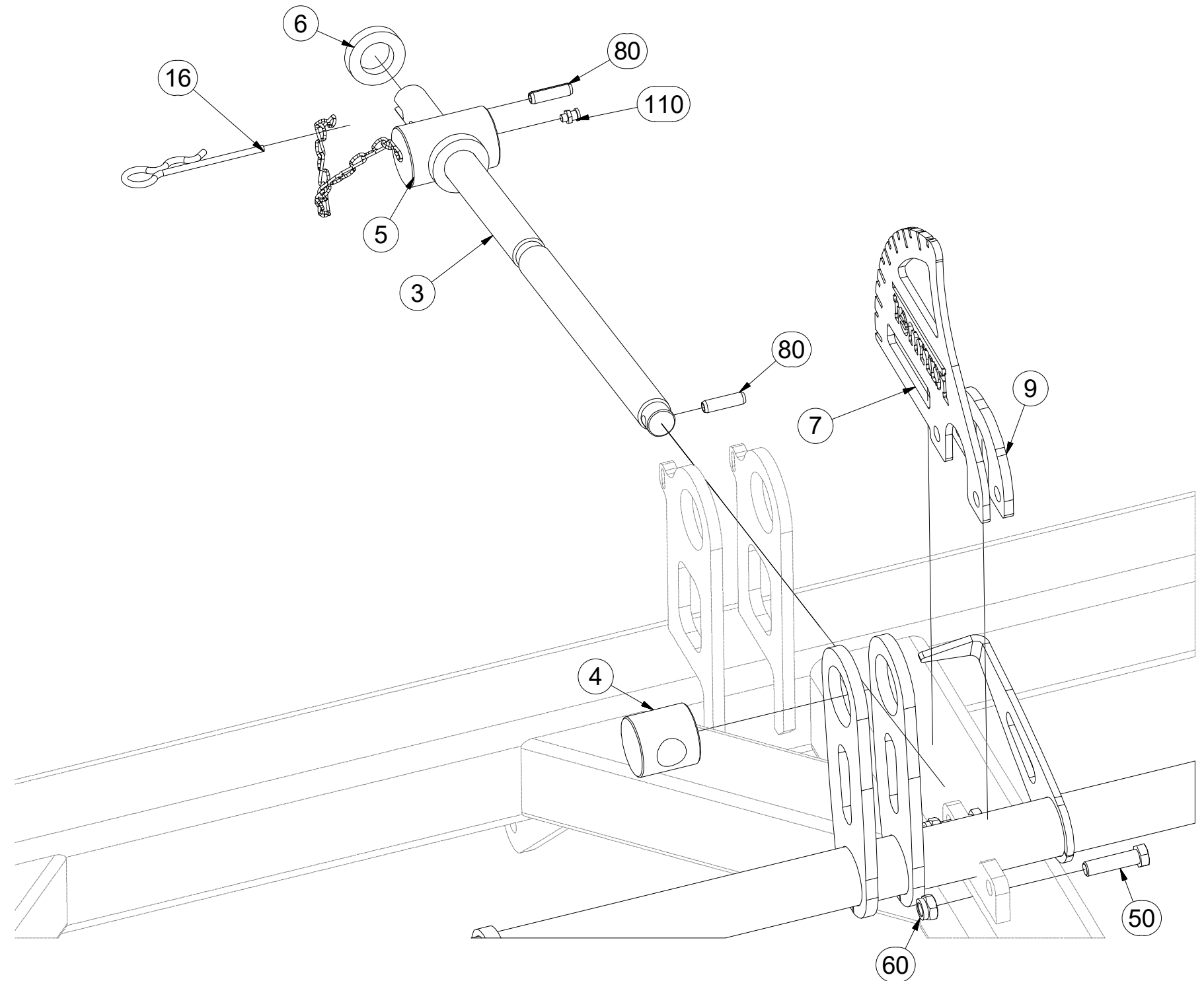
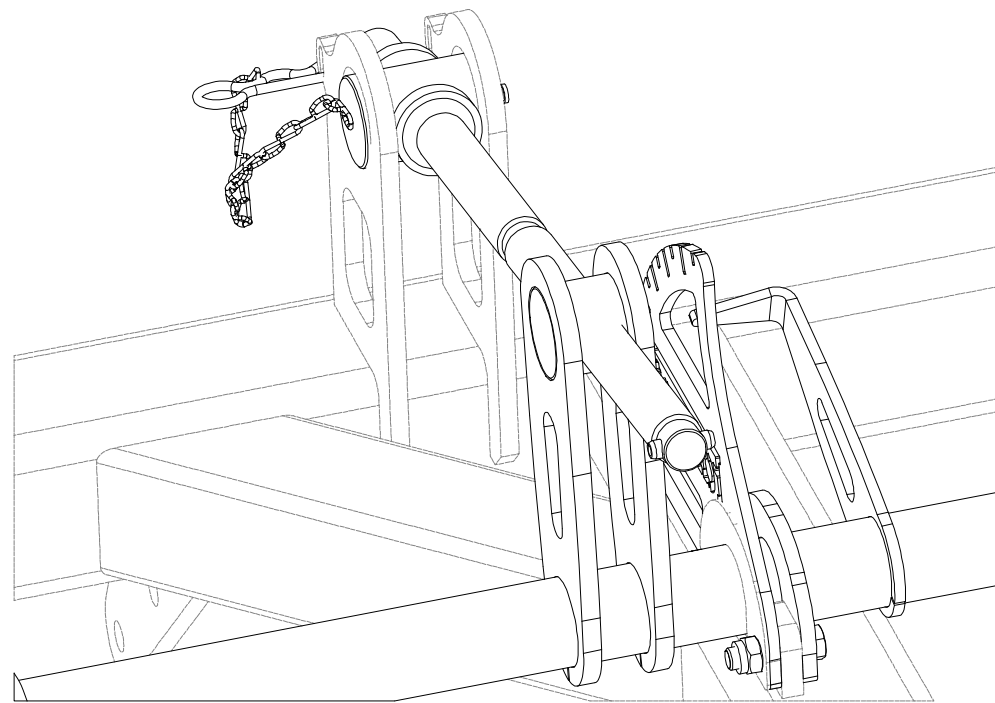
Ⓖ SET OF PLOUGHSHARE CONTROL

Ⓡ КОМПЛЕКТ УПРАВЛЕНИЯ ЛАП

Ⓟ ZESTAW STEROWANIA RADLICAMI



3007001



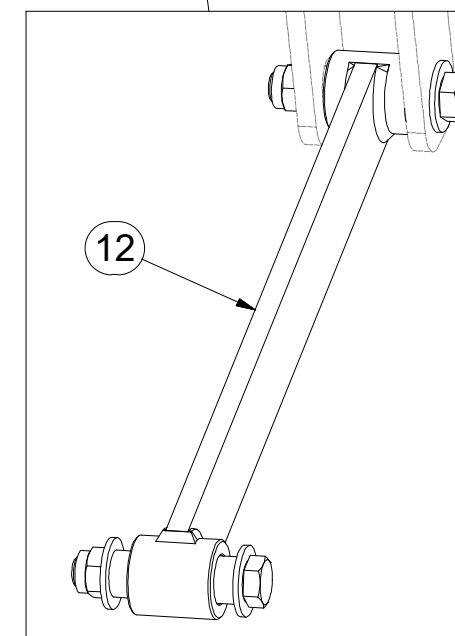
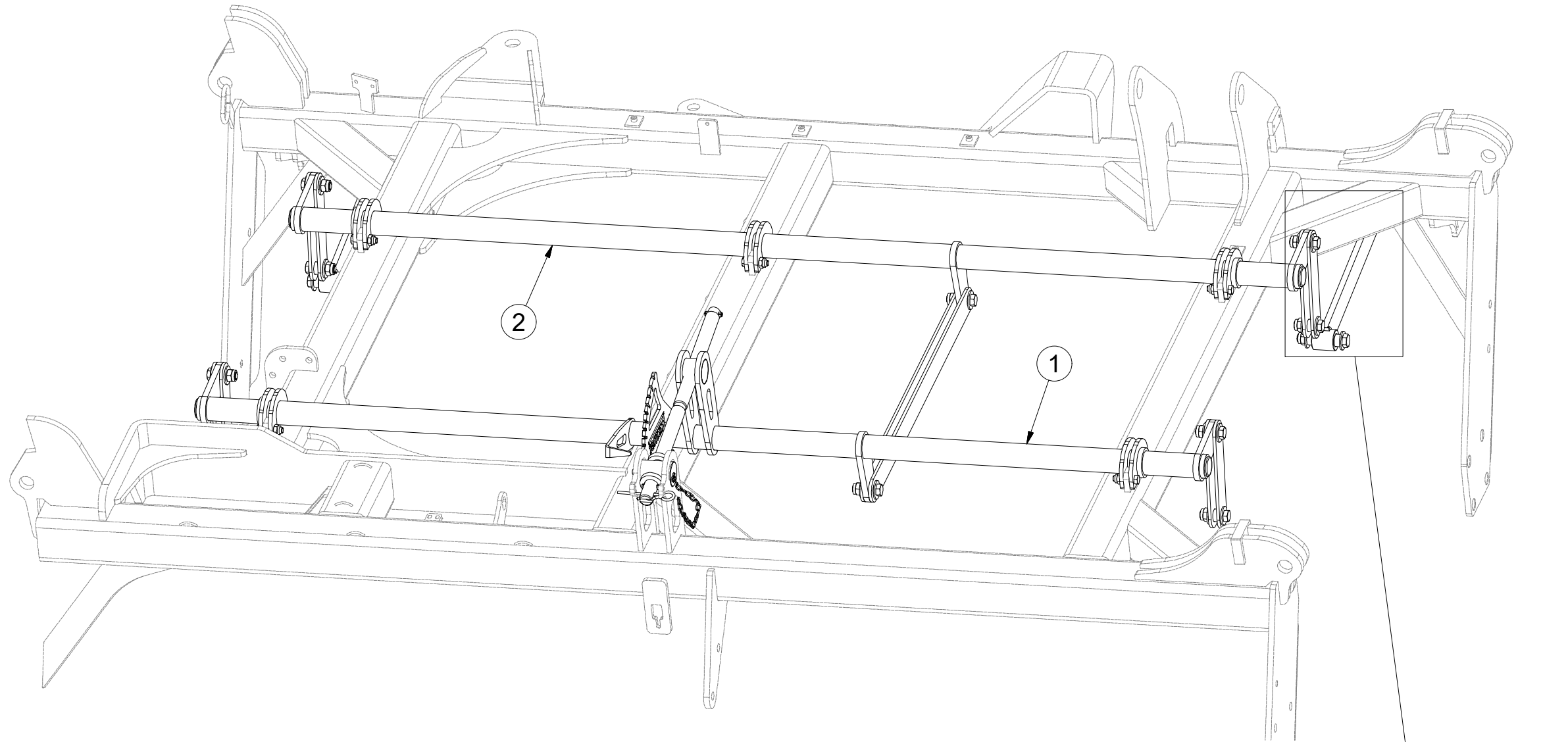
Pos.	Part Number	Pcs.
3	4007654	1
4	4005340	1
5	4005355	1
6	9002560	1
7	4005335	1
9	4005332	11
16	m09988	1
50	m06077	12
60	m04301	12
80	m10736	2
110	m10451	1

- Ⓒ SADA OVLÁDÁNÍ RADLIC
- Ⓓ STEUERSATZ PFLUGSCHAREN
- Ⓕ KIT DE COMMANDE DES SOCS

- Ⓖ SET OF PLOUGHSHARE CONTROL
- Ⓡ КОМПЛЕКТ УПРАВЛЕНИЯ ЛАП
- Ⓟ ZESTAW STEROWANIA RADLICAMI



3007002



Pos.	Part Number	Pcs.
1	3002984	1
2	3002985	1
12	4003971	2

ⒸZ SADA OVLÁDÁNÍ RADLIC

Ⓓ STEUERSATZ PFLUGSCHAREN

Ⓕ KIT DE COMMANDE DES SOCS

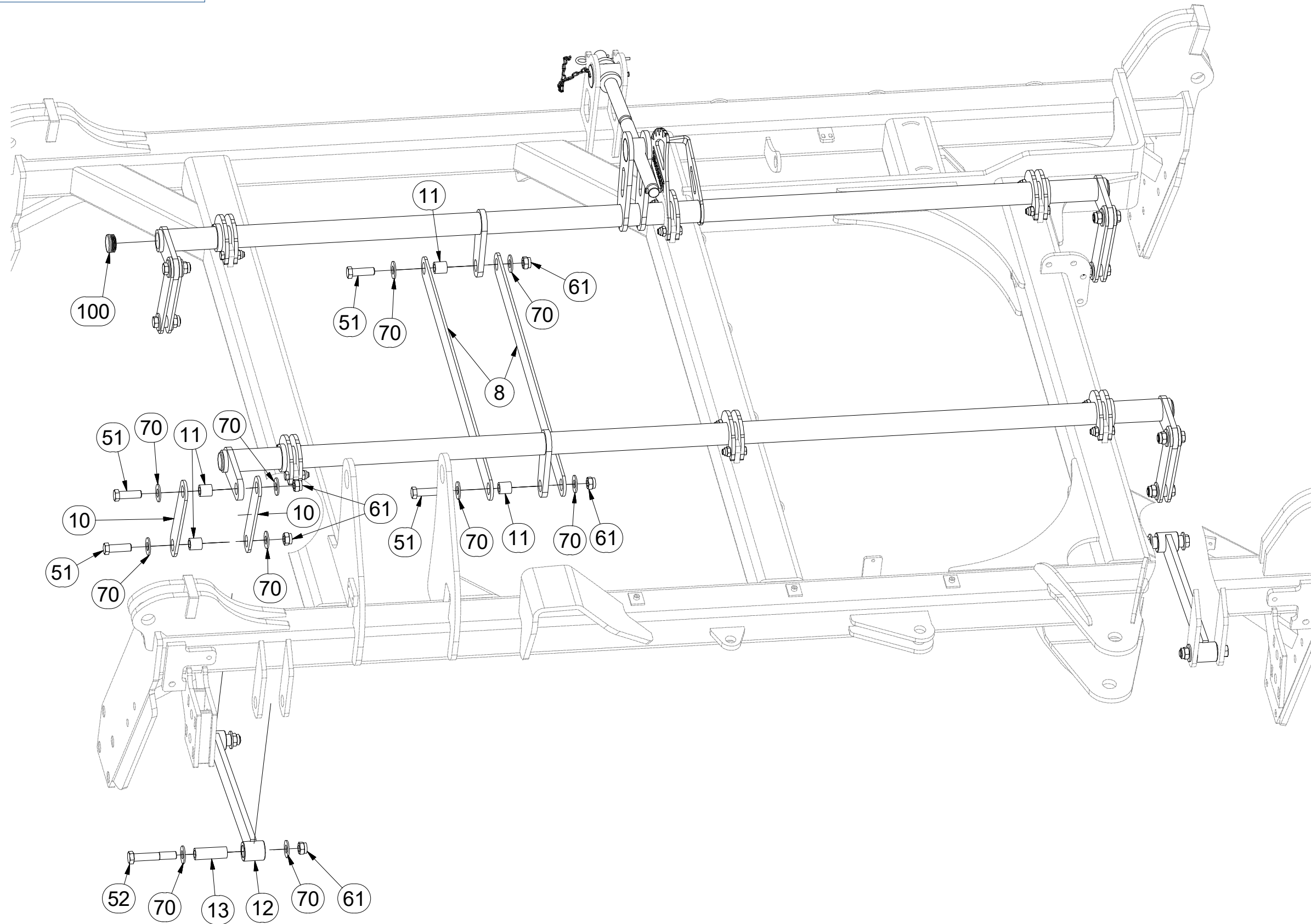
ⒸB SET OF PLOUGHSHARE CONTROL

ⒸU КОМПЛЕКТ УПРАВЛЕНИЯ ЛАП

ⒸL ZESTAW STEROWANIA RADLICAMI



3007002



Pos.	Part Number	Pcs.
8	4005334	2
10	4005333	8
11	4002265	10
12	4003971	2
13	9001426	4
51	m04355	10
52	m07673	4
61	m03683	14
70	m05651	28
100	m10130	4

Ⓒ SADA OVLÁDÁNÍ RADLIC

Ⓓ STEUERSATZ PFLUGSCHAREN

Ⓕ KIT DE COMMANDE DES SOCS

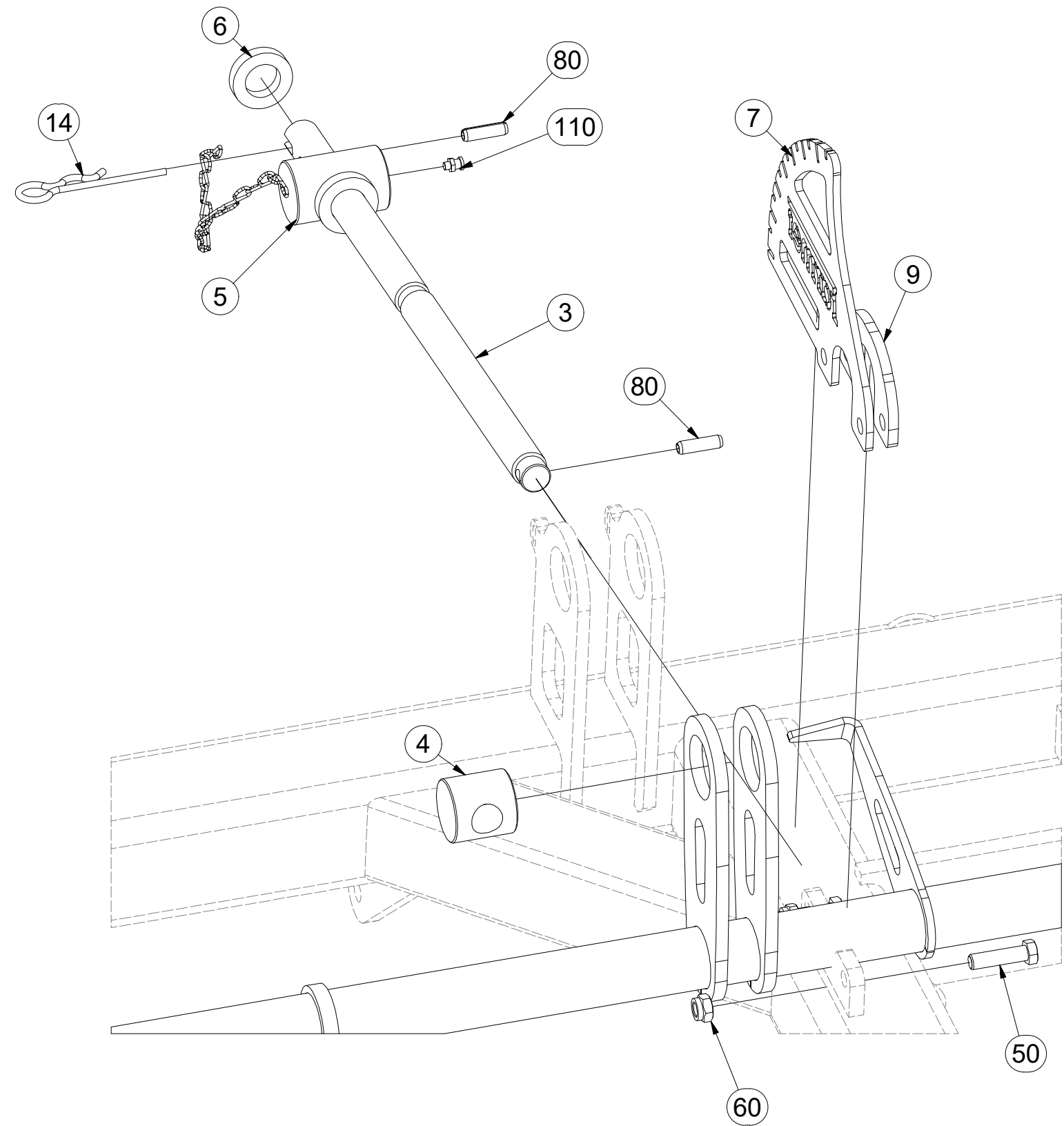
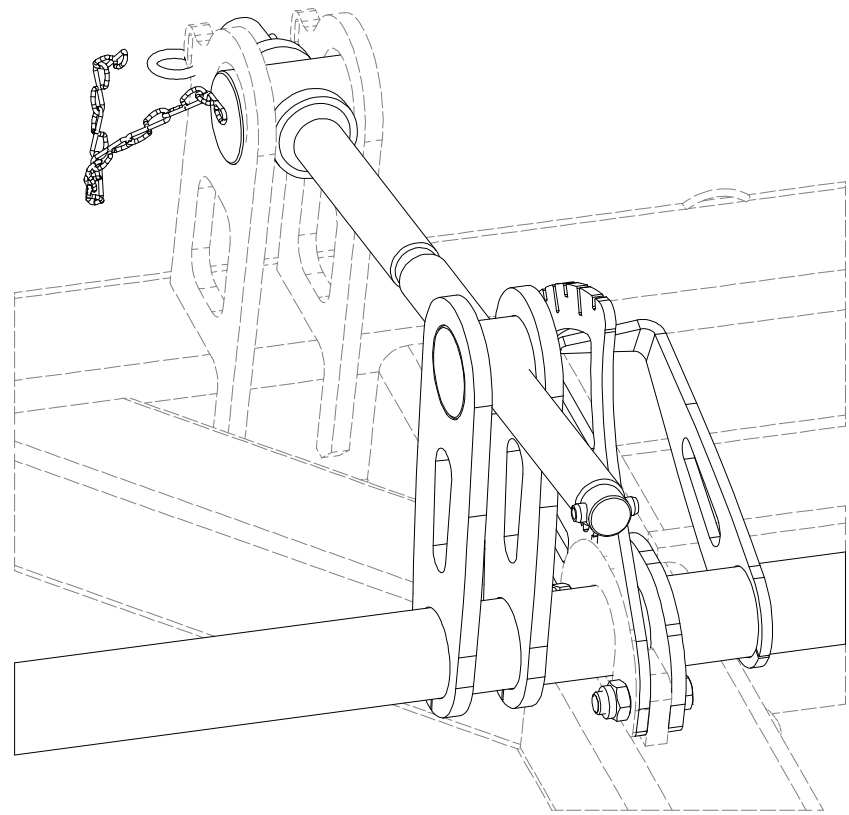
Ⓖ SET OF PLOUGHSHARE CONTROL

Ⓡ КОМПЛЕКТ УПРАВЛЕНИЯ ЛАП

Ⓟ ZESTAW STEROWANIA RADLICAMI

Farmet

3007002



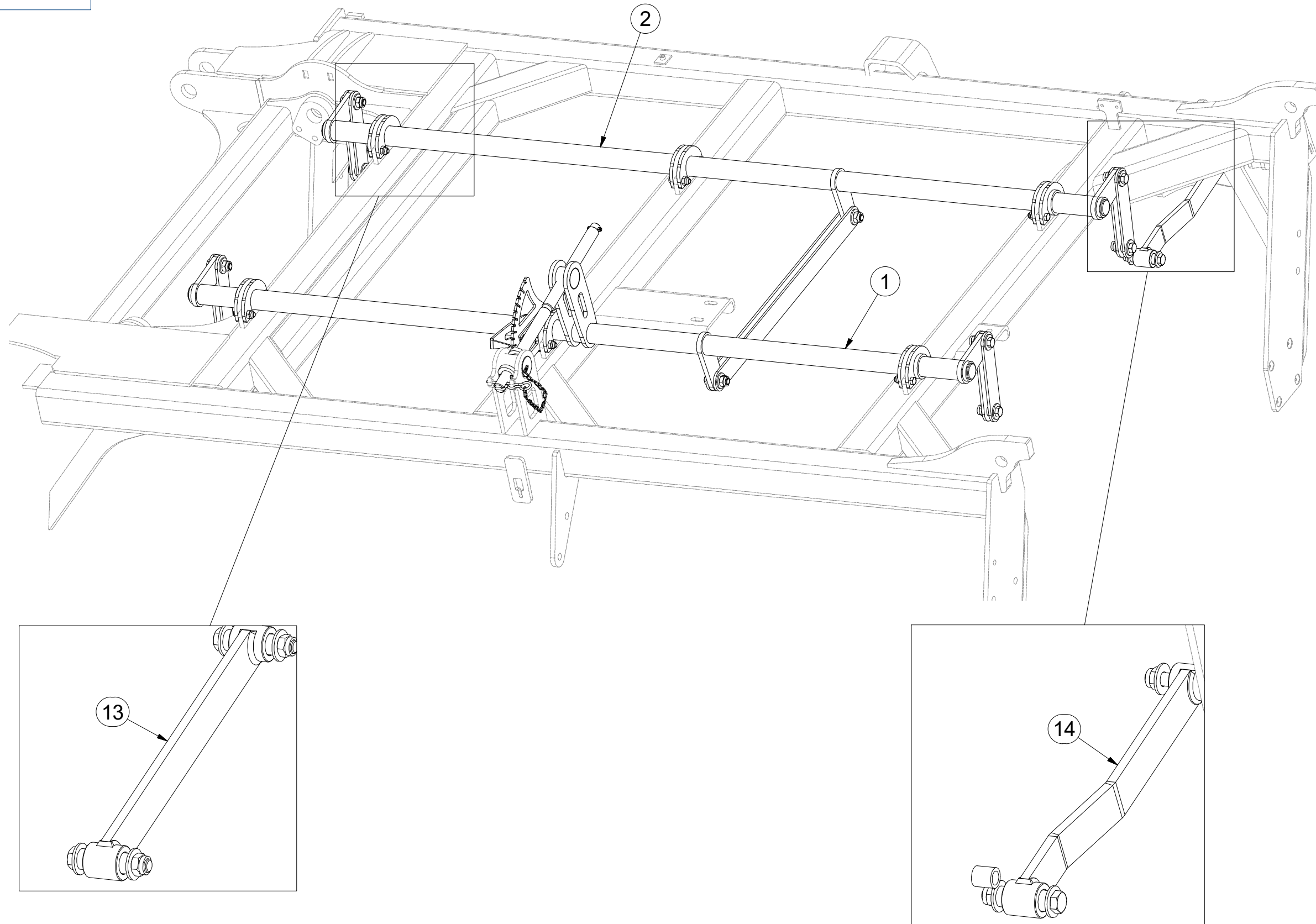
Pos.	Part Number	Pcs.
3	4007654	1
4	4005340	1
5	4005355	1
6	9002560	1
7	4005335	1
9	4005332	11
14	m09988	1
50	m06077	12
60	m04301	12
80	m10736	2
110	m10451	1

CZ SADA OVLÁDÁNÍ RADLIC
 D STEUERSATZ PFLUGSCHAREN
 F KIT DE COMMANDE DES SOCS

GB SET OF PLOUGHSHARE CONTROL
 RU КОМПЛЕКТ УПРАВЛЕНИЯ ЛАП
 PL ZESTAW STEROWANIA RADLICAMI



3007003



Pos.	Part Number	Pcs.
1	3002984	1
2	3002985	1
13	4003971	1
14	4011976	1

Ⓒ SADA OVLÁDÁNÍ RADLIC

Ⓓ STEUERSATZ PFLUGSCHAREN

Ⓕ KIT DE COMMANDE DES SOCS

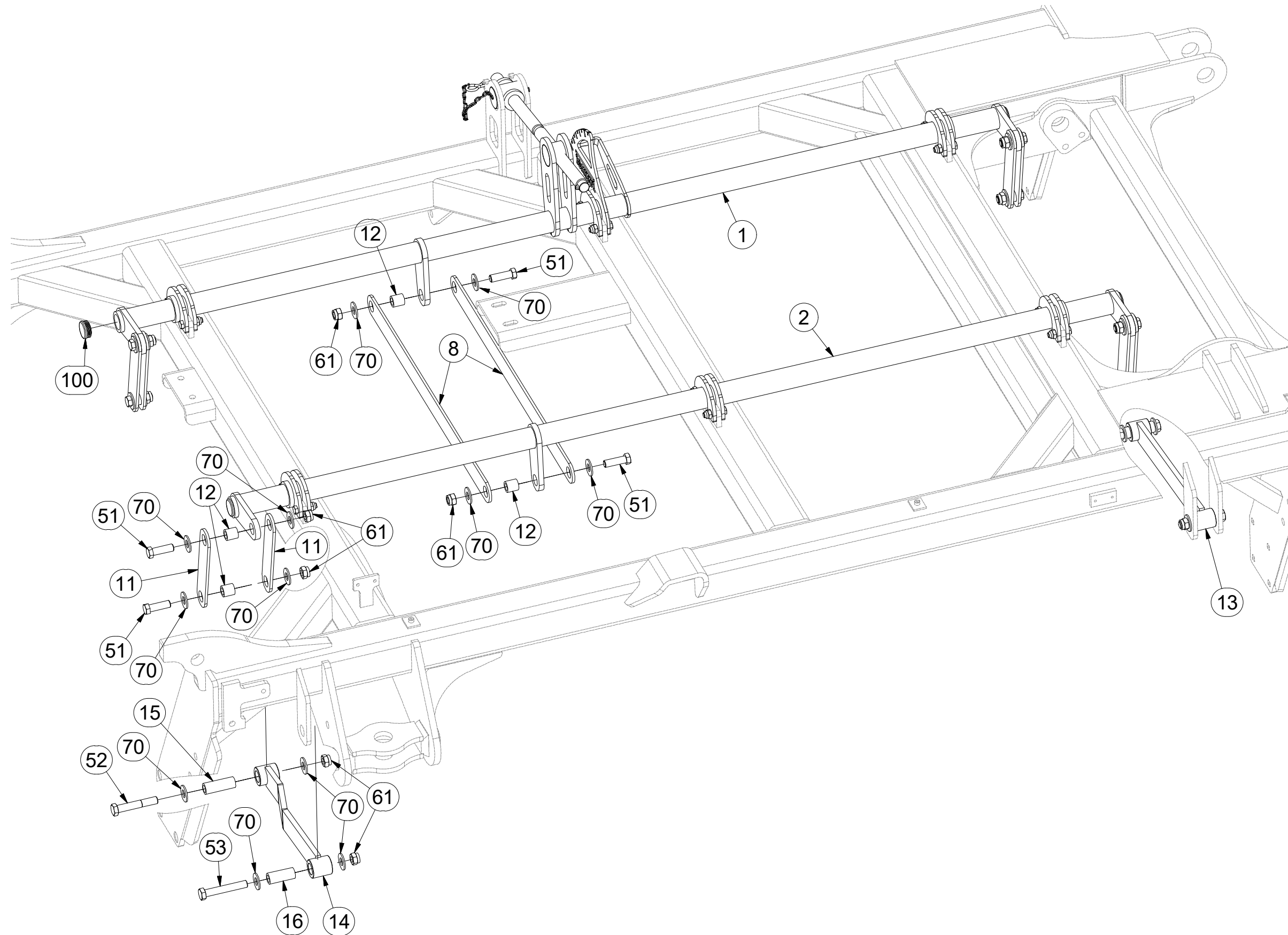
Ⓖ SET OF PLOUGHSHARE CONTROL

Ⓡ КОМПЛЕКТ УПРАВЛЕНИЯ ЛАП

Ⓢ ZESTAW STEROWANIA RADLICAMI



3007003



Pos.	Part Number	Pcs.
1	3002984	1
2	3002985	1
8	4005334	2
11	4005333	8
12	4002265	10
13	4003971	1
14	4011976	1
15	9001426	3
16	9001095	1
51	m04355	10
52	m07673	3
53	m05304	1
61	m03683	14
70	m05651	28
100	m10130	4

Ⓒ CZ SADA OVLÁDÁNÍ RADLIC

Ⓓ STEUERSATZ PFLUGSCHAREN

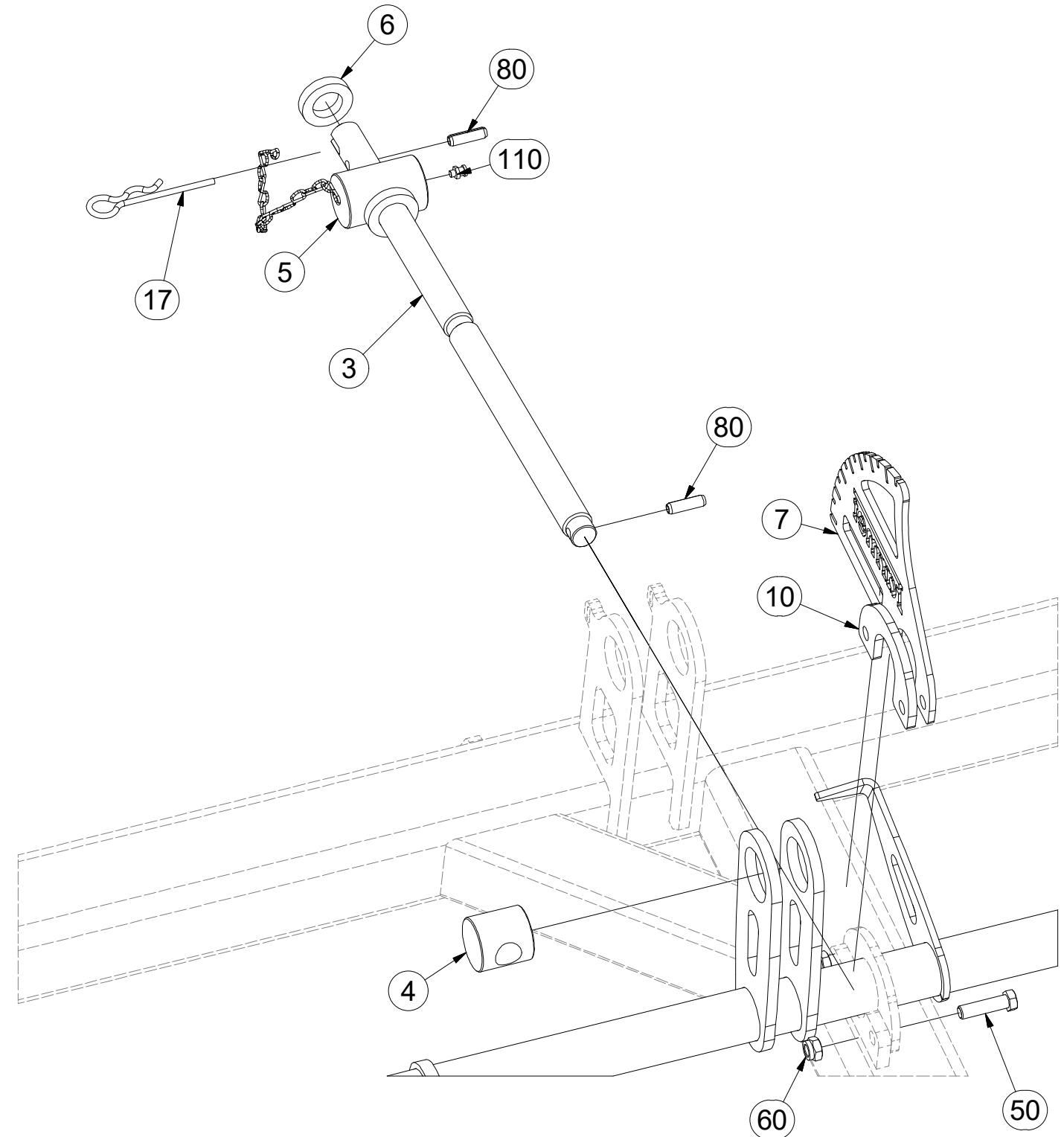
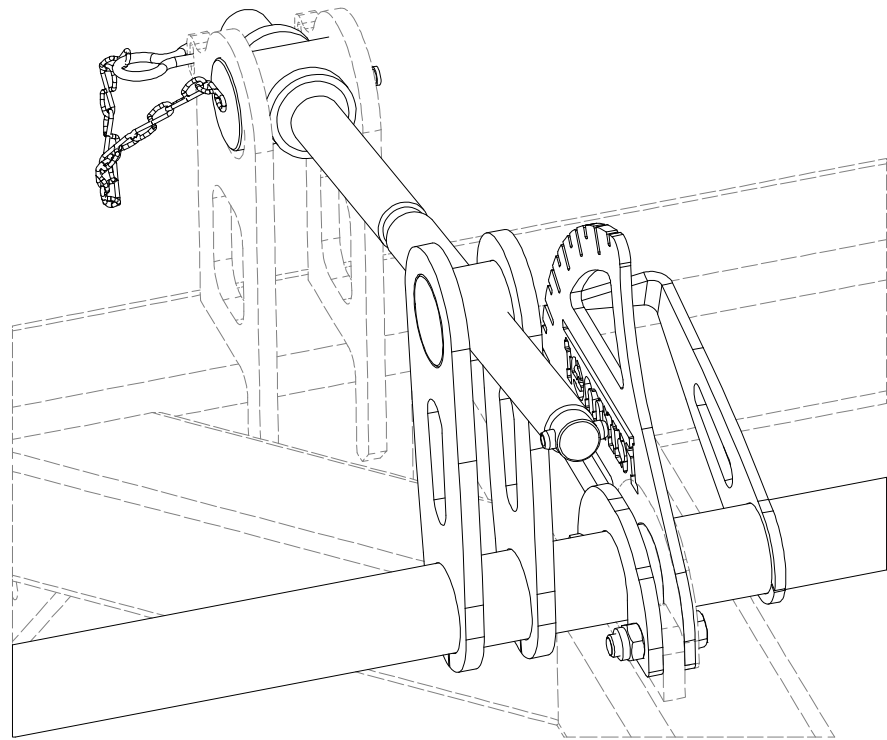
Ⓕ KIT DE COMMANDE DES SOCS

3007003

Ⓒ GB SET OF PLOUGHSHARE CONTROL

Ⓓ RU КОМПЛЕКТ УПРАВЛЕНИЯ ЛАП

Ⓕ PL ZESTAW STEROWANIA RADLICAMI



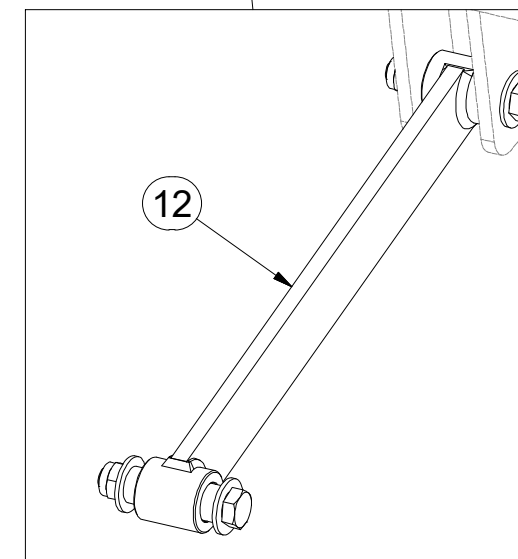
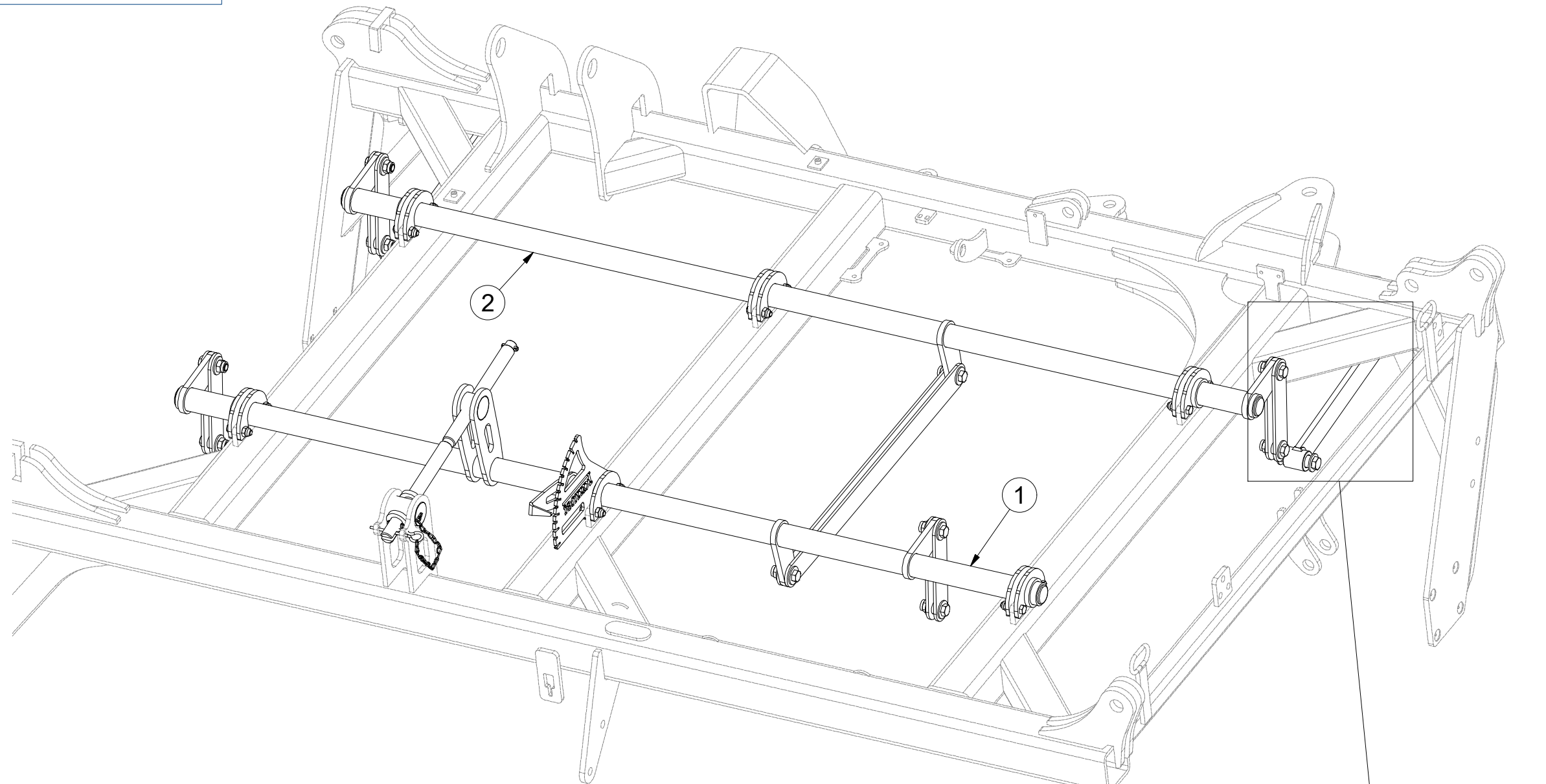
Pos.	Part Number	Pcs.
3	4007654	1
4	4005340	1
5	4005355	1
6	9002560	1
7	4005335	1
10	4005332	11
17	m09988	1
50	m06077	12
60	m04301	12
80	m10736	2
110	m10451	1

- Ⓒ SADA OVLÁDÁNÍ RADLIC
- Ⓓ STEUERSATZ PFLUGSCHAREN
- Ⓕ KIT DE COMMANDE DES SOCS

- Ⓖ SET OF PLOUGHSHARE CONTROL
- Ⓡ КОМПЛЕКТ УПРАВЛЕНИЯ ЛАП
- Ⓟ ZESTAW STEROWANIA RADLICAMI



3007004



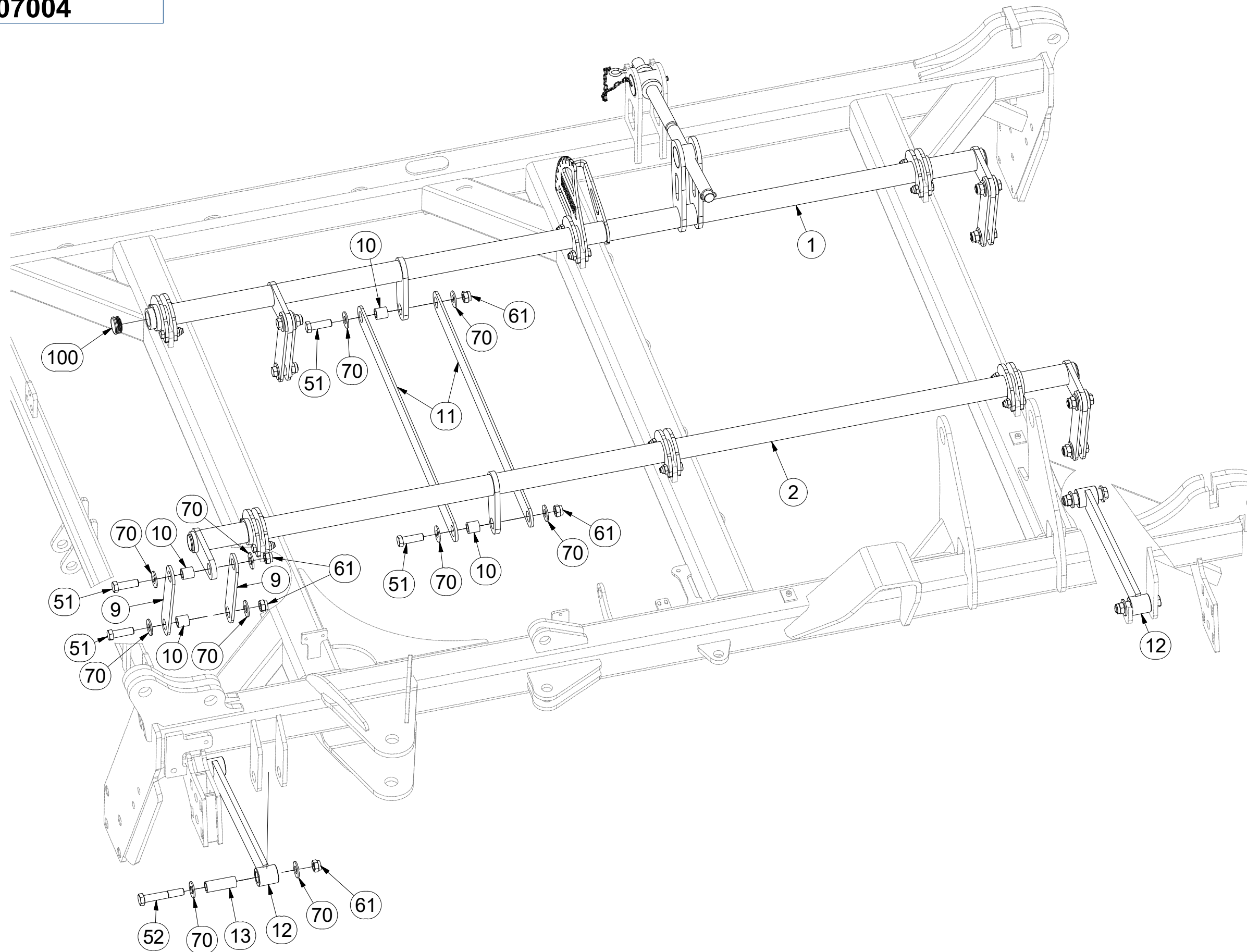
Pos.	Part Number	Pcs.
1	3003100	1
2	3002985	1
12	4003971	2

(CZ) SADA OVLÁDÁNÍ RADLIC
 (D) STEUERSATZ PFLUGSCHAREN
 (F) KIT DE COMMANDE DES SOCS

(GB) SET OF PLOUGHSHARE CONTROL
 (RU) КОМПЛЕКТ УПРАВЛЕНИЯ ЛАП
 (PL) ZESTAW STEROWANIA RADLICAMI



3007004



Pos.	Part Number	Pcs.
1	3003100	1
2	3002985	1
9	4005333	8
10	4002265	10
11	4005334	2
12	4003971	2
13	9001426	4
51	m04355	10
52	m07673	4
61	m03683	14
70	m05651	28
100	m10130	4

Ⓒ SADA OVLÁDÁNÍ RADLIC

Ⓓ STEUERSATZ PFLUGSCHAREN

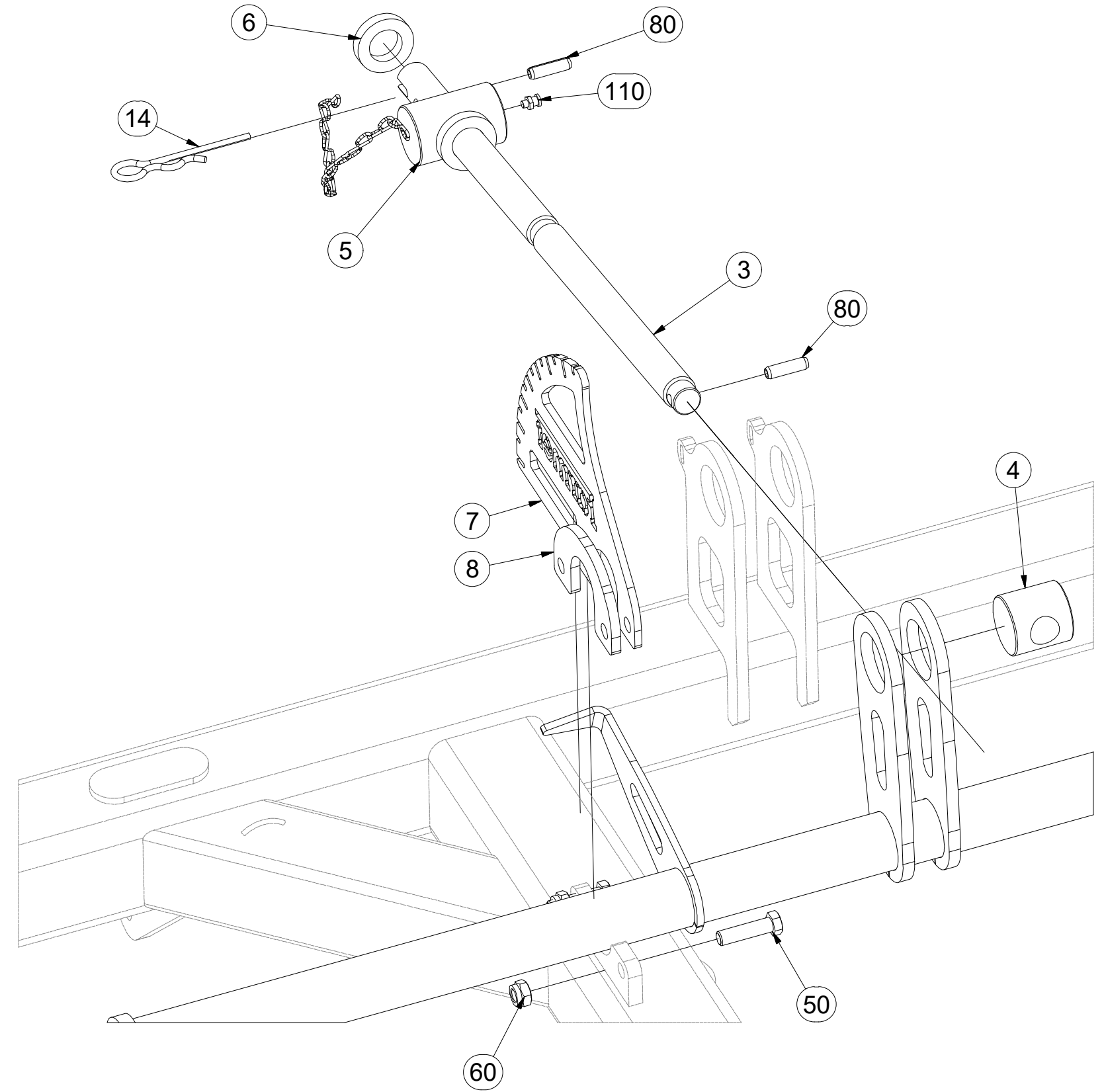
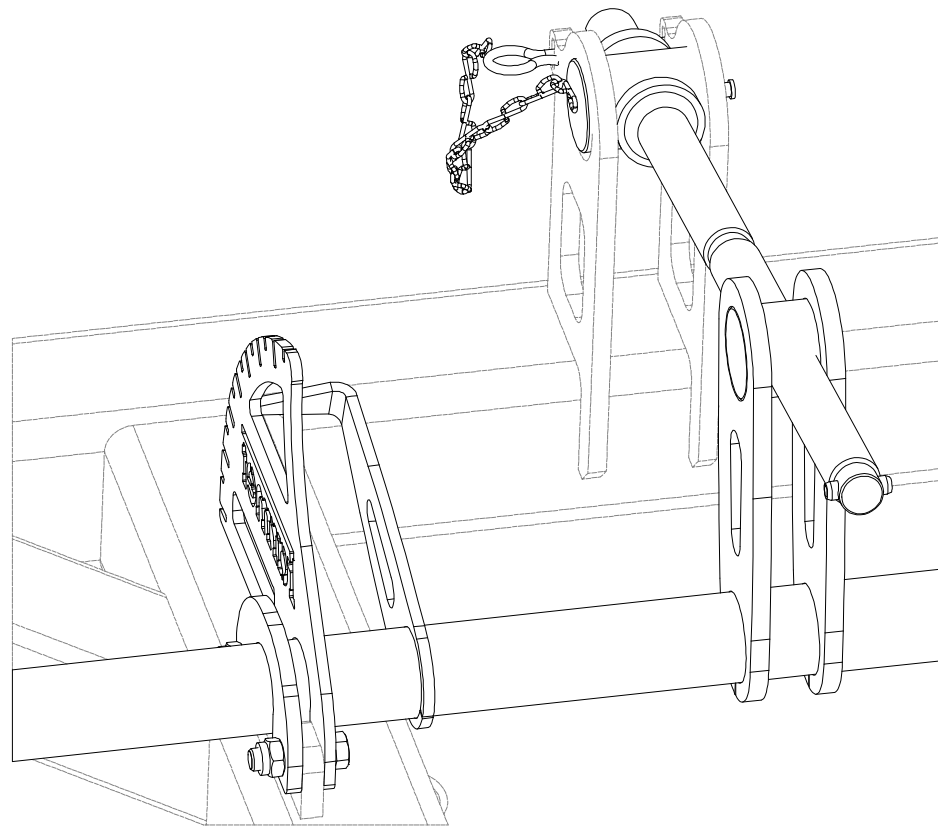
Ⓕ KIT DE COMMANDE DES SOCS

3007004

Ⓖ SET OF PLOUGHSHARE CONTROL

Ⓡ КОМПЛЕКТ УПРАВЛЕНИЯ ЛАП

Ⓢ ZESTAW STEROWANIA RADLICAMI



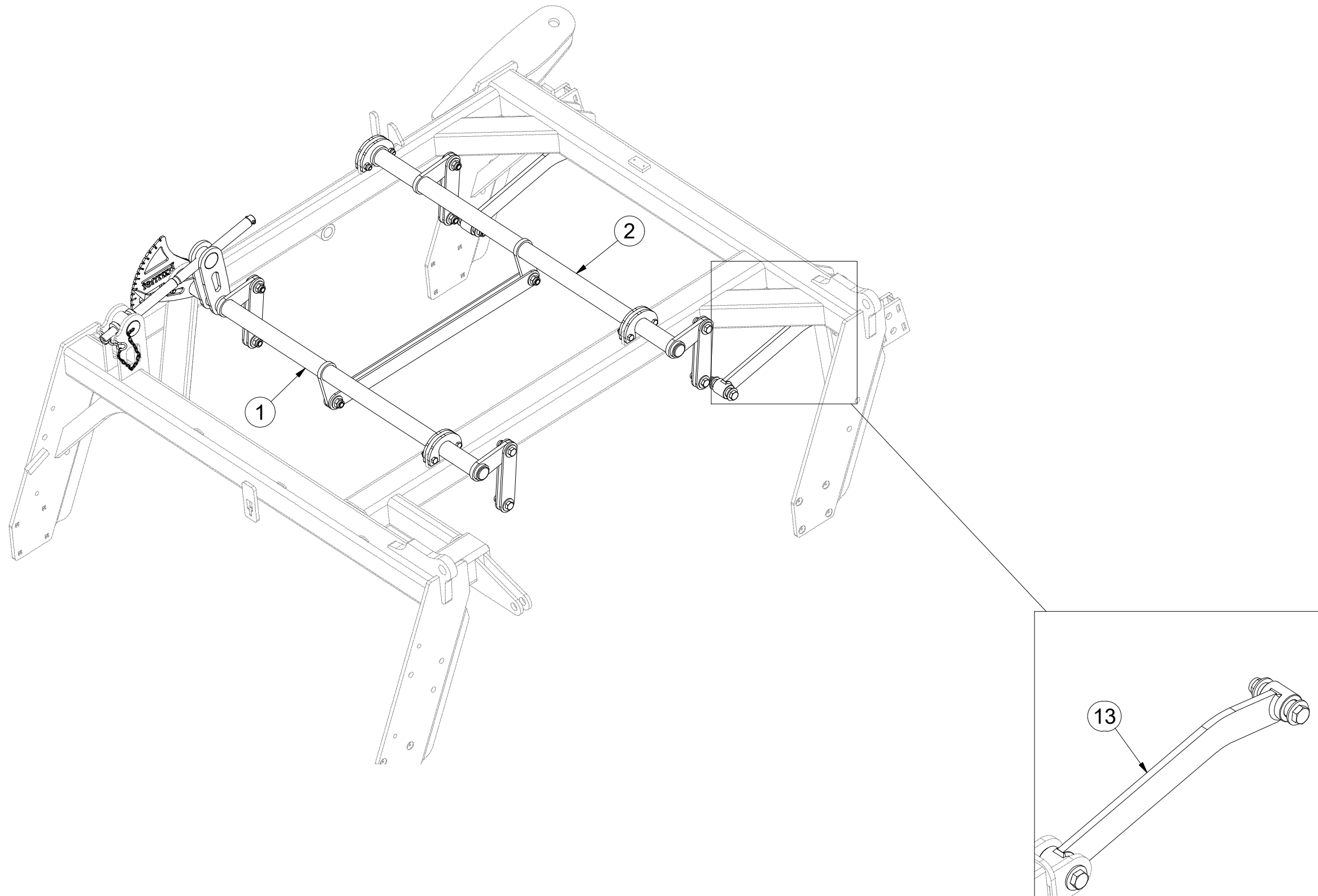
Pos.	Part Number	Pcs.
3	4007654	1
4	4005340	1
5	4005355	1
6	9002560	1
7	4005335	1
8	4005332	11
14	m09988	1
50	m06077	12
60	m04301	12
80	m10736	2
110	m10451	1

CZ SADA OVLÁDÁNÍ RADLIC
 D STEUERSATZ PFLUGSCHAREN
 F KIT DE COMMANDE DES SOCS

GB SET OF PLOUGHSHARE CONTROL
 RU КОМПЛЕКТ УПРАВЛЕНИЯ ЛАП
 PL ZESTAW STEROWANIA RADLICAMI



3007135



Pos.	Part Number	Pcs.
1	3002981	1
2	3002977	1
13	8000990-30007	2

Ⓒ SADA OVLÁDÁNÍ RADLIC

Ⓓ STEUERSATZ PFLUGSCHAREN

Ⓕ KIT DE COMMANDE DES SOCS

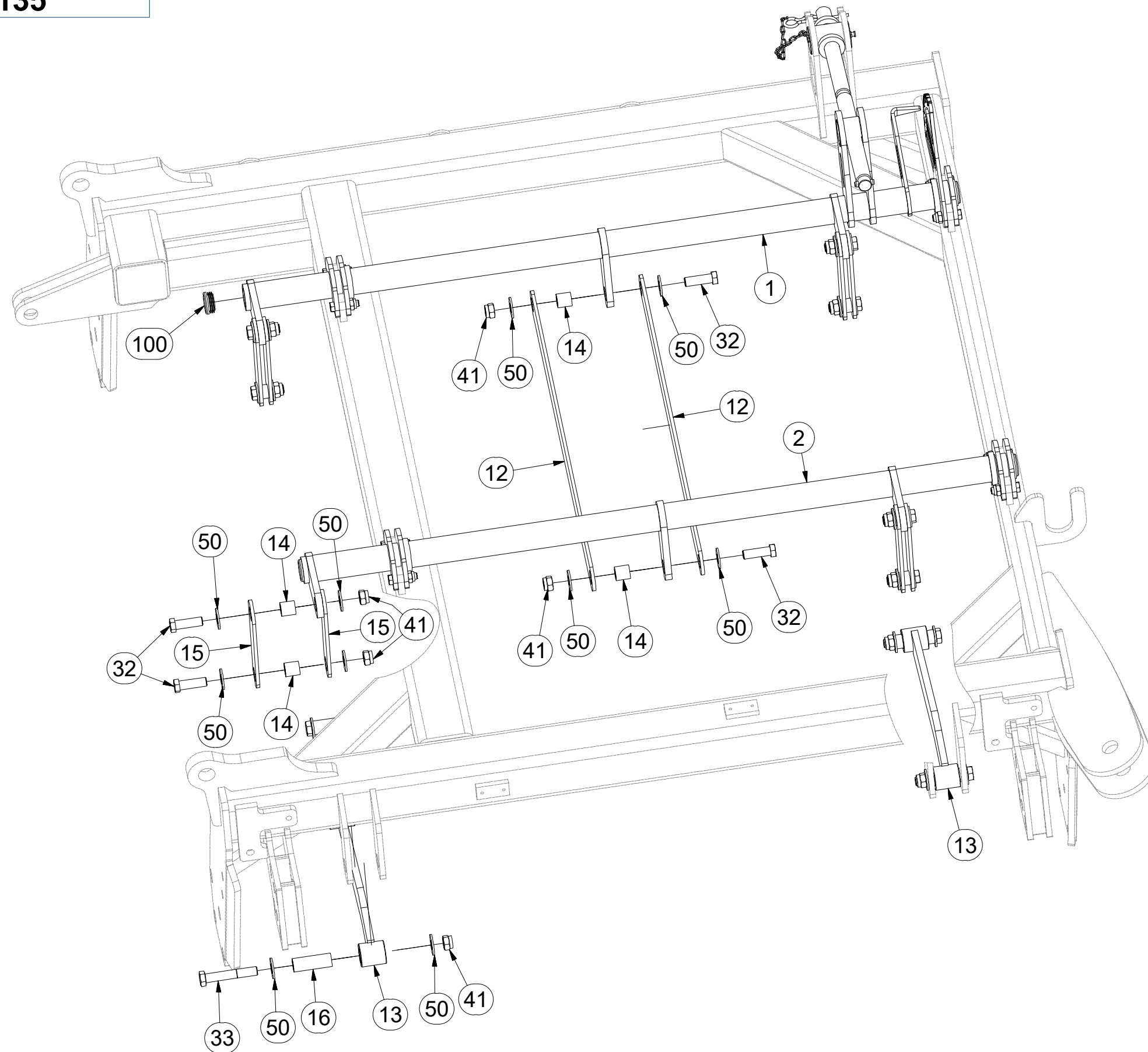
Ⓖ SET OF PLOUGHSHARE CONTROL

Ⓡ КОМПЛЕКТ УПРАВЛЕНИЯ ЛАП

Ⓢ ZESTAW STEROWANIA RADLICAMI



3007135



Pos.	Part Number	Pcs.
1	3002981	1
2	3002977	1
12	4005334	2
13	8000990-30007	2
14	4002265	10
15	4005333	8
16	9001426	4
32	m04355	10
33	m07673	4
41	m03683	14
50	m05651	28
100	m10130	4

Ⓒ SADA OVLÁDÁNÍ RADLIC

Ⓓ STEUERSATZ PFLUGSCHAREN

Ⓕ KIT DE COMMANDE DES SOCS

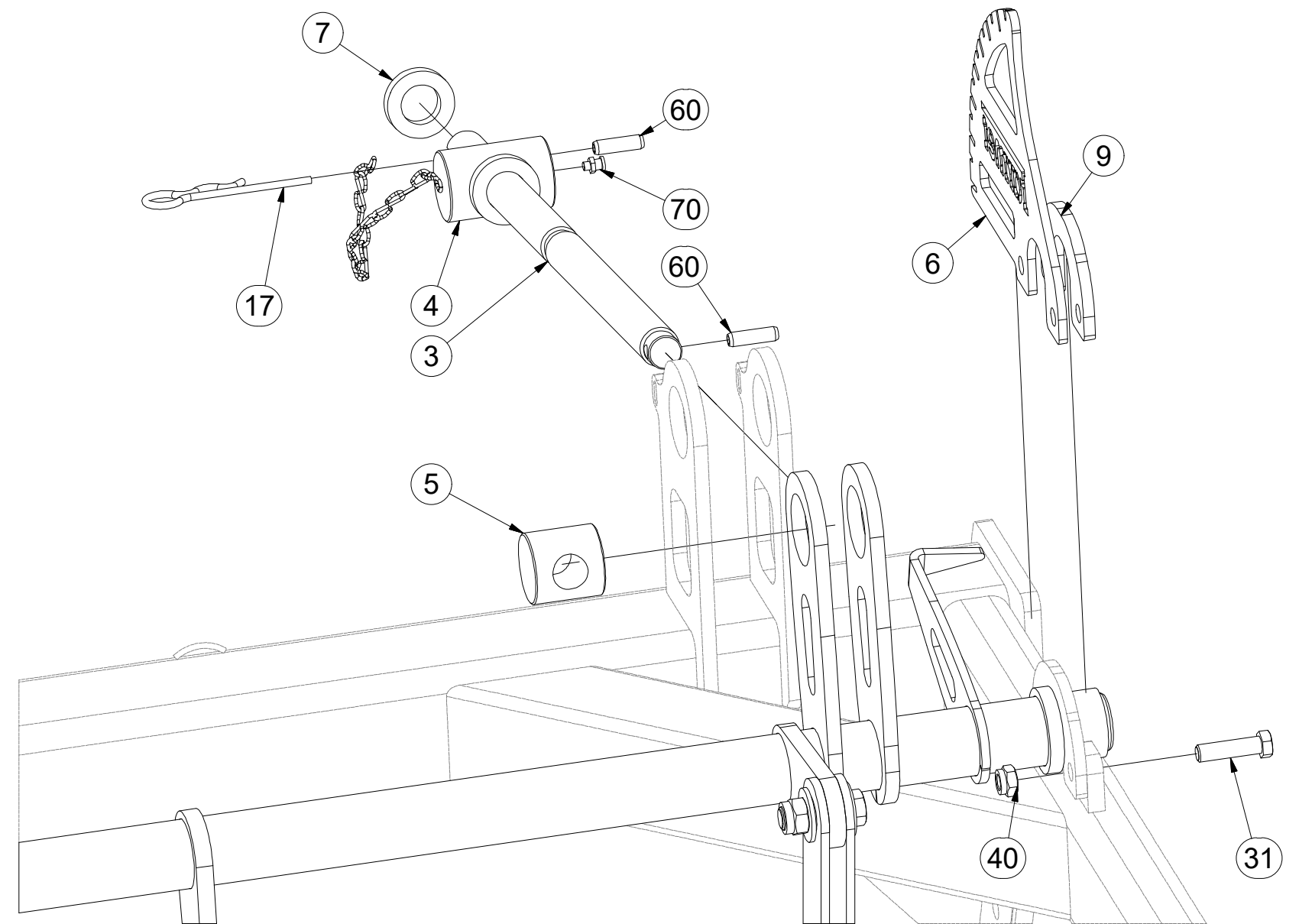
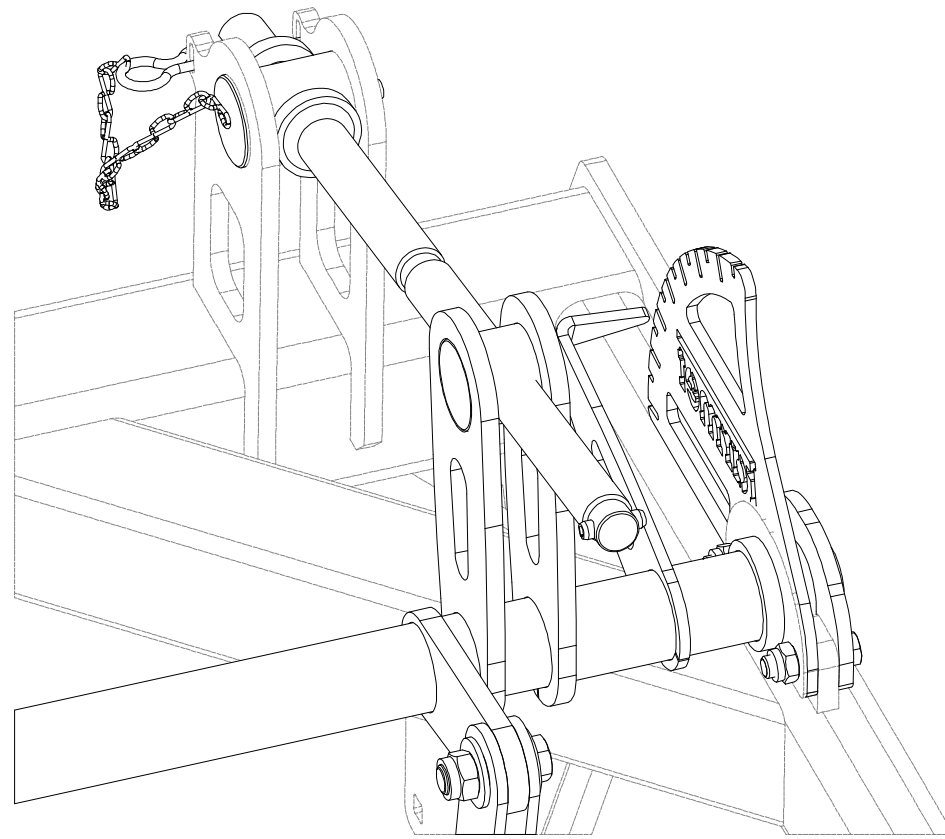
3007135

Ⓖ SET OF PLOUGHSHARE CONTROL

Ⓔ КОМПЛЕКТ УПРАВЛЕНИЯ ЛАП

Ⓗ ZESTAW STEROWANIA RADLICAMI

Farmet



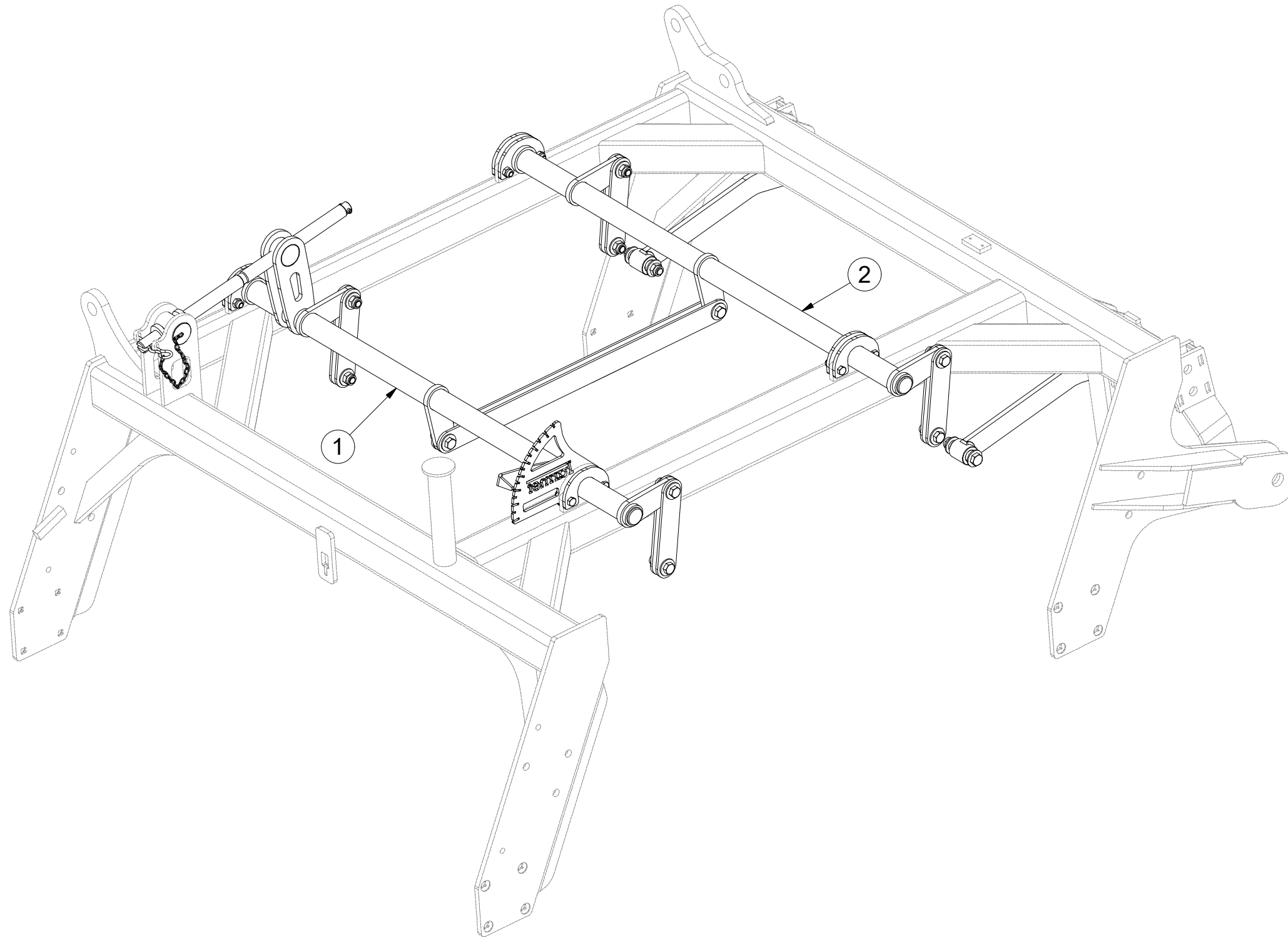
Pos.	Part Number	Pcs.
3	4007654	1
4	4005355	1
5	4005340	1
6	4005335	1
7	9002560	1
9	4005332	7
17	m09988	1
31	m06077	8
40	m04301	8
60	m10736	2
70	m10451	1

- Ⓒ SADA OVLÁDÁNÍ RADLIC
- Ⓓ STEUERSATZ PFLUGSCHAREN
- Ⓕ KIT DE COMMANDE DES SOCS

- Ⓖ SET OF PLOUGHSHARE CONTROL
- Ⓡ КОМПЛЕКТ УПРАВЛЕНИЯ ЛАП
- Ⓟ ZESTAW STEROWANIA RADLICAMI



3007136



Pos.	Part Number	Pcs.
1	3002976	1
2	3002977	1

ⒸZ SADA OVLÁDÁNÍ RADLIC

Ⓓ STEUERSATZ PFLUGSCHAREN

Ⓕ KIT DE COMMANDE DES SOCS

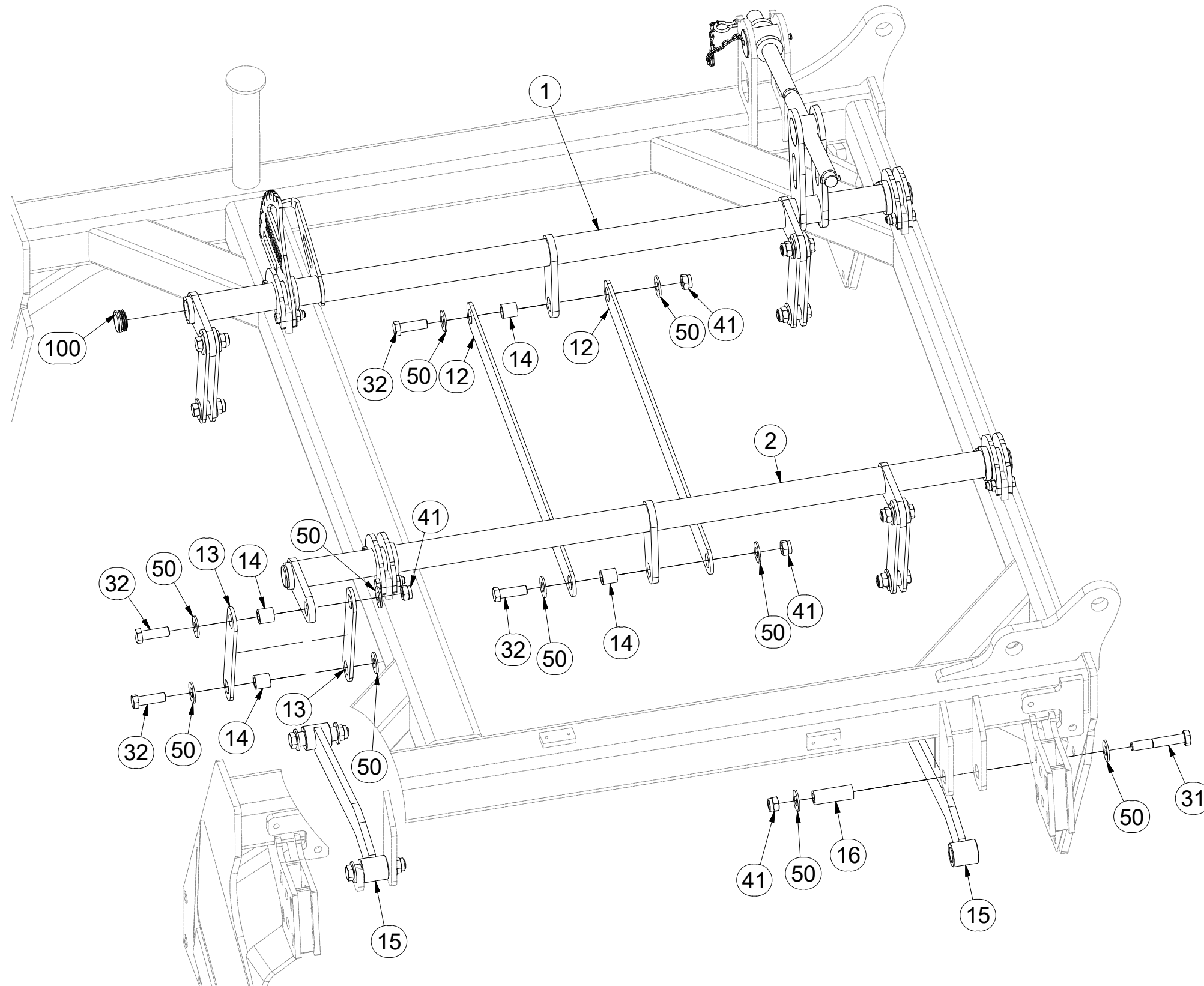
ⒸB SET OF PLOUGHSHARE CONTROL

ⒸU КОМПЛЕКТ УПРАВЛЕНИЯ ЛАП

ⒸL ZESTAW STEROWANIA RADLICAMI



3007136



Pos.	Part Number	Pcs.
1	3002976	1
2	3002977	1
12	4005334	2
13	4005333	8
14	4002265	10
15	8000990-30007	2
16	9001426	4
31	m07673	4
32	m04355	10
41	m03683	14
50	m05651	28
100	m10130	4

ⒸZ SADA OVLÁDÁNÍ RADLIC

Ⓓ STEUERSATZ PFLUGSCHAREN

Ⓕ KIT DE COMMANDE DES SOCS

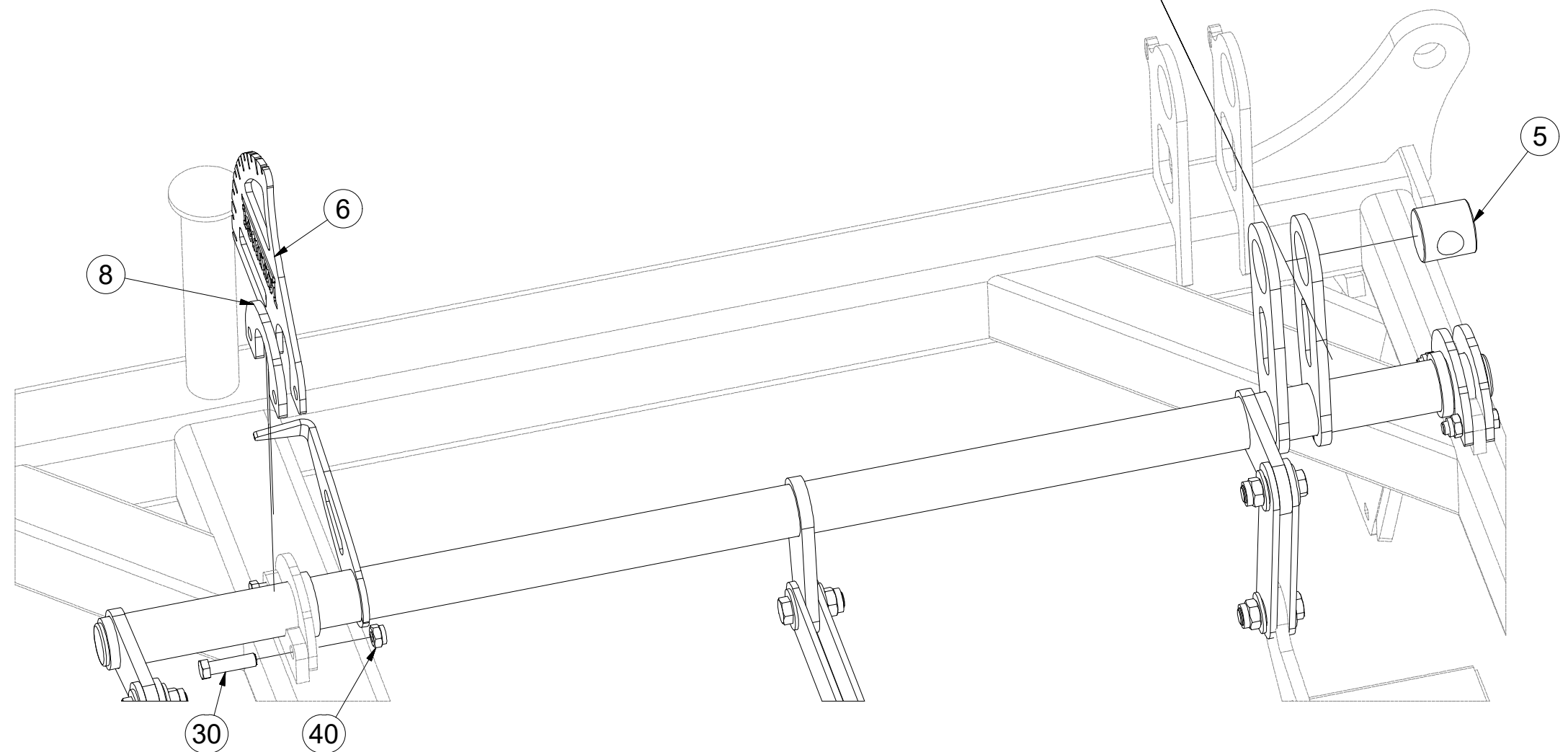
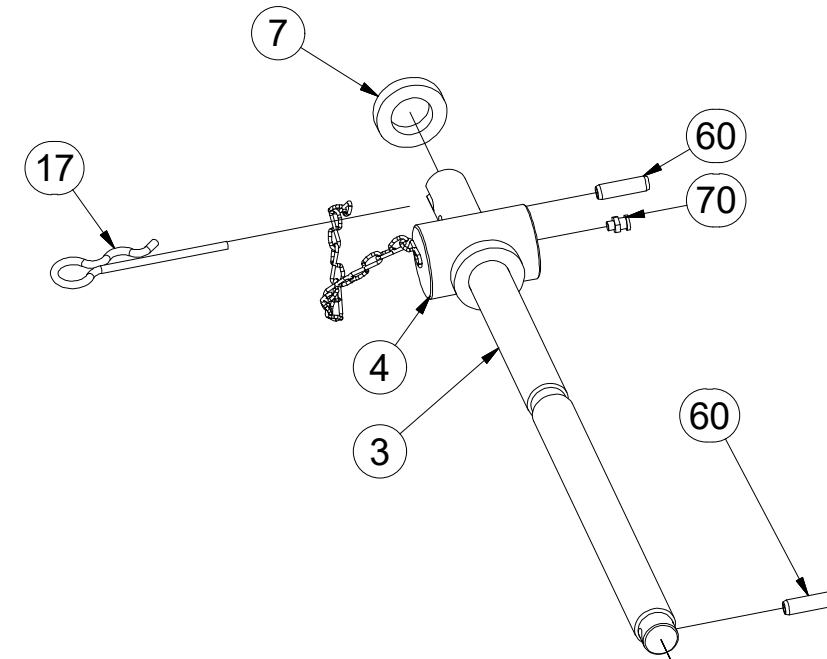
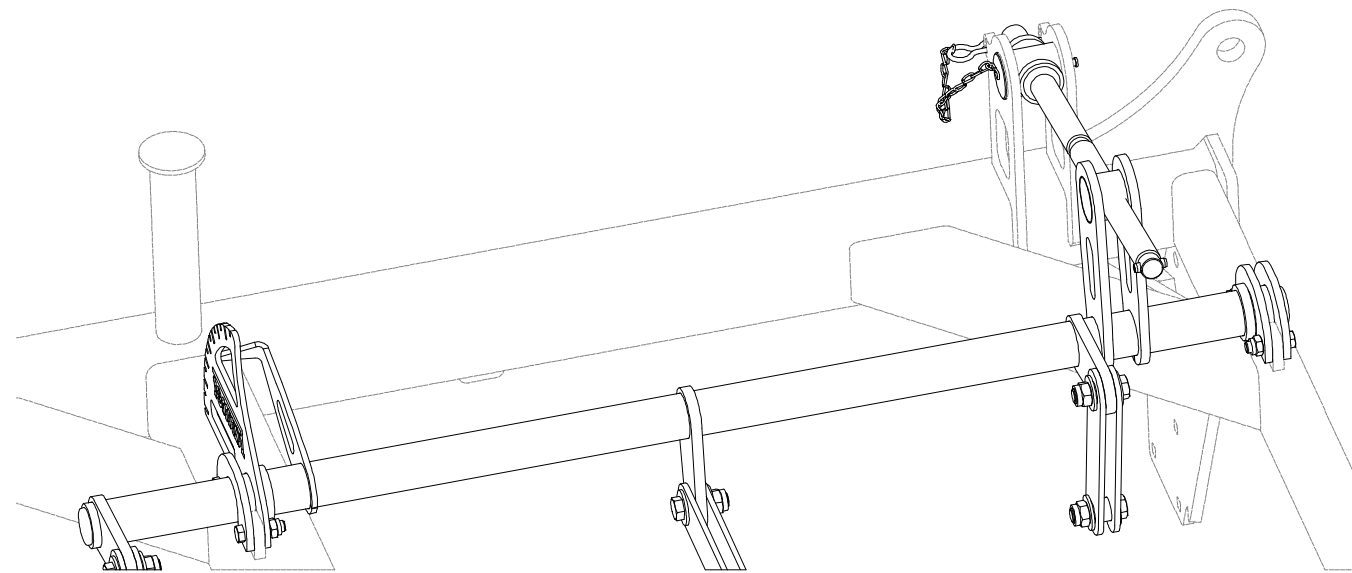
3007136

ⒸB SET OF PLOUGHSHARE CONTROL

ⒸU КОМПЛЕКТ УПРАВЛЕНИЯ ЛАП

ⒸL ZESTAW STEROWANIA RADLICAMI

Farmet



Pos.	Part Number	Pcs.
3	4007654	1
4	4005355	1
5	4005340	1
6	4005335	1
7	9002560	1
8	4005332	7
17	m09988	1
30	m06077	8
40	m04301	8
60	m10736	2
70	m10451	1

Ⓒ CZ SADA RADLIC

Ⓓ D SCHARSATZ

Ⓕ F KIT DE SOCS

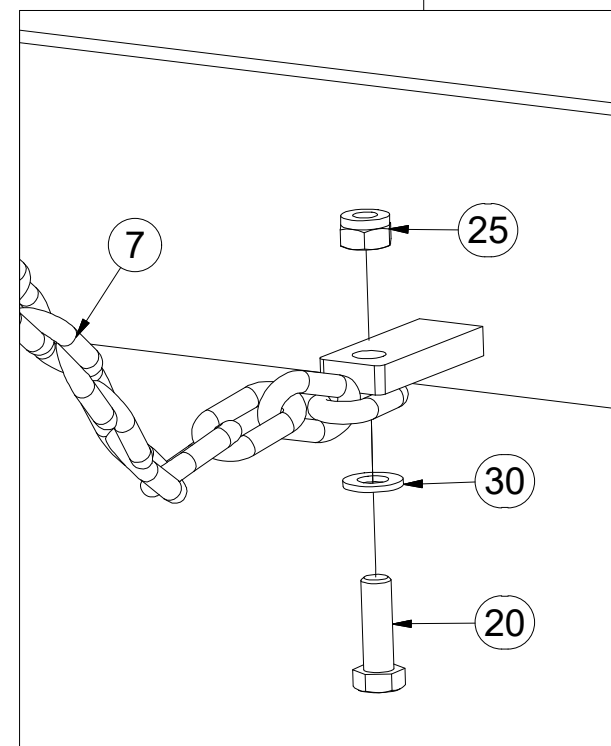
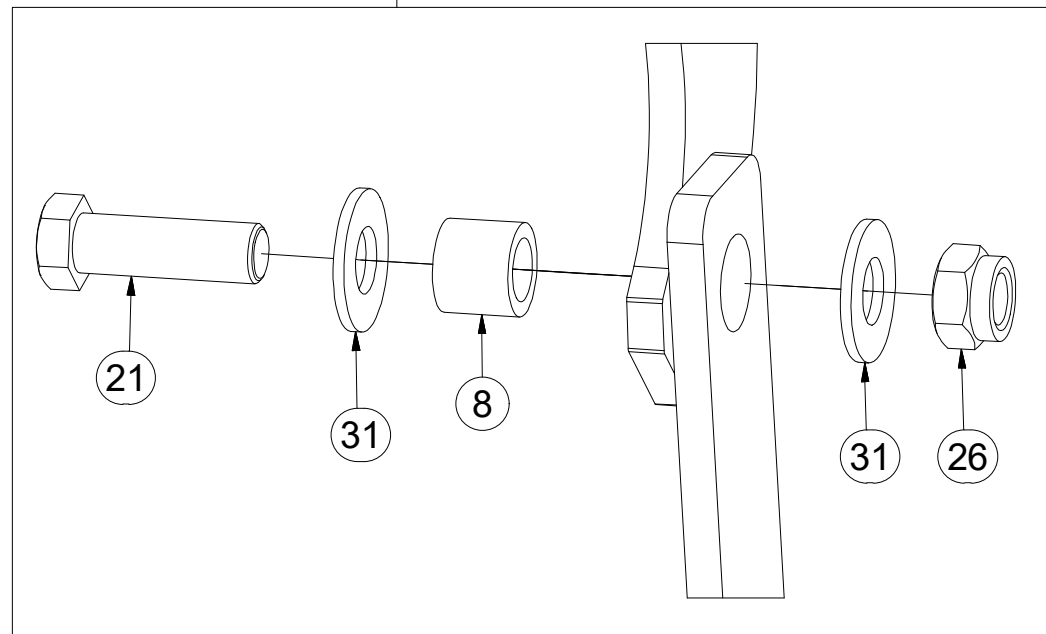
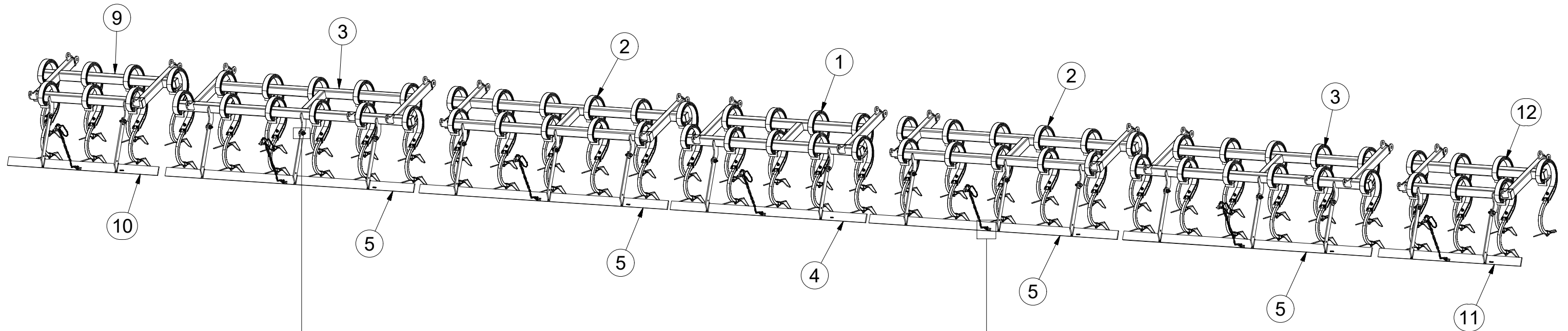
Ⓖ GB SET OF PLOUGHSHARES

Ⓡ RU КОМПЛЕКТ ЛАП

Ⓟ PL ZESTAW REDLIC



2000382



Pos.	Part Number	Pcs.
1	3002834	1
2	3002992	2
3	3002993	2
4	3002557	1
5	3002561	4
7	4001641	7
8	4004451	18
9	3007747	1
10	3002565	1
11	3002566	1
12	3007748	1
20	m01092	7
21	m04355	18
25	m04503	7
26	m03683	18
30	m01203	7
31	m05651	36

Ⓒ SADA RADLIC

Ⓓ SCHARSATZ

Ⓕ KIT DE SOCS

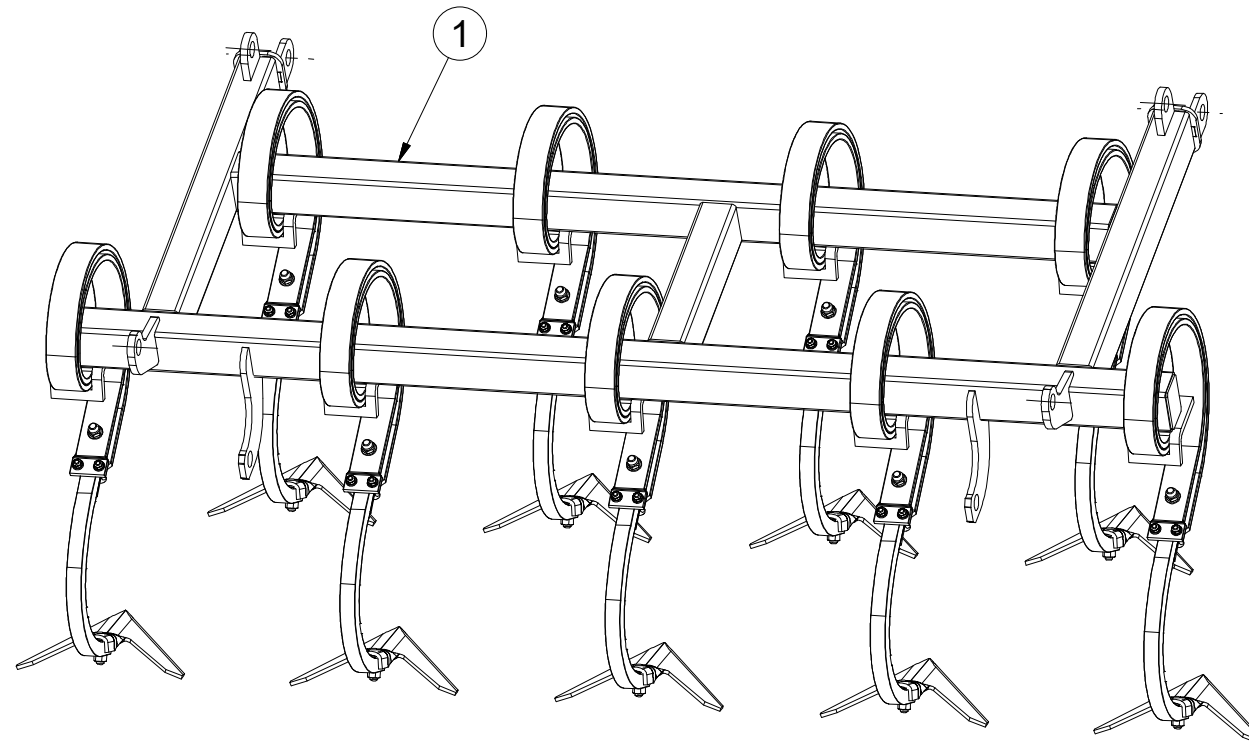
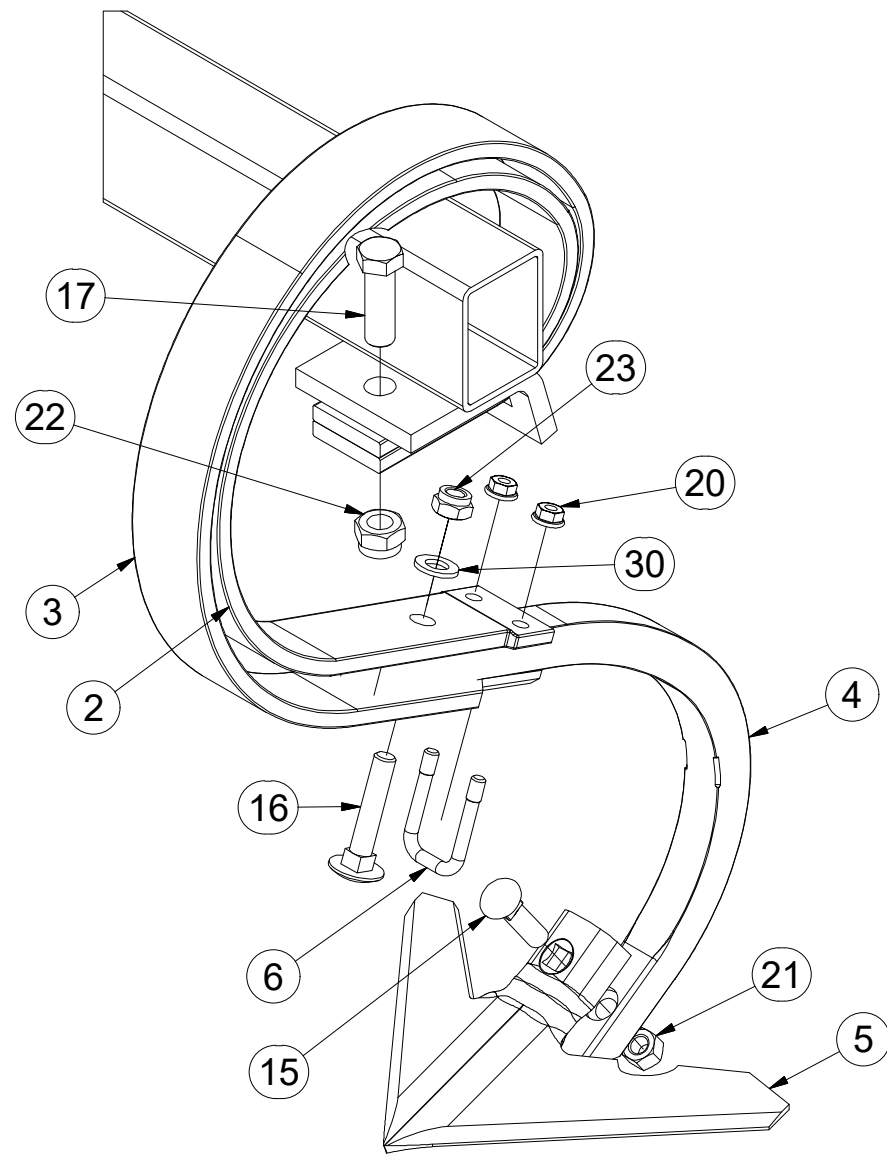
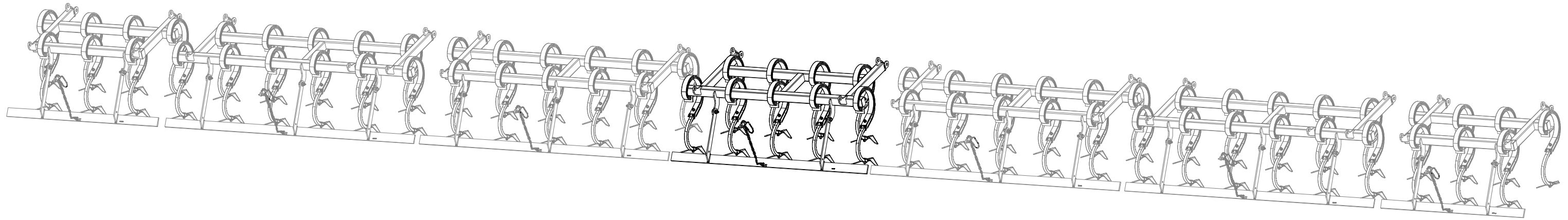
Ⓖ SET OF PLOUGHSHARES

Ⓡ КОМПЛЕКТ ЛАП

Ⓢ ZESTAW REDLIC



3002834



Pos.	Part Number	Pcs.
1	2000363	1
2	3000300	9
3	3000301	9
4	3002818	9
5	3000236-KOO	9
6	m09995	9
15	m10440	9
16	m11600	9
17	m04355	9
20	m06156	18
21	m10439	9
22	m03683	9
23	m04301	9
30	m01214	9

Ⓒ SADA RADLIC

Ⓓ SCHARSATZ

Ⓕ KIT DE SOCS

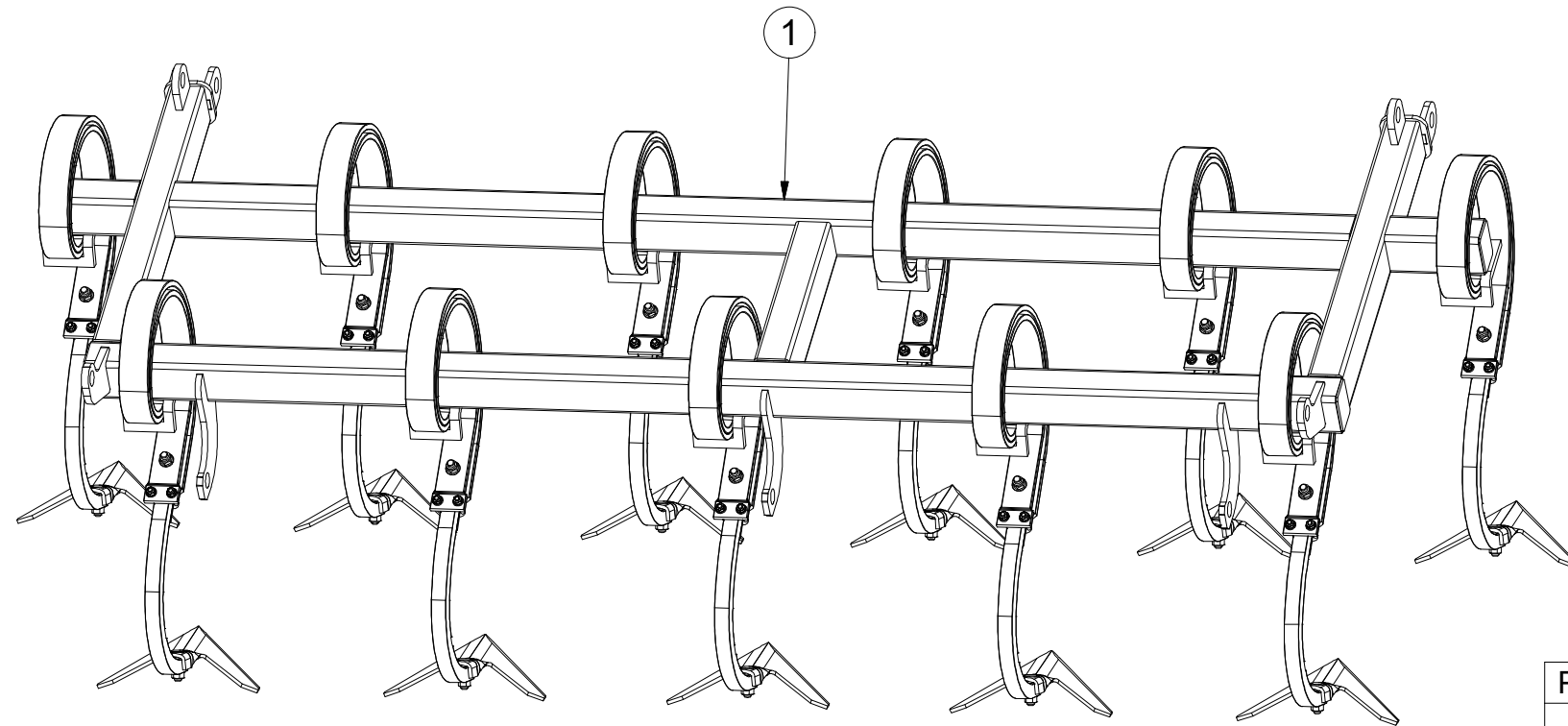
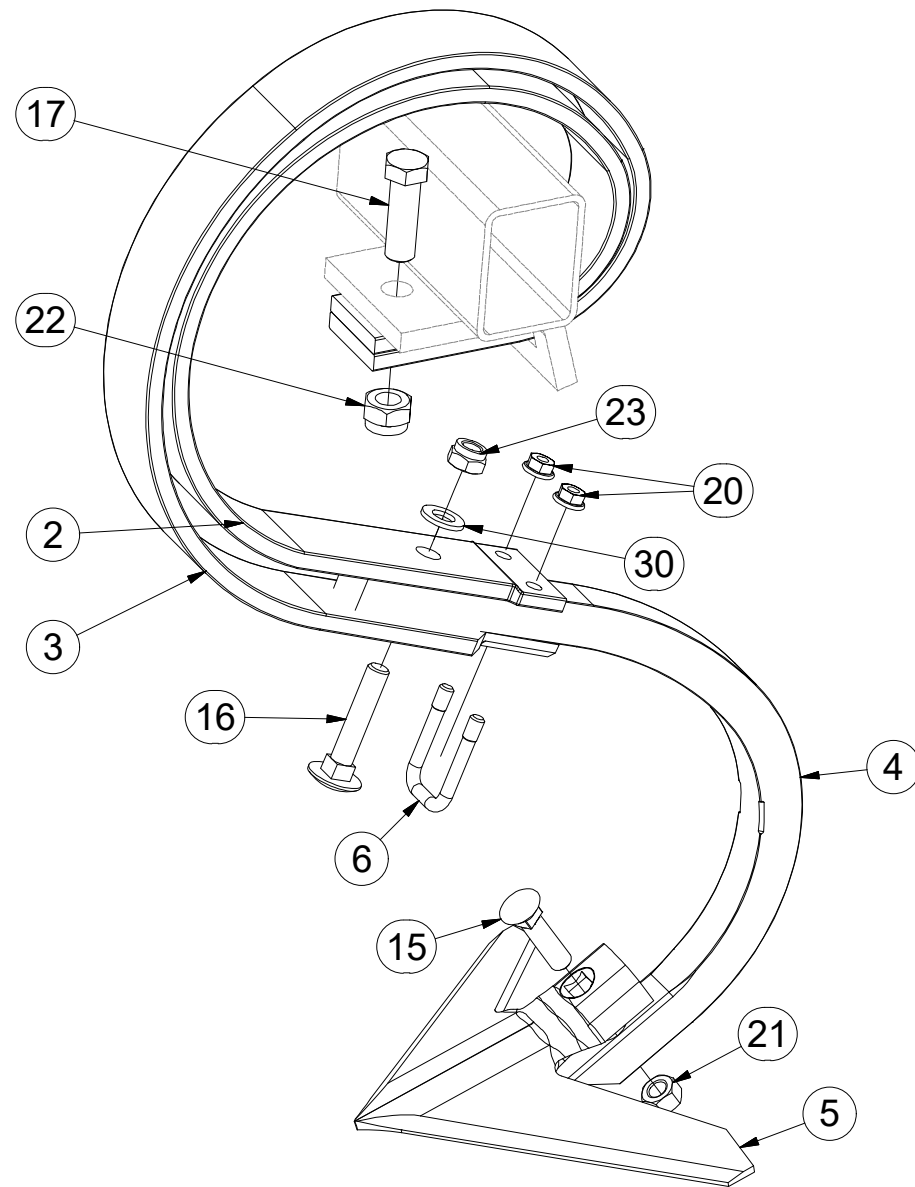
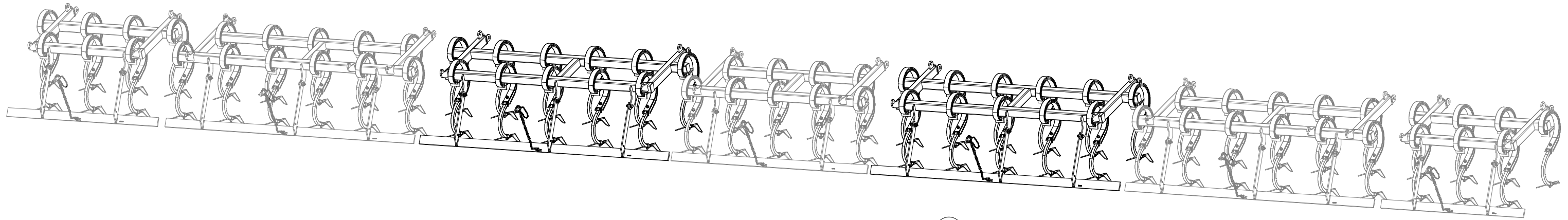
Ⓖ SET OF PLOUGHSHARES

Ⓡ КОМПЛЕКТ ЛАП

Ⓢ ZESTAW REDLIC



3002992



Pos.	Part Number	Pcs.
1	2000371	1
2	3000300	11
3	3000301	11
4	3002818	11
5	3000236-KOO	11
6	m09995	11
15	m10440	11
16	m11600	11
17	m04355	11
20	m06156	22
21	m10439	11
22	m03683	11
23	m04301	11
30	m01214	11

Ⓒ SADA RADLIC

Ⓓ SCHARSATZ

Ⓕ KIT DE SOCS

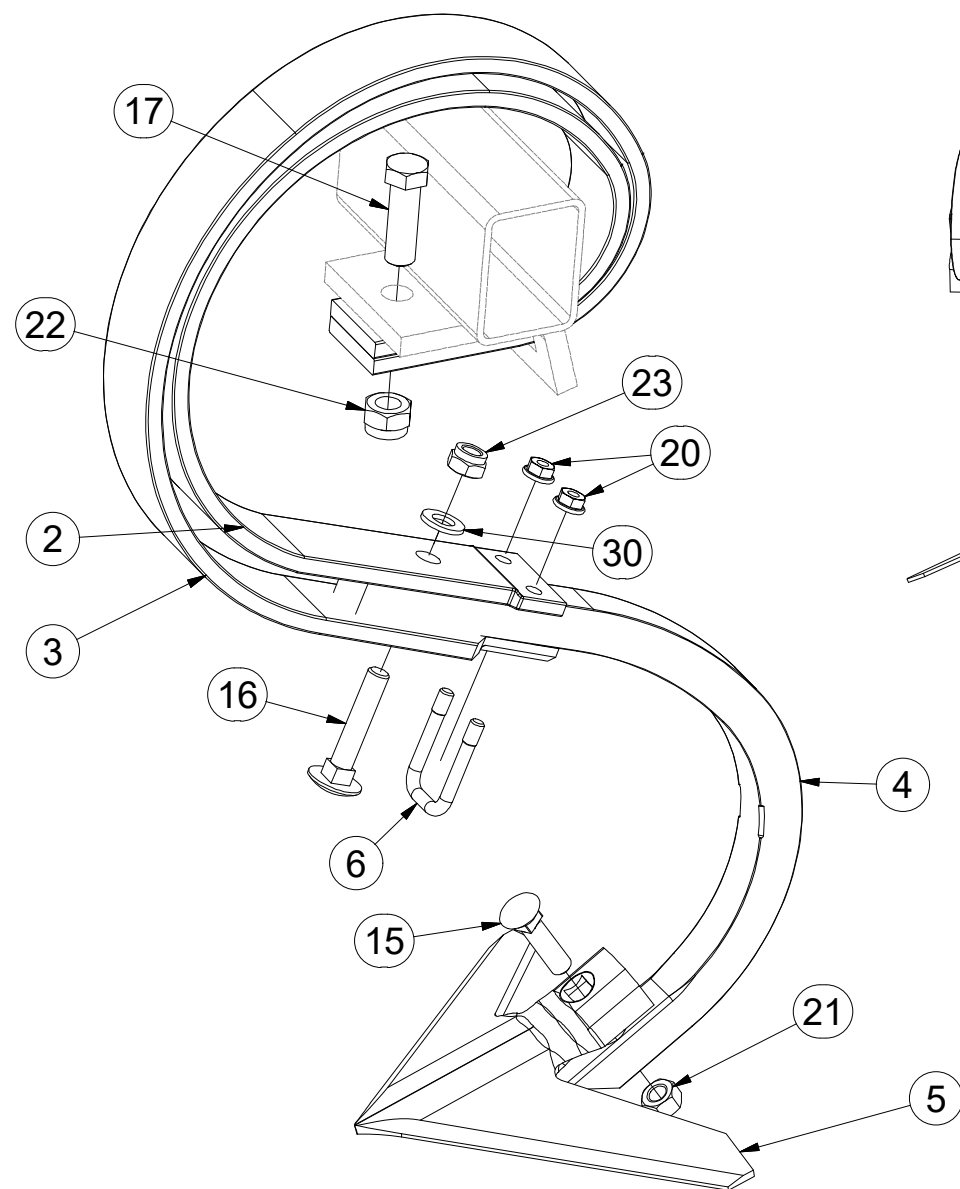
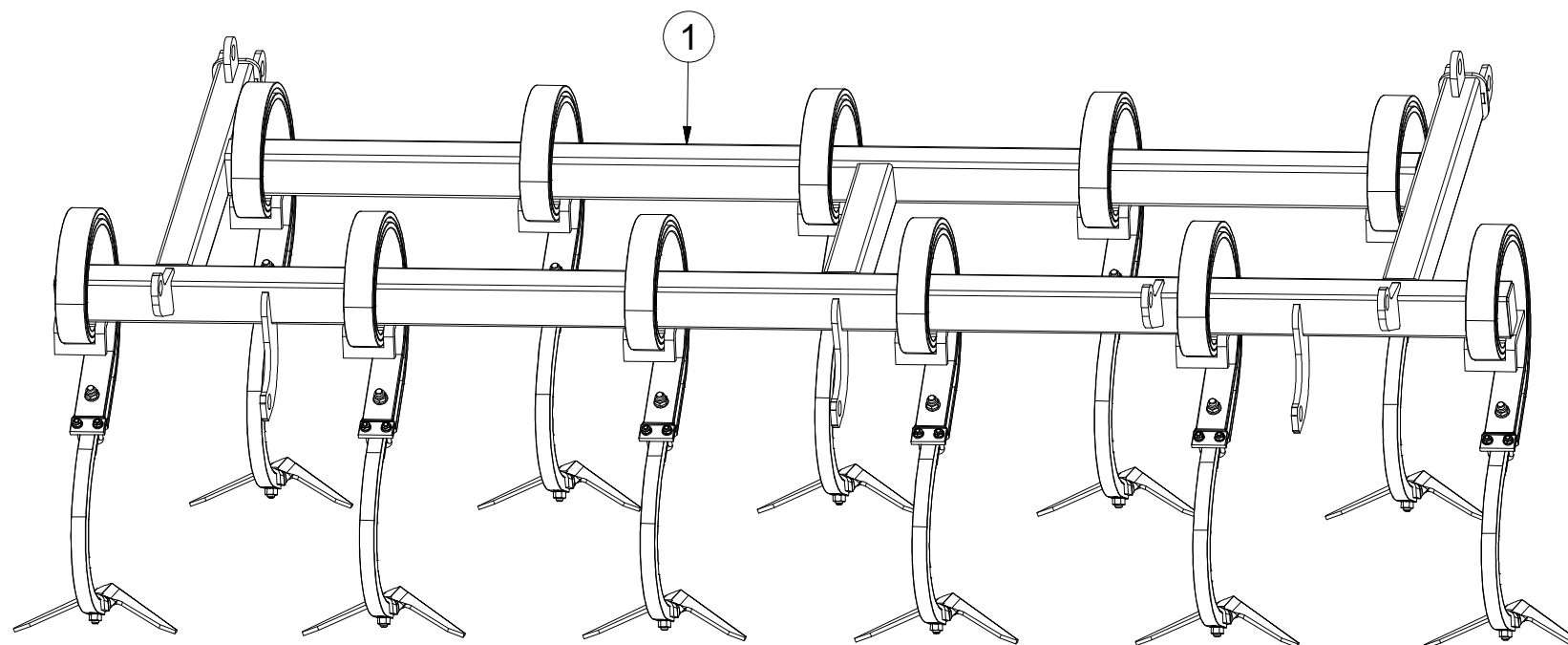
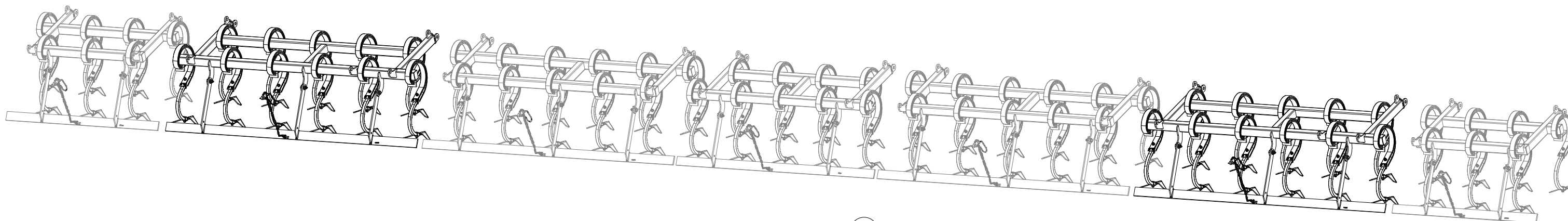
Ⓖ SET OF PLOUGHSHARES

Ⓡ КОМПЛЕКТ ЛАП

Ⓟ ZESTAW REDLIC



3002993



Pos.	Part Number	Pcs.
1	2000380	1
2	3000300	11
3	3000301	11
4	3002818	11
5	3000236-KOO	11
6	m09995	11
15	m10440	11
16	m11600	11
17	m04355	11
20	m06156	22
21	m10439	11
22	m03683	11
23	m04301	11
30	m01214	11

Ⓒ SADA RADLIC

Ⓓ SCHARSATZ

Ⓕ KIT DE SOCS

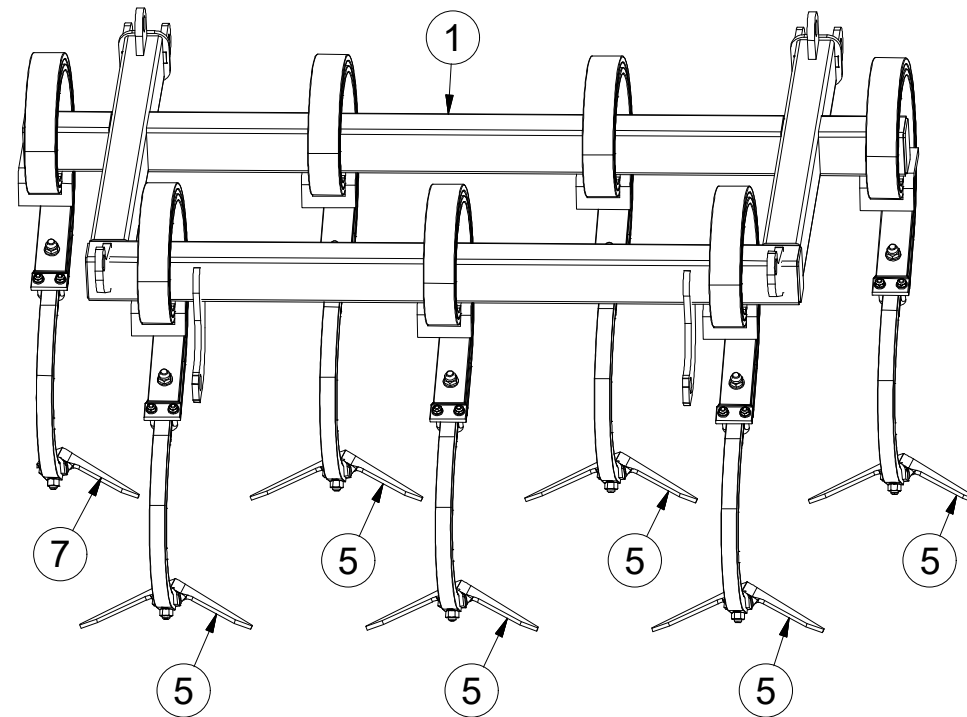
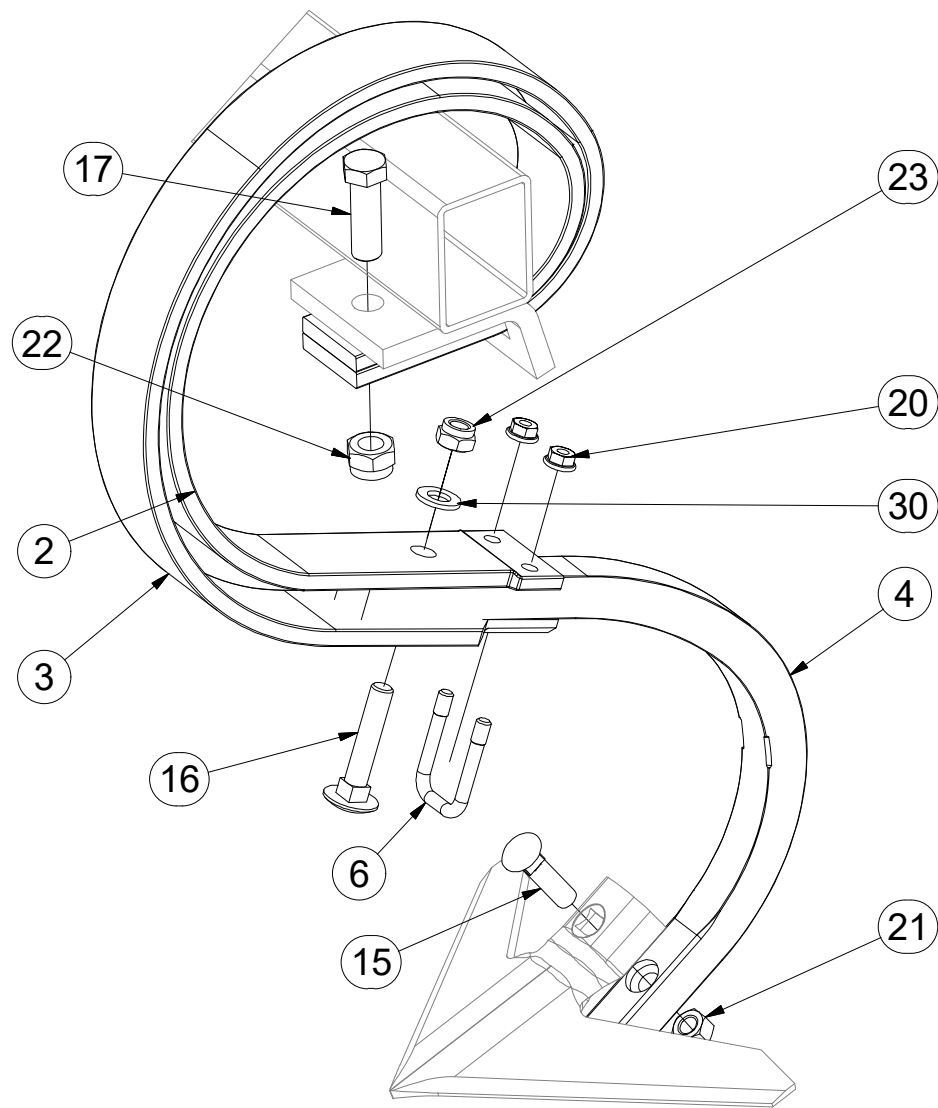
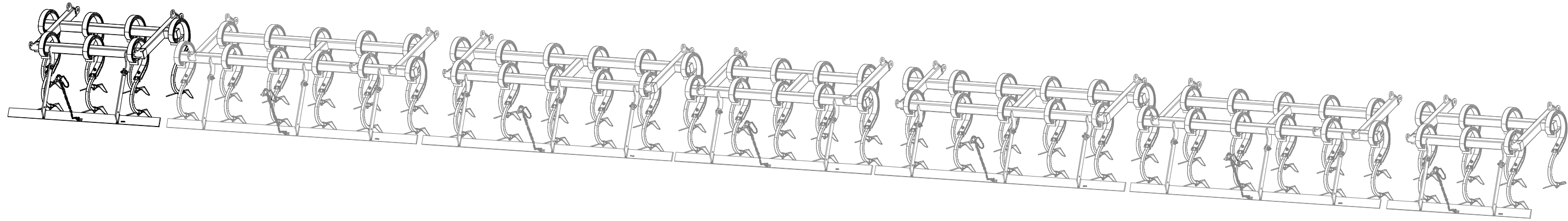
Ⓖ SET OF PLOUGHSHARES

Ⓡ КОМПЛЕКТ ЛАП

Ⓟ ZESTAW REDLIC



3007747



Pos.	Part Number	Pcs.
1	3002869	1
2	3000300	7
3	3000301	7
4	3002818	7
5	3000236-KOO	6
6	m09995	7
7	4007280	1
15	m10440	7
16	m11600	7
17	m04355	7
20	m06156	14
21	m10439	7
22	m03683	7
23	m04301	7
30	m01214	7

ⒸZ SADA RADLIC

Ⓓ SCHARSATZ

Ⓕ KIT DE SOCS

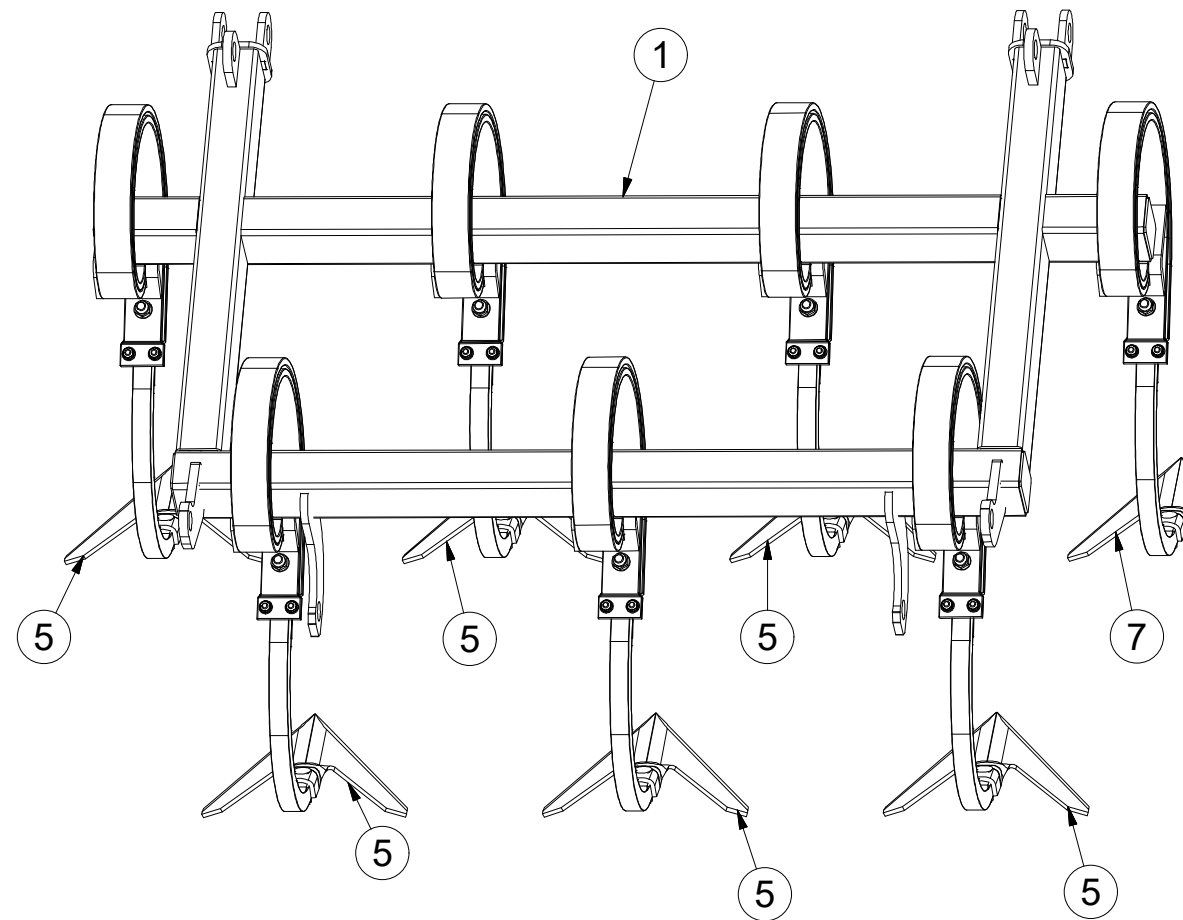
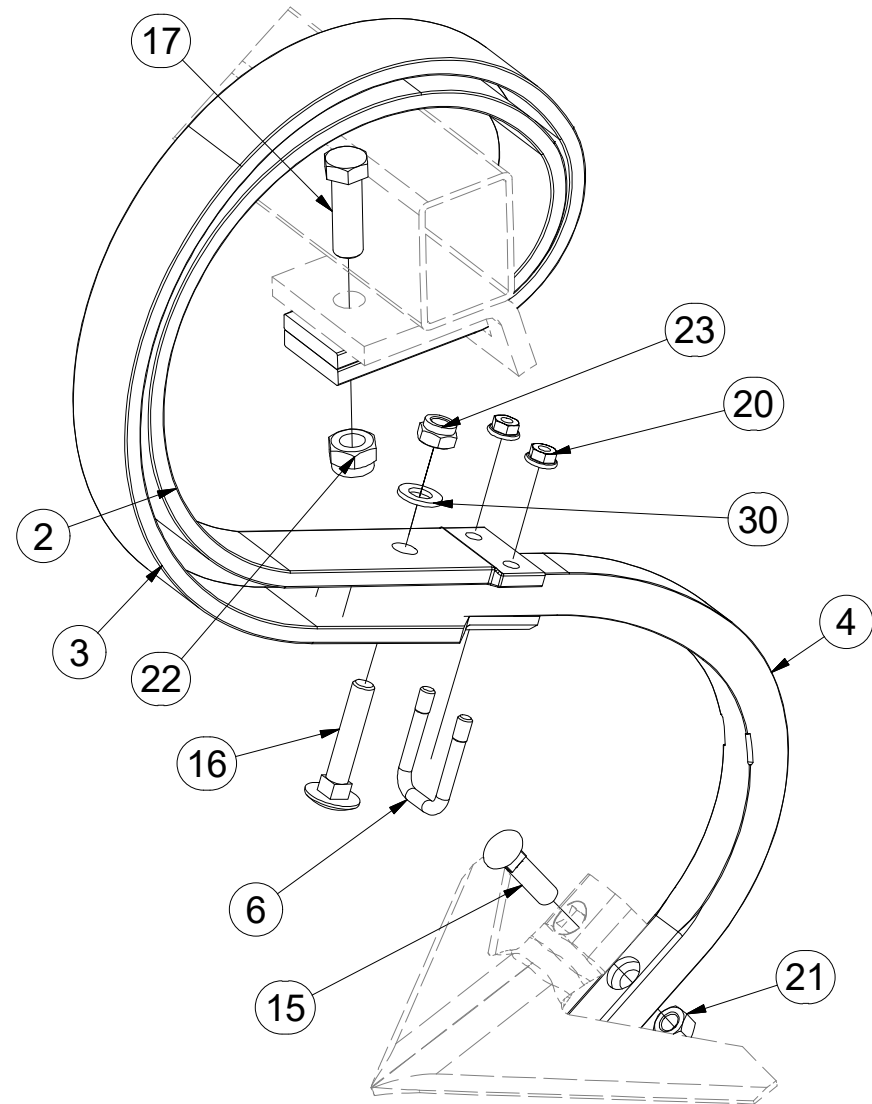
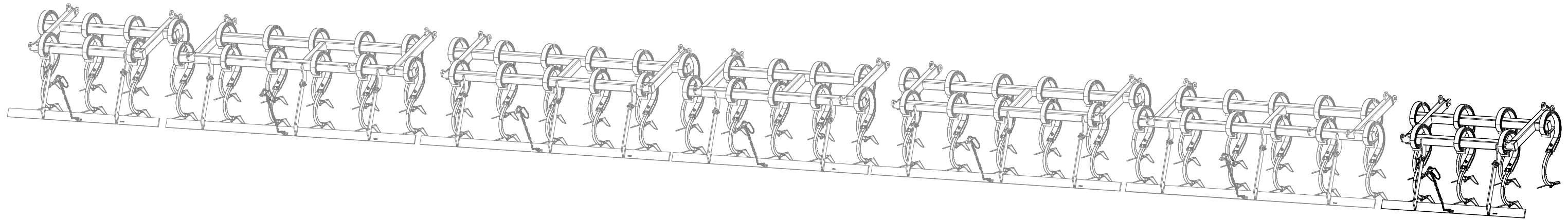
ⒼB SET OF PLOUGHSHARES

ⒺU КОМПЛЕКТ ЛАП

ⒼL ZESTAW REDLIC



3007748



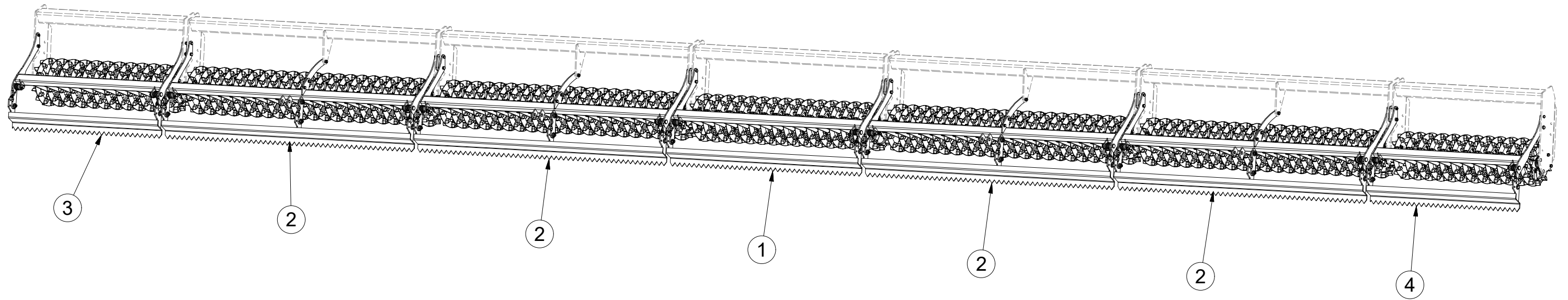
Pos.	Part Number	Pcs.
1	3002869	1
2	3000300	7
3	3000301	7
4	3002818	7
5	3000236-KOO	6
6	m09995	7
7	4007281	1
15	m10440	7
16	m11600	7
17	m04355	7
20	m06156	14
21	m10439	7
22	m03683	7
23	m04301	7
30	m01214	7

- Ⓒ SADA ZADNÍCH VÁLCŮ
- Ⓓ SATZ HINTERE WALZEN
- Ⓕ KIT DE ROULEAUX ARRIÈRE

- Ⓖ SET OF REAR ROLLERS
- Ⓡ КОМПЛЕКТ ЗАДНИХ КАТКОВ
- Ⓟ ZESTAW TYLNYCH WAŁÓW



3008678



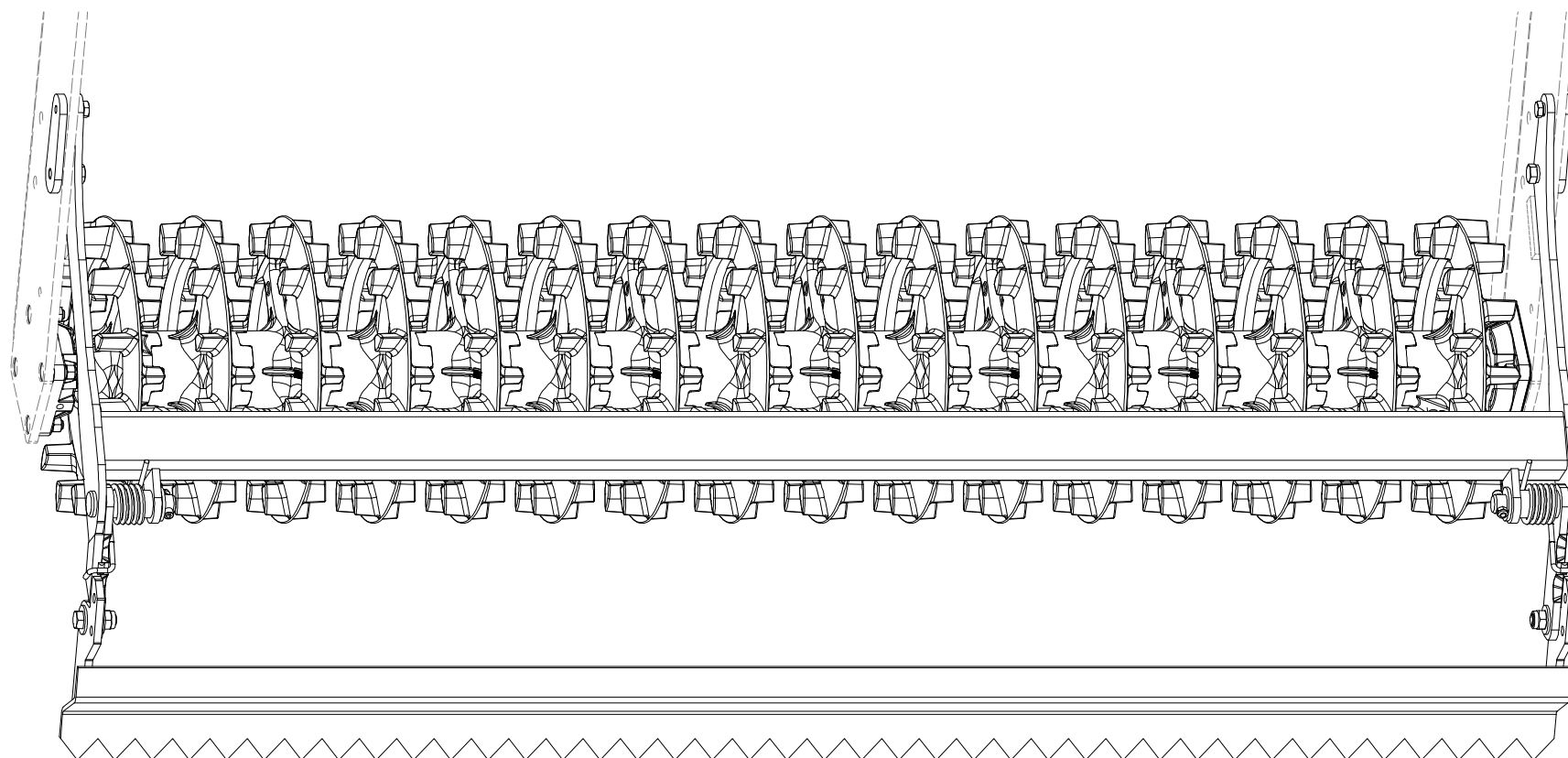
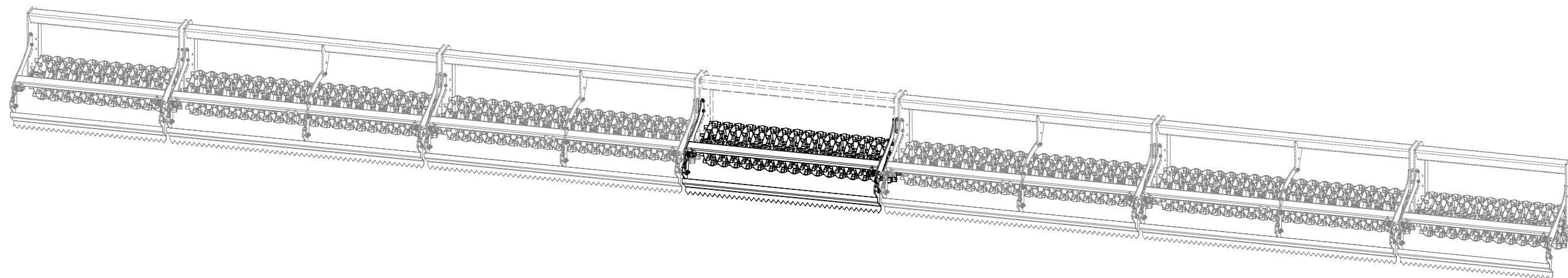
Pos.	Part Number	Pcs.
1	3008740	1
2	3008741	4
3	3008744	1
4	3008745	1

- Ⓒ SADA ZADNÍCH VÁLČŮ
- Ⓓ SATZ HINTERE WALZEN
- Ⓕ KIT DE ROULEAUX ARRIÈRE

- Ⓖ SET OF REAR ROLLERS
- Ⓡ КОМПЛЕКТ ЗАДНИХ КАТКОВ
- Ⓟ ZESTAW TYLNYCH WAŁÓW



3008740

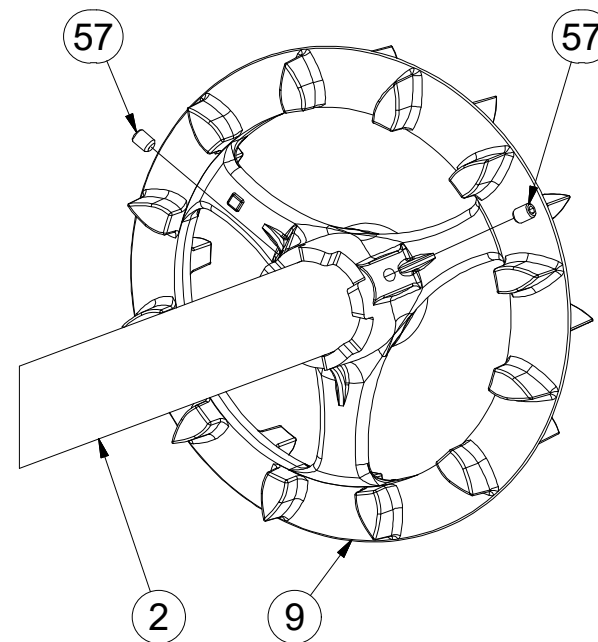
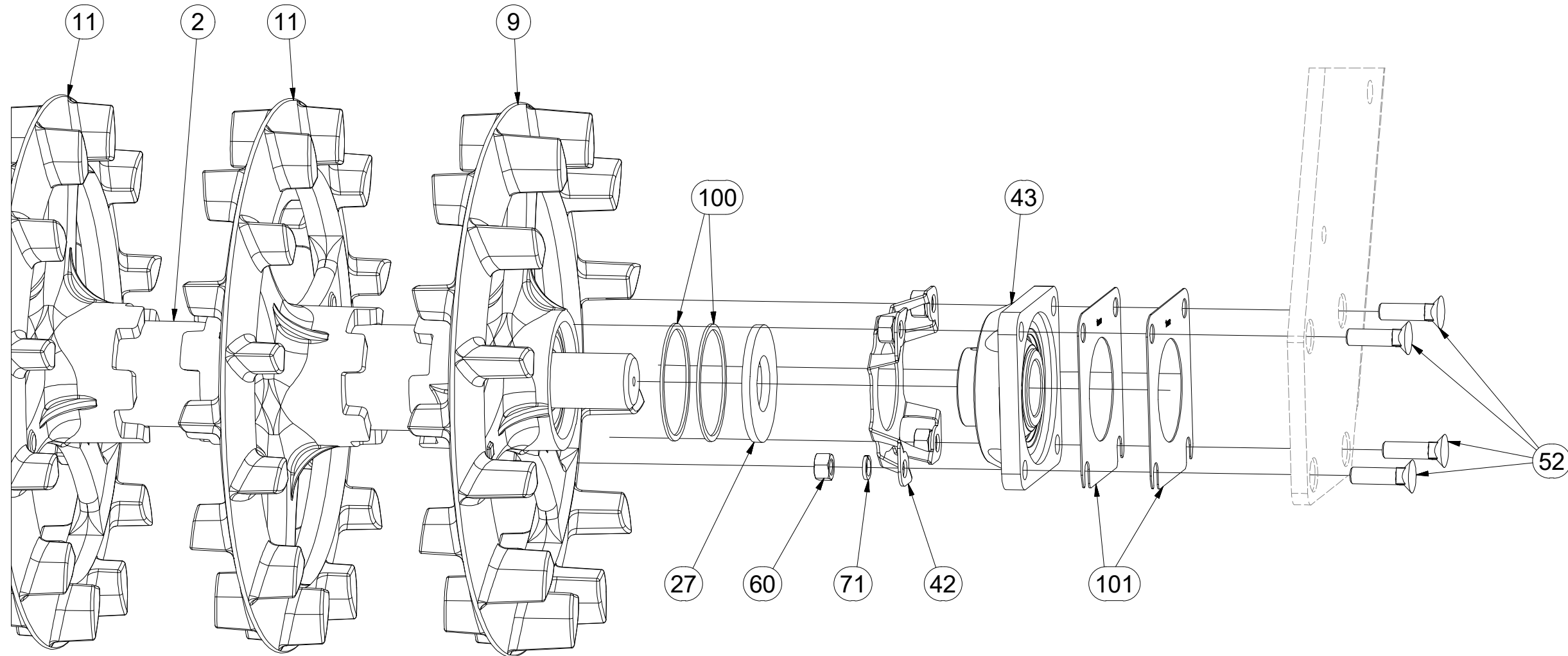


CZ SADA ZADNÍCH VÁLCŮ
 D SATZ HINTERE WALZEN
 F KIT DE ROULEAUX ARRIÈRE

GB SET OF REAR ROLLERS
 RU КОМПЛЕКТ ЗАДНИХ КАТКОВ
 PL ZESTAW TYLNYCH WAŁÓW



3008740



M10 (8.8) - 50Nm
M12 (8.8) - 87Nm

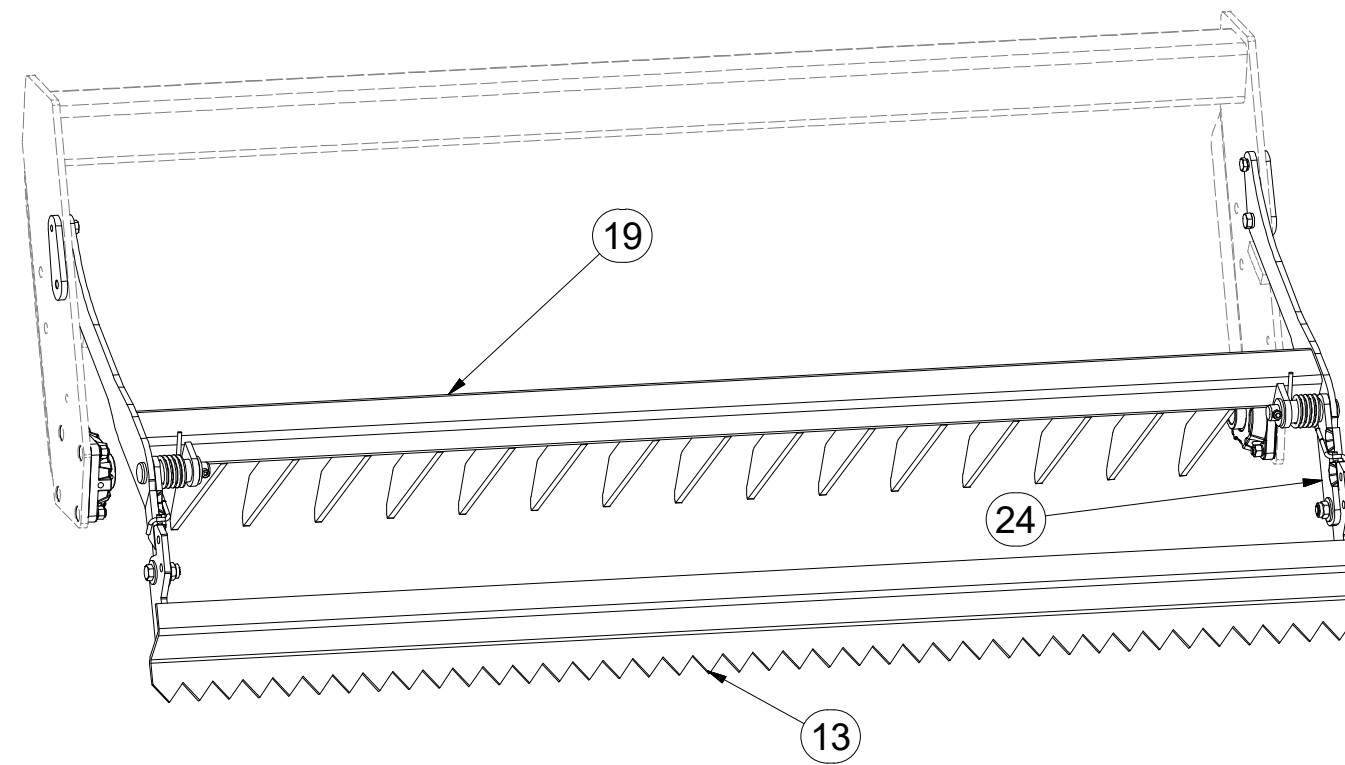
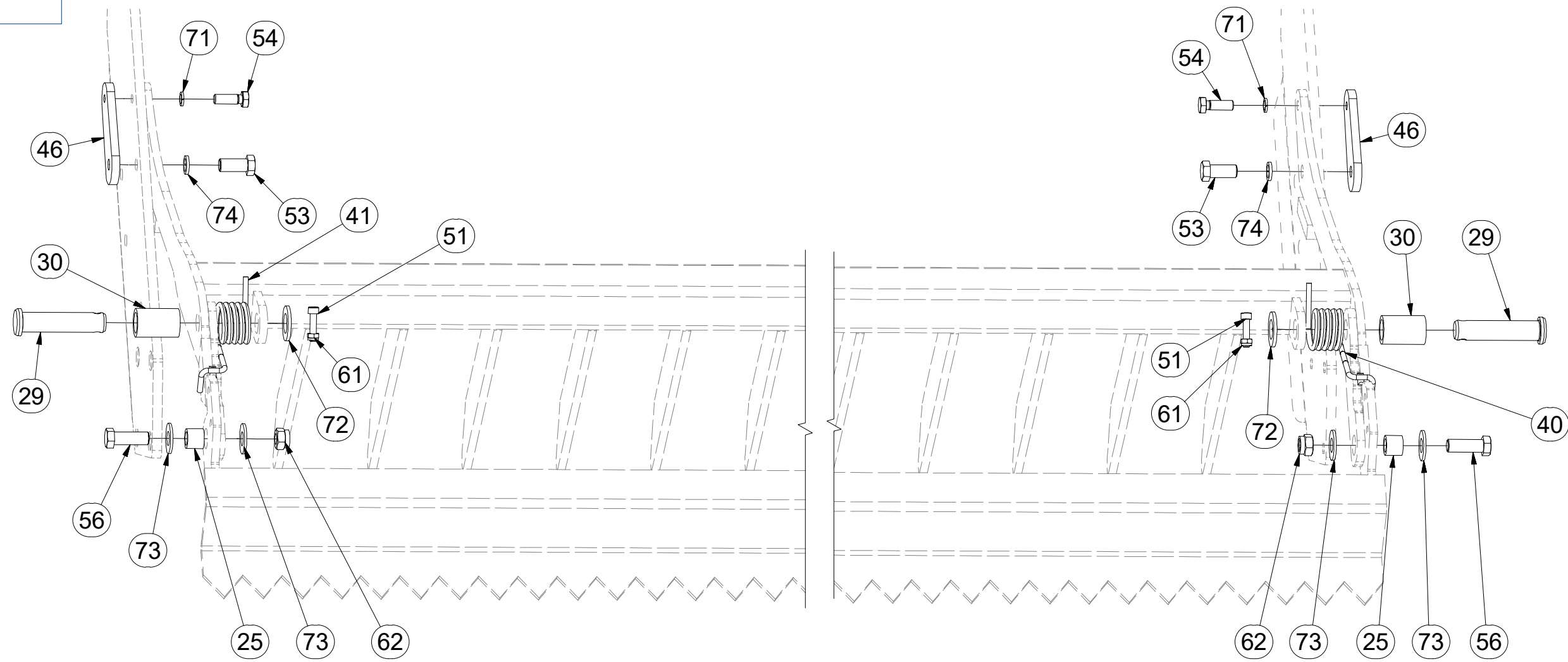
Pos.	Part Number	Pcs.
2	3001805	1
9	4009333	2
11	9002944	14
27	4016995	2
42	4014034	2
43	m15625	2
52	m03519	8
57	m13958	4
60	m01305	8
71	m03988	10
100	4010015	4
101	4016809	4

CZ SADA ZADNÍCH VÁLČŮ
 D SATZ HINTERE WALZEN
 F KIT DE ROULEAUX ARRIÈRE

GB SET OF REAR ROLLERS
 RU КОМПЛЕКТ ЗАДНИХ КАТКОВ
 PL ZESTAW TYLNYCH WAŁÓW



3008740



M8 (8.8) - 25Nm
M12 (8.8) - 87Nm
M16 (8.8) - 210Nm

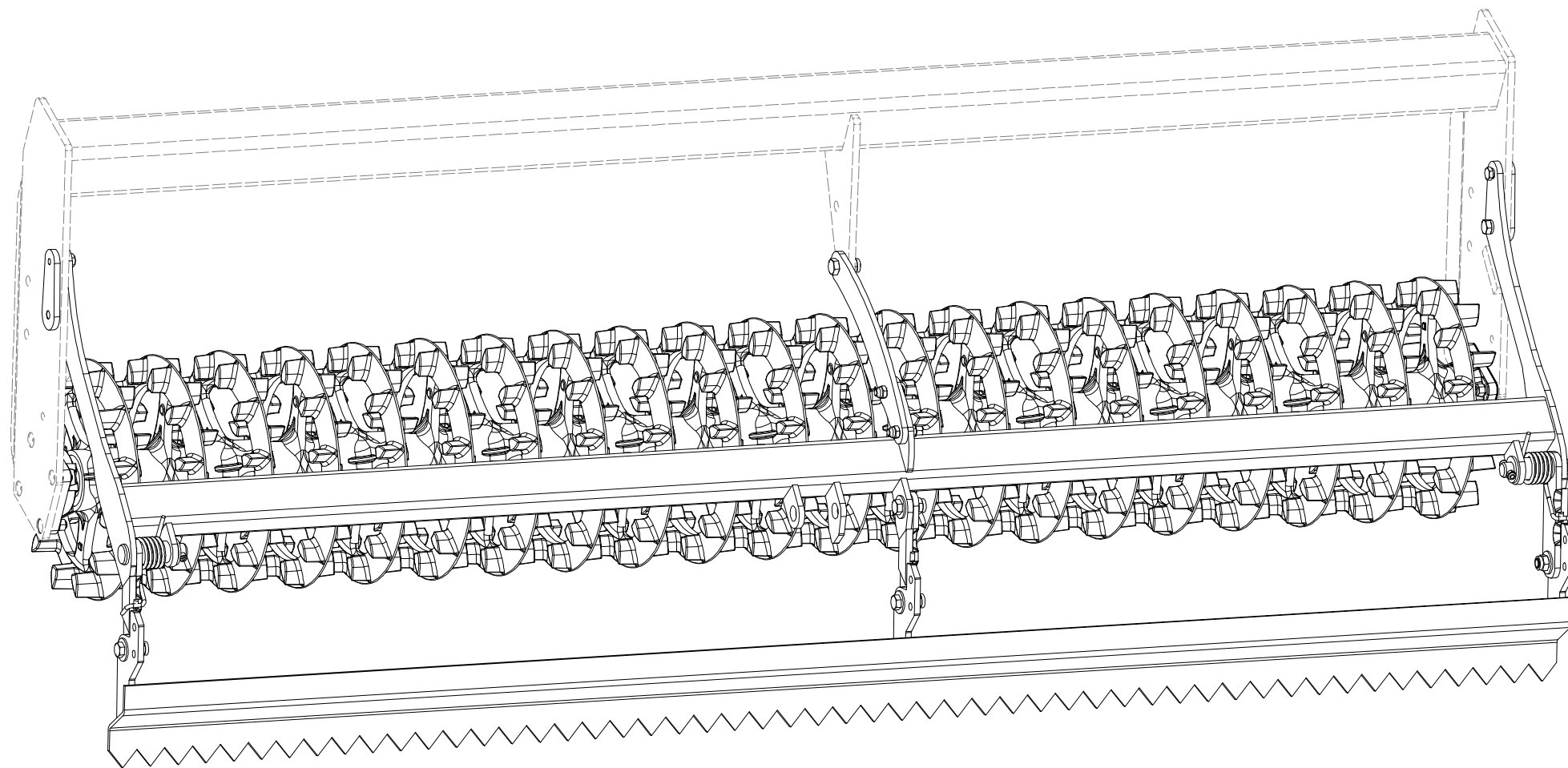
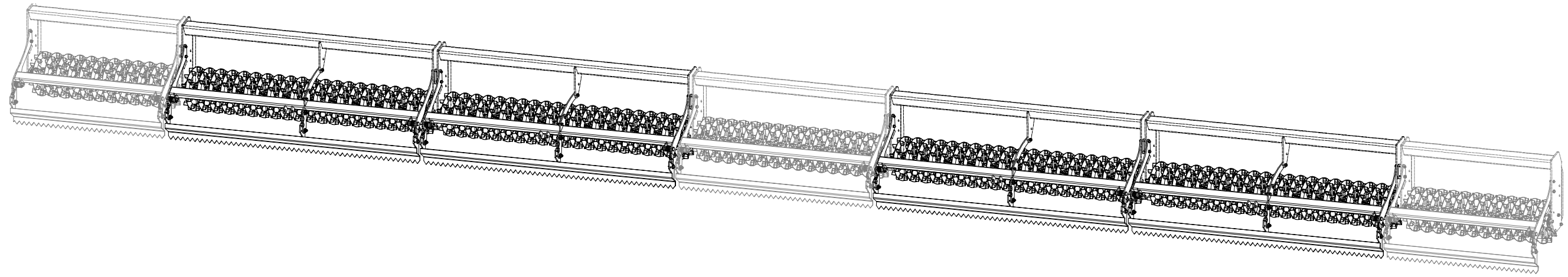
Pos.	Part Number	Pcs.	Pos.	Part Number	Pcs.
13	3001672	1	53	m04240	2
19	3004896	1	54	m04343	2
24	4002269	2	56	m02254	2
25	4004451	2	61	m04503	2
29	4015778	2	62	m03683	2
30	9002979	2	71	m03988	10
40	m12303	1	72	m14028	2
41	m12304	1	73	m05651	4
46	4012019	2	74	m02157	2
51	m09464	2			

- Ⓒ SADA ZADNÍCH VÁLCŮ
- Ⓓ SATZ HINTERE WALZEN
- Ⓕ KIT DE ROULEAUX ARRIÈRE

- Ⓖ SET OF REAR ROLLERS
- Ⓡ КОМПЛЕКТ ЗАДНИХ КАТКОВ
- Ⓟ ZESTAW TYLNYCH WAŁÓW



3008741



ⒸZ SADA ZADNÍCH VÁLCŮ

Ⓓ SATZ HINTERE WALZEN

Ⓕ KIT DE ROULEAUX ARRIÈRE

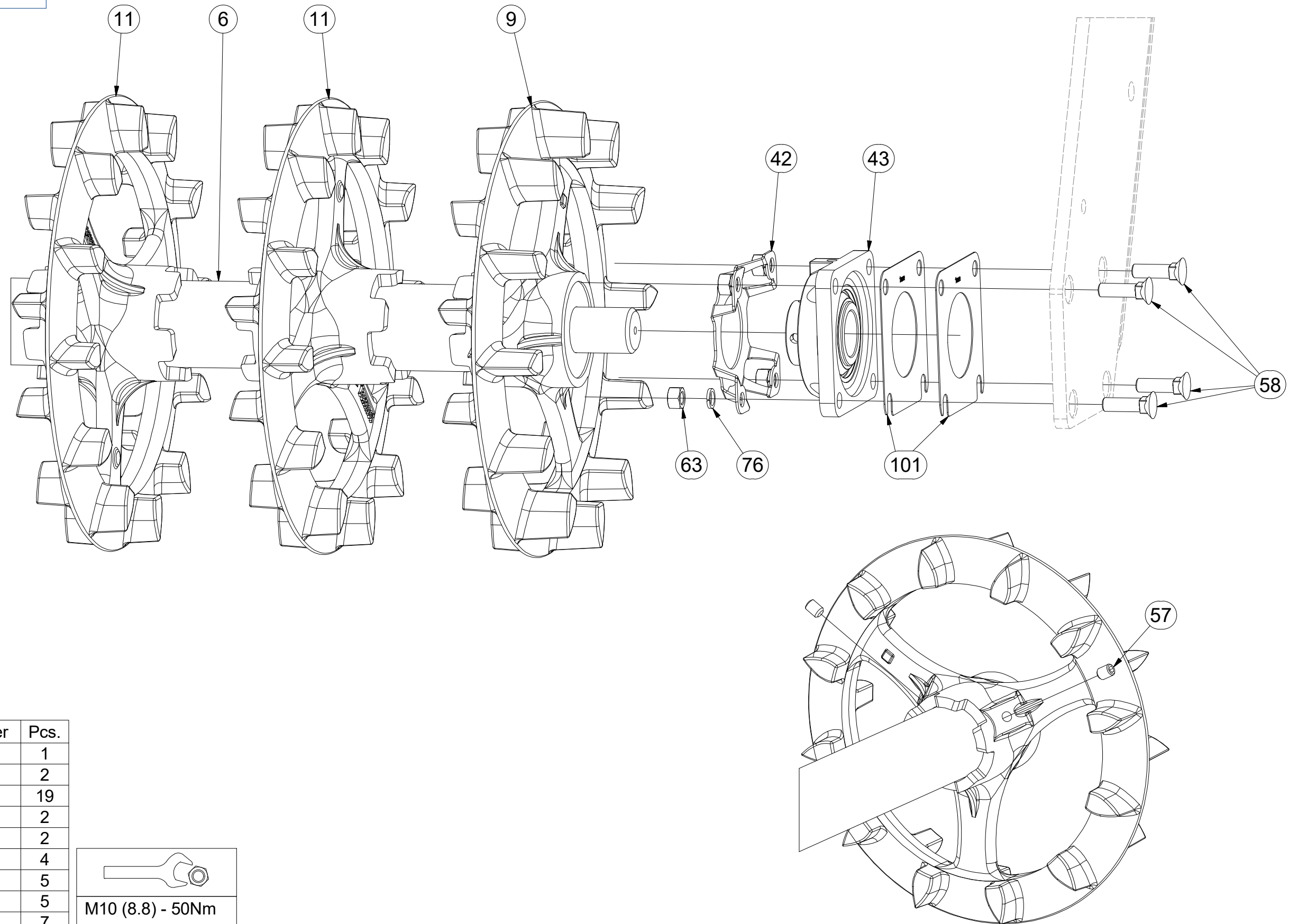
ⒼB SET OF REAR ROLLERS

ⒺU КОМПЛЕКТ ЗАДНИХ КАТКОВ

ⒼL ZESTAW TYLNYCH WAŁÓW



3008741



Pos.	Part Number	Pcs.
6	3000130	1
9	4009333	2
11	9002944	19
42	4014034	2
43	m15625	2
57	m13958	4
58	m03519	5
63	m01305	5
76	m03988	7
101	4016809	4

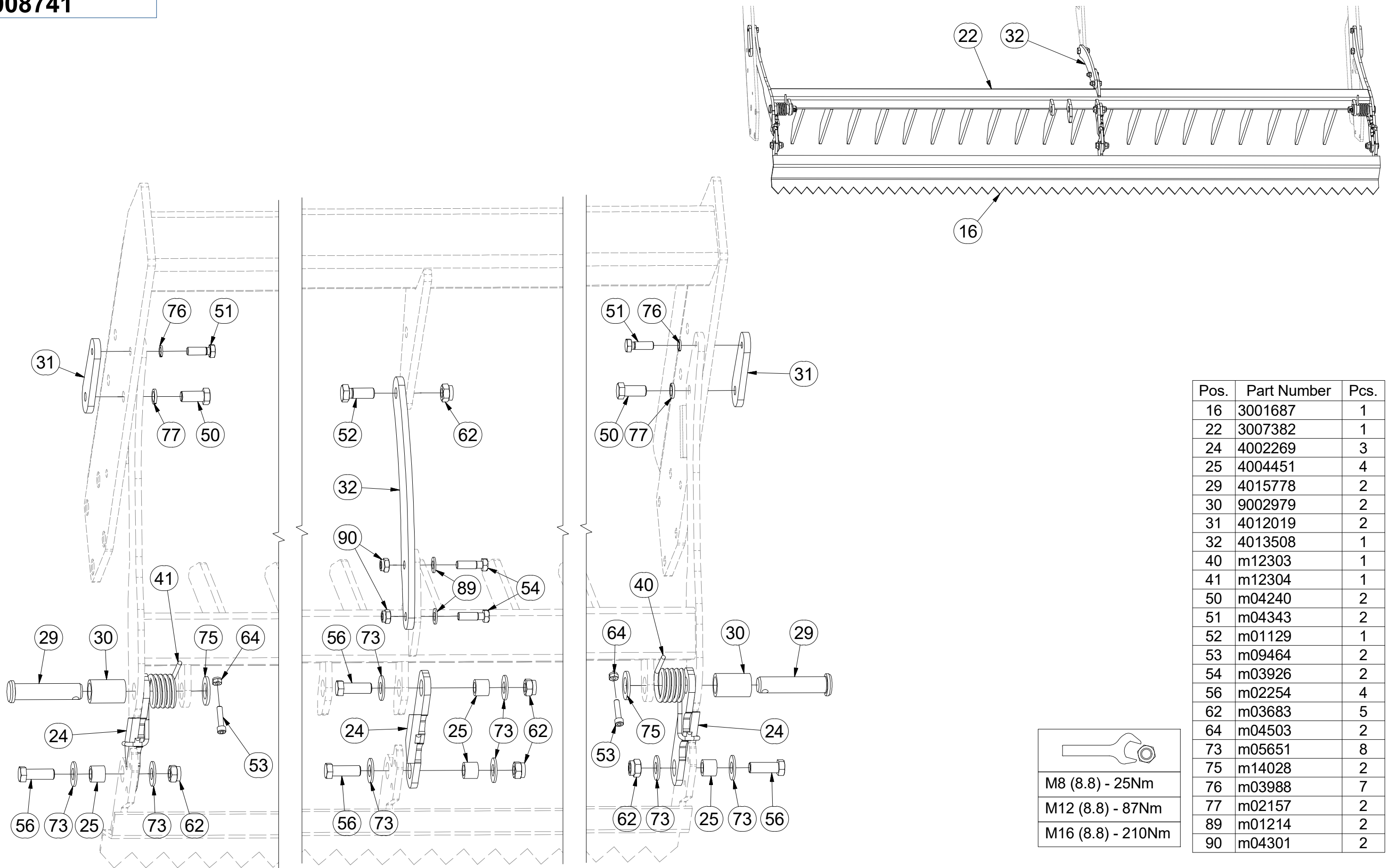
M10 (8.8) - 50Nm
M12 (8.8) - 87Nm

CZ SADA ZADNÍCH VÁLČŮ
 D SATZ HINTERE WALZEN
 F KIT DE ROULEAUX ARRIÈRE

GB SET OF REAR ROLLERS
 RU КОМПЛЕКТ ЗАДНИХ КАТКОВ
 PL ZESTAW TYLNYCH WAŁÓW



3008741



Pos.	Part Number	Pcs.
16	3001687	1
22	3007382	1
24	4002269	3
25	4004451	4
29	4015778	2
30	9002979	2
31	4012019	2
32	4013508	1
40	m12303	1
41	m12304	1
50	m04240	2
51	m04343	2
52	m01129	1
53	m09464	2
54	m03926	2
56	m02254	4
62	m03683	5
64	m04503	2
73	m05651	8
75	m14028	2
76	m03988	7
77	m02157	2
89	m01214	2
90	m04301	2

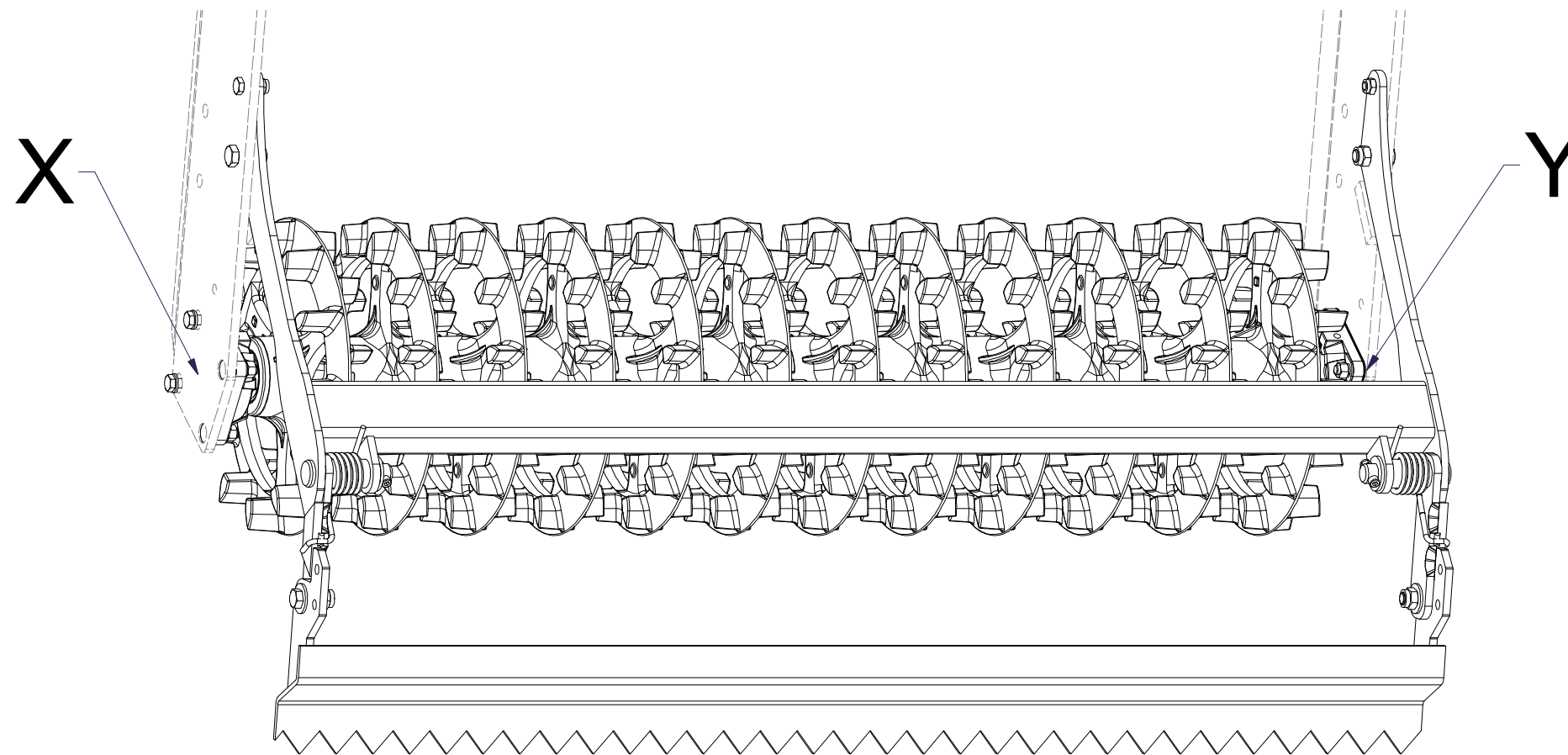
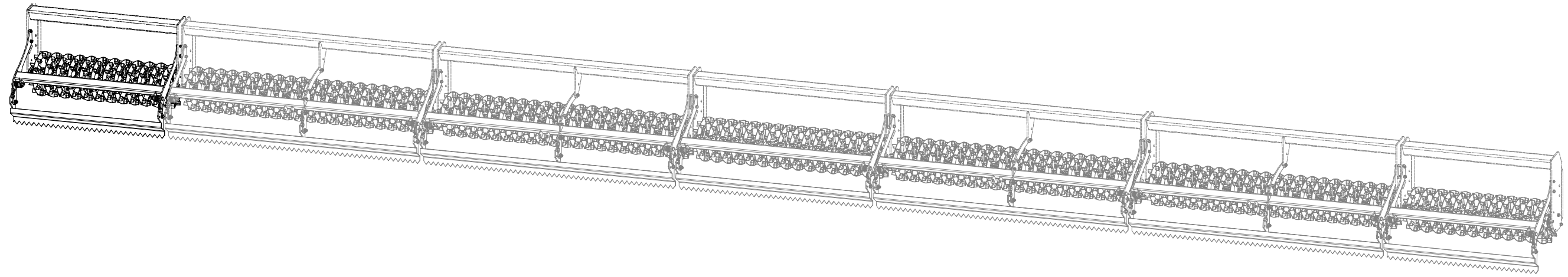
M8 (8.8) - 25Nm
 M12 (8.8) - 87Nm
 M16 (8.8) - 210Nm

- Ⓒ SADA ZADNÍCH VÁLCŮ
- Ⓓ SATZ HINTERE WALZEN
- Ⓕ KIT DE ROULEAUX ARRIÈRE

- Ⓖ SET OF REAR ROLLERS
- Ⓡ КОМПЛЕКТ ЗАДНИХ КАТКОВ
- Ⓟ ZESTAW TYLNYCH WAŁÓW



3008744

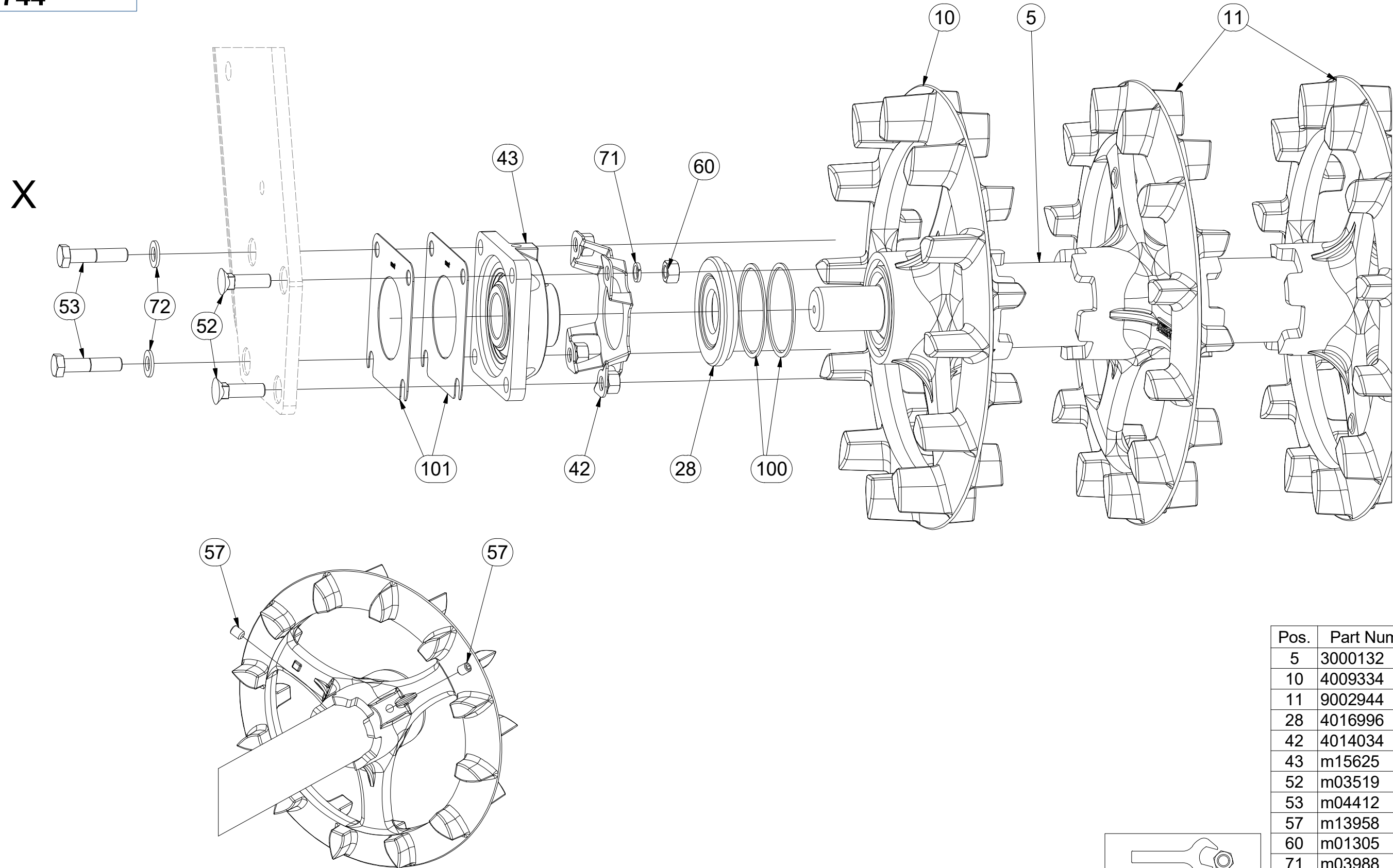


CZ SADA ZADNÍCH VÁLČŮ
 D SATZ HINTERE WALZEN
 F KIT DE ROULEAUX ARRIÈRE

GB SET OF REAR ROLLERS
 RU КОМПЛЕКТ ЗАДНИХ КАТКОВ
 PL ZESTAW TYLNYCH WAŁÓW



3008744



Pos.	Part Number	Pcs.
5	3000132	1
10	4009334	2
11	9002944	10
28	4016996	2
42	4014034	2
43	m15625	2
52	m03519	6
53	m04412	2
57	m13958	4
60	m01305	8
71	m03988	8
72	m01214	2
100	4010015	4
101	4016809	4

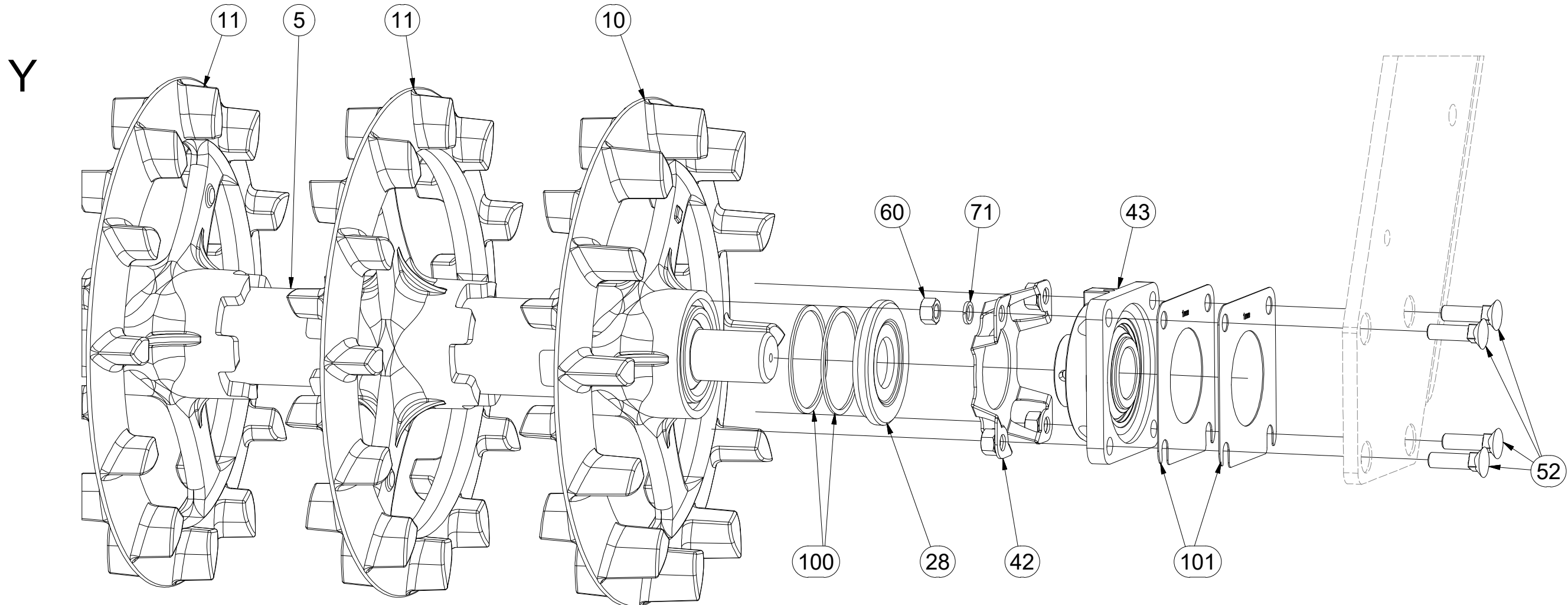
M10 (8.8) - 50Nm
M12 (8.8) - 87Nm

CZ SADA ZADNÍCH VÁLCŮ
 D SATZ HINTERE WALZEN
 F KIT DE ROULEAUX ARRIÈRE

GB SET OF REAR ROLLERS
 RU КОМПЛЕКТ ЗАДНИХ КАТКОВ
 PL ZESTAW TYLNYCH WAŁÓW



3008744



Pos.	Part Number	Pcs.
5	3000132	1
10	4009334	2
11	9002944	10
28	4016996	2
42	4014034	2
43	m15625	2
52	m03519	6
60	m01305	8
71	m03988	8
100	4010015	4
101	4016809	4

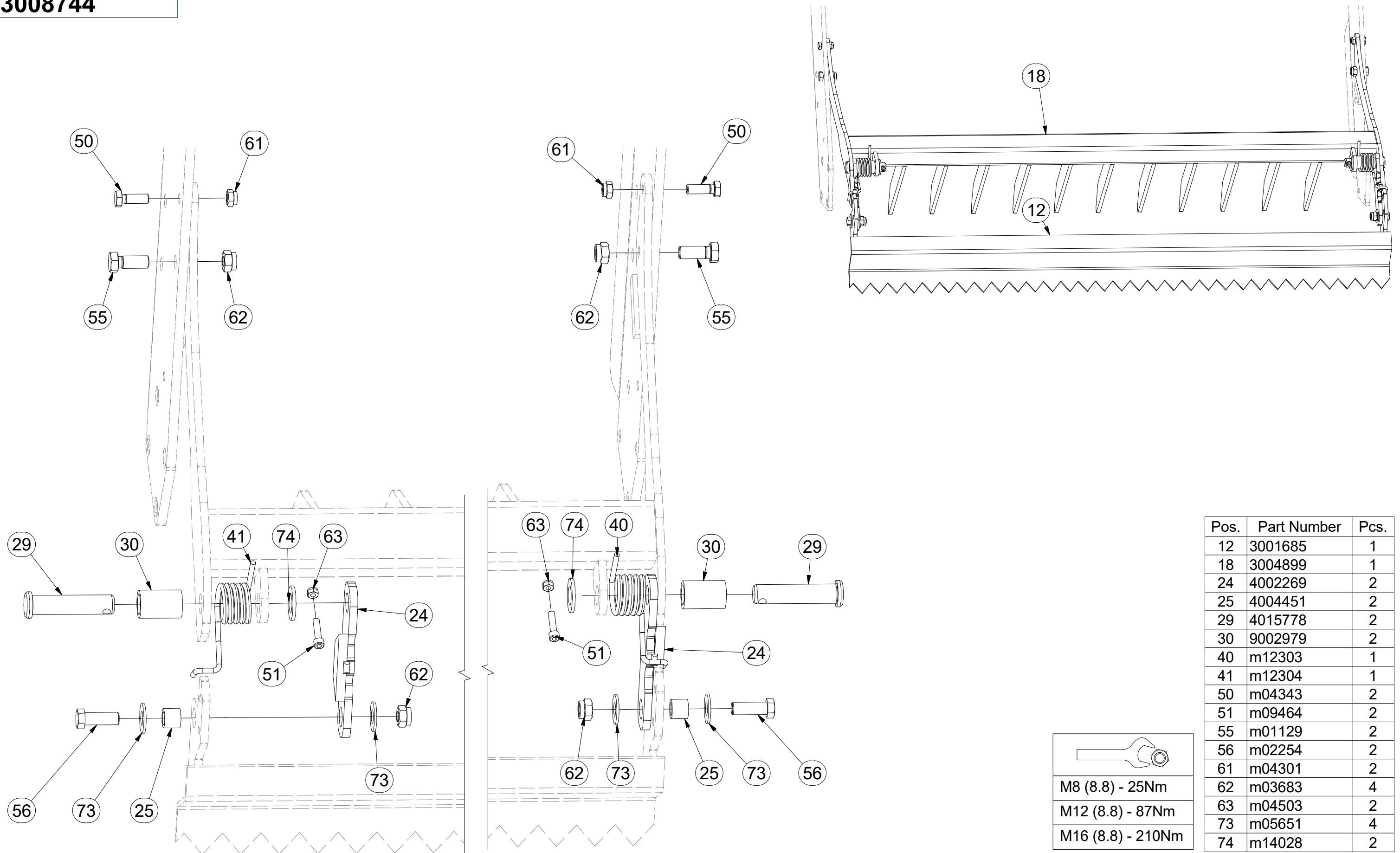
M10 (8.8) - 50Nm
M12 (8.8) - 87Nm

CZ SADA ZADNÍCH VÁLČŮ
 D SATZ HINTERE WALZEN
 F KIT DE ROULEAUX ARRIÈRE

GB SET OF REAR ROLLERS
 RU КОМПЛЕКТ ЗАДНИХ КАТКОВ
 PL ZESTAW TYLNYCH WAŁÓW



3008744



Pos.	Part Number	Pcs.
12	3001685	1
18	3004899	1
24	4002269	2
25	4004451	2
29	4015778	2
30	9002979	2
40	m12303	1
41	m12304	1
50	m04343	2
51	m09464	2
55	m01129	2
56	m02254	2
61	m04301	2
62	m03683	4
63	m04503	2
73	m05651	4
74	m14028	2

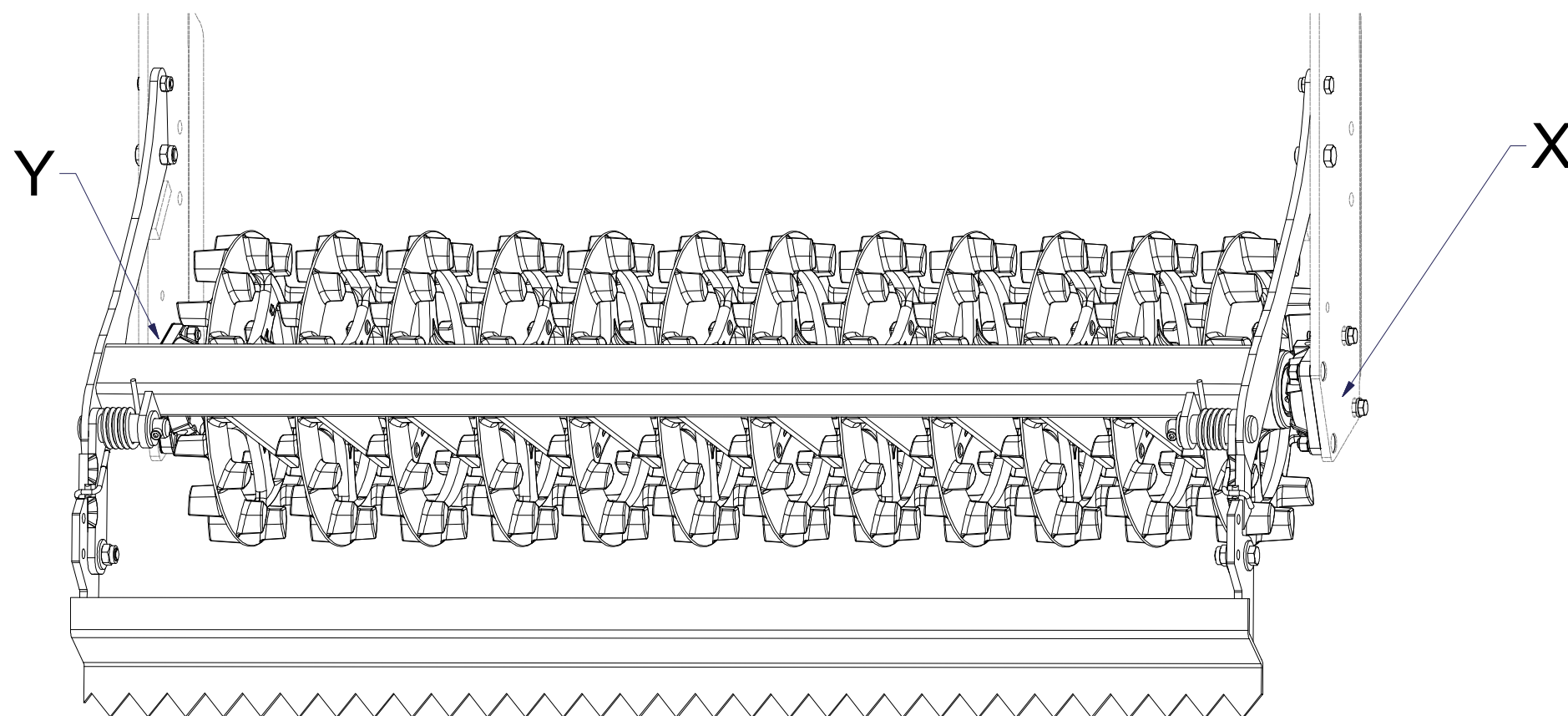
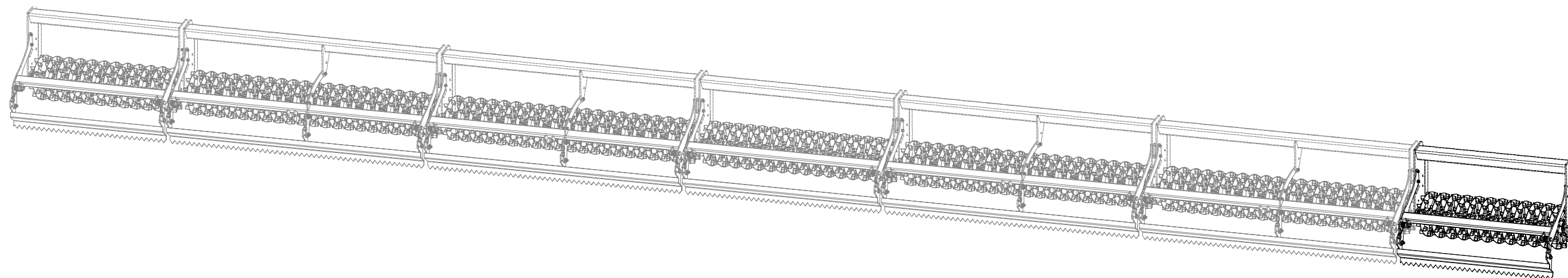
M8 (8.8) - 25Nm
 M12 (8.8) - 87Nm
 M16 (8.8) - 210Nm

- Ⓒ SADA ZADNÍCH VÁLCŮ
- Ⓓ SATZ HINTERE WALZEN
- Ⓕ KIT DE ROULEAUX ARRIÈRE

- Ⓖ SET OF REAR ROLLERS
- Ⓡ КОМПЛЕКТ ЗАДНИХ КАТКОВ
- Ⓟ ZESTAW TYLNYCH WAŁÓW



3008745

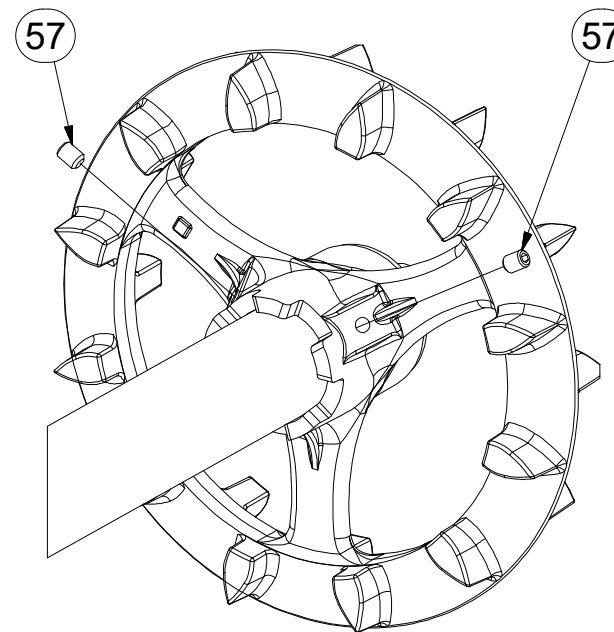
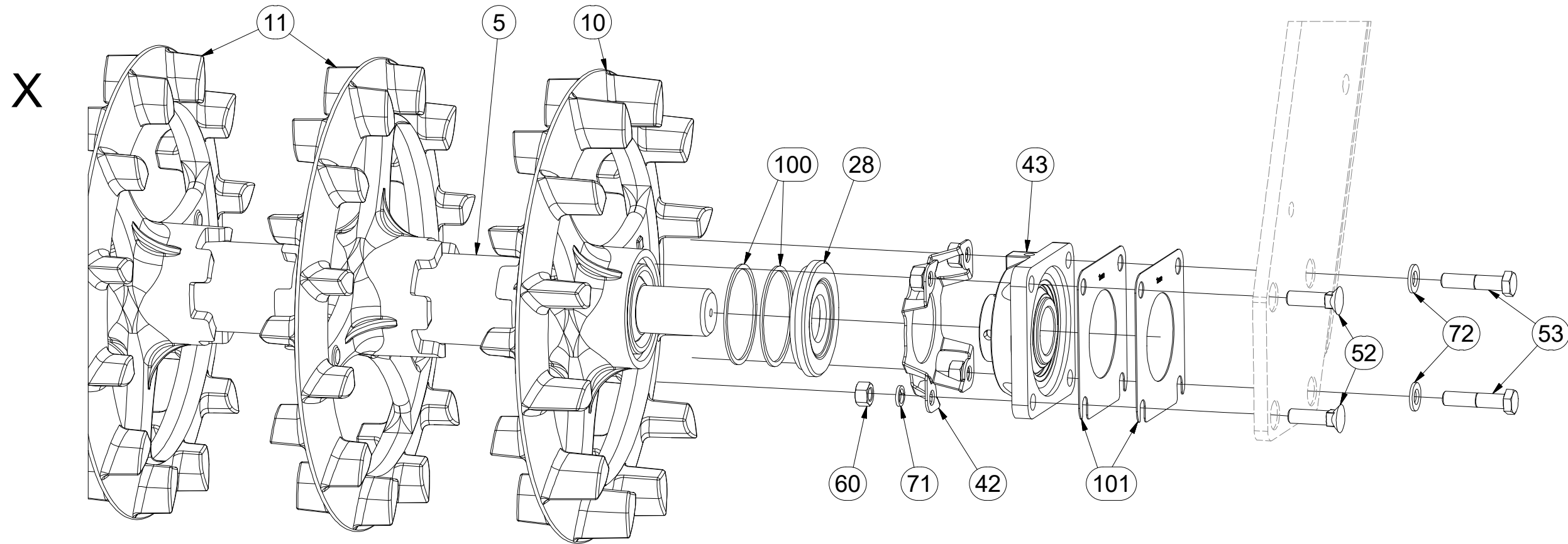


CZ SADA ZADNÍCH VÁLCŮ
 D SATZ HINTERE WALZEN
 F KIT DE ROULEAUX ARRIÈRE

GB SET OF REAR ROLLERS
 RU КОМПЛЕКТ ЗАДНИХ КАТКОВ
 PL ZESTAW TYLNYCH WAŁÓW



3008745



Pos.	Part Number	Pcs.
5	3000132	1
10	4009334	2
11	9002944	10
28	4016996	2
42	4014034	2
43	m15625	2
52	m03519	6
53	m04412	2
57	m13958	4
60	m01305	8
71	m03988	8
72	m01214	2
100	4010015	4
101	4016809	4

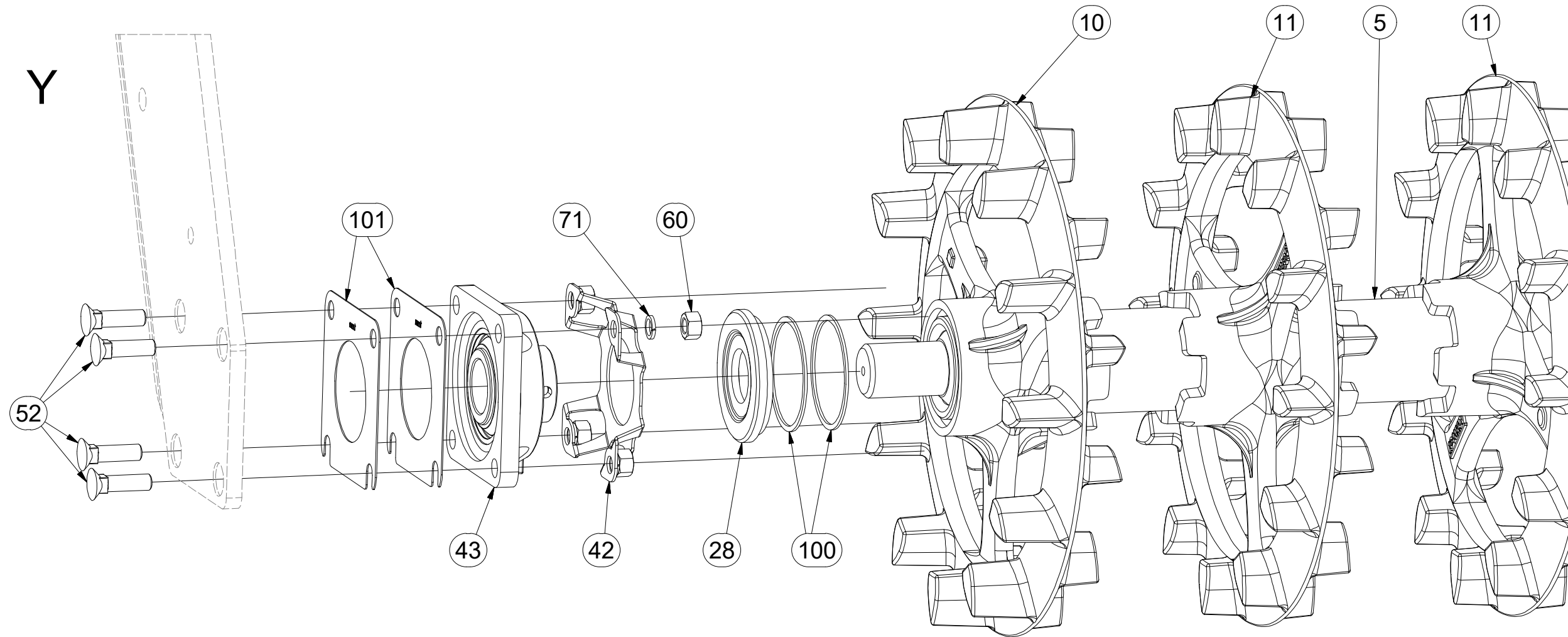
M10 (8.8) - 50Nm
M12 (8.8) - 87Nm

CZ SADA ZADNÍCH VÁLČŮ
 D SATZ HINTERE WALZEN
 F KIT DE ROULEAUX ARRIÈRE

GB SET OF REAR ROLLERS
 RU КОМПЛЕКТ ЗАДНИХ КАТКОВ
 PL ZESTAW TYLNYCH WAŁÓW



3008745



Pos.	Part Number	Pcs.
5	3000132	1
10	4009334	2
11	9002944	10
28	4016996	2
42	4014034	2
43	m15625	2
52	m03519	6
60	m01305	8
71	m03988	8
100	4010015	4
101	4016809	4

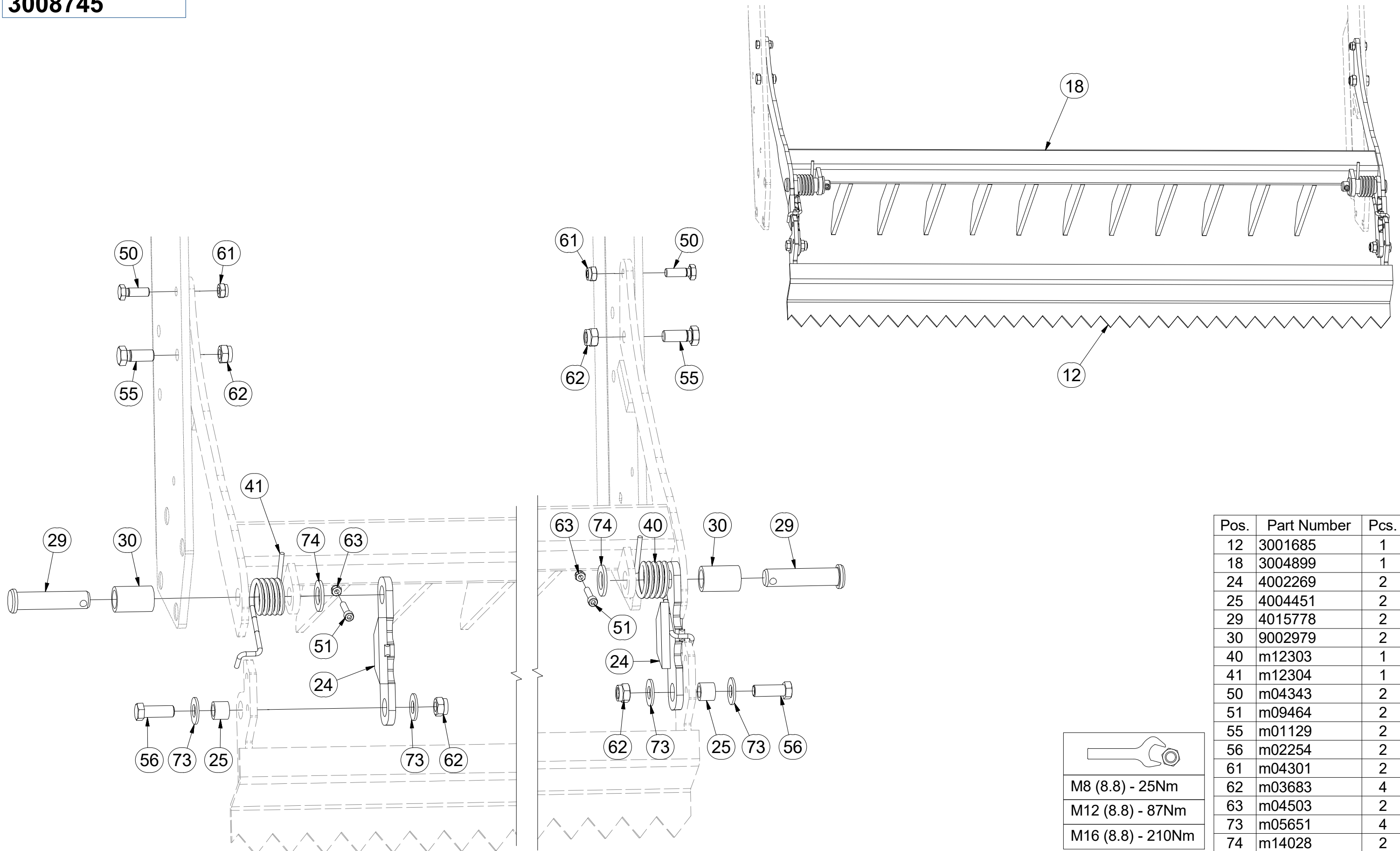
M10 (8.8) - 50Nm
M12 (8.8) - 87Nm

CZ SADA ZADNÍCH VÁLČŮ
 D SATZ HINTERE WALZEN
 F KIT DE ROULEAUX ARRIÈRE

GB SET OF REAR ROLLERS
 RU КОМПЛЕКТ ЗАДНИХ КАТКОВ
 PL ZESTAW TYLNYCH WAŁÓW



3008745



M8 (8.8) - 25Nm
M12 (8.8) - 87Nm
M16 (8.8) - 210Nm

ⒸZ SADA DORAZŮ ZADNÍCH SMYKŮ

Ⓓ ANSCHLAGSATZ FÜR HINTERE ACKERSCHLEPPEN

Ⓕ KIT DE BUTÉES DES NIVELEURS ARRIÈRE

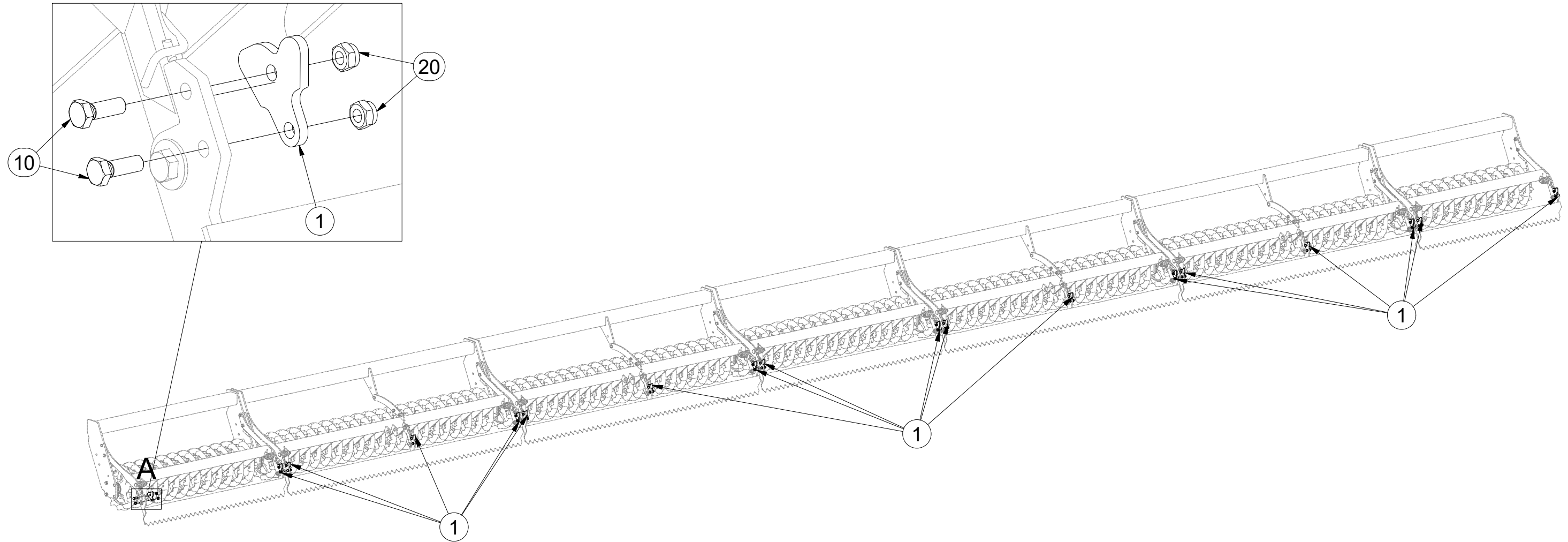
3006136

ⒼB SET OF REAR LEVELLING BAR STOPS

ⒺU КОМПЛЕКТ УПОРОВ ЗАДНИХ БОРОН

ⒽL ZESTAW DOCISKÓW TYLNYCH WŁÓK

Farmet



Pos.	Part Number	Pcs.
1	4013331	18
10	m04343	36
20	m04301	36

ⒸZ TERČ PŘEDNÍ PRAVÝ

Ⓓ SCHILD, VORDERES, RECHTES

Ⓕ CIBLE AVANT DROITE

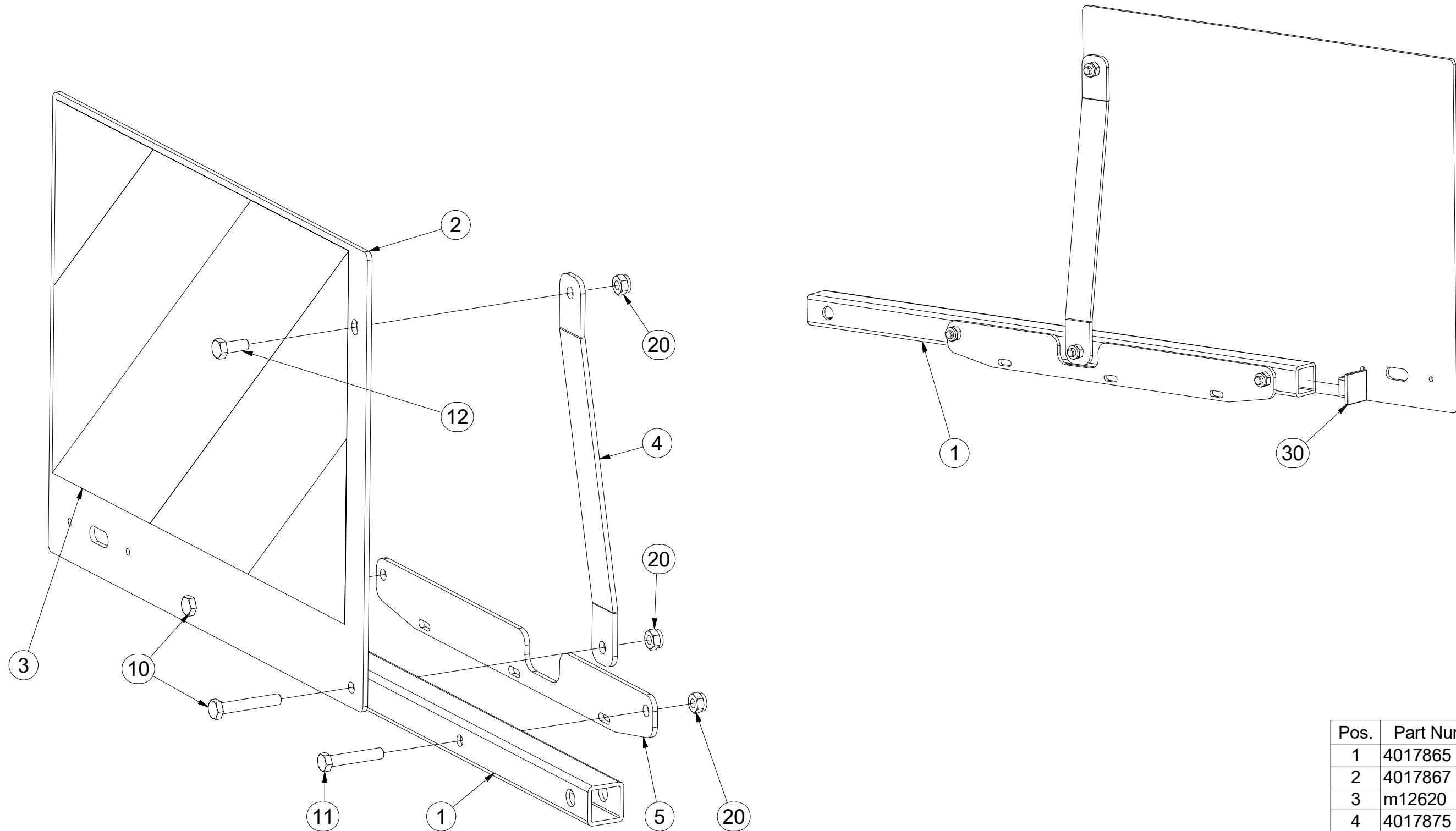
ⒸB RIGHT FRONT DISC

ⒶЩИТОК ПЕРЕДНИЙ ПРАВЫЙ

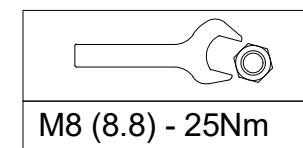
Ⓐ TARCZA PRZEDNIA PRAWA



4017863



Pos.	Part Number	Pcs.
1	4017865	1
2	4017867	1
3	m12620	1
4	4017875	1
5	4017871	1
10	m09296	2
11	m07789	1
12	m01089	1
20	m04503	4
30	m08140	1

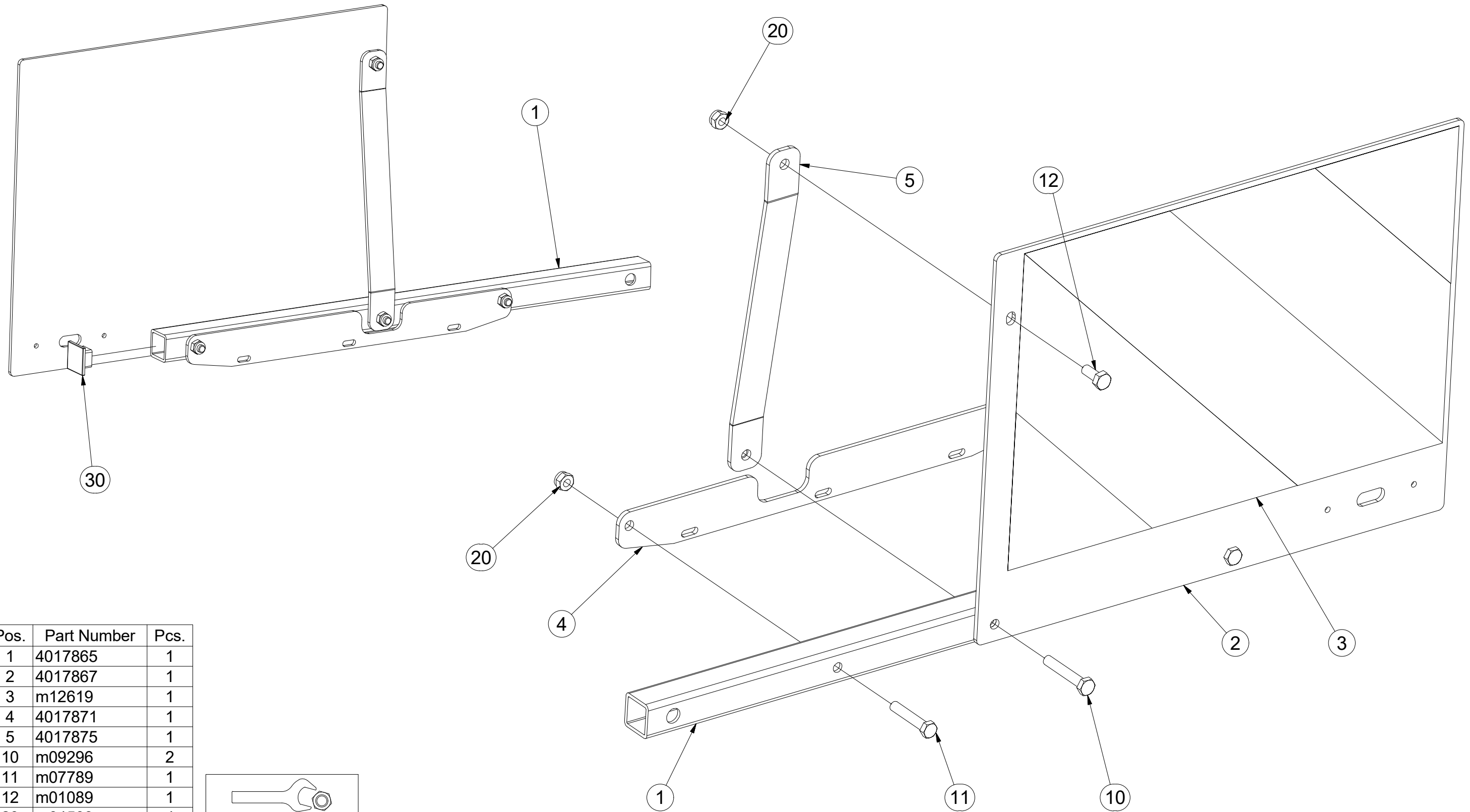


- ⒸZ TERČ PŘEDNÍ LEVÝ
- Ⓓ SCHILD, VORDERES, LINKES
- Ⓕ F CIBLE AVANT GAUCHE

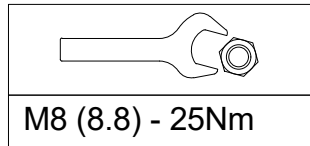
- ⒸB LEFT FRONT DISC
- Ⓐ RU ЩИТОК ПЕРЕДНИЙ ЛЕВЫЙ
- Ⓐ PL TARCZA PRZEDNIA LEWA



4017864



Pos.	Part Number	Pcs.
1	4017865	1
2	4017867	1
3	m12619	1
4	4017871	1
5	4017875	1
10	m09296	2
11	m07789	1
12	m01089	1
20	m04503	4
30	m08140	1



ⒸZ TERČ ZADNÍ LEVÝ

Ⓓ SCHILD, HINTERES, LINKES

Ⓕ CIBLE ARRIÈRE GAUCHE

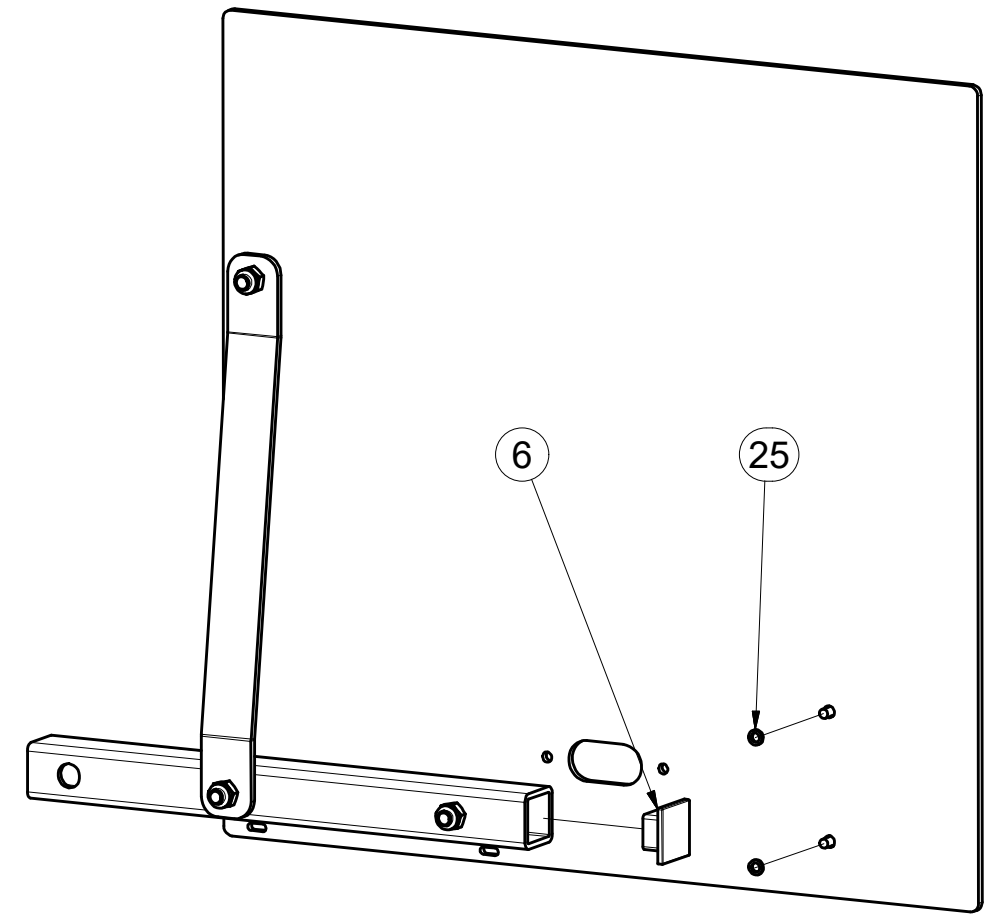
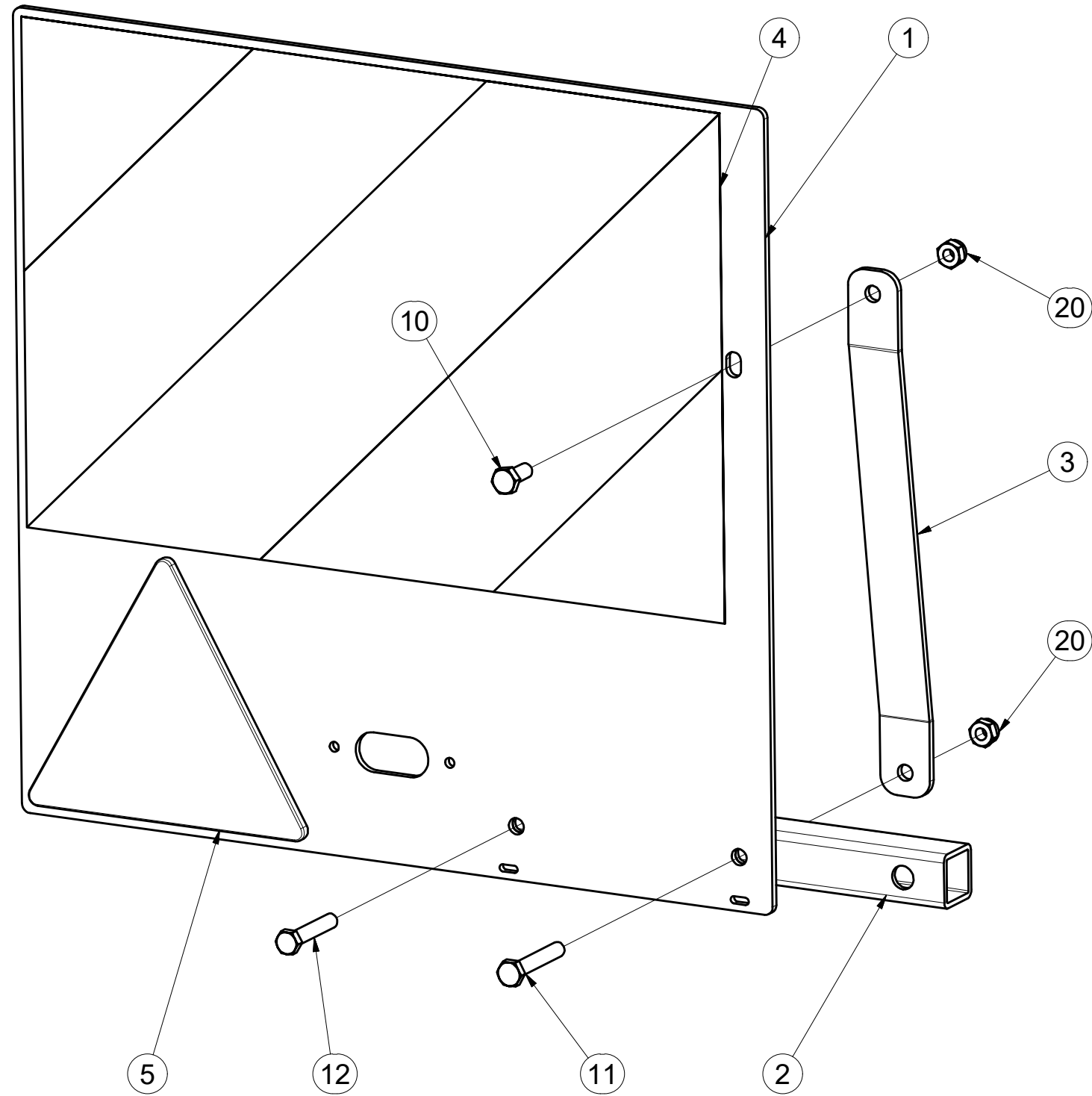
ⒸGB LEFT REAR DISC

ⒸRU ЩИТОК ЗАДНИЙ ЛЕВЫЙ

ⒸPL TARCZA TYLNA LEWA



4017881



Pos.	Part Number	Pcs.
1	4017883	1
2	4017884	1
3	4017875	1
4	m12620	1
5	m02497	1
6	m08140	1
10	m01089	1
11	m09296	1
12	m07789	1
20	m04503	3
25	m01197	2

ⒸZ TERČ ZADNÍ PRAVÝ

Ⓓ SCHILD, HINTERES, RECHTES

Ⓕ CIBLE ARRIÈRE DROITE

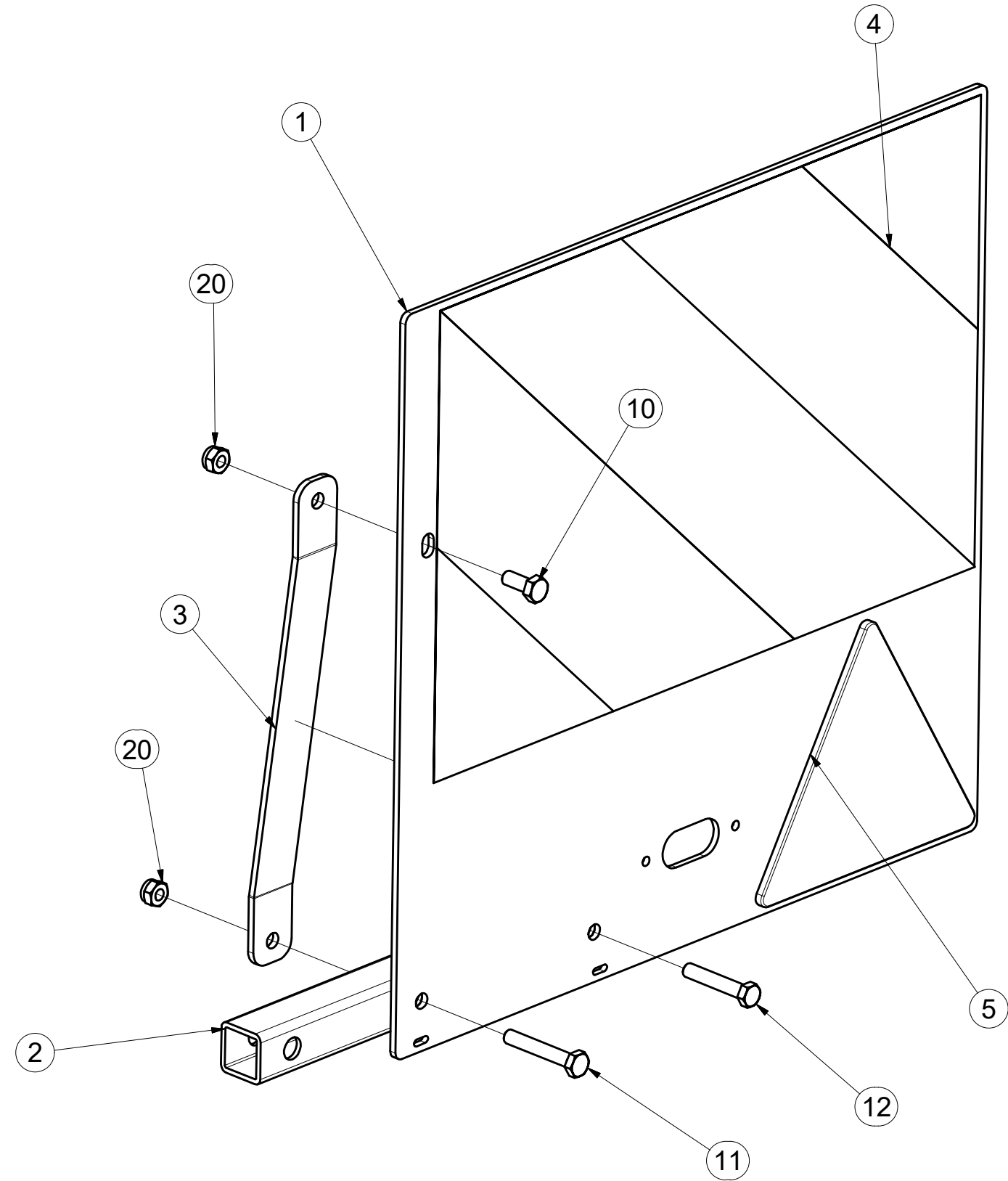
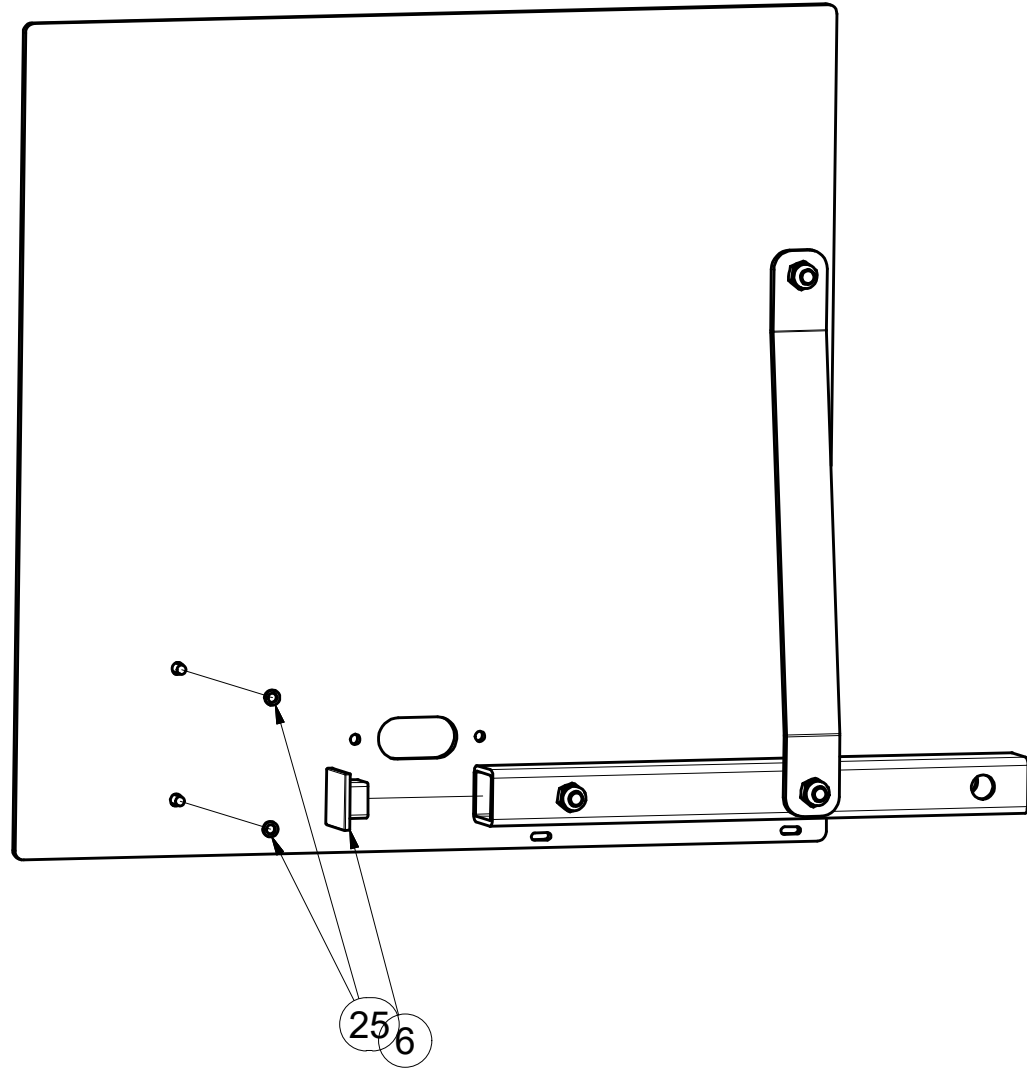
ⒼB RIGHT REAR DISC

ⒺЩИТОК ЗАДНИЙ ПРАВЫЙ

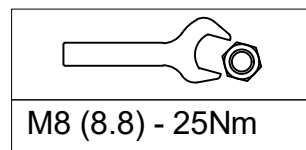
ⒽL TARCZA TYLNA PRAWA



4017882



Pos.	Part Number	Pcs.
1	4017883	1
2	4017884	1
3	4017875	1
4	m12619	1
5	m02497	1
6	m08140	1
10	m01089	1
11	m09296	1
12	m07789	1
20	m04503	3
25	m01197	2



Ⓒ SVĚTELNÁ SADA

Ⓓ LEUCHTENSATZ

Ⓕ KIT LUMINEUX

3008072

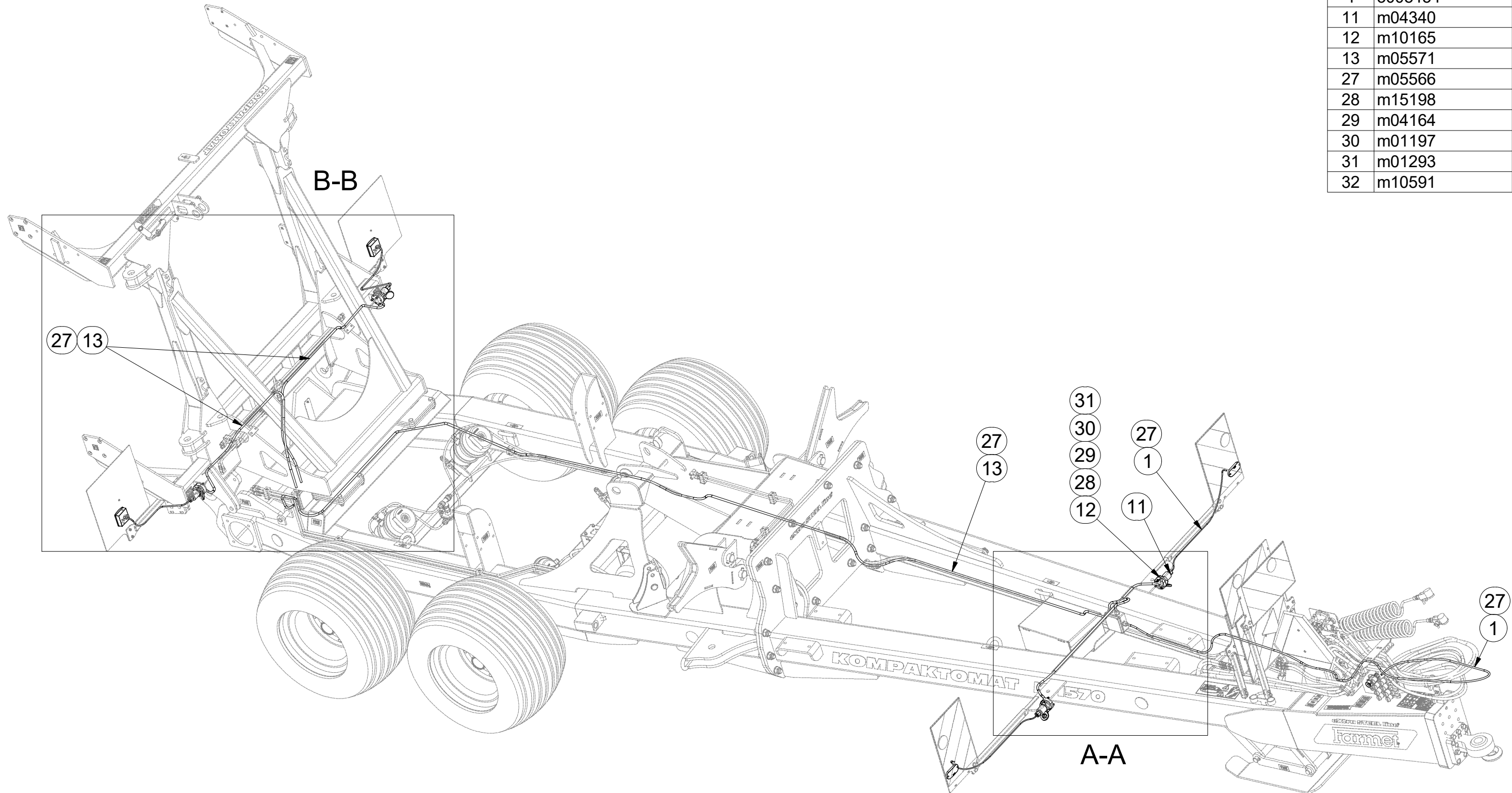
Ⓖ LIGHTING SET

Ⓡ ОСВЕТИТЕЛЬНЫЙ КОМПЛЕКТ

Ⓢ ZESTAW OŚWIETLENIA



Pos.	Part Number	Pcs.
1	3008454	1
11	m04340	4
12	m10165	4
13	m05571	14
27	m05566	30
28	m15198	12
29	m04164	12
30	m01197	12
31	m01293	12
32	m10591	4



Ⓒ SVĚTELNÁ SADA

Ⓓ LEUCHTENSATZ

Ⓕ KIT LUMINEUX

3008072

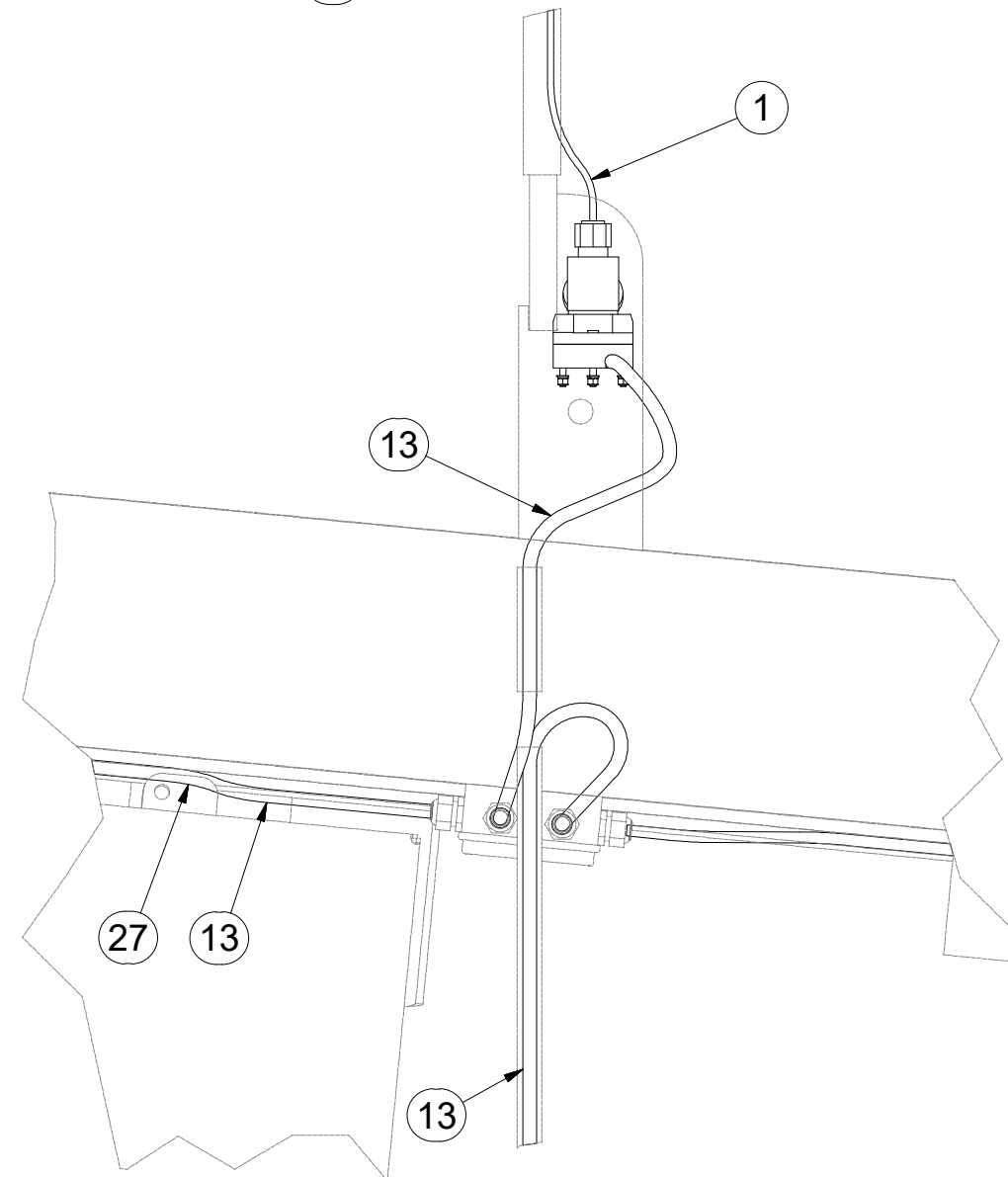
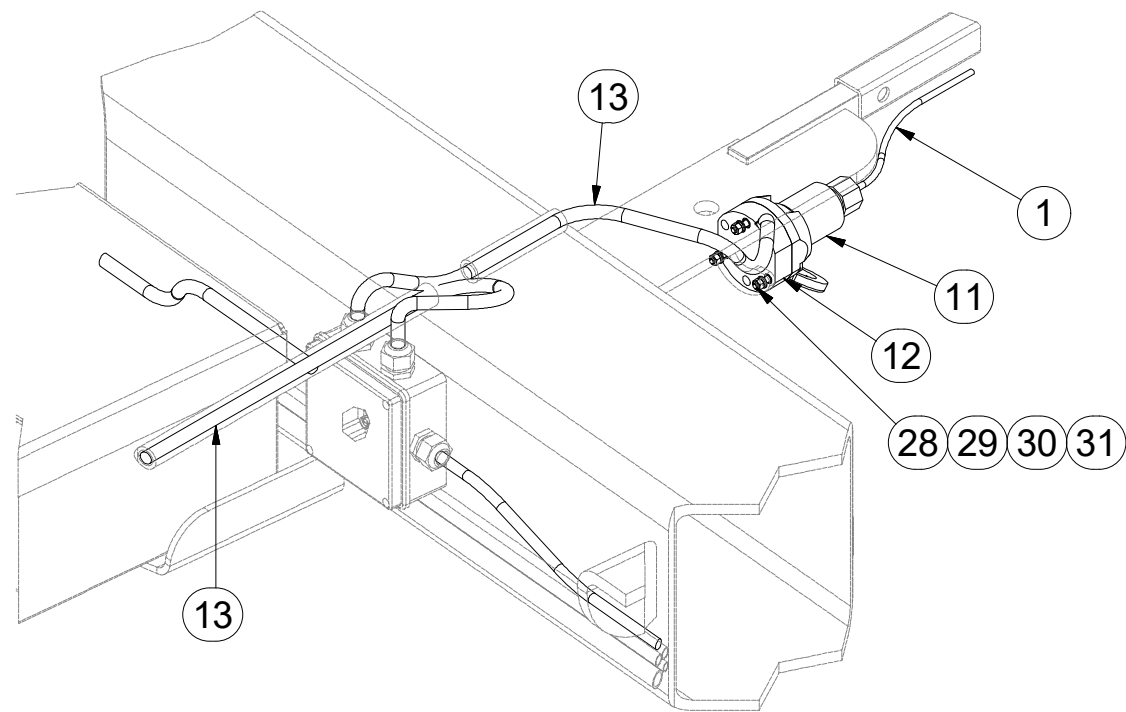
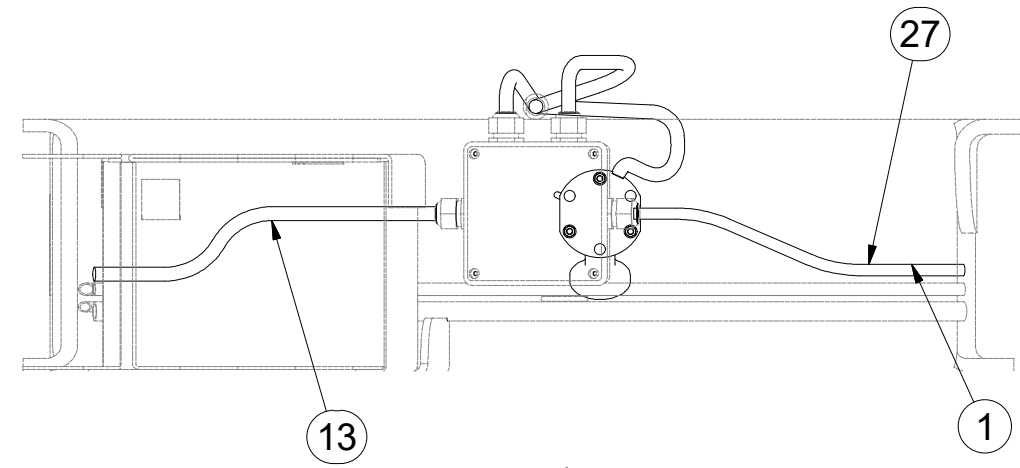
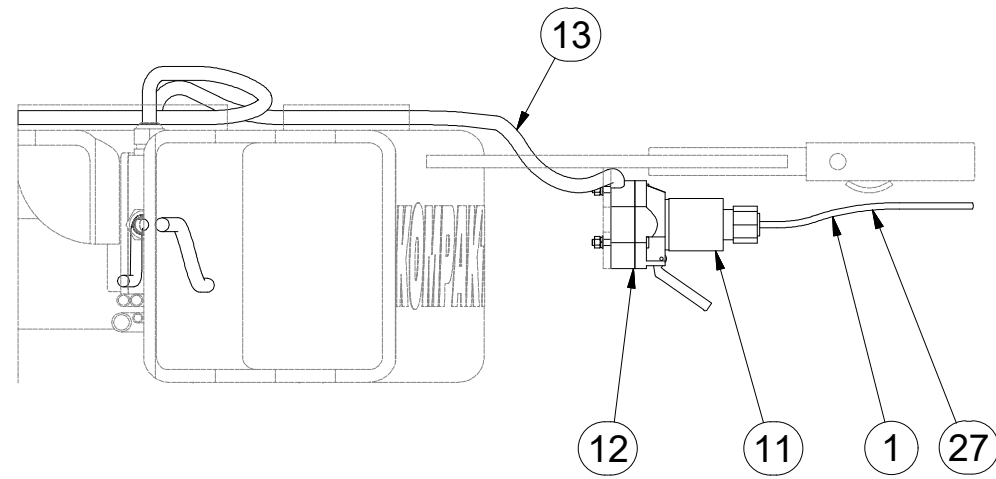
Ⓖ LIGHTING SET

Ⓡ ОСВЕТИТЕЛЬНЫЙ КОМПЛЕКТ

Ⓢ ZESTAW OŚWIETLENIA



A-A



Pos.	Part Number	Pcs.
1	3008454	1
11	m04340	4
12	m10165	4
13	m05571	14
27	m05566	30
28	m15198	12
29	m04164	12
30	m01197	12
31	m01293	12
32	m10591	4

Ⓒ SVĚTELNÁ SADA

Ⓓ LEUCHTENSATZ

Ⓕ KIT LUMINEUX

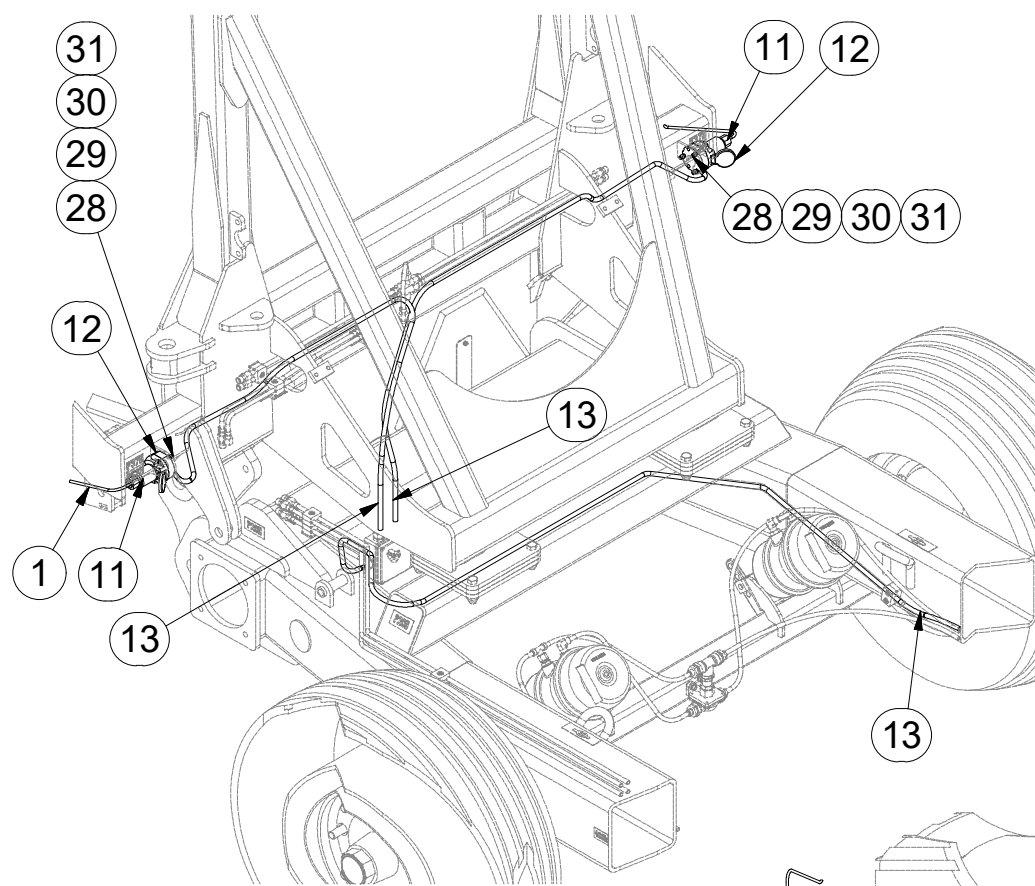
Ⓖ LIGHTING SET

Ⓡ ОСВЕТИТЕЛЬНЫЙ КОМПЛЕКТ

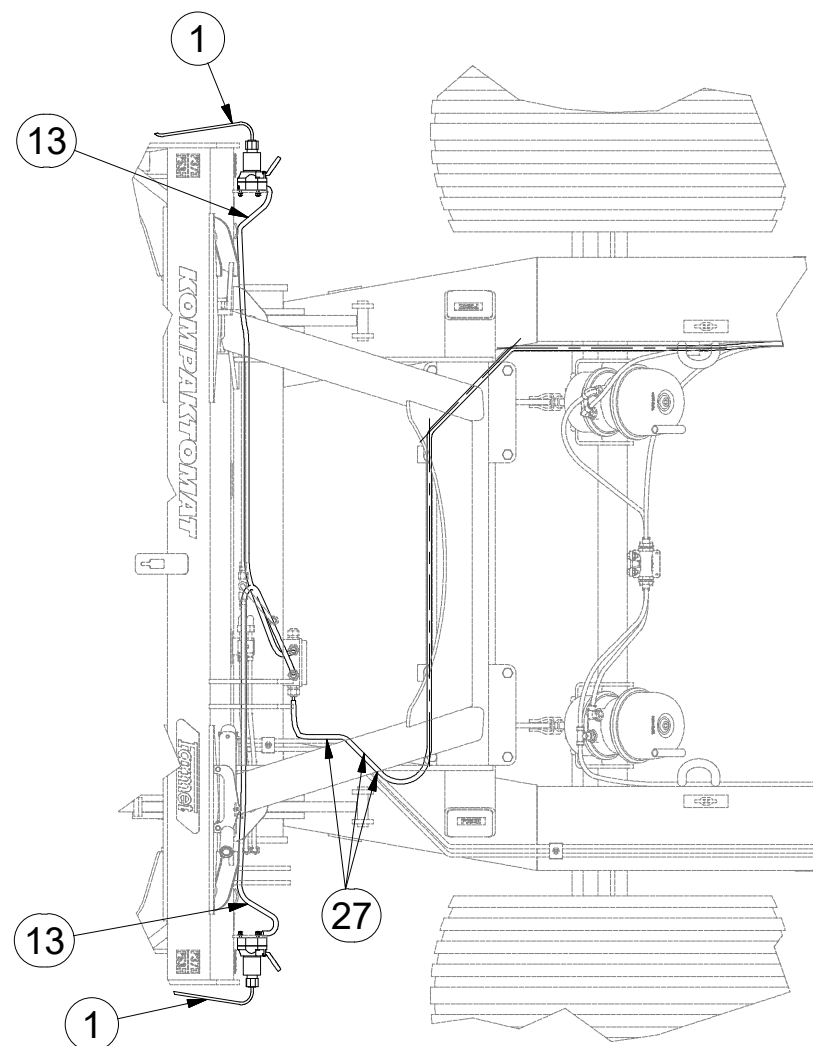
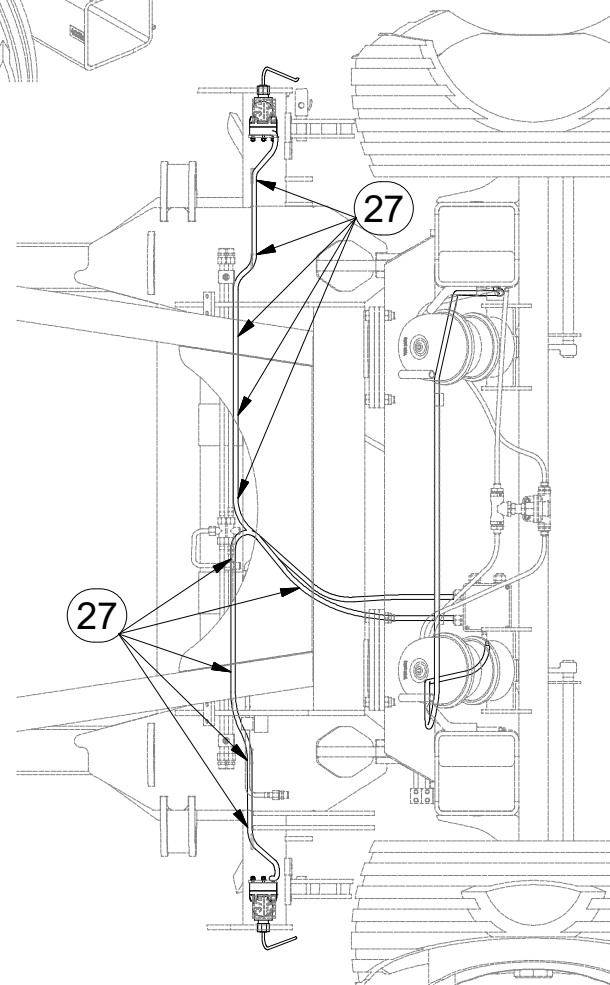
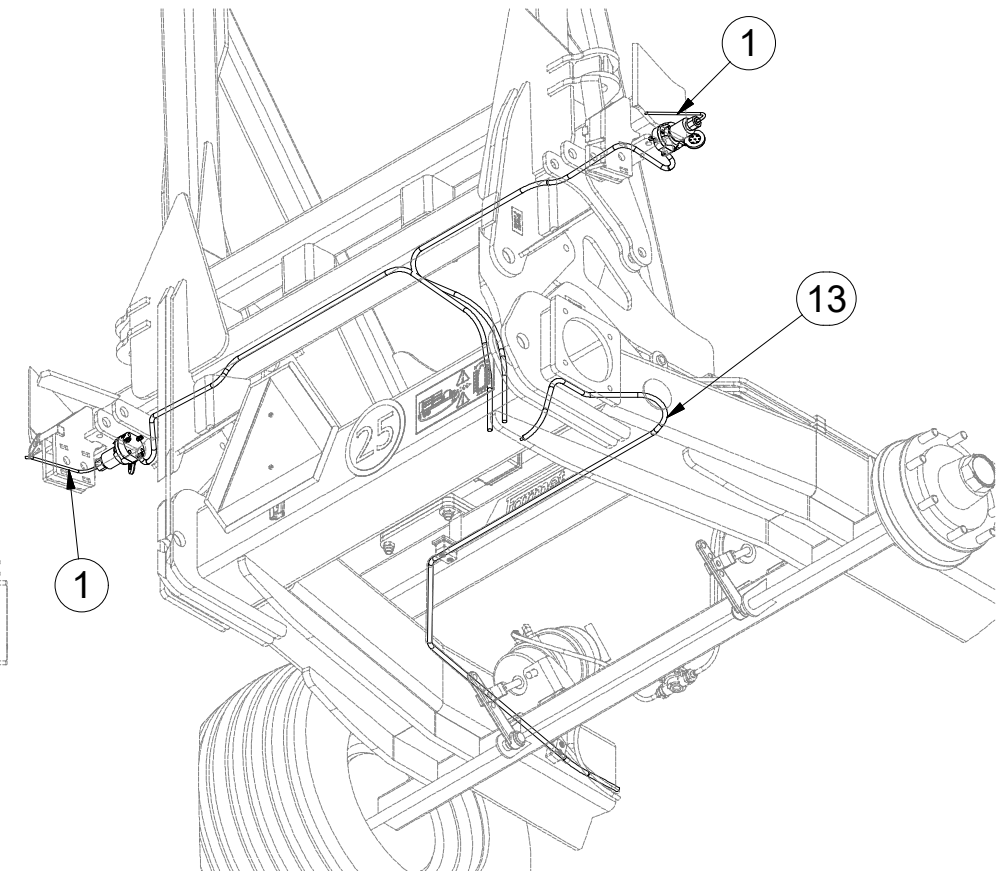
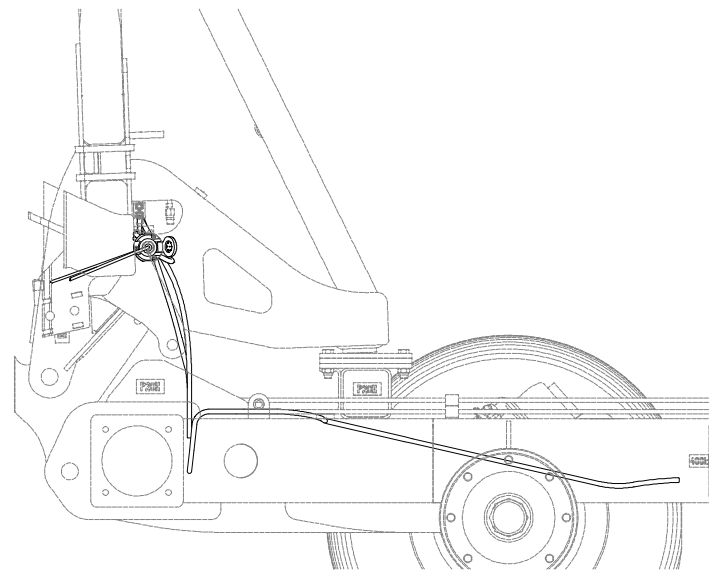
Ⓢ ZESTAW OŚWIETLENIA



3008072



B-B



Pos.	Part Number	Pcs.
1	3008454	1
11	m04340	4
12	m10165	4
13	m05571	14
27	m05566	30
28	m15198	12
29	m04164	12
30	m01197	12
31	m01293	12
32	m10591	4

Ⓒ SVĚTELNÁ SADA

Ⓓ LEUCHTENSATZ

Ⓕ KIT LUMINEUX

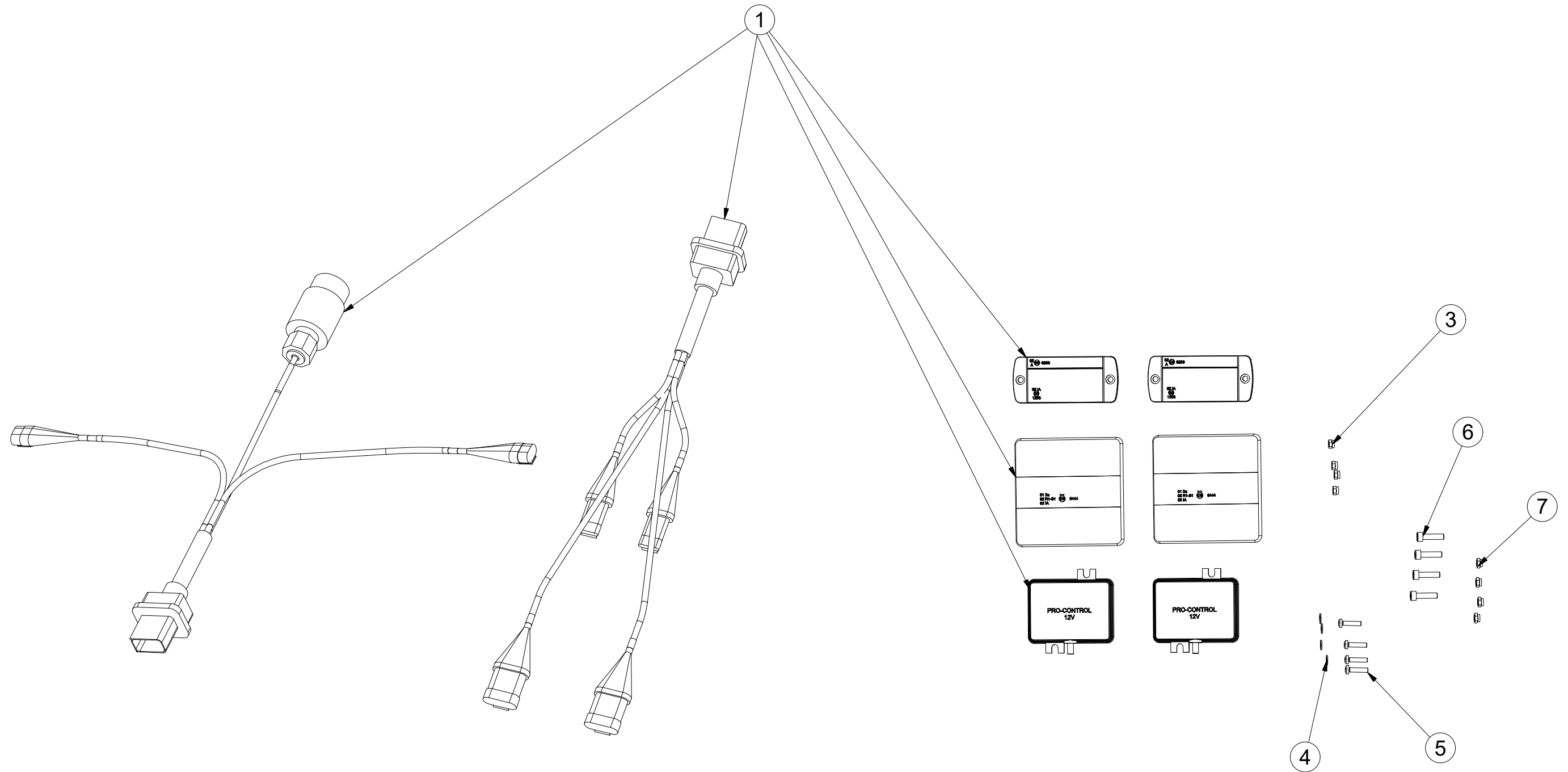
Ⓖ LIGHTING SET

Ⓡ ОСВЕТИТЕЛЬНЫЙ КОМПЛЕКТ

Ⓟ ZESTAW OŚWIETLENIA



3008454



Pos.	Part Number	Pcs.
1	m15240	1
3	m05562	4
4	m05597	4
5	m15790	4
6	m10591	4
7	m06236	4
30	m05566	50

Ⓒ SVĚTELNÁ SADA

Ⓓ LEUCHTENSATZ

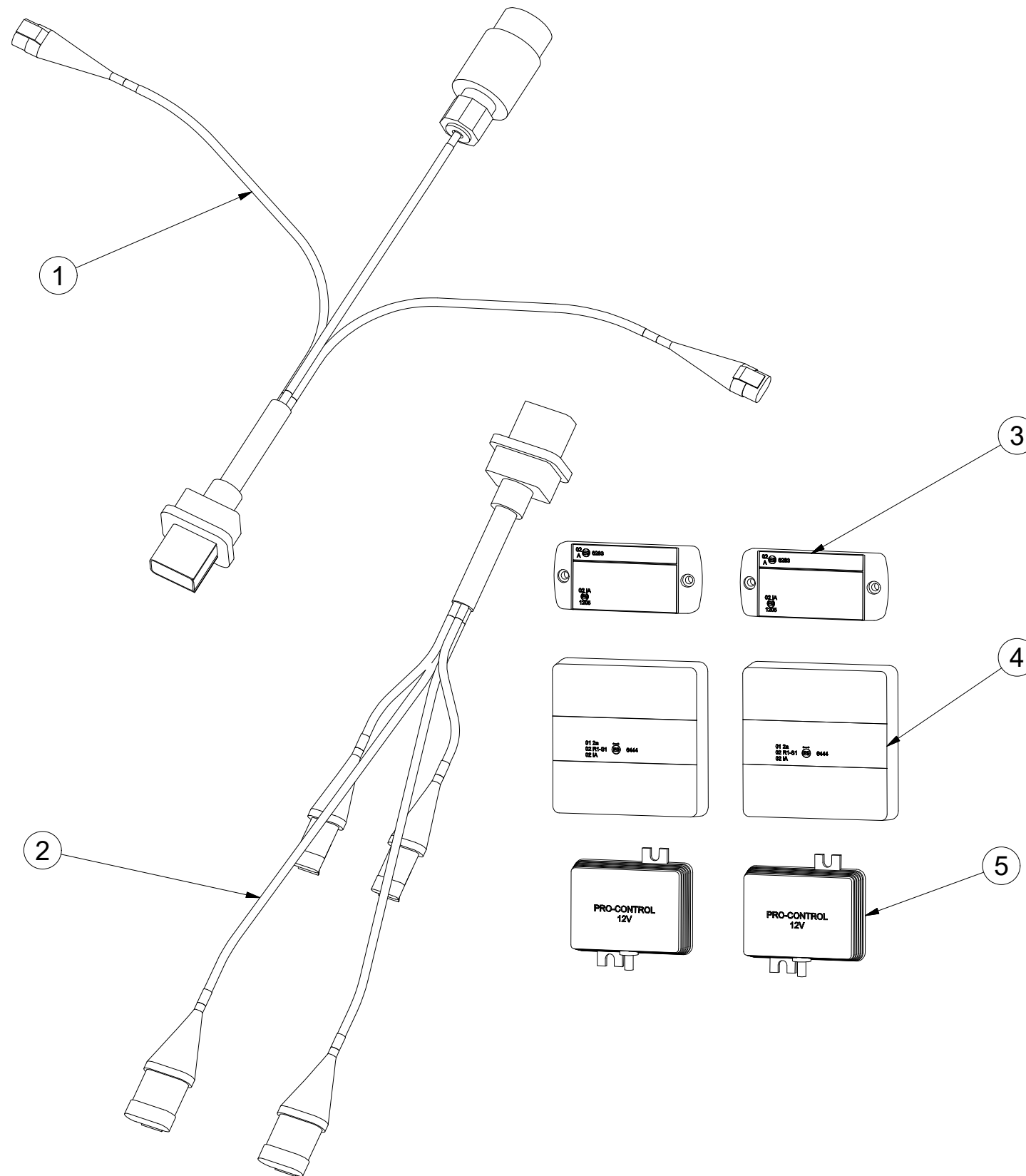
Ⓕ KIT LUMINEUX

m15240

Ⓖ LIGHTING SET

Ⓡ ОСВЕТИТЕЛЬНЫЙ КОМПЛЕКТ

Ⓢ ZESTAW OŚWIETLENIA



Pos.	Part Number	Pcs.
1	m14779	1
2	m14778	1
3	m14776	2
4	m14865	2
5	m14777	2

Ⓒ PÍSTNICE 80/40-250

Ⓓ KOLBENSTANGE 80/40-250

Ⓕ TIGE DE PISTON 80/40-250

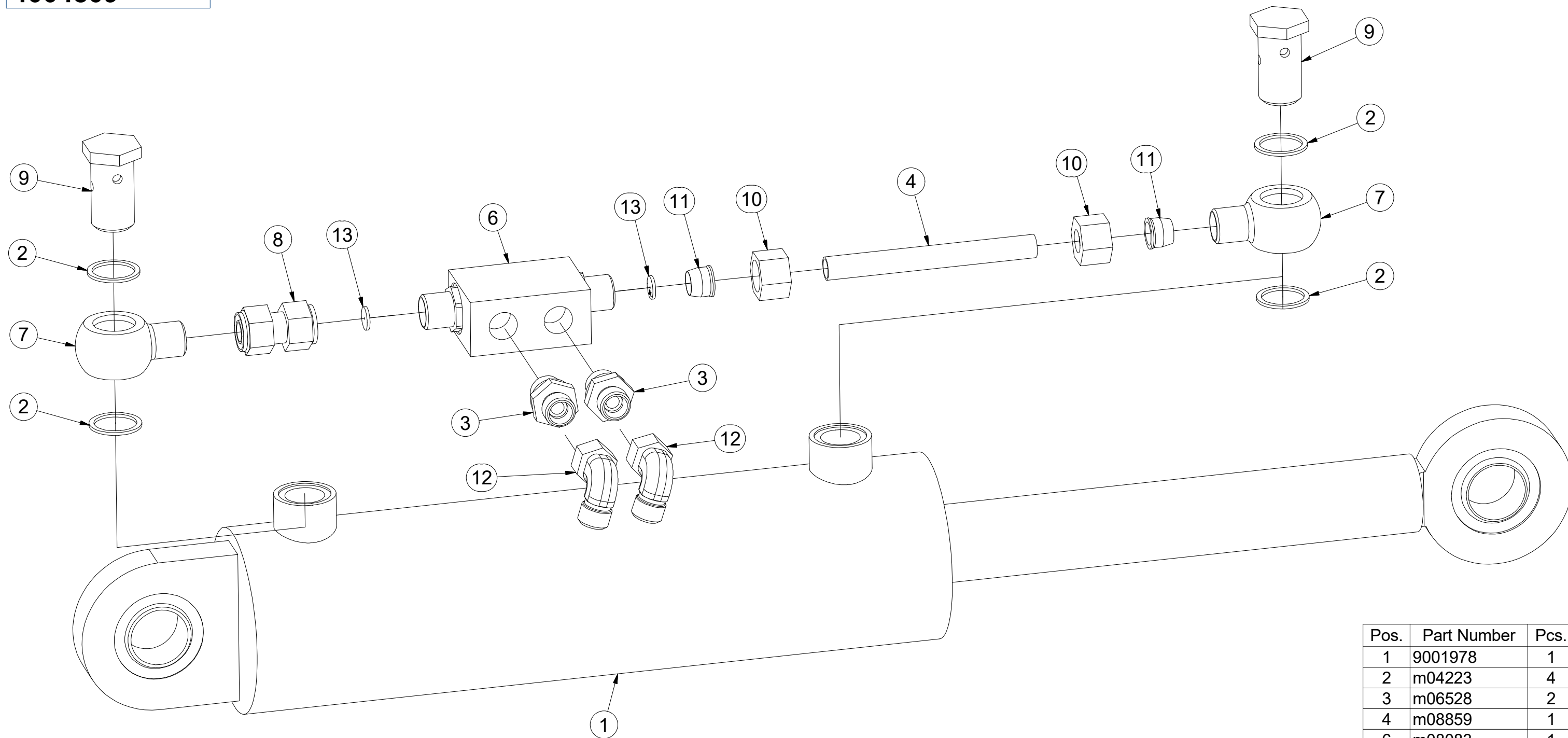
Ⓖ PISTON ROD 80/40-250

Ⓔ ЦИЛИНДР 80/40-250

Ⓟ TRZPIEŃ TŁOKA 80/40-250



4004809



Pos.	Part Number	Pcs.
1	9001978	1
2	m04223	4
3	m06528	2
4	m08859	1
6	m08083	1
7	m08860	2
8	m05144	1
9	m02609	2
10	m08861	2
11	m08862	2
12	m06803	2
13	m10774	2

Ⓒ PÍSTNICE 110/55-400

Ⓓ KOLBENSTANGE 110/55-400

Ⓕ TIGE DE PISTON 110/55-400

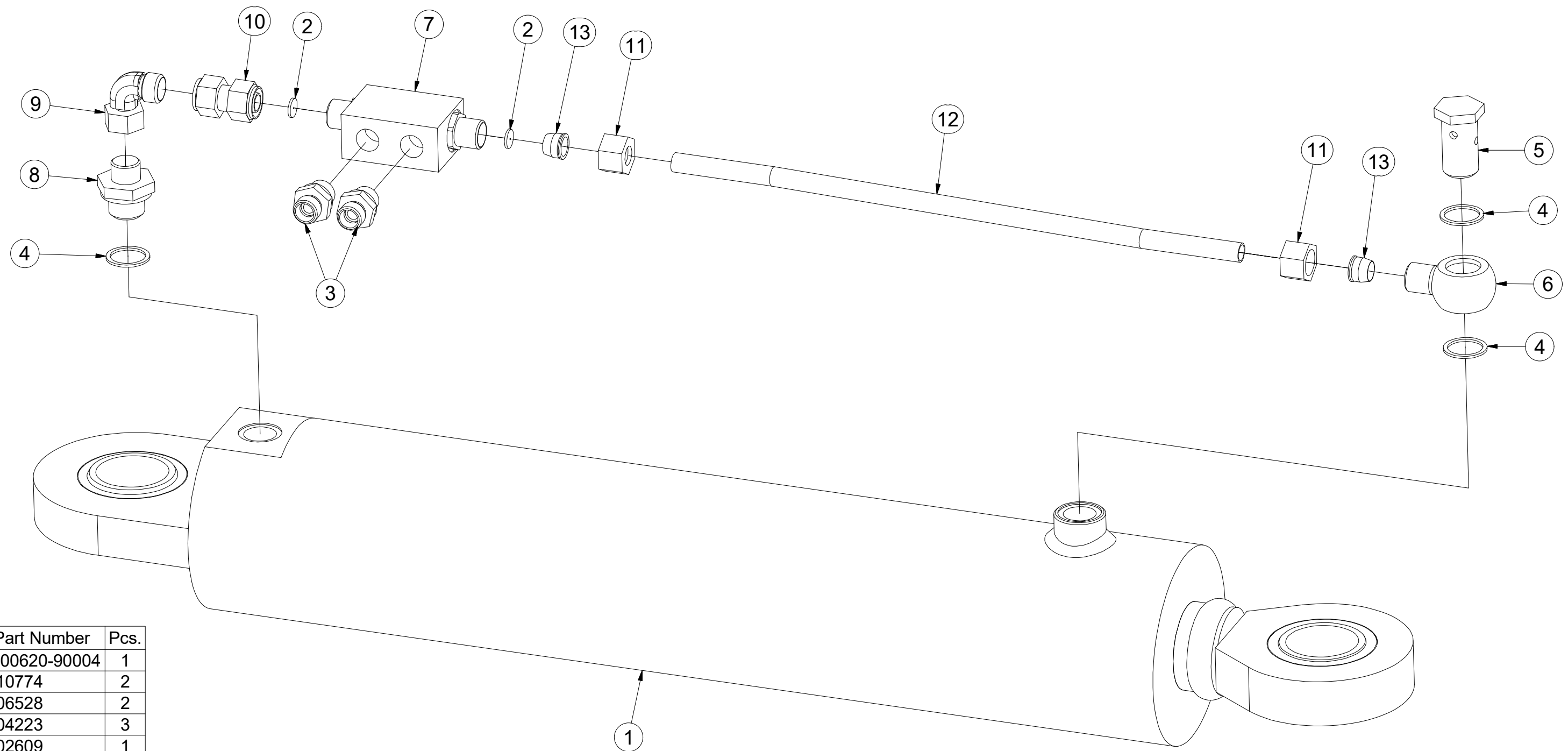
Ⓖ PISTON ROD 110/55-400

Ⓡ ЦИЛИНДР 110/55-400

Ⓟ TRZPIEŃ TŁOKA 110/55-400



4004810



Pos.	Part Number	Pcs.
1	8000620-90004	1
2	m10774	2
3	m06528	2
4	m04223	3
5	m02609	1
6	m08860	1
7	m08083	1
8	m07865	1
9	m07654	1
10	m05144	1
11	m08861	2
12	m09654	1
13	m08862	2

Ⓒ PÍSTNICE 63/32-160

Ⓓ KOLBENSTANGE 63/32-160

Ⓕ TIGE DE PISTON 63/32-160

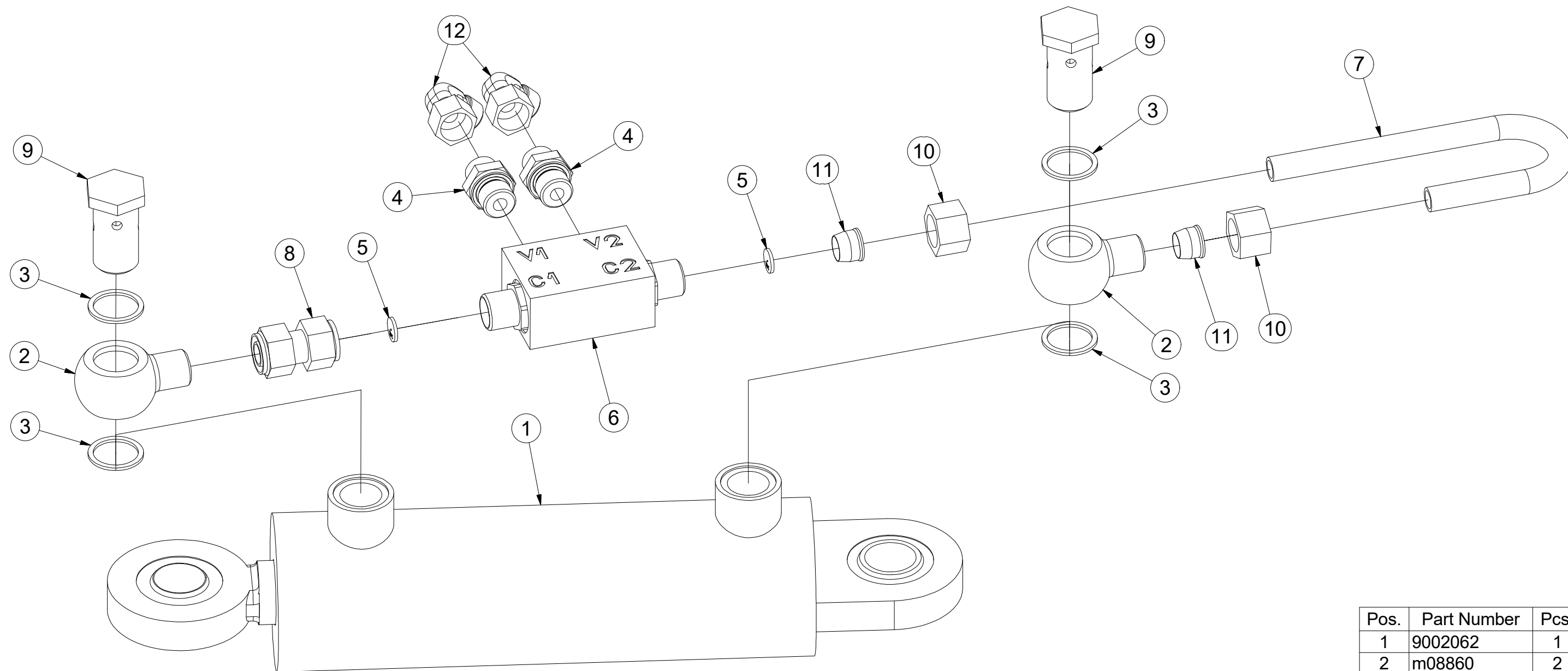
Ⓒ PISTON ROD 63/32-160

Ⓓ ЦИЛИНДР 63/32-160

Ⓒ TRZPIEŃ TŁOKA 63/32-160



4004815



Pos.	Part Number	Pcs.
1	9002062	1
2	m08860	2
3	m04223	4
4	m06528	2
5	m10774	2
6	m08083	1
7	m09658	1
8	m05144	1
9	m02609	2
10	m08861	2
11	m08862	2
12	m06803	2

Ⓒ PÍSTNICE 125/63-1500

Ⓓ KOLBENSTANGE 125/63-1500

Ⓕ TIGE DE PISTON 125/63-1500

Ⓖ PISTON ROD 125/63-1500

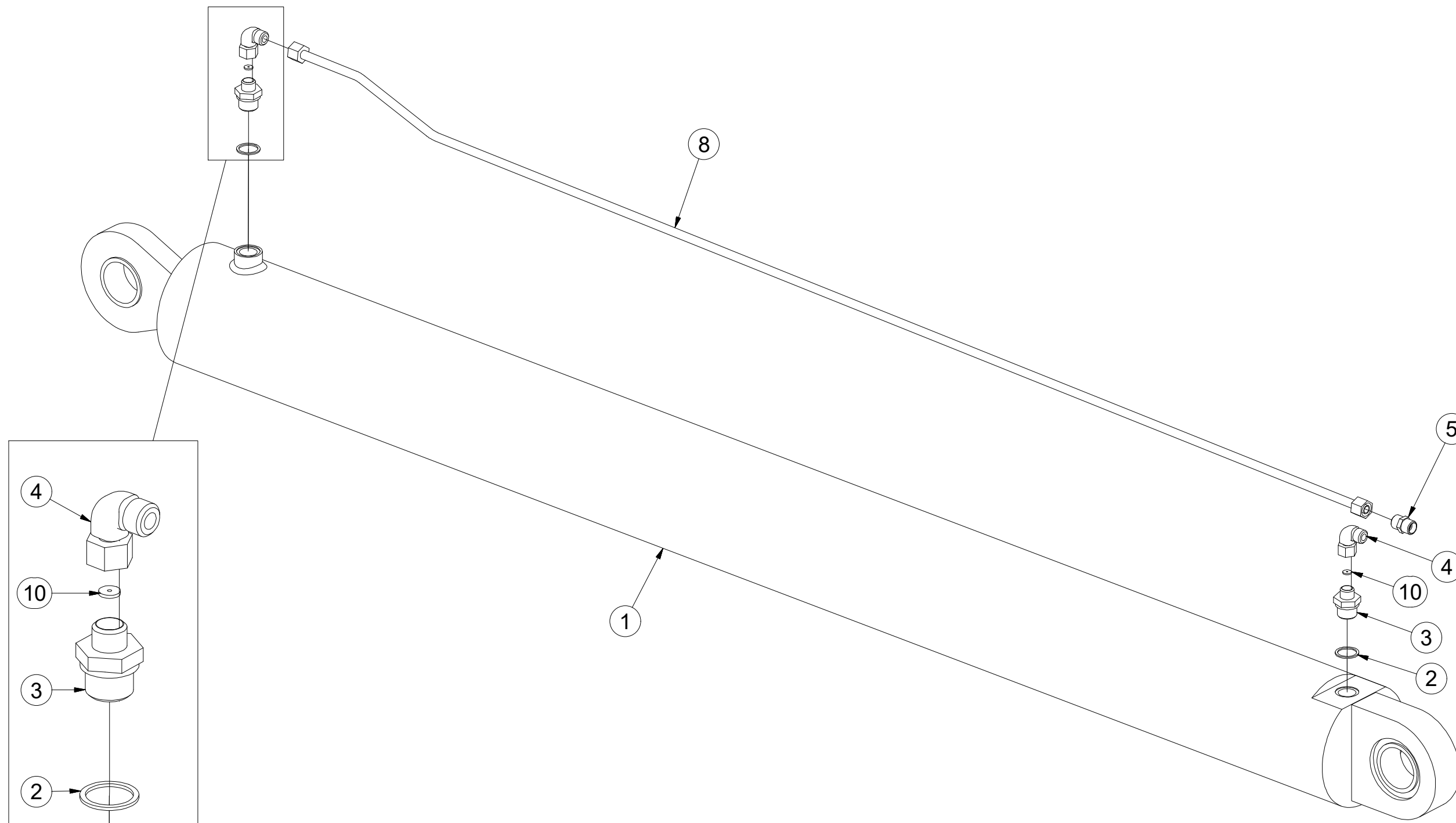
Ⓡ ЦИЛИНДР 125/63-1500

Ⓟ TRZPIEŃ TŁOKA 125/63-1500



4004817

Pos.	Part Number	Pcs.
1	9001977	1
2	m04223	2
4	m06803	2
3	m03925	2
8	m09659	1
5	m03213	1
10	4003787	2



Ⓒ PÍSTNICE 50/25-250

Ⓓ KOLBENSTANGE 50/25-250

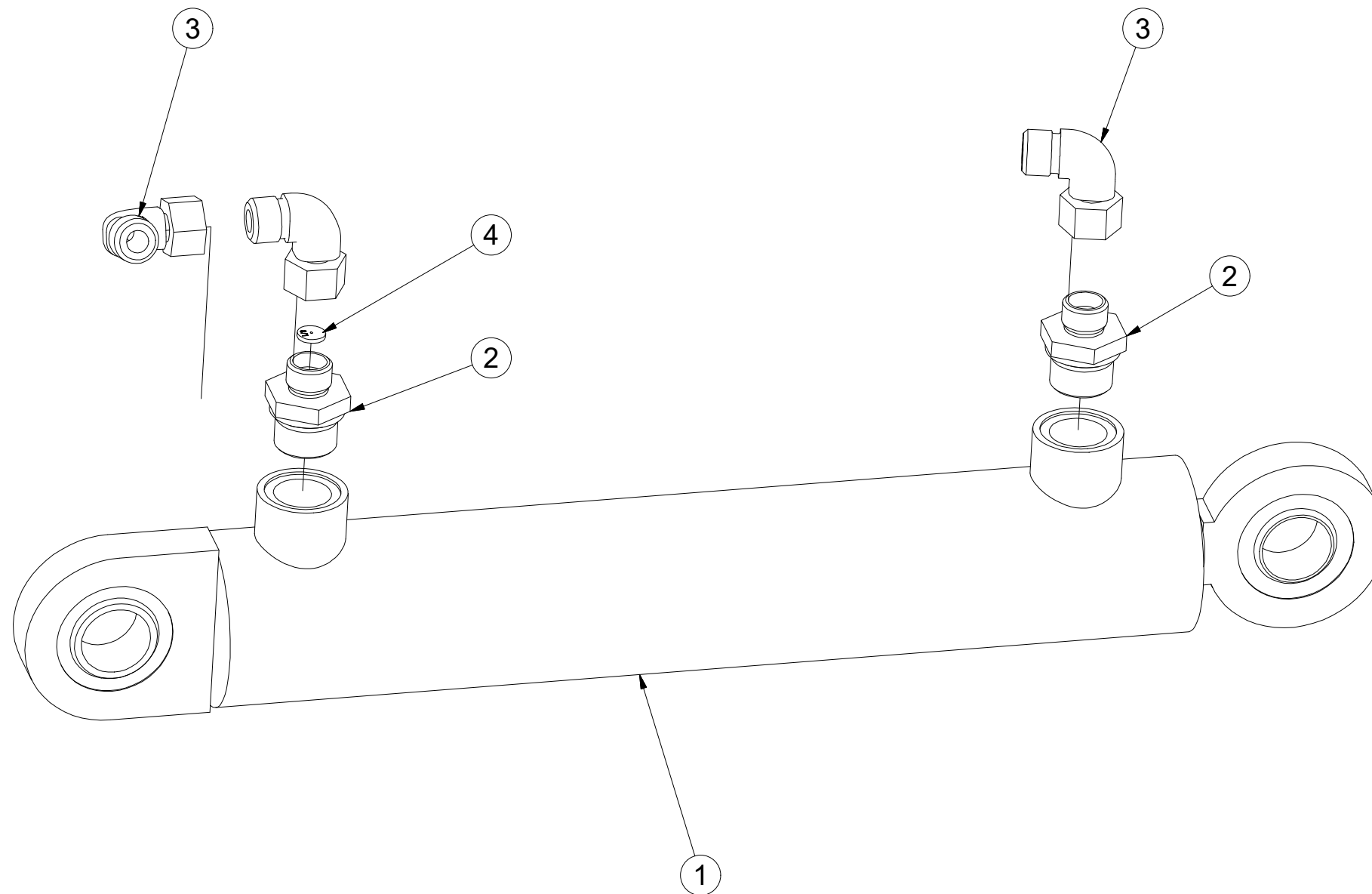
Ⓕ TIGE DE PISTON 50/25-250

4017454

Ⓖ PISTON ROD 50/25-250

Ⓡ ЦИЛИНДР 50/25-250

Ⓟ TRZPIEŃ TŁOKA 50/25-250



Pos.	Part Number	Pcs.
1	9002066	1
2	m09934	2
3	m06803	3
4	m10780	1

Ⓒ PÍSTNICE 50/25-400

Ⓓ KOLBENSTANGE 50/25-400

Ⓕ TIGE DE PISTON 50/25-400

Ⓖ PISTON ROD 50/25-400

Ⓡ ЦИЛИНДР 50/25-400

Ⓟ TRZPIEŃ TŁOKA 50/25-400



4017464



Pos.	Part Number	Pcs.
1	8000540-90354	1
2	m09934	2
3	m10782	1
4	m06803	2

Ⓒ SOUPRAVA TĚSNIVA PÍSTNIC

Ⓓ KOLBENSTANGENDICHTUNGSMITTELSATZ

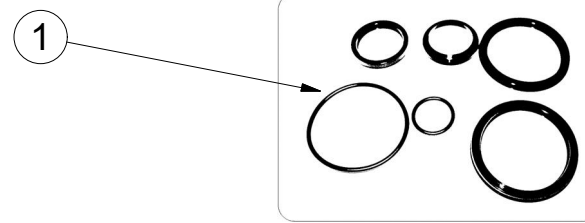
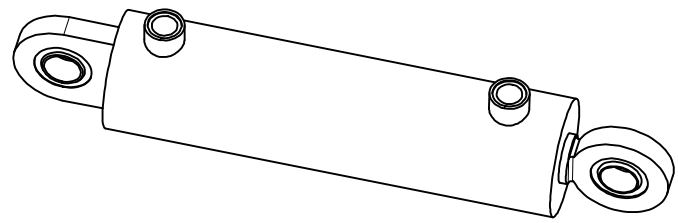
Ⓕ SET DE GARNITURE DES TIGES DE PISTON

Ⓖ SEALING SET FOR PISTON RODS

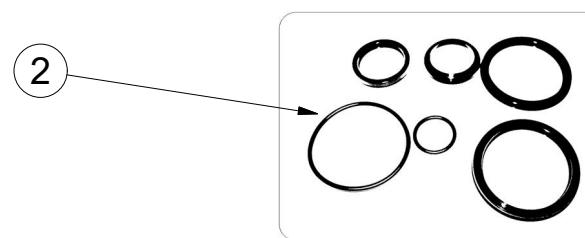
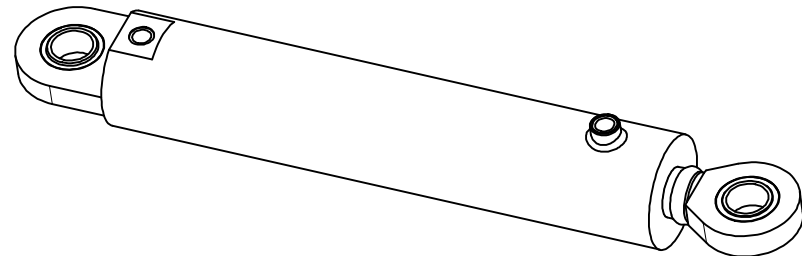
Ⓔ КОМПЛЕКТ ПРОКЛАДОК ЦИЛИНДРОВ

Ⓗ ZESTAW USZCZELEK TRZPIENIA TŁOKA

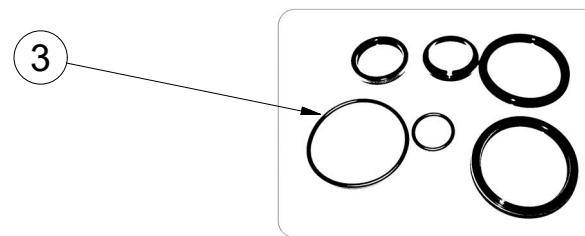
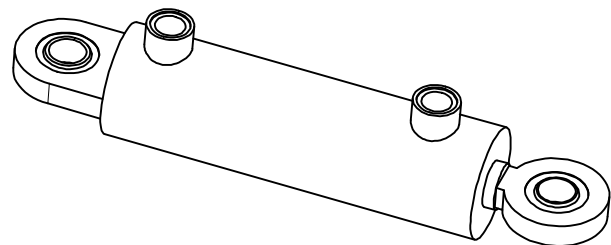
Farmet



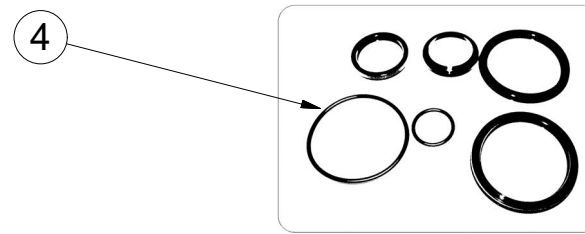
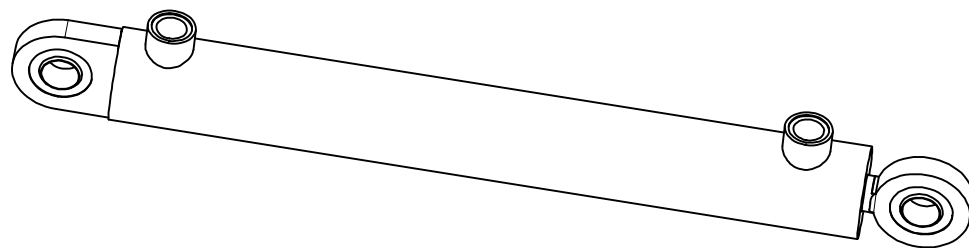
9001978 - $\varnothing 80/\varnothing 40-250$		
Pos	Part number	Pcs
1	m03528	1



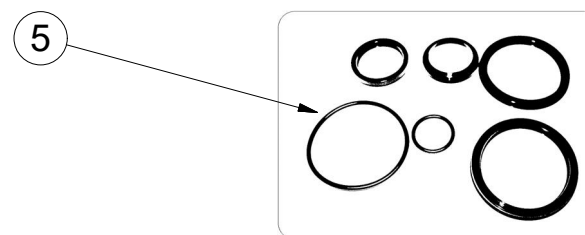
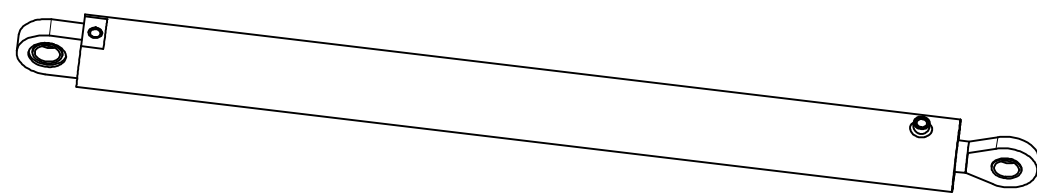
8000620-90004- $\varnothing 110/\varnothing 55-400$		
Pos	Part number	Pcs
2	m09157	1



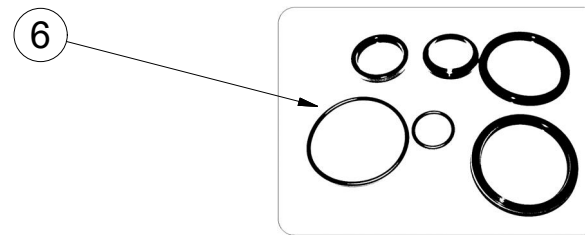
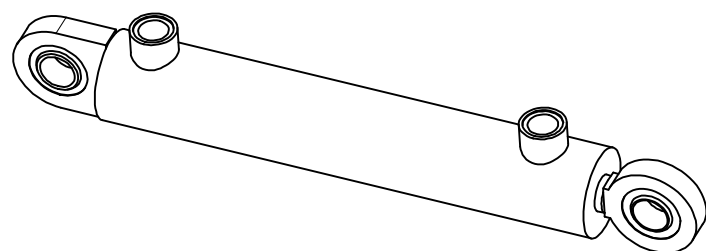
9002062 - $\varnothing 63/\varnothing 32-160$		
Pos	Part number	Pcs
3	m05442	3



8000540-90354 - $\varnothing 50/\varnothing 25-400$		
Pos	Part number	Pcs
4	m08750	1



9001977 - $\varnothing 125/\varnothing 63-1500$		
Pos	Part number	Pcs
5	m09158	2



9002066 - $\varnothing 50/\varnothing 25-250$		
Pos	Part number	Pcs
6	m08750	1