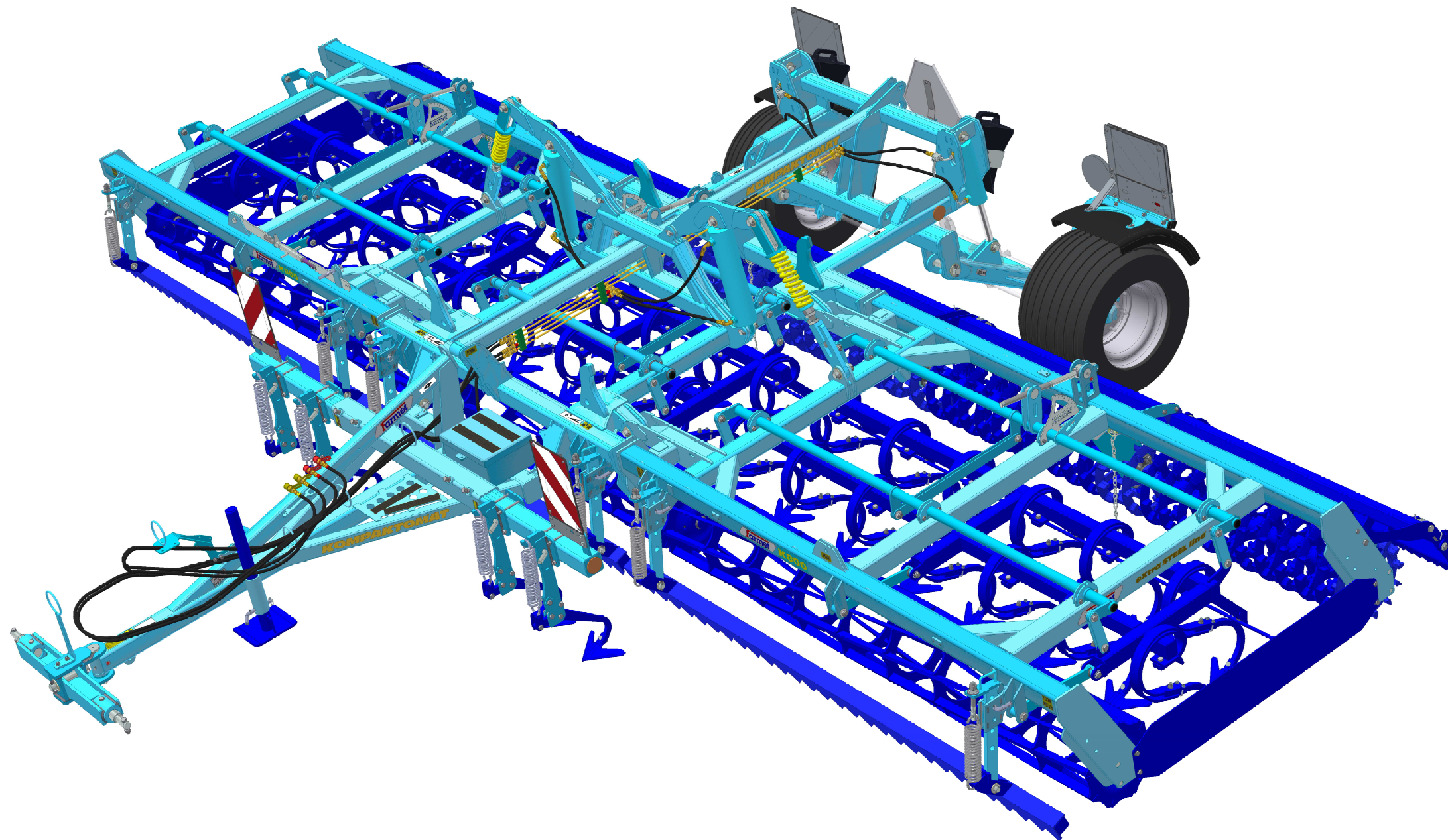


*The effective technology*

**Farmet**<sup>®</sup>

ⒸZ KATALOG NÁHRADNÍCH DÍLŮ ⒸB CATALOGUE OF SPARE PARTS ⒸD ERSATZTEILLISTE  
ⒸRU КАТАЛОГ ЗАПАСНЫХ ЧАСТЕЙ ⒸF CATALOGUE DES PIÈCES DE RECHANGE ⒸPL KATALOG CZĘŚCI ZAMIENNYCH

# **KOMPAKTOMAT K800PS**



ⒸZ Platnost pro vrcholové | výrobní číslo stroje ⒸB Validity for the top | serial number of the machine  
ⒸD Gültigkeit für die Haupt- | Herstellungsnummer der Maschine ⒸRU Действительно для главного | заводского номера машины  
ⒸF Validité du numéro de référence | de série de la machine ⒸPL Obowiązuje dla numeru głównego | seryjnego maszyny

**9303954 | 2017/1046**

**Farmet a. s.**  
Jiřinková 276  
552 03 Česká Skalice, CZ

telefon: +420 491 450 111  
fax: +420 491 450 136  
GSM: +420 774 715 738

IČ: 46504931  
DIČ: CZ46504931

web: [www.farmet.cz](http://www.farmet.cz)  
e-mail: [farmet@farmet.cz](mailto:farmet@farmet.cz)



ⒸZ NAVIGACE STROJE

Ⓓ NAVIGATION DER MASCHINE

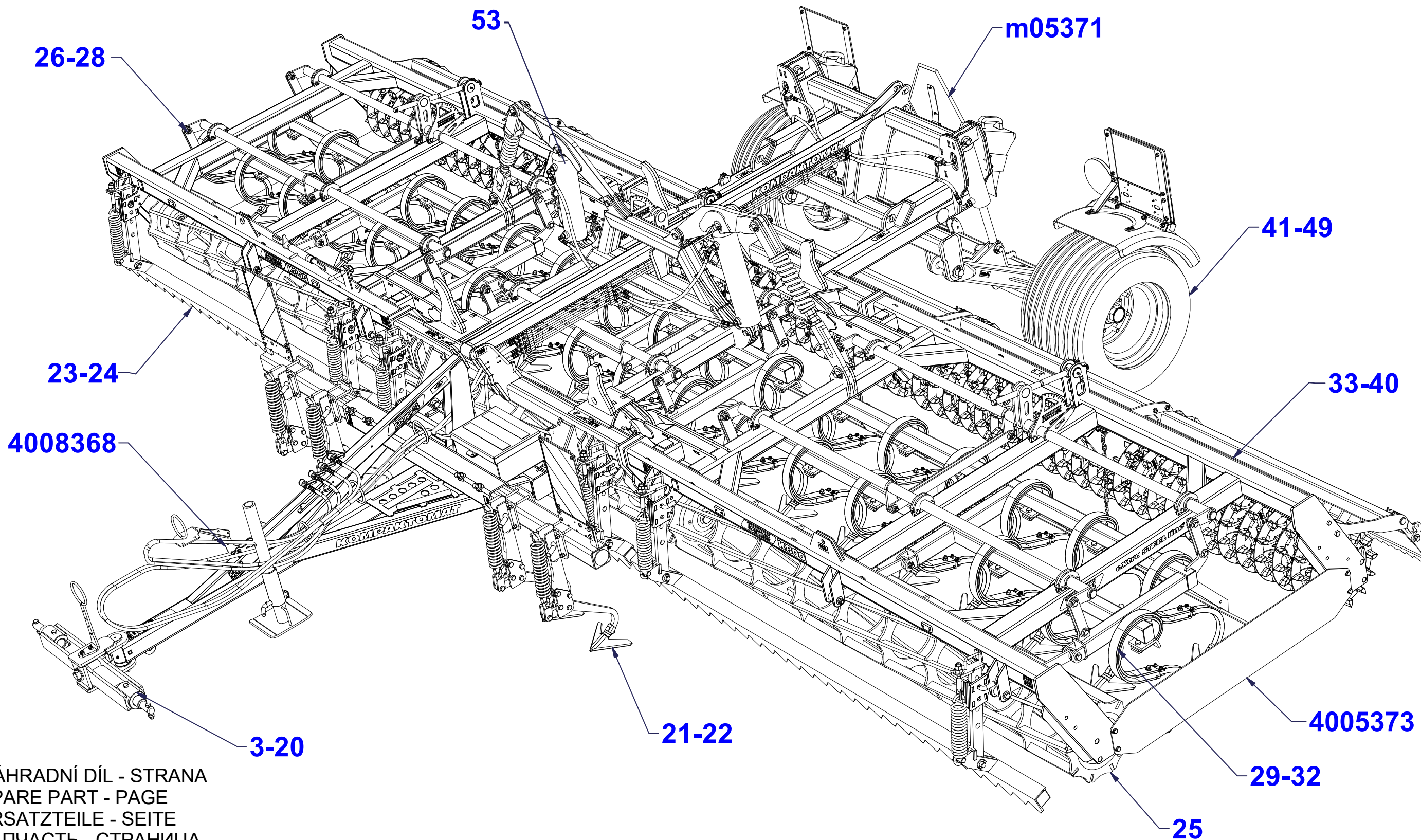
Ⓕ NAVIGATION DE LA MACHINE

ⒸB NAVIGATION OF THE MACHINE

ⒸU НАВИГАЦИЯ МАШИНЫ

ⒸL NAWIGACJA MASZYNY

**Farmet**



ⒸZ NÁHRADNÍ DÍL - STRANA

ⒸB SPARE PART - PAGE

Ⓓ ERSATZTEILE - SEITE

ⒸU ЗАПЧАСТЬ - СТРАНИЦА

Ⓕ PIÈCE DE RECHANGE - PAGE

ⒸL CZĘŚCI ZAMIENNE - STRONA

☉ POLOTOVAR STROJE

☉ MASCHINEN-HALBFABRIKAT

☉ MACHINE - SEMI-PRODUIT

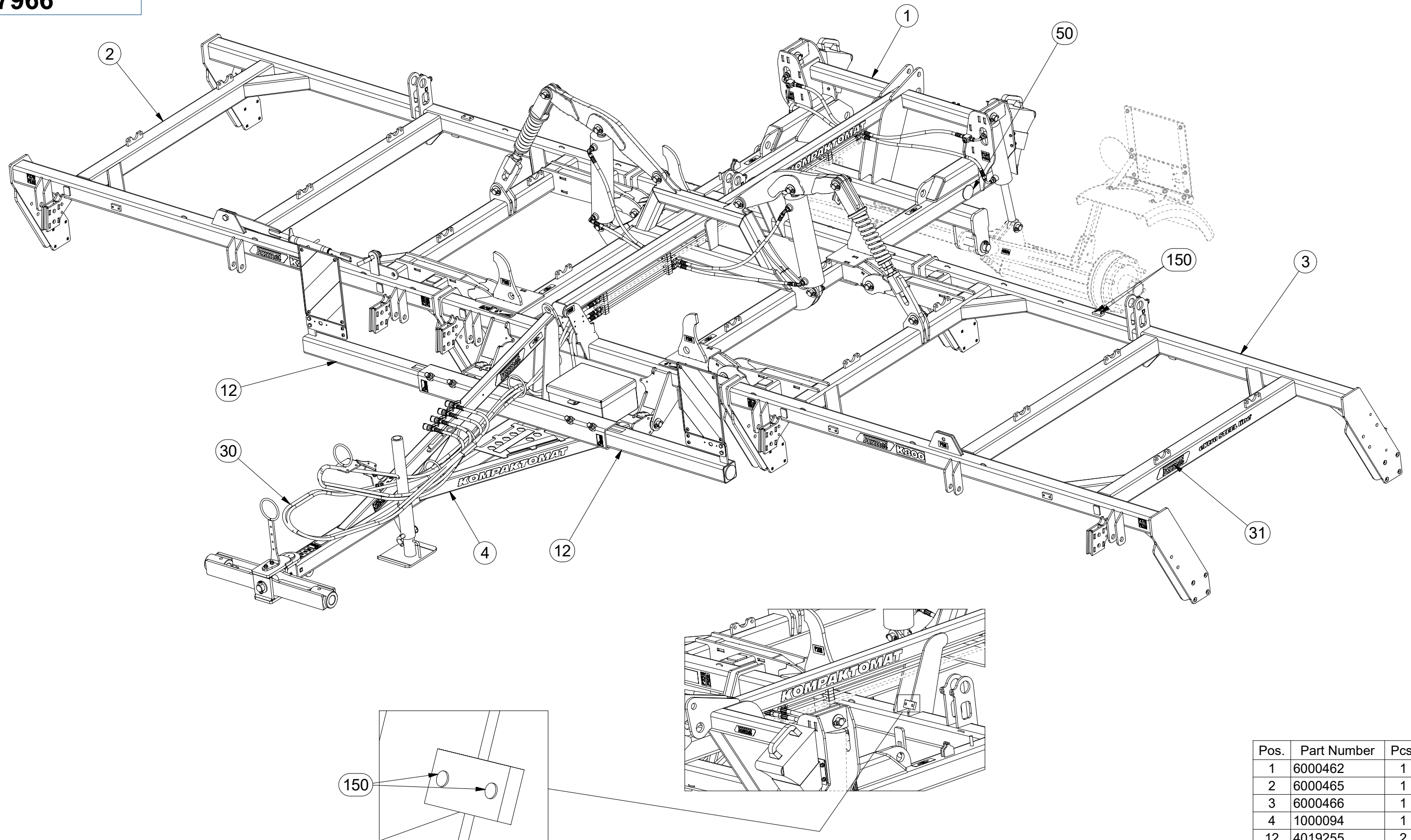
☉ SEMIFINISHED MACHINE

☉ ПОЛУФАБРИКАТ МАШИНЫ

☉ PÓLFABRYKAT MASZYNY



3007966



| Pos. | Part Number | Pcs. |
|------|-------------|------|
| 1    | 6000462     | 1    |
| 2    | 6000465     | 1    |
| 3    | 6000466     | 1    |
| 4    | 1000094     | 1    |
| 12   | 4019255     | 2    |
| 30   | m11151      | 1    |
| 31   | m16694      | 1    |
| 50   | m02579      | 4    |
| 150  | m11099      | 18   |



☉ POLOTOVAR STROJE

☉ MASCHINEN-HALBFABRIKAT

☉ MACHINE - SEMI-PRODUIT

☉ SEMIFINISHED MACHINE

☉ ПОЛУФАБРИКАТ МАШИНЫ

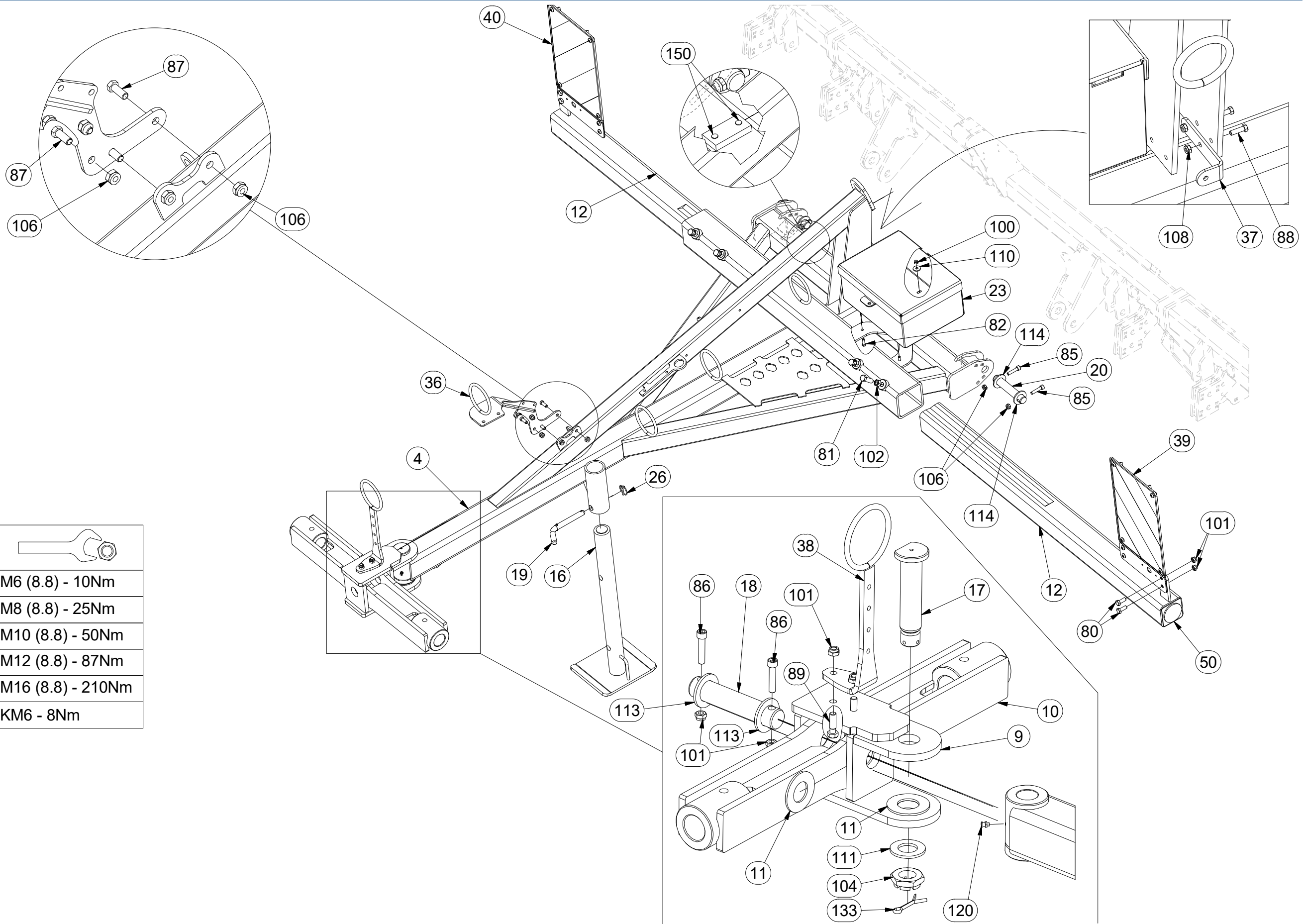
☉ PÓLFABRYKAT MASZYN



### 3007966

| Pos. | Part Number   | Pcs. |
|------|---------------|------|
| 4    | 1000094       | 1    |
| 9    | 3009637       | 1    |
| 10   | 3003787       | 1    |
| 11   | 4003744       | 2    |
| 12   | 4019255       | 2    |
| 16   | 8000647-40207 | 1    |
| 17   | 4008049       | 1    |
| 18   | 4014570       | 1    |
| 19   | 4012205       | 1    |
| 20   | 4011050       | 2    |
| 23   | m12296        | 1    |
| 26   | m10454        | 2    |
| 36   | 4009044       | 1    |
| 37   | 4013461       | 1    |
| 38   | 4019191       | 1    |
| 39   | 4018823       | 1    |
| 40   | 4018833       | 1    |
| 50   | m02579        | 4    |
| 80   | m04039        | 4    |
| 81   | m02254        | 4    |
| 82   | m01092        | 3    |
| 85   | m14143        | 40   |
| 86   | m14008        | 6    |
| 87   | m03681        | 5    |
| 88   | m01074        | 2    |
| 89   | m03926        | 2    |
| 100  | m04503        | 11   |
| 101  | m04301        | 12   |
| 102  | m01306        | 4    |
| 104  | m02533        | 1    |
| 106  | m03775        | 45   |
| 108  | m05560        | 2    |
| 110  | m07936        | 3    |
| 111  | m03866        | 1    |
| 113  | 4013139       | 6    |
| 114  | m14029        | 40   |
| 120  | m10451        | 1    |
| 133  | m03959        | 1    |
| 150  | m11099        | 18   |

|  |                   |
|--|-------------------|
|  | M6 (8.8) - 10Nm   |
|  | M8 (8.8) - 25Nm   |
|  | M10 (8.8) - 50Nm  |
|  | M12 (8.8) - 87Nm  |
|  | M16 (8.8) - 210Nm |
|  | KM6 - 8Nm         |





Ⓒ POLOTOVAR STROJE

Ⓓ MASCHINEN-HALBFABRIKAT

Ⓕ MACHINE - SEMI-PRODUIT

Ⓖ SEMIFINISHED MACHINE

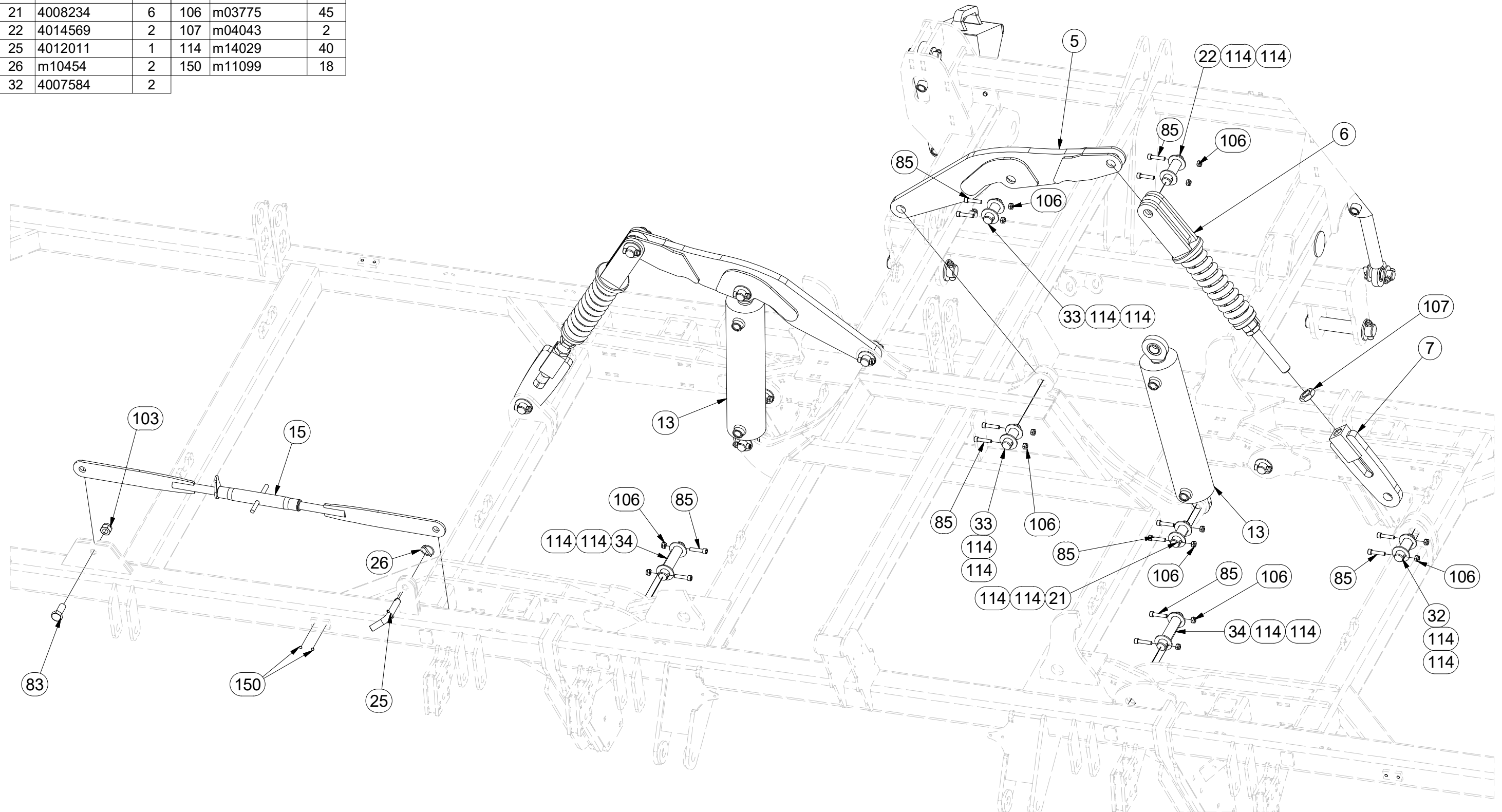
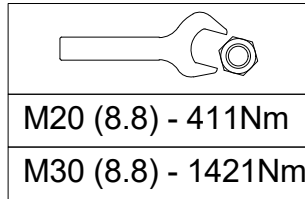
Ⓡ ПОЛУФАБРИКАТ МАШИНЫ

Ⓟ PÓLFABRYKAT MASZYNY



### 3007966

| Pos. | Part Number | Pcs. | Pos. | Part Number | Pcs. |
|------|-------------|------|------|-------------|------|
| 5    | 3002837     | 2    | 33   | 4007640     | 4    |
| 6    | 4005363     | 2    | 34   | 4007641     | 4    |
| 7    | 4005366     | 2    | 83   | m04241      | 1    |
| 13   | 9002967     | 2    | 85   | m14143      | 40   |
| 15   | 4003966     | 1    | 103  | m05648      | 1    |
| 21   | 4008234     | 6    | 106  | m03775      | 45   |
| 22   | 4014569     | 2    | 107  | m04043      | 2    |
| 25   | 4012011     | 1    | 114  | m14029      | 40   |
| 26   | m10454      | 2    | 150  | m11099      | 18   |
| 32   | 4007584     | 2    |      |             |      |



Ⓒ POLOTOVAR STROJE

Ⓓ MASCHINEN-HALBFABRIKAT

Ⓕ MACHINE - SEMI-PRODUIT

Ⓖ SEMIFINISHED MACHINE

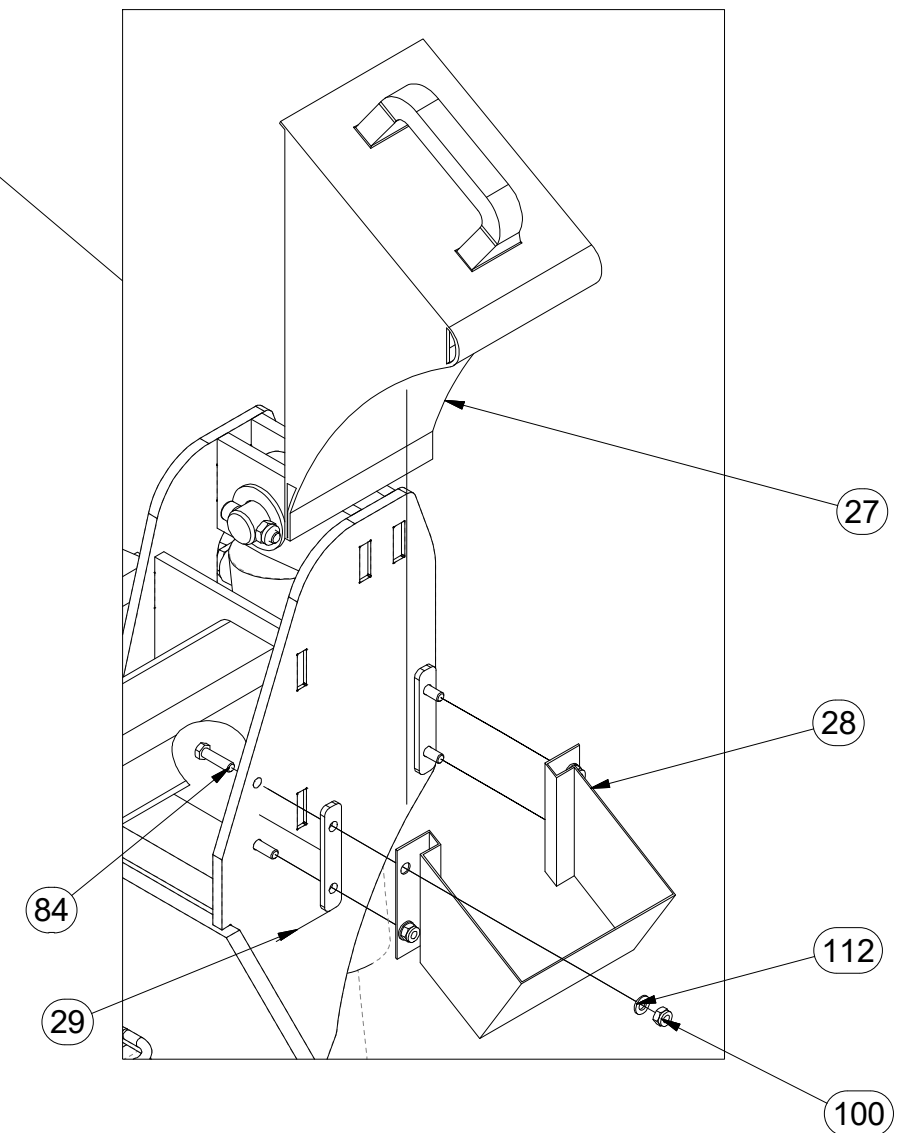
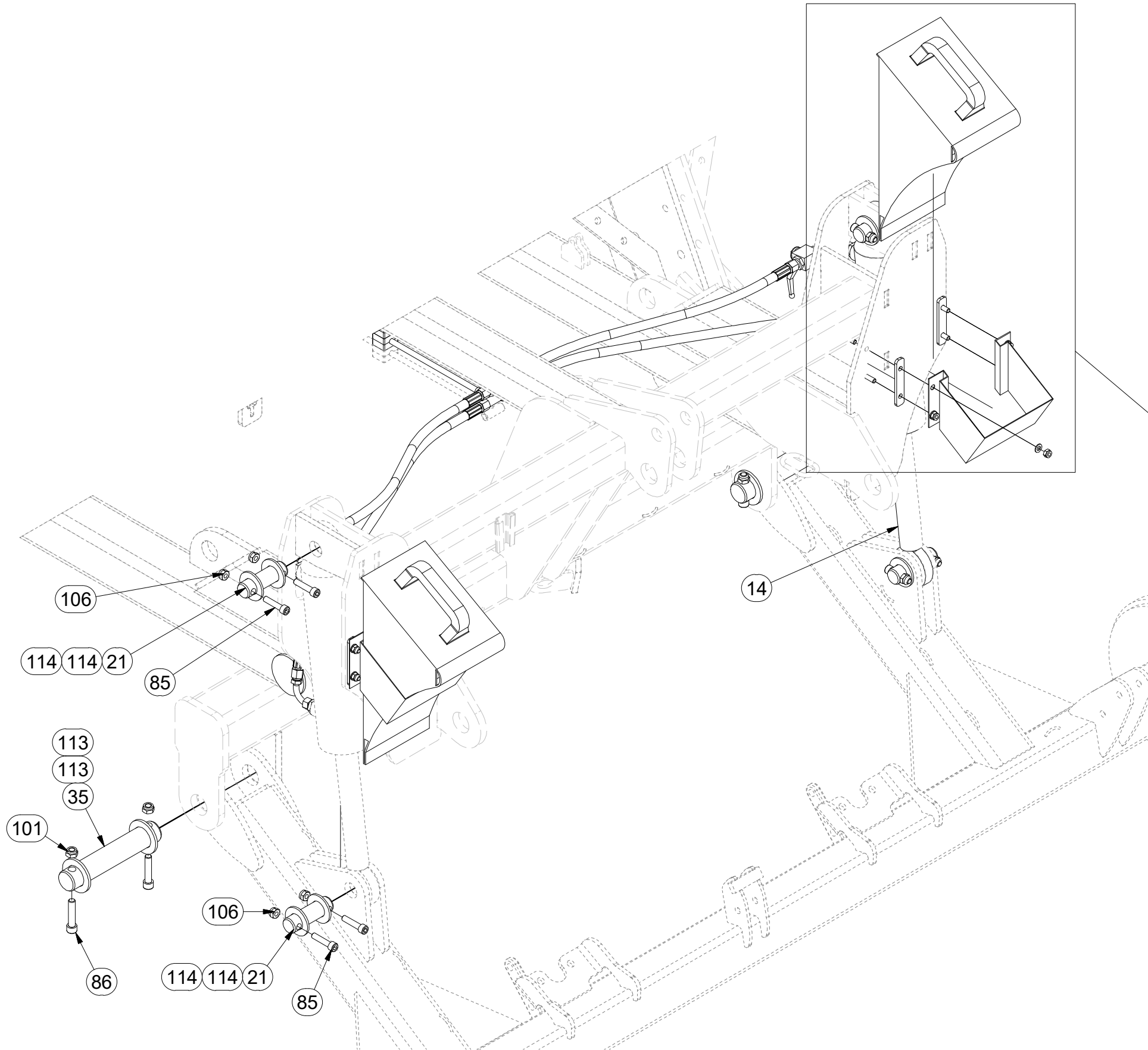
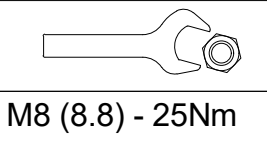
Ⓡ ПОЛУФАБРИКАТ МАШИНЫ

Ⓟ PÓLFABRYKAT MASZYN



**3007966**

| Pos. | Part Number | Pcs. | Pos. | Part Number | Pcs. |
|------|-------------|------|------|-------------|------|
| 14   | 9000247     | 2    | 86   | m14008      | 6    |
| 21   | 4008234     | 6    | 100  | m04503      | 11   |
| 27   | m16186      | 2    | 101  | m04301      | 12   |
| 28   | m12572      | 2    | 106  | m03775      | 45   |
| 29   | 4012712     | 4    | 112  | m01203      | 8    |
| 35   | 4010875     | 2    | 113  | 4013139     | 6    |
| 84   | m04791      | 8    | 114  | m14029      | 40   |
| 85   | m14143      | 40   |      |             |      |





ⒸZ HYDRAULIKA STROJE

Ⓓ HYDRAULIK DER MASCHINE

Ⓕ HYDRAULIQUE DE LA MACHINE

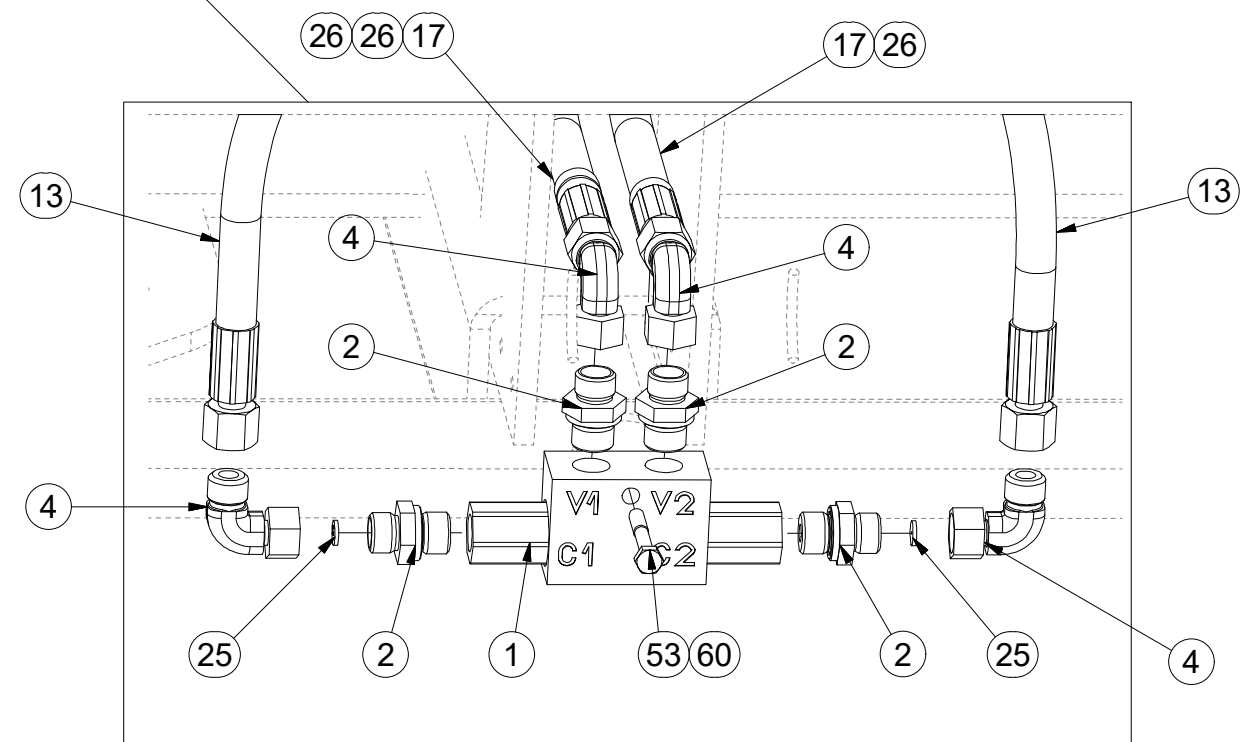
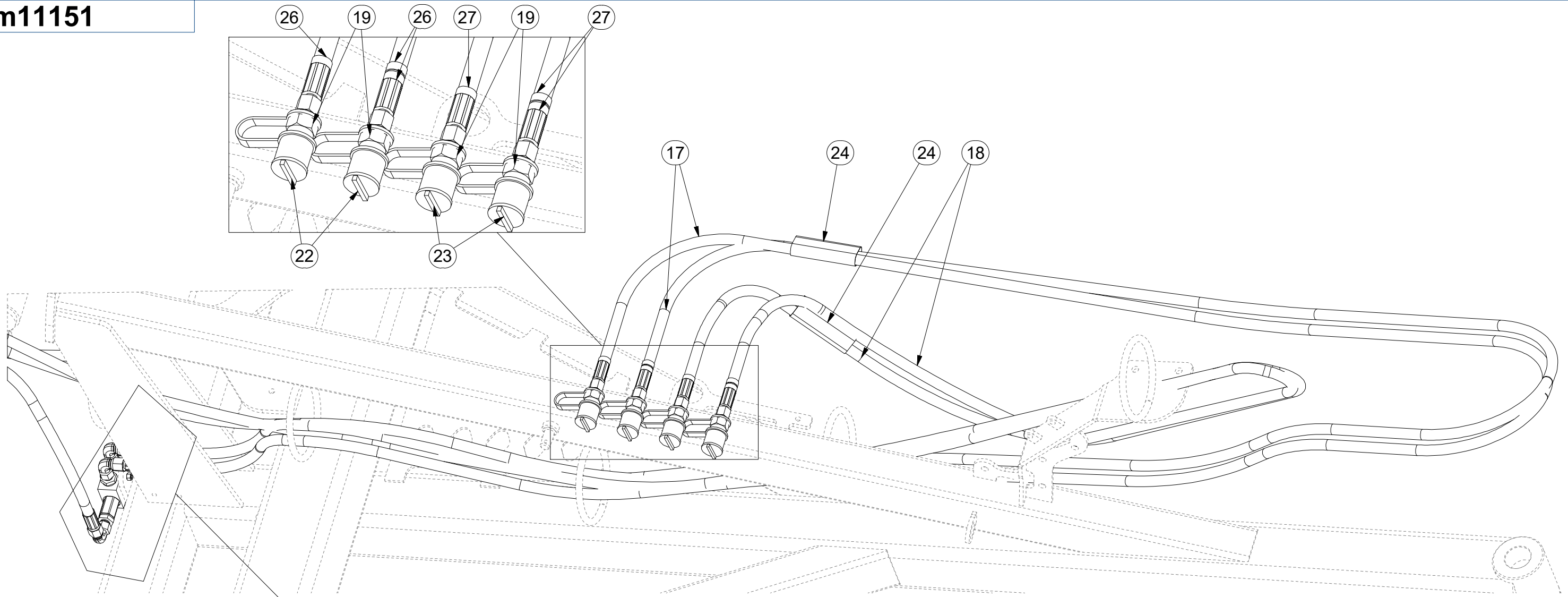

ⒼB MACHINE HYDRAULICS

Ⓔ RU ГИДРАВЛИКА МАШИНЫ

Ⓐ PL HYDRAULIKA MASZYNY



**m11151**

M6 (8.8) - 10Nm  
 HYDRAULIC COMPONENTS:  
 M16 x 1,5 - 60Nm  
 M22 x 1,5 - 140Nm  
 G 3/8 - 95 Nm

| Pos. | Part Number | Pcs. |
|------|-------------|------|
| 1    | m06673      | 1    |
| 2    | m06528      | 4    |
| 4    | m06803      | 8    |
| 13   | m03713      | 4    |
| 17   | m04087      | 2    |
| 18   | m09431      | 2    |
| 19   | m03849      | 4    |
| 22   | m04022      | 2    |
| 23   | m04023      | 2    |
| 24   | m11183      | 2    |
| 25   | m10780      | 2    |
| 26   | m11294      | 12   |
| 27   | m11289      | 9    |
| 53   | m05561      | 1    |
| 60   | m05560      | 1    |

☉ HYDRAULIKA STROJE

☉ HYDRAULIK DER MASCHINE

☉ HYDRAULIQUE DE LA MACHINE

☉ MACHINE HYDRAULICS


☉ ГИДРАВЛИКА МАШИНЫ

☉ HYDRAULIKA MASZYNY



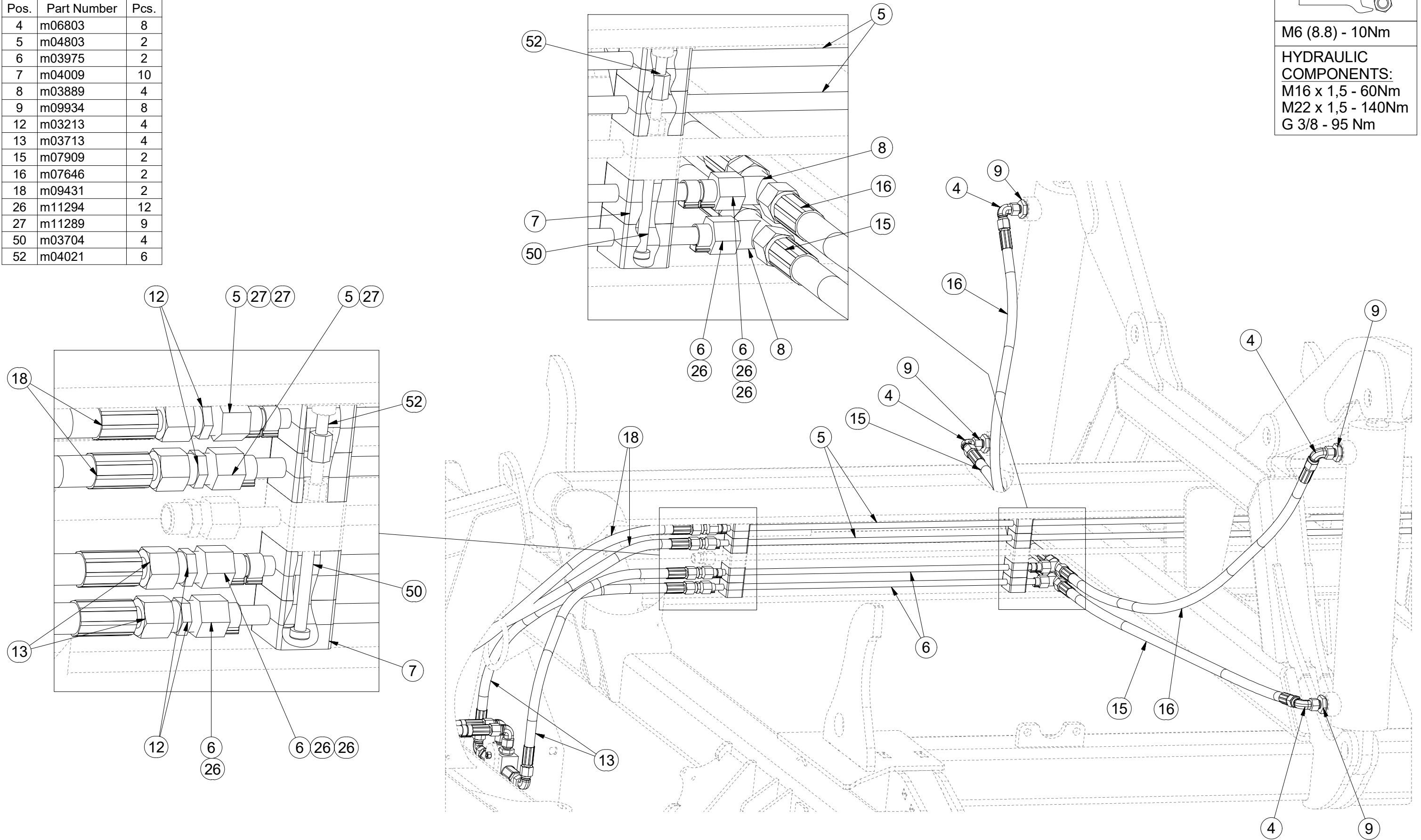
### m11151

| Pos. | Part Number | Pcs. |
|------|-------------|------|
| 4    | m06803      | 8    |
| 5    | m04803      | 2    |
| 6    | m03975      | 2    |
| 7    | m04009      | 10   |
| 8    | m03889      | 4    |
| 9    | m09934      | 8    |
| 12   | m03213      | 4    |
| 13   | m03713      | 4    |
| 15   | m07909      | 2    |
| 16   | m07646      | 2    |
| 18   | m09431      | 2    |
| 26   | m11294      | 12   |
| 27   | m11289      | 9    |
| 50   | m03704      | 4    |
| 52   | m04021      | 6    |



M6 (8.8) - 10Nm

HYDRAULIC COMPONENTS:  
M16 x 1,5 - 60Nm  
M22 x 1,5 - 140Nm  
G 3/8 - 95 Nm





ⒸZ HYDRAULIKA STROJE

Ⓓ HYDRAULIK DER MASCHINE

Ⓕ HYDRAULIQUE DE LA MACHINE

ⒼB MACHINE HYDRAULICS


ⒺU ГИДРАВЛИКА МАШИНЫ

ⒽL HYDRAULIKA MASZYN



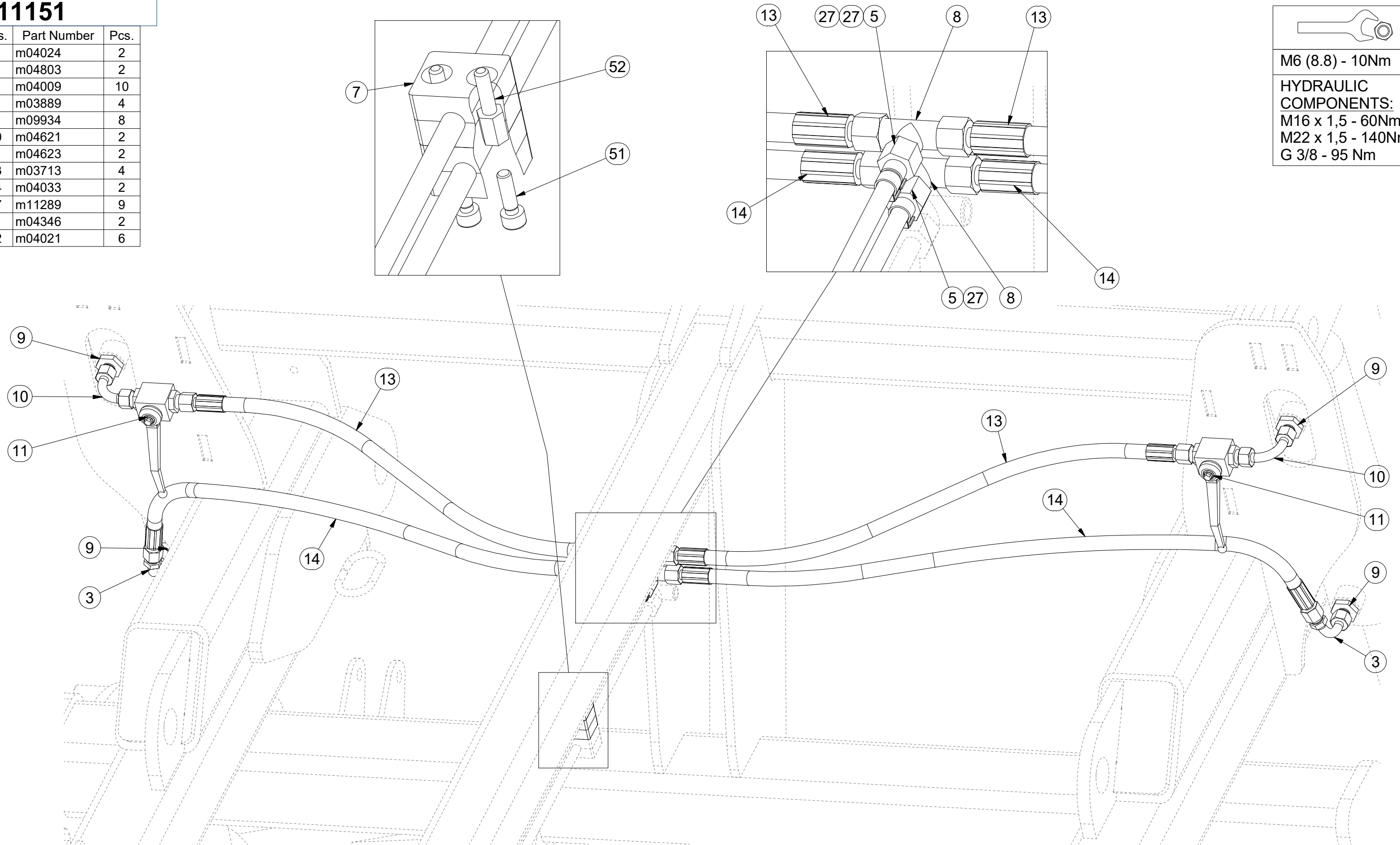
### m11151

| Pos. | Part Number | Pcs. |
|------|-------------|------|
| 3    | m04024      | 2    |
| 5    | m04803      | 2    |
| 7    | m04009      | 10   |
| 8    | m03889      | 4    |
| 9    | m09934      | 8    |
| 10   | m04621      | 2    |
| 11   | m04623      | 2    |
| 13   | m03713      | 4    |
| 14   | m04033      | 2    |
| 27   | m11289      | 9    |
| 51   | m04346      | 2    |
| 52   | m04021      | 6    |



M6 (8.8) - 10Nm

HYDRAULIC COMPONENTS:  
M16 x 1,5 - 60Nm  
M22 x 1,5 - 140Nm  
G 3/8 - 95 Nm



Ⓒ SAMOLEPKY STROJE

Ⓓ AUFKLEBER MASCHINEN

Ⓕ VOITURE MACHINES

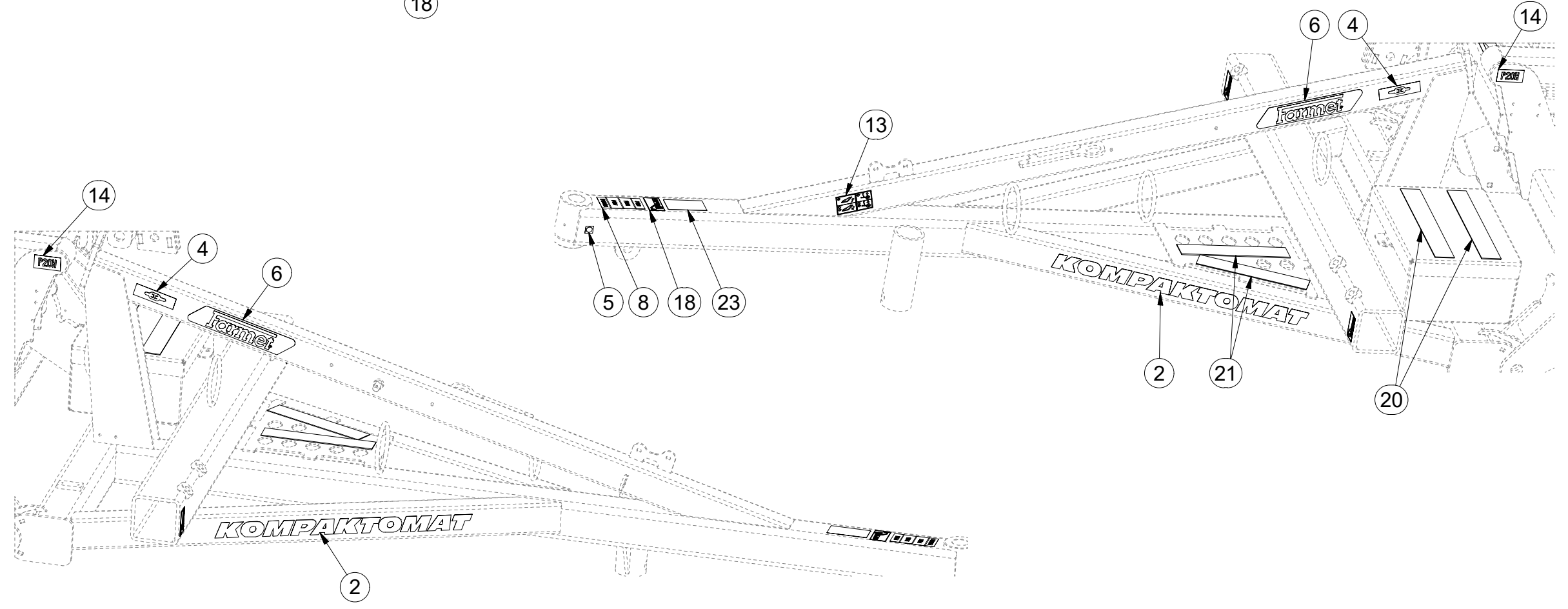
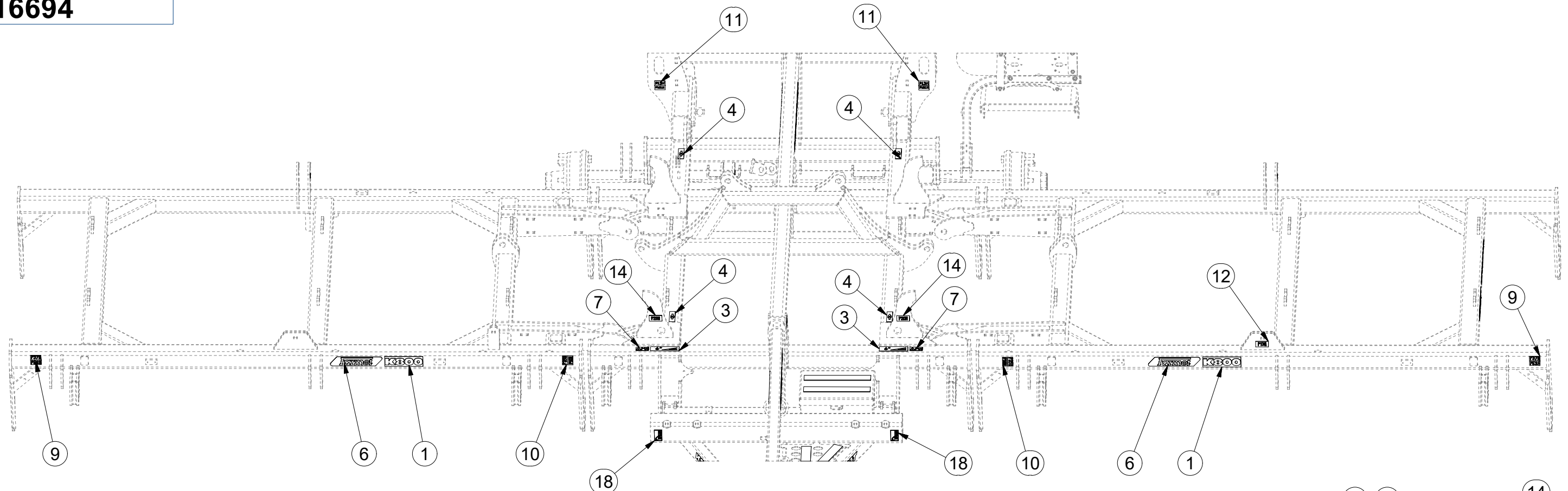
Ⓖ STICKERS MACHINES

Ⓡ СТИКЕРЫ МАШИНЫ

Ⓟ NAKLEJKI MASZYNY



**m16694**



| Pos. | Part Number | Pcs. |
|------|-------------|------|
| 1    | m07696      | 4    |
| 2    | m07688      | 4    |
| 3    | m03314      | 2    |
| 4    | m03316      | 6    |
| 5    | m03320      | 4    |
| 6    | m13116      | 8    |
| 7    | m04359      | 3    |
| 8    | m11295      | 1    |
| 9    | m11297      | 4    |
| 10   | m11296      | 4    |
| 11   | m11299      | 2    |
| 12   | m04363      | 1    |
| 13   | m11291      | 1    |
| 14   | m04368      | 6    |
| 18   | m10180      | 3    |
| 20   | m11146      | 2    |
| 21   | m11147      | 2    |
| 23   | m13708      | 3    |



Ⓒ SAMOLEPKY STROJE

Ⓓ AUFKLEBER MASCHINEN

Ⓕ VOITURE MACHINES

Ⓖ STICKERS MACHINES

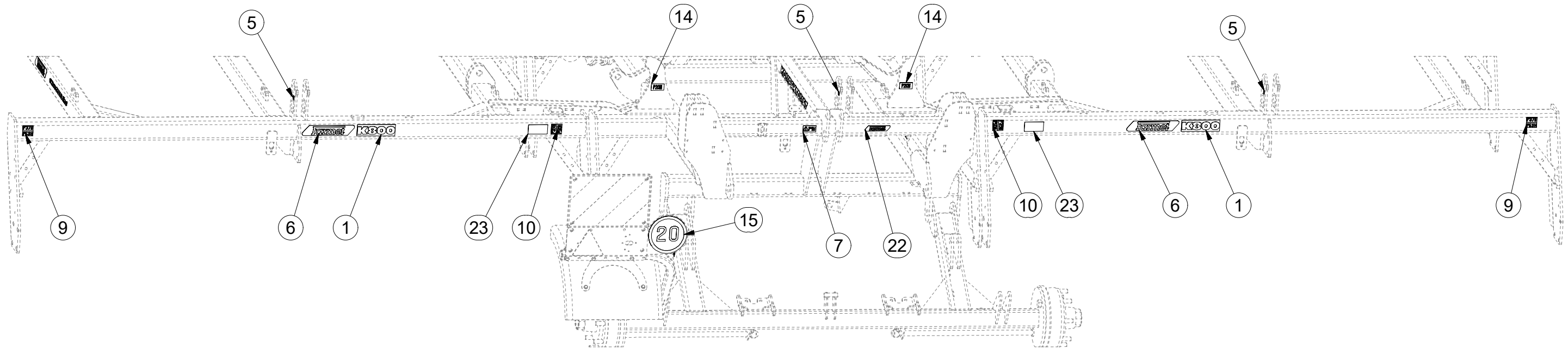
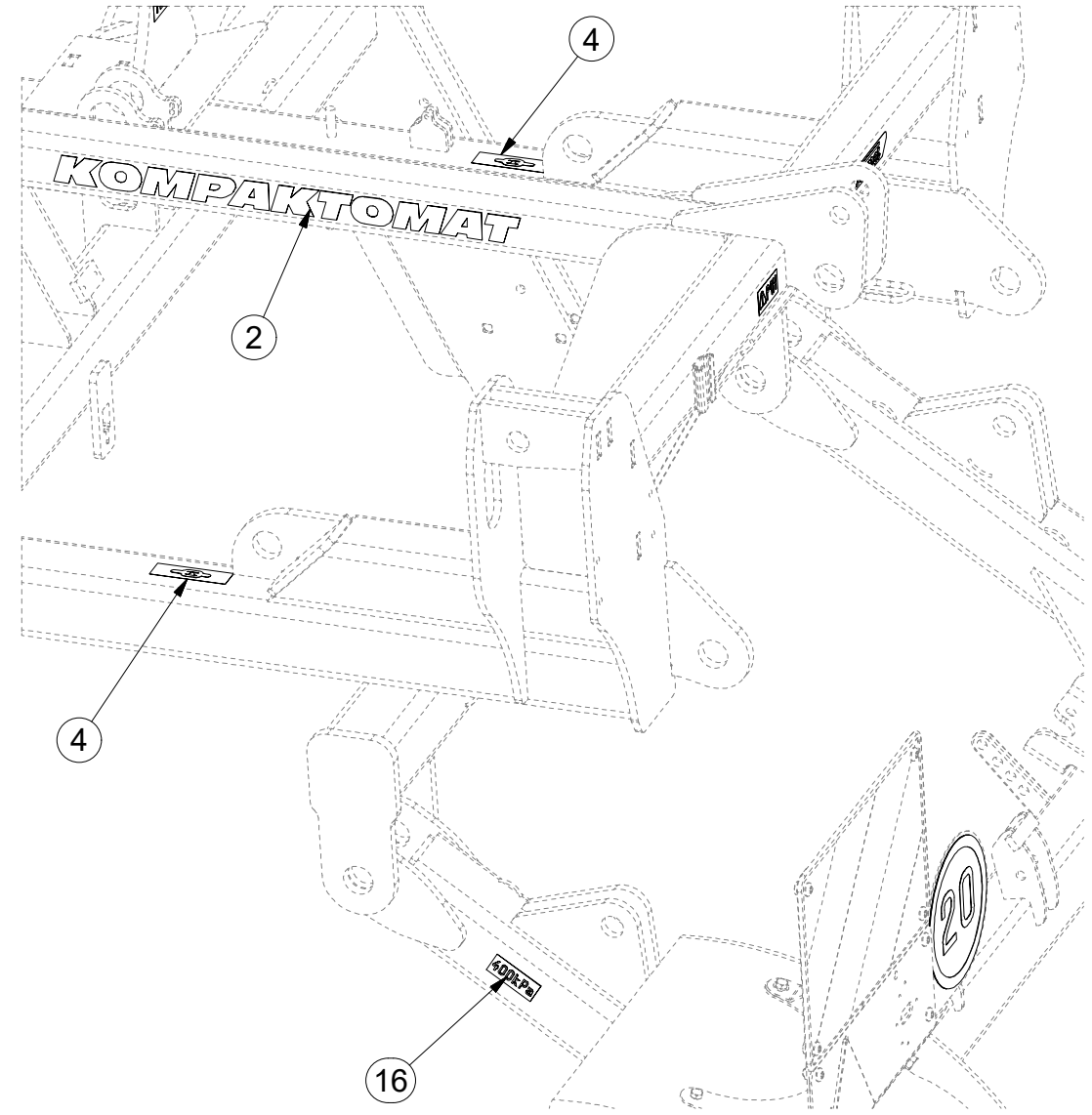
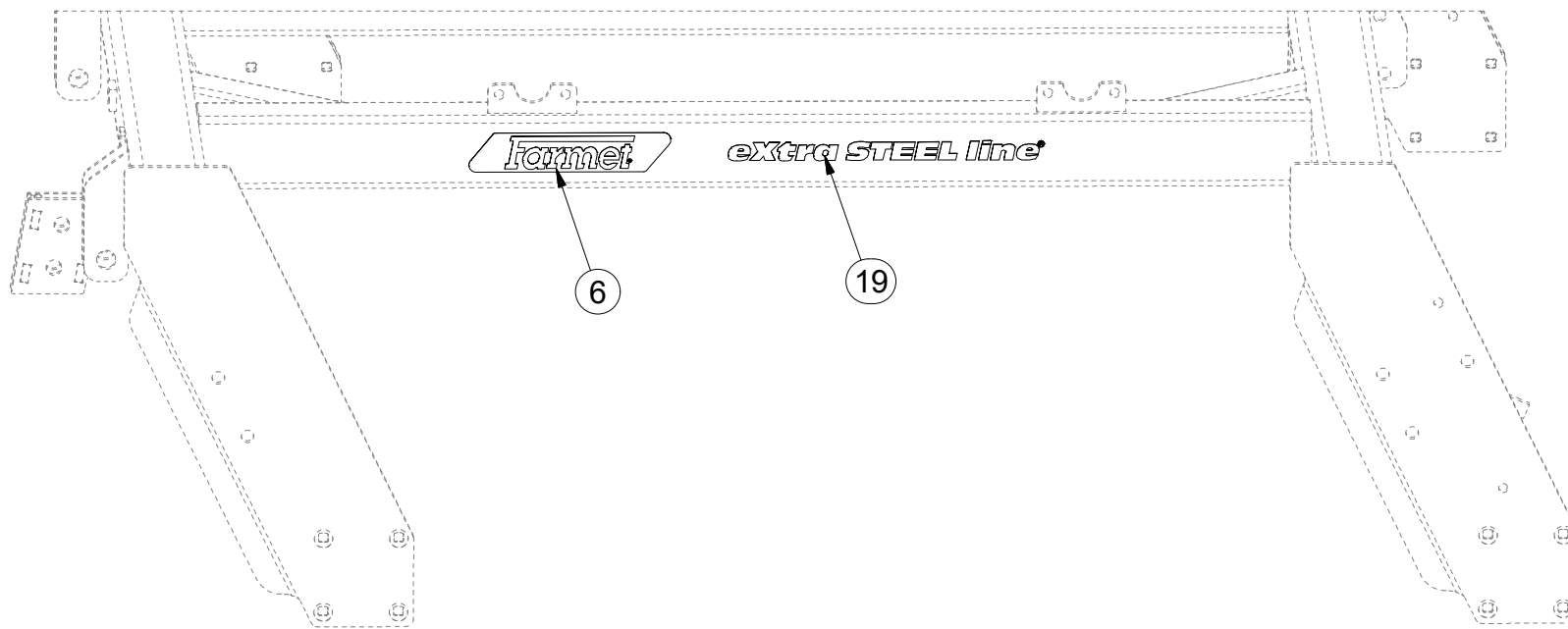
Ⓡ СТИКЕРЫ МАШИНЫ

Ⓟ NAKLEJKI MASZYNY



# m16694

| Pos. | Part Number | Pcs. | Pos. | Part Number | Pcs. |
|------|-------------|------|------|-------------|------|
| 1    | m07696      | 4    | 10   | m11296      | 4    |
| 2    | m07688      | 4    | 14   | m04368      | 6    |
| 4    | m03316      | 6    | 15   | m04406      | 1    |
| 5    | m03320      | 4    | 16   | m04887      | 2    |
| 6    | m13116      | 8    | 19   | m10353      | 2    |
| 7    | m04359      | 3    | 22   | m13401      | 1    |
| 9    | m11297      | 4    | 23   | m13708      | 3    |



ⒸZ TERČ PŘEDNÍ PRAVÝ

Ⓓ SCHILD, VORDERES, RECHTES

Ⓕ CIBLE AVANT DROITE

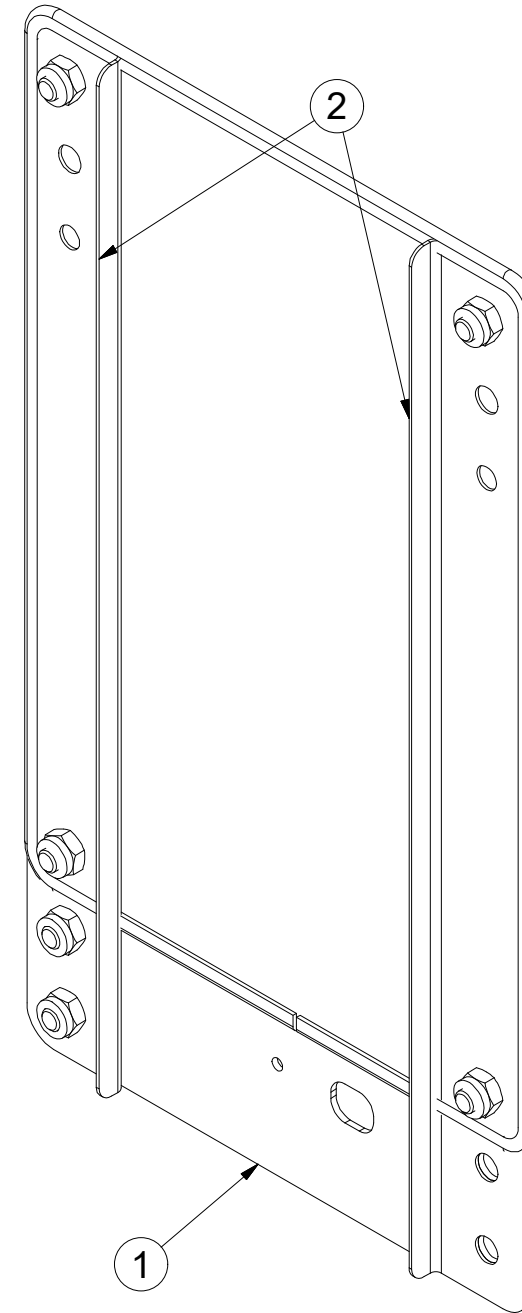
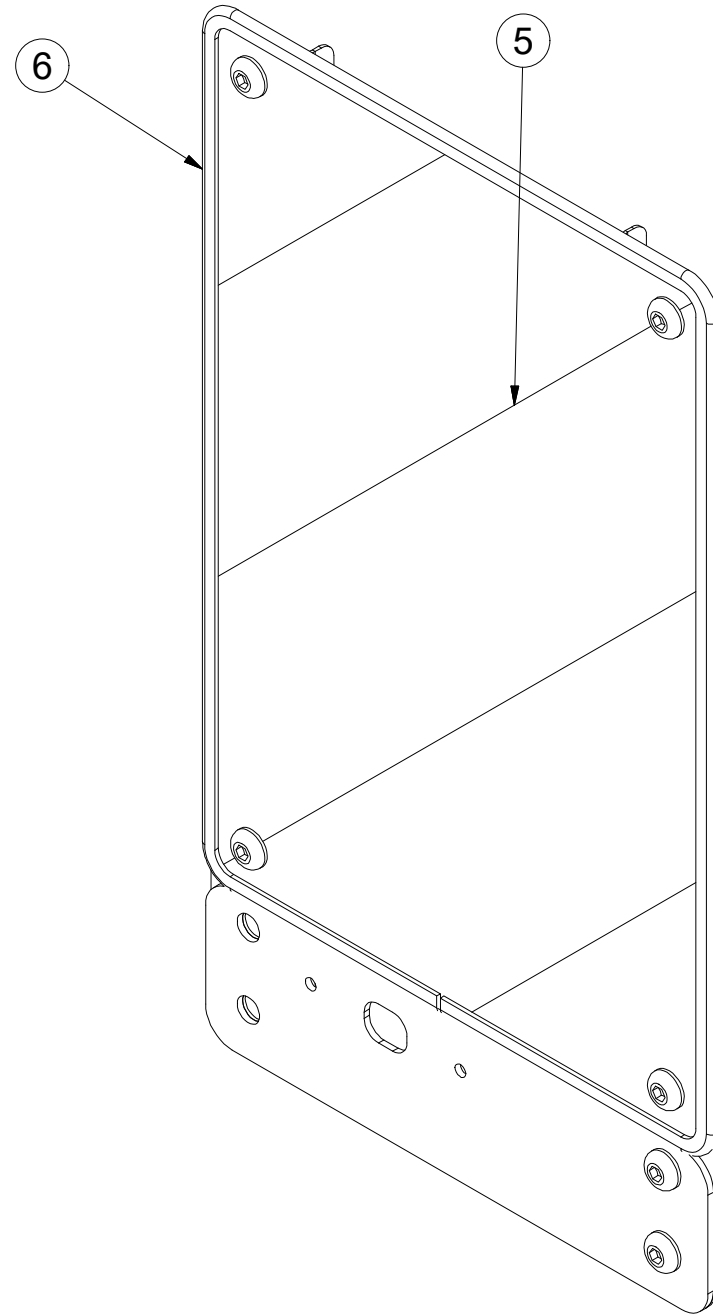
**4018833**

ⒸGB RIGHT FRONT DISC

ⒸRU ЩИТОК ПЕРЕДНИЙ ПРАВЫЙ

ⒸPL TARCZA PRZEDNIA PRAWA

**Farmet**



| Pos. | Part Number | Pcs. |
|------|-------------|------|
| 1    | 4019247     | 1    |
| 2    | 4019245     | 2    |
| 5    | m16273      | 1    |
| 6    | m16628      | 1,4  |



ⒸZ TERČ PŘEDNÍ PRAVÝ

Ⓓ SCHILD, VORDERES, RECHTES

Ⓕ CIBLE AVANT DROITE

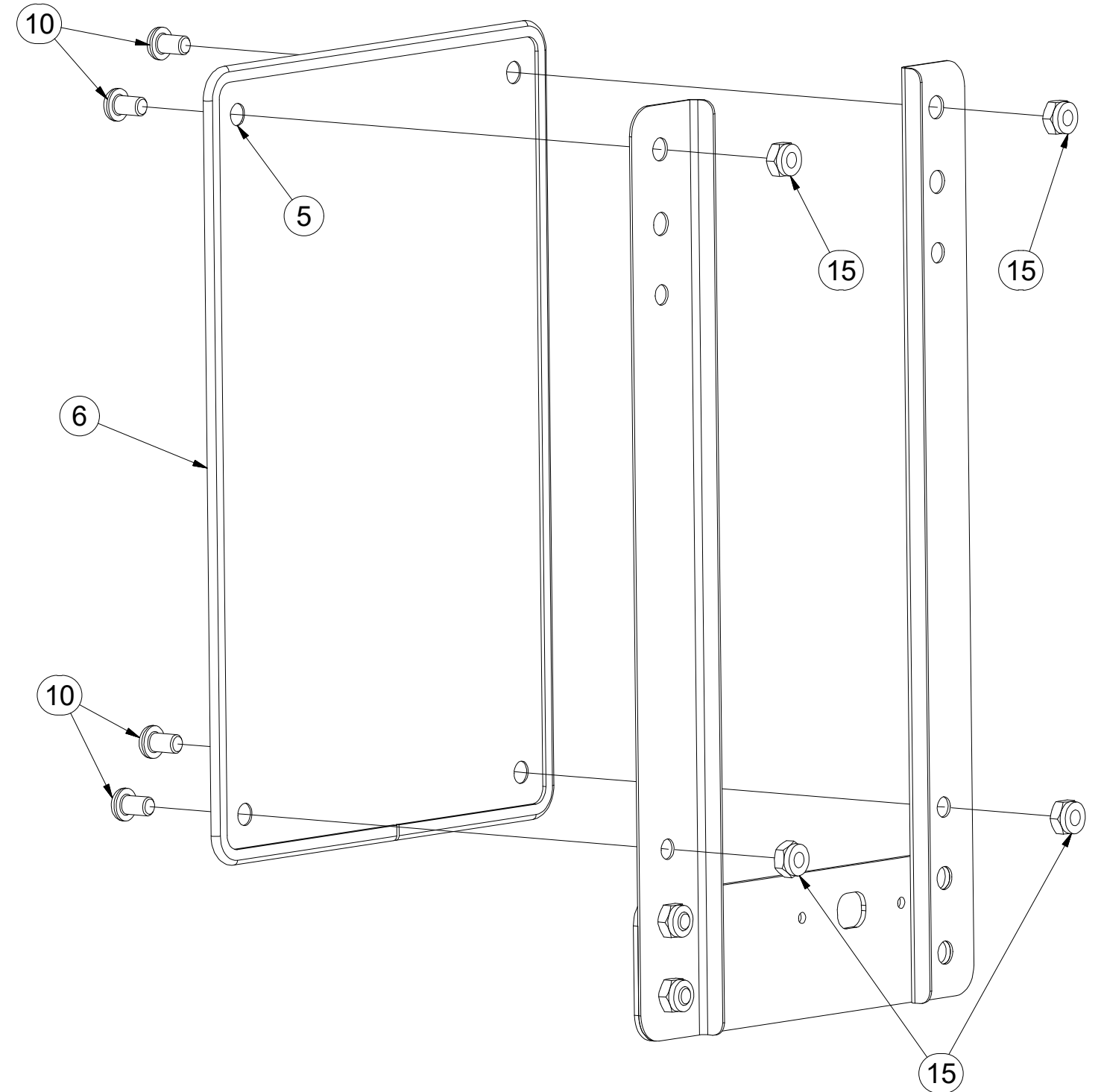
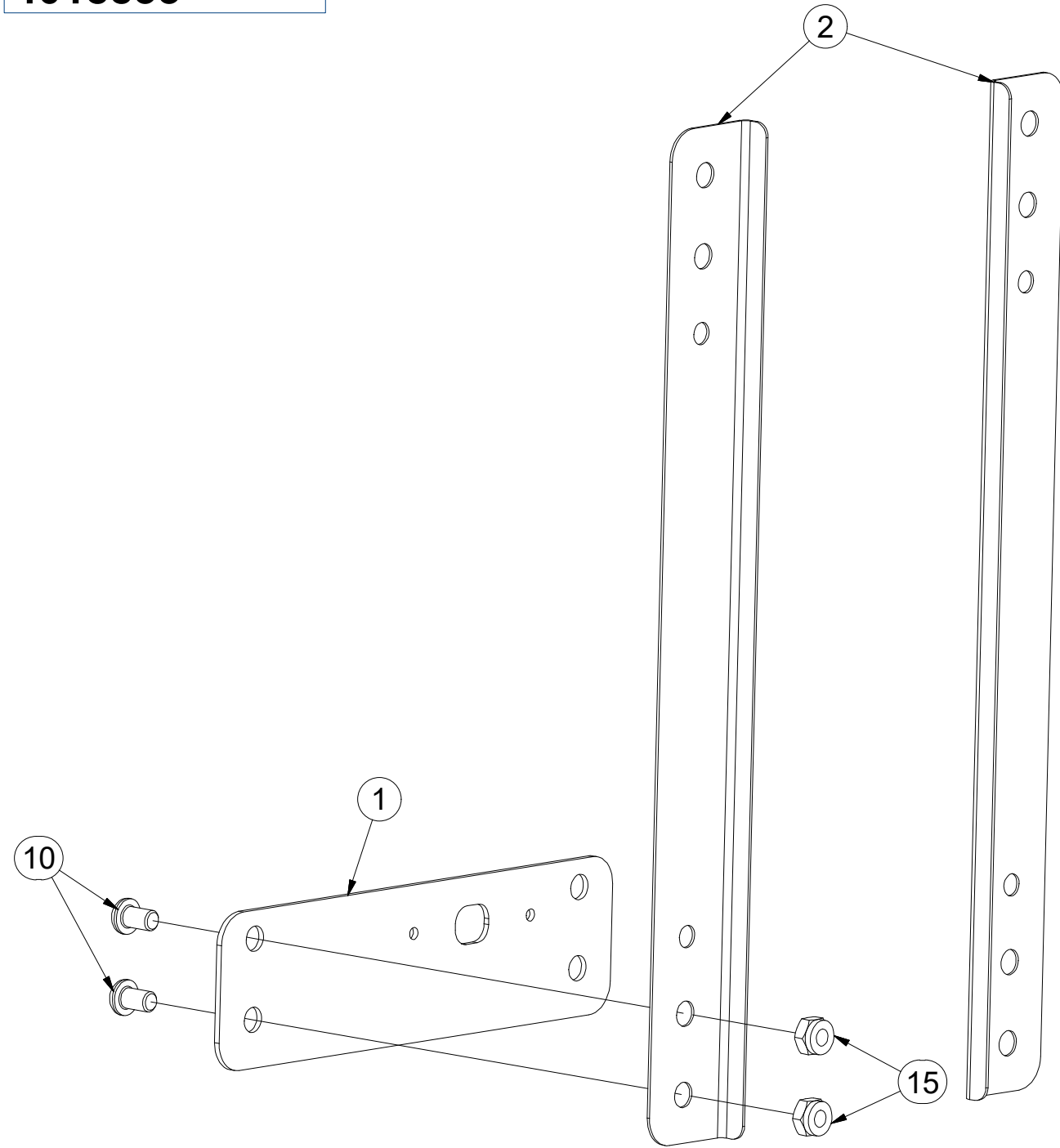
ⒸGB RIGHT FRONT DISC

ⒸRU ЩИТОК ПЕРЕДНИЙ ПРАВЫЙ

ⒸPL TARCZA PRZEDNIA PRAWA



**4018833**



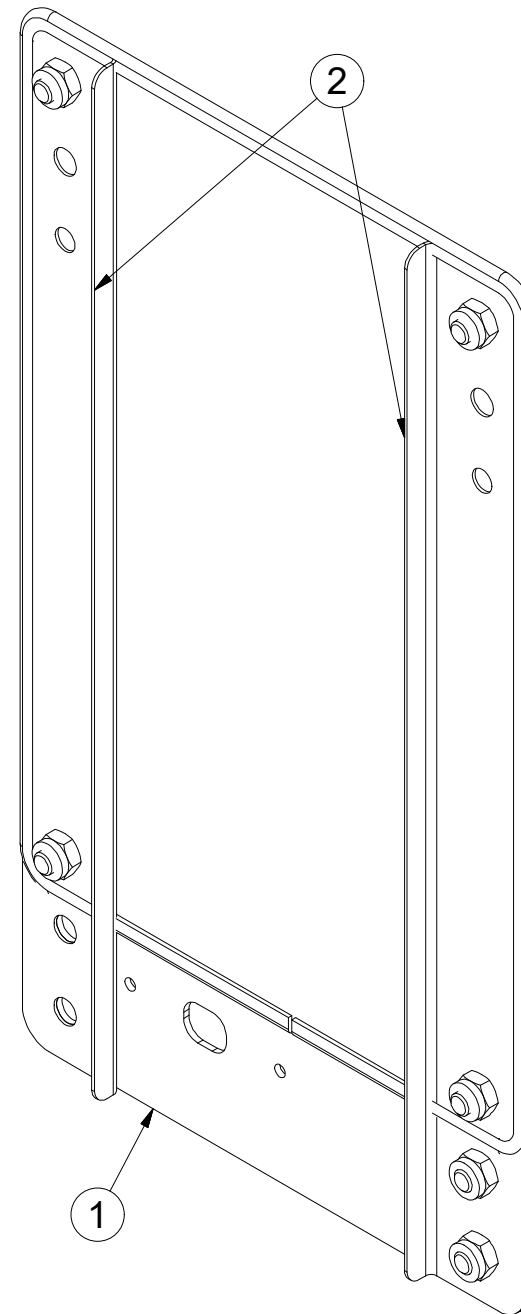
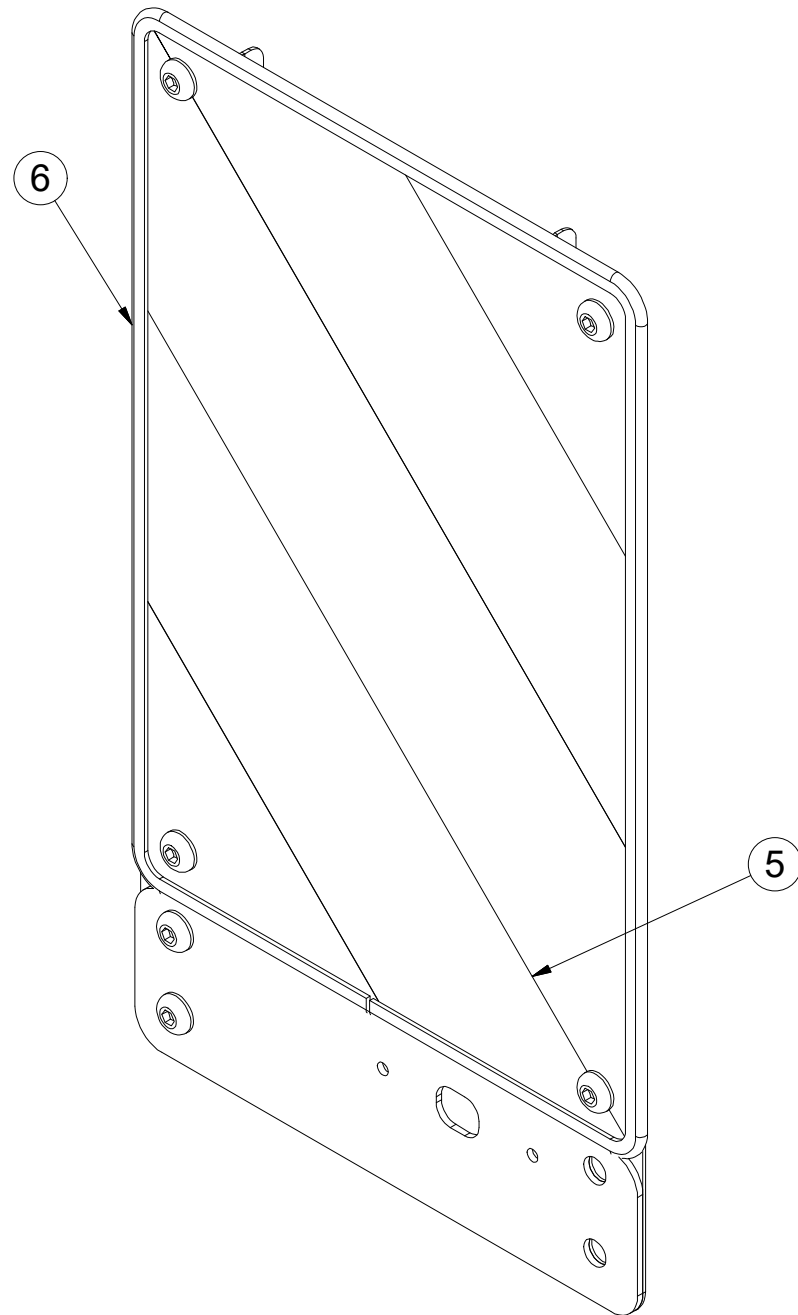
| Pos. | Part Number | Pcs. |
|------|-------------|------|
| 1    | 4019247     | 1    |
| 2    | 4019245     | 2    |
| 5    | m16273      | 1    |
| 6    | m16628      | 1,4  |
| 10   | m16687      | 6    |
| 15   | m03775      | 6    |

- ⒸZ TERČ PŘEDNÍ LEVÝ
- Ⓓ SCHILD, VORDERES, LINKES
- Ⓕ CIBLE AVANT GAUCHE

- ⒸB LEFT FRONT DISC
- ⒹU ЩИТОК ПЕРЕДНИЙ ЛЕВЫЙ
- ⒸL TARCZA PRZEDNIA LEWA



**4018823**



| Pos. | Part Number | Pcs. |
|------|-------------|------|
| 1    | 4019247     | 1    |
| 2    | 4019245     | 2    |
| 5    | m16274      | 1    |
| 6    | m16628      | 1,4  |

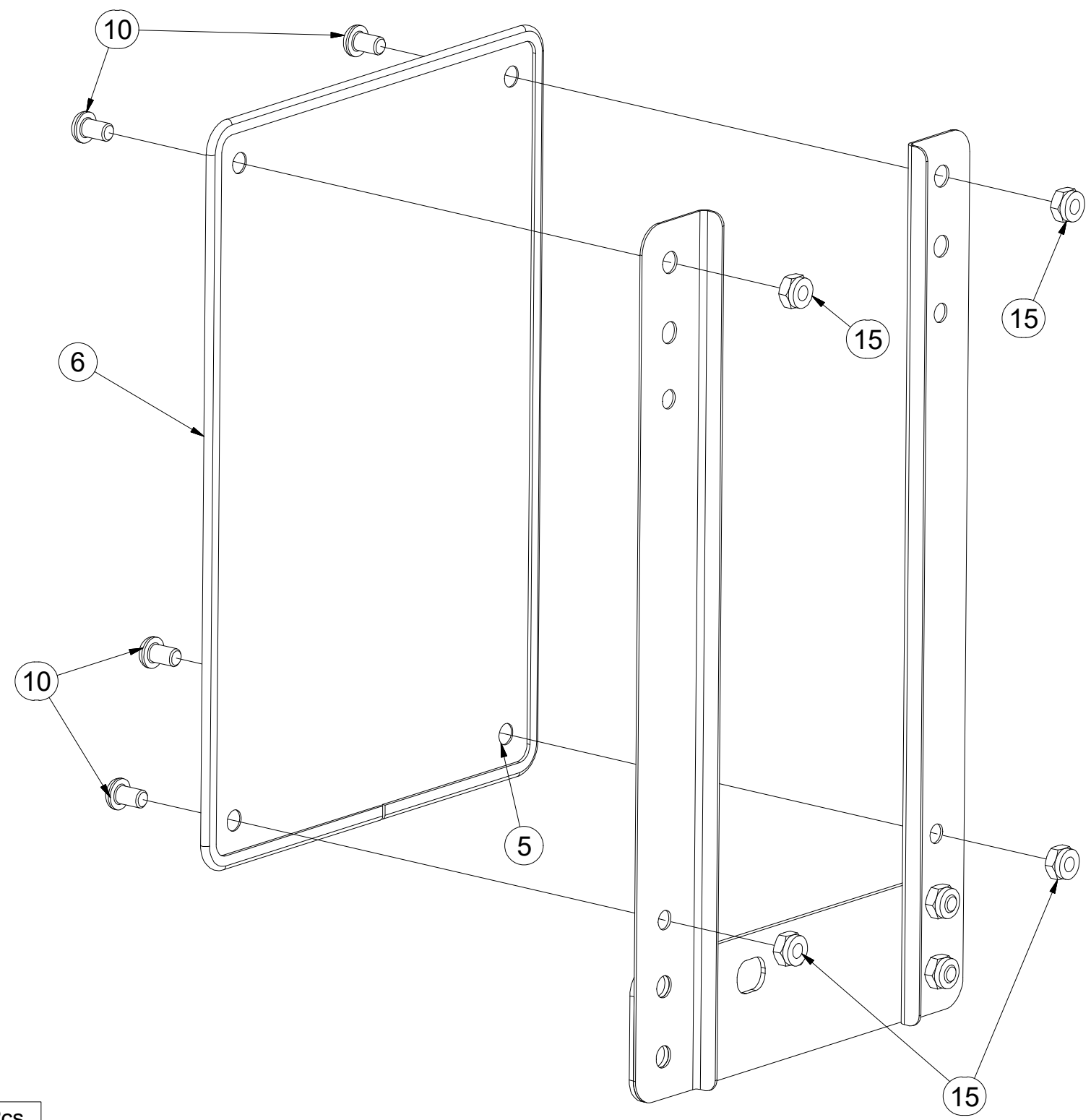
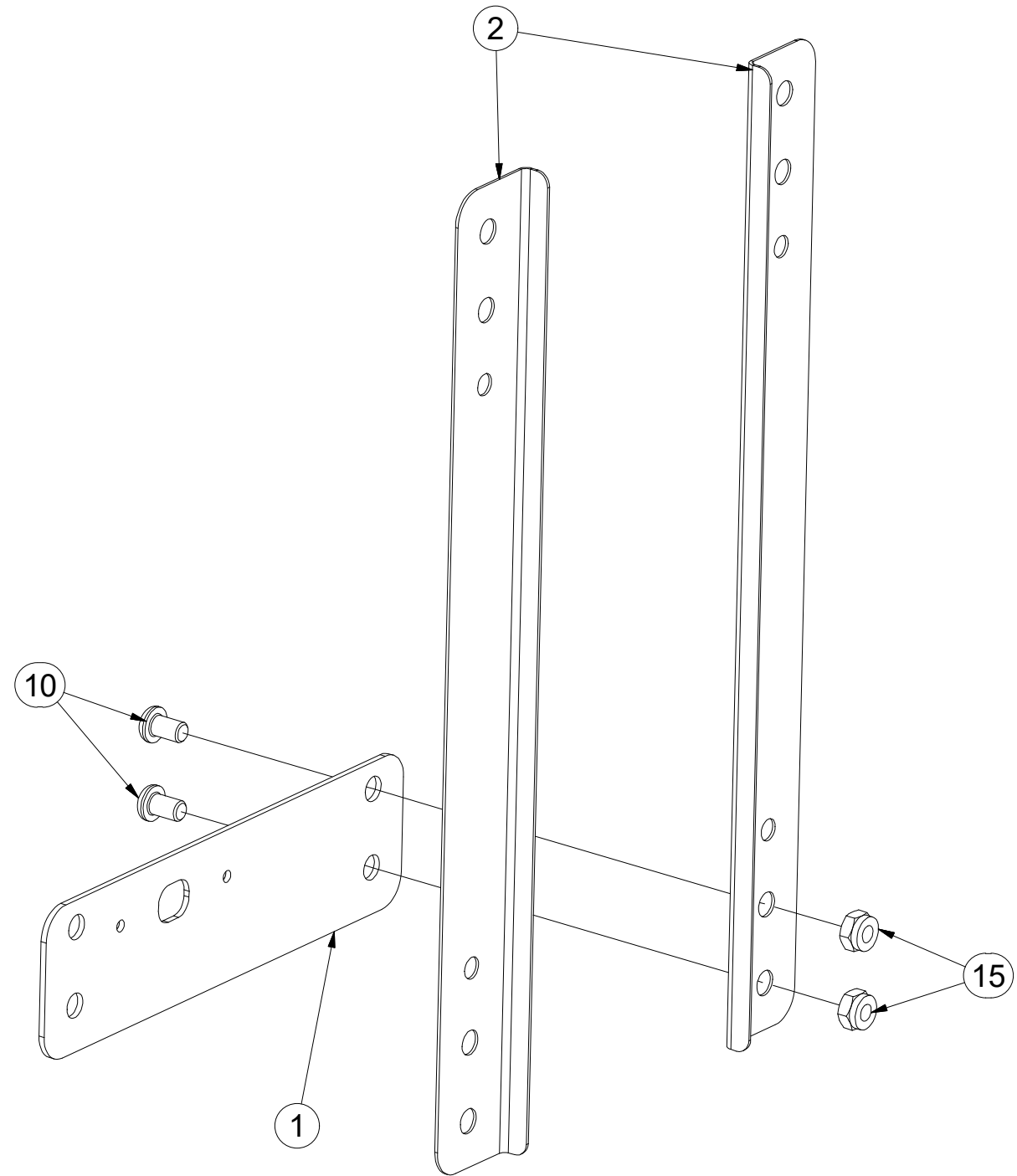


CZ TERČ PŘEDNÍ LEVÝ  
 D SCHILD, VORDERES, LINKES  
 F CIBLE AVANT GAUCHE

GB LEFT FRONT DISC  
 RU ЩИТОК ПЕРЕДНИЙ ЛЕВЫЙ  
 PL TARCZA PRZEDNIA LEWA



**4018823**



| Pos. | Part Number | Pcs. |
|------|-------------|------|
| 1    | 4019247     | 1    |
| 2    | 4019245     | 2    |
| 5    | m16274      | 1    |
| 6    | m16628      | 1,4  |
| 10   | m16687      | 6    |
| 15   | m03775      | 6    |

Ⓒ SADA TUBUSU

Ⓓ BÜCHSENSATZ

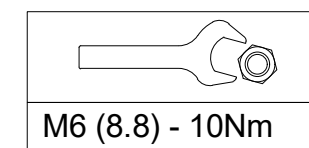
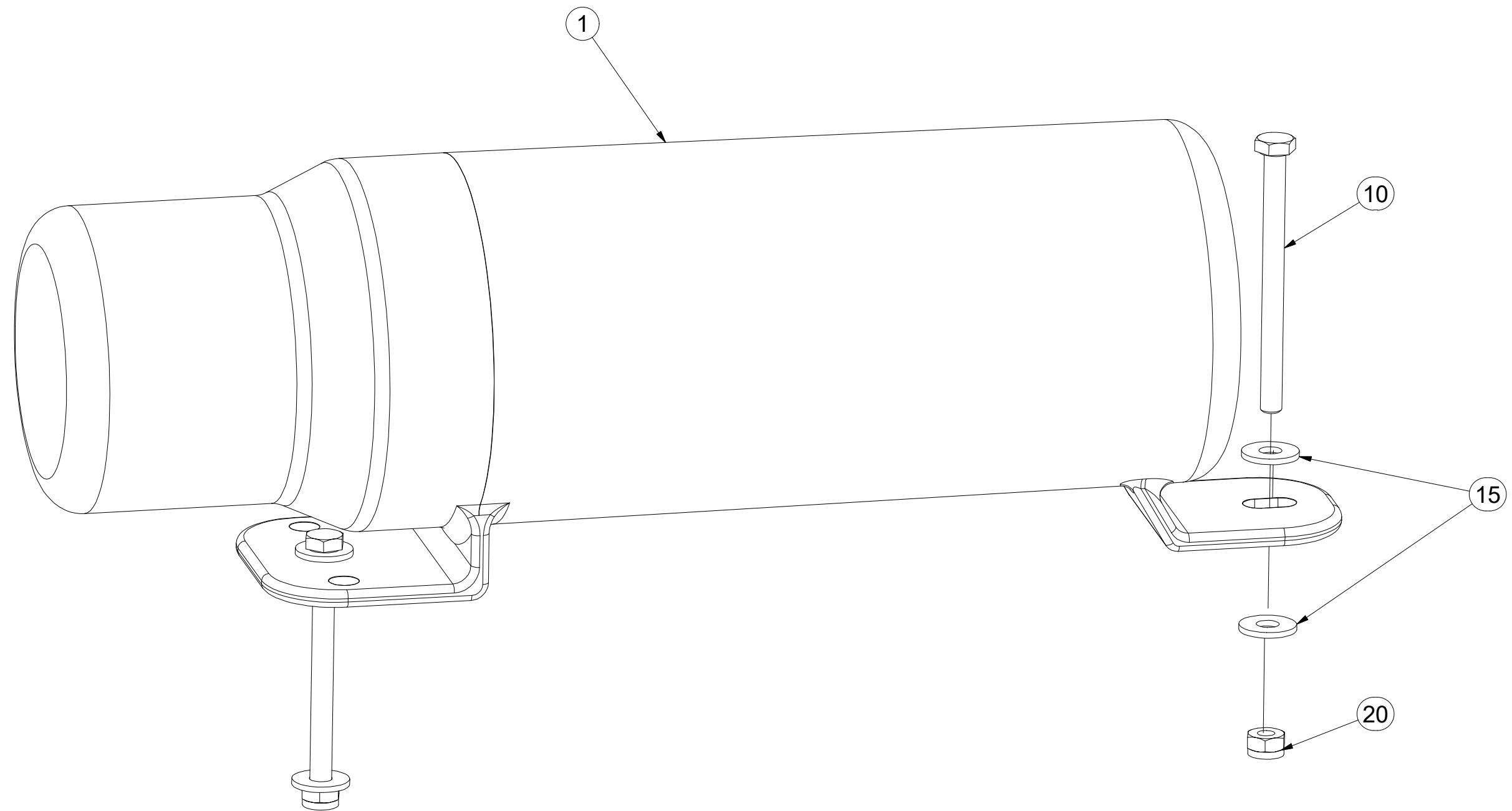
Ⓕ KIT DU TUBE

**4018541**

Ⓖ TUBE SET

Ⓡ КОМПЛЕКТ ТУБУСА

Ⓟ ZESTAW RUREK



M6 (8.8) - 10Nm

| Pos. | Part Number | Pcs. |
|------|-------------|------|
| 1    | m15900      | 1    |
| 10   | m16453      | 2    |
| 15   | m16612      | 4    |
| 20   | m05560      | 2    |



ⒸZ TÁHLO SKLÁPĚNÍ

Ⓓ ZUGSTANGE ZUR KIPPUNG

Ⓕ TIGE DU BASCULEMENT

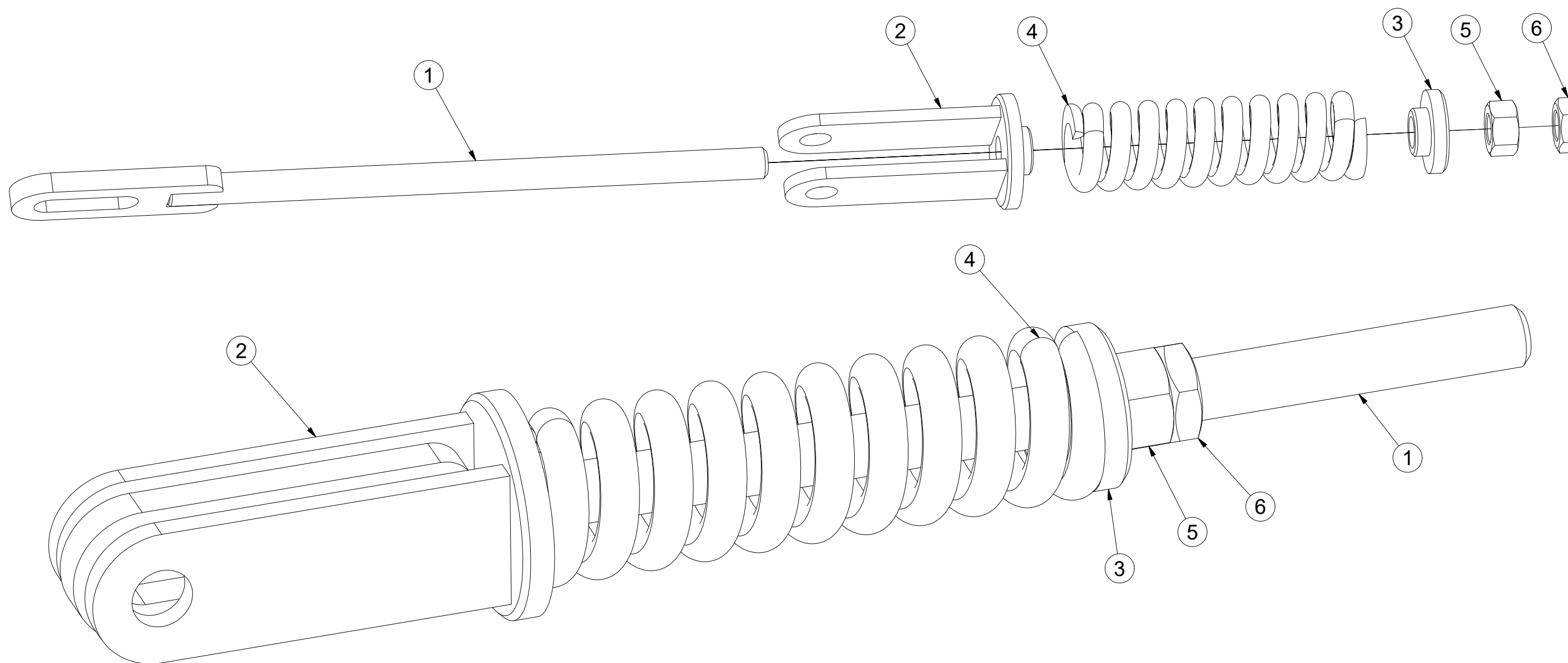
ⒸB TILTING PULL ROD

ⒸU ТЯГА СКЛАДЫВАНИЯ

ⒸL CIĘGŁO PRZECHYLANIA

**Farmet**

**4005363**



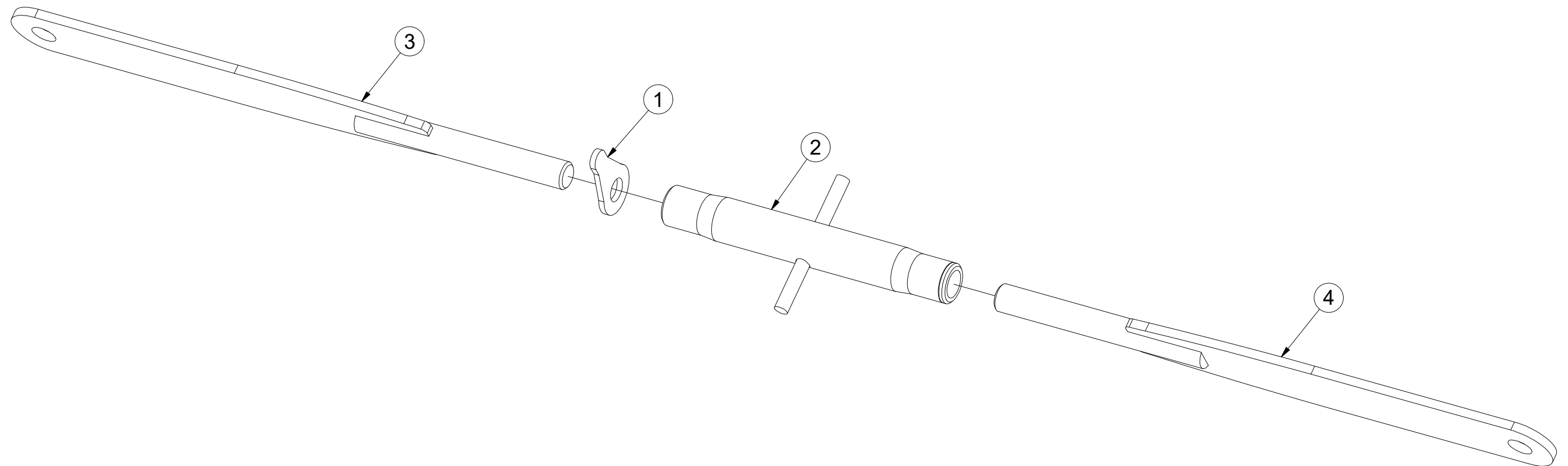
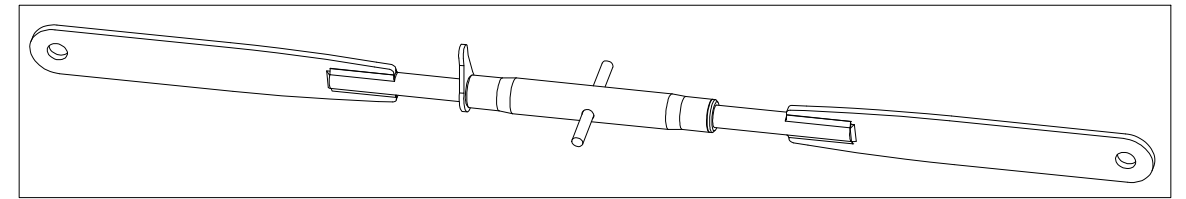
| Pos | Part Number | Pcs. |
|-----|-------------|------|
| 1   | 4005358     | 1    |
| 2   | 4005361     | 1    |
| 3   | 4000023     | 1    |
| 5   | m01309      | 1    |
| 4   | m06482      | 1    |
| 6   | m04043      | 1    |

Ⓒ SPOJOVACÍ TÁHLO  
Ⓓ VERBINDUNGSSTANGE  
Ⓕ TIGE DE RACCORDEMENT

**4003966**

Ⓖ CONNECTING ROD  
Ⓡ СОЕДИНИТЕЛЬНАЯ ТЯГА  
Ⓢ KORBOWÓD

**Farmet**



| Poz | Číslo součásti | Ks |
|-----|----------------|----|
| 1   | m08881         | 1  |
| 2   | m08880         | 1  |
| 3   | 4003961        | 1  |
| 4   | 4003962        | 1  |

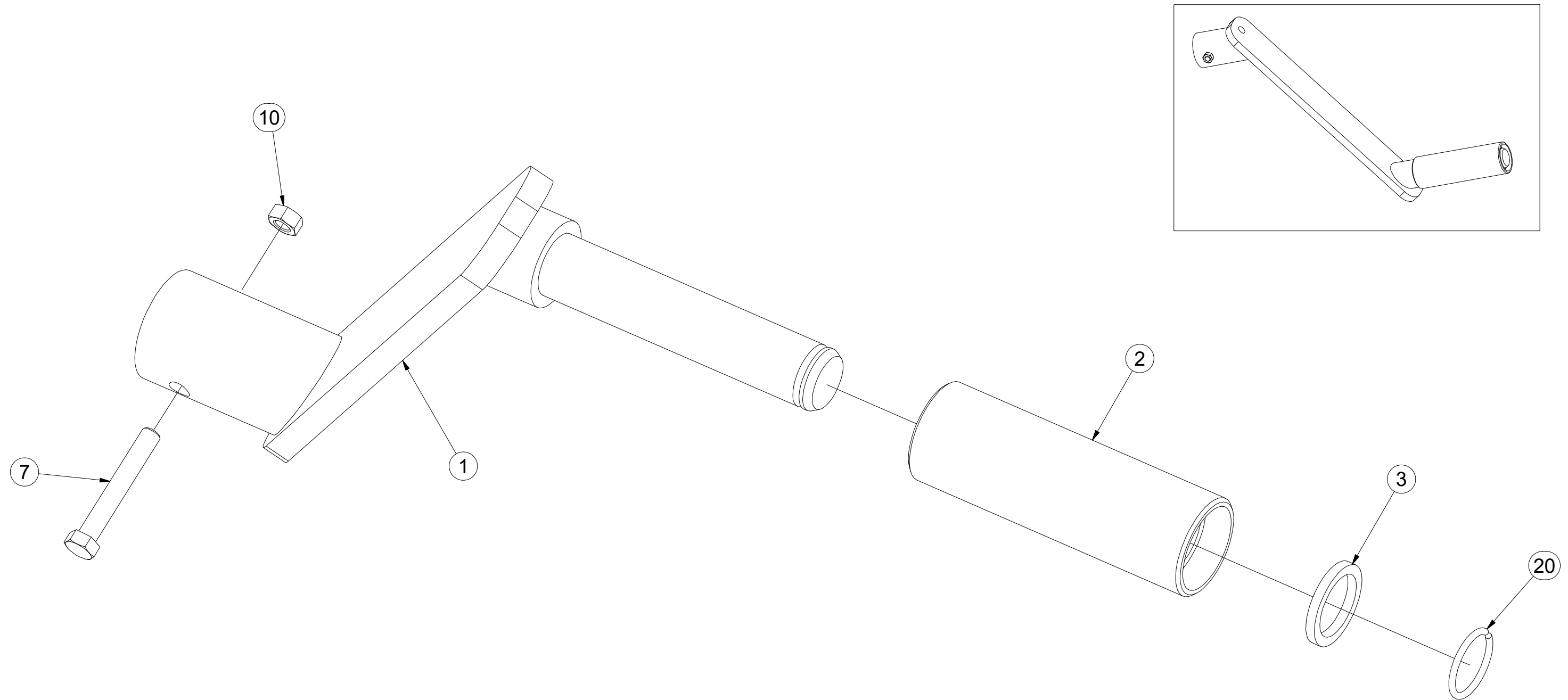


CZ NASAZOVACÍ KLIKA  
 D EINSTELLKURBEL  
 F MANIVELLE AMOVIBILE

GB PRESS-ON HANDLE  
 RU НАСАЖИВАЕМАЯ РУКОЯТКА  
 PL KLAMKA MOCOWANA



**4003087**



| Pos. | Part Number | Pcs. |
|------|-------------|------|
| 1    | 4003092     | 1    |
| 2    | 4001533     | 1    |
| 3    | 4004828     | 1    |
| 7    | m04641      | 1    |
| 10   | m01295      | 1    |
| 20   | m06561      | 1    |

☞ SADA ČEPŮ TBZ 3

☞ BOLZENSATZ TBZ 3

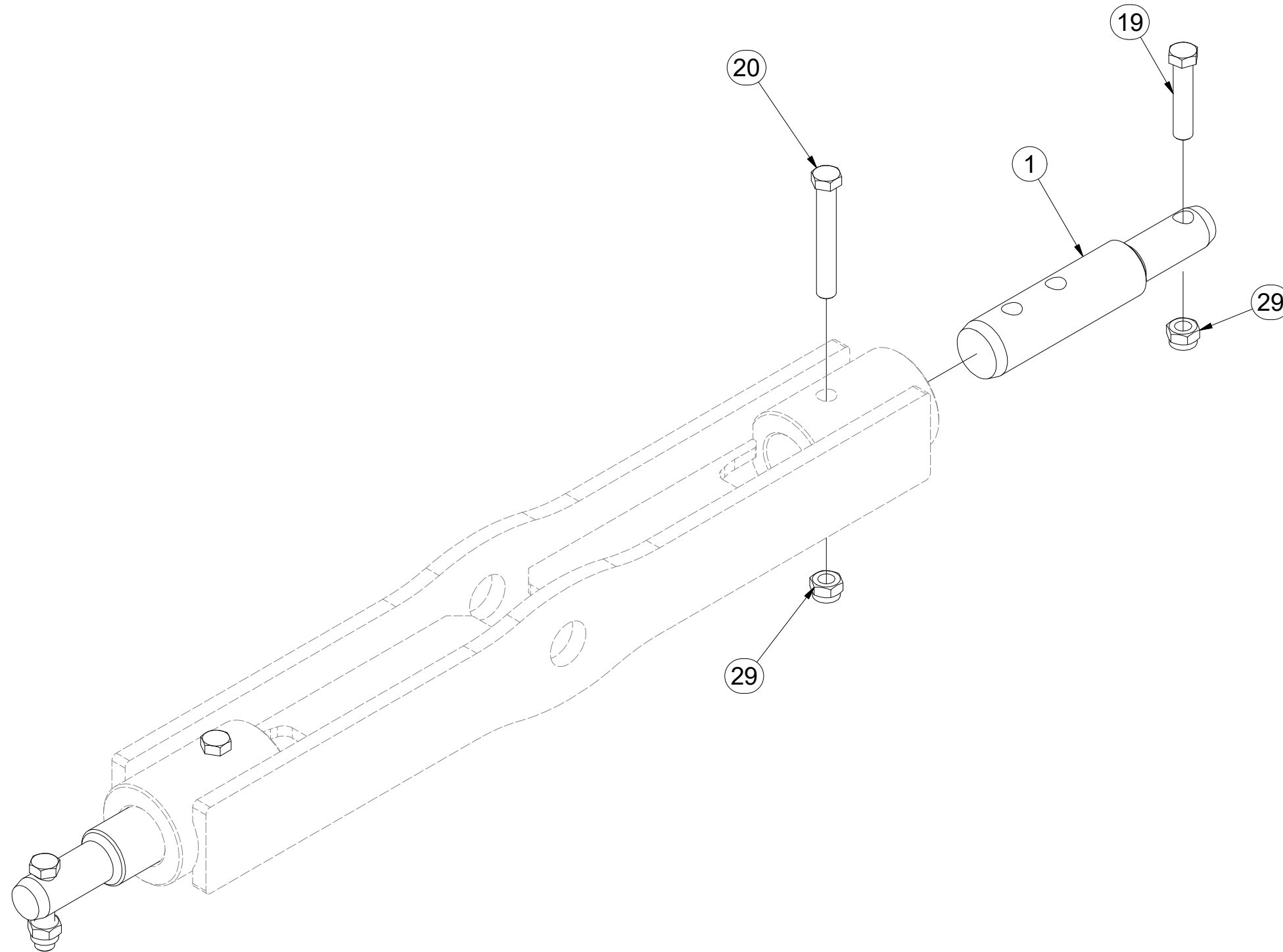
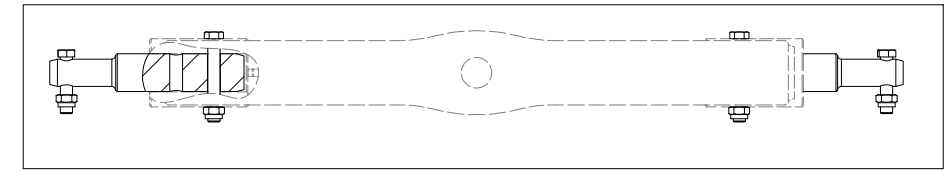
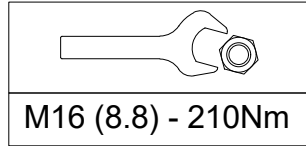
☞ KIT D'EMBOUITS TBZ 3

**3005554**

☞ SET OF TBZ 3 PINS

☞ КОМПЛЕКТ ПАЛЬЦЕВ TBZ 3

☞ ZESTAW CZOPÓW TBZ 3



| Pos. | Part Number | Pcs. |
|------|-------------|------|
| 1    | 4007412     | 2    |
| 19   | m01133      | 2    |
| 20   | m02970      | 2    |
| 29   | m03683      | 4    |

ⒸZ SADA KYPŘIČŮ STOP

Ⓓ SPURENLOCKERERSATZ

Ⓕ KIT DE CULTIVATEURS DE TRACES

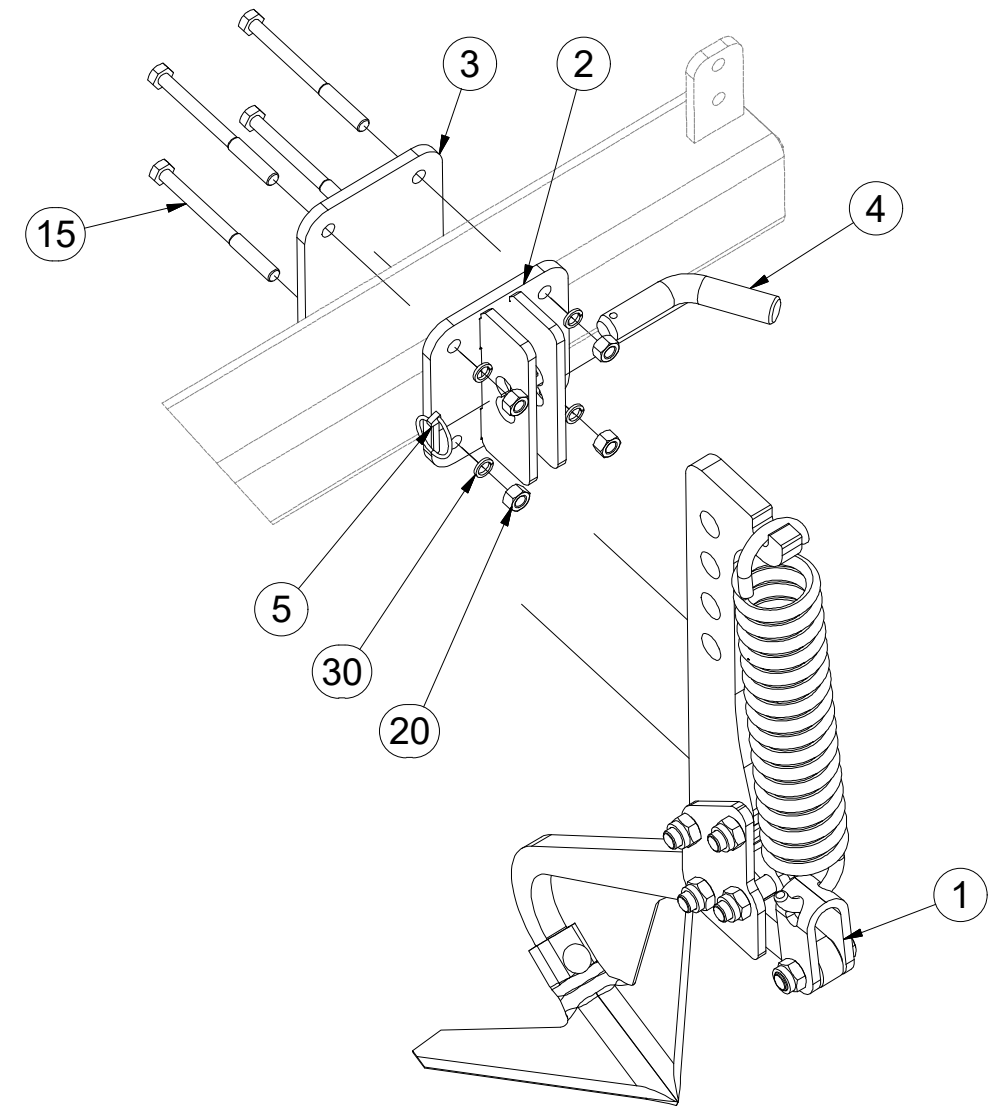
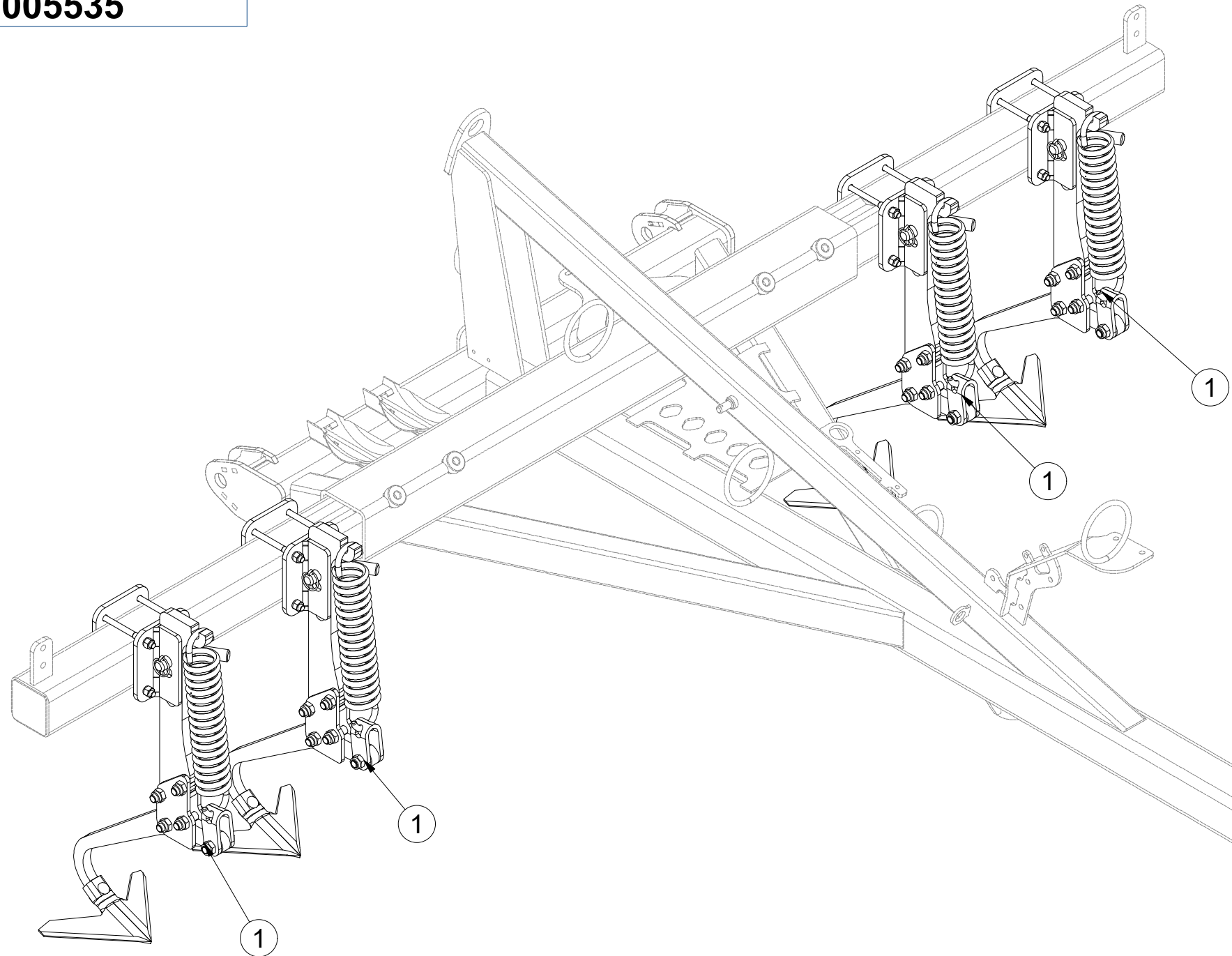
ⒸB SET OF TRACK CULTIVATORS

ⒸU КОМПЛЕКТ РЫХЛИТЕЛЕЙ КОЛЕИ

ⒸL ZESTAW SPULCHNIACZY ŚLADÓW



**3005535**



| Pos. | Part Number | Pcs. |
|------|-------------|------|
| 1    | 4013092     | 4    |
| 2    | 4005583     | 4    |
| 3    | 4009468     | 4    |
| 4    | m08885      | 4    |
| 5    | m10454      | 4    |
| 15   | m05946      | 16   |
| 20   | m01305      | 16   |
| 30   | m03988      | 16   |



Ⓒ KYPŘIČ STOP

Ⓓ SPURENLOCKERER

Ⓕ CULTIVATEUR DES TRACES

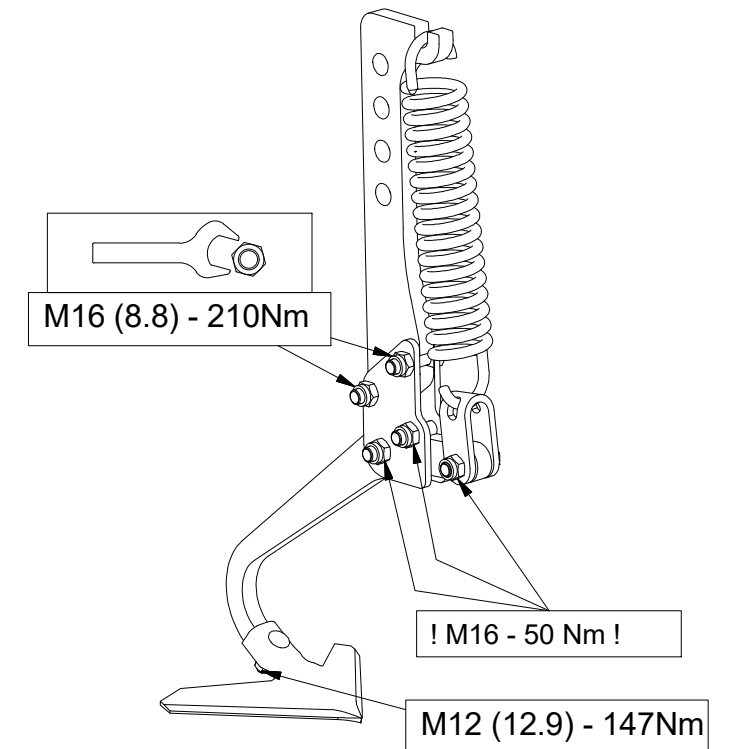
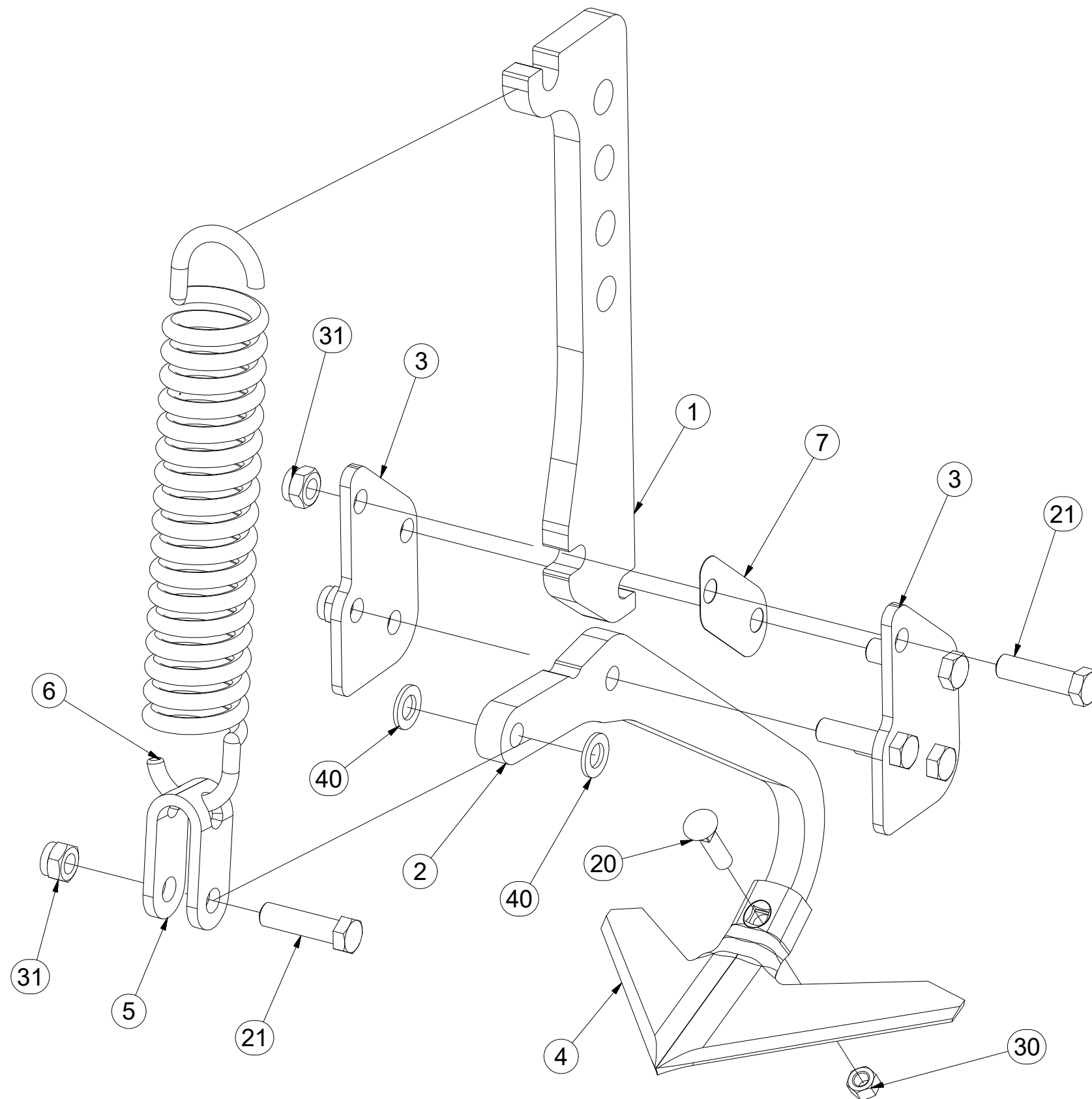
Ⓖ TRACK CULTIVATOR

Ⓡ РЫХЛИТЕЛЬ КОЛЕИ

Ⓟ SPULCHNIARKA STÓP



4013092



| Pos. | Part Number | Pcs. |
|------|-------------|------|
| 1    | 4017307     | 1    |
| 2    | 4007379     | 1    |
| 3    | 4005582     | 2    |
| 4    | 3000236-KOO | 1    |
| 5    | 4005445     | 1    |
| 6    | m02597      | 1    |
| 7    | 4005591     | 1    |
| 20   | m10440      | 1    |
| 21   | m00619      | 5    |
| 30   | m10439      | 1    |
| 31   | m03683      | 5    |
| 40   | m01219      | 2    |

ⒸZ SADA PŘEDNÍCH SMYKŮ

Ⓓ SATZ VORDERE ACKERSCHLEPPEN

Ⓕ KIT DE NIVELEURS AVANT

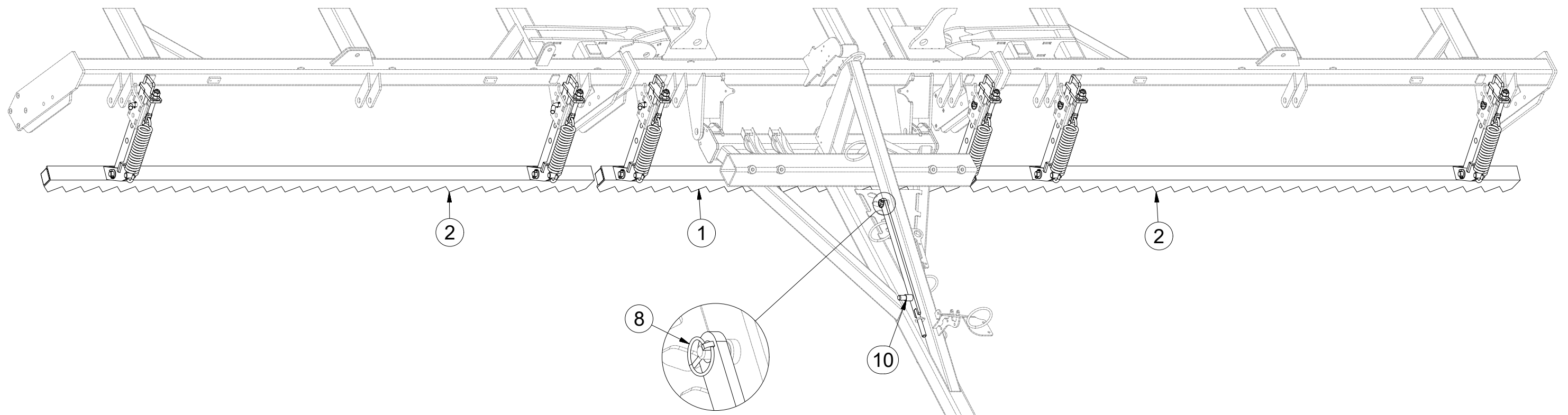
**3006127**

ⒸGB SET OF FRONT LEVELLING BARS

ⒸRU КОМПЛЕКТ ПЕРЕДНИХ БОРОН

ⒸPL ZESTAW PRZEDNICH WŁÓK

**Farmet**



| Pos. | Part Number | Pcs. |
|------|-------------|------|
| 1    | 3000312     | 1    |
| 2    | 3000360     | 2    |
| 8    | m10454      | 7    |
| 10   | 4006829     | 1    |

ⒸZ SADA PŘEDNÍCH SMYKŮ

Ⓓ SATZ VORDERE ACKERSCHLEPPEN

Ⓕ KIT DE NIVELEURS AVANT

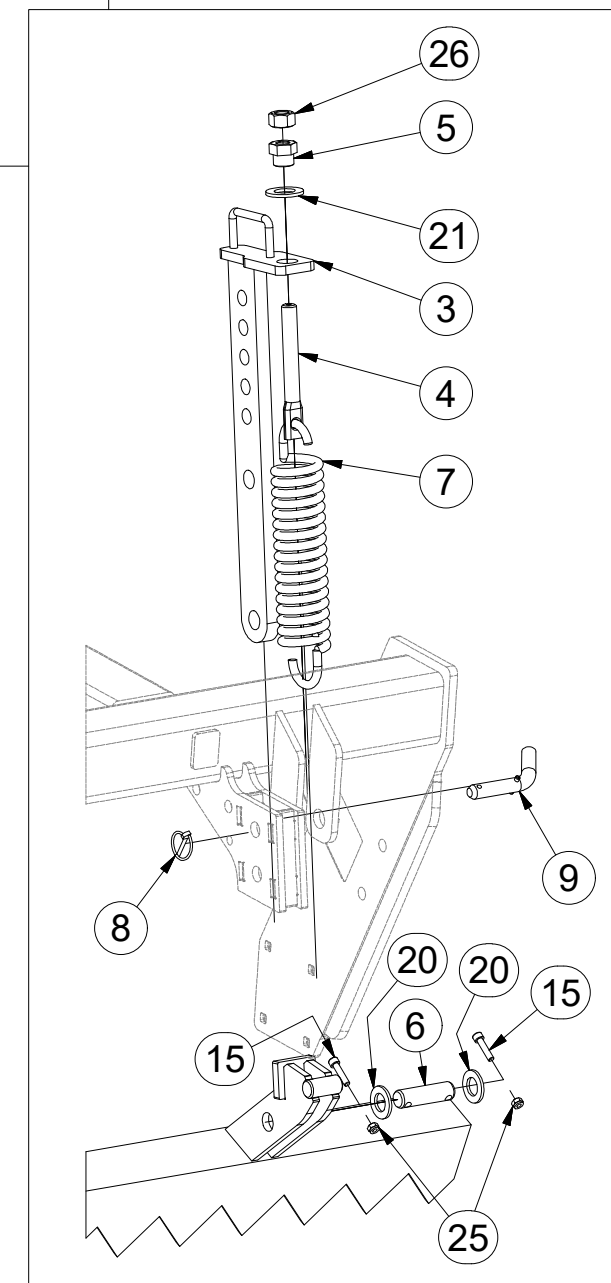
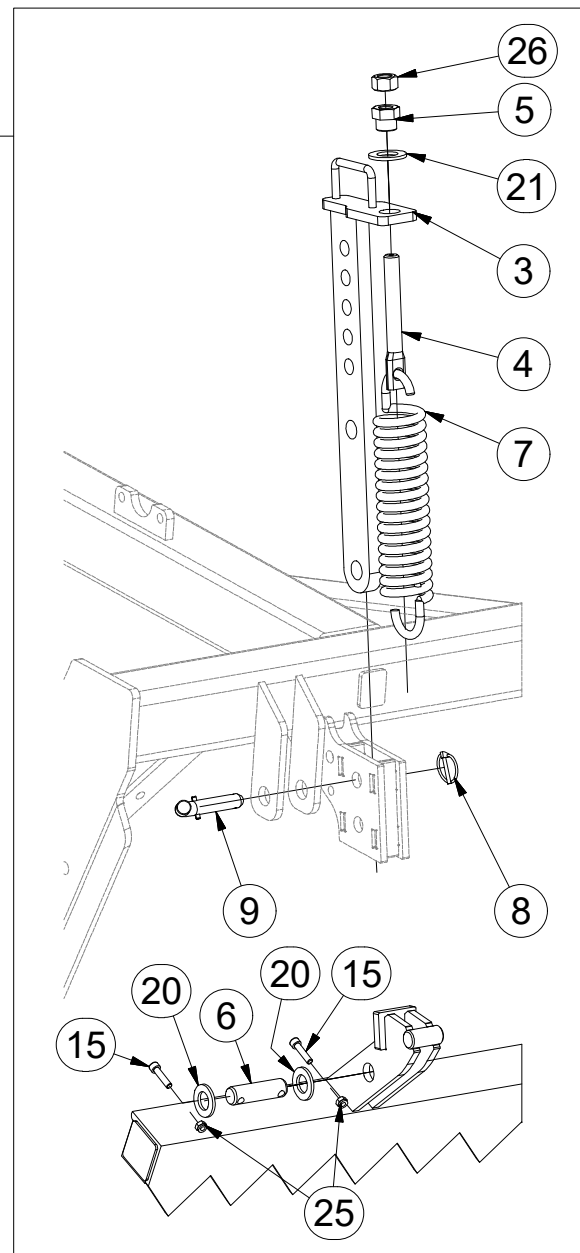
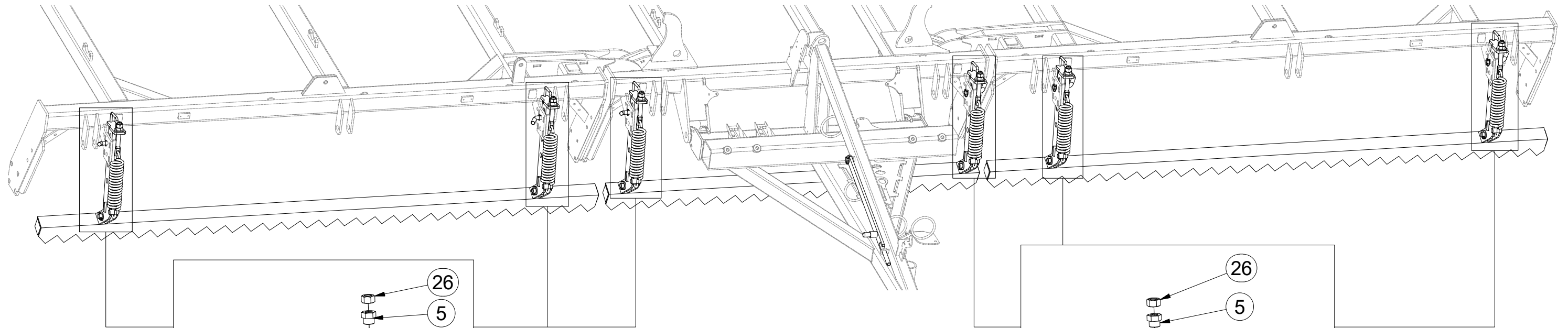
ⒼB SET OF FRONT LEVELLING BARS

ⒺU КОМПЛЕКТ ПЕРЕДНИХ БОРОН

ⒼL ZESTAW PRZEDNICH WŁÓK



**3006127**



| Pos. | Part Number | Pcs. |
|------|-------------|------|
| 3    | 3008686     | 6    |
| 4    | 4003401     | 6    |
| 5    | 4000189     | 6    |
| 6    | 4010390     | 6    |
| 7    | m02597      | 6    |
| 8    | m10454      | 7    |
| 9    | 4012011     | 6    |
| 15   | m09464      | 12   |
| 20   | m14028      | 12   |
| 21   | m01225      | 6    |
| 25   | m04503      | 12   |
| 26   | m01307      | 6    |

ⒸZ SADA PŘEDNÍCH VÁLCŮ

Ⓓ SATZ VORDERE WALZEN

Ⓕ KIT DE ROULEAUX AVANT

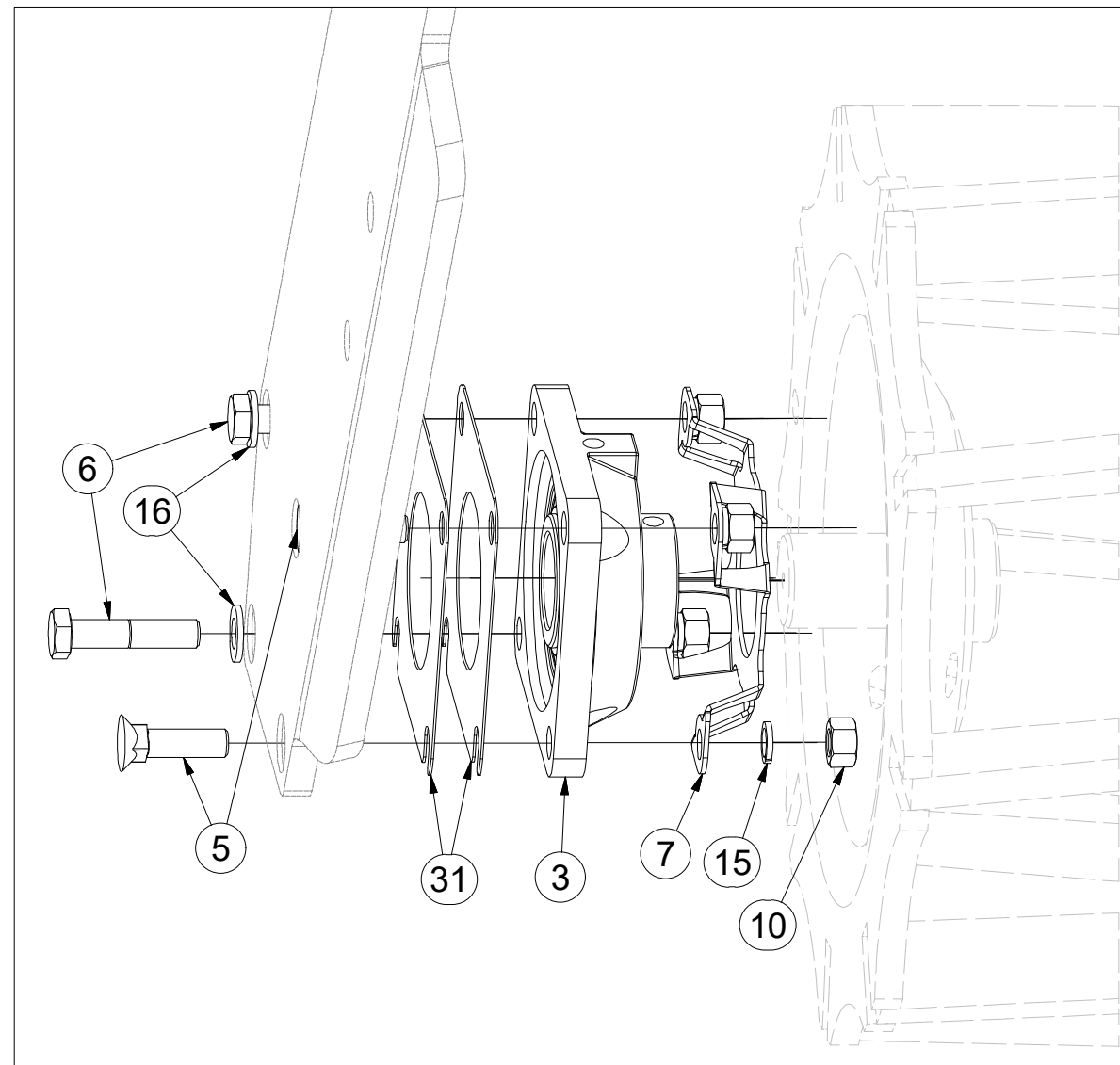
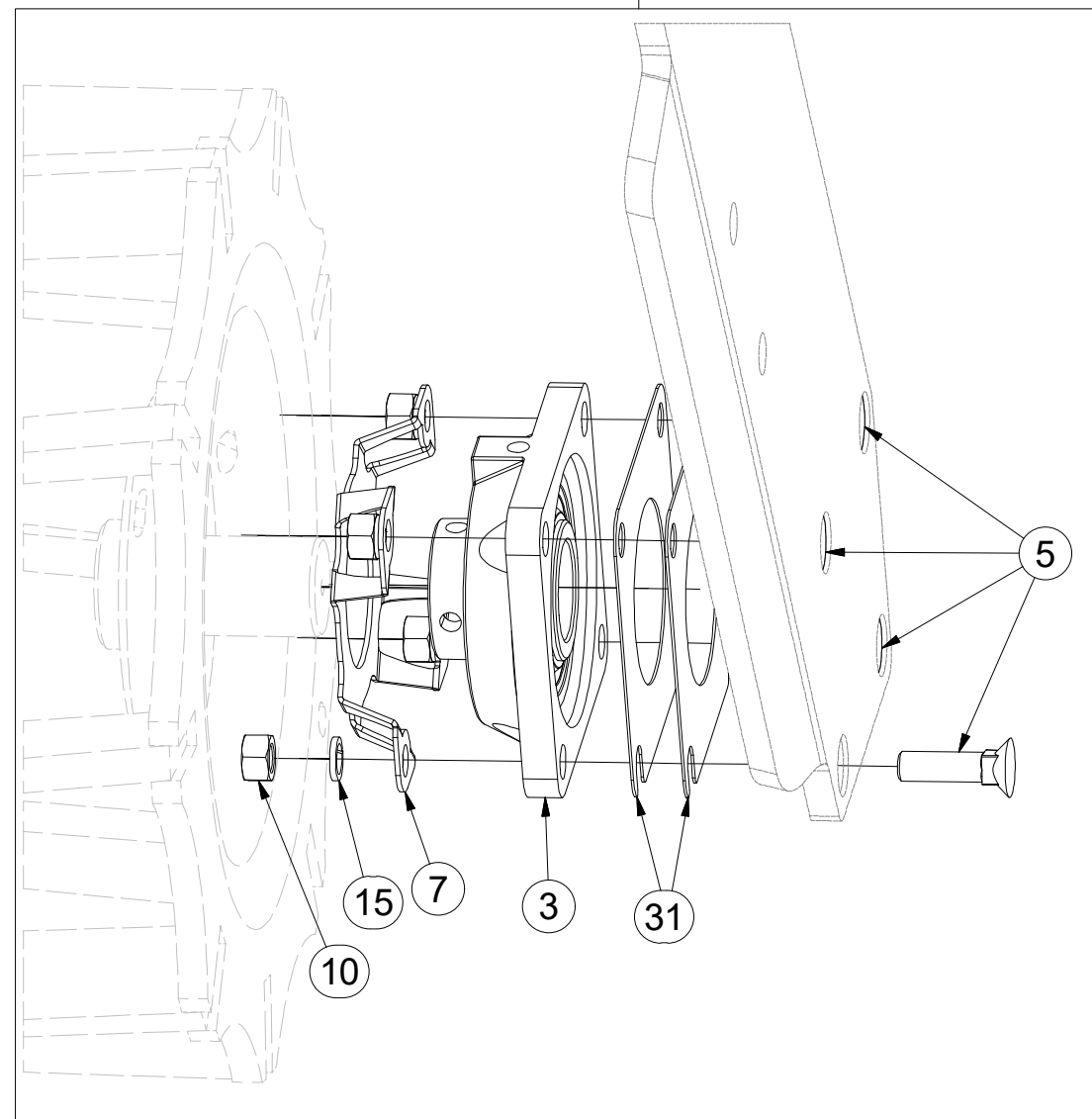
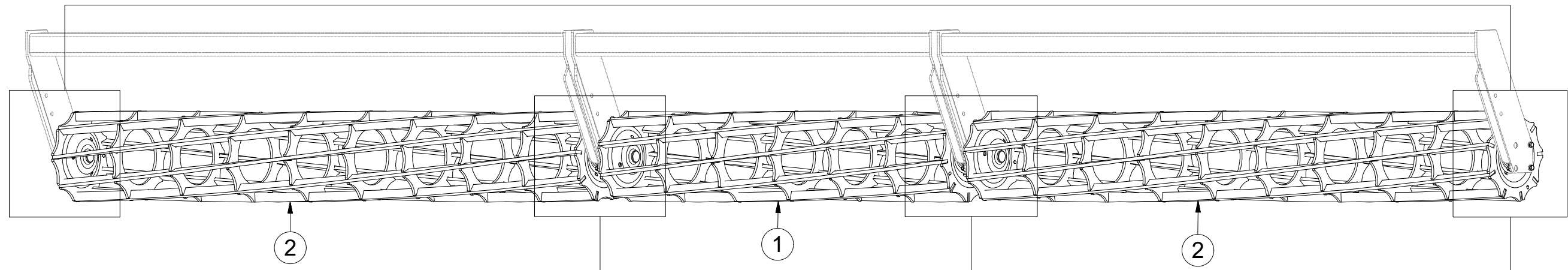
ⒸB SET OF FRONT ROLLERS

ⒸU КОМПЛЕКТ ПЕРЕДНИХ КАТКОВ

ⒸL ZESTAW PRZEDNICH WAŁÓW



**3008667**



| Pos. | Part Number | Pcs. |
|------|-------------|------|
| 1    | 2000539     | 1    |
| 2    | 2000591     | 2    |
| 3    | m15625      | 6    |
| 5    | m03519      | 20   |
| 6    | m04412      | 4    |
| 7    | 4014034     | 6    |
| 10   | m01305      | 24   |
| 15   | m03988      | 24   |
| 16   | m01214      | 4    |
| 20   | m15888      | 6    |
| 31   | 4016809     | 12   |



Ⓒ SADA OVLÁDÁNÍ RADLIC

Ⓓ STEUERSATZ PFLUGSCHAREN

Ⓕ KIT DE COMMANDE DES SOCS

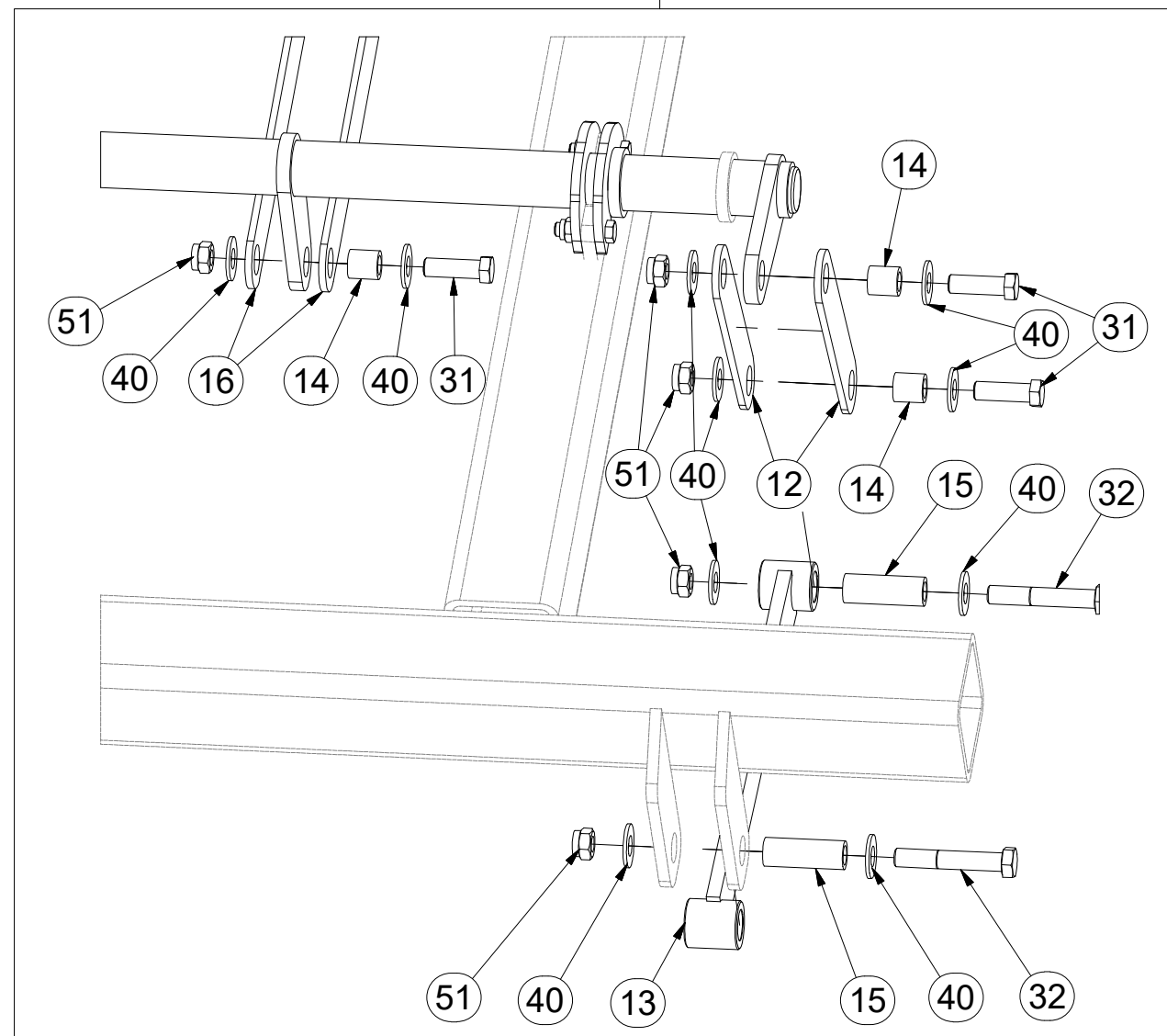
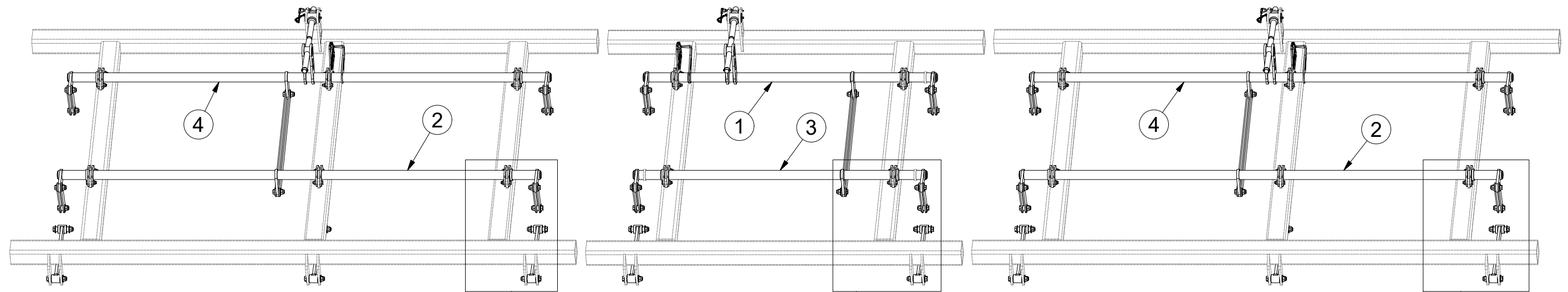
Ⓖ SET OF PLOUGHSHARE CONTROL

Ⓡ КОМПЛЕКТ УПРАВЛЕНИЯ ЛАП

Ⓢ ZESTAW STEROWANIA RADLICAMI



**3006129**



| Pos. | Part Number | Pcs. |
|------|-------------|------|
| 12   | 4005333     | 24   |
| 13   | 4003971     | 8    |
| 14   | 4002265     | 30   |
| 15   | 9001426     | 16   |
| 16   | 4005334     | 6    |
| 31   | m04355      | 30   |
| 32   | m07673      | 16   |
| 40   | m05651      | 92   |
| 51   | m03683      | 46   |

ⒸZ SADA OVLÁDÁNÍ RADLIC

Ⓓ STEUERSATZ PFLUGSCHAREN

Ⓕ KIT DE COMMANDE DES SOCS

ⒼB SET OF PLOUGHSHARE CONTROL

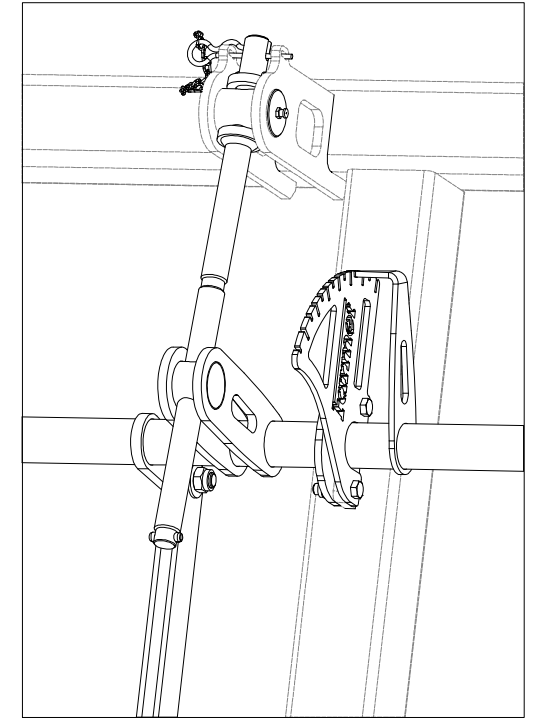
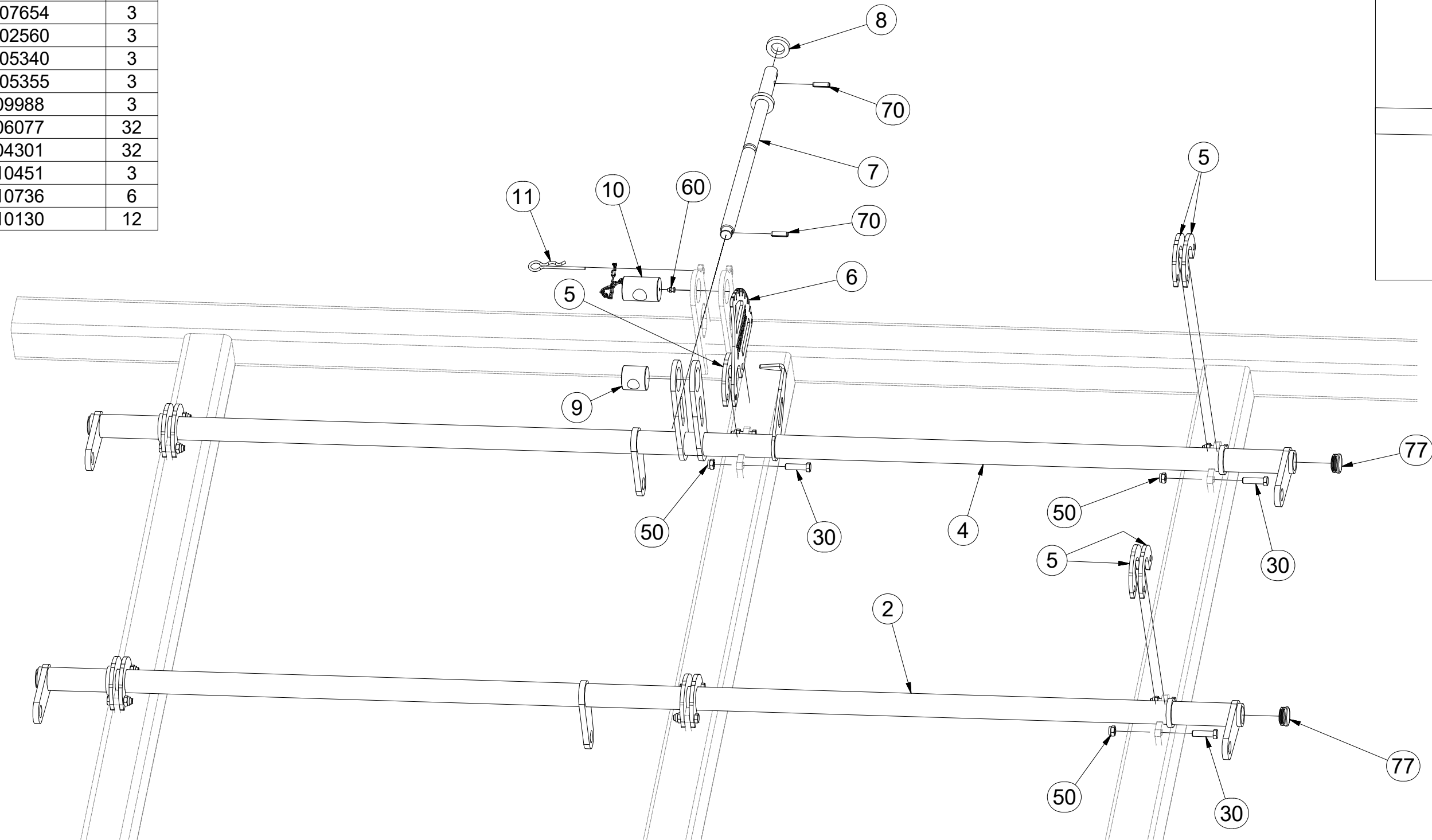
ⒺU КОМПЛЕКТ УПРАВЛЕНИЯ ЛАП

ⒻL ZESTAW STEROWANIA RADLICAMI



**3006129**

| Pos. | Part Number | Pcs. |
|------|-------------|------|
| 2    | 3002863     | 2    |
| 4    | 3002864     | 2    |
| 5    | 4005332     | 29   |
| 6    | 4005335     | 3    |
| 7    | 4007654     | 3    |
| 8    | 9002560     | 3    |
| 9    | 4005340     | 3    |
| 10   | 4005355     | 3    |
| 11   | m09988      | 3    |
| 30   | m06077      | 32   |
| 50   | m04301      | 32   |
| 60   | m10451      | 3    |
| 70   | m10736      | 6    |
| 77   | m10130      | 12   |



Ⓒ SADA OVLÁDÁNÍ RADLIC

Ⓓ STEUERSATZ PFLUGSCHAREN

Ⓕ KIT DE COMMANDE DES SOCS

Ⓖ SET OF PLOUGHSHARE CONTROL

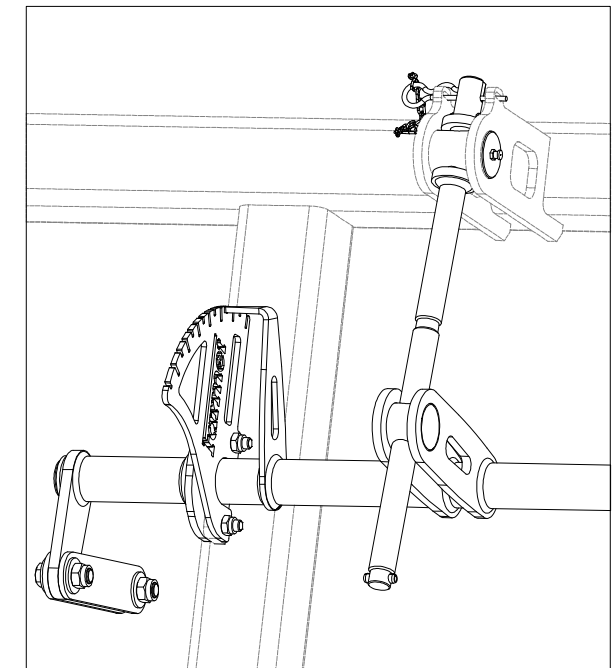
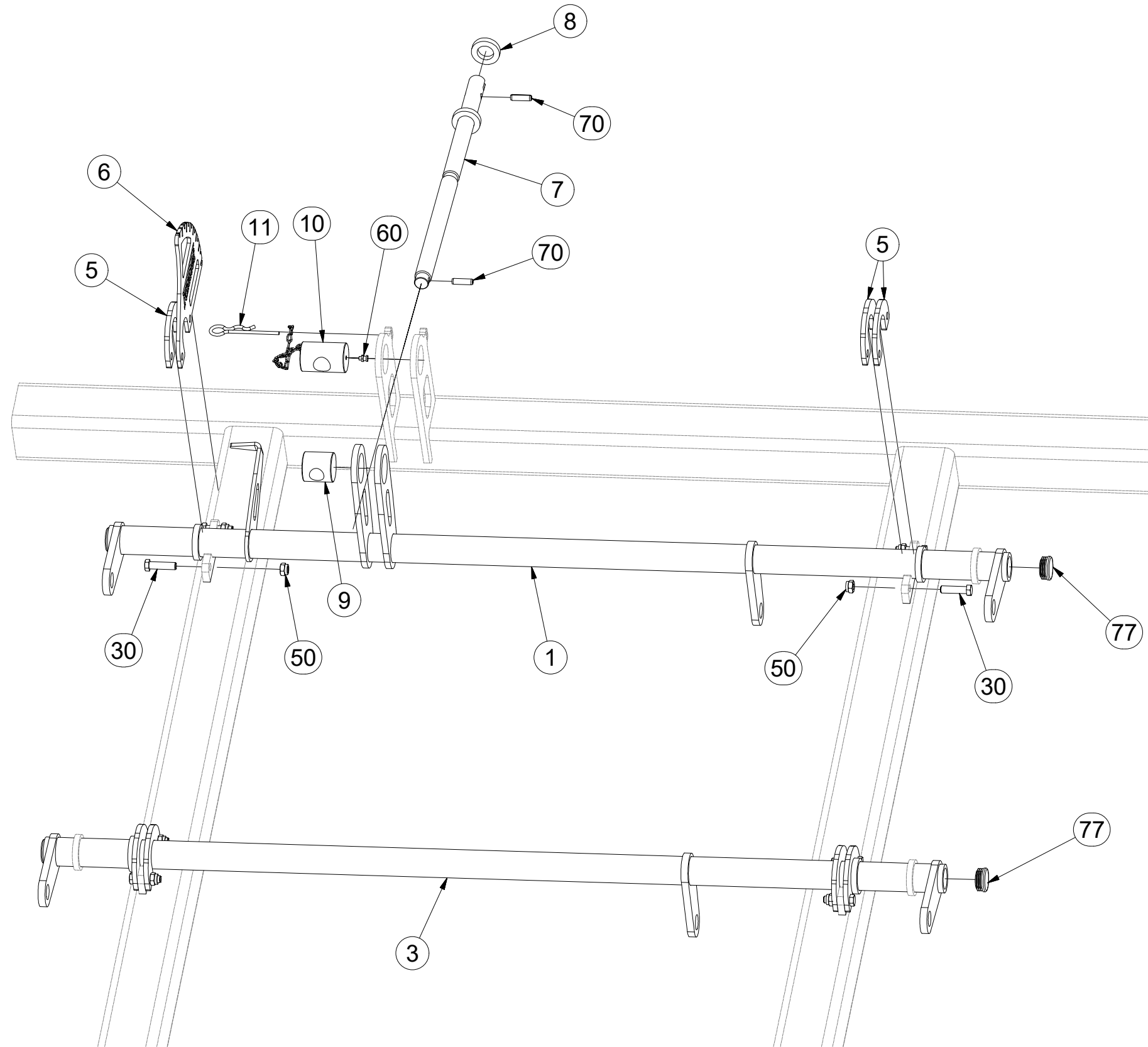
Ⓔ КОМПЛЕКТ УПРАВЛЕНИЯ ЛАП

Ⓗ ZESTAW STEROWANIA RADLICAMI



**3006129**

| Pos. | Part Number | Pcs. |
|------|-------------|------|
| 1    | 3002831     | 1    |
| 3    | 3002830     | 1    |
| 5    | 4005332     | 29   |
| 6    | 4005335     | 3    |
| 7    | 4007654     | 3    |
| 8    | 9002560     | 3    |
| 9    | 4005340     | 3    |
| 10   | 4005355     | 3    |
| 11   | m09988      | 3    |
| 30   | m06077      | 32   |
| 50   | m04301      | 32   |
| 60   | m10451      | 3    |
| 70   | m10736      | 6    |
| 77   | m10130      | 12   |



ⒸZ SADA RADLIC

Ⓓ SCHARSATZ

Ⓕ KIT DE SOCS

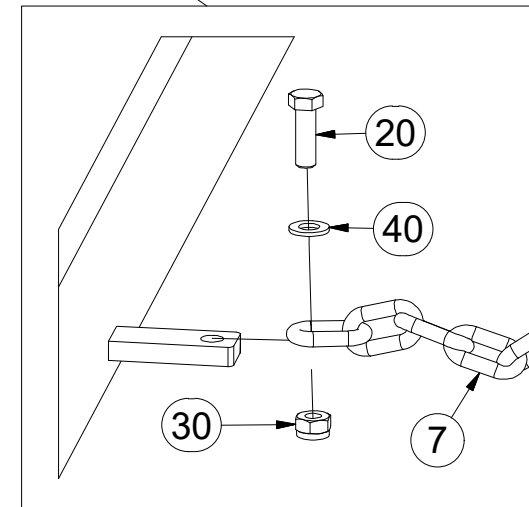
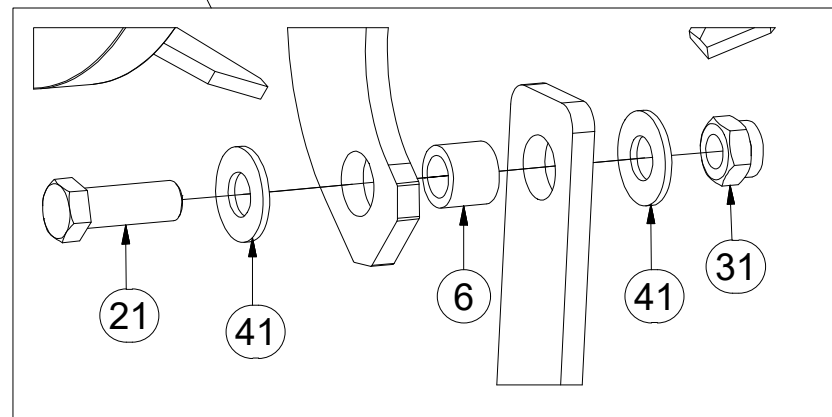
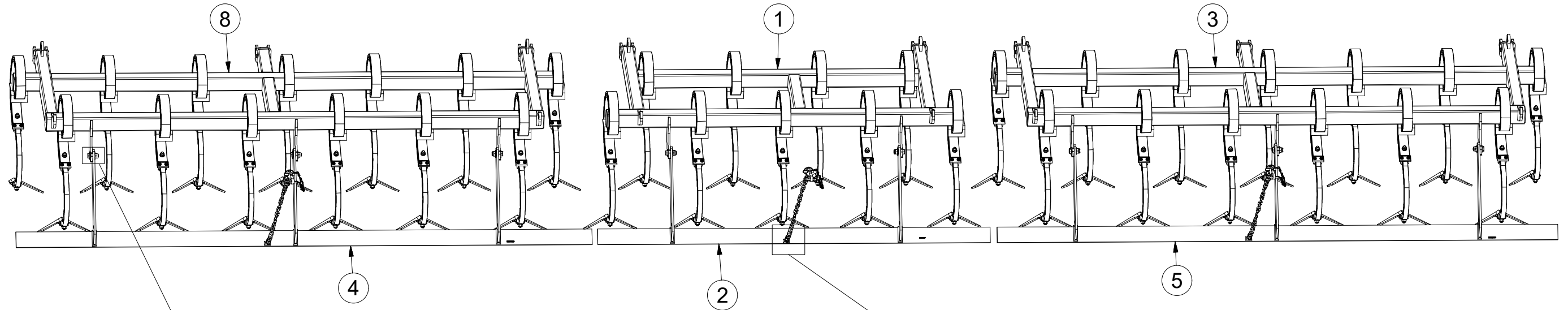
ⒸB SET OF PLOUGHSHARES

ⒸU КОМПЛЕКТ ЛАП

ⒸL ZESTAW REDLIC



**3002847**



| Pos. | Part Number | Pcs. |
|------|-------------|------|
| 1    | 3002834     | 1    |
| 2    | 3002557     | 1    |
| 3    | 3007746     | 1    |
| 4    | 3002563     | 1    |
| 5    | 3002562     | 1    |
| 6    | 4004451     | 8    |
| 7    | 4001641     | 3    |
| 8    | 3007745     | 1    |
| 20   | m01092      | 3    |
| 21   | m02254      | 8    |
| 30   | m04503      | 3    |
| 31   | m03683      | 8    |
| 40   | m01203      | 3    |
| 41   | m05651      | 16   |



ⒸZ SADA RADLIC

Ⓓ SCHARSATZ

Ⓕ KIT DE SOCS

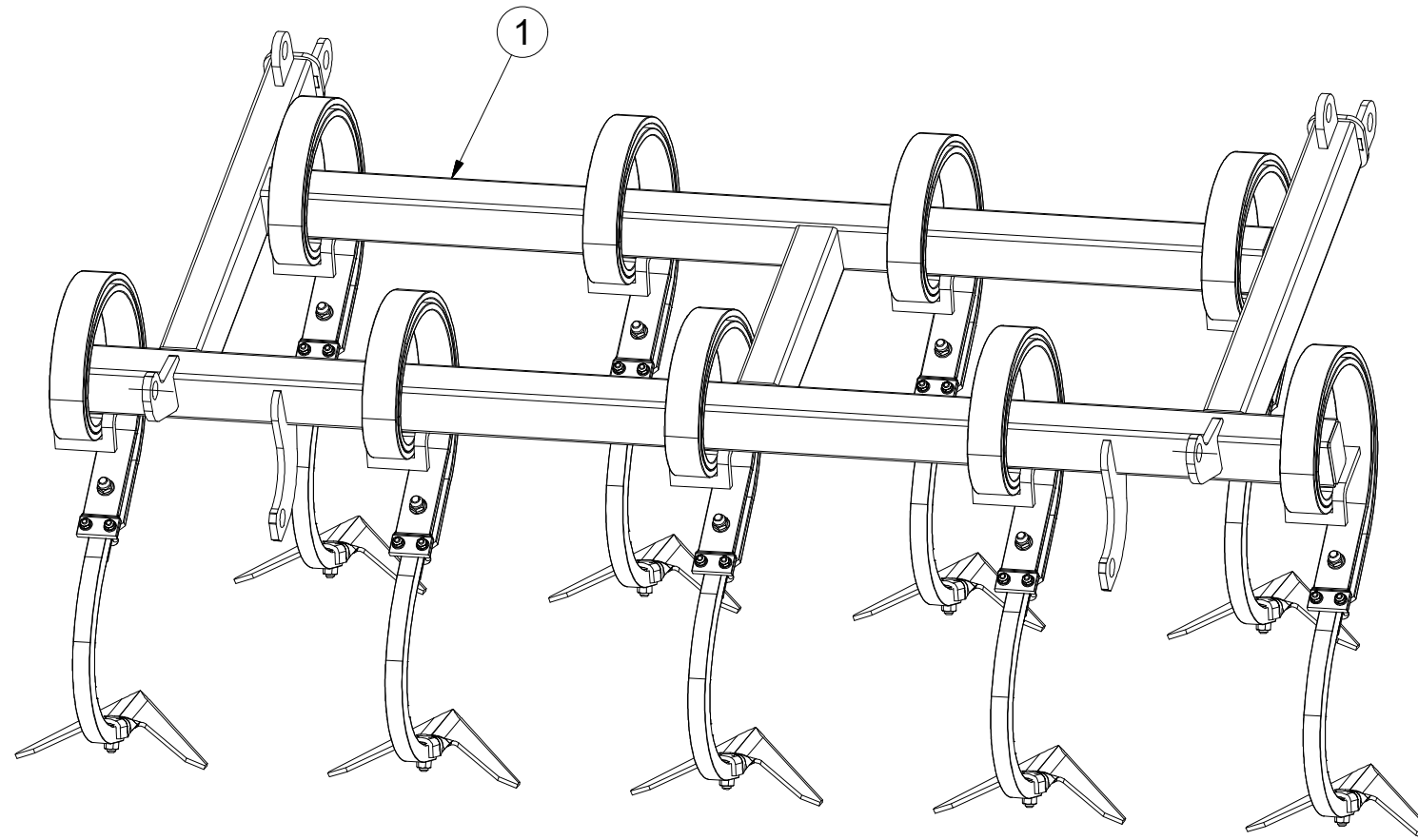
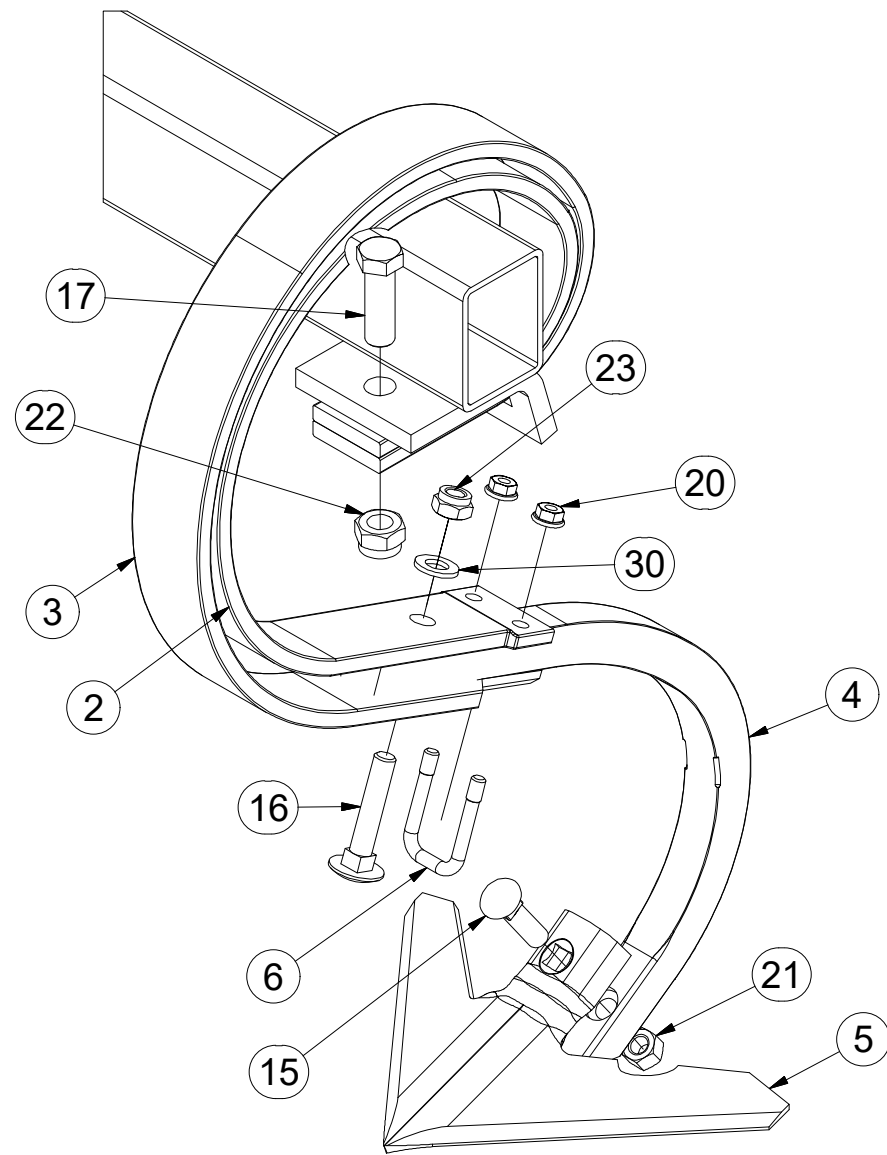
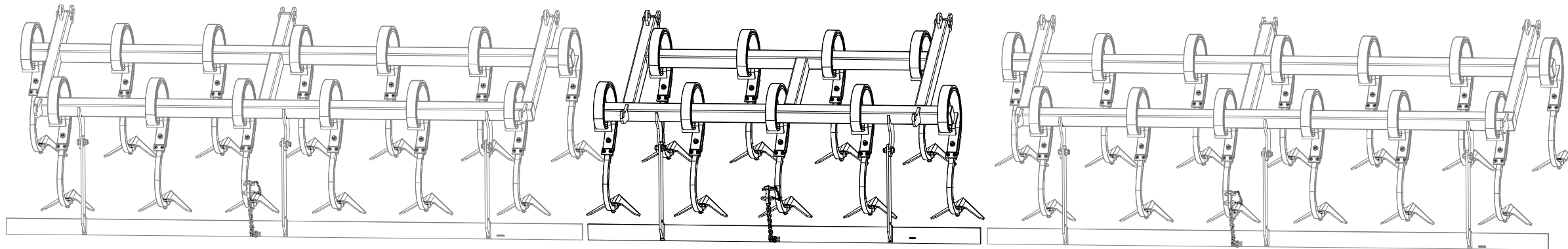
ⒸB SET OF PLOUGHSHARES

Ⓔ КОМПЛЕКТ ЛАП

Ⓖ ZESTAW REDLIC



**3002834**



| Pos. | Part Number | Pcs. |
|------|-------------|------|
| 1    | 2000363     | 1    |
| 2    | 3000300     | 9    |
| 3    | 3000301     | 9    |
| 4    | 3002818     | 9    |
| 5    | 3000236-KOO | 9    |
| 6    | m09995      | 9    |
| 15   | m10440      | 9    |
| 16   | m11600      | 9    |
| 17   | m04355      | 9    |
| 20   | m06156      | 18   |
| 21   | m10439      | 9    |
| 22   | m03683      | 9    |
| 23   | m04301      | 9    |
| 30   | m01214      | 9    |

ⒸZ SADA RADLIC

Ⓓ SCHARSATZ

Ⓕ KIT DE SOCS

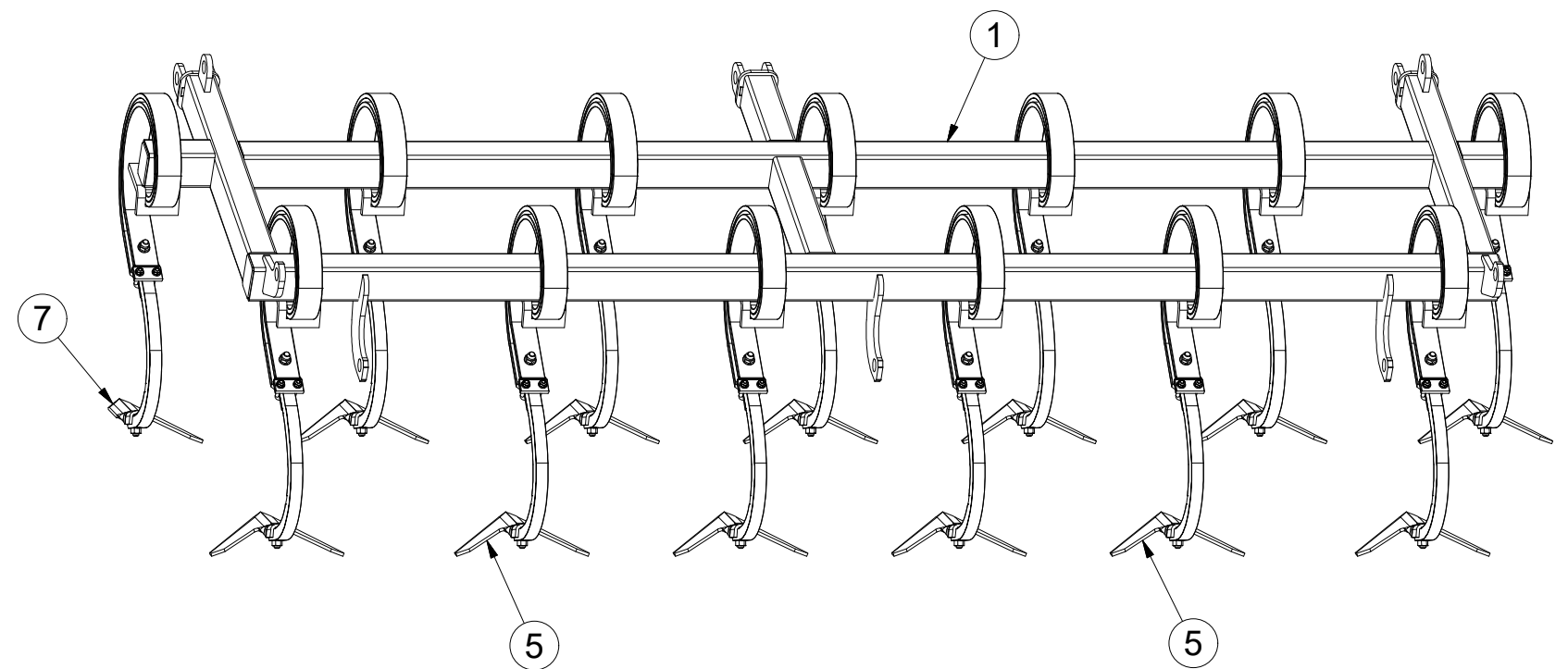
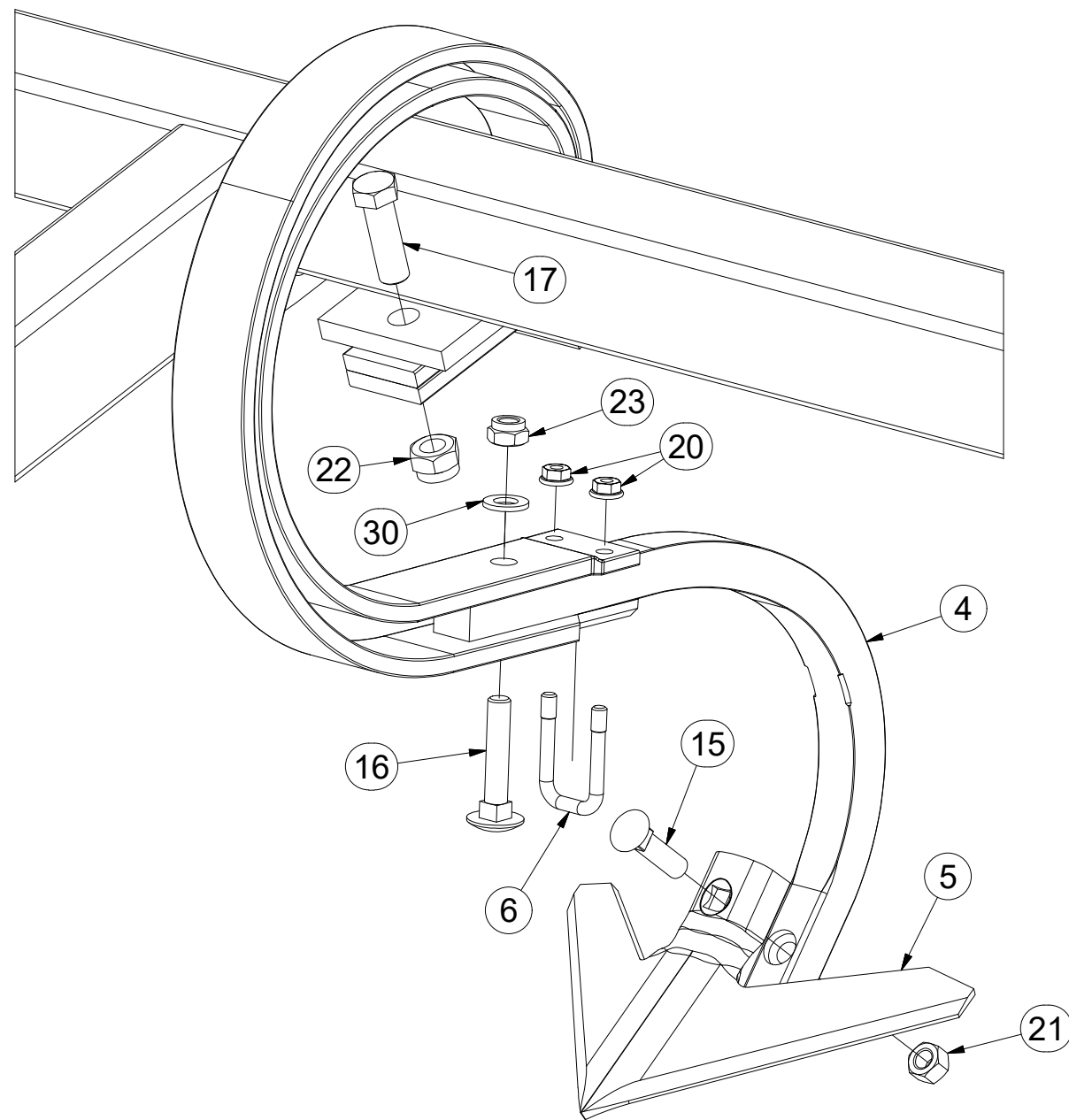
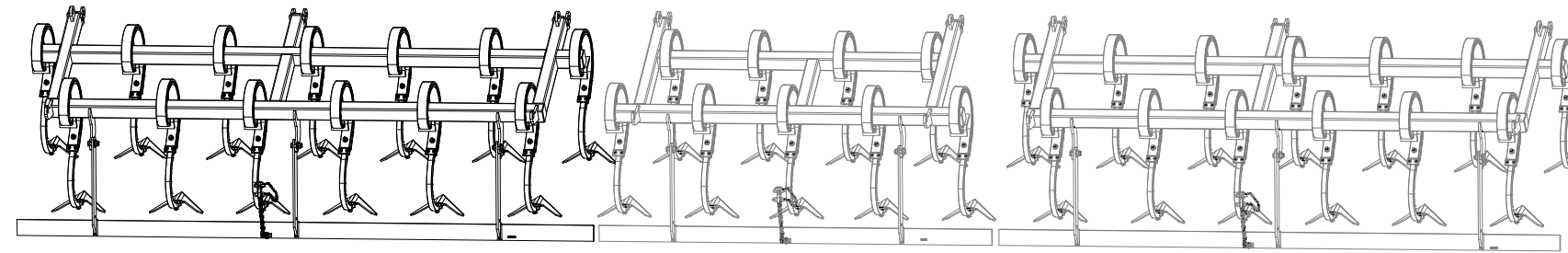
ⒸB SET OF PLOUGHSHARES

ⒸU КОМПЛЕКТ ЛАП

ⒸL ZESTAW REDLIC



**3007745**



| Pos. | Part Number | Pcs. | Pos. | Part Number | Pcs. |
|------|-------------|------|------|-------------|------|
| 1    | 2000372     | 1    | 16   | m11600      | 13   |
| 4    | 3002818     | 13   | 17   | m04355      | 13   |
| 5    | 3000236-KOO | 12   | 20   | m06156      | 26   |
| 6    | m09995      | 13   | 22   | m03683      | 13   |
| 7    | 4007280     | 1    | 23   | m04301      | 13   |
| 15   | m10440      | 13   | 30   | m01214      | 13   |

ⒸZ SADA RADLIC

Ⓓ SCHARSATZ

Ⓕ KIT DE SOCS

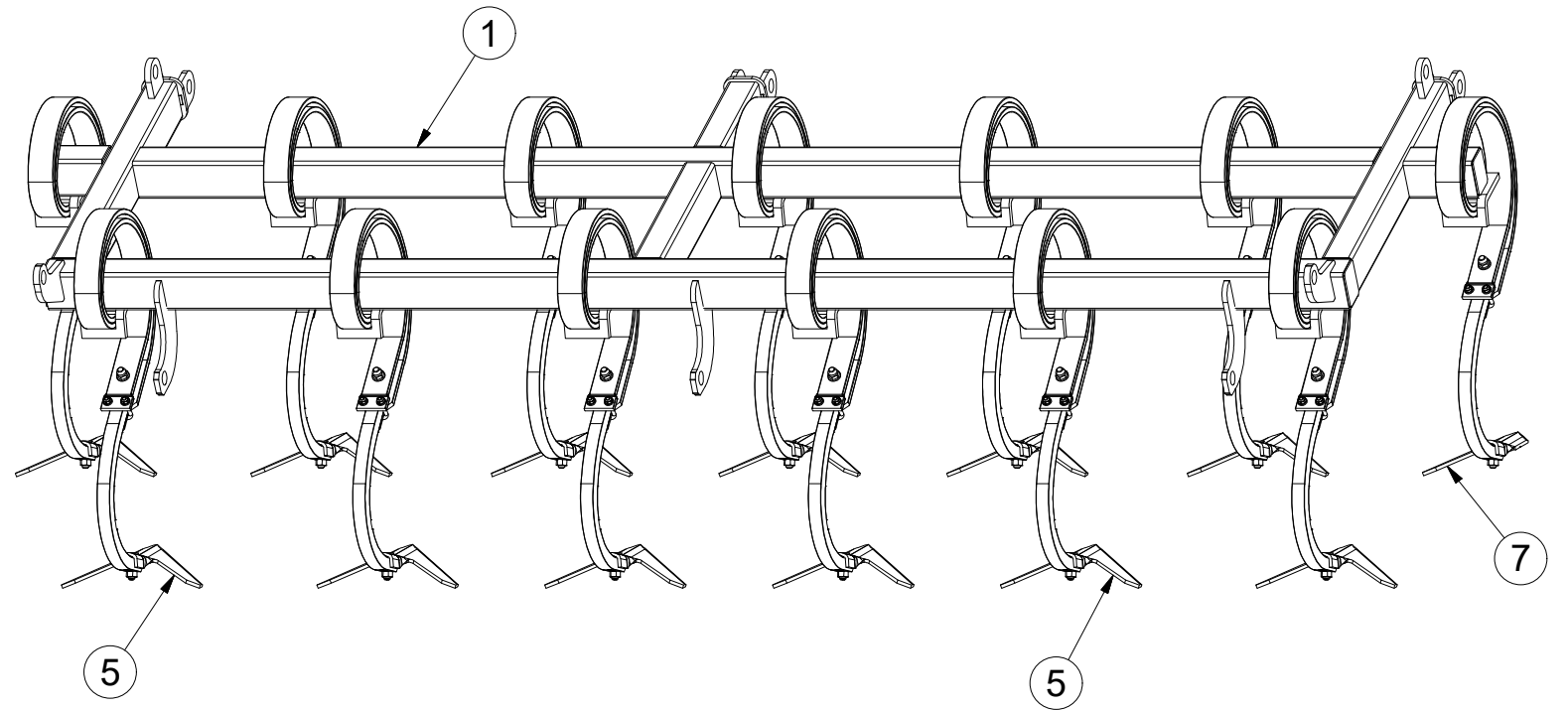
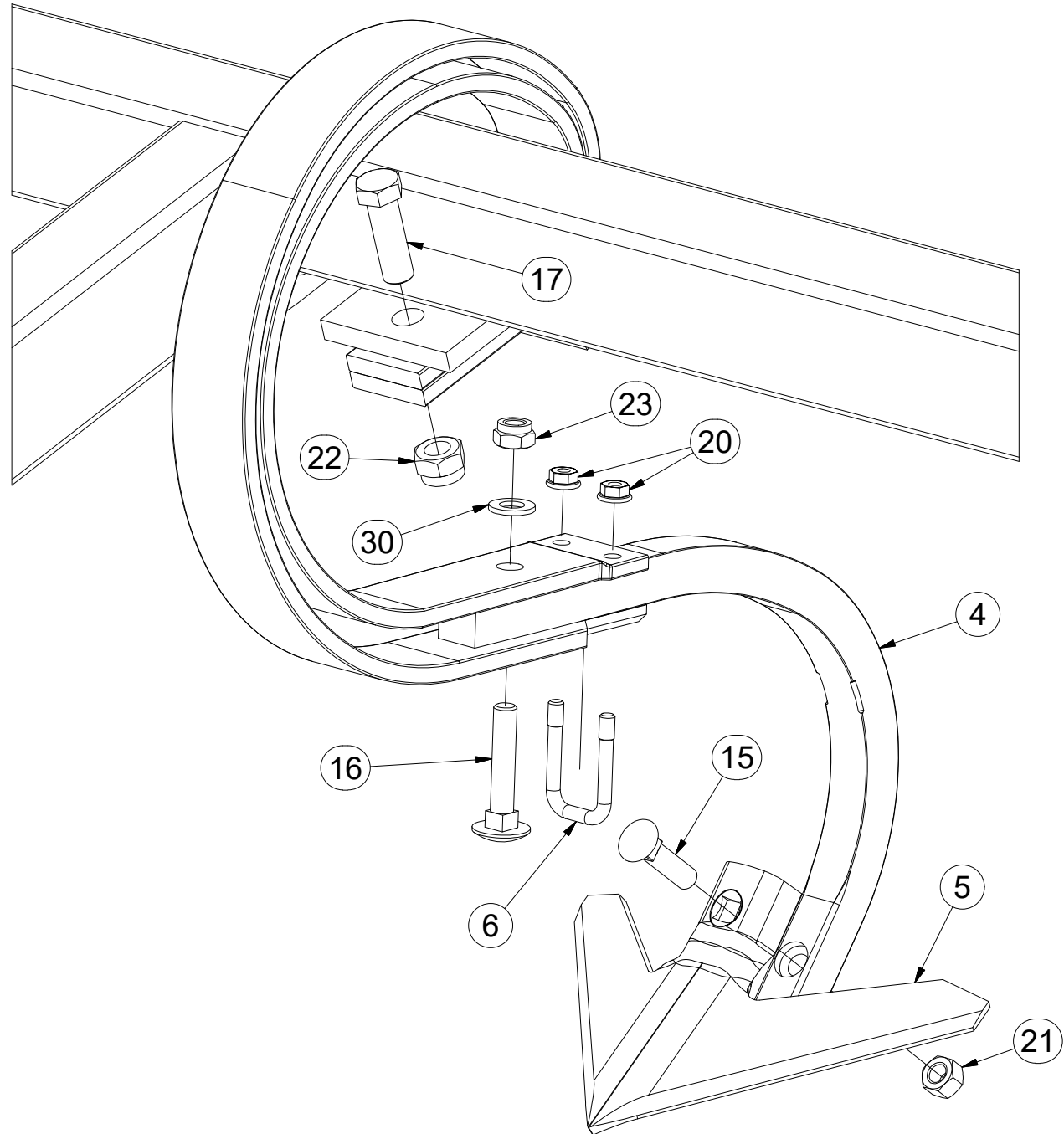
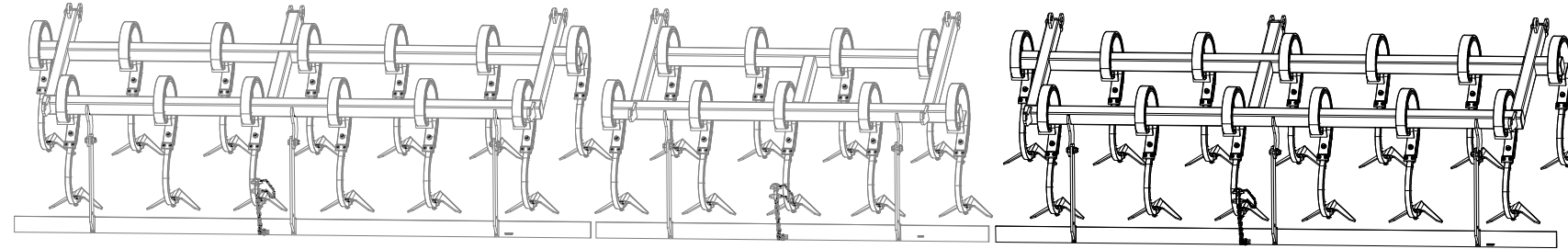
ⒼB SET OF PLOUGHSHARES

ⒺU КОМПЛЕКТ ЛАП

ⒽL ZESTAW REDLIC



**3007746**



| Pos. | Part Number | Pcs. | Pos. | Part Number | Pcs. |
|------|-------------|------|------|-------------|------|
| 1    | 2000372     | 1    | 16   | m11600      | 13   |
| 4    | 3002818     | 13   | 17   | m04355      | 13   |
| 5    | 3000236-KOO | 12   | 20   | m06156      | 26   |
| 6    | m09995      | 13   | 22   | m03683      | 13   |
| 7    | 4007281     | 1    | 23   | m04301      | 13   |
| 15   | m10440      | 13   | 30   | m01214      | 13   |

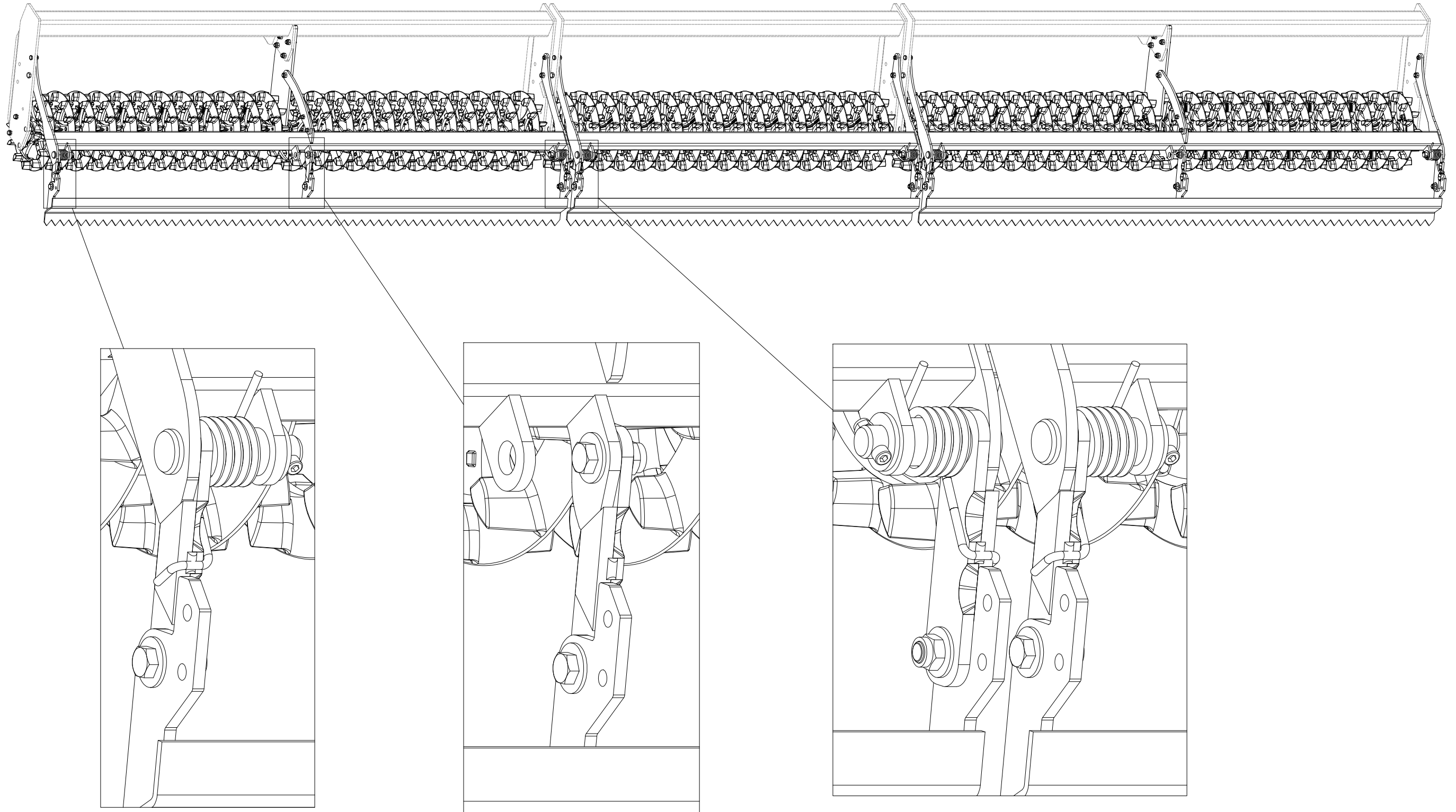


- ⒸZ SADA ZADNÍCH VÁLČŮ
- Ⓓ SATZ HINTERE WALZEN
- Ⓕ KIT DE ROULEAUX ARRIÈRE

- ⒸB SET OF REAR ROLLERS
- ⒹU КОМПЛЕКТ ЗАДНИХ КАТКОВ
- ⒹL ZESTAW TYLNYCH WAŁÓW



**3008668**



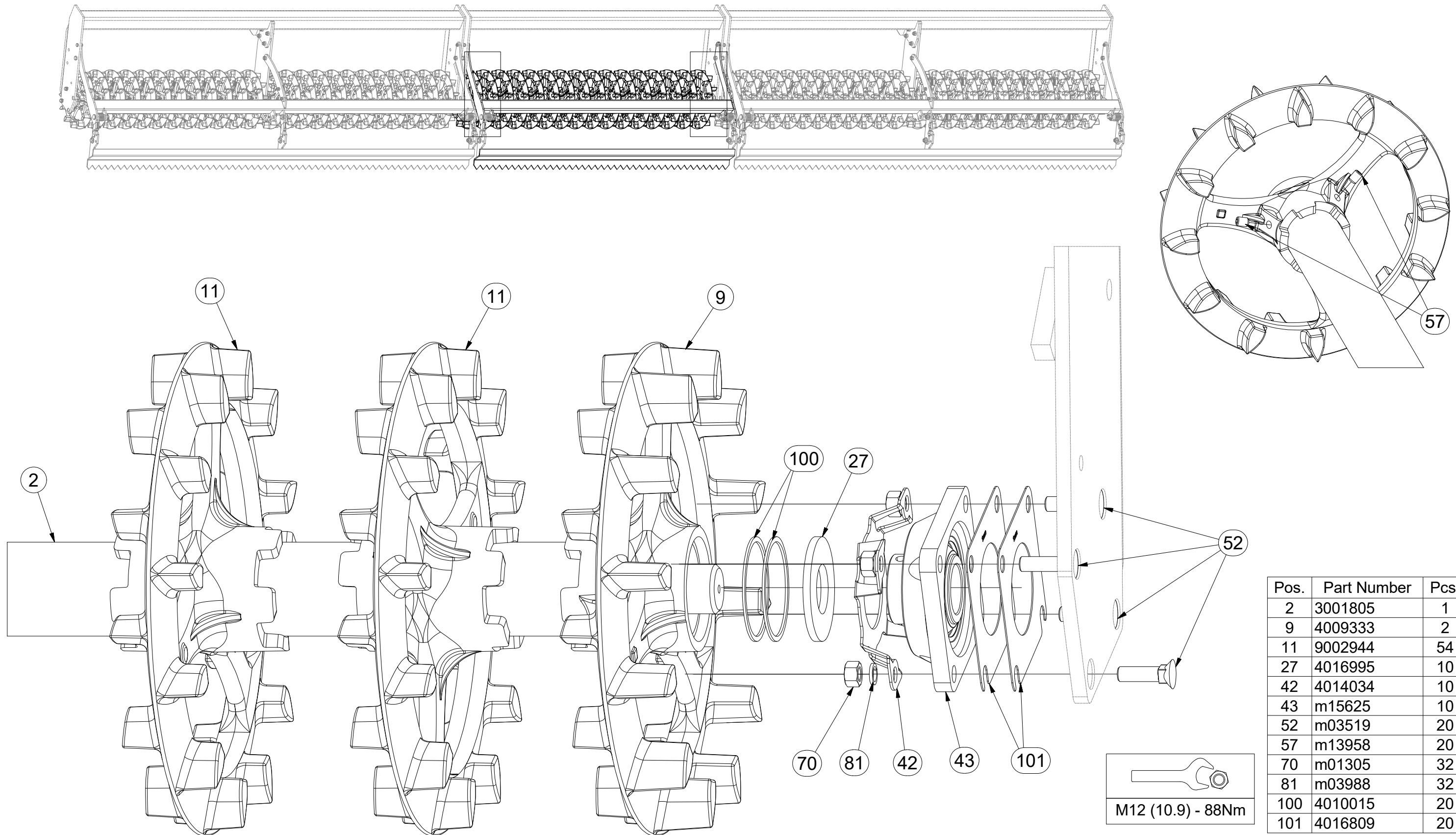


CZ SADA ZADNÍCH VÁLCŮ  
 D SATZ HINTERE WALZEN  
 F KIT DE ROULEAUX ARRIÈRE

GB SET OF REAR ROLLERS  
 RU КОМПЛЕКТ ЗАДНИХ КАТКОВ  
 PL ZESTAW TYLNYCH WAŁÓW



**3008668**



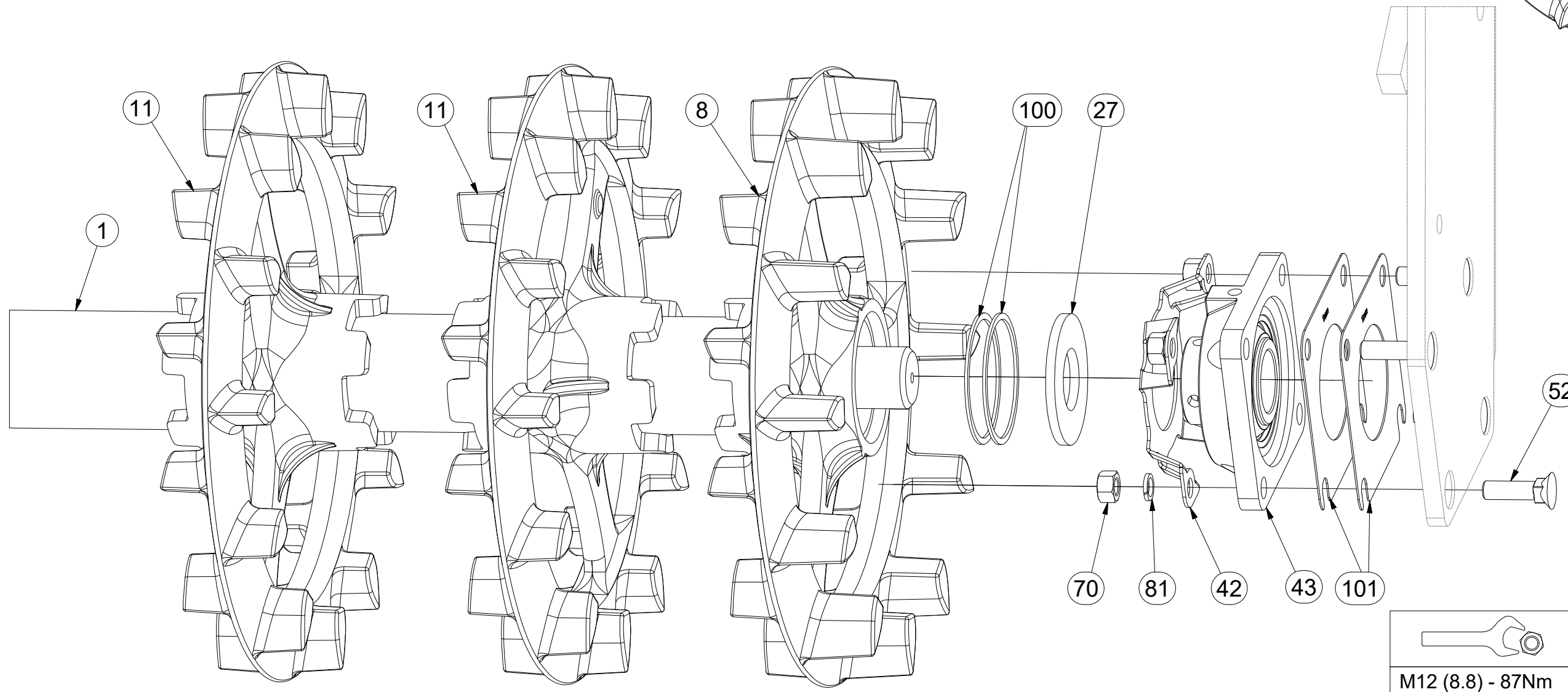
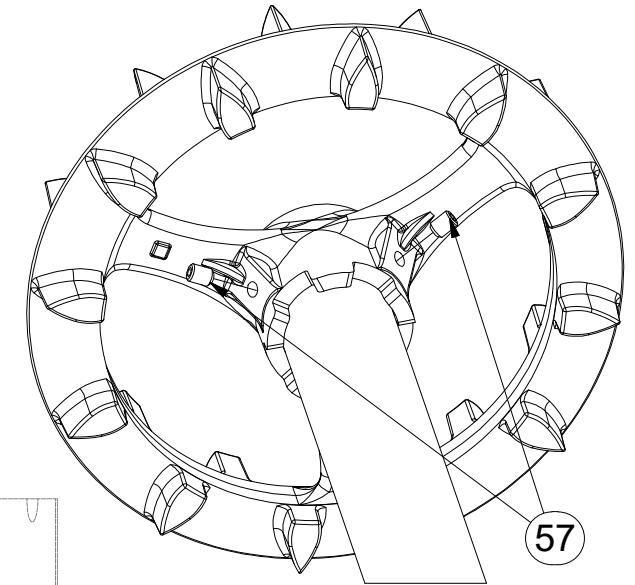
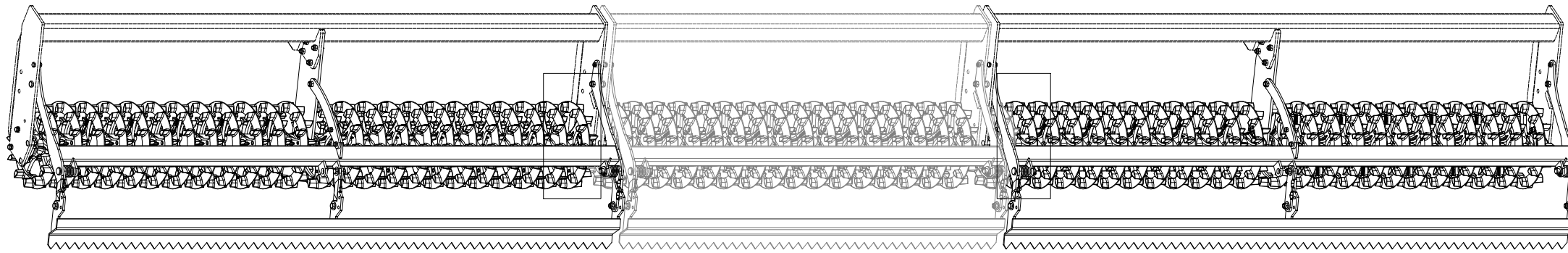
| Pos. | Part Number | Pcs. |
|------|-------------|------|
| 2    | 3001805     | 1    |
| 9    | 4009333     | 2    |
| 11   | 9002944     | 54   |
| 27   | 4016995     | 10   |
| 42   | 4014034     | 10   |
| 43   | m15625      | 10   |
| 52   | m03519      | 20   |
| 57   | m13958      | 20   |
| 70   | m01305      | 32   |
| 81   | m03988      | 32   |
| 100  | 4010015     | 20   |
| 101  | 4016809     | 20   |

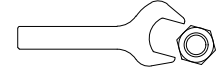
CZ SADA ZADNÍCH VÁLCŮ  
 D SATZ HINTERE WALZEN  
 F KIT DE ROULEAUX ARRIÈRE

GB SET OF REAR ROLLERS  
 RU КОМПЛЕКТ ЗАДНИХ КАТКОВ  
 PL ZESTAW TYLNYCH WAŁÓW



**3008668**



  
 M12 (8.8) - 87Nm

| Pos. | Part Number | Pcs. |
|------|-------------|------|
| 1    | 3000129     | 4    |
| 8    | 4009332     | 8    |
| 11   | 9002944     | 54   |
| 27   | 4016995     | 10   |
| 42   | 4014034     | 10   |
| 43   | m15625      | 10   |
| 52   | m03519      | 20   |
| 57   | m13958      | 20   |
| 70   | m01305      | 32   |
| 81   | m03988      | 32   |
| 100  | 4010015     | 20   |
| 101  | 4016809     | 20   |

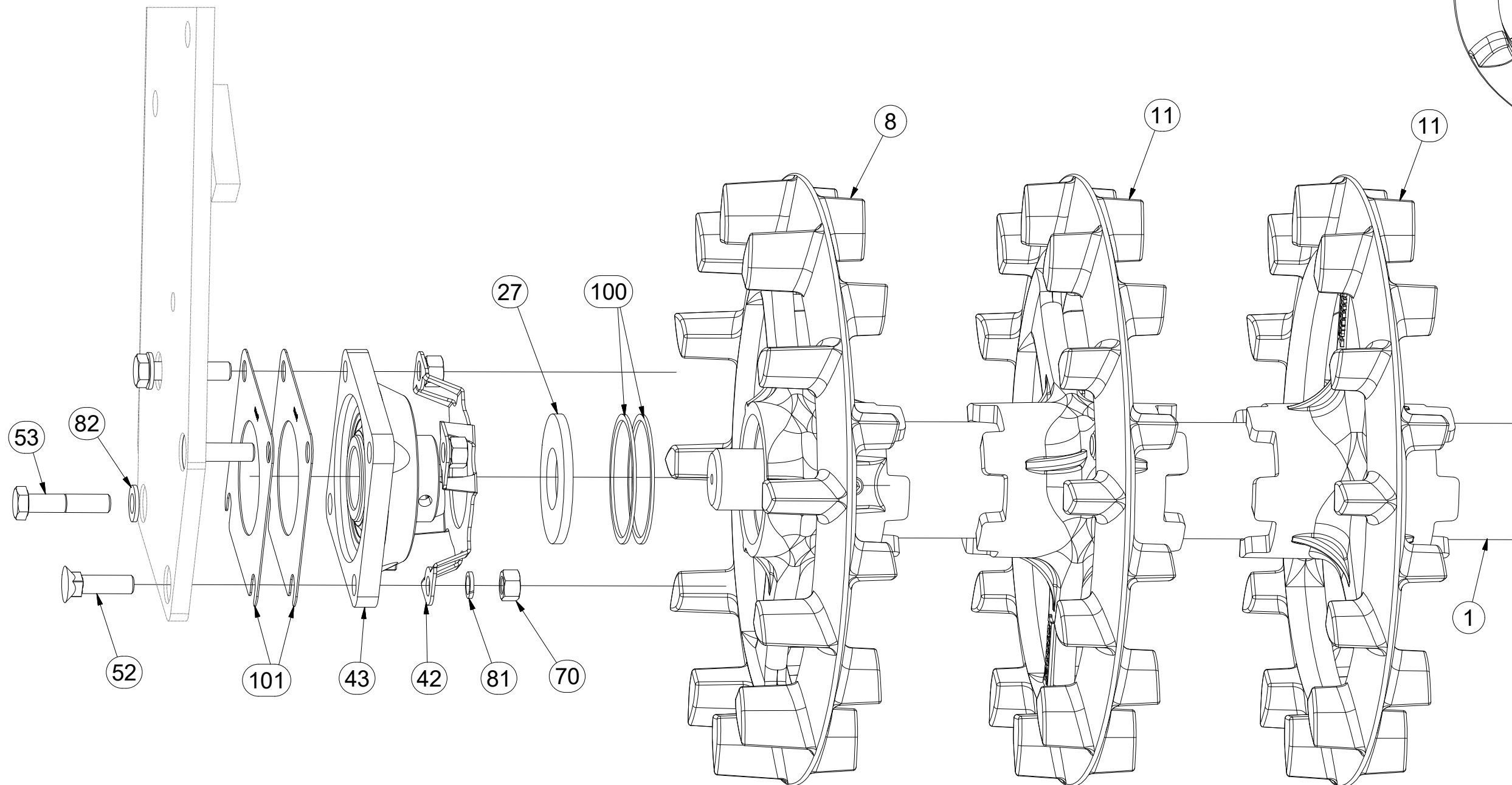
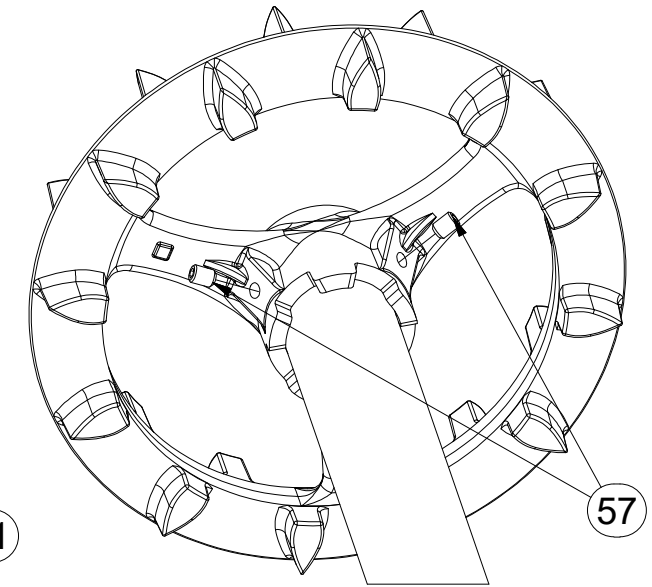
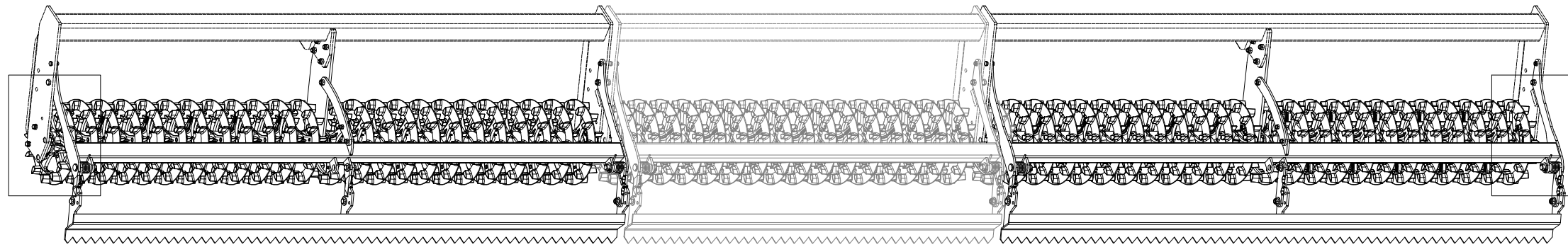


CZ SADA ZADNÍCH VÁLCŮ  
 D SATZ HINTERE WALZEN  
 F KIT DE ROULEAUX ARRIÈRE

GB SET OF REAR ROLLERS  
 RU КОМПЛЕКТ ЗАДНИХ КАТКОВ  
 PL ZESTAW TYLNYCH WAŁÓW



**3008668**



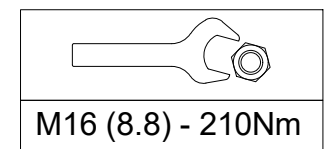
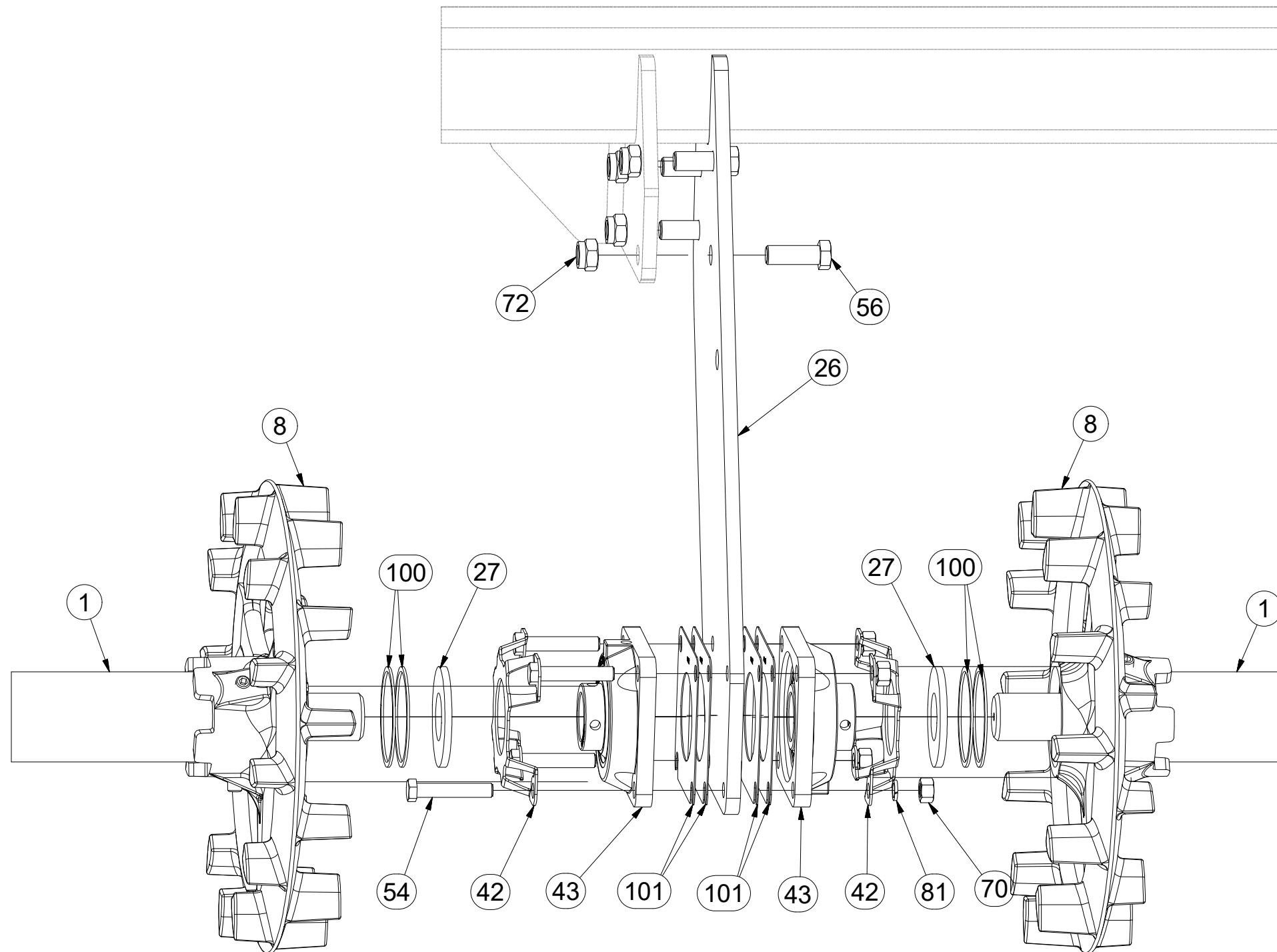
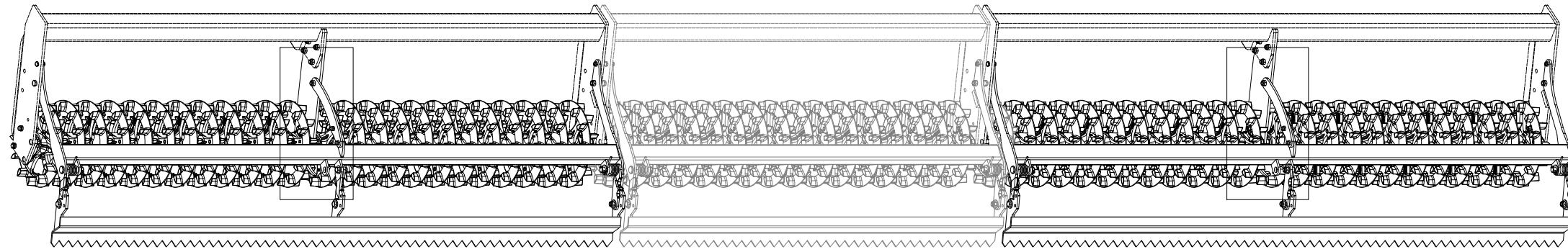
| Pos. | Part Number | Pcs. |
|------|-------------|------|
| 1    | 3000129     | 4    |
| 8    | 4009332     | 8    |
| 11   | 9002944     | 54   |
| 27   | 4016995     | 10   |
| 42   | 4014034     | 10   |
| 43   | m15625      | 10   |
| 52   | m03519      | 20   |
| 53   | m04412      | 4    |
| 57   | m13958      | 20   |
| 70   | m01305      | 32   |
| 81   | m03988      | 32   |
| 82   | m01214      | 8    |
| 100  | 4010015     | 20   |
| 101  | 4016809     | 20   |

CZ SADA ZADNÍCH VÁLCŮ  
 D SATZ HINTERE WALZEN  
 F KIT DE ROULEAUX ARRIÈRE

GB SET OF REAR ROLLERS  
 RU КОМПЛЕКТ ЗАДНИХ КАТКОВ  
 PL ZESTAW TYLNYCH WAŁÓW



**3008668**



| Pos. | Part Number | Pcs. |
|------|-------------|------|
| 1    | 3000129     | 4    |
| 8    | 4009332     | 8    |
| 26   | 4005384     | 2    |
| 27   | 4016995     | 10   |
| 42   | 4014034     | 10   |
| 43   | m15625      | 10   |
| 54   | m05898      | 8    |
| 56   | m02254      | 18   |
| 70   | m01305      | 32   |
| 72   | m03683      | 26   |
| 81   | m03988      | 32   |
| 100  | 4010015     | 20   |
| 101  | 4016809     | 20   |

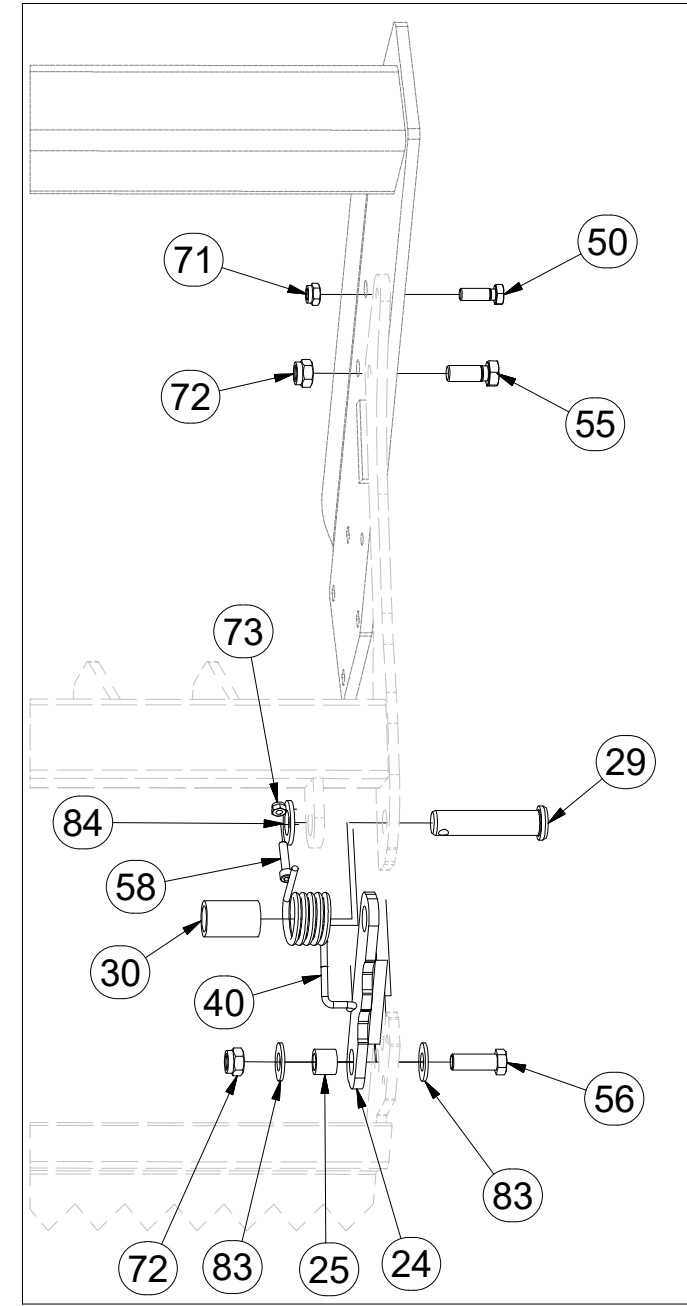
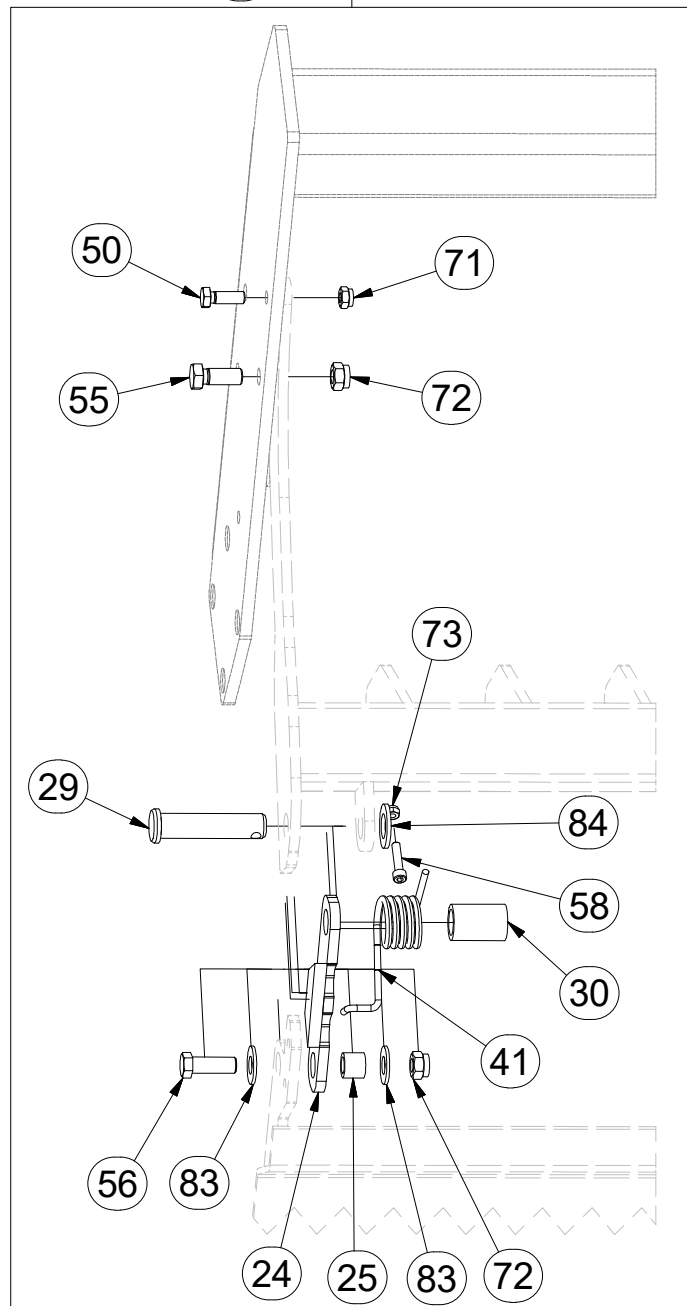
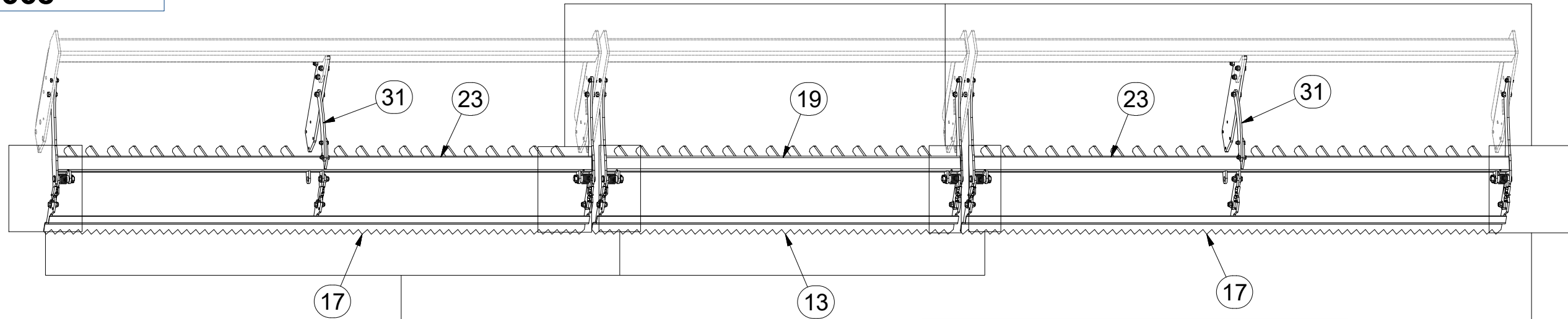


CZ SADA ZADNÍCH VÁLCŮ  
 D SATZ HINTERE WALZEN  
 F KIT DE ROULEAUX ARRIÈRE

GB SET OF REAR ROLLERS  
 RU КОМПЛЕКТ ЗАДНИХ КАТКОВ  
 PL ZESTAW TYLNYCH WAŁÓW



**3008668**



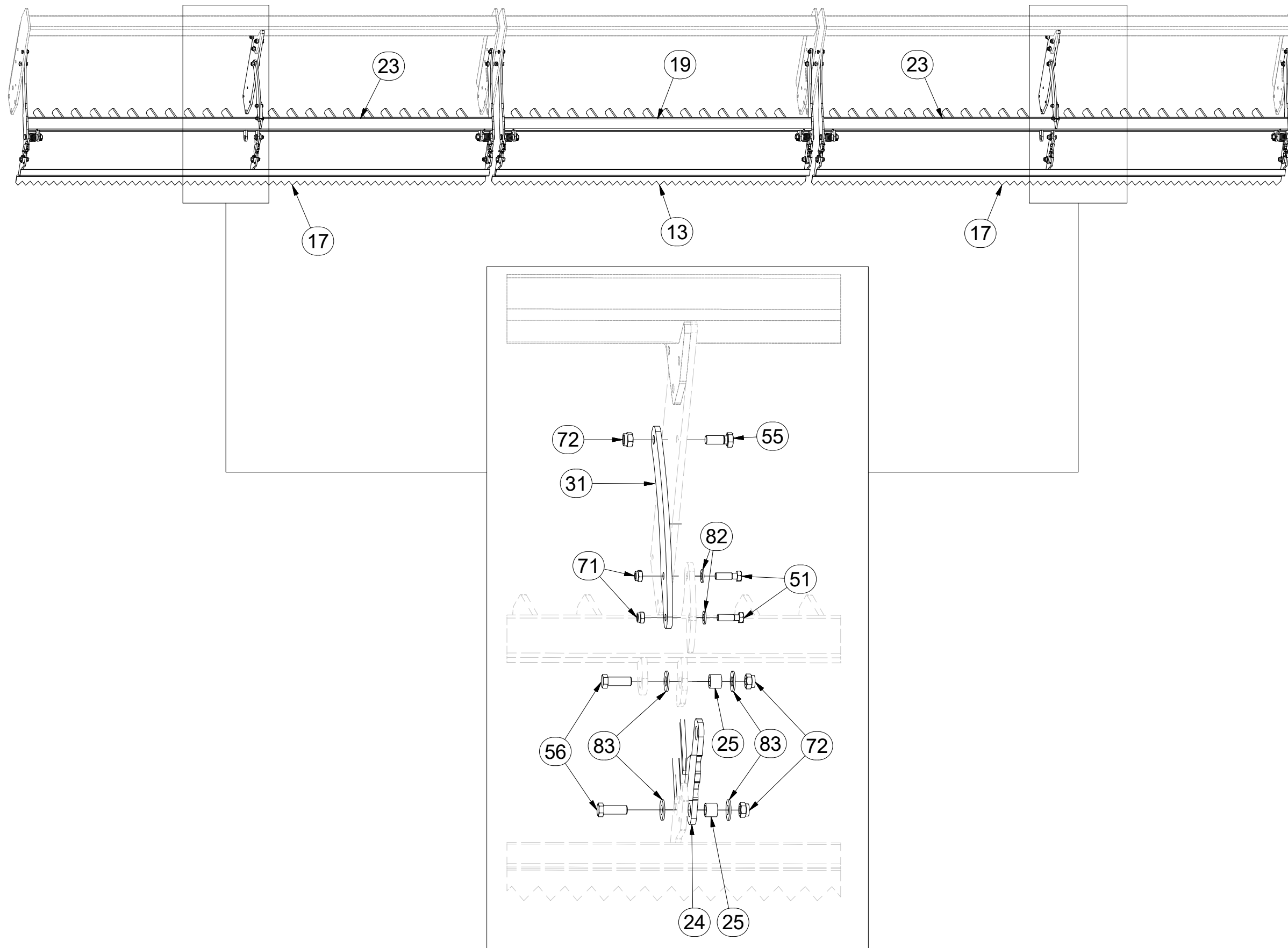
| Pos. | Part Number | Pcs. |
|------|-------------|------|
| 13   | 3001672     | 1    |
| 17   | 3002867     | 2    |
| 19   | 3004896     | 1    |
| 23   | 3007383     | 2    |
| 24   | 4002269     | 8    |
| 25   | 4004451     | 10   |
| 29   | 4015778     | 6    |
| 30   | 9002979     | 6    |
| 31   | 4013508     | 2    |
| 40   | m12303      | 3    |
| 41   | m12304      | 3    |
| 50   | m04343      | 6    |
| 55   | m01129      | 8    |
| 56   | m02254      | 18   |
| 58   | m09464      | 6    |
| 71   | m04301      | 10   |
| 72   | m03683      | 26   |
| 73   | m04503      | 6    |
| 83   | m05651      | 20   |
| 84   | m14028      | 6    |

CZ SADA ZADNÍCH VÁLCŮ  
 D SATZ HINTERE WALZEN  
 F KIT DE ROULEAUX ARRIÈRE

GB SET OF REAR ROLLERS  
 RU КОМПЛЕКТ ЗАДНИХ КАТКОВ  
 PL ZESTAW TYLNYCH WAŁÓW



**3008668**



| Pos. | Part Number | Pcs. |
|------|-------------|------|
| 13   | 3001672     | 1    |
| 17   | 3002867     | 2    |
| 19   | 3004896     | 1    |
| 23   | 3007383     | 2    |
| 24   | 4002269     | 8    |
| 25   | 4004451     | 10   |
| 31   | 4013508     | 2    |
| 51   | m03926      | 4    |
| 55   | m01129      | 8    |
| 56   | m02254      | 18   |
| 58   | m09464      | 6    |
| 71   | m04301      | 10   |
| 72   | m03683      | 26   |
| 82   | m01214      | 8    |
| 83   | m05651      | 20   |

ⒸZ SADA DORAZŮ ZADNÍCH SMYKŮ

Ⓓ ANSCHLAGSATZ FÜR HINTERE ACKERSCHLEPPEN

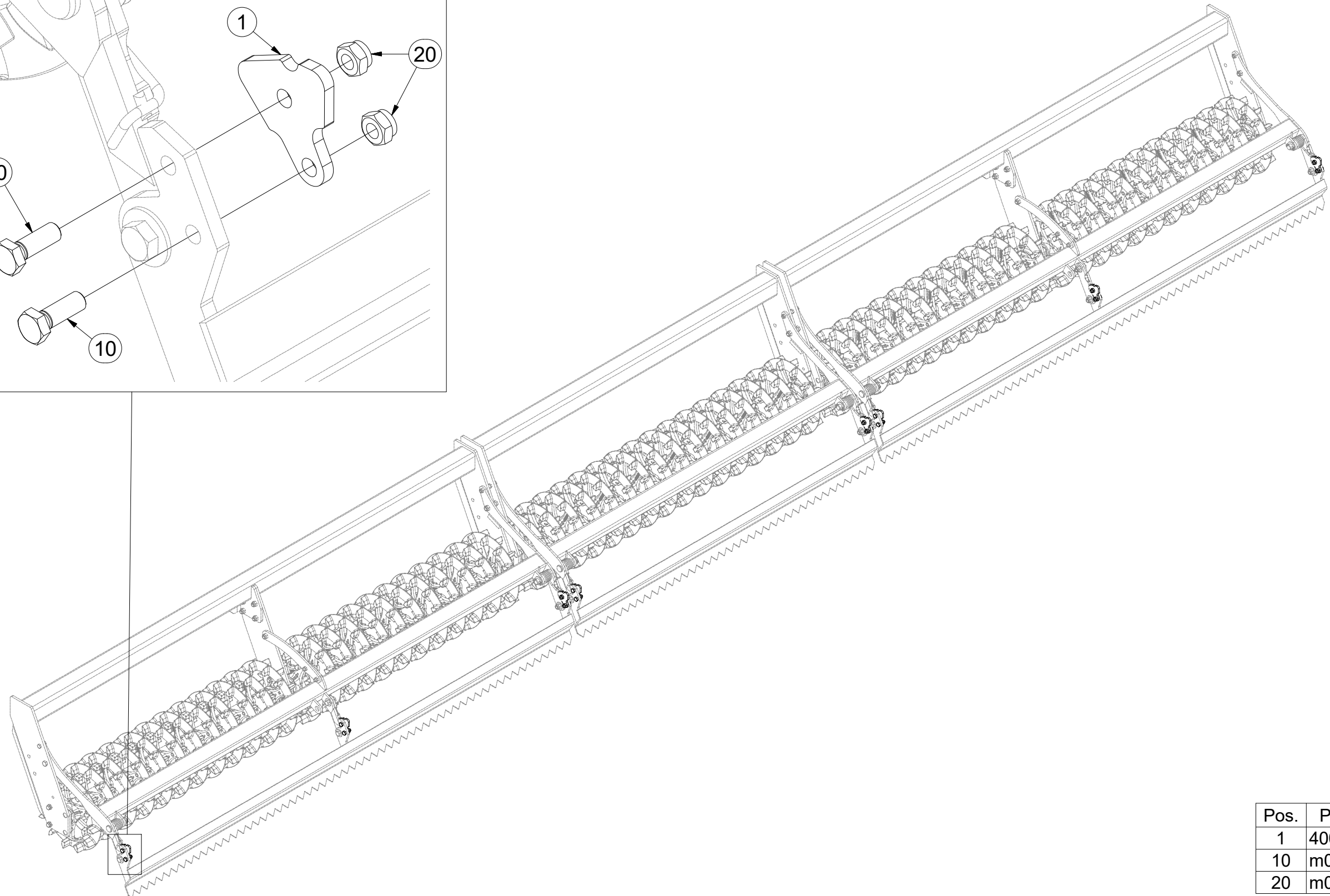
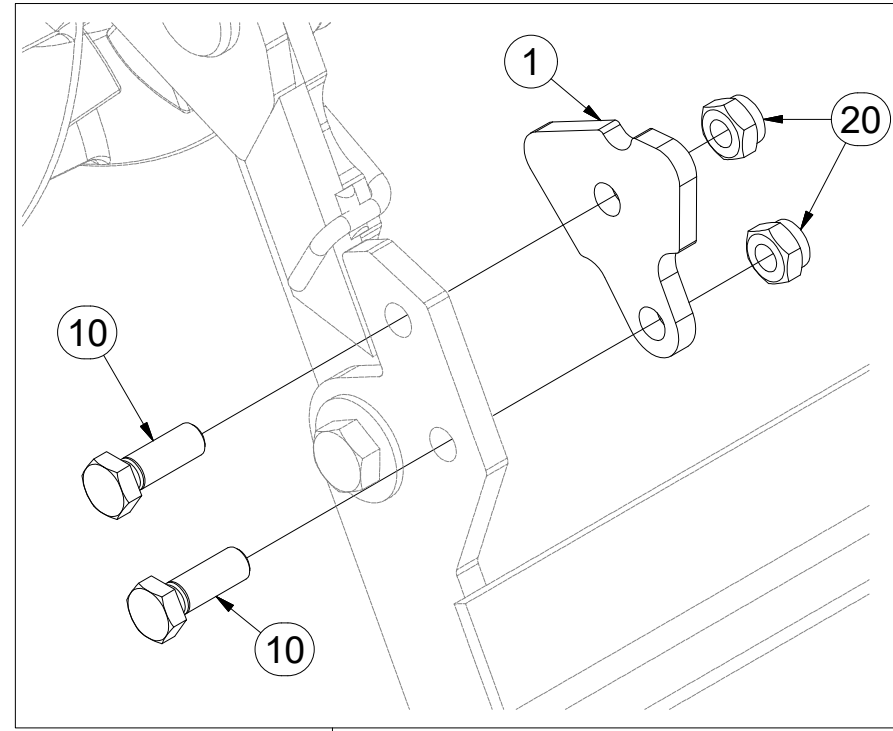
Ⓕ KIT DE BUTÉES DES NIVELEURS ARRIÈRE

**3006131**

ⒼB SET OF REAR LEVELLING BAR STOPS

ⒺU КОМПЛЕКТ УПОРОВ ЗАДНИХ БОРОН

ⒽL ZESTAW DOCISKÓW TYLNYCH WŁÓK



| Pos. | Part Number | Pcs. |
|------|-------------|------|
| 1    | 4009757     | 8    |
| 10   | m04343      | 16   |
| 20   | m04301      | 16   |

ⒸZ SADA NÁPRAVY

Ⓓ SATZ AUFHÄNGUNG

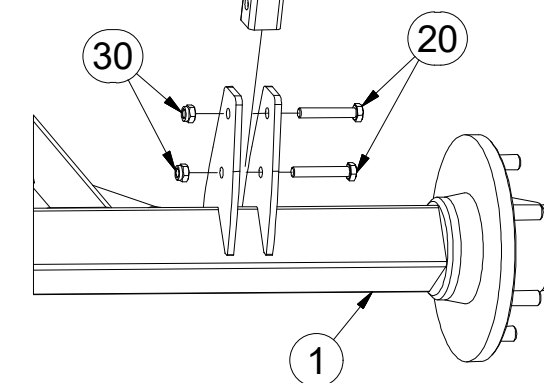
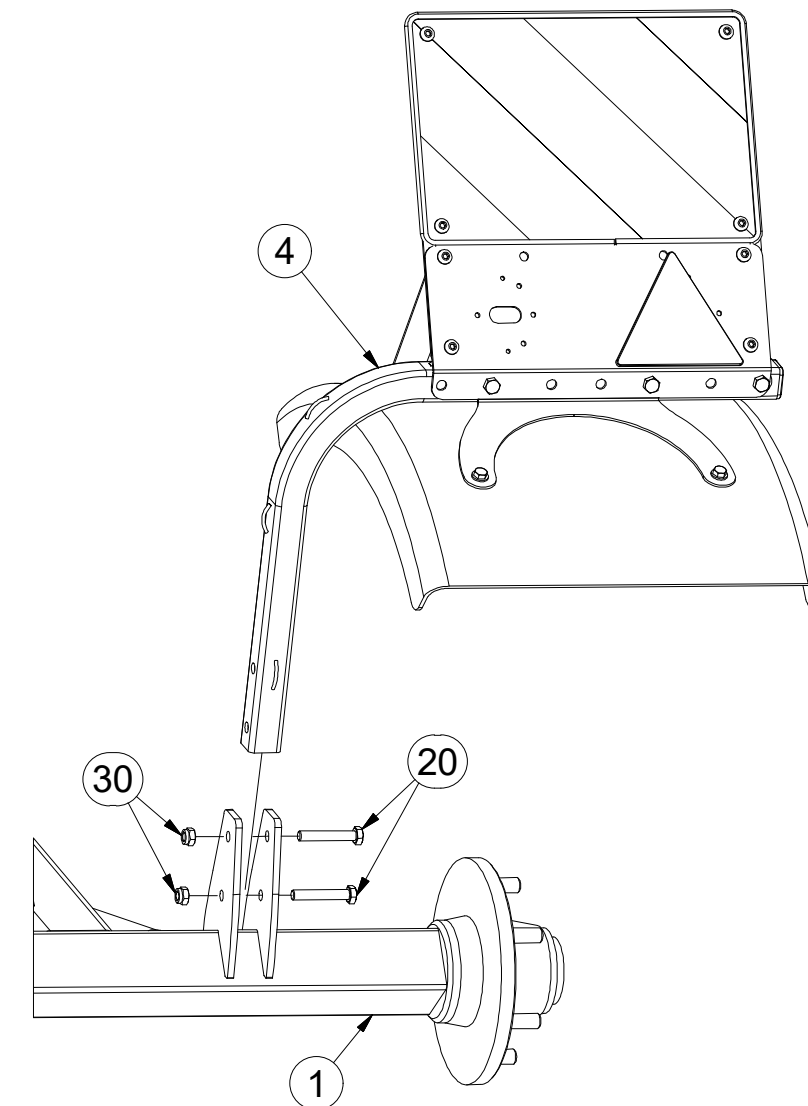
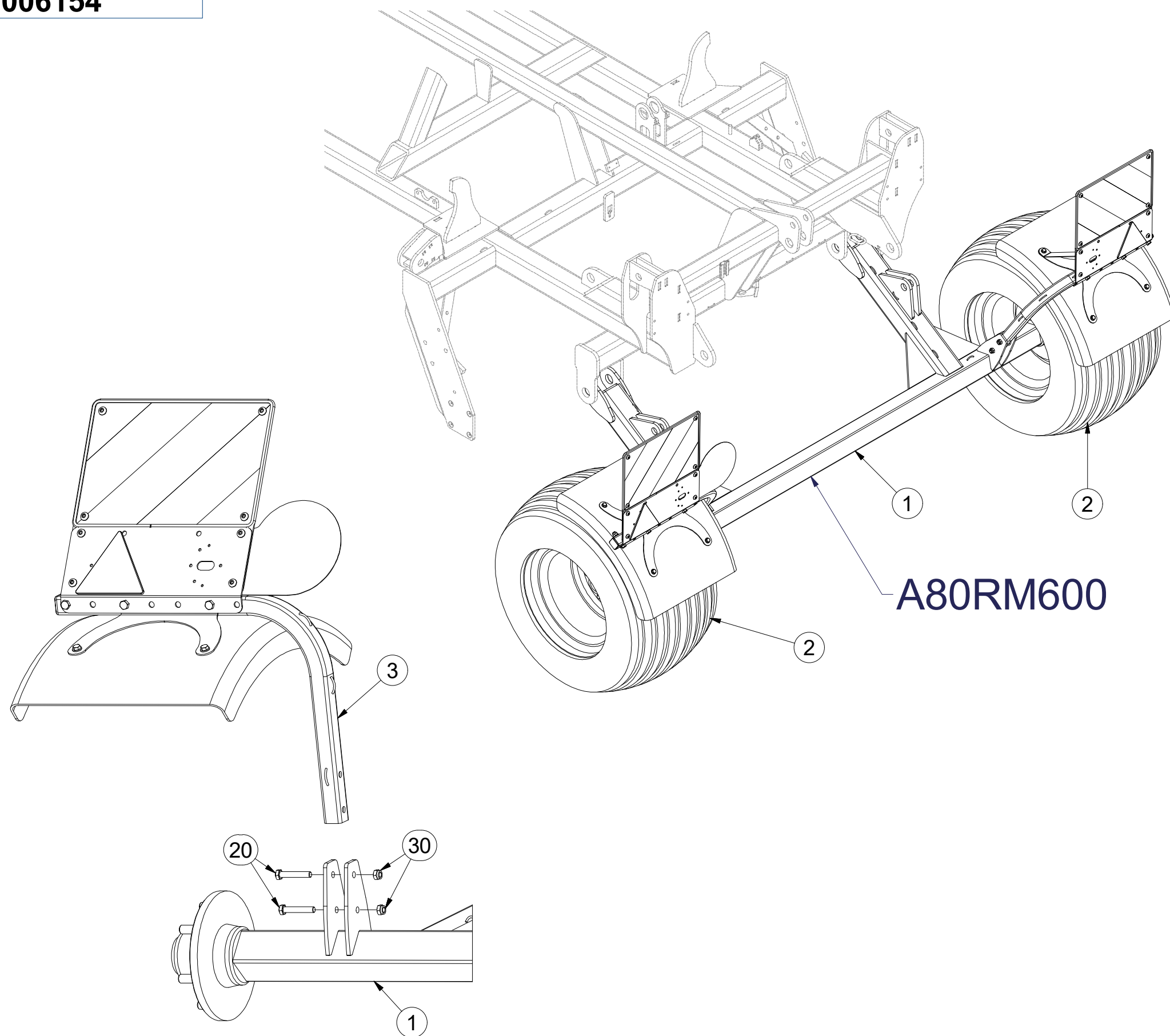
Ⓕ KIT DE L'ESSIEU

**3006154**

ⒼB AXLE SET

ⒺU КОМПЛЕКТ ОСИ КОЛЁС

ⒼL ZESTAW OSI



|  |                          |
|--|--------------------------|
|  | M12 (8.8) - 87Nm         |
|  | M18x1,5-265Nm<br>400 kPa |

| Pos. | Part Number | Pcs. |
|------|-------------|------|
| 1    | 3004298     | 1    |
| 2    | m11625      | 2    |
| 3    | 3009523     | 1    |
| 4    | 3009524     | 1    |
| 20   | m14266      | 4    |
| 30   | m04301      | 4    |



ⒸZ TERČ ZADNÍ PRAVÝ

Ⓓ SCHILD, HINTERES, RECHTES

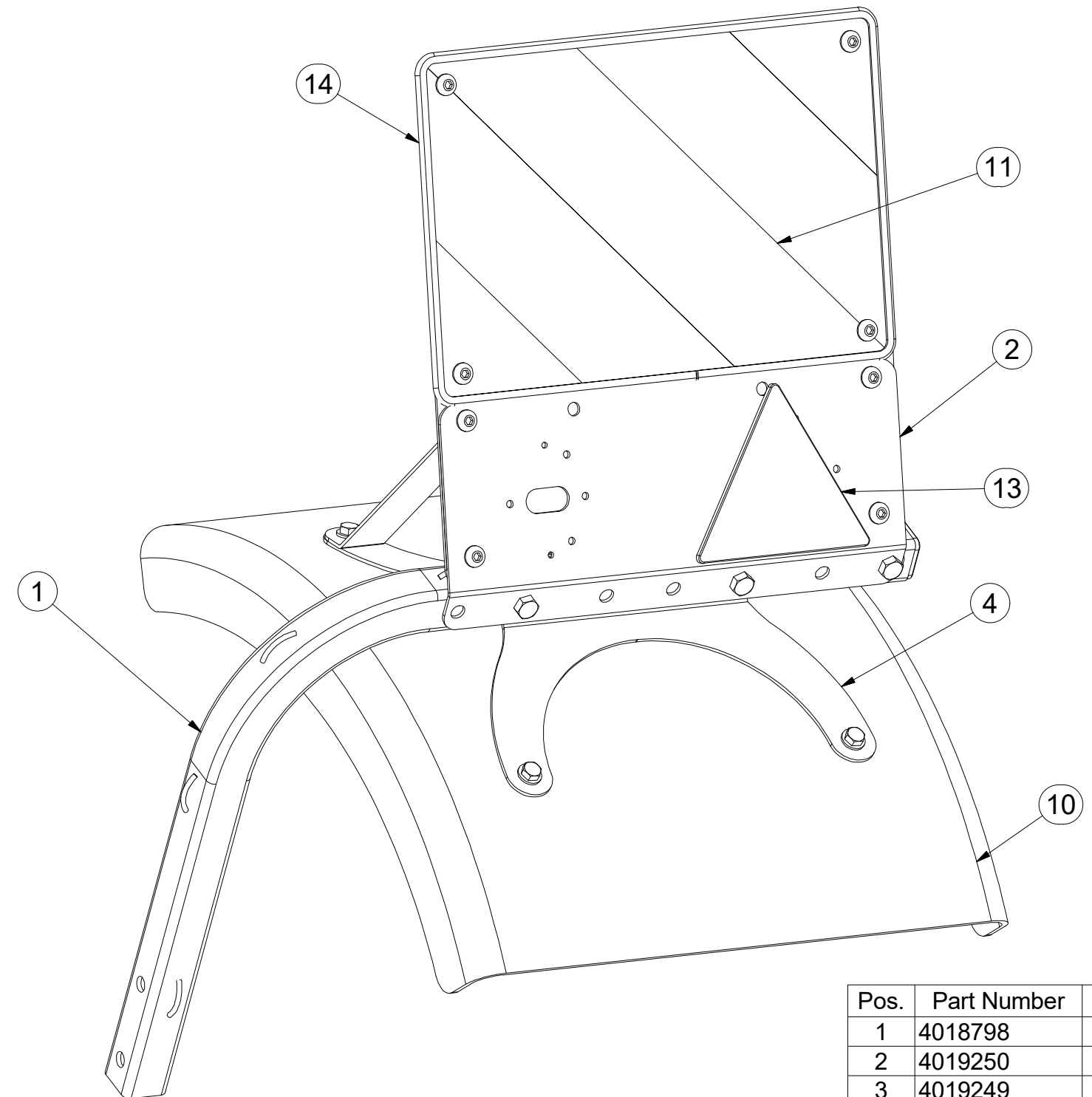
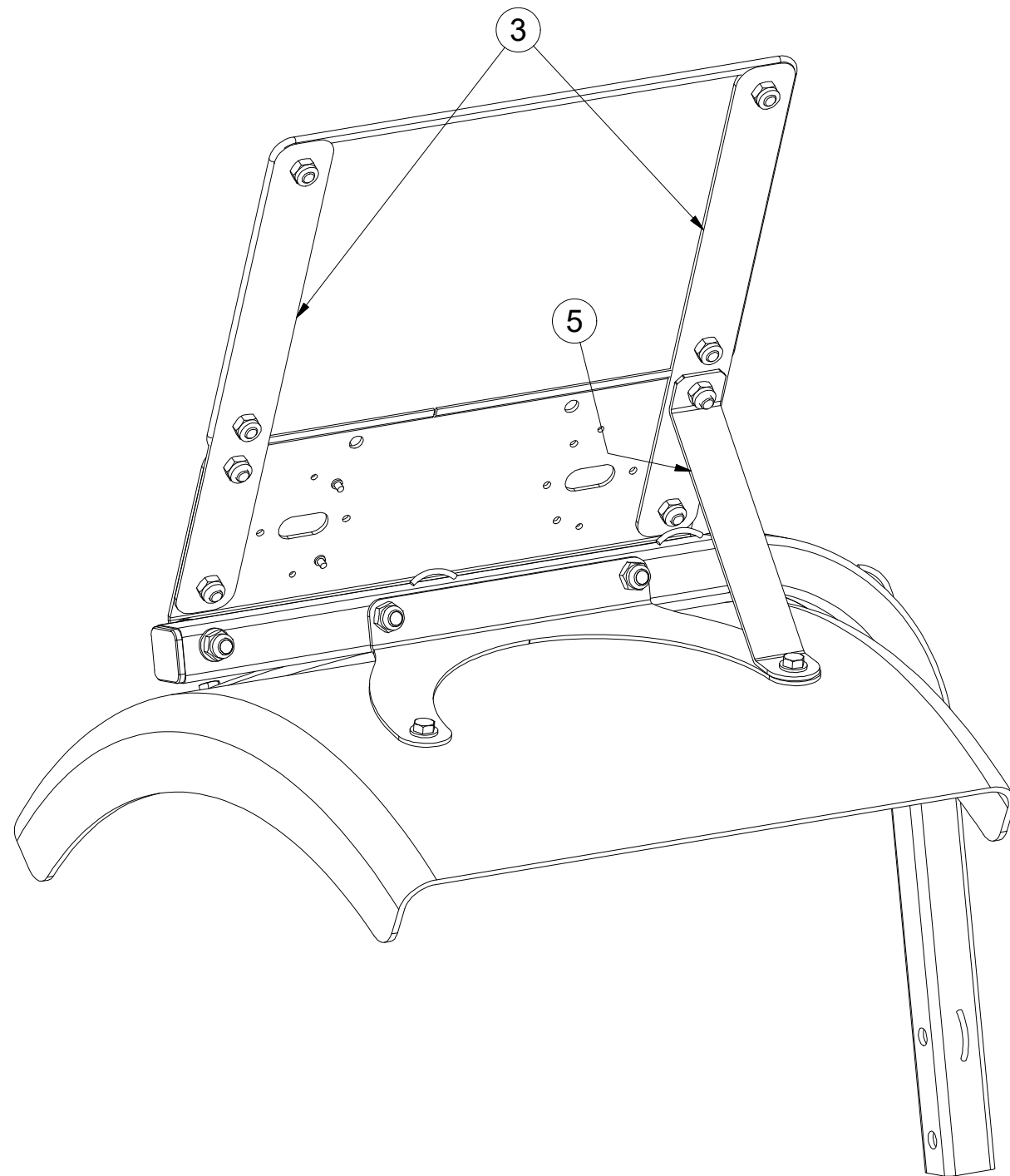
Ⓕ CIBLE ARRIÈRE DROITE

**3009524**

ⒸGB RIGHT REAR DISC

ⒸRU ЩИТОК ЗАДНИЙ ПРАВЫЙ

ⒸPL TARCZA TYLNA PRAWA



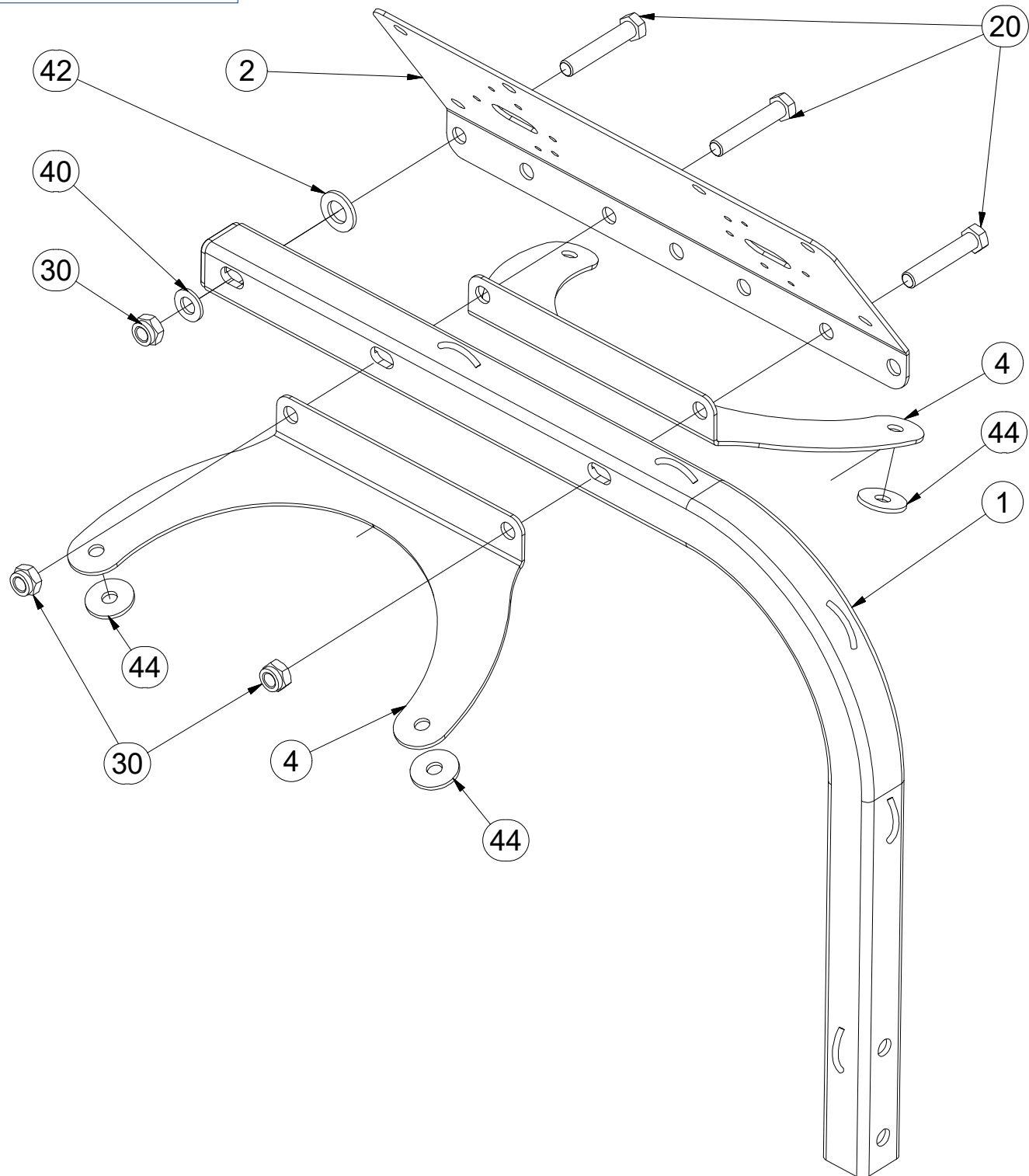
| Pos. | Part Number | Pcs. |
|------|-------------|------|
| 1    | 4018798     | 1    |
| 2    | 4019250     | 1    |
| 3    | 4019249     | 2    |
| 4    | 4019252     | 2    |
| 5    | 4019251     | 1    |
| 10   | m09983      | 1    |
| 11   | m16273      | 1    |
| 13   | m02497      | 1    |
| 14   | m16628      | 1,4  |
| 44   | m16981      | 4    |

ⒸZ TERČ ZADNÍ PRAVÝ

Ⓓ SCHILD, HINTERES, RECHTES

Ⓕ CIBLE ARRIÈRE DROITE

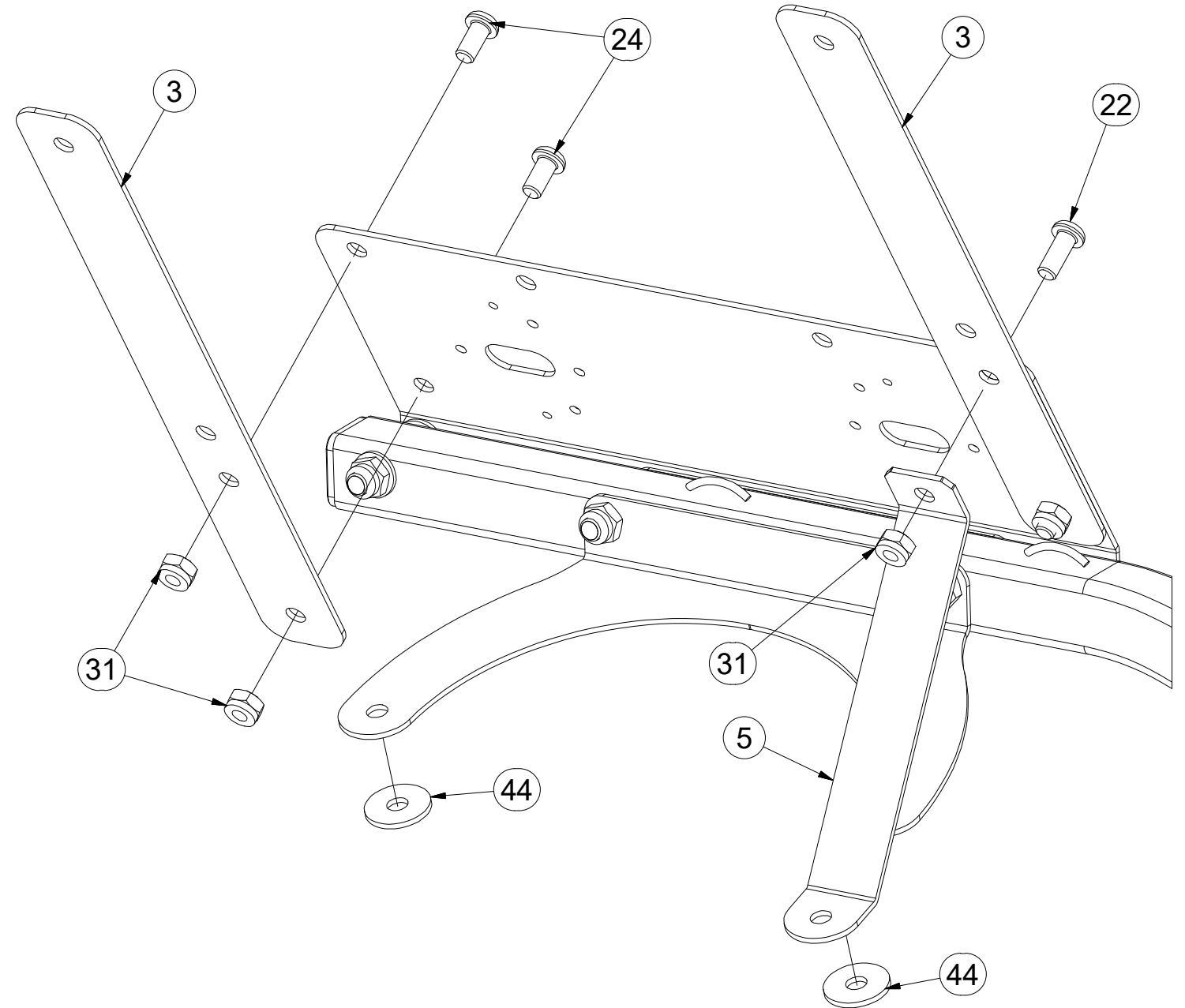
**3009524**



ⒸB RIGHT REAR DISC

Ⓔ ЩИТОК ЗАДНИЙ ПРАВЫЙ

Ⓗ TARCZA TYLNA PRAWA



|                  |
|------------------|
|                  |
| M10 (8.8) - 50Nm |
| M12 (8.8) - 87Nm |

| Pos. | Part Number | Pcs. | Pos. | Part Number | Pcs. |
|------|-------------|------|------|-------------|------|
| 1    | 4018798     | 1    | 24   | m16637      | 3    |
| 2    | 4019250     | 1    | 30   | m04301      | 3    |
| 3    | 4019249     | 2    | 31   | m03775      | 12   |
| 4    | 4019252     | 2    | 40   | m01214      | 1    |
| 5    | 4019251     | 1    | 42   | m01219      | 1    |
| 20   | m05898      | 3    | 44   | m16981      | 4    |
| 22   | m16688      | 1    |      |             |      |

ⒸZ TERČ ZADNÍ PRAVÝ

Ⓓ SCHILD, HINTERES, RECHTES

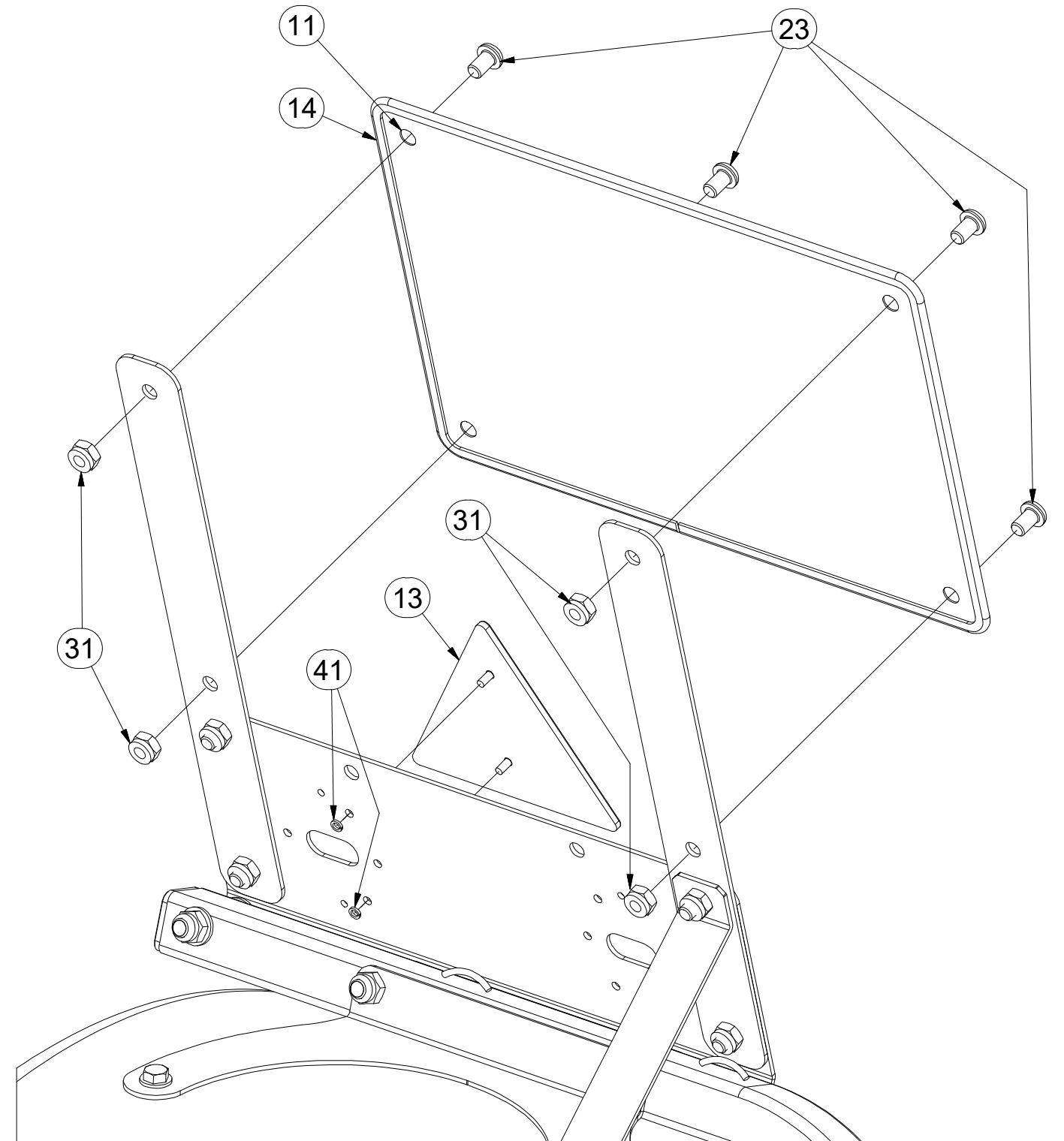
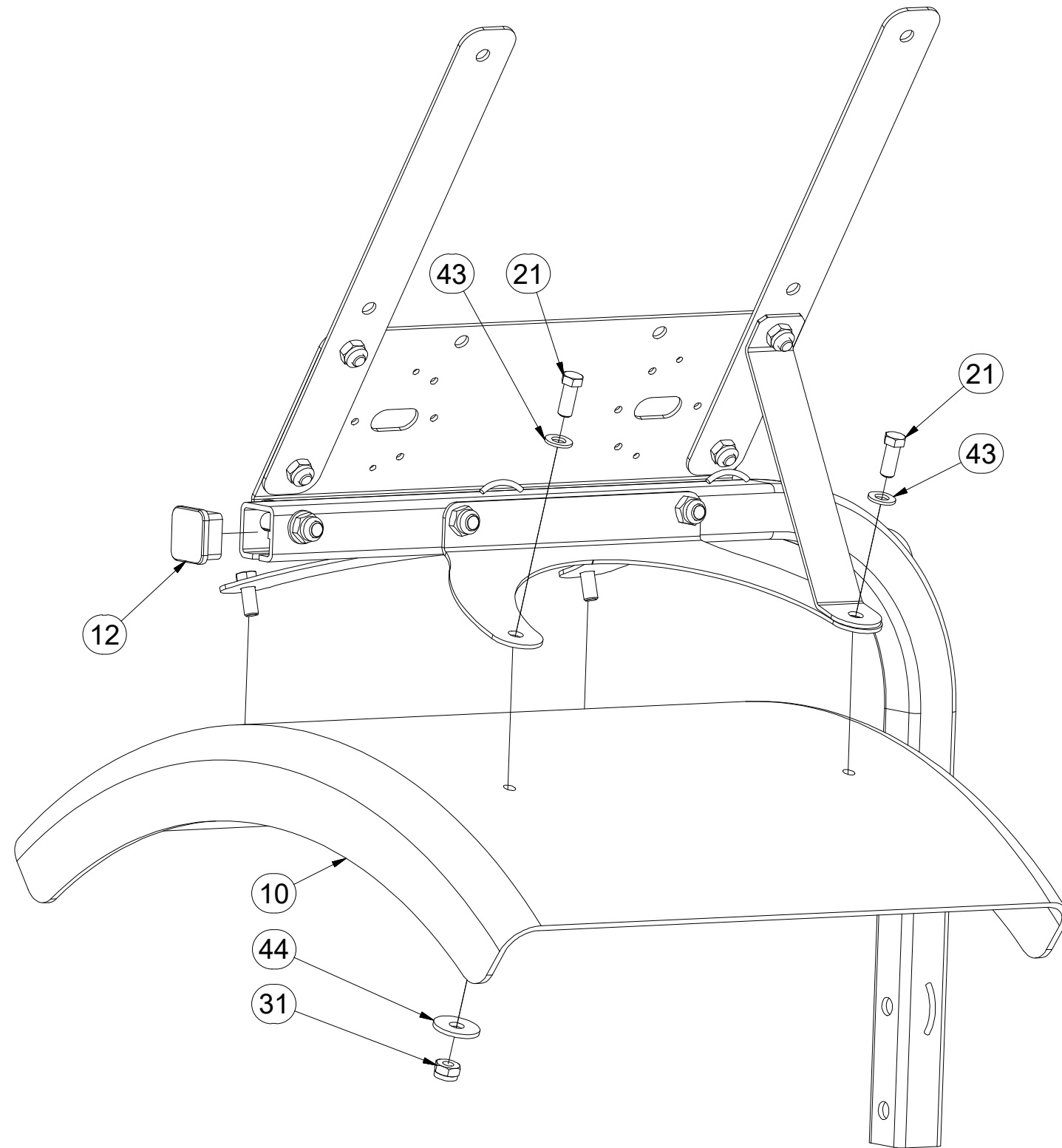
Ⓕ CIBLE ARRIÈRE DROITE

**3009524**

ⒼB RIGHT REAR DISC

ⒺЩИТОК ЗАДНИЙ ПРАВЫЙ

ⒽL TARCZA TYLNA PRAWA



| Pos. | Part Number | Pcs. | Pos. | Part Number | Pcs. |
|------|-------------|------|------|-------------|------|
| 10   | m09983      | 1    | 23   | m16687      | 4    |
| 11   | m16273      | 1    | 31   | m03775      | 12   |
| 12   | m12689      | 1    | 41   | m01197      | 2    |
| 13   | m02497      | 1    | 42   | m01219      | 1    |
| 14   | m16628      | 1,4  | 43   | m01209      | 4    |
| 21   | m03681      | 4    | 44   | m16981      | 4    |

ⒸZ TERČ ZADNÍ LEVÝ

Ⓓ SCHILD, HINTERES, LINKES

Ⓕ CIBLE ARRIÈRE GAUCHE

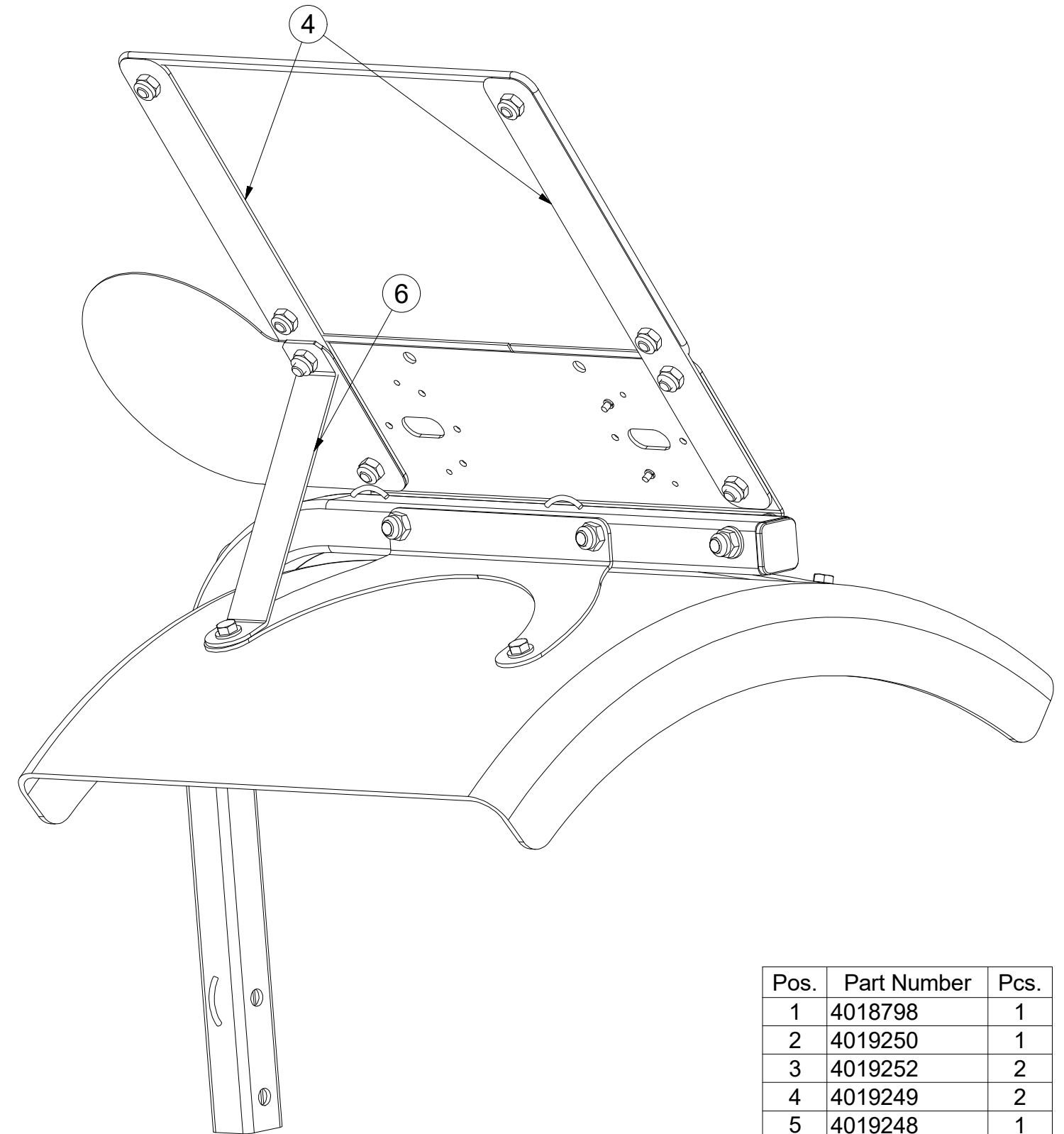
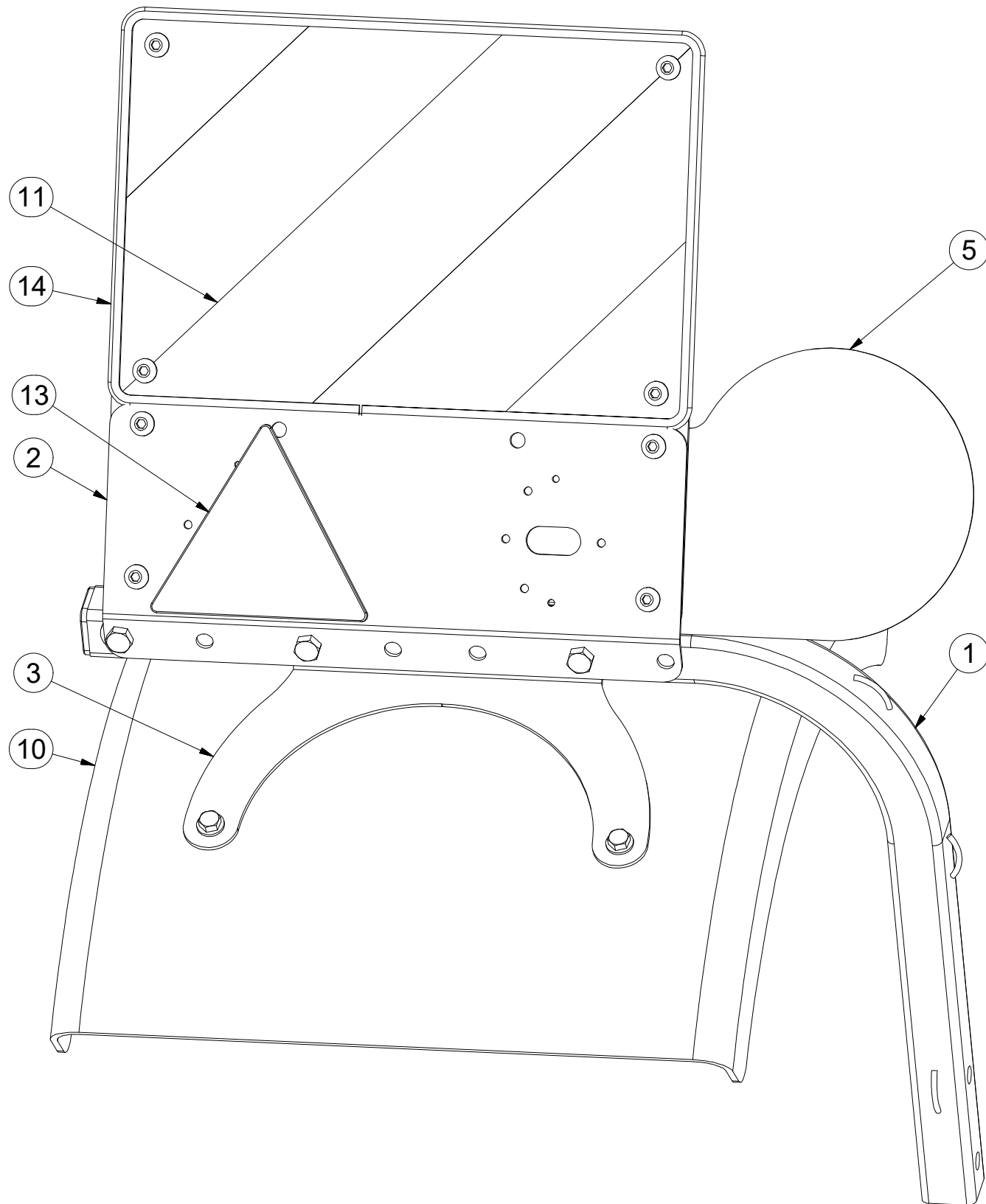
**3009523**

ⒸB LEFT REAR DISC

Ⓔ ЩИТОК ЗАДНИЙ ЛЕВЫЙ

Ⓗ TARCZA TYLNA LEWA

**Farmet**



| Pos. | Part Number | Pcs. |
|------|-------------|------|
| 1    | 4018798     | 1    |
| 2    | 4019250     | 1    |
| 3    | 4019252     | 2    |
| 4    | 4019249     | 2    |
| 5    | 4019248     | 1    |
| 6    | 4019251     | 1    |
| 10   | m09983      | 1    |
| 11   | m16274      | 1    |
| 13   | m02497      | 1    |
| 14   | m16628      | 1,4  |



ⒸZ TERČ ZADNÍ LEVÝ

Ⓓ SCHILD, HINTERES, LINKES

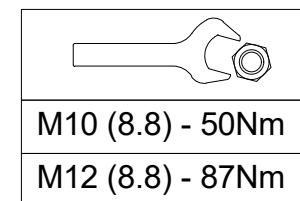
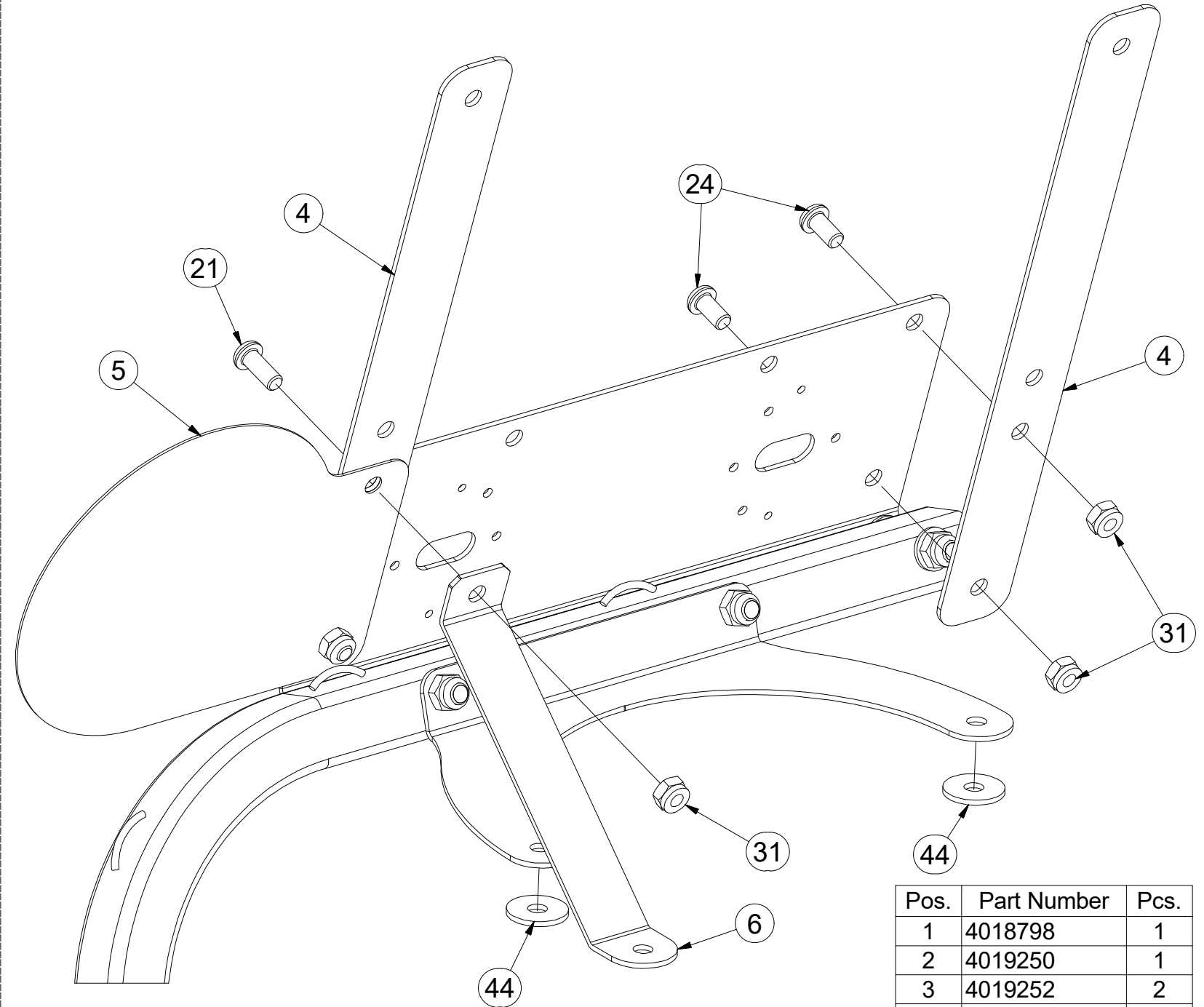
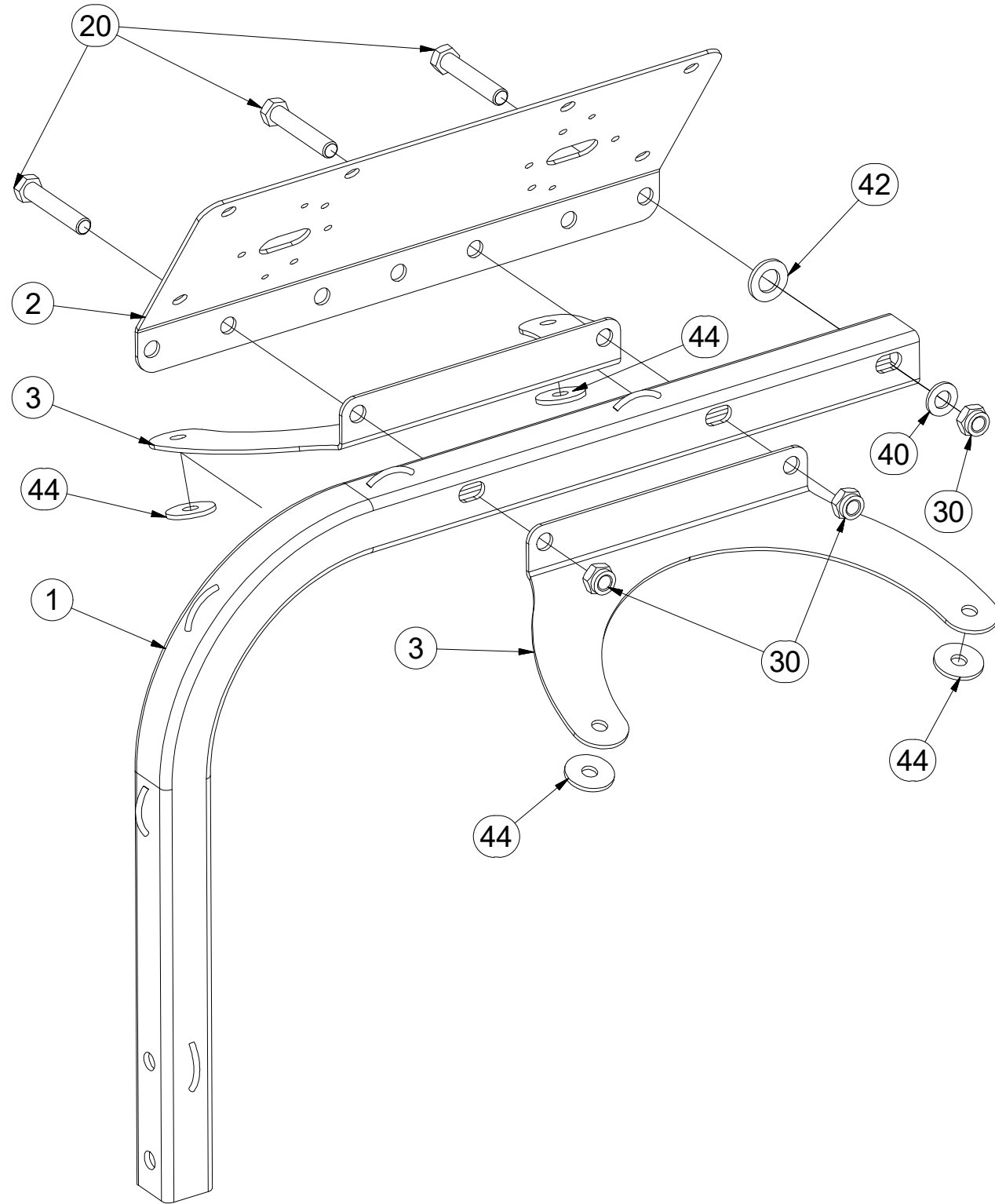
Ⓕ CIBLE ARRIÈRE GAUCHE

**3009523**

ⒸB LEFT REAR DISC

Ⓔ ЩИТОК ЗАДНИЙ ЛЕВЫЙ

Ⓗ TARCZA TYLNA LEWA



| Pos. | Part Number | Pcs. |
|------|-------------|------|
| 1    | 4018798     | 1    |
| 2    | 4019250     | 1    |
| 3    | 4019252     | 2    |
| 4    | 4019249     | 2    |
| 5    | 4019248     | 1    |
| 6    | 4019251     | 1    |
| 20   | m05898      | 3    |
| 21   | m16688      | 1    |
| 24   | m16637      | 3    |
| 30   | m04301      | 3    |
| 31   | m03775      | 12   |
| 40   | m01214      | 1    |
| 42   | m01219      | 1    |
| 44   | m16981      | 4    |

ⒸZ TERČ ZADNÍ LEVÝ

Ⓓ SCHILD, HINTERES, LINKES

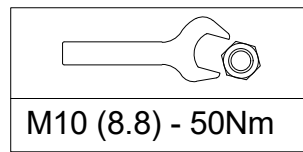
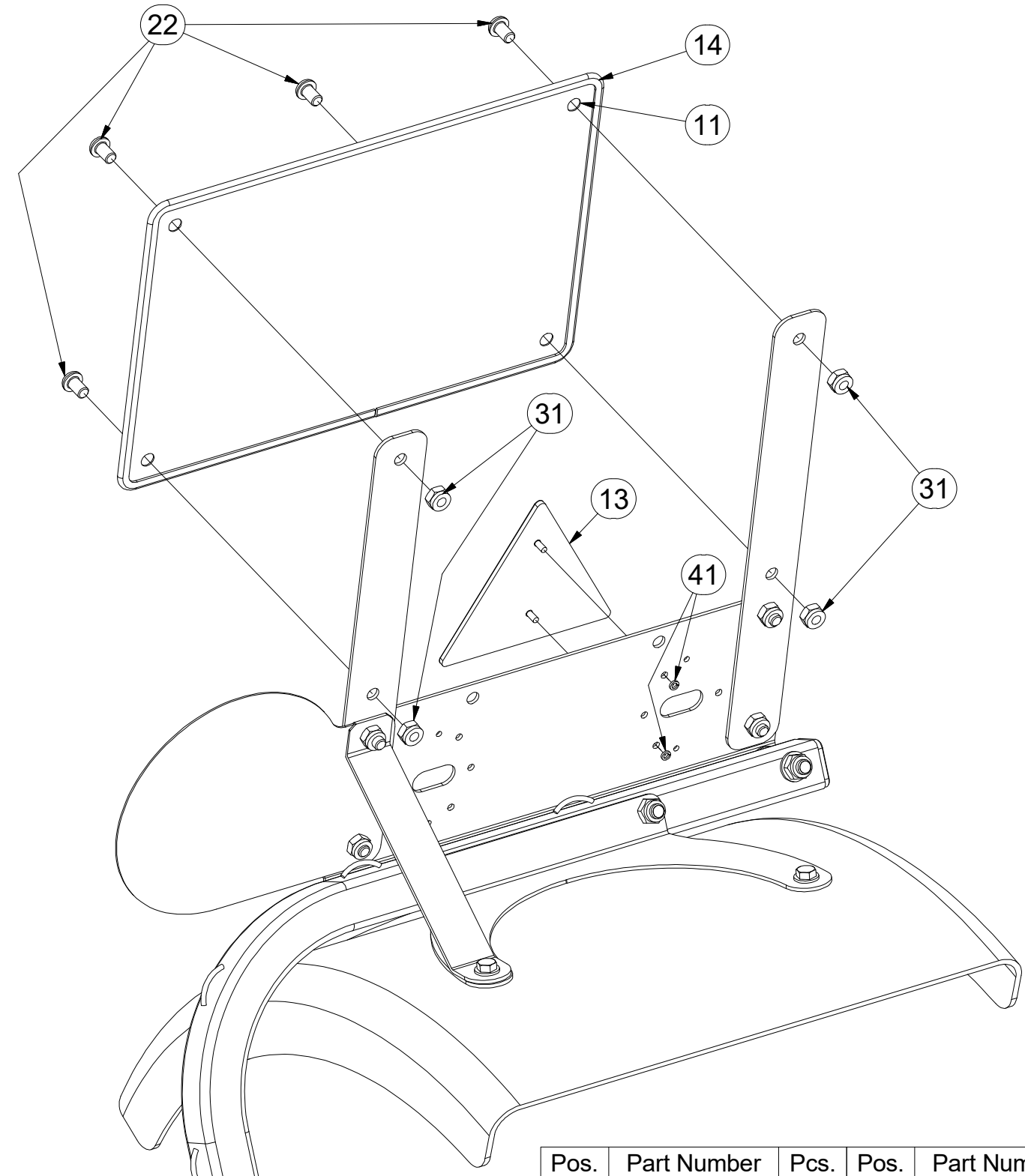
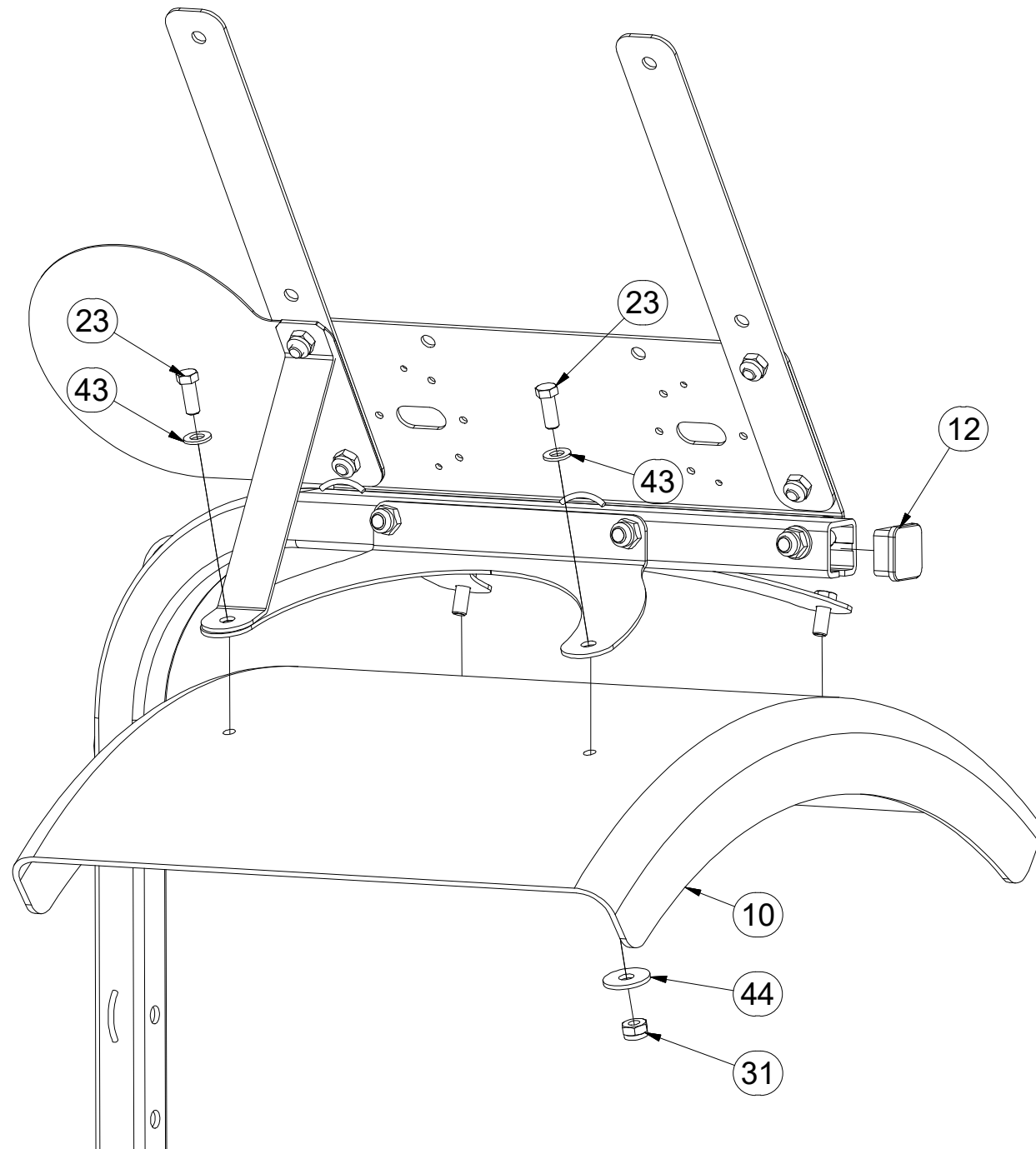
Ⓕ CIBLE ARRIÈRE GAUCHE

**3009523**

ⒼB LEFT REAR DISC

ⒶU ЩИТОК ЗАДНИЙ ЛЕВЫЙ

ⒶL TARCZA TYLNA LEWA



| Pos. | Part Number | Pcs. | Pos. | Part Number | Pcs. |
|------|-------------|------|------|-------------|------|
| 10   | m09983      | 1    | 23   | m03681      | 4    |
| 11   | m16274      | 1    | 31   | m03775      | 12   |
| 12   | m12689      | 1    | 41   | m01197      | 2    |
| 13   | m02497      | 1    | 42   | m01219      | 1    |
| 14   | m16628      | 1,4  | 43   | m01209      | 4    |
| 22   | m16687      | 4    | 44   | m16981      | 4    |

Ⓒ NÁPRAVA

Ⓓ ACHSE

Ⓕ ESSIEU

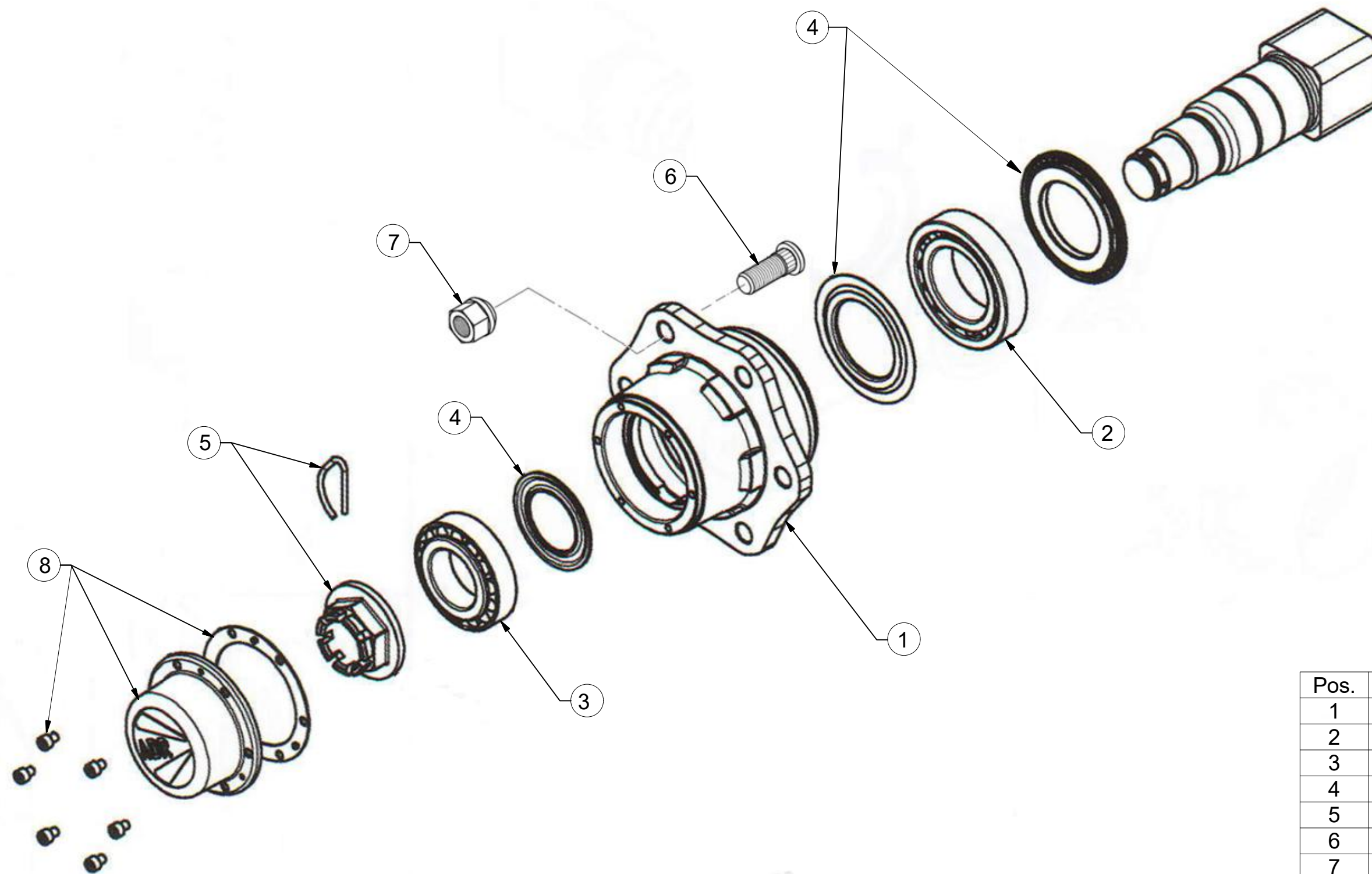
Ⓖ AXLE

Ⓡ OCB

Ⓟ OS



**A80RM600**



| Pos. | Part Number | Pcs. |
|------|-------------|------|
| 1    | m12567      | 2    |
| 2    | m07153      | 2    |
| 3    | m07154      | 2    |
| 4    | m12565      | 2    |
| 5    | m08168      | 2    |
| 6    | m08148      | 12   |
| 7    | m08163      | 12   |
| 8    | m12566      | 2    |

Ⓒ SADA NÁPRAVY

Ⓓ SATZ AUFHÄNGUNG

Ⓕ KIT DE L'ESSIEU

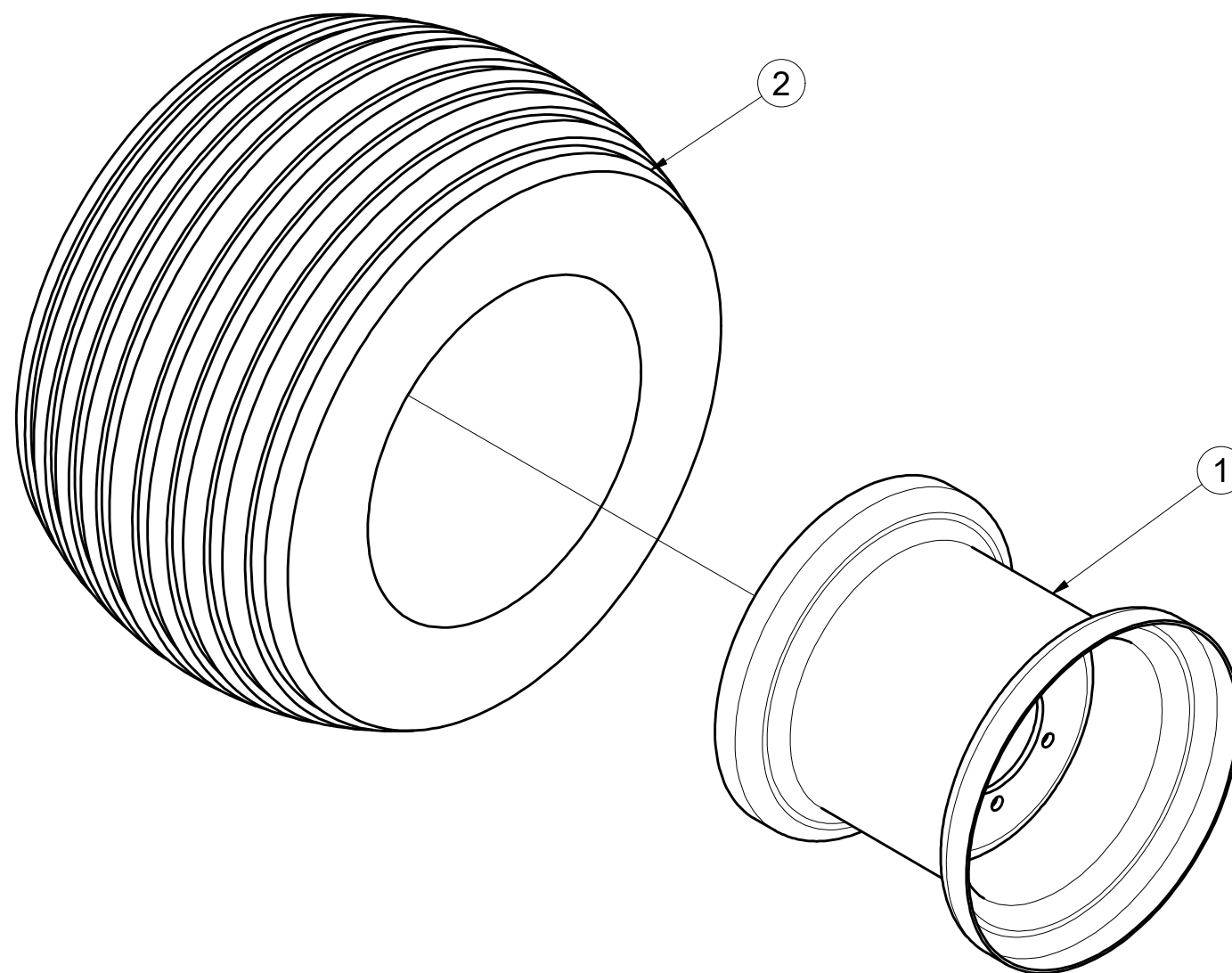
**m11625**

Ⓖ AXLE SET

Ⓡ КОМПЛЕКТ ОСИ КОЛЁС

Ⓢ ZESTAW OSI

**Farmet**



| Pos. | Part Number | Pcs. |
|------|-------------|------|
| 1    | m08228      | 1    |
| 2    | m07707      | 1    |



Ⓒ SVĚTELNÁ SADA

Ⓓ LEUCHTENSATZ

Ⓕ KIT LUMINEUX

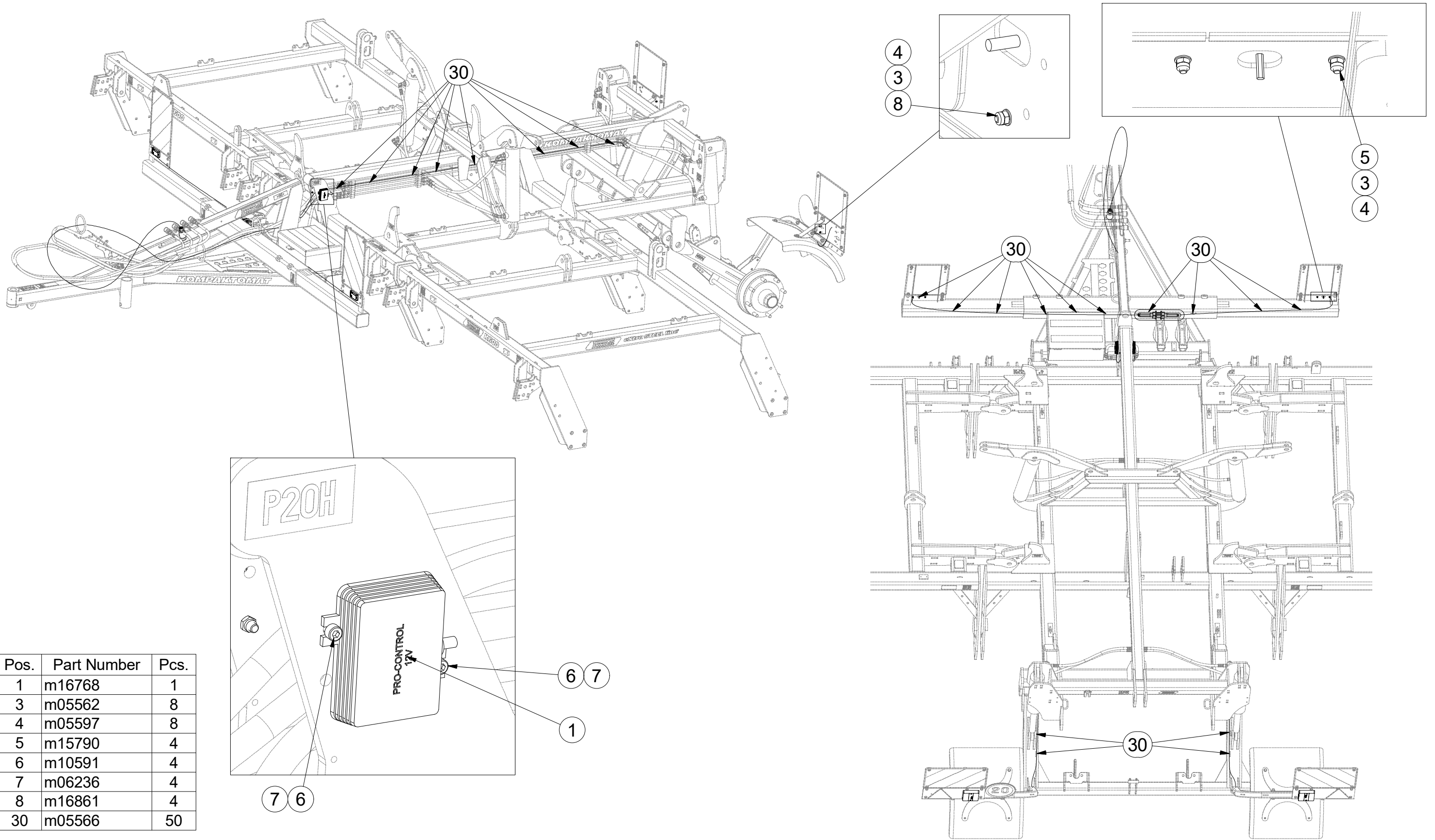
Ⓖ LIGHTING SET

Ⓡ ОСВЕТИТЕЛЬНЫЙ КОМПЛЕКТ

Ⓢ ZESTAW OŚWIETLENIA



**3008454**



| Pos. | Part Number | Pcs. |
|------|-------------|------|
| 1    | m16768      | 1    |
| 3    | m05562      | 8    |
| 4    | m05597      | 8    |
| 5    | m15790      | 4    |
| 6    | m10591      | 4    |
| 7    | m06236      | 4    |
| 8    | m16861      | 4    |
| 30   | m05566      | 50   |

Ⓒ SVĚTELNÁ SADA

Ⓓ LEUCHTENSATZ

Ⓕ KIT LUMINEUX

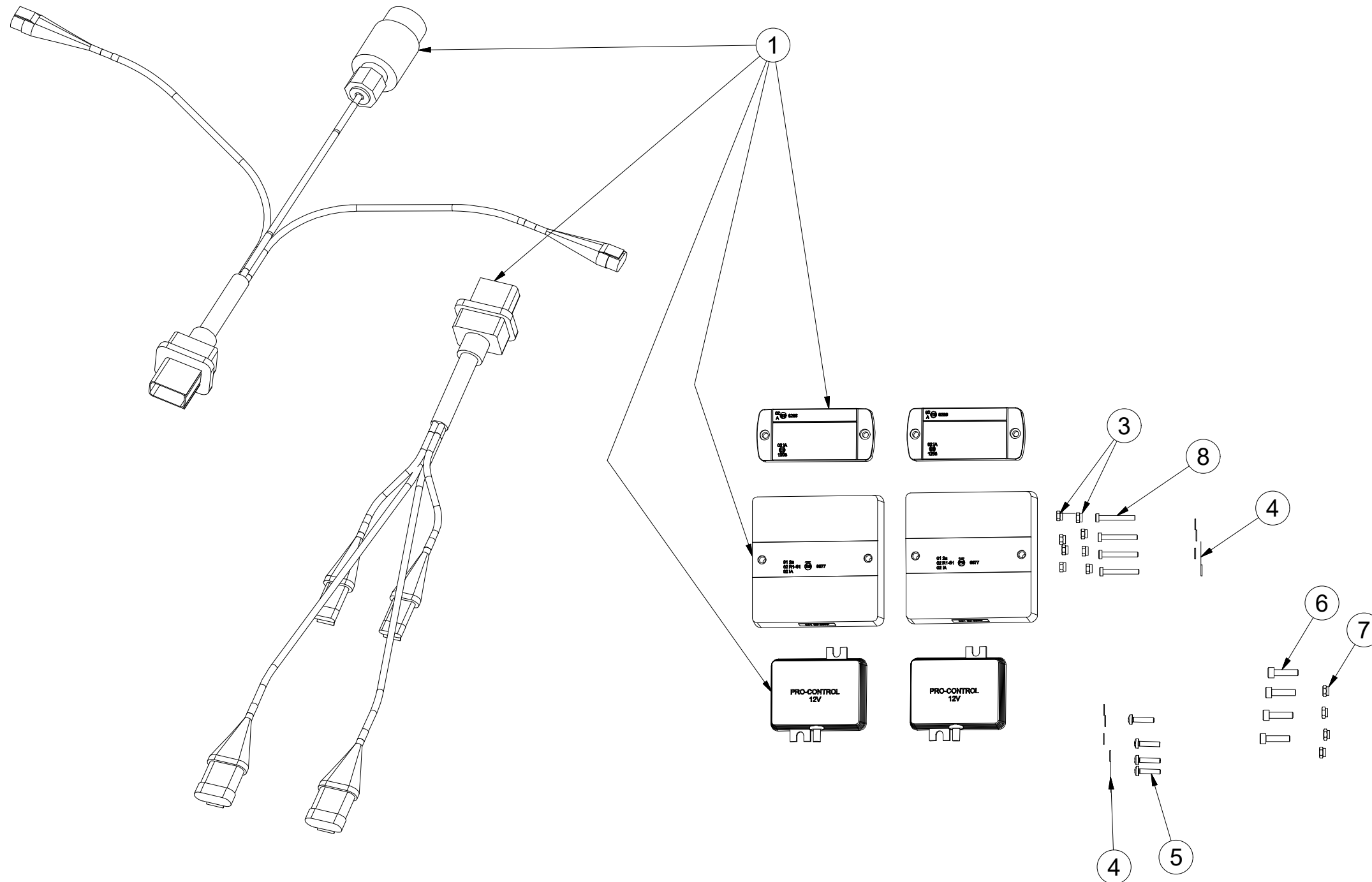
Ⓖ LIGHTING SET

Ⓡ ОСВЕТИТЕЛЬНЫЙ КОМПЛЕКТ

Ⓟ ZESTAW OŚWIETLENIA



**3008454**



| Pos. | Part Number | Pcs. |
|------|-------------|------|
| 1    | m16768      | 1    |
| 3    | m05562      | 8    |
| 4    | m05597      | 8    |
| 5    | m15790      | 4    |
| 6    | m10591      | 4    |
| 7    | m06236      | 4    |
| 8    | m16861      | 4    |
| 30   | m05566      | 50   |

Ⓒ SVĚTELNÁ SADA

Ⓓ LEUCHTENSATZ

Ⓕ KIT LUMINEUX

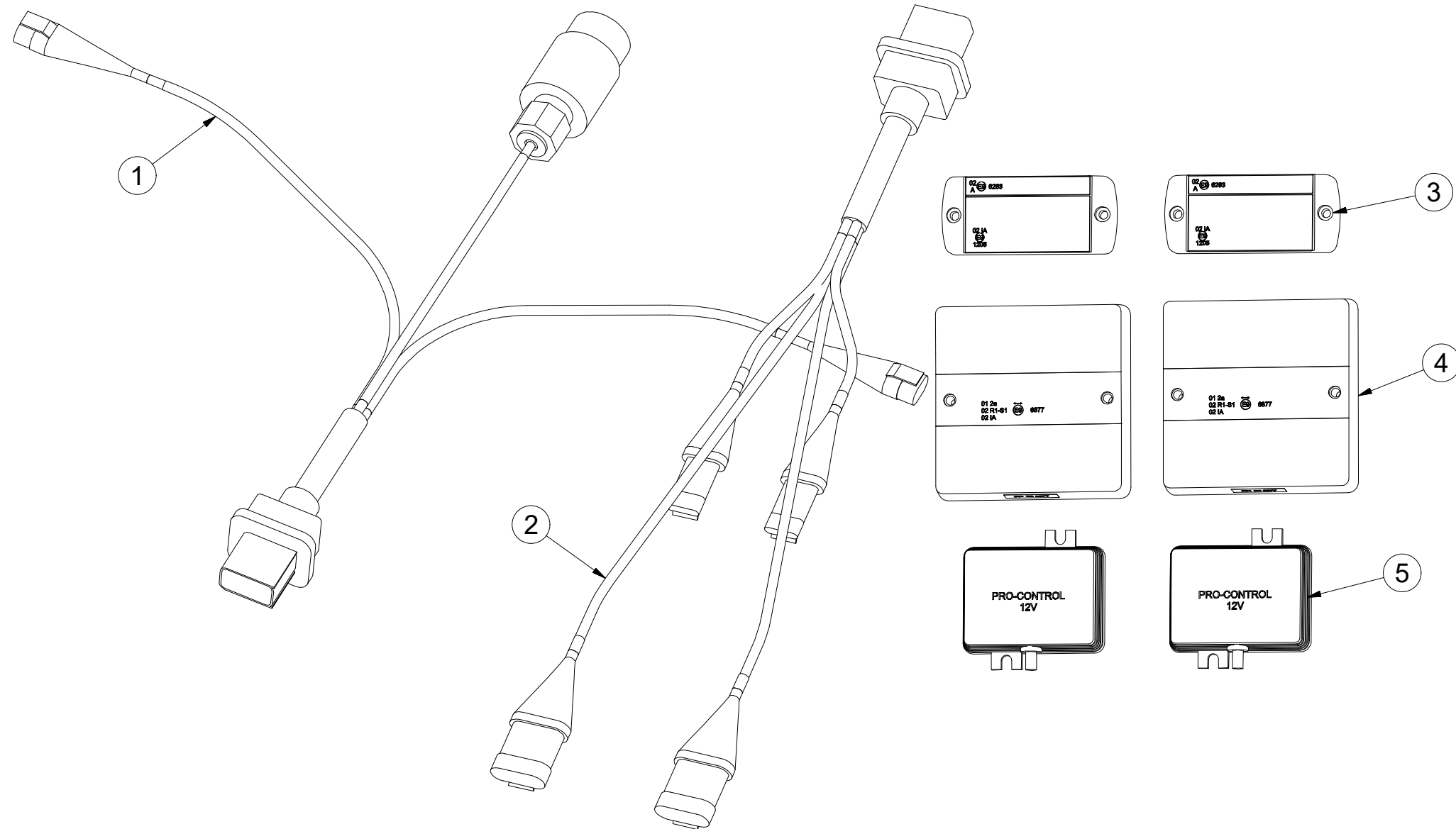
**m16768**

Ⓖ LIGHTING SET

Ⓡ ОСВЕТИТЕЛЬНЫЙ КОМПЛЕКТ

Ⓟ ZESTAW OŚWIETLENIA

**Farmet**



| Pos. | Part Number | Pcs. |
|------|-------------|------|
| 1    | m14779      | 1    |
| 2    | m14778      | 1    |
| 3    | m14776      | 2    |
| 4    | m16781      | 2    |
| 5    | m14777      | 2    |

ⒸZ SOUPRAVA TĚSNIVA PÍSTNIC

Ⓓ KOLBENSTANGENDICHTUNGSMITTELSATZ

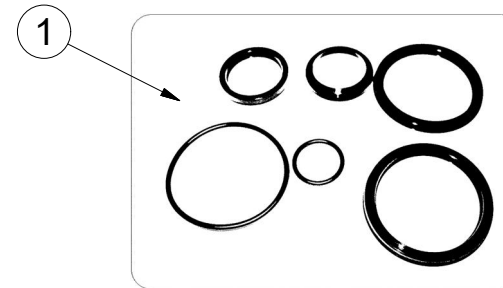
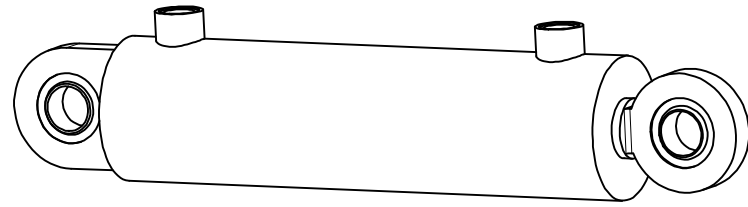
Ⓕ SET DE GARNITURE DES TIGES DE PISTON

ⒼB SEALING SET FOR PISTON RODS

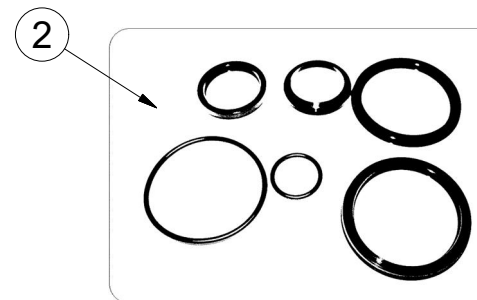
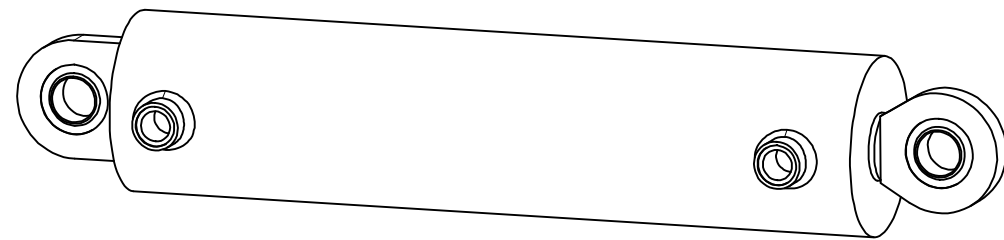
ⒺU КОМПЛЕКТ ПРОКЛАДОК ЦИЛИНДРОВ

ⒼL ZESTAW USZCZELEK TRZPIENIA TŁOKA

**Farmet**



| 9000247 - $\varnothing 80/\varnothing 40-250$ |             |     |
|---|-------------|-----|
| Pos   | Part number | Pcs |
| 1   | m03528      | 2   |



| 9002967 - $\varnothing 100/\varnothing 45/400$ |             |     |
|--|-------------|-----|
| Pos  | Part number | Pcs |
| 2  | m05504      | 2   |