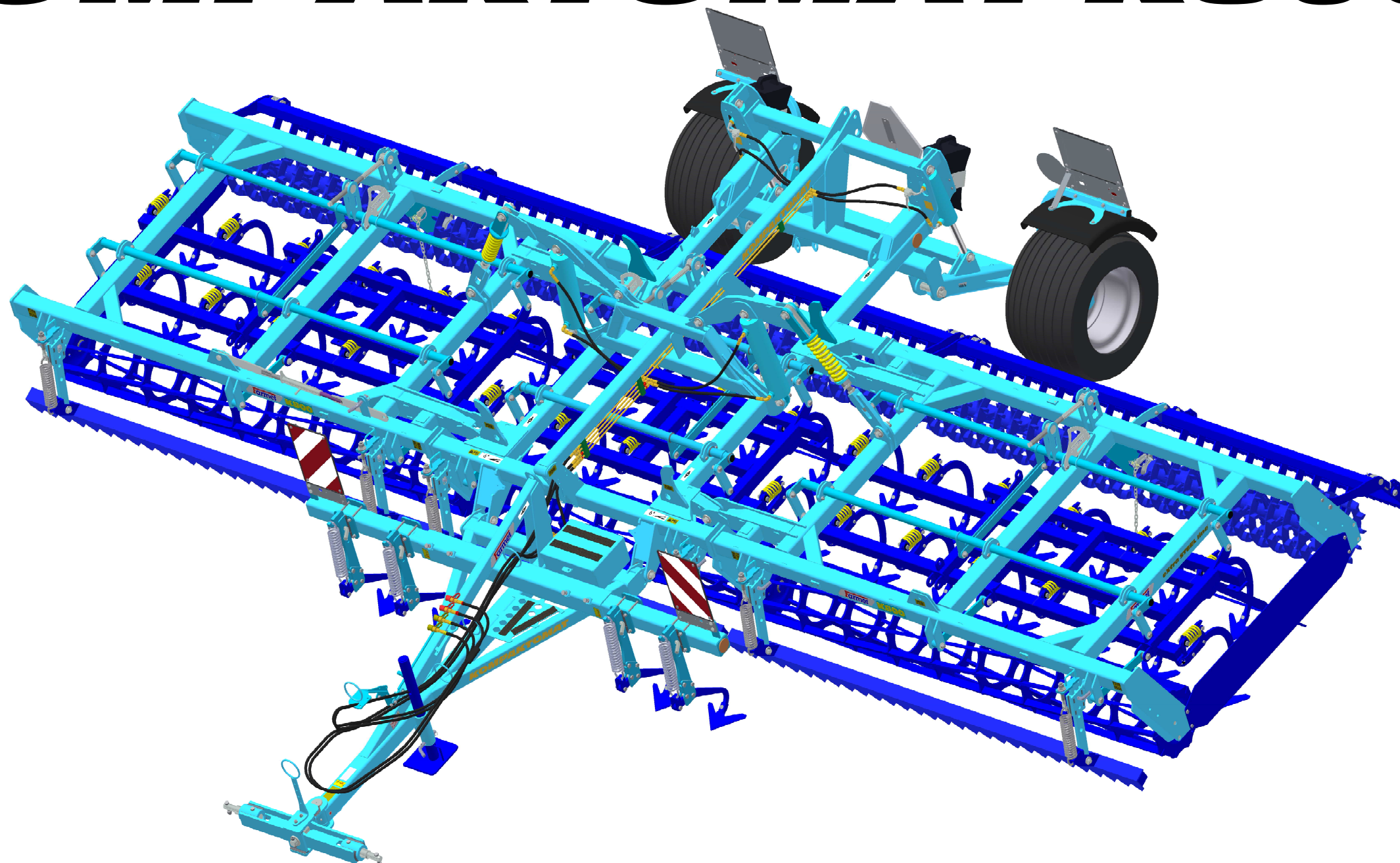


The effective technology

Farmet[®]

ⒸZ KATALOG NÁHRADNÍCH DÍLŮ ⒸB CATALOGUE OF SPARE PARTS ⒸD ERSATZTEILLISTE
ⒸRU КАТАЛОГ ЗАПАСНЫХ ЧАСТЕЙ ⒸF CATALOGUE DES PIÈCES DE RECHANGE ⒸPL KATALOG CZĘŚCI ZAMIENNYCH

КОМПАКТОМАТ K800PS



ⒸZ Platnost pro vrcholové | výrobní číslo stroje ⒸB Validity for the top | serial number of the machine
ⒸD Gültigkeit für die Haupt- | Herstellungsnummer der Maschine ⒸRU Действительно для главного | заводского номера машины
ⒸF Validité du numéro de référence | de série de la machine ⒸPL Obowiązuje dla numeru głównego | seryjnego maszyny

9303981 | 2017/1136

Farmet a. s.
Jiřinková 276
552 03 Česká Skalice, CZ

telefon: +420 491 450 111
fax: +420 491 450 136
GSM: +420 774 715 738

IČ: 46504931
DIČ: CZ46504931

web: www.farmet.cz
e-mail: farmet@farmet.cz

ⒸZ NAVIGACE STROJE

Ⓓ NAVIGATION DER MASCHINE

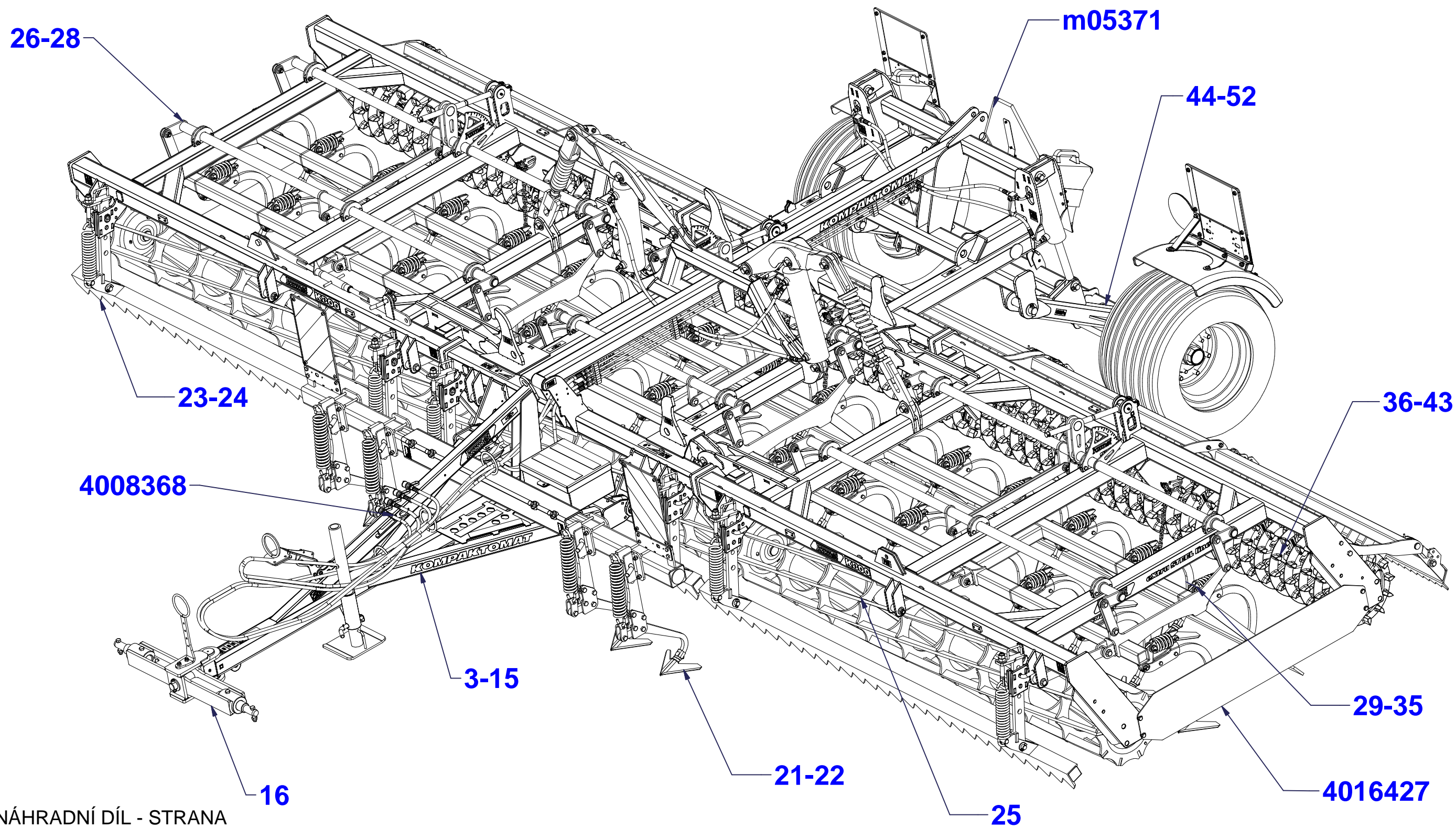
Ⓕ NAVIGATION DE LA MACHINE

ⒸB NAVIGATION OF THE MACHINE

ⒸU НАВИГАЦИЯ МАШИНЫ

ⒸL NAWIGACJA MASZYNY

Farmet



ⒸZ NÁHRADNÍ DÍL - STRANA

ⒸB SPARE PART - PAGE

Ⓓ ERSATZTEILE - SEITE

ⒸU ЗАПЧАСТЬ - СТРАНИЦА

Ⓕ PIÈCE DE RECHANGE - PAGE

ⒸL CZĘŚCI ZAMIENNE - STRONA

☉ POLOTOVAR STROJE

☉ MASCHINEN-HALBFABRIKAT

☉ MACHINE - SEMI-PRODUIT

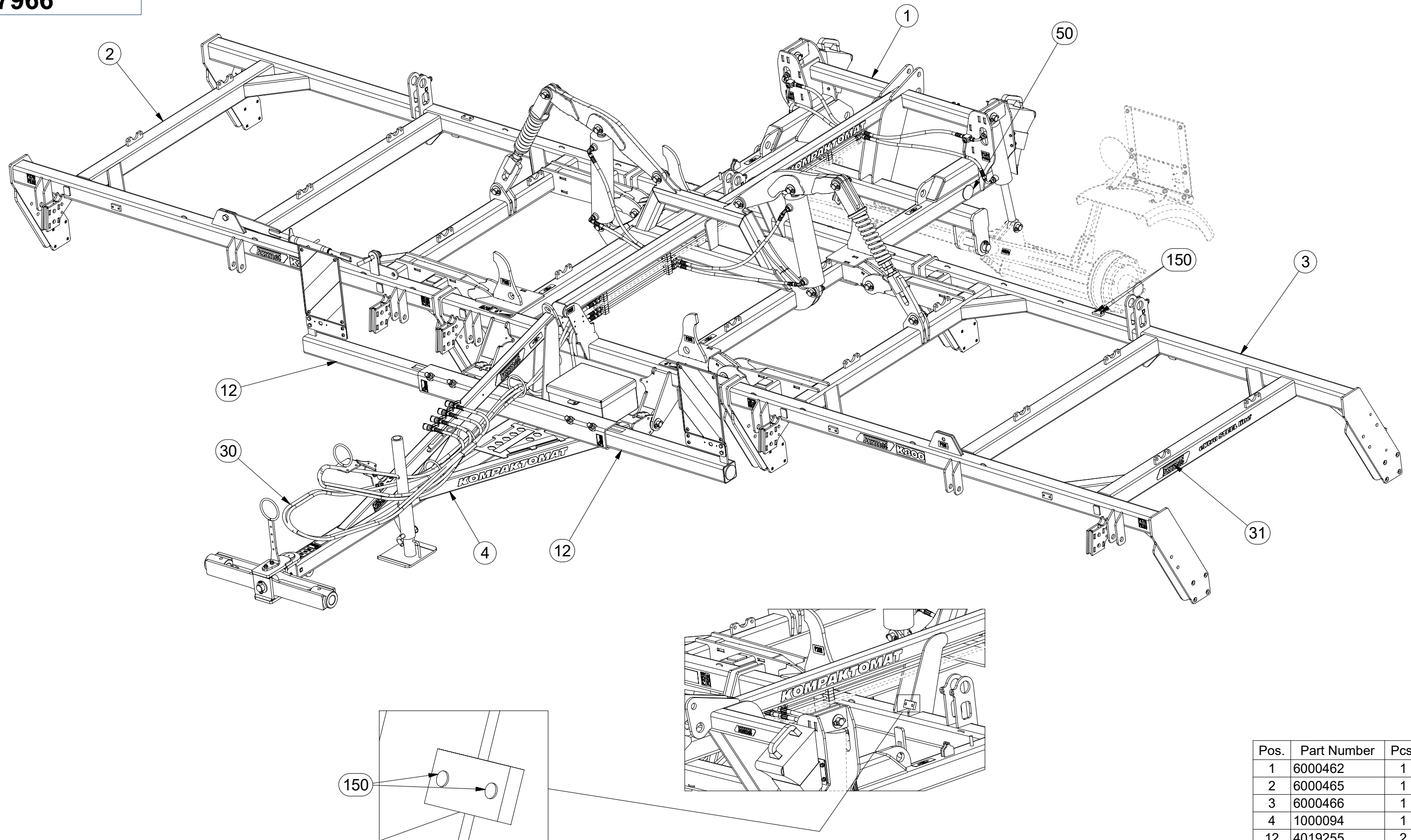
☉ SEMIFINISHED MACHINE

☉ ПОЛУФАБРИКАТ МАШИНЫ

☉ PÓLFABRYKAT MASZYNY



3007966



| Pos. | Part Number | Pcs. |
|------|-------------|------|
| 1 | 6000462 | 1 |
| 2 | 6000465 | 1 |
| 3 | 6000466 | 1 |
| 4 | 1000094 | 1 |
| 12 | 4019255 | 2 |
| 30 | m11151 | 1 |
| 31 | m16694 | 1 |
| 50 | m02579 | 4 |
| 150 | m11099 | 18 |

☉ POLOTOVAR STROJE

☉ MASCHINEN-HALBFABRIKAT

☉ MACHINE - SEMI-PRODUIT

☉ SEMIFINISHED MACHINE


☉ ПОЛУФАБРИКАТ МАШИНЫ

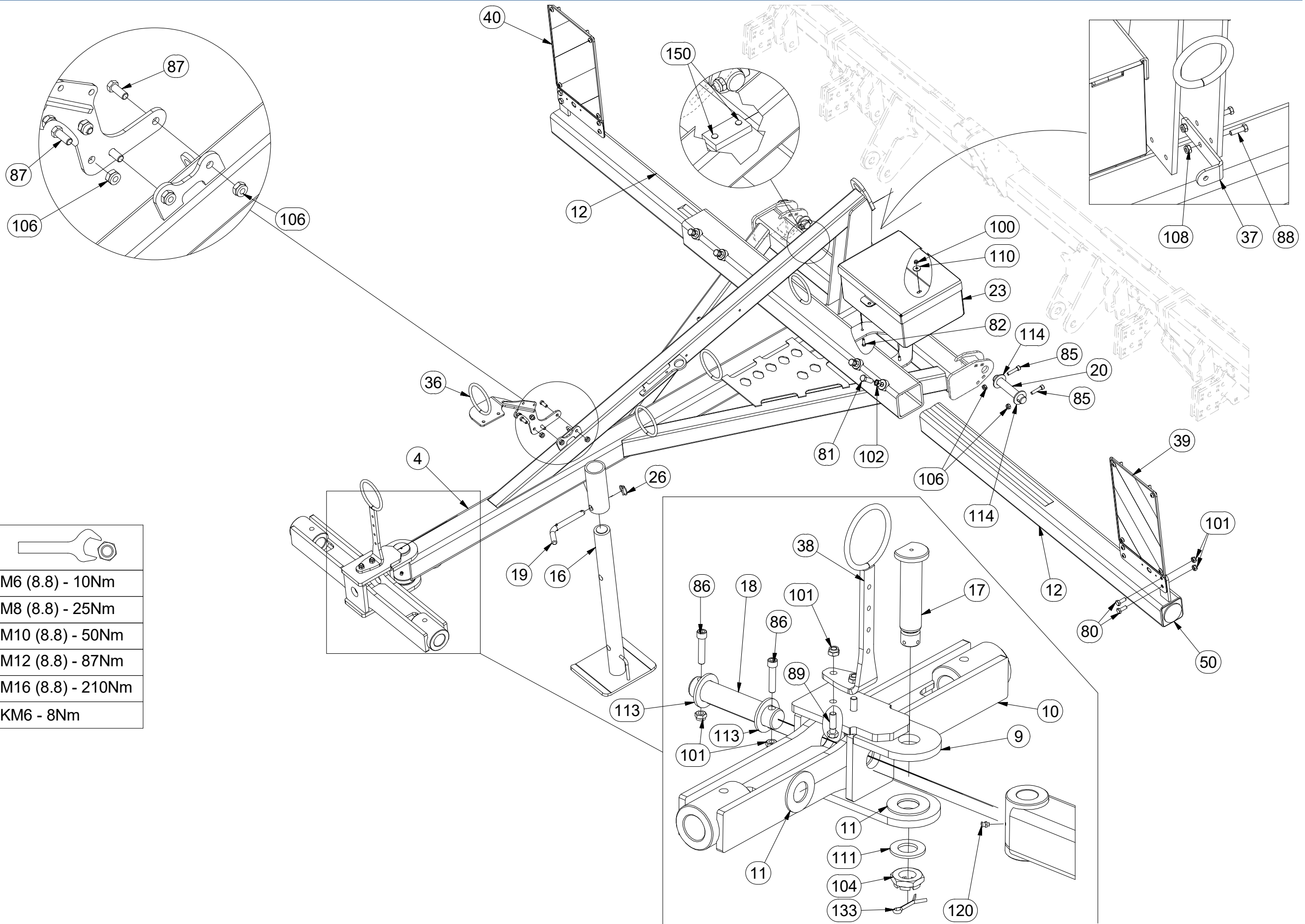
☉ PÓLFABRYKAT MASZYNY



3007966

| Pos. | Part Number | Pcs. |
|------|---------------|------|
| 4 | 1000094 | 1 |
| 9 | 3009637 | 1 |
| 10 | 3003787 | 1 |
| 11 | 4003744 | 2 |
| 12 | 4019255 | 2 |
| 16 | 8000647-40207 | 1 |
| 17 | 4008049 | 1 |
| 18 | 4014570 | 1 |
| 19 | 4012205 | 1 |
| 20 | 4011050 | 2 |
| 23 | m12296 | 1 |
| 26 | m10454 | 2 |
| 36 | 4009044 | 1 |
| 37 | 4013461 | 1 |
| 38 | 4019191 | 1 |
| 39 | 4018823 | 1 |
| 40 | 4018833 | 1 |
| 50 | m02579 | 4 |
| 80 | m04039 | 4 |
| 81 | m02254 | 4 |
| 82 | m01092 | 3 |
| 85 | m14143 | 40 |
| 86 | m14008 | 6 |
| 87 | m03681 | 5 |
| 88 | m01074 | 2 |
| 89 | m03926 | 2 |
| 100 | m04503 | 11 |
| 101 | m04301 | 12 |
| 102 | m01306 | 4 |
| 104 | m02533 | 1 |
| 106 | m03775 | 45 |
| 108 | m05560 | 2 |
| 110 | m07936 | 3 |
| 111 | m03866 | 1 |
| 113 | 4013139 | 6 |
| 114 | m14029 | 40 |
| 120 | m10451 | 1 |
| 133 | m03959 | 1 |
| 150 | m11099 | 18 |

| | |
|---|-------------------|
|  | M6 (8.8) - 10Nm |
| | M8 (8.8) - 25Nm |
| | M10 (8.8) - 50Nm |
| | M12 (8.8) - 87Nm |
| | M16 (8.8) - 210Nm |
| | KM6 - 8Nm |



Ⓒ POLOTOVAR STROJE

Ⓓ MASCHINEN-HALBFABRIKAT

Ⓕ MACHINE - SEMI-PRODUIT

Ⓖ SEMIFINISHED MACHINE

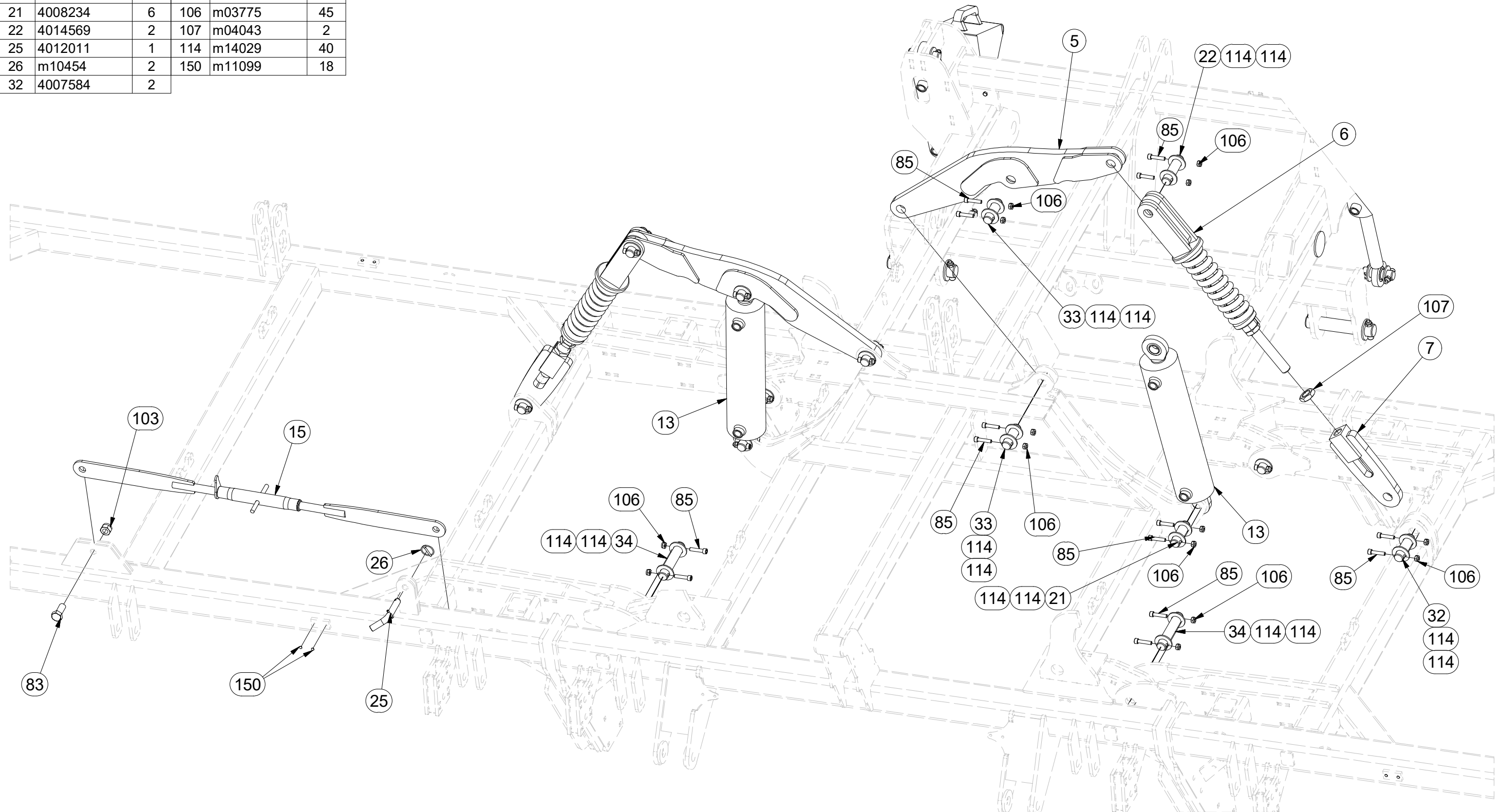
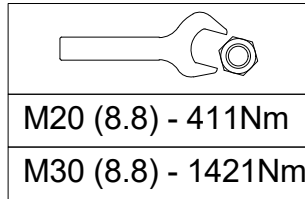
Ⓡ ПОЛУФАБРИКАТ МАШИНЫ

Ⓟ PÓLFABRYKAT MASZYN



3007966

| Pos. | Part Number | Pcs. | Pos. | Part Number | Pcs. |
|------|-------------|------|------|-------------|------|
| 5 | 3002837 | 2 | 33 | 4007640 | 4 |
| 6 | 4005363 | 2 | 34 | 4007641 | 4 |
| 7 | 4005366 | 2 | 83 | m04241 | 1 |
| 13 | 9002967 | 2 | 85 | m14143 | 40 |
| 15 | 4003966 | 1 | 103 | m05648 | 1 |
| 21 | 4008234 | 6 | 106 | m03775 | 45 |
| 22 | 4014569 | 2 | 107 | m04043 | 2 |
| 25 | 4012011 | 1 | 114 | m14029 | 40 |
| 26 | m10454 | 2 | 150 | m11099 | 18 |
| 32 | 4007584 | 2 | | | |



Ⓒ POLOTOVAR STROJE

Ⓓ MASCHINEN-HALBFABRIKAT

Ⓕ MACHINE - SEMI-PRODUIT

Ⓖ SEMIFINISHED MACHINE

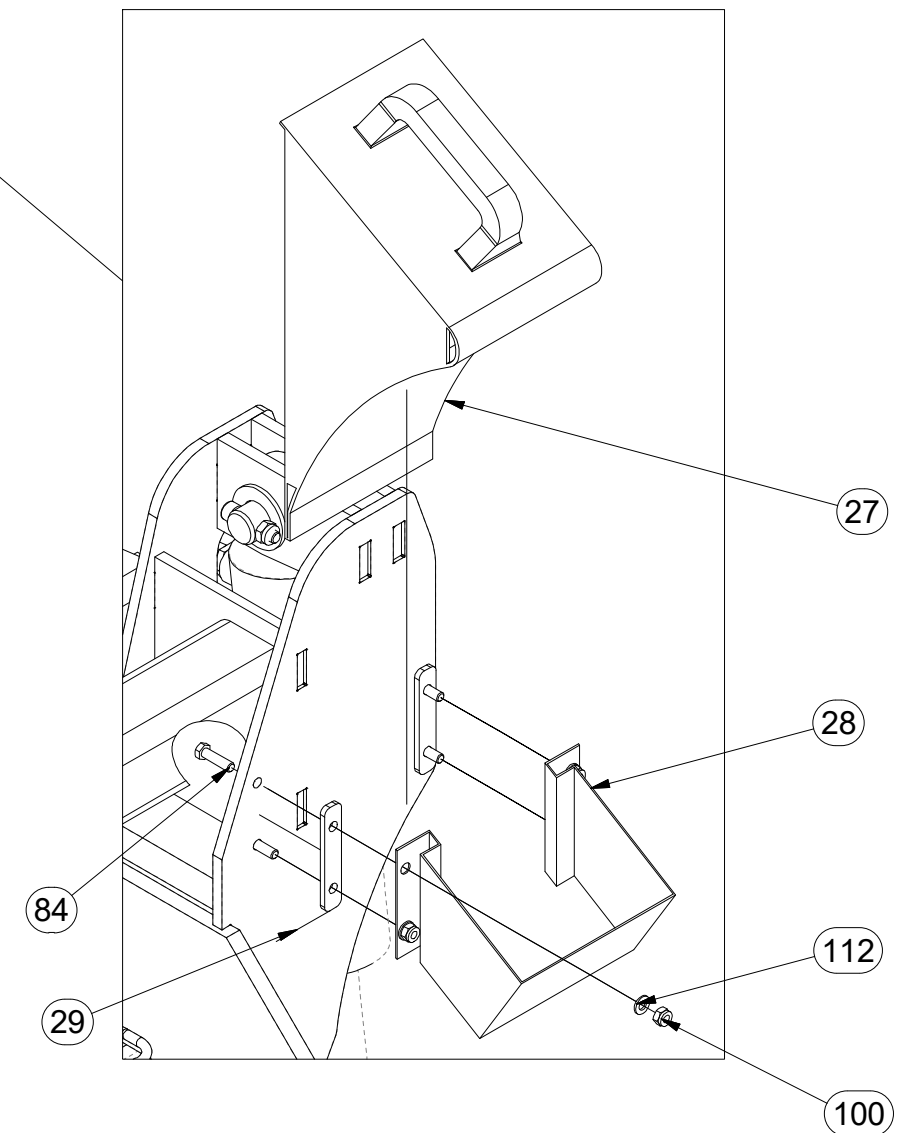
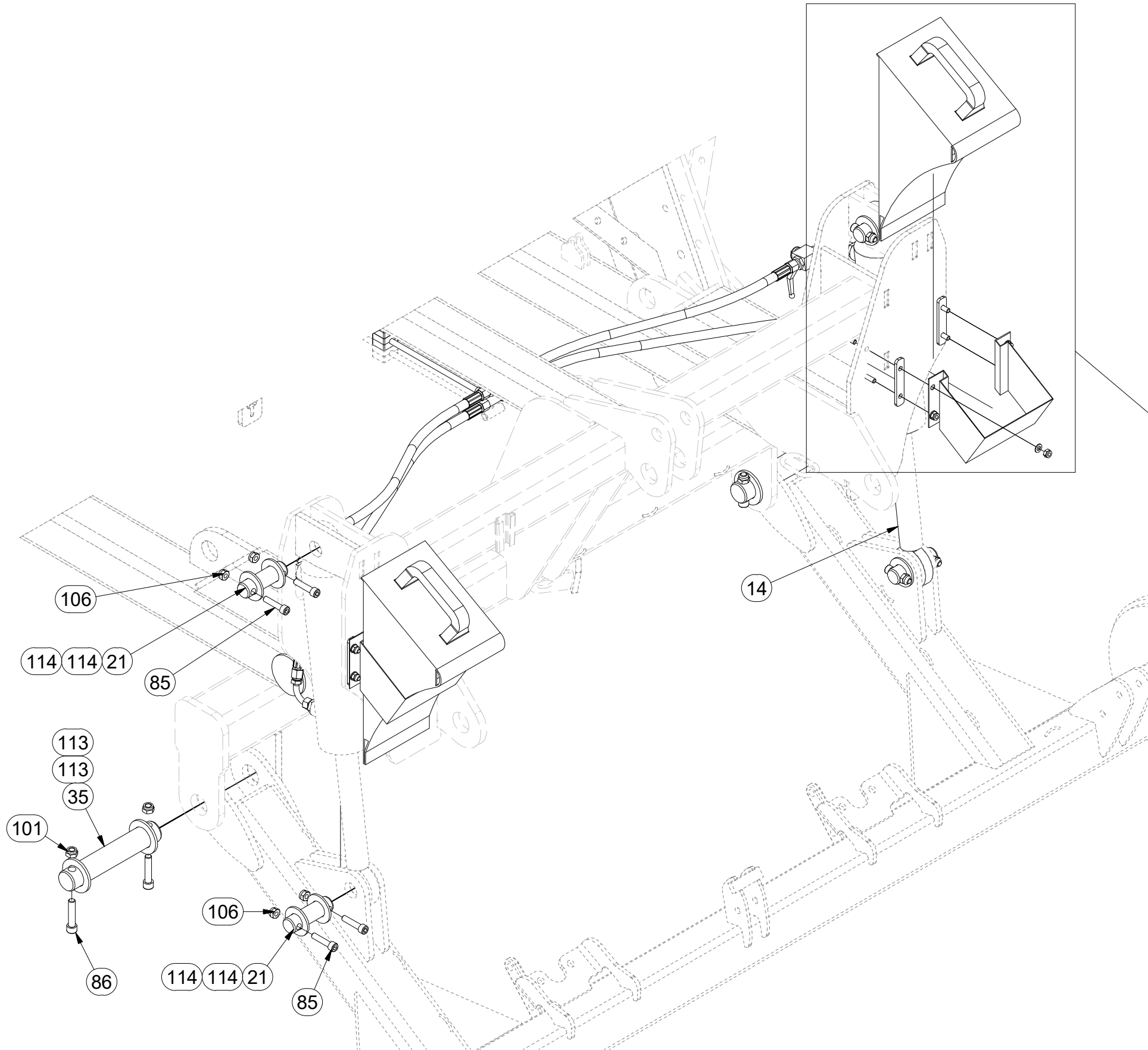
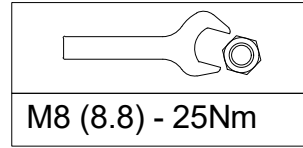
Ⓡ ПОЛУФАБРИКАТ МАШИНЫ

Ⓢ РОЉФАБРИКАТ MASZYNY



3007966

| Pos. | Part Number | Pcs. | Pos. | Part Number | Pcs. |
|------|-------------|------|------|-------------|------|
| 14 | 9000247 | 2 | 86 | m14008 | 6 |
| 21 | 4008234 | 6 | 100 | m04503 | 11 |
| 27 | m16186 | 2 | 101 | m04301 | 12 |
| 28 | m12572 | 2 | 106 | m03775 | 45 |
| 29 | 4012712 | 4 | 112 | m01203 | 8 |
| 35 | 4010875 | 2 | 113 | 4013139 | 6 |
| 84 | m04791 | 8 | 114 | m14029 | 40 |
| 85 | m14143 | 40 | | | |



ⒸZ HYDRAULIKA STROJE

Ⓓ HYDRAULIK DER MASCHINE

Ⓕ HYDRAULIQUE DE LA MACHINE

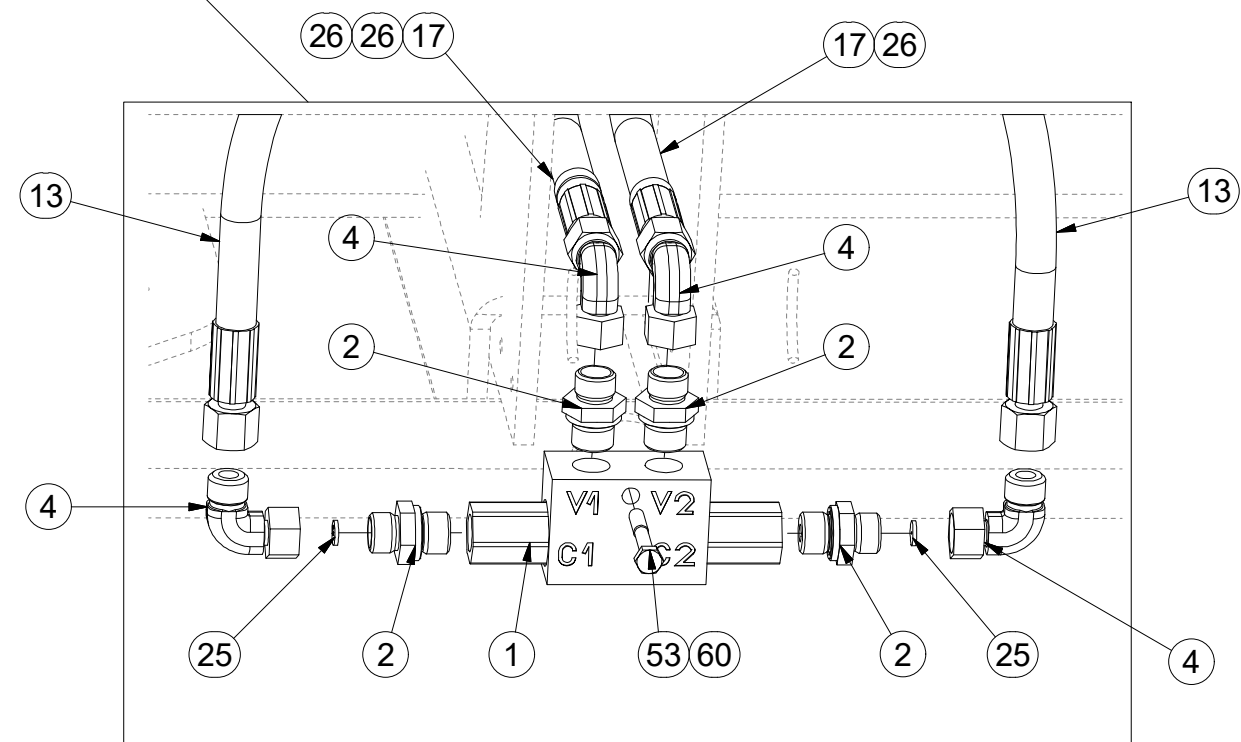
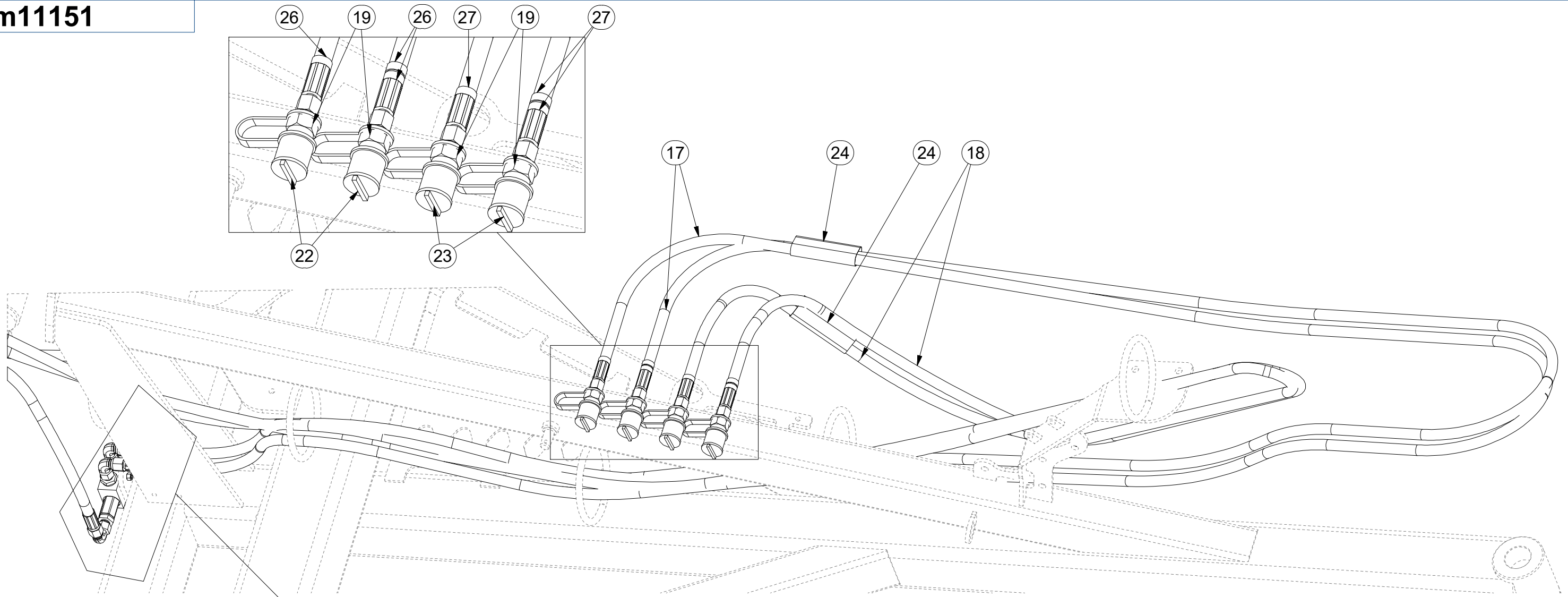

ⒼB MACHINE HYDRAULICS

Ⓔ RU ГИДРАВЛИКА МАШИНЫ

Ⓐ PL HYDRAULIKA MASZYN



m11151

M6 (8.8) - 10Nm
 HYDRAULIC COMPONENTS:
 M16 x 1,5 - 60Nm
 M22 x 1,5 - 140Nm
 G 3/8 - 95 Nm

| Pos. | Part Number | Pcs. |
|------|-------------|------|
| 1 | m06673 | 1 |
| 2 | m06528 | 4 |
| 4 | m06803 | 8 |
| 13 | m03713 | 4 |
| 17 | m04087 | 2 |
| 18 | m09431 | 2 |
| 19 | m03849 | 4 |
| 22 | m04022 | 2 |
| 23 | m04023 | 2 |
| 24 | m11183 | 2 |
| 25 | m10780 | 2 |
| 26 | m11294 | 12 |
| 27 | m11289 | 9 |
| 53 | m05561 | 1 |
| 60 | m05560 | 1 |

☉ HYDRAULIKA STROJE

☉ HYDRAULIK DER MASCHINE

☉ HYDRAULIQUE DE LA MACHINE

☉ MACHINE HYDRAULICS


☉ ГИДРАВЛИКА МАШИНЫ

☉ HYDRAULIKA MASZYNY



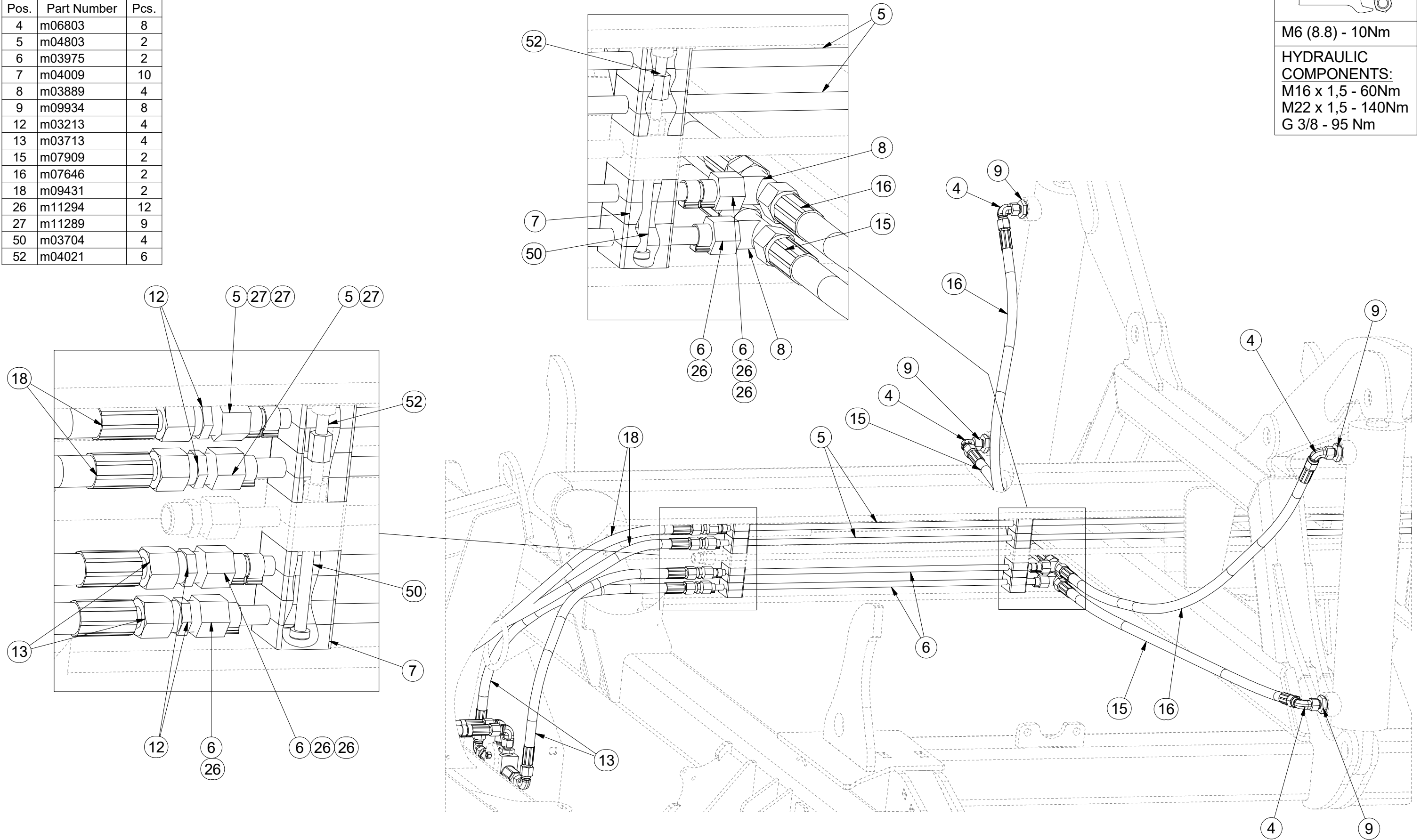
m11151

| Pos. | Part Number | Pcs. |
|------|-------------|------|
| 4 | m06803 | 8 |
| 5 | m04803 | 2 |
| 6 | m03975 | 2 |
| 7 | m04009 | 10 |
| 8 | m03889 | 4 |
| 9 | m09934 | 8 |
| 12 | m03213 | 4 |
| 13 | m03713 | 4 |
| 15 | m07909 | 2 |
| 16 | m07646 | 2 |
| 18 | m09431 | 2 |
| 26 | m11294 | 12 |
| 27 | m11289 | 9 |
| 50 | m03704 | 4 |
| 52 | m04021 | 6 |



M6 (8.8) - 10Nm

HYDRAULIC COMPONENTS:
M16 x 1,5 - 60Nm
M22 x 1,5 - 140Nm
G 3/8 - 95 Nm



ⒸZ HYDRAULIKA STROJE

Ⓓ HYDRAULIK DER MASCHINE

Ⓕ HYDRAULIQUE DE LA MACHINE

ⒼB MACHINE HYDRAULICS


ⒺU ГИДРАВЛИКА МАШИНЫ

ⒻL HYDRAULIKA MASZYN



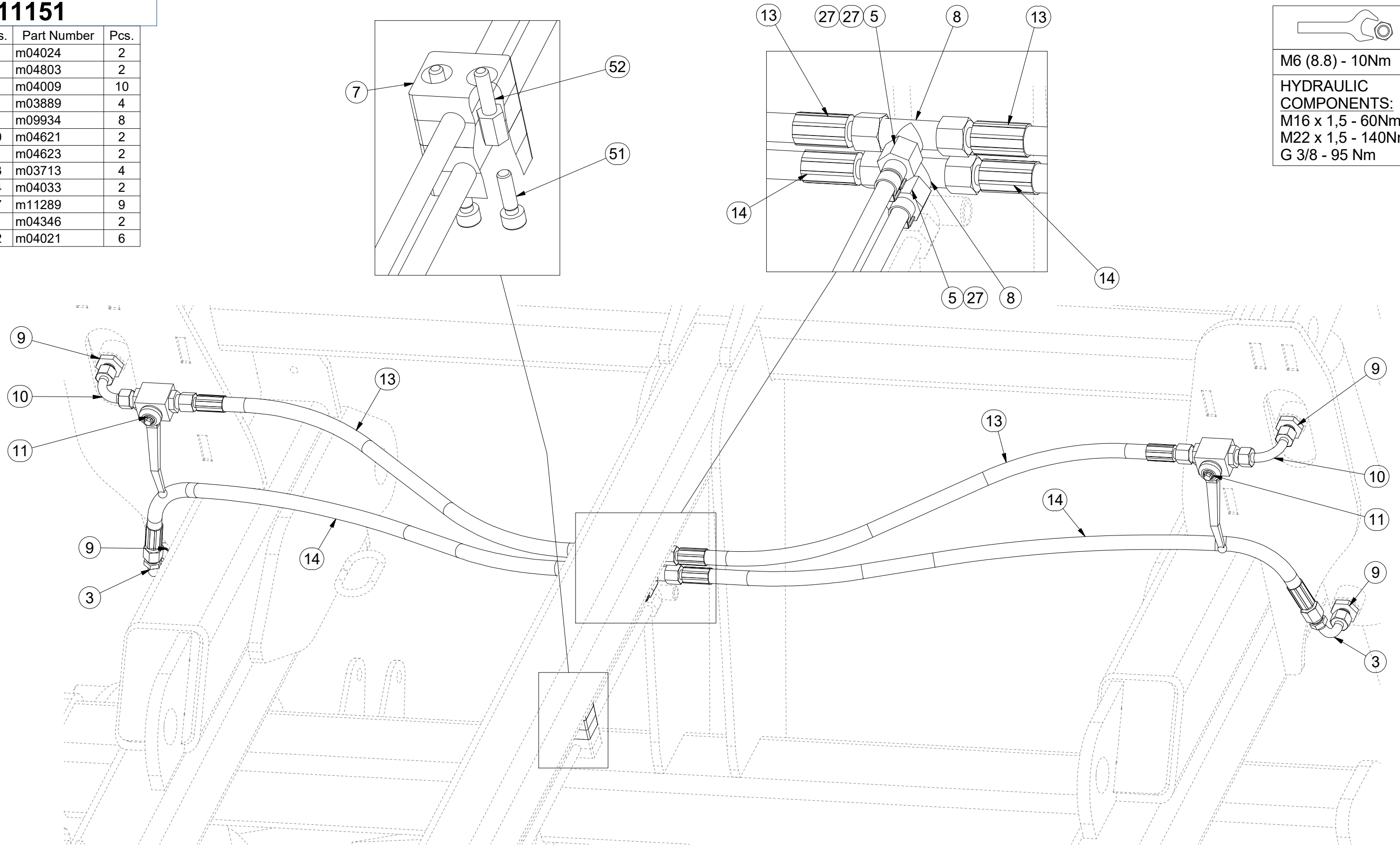
m11151

| Pos. | Part Number | Pcs. |
|------|-------------|------|
| 3 | m04024 | 2 |
| 5 | m04803 | 2 |
| 7 | m04009 | 10 |
| 8 | m03889 | 4 |
| 9 | m09934 | 8 |
| 10 | m04621 | 2 |
| 11 | m04623 | 2 |
| 13 | m03713 | 4 |
| 14 | m04033 | 2 |
| 27 | m11289 | 9 |
| 51 | m04346 | 2 |
| 52 | m04021 | 6 |



M6 (8.8) - 10Nm

HYDRAULIC COMPONENTS:
M16 x 1,5 - 60Nm
M22 x 1,5 - 140Nm
G 3/8 - 95 Nm



Ⓒ SAMOLEPKY STROJE

Ⓓ AUFKLEBER MASCHINEN

Ⓕ VOITURE MACHINES

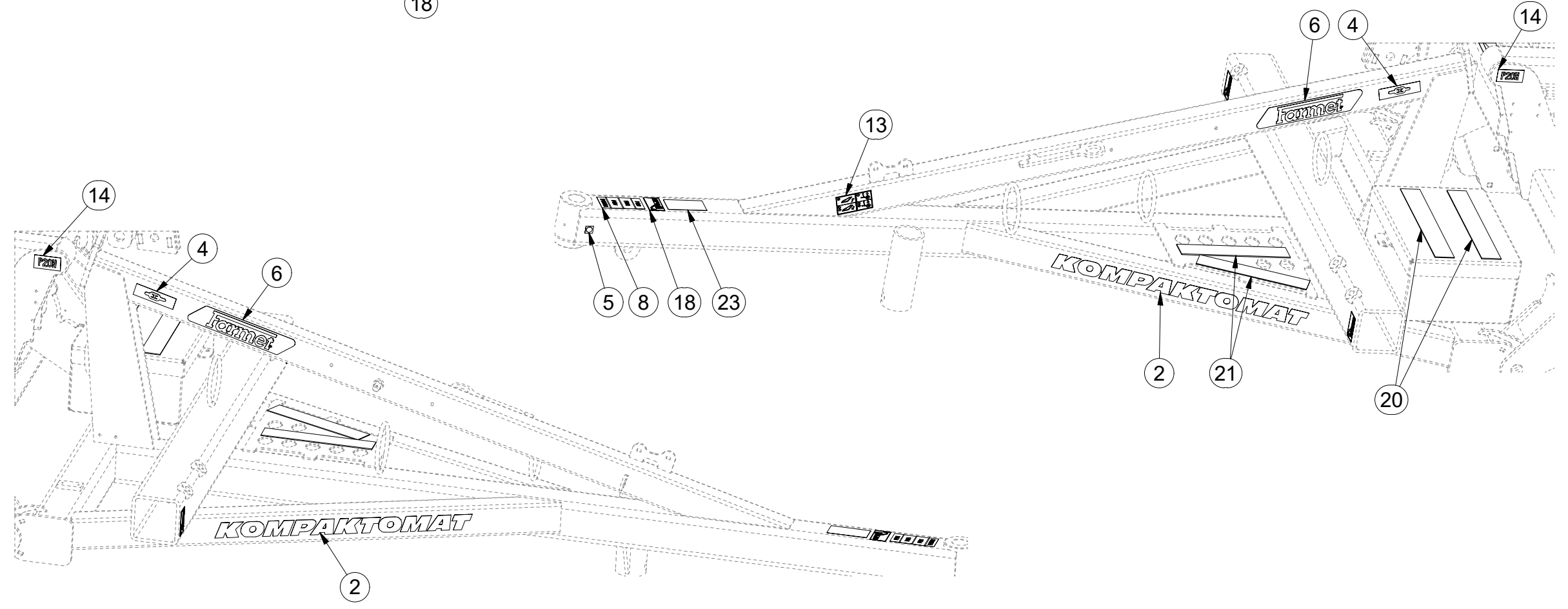
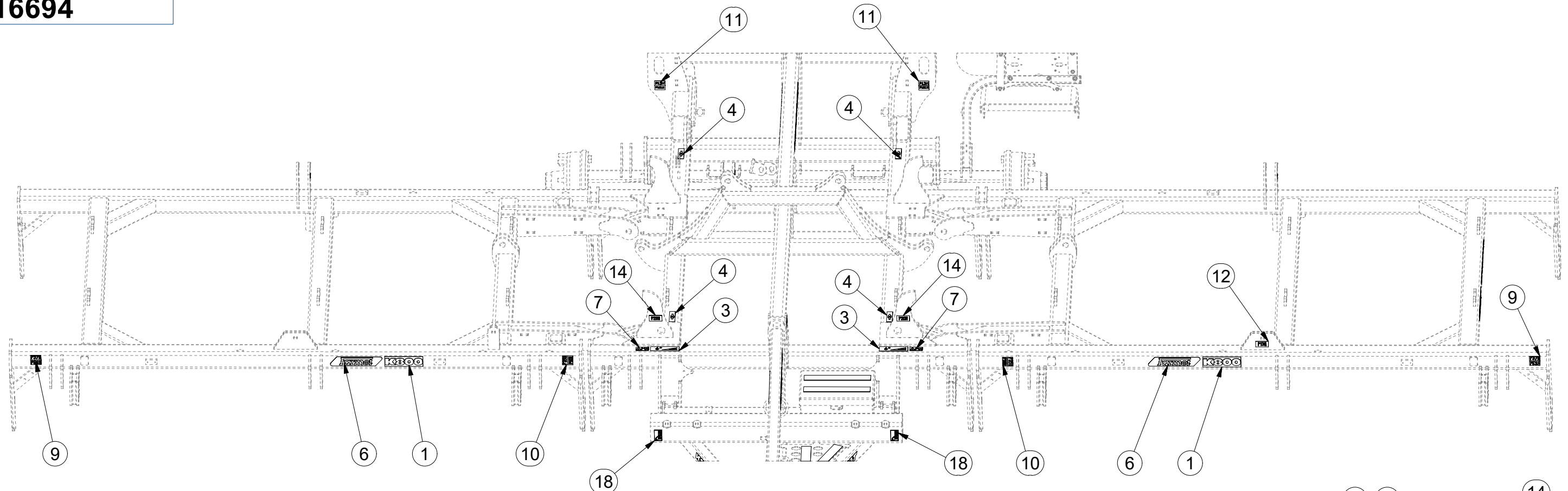
Ⓖ STICKERS MACHINES

Ⓡ СТИКЕРЫ МАШИНЫ

Ⓟ NAKLEJKI MASZYNY



m16694



| Pos. | Part Number | Pcs. |
|------|-------------|------|
| 1 | m07696 | 4 |
| 2 | m07688 | 4 |
| 3 | m03314 | 2 |
| 4 | m03316 | 6 |
| 5 | m03320 | 4 |
| 6 | m13116 | 8 |
| 7 | m04359 | 3 |
| 8 | m11295 | 1 |
| 9 | m11297 | 4 |
| 10 | m11296 | 4 |
| 11 | m11299 | 2 |
| 12 | m04363 | 1 |
| 13 | m11291 | 1 |
| 14 | m04368 | 6 |
| 18 | m10180 | 3 |
| 20 | m11146 | 2 |
| 21 | m11147 | 2 |
| 23 | m13708 | 3 |

Ⓒ SAMOLEPKY STROJE

Ⓓ AUFKLEBER MASCHINEN

Ⓕ VOITURE MACHINES

Ⓖ STICKERS MACHINES

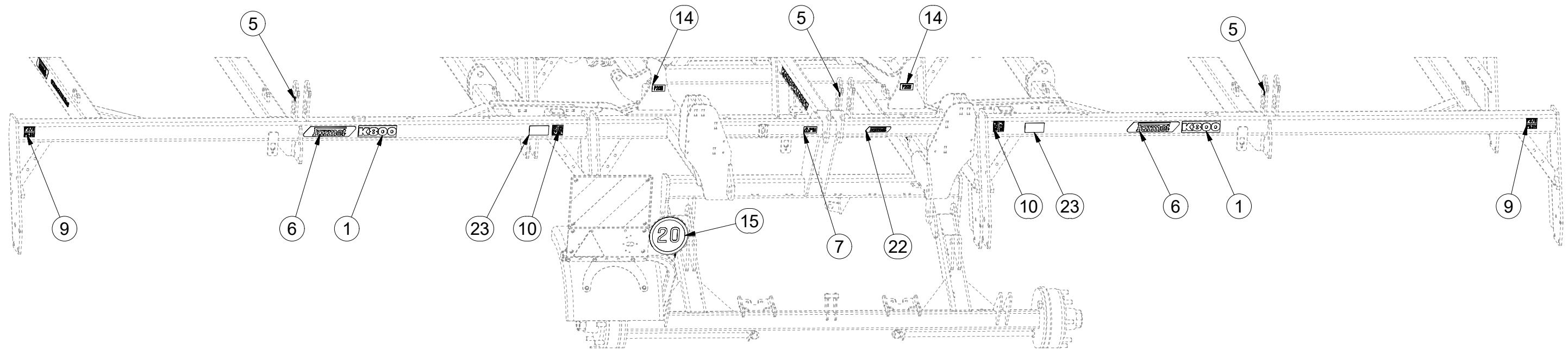
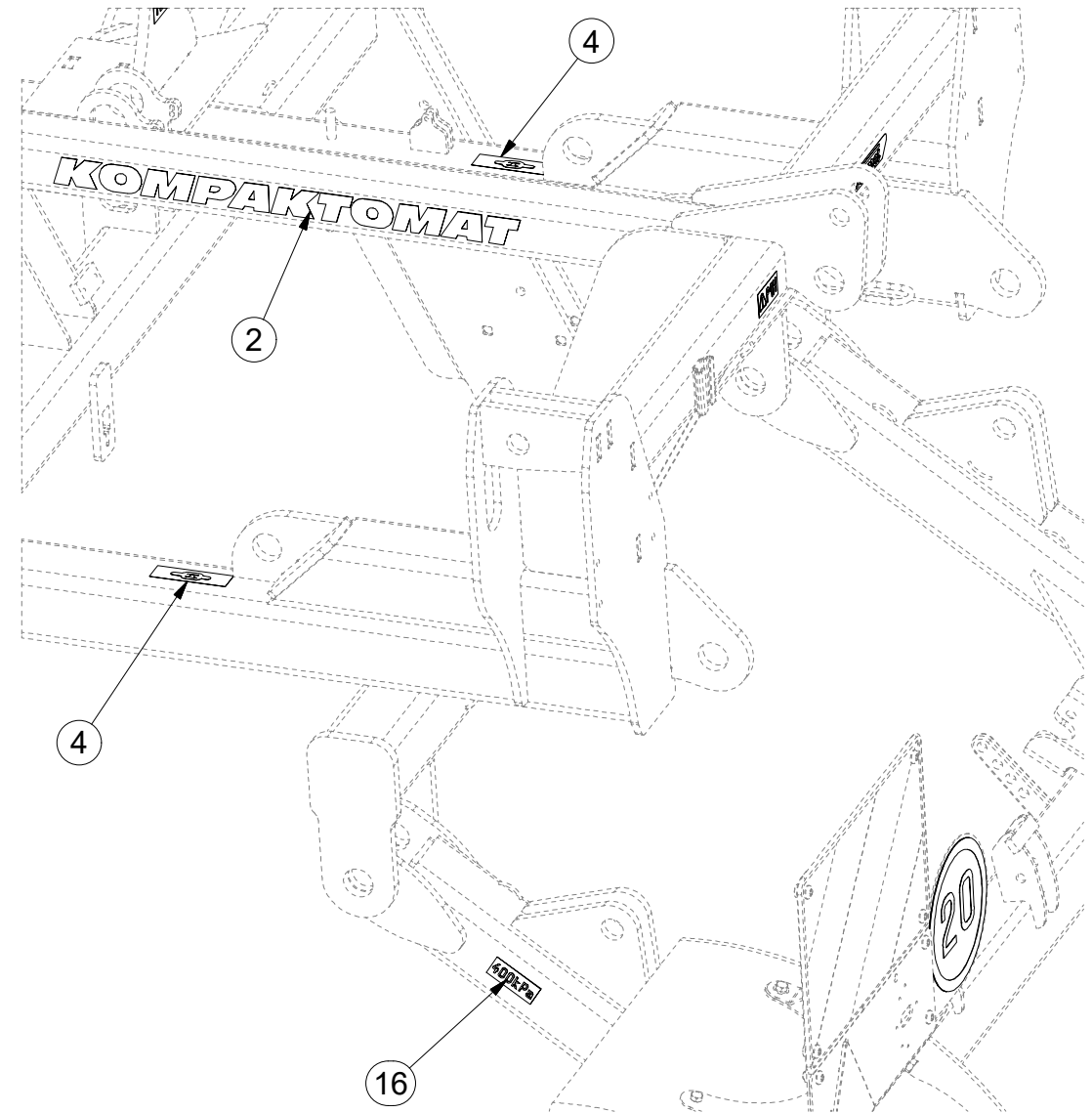
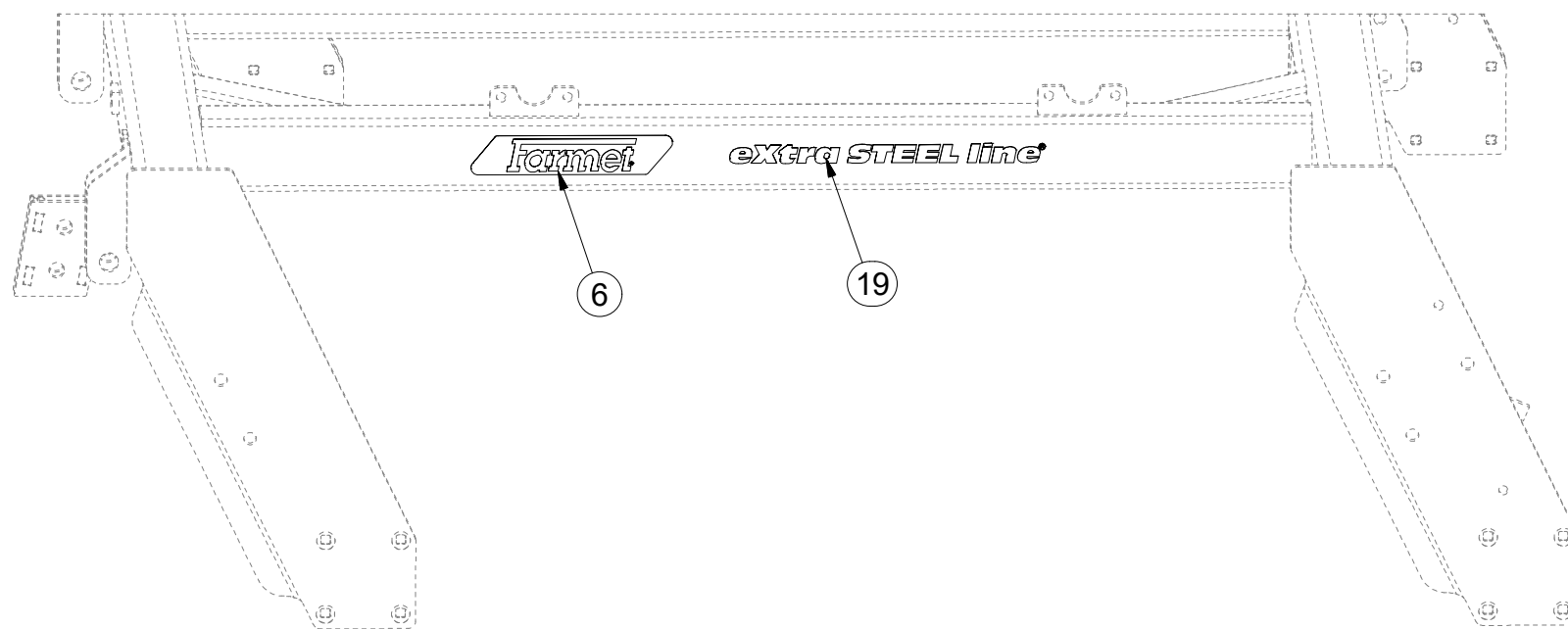
Ⓡ СТИКЕРЫ МАШИНЫ

Ⓟ NAKLEJKI MASZYNY



m16694

| Pos. | Part Number | Pcs. | Pos. | Part Number | Pcs. |
|------|-------------|------|------|-------------|------|
| 1 | m07696 | 4 | 10 | m11296 | 4 |
| 2 | m07688 | 4 | 14 | m04368 | 6 |
| 4 | m03316 | 6 | 15 | m04406 | 1 |
| 5 | m03320 | 4 | 16 | m04887 | 2 |
| 6 | m13116 | 8 | 19 | m10353 | 2 |
| 7 | m04359 | 3 | 22 | m13401 | 1 |
| 9 | m11297 | 4 | 23 | m13708 | 3 |



Ⓒ SADA TUBUSU

Ⓓ BÜCHSENSATZ

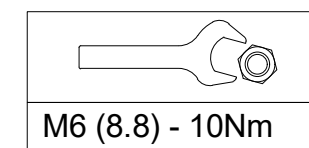
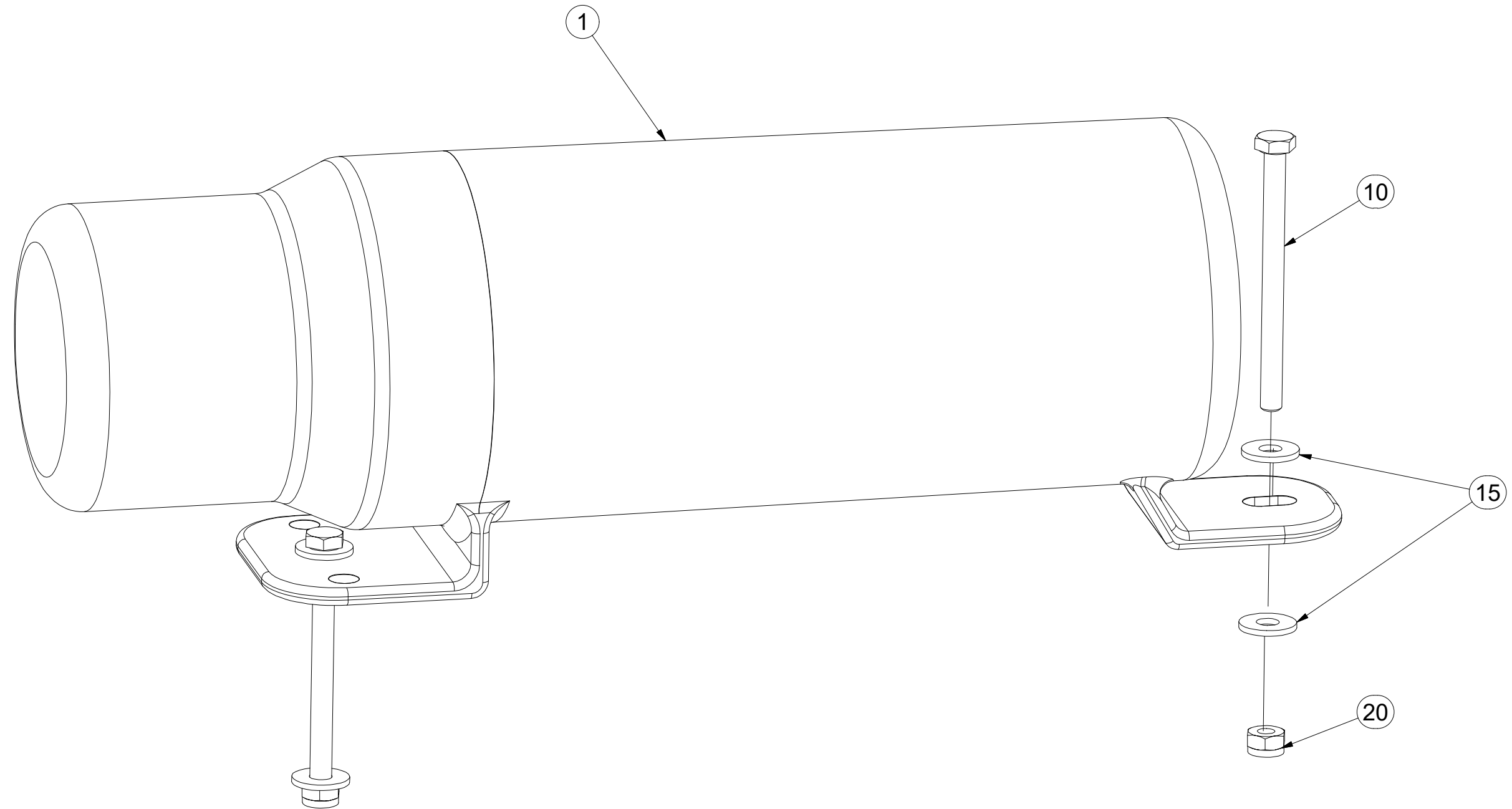
Ⓕ KIT DU TUBE

4018541

Ⓖ TUBE SET

Ⓡ КОМПЛЕКТ ТУБУСА

Ⓟ ZESTAW RUREK



M6 (8.8) - 10Nm

| Pos. | Part Number | Pcs. |
|------|-------------|------|
| 1 | m15900 | 1 |
| 10 | m16453 | 2 |
| 15 | m16612 | 4 |
| 20 | m05560 | 2 |

ⒸZ TÁHLO SKLÁPĚNÍ

Ⓓ ZUGSTANGE ZUR KIPPUNG

Ⓕ TIGE DU BASCULEMENT

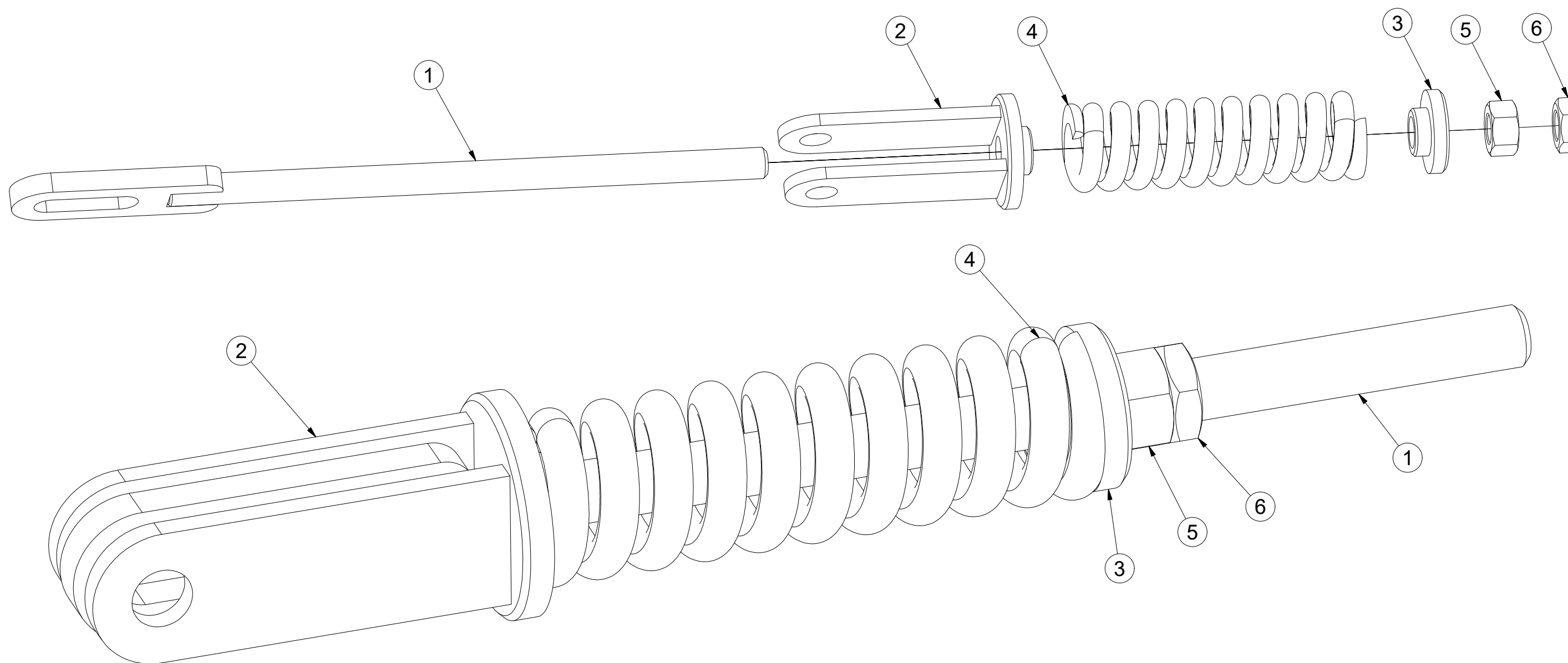
ⒸB TILTING PULL ROD

ⒸU ТЯГА СКЛАДЫВАНИЯ

ⒸL CIĘGŁO PRZECHYLANIA



4005363



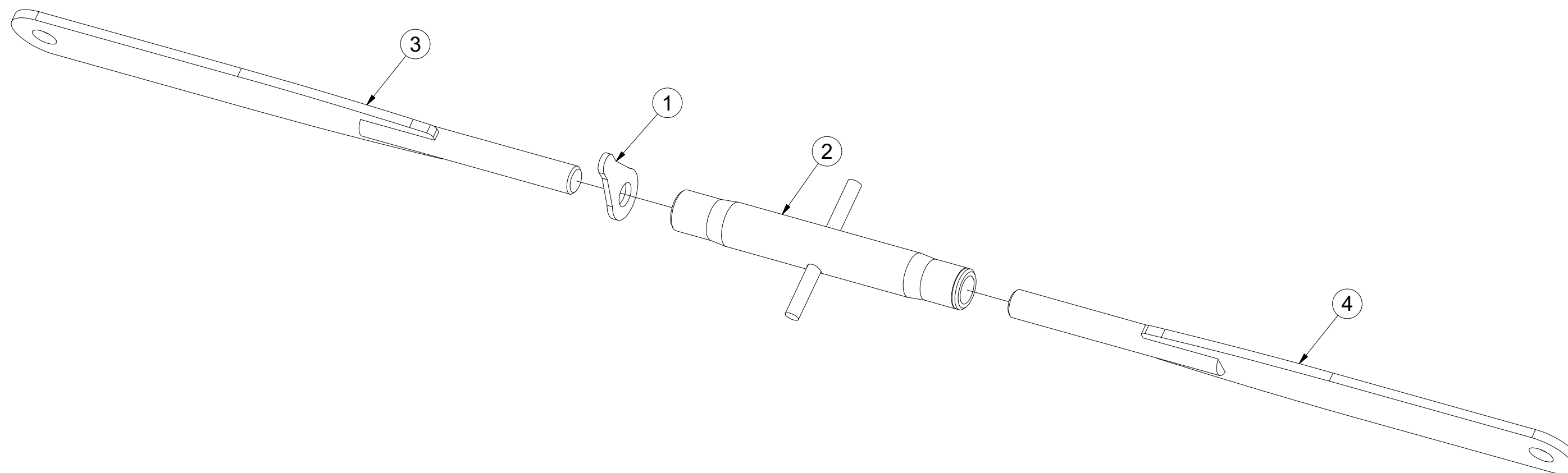
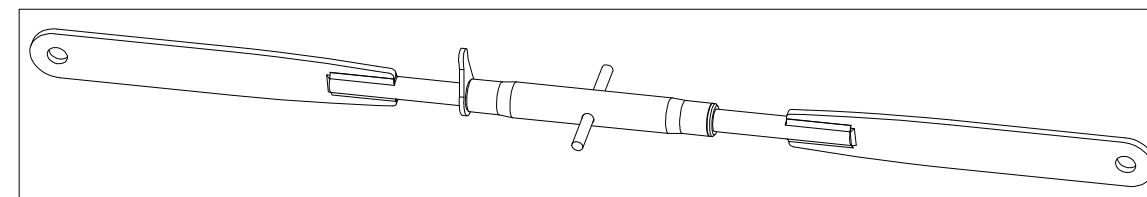
| Pos | Part Number | Pcs. |
|-----|-------------|------|
| 1 | 4005358 | 1 |
| 2 | 4005361 | 1 |
| 3 | 4000023 | 1 |
| 5 | m01309 | 1 |
| 4 | m06482 | 1 |
| 6 | m04043 | 1 |

Ⓒ SPOJOVACÍ TÁHLO
Ⓓ VERBINDUNGSSTANGE
Ⓕ TIGE DE RACCORDEMENT

4003966

Ⓒ CONNECTING ROD
Ⓓ СОЕДИНИТЕЛЬНАЯ ТЯГА
Ⓕ KORBOWÓD

Farmet



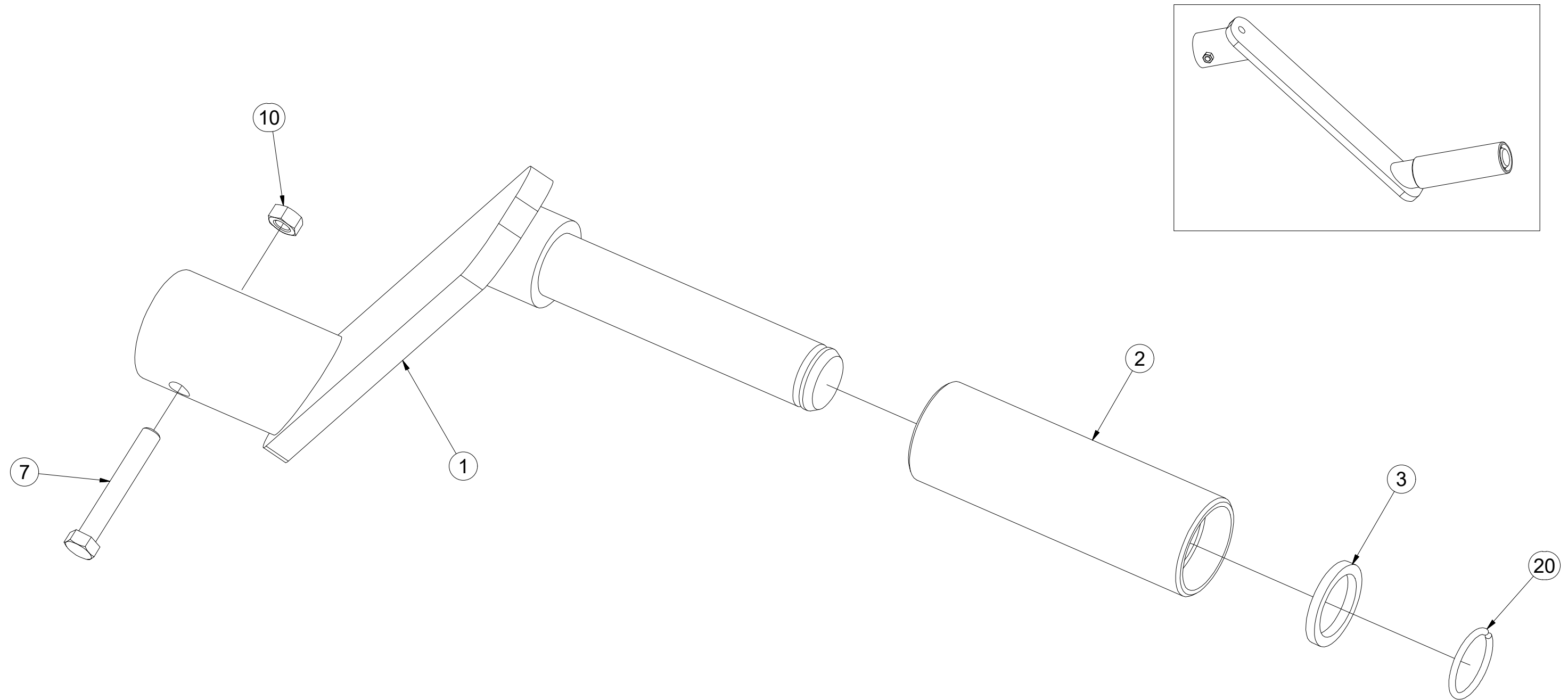
| Poz | Číslo součásti | Ks |
|-----|----------------|----|
| 1 | m08881 | 1 |
| 2 | m08880 | 1 |
| 3 | 4003961 | 1 |
| 4 | 4003962 | 1 |

CZ NASAZOVACÍ KLIKA
 D EINSTELLKURBEL
 F MANIVELLE AMOVIBILE

GB PRESS-ON HANDLE
 RU НАСАЖИВАЕМАЯ РУКОЯТКА
 PL KLAMKA MOCOWANA



4003087



| Pos. | Part Number | Pcs. |
|------|-------------|------|
| 1 | 4003092 | 1 |
| 2 | 4001533 | 1 |
| 3 | 4004828 | 1 |
| 7 | m04641 | 1 |
| 10 | m01295 | 1 |
| 20 | m06561 | 1 |

☞ SADA ČEPŮ TBZ 3

☞ BOLZENSATZ TBZ 3

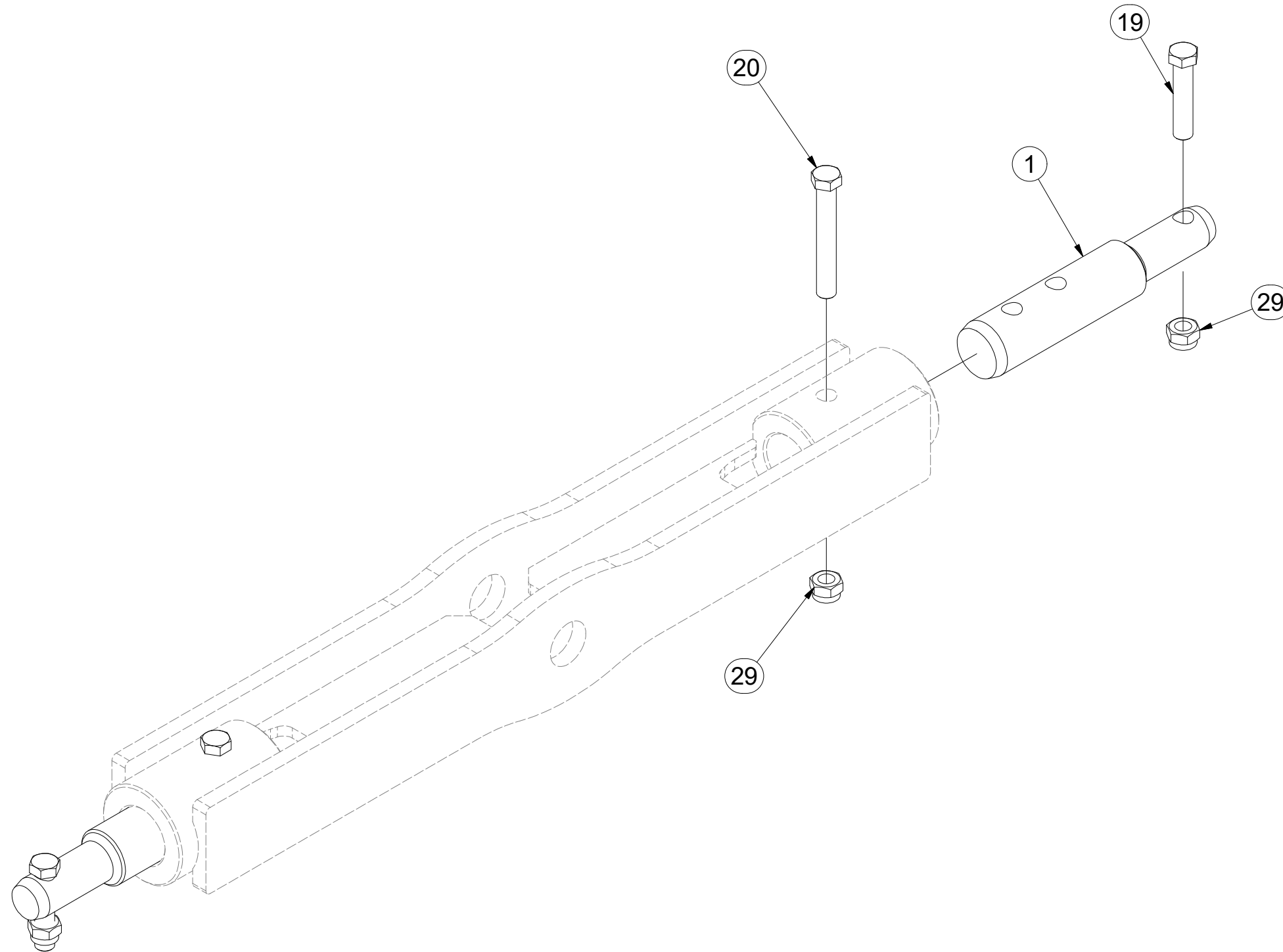
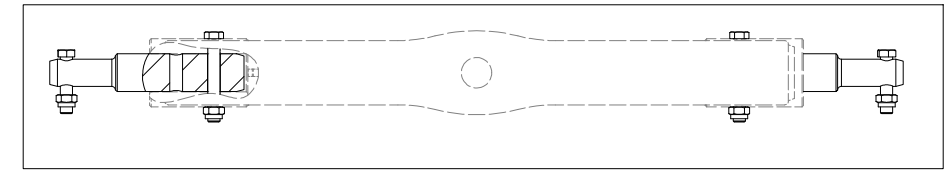
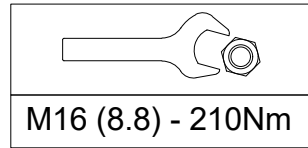
☞ KIT D'EMBOUITS TBZ 3

3005554

☞ SET OF TBZ 3 PINS

☞ КОМПЛЕКТ ПАЛЬЦЕВ TBZ 3

☞ ZESTAW CZOPÓW TBZ 3



| Pos. | Part Number | Pcs. |
|------|-------------|------|
| 1 | 4007412 | 2 |
| 19 | m01133 | 2 |
| 20 | m02970 | 2 |
| 29 | m03683 | 4 |

ⒸZ TERČ PŘEDNÍ LEVÝ

Ⓓ SCHILD, VORDERES, LINKES

Ⓕ CIBLE AVANT GAUCHE

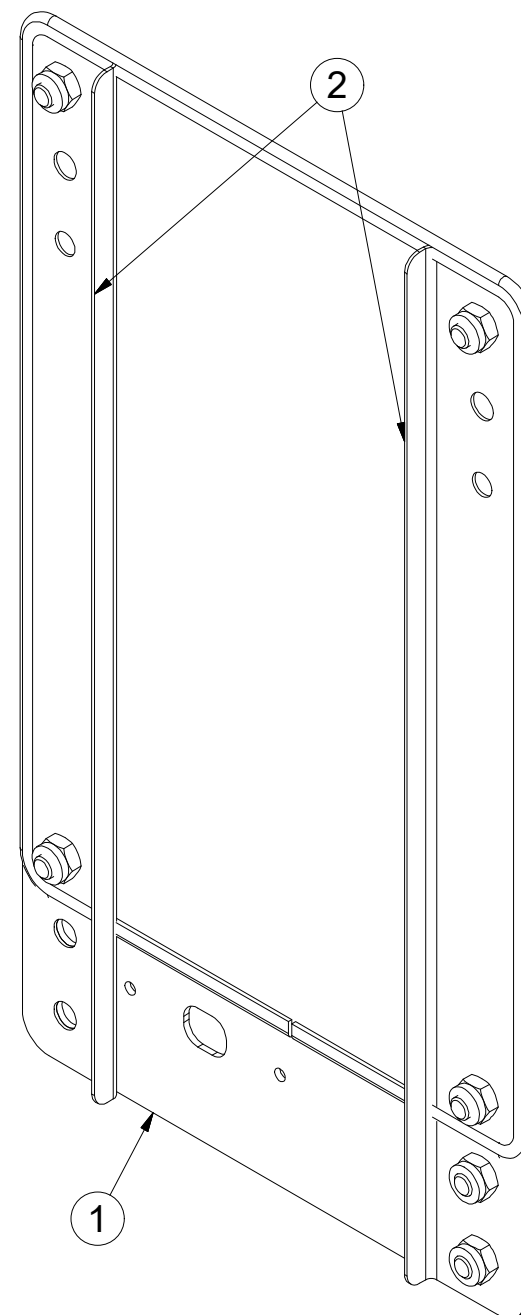
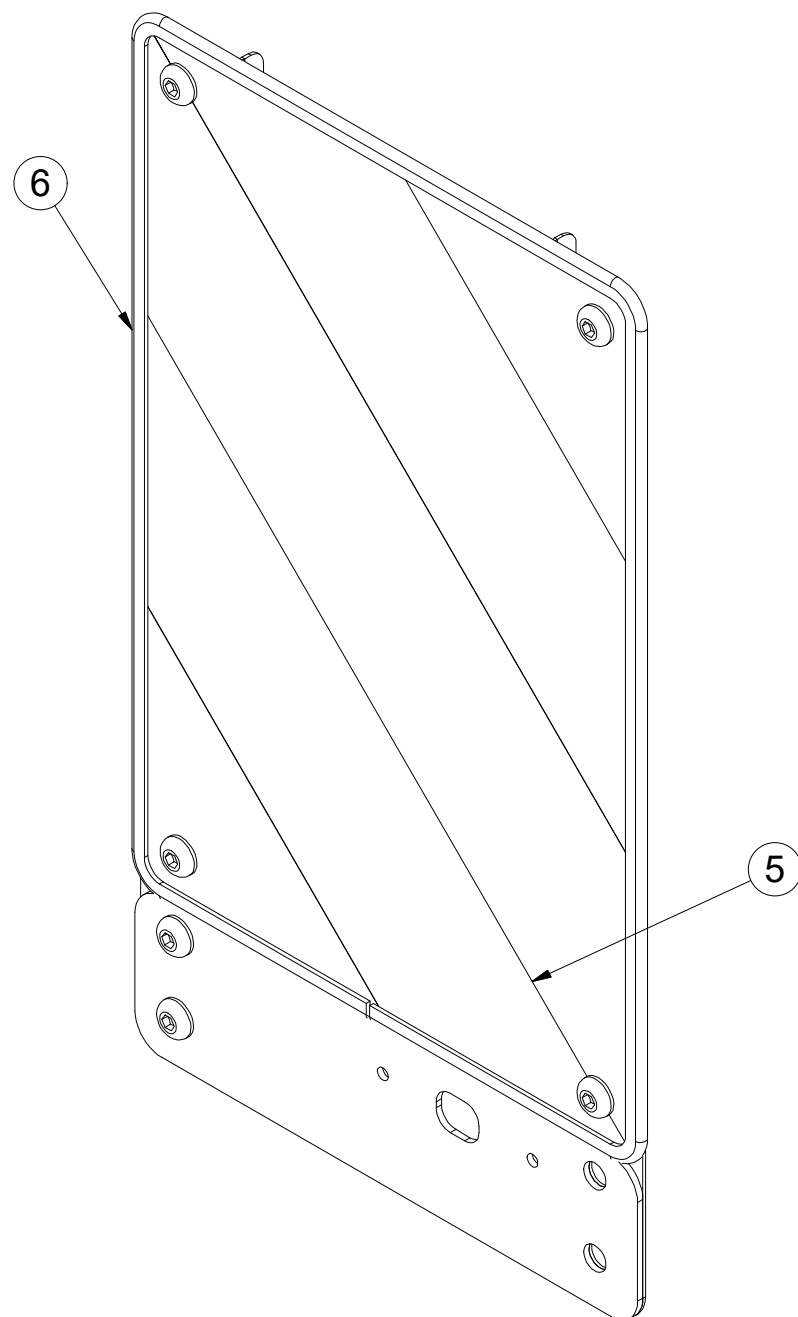
4018823

ⒼB LEFT FRONT DISC

ⒺЩИТОК ПЕРЕДНИЙ ЛЕВЫЙ

ⒽL TARCZA PRZEDNIA LEWA

Farmet



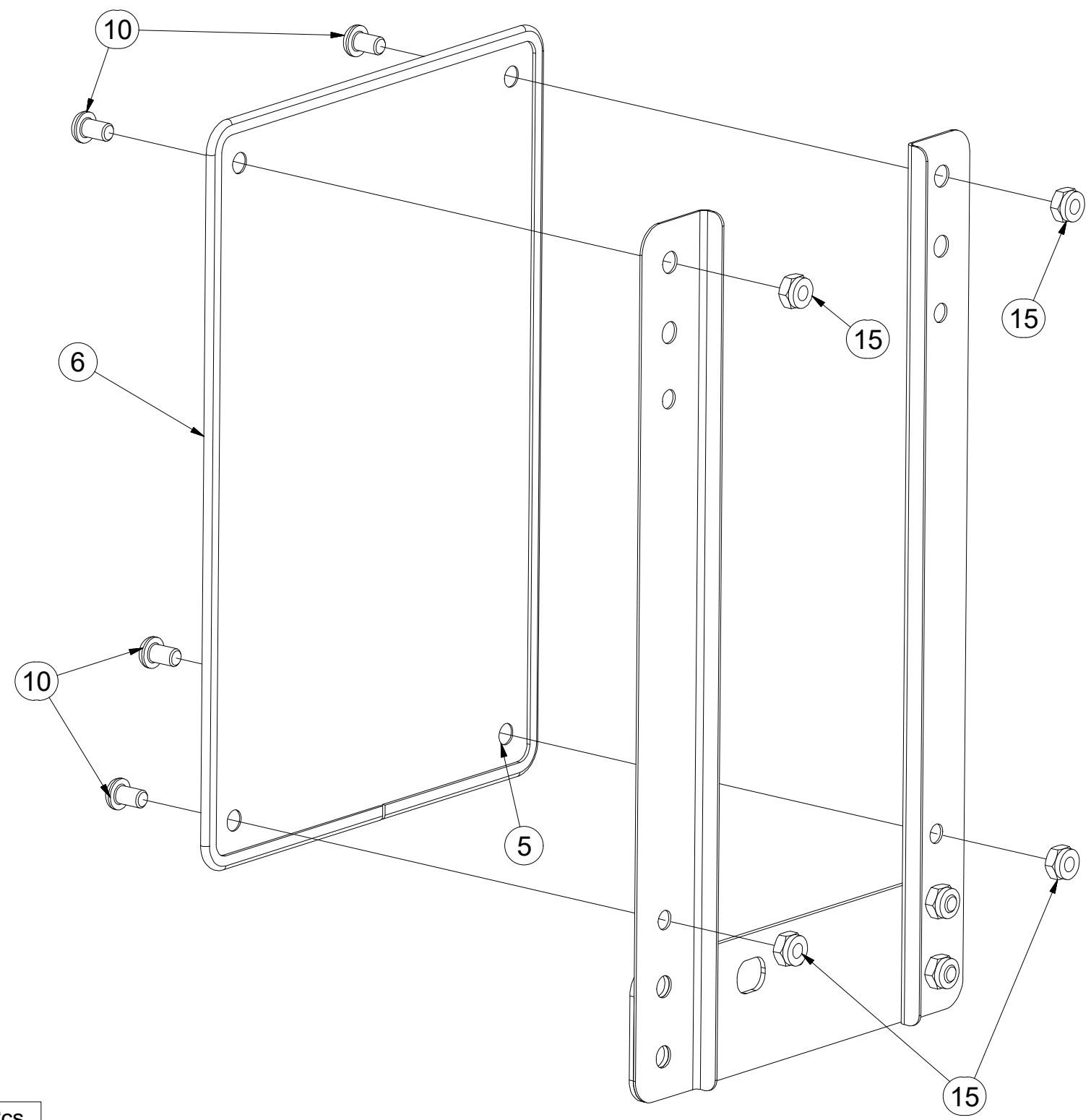
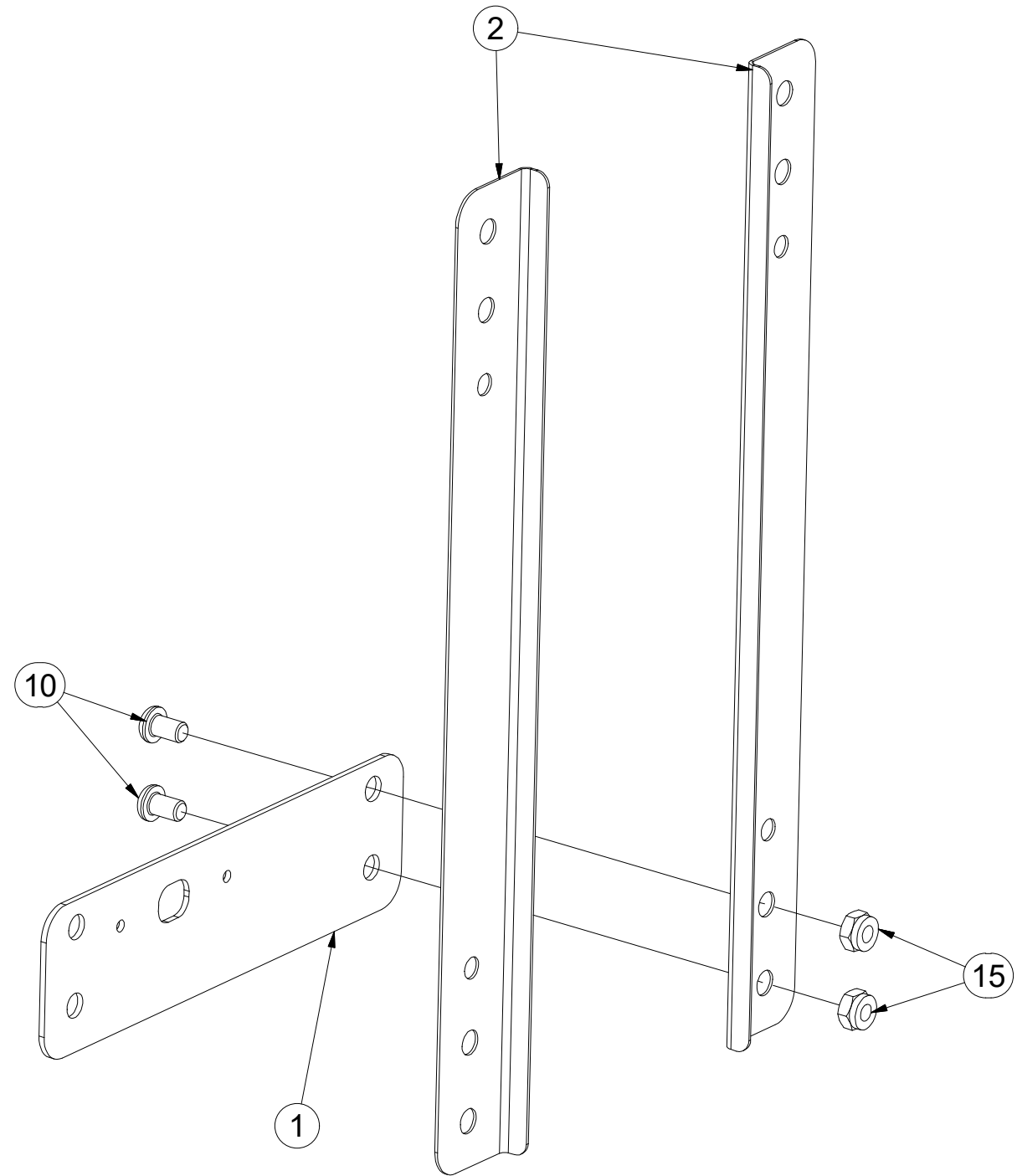
| Pos. | Part Number | Pcs. |
|------|-------------|------|
| 1 | 4019247 | 1 |
| 2 | 4019245 | 2 |
| 5 | m16274 | 1 |
| 6 | m16628 | 1,4 |

CZ TERČ PŘEDNÍ LEVÝ
 D SCHILD, VORDERES, LINKES
 F CIBLE AVANT GAUCHE

GB LEFT FRONT DISC
 RU ЩИТОК ПЕРЕДНИЙ ЛЕВЫЙ
 PL TARCZA PRZEDNIA LEWA



4018823



| Pos. | Part Number | Pcs. |
|------|-------------|------|
| 1 | 4019247 | 1 |
| 2 | 4019245 | 2 |
| 5 | m16274 | 1 |
| 6 | m16628 | 1,4 |
| 10 | m16687 | 6 |
| 15 | m03775 | 6 |

ⒸZ TERČ PŘEDNÍ PRAVÝ

Ⓓ SCHILD, VORDERES, RECHTES

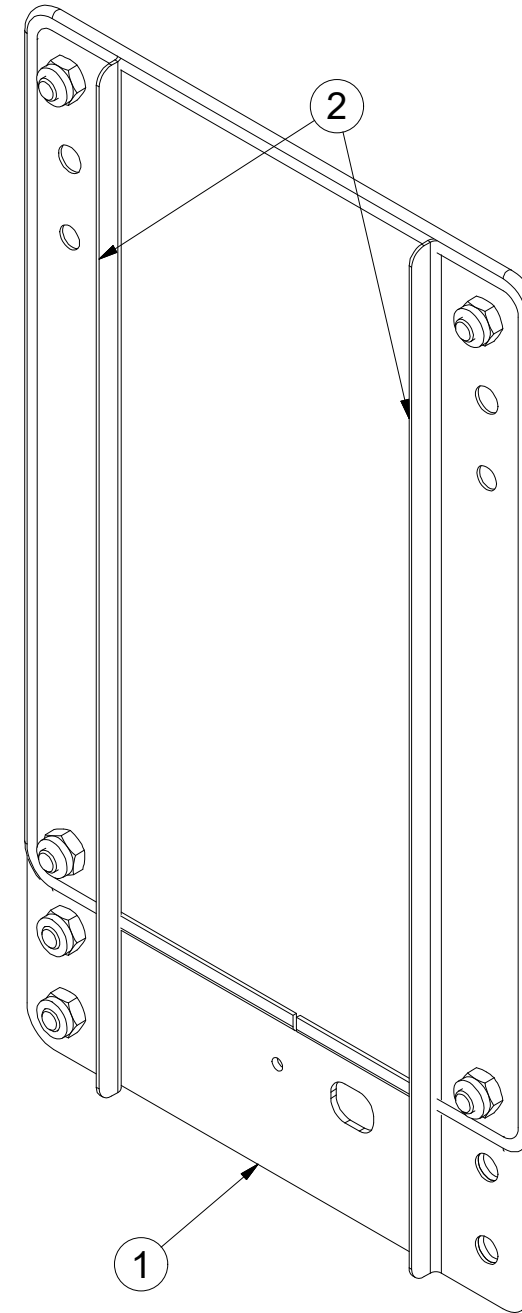
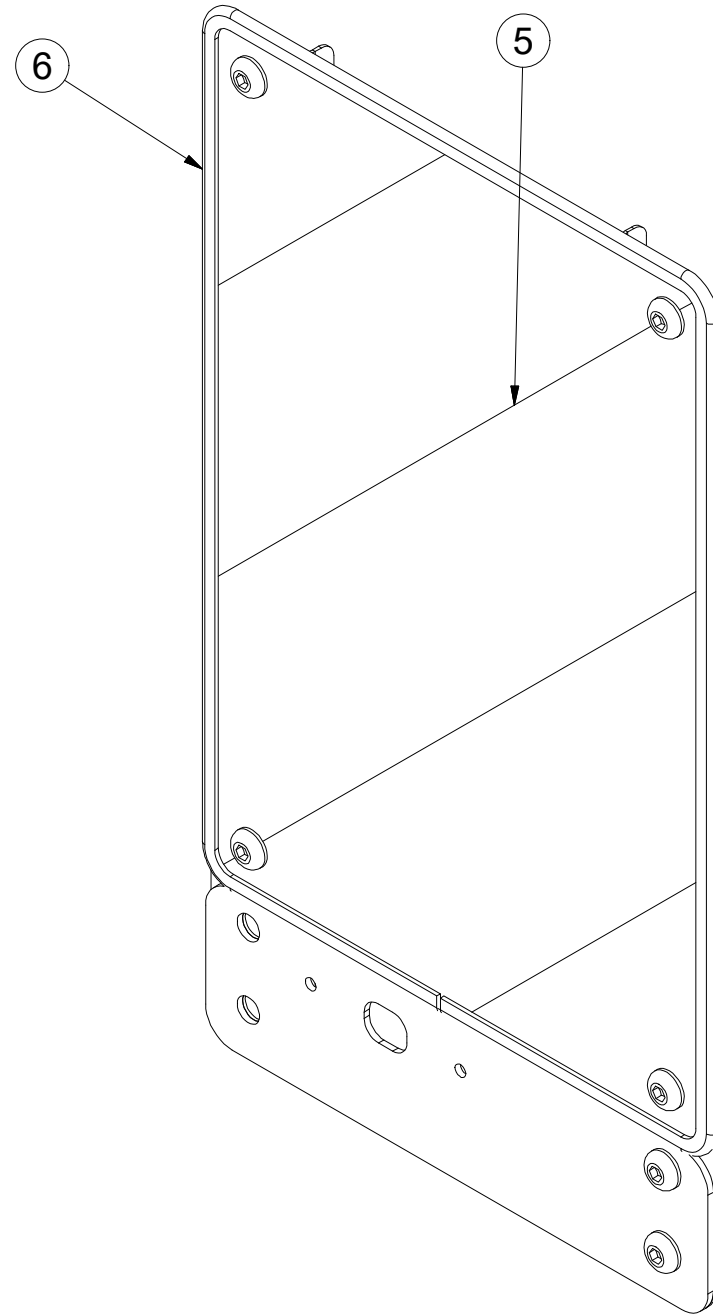
Ⓕ CIBLE AVANT DROITE

4018833

ⒼB RIGHT FRONT DISC

ⒺЩИТОК ПЕРЕДНИЙ ПРАВЫЙ

ⒽL TARCZA PRZEDNIA PRAWA



| Pos. | Part Number | Pcs. |
|------|-------------|------|
| 1 | 4019247 | 1 |
| 2 | 4019245 | 2 |
| 5 | m16273 | 1 |
| 6 | m16628 | 1,4 |

ⒸZ TERČ PŘEDNÍ PRAVÝ

Ⓓ SCHILD, VORDERES, RECHTES

Ⓕ CIBLE AVANT DROITE

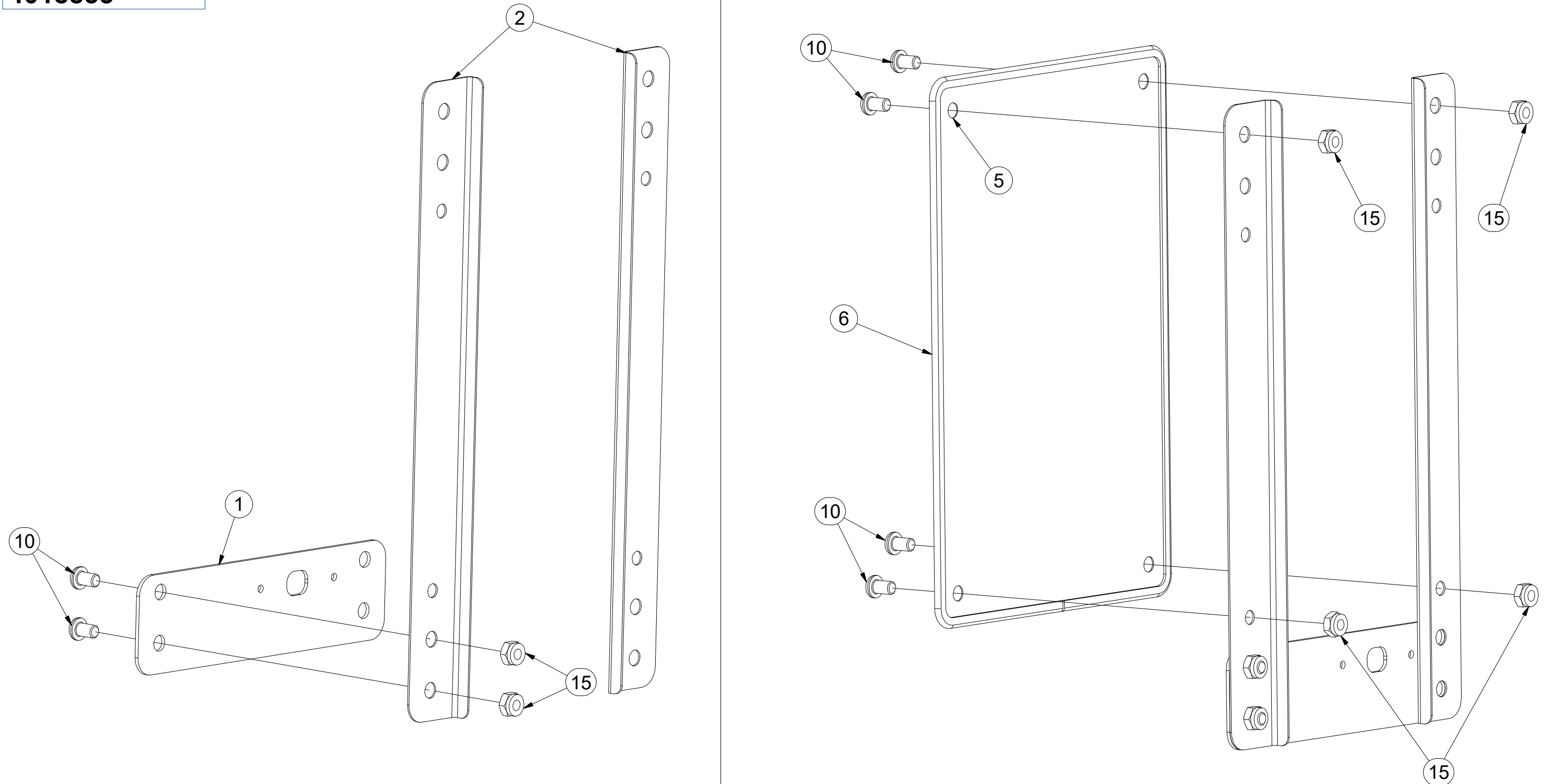
ⒸB RIGHT FRONT DISC

ⒸU ЩИТОК ПЕРЕДНИЙ ПРАВЫЙ

ⒸL TARCZA PRZEDNIA PRAWA



4018833



| Pos. | Part Number | Pcs. |
|------|-------------|------|
| 1 | 4019247 | 1 |
| 2 | 4019245 | 2 |
| 5 | m16273 | 1 |
| 6 | m16628 | 1,4 |
| 10 | m16687 | 6 |
| 15 | m03775 | 6 |

Ⓒ SADA KYPŘIČŮ STOP

Ⓓ SPURENLOCKERERSATZ

Ⓕ KIT DE CULTIVATEURS DE TRACES

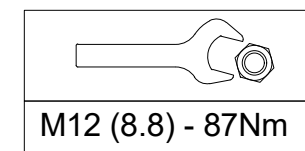
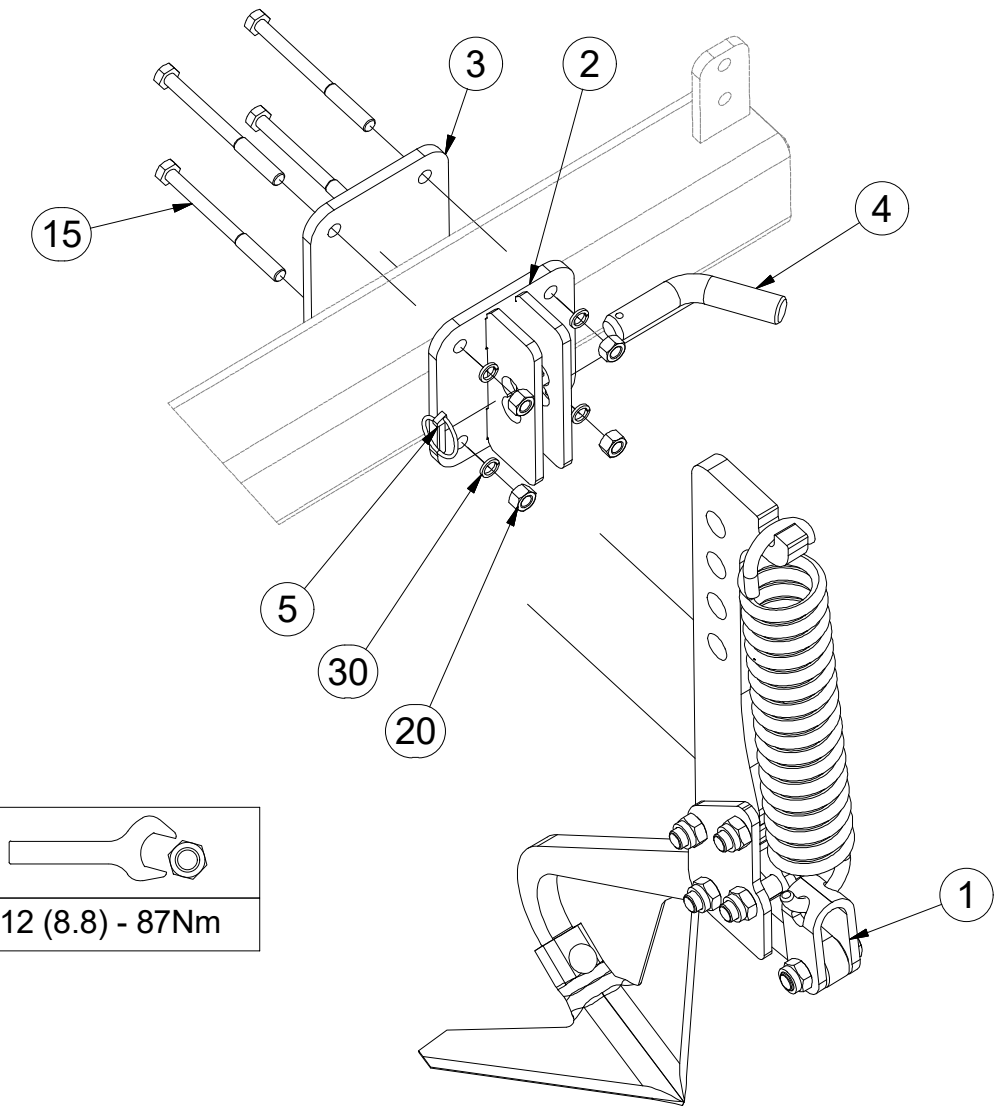
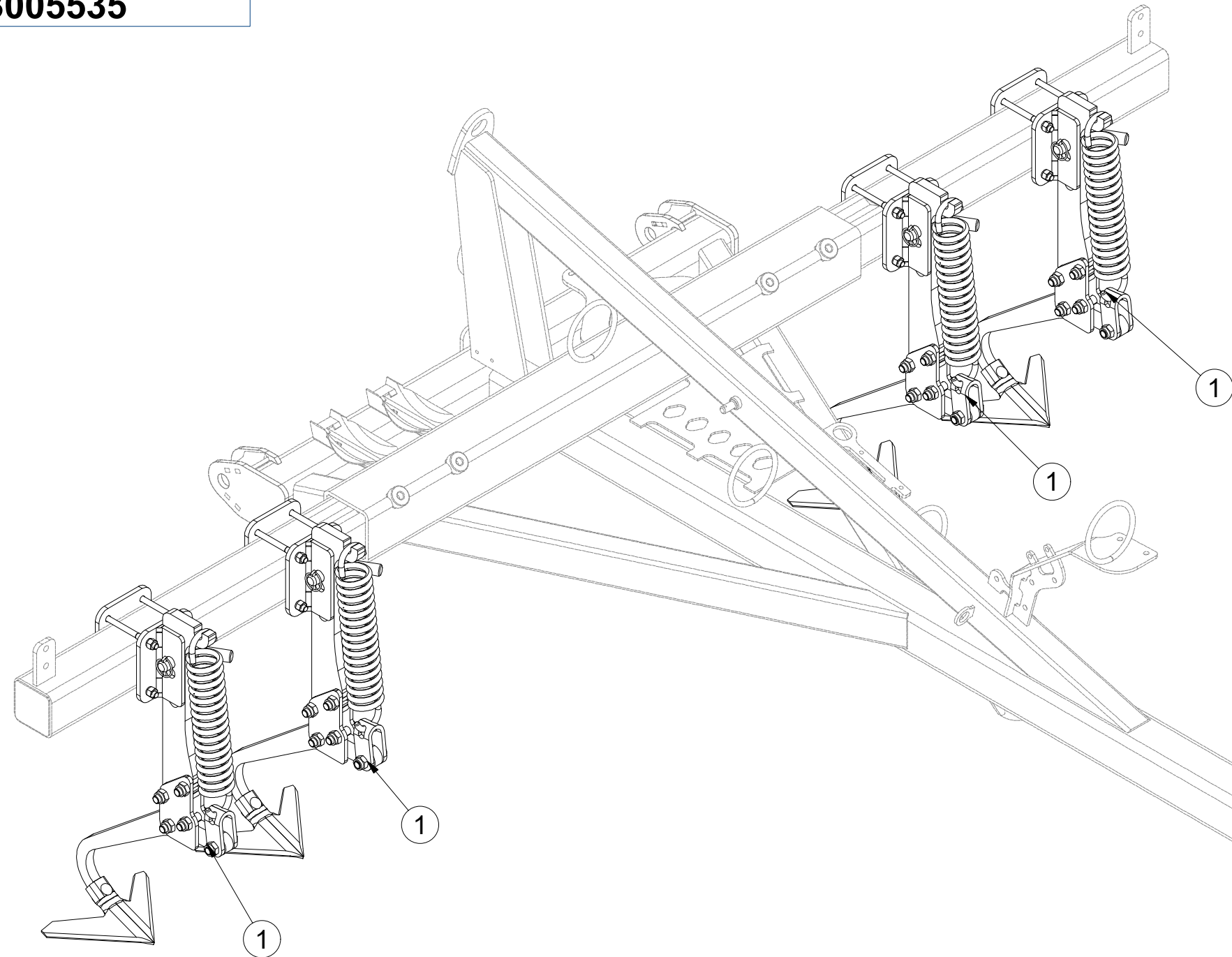
Ⓖ SET OF TRACK CULTIVATORS

Ⓡ КОМПЛЕКТ РЫХЛИТЕЛЕЙ КОЛЕИ

Ⓟ ZESTAW SPULCHNIACZY ŚLADÓW



3005535



| Pos. | Part Number | Pcs. |
|------|-------------|------|
| 1 | 4013092 | 4 |
| 2 | 4005583 | 4 |
| 3 | 4009468 | 4 |
| 4 | m08885 | 4 |
| 5 | m10454 | 4 |
| 15 | m05946 | 16 |
| 20 | m01305 | 16 |
| 30 | m03988 | 16 |

Ⓒ KYPŘIČ STOP

Ⓓ SPURENLOCKERER

Ⓕ CULTIVATEUR DES TRACES

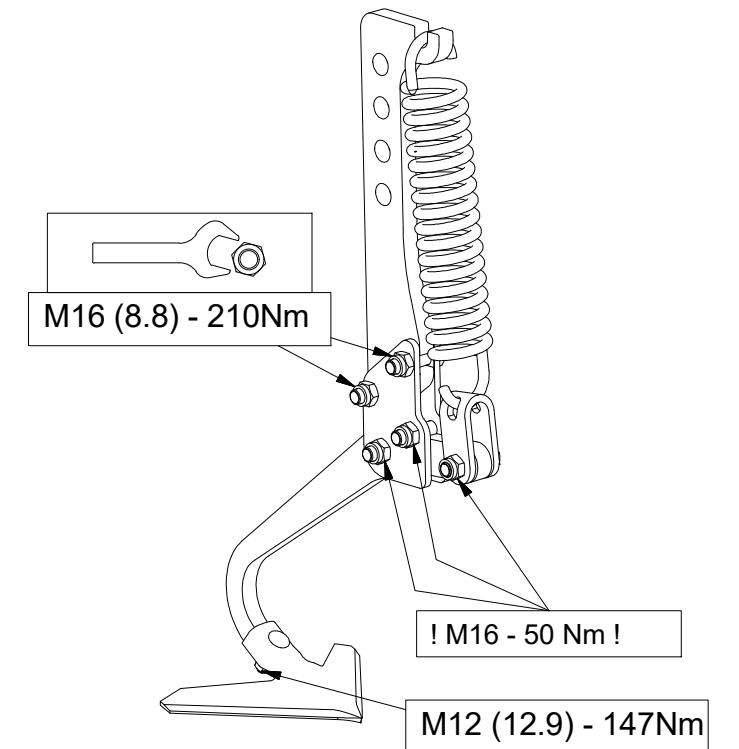
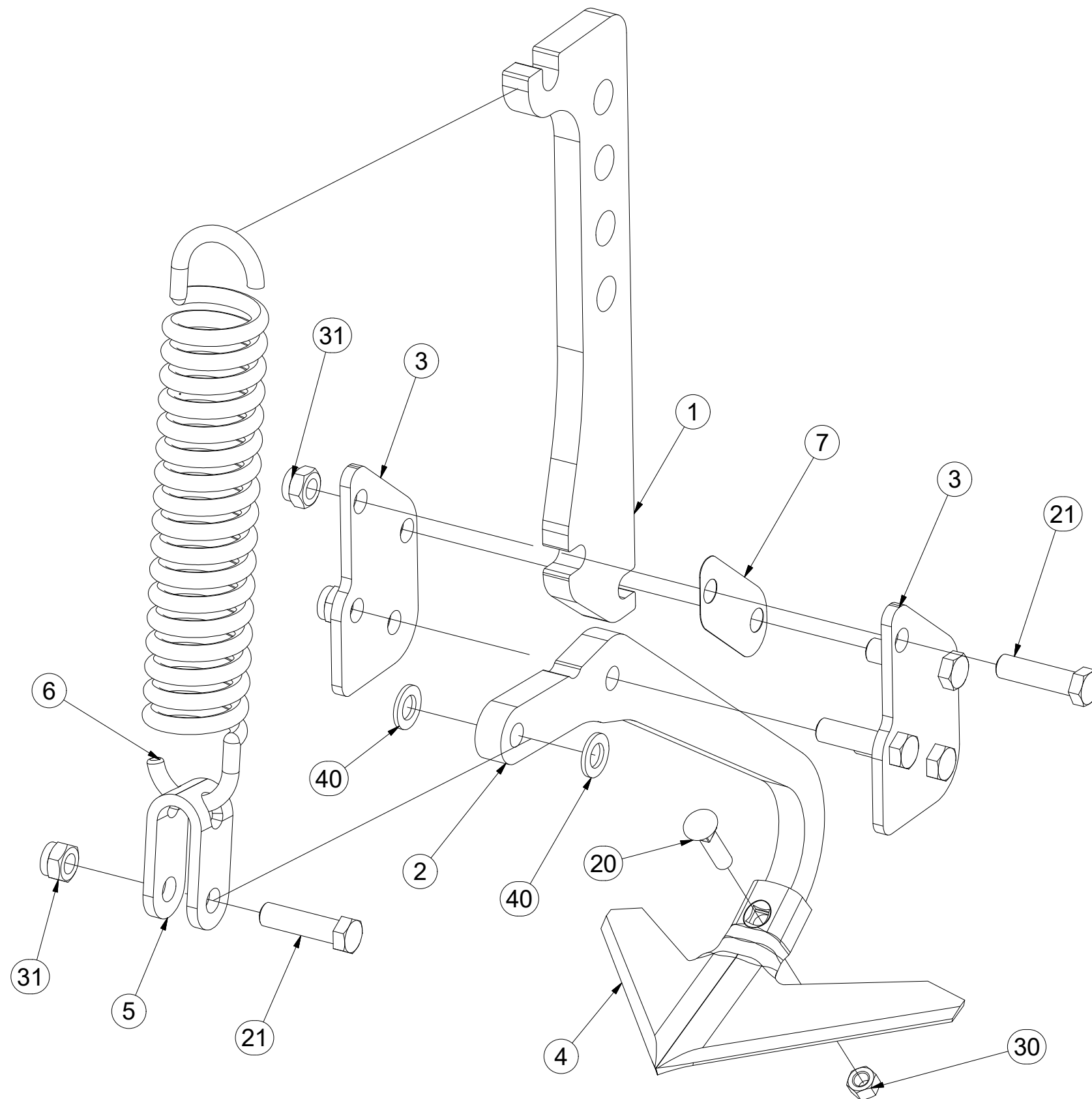
Ⓖ TRACK CULTIVATOR

Ⓡ РЫХЛИТЕЛЬ КОЛЕИ

Ⓟ SPULCHNIARKA STÓP



4013092



| Pos. | Part Number | Pcs. |
|------|-------------|------|
| 1 | 4017307 | 1 |
| 2 | 4007379 | 1 |
| 3 | 4005582 | 2 |
| 4 | 3000236-KOO | 1 |
| 5 | 4005445 | 1 |
| 6 | m02597 | 1 |
| 7 | 4005591 | 1 |
| 20 | m10440 | 1 |
| 21 | m00619 | 5 |
| 30 | m10439 | 1 |
| 31 | m03683 | 5 |
| 40 | m01219 | 2 |

ⒸZ SADA PŘEDNÍCH SMYKŮ

Ⓓ SATZ VORDERE ACKERSCHLEPPEN

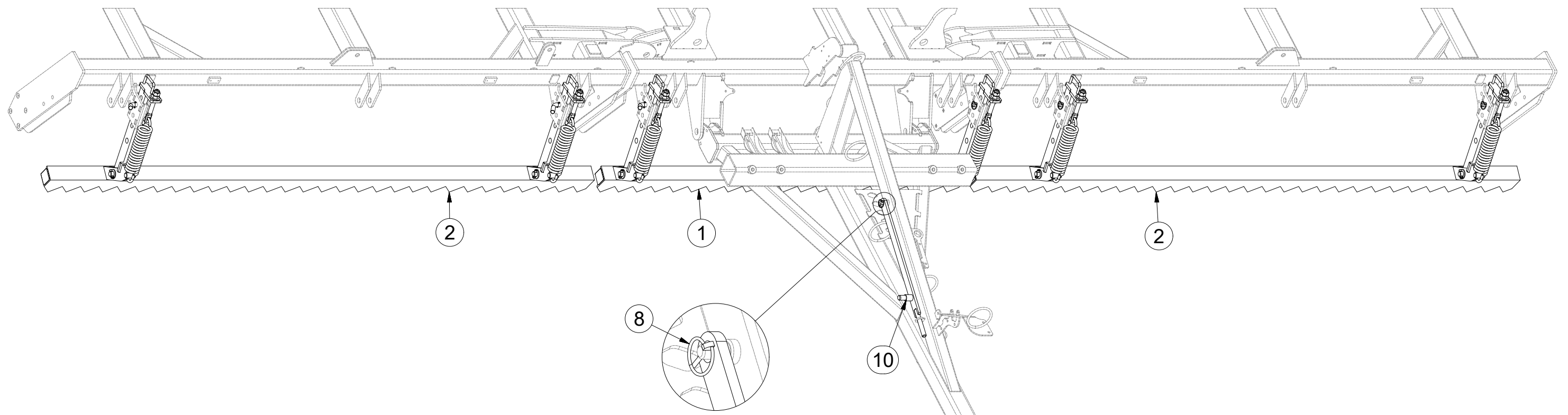
Ⓕ KIT DE NIVELEURS AVANT

3006127

ⒸGB SET OF FRONT LEVELLING BARS

ⒸRU КОМПЛЕКТ ПЕРЕДНИХ БОРОН

ⒸPL ZESTAW PRZEDNICH WŁÓK



| Pos. | Part Number | Pcs. |
|------|-------------|------|
| 1 | 3000312 | 1 |
| 2 | 3000360 | 2 |
| 8 | m10454 | 7 |
| 10 | 4006829 | 1 |

ⒸZ SADA PŘEDNÍCH SMYKŮ

Ⓓ SATZ VORDERE ACKERSCHLEPPEN

Ⓕ KIT DE NIVELEURS AVANT

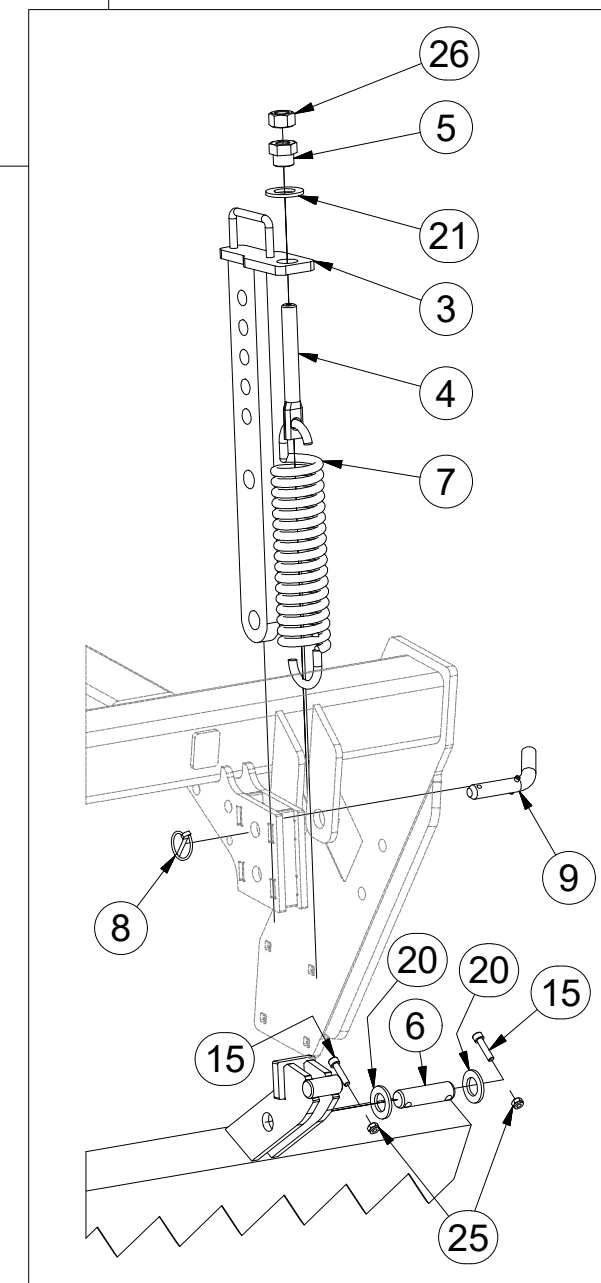
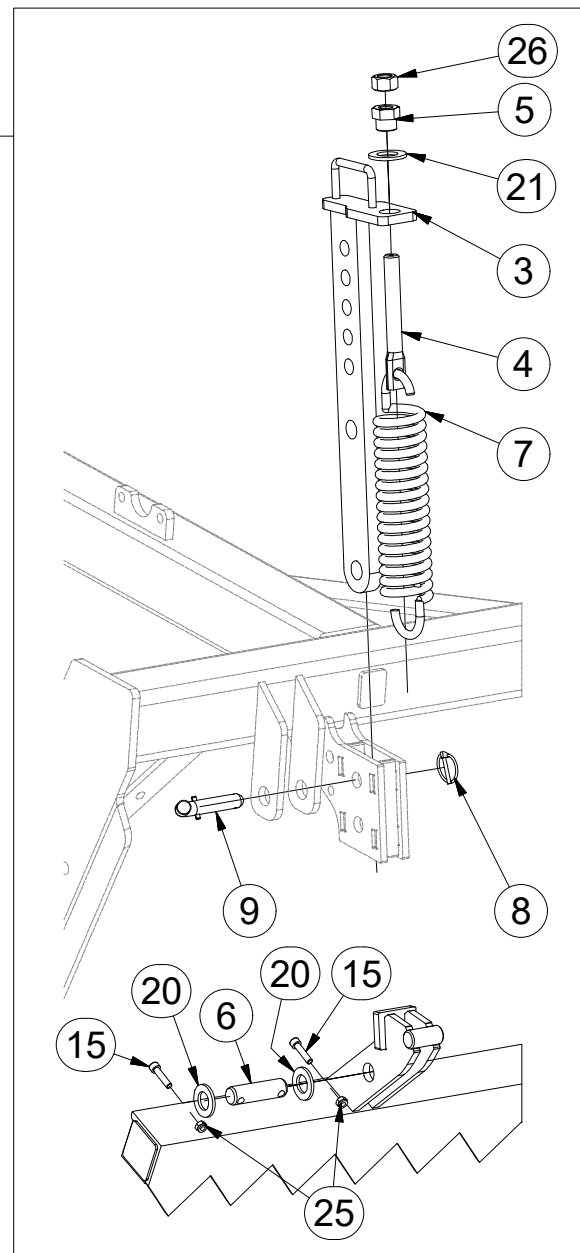
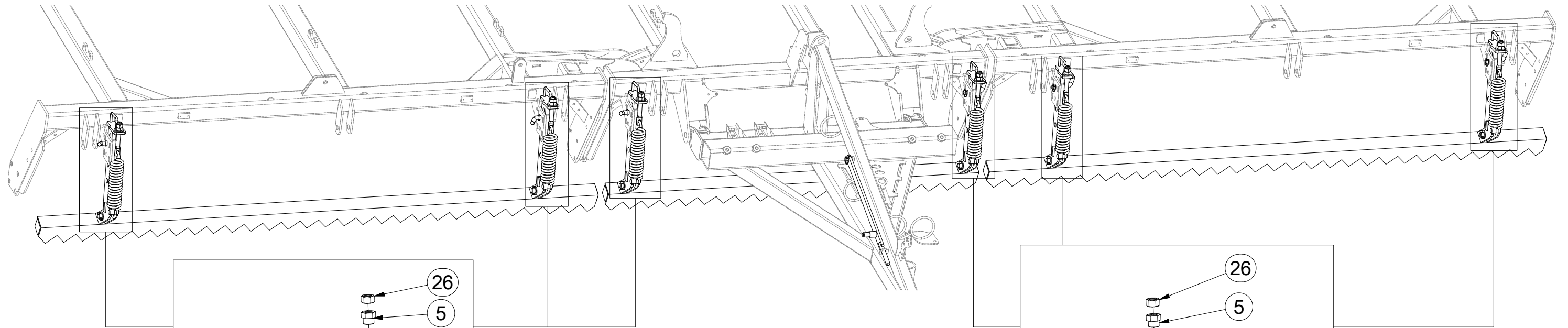
ⒼB SET OF FRONT LEVELLING BARS

ⒺU КОМПЛЕКТ ПЕРЕДНИХ БОРОН

ⒼL ZESTAW PRZEDNICH WŁÓK

Farmet

3006127



| Pos. | Part Number | Pcs. |
|------|-------------|------|
| 3 | 3008686 | 6 |
| 4 | 4003401 | 6 |
| 5 | 4000189 | 6 |
| 6 | 4010390 | 6 |
| 7 | m02597 | 6 |
| 8 | m10454 | 7 |
| 9 | 4012011 | 6 |
| 15 | m09464 | 12 |
| 20 | m14028 | 12 |
| 21 | m01225 | 6 |
| 25 | m04503 | 12 |
| 26 | m01307 | 6 |

ⒸZ SADA PŘEDNÍCH VÁLCŮ

Ⓓ SATZ VORDERE WALZEN

Ⓕ KIT DE ROULEAUX AVANT

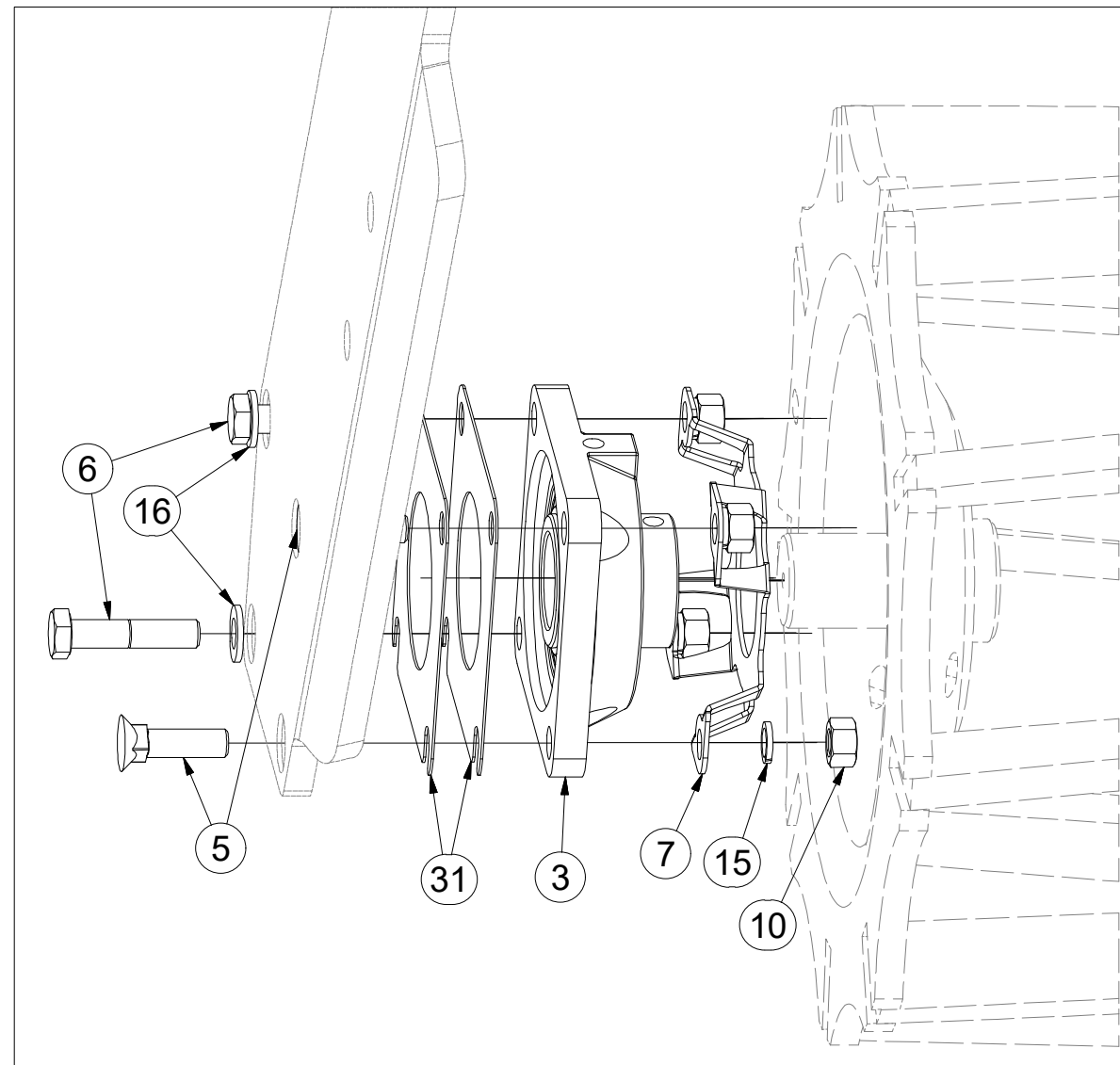
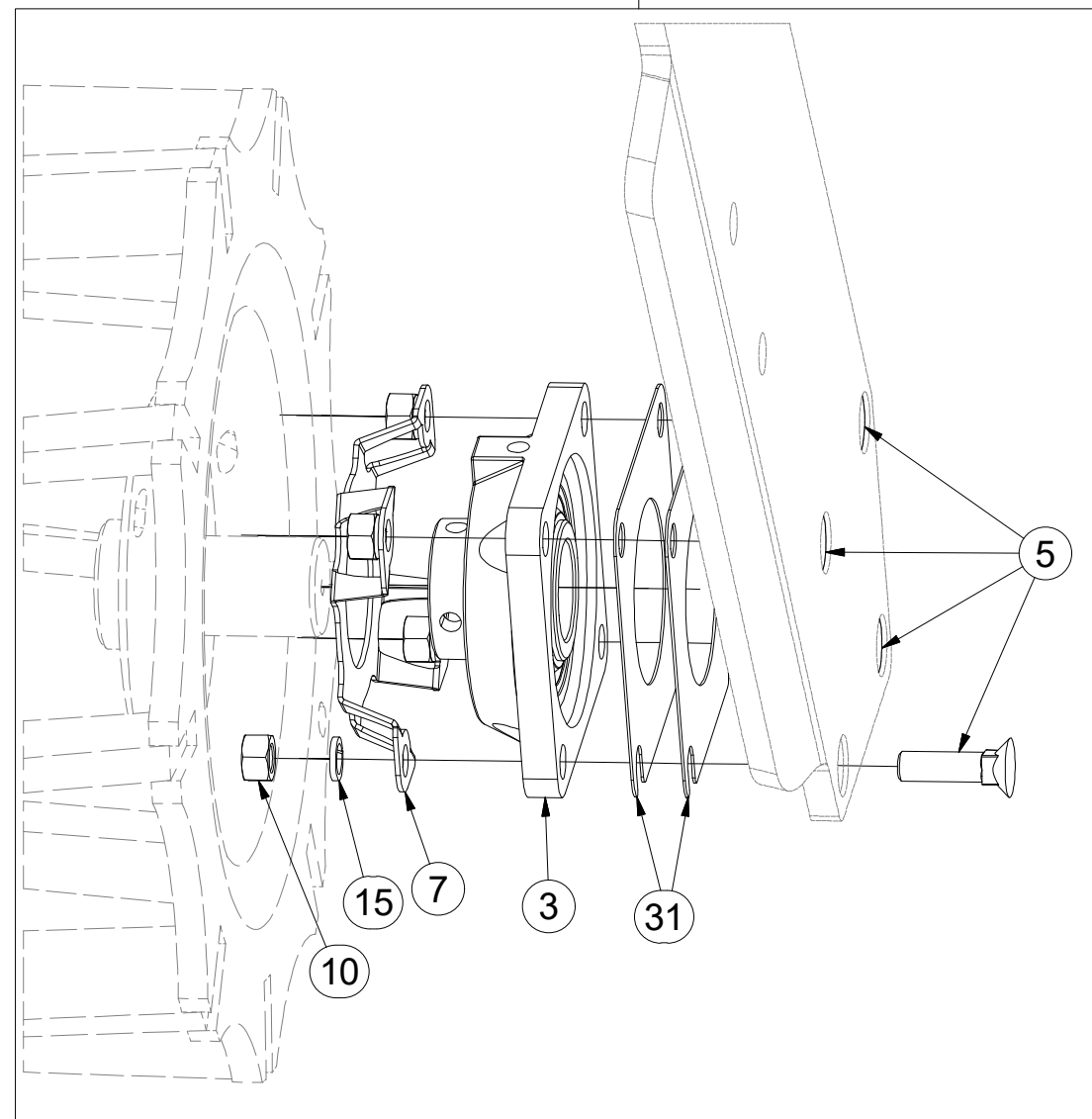
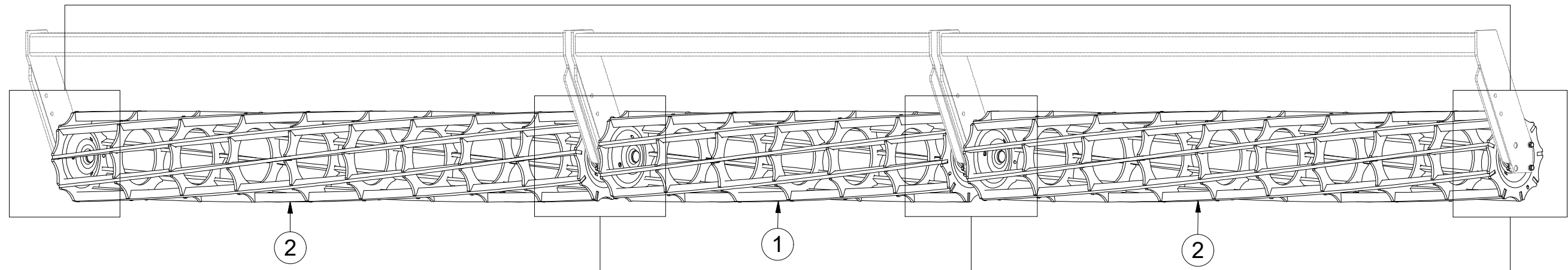
ⒸB SET OF FRONT ROLLERS

ⒸU КОМПЛЕКТ ПЕРЕДНИХ КАТКОВ

ⒸL ZESTAW PRZEDNICH WAŁÓW



3008667



| Pos. | Part Number | Pcs. |
|------|-------------|------|
| 1 | 2000539 | 1 |
| 2 | 2000591 | 2 |
| 3 | m15625 | 6 |
| 5 | m03519 | 20 |
| 6 | m04412 | 4 |
| 7 | 4014034 | 6 |
| 10 | m01305 | 24 |
| 15 | m03988 | 24 |
| 16 | m01214 | 4 |
| 20 | m15888 | 6 |
| 31 | 4016809 | 12 |

ⒸZ SADA OVLÁDÁNÍ RADLIC

Ⓓ STEUERSATZ PFLUGSCHAREN

Ⓕ KIT DE COMMANDE DES SOCS

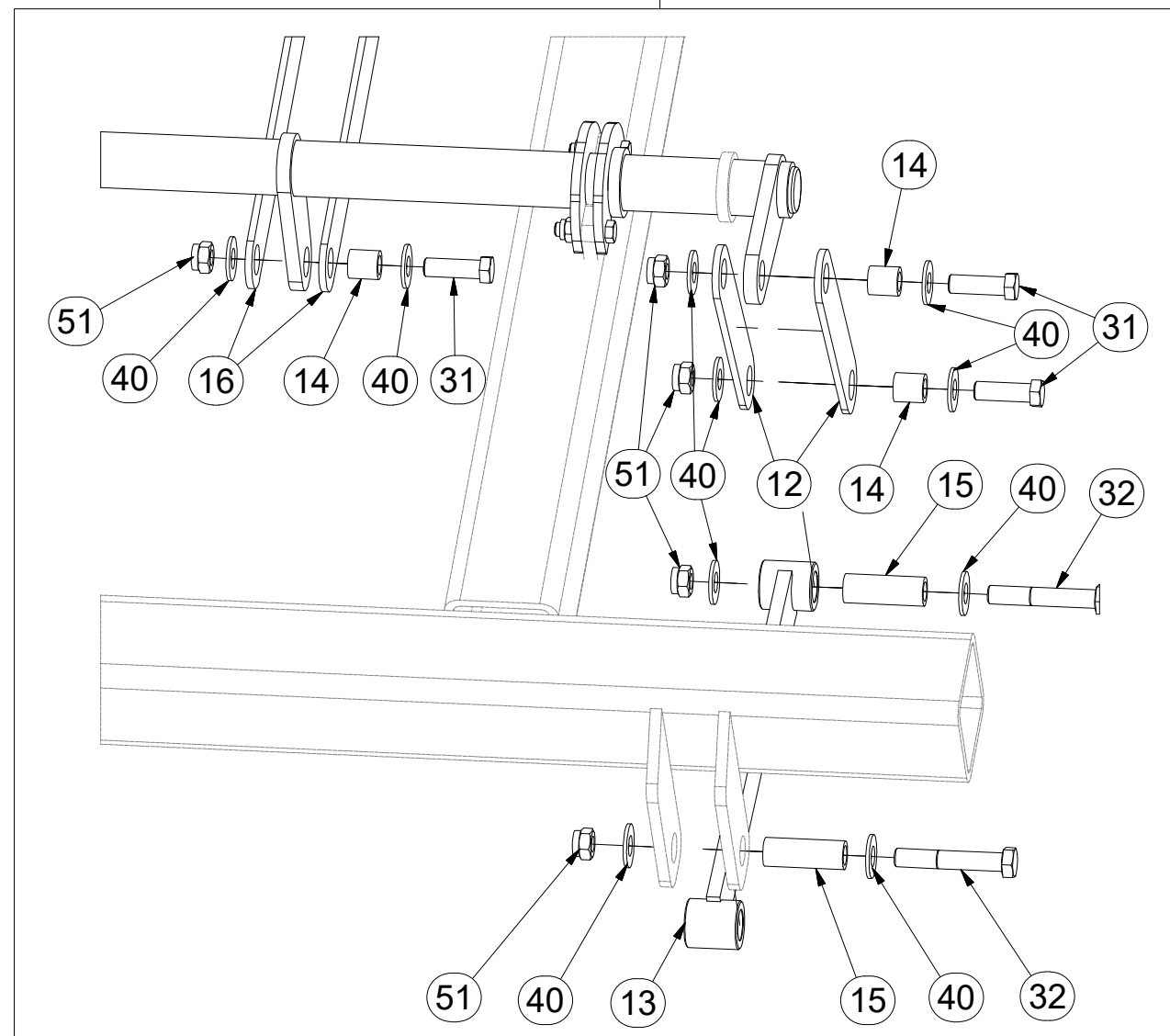
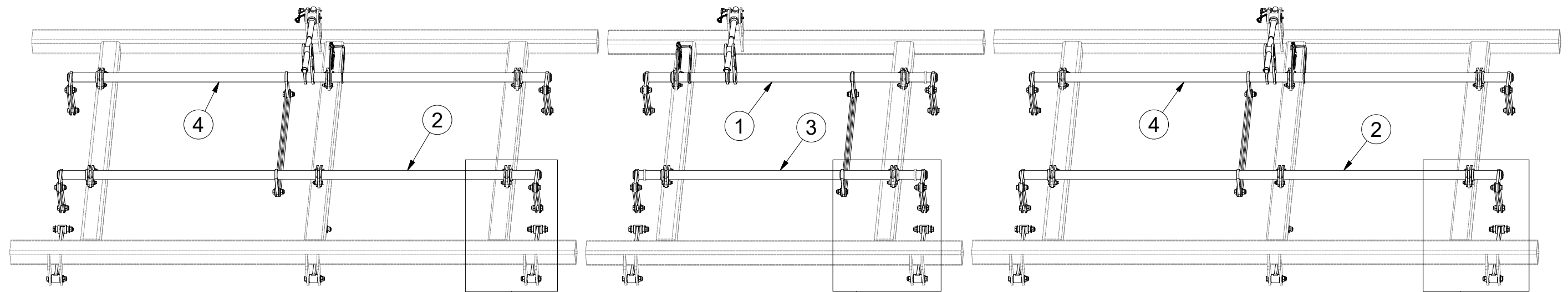
ⒸB SET OF PLOUGHSHARE CONTROL

ⒸU КОМПЛЕКТ УПРАВЛЕНИЯ ЛАП

ⒸL ZESTAW STEROWANIA RADLICAMI



3006129



| Pos. | Part Number | Pcs. |
|------|-------------|------|
| 12 | 4005333 | 24 |
| 13 | 4003971 | 8 |
| 14 | 4002265 | 30 |
| 15 | 9001426 | 16 |
| 16 | 4005334 | 6 |
| 31 | m04355 | 30 |
| 32 | m07673 | 16 |
| 40 | m05651 | 92 |
| 51 | m03683 | 46 |

ⒸZ SADA OVLÁDÁNÍ RADLIC

Ⓓ STEUERSATZ PFLUGSCHAREN

Ⓕ KIT DE COMMANDE DES SOCS

ⒸB SET OF PLOUGHSHARE CONTROL

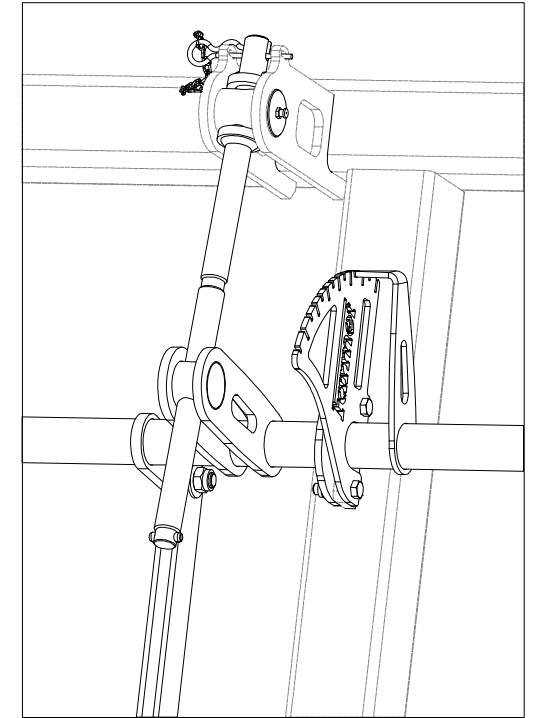
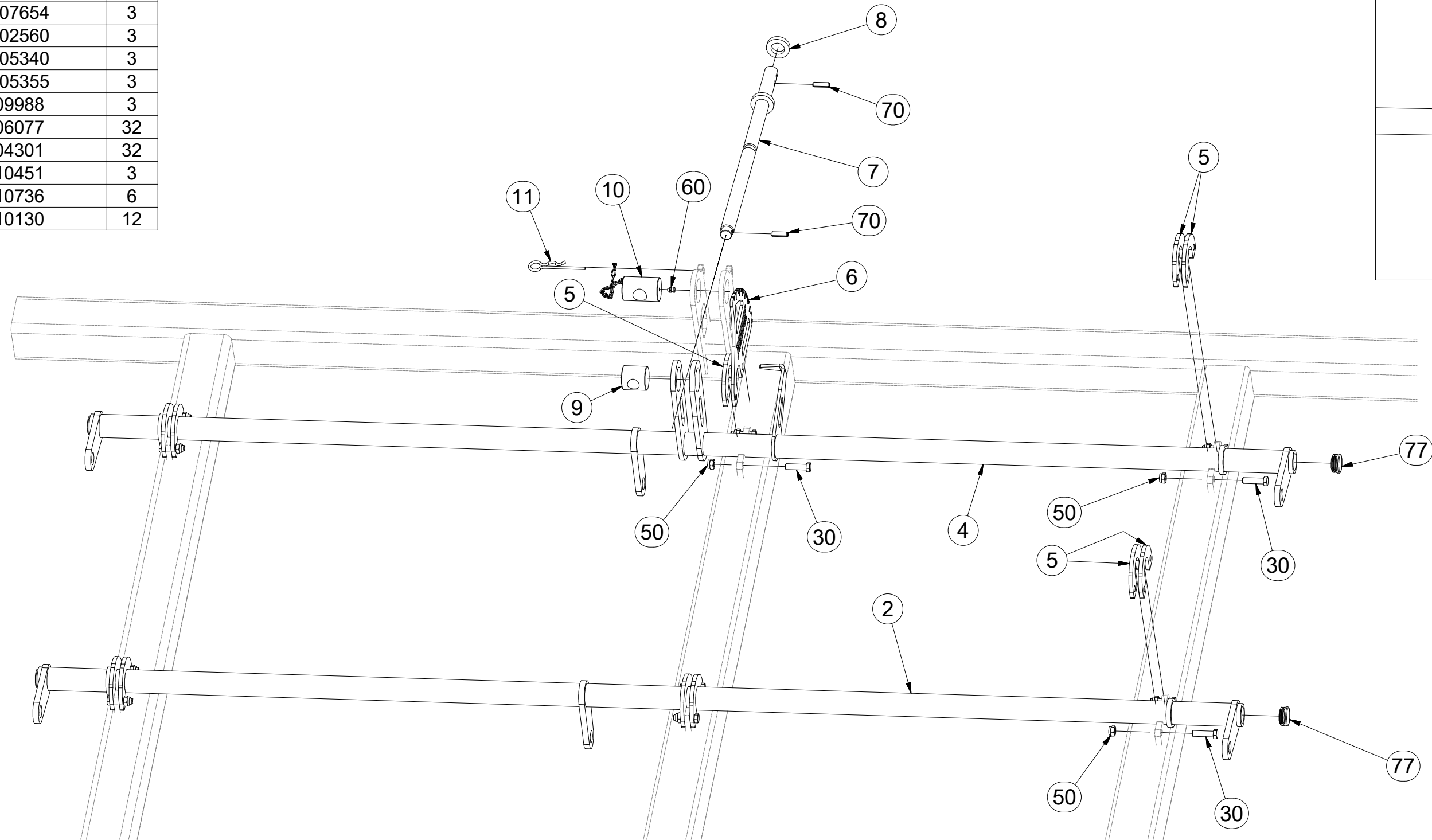
ⒸU КОМПЛЕКТ УПРАВЛЕНИЯ ЛАП

ⒸL ZESTAW STEROWANIA RADLICAMI



3006129

| Pos. | Part Number | Pcs. |
|------|-------------|------|
| 2 | 3002863 | 2 |
| 4 | 3002864 | 2 |
| 5 | 4005332 | 29 |
| 6 | 4005335 | 3 |
| 7 | 4007654 | 3 |
| 8 | 9002560 | 3 |
| 9 | 4005340 | 3 |
| 10 | 4005355 | 3 |
| 11 | m09988 | 3 |
| 30 | m06077 | 32 |
| 50 | m04301 | 32 |
| 60 | m10451 | 3 |
| 70 | m10736 | 6 |
| 77 | m10130 | 12 |



Ⓒ SADA OVLÁDÁNÍ RADLIC

Ⓓ STEUERSATZ PFLUGSCHAREN

Ⓕ KIT DE COMMANDE DES SOCS

Ⓖ SET OF PLOUGHSHARE CONTROL

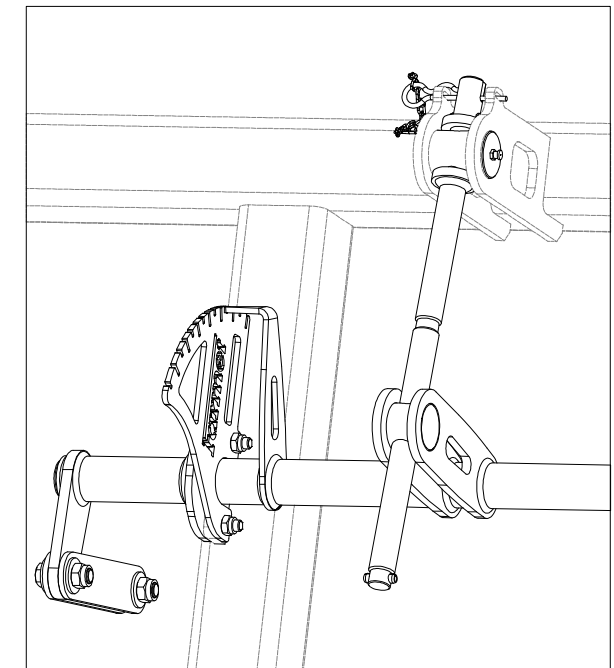
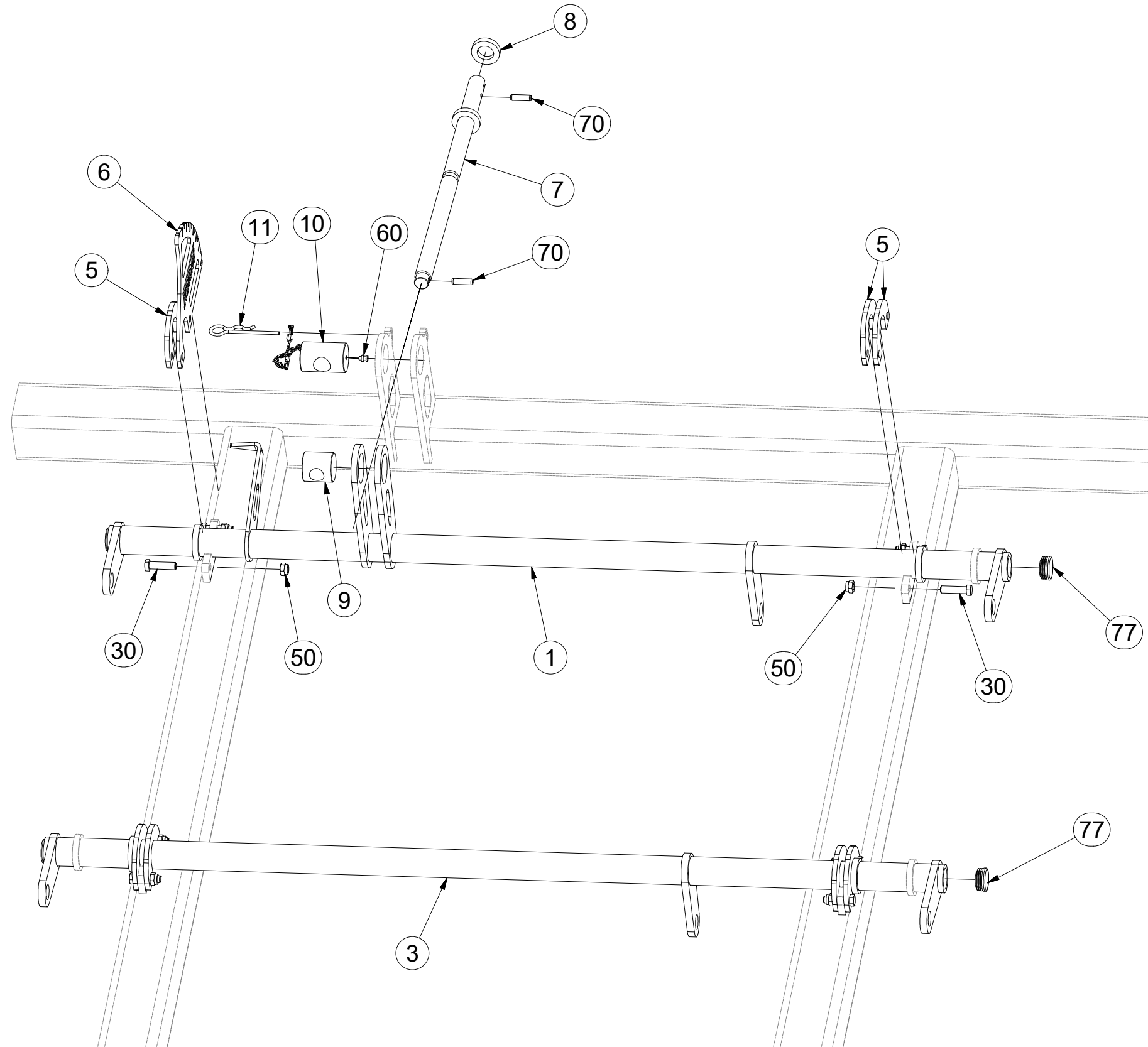
Ⓔ КОМПЛЕКТ УПРАВЛЕНИЯ ЛАП

Ⓗ ZESTAW STEROWANIA RADLICAMI



3006129

| Pos. | Part Number | Pcs. |
|------|-------------|------|
| 1 | 3002831 | 1 |
| 3 | 3002830 | 1 |
| 5 | 4005332 | 29 |
| 6 | 4005335 | 3 |
| 7 | 4007654 | 3 |
| 8 | 9002560 | 3 |
| 9 | 4005340 | 3 |
| 10 | 4005355 | 3 |
| 11 | m09988 | 3 |
| 30 | m06077 | 32 |
| 50 | m04301 | 32 |
| 60 | m10451 | 3 |
| 70 | m10736 | 6 |
| 77 | m10130 | 12 |



ⒸZ SADA RADLIC

Ⓓ SCHARSATZ

Ⓕ KIT DE SOCS

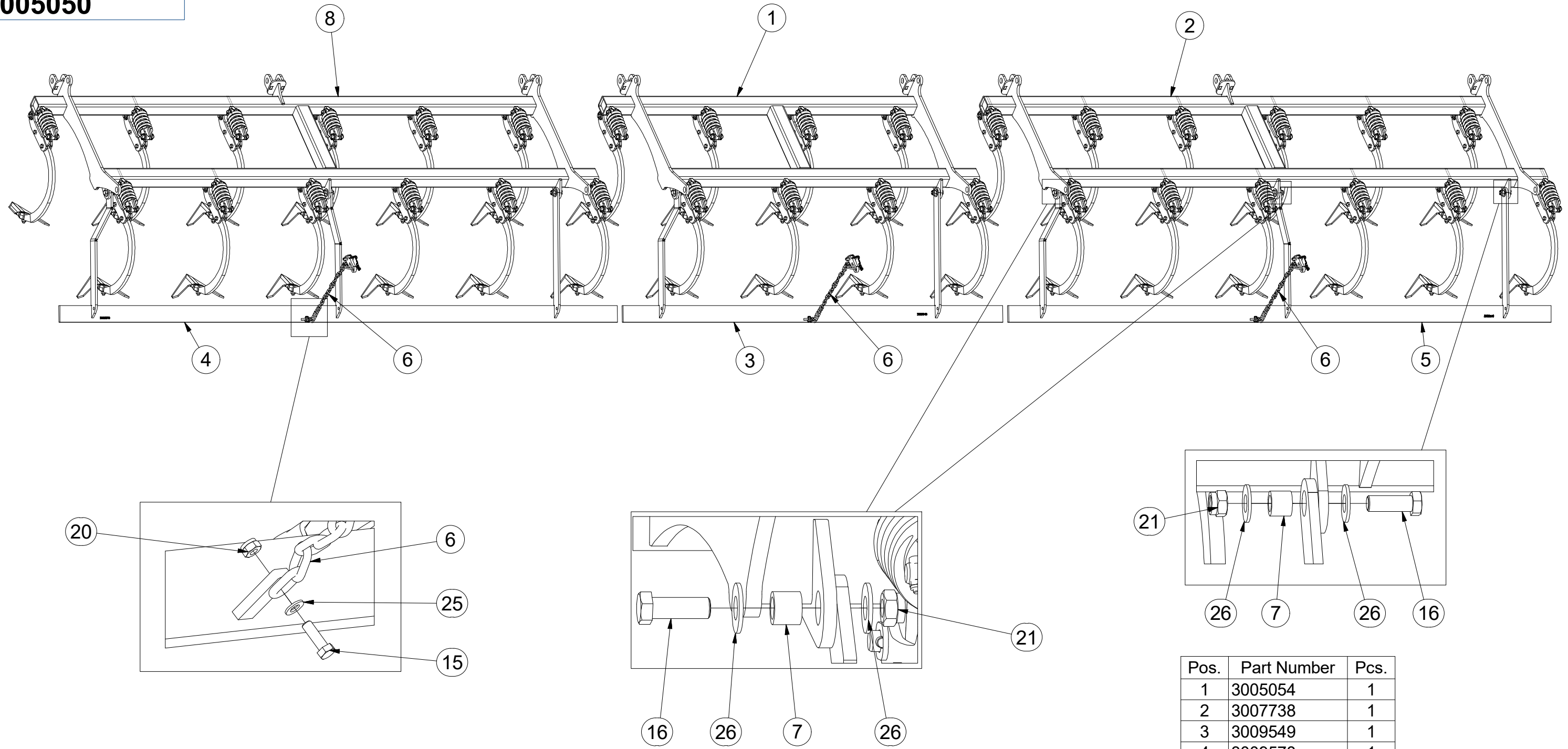
ⒼB SET OF PLOUGHSHARES

ⒺU КОМПЛЕКТ ЛАП

ⒽL ZESTAW REDLIC



3005050



| Pos. | Part Number | Pcs. |
|------|-------------|------|
| 1 | 3005054 | 1 |
| 2 | 3007738 | 1 |
| 3 | 3009549 | 1 |
| 4 | 3009578 | 1 |
| 5 | 3009579 | 1 |
| 6 | 4001641 | 3 |
| 7 | 4004451 | 8 |
| 8 | 3007737 | 1 |
| 15 | m01092 | 3 |
| 16 | m02254 | 8 |
| 20 | m04503 | 3 |
| 21 | m03683 | 8 |
| 25 | m01203 | 3 |
| 26 | m05651 | 16 |

M8 (8.8) - 25Nm
M16 (8.8) - 210Nm

ⒸZ SADA RADLIC

Ⓓ SCHARSATZ

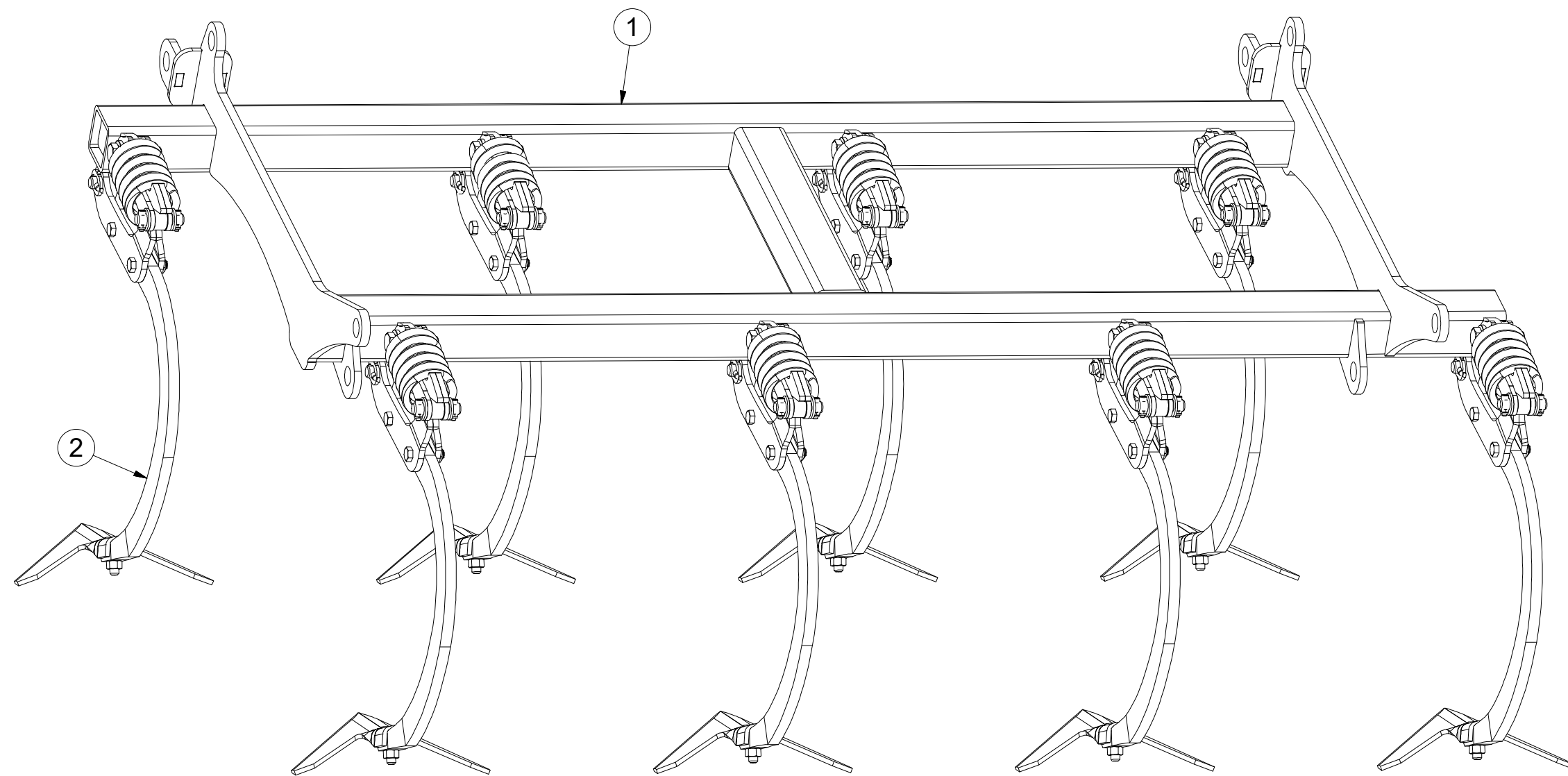
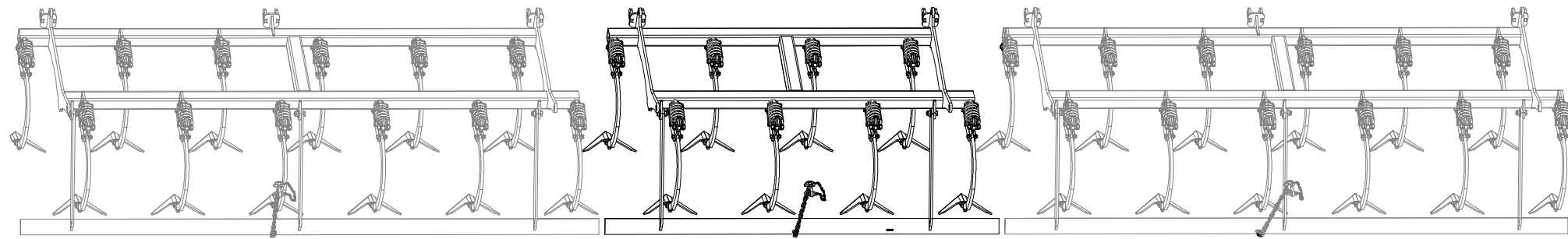
Ⓕ KIT DE SOCS

3005054

ⒼB SET OF PLOUGHSHARES

ⓇU КОМПЛЕКТ ЛАП

ⓅL ZESTAW REDLIC



| Pos. | Part Number | Pcs. |
|------|-------------|------|
| 1 | 3005055 | 1 |
| 2 | 4009708_2 | 8 |

ⒸZ SADA RADLIC

Ⓓ SCHARSATZ

Ⓕ KIT DE SOCS

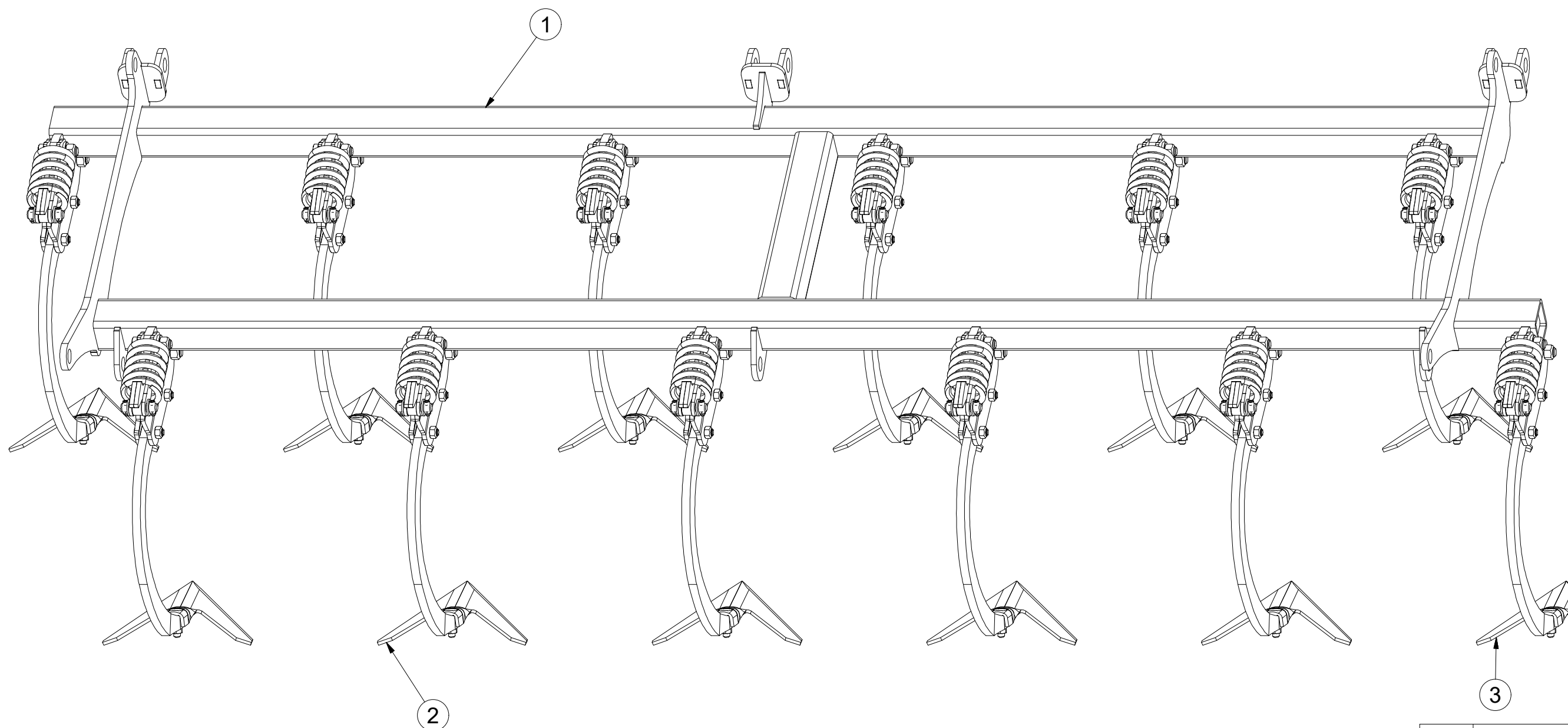
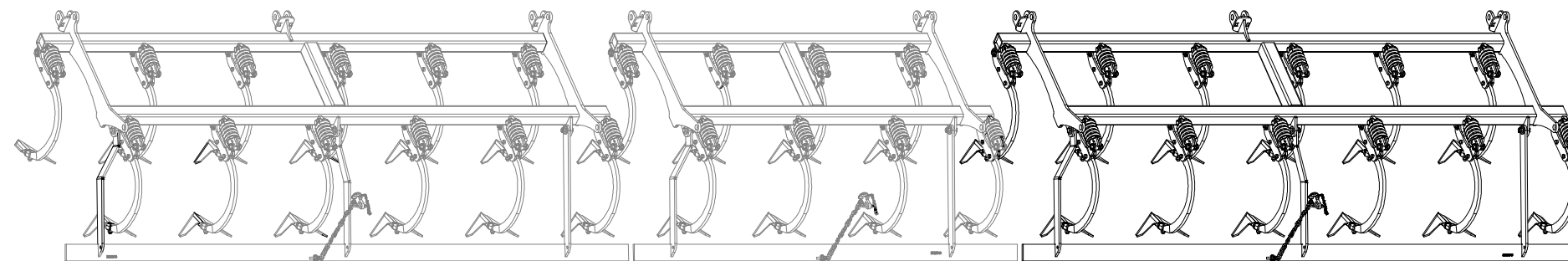
ⒼB SET OF PLOUGHSHARES

ⒺU КОМПЛЕКТ ЛАП

ⒽL ZESTAW REDLIC



3007738



| Pos. | Part Number | Pcs. |
|------|-------------|------|
| 1 | 3005059 | 1 |
| 2 | 4009708_2 | 11 |
| 3 | 4014550 | 1 |

ⒸZ SADA RADLIC

Ⓓ SCHARSATZ

Ⓕ KIT DE SOCS

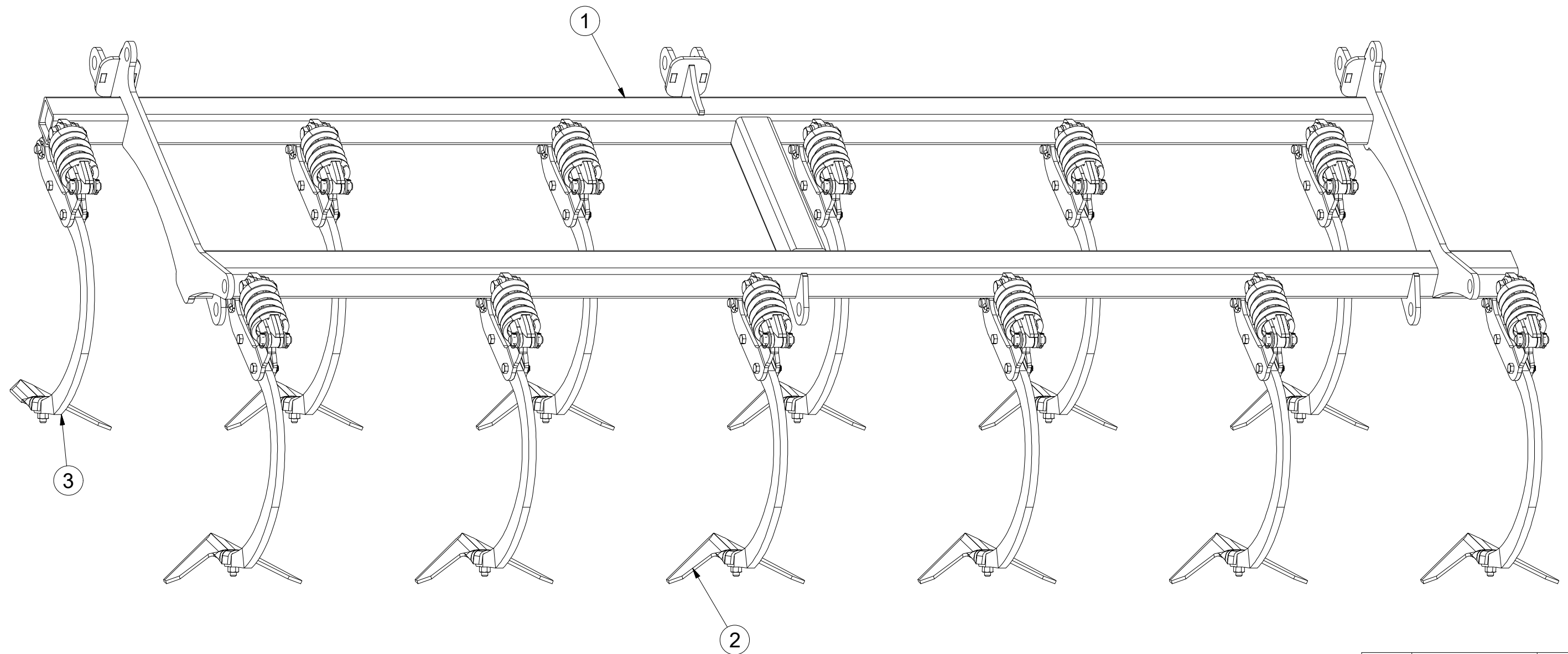
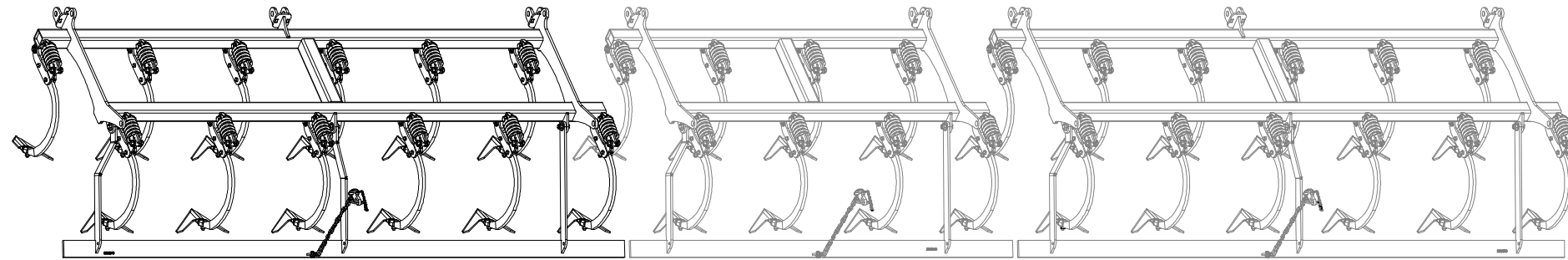
ⒼB SET OF PLOUGHSHARES

ⒺU КОМПЛЕКТ ЛАП

ⒽL ZESTAW REDLIC



3007737



| Pos. | Part Number | Pcs. |
|------|-------------|------|
| 1 | 3005059 | 1 |
| 2 | 4009708_2 | 11 |
| 3 | 4014549 | 1 |

Ⓒ RADLICE KRAJOVÁ / LEVÁ

Ⓓ RANDPFLUGSCHAR / LINKS

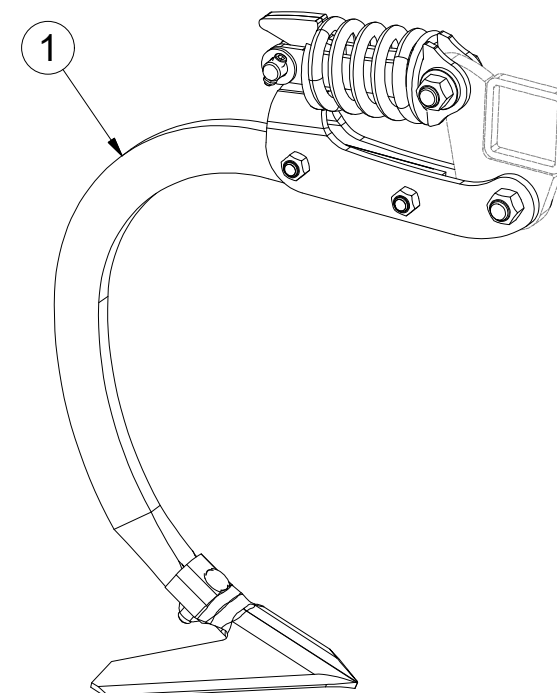
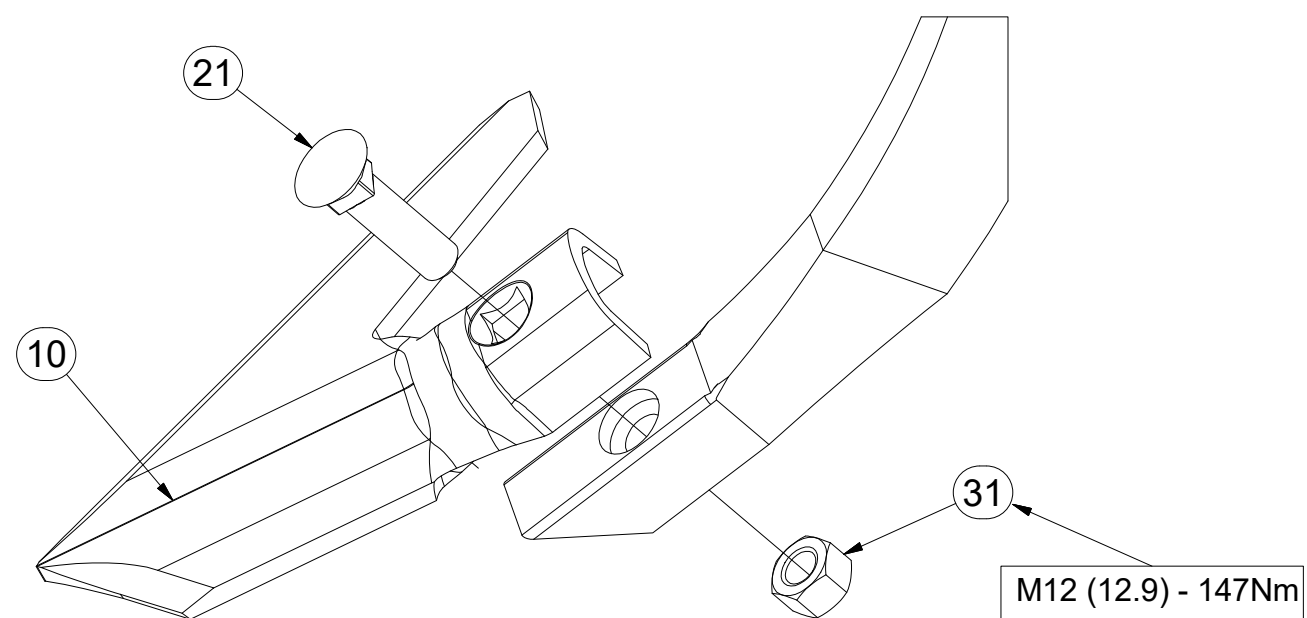
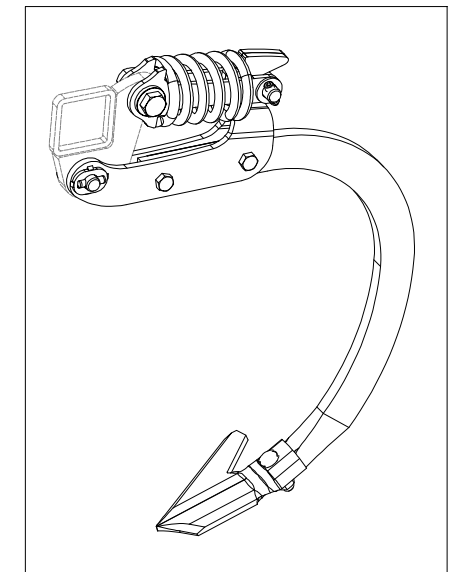
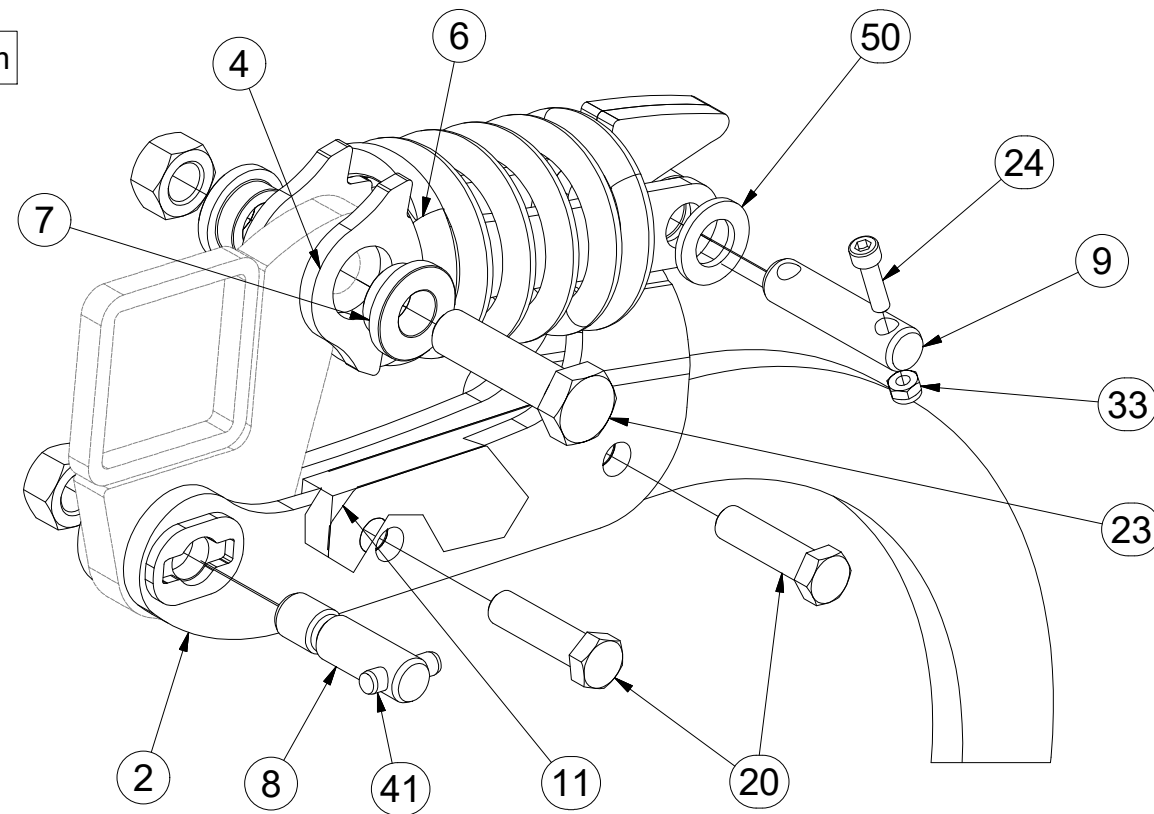
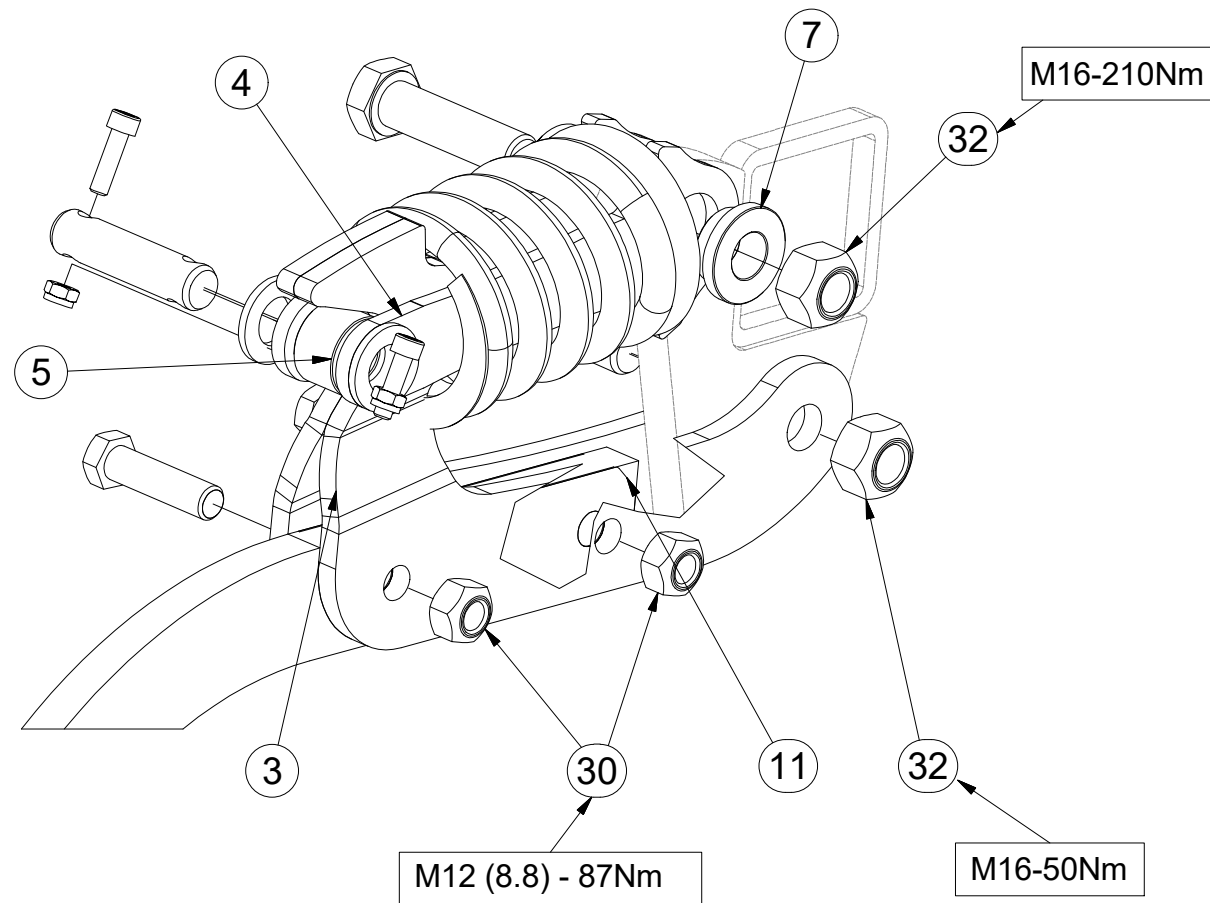
Ⓕ SOC D'EXTRÉMITÉ DE LA /GAUCHE

4014549

Ⓖ PLOUGHSHARE EDGE / LEFT

Ⓔ БОКОВАЯ ЛАПА / ЛЕВАЯ

Ⓗ REDLICA SKRAJNA / LEWA



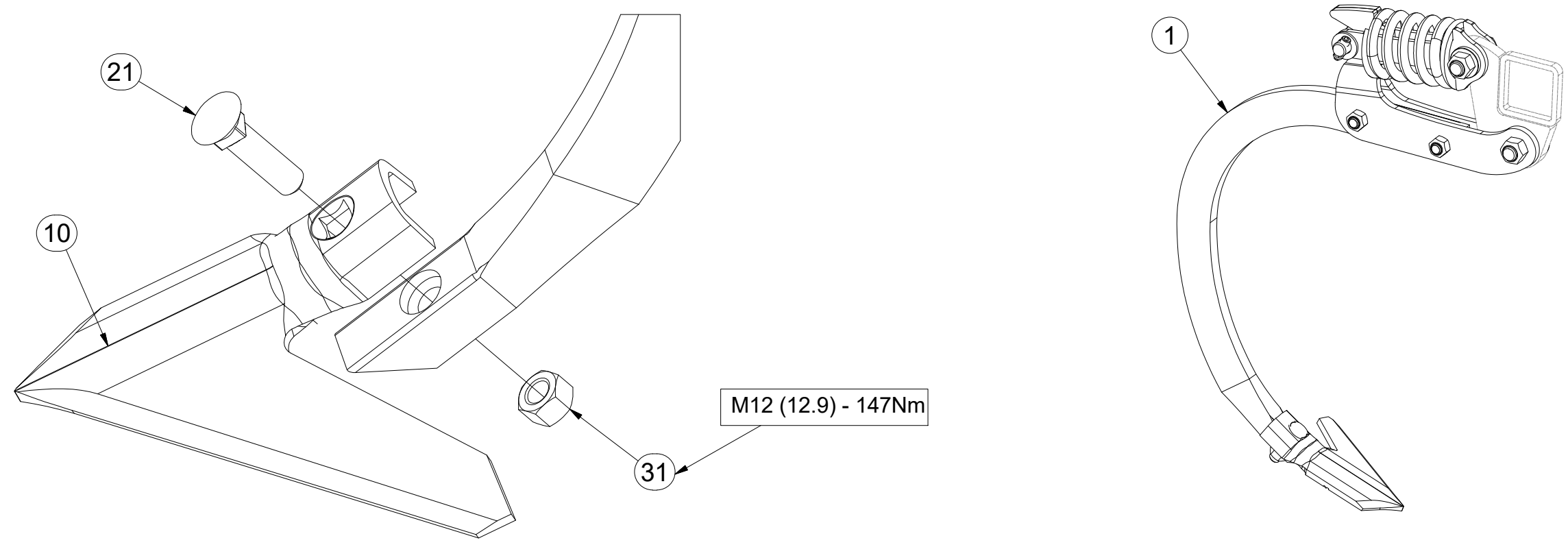
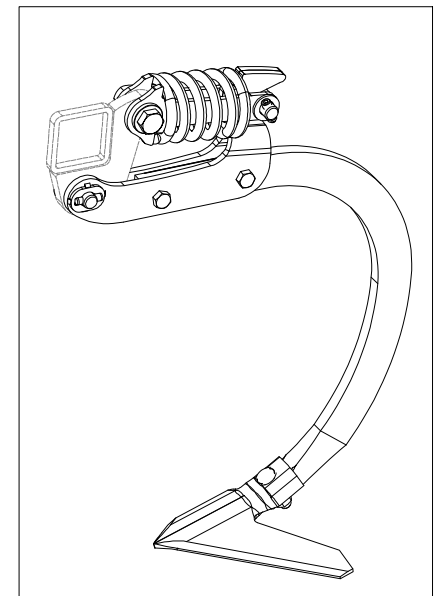
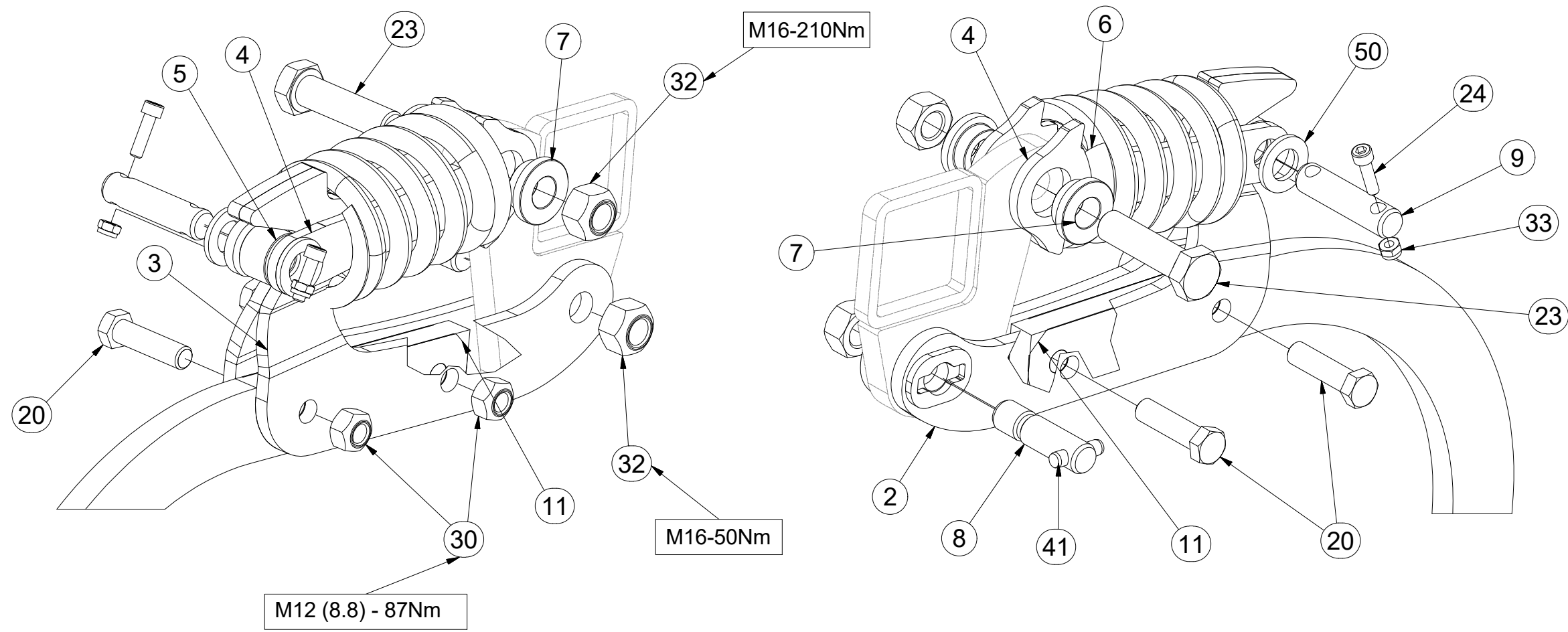
| Pos. | Part Number | Pcs. |
|------|-------------|------|
| 1 | 9003266 | 1 |
| 2 | 4009710 | 1 |
| 3 | 3005057 | 1 |
| 4 | 4014253 | 2 |
| 5 | 4009624 | 1 |
| 6 | m12950 | 1 |
| 7 | 4014252 | 2 |
| 8 | 4009647 | 1 |
| 9 | 4015783 | 1 |
| 10 | 4007280 | 1 |
| 11 | 4014863 | 2 |
| 20 | m06077 | 2 |
| 21 | m10440 | 1 |
| 23 | m14482 | 1 |
| 24 | m15215 | 2 |
| 30 | m06233 | 2 |
| 31 | m10439 | 1 |
| 32 | m12150 | 2 |
| 33 | m05560 | 2 |
| 41 | m12464 | 1 |
| 50 | m14971 | 2 |

CZ RADLICE KRAJOVÁ / PRAVÁ
 D RANDPFLUGSCHAR / RECHTS
 F SOC D'EXTRÉMITÉ DE LA / DROITE

GB PLOUGHSHARE EDGE / RIGHT
 RU БОКОВАЯ ЛАПА / ПРАВАЯ
 PL REDLICA SKRAJNA / PRAWA



4014550



| Pos. | Part Number | Pcs. |
|------|-------------|------|
| 1 | 9003266 | 1 |
| 2 | 4009710 | 1 |
| 3 | 3005057 | 1 |
| 4 | 4014253 | 2 |
| 5 | 4009624 | 1 |
| 6 | m12950 | 1 |
| 7 | 4014252 | 2 |
| 8 | 4009647 | 1 |
| 9 | 4015783 | 1 |
| 10 | 4007281 | 1 |
| 11 | 4014863 | 2 |
| 20 | m06077 | 2 |
| 21 | m10440 | 1 |
| 23 | m14482 | 1 |
| 24 | m15215 | 2 |
| 30 | m06233 | 2 |
| 31 | m10439 | 1 |
| 32 | m12150 | 2 |
| 33 | m05560 | 2 |
| 41 | m12464 | 1 |
| 50 | m14971 | 2 |

Ⓒ RADLICE

Ⓓ SCHARE

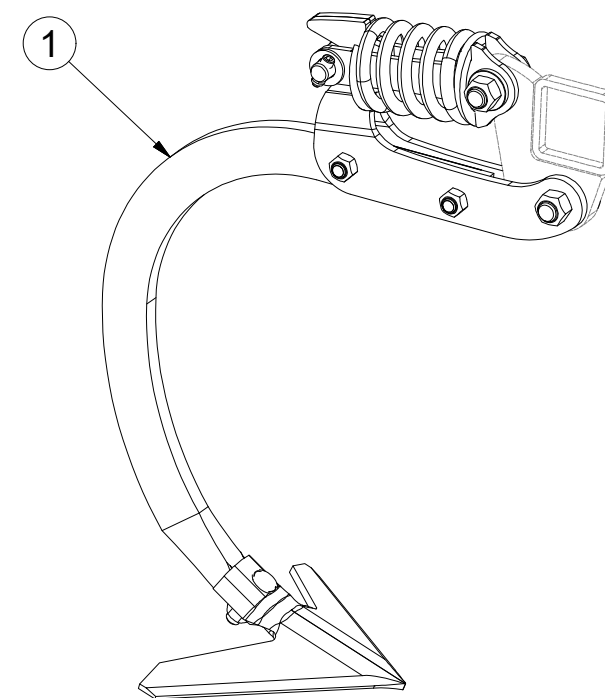
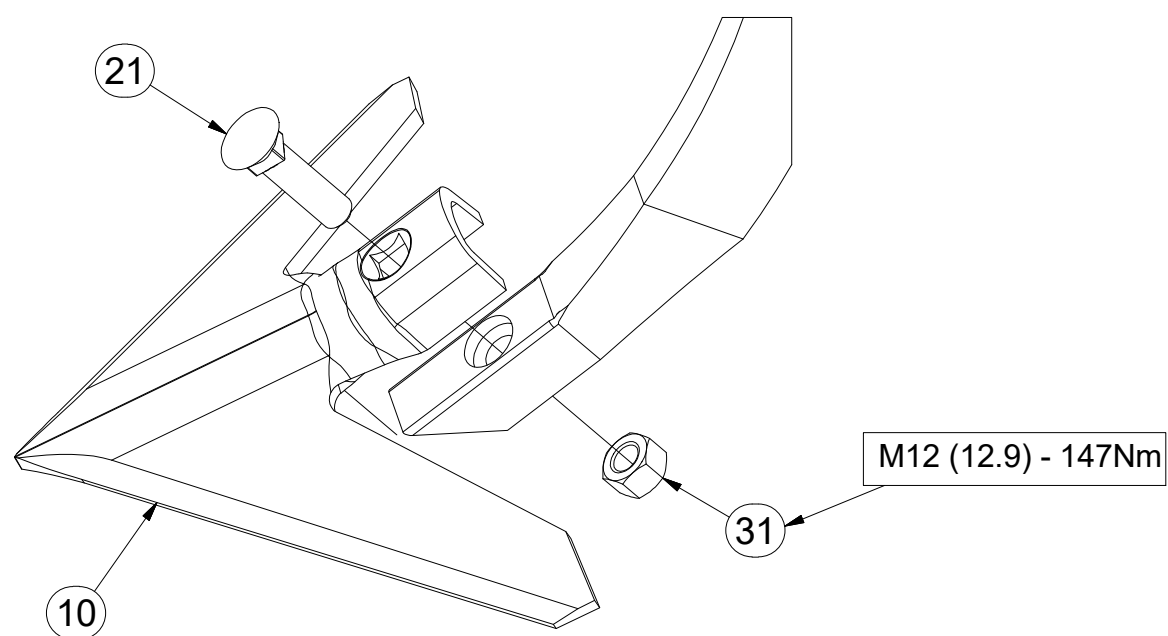
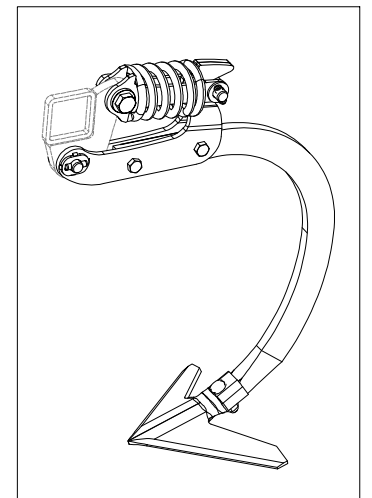
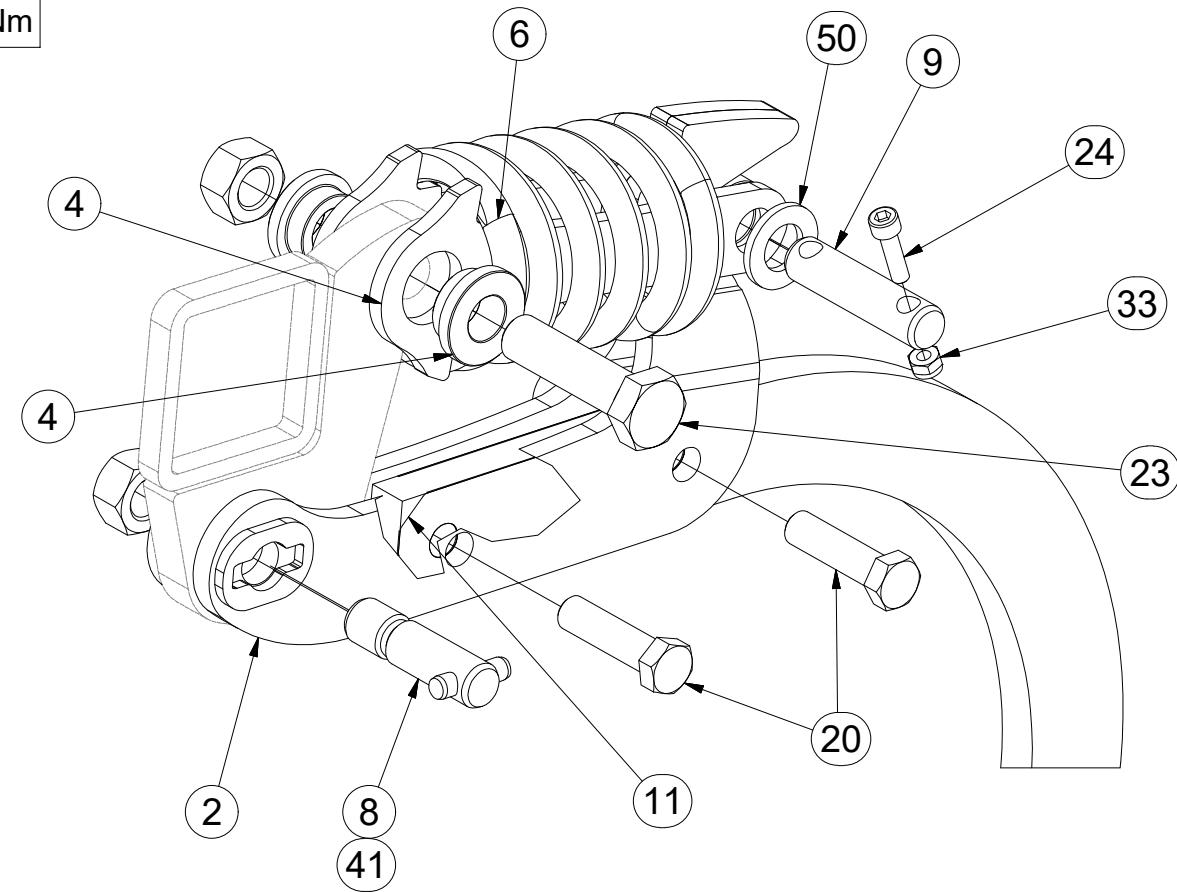
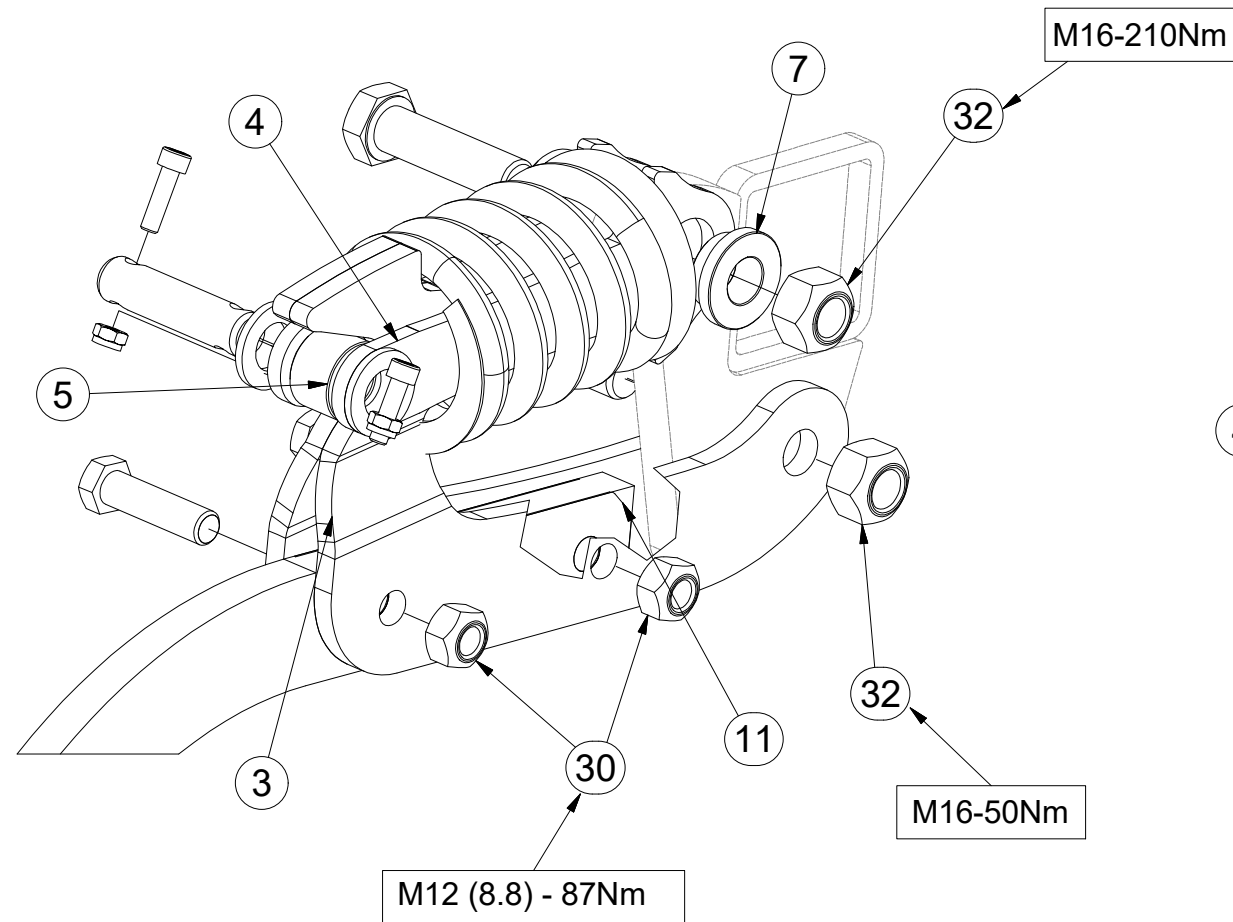
Ⓕ SOC

4009708_2

Ⓖ SHARE

Ⓡ ЛАПА

Ⓟ REDLICE



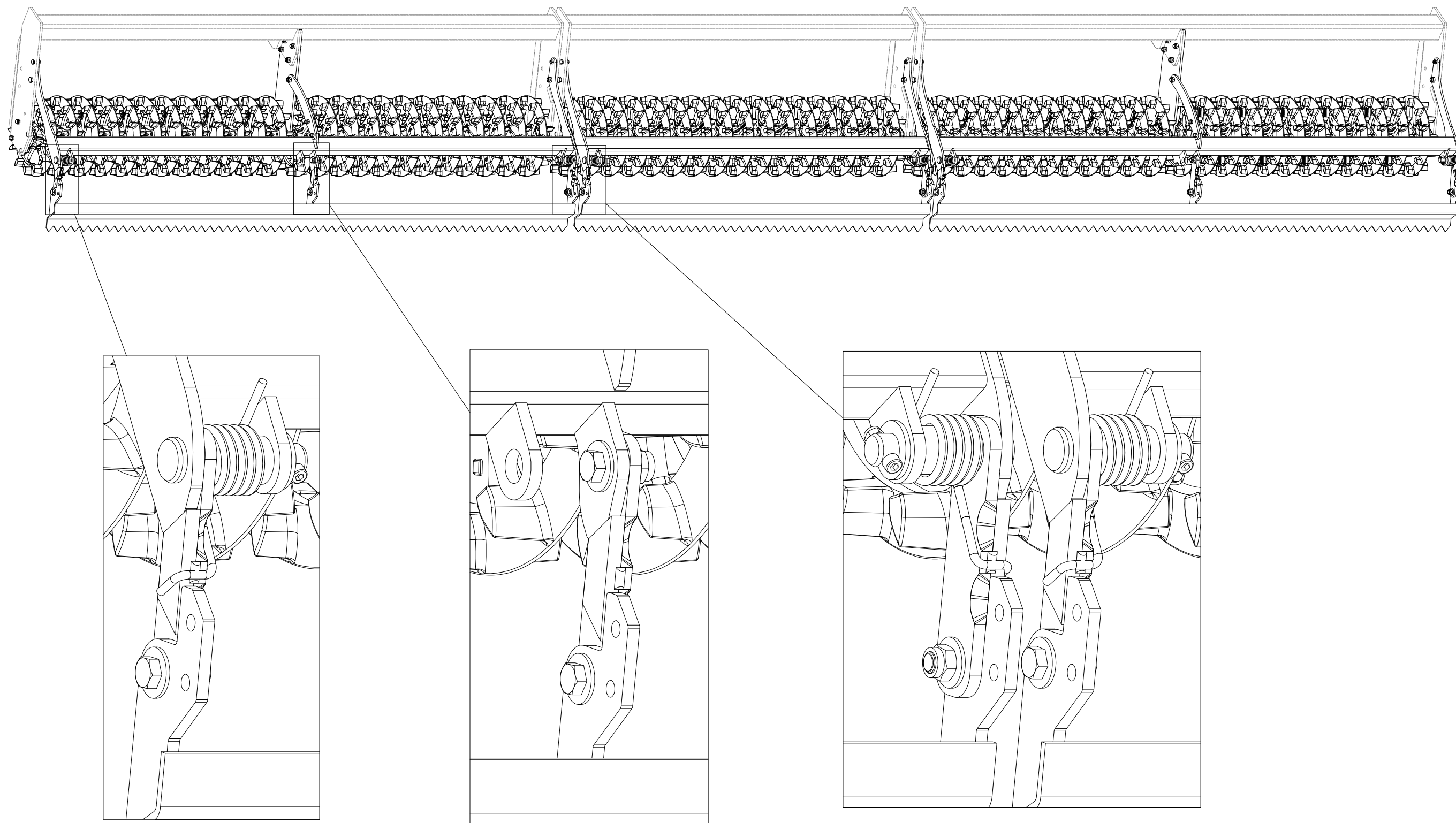
| Pos. | Part Number | Pcs. |
|------|-------------|------|
| 1 | 9003266 | 1 |
| 2 | 4009710 | 1 |
| 3 | 3005057 | 1 |
| 4 | 4014253 | 2 |
| 5 | 4009624 | 1 |
| 6 | m12950 | 1 |
| 7 | 4014252 | 2 |
| 8 | 4009647 | 1 |
| 9 | 4015783 | 1 |
| 10 | 3000236-KOO | 1 |
| 11 | 4014863 | 2 |
| 20 | m06077 | 2 |
| 21 | m10440 | 1 |
| 23 | m14482 | 1 |
| 24 | m15215 | 2 |
| 30 | m06233 | 2 |
| 31 | m10439 | 1 |
| 32 | m12150 | 2 |
| 33 | m05560 | 2 |
| 41 | m12464 | 1 |
| 50 | m14971 | 2 |

- ⒸZ SADA ZADNÍCH VÁLCŮ
- Ⓓ SATZ HINTERE WALZEN
- Ⓕ KIT DE ROULEAUX ARRIÈRE

- ⒸB SET OF REAR ROLLERS
- ⒹU КОМПЛЕКТ ЗАДНИХ КАТКОВ
- ⒹL ZESTAW TYLNYCH WAŁÓW



3008668



ⒸZ SADA ZADNÍCH VÁLCŮ

Ⓓ SATZ HINTERE WALZEN

Ⓕ KIT DE ROULEAUX ARRIÈRE

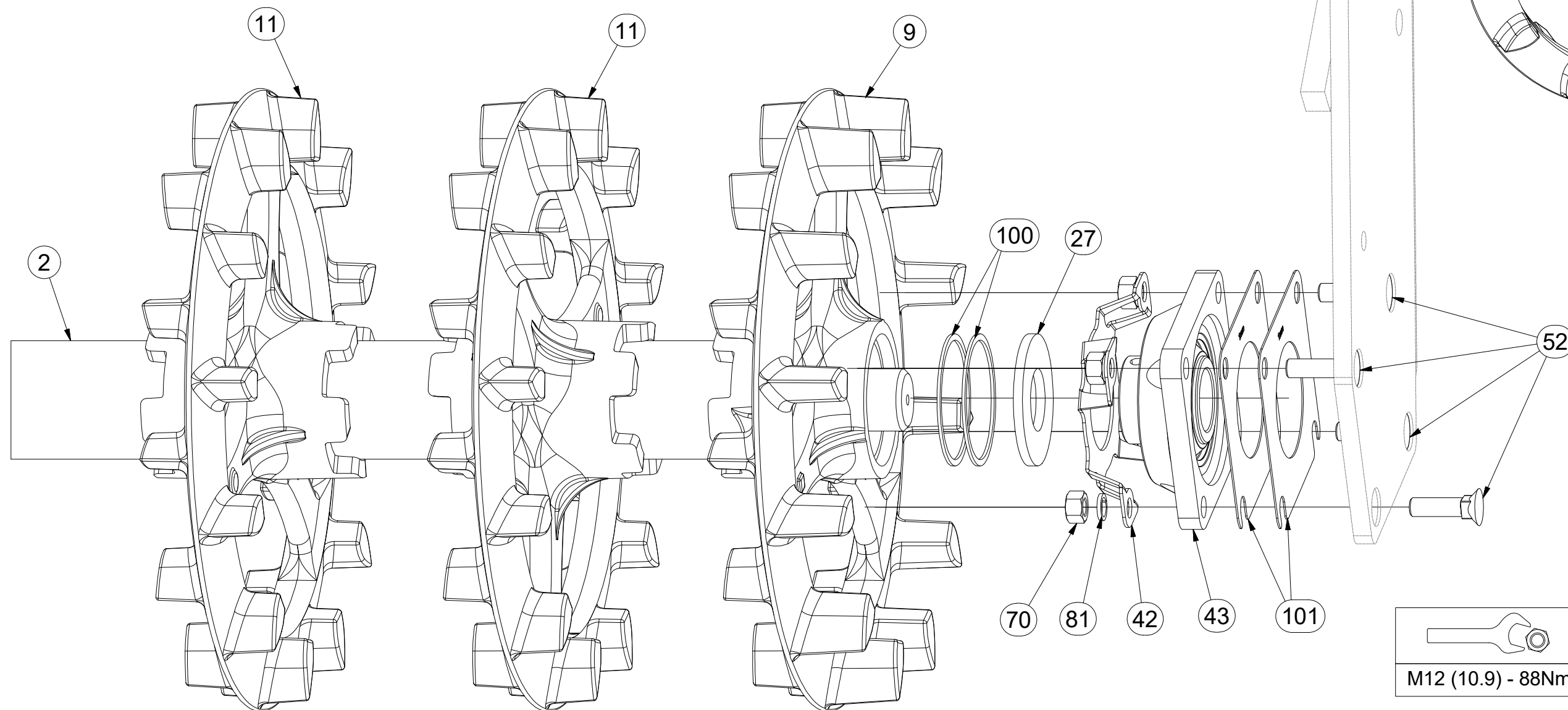
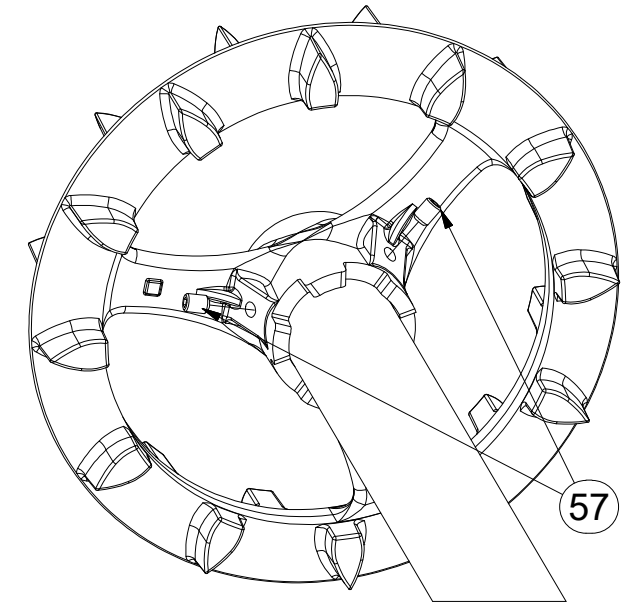
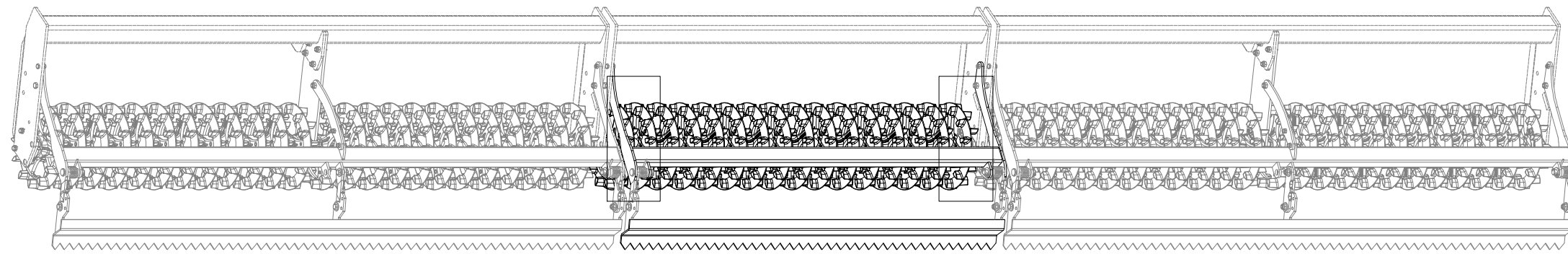
ⒼB SET OF REAR ROLLERS

ⒺU КОМПЛЕКТ ЗАДНИХ КАТКОВ

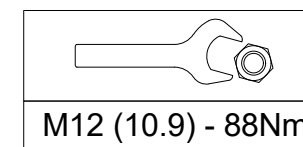
ⒼL ZESTAW TYLNYCH WAŁÓW



3008668



| Pos. | Part Number | Pcs. |
|------|-------------|------|
| 2 | 3001805 | 1 |
| 9 | 4009333 | 2 |
| 11 | 9002944 | 54 |
| 27 | 4016995 | 10 |
| 42 | 4014034 | 10 |
| 43 | m15625 | 10 |
| 52 | m03519 | 20 |
| 57 | m13958 | 20 |
| 70 | m01305 | 32 |
| 81 | m03988 | 32 |
| 100 | 4010015 | 20 |
| 101 | 4016809 | 20 |

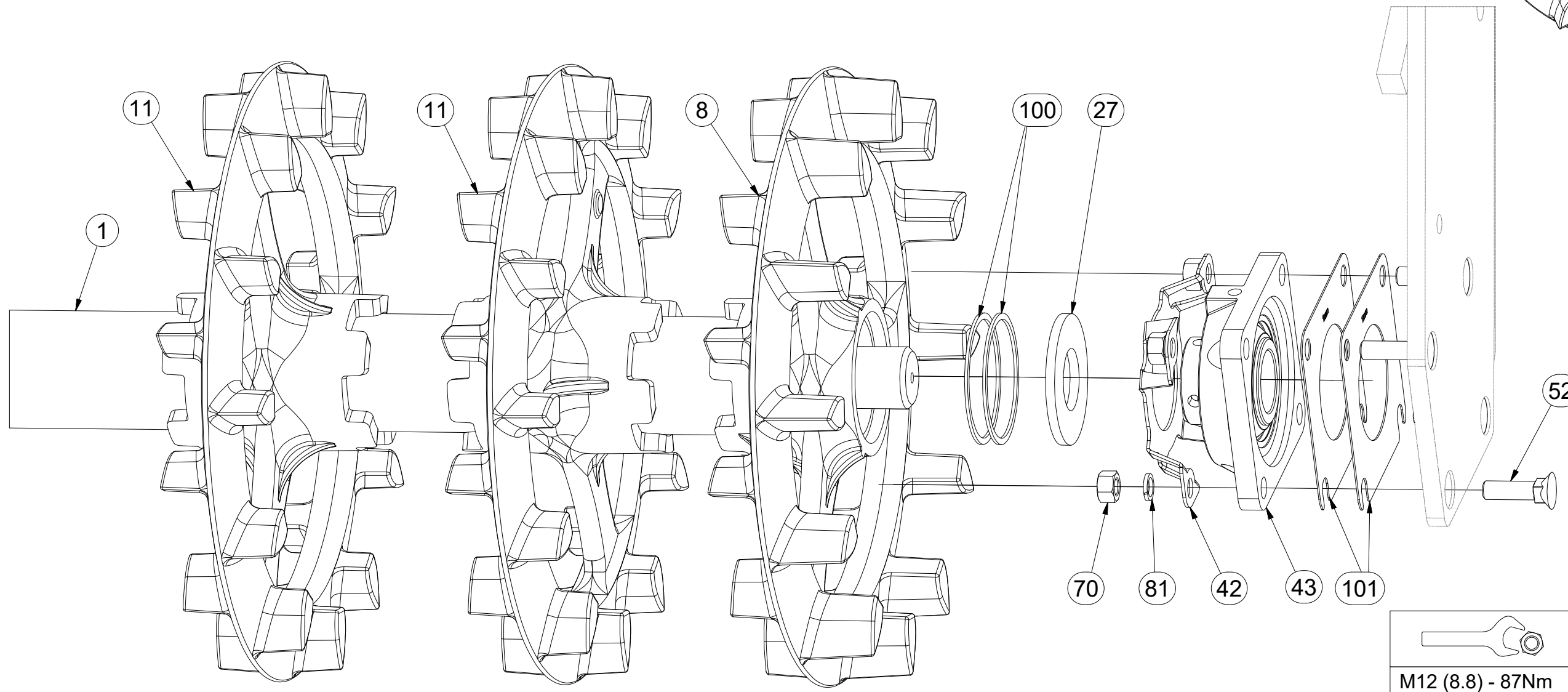
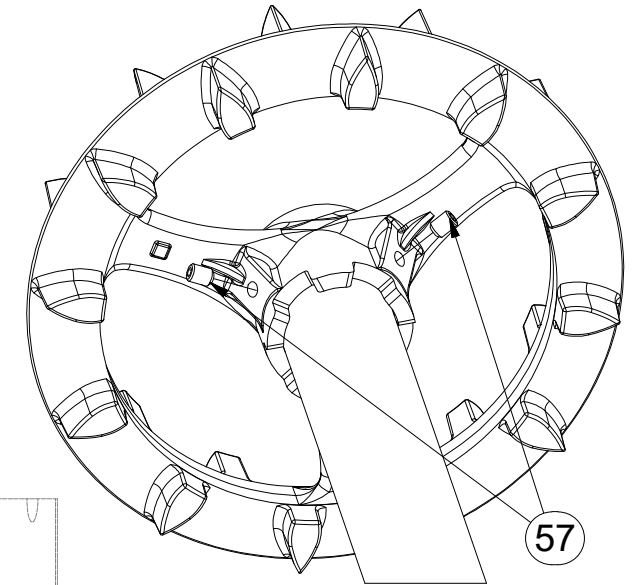
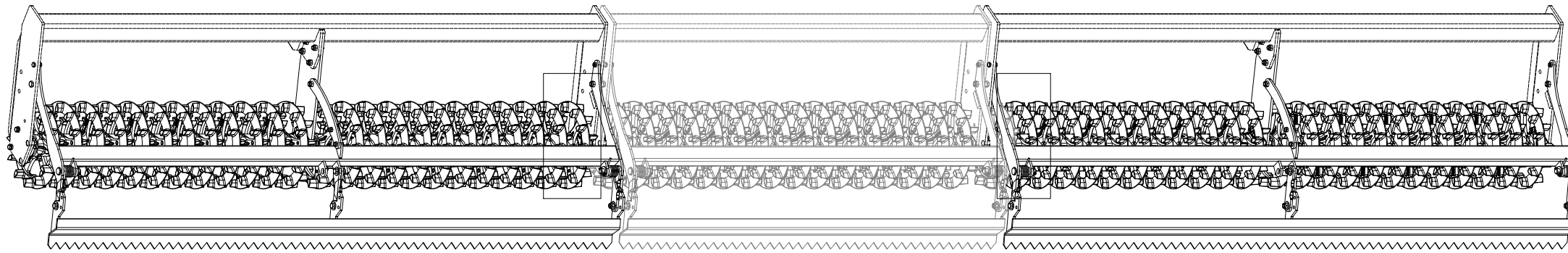


CZ SADA ZADNÍCH VÁLCŮ
 D SATZ HINTERE WALZEN
 F KIT DE ROULEAUX ARRIÈRE

GB SET OF REAR ROLLERS
 RU КОМПЛЕКТ ЗАДНИХ КАТКОВ
 PL ZESTAW TYLNYCH WAŁÓW



3008668



M12 (8.8) - 87Nm

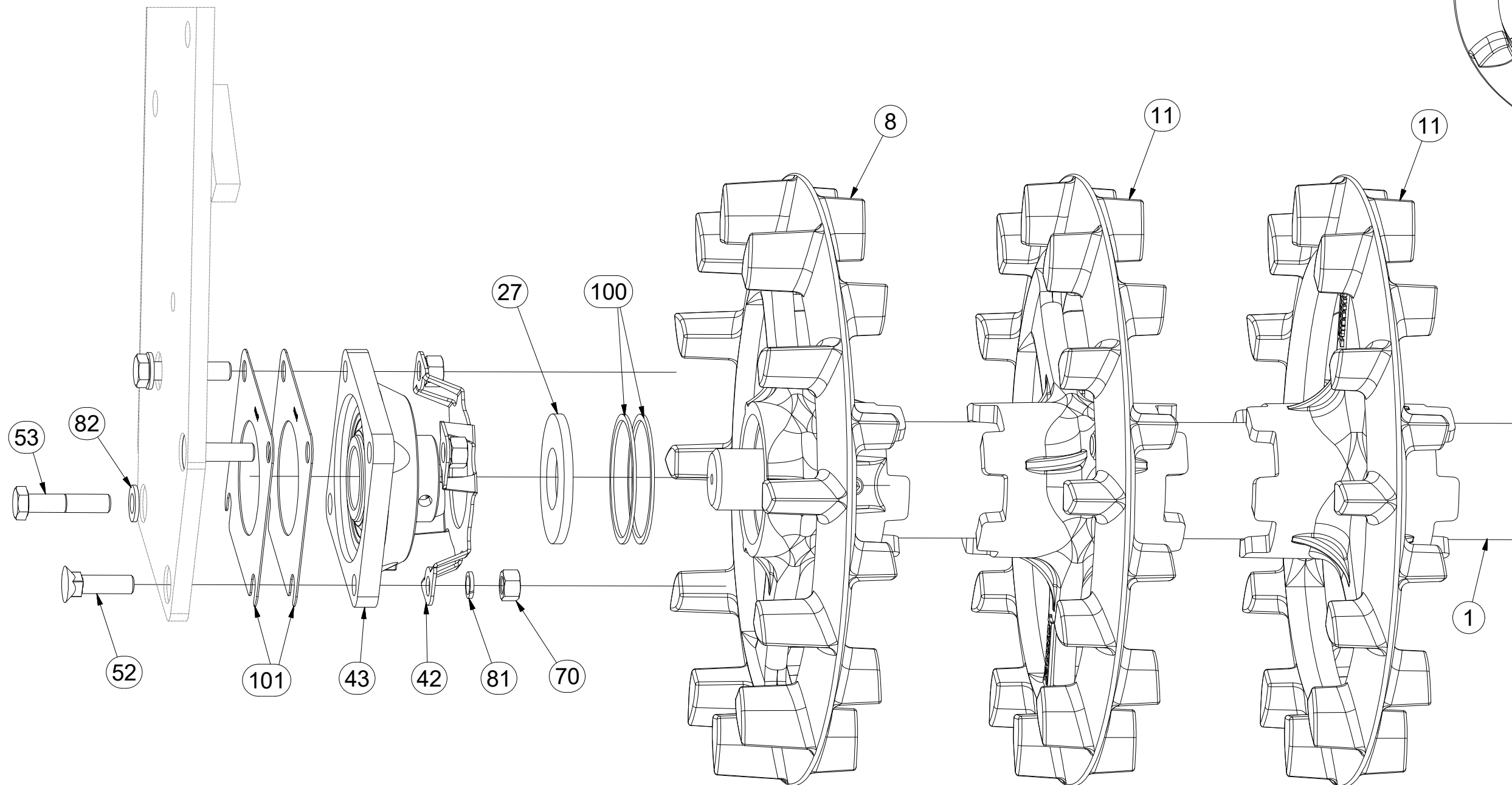
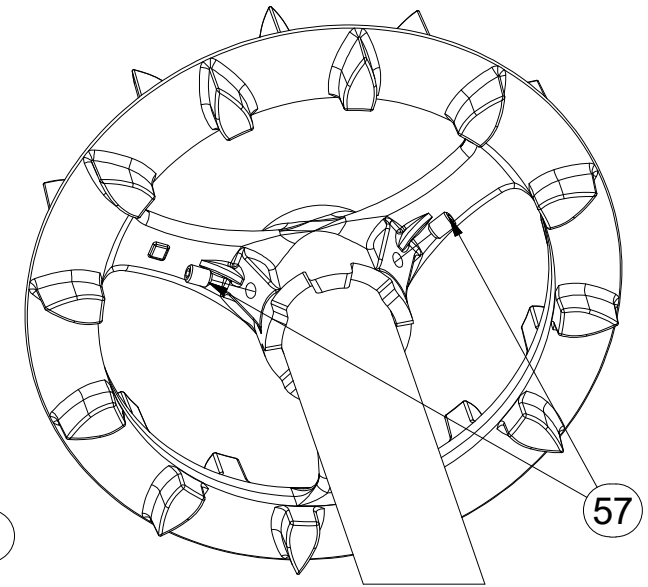
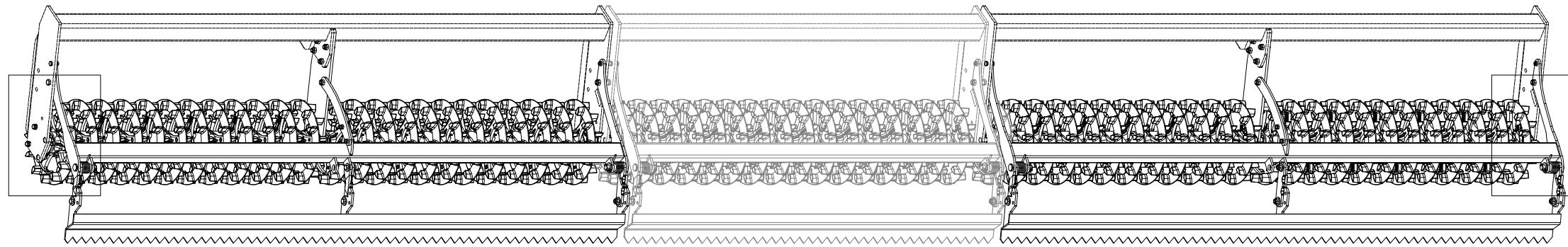
| Pos. | Part Number | Pcs. |
|------|-------------|------|
| 1 | 3000129 | 4 |
| 8 | 4009332 | 8 |
| 11 | 9002944 | 54 |
| 27 | 4016995 | 10 |
| 42 | 4014034 | 10 |
| 43 | m15625 | 10 |
| 52 | m03519 | 20 |
| 57 | m13958 | 20 |
| 70 | m01305 | 32 |
| 81 | m03988 | 32 |
| 100 | 4010015 | 20 |
| 101 | 4016809 | 20 |

CZ SADA ZADNÍCH VÁLCŮ
 D SATZ HINTERE WALZEN
 F KIT DE ROULEAUX ARRIÈRE

GB SET OF REAR ROLLERS
 RU КОМПЛЕКТ ЗАДНИХ КАТКОВ
 PL ZESTAW TYLNYCH WAŁÓW



3008668



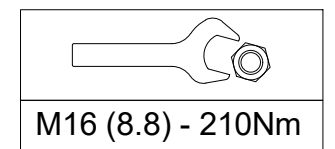
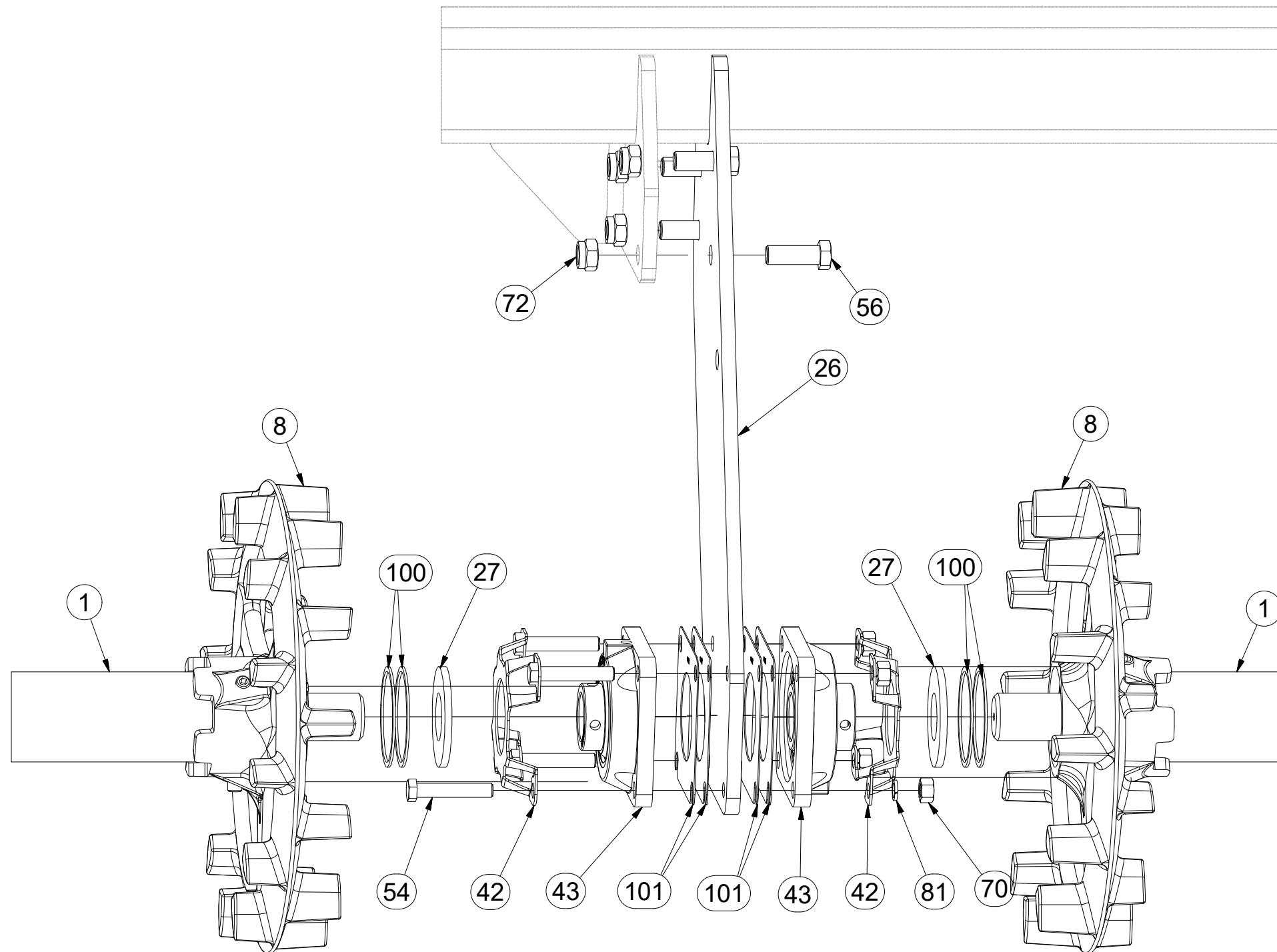
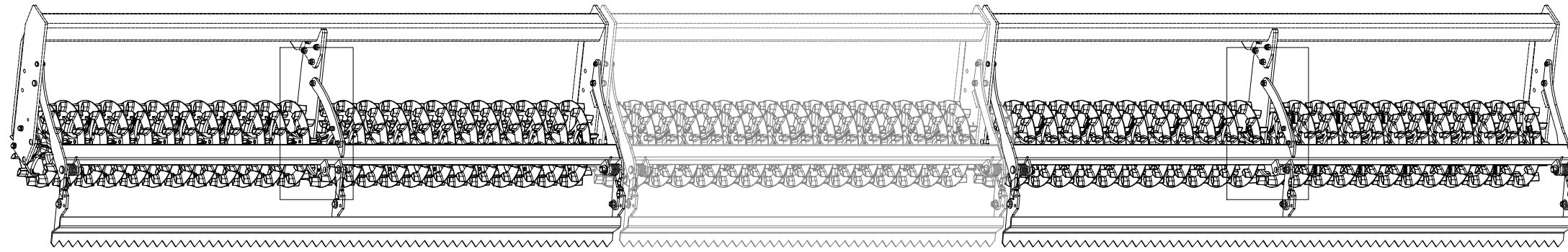
| Pos. | Part Number | Pcs. |
|------|-------------|------|
| 1 | 3000129 | 4 |
| 8 | 4009332 | 8 |
| 11 | 9002944 | 54 |
| 27 | 4016995 | 10 |
| 42 | 4014034 | 10 |
| 43 | m15625 | 10 |
| 52 | m03519 | 20 |
| 53 | m04412 | 4 |
| 57 | m13958 | 20 |
| 70 | m01305 | 32 |
| 81 | m03988 | 32 |
| 82 | m01214 | 8 |
| 100 | 4010015 | 20 |
| 101 | 4016809 | 20 |

CZ SADA ZADNÍCH VÁLCŮ
 D SATZ HINTERE WALZEN
 F KIT DE ROULEAUX ARRIÈRE

GB SET OF REAR ROLLERS
 RU КОМПЛЕКТ ЗАДНИХ КАТКОВ
 PL ZESTAW TYLNYCH WAŁÓW



3008668



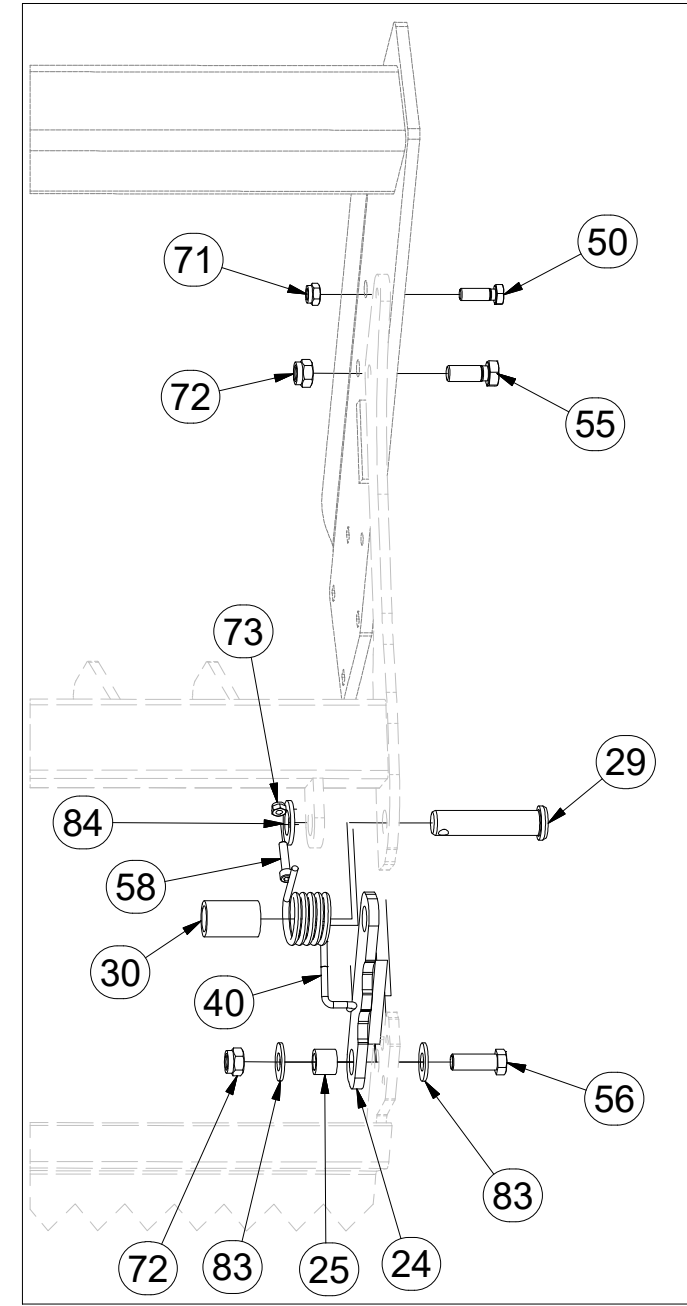
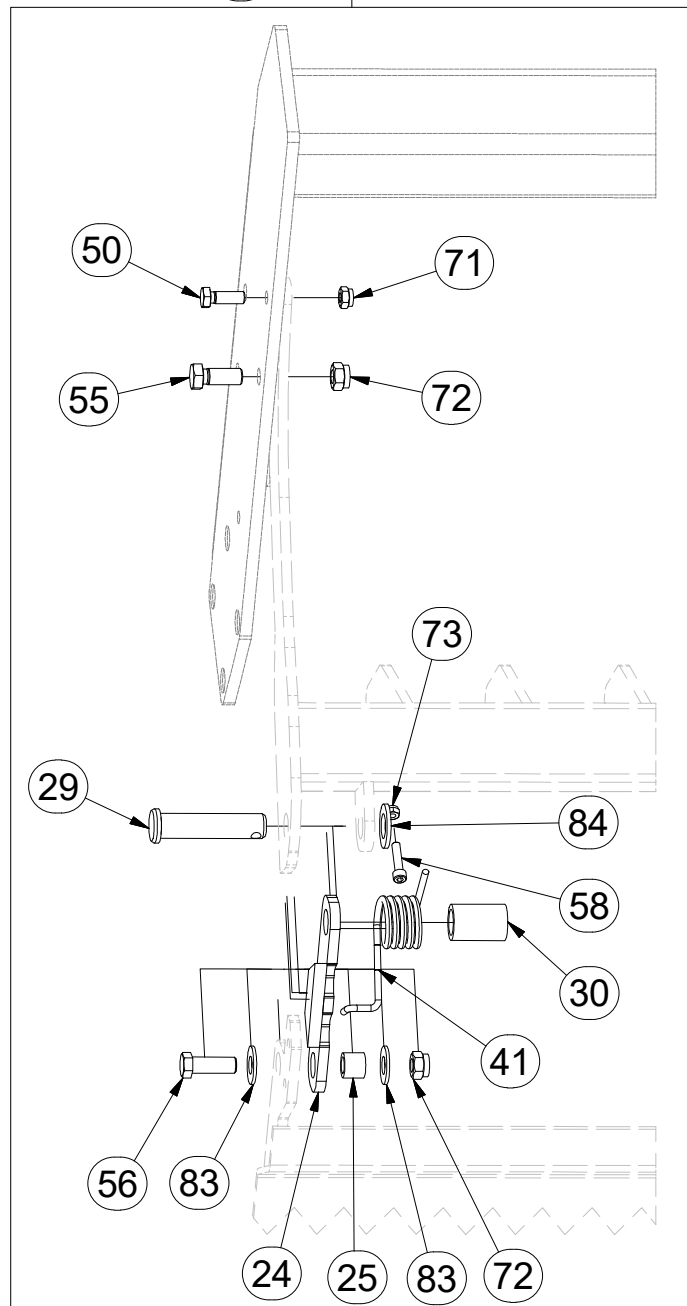
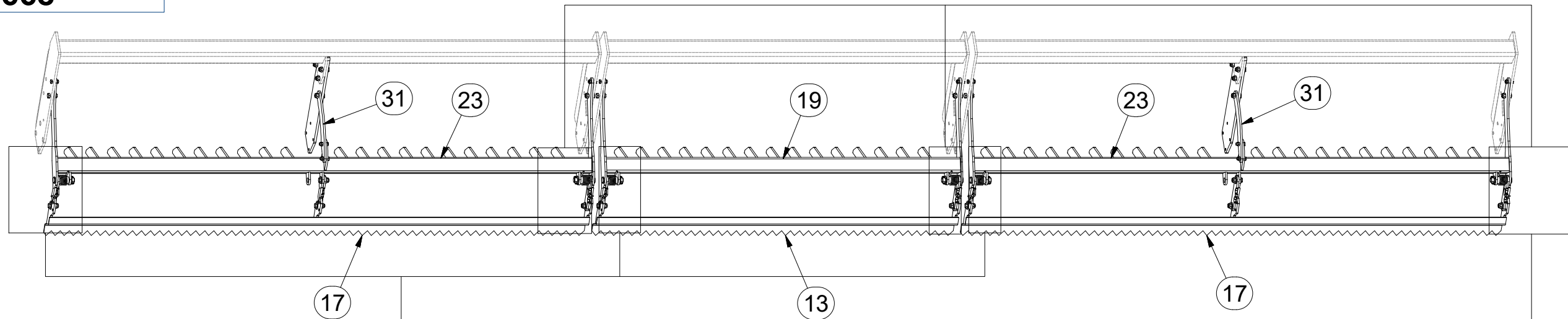
| Pos. | Part Number | Pcs. |
|------|-------------|------|
| 1 | 3000129 | 4 |
| 8 | 4009332 | 8 |
| 26 | 4005384 | 2 |
| 27 | 4016995 | 10 |
| 42 | 4014034 | 10 |
| 43 | m15625 | 10 |
| 54 | m05898 | 8 |
| 56 | m02254 | 18 |
| 70 | m01305 | 32 |
| 72 | m03683 | 26 |
| 81 | m03988 | 32 |
| 100 | 4010015 | 20 |
| 101 | 4016809 | 20 |

CZ SADA ZADNÍCH VÁLCŮ
 D SATZ HINTERE WALZEN
 F KIT DE ROULEAUX ARRIÈRE

GB SET OF REAR ROLLERS
 RU КОМПЛЕКТ ЗАДНИХ КАТКОВ
 PL ZESTAW TYLNYCH WAŁÓW



3008668



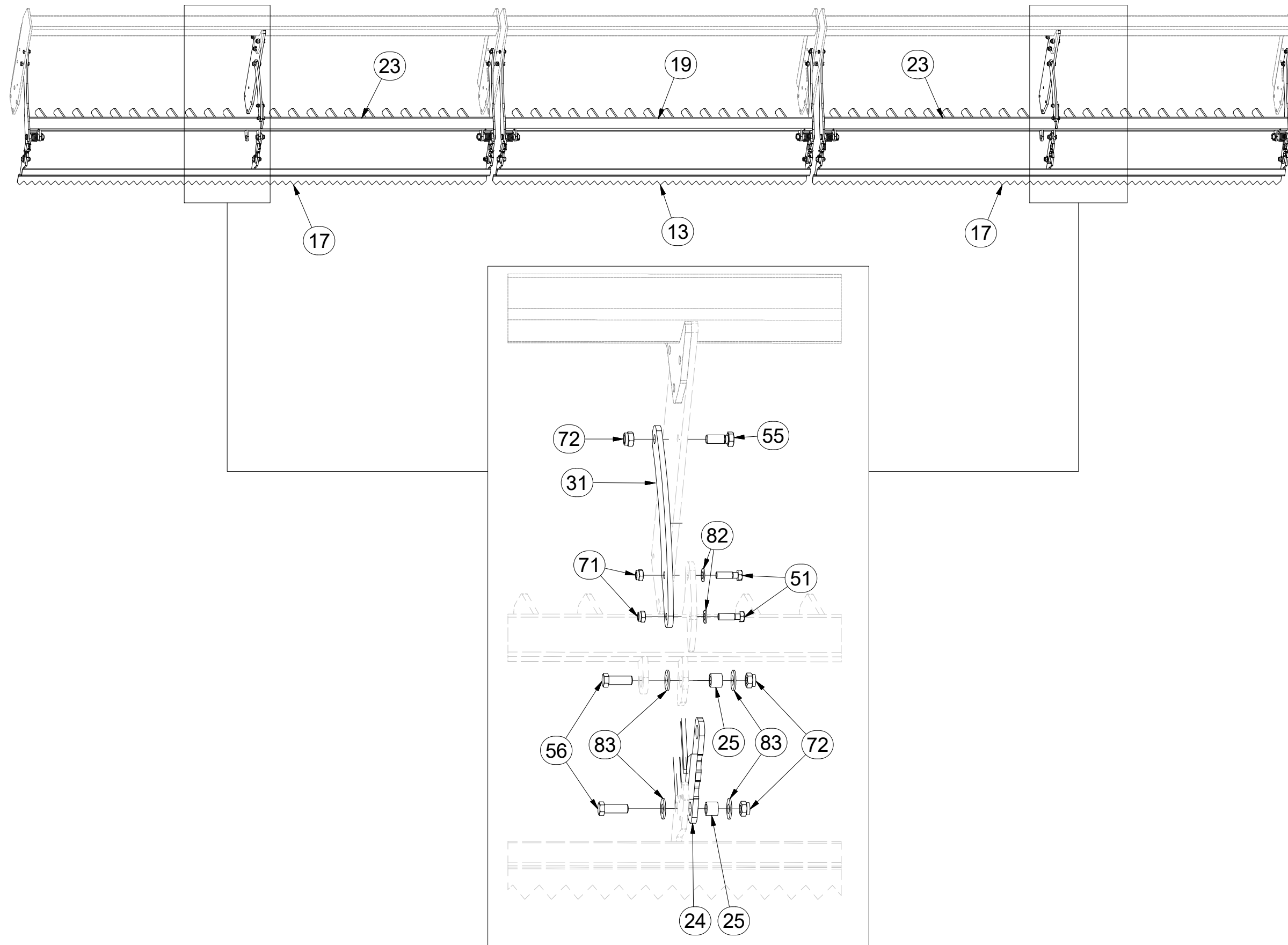
| Pos. | Part Number | Pcs. |
|------|-------------|------|
| 13 | 3001672 | 1 |
| 17 | 3002867 | 2 |
| 19 | 3004896 | 1 |
| 23 | 3007383 | 2 |
| 24 | 4002269 | 8 |
| 25 | 4004451 | 10 |
| 29 | 4015778 | 6 |
| 30 | 9002979 | 6 |
| 31 | 4013508 | 2 |
| 40 | m12303 | 3 |
| 41 | m12304 | 3 |
| 50 | m04343 | 6 |
| 55 | m01129 | 8 |
| 56 | m02254 | 18 |
| 58 | m09464 | 6 |
| 71 | m04301 | 10 |
| 72 | m03683 | 26 |
| 73 | m04503 | 6 |
| 83 | m05651 | 20 |
| 84 | m14028 | 6 |

- ⒸZ SADA ZADNÍCH VÁLCŮ
- Ⓓ SATZ HINTERE WALZEN
- Ⓕ KIT DE ROULEAUX ARRIÈRE

- ⒼB SET OF REAR ROLLERS
- ⒶR КОМПЛЕКТ ЗАДНИХ КАТКОВ
- ⒶL ZESTAW TYLNYCH WAŁÓW



3008668



| Pos. | Part Number | Pcs. |
|------|-------------|------|
| 13 | 3001672 | 1 |
| 17 | 3002867 | 2 |
| 19 | 3004896 | 1 |
| 23 | 3007383 | 2 |
| 24 | 4002269 | 8 |
| 25 | 4004451 | 10 |
| 31 | 4013508 | 2 |
| 51 | m03926 | 4 |
| 55 | m01129 | 8 |
| 56 | m02254 | 18 |
| 58 | m09464 | 6 |
| 71 | m04301 | 10 |
| 72 | m03683 | 26 |
| 82 | m01214 | 8 |
| 83 | m05651 | 20 |

ⒸZ SADA DORAZŮ ZADNÍCH SMYKŮ

Ⓓ ANSCHLAGSATZ FÜR HINTERE ACKERSCHLEPPEN

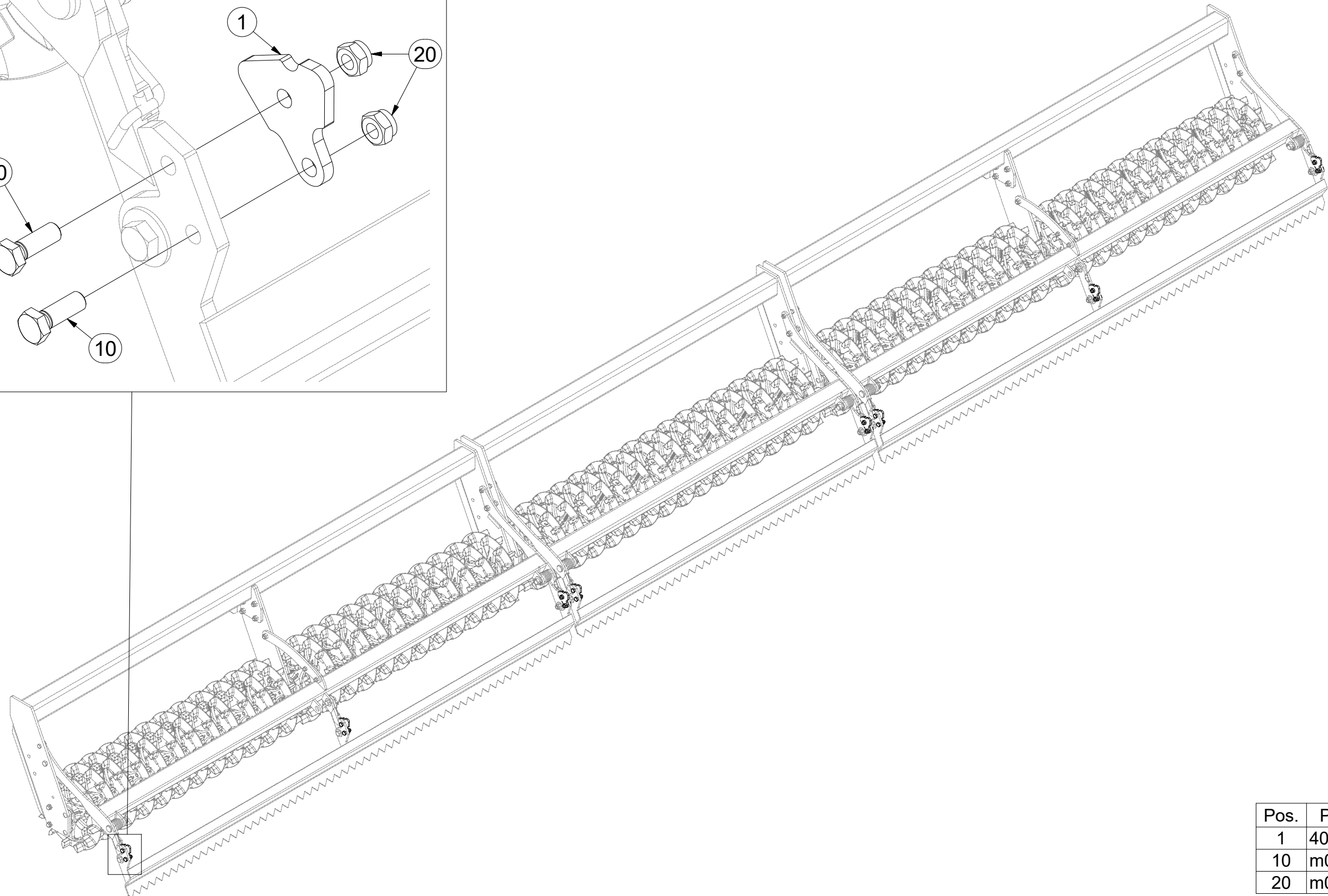
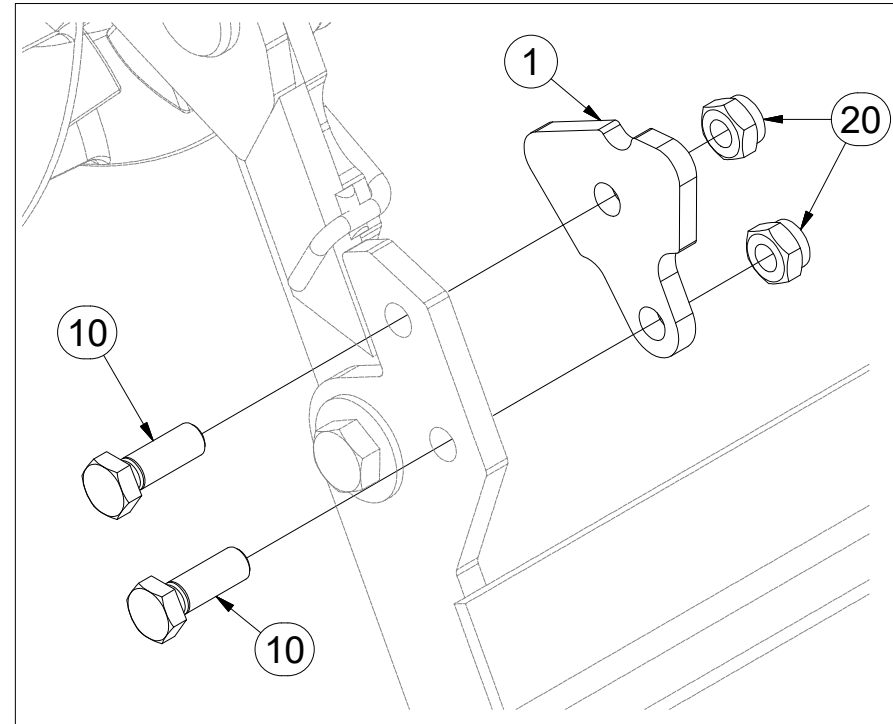
Ⓕ KIT DE BUTÉES DES NIVELEURS ARRIÈRE

3006131

ⒼB SET OF REAR LEVELLING BAR STOPS

ⓇU КОМПЛЕКТ УПОРОВ ЗАДНИХ БОРОН

ⓅL ZESTAW DOCISKÓW TYLNYCH WŁÓK



| Pos. | Part Number | Pcs. |
|------|-------------|------|
| 1 | 4009757 | 8 |
| 10 | m04343 | 16 |
| 20 | m04301 | 16 |

ⒸZ SADA NÁPRAVY

Ⓓ SATZ AUFHÄNGUNG

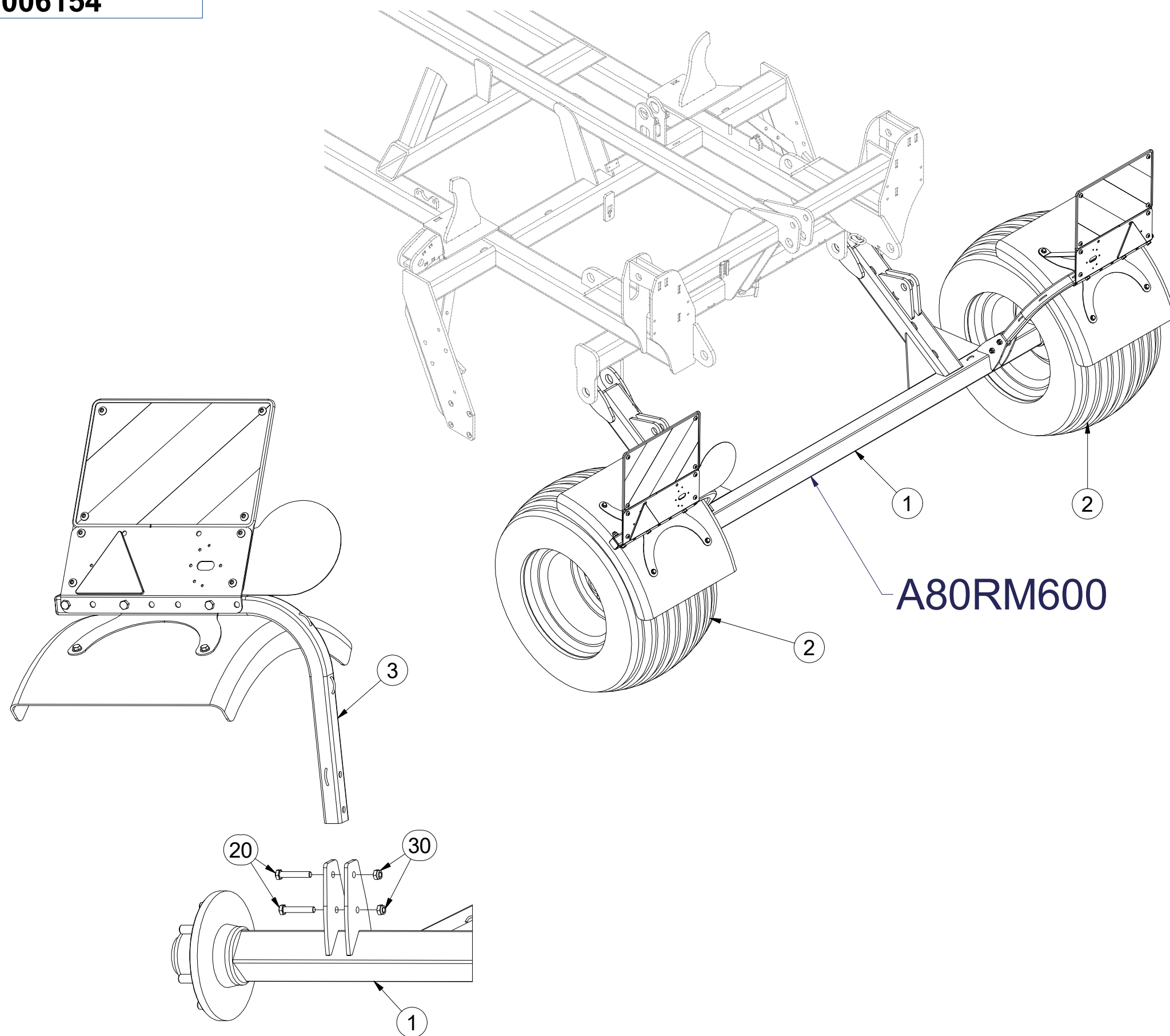
Ⓕ KIT DE L'ESSIEU

3006154

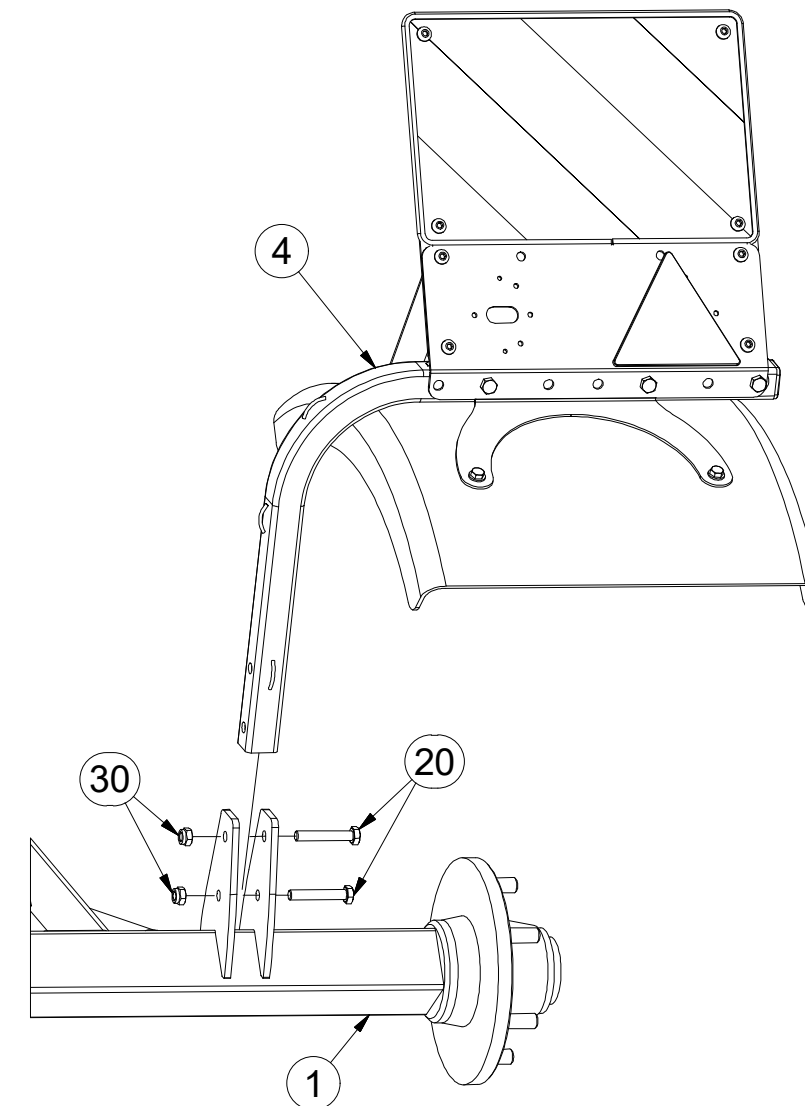
ⒼB AXLE SET

ⒺU КОМПЛЕКТ ОСИ КОЛЁС

ⒼL ZESTAW OSI



A80RM600



| | |
|--|--------------------------|
| | M12 (8.8) - 87Nm |
| | M18x1,5-265Nm 400 kPa |

| Pos. | Part Number | Pcs. |
|------|-------------|------|
| 1 | 3004298 | 1 |
| 2 | m11625 | 2 |
| 3 | 3009523 | 1 |
| 4 | 3009524 | 1 |
| 20 | m14266 | 4 |
| 30 | m04301 | 4 |

Ⓒ NÁPRAVA

Ⓓ ACHSE

Ⓕ ESSIEU

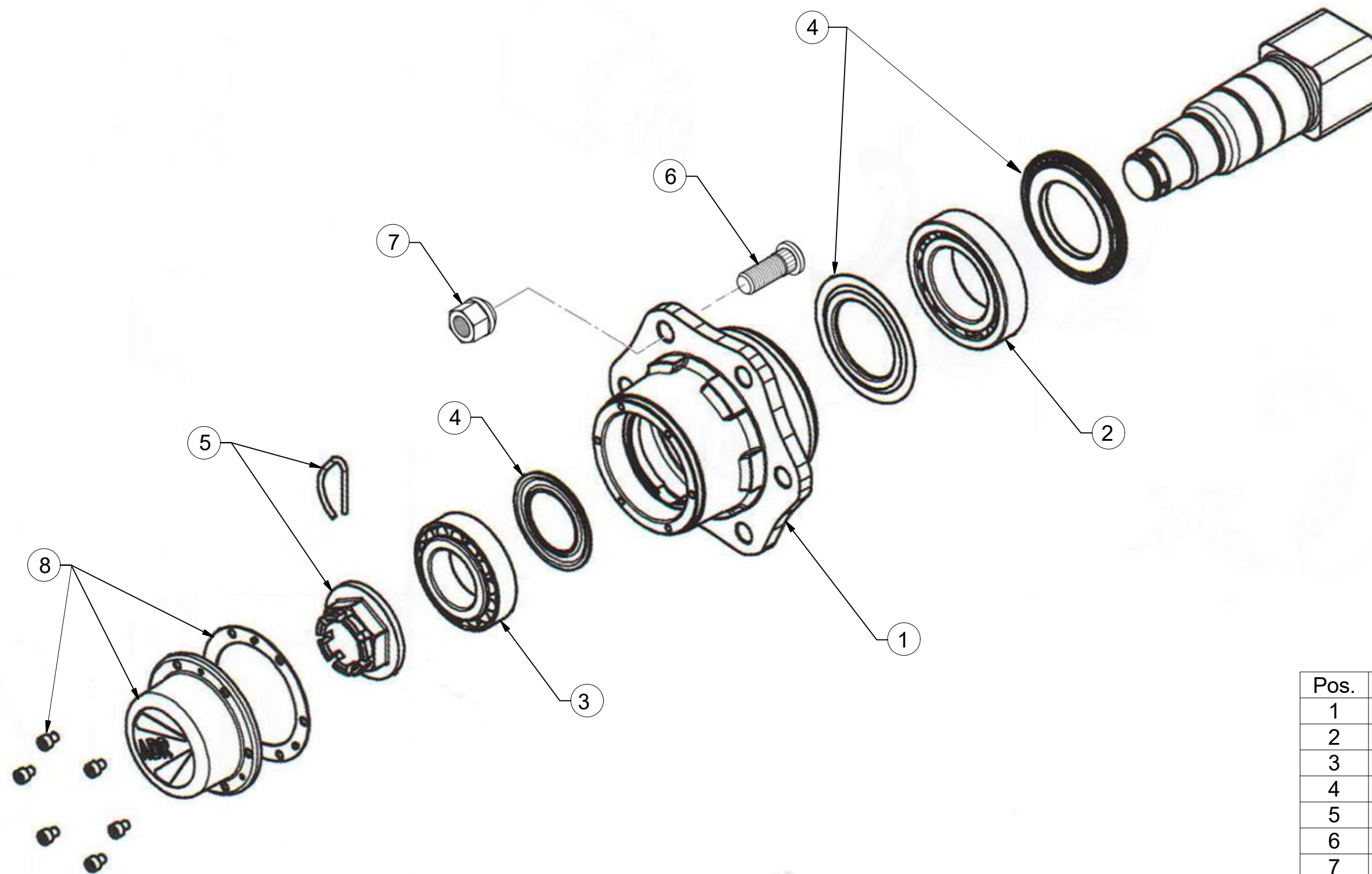
Ⓒ AXLE

Ⓓ OCB

Ⓕ OS



A80RM600



| Pos. | Part Number | Pcs. |
|------|-------------|------|
| 1 | m12567 | 2 |
| 2 | m07153 | 2 |
| 3 | m07154 | 2 |
| 4 | m12565 | 2 |
| 5 | m08168 | 2 |
| 6 | m08148 | 12 |
| 7 | m08163 | 12 |
| 8 | m12566 | 2 |

Ⓒ SADA NÁPRAVY

Ⓓ SATZ AUFHÄNGUNG

Ⓕ KIT DE L'ESSIEU

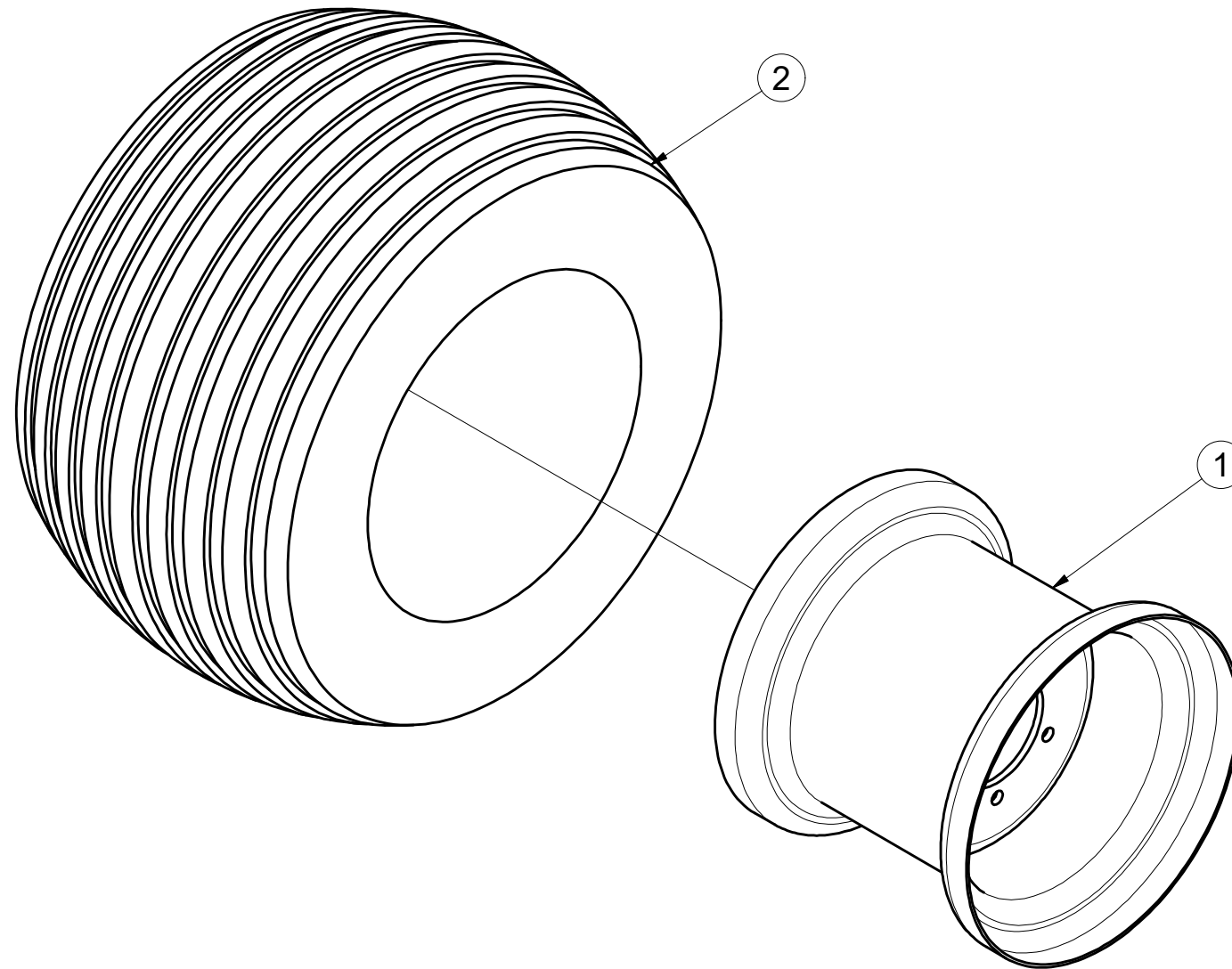
m11625

Ⓖ AXLE SET

Ⓡ КОМПЛЕКТ ОСИ КОЛЁС

Ⓢ ZESTAW OSI

Farmet



| Pos. | Part Number | Pcs. |
|------|-------------|------|
| 1 | m08228 | 1 |
| 2 | m07707 | 1 |

ⒸZ TERČ ZADNÍ LEVÝ

Ⓓ SCHILD, HINTERES, LINKES

Ⓕ CIBLE ARRIÈRE GAUCHE

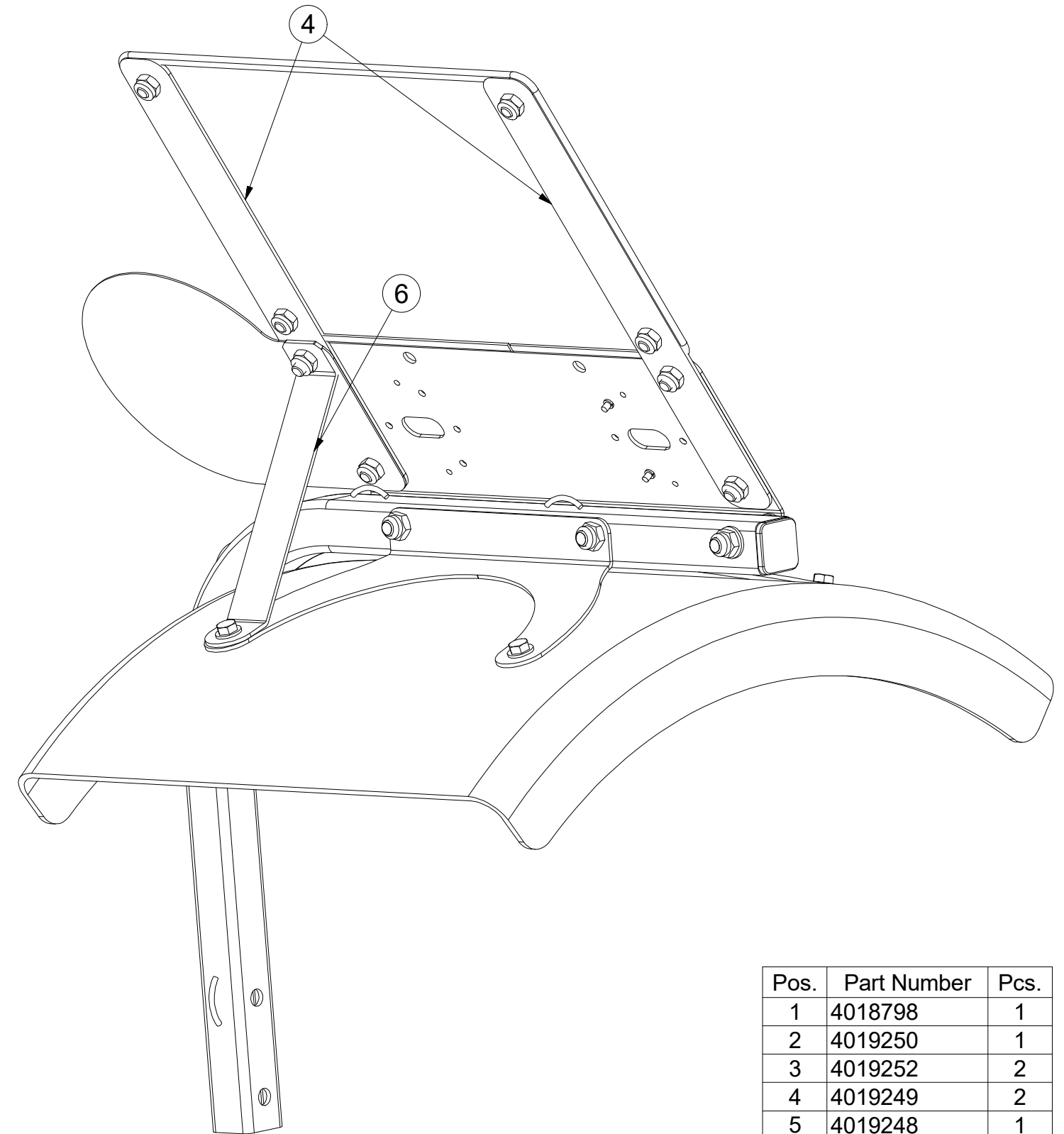
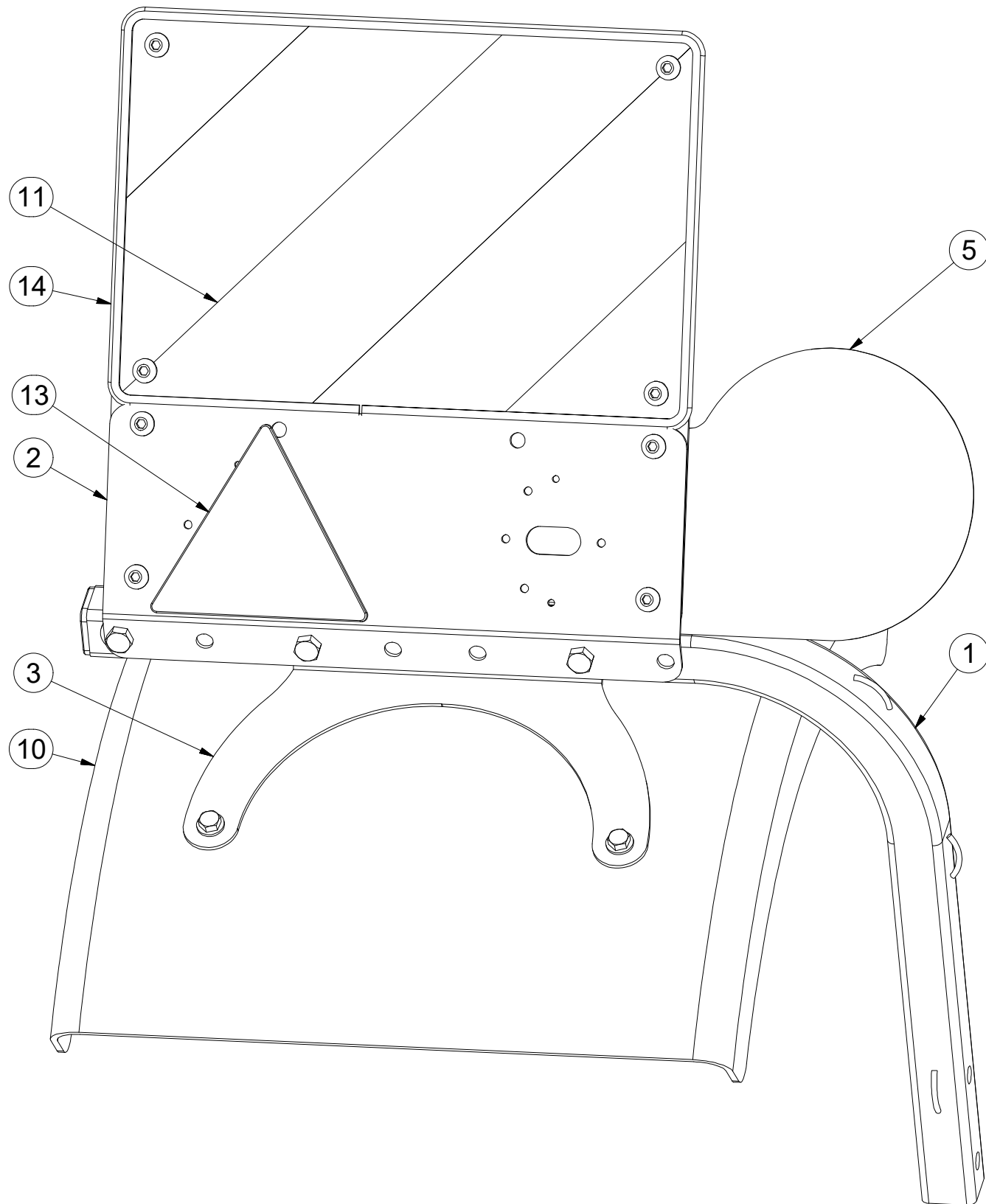
3009523

ⒼB LEFT REAR DISC

ⒺЩИТОК ЗАДНИЙ ЛЕВЫЙ

ⒽL TARCZA TYLNA LEWA

Farmet



| Pos. | Part Number | Pcs. |
|------|-------------|------|
| 1 | 4018798 | 1 |
| 2 | 4019250 | 1 |
| 3 | 4019252 | 2 |
| 4 | 4019249 | 2 |
| 5 | 4019248 | 1 |
| 6 | 4019251 | 1 |
| 10 | m09983 | 1 |
| 11 | m16274 | 1 |
| 13 | m02497 | 1 |
| 14 | m16628 | 1,4 |

ⒸZ TERČ ZADNÍ LEVÝ

Ⓓ SCHILD, HINTERES, LINKES

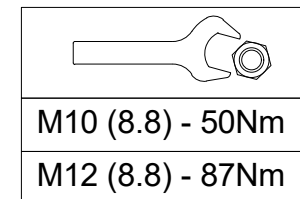
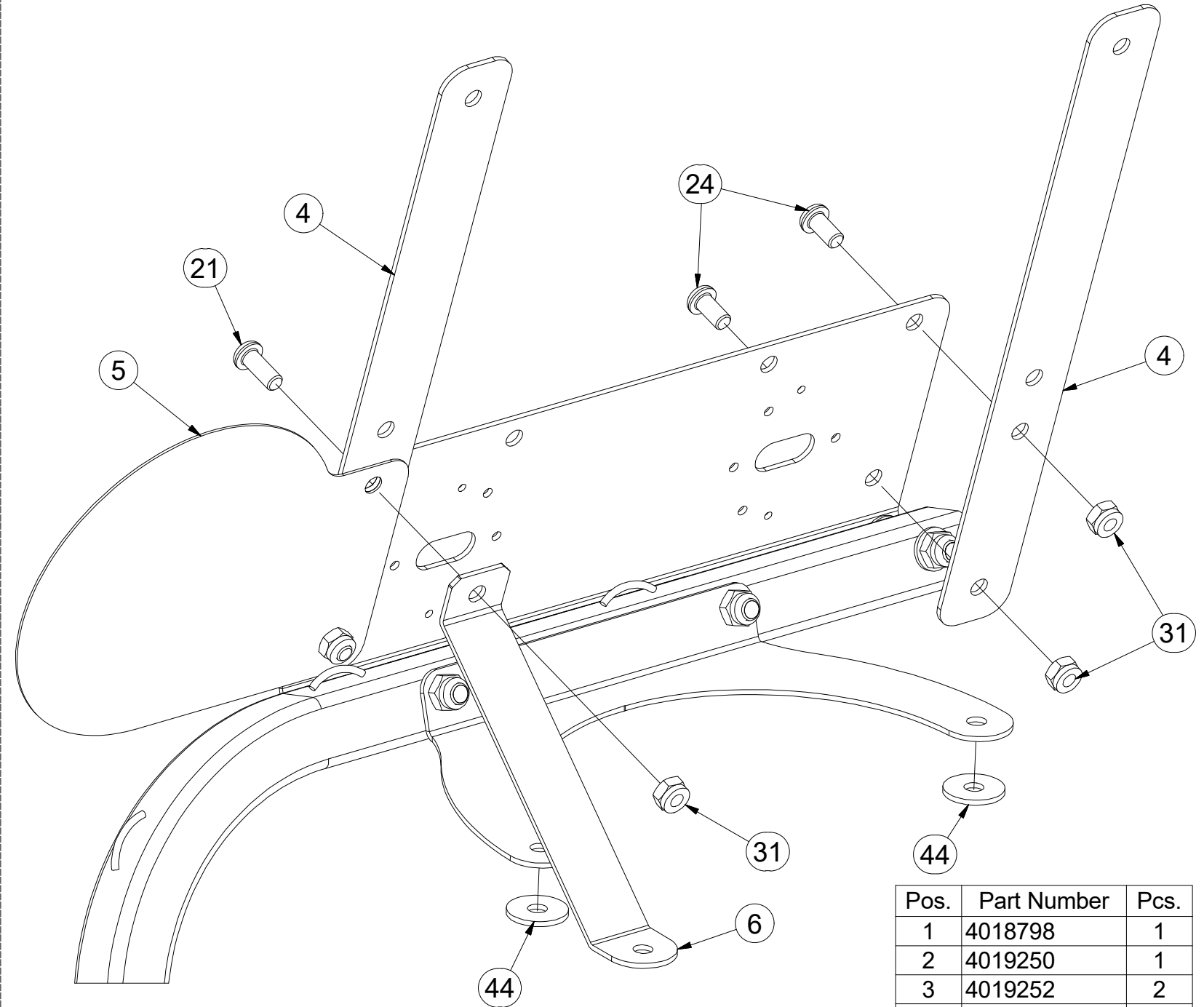
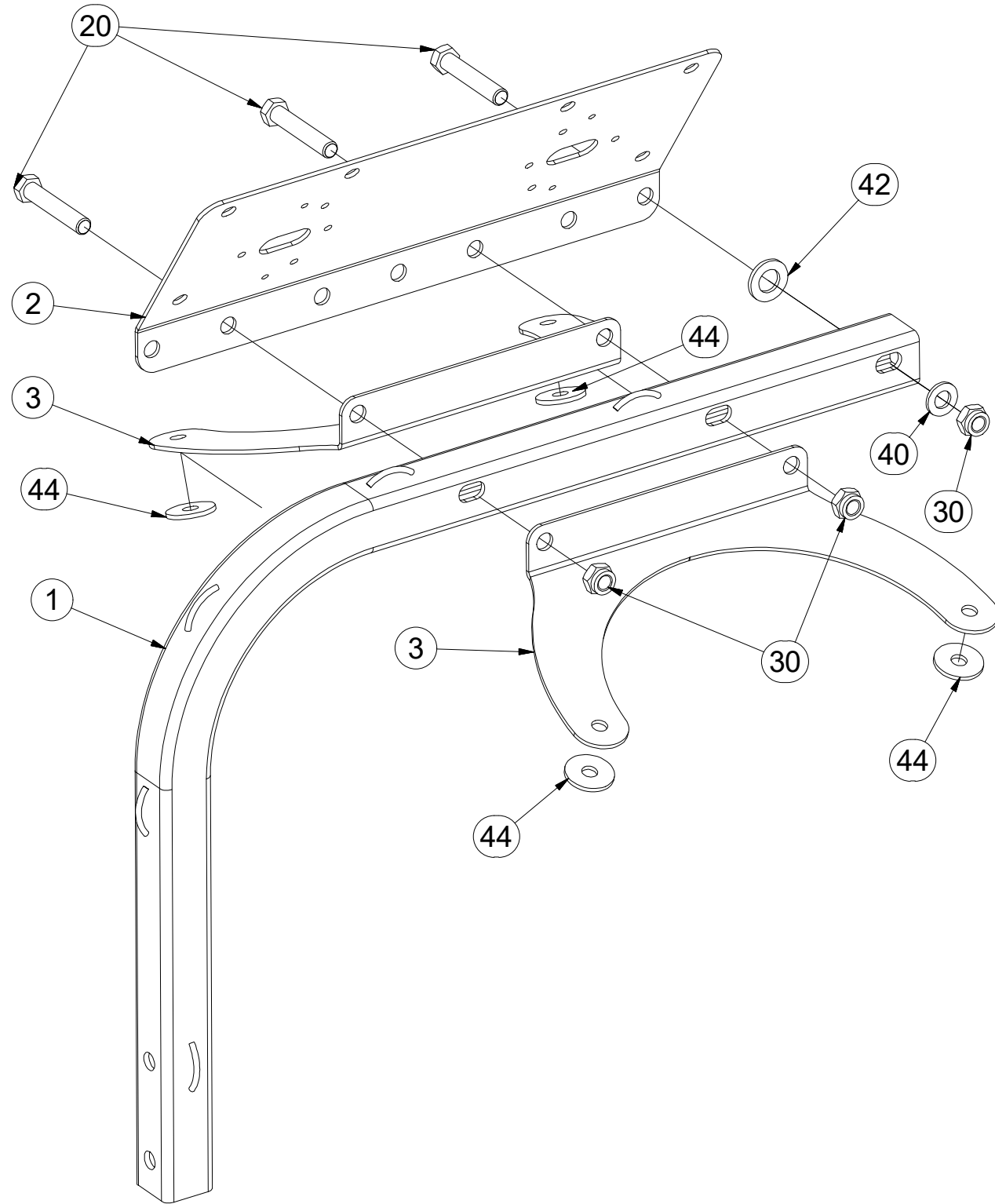
Ⓕ CIBLE ARRIÈRE GAUCHE

3009523

ⒸGB LEFT REAR DISC

ⒸRU ЩИТОК ЗАДНИЙ ЛЕВЫЙ

ⒸPL TARCZA TYLNA LEWA



| Pos. | Part Number | Pcs. |
|------|-------------|------|
| 1 | 4018798 | 1 |
| 2 | 4019250 | 1 |
| 3 | 4019252 | 2 |
| 4 | 4019249 | 2 |
| 5 | 4019248 | 1 |
| 6 | 4019251 | 1 |
| 20 | m05898 | 3 |
| 21 | m16688 | 1 |
| 24 | m16637 | 3 |
| 30 | m04301 | 3 |
| 31 | m03775 | 12 |
| 40 | m01214 | 1 |
| 42 | m01219 | 1 |
| 44 | m16981 | 4 |

ⒸZ TERČ ZADNÍ LEVÝ

Ⓓ SCHILD, HINTERES, LINKES

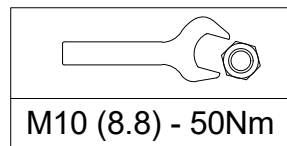
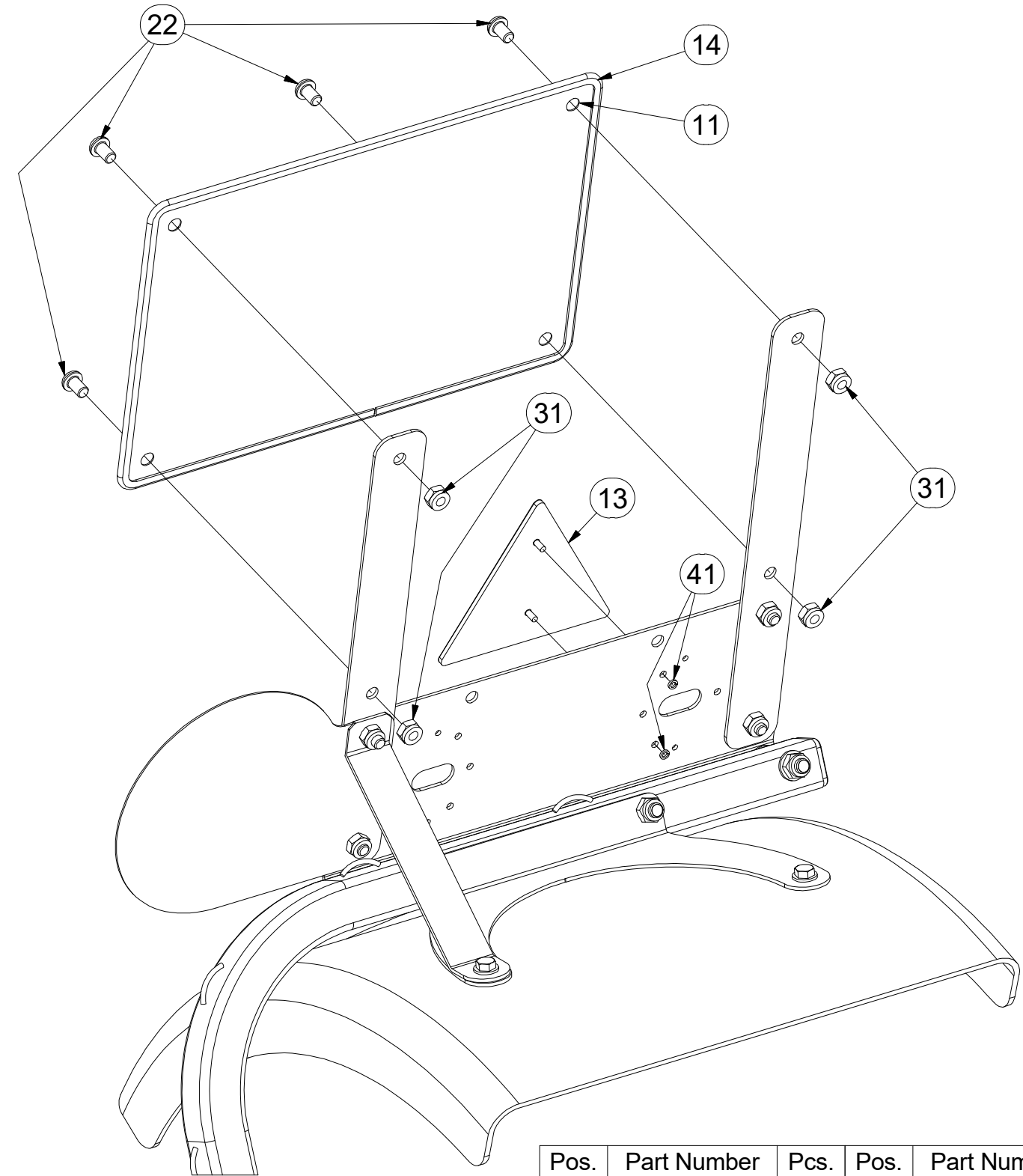
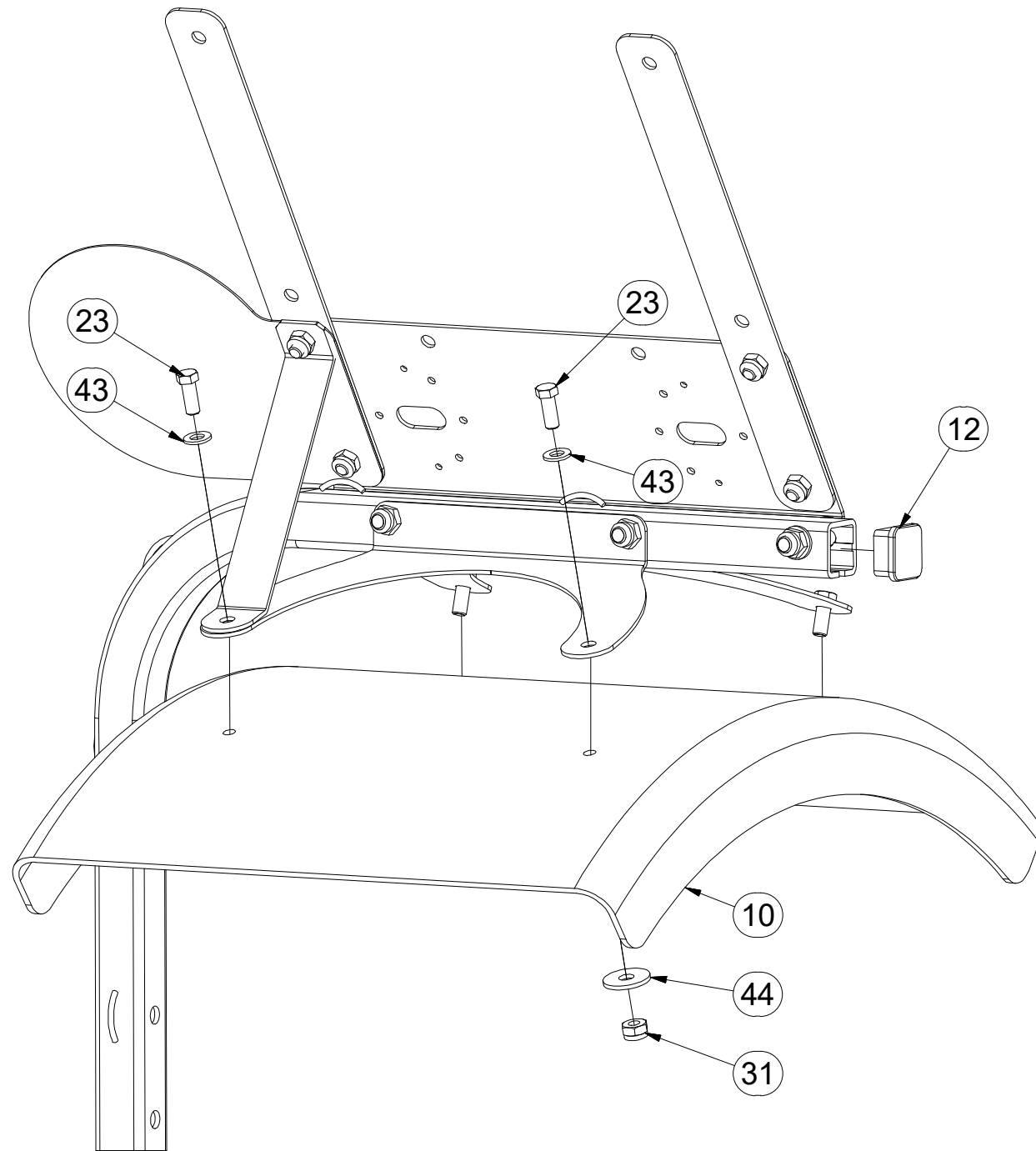
Ⓕ CIBLE ARRIÈRE GAUCHE

3009523

ⒸB LEFT REAR DISC

ⒸU ЩИТОК ЗАДНИЙ ЛЕВЫЙ

ⒸL TARCZA TYLNA LEWA



| Pos. | Part Number | Pcs. | Pos. | Part Number | Pcs. |
|------|-------------|------|------|-------------|------|
| 10 | m09983 | 1 | 23 | m03681 | 4 |
| 11 | m16274 | 1 | 31 | m03775 | 12 |
| 12 | m12689 | 1 | 41 | m01197 | 2 |
| 13 | m02497 | 1 | 42 | m01219 | 1 |
| 14 | m16628 | 1,4 | 43 | m01209 | 4 |
| 22 | m16687 | 4 | 44 | m16981 | 4 |

ⒸZ TERČ ZADNÍ PRAVÝ

Ⓓ SCHILD, HINTERES, RECHTES

Ⓕ CIBLE ARRIÈRE DROITE

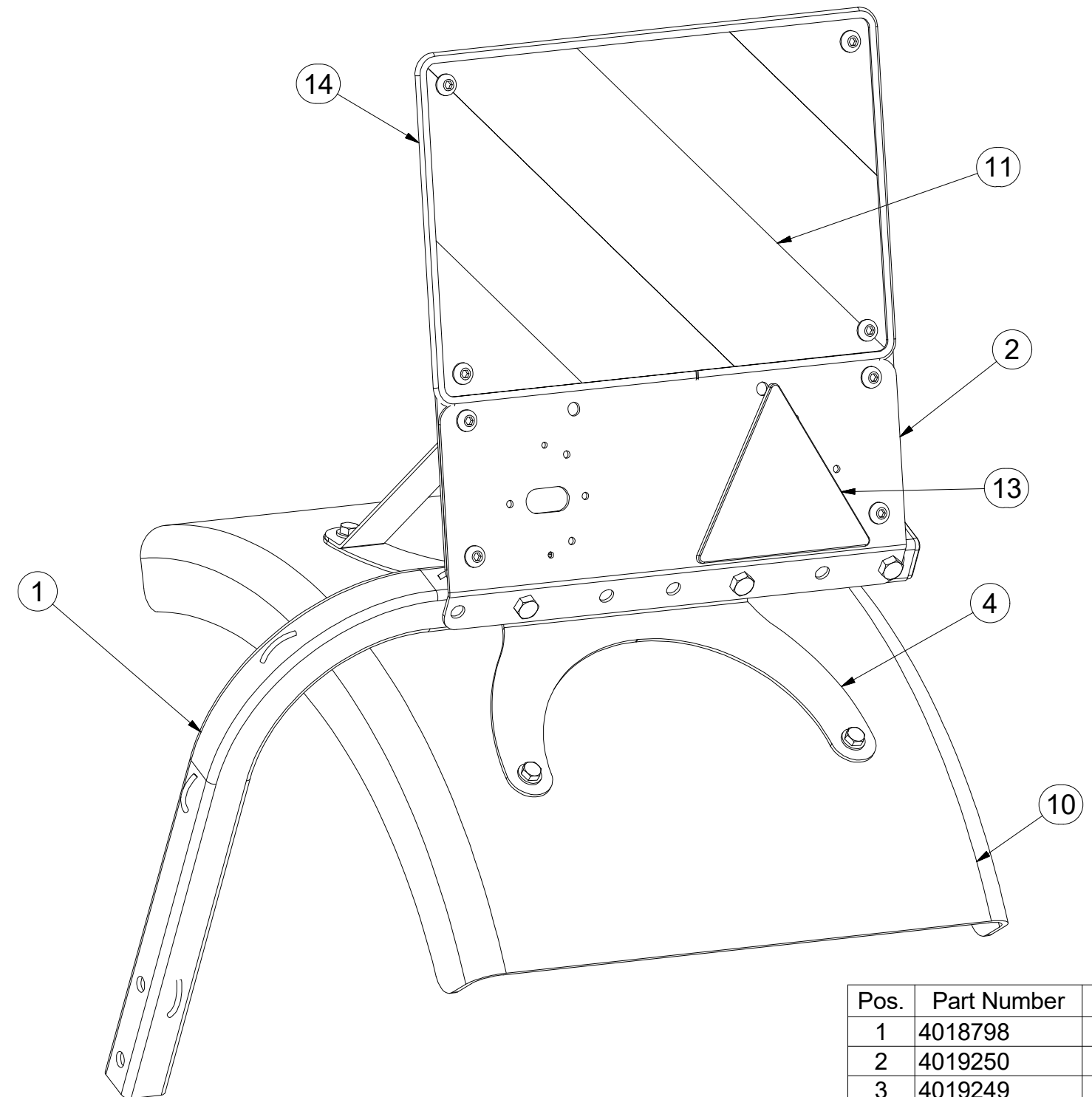
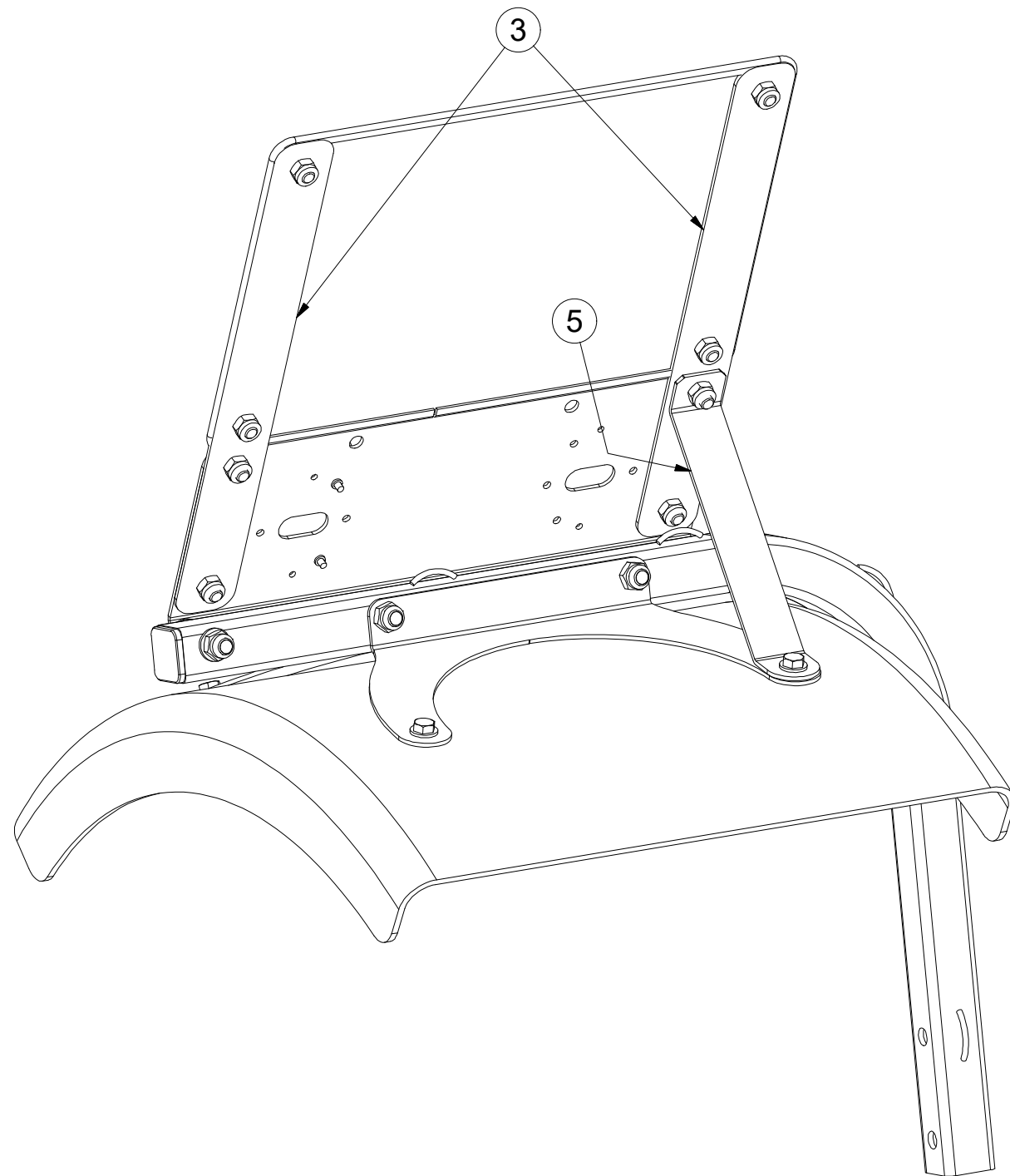
3009524

ⒼB RIGHT REAR DISC

ⒺЩИТОК ЗАДНИЙ ПРАВЫЙ

ⒽL TARCZA TYLNA PRAWA

Farmet



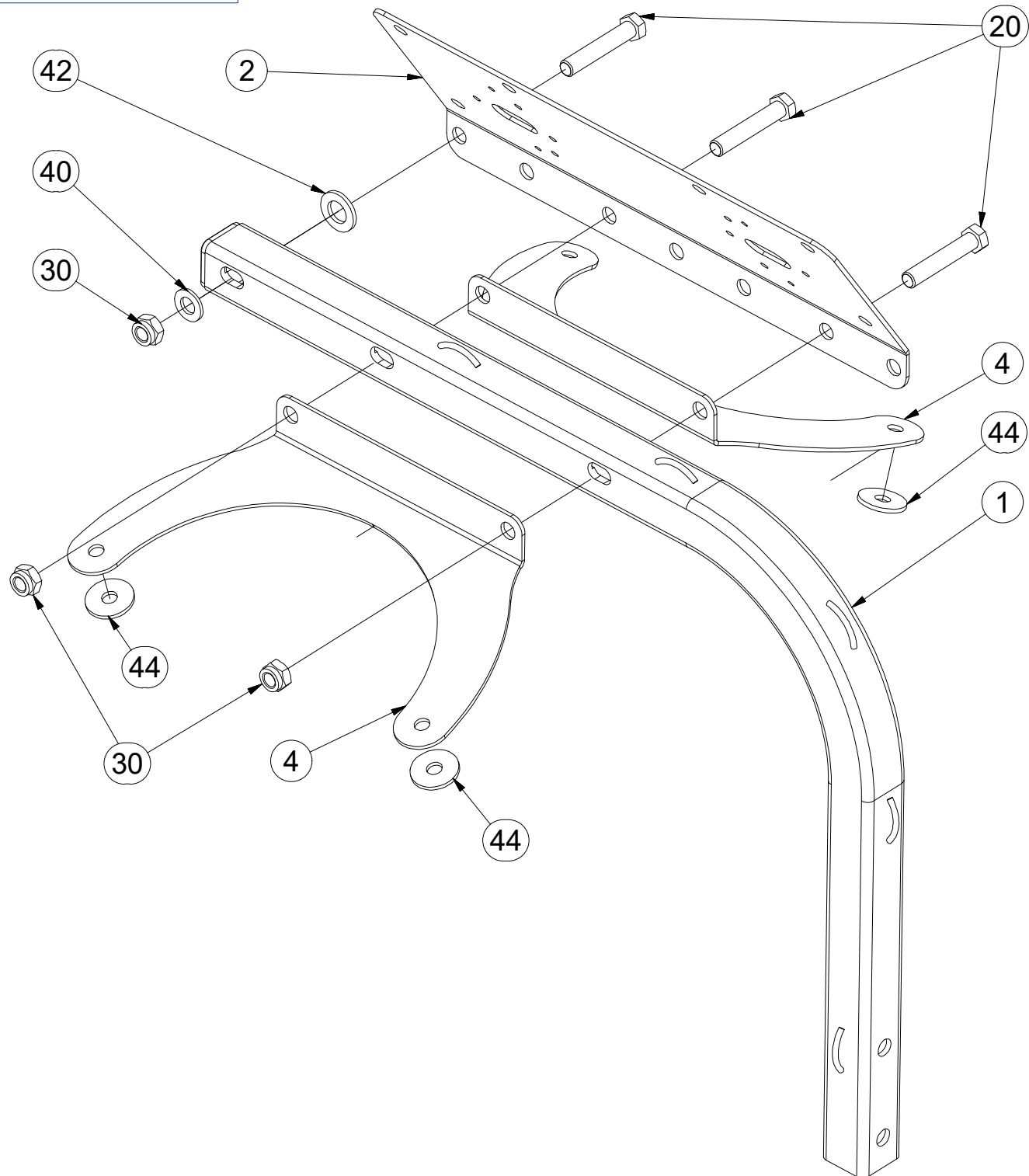
| Pos. | Part Number | Pcs. |
|------|-------------|------|
| 1 | 4018798 | 1 |
| 2 | 4019250 | 1 |
| 3 | 4019249 | 2 |
| 4 | 4019252 | 2 |
| 5 | 4019251 | 1 |
| 10 | m09983 | 1 |
| 11 | m16273 | 1 |
| 13 | m02497 | 1 |
| 14 | m16628 | 1,4 |
| 44 | m16981 | 4 |

ⒸZ TERČ ZADNÍ PRAVÝ

Ⓓ SCHILD, HINTERES, RECHTES

Ⓕ CIBLE ARRIÈRE DROITE

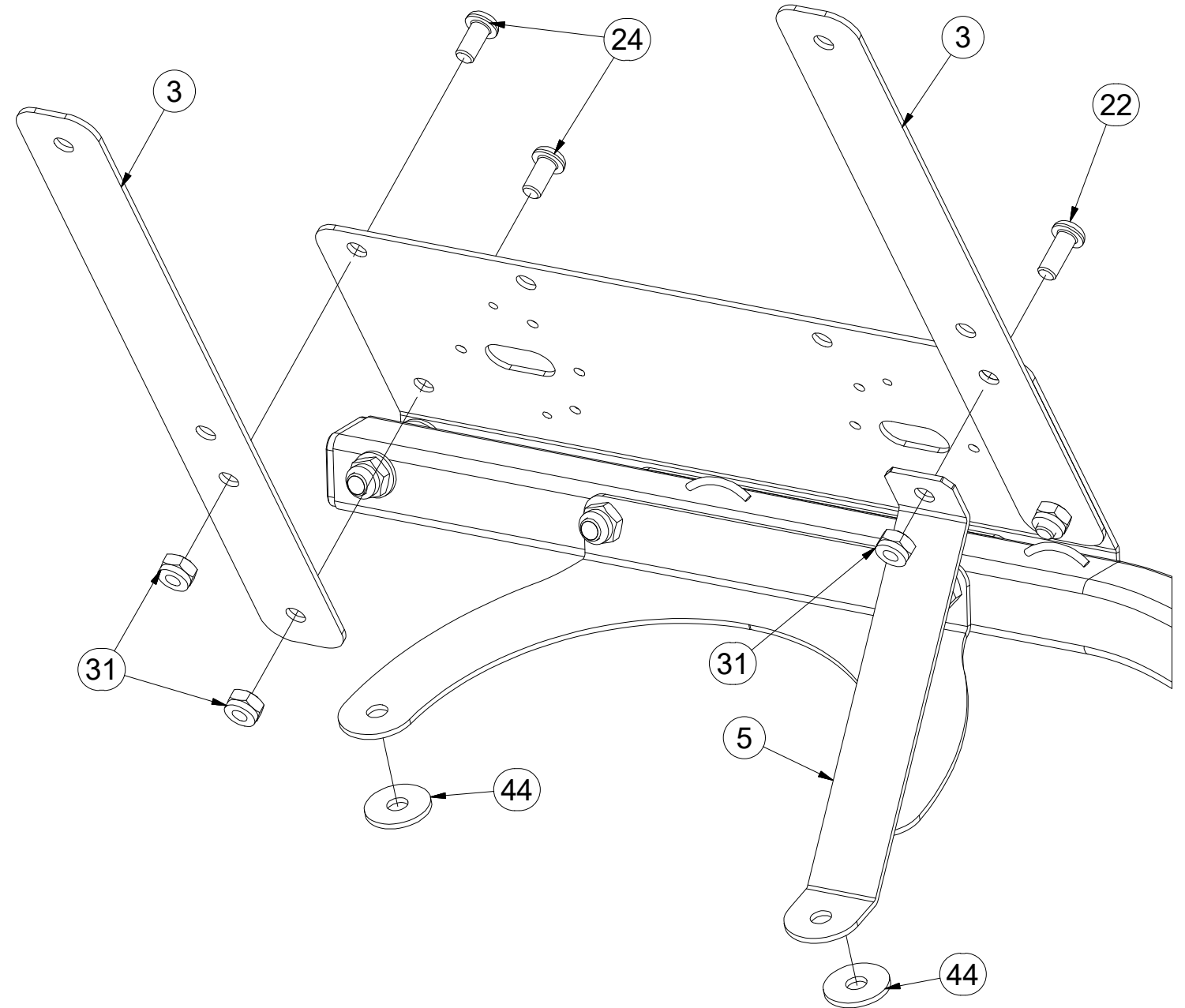
3009524



ⒸB RIGHT REAR DISC

Ⓔ ЩИТОК ЗАДНИЙ ПРАВЫЙ

Ⓗ TARCZA TYLNA PRAWA



| |
|------------------|
| |
| M10 (8.8) - 50Nm |
| M12 (8.8) - 87Nm |

| Pos. | Part Number | Pcs. | Pos. | Part Number | Pcs. |
|------|-------------|------|------|-------------|------|
| 1 | 4018798 | 1 | 24 | m16637 | 3 |
| 2 | 4019250 | 1 | 30 | m04301 | 3 |
| 3 | 4019249 | 2 | 31 | m03775 | 12 |
| 4 | 4019252 | 2 | 40 | m01214 | 1 |
| 5 | 4019251 | 1 | 42 | m01219 | 1 |
| 20 | m05898 | 3 | 44 | m16981 | 4 |
| 22 | m16688 | 1 | | | |

ⒸZ TERČ ZADNÍ PRAVÝ

Ⓓ SCHILD, HINTERES, RECHTES

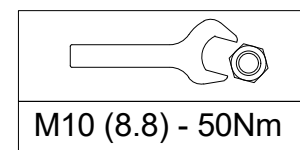
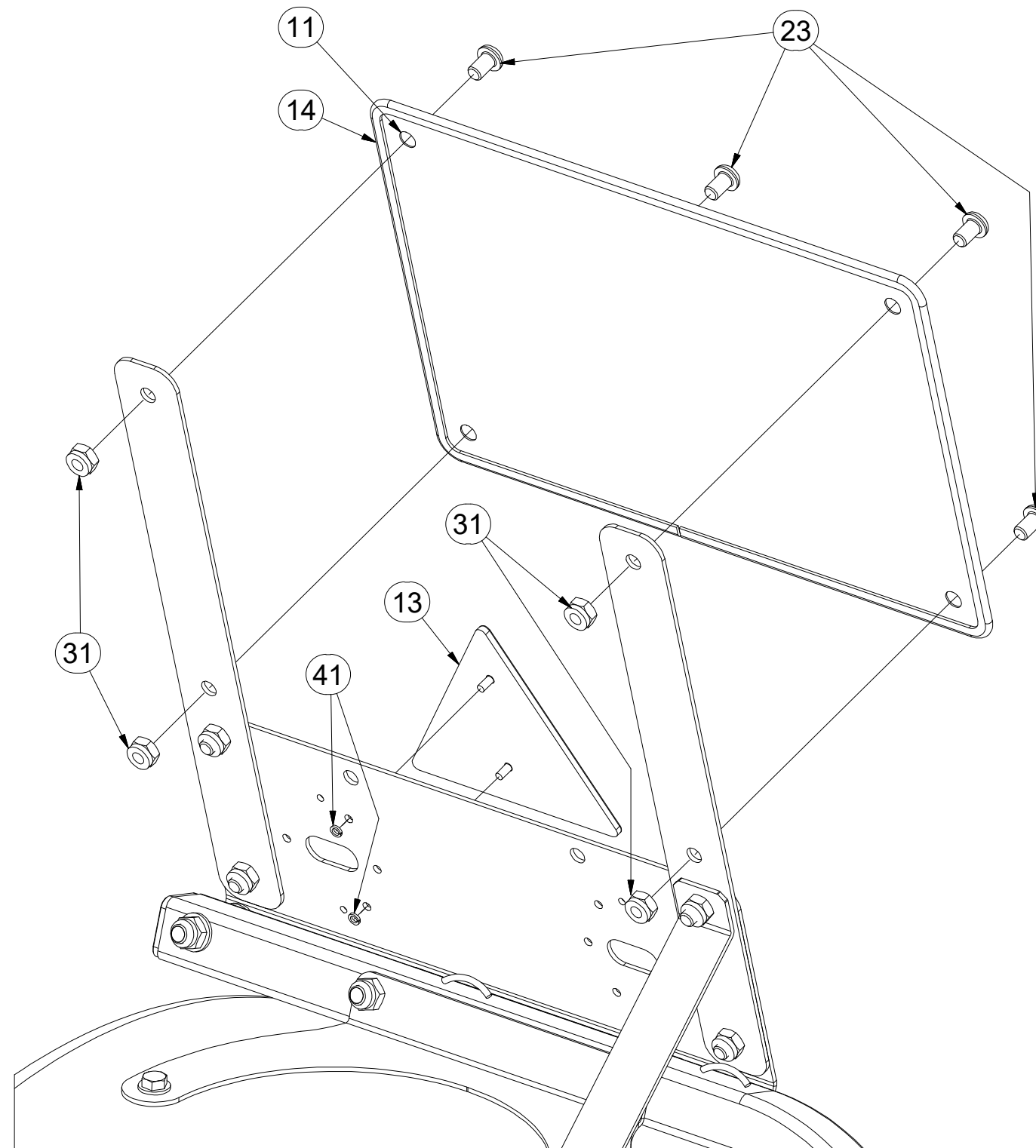
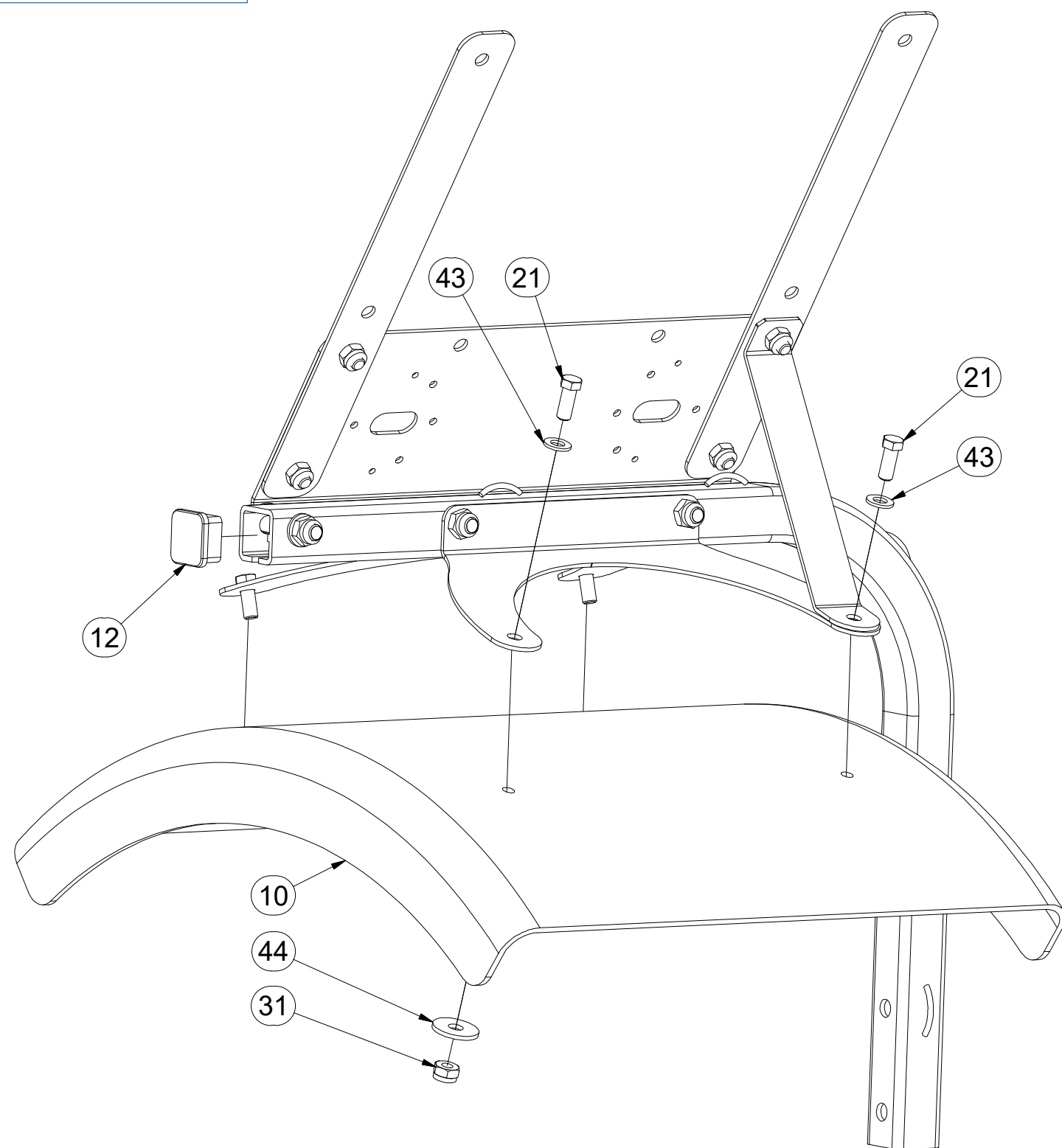
Ⓕ CIBLE ARRIÈRE DROITE

3009524

ⒼB RIGHT REAR DISC

Ⓔ ЩИТОК ЗАДНИЙ ПРАВЫЙ

ⒽL TARCZA TYLNA PRAWA



| Pos. | Part Number | Pcs. | Pos. | Part Number | Pcs. |
|------|-------------|------|------|-------------|------|
| 10 | m09983 | 1 | 23 | m16687 | 4 |
| 11 | m16273 | 1 | 31 | m03775 | 12 |
| 12 | m12689 | 1 | 41 | m01197 | 2 |
| 13 | m02497 | 1 | 42 | m01219 | 1 |
| 14 | m16628 | 1,4 | 43 | m01209 | 4 |
| 21 | m03681 | 4 | 44 | m16981 | 4 |

Ⓒ SVĚTELNÁ SADA

Ⓓ LEUCHTENSATZ

Ⓕ KIT LUMINEUX

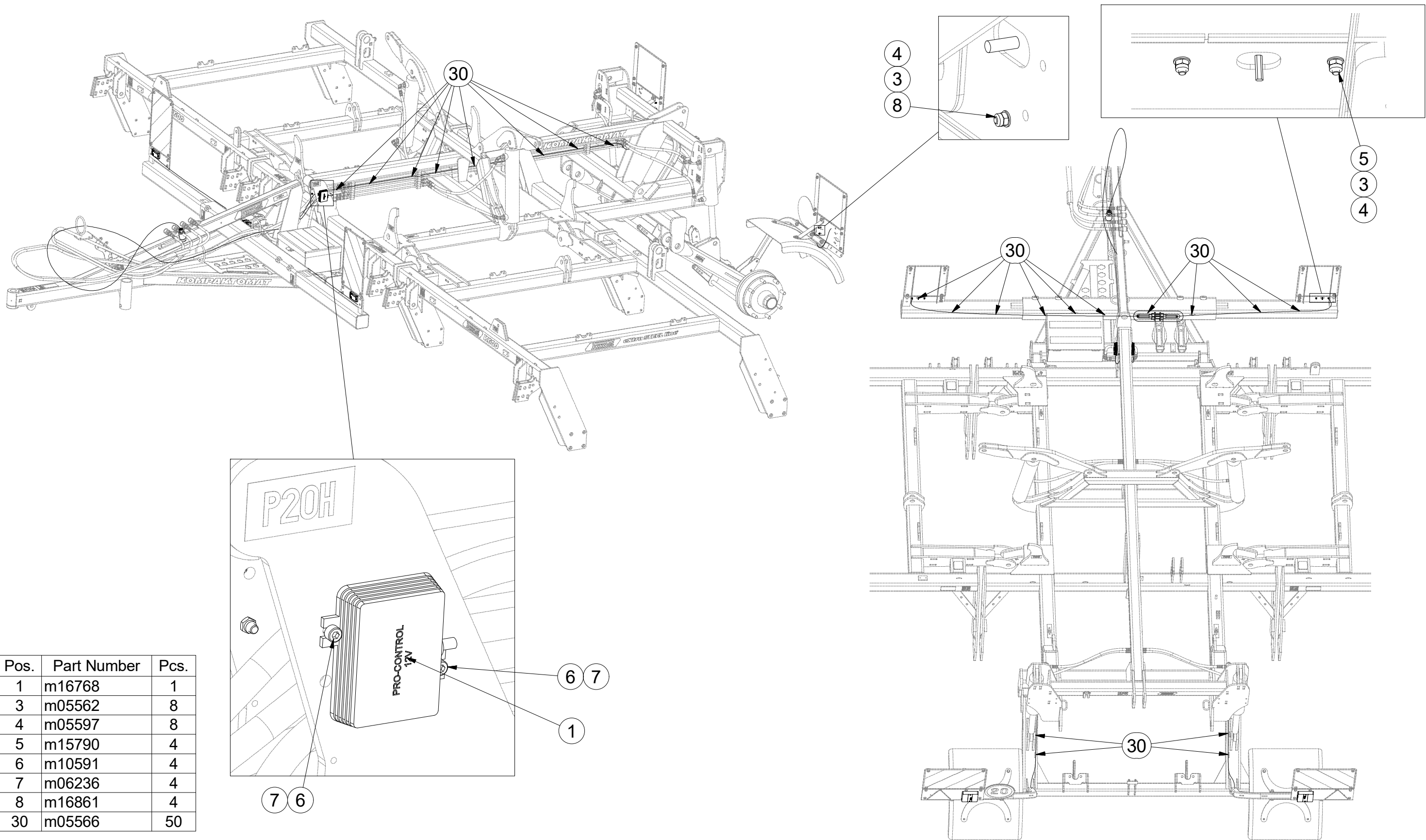
Ⓖ LIGHTING SET

Ⓡ ОСВЕТИТЕЛЬНЫЙ КОМПЛЕКТ

Ⓢ ZESTAW OŚWIETLENIA



3008454



| Pos. | Part Number | Pcs. |
|------|-------------|------|
| 1 | m16768 | 1 |
| 3 | m05562 | 8 |
| 4 | m05597 | 8 |
| 5 | m15790 | 4 |
| 6 | m10591 | 4 |
| 7 | m06236 | 4 |
| 8 | m16861 | 4 |
| 30 | m05566 | 50 |

Ⓒ SVĚTELNÁ SADA

Ⓓ LEUCHTENSATZ

Ⓕ KIT LUMINEUX

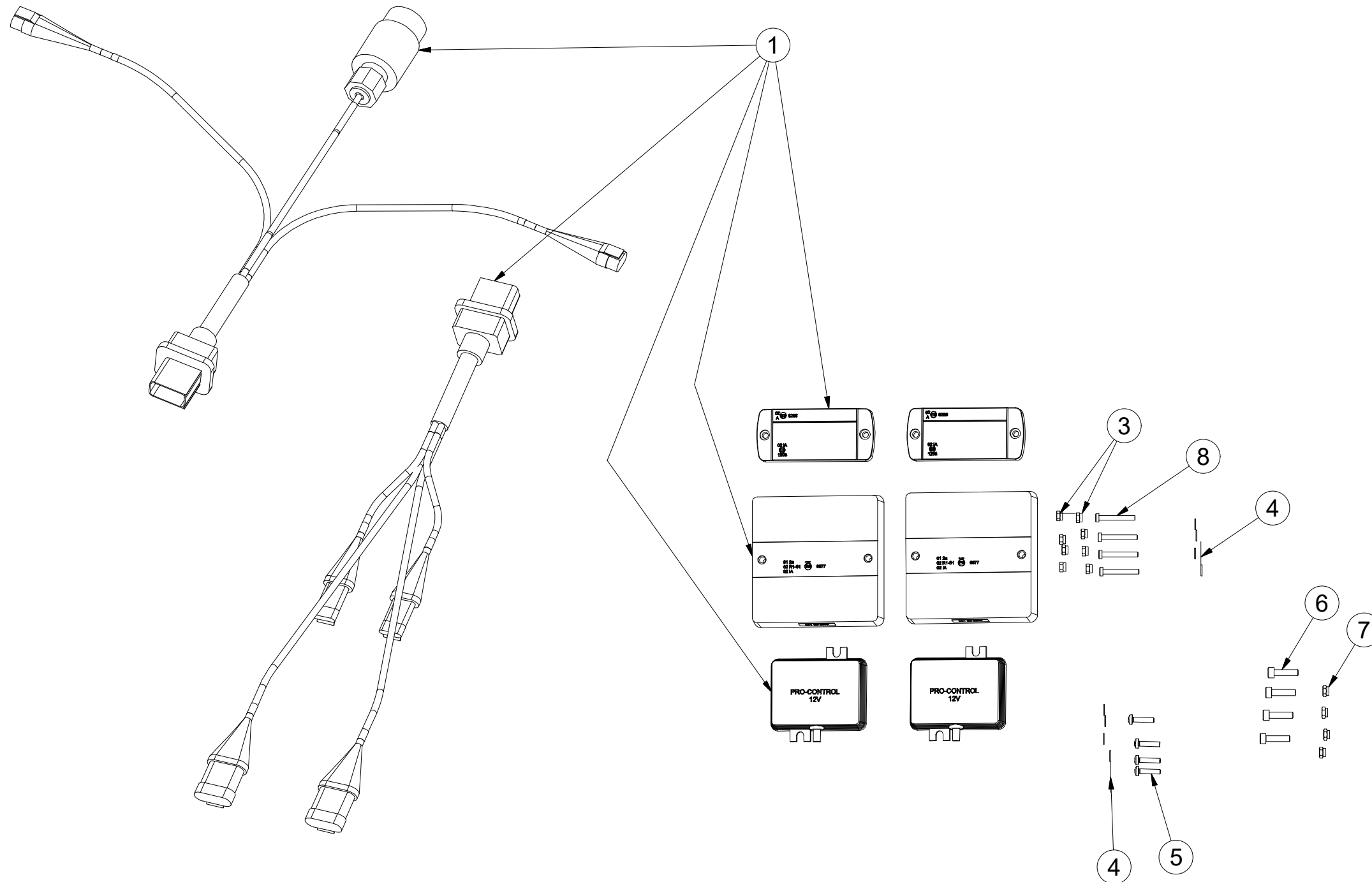
Ⓖ LIGHTING SET

Ⓡ ОСВЕТИТЕЛЬНЫЙ КОМПЛЕКТ

Ⓟ ZESTAW OŚWIETLENIA



3008454



| Pos. | Part Number | Pcs. |
|------|-------------|------|
| 1 | m16768 | 1 |
| 3 | m05562 | 8 |
| 4 | m05597 | 8 |
| 5 | m15790 | 4 |
| 6 | m10591 | 4 |
| 7 | m06236 | 4 |
| 8 | m16861 | 4 |
| 30 | m05566 | 50 |

Ⓒ SVĚTELNÁ SADA

Ⓓ LEUCHTENSATZ

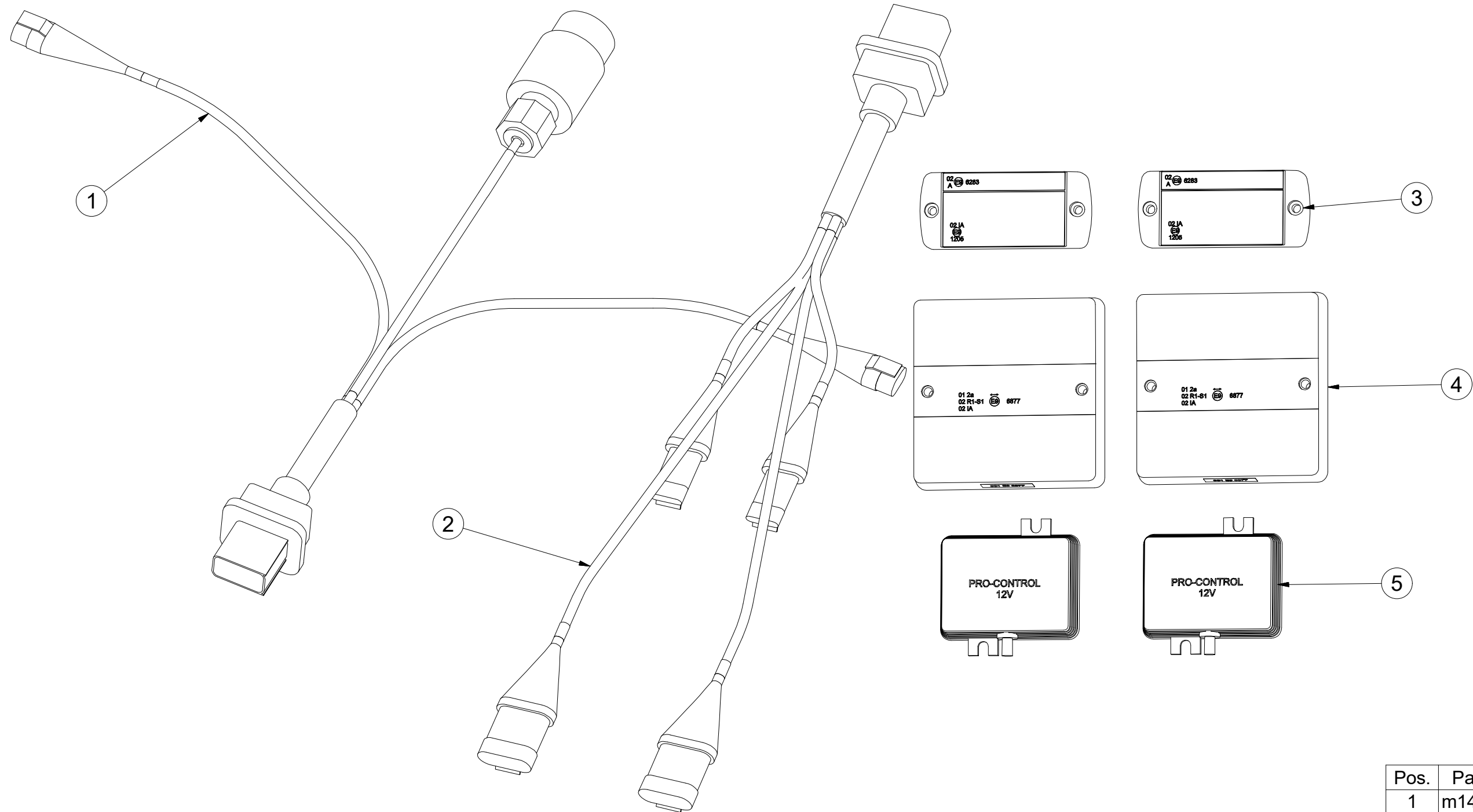
Ⓕ KIT LUMINEUX

m16768

Ⓖ LIGHTING SET

Ⓡ ОСВЕТИТЕЛЬНЫЙ КОМПЛЕКТ

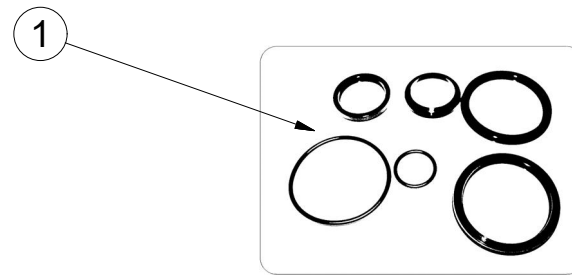
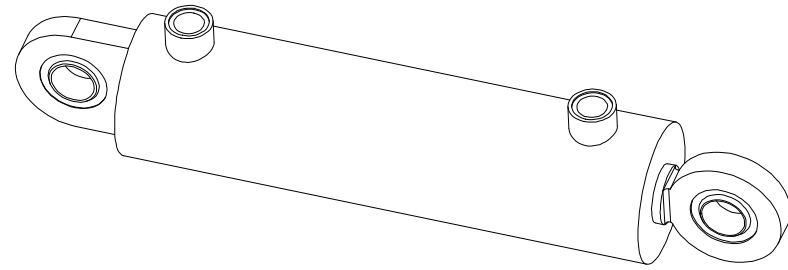
Ⓟ ZESTAW OŚWIETLENIA



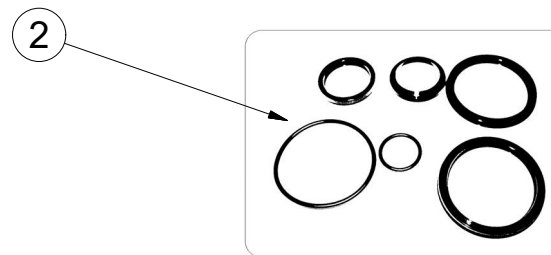
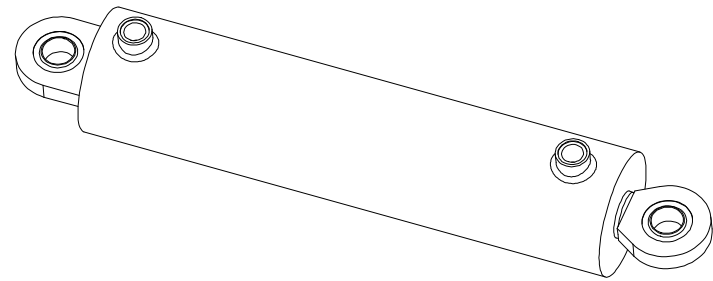
| Pos. | Part Number | Pcs. |
|------|-------------|------|
| 1 | m14779 | 1 |
| 2 | m14778 | 1 |
| 3 | m14776 | 2 |
| 4 | m16781 | 2 |
| 5 | m14777 | 2 |

- Ⓒ CZ SOUPRAVA TĚSNIVA PÍSTNIC
- Ⓓ D KOLBENSTANGENDICHTUNGSMITTELSATZ
- Ⓕ F SET DE GARNITURE DES TIGES DE PISTON

- Ⓖ GB SEALING SET FOR PISTON RODS
- Ⓡ RU КОМПЛЕКТ ПРОКЛАДОК ЦИЛИНДРОВ
- Ⓟ PL ZESTAW USZCZELEK TRZPIENIA TŁOKA



| 9000247 - Ø80/Ø40-250 | | |
|-----------------------|-------------|-----|
| Pos | Part number | Pcs |
| 1 | m03528 | 2 |



| 9002967 - Ø100/Ø45-400 | | |
|------------------------|-------------|-----|
| Pos | Part number | Pcs |
| 2 | m05504 | 2 |